

VIN PLATE DECODING INFORMATION

1	2	3	4	5	6	7	8	9	10	11	12 thru 17
Country	Make	Vehicle Type	Other	Line	Series	Body Style	Engine	Check Digit	Model Year	Assy. Plant	Sequence No.

The following table interprets the VIN Plate position shown above.

Position	Interpretation	Codes = Description
1	Country of Origin	1 = USA 3 = Mexico
2	Assembler	B = Dodge
3	Vehicle Type	7 = Truck
4	GVWR & Pass. Safety	H = 2722 - 3175 kg (6001 - 7000 lbs) J = 3176 - 3628 kg (7001 - 8000 lbs) K = 3629 - 4082 kg (8001 - 9000 lbs) L = 4083 - 4535 kg (9001 - 10000 lbs) M = 4536 - 6350 kg (10001 - 14000 lbs) W = Bus & Incomplete vehicles
5	Vehicle Line	C = Ram Cab Chassis/Ram Pick Up (4x2) F = Ram Cab Chassis/Ram Pick Up (4x4)
6	Series	1 = 1500 2 = 2500 3 = 3500 6 = Miscellaneous
7	Body Style	2 = Club Cab 2-Door 3 = Quad Cab (1/2 Rear Doors)
8	Engine	5 = 5.9L 8 Cyl. (EMM) 6 = 5.9L 6Cyl. (ETC) W = 8.0L 10 Cyl. (EWA) Y = 5.2L 8Cyl. (ELF) Z = 5.9L 8Cyl. (EML)
9	Check Digit	0 = Check Digit 0 = Check Digit 0 = Check Digit 0 = Check Digit 0 = Check Digit
10	Model Year	W = 1998 X = 1999
11	Assembly Plant	G = Saltillo J = St. Louis North M = Lago Alberto
12 thru 17	Vehicle Build Sequence	Model Year Assembly Sequence

Group - 2

Front Suspension & Drive

Group - 2 Front Suspension & Drive

Illustration Title

Group-Fig. No.

Front Suspension

Upper and Lower Control Arms,Springs and Shocks,BE 1,2,3 Fig. 2 - 110
 Upper and Lower Control Arms,Springs and Shocks,BE 6,7,8 Fig. 2 - 120
 Front Stabilizer Bar,BE 1,2,3 Fig. 2 - 130
 Front Stabilizer Bar and Track Bar,BE 6,7,8 Fig. 2 - 140

Front Axle Drive Shafts

Front Axle Shafts,Dana Models 44,60,BE 6,7,8 Fig. 2 - 210

Front Axle Housing

Front Axle Housing,Dana Model 44,BE 6 Fig. 2 - 310
 Front Axle Housing,Dana Model 60,BE 7,8 Fig. 2 - 320

Front Axle Assembly

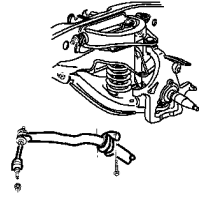
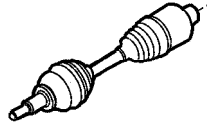
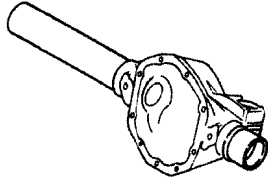
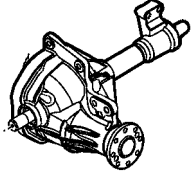
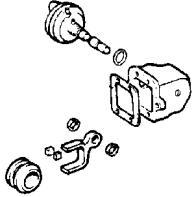
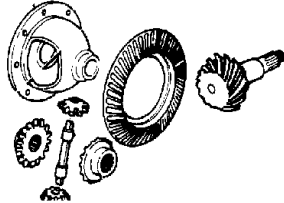
Front Axle Assembly Fig. 2 - 410

Front Axle Disconnect

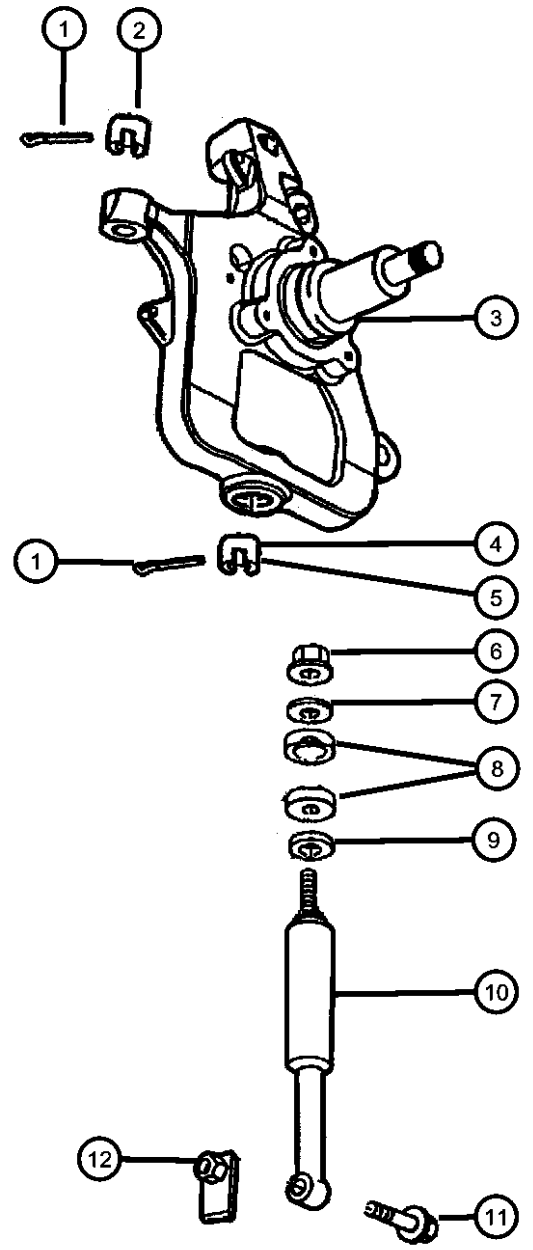
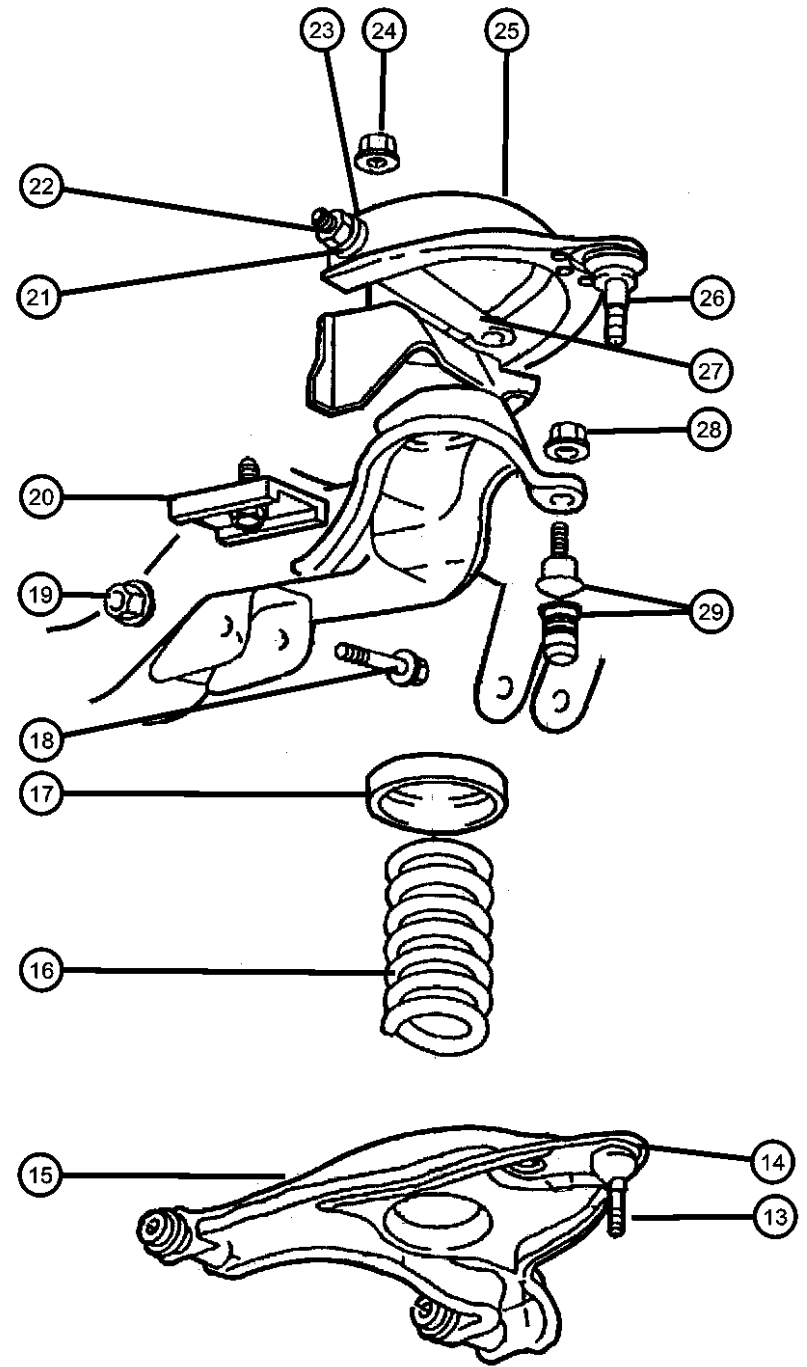
Vacuum Lines Front Axle and Transfer Case Fig. 2 - 510

Front Axle Differential

Differential, Front Axle Dana Model 44,BE 6 Fig. 2 - 610
 Differential, Front Axle,Dana Model 60,BE 7,8 Fig. 2 - 620

<p>002-100 Front Suspension</p> 	<p>002-200 Front Axle Drive Shafts</p> 	<p>002-300 Front Axle Housing</p> 	<p>002-400 Front Axle Assembly</p> 
<p>002-500 Front Axle Disconnect</p> 	<p>002-600 Front Axle Differential</p> 		

Upper and Lower Control Arms, Springs and Shocks, BE 1,2,3
Figure 2-110



ITEM	PART NUMBER	QTY	LINE	SERIES	BODY	ENGINE	TRANS	TRIM	DESCRIPTION
------	-------------	-----	------	--------	------	--------	-------	------	-------------

Note: UCA=Upper Control Arm—LCA=Lower Control Arm—XBC=Without Box—XBS=Sweptline Box—AGL=Super Sport Group (SS/T)—EH0=3

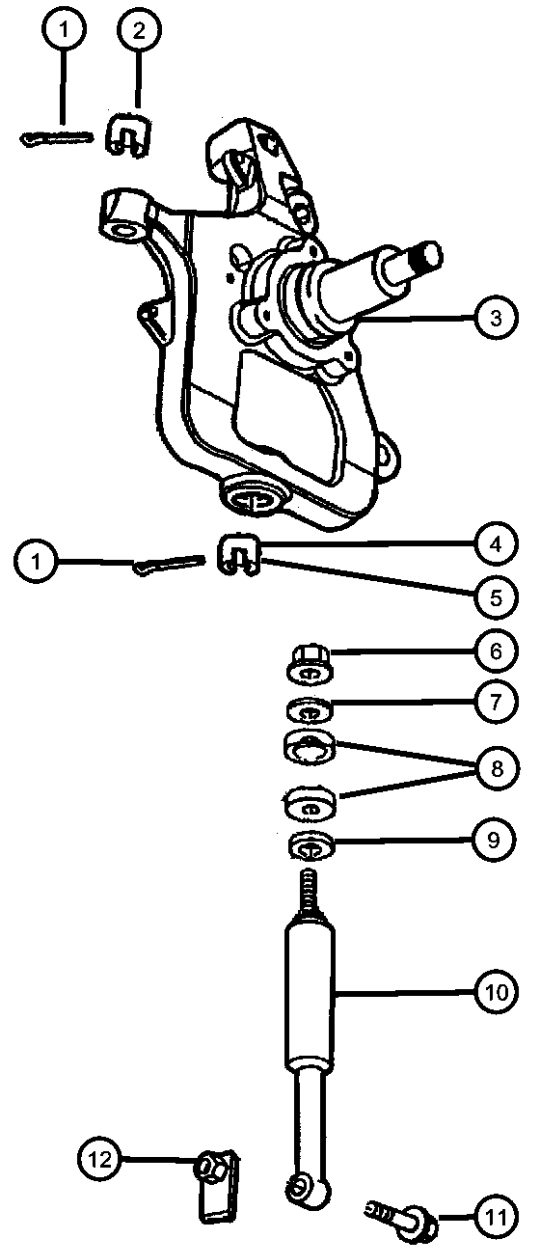
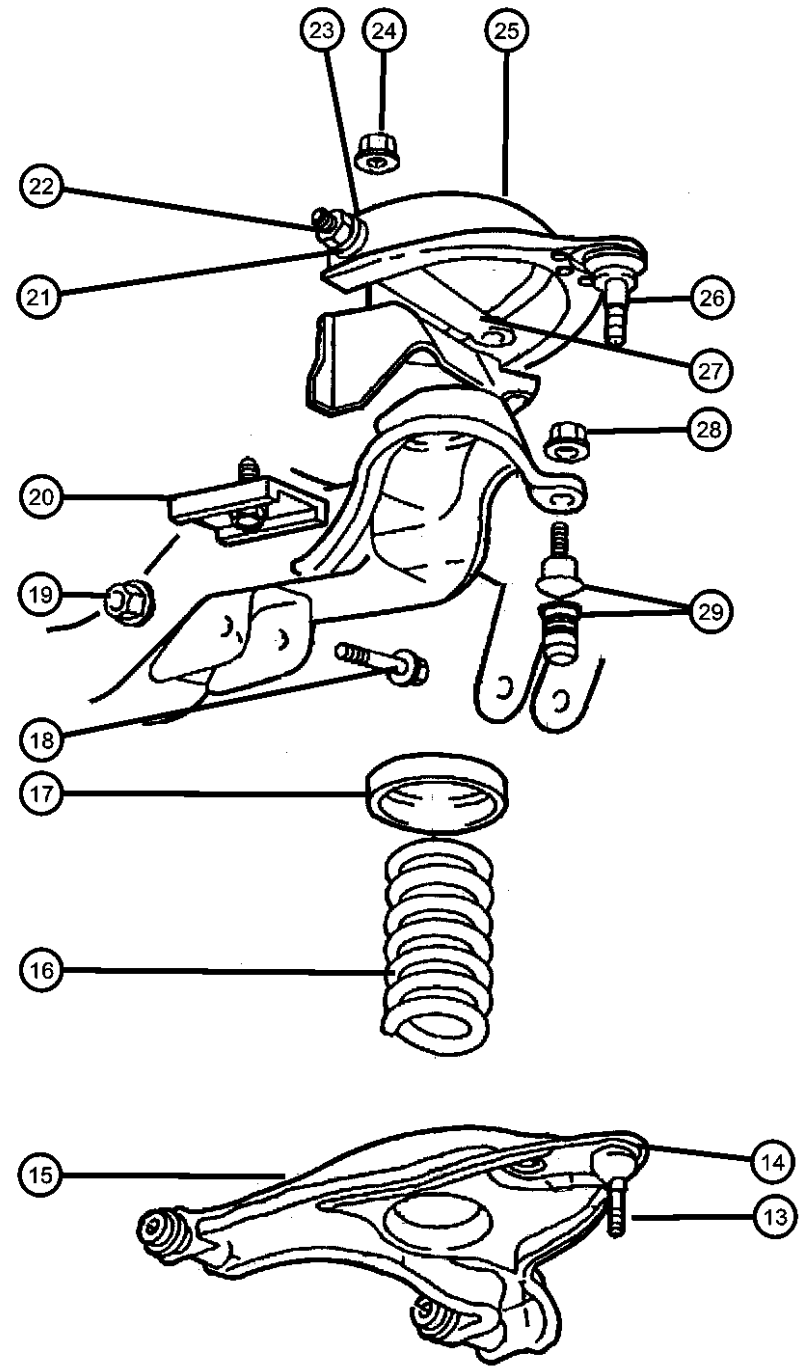
1	00120123	2	1, 2, 3						PIN, Cotter, UCA and LCA Ball Joint
2	06502749	2	1, 2, 3						NUT, Castle, M14x1.5, UCA Ball Joint Mounting
3									KNUCKLE, Front
	52037680	1	1						Right
	52037681	1	1						Left
	52037682	1	2, 3						Right
	52037683	1	2, 3						Left
4	06502857	2	2, 3						NUT, Hex, M20x1.5, LCA Ball Joint Mounting
5	06502858	2	1						NUT, Castle, M16x1.50, LCA Ball Joint Mounting
6	06503029	2							NUT, Hex, M12x1.25, Shock Upper Mounting
7	52038263	2	1, 2, 3						RETAINER, Front Suspension
8	52038552	4	1, 2, 3						GROMMET, Shock Absorber
9	52038273	2	1, 2, 3						RETAINER, Shock Absorber
10									SHOCK ABSORBER PACKAGE, Suspension, Front
	04897458AA	2	1			EL0, EM0			[Z1B]
	G0060205								Mopar V-Line Alternative Part
	04897460AB	2	2			EL0, EM0			[Z2B]
	G0060205								Mopar V-Line Alternative Part
	0SGR5195								Rancho Shock
	04897461AB	2	2		32, 34	EW0			[Z2B]
	G0060205								Mopar V-Line Alternative Part
	04897462AB	2	2			ET0			[Z2B]
	G0060205								Mopar V-Line Alternative Part
	04897463AB	2	3		34	EL0, EM0, EW0			[Z3A]

RAM PICKUP/CLUB CAB (BE)

SERIES	LINE	BODY	ENGINE	TRANSMISSION
L = RAM 1500, 2500, 3500	1 = Lt. Duty DODGE 2WD 2 = Med. Duty DODGE 2WD 3 = HD DODGE 2WD 6 = Lt. Duty DODGE 4WD 7 = Med. Duty DODGE 4WD 8 = HD DODGE 4WD	31 = CLUB CAB 2-DR 6.5 FT BOX 32 = CLUB CAB 2-DR 8FT BOX 33 = QUAD CAB 4-DR 6.5 FT BOX 34 = QUAD CAB 4-DR 8FT BOX	ETC = 5.9L Cummins 24V Diesel Engine EWA = 8.0L V10 MPI Engine EM0 = ALL 5.9L 8 CYL ENGINES - GAS EMM = 5.9L SMPI V8 Engine EML = 5.9L V8 MPI Engine ELF = 5.2L V8 MPI Engine	DGP = 4-Spd. Automatic 47RE Transmission DD0 = ALL 5 SPEED MANUAL TRANSMISSIONS DG0 = ALL AUTOMATIC TRANSMISSIONS DDC = 5-Speed HD Manual Transmission DDP = 5-Speed Manual Transmission DDX = 5-Speed HD Manual Transmission DEE = 6-Speed HD Manual Transmission DGT = 4-Spd. Automatic 46RE Transmission

AR = use ase required - = Non illustrated part

Upper and Lower Control Arms, Springs and Shocks, BE 1,2,3
Figure 2-110



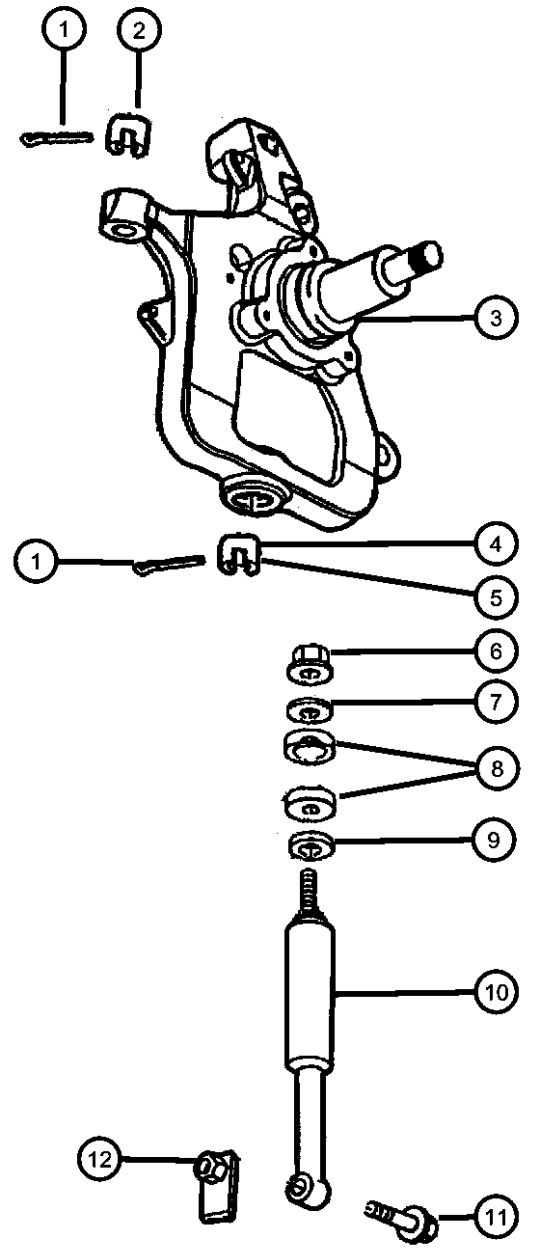
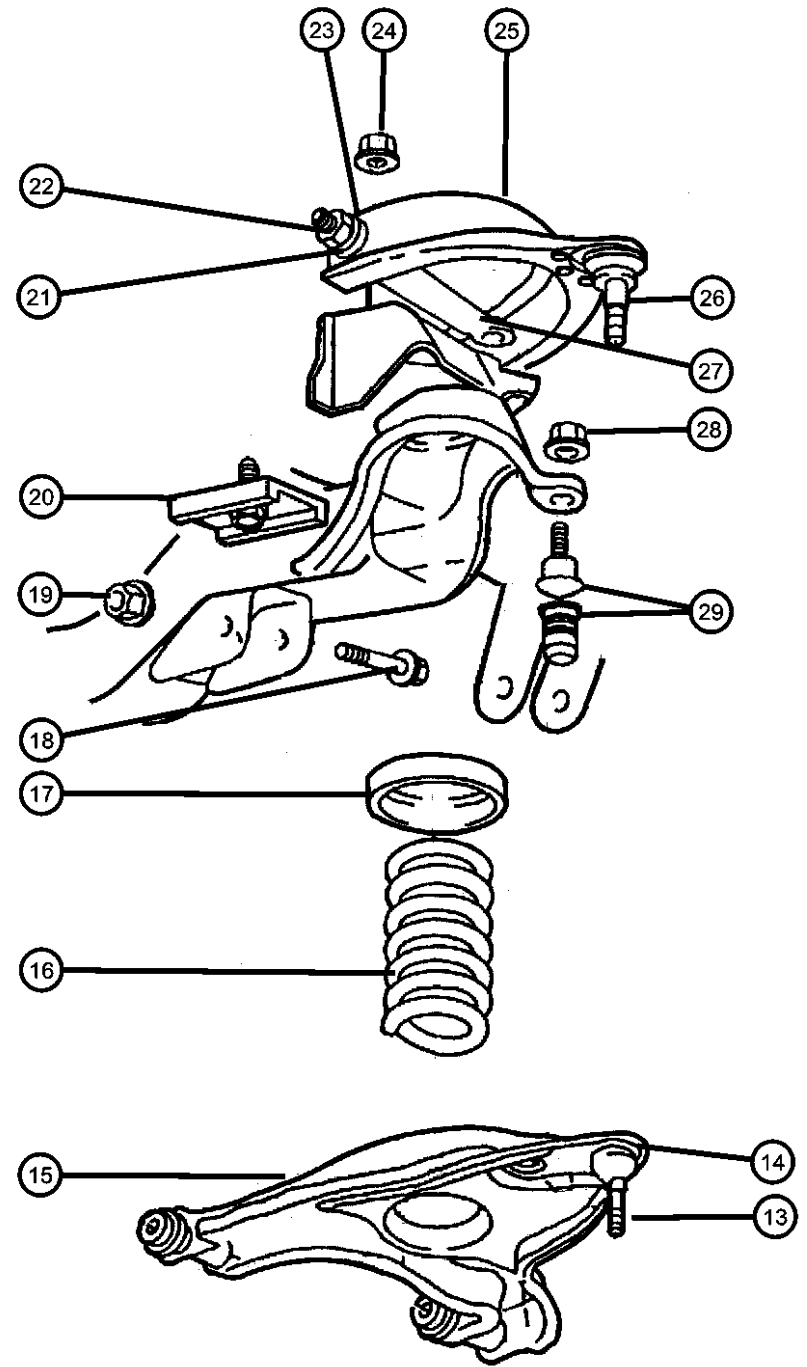
ITEM	PART NUMBER	QTY	LINE	SERIES	BODY	ENGINE	TRANS	TRIM	DESCRIPTION
	G0060205								Mopar V-Line Alternative Part
	0SGR5195								Rancho Shock
	04897465AB	2	3		34	ET0			[Z3A]
	05011247AC	2	2		31, 33	EW0			[Z2B]
11	06502818	2							BOLT, Hex Flange Head, M14x2.00x80.00, Lower Shock Mounting
12	06502817	2							LOCK NUT, M14-2.00, Lower Shock Mounting
13									BALL JOINT, Lower Control Arm
	52037660	1	1						Right or Left
	52037661	1	2, 3						Right or Left
14									SNAP RING, Control Arm
	06034969	1	1						LCA Ball Joint
		1	2, 3						LCA Ball Joint
15									ARM, Control
	52037648	1	2, 3						Lower, Right
	52037649	1	2, 3						Lower, Left
	52038406	1	1						Lower, Right
	52038407	1	1						Lower, Left
16									SPRING, Front Coil
	52039018	1							Tag #018,ZHA,ZWA
	52039019	1							Tag #019,ZHB,ZWB
	52039020	1							Tag #020,ZHC,ZWC
	52039021	1							Tag #021,ZHD,ZWD
	52039022	1							Tag #022,ZHE,ZWE
	52039023	1							Tag #023,ZHF,ZWF
	52039024	1							Tag #024,ZHG,ZWG
	52039026	1							Tag #026,ZJA,ZXA

RAM PICKUP/CLUB CAB (BE)

SERIES	LINE	BODY	ENGINE	TRANSMISSION
L = RAM 1500, 2500, 3500	1 = Lt. Duty DODGE 2WD 2 = Med. Duty DODGE 2WD 3 = HD DODGE 2WD 6 = Lt. Duty DODGE 4WD 7 = Med. Duty DODGE 4WD 8 = HD DODGE 4WD	31 = CLUB CAB 2-DR 6.5 FT BOX 32 = CLUB CAB 2-DR 8FT BOX 33 = QUAD CAB 4-DR 6.5 FT BOX 34 = QUAD CAB 4-DR 8FT BOX	ETC = 5.9L Cummins 24V Diesel Engine EWA = 8.0L V10 MPI Engine EM0 = ALL 5.9L 8 CYL ENGINES - GAS EMM = 5.9L SMPI V8 Engine EML = 5.9L V8 MPI Engine ELF = 5.2L V8 MPI Engine	DGP = 4-Spd. Automatic 47RE Transmission DD0 = ALL 5 SPEED MANUAL TRANSMISSIONS DG0 = ALL AUTOMATIC TRANSMISSIONS DDC = 5-Speed HD Manual Transmission DDP = 5-Speed Manual Transmission DDX = 5-Speed HD Manual Transmission DEE = 6-Speed HD Manual Transmission DGT = 4-Spd. Automatic 46RE Transmission

AR = use ase required - = Non illustrated part

Upper and Lower Control Arms, Springs and Shocks, BE 1,2,3
Figure 2-110



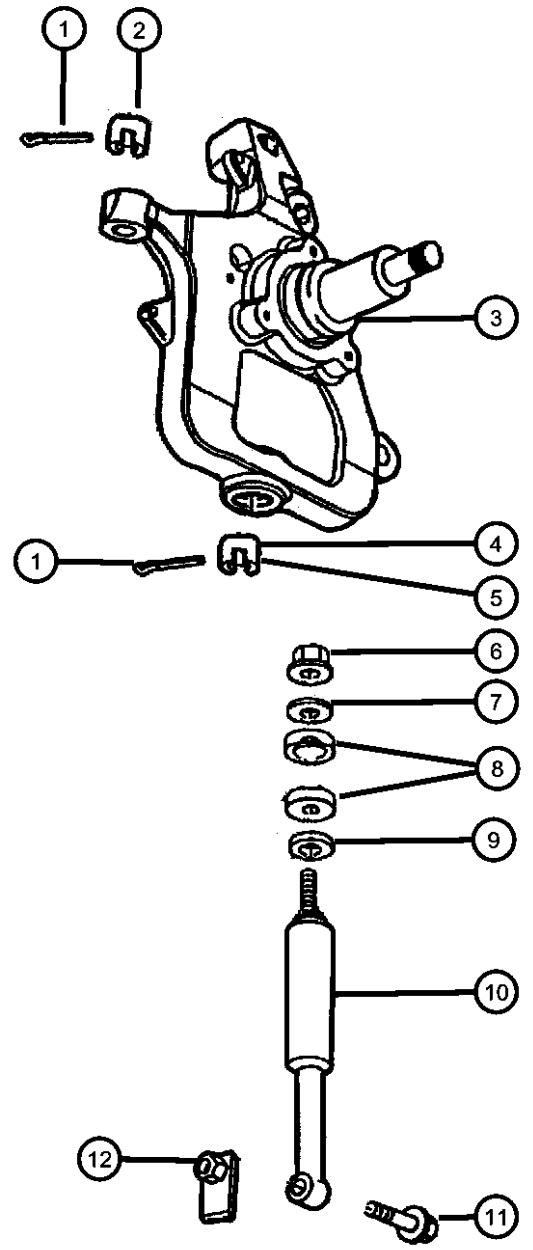
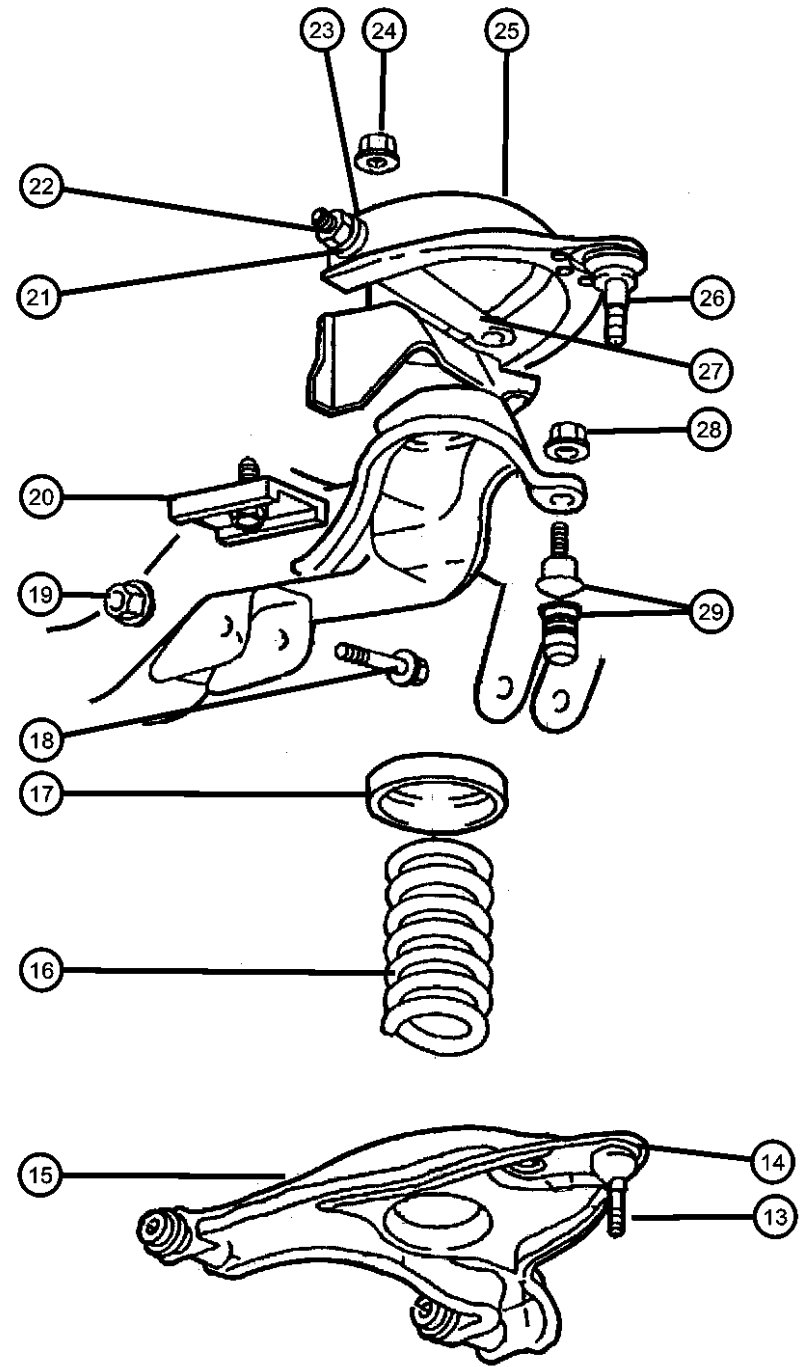
ITEM	PART NUMBER	QTY	LINE	SERIES	BODY	ENGINE	TRANS	TRIM	DESCRIPTION
	52039027	1							Tag #027,ZJB,ZXB
	52039035	1							Tag #035,ZJC,ZXC
	52039036	1							Tag #036,ZJD,ZXD
	52039037	1							Tag #037,ZJE,ZXE
	52039038	1							Tag #038,ZJF,ZXF
	52039039	1							Tag #039,ZJG,ZXHG
	52039046	1							Tag #046,ZJH,ZXH
	52039047	1							Tag #047,ZJJ,ZXJ
	52039048	1							Tag #048,ZJK,ZXK
	52039054	1							Tag #054,ZAA,ZNA
	52039055	1							Tag #055,ZAB,ZNB
	52039056	1							Tag #056,ZAC,ZNC
	52039057	1							Tag #057,ZAD,ZND
	52039058	1							Tag #058,ZAE,ZNE
	52039059	1							Tag #059,ZAF,ZNF
	52039060	1							Tag #060,ZAG,ZNG
	52039061	1							Tag #061,ZAH,ZNH
	52039062	1							Tag #062,ZBA,ZPA
	52039063	1							Tag #063,ZBB,ZPB
	52039064	1							Tag #064,ZBC,ZPC
	52039065	1							Tag #065,ZBD,ZPD
	52039066	1							Tag #066,ZCA,ZRA
	52039067	1							Tag #067,ZCB,ZRB
	52039068	1							Tag #068,ZCC,ZRC
	52039069	1							Tag #069,ZCD,ZRD
	52039070	1							Tag #070,ZDA,ZSA
	52039071	1							Tag #071,ZDB,ZSB
	52039072	1							Tag #072,ZDC,ZSC

RAM PICKUP/CLUB CAB (BE)

SERIES	LINE	BODY	ENGINE	TRANSMISSION
L = RAM 1500, 2500, 3500	1 = Lt. Duty DODGE 2WD 2 = Med. Duty DODGE 2WD 3 = HD DODGE 2WD 6 = Lt. Duty DODGE 4WD 7 = Med. Duty DODGE 4WD 8 = HD DODGE 4WD	31 = CLUB CAB 2-DR 6.5 FT BOX 32 = CLUB CAB 2-DR 8FT BOX 33 = QUAD CAB 4-DR 6.5 FT BOX 34 = QUAD CAB 4-DR 8FT BOX	ETC = 5.9L Cummins 24V Diesel Engine EWA = 8.0L V10 MPI Engine EM0 = ALL 5.9L 8 CYL ENGINES - GAS EMM = 5.9L SMPI V8 Engine EML = 5.9L V8 MPI Engine ELF = 5.2L V8 MPI Engine	DGP = 4-Spd. Automatic 47RE Transmission DD0 = ALL 5 SPEED MANUAL TRANSMISSIONS DG0 = ALL AUTOMATIC TRANSMISSIONS DDC = 5-Speed HD Manual Transmission DDP = 5-Speed Manual Transmission DDX = 5-Speed HD Manual Transmission DEE = 6-Speed HD Manual Transmission DGT = 4-Spd. Automatic 46RE Transmission

AR = use ase required - = Non illustrated part

Upper and Lower Control Arms, Springs and Shocks, BE 1,2,3
Figure 2-110



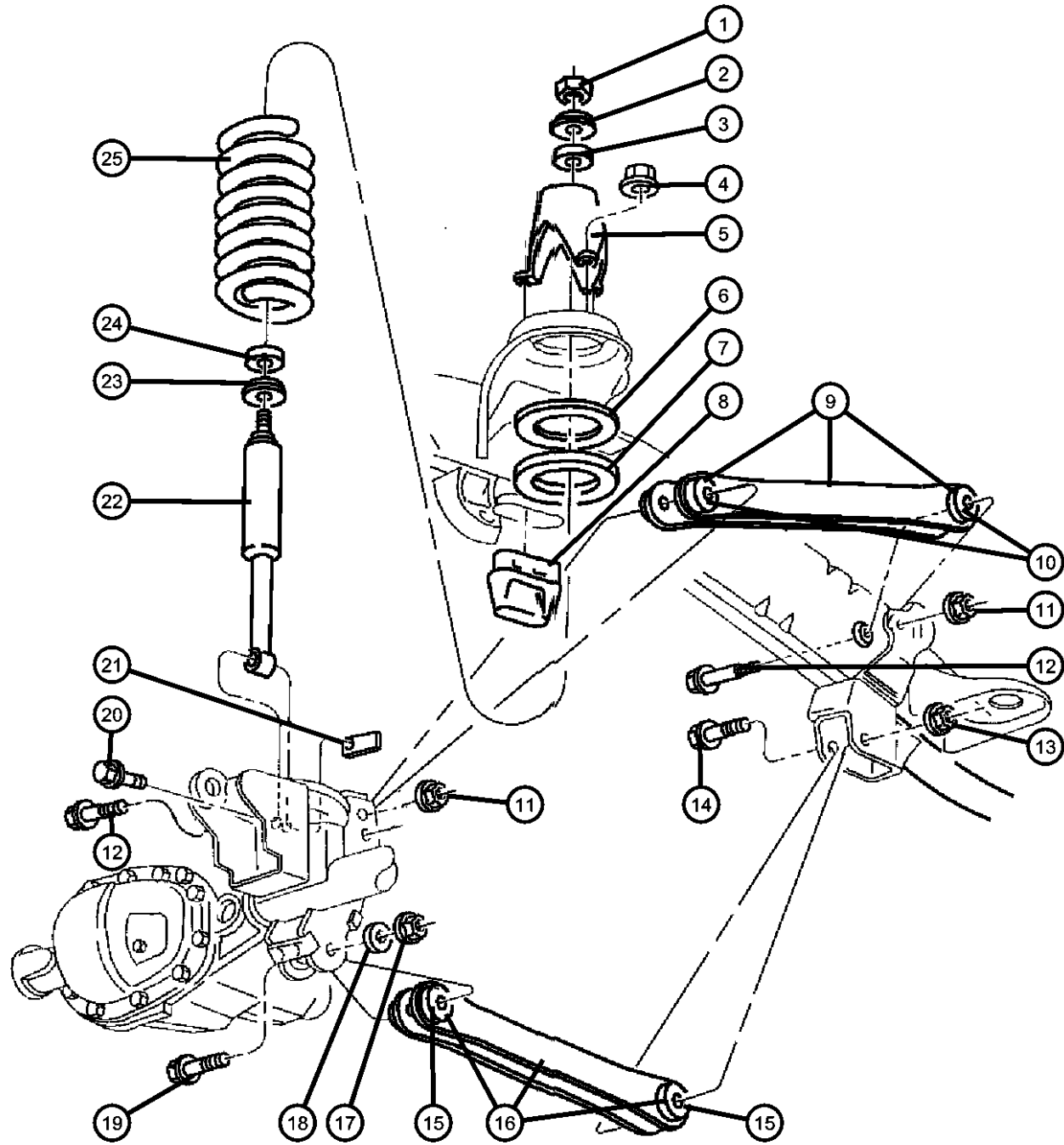
ITEM	PART NUMBER	QTY	LINE	SERIES	BODY	ENGINE	TRANS	TRIM	DESCRIPTION
	52039073	1							Tag #073,ZDD,ZSD
	52039074	1							Tag #074,ZDE,ZSE
	52039075	1							Tag #075,ZDF,ZSF
	52039076	1							Tag #076,ZDG,ZSG
	52106225AA	1							Tag #225AA,ZHJ,ZWJ
	52106228AA	1							Tag #226AA,ZHK,ZWK
	52106229AA	1							Tag #229AA,ZHL,ZWL
	52106230AA	1							Tag #230AA,ZJL,ZXL
	52106231AA	1							Tag #231AA,ZAJ,ZNJ
	52106232AA	1							Tag #232AA,ZCE,ZRE
	52106233AA	1							Tag #233AA,ZCF,ZRF
	52106240AA	1							Tag #240AA,ZDJ,ZSJ
	52106241AA	1							Tag #241AA,ZDH,ZSH
17	52037718	2	1, 2, 3						ISOLATOR, Spring, Coil
18	06503047	4	1, 2, 3						BOLT, Hex Flange Head, M16x2.00x135, LCA Mounting
19	06502396	4	1, 2, 3						NUT, Hex Flange Lock, LCA Mounting
20	06503325	4	1, 2, 3						BOLT, Hex Head, M16x2.0x61, UCA to Frame Mounting
21	52037673	4	1, 2, 3						BUSHING, Control ArmUpper
22	06503320	4	1, 2, 3						NUT, Hex Lock, M15x2Upper
23	52038241	4	1, 2, 3						WASHER, Control Arm ShaftUpper
24	06502396	4	1, 2, 3						NUT, Hex Flange LockUpper
25	52038730	2	1, 2, 3						ARM, ControlUpper
26	52037674	2	1, 2, 3						BALL JOINT, Upper Control Arm
27	52037671	2	1, 2, 3						SHAFT, Control ArmUpper
28	06101448	2	1						NUT AND WASHER, Hex Nut-Coned Washer, M10 x 1.5
29	52087636	2	1, 2, 3						BUMPER, Jounce

RAM PICKUP/CLUB CAB (BE)

SERIES	LINE	BODY	ENGINE	TRANSMISSION
L = RAM 1500, 2500, 3500	1 = Lt. Duty DODGE 2WD 2 = Med. Duty DODGE 2WD 3 = HD DODGE 2WD 6 = Lt. Duty DODGE 4WD 7 = Med. Duty DODGE 4WD 8 = HD DODGE 4WD	31 = CLUB CAB 2-DR 6.5 FT BOX 32 = CLUB CAB 2-DR 8FT BOX 33 = QUAD CAB 4-DR 6.5 FT BOX 34 = QUAD CAB 4-DR 8FT BOX	ETC = 5.9L Cummins 24V Diesel Engine EWA = 8.0L V10 MPI Engine EM0 = ALL 5.9L 8 CYL ENGINES - GAS EMM = 5.9L SMPI V8 Engine EML = 5.9L V8 MPI Engine ELF = 5.2L V8 MPI Engine	DGP = 4-Spd. Automatic 47RE Transmission DD0 = ALL 5 SPEED MANUAL TRANSMISSIONS DG0 = ALL AUTOMATIC TRANSMISSIONS DDC = 5-Speed HD Manual Transmission DDP = 5-Speed Manual Transmission DDX = 5-Speed HD Manual Transmission DEE = 6-Speed HD Manual Transmission DGT = 4-Spd. Automatic 46RE Transmission

AR = use ase required - = Non illustrated part

Upper and Lower Control Arms, Springs and Shocks, BE 6,7,8
Figure 2-120



ITEM	PART NUMBER	QTY	LINE	SERIES	BODY	ENGINE	TRANS	TRIM	DESCRIPTION
------	-------------	-----	------	--------	------	--------	-------	------	-------------

Note: EL0=5.2L 8 Cylinder Gas Engine—EM0=5.9L 8 Cylinder Gas Engine—EW0=8.0L 10 Cylinder Gas Engine—ET0=5.9L Turbo Diesel Engines

1	06503029	2							NUT, Hex, M12x1.25, Shock Mounting, Upper
2	52038257	2	6, 7, 8						RETAINER, Shock AbsorberUpper
3	52037954	4	6, 7, 8						GROMMET, Shock AbsorberUpper
4	06502696	6	6, 7, 8						NUT, Hex Flange Lock, M14x1.50, Shock Bracket to Frame Mounting, Mounting
5	52038111	2	6, 7, 8						BRACKET, Upper Shock Cup
6	52038105	2	6, 7, 8						RING, Shock Absorber, With Studs
7	52037719	2	6, 7, 8						ISOLATOR, Spring
8	52038838	2	6, 7, 8						BUMPER, Jounce
9									ARM, Control
	52038751AD	2	7, 8						Upper
	52038850AC	2	6						Upper
10									BUSHING, Control Arm
	52037892	4	6						Upper
	52037893	4	7, 8						Upper
11									NUT, Hex Flange Lock, M12x1.75
	06502697	2	6, 7, 8						UCA to Axle, Mounting
		2	6, 7, 8						UCA to Frame, Mounting
12									BOLT, Hex Flange, M12x1.75x90
	06502725	2	6, 7, 8						UCA to Axle, Mounting
		2	6, 7, 8						UCA to Frame, Mounting
13	06502698	2	6, 7, 8						NUT, Hex Flange Lock, LCA to Frame, Mounting
14	06502963	2	6, 7, 8						BOLT, Hex Flange Head, M14x2.00x105.00, LCA to Frame, Mounting
15	52037882	4	6						BUSHING, Control ArmLower
16									ARM, Control

RAM PICKUP/CLUB CAB (BE)

SERIES	LINE
L = RAM 1500, 2500, 3500	1 = Lt. Duty DODGE 2WD
	2 = Med. Duty DODGE 2WD
	3 = HD DODGE 2WD
	6 = Lt. Duty DODGE 4WD
	7 = Med. Duty DODGE 4WD
	8 = HD DODGE 4WD

BODY	ENGINE
31 = CLUB CAB 2-DR 6.5 FT BOX	ETC = 5.9L Cummins 24V Diesel Engine
32 = CLUB CAB 2-DR 8FT BOX	EWA = 8.0L V10 MPI Engine
33 = QUAD CAB 4-DR 6.5 FT BOX	EM0 = ALL 5.9L 8 CYL ENGINES - GAS
34 = QUAD CAB 4-DR 8FT BOX	EMM = 5.9L SMPI V8 Engine
	EML = 5.9L V8 MPI Engine
	ELF = 5.2L V8 MPI Engine

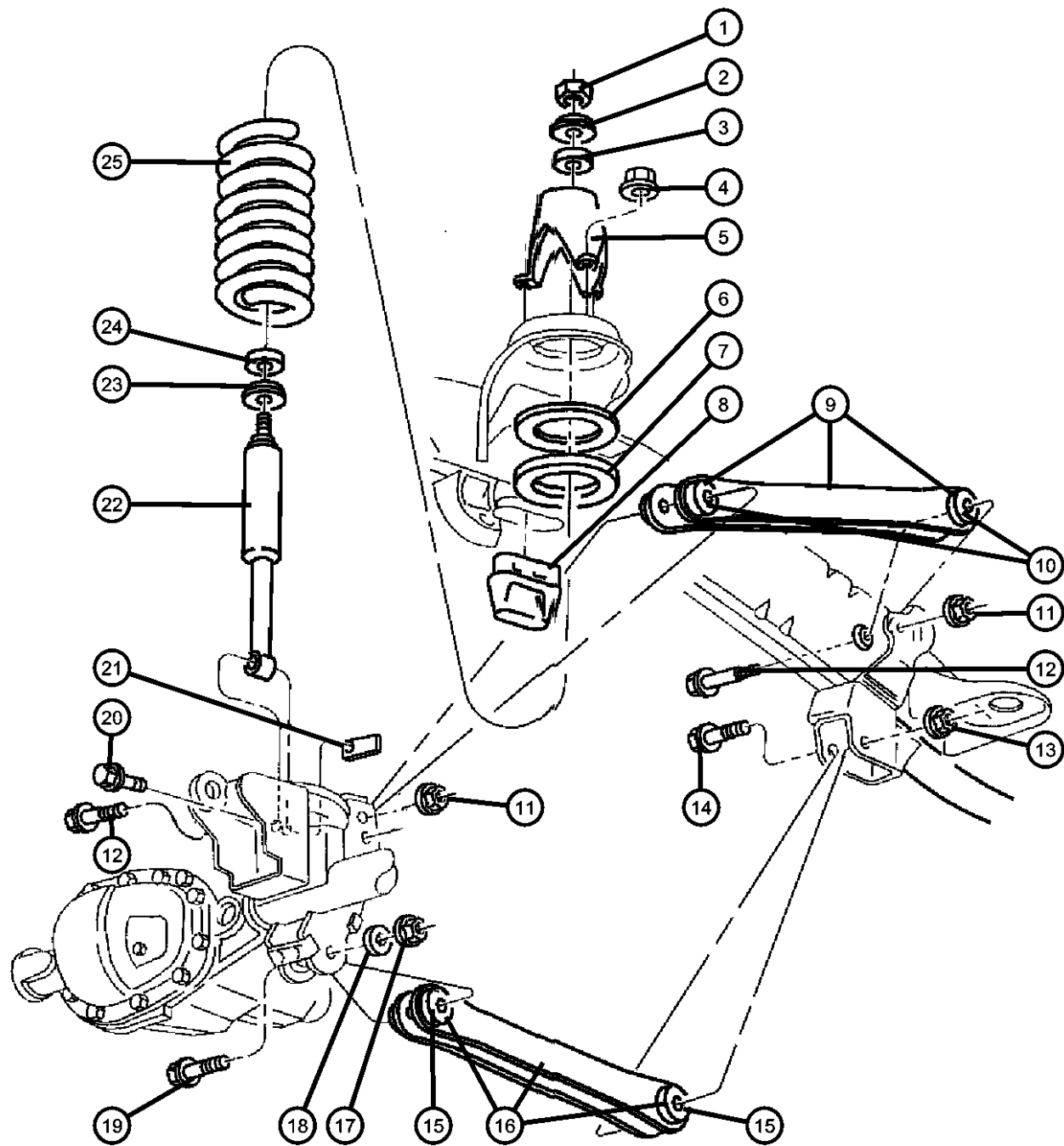
TRANSMISSION
DGP = 4-Spd. Automatic 47RE Transmission
DD0 = ALL 5 SPEED MANUAL TRANSMISSIONS
DG0 = ALL AUTOMATIC TRANSMISSIONS
DDC = 5-Speed HD Manual Transmission
DDP = 5-Speed Manual Transmission
DDX = 5-Speed HD Manual Transmission
DEE = 6-Speed HD Manual Transmission
DGT = 4-Spd. Automatic 46RE Transmission

AR = use ase required - = Non illustrated part

1999 BE

Upper and Lower Control Arms, Springs and Shocks, BE 6,7,8

Figure 2-120



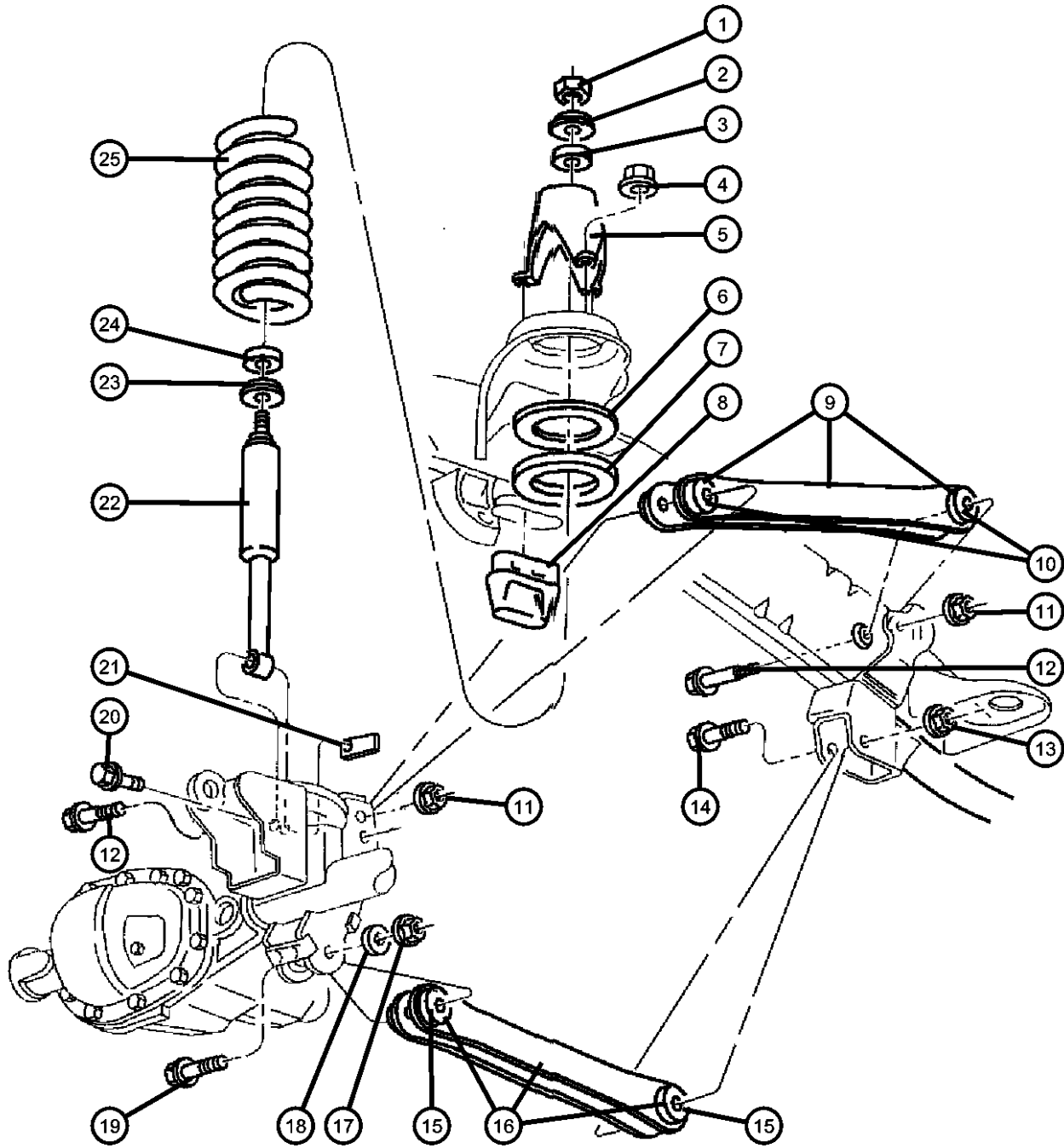
ITEM	PART NUMBER	QTY	LINE	SERIES	BODY	ENGINE	TRANS	TRIM	DESCRIPTION
	52038752AC	2	6						Lower
	52038753AC	2	7, 8						Lower
17	06503672	2	6, 7, 8						NUT, Hex, M14-2, LCA to Axle, Mounting
18	06504235	2	6, 7, 8						WASHER, LCA to Axle, Mounting
19	06504237	2	6, 7, 8						SCREW AND WASHER, LCA to Axle, Mounting
20	06502818	2							BOLT, Hex Flange Head, M14x2.00x80.00, Shock Mounting, Lower
21	06502817	1							LOCK NUT, M14-2.00, Shock Mounting, Lower
22									SHOCK ABSORBER PACKAGE, Suspension, Front
	04897464AC	2	8		34				[Z8B]
	0SGR5221								Rancho Shock
	0SGR5274								Rancho Shock
	04897468AC	2	7			ELO, EM0, EW0			[Z7B]
	0SG23366								Mopar V-Line Alternative Part (8800 GVW)
	0SGR5221								Rancho Shock (8800 GVW)
	04897469AB	2	7		31, 33	ET0			[Z7B]
	0SG23279								Mopar V-Line Alternative Part
	04897472AC	2	6			ELO, EM0			[Z6B]
	0SGR5197								Rancho Shock
	0SG23279								Mopar V-Line Alternative Part
	04897473AC	2	7		32, 34	ET0			[Z7B]
	0SGR5221								Rancho Shock (8800 GVW)
	0SG23366								Mopar V-Line Alternative Part (8800 GVW)
23	52038258	2	6, 7, 8						RETAINER, Shock AbsorberLower
24	52037954	4	6, 7, 8						GROMMET, Shock AbsorberLower

RAM PICKUP/CLUB CAB (BE)

SERIES	LINE	BODY	ENGINE	TRANSMISSION
L = RAM 1500, 2500, 3500	1 = Lt. Duty DODGE 2WD	31 = CLUB CAB 2-DR 6.5 FT BOX	ETC = 5.9L Cummins 24V Diesel Engine	DGP = 4-Spd. Automatic 47RE Transmission
	2 = Med. Duty DODGE 2WD	32 = CLUB CAB 2-DR 8FT BOX	EWA = 8.0L V10 MPI Engine	DD0 = ALL 5 SPEED MANUAL TRANSMISSIONS
	3 = HD DODGE 2WD	33 = QUAD CAB 4-DR 6.5 FT BOX	EM0 = ALL 5.9L 8 CYL ENGINES - GAS	DG0 = ALL AUTOMATIC TRANSMISSIONS
	6 = Lt. Duty DODGE 4WD	34 = QUAD CAB 4-DR 8FT BOX	EMM = 5.9L SMPI V8 Engine	DDC = 5-Speed HD Manual Transmission
	7 = Med. Duty DODGE 4WD		EML = 5.9L V8 MPI Engine	DDP = 5-Speed Manual Transmission
	8 = HD DODGE 4WD		ELF = 5.2L V8 MPI Engine	DDX = 5-Speed HD Manual Transmission
				DEE = 6-Speed HD Manual Transmission
				DGT = 4-Spd. Automatic 46RE Transmission

AR = use ase required - = Non illustrated part

Upper and Lower Control Arms, Springs and Shocks, BE 6,7,8
Figure 2-120



ITEM	PART NUMBER	QTY	LINE	SERIES	BODY	ENGINE	TRANS	TRIM	DESCRIPTION
25									SPRING, Front Coil
	52039018	1							Tag #018,ZWA,ZHA
	52039019	1							Tag #019,ZWB,ZHB
	52039020	1							Tag #020,ZWC,ZHC
	52039021	1							Tag #021,ZWD,ZHD
	52039022	1							Tag #022,ZWE,ZHE
	52039023	1							Tag #023,ZWF,ZHF
	52039024	1							Tag #024,ZWG,ZHG
	52039026	1							Tag #026,ZXA,ZJA
	52039027	1							Tag #027,ZXB,ZJB
	52039035	1							Tag #035,ZXC,ZJC
	52039036	1							Tag #036,ZXD,ZJD
	52039037	1							Tag #037,ZXE,ZJE
	52039038	1							Tag #038,ZXF,ZJF
	52039039	1							Tag #039,ZXG,ZJG
	52039046	1							Tag #046,ZXH,ZJH
	52039047	1							Tag #047,ZXJ,ZJJ
	52039048	1							Tag #048,ZXK,ZJK
	52039054	1							Tag #054,ZNA,ZAA
	52039055	1							Tag #055,ZNB,ZAB
	52039056	1							Tag #056,ZNC,ZAC
	52039057	1							Tag #057,ZND,ZAD
	52039058	1							Tag #058,ZNE,ZAE
	52039059	1							Tag #059,ZNF,ZAF
	52039060	1							Tag #060,ZNG,ZAG
	52039061	1							Tag #061,ZNH,ZAH
	52039062	1							Tag #062,ZPA,ZBA
	52039063	1							Tag #063,ZPB,ZBB

RAM PICKUP/CLUB CAB (BE)

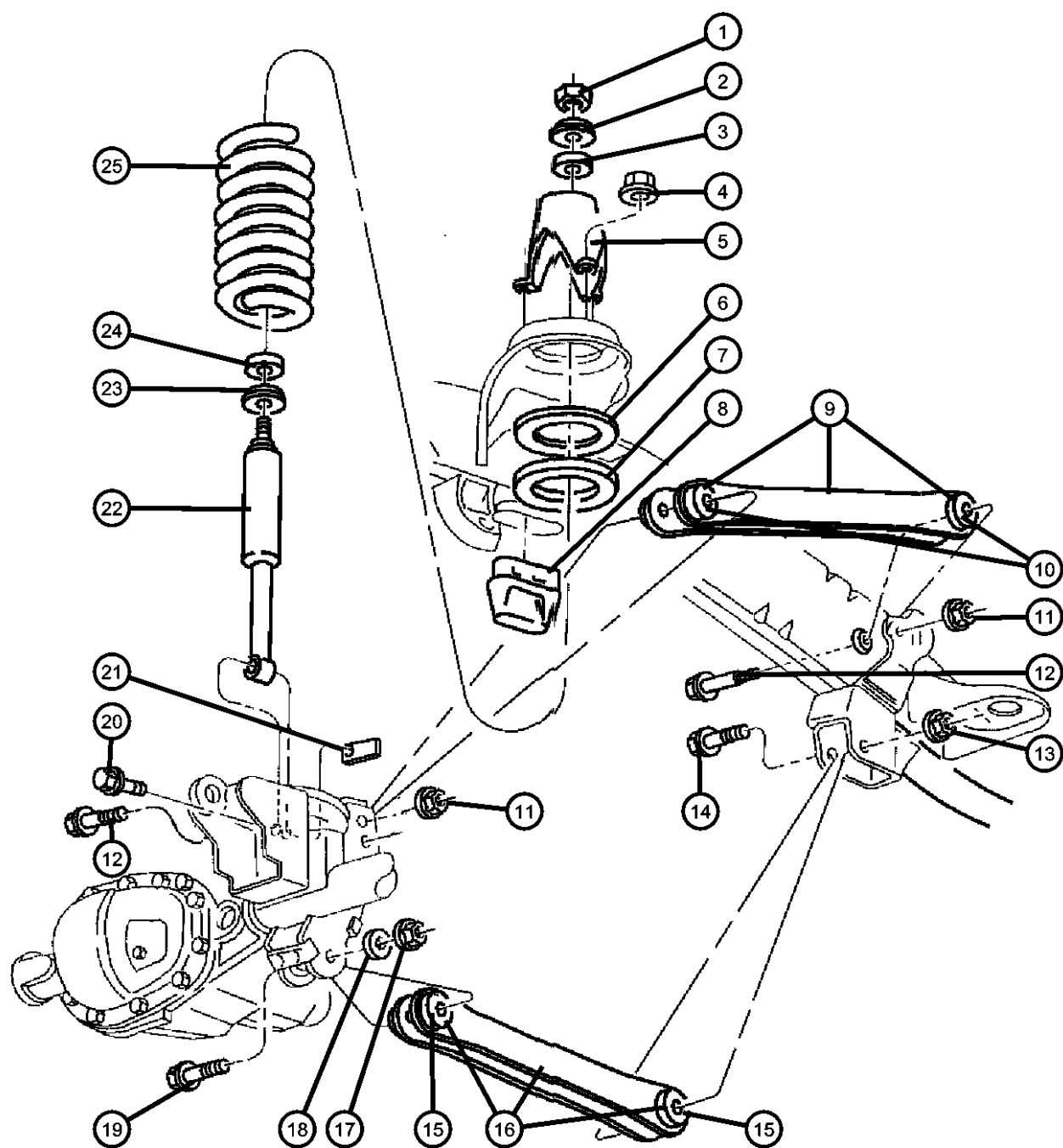
SERIES	LINE	BODY	ENGINE	TRANSMISSION
L = RAM 1500, 2500, 3500	1 = Lt. Duty DODGE 2WD 2 = Med. Duty DODGE 2WD 3 = HD DODGE 2WD 6 = Lt. Duty DODGE 4WD 7 = Med. Duty DODGE 4WD 8 = HD DODGE 4WD	31 = CLUB CAB 2-DR 6.5 FT BOX 32 = CLUB CAB 2-DR 8FT BOX 33 = QUAD CAB 4-DR 6.5 FT BOX 34 = QUAD CAB 4-DR 8FT BOX	ETC = 5.9L Cummins 24V Diesel Engine EWA = 8.0L V10 MPI Engine EM0 = ALL 5.9L 8 CYL ENGINES - GAS EMM = 5.9L SMPI V8 Engine EML = 5.9L V8 MPI Engine ELF = 5.2L V8 MPI Engine	DGP = 4-Spd. Automatic 47RE Transmission DD0 = ALL 5 SPEED MANUAL TRANSMISSIONS DG0 = ALL AUTOMATIC TRANSMISSIONS DDC = 5-Speed HD Manual Transmission DDP = 5-Speed Manual Transmission DDX = 5-Speed HD Manual Transmission DEE = 6-Speed HD Manual Transmission DGT = 4-Spd. Automatic 46RE Transmission

AR = use ase required - = Non illustrated part

Upper and Lower Control Arms, Springs and Shocks, BE 6,7,8

Figure 2-120

ITEM	PART NUMBER	QTY	LINE	SERIES	BODY	ENGINE	TRANS	TRIM	DESCRIPTION
------	-------------	-----	------	--------	------	--------	-------	------	-------------



	52039064	1							Tag #064,ZPC,ZBC
	52039065	1							Tag #065,ZPD,ZBD
	52039066	1							Tag #066,ZRA,ZCA
	52039067	1							Tag #067,ZRB,ZCB
	52039068	1							Tag #068,ZRC,ZCC
	52039069	1							Tag #069,ZRD,ZCD
	52039070	1							Tag #070,ZSA,ZDA
	52039071	1							Tag #071,ZSB,ZDB
	52039072	1							Tag #072,ZSC,ZDC
	52039073	1							Tag #073,ZSD,ZDD
	52039074	1							Tag #074,ZSE,ZDE
	52039075	1							Tag #075,ZSF,ZDF
	52039076	1							Tag #076,ZSG,ZDG

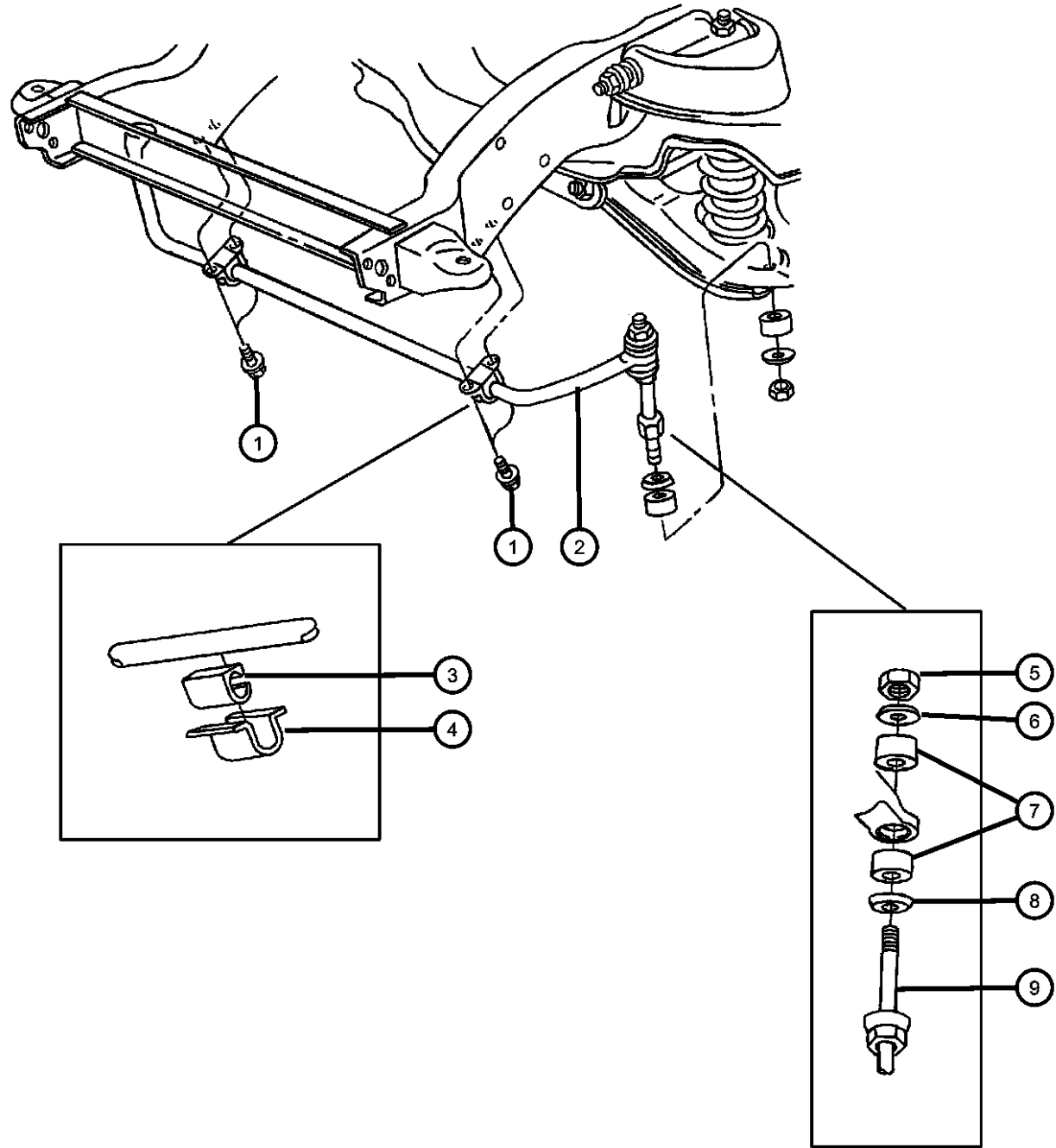
RAM PICKUP/CLUB CAB (BE)

SERIES	LINE	BODY	ENGINE	TRANSMISSION
L = RAM 1500, 2500, 3500	1 = Lt. Duty DODGE 2WD	31 = CLUB CAB 2-DR 6.5 FT BOX	ETC = 5.9L Cummins 24V Diesel Engine	DGP = 4-Spd. Automatic 47RE Transmission
	2 = Med. Duty DODGE 2WD	32 = CLUB CAB 2-DR 8FT BOX	EWA = 8.0L V10 MPI Engine	DD0 = ALL 5 SPEED MANUAL TRANSMISSIONS
	3 = HD DODGE 2WD	33 = QUAD CAB 4-DR 6.5 FT BOX	EM0 = ALL 5.9L 8 CYL ENGINES - GAS	DG0 = ALL AUTOMATIC TRANSMISSIONS
	6 = Lt. Duty DODGE 4WD	34 = QUAD CAB 4-DR 8FT BOX	EMM = 5.9L SMPI V8 Engine	DDC = 5-Speed HD Manual Transmission
	7 = Med. Duty DODGE 4WD		EML = 5.9L V8 MPI Engine	DDP = 5-Speed Manual Transmission
	8 = HD DODGE 4WD		ELF = 5.2L V8 MPI Engine	DDX = 5-Speed HD Manual Transmission
				DEE = 6-Speed HD Manual Transmission
				DGT = 4-Spd. Automatic 46RE Transmission

AR = use ase required - = Non illustrated part

1999 BE

Front Stabilizer Bar, BE 1,2,3
Figure 2-130



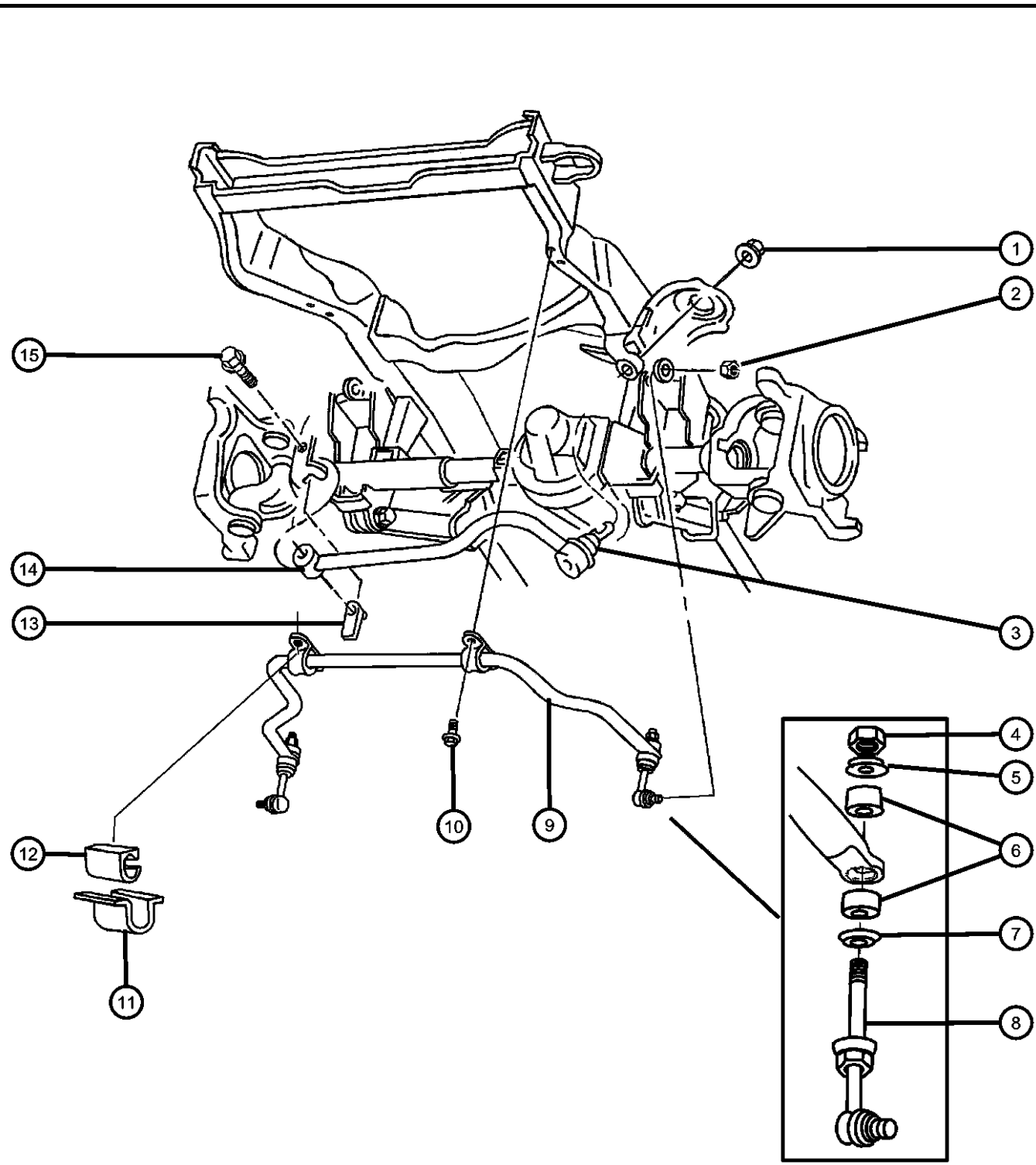
ITEM	PART NUMBER	QTY	LINE	SERIES	BODY	ENGINE	TRANS	TRIM	DESCRIPTION
1	06504010	4							SCREW AND WASHER, Hex Head, M10x1.50x35, Sway Bar Retainer to Frame Mounting BAR, Front Sway
2	52038455	1	1, 2, 3						BUSHING, Stabilizer Bar
3	52038851	2	1, 2, 3						RETAINER, Stabilizer Bar Grommet
4	52037710	2	1, 2, 3						NUT, Hex Lock, M10x1.5
5	06101687	4	1, 2, 3						RETAINER, Stabilizer Bar Grommet Large Hole
6	52038115	4	1, 2, 3						RETAINER, Stabilizer Bar Grommet Small Hole
	52038116	4	1, 2, 3						
7	52037916	8	1, 2, 3						GROMMET, Link
8	52037712	2	1, 2, 3						LINK, Sway Eliminator

RAM PICKUP/CLUB CAB (BE)

SERIES	LINE	BODY	ENGINE	TRANSMISSION
L = RAM 1500, 2500, 3500	1 = Lt. Duty DODGE 2WD 2 = Med. Duty DODGE 2WD 3 = HD DODGE 2WD 6 = Lt. Duty DODGE 4WD 7 = Med. Duty DODGE 4WD 8 = HD DODGE 4WD	31 = CLUB CAB 2-DR 6.5 FT BOX 32 = CLUB CAB 2-DR 8FT BOX 33 = QUAD CAB 4-DR 6.5 FT BOX 34 = QUAD CAB 4-DR 8FT BOX	ETC = 5.9L Cummins 24V Diesel Engine EWA = 8.0L V10 MPI Engine EM0 = ALL 5.9L 8 CYL ENGINES - GAS EMM = 5.9L SMPI V8 Engine EML = 5.9L V8 MPI Engine ELF = 5.2L V8 MPI Engine	DGP = 4-Spd. Automatic 47RE Transmission DD0 = ALL 5 SPEED MANUAL TRANSMISSIONS DG0 = ALL AUTOMATIC TRANSMISSIONS DDC = 5-Speed HD Manual Transmission DDP = 5-Speed Manual Transmission DDX = 5-Speed HD Manual Transmission DEE = 6-Speed HD Manual Transmission DGT = 4-Spd. Automatic 46RE Transmission

AR = use ase required - = Non illustrated part

Front Stabilizer Bar and Track Bar, BE 6,7,8
Figure 2-140



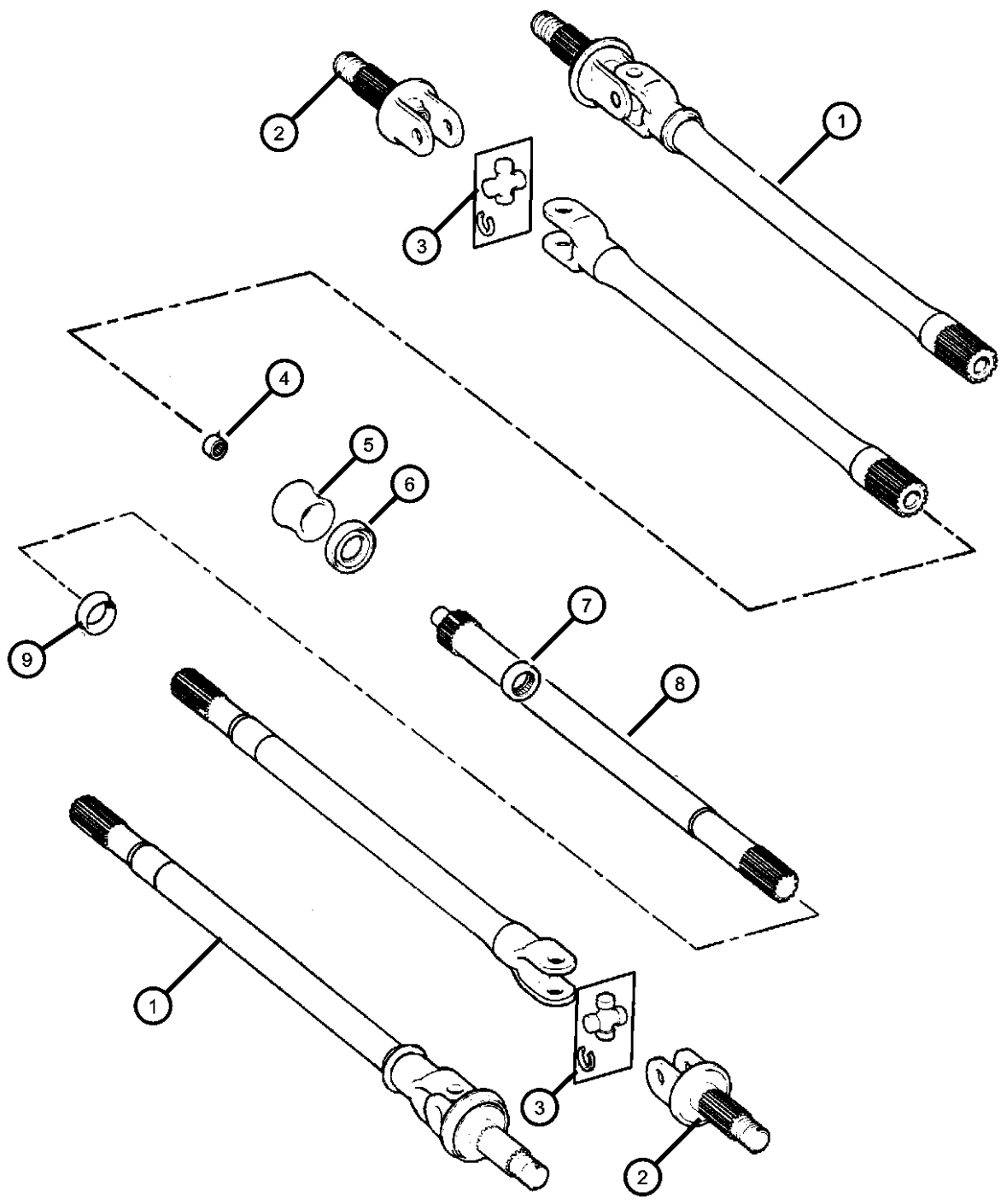
ITEM	PART NUMBER	QTY	LINE	SERIES	BODY	ENGINE	TRANS	TRIM	DESCRIPTION
1	06503861	1	6, 7, 8						NUT, Hex Flange, M14x1.5, Track Bar to Frame Mounting
2	06502748	2	6, 7, 8						NUT, Hex, M12x1.75, Lower Link
3	05018748AA	1	6, 7, 8						SEAL, Dust, Track Bar
4	06101687	2	6, 7, 8						NUT, Hex Lock, M10x1.5, Upper Link
5									RETAINER, Stabilizer Bar Grommet
	52038115	2	6, 7, 8						Large
	52038116	2	6, 7, 8						Small
6	52037916	4	6, 7, 8						GROMMET, Link
7	52038665	2	6, 7, 8						LINK, Sway Eliminator
8	52039440	1	6, 7, 8						BAR, Front Sway
9	06504010	4							SCREW AND WASHER, Hex Head, M10x1.50x35
10	52037710	2	6, 7, 8						RETAINER, Stabilizer Bar Grommet
11	52038851	2	6, 7, 8						BUSHING, Stabilizer Bar
12	06502817	1	6, 7, 8						LOCK NUT, M14-2.00, Track Bar to Axle
13	52038933	1	6, 7, 8						BAR, Track
14	06503576	1	6, 7, 8						BOLT, Hex Flange Head, M14x2.00x67.50, Track Bar to Axle

RAM PICKUP/CLUB CAB (BE)

SERIES	LINE	BODY	ENGINE	TRANSMISSION
L = RAM 1500, 2500, 3500	1 = Lt. Duty DODGE 2WD 2 = Med. Duty DODGE 2WD 3 = HD DODGE 2WD 6 = Lt. Duty DODGE 4WD 7 = Med. Duty DODGE 4WD 8 = HD DODGE 4WD	31 = CLUB CAB 2-DR 6.5 FT BOX 32 = CLUB CAB 2-DR 8FT BOX 33 = QUAD CAB 4-DR 6.5 FT BOX 34 = QUAD CAB 4-DR 8FT BOX	ETC = 5.9L Cummins 24V Diesel Engine EWA = 8.0L V10 MPI Engine EM0 = ALL 5.9L 8 CYL ENGINES - GAS EMM = 5.9L SMPI V8 Engine EML = 5.9L V8 MPI Engine ELF = 5.2L V8 MPI Engine	DGP = 4-Spd. Automatic 47RE Transmission DD0 = ALL 5 SPEED MANUAL TRANSMISSIONS DG0 = ALL AUTOMATIC TRANSMISSIONS DDC = 5-Speed HD Manual Transmission DDP = 5-Speed Manual Transmission DDX = 5-Speed HD Manual Transmission DEE = 6-Speed HD Manual Transmission DGT = 4-Spd. Automatic 46RE Transmission

AR = use ase required - = Non illustrated part

Front Axle Shafts, Dana Models 44,60, BE 6,7,8
Figure 2-210



ITEM	PART NUMBER	QTY	LINE	SERIES	BODY	ENGINE	TRANS	TRIM	DESCRIPTION
------	-------------	-----	------	--------	------	--------	-------	------	-------------

Note:DJC=Dana 44—DJF=Dana 60—BGJ=Power Disc/Drums—RWAL(Rear Wheel Anti-Lock Brakes)—BGK=AWAL(All Wheel Anti-Lock) Brake

1									SHAFT, Axle
	05003008AA	1	8		34				Right
		1	7						Right
	05003009AA	1	8		34				Left
		1	7						Left
	05015136AB	1	6						Right
	05015137AB	1	6						Left
2									SHAFT, Stub
	04798317	2	7						[BGJ]
	04798322	2	7						[BGK]
		1	8		34				
	05015138AA	2	6						
3									U JOINT, Front Axle
	04137757	2	6						
	05003004AA	2	8		34				
	05003004AB	2	7						
	V8013004AA								Mopar Alternative Universal Joint
4									BUSHING, Intermediate Shaft
	05252686	1	6						
		1	7						
		1	8		34				
5									COLLAR, Axle Shift
	04778548	1	7						
		1	8		34				
		1	6						
6									BUSHING, Axle Shaft
	04137740	1	7						

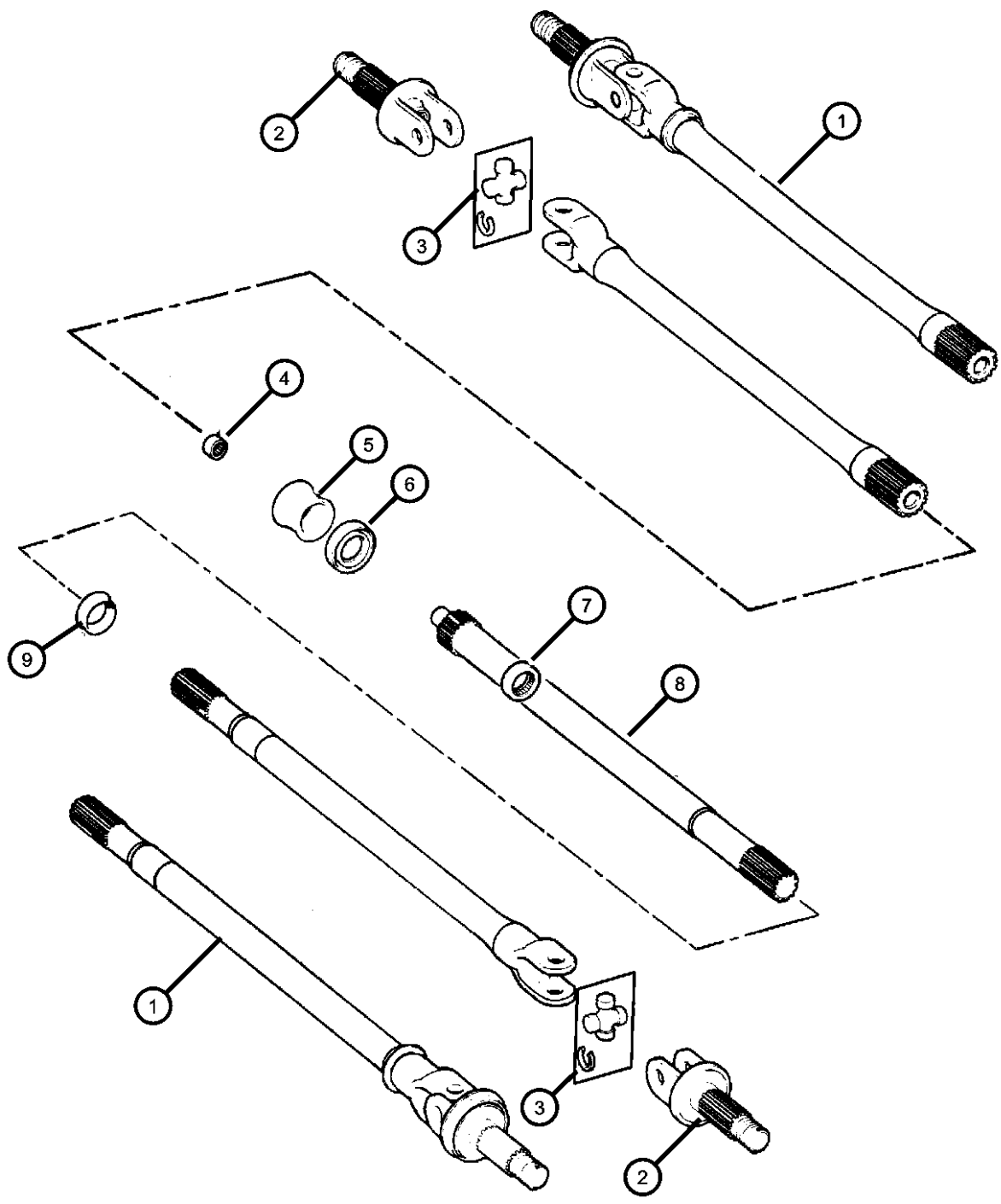
RAM PICKUP/CLUB CAB (BE)

SERIES	LINE	BODY	ENGINE	TRANSMISSION
L = RAM 1500, 2500, 3500	1 = Lt. Duty DODGE 2WD 2 = Med. Duty DODGE 2WD 3 = HD DODGE 2WD 6 = Lt. Duty DODGE 4WD 7 = Med. Duty DODGE 4WD 8 = HD DODGE 4WD	31 = CLUB CAB 2-DR 6.5 FT BOX 32 = CLUB CAB 2-DR 8FT BOX 33 = QUAD CAB 4-DR 6.5 FT BOX 34 = QUAD CAB 4-DR 8FT BOX	ETC = 5.9L Cummins 24V Diesel Engine EWA = 8.0L V10 MPI Engine EM0 = ALL 5.9L 8 CYL ENGINES - GAS EMM = 5.9L SMPI V8 Engine EML = 5.9L V8 MPI Engine ELF = 5.2L V8 MPI Engine	DGP = 4-Spd. Automatic 47RE Transmission DD0 = ALL 5 SPEED MANUAL TRANSMISSIONS DG0 = ALL AUTOMATIC TRANSMISSIONS DDC = 5-Speed HD Manual Transmission DDP = 5-Speed Manual Transmission DDX = 5-Speed HD Manual Transmission DEE = 6-Speed HD Manual Transmission DGT = 4-Spd. Automatic 46RE Transmission

AR = use ase required - = Non illustrated part

1999 BE

Front Axle Shafts,Dana Models 44,60,BE 6,7,8
Figure 2-210



ITEM	PART NUMBER	QTY	LINE	SERIES	BODY	ENGINE	TRANS	TRIM	DESCRIPTION
		1	8		34				
		1	6						
7	04506005	1	7						SEAL, Axle Drive Shaft Right
		1	8		34				Right
		1	6						Right
8	04746814	1	7						SHAFT, Axle Intermediate
	04762162	1	8		34				
		1	6						
9	04116366	1	7						SEAL, Axle Drive Shaft Left
		1	8		34				Left
		1	6						Left

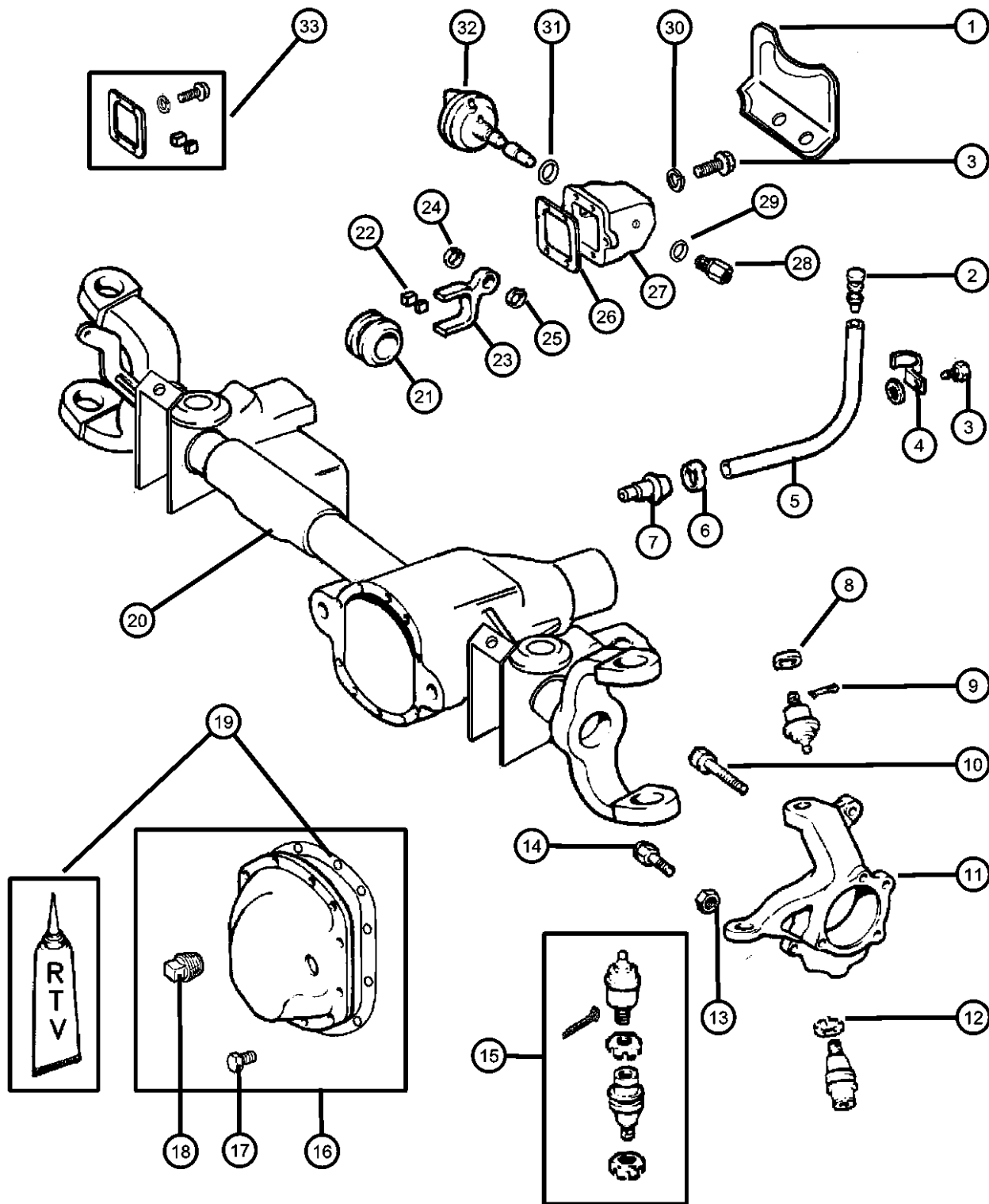
RAM PICKUP/CLUB CAB (BE)

SERIES	LINE	BODY	ENGINE	TRANSMISSION
L = RAM 1500, 2500, 3500	1 = Lt. Duty DODGE 2WD	31 = CLUB CAB 2-DR 6.5 FT BOX	ETC = 5.9L Cummins 24V Diesel Engine	DGP = 4-Spd. Automatic 47RE Transmission
	2 = Med. Duty DODGE 2WD	32 = CLUB CAB 2-DR 8FT BOX	EWA = 8.0L V10 MPI Engine	DD0 = ALL 5 SPEED MANUAL TRANSMISSIONS
	3 = HD DODGE 2WD	33 = QUAD CAB 4-DR 6.5 FT BOX	EM0 = ALL 5.9L 8 CYL ENGINES - GAS	DG0 = ALL AUTOMATIC TRANSMISSIONS
	6 = Lt. Duty DODGE 4WD	34 = QUAD CAB 4-DR 8FT BOX	EMM = 5.9L SMPI V8 Engine	DDC = 5-Speed HD Manual Transmission
	7 = Med. Duty DODGE 4WD		EML = 5.9L V8 MPI Engine	DDP = 5-Speed Manual Transmission
	8 = HD DODGE 4WD		ELF = 5.2L V8 MPI Engine	DDX = 5-Speed HD Manual Transmission
				DEE = 6-Speed HD Manual Transmission
				DGT = 4-Spd. Automatic 46RE Transmission

AR = use ase required - = Non illustrated part

Front Axle Housing, Dana Model 44, BE 6

Figure 2-310



ITEM	PART NUMBER	QTY	LINE	SERIES	BODY	ENGINE	TRANS	TRIM	DESCRIPTION
------	-------------	-----	------	--------	------	--------	-------	------	-------------

Note: DJC= Dana 44 Front Axle

1	04506117	1	6						SHIELD, Vacuum Disconnect
2	J5352955	1							VENT, AxleUpper
3	04137734	4	6						BOLT, Axle Disconnect Cover
4	52003837	1	6						BRACKET, Engine Splash Guard, Breather Hose
5	04443176	AR				ELO, EMO, EWO			HOSE, Fuel, .31 I.D. 50 Foot Roll, Bulk Roll
6	00153455	1							CLAMP, Hose, .620
7	04338654	1	6, 7, 8						VENT, Axle
8	J0125258	2	6						NUT, Hex Slotted, Ball Joint Mounting, Upper
9	J0137214	2	6						PIN, Cotter, Ball Joint Mounting, Upper
10	04746775	6	6						BOLT, Hub
11									KNUCKLE, Front
	05003048AA	1	6						Right
	05003049AA	1	6						Left
12	03634267	2	6						NUT, Steering Knuckle Socket, Ball Joint Mounting., Lower
13	S0114494	2	6						NUT, Steering KnuckleStop
14	JA000821	2	6						BOLT, Steering Knuckle Stop
15	04746696	2	6						BALL JOINT, Front Knuckle, Kit
16	04762688	1	6						COVER, Differential
17	02954031	10	6						BOLT, Differential Cover
18	03640792	1	6						PLUG, Differential Cover
19	05010884AA	1	6, 7, 8			ELO, EMO	DDP		SEALANT, RTV
20	05014282AA	1	6						HOUSING, Axle
21	04778548	1	6						COLLAR, Axle Shift
22	04137731	2	6						CLIP, Axle Disconnect Fork
23	04137727	1	6						FORK, Axle Shift

RAM PICKUP/CLUB CAB (BE)

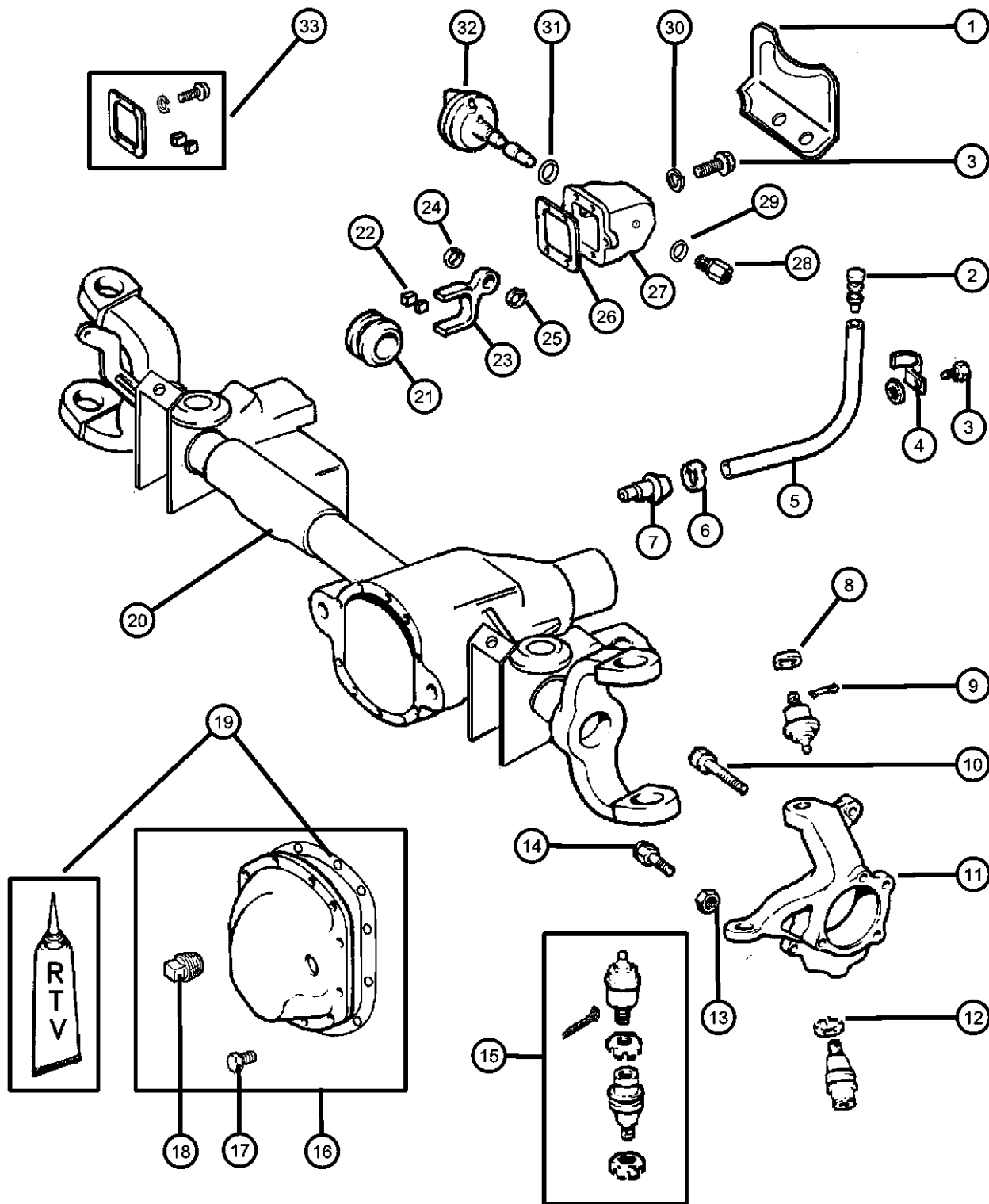
SERIES	LINE
L = RAM 1500, 2500, 3500	1 = Lt. Duty DODGE 2WD 2 = Med. Duty DODGE 2WD 3 = HD DODGE 2WD 6 = Lt. Duty DODGE 4WD 7 = Med. Duty DODGE 4WD 8 = HD DODGE 4WD

BODY	ENGINE	TRANSMISSION
31 = CLUB CAB 2-DR 6.5 FT BOX	ETC = 5.9L Cummins 24V Diesel Engine	DGP = 4-Spd. Automatic 47RE Transmission
32 = CLUB CAB 2-DR 8FT BOX	EWA = 8.0L V10 MPI Engine	DD0 = ALL 5 SPEED MANUAL TRANSMISSIONS
33 = QUAD CAB 4-DR 6.5 FT BOX	EM0 = ALL 5.9L 8 CYL ENGINES - GAS	DG0 = ALL AUTOMATIC TRANSMISSIONS
34 = QUAD CAB 4-DR 8FT BOX	EMM = 5.9L SMPI V8 Engine	DDC = 5-Speed HD Manual Transmission
	EML = 5.9L V8 MPI Engine	DDP = 5-Speed Manual Transmission
	ELF = 5.2L V8 MPI Engine	DDX = 5-Speed HD Manual Transmission
		DEE = 6-Speed HD Manual Transmission
		DGT = 4-Spd. Automatic 46RE Transmission

AR = use ase required - = Non illustrated part

Front Axle Housing, Dana Model 44, BE 6

Figure 2-310



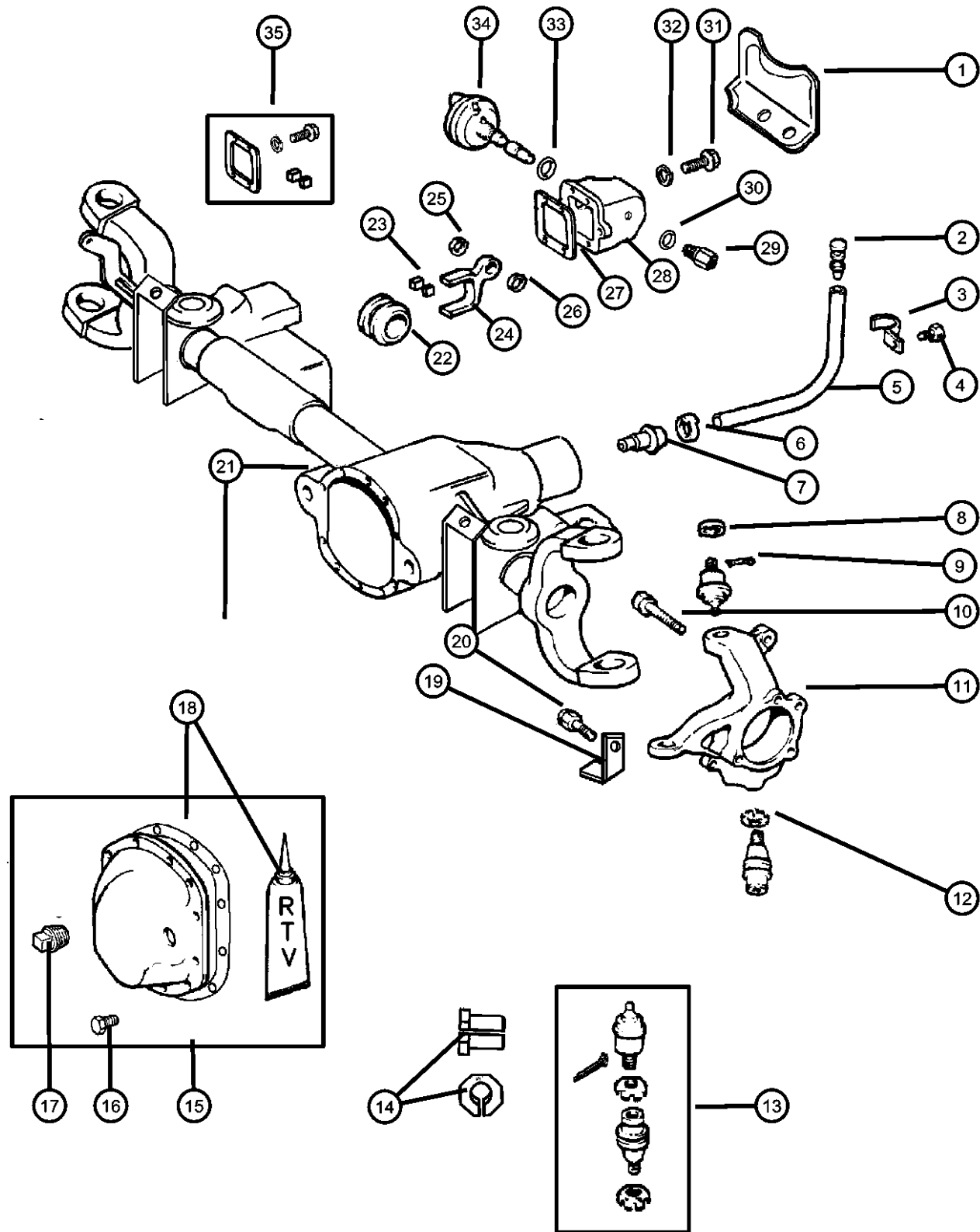
ITEM	PART NUMBER	QTY	LINE	SERIES	BODY	ENGINE	TRANS	TRIM	DESCRIPTION
24	04137728	1	6						SNAP RING, Vacuum Motor
25	04137729	2	6						SNAP RING, Vacuum Motor
26	04137732	1	6						GASKET, Axle Disconnect Housing
27	04384169	1	6						COVER, Axle Disconnect
28	04289880	1	6						SWITCH, Hub Lock Indicator
29	05209912	1	6						GASKET, Axle Disconnect Switch
30	04137733	4	6						LOCK WASHER
31	04137726	1	6						O RING, Shaft Disconnect
32	04882682	1	6						MOTOR KIT, Axle Vacuum
33	J8133708	1	6						CLIP KIT, Axle Disconnect

RAM PICKUP/CLUB CAB (BE)

SERIES	LINE	BODY	ENGINE	TRANSMISSION
L = RAM 1500, 2500, 3500	1 = Lt. Duty DODGE 2WD 2 = Med. Duty DODGE 2WD 3 = HD DODGE 2WD 6 = Lt. Duty DODGE 4WD 7 = Med. Duty DODGE 4WD 8 = HD DODGE 4WD	31 = CLUB CAB 2-DR 6.5 FT BOX 32 = CLUB CAB 2-DR 8FT BOX 33 = QUAD CAB 4-DR 6.5 FT BOX 34 = QUAD CAB 4-DR 8FT BOX	ETC = 5.9L Cummins 24V Diesel Engine EWA = 8.0L V10 MPI Engine EM0 = ALL 5.9L 8 CYL ENGINES - GAS EMM = 5.9L SMPI V8 Engine EML = 5.9L V8 MPI Engine ELF = 5.2L V8 MPI Engine	DGP = 4-Spd. Automatic 47RE Transmission DD0 = ALL 5 SPEED MANUAL TRANSMISSIONS DG0 = ALL AUTOMATIC TRANSMISSIONS DDC = 5-Speed HD Manual Transmission DDP = 5-Speed Manual Transmission DDX = 5-Speed HD Manual Transmission DEE = 6-Speed HD Manual Transmission DGT = 4-Spd. Automatic 46RE Transmission

AR = use as required - = Non illustrated part

Front Axle Housing, Dana Model 60, BE 7,8
Figure 2-320



ITEM	PART NUMBER	QTY	LINE	SERIES	BODY	ENGINE	TRANS	TRIM	DESCRIPTION
Note:DJF = Dana 60 Axle									
1	04506117	1	7						SHIELD, Vacuum Disconnect Motor
		1	8		34				Motor
2	J5352955	1	6, 7, 8						VENT, AxleUpper
3	52003837	1	8		34				BRACKET, Engine Splash Guard
		1	7						Breather Hose
4	04137734	4	7						BOLT, Axle Disconnect Cover
		4	8		34				
5	04443176	AR				ELO, EMO, EWO			HOSE, Fuel, .31 I.D. 50 Foot Roll, Bulk Roll
6	00153455	1	6, 7, 8						CLAMP, Hose, .620
7	04338654	1	6, 7, 8						VENT, AxleLower
8	04728706	2	7						NUT, Steering Knucle Socket
		2	8		34				Upper
9	J0137214	2	8		34				PIN, Cotter
		2	7						Upper
10	04746810	8	7						BOLT, Hub
		8	8		34				Mounting
11	05003006AA	1	8		34				KNUCKLE, Front
		1	7						Right
	05003007AA	1	7						Right
		1	7						Left
		1	8		34				Left

RAM PICKUP/CLUB CAB (BE)

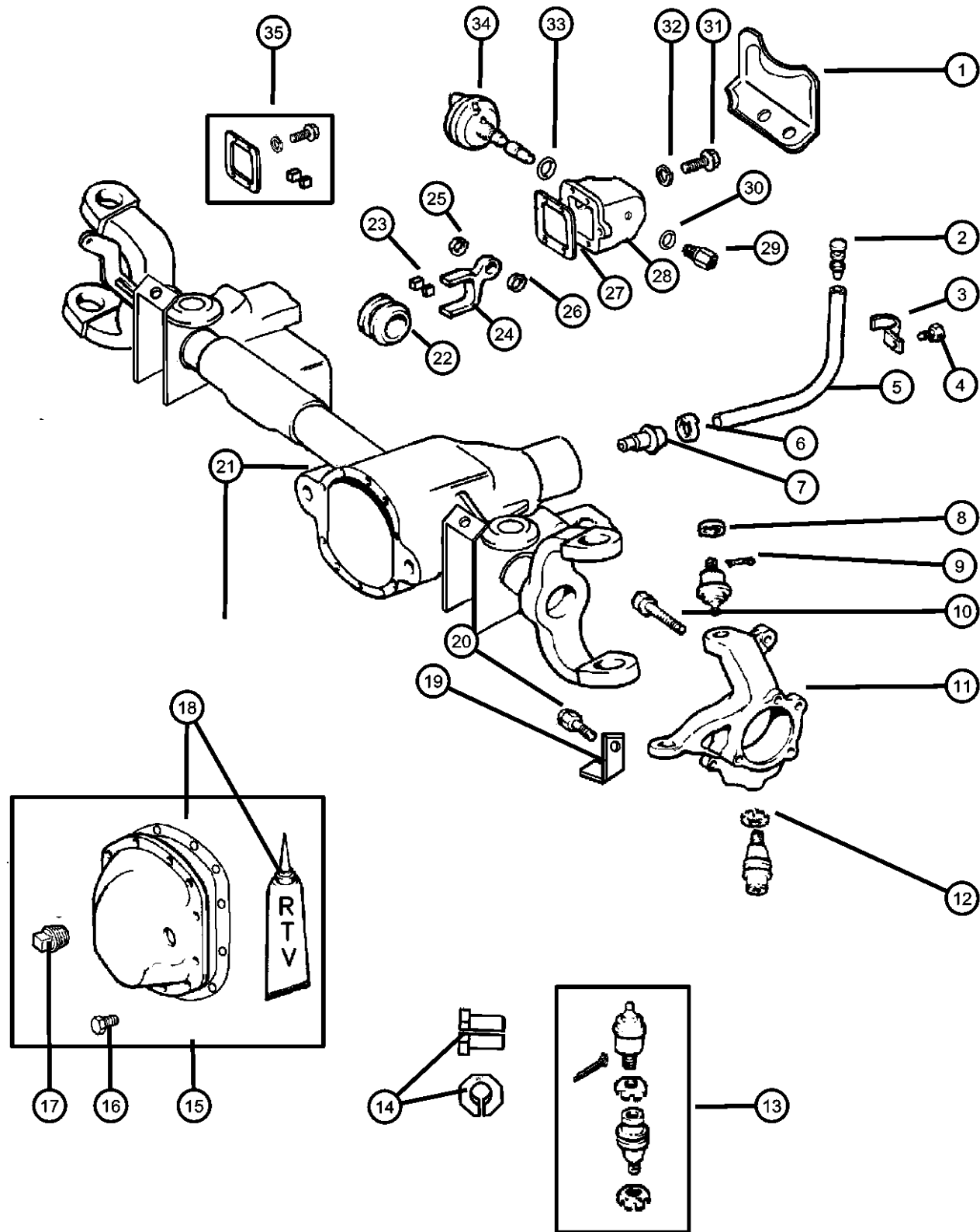
SERIES	LINE
L = RAM 1500, 2500, 3500	1 = Lt. Duty DODGE 2WD
	2 = Med. Duty DODGE 2WD
	3 = HD DODGE 2WD
	6 = Lt. Duty DODGE 4WD
	7 = Med. Duty DODGE 4WD
	8 = HD DODGE 4WD

BODY	ENGINE
31 = CLUB CAB 2-DR 6.5 FT BOX	ETC = 5.9L Cummins 24V Diesel Engine
32 = CLUB CAB 2-DR 8FT BOX	EWA = 8.0L V10 MPI Engine
33 = QUAD CAB 4-DR 6.5 FT BOX	EM0 = ALL 5.9L 8 CYL ENGINES - GAS
34 = QUAD CAB 4-DR 8FT BOX	EMM = 5.9L SMPI V8 Engine
	EML = 5.9L V8 MPI Engine
	ELF = 5.2L V8 MPI Engine

TRANSMISSION
DGP = 4-Spd. Automatic 47RE Transmission
DD0 = ALL 5 SPEED MANUAL TRANSMISSIONS
DG0 = ALL AUTOMATIC TRANSMISSIONS
DDC = 5-Speed HD Manual Transmission
DDP = 5-Speed Manual Transmission
DDX = 5-Speed HD Manual Transmission
DEE = 6-Speed HD Manual Transmission
DGT = 4-Spd. Automatic 46RE Transmission

AR = use ase required - = Non illustrated part

Front Axle Housing, Dana Model 60, BE 7,8
Figure 2-320



ITEM	PART NUMBER	QTY	LINE	SERIES	BODY	ENGINE	TRANS	TRIM	DESCRIPTION
12	04746791	2	7						NUT, Ball Joint Lower
		2	8		34				Lower
13	04897594AA	2	7						BALL JOINT, Front Knuckle Kit-Upper and Lower
		2	8		34				Kit-Upper and Lower
14	04856886	2	7						RING, Ball Joint 0 = 0 Degree Change
		2	8		34				0 = 0 Degree Change
	04886060AA	2	7						1/4 = 3/16 Degree Change
		2	8		34				1/4 = 3/16 Degree Change
	04886061AA	2	7						1/2 = 11/32 Degree Change
		2	8		34				1/2 = 11/32 Degree Change
	04886062AA	2	7						3/4 = 17/32 Degree Change
		2	8		34				3/4 = 17/32 Degree Change
	04886063AA	2	7						1 = 11/32 Degree Change
		2	8		34				1 = 11/32 Degree Change
15	04746831	1	7						COVER, Differential Disconnect Housing
		1	8		34				Disconnect Housing
16	02952474	10	7						BOLT, Hex Flange Head Cover
		10	8		34				Cover
17	03640792	1	7						PLUG, Differential Cover Cover
		1	8		34				Cover
18	05010884AA	1	6, 7, 8			ELO, EM0	DDP		SEALANT, RTV
19									CLIP, Connector

RAM PICKUP/CLUB CAB (BE)

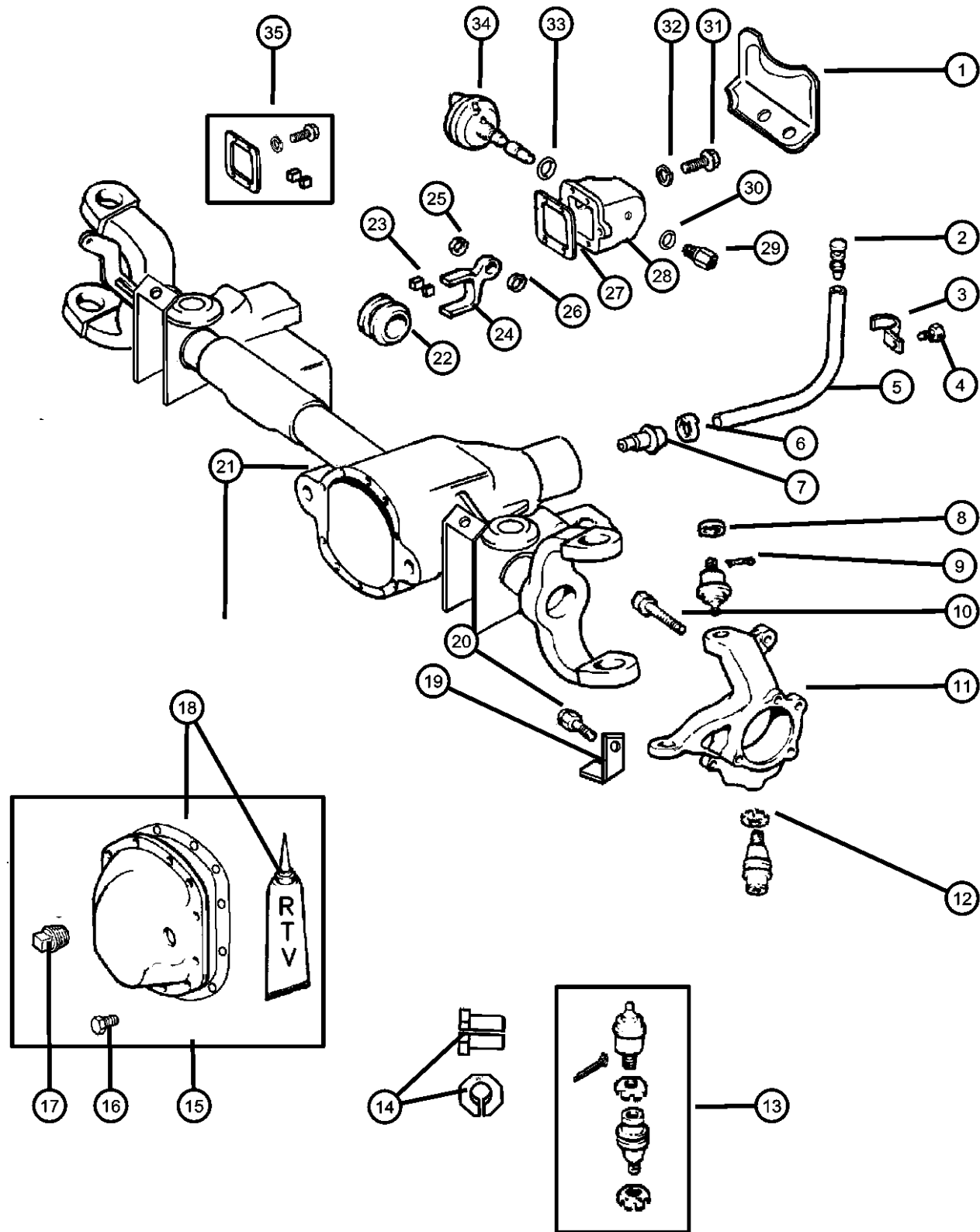
SERIES	LINE
L = RAM 1500, 2500, 3500	1 = Lt. Duty DODGE 2WD 2 = Med. Duty DODGE 2WD 3 = HD DODGE 2WD 6 = Lt. Duty DODGE 4WD 7 = Med. Duty DODGE 4WD 8 = HD DODGE 4WD

BODY	ENGINE
31 = CLUB CAB 2-DR 6.5 FT BOX 32 = CLUB CAB 2-DR 8FT BOX 33 = QUAD CAB 4-DR 6.5 FT BOX 34 = QUAD CAB 4-DR 8FT BOX	ETC = 5.9L Cummins 24V Diesel Engine EWA = 8.0L V10 MPI Engine EM0 = ALL 5.9L 8 CYL ENGINES - GAS EMM = 5.9L SMPI V8 Engine EML = 5.9L V8 MPI Engine ELF = 5.2L V8 MPI Engine

TRANSMISSION
DGP = 4-Spd. Automatic 47RE Transmission DD0 = ALL 5 SPEED MANUAL TRANSMISSIONS DG0 = ALL AUTOMATIC TRANSMISSIONS DDC = 5-Speed HD Manual Transmission DDP = 5-Speed Manual Transmission DDX = 5-Speed HD Manual Transmission DEE = 6-Speed HD Manual Transmission DGT = 4-Spd. Automatic 46RE Transmission

AR = use ase required - = Non illustrated part

Front Axle Housing, Dana Model 60, BE 7,8
Figure 2-320



ITEM	PART NUMBER	QTY	LINE	SERIES	BODY	ENGINE	TRANS	TRIM	DESCRIPTION
	04625797	1	7						
20	11503780	2	8		34				BOLT
21	05014286AA	1	7						HOUSING, Axle
22	04778548	1	8		34				COLLAR, Axle Shift
23	04137731	2	7						CLIP, Axle Disconnect Fork
24	04137727	1	7						FORK, Axle Shift
25	04137728	1	8		34				SNAP RING, Vacuum Motor
26	04137729	2	7						SNAP RING, Vacuum Motor
27	04137732	1	7						GASKET, Axle Disconnect Housing
28	04384169	1	8		34				COVER, Axle Disconnect

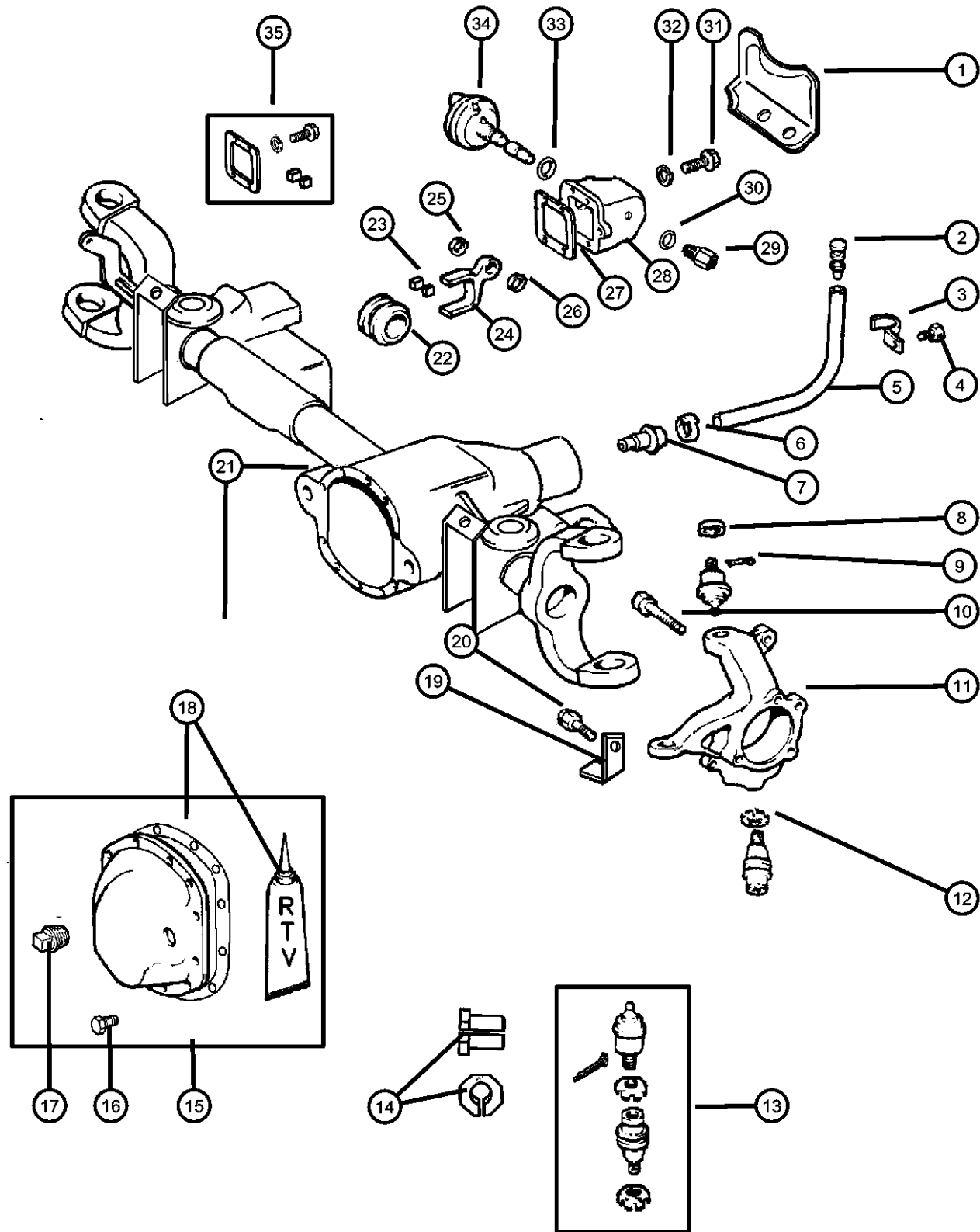
RAM PICKUP/CLUB CAB (BE)

SERIES	LINE
L = RAM 1500, 2500, 3500	1 = Lt. Duty DODGE 2WD
	2 = Med. Duty DODGE 2WD
	3 = HD DODGE 2WD
	6 = Lt. Duty DODGE 4WD
	7 = Med. Duty DODGE 4WD
	8 = HD DODGE 4WD

BODY	ENGINE	TRANSMISSION
31 = CLUB CAB 2-DR 6.5 FT BOX	ETC = 5.9L Cummins 24V Diesel Engine	DGP = 4-Spd. Automatic 47RE Transmission
32 = CLUB CAB 2-DR 8FT BOX	EWA = 8.0L V10 MPI Engine	DD0 = ALL 5 SPEED MANUAL TRANSMISSIONS
33 = QUAD CAB 4-DR 6.5 FT BOX	EM0 = ALL 5.9L 8 CYL ENGINES - GAS	DG0 = ALL AUTOMATIC TRANSMISSIONS
34 = QUAD CAB 4-DR 8FT BOX	EMM = 5.9L SMPI V8 Engine	DDC = 5-Speed HD Manual Transmission
	EML = 5.9L V8 MPI Engine	DDP = 5-Speed Manual Transmission
	ELF = 5.2L V8 MPI Engine	DDX = 5-Speed HD Manual Transmission
		DEE = 6-Speed HD Manual Transmission
		DGT = 4-Spd. Automatic 46RE Transmission

AR = use ase required - = Non illustrated part

Front Axle Housing, Dana Model 60, BE 7,8
Figure 2-320



ITEM	PART NUMBER	QTY	LINE	SERIES	BODY	ENGINE	TRANS	TRIM	DESCRIPTION
29		1	8		34				SWITCH, Hub Lock Indicator
	04289880	1	7						
30		1	8		34				GASKET, Axle Disconnect Switch
	05209912	1	7						
31		1	8		34				BOLT, Axle Disconnect Cover
	04137734	4	7						
		4	8		34				
32		4	7		34				LOCK WASHER
	04137733	4	8						
33		4	8		34				O RING, Shaft Disconnect
	04137726	1	7						
		1	8		34				
34		1	7		34				MOTOR KIT, Axle Vacuum
	04882682	1	8						
35		1	7		34				CLIP KIT, Axle Disconnect
	J8133708	1	8						
-36		1	7		34				SENSOR, Anti-Lock Brakes
	05010256AA	1	8						Right
		1	7		34				Right
	05010257AA	1	8						Left
		1	7		34				Left

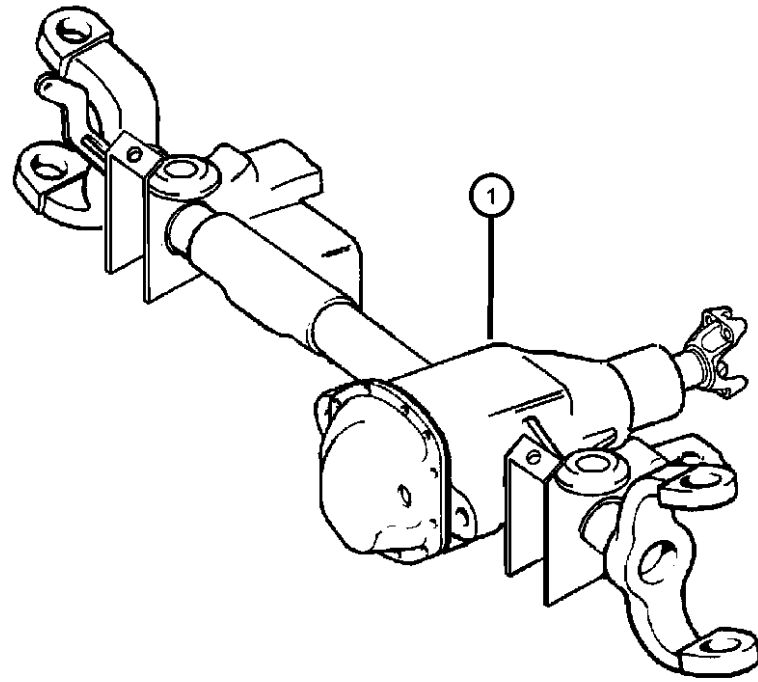
RAM PICKUP/CLUB CAB (BE)

SERIES	LINE
L = RAM 1500, 2500, 3500	1 = Lt. Duty DODGE 2WD 2 = Med. Duty DODGE 2WD 3 = HD DODGE 2WD 6 = Lt. Duty DODGE 4WD 7 = Med. Duty DODGE 4WD 8 = HD DODGE 4WD

BODY	ENGINE	TRANSMISSION
31 = CLUB CAB 2-DR 6.5 FT BOX 32 = CLUB CAB 2-DR 8FT BOX 33 = QUAD CAB 4-DR 6.5 FT BOX 34 = QUAD CAB 4-DR 8FT BOX	ETC = 5.9L Cummins 24V Diesel Engine EWA = 8.0L V10 MPI Engine EM0 = ALL 5.9L 8 CYL ENGINES - GAS EMM = 5.9L SMPI V8 Engine EML = 5.9L V8 MPI Engine ELF = 5.2L V8 MPI Engine	DGP = 4-Spd. Automatic 47RE Transmission DD0 = ALL 5 SPEED MANUAL TRANSMISSIONS DG0 = ALL AUTOMATIC TRANSMISSIONS DDC = 5-Speed HD Manual Transmission DDP = 5-Speed Manual Transmission DDX = 5-Speed HD Manual Transmission DEE = 6-Speed HD Manual Transmission DGT = 4-Spd. Automatic 46RE Transmission

AR = use ase required - = Non illustrated part

**Front Axle Assembly
Figure 2-410**



ITEM	PART NUMBER	QTY	LINE	SERIES	BODY	ENGINE	TRANS	TRIM	DESCRIPTION
------	-------------	-----	------	--------	------	--------	-------	------	-------------

Note:DJC= Dana 44 Axle—DJF= Dana 60 Axle—DMD=3.54 Ratio—DMH=3.92 Ratio—DMF=4.10 Ratio

1									AXLE, Service Front
	05014279AA	1	6						[DJC,DMD] with Tag #52070130AH,52070143AH
	04874468								Mopar SAE 80W-90 Gear Lube Quart Bottle
	68003054AA								Mopar SAE 80W-90 Gear Lube 16 Gallon Keg
	05014284AA	1	6						[DJC,DMH] with Tag #52070132AH,52070144AH
	04874468								Mopar SAE 80W-90 Gear Lube Quart Bottle
	68003054AA								Mopar SAE 80W-90 Gear Lube 16 Gallon Keg
	05014287AA	1	7						[DJC,DMH] with Tag #52070136AE,52070148AE
	04874468								Mopar SAE 80W-90 Gear Lube Quart Bottle
	68003054AA								Mopar SAE 80W-90 Gear Lube 16 Gallon Keg
		1	8			34			[DJF,DMD] with Tag #52070138AE
	04874468								Mopar SAE 80W-90 Gear Lube Quart Bottle
	68003054AA								Mopar SAE 80W-90 Gear Lube 16 Gallon Keg
	05014298AA	1	7						[DJF,DMF] with Tag #52070137AE,52070152AE
	04874468								Mopar SAE 80W-90 Gear Lube Quart Bottle
	68003054AA								Mopar SAE 80W-90 Gear Lube 16 Gallon Keg
		1	8			34			[DJF,DMF] with Tag #52070139AE
	04874468								Mopar SAE 80W-90 Gear Lube Quart Bottle
	68003054AA								Mopar SAE 80W-90 Gear Lube 16 Gallon Keg

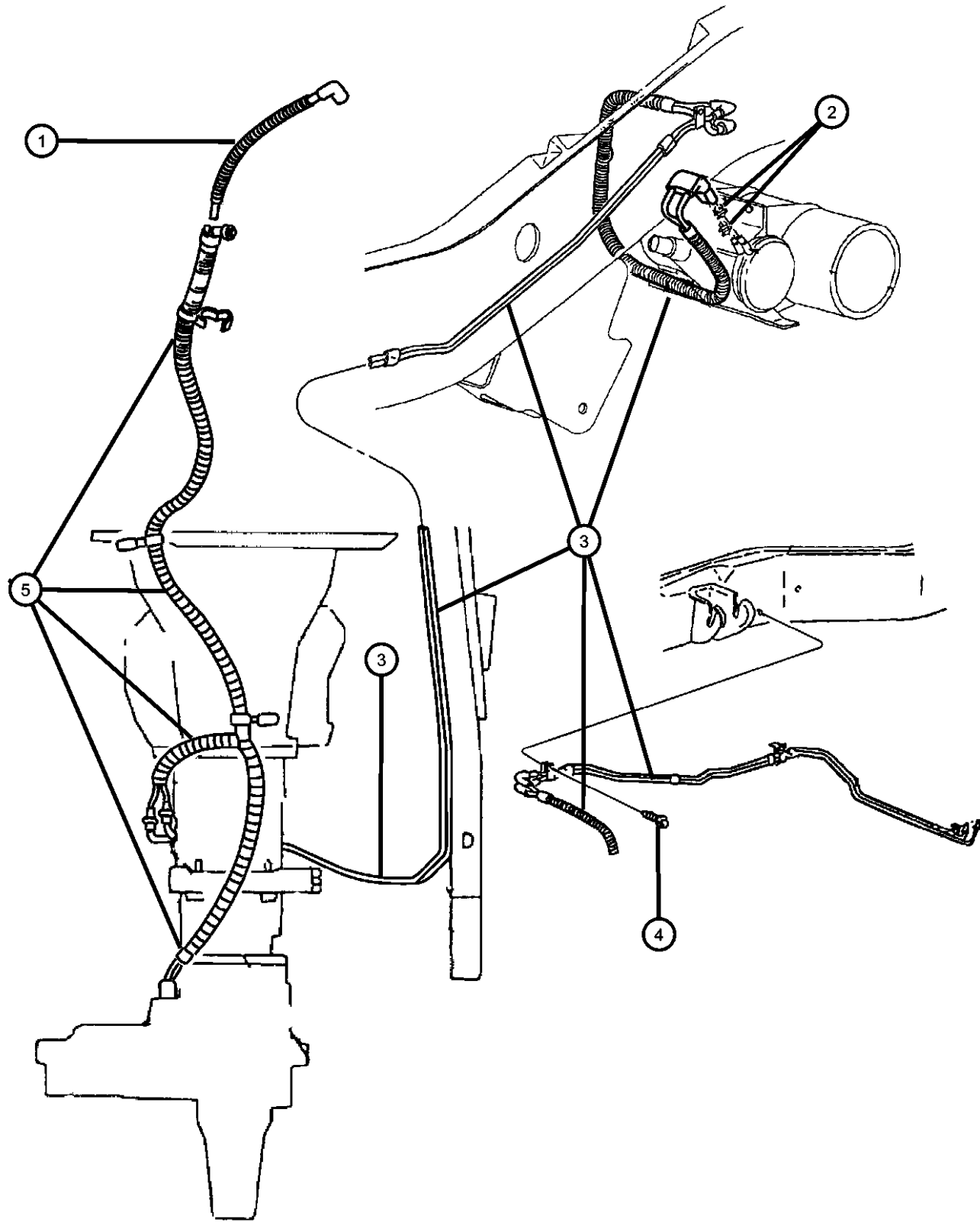
RAM PICKUP/CLUB CAB (BE)

SERIES	LINE	BODY	ENGINE	TRANSMISSION
L = RAM 1500, 2500, 3500	1 = Lt. Duty DODGE 2WD 2 = Med. Duty DODGE 2WD 3 = HD DODGE 2WD 6 = Lt. Duty DODGE 4WD 7 = Med. Duty DODGE 4WD 8 = HD DODGE 4WD	31 = CLUB CAB 2-DR 6.5 FT BOX 32 = CLUB CAB 2-DR 8FT BOX 33 = QUAD CAB 4-DR 6.5 FT BOX 34 = QUAD CAB 4-DR 8FT BOX	ETC = 5.9L Cummins 24V Diesel Engine EWA = 8.0L V10 MPI Engine EM0 = ALL 5.9L 8 CYL ENGINES - GAS EMM = 5.9L SMPI V8 Engine EML = 5.9L V8 MPI Engine ELF = 5.2L V8 MPI Engine	DGP = 4-Spd. Automatic 47RE Transmission DD0 = ALL 5 SPEED MANUAL TRANSMISSIONS DG0 = ALL AUTOMATIC TRANSMISSIONS DDC = 5-Speed HD Manual Transmission DDP = 5-Speed Manual Transmission DDX = 5-Speed HD Manual Transmission DEE = 6-Speed HD Manual Transmission DGT = 4-Spd. Automatic 46RE Transmission

AR = use ase required - = Non illustrated part

1999 BE

Vacuum Lines Front Axle and Transfer Case
Figure 2-510



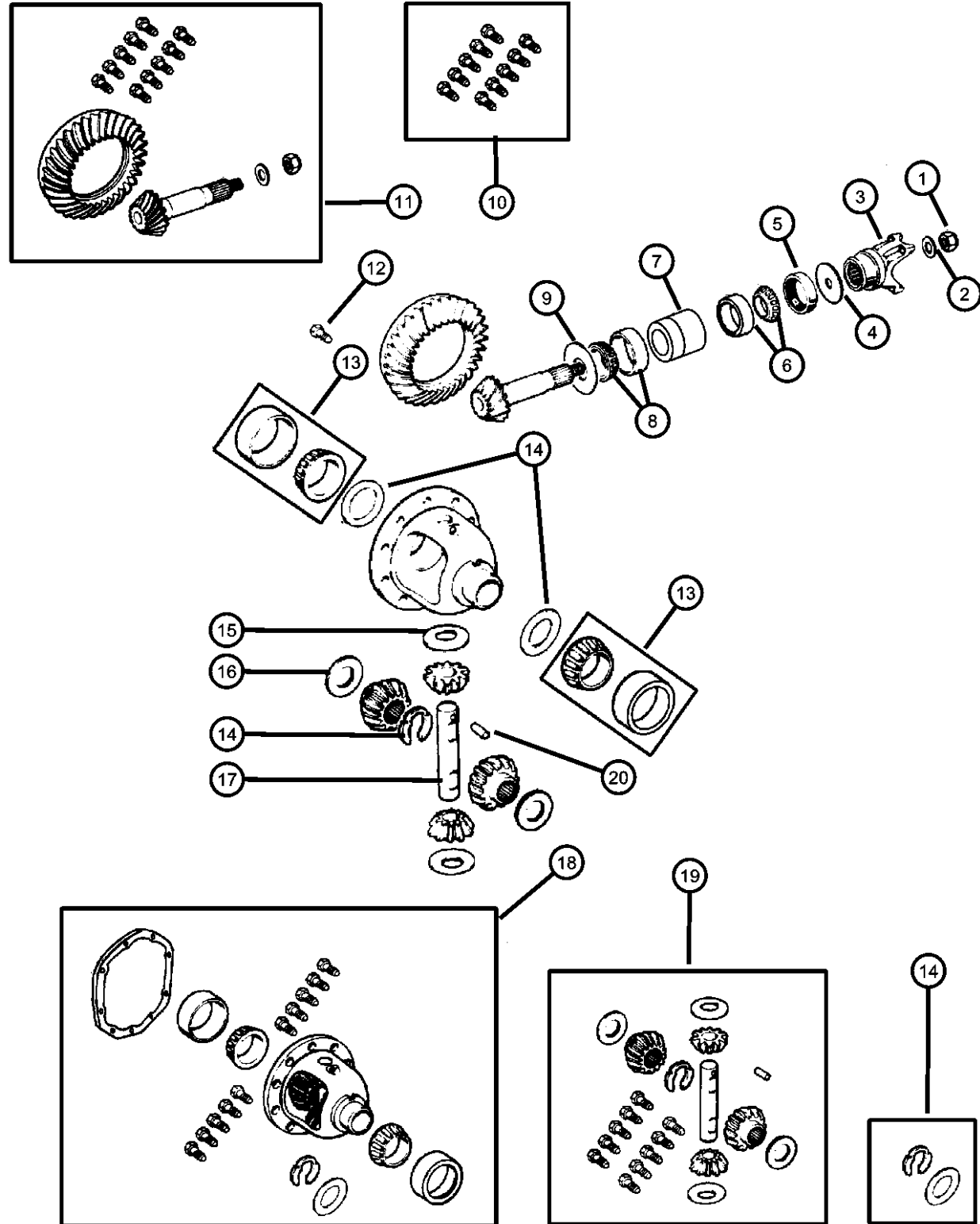
ITEM	PART NUMBER	QTY	LINE	SERIES	BODY	ENGINE	TRANS	TRIM	DESCRIPTION
1	52078634	1	6, 7, 8				DEE		HARNESS, Vacuum Front Axle Jumper
2	06032173	2	6, 7, 8						CLAMP, Tube, .335 Diameter, Front Axle Disconnect to Vacuum Motor
3	52105299	1	6, 7, 8						HARNESS, Vacuum Front Axle
4	06503319	3	6, 7, 8						SCREW, Hex Head, M6x1x20, From Front Axle Vacuum Disconnect Motor to Transmission
5	52105317	1	6, 7, 8						HARNESS, Vacuum Front Axle

RAM PICKUP/CLUB CAB (BE)

SERIES	LINE	BODY	ENGINE	TRANSMISSION
L = RAM 1500, 2500, 3500	1 = Lt. Duty DODGE 2WD 2 = Med. Duty DODGE 2WD 3 = HD DODGE 2WD 6 = Lt. Duty DODGE 4WD 7 = Med. Duty DODGE 4WD 8 = HD DODGE 4WD	31 = CLUB CAB 2-DR 6.5 FT BOX 32 = CLUB CAB 2-DR 8FT BOX 33 = QUAD CAB 4-DR 6.5 FT BOX 34 = QUAD CAB 4-DR 8FT BOX	ETC = 5.9L Cummins 24V Diesel Engine EWA = 8.0L V10 MPI Engine EM0 = ALL 5.9L 8 CYL ENGINES - GAS EMM = 5.9L SMPI V8 Engine EML = 5.9L V8 MPI Engine ELF = 5.2L V8 MPI Engine	DGP = 4-Spd. Automatic 47RE Transmission DD0 = ALL 5 SPEED MANUAL TRANSMISSIONS DG0 = ALL AUTOMATIC TRANSMISSIONS DDC = 5-Speed HD Manual Transmission DDP = 5-Speed Manual Transmission DDX = 5-Speed HD Manual Transmission DEE = 6-Speed HD Manual Transmission DGT = 4-Spd. Automatic 46RE Transmission

AR = use ase required - = Non illustrated part

Differential, Front Axle Dana Model 44, BE 6
Figure 2-610



ITEM	PART NUMBER	QTY	LINE	SERIES	BODY	ENGINE	TRANS	TRIM	DESCRIPTION
------	-------------	-----	------	--------	------	--------	-------	------	-------------

Note: DJC = Dana 44 Axle— DMD = 3.54 Ratio— DMH = 3.92 Ratio—DMF = 4.09 Ratio

1	01791575	1	6						NUT, Pinion Yoke
2	01791576	1	6						WASHER, Pinion Yoke
3	04746738	1	6						YOKE, Drive Shaft
4	04031974	1	6						SLINGER, Drive Pinion
5	04746772	1	6						SEAL, Drive Pinion
6	J8124052	1	6						BEARING, Drive Pinion, Bearing and Cup, Front
7	04746771	1	6						SPACER, Drive Pinion Bearing, Collapsible
8	J8126499	1	6						BEARING, Drive Pinion, Bearing and Cup, Rear
9	04761647	1	6						SHIM KIT, Pinion Shaft
10	04720891	1	6						BOLT KIT, Consist of 10-5252503 Screws
11									GEAR KIT, Ring And Pinion
	04137749	1	6						3.54 Ratio
	04506120	1	6						3.92 Ratio
12	05252503	10	6						SCREW, Drive Gear
13	04746733	1	6						BEARING, Differential Case, Consists of 2 Cups and 2 Cones
14	04137769	1	6						SHIM KIT, Differential, Consists of Side Bearing Shims and Snap Ring
15	01791561	2	6						WASHER, Pinion Thrust
16	04137755	2	6						WASHER, Differential Side GearThrust
17	83503069	1	6						SHAFT, Differential
18									CASE, Differential
	04778602	1	6						3.92 Ratio
	04874468								Mopar SAE 80W-90 Gear Lube Quart Bottle
	68003054AA								Mopar SAE 80W-90 Gear Lube 16 Gallon Keg

RAM PICKUP/CLUB CAB (BE)

SERIES	LINE
L = RAM 1500, 2500, 3500	1 = Lt. Duty DODGE 2WD
	2 = Med. Duty DODGE 2WD
	3 = HD DODGE 2WD
	6 = Lt. Duty DODGE 4WD
	7 = Med. Duty DODGE 4WD
	8 = HD DODGE 4WD

BODY

31 = CLUB CAB 2-DR 6.5 FT BOX
32 = CLUB CAB 2-DR 8FT BOX
33 = QUAD CAB 4-DR 6.5 FT BOX
34 = QUAD CAB 4-DR 8FT BOX

ENGINE

ETC = 5.9L Cummins 24V Diesel Engine
EWA = 8.0L V10 MPI Engine
EM0 = ALL 5.9L 8 CYL ENGINES - GAS
EMM = 5.9L SMPI V8 Engine
EML = 5.9L V8 MPI Engine
ELF = 5.2L V8 MPI Engine

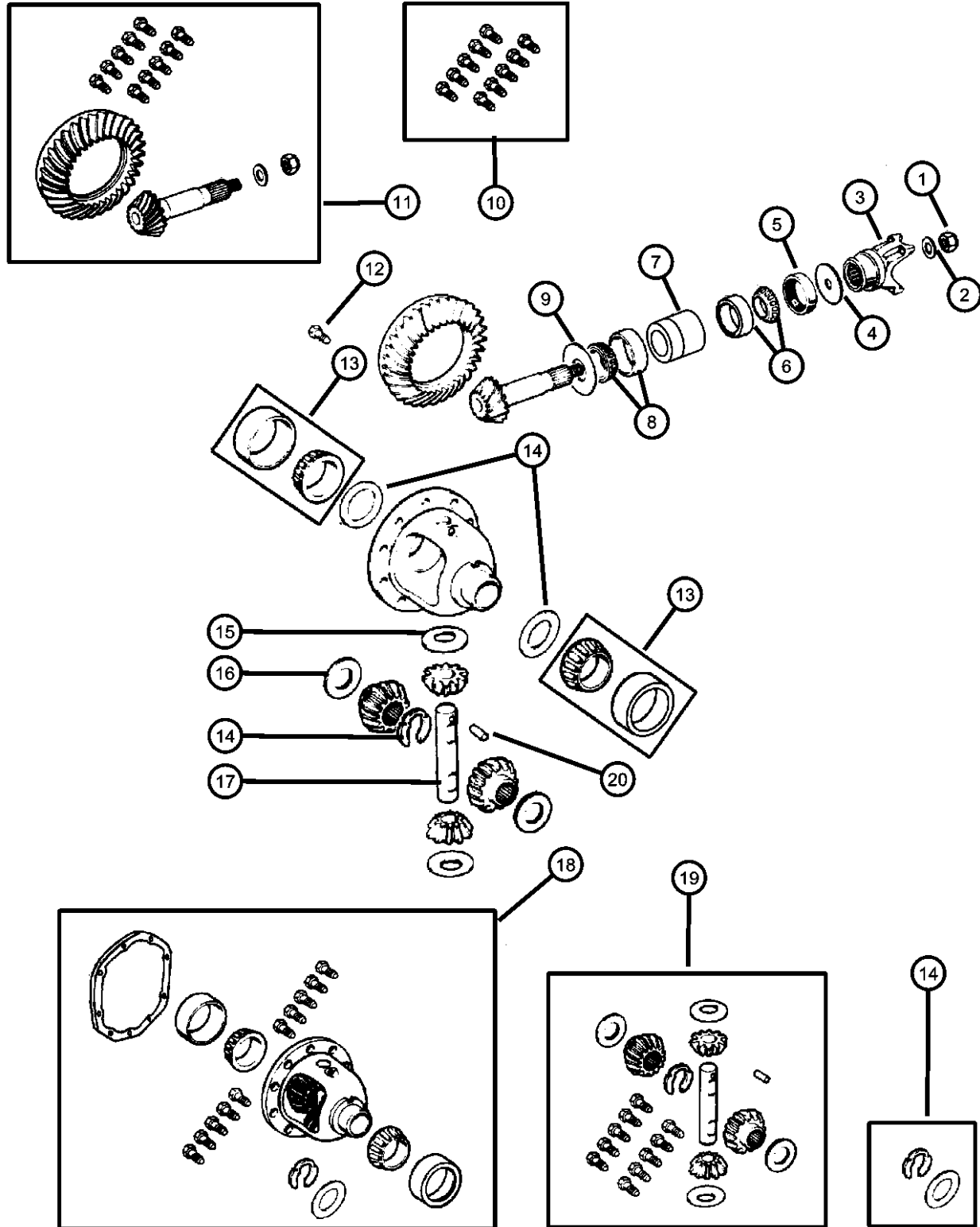
TRANSMISSION

DGP = 4-Spd. Automatic 47RE Transmission
DD0 = ALL 5 SPEED MANUAL TRANSMISSIONS
DG0 = ALL AUTOMATIC TRANSMISSIONS
DDC = 5-Speed HD Manual Transmission
DDP = 5-Speed Manual Transmission
DDX = 5-Speed HD Manual Transmission
DEE = 6-Speed HD Manual Transmission
DGT = 4-Spd. Automatic 46RE Transmission

AR = use ase required - = Non illustrated part

1999 BE

Differential, Front Axle Dana Model 44, BE 6
Figure 2-610



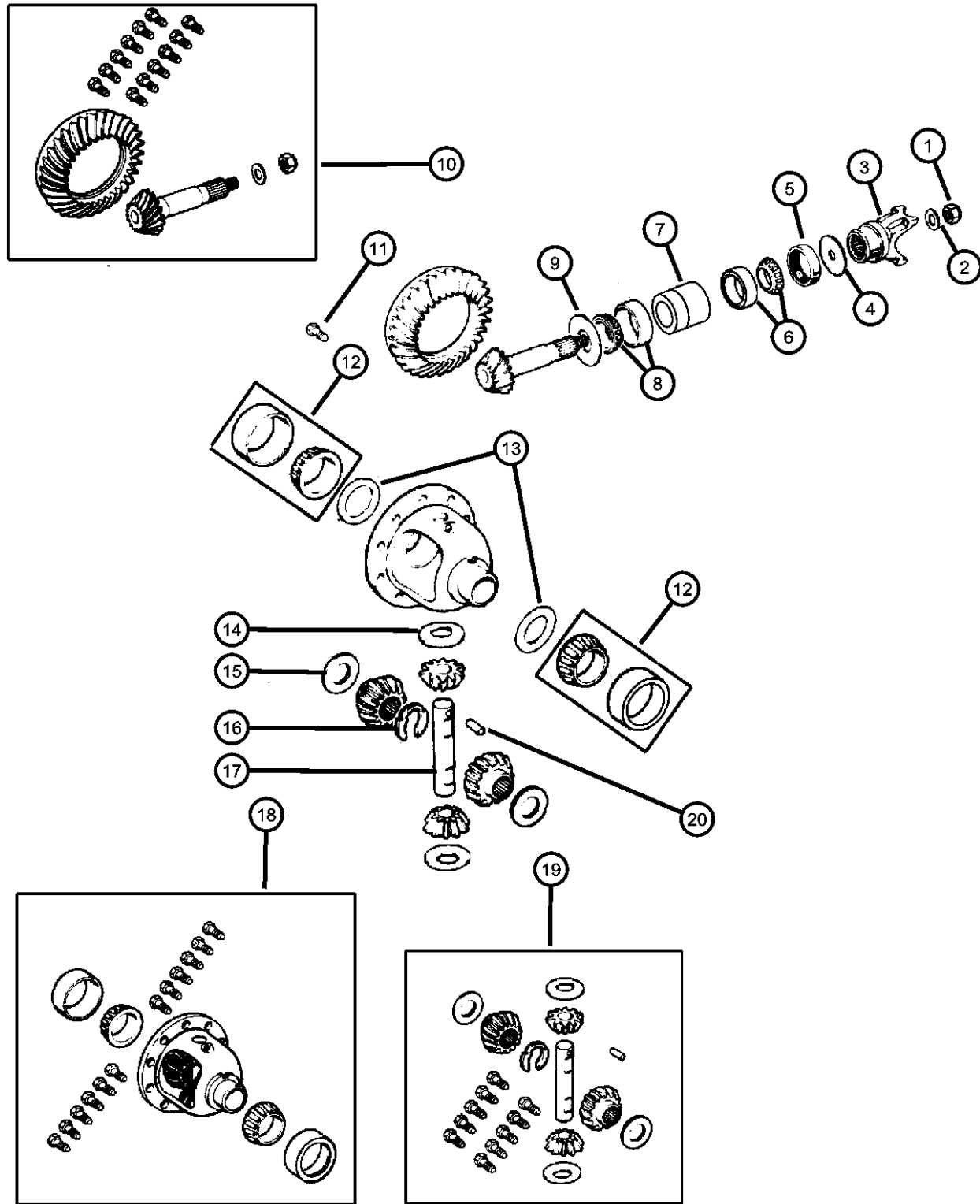
ITEM	PART NUMBER	QTY	LINE	SERIES	BODY	ENGINE	TRANS	TRIM	DESCRIPTION
	04778672	1	6						3.54 Ratio
	04874468								Mopar SAE 80W-90 Gear Lube Quart Bottle
	68003054AA								Mopar SAE 80W-90 Gear Lube 16 Gallon Keg
19	04778595	1	6						GEAR KIT, Center Differential
20	01791563	1	6						PIN, Differential Shaft

RAM PICKUP/CLUB CAB (BE)

SERIES	LINE	BODY	ENGINE	TRANSMISSION
L = RAM 1500, 2500, 3500	1 = Lt. Duty DODGE 2WD 2 = Med. Duty DODGE 2WD 3 = HD DODGE 2WD 6 = Lt. Duty DODGE 4WD 7 = Med. Duty DODGE 4WD 8 = HD DODGE 4WD	31 = CLUB CAB 2-DR 6.5 FT BOX 32 = CLUB CAB 2-DR 8FT BOX 33 = QUAD CAB 4-DR 6.5 FT BOX 34 = QUAD CAB 4-DR 8FT BOX	ETC = 5.9L Cummins 24V Diesel Engine EWA = 8.0L V10 MPI Engine EM0 = ALL 5.9L 8 CYL ENGINES - GAS EMM = 5.9L SMPI V8 Engine EML = 5.9L V8 MPI Engine ELF = 5.2L V8 MPI Engine	DGP = 4-Spd. Automatic 47RE Transmission DD0 = ALL 5 SPEED MANUAL TRANSMISSIONS DG0 = ALL AUTOMATIC TRANSMISSIONS DDC = 5-Speed HD Manual Transmission DDP = 5-Speed Manual Transmission DDX = 5-Speed HD Manual Transmission DEE = 6-Speed HD Manual Transmission DGT = 4-Spd. Automatic 46RE Transmission

AR = use ase required - = Non illustrated part

Differential, Front Axle, Dana Model 60, BE 7,8
Figure 2-620



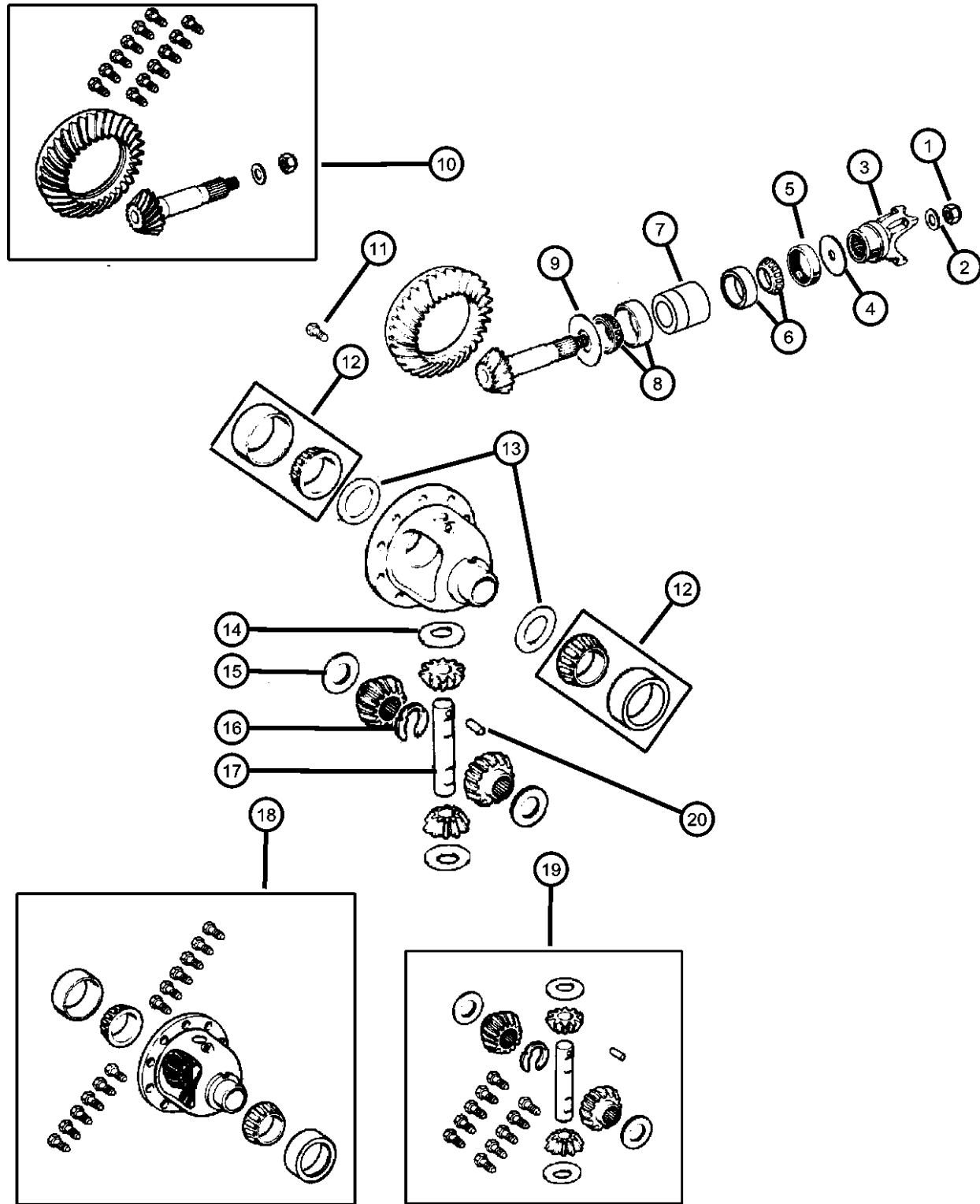
ITEM	PART NUMBER	QTY	LINE	SERIES	BODY	ENGINE	TRANS	TRIM	DESCRIPTION
Note: DJF = Dana 60—DMD = 3.54 Ratio—DMF = 4.10 Ratio									
1									NUT, Pinion Yoke
	01795173	1	7						
		1	8		34				
2									WASHER, Pinion Yoke
	01795175	1	7						
		1	8		34				
3									YOKE, Axle with Slinger
	04164120	1	7						
		1	8		34				with Slinger
4		1							SLINGER, Drive Pinion, Purchase Yoke, (NOT SERVICED), SEAL, Drive Pinion
5									
	04384188	1	7						
		1	8		34				
6									BEARING, Drive Pinion Bearing and Cup, Front
	04746604	1	7						
		1	8		34				Bearing and Cup, Front
7									SPACER, Drive Pinion Bearing Collapsible
	04746606	1	7						
		1	8		34				Collapsible
8									BEARING, Drive Pinion Bearing and Cup, Rear
	04746603	1	7						
		1	8		34				Bearing and Cup, Rear
9									SHIM KIT, Pinion Shaft
	04746868	1	7						
		1	8		34				
10									GEAR KIT, Ring And Pinion 3.54 Ratio
	04762222	1	7						

RAM PICKUP/CLUB CAB (BE)

SERIES	LINE	BODY	ENGINE	TRANSMISSION
L = RAM 1500, 2500, 3500	1 = Lt. Duty DODGE 2WD 2 = Med. Duty DODGE 2WD 3 = HD DODGE 2WD 6 = Lt. Duty DODGE 4WD 7 = Med. Duty DODGE 4WD 8 = HD DODGE 4WD	31 = CLUB CAB 2-DR 6.5 FT BOX 32 = CLUB CAB 2-DR 8FT BOX 33 = QUAD CAB 4-DR 6.5 FT BOX 34 = QUAD CAB 4-DR 8FT BOX	ETC = 5.9L Cummins 24V Diesel Engine EWA = 8.0L V10 MPI Engine EM0 = ALL 5.9L 8 CYL ENGINES - GAS EMM = 5.9L SMPI V8 Engine EML = 5.9L V8 MPI Engine ELF = 5.2L V8 MPI Engine	DGP = 4-Spd. Automatic 47RE Transmission DD0 = ALL 5 SPEED MANUAL TRANSMISSIONS DG0 = ALL AUTOMATIC TRANSMISSIONS DDC = 5-Speed HD Manual Transmission DDP = 5-Speed Manual Transmission DDX = 5-Speed HD Manual Transmission DEE = 6-Speed HD Manual Transmission DGT = 4-Spd. Automatic 46RE Transmission

AR = use ase required - = Non illustrated part

Differential, Front Axle, Dana Model 60, BE 7,8
Figure 2-620



ITEM	PART NUMBER	QTY	LINE	SERIES	BODY	ENGINE	TRANS	TRIM	DESCRIPTION
		1	8		34				3.54 Ratio
	04864966	1	7						4.10 Ratio
		1	8		34				4.10 Ratio
11									SCREW, Hex Head
	04506066	12	7						Drive Gear
		12	8		34				Drive Gear
12									BEARING, Differential
	04746605	1	7						Consists of 2 Cups and 2 Cones
		1	8		34				Consists of 2 Cups and 2 Cones
13									SHIM, Differential Bearing
	03898313	1	7						
		1	8		34				
14									WASHER, Pinion Gear, (Purchase Center Differential Gear Kit), (NOT SERVICED)
15									WASHER, Differential Side Gear, (Purchase Center Differential Gear Kit), (NOT SERVICED)
16									SNAP RING, Axle Shaft, (Purchase Center Differential Gear Kit), (NOT SERVICED)
17									SHAFT, Differential
	01922276	1	7						
		1	8		34				
18									CASE, Differential
	04778711	1	7						
	04874468								Mopar SAE 80W-90 Gear Lube Quart Bottle
	68003054AA								Mopar SAE 80W-90 Gear Lube 16 Gallon Keg
		1	8		34				

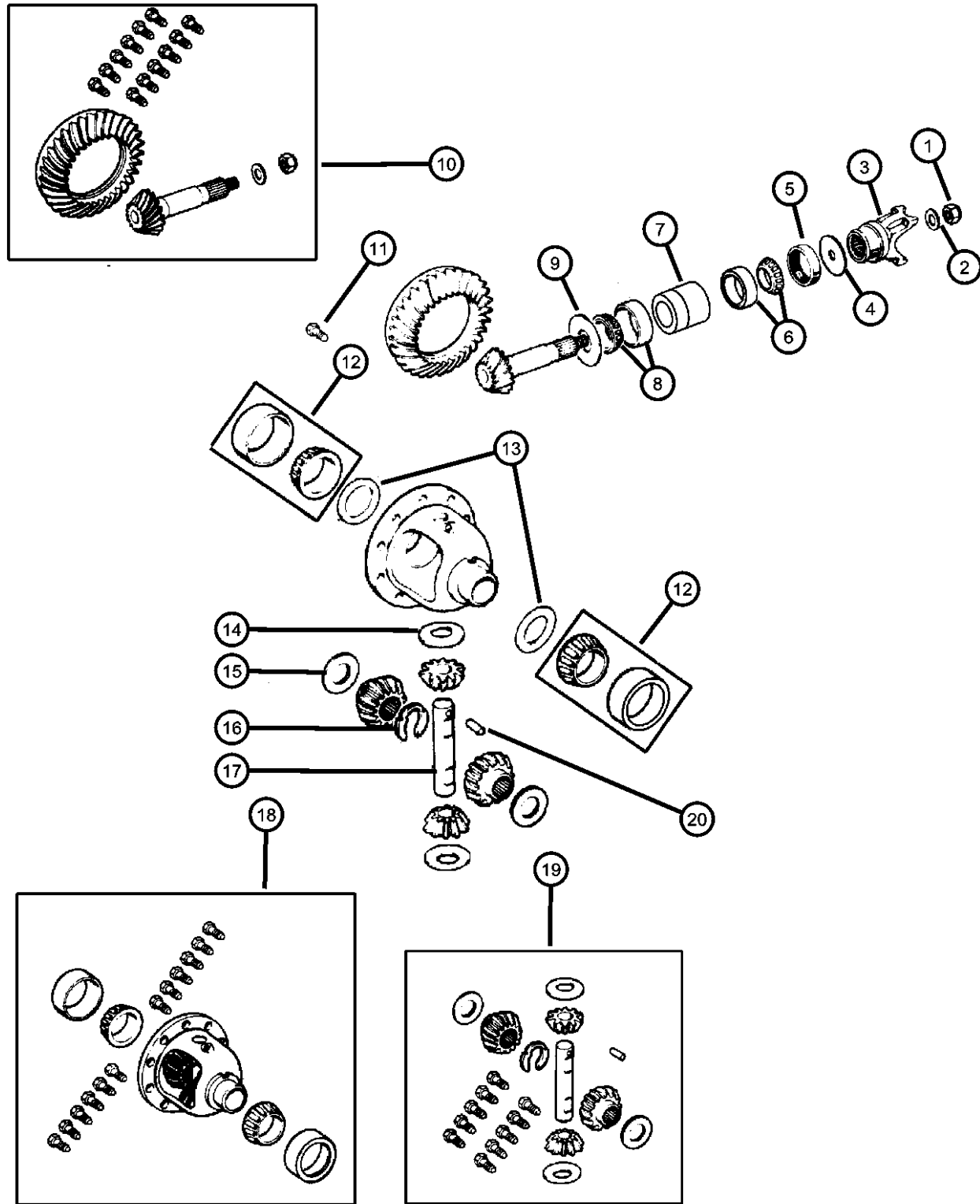
RAM PICKUP/CLUB CAB (BE)

SERIES	LINE
L = RAM 1500, 2500, 3500	1 = Lt. Duty DODGE 2WD
	2 = Med. Duty DODGE 2WD
	3 = HD DODGE 2WD
	6 = Lt. Duty DODGE 4WD
	7 = Med. Duty DODGE 4WD
	8 = HD DODGE 4WD

BODY	ENGINE	TRANSMISSION
31 = CLUB CAB 2-DR 6.5 FT BOX	ETC = 5.9L Cummins 24V Diesel Engine	DGP = 4-Spd. Automatic 47RE Transmission
32 = CLUB CAB 2-DR 8FT BOX	EWA = 8.0L V10 MPI Engine	DD0 = ALL 5 SPEED MANUAL TRANSMISSIONS
33 = QUAD CAB 4-DR 6.5 FT BOX	EM0 = ALL 5.9L 8 CYL ENGINES - GAS	DG0 = ALL AUTOMATIC TRANSMISSIONS
34 = QUAD CAB 4-DR 8FT BOX	EMM = 5.9L SMPI V8 Engine	DDC = 5-Speed HD Manual Transmission
	EML = 5.9L V8 MPI Engine	DDP = 5-Speed Manual Transmission
	ELF = 5.2L V8 MPI Engine	DDX = 5-Speed HD Manual Transmission
		DEE = 6-Speed HD Manual Transmission
		DGT = 4-Spd. Automatic 46RE Transmission

AR = use ase required - = Non illustrated part

Differential, Front Axle, Dana Model 60, BE 7,8
Figure 2-620



ITEM	PART NUMBER	QTY	LINE	SERIES	BODY	ENGINE	TRANS	TRIM	DESCRIPTION
------	-------------	-----	------	--------	------	--------	-------	------	-------------

	04874468								Mopar SAE 80W-90 Gear Lube Quart Bottle
	68003054AA								Mopar SAE 80W-90 Gear Lube 16 Gallon Keg
19									GEAR KIT, Center Differential
	04778712	1	7						
		1	8		34				
20									ROLL PIN, Differential
	04883560AA	1	7						
		1	8		34				

RAM PICKUP/CLUB CAB (BE)

SERIES	LINE	BODY	ENGINE	TRANSMISSION
L = RAM 1500, 2500, 3500	1 = Lt. Duty DODGE 2WD 2 = Med. Duty DODGE 2WD 3 = HD DODGE 2WD 6 = Lt. Duty DODGE 4WD 7 = Med. Duty DODGE 4WD 8 = HD DODGE 4WD	31 = CLUB CAB 2-DR 6.5 FT BOX 32 = CLUB CAB 2-DR 8FT BOX 33 = QUAD CAB 4-DR 6.5 FT BOX 34 = QUAD CAB 4-DR 8FT BOX	ETC = 5.9L Cummins 24V Diesel Engine EWA = 8.0L V10 MPI Engine EM0 = ALL 5.9L 8 CYL ENGINES - GAS EMM = 5.9L SMPI V8 Engine EML = 5.9L V8 MPI Engine ELF = 5.2L V8 MPI Engine	DGP = 4-Spd. Automatic 47RE Transmission DD0 = ALL 5 SPEED MANUAL TRANSMISSIONS DG0 = ALL AUTOMATIC TRANSMISSIONS DDC = 5-Speed HD Manual Transmission DDP = 5-Speed Manual Transmission DDX = 5-Speed HD Manual Transmission DEE = 6-Speed HD Manual Transmission DGT = 4-Spd. Automatic 46RE Transmission

AR = use ase required - = Non illustrated part

1999 BE

Group - 3

Rear Axle

Group - 3 Rear Axle

Group-Fig. No.

Illustration Title

Rear Axle

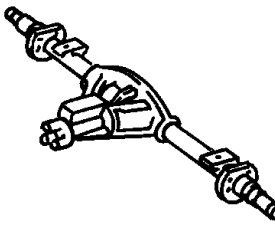
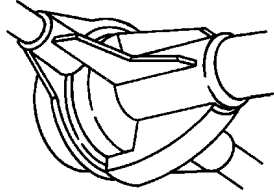
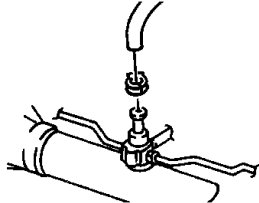
Axle Assembly,Rear,Chrysler Model 9.25,BE 1,6.....	Fig. 3 - 110
Axle Assembly,Rear,Dana Model 60,BE 2,7.....	Fig. 3 - 120
Axle Assembly,Rear,Dana Model 70,BE 2,7.....	Fig. 3 - 130
Axle Assembly,Rear,Dana Model 80,BE 2,3,7,8.....	Fig. 3 - 140

Differential and Housing

Axle,Rear,with Differential Parts,Chrysler 9.25,BE 1,6.....	Fig. 3 - 210
Axle,Rear,with Differential Parts,Dana Model 60,BE 2,7.....	Fig. 3 - 220
Axle,Rear,with Differential Parts,Dana Model 70,BE 2,7.....	Fig. 3 - 230
Axle,Rear,with Differential Parts,Dana Model 80,BE 2,3,7,8.....	Fig. 3 - 240

Rear Axle Vent

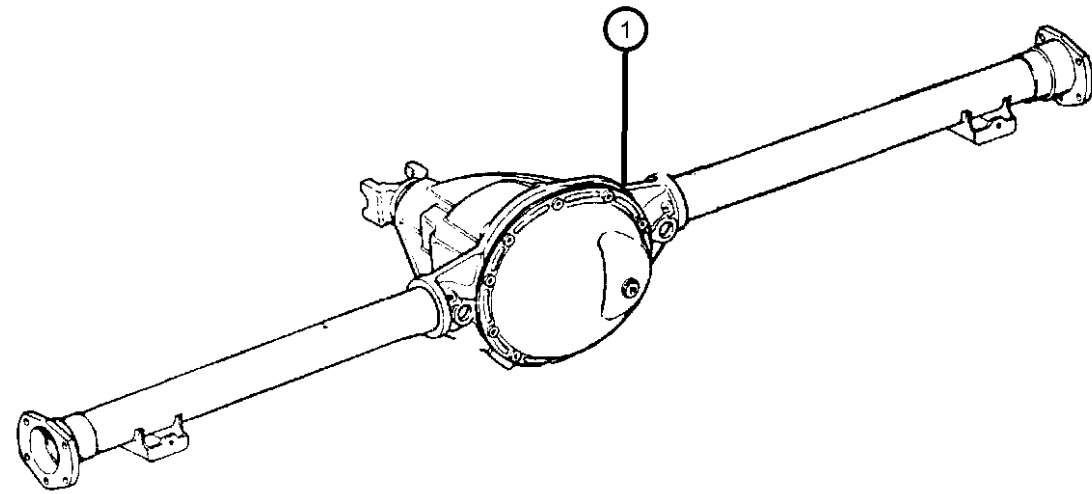
Vent, Axle.....	Fig. 3 - 310
-----------------	--------------

<p>003-100 Rear Axle</p> 	<p>003-200 Differential and Housing</p> 	<p>003-300 Rear Axle Vent</p> 	
--	--	---	--

Axle Assembly,Rear,Chrysler Model 9.25,BE 1,6
Figure 3-110

ITEM	PART NUMBER	QTY	LINE	SERIES	BODY	ENGINE	TRANS	TRIM	DESCRIPTION
------	-------------	-----	------	--------	------	--------	-------	------	-------------

Note: DRB = 9.25 Chrysler Axle Light Duty—DMC = 3.21 Ratio—DMD = 3.55 Ratio—DMH = 3.92 Ratio—DMF= 4.10 Ratio—DSA = Anti-Spin Diff



1									AXLE, Service Rear
	04761950AB	1	1						with Tag 52069566AG [DMC,-DSA]
	05010320AA								Mopar SAE 75W-90 Synthetic Gear Lube Quart
	68003056								Mopar SAE 75W-90 Synthetic Gear Lube 16 Gallon Keg
	04761951AB	1	1						with Tag 52069567AG [DMD,-DSA]
	05010320AA								Mopar SAE 75W-90 Synthetic Gear Lube Quart
	68003056								Mopar SAE 75W-90 Synthetic Gear Lube 16 Gallon Keg
	04761952AB	1	1						with Tag 52069568AG [DMD,+DSA]
	05010320AA								Mopar SAE 75W-90 Synthetic Gear Lube Quart
	68003056								Mopar SAE 75W-90 Synthetic Gear Lube 16 Gallon Keg
	04761953AB	1	1						with Tag 52069569AG [DMH,+DSA]
	05010320AA								Mopar SAE 75W-90 Synthetic Gear Lube Quart
	68003056								Mopar SAE 75W-90 Synthetic Gear Lube 16 Gallon Keg
	04761954AB	1	6						with Tag 52069570AG [DMD,-DSA]
	05010320AA								Mopar SAE 75W-90 Synthetic Gear Lube Quart
	68003056								Mopar SAE 75W-90 Synthetic Gear Lube 16 Gallon Keg
	04761955AB	1	6						with Tag 52069571AG [DMD,+DSA]
	05010320AA								Mopar SAE 75W-90 Synthetic Gear Lube Quart
	68003056								Mopar SAE 75W-90 Synthetic Gear Lube 16 Gallon Keg

RAM PICKUP/CLUB CAB (BE)

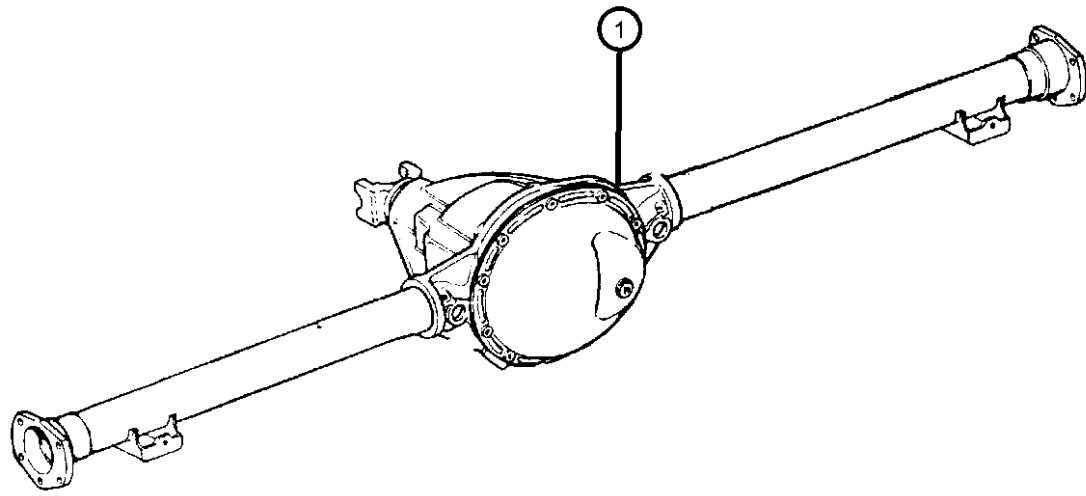
SERIES	LINE	BODY	ENGINE	TRANSMISSION
L = RAM 1500, 2500, 3500	1 = Lt. Duty DODGE 2WD 2 = Med. Duty DODGE 2WD 3 = HD DODGE 2WD 6 = Lt. Duty DODGE 4WD 7 = Med. Duty DODGE 4WD 8 = HD DODGE 4WD	31 = CLUB CAB 2-DR 6.5 FT BOX 32 = CLUB CAB 2-DR 8FT BOX 33 = QUAD CAB 4-DR 6.5 FT BOX 34 = QUAD CAB 4-DR 8FT BOX	ETC = 5.9L Cummins 24V Diesel Engine EWA = 8.0L V10 MPI Engine EM0 = ALL 5.9L 8 CYL ENGINES - GAS EMM = 5.9L SMPI V8 Engine EML = 5.9L V8 MPI Engine ELF = 5.2L V8 MPI Engine	DGP = 4-Spd. Automatic 47RE Transmission DD0 = ALL 5 SPEED MANUAL TRANSMISSIONS DG0 = ALL AUTOMATIC TRANSMISSIONS DDC = 5-Speed HD Manual Transmission DDP = 5-Speed Manual Transmission DDX = 5-Speed HD Manual Transmission DEE = 6-Speed HD Manual Transmission DGT = 4-Spd. Automatic 46RE Transmission

AR = use ase required - = Non illustrated part

1999 BE

Axle Assembly,Rear,Chrysler Model 9.25,BE 1,6
Figure 3-110

ITEM	PART NUMBER	QTY	LINE	SERIES	BODY	ENGINE	TRANS	TRIM	DESCRIPTION
	04761956AB	1	6						with Tag 52069572AG [DMH,+DSA]
	05010320AA								Mopar SAE 75W-90 Synthetic Gear Lube Quart
	68003056								Mopar SAE 75W-90 Synthetic Gear Lube 16 Gallon Keg



RAM PICKUP/CLUB CAB (BE)

SERIES	LINE	BODY	ENGINE	TRANSMISSION
L = RAM 1500, 2500, 3500	1 = Lt. Duty DODGE 2WD 2 = Med. Duty DODGE 2WD 3 = HD DODGE 2WD 6 = Lt. Duty DODGE 4WD 7 = Med. Duty DODGE 4WD 8 = HD DODGE 4WD	31 = CLUB CAB 2-DR 6.5 FT BOX 32 = CLUB CAB 2-DR 8FT BOX 33 = QUAD CAB 4-DR 6.5 FT BOX 34 = QUAD CAB 4-DR 8FT BOX	ETC = 5.9L Cummins 24V Diesel Engine EWA = 8.0L V10 MPI Engine EM0 = ALL 5.9L 8 CYL ENGINES - GAS EMM = 5.9L SMPI V8 Engine EML = 5.9L V8 MPI Engine ELF = 5.2L V8 MPI Engine	DGP = 4-Spd. Automatic 47RE Transmission DD0 = ALL 5 SPEED MANUAL TRANSMISSIONS DG0 = ALL AUTOMATIC TRANSMISSIONS DDC = 5-Speed HD Manual Transmission DDP = 5-Speed Manual Transmission DDX = 5-Speed HD Manual Transmission DEE = 6-Speed HD Manual Transmission DGT = 4-Spd. Automatic 46RE Transmission

AR = use ase required - = Non illustrated part

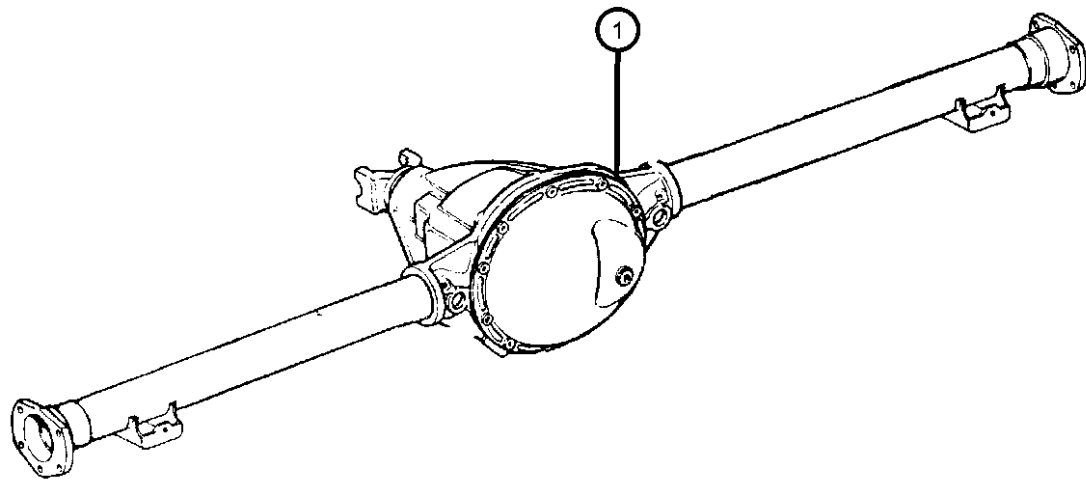
1999 BE

Axle Assembly,Rear,Dana Model 60,BE 2,7
Figure 3-120

ITEM	PART NUMBER	QTY	LINE	SERIES	BODY	ENGINE	TRANS	TRIM	DESCRIPTION
------	-------------	-----	------	--------	------	--------	-------	------	-------------

Note:DRC = 5500LB Axle—DRD = 6200LB. Axle—DMD = 3.54 Ratio—DMF =4.09 Ratio—DSA = Limited Slip Differential or Trac-Lok—Check the

1									AXLE, Service Rear
	04798994AC	1	2						Tag #52069455AD,[DMF,DSA]
	04856004AB	1	2						Tag #52069454AB,[DMD]
	04856058AC	1	7						Tag #52069457AF,[DMF,DSA]
	04856063AC	1	7						Tag #52069456AF,[DMD]



RAM PICKUP/CLUB CAB (BE)

SERIES	LINE	BODY	ENGINE	TRANSMISSION
L = RAM 1500, 2500, 3500	1 = Lt. Duty DODGE 2WD	31 = CLUB CAB 2-DR 6.5 FT BOX	ETC = 5.9L Cummins 24V Diesel Engine	DGP = 4-Spd. Automatic 47RE Transmission
	2 = Med. Duty DODGE 2WD	32 = CLUB CAB 2-DR 8FT BOX	EWA = 8.0L V10 MPI Engine	DD0 = ALL 5 SPEED MANUAL TRANSMISSIONS
	3 = HD DODGE 2WD	33 = QUAD CAB 4-DR 6.5 FT BOX	EM0 = ALL 5.9L 8 CYL ENGINES - GAS	DG0 = ALL AUTOMATIC TRANSMISSIONS
	6 = Lt. Duty DODGE 4WD	34 = QUAD CAB 4-DR 8FT BOX	EMM = 5.9L SMPI V8 Engine	DDC = 5-Speed HD Manual Transmission
	7 = Med. Duty DODGE 4WD		EML = 5.9L V8 MPI Engine	DDP = 5-Speed Manual Transmission
	8 = HD DODGE 4WD		ELF = 5.2L V8 MPI Engine	DDX = 5-Speed HD Manual Transmission
				DEE = 6-Speed HD Manual Transmission
				DGT = 4-Spd. Automatic 46RE Transmission

AR = use ase required - = Non illustrated part

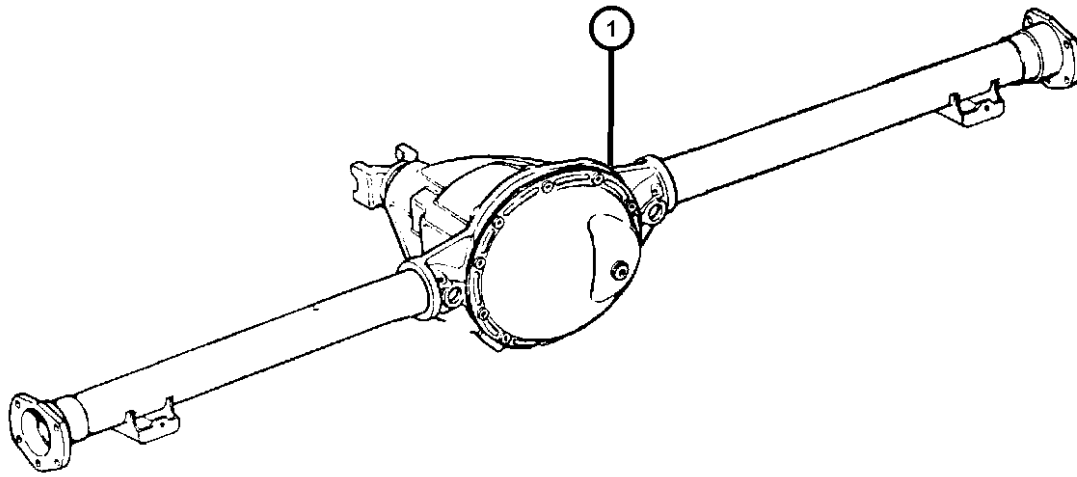
1999 BE

Axle Assembly,Rear,Dana Model 70,BE 2,7
Figure 3-130

ITEM	PART NUMBER	QTY	LINE	SERIES	BODY	ENGINE	TRANS	TRIM	DESCRIPTION
------	-------------	-----	------	--------	------	--------	-------	------	-------------

Note:DRE =Dana 70 Rear Axle—DMD=3.54 Ratio—DMF =4.10 Ratio—DSA = Limited Slip Differential

1									AXLE, Service Rear
	04798982AC	1	7						Tag #52069469AG,[DMD,DSA]
	04798984AC	1	7						Tag #52069468AG,[DMD]
	04798986AC	1	2						Tag #52069459AE,[DMD,DSA]
	04856044AC	1	2						Tag #52069467AE,[DMF,DSA]
	04856048AC	1	2						Tag #52069460AE,[DMF]
	04856054AC	1	2						Tag #52069458AE,[DMD]
	04856140AC	1	7						Tag #52069471AG,[DMF,DSA]
	04856141AC	1	7						Tag #52069470AG,[DMF]



RAM PICKUP/CLUB CAB (BE)

SERIES	LINE	BODY	ENGINE	TRANSMISSION
L = RAM 1500, 2500, 3500	1 = Lt. Duty DODGE 2WD	31 = CLUB CAB 2-DR 6.5 FT BOX	ETC = 5.9L Cummins 24V Diesel Engine	DGP = 4-Spd. Automatic 47RE Transmission
	2 = Med. Duty DODGE 2WD	32 = CLUB CAB 2-DR 8FT BOX	EWA = 8.0L V10 MPI Engine	DD0 = ALL 5 SPEED MANUAL TRANSMISSIONS
	3 = HD DODGE 2WD	33 = QUAD CAB 4-DR 6.5 FT BOX	EM0 = ALL 5.9L 8 CYL ENGINES - GAS	DG0 = ALL AUTOMATIC TRANSMISSIONS
	6 = Lt. Duty DODGE 4WD	34 = QUAD CAB 4-DR 8FT BOX	EMM = 5.9L SMPI V8 Engine	DDC = 5-Speed HD Manual Transmission
	7 = Med. Duty DODGE 4WD		EML = 5.9L V8 MPI Engine	DDP = 5-Speed Manual Transmission
	8 = HD DODGE 4WD		ELF = 5.2L V8 MPI Engine	DDX = 5-Speed HD Manual Transmission
				DEE = 6-Speed HD Manual Transmission
				DGT = 4-Spd. Automatic 46RE Transmission

AR = use ase required - = Non illustrated part

1999 BE

Axle Assembly,Rear,Dana Model 80,BE 2,3,7,8

Figure 3-140

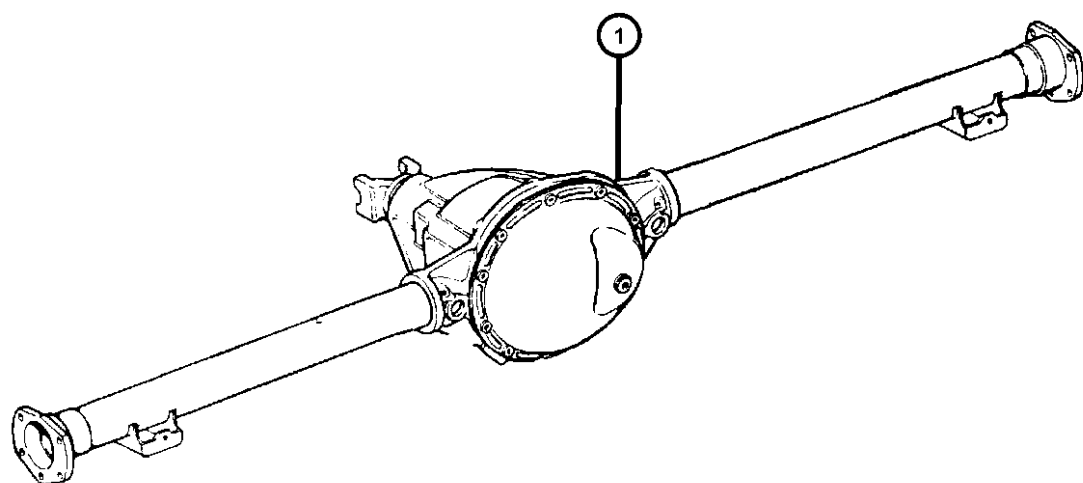
ITEM	PART NUMBER	QTY	LINE	SERIES	BODY	ENGINE	TRANS	TRIM	DESCRIPTION
------	-------------	-----	------	--------	------	--------	-------	------	-------------

Note:DRL = Dana 80 Axle—DMD = 3.54 Ratio—DMF = 4.10 Ratio—DSA = Limited Slip Differential

1

AXLE, Service Rear

	04856082AC	1	8		34				Tag #52069487AE,[DMF,DSA]
	04856083AC	1	8		34				Tag #52069486AE,[DMF]
	04856094AC	1	8		34				Tag #52069485AE,[DMD,DSA]
	04856098AC	1	8		34				Tag #52069484AE,[DMD]
	04856105AC	1	3		34				Tag #52069483AE,[DMF,DSA]
	04856110AC	1	3		34				Tag #52069482AE,[DMF]
	04856111AC	1	3		34				Tag #52069481AE,[DMD,DSA]
	04856114AC	1	3		34				Tag #52069480AE,[DMD]
	04856117AC	1	7						Tag #52069479AF,[DMF,DSA]
	04856118AC	1	7						Tag #52069478AF,[DMF]
	04856119AC	1	7						Tag #52069477AF,[DMD,DSA]
	04856123AC	1	7						Tag #52069476AF,[DMD]
	04856125AC	1	2						Tag #52069475AD,[DMF,DSA]
	04856131AC	1	2						Tag #52069474AD,[DMF]
	04856133AC	1	2						Tag #52069473AD,[DMD,DSA]
	04856138AC	1	2						Tag #52069473AD,[DMD]



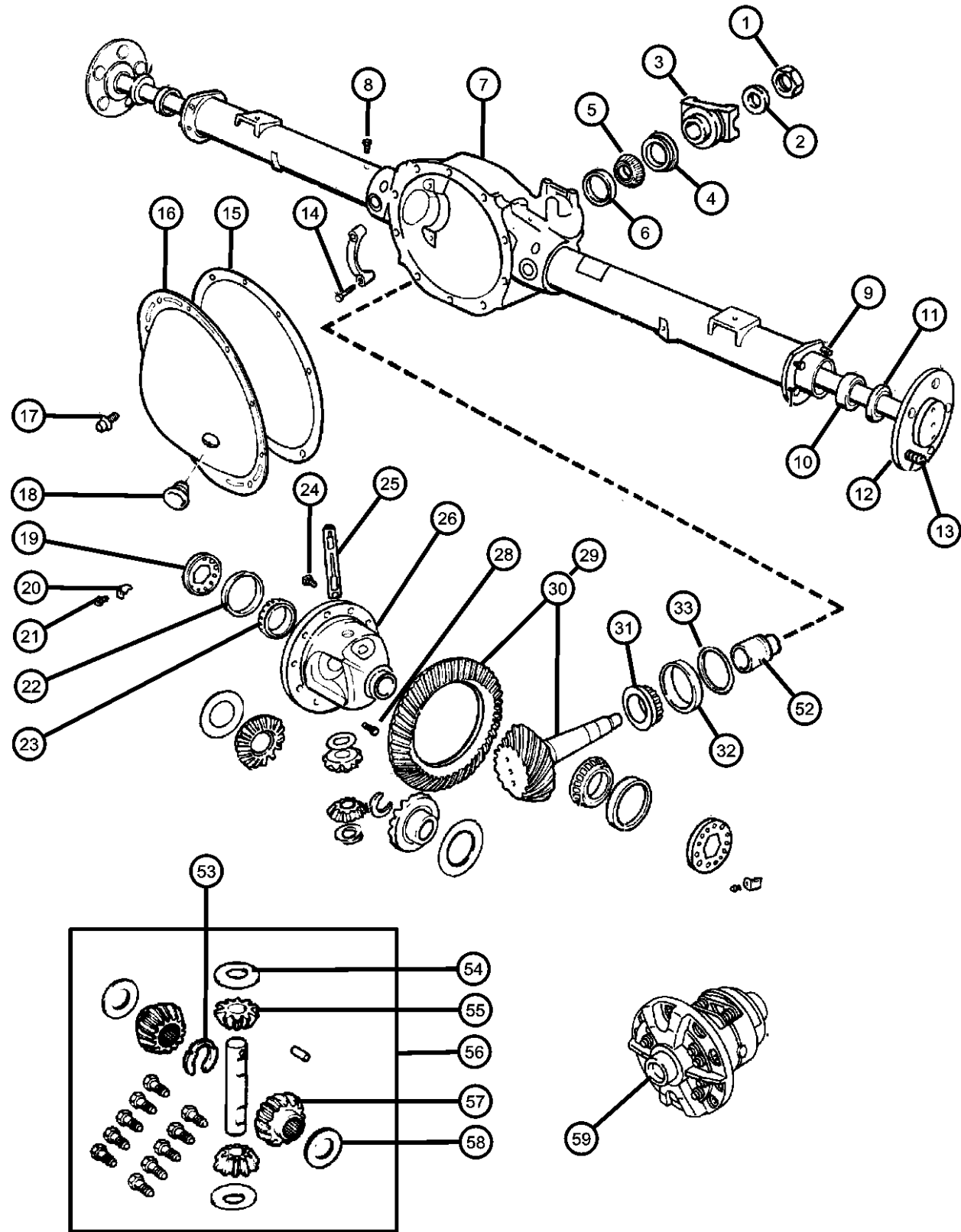
RAM PICKUP/CLUB CAB (BE)

SERIES	LINE	BODY	ENGINE	TRANSMISSION
L = RAM 1500, 2500, 3500	1 = Lt. Duty DODGE 2WD	31 = CLUB CAB 2-DR 6.5 FT BOX	ETC = 5.9L Cummins 24V Diesel Engine	DGP = 4-Spd. Automatic 47RE Transmission
	2 = Med. Duty DODGE 2WD	32 = CLUB CAB 2-DR 8FT BOX	EWA = 8.0L V10 MPI Engine	DD0 = ALL 5 SPEED MANUAL TRANSMISSIONS
	3 = HD DODGE 2WD	33 = QUAD CAB 4-DR 6.5 FT BOX	EM0 = ALL 5.9L 8 CYL ENGINES - GAS	DG0 = ALL AUTOMATIC TRANSMISSIONS
	6 = Lt. Duty DODGE 4WD	34 = QUAD CAB 4-DR 8FT BOX	EMM = 5.9L SMPI V8 Engine	DDC = 5-Speed HD Manual Transmission
	7 = Med. Duty DODGE 4WD		EML = 5.9L V8 MPI Engine	DDP = 5-Speed Manual Transmission
	8 = HD DODGE 4WD		ELF = 5.2L V8 MPI Engine	DDX = 5-Speed HD Manual Transmission
				DEE = 6-Speed HD Manual Transmission
				DGT = 4-Spd. Automatic 46RE Transmission

AR = use ase required - = Non illustrated part

1999 BE

Axle,Rear,with Differential Parts,Chrysler 9.25,BE 1,6
Figure 3-210



ITEM	PART NUMBER	QTY	LINE	SERIES	BODY	ENGINE	TRANS	TRIM	DESCRIPTION
------	-------------	-----	------	--------	------	--------	-------	------	-------------

Note: Sales Codes;
 [DMC] = Axle Ratio - 3.21
 [DMD] = Axle Ratio - 3.55
 [DMF] = Axle Ratio - 4.10
 [DRB]= Axle - Rear, Corporate 9.25 Light Duty
 [DSA] = Axle - Anti-Spin Differentiall

1									NUT, Pinion Yoke
	06028041	1	6						
		1	1						
2									WASHER, Pinion Yoke
	02070117	1	1						
		1	6						
3									YOKE, Axle
	03432487AB	1	1						
		1	6						
4									SEAL, Drive Pinion
	52067596	1	1						
		1	6						
5									BEARING, Drive Pinion
	01820552	1	1						Front
		1	6						Front
6									CUP, Pinion Bearing
	01820551	1	1						Front
		1	6						Front
7									HOUSING, Rear Axle
	04761903AB	1	1						
	04761904AB	1	6						
8	04137696AB	1							BOLT, Axle Vent
9									STUD

RAM PICKUP/CLUB CAB (BE)

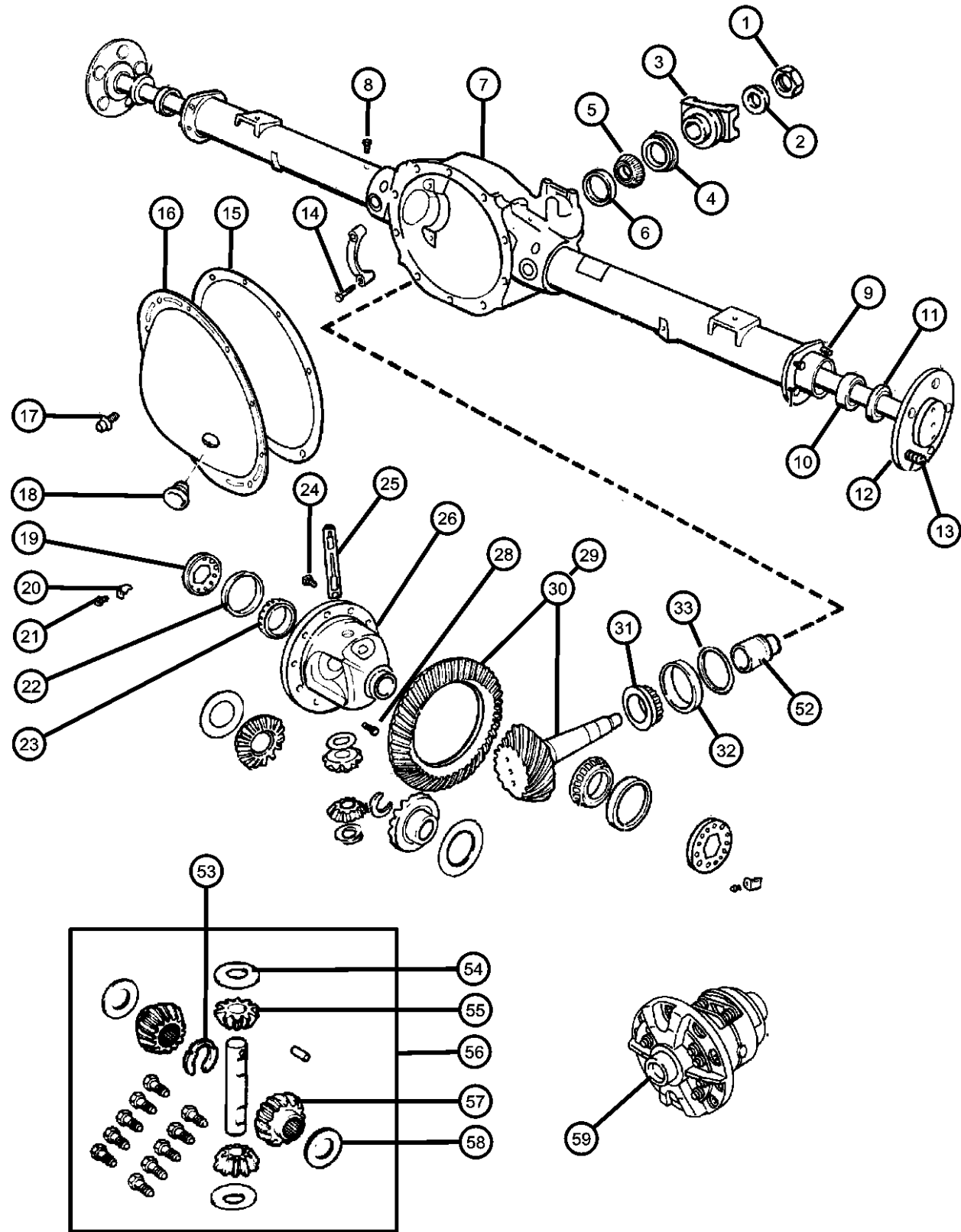
SERIES	LINE
L = RAM 1500, 2500, 3500	1 = Lt. Duty DODGE 2WD
	2 = Med. Duty DODGE 2WD
	3 = HD DODGE 2WD
	6 = Lt. Duty DODGE 4WD
	7 = Med. Duty DODGE 4WD
	8 = HD DODGE 4WD

BODY	ENGINE	TRANSMISSION
31 = CLUB CAB 2-DR 6.5 FT BOX	ETC = 5.9L Cummins 24V Diesel Engine	DGP = 4-Spd. Automatic 47RE Transmission
32 = CLUB CAB 2-DR 8FT BOX	EWA = 8.0L V10 MPI Engine	DD0 = ALL 5 SPEED MANUAL TRANSMISSIONS
33 = QUAD CAB 4-DR 6.5 FT BOX	EM0 = ALL 5.9L 8 CYL ENGINES - GAS	DG0 = ALL AUTOMATIC TRANSMISSIONS
34 = QUAD CAB 4-DR 8FT BOX	EMM = 5.9L SMPI V8 Engine	DDC = 5-Speed HD Manual Transmission
	EML = 5.9L V8 MPI Engine	DDP = 5-Speed Manual Transmission
	ELF = 5.2L V8 MPI Engine	DDX = 5-Speed HD Manual Transmission
		DEE = 6-Speed HD Manual Transmission
		DGT = 4-Spd. Automatic 46RE Transmission

AR = use ase required - = Non illustrated part

1999 BE

Axle,Rear,with Differential Parts,Chrysler 9.25,BE 1,6
Figure 3-210



ITEM	PART NUMBER	QTY	LINE	SERIES	BODY	ENGINE	TRANS	TRIM	DESCRIPTION
	06035484	8	1						Axle Housing to Backing Plate, Mounting
		8	6						Axle Housing to Backing Plate, Mounting
10									BEARING, Wheel
	03507898AB	2	1						
		2	6						
11									SEAL, Axle Drive Shaft
	04137426	2	1						
		2	6						
12									SHAFT, Axle
	52067614	2	1						Right or Left
		2	6						Right or Left
13									STUD, Wheel
	06034731	10	1						
		10	6						
14									SCREW, Hex Head, .50-13x2.38
	03432695	4	1						Carrier Bearing Cap Screws
		4	6						Carrier Bearing Cap Screws
15									SEALANT, RTV
	05010884AA	1	1						
		1	6						
16									COVER, Differential
	04384293AC	1	1						
		1	6						
17									SCREW AND WASHER, Hex Flange Head, .312-18x.562
	06033043	12	1						Differential, Cover
		12	6						Differential, Cover

RAM PICKUP/CLUB CAB (BE)

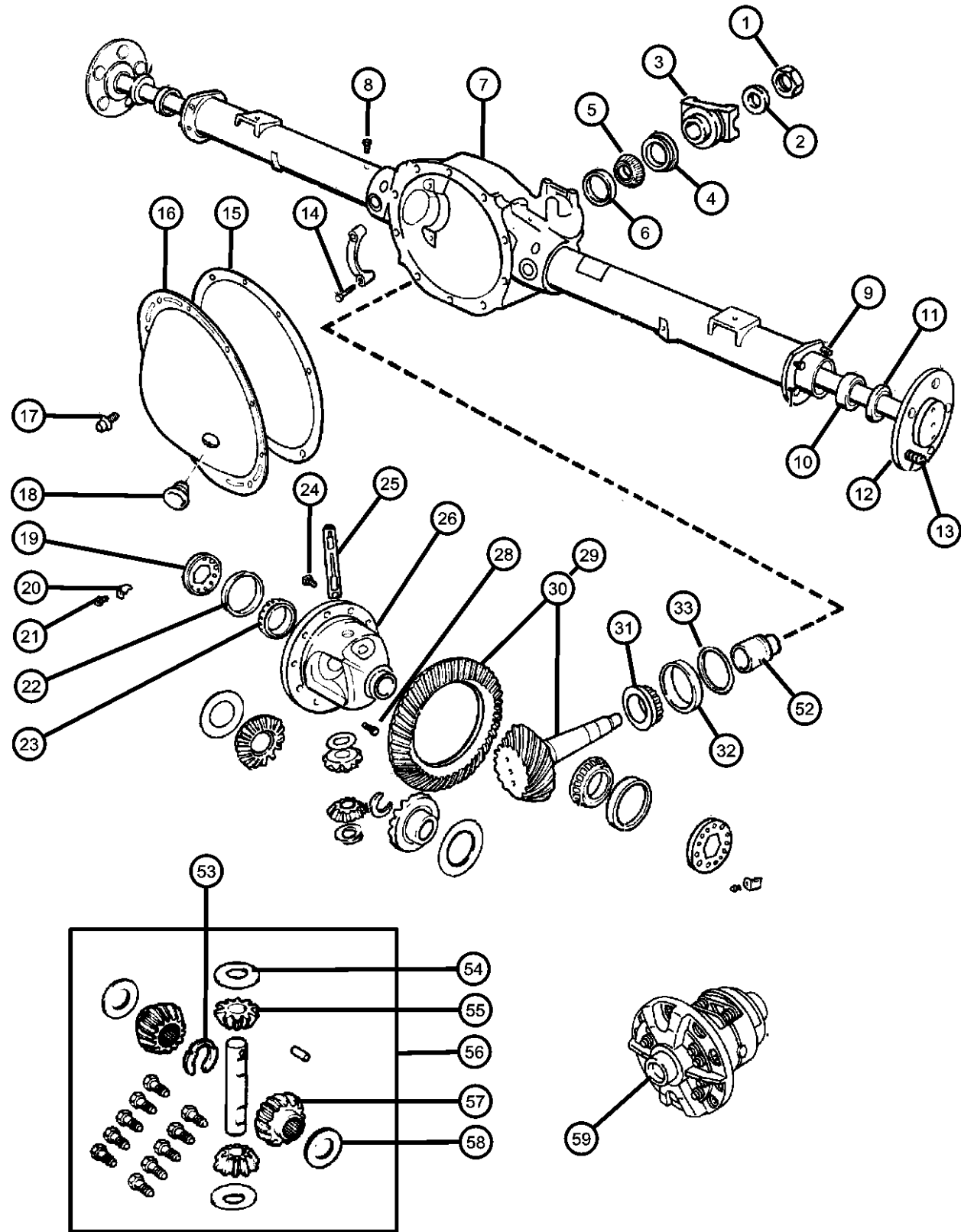
SERIES	LINE
L = RAM 1500, 2500, 3500	1 = Lt. Duty DODGE 2WD
	2 = Med. Duty DODGE 2WD
	3 = HD DODGE 2WD
	6 = Lt. Duty DODGE 4WD
	7 = Med. Duty DODGE 4WD
	8 = HD DODGE 4WD

BODY	ENGINE	TRANSMISSION
31 = CLUB CAB 2-DR 6.5 FT BOX	ETC = 5.9L Cummins 24V Diesel Engine	DGP = 4-Spd. Automatic 47RE Transmission
32 = CLUB CAB 2-DR 8FT BOX	EWA = 8.0L V10 MPI Engine	DD0 = ALL 5 SPEED MANUAL TRANSMISSIONS
33 = QUAD CAB 4-DR 6.5 FT BOX	EM0 = ALL 5.9L 8 CYL ENGINES - GAS	DG0 = ALL AUTOMATIC TRANSMISSIONS
34 = QUAD CAB 4-DR 8FT BOX	EMM = 5.9L SMPI V8 Engine	DDC = 5-Speed HD Manual Transmission
	EML = 5.9L V8 MPI Engine	DDP = 5-Speed Manual Transmission
	ELF = 5.2L V8 MPI Engine	DDX = 5-Speed HD Manual Transmission
		DEE = 6-Speed HD Manual Transmission
		DGT = 4-Spd. Automatic 46RE Transmission

AR = use ase required - = Non illustrated part

1999 BE

Axle,Rear,with Differential Parts,Chrysler 9.25,BE 1,6
Figure 3-210



ITEM	PART NUMBER	QTY	LINE	SERIES	BODY	ENGINE	TRANS	TRIM	DESCRIPTION
18									PLUG, Differential Cover
	03723687	1	6						
		1	1						
19									ADJUSTER, Differential Bearing
	03507723	2	1						
		2	6						
20									LOCK, Differential Bearing
	03723858	2	1						
		2	6						
21									SCREW AND WASHER, Hex Head, .25-20x.50, Differential Bearing Lock
	06023092	2							
22									CUP, Differential Side
	03723148	2	1						
		2	6						
23									BEARING, Differential
	03723149	2	1						
		2	6						
24									SCREW, Hex Flange Head, .437-20x.88
	06036054AA	12	1						
									Ring Gear, Mounting
		12	6						Ring Gear, Mounting
25									SHAFT, Differential
	01633928	1	1						without [DSA]
		1	6						without [DSA]
26									CASE, Differential
	04384222	1	1						without [DSA]
		1	6						without [DSA]
-27									TONE RING, Sensor

RAM PICKUP/CLUB CAB (BE)

SERIES	LINE
L = RAM 1500, 2500, 3500	1 = Lt. Duty DODGE 2WD
	2 = Med. Duty DODGE 2WD
	3 = HD DODGE 2WD
	6 = Lt. Duty DODGE 4WD
	7 = Med. Duty DODGE 4WD
	8 = HD DODGE 4WD

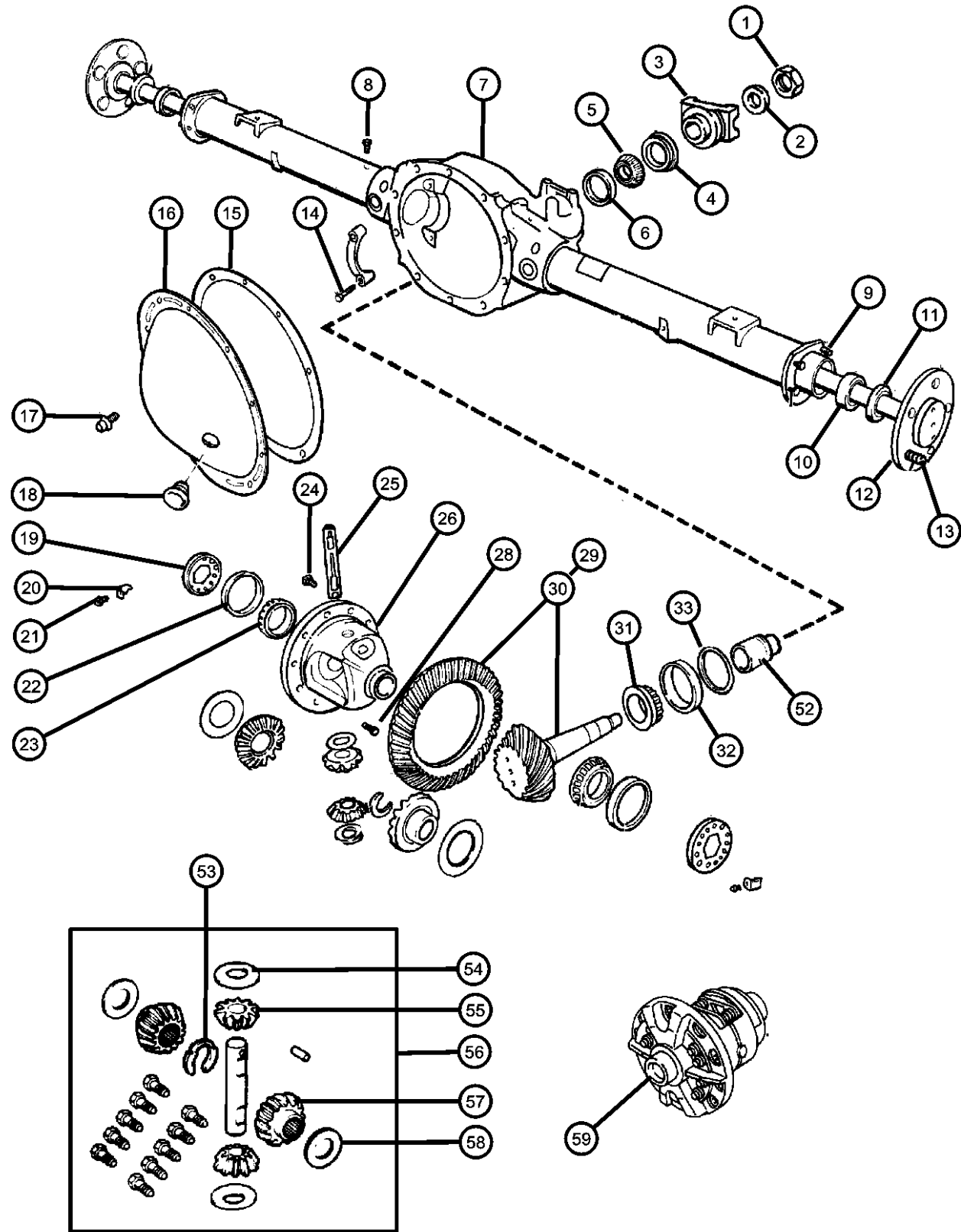
BODY	ENGINE
31 = CLUB CAB 2-DR 6.5 FT BOX	ETC = 5.9L Cummins 24V Diesel Engine
32 = CLUB CAB 2-DR 8FT BOX	EWA = 8.0L V10 MPI Engine
33 = QUAD CAB 4-DR 6.5 FT BOX	EM0 = ALL 5.9L 8 CYL ENGINES - GAS
34 = QUAD CAB 4-DR 8FT BOX	EMM = 5.9L SMPI V8 Engine
	EML = 5.9L V8 MPI Engine
	ELF = 5.2L V8 MPI Engine

TRANSMISSION
DGP = 4-Spd. Automatic 47RE Transmission
DD0 = ALL 5 SPEED MANUAL TRANSMISSIONS
DG0 = ALL AUTOMATIC TRANSMISSIONS
DDC = 5-Speed HD Manual Transmission
DDP = 5-Speed Manual Transmission
DDX = 5-Speed HD Manual Transmission
DEE = 6-Speed HD Manual Transmission
DGT = 4-Spd. Automatic 46RE Transmission

AR = use ase required - = Non illustrated part

1999 BE

Axle,Rear,with Differential Parts,Chrysler 9.25,BE 1,6
Figure 3-210



ITEM	PART NUMBER	QTY	LINE	SERIES	BODY	ENGINE	TRANS	TRIM	DESCRIPTION
	04384227	1	1						
28	03507724	1	1						SCREW, Hex Head, .312-18x1.80
		1	6						Differential Shaft Lock
		1	6						Differential Shaft Lock
29	03837594	1	1						GEAR PACKAGE, Ring And Pinion, [DMC]
30		1	1						GEAR KIT, Ring And Pinion
	05010321AA	1	1						[DMH]
		1	6						[DMH]
	05010322AA	1	1						[DMD]
		1	6						[DMD]
31									BEARING, Drive Pinion
	02852731	1	1						Rear
		1	6						Rear
32									CUP, Pinion Bearing
	02852732	1	1						Rear
		1	6						Rear
33									SHIM, Drive Pinion Bearing, 0.020
	03432320	AR	1						
		AR	6						
-34									SHIM, Drive Pinion Bearing, 0.021
	03432321	AR	1						
		AR	6						
-35									SHIM, Drive Pinion Bearing, 0.022
	03432322	AR	1						
		AR	6						
-36									SHIM, Drive Pinion Bearing, 0.023

RAM PICKUP/CLUB CAB (BE)

SERIES LINE
L = RAM 1500, 2500, 3500
1 = Lt. Duty DODGE 2WD
2 = Med. Duty DODGE 2WD
3 = HD DODGE 2WD
6 = Lt. Duty DODGE 4WD
7 = Med. Duty DODGE 4WD
8 = HD DODGE 4WD

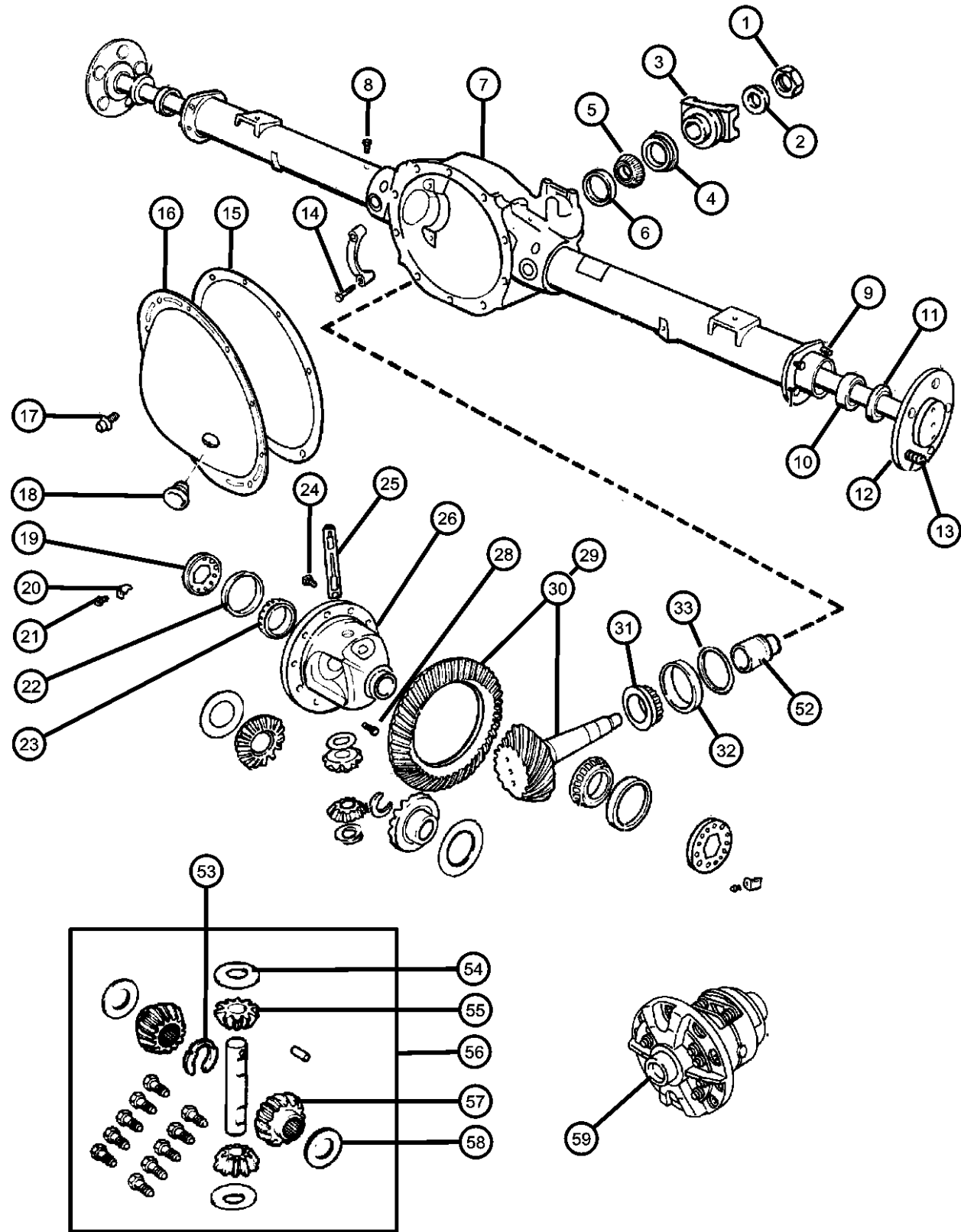
BODY
31 = CLUB CAB 2-DR 6.5 FT BOX
32 = CLUB CAB 2-DR 8FT BOX
33 = QUAD CAB 4-DR 6.5 FT BOX
34 = QUAD CAB 4-DR 8FT BOX
ENGINE
ETC = 5.9L Cummins 24V Diesel Engine
EWA = 8.0L V10 MPI Engine
EM0 = ALL 5.9L 8 CYL ENGINES - GAS
EMM = 5.9L SMPI V8 Engine
EML = 5.9L V8 MPI Engine
ELF = 5.2L V8 MPI Engine

TRANSMISSION
DGP = 4-Spd. Automatic 47RE Transmission
DD0 = ALL 5 SPEED MANUAL TRANSMISSIONS
DG0 = ALL AUTOMATIC TRANSMISSIONS
DDC = 5-Speed HD Manual Transmission
DDP = 5-Speed Manual Transmission
DDX = 5-Speed HD Manual Transmission
DEE = 6-Speed HD Manual Transmission
DGT = 4-Spd. Automatic 46RE Transmission

AR = use ase required - = Non illustrated part

1999 BE

Axle,Rear,with Differential Parts,Chrysler 9.25,BE 1,6
Figure 3-210



ITEM	PART NUMBER	QTY	LINE	SERIES	BODY	ENGINE	TRANS	TRIM	DESCRIPTION
	03432323	AR	1						
		AR	6						
-37									SHIM, Drive Pinion Bearing, 0.024
	03432324	AR	1						
		AR	6						
-38									SHIM, Drive Pinion Bearing, 0.025
	03432325	AR	1						
		AR	6						
-39									SHIM, Drive Pinion Bearing, 0.026
	03432326	AR	1						
		AR	6						
-40									SHIM, Drive Pinion Bearing, 0.027
	03432327	AR	1						
		AR	6						
-41									SHIM, Drive Pinion Bearing, 0.028
	03432328	AR	1						
		AR	6						
-42									SHIM, Drive Pinion Bearing, 0.029
	03432329	AR	1						
		AR	6						
-43									SHIM, Drive Pinion Bearing, 0.030
	03432330	AR	1						
		AR	6						
-44									SHIM, Drive Pinion Bearing, 0.031
	03432331	AR	1						
		AR	6						
-45									SHIM, Drive Pinion Bearing, 0.032
	03432332	AR	1						

RAM PICKUP/CLUB CAB (BE)

SERIES LINE
L = RAM 1500, 2500, 3500
1 = Lt. Duty DODGE 2WD
2 = Med. Duty DODGE 2WD
3 = HD DODGE 2WD
6 = Lt. Duty DODGE 4WD
7 = Med. Duty DODGE 4WD
8 = HD DODGE 4WD

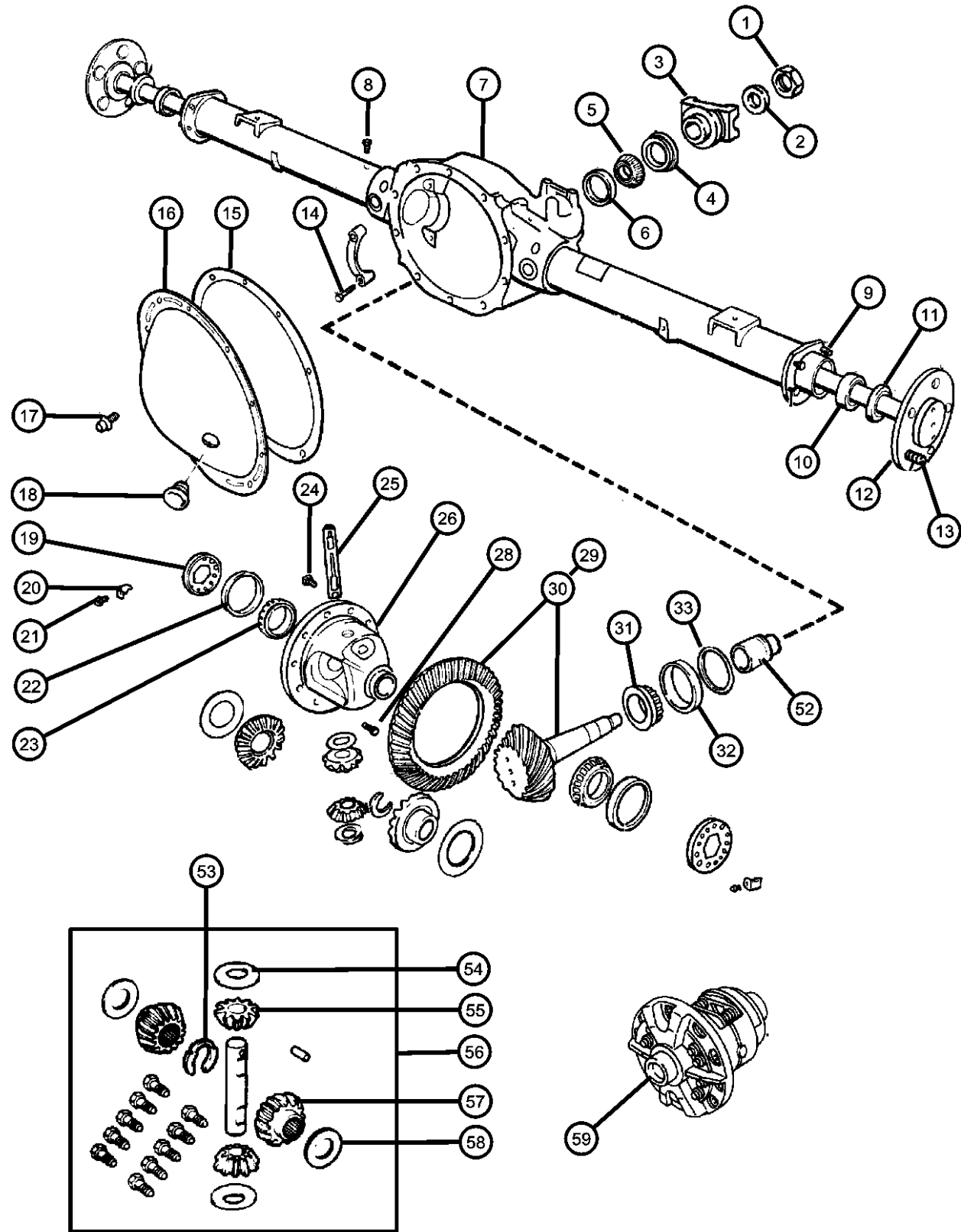
BODY
31 = CLUB CAB 2-DR 6.5 FT BOX
32 = CLUB CAB 2-DR 8FT BOX
33 = QUAD CAB 4-DR 6.5 FT BOX
34 = QUAD CAB 4-DR 8FT BOX
ENGINE
ETC = 5.9L Cummins 24V Diesel Engine
EWA = 8.0L V10 MPI Engine
EM0 = ALL 5.9L 8 CYL ENGINES - GAS
EMM = 5.9L SMPI V8 Engine
EML = 5.9L V8 MPI Engine
ELF = 5.2L V8 MPI Engine

TRANSMISSION
DGP = 4-Spd. Automatic 47RE Transmission
DD0 = ALL 5 SPEED MANUAL TRANSMISSIONS
DG0 = ALL AUTOMATIC TRANSMISSIONS
DDC = 5-Speed HD Manual Transmission
DDP = 5-Speed Manual Transmission
DDX = 5-Speed HD Manual Transmission
DEE = 6-Speed HD Manual Transmission
DGT = 4-Spd. Automatic 46RE Transmission

AR = use ase required - = Non illustrated part

1999 BE

Axle,Rear,with Differential Parts,Chrysler 9.25,BE 1,6
Figure 3-210



ITEM	PART NUMBER	QTY	LINE	SERIES	BODY	ENGINE	TRANS	TRIM	DESCRIPTION
-46		AR	6						SHIM, Drive Pinion Bearing, 0.033
	03432333	AR	1						
		AR	6						
-47		AR	1						SHIM, Drive Pinion Bearing, 0.034
	03432334	AR	1						
		AR	6						
-48		AR	1						SHIM, Drive Pinion Bearing, 0.035
	03432335	AR	1						
		AR	6						
-49		AR	1						SHIM, Drive Pinion Bearing, 0.036
	03432336	AR	1						
		AR	6						
-50		AR	1						SHIM, Drive Pinion Bearing, 0.037
	03432337	AR	1						
		AR	6						
-51		AR	1						SHIM, Drive Pinion Bearing, 0.038
	03432338	AR	1						
		AR	6						
52									SPACER, Drive Pinion Bearing
	03507678	1	1						Crush
		1	6						Crush
53									LOCK, Drive Shaft
	04137669	2	1						
		2	6						
54									WASHER, Pinion Thrust
	03507641	2	1						
		2	6						

RAM PICKUP/CLUB CAB (BE)

SERIES LINE
L = RAM 1500, 2500, 3500
1 = Lt. Duty DODGE 2WD
2 = Med. Duty DODGE 2WD
3 = HD DODGE 2WD
6 = Lt. Duty DODGE 4WD
7 = Med. Duty DODGE 4WD
8 = HD DODGE 4WD

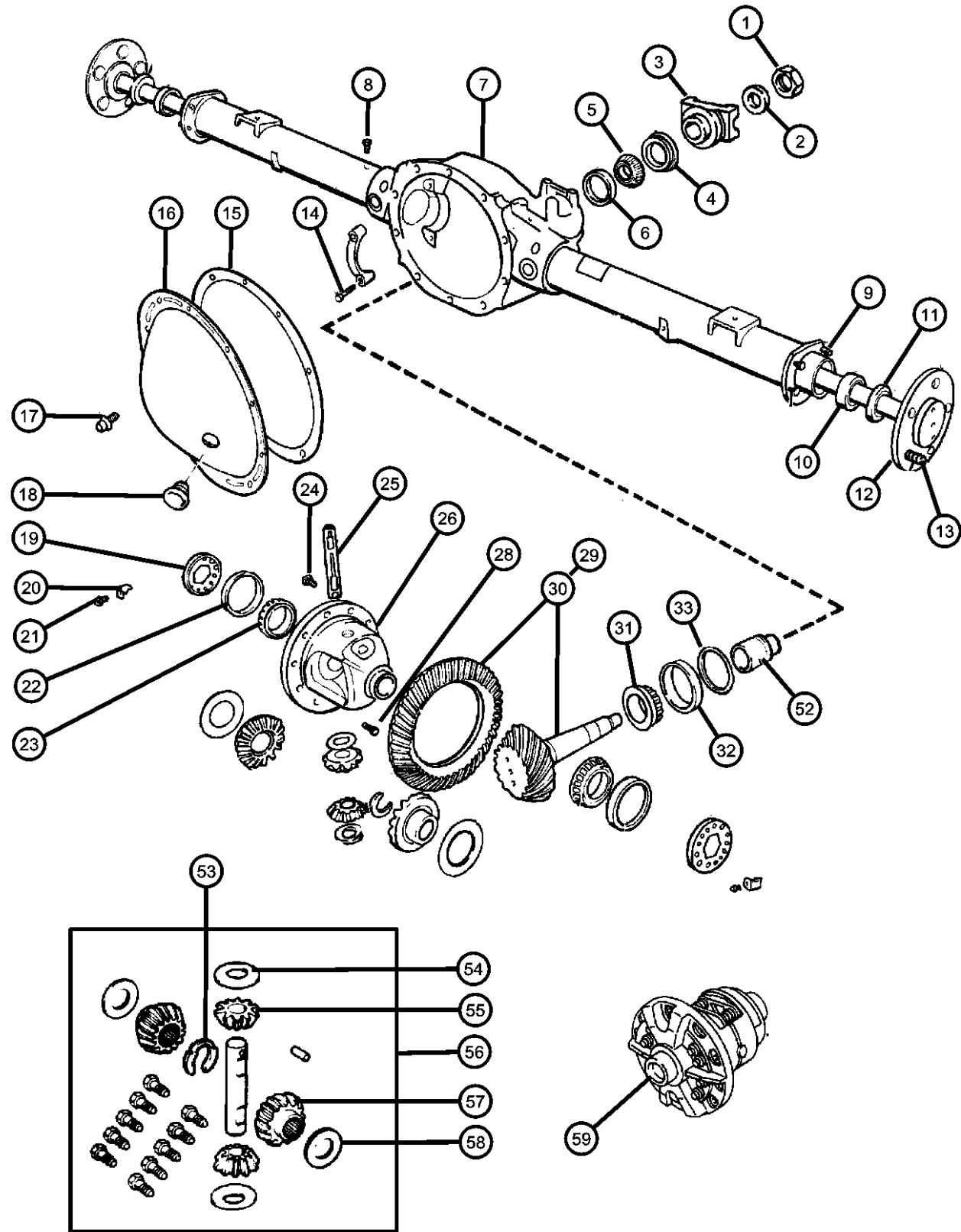
BODY
31 = CLUB CAB 2-DR 6.5 FT BOX
32 = CLUB CAB 2-DR 8FT BOX
33 = QUAD CAB 4-DR 6.5 FT BOX
34 = QUAD CAB 4-DR 8FT BOX
ENGINE
ETC = 5.9L Cummins 24V Diesel Engine
EWA = 8.0L V10 MPI Engine
EM0 = ALL 5.9L 8 CYL ENGINES - GAS
EMM = 5.9L SMPI V8 Engine
EML = 5.9L V8 MPI Engine
ELF = 5.2L V8 MPI Engine

TRANSMISSION
DGP = 4-Spd. Automatic 47RE Transmission
DD0 = ALL 5 SPEED MANUAL TRANSMISSIONS
DG0 = ALL AUTOMATIC TRANSMISSIONS
DDC = 5-Speed HD Manual Transmission
DDP = 5-Speed Manual Transmission
DDX = 5-Speed HD Manual Transmission
DEE = 6-Speed HD Manual Transmission
DGT = 4-Spd. Automatic 46RE Transmission

AR = use ase required - = Non illustrated part

1999 BE

Axle,Rear,with Differential Parts,Chrysler 9.25,BE 1,6
Figure 3-210



ITEM	PART NUMBER	QTY	LINE	SERIES	BODY	ENGINE	TRANS	TRIM	DESCRIPTION
55		2							PINION, Differential, Serviced in Differential GEAR PACKAGE, (NOT SERVICED)
56	04798912	1	1						GEAR PACKAGE, Differential
57		1	6						GEAR, Differential, Serviced in Differential GEAR PACKAGE, (NOT SERVICED)
58	04131294	1	1						WASHER PACKAGE, Side Gear Thrust
59	52068450	1	1						CASE, Differential
		1	6						with [DSA]
		1	6						with [DSA]

RAM PICKUP/CLUB CAB (BE)

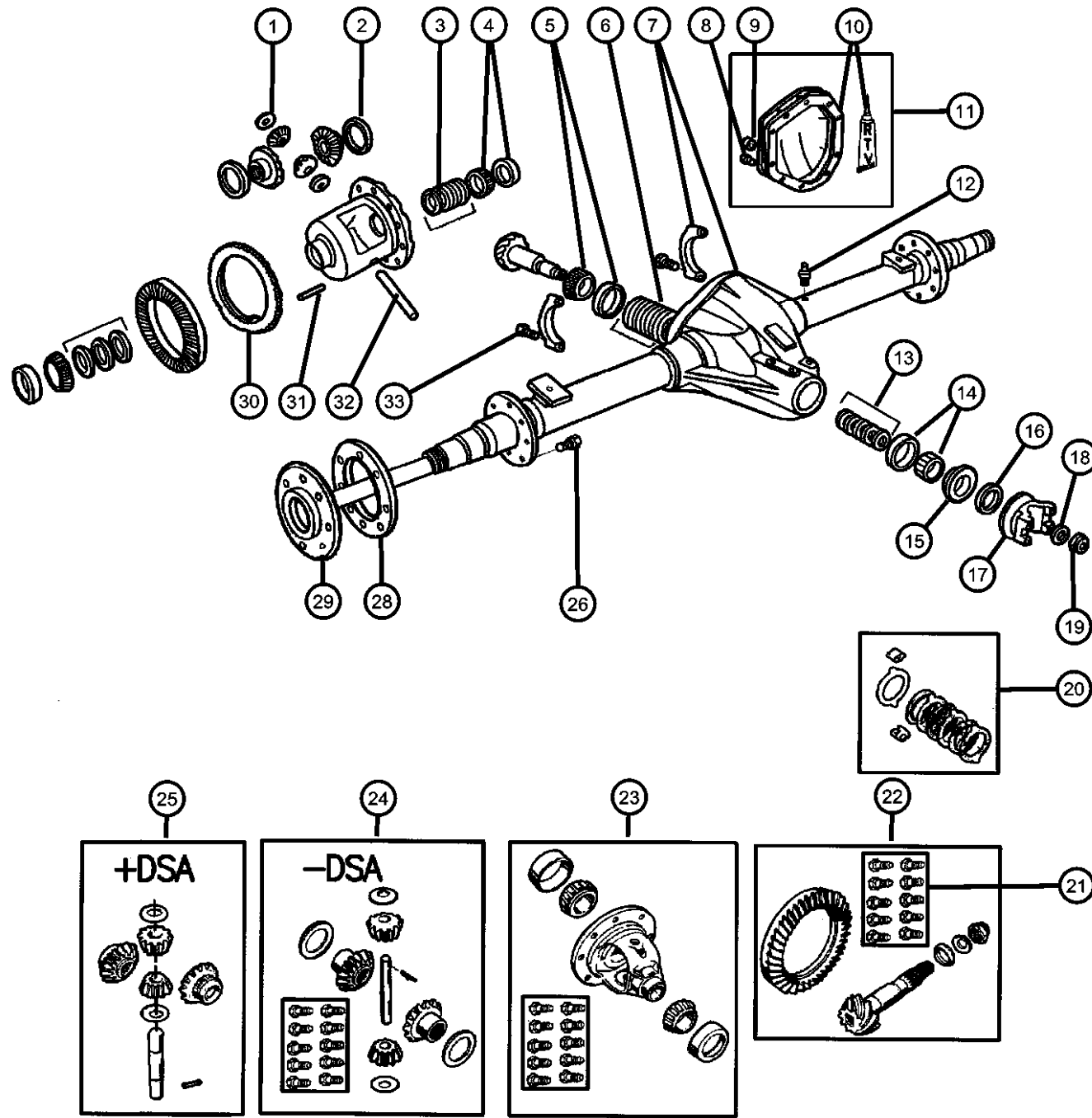
SERIES	LINE
L = RAM 1500, 2500, 3500	1 = Lt. Duty DODGE 2WD
	2 = Med. Duty DODGE 2WD
	3 = HD DODGE 2WD
	6 = Lt. Duty DODGE 4WD
	7 = Med. Duty DODGE 4WD
	8 = HD DODGE 4WD

BODY	ENGINE	TRANSMISSION
31 = CLUB CAB 2-DR 6.5 FT BOX	ETC = 5.9L Cummins 24V Diesel Engine	DGP = 4-Spd. Automatic 47RE Transmission
32 = CLUB CAB 2-DR 8FT BOX	EWA = 8.0L V10 MPI Engine	DD0 = ALL 5 SPEED MANUAL TRANSMISSIONS
33 = QUAD CAB 4-DR 6.5 FT BOX	EM0 = ALL 5.9L 8 CYL ENGINES - GAS	DG0 = ALL AUTOMATIC TRANSMISSIONS
34 = QUAD CAB 4-DR 8FT BOX	EMM = 5.9L SMPI V8 Engine	DDC = 5-Speed HD Manual Transmission
	EML = 5.9L V8 MPI Engine	DDP = 5-Speed Manual Transmission
	ELF = 5.2L V8 MPI Engine	DDX = 5-Speed HD Manual Transmission
		DEE = 6-Speed HD Manual Transmission
		DGT = 4-Spd. Automatic 46RE Transmission

AR = use ase required - = Non illustrated part

1999 BE

Axle,Rear,with Differential Parts,Dana Model 60,BE 2,7
Figure 3-220



ITEM	PART NUMBER	QTY	LINE	SERIES	BODY	ENGINE	TRANS	TRIM	DESCRIPTION
------	-------------	-----	------	--------	------	--------	-------	------	-------------

Note: Sales Codes;
[DMD] = Axle Ratio - 3.55
[DMF] = Axle Ratio - 4.10
[DRD]= Axle - Rear, Dana M60 Heavy Duty
[DSA] = Axle - Anti-Spin Differentiall

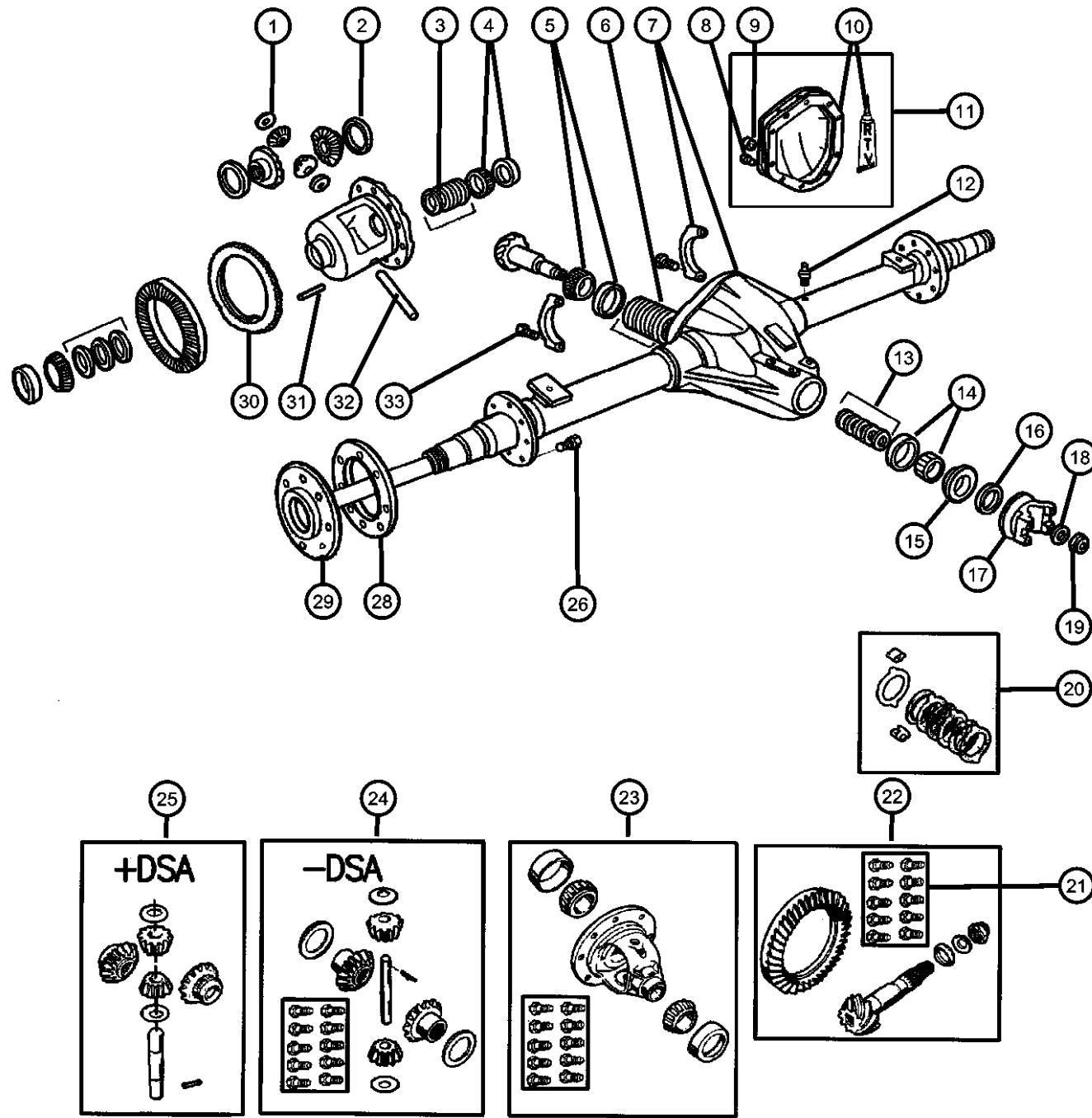
1	03507543	2	2						WASHER Differential Pinion Gear Thrust
		2	7						Differential Pinion Gear Thrust
2	02961848	2	2						WASHER Differential Side Gear Thrust
		2	7						Differential Side Gear Thrust
3	03898313AB	1	2						SHIM, Differential Bearing
		1	7						
4	04746605	1	2						BEARING, Differential Bearing and Cup
		1	7						Bearing and Cup
5	04746603	1	2						BEARING, Drive Pinion Bearing and Cup, Rear
		1	7						Bearing and Cup, Rear
6	04746868	1	2						SHIM KIT, Pinion Shaft
		1	7						
7	04798993AB	1	2						HOUSING, Rear Axle
	04856057AB	1	7						
8	02952474	10	2						BOLT, Hex Flange Head Cover, Mounting
		10	7						Cover, Mounting
9									PLUG, Differential Cover

RAM PICKUP/CLUB CAB (BE)
SERIES LINE
L = RAM 1500, 2500, 3500
1 = Lt. Duty DODGE 2WD
2 = Med. Duty DODGE 2WD
3 = HD DODGE 2WD
6 = Lt. Duty DODGE 4WD
7 = Med. Duty DODGE 4WD
8 = HD DODGE 4WD

BODY ENGINE TRANSMISSION
31 = CLUB CAB 2-DR 6.5 FT BOX ETC = 5.9L Cummins 24V Diesel Engine DGP = 4-Spd. Automatic 47RE Transmission
32 = CLUB CAB 2-DR 8FT BOX EWA = 8.0L V10 MPI Engine DD0 = ALL 5 SPEED MANUAL TRANSMISSIONS
33 = QUAD CAB 4-DR 6.5 FT BOX EM0 = ALL 5.9L 8 CYL ENGINES - GAS DG0 = ALL AUTOMATIC TRANSMISSIONS
34 = QUAD CAB 4-DR 8FT BOX EMM = 5.9L SMPI V8 Engine DDC = 5-Speed HD Manual Transmission
ELF = 5.2L V8 MPI Engine EML = 5.9L V8 MPI Engine DDD = 5-Speed Manual Transmission
DDX = 5-Speed HD Manual Transmission
DEE = 6-Speed HD Manual Transmission
DGT = 4-Spd. Automatic 46RE Transmission

AR = use ase required - = Non illustrated part

Axle,Rear,with Differential Parts,Dana Model 60,BE 2,7
Figure 3-220



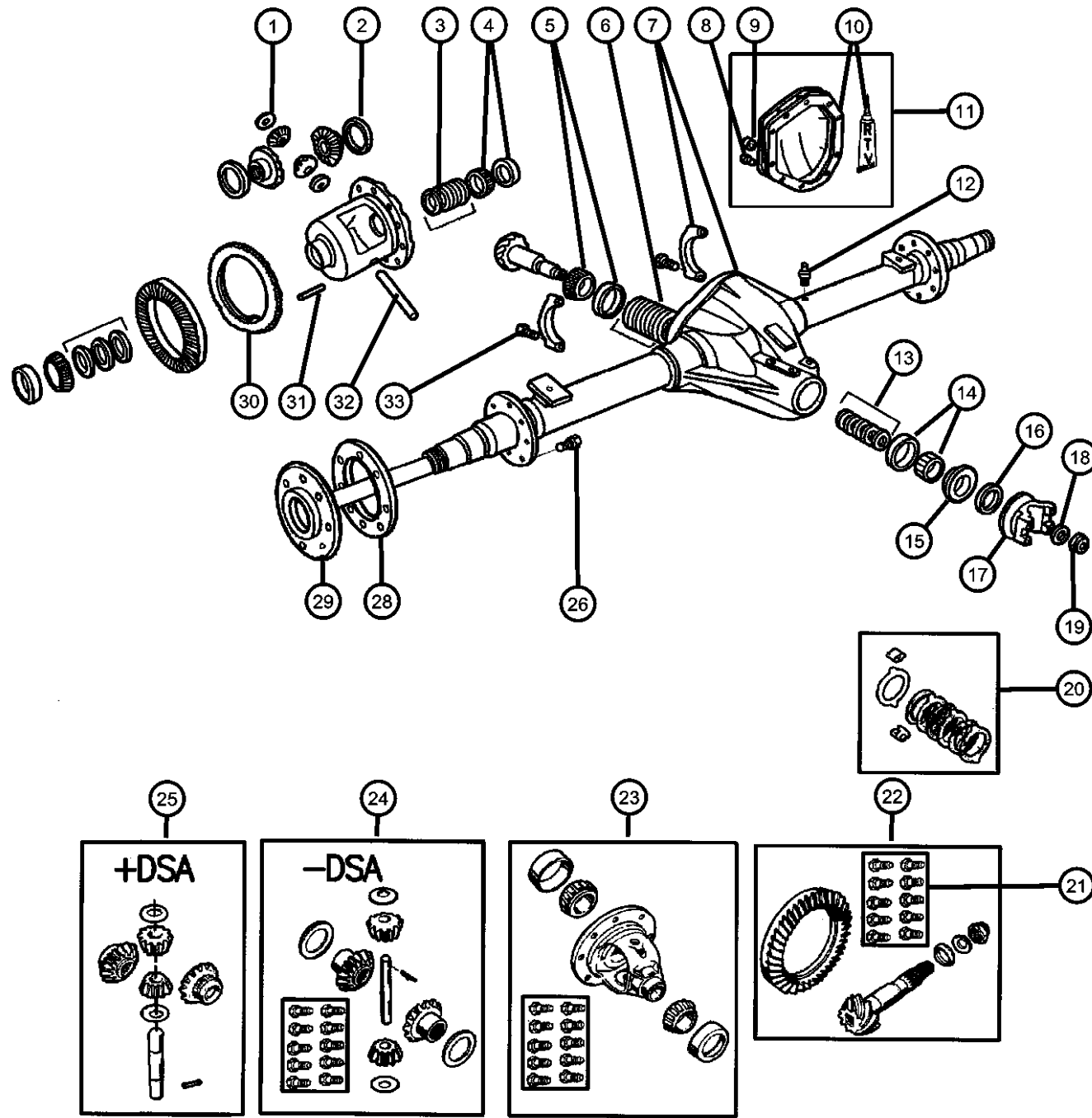
ITEM	PART NUMBER	QTY	LINE	SERIES	BODY	ENGINE	TRANS	TRIM	DESCRIPTION
	03640792	1	2						
		1	7						
10	05010884AA	1	2						SEALANT, RTV
		1	7						
11	04773402	1	2						COVER, Differential
	04773403	1	7						
12	04137696AB	1							BOLT, Axle Vent
13									SPACER, Drive Pinion Bearing
	04746606	1	2						Crush
		1	7						Crush
14									BEARING, Drive Pinion
	04746604	1	2						Bearing and Cup, Front
		1	7						Bearing and Cup, Front
15									SLINGER, Drive Pinion
	04746867	1	2						
		1	7						
16									SEAL, Drive Pinion
	04384188AB	1	2						
		1	7						
17									YOKE, Axle
	04746029	1	2						
		1	7						
18									WASHER, Pinion Yoke
	02070117	1	2						
		1	7						
19									NUT, Pinion Yoke

RAM PICKUP/CLUB CAB (BE)

SERIES	LINE	BODY	ENGINE	TRANSMISSION
L = RAM 1500, 2500, 3500	1 = Lt. Duty DODGE 2WD 2 = Med. Duty DODGE 2WD 3 = HD DODGE 2WD 6 = Lt. Duty DODGE 4WD 7 = Med. Duty DODGE 4WD 8 = HD DODGE 4WD	31 = CLUB CAB 2-DR 6.5 FT BOX 32 = CLUB CAB 2-DR 8FT BOX 33 = QUAD CAB 4-DR 6.5 FT BOX 34 = QUAD CAB 4-DR 8FT BOX	ETC = 5.9L Cummins 24V Diesel Engine EWA = 8.0L V10 MPI Engine EM0 = ALL 5.9L 8 CYL ENGINES - GAS EMM = 5.9L SMPI V8 Engine EML = 5.9L V8 MPI Engine ELF = 5.2L V8 MPI Engine	DGP = 4-Spd. Automatic 47RE Transmission DD0 = ALL 5 SPEED MANUAL TRANSMISSIONS DG0 = ALL AUTOMATIC TRANSMISSIONS DDC = 5-Speed HD Manual Transmission DDP = 5-Speed Manual Transmission DDX = 5-Speed HD Manual Transmission DEE = 6-Speed HD Manual Transmission DGT = 4-Spd. Automatic 46RE Transmission

AR = use ase required - = Non illustrated part

Axle,Rear,with Differential Parts,Dana Model 60,BE 2,7
Figure 3-220



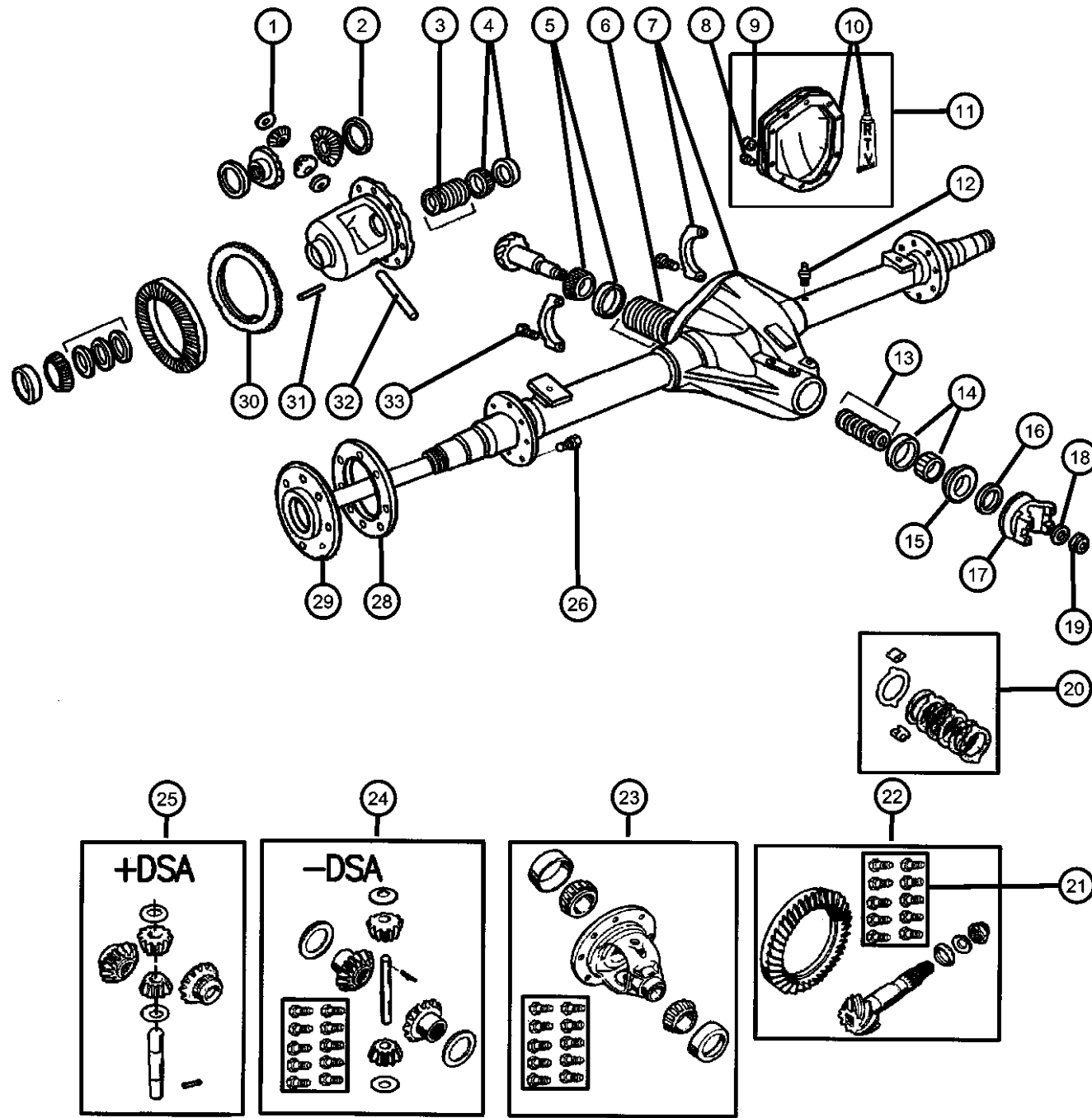
ITEM	PART NUMBER	QTY	LINE	SERIES	BODY	ENGINE	TRANS	TRIM	DESCRIPTION
	01795173	1	2						
		1	7						
20	04506060	1	2						DISC AND PLATE KIT, Differential
		1	7						
21	04506066	12	2						SCREW, Hex Head
		12	7						Ring Gear, Mounting
22	04762222	1	2						GEAR KIT, Ring And Pinion
		1	7						[DMD]
	04864966	1	2						[DMF]
		1	7						[DMF]
23	04506058AB	1	2						CASE, Differential
		1	7						with [DSA]
	04746024AB	1	2						without [DSA]
		1	7						without [DSA]
24	04746027	1	2						GEAR KIT, Center Differential
		1	7						
25	04506059	1	2						GEAR KIT, Center Differential
		1	7						
26	05003932AA	8	2						STUD
		8	7						Axle Housing to Backing Plate, Mounting

RAM PICKUP/CLUB CAB (BE)

SERIES	LINE	BODY	ENGINE	TRANSMISSION
L = RAM 1500, 2500, 3500	1 = Lt. Duty DODGE 2WD 2 = Med. Duty DODGE 2WD 3 = HD DODGE 2WD 6 = Lt. Duty DODGE 4WD 7 = Med. Duty DODGE 4WD 8 = HD DODGE 4WD	31 = CLUB CAB 2-DR 6.5 FT BOX 32 = CLUB CAB 2-DR 8FT BOX 33 = QUAD CAB 4-DR 6.5 FT BOX 34 = QUAD CAB 4-DR 8FT BOX	ETC = 5.9L Cummins 24V Diesel Engine EWA = 8.0L V10 MPI Engine EM0 = ALL 5.9L 8 CYL ENGINES - GAS EMM = 5.9L SMPI V8 Engine EML = 5.9L V8 MPI Engine ELF = 5.2L V8 MPI Engine	DGP = 4-Spd. Automatic 47RE Transmission DD0 = ALL 5 SPEED MANUAL TRANSMISSIONS DG0 = ALL AUTOMATIC TRANSMISSIONS DDC = 5-Speed HD Manual Transmission DDP = 5-Speed Manual Transmission DDX = 5-Speed HD Manual Transmission DEE = 6-Speed HD Manual Transmission DGT = 4-Spd. Automatic 46RE Transmission

AR = use ase required - = Non illustrated part

Axle,Rear,with Differential Parts,Dana Model 60,BE 2,7
Figure 3-220



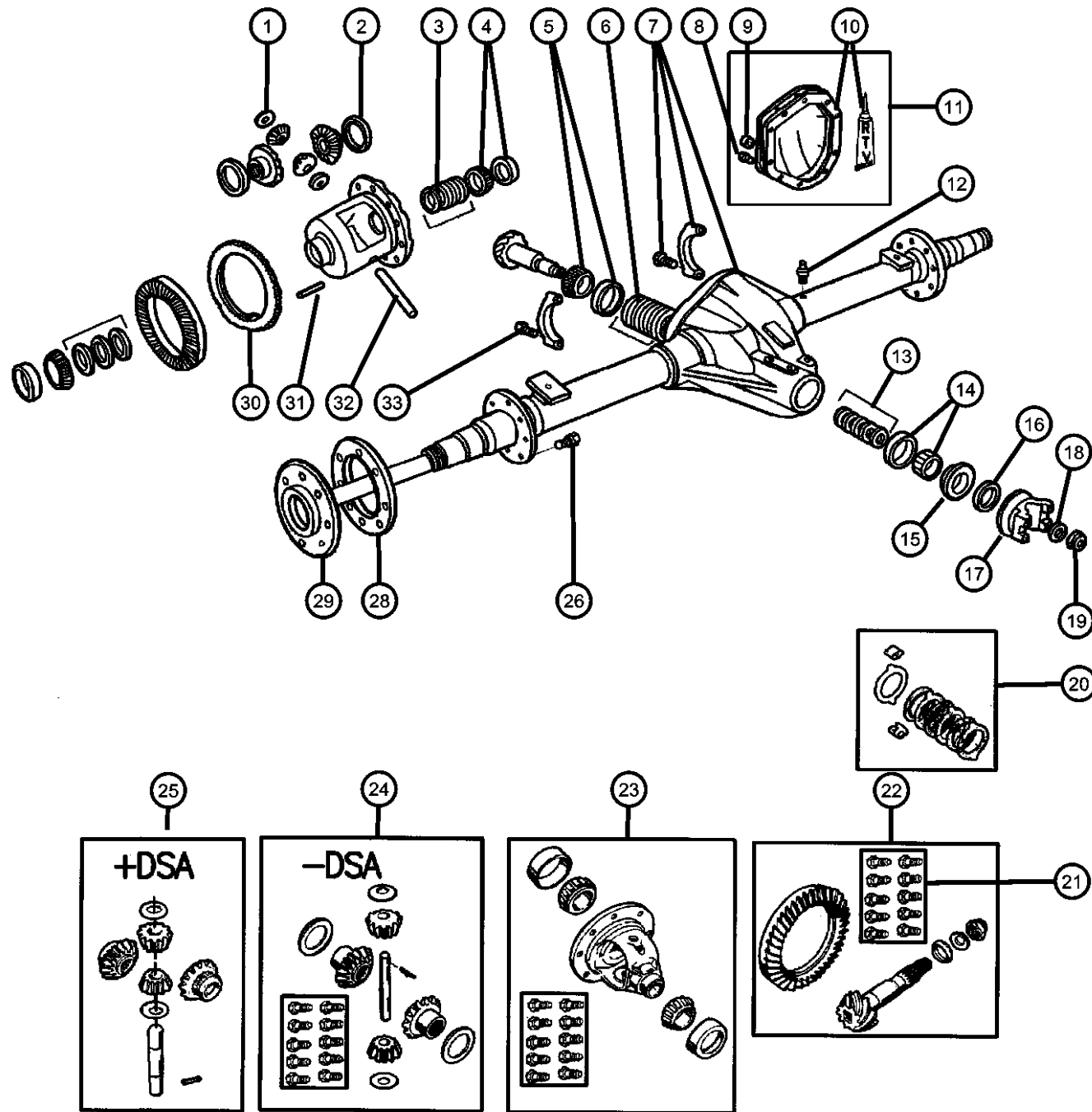
ITEM	PART NUMBER	QTY	LINE	SERIES	BODY	ENGINE	TRANS	TRIM	DESCRIPTION
-27									NUT
	05003934AA	8	2						Axle Housing to Backing Plate, Mounting
		8	7						Axle Housing to Backing Plate, Mounting
28									GASKET, Axle Shaft
	04384186	2	2						Axle Shaft to Hub Mounting, Right or Left
		2	7						Axle Shaft to Hub Mounting, Right or Left
29									SHAFT, Axle
	04746601	2	2						
		2	7						
30									TONE RING, Sensor
	04506057	1	2						
		1	7						
31									ROLL PIN, Differential
	04883560AA	1	2						
		1	7						
32									SHAFT, Differential
	01922276	1	2						
		1	7						
33									BOLT, Differential
	05003648AA	2	2						
		4	7						

RAM PICKUP/CLUB CAB (BE)

SERIES	LINE	BODY	ENGINE	TRANSMISSION
L = RAM 1500, 2500, 3500	1 = Lt. Duty DODGE 2WD 2 = Med. Duty DODGE 2WD 3 = HD DODGE 2WD 6 = Lt. Duty DODGE 4WD 7 = Med. Duty DODGE 4WD 8 = HD DODGE 4WD	31 = CLUB CAB 2-DR 6.5 FT BOX 32 = CLUB CAB 2-DR 8FT BOX 33 = QUAD CAB 4-DR 6.5 FT BOX 34 = QUAD CAB 4-DR 8FT BOX	ETC = 5.9L Cummins 24V Diesel Engine EWA = 8.0L V10 MPI Engine EM0 = ALL 5.9L 8 CYL ENGINES - GAS EMM = 5.9L SMPI V8 Engine EML = 5.9L V8 MPI Engine ELF = 5.2L V8 MPI Engine	DGP = 4-Spd. Automatic 47RE Transmission DD0 = ALL 5 SPEED MANUAL TRANSMISSIONS DG0 = ALL AUTOMATIC TRANSMISSIONS DDC = 5-Speed HD Manual Transmission DDP = 5-Speed Manual Transmission DDX = 5-Speed HD Manual Transmission DEE = 6-Speed HD Manual Transmission DGT = 4-Spd. Automatic 46RE Transmission

AR = use ase required - = Non illustrated part

Axle,Rear,with Differential Parts,Dana Model 70,BE 2,7
Figure 3-230



ITEM	PART NUMBER	QTY	LINE	SERIES	BODY	ENGINE	TRANS	TRIM	DESCRIPTION
------	-------------	-----	------	--------	------	--------	-------	------	-------------

Note: Sales Codes;
 [DMD] = Axle Ratio - 3.55
 [DMF] = Axle Ratio - 4.10
 [DRE]= Axle - Rear, Dana M70
 [DSA] = Axle - Anti-Spin Differential

1		4							WASHER, (NOT SERVICED)
2		4							WASHER, (NOT SERVICED)
3									SHIM, Differential Bearing
	03898313AB	1	7						Adjusting
		1	2						Adjusting
4									BEARING, Differential
	04746605	1	7						Consists of 2 Bearings and 2 Cups
		1	2						Consists of 2 Bearings and 2 Cups
5									BEARING, Drive Pinion
	04746617	1	7						Bearing and Cup, Rear
		1	2						Bearing and Cup, Rear
6									SHIM KIT, Pinion Shaft
	04746616	1	7						
		1	2						
7									HOUSING, Rear Axle
	04798981	1	7						
	04798985	1	2						
8									BOLT, Hex Flange Head
	02952474	10	7						Cover, Mounting
		10	2						Cover, Mounting
9									PLUG, Differential Cover
	03640792	1	7						
		1	2						
10									SEALANT, RTV

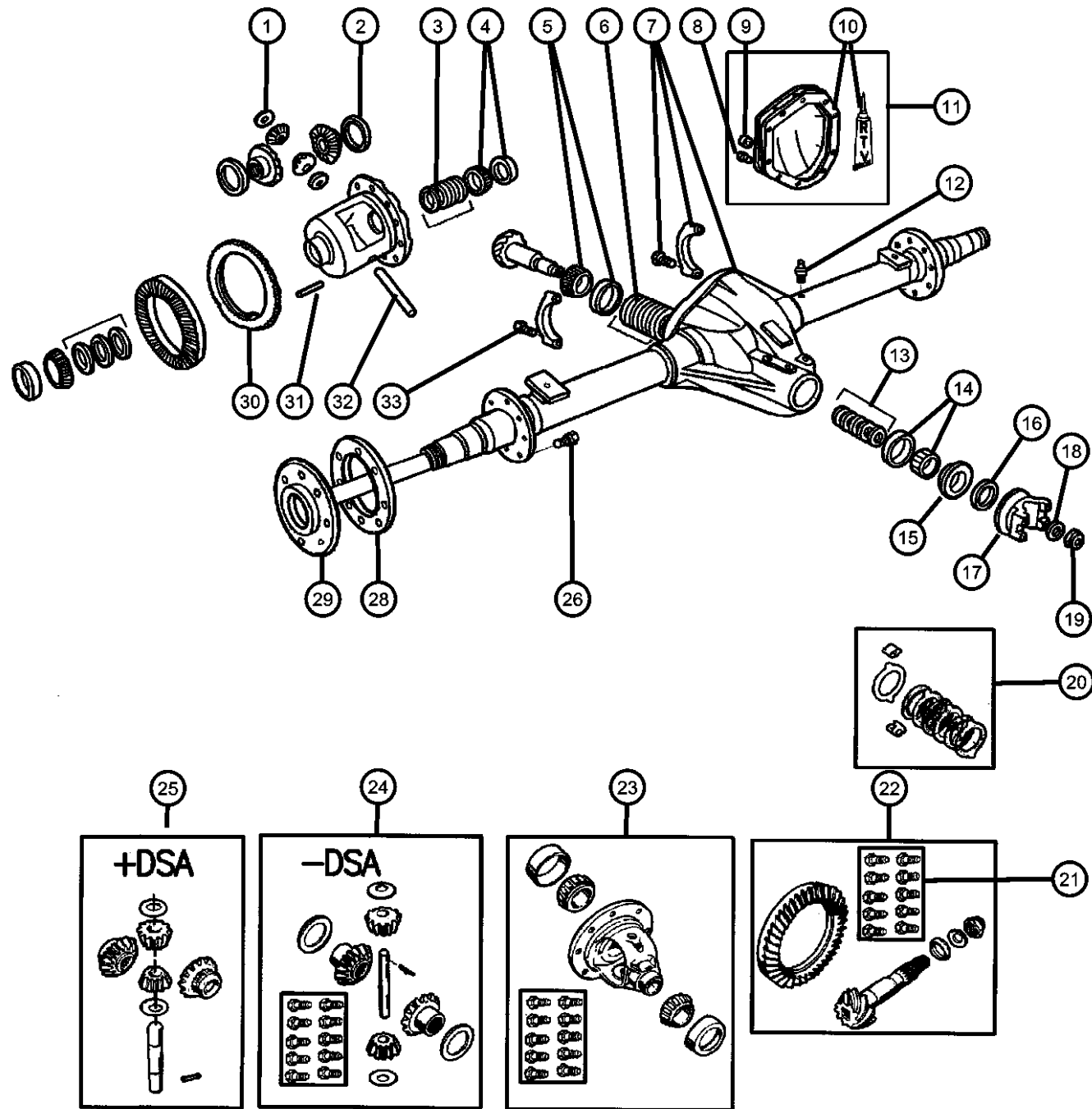
RAM PICKUP/CLUB CAB (BE)

SERIES	LINE	BODY	ENGINE	TRANSMISSION
L = RAM 1500, 2500, 3500	1 = Lt. Duty DODGE 2WD 2 = Med. Duty DODGE 2WD 3 = HD DODGE 2WD 6 = Lt. Duty DODGE 4WD 7 = Med. Duty DODGE 4WD 8 = HD DODGE 4WD	31 = CLUB CAB 2-DR 6.5 FT BOX 32 = CLUB CAB 2-DR 8FT BOX 33 = QUAD CAB 4-DR 6.5 FT BOX 34 = QUAD CAB 4-DR 8FT BOX	ETC = 5.9L Cummins 24V Diesel Engine EWA = 8.0L V10 MPI Engine EM0 = ALL 5.9L 8 CYL ENGINES - GAS EMM = 5.9L SMPI V8 Engine EML = 5.9L V8 MPI Engine ELF = 5.2L V8 MPI Engine	DGP = 4-Spd. Automatic 47RE Transmission DD0 = ALL 5 SPEED MANUAL TRANSMISSIONS DG0 = ALL AUTOMATIC TRANSMISSIONS DDC = 5-Speed HD Manual Transmission DDP = 5-Speed Manual Transmission DDX = 5-Speed HD Manual Transmission DEE = 6-Speed HD Manual Transmission DGT = 4-Spd. Automatic 46RE Transmission

AR = use ase required - = Non illustrated part

1999 BE

Axle,Rear,with Differential Parts,Dana Model 70,BE 2,7
Figure 3-230



ITEM	PART NUMBER	QTY	LINE	SERIES	BODY	ENGINE	TRANS	TRIM	DESCRIPTION
	05010884AA	1	2						
		1	7						
11	04773400	1	7						COVER, Differential
	04773401	1	2						
12	04137696AB	1							BOLT, Axle Vent
13	04773913	1	7						SPACER, Drive Pinion Bearing
		1	2						
14	04746604	1	7						BEARING, Drive Pinion Bearing and Cup, Front
		1	2						Bearing and Cup, SLINGER, Drive Pinion
15	04746867	1	7						
		1	2						
16	04384188AB	1	7						SEAL, Drive Pinion
		1	2						
17	04746029	1	7						YOKE, Axle
		1	2						
18	02070117	1	7						WASHER, Pinion Yoke
		1	2						
19	01795173	1	7						NUT, Pinion Yoke
		1	2						
20									DISC AND PLATE KIT, Differential

RAM PICKUP/CLUB CAB (BE)

SERIES LINE
L = RAM 1500, 2500, 3500
1 = Lt. Duty DODGE 2WD
2 = Med. Duty DODGE 2WD
3 = HD DODGE 2WD
6 = Lt. Duty DODGE 4WD
7 = Med. Duty DODGE 4WD
8 = HD DODGE 4WD

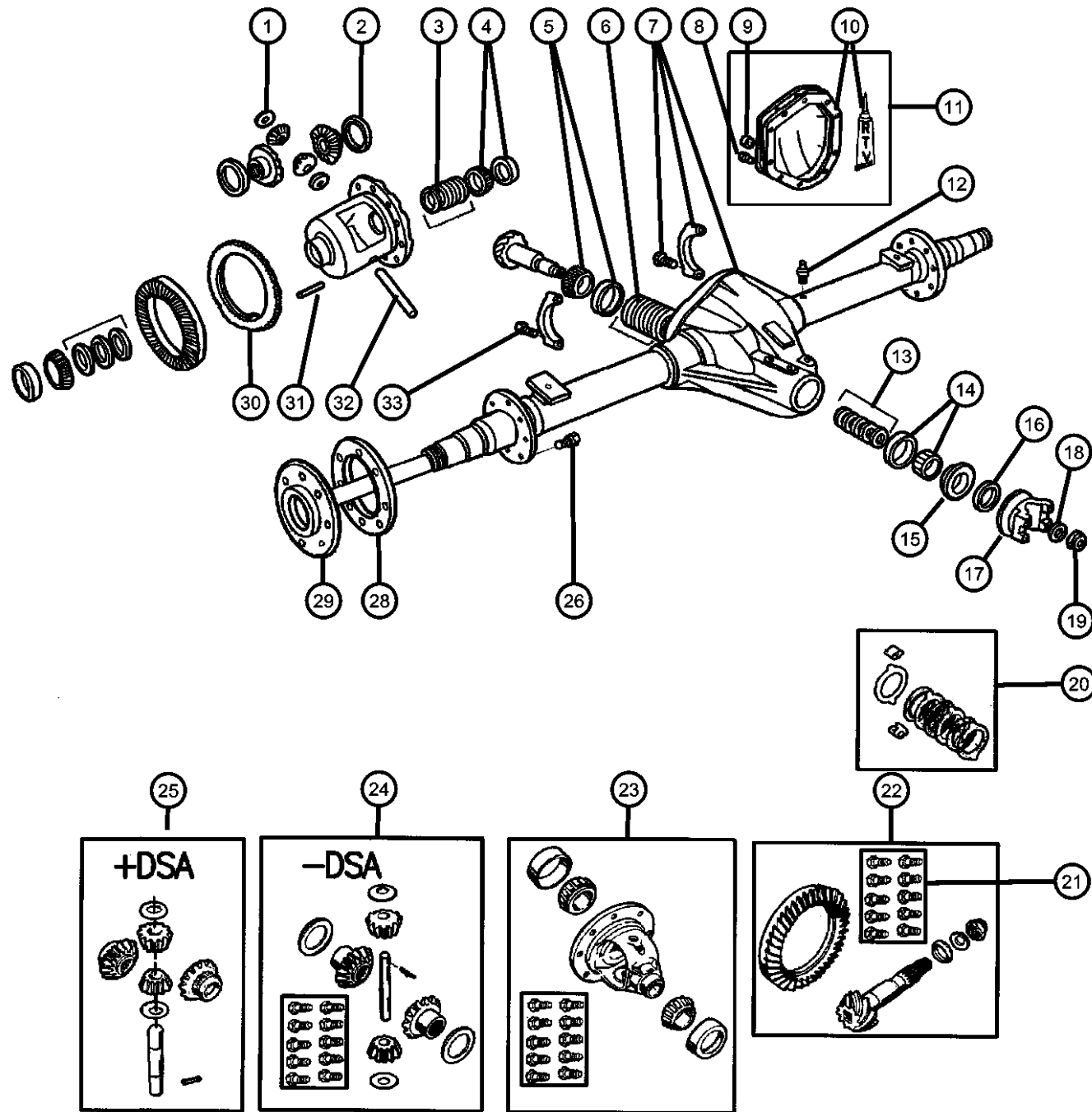
BODY
31 = CLUB CAB 2-DR 6.5 FT BOX
32 = CLUB CAB 2-DR 8FT BOX
33 = QUAD CAB 4-DR 6.5 FT BOX
34 = QUAD CAB 4-DR 8FT BOX
ENGINE
ETC = 5.9L Cummins 24V Diesel Engine
EWA = 8.0L V10 MPI Engine
EM0 = ALL 5.9L 8 CYL ENGINES - GAS
EMM = 5.9L SMPI V8 Engine
EML = 5.9L V8 MPI Engine
ELF = 5.2L V8 MPI Engine

TRANSMISSION
DGP = 4-Spd. Automatic 47RE Transmission
DD0 = ALL 5 SPEED MANUAL TRANSMISSIONS
DG0 = ALL AUTOMATIC TRANSMISSIONS
DDC = 5-Speed HD Manual Transmission
DDP = 5-Speed Manual Transmission
DDX = 5-Speed HD Manual Transmission
DEE = 6-Speed HD Manual Transmission
DGT = 4-Spd. Automatic 46RE Transmission

AR = use ase required - = Non illustrated part

1999 BE

Axle,Rear,with Differential Parts,Dana Model 70,BE 2,7
Figure 3-230



ITEM	PART NUMBER	QTY	LINE	SERIES	BODY	ENGINE	TRANS	TRIM	DESCRIPTION
	04506072	1	7						
		1	2						
21	04506066	12	7						SCREW, Hex Head Ring Gear, Mounting
		12	2						Ring Gear, Mounting
22	04746618AB	1	7						GEAR KIT, Ring And Pinion [DMD]
		1	2						[DMD]
	04746624AB	1	7						[DMF]
		1	2						[DMF]
23	04638254AB	1	7						CASE, Differential with [DSA]
		1	2						with [DSA]
	04746621AB	1	7						without [DSA]
		1	2						without [DSA]
24	04746622	1	7						GEAR KIT, Center Differential
		1	2						
25	04638255	1	7						GEAR KIT, Center Differential
		1	2						
26	05003932AA	8	7						STUD Axle Housing to Backing Plate, Mounting
		8	2						Axle Housing to Backing Plate, Mounting
-27	05003934AA	8	7						NUT Axle Housing to Backing Plate, Mounting

RAM PICKUP/CLUB CAB (BE)

SERIES LINE
L = RAM 1500, 2500, 3500
1 = Lt. Duty DODGE 2WD
2 = Med. Duty DODGE 2WD
3 = HD DODGE 2WD
6 = Lt. Duty DODGE 4WD
7 = Med. Duty DODGE 4WD
8 = HD DODGE 4WD

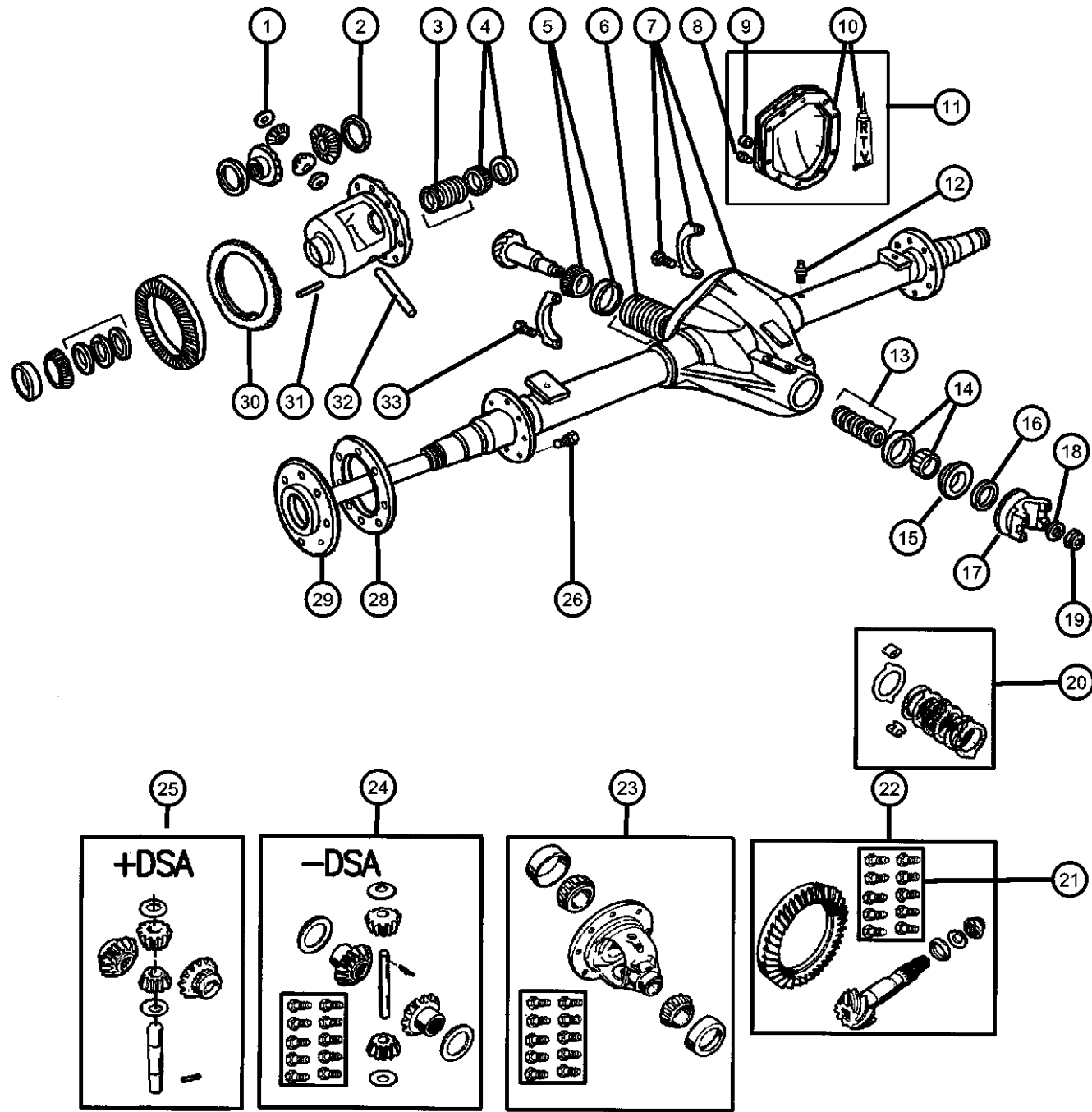
BODY
31 = CLUB CAB 2-DR 6.5 FT BOX
32 = CLUB CAB 2-DR 8FT BOX
33 = QUAD CAB 4-DR 6.5 FT BOX
34 = QUAD CAB 4-DR 8FT BOX
ENGINE
ETC = 5.9L Cummins 24V Diesel Engine
EWA = 8.0L V10 MPI Engine
EM0 = ALL 5.9L 8 CYL ENGINES - GAS
EMM = 5.9L SMPI V8 Engine
EML = 5.9L V8 MPI Engine
ELF = 5.2L V8 MPI Engine

TRANSMISSION
DGP = 4-Spd. Automatic 47RE Transmission
DD0 = ALL 5 SPEED MANUAL TRANSMISSIONS
DG0 = ALL AUTOMATIC TRANSMISSIONS
DDC = 5-Speed HD Manual Transmission
DDP = 5-Speed Manual Transmission
DDX = 5-Speed HD Manual Transmission
DEE = 6-Speed HD Manual Transmission
DGT = 4-Spd. Automatic 46RE Transmission

AR = use ase required - = Non illustrated part

1999 BE

Axle,Rear,with Differential Parts,Dana Model 70,BE 2,7
Figure 3-230



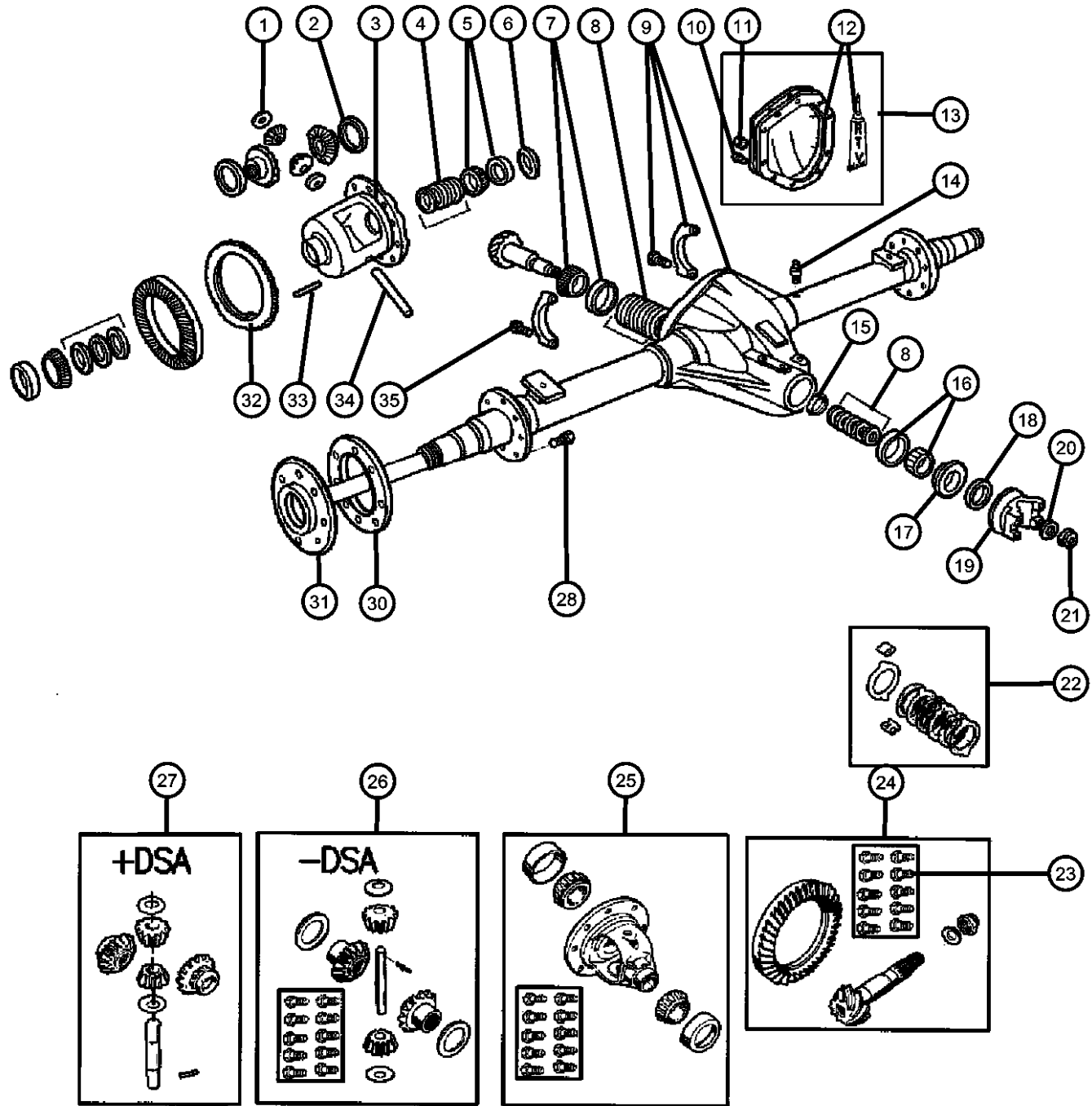
ITEM	PART NUMBER	QTY	LINE	SERIES	BODY	ENGINE	TRANS	TRIM	DESCRIPTION
		8	2						Axle Housing to Backing Plate, Mounting
28									GASKET, Axle Shaft
	04384186	2	7						Axle Shaft to Hub, Mounting
		2	2						Axle Shaft to Hub, Mounting
29									SHAFT, Axle
	04746620	2	7						Right or Left
		2	2						Right or Left
30									RING, Tone
	04506069	1	7						
		1	2						
31		1							ROLL PIN, Differential, (NOT SERVICED)
32		1							SHAFT, Differential, (NOT SERVICED)
33									BOLT, Differential
	05003648AA	4	7						
		4	2						

RAM PICKUP/CLUB CAB (BE)

SERIES	LINE	BODY	ENGINE	TRANSMISSION
L = RAM 1500, 2500, 3500	1 = Lt. Duty DODGE 2WD 2 = Med. Duty DODGE 2WD 3 = HD DODGE 2WD 6 = Lt. Duty DODGE 4WD 7 = Med. Duty DODGE 4WD 8 = HD DODGE 4WD	31 = CLUB CAB 2-DR 6.5 FT BOX 32 = CLUB CAB 2-DR 8FT BOX 33 = QUAD CAB 4-DR 6.5 FT BOX 34 = QUAD CAB 4-DR 8FT BOX	ETC = 5.9L Cummins 24V Diesel Engine EWA = 8.0L V10 MPI Engine EM0 = ALL 5.9L 8 CYL ENGINES - GAS EMM = 5.9L SMPI V8 Engine EML = 5.9L V8 MPI Engine ELF = 5.2L V8 MPI Engine	DGP = 4-Spd. Automatic 47RE Transmission DD0 = ALL 5 SPEED MANUAL TRANSMISSIONS DG0 = ALL AUTOMATIC TRANSMISSIONS DDC = 5-Speed HD Manual Transmission DDP = 5-Speed Manual Transmission DDX = 5-Speed HD Manual Transmission DEE = 6-Speed HD Manual Transmission DGT = 4-Spd. Automatic 46RE Transmission

AR = use ase required - = Non illustrated part

Axle,Rear,with Differential Parts,Dana Model 80,BE 2,3,7,8
Figure 3-240



ITEM	PART NUMBER	QTY	LINE	SERIES	BODY	ENGINE	TRANS	TRIM	DESCRIPTION
------	-------------	-----	------	--------	------	--------	-------	------	-------------

Note: DRL=Dana Model 80—DMD = 3.54 Ratio—DMF = 4.10 Ratio—DSA = Limited Slip Differential

1		4							WASHER, (NOT SERVICED)
2		4							WASHER, (NOT SERVICED)
3									CASE, Differential
	04778763AC	1	2						[DMD,DSA] Includes 4,5,22,23,27
		1	3		34				[DMD,DSA] Includes 4,5,22,23,27
		1	7						[DMD,DSA] Includes 4,5,22,23,27
		1	8		34				[DMD,DSA] Includes 4,5,22,23,27
	04778772AB	1	2						[DMF,DSA] Includes 4,5,22,23,27
		1	3		34				[DMF,DSA] Includes 4,5,22,23,27
		1	7						[DMF,DSA] Includes 4,5,22,23,27
		1	8		34				[DMF,DSA] Includes 4,5,22,23,27
4									SHIM KIT, Differential
	04746982AB	1	2						
		1	3		34				
		1	7						
		1	8		34				
5									BEARING, Differential
	04746981	1	2						Consists of 2 Bearings and 2 Cups
		1	3		34				Consists of 2 Bearings and 2 Cups
		1	7						Consists of 2 Bearings and 2 Cups
		1	8		34				Consists of 2 Bearings and 2 Cups
6									SPACER KIT, Differential

RAM PICKUP/CLUB CAB (BE)

SERIES	LINE
L = RAM 1500, 2500, 3500	1 = Lt. Duty DODGE 2WD 2 = Med. Duty DODGE 2WD 3 = HD DODGE 2WD 6 = Lt. Duty DODGE 4WD 7 = Med. Duty DODGE 4WD 8 = HD DODGE 4WD

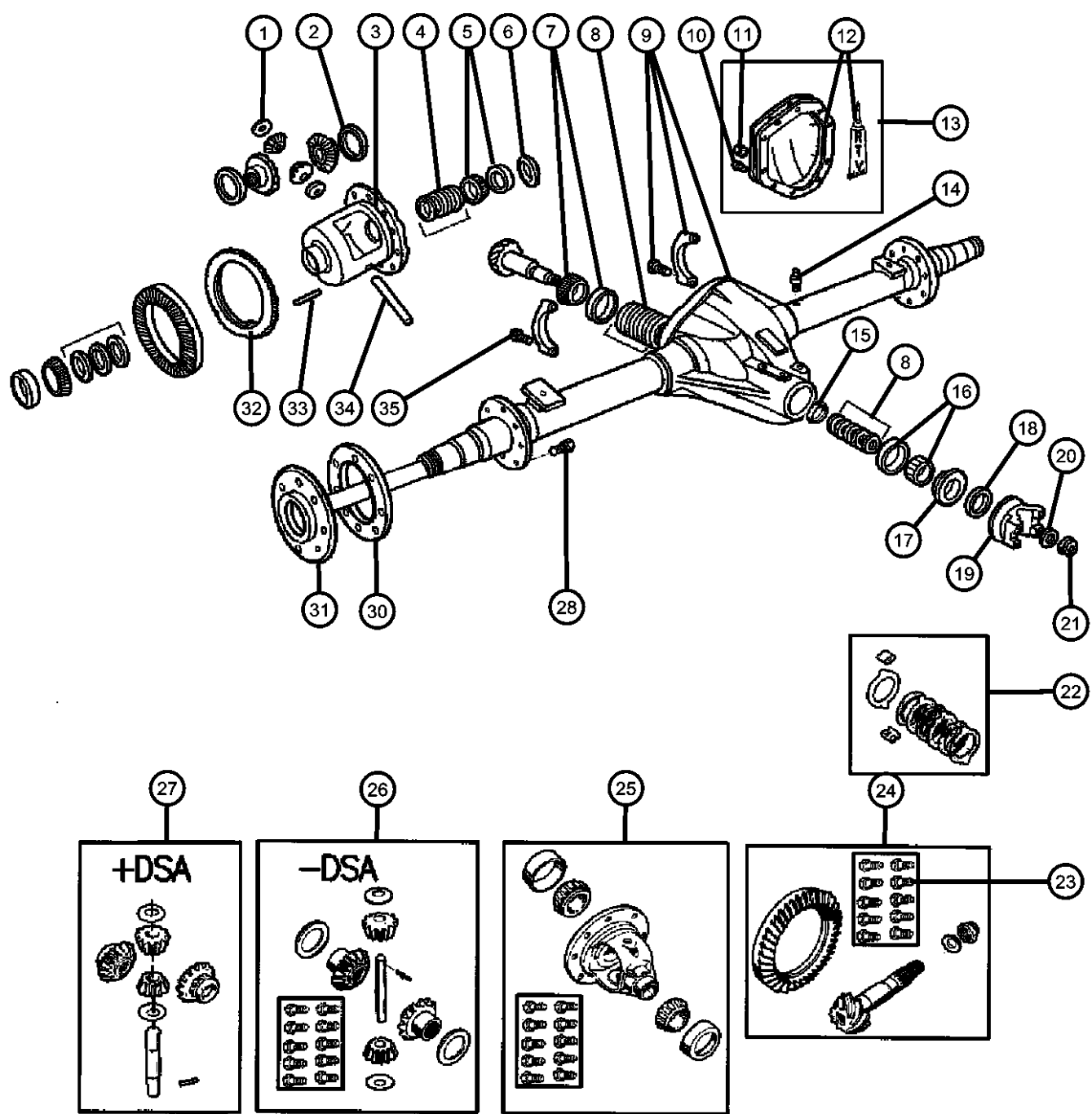
BODY	ENGINE
31 = CLUB CAB 2-DR 6.5 FT BOX 32 = CLUB CAB 2-DR 8FT BOX 33 = QUAD CAB 4-DR 6.5 FT BOX 34 = QUAD CAB 4-DR 8FT BOX	ETC = 5.9L Cummins 24V Diesel Engine EWA = 8.0L V10 MPI Engine EM0 = ALL 5.9L 8 CYL ENGINES - GAS EMM = 5.9L SMPI V8 Engine EML = 5.9L V8 MPI Engine ELF = 5.2L V8 MPI Engine

TRANSMISSION
DGP = 4-Spd. Automatic 47RE Transmission DD0 = ALL 5 SPEED MANUAL TRANSMISSIONS DG0 = ALL AUTOMATIC TRANSMISSIONS DDC = 5-Speed HD Manual Transmission DDP = 5-Speed Manual Transmission DDX = 5-Speed HD Manual Transmission DEE = 6-Speed HD Manual Transmission DGT = 4-Spd. Automatic 46RE Transmission

AR = use ase required - = Non illustrated part

1999 BE

Axle,Rear,with Differential Parts,Dana Model 80,BE 2,3,7,8
Figure 3-240



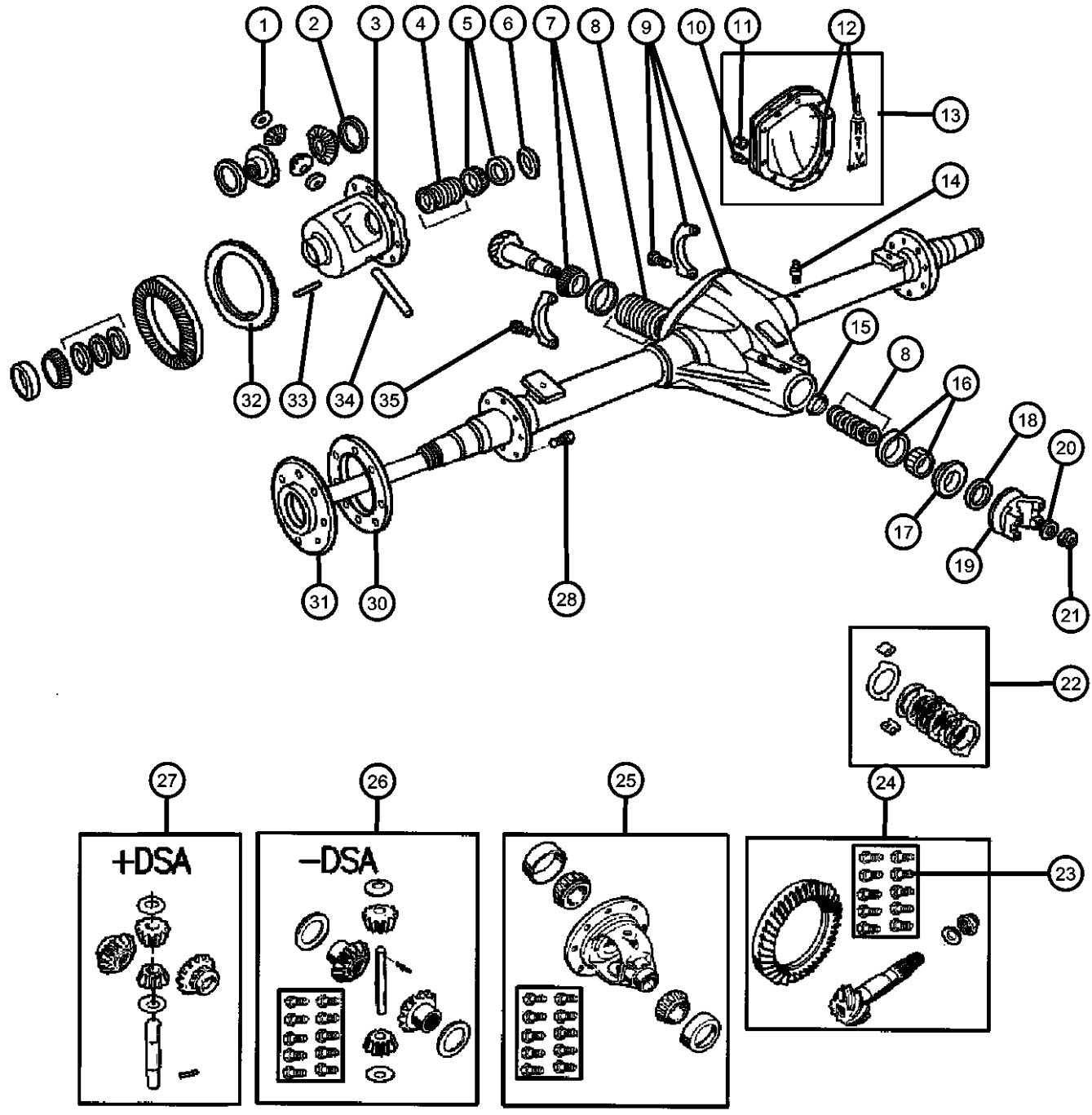
ITEM	PART NUMBER	QTY	LINE	SERIES	BODY	ENGINE	TRANS	TRIM	DESCRIPTION
	04746984	1	2						Consists of 2 Flat Spacers
		1	3		34				Consists of 2 Flat Spacers
		1	7						Consists of 2 Flat Spacers
		1	8		34				Consists of 2 Flat Spacers
7									BEARING, Drive Pinion
	04746978	1	2						Bearing and Cup, Rear
		1	3		34				Bearing and Cup, Rear
		1	7						Bearing and Cup, Rear
		1	8		34				Bearing and Cup, Rear
8									SHIM KIT, Pinion Shaft
	04746983	1	2						Front and Rear
		1	3		34				Front and Rear
		1	7						Front and Rear
		1	8		34				Front and Rear
9									HOUSING, Rear Axle
	04856081AB	1	8		34				[DMD]
	04856104AB	1	3		34				[DMD]
	04856116AB	1	7						[DMD]
	04856124AB	1	2						[DMD]
	04864737AB	1	8		34				[DMF]
	04864740AB	1	3		34				[DMF]
	04864742AB	1	2						[DMF]
	04864743AB	1	7						[DMF]
10									BOLT, Differential Cover
	02952474	10	2						Mounting
		10	3		34				Mounting
		10	7						Mounting
		10	8		34				Mounting

RAM PICKUP/CLUB CAB (BE)

SERIES	LINE	BODY	ENGINE	TRANSMISSION
L = RAM 1500, 2500, 3500	1 = Lt. Duty DODGE 2WD 2 = Med. Duty DODGE 2WD 3 = HD DODGE 2WD 6 = Lt. Duty DODGE 4WD 7 = Med. Duty DODGE 4WD 8 = HD DODGE 4WD	31 = CLUB CAB 2-DR 6.5 FT BOX 32 = CLUB CAB 2-DR 8FT BOX 33 = QUAD CAB 4-DR 6.5 FT BOX 34 = QUAD CAB 4-DR 8FT BOX	ETC = 5.9L Cummins 24V Diesel Engine EWA = 8.0L V10 MPI Engine EM0 = ALL 5.9L 8 CYL ENGINES - GAS EMM = 5.9L SMPI V8 Engine EML = 5.9L V8 MPI Engine ELF = 5.2L V8 MPI Engine	DGP = 4-Spd. Automatic 47RE Transmission DD0 = ALL 5 SPEED MANUAL TRANSMISSIONS DG0 = ALL AUTOMATIC TRANSMISSIONS DDC = 5-Speed HD Manual Transmission DDP = 5-Speed Manual Transmission DDX = 5-Speed HD Manual Transmission DEE = 6-Speed HD Manual Transmission DGT = 4-Spd. Automatic 46RE Transmission

AR = use ase required - = Non illustrated part

Axle,Rear,with Differential Parts,Dana Model 80,BE 2,3,7,8
Figure 3-240



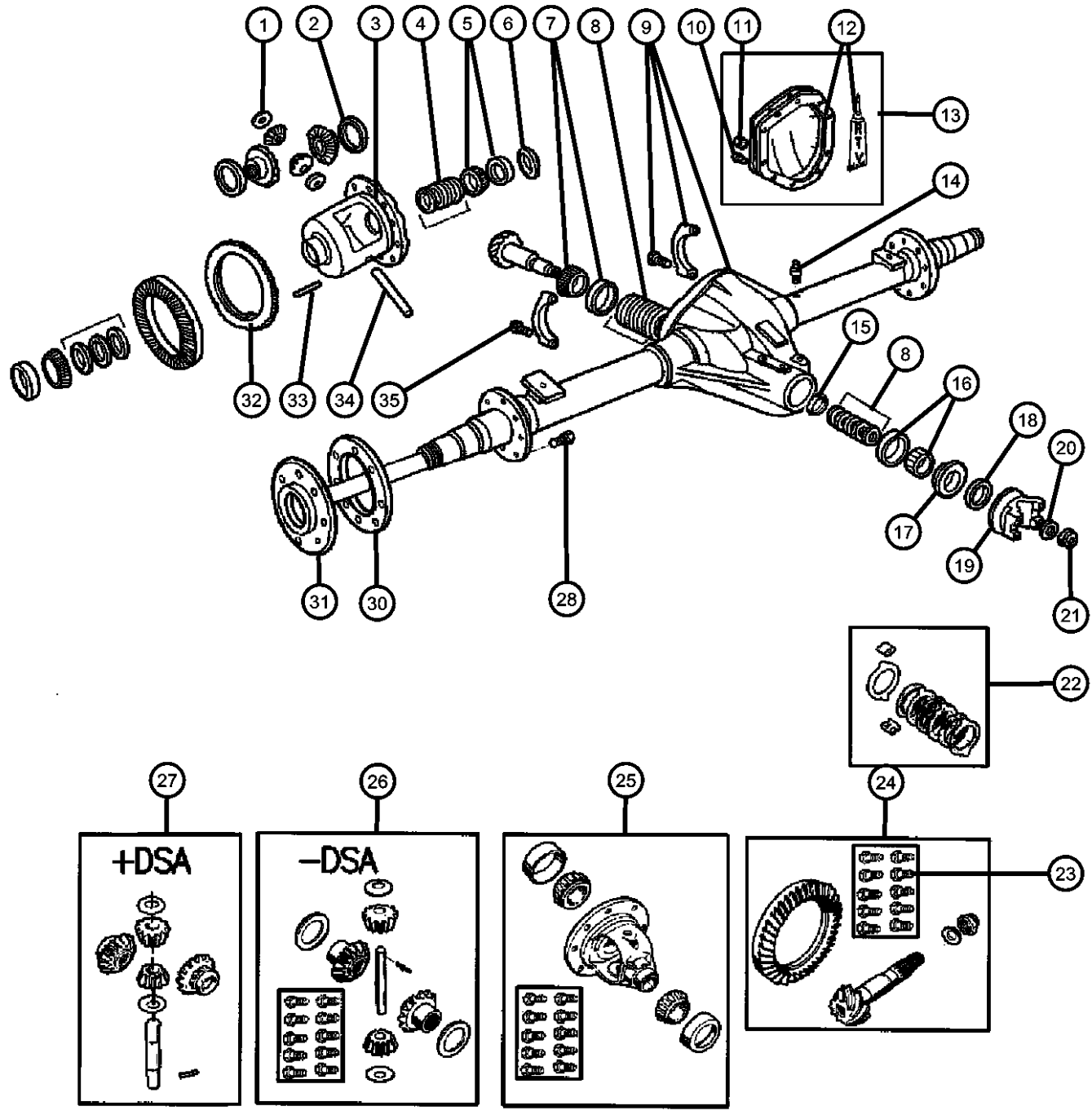
ITEM	PART NUMBER	QTY	LINE	SERIES	BODY	ENGINE	TRANS	TRIM	DESCRIPTION
11									PLUG, Differential Cover
	03640792	1	2						
		1	3		34				
		1	7						
		1	8		34				
12									SEALANT, RTV
	05010884AA	1	2						
		1	3		34				
		1	7						
		1	8		34				
13									COVER, Differential
	04746985	1	2						
		1	3		34				
	04746989	1	7						
		1	8		34				
14	04137696AB	1							BOLT, Axle Vent
15									SPACER, Drive Pinion
	04773230	1	2						
		1	3		34				
		1	7						
		1	8		34				
16									BEARING, Drive Pinion
	04746979	1	2						Bearing and Cup, Front
		1	3		34				Bearing and Cup, Front
		1	7						Bearing and Cup, Front
		1	8		34				Bearing and Cup, Front
17		1							SLINGER, Drive Pinion, Order Yoke Assembly, (NOT SERVICED),

RAM PICKUP/CLUB CAB (BE)

SERIES	LINE	BODY	ENGINE	TRANSMISSION
L = RAM 1500, 2500, 3500	1 = Lt. Duty DODGE 2WD 2 = Med. Duty DODGE 2WD 3 = HD DODGE 2WD 6 = Lt. Duty DODGE 4WD 7 = Med. Duty DODGE 4WD 8 = HD DODGE 4WD	31 = CLUB CAB 2-DR 6.5 FT BOX 32 = CLUB CAB 2-DR 8FT BOX 33 = QUAD CAB 4-DR 6.5 FT BOX 34 = QUAD CAB 4-DR 8FT BOX	ETC = 5.9L Cummins 24V Diesel Engine EWA = 8.0L V10 MPI Engine EM0 = ALL 5.9L 8 CYL ENGINES - GAS EMM = 5.9L SMPI V8 Engine EML = 5.9L V8 MPI Engine ELF = 5.2L V8 MPI Engine	DGP = 4-Spd. Automatic 47RE Transmission DD0 = ALL 5 SPEED MANUAL TRANSMISSIONS DG0 = ALL AUTOMATIC TRANSMISSIONS DDC = 5-Speed HD Manual Transmission DDP = 5-Speed Manual Transmission DDX = 5-Speed HD Manual Transmission DEE = 6-Speed HD Manual Transmission DGT = 4-Spd. Automatic 46RE Transmission

AR = use ase required - = Non illustrated part

Axle,Rear,with Differential Parts,Dana Model 80,BE 2,3,7,8
Figure 3-240



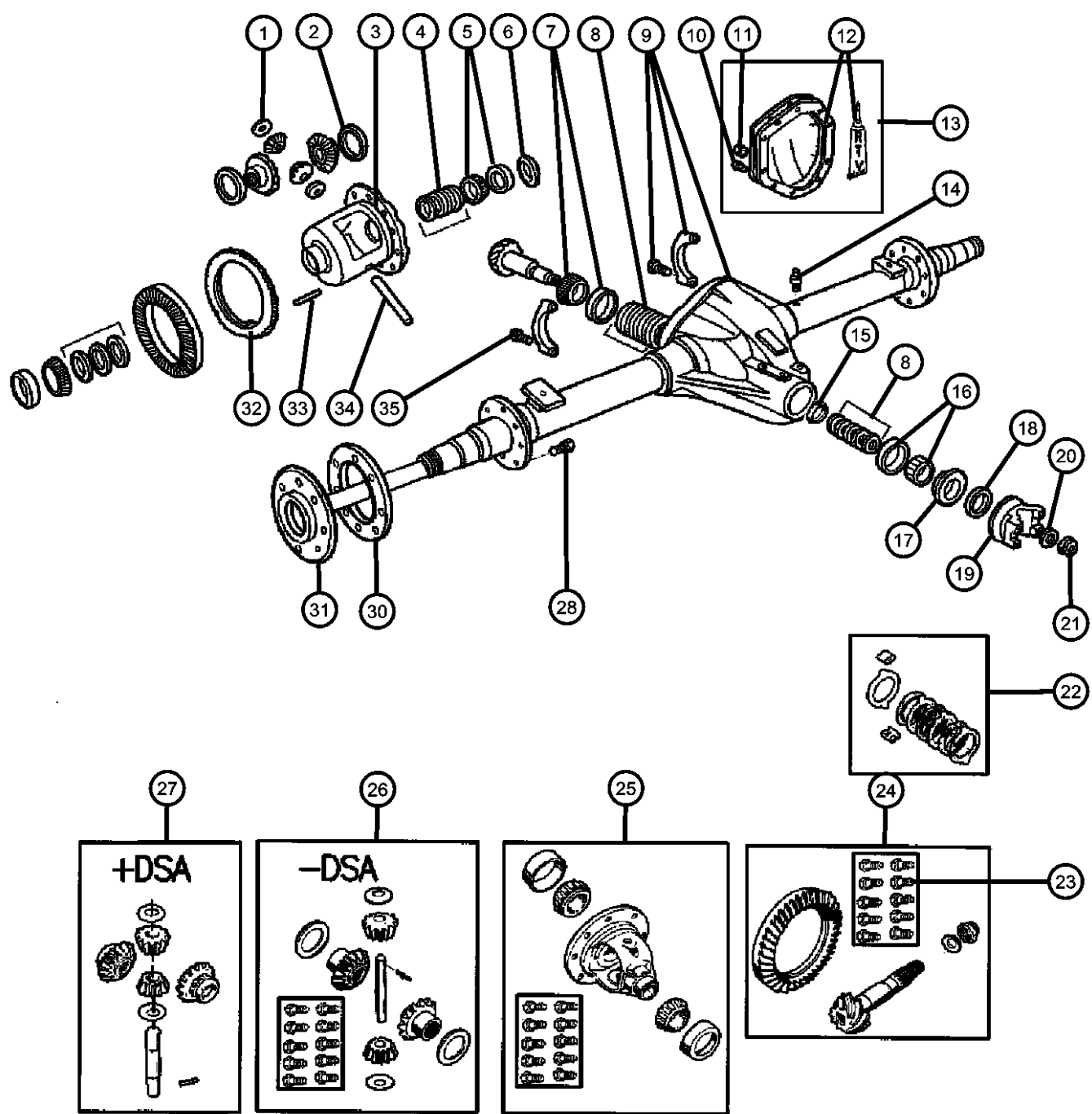
ITEM	PART NUMBER	QTY	LINE	SERIES	BODY	ENGINE	TRANS	TRIM	DESCRIPTION
18	04773237	1	2						SEAL, Drive Pinion
		1	3		34				
		1	7						
		1	8		34				
19	04856840	1	2						YOKE, Axle
		1	3		34				
		1	7						
		1	8		34				
20	04773240	1	2						WASHER, Pinion Yoke
		1	3		34				
		1	7						
		1	8		34				
21	04773239	1	2						NUT, Pinion Yoke
		1	3		34				
		1	7						
		1	8		34				
22	04778767	1	2						DISC AND PLATE KIT, Differential
		1	3		34				With [DSA]
		1	7						With [DSA]
		1	8		34				With [DSA]
23	04773238	12	2						BOLT, Ring Gear
		12	3		34				Mounting

RAM PICKUP/CLUB CAB (BE)

SERIES	LINE	BODY	ENGINE	TRANSMISSION
L = RAM 1500, 2500, 3500	1 = Lt. Duty DODGE 2WD 2 = Med. Duty DODGE 2WD 3 = HD DODGE 2WD 6 = Lt. Duty DODGE 4WD 7 = Med. Duty DODGE 4WD 8 = HD DODGE 4WD	31 = CLUB CAB 2-DR 6.5 FT BOX 32 = CLUB CAB 2-DR 8FT BOX 33 = QUAD CAB 4-DR 6.5 FT BOX 34 = QUAD CAB 4-DR 8FT BOX	ETC = 5.9L Cummins 24V Diesel Engine EWA = 8.0L V10 MPI Engine EM0 = ALL 5.9L 8 CYL ENGINES - GAS EMM = 5.9L SMPI V8 Engine EML = 5.9L V8 MPI Engine ELF = 5.2L V8 MPI Engine	DGP = 4-Spd. Automatic 47RE Transmission DD0 = ALL 5 SPEED MANUAL TRANSMISSIONS DG0 = ALL AUTOMATIC TRANSMISSIONS DDC = 5-Speed HD Manual Transmission DDP = 5-Speed Manual Transmission DDX = 5-Speed HD Manual Transmission DEE = 6-Speed HD Manual Transmission DGT = 4-Spd. Automatic 46RE Transmission

AR = use ase required - = Non illustrated part

Axle,Rear,with Differential Parts,Dana Model 80,BE 2,3,7,8
Figure 3-240



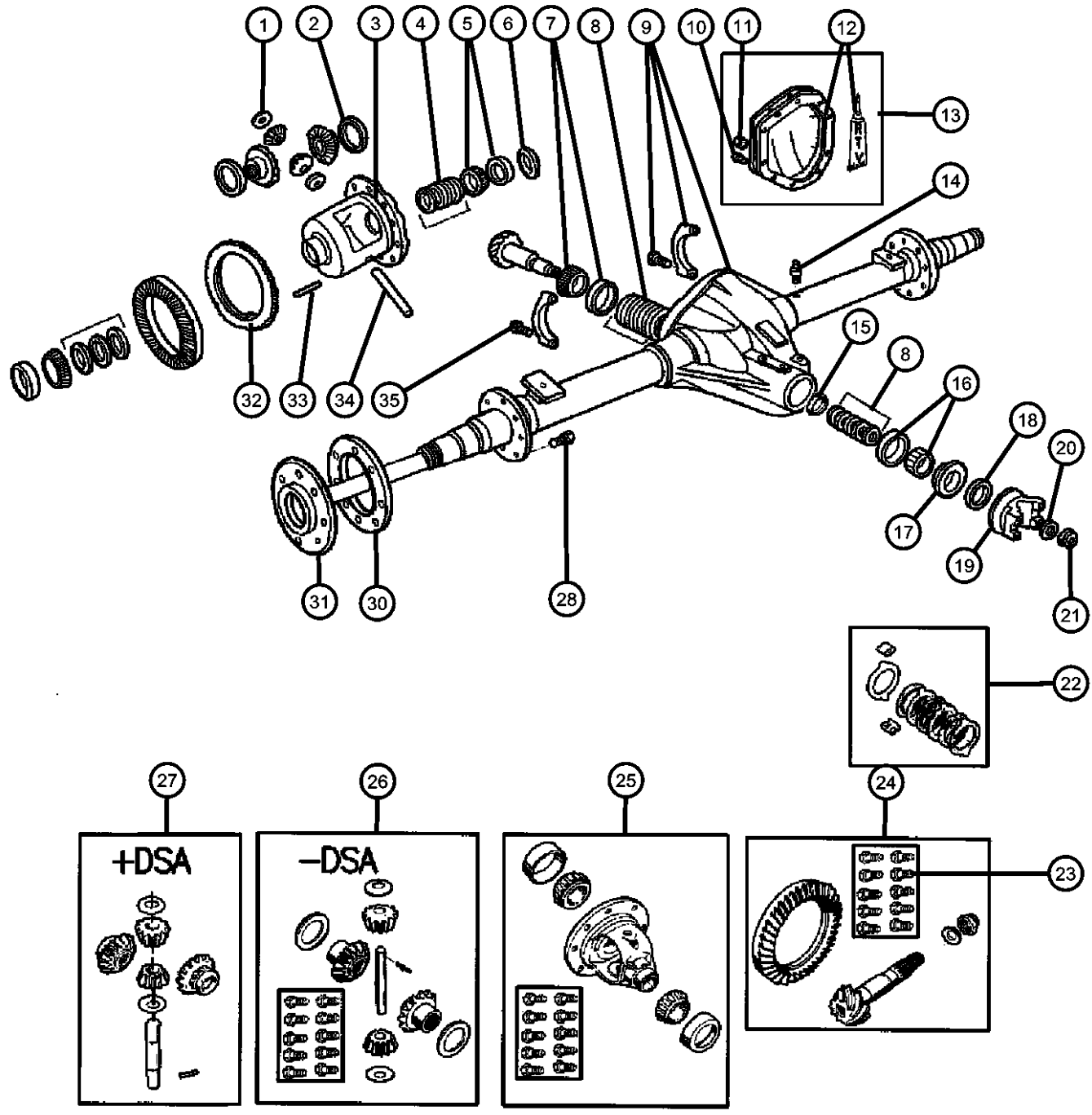
ITEM	PART NUMBER	QTY	LINE	SERIES	BODY	ENGINE	TRANS	TRIM	DESCRIPTION
		12	7						Mounting
		12	8		34				Mounting
24	04746976	1	2						GEAR KIT, Ring And Pinion
		1	3		34				[DMD]
		1	7						[DMD]
		1	8		34				[DMD]
	04746992	1	2						[DMF]
		1	3		34				[DMF]
		1	7						[DMF]
		1	8		34				[DMF]
25	04746977AB	1	2						CASE, Differential
		1	3		34				[DMD] Without [DSA] Includes 4,26
		1	7						[DMD] Without [DSA] Includes 4,26
		1	8		34				[DMD] Without [DSA] Includes 4,26
	04746993AB	1	2						[DMF] Without [DSA] Includes 4,26
		1	3		34				[DMF] Without [DSA] Includes 4,26
		1	7						[DMF] Without [DSA] Includes 4,26
		1	8		34				[DMF] Without [DSA] Includes 4,26
26	04746980	1	2						GEAR KIT, Center Differential
		1	3		34				Without [DSA]
		1	7						Without [DSA]
		1	8		34				Without [DSA]

RAM PICKUP/CLUB CAB (BE)

SERIES	LINE	BODY	ENGINE	TRANSMISSION
L = RAM 1500, 2500, 3500	1 = Lt. Duty DODGE 2WD 2 = Med. Duty DODGE 2WD 3 = HD DODGE 2WD 6 = Lt. Duty DODGE 4WD 7 = Med. Duty DODGE 4WD 8 = HD DODGE 4WD	31 = CLUB CAB 2-DR 6.5 FT BOX 32 = CLUB CAB 2-DR 8FT BOX 33 = QUAD CAB 4-DR 6.5 FT BOX 34 = QUAD CAB 4-DR 8FT BOX	ETC = 5.9L Cummins 24V Diesel Engine EWA = 8.0L V10 MPI Engine EM0 = ALL 5.9L 8 CYL ENGINES - GAS EMM = 5.9L SMPI V8 Engine EML = 5.9L V8 MPI Engine ELF = 5.2L V8 MPI Engine	DGP = 4-Spd. Automatic 47RE Transmission DD0 = ALL 5 SPEED MANUAL TRANSMISSIONS DG0 = ALL AUTOMATIC TRANSMISSIONS DDC = 5-Speed HD Manual Transmission DDP = 5-Speed Manual Transmission DDX = 5-Speed HD Manual Transmission DEE = 6-Speed HD Manual Transmission DGT = 4-Spd. Automatic 46RE Transmission

AR = use ase required - = Non illustrated part

Axle,Rear,with Differential Parts,Dana Model 80,BE 2,3,7,8
Figure 3-240



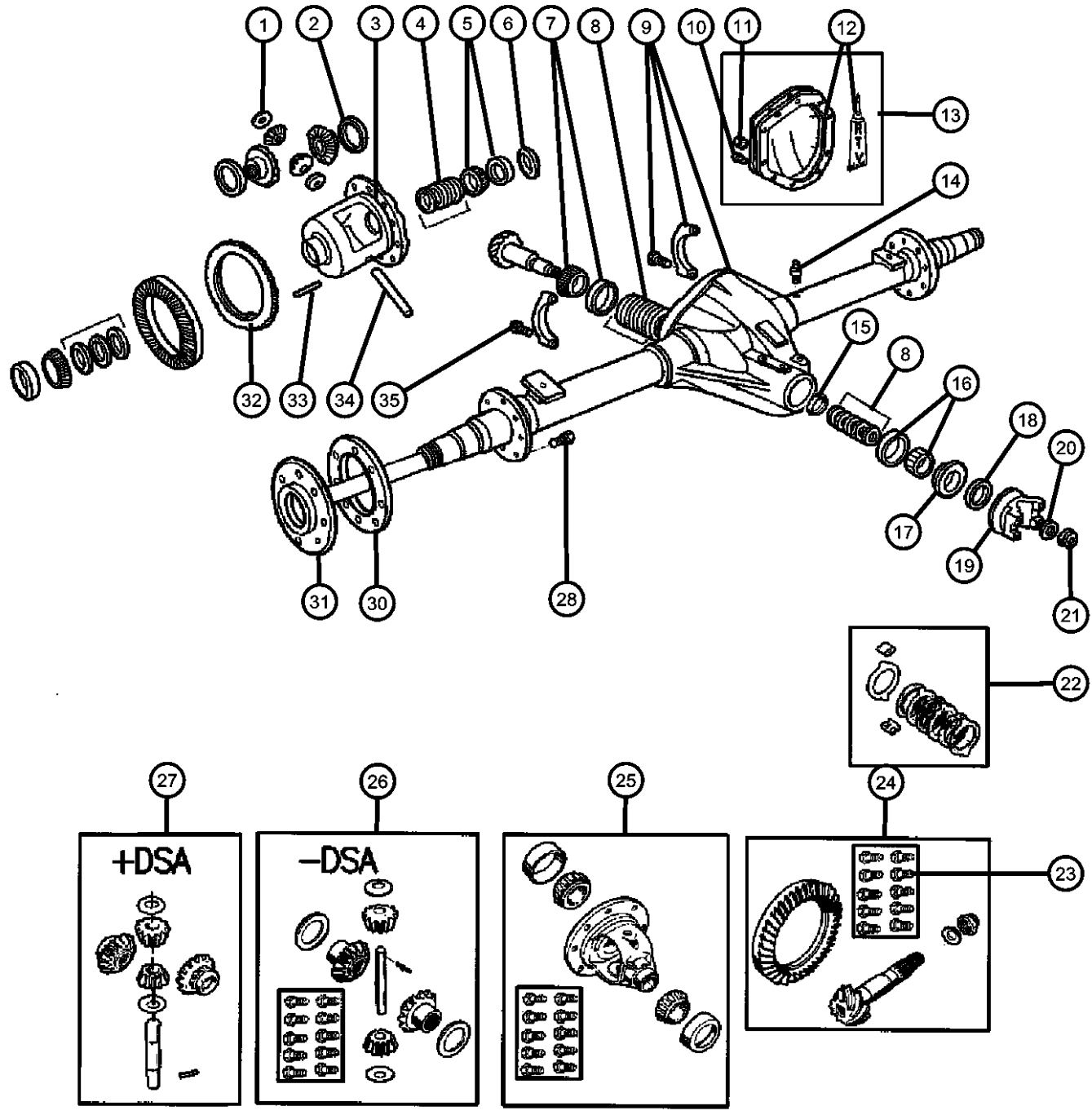
ITEM	PART NUMBER	QTY	LINE	SERIES	BODY	ENGINE	TRANS	TRIM	DESCRIPTION
		1	8		34				Without [DSA]
27	04778766	1	2						GEAR KIT, Center Differential
		1	3		34				With [DSA]-Includes 22
		1	7						With [DSA]-Includes 22
		1	8		34				With [DSA]-Includes 22
28	01664518	8	2						SCREW, Round Head, .50-20x1.25
		8	7						Axle Housing to Backing Plate, Mounting
		8	3		34				Axle Housing to Backing Plate, Mounting
		8	8		34				Axle Housing to Backing Plate, Mounting
-29	00152349	8	2						NUT, Hex, .50-20
		8	3		34				Axle Housing to Backing Plate, Mounting
		8	7						Axle Housing to Backing Plate, Mounting
		8	8		34				Axle Housing to Backing Plate, Mounting
30	04384186	2	2						GASKET, Axle Shaft
		2	3		34				Axle Shaft to Hub, Mounting
		2	7						Axle Shaft to Hub, Mounting
		2	8		34				Axle Shaft to Hub, Mounting
31	04746967	2	3		34				SHAFT, Axle
		2	8		34				

RAM PICKUP/CLUB CAB (BE)

SERIES	LINE	BODY	ENGINE	TRANSMISSION
L = RAM 1500, 2500, 3500	1 = Lt. Duty DODGE 2WD 2 = Med. Duty DODGE 2WD 3 = HD DODGE 2WD 6 = Lt. Duty DODGE 4WD 7 = Med. Duty DODGE 4WD 8 = HD DODGE 4WD	31 = CLUB CAB 2-DR 6.5 FT BOX 32 = CLUB CAB 2-DR 8FT BOX 33 = QUAD CAB 4-DR 6.5 FT BOX 34 = QUAD CAB 4-DR 8FT BOX	ETC = 5.9L Cummins 24V Diesel Engine EWA = 8.0L V10 MPI Engine EM0 = ALL 5.9L 8 CYL ENGINES - GAS EMM = 5.9L SMPI V8 Engine EML = 5.9L V8 MPI Engine ELF = 5.2L V8 MPI Engine	DGP = 4-Spd. Automatic 47RE Transmission DD0 = ALL 5 SPEED MANUAL TRANSMISSIONS DG0 = ALL AUTOMATIC TRANSMISSIONS DDC = 5-Speed HD Manual Transmission DDP = 5-Speed Manual Transmission DDX = 5-Speed HD Manual Transmission DEE = 6-Speed HD Manual Transmission DGT = 4-Spd. Automatic 46RE Transmission

AR = use ase required - = Non illustrated part

Axle,Rear,with Differential Parts,Dana Model 80,BE 2,3,7,8
Figure 3-240



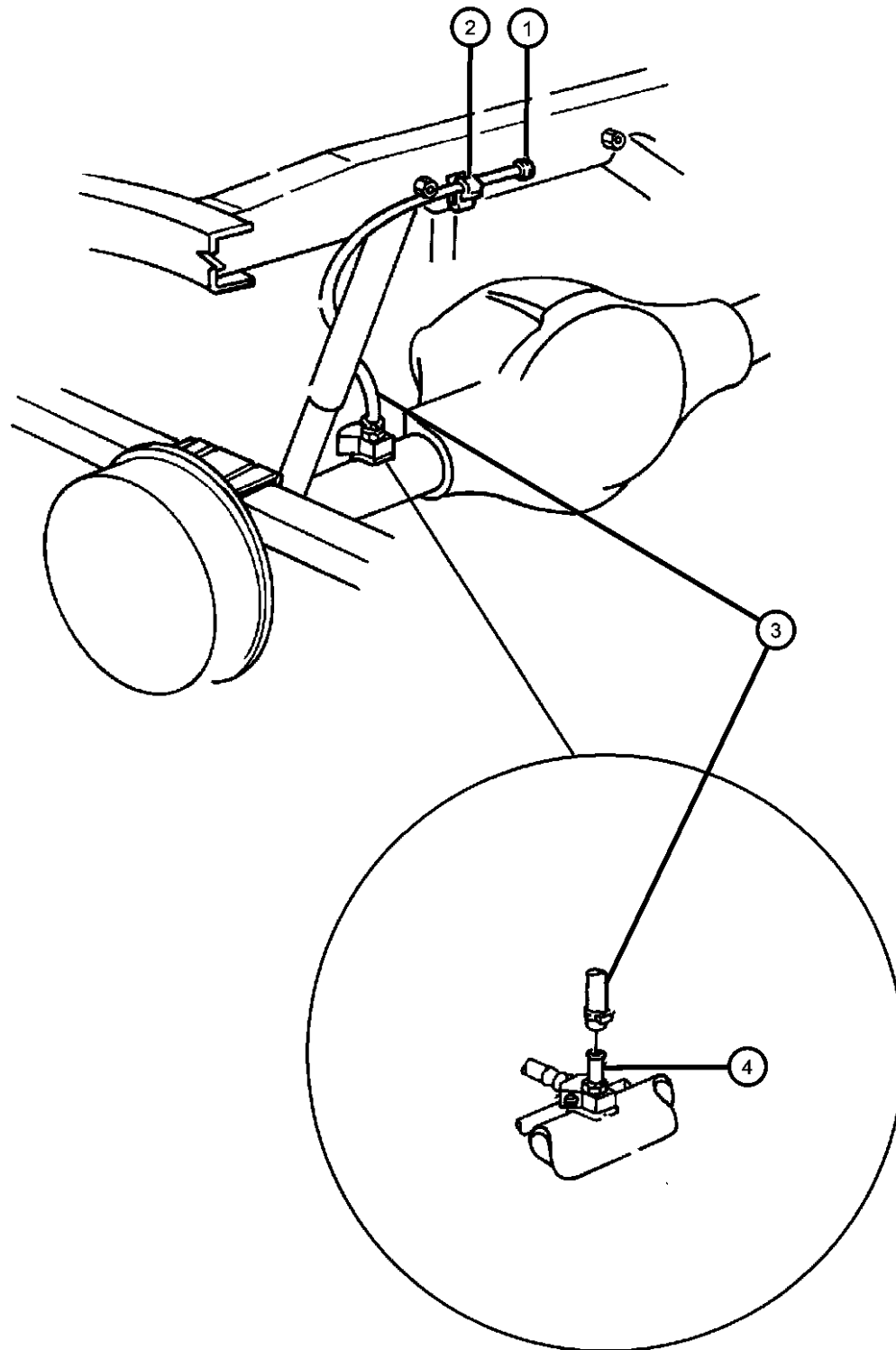
ITEM	PART NUMBER	QTY	LINE	SERIES	BODY	ENGINE	TRANS	TRIM	DESCRIPTION
	04746995	2	2						
		2	7						
32	04761653	1	2						RING, Tone
		1	3		34				
		1	7						
		1	8		34				
33		1							ROLL PIN, Differential, (NOT SERVICED)
34		1							SHAFT, Differential, (NOT SERVICED)
35									BOLT, Differential
	05003648AA	4	2						
		4	3		34				
		4	7						
		4	8		34				

RAM PICKUP/CLUB CAB (BE)

SERIES	LINE	BODY	ENGINE	TRANSMISSION
L = RAM 1500, 2500, 3500	1 = Lt. Duty DODGE 2WD	31 = CLUB CAB 2-DR 6.5 FT BOX	ETC = 5.9L Cummins 24V Diesel Engine	DGP = 4-Spd. Automatic 47RE Transmission
	2 = Med. Duty DODGE 2WD	32 = CLUB CAB 2-DR 8FT BOX	EWA = 8.0L V10 MPI Engine	DD0 = ALL 5 SPEED MANUAL TRANSMISSIONS
	3 = HD DODGE 2WD	33 = QUAD CAB 4-DR 6.5 FT BOX	EM0 = ALL 5.9L 8 CYL ENGINES - GAS	DG0 = ALL AUTOMATIC TRANSMISSIONS
	6 = Lt. Duty DODGE 4WD	34 = QUAD CAB 4-DR 8FT BOX	EMM = 5.9L SMPI V8 Engine	DDC = 5-Speed HD Manual Transmission
	7 = Med. Duty DODGE 4WD		EML = 5.9L V8 MPI Engine	DDP = 5-Speed Manual Transmission
	8 = HD DODGE 4WD		ELF = 5.2L V8 MPI Engine	DDX = 5-Speed HD Manual Transmission
				DEE = 6-Speed HD Manual Transmission
				DGT = 4-Spd. Automatic 46RE Transmission

AR = use ase required - = Non illustrated part

Vent, Axle
Figure 3-310



ITEM	PART NUMBER	QTY	LINE	SERIES	BODY	ENGINE	TRANS	TRIM	DESCRIPTION
1	J5352955	1	6, 7, 8						VENT, Axle Upper Upper
2	04638633	1	1, 2, 3						CLIP, Vent Tube
3	04443176	AR	6, 7, 8						HOSE, Fuel, .31 I.D. 50 Foot Roll, Axle Vent
4	04137696AB	1							BOLT, Axle VentLower

RAM PICKUP/CLUB CAB (BE)

SERIES	LINE	BODY	ENGINE	TRANSMISSION
L = RAM 1500, 2500, 3500	1 = Lt. Duty DODGE 2WD 2 = Med. Duty DODGE 2WD 3 = HD DODGE 2WD 6 = Lt. Duty DODGE 4WD 7 = Med. Duty DODGE 4WD 8 = HD DODGE 4WD	31 = CLUB CAB 2-DR 6.5 FT BOX 32 = CLUB CAB 2-DR 8FT BOX 33 = QUAD CAB 4-DR 6.5 FT BOX 34 = QUAD CAB 4-DR 8FT BOX	ETC = 5.9L Cummins 24V Diesel Engine EWA = 8.0L V10 MPI Engine EM0 = ALL 5.9L 8 CYL ENGINES - GAS EMM = 5.9L SMPI V8 Engine EML = 5.9L V8 MPI Engine ELF = 5.2L V8 MPI Engine	DGP = 4-Spd. Automatic 47RE Transmission DD0 = ALL 5 SPEED MANUAL TRANSMISSIONS DG0 = ALL AUTOMATIC TRANSMISSIONS DDC = 5-Speed HD Manual Transmission DDP = 5-Speed Manual Transmission DDX = 5-Speed HD Manual Transmission DEE = 6-Speed HD Manual Transmission DGT = 4-Spd. Automatic 46RE Transmission

AR = use ase required - = Non illustrated part

Group - 4

Parking Brake

Group - 4 Parking Brake

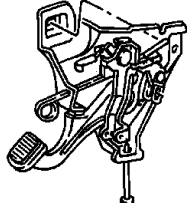
Group-Fig. No.

Illustration Title

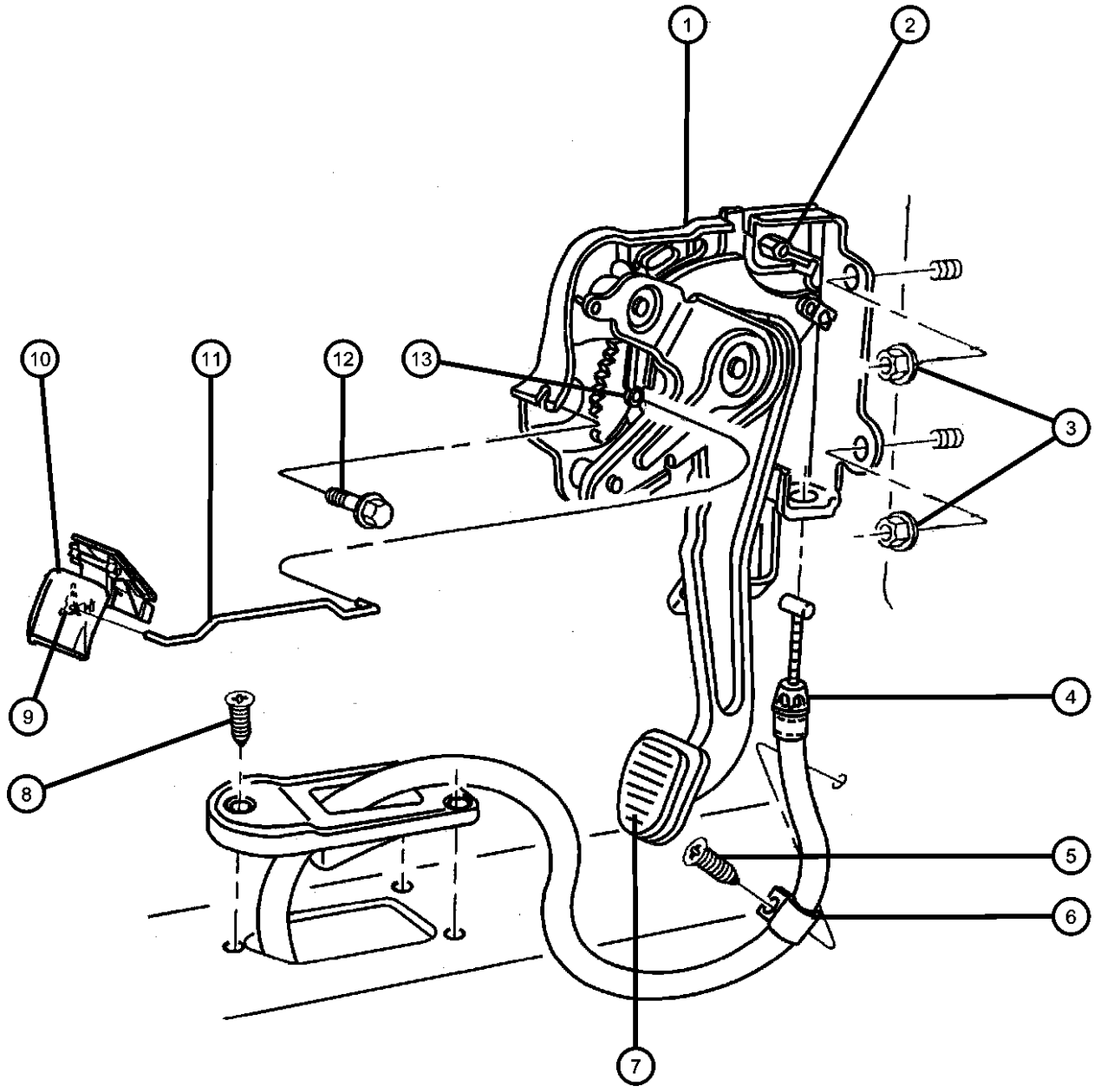
Parking Brake Lever and Cables

Parking Brake Lever	Fig. 4 - 110
Parking Brake Cables.....	Fig. 4 - 120

004-100
Parking Brake Lever and Cables



**Parking Brake Lever
Figure 4-110**



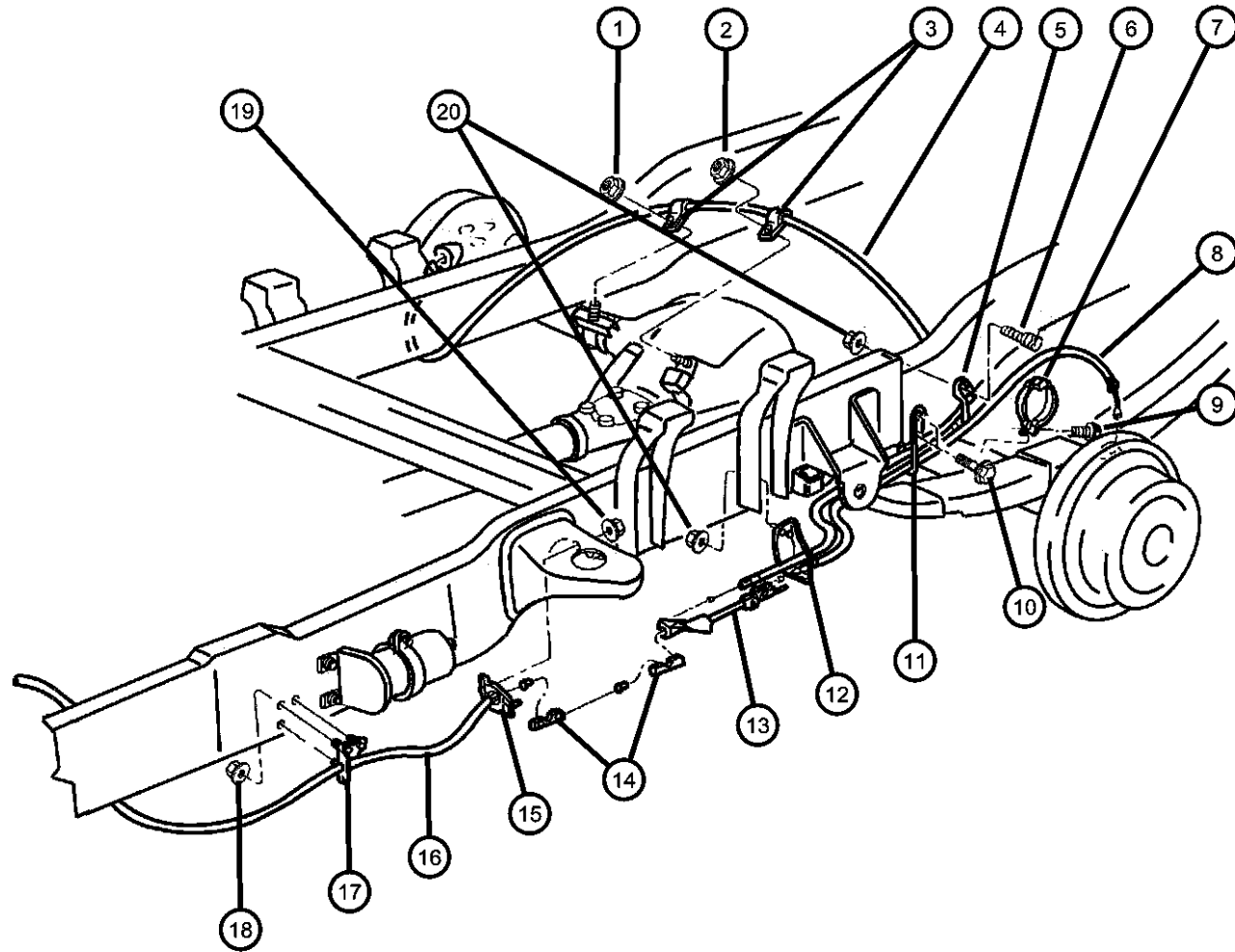
ITEM	PART NUMBER	QTY	LINE	SERIES	BODY	ENGINE	TRANS	TRIM	DESCRIPTION
1	52009758AA	1							LEVER, Park Brake
2	05013819AA	1							SWITCH, Parking Brake
3	34201711	2							NUT, Hex Flange, M8x1.25, Park Brake Lever Attaching
4	52009404	1							CABLE, Parking Brake
5	J4004642	1							SCREW, Round Head, .164-18x.560
6	00120524	1							CLIP, Cable
7	J3220433	1							PAD, Parking Brake Lever
8	J4004642	1							SCREW, Round Head, .164-18x.560
9	04658677	1							CLIP, Latch Link, Park Brake Release Handle to Rod Attaching
10									RELEASE, Parking Brake
	0RU38LAZAA	1							Agate
	0RU38RC8AA	1							Cirrus
	0RU38VK9AA	1							Suede
11	52009750AC	1							ROD, Parking Brake Release
12	06101787	1							SCREW, Tapping, M8x20, Parking Brake Lever Attaching
13	04184244	1							CLIP, Lever Link, Parking Brake Release Rod to Lever Attaching

RAM PICKUP/CLUB CAB (BE)

SERIES	LINE	BODY	ENGINE	TRANSMISSION
L = RAM 1500, 2500, 3500	1 = Lt. Duty DODGE 2WD	31 = CLUB CAB 2-DR 6.5 FT BOX	ETC = 5.9L Cummins 24V Diesel Engine	DGP = 4-Spd. Automatic 47RE Transmission
	2 = Med. Duty DODGE 2WD	32 = CLUB CAB 2-DR 8FT BOX	EWA = 8.0L V10 MPI Engine	DD0 = ALL 5 SPEED MANUAL TRANSMISSIONS
	3 = HD DODGE 2WD	33 = QUAD CAB 4-DR 6.5 FT BOX	EM0 = ALL 5.9L 8 CYL ENGINES - GAS	DG0 = ALL AUTOMATIC TRANSMISSIONS
	6 = Lt. Duty DODGE 4WD	34 = QUAD CAB 4-DR 8FT BOX	EMM = 5.9L SMPI V8 Engine	DDC = 5-Speed HD Manual Transmission
	7 = Med. Duty DODGE 4WD		EML = 5.9L V8 MPI Engine	DDP = 5-Speed Manual Transmission
	8 = HD DODGE 4WD		ELF = 5.2L V8 MPI Engine	DDX = 5-Speed HD Manual Transmission
				DEE = 6-Speed HD Manual Transmission
				DGT = 4-Spd. Automatic 46RE Transmission

AR = use ase required - = Non illustrated part

**Parking Brake Cables
Figure 4-120**



ITEM	PART NUMBER	QTY	LINE	SERIES	BODY	ENGINE	TRANS	TRIM	DESCRIPTION
Note: DRL=Dana 80 Rear Axle									
1	06500274	1							LOCK NUT, M6x1.0x6, Clip Mounting
2	00152472	1							NUT, Hex Flange Lock, .312-18, Clip Mounting
3	06503291	1							CLIP, Brake Cable, 23x45x.76
4									CABLE, Parking Brake
	52009105	1	2, 3, 7, 8						Right
	52009304	1	1, 6						Right
5	52009060	1	2, 3, 7, 8						GUIDE, Parking Brake Cable
6	06101787	1							SCREW, Tapping, M8x20
7									CLAMP, Parking Brake Cable
	52008751	1							[-DRL]
	52008754	1							[+DRL]
8									CABLE, Parking Brake
	52010007	1	1, 6						Left
	52010021	1	2, 3, 7, 8						Left
9	J4004692	1							SCREW AND WASHER, Hex Head, .327-9x1.50
10	06502282	1							SCREW, Hex Head, M8x1.25x30, Cable Guide Mounting
11	52008943	1	2, 3, 7, 8						GUIDE, Parking Brake Cable, Routing
12	52008537	1	2, 3, 7, 8						BRACKET, Parking Brake Cable, Rear Reaction
13	52008437	1							TENSIONER, Parking Brake Cable, Adjust
14	52008461	1			32, 34				CABLE, Parking Brake Extension
15	52008461	1							BRACKET, Parking Brake Cable, (NOT REQUIRED)
16	52009404	1							CABLE, Parking Brake
17	52009404	1							BRACKET, Parking Brake Cable, (NOT REQUIRED)

RAM PICKUP/CLUB CAB (BE)

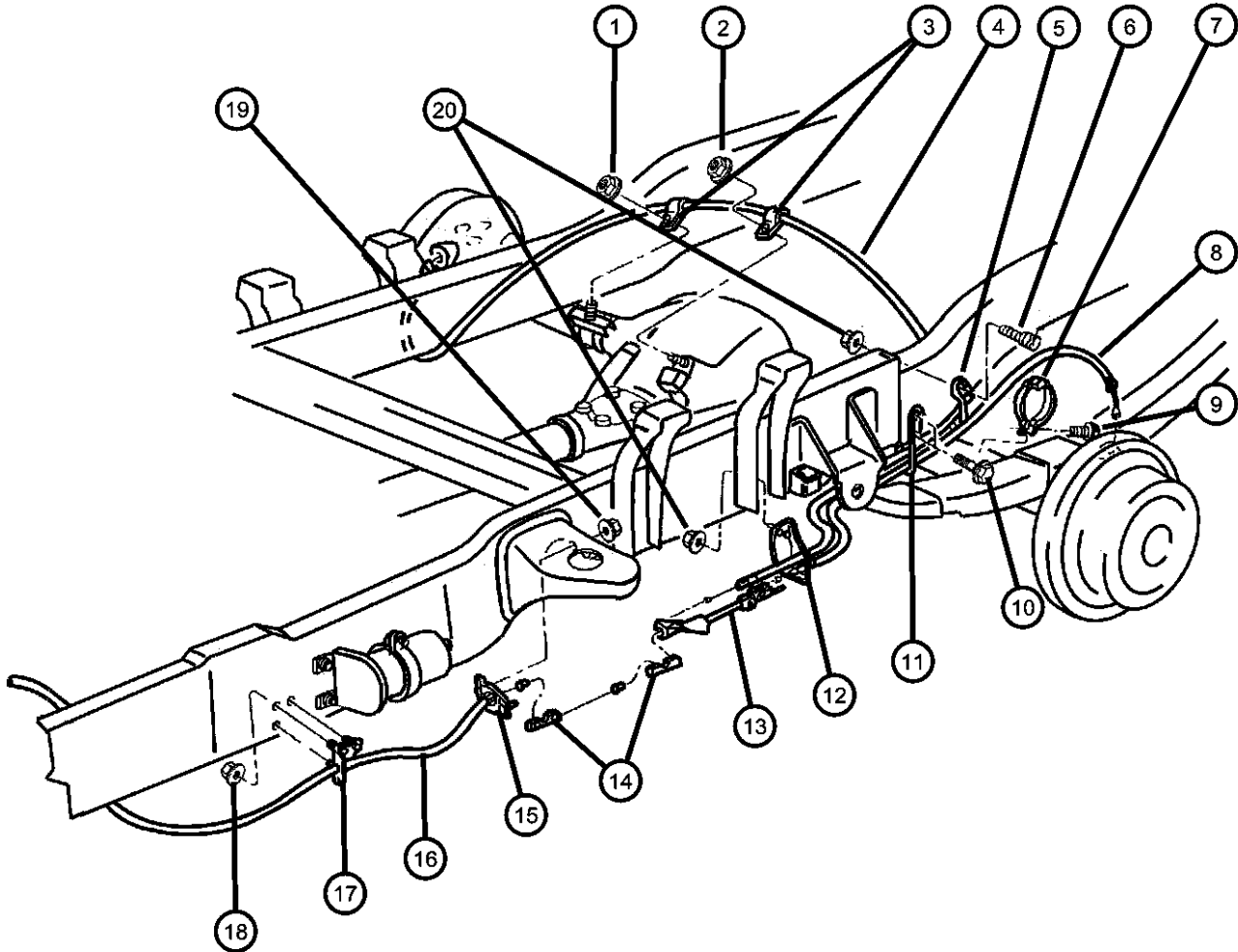
SERIES	LINE	BODY	ENGINE	TRANSMISSION
L = RAM 1500, 2500, 3500	1 = Lt. Duty DODGE 2WD 2 = Med. Duty DODGE 2WD 3 = HD DODGE 2WD 6 = Lt. Duty DODGE 4WD 7 = Med. Duty DODGE 4WD 8 = HD DODGE 4WD	31 = CLUB CAB 2-DR 6.5 FT BOX 32 = CLUB CAB 2-DR 8FT BOX 33 = QUAD CAB 4-DR 6.5 FT BOX 34 = QUAD CAB 4-DR 8FT BOX	ETC = 5.9L Cummins 24V Diesel Engine EWA = 8.0L V10 MPI Engine EM0 = ALL 5.9L 8 CYL ENGINES - GAS EMM = 5.9L SMPI V8 Engine EML = 5.9L V8 MPI Engine ELF = 5.2L V8 MPI Engine	DGP = 4-Spd. Automatic 47RE Transmission DD0 = ALL 5 SPEED MANUAL TRANSMISSIONS DG0 = ALL AUTOMATIC TRANSMISSIONS DDC = 5-Speed HD Manual Transmission DDP = 5-Speed Manual Transmission DDX = 5-Speed HD Manual Transmission DEE = 6-Speed HD Manual Transmission DGT = 4-Spd. Automatic 46RE Transmission

AR = use ase required - = Non illustrated part

Parking Brake Cables

Figure 4-120

ITEM	PART NUMBER	QTY	LINE	SERIES	BODY	ENGINE	TRANS	TRIM	DESCRIPTION
18	06101445	1							NUT AND WASHER, Hex Nut-Coned Washer, M8 x 1.25, Parking Brake Cable Bracket Mounting
19	06101445	1							LOCK NUT, M6x1.0x6, (NOT REQUIRED)
20	06101445	1							NUT AND WASHER, Hex Nut-Coned Washer, M8 x 1.25, Rear Parking Brake Reaction Bracket and Cable Routing Guide Mounting



RAM PICKUP/CLUB CAB (BE)

SERIES	LINE	BODY	ENGINE	TRANSMISSION
L = RAM 1500, 2500, 3500	1 = Lt. Duty DODGE 2WD 2 = Med. Duty DODGE 2WD 3 = HD DODGE 2WD 6 = Lt. Duty DODGE 4WD 7 = Med. Duty DODGE 4WD 8 = HD DODGE 4WD	31 = CLUB CAB 2-DR 6.5 FT BOX 32 = CLUB CAB 2-DR 8FT BOX 33 = QUAD CAB 4-DR 6.5 FT BOX 34 = QUAD CAB 4-DR 8FT BOX	ETC = 5.9L Cummins 24V Diesel Engine EWA = 8.0L V10 MPI Engine EM0 = ALL 5.9L 8 CYL ENGINES - GAS EMM = 5.9L SMPI V8 Engine EML = 5.9L V8 MPI Engine ELF = 5.2L V8 MPI Engine	DGP = 4-Spd. Automatic 47RE Transmission DD0 = ALL 5 SPEED MANUAL TRANSMISSIONS DG0 = ALL AUTOMATIC TRANSMISSIONS DDC = 5-Speed HD Manual Transmission DDP = 5-Speed Manual Transmission DDX = 5-Speed HD Manual Transmission DEE = 6-Speed HD Manual Transmission DGT = 4-Spd. Automatic 46RE Transmission

AR = use ase required - = Non illustrated part

Group - 5

Service Brakes

Group - 5 Service Brakes

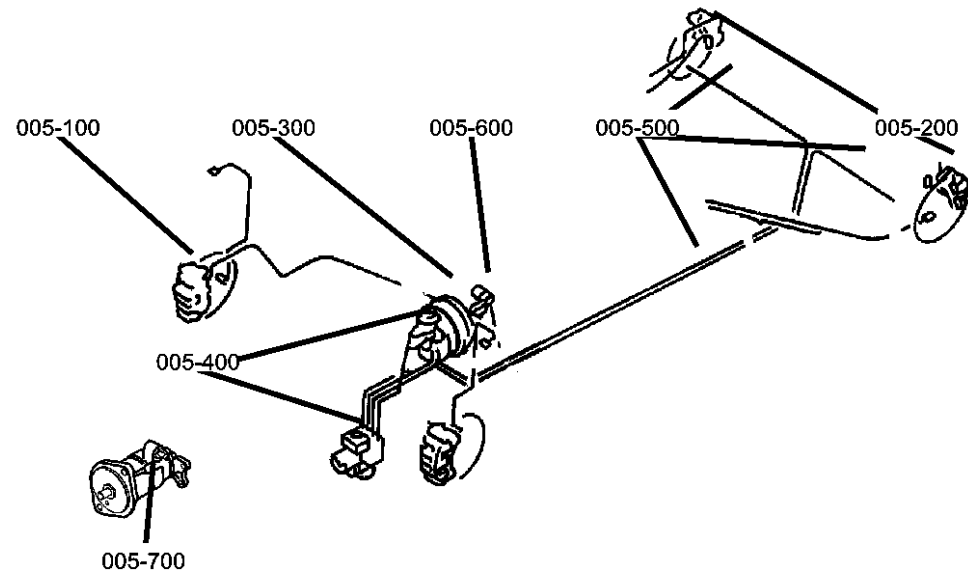


Illustration Title

Group-Fig. No.

Front Brakes

Brakes,Front,BE 1,2,3 Fig. 5 - 110
 Brakes,Front,BE 6,7,8 Fig. 5 - 120

Rear Brakes

Brakes,Rear,11 Inches X 2 Inches,BE 1,6 Fig. 5 - 210
 Brakes,Rear,13 Inches X 2.5 Inches, 13 Inches X 3.5 Inches,BE 2,3,7,8 Fig. 5 - 220
 Drums And Bearing, Rear Brake,13 Inches X 2.5 Inches,13 Inches X 3.5 Inches,BE 2,3,7,8 Fig. 5 - 230

Power Brake Booster

Booster--Power Brake and Hydro. Fig. 5 - 310

Brake Master Cylinder

Master Cylinder--Brake,All Bodies Fig. 5 - 410
 Hydraulic Control Unit,Brake,R.W.A.L. and A.W.A.L. Fig. 5 - 420

Brake Lines and Hoses

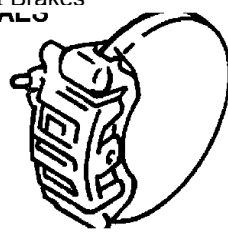
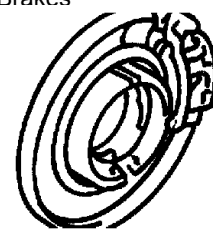
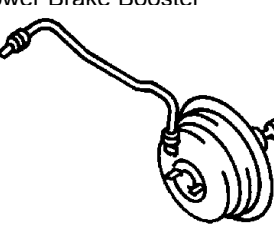
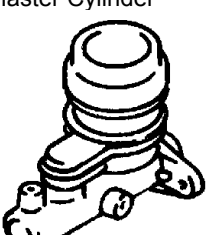
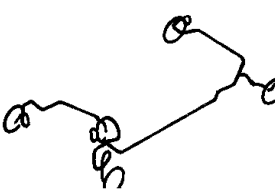

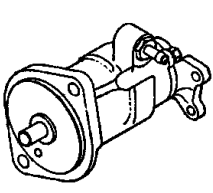
Lines And Hoses,Brake,Front and Chassis Fig. 5 - 510
 Lines And Hoses,Brake,Rear Fig. 5 - 520
 Rear Height Sensing System with Z7B Suspension Fig. 5 - 530

Brake Pedals

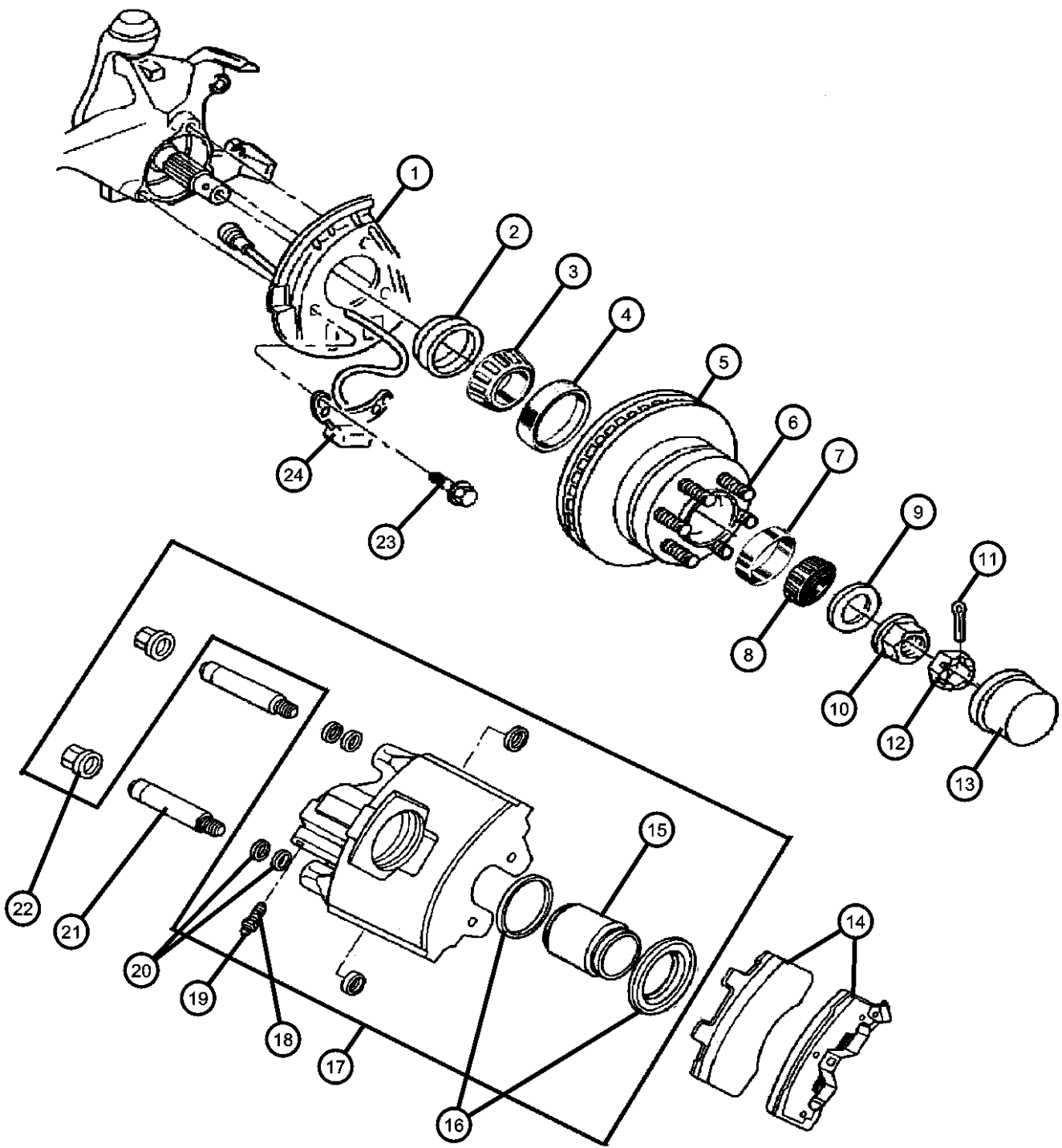
Pedal.Brake. Fig. 5 - 610

Vacuum Pump

Vacuum Pump, Brake,BE 2,3,7,8 Fig. 5 - 710

<p>005-100 Front Brakes</p> 	<p>005-200 Rear Brakes</p> 	<p>005-300 Power Brake Booster</p> 	<p>005-400 Brake Master Cylinder</p> 
<p>005-500 Brake Lines and Hoses</p> 	<p>005-600 Brake Pedals</p> 	<p>005-700 Vacuum Pump</p> 	

Brakes,Front,BE 1,2,3
Figure 5-110



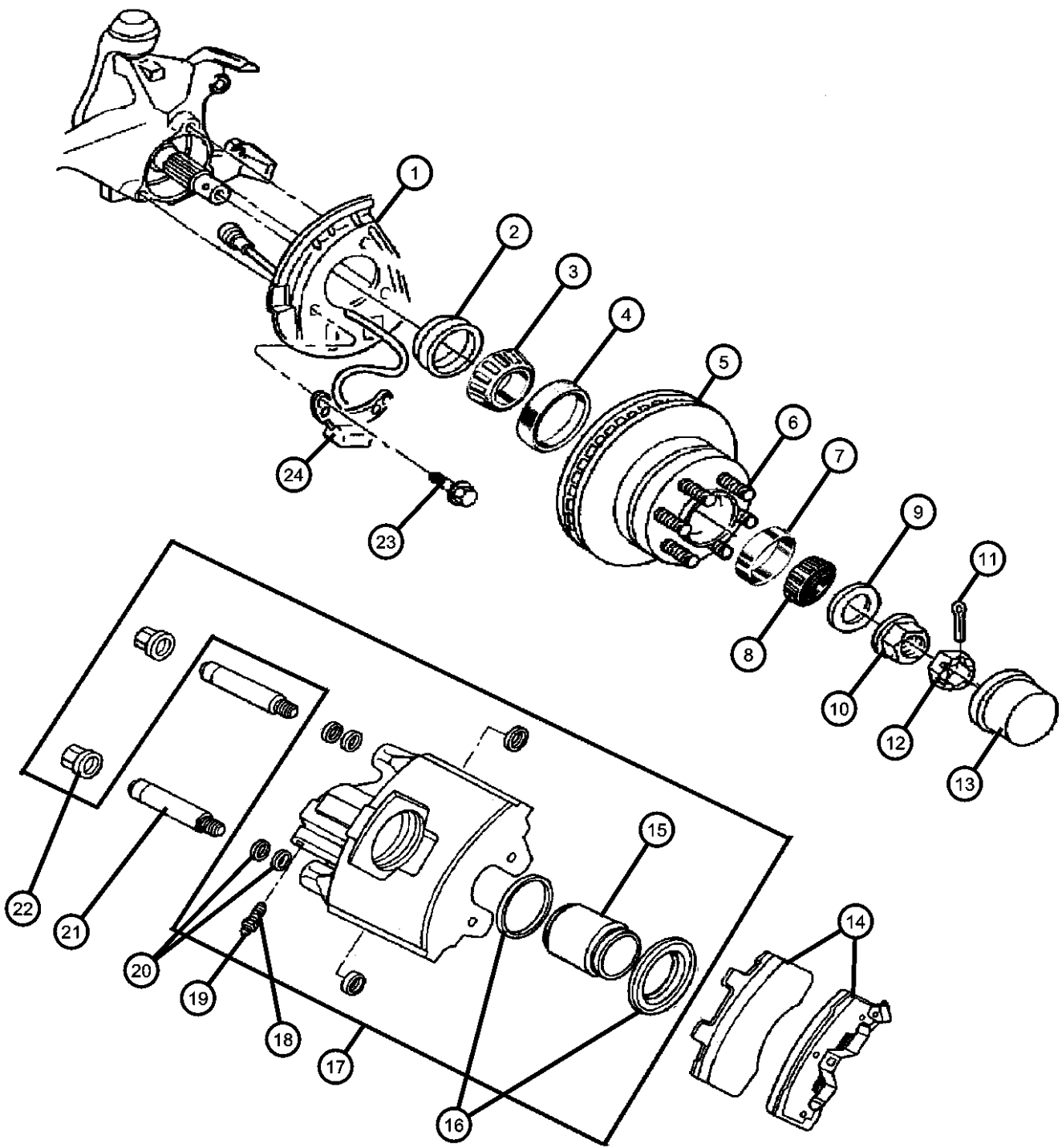
ITEM	PART NUMBER	QTY	LINE	SERIES	BODY	ENGINE	TRANS	TRIM	DESCRIPTION
1									SHIELD, Brake
	52008420	1	1						Right
	52008421	1	1						Left
	52008422	1	2, 3						Right
	52008423	1	2, 3						Left
2									SEAL, Hub
	52007658	2	1						
	52007661	2	2, 3						
3									BEARING, Wheel
	01937771	2	2, 3						Inner
	52007659	2	1						Inner
4									CUP, Wheel Bearing
	01937770	2	3		34				Inner
		1	2						Inner
	04746921	1	1						Inner
5									HUB AND ROTOR, Brake
	52007929	2	2						
	V5017929AB								Mopar V-Line Alternative Brake Rotors
	52008218	2	1						
	52010013	2	3		34				
	V5010013AB								Mopar V-Line Alternative Brake Rotors
6									STUD, Hub
	04746917	8	2						Wheel
	04746920	5	1						Wheel
	04773407	8	3		34				Wheel
7									CUP, Wheel Bearing
	01139293	2	3		34				Outer
		1	2						Outer

RAM PICKUP/CLUB CAB (BE)

SERIES	LINE	BODY	ENGINE	TRANSMISSION
L = RAM 1500, 2500, 3500	1 = Lt. Duty DODGE 2WD 2 = Med. Duty DODGE 2WD 3 = HD DODGE 2WD 6 = Lt. Duty DODGE 4WD 7 = Med. Duty DODGE 4WD 8 = HD DODGE 4WD	31 = CLUB CAB 2-DR 6.5 FT BOX 32 = CLUB CAB 2-DR 8FT BOX 33 = QUAD CAB 4-DR 6.5 FT BOX 34 = QUAD CAB 4-DR 8FT BOX	ETC = 5.9L Cummins 24V Diesel Engine EWA = 8.0L V10 MPI Engine EM0 = ALL 5.9L 8 CYL ENGINES - GAS EMM = 5.9L SMPI V8 Engine EML = 5.9L V8 MPI Engine ELF = 5.2L V8 MPI Engine	DGP = 4-Spd. Automatic 47RE Transmission DD0 = ALL 5 SPEED MANUAL TRANSMISSIONS DG0 = ALL AUTOMATIC TRANSMISSIONS DDC = 5-Speed HD Manual Transmission DDP = 5-Speed Manual Transmission DDX = 5-Speed HD Manual Transmission DEE = 6-Speed HD Manual Transmission DGT = 4-Spd. Automatic 46RE Transmission

AR = use ase required - = Non illustrated part

Brakes,Front,BE 1,2,3
Figure 5-110



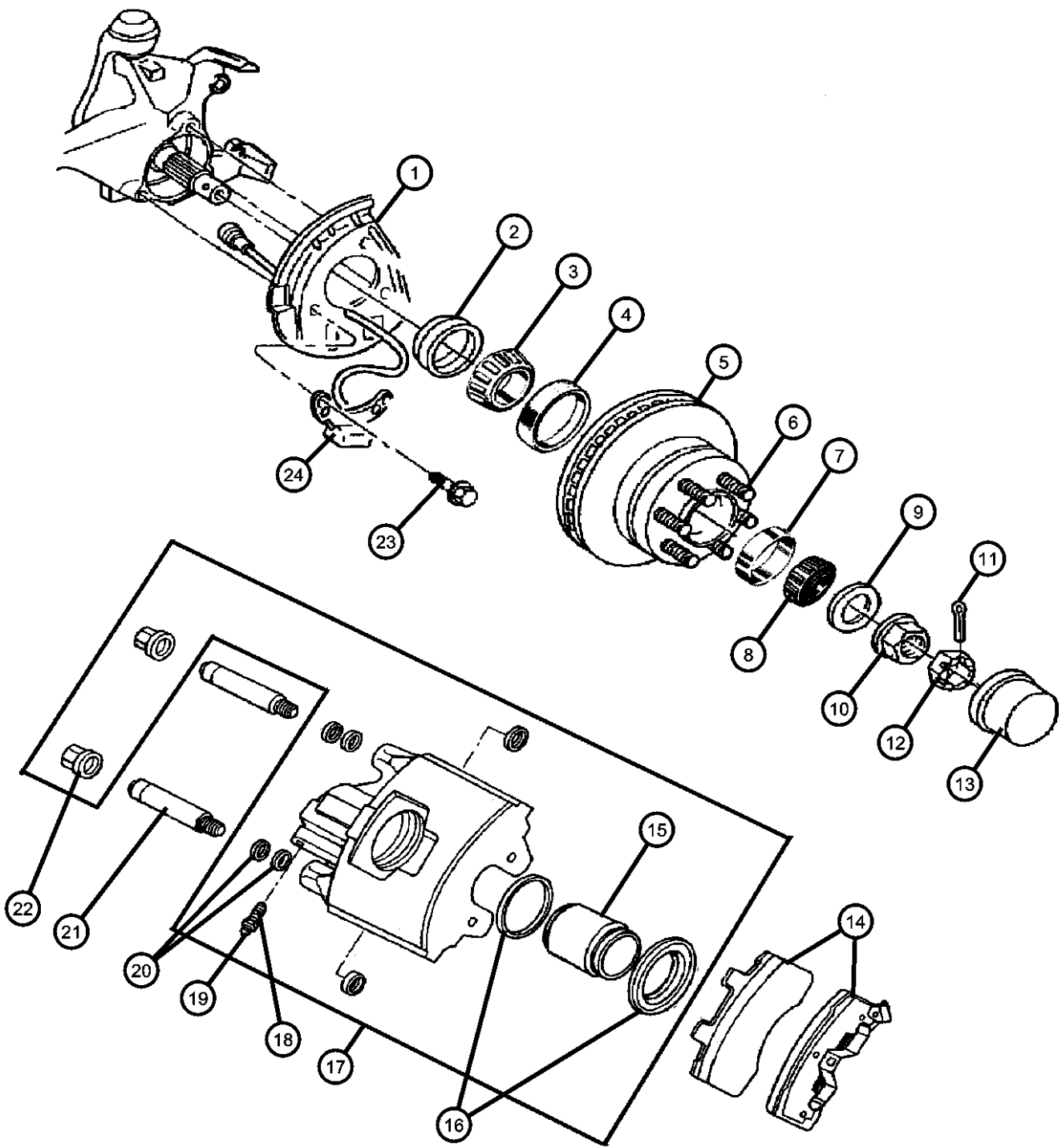
ITEM	PART NUMBER	QTY	LINE	SERIES	BODY	ENGINE	TRANS	TRIM	DESCRIPTION
8	04746922	1	1						Outer BEARING, Wheel
	01790546	2	2, 3						Outer
	52007899	2	1						Outer WASHER, Thrust
9	00600194	2	1						
	06029984	2	2, 3						NUT, Wheel Bearing Adjusting
10	06029692	2	1						
	06029985	2	2, 3						
11	00120123	3							PIN, Cotter
12									LOCK, Wheel Bearing Adj Nut
	01673324	2	1						
	06029986	2	2, 3						CAP, Wheel Hub Grease
13	03634741	2	2, 3						
	52007906	2	1						
14									PAD KIT, Front Disc Brake
	04886279AB	1	3		34				Mopar V-Line Alternative Part
	BHKH5585								Disc Hardware
	BHKH5044								Mopar V-Line Alternative Part
	V1016279AB								Caliper Bolts
	05003163AB	1	2						Mopar V-Line Alternative Part
	BHKH5585								Disc Hardware
	BHKH5044								Mopar V-Line Alternative Part
	V1012364AC								Caliper Bolts

RAM PICKUP/CLUB CAB (BE)

SERIES	LINE	BODY	ENGINE	TRANSMISSION
L = RAM 1500, 2500, 3500	1 = Lt. Duty DODGE 2WD 2 = Med. Duty DODGE 2WD 3 = HD DODGE 2WD 6 = Lt. Duty DODGE 4WD 7 = Med. Duty DODGE 4WD 8 = HD DODGE 4WD	31 = CLUB CAB 2-DR 6.5 FT BOX 32 = CLUB CAB 2-DR 8FT BOX 33 = QUAD CAB 4-DR 6.5 FT BOX 34 = QUAD CAB 4-DR 8FT BOX	ETC = 5.9L Cummins 24V Diesel Engine EWA = 8.0L V10 MPI Engine EM0 = ALL 5.9L 8 CYL ENGINES - GAS EMM = 5.9L SMPI V8 Engine EML = 5.9L V8 MPI Engine ELF = 5.2L V8 MPI Engine	DGP = 4-Spd. Automatic 47RE Transmission DD0 = ALL 5 SPEED MANUAL TRANSMISSIONS DG0 = ALL AUTOMATIC TRANSMISSIONS DDC = 5-Speed HD Manual Transmission DDP = 5-Speed Manual Transmission DDX = 5-Speed HD Manual Transmission DEE = 6-Speed HD Manual Transmission DGT = 4-Spd. Automatic 46RE Transmission

AR = use ase required - = Non illustrated part

Brakes,Front,BE 1,2,3
Figure 5-110



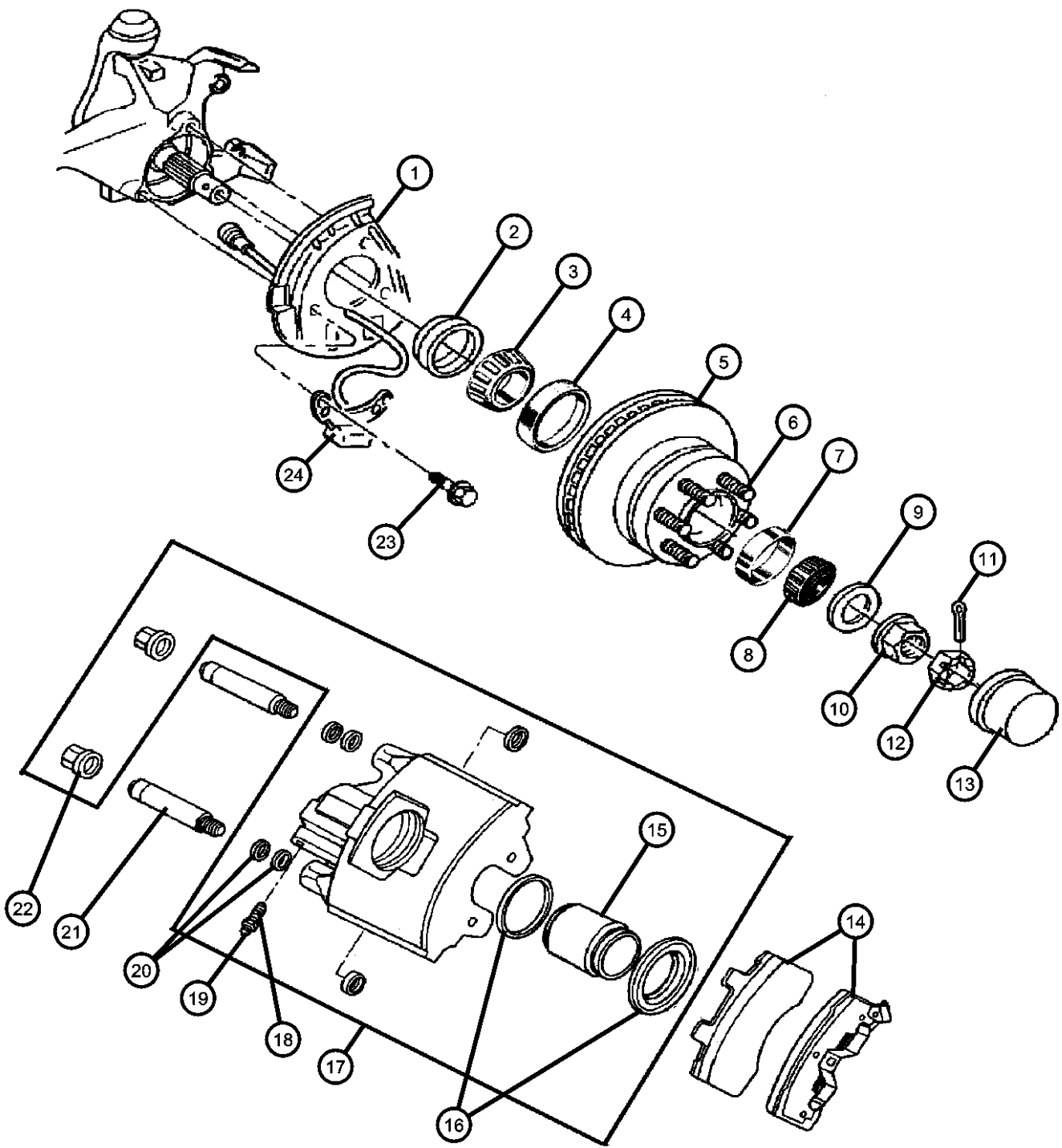
ITEM	PART NUMBER	QTY	LINE	SERIES	BODY	ENGINE	TRANS	TRIM	DESCRIPTION
	05013814AA	1	1						Make It New Brake Kits
	VBR02866								Mopar V-Line Alternative Part
	V1012866								Mopar V-Line Alternative Part
	BHKH5585								Disc Hardware
	BHKH5044								Mopar V-Line Alternative Part
15									Caliper Bolts
									PISTON, Brake
	04746351	1	3		34				
	04746363	1	2						
	04746370	1	1						
16									SEAL KIT, Caliper
	04746343	1	3		34				
	04746353	1	2						
	04746365	1	1						
17									CALIPER, Disc Brake
	04746344	1	3		34				Right
	04746345	1	3		34				Left
	04746354	1	2						Right
	04746355	1	2						Left
	04746366	1	1						Right
	04746367	1	1						Left
18									BLEEDER SCREW, Brake
	04746350	1	1						
		1	2						
		1	3		34				
19									CAP, Bleeder
	04761543	1	1						
		1	2						

RAM PICKUP/CLUB CAB (BE)

SERIES	LINE	BODY	ENGINE	TRANSMISSION
L = RAM 1500, 2500, 3500	1 = Lt. Duty DODGE 2WD	31 = CLUB CAB 2-DR 6.5 FT BOX	ETC = 5.9L Cummins 24V Diesel Engine	DGP = 4-Spd. Automatic 47RE Transmission
	2 = Med. Duty DODGE 2WD	32 = CLUB CAB 2-DR 8FT BOX	EWA = 8.0L V10 MPI Engine	DD0 = ALL 5 SPEED MANUAL TRANSMISSIONS
	3 = HD DODGE 2WD	33 = QUAD CAB 4-DR 6.5 FT BOX	EM0 = ALL 5.9L 8 CYL ENGINES - GAS	DG0 = ALL AUTOMATIC TRANSMISSIONS
	6 = Lt. Duty DODGE 4WD	34 = QUAD CAB 4-DR 8FT BOX	EMM = 5.9L SMPI V8 Engine	DDC = 5-Speed HD Manual Transmission
	7 = Med. Duty DODGE 4WD		EML = 5.9L V8 MPI Engine	DDP = 5-Speed Manual Transmission
	8 = HD DODGE 4WD		ELF = 5.2L V8 MPI Engine	DDX = 5-Speed HD Manual Transmission
				DEE = 6-Speed HD Manual Transmission
				DGT = 4-Spd. Automatic 46RE Transmission

AR = use ase required - = Non illustrated part

Brakes,Front,BE 1,2,3
Figure 5-110



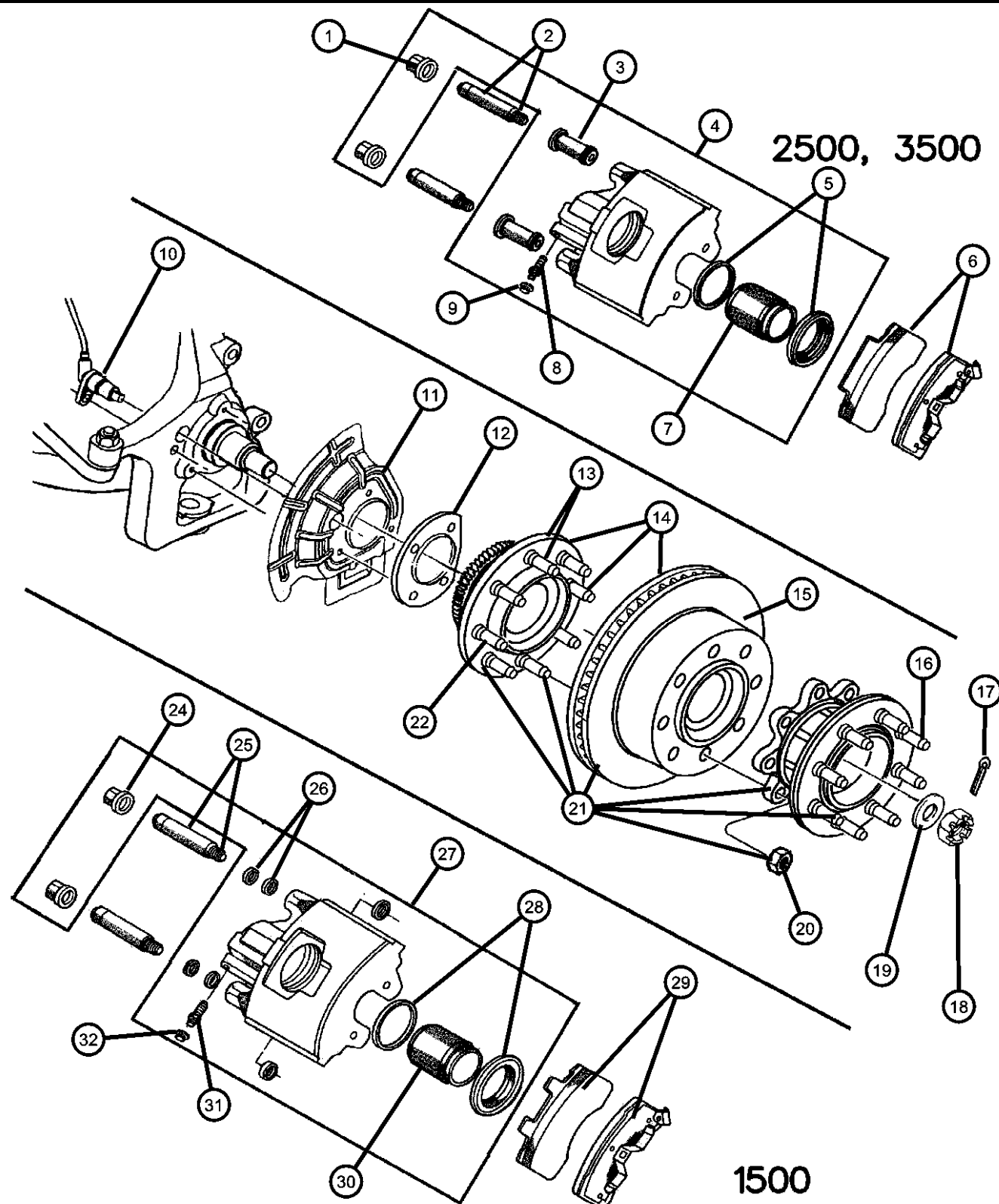
ITEM	PART NUMBER	QTY	LINE	SERIES	BODY	ENGINE	TRANS	TRIM	DESCRIPTION
20		1	3		34				BUSHING, Caliper
	04746346	2	3		34				
	04746356	2	1						
		2	2						
21									BOLT AND SLEEVE, Brake Caliper
	04746347	1	3		34				
	04746357	2	1						
		2	2						
22									COVER, Bolt
	04746358	2	1						
		2	2						
23		2							SCREW, Hex, M8x1.25x22.00, (NOT SERVICED)
24									SENSOR, Anti-Lock Brake
	56028151AB	1	1, 2, 3						Left
	56028152AB	1	1, 2, 3						Right

RAM PICKUP/CLUB CAB (BE)

SERIES	LINE	BODY	ENGINE	TRANSMISSION
L = RAM 1500, 2500, 3500	1 = Lt. Duty DODGE 2WD 2 = Med. Duty DODGE 2WD 3 = HD DODGE 2WD 6 = Lt. Duty DODGE 4WD 7 = Med. Duty DODGE 4WD 8 = HD DODGE 4WD	31 = CLUB CAB 2-DR 6.5 FT BOX 32 = CLUB CAB 2-DR 8FT BOX 33 = QUAD CAB 4-DR 6.5 FT BOX 34 = QUAD CAB 4-DR 8FT BOX	ETC = 5.9L Cummins 24V Diesel Engine EWA = 8.0L V10 MPI Engine EM0 = ALL 5.9L 8 CYL ENGINES - GAS EMM = 5.9L SMPI V8 Engine EML = 5.9L V8 MPI Engine ELF = 5.2L V8 MPI Engine	DGP = 4-Spd. Automatic 47RE Transmission DD0 = ALL 5 SPEED MANUAL TRANSMISSIONS DG0 = ALL AUTOMATIC TRANSMISSIONS DDC = 5-Speed HD Manual Transmission DDP = 5-Speed Manual Transmission DDX = 5-Speed HD Manual Transmission DEE = 6-Speed HD Manual Transmission DGT = 4-Spd. Automatic 46RE Transmission

AR = use ase required - = Non illustrated part

Brakes,Front,BE 6,7,8
Figure 5-120



ITEM	PART NUMBER	QTY	LINE	SERIES	BODY	ENGINE	TRANS	TRIM	DESCRIPTION
------	-------------	-----	------	--------	------	--------	-------	------	-------------

Note:DJC=Dana 44 Front Axle—DJF=Dana 60 Front Axle—BGJ=Rear Wheel Anti-Lock—BGK=All Wheel Anti-Lock

1	56028152AB	1							COVER, Bolt, (NOT REQUIRED)
2									BOLT AND SLEEVE, Brake Caliper
	04746347	1	7						
		1	8		34				
3									BUSHING, Caliper
	04746346	2	7						
		2	8		34				
4									CALIPER, Disc Brake
	04746344	1	7						Right
		1	8		34				Right
	04746345	1	7						Left
		1	8		34				Left
5									SEAL KIT, Caliper
	04746343	1	7						
		1	8		34				
6									PAD KIT, Front Disc Brake
	04886279AB	1	7						Contains 4 Pads
	BHKH5585								Mopar V-Line Alternative Part Disc Hardware
	BHKH5044								Mopar V-Line Alternative Part Caliper Bolts
	V1016279AB								Mopar V-Line Alternative Part
		1	8		34				Contains 4 Pads
	BHKH5585								Mopar V-Line Alternative Part Disc Hardware
	BHKH5044								Mopar V-Line Alternative Part Caliper Bolts
	V1016279AB								Mopar V-Line Alternative Part
7									PISTON, Brake
	04746351	1	7						

RAM PICKUP/CLUB CAB (BE)

SERIES	LINE
L = RAM 1500, 2500, 3500	1 = Lt. Duty DODGE 2WD 2 = Med. Duty DODGE 2WD 3 = HD DODGE 2WD 6 = Lt. Duty DODGE 4WD 7 = Med. Duty DODGE 4WD 8 = HD DODGE 4WD

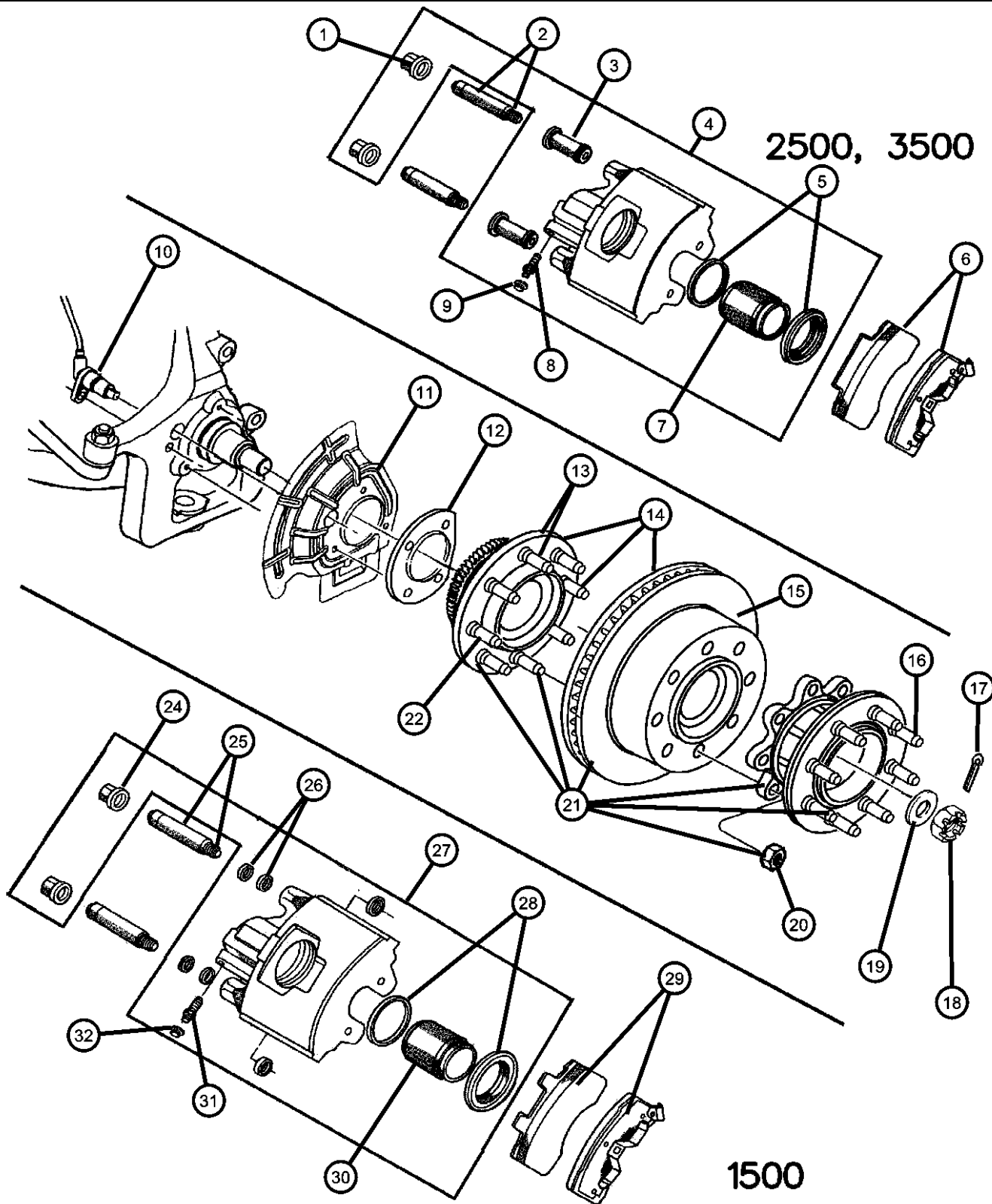
BODY	ENGINE
31 = CLUB CAB 2-DR 6.5 FT BOX 32 = CLUB CAB 2-DR 8FT BOX 33 = QUAD CAB 4-DR 6.5 FT BOX 34 = QUAD CAB 4-DR 8FT BOX	ETC = 5.9L Cummins 24V Diesel Engine EWA = 8.0L V10 MPI Engine EM0 = ALL 5.9L 8 CYL ENGINES - GAS EMM = 5.9L SMPI V8 Engine EML = 5.9L V8 MPI Engine ELF = 5.2L V8 MPI Engine

TRANSMISSION
DGP = 4-Spd. Automatic 47RE Transmission DD0 = ALL 5 SPEED MANUAL TRANSMISSIONS DG0 = ALL AUTOMATIC TRANSMISSIONS DDC = 5-Speed HD Manual Transmission DDP = 5-Speed Manual Transmission DDX = 5-Speed HD Manual Transmission DEE = 6-Speed HD Manual Transmission DGT = 4-Spd. Automatic 46RE Transmission

AR = use ase required - = Non illustrated part

1999 BE

Brakes,Front,BE 6,7,8
Figure 5-120



ITEM	PART NUMBER	QTY	LINE	SERIES	BODY	ENGINE	TRANS	TRIM	DESCRIPTION
8		1	8		34				BLEEDER SCREW, Brake
	04746350	1	7						
9		1	8		34				CAP, Bleeder
	04761543	1	7						
10		1	8		34				SENSOR, Anti-Lock Brakes
	05010254AA	1	6						Right
	05010255AA	1	6						Left
	05010256AA	1	7						Right
		1	8		34				Right
	05010257AA	1	8		34				Left
		1	7						Left
11									SHIELD, Brake
	05003052AA	2	7						[BGK]
		2	8		34				
	05003072AA	2	6						[BGK]
	52008424	2	6						[BGJ]
	52008428	2	7						[BGJ]
12									SPACER, Wheel Hub
	04746727	2	6						[BGJ]
	04746812	2	7						[BGJ]
	05003053AA	2	7						[BGK]
		2	8		34				
	05003058AA	2	6						[BGK]
13									HUB AND BEARING, Brake
	05010020AA	1	7						[BGJ], Right or Left

RAM PICKUP/CLUB CAB (BE)

SERIES LINE
 L = RAM 1500, 2500, 3500
 1 = Lt. Duty DODGE 2WD
 2 = Med. Duty DODGE 2WD
 3 = HD DODGE 2WD
 6 = Lt. Duty DODGE 4WD
 7 = Med. Duty DODGE 4WD
 8 = HD DODGE 4WD

BODY
 31 = CLUB CAB 2-DR 6.5 FT BOX
 32 = CLUB CAB 2-DR 8FT BOX
 33 = QUAD CAB 4-DR 6.5 FT BOX
 34 = QUAD CAB 4-DR 8FT BOX

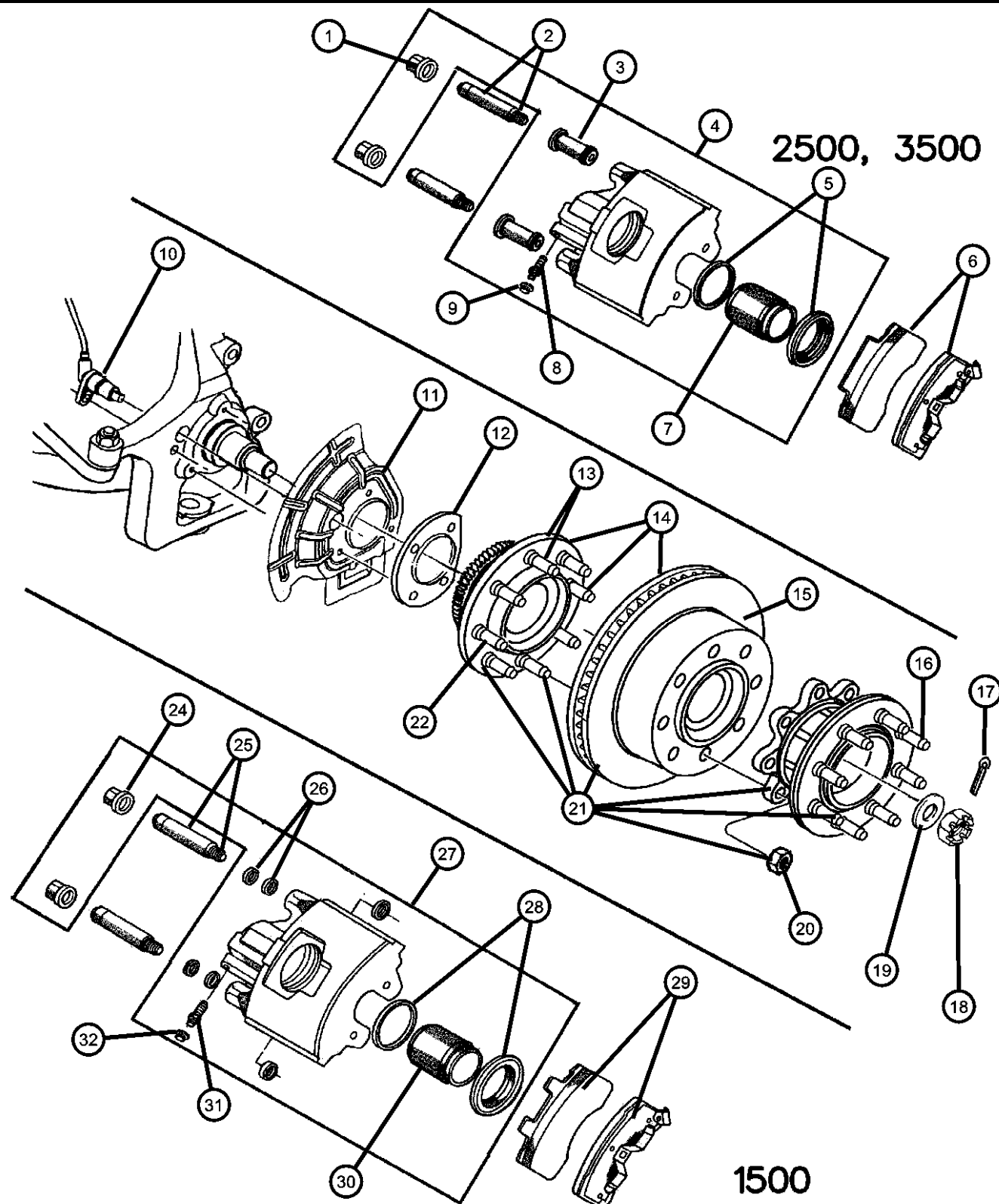
ENGINE
 ETC = 5.9L Cummins 24V Diesel Engine
 EWA = 8.0L V10 MPI Engine
 EM0 = ALL 5.9L 8 CYL ENGINES - GAS
 EMM = 5.9L SMPI V8 Engine
 EML = 5.9L V8 MPI Engine
 ELF = 5.2L V8 MPI Engine

TRANSMISSION
 DGP = 4-Spd. Automatic 47RE Transmission
 DD0 = ALL 5 SPEED MANUAL TRANSMISSIONS
 DG0 = ALL AUTOMATIC TRANSMISSIONS
 DDC = 5-Speed HD Manual Transmission
 DDP = 5-Speed Manual Transmission
 DDX = 5-Speed HD Manual Transmission
 DEE = 6-Speed HD Manual Transmission
 DGT = 4-Spd. Automatic 46RE Transmission

AR = use ase required - = Non illustrated part

1999 BE

Brakes,Front,BE 6,7,8
Figure 5-120



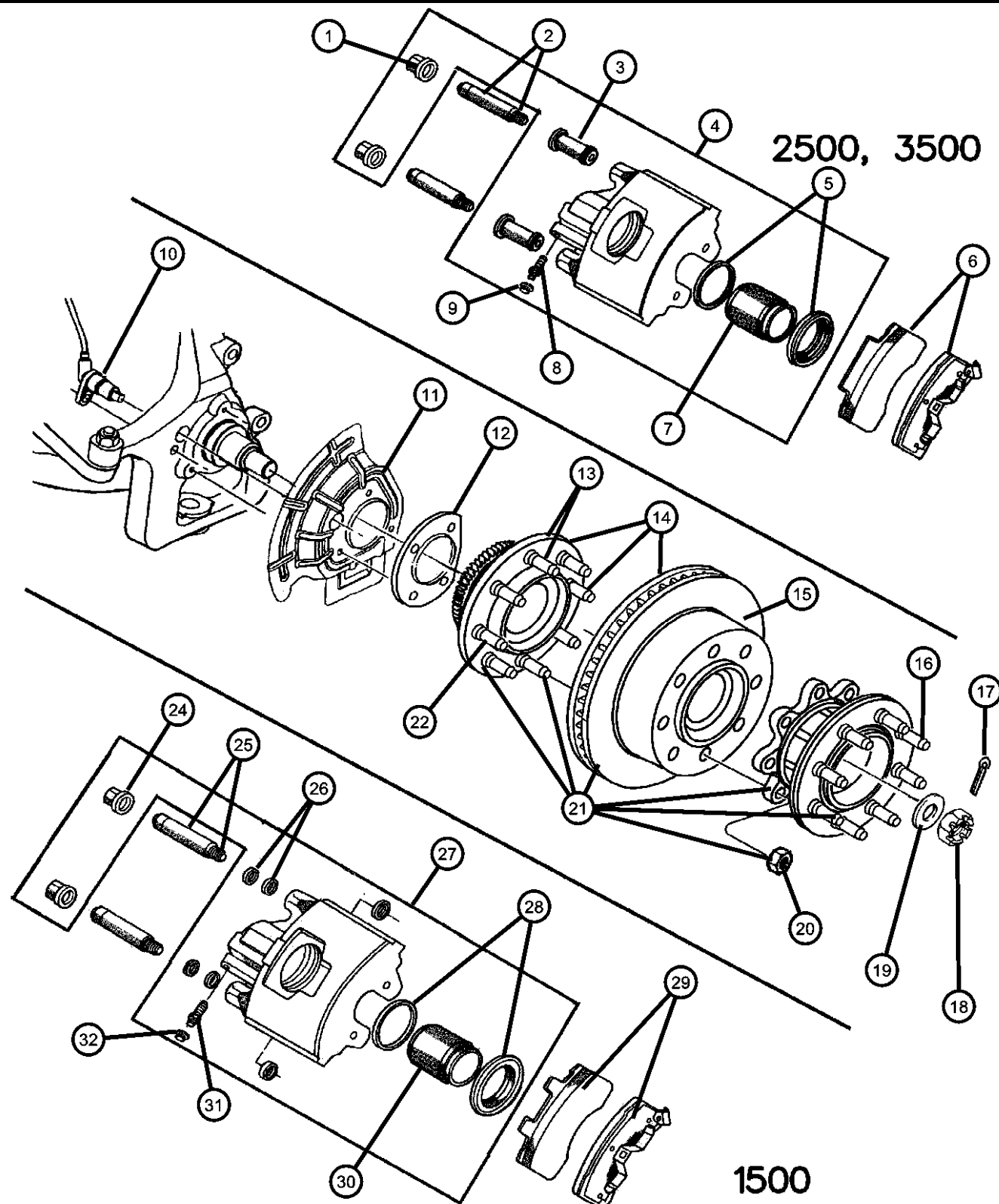
ITEM	PART NUMBER	QTY	LINE	SERIES	BODY	ENGINE	TRANS	TRIM	DESCRIPTION
	05073536AA	1	8		34				[BGK], Right
	05073537AA	1	8		34				[BGK], Left
	52008220	2	6						[BGJ], Right or Left
	V2508220AA								Mopar V-Line Alternative Part
	52069880AA	1	6						[BGK], Right
	52069881AA	1	6						[BGK], Left
14									HUB AND ROTOR, Brake
	52008207	2	7						[BGJ], Right or Left
	52069876AA	1	7						[BGK], Right
	52069877AA	1	7						[BGK], Left
15									ROTOR, Brake
	04798314	1	8		34				Right or Left
	V5018314AA								Mopar V-Line Alternative Brake Rotors
		1	7						Right or Left
	V5018314AA								Mopar V-Line Alternative Brake Rotors
	52008219	2	6						Right or Left
16									STUD, Hub
	04746897	8	7						Wheel, Mounting
	04746898	8	8		34				Wheel, Mounting
	04773408	5	6						Wheel, Mounting
17									PIN, Cotter
	J0137214	2	6						
		2	8		34				
		2	7						
18									NUT, Axle Hub
	04746773	2	8		34				Adjusting
		2	7						Adjusting

RAM PICKUP/CLUB CAB (BE)

SERIES	LINE	BODY	ENGINE	TRANSMISSION
L = RAM 1500, 2500, 3500	1 = Lt. Duty DODGE 2WD 2 = Med. Duty DODGE 2WD 3 = HD DODGE 2WD 6 = Lt. Duty DODGE 4WD 7 = Med. Duty DODGE 4WD 8 = HD DODGE 4WD	31 = CLUB CAB 2-DR 6.5 FT BOX 32 = CLUB CAB 2-DR 8FT BOX 33 = QUAD CAB 4-DR 6.5 FT BOX 34 = QUAD CAB 4-DR 8FT BOX	ETC = 5.9L Cummins 24V Diesel Engine EWA = 8.0L V10 MPI Engine EM0 = ALL 5.9L 8 CYL ENGINES - GAS EMM = 5.9L SMPI V8 Engine EML = 5.9L V8 MPI Engine ELF = 5.2L V8 MPI Engine	DGP = 4-Spd. Automatic 47RE Transmission DD0 = ALL 5 SPEED MANUAL TRANSMISSIONS DG0 = ALL AUTOMATIC TRANSMISSIONS DDC = 5-Speed HD Manual Transmission DDP = 5-Speed Manual Transmission DDX = 5-Speed HD Manual Transmission DEE = 6-Speed HD Manual Transmission DGT = 4-Spd. Automatic 46RE Transmission

AR = use ase required - = Non illustrated part

Brakes,Front,BE 6,7,8
Figure 5-120



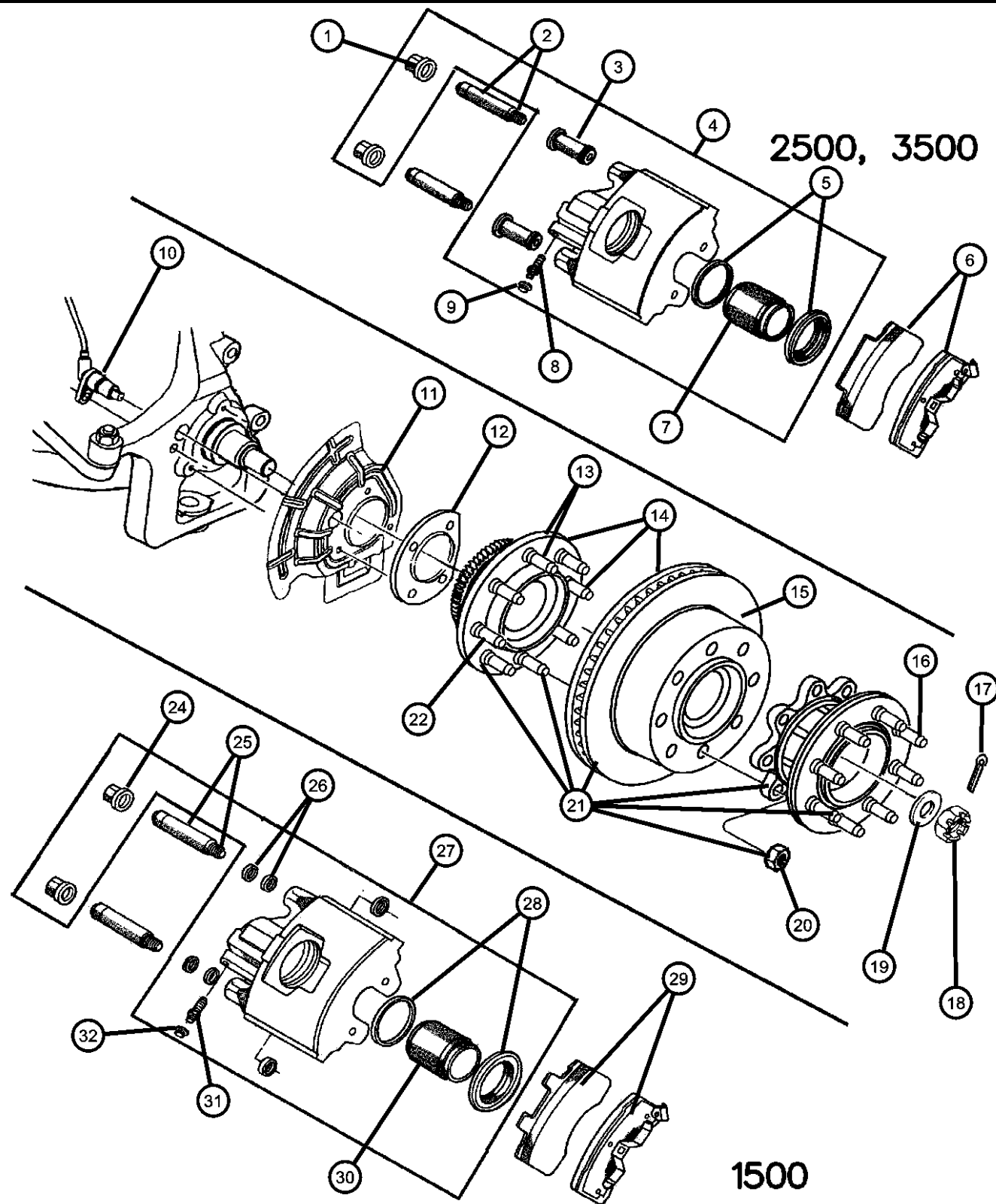
ITEM	PART NUMBER	QTY	LINE	SERIES	BODY	ENGINE	TRANS	TRIM	DESCRIPTION
19		2	6						Adjusting WASHER, Flat
	04746811	2	6						Thrust
		2	7						Thrust
		2	8		34				Thrust
20	04746899	8	8		34				NUT, Hub Stud to Wheel House Extension, Mounting
21									HUB AND ROTOR, Brake
	52069878AA	1	8		34				with Wheel House Extension, Right
	52069879AA	1	8		34				with Wheel House Extension, Left
22	04746898	8	8		34				STUD, Hub, Hub and Bearing to Wheel House Extension, Mounting
-23									BOLT, Hub
	04746775	6	6						Knuckle to Hub and Bearing, Mounting
	04746810	8	8		34				Knuckle to Hub and Bearing, Mounting
		8	7						Knuckle to Hub and Bearing, Mounting
24	04746358	2	6						COVER, Bolt
25	04746357	2	6						BOLT AND SLEEVE, Brake Caliper
26	04746356	2	6						BUSHING, Caliper
27									CALIPER, Disc Brake
	04746366	1	6						Right
	04746367	1	6						Left
28	04746365	1	6						SEAL KIT, Caliper
29	04874866	1	6						PAD KIT, Front Disc Brake, Contains 4 Pads
	V1012866								Mopar V-Line Alternative Part
	VBR44866								Make It New Brake Kits

RAM PICKUP/CLUB CAB (BE)

SERIES	LINE	BODY	ENGINE	TRANSMISSION
L = RAM 1500, 2500, 3500	1 = Lt. Duty DODGE 2WD 2 = Med. Duty DODGE 2WD 3 = HD DODGE 2WD 6 = Lt. Duty DODGE 4WD 7 = Med. Duty DODGE 4WD 8 = HD DODGE 4WD	31 = CLUB CAB 2-DR 6.5 FT BOX 32 = CLUB CAB 2-DR 8FT BOX 33 = QUAD CAB 4-DR 6.5 FT BOX 34 = QUAD CAB 4-DR 8FT BOX	ETC = 5.9L Cummins 24V Diesel Engine EWA = 8.0L V10 MPI Engine EM0 = ALL 5.9L 8 CYL ENGINES - GAS EMM = 5.9L SMPI V8 Engine EML = 5.9L V8 MPI Engine ELF = 5.2L V8 MPI Engine	DGP = 4-Spd. Automatic 47RE Transmission DD0 = ALL 5 SPEED MANUAL TRANSMISSIONS DG0 = ALL AUTOMATIC TRANSMISSIONS DDC = 5-Speed HD Manual Transmission DDP = 5-Speed Manual Transmission DDX = 5-Speed HD Manual Transmission DEE = 6-Speed HD Manual Transmission DGT = 4-Spd. Automatic 46RE Transmission

AR = use ase required - = Non illustrated part

Brakes,Front,BE 6,7,8
Figure 5-120



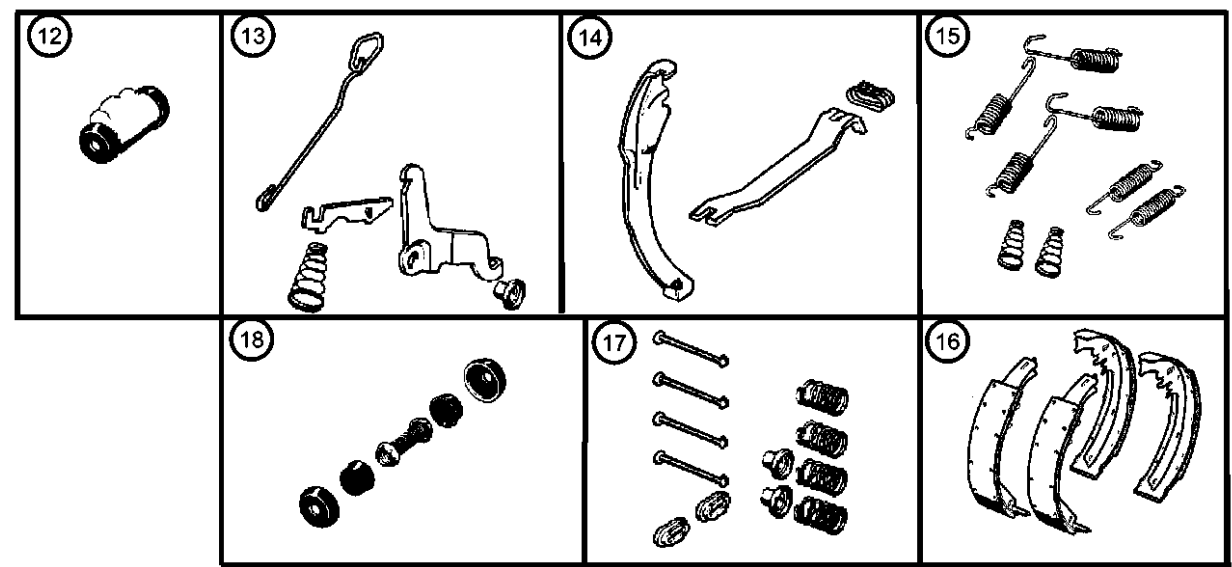
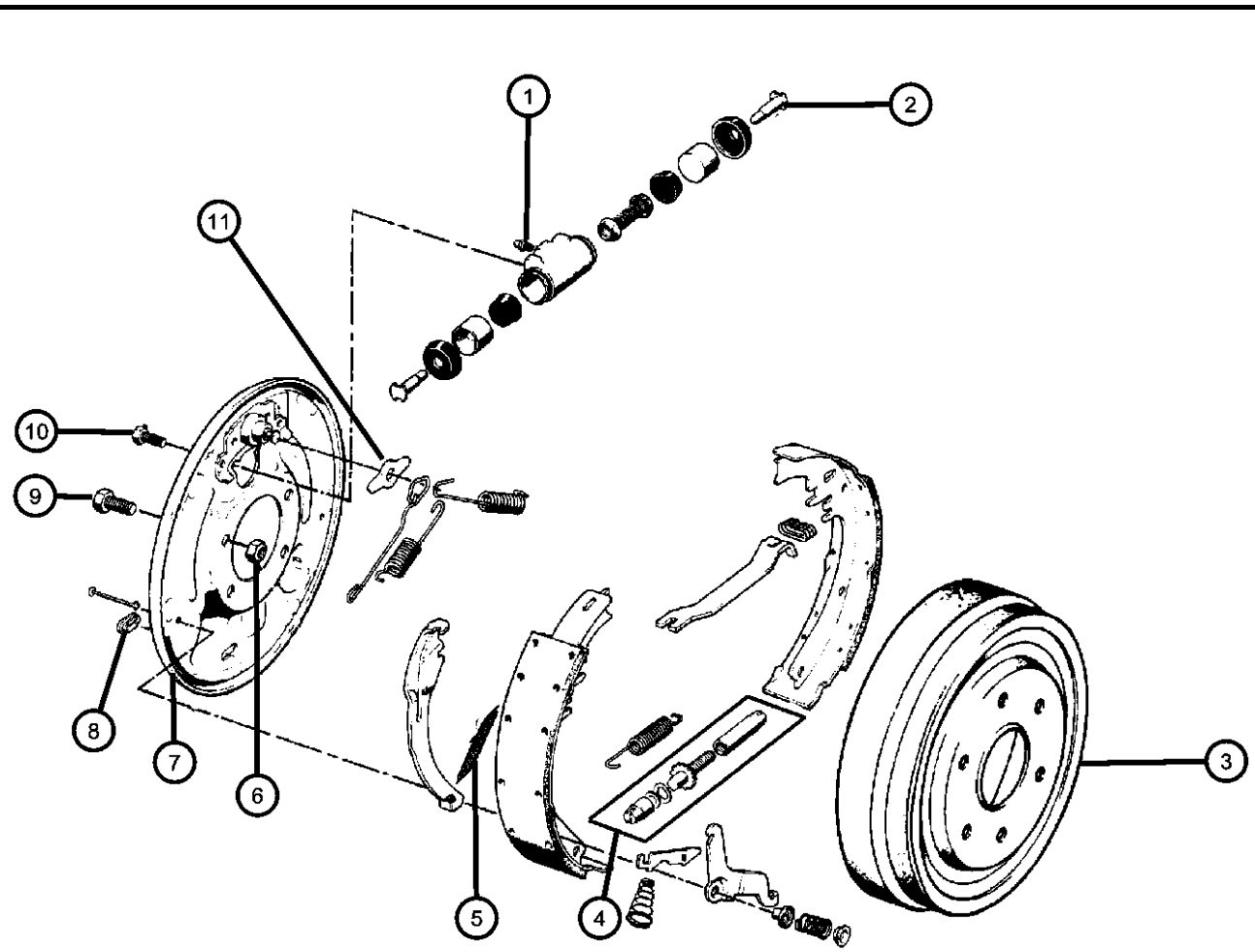
ITEM	PART NUMBER	QTY	LINE	SERIES	BODY	ENGINE	TRANS	TRIM	DESCRIPTION
30	04746370	1	6						PISTON, Brake
31	04746350	1	6						BLEEDER SCREW, Brake
32	04761543	1	6						CAP, Bleeder

RAM PICKUP/CLUB CAB (BE)

SERIES	LINE	BODY	ENGINE	TRANSMISSION
L = RAM 1500, 2500, 3500	1 = Lt. Duty DODGE 2WD 2 = Med. Duty DODGE 2WD 3 = HD DODGE 2WD 6 = Lt. Duty DODGE 4WD 7 = Med. Duty DODGE 4WD 8 = HD DODGE 4WD	31 = CLUB CAB 2-DR 6.5 FT BOX 32 = CLUB CAB 2-DR 8FT BOX 33 = QUAD CAB 4-DR 6.5 FT BOX 34 = QUAD CAB 4-DR 8FT BOX	ETC = 5.9L Cummins 24V Diesel Engine EWA = 8.0L V10 MPI Engine EM0 = ALL 5.9L 8 CYL ENGINES - GAS EMM = 5.9L SMPI V8 Engine EML = 5.9L V8 MPI Engine ELF = 5.2L V8 MPI Engine	DGP = 4-Spd. Automatic 47RE Transmission DD0 = ALL 5 SPEED MANUAL TRANSMISSIONS DG0 = ALL AUTOMATIC TRANSMISSIONS DDC = 5-Speed HD Manual Transmission DDP = 5-Speed Manual Transmission DDX = 5-Speed HD Manual Transmission DEE = 6-Speed HD Manual Transmission DGT = 4-Spd. Automatic 46RE Transmission

AR = use ase required - = Non illustrated part

Brakes,Rear,11 Inches X 2 Inches,BE 1,6
Figure 5-210



ITEM	PART NUMBER	QTY	LINE	SERIES	BODY	ENGINE	TRANS	TRIM	DESCRIPTION
1	J8129725	1	1						BLEEDER SCREW, Brake
2	04761606	2	6						LINK, Brake Wheel Cylinder
3	52008315	2	6						DRUM, Brake
4	04761578	1	1						SCREW, Brake Adjusting Right
	04761579	1	6						Right
		1	1						Left
		1	6						Left
5	04761609	1	1						SPRING, Lever
6	00152345	8	6						NUT, Hex Flange Lock
7	04761544	1	6						SUPPORT, Rear Wheel Brake
8	04761584	1	1						PLUG, Brake Adjusting Hole
9	06034558	8	6						STUD, .375-24x1.060
10									BOLT, Wheel Cylinder

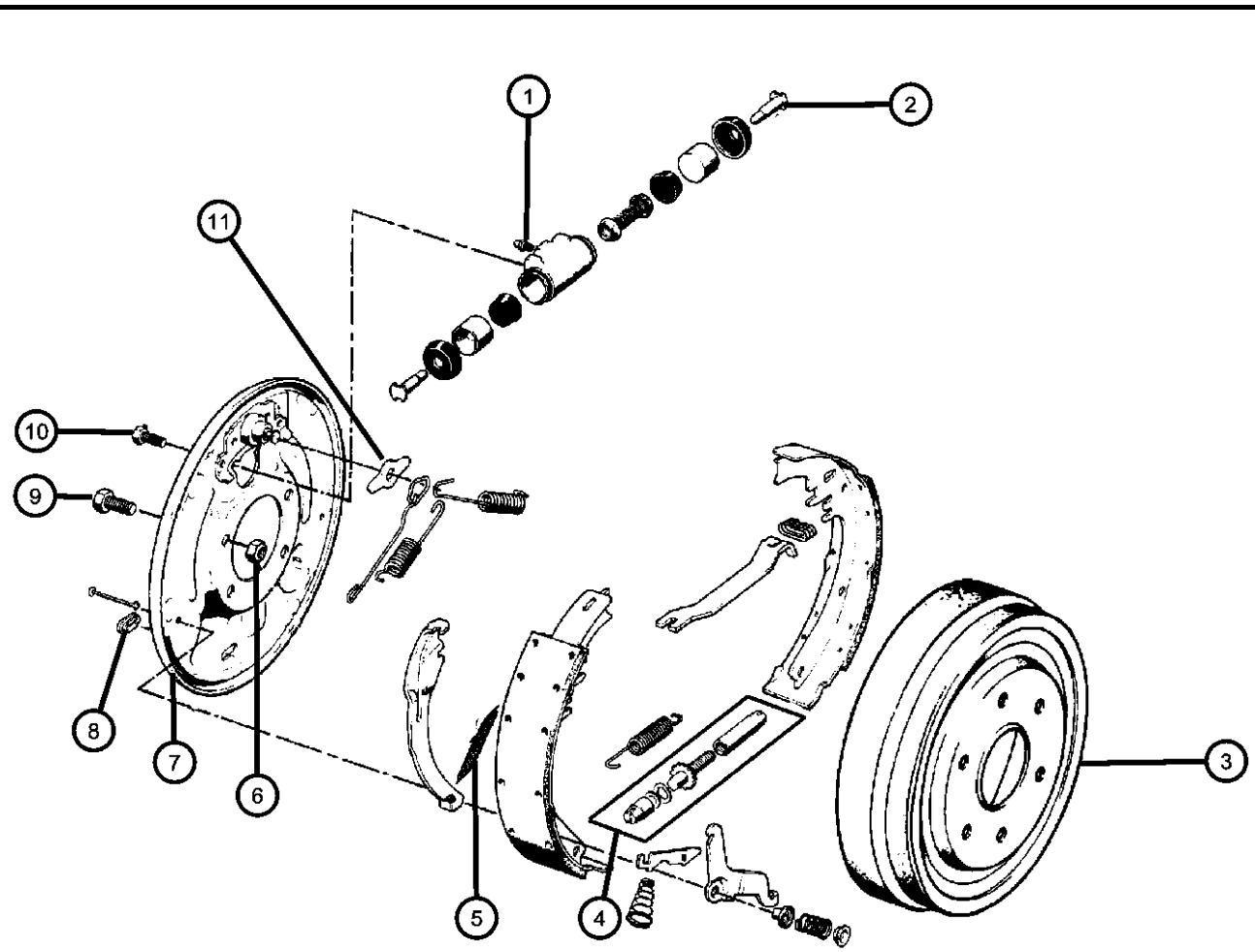
RAM PICKUP/CLUB CAB (BE)

SERIES	LINE	BODY	ENGINE	TRANSMISSION
L = RAM 1500, 2500, 3500	1 = Lt. Duty DODGE 2WD 2 = Med. Duty DODGE 2WD 3 = HD DODGE 2WD 6 = Lt. Duty DODGE 4WD 7 = Med. Duty DODGE 4WD 8 = HD DODGE 4WD	31 = CLUB CAB 2-DR 6.5 FT BOX 32 = CLUB CAB 2-DR 8FT BOX 33 = QUAD CAB 4-DR 6.5 FT BOX 34 = QUAD CAB 4-DR 8FT BOX	ETC = 5.9L Cummins 24V Diesel Engine EWA = 8.0L V10 MPI Engine EM0 = ALL 5.9L 8 CYL ENGINES - GAS EMM = 5.9L SMPI V8 Engine EML = 5.9L V8 MPI Engine ELF = 5.2L V8 MPI Engine	DGP = 4-Spd. Automatic 47RE Transmission DD0 = ALL 5 SPEED MANUAL TRANSMISSIONS DG0 = ALL AUTOMATIC TRANSMISSIONS DDC = 5-Speed HD Manual Transmission DDP = 5-Speed Manual Transmission DDX = 5-Speed HD Manual Transmission DEE = 6-Speed HD Manual Transmission DGT = 4-Spd. Automatic 46RE Transmission

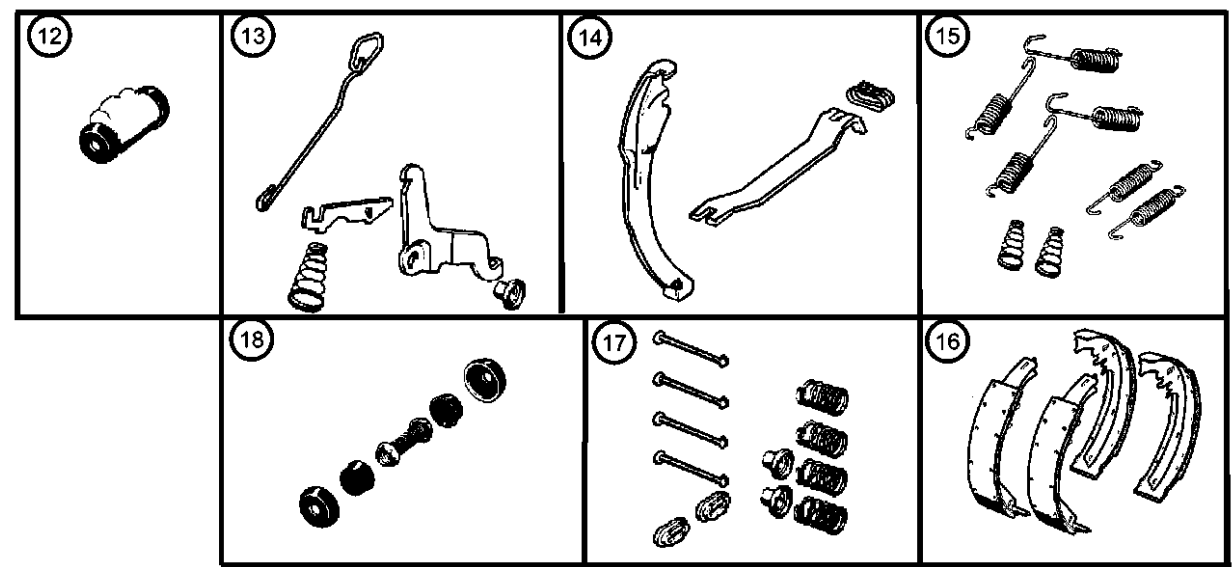
AR = use ase required - = Non illustrated part

Brakes,Rear,11 Inches X 2 Inches,BE 1,6

Figure 5-210



ITEM	PART NUMBER	QTY	LINE	SERIES	BODY	ENGINE	TRANS	TRIM	DESCRIPTION
	04761608	2	1						
		2	6						
11	04761597	1	1						PLATE, Brake Shoe Guide
		1	6						
12	04761602	1	1						CYLINDER, Wheel
	V2101602AA								Mopar V-Line Alternative Part Wheel Cylinder
		1	6						
	V2101602AA								Mopar V-Line Alternative Part Wheel Cylinder
13									LEVER, Park Brake Adjusting
	04761562	1	1						Right
		1	6						Right
	04761563	1	1						Left
		1	6						Left
14									LEVER, Park Brake Adjusting
	04761561	1	1						
		1	6						
15									SPRING, Brake Shoe Return
	04761555	1	1						
		1	6						
16									SHOE KIT, Brake
	05013813AA	1	1						
	BHKH7208								Mopar V-Line Alternative Part All In One Drum Combi Kits
	BHKH2594								Mopar V-Line Alternative Part Drum Self Adjuster Kit Left
	BHKH2593								Mopar V-Line Alternative Part Drum Self Adjuster Kit



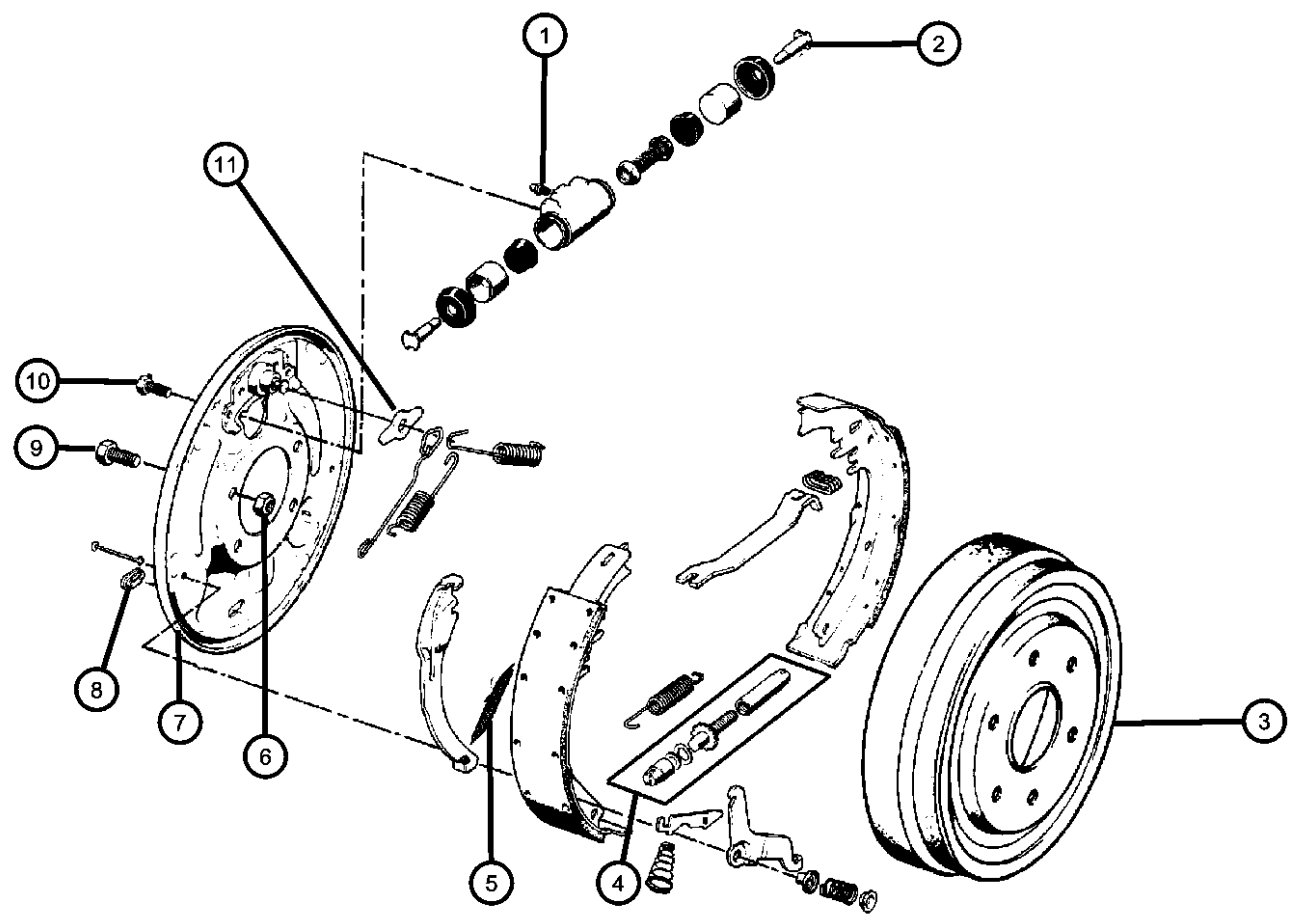
RAM PICKUP/CLUB CAB (BE)

SERIES	LINE	BODY	ENGINE	TRANSMISSION
L = RAM 1500, 2500, 3500	1 = Lt. Duty DODGE 2WD 2 = Med. Duty DODGE 2WD 3 = HD DODGE 2WD 6 = Lt. Duty DODGE 4WD 7 = Med. Duty DODGE 4WD 8 = HD DODGE 4WD	31 = CLUB CAB 2-DR 6.5 FT BOX 32 = CLUB CAB 2-DR 8FT BOX 33 = QUAD CAB 4-DR 6.5 FT BOX 34 = QUAD CAB 4-DR 8FT BOX	ETC = 5.9L Cummins 24V Diesel Engine EWA = 8.0L V10 MPI Engine EM0 = ALL 5.9L 8 CYL ENGINES - GAS EMM = 5.9L SMPI V8 Engine EML = 5.9L V8 MPI Engine ELF = 5.2L V8 MPI Engine	DGP = 4-Spd. Automatic 47RE Transmission DD0 = ALL 5 SPEED MANUAL TRANSMISSIONS DG0 = ALL AUTOMATIC TRANSMISSIONS DDC = 5-Speed HD Manual Transmission DDP = 5-Speed Manual Transmission DDX = 5-Speed HD Manual Transmission DEE = 6-Speed HD Manual Transmission DGT = 4-Spd. Automatic 46RE Transmission

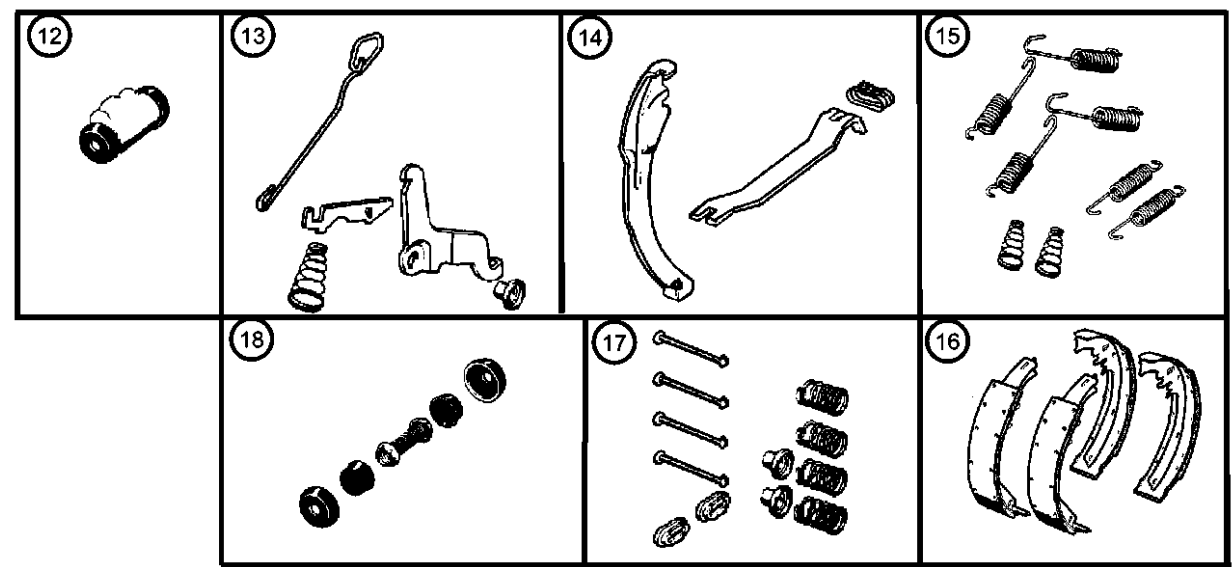
AR = use ase required - = Non illustrated part

Brakes,Rear,11 Inches X 2 Inches,BE 1,6

Figure 5-210



ITEM	PART NUMBER	QTY	LINE	SERIES	BODY	ENGINE	TRANS	TRIM	DESCRIPTION
	V2012599AB								Mopar V-Line Alternative Part
		1	6						
	BHKH7208								Mopar V-Line Alternative Part All In One Drum Combi Kits
	BHKH2594								Mopar V-Line Alternative Part Drum Self Adjuster Kit Left
	BHKH2593								Mopar V-Line Alternative Part Drum Self Adjuster Kit
	V2012599AB								Mopar V-Line Alternative Part
17									SPRING KIT, Brake Shoe Hold Down
	04761557	1	1						
		1	6						
18									REPAIR KIT, Wheel Cylinder
	04761604	1	1						
		1	6						

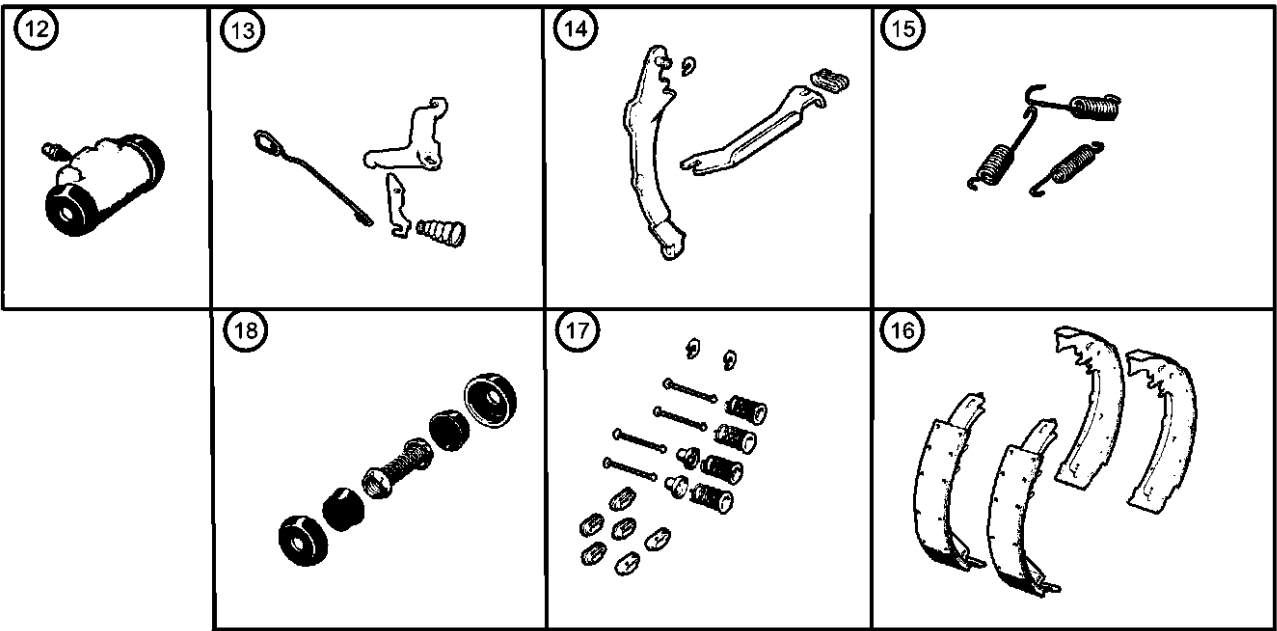
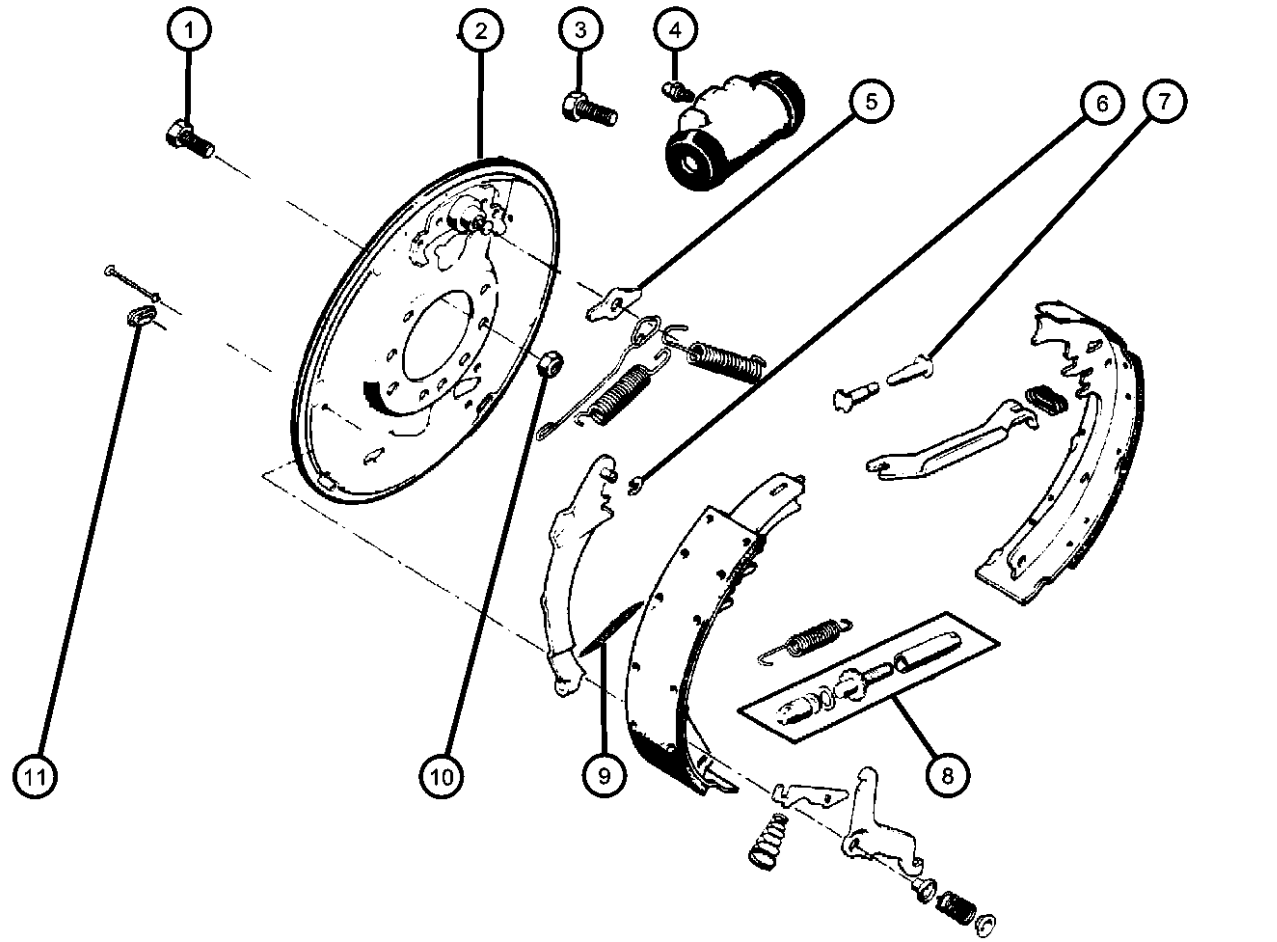


RAM PICKUP/CLUB CAB (BE)

SERIES	LINE	BODY	ENGINE	TRANSMISSION
L = RAM 1500, 2500, 3500	1 = Lt. Duty DODGE 2WD 2 = Med. Duty DODGE 2WD 3 = HD DODGE 2WD 6 = Lt. Duty DODGE 4WD 7 = Med. Duty DODGE 4WD 8 = HD DODGE 4WD	31 = CLUB CAB 2-DR 6.5 FT BOX 32 = CLUB CAB 2-DR 8FT BOX 33 = QUAD CAB 4-DR 6.5 FT BOX 34 = QUAD CAB 4-DR 8FT BOX	ETC = 5.9L Cummins 24V Diesel Engine EWA = 8.0L V10 MPI Engine EM0 = ALL 5.9L 8 CYL ENGINES - GAS EMM = 5.9L SMPI V8 Engine EML = 5.9L V8 MPI Engine ELF = 5.2L V8 MPI Engine	DGP = 4-Spd. Automatic 47RE Transmission DD0 = ALL 5 SPEED MANUAL TRANSMISSIONS DG0 = ALL AUTOMATIC TRANSMISSIONS DDC = 5-Speed HD Manual Transmission DDP = 5-Speed Manual Transmission DDX = 5-Speed HD Manual Transmission DEE = 6-Speed HD Manual Transmission DGT = 4-Spd. Automatic 46RE Transmission

AR = use ase required - = Non illustrated part

Brakes,Rear,13 Inches X 2.5 Inches, 13 Inches X 3.5 Inches,BE 2,3,7,8
Figure 5-220



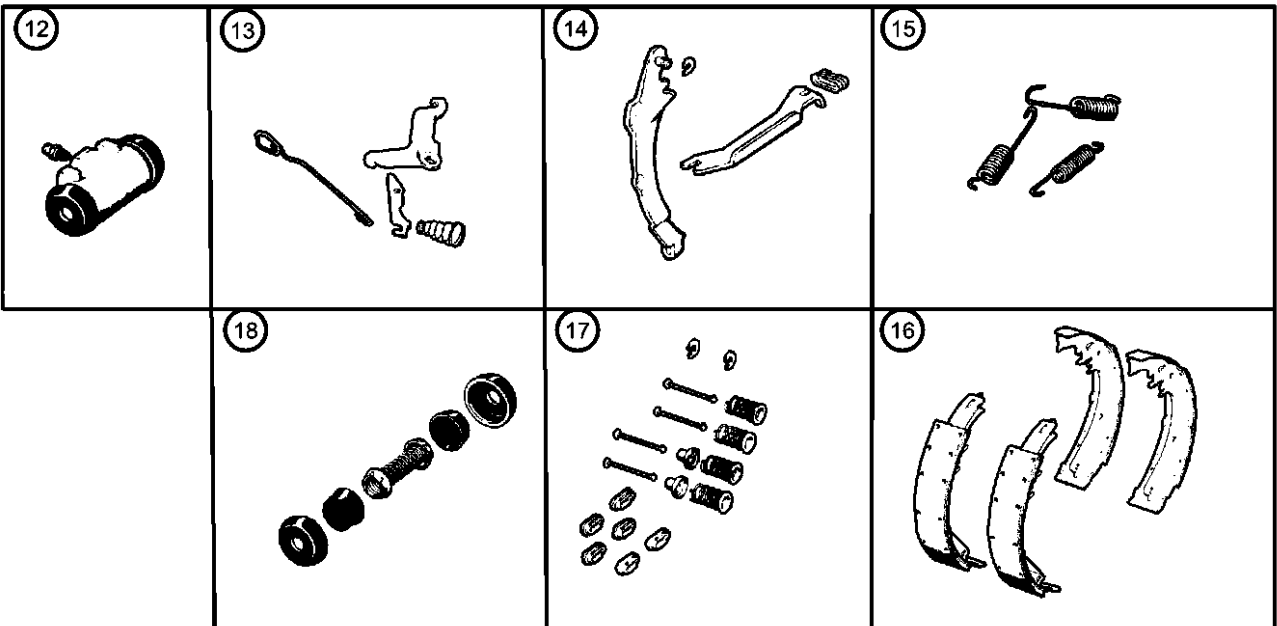
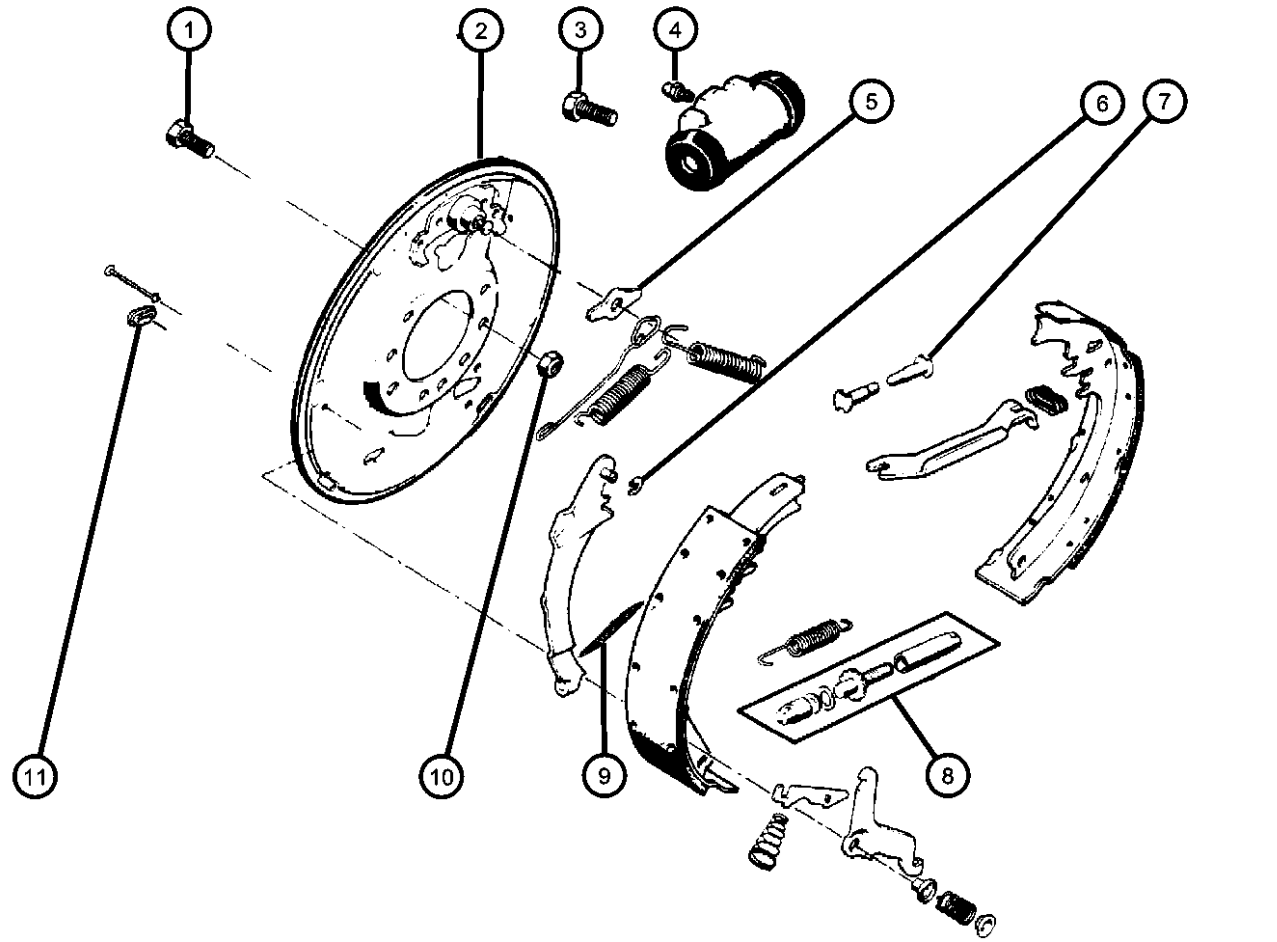
ITEM	PART NUMBER	QTY	LINE	SERIES	BODY	ENGINE	TRANS	TRIM	DESCRIPTION
1	01664518	8	2						SCREW, Round Head, .50-20x1.25
		8	3		34				
		8	7						
		8	8		34				
2	04761545	1	8		34				SUPPORT, Rear Wheel Brake
		1	3		34				
		1	7						
		1	2						
3	04761608	2	7						BOLT, Wheel Cylinder
		2	2						
		2	8		34				
		2	3		34				
4	J8129725	1	7						BLEEDER SCREW, Brake
		1	2						
		1	3		34				
		1	8		34				
5	04761598	1	7						PLATE, Brake Shoe Guide
		1	2						
		1	8		34				
		1	3		34				
6	04897526AA	1	7						CLIP, Parking Brake Pin Lever
		1	3		34				

RAM PICKUP/CLUB CAB (BE)

SERIES	LINE	BODY	ENGINE	TRANSMISSION
L = RAM 1500, 2500, 3500	1 = Lt. Duty DODGE 2WD 2 = Med. Duty DODGE 2WD 3 = HD DODGE 2WD 6 = Lt. Duty DODGE 4WD 7 = Med. Duty DODGE 4WD 8 = HD DODGE 4WD	31 = CLUB CAB 2-DR 6.5 FT BOX 32 = CLUB CAB 2-DR 8FT BOX 33 = QUAD CAB 4-DR 6.5 FT BOX 34 = QUAD CAB 4-DR 8FT BOX	ETC = 5.9L Cummins 24V Diesel Engine EWA = 8.0L V10 MPI Engine EM0 = ALL 5.9L 8 CYL ENGINES - GAS EMM = 5.9L SMPI V8 Engine EML = 5.9L V8 MPI Engine ELF = 5.2L V8 MPI Engine	DGP = 4-Spd. Automatic 47RE Transmission DD0 = ALL 5 SPEED MANUAL TRANSMISSIONS DG0 = ALL AUTOMATIC TRANSMISSIONS DDC = 5-Speed HD Manual Transmission DDP = 5-Speed Manual Transmission DDX = 5-Speed HD Manual Transmission DEE = 6-Speed HD Manual Transmission DGT = 4-Spd. Automatic 46RE Transmission

AR = use ase required - = Non illustrated part

Brakes,Rear,13 Inches X 2.5 Inches, 13 Inches X 3.5 Inches,BE 2,3,7,8
Figure 5-220



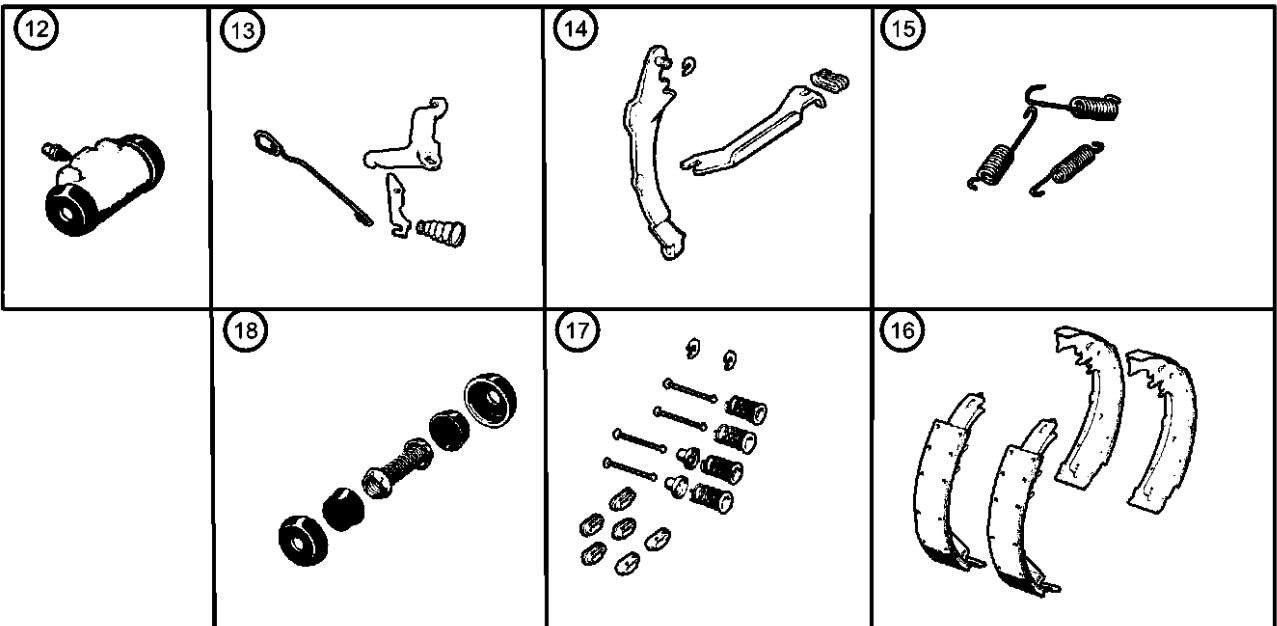
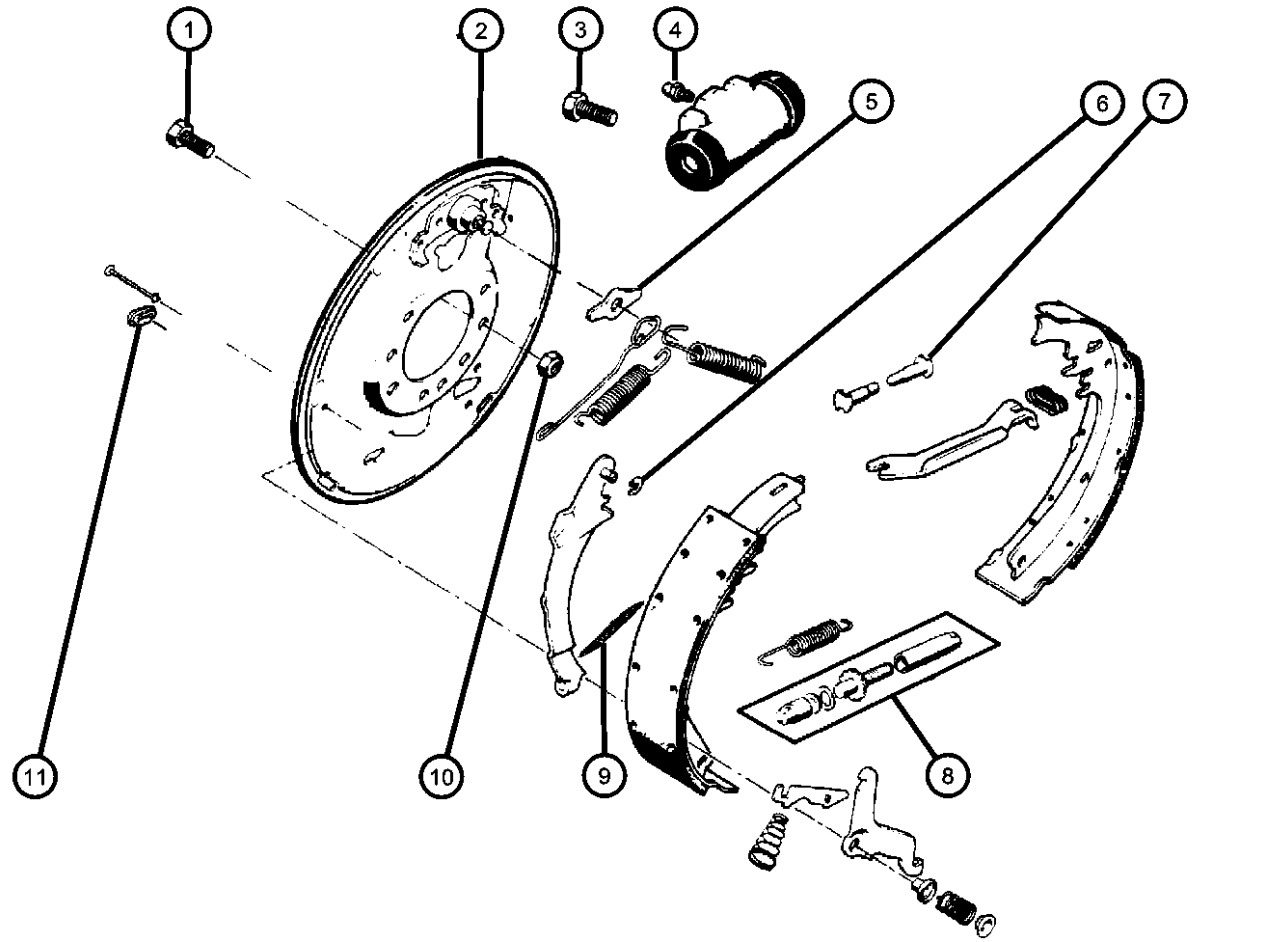
ITEM	PART NUMBER	QTY	LINE	SERIES	BODY	ENGINE	TRANS	TRIM	DESCRIPTION
		1	8		34				
		1	2						
7	04761607	2	7						LINK, Brake Wheel Cylinder
		2	2		34				
		2	8		34				
8	04761580	2	3						SCREW, Brake Adjusting
		1	7						Right
		1	2						Right
		1	3		34				Right
		1	8		34				Right
	04761581	1	7						Left
		1	2						Left
		1	3		34				Left
		1	8		34				Left
9	04761610	1	7						SPRING, Lever
		1	2						
		1	3		34				
		1	8		34				
10	00152349	8	7						NUT, Hex, .50-20
		8	2						
		8	3		34				
		8	8		34				
11	04761584	1	7						PLUG, Brake Adjusting Hole

RAM PICKUP/CLUB CAB (BE)

SERIES	LINE	BODY	ENGINE	TRANSMISSION
L = RAM 1500, 2500, 3500	1 = Lt. Duty DODGE 2WD 2 = Med. Duty DODGE 2WD 3 = HD DODGE 2WD 6 = Lt. Duty DODGE 4WD 7 = Med. Duty DODGE 4WD 8 = HD DODGE 4WD	31 = CLUB CAB 2-DR 6.5 FT BOX 32 = CLUB CAB 2-DR 8FT BOX 33 = QUAD CAB 4-DR 6.5 FT BOX 34 = QUAD CAB 4-DR 8FT BOX	ETC = 5.9L Cummins 24V Diesel Engine EWA = 8.0L V10 MPI Engine EM0 = ALL 5.9L 8 CYL ENGINES - GAS EMM = 5.9L SMPI V8 Engine EML = 5.9L V8 MPI Engine ELF = 5.2L V8 MPI Engine	DGP = 4-Spd. Automatic 47RE Transmission DD0 = ALL 5 SPEED MANUAL TRANSMISSIONS DG0 = ALL AUTOMATIC TRANSMISSIONS DDC = 5-Speed HD Manual Transmission DDP = 5-Speed Manual Transmission DDX = 5-Speed HD Manual Transmission DEE = 6-Speed HD Manual Transmission DGT = 4-Spd. Automatic 46RE Transmission

AR = use ase required - = Non illustrated part

Brakes,Rear,13 Inches X 2.5 Inches, 13 Inches X 3.5 Inches,BE 2,3,7,8
Figure 5-220



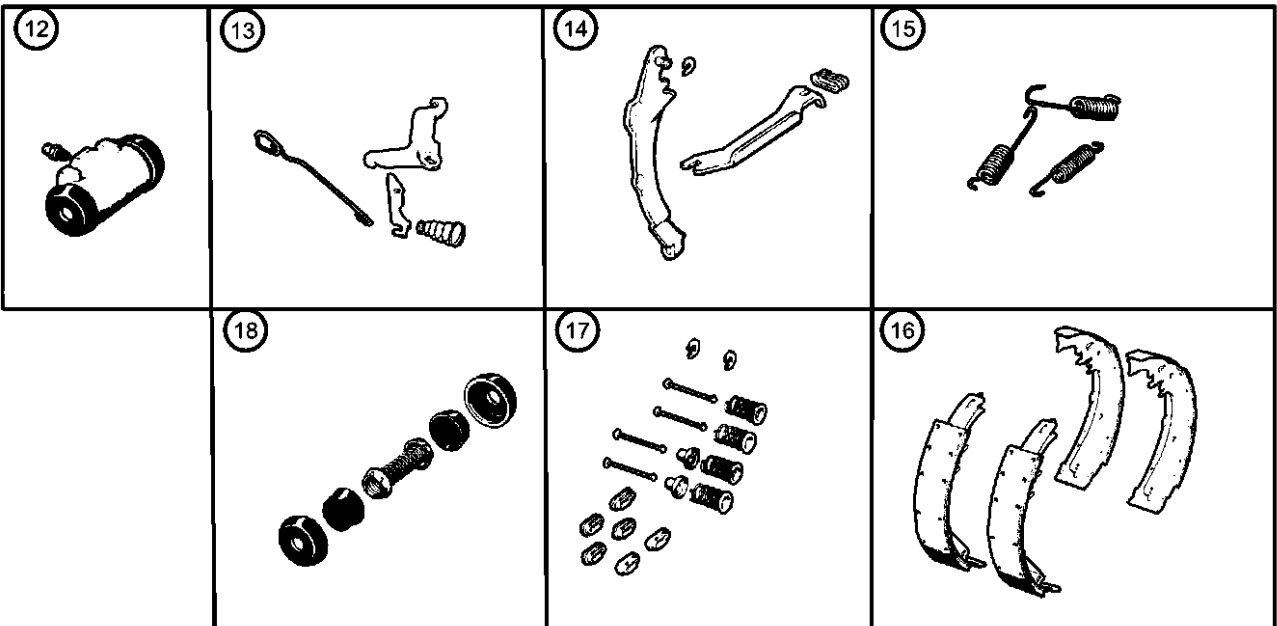
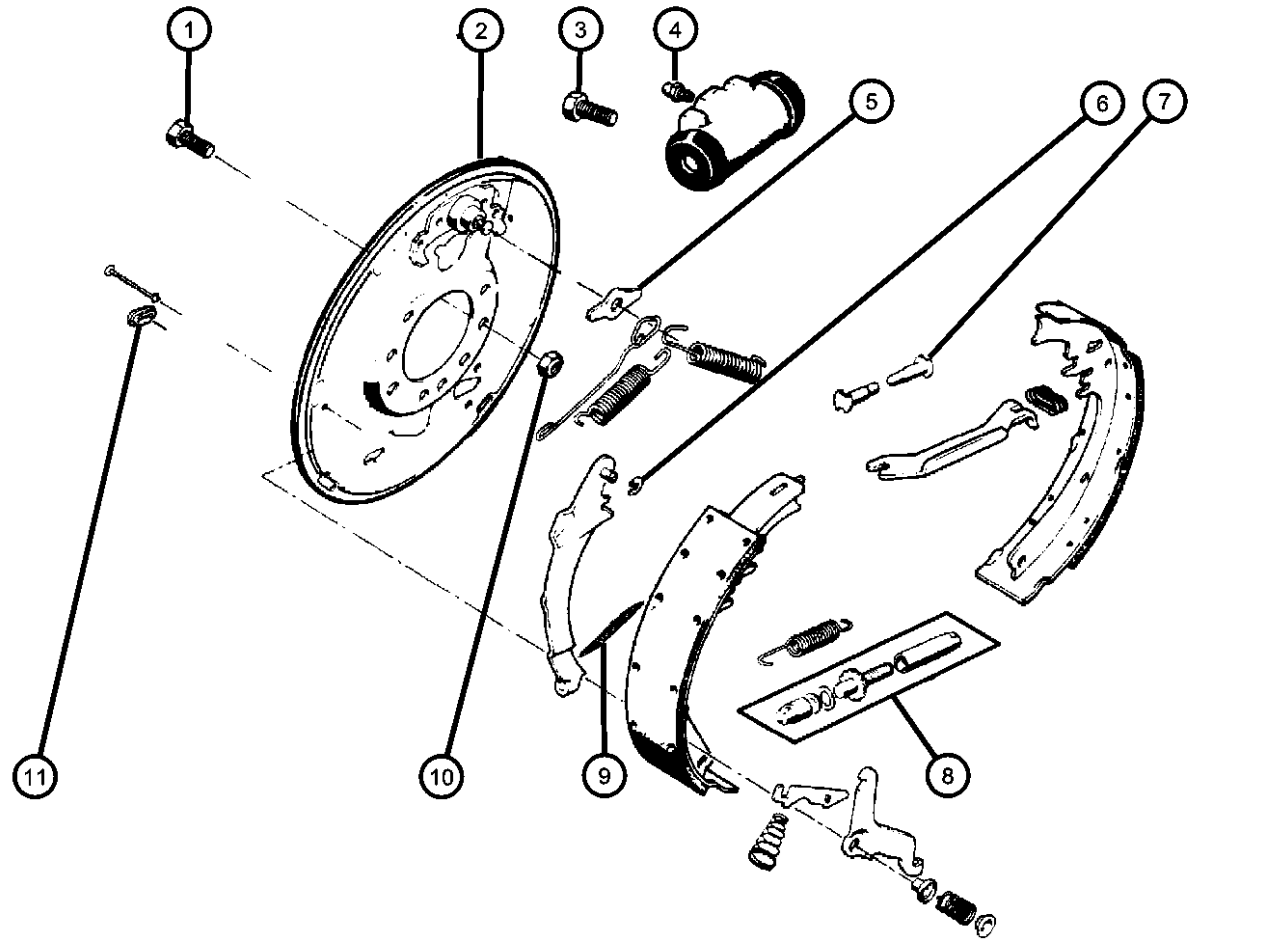
ITEM	PART NUMBER	QTY	LINE	SERIES	BODY	ENGINE	TRANS	TRIM	DESCRIPTION
		1	2						
		1	3		34				
		1	8		34				
12									CYLINDER, Wheel
	04761602	1	2						Mopar V-Line Alternative Part Wheel Cylinder
	V2101602AA								
	04761603	1	7						Mopar V-Line Alternative Part Wheel Cylinder
	V2106103AA								Mopar V-Line Alternative Part Wheel Cylinder
	V2101603AA								Mopar V-Line Alternative Part Wheel Cylinder
		1	8		34				Mopar V-Line Alternative Part Wheel Cylinder
	V2106103AA								Mopar V-Line Alternative Part Wheel Cylinder
	V2101603AA								Mopar V-Line Alternative Part Wheel Cylinder
	V2106103AA	1	3		34				Mopar V-Line Alternative Part Wheel Cylinder
	V2101603AA								Mopar V-Line Alternative Part Wheel Cylinder
13									LEVER, Park Brake Adjusting
	04761564	1	7						Right
		1	2						Right
		1	3		34				Right
		1	8		34				Right
	04761565	1	7						Left
		1	2						Left
		1	3		34				Left
		1	8		34				Left
14									LEVER, Park Brake Adjusting

RAM PICKUP/CLUB CAB (BE)

SERIES	LINE	BODY	ENGINE	TRANSMISSION
L = RAM 1500, 2500, 3500	1 = Lt. Duty DODGE 2WD 2 = Med. Duty DODGE 2WD 3 = HD DODGE 2WD 6 = Lt. Duty DODGE 4WD 7 = Med. Duty DODGE 4WD 8 = HD DODGE 4WD	31 = CLUB CAB 2-DR 6.5 FT BOX 32 = CLUB CAB 2-DR 8FT BOX 33 = QUAD CAB 4-DR 6.5 FT BOX 34 = QUAD CAB 4-DR 8FT BOX	ETC = 5.9L Cummins 24V Diesel Engine EWA = 8.0L V10 MPI Engine EM0 = ALL 5.9L 8 CYL ENGINES - GAS EMM = 5.9L SMPI V8 Engine EML = 5.9L V8 MPI Engine ELF = 5.2L V8 MPI Engine	DGP = 4-Spd. Automatic 47RE Transmission DD0 = ALL 5 SPEED MANUAL TRANSMISSIONS DG0 = ALL AUTOMATIC TRANSMISSIONS DDC = 5-Speed HD Manual Transmission DDP = 5-Speed Manual Transmission DDX = 5-Speed HD Manual Transmission DEE = 6-Speed HD Manual Transmission DGT = 4-Spd. Automatic 46RE Transmission

AR = use ase required - = Non illustrated part

Brakes,Rear,13 Inches X 2.5 Inches, 13 Inches X 3.5 Inches,BE 2,3,7,8
Figure 5-220



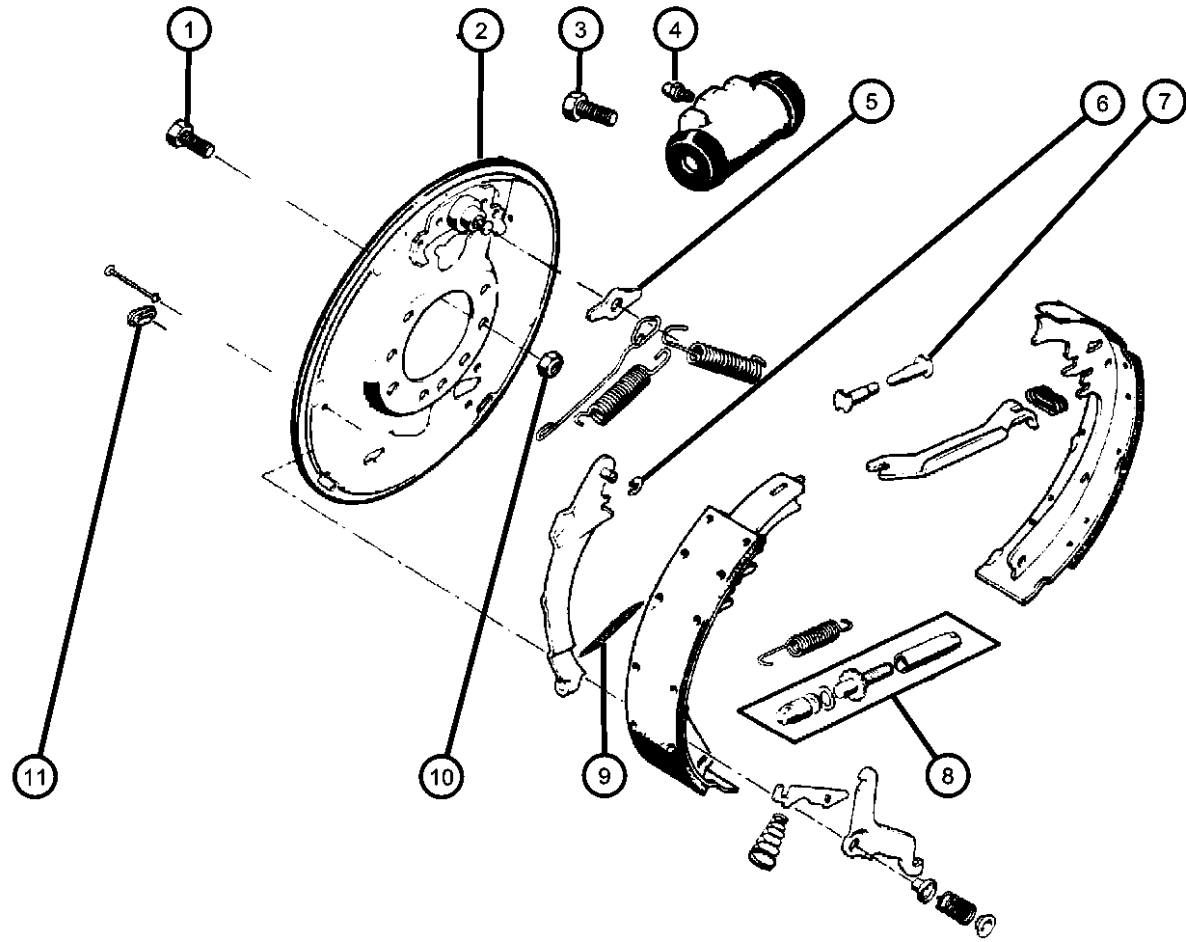
ITEM	PART NUMBER	QTY	LINE	SERIES	BODY	ENGINE	TRANS	TRIM	DESCRIPTION
	04761585	1	7						
		1	2						
	04761586	1	3		34				
		1	8		34				
15									SPRING, Brake Shoe Return
	04761556	1	7						
		1	2						
		1	8		34				
		1	3		34				
16									SHOE KIT, Brake
	04761600	1	7						
	BHKH7055								Mopar V-Line Alternative Part All In One Drum Combi Kits
	BHKH2588								Mopar V-Line Alternative Part Drum Self Adjuster Kit Left
	BHKH2589								Mopar V-Line Alternative Part Drum Self Adjuster Kit
	V2012600AC								Mopar V-Line Alternative Part
		1	2						
	BHKH7055								Mopar V-Line Alternative Part All In One Drum Combi Kits
	BHKH2588								Mopar V-Line Alternative Part Drum Self Adjuster Kit Left
	BHKH2589								Mopar V-Line Alternative Part Drum Self Adjuster Kit
	V2012600AC								Mopar V-Line Alternative Part
	04886328AA	1	3		34				
		1	8		34				
17									SPRING KIT, Brake Shoe Hold Down
	04761560	1	7						
		1	2						

RAM PICKUP/CLUB CAB (BE)

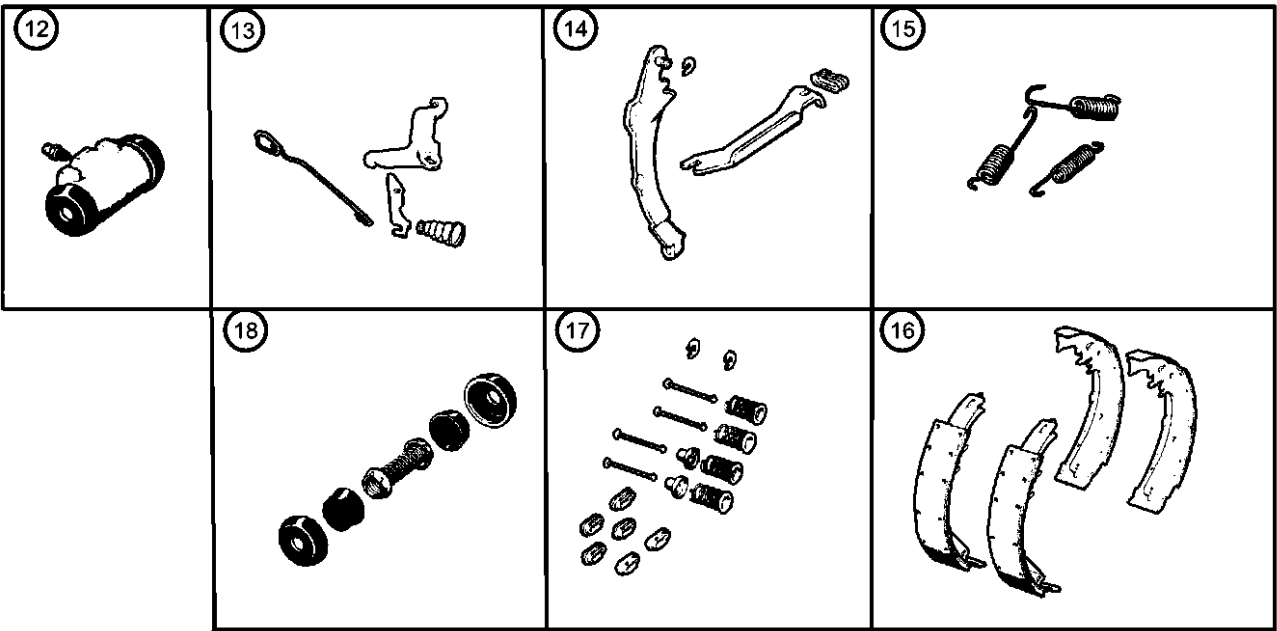
SERIES	LINE	BODY	ENGINE	TRANSMISSION
L = RAM 1500, 2500, 3500	1 = Lt. Duty DODGE 2WD 2 = Med. Duty DODGE 2WD 3 = HD DODGE 2WD 6 = Lt. Duty DODGE 4WD 7 = Med. Duty DODGE 4WD 8 = HD DODGE 4WD	31 = CLUB CAB 2-DR 6.5 FT BOX 32 = CLUB CAB 2-DR 8FT BOX 33 = QUAD CAB 4-DR 6.5 FT BOX 34 = QUAD CAB 4-DR 8FT BOX	ETC = 5.9L Cummins 24V Diesel Engine EWA = 8.0L V10 MPI Engine EM0 = ALL 5.9L 8 CYL ENGINES - GAS EMM = 5.9L SMPI V8 Engine EML = 5.9L V8 MPI Engine ELF = 5.2L V8 MPI Engine	DGP = 4-Spd. Automatic 47RE Transmission DD0 = ALL 5 SPEED MANUAL TRANSMISSIONS DG0 = ALL AUTOMATIC TRANSMISSIONS DDC = 5-Speed HD Manual Transmission DDP = 5-Speed Manual Transmission DDX = 5-Speed HD Manual Transmission DEE = 6-Speed HD Manual Transmission DGT = 4-Spd. Automatic 46RE Transmission

AR = use ase required - = Non illustrated part

Brakes,Rear,13 Inches X 2.5 Inches, 13 Inches X 3.5 Inches,BE 2,3,7,8
Figure 5-220



ITEM	PART NUMBER	QTY	LINE	SERIES	BODY	ENGINE	TRANS	TRIM	DESCRIPTION
		1	8		34				
		1	3		34				
18	04761605	1	7						REPAIR KIT, Wheel Cylinder
		1	2						
		1	3		34				
		1	8		34				

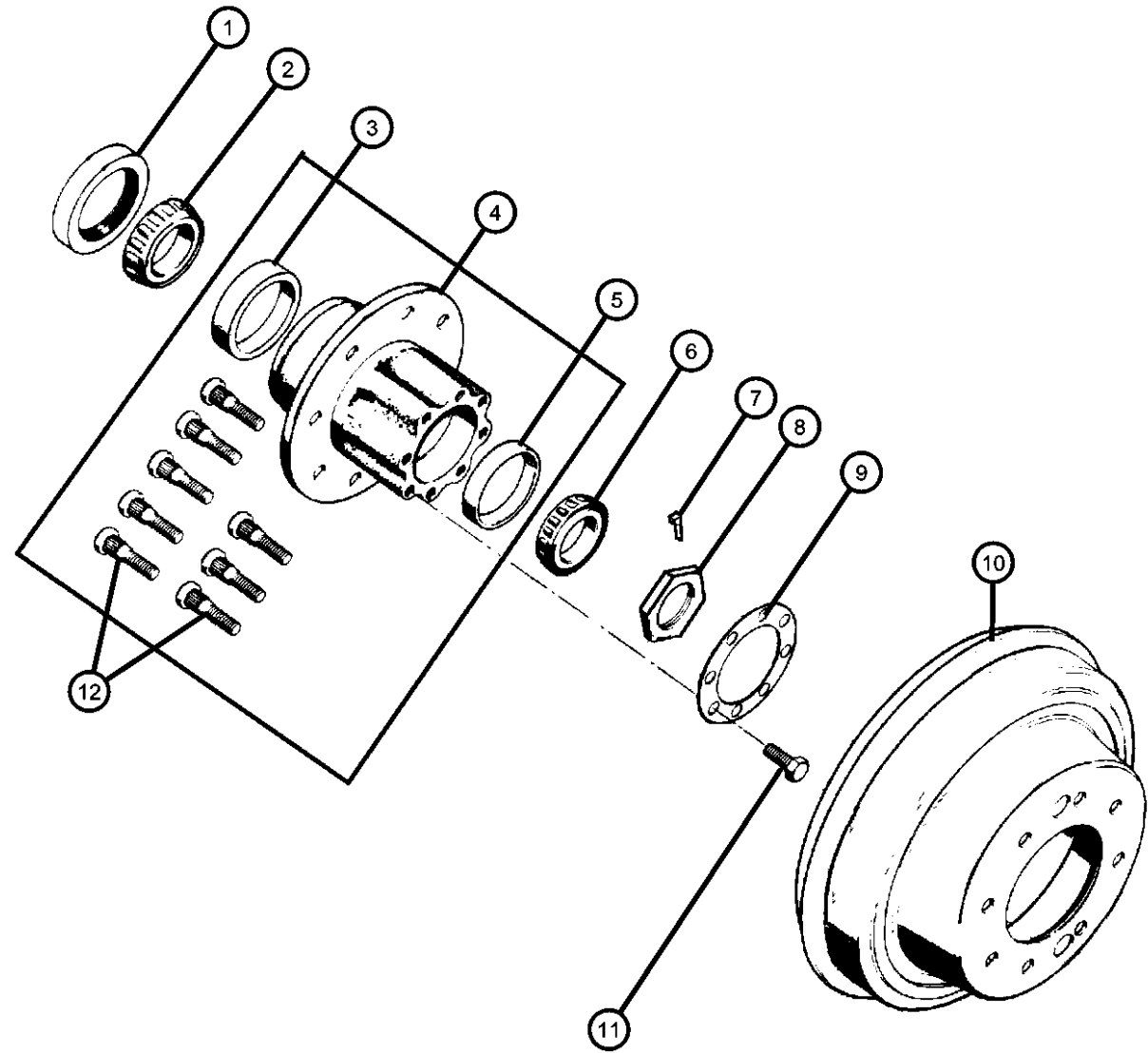


RAM PICKUP/CLUB CAB (BE)

SERIES	LINE	BODY	ENGINE	TRANSMISSION
L = RAM 1500, 2500, 3500	1 = Lt. Duty DODGE 2WD 2 = Med. Duty DODGE 2WD 3 = HD DODGE 2WD 6 = Lt. Duty DODGE 4WD 7 = Med. Duty DODGE 4WD 8 = HD DODGE 4WD	31 = CLUB CAB 2-DR 6.5 FT BOX 32 = CLUB CAB 2-DR 8FT BOX 33 = QUAD CAB 4-DR 6.5 FT BOX 34 = QUAD CAB 4-DR 8FT BOX	ETC = 5.9L Cummins 24V Diesel Engine EWA = 8.0L V10 MPI Engine EM0 = ALL 5.9L 8 CYL ENGINES - GAS EMM = 5.9L SMPI V8 Engine EML = 5.9L V8 MPI Engine ELF = 5.2L V8 MPI Engine	DGP = 4-Spd. Automatic 47RE Transmission DD0 = ALL 5 SPEED MANUAL TRANSMISSIONS DG0 = ALL AUTOMATIC TRANSMISSIONS DDC = 5-Speed HD Manual Transmission DDP = 5-Speed Manual Transmission DDX = 5-Speed HD Manual Transmission DEE = 6-Speed HD Manual Transmission DGT = 4-Spd. Automatic 46RE Transmission

AR = use ase required - = Non illustrated part

Drums And Bearing, Rear Brake, 13 Inches X 2.5 Inches, 13 Inches X 3.5 Inches, BE 2,3,7,8
Figure 5-230



ITEM	PART NUMBER	QTY	LINE	SERIES	BODY	ENGINE	TRANS	TRIM	DESCRIPTION
1									SEAL, Wheel Bearing
	02954738	2	3		34				
		2	8		34				
	05003464AA	2	2						
		2	7						
2									BEARING, Wheel
	00927017	2	7						Inner
		2	2						Inner
	02959942	2	3		34				Inner
		2	8		34				Inner
3									CUP, Wheel Bearing
	04746918	2	2						Inner
		2	7						Inner
	04746919	2	3		34				Inner
		2	8		34				Inner
4									HUB, Wheel
	52007911	2	2						
		2	7						
	52007912	2	3		34				
		2	8		34				
5									CUP, Wheel Bearing
	02955374	2	2						Outer
		2	7						Outer
		2	3		34				Outer
		2	8		34				Outer
6									BEARING, Wheel
	02852729	2	2						Outer
		2	7						Outer

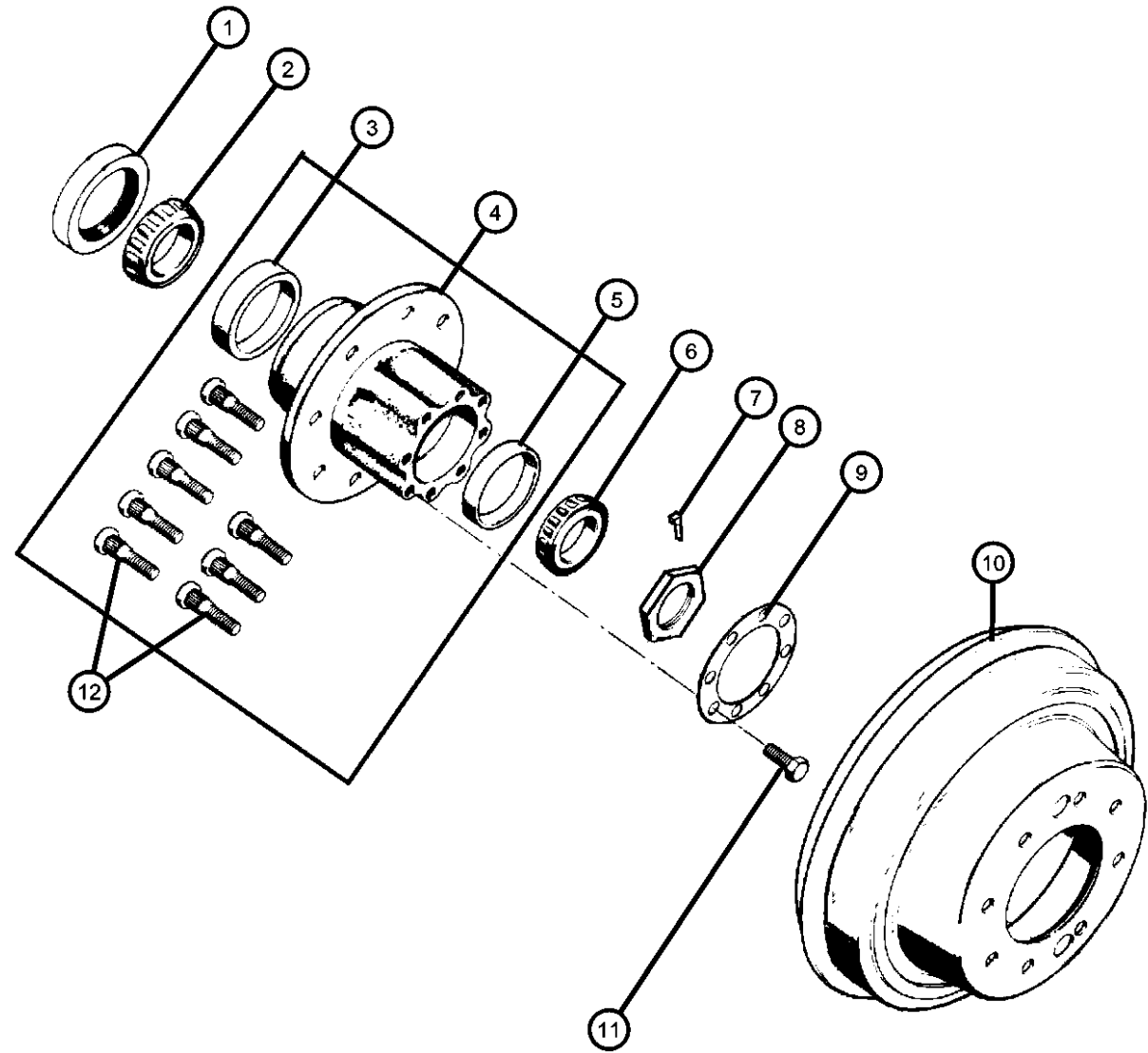
RAM PICKUP/CLUB CAB (BE)

SERIES	LINE	BODY	ENGINE	TRANSMISSION
L = RAM 1500, 2500, 3500	1 = Lt. Duty DODGE 2WD 2 = Med. Duty DODGE 2WD 3 = HD DODGE 2WD 6 = Lt. Duty DODGE 4WD 7 = Med. Duty DODGE 4WD 8 = HD DODGE 4WD	31 = CLUB CAB 2-DR 6.5 FT BOX 32 = CLUB CAB 2-DR 8FT BOX 33 = QUAD CAB 4-DR 6.5 FT BOX 34 = QUAD CAB 4-DR 8FT BOX	ETC = 5.9L Cummins 24V Diesel Engine EWA = 8.0L V10 MPI Engine EM0 = ALL 5.9L 8 CYL ENGINES - GAS EMM = 5.9L SMPI V8 Engine EML = 5.9L V8 MPI Engine ELF = 5.2L V8 MPI Engine	DGP = 4-Spd. Automatic 47RE Transmission DD0 = ALL 5 SPEED MANUAL TRANSMISSIONS DG0 = ALL AUTOMATIC TRANSMISSIONS DDC = 5-Speed HD Manual Transmission DDP = 5-Speed Manual Transmission DDX = 5-Speed HD Manual Transmission DEE = 6-Speed HD Manual Transmission DGT = 4-Spd. Automatic 46RE Transmission

AR = use ase required - = Non illustrated part

1999 BE

Drums And Bearing, Rear Brake, 13 Inches X 2.5 Inches, 13 Inches X 3.5 Inches, BE 2,3,7,8
Figure 5-230



ITEM	PART NUMBER	QTY	LINE	SERIES	BODY	ENGINE	TRANS	TRIM	DESCRIPTION
		2	3		34				Outer
		2	8		34				Outer
7	04797126	2	2						LOCK, Wheel Bearing Adj Nut
		2	3		34				
		2	7						
		2	8		34				
8	52069306	2	2						NUT, Bearing Adjusting
		2	3		34				
		2	8		34				
		2	7						
9	04384186	2	2						GASKET, Axle Shaft
		2	3		34				Axle Shaft to Hub, Mounting
		2	7						Axle Shaft to Hub, Mounting
		2	8		34				Axle Shaft to Hub, Mounting
		2	7						Axle Shaft to Hub, Mounting
10	52007902	2	3		34				DRUM, Brake
		2	8		34				
	52007905	2	2						
		2	7						
11	05003466AA	16	2						BOLT
		16	3		34				Axle Shaft to Hub, Mounting
		16	7						Axle Shaft to Hub, Mounting
		16	8		34				Axle Shaft to Hub, Mounting
12									STUD, Hub

RAM PICKUP/CLUB CAB (BE)

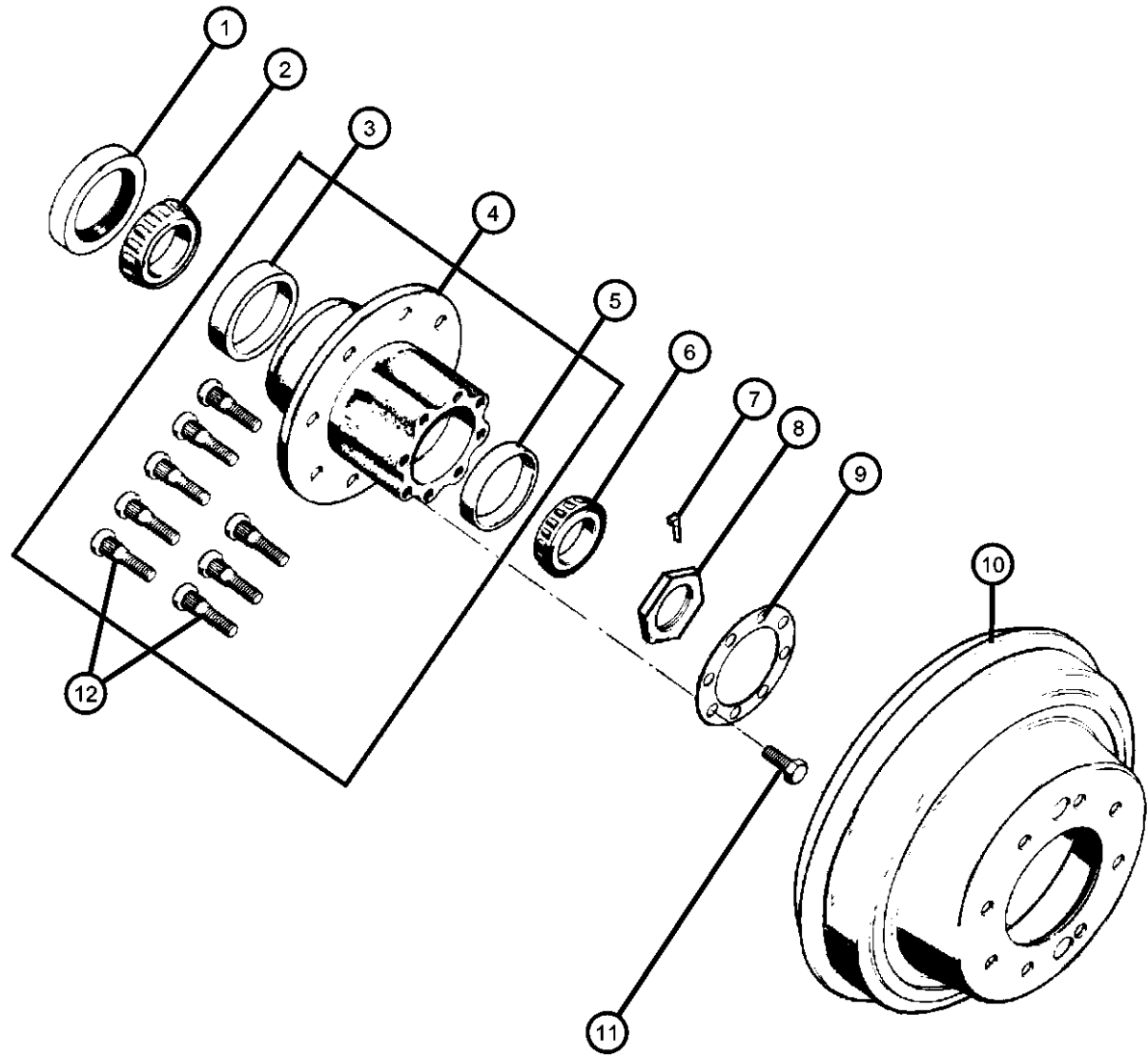
SERIES	LINE	BODY	ENGINE	TRANSMISSION
L = RAM 1500, 2500, 3500	1 = Lt. Duty DODGE 2WD 2 = Med. Duty DODGE 2WD 3 = HD DODGE 2WD 6 = Lt. Duty DODGE 4WD 7 = Med. Duty DODGE 4WD 8 = HD DODGE 4WD	31 = CLUB CAB 2-DR 6.5 FT BOX 32 = CLUB CAB 2-DR 8FT BOX 33 = QUAD CAB 4-DR 6.5 FT BOX 34 = QUAD CAB 4-DR 8FT BOX	ETC = 5.9L Cummins 24V Diesel Engine EWA = 8.0L V10 MPI Engine EM0 = ALL 5.9L 8 CYL ENGINES - GAS EMM = 5.9L SMPI V8 Engine EML = 5.9L V8 MPI Engine ELF = 5.2L V8 MPI Engine	DGP = 4-Spd. Automatic 47RE Transmission DD0 = ALL 5 SPEED MANUAL TRANSMISSIONS DG0 = ALL AUTOMATIC TRANSMISSIONS DDC = 5-Speed HD Manual Transmission DDP = 5-Speed Manual Transmission DDX = 5-Speed HD Manual Transmission DEE = 6-Speed HD Manual Transmission DGT = 4-Spd. Automatic 46RE Transmission

AR = use ase required - = Non illustrated part

1999 BE

Drums And Bearing, Rear Brake, 13 Inches X 2.5 Inches, 13 Inches X 3.5 Inches, BE 2,3,7,8
 Figure 5-230

ITEM	PART NUMBER	QTY	LINE	SERIES	BODY	ENGINE	TRANS	TRIM	DESCRIPTION
	04746915	16	2						Wheel, Mounting
		16	7						Wheel, Mounting
	04746916	16	3		34				Wheel, Mounting
		16	8		34				Wheel, Mounting



RAM PICKUP/CLUB CAB (BE)

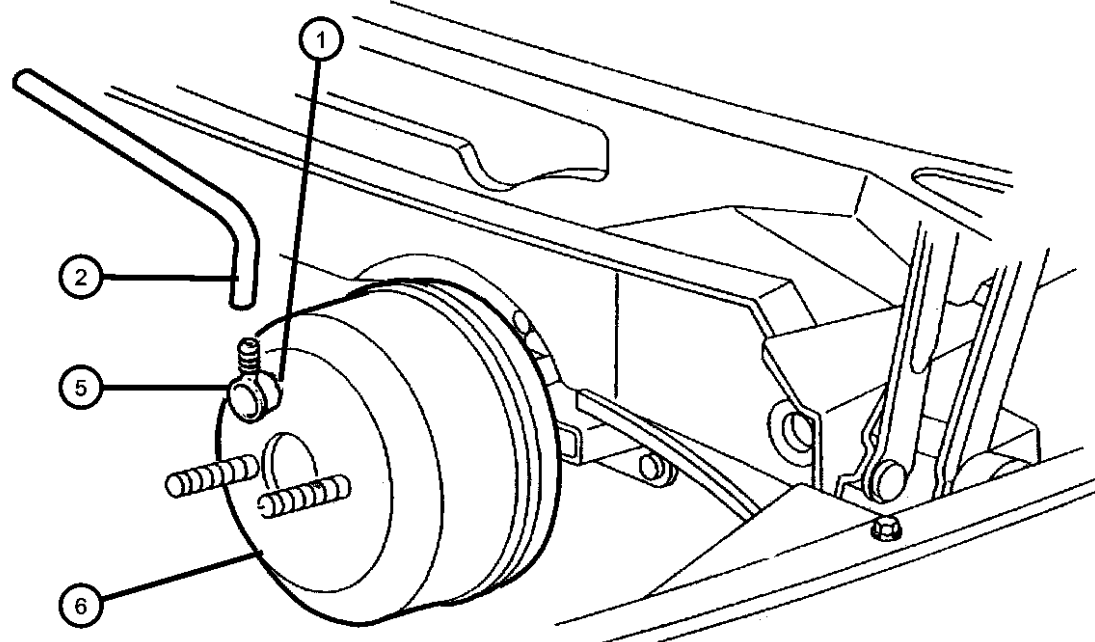
SERIES	LINE	BODY	ENGINE	TRANSMISSION
L = RAM 1500, 2500, 3500	1 = Lt. Duty DODGE 2WD	31 = CLUB CAB 2-DR 6.5 FT BOX	ETC = 5.9L Cummins 24V Diesel Engine	DGP = 4-Spd. Automatic 47RE Transmission
	2 = Med. Duty DODGE 2WD	32 = CLUB CAB 2-DR 8FT BOX	EWA = 8.0L V10 MPI Engine	DD0 = ALL 5 SPEED MANUAL TRANSMISSIONS
	3 = HD DODGE 2WD	33 = QUAD CAB 4-DR 6.5 FT BOX	EM0 = ALL 5.9L 8 CYL ENGINES - GAS	DG0 = ALL AUTOMATIC TRANSMISSIONS
	6 = Lt. Duty DODGE 4WD	34 = QUAD CAB 4-DR 8FT BOX	EMM = 5.9L SMPi V8 Engine	DDC = 5-Speed HD Manual Transmission
	7 = Med. Duty DODGE 4WD		EML = 5.9L V8 MPI Engine	DDP = 5-Speed Manual Transmission
	8 = HD DODGE 4WD		ELF = 5.2L V8 MPI Engine	DDX = 5-Speed HD Manual Transmission
				DEE = 6-Speed HD Manual Transmission
				DGT = 4-Spd. Automatic 46RE Transmission

AR = use ase required - = Non illustrated part

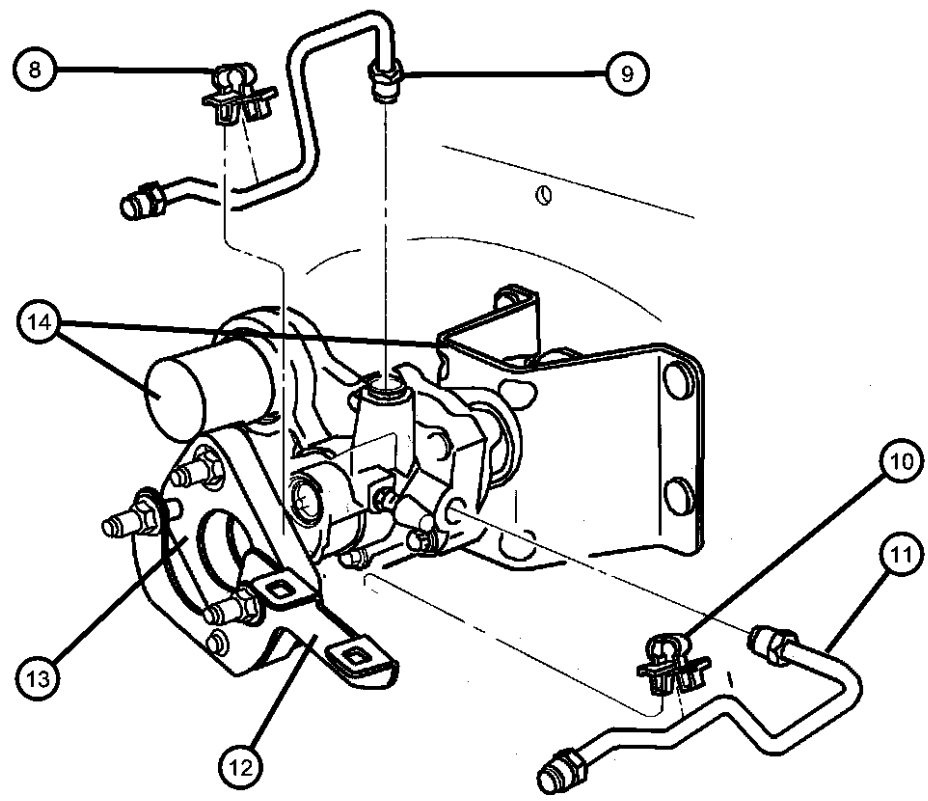
1999 BE

Booster--Power Brake and Hydro
Figure 5-310

ITEM	PART NUMBER	QTY	LINE	SERIES	BODY	ENGINE	TRANS	TRIM	DESCRIPTION
------	-------------	-----	------	--------	------	--------	-------	------	-------------



1									GROMMET, Brake Booster Check Valve
	04723640	1	1, 6						
		1	2, 7						
2	52008111AE	1	1, 2, 6, 7						HOSE, Brake Booster
-3	02448761	1							CLAMP, Hose
-4	06016020	1							STRAP, Tie, Booster Hose to Breather Hose
5									VALVE, Brake Booster Check
	04723391	1	1, 6						
		1	2, 7						
6									BOOSTER, Power Brake
	04882866	1	1, 6						
	04882867	1	2, 7						
-7	06503269	4							NUT, Hex, M10-1.5, Booster to Dash Mounting
8									CLIP, Brake Tube
	52009651AA	2	2, 7						Hydroboost Tube Support
		2	3, 8		34				Hydroboost Tube Support
9									TUBE, Brake
	52009645AA	1	2, 7						Hydroboost Pump Port
		1	3, 8		34				Hydroboost Pump Port
10									CLIP, Brake Tube
	52009651AA	2	2, 7						Hydroboost Tube Support
		2	3, 8		34				Hydroboost Tube Support
11									TUBE, Brake
	52009650AB	1	2, 7						Hydroboost Gear Port
		1	3, 8		34				Hydroboost Gear Port
12									BRACKET, Brake Booster
	52009652AA	1	2, 7						Manifold Support



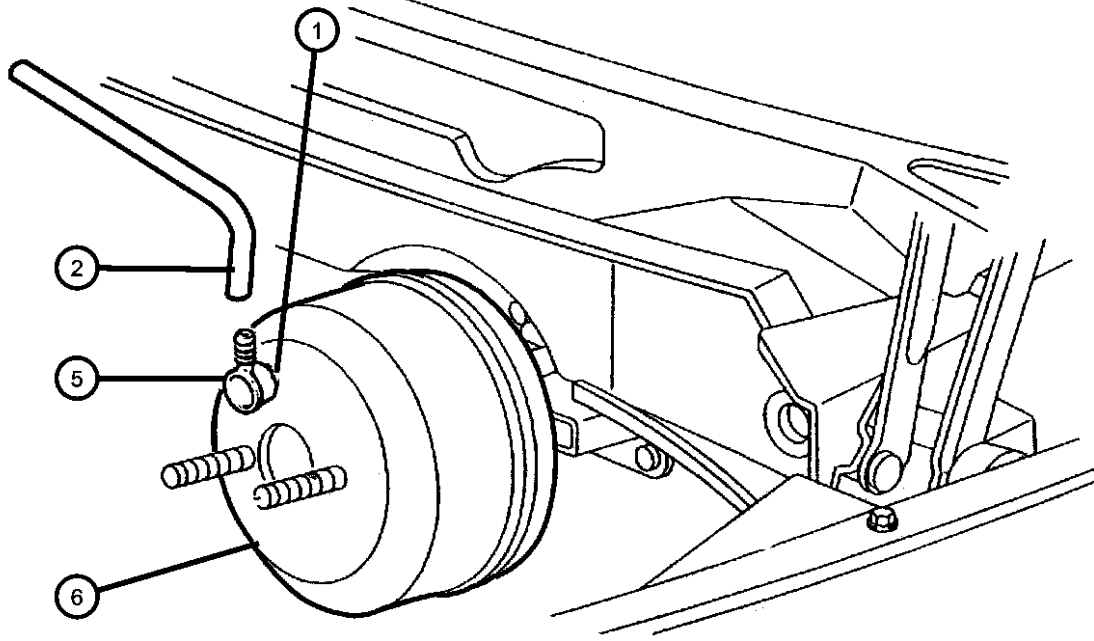
RAM PICKUP/CLUB CAB (BE)

SERIES	LINE	BODY	ENGINE	TRANSMISSION
L = RAM 1500, 2500, 3500	1 = Lt. Duty DODGE 2WD 2 = Med. Duty DODGE 2WD 3 = HD DODGE 2WD 6 = Lt. Duty DODGE 4WD 7 = Med. Duty DODGE 4WD 8 = HD DODGE 4WD	31 = CLUB CAB 2-DR 6.5 FT BOX 32 = CLUB CAB 2-DR 8FT BOX 33 = QUAD CAB 4-DR 6.5 FT BOX 34 = QUAD CAB 4-DR 8FT BOX	ETC = 5.9L Cummins 24V Diesel Engine EWA = 8.0L V10 MPI Engine EM0 = ALL 5.9L 8 CYL ENGINES - GAS EMM = 5.9L SMPI V8 Engine EML = 5.9L V8 MPI Engine ELF = 5.2L V8 MPI Engine	DGP = 4-Spd. Automatic 47RE Transmission DD0 = ALL 5 SPEED MANUAL TRANSMISSIONS DG0 = ALL AUTOMATIC TRANSMISSIONS DDC = 5-Speed HD Manual Transmission DDP = 5-Speed Manual Transmission DDX = 5-Speed HD Manual Transmission DEE = 6-Speed HD Manual Transmission DGT = 4-Spd. Automatic 46RE Transmission

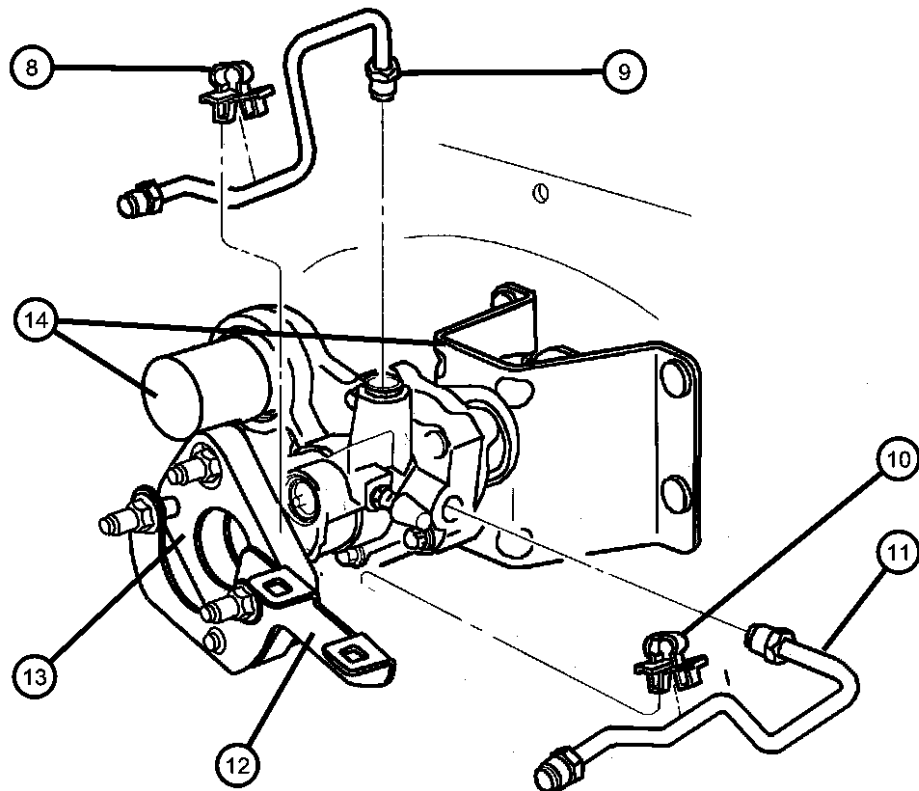
AR = use ase required - = Non illustrated part

Booster--Power Brake and Hydro
Figure 5-310

ITEM	PART NUMBER	QTY	LINE	SERIES	BODY	ENGINE	TRANS	TRIM	DESCRIPTION
------	-------------	-----	------	--------	------	--------	-------	------	-------------



13		1	3, 8		34				Manifold Support SPACER, Brake Booster
	05134380AA	1	2, 7						
14		1	3, 8		34				HYDRO-BOOSTER, Power Brake
	05003330AC	1	2, 7						
		1	3, 8		34				



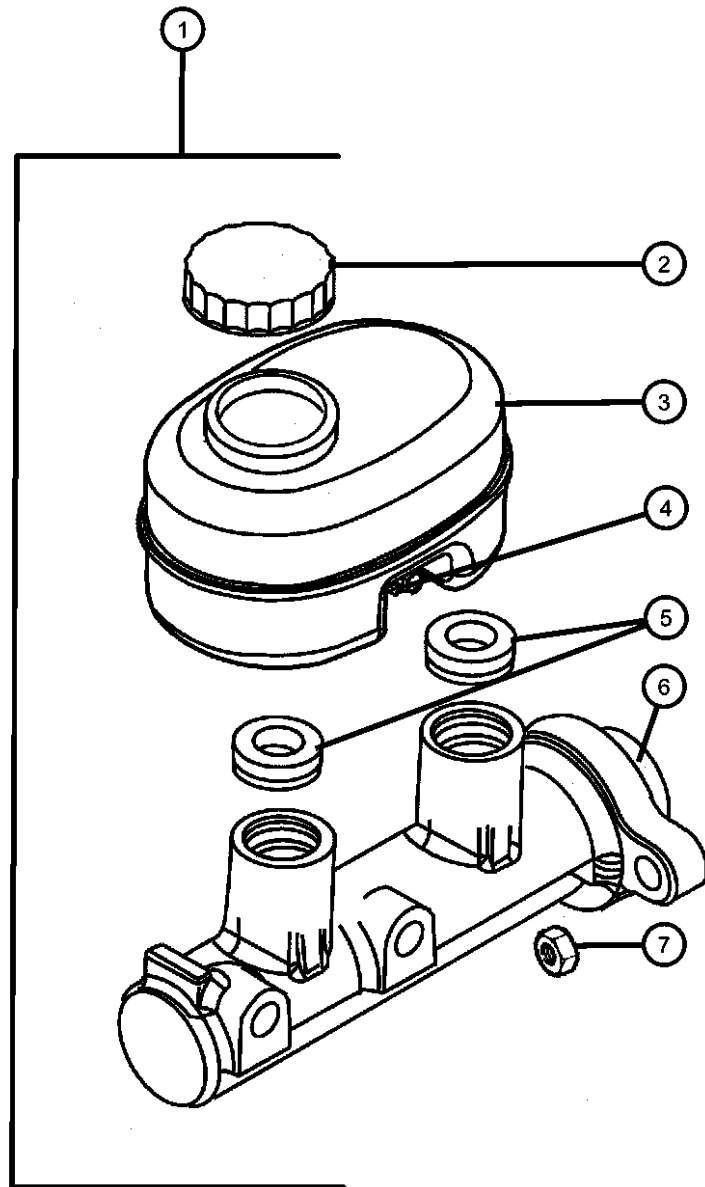
RAM PICKUP/CLUB CAB (BE)

SERIES	LINE	BODY	ENGINE	TRANSMISSION
L = RAM 1500, 2500, 3500	1 = Lt. Duty DODGE 2WD 2 = Med. Duty DODGE 2WD 3 = HD DODGE 2WD 6 = Lt. Duty DODGE 4WD 7 = Med. Duty DODGE 4WD 8 = HD DODGE 4WD	31 = CLUB CAB 2-DR 6.5 FT BOX 32 = CLUB CAB 2-DR 8FT BOX 33 = QUAD CAB 4-DR 6.5 FT BOX 34 = QUAD CAB 4-DR 8FT BOX	ETC = 5.9L Cummins 24V Diesel Engine EWA = 8.0L V10 MPI Engine EM0 = ALL 5.9L 8 CYL ENGINES - GAS EMM = 5.9L SMPI V8 Engine EML = 5.9L V8 MPI Engine ELF = 5.2L V8 MPI Engine	DGP = 4-Spd. Automatic 47RE Transmission DD0 = ALL 5 SPEED MANUAL TRANSMISSIONS DG0 = ALL AUTOMATIC TRANSMISSIONS DDC = 5-Speed HD Manual Transmission DDP = 5-Speed Manual Transmission DDX = 5-Speed HD Manual Transmission DEE = 6-Speed HD Manual Transmission DGT = 4-Spd. Automatic 46RE Transmission

AR = use ase required - = Non illustrated part

1999 BE

Master Cylinder--Brake,All Bodies
Figure 5-410



ITEM	PART NUMBER	QTY	LINE	SERIES	BODY	ENGINE	TRANS	TRIM	DESCRIPTION
1	05011256AB V1101256AA	1	1, 6						MASTER CYLINDER, Brake
	V1101256AA	1	2, 7						Mopar Alternative Part - Master Cylinder
	V1101256AA	1	3, 8		34				Mopar Alternative Part - Master Cylinder
2	04683656	1	1, 6						CAP, Master Cylinder Reservoir
		1	2, 7						
		2	3, 8		34				
3	04882865	1	1, 6						RESERVOIR, Brake Master Cylinder
		1	2, 7						Includes 2,4,5,6
		1	3, 8		34				Includes 2,4,5,6
4	04723394	1	1, 6						PIN, Master Cylinder Reservoir
		2	2, 7						Mounting
5	04723389	1	1, 6						GROMMET, Master Cylinder Reservoir
		2	2, 7						Mounting
6	04723395	1	1, 6						SEAL, Master Cylinder To Booster
		1	2, 7						Mounting
		1	3, 8		34				Mounting
7									NUT

RAM PICKUP/CLUB CAB (BE)

SERIES	LINE	BODY	ENGINE	TRANSMISSION
L = RAM 1500, 2500, 3500	1 = Lt. Duty DODGE 2WD 2 = Med. Duty DODGE 2WD 3 = HD DODGE 2WD 6 = Lt. Duty DODGE 4WD 7 = Med. Duty DODGE 4WD 8 = HD DODGE 4WD	31 = CLUB CAB 2-DR 6.5 FT BOX 32 = CLUB CAB 2-DR 8FT BOX 33 = QUAD CAB 4-DR 6.5 FT BOX 34 = QUAD CAB 4-DR 8FT BOX	ETC = 5.9L Cummins 24V Diesel Engine EWA = 8.0L V10 MPI Engine EM0 = ALL 5.9L 8 CYL ENGINES - GAS EMM = 5.9L SMPI V8 Engine EML = 5.9L V8 MPI Engine ELF = 5.2L V8 MPI Engine	DGP = 4-Spd. Automatic 47RE Transmission DD0 = ALL 5 SPEED MANUAL TRANSMISSIONS DG0 = ALL AUTOMATIC TRANSMISSIONS DDC = 5-Speed HD Manual Transmission DDP = 5-Speed Manual Transmission DDX = 5-Speed HD Manual Transmission DEE = 6-Speed HD Manual Transmission DGT = 4-Spd. Automatic 46RE Transmission

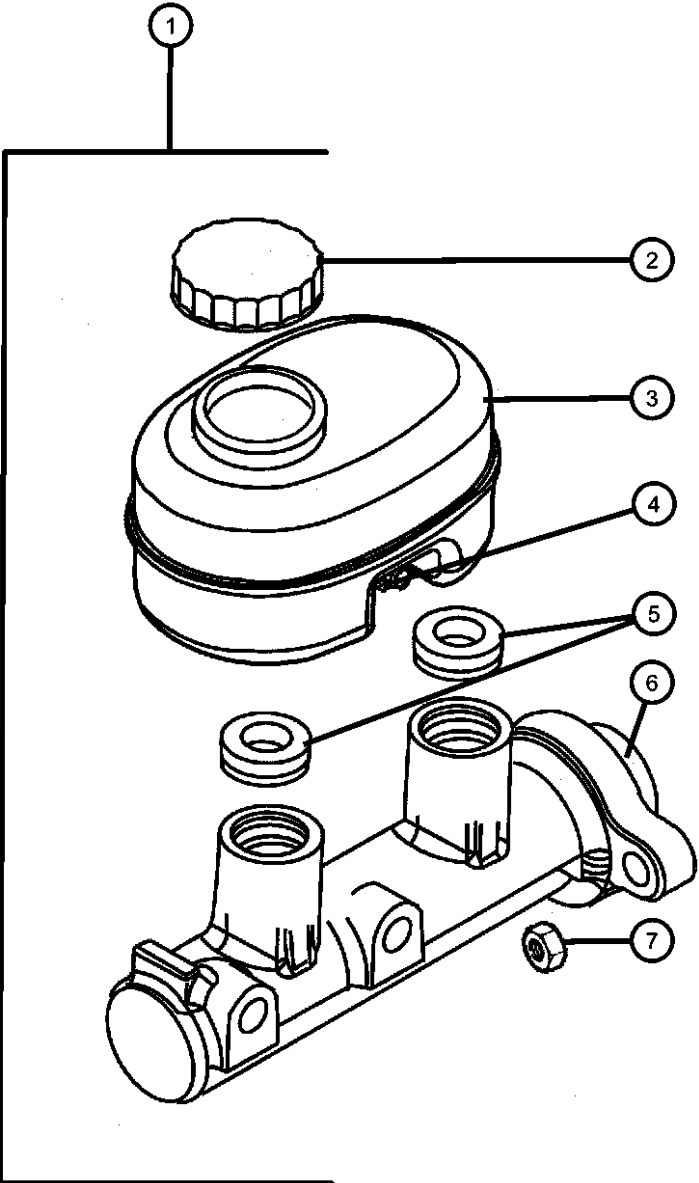
AR = use ase required - = Non illustrated part

1999 BE

Master Cylinder--Brake,All Bodies

Figure 5-410

ITEM	PART NUMBER	QTY	LINE	SERIES	BODY	ENGINE	TRANS	TRIM	DESCRIPTION
------	-------------	-----	------	--------	------	--------	-------	------	-------------



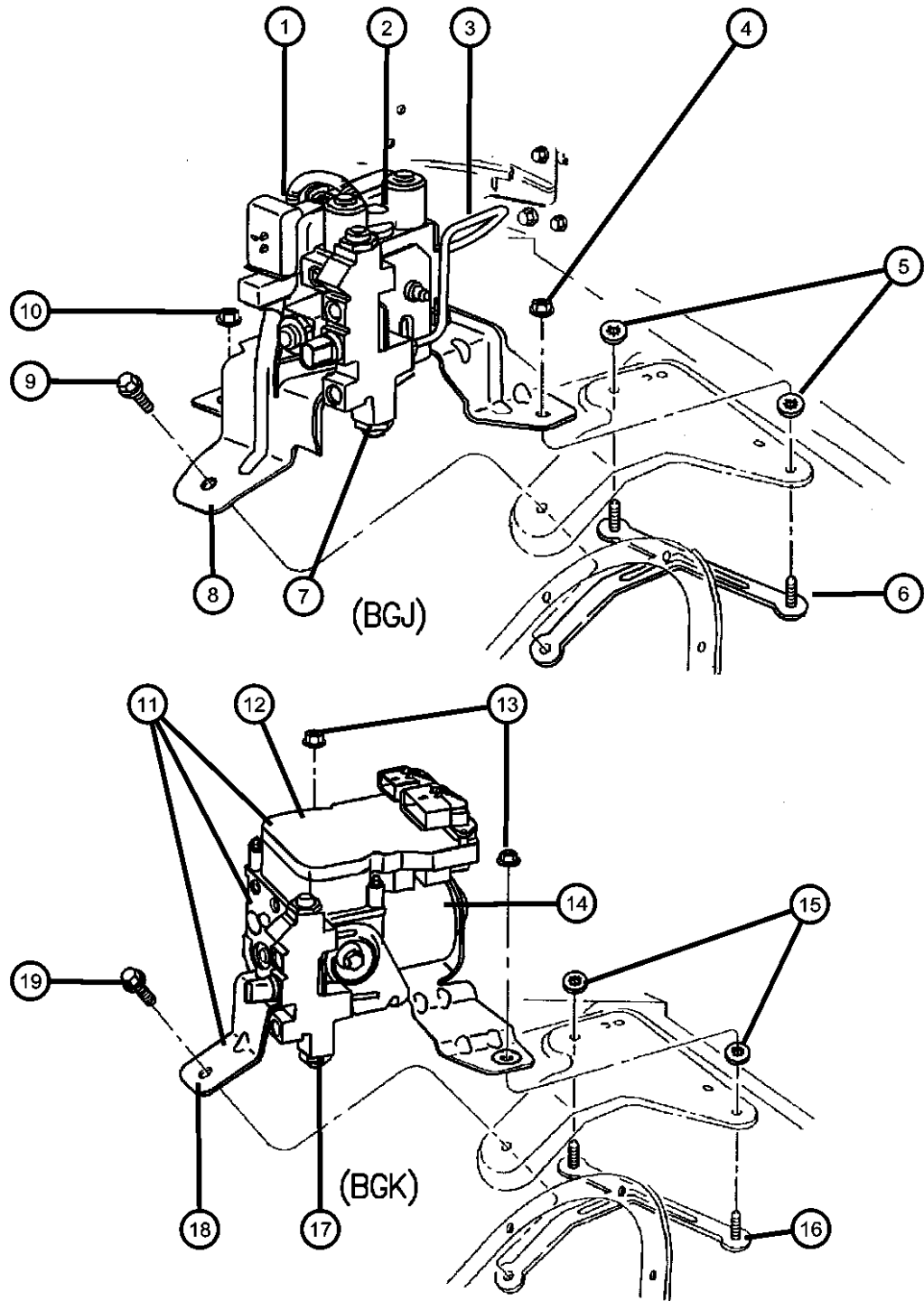
	04897209AA	2	1, 6						Master Cylinder to Booster, Mounting
		2	2, 7						Master Cylinder to Booster, Mounting
		2	3, 8		34				Master Cylinder to Booster, Mounting

RAM PICKUP/CLUB CAB (BE)

SERIES	LINE	BODY	ENGINE	TRANSMISSION
L = RAM 1500, 2500, 3500	1 = Lt. Duty DODGE 2WD	31 = CLUB CAB 2-DR 6.5 FT BOX	ETC = 5.9L Cummins 24V Diesel Engine	DGP = 4-Spd. Automatic 47RE Transmission
	2 = Med. Duty DODGE 2WD	32 = CLUB CAB 2-DR 8FT BOX	EWA = 8.0L V10 MPI Engine	DD0 = ALL 5 SPEED MANUAL TRANSMISSIONS
	3 = HD DODGE 2WD	33 = QUAD CAB 4-DR 6.5 FT BOX	EM0 = ALL 5.9L 8 CYL ENGINES - GAS	DG0 = ALL AUTOMATIC TRANSMISSIONS
	6 = Lt. Duty DODGE 4WD	34 = QUAD CAB 4-DR 8FT BOX	EMM = 5.9L SMPI V8 Engine	DDC = 5-Speed HD Manual Transmission
	7 = Med. Duty DODGE 4WD		EML = 5.9L V8 MPI Engine	DDP = 5-Speed Manual Transmission
	8 = HD DODGE 4WD		ELF = 5.2L V8 MPI Engine	DDX = 5-Speed HD Manual Transmission
				DEE = 6-Speed HD Manual Transmission
				DGT = 4-Spd. Automatic 46RE Transmission

AR = use ase required - = Non illustrated part

**Hydraulic Control Unit, Brake, R.W.A.L. and A.W.A.L.
Figure 5-420**



ITEM	PART NUMBER	QTY	LINE	SERIES	BODY	ENGINE	TRANS	TRIM	DESCRIPTION
------	-------------	-----	------	--------	------	--------	-------	------	-------------

Note:—BGJ=Rear Wheel Antilock Brakes—BGK=All Wheel Antilock Brakes

1									MODULE, Anti-lock Brakes
	05013920AB	1	2						
		1	7						
	05013919AB	1	1, 6						
2									VALVE, Brake Pressure Limit
	05003312AA	1	1, 6						
		1	2						
		1	7						
3									TUBE, Brake
	05003310AA	1	1, 6						Module Jumper
		1	2						Module Jumper
		1	7						Module Jumper
4	34201711	2							NUT, Hex Flange, M8x1.25, HCU to Stud Plate, Mounting
5	06100841	2							PUSH NUT, M8, Stud Plate to Fender, Mounting
6	52008038AB	1							STUD PLATE, Hydraulic Control Unit Mounting
7									VALVE, Proportioning
	05015261AA	1	1, 6						With Switch
	05015429AA	1	2						With Switch
		1	7						With Switch
8									BRACKET, Anti-Lock Brake Module
	05003311AA	1	1, 6						Mounting
		1	7						Mounting
		1	2						Mounting
9		1							SCREW AND WASHER, Hex Head, M8x1.25x33, (NOT SERVICED)
10	34201711	2							NUT, Hex Flange, M8x1.25, HCU to Stud Plate, Mounting

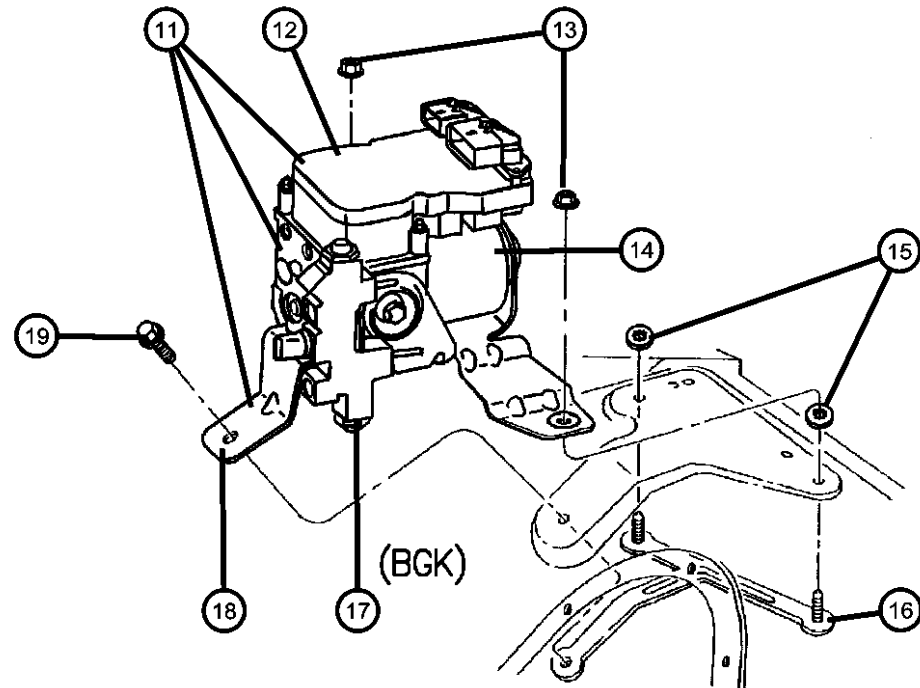
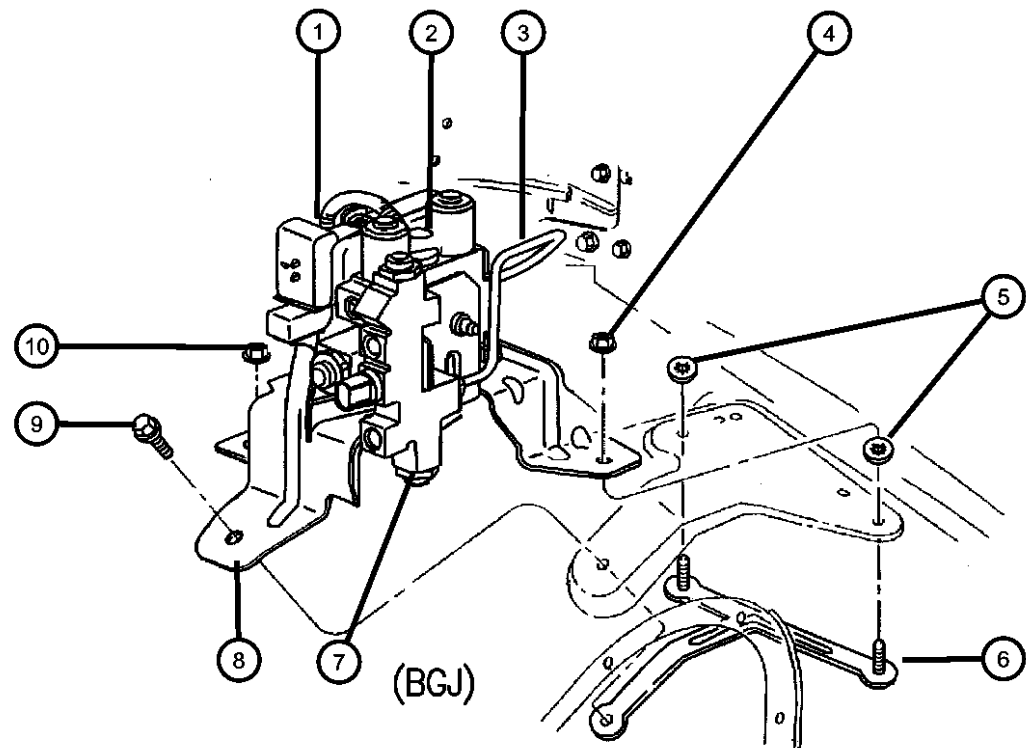
RAM PICKUP/CLUB CAB (BE)

SERIES	LINE	BODY	ENGINE	TRANSMISSION
L = RAM 1500, 2500, 3500	1 = Lt. Duty DODGE 2WD 2 = Med. Duty DODGE 2WD 3 = HD DODGE 2WD 6 = Lt. Duty DODGE 4WD 7 = Med. Duty DODGE 4WD 8 = HD DODGE 4WD	31 = CLUB CAB 2-DR 6.5 FT BOX 32 = CLUB CAB 2-DR 8FT BOX 33 = QUAD CAB 4-DR 6.5 FT BOX 34 = QUAD CAB 4-DR 8FT BOX	ETC = 5.9L Cummins 24V Diesel Engine EWA = 8.0L V10 MPI Engine EM0 = ALL 5.9L 8 CYL ENGINES - GAS EMM = 5.9L SMPI V8 Engine EML = 5.9L V8 MPI Engine ELF = 5.2L V8 MPI Engine	DGP = 4-Spd. Automatic 47RE Transmission DD0 = ALL 5 SPEED MANUAL TRANSMISSIONS DG0 = ALL AUTOMATIC TRANSMISSIONS DDC = 5-Speed HD Manual Transmission DDP = 5-Speed Manual Transmission DDX = 5-Speed HD Manual Transmission DEE = 6-Speed HD Manual Transmission DGT = 4-Spd. Automatic 46RE Transmission

AR = use ase required - = Non illustrated part

1999 BE

**Hydraulic Control Unit, Brake, R.W.A.L. and A.W.A.L.
Figure 5-420**



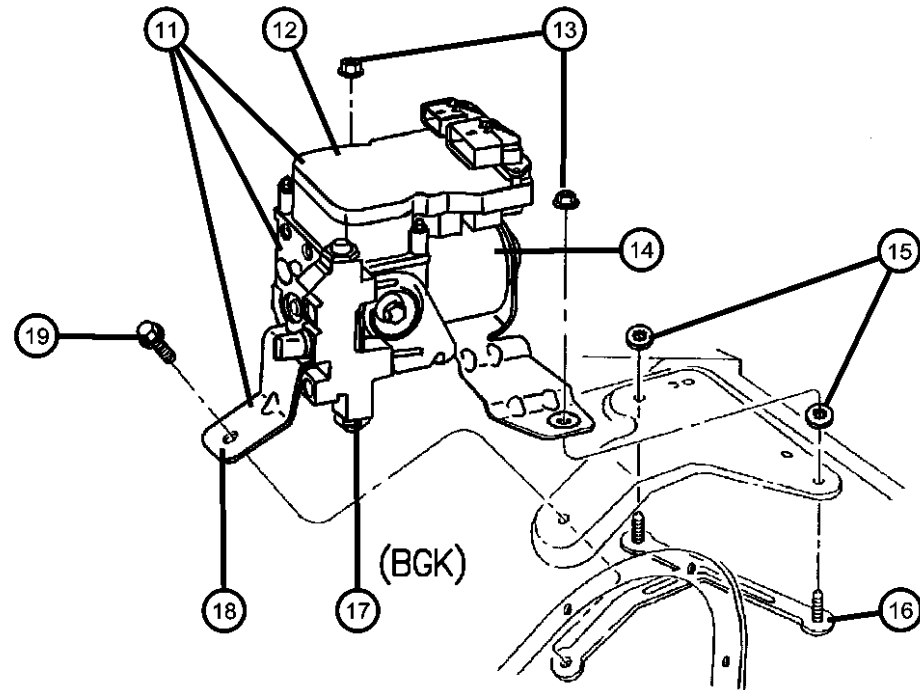
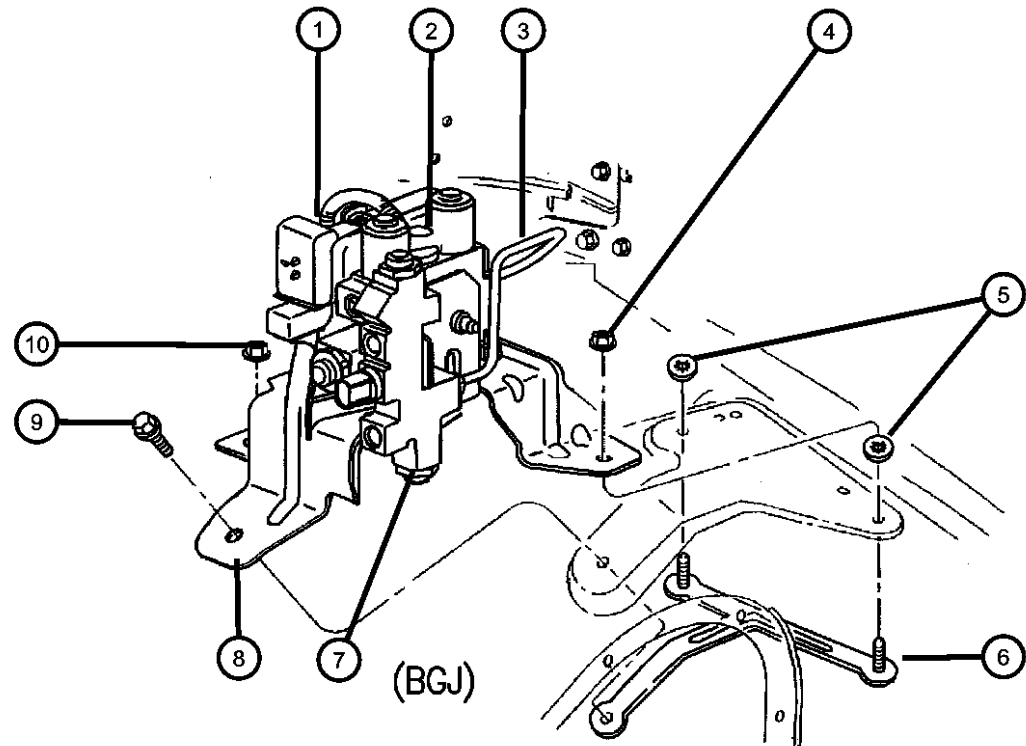
ITEM	PART NUMBER	QTY	LINE	SERIES	BODY	ENGINE	TRANS	TRIM	DESCRIPTION
11	52009431AG	1	1, 6						CONTROL UNIT, Anti-Lock Brake
	52009701AG	1	7						Includes Items 12,14,17,18,20,21
		1	2						Includes Items 12,14,17,18,20,21
	52009705AG	1	3, 8		34				Includes Items 12,14,17,18,20,21
12	05003102AD	1	3, 8		34				MODULE, Anti-lock Brakes
	05013901AA	1	1, 6						
	05013902AA	1	7						
		1	2						
13	34201711	2							NUT, Hex Flange, M8x1.25, HCU to Stud Plate, Mounting
14	05096264AA	1	1, 6						HYDRAULIC CONTROL UNIT, Anti-Lock Brake System
		1	7						
		1	2						
		1	3, 8		34				
15	06100841	2							PUSH NUT, M8, HCU to Stud Plate, Mounting
16	52008038AB	1							STUD PLATE, Hydraulic Control Unit Mounting
17	05015261AA	1	1, 6						VALVE, Proportioning
	05015429AA	1	7						With Switch
		1	2						With Switch
		1	3, 8		34				With Switch
18									BRACKET, Anti-Lock Brake Module

RAM PICKUP/CLUB CAB (BE)

SERIES	LINE	BODY	ENGINE	TRANSMISSION
L = RAM 1500, 2500, 3500	1 = Lt. Duty DODGE 2WD	31 = CLUB CAB 2-DR 6.5 FT BOX	ETC = 5.9L Cummins 24V Diesel Engine	DGP = 4-Spd. Automatic 47RE Transmission
	2 = Med. Duty DODGE 2WD	32 = CLUB CAB 2-DR 8FT BOX	EWA = 8.0L V10 MPI Engine	DD0 = ALL 5 SPEED MANUAL TRANSMISSIONS
	3 = HD DODGE 2WD	33 = QUAD CAB 4-DR 6.5 FT BOX	EM0 = ALL 5.9L 8 CYL ENGINES - GAS	DG0 = ALL AUTOMATIC TRANSMISSIONS
	6 = Lt. Duty DODGE 4WD	34 = QUAD CAB 4-DR 8FT BOX	EMM = 5.9L SMPI V8 Engine	DDC = 5-Speed HD Manual Transmission
	7 = Med. Duty DODGE 4WD		EML = 5.9L V8 MPI Engine	DDP = 5-Speed Manual Transmission
	8 = HD DODGE 4WD		ELF = 5.2L V8 MPI Engine	DDX = 5-Speed HD Manual Transmission
				DEE = 6-Speed HD Manual Transmission
				DGT = 4-Spd. Automatic 46RE Transmission

AR = use ase required - = Non illustrated part

Hydraulic Control Unit, Brake, R.W.A.L. and A.W.A.L.
Figure 5-420



ITEM	PART NUMBER	QTY	LINE	SERIES	BODY	ENGINE	TRANS	TRIM	DESCRIPTION
	05003305AA	1	3, 8		34				Mounting
		1	1, 6						Mounting
		1	7						Mounting
		1	2						Mounting
19		1							SCREW AND WASHER, Hex Head, M8x1.25x33, (NOT SERVICED)
-20									TUBE, Brake
	05003307AA	1	2						Module Jumper, Front
		1	3, 8		34				Module Jumper, Front
		1	1, 6						Module Jumper, Front
		1	7						Module Jumper, Front
-21									TUBE, Brake
	05003308AA	1	3, 8		34				Module Jumper, Rear
		1	1, 6						Module Jumper, Rear
		1	7						Module Jumper, Rear
		1	2						Module Jumper, Rear

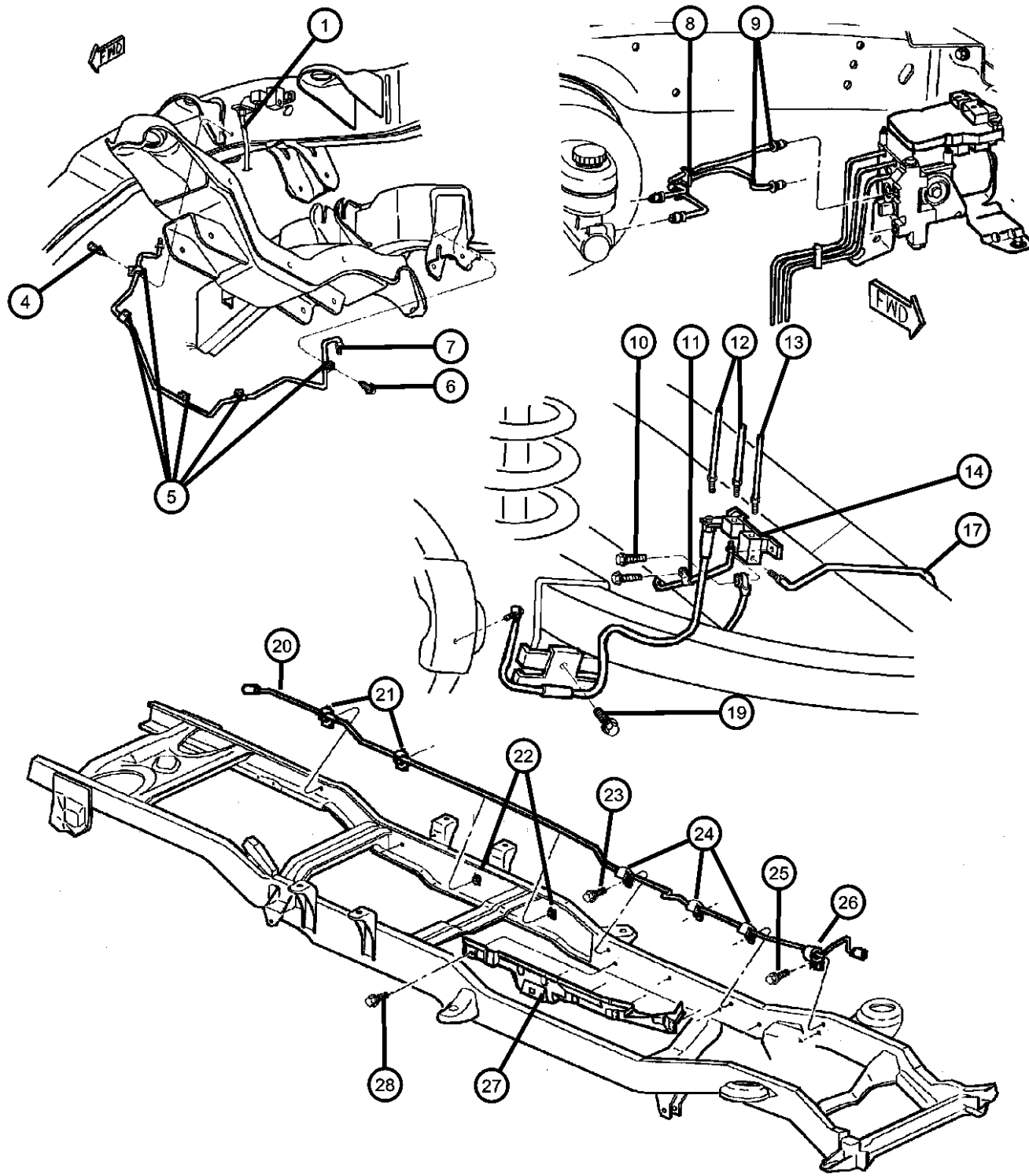
RAM PICKUP/CLUB CAB (BE)

SERIES	LINE	BODY	ENGINE	TRANSMISSION
L = RAM 1500, 2500, 3500	1 = Lt. Duty DODGE 2WD	31 = CLUB CAB 2-DR 6.5 FT BOX	ETC = 5.9L Cummins 24V Diesel Engine	DGP = 4-Spd. Automatic 47RE Transmission
	2 = Med. Duty DODGE 2WD	32 = CLUB CAB 2-DR 8FT BOX	EWA = 8.0L V10 MPI Engine	DD0 = ALL 5 SPEED MANUAL TRANSMISSIONS
	3 = HD DODGE 2WD	33 = QUAD CAB 4-DR 6.5 FT BOX	EM0 = ALL 5.9L 8 CYL ENGINES - GAS	DG0 = ALL AUTOMATIC TRANSMISSIONS
	6 = Lt. Duty DODGE 4WD	34 = QUAD CAB 4-DR 8FT BOX	EMM = 5.9L SMPI V8 Engine	DDC = 5-Speed HD Manual Transmission
	7 = Med. Duty DODGE 4WD		EML = 5.9L V8 MPI Engine	DDP = 5-Speed Manual Transmission
	8 = HD DODGE 4WD		ELF = 5.2L V8 MPI Engine	DDX = 5-Speed HD Manual Transmission
				DEE = 6-Speed HD Manual Transmission
				DGT = 4-Spd. Automatic 46RE Transmission

AR = use ase required - = Non illustrated part

1999 BE

Lines And Hoses,Brake,Front and Chassis
Figure 5-510



ITEM	PART NUMBER	QTY	LINE	SERIES	BODY	ENGINE	TRANS	TRIM	DESCRIPTION
------	-------------	-----	------	--------	------	--------	-------	------	-------------

Note: BGJ=R.W.A.L.-Rear Wheel Anti-Lock Brakes—BGK= A.W.A.L.-All Wheel Anti-Lock Brakes—HCU= Hydraulic Control Unit

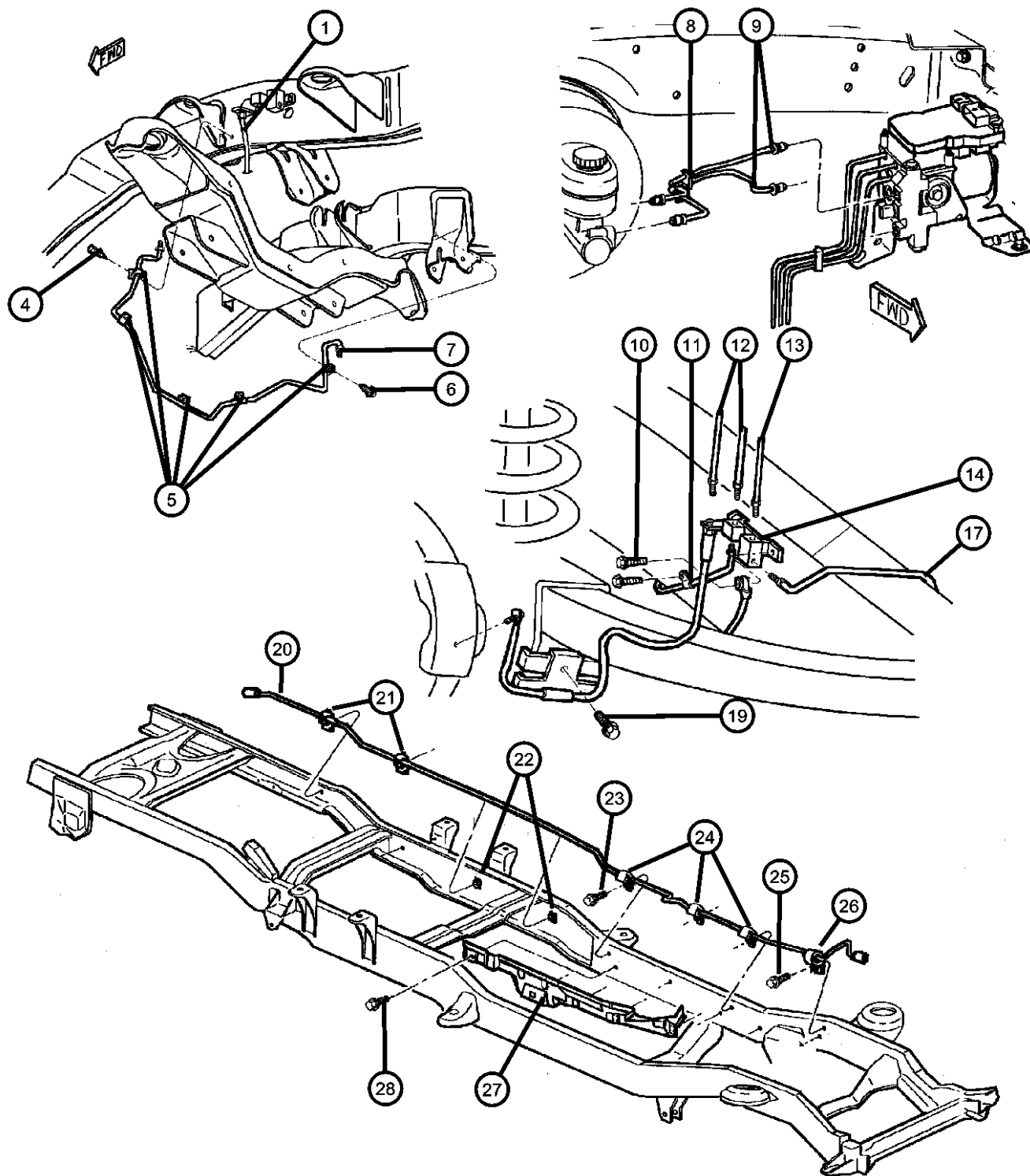
1									HOSE, Brake
	52008866	1	1, 2, 3						[BGJ], Right
	52008868	1	1, 2, 3						[BGK], Right
	52008870	1	6, 7, 8						Right
	V1128870AA								Mopar V-Line Alternative Brake Hoses and Tubes
	52008891	1	1, 2, 3						[BGJ] With Junction Block, Left
	52008895	1	6, 7, 8						[BGJ] With Junction Block, Left
	V1128895AA								Mopar V-Line Alternative Brake Hoses and Tubes
	52008897	1	6, 7, 8						[BGK] With Junction Block, Left
	V1128897AA								Mopar V-Line Alternative Brake Hoses and Tubes
	52008923	1	1, 2, 3						[BGK] With Junction Block, Left
-2									BOLT, Hex Head, M10x1.5x23
	J4200304	1	1, 2, 3						Hose to Caliper, Mounting
		1	6, 7, 8						Hose to Caliper, Mounting
-3									WASHER, Brake Hose
	J4200303	1	1, 2, 3						
		1	6, 7, 8						
4	34201888	3							SCREW, Hex Head, Clip to Frame Mouting
5									CLIP, Brake Line
	52009165	4	6, 7, 8						to Frame and Crossmember
		5	1, 2, 3						to Frame and Crossmember
6	34201888	3							SCREW, Hex Head, Clip to Frame Mouting
7									TUBE, Brake
	52009176	1	1, 2, 3						BGK-Junction to Right Front Hose

RAM PICKUP/CLUB CAB (BE)

SERIES	LINE	BODY	ENGINE	TRANSMISSION
L = RAM 1500, 2500, 3500	1 = Lt. Duty DODGE 2WD 2 = Med. Duty DODGE 2WD 3 = HD DODGE 2WD 6 = Lt. Duty DODGE 4WD 7 = Med. Duty DODGE 4WD 8 = HD DODGE 4WD	31 = CLUB CAB 2-DR 6.5 FT BOX 32 = CLUB CAB 2-DR 8FT BOX 33 = QUAD CAB 4-DR 6.5 FT BOX 34 = QUAD CAB 4-DR 8FT BOX	ETC = 5.9L Cummins 24V Diesel Engine EWA = 8.0L V10 MPI Engine EM0 = ALL 5.9L 8 CYL ENGINES - GAS EMM = 5.9L SMPI V8 Engine EML = 5.9L V8 MPI Engine ELF = 5.2L V8 MPI Engine	DGP = 4-Spd. Automatic 47RE Transmission DD0 = ALL 5 SPEED MANUAL TRANSMISSIONS DG0 = ALL AUTOMATIC TRANSMISSIONS DDC = 5-Speed HD Manual Transmission DDP = 5-Speed Manual Transmission DDX = 5-Speed HD Manual Transmission DEE = 6-Speed HD Manual Transmission DGT = 4-Spd. Automatic 46RE Transmission

AR = use ase required - = Non illustrated part

Lines And Hoses,Brake,Front and Chassis
Figure 5-510



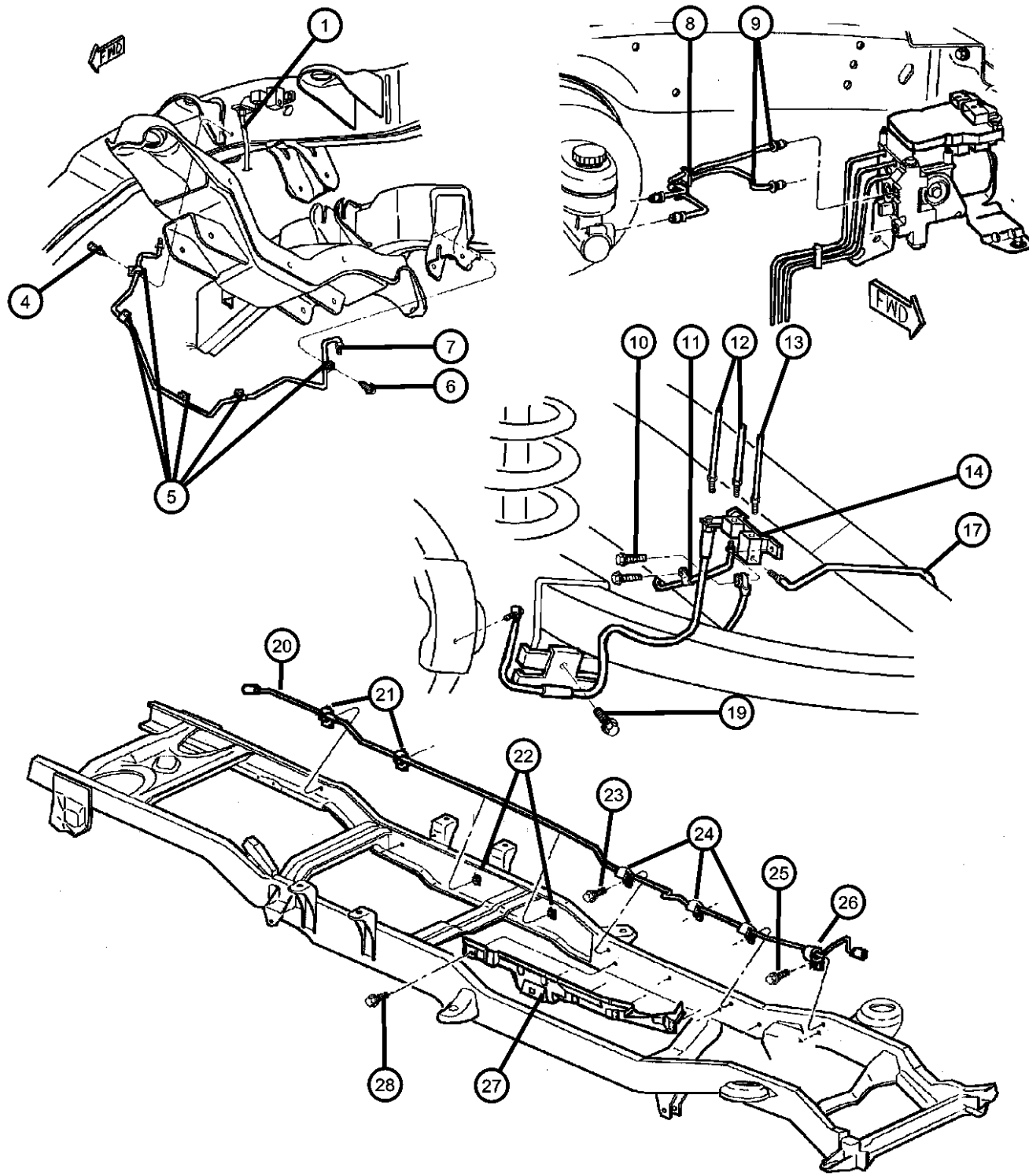
ITEM	PART NUMBER	QTY	LINE	SERIES	BODY	ENGINE	TRANS	TRIM	DESCRIPTION
	52009177	1	6, 7, 8						BGK-Junction to Right Front Hose
	52009194	1	1, 2, 3						BGJ-Junction to Right Front Hose
	52009195	1	6, 7, 8						BGJ-Junction to Right Front Hose
8	52008940	2							CLIP, Brake Line
9									TUBE, Brake
	52009760AB	1	1, 2, 6, 7						EL0,EM0,EW0-Front
	52009761AB	1	1, 2, 6, 7						EL0,EM0,EW0-Rear
	52009763AB	1							ET0-Primary
		1	3, 8		34				EM0,EW0-Secondary
	52009764AB	1							ET0-Secondary
		1	3, 8		34				EM0,EW0-Primary
10	06502282	1							SCREW, Hex Head, M8x1.25x30, Junction Strip to Frame Mounting
11									CLIP, Brake Line
	52009165	4	6, 7, 8						to Frame and Crossmember
		5	1, 2, 3						to Frame and Crossmember
12									TUBE, Brake
	52009380AB	1							BGJ-Combination Valve to Junction Front
	52009390AB	1							BGK-HCU to Junction Left Hose
	52009399AB	1							BGK-HCU to Junction Right Hose
13									TUBE, Brake
	52009706AB	1							BGJ-HCU to Junction Rear
		1							BGK-HCU to Junction Rear
14									JUNCTION BLOCK, Brake Tube
	52009143	1	6, 7, 8						[BGJ]
		1	1, 2, 3						[BGJ]

RAM PICKUP/CLUB CAB (BE)

SERIES	LINE	BODY	ENGINE	TRANSMISSION
L = RAM 1500, 2500, 3500	1 = Lt. Duty DODGE 2WD 2 = Med. Duty DODGE 2WD 3 = HD DODGE 2WD 6 = Lt. Duty DODGE 4WD 7 = Med. Duty DODGE 4WD 8 = HD DODGE 4WD	31 = CLUB CAB 2-DR 6.5 FT BOX 32 = CLUB CAB 2-DR 8FT BOX 33 = QUAD CAB 4-DR 6.5 FT BOX 34 = QUAD CAB 4-DR 8FT BOX	ETC = 5.9L Cummins 24V Diesel Engine EWA = 8.0L V10 MPI Engine EM0 = ALL 5.9L 8 CYL ENGINES - GAS EMM = 5.9L SMPI V8 Engine EML = 5.9L V8 MPI Engine ELF = 5.2L V8 MPI Engine	DGP = 4-Spd. Automatic 47RE Transmission DD0 = ALL 5 SPEED MANUAL TRANSMISSIONS DG0 = ALL AUTOMATIC TRANSMISSIONS DDC = 5-Speed HD Manual Transmission DDP = 5-Speed Manual Transmission DDX = 5-Speed HD Manual Transmission DEE = 6-Speed HD Manual Transmission DGT = 4-Spd. Automatic 46RE Transmission

AR = use ase required - = Non illustrated part

Lines And Hoses,Brake,Front and Chassis
Figure 5-510



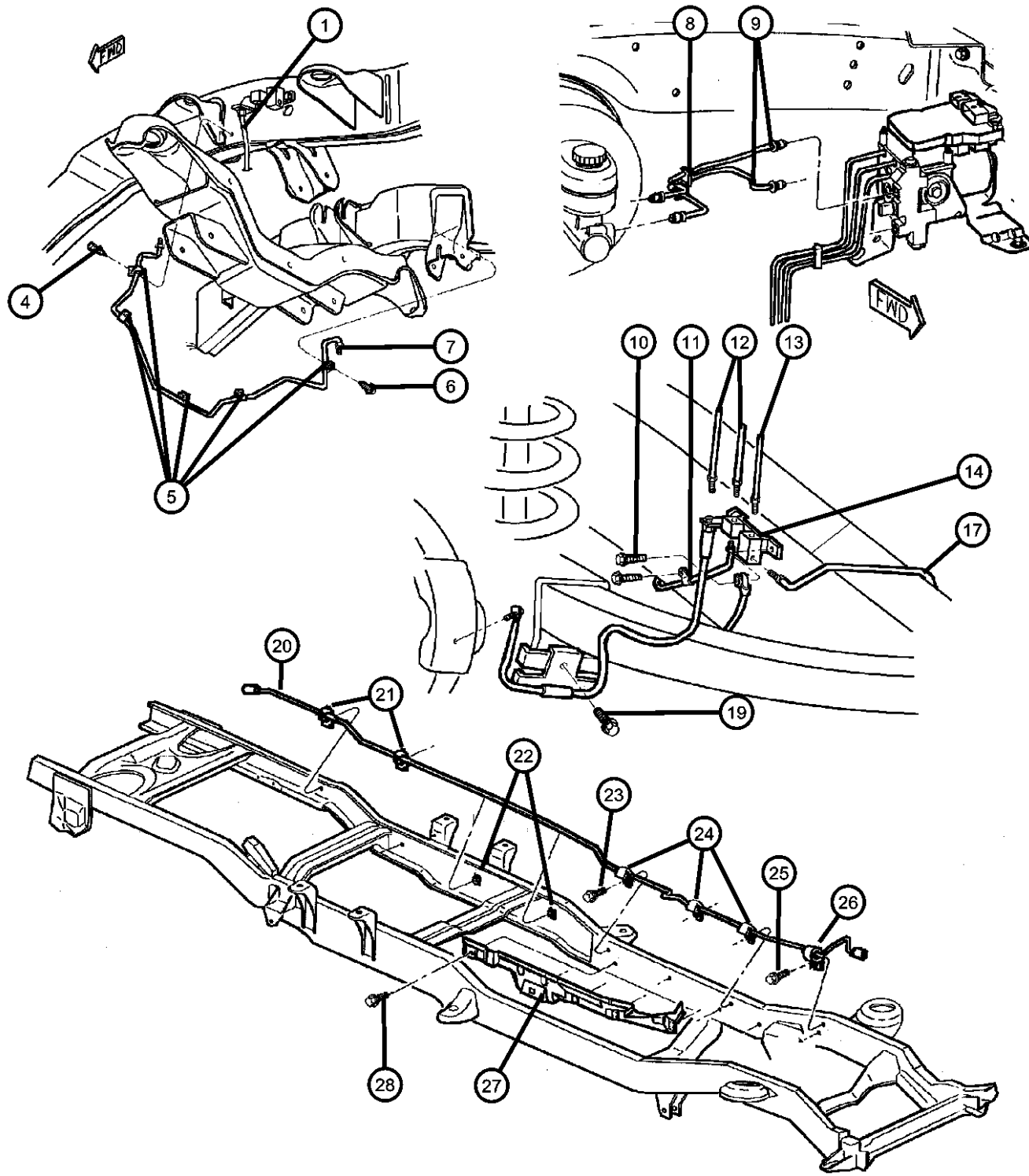
ITEM	PART NUMBER	QTY	LINE	SERIES	BODY	ENGINE	TRANS	TRIM	DESCRIPTION
	52009155	1	1, 2, 3						[BGK]
		1	6, 7, 8						[BGK]
-15	52008940	2							CLIP, Brake Line 2 Way
	52009163	1							2 Way
-16	52009437	1							CLIP, 3 Way
17	01843251	AR							TUBE, Steel, .187 25 Foot Roll
-18	03879283	AR							COVER, Brake Tube Wire, .18
19	06101452	2	6, 7, 8						SCREW AND WASHER, Hex Head, M8x1.25x20, Front Brake Hose to Axle Mounting
20	01843251	AR							TUBE, Steel, .187 25 Foot Roll
21	52007914	2							CLIP, Brake Line, Tube to Rear of Frame
22									CLIP, Fuel Line
	52102371AB	3	1, 6		31, 33				EH0,ELF,EM0,EW0
		3	2, 3, 7, 8						EH0,ELF,EM0,EW0
		2	1, 6		32, 34				EH0,ELF,EM0,EW0
	52102373AC	3	2, 3, 7, 8						ET0
23	34201888	3							SCREW, Hex Head, CLIP to Frame Mounting
24									CLIP, Fuel Line
	52102371AB	3	1, 6		31, 33				EH0,ELF,EM0,EW0
		3	2, 3, 7, 8						EH0,ELF,EM0,EW0
	52102373AC	3	2, 3, 7, 8						ET0
	52102377AA	4			32, 34				EH0,ELF,EM0,EW0
25	34201888	3							SCREW, Hex Head
26	52008053	1							CLIP, Brake Line, Brake Tube Line Mounting

RAM PICKUP/CLUB CAB (BE)

SERIES	LINE	BODY	ENGINE	TRANSMISSION
L = RAM 1500, 2500, 3500	1 = Lt. Duty DODGE 2WD 2 = Med. Duty DODGE 2WD 3 = HD DODGE 2WD 6 = Lt. Duty DODGE 4WD 7 = Med. Duty DODGE 4WD 8 = HD DODGE 4WD	31 = CLUB CAB 2-DR 6.5 FT BOX 32 = CLUB CAB 2-DR 8FT BOX 33 = QUAD CAB 4-DR 6.5 FT BOX 34 = QUAD CAB 4-DR 8FT BOX	ETC = 5.9L Cummins 24V Diesel Engine EWA = 8.0L V10 MPI Engine EM0 = ALL 5.9L 8 CYL ENGINES - GAS EMM = 5.9L SMPI V8 Engine EML = 5.9L V8 MPI Engine ELF = 5.2L V8 MPI Engine	DGP = 4-Spd. Automatic 47RE Transmission DD0 = ALL 5 SPEED MANUAL TRANSMISSIONS DG0 = ALL AUTOMATIC TRANSMISSIONS DDC = 5-Speed HD Manual Transmission DDP = 5-Speed Manual Transmission DDX = 5-Speed HD Manual Transmission DEE = 6-Speed HD Manual Transmission DGT = 4-Spd. Automatic 46RE Transmission

AR = use ase required - = Non illustrated part

Lines And Hoses, Brake, Front and Chassis
Figure 5-510



ITEM	PART NUMBER	QTY	LINE	SERIES	BODY	ENGINE	TRANS	TRIM	DESCRIPTION
------	-------------	-----	------	--------	------	--------	-------	------	-------------

27	52008964AC	1	2, 3, 7, 8						
28	06502282	1							

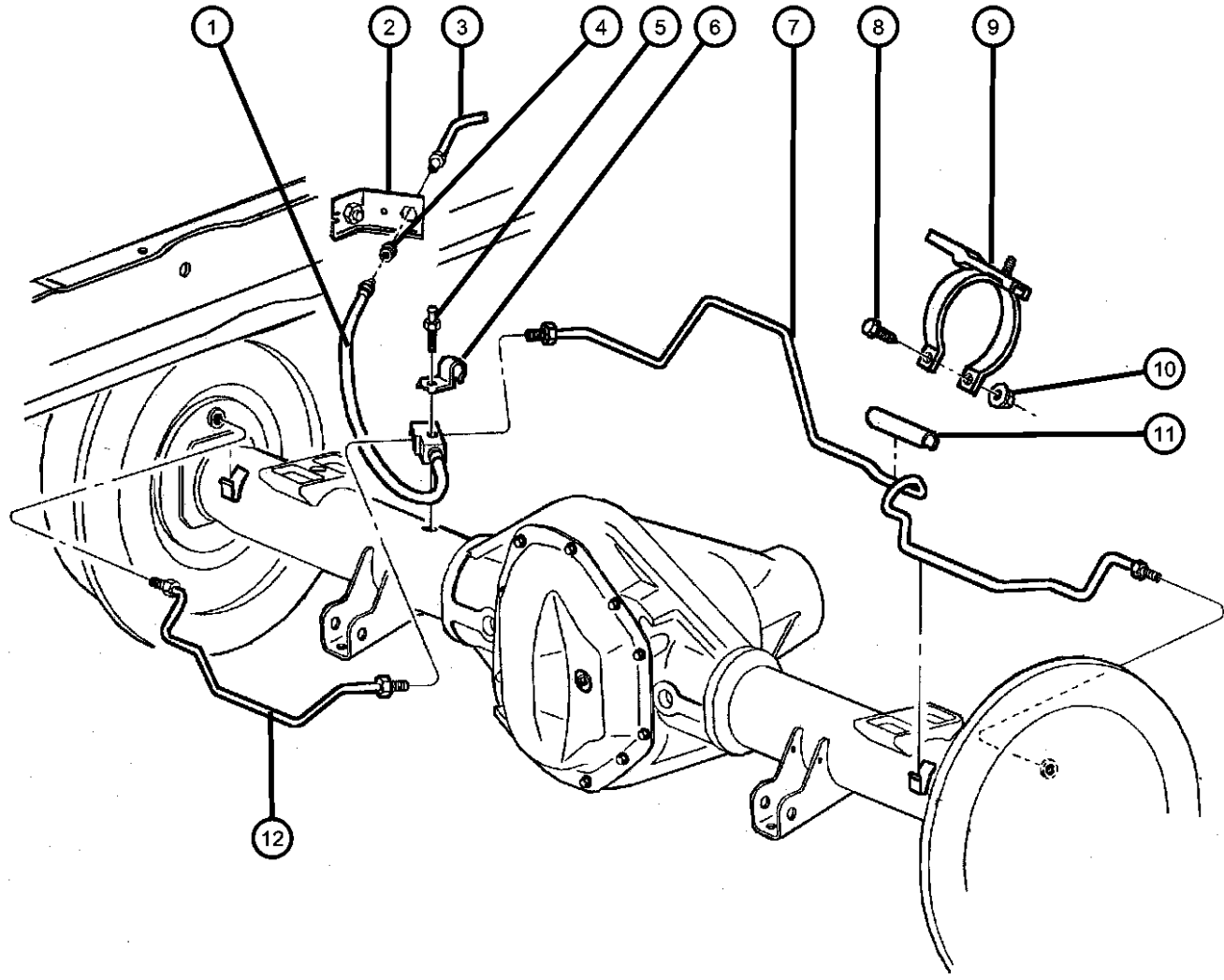
SHIELD, Fuel and Brake Bundle
SCREW, Hex Head, M8x1.25x30,
Fuel and Brake Line Shield
Mounting

RAM PICKUP/CLUB CAB (BE)

SERIES	LINE	BODY	ENGINE	TRANSMISSION
L = RAM 1500, 2500, 3500	1 = Lt. Duty DODGE 2WD 2 = Med. Duty DODGE 2WD 3 = HD DODGE 2WD 6 = Lt. Duty DODGE 4WD 7 = Med. Duty DODGE 4WD 8 = HD DODGE 4WD	31 = CLUB CAB 2-DR 6.5 FT BOX 32 = CLUB CAB 2-DR 8FT BOX 33 = QUAD CAB 4-DR 6.5 FT BOX 34 = QUAD CAB 4-DR 8FT BOX	ETC = 5.9L Cummins 24V Diesel Engine EWA = 8.0L V10 MPI Engine EM0 = ALL 5.9L 8 CYL ENGINES - GAS EMM = 5.9L SMPI V8 Engine EML = 5.9L V8 MPI Engine ELF = 5.2L V8 MPI Engine	DGP = 4-Spd. Automatic 47RE Transmission DD0 = ALL 5 SPEED MANUAL TRANSMISSIONS DG0 = ALL AUTOMATIC TRANSMISSIONS DDC = 5-Speed HD Manual Transmission DDP = 5-Speed Manual Transmission DDX = 5-Speed HD Manual Transmission DEE = 6-Speed HD Manual Transmission DGT = 4-Spd. Automatic 46RE Transmission

AR = use ase required - = Non illustrated part

Lines And Hoses, Brake, Rear
Figure 5-520



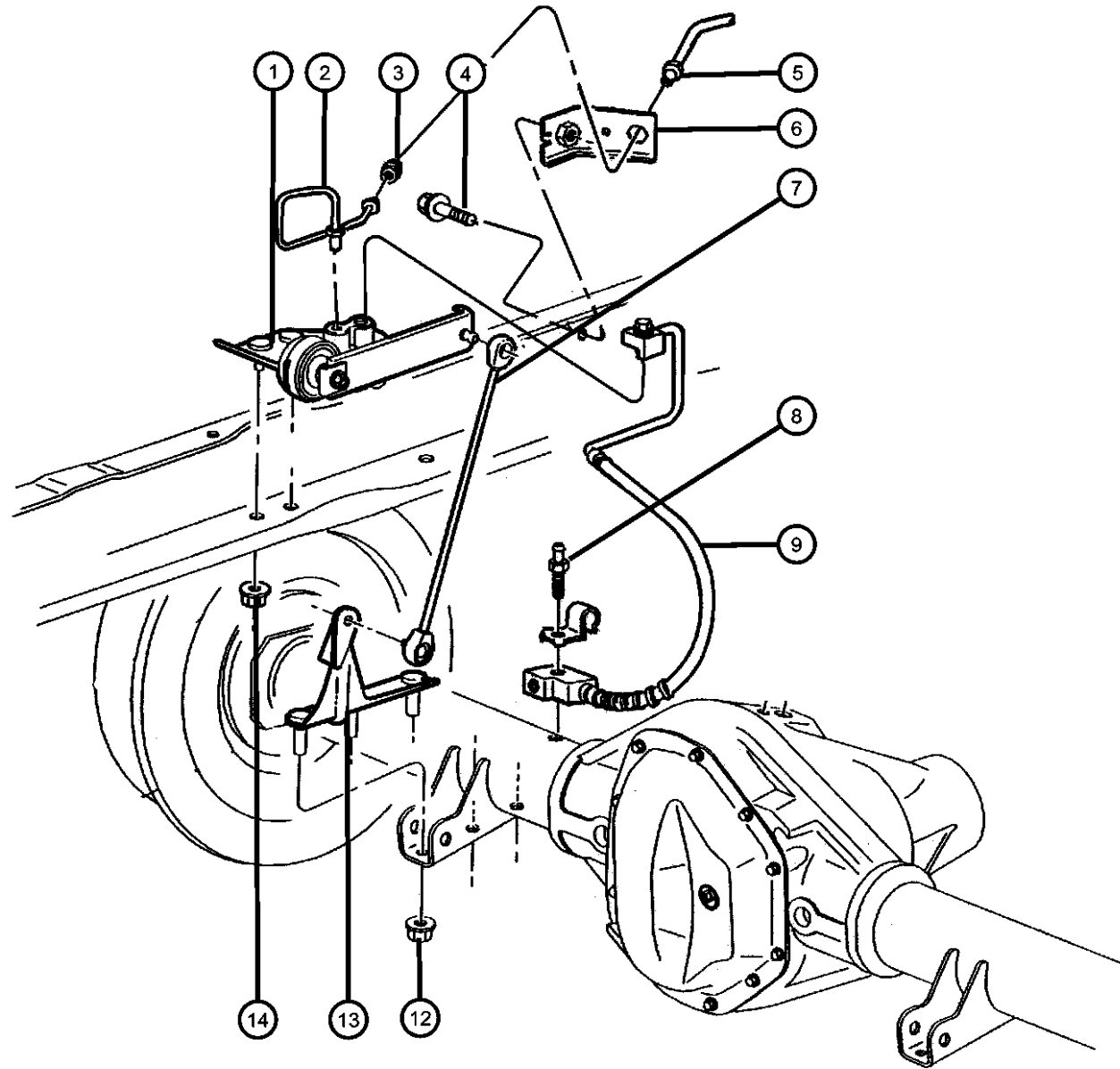
ITEM	PART NUMBER	QTY	LINE	SERIES	BODY	ENGINE	TRANS	TRIM	DESCRIPTION
1	52009575AB	1							HOSE, Brake, with Tee, Rear
2	52008966	1							BRACKET, Brake HoseRear
3	01843251	AR							TUBE, Steel, .187 25 Foot Roll
4	52009641AA	1	7						ADAPTER, Brake Hose
5	04137696AB	1							BOLT, Axle Vent
6	04137696AB	1							CLIP, Cable Routing, (NOT SERVICED)
7									TUBE, Brake
	52007920	1	1, 6						[DRB], Right
	52007984	1	2, 7						[DRL], Right
	52007986	1	3, 8		34				[DRL], Right
	52009042	1							[DRD,DRE], Right
8	06101715	1							SCREW
9									SHIELD, Brake Line
	52008668	1	1, 2, 6, 7						[-DRL]
	52008670	1	2, 3, 7, 8						[+DRL]
10	06500274	1							LOCK NUT, M6x1.0x6
11	52008755	1							SLEEVE, Brake Line
12									TUBE, Brake
	52007921AB	1	1, 6						[DRB], Left
	52007985AB	1	2, 7						[DRL], Left
	52007987AB	1	3, 8		34				[DRL], Left
	52009043AB	1							DRD,DRE, Left

RAM PICKUP/CLUB CAB (BE)

SERIES	LINE	BODY	ENGINE	TRANSMISSION
L = RAM 1500, 2500, 3500	1 = Lt. Duty DODGE 2WD 2 = Med. Duty DODGE 2WD 3 = HD DODGE 2WD 6 = Lt. Duty DODGE 4WD 7 = Med. Duty DODGE 4WD 8 = HD DODGE 4WD	31 = CLUB CAB 2-DR 6.5 FT BOX 32 = CLUB CAB 2-DR 8FT BOX 33 = QUAD CAB 4-DR 6.5 FT BOX 34 = QUAD CAB 4-DR 8FT BOX	ETC = 5.9L Cummins 24V Diesel Engine EWA = 8.0L V10 MPI Engine EM0 = ALL 5.9L 8 CYL ENGINES - GAS EMM = 5.9L SMPI V8 Engine EML = 5.9L V8 MPI Engine ELF = 5.2L V8 MPI Engine	DGP = 4-Spd. Automatic 47RE Transmission DD0 = ALL 5 SPEED MANUAL TRANSMISSIONS DG0 = ALL AUTOMATIC TRANSMISSIONS DDC = 5-Speed HD Manual Transmission DDP = 5-Speed Manual Transmission DDX = 5-Speed HD Manual Transmission DEE = 6-Speed HD Manual Transmission DGT = 4-Spd. Automatic 46RE Transmission

AR = use ase required - = Non illustrated part

**Rear Height Sensing System with Z7B Suspension
Figure 5-530**



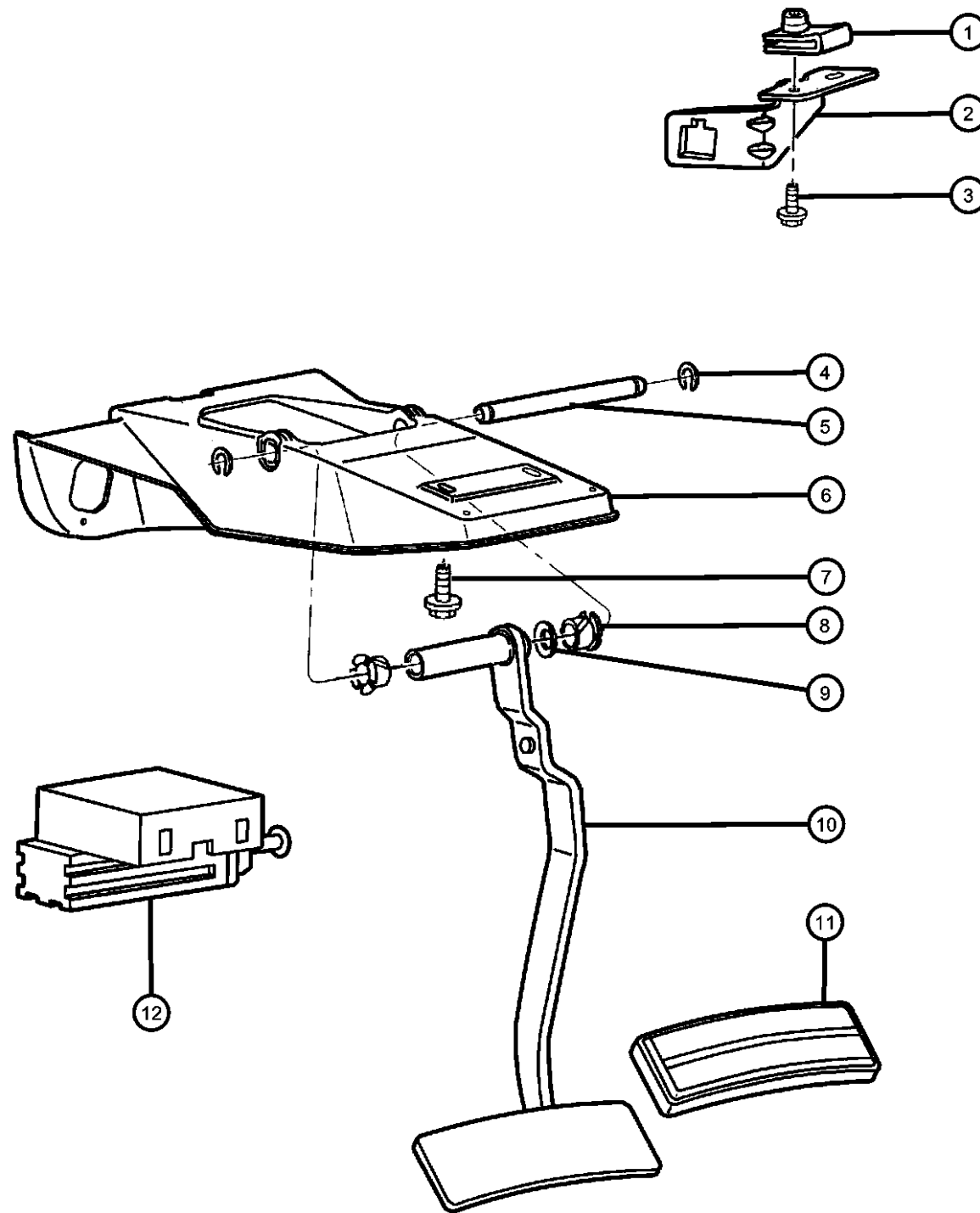
ITEM	PART NUMBER	QTY	LINE	SERIES	BODY	ENGINE	TRANS	TRIM	DESCRIPTION
1	52009783AA	1	7						VALVE, Height Sensing Brake
2	52009642AA	1	7						TUBE, Brake
3	52009641AA	1	7						ADAPTER, Brake Hose
4	06100296	1							BOLT, Hex Head
5	01843251	AR							TUBE, Steel, .187 25 Foot Roll
6	52008966	1							BRACKET, Brake Hose
7	52009636AA	1	7						LINKAGE, Height Sensing
8	04137696AB	1							BOLT, Axle Vent
9	52009640AB	1	7						HOSE, Brake
	V1129640AA								Mopar V-Line Alternative Brake Hoses and Tubes
-10	J4006700	1	7						BOLT, Banjo, Brake Hose, Mounting
-11	J3237672	2	7						GASKET, Brake Hose To Caliper Mounting
12	06502696	3	7						NUT, Hex Flange Lock, M14x1.50
13	52009639AA	1	7						BRACKET, Anti-Lock Brake Sensor
14	06101695	2	7						NUT, Hex Flange Lock, M8x1.25

RAM PICKUP/CLUB CAB (BE)

SERIES	LINE	BODY	ENGINE	TRANSMISSION
L = RAM 1500, 2500, 3500	1 = Lt. Duty DODGE 2WD 2 = Med. Duty DODGE 2WD 3 = HD DODGE 2WD 6 = Lt. Duty DODGE 4WD 7 = Med. Duty DODGE 4WD 8 = HD DODGE 4WD	31 = CLUB CAB 2-DR 6.5 FT BOX 32 = CLUB CAB 2-DR 8FT BOX 33 = QUAD CAB 4-DR 6.5 FT BOX 34 = QUAD CAB 4-DR 8FT BOX	ETC = 5.9L Cummins 24V Diesel Engine EWA = 8.0L V10 MPI Engine EM0 = ALL 5.9L 8 CYL ENGINES - GAS EMM = 5.9L SMPI V8 Engine EML = 5.9L V8 MPI Engine ELF = 5.2L V8 MPI Engine	DGP = 4-Spd. Automatic 47RE Transmission DD0 = ALL 5 SPEED MANUAL TRANSMISSIONS DG0 = ALL AUTOMATIC TRANSMISSIONS DDC = 5-Speed HD Manual Transmission DDP = 5-Speed Manual Transmission DDX = 5-Speed HD Manual Transmission DEE = 6-Speed HD Manual Transmission DGT = 4-Spd. Automatic 46RE Transmission

AR = use ase required - = Non illustrated part

Pedal.Brake
Figure 5-610



ITEM	PART NUMBER	QTY	LINE	SERIES	BODY	ENGINE	TRANS	TRIM	DESCRIPTION
------	-------------	-----	------	--------	------	--------	-------	------	-------------

Note:DBB= All Manual Transmissions—DG0=All Automatic Transmissions

1	06101712	1							NUT, U, M6x1.00, Brake Switch Mounting
2	56045044AB	1							BRACKET, Brake Lamp Switch
3	06101718	2							SCREW AND WASHER, Oval Head, M6x1x25, Brake Switch Bracket Mounting
4	04103262	2							RETAINER, Shaft, Pivot
5	52077902	1							SHAFT, Pedal Pivot, Brake and Clutch
6	55351014AD	1							BRACKET, Steering Column, Clutch and Brake Pedal
7	55351014AD	1							SCREW AND WASHER, Hex Head, M10x1.5x30, Brake Pedal Bracket to Support Mounting, (NOT SERVICED)
8	04294639	4							BUSHING, Clutch and Brake Pedal
9	52009582	1							WASHER, Brake Pedal Spring
10									PEDAL AND PAD, Brake
	52009423	1							[DG0]
	52009570	1							[DBB]
11									PAD, Pedal
	52009562	1							[DBB]
	52079345	1							[DG0]
12	56045043AC	1							SWITCH, Stop Lamp
-13	04294036	1							CLIP, Master Cylinder Push Rod to Brake Pedal Pin Mounting

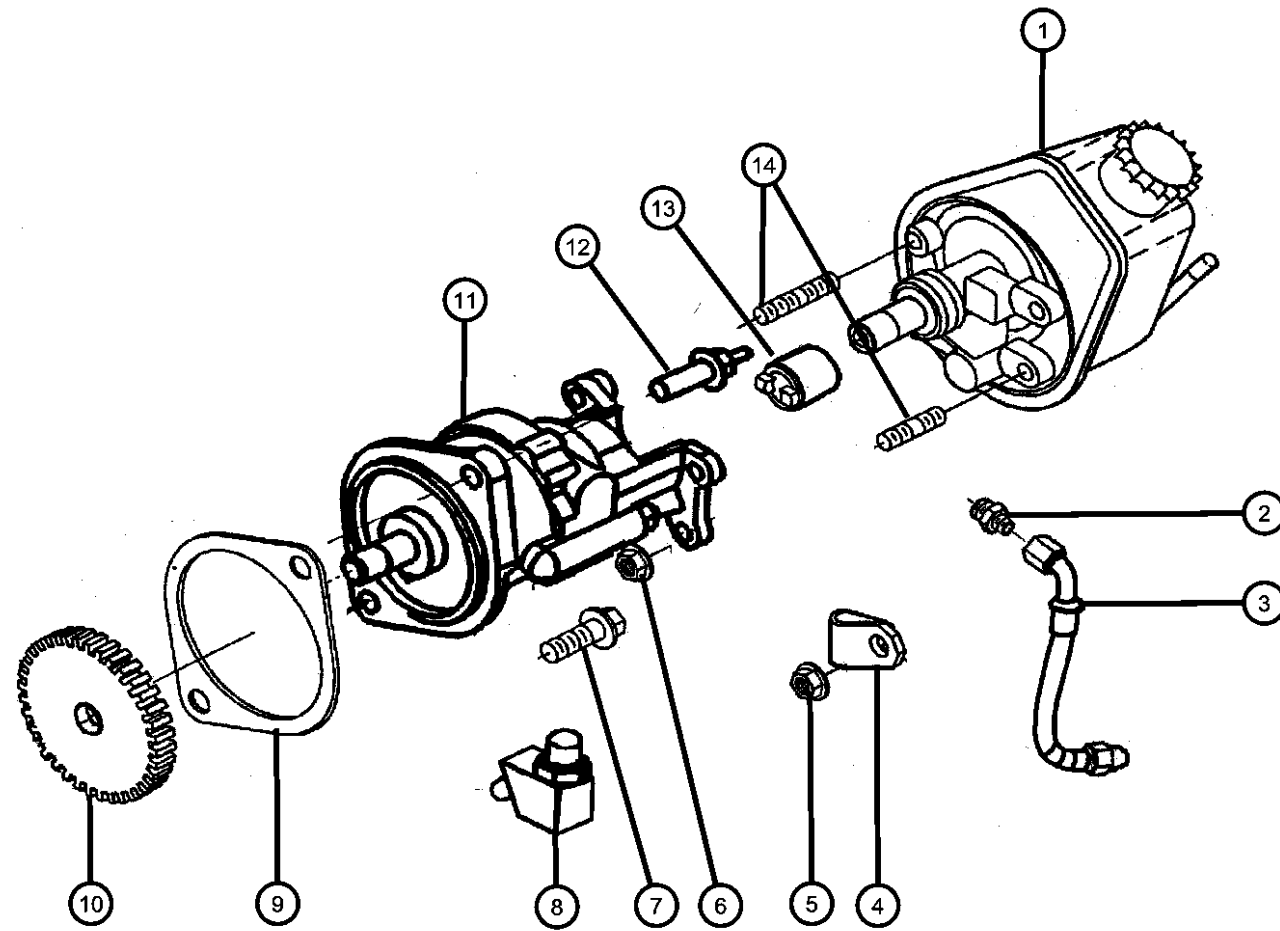
RAM PICKUP/CLUB CAB (BE)

SERIES	LINE	BODY	ENGINE	TRANSMISSION
L = RAM 1500, 2500, 3500	1 = Lt. Duty DODGE 2WD 2 = Med. Duty DODGE 2WD 3 = HD DODGE 2WD 6 = Lt. Duty DODGE 4WD 7 = Med. Duty DODGE 4WD 8 = HD DODGE 4WD	31 = CLUB CAB 2-DR 6.5 FT BOX 32 = CLUB CAB 2-DR 8FT BOX 33 = QUAD CAB 4-DR 6.5 FT BOX 34 = QUAD CAB 4-DR 8FT BOX	ETC = 5.9L Cummins 24V Diesel Engine EWA = 8.0L V10 MPI Engine EM0 = ALL 5.9L 8 CYL ENGINES - GAS EMM = 5.9L SMPI V8 Engine EML = 5.9L V8 MPI Engine ELF = 5.2L V8 MPI Engine	DGP = 4-Spd. Automatic 47RE Transmission DD0 = ALL 5 SPEED MANUAL TRANSMISSIONS DG0 = ALL AUTOMATIC TRANSMISSIONS DDC = 5-Speed HD Manual Transmission DDP = 5-Speed Manual Transmission DDX = 5-Speed HD Manual Transmission DEE = 6-Speed HD Manual Transmission DGT = 4-Spd. Automatic 46RE Transmission

AR = use ase required - = Non illustrated part

1999 BE

Vacuum Pump, Brake, BE 2,3,7,8
Figure 5-710



ITEM	PART NUMBER	QTY	LINE	SERIES	BODY	ENGINE	TRANS	TRIM	DESCRIPTION
1	04883960AA	1							PUMP, Power Steering
2	05003637AA	1							NIPPLE, Pump
3	05011428AA	1							HOSE, Vacuum Pump
4	05011799AA	1							BRACKET, Vacuum Pump
5	04429862	1							NUT, Hex Flange, M10x1.5
6	04429862	1							NUT, Hex Flange, M10x1.5
7	04429637	1							SCREW, Hex Head, M12X1.75X.35
8	05011617AA	1							CHECK VALVE, Vacuum Pump
9	04638531	1							GASKET, Hydraulic Pump
10	05011797AA	1							GEAR, Accessory Drive
11	05011796AA	1							PUMP, Vacuum
12	05011421AA	1							SCREW
13	04728162	1							HUB, Hydraulic Brake Pump
14	04761972	4							STUD

RAM PICKUP/CLUB CAB (BE)

SERIES	LINE	BODY	ENGINE	TRANSMISSION
L = RAM 1500, 2500, 3500	1 = Lt. Duty DODGE 2WD	31 = CLUB CAB 2-DR 6.5 FT BOX	ETC = 5.9L Cummins 24V Diesel Engine	DGP = 4-Spd. Automatic 47RE Transmission
	2 = Med. Duty DODGE 2WD	32 = CLUB CAB 2-DR 8FT BOX	EWA = 8.0L V10 MPI Engine	DD0 = ALL 5 SPEED MANUAL TRANSMISSIONS
	3 = HD DODGE 2WD	33 = QUAD CAB 4-DR 6.5 FT BOX	EM0 = ALL 5.9L 8 CYL ENGINES - GAS	DG0 = ALL AUTOMATIC TRANSMISSIONS
	6 = Lt. Duty DODGE 4WD	34 = QUAD CAB 4-DR 8FT BOX	EMM = 5.9L SMPI V8 Engine	DDC = 5-Speed HD Manual Transmission
	7 = Med. Duty DODGE 4WD		EML = 5.9L V8 MPI Engine	DDP = 5-Speed Manual Transmission
	8 = HD DODGE 4WD		ELF = 5.2L V8 MPI Engine	DDX = 5-Speed HD Manual Transmission
				DEE = 6-Speed HD Manual Transmission
				DGT = 4-Spd. Automatic 46RE Transmission

AR = use ase required - = Non illustrated part

1999 BE

Group - 6

Clutch

Group - 6 Clutch

Illustration Title

Group-Fig. No.

Clutch

Clutch Assembly Fig. 6 - 110

Clutch Housing

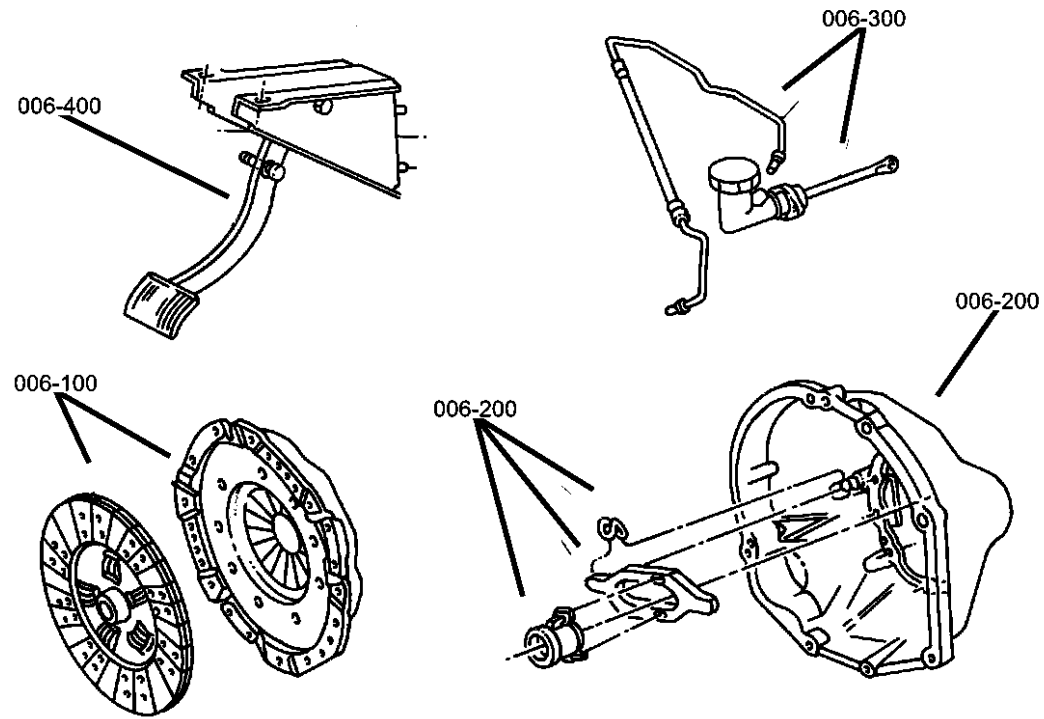
Housing and Pan,Clutch Fig. 6 - 210

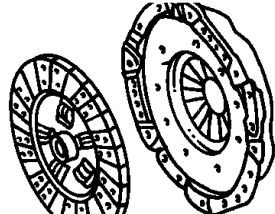
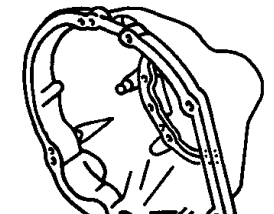
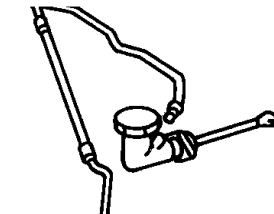
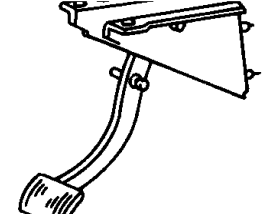
Clutch Controls

Controls,Hydraulic Clutch Fig. 6 - 310

Clutch Pedals

Pedal,Clutch Fig. 6 - 410

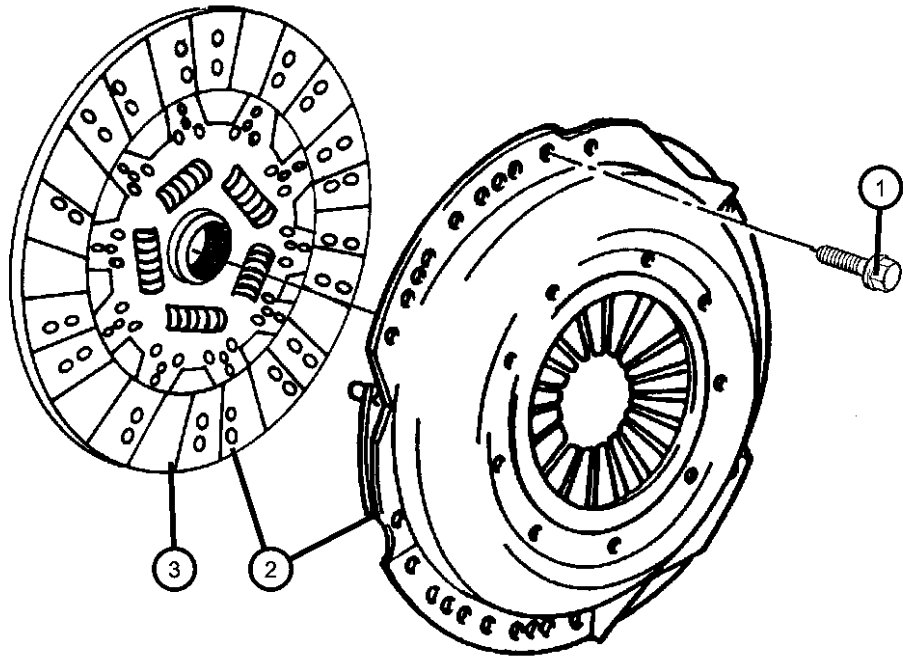


<p>006-100 Clutch</p> 	<p>006-200 Clutch Housing</p> 	<p>006-300 Clutch Controls</p> 	<p>006-400 Clutch Pedals</p> 
---	--	--	---

**Clutch Assembly
Figure 6-110**

ITEM	PART NUMBER	QTY	LINE	SERIES	BODY	ENGINE	TRANS	TRIM	DESCRIPTION
------	-------------	-----	------	--------	------	--------	-------	------	-------------

NOTES: Sales Codes
 [DBB] = All Manual Transmissions
 [ELO] = All 5.2L 8 Cylinder Gas Engines
 [EM0] = All 5.9L 8 Cylinder Gas Engines
 [ET0] = All 5.9L Turbo Diesels
 [EW0] = All 8.0L Gas Engines



1									BOLT, Hex Flange Head
	06034555	8				EW0	DBB		Pressure Plate to Flywheel, Mounting
		8				ET0	DBB		Pressure Plate to Flywheel, Mounting
	06035626	6				ELO, EM0	DBB		Pressure Plate to Flywheel, Mounting
2									CLUTCH KIT, Pressure Plate and Disc
	04762857	1				EM0, ELO	DBB		
	V9900097								Mopar V-Line Alternative Part
	04897532AB	1				ET0	DBB		
		1				EW0	DBB		
3									DISC, Clutch
	52107611AB	1				EW0	DBB		
	52107587	1				ELO, EM0	DBB		
		1				ET0	DBB		

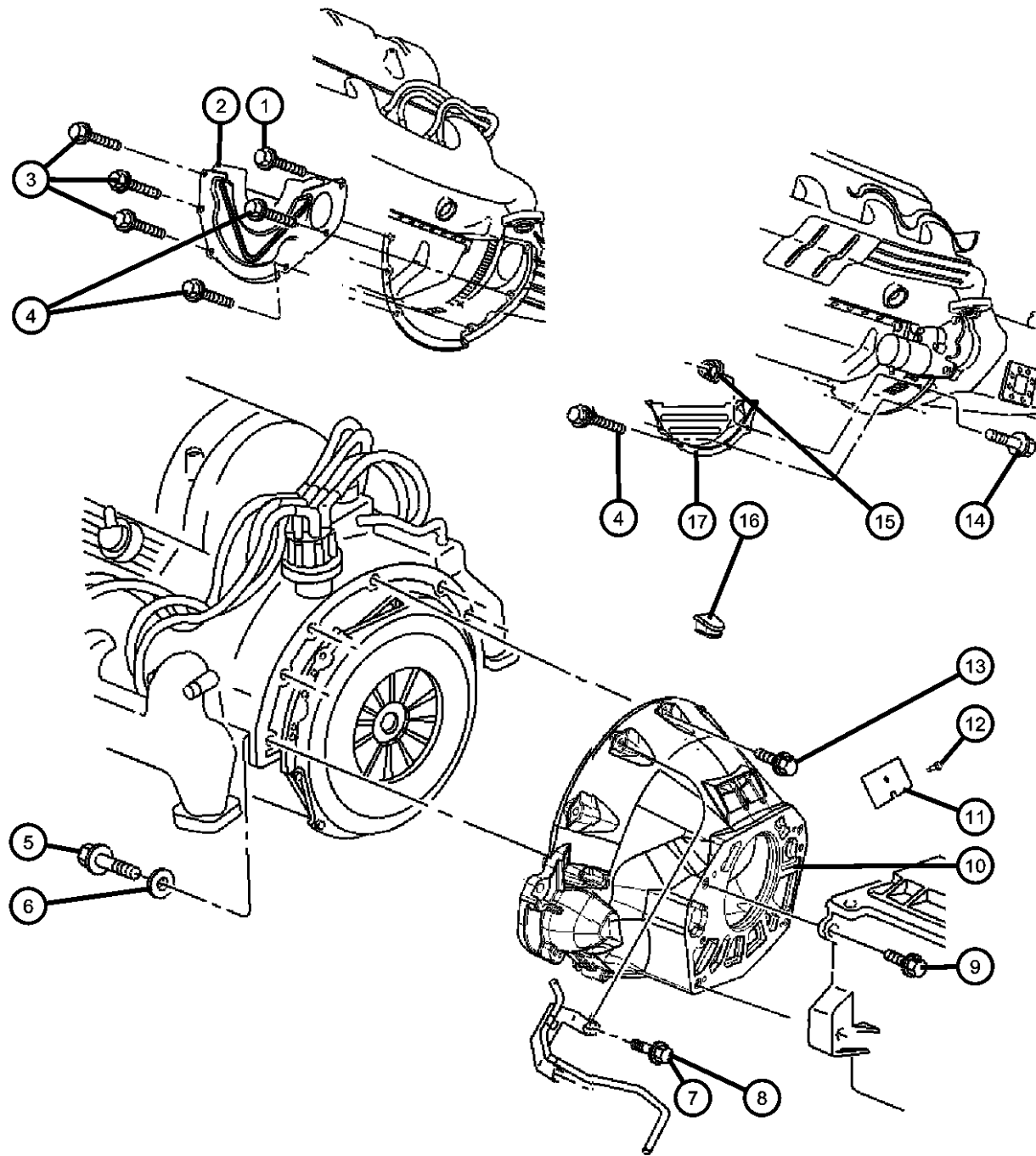
RAM PICKUP/CLUB CAB (BE)

SERIES	LINE	BODY	ENGINE	TRANSMISSION
L = RAM 1500, 2500, 3500	1 = Lt. Duty DODGE 2WD 2 = Med. Duty DODGE 2WD 3 = HD DODGE 2WD 6 = Lt. Duty DODGE 4WD 7 = Med. Duty DODGE 4WD 8 = HD DODGE 4WD	31 = CLUB CAB 2-DR 6.5 FT BOX 32 = CLUB CAB 2-DR 8FT BOX 33 = QUAD CAB 4-DR 6.5 FT BOX 34 = QUAD CAB 4-DR 8FT BOX	ETC = 5.9L Cummins 24V Diesel Engine EWA = 8.0L V10 MPI Engine EM0 = ALL 5.9L 8 CYL ENGINES - GAS EMM = 5.9L SMPI V8 Engine EML = 5.9L V8 MPI Engine ELF = 5.2L V8 MPI Engine	DGP = 4-Spd. Automatic 47RE Transmission DD0 = ALL 5 SPEED MANUAL TRANSMISSIONS DG0 = ALL AUTOMATIC TRANSMISSIONS DDC = 5-Speed HD Manual Transmission DDP = 5-Speed Manual Transmission DDX = 5-Speed HD Manual Transmission DEE = 6-Speed HD Manual Transmission DGT = 4-Spd. Automatic 46RE Transmission

AR = use ase required - = Non illustrated part

1999 BE

Housing and Pan,Clutch
Figure 6-210



ITEM	PART NUMBER	QTY	LINE	SERIES	BODY	ENGINE	TRANS	TRIM	DESCRIPTION
------	-------------	-----	------	--------	------	--------	-------	------	-------------

NOTES: Sales Codes
 [DBB]=All Manual Transmissions
 [DDC]=5 Speed Heavy Duty Manual Transmission
 [DDP]=5 Speed Manual Transmission
 [DDX]=5 Speed Heavy Duty Manual Transmission
 [EL0]=All 5.2L 8 Cylinder Gas Engines
 [EM0]=All 5.9L 8 Cylinder Gas Engines
 [ET0]=All 5.9L Turbo Diesels
 [EW0]=All 8.0L Gas Engines

1									SCREW AND WASHER, Hex Head, .437-14x1.50
	06035604	1				ELF, EM0			
		2				EW0			Starter Motor, Mounting
2	52107542	1				EL0, EM0	DBB		SHIELD, Clutch Housing Dust
3									SCREW, .437-14x1.25
	06024028	2	8			EL0, EM0	DDP		Dust Shield to Clutch Housing, Mounting
		3	1, 2, 3, 6, 7			EL0	DDC		Dust Shield to Clutch Housing, Mounting
		3	8			EL0	DDC		Dust Shield to Clutch Housing, Mounting
		2	1, 2, 3, 6, 7			EL0, EM0	DDP		Dust Shield to Clutch Housing, Mounting
4	06023092	2				EL0, EM0, EW0	DBB		SCREW AND WASHER, Hex Head, .25-20x.50, Dust Shield to Clutch Housing, Mounting
5	06023092	2							SCREW, Hex Head, [.437-14x3.50], (NOT SERVICED)
6	06028758	2				EL0, EM0	DBB		WASHER, Coned, .480x.885x.121, Engine to Clutch Housing, Mounting
7	06024487	8				ET0	DBB		SCREW AND WASHER, Hex Head, .375-16x1.75, Clutch Housing to Cylinder Block, Mounting

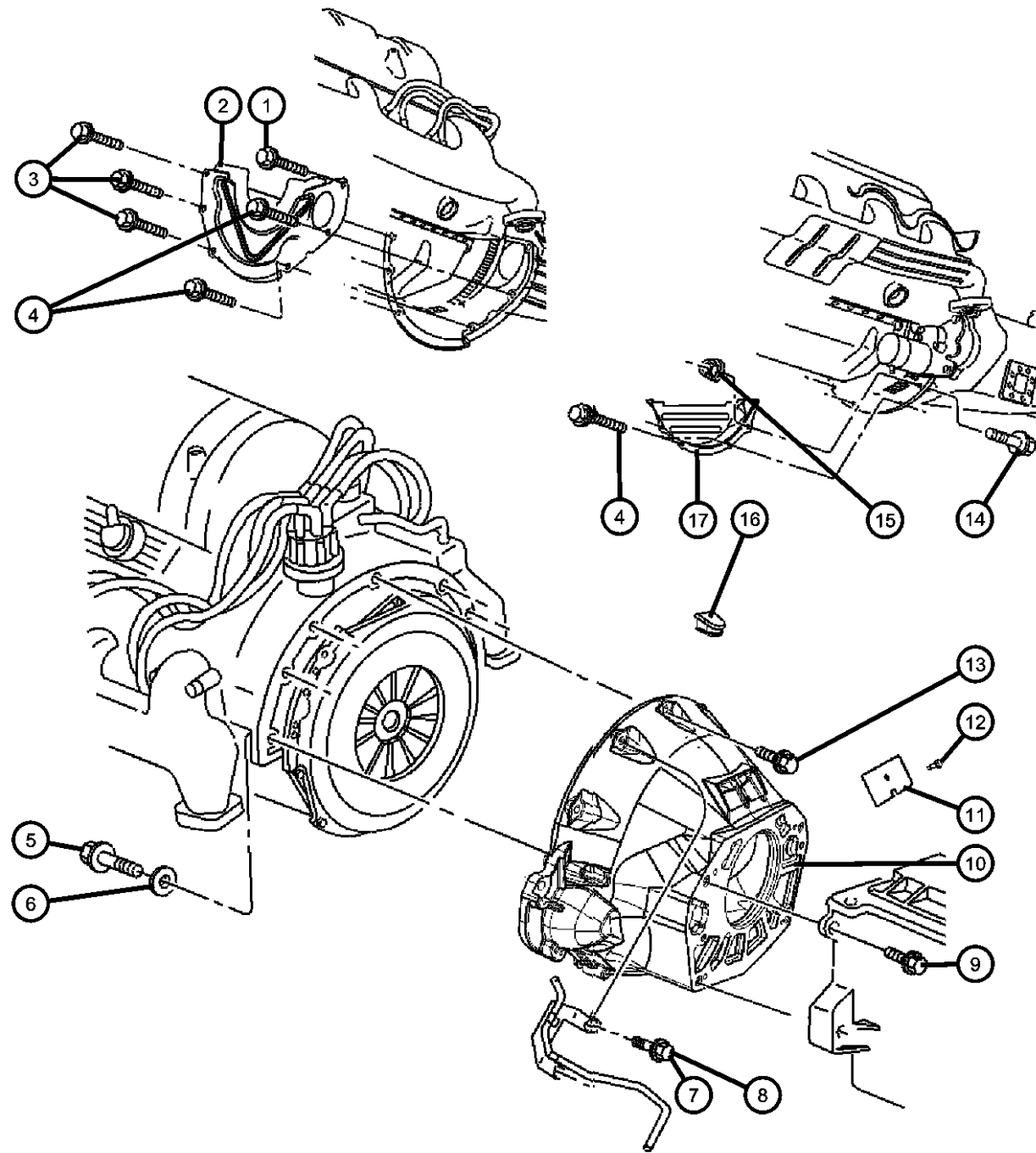
RAM PICKUP/CLUB CAB (BE)

SERIES	LINE	BODY	ENGINE	TRANSMISSION
L = RAM 1500, 2500, 3500	1 = Lt. Duty DODGE 2WD 2 = Med. Duty DODGE 2WD 3 = HD DODGE 2WD 6 = Lt. Duty DODGE 4WD 7 = Med. Duty DODGE 4WD 8 = HD DODGE 4WD	31 = CLUB CAB 2-DR 6.5 FT BOX 32 = CLUB CAB 2-DR 8FT BOX 33 = QUAD CAB 4-DR 6.5 FT BOX 34 = QUAD CAB 4-DR 8FT BOX	ETC = 5.9L Cummins 24V Diesel Engine EWA = 8.0L V10 MPI Engine EM0 = ALL 5.9L 8 CYL ENGINES - GAS EMM = 5.9L SMPI V8 Engine EML = 5.9L V8 MPI Engine ELF = 5.2L V8 MPI Engine	DGP = 4-Spd. Automatic 47RE Transmission DD0 = ALL 5 SPEED MANUAL TRANSMISSIONS DG0 = ALL AUTOMATIC TRANSMISSIONS DDC = 5-Speed HD Manual Transmission DDP = 5-Speed Manual Transmission DDX = 5-Speed HD Manual Transmission DEE = 6-Speed HD Manual Transmission DGT = 4-Spd. Automatic 46RE Transmission

AR = use ase required - = Non illustrated part

1999 BE

Housing and Pan,Clutch
Figure 6-210



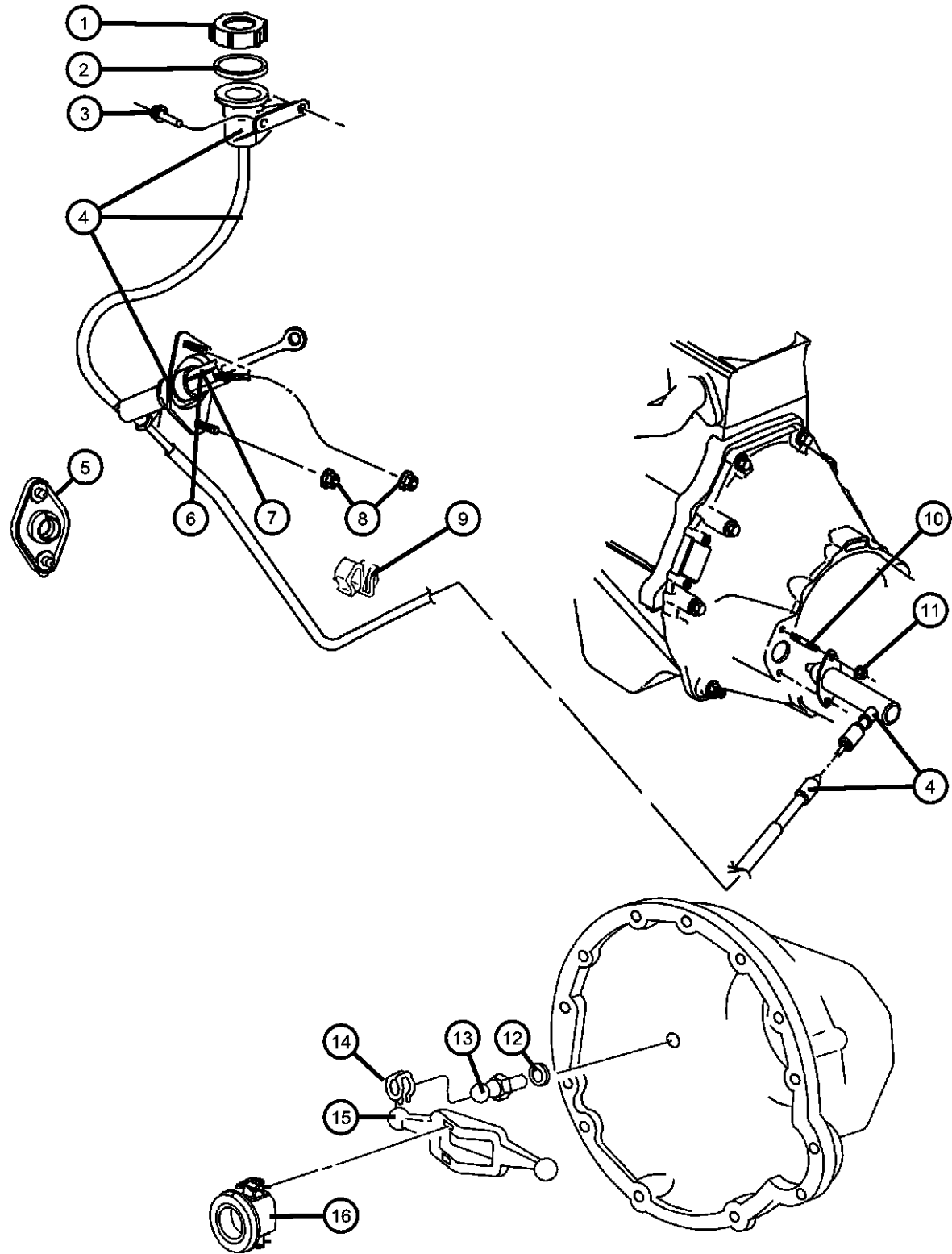
ITEM	PART NUMBER	QTY	LINE	SERIES	BODY	ENGINE	TRANS	TRIM	DESCRIPTION
8	06024473	2				EW0	DBB		SCREW AND WASHER, Hex Head, .437-14x2.00, Clutch Housing to Engine Dowel, Mounting
9	06024055	4					DDP, DDX		SCREW AND WASHER, Transmission to Clutch Housing, Mounting
10	52107540	1				EL0, EM0	DDP		HOUSING, Clutch
	53006513	1				ET0, EW0	DBB		
11	53005474	1				EL0, EM0	DDP		SHIELD, Clutch Housing Vent
		1				ET0, EW0	DBB		
12	00154596	1				EL0, EM0	DDP		SCREW Clutch Housing Vent Shield, Mounting
		1				ET0, EW0	DBB		Clutch Housing Vent Shield, Mounting
13	06022266	4				EW0	DBB		SCREW AND WASHER Clutch Housing to Cylinder Block, Mounting
		5				EL0, EM0	DBB		Clutch Housing to Cylinder Block, Mounting
14	06022266	2				EW0	DBB		SCREW AND WASHER, Cover to Transmission, Mounting
15	00152474	2				EW0	DBB		NUT, Hex Flange Lock, .375-16, Cover to Transmission, Mounting
16	52117709	1				EL0, EM0			GROMMET, Timing Probe
17	52117614	1				EW0	DBB		SHIELD, Clutch Housing Dust

RAM PICKUP/CLUB CAB (BE)

SERIES	LINE	BODY	ENGINE	TRANSMISSION
L = RAM 1500, 2500, 3500	1 = Lt. Duty DODGE 2WD 2 = Med. Duty DODGE 2WD 3 = HD DODGE 2WD 6 = Lt. Duty DODGE 4WD 7 = Med. Duty DODGE 4WD 8 = HD DODGE 4WD	31 = CLUB CAB 2-DR 6.5 FT BOX 32 = CLUB CAB 2-DR 8FT BOX 33 = QUAD CAB 4-DR 6.5 FT BOX 34 = QUAD CAB 4-DR 8FT BOX	ETC = 5.9L Cummins 24V Diesel Engine EWA = 8.0L V10 MPI Engine EM0 = ALL 5.9L 8 CYL ENGINES - GAS EMM = 5.9L SMPI V8 Engine EML = 5.9L V8 MPI Engine ELF = 5.2L V8 MPI Engine	DGP = 4-Spd. Automatic 47RE Transmission DD0 = ALL 5 SPEED MANUAL TRANSMISSIONS DG0 = ALL AUTOMATIC TRANSMISSIONS DDC = 5-Speed HD Manual Transmission DDP = 5-Speed Manual Transmission DDX = 5-Speed HD Manual Transmission DEE = 6-Speed HD Manual Transmission DGT = 4-Spd. Automatic 46RE Transmission

AR = use ase required - = Non illustrated part

Controls,Hydraulic Clutch
Figure 6-310



ITEM	PART NUMBER	QTY	LINE	SERIES	BODY	ENGINE	TRANS	TRIM	DESCRIPTION
------	-------------	-----	------	--------	------	--------	-------	------	-------------

NOTES: Sales Codes
 [DBB] = All Manual Transmissions
 [DDP] = 5 Speed Manual Transmission
 [DDX] = 5 Speed Heavy Duty Manual Transmission
 [EH0] = All 3.9L V6 Gas Engines
 [EL0] = All 5.2L 8 Cylinder Gas Engines
 [EM0] = All 5.9L 8 Cylinder Gas Engines
 [ET0] = All 5.9L Turbo Diesel Engines
 [EW0] = All 8.0L Gas Engines

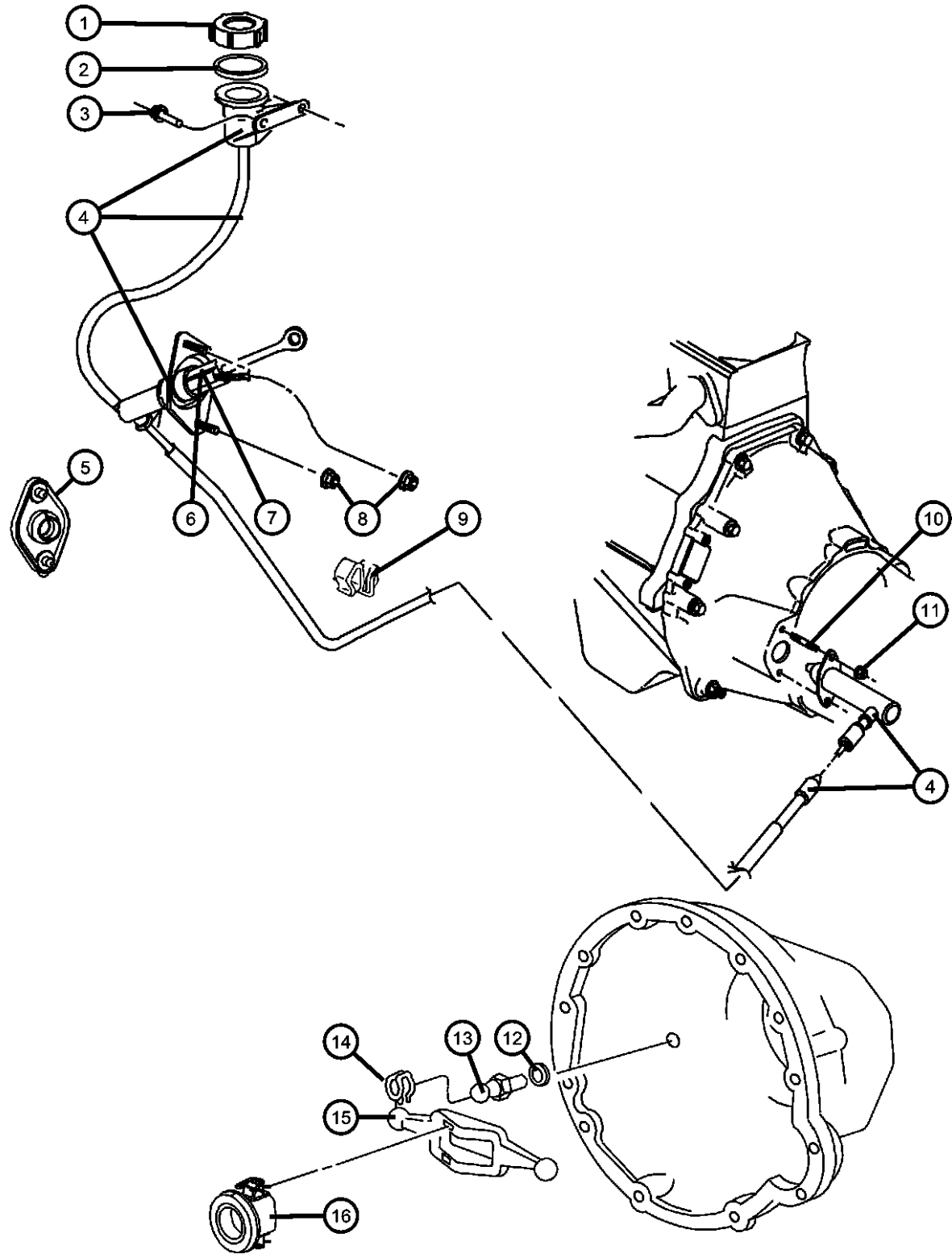
1									CAP, Clutch Reservoir
	04720156	1				ET0, EW0	DBB		
		1				EL0, EM0	DBB		
2									DIAPHRAGM, Clutch Reservoir
	04720157	1				EL0, EM0	DBB		
		1				ET0, EW0	DBB		
3	06032988	2					DBB		SCREW, Clutch Master Cylinder Reservoir to Dash, Mounting
4									HYDRAULIC ASSY, Clutch Master Cylinder
	52107620AB	1				EL0, EM0	DBB		
	52107721AB	1				ET0, EW0	DBB		
5	52108193AB	1					DG0		PLUG, Clutch Master Cylinder Opening
6									SWITCH, Clutch Starter Interlock
	53007944AB	1				ET0, EW0	DBB		
		1				EL0, EM0	DBB		
7									COVER, Switch
	05015960AA	1				EL0, EM0	DBB		
		1				ET0, EW0	DBB		
8	06503269	2					DBB		NUT, Hex, M10-1.5, Clutch Master Cylinder to Dash, Mounting
9	05015260AA	1					DBB		CLIP, Clutch TubeMounting

RAM PICKUP/CLUB CAB (BE)

SERIES	LINE	BODY	ENGINE	TRANSMISSION
L = RAM 1500, 2500, 3500	1 = Lt. Duty DODGE 2WD	31 = CLUB CAB 2-DR 6.5 FT BOX	ETC = 5.9L Cummins 24V Diesel Engine	DGP = 4-Spd. Automatic 47RE Transmission
	2 = Med. Duty DODGE 2WD	32 = CLUB CAB 2-DR 8FT BOX	EWA = 8.0L V10 MPI Engine	DD0 = ALL 5 SPEED MANUAL TRANSMISSIONS
	3 = HD DODGE 2WD	33 = QUAD CAB 4-DR 6.5 FT BOX	EM0 = ALL 5.9L 8 CYL ENGINES - GAS	DG0 = ALL AUTOMATIC TRANSMISSIONS
	6 = Lt. Duty DODGE 4WD	34 = QUAD CAB 4-DR 8FT BOX	EMM = 5.9L SMPI V8 Engine	DDC = 5-Speed HD Manual Transmission
	7 = Med. Duty DODGE 4WD		EML = 5.9L V8 MPI Engine	DDP = 5-Speed Manual Transmission
	8 = HD DODGE 4WD		ELF = 5.2L V8 MPI Engine	DDX = 5-Speed HD Manual Transmission
				DEE = 6-Speed HD Manual Transmission
				DGT = 4-Spd. Automatic 46RE Transmission

AR = use ase required - = Non illustrated part

Controls,Hydraulic Clutch
Figure 6-310



ITEM	PART NUMBER	QTY	LINE	SERIES	BODY	ENGINE	TRANS	TRIM	DESCRIPTION
10	06032878	2					DBB		STUD, .312-18x2.00, Clutch Slave Cylinder to Clutch Housing, Mounting
11	00152472	2					DBB		NUT, Clutch Slave Cylinder to Clutch Housing, Mounting
12									WASHER
	06022190	1				EL0, EM0	DDP		Clutch Release Pivot, Mounting
		1				ET0, EW0	DBB		Clutch Release Pivot, Mounting
13									PIVOT, Clutch Release
	52087542	1				EL0, EM0	DDP		
		1				ET0, EW0	DBB		
14	04338855	1					DBB		SPRING, Clutch Release
15									LEVER, Clutch Release
	52107555	1				EL0, EM0	DBB		
	52087515	1				ET0, EW0	DBB		
16									BEARING, Clutch Release
	52087514	1				ET0, EW0	DDX, DEE		
	53008342	1				EL0, EM0	DBB		

RAM PICKUP/CLUB CAB (BE)

SERIES	LINE	BODY	ENGINE	TRANSMISSION
L = RAM 1500, 2500, 3500	1 = Lt. Duty DODGE 2WD	31 = CLUB CAB 2-DR 6.5 FT BOX	ETC = 5.9L Cummins 24V Diesel Engine	DGP = 4-Spd. Automatic 47RE Transmission
	2 = Med. Duty DODGE 2WD	32 = CLUB CAB 2-DR 8FT BOX	EWA = 8.0L V10 MPI Engine	DD0 = ALL 5 SPEED MANUAL TRANSMISSIONS
	3 = HD DODGE 2WD	33 = QUAD CAB 4-DR 6.5 FT BOX	EM0 = ALL 5.9L 8 CYL ENGINES - GAS	DG0 = ALL AUTOMATIC TRANSMISSIONS
	6 = Lt. Duty DODGE 4WD	34 = QUAD CAB 4-DR 8FT BOX	EMM = 5.9L SMPI V8 Engine	DDC = 5-Speed HD Manual Transmission
	7 = Med. Duty DODGE 4WD		EML = 5.9L V8 MPI Engine	DDP = 5-Speed Manual Transmission
	8 = HD DODGE 4WD		ELF = 5.2L V8 MPI Engine	DDX = 5-Speed HD Manual Transmission
				DEE = 6-Speed HD Manual Transmission
				DGT = 4-Spd. Automatic 46RE Transmission

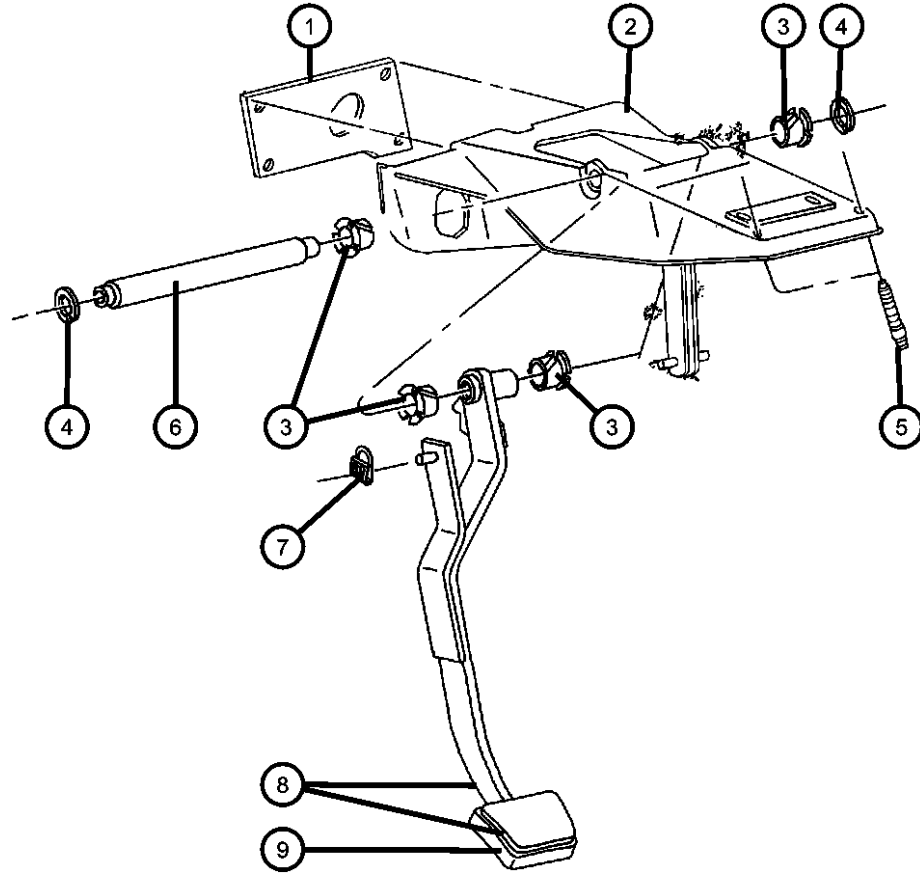
AR = use ase required - = Non illustrated part

Pedal,Clutch
Figure 6-410

ITEM	PART NUMBER	QTY	LINE	SERIES	BODY	ENGINE	TRANS	TRIM	DESCRIPTION
------	-------------	-----	------	--------	------	--------	-------	------	-------------

NOTES: Sales Codes
[DBB] = All Manual Transmissions

1	55135213AB	1							SEAL, Steering Column Bracket to Dash, Mounting
2	55351014AD	1							BRACKET, Steering Column, Clutch and Brake Pedal
3	04294639	4							BUSHING, Clutch and Brake Pedal, Pivot
4	04103262	2							RETAINER, Shaft
5	06503761	2							STUD, M6x1.00mmx48.80mm
6	52077902	1							SHAFT, Clutch and Brake Pedal Pivot
7	04294036	1					DBB		CLIP, Clutch Master Cylinder Push Rod, Mounting
8	52009557AB	1					DBB		PEDAL AND PAD, Clutch
9	52009562	1					DBB		PAD, Pedal



RAM PICKUP/CLUB CAB (BE)

SERIES	LINE	BODY	ENGINE	TRANSMISSION
L = RAM 1500, 2500, 3500	1 = Lt. Duty DODGE 2WD 2 = Med. Duty DODGE 2WD 3 = HD DODGE 2WD 6 = Lt. Duty DODGE 4WD 7 = Med. Duty DODGE 4WD 8 = HD DODGE 4WD	31 = CLUB CAB 2-DR 6.5 FT BOX 32 = CLUB CAB 2-DR 8FT BOX 33 = QUAD CAB 4-DR 6.5 FT BOX 34 = QUAD CAB 4-DR 8FT BOX	ETC = 5.9L Cummins 24V Diesel Engine EWA = 8.0L V10 MPI Engine EM0 = ALL 5.9L 8 CYL ENGINES - GAS EMM = 5.9L SMPI V8 Engine EML = 5.9L V8 MPI Engine ELF = 5.2L V8 MPI Engine	DGP = 4-Spd. Automatic 47RE Transmission DD0 = ALL 5 SPEED MANUAL TRANSMISSIONS DG0 = ALL AUTOMATIC TRANSMISSIONS DDC = 5-Speed HD Manual Transmission DDP = 5-Speed Manual Transmission DDX = 5-Speed HD Manual Transmission DEE = 6-Speed HD Manual Transmission DGT = 4-Spd. Automatic 46RE Transmission

AR = use ase required - = Non illustrated part

1999 BE

Group - 7

Cooling

Group - 7 Cooling

Group-Fig. No.

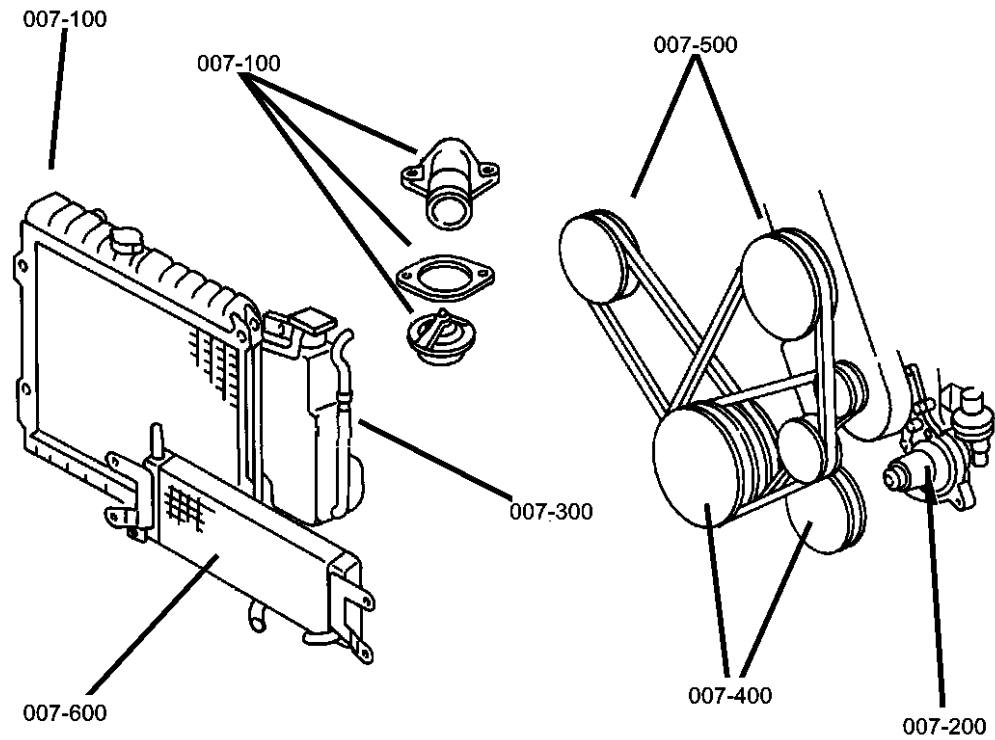


Illustration Title

Radiator and Related Parts

Radiator And Related Parts Gas Engines Fig. 7 - 125
 Radiator And Related Parts Diesel Engine Fig. 7 - 130

Water Pump and Related Parts

Water Pump 5.2 And 5.9L Engines Fig. 7 - 210
 Water Pump Diesel Engine Fig. 7 - 225
 Water Pump 8.0L Engine Fig. 7 - 230

Tank, Coolant Engine

Coolant Tank Fig. 7 - 320

Pulleys and Related Parts

Drive Pulleys 5.2, 5.9 Ld. And 8.0 Engines Fig. 7 - 410
 Drive Pulleys 5.9 HD. Engine Fig. 7 - 420
 Drive Pulleys Diesel Fig. 7 - 440

Drive Belts

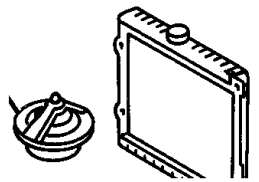
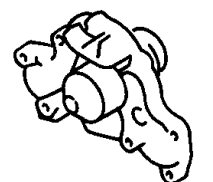
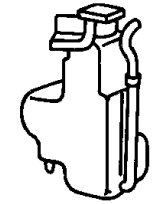
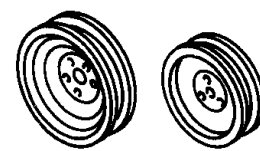
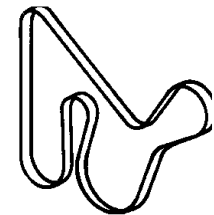
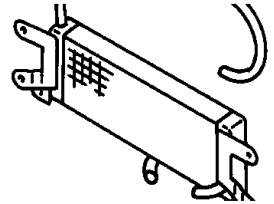
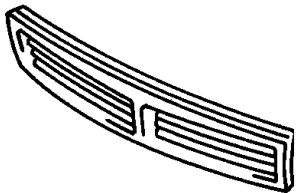
Drive Belts 5.2 And 5.9LD Engine Fig. 7 - 520
 Drive Belts Diesel Engine Fig. 7 - 530
 Drive Belts 5.9 HD Engine Fig. 7 - 540
 Drive Belts 8.0 Engine Fig. 7 - 550

Lines, Transmission Oil Cooler

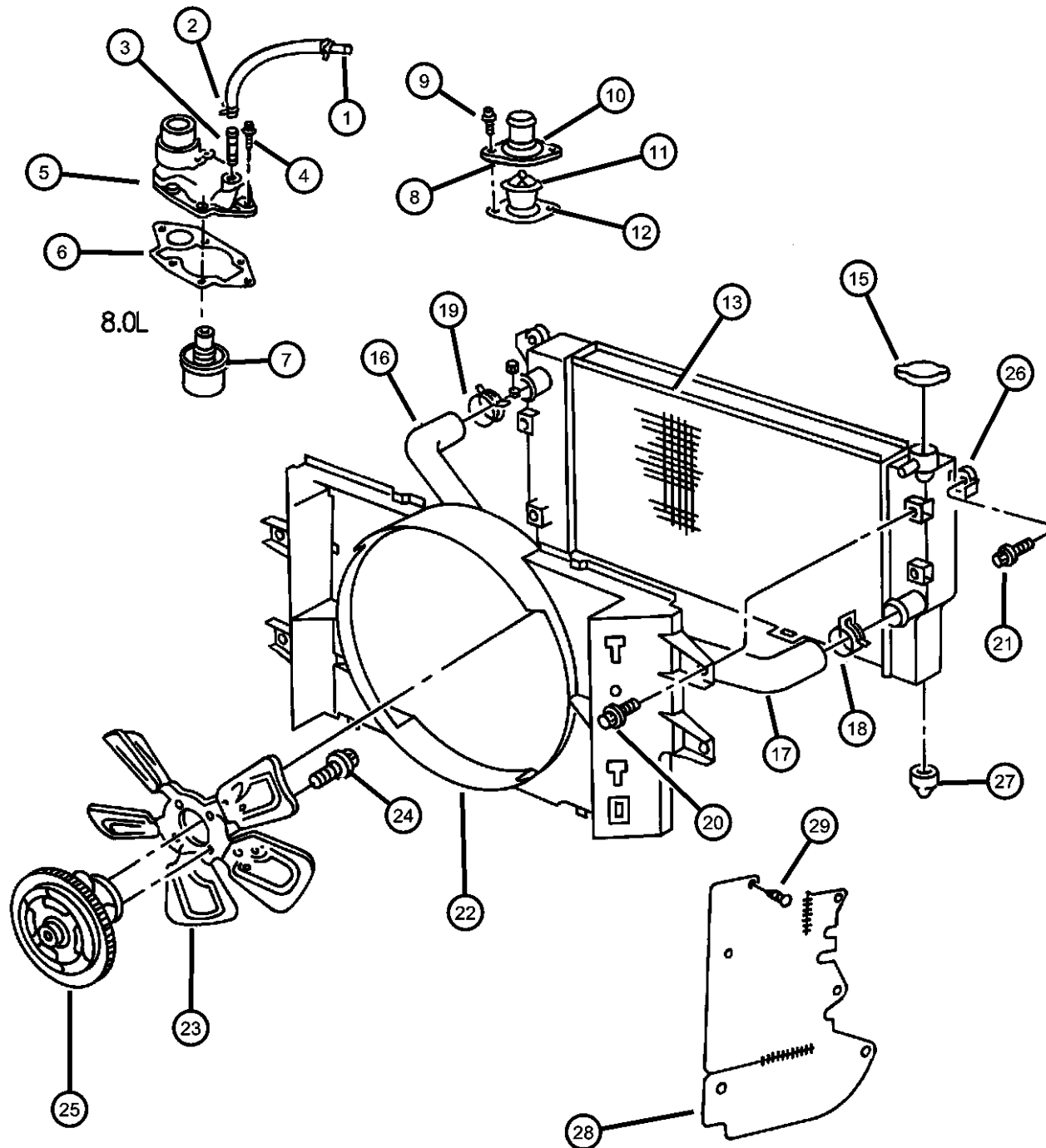
Oil Cooler And Lines Gas Engines Fig. 7 - 615
 Oil Cooler And Lines Diesel Engine Fig. 7 - 620
 Auxiliary Oil Cooler Gas Engines Fig. 7 - 650
 Auxiliary Oil Cooler Diesel Engine Fig. 7 - 660

Grilles

Grille And Related Parts Fig. 7 - 720

<p>007-100 Radiator and Related Parts</p> 	<p>007-200 Water Pump and Related Parts</p> 	<p>007-300 Tank, Coolant Engine</p> 	<p>007-400 Pulleys and Related Parts</p> 
<p>007-500 Drive Belts</p> 	<p>007-600 Lines, Transmission Oil Cooler</p> 	<p>007-700 Grilles</p> 	

Radiator And Related Parts Gas Engines
Figure 7-125



ITEM	PART NUMBER	QTY	LINE	SERIES	BODY	ENGINE	TRANS	TRIM	DESCRIPTION
------	-------------	-----	------	--------	------	--------	-------	------	-------------

Note:

- DBB = All Manual Transmissions
- DG0 = All Automatic Transmissions
- ELF = Magnum 5.9L SMPI V8 Engine
- ELO = All 5.2L 8 Cyl Gas Engines
- EML = Magnum 5.9L SMPI V8 Engine
- EMM = Magnum 5.9L SMPI V8 Engine
- EM0 = All 5.9L 8 Cyl Gas Engines
- EW0 = All 8.0L Gas Engines

1	55036415	1				EW0			HOSE AND TUBE, Thermostat
2									CLAMP, Heater Hose
	06502017	6				ELF, EM0			
		8				EW0			
3									NIPPLE, Heater Inlet
	55035944	1				EW0			Heater Supply
		1				ELO, EM0			Heater Supply
4	06034506	6				EW0			BOLT AND CONED WASHER, Hex Head, .312-18x1.56
5	53006047AB	1				EW0			HOUSING, Thermostat
6	53005868AB	1				EW0			GASKET, Thermostat
7	53041078	1				EW0			THERMOSTAT, 195 Degrees
8	53010047	1				EW0			SEAL, Thermostat
9	06034549	18				ELO, EM0			SCREW, Hex Head, .312-18x.94
10	53020115	1				ELO, EM0			HOUSING, Thermostat
11	52028185	1				ELO, EM0			THERMOSTAT, 195 Degrees
12	53021051	1				ELO, EM0			GASKET, Thermostat
13									RADIATOR, Engine Cooling
	52006491AC	1				ELO, EM0	DBB		Without Transmission Cooler Line Fittings
	52028057AF	1				ELO	DG0		
	52029176AA	1				EW0	DG0		
	52029189AB	1				EM0	DG0		With Transmission Cooler Line Fittings

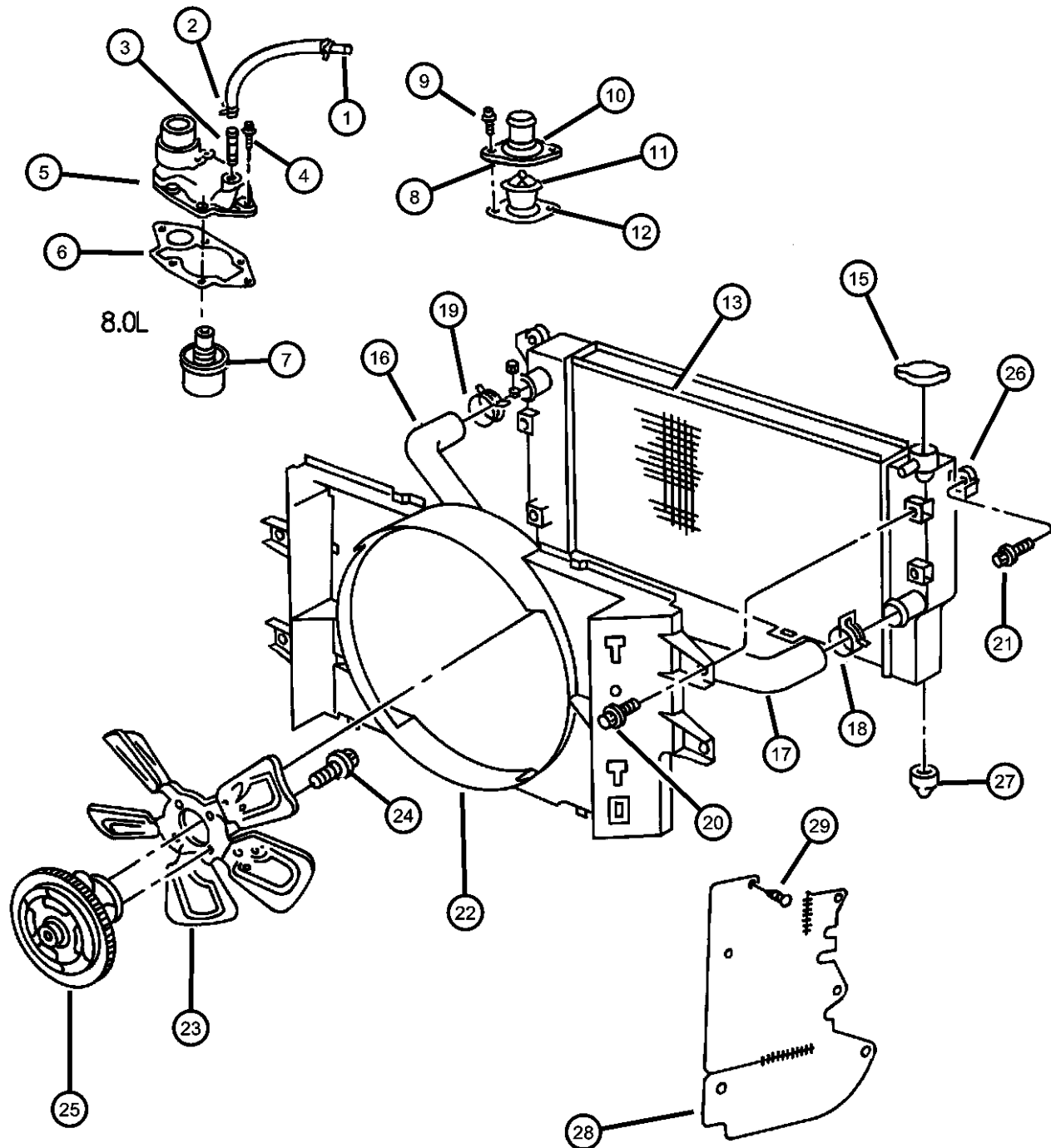
RAM PICKUP/CLUB CAB (BE)

SERIES	LINE	BODY	ENGINE	TRANSMISSION
L = RAM 1500, 2500, 3500	1 = Lt. Duty DODGE 2WD 2 = Med. Duty DODGE 2WD 3 = HD DODGE 2WD 6 = Lt. Duty DODGE 4WD 7 = Med. Duty DODGE 4WD 8 = HD DODGE 4WD	31 = CLUB CAB 2-DR 6.5 FT BOX 32 = CLUB CAB 2-DR 8FT BOX 33 = QUAD CAB 4-DR 6.5 FT BOX 34 = QUAD CAB 4-DR 8FT BOX	ETC = 5.9L Cummins 24V Diesel Engine EWA = 8.0L V10 MPI Engine EM0 = ALL 5.9L 8 CYL ENGINES - GAS EMM = 5.9L SMPI V8 Engine EML = 5.9L V8 MPI Engine ELF = 5.2L V8 MPI Engine	DGP = 4-Spd. Automatic 47RE Transmission DD0 = ALL 5 SPEED MANUAL TRANSMISSIONS DG0 = ALL AUTOMATIC TRANSMISSIONS DDC = 5-Speed HD Manual Transmission DDP = 5-Speed Manual Transmission DDX = 5-Speed HD Manual Transmission DEE = 6-Speed HD Manual Transmission DGT = 4-Spd. Automatic 46RE Transmission

AR = use ase required - = Non illustrated part

1999 BE

Radiator And Related Parts Gas Engines
Figure 7-125



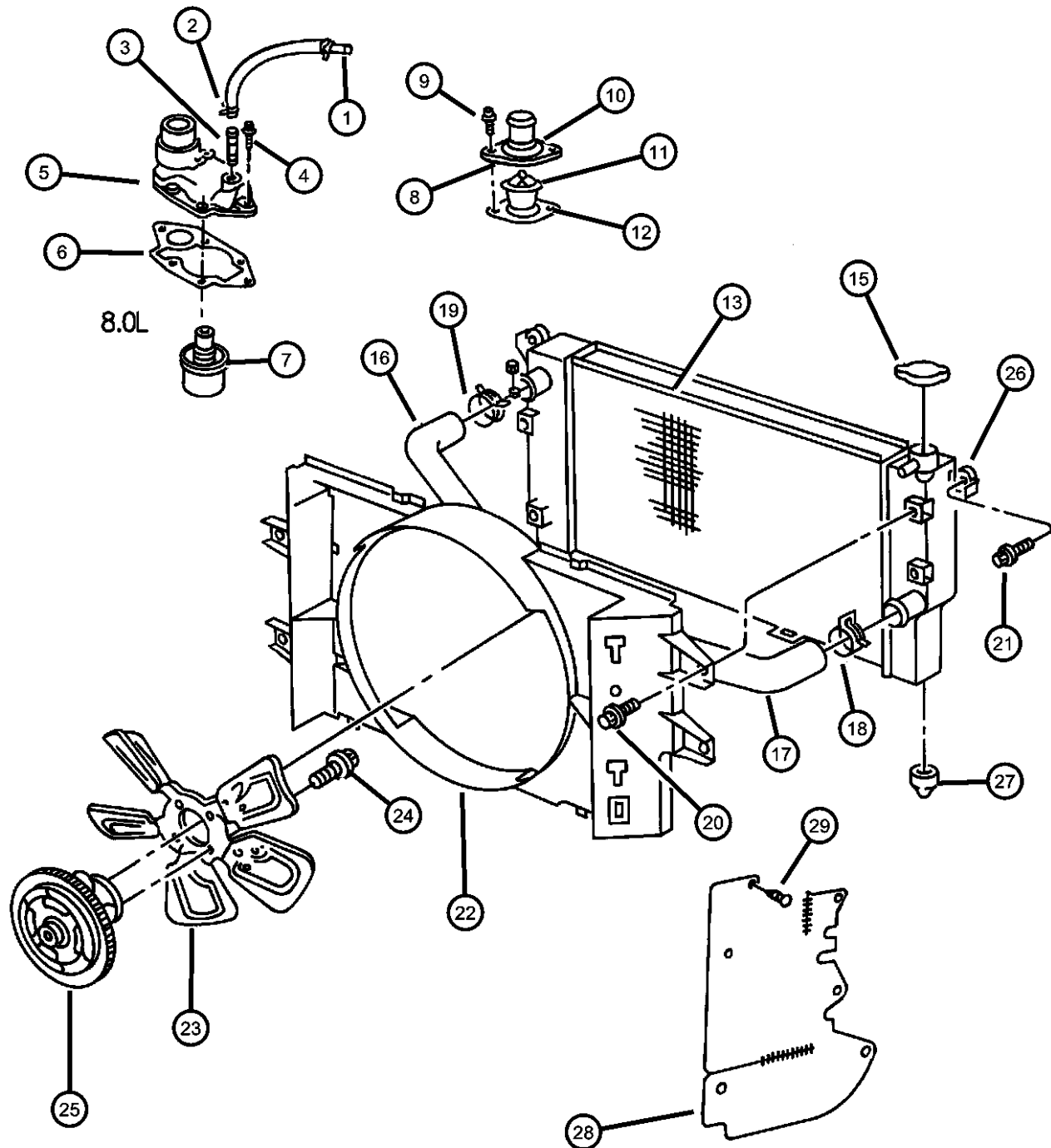
ITEM	PART NUMBER	QTY	LINE	SERIES	BODY	ENGINE	TRANS	TRIM	DESCRIPTION
-14	52028466	1				ELO, EM0	DBB		DRAINCOCK, Radiator
	52028466AB	1				EW0	DG0		
		1				ELO	DG0		
		1				EM0	DG0		
		1				EW0	DBB		
15	04592098	1				EM0, ELO	DBB		CAP, Radiator
		1				ELO	DG0		
		1				EM0	DG0		
	52006926	1				EW0	DBB		
		1				EW0	DG0		
16	52028641AB	1				EW0			HOSE, Radiator Upper
	52028643AB	1				ELO, EM0			
17	52006484AB	1				EW0			HOSE, Radiator Lower
	52028896AA	1				ELO, EML			
	52029002AB	1				EMM			
18	52006750	1				EW0			CLAMP, Radiator
	06032277	1				ELO, EM0			
19	06032277	1				ELO, EM0			CLAMP, Radiator
	52006750	1				EW0			
20	52006750	1							BOLT, (NOT SERVICED)
21	06101718	4							SCREW AND WASHER, Oval Head, M6x1x25

RAM PICKUP/CLUB CAB (BE)

SERIES	LINE	BODY	ENGINE	TRANSMISSION
L = RAM 1500, 2500, 3500	1 = Lt. Duty DODGE 2WD	31 = CLUB CAB 2-DR 6.5 FT BOX	ETC = 5.9L Cummins 24V Diesel Engine	DGP = 4-Spd. Automatic 47RE Transmission
	2 = Med. Duty DODGE 2WD	32 = CLUB CAB 2-DR 8FT BOX	EWA = 8.0L V10 MPI Engine	DD0 = ALL 5 SPEED MANUAL TRANSMISSIONS
	3 = HD DODGE 2WD	33 = QUAD CAB 4-DR 6.5 FT BOX	EM0 = ALL 5.9L 8 CYL ENGINES - GAS	DG0 = ALL AUTOMATIC TRANSMISSIONS
	6 = Lt. Duty DODGE 4WD	34 = QUAD CAB 4-DR 8FT BOX	EMM = 5.9L SMPI V8 Engine	DDC = 5-Speed HD Manual Transmission
	7 = Med. Duty DODGE 4WD		EML = 5.9L V8 MPI Engine	DDP = 5-Speed Manual Transmission
	8 = HD DODGE 4WD		ELF = 5.2L V8 MPI Engine	DDX = 5-Speed HD Manual Transmission
				DEE = 6-Speed HD Manual Transmission
				DGT = 4-Spd. Automatic 46RE Transmission

AR = use ase required - = Non illustrated part

Radiator And Related Parts Gas Engines
Figure 7-125



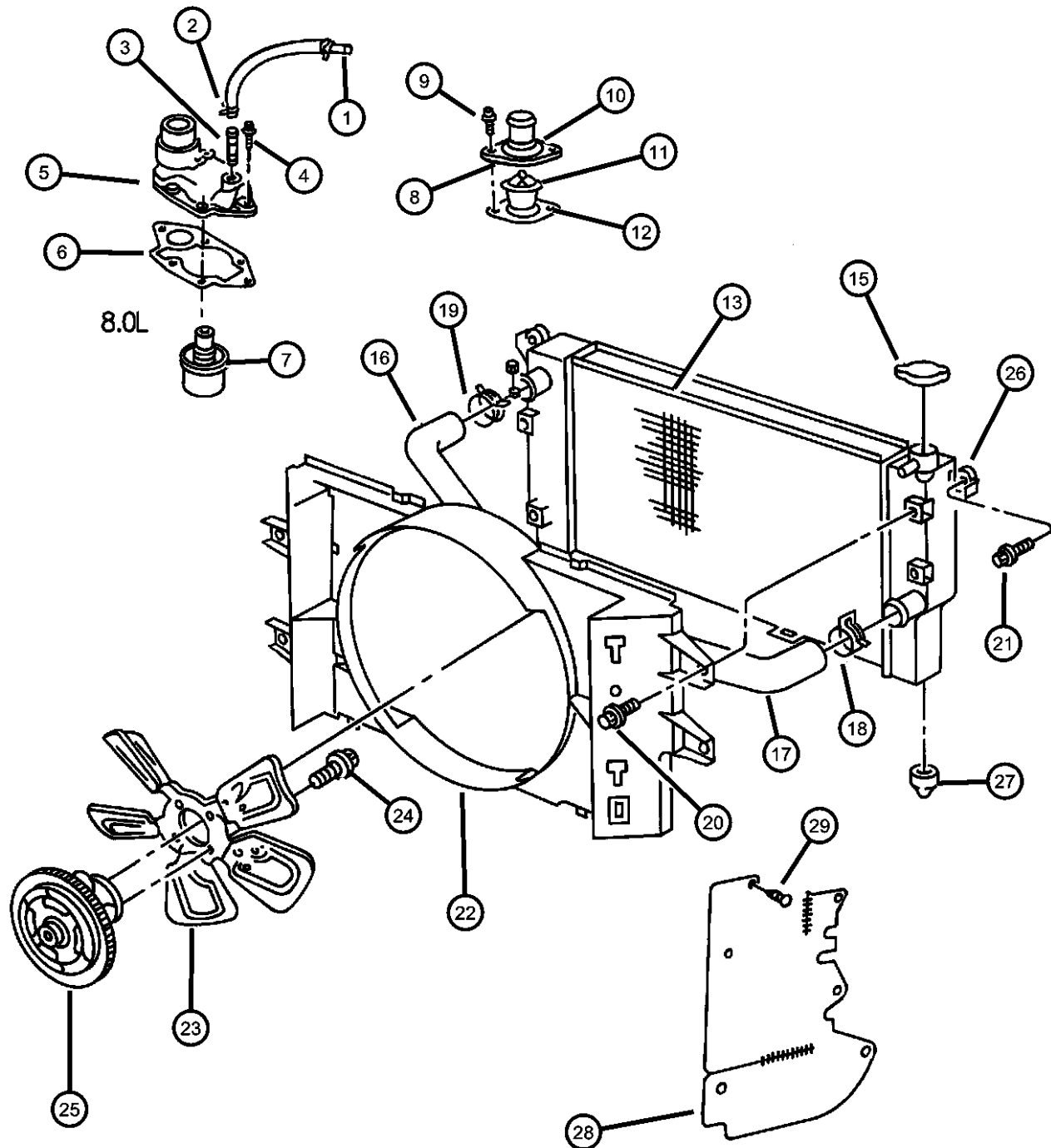
ITEM	PART NUMBER	QTY	LINE	SERIES	BODY	ENGINE	TRANS	TRIM	DESCRIPTION
22	52006486	1				EW0			SHROUD, Fan
	52028002	1				ELO, EMO			
23	52027709	1				EW0			FAN, Cooling
	52027846	1				ELO			
	52027999	1				EMO			
24	06034256	6				ELO, EMO			SCREW AND WASHER, Hex Head, .312-18x.75 DRIVE, Fan
25	52027710AB	1				EMO			[NMC,-AHD]
	52027882AB	1				EMO			[-NMC]
	52027883	1				ELO			
	52027885	1				EW0			
	52028837AA	1				EMO			[AHD]
26	04401950	2				ELO, EMO	DBB		ISOLATOR, Radiator
		2				ELO	DG0		
		2				EMO	DG0		
	52027828	2				EW0	DBB		
		2				EW0	DG0		
27	04401950	2				ELO, EMO	DBB		ISOLATOR, Radiator
		2				ELO	DG0		
		2				EMO	DG0		
	52027828	2				EW0	DG0		
		2				EW0	DBB		
28									SEAL, Radiator

RAM PICKUP/CLUB CAB (BE)

SERIES	LINE	BODY	ENGINE	TRANSMISSION
L = RAM 1500, 2500, 3500	1 = Lt. Duty DODGE 2WD 2 = Med. Duty DODGE 2WD 3 = HD DODGE 2WD 6 = Lt. Duty DODGE 4WD 7 = Med. Duty DODGE 4WD 8 = HD DODGE 4WD	31 = CLUB CAB 2-DR 6.5 FT BOX 32 = CLUB CAB 2-DR 8FT BOX 33 = QUAD CAB 4-DR 6.5 FT BOX 34 = QUAD CAB 4-DR 8FT BOX	ETC = 5.9L Cummins 24V Diesel Engine EWA = 8.0L V10 MPI Engine EM0 = ALL 5.9L 8 CYL ENGINES - GAS EMM = 5.9L SMPI V8 Engine EML = 5.9L V8 MPI Engine ELF = 5.2L V8 MPI Engine	DGP = 4-Spd. Automatic 47RE Transmission DD0 = ALL 5 SPEED MANUAL TRANSMISSIONS DG0 = ALL AUTOMATIC TRANSMISSIONS DDC = 5-Speed HD Manual Transmission DDP = 5-Speed Manual Transmission DDX = 5-Speed HD Manual Transmission DEE = 6-Speed HD Manual Transmission DGT = 4-Spd. Automatic 46RE Transmission

AR = use ase required - = Non illustrated part

Radiator And Related Parts Gas Engines
Figure 7-125



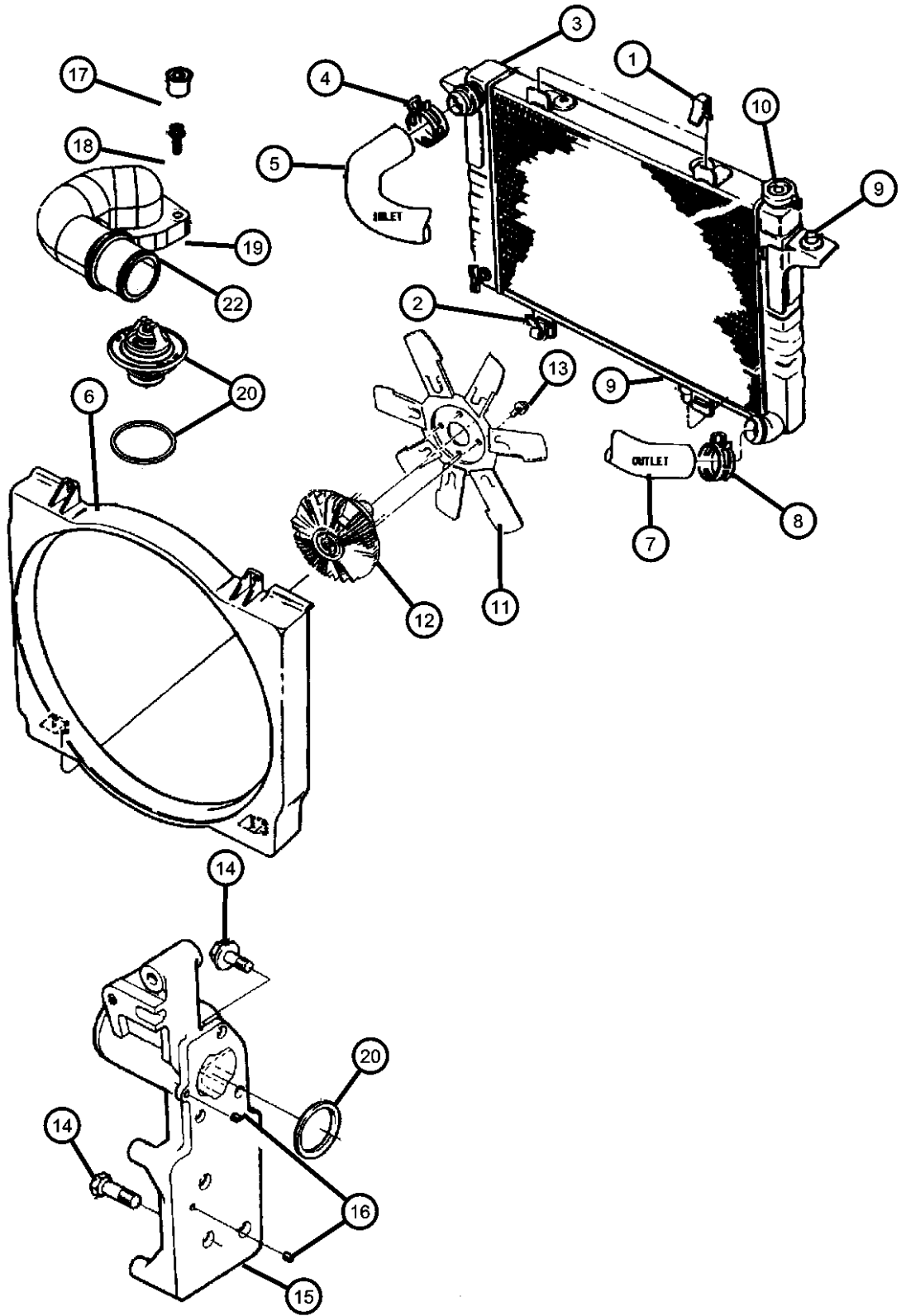
ITEM	PART NUMBER	QTY	LINE	SERIES	BODY	ENGINE	TRANS	TRIM	DESCRIPTION
	52027560	1				ELO, EMO			Right
	52027561	1				ELO, EMO			Left
29	06030441	2							PIN, Retainer

RAM PICKUP/CLUB CAB (BE)

SERIES	LINE	BODY	ENGINE	TRANSMISSION
L = RAM 1500, 2500, 3500	1 = Lt. Duty DODGE 2WD	31 = CLUB CAB 2-DR 6.5 FT BOX	ETC = 5.9L Cummins 24V Diesel Engine	DGP = 4-Spd. Automatic 47RE Transmission
	2 = Med. Duty DODGE 2WD	32 = CLUB CAB 2-DR 8FT BOX	EWA = 8.0L V10 MPI Engine	DD0 = ALL 5 SPEED MANUAL TRANSMISSIONS
	3 = HD DODGE 2WD	33 = QUAD CAB 4-DR 6.5 FT BOX	EM0 = ALL 5.9L 8 CYL ENGINES - GAS	DG0 = ALL AUTOMATIC TRANSMISSIONS
	6 = Lt. Duty DODGE 4WD	34 = QUAD CAB 4-DR 8FT BOX	EMM = 5.9L SMPI V8 Engine	DDC = 5-Speed HD Manual Transmission
	7 = Med. Duty DODGE 4WD		EML = 5.9L V8 MPI Engine	DDP = 5-Speed Manual Transmission
	8 = HD DODGE 4WD		ELF = 5.2L V8 MPI Engine	DDX = 5-Speed HD Manual Transmission
				DEE = 6-Speed HD Manual Transmission
				DGT = 4-Spd. Automatic 46RE Transmission

AR = use ase required - = Non illustrated part

Radiator And Related Parts Diesel Engine
Figure 7-130



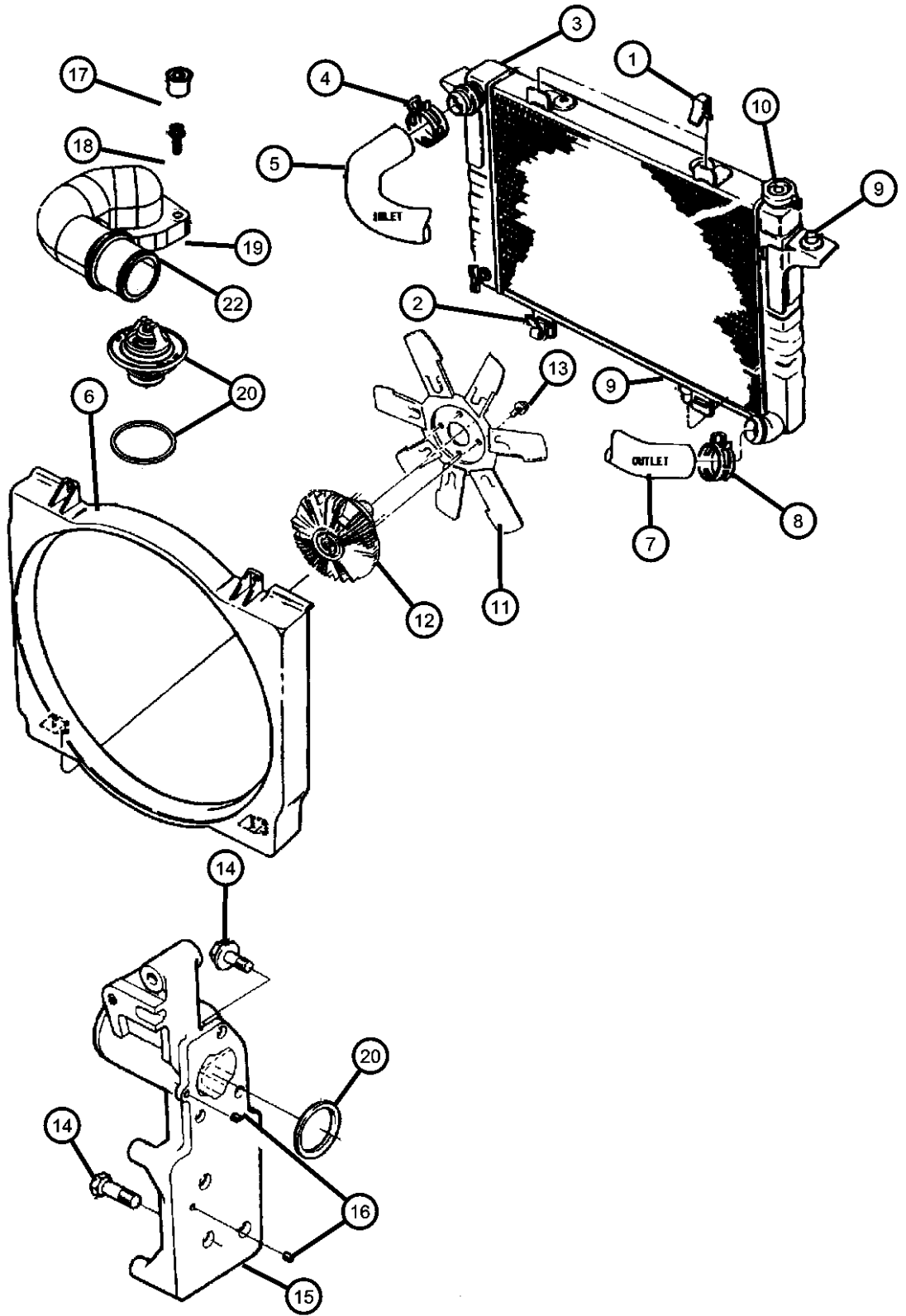
ITEM	PART NUMBER	QTY	LINE	SERIES	BODY	ENGINE	TRANS	TRIM	DESCRIPTION
1	04546145	2				ET0			CLIP, Radiator Fan Shroud
2	04546145	2				ET0			CLIP, Radiator Fan Shroud
3	52030191AB	1				ET0			RADIATOR, Engine Cooling
4	06032277	1				ET0			CLAMP, Radiator
5	52028715	1				ETC			HOSE, RadiatorInlet, Upper
6	52028003	1				ET0			SHROUD, Fan
7	52006482AB	1				ET0			HOSE, RadiatorOutlet, Lower
8	06032277	1				ET0			CLAMP, Radiator
9									ISOLATOR, Radiator
	52027827	1				ET0			Upper
	52027828	2				ET0			Lower
10	52006926	2				ET0			CAP, Radiator
11	52028774AA	1				ETC			FAN, Cooling
12	52028615	1				ETC			DRIVE, Fan
13	06022225	4							SCREW AND WASHER, Hex Head, .312-18x.75
14	04429460	3				ET0			SCREW, Water Inlet, M10x1.5x25
15									CONNECTOR, Water Inlet
	05011928AA	1				ET0	DBB		
		1				ET0	DG0		
16	04429484	2				ET0			PIN, Roll
17	05011903AA	1				ET0			PLUG, Pipe
18	04761269	3				ET0			SCREW, Hex Flange Head
19									HOUSING, Thermostat
	05011929AA	1				ET0	DBB		
		1				ET0	DG0		
20									THERMOSTAT, Engine Coolant
	05011456AA	1				ET0	DBB		
		1				ET0	DG0		

RAM PICKUP/CLUB CAB (BE)

SERIES	LINE	BODY	ENGINE	TRANSMISSION
L = RAM 1500, 2500, 3500	1 = Lt. Duty DODGE 2WD	31 = CLUB CAB 2-DR 6.5 FT BOX	ETC = 5.9L Cummins 24V Diesel Engine	DGP = 4-Spd. Automatic 47RE Transmission
	2 = Med. Duty DODGE 2WD	32 = CLUB CAB 2-DR 8FT BOX	EWA = 8.0L V10 MPI Engine	DD0 = ALL 5 SPEED MANUAL TRANSMISSIONS
	3 = HD DODGE 2WD	33 = QUAD CAB 4-DR 6.5 FT BOX	EM0 = ALL 5.9L 8 CYL ENGINES - GAS	DG0 = ALL AUTOMATIC TRANSMISSIONS
	6 = Lt. Duty DODGE 4WD	34 = QUAD CAB 4-DR 8FT BOX	EMM = 5.9L SMPI V8 Engine	DDC = 5-Speed HD Manual Transmission
	7 = Med. Duty DODGE 4WD		EML = 5.9L V8 MPI Engine	DDP = 5-Speed Manual Transmission
	8 = HD DODGE 4WD		ELF = 5.2L V8 MPI Engine	DDX = 5-Speed HD Manual Transmission
				DEE = 6-Speed HD Manual Transmission
				DGT = 4-Spd. Automatic 46RE Transmission

AR = use ase required - = Non illustrated part

Radiator And Related Parts Diesel Engine
Figure 7-130



ITEM	PART NUMBER	QTY	LINE	SERIES	BODY	ENGINE	TRANS	TRIM	DESCRIPTION
-21	52028466AB	1				ET0			DRAINCOCK, Radiator
22	04429697	1				ET0	DBB		SEAL, Water Outlet
		1				ET0	DG0		

RAM PICKUP/CLUB CAB (BE)

SERIES	LINE	BODY	ENGINE	TRANSMISSION
L = RAM 1500, 2500, 3500	1 = Lt. Duty DODGE 2WD	31 = CLUB CAB 2-DR 6.5 FT BOX	ETC = 5.9L Cummins 24V Diesel Engine	DGP = 4-Spd. Automatic 47RE Transmission
	2 = Med. Duty DODGE 2WD	32 = CLUB CAB 2-DR 8FT BOX	EWA = 8.0L V10 MPI Engine	DD0 = ALL 5 SPEED MANUAL TRANSMISSIONS
	3 = HD DODGE 2WD	33 = QUAD CAB 4-DR 6.5 FT BOX	EM0 = ALL 5.9L 8 CYL ENGINES - GAS	DG0 = ALL AUTOMATIC TRANSMISSIONS
	6 = Lt. Duty DODGE 4WD	34 = QUAD CAB 4-DR 8FT BOX	EMM = 5.9L SMPI V8 Engine	DDC = 5-Speed HD Manual Transmission
	7 = Med. Duty DODGE 4WD		EML = 5.9L V8 MPI Engine	DDP = 5-Speed Manual Transmission
	8 = HD DODGE 4WD		ELF = 5.2L V8 MPI Engine	DDX = 5-Speed HD Manual Transmission
				DEE = 6-Speed HD Manual Transmission
				DGT = 4-Spd. Automatic 46RE Transmission

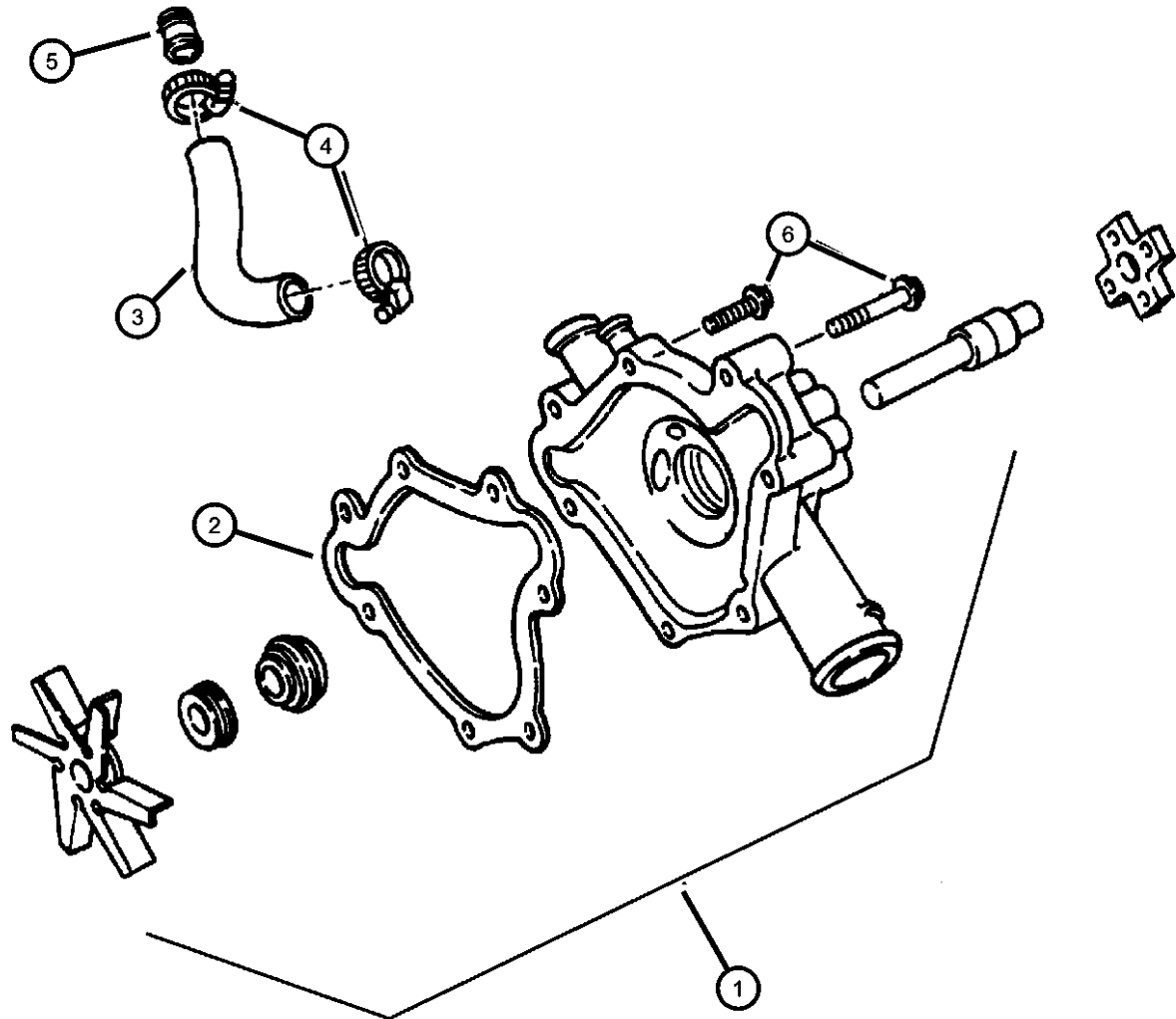
AR = use ase required - = Non illustrated part

**Water Pump 5.2 And 5.9L Engines
Figure 7-210**

ITEM	PART NUMBER	QTY	LINE	SERIES	BODY	ENGINE	TRANS	TRIM	DESCRIPTION
------	-------------	-----	------	--------	------	--------	-------	------	-------------

Parts With Separate Call Outs Not Serviced in Package

1									PUMP, Water, with Pulley
	53021018AB	1				EM0			
		1				ELO			
2	04483757	1				ELO, EM0			GASKET, Water Pump
3	53008654	1				ELO, EM0			HOSE, Water Pump Bypass
4	04401436	2				ELO, EM0			CLAMP, Radiator
5									NIPPLE, By-Pass
	53020185	1				EM0			
		1				ELO			
6	06034279	2				ELO, EM0			SCREW AND WASHER, Hex Head Lock, .375-16x1.75



RAM PICKUP/CLUB CAB (BE)

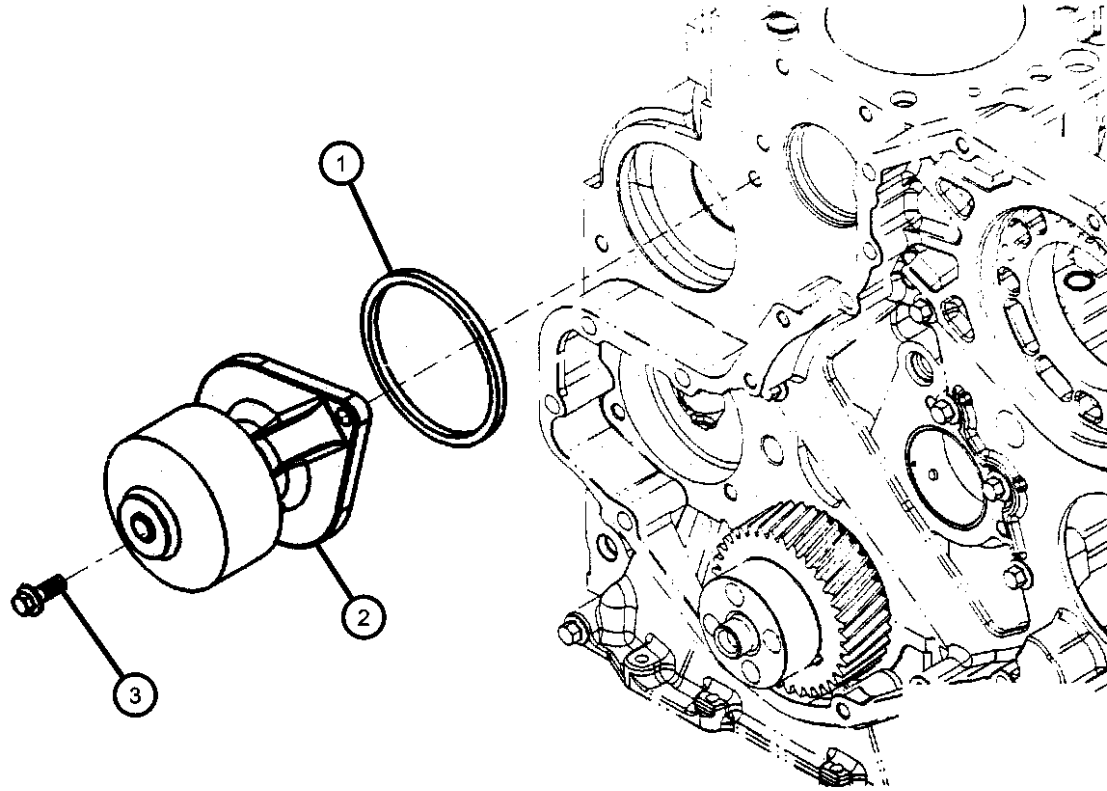
SERIES	LINE	BODY	ENGINE	TRANSMISSION
L = RAM 1500, 2500, 3500	1 = Lt. Duty DODGE 2WD 2 = Med. Duty DODGE 2WD 3 = HD DODGE 2WD 6 = Lt. Duty DODGE 4WD 7 = Med. Duty DODGE 4WD 8 = HD DODGE 4WD	31 = CLUB CAB 2-DR 6.5 FT BOX 32 = CLUB CAB 2-DR 8FT BOX 33 = QUAD CAB 4-DR 6.5 FT BOX 34 = QUAD CAB 4-DR 8FT BOX	ETC = 5.9L Cummins 24V Diesel Engine EWA = 8.0L V10 MPI Engine EM0 = ALL 5.9L 8 CYL ENGINES - GAS EMM = 5.9L SMPI V8 Engine EML = 5.9L V8 MPI Engine ELF = 5.2L V8 MPI Engine	DGP = 4-Spd. Automatic 47RE Transmission DD0 = ALL 5 SPEED MANUAL TRANSMISSIONS DG0 = ALL AUTOMATIC TRANSMISSIONS DDC = 5-Speed HD Manual Transmission DDP = 5-Speed Manual Transmission DDX = 5-Speed HD Manual Transmission DEE = 6-Speed HD Manual Transmission DGT = 4-Spd. Automatic 46RE Transmission

AR = use ase required - = Non illustrated part

1999 BE

**Water Pump Diesel Engine
Figure 7-225**

ITEM	PART NUMBER	QTY	LINE	SERIES	BODY	ENGINE	TRANS	TRIM	DESCRIPTION
1	04429698	1				ET0	DBB		SEAL, Water Pump To Front Cover
		1				ET0	DG0		
2	05010964AA	1				ET0	DBB		PUMP, Water
		1				ET0	DG0		
3	05003666AA	2				ET0			SCREW, Cap



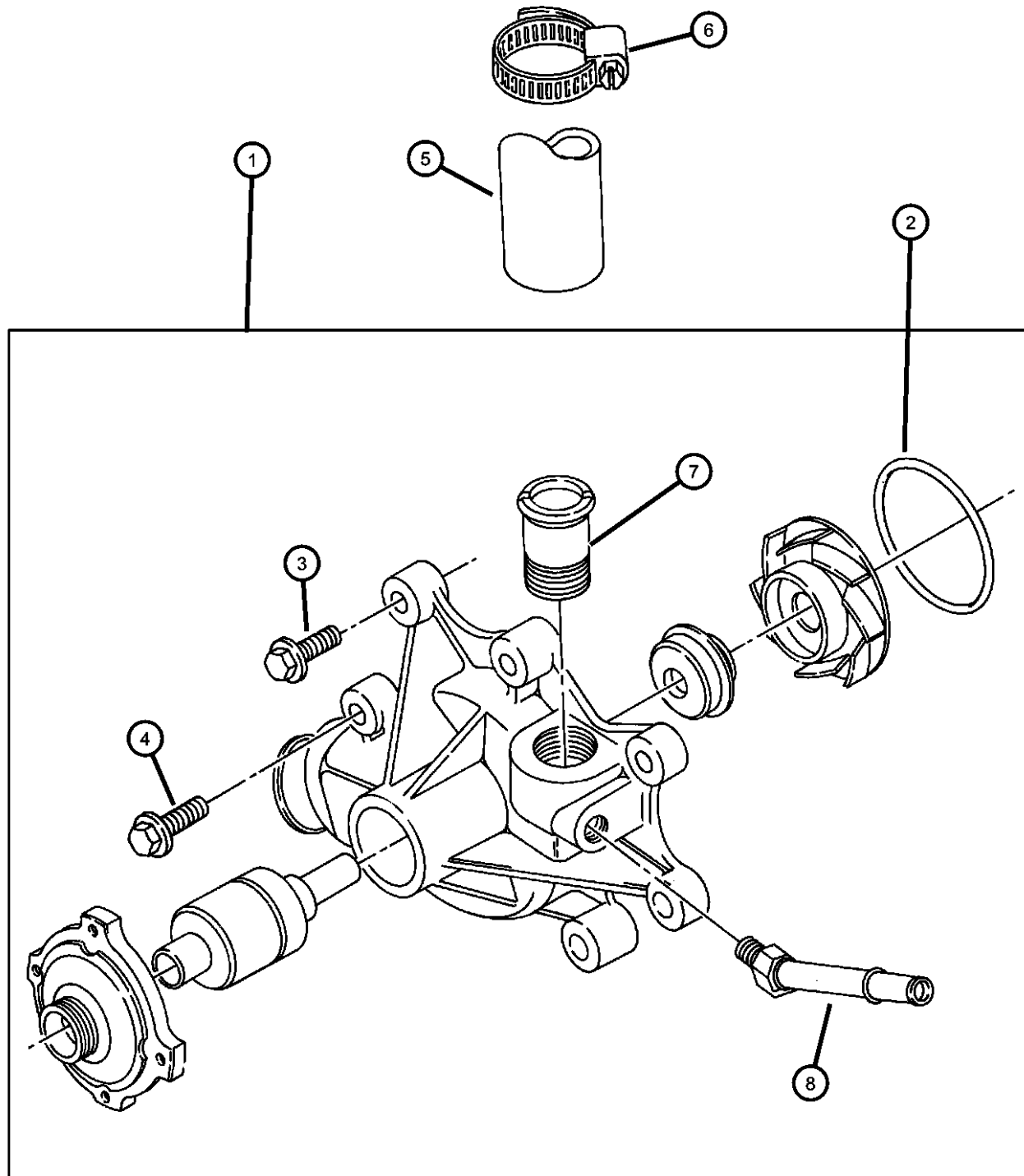
RAM PICKUP/CLUB CAB (BE)

SERIES	LINE	BODY	ENGINE	TRANSMISSION
L = RAM 1500, 2500, 3500	1 = Lt. Duty DODGE 2WD 2 = Med. Duty DODGE 2WD 3 = HD DODGE 2WD 6 = Lt. Duty DODGE 4WD 7 = Med. Duty DODGE 4WD 8 = HD DODGE 4WD	31 = CLUB CAB 2-DR 6.5 FT BOX 32 = CLUB CAB 2-DR 8FT BOX 33 = QUAD CAB 4-DR 6.5 FT BOX 34 = QUAD CAB 4-DR 8FT BOX	ETC = 5.9L Cummins 24V Diesel Engine EWA = 8.0L V10 MPI Engine EM0 = ALL 5.9L 8 CYL ENGINES - GAS EMM = 5.9L SMPI V8 Engine EML = 5.9L V8 MPI Engine ELF = 5.2L V8 MPI Engine	DGP = 4-Spd. Automatic 47RE Transmission DD0 = ALL 5 SPEED MANUAL TRANSMISSIONS DG0 = ALL AUTOMATIC TRANSMISSIONS DDC = 5-Speed HD Manual Transmission DDP = 5-Speed Manual Transmission DDX = 5-Speed HD Manual Transmission DEE = 6-Speed HD Manual Transmission DGT = 4-Spd. Automatic 46RE Transmission

AR = use ase required - = Non illustrated part

**Water Pump 8.0L Engine
Figure 7-230**

ITEM	PART NUMBER	QTY	LINE	SERIES	BODY	ENGINE	TRANS	TRIM	DESCRIPTION
1	53021074AC	1				EW0			PUMP, Water
2	53021072	1				EW0			O RING, Water Pump
3	06034279	2				EW0			SCREW AND WASHER, Hex Head Lock, .375-16x1.75
4	06034076	4				EW0			SCREW AND WASHER, Hex Head Lock, .375-16x4.45
5	53005879	1				EW0			HOSE, Water Pump Bypass
6	04401438	2				EW0			CLAMP, Radiator
7	53006046	1				EW0			NIPPLE, By-Pass
8	53041101	1				EW0			ELBOW, .375-18 Straight



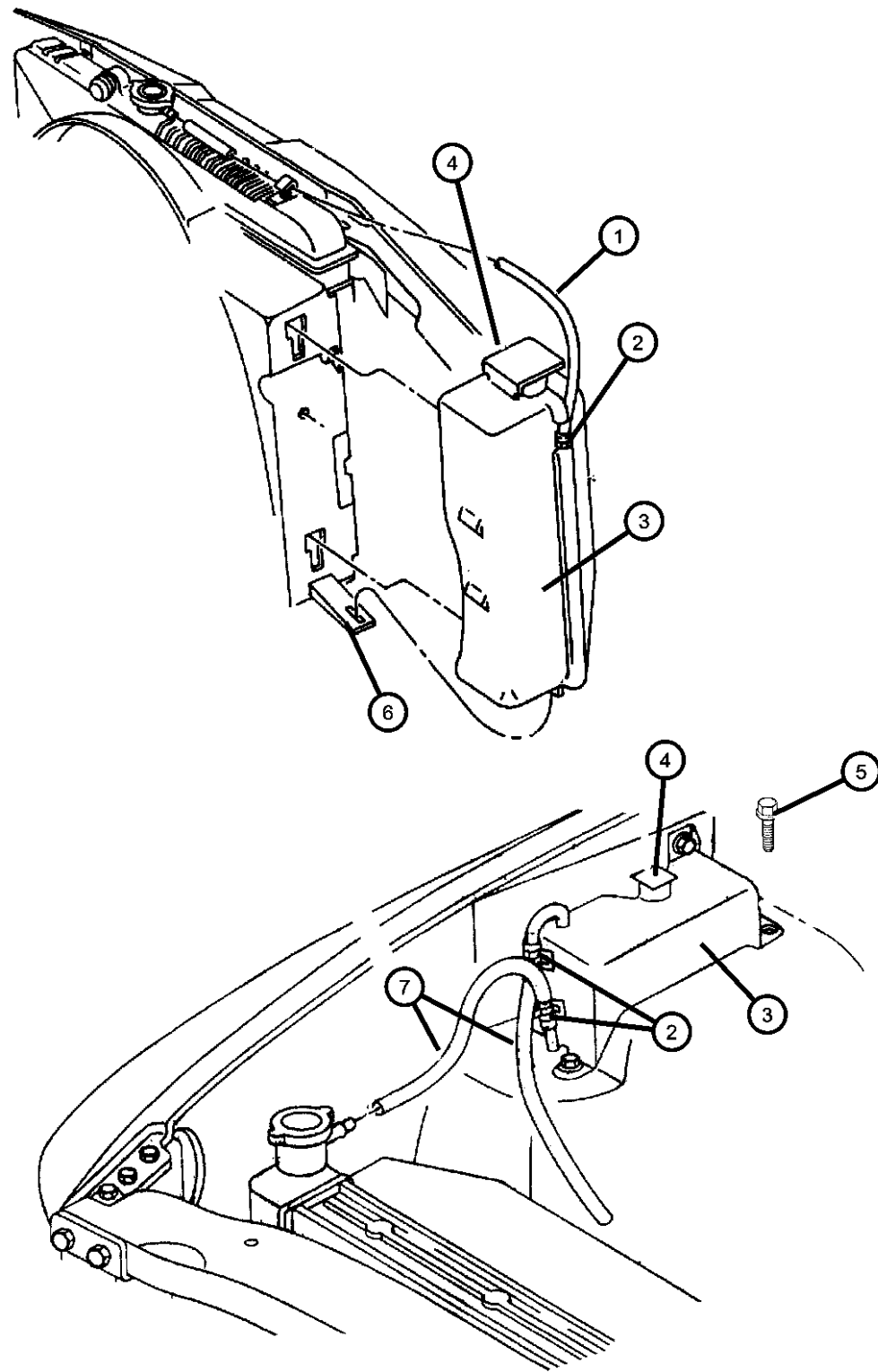
RAM PICKUP/CLUB CAB (BE)

SERIES	LINE	BODY	ENGINE	TRANSMISSION
L = RAM 1500, 2500, 3500	1 = Lt. Duty DODGE 2WD 2 = Med. Duty DODGE 2WD 3 = HD DODGE 2WD 6 = Lt. Duty DODGE 4WD 7 = Med. Duty DODGE 4WD 8 = HD DODGE 4WD	31 = CLUB CAB 2-DR 6.5 FT BOX 32 = CLUB CAB 2-DR 8FT BOX 33 = QUAD CAB 4-DR 6.5 FT BOX 34 = QUAD CAB 4-DR 8FT BOX	ETC = 5.9L Cummins 24V Diesel Engine EWA = 8.0L V10 MPI Engine EM0 = ALL 5.9L 8 CYL ENGINES - GAS EMM = 5.9L SMPI V8 Engine EML = 5.9L V8 MPI Engine ELF = 5.2L V8 MPI Engine	DGP = 4-Spd. Automatic 47RE Transmission DD0 = ALL 5 SPEED MANUAL TRANSMISSIONS DG0 = ALL AUTOMATIC TRANSMISSIONS DDC = 5-Speed HD Manual Transmission DDP = 5-Speed Manual Transmission DDX = 5-Speed HD Manual Transmission DEE = 6-Speed HD Manual Transmission DGT = 4-Spd. Automatic 46RE Transmission

AR = use ase required - = Non illustrated part

1999 BE

Coolant Tank
Figure 7-320



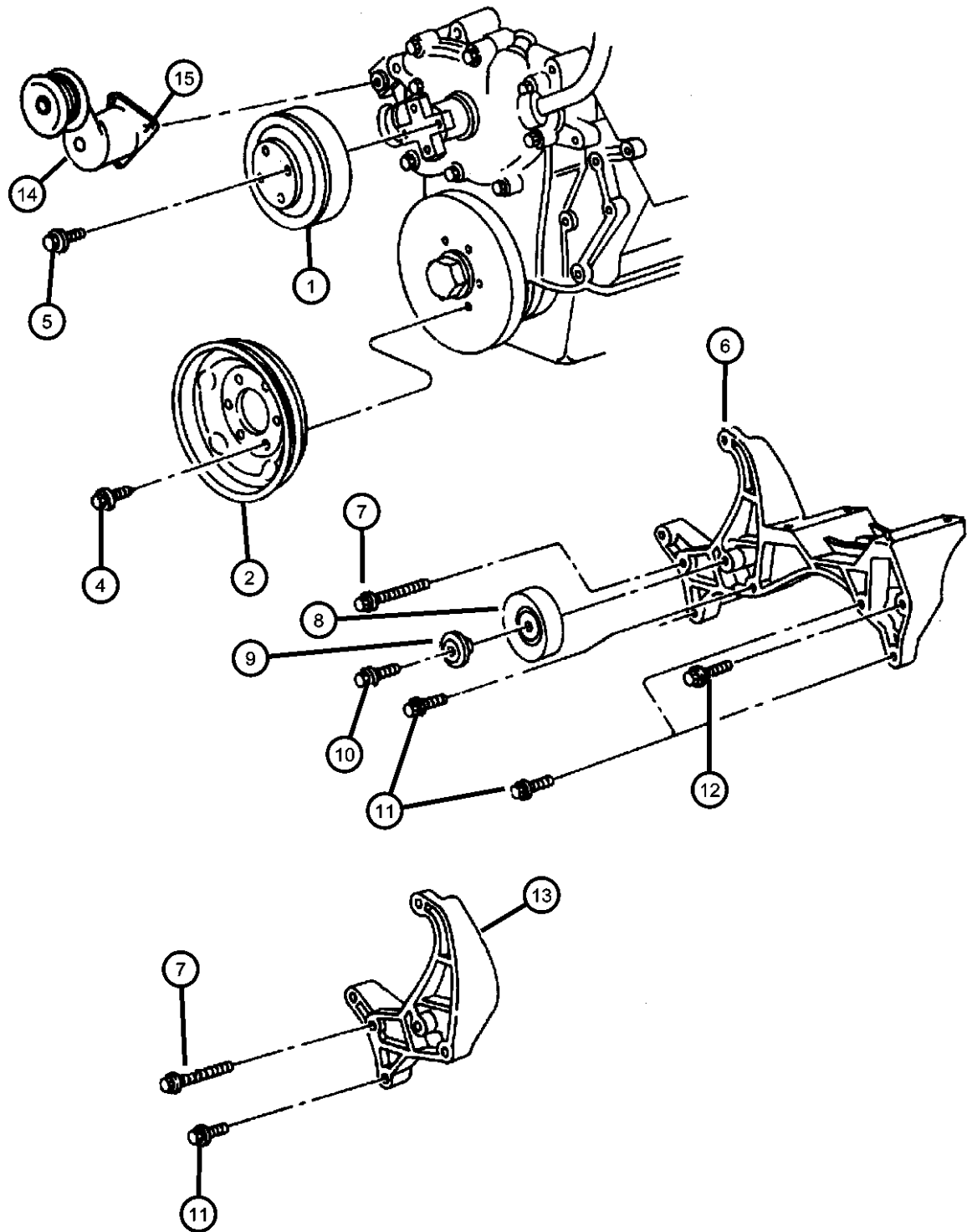
ITEM	PART NUMBER	QTY	LINE	SERIES	BODY	ENGINE	TRANS	TRIM	DESCRIPTION
1	04026148	1				EW0			HOSE, Coolant Reserve Tank
	52028147	1				ELO, EMO, ETO			
2	02448761	1				ELO, EMO, ETO EW0			CLAMP, Hose
3	52027778	1				ELO, EMO, ETO EW0			TANK, Coolant Reserve
	52028624	1				ELO, EMO, ETO EW0			
4	52028612	1				ELO, EMO, ETO EW0			CAP, Coolant Reserve Tank
5		1							SCREW, (NOT SERVICED)
6		1							BRACKET, Serviced in Radiator Shroud, (NOT SERVICED)
7	04026148	1				EW0			HOSE, Coolant Reserve Tank
	52028147	1				ELO, EMO, ETO			Rolled Stock

RAM PICKUP/CLUB CAB (BE)

SERIES	LINE	BODY	ENGINE	TRANSMISSION
L = RAM 1500, 2500, 3500	1 = Lt. Duty DODGE 2WD 2 = Med. Duty DODGE 2WD 3 = HD DODGE 2WD 6 = Lt. Duty DODGE 4WD 7 = Med. Duty DODGE 4WD 8 = HD DODGE 4WD	31 = CLUB CAB 2-DR 6.5 FT BOX 32 = CLUB CAB 2-DR 8FT BOX 33 = QUAD CAB 4-DR 6.5 FT BOX 34 = QUAD CAB 4-DR 8FT BOX	ETC = 5.9L Cummins 24V Diesel Engine EWA = 8.0L V10 MPI Engine EM0 = ALL 5.9L 8 CYL ENGINES - GAS EMM = 5.9L SMPI V8 Engine EML = 5.9L V8 MPI Engine ELF = 5.2L V8 MPI Engine	DGP = 4-Spd. Automatic 47RE Transmission DD0 = ALL 5 SPEED MANUAL TRANSMISSIONS DG0 = ALL AUTOMATIC TRANSMISSIONS DDC = 5-Speed HD Manual Transmission DDP = 5-Speed Manual Transmission DDX = 5-Speed HD Manual Transmission DEE = 6-Speed HD Manual Transmission DGT = 4-Spd. Automatic 46RE Transmission

AR = use ase required - = Non illustrated part

Drive Pulleys 5.2, 5.9 Ld. And 8.0 Engines
Figure 7-410



ITEM	PART NUMBER	QTY	LINE	SERIES	BODY	ENGINE	TRANS	TRIM	DESCRIPTION
1	52028147	1							PULLEY, Water Pump, Serviced with Pump, (NOT SERVICED), PULLEY, Crankshaft
2	53010222	1				EL0, EM0			
-3	53021284AA	1				EM0			DAMPER, Crankshaft
4	53021284AA	1							SCREW, (NOT SERVICED)
5									BOLT, Hex Head, .312-18x1.00
	00181088	10	6, 7, 8			EL0, EM0	DDP		
		10	6, 7, 8			ET0, EW0	DDX		
		10	1, 2, 3			EL0, EM0	DDP		
		10	1, 2, 3			ET0, EW0	DDX		
6	53008614	1				EL0, EM0			BRACKET, Alternator And Compressor
7									BOLT, Hex Head, .375-16x.25
	06034247	1				EL0, EM0			
		1				EW0			
8									PULLEY, Idler
	53009508	1				EL0, EM0			
		1				EW0			
9									BUSHING, Idler Pulley
	33002201	1				EL0, EM0			
		1				EW0			
10		1							BOLT, (NOT SERVICED)
11		1							BOLT, (NOT SERVICED)
12									BOLT, Hex Head, .375-16x.75
	06034246	1				EL0, EM0			
		3				EMM			
13	53008618	1				EL0, EM0			BRACKET, Alternator
14									TENSIONER, Belt
	53010158	1				EL0, EML			
		1				EMM			

RAM PICKUP/CLUB CAB (BE)

SERIES	LINE
L = RAM 1500, 2500, 3500	1 = Lt. Duty DODGE 2WD 2 = Med. Duty DODGE 2WD 3 = HD DODGE 2WD 6 = Lt. Duty DODGE 4WD 7 = Med. Duty DODGE 4WD 8 = HD DODGE 4WD

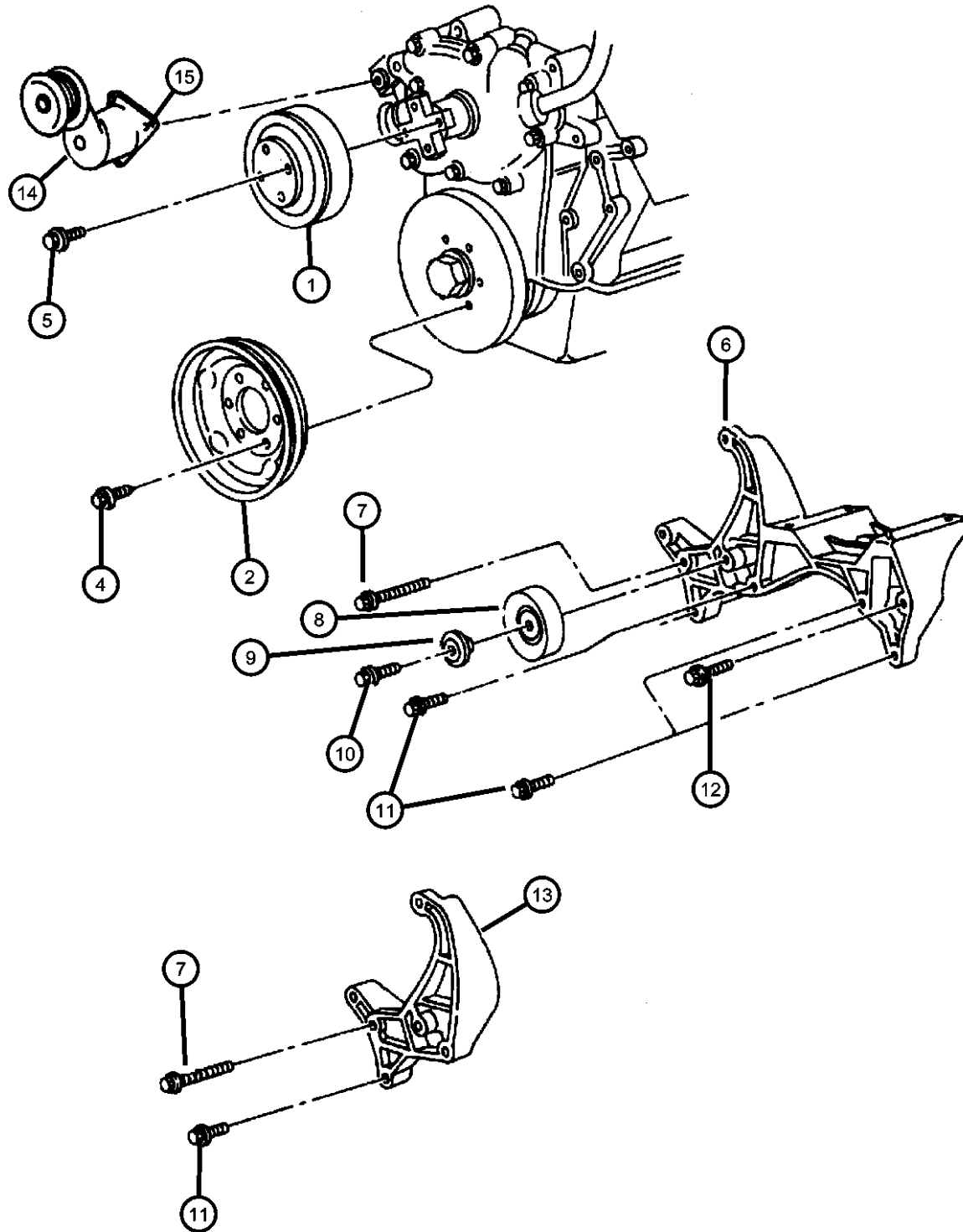
BODY	ENGINE
31 = CLUB CAB 2-DR 6.5 FT BOX 32 = CLUB CAB 2-DR 8FT BOX 33 = QUAD CAB 4-DR 6.5 FT BOX 34 = QUAD CAB 4-DR 8FT BOX	ETC = 5.9L Cummins 24V Diesel Engine EWA = 8.0L V10 MPI Engine EM0 = ALL 5.9L 8 CYL ENGINES - GAS EMM = 5.9L SMPI V8 Engine EML = 5.9L V8 MPI Engine ELF = 5.2L V8 MPI Engine

TRANSMISSION
DGP = 4-Spd. Automatic 47RE Transmission DD0 = ALL 5 SPEED MANUAL TRANSMISSIONS DG0 = ALL AUTOMATIC TRANSMISSIONS DDC = 5-Speed HD Manual Transmission DDP = 5-Speed Manual Transmission DDX = 5-Speed HD Manual Transmission DEE = 6-Speed HD Manual Transmission DGT = 4-Spd. Automatic 46RE Transmission

AR = use ase required - = Non illustrated part

Drive Pulleys 5.2, 5.9 Ld. And 8.0 Engines
Figure 7-410

ITEM	PART NUMBER	QTY	LINE	SERIES	BODY	ENGINE	TRANS	TRIM	DESCRIPTION
------	-------------	-----	------	--------	------	--------	-------	------	-------------



	53010240	1				EW0			[NAA, NAB]
	53010255	1				EW0			[NAE]
15									SCREW, Torx Socket Head Cap, .375-16x2.75
	06035198	1				EMM			
		1				EW0			

RAM PICKUP/CLUB CAB (BE)

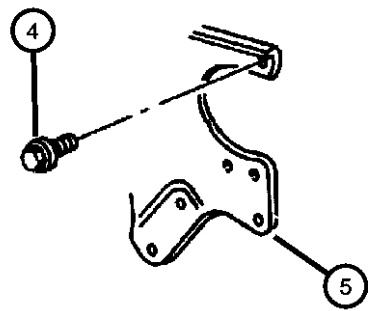
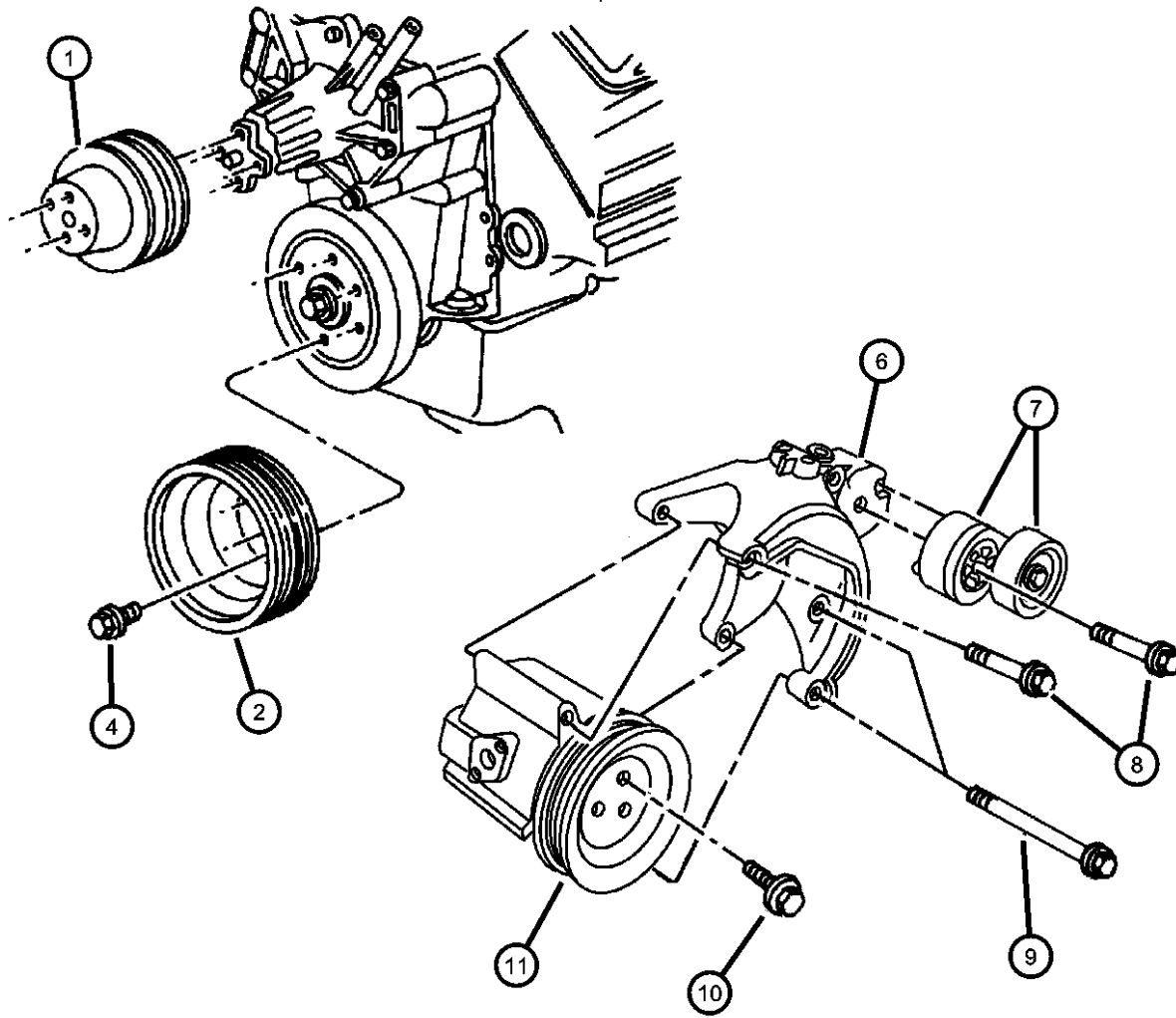
SERIES	LINE	BODY	ENGINE	TRANSMISSION
L = RAM 1500, 2500, 3500	1 = Lt. Duty DODGE 2WD 2 = Med. Duty DODGE 2WD 3 = HD DODGE 2WD 6 = Lt. Duty DODGE 4WD 7 = Med. Duty DODGE 4WD 8 = HD DODGE 4WD	31 = CLUB CAB 2-DR 6.5 FT BOX 32 = CLUB CAB 2-DR 8FT BOX 33 = QUAD CAB 4-DR 6.5 FT BOX 34 = QUAD CAB 4-DR 8FT BOX	ETC = 5.9L Cummins 24V Diesel Engine EWA = 8.0L V10 MPI Engine EM0 = ALL 5.9L 8 CYL ENGINES - GAS EMM = 5.9L SMPI V8 Engine EML = 5.9L V8 MPI Engine ELF = 5.2L V8 MPI Engine	DGP = 4-Spd. Automatic 47RE Transmission DD0 = ALL 5 SPEED MANUAL TRANSMISSIONS DG0 = ALL AUTOMATIC TRANSMISSIONS DDC = 5-Speed HD Manual Transmission DDP = 5-Speed Manual Transmission DDX = 5-Speed HD Manual Transmission DEE = 6-Speed HD Manual Transmission DGT = 4-Spd. Automatic 46RE Transmission

AR = use ase required - = Non illustrated part

1999 BE

Drive Pulleys 5.9 HD. Engine
Figure 7-420

ITEM	PART NUMBER	QTY	LINE	SERIES	BODY	ENGINE	TRANS	TRIM	DESCRIPTION
1		1							PULLEY, Water Pump, (NOT SERVICED)
2	53010222	1				EL0, EM0			PULLEY, Crankshaft
-3	53021284AA	1				EM0			DAMPER, Crankshaft
4	00181112	1					DG0		SCREW AND WASHER, .375-16x1.00
5	53008614	1				EL0, EM0			BRACKET, Alternator And Compressor
6	53008344	1				EMM			BRACKET, Air Pump And Tensioner
7	53010240	1				EMM			TENSIONER, Belt
8	06034246	3				EMM			BOLT, Hex Head, .375-16x.75
9	06034246	3							SCREW, (NOT SERVICED)
10	06501714	3				EMM			SCREW AND WASHER, Hex Head, M6x1x18
11	53008638	1				EMM			PULLEY, Air Pump



W/O A/C

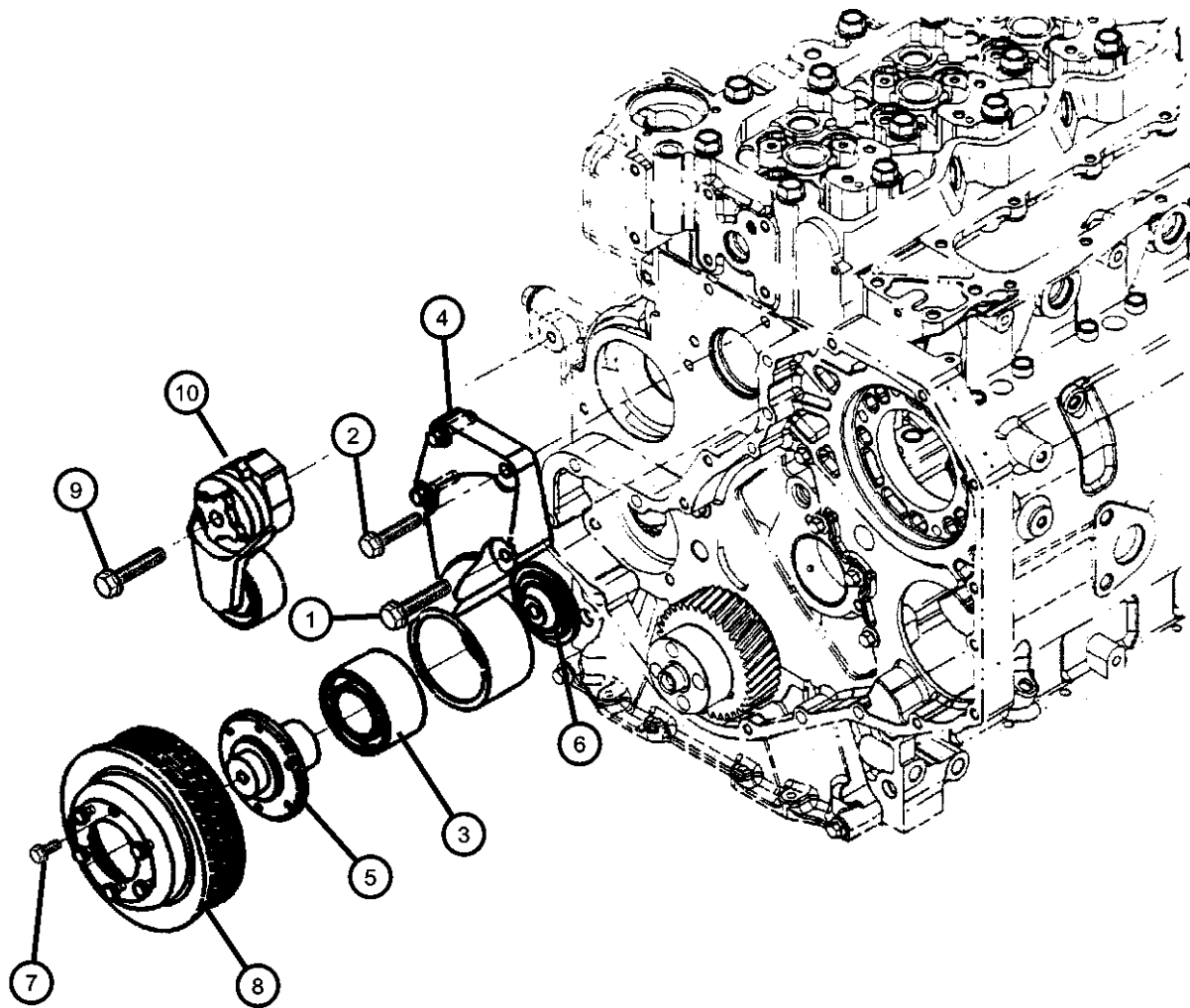
RAM PICKUP/CLUB CAB (BE)

SERIES	LINE	BODY	ENGINE	TRANSMISSION
L = RAM 1500, 2500, 3500	1 = Lt. Duty DODGE 2WD 2 = Med. Duty DODGE 2WD 3 = HD DODGE 2WD 6 = Lt. Duty DODGE 4WD 7 = Med. Duty DODGE 4WD 8 = HD DODGE 4WD	31 = CLUB CAB 2-DR 6.5 FT BOX 32 = CLUB CAB 2-DR 8FT BOX 33 = QUAD CAB 4-DR 6.5 FT BOX 34 = QUAD CAB 4-DR 8FT BOX	ETC = 5.9L Cummins 24V Diesel Engine EWA = 8.0L V10 MPI Engine EM0 = ALL 5.9L 8 CYL ENGINES - GAS EMM = 5.9L SMPI V8 Engine EML = 5.9L V8 MPI Engine ELF = 5.2L V8 MPI Engine	DGP = 4-Spd. Automatic 47RE Transmission DD0 = ALL 5 SPEED MANUAL TRANSMISSIONS DG0 = ALL AUTOMATIC TRANSMISSIONS DDC = 5-Speed HD Manual Transmission DDP = 5-Speed Manual Transmission DDX = 5-Speed HD Manual Transmission DEE = 6-Speed HD Manual Transmission DGT = 4-Spd. Automatic 46RE Transmission

AR = use ase required - = Non illustrated part

1999 BE

Drive Pulleys Diesel
Figure 7-440



ITEM	PART NUMBER	QTY	LINE	SERIES	BODY	ENGINE	TRANS	TRIM	DESCRIPTION
1	04429445	1				ET0			BOLT, Hex Head, M8
2	04429114	1				ET0			SCREW, Hex Flange Head
3	04429639	1				ET0			BEARING, Idler Pulley
4									SUPPORT, Fan
	04429660	1				ET0	DBB		
		1				ET0	DG0		
5									HUB, Fan
	04429661	1				ET0	DG0		
		1				ET0	DBB		
6									RETAINER, Fan Hub
	04882043	1				ET0	DBB		
		1				ET0	DG0		
7	04429668	6				ET0			SCREW, Cap
8									PULLEY, Fan
	04429946	1				ET0	DBB		
		1				ET0	DG0		
9	04429779	1				ET0			BOLT, Hex Head
10									TENSIONER, Belt
	04429254	1				ET0	DBB		
		1				ET0	DG0		

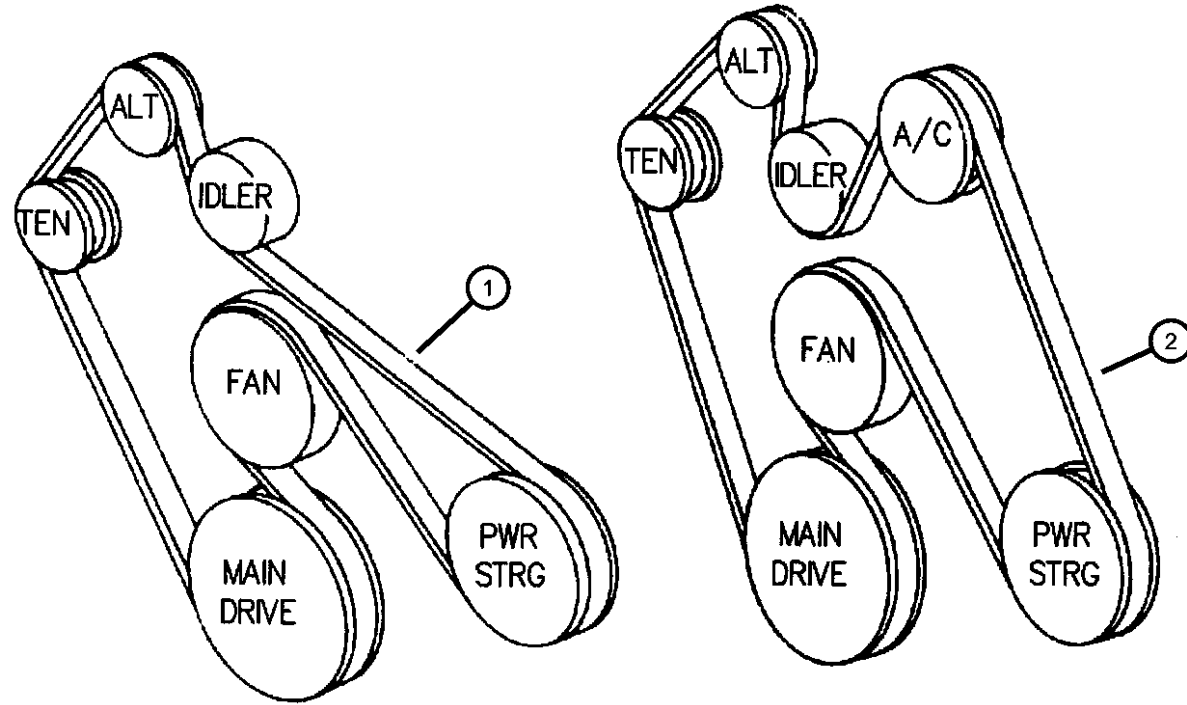
RAM PICKUP/CLUB CAB (BE)

SERIES	LINE	BODY	ENGINE	TRANSMISSION
L = RAM 1500, 2500, 3500	1 = Lt. Duty DODGE 2WD 2 = Med. Duty DODGE 2WD 3 = HD DODGE 2WD 6 = Lt. Duty DODGE 4WD 7 = Med. Duty DODGE 4WD 8 = HD DODGE 4WD	31 = CLUB CAB 2-DR 6.5 FT BOX 32 = CLUB CAB 2-DR 8FT BOX 33 = QUAD CAB 4-DR 6.5 FT BOX 34 = QUAD CAB 4-DR 8FT BOX	ETC = 5.9L Cummins 24V Diesel Engine EWA = 8.0L V10 MPI Engine EM0 = ALL 5.9L 8 CYL ENGINES - GAS EMM = 5.9L SMPI V8 Engine EML = 5.9L V8 MPI Engine ELF = 5.2L V8 MPI Engine	DGP = 4-Spd. Automatic 47RE Transmission DD0 = ALL 5 SPEED MANUAL TRANSMISSIONS DG0 = ALL AUTOMATIC TRANSMISSIONS DDC = 5-Speed HD Manual Transmission DDP = 5-Speed Manual Transmission DDX = 5-Speed HD Manual Transmission DEE = 6-Speed HD Manual Transmission DGT = 4-Spd. Automatic 46RE Transmission

AR = use ase required - = Non illustrated part

1999 BE

Drive Belts 5.2 And 5.9LD Engine
Figure 7-520



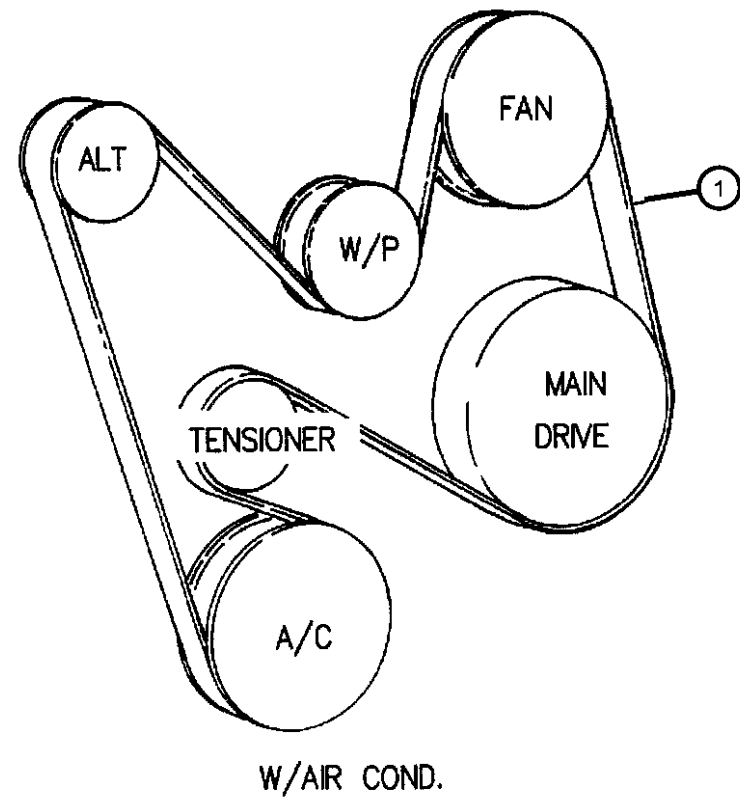
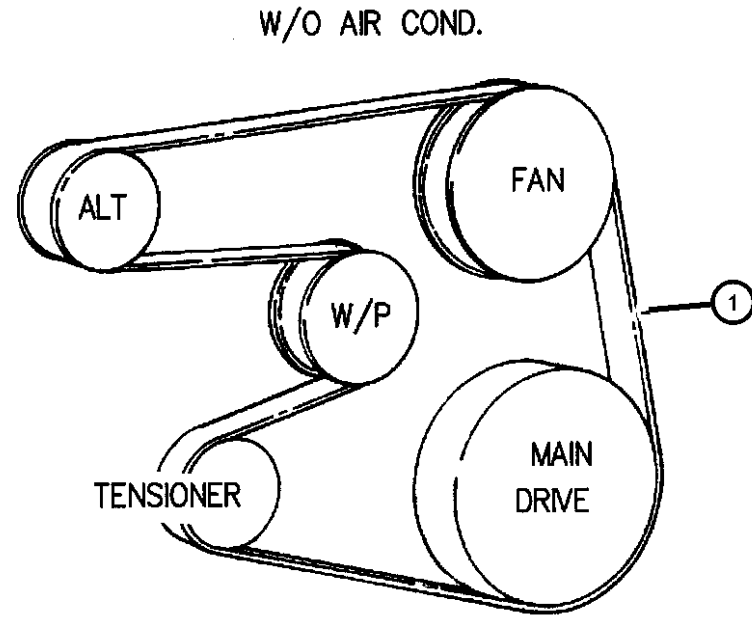
ITEM	PART NUMBER	QTY	LINE	SERIES	BODY	ENGINE	TRANS	TRIM	DESCRIPTION
1	53010304	1				EL0, EML			BELT, Accessory Drive, without Air Conditioning
	Q4070884								Mopar V-Line Alternative Part
2	53010303	1				EL0, EML			BELT, Accessory Drive, with Air Conditioning
-3	53008745	1				EL0, EML			LABEL, Belt Routing

RAM PICKUP/CLUB CAB (BE)

SERIES	LINE	BODY	ENGINE	TRANSMISSION
L = RAM 1500, 2500, 3500	1 = Lt. Duty DODGE 2WD 2 = Med. Duty DODGE 2WD 3 = HD DODGE 2WD 6 = Lt. Duty DODGE 4WD 7 = Med. Duty DODGE 4WD 8 = HD DODGE 4WD	31 = CLUB CAB 2-DR 6.5 FT BOX 32 = CLUB CAB 2-DR 8FT BOX 33 = QUAD CAB 4-DR 6.5 FT BOX 34 = QUAD CAB 4-DR 8FT BOX	ETC = 5.9L Cummins 24V Diesel Engine EWA = 8.0L V10 MPI Engine EM0 = ALL 5.9L 8 CYL ENGINES - GAS EMM = 5.9L SMPI V8 Engine EML = 5.9L V8 MPI Engine ELF = 5.2L V8 MPI Engine	DGP = 4-Spd. Automatic 47RE Transmission DD0 = ALL 5 SPEED MANUAL TRANSMISSIONS DG0 = ALL AUTOMATIC TRANSMISSIONS DDC = 5-Speed HD Manual Transmission DDP = 5-Speed Manual Transmission DDX = 5-Speed HD Manual Transmission DEE = 6-Speed HD Manual Transmission DGT = 4-Spd. Automatic 46RE Transmission

AR = use ase required - = Non illustrated part

Drive Belts Diesel Engine
Figure 7-530



ITEM	PART NUMBER	QTY	LINE	SERIES	BODY	ENGINE	TRANS	TRIM	DESCRIPTION
1	53040171	1				ET0			BELT, Accessory Drive with Air Conditioning
	53040172	1				ET0			without Air Conditioning
-2	53010177	1				ET0			LABEL, Belt Routing
-3	53040076	2				ET0			LABEL, Battery Jump Start

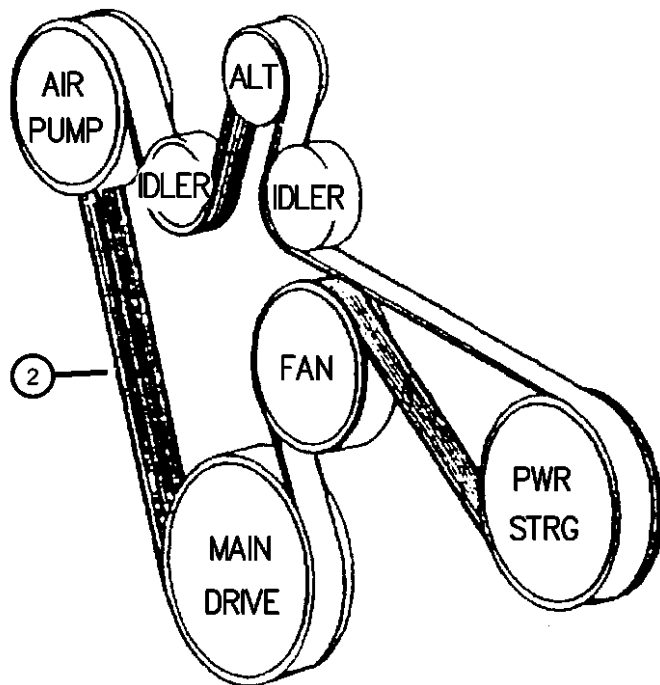
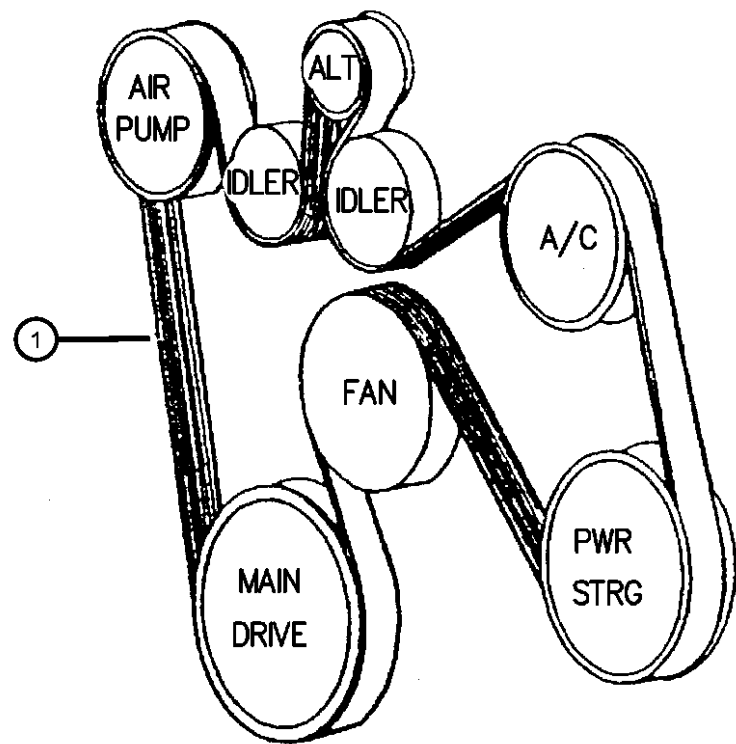
RAM PICKUP/CLUB CAB (BE)

SERIES	LINE	BODY	ENGINE	TRANSMISSION
L = RAM 1500, 2500, 3500	1 = Lt. Duty DODGE 2WD	31 = CLUB CAB 2-DR 6.5 FT BOX	ETC = 5.9L Cummins 24V Diesel Engine	DGP = 4-Spd. Automatic 47RE Transmission
	2 = Med. Duty DODGE 2WD	32 = CLUB CAB 2-DR 8FT BOX	EWA = 8.0L V10 MPI Engine	DD0 = ALL 5 SPEED MANUAL TRANSMISSIONS
	3 = HD DODGE 2WD	33 = QUAD CAB 4-DR 6.5 FT BOX	EM0 = ALL 5.9L 8 CYL ENGINES - GAS	DG0 = ALL AUTOMATIC TRANSMISSIONS
	6 = Lt. Duty DODGE 4WD	34 = QUAD CAB 4-DR 8FT BOX	EMM = 5.9L SMPI V8 Engine	DDC = 5-Speed HD Manual Transmission
	7 = Med. Duty DODGE 4WD		EML = 5.9L V8 MPI Engine	DDP = 5-Speed Manual Transmission
	8 = HD DODGE 4WD		ELF = 5.2L V8 MPI Engine	DDX = 5-Speed HD Manual Transmission
				DEE = 6-Speed HD Manual Transmission
				DGT = 4-Spd. Automatic 46RE Transmission

AR = use ase required - = Non illustrated part

1999 BE

Drive Belts 5.9 HD Engine
Figure 7-540



ITEM	PART NUMBER	QTY	LINE	SERIES	BODY	ENGINE	TRANS	TRIM	DESCRIPTION
1	53041115	1				EMM			BELT, Accessory Drive, w/Air Conditioning
2	53010308	1				EMM			BELT, Accessory Drive, w/o Air Conditioning
	Q4071037								Mopar V-Line Alternative Part
-3	53008747	1				EMM			LABEL, Belt Routing

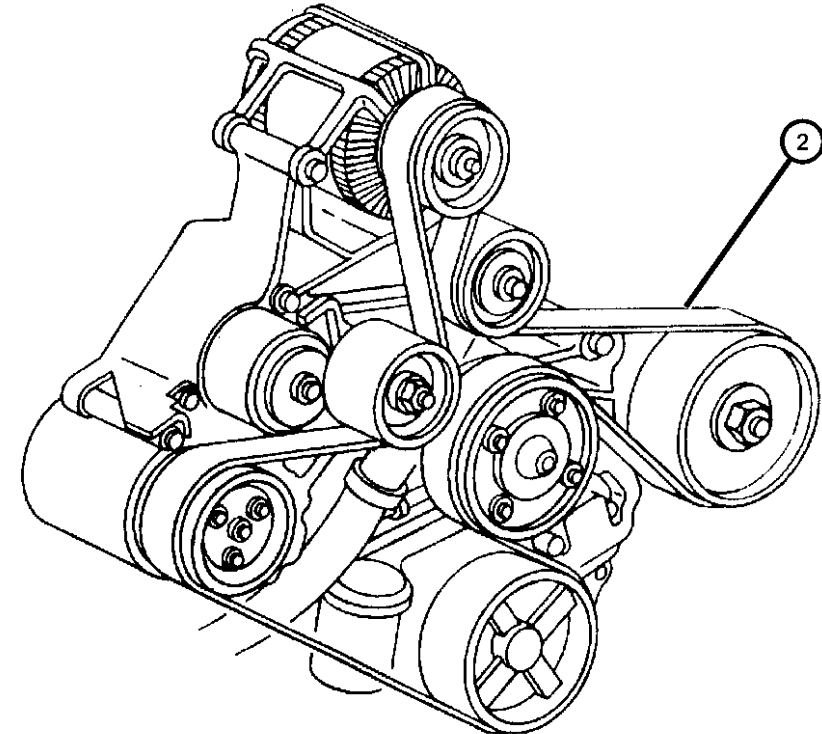
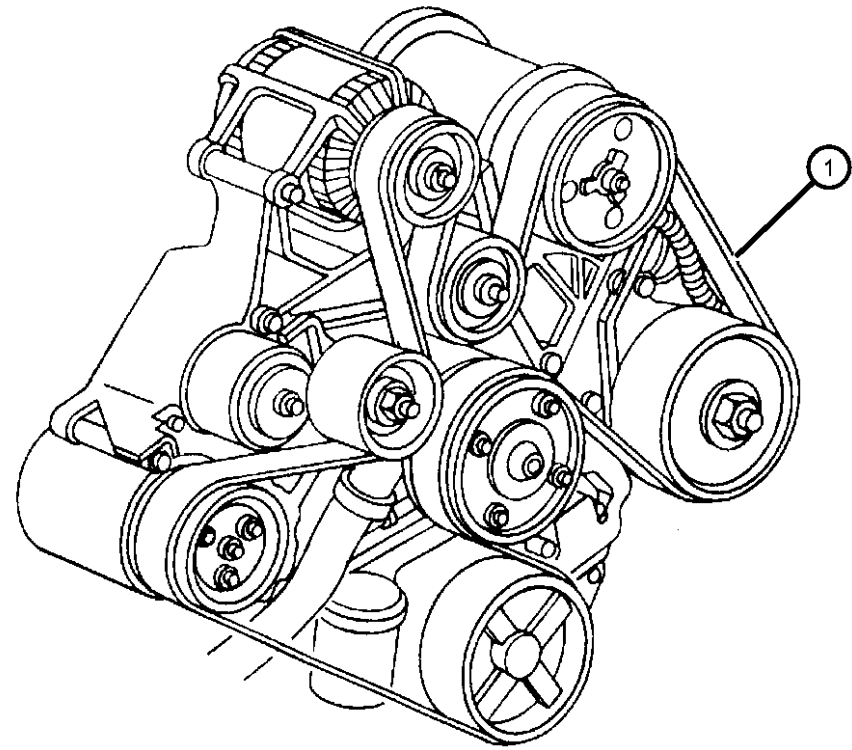
RAM PICKUP/CLUB CAB (BE)

SERIES	LINE	BODY	ENGINE	TRANSMISSION
L = RAM 1500, 2500, 3500	1 = Lt. Duty DODGE 2WD	31 = CLUB CAB 2-DR 6.5 FT BOX	ETC = 5.9L Cummins 24V Diesel Engine	DGP = 4-Spd. Automatic 47RE Transmission
	2 = Med. Duty DODGE 2WD	32 = CLUB CAB 2-DR 8FT BOX	EWA = 8.0L V10 MPI Engine	DD0 = ALL 5 SPEED MANUAL TRANSMISSIONS
	3 = HD DODGE 2WD	33 = QUAD CAB 4-DR 6.5 FT BOX	EM0 = ALL 5.9L 8 CYL ENGINES - GAS	DG0 = ALL AUTOMATIC TRANSMISSIONS
	6 = Lt. Duty DODGE 4WD	34 = QUAD CAB 4-DR 8FT BOX	EMM = 5.9L SMPI V8 Engine	DDC = 5-Speed HD Manual Transmission
	7 = Med. Duty DODGE 4WD		EML = 5.9L V8 MPI Engine	DDP = 5-Speed Manual Transmission
	8 = HD DODGE 4WD		ELF = 5.2L V8 MPI Engine	DDX = 5-Speed HD Manual Transmission
				DEE = 6-Speed HD Manual Transmission
				DGT = 4-Spd. Automatic 46RE Transmission

AR = use ase required - = Non illustrated part

1999 BE

Drive Belts 8.0 Engine
Figure 7-550



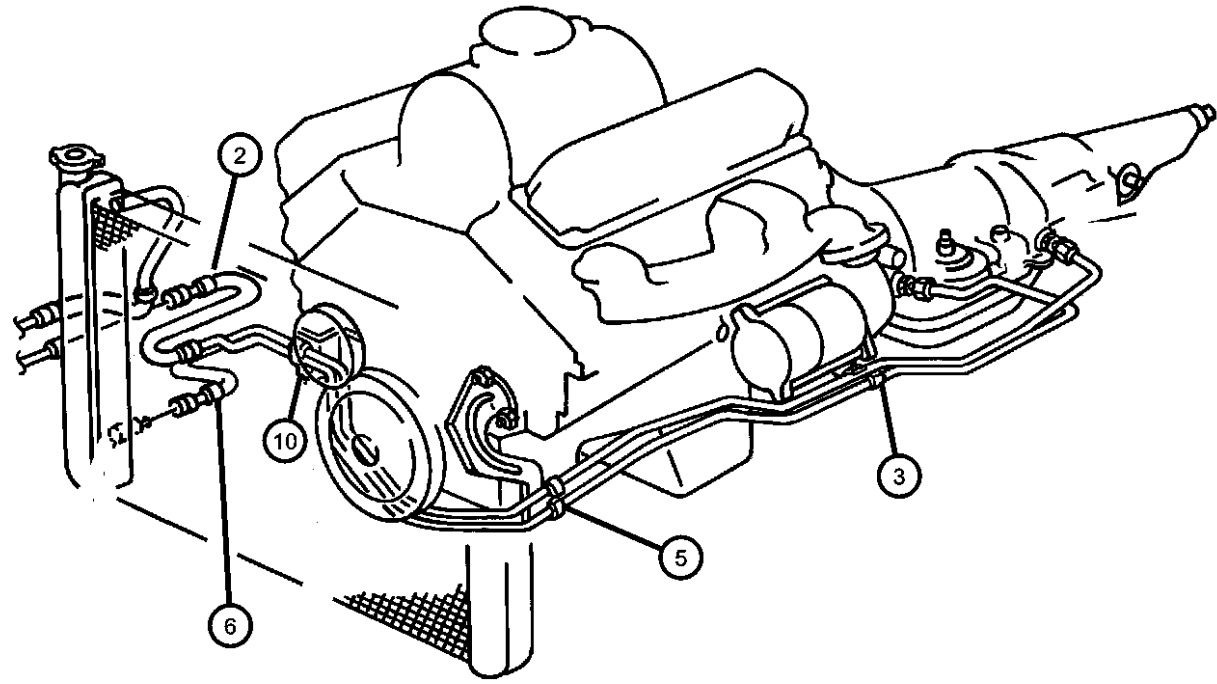
ITEM	PART NUMBER	QTY	LINE	SERIES	BODY	ENGINE	TRANS	TRIM	DESCRIPTION
1	53041115	1				EW0			BELT, Accessory Drive with Air Conditioning
	53041117	1				EW0			
	Q4071005								Mopar V-Line Alternative Part
2	53041116	1				EW0			BELT, Accessory Drive Federal, Hi Altitude, Without Air
	Q4071037								Mopar V-Line Alternative Part
	53041118	1				EW0			California Without Air
-3	53008747	1				EW0			LABEL, Belt Routing

RAM PICKUP/CLUB CAB (BE)

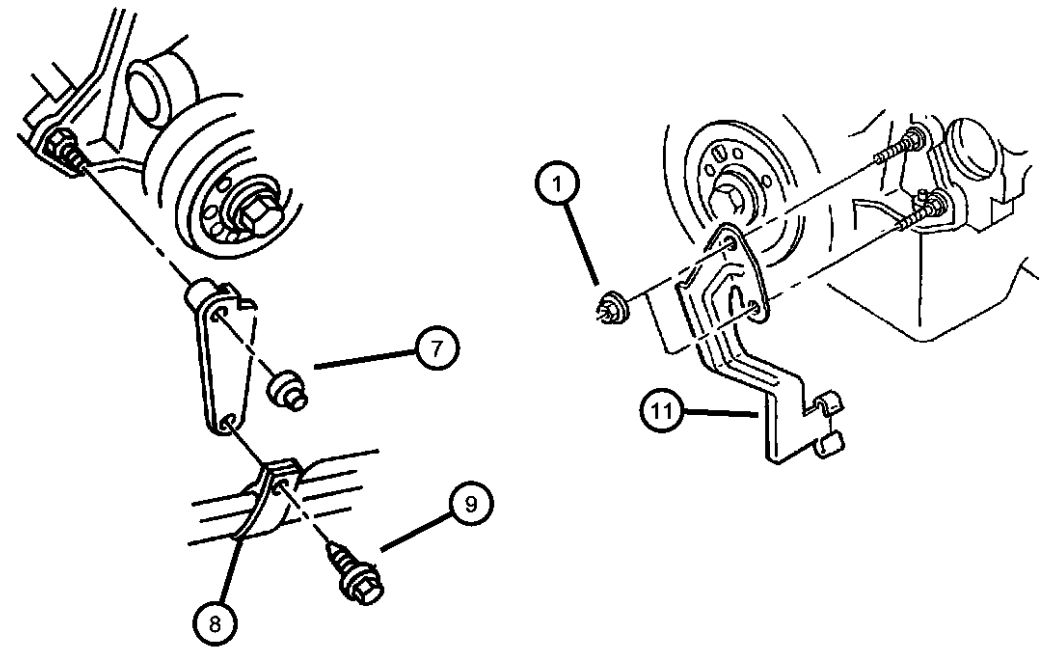
SERIES	LINE	BODY	ENGINE	TRANSMISSION
L = RAM 1500, 2500, 3500	1 = Lt. Duty DODGE 2WD	31 = CLUB CAB 2-DR 6.5 FT BOX	ETC = 5.9L Cummins 24V Diesel Engine	DGP = 4-Spd. Automatic 47RE Transmission
	2 = Med. Duty DODGE 2WD	32 = CLUB CAB 2-DR 8FT BOX	EWA = 8.0L V10 MPI Engine	DD0 = ALL 5 SPEED MANUAL TRANSMISSIONS
	3 = HD DODGE 2WD	33 = QUAD CAB 4-DR 6.5 FT BOX	EM0 = ALL 5.9L 8 CYL ENGINES - GAS	DG0 = ALL AUTOMATIC TRANSMISSIONS
	6 = Lt. Duty DODGE 4WD	34 = QUAD CAB 4-DR 8FT BOX	EMM = 5.9L SMPI V8 Engine	DDC = 5-Speed HD Manual Transmission
	7 = Med. Duty DODGE 4WD		EML = 5.9L V8 MPI Engine	DDP = 5-Speed Manual Transmission
	8 = HD DODGE 4WD		ELF = 5.2L V8 MPI Engine	DDX = 5-Speed HD Manual Transmission
				DEE = 6-Speed HD Manual Transmission
				DGT = 4-Spd. Automatic 46RE Transmission

AR = use ase required - = Non illustrated part

Oil Cooler And Lines Gas Engines
Figure 7-615



ITEM	PART NUMBER	QTY	LINE	SERIES	BODY	ENGINE	TRANS	TRIM	DESCRIPTION
1	J4006001	2				EL0, EM0	DG0		NUT, Hex Flange, .375-16
2									TUBE AND HOSE, Oil Cooler
	52028670AD	1				EL0, EM0	DGT		Pressure
	52028671AD	1				EW0	DGP		Pressure
	52028672AD	1				EW0	DGP		Return
	52028769AC	1				EL0, EM0	DGT		Return
3									BRACKET, Cooler Line
	52118483	1				EL0, EM0	DGT		
	52118484	2				EW0	DGP		
-4	00180077	1				EW0	DG0		BOLT, Hex Head, 5/16x18x3/4
5	53006015	1				EL0, EM0	DG0		BRACKET, Oil Cooler Tube
6	52028625AC	1				EL0, EM0	DGT		CONNECTOR, Oil Cooler Line, .375
7	J4006001	1				EL0, EM0			NUT, Hex Flange, .375-16
8	J4006001	1							CLIP, (NOT SERVICED)
9	J4006001	1							SCREW, (NOT SERVICED)
10	52117663AB	1					DGT		BRACKET, Oil Cooler Tube
11	53006015	1				EL0, EM0	DG0		BRACKET, Oil Cooler Tube
-12	04810001AB	1				EL0, EM0	DGT		VALVE, Oil Cooler Pressure

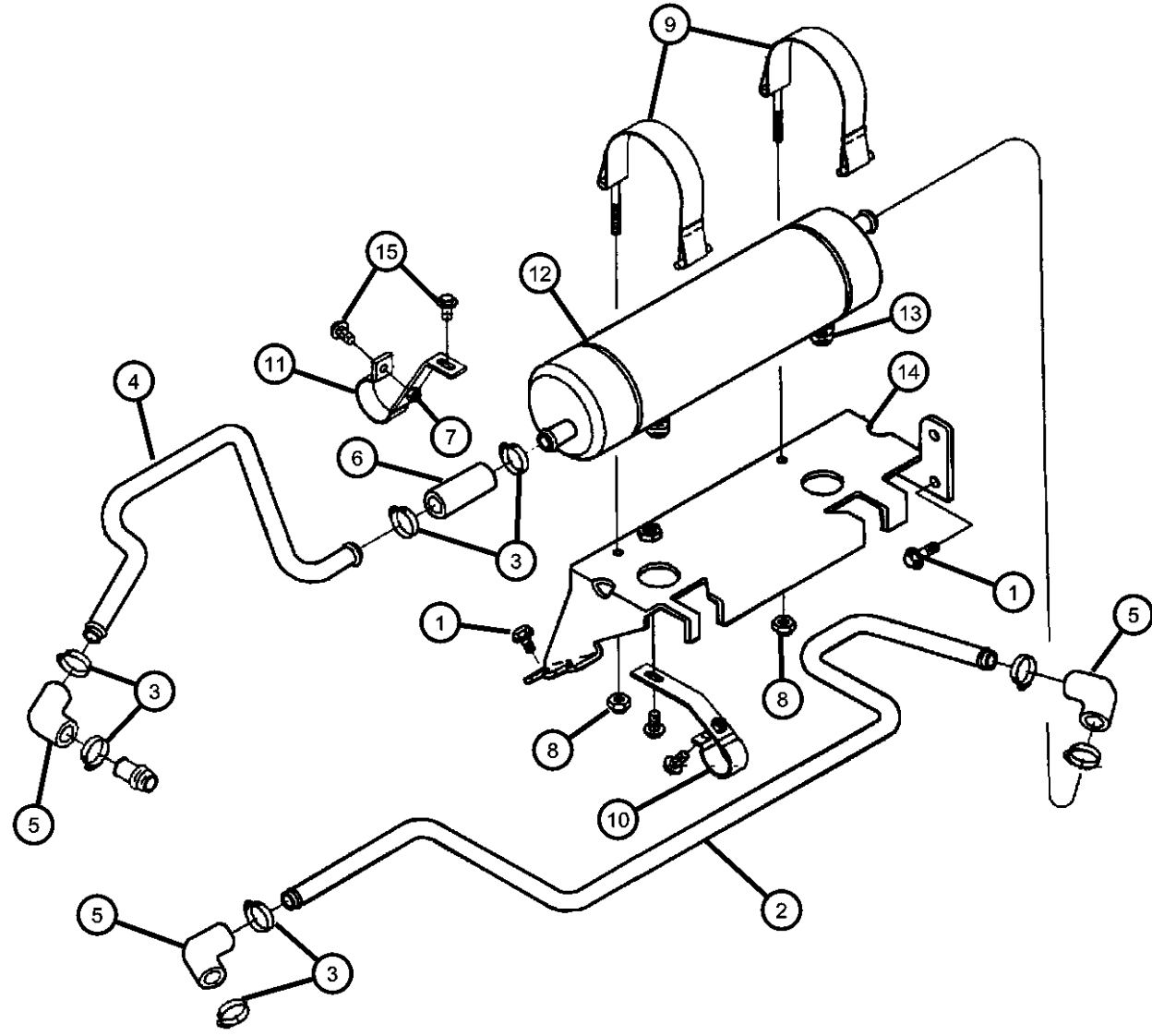


RAM PICKUP/CLUB CAB (BE)

SERIES	LINE	BODY	ENGINE	TRANSMISSION
L = RAM 1500, 2500, 3500	1 = Lt. Duty DODGE 2WD 2 = Med. Duty DODGE 2WD 3 = HD DODGE 2WD 6 = Lt. Duty DODGE 4WD 7 = Med. Duty DODGE 4WD 8 = HD DODGE 4WD	31 = CLUB CAB 2-DR 6.5 FT BOX 32 = CLUB CAB 2-DR 8FT BOX 33 = QUAD CAB 4-DR 6.5 FT BOX 34 = QUAD CAB 4-DR 8FT BOX	ETC = 5.9L Cummins 24V Diesel Engine EWA = 8.0L V10 MPI Engine EM0 = ALL 5.9L 8 CYL ENGINES - GAS EMM = 5.9L SMPI V8 Engine EML = 5.9L V8 MPI Engine ELF = 5.2L V8 MPI Engine	DGP = 4-Spd. Automatic 47RE Transmission DD0 = ALL 5 SPEED MANUAL TRANSMISSIONS DG0 = ALL AUTOMATIC TRANSMISSIONS DDC = 5-Speed HD Manual Transmission DDP = 5-Speed Manual Transmission DDX = 5-Speed HD Manual Transmission DEE = 6-Speed HD Manual Transmission DGT = 4-Spd. Automatic 46RE Transmission

AR = use ase required - = Non illustrated part

**Oil Cooler And Lines Diesel Engine
Figure 7-620**



ITEM	PART NUMBER	QTY	LINE	SERIES	BODY	ENGINE	TRANS	TRIM	DESCRIPTION
1	04429630	5				ET0			BOLT, Hex Head
2	05011918AA	1				ET0			TUBE, Oil Cooler
3	06504180	2				ET0	DG0		CLAMP, Hose
4	05014171AA	1				ET0			TUBE, Oil Cooler
5	05011405AA	2				ET0	DG0		HOSE, Oil Cooler
6	04883885AA	1				ET0			COUPLING, Hose
7	04882114	1				ET0			NUT, Lock
8	05014861AA	1				ET0			COOLER, Torque Converter
9	04883885AA	1				ET0			COUPLING, Hose
10	52027991	2				EL0, EM0	DG0		BRACKET, Oil Cooler
11	04882110	1				ET0			SCREW, Hex Head, M8x1.25x16
12	05014861AA	1				ET0			COOLER, Torque Converter
13	52028723AA	1				ET0	DG0		CONNECTOR, Oil Cooler
14	52027991	2				EL0, EM0	DG0		BRACKET, Oil Cooler
15	04882110	1				ET0			SCREW, Hex Head, M8x1.25x16

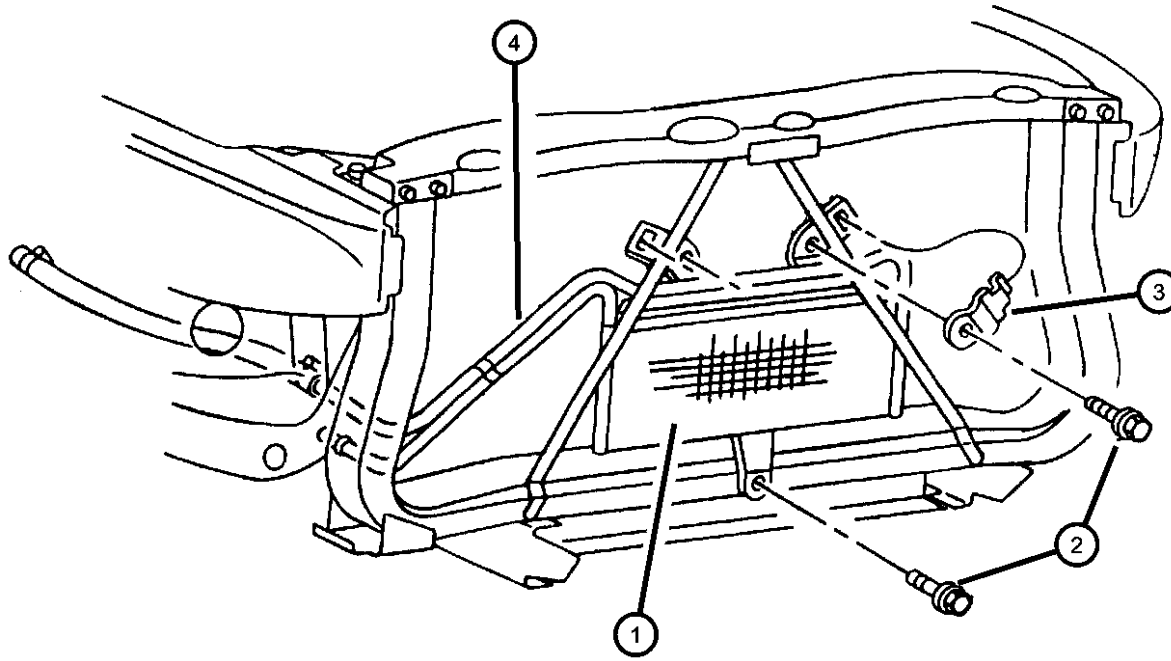
RAM PICKUP/CLUB CAB (BE)

SERIES	LINE	BODY	ENGINE	TRANSMISSION
L = RAM 1500, 2500, 3500	1 = Lt. Duty DODGE 2WD 2 = Med. Duty DODGE 2WD 3 = HD DODGE 2WD 6 = Lt. Duty DODGE 4WD 7 = Med. Duty DODGE 4WD 8 = HD DODGE 4WD	31 = CLUB CAB 2-DR 6.5 FT BOX 32 = CLUB CAB 2-DR 8FT BOX 33 = QUAD CAB 4-DR 6.5 FT BOX 34 = QUAD CAB 4-DR 8FT BOX	ETC = 5.9L Cummins 24V Diesel Engine EWA = 8.0L V10 MPI Engine EM0 = ALL 5.9L 8 CYL ENGINES - GAS EMM = 5.9L SMPI V8 Engine EML = 5.9L V8 MPI Engine ELF = 5.2L V8 MPI Engine	DGP = 4-Spd. Automatic 47RE Transmission DD0 = ALL 5 SPEED MANUAL TRANSMISSIONS DG0 = ALL AUTOMATIC TRANSMISSIONS DDC = 5-Speed HD Manual Transmission DDP = 5-Speed Manual Transmission DDX = 5-Speed HD Manual Transmission DEE = 6-Speed HD Manual Transmission DGT = 4-Spd. Automatic 46RE Transmission

AR = use ase required - = Non illustrated part

**Auxiliary Oil Cooler Gas Engines
Figure 7-650**

ITEM	PART NUMBER	QTY	LINE	SERIES	BODY	ENGINE	TRANS	TRIM	DESCRIPTION
1	04863834	1				EW0	DG0		COOLER, Transmission Oil
	52027525AB	1				EL0, EM0	DG0		
2	06502064	1				EL0, EM0			SCREW, Tapping, M6x1x20
		1				EW0			
3	52027991	2				EL0, EM0	DG0		BRACKET, Oil Cooler
4	04863830AC	1				EW0	DG0		TUBE AND HOSE, Oil Cooler
	04883317AB	1				EL0, EM0	DG0		

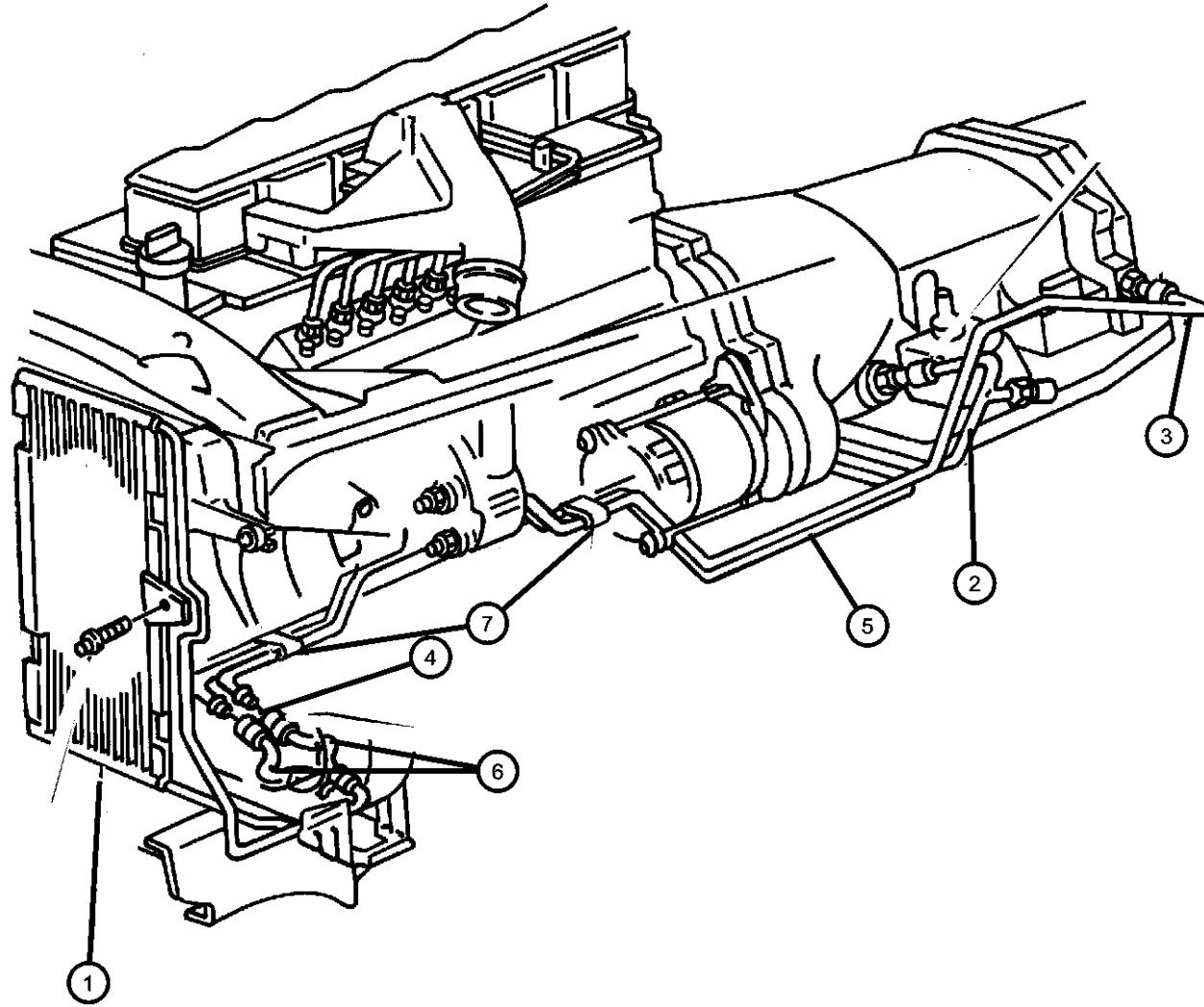


RAM PICKUP/CLUB CAB (BE)

SERIES	LINE	BODY	ENGINE	TRANSMISSION
L = RAM 1500, 2500, 3500	1 = Lt. Duty DODGE 2WD 2 = Med. Duty DODGE 2WD 3 = HD DODGE 2WD 6 = Lt. Duty DODGE 4WD 7 = Med. Duty DODGE 4WD 8 = HD DODGE 4WD	31 = CLUB CAB 2-DR 6.5 FT BOX 32 = CLUB CAB 2-DR 8FT BOX 33 = QUAD CAB 4-DR 6.5 FT BOX 34 = QUAD CAB 4-DR 8FT BOX	ETC = 5.9L Cummins 24V Diesel Engine EWA = 8.0L V10 MPI Engine EM0 = ALL 5.9L 8 CYL ENGINES - GAS EMM = 5.9L SMPI V8 Engine EML = 5.9L V8 MPI Engine ELF = 5.2L V8 MPI Engine	DGP = 4-Spd. Automatic 47RE Transmission DD0 = ALL 5 SPEED MANUAL TRANSMISSIONS DG0 = ALL AUTOMATIC TRANSMISSIONS DDC = 5-Speed HD Manual Transmission DDP = 5-Speed Manual Transmission DDX = 5-Speed HD Manual Transmission DEE = 6-Speed HD Manual Transmission DGT = 4-Spd. Automatic 46RE Transmission

AR = use ase required - = Non illustrated part

**Auxiliary Oil Cooler Diesel Engine
Figure 7-660**



ITEM	PART NUMBER	QTY	LINE	SERIES	BODY	ENGINE	TRANS	TRIM	DESCRIPTION
1	52028574AB	1				ET0	DG0		COOLER, Transmission Oil
2	52028732AC	1				ET0	DGP		TUBE, Oil Cooler
3	52028673	1				ET0	DGP		TUBE AND HOSE, Oil Cooler
4	52028467AB	2				ET0	DG0		CONNECTOR, Oil Cooler Tube, .50 Toc
5	52028633	1				ET0	DGP		TUBE, Oil Cooler
6									HOSE AND CONNECTOR, Oil Cooler
	04798875AB	1				ET0	DG0		Return
	04798876AB	1				ET0	DG0		Pressure
7	52028680	2				ET0	DG0		CLIP

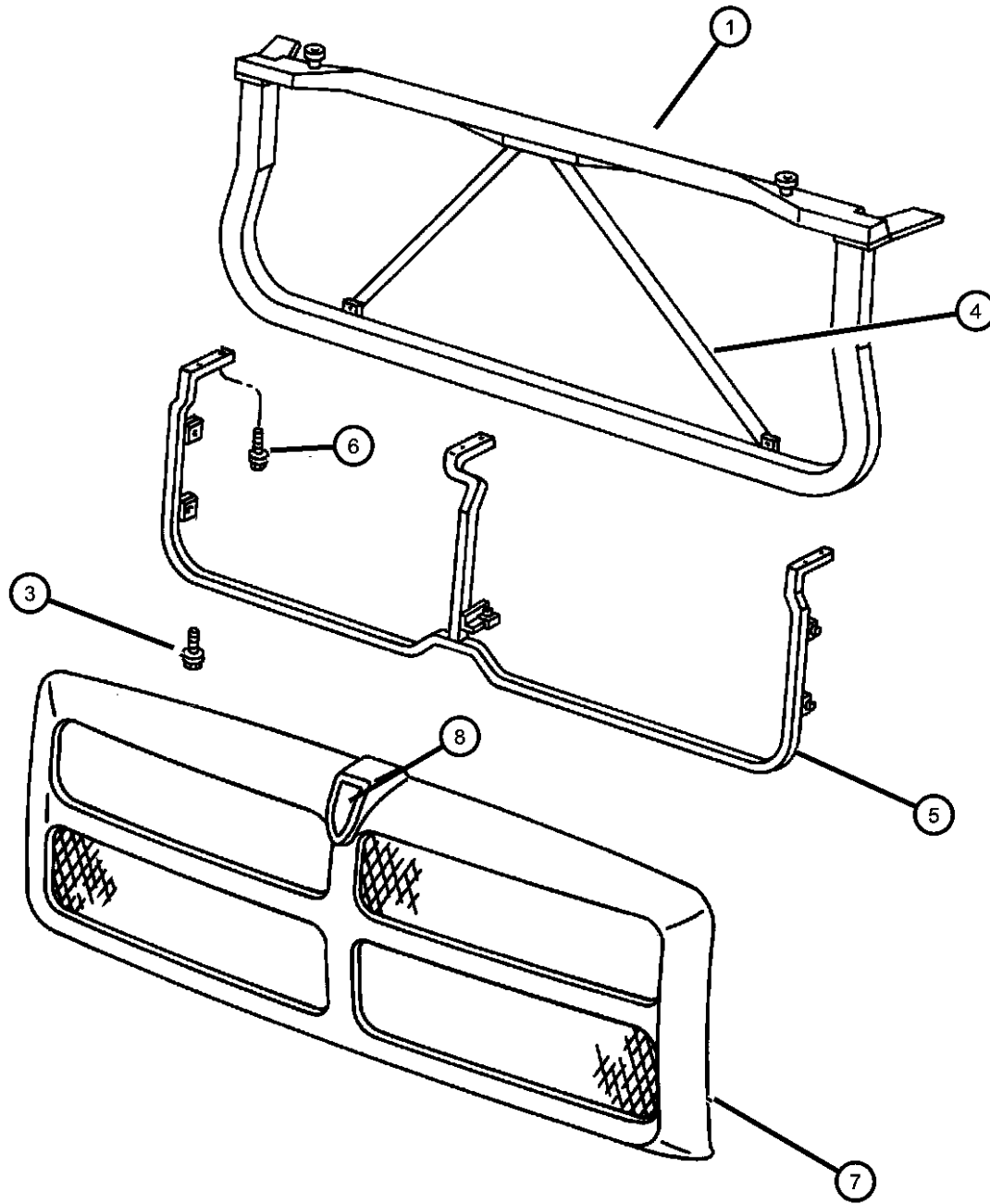
RAM PICKUP/CLUB CAB (BE)

SERIES	LINE	BODY	ENGINE	TRANSMISSION
L = RAM 1500, 2500, 3500	1 = Lt. Duty DODGE 2WD	31 = CLUB CAB 2-DR 6.5 FT BOX	ETC = 5.9L Cummins 24V Diesel Engine	DGP = 4-Spd. Automatic 47RE Transmission
	2 = Med. Duty DODGE 2WD	32 = CLUB CAB 2-DR 8FT BOX	EWA = 8.0L V10 MPI Engine	DD0 = ALL 5 SPEED MANUAL TRANSMISSIONS
	3 = HD DODGE 2WD	33 = QUAD CAB 4-DR 6.5 FT BOX	EM0 = ALL 5.9L 8 CYL ENGINES - GAS	DG0 = ALL AUTOMATIC TRANSMISSIONS
	6 = Lt. Duty DODGE 4WD	34 = QUAD CAB 4-DR 8FT BOX	EMM = 5.9L SMPI V8 Engine	DDC = 5-Speed HD Manual Transmission
	7 = Med. Duty DODGE 4WD		EML = 5.9L V8 MPI Engine	DDP = 5-Speed Manual Transmission
	8 = HD DODGE 4WD		ELF = 5.2L V8 MPI Engine	DDX = 5-Speed HD Manual Transmission
				DEE = 6-Speed HD Manual Transmission
				DGT = 4-Spd. Automatic 46RE Transmission

AR = use ase required - = Non illustrated part

**Grille And Related Parts
Figure 7-720**

ITEM	PART NUMBER	QTY	LINE	SERIES	BODY	ENGINE	TRANS	TRIM	DESCRIPTION
1	55275412AB	1							CLOSURE, Radiator Upper
	55275413AB	1							Lower
-2	55235112	1							TAPPING PLATE, Hood Latch
3	55235112	1							SCREW, (NOT SERVICED)
4	55234644	1							CROSS BRACE, Radiator
5									BRACKET, Radiator Grille
	55076476AB	1							With Chrome Grille [MFD]
	55076867AB	1							With Body Color Grille [MFN]
6	06504288	6							SCREW AND WASHER, Hex Head
7									GRILLE, Radiator
	0QR33DX8AD	1							Black
	0QR33GW7AD	1							White
	0QR33PR4AD	1							Red
	0QR33SG8AD	1							Green
	0QR33VB3AD	1							Blue
	0QR33VY-HAD	1							Yellow
	55076550AB	1							Chrome
8	55295240	1							MEDALLION, Hood, Rams Head



RAM PICKUP/CLUB CAB (BE)

SERIES	LINE	BODY	ENGINE	TRANSMISSION
L = RAM 1500, 2500, 3500	1 = Lt. Duty DODGE 2WD 2 = Med. Duty DODGE 2WD 3 = HD DODGE 2WD 6 = Lt. Duty DODGE 4WD 7 = Med. Duty DODGE 4WD 8 = HD DODGE 4WD	31 = CLUB CAB 2-DR 6.5 FT BOX 32 = CLUB CAB 2-DR 8FT BOX 33 = QUAD CAB 4-DR 6.5 FT BOX 34 = QUAD CAB 4-DR 8FT BOX	ETC = 5.9L Cummins 24V Diesel Engine EWA = 8.0L V10 MPI Engine EM0 = ALL 5.9L 8 CYL ENGINES - GAS EMM = 5.9L SMPI V8 Engine EML = 5.9L V8 MPI Engine ELF = 5.2L V8 MPI Engine	DGP = 4-Spd. Automatic 47RE Transmission DD0 = ALL 5 SPEED MANUAL TRANSMISSIONS DG0 = ALL AUTOMATIC TRANSMISSIONS DDC = 5-Speed HD Manual Transmission DDP = 5-Speed Manual Transmission DDX = 5-Speed HD Manual Transmission DEE = 6-Speed HD Manual Transmission DGT = 4-Spd. Automatic 46RE Transmission

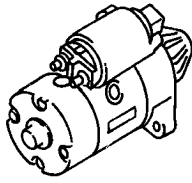
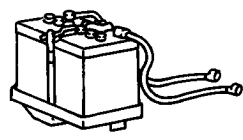
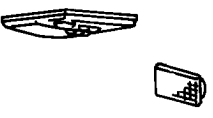
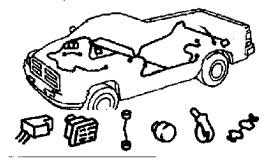


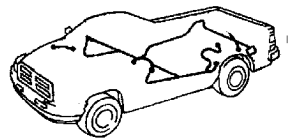
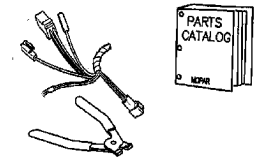
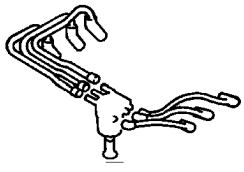
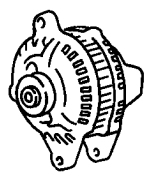
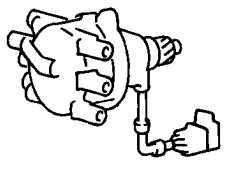
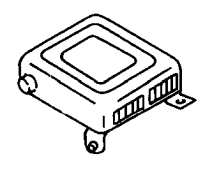
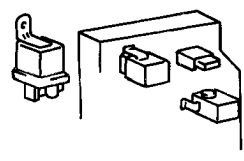
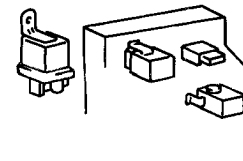
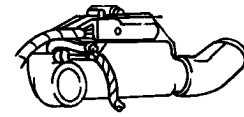
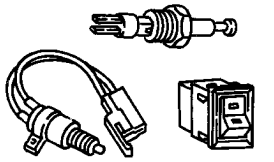
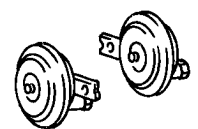
AR = use ase required - = Non illustrated part

1999 BE

Group - 8

Electrical

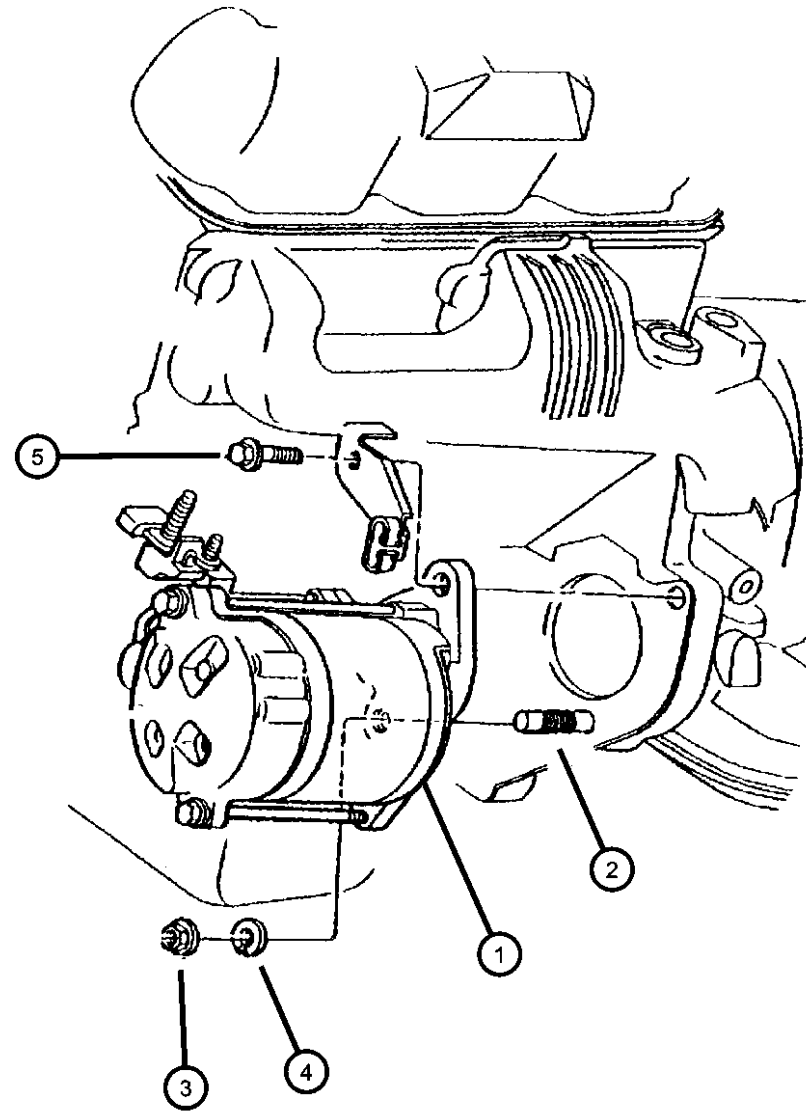
ELECTRICAL

<p>008-100 Starters</p> 	<p>008-1000 Battery Tray and Cables</p> 	<p>008-1100 Lamps - Front, Rear and Courtesy</p> 	<p>008-1200 Wiring-Engine & Related Parts</p> 
<p>008-1300 Wiring-Headlamp to Dash</p> 	<p>008-1400 Wiring-Instrument Panel</p> 	<p>008-1500 Wiring-Body & Accessories</p> 	<p>008-1600 Wiring Repair</p> 
<p>008-1900 Spark Plugs-Cables-Coils</p> 	<p>008-200 Alternators</p> 	<p>008-300 Distributor</p> 	<p>008-400 Modules</p> 
<p>008-500 Relays</p> 	<p>008-600 Sensors</p> 	<p>008-700 Single Board Engine Controllers</p> 	<p>008-800 Switches</p> 
<p>008-900 Horns</p> 			

Group - 8 Electrical

Illustration Title	Group-Fig. No.
Starters	
Starter & Mounting	Fig. 8 - 105
Starter & Mounting Diesel Engine.....	Fig. 8 - 110
Alternators	
Alternator & Mounting 5.2L & 5.9L Engines.....	Fig. 8 - 205
Alternator & Mounting 8.0L Engine	Fig. 8 - 215
Alternator & Mounting Diesel Engines.....	Fig. 8 - 220
Distributor	
Distributors.....	Fig. 8 - 305
Modules	
Modules.....	Fig. 8 - 420
Relays	
Junction Block Relays and Fuses.....	Fig. 8 - 520
Sensors	
Sensors Engine Gas.....	Fig. 8 - 605
Sensors Engine Diesel.....	Fig. 8 - 610
Sensors Drivetrain	Fig. 8 - 615
Sensors Body.....	Fig. 8 - 620
Single Board Engine Controllers	
Single Board Engine Controllers (JTEC Modules).....	Fig. 8 - 720
Switches	
Switches	Fig. 8 - 820
Horns	
Horns & Bracket.....	Fig. 8 - 910
Battery Tray and Cables	
Battery Tray & Cables	Fig. 8 - 1020
Lamps - Front, Rear and Courtesy	
Lamp-Front End.....	Fig. 8 - 1160
Lamp-Rear End	Fig. 8 - 1170
Lamp-Dome-Courtesy-Reading.....	Fig. 8 - 1180
Bulbs & Sockets.....	Fig. 8 - 1195
Wiring-Engine & Related Parts	
Wiring-Engine	Fig. 8 - 1220
Wiring Engine (Diesel).....	Fig. 8 - 1225
Wiring-Headlamp to Dash	
Wiring-Headlamp / Dash.....	Fig. 8 - 1320
Wiring-Instrument Panel	
Wiring-Instrument Panel.....	Fig. 8 - 1420
Wiring-Body & Accessories	
Wiring-Body & Accessory.....	Fig. 8 - 1520
Wiring Repair	
Wiring Repair.....	Fig. 8 - 1605
Spark Plugs-Cables-Coils	
Spark Plugs-Cables-Coils	Fig. 8 - 1905

**Starter & Mounting
Figure 8-105**



V6-V8-V10

ITEM	PART NUMBER	QTY	LINE	SERIES	BODY	ENGINE	TRANS	TRIM	DESCRIPTION
ELF=Magnum 5.2L SMPI Engine EM0=5.9L Engine EW0=8.0L Engine									
1									STARTER
	56027702AC	1				ELF, EM0			
	56027703AC	1				EW0			
2	06035606	1				ELF, EM0			STUD, .437-14/.437-20x2.00
3	00271506	1				ELF, EM0			NUT, Hex, .42-20
4	00271506	1							WASHER, (NOT SERVICED)
5									SCREW AND WASHER, Hex Head, .437-14x1.50
	06035604	1				ELF, EM0			
		2				EW0			

RAM PICKUP/CLUB CAB (BE)

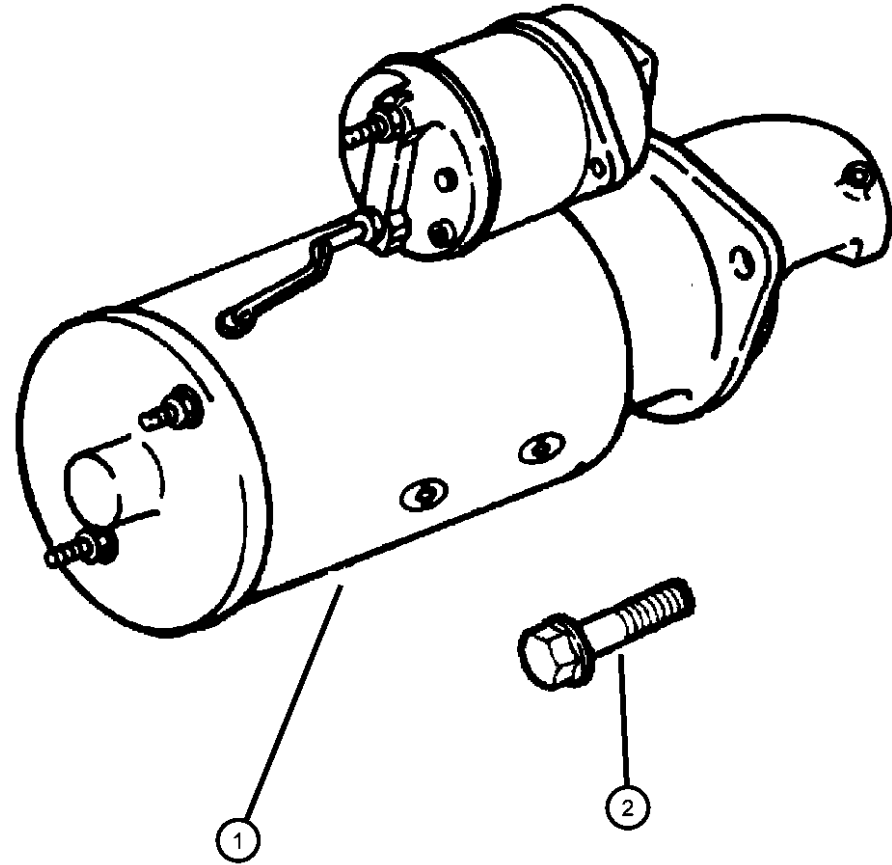
SERIES	LINE	BODY	ENGINE	TRANSMISSION
L = RAM 1500, 2500, 3500	1 = Lt. Duty DODGE 2WD 2 = Med. Duty DODGE 2WD 3 = HD DODGE 2WD 6 = Lt. Duty DODGE 4WD 7 = Med. Duty DODGE 4WD 8 = HD DODGE 4WD	31 = CLUB CAB 2-DR 6.5 FT BOX 32 = CLUB CAB 2-DR 8FT BOX 33 = QUAD CAB 4-DR 6.5 FT BOX 34 = QUAD CAB 4-DR 8FT BOX	ETC = 5.9L Cummins 24V Diesel Engine EWA = 8.0L V10 MPI Engine EM0 = ALL 5.9L 8 CYL ENGINES - GAS EMM = 5.9L SMPI V8 Engine EML = 5.9L V8 MPI Engine ELF = 5.2L V8 MPI Engine	DGP = 4-Spd. Automatic 47RE Transmission DD0 = ALL 5 SPEED MANUAL TRANSMISSIONS DG0 = ALL AUTOMATIC TRANSMISSIONS DDC = 5-Speed HD Manual Transmission DDP = 5-Speed Manual Transmission DDX = 5-Speed HD Manual Transmission DEE = 6-Speed HD Manual Transmission DGT = 4-Spd. Automatic 46RE Transmission

AR = use ase required - = Non illustrated part

1999 BE

**Starter & Mounting Diesel Engine
Figure 8-110**

ITEM	PART NUMBER	QTY	LINE	SERIES	BODY	ENGINE	TRANS	TRIM	DESCRIPTION
ET0=5.9L Turbo Diesel Engine DBB=Manual Transmisson DG0=Automatic Transmission									
1									STARTER
	R4741012	1				ET0	DBB		
		1				ET0	DG0		
2	04429834	3				ET0			SCREW, Starter Motor



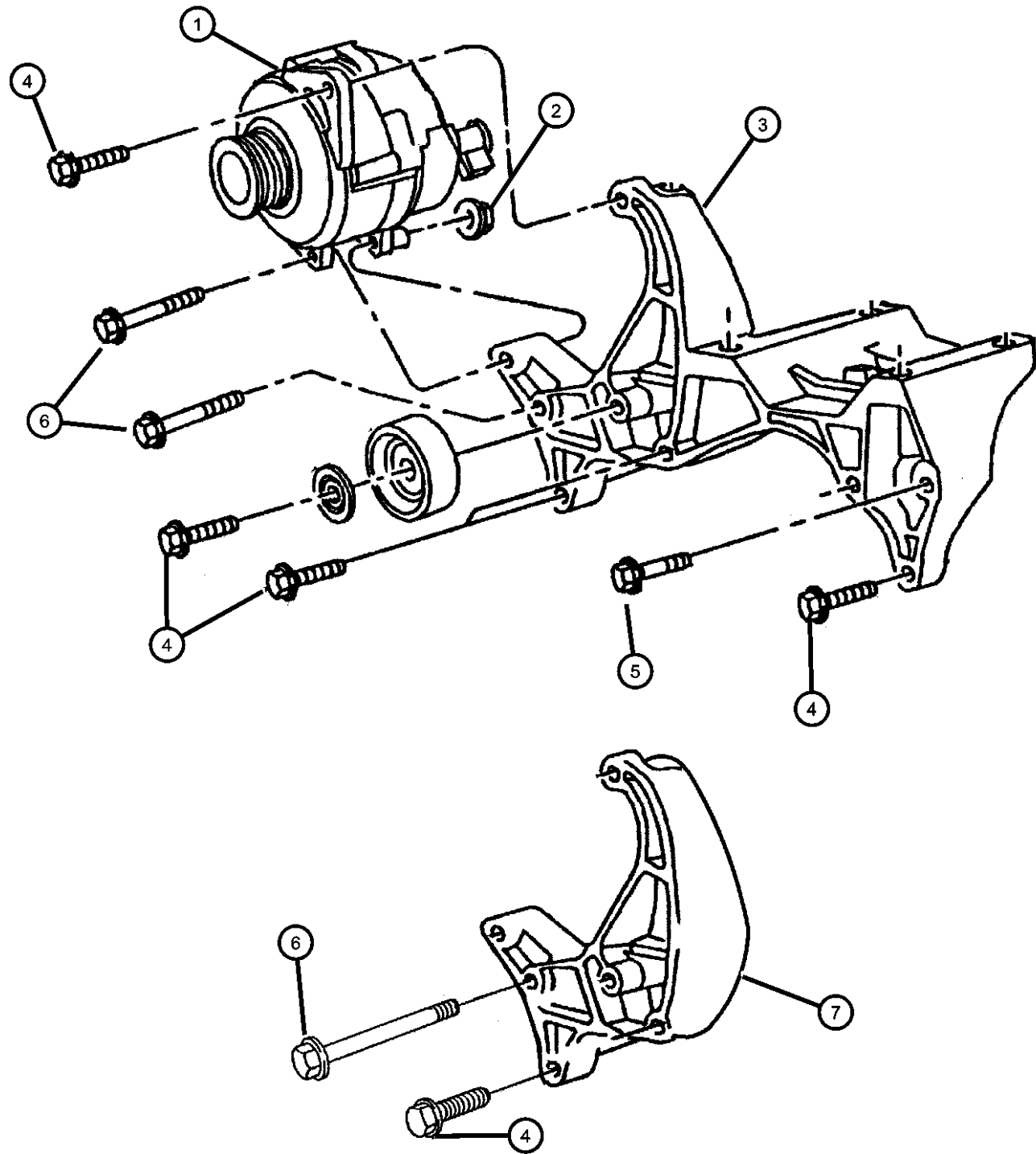
RAM PICKUP/CLUB CAB (BE)

SERIES	LINE	BODY	ENGINE	TRANSMISSION
L = RAM 1500, 2500, 3500	1 = Lt. Duty DODGE 2WD 2 = Med. Duty DODGE 2WD 3 = HD DODGE 2WD 6 = Lt. Duty DODGE 4WD 7 = Med. Duty DODGE 4WD 8 = HD DODGE 4WD	31 = CLUB CAB 2-DR 6.5 FT BOX 32 = CLUB CAB 2-DR 8FT BOX 33 = QUAD CAB 4-DR 6.5 FT BOX 34 = QUAD CAB 4-DR 8FT BOX	ETC = 5.9L Cummins 24V Diesel Engine EWA = 8.0L V10 MPI Engine EM0 = ALL 5.9L 8 CYL ENGINES - GAS EMM = 5.9L SMPI V8 Engine EML = 5.9L V8 MPI Engine ELF = 5.2L V8 MPI Engine	DGP = 4-Spd. Automatic 47RE Transmission DD0 = ALL 5 SPEED MANUAL TRANSMISSIONS DG0 = ALL AUTOMATIC TRANSMISSIONS DDC = 5-Speed HD Manual Transmission DDP = 5-Speed Manual Transmission DDX = 5-Speed HD Manual Transmission DEE = 6-Speed HD Manual Transmission DGT = 4-Spd. Automatic 46RE Transmission

AR = use ase required - = Non illustrated part

1999 BE

Alternator & Mounting 5.2L & 5.9L Engines
Figure 8-205



ITEM	PART NUMBER	QTY	LINE	SERIES	BODY	ENGINE	TRANS	TRIM	DESCRIPTION
------	-------------	-----	------	--------	------	--------	-------	------	-------------

EL0=5.2L Engine
 EM0=5.9L Engine
 EMM=Magnum 5.9L SMPI Engine
 EW0=8.0L Engine

1									ALTERNATOR
	56027912AB	1				EL0, EM0			117 AMP (Denso)
	56027913AC	1				EL0, EM0, EW0			136 AMP (Denso)
	56028237	1				EL0, EM0, EW0			117 AMP (Bosch)
	56028238	1				EL0, EM0, EW0			136 AMP (Bosch)
2	56028238	1							NUT, 3/8-16, (NOT SERVICED),
3	53008614	1				EL0, EM0			BRACKET, Alternator And Compressor
4	53008614	1							SCREW AND WASHER, Hex Head, 3/8-16x2.0, (NOT SERVICED)
5	06034246	1				EL0, EM0			BOLT, Hex Head, .375-16x.75
6	06034247	1				EL0, EM0			BOLT, Hex Head, .375-16x.25
7	53008618	1				EL0, EM0			BRACKET, Alternator, w/o Air

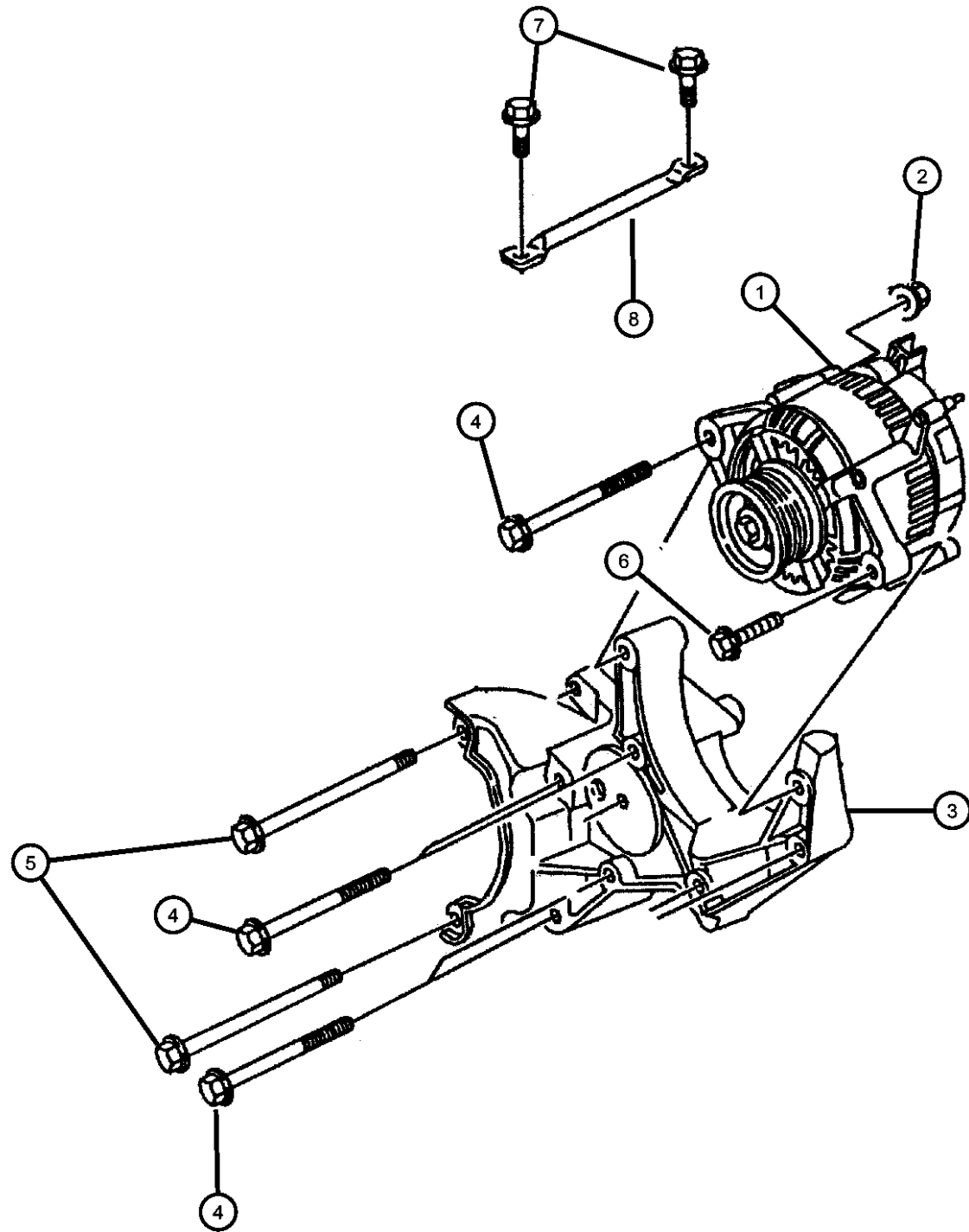
RAM PICKUP/CLUB CAB (BE)

SERIES	LINE	BODY	ENGINE	TRANSMISSION
L = RAM 1500, 2500, 3500	1 = Lt. Duty DODGE 2WD	31 = CLUB CAB 2-DR 6.5 FT BOX	ETC = 5.9L Cummins 24V Diesel Engine	DGP = 4-Spd. Automatic 47RE Transmission
	2 = Med. Duty DODGE 2WD	32 = CLUB CAB 2-DR 8FT BOX	EWA = 8.0L V10 MPI Engine	DD0 = ALL 5 SPEED MANUAL TRANSMISSIONS
	3 = HD DODGE 2WD	33 = QUAD CAB 4-DR 6.5 FT BOX	EM0 = ALL 5.9L 8 CYL ENGINES - GAS	DG0 = ALL AUTOMATIC TRANSMISSIONS
	6 = Lt. Duty DODGE 4WD	34 = QUAD CAB 4-DR 8FT BOX	EMM = 5.9L SMPI V8 Engine	DDC = 5-Speed HD Manual Transmission
	7 = Med. Duty DODGE 4WD		EML = 5.9L V8 MPI Engine	DDP = 5-Speed Manual Transmission
	8 = HD DODGE 4WD		ELF = 5.2L V8 MPI Engine	DDX = 5-Speed HD Manual Transmission
				DEE = 6-Speed HD Manual Transmission
				DGT = 4-Spd. Automatic 46RE Transmission

AR = use ase required - = Non illustrated part

1999 BE

Alternator & Mounting 8.0L Engine
Figure 8-215



ITEM	PART NUMBER	QTY	LINE	SERIES	BODY	ENGINE	TRANS	TRIM	DESCRIPTION
ELO=5.2L Engine EM0=5.9L Engine EMM=Magnum 5.9L SMPI Engine EW0=8.0L Engine									
1									ALTERNATOR
	56027913AC	1				ELO, EM0, EW0			136 AMP (Denso)
	56028237	1				ELO, EM0, EW0			117 AMP (Bosch)
	56028238	1				ELO, EM0, EW0			136 AMP (Bosch)
2	56028238	1							NUT, .375-16, (NOT SERVICED),
3	53005621AB	1				EW0			BRACKET, Air Pump And Tensioner
4	06034247	4				EW0			BOLT, Hex Head, .375-16x.25
5	06034247	4							BOLT, .375-16x5.0, (NOT SERVICED)
6	06034247	4							BOLT, .375-16x2.0, (NOT SERVICED)
7	06034247	4							SCREW AND WASHER, .312-18x.75, (NOT SERVICED)
8	53010013AB	1				EW0			BRACE, Alternator
-9	53041112AB	1				EW0			BRACKET, Tensioner

RAM PICKUP/CLUB CAB (BE)

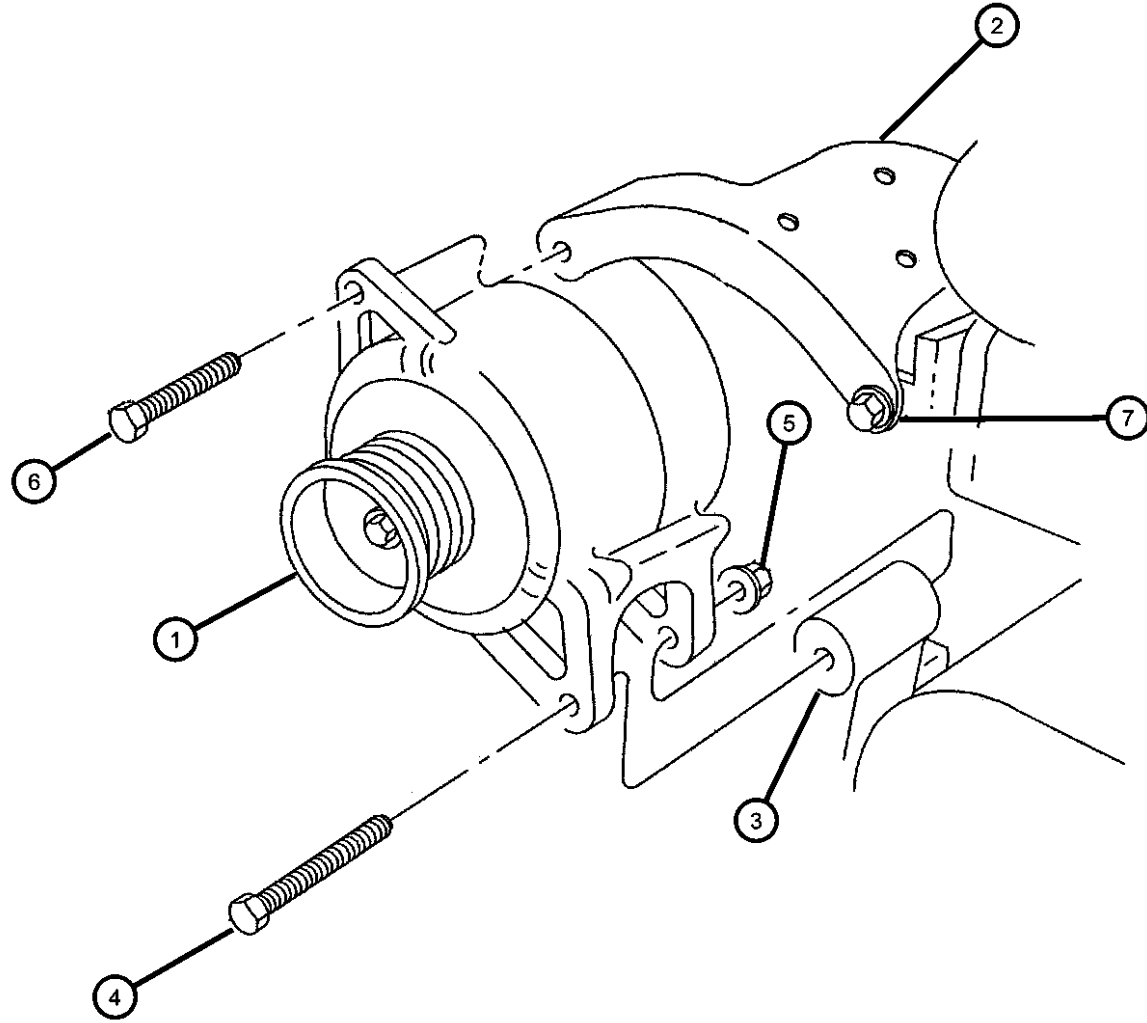
SERIES	LINE	BODY	ENGINE	TRANSMISSION
L = RAM 1500, 2500, 3500	1 = Lt. Duty DODGE 2WD 2 = Med. Duty DODGE 2WD 3 = HD DODGE 2WD 6 = Lt. Duty DODGE 4WD 7 = Med. Duty DODGE 4WD 8 = HD DODGE 4WD	31 = CLUB CAB 2-DR 6.5 FT BOX 32 = CLUB CAB 2-DR 8FT BOX 33 = QUAD CAB 4-DR 6.5 FT BOX 34 = QUAD CAB 4-DR 8FT BOX	ETC = 5.9L Cummins 24V Diesel Engine EWA = 8.0L V10 MPI Engine EM0 = ALL 5.9L 8 CYL ENGINES - GAS EMM = 5.9L SMPI V8 Engine EML = 5.9L V8 MPI Engine ELF = 5.2L V8 MPI Engine	DGP = 4-Spd. Automatic 47RE Transmission DD0 = ALL 5 SPEED MANUAL TRANSMISSIONS DG0 = ALL AUTOMATIC TRANSMISSIONS DDC = 5-Speed HD Manual Transmission DDP = 5-Speed Manual Transmission DDX = 5-Speed HD Manual Transmission DEE = 6-Speed HD Manual Transmission DGT = 4-Spd. Automatic 46RE Transmission

AR = use ase required - = Non illustrated part

Alternator & Mounting Diesel Engines
Figure 8-220

ITEM	PART NUMBER	QTY	LINE	SERIES	BODY	ENGINE	TRANS	TRIM	DESCRIPTION
------	-------------	-----	------	--------	------	--------	-------	------	-------------

ET0=5.9L Turbo Diesel Engine
 ETB=5.9L 16 Cummins Turbo Diesel Engine
 DG0=Automatic Transmission
 DBB=Manual Transmission



1									ALTERNATOR
	56027221AB	1				ET0			136 AMP (Denso)
	56028239	1				ET0			136 AMP (Bosch)
2									BRACKET, Alternator
	05011801AA	1				ET0	DBB		
		1				ET0	DG0		
3									BRACKET, Alternator
	05011802AA	1				ET0	DBB		
		1				ET0	DG0		
4	06100949	1				ET0			SCREW, Hex Head
5	06502337	1				ET0			NUT, M10x1.5
6	04638696	1				ET0			BOLT, Hex Flange Head, M10x1.50x45
7	04429363	1				ET0			SCREW, Hex Head

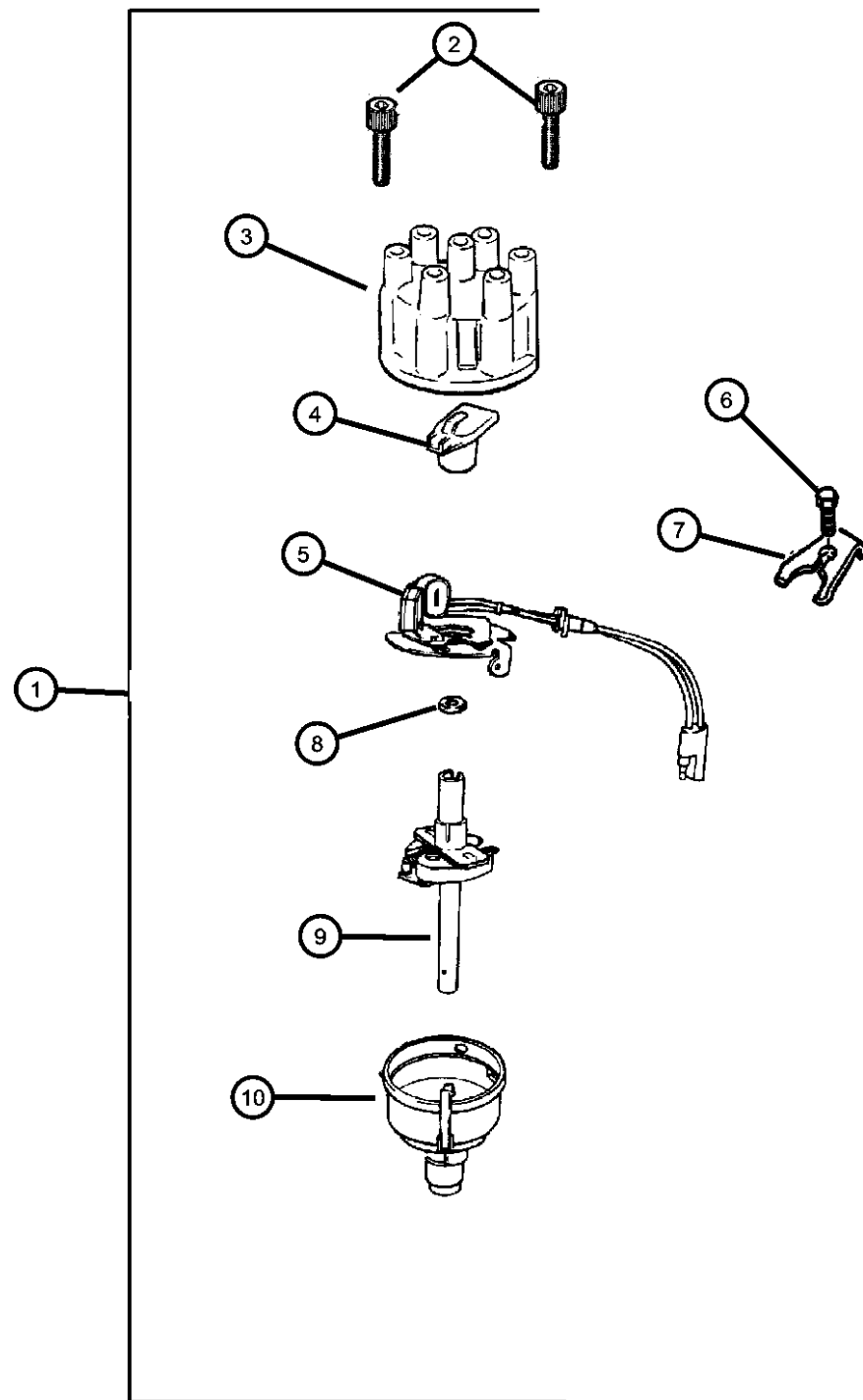
RAM PICKUP/CLUB CAB (BE)

SERIES	LINE	BODY	ENGINE	TRANSMISSION
L = RAM 1500, 2500, 3500	1 = Lt. Duty DODGE 2WD	31 = CLUB CAB 2-DR 6.5 FT BOX	ETC = 5.9L Cummins 24V Diesel Engine	DGP = 4-Spd. Automatic 47RE Transmission
	2 = Med. Duty DODGE 2WD	32 = CLUB CAB 2-DR 8FT BOX	EWA = 8.0L V10 MPI Engine	DD0 = ALL 5 SPEED MANUAL TRANSMISSIONS
	3 = HD DODGE 2WD	33 = QUAD CAB 4-DR 6.5 FT BOX	EM0 = ALL 5.9L 8 CYL ENGINES - GAS	DG0 = ALL AUTOMATIC TRANSMISSIONS
	6 = Lt. Duty DODGE 4WD	34 = QUAD CAB 4-DR 8FT BOX	EMM = 5.9L SMPI V8 Engine	DDC = 5-Speed HD Manual Transmission
	7 = Med. Duty DODGE 4WD		EML = 5.9L V8 MPI Engine	DDP = 5-Speed Manual Transmission
	8 = HD DODGE 4WD		ELF = 5.2L V8 MPI Engine	DDX = 5-Speed HD Manual Transmission
				DEE = 6-Speed HD Manual Transmission
				DGT = 4-Spd. Automatic 46RE Transmission

AR = use ase required - = Non illustrated part

1999 BE

**Distributors
Figure 8-305**



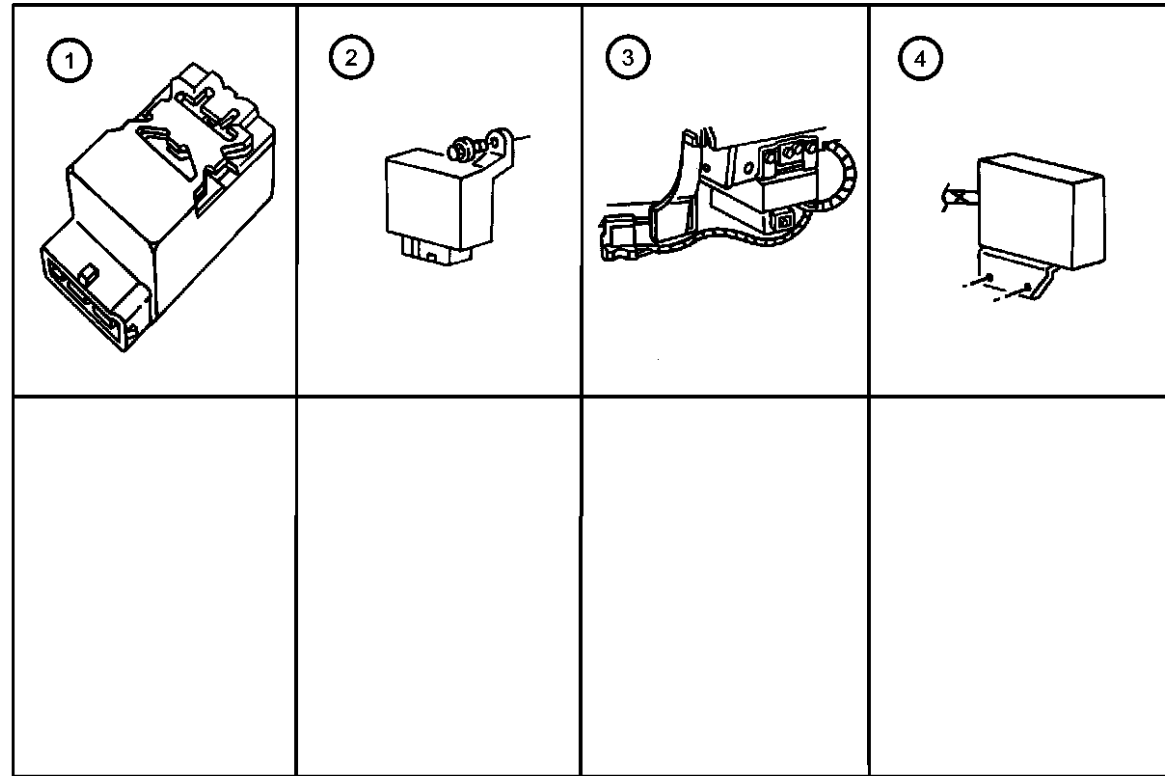
ITEM	PART NUMBER	QTY	LINE	SERIES	BODY	ENGINE	TRANS	TRIM	DESCRIPTION
EL0=5.2L Engine EM0=5.9L Engine									
1	04740339AB	1				EL0, EM0			DISTRIBUTOR, Engine
2	56026706	2				EL0, EM0			SCREW, Hex Head, M5x0.8x27
3	53008767	1				EL0, EM0			CAP, Distributor
4	53008778	1				EL0, EM0			ROTOR, Distributor
5	56028143	1				EL0, EM0			SWITCH, Distributor Pick-Up
6	06028606	1				EL0, EM0			SCREW AND WASHER, Hex Head Lock, .312-18x1.00
7	04343950	1				EL0, EM0			CLAMP, Distributor
8	02875923	1				EL0, EM0			O RING, Distributor
9	02875923	1							SHAFT, Distributor, Service w/Distributor, (NOT SERVICED)
10	02875923	1							HOUSING, Distribution, Service w/Distributor, (NOT SERVICED)

RAM PICKUP/CLUB CAB (BE)

SERIES	LINE	BODY	ENGINE	TRANSMISSION
L = RAM 1500, 2500, 3500	1 = Lt. Duty DODGE 2WD 2 = Med. Duty DODGE 2WD 3 = HD DODGE 2WD 6 = Lt. Duty DODGE 4WD 7 = Med. Duty DODGE 4WD 8 = HD DODGE 4WD	31 = CLUB CAB 2-DR 6.5 FT BOX 32 = CLUB CAB 2-DR 8FT BOX 33 = QUAD CAB 4-DR 6.5 FT BOX 34 = QUAD CAB 4-DR 8FT BOX	ETC = 5.9L Cummins 24V Diesel Engine EWA = 8.0L V10 MPI Engine EM0 = ALL 5.9L 8 CYL ENGINES - GAS EMM = 5.9L SMPI V8 Engine EML = 5.9L V8 MPI Engine ELF = 5.2L V8 MPI Engine	DGP = 4-Spd. Automatic 47RE Transmission DD0 = ALL 5 SPEED MANUAL TRANSMISSIONS DG0 = ALL AUTOMATIC TRANSMISSIONS DDC = 5-Speed HD Manual Transmission DDP = 5-Speed Manual Transmission DDX = 5-Speed HD Manual Transmission DEE = 6-Speed HD Manual Transmission DGT = 4-Spd. Automatic 46RE Transmission

AR = use ase required - = Non illustrated part

Modules
Figure 8-420



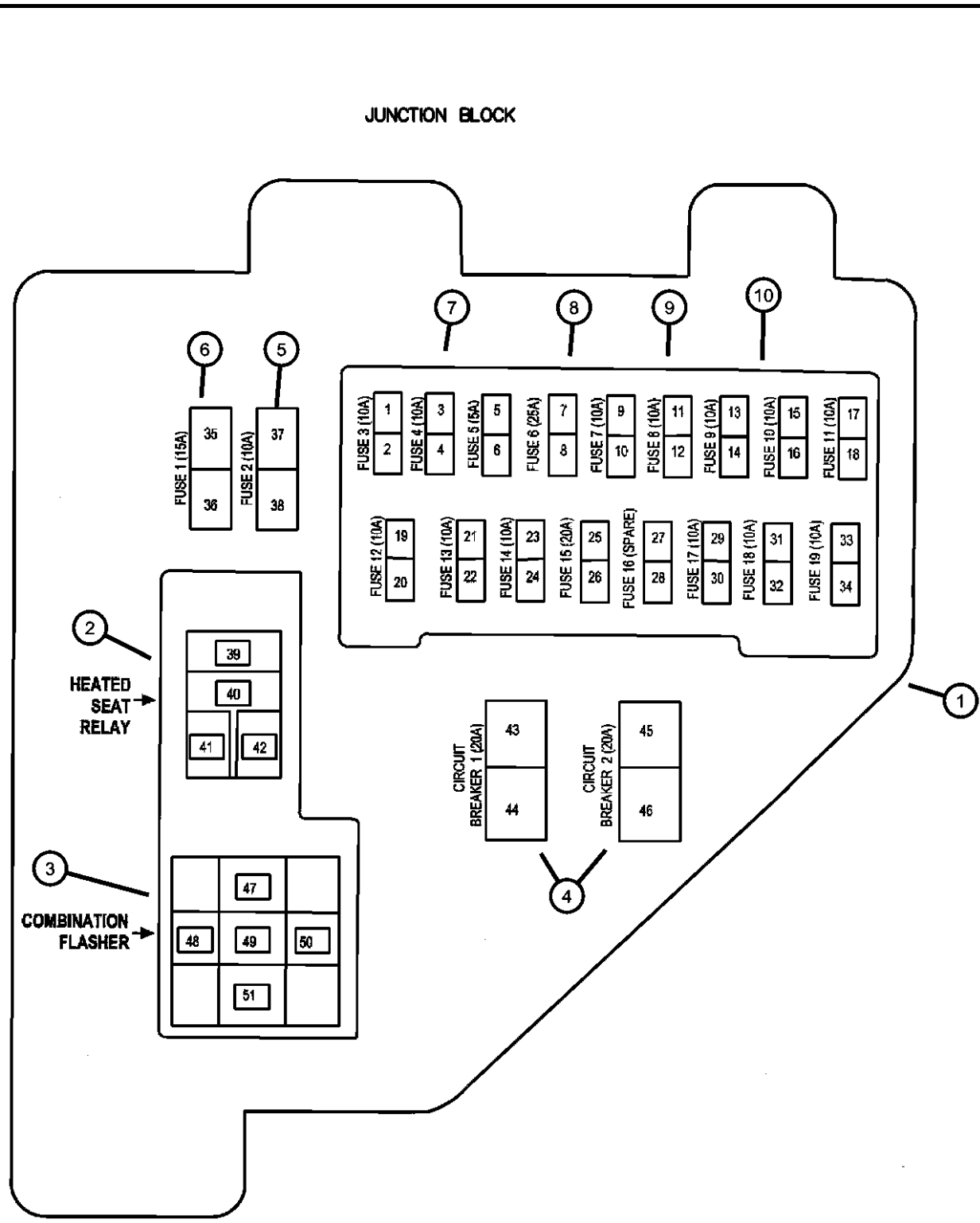
ITEM	PART NUMBER	QTY	LINE	SERIES	BODY	ENGINE	TRANS	TRIM	DESCRIPTION
ETC=5.9L 24V Cummins Diesel Engine DG0=Automatic Transmission DBB=Manual Transmission									
1	55076549AF	1							MODULE, Wiper
2	56021561AC	1							MODULE, Daytime Running Lamp
3	56043128AE	1							MODULE, Air Bag Control
4									MODULE, Anti-lock Brakes
	05003102AC	1	3, 8		34				
	05013901AA	1	1, 6						w/ABS
	05013902AA	1	7						w/ABS
		1	2						w/ABS
	05013919AB	1	1, 6						w/RWAL
	05013920AB	1	2						w/RWAL
		1	7						w/RWAL
-5									BRACKET, Anti-Lock Brake Module
	05003305AA	1	1, 6						w/ABS
		1	7						w/ABS
		1	2						w/ABS
	05003311AA	1	1, 6						w/RWAL
		1	2						w/RWAL
		1	7						w/RWAL
-6									MODULE, Timing and Control
	56020157AC	1							w/o Keyless Entry (Integrated)
	56045183AD	1							w/Keyless Entry
	56045184AB	1							w/Keyless Entry & Audio Control Steering Wheel
-7	56045497AB	2							TRANSMITTER, Keyless Entry
-8									MODULE, Seat Belt Timer
	56043003AB	1	1, 2, 6, 7		31, 32				
		1			33, 34				

RAM PICKUP/CLUB CAB (BE)

SERIES	LINE	BODY	ENGINE	TRANSMISSION
L = RAM 1500, 2500, 3500	1 = Lt. Duty DODGE 2WD 2 = Med. Duty DODGE 2WD 3 = HD DODGE 2WD 6 = Lt. Duty DODGE 4WD 7 = Med. Duty DODGE 4WD 8 = HD DODGE 4WD	31 = CLUB CAB 2-DR 6.5 FT BOX 32 = CLUB CAB 2-DR 8FT BOX 33 = QUAD CAB 4-DR 6.5 FT BOX 34 = QUAD CAB 4-DR 8FT BOX	ETC = 5.9L Cummins 24V Diesel Engine EWA = 8.0L V10 MPI Engine EM0 = ALL 5.9L 8 CYL ENGINES - GAS EMM = 5.9L SMPI V8 Engine EML = 5.9L V8 MPI Engine ELF = 5.2L V8 MPI Engine	DGP = 4-Spd. Automatic 47RE Transmission DD0 = ALL 5 SPEED MANUAL TRANSMISSIONS DG0 = ALL AUTOMATIC TRANSMISSIONS DDC = 5-Speed HD Manual Transmission DDP = 5-Speed Manual Transmission DDX = 5-Speed HD Manual Transmission DEE = 6-Speed HD Manual Transmission DGT = 4-Spd. Automatic 46RE Transmission

AR = use ase required - = Non illustrated part

Junction Block Relays and Fuses
Figure 8-520



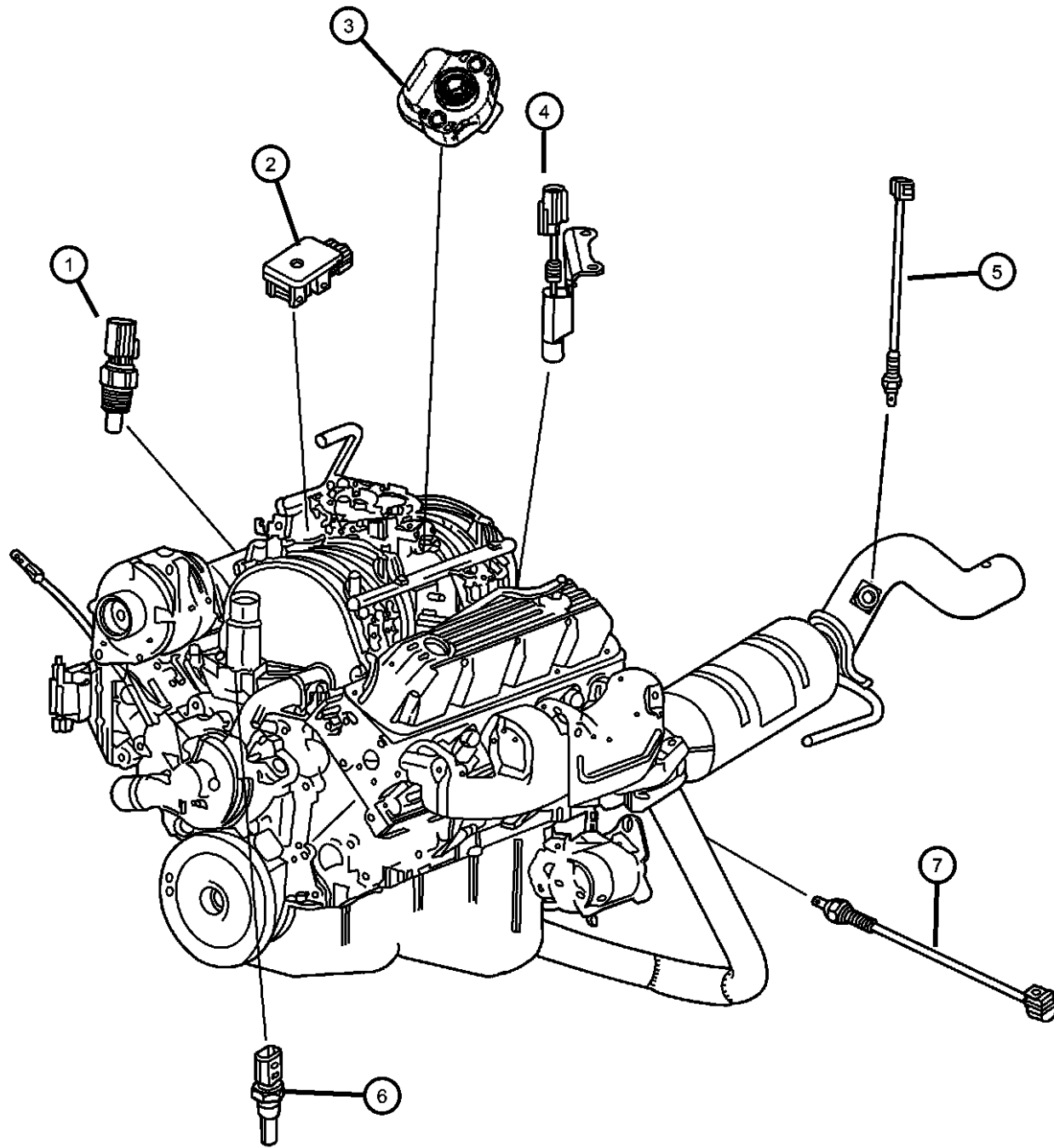
ITEM	PART NUMBER	QTY	LINE	SERIES	BODY	ENGINE	TRANS	TRIM	DESCRIPTION
1	56045391AA	1							JUNCTION BLOCK, Relay
2	56006846	1							RELAY, Electrical
3	56007348	1							FLASHER
4	04604235	1							BREAKER, Circuit
5	06101135	1							FUSE, Standard, 10 AMP, Red
6	06101136	1							FUSE, Standard, 15 AMP, Light Blue
7	06101484	1							FUSE, Mini, 5 Amp, Tan
8	000ATM10	1							FUSE, Mini, 10 AMP, Red
9	000ATM20	1							FUSE, Mini, 20 AMP, Yellow
10	04687835	1							FUSE, Mini, 25 Amp, Natural
-11	04897895AA	1							HOLDER, Fuse, I.O.D. Fuse
-12	04897906AA	2							HOLDER, Fuse, Airbag Fuse
-13	04671168	1							RELAY, Mini, Foglamp, Heated Seat
-14	56026842	1				ETO			RELAY, Electrical, Air Intake Heater
-15	04638094	AR							RELAY PACKAGE, Electrical, Stamped 56006707

RAM PICKUP/CLUB CAB (BE)

SERIES	LINE	BODY	ENGINE	TRANSMISSION
L = RAM 1500, 2500, 3500	1 = Lt. Duty DODGE 2WD 2 = Med. Duty DODGE 2WD 3 = HD DODGE 2WD 6 = Lt. Duty DODGE 4WD 7 = Med. Duty DODGE 4WD 8 = HD DODGE 4WD	31 = CLUB CAB 2-DR 6.5 FT BOX 32 = CLUB CAB 2-DR 8FT BOX 33 = QUAD CAB 4-DR 6.5 FT BOX 34 = QUAD CAB 4-DR 8FT BOX	ETC = 5.9L Cummins 24V Diesel Engine EWA = 8.0L V10 MPI Engine EM0 = ALL 5.9L 8 CYL ENGINES - GAS EMM = 5.9L SMPI V8 Engine EML = 5.9L V8 MPI Engine ELF = 5.2L V8 MPI Engine	DGP = 4-Spd. Automatic 47RE Transmission DD0 = ALL 5 SPEED MANUAL TRANSMISSIONS DG0 = ALL AUTOMATIC TRANSMISSIONS DDC = 5-Speed HD Manual Transmission DDP = 5-Speed Manual Transmission DDX = 5-Speed HD Manual Transmission DEE = 6-Speed HD Manual Transmission DGT = 4-Spd. Automatic 46RE Transmission

AR = use ase required - = Non illustrated part

Sensors Engine Gas
Figure 8-605



ITEM	PART NUMBER	QTY	LINE	SERIES	BODY	ENGINE	TRANS	TRIM	DESCRIPTION
1	56027872	1				EL0, EM0			SENSOR, Air Temperature
2	56029405	1				EL0, EM0			SENSOR, MAP
3									SENSOR, Throttle Position
	04882219	1				EW0			
		1				EL0, EM0			
4									SENSOR, Crankshaft Position
	56027864	1				EW0			
	56027870	1				EL0, EM0	DG0		
	56027871	1				EL0, EM0	DBB		
5									SENSOR, Oxygen
	56041212AF	1				EL0, EML			After Catalyst
		1				EW0			After Catalyst
6	56004815	1				EL0, EM0			SENSOR, Coolant Temperature
7									SENSOR, Oxygen
	56041212AE	1				EL0, EML	DG0		Before Catalyst
		1				EMM	DG0		Before Catalyst
-8		1							SENSOR, Camshaft, Serviced in Distributor Pickup Switch, (NOT SERVICED)

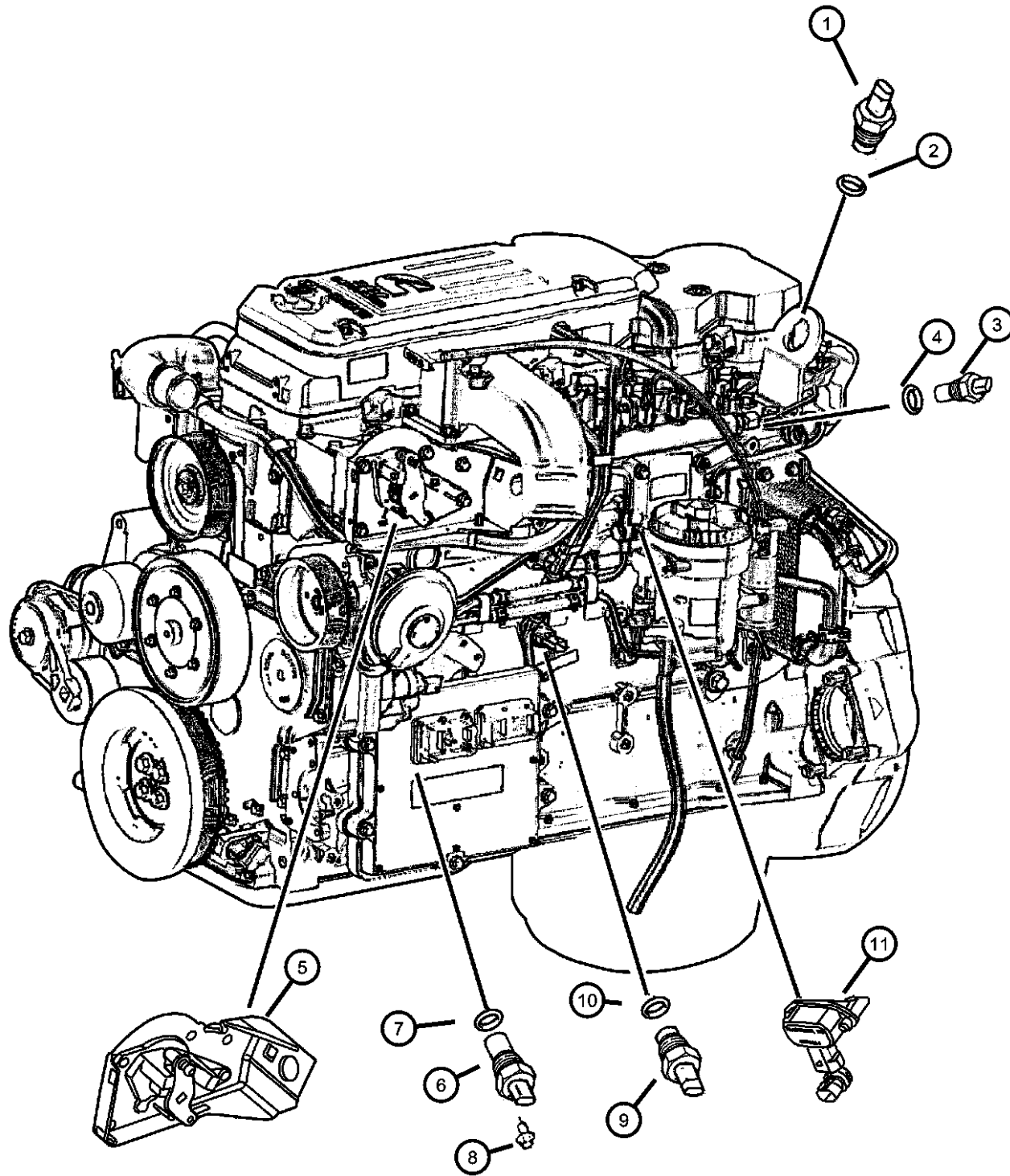
RAM PICKUP/CLUB CAB (BE)

SERIES	LINE	BODY	ENGINE	TRANSMISSION
L = RAM 1500, 2500, 3500	1 = Lt. Duty DODGE 2WD	31 = CLUB CAB 2-DR 6.5 FT BOX	ETC = 5.9L Cummins 24V Diesel Engine	DGP = 4-Spd. Automatic 47RE Transmission
	2 = Med. Duty DODGE 2WD	32 = CLUB CAB 2-DR 8FT BOX	EWA = 8.0L V10 MPI Engine	DD0 = ALL 5 SPEED MANUAL TRANSMISSIONS
	3 = HD DODGE 2WD	33 = QUAD CAB 4-DR 6.5 FT BOX	EM0 = ALL 5.9L 8 CYL ENGINES - GAS	DG0 = ALL AUTOMATIC TRANSMISSIONS
	6 = Lt. Duty DODGE 4WD	34 = QUAD CAB 4-DR 8FT BOX	EMM = 5.9L SMPI V8 Engine	DDC = 5-Speed HD Manual Transmission
	7 = Med. Duty DODGE 4WD		EML = 5.9L V8 MPI Engine	DDP = 5-Speed Manual Transmission
	8 = HD DODGE 4WD		ELF = 5.2L V8 MPI Engine	DDX = 5-Speed HD Manual Transmission
				DEE = 6-Speed HD Manual Transmission
				DGT = 4-Spd. Automatic 46RE Transmission

AR = use ase required - = Non illustrated part

1999 BE

Sensors Engine Diesel
Figure 8-610



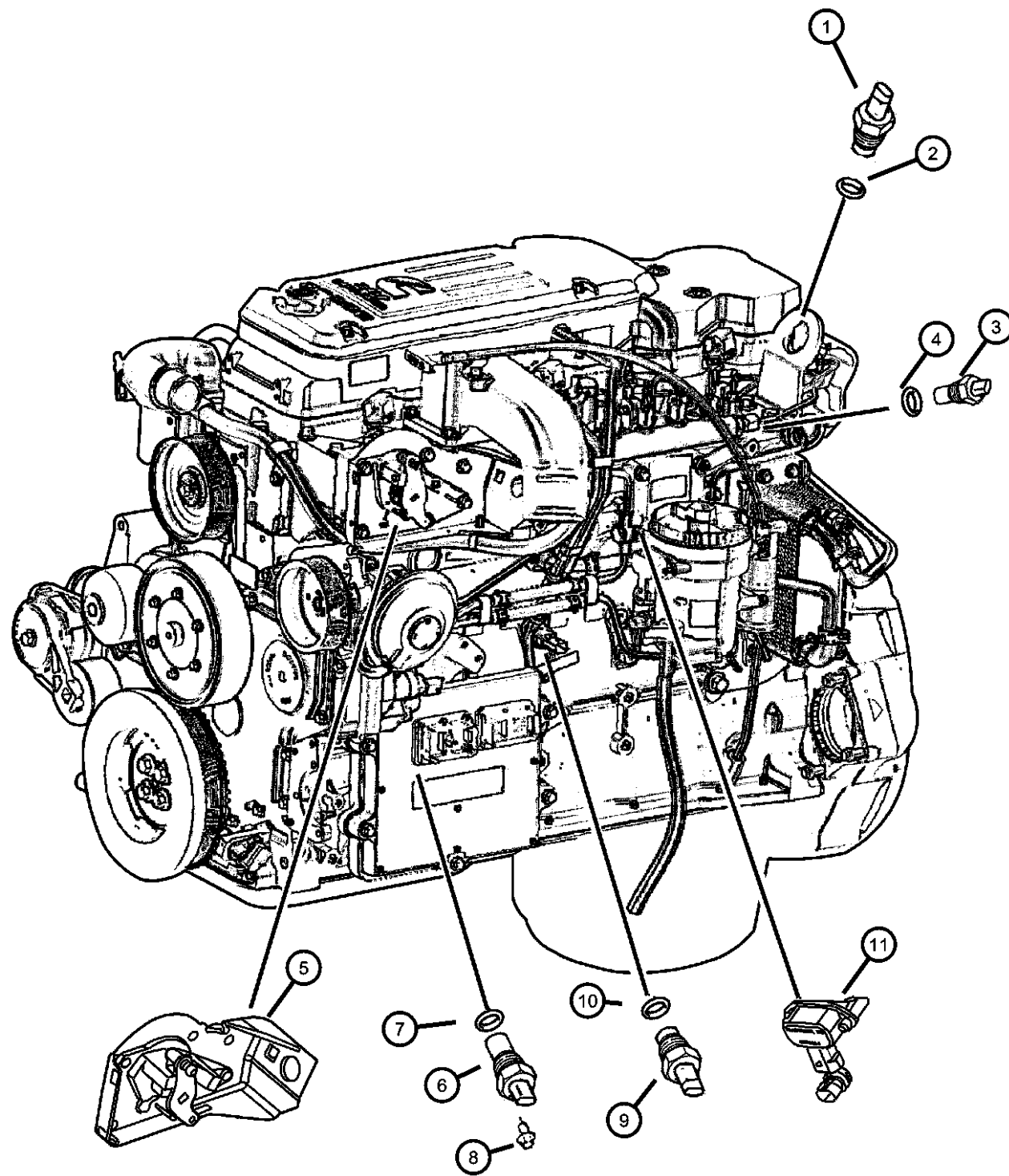
ITEM	PART NUMBER	QTY	LINE	SERIES	BODY	ENGINE	TRANS	TRIM	DESCRIPTION
1	05012801AA	1				ET0	DBB		SENSOR, Turbo Boost Pressure
		1				ET0	DG0		
2	05011851AA	1				ET0	DBB		O RING
		1				ET0	DG0		
3	05014197AA	1				ET0	DBB		SENSOR, Air Temperature
		1				ET0	DG0		
4	05003602AA	1				ET0	DBB		O RING
		1				ET0	DG0		
5	53031575	1				ET0	DG0		BELLCRANK, Accelerator and Cruise
	53031576	1				ET0	DBB		
6	05011853AA	1				ET0	DBB		SENSOR, Camshaft
		1				ET0	DG0		
7	05011854AA	1				ET0	DBB		O RING
		1				ET0	DG0		
8	04638672	1				ET0	DBB		SCREW
		1				ET0	DG0		
9	05011852AA	1				ET0	DBB		SENSOR, Temperature Sending Unit
		1				ET0	DG0		
10									O RING

RAM PICKUP/CLUB CAB (BE)

SERIES	LINE	BODY	ENGINE	TRANSMISSION
L = RAM 1500, 2500, 3500	1 = Lt. Duty DODGE 2WD 2 = Med. Duty DODGE 2WD 3 = HD DODGE 2WD 6 = Lt. Duty DODGE 4WD 7 = Med. Duty DODGE 4WD 8 = HD DODGE 4WD	31 = CLUB CAB 2-DR 6.5 FT BOX 32 = CLUB CAB 2-DR 8FT BOX 33 = QUAD CAB 4-DR 6.5 FT BOX 34 = QUAD CAB 4-DR 8FT BOX	ETC = 5.9L Cummins 24V Diesel Engine EWA = 8.0L V10 MPI Engine EM0 = ALL 5.9L 8 CYL ENGINES - GAS EMM = 5.9L SMPI V8 Engine EML = 5.9L V8 MPI Engine ELF = 5.2L V8 MPI Engine	DGP = 4-Spd. Automatic 47RE Transmission DD0 = ALL 5 SPEED MANUAL TRANSMISSIONS DG0 = ALL AUTOMATIC TRANSMISSIONS DDC = 5-Speed HD Manual Transmission DDP = 5-Speed Manual Transmission DDX = 5-Speed HD Manual Transmission DEE = 6-Speed HD Manual Transmission DGT = 4-Spd. Automatic 46RE Transmission

AR = use ase required - = Non illustrated part

Sensors Engine Diesel
Figure 8-610



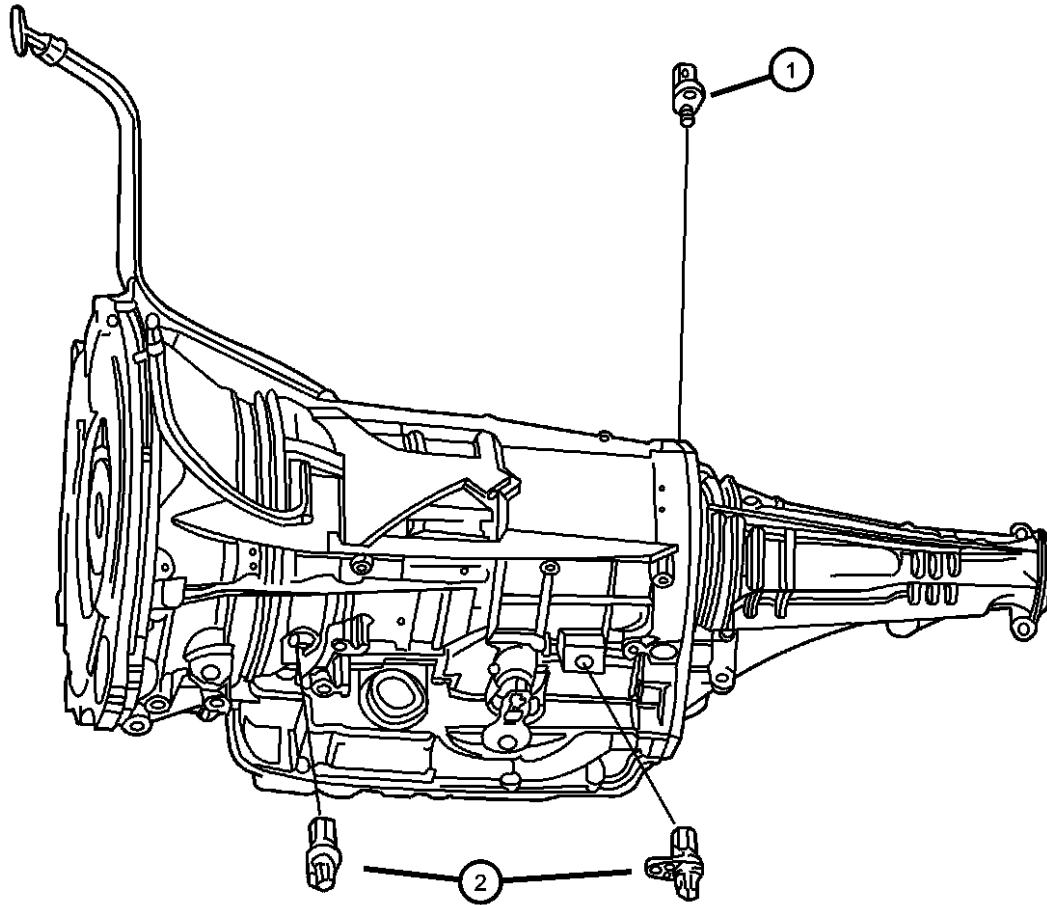
ITEM	PART NUMBER	QTY	LINE	SERIES	BODY	ENGINE	TRANS	TRIM	DESCRIPTION
	05003602AA	1				ET0	DBB		
		1				ET0	DG0		
11	05011620AA	1				ET0	DBB		SENSOR, Fuel/Water
		1				ET0	DG0		
-12	05012991AA	1				ET0	DBB		SENSOR, Oil Pressure
		1				ET0	DG0		
-13	05011855AA	1				ET0	DBB		SENSOR, Crankshaft
		1				ET0	DG0		

RAM PICKUP/CLUB CAB (BE)

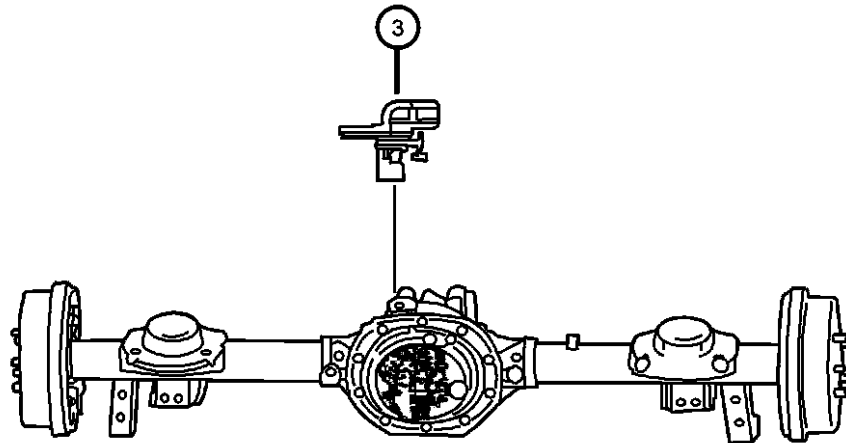
SERIES	LINE	BODY	ENGINE	TRANSMISSION
L = RAM 1500, 2500, 3500	1 = Lt. Duty DODGE 2WD 2 = Med. Duty DODGE 2WD 3 = HD DODGE 2WD 6 = Lt. Duty DODGE 4WD 7 = Med. Duty DODGE 4WD 8 = HD DODGE 4WD	31 = CLUB CAB 2-DR 6.5 FT BOX 32 = CLUB CAB 2-DR 8FT BOX 33 = QUAD CAB 4-DR 6.5 FT BOX 34 = QUAD CAB 4-DR 8FT BOX	ETC = 5.9L Cummins 24V Diesel Engine EWA = 8.0L V10 MPI Engine EM0 = ALL 5.9L 8 CYL ENGINES - GAS EMM = 5.9L SMPI V8 Engine EML = 5.9L V8 MPI Engine ELF = 5.2L V8 MPI Engine	DGP = 4-Spd. Automatic 47RE Transmission DD0 = ALL 5 SPEED MANUAL TRANSMISSIONS DG0 = ALL AUTOMATIC TRANSMISSIONS DDC = 5-Speed HD Manual Transmission DDP = 5-Speed Manual Transmission DDX = 5-Speed HD Manual Transmission DEE = 6-Speed HD Manual Transmission DGT = 4-Spd. Automatic 46RE Transmission

AR = use ase required - = Non illustrated part

Sensors Drivetrain
Figure 8-615



ITEM	PART NUMBER	QTY	LINE	SERIES	BODY	ENGINE	TRANS	TRIM	DESCRIPTION
1	56041403AA	1	1, 2, 3			ELO	DGT		TRANSDUCER, Pressure Sensor
			6, 7, 8			ELO	DGT		
			1, 2, 3			EM0	DGT		
			6, 7, 8			EM0	DGT		
			1, 2, 3			ET0, EW0	DGP		
2	04412879	1	1, 2, 3			ELO	DGT		SENSOR, Transmission Output Speed
			6, 7, 8			ELO	DGT		
			1, 2, 3			EM0	DGT		
			6, 7, 8			EM0	DGT		
			1, 2, 3			ET0, EW0	DGP		
3	56028187AD	1	1, 2, 3			ELO, EM0, EW0	DBB		SENSOR, Wheel Speed
						ELO, EM0, EW0	DG0		
						ET0			
			6, 7, 8			ELO, EM0, EW0	DBB		



RAM PICKUP/CLUB CAB (BE)

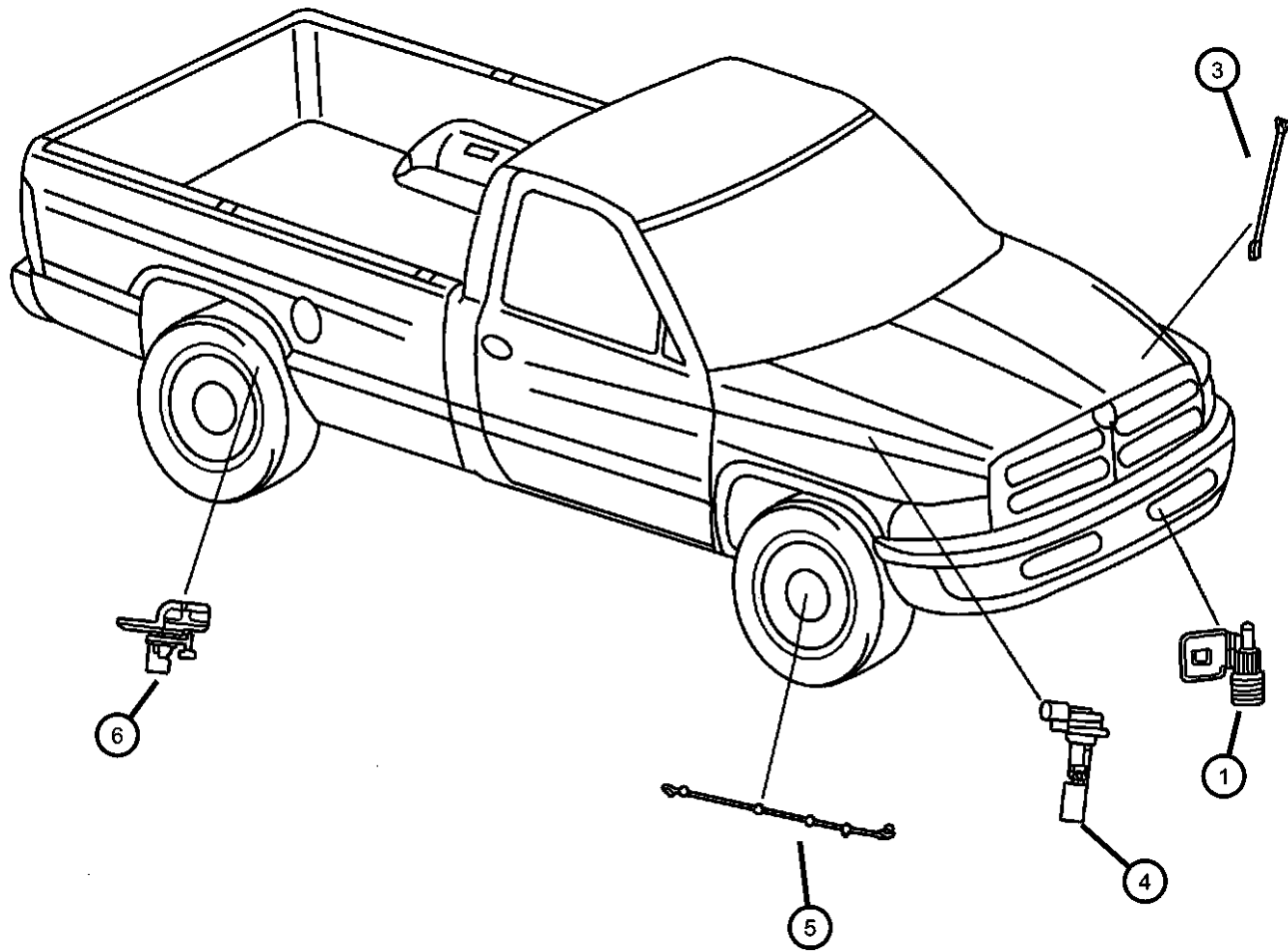
SERIES	LINE	BODY	ENGINE	TRANSMISSION
L = RAM 1500, 2500, 3500	1 = Lt. Duty DODGE 2WD 2 = Med. Duty DODGE 2WD 3 = HD DODGE 2WD 6 = Lt. Duty DODGE 4WD 7 = Med. Duty DODGE 4WD 8 = HD DODGE 4WD	31 = CLUB CAB 2-DR 6.5 FT BOX 32 = CLUB CAB 2-DR 8FT BOX 33 = QUAD CAB 4-DR 6.5 FT BOX 34 = QUAD CAB 4-DR 8FT BOX	ETC = 5.9L Cummins 24V Diesel Engine EWA = 8.0L V10 MPI Engine EM0 = ALL 5.9L 8 CYL ENGINES - GAS EMM = 5.9L SMPI V8 Engine EML = 5.9L V8 MPI Engine ELF = 5.2L V8 MPI Engine	DGP = 4-Spd. Automatic 47RE Transmission DD0 = ALL 5 SPEED MANUAL TRANSMISSIONS DG0 = ALL AUTOMATIC TRANSMISSIONS DDC = 5-Speed HD Manual Transmission DDP = 5-Speed Manual Transmission DDX = 5-Speed HD Manual Transmission DEE = 6-Speed HD Manual Transmission DGT = 4-Spd. Automatic 46RE Transmission

AR = use ase required - = Non illustrated part

1999 BE

**Sensors Body
Figure 8-620**

ITEM	PART NUMBER	QTY	LINE	SERIES	BODY	ENGINE	TRANS	TRIM	DESCRIPTION
Note: DG0 = All Automatic Transmissions EM0 = All 5.9L 8 Cylinder Gas Engines EV0 = All 4.7L Gas Engines									
1	04688204	1							SENSOR, Ambient Temperature
-2	56021433AC	1							BRACKET, Ambient Temperature Sensor
3	56027332	1							SENSOR, Battery Temperature
4	55155039	1							SENSOR, Washer Fluid Level
5									SENSOR, Anti-Lock Brakes
	05010254AA	1	6						Right
	05010255AA	1	6						Left
	05010256AA	1	8		34				Right
		1	7						Right
	05010257AA	1	7						Left
		1	8		34				Left
	56028151AB	1	1, 2, 3						Left
	56028152AB	1	1, 2, 3						Right
6									SENSOR, Wheel Speed
	56028187AD	1	1, 2, 3			ELO, EM0, EWO	DBB		
		1				ELO, EM0, EWO	DG0		
		1				EWO, ETO			



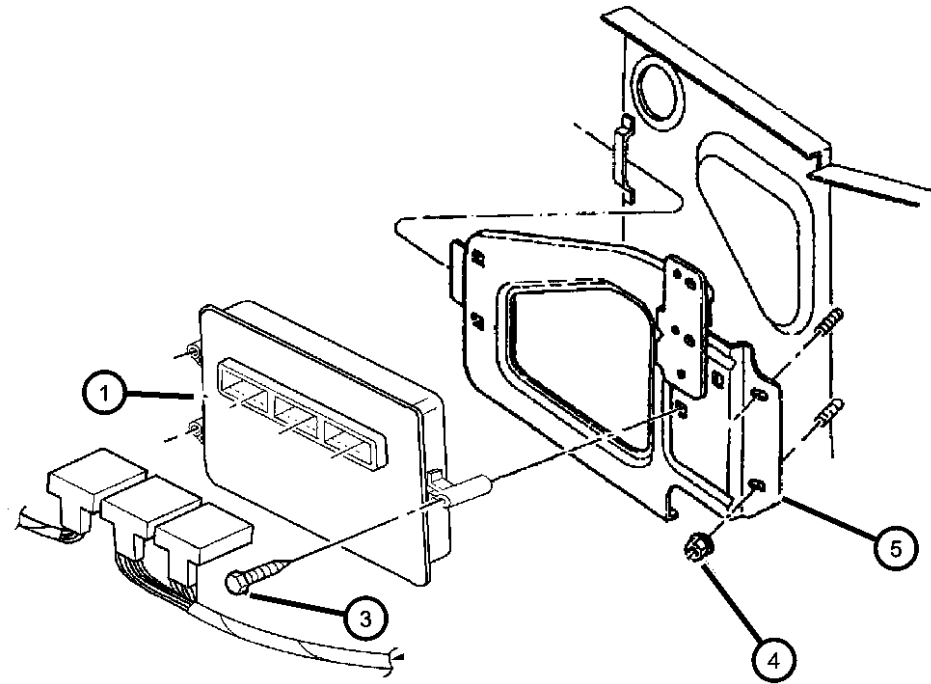
RAM PICKUP/CLUB CAB (BE)

SERIES	LINE	BODY	ENGINE	TRANSMISSION
L = RAM 1500, 2500, 3500	1 = Lt. Duty DODGE 2WD 2 = Med. Duty DODGE 2WD 3 = HD DODGE 2WD 6 = Lt. Duty DODGE 4WD 7 = Med. Duty DODGE 4WD 8 = HD DODGE 4WD	31 = CLUB CAB 2-DR 6.5 FT BOX 32 = CLUB CAB 2-DR 8FT BOX 33 = QUAD CAB 4-DR 6.5 FT BOX 34 = QUAD CAB 4-DR 8FT BOX	ETC = 5.9L Cummins 24V Diesel Engine EWA = 8.0L V10 MPI Engine EM0 = ALL 5.9L 8 CYL ENGINES - GAS EMM = 5.9L SMPI V8 Engine EML = 5.9L V8 MPI Engine ELF = 5.2L V8 MPI Engine	DGP = 4-Spd. Automatic 47RE Transmission DD0 = ALL 5 SPEED MANUAL TRANSMISSIONS DG0 = ALL AUTOMATIC TRANSMISSIONS DDC = 5-Speed HD Manual Transmission DDP = 5-Speed Manual Transmission DDX = 5-Speed HD Manual Transmission DEE = 6-Speed HD Manual Transmission DGT = 4-Spd. Automatic 46RE Transmission

AR = use ase required - = Non illustrated part

1999 BE

**Single Board Engine Controllers (JTEC Modules)
Figure 8-720**



ITEM	PART NUMBER	QTY	LINE	SERIES	BODY	ENGINE	TRANS	TRIM	DESCRIPTION
				EL0=5.2L Engine EM0=5.9L Engine EML=Magnum 5.9L SMPI Engine (Light Duty) EMM=Magnum 5.9L SMPI Engine (Heavy Duty) EW0=8.0L Engine ET0=5.9L Turbo Diesel Engine DG0=Automatic Transmission DBB=Manual Transmission					
1									MODULE, Powertrain Control
	56040081AA	1				EL0	DBB		w/Federal Emission
	56040082AA	1				EL0	DBB		w/California Emission
	56040111AA	1				EL0	DG0		w/Federal Emission
	56040114AA	1				EL0	DG0		w/California Emission
	56040137AA	1				EML	DBB		w/Federal Emission
	56040140AA	1				EM0	DBB		w/California Emission
	56040141AA	1				EMM	DBB		w/Federal Emission
	56040142AA	1				EM0	DBB		w/Leaded Fuel Emission
	56040150AA	1				EML	DG0		w/Federal Emission
	56040151AC	1				EML	DG0		w/California Emission
	56040152AA	1				EMM	DG0		w/Federal Emission
	56040153AC	1				EM0	DG0		w/Leaded Fuel Emission
	56040154AA	1				EW0	DBB		w/Federal Emission
	56040155AA	1				EW0	DBB		w/California Emission
	56040156AA	1				EW0	DG0		w/California Emission
	56040157AA	1				EW0	DG0		w/Federal Emission
	56040197AA	1				ET0	DBB		w/Federal Emission
	56040198AA	1				ET0	DBB		w/California Emission
	56040199AA	1				ET0	DG0		w/Federal Emission
	56040200AA	1				ET0	DG0		w/California Emission
-2	323637306J	1				ET0	DG0		MODULE, Powertrain Control

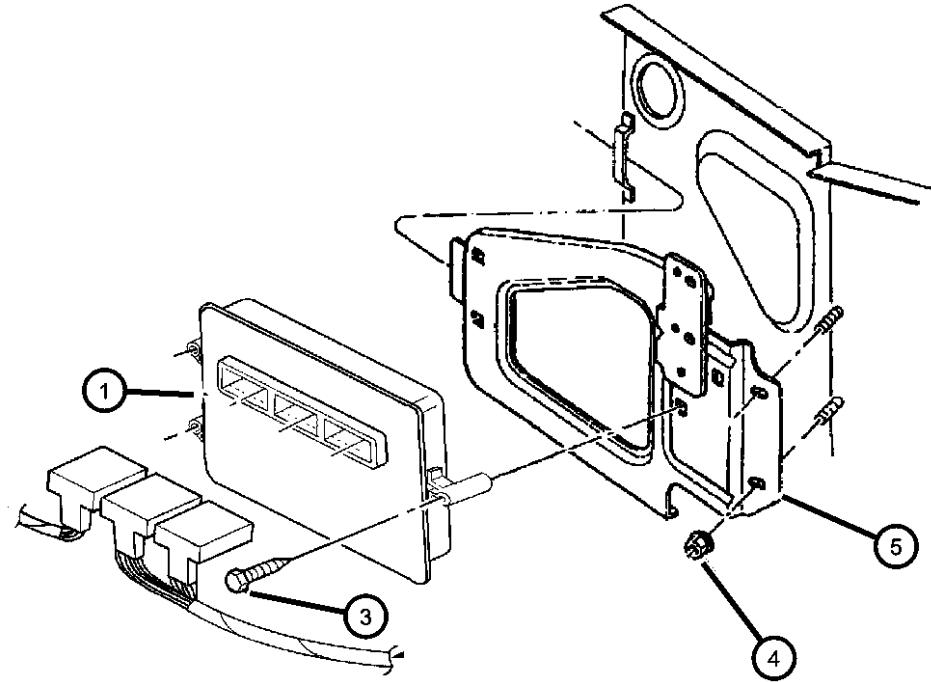
RAM PICKUP/CLUB CAB (BE)

SERIES	LINE	BODY	ENGINE	TRANSMISSION
L = RAM 1500, 2500, 3500	1 = Lt. Duty DODGE 2WD 2 = Med. Duty DODGE 2WD 3 = HD DODGE 2WD 6 = Lt. Duty DODGE 4WD 7 = Med. Duty DODGE 4WD 8 = HD DODGE 4WD	31 = CLUB CAB 2-DR 6.5 FT BOX 32 = CLUB CAB 2-DR 8FT BOX 33 = QUAD CAB 4-DR 6.5 FT BOX 34 = QUAD CAB 4-DR 8FT BOX	ETC = 5.9L Cummins 24V Diesel Engine EWA = 8.0L V10 MPI Engine EM0 = ALL 5.9L 8 CYL ENGINES - GAS EMM = 5.9L SMPI V8 Engine EML = 5.9L V8 MPI Engine ELF = 5.2L V8 MPI Engine	DGP = 4-Spd. Automatic 47RE Transmission DD0 = ALL 5 SPEED MANUAL TRANSMISSIONS DG0 = ALL AUTOMATIC TRANSMISSIONS DDC = 5-Speed HD Manual Transmission DDP = 5-Speed Manual Transmission DDX = 5-Speed HD Manual Transmission DEE = 6-Speed HD Manual Transmission DGT = 4-Spd. Automatic 46RE Transmission

AR = use ase required - = Non illustrated part

**Single Board Engine Controllers (JTEC Modules)
Figure 8-720**

ITEM	PART NUMBER	QTY	LINE	SERIES	BODY	ENGINE	TRANS	TRIM	DESCRIPTION
3	323637306J	1							SCREW, Tapping, M4x8, SCREW, Mounting M4.8x1.59x45.00, (NOT SERVICED)
4	323637306J	1							NUT, M6x1.00, (NOT SERVICED)
5	56028207AA	1							BRACKET, Module, JTEC Module
-6	05083996AA	1				ET0	DG0		MODULE, Engine Controller
		1				ET0	DBB		

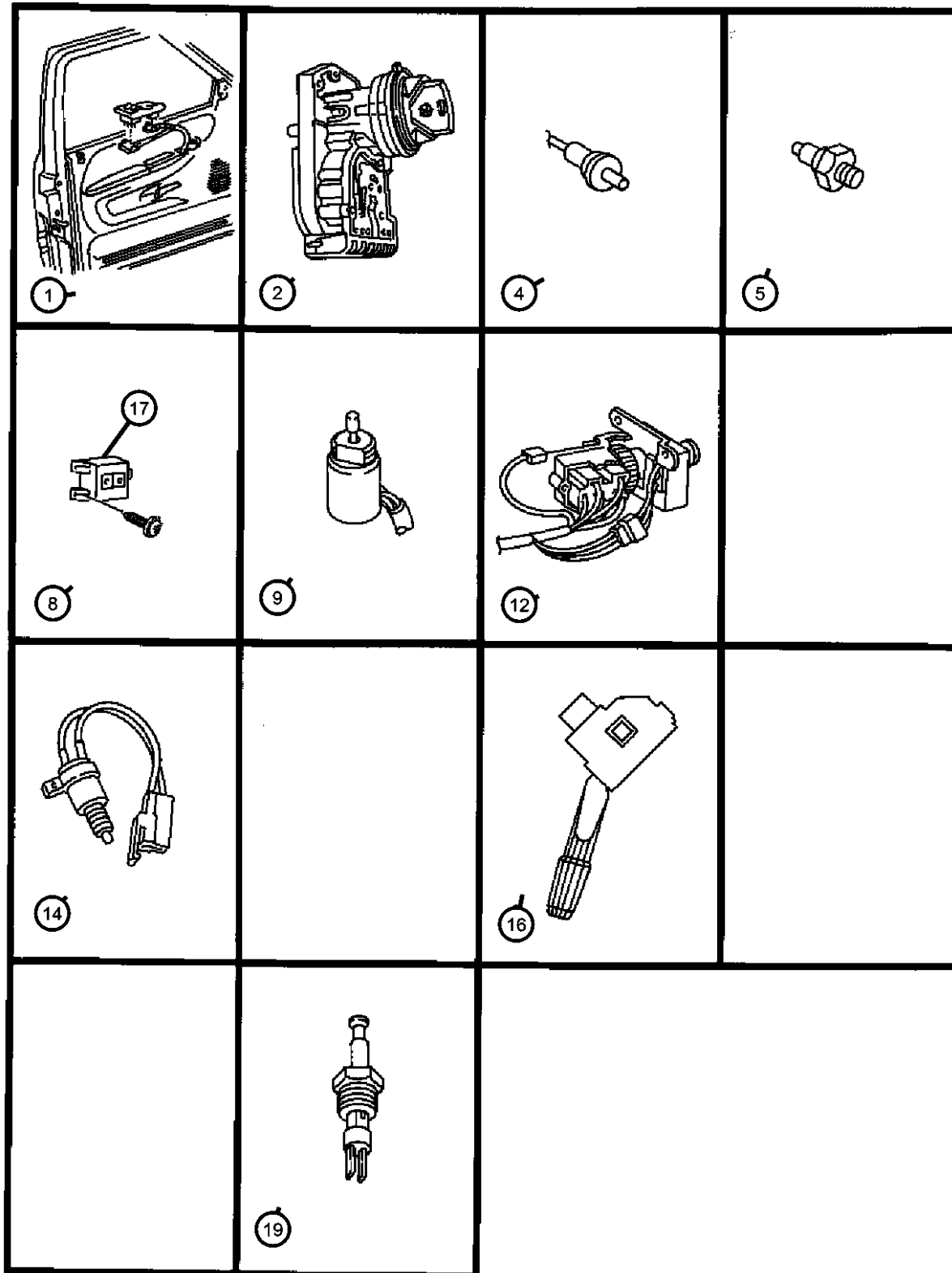


RAM PICKUP/CLUB CAB (BE)

SERIES	LINE	BODY	ENGINE	TRANSMISSION
L = RAM 1500, 2500, 3500	1 = Lt. Duty DODGE 2WD	31 = CLUB CAB 2-DR 6.5 FT BOX	ETC = 5.9L Cummins 24V Diesel Engine	DGP = 4-Spd. Automatic 47RE Transmission
	2 = Med. Duty DODGE 2WD	32 = CLUB CAB 2-DR 8FT BOX	EWA = 8.0L V10 MPI Engine	DD0 = ALL 5 SPEED MANUAL TRANSMISSIONS
	3 = HD DODGE 2WD	33 = QUAD CAB 4-DR 6.5 FT BOX	EM0 = ALL 5.9L 8 CYL ENGINES - GAS	DG0 = ALL AUTOMATIC TRANSMISSIONS
	6 = Lt. Duty DODGE 4WD	34 = QUAD CAB 4-DR 8FT BOX	EMM = 5.9L SMPI V8 Engine	DDC = 5-Speed HD Manual Transmission
	7 = Med. Duty DODGE 4WD		EML = 5.9L V8 MPI Engine	DDP = 5-Speed Manual Transmission
	8 = HD DODGE 4WD		ELF = 5.2L V8 MPI Engine	DDX = 5-Speed HD Manual Transmission
				DEE = 6-Speed HD Manual Transmission
				DGT = 4-Spd. Automatic 46RE Transmission

AR = use ase required - = Non illustrated part

Switches
Figure 8-820



ITEM	PART NUMBER	QTY	LINE	SERIES	BODY	ENGINE	TRANS	TRIM	DESCRIPTION	
				EL0=5.2L Engine EM0=5.9L Engine EW0=8.0L Engine ET0=5.9L Turbo Diesel Engine DG0=Automatic Transmission DBB=Manual Transmission DGT=4 Speed Automatic Transmission (46RE) DGP=4 Speed Automatic Transmission (47RE)						
1	56020394	1							SWITCH, 2 Gang	
2	56021346	1					DG0		SWITCH, Ignition, w/Buzzer & Halo	
-3									SCREW, Ignition Switch	
	06503845	5					DG0			
		5					DBB			
4	04565022	1							SWITCH AND LAMP, Glove Box	
5									SWITCH, Neutral, Safety, Back Up	
	56028181AB	1	6, 7, 8			EM0	DGT			
		1	1, 2, 3			ET0, EW0	DGP			
		1	1, 2, 3			EL0	DGT			
-6									SWITCH, Back Up Lamp	
	04741121	1	1, 2, 3			EL0	DDC			
		1	6, 7, 8			EL0	DDC			
	56007270	1	6, 7, 8			ET0	DEE			
	04741630	1	6, 7, 8			EL0, EM0	DDP			
		1	1, 2, 3			ET0, EW0	DDX			
		1	1, 2, 3			ET0	DEE			
-7	56021912AA	1							SWITCH, Window and Door Lock, 3 Gang (Power Windows & Locks), 3 Gang	
8									BEZEL, Power Window/Door Lock Switch	
	56020390AB	1							2 Gang	
	56045302AA	1							3 Gang	

RAM PICKUP/CLUB CAB (BE)

SERIES	LINE
L = RAM 1500, 2500, 3500	1 = Lt. Duty DODGE 2WD 2 = Med. Duty DODGE 2WD 3 = HD DODGE 2WD 6 = Lt. Duty DODGE 4WD 7 = Med. Duty DODGE 4WD 8 = HD DODGE 4WD

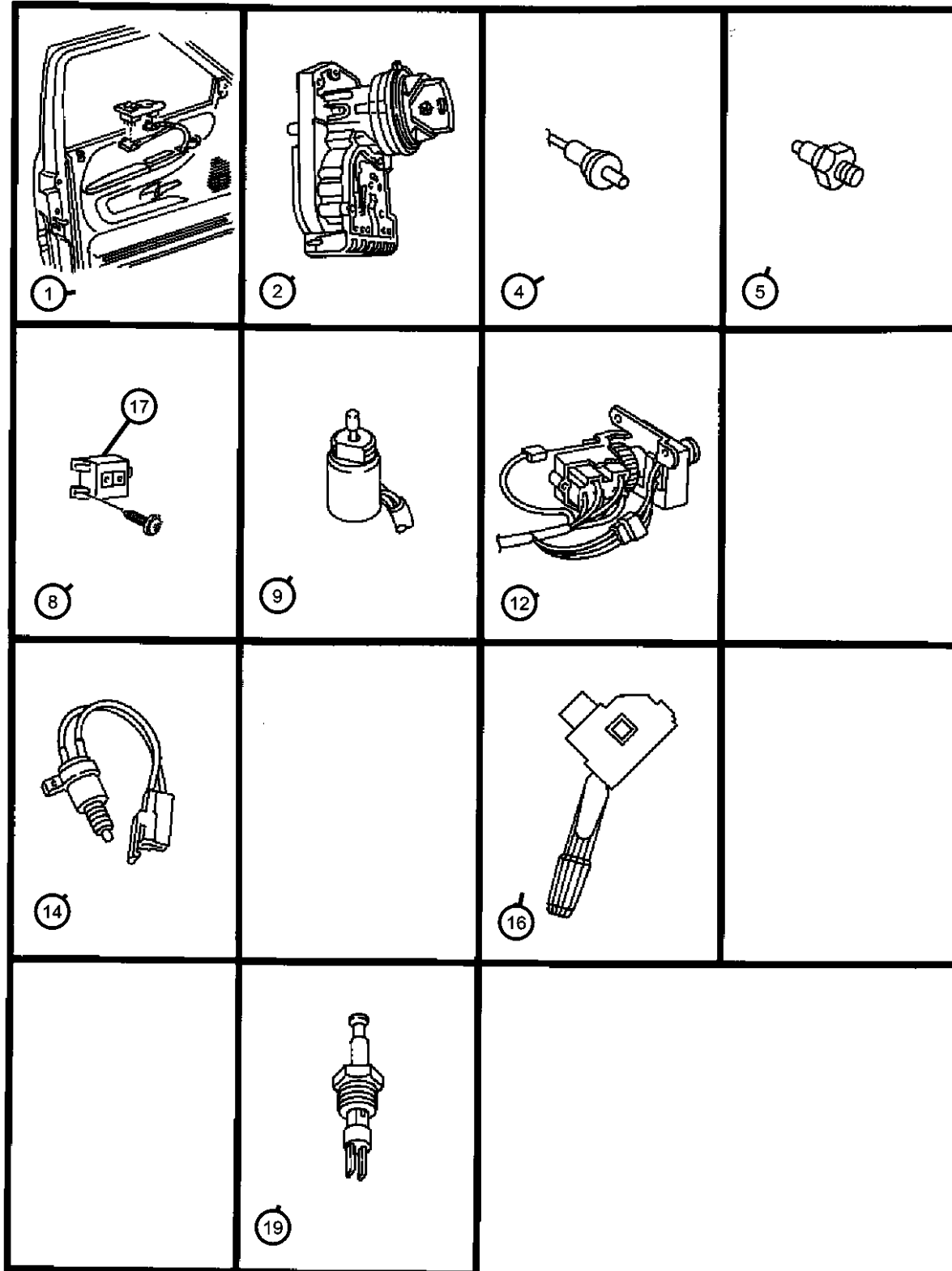
BODY	ENGINE
31 = CLUB CAB 2-DR 6.5 FT BOX 32 = CLUB CAB 2-DR 8FT BOX 33 = QUAD CAB 4-DR 6.5 FT BOX 34 = QUAD CAB 4-DR 8FT BOX	ETC = 5.9L Cummins 24V Diesel Engine EWA = 8.0L V10 MPI Engine EM0 = ALL 5.9L 8 CYL ENGINES - GAS EMM = 5.9L SMPI V8 Engine EML = 5.9L V8 MPI Engine ELF = 5.2L V8 MPI Engine

TRANSMISSION
DGP = 4-Spd. Automatic 47RE Transmission DD0 = ALL 5 SPEED MANUAL TRANSMISSIONS DG0 = ALL AUTOMATIC TRANSMISSIONS DDC = 5-Speed HD Manual Transmission DDP = 5-Speed Manual Transmission DDX = 5-Speed HD Manual Transmission DEE = 6-Speed HD Manual Transmission DGT = 4-Spd. Automatic 46RE Transmission

AR = use ase required - = Non illustrated part

1999 BE

Switches
Figure 8-820



ITEM	PART NUMBER	QTY	LINE	SERIES	BODY	ENGINE	TRANS	TRIM	DESCRIPTION
9	56021311	1							SWITCH, Mirror
-10	56007040	1							KNOB, Power Mirror Switch
-11	06503107	1	1, 2, 6, 7		31, 32				NUT, Plastic, Mirror Mounting
12									SWITCH, Headlamp
	56021673AC	1							w/Cargo Lamp & w/o Foglamps
	56021674AB	1							w/o Cargo Lamp & w/o Foglamps
	56021675AD	1							w/Cargo Lamp & w/Foglamps
-13	04796652	1							CLIP, Bezel
14	05016294AA	1							SWITCH PACKAGE, Stop Lamp
-15	56021048	1					DG0		SWITCH, Overdrive Lockout
16	05269377	1					DBB		SWITCH, Multifunction
17									BEZEL, Instrument Panel Switch
	05013874AA	1							Passenger Airbag Disarm (English)
	05013875AA	1							Passenger Airbag Disarm (English/French)
-18	04289880	1	6						SWITCH, Hub Lock Indicator
19	04687558	2							SWITCH, Door Ajar
-20									SWITCH, Disarm
	56021652	1							Right
	56021653	1							Left
-21									SWITCH, Seat
	56045025AA	1	1, 2, 6, 7		31, 32				8-Way Adjuster
		1			33, 34				8-Way Adjuster
-22	56045177AB	1							SWITCH, Passenger Airbag Disarm
-23	53007944AB	1				EL0, EM0	DBB		SWITCH, Clutch Starter Interlock
-24	56031005	1				EL0, EM0			SENDING UNIT, Oil Pressure
-25									SWITCH, Heated Seat

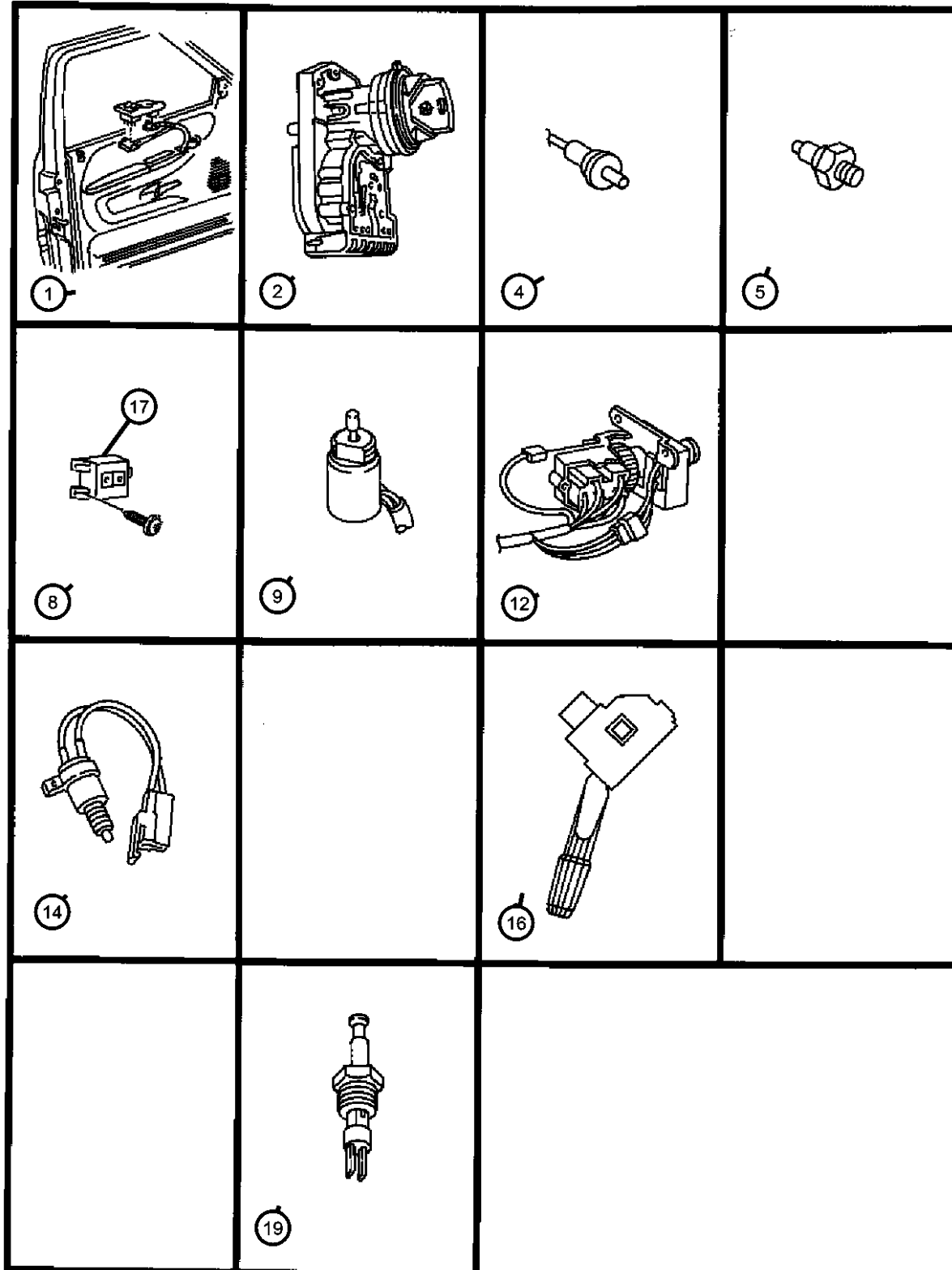
RAM PICKUP/CLUB CAB (BE)

SERIES	LINE	BODY	ENGINE	TRANSMISSION
L = RAM 1500, 2500, 3500	1 = Lt. Duty DODGE 2WD 2 = Med. Duty DODGE 2WD 3 = HD DODGE 2WD 6 = Lt. Duty DODGE 4WD 7 = Med. Duty DODGE 4WD 8 = HD DODGE 4WD	31 = CLUB CAB 2-DR 6.5 FT BOX 32 = CLUB CAB 2-DR 8FT BOX 33 = QUAD CAB 4-DR 6.5 FT BOX 34 = QUAD CAB 4-DR 8FT BOX	ETC = 5.9L Cummins 24V Diesel Engine EWA = 8.0L V10 MPI Engine EM0 = ALL 5.9L 8 CYL ENGINES - GAS EMM = 5.9L SMPI V8 Engine EML = 5.9L V8 MPI Engine ELF = 5.2L V8 MPI Engine	DGP = 4-Spd. Automatic 47RE Transmission DD0 = ALL 5 SPEED MANUAL TRANSMISSIONS DG0 = ALL AUTOMATIC TRANSMISSIONS DDC = 5-Speed HD Manual Transmission DDP = 5-Speed Manual Transmission DDX = 5-Speed HD Manual Transmission DEE = 6-Speed HD Manual Transmission DGT = 4-Spd. Automatic 46RE Transmission

AR = use ase required - = Non illustrated part

1999 BE

Switches
Figure 8-820



ITEM	PART NUMBER	QTY	LINE	SERIES	BODY	ENGINE	TRANS	TRIM	DESCRIPTION
	56045098AA	1							Right
	56045099AA	1							Left
-26									SWITCH, Remote Radio
	04685619AB	1							Right
	04685632AB	1							Left

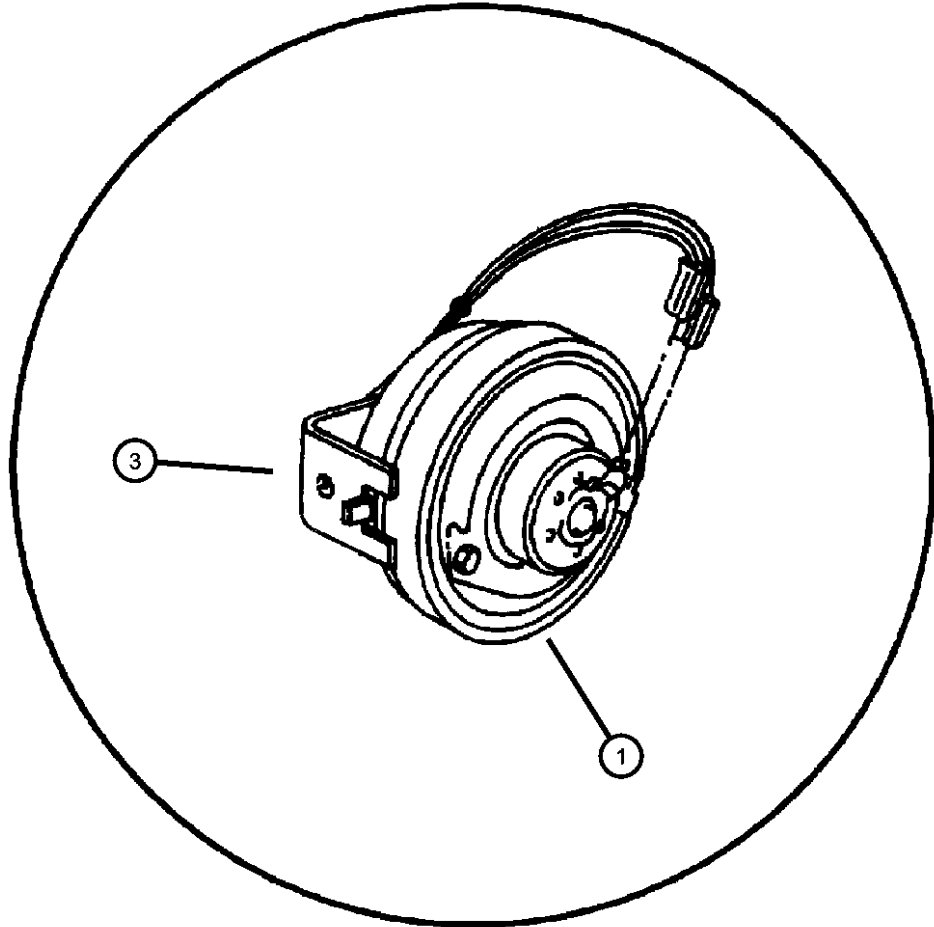
RAM PICKUP/CLUB CAB (BE)

SERIES	LINE	BODY	ENGINE	TRANSMISSION
L = RAM 1500, 2500, 3500	1 = Lt. Duty DODGE 2WD 2 = Med. Duty DODGE 2WD 3 = HD DODGE 2WD 6 = Lt. Duty DODGE 4WD 7 = Med. Duty DODGE 4WD 8 = HD DODGE 4WD	31 = CLUB CAB 2-DR 6.5 FT BOX 32 = CLUB CAB 2-DR 8FT BOX 33 = QUAD CAB 4-DR 6.5 FT BOX 34 = QUAD CAB 4-DR 8FT BOX	ETC = 5.9L Cummins 24V Diesel Engine EWA = 8.0L V10 MPI Engine EM0 = ALL 5.9L 8 CYL ENGINES - GAS EMM = 5.9L SMPi V8 Engine EML = 5.9L V8 MPI Engine ELF = 5.2L V8 MPI Engine	DGP = 4-Spd. Automatic 47RE Transmission DD0 = ALL 5 SPEED MANUAL TRANSMISSIONS DG0 = ALL AUTOMATIC TRANSMISSIONS DDC = 5-Speed HD Manual Transmission DDP = 5-Speed Manual Transmission DDX = 5-Speed HD Manual Transmission DEE = 6-Speed HD Manual Transmission DGT = 4-Spd. Automatic 46RE Transmission

AR = use ase required - = Non illustrated part

Horns & Bracket
Figure 8-910

ITEM	PART NUMBER	QTY	LINE	SERIES	BODY	ENGINE	TRANS	TRIM	DESCRIPTION
ET0=5.9L Turbo Diesel Engine DBB=Manual Transmission									
1	56020086	1							HORN AND BRACKET, High Note
-2	56020085AB	1							HORN, Low Note
3	05011794AA	1				ET0	DBB		BRACKET, Horn Mounting
-4	06502734	1							SCREW, M6x1x20



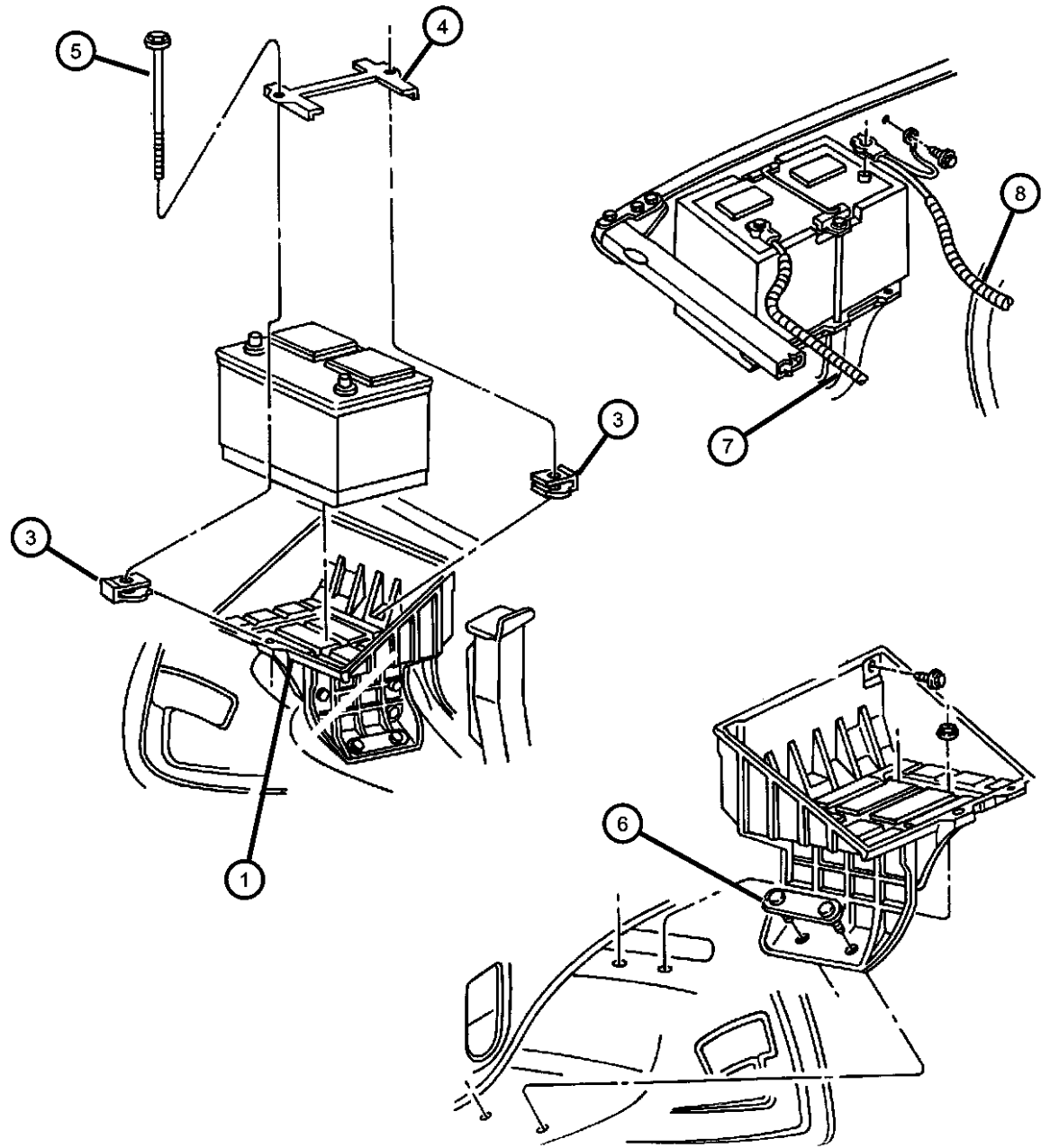
RAM PICKUP/CLUB CAB (BE)

SERIES	LINE	BODY	ENGINE	TRANSMISSION
L = RAM 1500, 2500, 3500	1 = Lt. Duty DODGE 2WD 2 = Med. Duty DODGE 2WD 3 = HD DODGE 2WD 6 = Lt. Duty DODGE 4WD 7 = Med. Duty DODGE 4WD 8 = HD DODGE 4WD	31 = CLUB CAB 2-DR 6.5 FT BOX 32 = CLUB CAB 2-DR 8FT BOX 33 = QUAD CAB 4-DR 6.5 FT BOX 34 = QUAD CAB 4-DR 8FT BOX	ETC = 5.9L Cummins 24V Diesel Engine EWA = 8.0L V10 MPI Engine EM0 = ALL 5.9L 8 CYL ENGINES - GAS EMM = 5.9L SMPI V8 Engine EML = 5.9L V8 MPI Engine ELF = 5.2L V8 MPI Engine	DGP = 4-Spd. Automatic 47RE Transmission DD0 = ALL 5 SPEED MANUAL TRANSMISSIONS DG0 = ALL AUTOMATIC TRANSMISSIONS DDC = 5-Speed HD Manual Transmission DDP = 5-Speed Manual Transmission DDX = 5-Speed HD Manual Transmission DEE = 6-Speed HD Manual Transmission DGT = 4-Spd. Automatic 46RE Transmission

AR = use ase required - = Non illustrated part

1999 BE

Battery Tray & Cables
Figure 8-1020



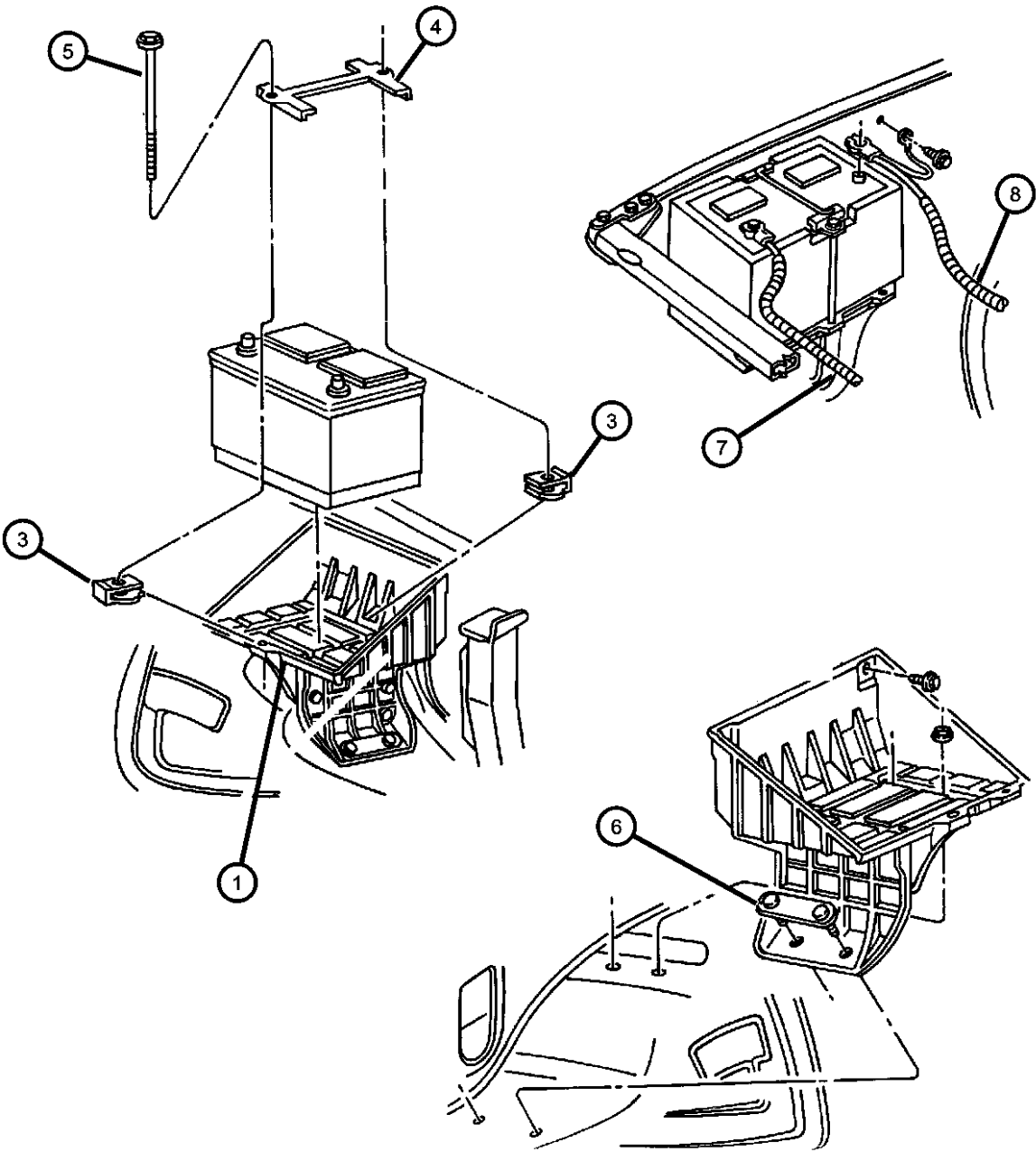
ITEM	PART NUMBER	QTY	LINE	SERIES	BODY	ENGINE	TRANS	TRIM	DESCRIPTION
				EL0=5.2L Engine EM0=5.9L Engine EW0=8.0L Engine ETB=5.9L 16 Cummins Turbo Diesel Engine ETC=5.9L 24V Cummins Diesel Engine ET0=5.9L Turbo Diesel Engine DG0=Automatic Transmission DBB=Manual Transmission					
1	55275126AD 0VU01205 0VU01207	1				ET0			TRAY, Battery Right Repair Battery Terminal End Top Post (Ten Per Box) Repair Battery Terminal End Side Post (Ten Per Box)
	55275127AD 0VU01205 0VU01207	1							Left Repair Battery Terminal End Top Post (Ten Per Box) Repair Battery Terminal End Side Post (Ten Per Box)
-2	55235050	1				ET0			STUD PLATE, Battery Tray
3	06101308	5							NUT, U, M6x1.00
4	55275220	1							STRAP, Battery
5	55235142	2							STUD, Battery Hold Down
6	55235051	1							PLATE, Battery Tray
7	56017788AB 56020664	1 1				ET0 ET0			WIRING, Battery Positive Right Left
	56021878AC	1				ET0	DG0		Left
						EL0, EM0, EW0			
8	56020663AB 56020665AD	1 1				EL0, EM0, EW0 ET0			WIRING, Battery Negative Right

RAM PICKUP/CLUB CAB (BE)

SERIES	LINE	BODY	ENGINE	TRANSMISSION
L = RAM 1500, 2500, 3500	1 = Lt. Duty DODGE 2WD 2 = Med. Duty DODGE 2WD 3 = HD DODGE 2WD 6 = Lt. Duty DODGE 4WD 7 = Med. Duty DODGE 4WD 8 = HD DODGE 4WD	31 = CLUB CAB 2-DR 6.5 FT BOX 32 = CLUB CAB 2-DR 8FT BOX 33 = QUAD CAB 4-DR 6.5 FT BOX 34 = QUAD CAB 4-DR 8FT BOX	ETC = 5.9L Cummins 24V Diesel Engine EWA = 8.0L V10 MPI Engine EM0 = ALL 5.9L 8 CYL ENGINES - GAS EMM = 5.9L SMPI V8 Engine EML = 5.9L V8 MPI Engine ELF = 5.2L V8 MPI Engine	DGP = 4-Spd. Automatic 47RE Transmission DD0 = ALL 5 SPEED MANUAL TRANSMISSIONS DG0 = ALL AUTOMATIC TRANSMISSIONS DDC = 5-Speed HD Manual Transmission DDP = 5-Speed Manual Transmission DDX = 5-Speed HD Manual Transmission DEE = 6-Speed HD Manual Transmission DGT = 4-Spd. Automatic 46RE Transmission

AR = use ase required - = Non illustrated part

Battery Tray & Cables
Figure 8-1020



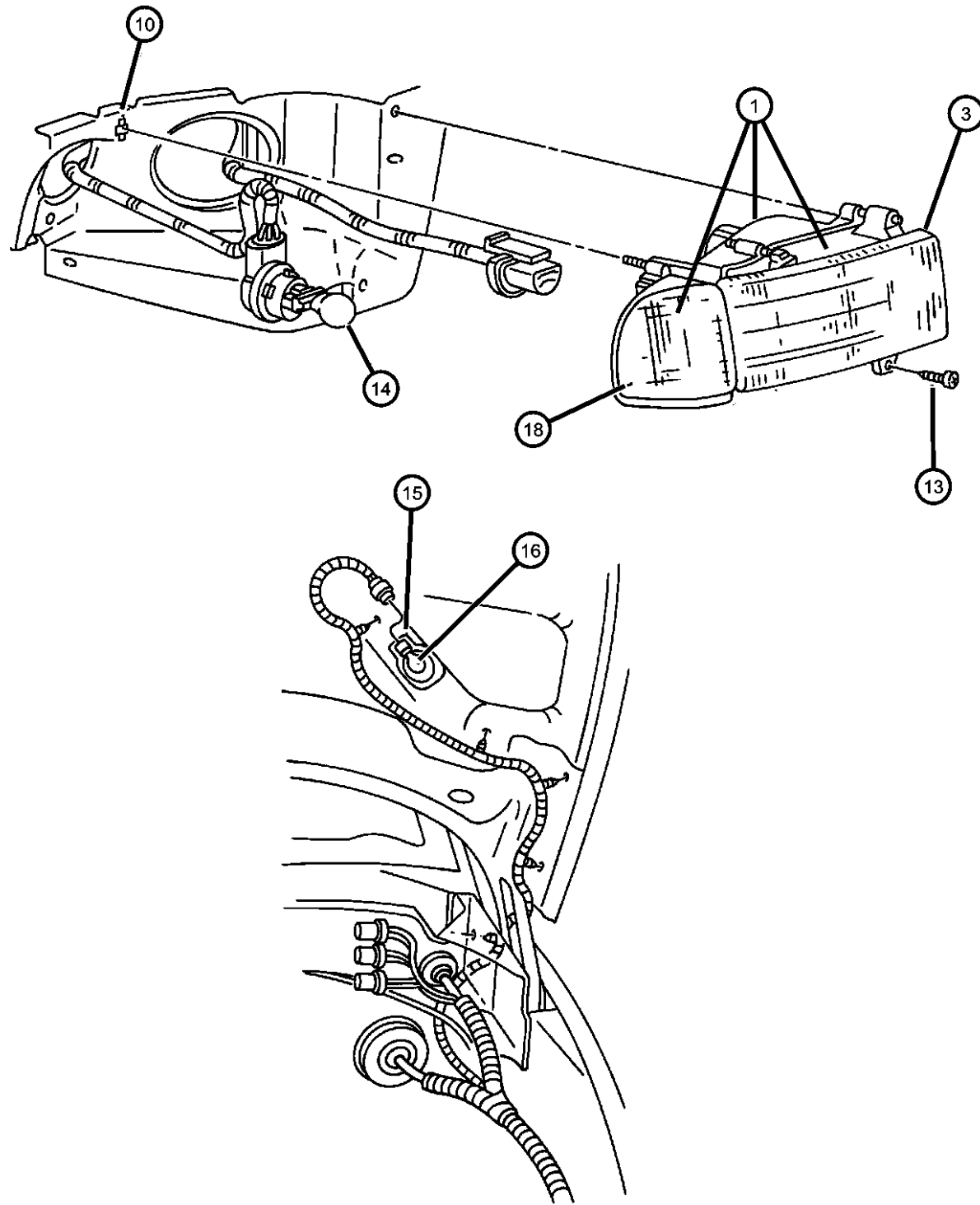
ITEM	PART NUMBER	QTY	LINE	SERIES	BODY	ENGINE	TRANS	TRIM	DESCRIPTION
	56020688AC	1				ET0			Left
-9	56027332	1							SENSOR, Battery Temperature
-10									GASKET, Battery Temperature Sensor
	05003576AA	1				ELO, EMO			Battery Temperature Sensor
		1				EW0			Battery Temperature Sensor
-11									NUT, Hex, M6x1.00
	06500284	4			ET0				w/Washer Battery Wire Attaching
		3			ELO, EMO, EW0				w/Washer Battery Wire Attaching
-12		3							NUT, Hex, .312-18, (NOT SERVICED),
-13									NUT AND WASHER, Hex Nut-Coned Washer, .25-20
	06033560	4				EW0			w/Washer (Positive Battery Cable)
		1				ELO, EMO			

RAM PICKUP/CLUB CAB (BE)

SERIES	LINE	BODY	ENGINE	TRANSMISSION
L = RAM 1500, 2500, 3500	1 = Lt. Duty DODGE 2WD 2 = Med. Duty DODGE 2WD 3 = HD DODGE 2WD 6 = Lt. Duty DODGE 4WD 7 = Med. Duty DODGE 4WD 8 = HD DODGE 4WD	31 = CLUB CAB 2-DR 6.5 FT BOX 32 = CLUB CAB 2-DR 8FT BOX 33 = QUAD CAB 4-DR 6.5 FT BOX 34 = QUAD CAB 4-DR 8FT BOX	ETC = 5.9L Cummins 24V Diesel Engine EWA = 8.0L V10 MPI Engine EM0 = ALL 5.9L 8 CYL ENGINES - GAS EMM = 5.9L SMPI V8 Engine EML = 5.9L V8 MPI Engine ELF = 5.2L V8 MPI Engine	DGP = 4-Spd. Automatic 47RE Transmission DD0 = ALL 5 SPEED MANUAL TRANSMISSIONS DG0 = ALL AUTOMATIC TRANSMISSIONS DDC = 5-Speed HD Manual Transmission DDP = 5-Speed Manual Transmission DDX = 5-Speed HD Manual Transmission DEE = 6-Speed HD Manual Transmission DGT = 4-Spd. Automatic 46RE Transmission

AR = use ase required - = Non illustrated part

Lamp-Front End
Figure 8-1160



ITEM	PART NUMBER	QTY	LINE	SERIES	BODY	ENGINE	TRANS	TRIM	DESCRIPTION
1	55076748AI	1							LAMP, Headlamp Park And Turn
	55076749AI	1							Consist of Head Lamp, Park Lamp, and Carrier, Right
	55077024AC	1							Consist of Head Lamp, Park Lamp, and Carrier, Left
	55077025AC	1							With Quad Headlamps Includes Head Lamp, Park Lamp, and Carrier, Right
-2	00154824	1							With Quad Headlamps Includes Head Lamp, Park Lamp, and Carrier, Left
	00154882AA	1							BULB, Headlamp
									9004LL
									Quad Headlamps
3									HEADLAMP
	55054780AF	1							w/o Quad Halogen Headlamp, Right
	55054781AF	1							w/o Quad Halogen Headlamp, Left
	55077042AC	1							w/Quad Halogen Headlamp, Right
	55077043AC	1							w/Quad Halogen Headlamp, Left
-4									CARRIER, Headlamp
	55076674AC	1							w/o Quad Halogen Headlamp, Right
	55076675AC	1							w/o Quad Halogen Headlamp, Left
	55077034AC	1							w/Quad Halogen Headlamp, Right
	55077035AC	1							w/Quad Halogen Headlamp, Left
-5	06033375AB	2							SCREW, Special Head, .218-28x2.44, Fastener
-6	55054856AB	1							SCREW, Aero Headlamp, Reverse Adjust
-7									WELT, Headlamp To Grille
	55076746	1							Right

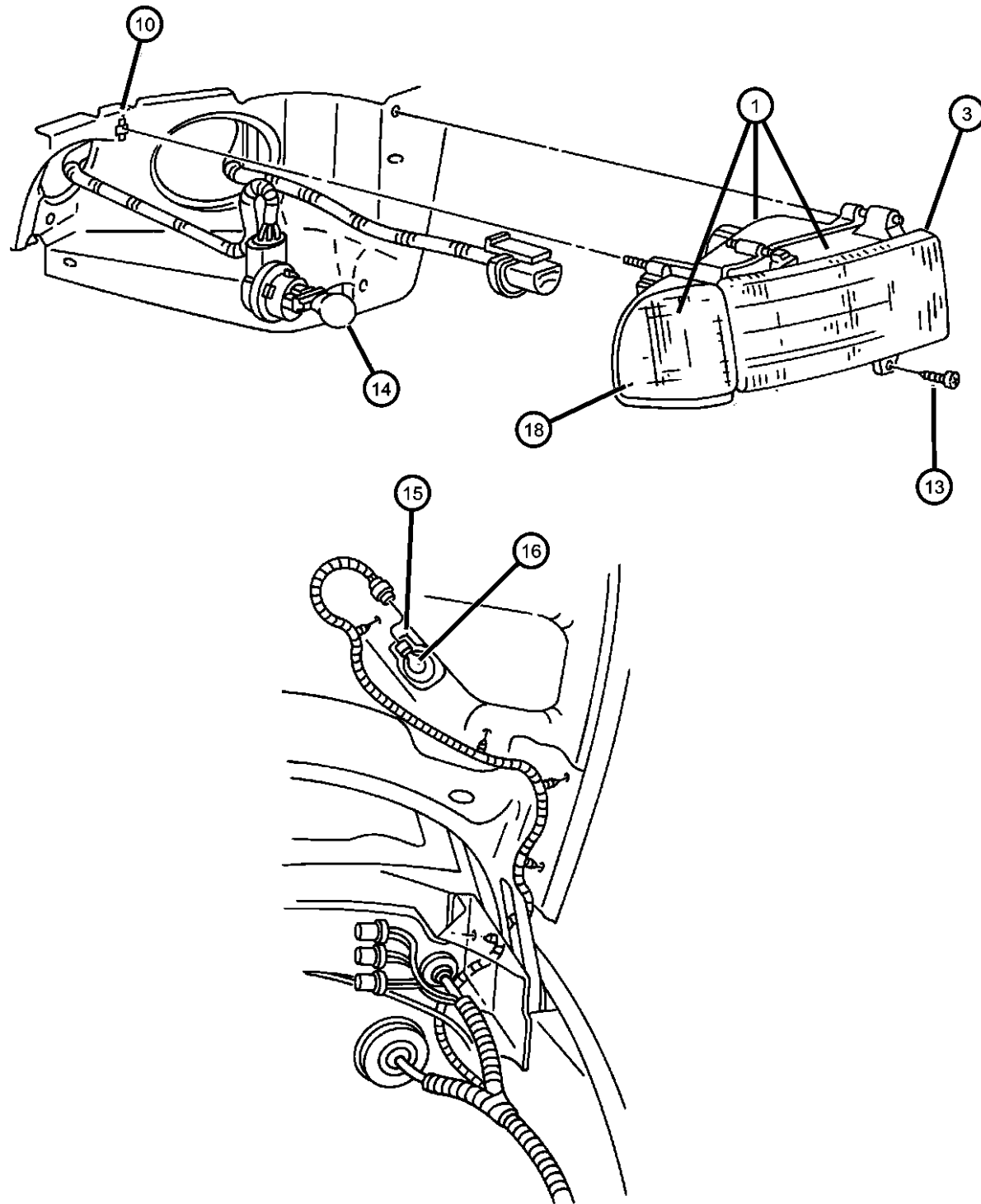
RAM PICKUP/CLUB CAB (BE)

SERIES	LINE	BODY	ENGINE	TRANSMISSION
L = RAM 1500, 2500, 3500	1 = Lt. Duty DODGE 2WD 2 = Med. Duty DODGE 2WD 3 = HD DODGE 2WD 6 = Lt. Duty DODGE 4WD 7 = Med. Duty DODGE 4WD 8 = HD DODGE 4WD	31 = CLUB CAB 2-DR 6.5 FT BOX 32 = CLUB CAB 2-DR 8FT BOX 33 = QUAD CAB 4-DR 6.5 FT BOX 34 = QUAD CAB 4-DR 8FT BOX	ETC = 5.9L Cummins 24V Diesel Engine EWA = 8.0L V10 MPI Engine EM0 = ALL 5.9L 8 CYL ENGINES - GAS EMM = 5.9L SMPI V8 Engine EML = 5.9L V8 MPI Engine ELF = 5.2L V8 MPI Engine	DGP = 4-Spd. Automatic 47RE Transmission DD0 = ALL 5 SPEED MANUAL TRANSMISSIONS DG0 = ALL AUTOMATIC TRANSMISSIONS DDC = 5-Speed HD Manual Transmission DDP = 5-Speed Manual Transmission DDX = 5-Speed HD Manual Transmission DEE = 6-Speed HD Manual Transmission DGT = 4-Spd. Automatic 46RE Transmission

AR = use ase required - = Non illustrated part

1999 BE

Lamp-Front End
Figure 8-1160



ITEM	PART NUMBER	QTY	LINE	SERIES	BODY	ENGINE	TRANS	TRIM	DESCRIPTION
	55076747	1							Left
-8	04805147	1							VENT, Headlamp, Aero Headlamp
-9	J4004262	3							PIN, Push, .15x.41, Retainer Headlamp Welt
10	06502776AB	2							CLIP, Lamp, Headlamp Mounting
-11	06033376	3							CLIP, Lamp, Aero Headlamp Adjusting Screw
-12	55077046AB	1							RETAINER, Headlamp Bulb, Aero Headlamp
13	06504289	6							SCREW, Hex Head, Headlamp Mounting
14	00154525	2							BULB, 3157A, Park & Turn Signal SilverStar
15	56021441	1							LAMP, Underhood
16	L0000561	1							BULB, 561
-17	00154554	2							SCREW, Self Piercing, .25-14x.625
18									LAMP, Park, Turn, Side Marker
	55054772	1							Right
	55054773	1							Left
	55077032AB	1							w/Quad Halogen H/Lamp, Right
	55077033AB	1							w/Quad Halogen H/Lamp, Left
-19									LAMP, Fog
	55076940AB	1							w/o Sport Package, Right
	55076941AB	1							w/o Sport Package, Left
	55076942AA	2							w/Sport Package
-20	04418098	2							CLIP, Tube
-21	L0000896	1							BULB, 896

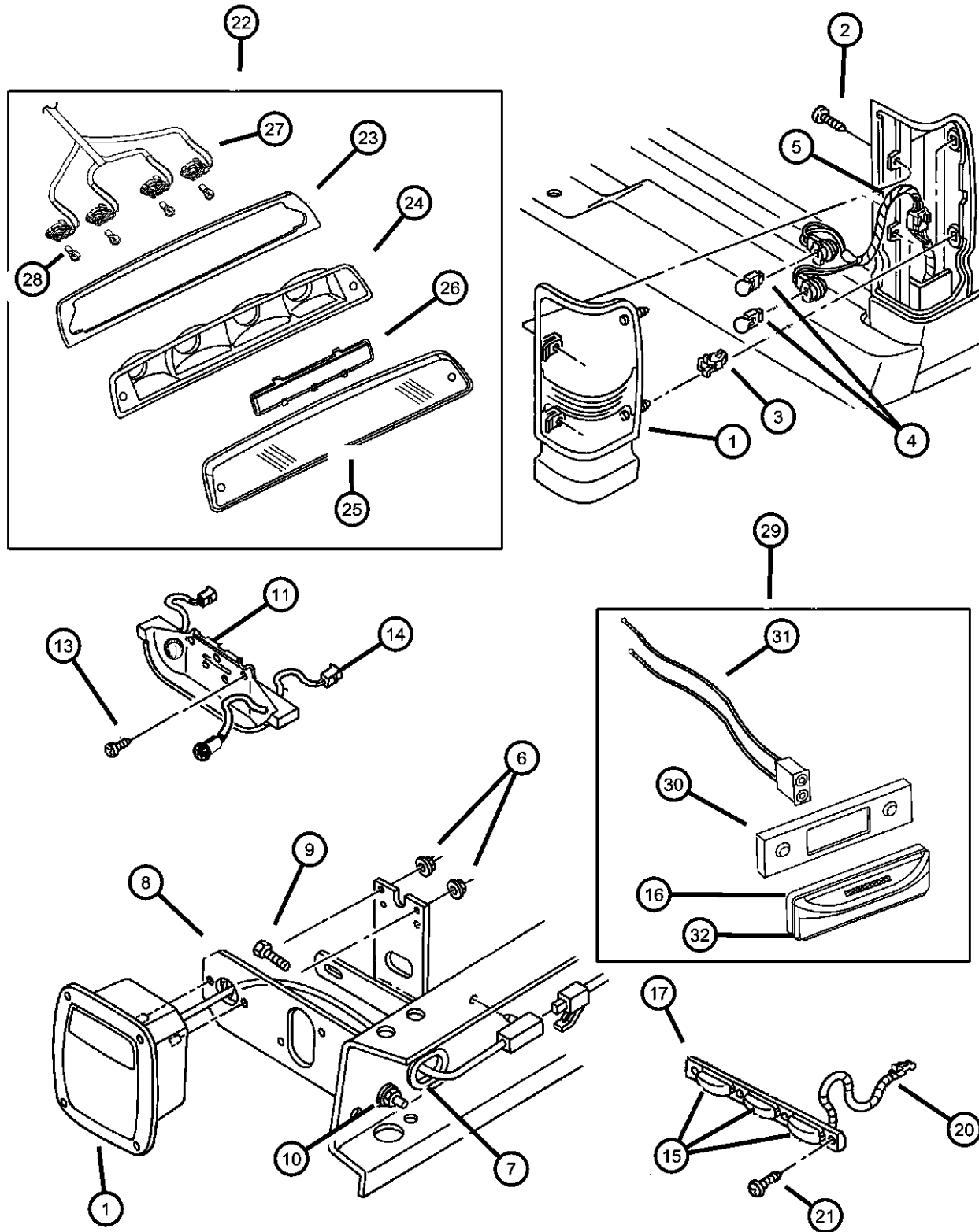
RAM PICKUP/CLUB CAB (BE)

SERIES	LINE	BODY	ENGINE	TRANSMISSION
L = RAM 1500, 2500, 3500	1 = Lt. Duty DODGE 2WD 2 = Med. Duty DODGE 2WD 3 = HD DODGE 2WD 6 = Lt. Duty DODGE 4WD 7 = Med. Duty DODGE 4WD 8 = HD DODGE 4WD	31 = CLUB CAB 2-DR 6.5 FT BOX 32 = CLUB CAB 2-DR 8FT BOX 33 = QUAD CAB 4-DR 6.5 FT BOX 34 = QUAD CAB 4-DR 8FT BOX	ETC = 5.9L Cummins 24V Diesel Engine EWA = 8.0L V10 MPI Engine EM0 = ALL 5.9L 8 CYL ENGINES - GAS EMM = 5.9L SMPI V8 Engine EML = 5.9L V8 MPI Engine ELF = 5.2L V8 MPI Engine	DGP = 4-Spd. Automatic 47RE Transmission DD0 = ALL 5 SPEED MANUAL TRANSMISSIONS DG0 = ALL AUTOMATIC TRANSMISSIONS DDC = 5-Speed HD Manual Transmission DDP = 5-Speed Manual Transmission DDX = 5-Speed HD Manual Transmission DEE = 6-Speed HD Manual Transmission DGT = 4-Spd. Automatic 46RE Transmission

AR = use ase required - = Non illustrated part

1999 BE

Lamp-Rear End
Figure 8-1170



ITEM	PART NUMBER	QTY	LINE	SERIES	BODY	ENGINE	TRANS	TRIM	DESCRIPTION
------	-------------	-----	------	--------	------	--------	-------	------	-------------

EL0=5.2L Engine
EM0=5.9L Engine

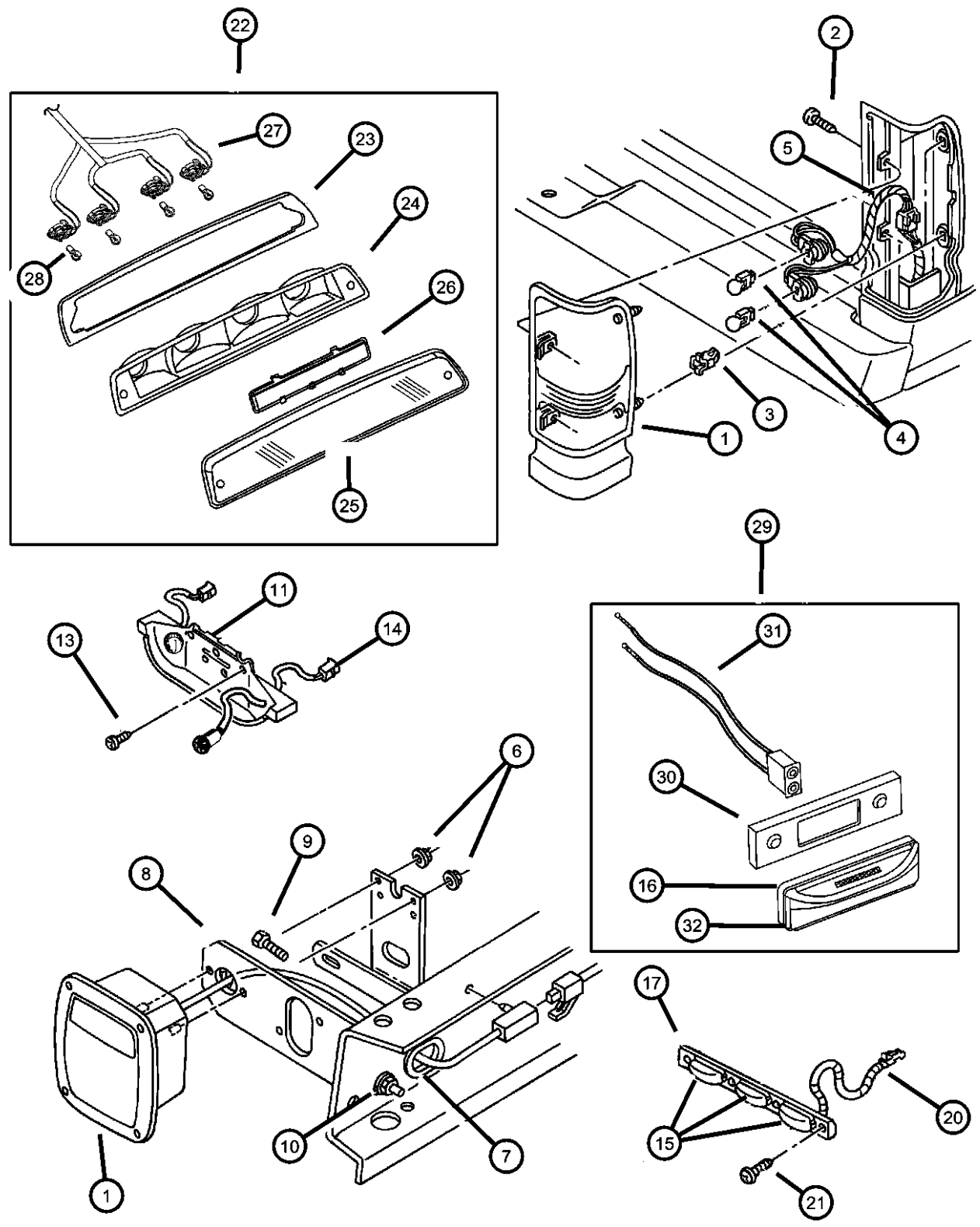
1									LAMP, Tail Stop Turn
	55055264AC	1							w/o Sport Package (Black), Right
	55055265AC	1							w/o Sport Package (Black), Left
	5EK44DX8AC	1							w/Sport Package (Black), Right
	5EK44GW7AC	1							w/Sport Package (White), Right
	5EK44PR4AC	1							w/Sport Package (Red), Right
	5EK44SG8AC	1							w/Sport Package (Forest Green), Right
	5EK44VB3AC	1							w/Sport Package (Medium Blue), Right
	5EK44VYHAC	1							w/Sport Package (Light Yellow), Right
	5EK45DX8AC	1							w/Sport Package (Black), Left
	5EK45GW7AC	1							w/Sport Package (White), Left
	5EK45PR4AC	1							w/Sport Package (Red), Left
	5EK45SG8AC	1							w/Sport Package (Forest Green), Left
	5EK45VB3AC	1							w/Sport Package (Medium Blue), Left
	5EK45VYHAC	1							w/Sport Package (Light Yellow), Left
2	06035455	4							SCREW, Tapping, .19-16x.625
3	06033376	3							CLIP, Lamp
4	L0003157	4							BULB, 3157
5	56021369	2							WIRING, Turn Signal and Back Up
6	06035081	1				EL0, EM0			NUT, .25-20
7	06035081	1							GROMMET, (NOT SERVICED)
8	06035081	1							BRACKET, Tail Lamp, (NOT REQUIRED)
9	06035081	1							BOLT, Hex Head, .375-16x1.50, (NOT REQUIRED)

RAM PICKUP/CLUB CAB (BE)

SERIES	LINE	BODY	ENGINE	TRANSMISSION
L = RAM 1500, 2500, 3500	1 = Lt. Duty DODGE 2WD	31 = CLUB CAB 2-DR 6.5 FT BOX	ETC = 5.9L Cummins 24V Diesel Engine	DGP = 4-Spd. Automatic 47RE Transmission
	2 = Med. Duty DODGE 2WD	32 = CLUB CAB 2-DR 8FT BOX	EWA = 8.0L V10 MPI Engine	DD0 = ALL 5 SPEED MANUAL TRANSMISSIONS
	3 = HD DODGE 2WD	33 = QUAD CAB 4-DR 6.5 FT BOX	EM0 = ALL 5.9L 8 CYL ENGINES - GAS	DG0 = ALL AUTOMATIC TRANSMISSIONS
	6 = Lt. Duty DODGE 4WD	34 = QUAD CAB 4-DR 8FT BOX	EMM = 5.9L SMPI V8 Engine	DDC = 5-Speed HD Manual Transmission
	7 = Med. Duty DODGE 4WD		EML = 5.9L V8 MPI Engine	DDP = 5-Speed Manual Transmission
	8 = HD DODGE 4WD		ELF = 5.2L V8 MPI Engine	DDX = 5-Speed HD Manual Transmission
				DEE = 6-Speed HD Manual Transmission
				DGT = 4-Spd. Automatic 46RE Transmission

AR = use ase required - = Non illustrated part

Lamp-Rear End
Figure 8-1170



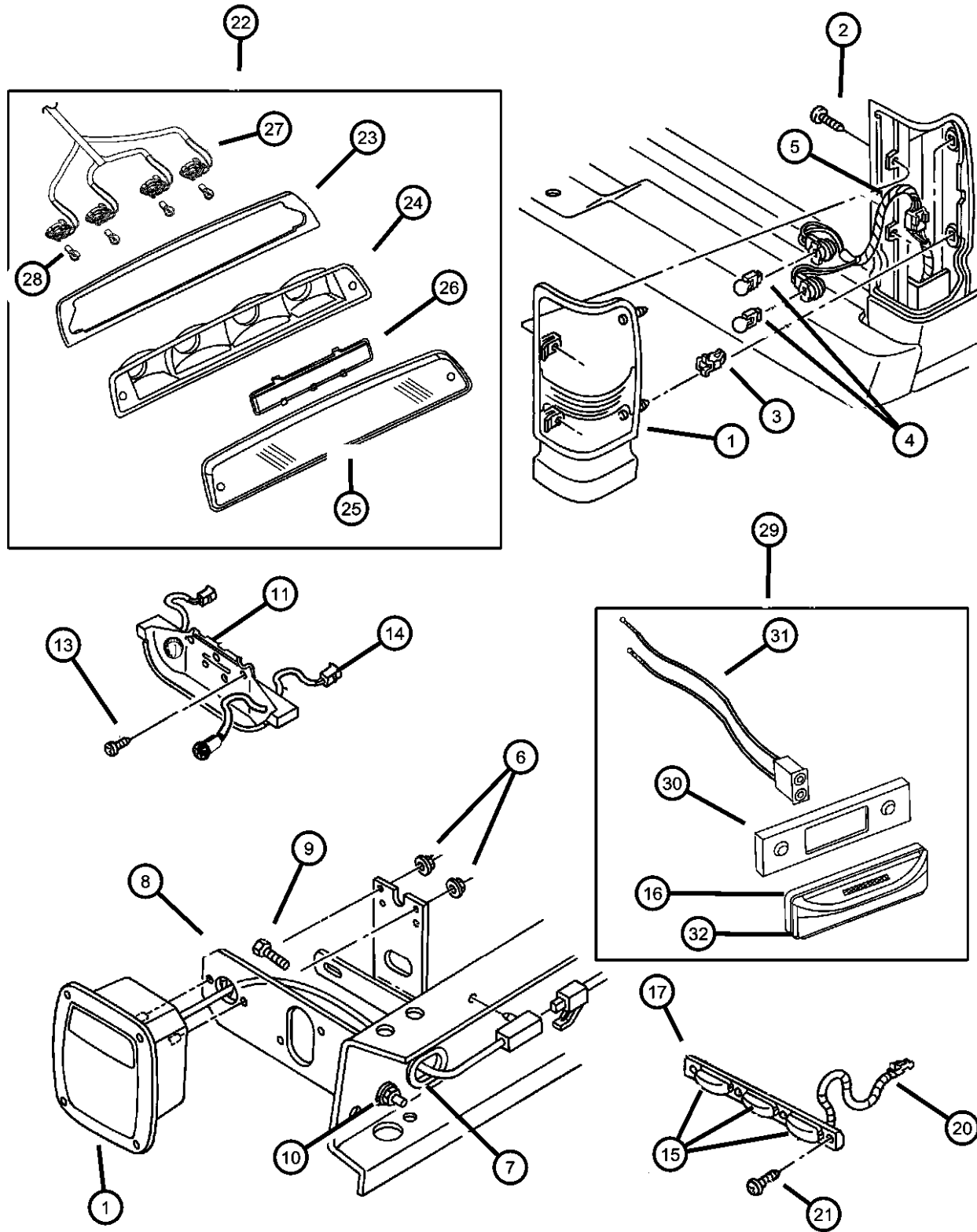
ITEM	PART NUMBER	QTY	LINE	SERIES	BODY	ENGINE	TRANS	TRIM	DESCRIPTION
10	06035081	1							NUT AND WASHER, Hex Nut-Coned Washer, .375-16, (NOT REQUIRED)
11	55076850	1							PANEL, License Plate
-12									LENS, License Lamp
	04357065	1							[MBF,MBQ]
	55054891	2							SCREW, (NOT SERVICED),
13	55054891	2							WIRING, License Lamp
14									[MBF,MBQ]
	04362133	1							LAMP BAR, Tailgate, Without Lens
15	55054823	1							LAMP, Tailgate Lens [RED]
16	55054819	3							HOUSING, Clearance Lamp
17	55054821	2	3, 8		34				BULB, 168
-18	L0000168	1							U-NUT, M6 x 1.00, M6x1.00
-19	06504118	8							WIRING, Tailgate
20	55054824	1							SCREW, (NOT SERVICED)
21	55054824	1							LAMP, High Mounted Stop
22									Hi-Mounted Stop, w/Cargo Lamp
	55076688	1							Hi-Mounted Stop, w/o Cargo Lamp
	55076689	1							Hi-Mounted Stop, w/Cargo Lamp
23									SEAL, High Mounted Stop Lamp
	55054852	1							Hi-Mounted Stop, w/o Cargo Lamp
									Hi-Mounted Stop, w/Cargo Lamp
24									HOUSING, CHMSL, Serviced in #22, (NOT SERVICED),
25									LENS, CHMSL, Serviced in #22, (NOT SERVICED)

RAM PICKUP/CLUB CAB (BE)

SERIES	LINE	BODY	ENGINE	TRANSMISSION
L = RAM 1500, 2500, 3500	1 = Lt. Duty DODGE 2WD 2 = Med. Duty DODGE 2WD 3 = HD DODGE 2WD 6 = Lt. Duty DODGE 4WD 7 = Med. Duty DODGE 4WD 8 = HD DODGE 4WD	31 = CLUB CAB 2-DR 6.5 FT BOX 32 = CLUB CAB 2-DR 8FT BOX 33 = QUAD CAB 4-DR 6.5 FT BOX 34 = QUAD CAB 4-DR 8FT BOX	ETC = 5.9L Cummins 24V Diesel Engine EWA = 8.0L V10 MPI Engine EM0 = ALL 5.9L 8 CYL ENGINES - GAS EMM = 5.9L SMPI V8 Engine EML = 5.9L V8 MPI Engine ELF = 5.2L V8 MPI Engine	DGP = 4-Spd. Automatic 47RE Transmission DD0 = ALL 5 SPEED MANUAL TRANSMISSIONS DG0 = ALL AUTOMATIC TRANSMISSIONS DDC = 5-Speed HD Manual Transmission DDP = 5-Speed Manual Transmission DDX = 5-Speed HD Manual Transmission DEE = 6-Speed HD Manual Transmission DGT = 4-Spd. Automatic 46RE Transmission

AR = use ase required - = Non illustrated part

Lamp-Rear End
Figure 8-1170



ITEM	PART NUMBER	QTY	LINE	SERIES	BODY	ENGINE	TRANS	TRIM	DESCRIPTION
26		1							LENS, CHMSL, Serviced in #22, (NOT SERVICED)
27									WIRING, High Mounted Stop Lamp
	05017192AA	1							Hi-Mounted Stop, w/Cargo Lamp
	05017193AA	1							Hi-Mounted Stop, w/o Cargo Lamp
28	00154883AA	2							BULB, 921
29									LAMP, Fender Marker
	55054956	2	3, 8		34				Red
	55054958	2	3, 8		34				Yellow
30	05011794AA	1				ET0			BRACKET
31	55054960	2	3, 8		34				WIRING, Clearance Lamp Jumper
32	55054820	2	3, 8		34				LENS, Clearance Lamp, Yellow
-33	04414184	2							SOCKET AND WIRING, License Lamp

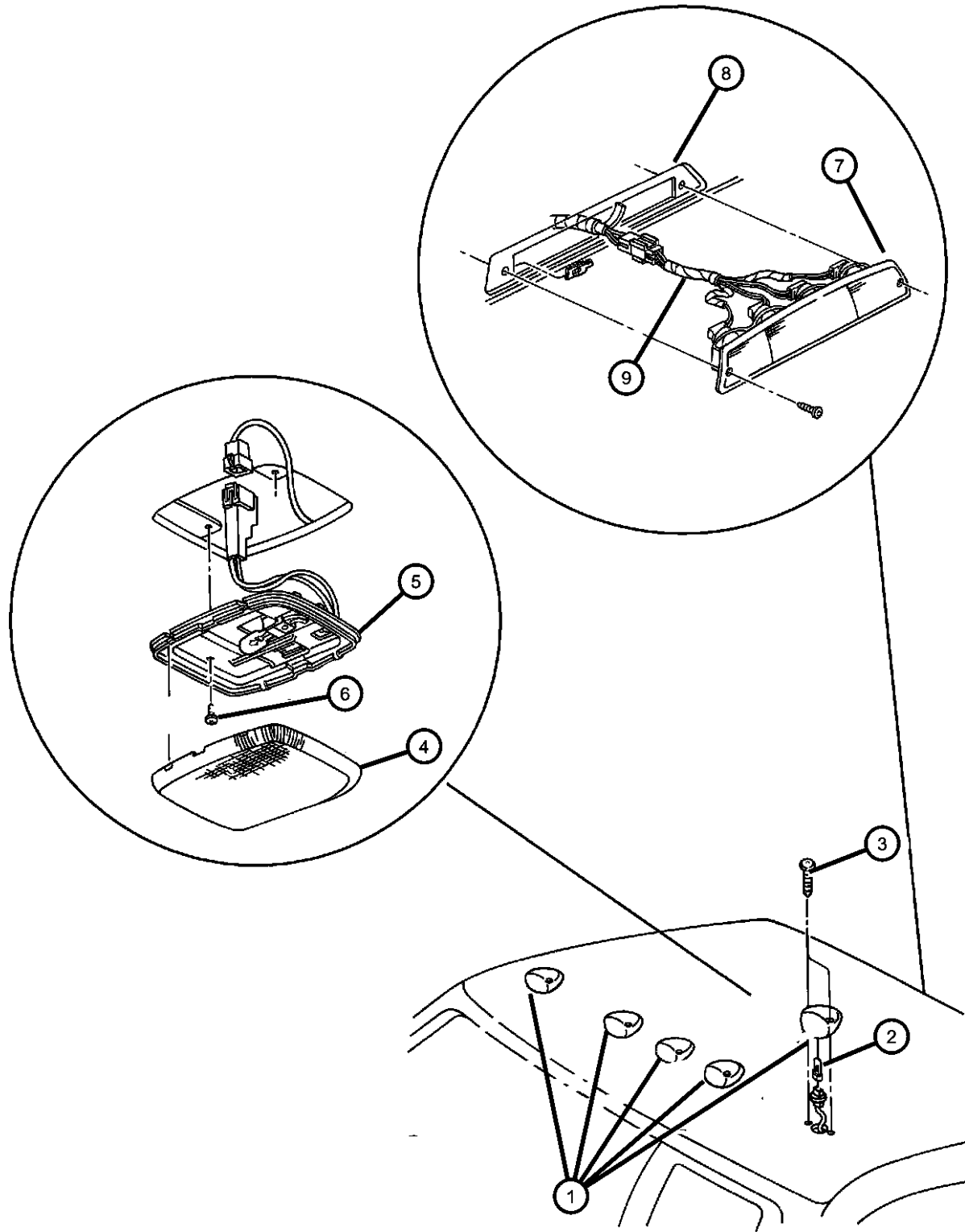
RAM PICKUP/CLUB CAB (BE)

SERIES	LINE	BODY	ENGINE	TRANSMISSION
L = RAM 1500, 2500, 3500	1 = Lt. Duty DODGE 2WD 2 = Med. Duty DODGE 2WD 3 = HD DODGE 2WD 6 = Lt. Duty DODGE 4WD 7 = Med. Duty DODGE 4WD 8 = HD DODGE 4WD	31 = CLUB CAB 2-DR 6.5 FT BOX 32 = CLUB CAB 2-DR 8FT BOX 33 = QUAD CAB 4-DR 6.5 FT BOX 34 = QUAD CAB 4-DR 8FT BOX	ETC = 5.9L Cummins 24V Diesel Engine EWA = 8.0L V10 MPI Engine EM0 = ALL 5.9L 8 CYL ENGINES - GAS EMM = 5.9L SMPI V8 Engine EML = 5.9L V8 MPI Engine ELF = 5.2L V8 MPI Engine	DGP = 4-Spd. Automatic 47RE Transmission DD0 = ALL 5 SPEED MANUAL TRANSMISSIONS DG0 = ALL AUTOMATIC TRANSMISSIONS DDC = 5-Speed HD Manual Transmission DDP = 5-Speed Manual Transmission DDX = 5-Speed HD Manual Transmission DEE = 6-Speed HD Manual Transmission DGT = 4-Spd. Automatic 46RE Transmission

AR = use ase required - = Non illustrated part

1999 BE

Lamp-Dome-Courtesy-Reading
Figure 8-1180



ITEM	PART NUMBER	QTY	LINE	SERIES	BODY	ENGINE	TRANS	TRIM	DESCRIPTION
1	55077067AA	5							LAMP, Cab, Clearance Lamps w/Gaskets, Base, Screw & Washer
2	L0000194	5							BULB, 194
3	L0000194	5							SCREW, (NOT SERVICED)
4	0JV76TL2	1							LAMP, Dome, Lamp Assembly (Rear Dome)
5	0JV76TL2	1							BEZEL, Dome Lamp, Serviced w/Lamp Assembly, (NOT SERVICED)
6	0JV76TL2	1							SCREW, Dome Lamp Mtg., (NOT SERVICED)
7									LAMP, High Mounted Stop
	55076688	1							Hi-Mtd. & Cargo
	55076689	1							Hi-Mtd. Stop Lamp w/o Cargo Lamp
8									SEAL, High Mounted Stop Lamp
	55054852	1							Hi-Mtd. Stop Lamp w/o Cargo Lamp
		1							Hi-Mtd. Stop Lamp
9	55054893	1							WIRING, High Mounted Stop Lamp, Hi-Mtd. Stop Lamp
-10	L0000579	1							BULB, 579, Dome Lamp

RAM PICKUP/CLUB CAB (BE)

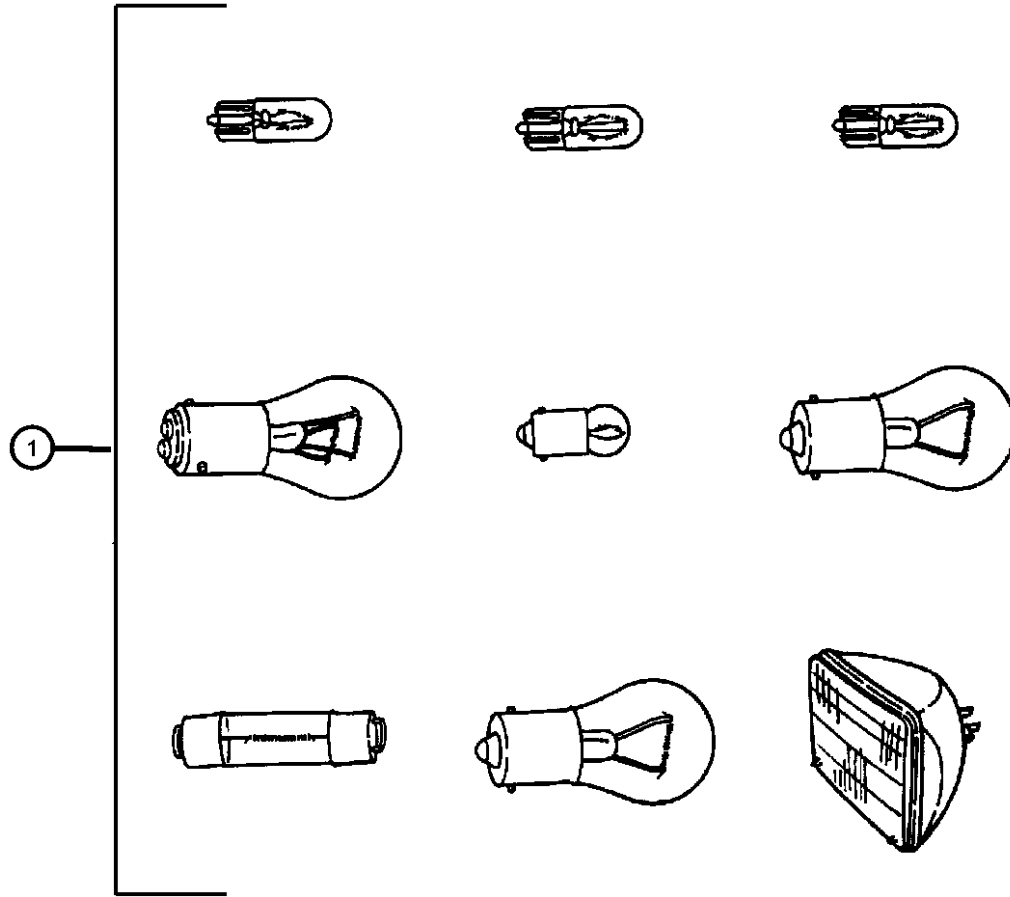
SERIES	LINE	BODY	ENGINE	TRANSMISSION
L = RAM 1500, 2500, 3500	1 = Lt. Duty DODGE 2WD	31 = CLUB CAB 2-DR 6.5 FT BOX	ETC = 5.9L Cummins 24V Diesel Engine	DGP = 4-Spd. Automatic 47RE Transmission
	2 = Med. Duty DODGE 2WD	32 = CLUB CAB 2-DR 8FT BOX	EWA = 8.0L V10 MPI Engine	DD0 = ALL 5 SPEED MANUAL TRANSMISSIONS
	3 = HD DODGE 2WD	33 = QUAD CAB 4-DR 6.5 FT BOX	EM0 = ALL 5.9L 8 CYL ENGINES - GAS	DG0 = ALL AUTOMATIC TRANSMISSIONS
	6 = Lt. Duty DODGE 4WD	34 = QUAD CAB 4-DR 8FT BOX	EMM = 5.9L SMPI V8 Engine	DDC = 5-Speed HD Manual Transmission
	7 = Med. Duty DODGE 4WD		EML = 5.9L V8 MPI Engine	DDP = 5-Speed Manual Transmission
	8 = HD DODGE 4WD		ELF = 5.2L V8 MPI Engine	DDX = 5-Speed HD Manual Transmission
				DEE = 6-Speed HD Manual Transmission
				DGT = 4-Spd. Automatic 46RE Transmission

AR = use ase required - = Non illustrated part

1999 BE

Bulbs & Sockets
Figure 8-1195

ITEM	PART NUMBER	QTY	LINE	SERIES	BODY	ENGINE	TRANS	TRIM	DESCRIPTION
DDO= 5 Speed Manual Transmission									
1	L000PC74	1					DD0		BULB, PC74, 4x4 Indicator & Shift Bezel Indicator
-2	L0003157	4							BULB, 3157, Tail Lamp
-3	L0000194	5							BULB, 194, Cab Roof Clearance Lamp
-4	L0001156	AR							BULB, 1156, Tail/Stop & Turn
-5	00154883AA	2							BULB, 921, High Mounted Stop Lamp
-6	L0000168	1							BULB, 168, License Lamp
-7	L0000074	1					DD0		BULB, 74, Shift Bezel Indicator
-8	05015731AA	1							BULB AND SOCKET, Indicator Lamp, Headlamp Switch w/Foglamp
-9	05015732AA	1							BULB AND SOCKET, Indicator Lamp, Headlamp Switch w/o Foglamp



RAM PICKUP/CLUB CAB (BE)

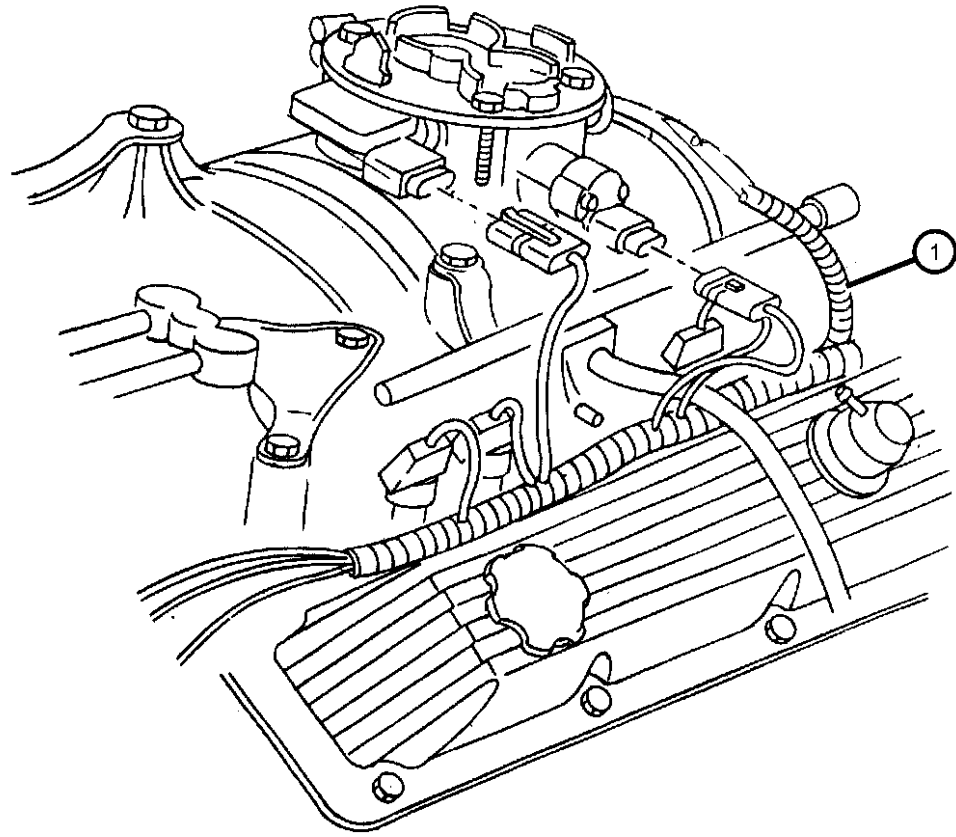
SERIES	LINE	BODY	ENGINE	TRANSMISSION
L = RAM 1500, 2500, 3500	1 = Lt. Duty DODGE 2WD 2 = Med. Duty DODGE 2WD 3 = HD DODGE 2WD 6 = Lt. Duty DODGE 4WD 7 = Med. Duty DODGE 4WD 8 = HD DODGE 4WD	31 = CLUB CAB 2-DR 6.5 FT BOX 32 = CLUB CAB 2-DR 8FT BOX 33 = QUAD CAB 4-DR 6.5 FT BOX 34 = QUAD CAB 4-DR 8FT BOX	ETC = 5.9L Cummins 24V Diesel Engine EWA = 8.0L V10 MPI Engine EM0 = ALL 5.9L 8 CYL ENGINES - GAS EMM = 5.9L SMPI V8 Engine EML = 5.9L V8 MPI Engine ELF = 5.2L V8 MPI Engine	DGP = 4-Spd. Automatic 47RE Transmission DD0 = ALL 5 SPEED MANUAL TRANSMISSIONS DG0 = ALL AUTOMATIC TRANSMISSIONS DDC = 5-Speed HD Manual Transmission DDP = 5-Speed Manual Transmission DDX = 5-Speed HD Manual Transmission DEE = 6-Speed HD Manual Transmission DGT = 4-Spd. Automatic 46RE Transmission

AR = use ase required - = Non illustrated part

Wiring-Engine
Figure 8-1220

ITEM	PART NUMBER	QTY	LINE	SERIES	BODY	ENGINE	TRANS	TRIM	DESCRIPTION
------	-------------	-----	------	--------	------	--------	-------	------	-------------

EL0=5.2L Engine
 EML=Magnum 5.9L SMPI Engine (Light Duty)
 EMM=Magnum 5.9L SMPI Engine (Heavy Duty)
 EW0=8.0L Engine
 ET0=5.9L Turbo Diesel Engine
 DG0=Automatic Transmission
 DBB=Manual Transmission
 DDP=5 Speed Manual Transmission



1									WIRING, Engine
	56045047AB	1				EL0, EML	DDP		
	56045048AB	1				EL0, EML	DG0		
	56045050AB	1				EMM	DBB		
	56045051AB	1				EMM	DG0		
	56045052AB	1				EW0	DBB		
	56045053AB	1				EW0	DG0		
-2	56019829	1	6, 7, 8						WIRING, Indicator Lamp, 4WD
-3									SENSOR, Temperature Sending Unit
	05011852AA	1				ET0	DBB		
		1				ET0	DG0		
-4	04372040	1							STRAP, Ground, Radio Noise Suppression Ground

RAM PICKUP/CLUB CAB (BE)

SERIES	LINE	BODY	ENGINE	TRANSMISSION
L = RAM 1500, 2500, 3500	1 = Lt. Duty DODGE 2WD	31 = CLUB CAB 2-DR 6.5 FT BOX	ETC = 5.9L Cummins 24V Diesel Engine	DGP = 4-Spd. Automatic 47RE Transmission
	2 = Med. Duty DODGE 2WD	32 = CLUB CAB 2-DR 8FT BOX	EWA = 8.0L V10 MPI Engine	DD0 = ALL 5 SPEED MANUAL TRANSMISSIONS
	3 = HD DODGE 2WD	33 = QUAD CAB 4-DR 6.5 FT BOX	EM0 = ALL 5.9L 8 CYL ENGINES - GAS	DG0 = ALL AUTOMATIC TRANSMISSIONS
	6 = Lt. Duty DODGE 4WD	34 = QUAD CAB 4-DR 8FT BOX	EMM = 5.9L SMPI V8 Engine	DDC = 5-Speed HD Manual Transmission
	7 = Med. Duty DODGE 4WD		EML = 5.9L V8 MPI Engine	DDP = 5-Speed Manual Transmission
	8 = HD DODGE 4WD		ELF = 5.2L V8 MPI Engine	DDX = 5-Speed HD Manual Transmission
				DEE = 6-Speed HD Manual Transmission
				DGT = 4-Spd. Automatic 46RE Transmission

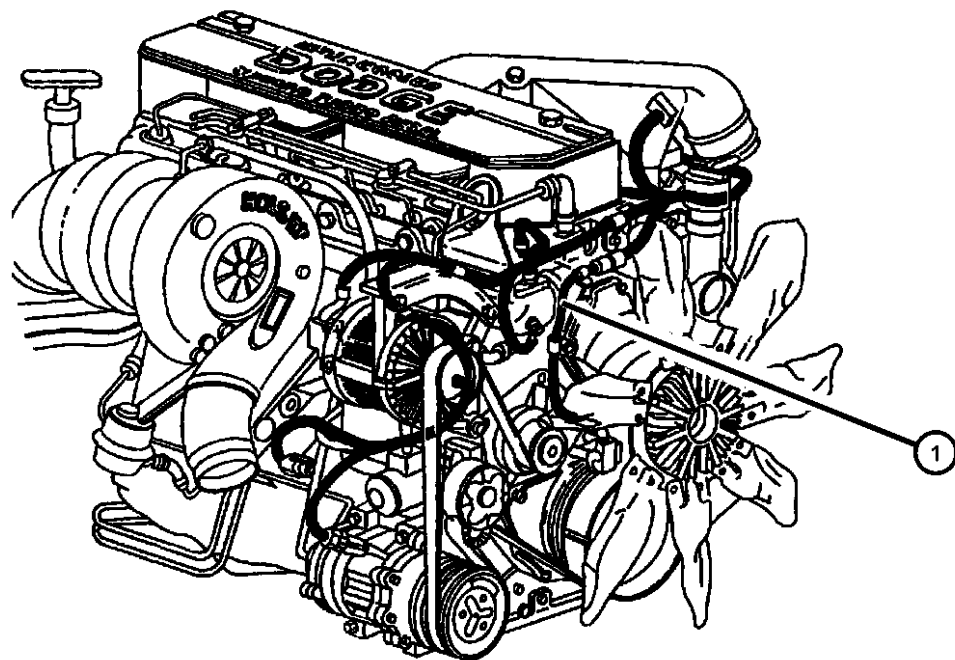
AR = use ase required - = Non illustrated part

1999 BE

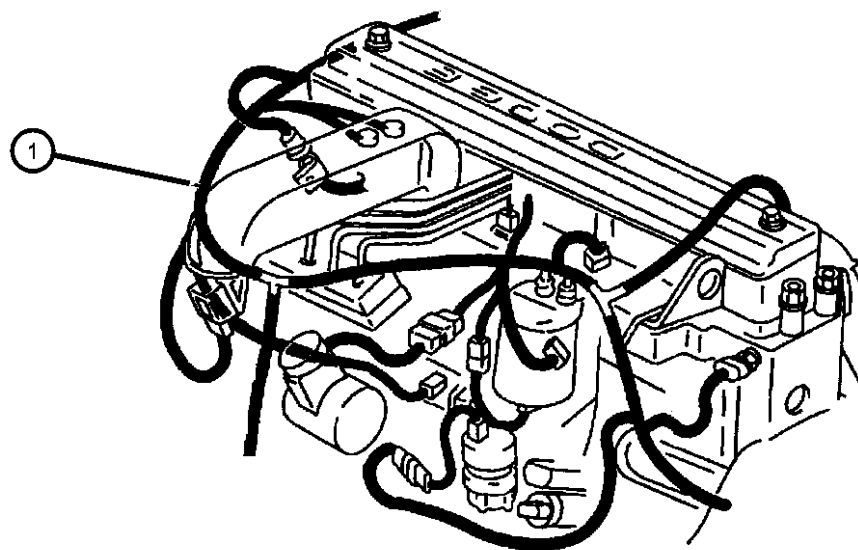
**Wiring Engine (Diesel)
Figure 8-1225**

ITEM	PART NUMBER	QTY	LINE	SERIES	BODY	ENGINE	TRANS	TRIM	DESCRIPTION
------	-------------	-----	------	--------	------	--------	-------	------	-------------

ET0=5.9L Turbo Diesel Engine
DG0=Automatic Transmission
DBB=Manual Transmission



1									WIRING, Engine
	05014177AA	1				ET0	DBB		w/Federal Emission
		1				ET0	DBB		w/California Emission
		1				ET0	DG0		w/Federal Emission
		1				ET0	DG0		w/California Emission
	56045480AC	1				ET0	DBB		
	56045481AC	1				ET0	DG0		
-2	56021908AC	1				ET0			WIRING, Jumper, Air Heater Jumper



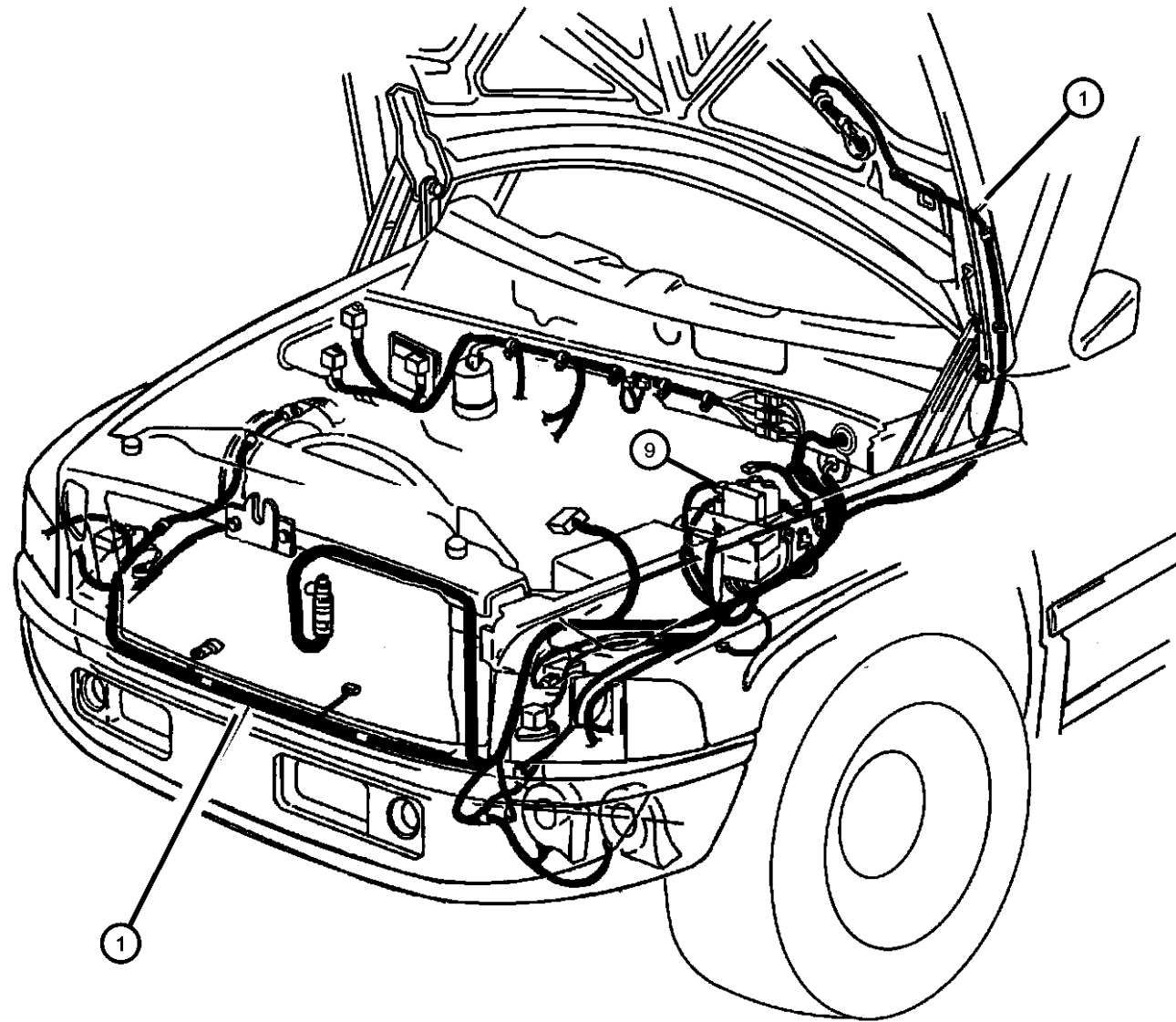
RAM PICKUP/CLUB CAB (BE)

SERIES	LINE	BODY	ENGINE	TRANSMISSION
L = RAM 1500, 2500, 3500	1 = Lt. Duty DODGE 2WD 2 = Med. Duty DODGE 2WD 3 = HD DODGE 2WD 6 = Lt. Duty DODGE 4WD 7 = Med. Duty DODGE 4WD 8 = HD DODGE 4WD	31 = CLUB CAB 2-DR 6.5 FT BOX 32 = CLUB CAB 2-DR 8FT BOX 33 = QUAD CAB 4-DR 6.5 FT BOX 34 = QUAD CAB 4-DR 8FT BOX	ETC = 5.9L Cummins 24V Diesel Engine EWA = 8.0L V10 MPI Engine EM0 = ALL 5.9L 8 CYL ENGINES - GAS EMM = 5.9L SMPI V8 Engine EML = 5.9L V8 MPI Engine ELF = 5.2L V8 MPI Engine	DGP = 4-Spd. Automatic 47RE Transmission DD0 = ALL 5 SPEED MANUAL TRANSMISSIONS DG0 = ALL AUTOMATIC TRANSMISSIONS DDC = 5-Speed HD Manual Transmission DDP = 5-Speed Manual Transmission DDX = 5-Speed HD Manual Transmission DEE = 6-Speed HD Manual Transmission DGT = 4-Spd. Automatic 46RE Transmission

AR = use ase required - = Non illustrated part

1999 BE

**Wiring-Headlamp / Dash
Figure 8-1320**



ITEM	PART NUMBER	QTY	LINE	SERIES	BODY	ENGINE	TRANS	TRIM	DESCRIPTION
									EL0=5.2L Engine EM0=5.9L Engine EW0=8.0L Engine ET0=5.9L Turbo Diesel Engine
1									WIRING, Headlamp to Dash
	56045056AE	1				EL0, EM0, EW0			w/RWAL
	56045057AE	1				EL0, EM0, EW0			w/RWAL & Overhead Console Type II
	56045058AE	1				EL0, EM0, EW0			w/RWAL & Trailer Tow
	56045059AE	1				EL0, EM0, EW0			w/ABS
	56045060AE	1				EL0, EM0, EW0			w/ABS or RWAL w/Daytime Running Lamp & w/o Quad Headlamps (Canada)
	56045061AE	1				ET0			w/o Daytime Running Lamp & w/o Quad Headlamps
	56045062AE	1				ET0			w/Daytime Running Lamp & w/o Quad Headlamps (Canada)
	56045264AE	1				EL0, EM0, EW0			w/o Daytime Running Lamp & w/Quad Headlamps
	56045265AE	1				ET0			w/o Daytime Running Lamp & w/Quad Headlamps
	56045266AE	1				EL0, EM0, EW0			w/Daytime Running Lamp & Quad Headlamps (Canada)
	56045267AE	1				ET0			w/Daytime Running Lamp & Quad Headlamps (Canada)
-2	56017713	1							PULLER, Fuse, Fuse
-3									COVER, Power Distribution Center
	56021167	AR							Lower
	56045326AB	AR							Upper
-4	06102075AA	AR							FUSE CARTRIDGE, 20 Amp
-5	06102076AA	AR							FUSE CARTRIDGE, 30 Amp
-6	06102077AA	AR							FUSE CARTRIDGE, 40 Amp
-7	06102078AA	AR							FUSE CARTRIDGE, 50 Amp

RAM PICKUP/CLUB CAB (BE)

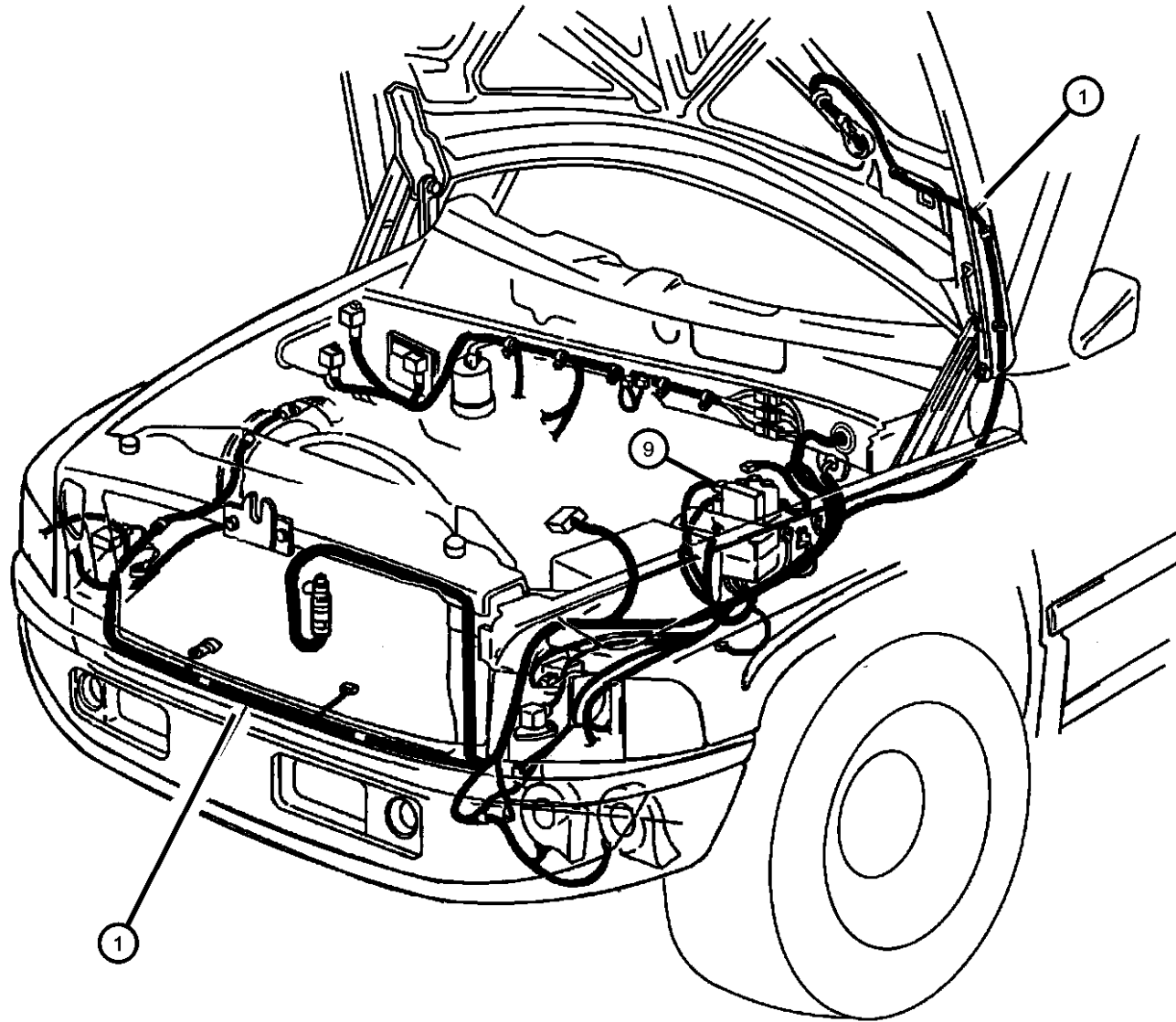
SERIES	LINE	BODY	ENGINE	TRANSMISSION
L = RAM 1500, 2500, 3500	1 = Lt. Duty DODGE 2WD 2 = Med. Duty DODGE 2WD 3 = HD DODGE 2WD 6 = Lt. Duty DODGE 4WD 7 = Med. Duty DODGE 4WD 8 = HD DODGE 4WD	31 = CLUB CAB 2-DR 6.5 FT BOX 32 = CLUB CAB 2-DR 8FT BOX 33 = QUAD CAB 4-DR 6.5 FT BOX 34 = QUAD CAB 4-DR 8FT BOX	ETC = 5.9L Cummins 24V Diesel Engine EWA = 8.0L V10 MPI Engine EM0 = ALL 5.9L 8 CYL ENGINES - GAS EMM = 5.9L SMPI V8 Engine EML = 5.9L V8 MPI Engine ELF = 5.2L V8 MPI Engine	DGP = 4-Spd. Automatic 47RE Transmission DD0 = ALL 5 SPEED MANUAL TRANSMISSIONS DG0 = ALL AUTOMATIC TRANSMISSIONS DDC = 5-Speed HD Manual Transmission DDP = 5-Speed Manual Transmission DDX = 5-Speed HD Manual Transmission DEE = 6-Speed HD Manual Transmission DGT = 4-Spd. Automatic 46RE Transmission

AR = use ase required - = Non illustrated part

1999 BE

Wiring-Headlamp / Dash
Figure 8-1320

ITEM	PART NUMBER	QTY	LINE	SERIES	BODY	ENGINE	TRANS	TRIM	DESCRIPTION
-8	06101757	AR							FUSIBLE LINK, 140 AMP
9	000ATM15	1							FUSE, Mini, 15 AMP, Light Blue
-10	06101136	1							FUSE, Standard, 15 AMP, Light Blue



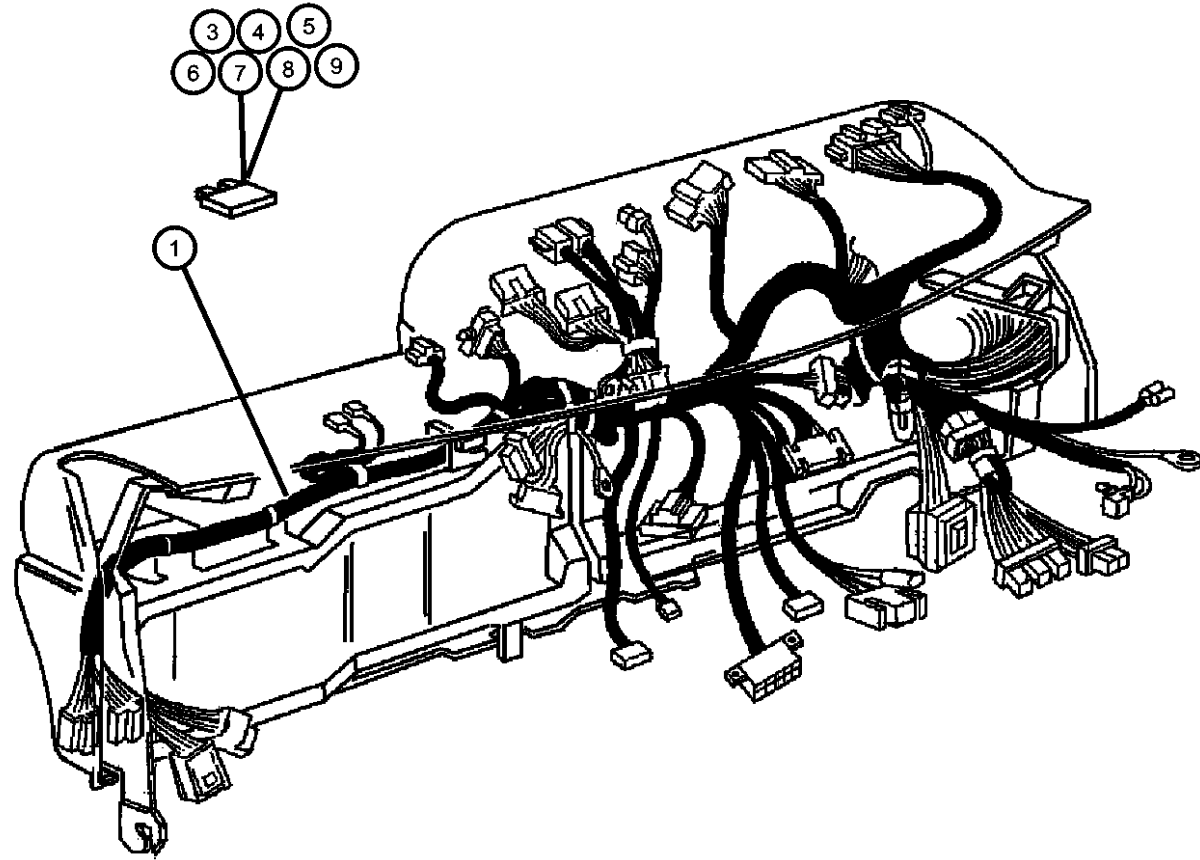
RAM PICKUP/CLUB CAB (BE)

SERIES	LINE	BODY	ENGINE	TRANSMISSION
L = RAM 1500, 2500, 3500	1 = Lt. Duty DODGE 2WD 2 = Med. Duty DODGE 2WD 3 = HD DODGE 2WD 6 = Lt. Duty DODGE 4WD 7 = Med. Duty DODGE 4WD 8 = HD DODGE 4WD	31 = CLUB CAB 2-DR 6.5 FT BOX 32 = CLUB CAB 2-DR 8FT BOX 33 = QUAD CAB 4-DR 6.5 FT BOX 34 = QUAD CAB 4-DR 8FT BOX	ETC = 5.9L Cummins 24V Diesel Engine EWA = 8.0L V10 MPI Engine EM0 = ALL 5.9L 8 CYL ENGINES - GAS EMM = 5.9L SMPI V8 Engine EML = 5.9L V8 MPI Engine ELF = 5.2L V8 MPI Engine	DGP = 4-Spd. Automatic 47RE Transmission DD0 = ALL 5 SPEED MANUAL TRANSMISSIONS DG0 = ALL AUTOMATIC TRANSMISSIONS DDC = 5-Speed HD Manual Transmission DDP = 5-Speed Manual Transmission DDX = 5-Speed HD Manual Transmission DEE = 6-Speed HD Manual Transmission DGT = 4-Spd. Automatic 46RE Transmission

AR = use ase required - = Non illustrated part

1999 BE

**Wiring-Instrument Panel
Figure 8-1420**



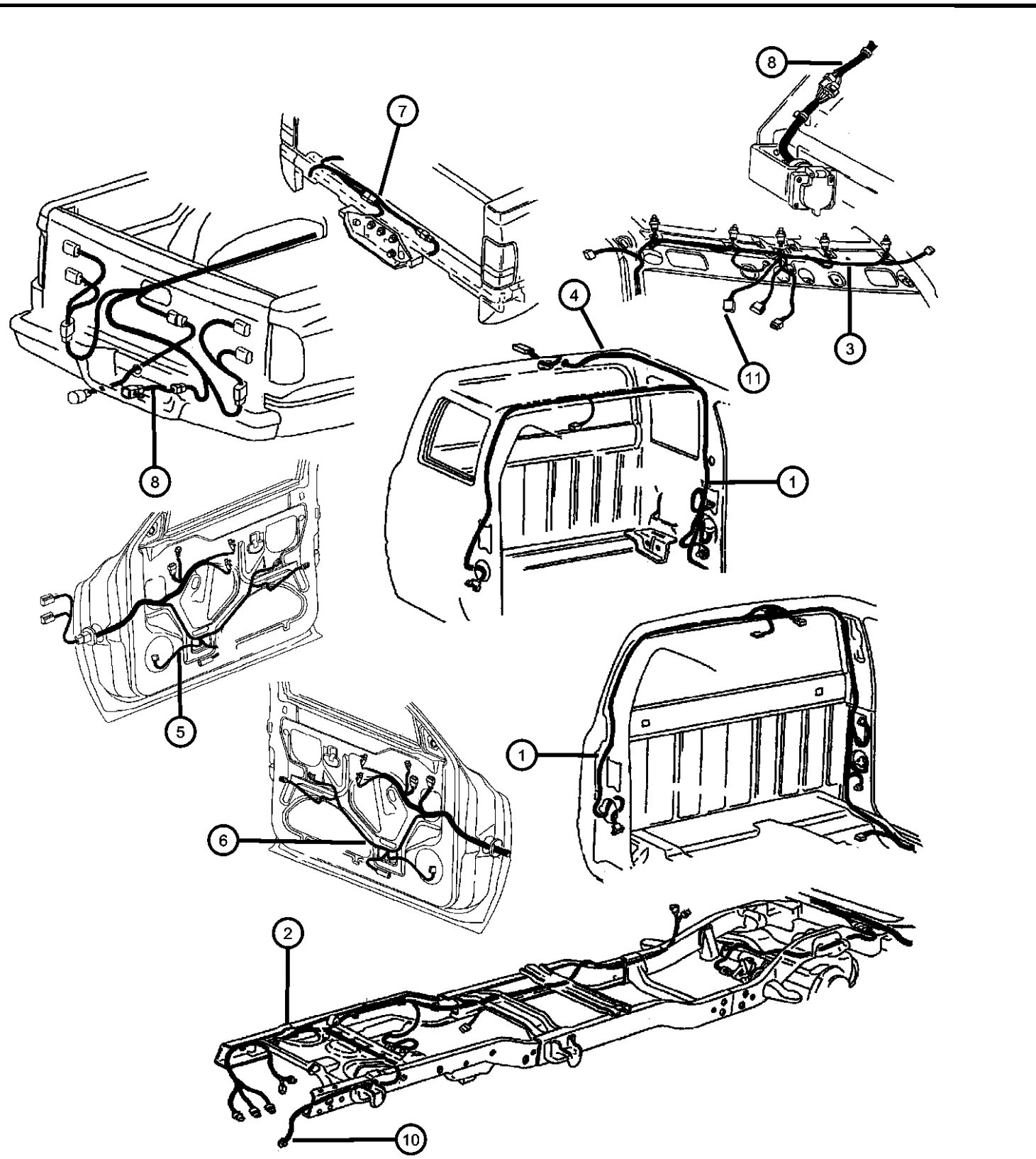
ITEM	PART NUMBER	QTY	LINE	SERIES	BODY	ENGINE	TRANS	TRIM	DESCRIPTION
1	56021870AE	1							WIRING, Instrument Panel w/Infinity Sound System, Keyless Entry, Power Seats & w/o Steering Wheel Mounted Audio Control
	56021871AE	1							w/o Infinity Sound System, Power Seats & w/Keyless Entry
	56021872AE	1							w/Infinity Sound System & w/o Keyless Entry
	56021873AE	1							w/o Infinity Sound System & w/o Power Equipment Package (Base Model)
	56045900AA	1							w/Infinity Sound System, Keyless Entry, Power Seats & Steering Wheel Mounted Audio Control
-2	56045164AC	1							WIRING, Steering Wheel
3	000ATM10	1							FUSE, Mini, 10 AMP, Red, Blower Motor, Relay Coil & Heated Mirror
4	000ATM15	1							FUSE, Mini, 15 AMP, Light Blue
5	000ATM20	1							FUSE, Mini, 20 AMP, Yellow
6	06101484	1							FUSE, Mini, 5 Amp, Tan
7	06101135	1							FUSE, Standard, 10 AMP, Red
8	06101136	1							FUSE, Standard, 15 AMP, Light Blue
9	04687835	1							FUSE, Mini, 25 Amp, Natural
-10	04897895AA	1							HOLDER, Fuse (I.O.D. Fuses)
	04897906AA	2							(Airbag Fuses)
-11	56021922AA	AR							PULLER, Fuse
-12	04604235	2							BREAKER, Circuit, 20 AMP
-13	56007348	1							FLASHER

RAM PICKUP/CLUB CAB (BE)

SERIES	LINE	BODY	ENGINE	TRANSMISSION
L = RAM 1500, 2500, 3500	1 = Lt. Duty DODGE 2WD 2 = Med. Duty DODGE 2WD 3 = HD DODGE 2WD 6 = Lt. Duty DODGE 4WD 7 = Med. Duty DODGE 4WD 8 = HD DODGE 4WD	31 = CLUB CAB 2-DR 6.5 FT BOX 32 = CLUB CAB 2-DR 8FT BOX 33 = QUAD CAB 4-DR 6.5 FT BOX 34 = QUAD CAB 4-DR 8FT BOX	ETC = 5.9L Cummins 24V Diesel Engine EWA = 8.0L V10 MPI Engine EM0 = ALL 5.9L 8 CYL ENGINES - GAS EMM = 5.9L SMPI V8 Engine EML = 5.9L V8 MPI Engine ELF = 5.2L V8 MPI Engine	DGP = 4-Spd. Automatic 47RE Transmission DD0 = ALL 5 SPEED MANUAL TRANSMISSIONS DG0 = ALL AUTOMATIC TRANSMISSIONS DDC = 5-Speed HD Manual Transmission DDP = 5-Speed Manual Transmission DDX = 5-Speed HD Manual Transmission DEE = 6-Speed HD Manual Transmission DGT = 4-Spd. Automatic 46RE Transmission

AR = use ase required - = Non illustrated part

Wiring-Body & Accessory
Figure 8-1520



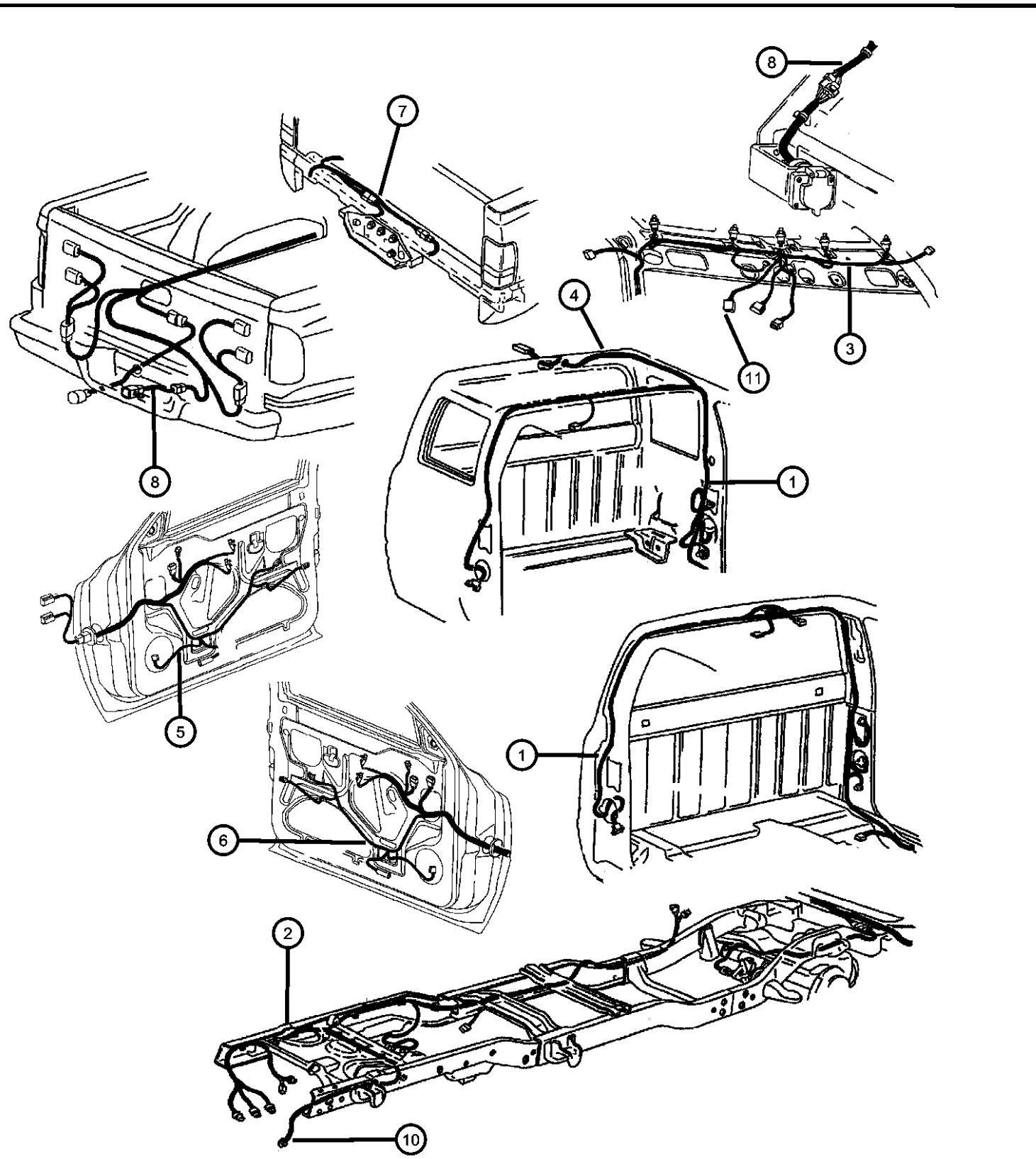
ITEM	PART NUMBER	QTY	LINE	SERIES	BODY	ENGINE	TRANS	TRIM	DESCRIPTION
1	56045115AE	1	1, 2, 6, 7		31, 32				WIRING, Body w/o Infinity Sound, Keyless Entry Type I, Power Seats, Locks & Windows (Base Model)
	56045116AE	1	1, 2, 6, 7		31, 32				w/o Infinity Sound, Keyless Entry Type I & w/Power Seats, Locks & Windows
	56045117AE	1	1, 2, 6, 7		31, 32				w/o Infinity Sound & w/Keyless Entry Type I
	56045118AE	1	1, 2, 6, 7		31, 32				w/Infinity Sound & w/o Keyless Entry Type I
	56045119AE	1	1, 2, 6, 7		31, 32				w/Infinity Sound & Keyless Entry Type I
	56045120AE	1			33, 34				w/o Infinity Sound, Keyless Entry Type I, Power Seats, Locks & Windows (Base Model)
	56045121AE	1			33, 34				w/o Infinity Sound, Keyless Entry Type I & w/Power Seats, Locks & Windows
	56045122AE	1			33, 34				w/o Infinity Sound & w/Keyless Entry Type I
	56045123AE	1			33, 34				w/Infinity Sound & w/o Keyless Entry Type I
	56045124AE	1			33, 34				w/Infinity Sound & Keyless Entry Type I
2	56045464AB	1							WIRING, Chassis w/o Trailer Tow
	56045465AB	1							w/Trailer Tow
3	05013608AA	1							WIRING, Overhead Console With Full Overhead Console & Security System & without Security System
	05013609AA	1							With Mini Overhead Console
	56021864AE	1							With Full Overhead Console & Clearance Lamp
	56021865AD	1							With Mini Overhead Console & Clearance Lamp

RAM PICKUP/CLUB CAB (BE)

SERIES	LINE	BODY	ENGINE	TRANSMISSION
L = RAM 1500, 2500, 3500	1 = Lt. Duty DODGE 2WD 2 = Med. Duty DODGE 2WD 3 = HD DODGE 2WD 6 = Lt. Duty DODGE 4WD 7 = Med. Duty DODGE 4WD 8 = HD DODGE 4WD	31 = CLUB CAB 2-DR 6.5 FT BOX 32 = CLUB CAB 2-DR 8FT BOX 33 = QUAD CAB 4-DR 6.5 FT BOX 34 = QUAD CAB 4-DR 8FT BOX	ETC = 5.9L Cummins 24V Diesel Engine EWA = 8.0L V10 MPI Engine EM0 = ALL 5.9L 8 CYL ENGINES - GAS EMM = 5.9L SMPI V8 Engine EML = 5.9L V8 MPI Engine ELF = 5.2L V8 MPI Engine	DGP = 4-Spd. Automatic 47RE Transmission DD0 = ALL 5 SPEED MANUAL TRANSMISSIONS DG0 = ALL AUTOMATIC TRANSMISSIONS DDC = 5-Speed HD Manual Transmission DDP = 5-Speed Manual Transmission DDX = 5-Speed HD Manual Transmission DEE = 6-Speed HD Manual Transmission DGT = 4-Spd. Automatic 46RE Transmission

AR = use ase required - = Non illustrated part

Wiring-Body & Accessory
Figure 8-1520



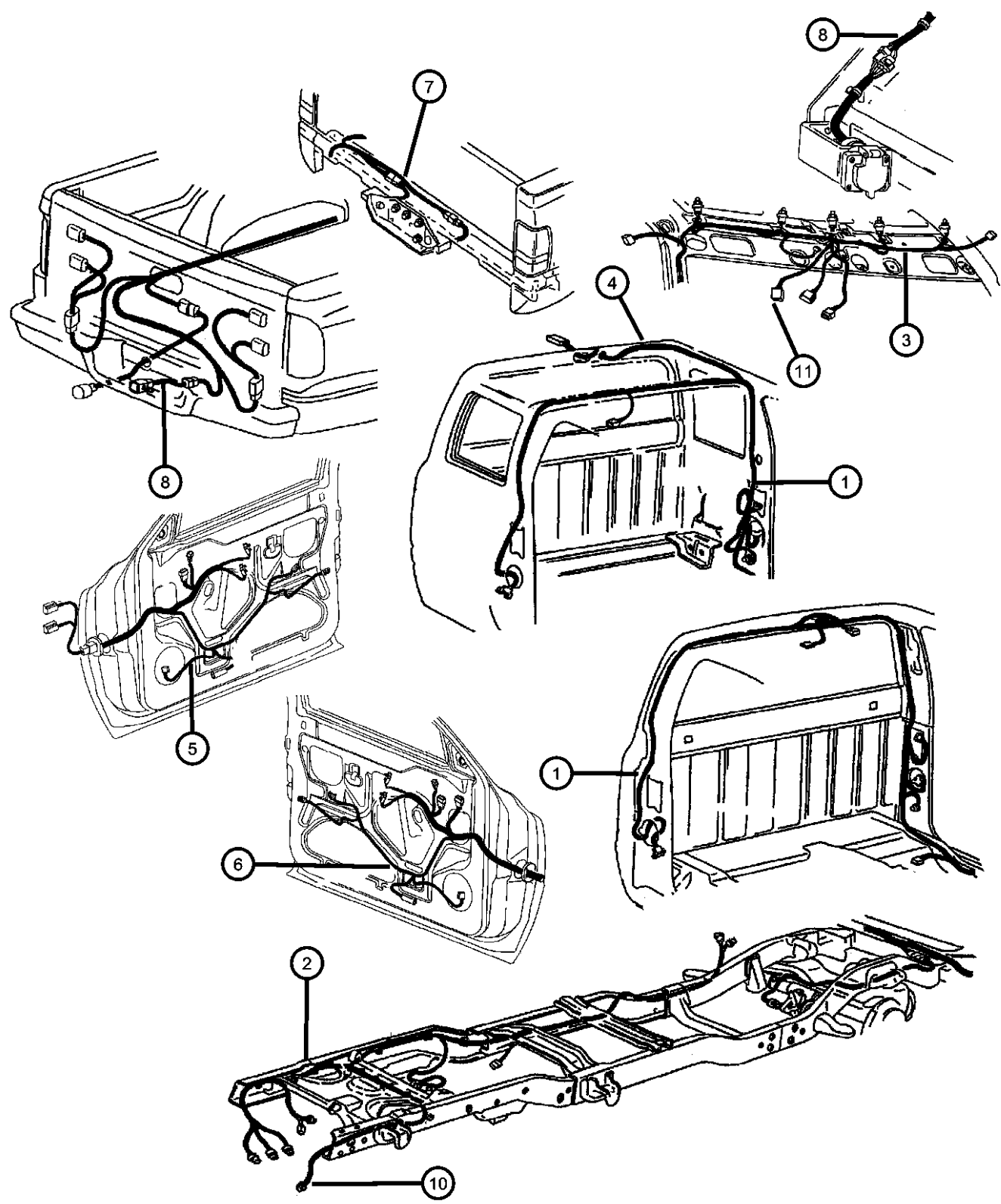
ITEM	PART NUMBER	QTY	LINE	SERIES	BODY	ENGINE	TRANS	TRIM	DESCRIPTION
	56021866AE	1							With Full Overhead Console & without Clearance Lamp
	56021867AE	1							With Mini Overhead Console & without Clearance Lamp
4	55054893	1							WIRING, High Mounted Stop Lamp, w/Cargo Lamp
5									WIRING, Door
	56045137AB	2							w/o Power Windows, Locks, Mirrors & w/o Infinity Stereo, Left Door
	56045238AB	1							w/Power Mirrors, Left Door
	56045240AB	1							w/Power Windows (1-Touch) & w/o Infinity Stereo, Left Door
	56045241AB	1							w/Power Windows (1-Touch) & Infinity Stereo, Left Door
6									WIRING, Door
	56045242AB	1							w/Power Mirrors & w/o Power Windows, Locks, Mirrors & w/o Infinity Stereo, Right Door
	56045244AB	1							w/Power Windows (1-Touch) & w/o Infinity Stereo, Right Door
	56045245AB	1							w/Power Windows (1-Touch) & Infinity Stereo, Right Door
7	56018807	2							WIRING, Taillamp Socket
8	56020143AD	1							WIRING, Trailer Tow, w/Trailer Tow
-9	56038366AB	1							CONNECTOR, 7 Way, w/Trailer Tow
10	56021369	2							WIRING, Turn Signal and Back Up
11	56020190	2							WIRING, Mirror Jumper, w/Illuminated Visor Mirror
-12	55054824	1							WIRING, Tailgate
-13	56016895	1							WIRING, Fender Lamp
-14									WIRING, Fog Lamp Jumper
	56021863AB	1							w/Foglamp & w/o Sport Appearance Group

RAM PICKUP/CLUB CAB (BE)

SERIES	LINE	BODY	ENGINE	TRANSMISSION
L = RAM 1500, 2500, 3500	1 = Lt. Duty DODGE 2WD	31 = CLUB CAB 2-DR 6.5 FT BOX	ETC = 5.9L Cummins 24V Diesel Engine	DGP = 4-Spd. Automatic 47RE Transmission
	2 = Med. Duty DODGE 2WD	32 = CLUB CAB 2-DR 8FT BOX	EWA = 8.0L V10 MPI Engine	DD0 = ALL 5 SPEED MANUAL TRANSMISSIONS
	3 = HD DODGE 2WD	33 = QUAD CAB 4-DR 6.5 FT BOX	EM0 = ALL 5.9L 8 CYL ENGINES - GAS	DG0 = ALL AUTOMATIC TRANSMISSIONS
	6 = Lt. Duty DODGE 4WD	34 = QUAD CAB 4-DR 8FT BOX	EMM = 5.9L SMPI V8 Engine	DDC = 5-Speed HD Manual Transmission
	7 = Med. Duty DODGE 4WD		EML = 5.9L V8 MPI Engine	DDP = 5-Speed Manual Transmission
	8 = HD DODGE 4WD		ELF = 5.2L V8 MPI Engine	DDX = 5-Speed HD Manual Transmission
				DEE = 6-Speed HD Manual Transmission
				DGT = 4-Spd. Automatic 46RE Transmission

AR = use ase required - = Non illustrated part

**Wiring-Body & Accessory
Figure 8-1520**



ITEM	PART NUMBER	QTY	LINE	SERIES	BODY	ENGINE	TRANS	TRIM	DESCRIPTION
-15	56045212AC	1							w/Sport Apperance Group WIRING, Overhead Console
	05013608AA	1							w/Full Overhead Console & w/Security
	05013609AA	1							w/Mini Overhead Console
-16	56045178AA	1							WIRING, Instrument Panel Jumper
-17	56021994AB	1							WIRING, Temperature Sensor Jumper, w/Full Overhead Console
-18	56021908AC	1				ET0			WIRING, Jumper, Air Heater (Diesel Engine)
-19	56019405	1				ET0			WIRING, Air Intake Heater, Diesel Engine
-20									WIRING, Seat
	56045492AA	1	1, 2, 6, 7		31, 32				Seat Back, Right
	56045493AA	1	1, 2, 6, 7		31, 32				Seat Back, Left
	56045494AA	1	1, 2, 6, 7		31, 32				Seat (Manual)
-21									WIRING, Door
	56020697AB	2			33, 34				Rear Door
	56020698AB	2			33, 34				[RCE], Rear Door
-22	55054960	2	3, 8		34				WIRING, Clearance Lamp Jumper

RAM PICKUP/CLUB CAB (BE)

SERIES	LINE	BODY	ENGINE	TRANSMISSION
L = RAM 1500, 2500, 3500	1 = Lt. Duty DODGE 2WD 2 = Med. Duty DODGE 2WD 3 = HD DODGE 2WD 6 = Lt. Duty DODGE 4WD 7 = Med. Duty DODGE 4WD 8 = HD DODGE 4WD	31 = CLUB CAB 2-DR 6.5 FT BOX 32 = CLUB CAB 2-DR 8FT BOX 33 = QUAD CAB 4-DR 6.5 FT BOX 34 = QUAD CAB 4-DR 8FT BOX	ETC = 5.9L Cummins 24V Diesel Engine EWA = 8.0L V10 MPI Engine EM0 = ALL 5.9L 8 CYL ENGINES - GAS EMM = 5.9L SMPI V8 Engine EML = 5.9L V8 MPI Engine ELF = 5.2L V8 MPI Engine	DGP = 4-Spd. Automatic 47RE Transmission DD0 = ALL 5 SPEED MANUAL TRANSMISSIONS DG0 = ALL AUTOMATIC TRANSMISSIONS DDC = 5-Speed HD Manual Transmission DDP = 5-Speed Manual Transmission DDX = 5-Speed HD Manual Transmission DEE = 6-Speed HD Manual Transmission DGT = 4-Spd. Automatic 46RE Transmission

AR = use ase required - = Non illustrated part

**Wiring Repair
Figure 8-1605**

ITEM	PART NUMBER	QTY	LINE	SERIES	BODY	ENGINE	TRANS	TRIM	DESCRIPTION
-1	05013930AA	1							WIRING PACKAGE, Underhood Connector Repair, For Electrical Connector Repair Information visit the World Wide Web at http://dto.vftis.com/mopar/disclaimer.asp
-2	04641780	1				EW0			STRAP, Tie
		1				ET0	DBB		
		1				ELO, EMO, EW0	DBB		
	06016020	1	2, 3, 7, 8			ET0			
		1	2, 3, 7, 8			EM0, EW0			
-3	04773905	1							SOCKET AND WIRING, Turn Signal Lamp

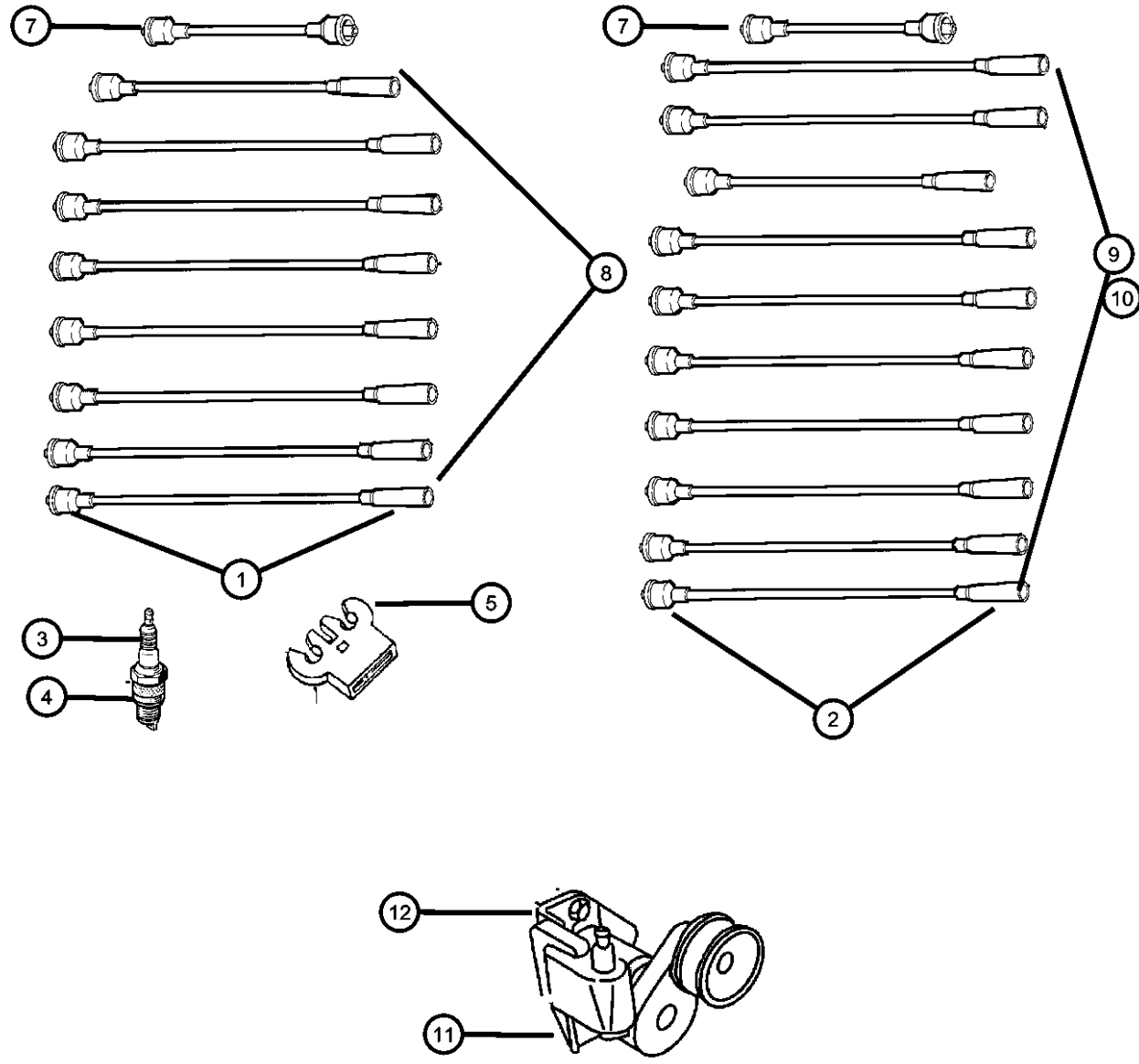
For Electrical Connector Repair Information visit the World Wide Web at

<http://dto.vftis.com/mopar/disclaimer.asp>

RAM PICKUP/CLUB CAB (BE)

SERIES	LINE	BODY	ENGINE	TRANSMISSION
L = RAM 1500, 2500, 3500	1 = Lt. Duty DODGE 2WD 2 = Med. Duty DODGE 2WD 3 = HD DODGE 2WD 6 = Lt. Duty DODGE 4WD 7 = Med. Duty DODGE 4WD 8 = HD DODGE 4WD	31 = CLUB CAB 2-DR 6.5 FT BOX 32 = CLUB CAB 2-DR 8FT BOX 33 = QUAD CAB 4-DR 6.5 FT BOX 34 = QUAD CAB 4-DR 8FT BOX	ETC = 5.9L Cummins 24V Diesel Engine EWA = 8.0L V10 MPI Engine EM0 = ALL 5.9L 8 CYL ENGINES - GAS EMM = 5.9L SMPI V8 Engine EML = 5.9L V8 MPI Engine ELF = 5.2L V8 MPI Engine	DGP = 4-Spd. Automatic 47RE Transmission DD0 = ALL 5 SPEED MANUAL TRANSMISSIONS DG0 = ALL AUTOMATIC TRANSMISSIONS DDC = 5-Speed HD Manual Transmission DDP = 5-Speed Manual Transmission DDX = 5-Speed HD Manual Transmission DEE = 6-Speed HD Manual Transmission DGT = 4-Spd. Automatic 46RE Transmission

Spark Plugs-Cables-Coils
Figure 8-1905

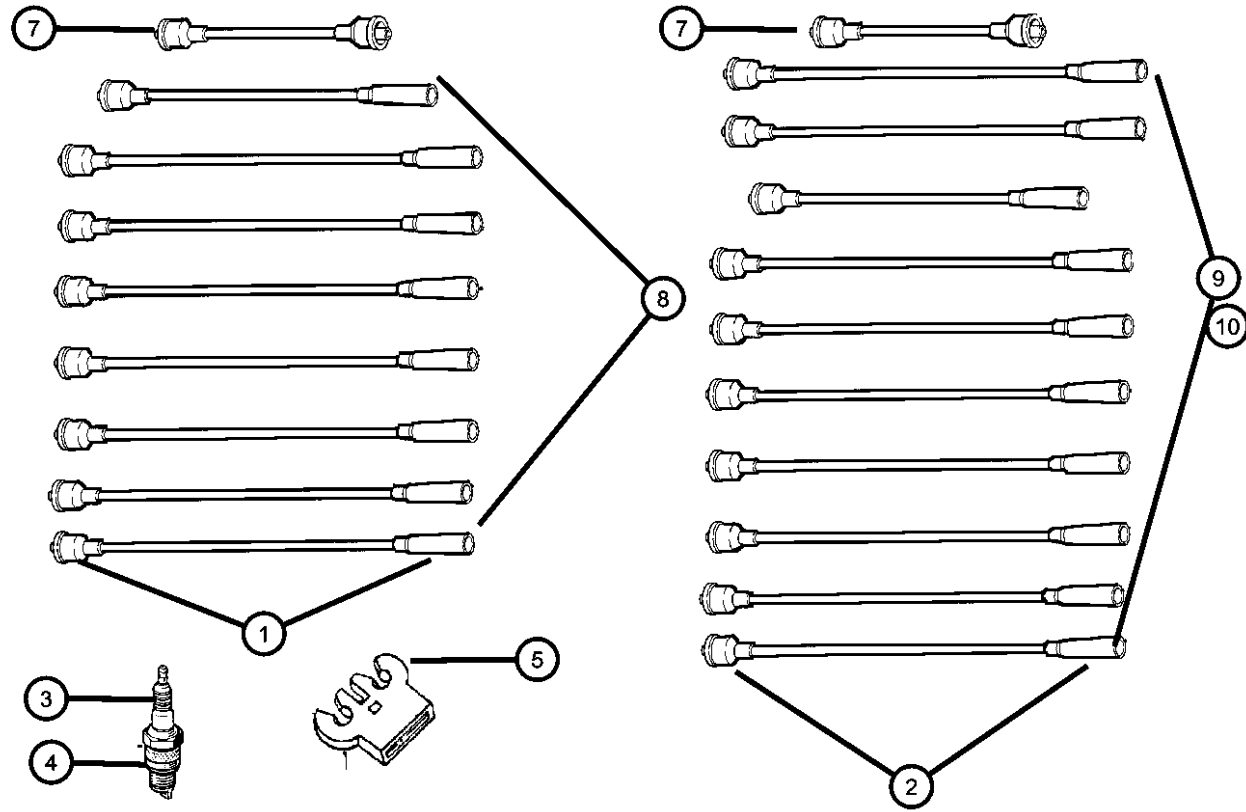


ITEM	PART NUMBER	QTY	LINE	SERIES	BODY	ENGINE	TRANS	TRIM	DESCRIPTION
1	04728038 SPC52590AA SPW08038AA	1				ELO, EMO			CABLE PACKAGE, Ignition Mopar Tune Up Kit (Contains Cap Rotor and Spark Plug Wires) Mopar V-Line Alternative Part
2	04728039 04796500 SPW06500AA	1				EMM EW0	DBB		CABLE PACKAGE, Ignition Mopar V-Line Alternative Part
3	SP0RC12LC4	8				ELO, EMO			SPARK PLUG
4	56028179 0SP00468	10				EW0			SPARK PLUG, RC-9-MC4 Canadian Aftermarket Part
5	56026850 56028186	3 1				EW0 ELO, EML			SEPERATOR, Ignition Cable 2-Wire 1-Wire
		1				EMM			1-Wire
	56041333AA	2				ELO, EMO			5-Wire
-6	56026852 56026853	1 1				EW0 EW0			TRAY, Ignition Cable Lower Upper
7	56027055 56027056	1 1				ELO, EML EMM			CABLE, Ignition Coil w/Leaded Fuel Emission w/Federal or California Emission
8	56028255AA 56028256AA 56028279AA 56028280AA 56028404AA	1 3 1 2 1				ELO, EMO ELO, EMO ELO, EMO ELO, EMO ELO, EMO			CABLE, Ignition [#6] [#1,2,4] [#3] [#5,7] [#8]

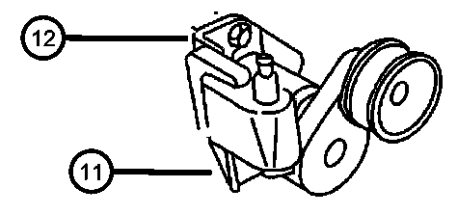
RAM PICKUP/CLUB CAB (BE)

SERIES	LINE	BODY	ENGINE	TRANSMISSION
L = RAM 1500, 2500, 3500	1 = Lt. Duty DODGE 2WD 2 = Med. Duty DODGE 2WD 3 = HD DODGE 2WD 6 = Lt. Duty DODGE 4WD 7 = Med. Duty DODGE 4WD 8 = HD DODGE 4WD	31 = CLUB CAB 2-DR 6.5 FT BOX 32 = CLUB CAB 2-DR 8FT BOX 33 = QUAD CAB 4-DR 6.5 FT BOX 34 = QUAD CAB 4-DR 8FT BOX	ETC = 5.9L Cummins 24V Diesel Engine EWA = 8.0L V10 MPI Engine EM0 = ALL 5.9L 8 CYL ENGINES - GAS EMM = 5.9L SMPI V8 Engine EML = 5.9L V8 MPI Engine ELF = 5.2L V8 MPI Engine	DGP = 4-Spd. Automatic 47RE Transmission DD0 = ALL 5 SPEED MANUAL TRANSMISSIONS DG0 = ALL AUTOMATIC TRANSMISSIONS DDC = 5-Speed HD Manual Transmission DDP = 5-Speed Manual Transmission DDX = 5-Speed HD Manual Transmission DEE = 6-Speed HD Manual Transmission DGT = 4-Spd. Automatic 46RE Transmission

Spark Plugs-Cables-Coils
Figure 8-1905



ITEM	PART NUMBER	QTY	LINE	SERIES	BODY	ENGINE	TRANS	TRIM	DESCRIPTION
9									CABLE, Ignition
	53006568	1				EW0			[#2]
	53006571	1				EW0			[#5]
	56026844	1				EW0			[#6]
	56026845	1				EW0			[#7]
	56026847	1				EW0			[#9]
	56026848	1				EW0			[#10]
	56027823	2				EW0			[#4,8]
10									CABLE PACKAGE, Ignition
	04773914	1				EW0			[#1]
	04773915	1				EW0			[#3]
11									COIL, Ignition
	56028172	1				EL0, EML			
		1				EMM			
	56032520	1				EW0			6 Tower
	56032521	1				EW0			4 Tower
12									BRACKET, Ignition Coil
	53008980	1				EMM			w/Federal or California Emission
	56026891	1				EL0, EML			
		1				EMM			w/Leaded Fuel Emission
-13	53040054	1				EW0			BRACKET, Coil Mount and Plenum



RAM PICKUP/CLUB CAB (BE)

SERIES	LINE	BODY	ENGINE	TRANSMISSION
L = RAM 1500, 2500, 3500	1 = Lt. Duty DODGE 2WD	31 = CLUB CAB 2-DR 6.5 FT BOX	ETC = 5.9L Cummins 24V Diesel Engine	DGP = 4-Spd. Automatic 47RE Transmission
	2 = Med. Duty DODGE 2WD	32 = CLUB CAB 2-DR 8FT BOX	EWA = 8.0L V10 MPI Engine	DD0 = ALL 5 SPEED MANUAL TRANSMISSIONS
	3 = HD DODGE 2WD	33 = QUAD CAB 4-DR 6.5 FT BOX	EM0 = ALL 5.9L 8 CYL ENGINES - GAS	DG0 = ALL AUTOMATIC TRANSMISSIONS
	6 = Lt. Duty DODGE 4WD	34 = QUAD CAB 4-DR 8FT BOX	EMM = 5.9L SMPI V8 Engine	DDC = 5-Speed HD Manual Transmission
	7 = Med. Duty DODGE 4WD		EML = 5.9L V8 MPI Engine	DDP = 5-Speed Manual Transmission
	8 = HD DODGE 4WD		ELF = 5.2L V8 MPI Engine	DDX = 5-Speed HD Manual Transmission
				DEE = 6-Speed HD Manual Transmission
				DGT = 4-Spd. Automatic 46RE Transmission

AR = use ase required - = Non illustrated part

Group - 08A

Instrument Panel and Radios and Consoles

Group - 08A Instrument Panel and Radios and Consoles

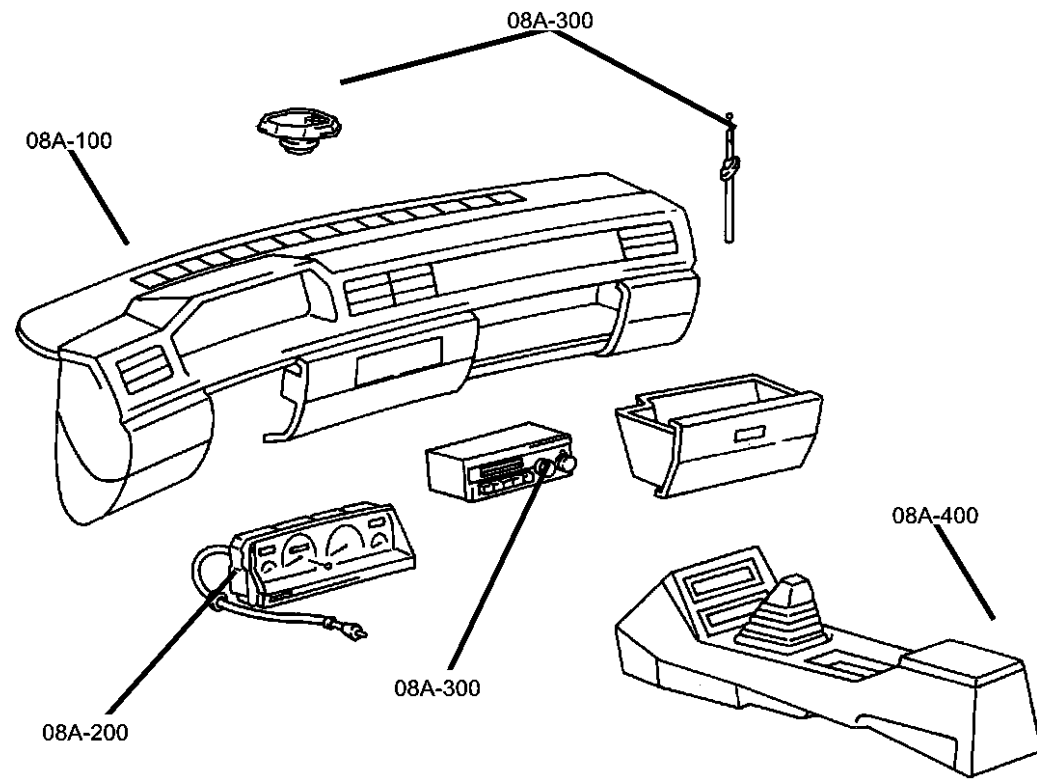


Illustration Title

Group-Fig. No.

Instrument Panel

Instrument Panel Fig. 08A - 135

Instrument Panel Cluster

Instrument Cluster..... Fig. 08A - 235

Radio, Antenna, and Speakers

Radio..... Fig. 08A - 333

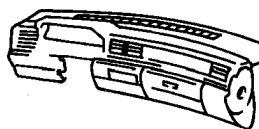
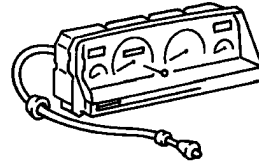
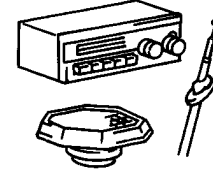
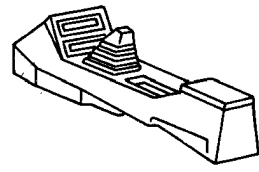
Speakers..... Fig. 08A - 334

Antenna..... Fig. 08A - 335

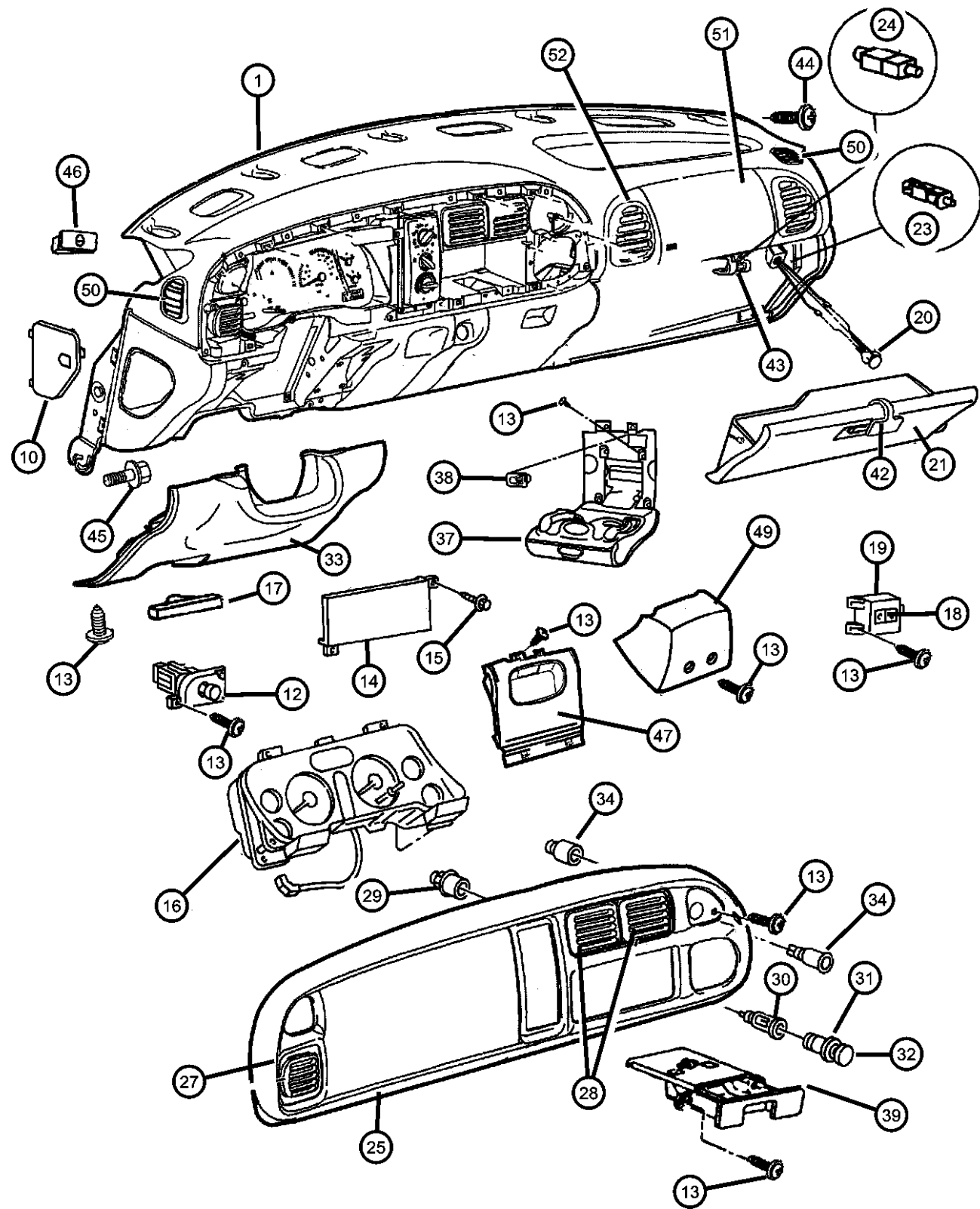
Consoles

Overhead Console..... Fig. 08A - 433

Floor Console..... Fig. 08A - 435

<p>08A-100 Instrument Panel</p> 	<p>08A-200 Instrument Panel Cluster</p> 	<p>08A-300 Radio, Antenna, and Speakers</p> 	<p>08A-400 Consoles</p> 
---	--	---	--

Instrument Panel
Figure 08A-135



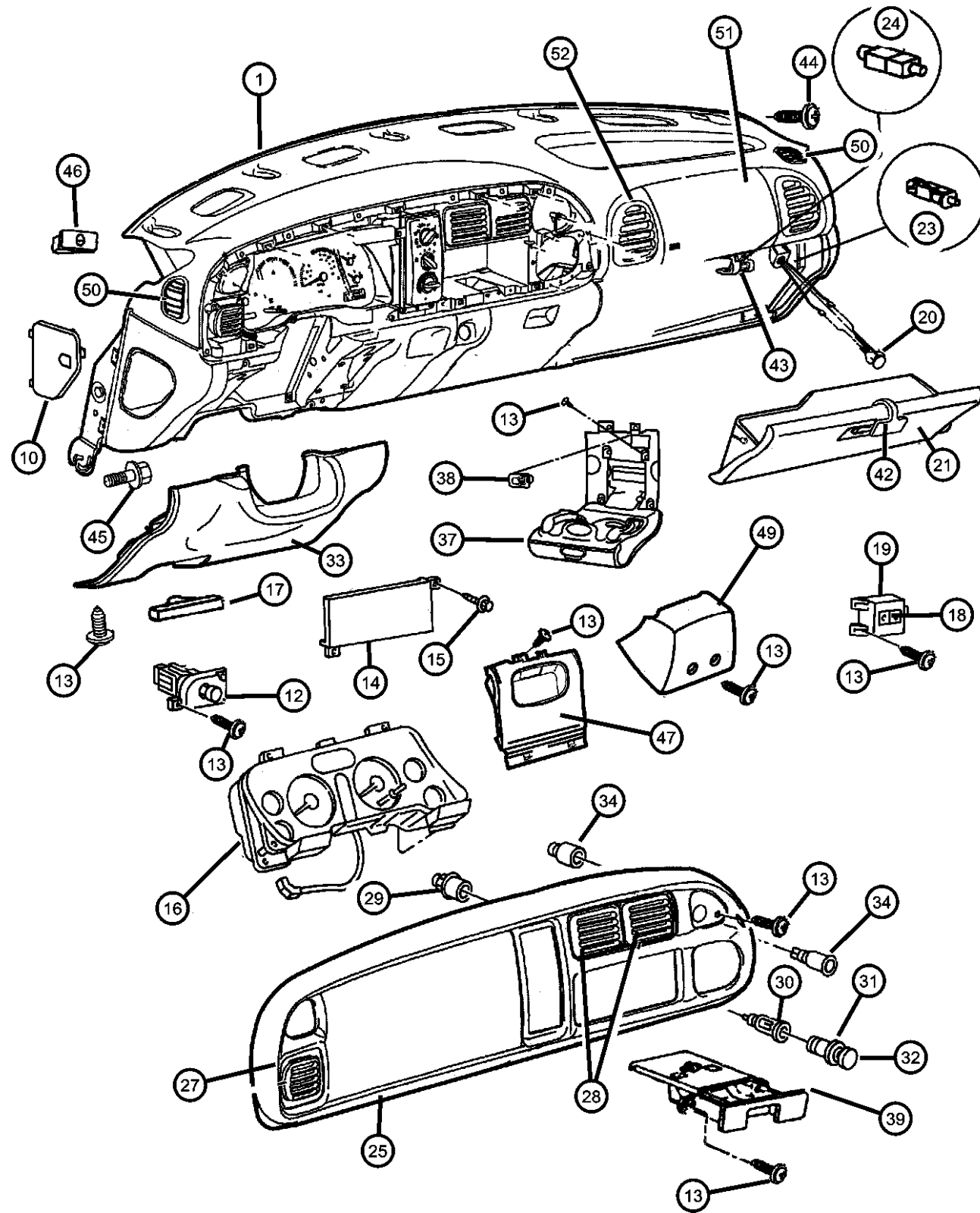
ITEM	PART NUMBER	QTY	LINE	SERIES	BODY	ENGINE	TRANS	TRIM	DESCRIPTION
1	0SS391AZAA	1							INSTRUMENT PANEL KIT, w/Lower I/Panel & w/o Passenger Airbag
	0SS391C8AA	1							Agate
	0SS391K9AA	1							Cirrus
									Suede
-2	0RV72LAZAA	1							FILLER, I/P To A Pillar
	0RV72RC8AA	1							Agate, Right
	0RV72VK9AA	1							Cirrus, Right
	0RV73LAZAA	1							Suede, Right
	0RV73RC8AA	1							Agate, Left
	0RV73VK9AA	1							Cirrus, Left
									Suede, Left
-3	0RU581AZAA	1							COVER, Instrument Panel Opening
	0RU581C8AA	1							Agate
	0RU581K9AA	1							Cirrus
									Suede
-4	55055689	1							DUCT, Defroster, w/Grille Cover
-5	55055725AB	1							BRACKET, Instrument Panel to Cowl, Reinforcement Support (Mid Left to Cowl Top)
-6	06101786	4							SCREW, Self Tapping, M6x1x15, Bracket Reinforcement Support Mounting
7	5GK45LAZAB	1							PANEL, Instrument Upper
	5GK45RC8AB	1							Agate
	5GK45VK9AB	1							Cirrus
									Suede
-8	56021449	1							BRACKET, Instrument Panel Wiring
-9	5FZ72DX9AB	1							BIN, Instrument Panel, Access Bin w/Lamp (Black)

RAM PICKUP/CLUB CAB (BE)

SERIES	LINE	BODY	ENGINE	TRANSMISSION
L = RAM 1500, 2500, 3500	1 = Lt. Duty DODGE 2WD	31 = CLUB CAB 2-DR 6.5 FT BOX	ETC = 5.9L Cummins 24V Diesel Engine	DGP = 4-Spd. Automatic 47RE Transmission
	2 = Med. Duty DODGE 2WD	32 = CLUB CAB 2-DR 8FT BOX	EWA = 8.0L V10 MPI Engine	DD0 = ALL 5 SPEED MANUAL TRANSMISSIONS
	3 = HD DODGE 2WD	33 = QUAD CAB 4-DR 6.5 FT BOX	EM0 = ALL 5.9L 8 CYL ENGINES - GAS	DG0 = ALL AUTOMATIC TRANSMISSIONS
	6 = Lt. Duty DODGE 4WD	34 = QUAD CAB 4-DR 8FT BOX	EMM = 5.9L SMPI V8 Engine	DDC = 5-Speed HD Manual Transmission
	7 = Med. Duty DODGE 4WD		EML = 5.9L V8 MPI Engine	DDP = 5-Speed Manual Transmission
	8 = HD DODGE 4WD		ELF = 5.2L V8 MPI Engine	DDX = 5-Speed HD Manual Transmission
				DEE = 6-Speed HD Manual Transmission
				DGT = 4-Spd. Automatic 46RE Transmission

AR = use ase required - = Non illustrated part

Instrument Panel
Figure 08A-135



ITEM	PART NUMBER	QTY	LINE	SERIES	BODY	ENGINE	TRANS	TRIM	DESCRIPTION
10	0RU36LAZAA	1							DOOR, Fuse Access
	0RU36RC8AA	1							Agate
	0RU36VK9AA	1							Cirrus
									Suede
-11	56021922AA	AR							PULLER, Fuse, Label Serviced w/Door Only
12									SWITCH, Headlamp
	56021673AB	1							w/Cargo Lamp & w/o Foglamp
	56021674AB	1							w/o Cargo Lamp & w/o Foglamp
	56021675AC	1							w/Cargo Lamp & Foglamp
13	06101946	2							SCREW, Tapping
14	06101946	2							PLATE, Radio Opening, (NOT REQUIRED)
15	00154629	2							SCREW, Hex Flange Head, .25-14x.75
16									CLUSTER
	56020600AE	1							w/120 MPH & Tach (Diesel Engine)
	56020615AE	1							w/120 MPH & Tach (8.0L Engine)
	56020616AE	1							w/200KPH & Tach (Diesel Engine)
	56020617AE	1							w/200 KPH & Tach (8.0L Engine)
	56020618AE	1							w/120 MPH & Tach (3.9L & 5.2L Engines)
	56020619AE	1							w/120 MPH & w/o Tach (3.9L / 5.2L & 8.0L Engines)
	56020620AE	1							w/200 KPH & Tach (3.9L & 5.2L Engines)
	56020621AE	1							w/200 KPH & w/o Tach (3.9L / 5.2L & 8.0L Engines)
17									RELEASE, Parking Brake
	0RU38LAZAA	1							Agate (Handle w/Pivot Bracket & Retainer)

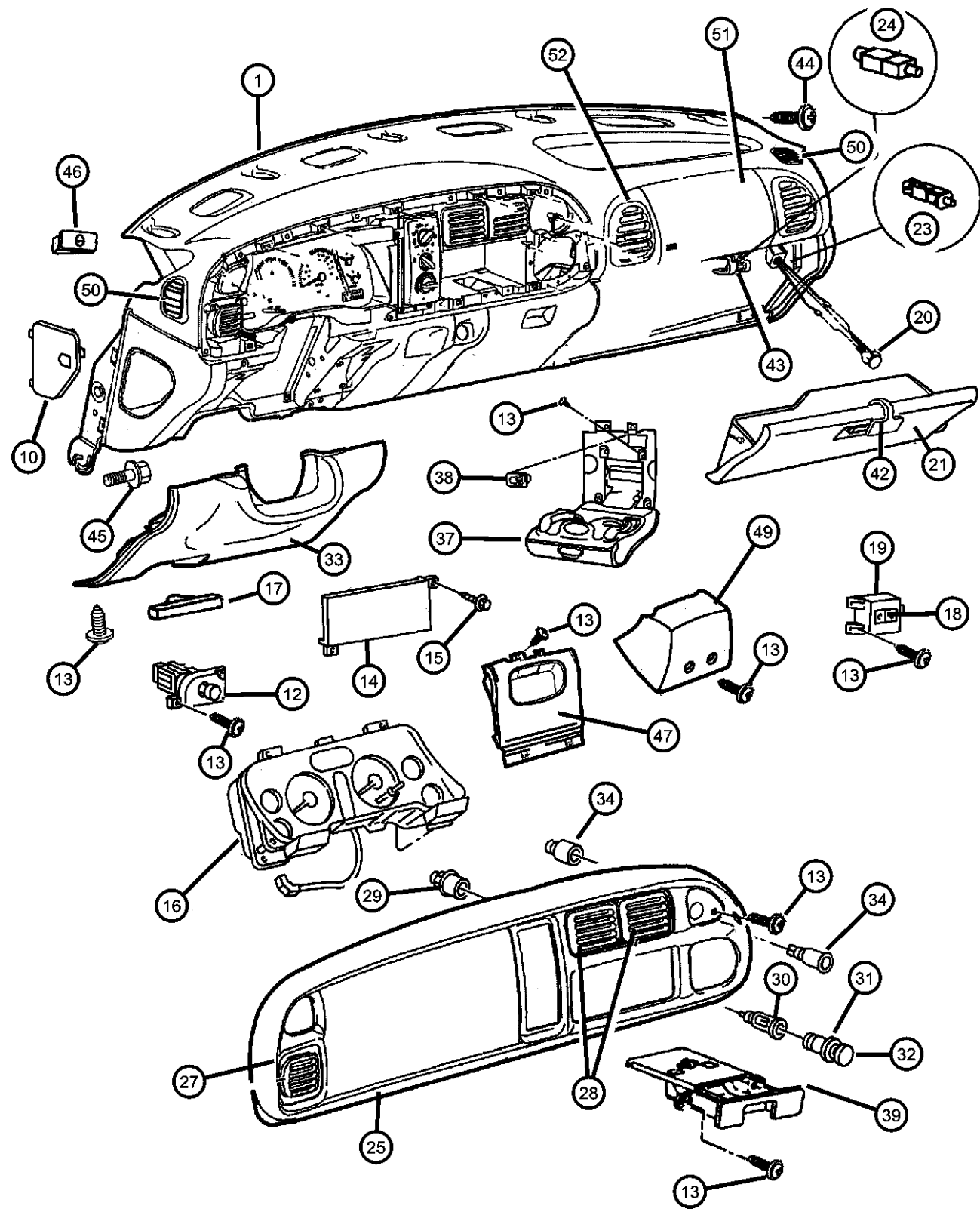
RAM PICKUP/CLUB CAB (BE)

SERIES	LINE	BODY	ENGINE	TRANSMISSION
L = RAM 1500, 2500, 3500	1 = Lt. Duty DODGE 2WD	31 = CLUB CAB 2-DR 6.5 FT BOX	ETC = 5.9L Cummins 24V Diesel Engine	DGP = 4-Spd. Automatic 47RE Transmission
	2 = Med. Duty DODGE 2WD	32 = CLUB CAB 2-DR 8FT BOX	EWA = 8.0L V10 MPI Engine	DD0 = ALL 5 SPEED MANUAL TRANSMISSIONS
	3 = HD DODGE 2WD	33 = QUAD CAB 4-DR 6.5 FT BOX	EM0 = ALL 5.9L 8 CYL ENGINES - GAS	DG0 = ALL AUTOMATIC TRANSMISSIONS
	6 = Lt. Duty DODGE 4WD	34 = QUAD CAB 4-DR 8FT BOX	EMM = 5.9L SMPI V8 Engine	DDC = 5-Speed HD Manual Transmission
	7 = Med. Duty DODGE 4WD		EML = 5.9L V8 MPI Engine	DDP = 5-Speed Manual Transmission
	8 = HD DODGE 4WD		ELF = 5.2L V8 MPI Engine	DDX = 5-Speed HD Manual Transmission
				DEE = 6-Speed HD Manual Transmission
				DGT = 4-Spd. Automatic 46RE Transmission

AR = use ase required - = Non illustrated part

1999 BE

Instrument Panel
Figure 08A-135



ITEM	PART NUMBER	QTY	LINE	SERIES	BODY	ENGINE	TRANS	TRIM	DESCRIPTION
	0RU38RC8AA	1							Cirrus (Handle w/Pivot Bracket & Retainer)
	0RU38VK9AA	1							Suede (Handle w/Pivot Bracket & Retainer)
18	56045177AB	1							SWITCH, Passenger Airbag Disarm
19	05013874AA	1							BEZEL, Instrument Panel Switch
20	04685164	1							COVER, Glove Box Lamp Hole
21									GLOVE BOX, Instrument Panel, Latch, Bin & Bumper Serviced in Assembly
	5FR471AZAB	1							Agate
	5FR471C8AB	1							Cirrus
	5FR471K9AB	1							Suede
-22	05010362AA	1							BIN, Glove box, Black
23	04565022	1							SWITCH AND LAMP, Glove Box
24	04565022	1							LATCH, Glovebox, LATCH ASSEMBLY, Glove Box (Serviced in Glove Box Assembly), (NOT SERVICED)
25									BEZEL, Instrument Cluster
	5GK51DX9AA	1							Black
	5GK52AAAAA	1							Woodgrain (Argent) w/Leather Interior Package
-26	06504067	13							CLIP, Hood, Bezel to I/Panel
27	05014842AA	1							OUTLET, Air Conditioning & Heater, Driver Side Left
28									OUTLET, Air Conditioning & Heater, OUTLET, Air Conditioning & Heater (Center)
	05014840AA	1							Right
	05014841AA	1							Left
29	04793555	1							RING, Cigar Lighter Mounting
30	04685590	1							BASE, Cigar Lighter

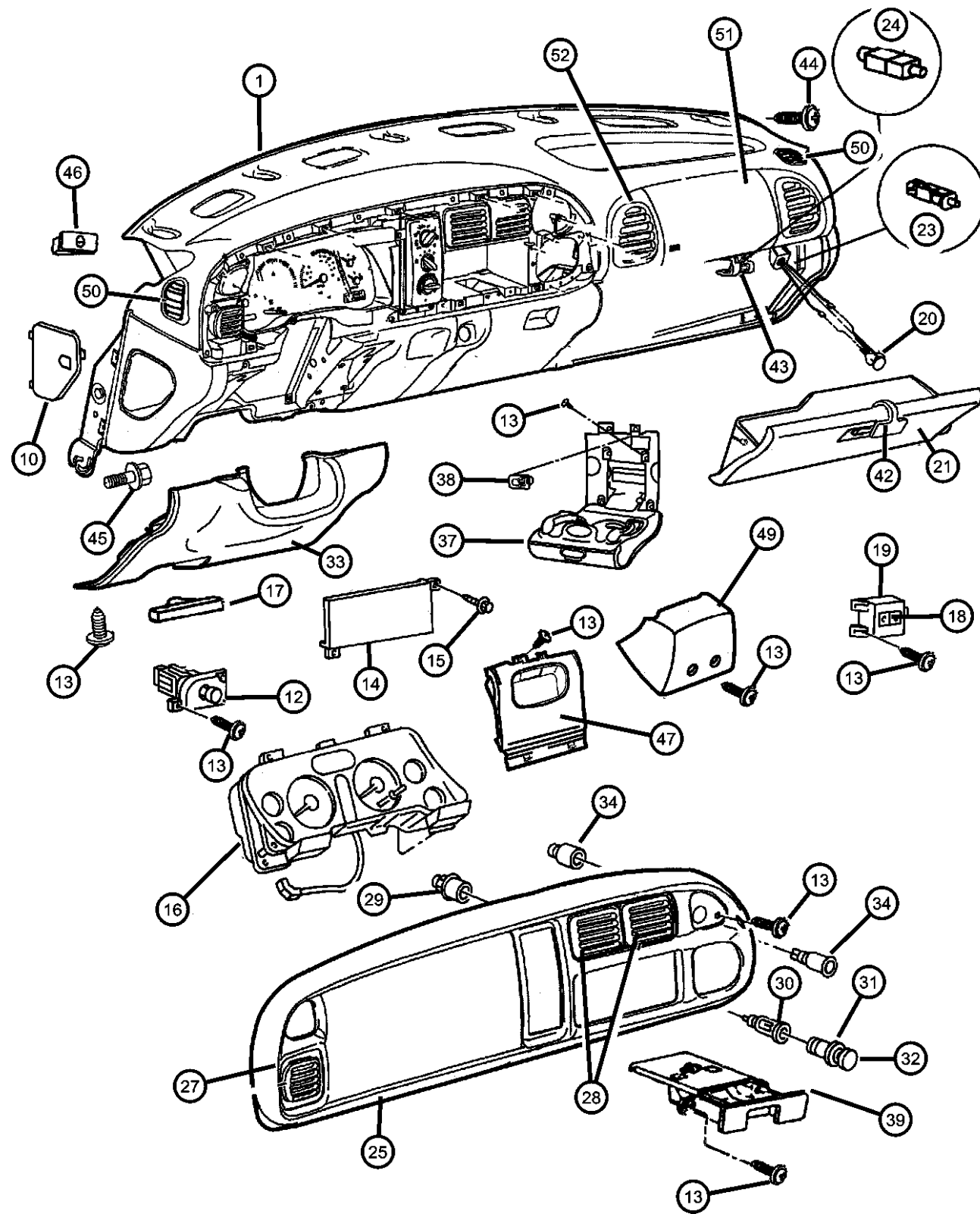
RAM PICKUP/CLUB CAB (BE)

SERIES	LINE	BODY	ENGINE	TRANSMISSION
L = RAM 1500, 2500, 3500	1 = Lt. Duty DODGE 2WD 2 = Med. Duty DODGE 2WD 3 = HD DODGE 2WD 6 = Lt. Duty DODGE 4WD 7 = Med. Duty DODGE 4WD 8 = HD DODGE 4WD	31 = CLUB CAB 2-DR 6.5 FT BOX 32 = CLUB CAB 2-DR 8FT BOX 33 = QUAD CAB 4-DR 6.5 FT BOX 34 = QUAD CAB 4-DR 8FT BOX	ETC = 5.9L Cummins 24V Diesel Engine EWA = 8.0L V10 MPI Engine EM0 = ALL 5.9L 8 CYL ENGINES - GAS EMM = 5.9L SMPI V8 Engine EML = 5.9L V8 MPI Engine ELF = 5.2L V8 MPI Engine	DGP = 4-Spd. Automatic 47RE Transmission DD0 = ALL 5 SPEED MANUAL TRANSMISSIONS DG0 = ALL AUTOMATIC TRANSMISSIONS DDC = 5-Speed HD Manual Transmission DDP = 5-Speed Manual Transmission DDX = 5-Speed HD Manual Transmission DEE = 6-Speed HD Manual Transmission DGT = 4-Spd. Automatic 46RE Transmission

AR = use ase required - = Non illustrated part

1999 BE

Instrument Panel
Figure 08A-135



ITEM	PART NUMBER	QTY	LINE	SERIES	BODY	ENGINE	TRANS	TRIM	DESCRIPTION
31	04685536	1							KNOB AND ELEMENT, Cigar Lighter
32	04685536	1							KNOB, KNOB, Cigar Lighter (Serviced in Assembly), (NOT SERVICED)
33									COVER, Steering Column Opening
	5EU131AZAB	1							Agate
	5EU131C8AB	1							Cirrus
	5EU131K9AB	1							Suede
34	04793554	1							POWER OUTLET, Cigar Lighter
-35	04793555	1							RING, Cigar Lighter Mounting
-36	04685591	1							CAP, Cigar Lighter, Power outlet cap
37									CUPHOLDER, Instrument Panel
	5FR421AZAC	1							Agate
	5FR421C8AC	1							Cirrus
	5FR421K9AC	1							Suede
38									COVER, Instrument Panel Opening, w/Access Cup Holder, Lamp Hood & Attaching Parts w/Manual Transmission
	5GD95DX9AA	1							w/Automatic Transmission
39									ASH RECEIVER, Instrument Panel
	5FR451AZ	1							Agate
	5FR451C8	1							Cirrus
	5FR451K9	1							Suede
-40	55055853AD	1							SHIELD, Ash Tray, Ash Shield & Lamp Assembly
-41	06032723	2							SCREW, Self Tapping, M4.2x1.69x19.05
42									LABEL, Air Bag Warning
	04595748AA	1							English

RAM PICKUP/CLUB CAB (BE)

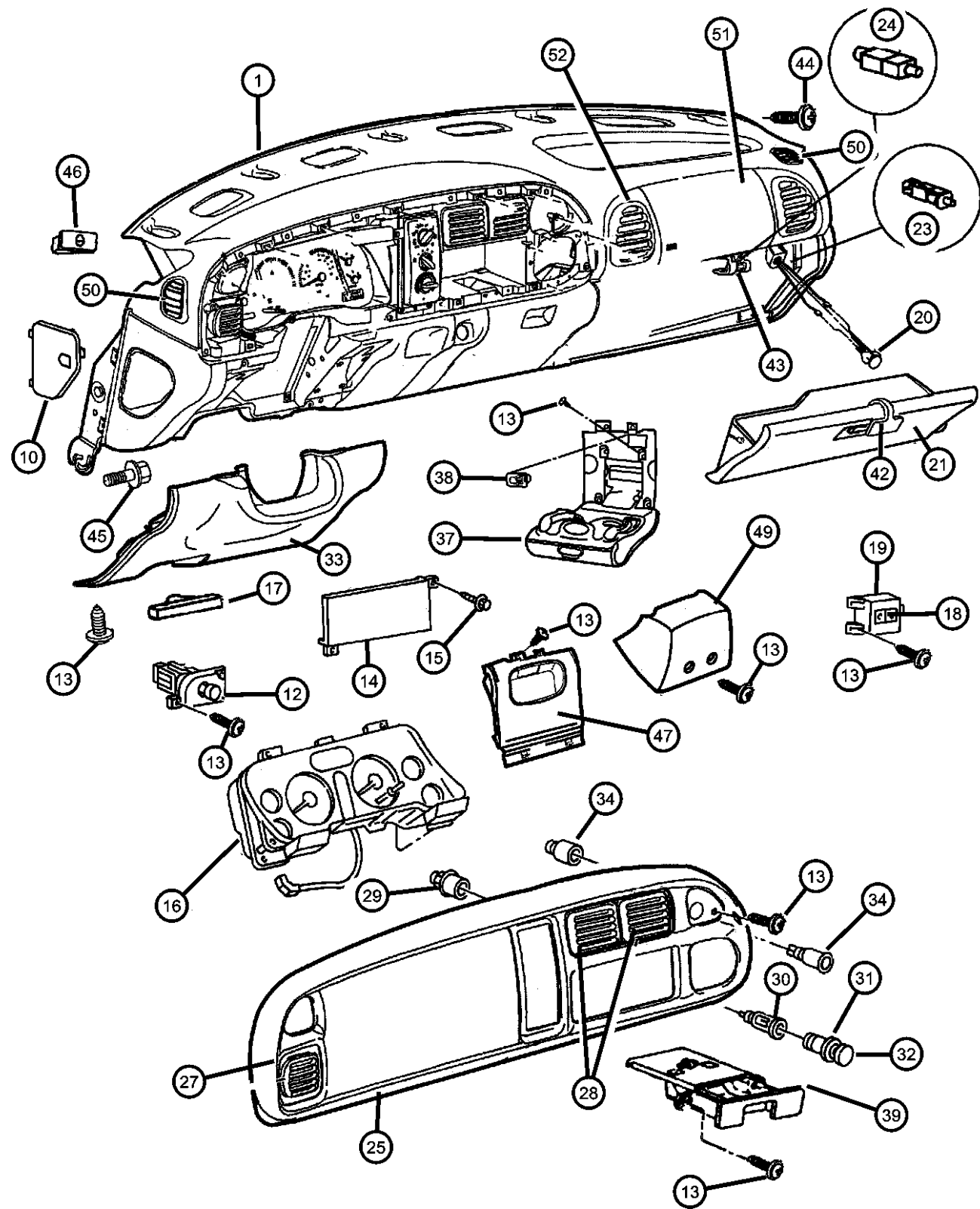
SERIES	LINE
L = RAM 1500, 2500, 3500	1 = Lt. Duty DODGE 2WD 2 = Med. Duty DODGE 2WD 3 = HD DODGE 2WD 6 = Lt. Duty DODGE 4WD 7 = Med. Duty DODGE 4WD 8 = HD DODGE 4WD

BODY	ENGINE	TRANSMISSION
31 = CLUB CAB 2-DR 6.5 FT BOX	ETC = 5.9L Cummins 24V Diesel Engine	DGP = 4-Spd. Automatic 47RE Transmission
32 = CLUB CAB 2-DR 8FT BOX	EWA = 8.0L V10 MPI Engine	DD0 = ALL 5 SPEED MANUAL TRANSMISSIONS
33 = QUAD CAB 4-DR 6.5 FT BOX	EM0 = ALL 5.9L 8 CYL ENGINES - GAS	DG0 = ALL AUTOMATIC TRANSMISSIONS
34 = QUAD CAB 4-DR 8FT BOX	EMM = 5.9L SMPI V8 Engine	DDC = 5-Speed HD Manual Transmission
	EML = 5.9L V8 MPI Engine	DDP = 5-Speed Manual Transmission
	ELF = 5.2L V8 MPI Engine	DDX = 5-Speed HD Manual Transmission
		DEE = 6-Speed HD Manual Transmission
		DGT = 4-Spd. Automatic 46RE Transmission

AR = use ase required - = Non illustrated part

1999 BE

Instrument Panel
Figure 08A-135



ITEM	PART NUMBER	QTY	LINE	SERIES	BODY	ENGINE	TRANS	TRIM	DESCRIPTION
	04595749AA	1							Bilingual
	55350848AA	2							Sun Visor (English/French)
43	05010358AA	1							STRIKER, Glove Box Door Latch
44	05010358AA	1							SCREW, Console, SCREW, I/Panel to Cowl Bar (M4x8x1.59x32.00) Not Serviced, (NOT SERVICED)
45	05010358AA	1							SCREW AND WASHER, SCREW & WASHER ASSEMBLY, I/Panel End Support to Body (M8x1.25x30.00) ***, (NOT SERVICED)
46	06504485AB	4							NUT, Plastic Snap-in
47	5FM161AZAB	1							BIN, Instrument Panel
	5FM161C8AB	1							Agate
	5FM161K9AB	1							Cirrus
	5FZ72DX9AB	1							Suede
-48	5GD98DX9AA	1							Black (Access Bin w/Lamp) Covered Hole in Bin
49	5GJ24LAZAA	1							COVER, Instrument Panel Opening, Door Assembly (Access Bin w/Lamp) Covered Hole in Bin (Black)
	5GJ24RC8AA	1							COVER, Control Unit
	5GJ24VK9AA	1							Agate
50	0RU34LAZAA	1							GRILLE, Instrument Panel Demister
	0RU34RC8AA	1							Agate, Right
	0RU34VK9AA	1							Cirrus, Right
	0RU35LAZAA	1							Suede, Right
									Agate, Left

RAM PICKUP/CLUB CAB (BE)

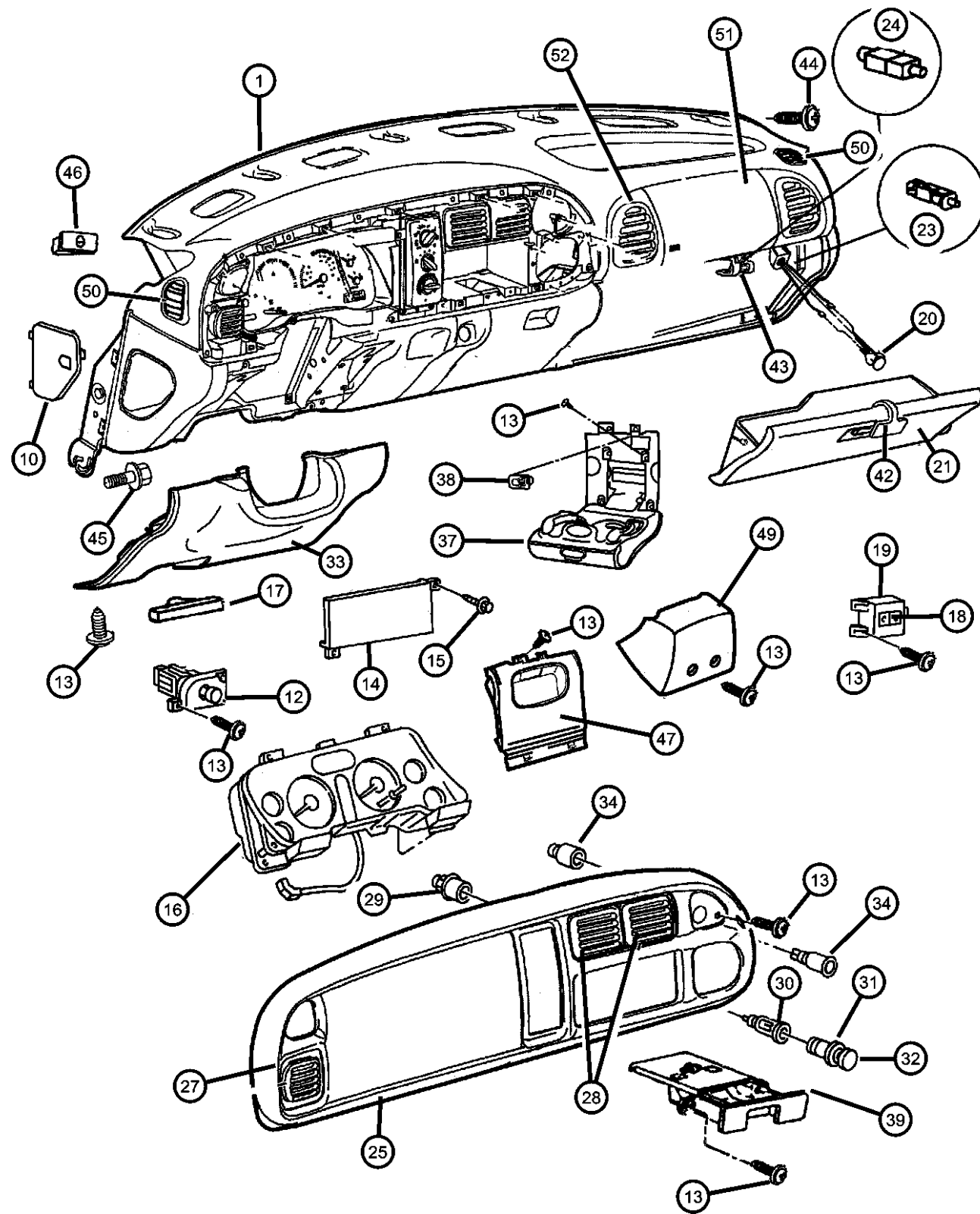
SERIES	LINE
L = RAM 1500, 2500, 3500	1 = Lt. Duty DODGE 2WD
	2 = Med. Duty DODGE 2WD
	3 = HD DODGE 2WD
	6 = Lt. Duty DODGE 4WD
	7 = Med. Duty DODGE 4WD
	8 = HD DODGE 4WD

BODY	ENGINE	TRANSMISSION
31 = CLUB CAB 2-DR 6.5 FT BOX	ETC = 5.9L Cummins 24V Diesel Engine	DGP = 4-Spd. Automatic 47RE Transmission
32 = CLUB CAB 2-DR 8FT BOX	EWA = 8.0L V10 MPI Engine	DD0 = ALL 5 SPEED MANUAL TRANSMISSIONS
33 = QUAD CAB 4-DR 6.5 FT BOX	EM0 = ALL 5.9L 8 CYL ENGINES - GAS	DG0 = ALL AUTOMATIC TRANSMISSIONS
34 = QUAD CAB 4-DR 8FT BOX	EMM = 5.9L SMPI V8 Engine	DDC = 5-Speed HD Manual Transmission
	EML = 5.9L V8 MPI Engine	DDP = 5-Speed Manual Transmission
	ELF = 5.2L V8 MPI Engine	DDX = 5-Speed HD Manual Transmission
		DEE = 6-Speed HD Manual Transmission
		DGT = 4-Spd. Automatic 46RE Transmission

AR = use ase required - = Non illustrated part

1999 BE

Instrument Panel
Figure 08A-135



ITEM	PART NUMBER	QTY	LINE	SERIES	BODY	ENGINE	TRANS	TRIM	DESCRIPTION
	0RU35RC8AA	1							Cirrus, Left
	0RU35VK9AA	1							Suede, Left
51									AIR BAG, Passenger, Cover & Air/Heat Outlet Included
	5GE24LAZAA	1							Agate
	5GE24RC8AA	1							Cirrus
	5GE24VK9AA	1							Suede
52									OUTLET, Air Conditioning & Heater
	0RU48LAZAA	1							Agate, Right
	0RU48RC8AA	1							Cirrus, Right
	0RU48VK9AA	1							Suede, Right
	0RU49LAZAA	1							Agate, Left
	0RU49RC8AA	1							Cirrus, Left
	0RU49VK9AA	1							Suede, Left
-53	05012954AA	4							RETAINER, Air Outlet

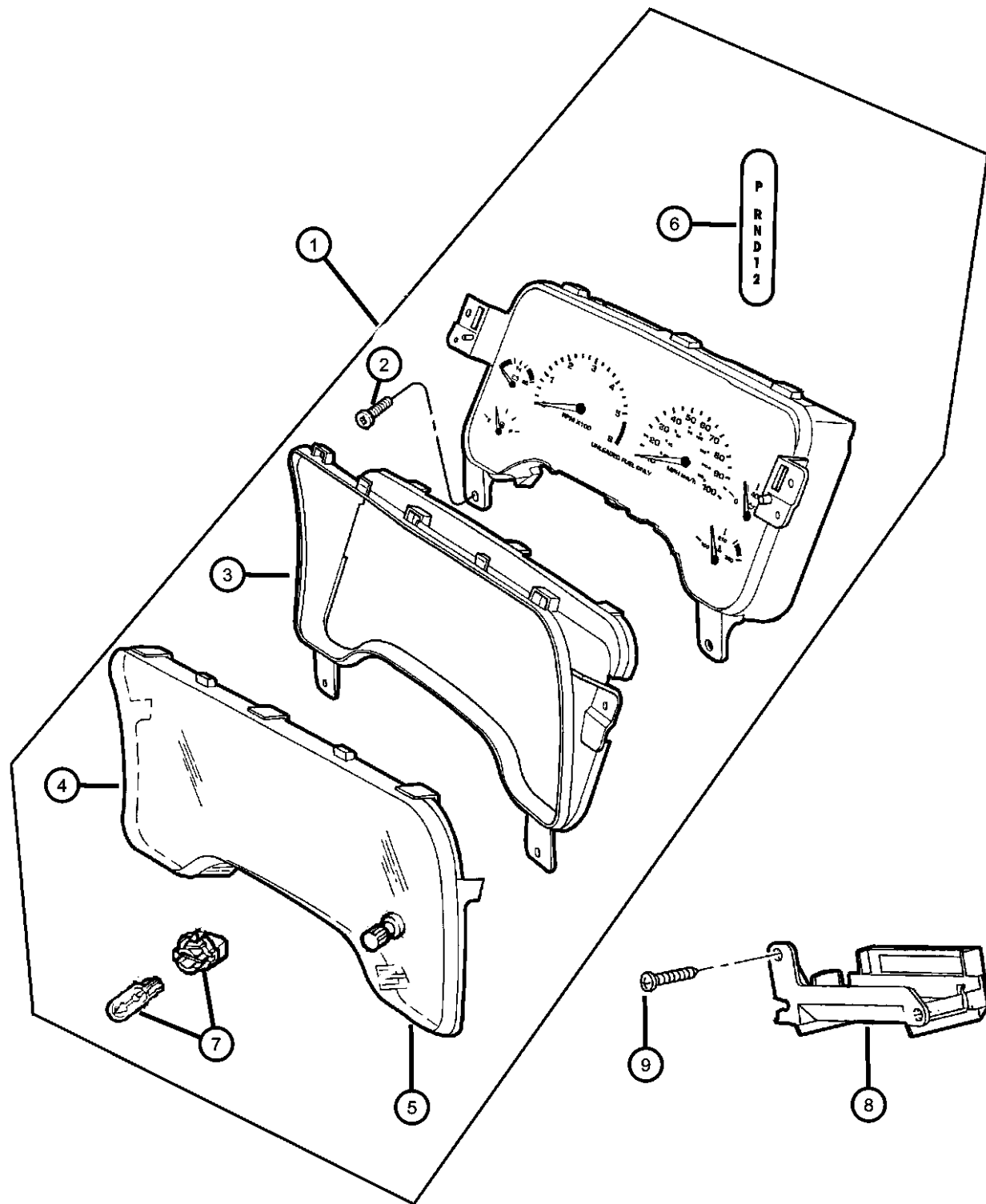
RAM PICKUP/CLUB CAB (BE)

SERIES	LINE	BODY	ENGINE	TRANSMISSION
L = RAM 1500, 2500, 3500	1 = Lt. Duty DODGE 2WD 2 = Med. Duty DODGE 2WD 3 = HD DODGE 2WD 6 = Lt. Duty DODGE 4WD 7 = Med. Duty DODGE 4WD 8 = HD DODGE 4WD	31 = CLUB CAB 2-DR 6.5 FT BOX 32 = CLUB CAB 2-DR 8FT BOX 33 = QUAD CAB 4-DR 6.5 FT BOX 34 = QUAD CAB 4-DR 8FT BOX	ETC = 5.9L Cummins 24V Diesel Engine EWA = 8.0L V10 MPI Engine EM0 = ALL 5.9L 8 CYL ENGINES - GAS EMM = 5.9L SMPI V8 Engine EML = 5.9L V8 MPI Engine ELF = 5.2L V8 MPI Engine	DGP = 4-Spd. Automatic 47RE Transmission DD0 = ALL 5 SPEED MANUAL TRANSMISSIONS DG0 = ALL AUTOMATIC TRANSMISSIONS DDC = 5-Speed HD Manual Transmission DDP = 5-Speed Manual Transmission DDX = 5-Speed HD Manual Transmission DEE = 6-Speed HD Manual Transmission DGT = 4-Spd. Automatic 46RE Transmission

AR = use ase required - = Non illustrated part

1999 BE

**Instrument Cluster
Figure 08A-235**



ITEM	PART NUMBER	QTY	LINE	SERIES	BODY	ENGINE	TRANS	TRIM	DESCRIPTION
1									CLUSTER
	56020600AE	1							w/120 MPH & Tach (Diesel Engine)
	56020615AE	1							w/120 MPH & Tach (8.0 L Engine)
	56020616AE	1							w/200 KPH & Tach (Diesel Engine)
	56020617AE	1							w/200 KPH & Tach (8.0 L Engine)
	56020618AE	1							w/120 MPH & Tach (3.9L & 5.2L Engines)
	56020619AF	1							w/120 MPH & w/o Tach (3.9L/5.2L & 8.0L Engines)
	56020620AE	1							w/200 KPH & Tach (3.9L & 5.2L Engines)
	56020621AE	1							w/200 KPH & w/o Tach (3.9L/5.2L & 8.0L Engines)
2	06032723	2							SCREW, Self Tapping, M4.2x1.69x19.05, Cluster mounting & PRNDL Plug Attaching
3									MASK, Instrument Cluster
	56020162	1							(3.9L/5.2L & 8.0L Engines)
		1							(Diesel Engine)
4									LENS, Cluster
	56020161	1							(3.9L/5.2L & 8.0L Engines)
		1							(Diesel Engine)
5									KNOB, KNOB, Trip Odometer (Serviced w/Cluster Assembly), (NOT SERVICED), INDICATOR, PRNDL
6	56020622	1							INDICATOR, PRNDL
7	L00PC194	7							LAMP, Bulb And Socket, (3.9L/5.2L & 8.0L Engines)
8	56021790	1							BRACKET, Gear Selector, w/Automatic Transmission
9									SCREW, Tapping
	06101946	2							

RAM PICKUP/CLUB CAB (BE)

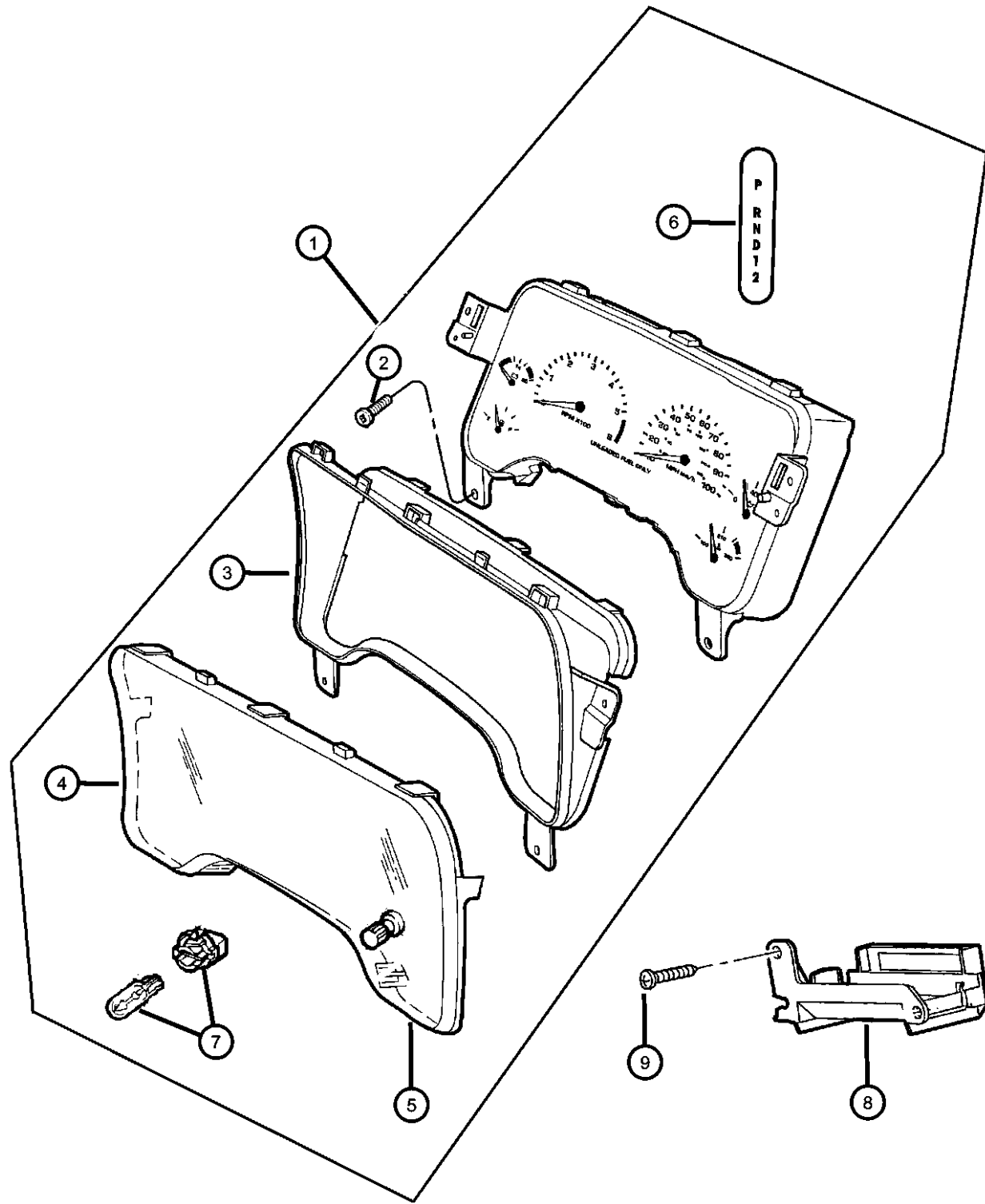
SERIES	LINE	BODY	ENGINE	TRANSMISSION
L = RAM 1500, 2500, 3500	1 = Lt. Duty DODGE 2WD 2 = Med. Duty DODGE 2WD 3 = HD DODGE 2WD 6 = Lt. Duty DODGE 4WD 7 = Med. Duty DODGE 4WD 8 = HD DODGE 4WD	31 = CLUB CAB 2-DR 6.5 FT BOX 32 = CLUB CAB 2-DR 8FT BOX 33 = QUAD CAB 4-DR 6.5 FT BOX 34 = QUAD CAB 4-DR 8FT BOX	ETC = 5.9L Cummins 24V Diesel Engine EWA = 8.0L V10 MPI Engine EM0 = ALL 5.9L 8 CYL ENGINES - GAS EMM = 5.9L SMPI V8 Engine EML = 5.9L V8 MPI Engine ELF = 5.2L V8 MPI Engine	DGP = 4-Spd. Automatic 47RE Transmission DD0 = ALL 5 SPEED MANUAL TRANSMISSIONS DG0 = ALL AUTOMATIC TRANSMISSIONS DDC = 5-Speed HD Manual Transmission DDP = 5-Speed Manual Transmission DDX = 5-Speed HD Manual Transmission DEE = 6-Speed HD Manual Transmission DGT = 4-Spd. Automatic 46RE Transmission

AR = use ase required - = Non illustrated part

Instrument Cluster
Figure 08A-235

ITEM	PART NUMBER	QTY	LINE	SERIES	BODY	ENGINE	TRANS	TRIM	DESCRIPTION
------	-------------	-----	------	--------	------	--------	-------	------	-------------

		3							
-10	56007476	1							PLUG, w/Manual Transmission
-11	L000PC74	1							BULB, PC74



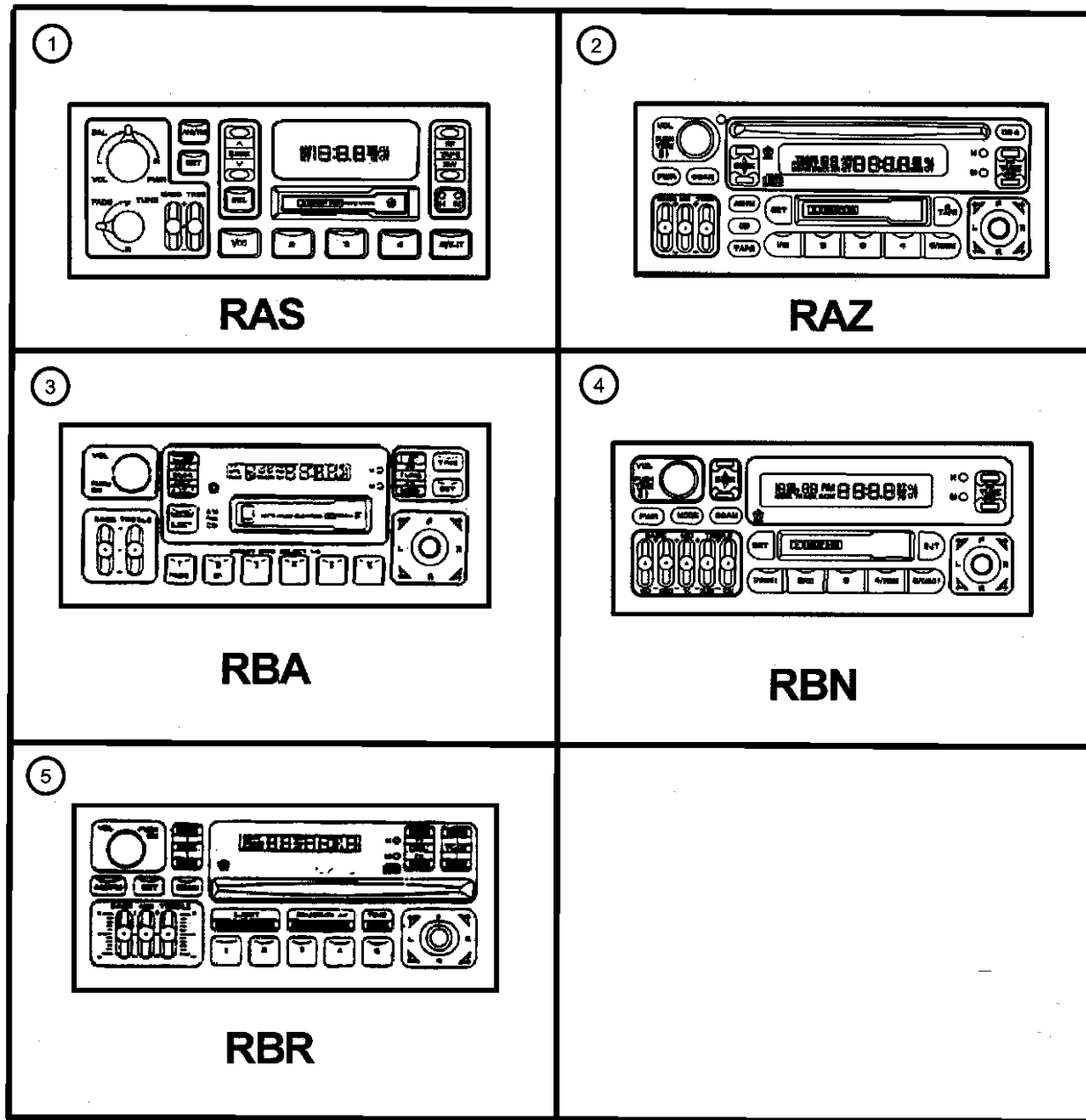
RAM PICKUP/CLUB CAB (BE)

SERIES	LINE	BODY	ENGINE	TRANSMISSION
L = RAM 1500, 2500, 3500	1 = Lt. Duty DODGE 2WD 2 = Med. Duty DODGE 2WD 3 = HD DODGE 2WD 6 = Lt. Duty DODGE 4WD 7 = Med. Duty DODGE 4WD 8 = HD DODGE 4WD	31 = CLUB CAB 2-DR 6.5 FT BOX 32 = CLUB CAB 2-DR 8FT BOX 33 = QUAD CAB 4-DR 6.5 FT BOX 34 = QUAD CAB 4-DR 8FT BOX	ETC = 5.9L Cummins 24V Diesel Engine EWA = 8.0L V10 MPI Engine EM0 = ALL 5.9L 8 CYL ENGINES - GAS EMM = 5.9L SMPI V8 Engine EML = 5.9L V8 MPI Engine ELF = 5.2L V8 MPI Engine	DGP = 4-Spd. Automatic 47RE Transmission DD0 = ALL 5 SPEED MANUAL TRANSMISSIONS DG0 = ALL AUTOMATIC TRANSMISSIONS DDC = 5-Speed HD Manual Transmission DDP = 5-Speed Manual Transmission DDX = 5-Speed HD Manual Transmission DEE = 6-Speed HD Manual Transmission DGT = 4-Spd. Automatic 46RE Transmission

AR = use ase required - = Non illustrated part

1999 BE

Radio
Figure 08A-333



ITEM	PART NUMBER	QTY	LINE	SERIES	BODY	ENGINE	TRANS	TRIM	DESCRIPTION
------	-------------	-----	------	--------	------	--------	-------	------	-------------

RAS=AM/FM Cassette
 RAZ=AM/FM w/CD & Cassette
 RBR=AM/FM w/CD & Equalizer
 RBN=AM/FM Cassette w/Control
 RBA=AM/FM w/CD

1	04858556AD	1							RADIO, AM/FM Cassette, RAS
2	04704383AF	1							RADIO, AM/FM with CD and Cassette, RAZ
3	04704392AD	1							RADIO, AM/FM with CD, RBA
4	04704386AC	1							RADIO, AM/FM Cassette with CD Control, RBN
5	04704373AD	1							RADIO, AM/FM with CD and Equalizer, RBR
-6									STRAP, Ground
	04372040	1							Cab to box
	56043033	1							

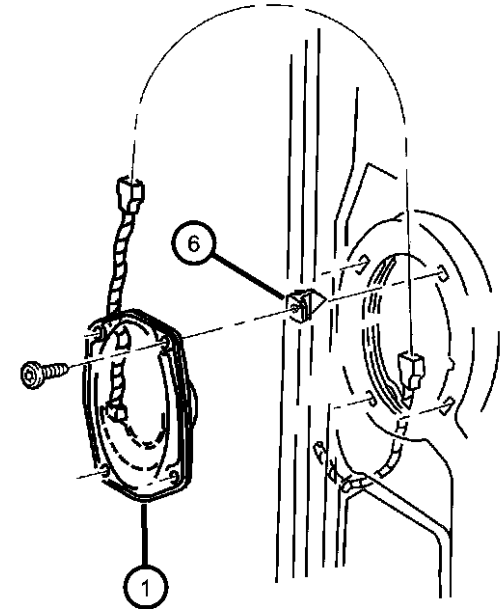
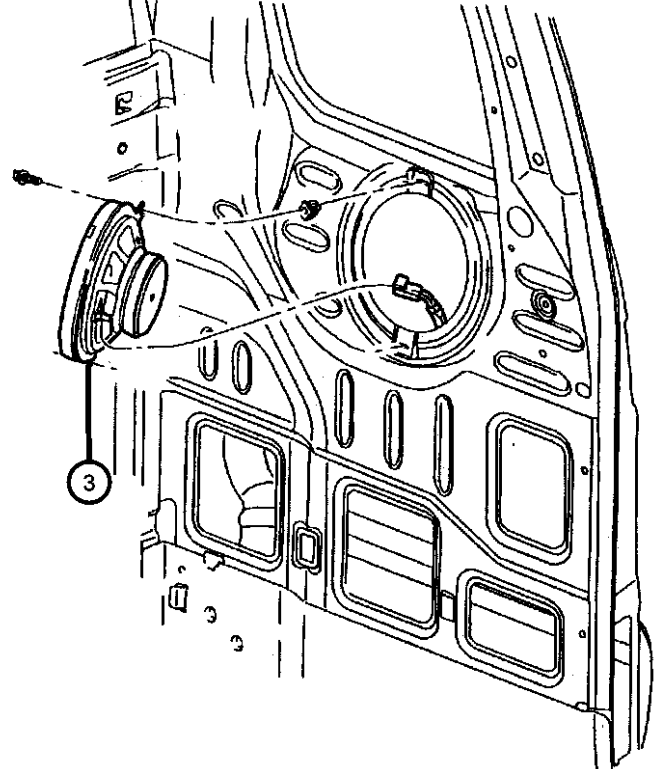
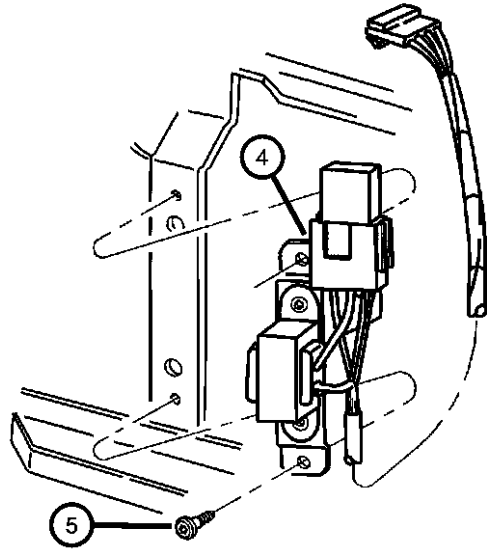
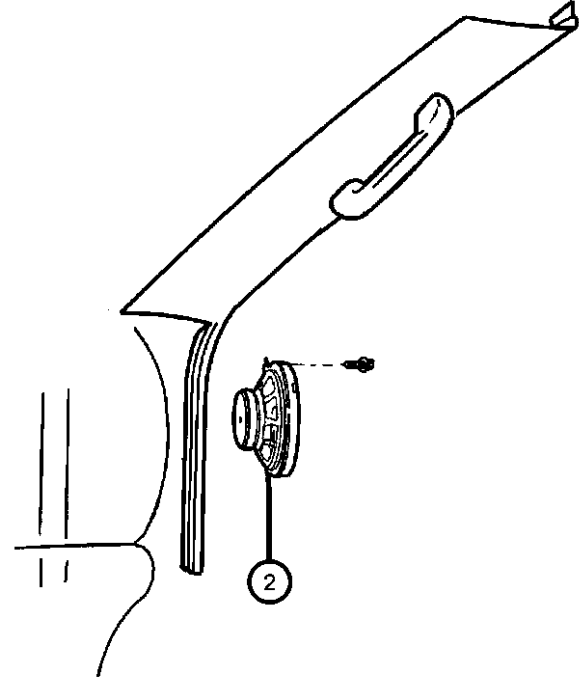
RAM PICKUP/CLUB CAB (BE)

SERIES	LINE	BODY	ENGINE	TRANSMISSION
L = RAM 1500, 2500, 3500	1 = Lt. Duty DODGE 2WD 2 = Med. Duty DODGE 2WD 3 = HD DODGE 2WD 6 = Lt. Duty DODGE 4WD 7 = Med. Duty DODGE 4WD 8 = HD DODGE 4WD	31 = CLUB CAB 2-DR 6.5 FT BOX 32 = CLUB CAB 2-DR 8FT BOX 33 = QUAD CAB 4-DR 6.5 FT BOX 34 = QUAD CAB 4-DR 8FT BOX	ETC = 5.9L Cummins 24V Diesel Engine EWA = 8.0L V10 MPI Engine EM0 = ALL 5.9L 8 CYL ENGINES - GAS EMM = 5.9L SMPI V8 Engine EML = 5.9L V8 MPI Engine ELF = 5.2L V8 MPI Engine	DGP = 4-Spd. Automatic 47RE Transmission DD0 = ALL 5 SPEED MANUAL TRANSMISSIONS DG0 = ALL AUTOMATIC TRANSMISSIONS DDC = 5-Speed HD Manual Transmission DDP = 5-Speed Manual Transmission DDX = 5-Speed HD Manual Transmission DEE = 6-Speed HD Manual Transmission DGT = 4-Spd. Automatic 46RE Transmission

AR = use ase required - = Non illustrated part

1999 BE

Speakers
Figure 08A-334



ITEM	PART NUMBER	QTY	LINE	SERIES	BODY	ENGINE	TRANS	TRIM	DESCRIPTION
------	-------------	-----	------	--------	------	--------	-------	------	-------------

RCE=6 Speakers (Infinity Sound System)
RCD=4 Speaker (Standard Sound System)

1									SPEAKER, Door, Lower Door
	56020370	2							Standard 6x9 (RCD)
	56043123AB	2							Infinity (RCE)
2									SPEAKER, Front Tweeter, 'A' Pillar
	5FV66LAZAB	1							Agate
	5FV66RC3AB	1							Gray
	5FV66RK5AB	1							Tan
3									SPEAKER, 5.25", Rear
	56020372	2							Standard 5.25 (RCD)
	56043856	2							Infinity (RCE)
4	56009941AA	1							CHOKE, Speaker, (RCE)
5	06032723	6							SCREW, Self Tapping, M4.2x1.69x19.05
6	06034715	8							CLIP, Speaker

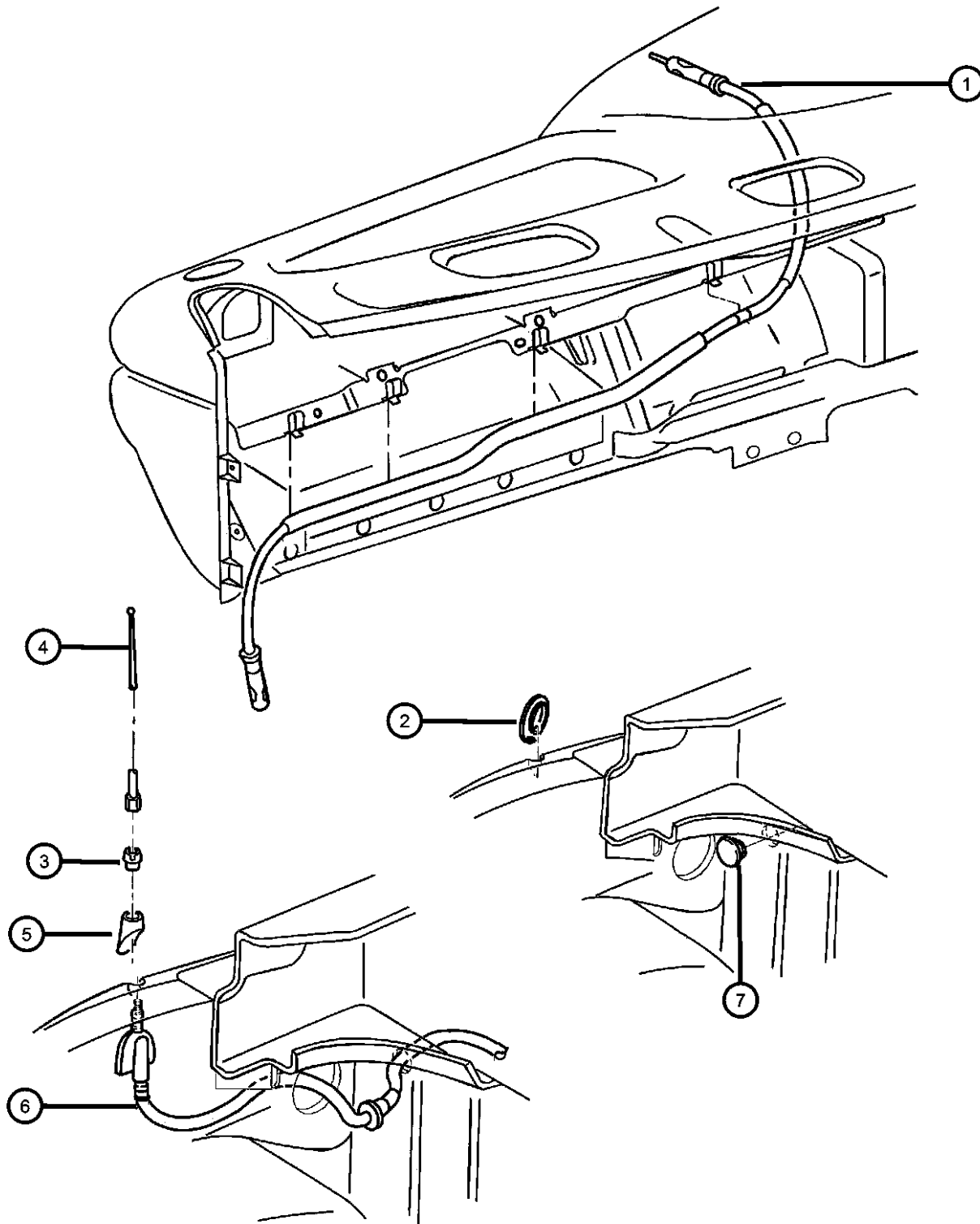
RAM PICKUP/CLUB CAB (BE)

SERIES	LINE	BODY	ENGINE	TRANSMISSION
L = RAM 1500, 2500, 3500	1 = Lt. Duty DODGE 2WD	31 = CLUB CAB 2-DR 6.5 FT BOX	ETC = 5.9L Cummins 24V Diesel Engine	DGP = 4-Spd. Automatic 47RE Transmission
	2 = Med. Duty DODGE 2WD	32 = CLUB CAB 2-DR 8FT BOX	EWA = 8.0L V10 MPI Engine	DD0 = ALL 5 SPEED MANUAL TRANSMISSIONS
	3 = HD DODGE 2WD	33 = QUAD CAB 4-DR 6.5 FT BOX	EM0 = ALL 5.9L 8 CYL ENGINES - GAS	DG0 = ALL AUTOMATIC TRANSMISSIONS
	6 = Lt. Duty DODGE 4WD	34 = QUAD CAB 4-DR 8FT BOX	EMM = 5.9L SMPI V8 Engine	DDC = 5-Speed HD Manual Transmission
	7 = Med. Duty DODGE 4WD		EML = 5.9L V8 MPI Engine	DDP = 5-Speed Manual Transmission
	8 = HD DODGE 4WD		ELF = 5.2L V8 MPI Engine	DDX = 5-Speed HD Manual Transmission
				DEE = 6-Speed HD Manual Transmission
				DGT = 4-Spd. Automatic 46RE Transmission

AR = use ase required - = Non illustrated part

Antenna
Figure 08A-335

ITEM	PART NUMBER	QTY	LINE	SERIES	BODY	ENGINE	TRANS	TRIM	DESCRIPTION
1	56043039AB	1							CABLE, Antenna
2	55346332	2							PLUG, Sealing Bodyside Aperture Antenna Hole
	56006990	1							Antenna Hole
3	56006828	1							CAP NUT, Antenna
4	04685574	1							MAST, Antenna, Black Male End
	56007361	1							Female End
5	56043018	1							ADAPTER, Antenna
6	56043019AB	1							CABLE, Antenna
7	02860332	1							PLUG, Anti-Rattle



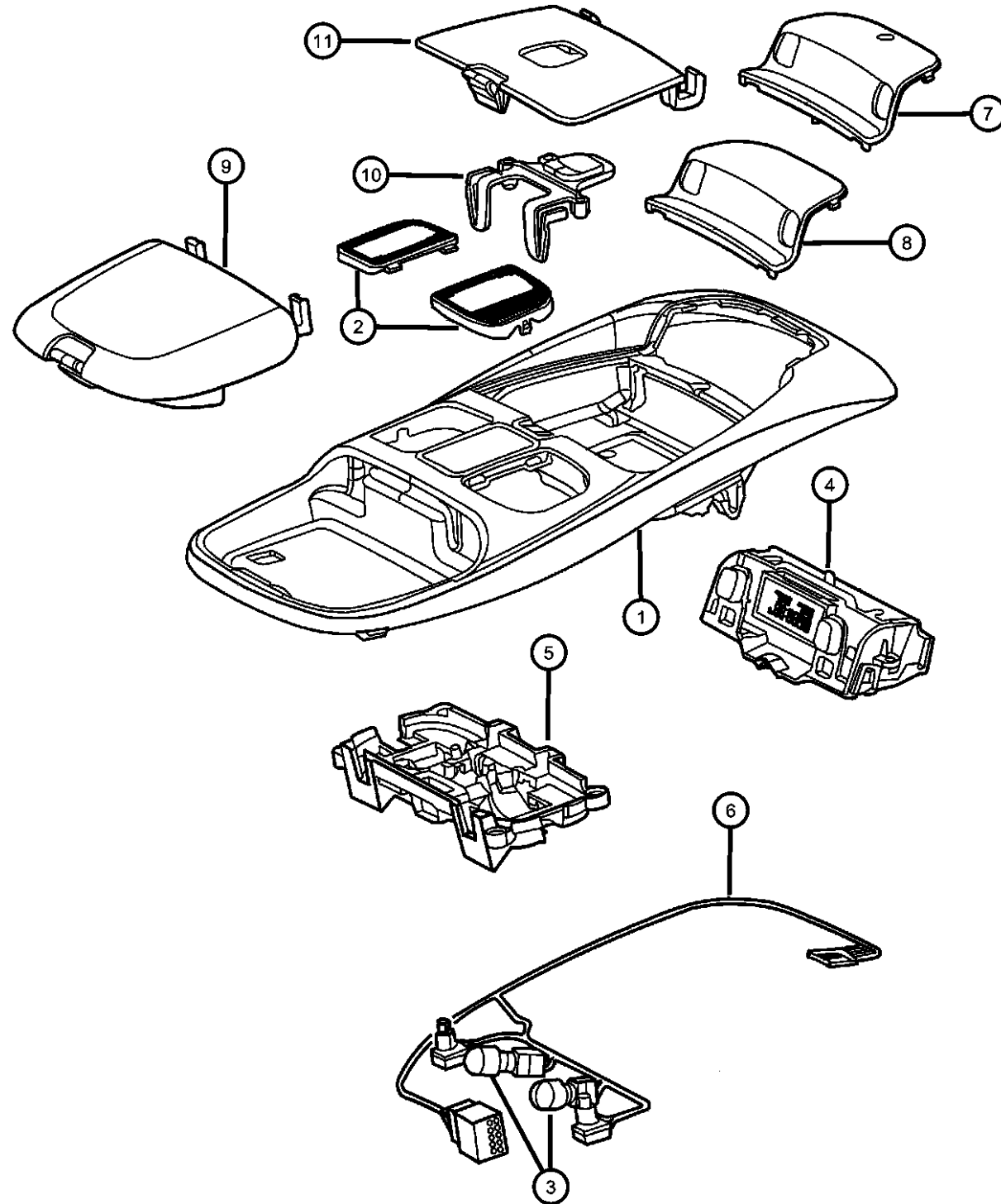
RAM PICKUP/CLUB CAB (BE)

SERIES	LINE	BODY	ENGINE	TRANSMISSION
L = RAM 1500, 2500, 3500	1 = Lt. Duty DODGE 2WD 2 = Med. Duty DODGE 2WD 3 = HD DODGE 2WD 6 = Lt. Duty DODGE 4WD 7 = Med. Duty DODGE 4WD 8 = HD DODGE 4WD	31 = CLUB CAB 2-DR 6.5 FT BOX 32 = CLUB CAB 2-DR 8FT BOX 33 = QUAD CAB 4-DR 6.5 FT BOX 34 = QUAD CAB 4-DR 8FT BOX	ETC = 5.9L Cummins 24V Diesel Engine EWA = 8.0L V10 MPI Engine EM0 = ALL 5.9L 8 CYL ENGINES - GAS EMM = 5.9L SMPI V8 Engine EML = 5.9L V8 MPI Engine ELF = 5.2L V8 MPI Engine	DGP = 4-Spd. Automatic 47RE Transmission DD0 = ALL 5 SPEED MANUAL TRANSMISSIONS DG0 = ALL AUTOMATIC TRANSMISSIONS DDC = 5-Speed HD Manual Transmission DDP = 5-Speed Manual Transmission DDX = 5-Speed HD Manual Transmission DEE = 6-Speed HD Manual Transmission DGT = 4-Spd. Automatic 46RE Transmission

AR = use ase required - = Non illustrated part

1999 BE

Overhead Console
Figure 08A-433



ITEM	PART NUMBER	QTY	LINE	SERIES	BODY	ENGINE	TRANS	TRIM	DESCRIPTION
1	0SN94TL2AA	1							HOUSING, Overhead Console
2	05013619AA	1							LENS, Maplamp
	05013618AA	1							Left
	05013618AA	1							Right
3	09431809	2							BULB, 212-2
4	55350003AE	1							MODULE, Compass Temperature
	55350660AE	1							w/Security
	55350660AE	1							w/o Security
5	05013606AA	1							HOUSING, Bulb, (Bulb Reflectors & Storage Door Detent Spring Included)
6	05013608AA	1							WIRING, Overhead Console
	05013609AA	1							w/Temperature Compass
	05013609AA	1							w/o Temperature Compass
7	05013612AA	1							LENS, Message Center
	05013613AA	1							w/o Security L.E.D.
	05013613AA	1							w/Security L.E.D.
8	0SN93TL2AA	1							COVER, Module, w/o Compass & Temperature Module (Beige)
9	0SN96TL2AA	1							DOOR, Sunglass Bin, w/Liner (Beige)
10	0SN97TL2AA	1							BUTTON, Door Lock
11	0SN98TL2AA	1							DOOR, Garage Door Opener, w/Snaps Off Spacers & Adapter

RAM PICKUP/CLUB CAB (BE)

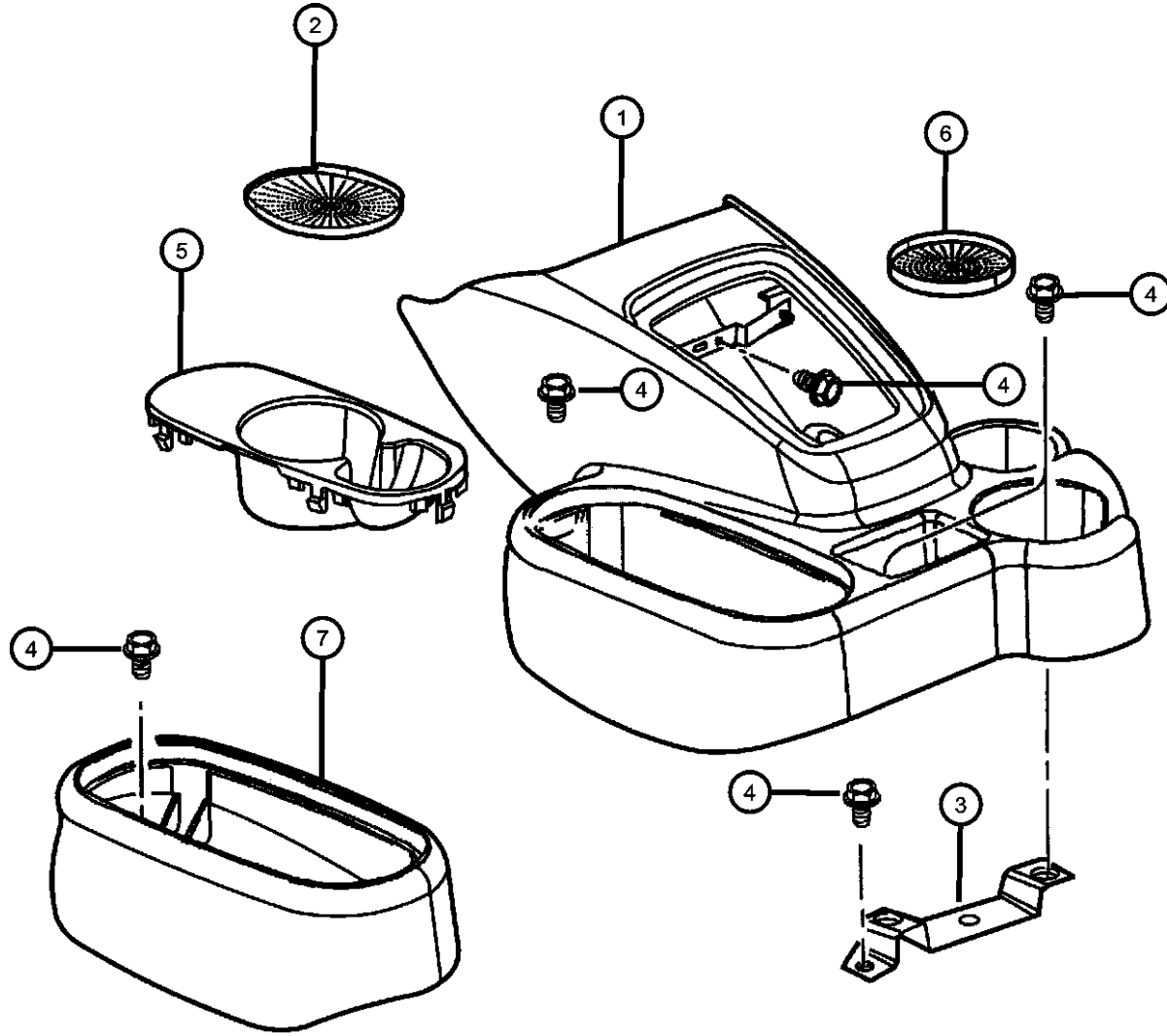
SERIES	LINE	BODY	ENGINE	TRANSMISSION
L = RAM 1500, 2500, 3500	1 = Lt. Duty DODGE 2WD	31 = CLUB CAB 2-DR 6.5 FT BOX	ETC = 5.9L Cummins 24V Diesel Engine	DGP = 4-Spd. Automatic 47RE Transmission
	2 = Med. Duty DODGE 2WD	32 = CLUB CAB 2-DR 8FT BOX	EWA = 8.0L V10 MPI Engine	DD0 = ALL 5 SPEED MANUAL TRANSMISSIONS
	3 = HD DODGE 2WD	33 = QUAD CAB 4-DR 6.5 FT BOX	EM0 = ALL 5.9L 8 CYL ENGINES - GAS	DG0 = ALL AUTOMATIC TRANSMISSIONS
	6 = Lt. Duty DODGE 4WD	34 = QUAD CAB 4-DR 8FT BOX	EMM = 5.9L SMPI V8 Engine	DDC = 5-Speed HD Manual Transmission
	7 = Med. Duty DODGE 4WD		EML = 5.9L V8 MPI Engine	DDP = 5-Speed Manual Transmission
	8 = HD DODGE 4WD		ELF = 5.2L V8 MPI Engine	DDX = 5-Speed HD Manual Transmission
				DEE = 6-Speed HD Manual Transmission
				DGT = 4-Spd. Automatic 46RE Transmission

AR = use ase required - = Non illustrated part

1999 BE

Floor Console
Figure 08A-435

ITEM	PART NUMBER	QTY	LINE	SERIES	BODY	ENGINE	TRANS	TRIM	DESCRIPTION
1	5EZ54LAZ	1							CONSOLE, Floor Agate
	5EZ54RC8	1							Cirrus
	5EZ54VK9	1							Suede
2	5GA43DX9AA	1							MAT, Console Cup Holder, Black
3	55055630AB	1							BRACKET, Console
4	55055630AB	1							SCREW, Self Drilling, .190-16x5.00, (NOT SERVICED)
5	5EZ53LAZ	1	1, 2, 3						CUPHOLDER, Console Agate
	5EZ53RC8	1	1, 2, 3						Cirrus
	5EZ53VK9	1	1, 2, 3						Suede
6	5GA44DX9AA	1							PAD, Console Storage Bin, Black
7	5FB39LAZAB	1	6, 7, 8						BEZEL, Transfer Case Agate
	5FB39RC8AB	1	6, 7, 8						Cirrus
	5FB39VK9AB	1	6, 7, 8						Suede



RAM PICKUP/CLUB CAB (BE)

SERIES	LINE	BODY	ENGINE	TRANSMISSION
L = RAM 1500, 2500, 3500	1 = Lt. Duty DODGE 2WD 2 = Med. Duty DODGE 2WD 3 = HD DODGE 2WD 6 = Lt. Duty DODGE 4WD 7 = Med. Duty DODGE 4WD 8 = HD DODGE 4WD	31 = CLUB CAB 2-DR 6.5 FT BOX 32 = CLUB CAB 2-DR 8FT BOX 33 = QUAD CAB 4-DR 6.5 FT BOX 34 = QUAD CAB 4-DR 8FT BOX	ETC = 5.9L Cummins 24V Diesel Engine EWA = 8.0L V10 MPI Engine EM0 = ALL 5.9L 8 CYL ENGINES - GAS EMM = 5.9L SMPI V8 Engine EML = 5.9L V8 MPI Engine ELF = 5.2L V8 MPI Engine	DGP = 4-Spd. Automatic 47RE Transmission DD0 = ALL 5 SPEED MANUAL TRANSMISSIONS DG0 = ALL AUTOMATIC TRANSMISSIONS DDC = 5-Speed HD Manual Transmission DDP = 5-Speed Manual Transmission DDX = 5-Speed HD Manual Transmission DEE = 6-Speed HD Manual Transmission DGT = 4-Spd. Automatic 46RE Transmission

AR = use ase required - = Non illustrated part

1999 BE

Group - 9

Engine Mounting

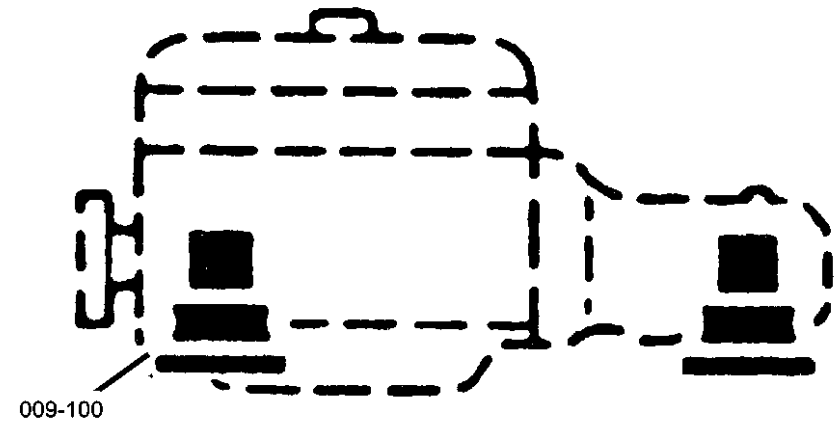
Group - 9 Engine Mounting

Illustration Title

Group-Fig. No.

Engine Mounting

Engine Mounting, Front.....	Fig. 9 - 110
Engine Mounting, Rear, 2WD.....	Fig. 9 - 120
Engine Mounting, Rear, 4WD.....	Fig. 9 - 130

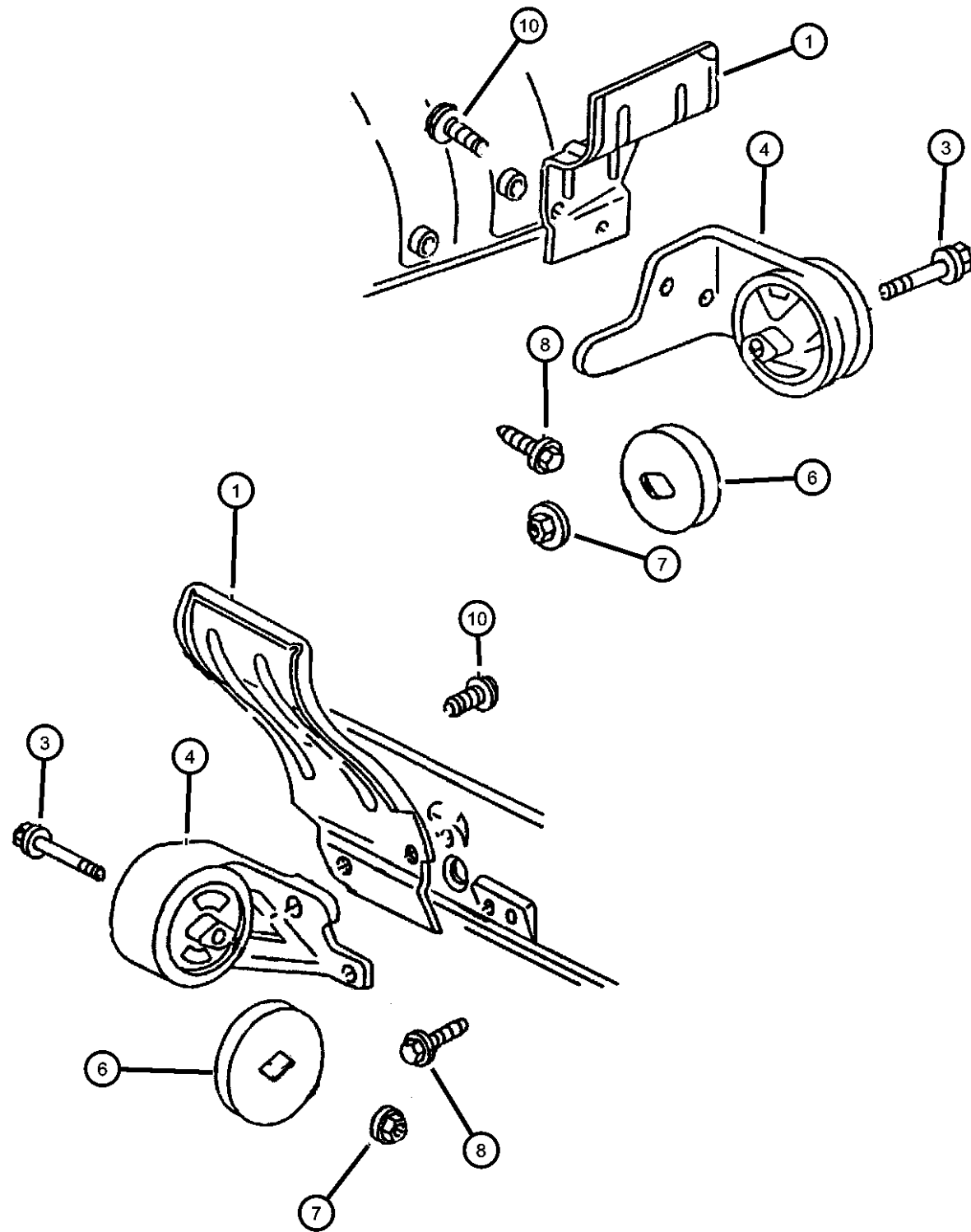


<p>009-100 Engine Mounting</p>			
---	--	--	--

Engine Mounting, Front
Figure 9-110

ITEM	PART NUMBER	QTY	LINE	SERIES	BODY	ENGINE	TRANS	TRIM	DESCRIPTION
------	-------------	-----	------	--------	------	--------	-------	------	-------------

Note; ELO= All 5.2 Gas Engines, EMO= All 5.9 Gas Engines ,ETB= 12 Valve Diesel Engine, ETC= 24 Valve Diesel Engine, ETO= All Diesel Engines
EWO= All 8.0 Gas Engines, DBB= Manual Transmissions, DGO= All Automatic Transmissions.



1	52058238	1				ELO, EMO, EWO			SHIELD, Exhaust ManifoldRight
-2	57008125	1				ELO, EMO, EWO			SHIELD, Engine MountLeft
3									SCREW AND WASHER, Hex Head, M12x1.75x155
	06502960	2				ELO, EMO, EWO			
		1				ETO			
4									INSULATOR, Engine Mount
	52018235	1				EWO			Left
		1	2, 3, 7, 8			ELO, EMO			Left
	52020228	1	6			ELO, EMO			Right
	52020229	1	6			ELO, EMO			Left
	52020326	1	1			ELO, EMO			Right
	52020327	1	1			ELO, EMO			Left
	52058804	1				EWO			Right
		1	2, 3, 7, 8			ELO, EMO			Right
-5									SUPPORT, Engine Mount
	05011804AA	1				ETO			Left
	05011805AA	1				ETO	DBB		Right
		1				ETO	DGO		Right
6									RESTRICTOR, Engine Mount
	52019982	1	6			ELO, EMO			Small
		1	1			ELO, EMO			Small
	52058447	2	2, 3, 7, 8						Large
7	52058447	2							NUT, M12x1.75, (NOT SERVICED),
8	06035212	6				ELO, EMO, EWO			SCREW, Hex Flange Head, .375-16x1.125

RAM PICKUP/CLUB CAB (BE)

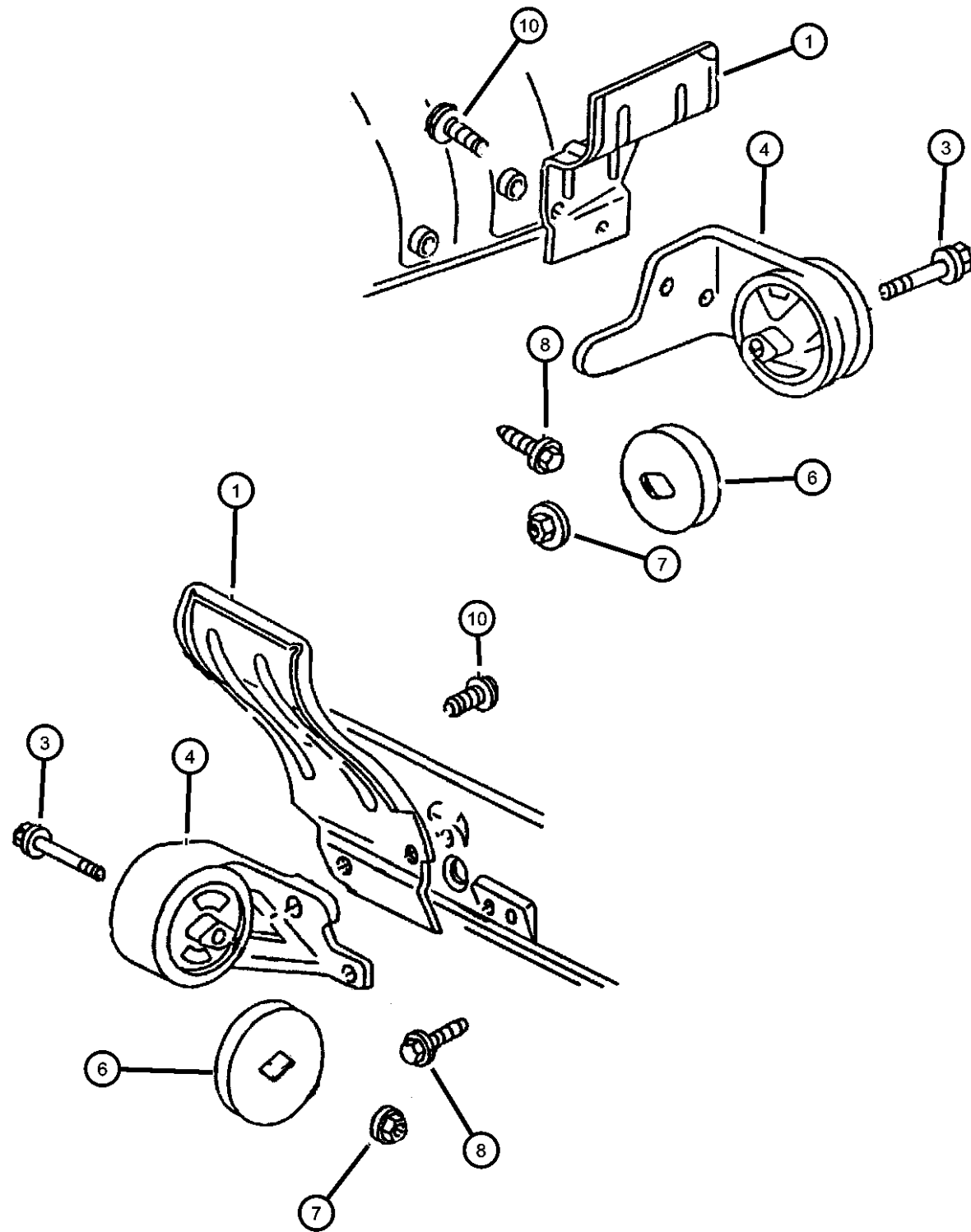
SERIES	LINE	BODY	ENGINE	TRANSMISSION
L = RAM 1500, 2500, 3500	1 = Lt. Duty DODGE 2WD 2 = Med. Duty DODGE 2WD 3 = HD DODGE 2WD 6 = Lt. Duty DODGE 4WD 7 = Med. Duty DODGE 4WD 8 = HD DODGE 4WD	31 = CLUB CAB 2-DR 6.5 FT BOX 32 = CLUB CAB 2-DR 8FT BOX 33 = QUAD CAB 4-DR 6.5 FT BOX 34 = QUAD CAB 4-DR 8FT BOX	ETC = 5.9L Cummins 24V Diesel Engine EWA = 8.0L V10 MPI Engine EMO = ALL 5.9L 8 CYL ENGINES - GAS EMM = 5.9L SMPI V8 Engine EML = 5.9L V8 MPI Engine ELF = 5.2L V8 MPI Engine	DGP = 4-Spd. Automatic 47RE Transmission DD0 = ALL 5 SPEED MANUAL TRANSMISSIONS DGO = ALL AUTOMATIC TRANSMISSIONS DDC = 5-Speed HD Manual Transmission DDP = 5-Speed Manual Transmission DDX = 5-Speed HD Manual Transmission DEE = 6-Speed HD Manual Transmission DGT = 4-Spd. Automatic 46RE Transmission

AR = use ase required - = Non illustrated part

1999 BE

**Engine Mounting, Front
Figure 9-110**

ITEM	PART NUMBER	QTY	LINE	SERIES	BODY	ENGINE	TRANS	TRIM	DESCRIPTION
------	-------------	-----	------	--------	------	--------	-------	------	-------------



-9	04864516	8				ET0			BOLT, Hex Flange Head
10	04864516	8							SCREW, .190x.625, (NOT SERVICED)

RAM PICKUP/CLUB CAB (BE)

SERIES	LINE	BODY	ENGINE	TRANSMISSION
L = RAM 1500, 2500, 3500	1 = Lt. Duty DODGE 2WD 2 = Med. Duty DODGE 2WD 3 = HD DODGE 2WD 6 = Lt. Duty DODGE 4WD 7 = Med. Duty DODGE 4WD 8 = HD DODGE 4WD	31 = CLUB CAB 2-DR 6.5 FT BOX 32 = CLUB CAB 2-DR 8FT BOX 33 = QUAD CAB 4-DR 6.5 FT BOX 34 = QUAD CAB 4-DR 8FT BOX	ETC = 5.9L Cummins 24V Diesel Engine EWA = 8.0L V10 MPI Engine EM0 = ALL 5.9L 8 CYL ENGINES - GAS EMM = 5.9L SMPi V8 Engine EML = 5.9L V8 MPI Engine ELF = 5.2L V8 MPI Engine	DGP = 4-Spd. Automatic 47RE Transmission DD0 = ALL 5 SPEED MANUAL TRANSMISSIONS DG0 = ALL AUTOMATIC TRANSMISSIONS DDC = 5-Speed HD Manual Transmission DDP = 5-Speed Manual Transmission DDX = 5-Speed HD Manual Transmission DEE = 6-Speed HD Manual Transmission DGT = 4-Spd. Automatic 46RE Transmission

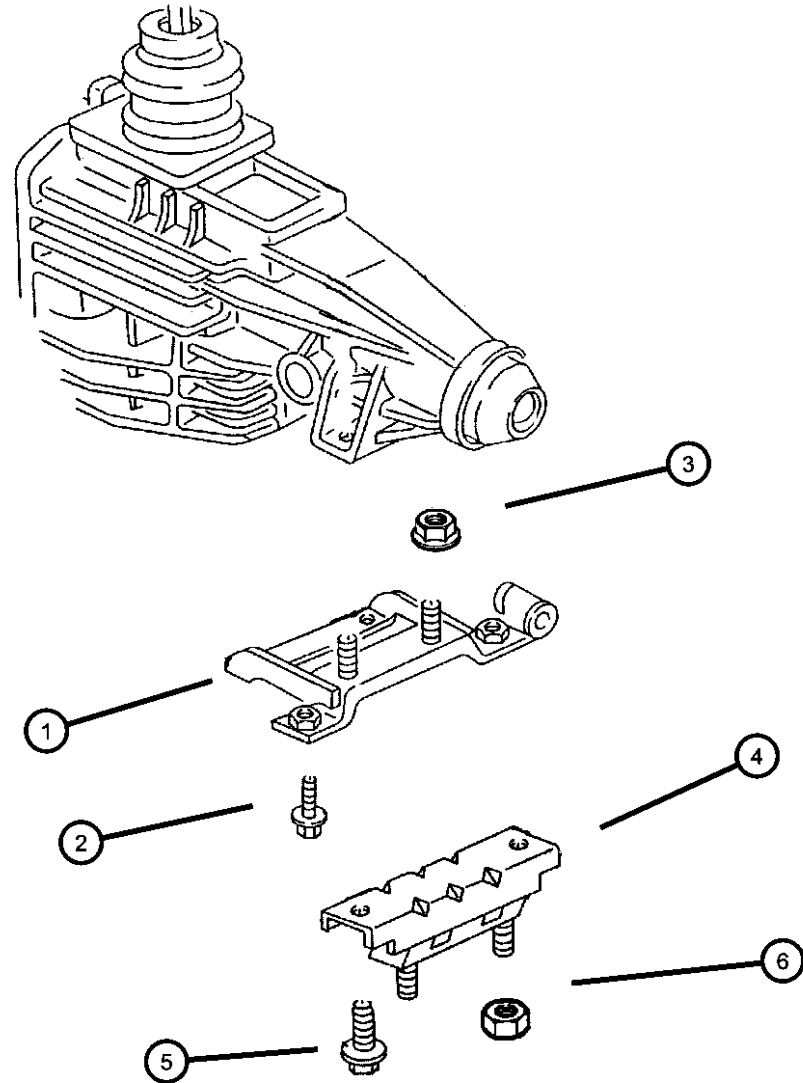
AR = use ase required - = Non illustrated part

1999 BE

Engine Mounting, Rear, 2WD
Figure 9-120

ITEM	PART NUMBER	QTY	LINE	SERIES	BODY	ENGINE	TRANS	TRIM	DESCRIPTION
------	-------------	-----	------	--------	------	--------	-------	------	-------------

Note; ELO= All 5.2 Gas Engines, EMO= All 5.9 Gas Engines, ETO= All Diesel Engines, EWO= All 8.0 Gas Engines.
DDC= NV3500 Manual Transmission, DDP= NV4500 Light Duty Transmission, DDX= NV4500 Heavy Duty Transmission.



1									BRACKET, Transmission Mount
	52019637	1	1, 2, 3			ELO, EM0	DG0		
	52019639	1	1			ELO, EM0	DDC		
	52019641	1	6			ELO, EM0	DDC		
		1					DDP, DDX		
	52058695	1	1, 2, 3			ET0, EWO	DG0		
2									SCREW AND WASHER, Hex Head Locking, .437-14x1.25
	06033358	4	6, 7, 8						
		2					DDP, DDX		
		3	1, 2, 3				DG0		
3		3							NUT, M10x1.50, (NOT SERVICED)
4	52058218	1	1, 2, 3			ELO, EM0, ET0, EWO			INSULATOR, Engine Mount
5	52058218	1							SCREW, M10x1.50x30.00, (NOT SERVICED)
6	06101761	2							NUT, Coned Washer, M10 x 1.50

RAM PICKUP/CLUB CAB (BE)

SERIES	LINE	BODY	ENGINE	TRANSMISSION
L = RAM 1500, 2500, 3500	1 = Lt. Duty DODGE 2WD 2 = Med. Duty DODGE 2WD 3 = HD DODGE 2WD 6 = Lt. Duty DODGE 4WD 7 = Med. Duty DODGE 4WD 8 = HD DODGE 4WD	31 = CLUB CAB 2-DR 6.5 FT BOX 32 = CLUB CAB 2-DR 8FT BOX 33 = QUAD CAB 4-DR 6.5 FT BOX 34 = QUAD CAB 4-DR 8FT BOX	ETC = 5.9L Cummins 24V Diesel Engine EWA = 8.0L V10 MPI Engine EM0 = ALL 5.9L 8 CYL ENGINES - GAS EMM = 5.9L SMPI V8 Engine EML = 5.9L V8 MPI Engine ELF = 5.2L V8 MPI Engine	DGP = 4-Spd. Automatic 47RE Transmission DD0 = ALL 5 SPEED MANUAL TRANSMISSIONS DG0 = ALL AUTOMATIC TRANSMISSIONS DDC = 5-Speed HD Manual Transmission DDP = 5-Speed Manual Transmission DDX = 5-Speed HD Manual Transmission DEE = 6-Speed HD Manual Transmission DGT = 4-Spd. Automatic 46RE Transmission

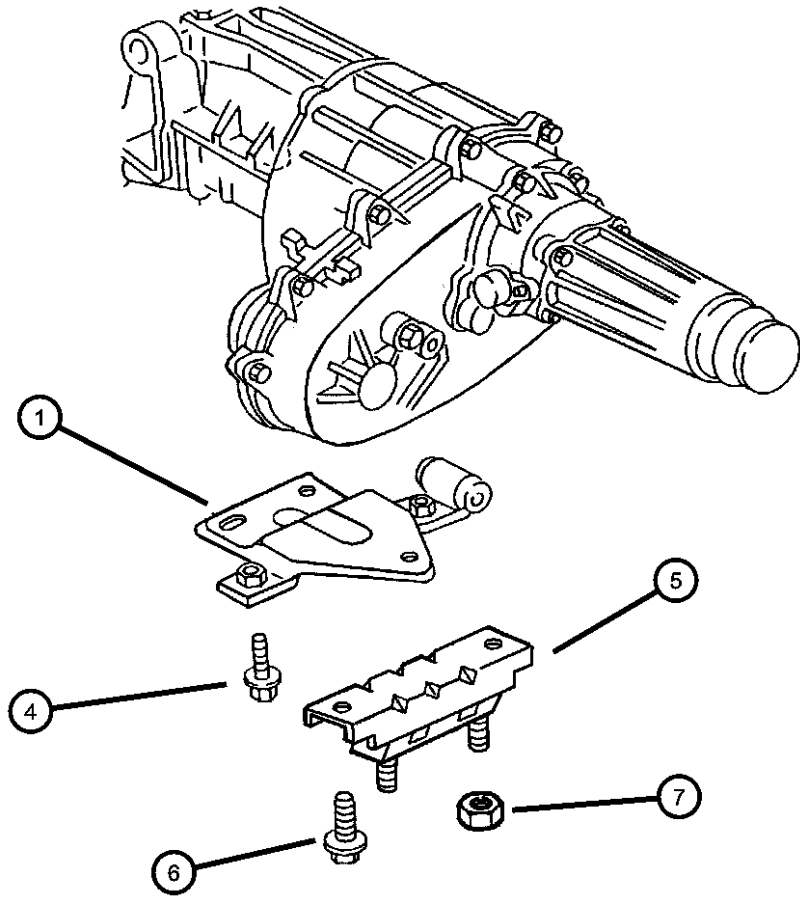
AR = use ase required - = Non illustrated part

1999 BE

**Engine Mounting, Rear, 4WD
Figure 9-130**

ITEM	PART NUMBER	QTY	LINE	SERIES	BODY	ENGINE	TRANS	TRIM	DESCRIPTION
1	52019641	1	6			ELO, EM0	DDC		BRACKET, Transmission Mount
		1					DDP, DDX		
-2	52058593AB	1	6, 7, 8			ELO, EM0	DG0		BRACKET, Transmission Case Mounting
-3	52058693AB	1	6, 7, 8			ET0, EW0	DG0		BRACKET, Transfer Case Shaft
4	06033358	4	6, 7, 8						SCREW AND WASHER, Hex Head Locking, .437-14x1.25
		2					DDP, DDX		
		3	1, 2, 3				DG0		
		2	1, 6				DDC		
5	52020251AA	1	6			ELO, EM0			INSULATOR, Engine Mount
6	52020251AA	1							SCREW, M10x1.50x30.00, (NOT SERVICED)
7	06101761	2							NUT, Coned Washer, M10 x 1.50

Note; ELO= All 5.2 Gas Engines, EMO= All 5.9 Gas Engines, ETO= All Diesel Engines, EWO= All 8.0 Gas Engines, DDC= NV3500 Manual Transmission, DDP= NV4500 Light Duty Manual Transmission, DDX= NV4500 Heavy Duty Transmissions.



RAM PICKUP/CLUB CAB (BE)

SERIES	LINE	BODY	ENGINE	TRANSMISSION
L = RAM 1500, 2500, 3500	1 = Lt. Duty DODGE 2WD 2 = Med. Duty DODGE 2WD 3 = HD DODGE 2WD 6 = Lt. Duty DODGE 4WD 7 = Med. Duty DODGE 4WD 8 = HD DODGE 4WD	31 = CLUB CAB 2-DR 6.5 FT BOX 32 = CLUB CAB 2-DR 8FT BOX 33 = QUAD CAB 4-DR 6.5 FT BOX 34 = QUAD CAB 4-DR 8FT BOX	ETC = 5.9L Cummins 24V Diesel Engine EWA = 8.0L V10 MPI Engine EM0 = ALL 5.9L 8 CYL ENGINES - GAS EMM = 5.9L SMPI V8 Engine EML = 5.9L V8 MPI Engine ELF = 5.2L V8 MPI Engine	DGP = 4-Spd. Automatic 47RE Transmission DD0 = ALL 5 SPEED MANUAL TRANSMISSIONS DG0 = ALL AUTOMATIC TRANSMISSIONS DDC = 5-Speed HD Manual Transmission DDP = 5-Speed Manual Transmission DDX = 5-Speed HD Manual Transmission DEE = 6-Speed HD Manual Transmission DGT = 4-Spd. Automatic 46RE Transmission

AR = use ase required - = Non illustrated part

1999 BE

Group - 5.2L

Engine 5.2L Eight Cylinder

Group - 5.2L Engine 5.2L Eight Cylinder

Illustration Title

Group-Fig. No.

Cylinder Head

Cylinder Head Fig. 5.2L - 210

Cylinder Block

Cylinder Block Fig. 5.2L - 310

Crankshaft, Piston and Torque Converter

Crankshaft, Piston and Torque Converter Fig. 5.2L - 410

Camshafts & Valves

Camshaft and Valves Fig. 5.2L - 510

Timing Belt and Cover

Timing Gear and Cover Fig. 5.2L - 610

Engine Oiling

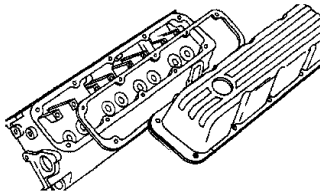
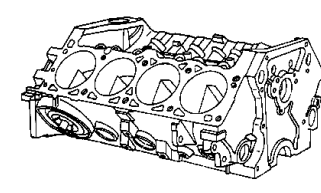
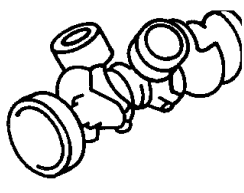
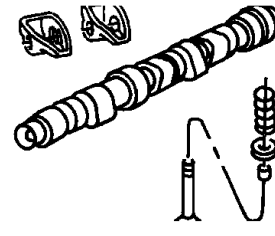
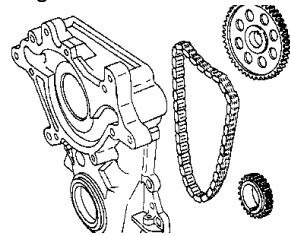
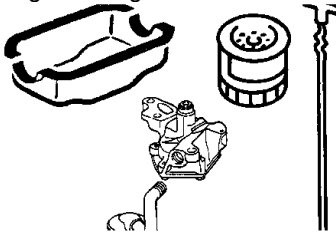
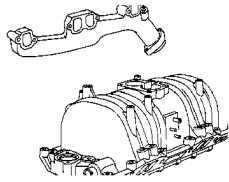
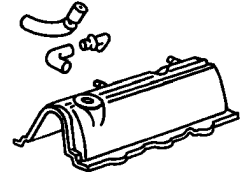
Engine Oiling Fig. 5.2L - 710

Manifolds

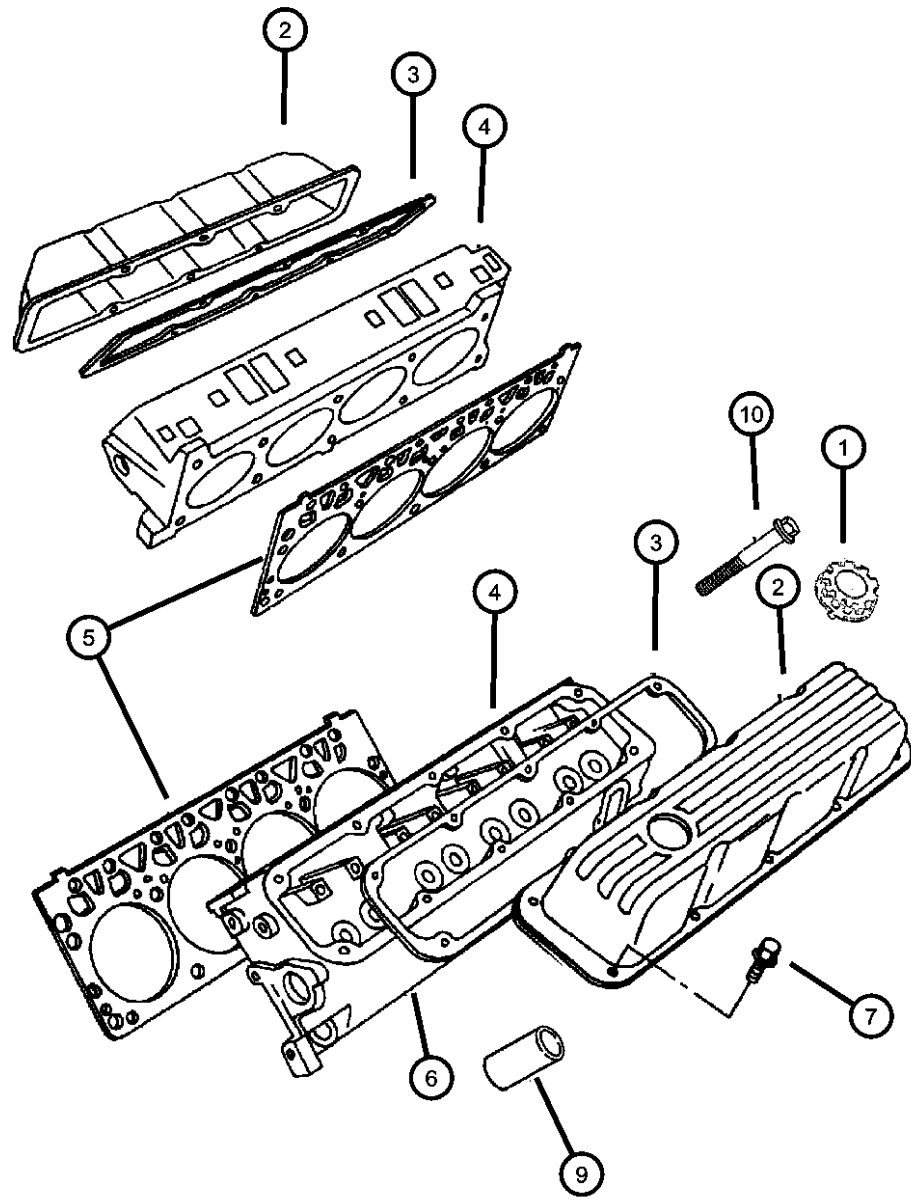
Manifold, Intake and Exhaust Fig. 5.2L - 810

Crankcase Ventilation

Crankcase Ventilation Fig. 5.2L - 910

<p>5.2L-200 Cylinder Head</p> 	<p>5.2L-300 Cylinder Block</p> 	<p>5.2L-400 Crankshaft, Piston and Torque Converter</p> 	<p>5.2L-500 Camshafts & Valves</p> 
<p>5.2L-600 Timing Belt and Cover</p> 	<p>5.2L-700 Engine Oiling</p> 	<p>5.2L-800 Manifolds</p> 	<p>5.2L-900 Crankcase Ventilation</p> 

**Cylinder Head
Figure 5.2L-210**



ITEM	PART NUMBER	QTY	LINE	SERIES	BODY	ENGINE	TRANS	TRIM	DESCRIPTION
------	-------------	-----	------	--------	------	--------	-------	------	-------------

Note:
 EH0 = All 3.9L V6 Gas Engines
 ELO = All 5.2L 8 Cyl Gas Engines
 ELF = Magnum 5.2L SMPI V-8 Engine
 EM0 = All 5.9L 8 Cyl Gas Engines
 ET0 = All 5.9L Turbo Diesel Engines
 EW0 = All 8.0L Gas Engines
 Packages Do Not Contain Gaskets For All Required Sealing. R.T.V. Sealer And Gasket Eliminator Must Also Be Used.
 GASKET PACKAGE, Engine Upper - 04897385AB

1	04777536	1				ELO, EM0			CAP, Oil Filler
2									COVER, Cylinder Head
	53020340AB	1				ELO, EM0			With Oil Fill Hole
	53020612AB	1				ELO, EM0			W/O Oil Fill Hole
3	53006695	2				ELO, EM0			GASKET, Valve Cover
4	53021137	2				EM0			HEAD, Cylinder
5	53020490	2				ELO			GASKET, Cylinder Head
6	04556020	4				ELF			PLUG, Core, 1.25 Diameter
7	06035878AA	12				ELO, EM0			STUD
-8	06035877AA	7				ELO, EM0			SCREW AND WASHER, Hex Head, .25-20x.875
9	53020419	8				ELO, EM0			SHIELD, Heat
10									BOLT, Cylinder Head
	06034690	10				ELO, EM0			.50-13x2.00
	06034691	10				ELO, EM0			.50x4.625
-11									GASKET PACKAGE, Engine
	04897385AB	1				ELO	DBB		
		1				ELO	DG0		

RAM PICKUP/CLUB CAB (BE)

SERIES	LINE	BODY	ENGINE	TRANSMISSION
L = RAM 1500, 2500, 3500	1 = Lt. Duty DODGE 2WD 2 = Med. Duty DODGE 2WD 3 = HD DODGE 2WD 6 = Lt. Duty DODGE 4WD 7 = Med. Duty DODGE 4WD 8 = HD DODGE 4WD	31 = CLUB CAB 2-DR 6.5 FT BOX 32 = CLUB CAB 2-DR 8FT BOX 33 = QUAD CAB 4-DR 6.5 FT BOX 34 = QUAD CAB 4-DR 8FT BOX	ETC = 5.9L Cummins 24V Diesel Engine EWA = 8.0L V10 MPI Engine EM0 = ALL 5.9L 8 CYL ENGINES - GAS EMM = 5.9L SMPI V8 Engine EML = 5.9L V8 MPI Engine ELF = 5.2L V8 MPI Engine	DGP = 4-Spd. Automatic 47RE Transmission DD0 = ALL 5 SPEED MANUAL TRANSMISSIONS DG0 = ALL AUTOMATIC TRANSMISSIONS DDC = 5-Speed HD Manual Transmission DDP = 5-Speed Manual Transmission DDX = 5-Speed HD Manual Transmission DEE = 6-Speed HD Manual Transmission DGT = 4-Spd. Automatic 46RE Transmission

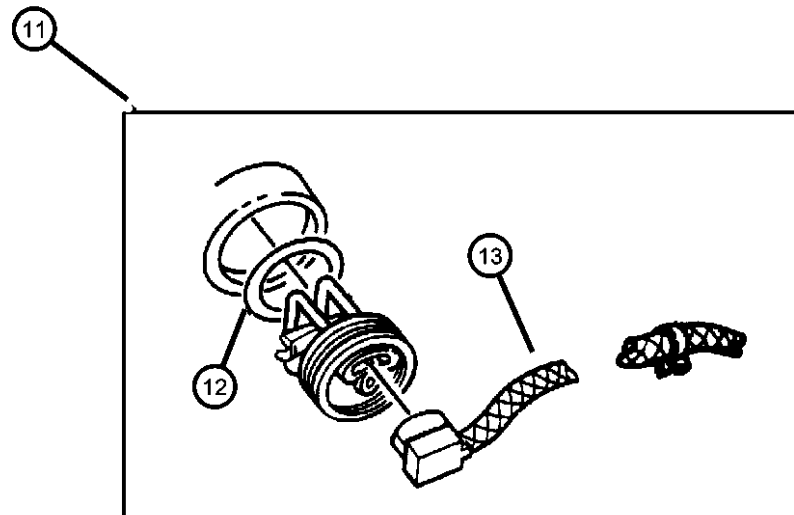
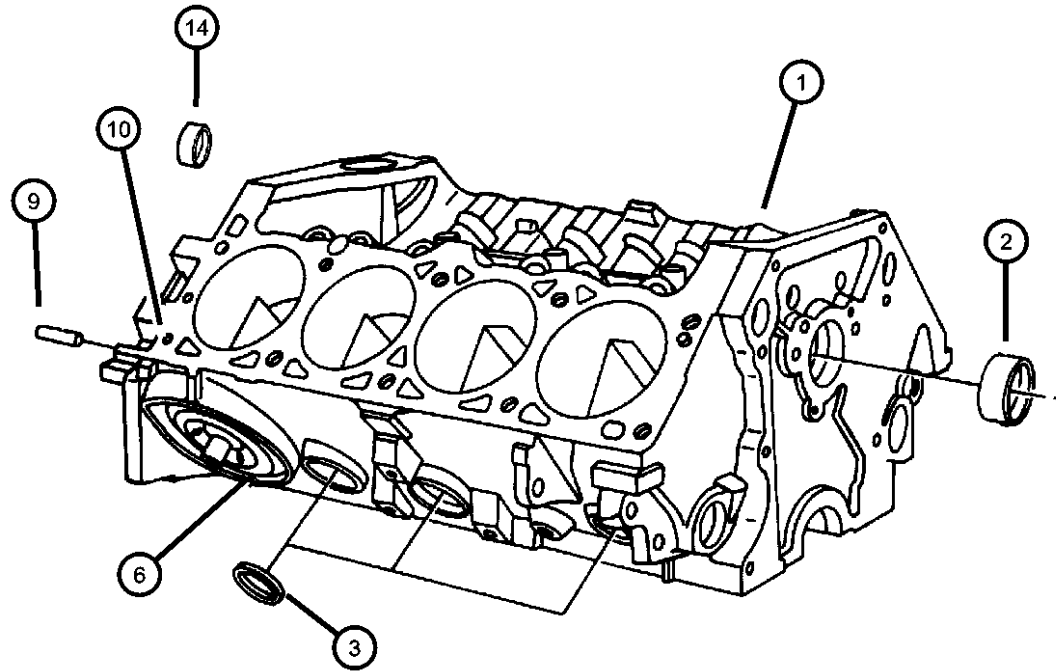
AR = use ase required - = Non illustrated part

**Cylinder Block
Figure 5.2L-310**

ITEM	PART NUMBER	QTY	LINE	SERIES	BODY	ENGINE	TRANS	TRIM	DESCRIPTION
------	-------------	-----	------	--------	------	--------	-------	------	-------------

NOTE: Packages Do Not Contain Gaskets For All Required Sealing. R.T.V. Sealer And Gasket Eliminator Must Also Be Used.
GASKET PACKAGE, Engine Lower - 04720740, ELO= All 5.2 Gas Engines, EMO= All 5.9 Gas Engines, EWO= All 8.0 Gas Engines.

1	04713602	1				ELO			BLOCK, Short, Contains: Crank, Rods, Pistons, Rings, Cam Bearings
	04761845AC								Mopar 10W30 Engine Oil Gallon
	04761839AB								Mopar 10W30 Engine Oil Quart
2	03830603	1				ELO			BEARING, Camshaft, #1
3	04556020	1				ELO			PLUG, Core, 1.25 Diameter
4	04556022	9				ELO			PLUG, Core, 1.625 Diameter
5	04556023	1				ELO			PLUG, Core, 1.695 Diameter
6	03751818	2				ELO			PLUG, Pipe
7	53009518	1				ELO			PLUG, Cylinder Block Oil Hole
8	53009518	1							PLUG, Cylinder Block Oil Hole, (NOT SERVICED)
9	01122532	2				ELO			DOWEL, Block To Clutch Housing
10	00141215	4				ELO			DOWEL, .312 x .500
11	04798276	1				ELO, EMO			HEATER PACKAGE, Engine Block
12									O RING, Engine Block Heater
	06501445	AR							1-11/32 Diameter 11/64 Width
	06501446	1				ELO, EMO			1-11/32 Diameter 09/64 Width
13	56020061	1				ELO, EMO, EWO			CORD, Engine Block Heater
14	53020465	1				ELO			PLUG, Cylinder Block



RAM PICKUP/CLUB CAB (BE)

SERIES	LINE	BODY	ENGINE	TRANSMISSION
L = RAM 1500, 2500, 3500	1 = Lt. Duty DODGE 2WD 2 = Med. Duty DODGE 2WD 3 = HD DODGE 2WD 6 = Lt. Duty DODGE 4WD 7 = Med. Duty DODGE 4WD 8 = HD DODGE 4WD	31 = CLUB CAB 2-DR 6.5 FT BOX 32 = CLUB CAB 2-DR 8FT BOX 33 = QUAD CAB 4-DR 6.5 FT BOX 34 = QUAD CAB 4-DR 8FT BOX	ETC = 5.9L Cummins 24V Diesel Engine EWA = 8.0L V10 MPI Engine EM0 = ALL 5.9L 8 CYL ENGINES - GAS EMM = 5.9L SMPI V8 Engine EML = 5.9L V8 MPI Engine ELF = 5.2L V8 MPI Engine	DGP = 4-Spd. Automatic 47RE Transmission DD0 = ALL 5 SPEED MANUAL TRANSMISSIONS DG0 = ALL AUTOMATIC TRANSMISSIONS DDC = 5-Speed HD Manual Transmission DDP = 5-Speed Manual Transmission DDX = 5-Speed HD Manual Transmission DEE = 6-Speed HD Manual Transmission DGT = 4-Spd. Automatic 46RE Transmission

AR = use ase required - = Non illustrated part

1999 BE

Crankshaft, Piston and Torque Converter
Figure 5.2L-410

ITEM	PART NUMBER	QTY	LINE	SERIES	BODY	ENGINE	TRANS	TRIM	DESCRIPTION
------	-------------	-----	------	--------	------	--------	-------	------	-------------

Note; ELO= All 5.2 Gas Engines, EMO= All 5.9 Gas Engines, EWO= All 8.0 Gas Engines,
DGO= All Automatic Transmissions.

1	53020465	1							PIN, Piston, Serviced in Piston, (NOT SERVICED)
2									PISTON PIN AND ROD
	04778855	4				ELO			#1,3,5,7 A,B Size, 3.90875, 3.90925
	04778856	4				ELO			#2,4,6,8 A,B Size, 3.90875, 3.90925
	04778857	4				ELO			#1,3,5,7 C Size, 3.90975
	04778858	4				ELO			#2,4,6,8 C Size, 3.90975
	04778859	4				ELO			#1,3,5,7 D Size, 3.91025
	04778860	4				ELO			#2,4,6,8 D Size, 3.91025
3	04720727	4				ELO			RING PACKAGE, Piston
4	04720727	4							ROD, Connecting, Serviced in Piston, (NOT SERVICED)
5	02421305	8				ELO			BEARING, Connecting Rod, STD.
6	02421306	AR				ELO			BEARING, Connecting Rod, .001" U/S
7	02421306	AR							BEARING, Connecting Rod, .010" U/S, (NOT REQUIRED)
8	06033441	8				ELO			BOLT, Connecting Rod
9	04397778	1				ELO			BEARING PACKAGE, Crankshaft, Standard Size
10	04397780	AR				ELO			BEARING PACKAGE, Crankshaft, .001 Undersize
11	04397780	AR							BEARING PACKAGE, Crankshaft, .010 Undersize, (NOT REQUIRED)
12	04397777	2				ELO			BEARING PACKAGE, Crankshaft, Standard Size
13	04397781	AR				ELO			BEARING PACKAGE, Crankshaft, .001 Undersize
14	04397781	AR							BEARING PACKAGE, Crankshaft, .010 Undersize, (NOT REQUIRED)
15	04720595	1				ELO			BEARING, Crankshaft, STD.

RAM PICKUP/CLUB CAB (BE)

SERIES	LINE
L = RAM 1500, 2500, 3500	1 = Lt. Duty DODGE 2WD 2 = Med. Duty DODGE 2WD 3 = HD DODGE 2WD 6 = Lt. Duty DODGE 4WD 7 = Med. Duty DODGE 4WD 8 = HD DODGE 4WD

BODY	ENGINE	TRANSMISSION
31 = CLUB CAB 2-DR 6.5 FT BOX	ETC = 5.9L Cummins 24V Diesel Engine	DGP = 4-Spd. Automatic 47RE Transmission
32 = CLUB CAB 2-DR 8FT BOX	EWA = 8.0L V10 MPI Engine	DD0 = ALL 5 SPEED MANUAL TRANSMISSIONS
33 = QUAD CAB 4-DR 6.5 FT BOX	EM0 = ALL 5.9L 8 CYL ENGINES - GAS	DG0 = ALL AUTOMATIC TRANSMISSIONS
34 = QUAD CAB 4-DR 8FT BOX	EMM = 5.9L SMPI V8 Engine	DDC = 5-Speed HD Manual Transmission
	EML = 5.9L V8 MPI Engine	DDP = 5-Speed Manual Transmission
	ELF = 5.2L V8 MPI Engine	DDX = 5-Speed HD Manual Transmission
		DEE = 6-Speed HD Manual Transmission
		DGT = 4-Spd. Automatic 46RE Transmission

AR = use ase required - = Non illustrated part

1999 BE

Crankshaft, Piston and Torque Converter
Figure 5.2L-410

ITEM	PART NUMBER	QTY	LINE	SERIES	BODY	ENGINE	TRANS	TRIM	DESCRIPTION
16	04720596	AR				ELO			BEARING PACKAGE, Crankshaft, .001 Undersize
17	04720596	AR							BEARING PACKAGE, Crankshaft, .010 Undersize, (NOT REQUIRED)
18	04397701	1				ELO			BEARING PACKAGE, Crankshaft, Standard Size
19	04397702	AR				ELO			BEARING PACKAGE, Crankshaft, .001 Undersize
20	04397702	AR							BEARING PACKAGE, Crankshaft, .010 Undersize, (NOT REQUIRED)
21	53020603	1				ELO	DG0		CRANKSHAFT
22	53020603	1							WASHER, Flat, .78x1.9x.250, (NOT REQUIRED)
23	53020603	1							SCREW, Hex Head Header Point, .75-16x2.25, (NOT REQUIRED)
-24	06036207AA	1				ELO, EMO			SCREW AND WASHER
25	53020229	1				ELO			DAMPER, Crankshaft
26	53020229	1							CAP, Serviced in Block, (NOT SERVICED)
27	06032296	8				ELO			NUT, Hex, .375-24
28	06027264	8				ELO			SCREW, Socket Hex Head, .50-13x3.25, #1,2,3
-29	06033300	2				ELO			SCREW, Cap, .50-13x2.80, #4
30	04778228	2				ELO			SEAL PACKAGE, Crankshaft
31									BEARING, Pilot
	53009180	1				ELO	DBB		Sleeve and Bearing
	53009181	1				ELO	DBB		Bearing
32	04736595	1				ELO	DG0		TORQUE CONVERTER
33	01949424	6				ELO, EMO	DG0		SCREW, Hex Head Header Point, .75-16x2.25
34	52118255	1				ELO	DG0		PLATE, Torque Converter Drive
35	01949765	4				ELO, EMO	DG0		SCREW, Hex Head Header Point, .312-24x.44
36	02843214	1				ELO	DBB		GEAR, Flywheel Ring

RAM PICKUP/CLUB CAB (BE)

SERIES	LINE
L = RAM 1500, 2500, 3500	1 = Lt. Duty DODGE 2WD 2 = Med. Duty DODGE 2WD 3 = HD DODGE 2WD 6 = Lt. Duty DODGE 4WD 7 = Med. Duty DODGE 4WD 8 = HD DODGE 4WD

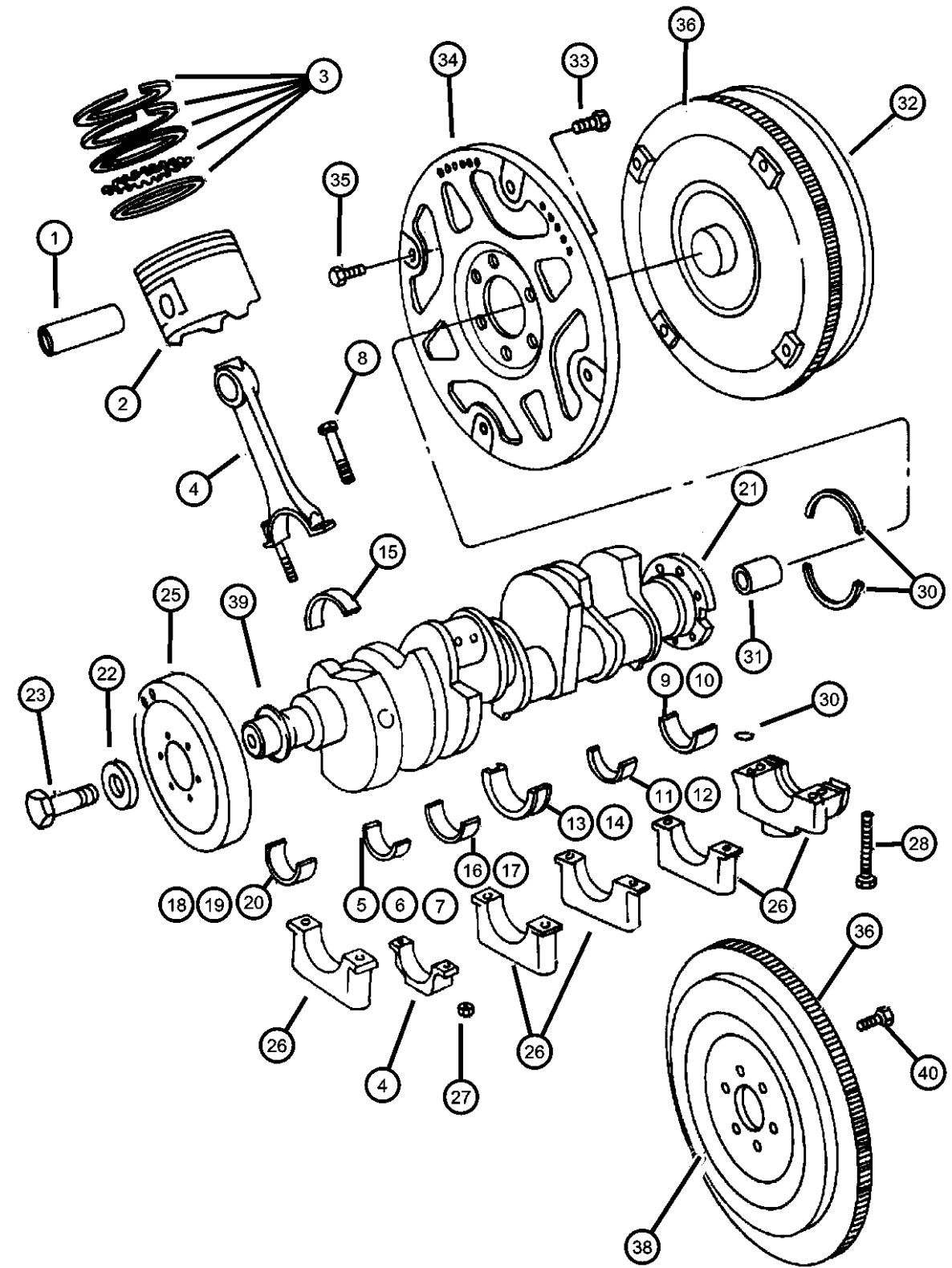
BODY	ENGINE	TRANSMISSION
31 = CLUB CAB 2-DR 6.5 FT BOX	ETC = 5.9L Cummins 24V Diesel Engine	DGP = 4-Spd. Automatic 47RE Transmission
32 = CLUB CAB 2-DR 8FT BOX	EWA = 8.0L V10 MPI Engine	DD0 = ALL 5 SPEED MANUAL TRANSMISSIONS
33 = QUAD CAB 4-DR 6.5 FT BOX	EM0 = ALL 5.9L 8 CYL ENGINES - GAS	DG0 = ALL AUTOMATIC TRANSMISSIONS
34 = QUAD CAB 4-DR 8FT BOX	EMM = 5.9L SMPI V8 Engine	DDC = 5-Speed HD Manual Transmission
	EML = 5.9L V8 MPI Engine	DDP = 5-Speed Manual Transmission
	ELF = 5.2L V8 MPI Engine	DDX = 5-Speed HD Manual Transmission
		DEE = 6-Speed HD Manual Transmission
		DGT = 4-Spd. Automatic 46RE Transmission

AR = use ase required - = Non illustrated part

1999 BE

Crankshaft, Piston and Torque Converter
Figure 5.2L-410

ITEM	PART NUMBER	QTY	LINE	SERIES	BODY	ENGINE	TRANS	TRIM	DESCRIPTION
------	-------------	-----	------	--------	------	--------	-------	------	-------------



-37	03515203	1				ELO	DG0		GEAR, Ring
38	53020521	1				ELO	DBB		FLYWHEEL
39	06035948AA	1				ELO, EMO			WASHER, Sealing
40	06036143AA	6				ELO, EMO	DBB		SCREW

RAM PICKUP/CLUB CAB (BE)

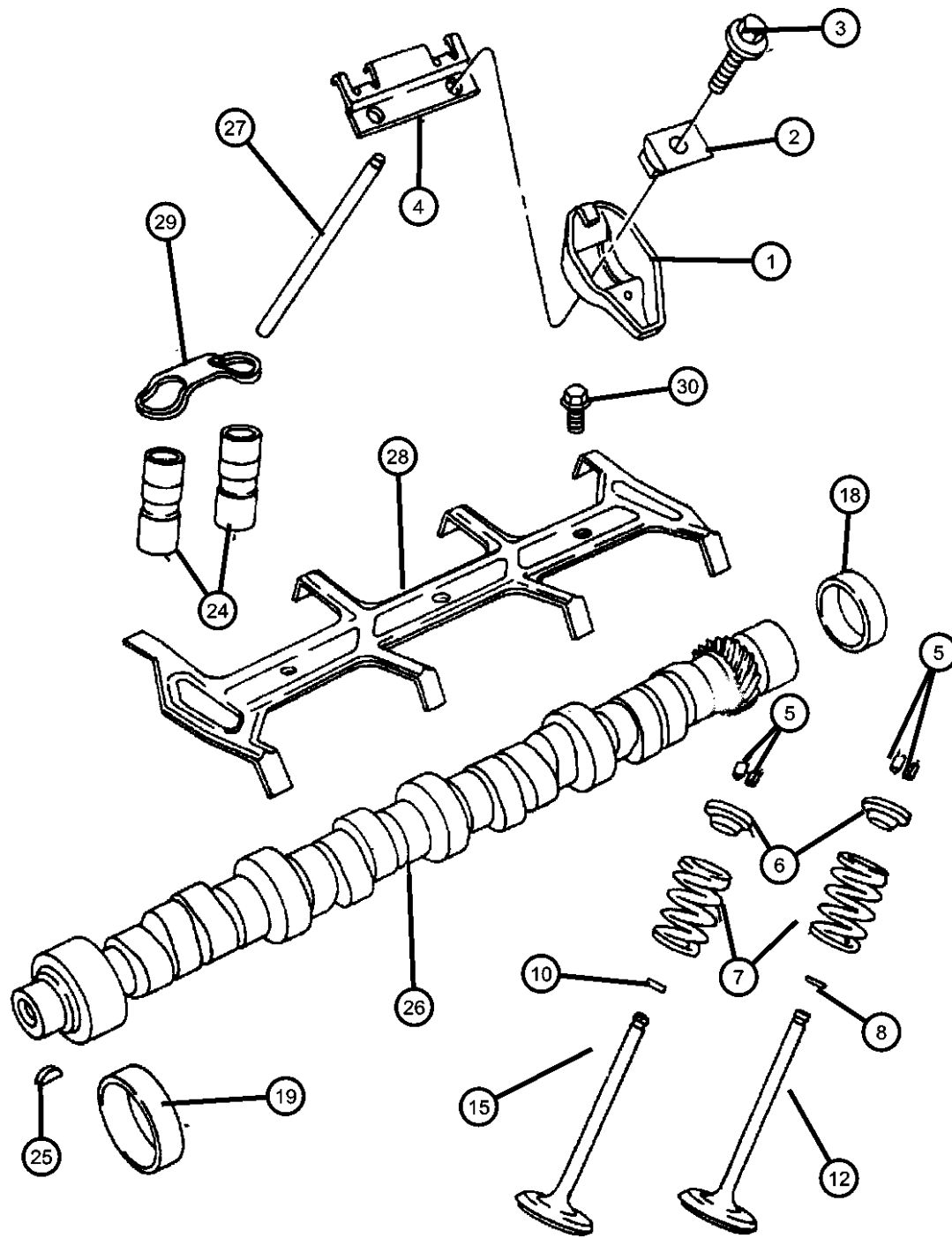
SERIES	LINE	BODY	ENGINE	TRANSMISSION
L = RAM 1500, 2500, 3500	1 = Lt. Duty DODGE 2WD	31 = CLUB CAB 2-DR 6.5 FT BOX	ETC = 5.9L Cummins 24V Diesel Engine	DGP = 4-Spd. Automatic 47RE Transmission
	2 = Med. Duty DODGE 2WD	32 = CLUB CAB 2-DR 8FT BOX	EWA = 8.0L V10 MPI Engine	DD0 = ALL 5 SPEED MANUAL TRANSMISSIONS
	3 = HD DODGE 2WD	33 = QUAD CAB 4-DR 6.5 FT BOX	EM0 = ALL 5.9L 8 CYL ENGINES - GAS	DG0 = ALL AUTOMATIC TRANSMISSIONS
	6 = Lt. Duty DODGE 4WD	34 = QUAD CAB 4-DR 8FT BOX	EMM = 5.9L SMPI V8 Engine	DDC = 5-Speed HD Manual Transmission
	7 = Med. Duty DODGE 4WD		EML = 5.9L V8 MPI Engine	DDP = 5-Speed Manual Transmission
	8 = HD DODGE 4WD		ELF = 5.2L V8 MPI Engine	DDX = 5-Speed HD Manual Transmission
				DEE = 6-Speed HD Manual Transmission
				DGT = 4-Spd. Automatic 46RE Transmission

AR = use ase required - = Non illustrated part

1999 BE

Camshaft and Valves
Figure 5.2L-510

ITEM	PART NUMBER	QTY	LINE	SERIES	BODY	ENGINE	TRANS	TRIM	DESCRIPTION
1	53008282	16				ELO, EMO			ROCKER ARM, Valve
2	53008283	16				ELO, EMO			PIVOT, Rocker Arm
3	06034184	16				ELO, EMO			BOLT, Hex Flange Head, .312-18x1.72
4	53008633	8				ELO, EMO			RETAINER, Rocker Arm Pivot
5	33003521	32				ELO, EMO			LOCK, Valve Spring Retainer
6	33004626	16				ELO, EMO			RETAINER, Valve Spring
7	53021056	16				ELO, EMO			SPRING, Valve
8	53009886	8				ELF, EMO			SEAL, Valve Guide, Standard, .003 O/S
-9	33003016	AR				ELO			SEAL, Valve Guide, .015" Oversize
10	53009887	8				ELF, EMO			SEAL, Valve Guide, Standard, .003 O/S
-11	33002733	AR				ELO			SEAL, Valve Guide, .015" Oversize
12	53006723	8				ELF, EMO			VALVE, Intake, Standard
-13	53009287	AR				ELO			VALVE, Intake, .003" O/S
-14	53009285	AR				ELO			VALVE, Intake, .015" O/S
15	53006724	8				ELO, EMO			VALVE, Exhaust, Standard
-16	53009291	AR				ELO			VALVE, Exhaust, .003" O/S
-17	53009289	AR				ELO			VALVE, Exhaust, .015" O/S
18	02863071	1				ELO			PLUG, Camshaft
19	03830603	1				ELO			BEARING, Camshaft, #1
-20	04179776	1				ELO			BEARING, Camshaft, #2
-21	04179777	1				ELO			BEARING, Camshaft, #3
-22	04179778	1				ELO			BEARING, Camshaft, #3 or #4
-23	01632526	1				ELO			BEARING, Camshaft, #4 or #5
24	04713439	16				ELO			TAPPET PACKAGE, Valve
25	00431787	1				ELO, EMO			KEY, Camshaft Sprocket
26	53020283	1				ELO			CAMSHAFT, Engine
27	53006722	16				ELO, EMO			PUSH ROD, Valve



RAM PICKUP/CLUB CAB (BE)

SERIES	LINE
L = RAM 1500, 2500, 3500	1 = Lt. Duty DODGE 2WD 2 = Med. Duty DODGE 2WD 3 = HD DODGE 2WD 6 = Lt. Duty DODGE 4WD 7 = Med. Duty DODGE 4WD 8 = HD DODGE 4WD

BODY	ENGINE
31 = CLUB CAB 2-DR 6.5 FT BOX 32 = CLUB CAB 2-DR 8FT BOX 33 = QUAD CAB 4-DR 6.5 FT BOX 34 = QUAD CAB 4-DR 8FT BOX	ETC = 5.9L Cummins 24V Diesel Engine EWA = 8.0L V10 MPI Engine EM0 = ALL 5.9L 8 CYL ENGINES - GAS EMM = 5.9L SMPI V8 Engine EML = 5.9L V8 MPI Engine ELF = 5.2L V8 MPI Engine

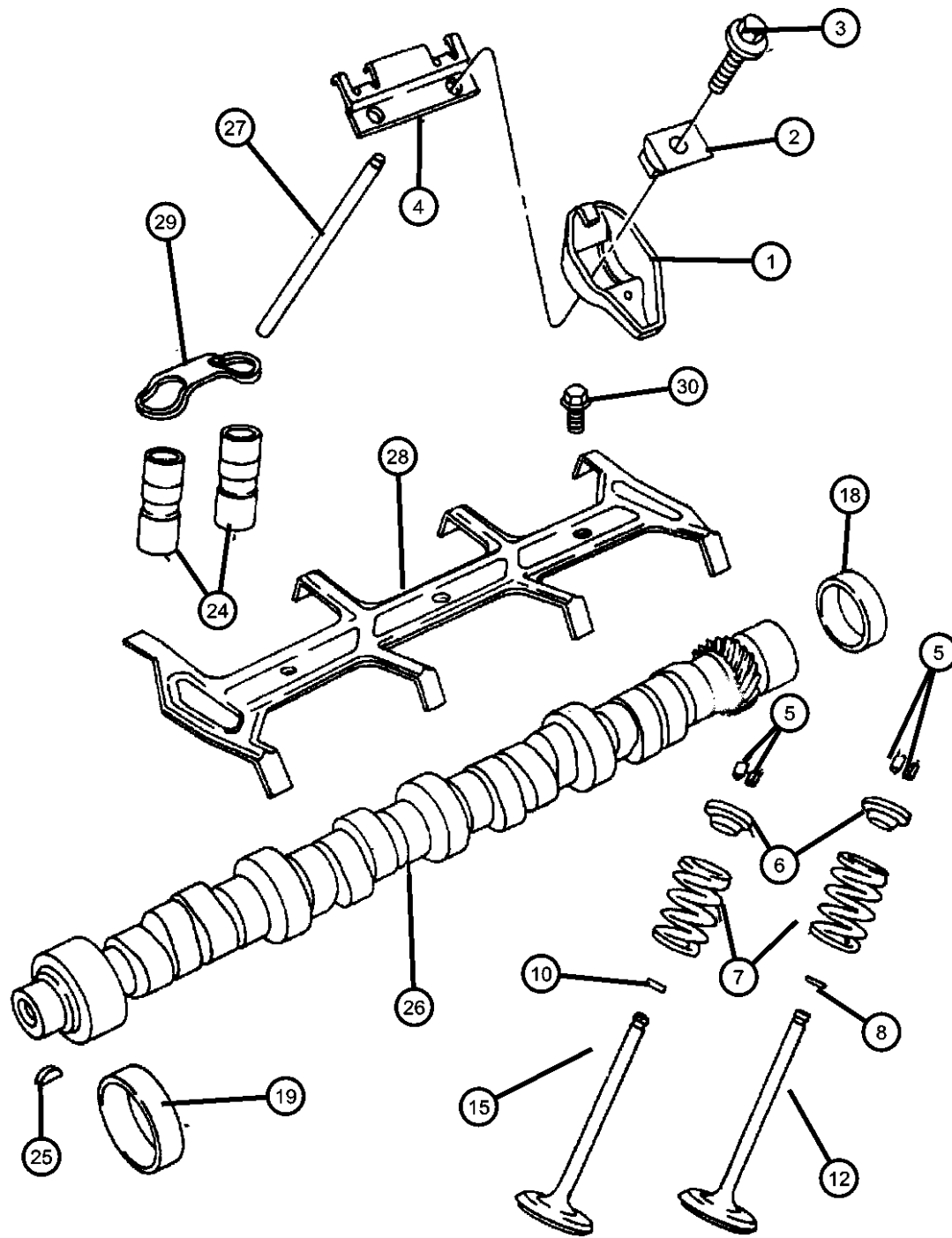
TRANSMISSION
DGP = 4-Spd. Automatic 47RE Transmission DD0 = ALL 5 SPEED MANUAL TRANSMISSIONS DG0 = ALL AUTOMATIC TRANSMISSIONS DDC = 5-Speed HD Manual Transmission DDP = 5-Speed Manual Transmission DDX = 5-Speed HD Manual Transmission DEE = 6-Speed HD Manual Transmission DGT = 4-Spd. Automatic 46RE Transmission

AR = use ase required - = Non illustrated part

Camshaft and Valves
Figure 5.2L-510

ITEM	PART NUMBER	QTY	LINE	SERIES	BODY	ENGINE	TRANS	TRIM	DESCRIPTION
------	-------------	-----	------	--------	------	--------	-------	------	-------------

28	04323207	1				ELO, EMO			RETAINER, Tappet Yoke Aligning
29	04483045	8				ELO, EMO			YOKE, Tappet Aligning
30	06034483	3				ELO, EMO			SCREW, Hex Head Coned, .312-18x.875



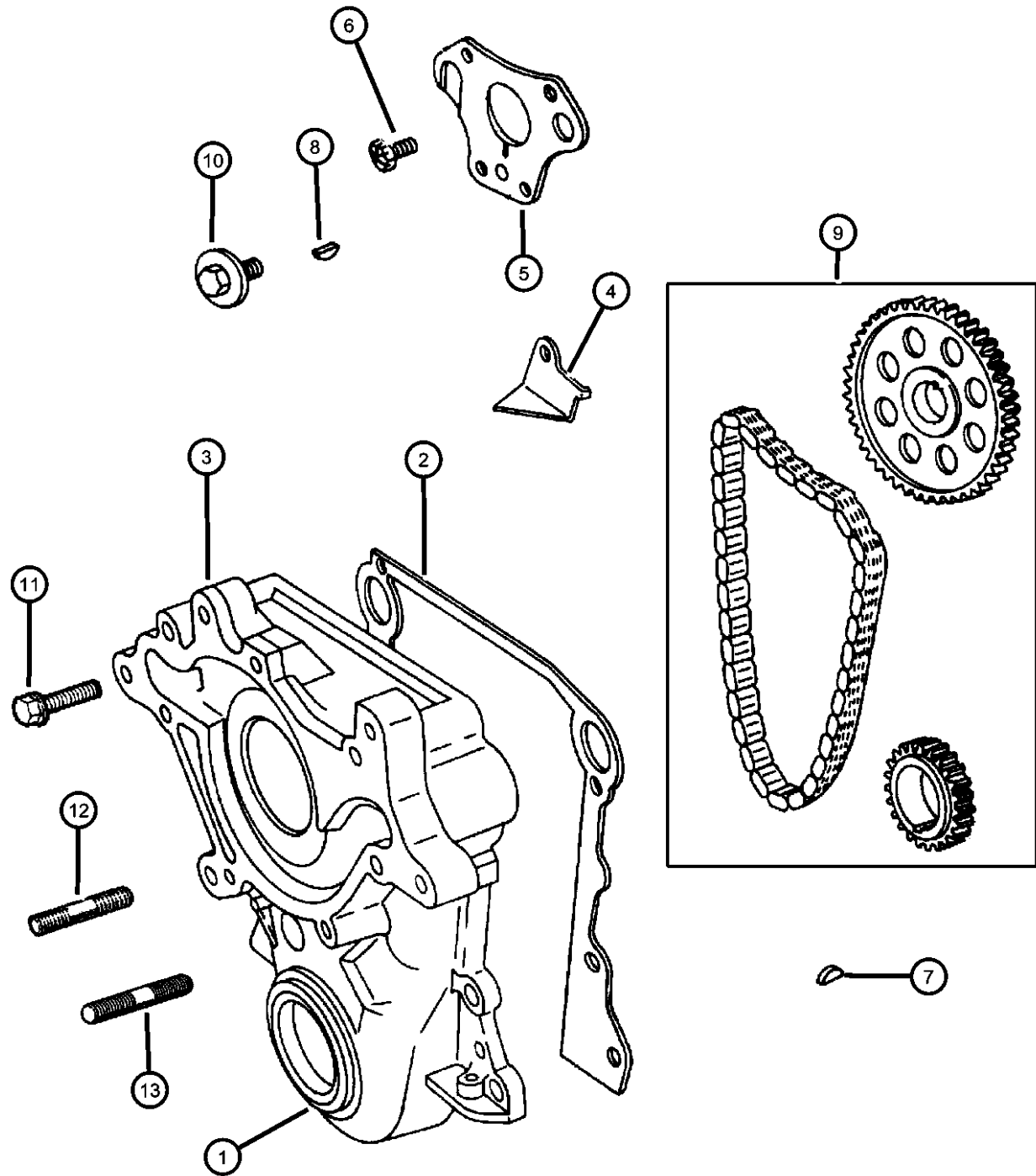
RAM PICKUP/CLUB CAB (BE)

SERIES	LINE	BODY	ENGINE	TRANSMISSION
L = RAM 1500, 2500, 3500	1 = Lt. Duty DODGE 2WD 2 = Med. Duty DODGE 2WD 3 = HD DODGE 2WD 6 = Lt. Duty DODGE 4WD 7 = Med. Duty DODGE 4WD 8 = HD DODGE 4WD	31 = CLUB CAB 2-DR 6.5 FT BOX 32 = CLUB CAB 2-DR 8FT BOX 33 = QUAD CAB 4-DR 6.5 FT BOX 34 = QUAD CAB 4-DR 8FT BOX	ETC = 5.9L Cummins 24V Diesel Engine EWA = 8.0L V10 MPI Engine EM0 = ALL 5.9L 8 CYL ENGINES - GAS EMM = 5.9L SMPI V8 Engine EML = 5.9L V8 MPI Engine ELF = 5.2L V8 MPI Engine	DGP = 4-Spd. Automatic 47RE Transmission DD0 = ALL 5 SPEED MANUAL TRANSMISSIONS DG0 = ALL AUTOMATIC TRANSMISSIONS DDC = 5-Speed HD Manual Transmission DDP = 5-Speed Manual Transmission DDX = 5-Speed HD Manual Transmission DEE = 6-Speed HD Manual Transmission DGT = 4-Spd. Automatic 46RE Transmission

AR = use ase required - = Non illustrated part

1999 BE

Timing Gear and Cover
Figure 5.2L-610



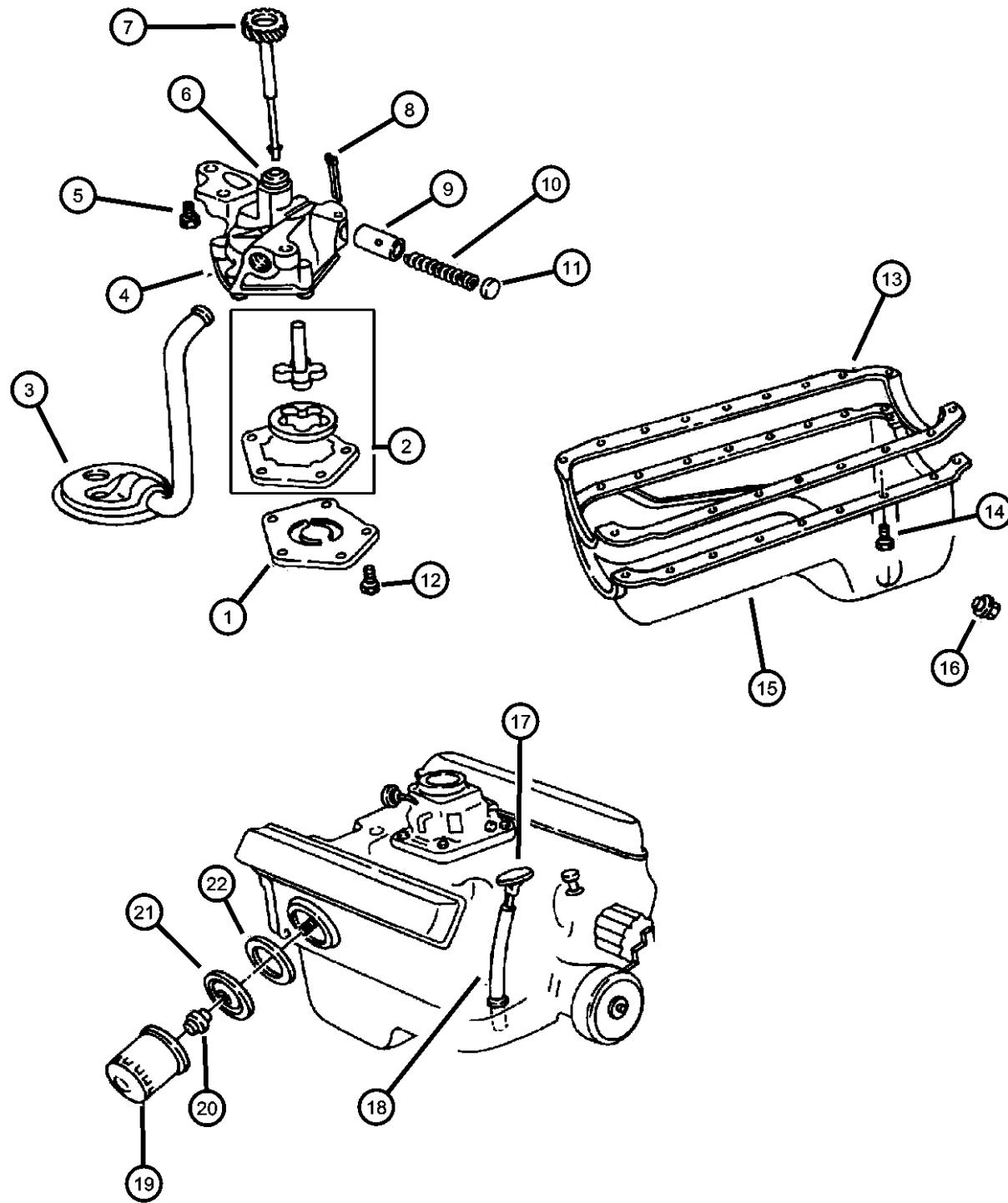
ITEM	PART NUMBER	QTY	LINE	SERIES	BODY	ENGINE	TRANS	TRIM	DESCRIPTION
1	04897297AA	1				ELO			SEAL PACKAGE, Timing Case Cover
2	53021057	1				ELO, EMO			GASKET, Chain Case Cover
3	04897723AA	1				ELO			COVER PACKAGE, Engine Timing
4	03671649	1				ELO, EMO			TAB, Timing Chain Oil
5	04315764	1				ELO, EMO			PLATE, Camshaft Thrust
6	01947953	3				ELO, EMO			SCREW AND WASHER, Hex Head
7	06029411	1				ELO			KEY, Crankshaft Sprocket
8	06029411	1				ELO			KEY, Crankshaft Sprocket
9	83507095	1				ELO			CHAIN PACKAGE, Timing
10	06034321	1				ELO, EMO			SCREW AND WASHER, Hex Head, Coned, Header, .437-14x1.375
11	06034479	1				ELO, EMO			BOLT, Hex Head, .375-16x2.25
12	06034452	1				ELO, EMO			STUD, .375-16x.375-16x2.38
13	06034453	2				ELO, EMO			STUD, .375-16x.375-16x1.63

RAM PICKUP/CLUB CAB (BE)

SERIES	LINE	BODY	ENGINE	TRANSMISSION
L = RAM 1500, 2500, 3500	1 = Lt. Duty DODGE 2WD 2 = Med. Duty DODGE 2WD 3 = HD DODGE 2WD 6 = Lt. Duty DODGE 4WD 7 = Med. Duty DODGE 4WD 8 = HD DODGE 4WD	31 = CLUB CAB 2-DR 6.5 FT BOX 32 = CLUB CAB 2-DR 8FT BOX 33 = QUAD CAB 4-DR 6.5 FT BOX 34 = QUAD CAB 4-DR 8FT BOX	ETC = 5.9L Cummins 24V Diesel Engine EWA = 8.0L V10 MPI Engine EM0 = ALL 5.9L 8 CYL ENGINES - GAS EMM = 5.9L SMPI V8 Engine EML = 5.9L V8 MPI Engine ELF = 5.2L V8 MPI Engine	DGP = 4-Spd. Automatic 47RE Transmission DD0 = ALL 5 SPEED MANUAL TRANSMISSIONS DG0 = ALL AUTOMATIC TRANSMISSIONS DDC = 5-Speed HD Manual Transmission DDP = 5-Speed Manual Transmission DDX = 5-Speed HD Manual Transmission DEE = 6-Speed HD Manual Transmission DGT = 4-Spd. Automatic 46RE Transmission

AR = use ase required - = Non illustrated part

**Engine Oiling
Figure 5.2L-710**



Note; ELO= All 5.2 Gas Engines, EMO= All 5.9 Gas Engines.

ITEM	PART NUMBER	QTY	LINE	SERIES	BODY	ENGINE	TRANS	TRIM	DESCRIPTION
1	04071043	1				ELO			COVER, Engine Oil Pump
2	03837648	1				ELO			SHAFT AND ROTOR PACKAGE, Oil Pump
3	53020462	1				ELO			PICKUP, Engine Oil
4	53009295	1				ELO			PUMP, Engine Oil
5	00179842	2				ELO, EMO			SCREW, Hex Head Header Point, .375-16x1.375
6	01737725	1				ELO			BUSHING, Oil Pump and Distributor
7	53020546	1				ELO, EMO			SHAFT, Oil Pump
8	00108636	1				ELO			PIN, Cotter
9	02843208	1				ELO			PLUNGER, Oil Pressure Relief Valve
10	02402473	1				ELO			SPRING, Oil Pressure Relief Valve
11	02806273	1				ELO			CAP, Oil Pressure Relief Valve
12	00220480	5				ELO			SCREW, Hex Head Header Point, .25-20x.75
13	53005650	1				ELO			GASKET, Oil Pan
14	06034483	3				ELO, EMO			SCREW, Hex Head Coned, .312-18x.875
15	53020913	1				ELO			PAN, Engine Oil
16	06035417	1				ELO			PLUG, Oil Drain, w/Gasket
17	53020928	1				ELO, EML			INDICATOR, Engine Oil Level
18	53020926	1				ELO, EML			TUBE, Oil Gauge
19	05281090	1				ELO, EMO			FILTER, Engine Oil
	0FE00292								Canadian Aftermarket Part
	05281090BA								BULK PACK (12)
	77060018								Performance Mobil 1, 15W - 50 Tri-Synthetic Engine Oil- Recommended Fill for 6.1L & 8.3L
20	53007563	1				ELO, EMO			CONNECTOR, Oil Filter

RAM PICKUP/CLUB CAB (BE)

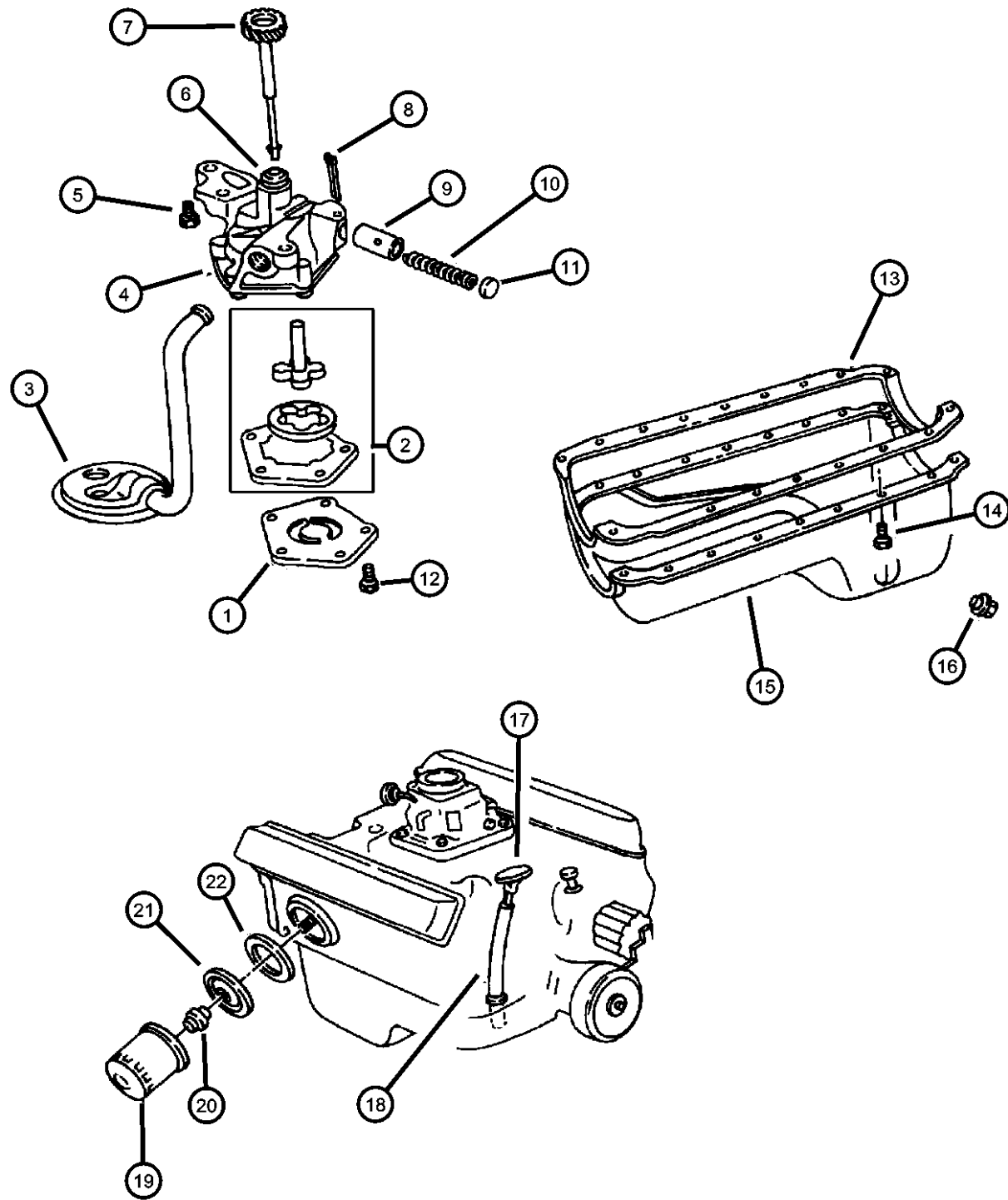
SERIES	LINE	BODY	ENGINE	TRANSMISSION
L = RAM 1500, 2500, 3500	1 = Lt. Duty DODGE 2WD 2 = Med. Duty DODGE 2WD 3 = HD DODGE 2WD 6 = Lt. Duty DODGE 4WD 7 = Med. Duty DODGE 4WD 8 = HD DODGE 4WD	31 = CLUB CAB 2-DR 6.5 FT BOX 32 = CLUB CAB 2-DR 8FT BOX 33 = QUAD CAB 4-DR 6.5 FT BOX 34 = QUAD CAB 4-DR 8FT BOX	ETC = 5.9L Cummins 24V Diesel Engine EWA = 8.0L V10 MPI Engine EMO = ALL 5.9L 8 CYL ENGINES - GAS EMM = 5.9L SMPI V8 Engine EML = 5.9L V8 MPI Engine ELF = 5.2L V8 MPI Engine	DGP = 4-Spd. Automatic 47RE Transmission DD0 = ALL 5 SPEED MANUAL TRANSMISSIONS DG0 = ALL AUTOMATIC TRANSMISSIONS DDC = 5-Speed HD Manual Transmission DDP = 5-Speed Manual Transmission DDX = 5-Speed HD Manual Transmission DEE = 6-Speed HD Manual Transmission DGT = 4-Spd. Automatic 46RE Transmission

AR = use ase required - = Non illustrated part

1999 BE

Engine Oiling
Figure 5.2L-710

ITEM	PART NUMBER	QTY	LINE	SERIES	BODY	ENGINE	TRANS	TRIM	DESCRIPTION
------	-------------	-----	------	--------	------	--------	-------	------	-------------



21	53021053	1				ELO, EM0			PLATE, Oil Filter Adapter
22	53020461	1				ELO, EM0			GASKET, Oil Filter Adapter

RAM PICKUP/CLUB CAB (BE)

SERIES	LINE	BODY	ENGINE	TRANSMISSION
L = RAM 1500, 2500, 3500	1 = Lt. Duty DODGE 2WD 2 = Med. Duty DODGE 2WD 3 = HD DODGE 2WD 6 = Lt. Duty DODGE 4WD 7 = Med. Duty DODGE 4WD 8 = HD DODGE 4WD	31 = CLUB CAB 2-DR 6.5 FT BOX 32 = CLUB CAB 2-DR 8FT BOX 33 = QUAD CAB 4-DR 6.5 FT BOX 34 = QUAD CAB 4-DR 8FT BOX	ETC = 5.9L Cummins 24V Diesel Engine EWA = 8.0L V10 MPI Engine EM0 = ALL 5.9L 8 CYL ENGINES - GAS EMM = 5.9L SMPI V8 Engine EML = 5.9L V8 MPI Engine ELF = 5.2L V8 MPI Engine	DGP = 4-Spd. Automatic 47RE Transmission DD0 = ALL 5 SPEED MANUAL TRANSMISSIONS DG0 = ALL AUTOMATIC TRANSMISSIONS DDC = 5-Speed HD Manual Transmission DDP = 5-Speed Manual Transmission DDX = 5-Speed HD Manual Transmission DEE = 6-Speed HD Manual Transmission DGT = 4-Spd. Automatic 46RE Transmission

AR = use ase required - = Non illustrated part

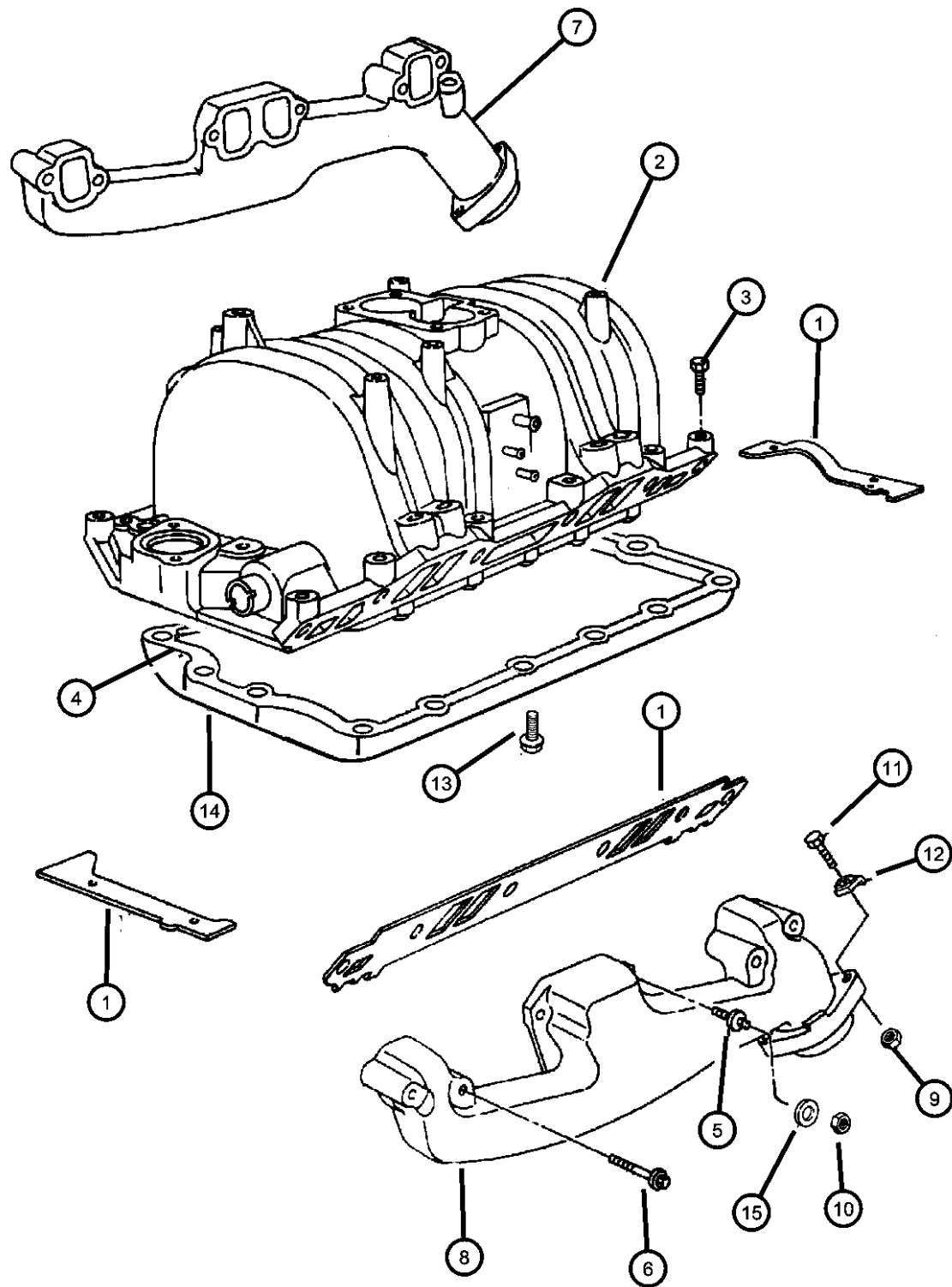
1999 BE

**Manifold, Intake and Exhaust
Figure 5.2L-810**

ITEM	PART NUMBER	QTY	LINE	SERIES	BODY	ENGINE	TRANS	TRIM	DESCRIPTION
------	-------------	-----	------	--------	------	--------	-------	------	-------------

NOTE: Packages Do Not Contain Gaskets For All Required Sealing. R.T.V. Sealer And Gasket Eliminator Must Also Be Used,
ELO= All 5.2 Gas Engines, EMO= All 5.9 Gas Engines, EWO= All 8.0 Gas Engines.

1	04897383AA	2				ELO, EMO			GASKET PACKAGE, Intake Manifold
2	04897490AB	1				ELO			MANIFOLD, Intake
3	06035967AA	12				ELO, EMO			SCREW AND WASHER, Hex Head
4	53006623	1				ELO, EMO			GASKET, Intake Manifold Pan
5	06034643	4				ELO, EMO			STUD, .312-18/.312-24x2.25
6	06034806	8				ELO, EMO			SCREW AND WASHER, Hex Head, .312-18x3.125
7	53030873	1				ELO			MANIFOLD, ExhaustRight
8	53010189	1				ELO			MANIFOLD, ExhaustLeft
9	00118615	4				ELO, EMO, EWO			NUT, Hex, .375-16
10	00115729	4				ELO, EMO			NUT, Hex, .312 x 24
11	06035375	4				ELO, EMO			BOLT, Hex Head, .375-16x2.50
12	04004001	4				ELO, EMO, EWO			RETAINER, Exhaust Pipe to Manifold
13	06034583	15				ELO, EMO			SCREW AND WASHER, Hex Head, .25-20x.892
14	53006617	1				ELO, EMO			PAN, Intake Manifold
15	53010091	4				ELO, EMO			CLAMP, Exhaust Manifold



RAM PICKUP/CLUB CAB (BE)

SERIES	LINE	BODY	ENGINE	TRANSMISSION
L = RAM 1500, 2500, 3500	1 = Lt. Duty DODGE 2WD 2 = Med. Duty DODGE 2WD 3 = HD DODGE 2WD 6 = Lt. Duty DODGE 4WD 7 = Med. Duty DODGE 4WD 8 = HD DODGE 4WD	31 = CLUB CAB 2-DR 6.5 FT BOX 32 = CLUB CAB 2-DR 8FT BOX 33 = QUAD CAB 4-DR 6.5 FT BOX 34 = QUAD CAB 4-DR 8FT BOX	ETC = 5.9L Cummins 24V Diesel Engine EWA = 8.0L V10 MPI Engine EM0 = ALL 5.9L 8 CYL ENGINES - GAS EMM = 5.9L SMPI V8 Engine EML = 5.9L V8 MPI Engine ELF = 5.2L V8 MPI Engine	DGP = 4-Spd. Automatic 47RE Transmission DD0 = ALL 5 SPEED MANUAL TRANSMISSIONS DG0 = ALL AUTOMATIC TRANSMISSIONS DDC = 5-Speed HD Manual Transmission DDP = 5-Speed Manual Transmission DDX = 5-Speed HD Manual Transmission DEE = 6-Speed HD Manual Transmission DGT = 4-Spd. Automatic 46RE Transmission

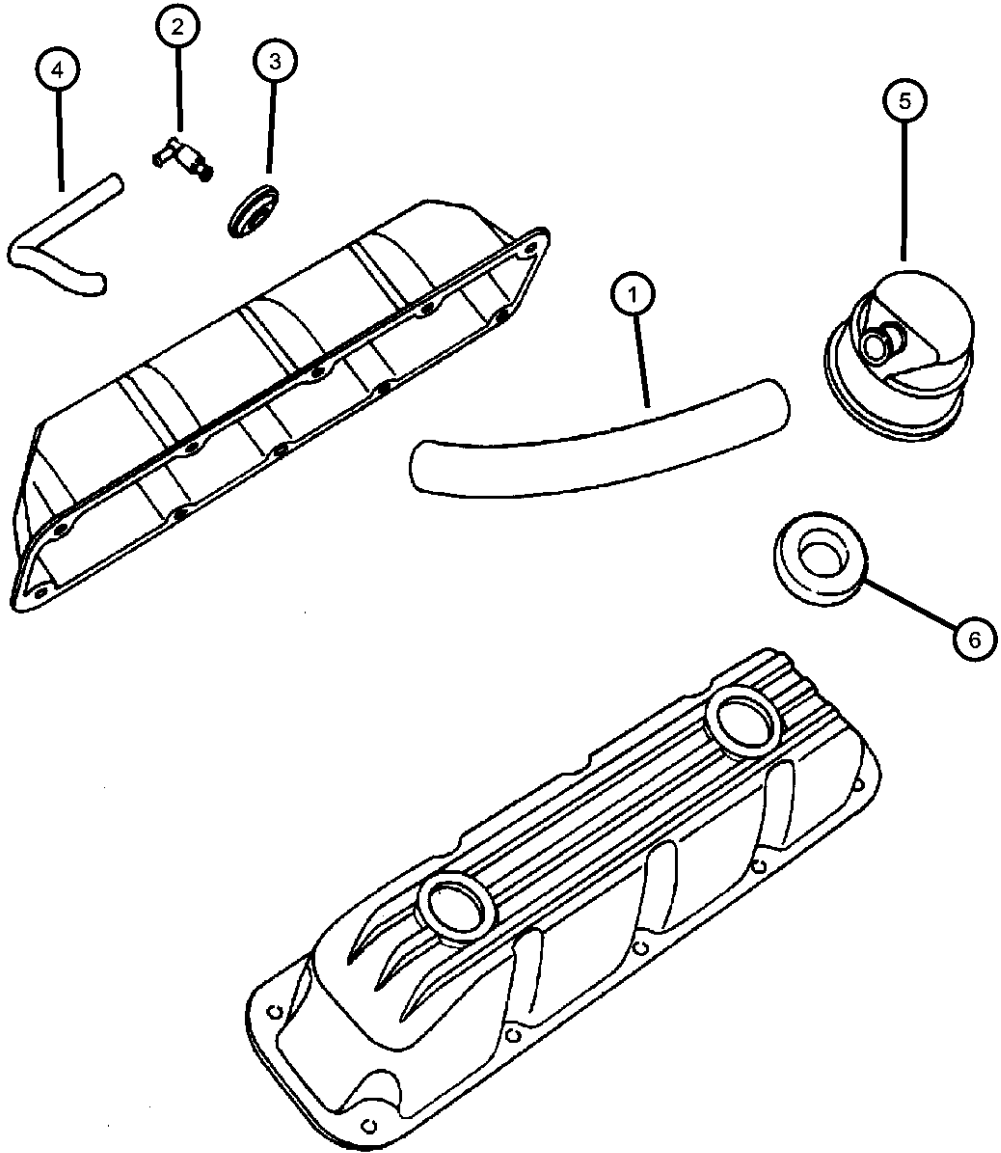
AR = use ase required - = Non illustrated part

1999 BE

**Crankcase Ventilation
Figure 5.2L-910**

ITEM	PART NUMBER	QTY	LINE	SERIES	BODY	ENGINE	TRANS	TRIM	DESCRIPTION
1	53030817AB	1				ELO, EMO			HOSE, Crankcase Vent
2	53031135	1				ELO, EMO			VALVE, Crankcase Vent
3	53030017	1				ELO, EMO			GROMMET, Crankcase Vent
4	53008675AB	1				ELO			TUBE, PCV Valve
5	53030497	1				ELO, EMO			FITTING, Crankcase Vent Tube
6	02946079	1				ELO, EMO			GROMMET, Crankcase Vent

Note; ELO= All 5.2 Gas Engines, EMO= All 5.9 Gas Engines.



RAM PICKUP/CLUB CAB (BE)

SERIES	LINE	BODY	ENGINE	TRANSMISSION
L = RAM 1500, 2500, 3500	1 = Lt. Duty DODGE 2WD 2 = Med. Duty DODGE 2WD 3 = HD DODGE 2WD 6 = Lt. Duty DODGE 4WD 7 = Med. Duty DODGE 4WD 8 = HD DODGE 4WD	31 = CLUB CAB 2-DR 6.5 FT BOX 32 = CLUB CAB 2-DR 8FT BOX 33 = QUAD CAB 4-DR 6.5 FT BOX 34 = QUAD CAB 4-DR 8FT BOX	ETC = 5.9L Cummins 24V Diesel Engine EWA = 8.0L V10 MPI Engine EM0 = ALL 5.9L 8 CYL ENGINES - GAS EMM = 5.9L SMPI V8 Engine EML = 5.9L V8 MPI Engine ELF = 5.2L V8 MPI Engine	DGP = 4-Spd. Automatic 47RE Transmission DD0 = ALL 5 SPEED MANUAL TRANSMISSIONS DG0 = ALL AUTOMATIC TRANSMISSIONS DDC = 5-Speed HD Manual Transmission DDP = 5-Speed Manual Transmission DDX = 5-Speed HD Manual Transmission DEE = 6-Speed HD Manual Transmission DGT = 4-Spd. Automatic 46RE Transmission

AR = use ase required - = Non illustrated part

Group - 5.9L

Engine 5.9L Eight Cylinder

Group - 5.9L Engine 5.9L Eight Cylinder

Illustration Title

Group-Fig. No.

Cylinder Head

Cylinder Head Fig. 5.9L - 210

Cylinder Block

Cylinder Block Fig. 5.9L - 310

Crankshaft, Piston and Torque Converter

Crankshaft, Piston and Torque Converter Fig. 5.9L - 410

Camshafts & Valves

Camshaft and Valves Fig. 5.9L - 510

Timing Belt and Cover

Timing Gear and Cover Fig. 5.9L - 610

Engine Oiling

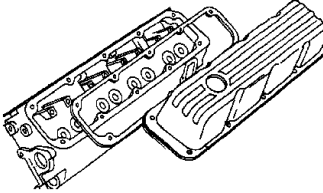
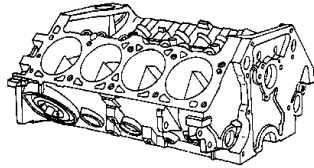
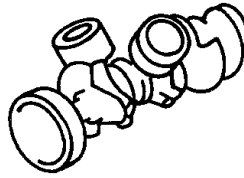
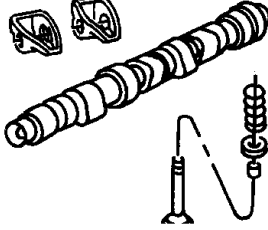
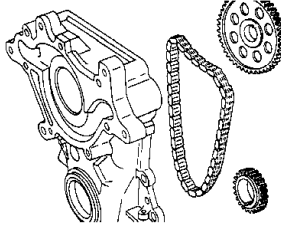
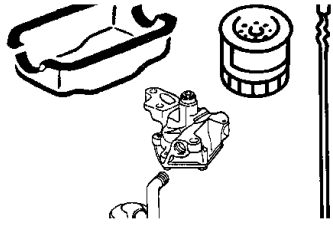
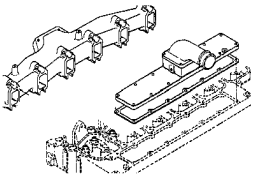
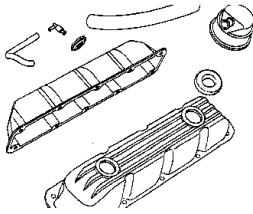
Engine Oiling Fig. 5.9L - 710

Manifolds

Manifold, Intake and Exhaust Fig. 5.9L - 810

Crankcase Ventilation

Crankcase Ventilation Fig. 5.9L - 910

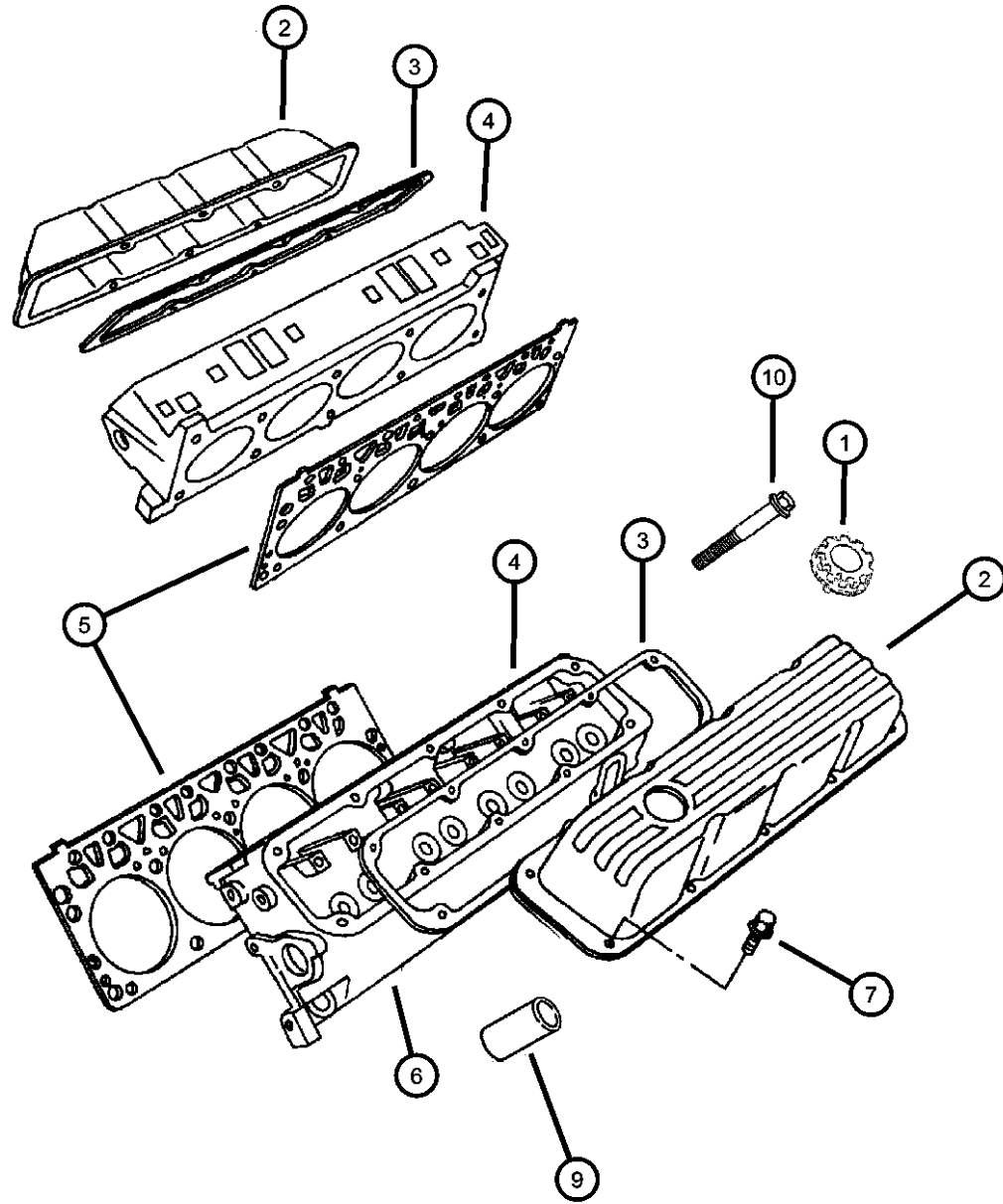
<p>5.9L-200 Cylinder Head</p> 	<p>5.9L-300 Cylinder Block</p> 	<p>5.9L-400 Crankshaft, Piston and Torque Converter</p> 	<p>5.9L-500 Camshafts & Valves</p> 
<p>5.9L-600 Timing Belt and Cover</p> 	<p>5.9L-700 Engine Oiling</p> 	<p>5.9L-800 Manifolds</p> 	<p>5.9L-900 Crankcase Ventilation</p> 

**Cylinder Head
Figure 5.9L-210**

ITEM	PART NUMBER	QTY	LINE	SERIES	BODY	ENGINE	TRANS	TRIM	DESCRIPTION
------	-------------	-----	------	--------	------	--------	-------	------	-------------

NOTE: Packages Do Not Contain Gaskets For All Required Sealing. R.T.V. Sealer And Gasket Eliminator Must Also Be Used.
GASKET PACKAGE, ELO= All 5.2 Gas Engines, EMO= All 5.9 Gas Engines.

1	04777536	1				ELO, EMO			CAP, Oil Filler
2									COVER, Cylinder Head
	53020340AB	1				ELO, EMO			w/Oil Fill Hole
	53020612AB	1				ELO, EMO			w/o Oil Fill Hole
3	53006695	2				ELO, EMO			GASKET, Valve Cover
4	53021137	2				EMO			HEAD, Cylinder
5	53021098	2				EMO			GASKET, Cylinder Head
6	04556020	4				EMO			PLUG, Core, 1.25 Diameter
7	06035878AA	12				ELO, EMO			STUD
-8	06035877AA	7				ELO, EMO			SCREW AND WASHER, Hex Head, .25-20x.875
9	53020419	8				ELO, EMO			SHIELD, Heat
10									BOLT, Cylinder Head
	06034690	10				ELO, EMO			.50-13x2.00
	06034691	10				ELO, EMO			.50x4.625
-11	04897386AD	1				EMO			GASKET PACKAGE, Engine Upper



RAM PICKUP/CLUB CAB (BE)

SERIES	LINE	BODY	ENGINE	TRANSMISSION
L = RAM 1500, 2500, 3500	1 = Lt. Duty DODGE 2WD 2 = Med. Duty DODGE 2WD 3 = HD DODGE 2WD 6 = Lt. Duty DODGE 4WD 7 = Med. Duty DODGE 4WD 8 = HD DODGE 4WD	31 = CLUB CAB 2-DR 6.5 FT BOX 32 = CLUB CAB 2-DR 8FT BOX 33 = QUAD CAB 4-DR 6.5 FT BOX 34 = QUAD CAB 4-DR 8FT BOX	ETC = 5.9L Cummins 24V Diesel Engine EWA = 8.0L V10 MPI Engine EMO = ALL 5.9L 8 CYL ENGINES - GAS EMM = 5.9L SMPI V8 Engine EML = 5.9L V8 MPI Engine ELF = 5.2L V8 MPI Engine	DGP = 4-Spd. Automatic 47RE Transmission DD0 = ALL 5 SPEED MANUAL TRANSMISSIONS DG0 = ALL AUTOMATIC TRANSMISSIONS DDC = 5-Speed HD Manual Transmission DDP = 5-Speed Manual Transmission DDX = 5-Speed HD Manual Transmission DEE = 6-Speed HD Manual Transmission DGT = 4-Spd. Automatic 46RE Transmission

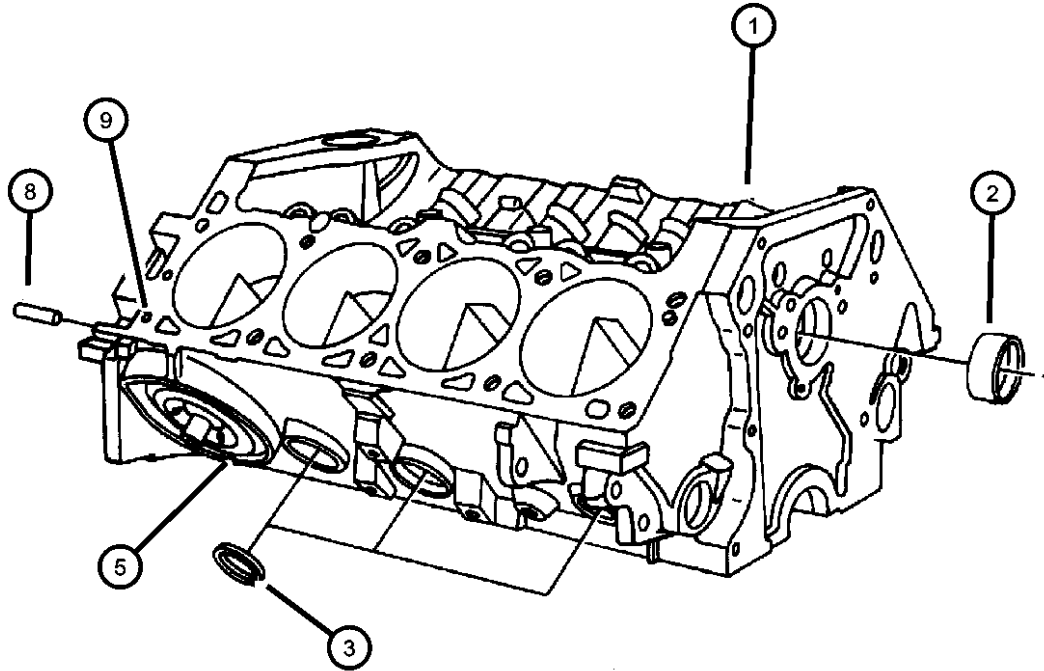
AR = use ase required - = Non illustrated part

1999 BE

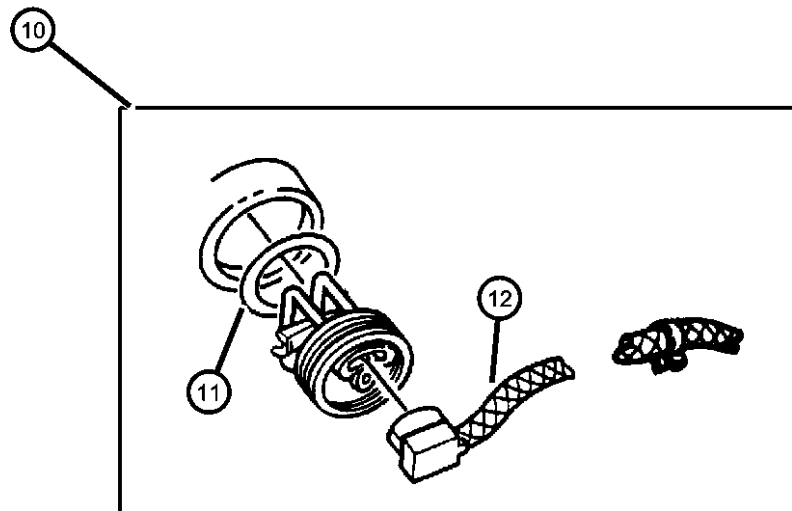
**Cylinder Block
Figure 5.9L-310**

ITEM	PART NUMBER	QTY	LINE	SERIES	BODY	ENGINE	TRANS	TRIM	DESCRIPTION
------	-------------	-----	------	--------	------	--------	-------	------	-------------

NOTE: Packages Do Not Contain Gaskets For All Required Sealing. R.T.V. Sealer And Gasket Eliminator Must Also Be Used.
GASKET PACKAGE, Engine Lower - 04746001, ELO= All 5.2 Gas Engines, EMO= All 5.9 Gas Engines, EWO= All 8.0 Gas Engines.



1	04741528AB	1				EM0			BLOCK, Short, Contains: Crank, Rods, Pistons, Rings, Cam Bearings
	04761839AB								Mopar 10W30 Engine Oil Quart
	04761845AC								Mopar 10W30 Engine Oil Gallon
2	03830603	1				EM0			BEARING, Camshaft, #1
3	04556020	2				EM0			PLUG, Core, 1.25 Diameter
-4	04556022	8				EM0			PLUG, Core, 1.625 Diameter
5	03751818	2				EM0			PLUG, Pipe
-6	53009518	1				EM0			PLUG, Cylinder Block Oil Hole
-7	53009518	1							PLUG, Cylinder Block, 3/8NPT, (NOT SERVICED)
8	01122532	2				EM0			DOWEL, Block To Clutch Housing
9	00141215	4				EM0			DOWEL, .312 x .500
10	04798276	1				ELO, EMO			HEATER PACKAGE, Engine Block
11									O RING, Engine Block Heater
	06501445	AR							1-11/32 Diameter 11/64 Width
	06501446	1				ELO, EMO			1-11/32 Diameter 9/64 Width
12	56020061	1				ELO, EMO, EWO			CORD, Engine Block Heater



RAM PICKUP/CLUB CAB (BE)

SERIES	LINE	BODY	ENGINE	TRANSMISSION
L = RAM 1500, 2500, 3500	1 = Lt. Duty DODGE 2WD 2 = Med. Duty DODGE 2WD 3 = HD DODGE 2WD 6 = Lt. Duty DODGE 4WD 7 = Med. Duty DODGE 4WD 8 = HD DODGE 4WD	31 = CLUB CAB 2-DR 6.5 FT BOX 32 = CLUB CAB 2-DR 8FT BOX 33 = QUAD CAB 4-DR 6.5 FT BOX 34 = QUAD CAB 4-DR 8FT BOX	ETC = 5.9L Cummins 24V Diesel Engine EWA = 8.0L V10 MPI Engine EM0 = ALL 5.9L 8 CYL ENGINES - GAS EMM = 5.9L SMPI V8 Engine EML = 5.9L V8 MPI Engine ELF = 5.2L V8 MPI Engine	DGP = 4-Spd. Automatic 47RE Transmission DD0 = ALL 5 SPEED MANUAL TRANSMISSIONS DG0 = ALL AUTOMATIC TRANSMISSIONS DDC = 5-Speed HD Manual Transmission DDP = 5-Speed Manual Transmission DDX = 5-Speed HD Manual Transmission DEE = 6-Speed HD Manual Transmission DGT = 4-Spd. Automatic 46RE Transmission

AR = use ase required - = Non illustrated part

1999 BE

Crankshaft, Piston and Torque Converter
Figure 5.9L-410

ITEM	PART NUMBER	QTY	LINE	SERIES	BODY	ENGINE	TRANS	TRIM	DESCRIPTION
------	-------------	-----	------	--------	------	--------	-------	------	-------------

Note; ELO= All 5.2 Gas Engines, EMO= All 5.9 Gas Engines,
DGO= All Automatic Transmissions.

1	56020061	1							PIN, Piston, Serviced in Piston, (NOT SERVICED)
2									PISTON AND PIN
	04778871	4				EMO			#1,3,5,7 B Size, 3.99975
	04778872	4				EMO			#2,4,6,8 B Size, 3.99975
	04778873	4				EMO			#1,3,5,7 C Size, 4.00025
	04778874	4				EMO			#2,4,6,8 C Size, 4.00025
	04778875	4				EMO			#1,3,5,7 D Size, 4.00075
	04778876	4				EMO			#2,4,6,8 D Size, 4.00075
3	04740259	4				EMO			RING, Piston
4	04740259	4							ROD, Connecting, Serviced in Piston, (NOT SERVICED)
5	02421305	8				EMO			BEARING, Connecting Rod, STD.
6	02421305	8							BEARING, Connecting Rod, .001" U/S, (NOT REQUIRED)
7	02421305	8							BEARING, Connecting Rod, .010" U/S, (NOT REQUIRED)
8	06033441	8				EMO			BOLT, Connecting Rod
9	04026487	3				EMO			BEARING PACKAGE, Crankshaft, Standard Size, #1,2,4
10	04026487	3							BEARING PACKAGE, Crankshaft, .001 Undersize, (NOT REQUIRED)
11	04026487	3							BEARING PACKAGE, Crankshaft, .010 Undersize, (NOT REQUIRED)
12	04713030	1				EMO			BEARING PACKAGE, Crankshaft, Standard Size
13	04713030	1							BEARING PACKAGE, Crankshaft, .001 Undersize, (NOT REQUIRED)
14	04713030	1							BEARING, Crankshaft Thrust, .010" U/S, (NOT REQUIRED)
15	03780100	1				EMO			BEARING PACKAGE, Crankshaft, Standard Size

RAM PICKUP/CLUB CAB (BE)

SERIES	LINE	BODY	ENGINE	TRANSMISSION
L = RAM 1500, 2500, 3500	1 = Lt. Duty DODGE 2WD 2 = Med. Duty DODGE 2WD 3 = HD DODGE 2WD 6 = Lt. Duty DODGE 4WD 7 = Med. Duty DODGE 4WD 8 = HD DODGE 4WD	31 = CLUB CAB 2-DR 6.5 FT BOX 32 = CLUB CAB 2-DR 8FT BOX 33 = QUAD CAB 4-DR 6.5 FT BOX 34 = QUAD CAB 4-DR 8FT BOX	ETC = 5.9L Cummins 24V Diesel Engine EWA = 8.0L V10 MPI Engine EMO = ALL 5.9L 8 CYL ENGINES - GAS EMM = 5.9L SMPI V8 Engine EML = 5.9L V8 MPI Engine ELF = 5.2L V8 MPI Engine	DGP = 4-Spd. Automatic 47RE Transmission DD0 = ALL 5 SPEED MANUAL TRANSMISSIONS DGO = ALL AUTOMATIC TRANSMISSIONS DDC = 5-Speed HD Manual Transmission DDP = 5-Speed Manual Transmission DDX = 5-Speed HD Manual Transmission DEE = 6-Speed HD Manual Transmission DGT = 4-Spd. Automatic 46RE Transmission

AR = use ase required - = Non illustrated part

1999 BE

Crankshaft, Piston and Torque Converter
Figure 5.9L-410

ITEM	PART NUMBER	QTY	LINE	SERIES	BODY	ENGINE	TRANS	TRIM	DESCRIPTION
16	03780100	1							BEARING PACKAGE, Crankshaft, .001 Undersize, (NOT REQUIRED)
17	03780100	1							BEARING PACKAGE, Crankshaft, .010 Undersize, (NOT REQUIRED)
18	04790759AB	1				EM0	DG0		CRANKSHAFT AND KEY
19	04790759AB	1							WASHER, Flat, .78x1.9x.250, (NOT REQUIRED)
20	04790759AB	1							SCREW, Hex Head Header Point, .75-16x2.25, (NOT REQUIRED)
-21	06036207AA	1				EL0, EM0			SCREW AND WASHER
22	53020182	1				EM0			DAMPER, Crankshaft
23	53020182	1							CAP, Serviced in Block, (NOT SERVICED)
24	06032296	8				EM0			NUT, Hex, .375-24
25	06027264	10				EM0			SCREW, Socket Hex Head, .50-13x3.25
26	04798216AB	2				EM0			SEAL PACKAGE, Crankshaft
27									BEARING, Pilot
	53009180AB	1				EM0	DBB		Sleeve and Bearing
	53009181	1				EM0	DBB		Bearing
28	04736591	1				EM0	DG0		TORQUE CONVERTER
29	01949424	6				EL0, EM0	DG0		SCREW, Hex Head Header Point, .75-16x2.25
30	04863841	1				EM0	DG0		PLATE, Torque Converter Drive
31	01949765	4				EL0, EM0	DG0		SCREW, Hex Head Header Point, .312-24x.44
32	02843214	1				EM0	DBB		GEAR, Flywheel Ring
-33	03515203	1				EM0	DG0		GEAR, Ring
34	53020585	1				EM0	DBB		FLYWHEEL
35	06035948AA	1				EL0, EM0			WASHER, Sealing
36	06036143AA	6				EL0, EM0	DBB		SCREW

RAM PICKUP/CLUB CAB (BE)

SERIES	LINE
L = RAM 1500, 2500, 3500	1 = Lt. Duty DODGE 2WD 2 = Med. Duty DODGE 2WD 3 = HD DODGE 2WD 6 = Lt. Duty DODGE 4WD 7 = Med. Duty DODGE 4WD 8 = HD DODGE 4WD

BODY	ENGINE
31 = CLUB CAB 2-DR 6.5 FT BOX 32 = CLUB CAB 2-DR 8FT BOX 33 = QUAD CAB 4-DR 6.5 FT BOX 34 = QUAD CAB 4-DR 8FT BOX	ETC = 5.9L Cummins 24V Diesel Engine EWA = 8.0L V10 MPI Engine EM0 = ALL 5.9L 8 CYL ENGINES - GAS EMM = 5.9L SMPI V8 Engine EML = 5.9L V8 MPI Engine ELF = 5.2L V8 MPI Engine

TRANSMISSION
DGP = 4-Spd. Automatic 47RE Transmission DD0 = ALL 5 SPEED MANUAL TRANSMISSIONS DG0 = ALL AUTOMATIC TRANSMISSIONS DDC = 5-Speed HD Manual Transmission DDP = 5-Speed Manual Transmission DDX = 5-Speed HD Manual Transmission DEE = 6-Speed HD Manual Transmission DGT = 4-Spd. Automatic 46RE Transmission

AR = use ase required - = Non illustrated part

1999 BE

Camshaft and Valves
Figure 5.9L-510

ITEM	PART NUMBER	QTY	LINE	SERIES	BODY	ENGINE	TRANS	TRIM	DESCRIPTION
------	-------------	-----	------	--------	------	--------	-------	------	-------------

Note; ELO= All 5.2 Gas Engines, EMO= All 5.9 Gas Engines.
DBB= Manual Transmissions.

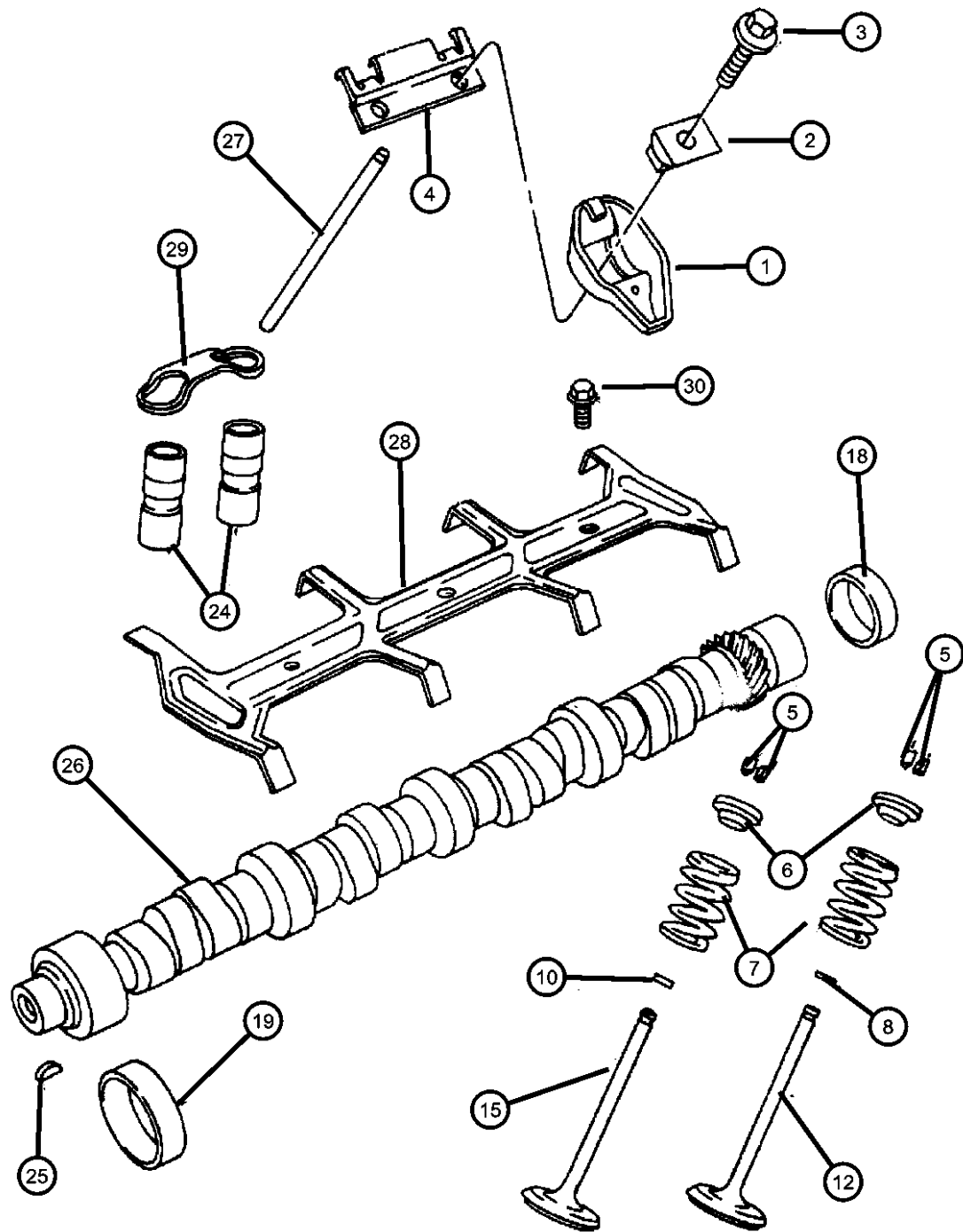
1	53008282	16				ELO, EMO			ROCKER ARM, Valve
2	53008283	16				ELO, EMO			PIVOT, Rocker Arm
3	06034184	16				ELO, EMO			BOLT, Hex Flange Head, .312-18x1.72
4	53008633	8				ELO, EMO			RETAINER, Rocker Arm Pivot
5	33003521	32				ELO, EMO			LOCK, Valve Spring Retainer
6	33004626	16				ELO, EMO			RETAINER, Valve Spring
7	53021056	16				ELO, EMO			SPRING, Valve
8	53009886	8				ELF, EMO			SEAL, Valve Guide, Standard, .003 O/S
-9	53009886	8							SEAL, Valve Guide, .015" Oversize, (NOT REQUIRED)
10	53009887	8				ELF, EMO			SEAL, Valve Guide, Standard, .003 O/S
-11	53009887	8							SEAL, Valve Guide, .015" Oversize, (NOT REQUIRED)
12	53006723	8				ELF, EMO			VALVE, Intake, Standard
-13	53006723	8							VALVE, Intake, .003" O/S, (NOT REQUIRED)
-14	53006723	8							VALVE, Intake, .015" O/S, (NOT REQUIRED)
15	53006724	8				ELO, EMO			VALVE, Exhaust, Standard
-16	53006724	8							VALVE, Exhaust, .003" O/S, (NOT REQUIRED)
-17	53006724	8							VALVE, Exhaust, .015" O/S, (NOT REQUIRED)
18	02863071	1				EMO			PLUG, Camshaft
19	03830603	1				EMO			BEARING, Camshaft, #1
-20	04179776	1				EMO			BEARING, Camshaft, #2
-21	04179777	1				EMO			BEARING, Camshaft, #3
-22	04179778	1				EMO			BEARING, Camshaft, #3 or #4
-23	01632526	1				EMO			BEARING, Camshaft, #4 or #5

RAM PICKUP/CLUB CAB (BE)

SERIES	LINE	BODY	ENGINE	TRANSMISSION
L = RAM 1500, 2500, 3500	1 = Lt. Duty DODGE 2WD 2 = Med. Duty DODGE 2WD 3 = HD DODGE 2WD 6 = Lt. Duty DODGE 4WD 7 = Med. Duty DODGE 4WD 8 = HD DODGE 4WD	31 = CLUB CAB 2-DR 6.5 FT BOX 32 = CLUB CAB 2-DR 8FT BOX 33 = QUAD CAB 4-DR 6.5 FT BOX 34 = QUAD CAB 4-DR 8FT BOX	ETC = 5.9L Cummins 24V Diesel Engine EWA = 8.0L V10 MPI Engine EMO = ALL 5.9L 8 CYL ENGINES - GAS EMM = 5.9L SMPI V8 Engine EML = 5.9L V8 MPI Engine ELF = 5.2L V8 MPI Engine	DGP = 4-Spd. Automatic 47RE Transmission DD0 = ALL 5 SPEED MANUAL TRANSMISSIONS DG0 = ALL AUTOMATIC TRANSMISSIONS DDC = 5-Speed HD Manual Transmission DDP = 5-Speed Manual Transmission DDX = 5-Speed HD Manual Transmission DEE = 6-Speed HD Manual Transmission DGT = 4-Spd. Automatic 46RE Transmission

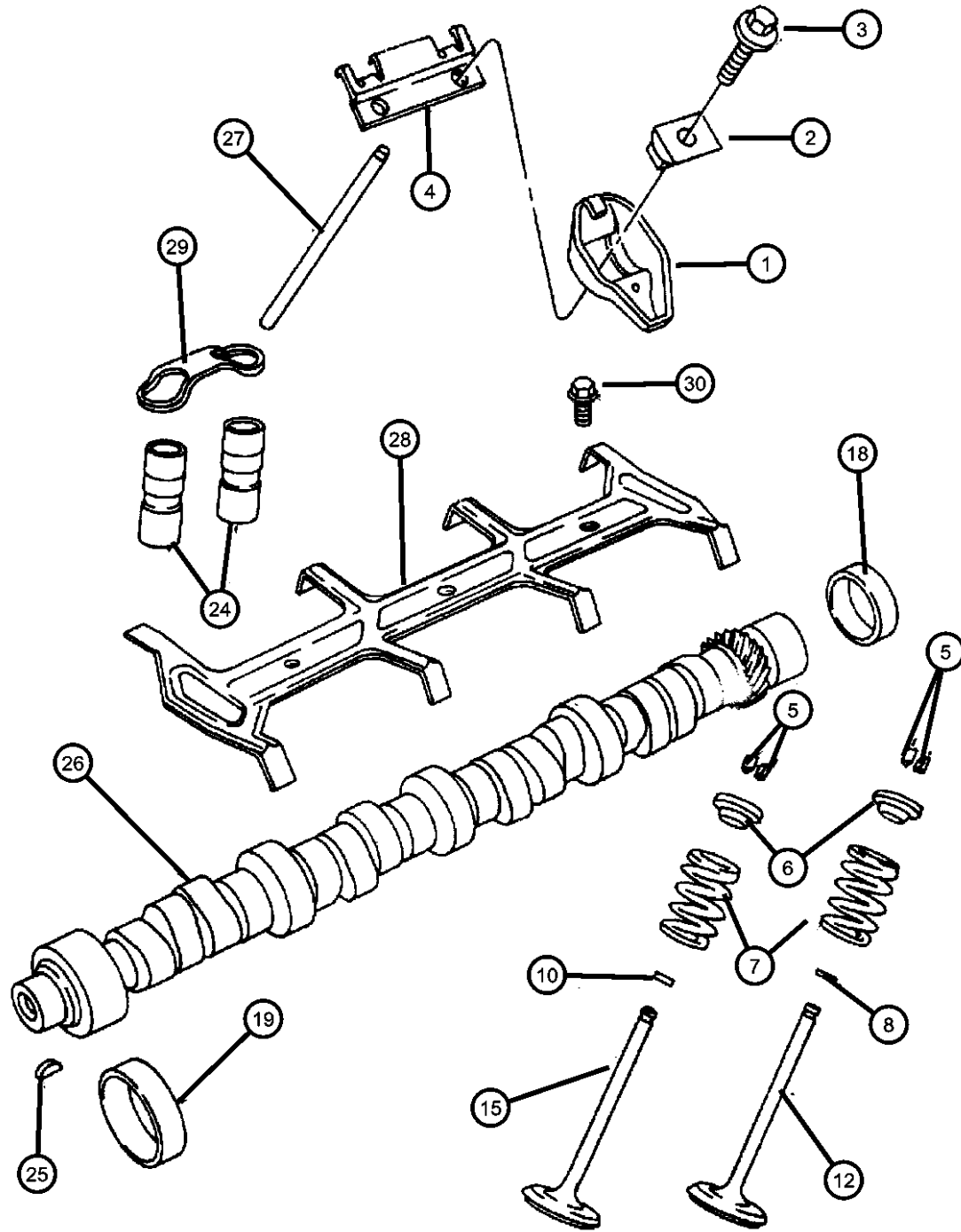
AR = use ase required - = Non illustrated part

1999 BE



Camshaft and Valves
Figure 5.9L-510

ITEM	PART NUMBER	QTY	LINE	SERIES	BODY	ENGINE	TRANS	TRIM	DESCRIPTION
24	04713439	16				EM0			TAPPET PACKAGE, Valve
25	00431787	1				ELO, EM0			KEY, Camshaft Sprocket
26	53021101	1				EM0			CAMSHAFT, Engine
27	53006722	16				ELO, EM0			PUSH ROD, Valve
28	04323207	1				ELO, EM0			RETAINER, Tappet Yoke Aligning
29	04483045	8				ELO, EM0			YOKE, Tappet Aligning
30	06034483	3				ELO, EM0			SCREW, Hex Head Coned, .312-18x.875



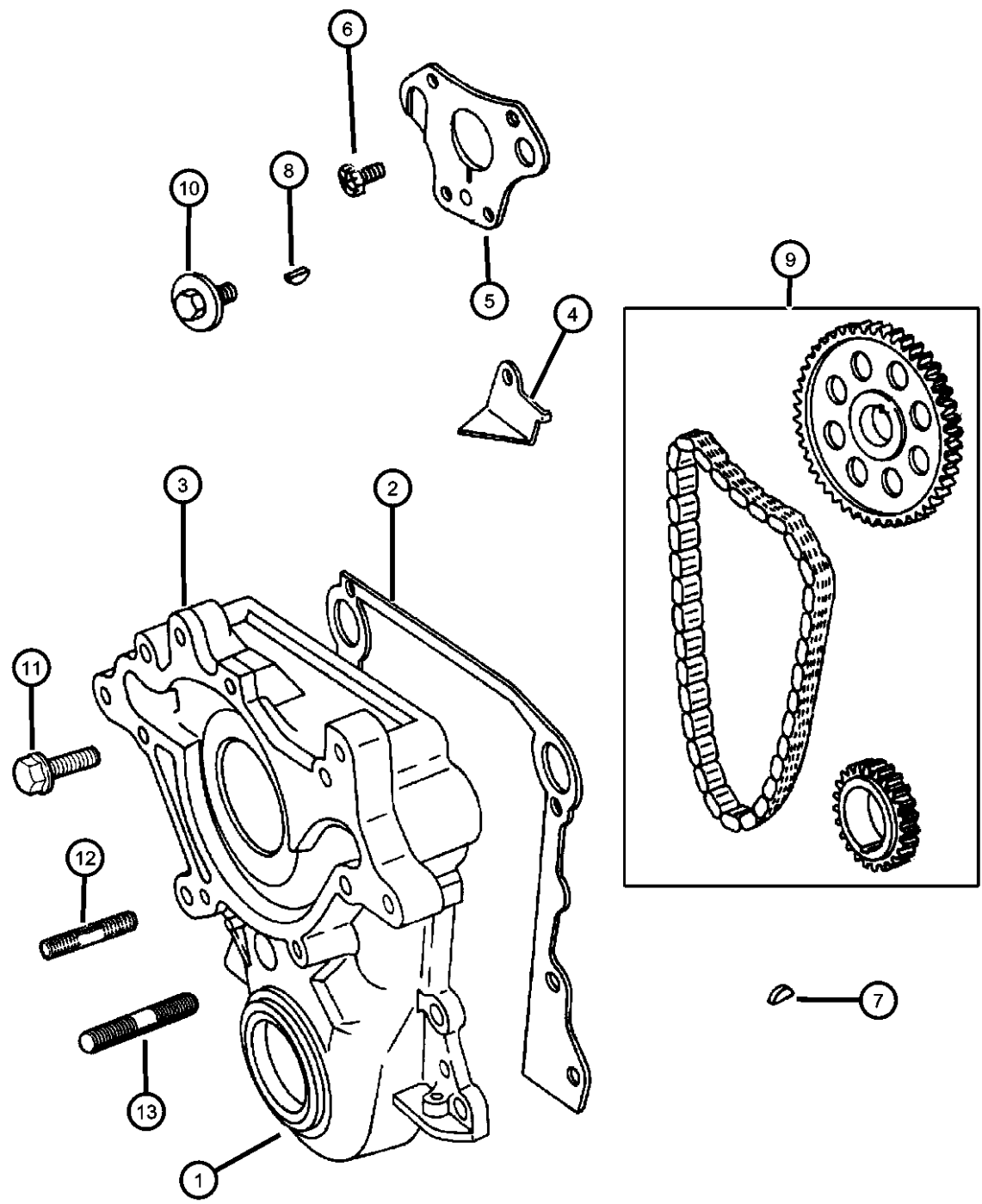
RAM PICKUP/CLUB CAB (BE)

SERIES	LINE	BODY	ENGINE	TRANSMISSION
L = RAM 1500, 2500, 3500	1 = Lt. Duty DODGE 2WD 2 = Med. Duty DODGE 2WD 3 = HD DODGE 2WD 6 = Lt. Duty DODGE 4WD 7 = Med. Duty DODGE 4WD 8 = HD DODGE 4WD	31 = CLUB CAB 2-DR 6.5 FT BOX 32 = CLUB CAB 2-DR 8FT BOX 33 = QUAD CAB 4-DR 6.5 FT BOX 34 = QUAD CAB 4-DR 8FT BOX	ETC = 5.9L Cummins 24V Diesel Engine EWA = 8.0L V10 MPI Engine EM0 = ALL 5.9L 8 CYL ENGINES - GAS EMM = 5.9L SMPI V8 Engine EML = 5.9L V8 MPI Engine ELF = 5.2L V8 MPI Engine	DGP = 4-Spd. Automatic 47RE Transmission DD0 = ALL 5 SPEED MANUAL TRANSMISSIONS DG0 = ALL AUTOMATIC TRANSMISSIONS DDC = 5-Speed HD Manual Transmission DDP = 5-Speed Manual Transmission DDX = 5-Speed HD Manual Transmission DEE = 6-Speed HD Manual Transmission DGT = 4-Spd. Automatic 46RE Transmission

AR = use ase required - = Non illustrated part

1999 BE

**Timing Gear and Cover
Figure 5.9L-610**



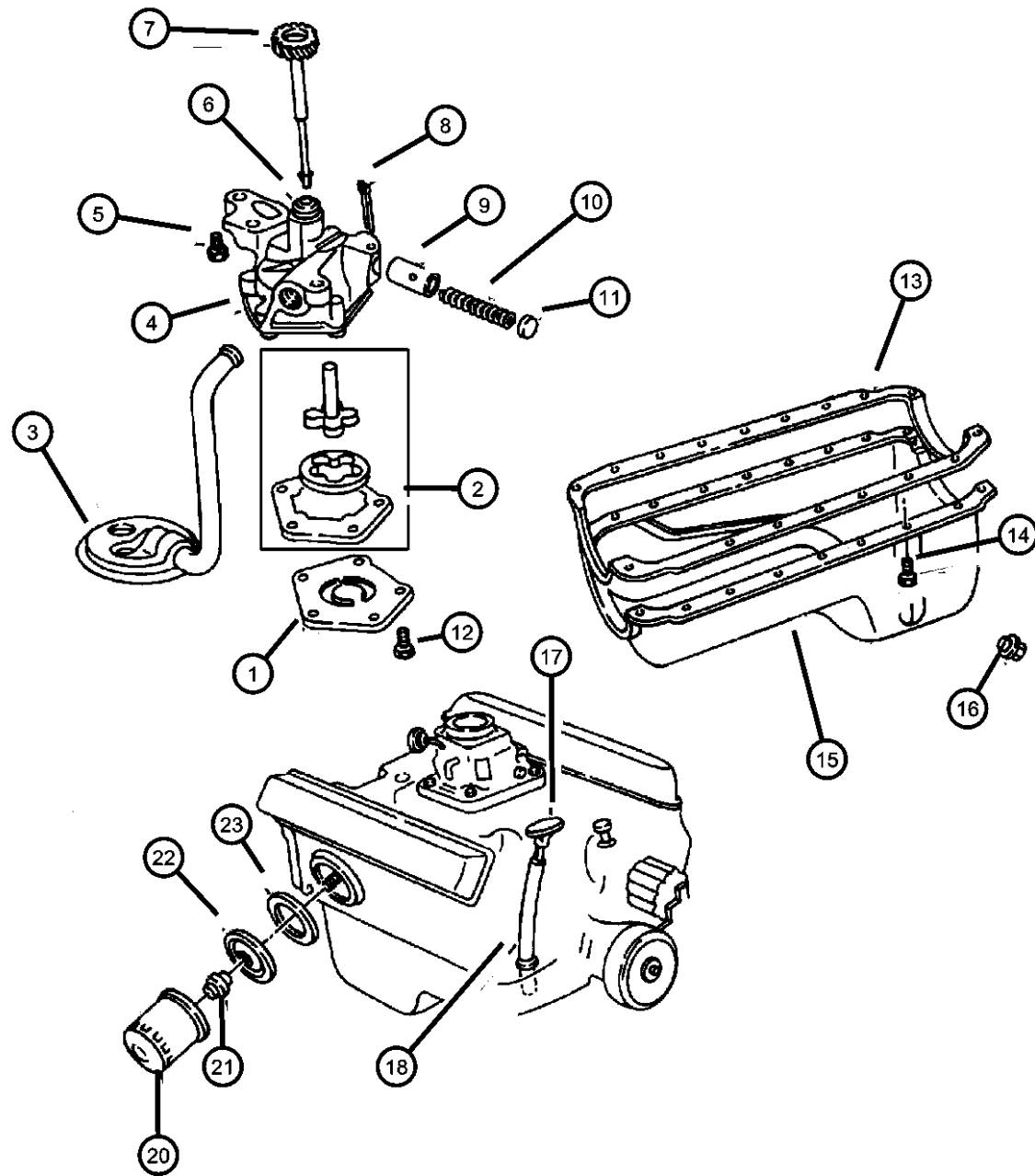
ITEM	PART NUMBER	QTY	LINE	SERIES	BODY	ENGINE	TRANS	TRIM	DESCRIPTION
Note; ELO= All 5.2 Engines, EMO= All 5.9 Gas Engines.									
1	04897297AA	1				EMO			SEAL PACKAGE, Timing Case Cover
2	53021057	1				ELO, EMO			GASKET, Chain Case Cover
3	04897723AA	1				EMO			COVER PACKAGE, Engine Timing
4	03671649	1				ELO, EMO			TAB, Timing Chain Oil
5	04315764	1				ELO, EMO			PLATE, Camshaft Thrust
6	06034483	3				ELO, EMO			SCREW, Hex Head Coned, .312-18x.875
7	06029411	1				EMO	DBB		KEY, Crankshaft Sprocket
8	06029411	1				EMO	DBB		KEY, Crankshaft Sprocket
9	83507095	1				EMO			CHAIN PACKAGE, Timing
10	06034321	1				ELO, EMO			SCREW AND WASHER, Hex Head, Coned, Header, .437-14x1.375
11	06034479	1				ELO, EMO			BOLT, Hex Head, .375-16x2.25
12	06034452	1				ELO, EMO			STUD, .375-16x.375-16x2.38
13	06034453	2				ELO, EMO			STUD, .375-16x.375-16x1.63

RAM PICKUP/CLUB CAB (BE)

SERIES	LINE	BODY	ENGINE	TRANSMISSION
L = RAM 1500, 2500, 3500	1 = Lt. Duty DODGE 2WD 2 = Med. Duty DODGE 2WD 3 = HD DODGE 2WD 6 = Lt. Duty DODGE 4WD 7 = Med. Duty DODGE 4WD 8 = HD DODGE 4WD	31 = CLUB CAB 2-DR 6.5 FT BOX 32 = CLUB CAB 2-DR 8FT BOX 33 = QUAD CAB 4-DR 6.5 FT BOX 34 = QUAD CAB 4-DR 8FT BOX	ETC = 5.9L Cummins 24V Diesel Engine EWA = 8.0L V10 MPI Engine EMO = ALL 5.9L 8 CYL ENGINES - GAS EMM = 5.9L SMPI V8 Engine EML = 5.9L V8 MPI Engine ELF = 5.2L V8 MPI Engine	DGP = 4-Spd. Automatic 47RE Transmission DD0 = ALL 5 SPEED MANUAL TRANSMISSIONS DG0 = ALL AUTOMATIC TRANSMISSIONS DDC = 5-Speed HD Manual Transmission DDP = 5-Speed Manual Transmission DDX = 5-Speed HD Manual Transmission DEE = 6-Speed HD Manual Transmission DGT = 4-Spd. Automatic 46RE Transmission

AR = use ase required - = Non illustrated part

**Engine Oiling
Figure 5.9L-710**



ITEM	PART NUMBER	QTY	LINE	SERIES	BODY	ENGINE	TRANS	TRIM	DESCRIPTION
Note; ELO= All 5.2 Gas Engines, EMO= All 5.9 Gas Engines, EML= 5.9 Gas Light Duty, EMM= 5.9 Gas Heavy Duty.									
1	04071043	1				EM0			COVER, Engine Oil Pump
2	03837648	1				EM0			SHAFT AND ROTOR PACKAGE, Oil Pump
3	53020462	1				EM0			PICKUP, Engine Oil
4	53009295	1				EM0			PUMP, Engine Oil
5	00179842	2				ELO, EM0			SCREW, Hex Head Header Point, .375-16x1.375
6	01737725	1				EM0			BUSHING, Oil Pump and Distributor
7	53020546	1				ELO, EM0			SHAFT, Oil Pump
8	00108636	1				EM0			PIN, Cotter
9	02843208	1				EM0			PLUNGER, Oil Pressure Relief Valve
10	02402473	1				EM0			SPRING, Oil Pressure Relief Valve
11	02806273	1				EM0			CAP, Oil Pressure Relief Valve
12	00220480	5				EM0			SCREW, Hex Head Header Point, .25-20x.75
13	53008610	1				EM0			GASKET, Oil Pan
14	06034483	3				ELO, EM0			SCREW, Hex Head Coned, .312-18x.875
15	53020918	1				EM0			PAN, Engine Oil
16	06035417	1				EM0			PLUG, Oil Drain, w/Gasket
17									INDICATOR, Engine Oil Level
	53020928	1				ELO, EML			
	53020934	1				EMM			
18	53020926	1				ELO, EML			TUBE, Oil Gauge
-19	53020062	1				EMM			TUBE, Engine Oil Indicator
20	05281090	1				ELO, EM0			FILTER, Engine Oil
	0FE00292								Canadian Aftermarket Part
	05281090BA								BULK PACK (12)

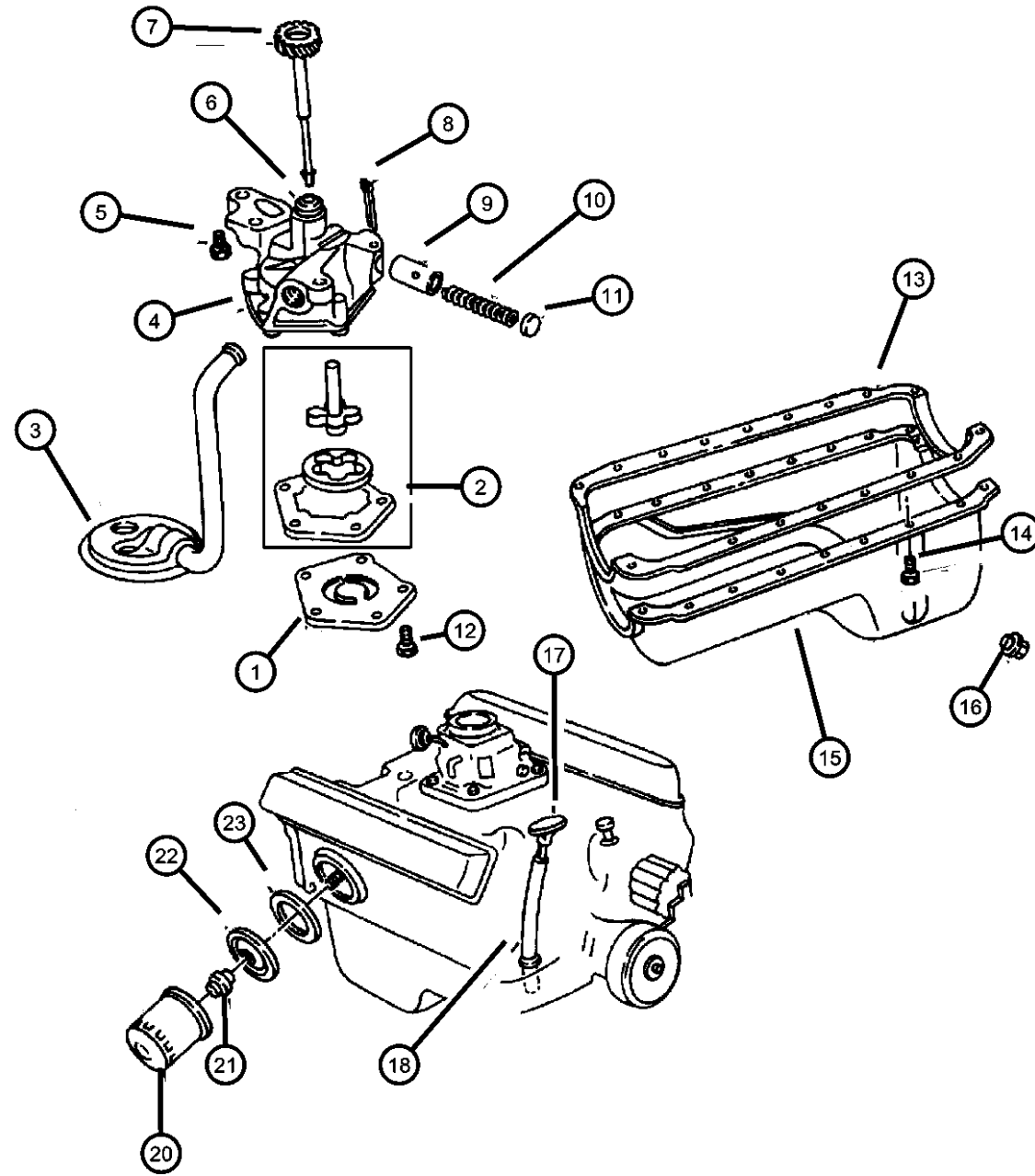
RAM PICKUP/CLUB CAB (BE)

SERIES	LINE	BODY	ENGINE	TRANSMISSION
L = RAM 1500, 2500, 3500	1 = Lt. Duty DODGE 2WD 2 = Med. Duty DODGE 2WD 3 = HD DODGE 2WD 6 = Lt. Duty DODGE 4WD 7 = Med. Duty DODGE 4WD 8 = HD DODGE 4WD	31 = CLUB CAB 2-DR 6.5 FT BOX 32 = CLUB CAB 2-DR 8FT BOX 33 = QUAD CAB 4-DR 6.5 FT BOX 34 = QUAD CAB 4-DR 8FT BOX	ETC = 5.9L Cummins 24V Diesel Engine EWA = 8.0L V10 MPI Engine EM0 = ALL 5.9L 8 CYL ENGINES - GAS EMM = 5.9L SMPI V8 Engine EML = 5.9L V8 MPI Engine ELF = 5.2L V8 MPI Engine	DGP = 4-Spd. Automatic 47RE Transmission DD0 = ALL 5 SPEED MANUAL TRANSMISSIONS DG0 = ALL AUTOMATIC TRANSMISSIONS DDC = 5-Speed HD Manual Transmission DDP = 5-Speed Manual Transmission DDX = 5-Speed HD Manual Transmission DEE = 6-Speed HD Manual Transmission DGT = 4-Spd. Automatic 46RE Transmission

AR = use ase required - = Non illustrated part

1999 BE

Engine Oiling
Figure 5.9L-710



ITEM	PART NUMBER	QTY	LINE	SERIES	BODY	ENGINE	TRANS	TRIM	DESCRIPTION
	77060018								Performance Mobil 1, 15W - 50 Tri-Synthetic Engine Oil- Recommended Fill for 6.1L & 8.3L
21	53007563	1				ELO, EM0			CONNECTOR, Oil Filter
22	53021053	1				ELO, EM0			PLATE, Oil Filter Adapter
23	53020461	1				ELO, EM0			GASKET, Oil Filter Adapter

RAM PICKUP/CLUB CAB (BE)

SERIES	LINE	BODY	ENGINE	TRANSMISSION
L = RAM 1500, 2500, 3500	1 = Lt. Duty DODGE 2WD 2 = Med. Duty DODGE 2WD 3 = HD DODGE 2WD 6 = Lt. Duty DODGE 4WD 7 = Med. Duty DODGE 4WD 8 = HD DODGE 4WD	31 = CLUB CAB 2-DR 6.5 FT BOX 32 = CLUB CAB 2-DR 8FT BOX 33 = QUAD CAB 4-DR 6.5 FT BOX 34 = QUAD CAB 4-DR 8FT BOX	ETC = 5.9L Cummins 24V Diesel Engine EWA = 8.0L V10 MPI Engine EM0 = ALL 5.9L 8 CYL ENGINES - GAS EMM = 5.9L SMPI V8 Engine EML = 5.9L V8 MPI Engine ELF = 5.2L V8 MPI Engine	DGP = 4-Spd. Automatic 47RE Transmission DD0 = ALL 5 SPEED MANUAL TRANSMISSIONS DG0 = ALL AUTOMATIC TRANSMISSIONS DDC = 5-Speed HD Manual Transmission DDP = 5-Speed Manual Transmission DDX = 5-Speed HD Manual Transmission DEE = 6-Speed HD Manual Transmission DGT = 4-Spd. Automatic 46RE Transmission

AR = use ase required - = Non illustrated part

1999 BE

**Manifold, Intake and Exhaust
Figure 5.9L-810**

ITEM	PART NUMBER	QTY	LINE	SERIES	BODY	ENGINE	TRANS	TRIM	DESCRIPTION
------	-------------	-----	------	--------	------	--------	-------	------	-------------

NOTE: Packages Do Not Contain Gaskets For All Required Sealing. R.T.V. Sealer And Gasket Eliminator Must Also Be Used.
ELO= All 5.2 Gas Engines, EMO= All 5.9 Gas Engines, EWO= All 8.0 Gas Engines.

1	04897383AA	2				ELO, EMO			GASKET PACKAGE, Intake Manifold
2	04897490AC	1				EMO			MANIFOLD, Intake
3	06035967AA	12				ELO, EMO			SCREW AND WASHER, Hex Head
4	53006623	1				ELO, EMO			GASKET, Intake Manifold Pan
5	06034643	4				ELO, EMO			STUD, .312-18/.312-24x2.25
6	06034806	8				ELO, EMO			SCREW AND WASHER, Hex Head, .312-18x3.125
7	53030873	1				EMO			MANIFOLD, ExhaustRight
8	53010189	1				EMO			MANIFOLD, ExhaustLeft
9	00118615	4				ELO, EMO, EWO			NUT, Hex, .375-16
10	00115729	4				ELO, EMO			NUT, Hex, .312 x 24
11	06035375	4				ELO, EMO			BOLT, Hex Head, .375-16x2.50
12	53006617	1				ELO, EMO			PAN, Intake Manifold
13	04004001	4				ELO, EMO, EWO			RETAINER, Exhaust Pipe to Manifold
14	04004001	4							PLUG, 3/8-18, (NOT SERVICED)
15	53010091	4				ELO, EMO			CLAMP, Exhaust Manifold
16	06034583	15				ELO, EMO			SCREW AND WASHER, Hex Head, .25-20x.892

RAM PICKUP/CLUB CAB (BE)

SERIES	LINE	BODY	ENGINE	TRANSMISSION
L = RAM 1500, 2500, 3500	1 = Lt. Duty DODGE 2WD 2 = Med. Duty DODGE 2WD 3 = HD DODGE 2WD 6 = Lt. Duty DODGE 4WD 7 = Med. Duty DODGE 4WD 8 = HD DODGE 4WD	31 = CLUB CAB 2-DR 6.5 FT BOX 32 = CLUB CAB 2-DR 8FT BOX 33 = QUAD CAB 4-DR 6.5 FT BOX 34 = QUAD CAB 4-DR 8FT BOX	ETC = 5.9L Cummins 24V Diesel Engine EWA = 8.0L V10 MPI Engine EM0 = ALL 5.9L 8 CYL ENGINES - GAS EMM = 5.9L SMPI V8 Engine EML = 5.9L V8 MPI Engine ELF = 5.2L V8 MPI Engine	DGP = 4-Spd. Automatic 47RE Transmission DD0 = ALL 5 SPEED MANUAL TRANSMISSIONS DG0 = ALL AUTOMATIC TRANSMISSIONS DDC = 5-Speed HD Manual Transmission DDP = 5-Speed Manual Transmission DDX = 5-Speed HD Manual Transmission DEE = 6-Speed HD Manual Transmission DGT = 4-Spd. Automatic 46RE Transmission

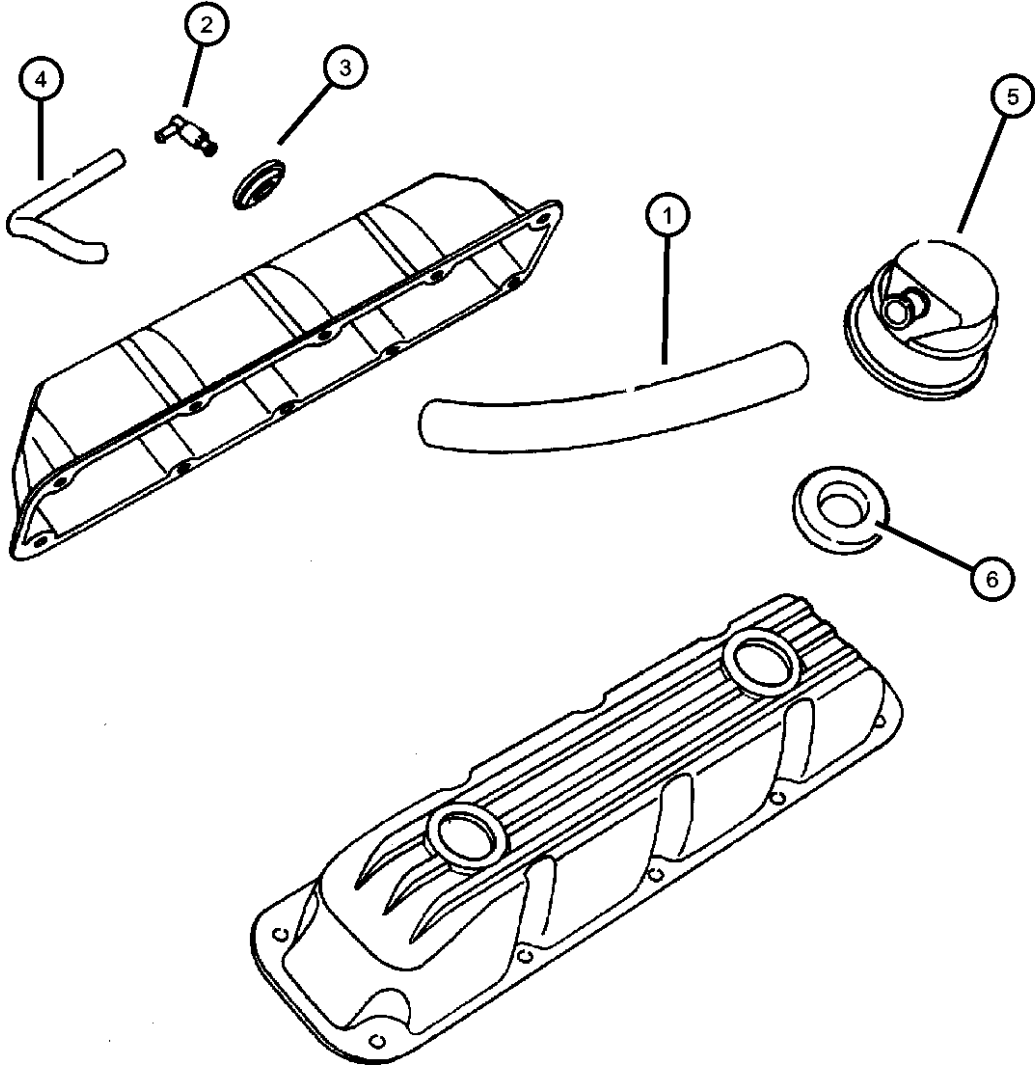
AR = use ase required - = Non illustrated part

1999 BE

**Crankcase Ventilation
Figure 5.9L-910**

ITEM	PART NUMBER	QTY	LINE	SERIES	BODY	ENGINE	TRANS	TRIM	DESCRIPTION
1	53030817AB	1				ELO, EMO			HOSE, Crankcase Vent
2	53031135	1				ELO, EMO			VALVE, Crankcase Vent
3	53030017	1				ELO, EMO			GROMMET, Crankcase Vent
4	53008675AB	1				EMO	DBB		TUBE, PCV Valve
5	53030497	1				ELO, EMO			FITTING, Crankcase Vent Tube
6	02946079	1				ELO, EMO			GROMMET, Crankcase Vent

Note; ELO= All 5.2 Gas Engines, EMO= All 5.9 Gas Engines,
DBB= Manual; Transmissions.



RAM PICKUP/CLUB CAB (BE)

SERIES	LINE	BODY	ENGINE	TRANSMISSION
L = RAM 1500, 2500, 3500	1 = Lt. Duty DODGE 2WD 2 = Med. Duty DODGE 2WD 3 = HD DODGE 2WD 6 = Lt. Duty DODGE 4WD 7 = Med. Duty DODGE 4WD 8 = HD DODGE 4WD	31 = CLUB CAB 2-DR 6.5 FT BOX 32 = CLUB CAB 2-DR 8FT BOX 33 = QUAD CAB 4-DR 6.5 FT BOX 34 = QUAD CAB 4-DR 8FT BOX	ETC = 5.9L Cummins 24V Diesel Engine EWA = 8.0L V10 MPI Engine EM0 = ALL 5.9L 8 CYL ENGINES - GAS EMM = 5.9L SMPI V8 Engine EML = 5.9L V8 MPI Engine ELF = 5.2L V8 MPI Engine	DGP = 4-Spd. Automatic 47RE Transmission DD0 = ALL 5 SPEED MANUAL TRANSMISSIONS DG0 = ALL AUTOMATIC TRANSMISSIONS DDC = 5-Speed HD Manual Transmission DDP = 5-Speed Manual Transmission DDX = 5-Speed HD Manual Transmission DEE = 6-Speed HD Manual Transmission DGT = 4-Spd. Automatic 46RE Transmission

AR = use ase required - = Non illustrated part

Group - 8.0L

Engine 8.0L Ten Cylinder (Truck)

Group - 8.0L Engine 8.0L Ten Cylinder (Truck)

Illustration Title

Group-Fig. No.

Cylinder Head

Cylinder Head Fig. 8.0L - 210

Cylinder Block

Cylinder Block Fig. 8.0L - 310

Crankshaft, Piston and Torque Converter

Crankshaft, Piston and Torque Converter Fig. 8.0L - 410

Camshafts & Valves

Camshaft and Valves Fig. 8.0L - 510

Timing Belt and Cover

Timing Gear and Cover Fig. 8.0L - 610

Engine Oiling

Engine Oiling Fig. 8.0L - 710

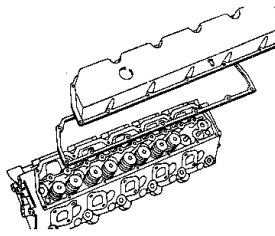
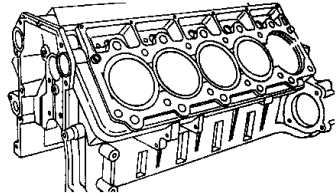
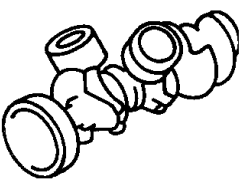
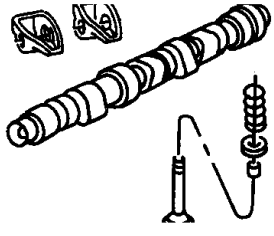
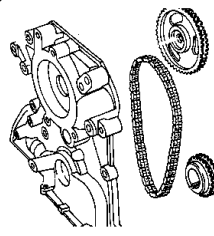
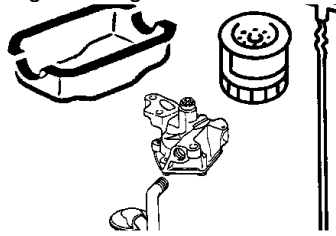
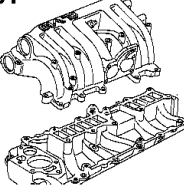
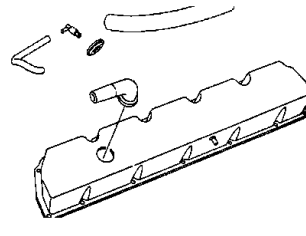
Manifolds

Manifold, Intake Fig. 8.0L - 810

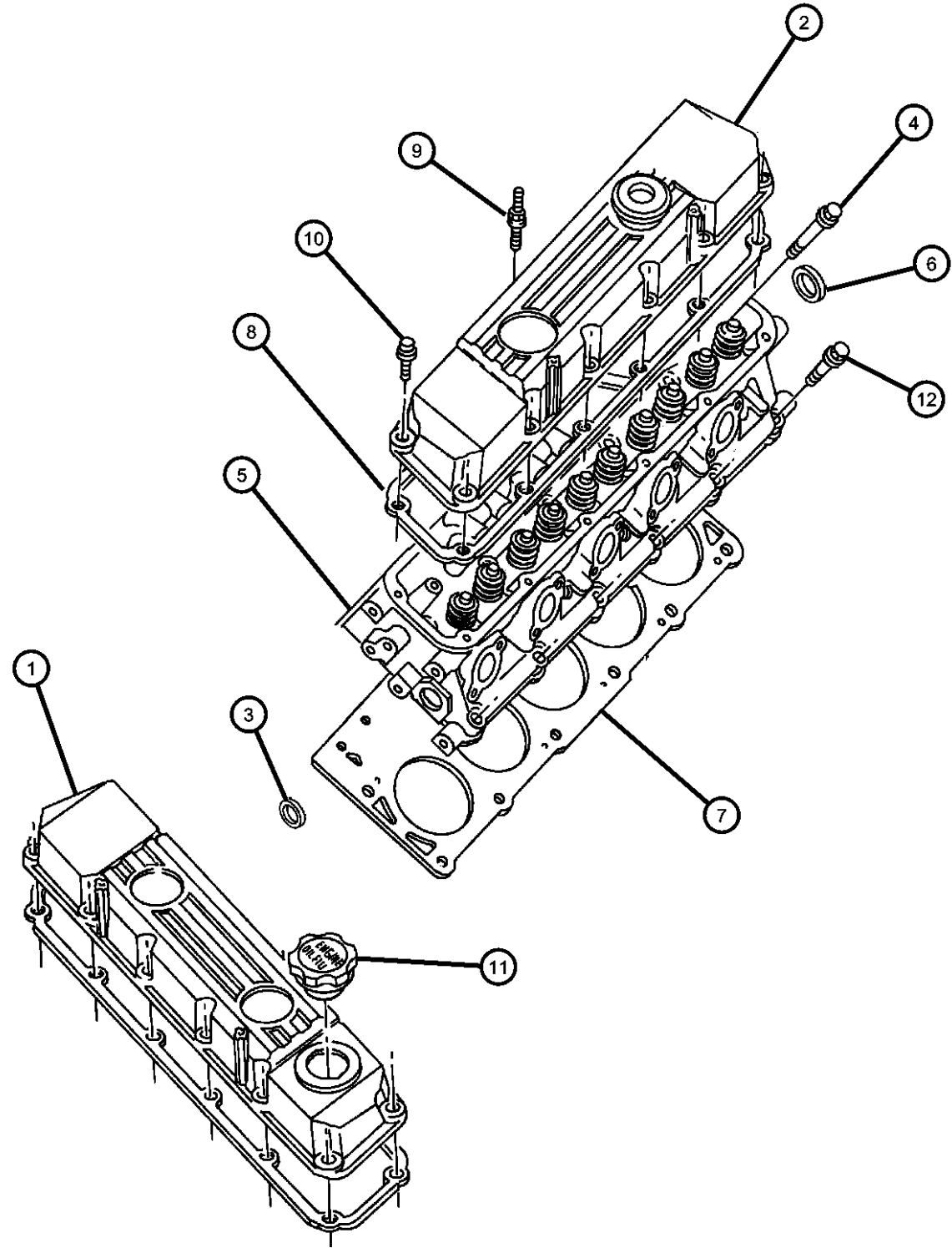
Manifold, Exhaust Fig. 8.0L - 820

Crankcase Ventilation

Crankcase Ventilation Fig. 8.0L - 910

<p>8.0L-200 Cylinder Head</p> 	<p>8.0L-300 Cylinder Block</p> 	<p>8.0L-400 Crankshaft, Piston and Torque Converter</p> 	<p>8.0L-500 Camshafts & Valves</p> 
<p>8.0L-600 Timing Belt and Cover</p> 	<p>8.0L-700 Engine Oiling</p> 	<p>8.0L-800 Manifolds</p> 	<p>8.0L-900 Crankcase Ventilation</p> 

**Cylinder Head
Figure 8.0L-210**



ITEM	PART NUMBER	QTY	LINE	SERIES	BODY	ENGINE	TRANS	TRIM	DESCRIPTION
------	-------------	-----	------	--------	------	--------	-------	------	-------------

Note:
EW0 = All 8.0L Gas Engines
GASKET PACKAGE, Engine Upper - 04746045

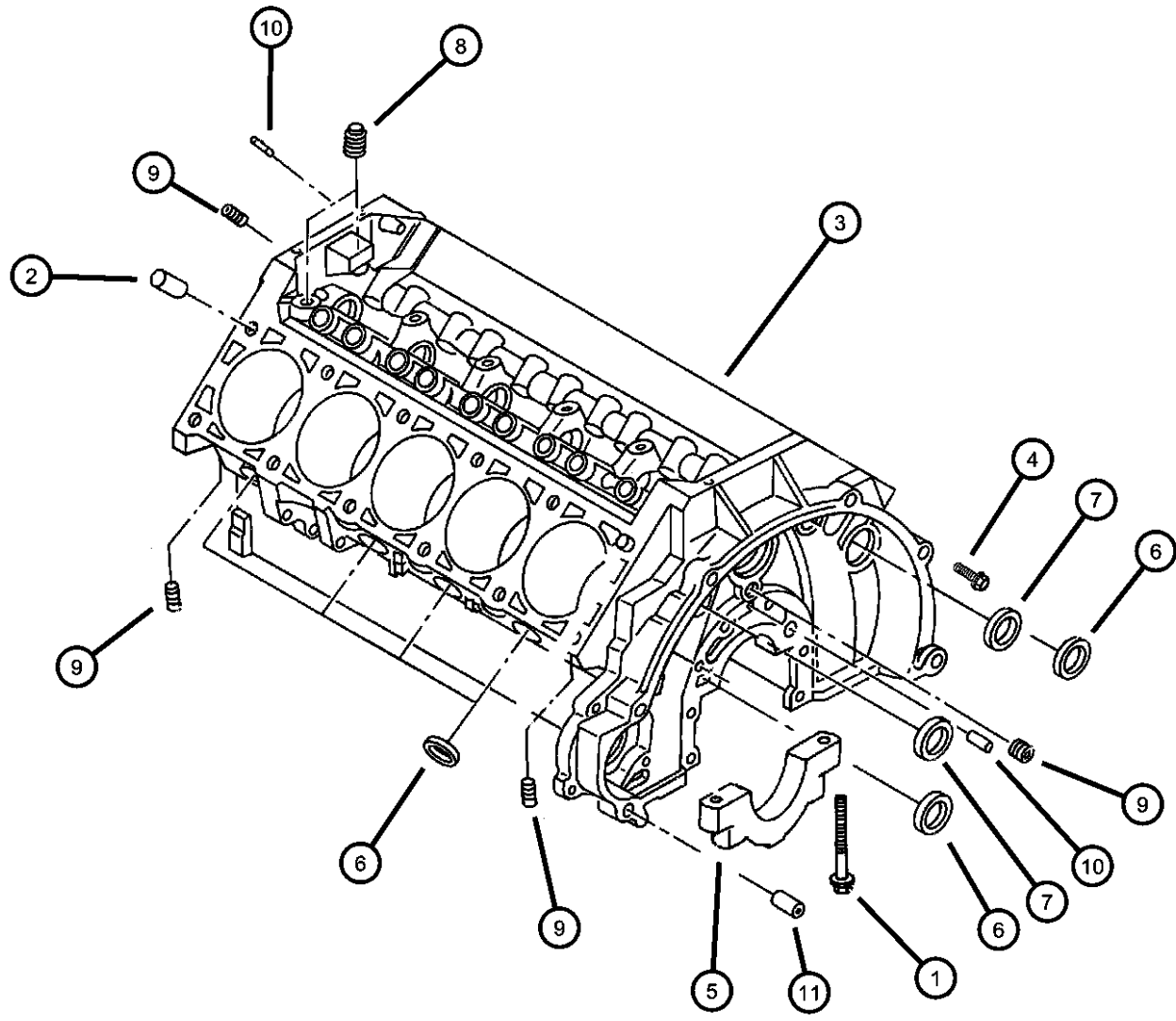
1	53041054	1				EW0			COVER, Cylinder HeadRight
2	53041055	1				EW0			COVER, Cylinder HeadLeft
3	04556020	1				EW0			PLUG, Core, 1.25 Diameter
4	J4007307	12				EW0			BOLT, Hex Flange Head, .500-13x4.52
5	53020066AB	2				EW0			HEAD, Cylinder
6	J3178449	2				EW0			PLUG, Cylinder Block Oil Hole
7	53041049	2				EW0			GASKET, Cylinder Head
8	53020073	2				EW0			GASKET, Valve Cover
9	06034444	7				EW0			STUD, .312-18/.250-20x2.685
10	06034443	17				EW0			SCREW, Hex Head Coned, .312-18x1.375
11	04777536	1				EW0			CAP, Oil Filler
12	53020067	12				EW0			BOLT, Cylinder Head
-13									GASKET PACKAGE, Engine
	04746045AB	1				EW0	DBB		
		1				EW0	DG0		

RAM PICKUP/CLUB CAB (BE)

SERIES	LINE	BODY	ENGINE	TRANSMISSION
L = RAM 1500, 2500, 3500	1 = Lt. Duty DODGE 2WD	31 = CLUB CAB 2-DR 6.5 FT BOX	ETC = 5.9L Cummins 24V Diesel Engine	DGP = 4-Spd. Automatic 47RE Transmission
	2 = Med. Duty DODGE 2WD	32 = CLUB CAB 2-DR 8FT BOX	EWA = 8.0L V10 MPI Engine	DD0 = ALL 5 SPEED MANUAL TRANSMISSIONS
	3 = HD DODGE 2WD	33 = QUAD CAB 4-DR 6.5 FT BOX	EM0 = ALL 5.9L 8 CYL ENGINES - GAS	DG0 = ALL AUTOMATIC TRANSMISSIONS
	6 = Lt. Duty DODGE 4WD	34 = QUAD CAB 4-DR 8FT BOX	EMM = 5.9L SMPI V8 Engine	DDC = 5-Speed HD Manual Transmission
	7 = Med. Duty DODGE 4WD		EML = 5.9L V8 MPI Engine	DDP = 5-Speed Manual Transmission
	8 = HD DODGE 4WD		ELF = 5.2L V8 MPI Engine	DDX = 5-Speed HD Manual Transmission
				DEE = 6-Speed HD Manual Transmission
				DGT = 4-Spd. Automatic 46RE Transmission

AR = use ase required - = Non illustrated part

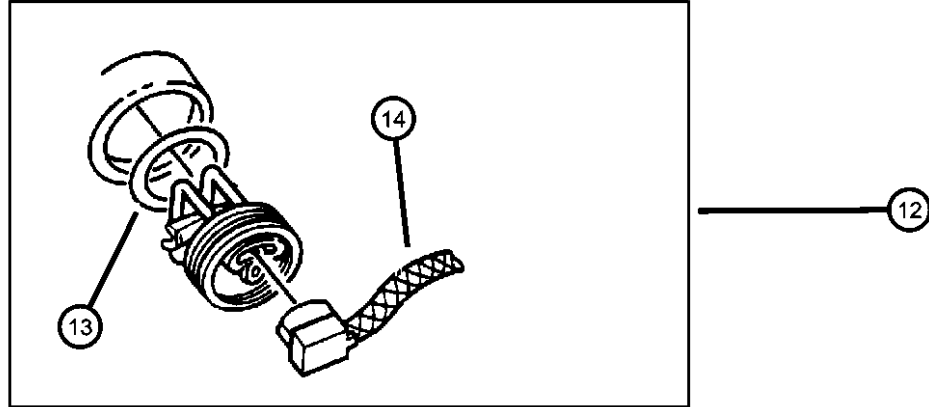
**Cylinder Block
Figure 8.0L-310**



ITEM	PART NUMBER	QTY	LINE	SERIES	BODY	ENGINE	TRANS	TRIM	DESCRIPTION
------	-------------	-----	------	--------	------	--------	-------	------	-------------

Note; EWO= All 8.0 Gas Engines, DGO= All Automatic Transmissions.

1	06034847	12				EWO			BOLT, Main Bearing Cap
2	J4005149	4				EWO			DOWEL, Oil Pump
3	04796663	1				EWO			BLOCK, Short
	04761845AC								Mopar 10W30 Engine Oil Gallon
	04761839AB								Mopar 10W30 Engine Oil Quart
4	06024473	2					DGO		SCREW AND WASHER, Hex Head, .437-14x2.00
5	06024473	2							CAP, Serviced in Block, (NOT SERVICED)
6	04556022	11				EWO			PLUG, Core, 1.625 Diameter
7	J3178449	2				EWO			PLUG, Cylinder Block Oil Hole
8	J0103877	2				EWO			PLUG, Square Head, 1/8-27NPTx.32
9	J0103877	2							PLUG, (NOT SERVICED)
10	J0103877	2							DOWEL, .187x.500, (NOT SERVICED)
11	53040018	2				EWO			DOWEL, Clutch Housing
12	04798276	1				EWO			HEATER PACKAGE, Engine Block
13	06501445	AR							O RING, Engine Block Heater
14	56027117	AR							CORD, Engine Block Heater

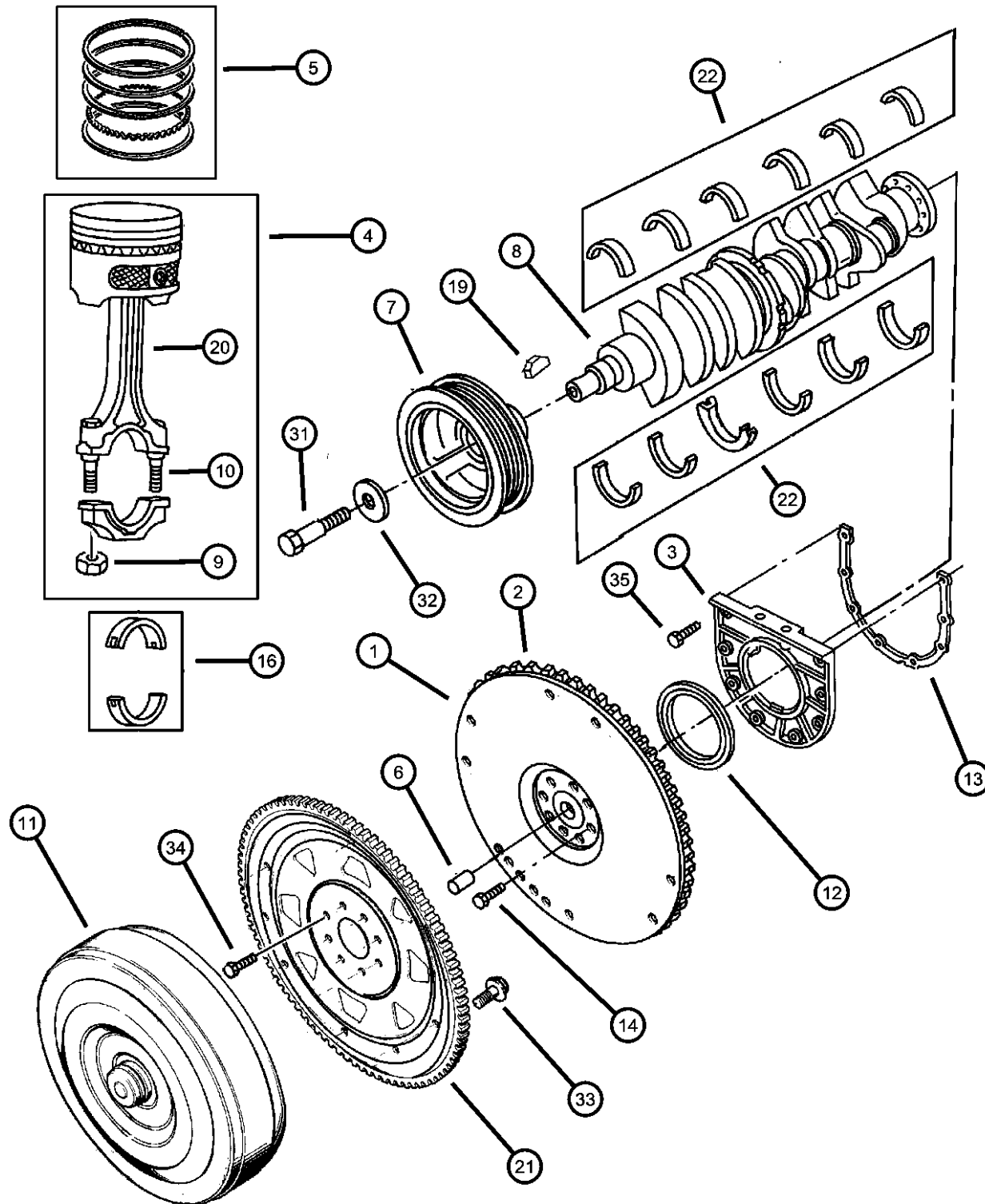


RAM PICKUP/CLUB CAB (BE)

SERIES	LINE	BODY	ENGINE	TRANSMISSION
L = RAM 1500, 2500, 3500	1 = Lt. Duty DODGE 2WD 2 = Med. Duty DODGE 2WD 3 = HD DODGE 2WD 6 = Lt. Duty DODGE 4WD 7 = Med. Duty DODGE 4WD 8 = HD DODGE 4WD	31 = CLUB CAB 2-DR 6.5 FT BOX 32 = CLUB CAB 2-DR 8FT BOX 33 = QUAD CAB 4-DR 6.5 FT BOX 34 = QUAD CAB 4-DR 8FT BOX	ETC = 5.9L Cummins 24V Diesel Engine EWA = 8.0L V10 MPI Engine EM0 = ALL 5.9L 8 CYL ENGINES - GAS EMM = 5.9L SMPI V8 Engine EML = 5.9L V8 MPI Engine ELF = 5.2L V8 MPI Engine	DGP = 4-Spd. Automatic 47RE Transmission DD0 = ALL 5 SPEED MANUAL TRANSMISSIONS DGO = ALL AUTOMATIC TRANSMISSIONS DDC = 5-Speed HD Manual Transmission DDP = 5-Speed Manual Transmission DDX = 5-Speed HD Manual Transmission DEE = 6-Speed HD Manual Transmission DGT = 4-Spd. Automatic 46RE Transmission

AR = use ase required - = Non illustrated part

Crankshaft, Piston and Torque Converter
Figure 8.0L-410



ITEM	PART NUMBER	QTY	LINE	SERIES	BODY	ENGINE	TRANS	TRIM	DESCRIPTION
------	-------------	-----	------	--------	------	--------	-------	------	-------------

Note; EWO= All 8.0 Gas Engines, DBB= Manual Transmissions, DGO= All Automatic Transmissions.

1	53006216AB	1				EWO	DBB		FLYWHEEL
2	04428037	1				EWO	DBB		GEAR, Ring
3	53005843AB	1				EWO			RETAINER, Crankshaft Rear Oil Seal
4									PISTON PIN AND ROD
	04856120AB	5				EWO			#1,3,5,7,9
	04856121AB	5				EWO			#2,4,6,8,10
5	04741750	1				EWO			RING, Piston
6	52107562AB	1				EWO	DBB		BEARING, Pilot
7	53020776	1				EWO			DAMPER, Crankshaft
8	53005840	1				EWO			CRANKSHAFT
9	06032296	10				EWO			NUT, Hex, .375-24
10	06033441	10				EWO			BOLT, Connecting Rod
11	52118506	1				EWO	DGO		CONVERTER, Torque
12	53005837	1				EWO			GASKET, Rear Crankshaft Oil Seal
13	53021075	1				EWO			GASKET, Rear Crankshaft Oil Seal
14	06035811	8				EWO	DBB		BOLT, Hex Head, .437-20x1.50
-15	06035462	8				EWO	DGO		BOLT, Flexplate
16	02421305	10				EWO			BEARING, Connecting Rod, STD.
-17	02421306	AR				EWO			BEARING, Connecting Rod, .001" U/S
-18	02421306	AR							BEARING, Connecting Rod, .010" U/S, (NOT REQUIRED)
19	06034749	1				EWO			KEY, Crankshaft Sprocket
20	06034749	1							ROD, Connecting, Serviced in Piston, (NOT SERVICED)
21	52118473	1				EWO	DGO		PLATE, Torque Converter Drive
22	04741492	2				EWO			BEARING, Crankshaft, STD., #1,6
-23	04741495	AR				EWO			BEARING, Crankshaft, .001" U/S, #1,6

RAM PICKUP/CLUB CAB (BE)

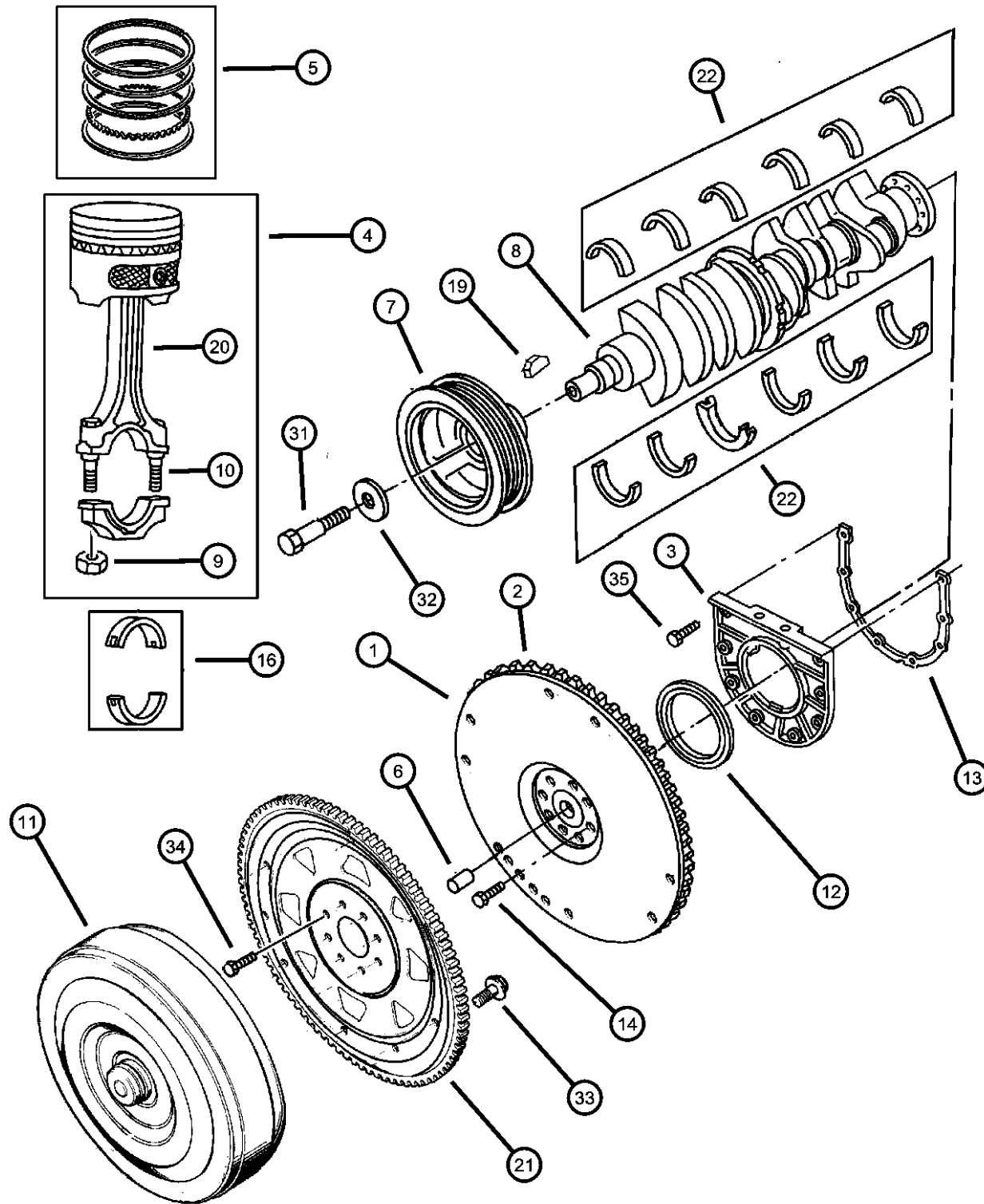
SERIES	LINE
L = RAM 1500, 2500, 3500	1 = Lt. Duty DODGE 2WD
	2 = Med. Duty DODGE 2WD
	3 = HD DODGE 2WD
	6 = Lt. Duty DODGE 4WD
	7 = Med. Duty DODGE 4WD
	8 = HD DODGE 4WD

BODY	ENGINE	TRANSMISSION
31 = CLUB CAB 2-DR 6.5 FT BOX	ETC = 5.9L Cummins 24V Diesel Engine	DGP = 4-Spd. Automatic 47RE Transmission
32 = CLUB CAB 2-DR 8FT BOX	EWA = 8.0L V10 MPI Engine	DD0 = ALL 5 SPEED MANUAL TRANSMISSIONS
33 = QUAD CAB 4-DR 6.5 FT BOX	EM0 = ALL 5.9L 8 CYL ENGINES - GAS	DGO = ALL AUTOMATIC TRANSMISSIONS
34 = QUAD CAB 4-DR 8FT BOX	EMM = 5.9L SMPI V8 Engine	DDC = 5-Speed HD Manual Transmission
	EML = 5.9L V8 MPI Engine	DDP = 5-Speed Manual Transmission
	ELF = 5.2L V8 MPI Engine	DDX = 5-Speed HD Manual Transmission
		DEE = 6-Speed HD Manual Transmission
		DGT = 4-Spd. Automatic 46RE Transmission

AR = use ase required - = Non illustrated part

1999 BE

Crankshaft, Piston and Torque Converter
Figure 8.0L-410



ITEM	PART NUMBER	QTY	LINE	SERIES	BODY	ENGINE	TRANS	TRIM	DESCRIPTION
-24	04741495	AR							BEARING, Crankshaft, .010" U/S, (NOT REQUIRED)
-25	04741493	3				EWO			BEARING, Crankshaft, STD., #2,4,5
-26	04741496	AR				EWO			BEARING, Crankshaft, .001" U/S (NOT REQUIRED)
-27	04741496	AR							BEARING, Crankshaft, .010" U/S, (NOT REQUIRED)
-28	04798449	1				EWO			BEARING, Crankshaft, STD.
-29	04798450	AR				EWO			BEARING, Crankshaft, .001" U/S (NOT REQUIRED)
-30	04798450	AR							BEARING, Crankshaft, .010" U/S, (NOT REQUIRED)
31	06030063	1				EWO			SCREW, Hex Head Header Point, .75-16x2.50
32	06030063	1							WASHER, Flat, .78x1.9x.250, (NOT REQUIRED)
33	06033439	6			EWO		DG0		BOLT, Hex Head, .37-24x.55
34	06035462	8			EWO		DG0		BOLT, Flexplate
35	06022235	8			EWO				BOLT AND WASHER, Hex Head, .312-18x1.00

RAM PICKUP/CLUB CAB (BE)

SERIES	LINE	BODY	ENGINE	TRANSMISSION
L = RAM 1500, 2500, 3500	1 = Lt. Duty DODGE 2WD 2 = Med. Duty DODGE 2WD 3 = HD DODGE 2WD 6 = Lt. Duty DODGE 4WD 7 = Med. Duty DODGE 4WD 8 = HD DODGE 4WD	31 = CLUB CAB 2-DR 6.5 FT BOX 32 = CLUB CAB 2-DR 8FT BOX 33 = QUAD CAB 4-DR 6.5 FT BOX 34 = QUAD CAB 4-DR 8FT BOX	ETC = 5.9L Cummins 24V Diesel Engine EWA = 8.0L V10 MPI Engine EM0 = ALL 5.9L 8 CYL ENGINES - GAS EMM = 5.9L SMPI V8 Engine EML = 5.9L V8 MPI Engine ELF = 5.2L V8 MPI Engine	DGP = 4-Spd. Automatic 47RE Transmission DD0 = ALL 5 SPEED MANUAL TRANSMISSIONS DG0 = ALL AUTOMATIC TRANSMISSIONS DDC = 5-Speed HD Manual Transmission DDP = 5-Speed Manual Transmission DDX = 5-Speed HD Manual Transmission DEE = 6-Speed HD Manual Transmission DGT = 4-Spd. Automatic 46RE Transmission

AR = use ase required - = Non illustrated part

Camshaft and Valves
Figure 8.0L-510

ITEM	PART NUMBER	QTY	LINE	SERIES	BODY	ENGINE	TRANS	TRIM	DESCRIPTION
------	-------------	-----	------	--------	------	--------	-------	------	-------------

Note; EWO= All 8.0 Gas Engines.

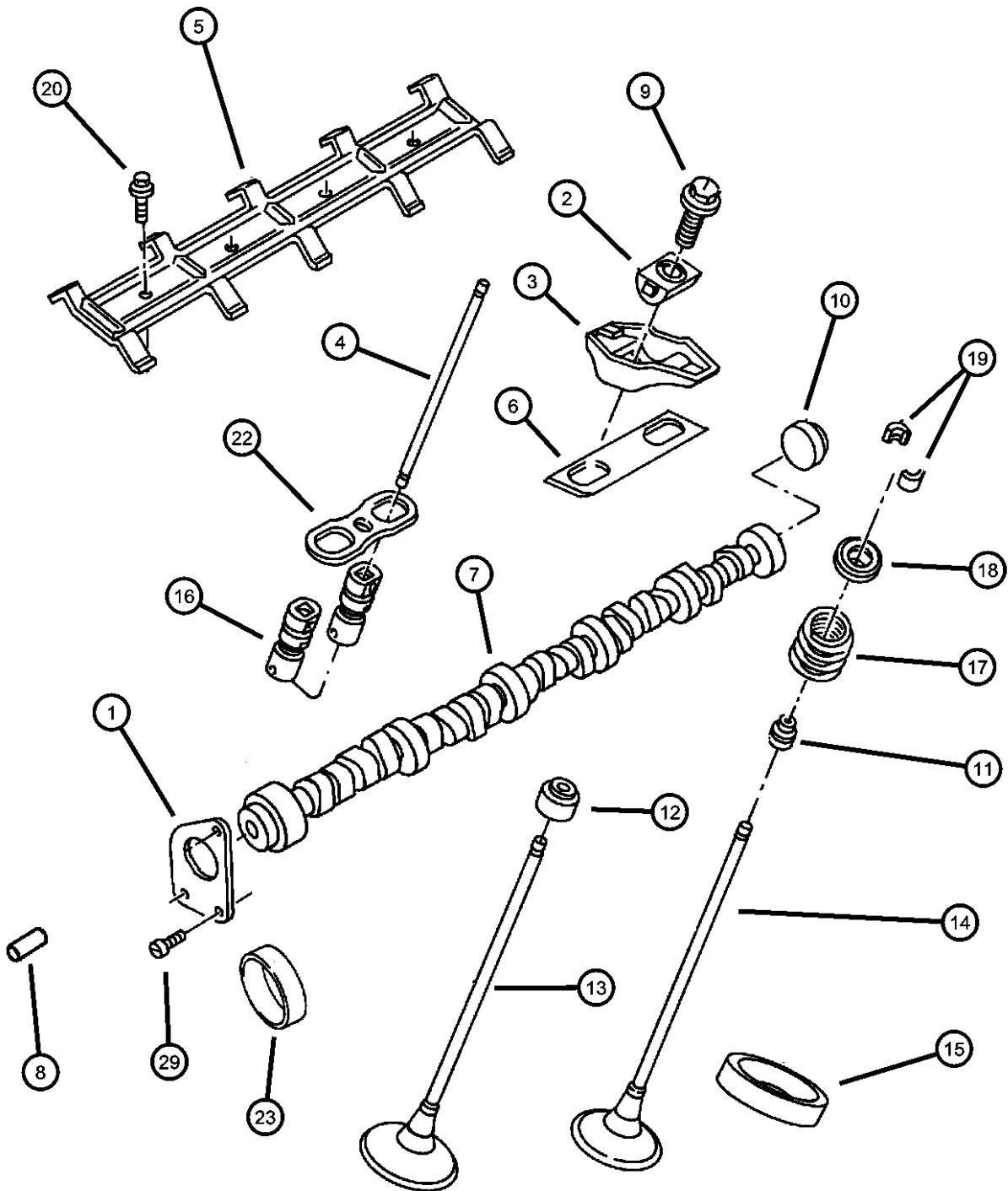
1	53005845AB	1				EWO			PLATE, Camshaft Thrust
2	53041105	20				EWO			PIVOT, Rocker Arm
3	05245335	20				EWO			ROCKER ARM, Valve
4	53041123	20				EWO			PUSH ROD, Valve
5	53005866	1				EWO			RETAINER, Tappet Yoke Aligning
6	53008284	10				EWO			RETAINER, Rocker Arm Pivot
7	53020842	1				EWO			CAMSHAFT, Engine
8	00141195	1				EWO			DOWEL, .25x.62
9	06034721	20				EWO			SCREW, Hex Flange Head, .312-18x1.50
10	53005824	1				EWO			PLUG, Camshaft
11	53009887	10				EWO			SEAL, Valve Guide
12	53009886	10				EWO			SEAL, Valve Guide
13	53005863	10				EWO			VALVE, Intake, Standard
14	53005864	10				EWO			VALVE, Exhaust, Standard
15	53005864	10							INSERT, Exhaust Valve, Serviced in Cylinder Head, (NOT SERVICED)
16	04713439	20				EWO			TAPPET PACKAGE, Valve
17	53021056	20				EWO			SPRING, Valve
18	33004626	20				EWO			RETAINER, Valve Spring
19	33003521	40				EWO			LOCK, Valve Spring Retainer
20	33003521	40							BOLT, Hex Head, 5/16x18x3/4, (NOT REQUIRED)
-21	01947953	4				EWO			SCREW AND WASHER, Hex Head
22	05245169	10				EWO			YOKE, Tappet Aligning
23	04741475	1				EWO			BEARING, Camshaft, #1
-24	04741476	1				EWO			BEARING, Camshaft, #2
-25	04741477	1				EWO			BEARING, Camshaft, #3
-26	04741478	1				EWO			BEARING, Camshaft, #4

RAM PICKUP/CLUB CAB (BE)

SERIES	LINE	BODY	ENGINE	TRANSMISSION
L = RAM 1500, 2500, 3500	1 = Lt. Duty DODGE 2WD 2 = Med. Duty DODGE 2WD 3 = HD DODGE 2WD 6 = Lt. Duty DODGE 4WD 7 = Med. Duty DODGE 4WD 8 = HD DODGE 4WD	31 = CLUB CAB 2-DR 6.5 FT BOX 32 = CLUB CAB 2-DR 8FT BOX 33 = QUAD CAB 4-DR 6.5 FT BOX 34 = QUAD CAB 4-DR 8FT BOX	ETC = 5.9L Cummins 24V Diesel Engine EWA = 8.0L V10 MPI Engine EM0 = ALL 5.9L 8 CYL ENGINES - GAS EMM = 5.9L SMPI V8 Engine EML = 5.9L V8 MPI Engine ELF = 5.2L V8 MPI Engine	DGP = 4-Spd. Automatic 47RE Transmission DD0 = ALL 5 SPEED MANUAL TRANSMISSIONS DG0 = ALL AUTOMATIC TRANSMISSIONS DDC = 5-Speed HD Manual Transmission DDP = 5-Speed Manual Transmission DDX = 5-Speed HD Manual Transmission DEE = 6-Speed HD Manual Transmission DGT = 4-Spd. Automatic 46RE Transmission

AR = use ase required - = Non illustrated part

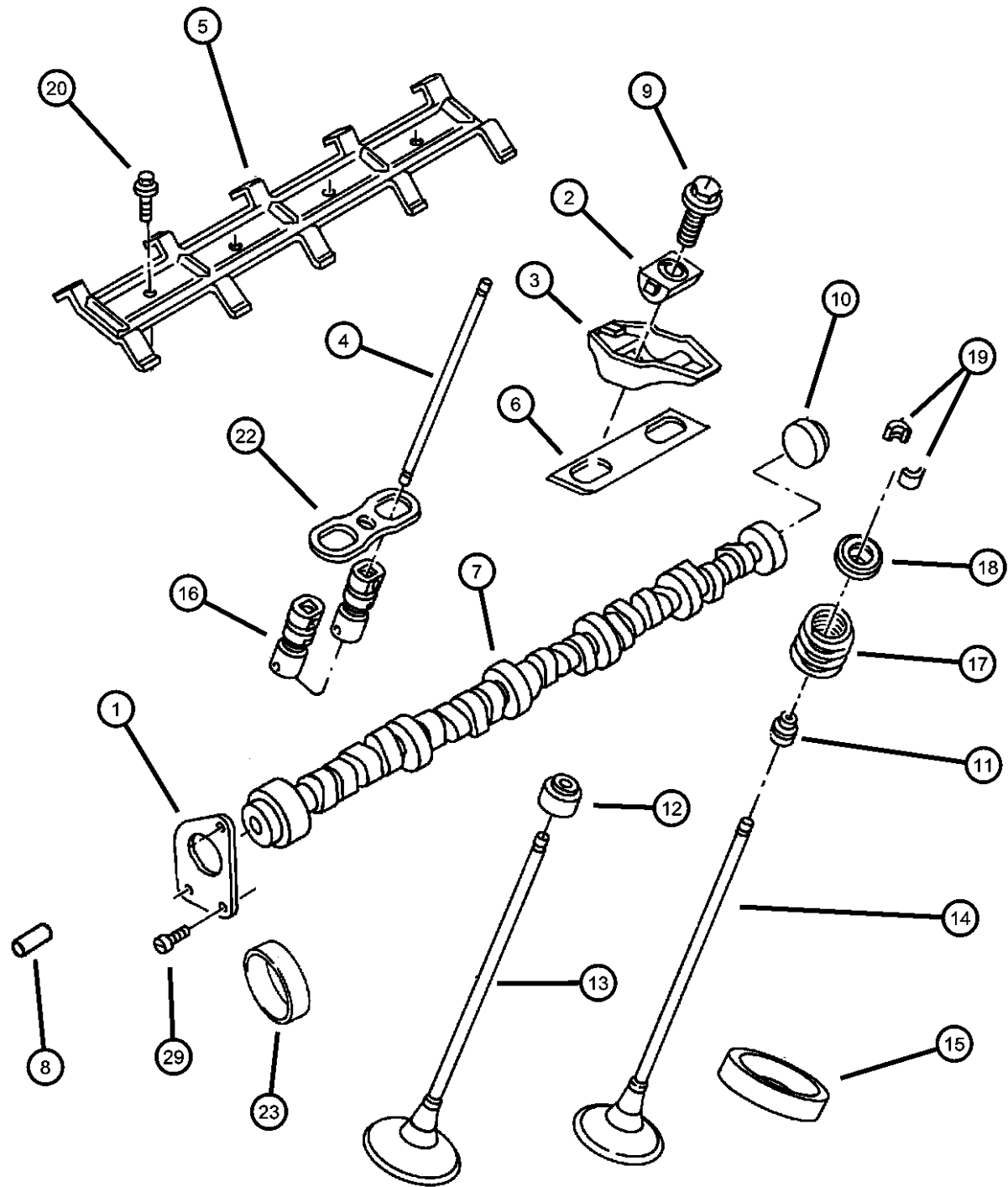
1999 BE



Camshaft and Valves
Figure 8.0L-510

ITEM	PART NUMBER	QTY	LINE	SERIES	BODY	ENGINE	TRANS	TRIM	DESCRIPTION
------	-------------	-----	------	--------	------	--------	-------	------	-------------

-27	04741479	1				EW0			BEARING, Camshaft, #5
-28	04741480	1				EW0			BEARING, Camshaft, #6
29	06034757	3				EW0			SCREW



RAM PICKUP/CLUB CAB (BE)

SERIES	LINE	BODY	ENGINE	TRANSMISSION
L = RAM 1500, 2500, 3500	1 = Lt. Duty DODGE 2WD 2 = Med. Duty DODGE 2WD 3 = HD DODGE 2WD 6 = Lt. Duty DODGE 4WD 7 = Med. Duty DODGE 4WD 8 = HD DODGE 4WD	31 = CLUB CAB 2-DR 6.5 FT BOX 32 = CLUB CAB 2-DR 8FT BOX 33 = QUAD CAB 4-DR 6.5 FT BOX 34 = QUAD CAB 4-DR 8FT BOX	ETC = 5.9L Cummins 24V Diesel Engine EWA = 8.0L V10 MPI Engine EM0 = ALL 5.9L 8 CYL ENGINES - GAS EMM = 5.9L SMPI V8 Engine EML = 5.9L V8 MPI Engine ELF = 5.2L V8 MPI Engine	DGP = 4-Spd. Automatic 47RE Transmission DD0 = ALL 5 SPEED MANUAL TRANSMISSIONS DG0 = ALL AUTOMATIC TRANSMISSIONS DDC = 5-Speed HD Manual Transmission DDP = 5-Speed Manual Transmission DDX = 5-Speed HD Manual Transmission DEE = 6-Speed HD Manual Transmission DGT = 4-Spd. Automatic 46RE Transmission

AR = use ase required - = Non illustrated part

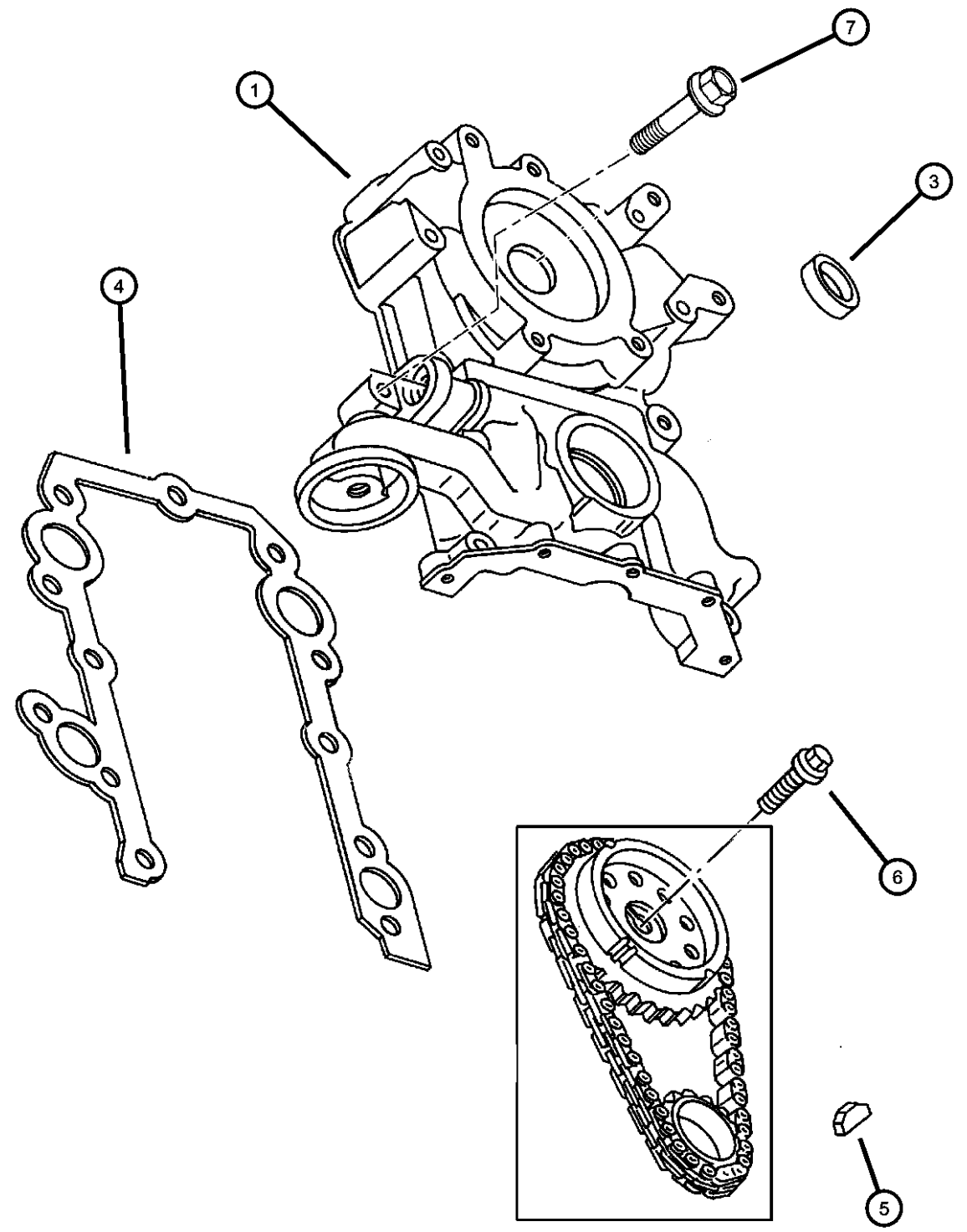
1999 BE

**Timing Gear and Cover
Figure 8.0L-610**

ITEM	PART NUMBER	QTY	LINE	SERIES	BODY	ENGINE	TRANS	TRIM	DESCRIPTION
------	-------------	-----	------	--------	------	--------	-------	------	-------------

Note; ELO= All 5.2 Gas Engines, EMO= All 5.9 Gas Engines, EWO= All 8.0 Gas Engines.

1	53020971AC	1				EWO			COVER, Timing Case
-2	04798467	1				EWO			CHAIN PACKAGE, Timing
3	53021103	1				EWO			SEAL, Timing Case Cover
4	53020956	1				EWO			GASKET, Chain Case Cover
5	06034749	1				EWO			KEY, Crankshaft Sprocket
6	06034321	1				ELO, EMO			SCREW AND WASHER, Hex Head, Coned, Header, .437-14x1.375
7	06033958	7				EWO			SCREW, Hex Flange Head, .375-16x2.00

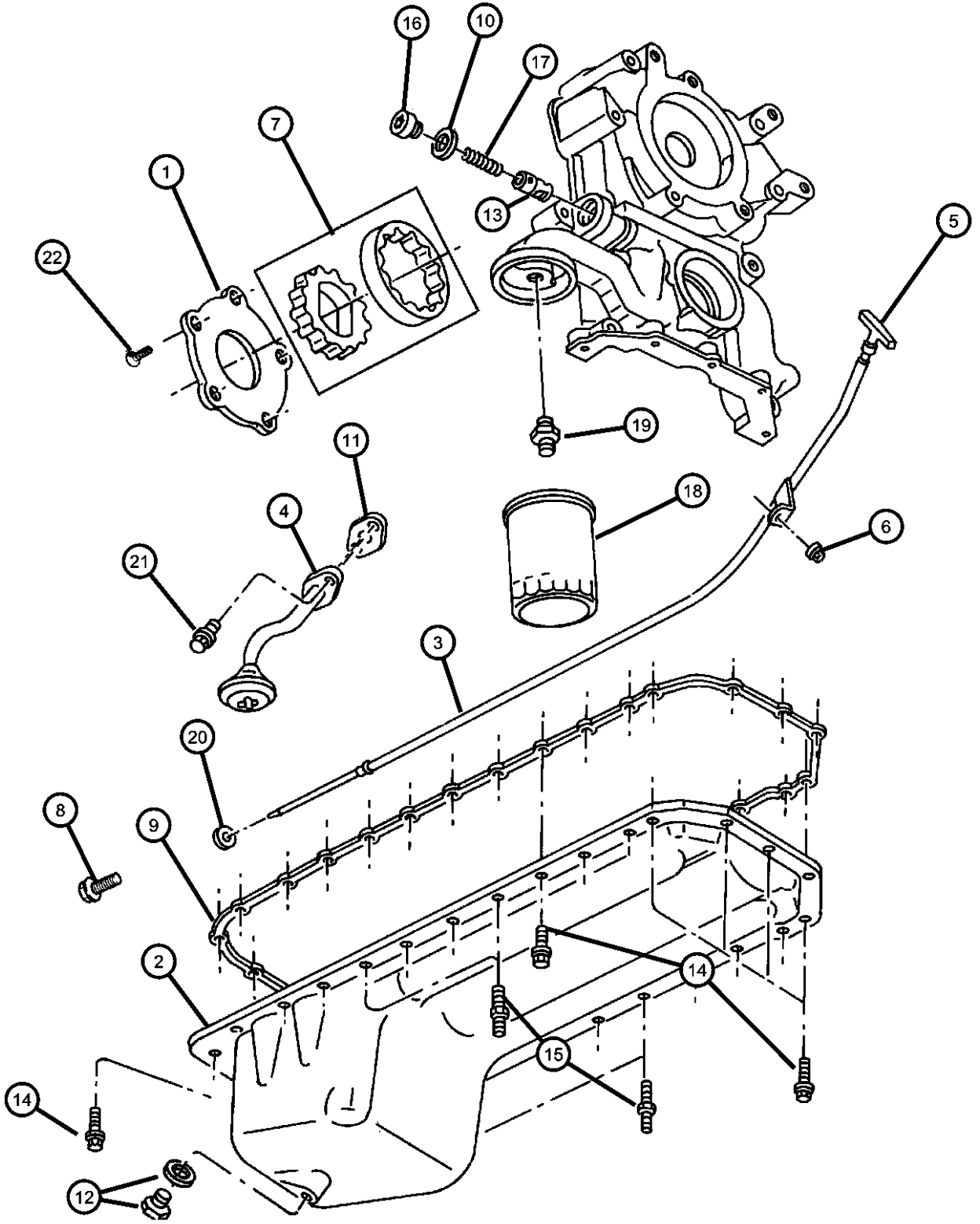


RAM PICKUP/CLUB CAB (BE)

SERIES	LINE	BODY	ENGINE	TRANSMISSION
L = RAM 1500, 2500, 3500	1 = Lt. Duty DODGE 2WD 2 = Med. Duty DODGE 2WD 3 = HD DODGE 2WD 6 = Lt. Duty DODGE 4WD 7 = Med. Duty DODGE 4WD 8 = HD DODGE 4WD	31 = CLUB CAB 2-DR 6.5 FT BOX 32 = CLUB CAB 2-DR 8FT BOX 33 = QUAD CAB 4-DR 6.5 FT BOX 34 = QUAD CAB 4-DR 8FT BOX	ETC = 5.9L Cummins 24V Diesel Engine EWA = 8.0L V10 MPI Engine EM0 = ALL 5.9L 8 CYL ENGINES - GAS EMM = 5.9L SMPI V8 Engine EML = 5.9L V8 MPI Engine ELF = 5.2L V8 MPI Engine	DGP = 4-Spd. Automatic 47RE Transmission DD0 = ALL 5 SPEED MANUAL TRANSMISSIONS DG0 = ALL AUTOMATIC TRANSMISSIONS DDC = 5-Speed HD Manual Transmission DDP = 5-Speed Manual Transmission DDX = 5-Speed HD Manual Transmission DEE = 6-Speed HD Manual Transmission DGT = 4-Spd. Automatic 46RE Transmission

AR = use ase required - = Non illustrated part

**Engine Oiling
Figure 8.0L-710**



ITEM	PART NUMBER	QTY	LINE	SERIES	BODY	ENGINE	TRANS	TRIM	DESCRIPTION
------	-------------	-----	------	--------	------	--------	-------	------	-------------

Note; EWO= All 8.0 Gas Engines.

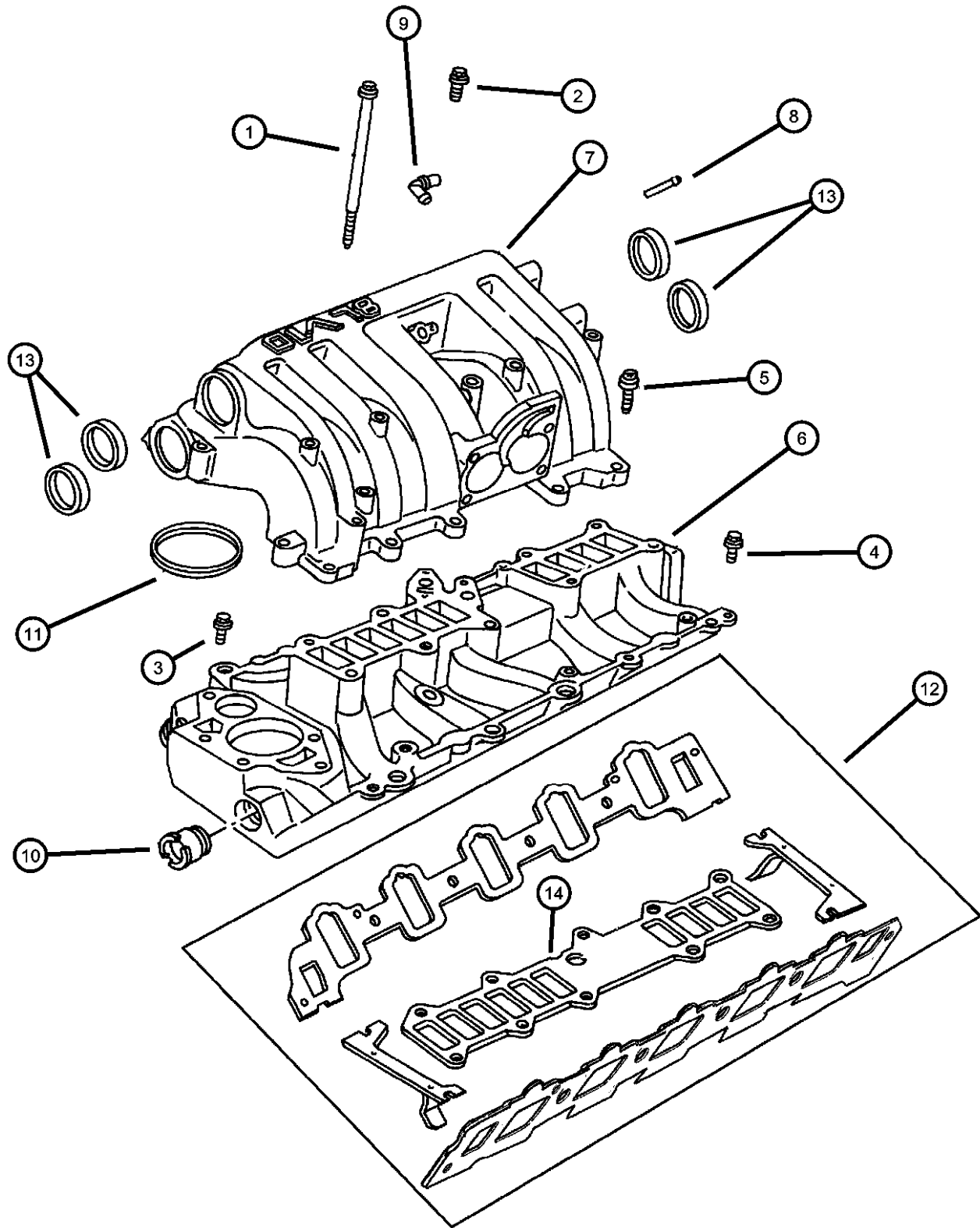
1	53006833	1				EWO			COVER, Engine Oil Pump
2	53020922	1				EWO			PAN, Engine Oil
3	53020930	1				EWO			TUBE, Oil Gauge
4	53006834	1				EWO			PICKUP, Engine Oil
5	53020929	1				EWO			INDICATOR, Engine Oil Level
6	53020929	1							NUT, (NOT SERVICED)
7	04746610	1				EWO			ROTOR PACKAGE, Oil Pump
8	00154557	7				EWO			SCREW, Hex Head Coned, .25-20x.875
9	53005884	1				EWO			GASKET, Oil Pan
10	53020075	1				EWO			GASKET, Oil Pump Relief Valve
11	53040062	1				EWO			GASKET, Oil Pickup Tube
12	06035417	1				EWO			PLUG, Oil Drain
13	02843208	1				EWO			PLUNGER, Oil Pressure Relief Valve
14	06034483	4				EWO			SCREW, Hex Head Coned, .312-18x.875
15	06034594	4				EWO			STUD, .312-18/.250-20x2.355
16	53020068	1				EWO			PLUG, Cylinder Block Oil Hole
17	02402473	1				EWO			SPRING, Oil Pressure Relief Valve
18	53020311	1				EWO			FILTER, Engine Oil
19	53007563	1				EWO			CONNECTOR, Oil Filter
20	53007563	1							SEAL, (NOT SERVICED)
21	06034549	2				EWO			SCREW, Hex Head, .312-18x.94
22	06034475	5				EWO			SCREW, Torx Head, .25-20x.75

RAM PICKUP/CLUB CAB (BE)

SERIES	LINE	BODY	ENGINE	TRANSMISSION
L = RAM 1500, 2500, 3500	1 = Lt. Duty DODGE 2WD 2 = Med. Duty DODGE 2WD 3 = HD DODGE 2WD 6 = Lt. Duty DODGE 4WD 7 = Med. Duty DODGE 4WD 8 = HD DODGE 4WD	31 = CLUB CAB 2-DR 6.5 FT BOX 32 = CLUB CAB 2-DR 8FT BOX 33 = QUAD CAB 4-DR 6.5 FT BOX 34 = QUAD CAB 4-DR 8FT BOX	ETC = 5.9L Cummins 24V Diesel Engine EWA = 8.0L V10 MPI Engine EM0 = ALL 5.9L 8 CYL ENGINES - GAS EMM = 5.9L SMPI V8 Engine EML = 5.9L V8 MPI Engine ELF = 5.2L V8 MPI Engine	DGP = 4-Spd. Automatic 47RE Transmission DD0 = ALL 5 SPEED MANUAL TRANSMISSIONS DG0 = ALL AUTOMATIC TRANSMISSIONS DDC = 5-Speed HD Manual Transmission DDP = 5-Speed Manual Transmission DDX = 5-Speed HD Manual Transmission DEE = 6-Speed HD Manual Transmission DGT = 4-Spd. Automatic 46RE Transmission

AR = use ase required - = Non illustrated part

**Manifold, Intake
Figure 8.0L-810**



ITEM	PART NUMBER	QTY	LINE	SERIES	BODY	ENGINE	TRANS	TRIM	DESCRIPTION
------	-------------	-----	------	--------	------	--------	-------	------	-------------

Note;EWO= All 8.0 Gas Engines, DBB=Manual Transmissions, DGO= All Automatic Transmissions.

1	06034349	5				EWO			SCREW, Hex Head Pilot Point, .312-18 UNC 2A
2	06034506	5				EWO			BOLT AND CONED WASHER, Hex Head, .312-18x1.56
3	06034507	1				EWO			SCREW, Hex Head Coned, .375-16x2.25
4	06034508	1				EWO			SCREW, Hex Head Coned, .375-16x3.00
5	06034509	12				EWO			SCREW, Hex Head Coned, .375-16x1.75
6	53031583	1				EWO			MANIFOLD, IntakeLower
7	53031580	1				EWO			MANIFOLD, IntakeUpper
8	53031580	1							CONNECTOR, Serviced in Manifold, (NOT SERVICED)
9	53040055	1				EWO			CONNECTOR, Manifold Vacuum, .375 90 Degree
10	53006046	1				EWO			NIPPLE, By-Pass
11	53010047	1				EWO			SEAL, Thermostat
12	04741732	2				EWO			GASKET PACKAGE, Intake Manifold
13	53010044	4				EWO			PLUG, Core, 1.50 Diameter
14	53006836	1				EWO			GASKET, Intake Manifold

RAM PICKUP/CLUB CAB (BE)

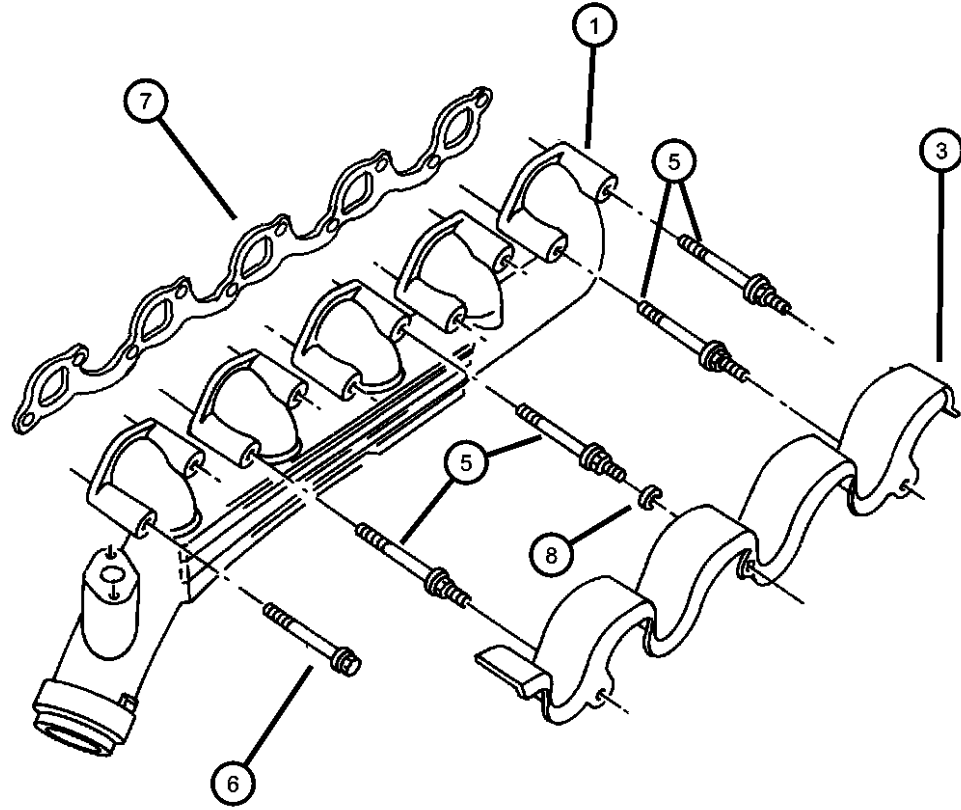
SERIES	LINE	BODY	ENGINE	TRANSMISSION
L = RAM 1500, 2500, 3500	1 = Lt. Duty DODGE 2WD 2 = Med. Duty DODGE 2WD 3 = HD DODGE 2WD 6 = Lt. Duty DODGE 4WD 7 = Med. Duty DODGE 4WD 8 = HD DODGE 4WD	31 = CLUB CAB 2-DR 6.5 FT BOX 32 = CLUB CAB 2-DR 8FT BOX 33 = QUAD CAB 4-DR 6.5 FT BOX 34 = QUAD CAB 4-DR 8FT BOX	ETC = 5.9L Cummins 24V Diesel Engine EWA = 8.0L V10 MPI Engine EM0 = ALL 5.9L 8 CYL ENGINES - GAS EMM = 5.9L SMPI V8 Engine EML = 5.9L V8 MPI Engine ELF = 5.2L V8 MPI Engine	DGP = 4-Spd. Automatic 47RE Transmission DD0 = ALL 5 SPEED MANUAL TRANSMISSIONS DGO = ALL AUTOMATIC TRANSMISSIONS DDC = 5-Speed HD Manual Transmission DDP = 5-Speed Manual Transmission DDX = 5-Speed HD Manual Transmission DEE = 6-Speed HD Manual Transmission DGT = 4-Spd. Automatic 46RE Transmission

AR = use ase required - = Non illustrated part

1999 BE

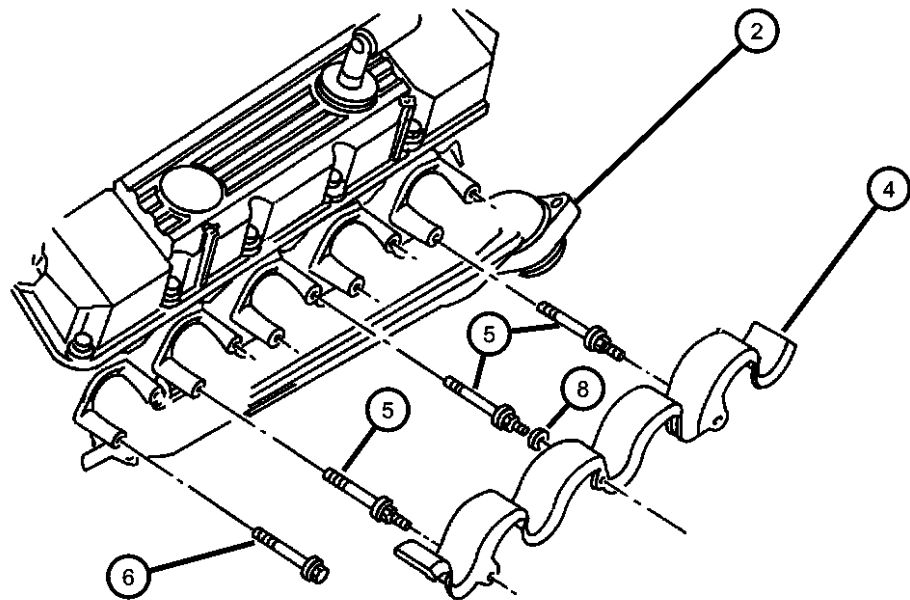
Manifold, Exhaust
Figure 8.0L-820

ITEM	PART NUMBER	QTY	LINE	SERIES	BODY	ENGINE	TRANS	TRIM	DESCRIPTION
------	-------------	-----	------	--------	------	--------	-------	------	-------------



Note; EWO= All 8.0 Gas Engines.

1	53031401	1				EWO			MANIFOLD, ExhaustRight
2	53006733	1				EWO			MANIFOLD, ExhaustLeft
3	53031550	1				EWO			SHIELD, HeatRight
4	53031551	1				EWO			SHIELD, HeatLeft
5	06034808	10				EWO			STUD, .312-18/.312-24x4.00
6	06034806	10				EWO			SCREW AND WASHER, Hex Head, .312-18x3.125
7	53006920	2				EWO			GASKET, Exhaust Manifold
8	53006920	2							WASHER, Serviced With Item# 5, (NOT SERVICED)



RAM PICKUP/CLUB CAB (BE)

SERIES	LINE	BODY	ENGINE	TRANSMISSION
L = RAM 1500, 2500, 3500	1 = Lt. Duty DODGE 2WD 2 = Med. Duty DODGE 2WD 3 = HD DODGE 2WD 6 = Lt. Duty DODGE 4WD 7 = Med. Duty DODGE 4WD 8 = HD DODGE 4WD	31 = CLUB CAB 2-DR 6.5 FT BOX 32 = CLUB CAB 2-DR 8FT BOX 33 = QUAD CAB 4-DR 6.5 FT BOX 34 = QUAD CAB 4-DR 8FT BOX	ETC = 5.9L Cummins 24V Diesel Engine EWA = 8.0L V10 MPI Engine EM0 = ALL 5.9L 8 CYL ENGINES - GAS EMM = 5.9L SMPI V8 Engine EML = 5.9L V8 MPI Engine ELF = 5.2L V8 MPI Engine	DGP = 4-Spd. Automatic 47RE Transmission DD0 = ALL 5 SPEED MANUAL TRANSMISSIONS DG0 = ALL AUTOMATIC TRANSMISSIONS DDC = 5-Speed HD Manual Transmission DDP = 5-Speed Manual Transmission DDX = 5-Speed HD Manual Transmission DEE = 6-Speed HD Manual Transmission DGT = 4-Spd. Automatic 46RE Transmission

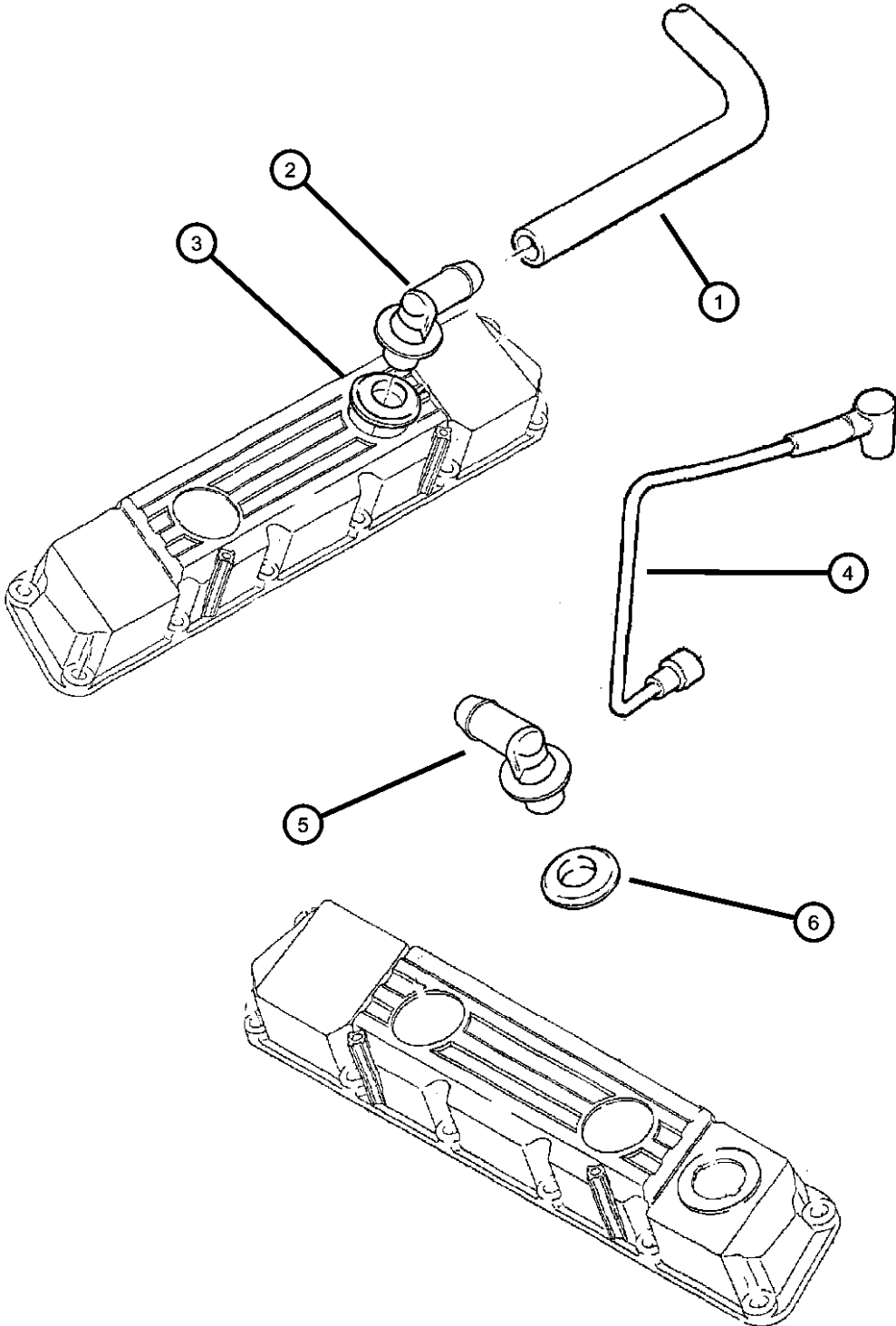
AR = use ase required - = Non illustrated part

1999 BE

**Crankcase Ventilation
Figure 8.0L-910**

ITEM	PART NUMBER	QTY	LINE	SERIES	BODY	ENGINE	TRANS	TRIM	DESCRIPTION
1	53006342	1				EW0			HOSE, Crankcase Vent
2	53030497	1				EW0			FITTING, Crankcase Vent Tube
3	02946079	2				EW0			GROMMET, Crankcase Vent
4	53041044	1				EW0			TUBE, PCV Valve
5	53030495	1				EW0			TUBE, Crankcase Vent To Air Cleaner
6	02946079	2				EW0			GROMMET, Crankcase Vent

Note; EWO= All 8.0 Gas Engines.



RAM PICKUP/CLUB CAB (BE)

SERIES	LINE	BODY	ENGINE	TRANSMISSION
L = RAM 1500, 2500, 3500	1 = Lt. Duty DODGE 2WD 2 = Med. Duty DODGE 2WD 3 = HD DODGE 2WD 6 = Lt. Duty DODGE 4WD 7 = Med. Duty DODGE 4WD 8 = HD DODGE 4WD	31 = CLUB CAB 2-DR 6.5 FT BOX 32 = CLUB CAB 2-DR 8FT BOX 33 = QUAD CAB 4-DR 6.5 FT BOX 34 = QUAD CAB 4-DR 8FT BOX	ETC = 5.9L Cummins 24V Diesel Engine EWA = 8.0L V10 MPI Engine EM0 = ALL 5.9L 8 CYL ENGINES - GAS EMM = 5.9L SMPI V8 Engine EML = 5.9L V8 MPI Engine ELF = 5.2L V8 MPI Engine	DGP = 4-Spd. Automatic 47RE Transmission DD0 = ALL 5 SPEED MANUAL TRANSMISSIONS DG0 = ALL AUTOMATIC TRANSMISSIONS DDC = 5-Speed HD Manual Transmission DDP = 5-Speed Manual Transmission DDX = 5-Speed HD Manual Transmission DEE = 6-Speed HD Manual Transmission DGT = 4-Spd. Automatic 46RE Transmission

AR = use ase required - = Non illustrated part

Group - 5.9LD

Engine 5.9L Six Cylinder (Diesel)

Group - 5.9LD Engine 5.9L Six Cylinder (Diesel)

Illustration Title

Group-Fig. No.

Cylinder Head

Cylinder HeadFig. 5.9LD - 215

Cylinder Block

Cylinder BlockFig. 5.9LD - 315

Crankshaft, Piston and Torque Converter

Crankshaft and PistonFig. 5.9LD - 415

Flywheel and Torque ConverterFig. 5.9LD - 425

Torque Converter CoolerFig. 5.9LD - 435

Camshafts & Valves

Camshaft and ValvesFig. 5.9LD - 515

Timing Belt and Cover

Timing Gear and CoverFig. 5.9LD - 615

Engine Oiling

Engine OilingFig. 5.9LD - 715

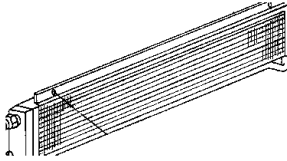
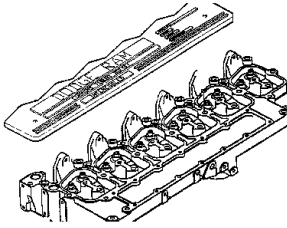
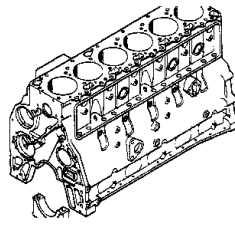
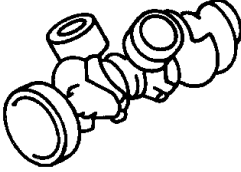
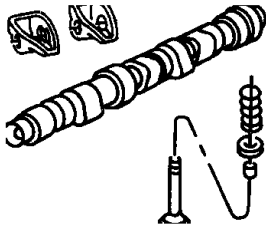
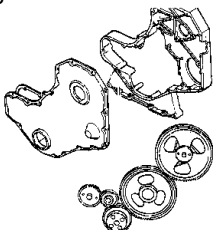
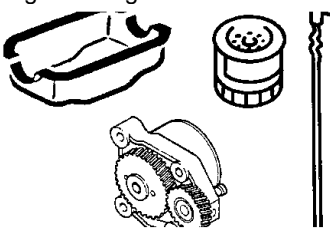
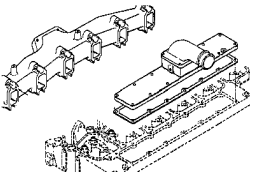
Manifolds

Manifold, Intake and ExhaustFig. 5.9LD - 815

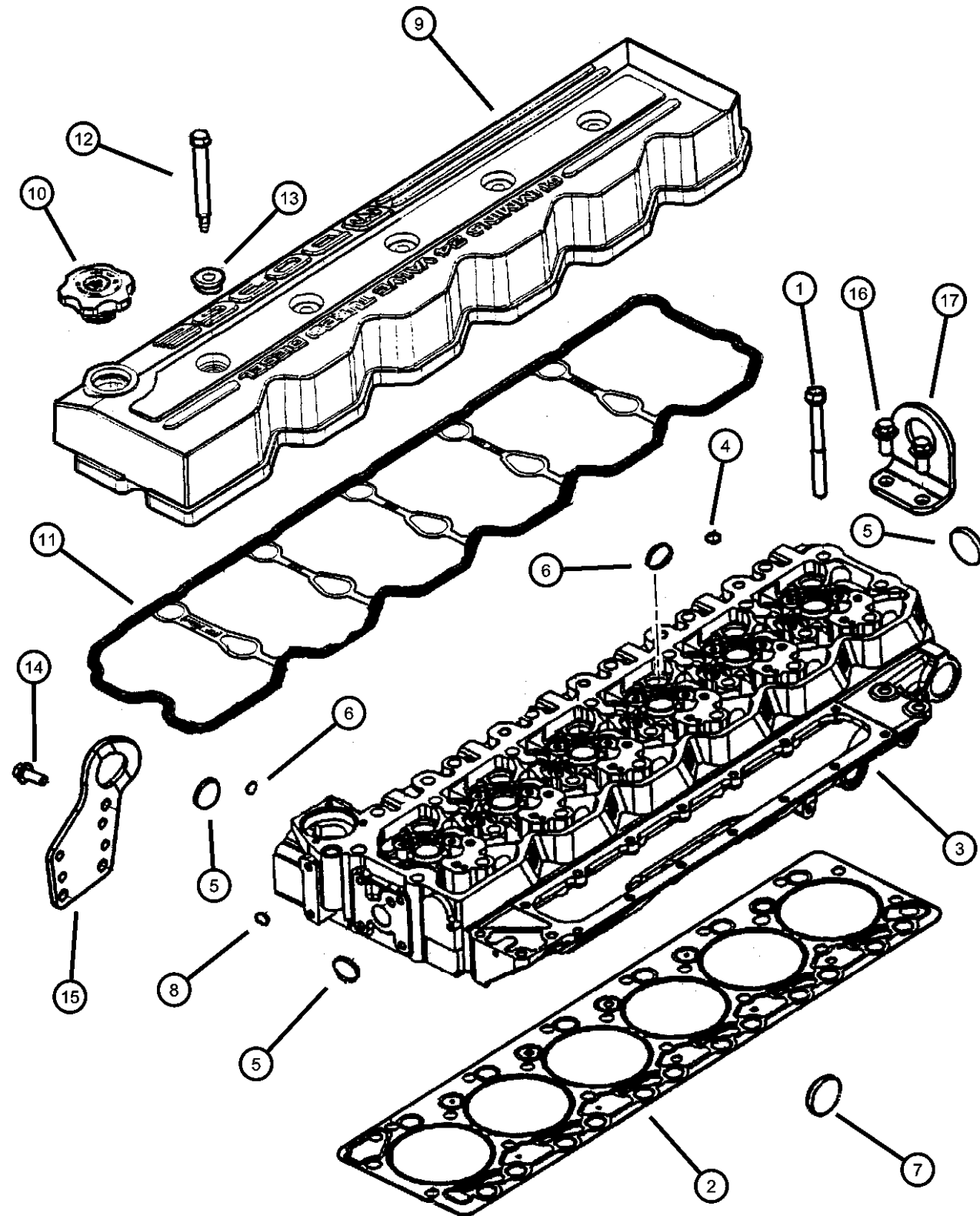
Oil Cooler

Engine Oil CoolerFig. 5.9LD - 1115

Oil Lines Fig. 5.9LD - 1125

<p>5.9LD-1100 Oil Cooler</p> 	<p>5.9LD-200 Cylinder Head</p> 	<p>5.9LD-300 Cylinder Block</p> 	<p>5.9LD-400 Crankshaft, Piston and Torque Converter</p> 
<p>5.9LD-500 Camshafts & Valves</p> 	<p>5.9LD-600 Timing Belt and Cover</p> 	<p>5.9LD-700 Engine Oiling</p> 	<p>5.9LD-800 Manifolds</p> 

**Cylinder Head
Figure 5.9LD-215**



ITEM	PART NUMBER	QTY	LINE	SERIES	BODY	ENGINE	TRANS	TRIM	DESCRIPTION
1	05011403AA	26				ET0			SCREW
2									GASKET, Cylinder Head
	05011876AA	1				ET0	DBB		
		1				ET0	DG0		
3									HEAD, Cylinder
	05014202AA	1				ET0	DBB		
		1				ET0	DG0		
4									PLUG, Expansion
	05011883AA	2				ET0	DBB		
		2				ET0	DG0		
5	04429955	7				ET0			PLUG, Expansion
6									PLUG, Expansion
	04429735	14				ET0			
	05003605AA	11				ET0			
7									PLUG, Expansion
	05011884AA	2				ET0	DBB		
		2				ET0	DG0		
8									PLUG, Expansion
	05011884AA	2				ET0	DG0		
		2				ET0	DBB		
9									COVER, Cylinder Head
	05011925AA	1				ET0	DBB		
		1				ET0	DG0		
10									CAP, Oil Filler

NOTES:

Sales Codes:

ETC = 24 Valve Diesel Engine

ETO = All Diesel Engines

DBB = Manual Transmissions

DGO = All Automatic Transmissions.

RAM PICKUP/CLUB CAB (BE)

SERIES

L = RAM 1500,
2500, 3500

LINE

1 = Lt. Duty DODGE 2WD
2 = Med. Duty DODGE 2WD
3 = HD DODGE 2WD
6 = Lt. Duty DODGE 4WD
7 = Med. Duty DODGE 4WD
8 = HD DODGE 4WD

BODY

31 = CLUB CAB 2-DR 6.5 FT
BOX
32 = CLUB CAB 2-DR 8FT
BOX
33 = QUAD CAB 4-DR 6.5 FT
BOX
34 = QUAD CAB 4-DR 8FT
BOX

ENGINE

ETC = 5.9L Cummins 24V
Diesel Engine
EWA = 8.0L V10 MPI Engine
EM0 = ALL 5.9L 8 CYL
ENGINES - GAS
EMM = 5.9L SMPI V8 Engine
EML = 5.9L V8 MPI Engine
ELF = 5.2L V8 MPI Engine

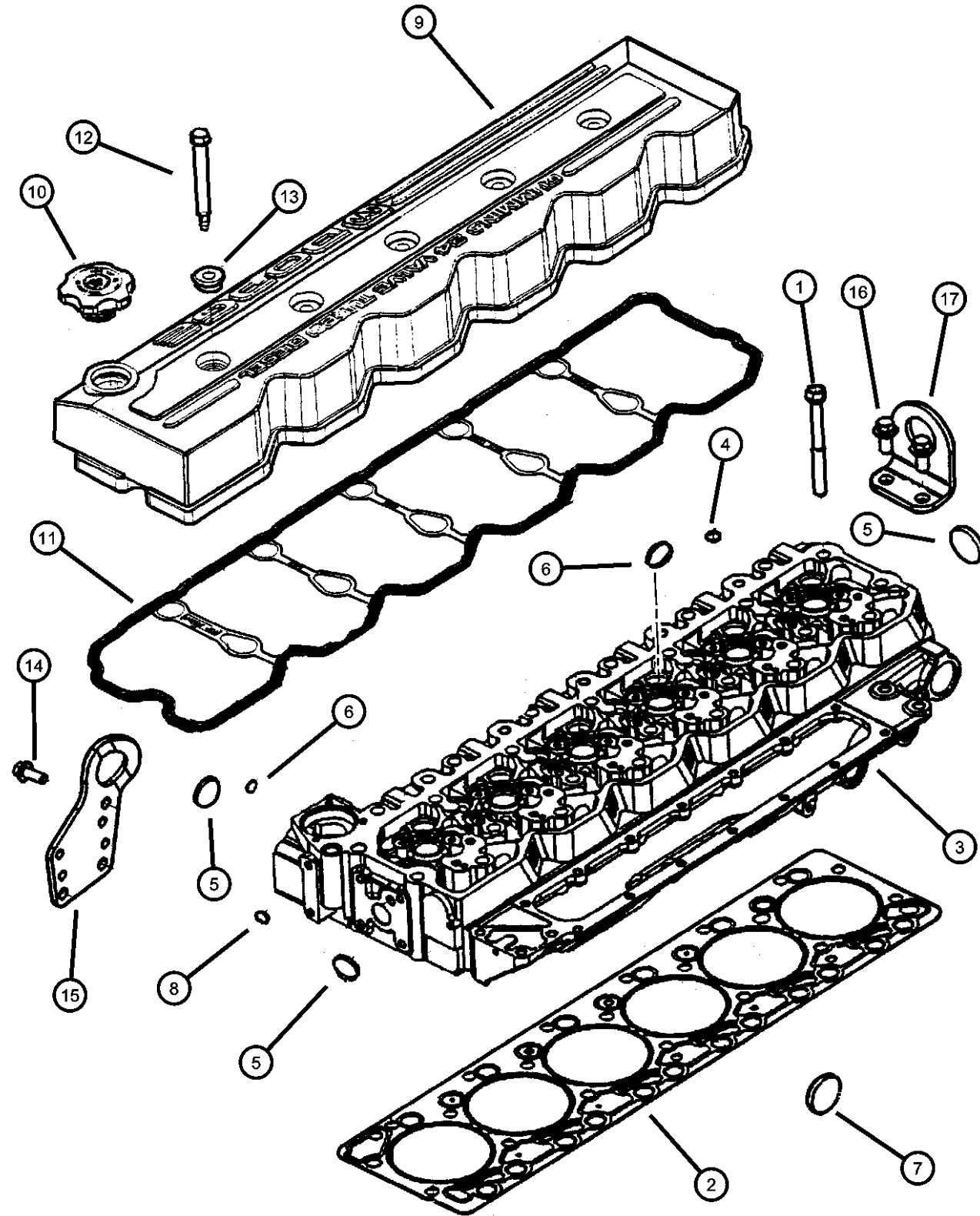
TRANSMISSION

DGP = 4-Spd. Automatic 47RE
Transmission
DD0 = ALL 5 SPEED MANUAL
TRANSMISSIONS
DG0 = ALL AUTOMATIC
TRANSMISSIONS
DDC = 5-Speed HD Manual
Transmission
DDP = 5-Speed Manual Transmission
DDX = 5-Speed HD Manual
Transmission
DEE = 6-Speed HD Manual
Transmission
DGT = 4-Spd. Automatic 46RE
Transmission

AR = use ase required - = Non illustrated part

1999 BE

Cylinder Head
Figure 5.9LD-215



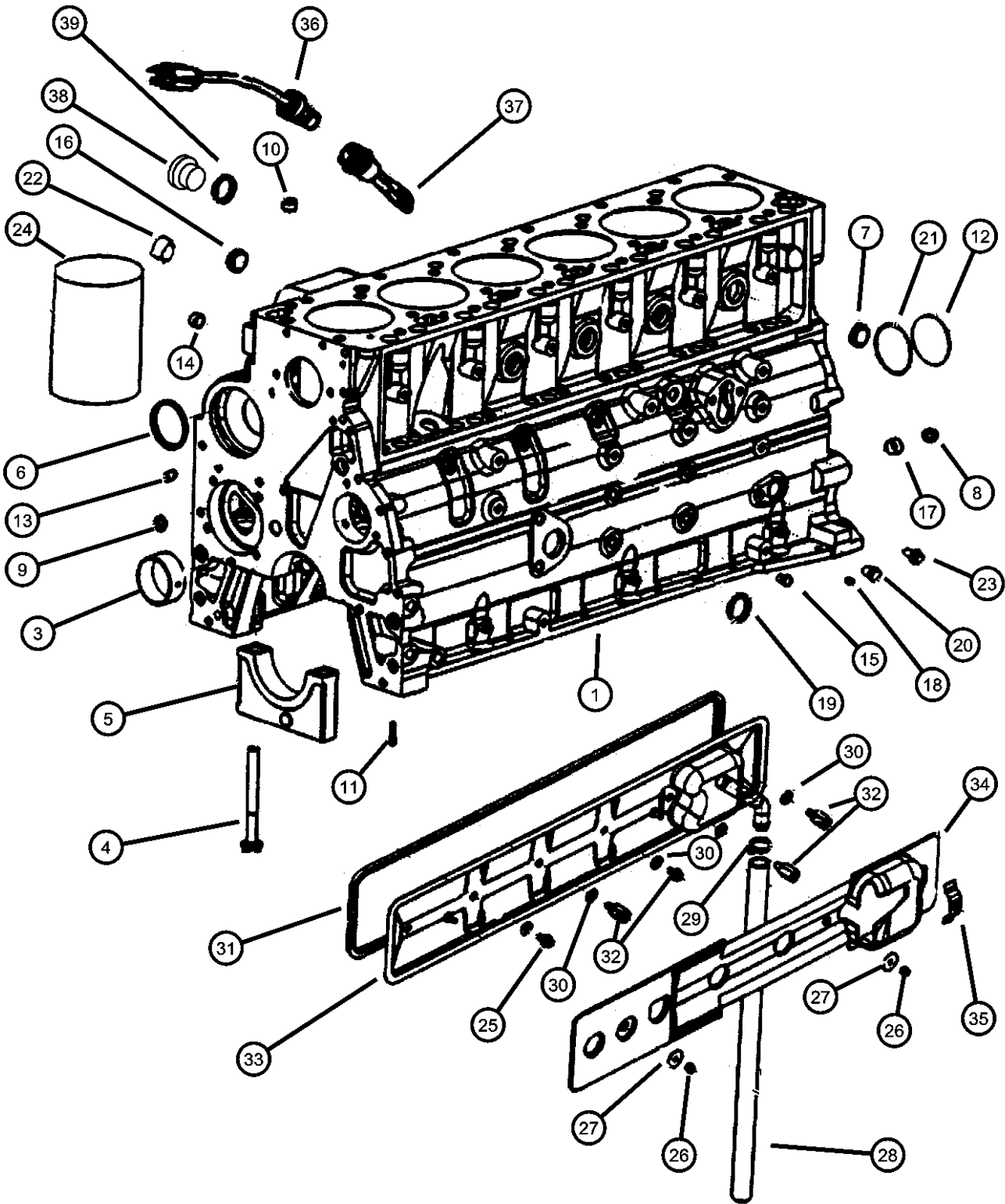
ITEM	PART NUMBER	QTY	LINE	SERIES	BODY	ENGINE	TRANS	TRIM	DESCRIPTION
	05013030AA	1				ET0	DBB		
		1				ET0	DG0		
11	05011420AA	1				ET0	DBB		GASKET, Valve Cover
		1				ET0	DG0		
12	05011472AA	5				ET0			SCREW
13	05011927AA	5				ET0			GROMMET, Valve Cover Seal
14	04429460	3				ET0			SCREW, Water Inlet, M10x1.5x25
15									BRACKET, Engine Lift
	05011842AA	1				ET0	DBB		
		1				ET0	DG0		
16	04638666	2				ET0			SCREW, Hex Flange Head
17									BRACKET, Engine Lift
	05011841AA	1				ET0	DBB		
		1				ET0	DG0		
-18									GASKET KIT, Cylinder Head Overhaul, Upper
	05011933AA	1				ET0	DBB		
		1				ET0	DG0		

RAM PICKUP/CLUB CAB (BE)

SERIES	LINE	BODY	ENGINE	TRANSMISSION
L = RAM 1500, 2500, 3500	1 = Lt. Duty DODGE 2WD	31 = CLUB CAB 2-DR 6.5 FT BOX	ETC = 5.9L Cummins 24V Diesel Engine	DGP = 4-Spd. Automatic 47RE Transmission
	2 = Med. Duty DODGE 2WD	32 = CLUB CAB 2-DR 8FT BOX	EWA = 8.0L V10 MPI Engine	DD0 = ALL 5 SPEED MANUAL TRANSMISSIONS
	3 = HD DODGE 2WD	33 = QUAD CAB 4-DR 6.5 FT BOX	EM0 = ALL 5.9L 8 CYL ENGINES - GAS	DG0 = ALL AUTOMATIC TRANSMISSIONS
	6 = Lt. Duty DODGE 4WD	34 = QUAD CAB 4-DR 8FT BOX	EMM = 5.9L SMPI V8 Engine	DDC = 5-Speed HD Manual Transmission
	7 = Med. Duty DODGE 4WD		EML = 5.9L V8 MPI Engine	DDP = 5-Speed Manual Transmission
	8 = HD DODGE 4WD		ELF = 5.2L V8 MPI Engine	DDX = 5-Speed HD Manual Transmission
				DEE = 6-Speed HD Manual Transmission
				DGT = 4-Spd. Automatic 46RE Transmission

AR = use ase required - = Non illustrated part

**Cylinder Block
Figure 5.9LD-315**



ITEM	PART NUMBER	QTY	LINE	SERIES	BODY	ENGINE	TRANS	TRIM	DESCRIPTION
GASKET PACKAGE, Engine Lower - 05011934AA									
BLOCK KIT, Hardware - 05011780AA									
LONG BLOCK, For 1998, Use 1999 Long Block 05016374AA with Retro-Fit Kit 05018357AA									
LONG BLOCK, For 1999, Use 05016374AA									
ETC= 24 Valve Diesel Engine, ETO = All Diesel Engines,									
DBB = Manual Transmissions, DGO= All Automatic Transmissions									
1	05015092AA	1				ETC			BLOCK, Short
	04798231AD								Mopar 15W-40 Engine Oil Quart
	04798232AD								Mopar 15W-40 Engine Oil Gallon
-2	05016374AA	1				ETC			BLOCK, Long
	04798231AD								Mopar 15W-40 Engine Oil Quart
	04798232AD								Mopar 15W-40 Engine Oil Gallon
3									BUSHING, Camshaft
	05003617AA	1				ET0	DBB		
		1				ET0	DGO		
4	05003615AA	14				ET0			BOLT, Hex Head
5	05003615AA	14							CAP, (NOT SERVICED)
6	04797725	5				ET0			PLUG, Cylinder Block Oil Hole
7	04429735	4				ET0			PLUG, Expansion
8	04429956	3				ET0			PLUG, Expansion
9	04429068	14				ET0			DOWEL, Block To Clutch Housing
10	04429343	2				ET0			DOWEL, Ring
11	05003606AA	6				ET0			JET, Piston Oil Cooler
12	04429687	1				ET0			PLUG, Expansion
13	04429257	2				ET0			DOWEL, Front Cover
14	04429568	1				ET0			PLUG, Pipe
15	05003614AA	2				ET0			PLUG, Expansion
16									PLUG, Expansion
	05003605AA	1				ET0	DBB		
		1				ET0	DGO		

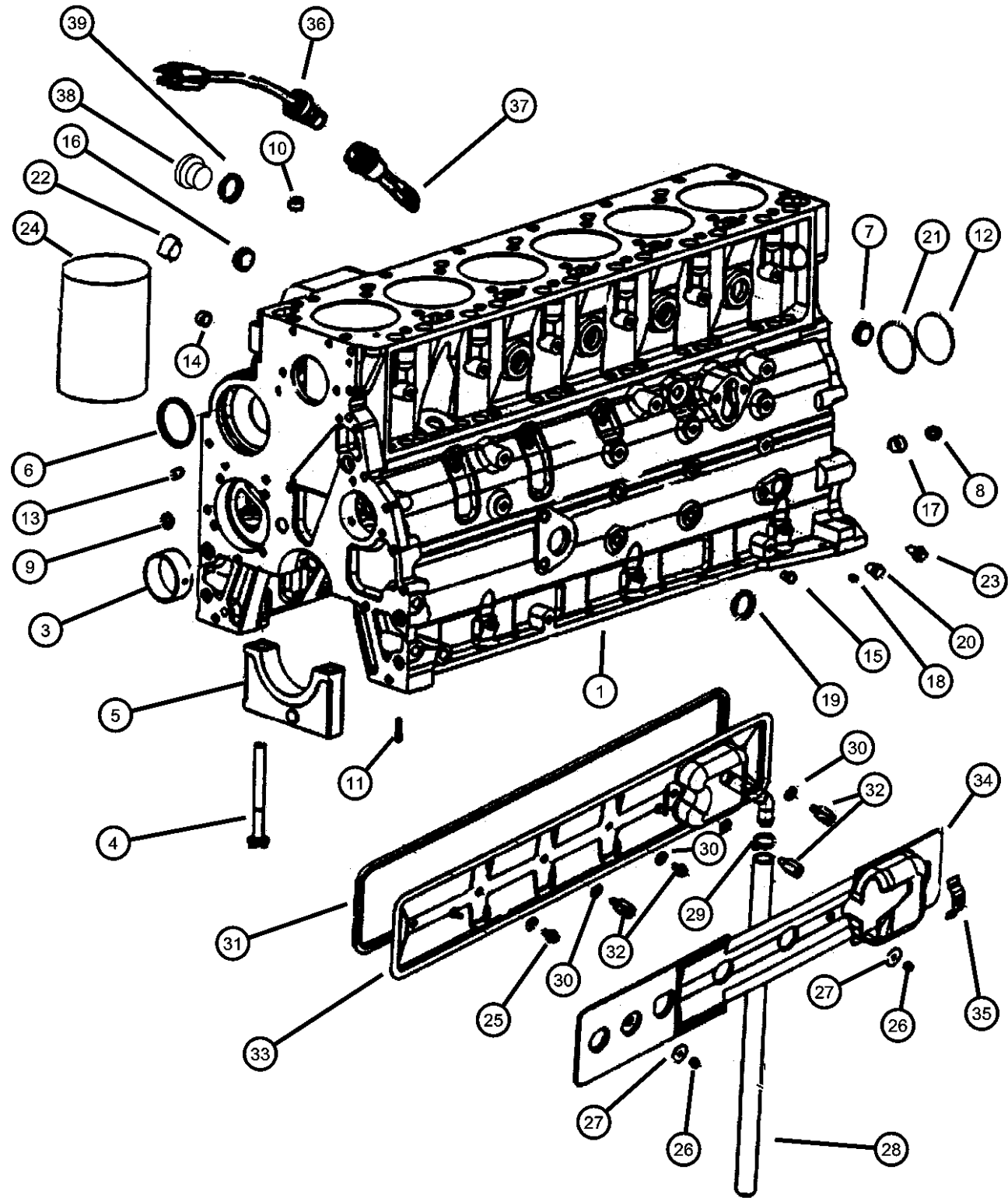
RAM PICKUP/CLUB CAB (BE)

SERIES	LINE	BODY	ENGINE	TRANSMISSION
L = RAM 1500, 2500, 3500	1 = Lt. Duty DODGE 2WD	31 = CLUB CAB 2-DR 6.5 FT BOX	ETC = 5.9L Cummins 24V Diesel Engine	DGP = 4-Spd. Automatic 47RE Transmission
	2 = Med. Duty DODGE 2WD	32 = CLUB CAB 2-DR 8FT BOX	EWA = 8.0L V10 MPI Engine	DD0 = ALL 5 SPEED MANUAL TRANSMISSIONS
	3 = HD DODGE 2WD	33 = QUAD CAB 4-DR 6.5 FT BOX	EM0 = ALL 5.9L 8 CYL ENGINES - GAS	DG0 = ALL AUTOMATIC TRANSMISSIONS
	6 = Lt. Duty DODGE 4WD	34 = QUAD CAB 4-DR 8FT BOX	EMM = 5.9L SMPI V8 Engine	DDC = 5-Speed HD Manual Transmission
	7 = Med. Duty DODGE 4WD		EML = 5.9L V8 MPI Engine	DDP = 5-Speed Manual Transmission
	8 = HD DODGE 4WD		ELF = 5.2L V8 MPI Engine	DDX = 5-Speed HD Manual Transmission
				DEE = 6-Speed HD Manual Transmission
				DGT = 4-Spd. Automatic 46RE Transmission

AR = use ase required - = Non illustrated part

1999 BE

Cylinder Block
Figure 5.9LD-315



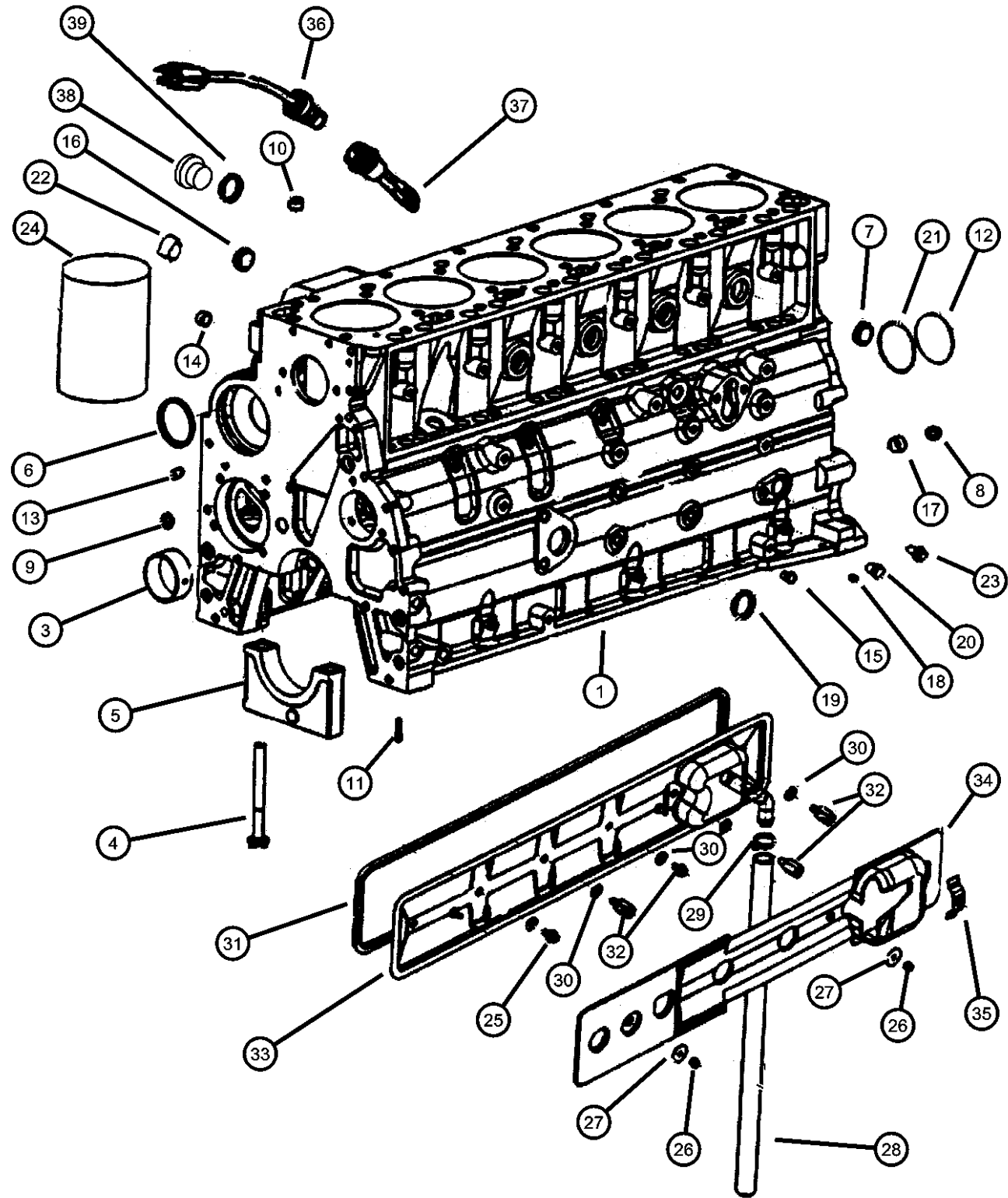
ITEM	PART NUMBER	QTY	LINE	SERIES	BODY	ENGINE	TRANS	TRIM	DESCRIPTION
17	04429068	2				ET0			DOWEL, Block To Clutch Housing
18	04429955	3				ET0			PLUG, Expansion
19	04429958	1				ET0			PLUG, Expansion
20									PLUG, Cylinder Block
	05011781AA	1				ET0	DBB		
		1				ET0	DG0		
21	04882037	1				ET0			O RING
22	04429369	1				ET0			PLUG, Pipe
23									SCREW, Hex Head, M8x1.25x16
	04429629	1				ET0	DBB		
		1				ET0	DG0		
24	04429166	AR				ET0			SLEEVE, Cylinder Block
25	05011792AA	3				ET0			SCREW, Hex Head
26	04429959	2				ET0			NUT, Tappet Cover
27	04429960	2				ET0			WASHER, Plain
28	04429960	2							HOSE, Valve Cover Vent, (NOT REQUIRED)
29	04429960	2							CLAMP, Serviced in Hose, (NOT SERVICED)
30	05003620AA	6				ET0			SEAL, Grommet O-Ring
31									GASKET, Camshaft Cover
	04798940	1				ET0	DBB		
		1				ET0	DG0		
32	05003621AA	3				ET0			SPACER
33									COVER, Camshaft
	05014179AA	1				ET0	DBB		
		1				ET0	DG0		
34									COVER, Camshaft
	05011795AA	1				ET0	DBB		

RAM PICKUP/CLUB CAB (BE)

SERIES	LINE	BODY	ENGINE	TRANSMISSION
L = RAM 1500, 2500, 3500	1 = Lt. Duty DODGE 2WD 2 = Med. Duty DODGE 2WD 3 = HD DODGE 2WD 6 = Lt. Duty DODGE 4WD 7 = Med. Duty DODGE 4WD 8 = HD DODGE 4WD	31 = CLUB CAB 2-DR 6.5 FT BOX 32 = CLUB CAB 2-DR 8FT BOX 33 = QUAD CAB 4-DR 6.5 FT BOX 34 = QUAD CAB 4-DR 8FT BOX	ETC = 5.9L Cummins 24V Diesel Engine EWA = 8.0L V10 MPI Engine EM0 = ALL 5.9L 8 CYL ENGINES - GAS EMM = 5.9L SMPI V8 Engine EML = 5.9L V8 MPI Engine ELF = 5.2L V8 MPI Engine	DGP = 4-Spd. Automatic 47RE Transmission DD0 = ALL 5 SPEED MANUAL TRANSMISSIONS DG0 = ALL AUTOMATIC TRANSMISSIONS DDC = 5-Speed HD Manual Transmission DDP = 5-Speed Manual Transmission DDX = 5-Speed HD Manual Transmission DEE = 6-Speed HD Manual Transmission DGT = 4-Spd. Automatic 46RE Transmission

AR = use ase required - = Non illustrated part

Cylinder Block
Figure 5.9LD-315



ITEM	PART NUMBER	QTY	LINE	SERIES	BODY	ENGINE	TRANS	TRIM	DESCRIPTION
						ET0	DG0		
35	05011794AA	1				ET0			BRACKET
36	04798889	1				ET0	DBB		CORD, Engine Block Heater
37	05003619AA	1				ET0	DG0		HEATER, Engine Block
38	05011913AA	1				ET0	DBB		PLUG
39	05011914AA	1				ET0	DG0		O RING, Oil Cooler
-40	05013690AA	1				ET0	DBB		PLUG, Crank Sensor Hole Plate
-41	05011856AA	1				ET0	DG0		SCREW, Crank Sensor Hole Plate Attach
-42	05011934AA	1				ET0	DBB		GASKET KIT, Lower Engine Set
-43	05011780AA	1				ET0	DBB		All Manual
		1				ET0	DG0		All Automatic
		1				ET0	DG0		KIT, Block Hardware
		1				ET0	DBB		All Manual
		1				ET0	DG0		All Automatic

RAM PICKUP/CLUB CAB (BE)

SERIES LINE
 L = RAM 1500, 2500, 3500
 1 = Lt. Duty DODGE 2WD
 2 = Med. Duty DODGE 2WD
 3 = HD DODGE 2WD
 6 = Lt. Duty DODGE 4WD
 7 = Med. Duty DODGE 4WD
 8 = HD DODGE 4WD

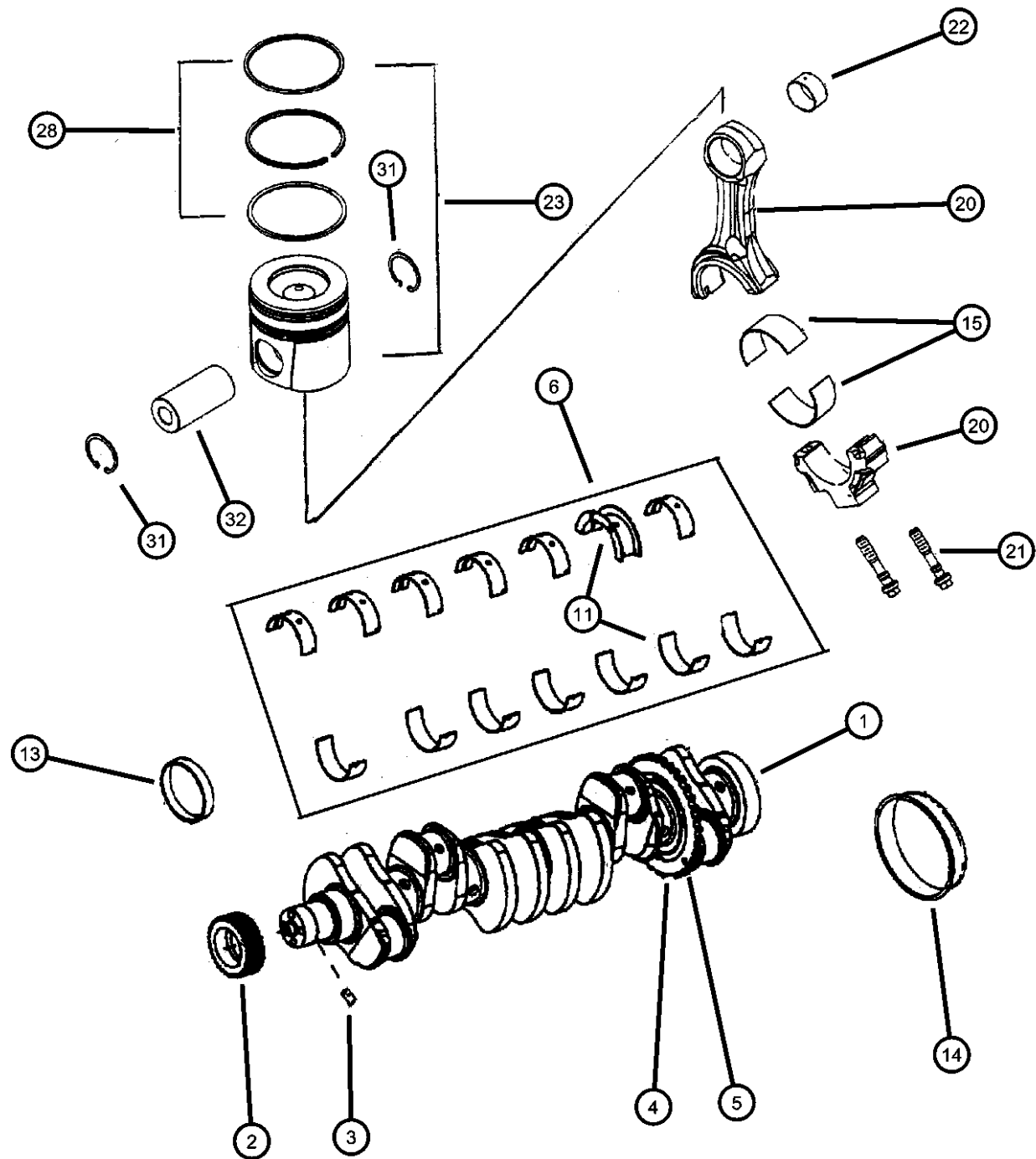
BODY
 31 = CLUB CAB 2-DR 6.5 FT BOX
 32 = CLUB CAB 2-DR 8FT BOX
 33 = QUAD CAB 4-DR 6.5 FT BOX
 34 = QUAD CAB 4-DR 8FT BOX

ENGINE
 ETC = 5.9L Cummins 24V Diesel Engine
 EWA = 8.0L V10 MPI Engine
 EM0 = ALL 5.9L 8 CYL ENGINES - GAS
 EMM = 5.9L SMPI V8 Engine
 EML = 5.9L V8 MPI Engine
 ELF = 5.2L V8 MPI Engine

TRANSMISSION
 DGP = 4-Spd. Automatic 47RE Transmission
 DD0 = ALL 5 SPEED MANUAL TRANSMISSIONS
 DG0 = ALL AUTOMATIC TRANSMISSIONS
 DDC = 5-Speed HD Manual Transmission
 DDP = 5-Speed Manual Transmission
 DDX = 5-Speed HD Manual Transmission
 DEE = 6-Speed HD Manual Transmission
 DGT = 4-Spd. Automatic 46RE Transmission

AR = use ase required - = Non illustrated part

**Crankshaft and Piston
Figure 5.9LD-415**



ITEM	PART NUMBER	QTY	LINE	SERIES	BODY	ENGINE	TRANS	TRIM	DESCRIPTION
------	-------------	-----	------	--------	------	--------	-------	------	-------------

Note; ETC = 24 Valve Diesel Engine, ETO = All Diesel Engines, DBB = Manual Transmissions, DGO = All Automatic Transmissions

1									CRANKSHAFT
	05011782AA	1				ETO	DBB		
		1				ETO	DGO		
2									GEAR, Crankshaft
	04882036	1				ETO	DBB		
		1				ETO	DGO		
3									PIN, Crankshaft Gear
	04429483	1				ETO	DBB		
		1				ETO	DGO		
4									TONE RING, Sensor
	05011783AA	1				ETO	DBB		
		1				ETO	DGO		
5	05011784AA	5				ETO			SCREW
6									BEARING KIT, Crankshaft, Standard
	04429070	1				ETO	DBB		
		1				ETO	DGO		
-7	04429271	AR				ETO			BEARING KIT, Crankshaft, .25mm Oversize
-8	04429272	AR				ETO			BEARING KIT, Crankshaft, .50mm Oversize
-9	04429273	AR				ETO			BEARING KIT, Crankshaft, .75mm Oversize
-10	04429274	AR				ETO			BEARING KIT, Crankshaft, 1.00mm Oversize
11	05012552AA	AR				ETO			BEARING, Crankshaft Thrust, .50 mm U/S
-12	05012551AA	AR				ETO			BEARING, Crankshaft Thrust, 1.00 mm U/S
13									SLEEVE, Wear
	05011935AA	1				ETO	DBB		

RAM PICKUP/CLUB CAB (BE)

SERIES	LINE
L = RAM 1500, 2500, 3500	1 = Lt. Duty DODGE 2WD 2 = Med. Duty DODGE 2WD 3 = HD DODGE 2WD 6 = Lt. Duty DODGE 4WD 7 = Med. Duty DODGE 4WD 8 = HD DODGE 4WD

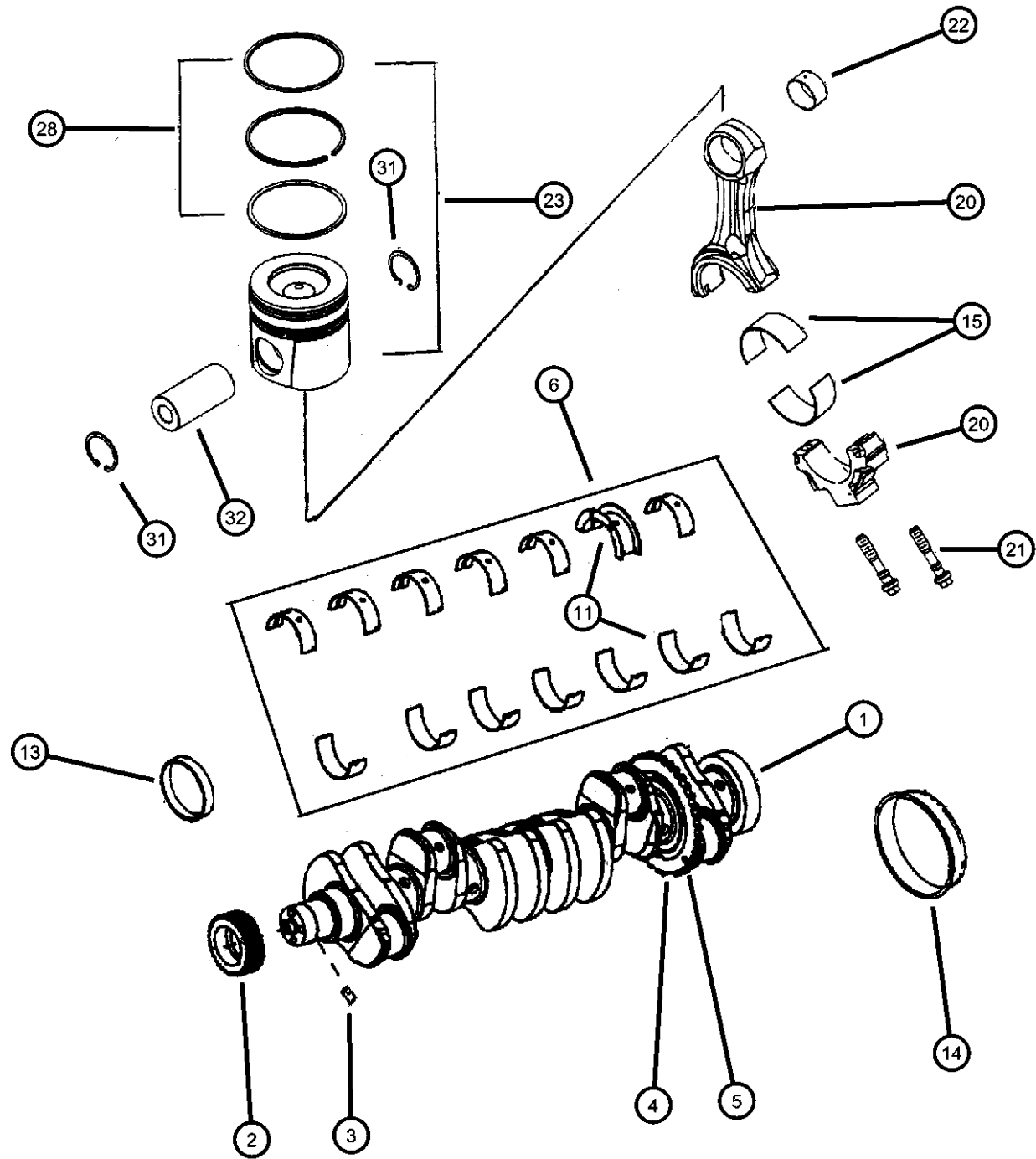
BODY	ENGINE
31 = CLUB CAB 2-DR 6.5 FT BOX 32 = CLUB CAB 2-DR 8FT BOX 33 = QUAD CAB 4-DR 6.5 FT BOX 34 = QUAD CAB 4-DR 8FT BOX	ETC = 5.9L Cummins 24V Diesel Engine EWA = 8.0L V10 MPI Engine EM0 = ALL 5.9L 8 CYL ENGINES - GAS EMM = 5.9L SMPI V8 Engine EML = 5.9L V8 MPI Engine ELF = 5.2L V8 MPI Engine

TRANSMISSION
DGP = 4-Spd. Automatic 47RE Transmission DD0 = ALL 5 SPEED MANUAL TRANSMISSIONS DGO = ALL AUTOMATIC TRANSMISSIONS DDC = 5-Speed HD Manual Transmission DDP = 5-Speed Manual Transmission DDX = 5-Speed HD Manual Transmission DEE = 6-Speed HD Manual Transmission DGT = 4-Spd. Automatic 46RE Transmission

AR = use ase required - = Non illustrated part

1999 BE

**Crankshaft and Piston
Figure 5.9LD-415**



ITEM	PART NUMBER	QTY	LINE	SERIES	BODY	ENGINE	TRANS	TRIM	DESCRIPTION
		1				ET0	DG0		
14	04897876AA	1				ET0	DBB		SLEEVE KIT, Wear
		1				ET0	DG0		
15	04429175	12				ET0			BEARING, Connecting Rod, STD.
-16	04429171	AR				ET0			BEARING, Connecting Rod, .25 mm U/S
-17	04429172	AR				ET0			BEARING, Connecting Rod, .50 mm U/S
-18	04429173	AR				ET0			BEARING, Connecting Rod, .75 mm U/S
-19									BEARING, Connecting Rod, 1.00 mm U/S
	04429174	AR				ET0	DBB		
		AR				ET0	DG0		
20	05003649AA	6				ET0			ROD, Connecting
21	04429919	12				ET0			SCREW, Connecting Rod, 24x.44
22	04429919	12							BUSHING, Serviced in Rod, (NOT SERVICED)
23	05011857AA	6				ET0			PISTON AND RINGS, Diesel Engine, A Grade
-24	05011859AA	6				ET0			PISTON AND RINGS, Diesel Engine, B Grade
-25	05011860AA	6				ET0			PISTON AND RINGS, Diesel Engine, C Grade
-26	05011869AA	AR				ET0			PISTON AND RINGS, Diesel Engine, .50MM Oversize
-27	05011871AA	AR				ET0			PISTON AND RINGS, Diesel Engine, 1.00MM Oversize
28	05011858AA	6				ET0			RING KIT, Piston, Standard
-29	05011942AA	AR				ET0			RING KIT, Piston, .50MM Oversize
-30	05011870AA	AR				ET0			RING KIT, Piston, 1.00MM Oversize

RAM PICKUP/CLUB CAB (BE)

SERIES	LINE
L = RAM 1500, 2500, 3500	1 = Lt. Duty DODGE 2WD
	2 = Med. Duty DODGE 2WD
	3 = HD DODGE 2WD
	6 = Lt. Duty DODGE 4WD
	7 = Med. Duty DODGE 4WD
	8 = HD DODGE 4WD

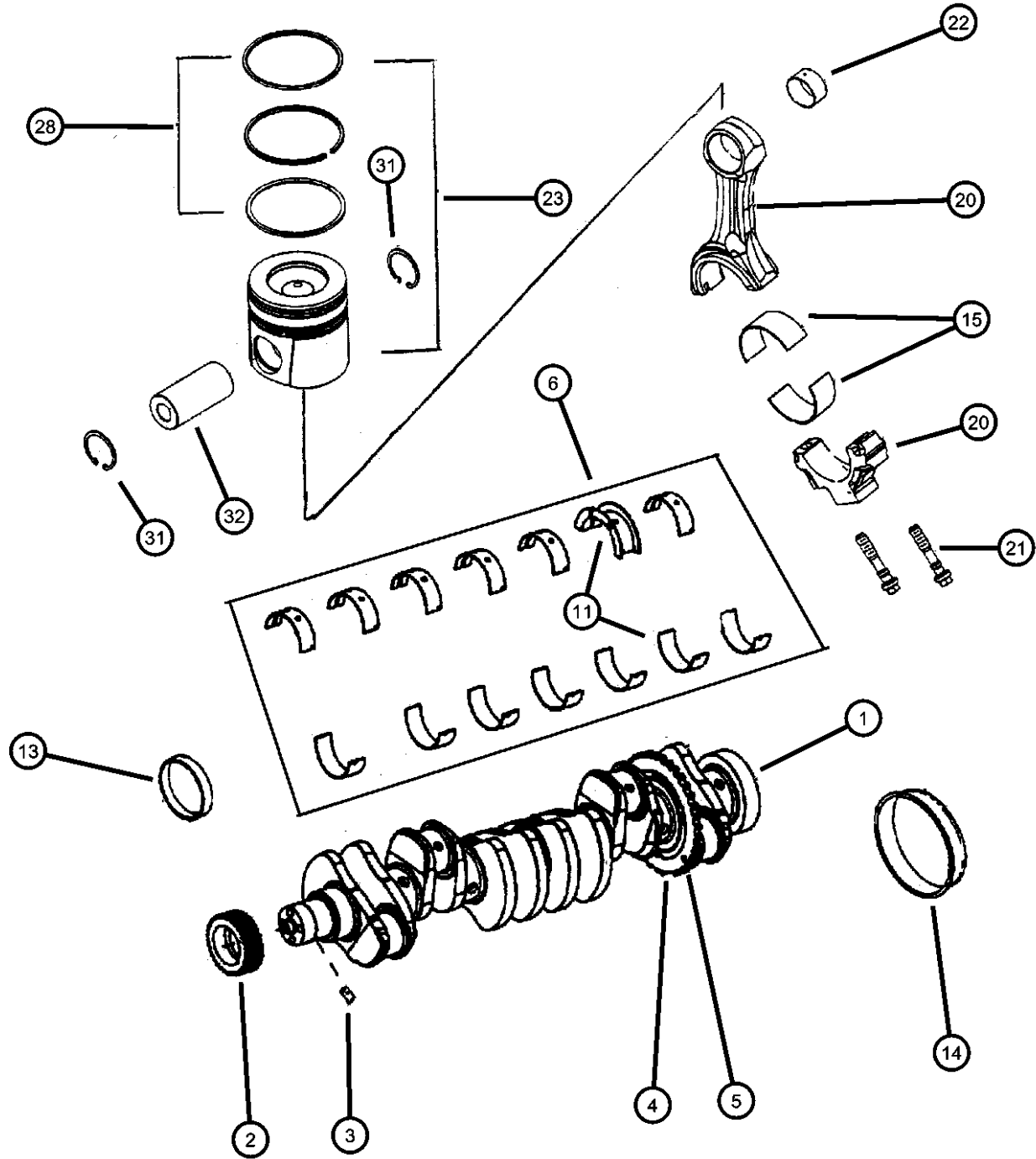
BODY	ENGINE
31 = CLUB CAB 2-DR 6.5 FT BOX	ETC = 5.9L Cummins 24V Diesel Engine
32 = CLUB CAB 2-DR 8FT BOX	EWA = 8.0L V10 MPI Engine
33 = QUAD CAB 4-DR 6.5 FT BOX	EM0 = ALL 5.9L 8 CYL ENGINES - GAS
34 = QUAD CAB 4-DR 8FT BOX	EMM = 5.9L SMPI V8 Engine
	EML = 5.9L V8 MPI Engine
	ELF = 5.2L V8 MPI Engine

TRANSMISSION
DGP = 4-Spd. Automatic 47RE Transmission
DD0 = ALL 5 SPEED MANUAL TRANSMISSIONS
DG0 = ALL AUTOMATIC TRANSMISSIONS
DDC = 5-Speed HD Manual Transmission
DDP = 5-Speed Manual Transmission
DDX = 5-Speed HD Manual Transmission
DEE = 6-Speed HD Manual Transmission
DGT = 4-Spd. Automatic 46RE Transmission

AR = use ase required - = Non illustrated part

**Crankshaft and Piston
Figure 5.9LD-415**

ITEM	PART NUMBER	QTY	LINE	SERIES	BODY	ENGINE	TRANS	TRIM	DESCRIPTION
31	05003650AA	12				ET0			RING, Piston Pin
32	04638725	6				ET0			PIN, Piston

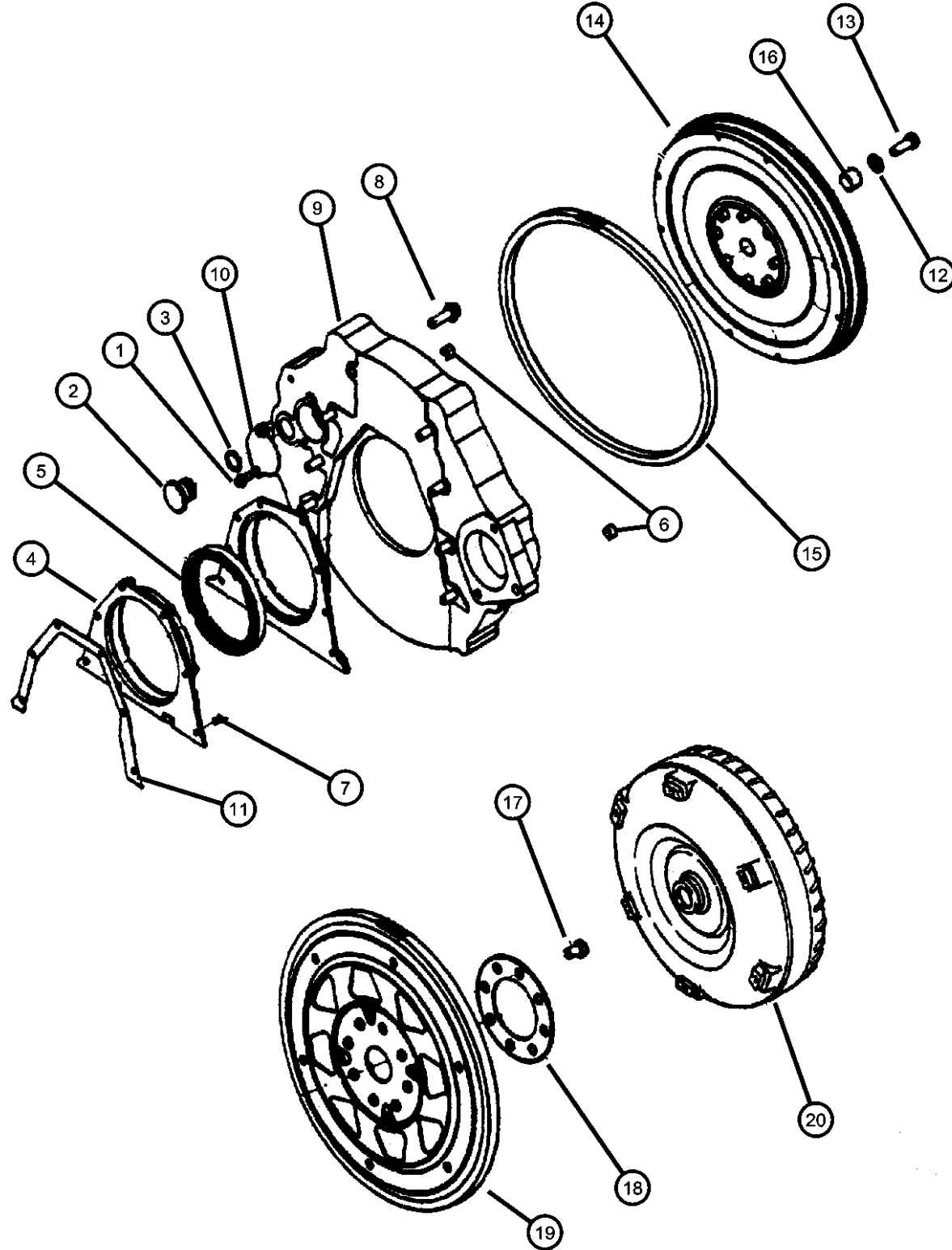


RAM PICKUP/CLUB CAB (BE)

SERIES	LINE	BODY	ENGINE	TRANSMISSION
L = RAM 1500, 2500, 3500	1 = Lt. Duty DODGE 2WD 2 = Med. Duty DODGE 2WD 3 = HD DODGE 2WD 6 = Lt. Duty DODGE 4WD 7 = Med. Duty DODGE 4WD 8 = HD DODGE 4WD	31 = CLUB CAB 2-DR 6.5 FT BOX 32 = CLUB CAB 2-DR 8FT BOX 33 = QUAD CAB 4-DR 6.5 FT BOX 34 = QUAD CAB 4-DR 8FT BOX	ETC = 5.9L Cummins 24V Diesel Engine EWA = 8.0L V10 MPI Engine EM0 = ALL 5.9L 8 CYL ENGINES - GAS EMM = 5.9L SMPi V8 Engine EML = 5.9L V8 MPI Engine ELF = 5.2L V8 MPI Engine	DGP = 4-Spd. Automatic 47RE Transmission DD0 = ALL 5 SPEED MANUAL TRANSMISSIONS DG0 = ALL AUTOMATIC TRANSMISSIONS DDC = 5-Speed HD Manual Transmission DDP = 5-Speed Manual Transmission DDX = 5-Speed HD Manual Transmission DEE = 6-Speed HD Manual Transmission DGT = 4-Spd. Automatic 46RE Transmission

AR = use ase required - = Non illustrated part

**Flywheel and Torque Converter
Figure 5.9LD-425**



ITEM	PART NUMBER	QTY	LINE	SERIES	BODY	ENGINE	TRANS	TRIM	DESCRIPTION
------	-------------	-----	------	--------	------	--------	-------	------	-------------

Note; ETC= 24 Valve Diesel Engine, ETO= All Diesel Engines, DBB= Manual Transmissions, DGO= All Automatic Transmissions.

1	04429630	2				ETO			BOLT, Hex Head
2									PLUG, Adaptor Plate
	04429248	1				ETO	DBB		
		1				ETO	DGO		
3									O RING, Transmission Adapter Plug
	04429260	1				ETO	DBB		
		1				ETO	DGO		
4									HOUSING, Rear Main Seal
	04638817	1				ETO	DBB		
		1				ETO	DGO		
5									SEAL, Rear Main Crankshaft
	04429410	1				ETO	DBB		
		1				ETO	DGO		
6	04429678	2				ETO			PIN, Dowel
7	04429638	6				ETO			BOLT, Hex Head
8	04761248	8				ETO			BOLT, Flywheel Housing Adapter, Transmission
9									
	04874537	1				ETO	DBB		
		1				ETO	DGO		
10									COVER, Flywheel Housing
	04761247	1				ETO	DBB		
		1				ETO	DGO		
11									GASKET, Rear Cover
	04856021	1				ETO	DBB		
		1				ETO	DGO		
12	06501681	8				ETO	DBB		WASHER, Flat

RAM PICKUP/CLUB CAB (BE)

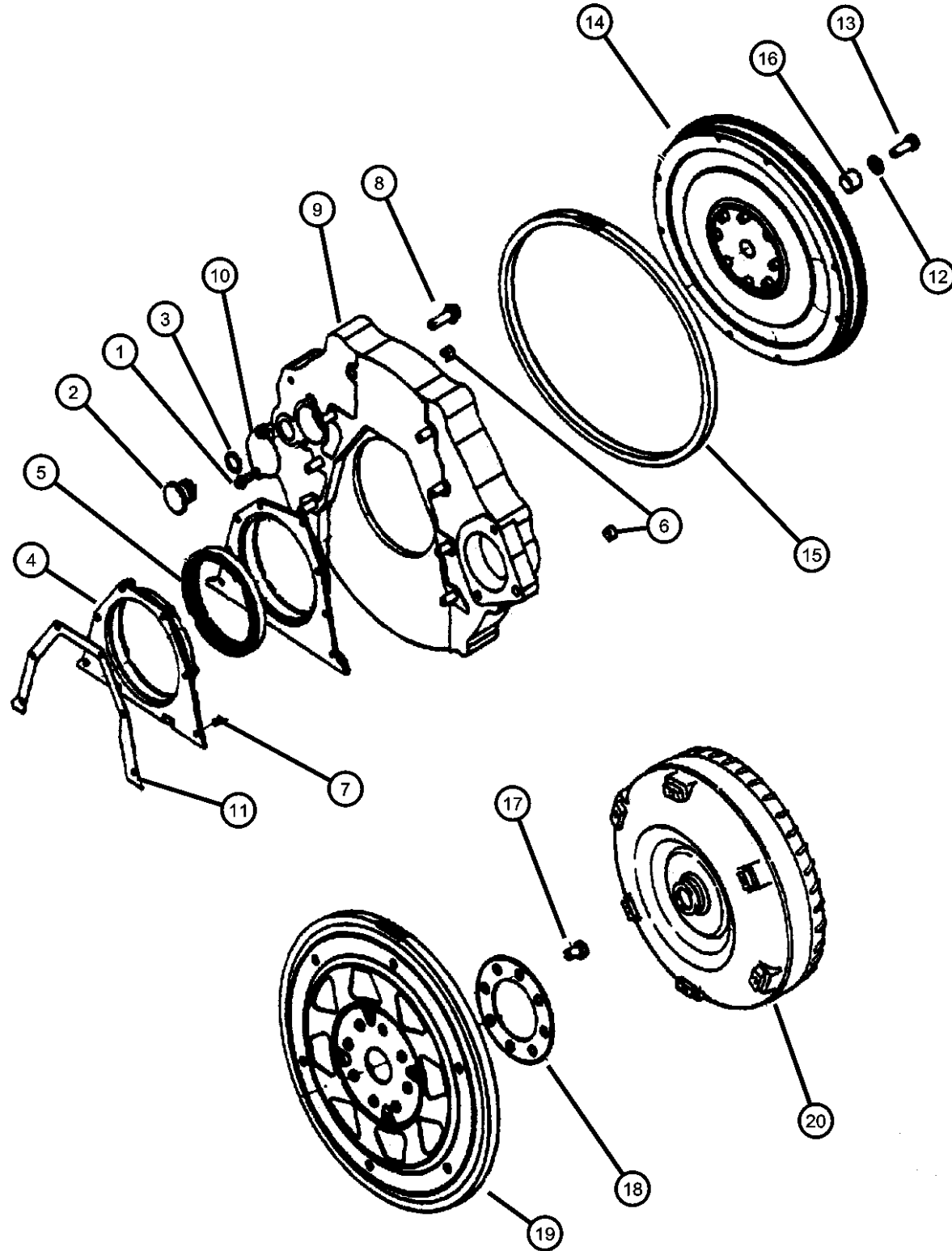
SERIES	LINE
L = RAM 1500, 2500, 3500	1 = Lt. Duty DODGE 2WD
	2 = Med. Duty DODGE 2WD
	3 = HD DODGE 2WD
	6 = Lt. Duty DODGE 4WD
	7 = Med. Duty DODGE 4WD
	8 = HD DODGE 4WD

BODY	ENGINE	TRANSMISSION
31 = CLUB CAB 2-DR 6.5 FT BOX	ETC = 5.9L Cummins 24V Diesel Engine	DGP = 4-Spd. Automatic 47RE Transmission
32 = CLUB CAB 2-DR 8FT BOX	EWA = 8.0L V10 MPI Engine	DD0 = ALL 5 SPEED MANUAL TRANSMISSIONS
33 = QUAD CAB 4-DR 6.5 FT BOX	EM0 = ALL 5.9L 8 CYL ENGINES - GAS	DGO = ALL AUTOMATIC TRANSMISSIONS
34 = QUAD CAB 4-DR 8FT BOX	EMM = 5.9L SMPI V8 Engine	DDC = 5-Speed HD Manual Transmission
	EML = 5.9L V8 MPI Engine	DDP = 5-Speed Manual Transmission
	ELF = 5.2L V8 MPI Engine	DDX = 5-Speed HD Manual Transmission
		DEE = 6-Speed HD Manual Transmission
		DGT = 4-Spd. Automatic 46RE Transmission

AR = use ase required - = Non illustrated part

1999 BE

**Flywheel and Torque Converter
Figure 5.9LD-425**



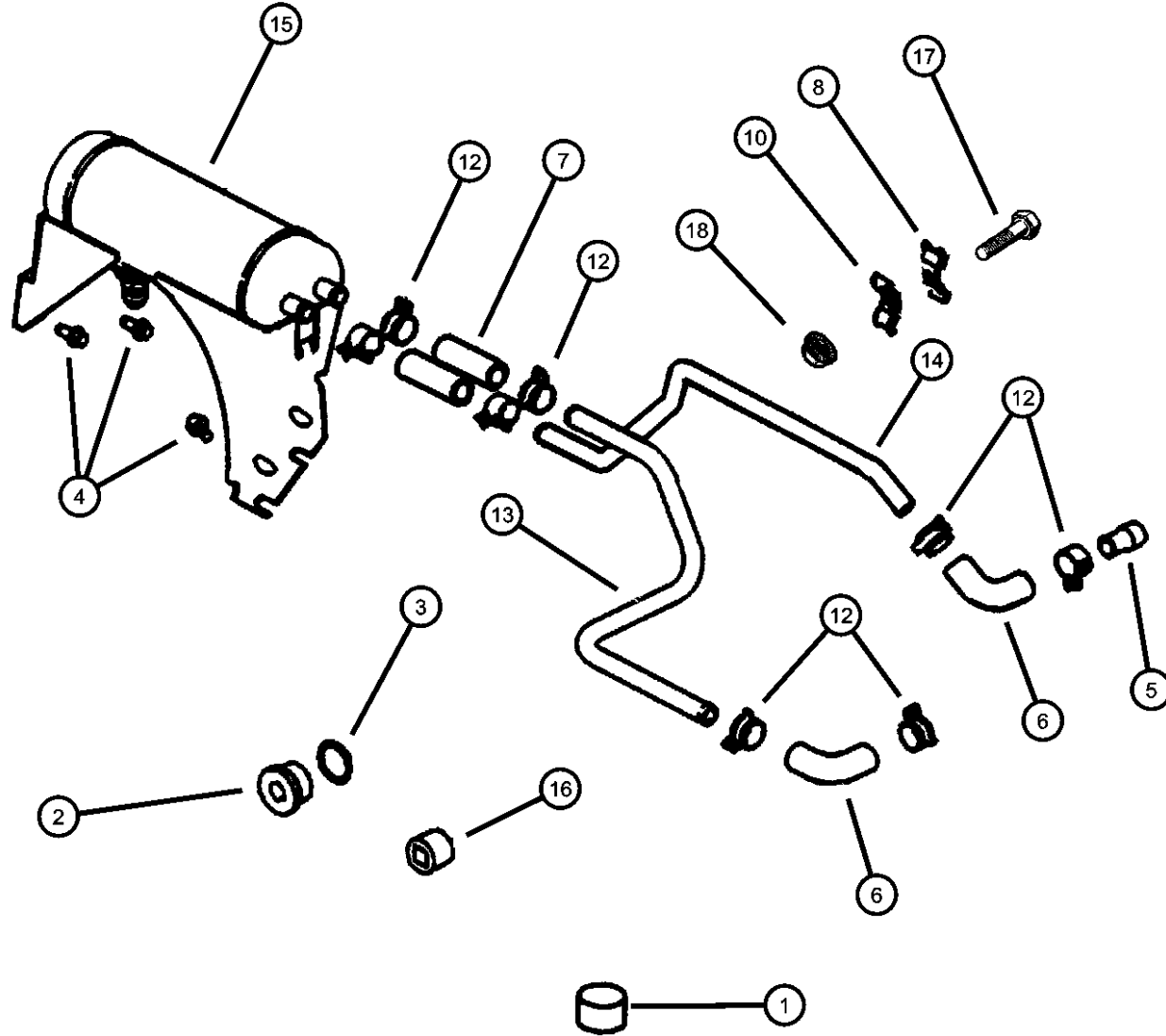
ITEM	PART NUMBER	QTY	LINE	SERIES	BODY	ENGINE	TRANS	TRIM	DESCRIPTION
13	06501680	8				ET0			SCREW, Hex Head, M12x1.25x34.00
14	05003640AA	1				ET0	DBB		FLYWHEEL
15	04429903	1				ET0	DBB		GEAR, Ring
16	04882853	1				ET0	DBB		BEARING, Pilot
17	04429522	8				ET0	DG0		SCREW, Cap
18	04798968	1				ET0	DG0		PLATE, Drive Plate Backing
19	04762088	1				ET0	DG0		PLATE, Torque Converter Drive
20	52118868	1				ET0	DG0		CONVERTER, Torque
-21	06033439	6				ET0	DG0		BOLT, Hex Head, .37-24x.55

RAM PICKUP/CLUB CAB (BE)

SERIES	LINE	BODY	ENGINE	TRANSMISSION
L = RAM 1500, 2500, 3500	1 = Lt. Duty DODGE 2WD 2 = Med. Duty DODGE 2WD 3 = HD DODGE 2WD 6 = Lt. Duty DODGE 4WD 7 = Med. Duty DODGE 4WD 8 = HD DODGE 4WD	31 = CLUB CAB 2-DR 6.5 FT BOX 32 = CLUB CAB 2-DR 8FT BOX 33 = QUAD CAB 4-DR 6.5 FT BOX 34 = QUAD CAB 4-DR 8FT BOX	ETC = 5.9L Cummins 24V Diesel Engine EWA = 8.0L V10 MPI Engine EM0 = ALL 5.9L 8 CYL ENGINES - GAS EMM = 5.9L SMPI V8 Engine EML = 5.9L V8 MPI Engine ELF = 5.2L V8 MPI Engine	DGP = 4-Spd. Automatic 47RE Transmission DD0 = ALL 5 SPEED MANUAL TRANSMISSIONS DG0 = ALL AUTOMATIC TRANSMISSIONS DDC = 5-Speed HD Manual Transmission DDP = 5-Speed Manual Transmission DDX = 5-Speed HD Manual Transmission DEE = 6-Speed HD Manual Transmission DGT = 4-Spd. Automatic 46RE Transmission

AR = use ase required - = Non illustrated part

**Torque Converter Cooler
Figure 5.9LD-435**



ITEM	PART NUMBER	QTY	LINE	SERIES	BODY	ENGINE	TRANS	TRIM	DESCRIPTION
1	04429369	1				ETO			PLUG, Pipe
2									PLUG
	05011913AA	1				ETO	DBB		
		1				ETO	DG0		
3									O RING, Oil Cooler
	05011914AA	1				ETO	DBB		
		1				ETO	DG0		
4	04429630	5				ETO			BOLT, Hex Head
5	04883885AA	1				ETO			COUPLING, Hose
6	05011405AA	2				ETO			HOSE, Oil Cooler
7	05011409AA	2				ETO			HOSE, Oil Cooler
8	05011409AA	2							CLAMP, Oil Cooler, (NOT REQUIRED)
-9	04429089	2				ETO			CLAMP, Tube Retaining
10	04429089	2							CLAMP, Oil Cooler, (NOT REQUIRED)
-11	04429089	2				ETO			CLAMP, Tube Retaining
12	05011900AA	8				ETO			CLAMP, Heater
13	05014171AA	1				ETO			TUBE, Oil Cooler
14	05011918AA	1				ETO			TUBE, Oil Cooler
15	05011919AA	1				ETO			COOLER, Torque Converter
16	04429568	1				ETO			PLUG, Pipe
17	04429114	1				ETO			SCREW, Hex Flange Head
18	04429689	1				ETO			NUT, Hex Flange

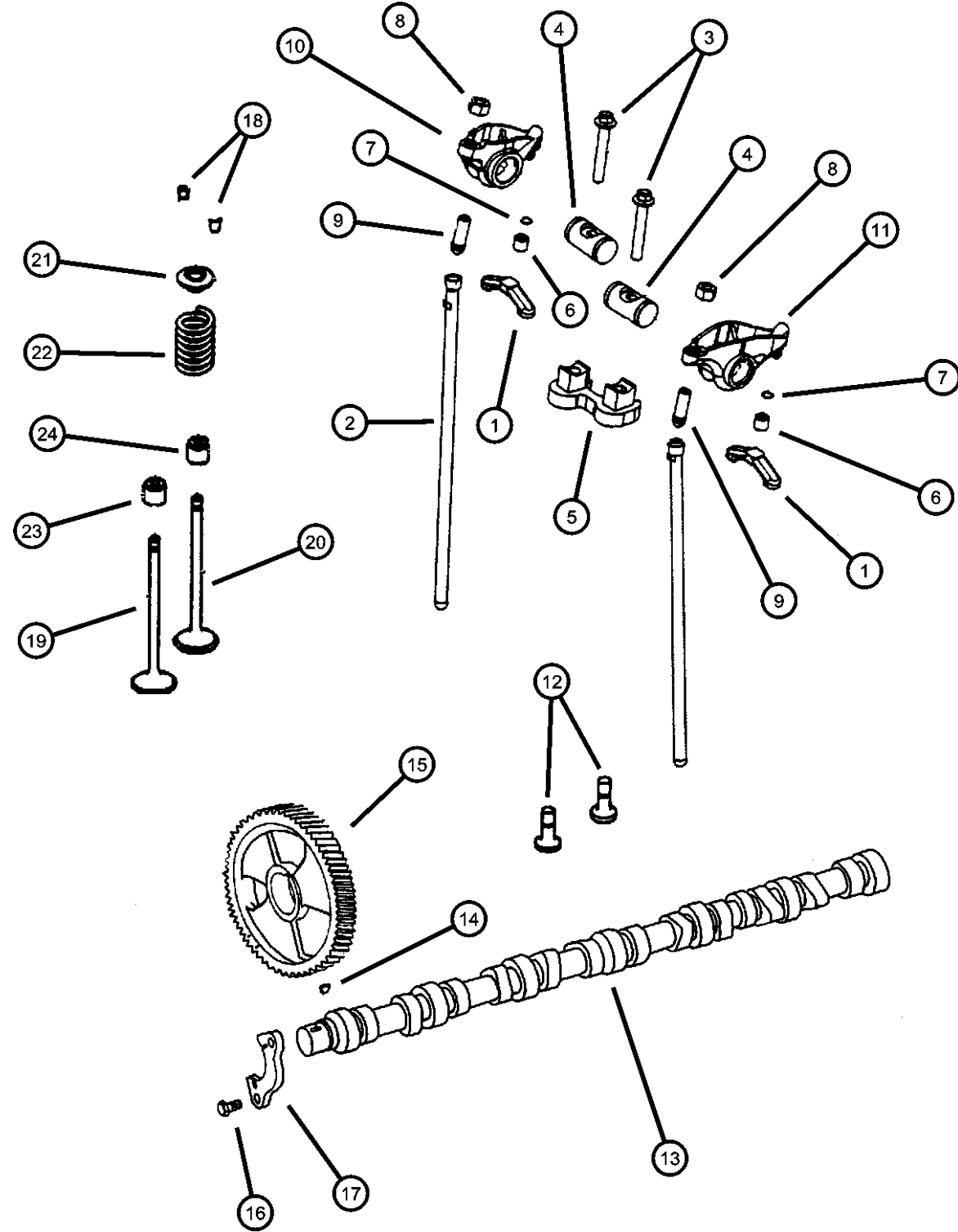
RAM PICKUP/CLUB CAB (BE)

SERIES	LINE	BODY	ENGINE	TRANSMISSION
L = RAM 1500, 2500, 3500	1 = Lt. Duty DODGE 2WD 2 = Med. Duty DODGE 2WD 3 = HD DODGE 2WD 6 = Lt. Duty DODGE 4WD 7 = Med. Duty DODGE 4WD 8 = HD DODGE 4WD	31 = CLUB CAB 2-DR 6.5 FT BOX 32 = CLUB CAB 2-DR 8FT BOX 33 = QUAD CAB 4-DR 6.5 FT BOX 34 = QUAD CAB 4-DR 8FT BOX	ETC = 5.9L Cummins 24V Diesel Engine EWA = 8.0L V10 MPI Engine EM0 = ALL 5.9L 8 CYL ENGINES - GAS EMM = 5.9L SMPI V8 Engine EML = 5.9L V8 MPI Engine ELF = 5.2L V8 MPI Engine	DGP = 4-Spd. Automatic 47RE Transmission DD0 = ALL 5 SPEED MANUAL TRANSMISSIONS DG0 = ALL AUTOMATIC TRANSMISSIONS DDC = 5-Speed HD Manual Transmission DDP = 5-Speed Manual Transmission DDX = 5-Speed HD Manual Transmission DEE = 6-Speed HD Manual Transmission DGT = 4-Spd. Automatic 46RE Transmission

AR = use ase required - = Non illustrated part

1999 BE

Camshaft and Valves
Figure 5.9LD-515



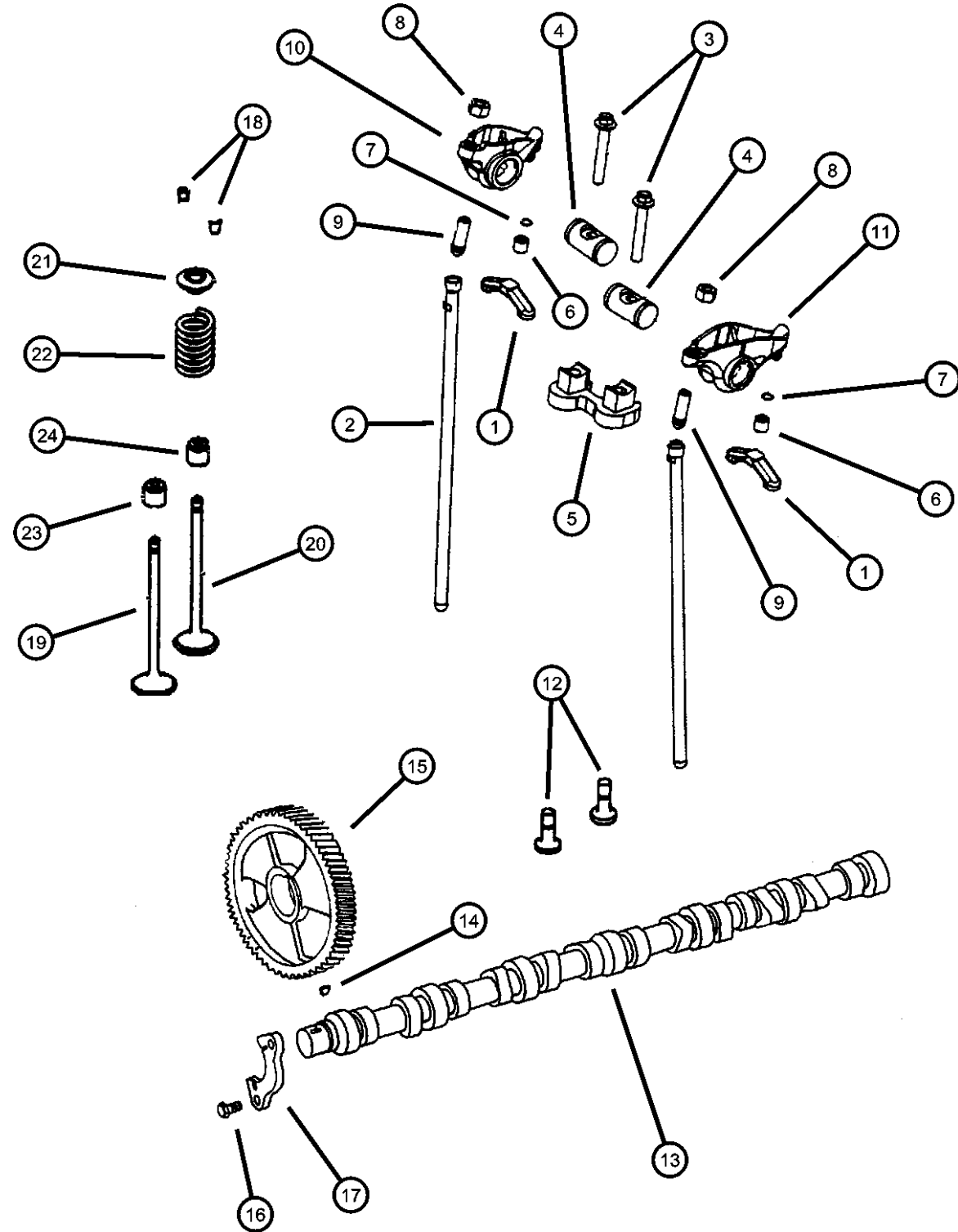
ITEM	PART NUMBER	QTY	LINE	SERIES	BODY	ENGINE	TRANS	TRIM	DESCRIPTION
Note; ETC= 24 Valve Diesel Engine, ETO= All Diesel Engines, DBB= Manual Transmissions, DGO= All Automatic Transmissions.									
1	05011477AA	12				ETO			VALVE, Crosshead
2	05011892AA	12				ETO			PUSH ROD, Valve
3	05011893AA	12				ETO			SCREW, Hex Head
4	05011896AA	12				ETO			SHAFT, Rocker Arm
5	05011898AA	6				ETO			SUPPORT, Rocker Arm
6	05011898AA	6							SOCKET, Serviced in Rocker Lever, (NOT SERVICED)
7	05011898AA	6							CLIP, Serviced in Rocker Lever, (NOT SERVICED)
8	04638530	12				ETO			NUT
9	05011899AA	12				ETO			SCREW, Rocker Lever Adjusting
10	05011431AA	6				ETO			ROCKER ARM, Intake
11	05011432AA	6				ETO			ROCKER ARM, Exhaust
12	05011790AA	12				ETO			TAPPET, Valve
13									CAMSHAFT, Engine
	05011874AA	1				ETO	DBB		
		1				ETO	DGO		
14	04429332	1				ETO			KEY, Woodruff
15									GEAR, Camshaft
	05011875AA	1				ETO	DBB		
		1				ETO	DGO		
16	04429227	2				ETO			SCREW, Cap, .437-20x1.812
17									SUPPORT, Camshaft Thrust
	04798890	1				ETO	DBB		
		1				ETO	DGO		
18	05011878AA	48				ETO			LOCK, Valve Spring Retainer
19	05011877AA	12				ETO			VALVE, Exhaust, Standard
20	05011879AA	12				ETO			VALVE, Intake, Standard

RAM PICKUP/CLUB CAB (BE)

SERIES	LINE	BODY	ENGINE	TRANSMISSION
L = RAM 1500, 2500, 3500	1 = Lt. Duty DODGE 2WD 2 = Med. Duty DODGE 2WD 3 = HD DODGE 2WD 6 = Lt. Duty DODGE 4WD 7 = Med. Duty DODGE 4WD 8 = HD DODGE 4WD	31 = CLUB CAB 2-DR 6.5 FT BOX 32 = CLUB CAB 2-DR 8FT BOX 33 = QUAD CAB 4-DR 6.5 FT BOX 34 = QUAD CAB 4-DR 8FT BOX	ETC = 5.9L Cummins 24V Diesel Engine EWA = 8.0L V10 MPI Engine EM0 = ALL 5.9L 8 CYL ENGINES - GAS EMM = 5.9L SMPI V8 Engine EML = 5.9L V8 MPI Engine ELF = 5.2L V8 MPI Engine	DGP = 4-Spd. Automatic 47RE Transmission DD0 = ALL 5 SPEED MANUAL TRANSMISSIONS DGO = ALL AUTOMATIC TRANSMISSIONS DDC = 5-Speed HD Manual Transmission DDP = 5-Speed Manual Transmission DDX = 5-Speed HD Manual Transmission DEE = 6-Speed HD Manual Transmission DGT = 4-Spd. Automatic 46RE Transmission

AR = use ase required - = Non illustrated part

Camshaft and Valves
Figure 5.9LD-515



ITEM	PART NUMBER	QTY	LINE	SERIES	BODY	ENGINE	TRANS	TRIM	DESCRIPTION
21	05011455AA	24				ET0			RETAINER, Valve Spring
22	05011441AA	24				ET0			SPRING, Valve
23	05011880AA	12				ET0			SEAL, Valve Guide
24	05011881AA	12				ET0			SEAL, Valve Guide

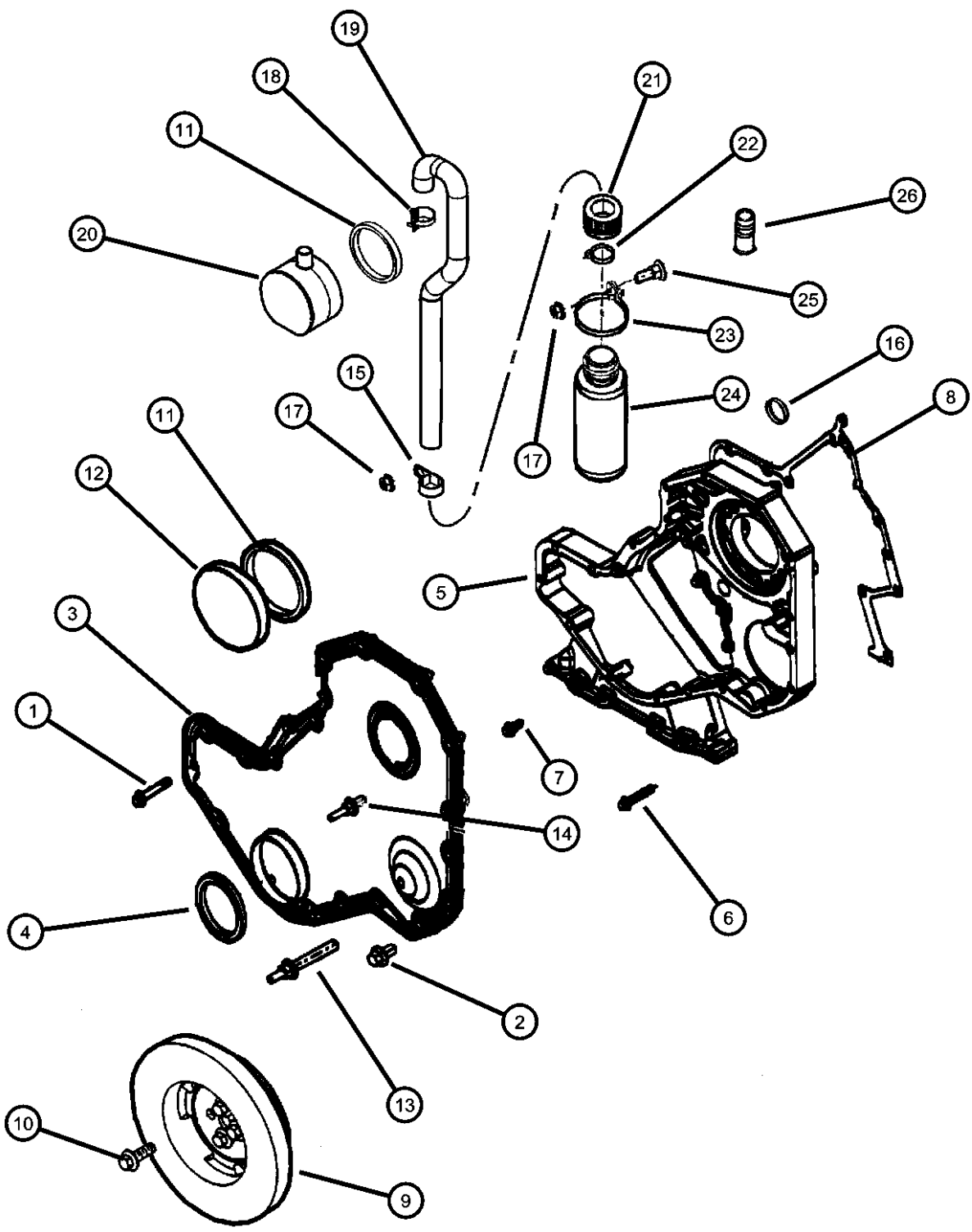
RAM PICKUP/CLUB CAB (BE)

SERIES	LINE	BODY	ENGINE	TRANSMISSION
L = RAM 1500, 2500, 3500	1 = Lt. Duty DODGE 2WD 2 = Med. Duty DODGE 2WD 3 = HD DODGE 2WD 6 = Lt. Duty DODGE 4WD 7 = Med. Duty DODGE 4WD 8 = HD DODGE 4WD	31 = CLUB CAB 2-DR 6.5 FT BOX 32 = CLUB CAB 2-DR 8FT BOX 33 = QUAD CAB 4-DR 6.5 FT BOX 34 = QUAD CAB 4-DR 8FT BOX	ETC = 5.9L Cummins 24V Diesel Engine EWA = 8.0L V10 MPI Engine EM0 = ALL 5.9L 8 CYL ENGINES - GAS EMM = 5.9L SMPI V8 Engine EML = 5.9L V8 MPI Engine ELF = 5.2L V8 MPI Engine	DGP = 4-Spd. Automatic 47RE Transmission DD0 = ALL 5 SPEED MANUAL TRANSMISSIONS DG0 = ALL AUTOMATIC TRANSMISSIONS DDC = 5-Speed HD Manual Transmission DDP = 5-Speed Manual Transmission DDX = 5-Speed HD Manual Transmission DEE = 6-Speed HD Manual Transmission DGT = 4-Spd. Automatic 46RE Transmission

AR = use ase required - = Non illustrated part

1999 BE

**Timing Gear and Cover
Figure 5.9LD-615**



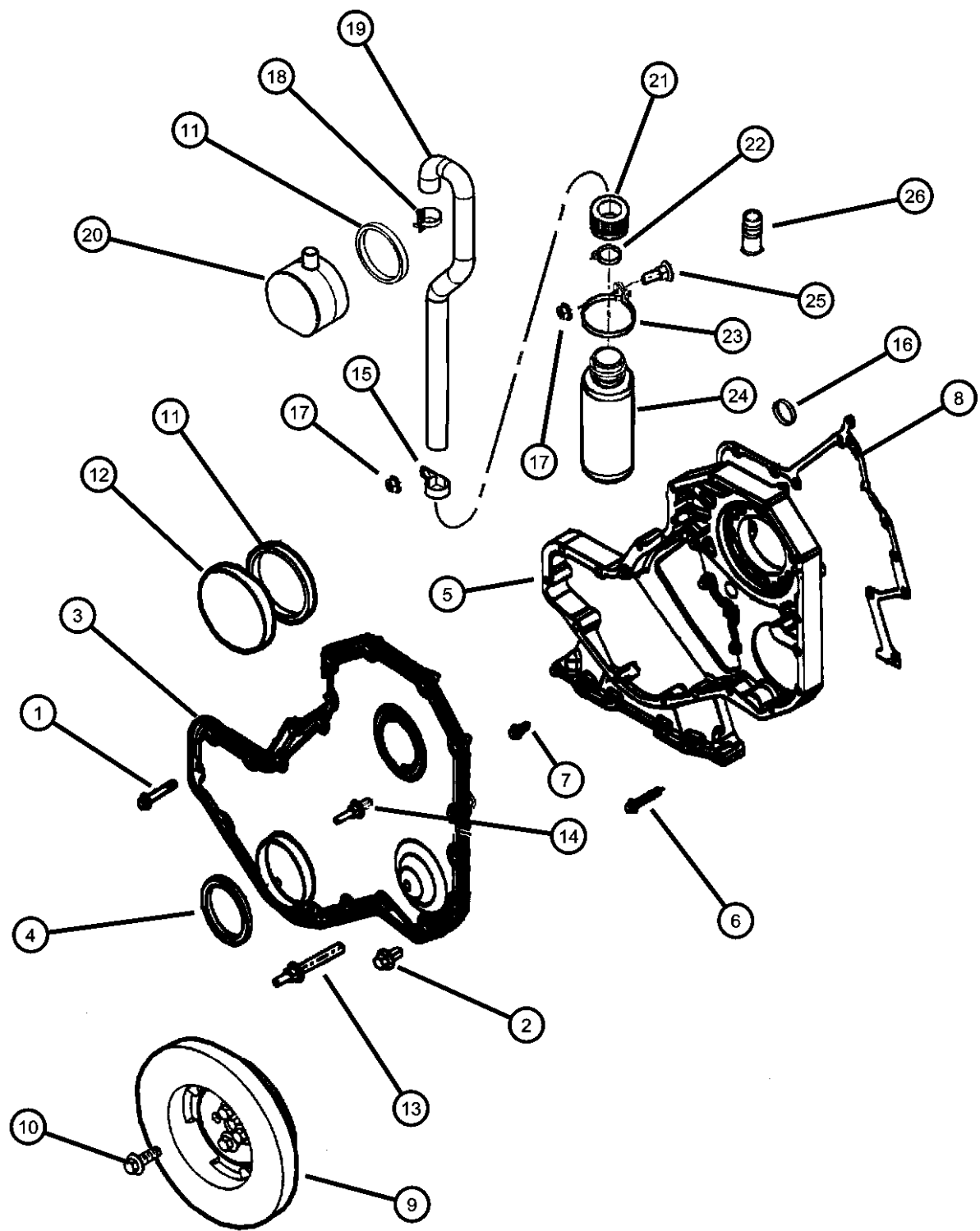
ITEM	PART NUMBER	QTY	LINE	SERIES	BODY	ENGINE	TRANS	TRIM	DESCRIPTION
Note; ETC= 24 Valve Diesel Engine, ETO= All Diesel Engines, DBB= Manual Transmissions, DGO= All Automatic Transmissions.									
1	04429633	8				ETO			SCREW, Hex Head, M8x1.25x50
2	04882109	10				ETO			SCREW, Hex Head
3									COVER, Timing Belt
	05014190AA	1				ETO	DBB		
		1				ETO	DGO		
4									SEAL, Front Main Crankshaft
	05012290AA	1				ETO	DBB		
		1				ETO	DGO		
5									CASE, Front
	05011788AA	1				ETO	DBB		
		1				ETO	DGO		
6	04429633	2				ETO			SCREW, Hex Head, M8x1.25x50
7	05011789AA	5				ETO			SCREW, Hex Head, M8x1.25x20
8									GASKET, Gear Housing
	05011433AA	1				ETO	DBB		
		1				ETO	DGO		
9									DAMPER, Crankshaft
	05011800AA	1				ETO	DBB		
		1				ETO	DGO		
10	04429857	4				ETO			SCREW, Hex Head Push Rod Point, 24x.44
11	04429857	4							GASKET, Oil Filler Connector, (NOT REQUIRED)
12	04429857	4							SEAL, Timing Case Cover, (NOT REQUIRED)
13	05014222AA	1				ETO			SCREW, Hex Head
14	04761242	1				ETO			SCREW, Hex Head, M8x1.25x45
15	05014194AA	1				ETO			P CLIP
16	04429958	1				ETO			PLUG, Expansion

RAM PICKUP/CLUB CAB (BE)

SERIES	LINE	BODY	ENGINE	TRANSMISSION
L = RAM 1500, 2500, 3500	1 = Lt. Duty DODGE 2WD 2 = Med. Duty DODGE 2WD 3 = HD DODGE 2WD 6 = Lt. Duty DODGE 4WD 7 = Med. Duty DODGE 4WD 8 = HD DODGE 4WD	31 = CLUB CAB 2-DR 6.5 FT BOX 32 = CLUB CAB 2-DR 8FT BOX 33 = QUAD CAB 4-DR 6.5 FT BOX 34 = QUAD CAB 4-DR 8FT BOX	ETC = 5.9L Cummins 24V Diesel Engine EWA = 8.0L V10 MPI Engine EM0 = ALL 5.9L 8 CYL ENGINES - GAS EMM = 5.9L SMPI V8 Engine EML = 5.9L V8 MPI Engine ELF = 5.2L V8 MPI Engine	DGP = 4-Spd. Automatic 47RE Transmission DD0 = ALL 5 SPEED MANUAL TRANSMISSIONS DGO = ALL AUTOMATIC TRANSMISSIONS DDC = 5-Speed HD Manual Transmission DDP = 5-Speed Manual Transmission DDX = 5-Speed HD Manual Transmission DEE = 6-Speed HD Manual Transmission DGT = 4-Spd. Automatic 46RE Transmission

AR = use ase required - = Non illustrated part

**Timing Gear and Cover
Figure 5.9LD-615**



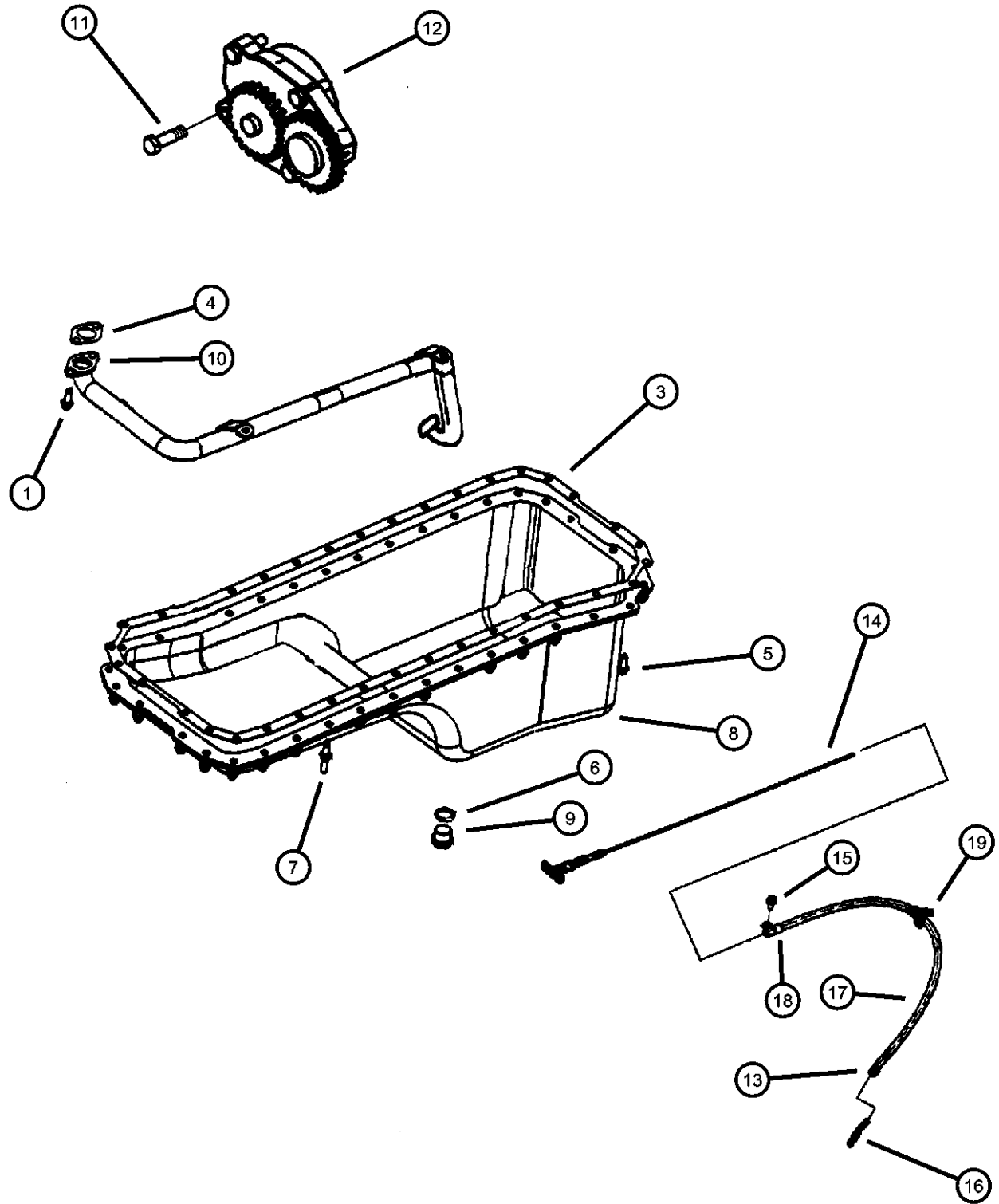
ITEM	PART NUMBER	QTY	LINE	SERIES	BODY	ENGINE	TRANS	TRIM	DESCRIPTION
17	04429316	1				ET0			NUT
18	05014195AA	1				ET0			CLAMP
19	05014225AA	1				ET0			HOSE, Engine Vent Line
20	05014196AA	1				ET0	DBB		BREATHER, Crankcase
		1				ET0	DG0		
21	05018188AA	1				ET0			COVER, Engine
22	05018185AA	1				ET0			CLAMP
23	05018186AA	1				ET0			STRAP, Canister
24	05018187AA	1				ET0			HOUSING, Oil Fill
25	05018187AA	1							SCREW, Hex Head, (NOT REQUIRED)
26	05018187AA	1							PLUG, Expansion, (NOT REQUIRED)

RAM PICKUP/CLUB CAB (BE)

SERIES	LINE	BODY	ENGINE	TRANSMISSION
L = RAM 1500, 2500, 3500	1 = Lt. Duty DODGE 2WD 2 = Med. Duty DODGE 2WD 3 = HD DODGE 2WD 6 = Lt. Duty DODGE 4WD 7 = Med. Duty DODGE 4WD 8 = HD DODGE 4WD	31 = CLUB CAB 2-DR 6.5 FT BOX 32 = CLUB CAB 2-DR 8FT BOX 33 = QUAD CAB 4-DR 6.5 FT BOX 34 = QUAD CAB 4-DR 8FT BOX	ETC = 5.9L Cummins 24V Diesel Engine EWA = 8.0L V10 MPI Engine EM0 = ALL 5.9L 8 CYL ENGINES - GAS EMM = 5.9L SMPI V8 Engine EML = 5.9L V8 MPI Engine ELF = 5.2L V8 MPI Engine	DGP = 4-Spd. Automatic 47RE Transmission DD0 = ALL 5 SPEED MANUAL TRANSMISSIONS DG0 = ALL AUTOMATIC TRANSMISSIONS DDC = 5-Speed HD Manual Transmission DDP = 5-Speed Manual Transmission DDX = 5-Speed HD Manual Transmission DEE = 6-Speed HD Manual Transmission DGT = 4-Spd. Automatic 46RE Transmission

AR = use ase required - = Non illustrated part

**Engine Oiling
Figure 5.9LD-715**



ITEM	PART NUMBER	QTY	LINE	SERIES	BODY	ENGINE	TRANS	TRIM	DESCRIPTION
------	-------------	-----	------	--------	------	--------	-------	------	-------------

Note; ETC= 24 Valve Diesel Engine, ETO= All Diesel Engines, DBB= Manual Transmissions, DGO= All Automatic Transmissions.

1	05018187AA	1							SCREW, Cap, (NOT REQUIRED)
-2	04429630	4				ETO			BOLT, Hex Head
3									GASKET, Oil Pan
	05003694AA	1				ETO	DBB		
		1				ETO	DGO		
4									GASKET, Oil Suction Pipe
	05010479AA	1				ETO	DBB		
		1				ETO	DGO		
5	04761331	33				ETO			SCREW, Hex Flange Head
6									WASHER, Oil Pan Drain Plug
	04882049	1				ETO	DBB		
		1				ETO	DGO		
7	04746685	3				ETO			BOLT, Hex Head, M8x1.25x49
8									PAN, Engine Oil
	04762073	1				ETO	DBB		
		1				ETO	DGO		
9									PLUG, Oil Drain
	04778578	1				ETO	DBB		
		1				ETO	DGO		
10									PICKUP, Engine Oil
	04883926AA	1				ETO	DBB		
		1				ETO	DGO		
11	04429677	4				ETO			SCREW, Hex Head Header Point, 24x.44
12									PUMP, Engine Oil
	05010965AA	1				ETO	DBB		
		1				ETO	DGO		
13	04429595	1				ETO			CLAMP, Hose, Spring Type

RAM PICKUP/CLUB CAB (BE)

SERIES	LINE
L = RAM 1500, 2500, 3500	1 = Lt. Duty DODGE 2WD
	2 = Med. Duty DODGE 2WD
	3 = HD DODGE 2WD
	6 = Lt. Duty DODGE 4WD
	7 = Med. Duty DODGE 4WD
	8 = HD DODGE 4WD

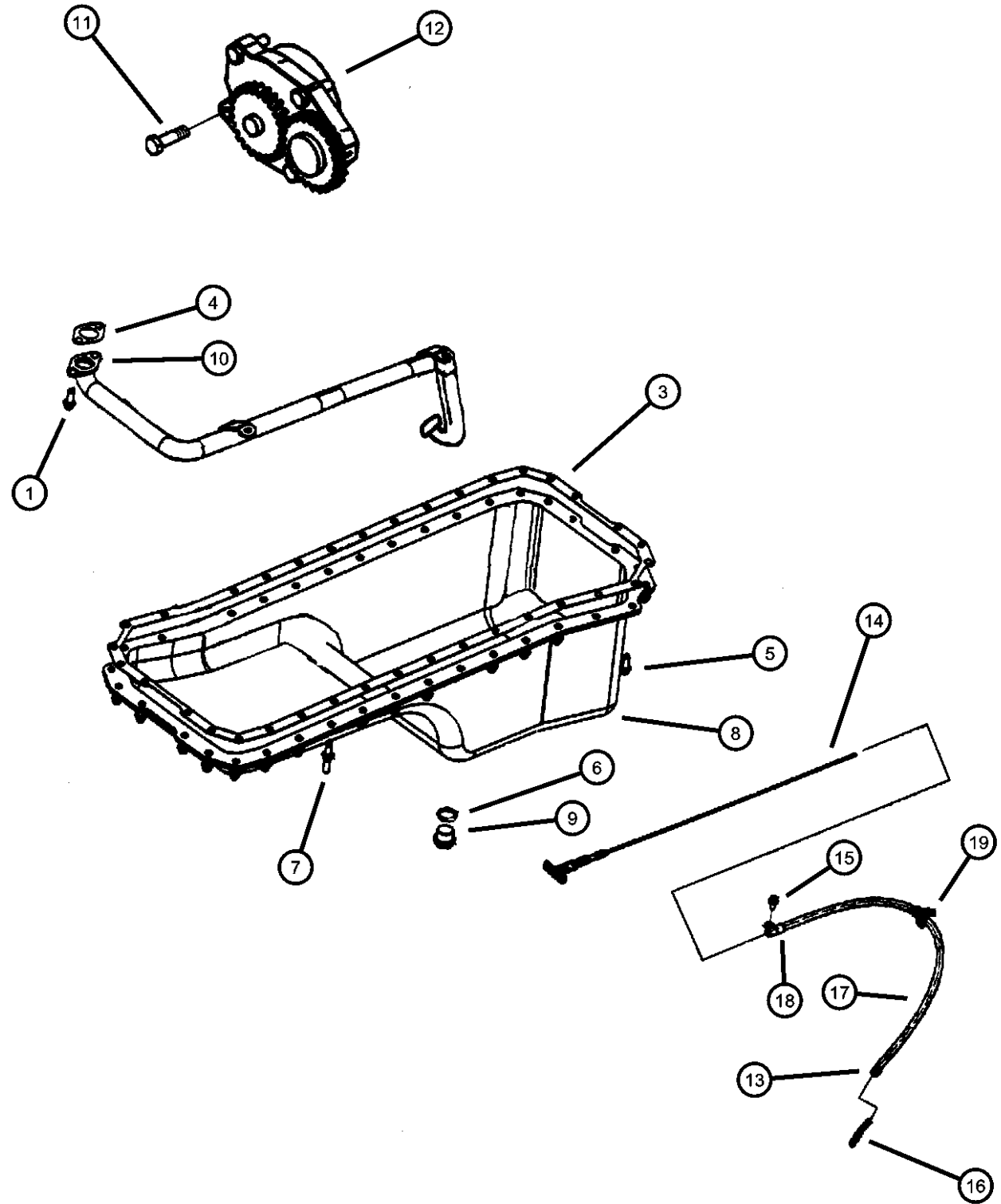
BODY	ENGINE
31 = CLUB CAB 2-DR 6.5 FT BOX	ETC = 5.9L Cummins 24V Diesel Engine
32 = CLUB CAB 2-DR 8FT BOX	EWA = 8.0L V10 MPI Engine
33 = QUAD CAB 4-DR 6.5 FT BOX	EM0 = ALL 5.9L 8 CYL ENGINES - GAS
34 = QUAD CAB 4-DR 8FT BOX	EMM = 5.9L SMPI V8 Engine
	EML = 5.9L V8 MPI Engine
	ELF = 5.2L V8 MPI Engine

TRANSMISSION
DGP = 4-Spd. Automatic 47RE Transmission
DD0 = ALL 5 SPEED MANUAL TRANSMISSIONS
DG0 = ALL AUTOMATIC TRANSMISSIONS
DDC = 5-Speed HD Manual Transmission
DDP = 5-Speed Manual Transmission
DDX = 5-Speed HD Manual Transmission
DEE = 6-Speed HD Manual Transmission
DGT = 4-Spd. Automatic 46RE Transmission

AR = use ase required - = Non illustrated part

1999 BE

Engine Oiling
Figure 5.9LD-715



ITEM	PART NUMBER	QTY	LINE	SERIES	BODY	ENGINE	TRANS	TRIM	DESCRIPTION
14	05012559AA	1				ET0	DBB		INDICATOR, Engine Oil Level
		1				ET0	DG0		
15	04882110	1				ET0			SCREW, Hex Head, M8x1.25x16
16	05011848AA	1				ET0	DBB		TUBE, Engine Oil Indicator
		1				ET0	DG0		
17	05012556AA	1				ET0	DBB		TUBE, Engine Oil Indicator
		1				ET0	DG0		
18	05014399AA	1				ET0	DBB		CLIP
		1				ET0	DG0		
19	05011846AA	1				ET0			CLIP

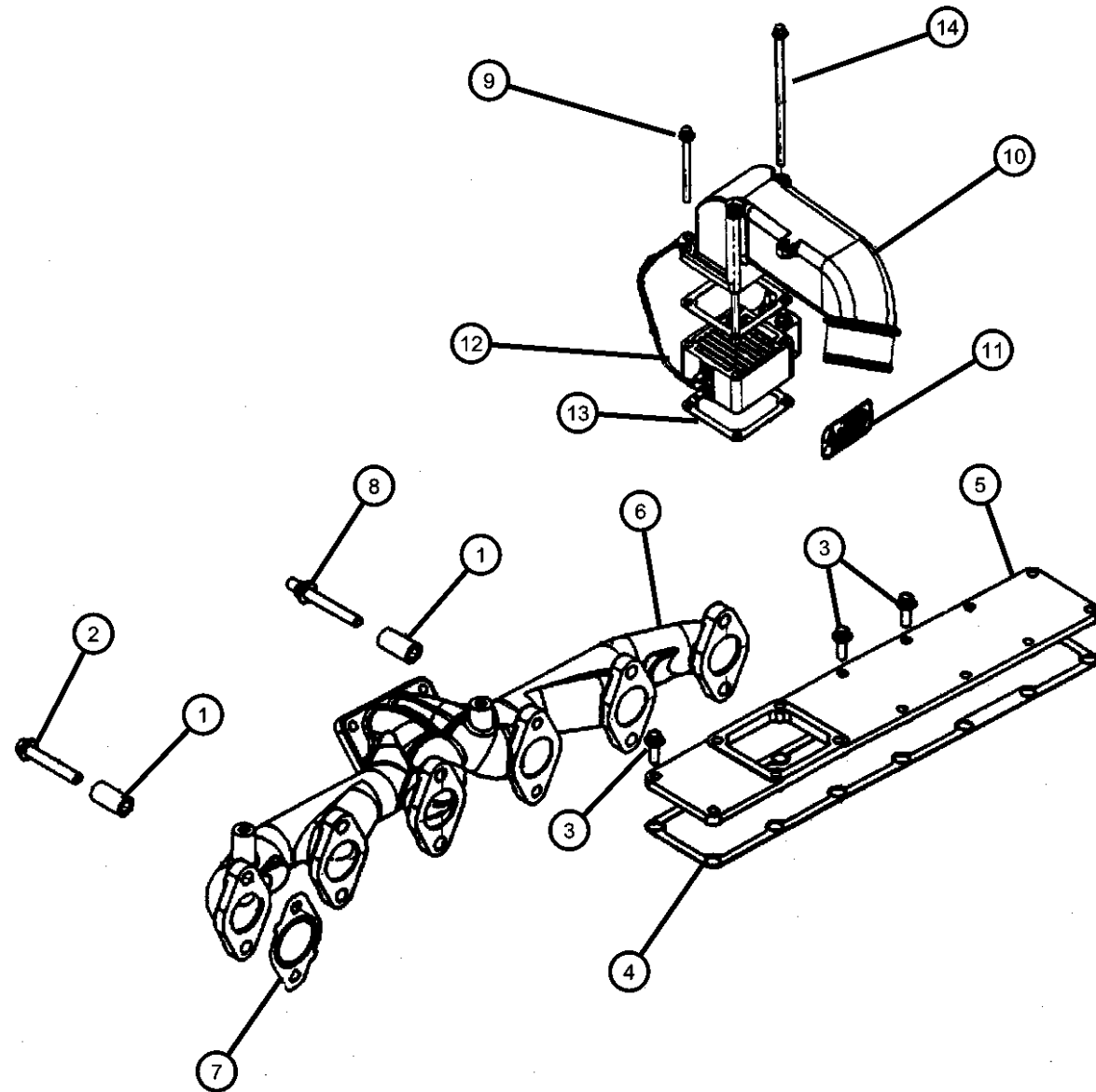
RAM PICKUP/CLUB CAB (BE)

SERIES	LINE	BODY	ENGINE	TRANSMISSION
L = RAM 1500, 2500, 3500	1 = Lt. Duty DODGE 2WD	31 = CLUB CAB 2-DR 6.5 FT BOX	ETC = 5.9L Cummins 24V Diesel Engine	DGP = 4-Spd. Automatic 47RE Transmission
	2 = Med. Duty DODGE 2WD	32 = CLUB CAB 2-DR 8FT BOX	EWA = 8.0L V10 MPI Engine	DD0 = ALL 5 SPEED MANUAL TRANSMISSIONS
	3 = HD DODGE 2WD	33 = QUAD CAB 4-DR 6.5 FT BOX	EM0 = ALL 5.9L 8 CYL ENGINES - GAS	DG0 = ALL AUTOMATIC TRANSMISSIONS
	6 = Lt. Duty DODGE 4WD	34 = QUAD CAB 4-DR 8FT BOX	EMM = 5.9L SMPI V8 Engine	DDC = 5-Speed HD Manual Transmission
	7 = Med. Duty DODGE 4WD		EML = 5.9L V8 MPI Engine	DDP = 5-Speed Manual Transmission
	8 = HD DODGE 4WD		ELF = 5.2L V8 MPI Engine	DDX = 5-Speed HD Manual Transmission
				DEE = 6-Speed HD Manual Transmission
				DGT = 4-Spd. Automatic 46RE Transmission

AR = use ase required - = Non illustrated part

**Manifold, Intake and Exhaust
Figure 5.9LD-815**

ITEM	PART NUMBER	QTY	LINE	SERIES	BODY	ENGINE	TRANS	TRIM	DESCRIPTION
Note; ETC= 24 Valve Diesel Engine, ETO= All Diesel Engines, DBB= Manual Transmissions, DGO= All Automatic Transmissions.									
1	05011907AA	12				ET0			SPACER, Exhaust Manifold
2	05012557AA	11				ET0			SCREW, Cap
3	04638695	3				ET0			SCREW, Fuel Tube Cap
4	05010167AA	1				ET0			GASKET, Intake Manifold Cover
5									COVER, Intake Manifold
	05011908AA	1				ET0	DBB		
		1				ET0	DGO		
6									MANIFOLD, Exhaust
	05014170AA	1				ET0	DBB		
		1				ET0	DGO		
7	05011440AA	6				ET0			GASKET, Exhaust Manifold
8	05014169AA	1				ET0			SCREW
9	04638761	2				ET0			BOLT, Hex Head, M8x1.25x80
10									CONNECTOR, Air Intake
	05011840AA	1				ET0	DBB		
		1				ET0	DGO		
11		1							PLATE, (NOT SERVICED)
12									HEATER, Engine
	04762012	1				ET0	DBB		
		1				ET0	DGO		
13									GASKET, Air Intake Connector
	05010480AA	1				ET0	DBB		
		1				ET0	DGO		
14	05011465AA	2				ET0			SCREW



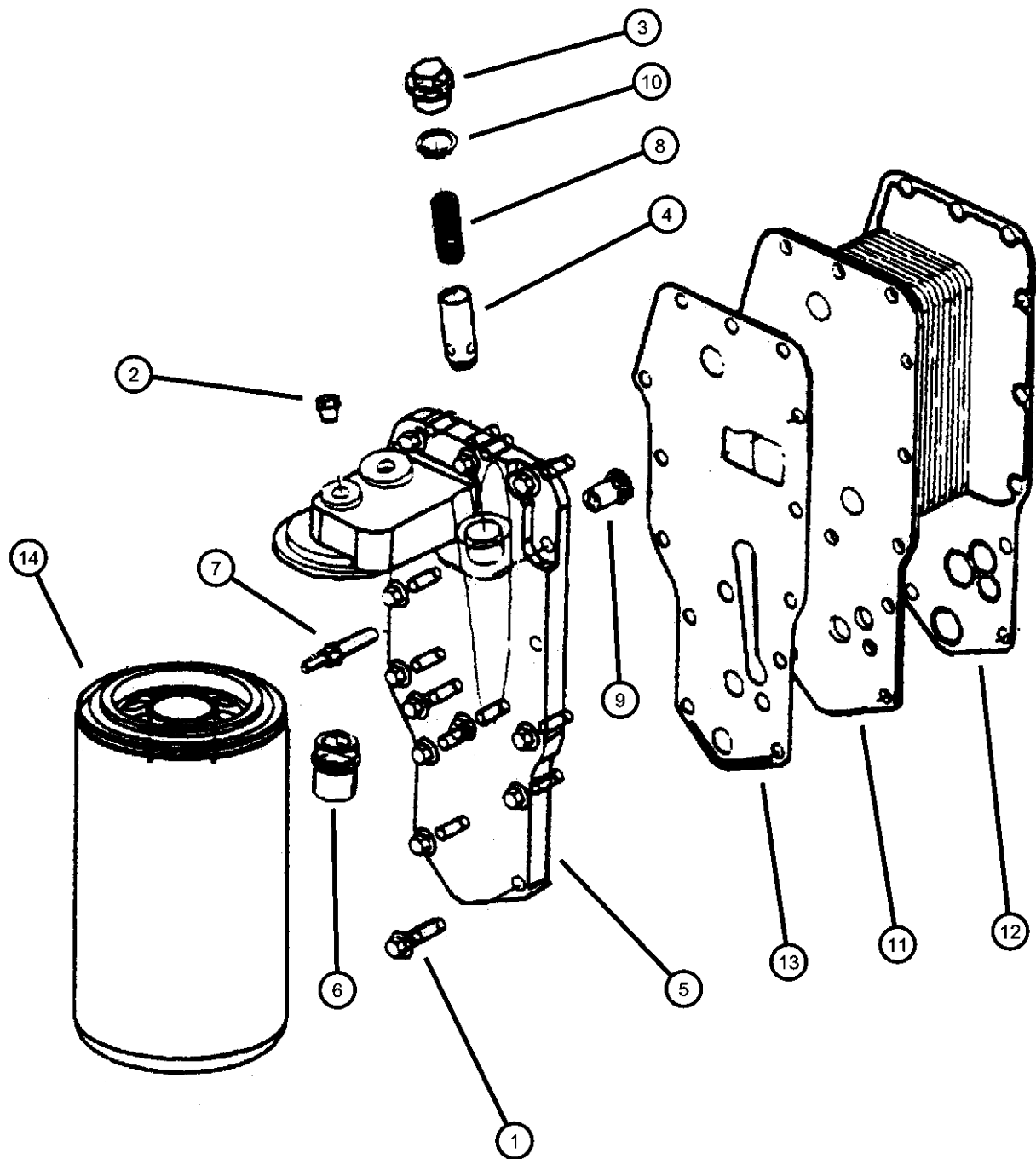
RAM PICKUP/CLUB CAB (BE)

SERIES	LINE	BODY	ENGINE	TRANSMISSION
L = RAM 1500, 2500, 3500	1 = Lt. Duty DODGE 2WD 2 = Med. Duty DODGE 2WD 3 = HD DODGE 2WD 6 = Lt. Duty DODGE 4WD 7 = Med. Duty DODGE 4WD 8 = HD DODGE 4WD	31 = CLUB CAB 2-DR 6.5 FT BOX 32 = CLUB CAB 2-DR 8FT BOX 33 = QUAD CAB 4-DR 6.5 FT BOX 34 = QUAD CAB 4-DR 8FT BOX	ETC = 5.9L Cummins 24V Diesel Engine EWA = 8.0L V10 MPI Engine EM0 = ALL 5.9L 8 CYL ENGINES - GAS EMM = 5.9L SMPI V8 Engine EML = 5.9L V8 MPI Engine ELF = 5.2L V8 MPI Engine	DGP = 4-Spd. Automatic 47RE Transmission DD0 = ALL 5 SPEED MANUAL TRANSMISSIONS DGO = ALL AUTOMATIC TRANSMISSIONS DDC = 5-Speed HD Manual Transmission DDP = 5-Speed Manual Transmission DDX = 5-Speed HD Manual Transmission DEE = 6-Speed HD Manual Transmission DGT = 4-Spd. Automatic 46RE Transmission

AR = use ase required - = Non illustrated part

1999 BE

**Engine Oil Cooler
Figure 5.9LD-1115**



ITEM	PART NUMBER	QTY	LINE	SERIES	BODY	ENGINE	TRANS	TRIM	DESCRIPTION
Note; ETC= 24 Valve Diesel Engine, ETO= All Diesel Engines, DBB= Manual Transmissions, DGO= All Automatic Transmissions.									
1	04429634	12				ETO			SCREW, Hex Head Header Point, 24x.44
2	04429619	1				ETO			PLUG, Pipe
3	04429386	1				ETO			PLUG, Pipe
4	04638712	1				ETO			PLUNGER, Oil Pressure Regulator
5									HEAD, Oil Filter
	05014193AA	1				ETO	DBB		
		1				ETO	DGO		
6	04429355	1				ETO			ADAPTER, Oil Filter
7	04883965AA	2				ETO			SCREW, Hex Flange Head
8	04761985	1				ETO			SPRING, Oil Pressure Relief Valve
9	04797726	1				ETO			VALVE, Oil Pressure Relief
10									O RING, Oil Cooler
	05003647AA	1				ETO	DBB		
		1				ETO	DGO		
11									COOLER, Engine Oil
	05011843AA	1				ETO	DBB		
		1				ETO	DGO		
12									GASKET, Oil Cooler
	05003481AA	1				ETO	DBB		
		1				ETO	DGO		
13	05011438AA	1				ETO			GASKET, Oil Cooler
14									FILTER, Engine Oil
	04429615	1				ETO	DBB		
		1				ETO	DGO		

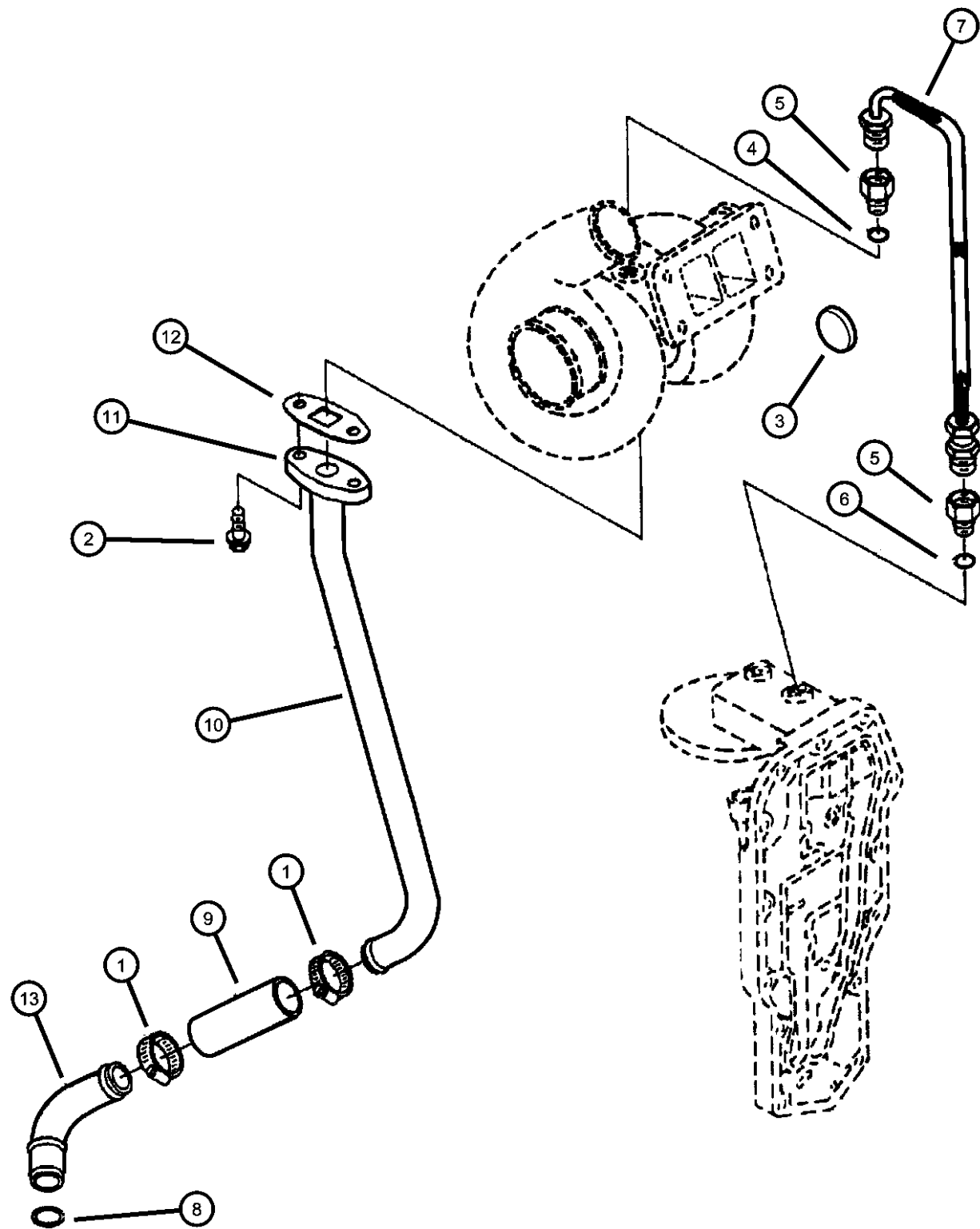
RAM PICKUP/CLUB CAB (BE)

SERIES	LINE	BODY	ENGINE	TRANSMISSION
L = RAM 1500, 2500, 3500	1 = Lt. Duty DODGE 2WD 2 = Med. Duty DODGE 2WD 3 = HD DODGE 2WD 6 = Lt. Duty DODGE 4WD 7 = Med. Duty DODGE 4WD 8 = HD DODGE 4WD	31 = CLUB CAB 2-DR 6.5 FT BOX 32 = CLUB CAB 2-DR 8FT BOX 33 = QUAD CAB 4-DR 6.5 FT BOX 34 = QUAD CAB 4-DR 8FT BOX	ETC = 5.9L Cummins 24V Diesel Engine EWA = 8.0L V10 MPI Engine EM0 = ALL 5.9L 8 CYL ENGINES - GAS EMM = 5.9L SMPI V8 Engine EML = 5.9L V8 MPI Engine ELF = 5.2L V8 MPI Engine	DGP = 4-Spd. Automatic 47RE Transmission DD0 = ALL 5 SPEED MANUAL TRANSMISSIONS DGO = ALL AUTOMATIC TRANSMISSIONS DDC = 5-Speed HD Manual Transmission DDP = 5-Speed Manual Transmission DDX = 5-Speed HD Manual Transmission DEE = 6-Speed HD Manual Transmission DGT = 4-Spd. Automatic 46RE Transmission

AR = use ase required - = Non illustrated part

1999 BE

Oil Lines
Figure 5.9LD-1125



ITEM	PART NUMBER	QTY	LINE	SERIES	BODY	ENGINE	TRANS	TRIM	DESCRIPTION
Note; ETC= 24 Valve Diesel Engine, ETO= All Diesel Engines, DBB= Manual Transmissions, DGO= All Automatic Transmissions.									
1	05011920AA	2				ET0			CLAMP
2	04429630	2				ET0			BOLT, Hex Head
3									PLUG, Expansion
	05003605AA	1				ET0	DBB		
		1				ET0	DGO		
4	04638626	2				ET0			O RING, Turbo Oil Drain Tube
5	05011922AA	2				ET0			FITTING, Oil Feed Line
6	05011921AA	2				ET0			O RING, Turbo Oil Drain Tube
7									HOSE, Turbocharger Feed
	05011923AA	1				ET0	DBB		
		1				ET0	DGO		
8									O RING, Turbo Oil Drain Tube
	05011924AA	1				ET0	DBB		
		1				ET0	DGO		
9									HOSE, Turbo Oil Drain
	04429183	1				ET0	DBB		
		1				ET0	DGO		
10									TUBE, Turbo Oil Drain
	05011412AA	1				ET0	DBB		
		1				ET0	DGO		
11									TUBE, Turbo Oil Drain
	05014174AA	1				ET0	DBB		
		1				ET0	DGO		
12									GASKET, Turbo Oil Drain Pipe
	05011430AA	1				ET0	DBB		
		1				ET0	DGO		
13									TUBE, Turbo Oil Drain

RAM PICKUP/CLUB CAB (BE)

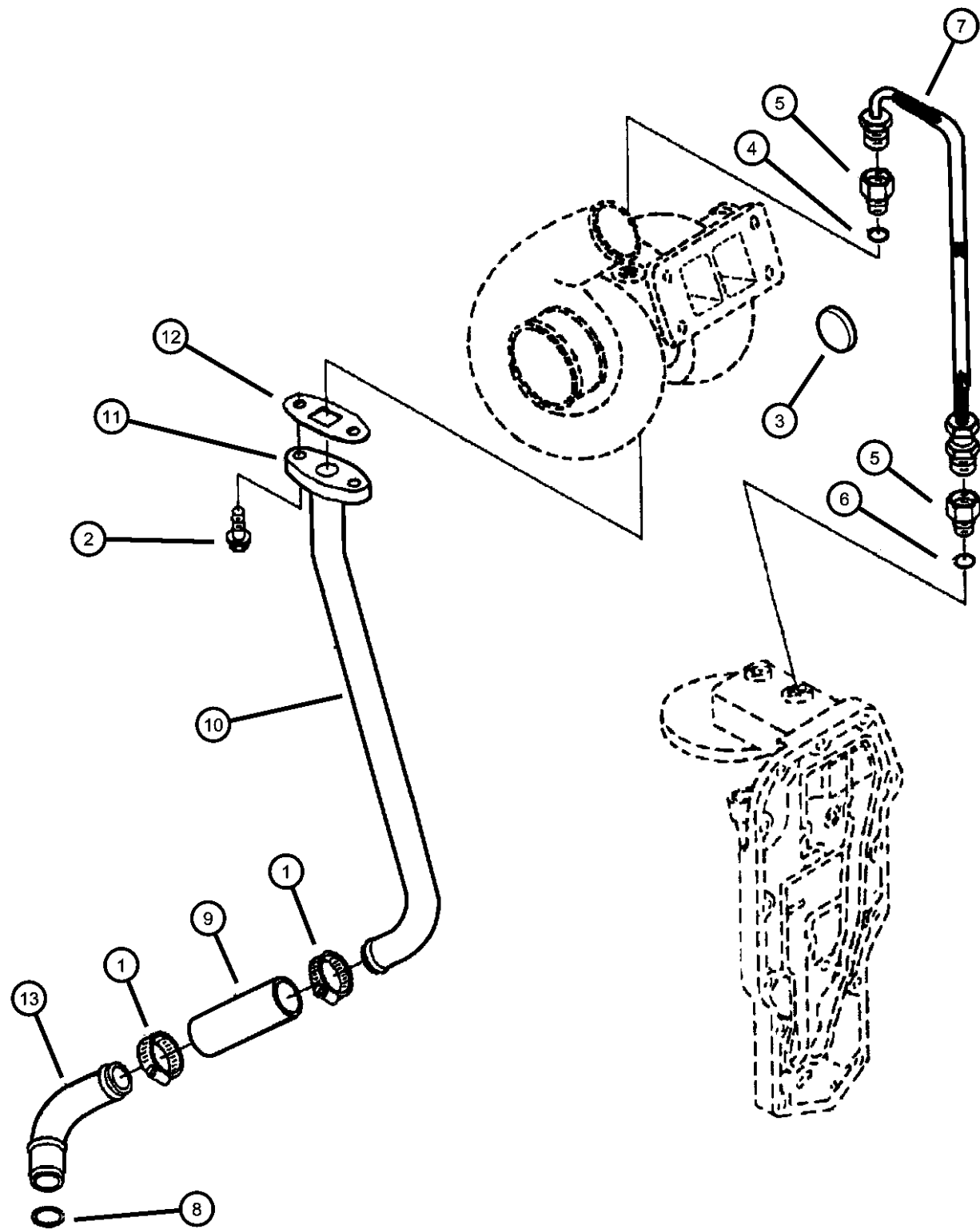
SERIES	LINE	BODY	ENGINE	TRANSMISSION
L = RAM 1500, 2500, 3500	1 = Lt. Duty DODGE 2WD 2 = Med. Duty DODGE 2WD 3 = HD DODGE 2WD 6 = Lt. Duty DODGE 4WD 7 = Med. Duty DODGE 4WD 8 = HD DODGE 4WD	31 = CLUB CAB 2-DR 6.5 FT BOX 32 = CLUB CAB 2-DR 8FT BOX 33 = QUAD CAB 4-DR 6.5 FT BOX 34 = QUAD CAB 4-DR 8FT BOX	ETC = 5.9L Cummins 24V Diesel Engine EWA = 8.0L V10 MPI Engine EM0 = ALL 5.9L 8 CYL ENGINES - GAS EMM = 5.9L SMPI V8 Engine EML = 5.9L V8 MPI Engine ELF = 5.2L V8 MPI Engine	DGP = 4-Spd. Automatic 47RE Transmission DD0 = ALL 5 SPEED MANUAL TRANSMISSIONS DGO = ALL AUTOMATIC TRANSMISSIONS DDC = 5-Speed HD Manual Transmission DDP = 5-Speed Manual Transmission DDX = 5-Speed HD Manual Transmission DEE = 6-Speed HD Manual Transmission DGT = 4-Spd. Automatic 46RE Transmission

AR = use ase required - = Non illustrated part

Oil Lines
Figure 5.9LD-1125

ITEM	PART NUMBER	QTY	LINE	SERIES	BODY	ENGINE	TRANS	TRIM	DESCRIPTION
------	-------------	-----	------	--------	------	--------	-------	------	-------------

	04429744	1				ET0	DBB		
		1				ET0	DG0		



RAM PICKUP/CLUB CAB (BE)

SERIES	LINE	BODY	ENGINE	TRANSMISSION
L = RAM 1500, 2500, 3500	1 = Lt. Duty DODGE 2WD 2 = Med. Duty DODGE 2WD 3 = HD DODGE 2WD 6 = Lt. Duty DODGE 4WD 7 = Med. Duty DODGE 4WD 8 = HD DODGE 4WD	31 = CLUB CAB 2-DR 6.5 FT BOX 32 = CLUB CAB 2-DR 8FT BOX 33 = QUAD CAB 4-DR 6.5 FT BOX 34 = QUAD CAB 4-DR 8FT BOX	ETC = 5.9L Cummins 24V Diesel Engine EWA = 8.0L V10 MPI Engine EM0 = ALL 5.9L 8 CYL ENGINES - GAS EMM = 5.9L SMPI V8 Engine EML = 5.9L V8 MPI Engine ELF = 5.2L V8 MPI Engine	DGP = 4-Spd. Automatic 47RE Transmission DD0 = ALL 5 SPEED MANUAL TRANSMISSIONS DG0 = ALL AUTOMATIC TRANSMISSIONS DDC = 5-Speed HD Manual Transmission DDP = 5-Speed Manual Transmission DDX = 5-Speed HD Manual Transmission DEE = 6-Speed HD Manual Transmission DGT = 4-Spd. Automatic 46RE Transmission

AR = use ase required - = Non illustrated part

Group - 11

Exhaust

Group - 11 Exhaust

Illustration Title

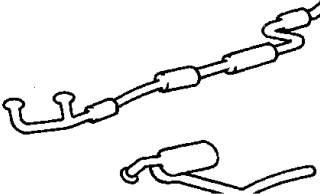
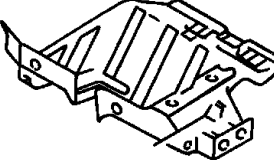
Group-Fig. No.

Exhaust System

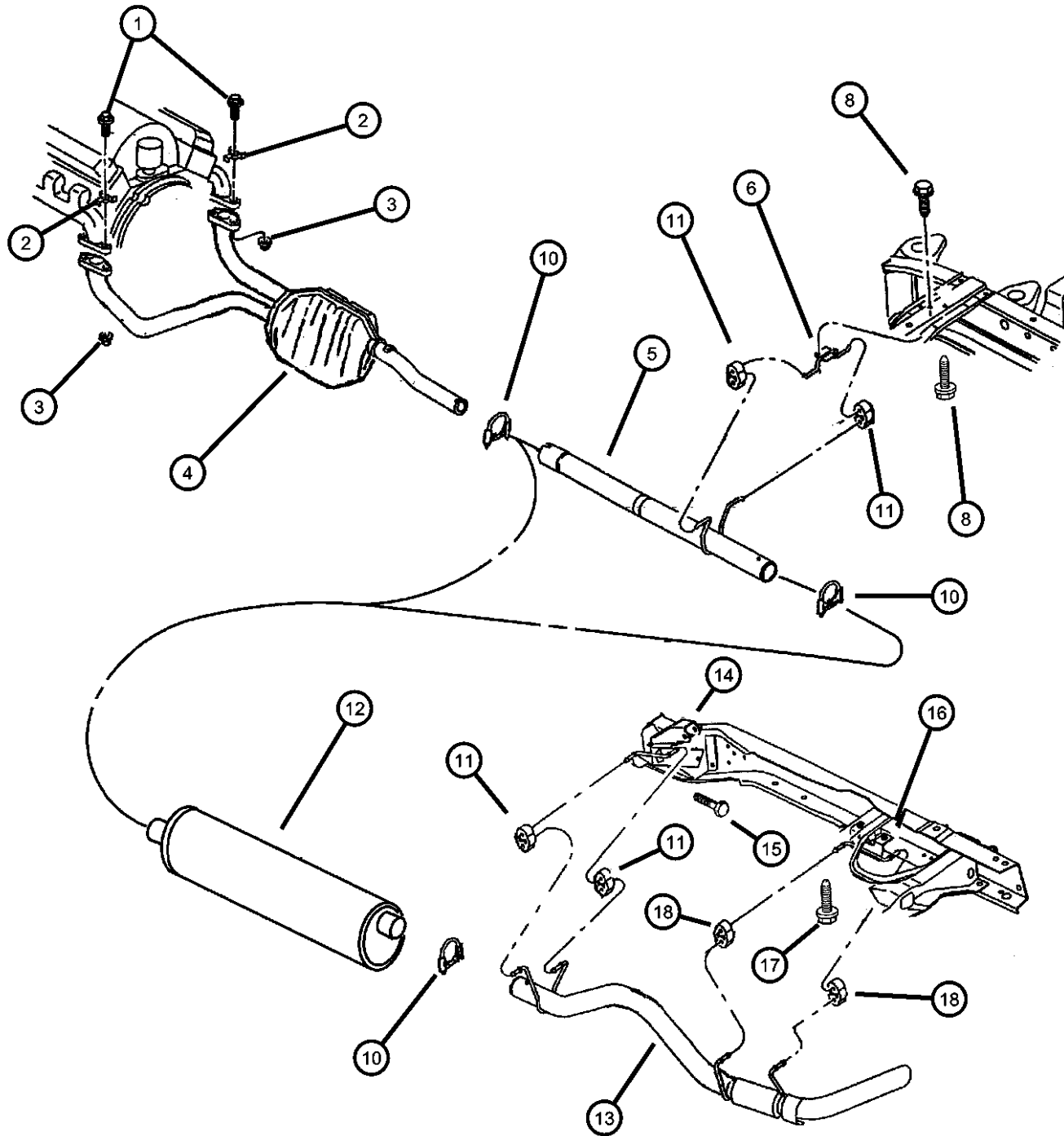
Exhaust System Fig. 11 - 115
 Exhaust System Fig. 11 - 125
 Exhaust System Fig. 11 - 135

Heat Shields

Heat Shields Fig. 11 - 230

<p>011-100 Exhaust System</p> 	<p>011-200 Heat Shields</p> 		
---	--	--	--

**Exhaust System
Figure 11-115**



ITEM	PART NUMBER	QTY	LINE	SERIES	BODY	ENGINE	TRANS	TRIM	DESCRIPTION
------	-------------	-----	------	--------	------	--------	-------	------	-------------

Note; ELF= 5.2 Gas Engine, EML= 5.9 Light Duty Gas Engine, ELO= All 5.2 Engines, EMO= All 5.9 Gas Engines
EWO= All 8.0 Engines.

1	06035375	4				ELO, EMO			BOLT, Hex Head, .375-16x2.50
2	04004001	4				ELO, EMO, EWO			RETAINER, Exhaust Pipe to Manifold
3	00118615	4				ELO, EMO, EWO			NUT, Hex, .375-16
4									CONVERTER, Catalytic
	52020056	1				EML			Leaded Fuel, Export Only
	52103224AA	1				EML	DG0		California
	E0050505								Mopar V-Line Alternative Part Direct Fit Converter
	52103225AB	1				ELF, EML			Federal
	E0050505								Mopar V-Line Alternative Part Direct Fit Converter
	52103225AC	1				EML	DD0		California
	E0050505								Mopar V-Line Alternative Part Direct Fit Converter
	E0050505	1				ELO			California
	E0050505								Mopar V-Line Alternative Part Direct Fit Converter
5									PIPE, Exhaust
	52020006AB	1	1, 2, 6, 7		31, 33	ELO, EML			
	E0054097								Mopar V-Line Alternative Part Exhaust Extension Pipe
	52020007	1			32, 34	ELO, EML			
	E0054089								Mopar V-Line Alternative Part
	E0054098								Mopar V-Line Alternative Part
	E0052089								Mopar V-Line Alternative Part
6	52018855	1			32, 34	ELO, EML			HANGER, Exhaust
-7	52019513	1	1, 2, 6, 7		31, 33	ELO, EML			BRACKET, Converter Hanger
8	06100586	2			32, 34	ELO, EML			BOLT AND CONED WASHER, Hex Head, M8x40x20

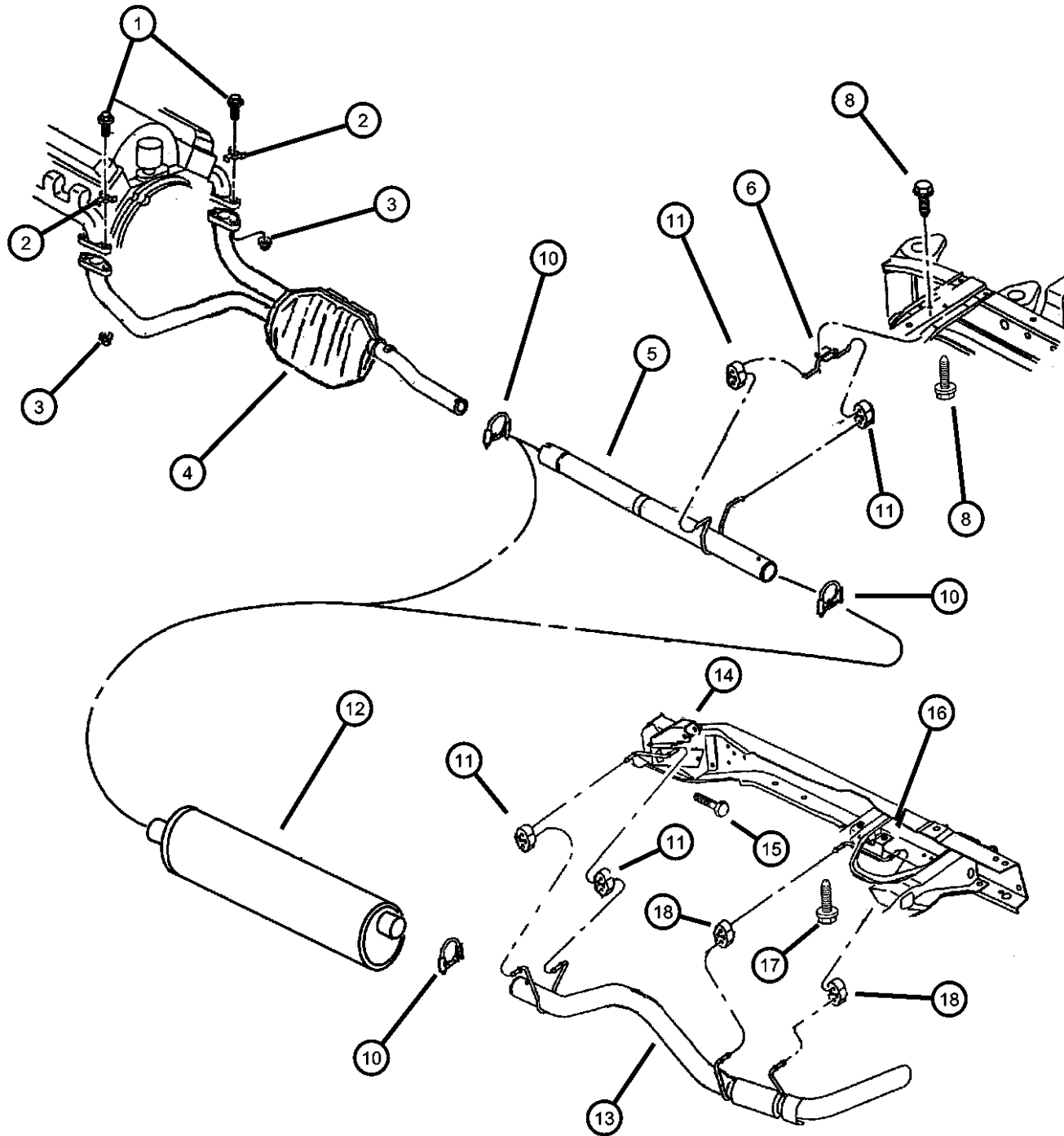
RAM PICKUP/CLUB CAB (BE)

SERIES	LINE	BODY	ENGINE	TRANSMISSION
L = RAM 1500, 2500, 3500	1 = Lt. Duty DODGE 2WD 2 = Med. Duty DODGE 2WD 3 = HD DODGE 2WD 6 = Lt. Duty DODGE 4WD 7 = Med. Duty DODGE 4WD 8 = HD DODGE 4WD	31 = CLUB CAB 2-DR 6.5 FT BOX 32 = CLUB CAB 2-DR 8FT BOX 33 = QUAD CAB 4-DR 6.5 FT BOX 34 = QUAD CAB 4-DR 8FT BOX	ETC = 5.9L Cummins 24V Diesel Engine EWA = 8.0L V10 MPI Engine EMO = ALL 5.9L 8 CYL ENGINES - GAS EMM = 5.9L SMPI V8 Engine EML = 5.9L V8 MPI Engine ELF = 5.2L V8 MPI Engine	DGP = 4-Spd. Automatic 47RE Transmission DD0 = ALL 5 SPEED MANUAL TRANSMISSIONS DG0 = ALL AUTOMATIC TRANSMISSIONS DDC = 5-Speed HD Manual Transmission DDP = 5-Speed Manual Transmission DDX = 5-Speed HD Manual Transmission DEE = 6-Speed HD Manual Transmission DGT = 4-Spd. Automatic 46RE Transmission

AR = use ase required - = Non illustrated part

1999 BE

**Exhaust System
Figure 11-115**



ITEM	PART NUMBER	QTY	LINE	SERIES	BODY	ENGINE	TRANS	TRIM	DESCRIPTION
-9	34201888	3	1, 2, 6, 7		31, 33	ELO, EML			SCREW, Hex Head
10	04004445	1				ELO, EML			CLAMP, Exhaust
		3				ELO, EML			
11	52017607	2							INSULATOR, Exhaust
	E0036369								Mopar V-Line Alternative Part
12	52103158	1				ELO			MUFFLER, Exhaust
	E0017322								Dynamax Cat Back Dual Exhaust
	E0017344								Dynamax Cat Back Single Exhaust Regular Cab Short Bed
	E0017343								Dynamax Cat Back Single Exhaust Regular Cab Long Bed
	E0017342								Dynamax Cat Back Single Exhaust Extended Cab Short Bed
	52103159	1				EML			Dynamax Cat Back Dual Exhaust
	E0017322								Dynamax Cat Back Single Exhaust Regular Cab Short Bed
	E0017344								Dynamax Cat Back Single Exhaust Regular Cab Long Bed
	E0017343								Dynamax Cat Back Single Exhaust Extended Cab Short Bed
	E0017342								Dynamax Cat Back Single Exhaust Extended Cab Short Bed
13	52103094	1				ELO, EML			TAILPIPE, Exhaust
	E0055175								Mopar V-Line Alternative Part Tailpipe
14	52018890	1							HANGER, Exhaust
15	34201888	3							SCREW, Hex Head
16	52103053	1				ELO, EML, EW0			HANGER, Tailpipe

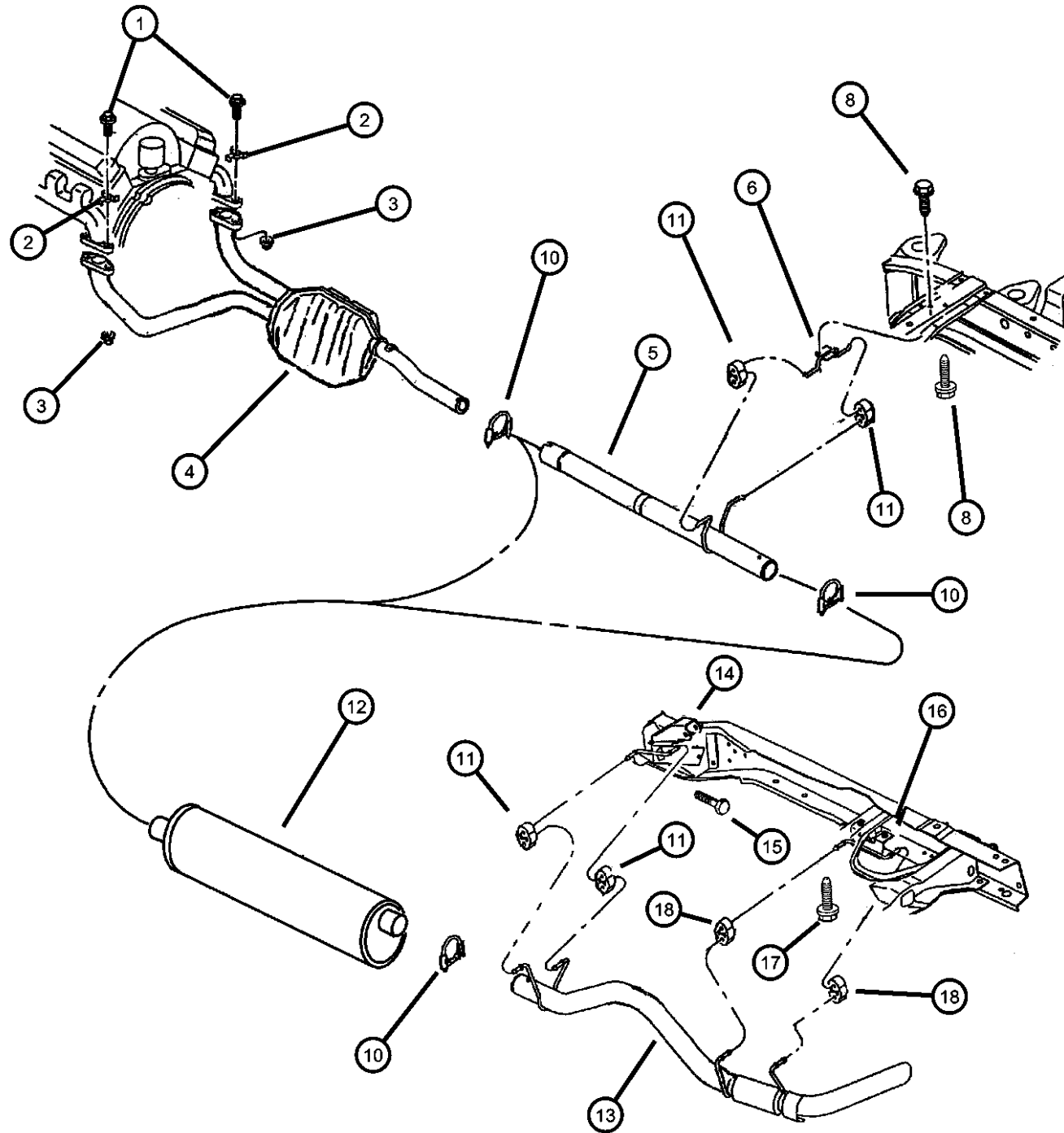
RAM PICKUP/CLUB CAB (BE)

SERIES	LINE	BODY	ENGINE	TRANSMISSION
L = RAM 1500, 2500, 3500	1 = Lt. Duty DODGE 2WD 2 = Med. Duty DODGE 2WD 3 = HD DODGE 2WD 6 = Lt. Duty DODGE 4WD 7 = Med. Duty DODGE 4WD 8 = HD DODGE 4WD	31 = CLUB CAB 2-DR 6.5 FT BOX 32 = CLUB CAB 2-DR 8FT BOX 33 = QUAD CAB 4-DR 6.5 FT BOX 34 = QUAD CAB 4-DR 8FT BOX	ETC = 5.9L Cummins 24V Diesel Engine EWA = 8.0L V10 MPI Engine EM0 = ALL 5.9L 8 CYL ENGINES - GAS EMM = 5.9L SMPI V8 Engine EML = 5.9L V8 MPI Engine ELF = 5.2L V8 MPI Engine	DGP = 4-Spd. Automatic 47RE Transmission DD0 = ALL 5 SPEED MANUAL TRANSMISSIONS DG0 = ALL AUTOMATIC TRANSMISSIONS DDC = 5-Speed HD Manual Transmission DDP = 5-Speed Manual Transmission DDX = 5-Speed HD Manual Transmission DEE = 6-Speed HD Manual Transmission DGT = 4-Spd. Automatic 46RE Transmission

AR = use ase required - = Non illustrated part

Exhaust System
Figure 11-115

ITEM	PART NUMBER	QTY	LINE	SERIES	BODY	ENGINE	TRANS	TRIM	DESCRIPTION
------	-------------	-----	------	--------	------	--------	-------	------	-------------



17	06100584	2							BOLT AND CONED WASHER, Hex Head, M8x30x20
18	04616750	2							ISOLATOR, Exhaust Support

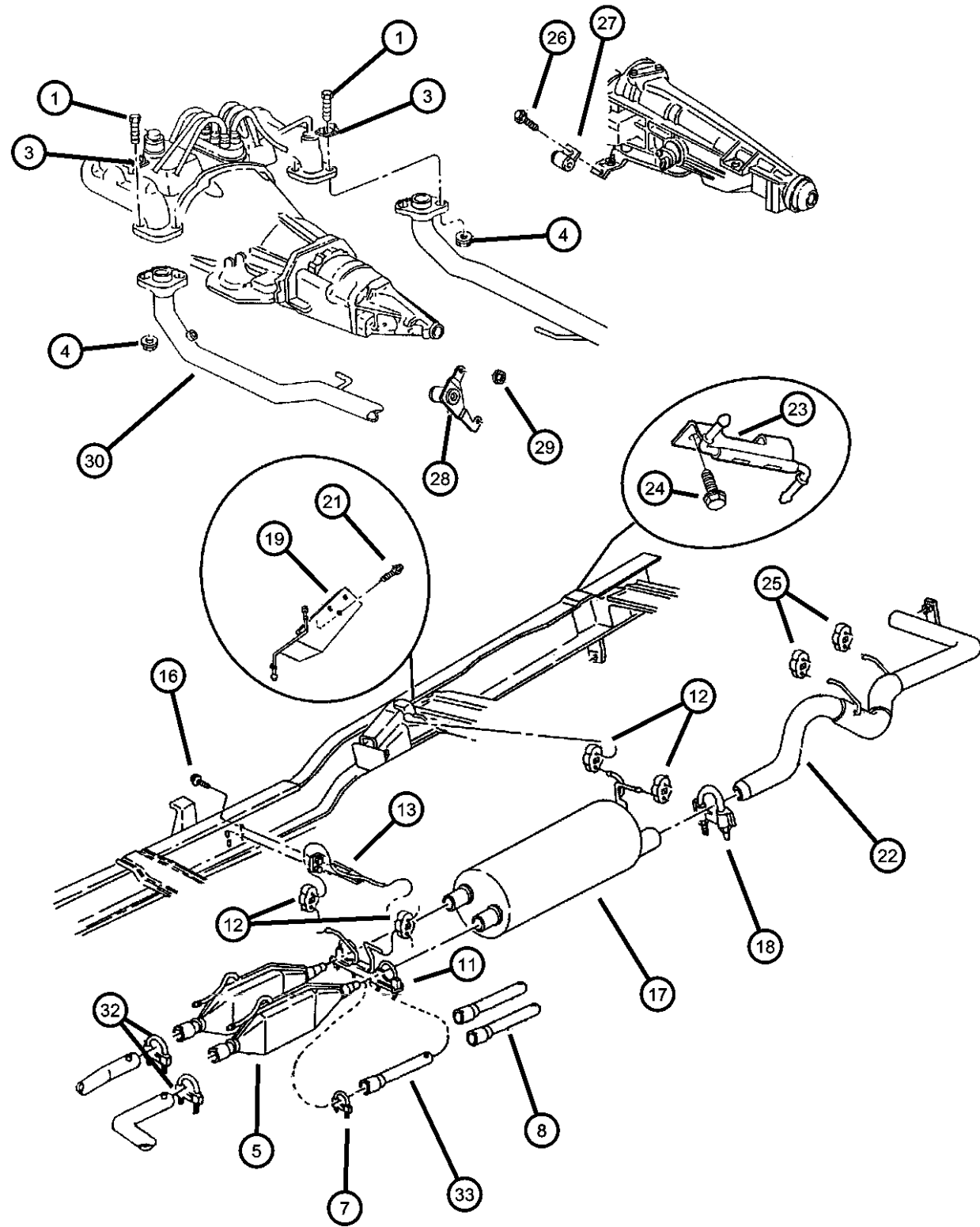
RAM PICKUP/CLUB CAB (BE)

SERIES	LINE	BODY	ENGINE	TRANSMISSION
L = RAM 1500, 2500, 3500	1 = Lt. Duty DODGE 2WD	31 = CLUB CAB 2-DR 6.5 FT BOX	ETC = 5.9L Cummins 24V Diesel Engine	DGP = 4-Spd. Automatic 47RE Transmission
	2 = Med. Duty DODGE 2WD	32 = CLUB CAB 2-DR 8FT BOX	EWA = 8.0L V10 MPI Engine	DD0 = ALL 5 SPEED MANUAL TRANSMISSIONS
	3 = HD DODGE 2WD	33 = QUAD CAB 4-DR 6.5 FT BOX	EM0 = ALL 5.9L 8 CYL ENGINES - GAS	DG0 = ALL AUTOMATIC TRANSMISSIONS
	6 = Lt. Duty DODGE 4WD	34 = QUAD CAB 4-DR 8FT BOX	EMM = 5.9L SMPI V8 Engine	DDC = 5-Speed HD Manual Transmission
	7 = Med. Duty DODGE 4WD		EML = 5.9L V8 MPI Engine	DDP = 5-Speed Manual Transmission
	8 = HD DODGE 4WD		ELF = 5.2L V8 MPI Engine	DDX = 5-Speed HD Manual Transmission
				DEE = 6-Speed HD Manual Transmission
				DGT = 4-Spd. Automatic 46RE Transmission

AR = use ase required - = Non illustrated part

1999 BE

**Exhaust System
Figure 11-125**



ITEM	PART NUMBER	QTY	LINE	SERIES	BODY	ENGINE	TRANS	TRIM	DESCRIPTION
------	-------------	-----	------	--------	------	--------	-------	------	-------------

Note; ELO= All 5.2 Engines, EMO= All 5.9 Gas Engines,
EWO= All 8.0 Engines, EMM= 5.9 Heavy Duty Gas Engine.

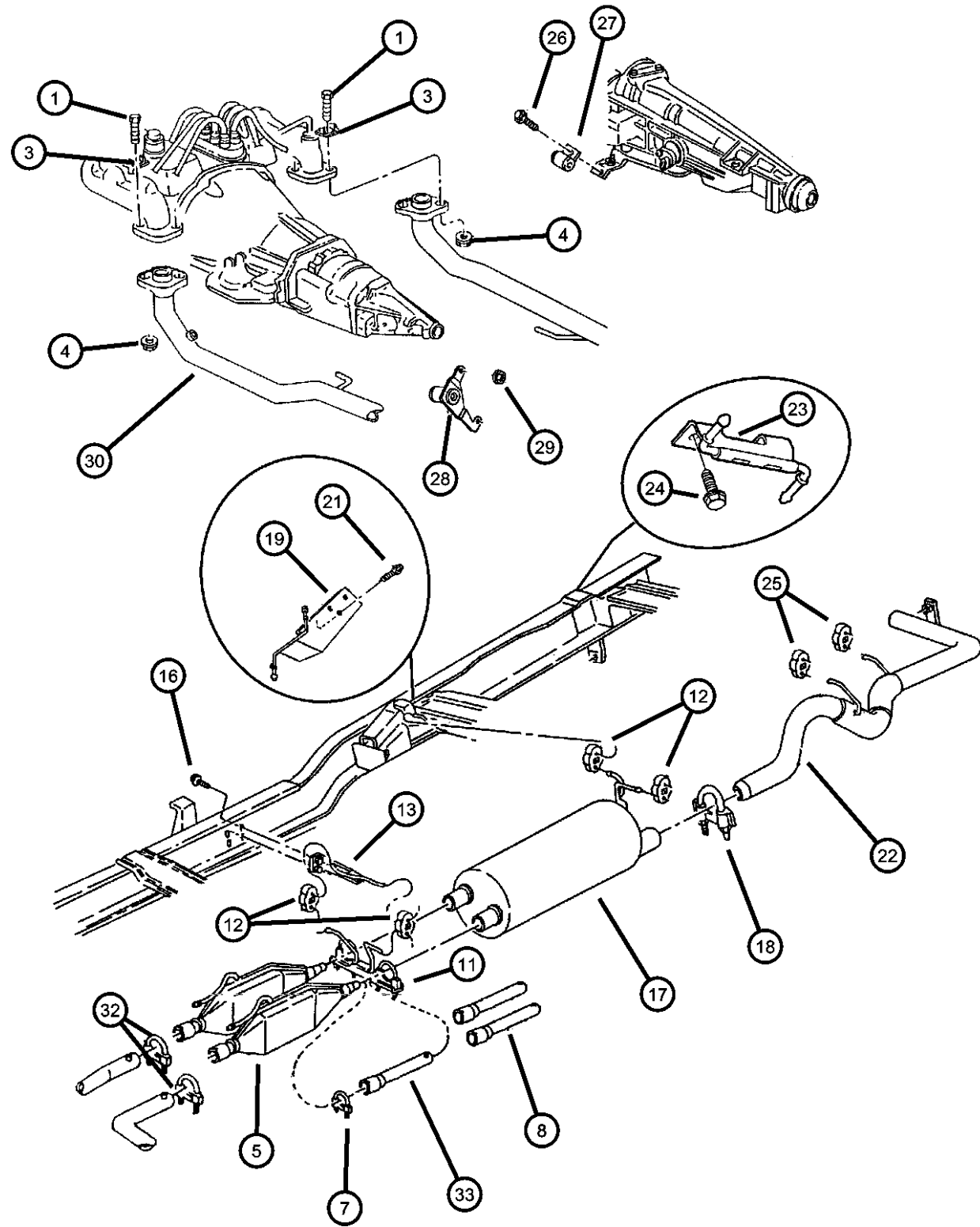
1	06035375	4				ELO, EMO			BOLT, Hex Head, .375-16x2.50
-2	J0180137	4	2, 3, 7, 8			EWO			BOLT, Hex Flange Head, .375-16 x 2.75
3	04004001	4				ELO, EMO, EWO			RETAINER, Exhaust Pipe to Manifold
4	00118615	4				ELO, EMO, EWO			NUT, Hex, .375-16
5									CONVERTER, Catalytic
	05018800AB	2	3, 8		34	EMM			Use this number after 11-16-2000
	52103078AH	2	2, 3, 7, 8			EWO			Federal
	52103201	1	2, 3, 7, 8			EWO			California
	52103220AC	2	3, 8		34	EMM			Use this number up to 11-16-2000
-6	52103000	2				EMM			RESONATOR, Exhaust, Leaded Fuel
7	52019397	2	2, 3, 7, 8			EWO			CLAMP, Exhaust
8									PIPE, Exhaust
	52018550	2	2, 7		31, 33	EWO			Federal
	E0052097								Mopar V-Line Alternative Part
	52019355	1	2, 3, 7, 8		32, 34	EWO			California
	E0052314AA								Mopar V-Line Alternative Part Exhaust Extension Pipe
	52020187	2	3, 8		34	EMM			
-9	52018552	2	2, 3, 7, 8		32, 34	EWO			RESONATOR, Exhaust, Federal
-10	52103115	1	2, 7		31, 33	EWO			PIPE, Exhaust Extension, California
	E0051019AA								Mopar V-Line Alternative Part Exhaust Extension Pipe
11									HANGER, Exhaust
	52018498	1	2, 3, 7, 8			EMM, EWO			
	52018668	1	2, 3, 7, 8			EWO			California

RAM PICKUP/CLUB CAB (BE)

SERIES	LINE	BODY	ENGINE	TRANSMISSION
L = RAM 1500, 2500, 3500	1 = Lt. Duty DODGE 2WD 2 = Med. Duty DODGE 2WD 3 = HD DODGE 2WD 6 = Lt. Duty DODGE 4WD 7 = Med. Duty DODGE 4WD 8 = HD DODGE 4WD	31 = CLUB CAB 2-DR 6.5 FT BOX 32 = CLUB CAB 2-DR 8FT BOX 33 = QUAD CAB 4-DR 6.5 FT BOX 34 = QUAD CAB 4-DR 8FT BOX	ETC = 5.9L Cummins 24V Diesel Engine EWA = 8.0L V10 MPI Engine EM0 = ALL 5.9L 8 CYL ENGINES - GAS EMM = 5.9L SMPI V8 Engine EML = 5.9L V8 MPI Engine ELF = 5.2L V8 MPI Engine	DGP = 4-Spd. Automatic 47RE Transmission DD0 = ALL 5 SPEED MANUAL TRANSMISSIONS DG0 = ALL AUTOMATIC TRANSMISSIONS DDC = 5-Speed HD Manual Transmission DDP = 5-Speed Manual Transmission DDX = 5-Speed HD Manual Transmission DEE = 6-Speed HD Manual Transmission DGT = 4-Spd. Automatic 46RE Transmission

AR = use ase required - = Non illustrated part

**Exhaust System
Figure 11-125**



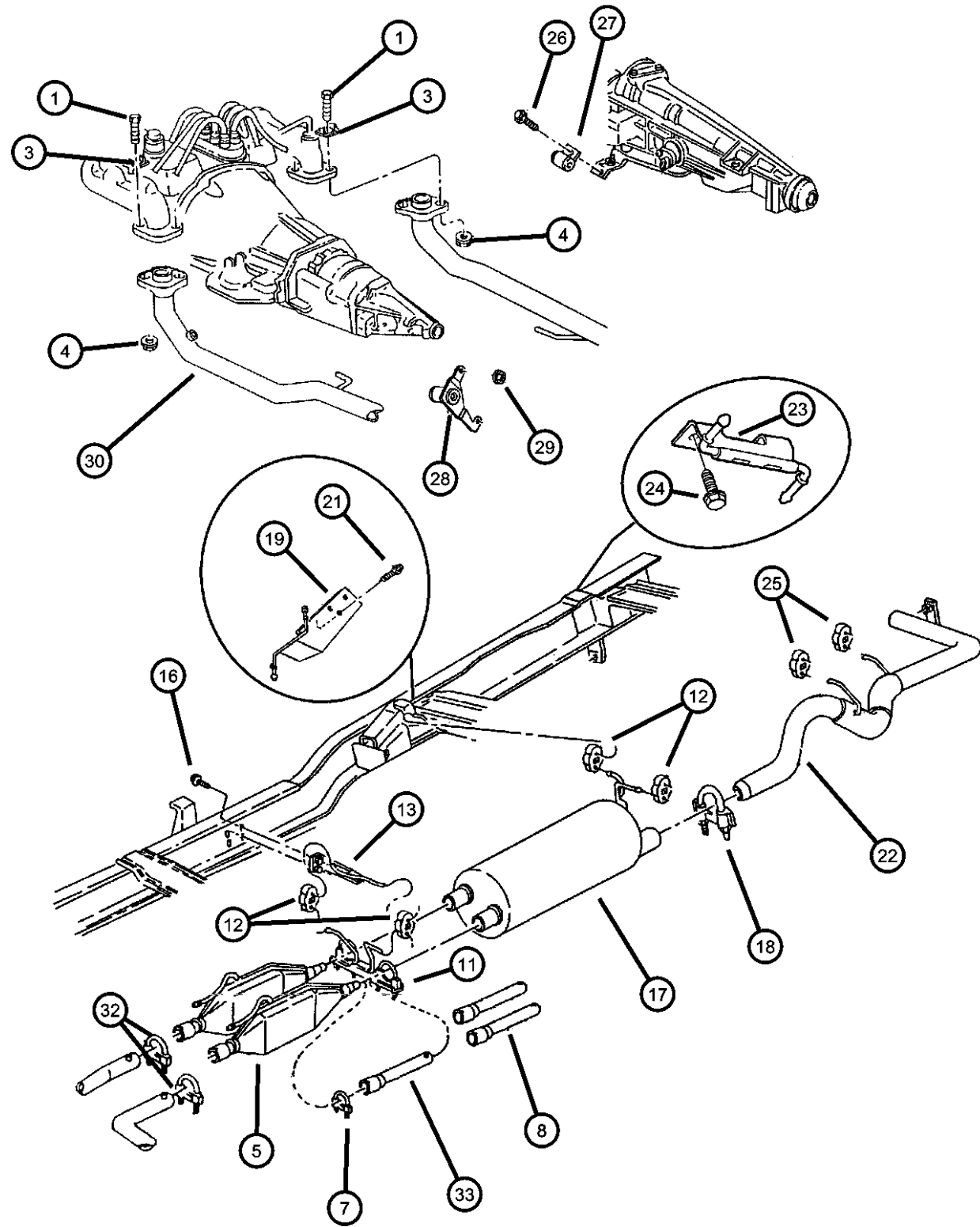
ITEM	PART NUMBER	QTY	LINE	SERIES	BODY	ENGINE	TRANS	TRIM	DESCRIPTION
12	52017607 E0036369	2							INSULATOR, Exhaust Mopar V-Line Alternative Part
13	52017629	1	2, 3, 7, 8		32, 34	EW0			HANGER, Exhaust Federal
		1	2, 3, 7, 8		32, 34	EMM			
-14	52103013	1	2, 7		31, 33	EW0			HANGER, Muffler, Federal
-15	52018666	1	2, 3, 7, 8		32, 34	EW0			BRACKET, Catalytic Converter, California
16	06100584	2							BOLT AND CONED WASHER, Hex Head, M8x30x20
17	52019323 E0017374 E0017373 E0019377UF E0017344 E0017343 E0021443	1				EMM			MUFFLER, Exhaust Dynamax Cat Back Dual Exhaust Short Bed Dynamax Cat Back Dual Exhaust Long Bed Dynamax Complete Exhaust Dynamax Cat Back Single Exhaust Regular Cab Short Bed Dynamax Cat Back Single Exhaust Regular Cab Long Bed Mopar V-Line Alternative Part Resonator Federal
	E0017374 E0017373 E0019377UF E0017344 E0017343 E0021443	1				EW0			Dynamax Cat Back Dual Exhaust Short Bed Dynamax Cat Back Dual Exhaust Long Bed Dynamax Complete Exhaust Dynamax Cat Back Single Exhaust Regular Cab Short Bed Dynamax Cat Back Single Exhaust Regular Cab Long Bed Mopar V-Line Alternative Part Resonator Federal

RAM PICKUP/CLUB CAB (BE)

SERIES	LINE	BODY	ENGINE	TRANSMISSION
L = RAM 1500, 2500, 3500	1 = Lt. Duty DODGE 2WD 2 = Med. Duty DODGE 2WD 3 = HD DODGE 2WD 6 = Lt. Duty DODGE 4WD 7 = Med. Duty DODGE 4WD 8 = HD DODGE 4WD	31 = CLUB CAB 2-DR 6.5 FT BOX 32 = CLUB CAB 2-DR 8FT BOX 33 = QUAD CAB 4-DR 6.5 FT BOX 34 = QUAD CAB 4-DR 8FT BOX	ETC = 5.9L Cummins 24V Diesel Engine EWA = 8.0L V10 MPI Engine EM0 = ALL 5.9L 8 CYL ENGINES - GAS EMM = 5.9L SMPI V8 Engine EML = 5.9L V8 MPI Engine ELF = 5.2L V8 MPI Engine	DGP = 4-Spd. Automatic 47RE Transmission DD0 = ALL 5 SPEED MANUAL TRANSMISSIONS DG0 = ALL AUTOMATIC TRANSMISSIONS DDC = 5-Speed HD Manual Transmission DDP = 5-Speed Manual Transmission DDX = 5-Speed HD Manual Transmission DEE = 6-Speed HD Manual Transmission DGT = 4-Spd. Automatic 46RE Transmission

AR = use ase required - = Non illustrated part

**Exhaust System
Figure 11-125**



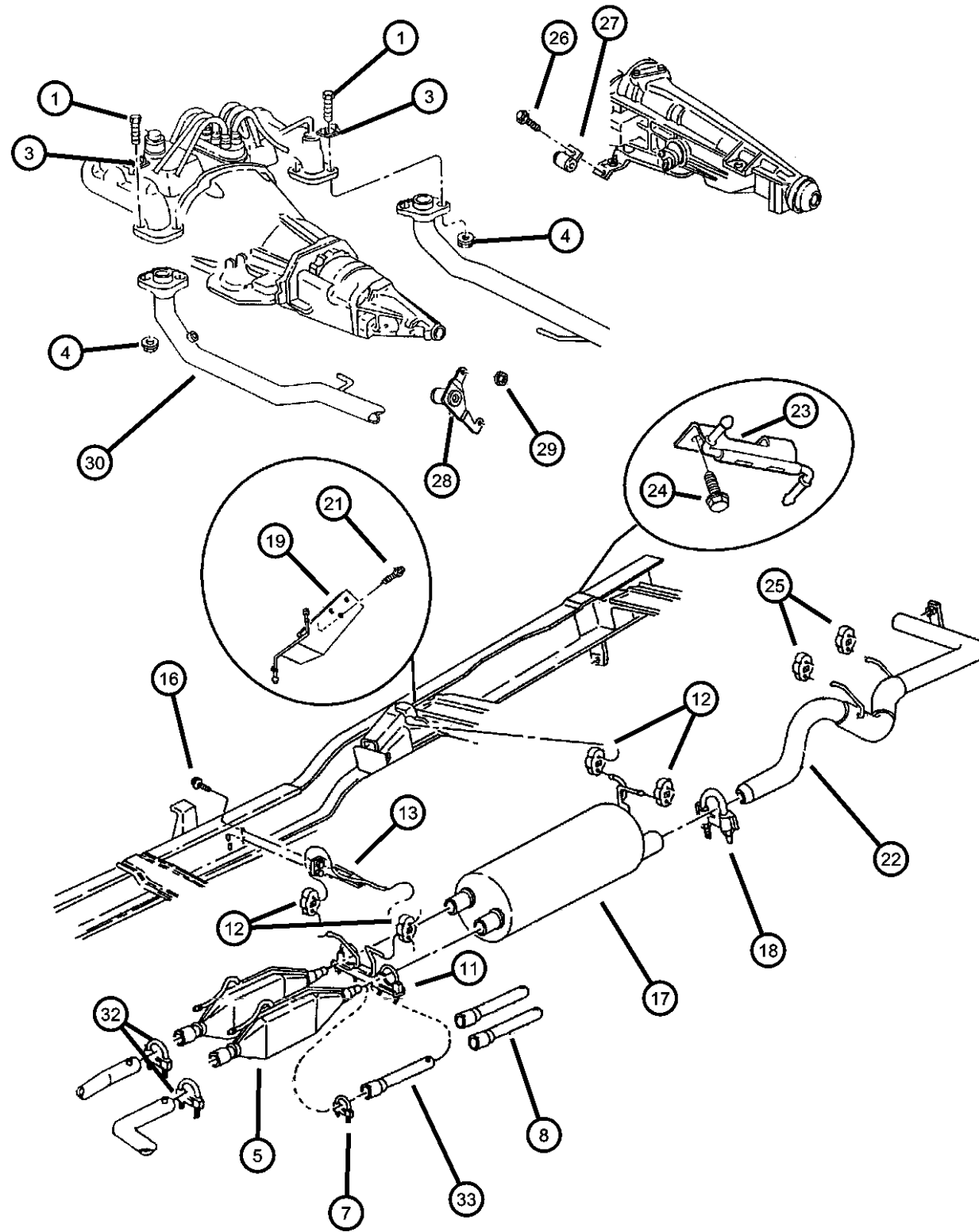
ITEM	PART NUMBER	QTY	LINE	SERIES	BODY	ENGINE	TRANS	TRIM	DESCRIPTION
	52019346	1	2, 3, 7, 8			EW0			California
18	52018623	1	2, 3, 7, 8		32, 33, 34	EW0			CLAMP, Exhaust
	E0035794								Mopar V-Line Alternative Part
19	52018890	1							HANGER, Exhaust, Federal
-20	52103024	1	2, 7		31, 33	EW0			HANGER, Muffler, California
21	34201888	3							SCREW, Hex Head
22	52103096	1	2, 3, 7, 8		32, 33, 34	EMM, EW0			TAILPIPE, Exhaust
23									HANGER, Tailpipe
	52103053	1				ELO, EML, EW0			
		1				EMM, ETC			
24	34201888	3							SCREW, Hex Head
25	04616750	2							ISOLATOR, Exhaust Support
26	04616750	2							SCREW, M10x1.50x30.00, (NOT SERVICED)
27									BRACKET, Engine Mount
	52018654	1	2, 3			EMM			
		1	2, 3			EW0			
28									BRACKET, Exhaust Pipe to T/Case
	52018497	1	7, 8			EMM			
		1	7, 8			EW0			
29	06502337	2							NUT, M10x1.5
30									PIPE, Exhaust
	52006488	1	2, 3, 7, 8			EW0			Right
	52006532	1	3, 8		34	EMM			Right
-31									PIPE, Exhaust Front Left
	52103083	1	2, 3			EW0			Left
	52103085	1	7, 8			EW0			Left

RAM PICKUP/CLUB CAB (BE)

SERIES	LINE	BODY	ENGINE	TRANSMISSION
L = RAM 1500, 2500, 3500	1 = Lt. Duty DODGE 2WD 2 = Med. Duty DODGE 2WD 3 = HD DODGE 2WD 6 = Lt. Duty DODGE 4WD 7 = Med. Duty DODGE 4WD 8 = HD DODGE 4WD	31 = CLUB CAB 2-DR 6.5 FT BOX 32 = CLUB CAB 2-DR 8FT BOX 33 = QUAD CAB 4-DR 6.5 FT BOX 34 = QUAD CAB 4-DR 8FT BOX	ETC = 5.9L Cummins 24V Diesel Engine EWA = 8.0L V10 MPI Engine EM0 = ALL 5.9L 8 CYL ENGINES - GAS EMM = 5.9L SMPI V8 Engine EML = 5.9L V8 MPI Engine ELF = 5.2L V8 MPI Engine	DGP = 4-Spd. Automatic 47RE Transmission DD0 = ALL 5 SPEED MANUAL TRANSMISSIONS DG0 = ALL AUTOMATIC TRANSMISSIONS DDC = 5-Speed HD Manual Transmission DDP = 5-Speed Manual Transmission DDX = 5-Speed HD Manual Transmission DEE = 6-Speed HD Manual Transmission DGT = 4-Spd. Automatic 46RE Transmission

AR = use ase required - = Non illustrated part

**Exhaust System
Figure 11-125**



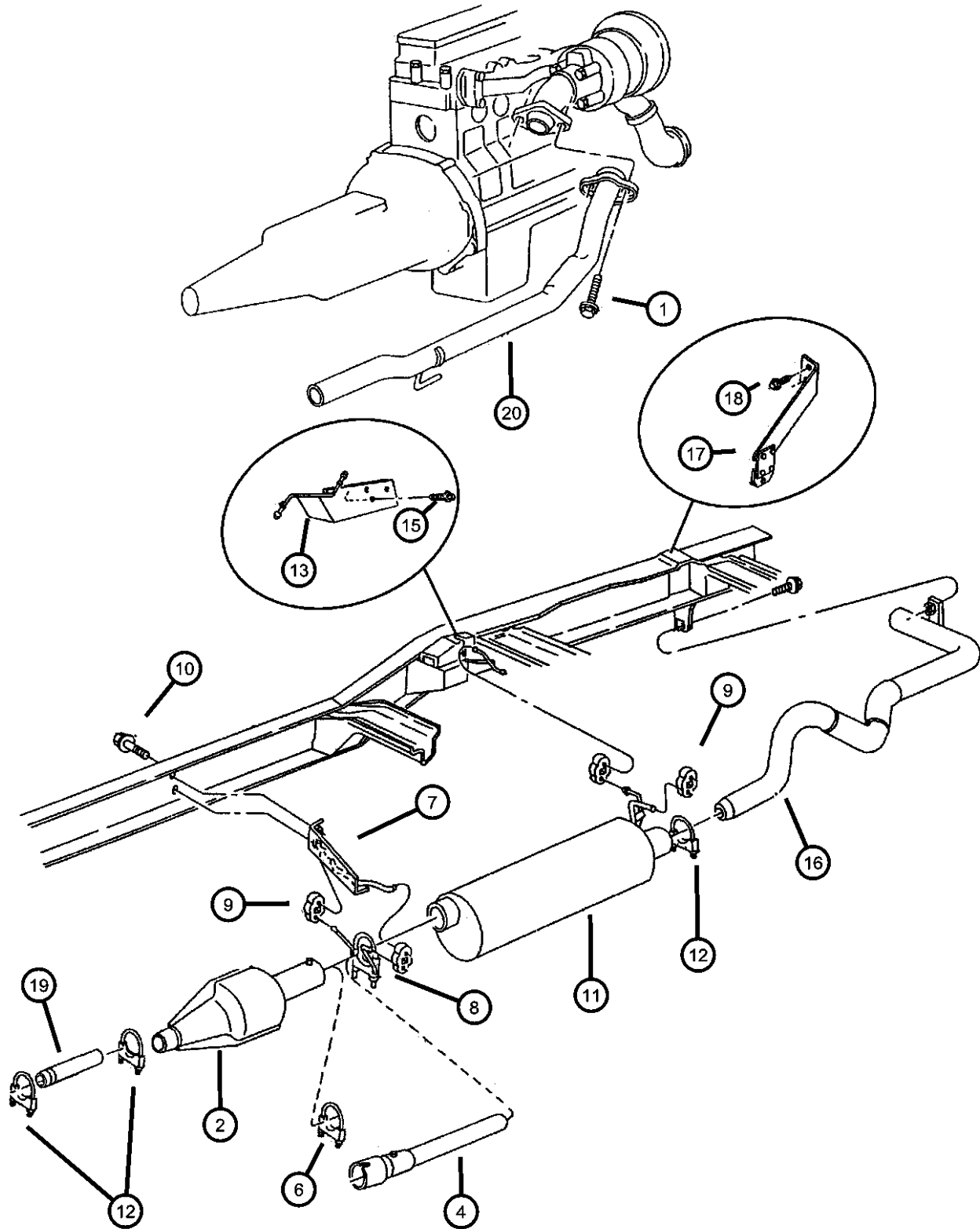
ITEM	PART NUMBER	QTY	LINE	SERIES	BODY	ENGINE	TRANS	TRIM	DESCRIPTION
	52103105	1	3		34	EMM			Left
	52103109	1	8		34	EMM			Left
32									CLAMP, Exhaust
	04301081	2	3, 8		34	EMM			
	52019397	2	2, 3, 7, 8			EW0			
33	52019170AB	1	2, 3, 7, 8			EW0			PIPE, Exhaust, California

RAM PICKUP/CLUB CAB (BE)

SERIES	LINE	BODY	ENGINE	TRANSMISSION
L = RAM 1500, 2500, 3500	1 = Lt. Duty DODGE 2WD 2 = Med. Duty DODGE 2WD 3 = HD DODGE 2WD 6 = Lt. Duty DODGE 4WD 7 = Med. Duty DODGE 4WD 8 = HD DODGE 4WD	31 = CLUB CAB 2-DR 6.5 FT BOX 32 = CLUB CAB 2-DR 8FT BOX 33 = QUAD CAB 4-DR 6.5 FT BOX 34 = QUAD CAB 4-DR 8FT BOX	ETC = 5.9L Cummins 24V Diesel Engine EWA = 8.0L V10 MPI Engine EM0 = ALL 5.9L 8 CYL ENGINES - GAS EMM = 5.9L SMPI V8 Engine EML = 5.9L V8 MPI Engine ELF = 5.2L V8 MPI Engine	DGP = 4-Spd. Automatic 47RE Transmission DD0 = ALL 5 SPEED MANUAL TRANSMISSIONS DG0 = ALL AUTOMATIC TRANSMISSIONS DDC = 5-Speed HD Manual Transmission DDP = 5-Speed Manual Transmission DDX = 5-Speed HD Manual Transmission DEE = 6-Speed HD Manual Transmission DGT = 4-Spd. Automatic 46RE Transmission

AR = use ase required - = Non illustrated part

**Exhaust System
Figure 11-135**



ITEM	PART NUMBER	QTY	LINE	SERIES	BODY	ENGINE	TRANS	TRIM	DESCRIPTION
------	-------------	-----	------	--------	------	--------	-------	------	-------------

Note; ETB= 12 Valve Diesel Engine, ETC= 24 Valve Diesel Engine,
EMM= 5.9 Heavy Duty Gas Engine, ETO= All Diesel Engines.

1	06100940	2	2, 3, 7, 8			ETO			BOLT, Hex Flange Head, M10x1.5x50
2	06100940	2							CONVERTER, Catalytic, (NOT REQUIRED)
-3	52103042AB E0021442AA	1	2, 3, 7, 8			ETC			RESONATOR, Exhaust Mopar V-Line Alternative Part Muffler
4	52019355 E0052314AA	1	2, 3, 7, 8		32, 34	ETO			PIPE, Exhaust Mopar V-Line Alternative Part Exhaust Extension Pipe
-5	52103115 E0051019AA	1	2, 7		31, 33	ETC			PIPE, Exhaust Extension Mopar V-Line Alternative Part Exhaust Extension Pipe
6	52103115	1							CLAMP, Exhaust, (NOT REQUIRED)
7	52018666	1	2, 3, 7, 8		32, 34	ETO			BRACKET, Catalytic Converter
8	52018668	1	2, 3, 7, 8			ETO			HANGER, Exhaust
9	52017607 E0036369	2							INSULATOR, Exhaust Mopar V-Line Alternative Part
10	06100584	2							BOLT AND CONED WASHER, Hex Head, M8x30x20
11	52019324AB E0019372UF E0019377UF E0021443	1	2, 3, 7, 8			ETC			MUFFLER, Exhaust Dynomax Cat Back Single Exhaust Dynomax Complete Exhaust Mopar V-Line Alternative Part
12	52018623 E0035794	1	2, 3, 7, 8		32, 33, 34	ETO			CLAMP, Exhaust Mopar V-Line Alternative Part
13	52018890	1							HANGER, Exhaust, Federal
-14	52103024	1	2, 7		31, 33	ETO			HANGER, Muffler, California
15	34201888	3							SCREW, Hex Head

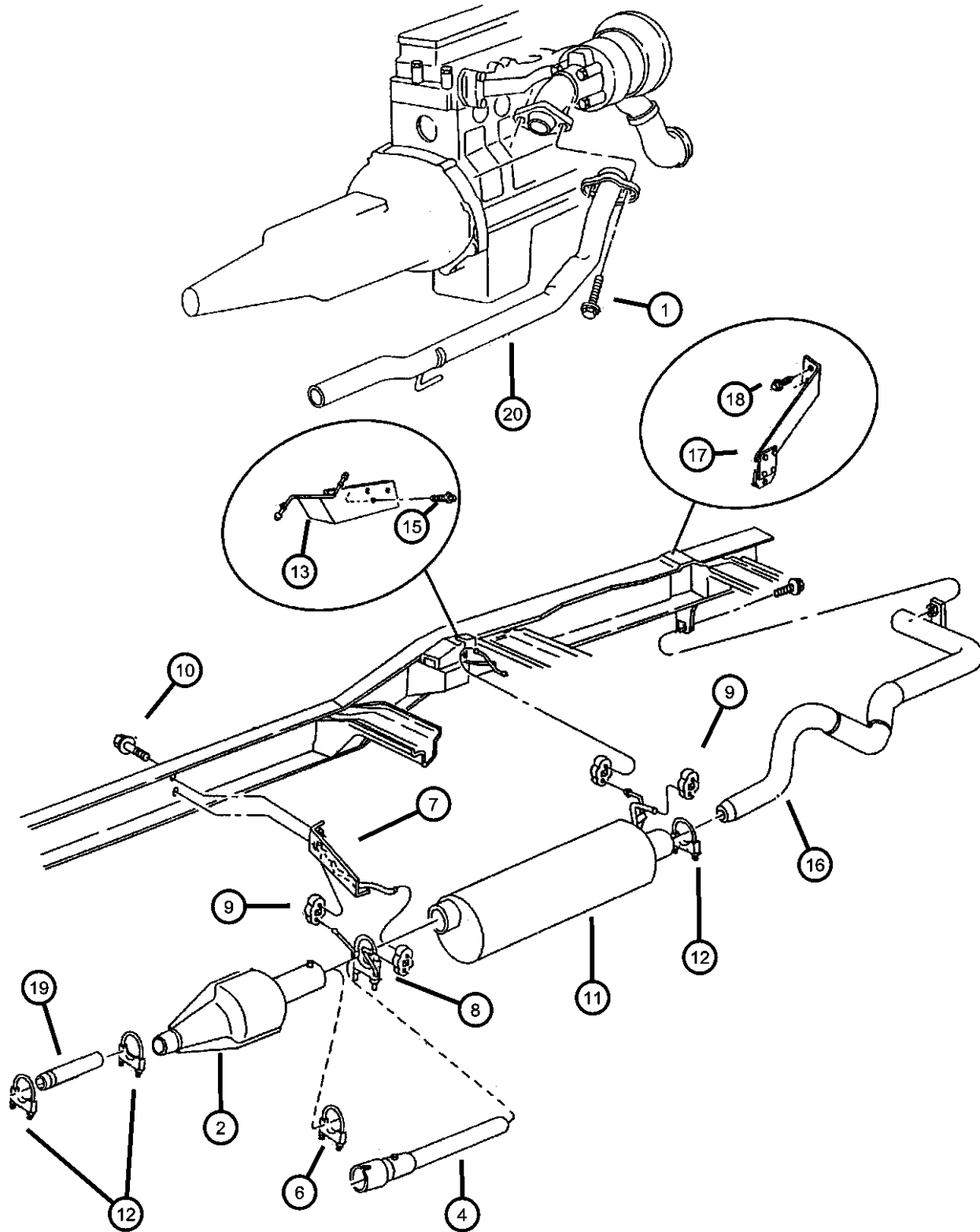
RAM PICKUP/CLUB CAB (BE)

SERIES	LINE	BODY	ENGINE	TRANSMISSION
L = RAM 1500, 2500, 3500	1 = Lt. Duty DODGE 2WD 2 = Med. Duty DODGE 2WD 3 = HD DODGE 2WD 6 = Lt. Duty DODGE 4WD 7 = Med. Duty DODGE 4WD 8 = HD DODGE 4WD	31 = CLUB CAB 2-DR 6.5 FT BOX 32 = CLUB CAB 2-DR 8FT BOX 33 = QUAD CAB 4-DR 6.5 FT BOX 34 = QUAD CAB 4-DR 8FT BOX	ETC = 5.9L Cummins 24V Diesel Engine EWA = 8.0L V10 MPI Engine EM0 = ALL 5.9L 8 CYL ENGINES - GAS EMM = 5.9L SMPI V8 Engine EML = 5.9L V8 MPI Engine ELF = 5.2L V8 MPI Engine	DGP = 4-Spd. Automatic 47RE Transmission DD0 = ALL 5 SPEED MANUAL TRANSMISSIONS DG0 = ALL AUTOMATIC TRANSMISSIONS DDC = 5-Speed HD Manual Transmission DDP = 5-Speed Manual Transmission DDX = 5-Speed HD Manual Transmission DEE = 6-Speed HD Manual Transmission DGT = 4-Spd. Automatic 46RE Transmission

AR = use ase required - = Non illustrated part

1999 BE

**Exhaust System
Figure 11-135**



ITEM	PART NUMBER	QTY	LINE	SERIES	BODY	ENGINE	TRANS	TRIM	DESCRIPTION
16	52103095AB E0056125AA	1	2, 3, 7, 8			ETC			TAILPIPE, Exhaust Mopar V-Line Alternative Part Tailpipe
17	52103053	1				EMM, ETC			HANGER, Tailpipe
18	34201888	3							SCREW, Hex Head
19	52019355 E0052314AA	1	2, 3, 7, 8		32, 34	ET0			PIPE, Exhaust Mopar V-Line Alternative Part Exhaust Extension Pipe
20	52006534AC E0055336AA	1	2, 3, 7, 8			ETC			PIPE, Exhaust Mopar V-Line Alternative Part Muffler

RAM PICKUP/CLUB CAB (BE)

SERIES	LINE	BODY	ENGINE	TRANSMISSION
L = RAM 1500, 2500, 3500	1 = Lt. Duty DODGE 2WD 2 = Med. Duty DODGE 2WD 3 = HD DODGE 2WD 6 = Lt. Duty DODGE 4WD 7 = Med. Duty DODGE 4WD 8 = HD DODGE 4WD	31 = CLUB CAB 2-DR 6.5 FT BOX 32 = CLUB CAB 2-DR 8FT BOX 33 = QUAD CAB 4-DR 6.5 FT BOX 34 = QUAD CAB 4-DR 8FT BOX	ETC = 5.9L Cummins 24V Diesel Engine EWA = 8.0L V10 MPI Engine EM0 = ALL 5.9L 8 CYL ENGINES - GAS EMM = 5.9L SMPI V8 Engine EML = 5.9L V8 MPI Engine ELF = 5.2L V8 MPI Engine	DGP = 4-Spd. Automatic 47RE Transmission DD0 = ALL 5 SPEED MANUAL TRANSMISSIONS DG0 = ALL AUTOMATIC TRANSMISSIONS DDC = 5-Speed HD Manual Transmission DDP = 5-Speed Manual Transmission DDX = 5-Speed HD Manual Transmission DEE = 6-Speed HD Manual Transmission DGT = 4-Spd. Automatic 46RE Transmission

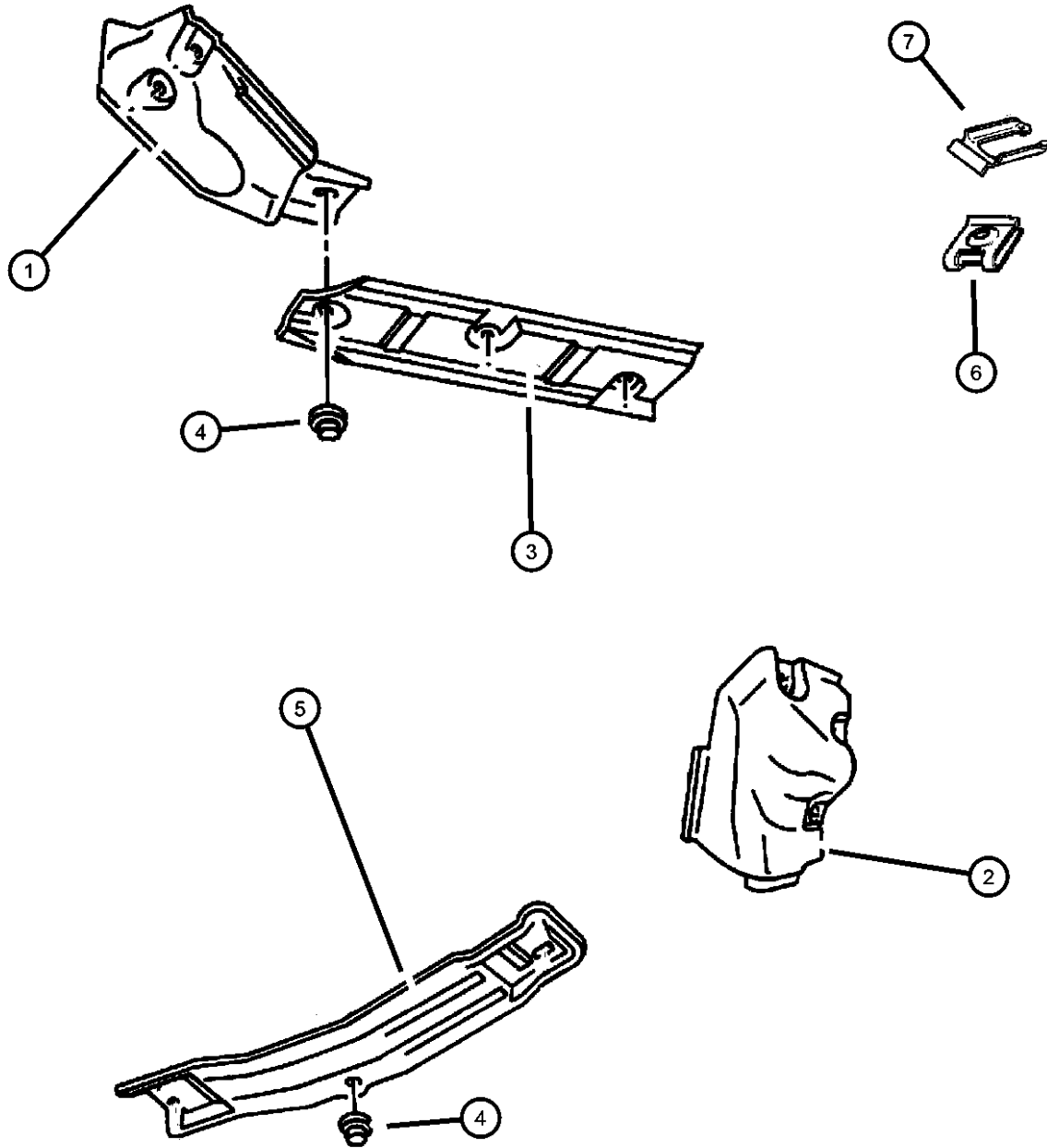
AR = use ase required - = Non illustrated part

Heat Shields
Figure 11-230

ITEM	PART NUMBER	QTY	LINE	SERIES	BODY	ENGINE	TRANS	TRIM	DESCRIPTION
------	-------------	-----	------	--------	------	--------	-------	------	-------------

Note; ELO= All 5.2 Gas Engines, EMO= All 5.9 Gas Engines,
EMM= 5.9 Heavy Duty Gas Engines, EWO= All 8.0 Gas Engines.

1	55274650	1				ELO, EMO, EWO			SHIELD, HeatRight
2	55275738	1				ELO, EMO, EWO			SHIELD, HeatLeft
3	55274656	1				ELO, EMO EWO			SHIELD, Heat Right Right
4		1							NUT, .250-20, (NOT SERVICED)
5	55274655AB	1				EMM, EWO			SHIELD, HeatLeft
6	52009136	4	2, 3, 7, 8			EMM, EWO			CLIP, Heat Shield
7	52058190	1	2, 3, 7, 8			EMM, EWO			BRACKET, Heat Shield



RAM PICKUP/CLUB CAB (BE)

SERIES	LINE	BODY	ENGINE	TRANSMISSION
L = RAM 1500, 2500, 3500	1 = Lt. Duty DODGE 2WD 2 = Med. Duty DODGE 2WD 3 = HD DODGE 2WD 6 = Lt. Duty DODGE 4WD 7 = Med. Duty DODGE 4WD 8 = HD DODGE 4WD	31 = CLUB CAB 2-DR 6.5 FT BOX 32 = CLUB CAB 2-DR 8FT BOX 33 = QUAD CAB 4-DR 6.5 FT BOX 34 = QUAD CAB 4-DR 8FT BOX	ETC = 5.9L Cummins 24V Diesel Engine EWA = 8.0L V10 MPI Engine EM0 = ALL 5.9L 8 CYL ENGINES - GAS EMM = 5.9L SMPI V8 Engine EML = 5.9L V8 MPI Engine ELF = 5.2L V8 MPI Engine	DGP = 4-Spd. Automatic 47RE Transmission DD0 = ALL 5 SPEED MANUAL TRANSMISSIONS DG0 = ALL AUTOMATIC TRANSMISSIONS DDC = 5-Speed HD Manual Transmission DDP = 5-Speed Manual Transmission DDX = 5-Speed HD Manual Transmission DEE = 6-Speed HD Manual Transmission DGT = 4-Spd. Automatic 46RE Transmission

AR = use ase required - = Non illustrated part

1999 BE

Group - 13

Frames and Bumpers

Group - 13 Frames and Bumpers

Illustration Title

Group-Fig. No.

Frames

FrameFig. 13 - 140

Front Bumper and Fascia

Bumper, FrontFig. 13 - 230

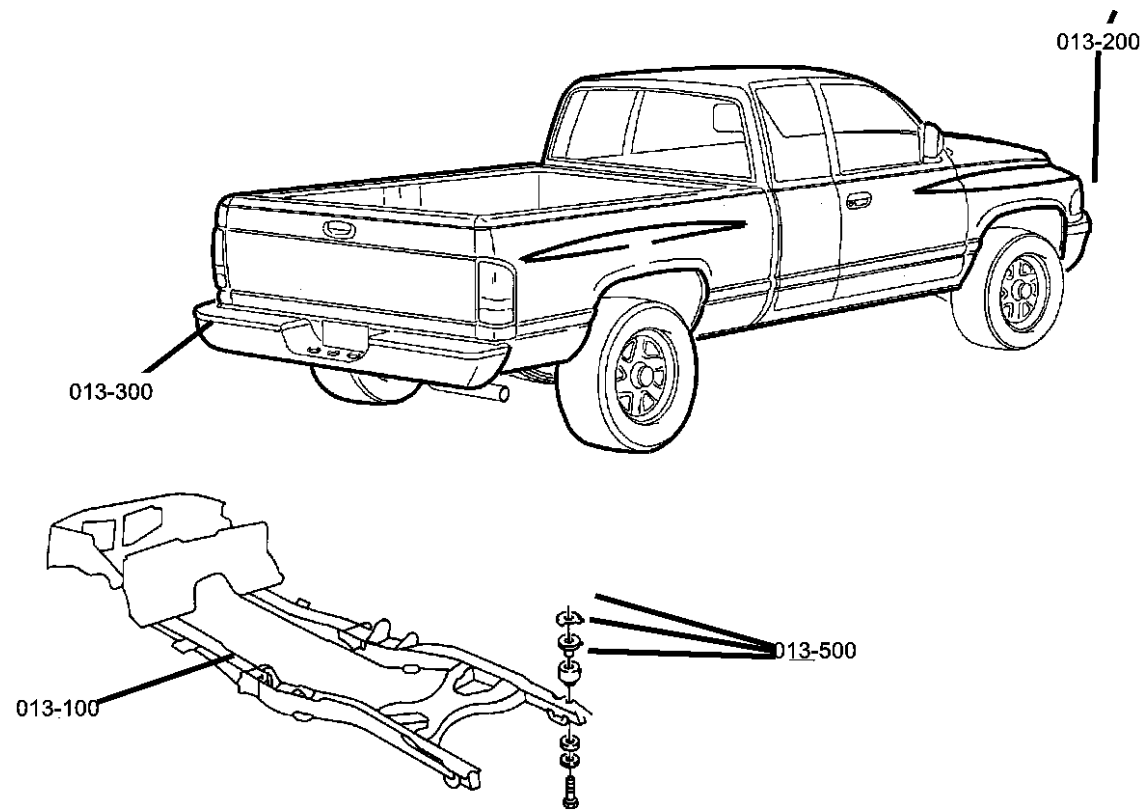
Bumper, Front, Sport.....Fig. 13 - 235

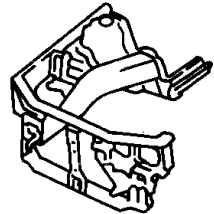
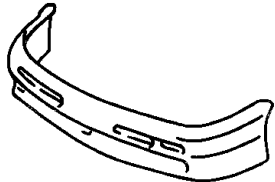
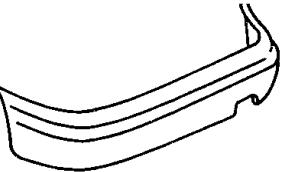

Rear Bumper and Fascia

Rear Bumper And License Plate AttachingFig. 13 - 310

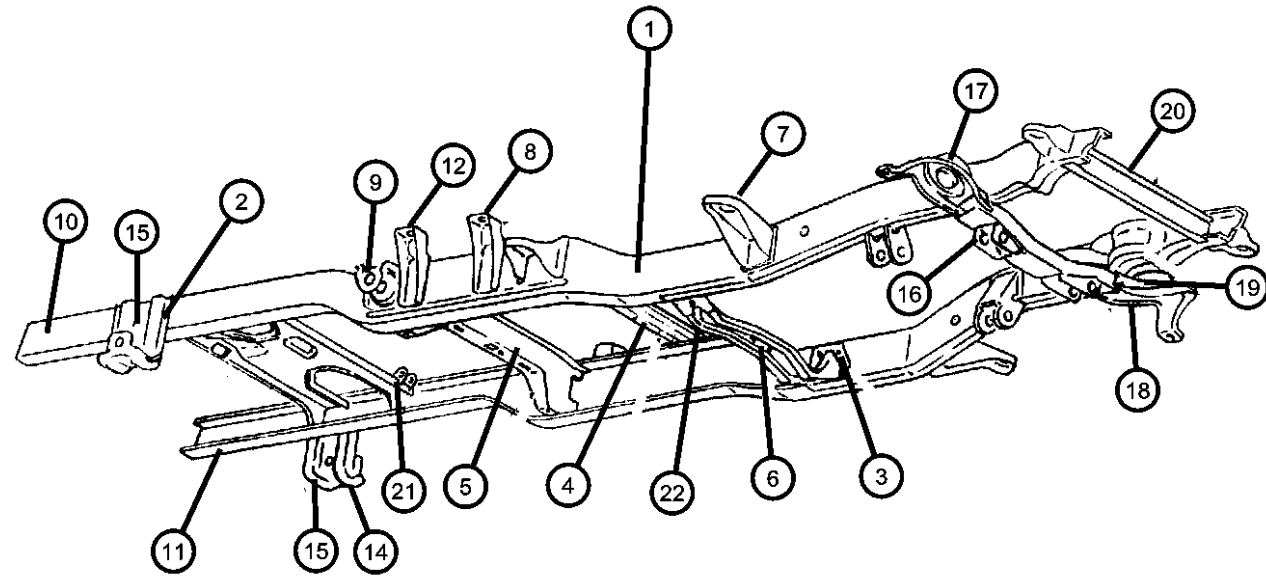
Body Hold Down

Body Hold Down And Front End Mounting.....Fig. 13 - 520



<p>013-100 Frames</p> 	<p>013-200 Front Bumper and Fascia</p> 	<p>013-300 Rear Bumper and Fascia</p> 	<p>013-500 Body Hold Down</p> 
--	---	---	--

Frame
Figure 13-140



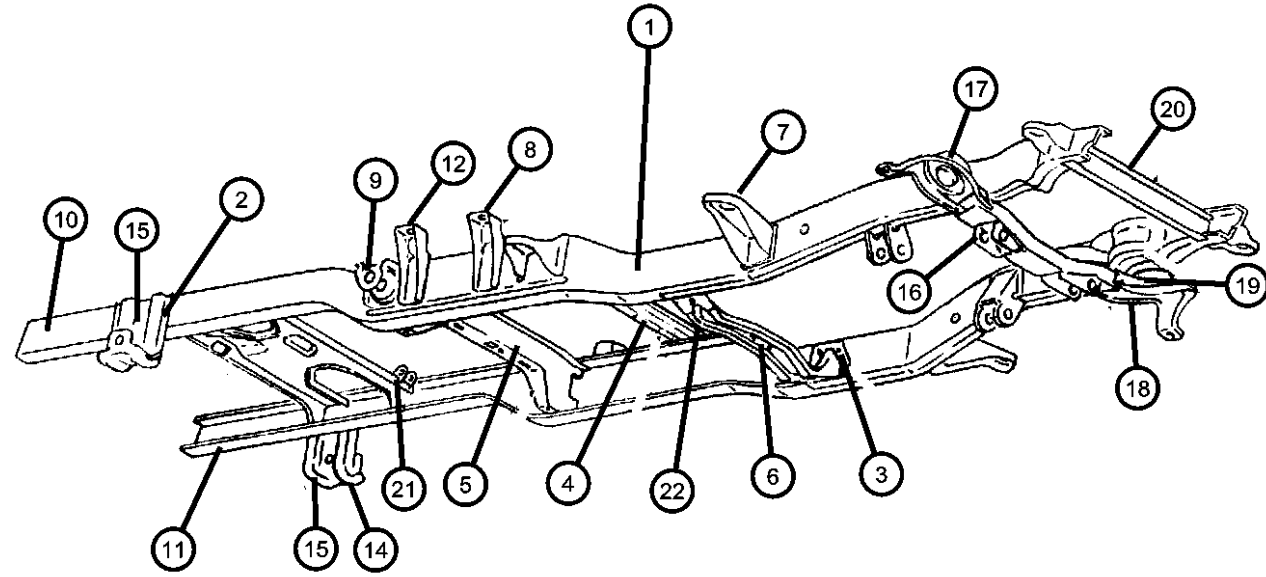
ITEM	PART NUMBER	QTY	LINE	SERIES	BODY	ENGINE	TRANS	TRIM	DESCRIPTION
1									FRAME ASSEMBLY, Chassis
	52020230AA	1	1		31, 33				with Manual Trans
	52020232AC	1	1		31, 33				with Auto Trans
	52020266AB	1	1		32, 34				
	52020267AC	1	2		31, 33				
	52020269AD	1	2, 3		32, 34				
	52020273AC	1	7, 8		32, 34				
	52020370AB	1	6		31, 33				
	52020371AB	1	6		32, 34				
	52020372AC	1	7		31, 33				
2									RIVET
	00104114	12	7		31, 33				
		12	7, 8		32, 34				
		12	1		31, 33				
		12	1		32, 34				
		12	2		31, 33				
		12	2, 3		32, 34				
		12	6		31, 33				
		12	6		32, 34				
3									NUT AND WASHER, Hex Nut-Coned Washer, .375-16
	06025011	8	1		31, 33				
		8	1		32, 34				
		8	2		31, 33				
		8	2, 3		32, 34				
		8	6		31, 33				
		8	6		32, 34				
		8	7		31, 33				
		8	7, 8		32, 34				

RAM PICKUP/CLUB CAB (BE)

SERIES	LINE	BODY	ENGINE	TRANSMISSION
L = RAM 1500, 2500, 3500	1 = Lt. Duty DODGE 2WD	31 = CLUB CAB 2-DR 6.5 FT BOX	ETC = 5.9L Cummins 24V Diesel Engine	DGP = 4-Spd. Automatic 47RE Transmission
	2 = Med. Duty DODGE 2WD	32 = CLUB CAB 2-DR 8FT BOX	EWA = 8.0L V10 MPI Engine	DD0 = ALL 5 SPEED MANUAL TRANSMISSIONS
	3 = HD DODGE 2WD	33 = QUAD CAB 4-DR 6.5 FT BOX	EM0 = ALL 5.9L 8 CYL ENGINES - GAS	DG0 = ALL AUTOMATIC TRANSMISSIONS
	6 = Lt. Duty DODGE 4WD	34 = QUAD CAB 4-DR 8FT BOX	EMM = 5.9L SMPI V8 Engine	DDC = 5-Speed HD Manual Transmission
	7 = Med. Duty DODGE 4WD		EML = 5.9L V8 MPI Engine	DDP = 5-Speed Manual Transmission
	8 = HD DODGE 4WD		ELF = 5.2L V8 MPI Engine	DDX = 5-Speed HD Manual Transmission
				DEE = 6-Speed HD Manual Transmission
				DGT = 4-Spd. Automatic 46RE Transmission

AR = use ase required - = Non illustrated part

Frame
Figure 13-140



ITEM	PART NUMBER	QTY	LINE	SERIES	BODY	ENGINE	TRANS	TRIM	DESCRIPTION
4									CROSSMEMBER, Fuel Tank
	52057524AB	1	7, 8		32, 34				
		1	1		31, 33				
		1	1		32, 34				
		1	2		31, 33				
		1	2, 3		32, 34				
		1	6		31, 33				
		1	6		32, 34				
		1	7		31, 33				
5									CROSSMEMBER, Rear Spring Front
	52057525	1	1		31, 33				
		1	1		32, 34				
		1	2		31, 33				
		1	2, 3		32, 34				
		1	6		31, 33				
		1	6		32, 34				
		1	7		31, 33				
		1	7, 8		32, 34				
6									CROSSMEMBER, Transmission [DBB]
	04882390	1	1		31, 33				
		1	6		31, 33				
		1	6		32, 34				
	05003051AA	1	2, 3		32, 34				
		1	7, 8		32, 34				
		1	7		31, 33				
	52058460	1	1		31, 33				[DG0]
		1	1		32, 34				

RAM PICKUP/CLUB CAB (BE)

SERIES LINE
L = RAM 1500, 2500, 3500
1 = Lt. Duty DODGE 2WD
2 = Med. Duty DODGE 2WD
3 = HD DODGE 2WD
6 = Lt. Duty DODGE 4WD
7 = Med. Duty DODGE 4WD
8 = HD DODGE 4WD

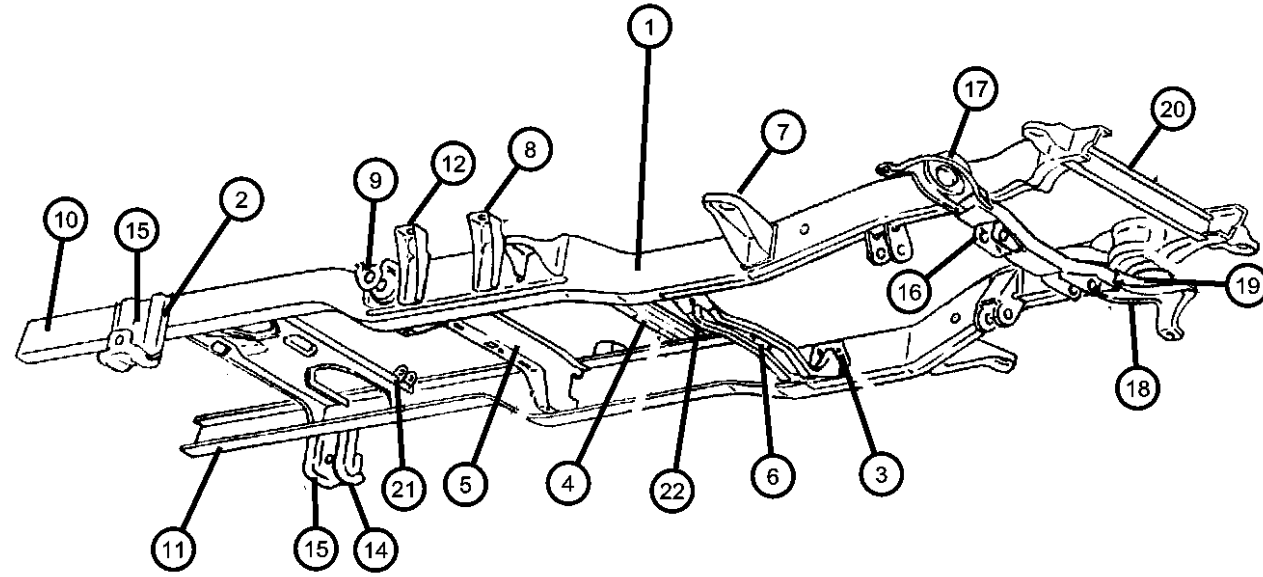
BODY
31 = CLUB CAB 2-DR 6.5 FT BOX
32 = CLUB CAB 2-DR 8FT BOX
33 = QUAD CAB 4-DR 6.5 FT BOX
34 = QUAD CAB 4-DR 8FT BOX
ENGINE
ETC = 5.9L Cummins 24V Diesel Engine
EWA = 8.0L V10 MPI Engine
EM0 = ALL 5.9L 8 CYL ENGINES - GAS
EMM = 5.9L SMPI V8 Engine
EML = 5.9L V8 MPI Engine
ELF = 5.2L V8 MPI Engine

TRANSMISSION
DGP = 4-Spd. Automatic 47RE Transmission
DD0 = ALL 5 SPEED MANUAL TRANSMISSIONS
DG0 = ALL AUTOMATIC TRANSMISSIONS
DDC = 5-Speed HD Manual Transmission
DDP = 5-Speed Manual Transmission
DDX = 5-Speed HD Manual Transmission
DEE = 6-Speed HD Manual Transmission
DGT = 4-Spd. Automatic 46RE Transmission

AR = use ase required - = Non illustrated part

1999 BE

Frame
Figure 13-140



ITEM	PART NUMBER	QTY	LINE	SERIES	BODY	ENGINE	TRANS	TRIM	DESCRIPTION
7									BRACKET, Frame
	52057527	2	1		31, 33				
		2	1		32, 34				
		2	2, 3		32, 34				
		2	7, 8		32, 34				
		2	6		31, 33				
		2	6		32, 34				
		2	2		31, 33				
		2	7		31, 33				
8									BRACKET, Cab
	52057544	2	1		31, 33				
		2	1		32, 34				
		2	2		31, 33				
		2	2, 3		32, 34				
		2	6		31, 33				
		2	6		32, 34				
		2	7		31, 33				
		2	7, 8		32, 34				
9									BRACKET, Spring
	52057866	2	1		31, 33				
		2	6		31, 33				
		2	6		32, 34				
		2	1		32, 34				
10									RAIL, Rear Right
	52057860AB	1	2, 3		32, 34				
		1	7, 8		32, 34				
11									RAIL, Rear Left
	52057861AB	1	2, 3		32, 34				

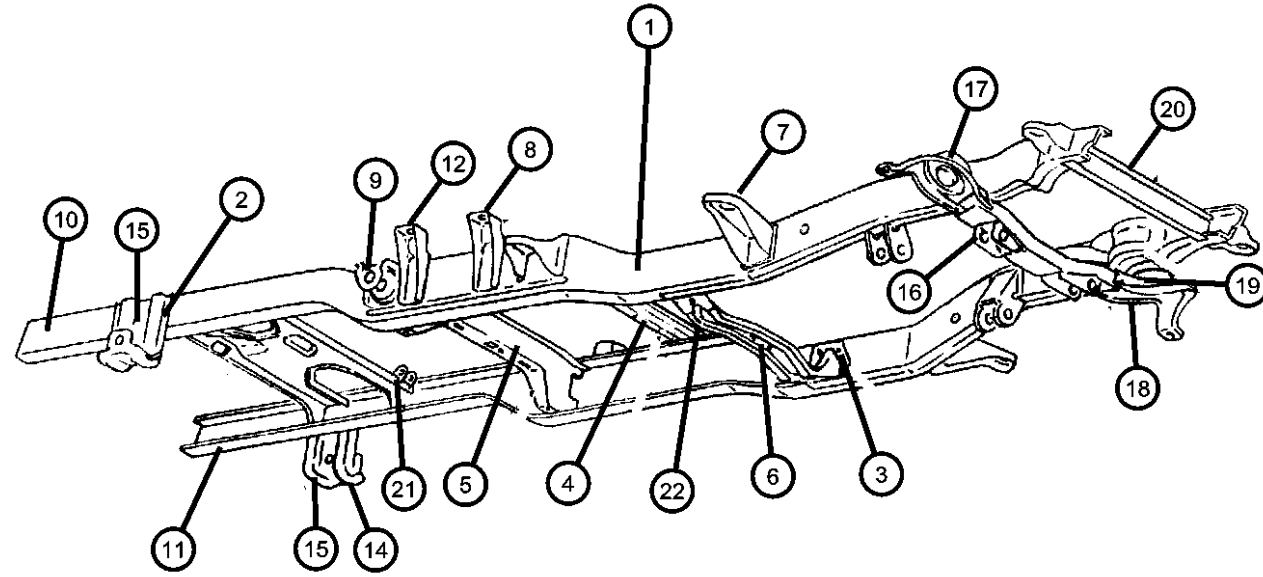
RAM PICKUP/CLUB CAB (BE)

SERIES	LINE	BODY	ENGINE	TRANSMISSION
L = RAM 1500, 2500, 3500	1 = Lt. Duty DODGE 2WD	31 = CLUB CAB 2-DR 6.5 FT BOX	ETC = 5.9L Cummins 24V Diesel Engine	DGP = 4-Spd. Automatic 47RE Transmission
	2 = Med. Duty DODGE 2WD	32 = CLUB CAB 2-DR 8FT BOX	EWA = 8.0L V10 MPI Engine	DD0 = ALL 5 SPEED MANUAL TRANSMISSIONS
	3 = HD DODGE 2WD	33 = QUAD CAB 4-DR 6.5 FT BOX	EM0 = ALL 5.9L 8 CYL ENGINES - GAS	DG0 = ALL AUTOMATIC TRANSMISSIONS
	6 = Lt. Duty DODGE 4WD	34 = QUAD CAB 4-DR 8FT BOX	EMM = 5.9L SMPI V8 Engine	DDC = 5-Speed HD Manual Transmission
	7 = Med. Duty DODGE 4WD		EML = 5.9L V8 MPI Engine	DDP = 5-Speed Manual Transmission
	8 = HD DODGE 4WD		ELF = 5.2L V8 MPI Engine	DDX = 5-Speed HD Manual Transmission
				DEE = 6-Speed HD Manual Transmission
				DGT = 4-Spd. Automatic 46RE Transmission

AR = use ase required - = Non illustrated part

1999 BE

Frame
Figure 13-140



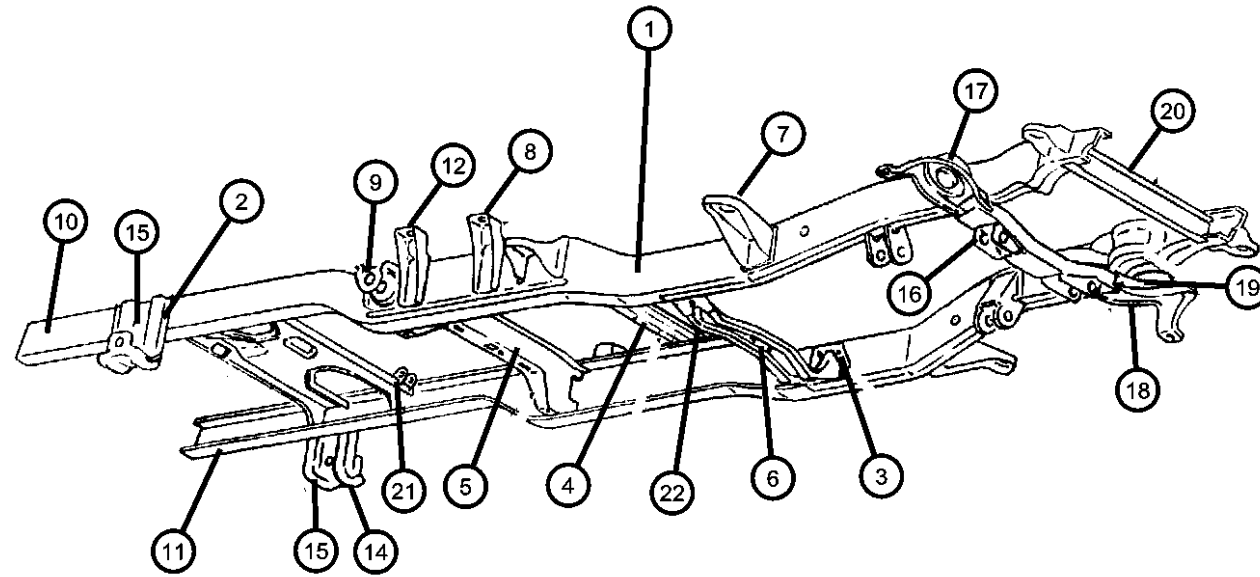
ITEM	PART NUMBER	QTY	LINE	SERIES	BODY	ENGINE	TRANS	TRIM	DESCRIPTION
		1	7, 8		32, 34				
12	52057544	2	1		31, 33				BRACKET, Cab
		2	1		32, 34				
		2	2		31, 33				
		2	2, 3		32, 34				
		2	6		31, 33				
		2	6		32, 34				
		2	7		31, 33				
		2	7, 8		32, 34				
-13	52038233	4	2, 3, 7, 8						BRACKET, Jounce Bumper
14	52058657	2	1		31, 33				BRACKET, Shackle
		2	1		32, 34				
		2	6		31, 33				
		2	6		32, 34				
15	52058658	2	7		31, 33				BRACKET, Shackle
		2	2, 3		32, 34				
		2	7, 8		32, 34				
		2	2		31, 33				
16	52058603	1	2		31, 33				BRACKET, Idler Arm
		1	2, 3		32, 34				
17	52058604AB	2	2		31, 33				BRACKET, Upper Control Arm
		2	2, 3		32, 34				
18									CUP, Jounce Bumper

RAM PICKUP/CLUB CAB (BE)

SERIES	LINE	BODY	ENGINE	TRANSMISSION
L = RAM 1500, 2500, 3500	1 = Lt. Duty DODGE 2WD 2 = Med. Duty DODGE 2WD 3 = HD DODGE 2WD 6 = Lt. Duty DODGE 4WD 7 = Med. Duty DODGE 4WD 8 = HD DODGE 4WD	31 = CLUB CAB 2-DR 6.5 FT BOX 32 = CLUB CAB 2-DR 8FT BOX 33 = QUAD CAB 4-DR 6.5 FT BOX 34 = QUAD CAB 4-DR 8FT BOX	ETC = 5.9L Cummins 24V Diesel Engine EWA = 8.0L V10 MPI Engine EM0 = ALL 5.9L 8 CYL ENGINES - GAS EMM = 5.9L SMPI V8 Engine EML = 5.9L V8 MPI Engine ELF = 5.2L V8 MPI Engine	DGP = 4-Spd. Automatic 47RE Transmission DD0 = ALL 5 SPEED MANUAL TRANSMISSIONS DG0 = ALL AUTOMATIC TRANSMISSIONS DDC = 5-Speed HD Manual Transmission DDP = 5-Speed Manual Transmission DDX = 5-Speed HD Manual Transmission DEE = 6-Speed HD Manual Transmission DGT = 4-Spd. Automatic 46RE Transmission

AR = use ase required - = Non illustrated part

Frame
Figure 13-140



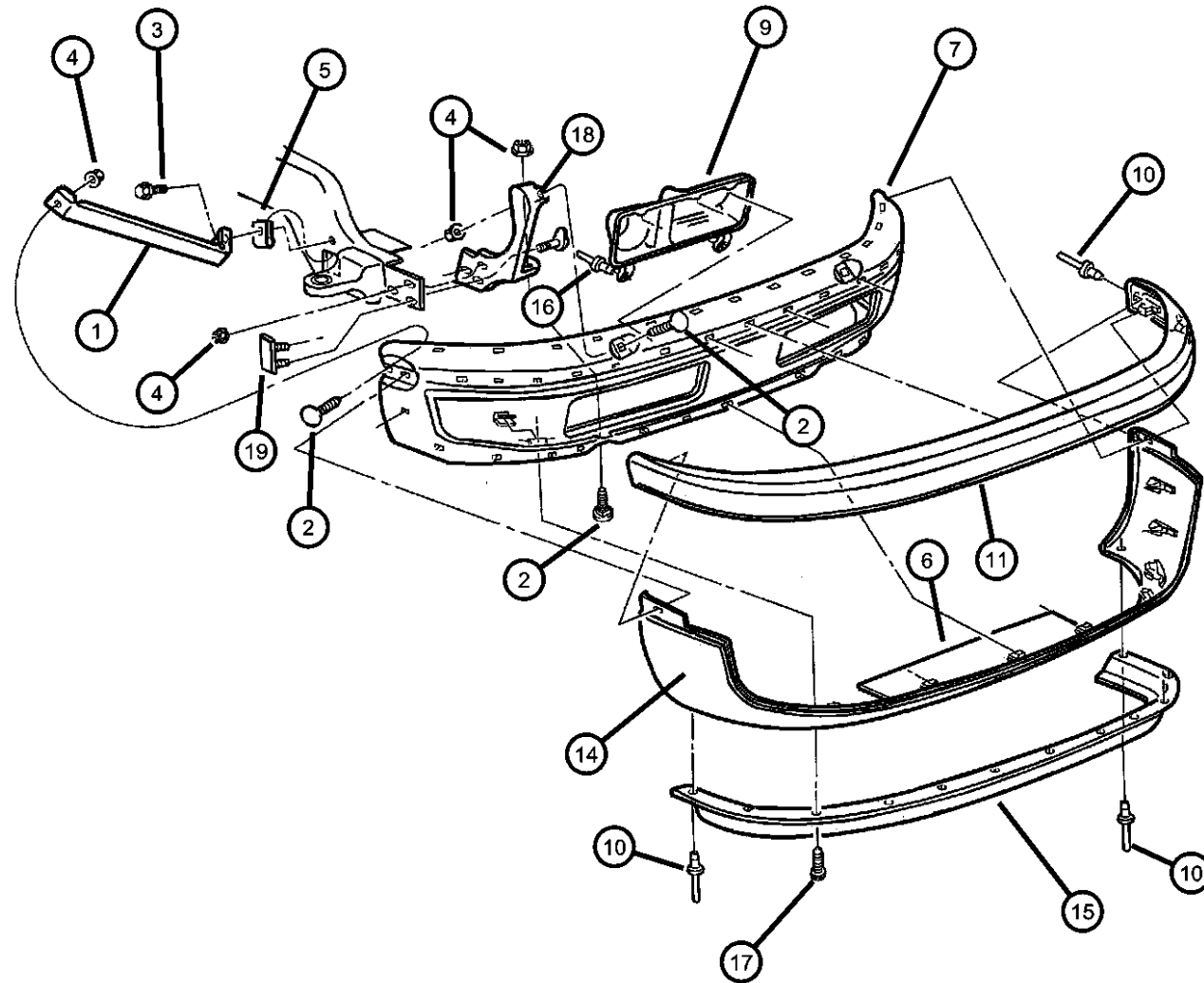
ITEM	PART NUMBER	QTY	LINE	SERIES	BODY	ENGINE	TRANS	TRIM	DESCRIPTION
	52058224	2	7		31, 33				
		2	7, 8		32, 34				
		2	6		31, 33				
		2	6		32, 34				
19	52038233	4	2, 3, 7, 8						BRACKET, Jounce Bumper
20									CROSSMEMBER, Radiator
	05015412AA	1	1		31, 33				
		1	1		32, 34				
		1	2, 3		32, 34				
		1	7, 8		32, 34				
		1	6		31, 33				
		1	6		32, 34				
		1	2		31, 33				
		1	7		31, 33				
21									BRACKET, Shock Absorber
	04882360	1	1		31, 33				
		1	2, 3		32, 34				
		1	7, 8		32, 34				
		1	6		31, 33				
		1	1		32, 34				
		1	2		31, 33				
		1	6		32, 34				
		1	7		31, 33				
22									CROSSMEMBER, Center Bearing Mount
	52019613	1	1		31, 33				
		1	2		31, 33				
		1	7		31, 33				

RAM PICKUP/CLUB CAB (BE)

SERIES	LINE	BODY	ENGINE	TRANSMISSION
L = RAM 1500, 2500, 3500	1 = Lt. Duty DODGE 2WD	31 = CLUB CAB 2-DR 6.5 FT BOX	ETC = 5.9L Cummins 24V Diesel Engine	DGP = 4-Spd. Automatic 47RE Transmission
	2 = Med. Duty DODGE 2WD	32 = CLUB CAB 2-DR 8FT BOX	EWA = 8.0L V10 MPI Engine	DD0 = ALL 5 SPEED MANUAL TRANSMISSIONS
	3 = HD DODGE 2WD	33 = QUAD CAB 4-DR 6.5 FT BOX	EM0 = ALL 5.9L 8 CYL ENGINES - GAS	DG0 = ALL AUTOMATIC TRANSMISSIONS
	6 = Lt. Duty DODGE 4WD	34 = QUAD CAB 4-DR 8FT BOX	EMM = 5.9L SMPI V8 Engine	DDC = 5-Speed HD Manual Transmission
	7 = Med. Duty DODGE 4WD		EML = 5.9L V8 MPI Engine	DDP = 5-Speed Manual Transmission
	8 = HD DODGE 4WD		ELF = 5.2L V8 MPI Engine	DDX = 5-Speed HD Manual Transmission
				DEE = 6-Speed HD Manual Transmission
				DGT = 4-Spd. Automatic 46RE Transmission

AR = use ase required - = Non illustrated part

Bumper, Front
Figure 13-230



ITEM	PART NUMBER	QTY	LINE	SERIES	BODY	ENGINE	TRANS	TRIM	DESCRIPTION
1									BRACKET, Front Bumper
	55234724	1							Right
	55234725	1							Left
2	55234725	1							BOLT, Bumper to Bracket, (NOT SERVICED)
3	55234725	1							SCREW, (NOT SERVICED)
4	55234725	1							NUT, (NOT SERVICED)
5	55234725	1							NUT, (NOT SERVICED)
6	55235115	1							SEAL, Radiator
7	55076599AD	1							BUMPER, Front
-8	55295455AB	1							BRACKET, License Plate
9									SHIELD, Bumper
	55076600	1							w/o Sports Package w/o Fog Lamps, Right
	55076601	1							w/o Sports Package w/o Fog Lamps, Left
	55076786AB	1							w/o Sports Package w/Fog Lamps, Right
	55076787AB	1							w/o Sports Package w/Fog Lamps, Left
10	06503938	4							RIVET, Blind, .25xM4/M7
11	55076610AB	1							FASCIA, Front, Includes 9 Clips, Not Serviced, Valance to, For Square Holes Bumper, Upper
-12	06033018	2							FASTENER, Hood Silencer
-13	06503698	5							SCREW AND WASHER, Truss Head, M6-1.00x30.00
14	55076614AB	1							FASCIA, Front, With Seal
15	55274811	1							AIR DAM, Air
16	34201631	18							RIVET, M6.25x28 Black
17	06503698	5							SCREW AND WASHER, Truss Head, M6-1.00x30.00
18									BRACKET, Front Bumper

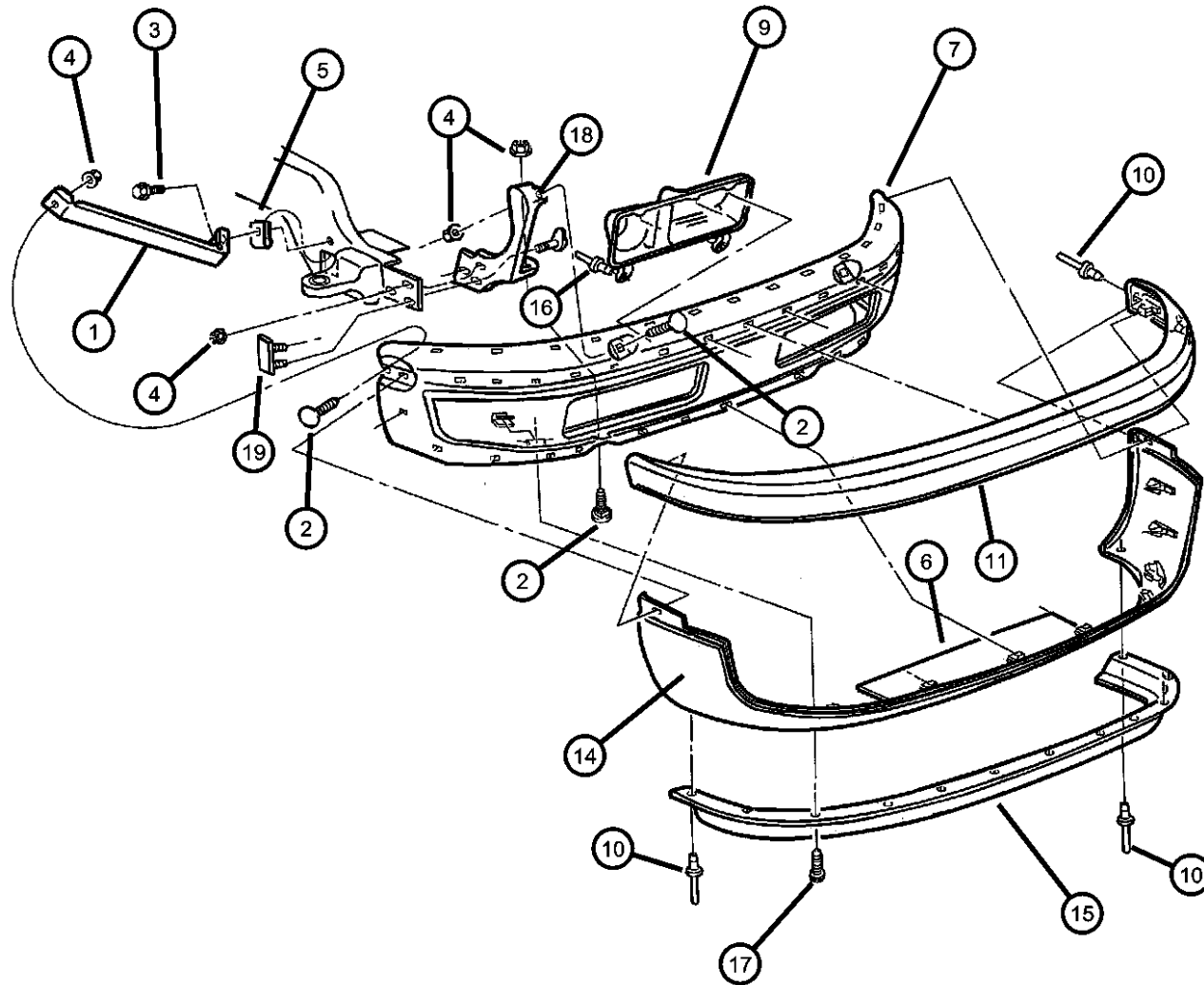
RAM PICKUP/CLUB CAB (BE)

SERIES	LINE	BODY	ENGINE	TRANSMISSION
L = RAM 1500, 2500, 3500	1 = Lt. Duty DODGE 2WD 2 = Med. Duty DODGE 2WD 3 = HD DODGE 2WD 6 = Lt. Duty DODGE 4WD 7 = Med. Duty DODGE 4WD 8 = HD DODGE 4WD	31 = CLUB CAB 2-DR 6.5 FT BOX 32 = CLUB CAB 2-DR 8FT BOX 33 = QUAD CAB 4-DR 6.5 FT BOX 34 = QUAD CAB 4-DR 8FT BOX	ETC = 5.9L Cummins 24V Diesel Engine EWA = 8.0L V10 MPI Engine EM0 = ALL 5.9L 8 CYL ENGINES - GAS EMM = 5.9L SMPI V8 Engine EML = 5.9L V8 MPI Engine ELF = 5.2L V8 MPI Engine	DGP = 4-Spd. Automatic 47RE Transmission DD0 = ALL 5 SPEED MANUAL TRANSMISSIONS DG0 = ALL AUTOMATIC TRANSMISSIONS DDC = 5-Speed HD Manual Transmission DDP = 5-Speed Manual Transmission DDX = 5-Speed HD Manual Transmission DEE = 6-Speed HD Manual Transmission DGT = 4-Spd. Automatic 46RE Transmission

AR = use ase required - = Non illustrated part

Bumper, Front
Figure 13-230

ITEM	PART NUMBER	QTY	LINE	SERIES	BODY	ENGINE	TRANS	TRIM	DESCRIPTION
	55076778AB	1							Right
	55076779AB	1							Left
19	06505123AA	2							BOLT, M12x1.75x40



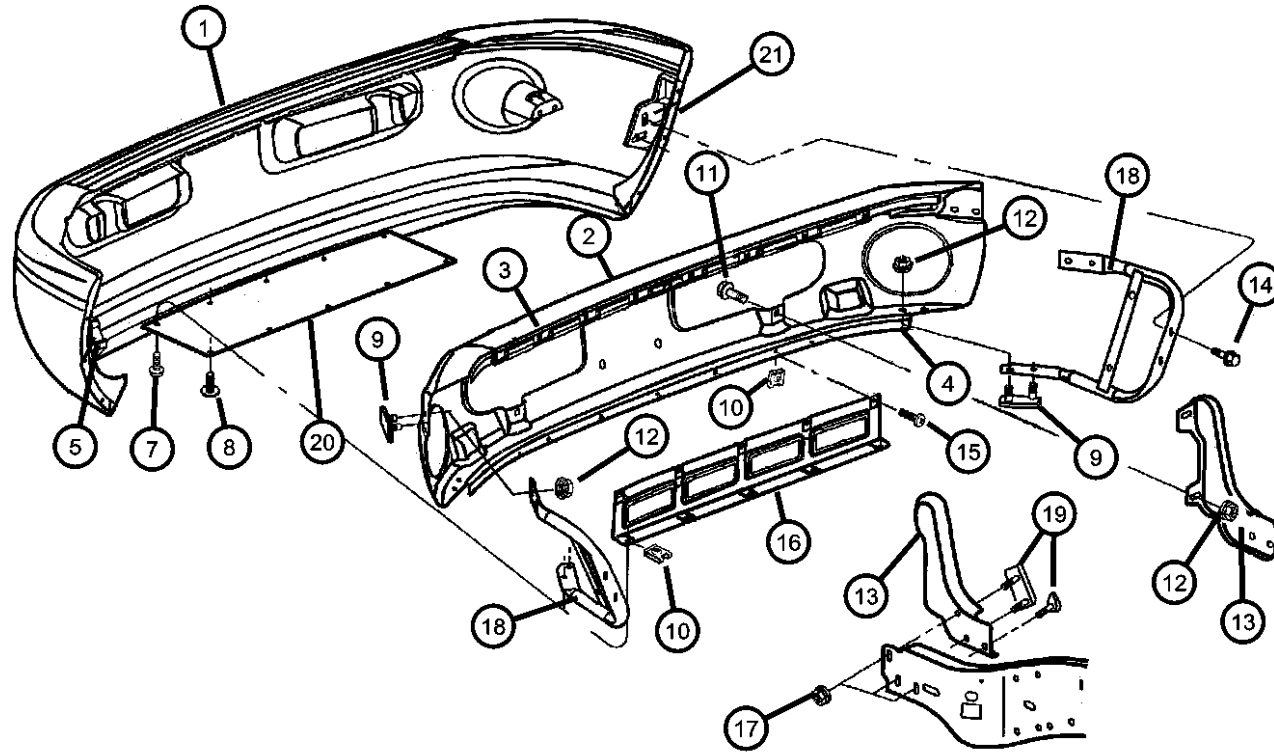
RAM PICKUP/CLUB CAB (BE)

SERIES	LINE	BODY	ENGINE	TRANSMISSION
L = RAM 1500, 2500, 3500	1 = Lt. Duty DODGE 2WD	31 = CLUB CAB 2-DR 6.5 FT BOX	ETC = 5.9L Cummins 24V Diesel Engine	DGP = 4-Spd. Automatic 47RE Transmission
	2 = Med. Duty DODGE 2WD	32 = CLUB CAB 2-DR 8FT BOX	EWA = 8.0L V10 MPI Engine	DD0 = ALL 5 SPEED MANUAL TRANSMISSIONS
	3 = HD DODGE 2WD	33 = QUAD CAB 4-DR 6.5 FT BOX	EM0 = ALL 5.9L 8 CYL ENGINES - GAS	DG0 = ALL AUTOMATIC TRANSMISSIONS
	6 = Lt. Duty DODGE 4WD	34 = QUAD CAB 4-DR 8FT BOX	EMM = 5.9L SMPI V8 Engine	DDC = 5-Speed HD Manual Transmission
	7 = Med. Duty DODGE 4WD		EML = 5.9L V8 MPI Engine	DDP = 5-Speed Manual Transmission
	8 = HD DODGE 4WD		ELF = 5.2L V8 MPI Engine	DDX = 5-Speed HD Manual Transmission
				DEE = 6-Speed HD Manual Transmission
				DGT = 4-Spd. Automatic 46RE Transmission

AR = use ase required - = Non illustrated part

1999 BE

Bumper, Front, Sport
Figure 13-235



ITEM	PART NUMBER	QTY	LINE	SERIES	BODY	ENGINE	TRANS	TRIM	DESCRIPTION
1	05013818AD	1							FASCIA, Front, Primed
2	55077011AB	1							BEAM, Front Bumper
3	55077012AB	1							STRIP, Front Fascia, Black
4	06101402	8							SCREW, Pan Head, M5x.80x125
5	06101402	8							NUT, Hex, .42-14, (NOT SERVICED)
-6	56021863AB	1							WIRING, Fog Lamp Jumper
7	06503698	5							SCREW AND WASHER, Truss Head, M6-1.00x30.00
8	06503221	2							PIN
9	06504394	2							BOLT AND RETAINER, M12X1.75X35.00
10	06504118	5							U-NUT, M6 x 1.00, M6x1.00
11	06504790	6							BOLT, Square Neck, M12x1.75x30.5
12	06504790	6							NUT, U, M6x1.00, (NOT SERVICED)
13									BRACKET, Front Bumper
	55077022AB	1							Right
	55077023AB	1							Left
14	06503938	4							RIVET, Blind, .25xM4/M7
15	06503938	4							SCREW, Pan Head, M8x1.25x35, (NOT SERVICED)
16	55077019AB	1							SUPPORT, Front Fascia
17	06502697	2							NUT, Hex Flange Lock, M12x1.75
18									BRACKET, Front Bumper
	55077014AB	1							Right
	55077015AB	1							Left
19	06504931AA	2							BOLT AND RETAINER, M12X1.75X32.50
20	55076970AC	1							PANEL, Front Fascia
21									BRACKET, Front Bumper

RAM PICKUP/CLUB CAB (BE)

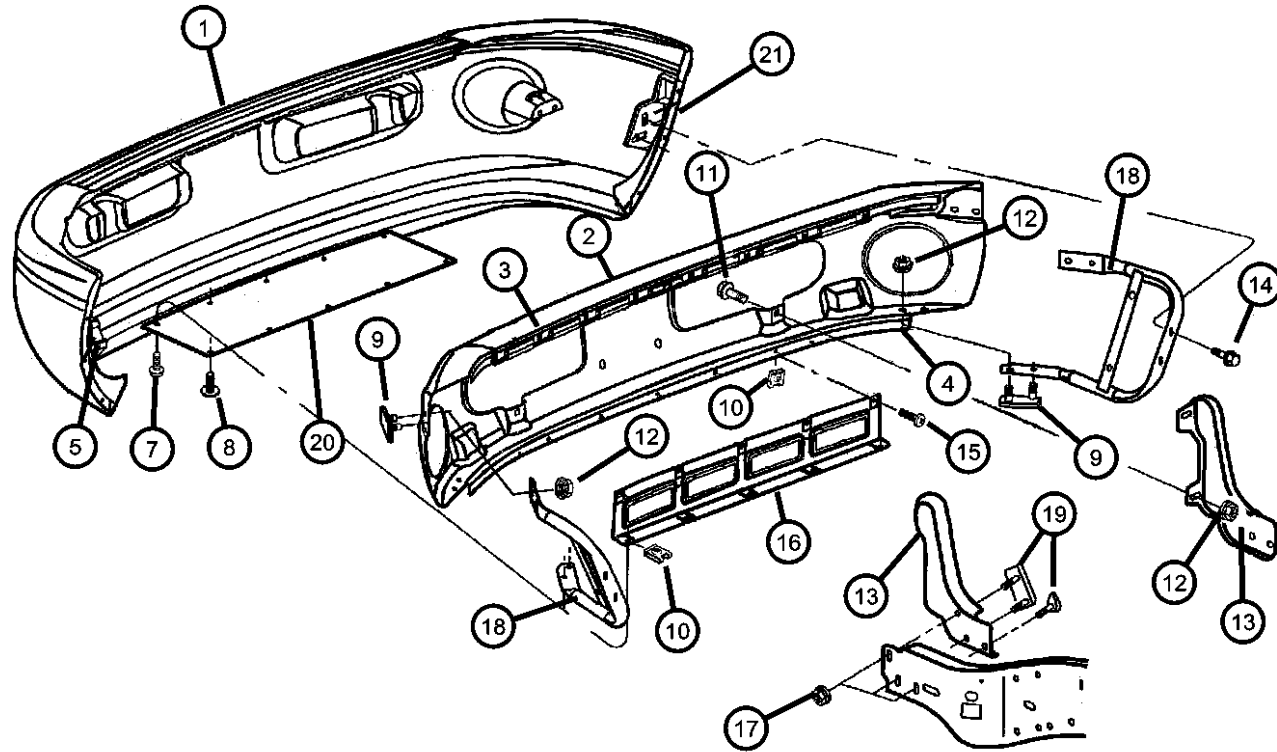
SERIES	LINE	BODY	ENGINE	TRANSMISSION
L = RAM 1500, 2500, 3500	1 = Lt. Duty DODGE 2WD 2 = Med. Duty DODGE 2WD 3 = HD DODGE 2WD 6 = Lt. Duty DODGE 4WD 7 = Med. Duty DODGE 4WD 8 = HD DODGE 4WD	31 = CLUB CAB 2-DR 6.5 FT BOX 32 = CLUB CAB 2-DR 8FT BOX 33 = QUAD CAB 4-DR 6.5 FT BOX 34 = QUAD CAB 4-DR 8FT BOX	ETC = 5.9L Cummins 24V Diesel Engine EWA = 8.0L V10 MPI Engine EM0 = ALL 5.9L 8 CYL ENGINES - GAS EMM = 5.9L SMPI V8 Engine EML = 5.9L V8 MPI Engine ELF = 5.2L V8 MPI Engine	DGP = 4-Spd. Automatic 47RE Transmission DD0 = ALL 5 SPEED MANUAL TRANSMISSIONS DG0 = ALL AUTOMATIC TRANSMISSIONS DDC = 5-Speed HD Manual Transmission DDP = 5-Speed Manual Transmission DDX = 5-Speed HD Manual Transmission DEE = 6-Speed HD Manual Transmission DGT = 4-Spd. Automatic 46RE Transmission

AR = use ase required - = Non illustrated part

1999 BE

Bumper, Front, Sport
Figure 13-235

ITEM	PART NUMBER	QTY	LINE	SERIES	BODY	ENGINE	TRANS	TRIM	DESCRIPTION
	55076972AC	1							Right
	55076973AC	1							Left
-22	55077064AB	1							BRACKET, License Plate



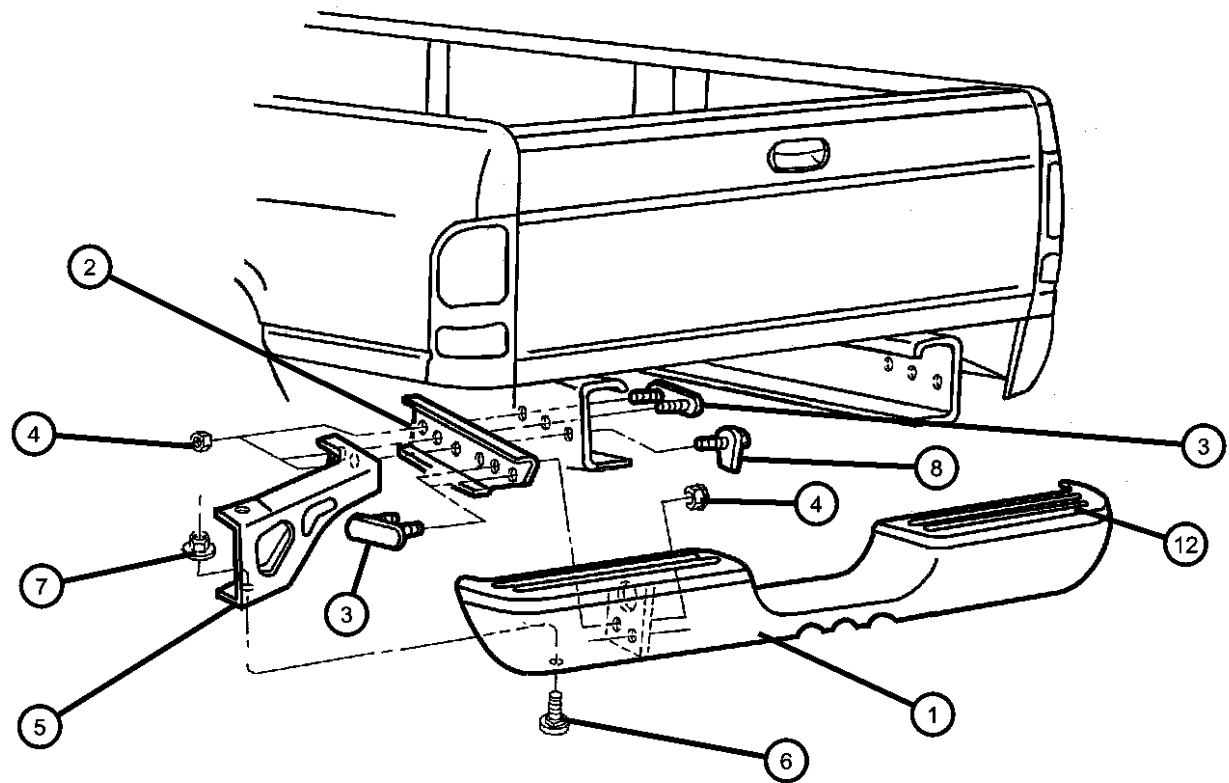
RAM PICKUP/CLUB CAB (BE)

SERIES	LINE	BODY	ENGINE	TRANSMISSION
L = RAM 1500, 2500, 3500	1 = Lt. Duty DODGE 2WD 2 = Med. Duty DODGE 2WD 3 = HD DODGE 2WD 6 = Lt. Duty DODGE 4WD 7 = Med. Duty DODGE 4WD 8 = HD DODGE 4WD	31 = CLUB CAB 2-DR 6.5 FT BOX 32 = CLUB CAB 2-DR 8FT BOX 33 = QUAD CAB 4-DR 6.5 FT BOX 34 = QUAD CAB 4-DR 8FT BOX	ETC = 5.9L Cummins 24V Diesel Engine EWA = 8.0L V10 MPI Engine EM0 = ALL 5.9L 8 CYL ENGINES - GAS EMM = 5.9L SMPI V8 Engine EML = 5.9L V8 MPI Engine ELF = 5.2L V8 MPI Engine	DGP = 4-Spd. Automatic 47RE Transmission DD0 = ALL 5 SPEED MANUAL TRANSMISSIONS DG0 = ALL AUTOMATIC TRANSMISSIONS DDC = 5-Speed HD Manual Transmission DDP = 5-Speed Manual Transmission DDX = 5-Speed HD Manual Transmission DEE = 6-Speed HD Manual Transmission DGT = 4-Spd. Automatic 46RE Transmission

AR = use ase required - = Non illustrated part

1999 BE

Rear Bumper And License Plate Attaching
Figure 13-310



ITEM	PART NUMBER	QTY	LINE	SERIES	BODY	ENGINE	TRANS	TRIM	DESCRIPTION
1	55076634AD	1							BUMPER, Rear Chrome
	5FG80DX8AD	1							(X8) Black
	5FG80GW7AD	1							(W7) White
	5FG80PR4AD	1							(R4) Red
	5FG80SG8AD	1							(G8) Green
	5FG80VB3AD	1							(B3) Blue
	5FG80VY-HAD	1							(YH) Yellow
2	55274863	2							BRACKET, Rear Bumper
3	06504394	2							BOLT AND RETAINER, M12X1.75X35.00
4	06505099AA	6							NUT, Hex Flange Lock, M12x1.75
5									BRACKET, Rear Bumper Side
	55274868	1							Right
	55274869	1							Left
6	06504122	2							BOLT, M12x1.75x35.00
7	06100055	6							NUT AND WASHER, Hex Nut-Coned Washer, M12 x 1.75
8	06504395	2							BOLT AND RETAINER, M12X1.75X35.00
9	06504395	2							BRACKET, License Plate, (NOT SERVICED)
10	06027958	2							NUT, Snap In, .25
11	06027958	2							SCREW, (NOT SERVICED)
12									STEP PAD, Rear Bumper
	55034460	1							Right
	55034461	1							Left

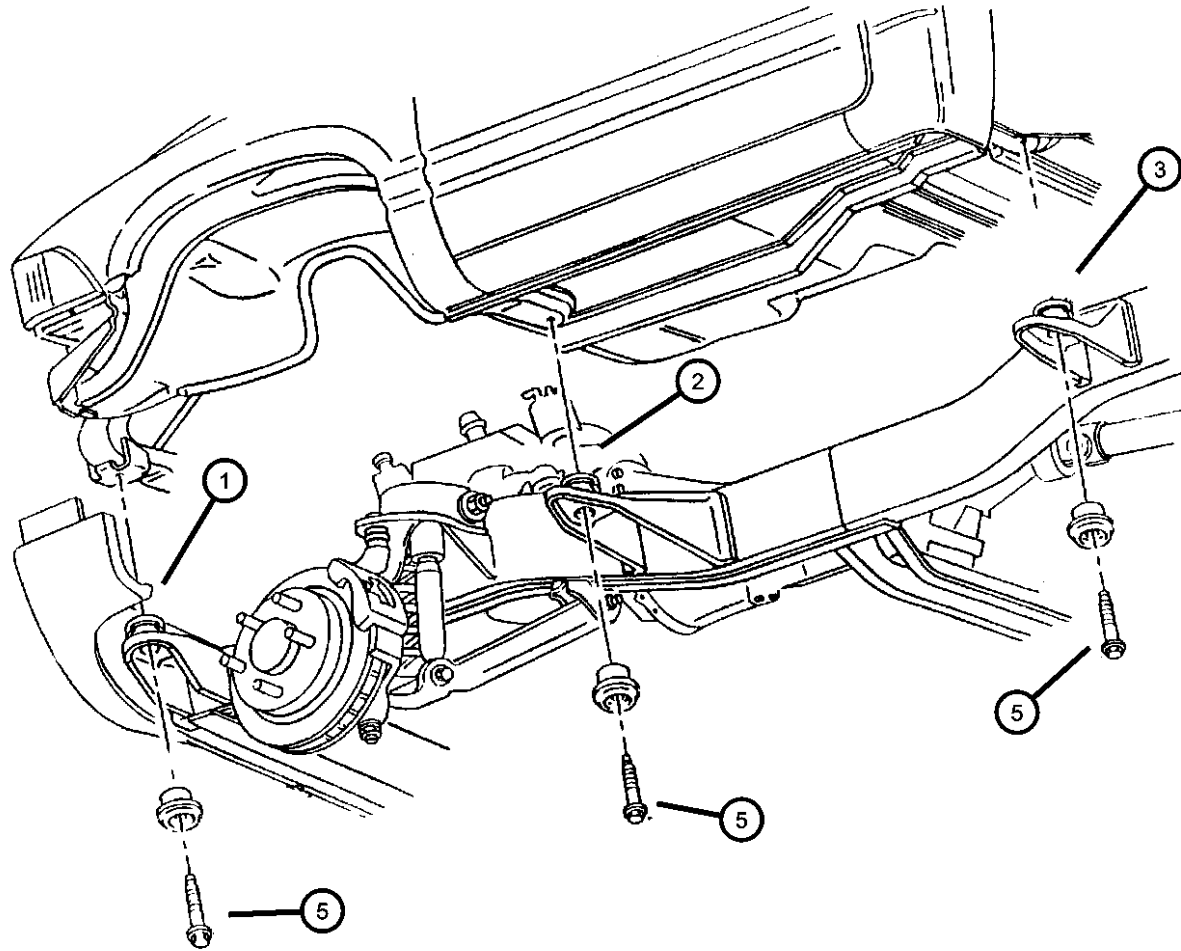
RAM PICKUP/CLUB CAB (BE)

SERIES	LINE	BODY	ENGINE	TRANSMISSION
L = RAM 1500, 2500, 3500	1 = Lt. Duty DODGE 2WD	31 = CLUB CAB 2-DR 6.5 FT BOX	ETC = 5.9L Cummins 24V Diesel Engine	DGP = 4-Spd. Automatic 47RE Transmission
	2 = Med. Duty DODGE 2WD	32 = CLUB CAB 2-DR 8FT BOX	EWA = 8.0L V10 MPI Engine	DD0 = ALL 5 SPEED MANUAL TRANSMISSIONS
	3 = HD DODGE 2WD	33 = QUAD CAB 4-DR 6.5 FT BOX	EM0 = ALL 5.9L 8 CYL ENGINES - GAS	DG0 = ALL AUTOMATIC TRANSMISSIONS
	6 = Lt. Duty DODGE 4WD	34 = QUAD CAB 4-DR 8FT BOX	EMM = 5.9L SMPI V8 Engine	DDC = 5-Speed HD Manual Transmission
	7 = Med. Duty DODGE 4WD		EML = 5.9L V8 MPI Engine	DDP = 5-Speed Manual Transmission
	8 = HD DODGE 4WD		ELF = 5.2L V8 MPI Engine	DDX = 5-Speed HD Manual Transmission
				DEE = 6-Speed HD Manual Transmission
				DGT = 4-Spd. Automatic 46RE Transmission

AR = use ase required - = Non illustrated part

Body Hold Down And Front End Mounting
Figure 13-520

ITEM	PART NUMBER	QTY	LINE	SERIES	BODY	ENGINE	TRANS	TRIM	DESCRIPTION
1	55274855	6							CUSHION, Body Hold Down, Load
2	55274857	2							CUSHION, Body Hold Down
3	55274828	6							CUSHION, Body Hold Down
-4	55274831	8							INSULATOR, Body Hold Down
5	06501557	8							BOLT, Hex Flange Head, M12x1.75x95.50



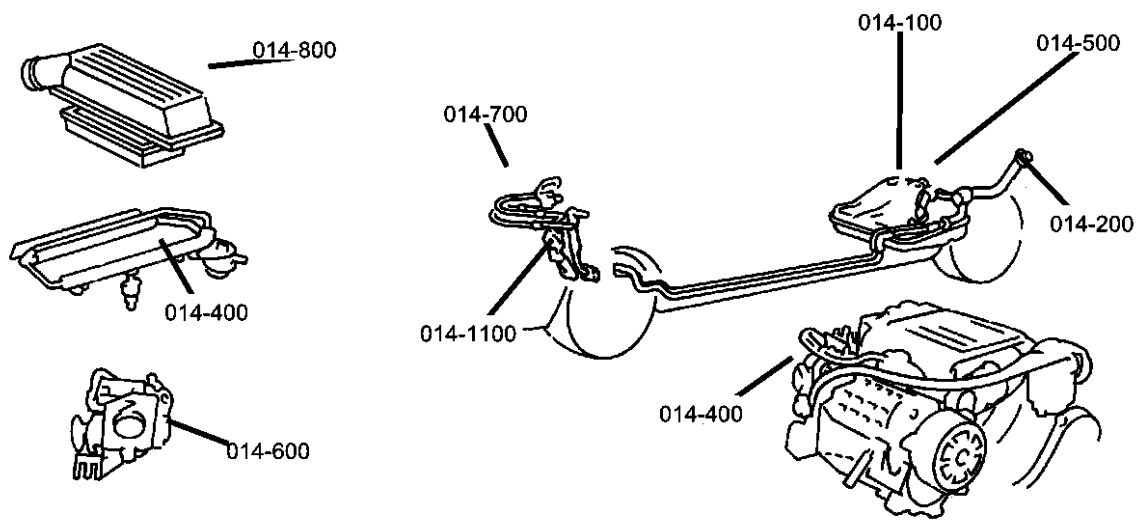
RAM PICKUP/CLUB CAB (BE)

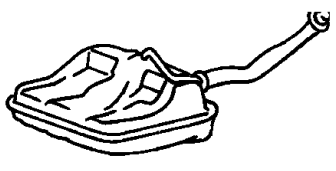
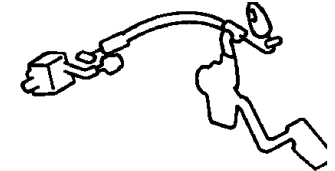
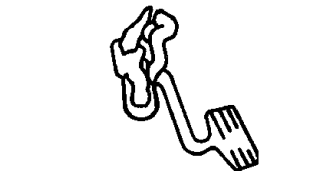
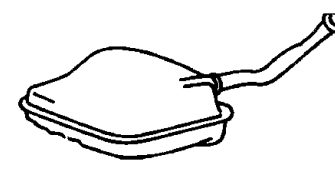
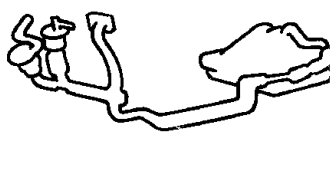
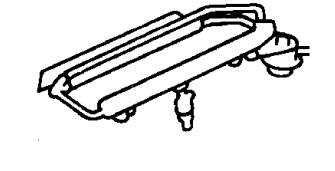
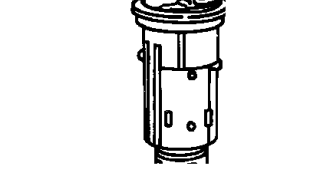

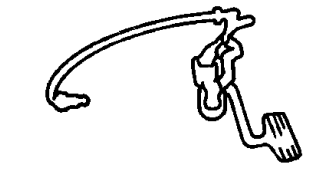
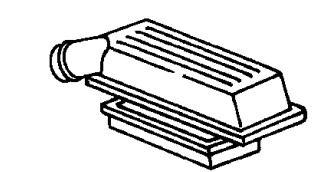
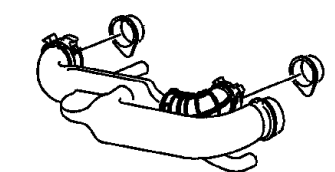
SERIES	LINE	BODY	ENGINE	TRANSMISSION
L = RAM 1500, 2500, 3500	1 = Lt. Duty DODGE 2WD	31 = CLUB CAB 2-DR 6.5 FT BOX	ETC = 5.9L Cummins 24V Diesel Engine	DGP = 4-Spd. Automatic 47RE Transmission
	2 = Med. Duty DODGE 2WD	32 = CLUB CAB 2-DR 8FT BOX	EWA = 8.0L V10 MPI Engine	DD0 = ALL 5 SPEED MANUAL TRANSMISSIONS
	3 = HD DODGE 2WD	33 = QUAD CAB 4-DR 6.5 FT BOX	EM0 = ALL 5.9L 8 CYL ENGINES - GAS	DG0 = ALL AUTOMATIC TRANSMISSIONS
	6 = Lt. Duty DODGE 4WD	34 = QUAD CAB 4-DR 8FT BOX	EMM = 5.9L SMPI V8 Engine	DDC = 5-Speed HD Manual Transmission
	7 = Med. Duty DODGE 4WD		EML = 5.9L V8 MPI Engine	DDP = 5-Speed Manual Transmission
	8 = HD DODGE 4WD		ELF = 5.2L V8 MPI Engine	DDX = 5-Speed HD Manual Transmission
				DEE = 6-Speed HD Manual Transmission
				DGT = 4-Spd. Automatic 46RE Transmission

AR = use ase required - = Non illustrated part

Group - 14

Fuel

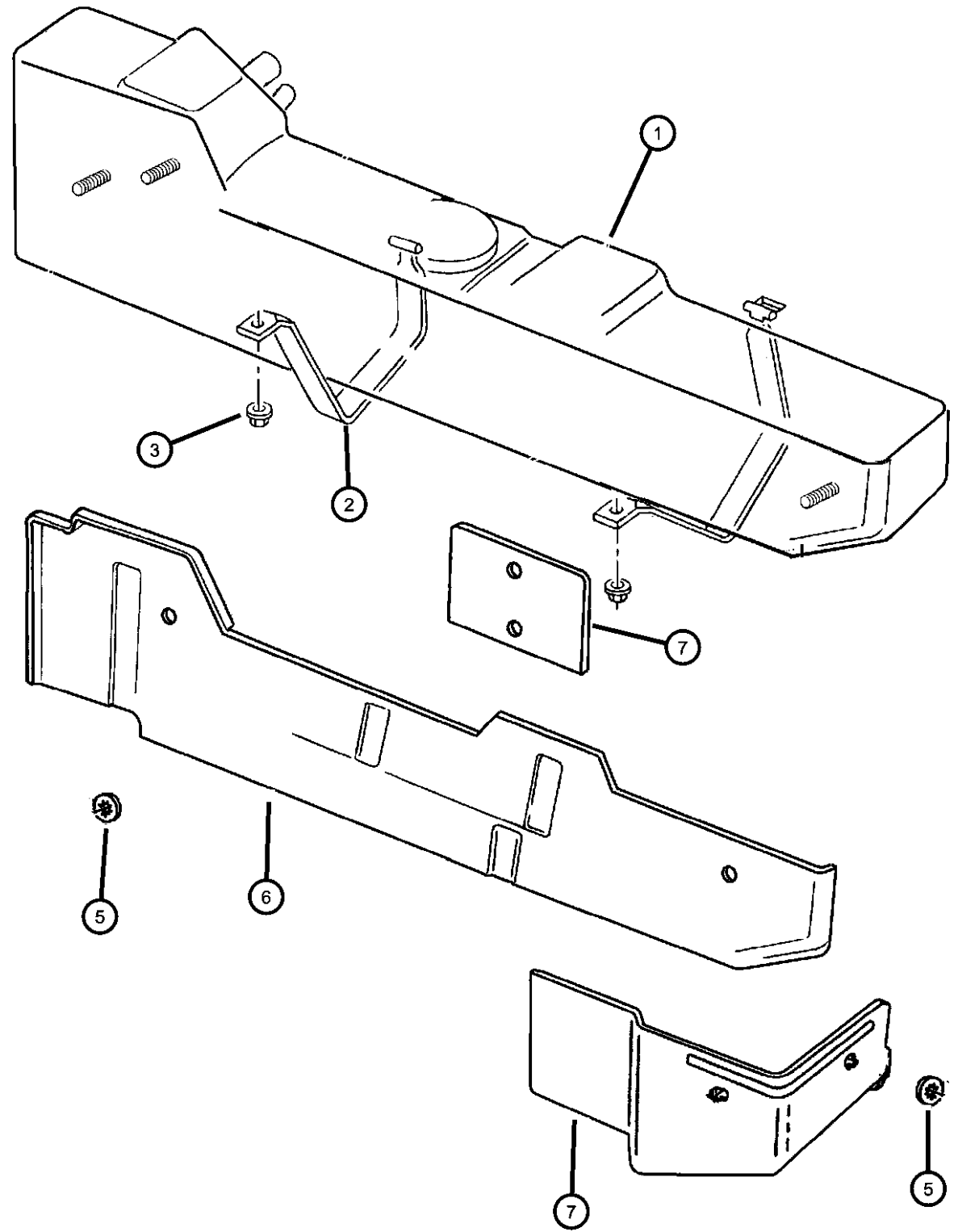


014-100 Tank, Fuel 	014-1000 Speed Control 	014-1100 Accelerator Pedal 	014-200 Fuel Tank Filler Tube 
014-300 Fuel Lines 	014-400 Fuel Rail 	014-500 Fuel Pump and Sending Unit 	014-600 Throttle Body 
014-700 Throttle Controls 	014-800 Air Cleaner 	014-900 Air Intake System 	

Group - 14 Fuel

Illustration Title	Group-Fig. No.
Tank, Fuel	
Fuel Tank	Fig. 14 - 132
Fuel Tank Filler Tube	
Fuel Filler Tube	Fig. 14 - 242
Fuel Lines	
Fuel Lines, Front	Fig. 14 - 315
Fuel Lines, Rear	Fig. 14 - 325
Fuel Lines	Fig. 14 - 335
Fuel Injector	Fig. 14 - 345
Air Fuel Control and Fuel Filter	Fig. 14 - 365
Fuel Rail	
Fuel Rail	Fig. 14 - 430
Fuel Pump and Sending Unit	
Fuel Module	Fig. 14 - 525
Fuel Injection Pump	Fig. 14 - 535
Fuel Accessories	Fig. 14 - 550
Fuel Pump Transfer Conversion	Fig. 14 - 555
Throttle Body	
Throttle Body	Fig. 14 - 630
Turbocharger	Fig. 14 - 650
Throttle Controls	
Throttle Controls	Fig. 14 - 730
Throttle Controls	Fig. 14 - 750
Air Cleaner	
Air Cleaner	Fig. 14 - 825
Air Cleaner	Fig. 14 - 827
Air Cleaner	Fig. 14 - 830
Air Cleaner	Fig. 14 - 840
Air Intake System	
Air Intake System	Fig. 14 - 920
Air Intake System	Fig. 14 - 930
Air Intake System	Fig. 14 - 935
Charge Air Cooler System	Fig. 14 - 945
Speed Control	
Speed Control	Fig. 14 - 1030
Accelerator Pedal	
Accelerator Pedal	Fig. 14 - 1120

Fuel Tank
Figure 14-132



ITEM	PART NUMBER	QTY	LINE	SERIES	BODY	ENGINE	TRANS	TRIM	DESCRIPTION
------	-------------	-----	------	--------	------	--------	-------	------	-------------

Note; ELO= All 5.2 Gas Engines, ELF= 5.2 Gas Engines, EMO= All 5.9 Gas Engines,
EML= 5.9 Light Duty Gas Engines, EMM= 5.9 Heavy Duty Gas Engines, EWO= All 8.0 Gas Engines, ETO= All Diesel Engines

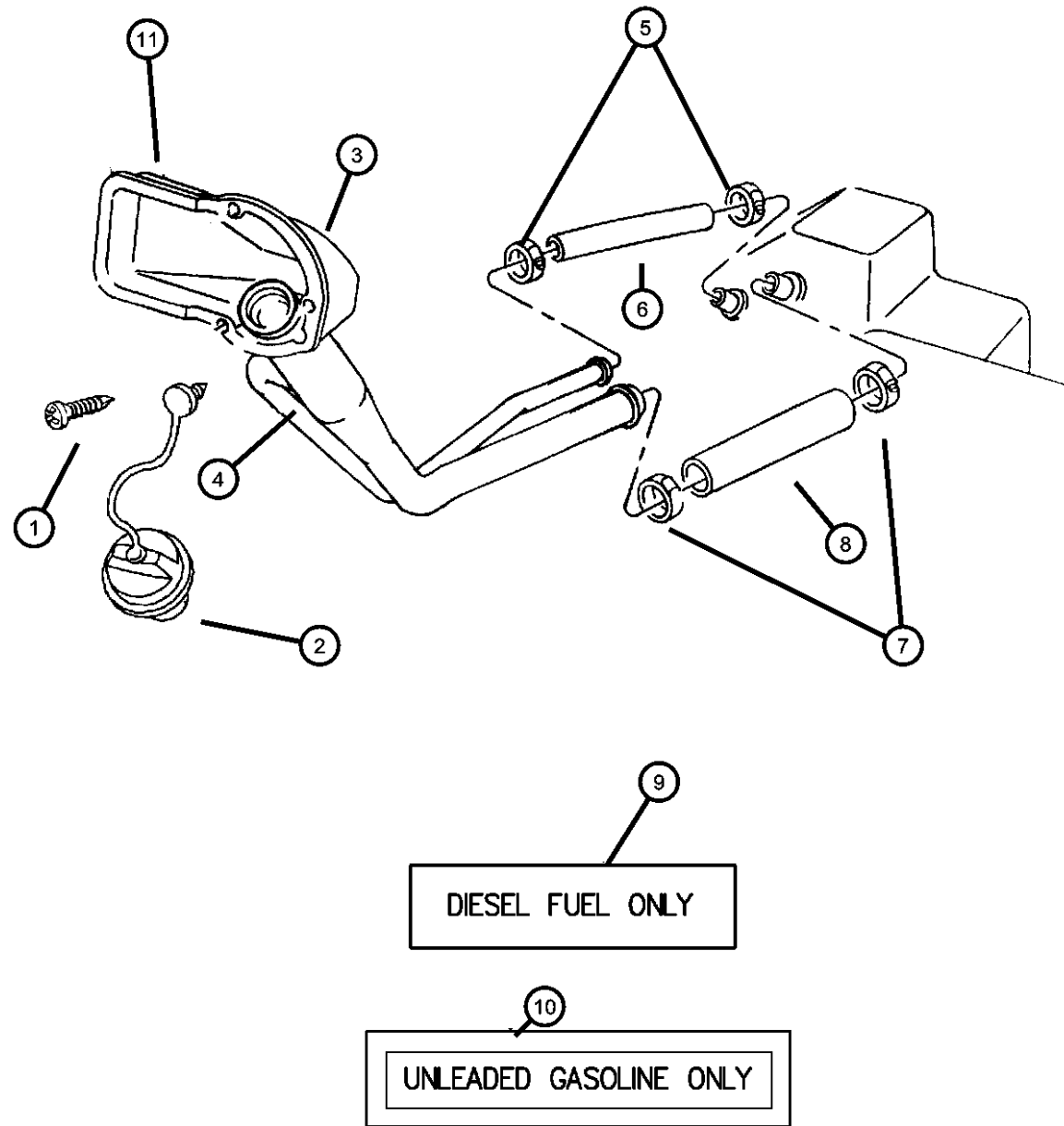
1	52102072AB	1				ELO, EML			TANK, Fuel 26 Gallon
	52102076AB	1				ELO, EMO, EWO			35 Gallon
	52102080AB	1				ETO			35 Gallon
	52102238AB	1				ETO			34 Gallon
	52102241AB	1				EMO, EWO			34 Gallon
2	52102058AC	1							STRAP, Fuel Tank Front
	52102059	1							Rear
3	52102059	1							NUT, Nylock Hex, M10x1.5, (NOT REQUIRED)
-4	06502337	2							NUT, M10x1.5
5	J4000235	4				EMM, EWO			NUT, Push, .375
6	52102317	1			32, 34	ELO, EMO, EWO			SHIELD, Heat 35 Gallon
	52102318	1	1, 6		31, 33	ELO, EML			26 Gallon
7	52102422	1	2, 3, 7, 8		32, 34	EMM, EWO			SHIELD, Heat
-8	52102316	1				EMO, EWO			SHIELD, Fuel Tank Front
	52102321	1				EMO, EWO			Side

RAM PICKUP/CLUB CAB (BE)

SERIES	LINE	BODY	ENGINE	TRANSMISSION
L = RAM 1500, 2500, 3500	1 = Lt. Duty DODGE 2WD 2 = Med. Duty DODGE 2WD 3 = HD DODGE 2WD 6 = Lt. Duty DODGE 4WD 7 = Med. Duty DODGE 4WD 8 = HD DODGE 4WD	31 = CLUB CAB 2-DR 6.5 FT BOX 32 = CLUB CAB 2-DR 8FT BOX 33 = QUAD CAB 4-DR 6.5 FT BOX 34 = QUAD CAB 4-DR 8FT BOX	ETC = 5.9L Cummins 24V Diesel Engine EWA = 8.0L V10 MPI Engine EMO = ALL 5.9L 8 CYL ENGINES - GAS EMM = 5.9L SMPI V8 Engine EML = 5.9L V8 MPI Engine ELF = 5.2L V8 MPI Engine	DGP = 4-Spd. Automatic 47RE Transmission DD0 = ALL 5 SPEED MANUAL TRANSMISSIONS DG0 = ALL AUTOMATIC TRANSMISSIONS DDC = 5-Speed HD Manual Transmission DDP = 5-Speed Manual Transmission DDX = 5-Speed HD Manual Transmission DEE = 6-Speed HD Manual Transmission DGT = 4-Spd. Automatic 46RE Transmission

AR = use ase required - = Non illustrated part

Fuel Filler Tube
Figure 14-242



ITEM	PART NUMBER	QTY	LINE	SERIES	BODY	ENGINE	TRANS	TRIM	DESCRIPTION
Note; ELF= 5.2 Engine, ELO= All 5.2 Gas Engines, EMO= All 5.9 Gas Engines, EWO= All 8.0 Gas Engines, ETO= All Diesel Engines.									
1	52102321	1							SCREW, [.190-16x1.00]. (NOT SERVICED),
2	52102432AA	1							CAP, Fuel Filler, w/Tether
3									HOUSING, Fuel Filler
	52102142AB	1	2, 3, 7, 8			ETO			
		1	1, 2, 6, 7			ELO, EMO, EWO			
4									TUBE, Fuel Filler
	52102244AE	1	2, 3, 7, 8			EMO, EWO			Federal, w/Dual Wheels
	52102254AC	1	1, 2, 6, 7			ELO, EMO, EWO			California, w/o Dual Wheels
	52102254AD	1	1, 2, 6, 7			ELO, EMO, EWO			Federal, w/o Dual Wheels
	52102275	1	2, 3, 7, 8			ETO			w/Dual Wheels
		1	2, 3, 7, 8			EMO, EWO			Leaded Fuel
	52102276	1	2, 7			ETO			w/o Dual Wheels
		1	1, 2, 6, 7			ELO, EMO, EWO			Leaded Fuel
5	06505321AA	2							CLAMP, Fuel Filler Pipe
6	52102376AA	1							HOSE, Fuel Filler Vent
7	06504998AA	2							CLAMP, Fuel Filler Pipe
8	52102375AA	1							HOSE, Fuel Filler
9	04428652	1				ETO			LABEL, Fuel
10	04206059	1				ELF, EMO, EWO			LABEL, Unleaded Fuel Only
11									GASKET, Filler Tube Housing
	52102306	1	2, 3, 7, 8			ETO			
		1	1, 2, 6, 7			ELO, EMO, EWO			
		1	2, 3, 7, 8			EMO, EWO			

RAM PICKUP/CLUB CAB (BE)

SERIES	LINE
L = RAM 1500, 2500, 3500	1 = Lt. Duty DODGE 2WD 2 = Med. Duty DODGE 2WD 3 = HD DODGE 2WD 6 = Lt. Duty DODGE 4WD 7 = Med. Duty DODGE 4WD 8 = HD DODGE 4WD

BODY	ENGINE
31 = CLUB CAB 2-DR 6.5 FT BOX 32 = CLUB CAB 2-DR 8FT BOX 33 = QUAD CAB 4-DR 6.5 FT BOX 34 = QUAD CAB 4-DR 8FT BOX	ETC = 5.9L Cummins 24V Diesel Engine EWA = 8.0L V10 MPI Engine EMO = ALL 5.9L 8 CYL ENGINES - GAS EMM = 5.9L SMPI V8 Engine EML = 5.9L V8 MPI Engine ELF = 5.2L V8 MPI Engine

TRANSMISSION
DGP = 4-Spd. Automatic 47RE Transmission DD0 = ALL 5 SPEED MANUAL TRANSMISSIONS DG0 = ALL AUTOMATIC TRANSMISSIONS DDC = 5-Speed HD Manual Transmission DDP = 5-Speed Manual Transmission DDX = 5-Speed HD Manual Transmission DEE = 6-Speed HD Manual Transmission DGT = 4-Spd. Automatic 46RE Transmission

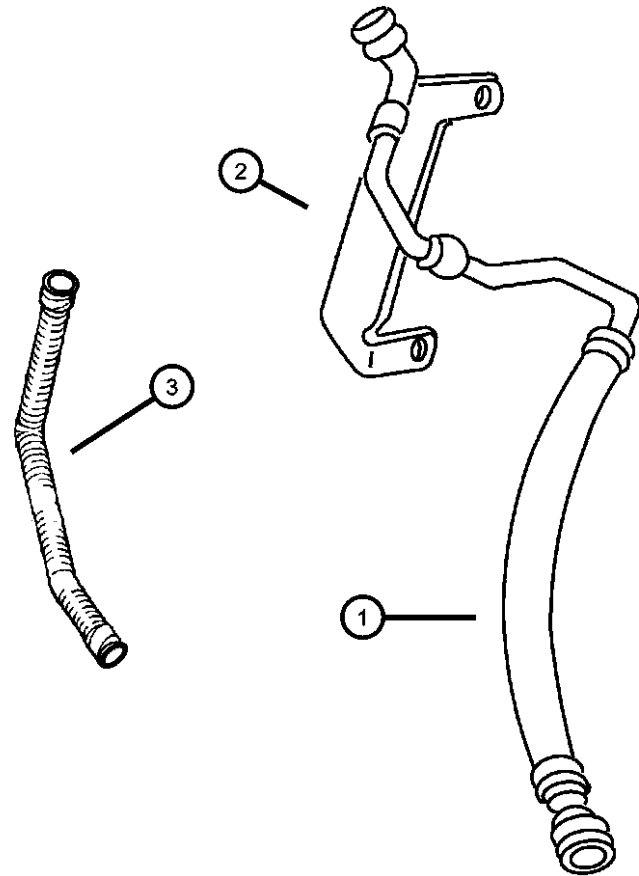
AR = use ase required - = Non illustrated part

1999 BE

Fuel Lines, Front
Figure 14-315

ITEM	PART NUMBER	QTY	LINE	SERIES	BODY	ENGINE	TRANS	TRIM	DESCRIPTION
------	-------------	-----	------	--------	------	--------	-------	------	-------------

Note; ELO= All 5.2 Gas Engines, EMO= All 5.9 Gas Engines, EWO= All 8.0 Gas Engines.



1	52127791	1				ELO, EMO			TUBE, Fuel Supply
	52127792AB	1				EWO			
2	52018035	1				ELO, EMO			BRACKET, Fuel Line
	52018273	1				EWO			
3	04364374	1				ELO, EMO			TUBE, Convoluted
		1				EWO			

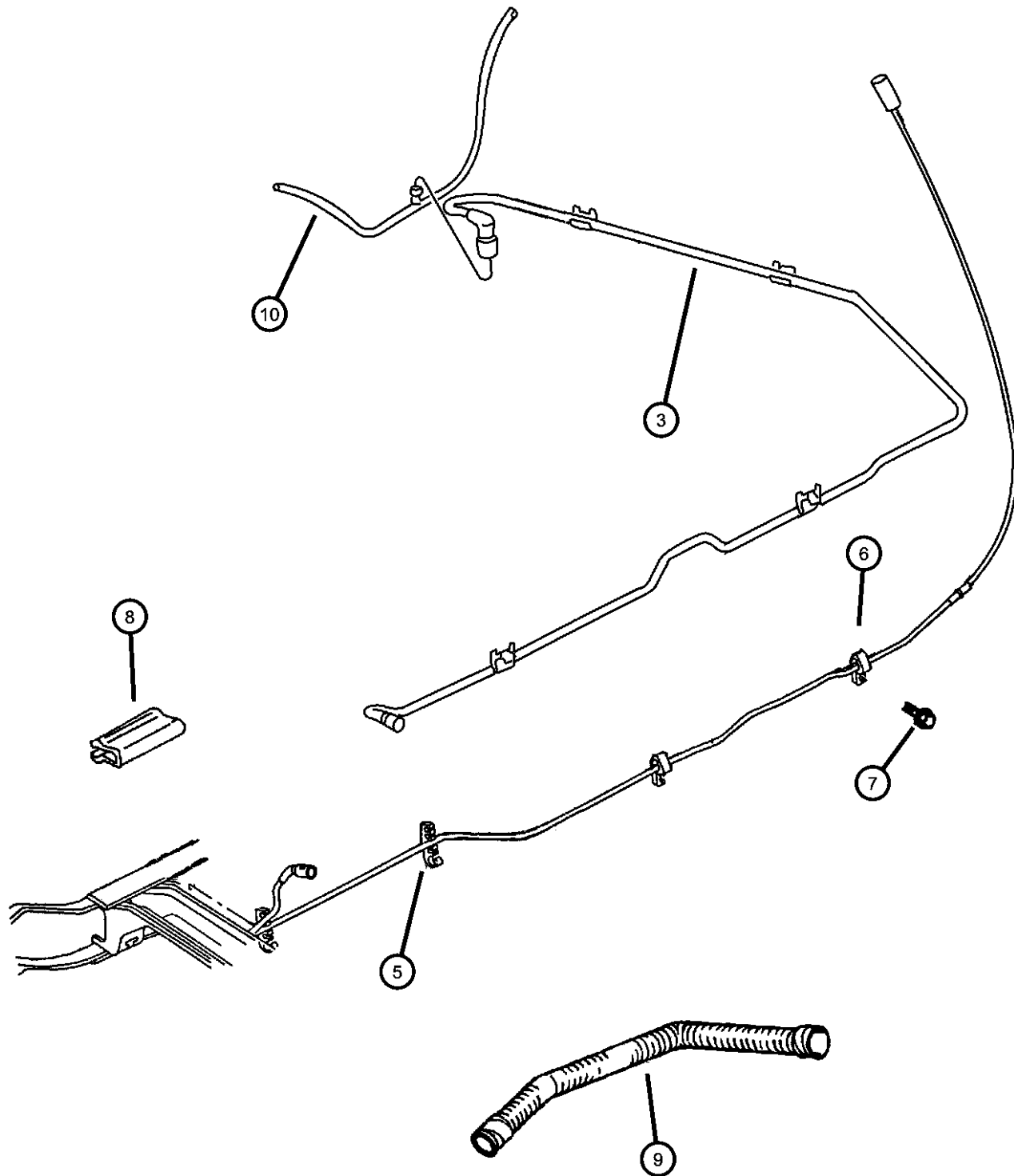
RAM PICKUP/CLUB CAB (BE)

SERIES	LINE	BODY	ENGINE	TRANSMISSION
L = RAM 1500, 2500, 3500	1 = Lt. Duty DODGE 2WD 2 = Med. Duty DODGE 2WD 3 = HD DODGE 2WD 6 = Lt. Duty DODGE 4WD 7 = Med. Duty DODGE 4WD 8 = HD DODGE 4WD	31 = CLUB CAB 2-DR 6.5 FT BOX 32 = CLUB CAB 2-DR 8FT BOX 33 = QUAD CAB 4-DR 6.5 FT BOX 34 = QUAD CAB 4-DR 8FT BOX	ETC = 5.9L Cummins 24V Diesel Engine EWA = 8.0L V10 MPI Engine EM0 = ALL 5.9L 8 CYL ENGINES - GAS EMM = 5.9L SMPI V8 Engine EML = 5.9L V8 MPI Engine ELF = 5.2L V8 MPI Engine	DGP = 4-Spd. Automatic 47RE Transmission DD0 = ALL 5 SPEED MANUAL TRANSMISSIONS DG0 = ALL AUTOMATIC TRANSMISSIONS DDC = 5-Speed HD Manual Transmission DDP = 5-Speed Manual Transmission DDX = 5-Speed HD Manual Transmission DEE = 6-Speed HD Manual Transmission DGT = 4-Spd. Automatic 46RE Transmission

AR = use ase required - = Non illustrated part

1999 BE

Fuel Lines, Rear
Figure 14-325



ITEM	PART NUMBER	QTY	LINE	SERIES	BODY	ENGINE	TRANS	TRIM	DESCRIPTION
-1	52102300	1	1, 2, 6, 7		31, 33	ELO, EMO, EWO			BUNDLE, Fuel Line
	52102302	1			32, 34	ELO, EMO, EWO			
-2	52102314	1	2, 3, 7, 8		32, 34	ETO			TUBE, Fuel
	52102322	1	2, 7		31, 33	ETO			
3	52102315	1	2, 3, 7, 8		32, 34	ETO			TUBE, Fuel
	52102323	1	2, 7		31, 33	ETO			Chassis Return
-4	52102294AB	1	1, 2, 6, 7		31, 33	ELO, EMO, EWO			TUBE, Fuel Vapor
	52102303AB	1			32, 34	ELO, EMO, EWO			
5	52102003	4	2, 3, 7, 8		32, 34	ETO			CLIP, Fuel
		4	2, 7		31, 33	ETO			
6	52102371AB	3	1, 6		31, 33	ELO, EMO, EWO			CLIP, Fuel Line
		3	2, 3, 7, 8			ELO, EMO, EWO			
		2	1, 6		32, 34	ELF, EMO, EWO			
	52102373AC	3	2, 3, 7, 8			ETO			
7	52102373AC	3							SCREW, (NOT SERVICED)
8	52021002	1			32, 34	ELF, EMO, ETO, EWO			SHIELD, Fuel Line

Note; ELF= 5.2 Gas Engine, ELO= All 5.2 Engines, EMO= All 5.9 Gas Engines, EWO= All 8.0 Gas Engines, ETO= All Diesel Engines.

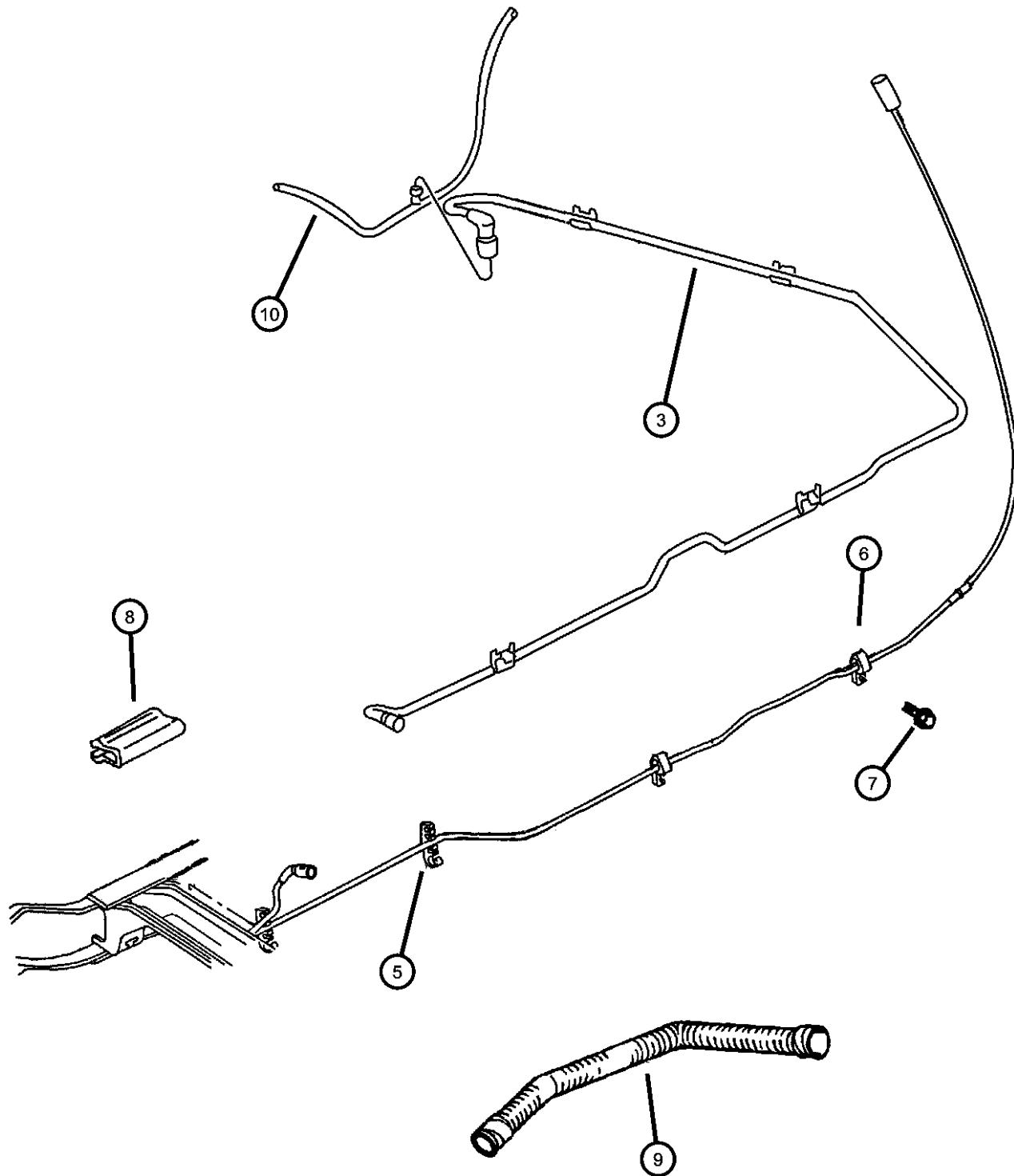
RAM PICKUP/CLUB CAB (BE)

SERIES	LINE	BODY	ENGINE	TRANSMISSION
L = RAM 1500, 2500, 3500	1 = Lt. Duty DODGE 2WD 2 = Med. Duty DODGE 2WD 3 = HD DODGE 2WD 6 = Lt. Duty DODGE 4WD 7 = Med. Duty DODGE 4WD 8 = HD DODGE 4WD	31 = CLUB CAB 2-DR 6.5 FT BOX 32 = CLUB CAB 2-DR 8FT BOX 33 = QUAD CAB 4-DR 6.5 FT BOX 34 = QUAD CAB 4-DR 8FT BOX	ETC = 5.9L Cummins 24V Diesel Engine EWA = 8.0L V10 MPI Engine EMO = ALL 5.9L 8 CYL ENGINES - GAS EMM = 5.9L SMPI V8 Engine EML = 5.9L V8 MPI Engine ELF = 5.2L V8 MPI Engine	DGP = 4-Spd. Automatic 47RE Transmission DD0 = ALL 5 SPEED MANUAL TRANSMISSIONS DG0 = ALL AUTOMATIC TRANSMISSIONS DDC = 5-Speed HD Manual Transmission DDP = 5-Speed Manual Transmission DDX = 5-Speed HD Manual Transmission DEE = 6-Speed HD Manual Transmission DGT = 4-Spd. Automatic 46RE Transmission

AR = use ase required - = Non illustrated part

1999 BE

Fuel Lines, Rear
Figure 14-325



ITEM	PART NUMBER	QTY	LINE	SERIES	BODY	ENGINE	TRANS	TRIM	DESCRIPTION
9	04364374	2	1, 2, 6, 7		31, 33	ELF, EM0, ET0, EW0			TUBE, Convoluted
		1				EL0, EM0			
		1				EW0			
10		1							TUBE, Fuel, Serviced in Fuel Tank, (NOT SERVICED)

RAM PICKUP/CLUB CAB (BE)

SERIES	LINE	BODY	ENGINE	TRANSMISSION
L = RAM 1500, 2500, 3500	1 = Lt. Duty DODGE 2WD	31 = CLUB CAB 2-DR 6.5 FT BOX	ETC = 5.9L Cummins 24V Diesel Engine	DGP = 4-Spd. Automatic 47RE Transmission
	2 = Med. Duty DODGE 2WD	32 = CLUB CAB 2-DR 8FT BOX	EWA = 8.0L V10 MPI Engine	DD0 = ALL 5 SPEED MANUAL TRANSMISSIONS
	3 = HD DODGE 2WD	33 = QUAD CAB 4-DR 6.5 FT BOX	EM0 = ALL 5.9L 8 CYL ENGINES - GAS	DG0 = ALL AUTOMATIC TRANSMISSIONS
	6 = Lt. Duty DODGE 4WD	34 = QUAD CAB 4-DR 8FT BOX	EMM = 5.9L SMPI V8 Engine	DDC = 5-Speed HD Manual Transmission
	7 = Med. Duty DODGE 4WD		EML = 5.9L V8 MPI Engine	DDP = 5-Speed Manual Transmission
	8 = HD DODGE 4WD		ELF = 5.2L V8 MPI Engine	DDX = 5-Speed HD Manual Transmission
				DEE = 6-Speed HD Manual Transmission
				DGT = 4-Spd. Automatic 46RE Transmission

AR = use ase required - = Non illustrated part

Fuel Lines
Figure 14-335

ITEM	PART NUMBER	QTY	LINE	SERIES	BODY	ENGINE	TRANS	TRIM	DESCRIPTION
------	-------------	-----	------	--------	------	--------	-------	------	-------------

Note; ETO= All Diesel Engines, ETC= 24 Valve Diesel Engine, DBB= Manual Transmissions, DGO= All Automatic Transmissions.

1	05011885AA	6				ETO			O RING, Fuel Injector
2	05011824AA	1				ETO			CHECK VALVE, Fuel
3	04638695	3				ETO			SCREW, Fuel Tube Cap
4	05011826AA	1				ETO			TUBE, Fuel Return
5	05011427AA	1				ETO			TUBE, Fuel Return
6	05013856AA	6				ETO			CONNECTOR, Injector
7	05011439AA	1				ETO			TUBE, Fuel Return
8	04429519	3				ETO			BRACE, Fuel Tube
9	04762019	4				ETO			BRACE, Fuel Tube
10									BRACE, Fuel Tube
	04740354	1				ETO	DBB		
		1				ETO	DGO		
11	04762021	3				ETO			BRACE, Fuel Tube
12	04762022	8				ETO			ISOLATOR, Fuel Filter Vibration
13	04638687	6				ETO			ISOLATOR, Tube
14									BRACE, Fuel Tube
	05014204AA	1				ETO	DBB		
		1				ETO	DGO		
15									BRACE, Fuel Tube
	05011887AA	1				ETO	DBB		
		1				ETO	DGO		
16	05011888AA	2				ETO			ISOLATOR, Tube
17	04761708	11				ETO			SCREW, Fuel Tube Bracket
18									BRACE, Fuel Tube
	05011889AA	1				ETO	DBB		
		1				ETO	DGO		
19									TUBE, Fuel Injector Supply

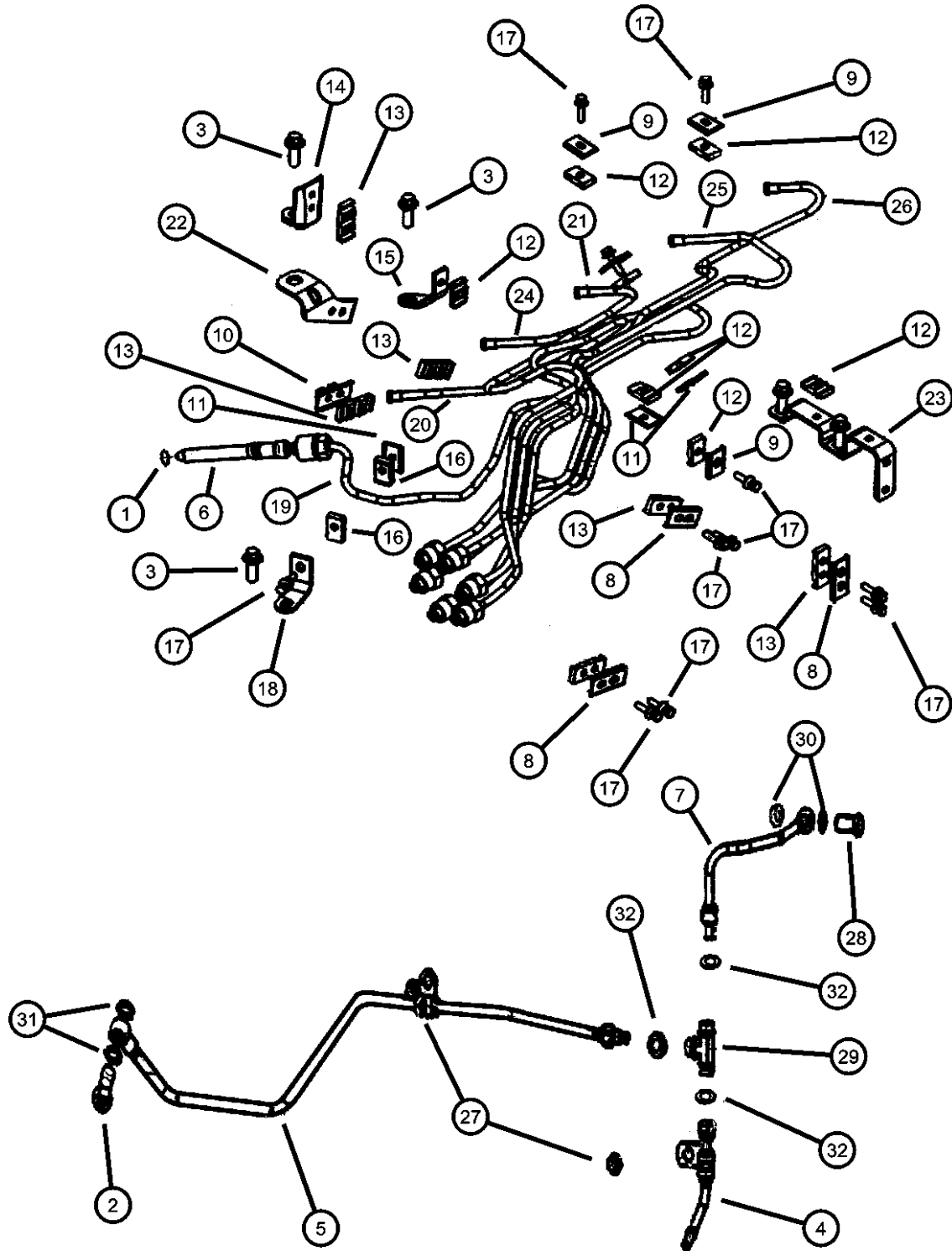
RAM PICKUP/CLUB CAB (BE)

SERIES	LINE
L = RAM 1500, 2500, 3500	1 = Lt. Duty DODGE 2WD
	2 = Med. Duty DODGE 2WD
	3 = HD DODGE 2WD
	6 = Lt. Duty DODGE 4WD
	7 = Med. Duty DODGE 4WD
	8 = HD DODGE 4WD

BODY	ENGINE	TRANSMISSION
31 = CLUB CAB 2-DR 6.5 FT BOX	ETC = 5.9L Cummins 24V Diesel Engine	DGP = 4-Spd. Automatic 47RE Transmission
32 = CLUB CAB 2-DR 8FT BOX	EWA = 8.0L V10 MPI Engine	DD0 = ALL 5 SPEED MANUAL TRANSMISSIONS
33 = QUAD CAB 4-DR 6.5 FT BOX	EM0 = ALL 5.9L 8 CYL ENGINES - GAS	DGO = ALL AUTOMATIC TRANSMISSIONS
34 = QUAD CAB 4-DR 8FT BOX	EMM = 5.9L SMPI V8 Engine	DDC = 5-Speed HD Manual Transmission
	EML = 5.9L V8 MPI Engine	DDP = 5-Speed Manual Transmission
	ELF = 5.2L V8 MPI Engine	DDX = 5-Speed HD Manual Transmission
		DEE = 6-Speed HD Manual Transmission
		DGT = 4-Spd. Automatic 46RE Transmission

AR = use ase required - = Non illustrated part

1999 BE



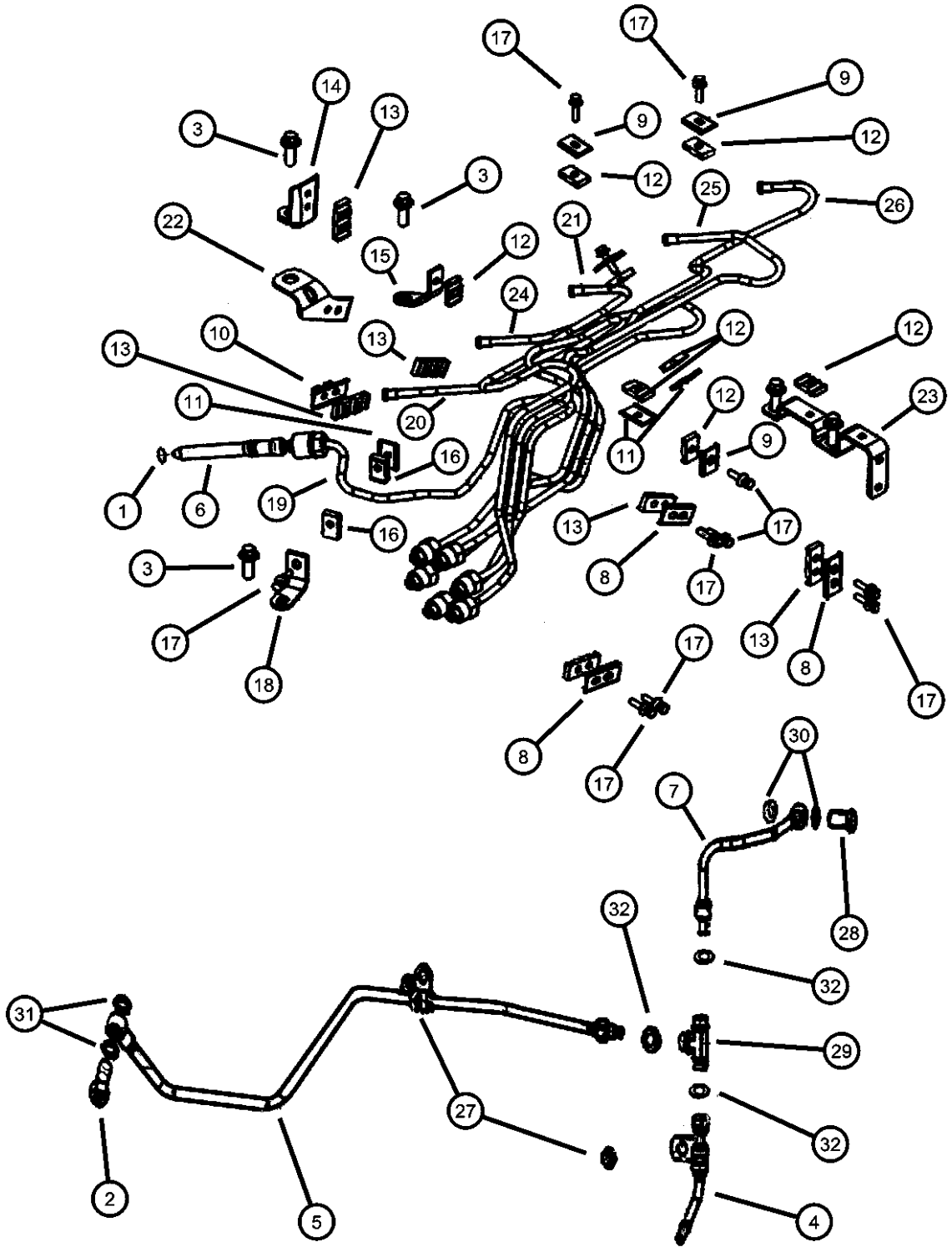
Fuel Lines
Figure 14-335

ITEM	PART NUMBER	QTY	LINE	SERIES	BODY	ENGINE	TRANS	TRIM	DESCRIPTION
	05011457AA	1				ET0	DBB		CYLINDER #1
		1				ET0	DG0		CYLINDER #1
20	05011458AA	1				ET0	DBB		TUBE, Fuel Injector Supply
		1				ET0	DG0		CYLINDER #2
21	05011460AA	1				ET0	DBB		TUBE, Fuel Injector Supply
		1				ET0	DG0		CYLINDER #4
22	05011890AA	1				ET0	DBB		BRACE, Fuel Tube
		1				ET0	DG0		
23	05011891AA	1				ET0	DBB		BRACE, Fuel Tube
		1				ET0	DG0		
24	05011459AA	1				ET0	DBB		TUBE, Fuel Injector Supply
		1				ET0	DG0		CYLINDER #3
25	05011461AA	1				ET0	DBB		TUBE, Fuel Injector Supply
		1				ET0	DG0		CYLINDER #5
26	05011462AA	1				ET0	DBB		TUBE, Fuel Injector Supply
		1				ET0	DG0		CYLINDER #6
27	05011818AA	1				ET0			SCREW, Hex Head, M8x1.25x12
28	04429135	1				ET0			BOLT, Banjo
29	05011820AA	1				ET0			TEE
30	04638698	2				ET0			WASHER, Fuel Supply

RAM PICKUP/CLUB CAB (BE)

SERIES	LINE	BODY	ENGINE	TRANSMISSION
L = RAM 1500, 2500, 3500	1 = Lt. Duty DODGE 2WD 2 = Med. Duty DODGE 2WD 3 = HD DODGE 2WD 6 = Lt. Duty DODGE 4WD 7 = Med. Duty DODGE 4WD 8 = HD DODGE 4WD	31 = CLUB CAB 2-DR 6.5 FT BOX 32 = CLUB CAB 2-DR 8FT BOX 33 = QUAD CAB 4-DR 6.5 FT BOX 34 = QUAD CAB 4-DR 8FT BOX	ETC = 5.9L Cummins 24V Diesel Engine EWA = 8.0L V10 MPI Engine EM0 = ALL 5.9L 8 CYL ENGINES - GAS EMM = 5.9L SMPI V8 Engine EML = 5.9L V8 MPI Engine ELF = 5.2L V8 MPI Engine	DGP = 4-Spd. Automatic 47RE Transmission DD0 = ALL 5 SPEED MANUAL TRANSMISSIONS DG0 = ALL AUTOMATIC TRANSMISSIONS DDC = 5-Speed HD Manual Transmission DDP = 5-Speed Manual Transmission DDX = 5-Speed HD Manual Transmission DEE = 6-Speed HD Manual Transmission DGT = 4-Spd. Automatic 46RE Transmission

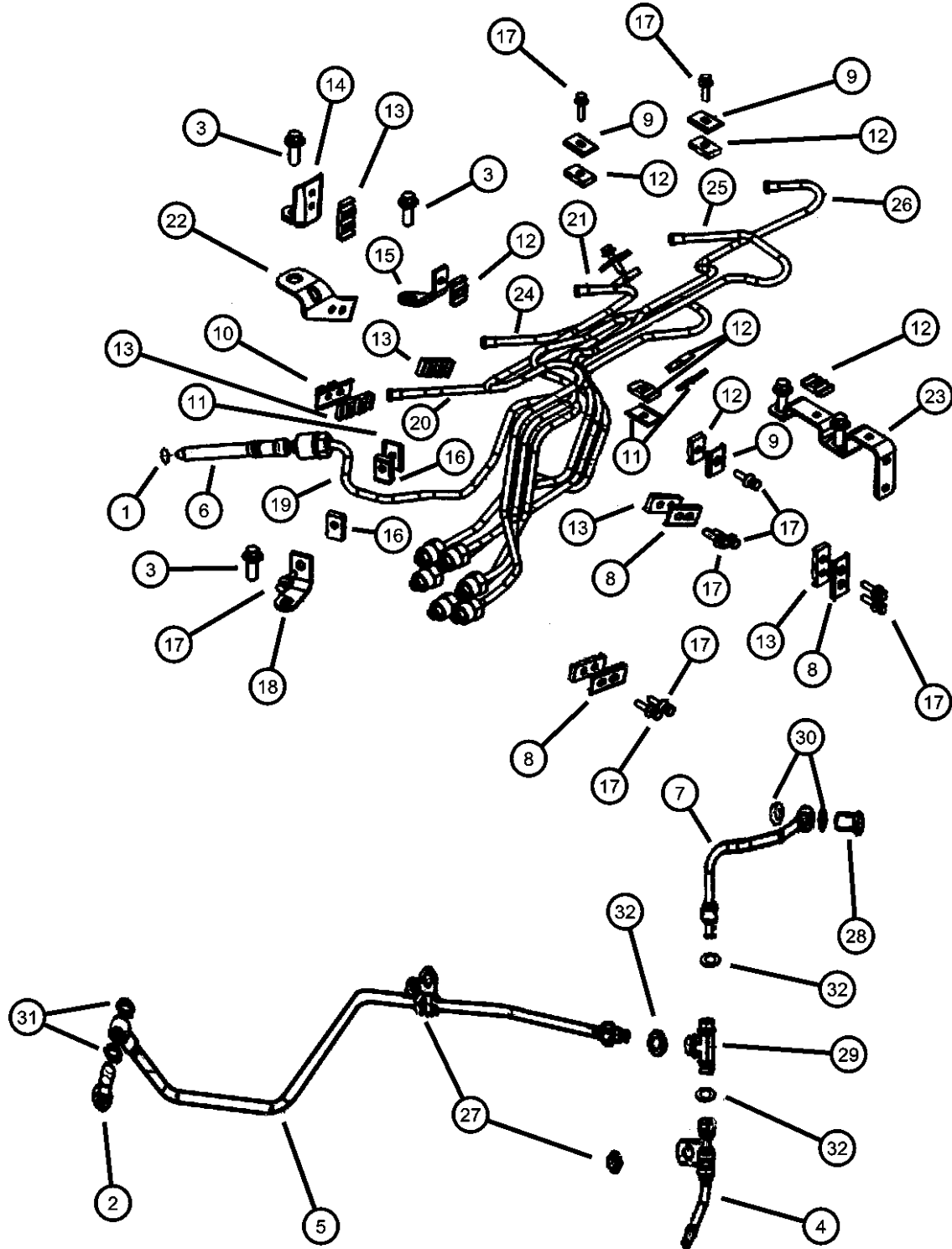
AR = use ase required - = Non illustrated part



Fuel Lines
Figure 14-335

ITEM	PART NUMBER	QTY	LINE	SERIES	BODY	ENGINE	TRANS	TRIM	DESCRIPTION
------	-------------	-----	------	--------	------	--------	-------	------	-------------

31	04761245	2				ET0			WASHER, Fuel Pump
32	04429451	3				ET0			GROMMET



RAM PICKUP/CLUB CAB (BE)

SERIES	LINE	BODY	ENGINE	TRANSMISSION
L = RAM 1500, 2500, 3500	1 = Lt. Duty DODGE 2WD	31 = CLUB CAB 2-DR 6.5 FT BOX	ETC = 5.9L Cummins 24V Diesel Engine	DGP = 4-Spd. Automatic 47RE Transmission
	2 = Med. Duty DODGE 2WD	32 = CLUB CAB 2-DR 8FT BOX	EWA = 8.0L V10 MPI Engine	DD0 = ALL 5 SPEED MANUAL TRANSMISSIONS
	3 = HD DODGE 2WD	33 = QUAD CAB 4-DR 6.5 FT BOX	EM0 = ALL 5.9L 8 CYL ENGINES - GAS	DG0 = ALL AUTOMATIC TRANSMISSIONS
	6 = Lt. Duty DODGE 4WD	34 = QUAD CAB 4-DR 8FT BOX	EMM = 5.9L SMPI V8 Engine	DDC = 5-Speed HD Manual Transmission
	7 = Med. Duty DODGE 4WD		EML = 5.9L V8 MPI Engine	DDP = 5-Speed Manual Transmission
	8 = HD DODGE 4WD		ELF = 5.2L V8 MPI Engine	DDX = 5-Speed HD Manual Transmission
				DEE = 6-Speed HD Manual Transmission
				DGT = 4-Spd. Automatic 46RE Transmission

AR = use ase required - = Non illustrated part

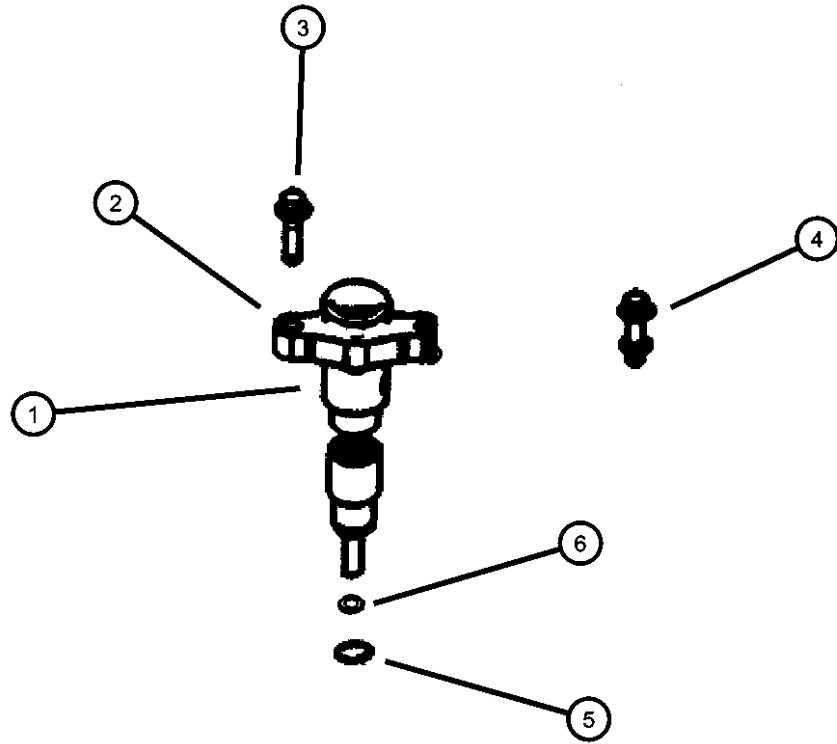
1999 BE

**Fuel Injector
Figure 14-345**

ITEM	PART NUMBER	QTY	LINE	SERIES	BODY	ENGINE	TRANS	TRIM	DESCRIPTION
------	-------------	-----	------	--------	------	--------	-------	------	-------------

Note; ETO= All Diesel Engines, ETC= 24 Valve Diesel Engines,
DBB= Manual Transmissions, DGO= All Automatic Transmissions.

1									INJECTOR, Fuel
	05013847AA	6				ETO	DBB		
	05013848AA	6				ETO	DGO		
2	05011886AA	6				ETO			CLAMP, Injector
3	04761269	6				ETO			SCREW, Hex Flange Head
4	05011417AA	6				ETO			SCREW
5	05012558AA	6				ETO			O RING, Fuel Injector
6	04798375	6				ETO			SEAL, Fuel Injector



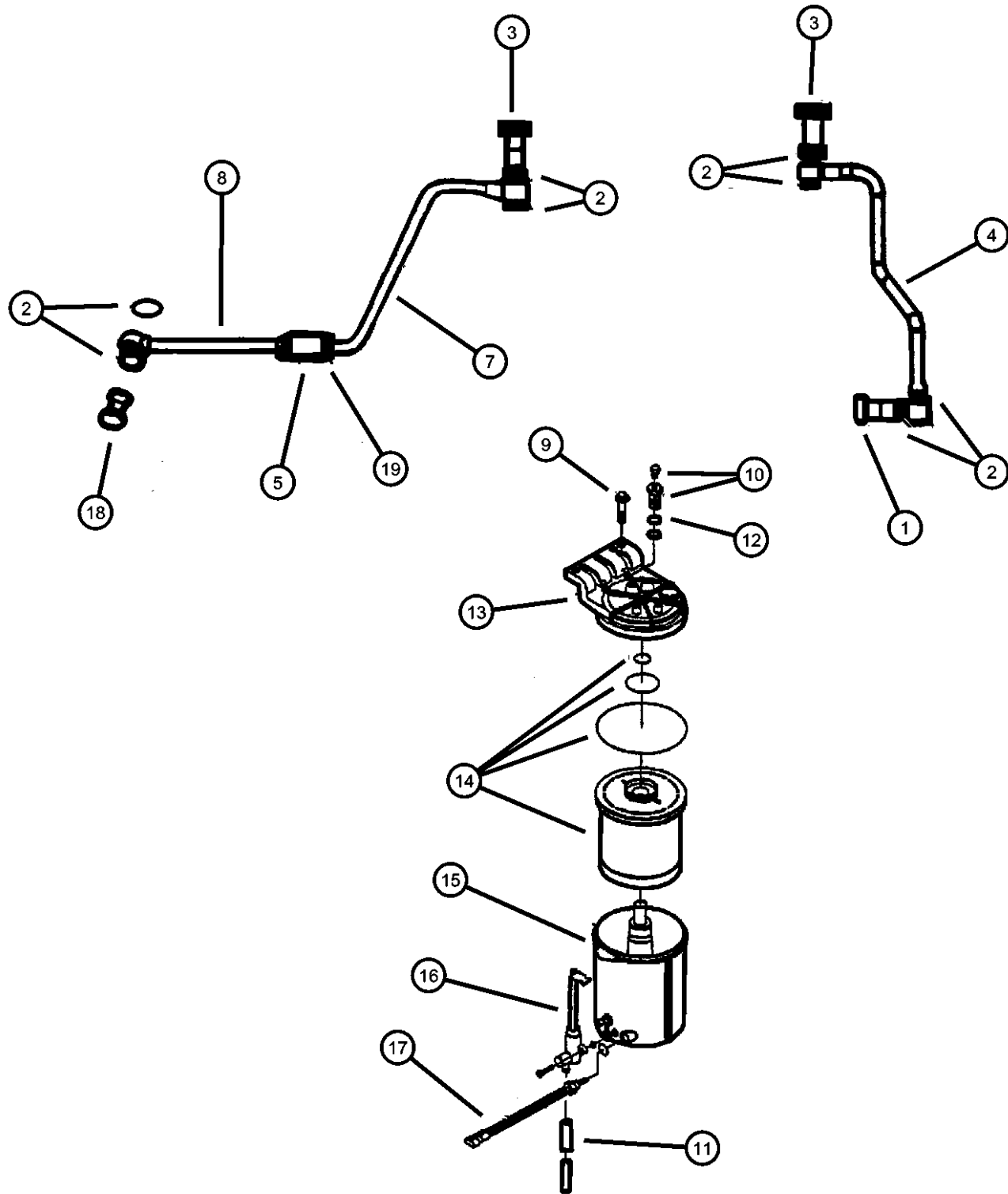
RAM PICKUP/CLUB CAB (BE)

SERIES	LINE	BODY	ENGINE	TRANSMISSION
L = RAM 1500, 2500, 3500	1 = Lt. Duty DODGE 2WD 2 = Med. Duty DODGE 2WD 3 = HD DODGE 2WD 6 = Lt. Duty DODGE 4WD 7 = Med. Duty DODGE 4WD 8 = HD DODGE 4WD	31 = CLUB CAB 2-DR 6.5 FT BOX 32 = CLUB CAB 2-DR 8FT BOX 33 = QUAD CAB 4-DR 6.5 FT BOX 34 = QUAD CAB 4-DR 8FT BOX	ETC = 5.9L Cummins 24V Diesel Engine EWA = 8.0L V10 MPI Engine EM0 = ALL 5.9L 8 CYL ENGINES - GAS EMM = 5.9L SMPI V8 Engine EML = 5.9L V8 MPI Engine ELF = 5.2L V8 MPI Engine	DGP = 4-Spd. Automatic 47RE Transmission DD0 = ALL 5 SPEED MANUAL TRANSMISSIONS DGO = ALL AUTOMATIC TRANSMISSIONS DDC = 5-Speed HD Manual Transmission DDP = 5-Speed Manual Transmission DDX = 5-Speed HD Manual Transmission DEE = 6-Speed HD Manual Transmission DGT = 4-Spd. Automatic 46RE Transmission

AR = use ase required - = Non illustrated part

1999 BE

**Air Fuel Control and Fuel Filter
Figure 14-365**



ITEM	PART NUMBER	QTY	LINE	SERIES	BODY	ENGINE	TRANS	TRIM	DESCRIPTION
------	-------------	-----	------	--------	------	--------	-------	------	-------------

Note; ETO= All Diesel Engines, ETC= 24 Valve Diesel Engines,
DBB= Manual Transmissions, DGO= All Automatic Transmissions.

1	04429135	3				ETO			BOLT, Banjo
2	04638698	8				ETO			WASHER, Fuel Supply
3	04429135	1				ETO			BOLT, Banjo
4	05011425AA	1				ETO			TUBE, Fuel Supply
5	05011425AA	1							TUBE, Fuel Supply, (NOT REQUIRED)
-6									HOSE, Fuel
	05014259AA	1				ETO	DBB		
		1				ETO	DGO		
7									TUBE, Fuel Supply
	05014258AA	1				ETO	DBB		
		1				ETO	DGO		
8									TUBE, Fuel Supply
	05014243AA	1				ETO	DBB		
		1				ETO	DGO		
9	04429634	2				ETO			SCREW, Hex Head Header Point, 24x.44
10	04740418	1				ETO			SCREW, Banjo Connector
11	04429948	1				ETO			HOSE, Fuel Drain
12	04638698	2				ETO			WASHER, Fuel Supply
13									HEAD, Fuel Filter
	05011618AA	1				ETO	DBB		
		1				ETO	DGO		
14	04883963AB	1				ETO			FILTER, Fuel
15									HOUSING, Fuel Filter
	04882441	1				ETO	DBB		
		1				ETO	DGO		
16									DRAIN, Fuel Filter Bowl

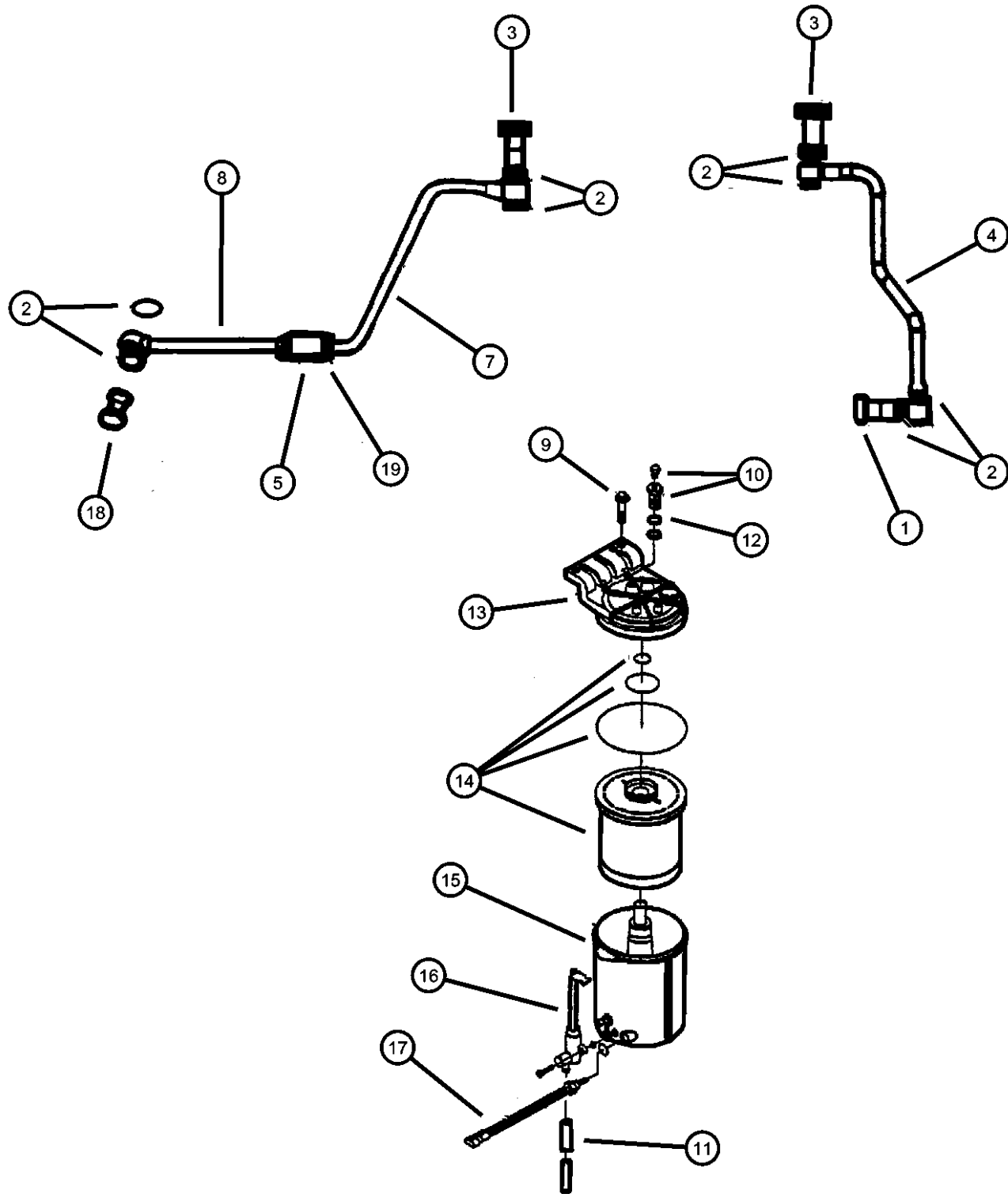
RAM PICKUP/CLUB CAB (BE)

SERIES	LINE	BODY	ENGINE	TRANSMISSION
L = RAM 1500, 2500, 3500	1 = Lt. Duty DODGE 2WD 2 = Med. Duty DODGE 2WD 3 = HD DODGE 2WD 6 = Lt. Duty DODGE 4WD 7 = Med. Duty DODGE 4WD 8 = HD DODGE 4WD	31 = CLUB CAB 2-DR 6.5 FT BOX 32 = CLUB CAB 2-DR 8FT BOX 33 = QUAD CAB 4-DR 6.5 FT BOX 34 = QUAD CAB 4-DR 8FT BOX	ETC = 5.9L Cummins 24V Diesel Engine EWA = 8.0L V10 MPI Engine EM0 = ALL 5.9L 8 CYL ENGINES - GAS EMM = 5.9L SMPI V8 Engine EML = 5.9L V8 MPI Engine ELF = 5.2L V8 MPI Engine	DGP = 4-Spd. Automatic 47RE Transmission DD0 = ALL 5 SPEED MANUAL TRANSMISSIONS DGO = ALL AUTOMATIC TRANSMISSIONS DDC = 5-Speed HD Manual Transmission DDP = 5-Speed Manual Transmission DDX = 5-Speed HD Manual Transmission DEE = 6-Speed HD Manual Transmission DGT = 4-Spd. Automatic 46RE Transmission

AR = use ase required - = Non illustrated part

1999 BE

**Air Fuel Control and Fuel Filter
Figure 14-365**



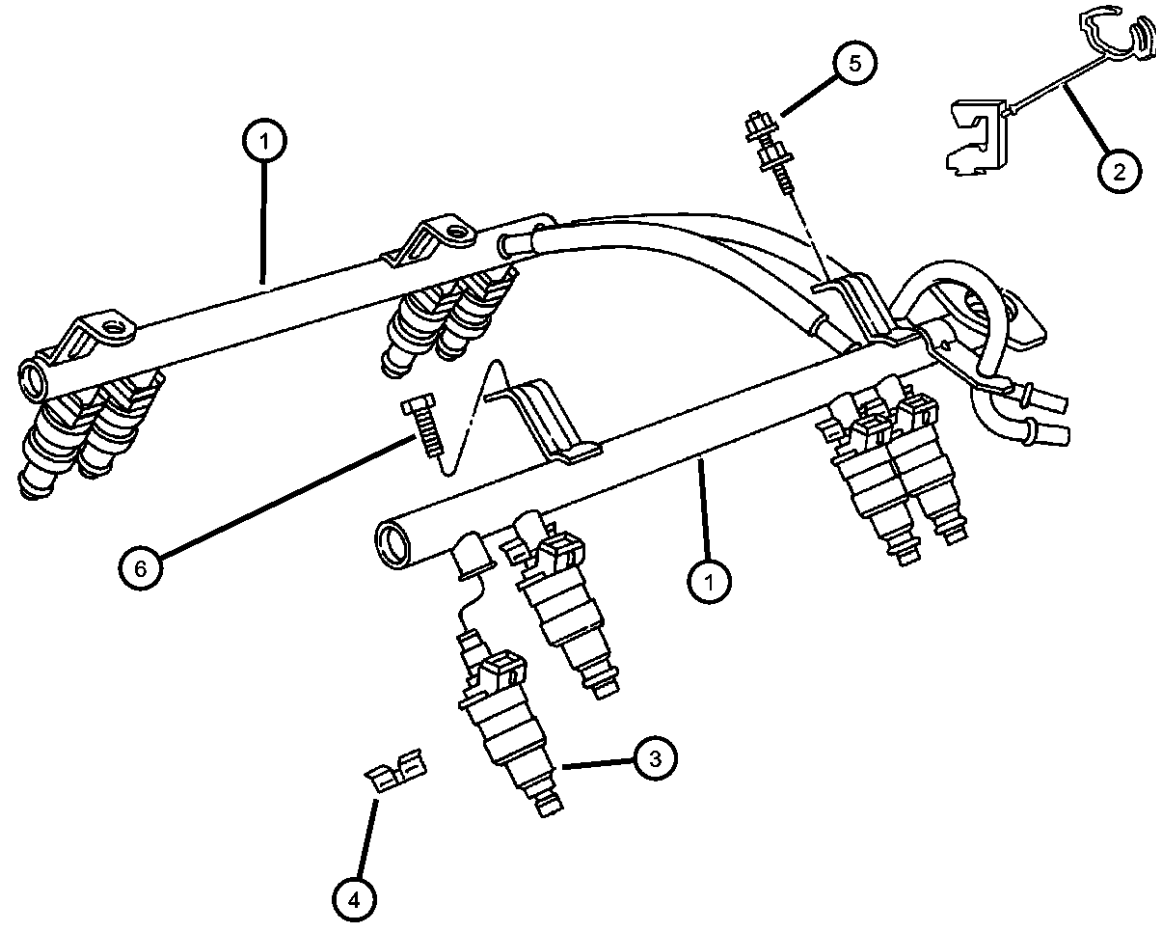
ITEM	PART NUMBER	QTY	LINE	SERIES	BODY	ENGINE	TRANS	TRIM	DESCRIPTION
	04882439	1				ET0	DBB		
		1				ET0	DG0		
17	05011620AA	1				ET0	DBB		SENSOR, Fuel/Water
		1				ET0	DG0		
18	05011806AA	1				ET0			BOLT, Banjo
19	05014261AA	2				ET0			CLAMP, Hose

RAM PICKUP/CLUB CAB (BE)

SERIES	LINE	BODY	ENGINE	TRANSMISSION
L = RAM 1500, 2500, 3500	1 = Lt. Duty DODGE 2WD 2 = Med. Duty DODGE 2WD 3 = HD DODGE 2WD 6 = Lt. Duty DODGE 4WD 7 = Med. Duty DODGE 4WD 8 = HD DODGE 4WD	31 = CLUB CAB 2-DR 6.5 FT BOX 32 = CLUB CAB 2-DR 8FT BOX 33 = QUAD CAB 4-DR 6.5 FT BOX 34 = QUAD CAB 4-DR 8FT BOX	ETC = 5.9L Cummins 24V Diesel Engine EWA = 8.0L V10 MPI Engine EM0 = ALL 5.9L 8 CYL ENGINES - GAS EMM = 5.9L SMPI V8 Engine EML = 5.9L V8 MPI Engine ELF = 5.2L V8 MPI Engine	DGP = 4-Spd. Automatic 47RE Transmission DD0 = ALL 5 SPEED MANUAL TRANSMISSIONS DG0 = ALL AUTOMATIC TRANSMISSIONS DDC = 5-Speed HD Manual Transmission DDP = 5-Speed Manual Transmission DDX = 5-Speed HD Manual Transmission DEE = 6-Speed HD Manual Transmission DGT = 4-Spd. Automatic 46RE Transmission

AR = use ase required - = Non illustrated part

Fuel Rail
Figure 14-430



ITEM	PART NUMBER	QTY	LINE	SERIES	BODY	ENGINE	TRANS	TRIM	DESCRIPTION
------	-------------	-----	------	--------	------	--------	-------	------	-------------

Note; ELF= 5.2 Engine, ELO= All 5.2 Gas Engines,
EMO= All 5.9 Gas Engines, EWO= All 8.0 Gas Engines.

1									RAIL, Fuel
	53030598AB	1				ELO, EMO			
	53041029	1				EWO			
2									CLIP, Fuel Line
	52127788	1				ELO, EMO			
		1				EWO			
3									INJECTOR, Fuel
	53030778	8				ELO, EMO			
	53031571	10				EWO			
4									CLIP, Fuel Injector
	04418257	10				EWO			Metal
		8				ELO, EMO			
5	06034549	2				EWO			SCREW, Hex Head, .312-18x.94
6	06034549	2							SCREW AND WASHER, .312-18x.875, (NOT REQUIRED)
-7	06034549	4				ELO, EMO			SCREW, Hex Head, .312-18x.94
-8	06034445	1				EWO			SCREW, Hex Head, .312-18x1.00
-9	05018781AA	1				ELO, EMO			CAP, Diagnostic Port
-10	05083745AA	10				EWO			O RING KIT, Fuel Injector

RAM PICKUP/CLUB CAB (BE)

SERIES	LINE	BODY	ENGINE	TRANSMISSION
L = RAM 1500, 2500, 3500	1 = Lt. Duty DODGE 2WD 2 = Med. Duty DODGE 2WD 3 = HD DODGE 2WD 6 = Lt. Duty DODGE 4WD 7 = Med. Duty DODGE 4WD 8 = HD DODGE 4WD	31 = CLUB CAB 2-DR 6.5 FT BOX 32 = CLUB CAB 2-DR 8FT BOX 33 = QUAD CAB 4-DR 6.5 FT BOX 34 = QUAD CAB 4-DR 8FT BOX	ETC = 5.9L Cummins 24V Diesel Engine EWA = 8.0L V10 MPI Engine EMO = ALL 5.9L 8 CYL ENGINES - GAS EMM = 5.9L SMPI V8 Engine EML = 5.9L V8 MPI Engine ELF = 5.2L V8 MPI Engine	DGP = 4-Spd. Automatic 47RE Transmission DD0 = ALL 5 SPEED MANUAL TRANSMISSIONS DG0 = ALL AUTOMATIC TRANSMISSIONS DDC = 5-Speed HD Manual Transmission DDP = 5-Speed Manual Transmission DDX = 5-Speed HD Manual Transmission DEE = 6-Speed HD Manual Transmission DGT = 4-Spd. Automatic 46RE Transmission

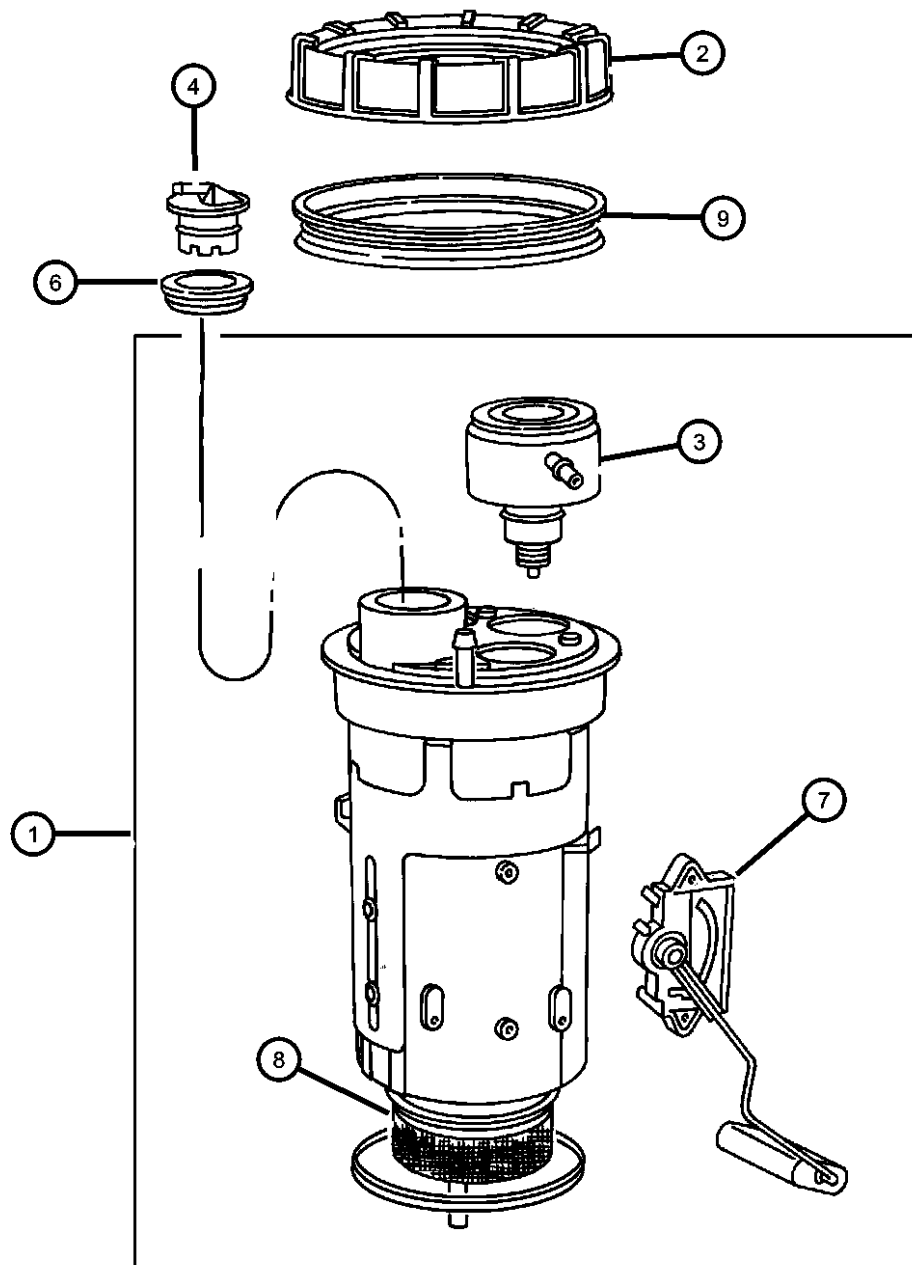
AR = use ase required - = Non illustrated part

1999 BE

**Fuel Module
Figure 14-525**

ITEM	PART NUMBER	QTY	LINE	SERIES	BODY	ENGINE	TRANS	TRIM	DESCRIPTION
------	-------------	-----	------	--------	------	--------	-------	------	-------------

Note; ELF= 5.2 Gas Engines, EML=5.9 Light Duty Gas Engines, ELO= All 5.2 Gas Engines, EMO= All 5.9 Gas Engines, EWO= All 8.0 Gas Engines, ETO= All Diesel Engines.



1									MODULE KIT, Fuel Pump/Level Unit
	04897666AA	1				ELO, EML			26 Gallon
	04897666AB	1				EMO, EWO			34 Gallon
	04897667AA	1				ELO, EMO, EWO			35 Gallon
	04897668AD	1				ETO			35 Gallon
2									NUT, Fuel Pump Module
	52005389	1				ELO, EMO, EWO			
		1				ETO			
3	04798825	1				ELO, EMO, EWO			FILTER, Fuel Pressure Regulator
4									VALVE, Fuel Vapor
	52102172	1				ELO, EML			
		1				EMO, EWO			
-5	52127666	1				ETO			VALVE, Fuel Tank Rollover Safety
6	04616244	1				ELO, EMO, EWO			GROMMET, Rollover Valve
7									LEVEL UNIT KIT, Fuel
	04897669AA	1				ELO, EMO, EWO			35 Gallon If the diesel truck had the fuel module replaced and the new one was 04897668af, than the level unit will have to be 04897669ab, instead of the 04897670ab
	04897669AB	1				EMO, EWO			35 Gallon If the diesel truck had the fuel module replaced and the new one was 04897668af, than the level unit will have to be 04897669ab, instead of the 04897670ab
		1				ELO, EML			35 Gallon

RAM PICKUP/CLUB CAB (BE)

SERIES	LINE	BODY	ENGINE	TRANSMISSION
L = RAM 1500, 2500, 3500	1 = Lt. Duty DODGE 2WD 2 = Med. Duty DODGE 2WD 3 = HD DODGE 2WD 6 = Lt. Duty DODGE 4WD 7 = Med. Duty DODGE 4WD 8 = HD DODGE 4WD	31 = CLUB CAB 2-DR 6.5 FT BOX 32 = CLUB CAB 2-DR 8FT BOX 33 = QUAD CAB 4-DR 6.5 FT BOX 34 = QUAD CAB 4-DR 8FT BOX	ETC = 5.9L Cummins 24V Diesel Engine EWA = 8.0L V10 MPI Engine EMO = ALL 5.9L 8 CYL ENGINES - GAS EMM = 5.9L SMPI V8 Engine EML = 5.9L V8 MPI Engine ELF = 5.2L V8 MPI Engine	DGP = 4-Spd. Automatic 47RE Transmission DD0 = ALL 5 SPEED MANUAL TRANSMISSIONS DG0 = ALL AUTOMATIC TRANSMISSIONS DDC = 5-Speed HD Manual Transmission DDP = 5-Speed Manual Transmission DDX = 5-Speed HD Manual Transmission DEE = 6-Speed HD Manual Transmission DGT = 4-Spd. Automatic 46RE Transmission

AR = use ase required - = Non illustrated part

1999 BE

Fuel Module
Figure 14-525

ITEM	PART NUMBER	QTY	LINE	SERIES	BODY	ENGINE	TRANS	TRIM	DESCRIPTION
------	-------------	-----	------	--------	------	--------	-------	------	-------------

04897670AA 1

ETO

If the diesel truck had the fuel module replaced and the new one was 04897668af, then the level unit will have to be 04897669ab, instead of the 04897670ab

1

ETO

35 Gallon If the diesel truck had the fuel module replaced and the new one was 04897668af, then the level unit will have to be 04897669ab, instead of the 04897670ab

8

1

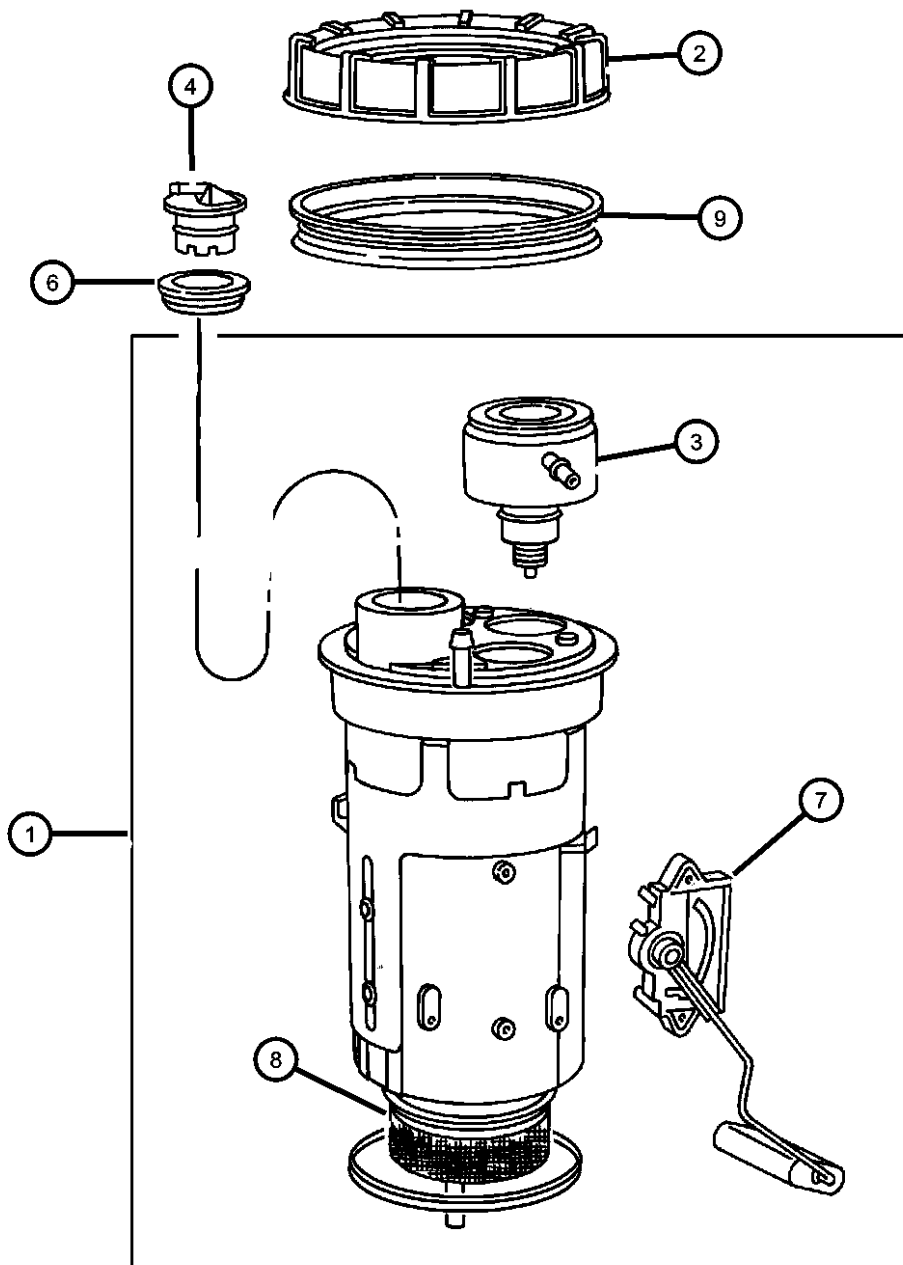
FILTER, Fuel, Serviced in Module, (NOT SERVICED),

9

52018808 1

ELO, EMO,
EWO
ETO

SEAL, Fuel Pump and Level Unit



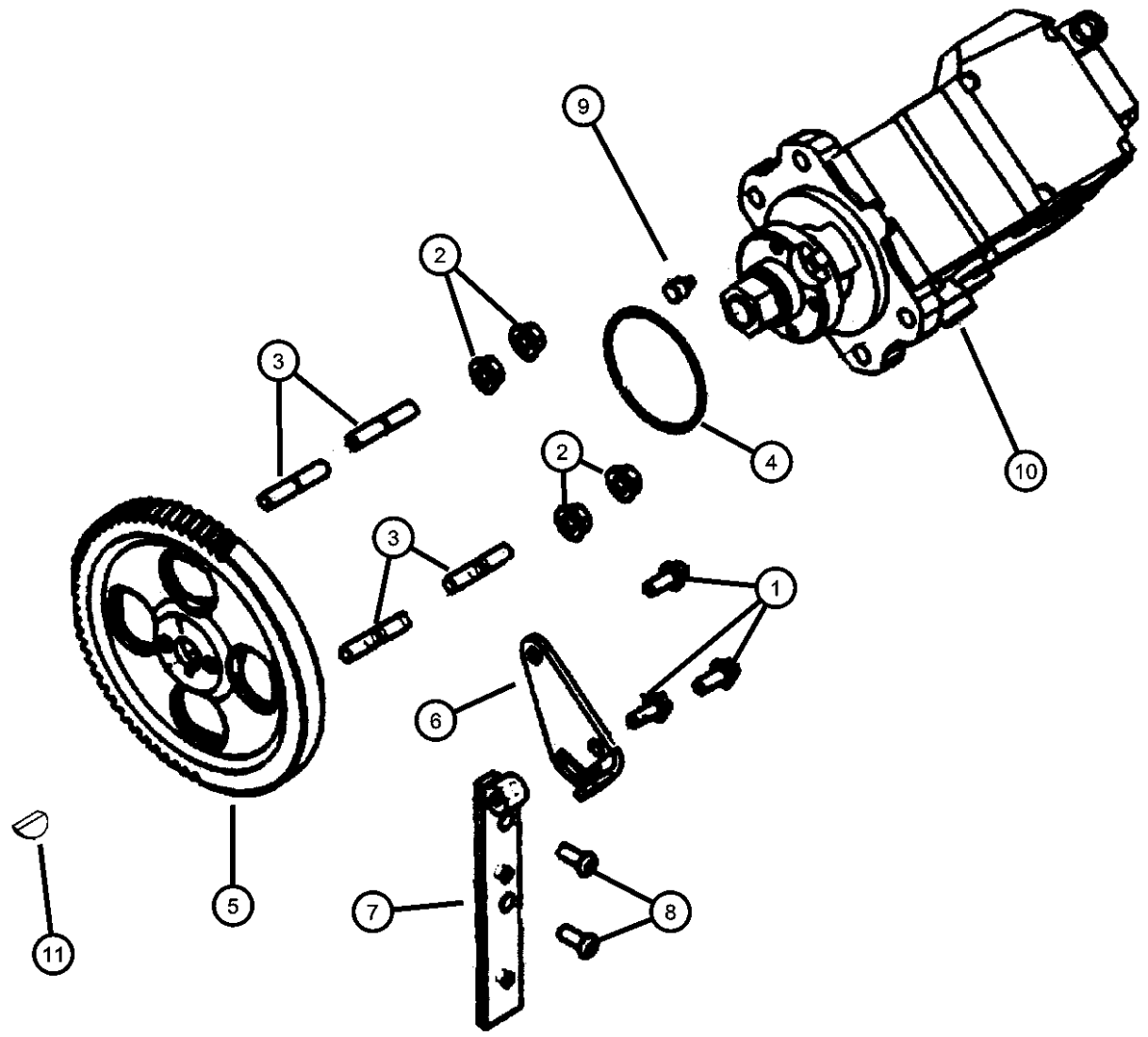
RAM PICKUP/CLUB CAB (BE)

SERIES	LINE	BODY	ENGINE	TRANSMISSION
L = RAM 1500, 2500, 3500	1 = Lt. Duty DODGE 2WD	31 = CLUB CAB 2-DR 6.5 FT BOX	ETC = 5.9L Cummins 24V Diesel Engine	DGP = 4-Spd. Automatic 47RE Transmission
	2 = Med. Duty DODGE 2WD	32 = CLUB CAB 2-DR 8FT BOX	EWA = 8.0L V10 MPI Engine	DD0 = ALL 5 SPEED MANUAL TRANSMISSIONS
	3 = HD DODGE 2WD	33 = QUAD CAB 4-DR 6.5 FT BOX	EM0 = ALL 5.9L 8 CYL ENGINES - GAS	DG0 = ALL AUTOMATIC TRANSMISSIONS
	6 = Lt. Duty DODGE 4WD	34 = QUAD CAB 4-DR 8FT BOX	EMM = 5.9L SMPI V8 Engine	DDC = 5-Speed HD Manual Transmission
	7 = Med. Duty DODGE 4WD		EML = 5.9L V8 MPI Engine	DDP = 5-Speed Manual Transmission
	8 = HD DODGE 4WD		ELF = 5.2L V8 MPI Engine	DDX = 5-Speed HD Manual Transmission
				DEE = 6-Speed HD Manual Transmission
				DGT = 4-Spd. Automatic 46RE Transmission

AR = use ase required - = Non illustrated part

1999 BE

**Fuel Injection Pump
Figure 14-535**



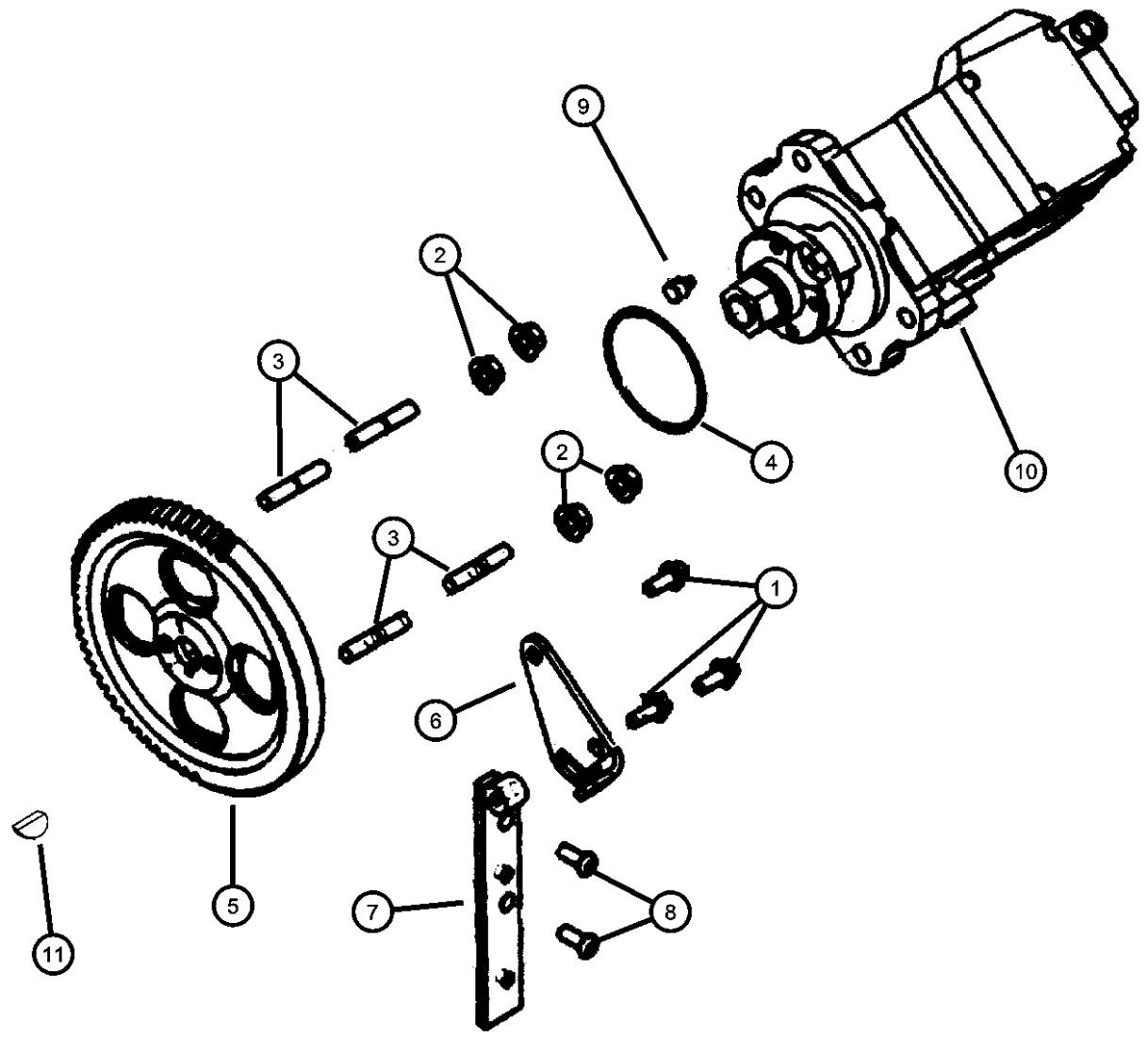
ITEM	PART NUMBER	QTY	LINE	SERIES	BODY	ENGINE	TRANS	TRIM	DESCRIPTION
NOTE; Bracket Package [05170590AA] is Only Needed For Vehicles Produced 1/1/1998 Thru 1/31/1998 . That Had A Fuel Pump Bracket Issue. If T									
1	04429630	3				ET0			BOLT, Hex Head
2	04429862	4				ET0			NUT, Hex Flange, M10x1.5
3	04761250	4				ET0			STUD, Fuel Pump
4									O RING, Fuel Injection Pump, Diesel
	05014189AA	1				ET0	DBB		
		1				ET0	DG0		
5									GEAR, Injection Pump
	05013851AA	1				ET0	DBB		
		1				ET0	DG0		
6									BRACE, Fuel Pump
	05011473AA	1				ET0	DBB		
		1				ET0	DG0		
7									BRACE, Fuel Pump
	05011474AA	1				ET0	DBB		
		1				ET0	DG0		
8	05011423AA	2				ET0			SCREW
9	05011813AA	1				ET0			DOWEL
10	05013925AA	1				ETC			PUMP, Fuel Injection
11									KEY, Fuel Injection Pump
	05013000AA	1				ETC			0.00
	05013026AA	1				ETC			+0.26
	05013052AA	1				ETC			+0.52
	05013078AA	1				ETC			+0.78
	05013104AA	1				ETC			+1.04
	05013130AA	1				ETC			+1.30
	05013156AA	1				ETC			+1.56
	05013182AA	1				ETC			+1.82

RAM PICKUP/CLUB CAB (BE)

SERIES	LINE	BODY	ENGINE	TRANSMISSION
L = RAM 1500, 2500, 3500	1 = Lt. Duty DODGE 2WD 2 = Med. Duty DODGE 2WD 3 = HD DODGE 2WD 6 = Lt. Duty DODGE 4WD 7 = Med. Duty DODGE 4WD 8 = HD DODGE 4WD	31 = CLUB CAB 2-DR 6.5 FT BOX 32 = CLUB CAB 2-DR 8FT BOX 33 = QUAD CAB 4-DR 6.5 FT BOX 34 = QUAD CAB 4-DR 8FT BOX	ETC = 5.9L Cummins 24V Diesel Engine EWA = 8.0L V10 MPI Engine EM0 = ALL 5.9L 8 CYL ENGINES - GAS EMM = 5.9L SMPI V8 Engine EML = 5.9L V8 MPI Engine ELF = 5.2L V8 MPI Engine	DGP = 4-Spd. Automatic 47RE Transmission DD0 = ALL 5 SPEED MANUAL TRANSMISSIONS DG0 = ALL AUTOMATIC TRANSMISSIONS DDC = 5-Speed HD Manual Transmission DDP = 5-Speed Manual Transmission DDX = 5-Speed HD Manual Transmission DEE = 6-Speed HD Manual Transmission DGT = 4-Spd. Automatic 46RE Transmission

AR = use ase required - = Non illustrated part

Fuel Injection Pump
Figure 14-535



ITEM	PART NUMBER	QTY	LINE	SERIES	BODY	ENGINE	TRANS	TRIM	DESCRIPTION
	05013208AA	1				ETC			+2.08
	05013234AA	1				ETC			+2.34
	05013260AA	1				ETC			+2.60
	05014026AA	1				ETC			-0.26
	05014052AA	1				ETC			-0.52
	05014078AA	1				ETC			-0.78
	05014104AA	1				ETC			-1.04
	05014130AA	1				ETC			-1.30
	05014156AA	1				ETC			-1.56
	05014182AA	1				ETC			-1.82
	05014208AA	1				ETC			-2.08
	05014234AA	1				ETC			-2.34
	05014260AA	1				ETC			-2.60
-12									BRACKET PACKAGE, Fuel Pump, Engine, This Pkg contain Item # 8,13,14
	05170590AA	1				ET0	DBB		DIESEL ENGINES) PRODUCED 1/1/1998 THRU 12/31/1998 IF THEY HAVE NEVER BEEN SERVICED FOR THE FUEL PUMP BRACKET FAILURE ISSUE. **IF THE VEHICLE HAS ALREADY BEEN SERVICED FOR THE BRACKET ISSUE
-13						ET0	DG0		BOLT, Hex Head
	05016187AA	1				ET0	DBB		Fuel Pump Mounting
		1				ET0	DG0		
	05016188AA	1				ET0	DBB		Fuel Pump Mounting
-14						ET0	DG0		BRACE, Fuel Pump

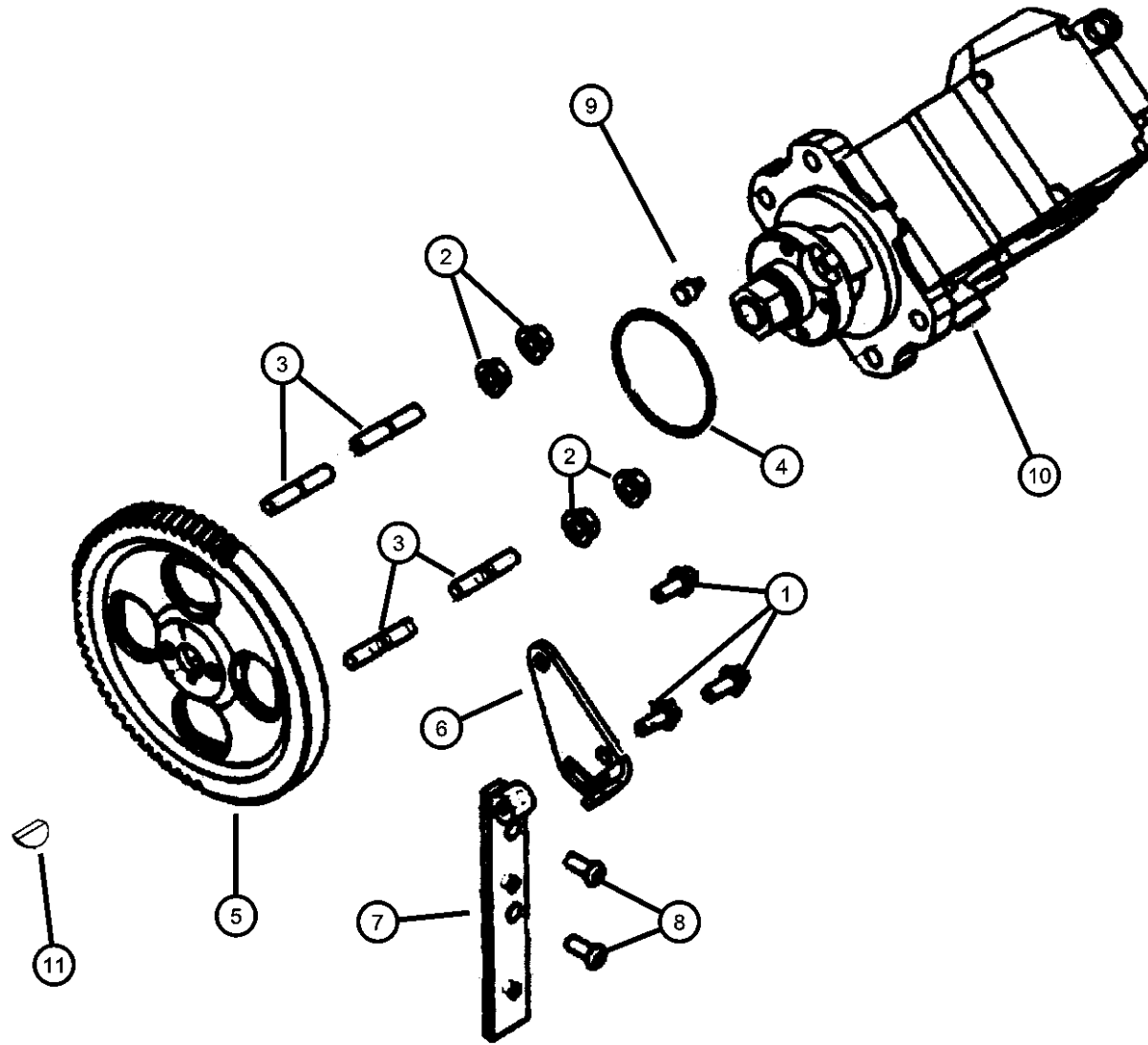
RAM PICKUP/CLUB CAB (BE)

SERIES	LINE	BODY	ENGINE	TRANSMISSION
L = RAM 1500, 2500, 3500	1 = Lt. Duty DODGE 2WD 2 = Med. Duty DODGE 2WD 3 = HD DODGE 2WD 6 = Lt. Duty DODGE 4WD 7 = Med. Duty DODGE 4WD 8 = HD DODGE 4WD	31 = CLUB CAB 2-DR 6.5 FT BOX 32 = CLUB CAB 2-DR 8FT BOX 33 = QUAD CAB 4-DR 6.5 FT BOX 34 = QUAD CAB 4-DR 8FT BOX	ETC = 5.9L Cummins 24V Diesel Engine EWA = 8.0L V10 MPI Engine EM0 = ALL 5.9L 8 CYL ENGINES - GAS EMM = 5.9L SMPI V8 Engine EML = 5.9L V8 MPI Engine ELF = 5.2L V8 MPI Engine	DGP = 4-Spd. Automatic 47RE Transmission DD0 = ALL 5 SPEED MANUAL TRANSMISSIONS DG0 = ALL AUTOMATIC TRANSMISSIONS DDC = 5-Speed HD Manual Transmission DDP = 5-Speed Manual Transmission DDX = 5-Speed HD Manual Transmission DEE = 6-Speed HD Manual Transmission DGT = 4-Spd. Automatic 46RE Transmission

AR = use ase required - = Non illustrated part

Fuel Injection Pump
Figure 14-535

ITEM	PART NUMBER	QTY	LINE	SERIES	BODY	ENGINE	TRANS	TRIM	DESCRIPTION
	05015362AA	1				ET0	DBB		Fuel Pump Mounting
		1				ET0	DG0		
	05016186AA	1				ET0	DBB		Fuel Pump Mounting
		1				ET0	DG0		



RAM PICKUP/CLUB CAB (BE)

SERIES	LINE	BODY	ENGINE	TRANSMISSION
L = RAM 1500, 2500, 3500	1 = Lt. Duty DODGE 2WD 2 = Med. Duty DODGE 2WD 3 = HD DODGE 2WD 6 = Lt. Duty DODGE 4WD 7 = Med. Duty DODGE 4WD 8 = HD DODGE 4WD	31 = CLUB CAB 2-DR 6.5 FT BOX 32 = CLUB CAB 2-DR 8FT BOX 33 = QUAD CAB 4-DR 6.5 FT BOX 34 = QUAD CAB 4-DR 8FT BOX	ETC = 5.9L Cummins 24V Diesel Engine EWA = 8.0L V10 MPI Engine EM0 = ALL 5.9L 8 CYL ENGINES - GAS EMM = 5.9L SMPI V8 Engine EML = 5.9L V8 MPI Engine ELF = 5.2L V8 MPI Engine	DGP = 4-Spd. Automatic 47RE Transmission DD0 = ALL 5 SPEED MANUAL TRANSMISSIONS DG0 = ALL AUTOMATIC TRANSMISSIONS DDC = 5-Speed HD Manual Transmission DDP = 5-Speed Manual Transmission DDX = 5-Speed HD Manual Transmission DEE = 6-Speed HD Manual Transmission DGT = 4-Spd. Automatic 46RE Transmission

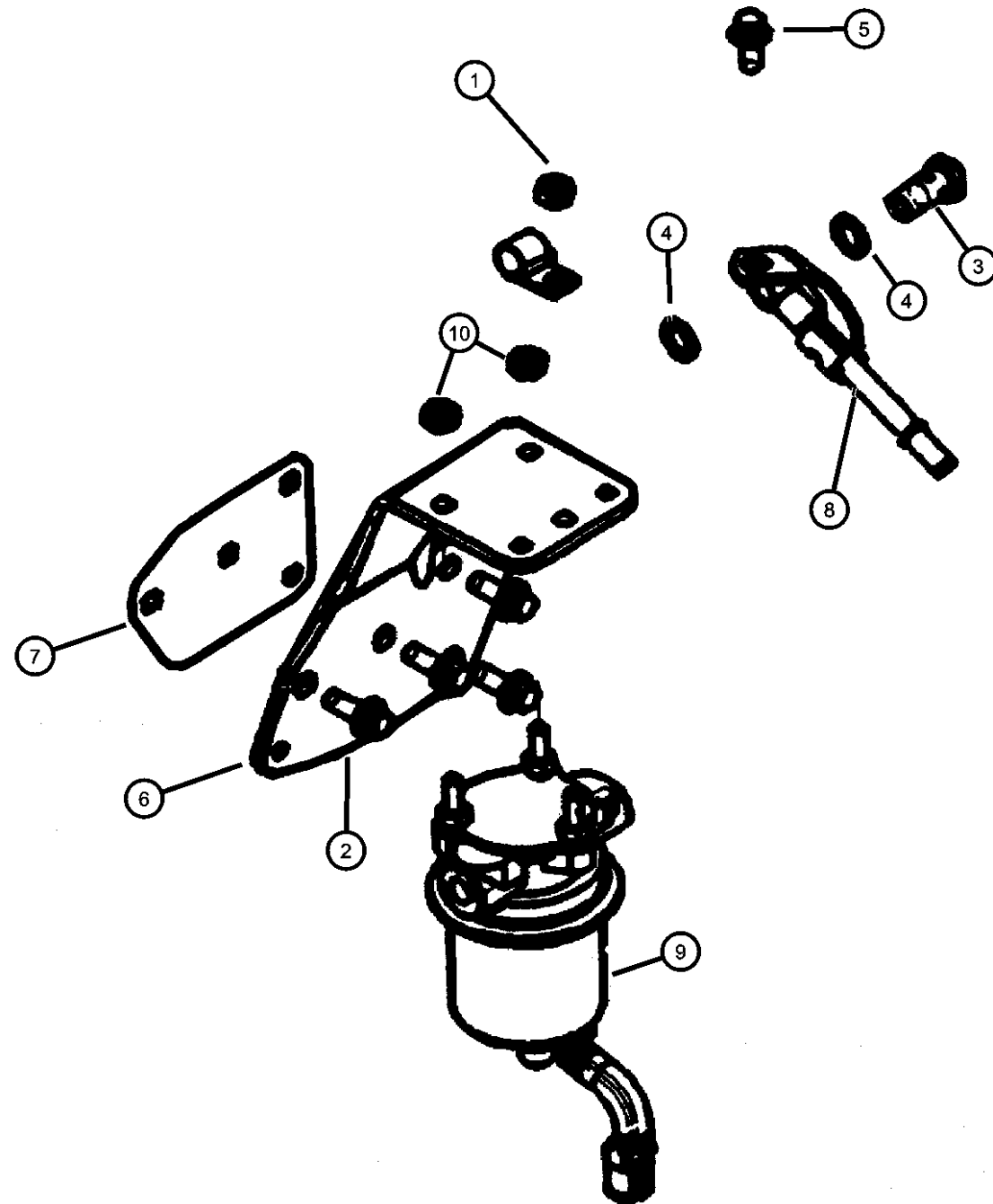
AR = use ase required - = Non illustrated part

1999 BE

Fuel Accessories
Figure 14-550

ITEM	PART NUMBER	QTY	LINE	SERIES	BODY	ENGINE	TRANS	TRIM	DESCRIPTION
------	-------------	-----	------	--------	------	--------	-------	------	-------------

Note;ETO= All Diesel Engines, ETC= 24 Valve Diesel Engines
DBB= Manual Transmissions, DGO= All Automatic Transmissions.



1	05011815AA	3				ETO			NUT, Hex
2	04429630	4				ETO			BOLT, Hex Head
3	04429135	1				ETO			BOLT, Banjo
4	04638698	2				ETO			WASHER, Fuel Supply
5	04882110	1				ETO			SCREW, Hex Head, M8x1.25x16
6	05011816AA	1				ETO			BRACKET, Pump
7	05011437AA	1				ETO			GASKET, Engine Block Cover
8	05011463AA	1				ETO			TUBE, Fuel Injector Supply
9									PUMP, Fuel
	05014192AA	1				ETO	DBB		
		1				ETO	DGO		
10	05011817AA	1				ETO			CLIP

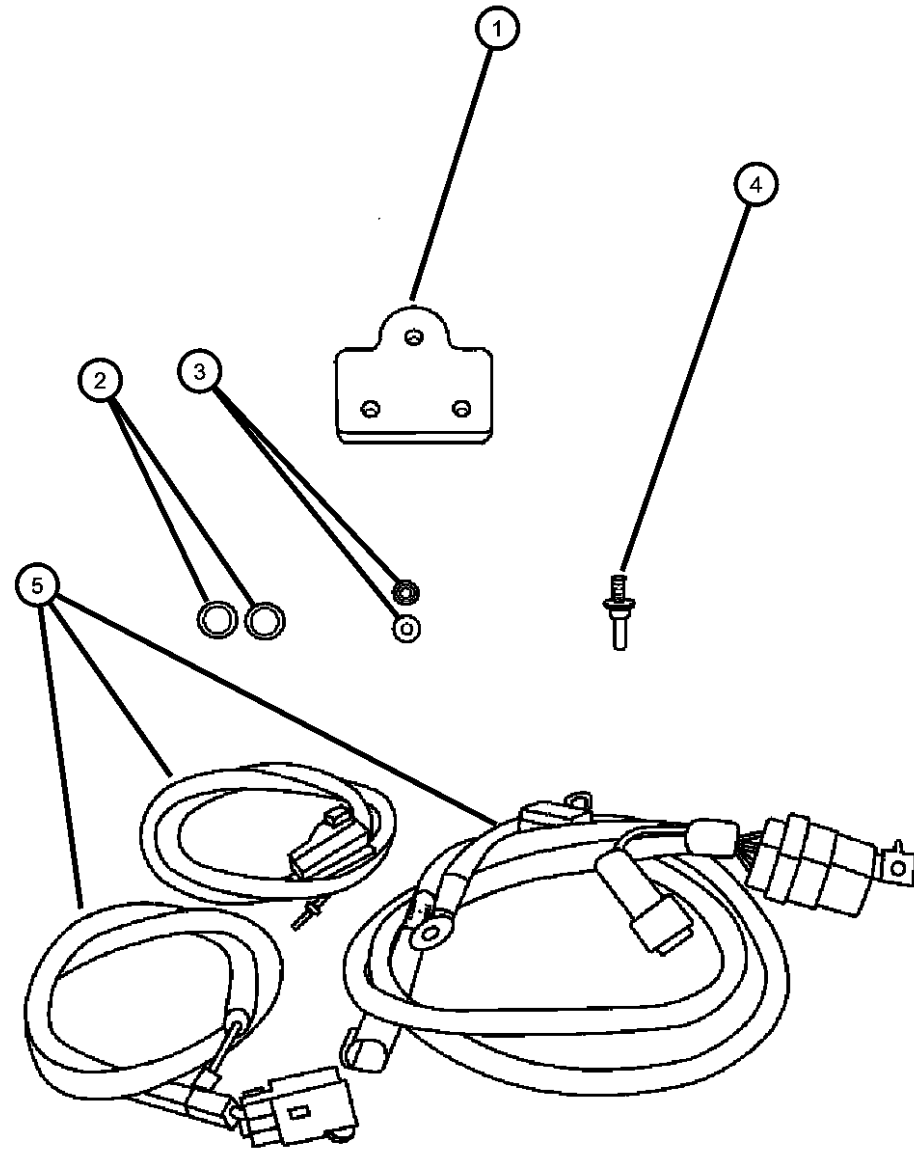
RAM PICKUP/CLUB CAB (BE)

SERIES	LINE	BODY	ENGINE	TRANSMISSION
L = RAM 1500, 2500, 3500	1 = Lt. Duty DODGE 2WD	31 = CLUB CAB 2-DR 6.5 FT BOX	ETC = 5.9L Cummins 24V Diesel Engine	DGP = 4-Spd. Automatic 47RE Transmission
	2 = Med. Duty DODGE 2WD	32 = CLUB CAB 2-DR 8FT BOX	EWA = 8.0L V10 MPI Engine	DD0 = ALL 5 SPEED MANUAL TRANSMISSIONS
	3 = HD DODGE 2WD	33 = QUAD CAB 4-DR 6.5 FT BOX	EM0 = ALL 5.9L 8 CYL ENGINES - GAS	DG0 = ALL AUTOMATIC TRANSMISSIONS
	6 = Lt. Duty DODGE 4WD	34 = QUAD CAB 4-DR 8FT BOX	EMM = 5.9L SMPI V8 Engine	DDC = 5-Speed HD Manual Transmission
	7 = Med. Duty DODGE 4WD		EML = 5.9L V8 MPI Engine	DDP = 5-Speed Manual Transmission
	8 = HD DODGE 4WD		ELF = 5.2L V8 MPI Engine	DDX = 5-Speed HD Manual Transmission
				DEE = 6-Speed HD Manual Transmission
				DGT = 4-Spd. Automatic 46RE Transmission

AR = use ase required - = Non illustrated part

1999 BE

Fuel Pump Transfer Conversion
Figure 14-555



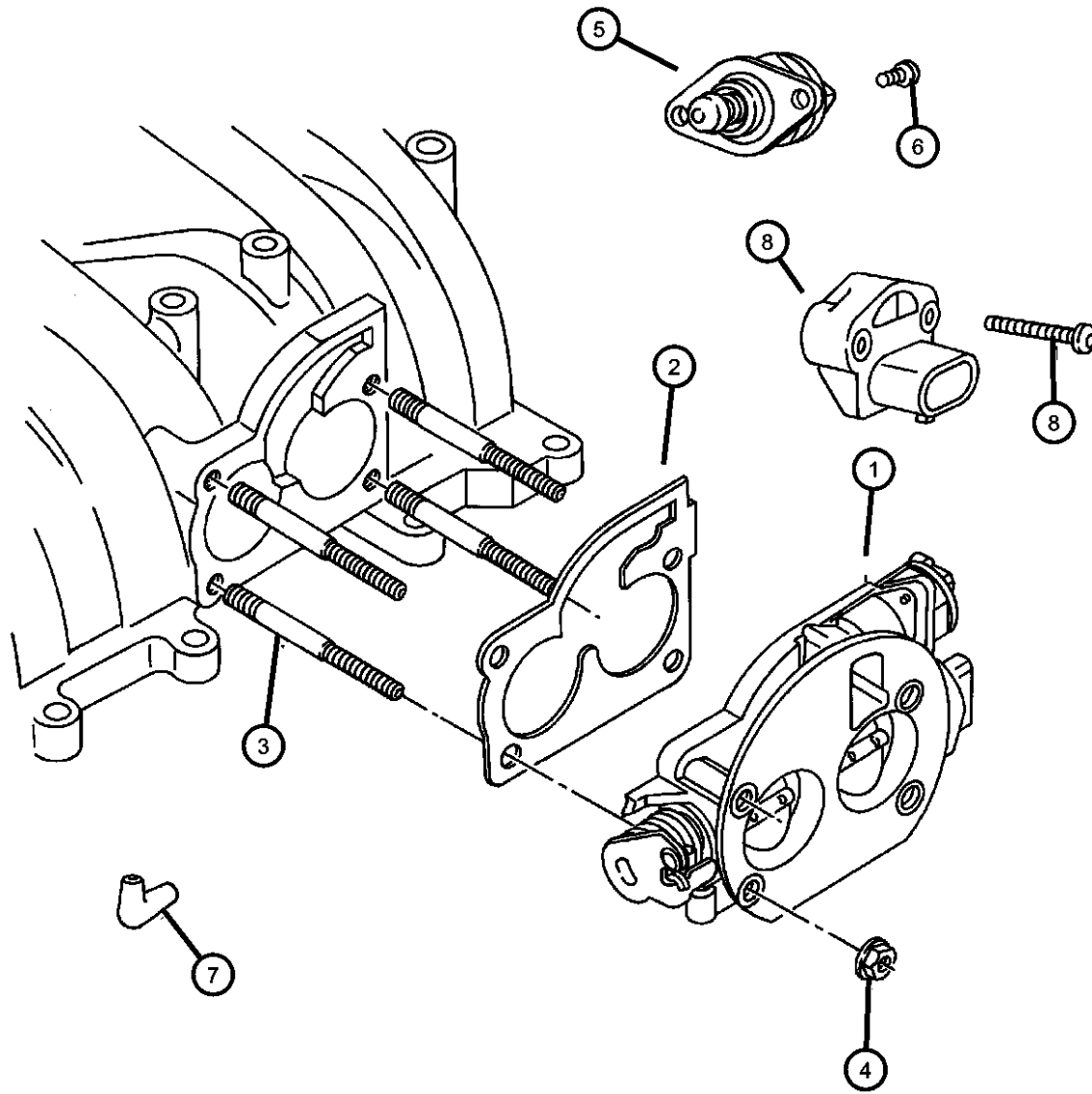
ITEM	PART NUMBER	QTY	LINE	SERIES	BODY	ENGINE	TRANS	TRIM	DESCRIPTION
1	05175562AA	1				ET0			UNION
2	05016555AB	4				ET0			WASHER, Fuel Line Banjo
3	04429316	3				ET0			NUT
4	04761242	3				ET0			SCREW, Hex Head, M8x1.25x45
5	05175409AA	1				ET0			WIRING, Fuel Module
-6	52018808	1				ET0			SEAL, Fuel Pump and Level Unit
-7	05179873AA	1				ET0			MODULE PACKAGE, Fuel Pump/Level Unit, THIS PACKAGE INCLUDES THE FUEL MODULE AND SEAL FOR THE 1998-2002 BR/BE/BT DIESEL THAT HAD THE FUEL SYSTEM PREVIOUSLY MODIFIED FROM THE ORIGINAL ENGINE MOUNTED TRANSFER PUMP TO THIS NEW PUMP IN THE FUEL MODULE.
-8	05175538AA	1				ET0			MODULE PACKAGE, Fuel Pump/Level Unit, THIS PACKAGE CONTAINS: MODULE FUEL PUMP/LEVEL UNIT SEAL WIRING ADAPTED LABEL AND INSTRUCTION SHEET

RAM PICKUP/CLUB CAB (BE)

SERIES	LINE	BODY	ENGINE	TRANSMISSION
L = RAM 1500, 2500, 3500	1 = Lt. Duty DODGE 2WD 2 = Med. Duty DODGE 2WD 3 = HD DODGE 2WD 6 = Lt. Duty DODGE 4WD 7 = Med. Duty DODGE 4WD 8 = HD DODGE 4WD	31 = CLUB CAB 2-DR 6.5 FT BOX 32 = CLUB CAB 2-DR 8FT BOX 33 = QUAD CAB 4-DR 6.5 FT BOX 34 = QUAD CAB 4-DR 8FT BOX	ETC = 5.9L Cummins 24V Diesel Engine EWA = 8.0L V10 MPI Engine EM0 = ALL 5.9L 8 CYL ENGINES - GAS EMM = 5.9L SMPI V8 Engine EML = 5.9L V8 MPI Engine ELF = 5.2L V8 MPI Engine	DGP = 4-Spd. Automatic 47RE Transmission DD0 = ALL 5 SPEED MANUAL TRANSMISSIONS DG0 = ALL AUTOMATIC TRANSMISSIONS DDC = 5-Speed HD Manual Transmission DDP = 5-Speed Manual Transmission DDX = 5-Speed HD Manual Transmission DEE = 6-Speed HD Manual Transmission DGT = 4-Spd. Automatic 46RE Transmission

AR = use ase required - = Non illustrated part

**Throttle Body
Figure 14-630**



ITEM	PART NUMBER	QTY	LINE	SERIES	BODY	ENGINE	TRANS	TRIM	DESCRIPTION
Note; ELO= All 5.2 Gas Engines, EMO= All 5.9 Gas Engines, EWO= All 8.0 Gas Engines.									
1	53031733AA	1				ELO, EMO			THROTTLE BODY
	53031808	1				EWO			
2	53030541	1				ELO, EMO			GASKET, Throttle Body To Intake
	53041120	1				EWO			
3	06034380	4				EWO			STUD, .312-18/.250-20x4.00
4	06033560	4				EWO			NUT AND WASHER, Hex Nut-Coned Washer, .25-20 MOTOR, A.I.S.
5	53030657AB	1				ELO, EMO			
		1				EWO			
6	04728136	1				ELO, EMO			SCREW, A.I.S. Motor
		1				EWO			
7	53009672	1				ELO, EMO			CONNECTOR, Emission Hose
8	04882219	1				EWO			SENSOR, Throttle Position
		1				ELO, EMO			
-9	06034356	4				ELO, EMO			SCREW AND WASHER, Hex Head, .312-18x2.38

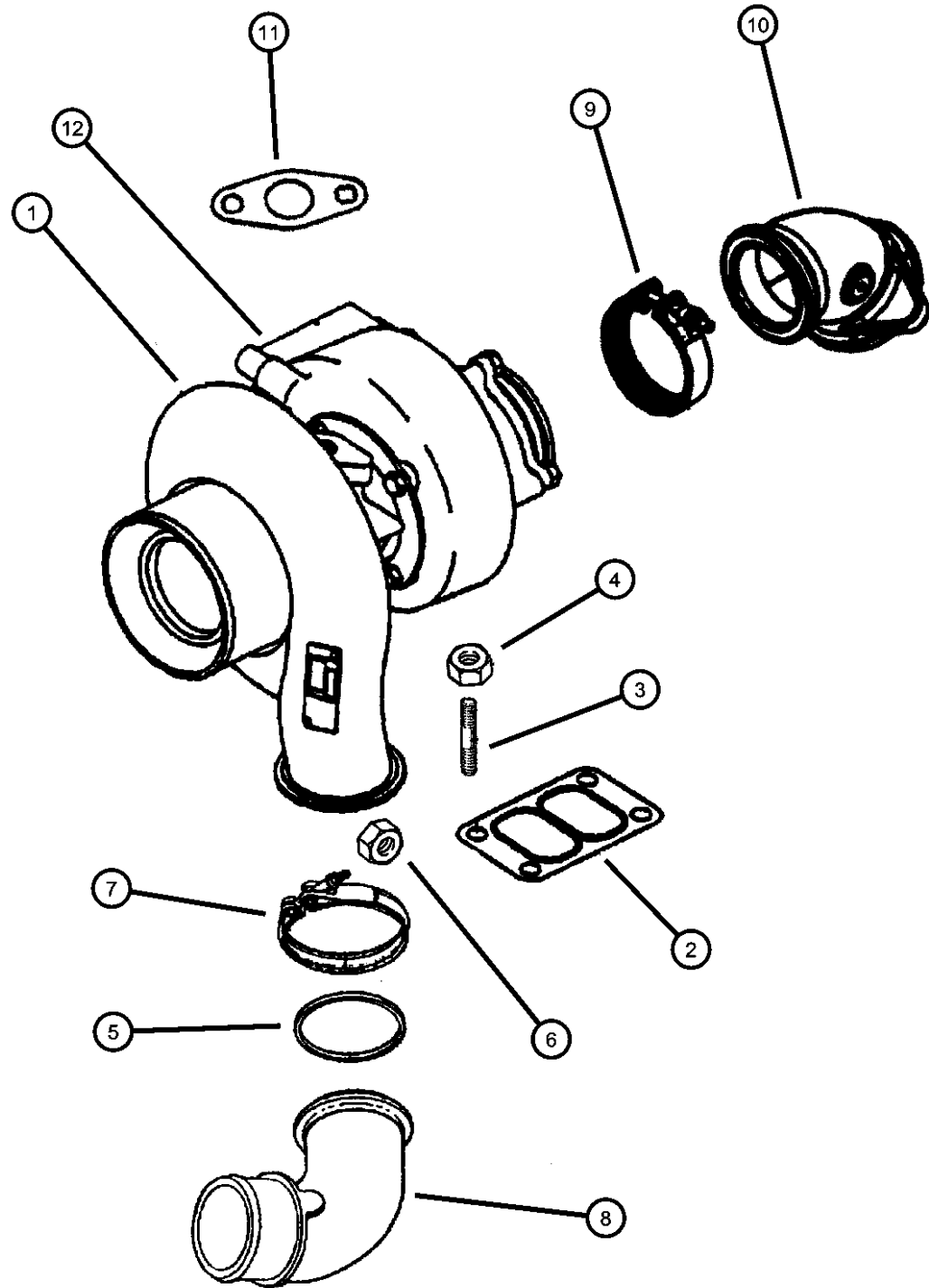
RAM PICKUP/CLUB CAB (BE)

SERIES	LINE	BODY	ENGINE	TRANSMISSION
L = RAM 1500, 2500, 3500	1 = Lt. Duty DODGE 2WD 2 = Med. Duty DODGE 2WD 3 = HD DODGE 2WD 6 = Lt. Duty DODGE 4WD 7 = Med. Duty DODGE 4WD 8 = HD DODGE 4WD	31 = CLUB CAB 2-DR 6.5 FT BOX 32 = CLUB CAB 2-DR 8FT BOX 33 = QUAD CAB 4-DR 6.5 FT BOX 34 = QUAD CAB 4-DR 8FT BOX	ETC = 5.9L Cummins 24V Diesel Engine EWA = 8.0L V10 MPI Engine EM0 = ALL 5.9L 8 CYL ENGINES - GAS EMM = 5.9L SMPI V8 Engine EML = 5.9L V8 MPI Engine ELF = 5.2L V8 MPI Engine	DGP = 4-Spd. Automatic 47RE Transmission DD0 = ALL 5 SPEED MANUAL TRANSMISSIONS DG0 = ALL AUTOMATIC TRANSMISSIONS DDC = 5-Speed HD Manual Transmission DDP = 5-Speed Manual Transmission DDX = 5-Speed HD Manual Transmission DEE = 6-Speed HD Manual Transmission DGT = 4-Spd. Automatic 46RE Transmission

AR = use ase required - = Non illustrated part

1999 BE

**Turbocharger
Figure 14-650**



ITEM	PART NUMBER	QTY	LINE	SERIES	BODY	ENGINE	TRANS	TRIM	DESCRIPTION
------	-------------	-----	------	--------	------	--------	-------	------	-------------

Note; ETO= All Diesel Engines, ETC= 24 Valve Diesel Engines,
DBB= Manual Transmissions, DGO= All Automatic Transmission.

1									TURBOCHARGER
	05014203AA	1				ETO	DBB		
		1				ETO	DGO		
2									GASKET, Turbocharger
	04429357	1				ETO	DBB		
		1				ETO	DGO		
	04874541	1				ETC	DBB		
3	04429823	2				ETO			STUD
4	04429825	2				ETO			NUT, Turbo Mounting
5									O RING, Air Intake Line
	04761275	1				ETO	DBB		
		1				ETO	DGO		
6	04882114	1				ETO			NUT, Lock
7									CLAMP, Air Intake Connection, V Clamp
	04882048	1				ETO	DBB		
		1				ETO	DGO		
8									ELBOW, Air Intake
	04746644	1				ETO	DBB		
		1				ETO	DGO		
9		1							CLAMP, Exhaust, (NOT REQUIRED)
10		1							PIPE, Exhaust, (NOT REQUIRED)
11									GASKET, Turbo Oil Drain Pipe
	04886033AA	1				ETO	DBB		
		1				ETO	DGO		
12		1							KIT, Wastegate, (NOT SERVICED)

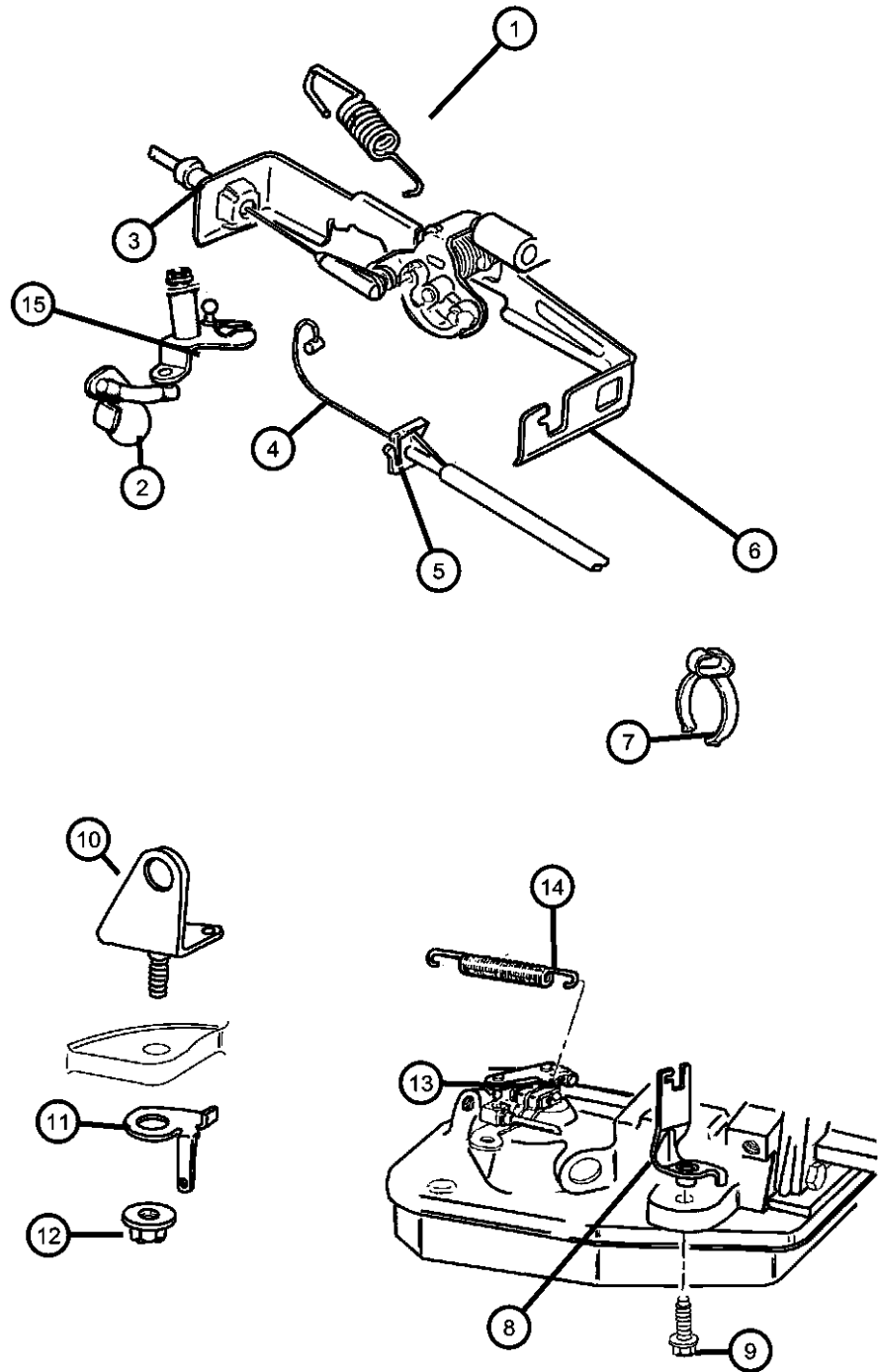
RAM PICKUP/CLUB CAB (BE)

SERIES	LINE	BODY	ENGINE	TRANSMISSION
L = RAM 1500, 2500, 3500	1 = Lt. Duty DODGE 2WD 2 = Med. Duty DODGE 2WD 3 = HD DODGE 2WD 6 = Lt. Duty DODGE 4WD 7 = Med. Duty DODGE 4WD 8 = HD DODGE 4WD	31 = CLUB CAB 2-DR 6.5 FT BOX 32 = CLUB CAB 2-DR 8FT BOX 33 = QUAD CAB 4-DR 6.5 FT BOX 34 = QUAD CAB 4-DR 8FT BOX	ETC = 5.9L Cummins 24V Diesel Engine EWA = 8.0L V10 MPI Engine EM0 = ALL 5.9L 8 CYL ENGINES - GAS EMM = 5.9L SMPI V8 Engine EML = 5.9L V8 MPI Engine ELF = 5.2L V8 MPI Engine	DGP = 4-Spd. Automatic 47RE Transmission DD0 = ALL 5 SPEED MANUAL TRANSMISSIONS DGO = ALL AUTOMATIC TRANSMISSIONS DDC = 5-Speed HD Manual Transmission DDP = 5-Speed Manual Transmission DDX = 5-Speed HD Manual Transmission DEE = 6-Speed HD Manual Transmission DGT = 4-Spd. Automatic 46RE Transmission

AR = use ase required - = Non illustrated part

1999 BE

**Throttle Controls
Figure 14-730**



ITEM	PART NUMBER	QTY	LINE	SERIES	BODY	ENGINE	TRANS	TRIM	DESCRIPTION
------	-------------	-----	------	--------	------	--------	-------	------	-------------

Note; ELF= 5.2 Gas Engines, ELO= All 5.2 Gas Engines, EMO= All 5.9 Gas Engines, EWO= All 8.0 Gas Engines, DGO= All Automatic Transmissions, DGT= 46RE Automatic Transmission.

1	52078102	1				ELF, EMO, EWO	DBB		SPRING, Throttle Return
2	52077860	1				EWO			INDICATOR, Gear Selector
3	52104030	1				ELO, EMO, EWO	DGO		CABLE, Throttle Valve
4									CABLE, Accelerator
	53031501	1				EWO			
	53031602AB	1				ELO, EMO			
5	53031602AB	1							CLIP, Serviced in Cable, (NOT SERVICED)
6	53031527	1				EWO			BRACKET, Accelerator
7	52078481	1				ELO, EMO			CLIP, Accelerator Cable
8	52079101	1					DGO		BRACKET, Cable
9	00181112	1					DGO		SCREW AND WASHER, .375-16x1.00
10	52077803	1				ELO, EMO	DGT		BRACKET, Gearshift
11	52078718	1					DGO		BRACKET, Throttle Valve Spring
12	06028114	1					DGO		NUT, Hex, .437-14
13	52079065	1					DGO		LEVER, Throttle Valve
14	53009055	1					DGO		SPRING, Throttle Valve Return
15	52079300	1				EWO			BELLCRANK, Accelerator and Cruise

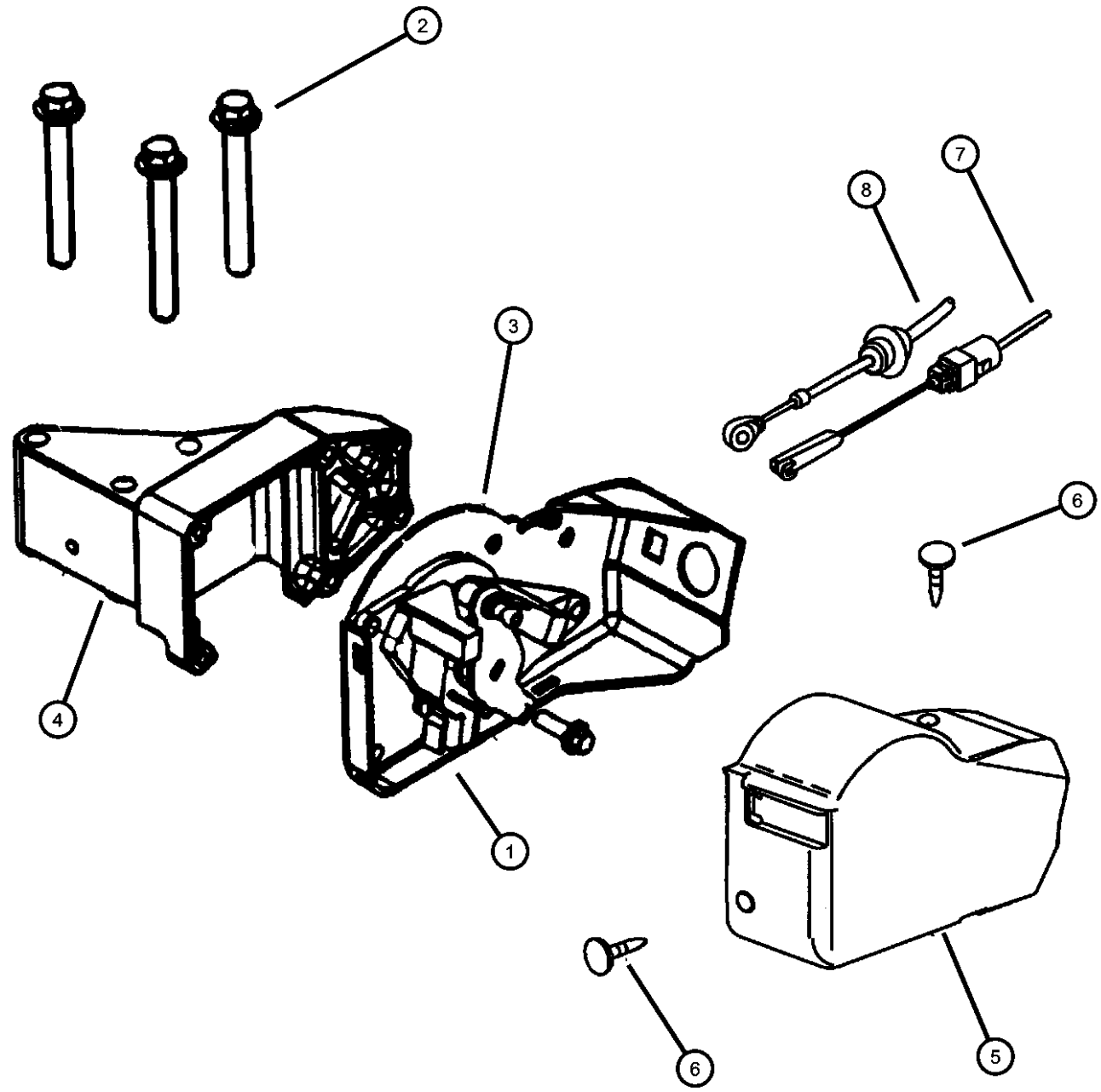
RAM PICKUP/CLUB CAB (BE)

SERIES	LINE	BODY	ENGINE	TRANSMISSION
L = RAM 1500, 2500, 3500	1 = Lt. Duty DODGE 2WD 2 = Med. Duty DODGE 2WD 3 = HD DODGE 2WD 6 = Lt. Duty DODGE 4WD 7 = Med. Duty DODGE 4WD 8 = HD DODGE 4WD	31 = CLUB CAB 2-DR 6.5 FT BOX 32 = CLUB CAB 2-DR 8FT BOX 33 = QUAD CAB 4-DR 6.5 FT BOX 34 = QUAD CAB 4-DR 8FT BOX	ETC = 5.9L Cummins 24V Diesel Engine EWA = 8.0L V10 MPI Engine EM0 = ALL 5.9L 8 CYL ENGINES - GAS EMM = 5.9L SMPI V8 Engine EML = 5.9L V8 MPI Engine ELF = 5.2L V8 MPI Engine	DGP = 4-Spd. Automatic 47RE Transmission DD0 = ALL 5 SPEED MANUAL TRANSMISSIONS DGO = ALL AUTOMATIC TRANSMISSIONS DDC = 5-Speed HD Manual Transmission DDP = 5-Speed Manual Transmission DDX = 5-Speed HD Manual Transmission DEE = 6-Speed HD Manual Transmission DGT = 4-Spd. Automatic 46RE Transmission

AR = use ase required - = Non illustrated part

1999 BE

**Throttle Controls
Figure 14-750**



ITEM	PART NUMBER	QTY	LINE	SERIES	BODY	ENGINE	TRANS	TRIM	DESCRIPTION
------	-------------	-----	------	--------	------	--------	-------	------	-------------

Note; ETO= All Diesel Engines, ETC= 24 Valve Diesel Engines,
DBB= Manual Transmissions, DGO= All Automatic Transmission.

1	04429631	6				ETO			SCREW, Hex Head
2	04429779	3				ETO			BOLT, Hex Head
3									BELLCRANK, Accelerator and Cruise
	53031575	1				ETO	DGO		Includes Throttle Position Sensor
	53031576	1				ETO	DBB		Includes Throttle Position
4									SUPPORT, Bellcrank
	05011838AA	1				ETO	DBB		
		1				ETO	DGO		
5	53031577	1				ETC			SHROUD, Bellcrank
6	06502871	1							BOLT, M6.3x22.80
7	52107742	1				ETC	DGO		CABLE, Throttle Valve
8	53031626AB	1				ETC			CABLE, Accelerator

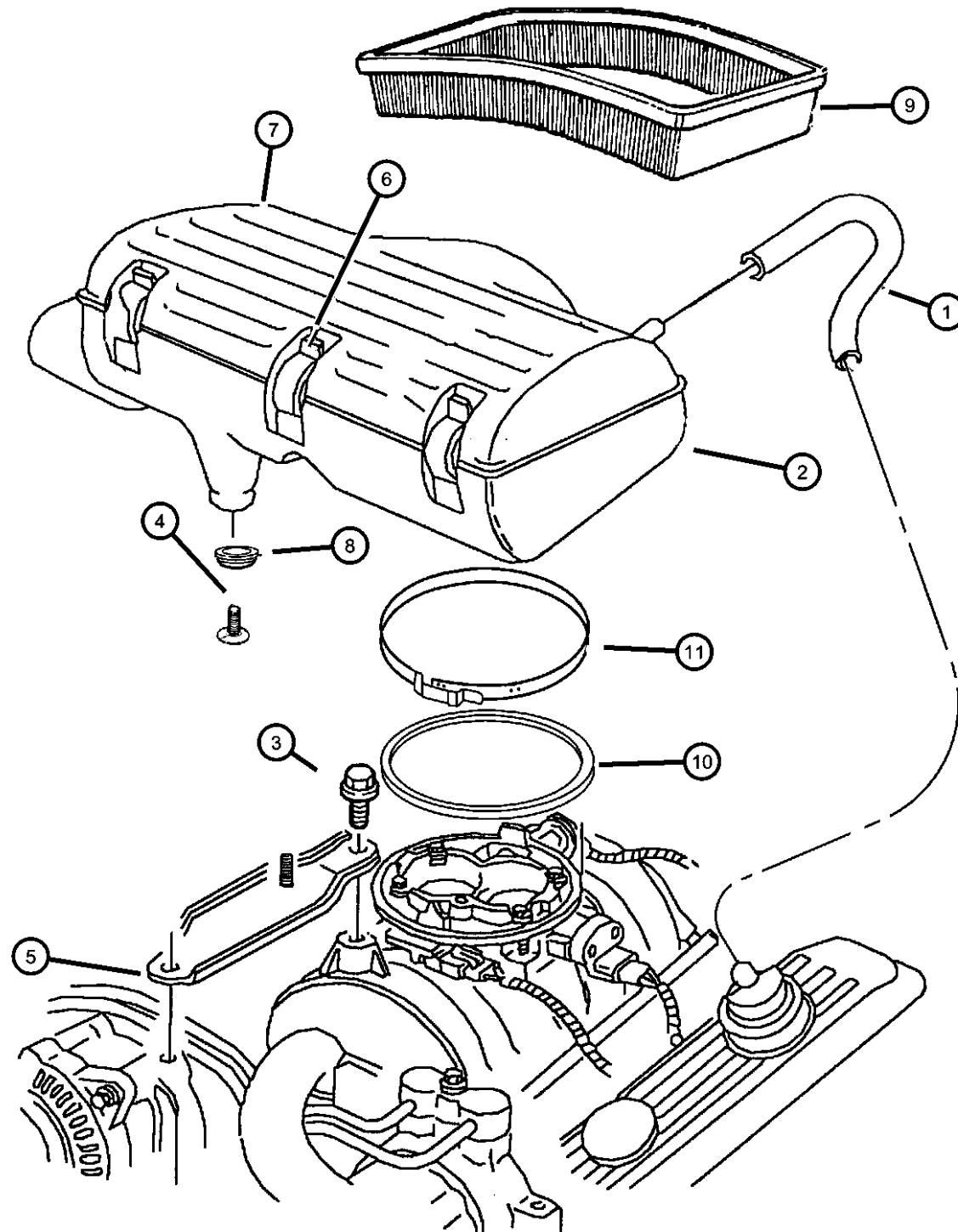
RAM PICKUP/CLUB CAB (BE)

SERIES	LINE	BODY	ENGINE	TRANSMISSION
L = RAM 1500, 2500, 3500	1 = Lt. Duty DODGE 2WD	31 = CLUB CAB 2-DR 6.5 FT BOX	ETC = 5.9L Cummins 24V Diesel Engine	DGP = 4-Spd. Automatic 47RE Transmission
	2 = Med. Duty DODGE 2WD	32 = CLUB CAB 2-DR 8FT BOX	EWA = 8.0L V10 MPI Engine	DD0 = ALL 5 SPEED MANUAL TRANSMISSIONS
	3 = HD DODGE 2WD	33 = QUAD CAB 4-DR 6.5 FT BOX	EM0 = ALL 5.9L 8 CYL ENGINES - GAS	DG0 = ALL AUTOMATIC TRANSMISSIONS
	6 = Lt. Duty DODGE 4WD	34 = QUAD CAB 4-DR 8FT BOX	EMM = 5.9L SMPI V8 Engine	DDC = 5-Speed HD Manual Transmission
	7 = Med. Duty DODGE 4WD		EML = 5.9L V8 MPI Engine	DDP = 5-Speed Manual Transmission
	8 = HD DODGE 4WD		ELF = 5.2L V8 MPI Engine	DDX = 5-Speed HD Manual Transmission
				DEE = 6-Speed HD Manual Transmission
				DGT = 4-Spd. Automatic 46RE Transmission

AR = use ase required - = Non illustrated part

1999 BE

Air Cleaner
Figure 14-825



ITEM	PART NUMBER	QTY	LINE	SERIES	BODY	ENGINE	TRANS	TRIM	DESCRIPTION
Note; ELO= All 5.2 Gas Engines, EMO= All 5.9 Gas Engines, EML= 5.9 Light Duty Gas Engine, DBB= Manual Transmissions.									
1	53008675AB	1				ELO			TUBE, PCV Valve
		1				EMO	DBB		
2	04897529AA	1				ELO, EML			BODY, Air Cleaner
3	04897529AA	1							SCREW, (NOT SERVICED)
4	53030406	1				ELO, EMO			FASTENER, Mounting Post
5	53030353AB	1				ELO, EMO			BRACKET, Air Cleaner
6	05277576	3				ELO, EML			LATCH, Air Cleaner
7	04897527AA	1				ELO, EML			COVER, Air Cleaner
8	04268295	1				ELO, EML			GROMMET, Air Cleaner Bracket
9	53004383	1				ELO, EML			FILTER, Air
	77060008								Performance Cold Air Intake System, AN, 1998-2002, 5.9L
	P4510466								Performance Air Filter, AN, 1999-2002, 4.7L
	P4510467								Performance Air Filter, AN, 1997-1999, 5.2L/5.9L
	P4510468								Performance Air Filter, AN, 2000-2002, 5.9L
	P4510469								Performance Air Filter, BR, 1994-2001, 5.2L/5.9L
	P4510474								Performance Air Filter, XJ, 1991-2001, 4.0L
10	53030600	1				ELO, EMO			GASKET, Air Cleaner To T/Body
11	04728212	1				ELO, EML			CLAMP, Air Cleaner to T/Body

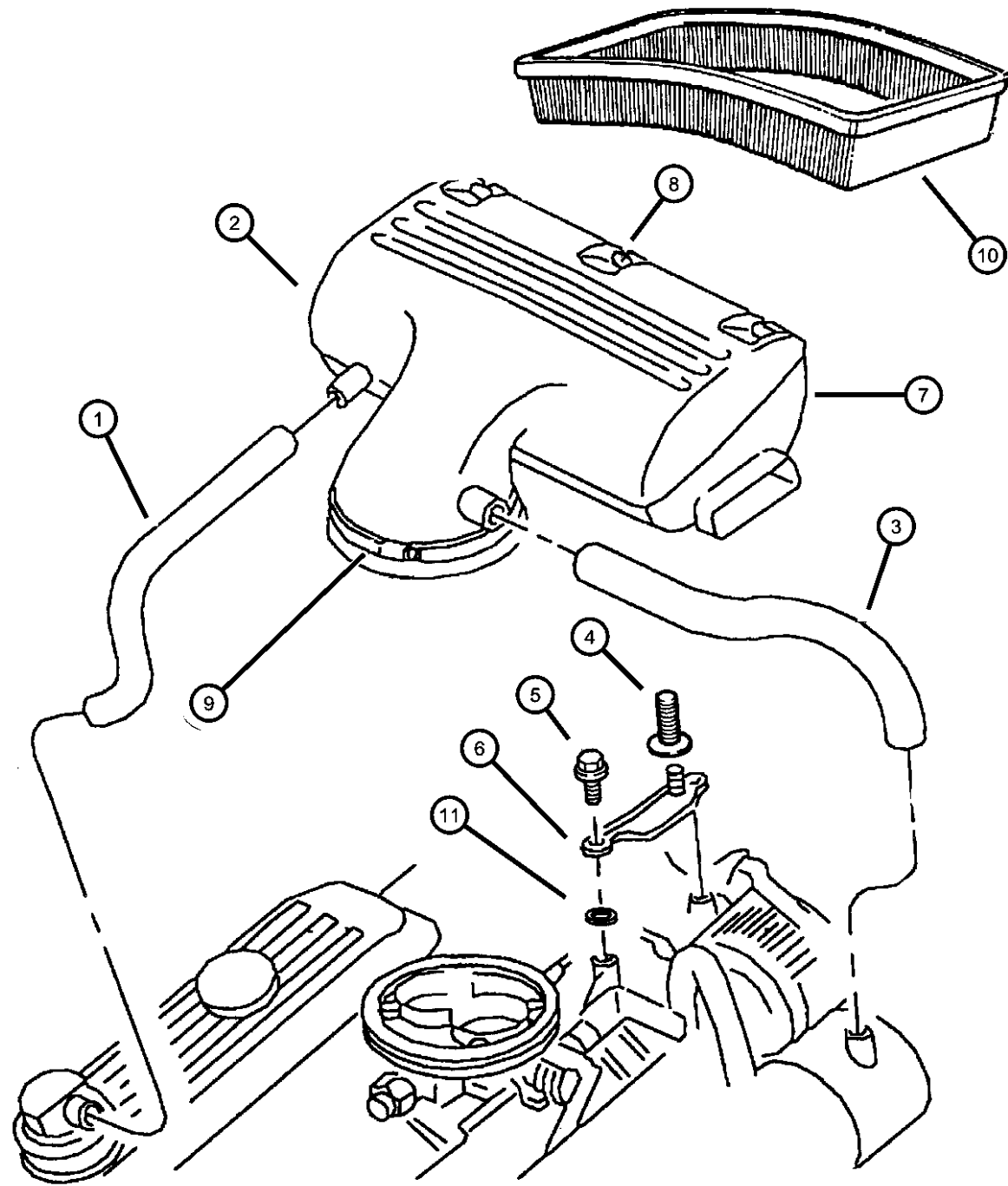
RAM PICKUP/CLUB CAB (BE)

SERIES	LINE	BODY	ENGINE	TRANSMISSION
L = RAM 1500, 2500, 3500	1 = Lt. Duty DODGE 2WD 2 = Med. Duty DODGE 2WD 3 = HD DODGE 2WD 6 = Lt. Duty DODGE 4WD 7 = Med. Duty DODGE 4WD 8 = HD DODGE 4WD	31 = CLUB CAB 2-DR 6.5 FT BOX 32 = CLUB CAB 2-DR 8FT BOX 33 = QUAD CAB 4-DR 6.5 FT BOX 34 = QUAD CAB 4-DR 8FT BOX	ETC = 5.9L Cummins 24V Diesel Engine EWA = 8.0L V10 MPI Engine EM0 = ALL 5.9L 8 CYL ENGINES - GAS EMM = 5.9L SMPI V8 Engine EML = 5.9L V8 MPI Engine ELF = 5.2L V8 MPI Engine	DGP = 4-Spd. Automatic 47RE Transmission DD0 = ALL 5 SPEED MANUAL TRANSMISSIONS DG0 = ALL AUTOMATIC TRANSMISSIONS DDC = 5-Speed HD Manual Transmission DDP = 5-Speed Manual Transmission DDX = 5-Speed HD Manual Transmission DEE = 6-Speed HD Manual Transmission DGT = 4-Spd. Automatic 46RE Transmission

AR = use ase required - = Non illustrated part

1999 BE

Air Cleaner
Figure 14-827



ITEM	PART NUMBER	QTY	LINE	SERIES	BODY	ENGINE	TRANS	TRIM	DESCRIPTION
------	-------------	-----	------	--------	------	--------	-------	------	-------------

Note; ELO= All 5.2 Gas Engines, EMO= All 5.9 Gas Engines, EMM= 5.9 Heavy Duty Gas Engine.

1	53030817AB	1				ELO, EMO			HOSE, Crankcase Vent
2									COVER, Air Cleaner
	04897527AA	1				EMM			Leaded Fuel
	04897528AA	1				EMM			Unleaded Fuel
3	53030432	1				EMM			HOSE, Air Cleaner
4	53030406	1				ELO, EMO			FASTENER, Mounting Post
5	53030406	1							SCREW, (NOT SERVICED)
6	53030353AB	1				ELO, EMO			BRACKET, Air Cleaner
7	04897529AA	1				EMM			BODY, Air Cleaner
8	05277576	3				EMM			LATCH, Air Cleaner
9	04728212	1				EMM			CLAMP, Air Cleaner to T/Body
10	53004383	1				EMM			FILTER, Air
	77060008								Performance Cold Air Intake System, AN, 1998-2002, 5.9L
	P4510466								Performance Air Filter, AN, 1999-2002, 4.7L
	P4510467								Performance Air Filter, AN, 1997-1999, 5.2L/5.9L
	P4510468								Performance Air Filter, AN, 2000-2002, 5.9L
	P4510469								Performance Air Filter, BR, 1994-2001, 5.2L/5.9L
	P4510474								Performance Air Filter, XJ, 1991-2001, 4.0L
11	04268295	1				EMM			GROMMET, Air Cleaner Bracket

RAM PICKUP/CLUB CAB (BE)

SERIES	LINE	BODY	ENGINE	TRANSMISSION
L = RAM 1500, 2500, 3500	1 = Lt. Duty DODGE 2WD 2 = Med. Duty DODGE 2WD 3 = HD DODGE 2WD 6 = Lt. Duty DODGE 4WD 7 = Med. Duty DODGE 4WD 8 = HD DODGE 4WD	31 = CLUB CAB 2-DR 6.5 FT BOX 32 = CLUB CAB 2-DR 8FT BOX 33 = QUAD CAB 4-DR 6.5 FT BOX 34 = QUAD CAB 4-DR 8FT BOX	ETC = 5.9L Cummins 24V Diesel Engine EWA = 8.0L V10 MPI Engine EM0 = ALL 5.9L 8 CYL ENGINES - GAS EMM = 5.9L SMPI V8 Engine EML = 5.9L V8 MPI Engine ELF = 5.2L V8 MPI Engine	DGP = 4-Spd. Automatic 47RE Transmission DD0 = ALL 5 SPEED MANUAL TRANSMISSIONS DG0 = ALL AUTOMATIC TRANSMISSIONS DDC = 5-Speed HD Manual Transmission DDP = 5-Speed Manual Transmission DDX = 5-Speed HD Manual Transmission DEE = 6-Speed HD Manual Transmission DGT = 4-Spd. Automatic 46RE Transmission

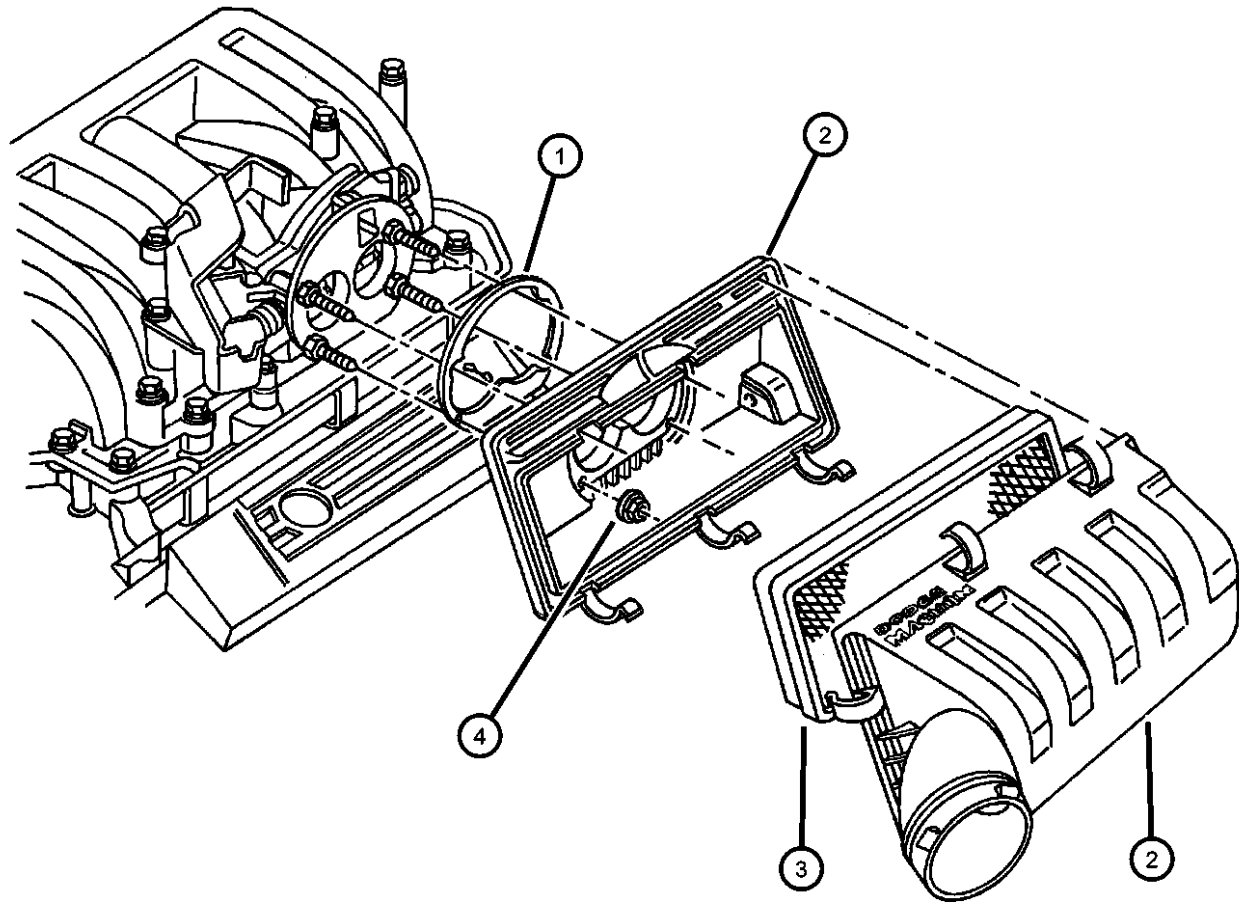
AR = use ase required - = Non illustrated part

1999 BE

Air Cleaner
Figure 14-830

ITEM	PART NUMBER	QTY	LINE	SERIES	BODY	ENGINE	TRANS	TRIM	DESCRIPTION
1	53030867	1				EW0			GASKET, Air Cleaner To T/Body
2	53040044	1				EW0			AIR CLEANER
3	53040025	1				EW0			FILTER, Air
4	06033560	4				EW0			NUT AND WASHER, Hex Nut-Coned Washer, .25-20

Note; EWO= All 8.0 Gas Engines.



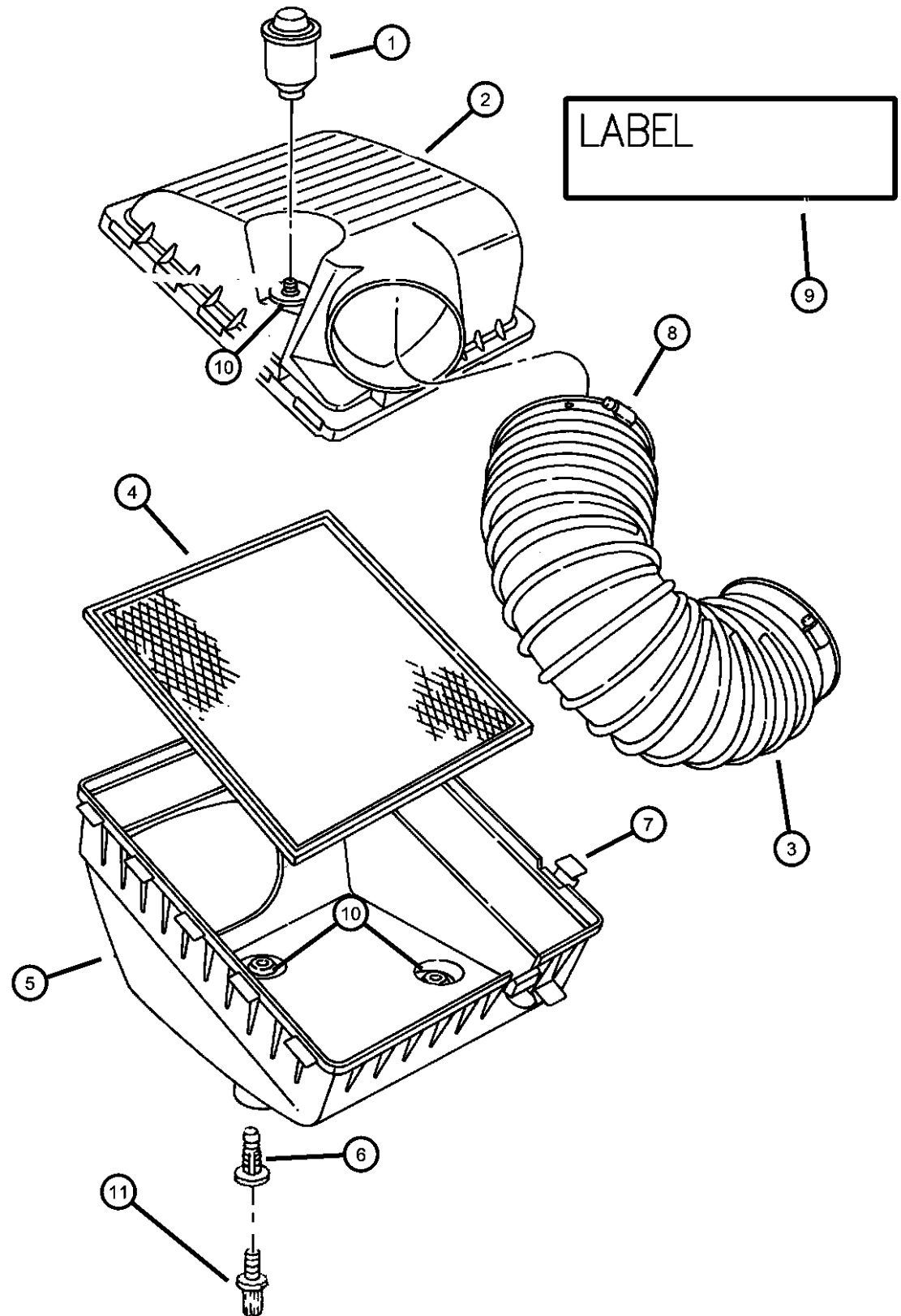
RAM PICKUP/CLUB CAB (BE)

SERIES	LINE	BODY	ENGINE	TRANSMISSION
L = RAM 1500, 2500, 3500	1 = Lt. Duty DODGE 2WD 2 = Med. Duty DODGE 2WD 3 = HD DODGE 2WD 6 = Lt. Duty DODGE 4WD 7 = Med. Duty DODGE 4WD 8 = HD DODGE 4WD	31 = CLUB CAB 2-DR 6.5 FT BOX 32 = CLUB CAB 2-DR 8FT BOX 33 = QUAD CAB 4-DR 6.5 FT BOX 34 = QUAD CAB 4-DR 8FT BOX	ETC = 5.9L Cummins 24V Diesel Engine EWA = 8.0L V10 MPI Engine EM0 = ALL 5.9L 8 CYL ENGINES - GAS EMM = 5.9L SMPI V8 Engine EML = 5.9L V8 MPI Engine ELF = 5.2L V8 MPI Engine	DGP = 4-Spd. Automatic 47RE Transmission DD0 = ALL 5 SPEED MANUAL TRANSMISSIONS DG0 = ALL AUTOMATIC TRANSMISSIONS DDC = 5-Speed HD Manual Transmission DDP = 5-Speed Manual Transmission DDX = 5-Speed HD Manual Transmission DEE = 6-Speed HD Manual Transmission DGT = 4-Spd. Automatic 46RE Transmission

AR = use ase required - = Non illustrated part

1999 BE

**Air Cleaner
Figure 14-840**



ITEM	PART NUMBER	QTY	LINE	SERIES	BODY	ENGINE	TRANS	TRIM	DESCRIPTION
------	-------------	-----	------	--------	------	--------	-------	------	-------------

Note; ETO= All Diesel Engines.

1	04864443AA	1				ETO			GAUGE, Air Restriction Indicator
2	04897530AA	1				ETO			COVER, Air Cleaner
3	53030294	1				ETO			DUCT, Ambient Air
4	04864442	1				ETO			ELEMENT, Air Cleaner
5	04728407	1				ETO			HOUSING, Air Cleaner
6	53030406	3				ETO			FASTENER, Mounting Post
7	05277576	4				ETO			LATCH, Air Cleaner
8									CLAMP, Air Cleaner Duct
	53032105AA	1				ETO			Air Cleaner End
	53032134AA	1				ETO			Turbocharger End
9	04428963	1				ETO			LABEL, Diesel Starting
10	04268295	4				ETO			GROMMET, Air Cleaner Bracket, Air Cleaner Mounting
11	06503955	3				ETO			STUD, M6x1.00x18

RAM PICKUP/CLUB CAB (BE)

SERIES	LINE	BODY	ENGINE	TRANSMISSION
L = RAM 1500, 2500, 3500	1 = Lt. Duty DODGE 2WD 2 = Med. Duty DODGE 2WD 3 = HD DODGE 2WD 6 = Lt. Duty DODGE 4WD 7 = Med. Duty DODGE 4WD 8 = HD DODGE 4WD	31 = CLUB CAB 2-DR 6.5 FT BOX 32 = CLUB CAB 2-DR 8FT BOX 33 = QUAD CAB 4-DR 6.5 FT BOX 34 = QUAD CAB 4-DR 8FT BOX	ETC = 5.9L Cummins 24V Diesel Engine EWA = 8.0L V10 MPI Engine EM0 = ALL 5.9L 8 CYL ENGINES - GAS EMM = 5.9L SMPI V8 Engine EML = 5.9L V8 MPI Engine ELF = 5.2L V8 MPI Engine	DGP = 4-Spd. Automatic 47RE Transmission DD0 = ALL 5 SPEED MANUAL TRANSMISSIONS DG0 = ALL AUTOMATIC TRANSMISSIONS DDC = 5-Speed HD Manual Transmission DDP = 5-Speed Manual Transmission DDX = 5-Speed HD Manual Transmission DEE = 6-Speed HD Manual Transmission DGT = 4-Spd. Automatic 46RE Transmission

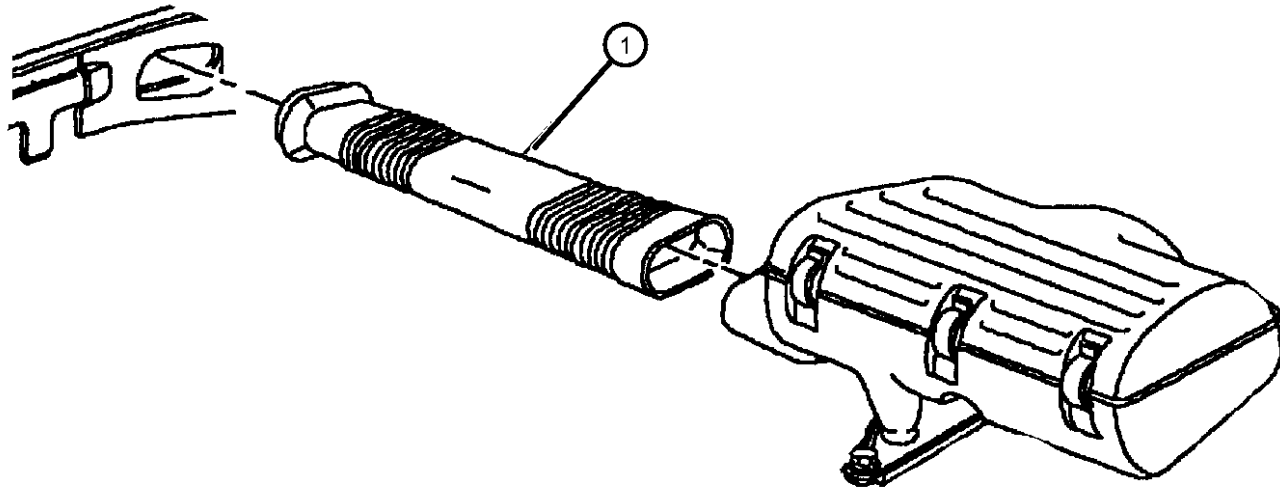
AR = use ase required - = Non illustrated part

**Air Intake System
Figure 14-920**

ITEM	PART NUMBER	QTY	LINE	SERIES	BODY	ENGINE	TRANS	TRIM	DESCRIPTION
------	-------------	-----	------	--------	------	--------	-------	------	-------------

Note; ELO= All 5.2 Gas Engines, EMO= All 5.9 Gas Engines.

1	53030304	1				ELO, EMO			DUCT, Ambient Air
---	----------	---	--	--	--	----------	--	--	-------------------



RAM PICKUP/CLUB CAB (BE)

SERIES	LINE	BODY	ENGINE	TRANSMISSION
L = RAM 1500, 2500, 3500	1 = Lt. Duty DODGE 2WD 2 = Med. Duty DODGE 2WD 3 = HD DODGE 2WD 6 = Lt. Duty DODGE 4WD 7 = Med. Duty DODGE 4WD 8 = HD DODGE 4WD	31 = CLUB CAB 2-DR 6.5 FT BOX 32 = CLUB CAB 2-DR 8FT BOX 33 = QUAD CAB 4-DR 6.5 FT BOX 34 = QUAD CAB 4-DR 8FT BOX	ETC = 5.9L Cummins 24V Diesel Engine EWA = 8.0L V10 MPI Engine EM0 = ALL 5.9L 8 CYL ENGINES - GAS EMM = 5.9L SMPi V8 Engine EML = 5.9L V8 MPI Engine ELF = 5.2L V8 MPI Engine	DGP = 4-Spd. Automatic 47RE Transmission DD0 = ALL 5 SPEED MANUAL TRANSMISSIONS DG0 = ALL AUTOMATIC TRANSMISSIONS DDC = 5-Speed HD Manual Transmission DDP = 5-Speed Manual Transmission DDX = 5-Speed HD Manual Transmission DEE = 6-Speed HD Manual Transmission DGT = 4-Spd. Automatic 46RE Transmission

AR = use ase required - = Non illustrated part

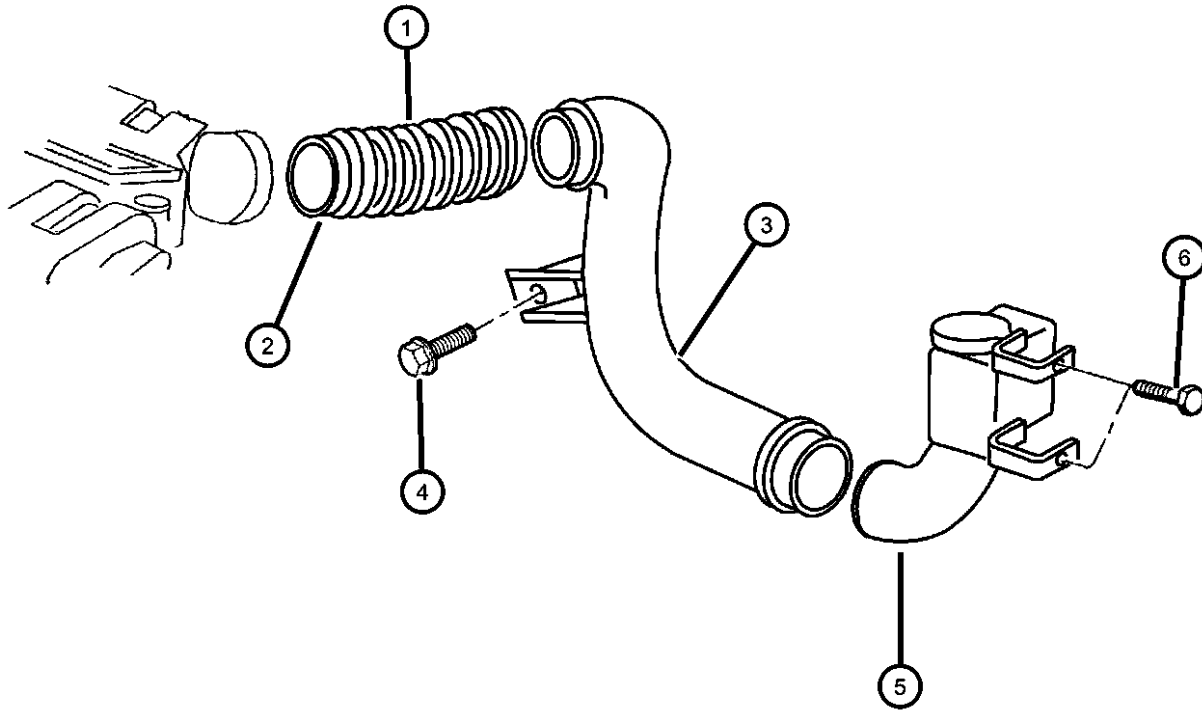
1999 BE

**Air Intake System
Figure 14-930**

ITEM	PART NUMBER	QTY	LINE	SERIES	BODY	ENGINE	TRANS	TRIM	DESCRIPTION
------	-------------	-----	------	--------	------	--------	-------	------	-------------

Note; EWO= All 8.0 Gas Engines.

1	53030165	1				EWO			HOSE, Air Cleaner to T/Body
2	53006584	2				EWO			CLAMP, Hose to Air Cleaner
3	53041043	1				EWO			DUCT, Ambient Air
4	00154555	1				EWO			SCREW
5	53041042	1				EWO			DUCT, Ambient Air
6	06502064	2				EWO			SCREW, Tapping, M6x1x20



RAM PICKUP/CLUB CAB (BE)

SERIES	LINE	BODY	ENGINE	TRANSMISSION
L = RAM 1500, 2500, 3500	1 = Lt. Duty DODGE 2WD	31 = CLUB CAB 2-DR 6.5 FT BOX	ETC = 5.9L Cummins 24V Diesel Engine	DGP = 4-Spd. Automatic 47RE Transmission
	2 = Med. Duty DODGE 2WD	32 = CLUB CAB 2-DR 8FT BOX	EWA = 8.0L V10 MPI Engine	DD0 = ALL 5 SPEED MANUAL TRANSMISSIONS
	3 = HD DODGE 2WD	33 = QUAD CAB 4-DR 6.5 FT BOX	EM0 = ALL 5.9L 8 CYL ENGINES - GAS	DG0 = ALL AUTOMATIC TRANSMISSIONS
	6 = Lt. Duty DODGE 4WD	34 = QUAD CAB 4-DR 8FT BOX	EMM = 5.9L SMPI V8 Engine	DDC = 5-Speed HD Manual Transmission
	7 = Med. Duty DODGE 4WD		EML = 5.9L V8 MPI Engine	DDP = 5-Speed Manual Transmission
	8 = HD DODGE 4WD		ELF = 5.2L V8 MPI Engine	DDX = 5-Speed HD Manual Transmission
				DEE = 6-Speed HD Manual Transmission
				DGT = 4-Spd. Automatic 46RE Transmission

AR = use ase required - = Non illustrated part

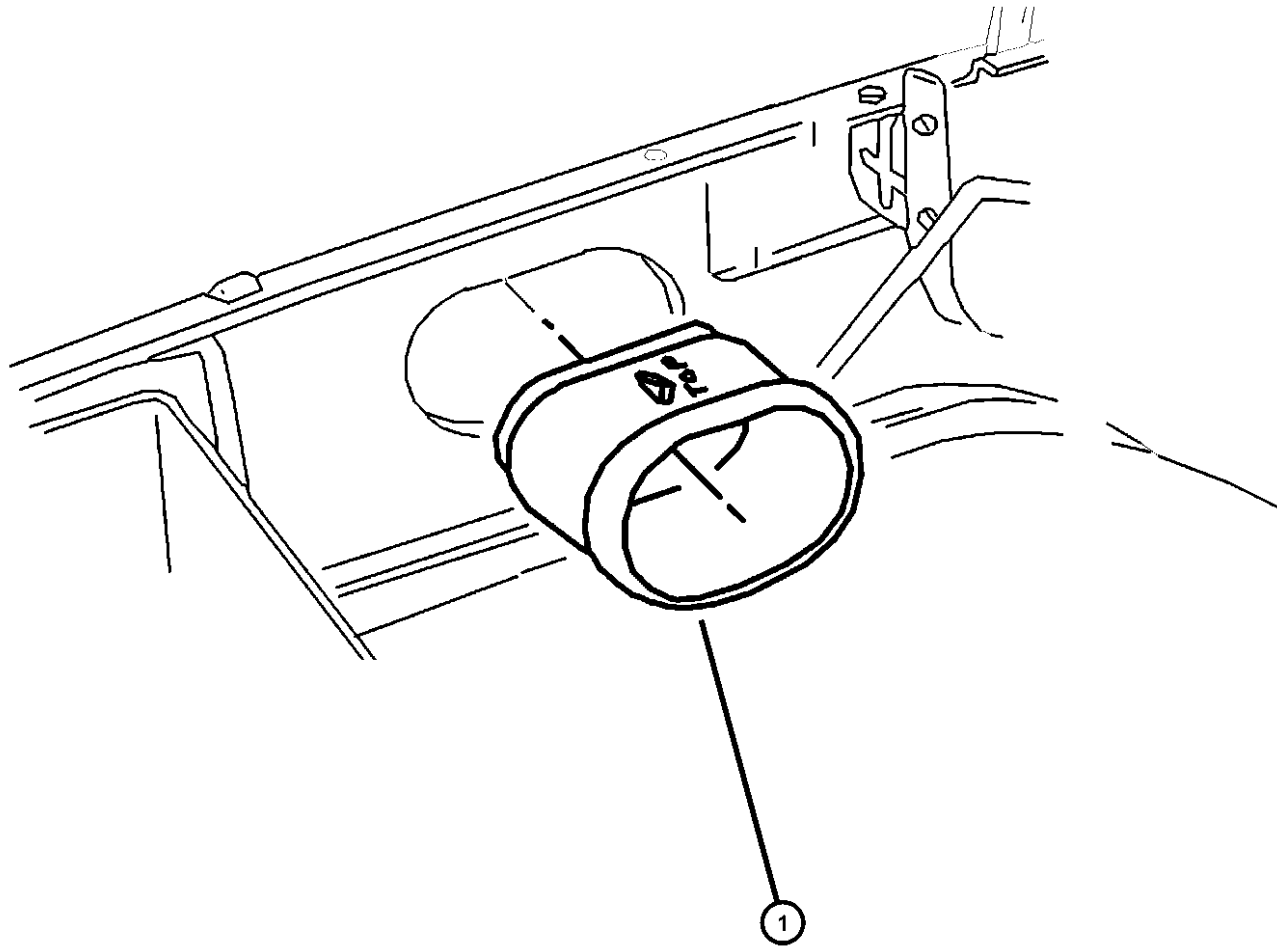
1999 BE

**Air Intake System
Figure 14-935**

ITEM	PART NUMBER	QTY	LINE	SERIES	BODY	ENGINE	TRANS	TRIM	DESCRIPTION
------	-------------	-----	------	--------	------	--------	-------	------	-------------

Note; ETO= All Diesel Engines.

1	53031610	1				ETO			DUCT, Ambient Air
---	----------	---	--	--	--	-----	--	--	-------------------



RAM PICKUP/CLUB CAB (BE)

SERIES	LINE	BODY	ENGINE	TRANSMISSION
L = RAM 1500, 2500, 3500	1 = Lt. Duty DODGE 2WD 2 = Med. Duty DODGE 2WD 3 = HD DODGE 2WD 6 = Lt. Duty DODGE 4WD 7 = Med. Duty DODGE 4WD 8 = HD DODGE 4WD	31 = CLUB CAB 2-DR 6.5 FT BOX 32 = CLUB CAB 2-DR 8FT BOX 33 = QUAD CAB 4-DR 6.5 FT BOX 34 = QUAD CAB 4-DR 8FT BOX	ETC = 5.9L Cummins 24V Diesel Engine EWA = 8.0L V10 MPI Engine EM0 = ALL 5.9L 8 CYL ENGINES - GAS EMM = 5.9L SMPI V8 Engine EML = 5.9L V8 MPI Engine ELF = 5.2L V8 MPI Engine	DGP = 4-Spd. Automatic 47RE Transmission DD0 = ALL 5 SPEED MANUAL TRANSMISSIONS DG0 = ALL AUTOMATIC TRANSMISSIONS DDC = 5-Speed HD Manual Transmission DDP = 5-Speed Manual Transmission DDX = 5-Speed HD Manual Transmission DEE = 6-Speed HD Manual Transmission DGT = 4-Spd. Automatic 46RE Transmission

AR = use ase required - = Non illustrated part

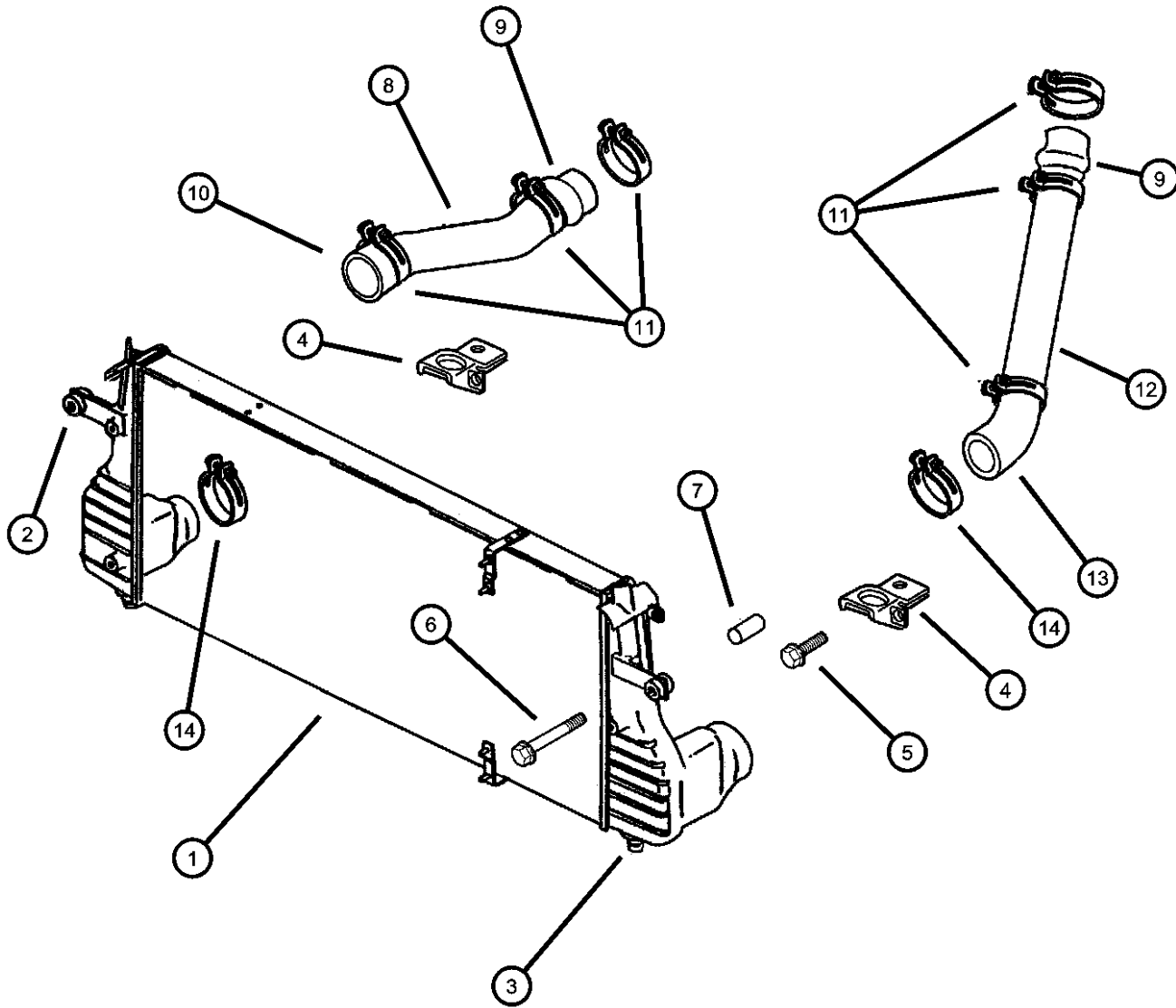
1999 BE

Charge Air Cooler System
Figure 14-945

ITEM	PART NUMBER	QTY	LINE	SERIES	BODY	ENGINE	TRANS	TRIM	DESCRIPTION
------	-------------	-----	------	--------	------	--------	-------	------	-------------

Note; ETO= All Diesel Engines, ETC= 24 Valve Diesel Engines.

1	52028724AB	1				ETC			COOLER, Charge Air
2	52027827	1				ETO			ISOLATOR, Radiator
3	52027502	2				ETC			ISOLATOR, Radiator
4									BRACKET, Intercooler
	52027724	1				ETO			Right
	52027725	1				ETO			Left
5	52027725	1							SCREW, M8x1.25x20.00, (NOT SERVICED)
6	52027725	1							SCREW, M6x1.00x55.00, (NOT SERVICED)
7	06503245	2				ETO			NUT/RIVET, Cooler To Closure Panel
8	52028489	1				ETC			DUCT, Charge Air Cooler
9	52027815	1				ETC			HOSE, Charge Air Cooler
10	52027990	1				ETC			HOSE, Intercooler Intake
11	52027813	2				ETC			CLAMP, Hose
12	52028492AB	1				ETC			DUCT, Charge Air Cooler
13	52027516	1				ETC			HOSE, Outlet Duct To Cooler
14	52027813	2				ETC			CLAMP, Hose
-15	52027814	2				ETO			CLAMP



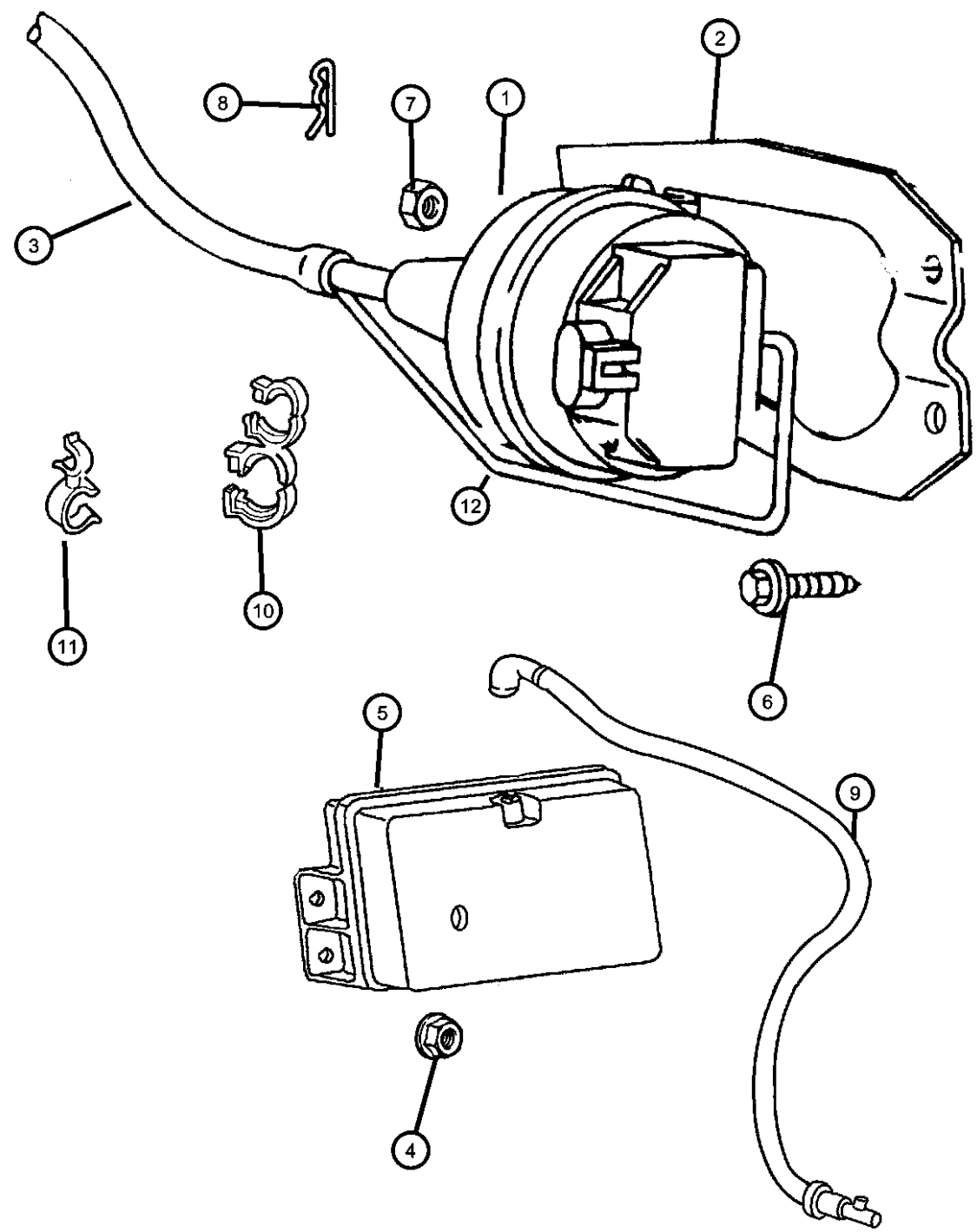
RAM PICKUP/CLUB CAB (BE)

SERIES	LINE	BODY	ENGINE	TRANSMISSION
L = RAM 1500, 2500, 3500	1 = Lt. Duty DODGE 2WD 2 = Med. Duty DODGE 2WD 3 = HD DODGE 2WD 6 = Lt. Duty DODGE 4WD 7 = Med. Duty DODGE 4WD 8 = HD DODGE 4WD	31 = CLUB CAB 2-DR 6.5 FT BOX 32 = CLUB CAB 2-DR 8FT BOX 33 = QUAD CAB 4-DR 6.5 FT BOX 34 = QUAD CAB 4-DR 8FT BOX	ETC = 5.9L Cummins 24V Diesel Engine EWA = 8.0L V10 MPI Engine EM0 = ALL 5.9L 8 CYL ENGINES - GAS EMM = 5.9L SMPI V8 Engine EML = 5.9L V8 MPI Engine ELF = 5.2L V8 MPI Engine	DGP = 4-Spd. Automatic 47RE Transmission DD0 = ALL 5 SPEED MANUAL TRANSMISSIONS DG0 = ALL AUTOMATIC TRANSMISSIONS DDC = 5-Speed HD Manual Transmission DDP = 5-Speed Manual Transmission DDX = 5-Speed HD Manual Transmission DEE = 6-Speed HD Manual Transmission DGT = 4-Spd. Automatic 46RE Transmission

AR = use ase required - = Non illustrated part

1999 BE

**Speed Control
Figure 14-1030**



ITEM	PART NUMBER	QTY	LINE	SERIES	BODY	ENGINE	TRANS	TRIM	DESCRIPTION
------	-------------	-----	------	--------	------	--------	-------	------	-------------

Note; ELO= All 5.2 Gas Engines, EMO= All 5.9 Gas Engines, EWO= All 8.0 Gas Engines, ETB= 12 Valve Diesel Engines, ETC= 24 Valve Diesel Engines.

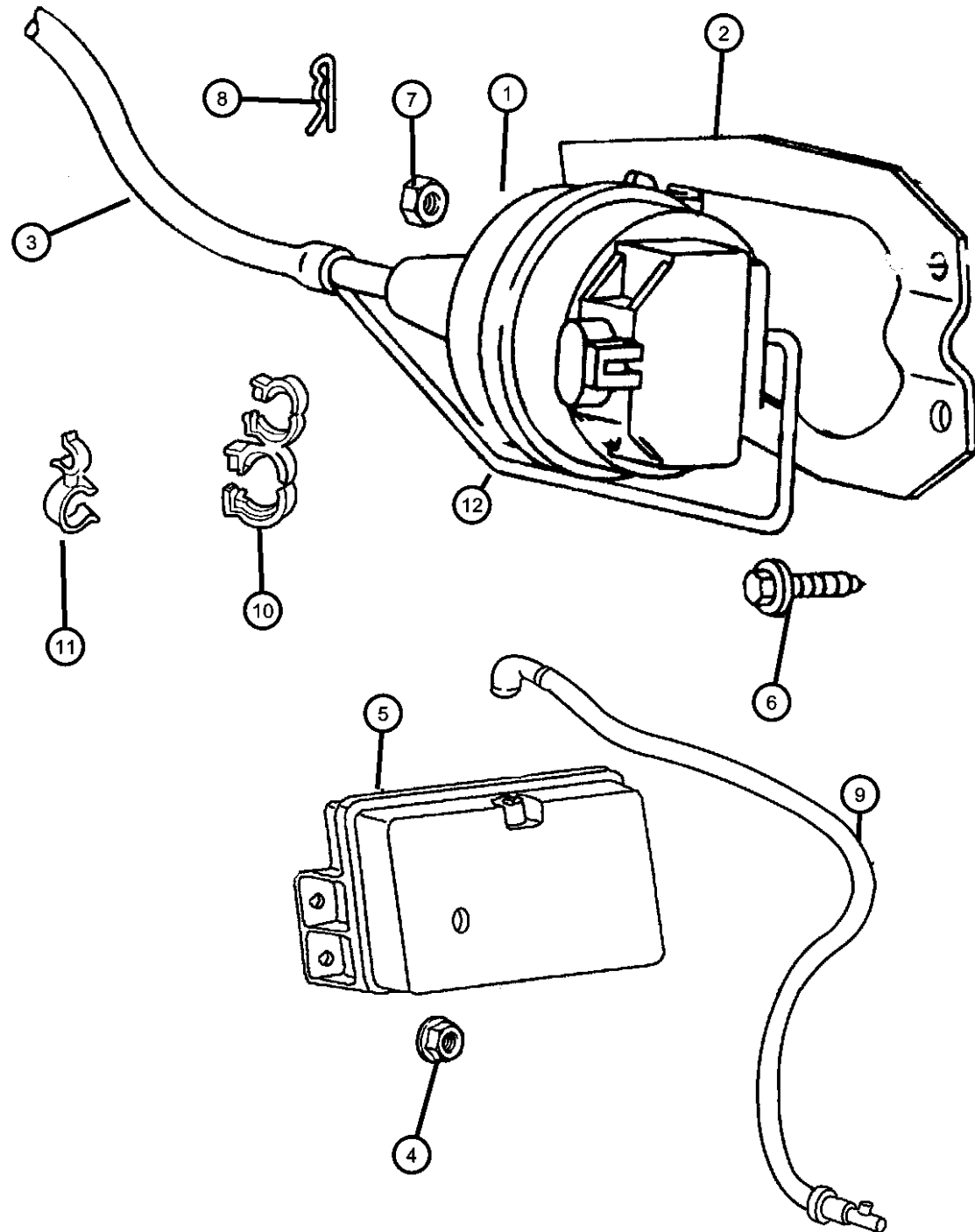
1	04669977	1				ELO, EMO			SERVO, Speed Control
		1				EWO			After 9-25-98
		1				ETC			After 9-25-98
	04669979	1				ELO, EMO			Up To 9-25-98
		1				EWO			Up To 9-25-98
		1				ETC			Up To 9-25-98
2									BRACKET, Speed Control Servo
	53007958	1				ELO, EMO			
		1				EWO			
		1				ETC			
3									CABLE, Speed Control
	52078598	1				ELO, EMO			
	52079311	1				EWO			
	53031574	1				ETC			
4	06100775	2				ELO, EMO, EWO			NUT, Hex Flange, M5x.8
5	55035614	1				ELO, EMO, EWO			RESERVOIR, Vacuum
6	06032988	3							SCREW
7									NUT, Hex Flange Serration, M6x1
	06502493	2				ELO, EMO			
		2				EWO			
		2				ETC			
8									CLIP, Cable to Servo Attach
	06025867	1				ELO, EMO			
		1				EWO			
		1				ETC			

RAM PICKUP/CLUB CAB (BE)

SERIES	LINE	BODY	ENGINE	TRANSMISSION
L = RAM 1500, 2500, 3500	1 = Lt. Duty DODGE 2WD 2 = Med. Duty DODGE 2WD 3 = HD DODGE 2WD 6 = Lt. Duty DODGE 4WD 7 = Med. Duty DODGE 4WD 8 = HD DODGE 4WD	31 = CLUB CAB 2-DR 6.5 FT BOX 32 = CLUB CAB 2-DR 8FT BOX 33 = QUAD CAB 4-DR 6.5 FT BOX 34 = QUAD CAB 4-DR 8FT BOX	ETC = 5.9L Cummins 24V Diesel Engine EWA = 8.0L V10 MPI Engine EM0 = ALL 5.9L 8 CYL ENGINES - GAS EMM = 5.9L SMPI V8 Engine EML = 5.9L V8 MPI Engine ELF = 5.2L V8 MPI Engine	DGP = 4-Spd. Automatic 47RE Transmission DD0 = ALL 5 SPEED MANUAL TRANSMISSIONS DG0 = ALL AUTOMATIC TRANSMISSIONS DDC = 5-Speed HD Manual Transmission DDP = 5-Speed Manual Transmission DDX = 5-Speed HD Manual Transmission DEE = 6-Speed HD Manual Transmission DGT = 4-Spd. Automatic 46RE Transmission

AR = use ase required - = Non illustrated part

Speed Control
Figure 14-1030



ITEM	PART NUMBER	QTY	LINE	SERIES	BODY	ENGINE	TRANS	TRIM	DESCRIPTION
9	52078320	1				ELO, EMO			HARNESS, Vacuum Speed Control
	52078323	1				EW0			
		1				ETC			
10	52078479	2	6, 7, 8						CLIP, Vacuum Harness
11	06503441	1				ELO, EMO			CLIP, Cruise Control
12	55055705	1				ELO, EMO, EW0			HARNESS ASSEMBLY, Vacuum
-13	04549209	1				ELO, EMO, EW0			VALVE PACKAGE, Check

RAM PICKUP/CLUB CAB (BE)

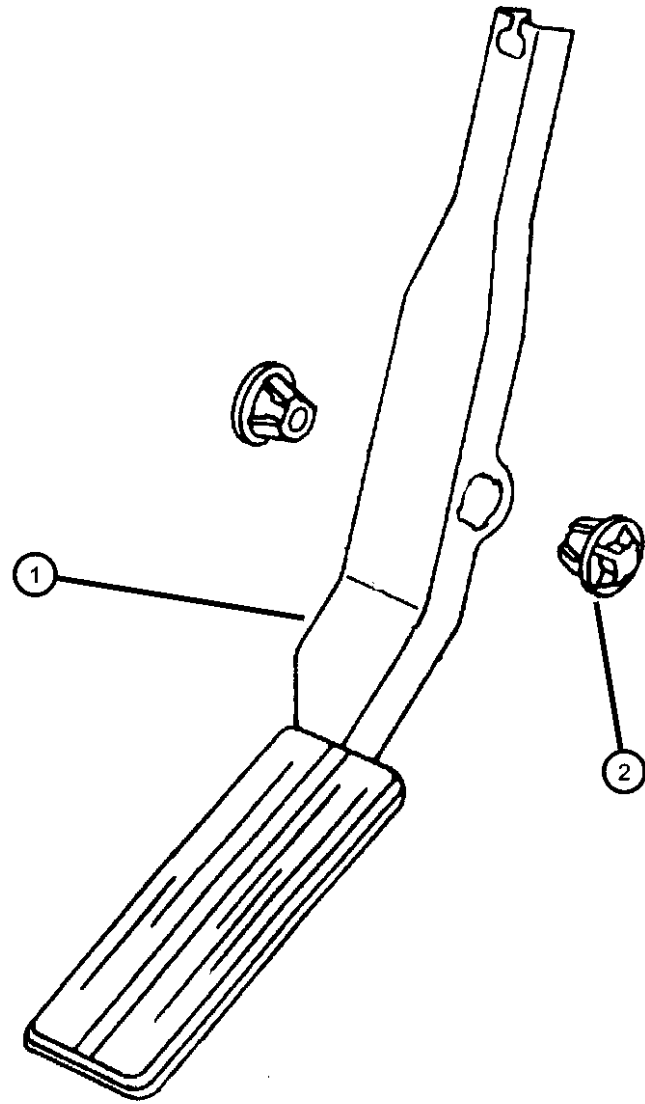
SERIES	LINE	BODY	ENGINE	TRANSMISSION
L = RAM 1500, 2500, 3500	1 = Lt. Duty DODGE 2WD 2 = Med. Duty DODGE 2WD 3 = HD DODGE 2WD 6 = Lt. Duty DODGE 4WD 7 = Med. Duty DODGE 4WD 8 = HD DODGE 4WD	31 = CLUB CAB 2-DR 6.5 FT BOX 32 = CLUB CAB 2-DR 8FT BOX 33 = QUAD CAB 4-DR 6.5 FT BOX 34 = QUAD CAB 4-DR 8FT BOX	ETC = 5.9L Cummins 24V Diesel Engine EWA = 8.0L V10 MPI Engine EM0 = ALL 5.9L 8 CYL ENGINES - GAS EMM = 5.9L SMPI V8 Engine EML = 5.9L V8 MPI Engine ELF = 5.2L V8 MPI Engine	DGP = 4-Spd. Automatic 47RE Transmission DD0 = ALL 5 SPEED MANUAL TRANSMISSIONS DG0 = ALL AUTOMATIC TRANSMISSIONS DDC = 5-Speed HD Manual Transmission DDP = 5-Speed Manual Transmission DDX = 5-Speed HD Manual Transmission DEE = 6-Speed HD Manual Transmission DGT = 4-Spd. Automatic 46RE Transmission

AR = use ase required - = Non illustrated part

1999 BE

**Accelerator Pedal
Figure 14-1120**

ITEM	PART NUMBER	QTY	LINE	SERIES	BODY	ENGINE	TRANS	TRIM	DESCRIPTION
1	53031526	1							LEVER, Accelerator Linkage
2	52078653	2							BUSHING, Accelerator Pedal



RAM PICKUP/CLUB CAB (BE)

SERIES	LINE	BODY	ENGINE	TRANSMISSION
L = RAM 1500, 2500, 3500	1 = Lt. Duty DODGE 2WD 2 = Med. Duty DODGE 2WD 3 = HD DODGE 2WD 6 = Lt. Duty DODGE 4WD 7 = Med. Duty DODGE 4WD 8 = HD DODGE 4WD	31 = CLUB CAB 2-DR 6.5 FT BOX 32 = CLUB CAB 2-DR 8FT BOX 33 = QUAD CAB 4-DR 6.5 FT BOX 34 = QUAD CAB 4-DR 8FT BOX	ETC = 5.9L Cummins 24V Diesel Engine EWA = 8.0L V10 MPI Engine EM0 = ALL 5.9L 8 CYL ENGINES - GAS EMM = 5.9L SMPI V8 Engine EML = 5.9L V8 MPI Engine ELF = 5.2L V8 MPI Engine	DGP = 4-Spd. Automatic 47RE Transmission DD0 = ALL 5 SPEED MANUAL TRANSMISSIONS DG0 = ALL AUTOMATIC TRANSMISSIONS DDC = 5-Speed HD Manual Transmission DDP = 5-Speed Manual Transmission DDX = 5-Speed HD Manual Transmission DEE = 6-Speed HD Manual Transmission DGT = 4-Spd. Automatic 46RE Transmission

AR = use ase required - = Non illustrated part

1999 BE

Group - 16

Propeller Shafts and U-Joints

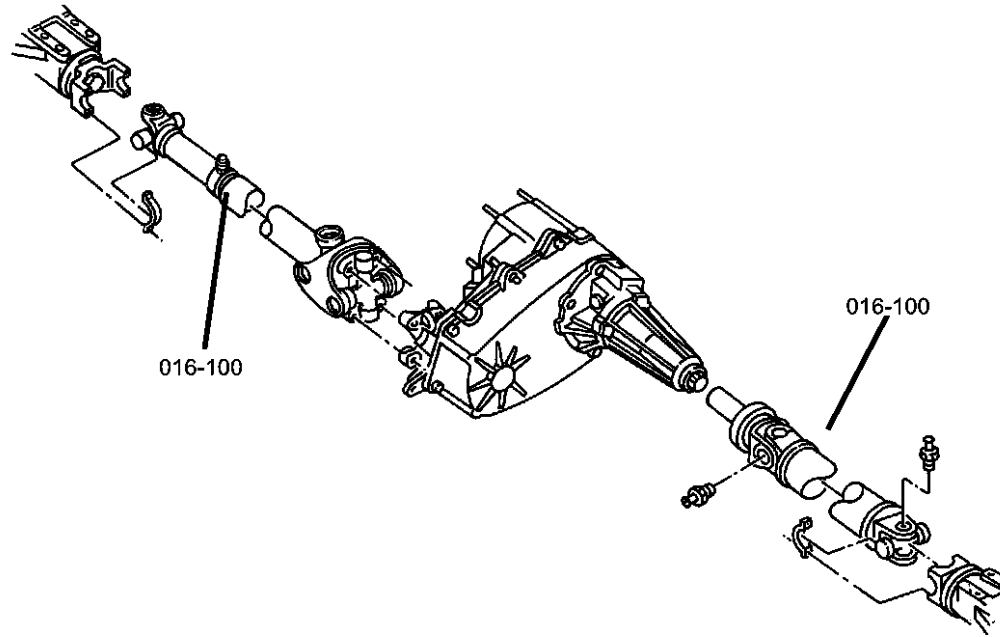
Group - 16 Propeller Shafts and U-Joints

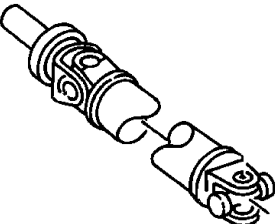
Illustration Title

Group-Fig. No.

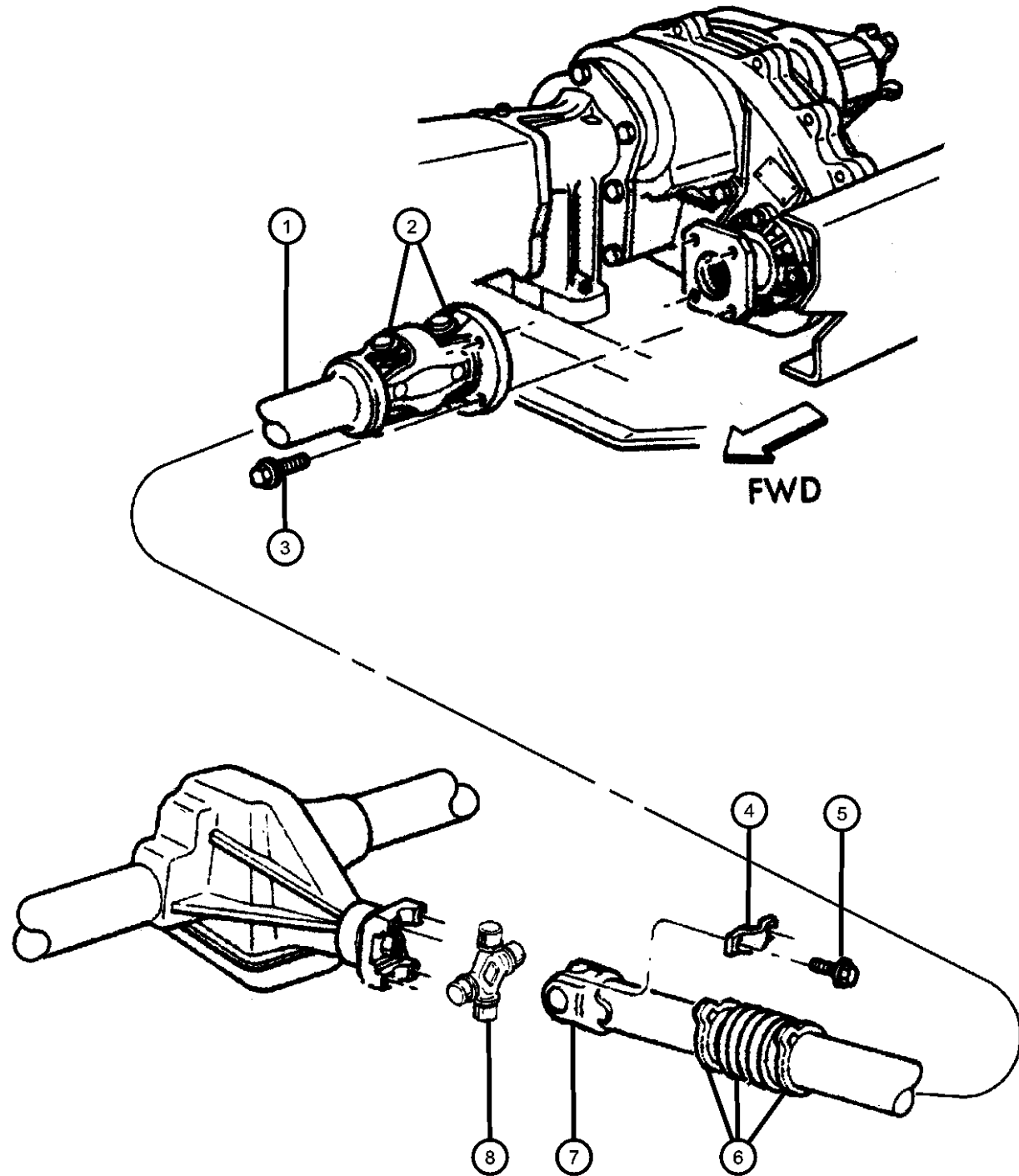
Propeller Shaft

Shaft,Propeller,Front,BE 6,7,8	Fig. 16 - 110
Shaft,Propeller,Rear,1 Piece,Body 31,33,BE 1,2,6,7	Fig. 16 - 120
Shaft,Propeller,Rear,2 Piece,Body 31,33,BE 1,2	Fig. 16 - 130
Shaft,Propeller,Rear,2 Piece,Body 32,34,BE 1,2,3,6,7,8	Fig. 16 - 140



<p>016-100 Propeller Shaft</p> 			
--	--	--	--

Shaft, Propeller, Front, BE 6,7,8
Figure 16-110



ITEM	PART NUMBER	QTY	LINE	SERIES	BODY	ENGINE	TRANS	TRIM	DESCRIPTION
------	-------------	-----	------	--------	------	--------	-------	------	-------------

Note:DJC=Dana 44 Front Axle—DJF=Dana 60 Front Axle—DBB=All Manual Transmissions—DDP=5 Speed Manual Transmission—DGP & DG

1									SHAFT, Drive, Front
	52105840AA	1	6, 7, 8				DDP		
	52105860AA	1	6, 7, 8				DG0		
		1	6, 7, 8				DGP		[DHH]
	52105862AA	1	6, 7, 8				DGP		[DHG]
	52105871AA	1	6, 7, 8				DBB		
		1	6, 7, 8				DDX, DGT		
	52105866AA	1	6, 7, 8				DEE		
2									U-JOINT
	05014062AA	2	6, 7, 8				DG0		Rear
		2	6, 7, 8				DEE		Rear
		2	6, 7, 8				DBB		Rear
		2	6, 7, 8				DGP		[DHH], Rear
		2	6, 7, 8				DDX, DGT		Rear
		2	6, 7, 8				DDP		Rear
		2	6, 7, 8				DGP		[DHG], Rear
3	06033358	4	6, 7, 8						SCREW AND WASHER, Hex Head Locking, .437-14x1.25, Drive Shaft to Transfer Case Flange
4	02781904	2	6, 7, 8						CLAMP, U-Joint
5	06029562	4	6, 7, 8						BOLT, Hex Head
6									BOOT, Driveshaft
	05012793AA	1	6, 7, 8				DDP		
		1	6, 7, 8				DDX, DGT		
		1	6, 7, 8				DG0		
		1	6, 7, 8				DGP		[DHH]
		1	6, 7, 8				DGP		[DHG]
		1	6, 7, 8				DEE		

RAM PICKUP/CLUB CAB (BE)

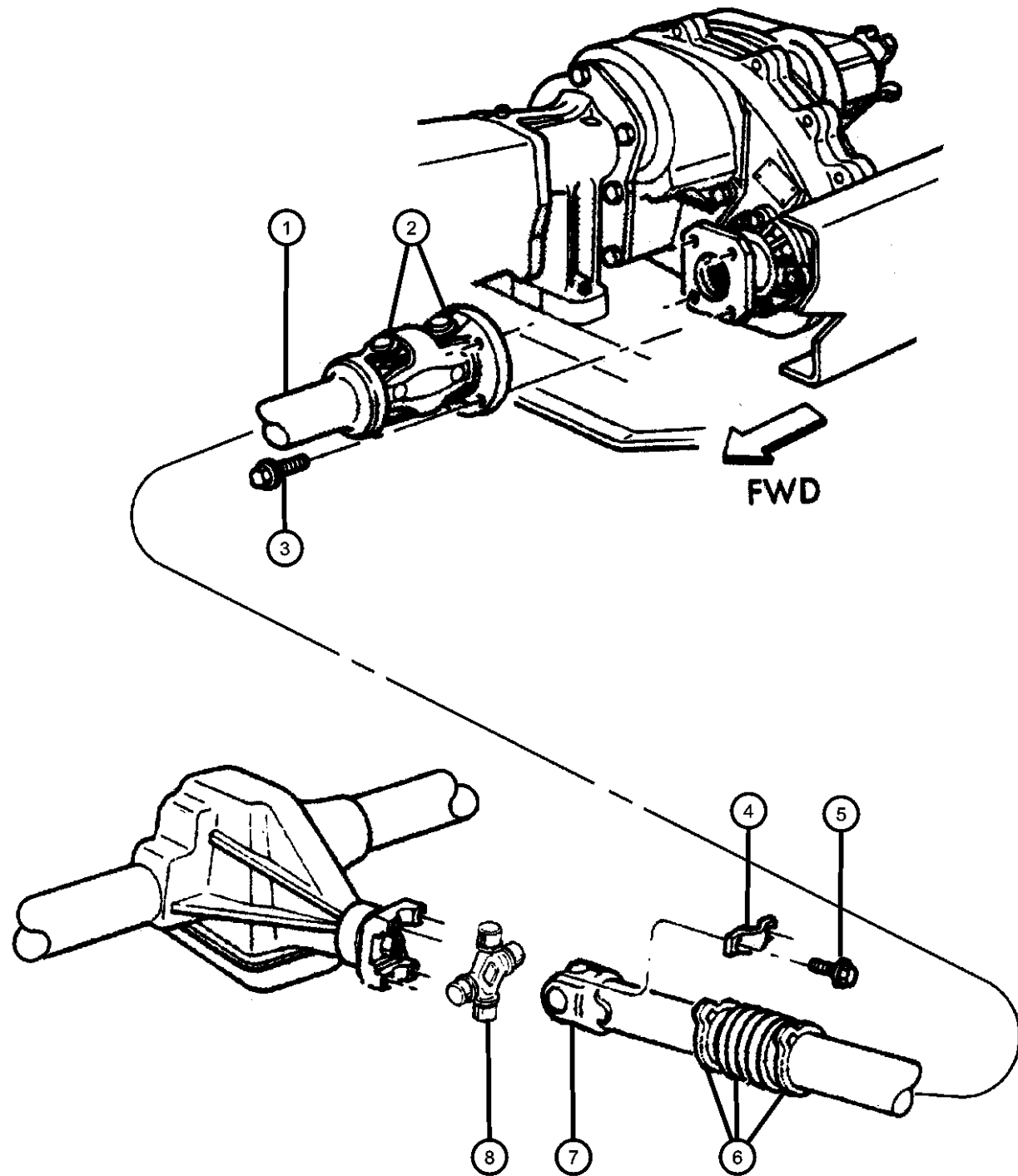
SERIES	LINE
L = RAM 1500, 2500, 3500	1 = Lt. Duty DODGE 2WD
	2 = Med. Duty DODGE 2WD
	3 = HD DODGE 2WD
	6 = Lt. Duty DODGE 4WD
	7 = Med. Duty DODGE 4WD
	8 = HD DODGE 4WD

BODY	ENGINE	TRANSMISSION
31 = CLUB CAB 2-DR 6.5 FT BOX	ETC = 5.9L Cummins 24V Diesel Engine	DGP = 4-Spd. Automatic 47RE Transmission
32 = CLUB CAB 2-DR 8FT BOX	EWA = 8.0L V10 MPI Engine	DD0 = ALL 5 SPEED MANUAL TRANSMISSIONS
33 = QUAD CAB 4-DR 6.5 FT BOX	EM0 = ALL 5.9L 8 CYL ENGINES - GAS	DG0 = ALL AUTOMATIC TRANSMISSIONS
34 = QUAD CAB 4-DR 8FT BOX	EMM = 5.9L SMPI V8 Engine	DDC = 5-Speed HD Manual Transmission
	EML = 5.9L V8 MPI Engine	DDP = 5-Speed Manual Transmission
	ELF = 5.2L V8 MPI Engine	DDX = 5-Speed HD Manual Transmission
		DEE = 6-Speed HD Manual Transmission
		DGT = 4-Spd. Automatic 46RE Transmission

AR = use ase required - = Non illustrated part

1999 BE

Shaft, Propeller, Front, BE 6,7,8
Figure 16-110



ITEM	PART NUMBER	QTY	LINE	SERIES	BODY	ENGINE	TRANS	TRIM	DESCRIPTION
7		1	6, 7, 8				DBB		YOKE, Drive Shaft
	05014056AA	1	6, 7, 8				DDP		
		1	6, 7, 8				DG0		
		1	6, 7, 8				DGP	[DHH]	
		1	6, 7, 8				DGP	[DHG]	
		1	6, 7, 8				DEE		
		1	6, 7, 8				DBB		
		1	6, 7, 8				DDX, DGT		
8									U-JOINT
	05014063AA	1	6, 7, 8				DDP		Front
		1	6, 7, 8				DG0		Front
		1	6, 7, 8				DGP		[DHH], Front
		1	6, 7, 8				DGP		[DHG], Front
		1	6, 7, 8				DEE		Front
		1	6, 7, 8				DBB		Front
		1	6, 7, 8				DDX, DGT		Front

RAM PICKUP/CLUB CAB (BE)

SERIES	LINE
L = RAM 1500, 2500, 3500	1 = Lt. Duty DODGE 2WD
	2 = Med. Duty DODGE 2WD
	3 = HD DODGE 2WD
	6 = Lt. Duty DODGE 4WD
	7 = Med. Duty DODGE 4WD
	8 = HD DODGE 4WD

BODY	ENGINE	TRANSMISSION
31 = CLUB CAB 2-DR 6.5 FT BOX	ETC = 5.9L Cummins 24V Diesel Engine	DGP = 4-Spd. Automatic 47RE Transmission
32 = CLUB CAB 2-DR 8FT BOX	EWA = 8.0L V10 MPI Engine	DD0 = ALL 5 SPEED MANUAL TRANSMISSIONS
33 = QUAD CAB 4-DR 6.5 FT BOX	EM0 = ALL 5.9L 8 CYL ENGINES - GAS	DG0 = ALL AUTOMATIC TRANSMISSIONS
34 = QUAD CAB 4-DR 8FT BOX	EMM = 5.9L SMPI V8 Engine	DDC = 5-Speed HD Manual Transmission
	EML = 5.9L V8 MPI Engine	DDP = 5-Speed Manual Transmission
	ELF = 5.2L V8 MPI Engine	DDX = 5-Speed HD Manual Transmission
		DEE = 6-Speed HD Manual Transmission
		DGT = 4-Spd. Automatic 46RE Transmission

AR = use ase required - = Non illustrated part

1999 BE

Shaft,Propeller,Rear,1 Piece,Body 31,33,BE 1,2,6,7
Figure 16-120

ITEM	PART NUMBER	QTY	LINE	SERIES	BODY	ENGINE	TRANS	TRIM	DESCRIPTION
------	-------------	-----	------	--------	------	--------	-------	------	-------------

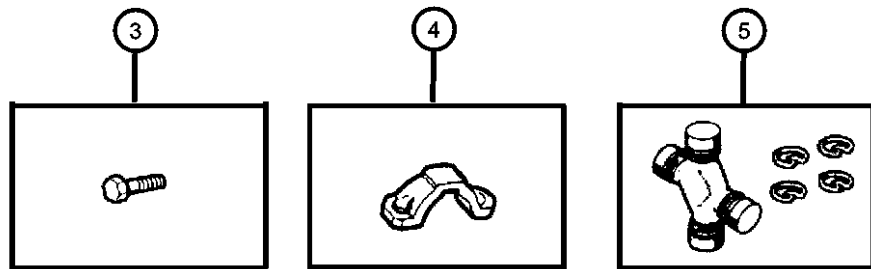
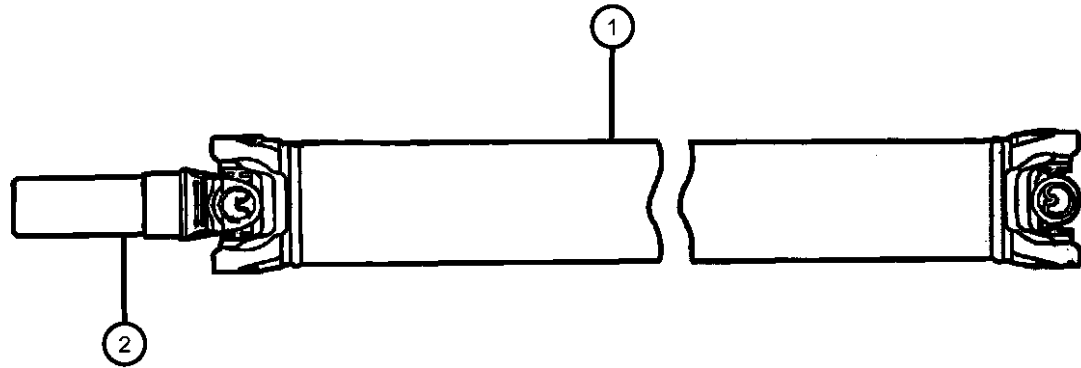
Note:DDC,DDP,DDX=5 Speed Manual Trans—DEE=6 Speed Manual Trans—DGP=47RE 4 Spd, Auto Trans.DGT=46RE = 4 Spd.Auto Trans—D

1 SHAFT, Drive

52099183	1	7	31, 33	ET0, EW0	DGP	[DHH]
52099195	1	7	31, 33		DGT	[DHH]
52099255	1	7	31, 33		DDP	[DHH]
52105122	1	7	31, 33	ET0, EW0	DDX	[DHG]
52105129	1	7	31, 33		DDP	[DHG]
52105130	1	7	31, 33		DGT	[DHG]
52105275AB	1	2	31, 33		DGP	
52105283AB	1	7	31, 33		DEE	[DHG]
52105284AB	1	7	31, 33	ET0, EW0	DDX	[DHH]
52105285AB	1	7	31, 33		DEE	[DHH]
52105290	1	7	31, 33	ET0, EW0	DGP	[DHG]
52105690AD	1	1	31, 33		DGT	
52105693AB	1	2	31, 33	EML	DGT	
52105837AA	1	6	31, 33		DDC	
52105853AA	1	6	31, 33		DGT	

2 YOKE, Drive Shaft

04773015	1	7	31, 33		DGT	[DHH]
	1	7	31, 33		DDP	[DHH]
	1	7	31, 33	ET0, EW0	DDX	[DHG]
	1	7	31, 33		DDP	[DHG]
	1	7	31, 33		DGT	[DHG]
04773017	1	7	31, 33	ET0, EW0	DDX	[DHH]
	1	7	31, 33		DEE	[DHH]
04773021	1	7	31, 33	ET0, EW0	DGP	[DHH]
04882180	1	7	31, 33	ET0, EW0	DGP	[DHG]
04882185	1	7	31, 33		DEE	[DHG]



RAM PICKUP/CLUB CAB (BE)

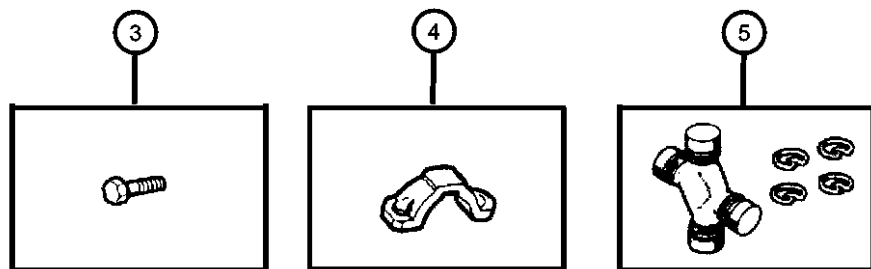
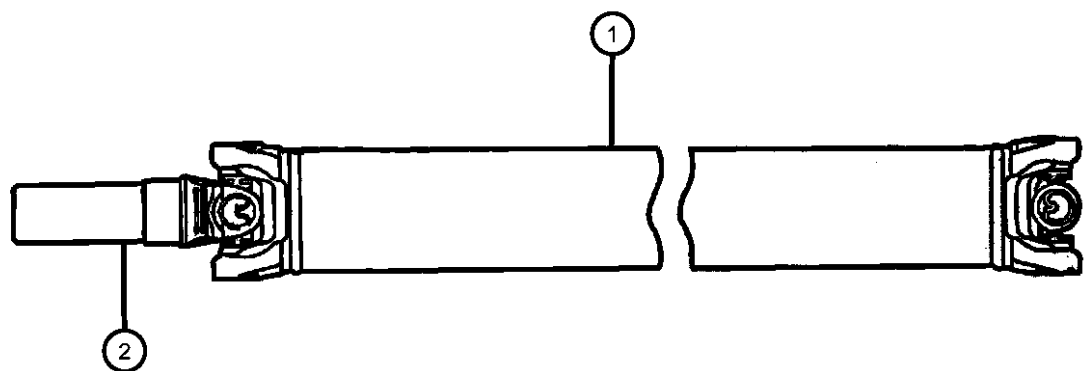
SERIES	LINE	BODY	ENGINE	TRANSMISSION
L = RAM 1500, 2500, 3500	1 = Lt. Duty DODGE 2WD 2 = Med. Duty DODGE 2WD 3 = HD DODGE 2WD 6 = Lt. Duty DODGE 4WD 7 = Med. Duty DODGE 4WD 8 = HD DODGE 4WD	31 = CLUB CAB 2-DR 6.5 FT BOX 32 = CLUB CAB 2-DR 8FT BOX 33 = QUAD CAB 4-DR 6.5 FT BOX 34 = QUAD CAB 4-DR 8FT BOX	ETC = 5.9L Cummins 24V Diesel Engine EWA = 8.0L V10 MPI Engine EM0 = ALL 5.9L 8 CYL ENGINES - GAS EMM = 5.9L SMPI V8 Engine EML = 5.9L V8 MPI Engine ELF = 5.2L V8 MPI Engine	DGP = 4-Spd. Automatic 47RE Transmission DD0 = ALL 5 SPEED MANUAL TRANSMISSIONS DG0 = ALL AUTOMATIC TRANSMISSIONS DDC = 5-Speed HD Manual Transmission DDP = 5-Speed Manual Transmission DDX = 5-Speed HD Manual Transmission DEE = 6-Speed HD Manual Transmission DGT = 4-Spd. Automatic 46RE Transmission

AR = use ase required - = Non illustrated part

Shaft,Propeller,Rear,1 Piece,Body 31,33,BE 1,2,6,7

Figure 16-120

ITEM	PART NUMBER	QTY	LINE	SERIES	BODY	ENGINE	TRANS	TRIM	DESCRIPTION
	05003633AA	1	1		31, 33		DGT		
	05011238AA	1	2		31, 33	EML	DGT		
		1	2		31, 33		DGP		
	05014042AA	1	6		31, 33		DDC		
	05014043AA	1	6		31, 33		DGT		
3									BOLT, Hex Head
	06029562	4							[DRB]
	06034965	4							[DRD,DRE,DRL]
4	02781904	2							CLAMP, U-Joint
5									U-JOINT
	04773162	1	1		31, 33		DGT		Front
	04882690	1	1		31, 33		DGT		Rear
	05003146AA	1	7		31, 33		DGT		[DHH]
		1	7		31, 33		DDP		[DHH]
		1	7		31, 33	ET0, EW0	DDX		[DHG]
		1	7		31, 33		DDP		[DHG]
		1	7		31, 33		DGT		[DHG]
		1	2		31, 33		DGP		
		1	7		31, 33		DEE		[DHG]
		1	2		31, 33	EML	DGT		
		2	7		31, 33	ET0, EW0	DGP		[DHH]
		2	7		31, 33	ET0, EW0	DGP		[DHG]
		2	7		31, 33		DEE		[DHH]
		2	7		31, 33	ET0, EW0	DDX		[DHH]
	05014062AA	1	6		31, 33		DDC		Front
		1	6		31, 33		DGT		Front
	05014063AA	1	6		31, 33		DDC		Rear
		1	6		31, 33		DGT		Rear

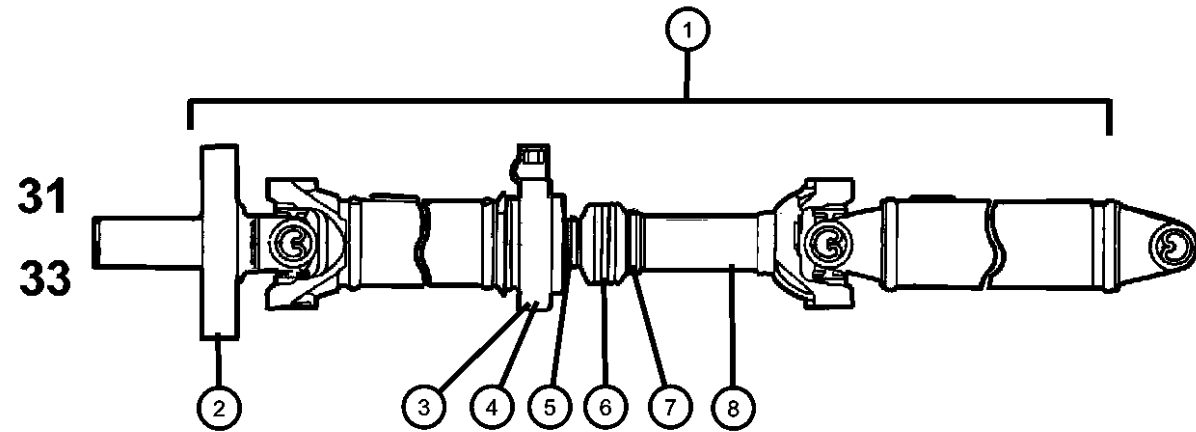


RAM PICKUP/CLUB CAB (BE)

SERIES	LINE	BODY	ENGINE	TRANSMISSION
L = RAM 1500, 2500, 3500	1 = Lt. Duty DODGE 2WD 2 = Med. Duty DODGE 2WD 3 = HD DODGE 2WD 6 = Lt. Duty DODGE 4WD 7 = Med. Duty DODGE 4WD 8 = HD DODGE 4WD	31 = CLUB CAB 2-DR 6.5 FT BOX 32 = CLUB CAB 2-DR 8FT BOX 33 = QUAD CAB 4-DR 6.5 FT BOX 34 = QUAD CAB 4-DR 8FT BOX	ETC = 5.9L Cummins 24V Diesel Engine EWA = 8.0L V10 MPI Engine EM0 = ALL 5.9L 8 CYL ENGINES - GAS EMM = 5.9L SMPI V8 Engine EML = 5.9L V8 MPI Engine ELF = 5.2L V8 MPI Engine	DGP = 4-Spd. Automatic 47RE Transmission DD0 = ALL 5 SPEED MANUAL TRANSMISSIONS DG0 = ALL AUTOMATIC TRANSMISSIONS DDC = 5-Speed HD Manual Transmission DDP = 5-Speed Manual Transmission DDX = 5-Speed HD Manual Transmission DEE = 6-Speed HD Manual Transmission DGT = 4-Spd. Automatic 46RE Transmission

AR = use ase required - = Non illustrated part

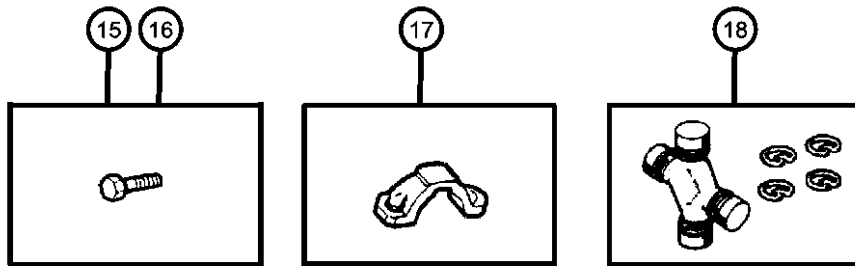
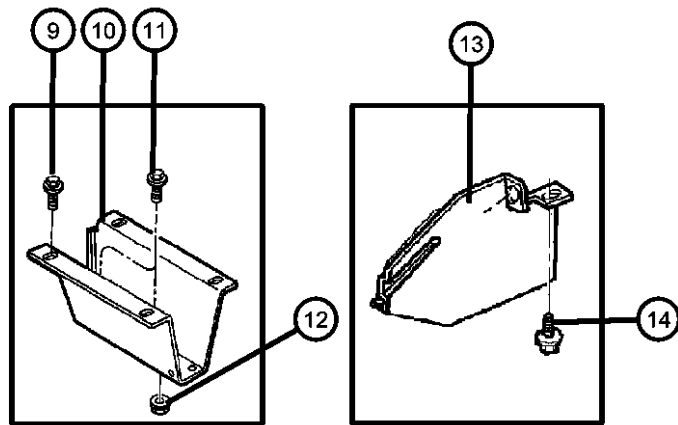
Shaft,Propeller,Rear,2 Piece,Body 31,33,BE 1,2
Figure 16-130



ITEM	PART NUMBER	QTY	LINE	SERIES	BODY	ENGINE	TRANS	TRIM	DESCRIPTION
------	-------------	-----	------	--------	------	--------	-------	------	-------------

Note:DDC,DDP,DDX=5 Speed Manual Trans—DEE=6 Speed Manual Trans—DGP=47RE 4 Spd, Auto Trans.DGT=46RE = 4 Spd.Auto Trans—E

1									SHAFT, Drive, 2 Piece
	52105276AD	1	2		31, 33	ET0, EW0	DDX		
		1	2		31, 33	ET0	DEE		
	52105709AB	1	2		31, 33	EML	DDP		
	52105869AA	1	1		31, 33		DDC		
2									YOKE, Drive Shaft
	04773015	2	2		31, 33	EML	DDP		
	04882170	1	2		31, 33	ET0, EW0	DDX		
		1	2		31, 33	ET0	DEE		
	05014041AA	1	1		31, 33		DDC		
3	05014097AA	1	1		31, 33		DDC		CENTER BEARING, Drive Shaft
4									BEARING, Drive Shaft
	05014586AA	1	2		31, 33	ET0, EW0	DDX		
		1	2		31, 33	ET0	DEE		
		1	2		31, 33	EML	DDP		
5									CLAMP, Boot
	05212720	1	2		31, 33	ET0, EW0	DDX		
		1	2		31, 33	ET0	DEE		
		1	2		31, 33	EML	DDP		
6									BOOT, Driveshaft
	04428807	1	2		31, 33	ET0, EW0	DDX		
		1	2		31, 33	ET0	DEE		
		1	2		31, 33	EML	DDP		
	05012793AA	1	1		31, 33		DDC		with Clamps
7									CLAMP, Boot
	04428808	1	2		31, 33	ET0, EW0	DDX		
		1	2		31, 33	ET0	DEE		



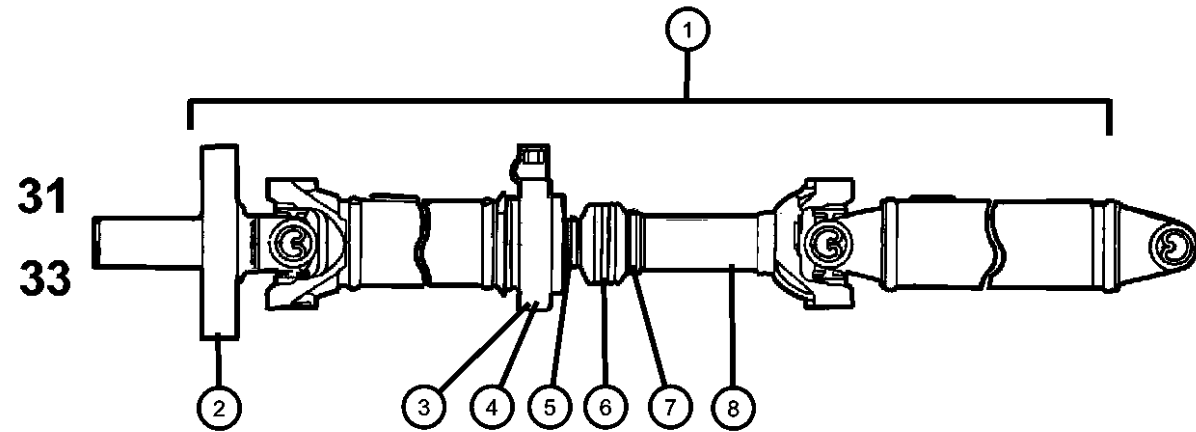
RAM PICKUP/CLUB CAB (BE)

SERIES	LINE
L = RAM 1500, 2500, 3500	1 = Lt. Duty DODGE 2WD
	2 = Med. Duty DODGE 2WD
	3 = HD DODGE 2WD
	6 = Lt. Duty DODGE 4WD
	7 = Med. Duty DODGE 4WD
	8 = HD DODGE 4WD

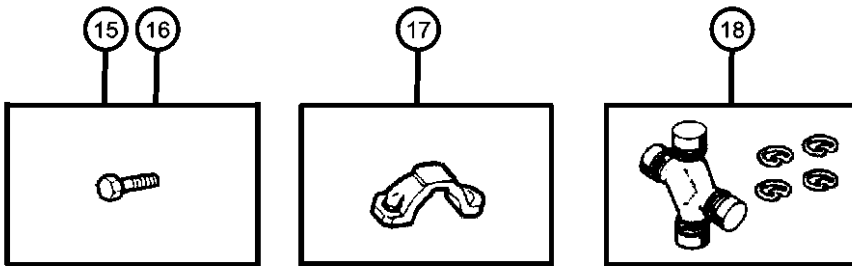
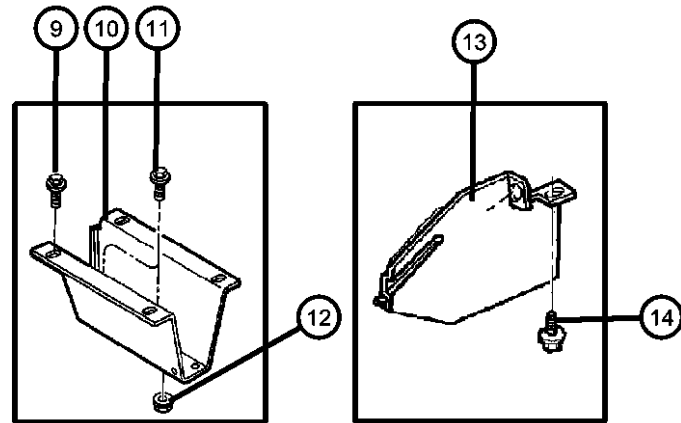
BODY	ENGINE	TRANSMISSION
31 = CLUB CAB 2-DR 6.5 FT BOX	ETC = 5.9L Cummins 24V Diesel Engine	DGP = 4-Spd. Automatic 47RE Transmission
32 = CLUB CAB 2-DR 8FT BOX	EWA = 8.0L V10 MPI Engine	DD0 = ALL 5 SPEED MANUAL TRANSMISSIONS
33 = QUAD CAB 4-DR 6.5 FT BOX	EM0 = ALL 5.9L 8 CYL ENGINES - GAS	DG0 = ALL AUTOMATIC TRANSMISSIONS
34 = QUAD CAB 4-DR 8FT BOX	EMM = 5.9L SMPI V8 Engine	DDC = 5-Speed HD Manual Transmission
	EML = 5.9L V8 MPI Engine	DDP = 5-Speed Manual Transmission
	ELF = 5.2L V8 MPI Engine	DDX = 5-Speed HD Manual Transmission
		DEE = 6-Speed HD Manual Transmission
		DGT = 4-Spd. Automatic 46RE Transmission

AR = use ase required - = Non illustrated part

Shaft,Propeller,Rear,2 Piece,Body 31,33,BE 1,2
Figure 16-130



ITEM	PART NUMBER	QTY	LINE	SERIES	BODY	ENGINE	TRANS	TRIM	DESCRIPTION
8		1	2		31, 33	EML	DDP		YOKE, Drive Shaft
	04428804	1	2		31, 33	EML	DDP		
		1	2		31, 33	ET0, EW0	DDX		
		1	2		31, 33	ET0	DEE		
	05014056AA	1	1		31, 33		DDC		
9	06101060	4	1, 2				DBB		SCREW AND WASHER, Hex Head, M10x1.5x30, Center Bearing and Center Bearing Bracket Mounting
10	52105337AC	1	1, 2		31, 33		DBB		BRACKET, Prop Shaft
11	06101060	4	1, 2				DBB		SCREW AND WASHER, Hex Head, M10x1.5x30, Center Bearing Mounting
12	06101696	6	1, 2				DBB		NUT, Center Bearing and Center Bearing Bracket Mounting
13	52105387AA	1	1, 2		31, 33		DBB		SHIELD, Center Bearing, Heat
14	06101060	2	1, 2				DBB		SCREW AND WASHER, Hex Head, M10x1.5x30, Center Bearing Heat Shield Mounting
15	06029562	4							SCREW AND WASHER, Hex Head, .25-28x.68, [DRB] Rear Propshaft Mounting
16	06034965	4							BOLT, Hex Head, [DRD,DRE,DRL] Rear Propshaft Mounting
17									CLAMP, U-Joint
	02781904	2							[DRB] Rear Propshaft Mounting
	04428723	2							[DRD,DRE,DRL] Rear Propshaft Mounting
18									U-JOINT
	05003146AA	1	2		31, 33	EML	DDP		Front,Center and Rear
		1	2		31, 33	ET0, EW0	DDX		Front,Center and Rear
		1	2		31, 33	ET0	DEE		Front,Center and Rear



RAM PICKUP/CLUB CAB (BE)

SERIES	LINE
L = RAM 1500, 2500, 3500	1 = Lt. Duty DODGE 2WD 2 = Med. Duty DODGE 2WD 3 = HD DODGE 2WD 6 = Lt. Duty DODGE 4WD 7 = Med. Duty DODGE 4WD 8 = HD DODGE 4WD

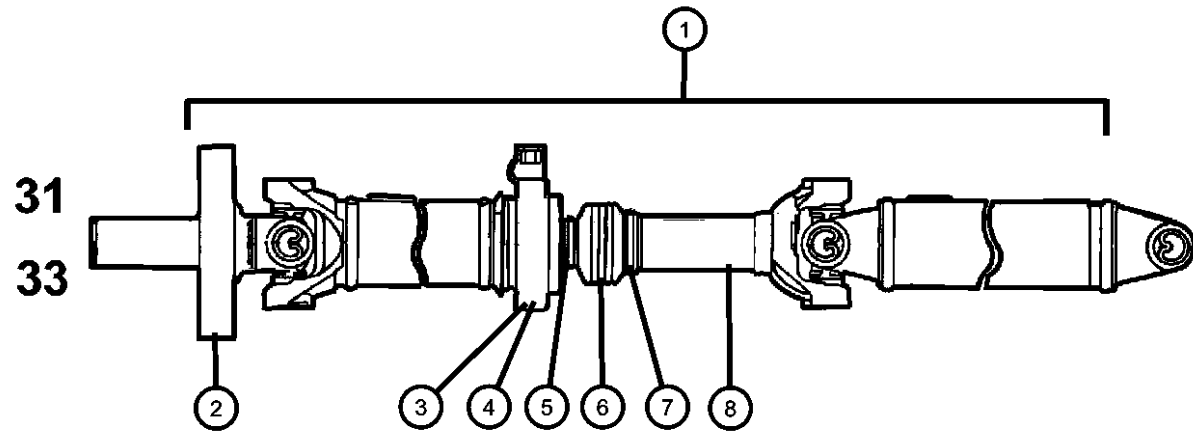
BODY	ENGINE
31 = CLUB CAB 2-DR 6.5 FT BOX 32 = CLUB CAB 2-DR 8FT BOX 33 = QUAD CAB 4-DR 6.5 FT BOX 34 = QUAD CAB 4-DR 8FT BOX	ETC = 5.9L Cummins 24V Diesel Engine EWA = 8.0L V10 MPI Engine EM0 = ALL 5.9L 8 CYL ENGINES - GAS EMM = 5.9L SMPI V8 Engine EML = 5.9L V8 MPI Engine ELF = 5.2L V8 MPI Engine

TRANSMISSION
DGP = 4-Spd. Automatic 47RE Transmission DD0 = ALL 5 SPEED MANUAL TRANSMISSIONS DG0 = ALL AUTOMATIC TRANSMISSIONS DDC = 5-Speed HD Manual Transmission DDP = 5-Speed Manual Transmission DDX = 5-Speed HD Manual Transmission DEE = 6-Speed HD Manual Transmission DGT = 4-Spd. Automatic 46RE Transmission

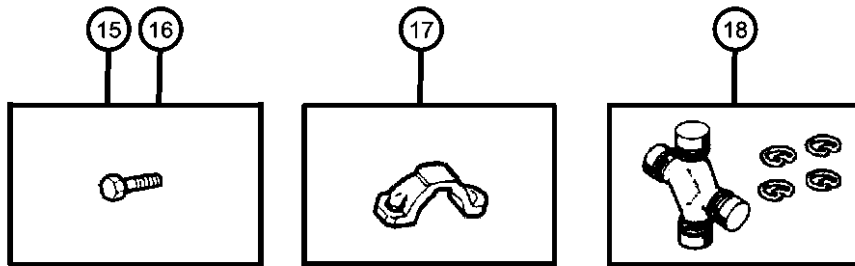
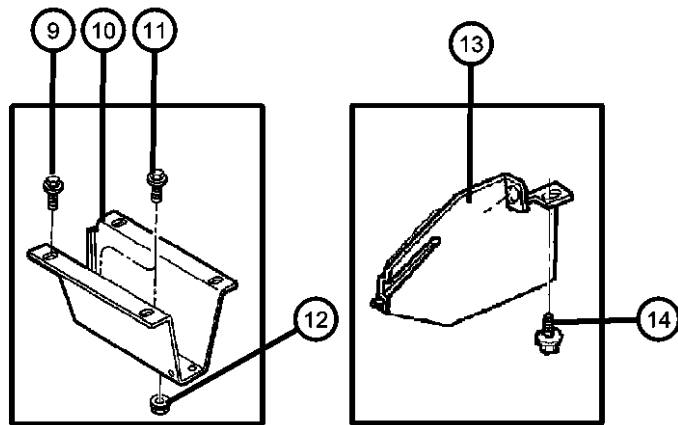
AR = use ase required - = Non illustrated part

Shaft,Propeller,Rear,2 Piece,Body 31,33,BE 1,2
Figure 16-130

ITEM	PART NUMBER	QTY	LINE	SERIES	BODY	ENGINE	TRANS	TRIM	DESCRIPTION
------	-------------	-----	------	--------	------	--------	-------	------	-------------



	05014062AA	2	1		31, 33		DDC		Front and Center
	05014063AA	1	1		31, 33		DDC		Rear



RAM PICKUP/CLUB CAB (BE)

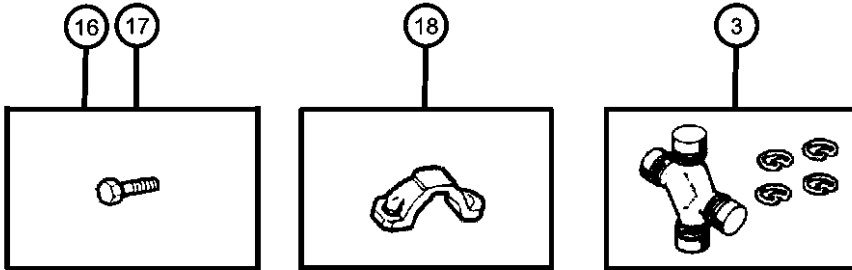
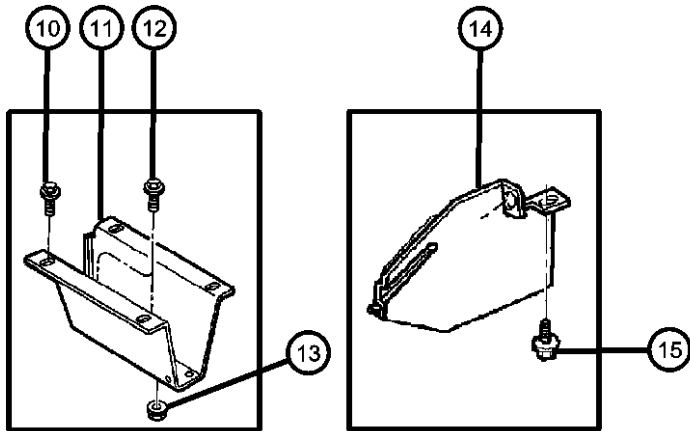
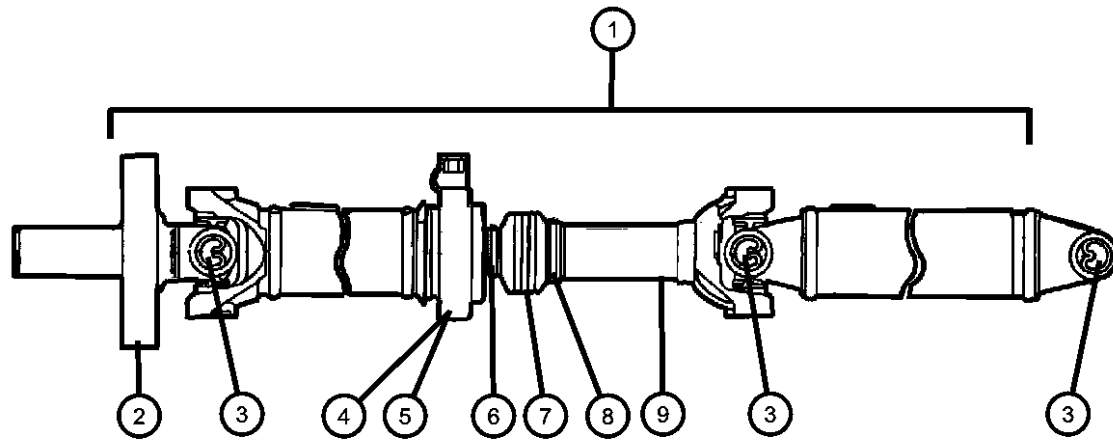
SERIES	LINE	BODY	ENGINE	TRANSMISSION
L = RAM 1500, 2500, 3500	1 = Lt. Duty DODGE 2WD 2 = Med. Duty DODGE 2WD 3 = HD DODGE 2WD 6 = Lt. Duty DODGE 4WD 7 = Med. Duty DODGE 4WD 8 = HD DODGE 4WD	31 = CLUB CAB 2-DR 6.5 FT BOX 32 = CLUB CAB 2-DR 8FT BOX 33 = QUAD CAB 4-DR 6.5 FT BOX 34 = QUAD CAB 4-DR 8FT BOX	ETC = 5.9L Cummins 24V Diesel Engine EWA = 8.0L V10 MPI Engine EM0 = ALL 5.9L 8 CYL ENGINES - GAS EMM = 5.9L SMPI V8 Engine EML = 5.9L V8 MPI Engine ELF = 5.2L V8 MPI Engine	DGP = 4-Spd. Automatic 47RE Transmission DD0 = ALL 5 SPEED MANUAL TRANSMISSIONS DG0 = ALL AUTOMATIC TRANSMISSIONS DDC = 5-Speed HD Manual Transmission DDP = 5-Speed Manual Transmission DDX = 5-Speed HD Manual Transmission DEE = 6-Speed HD Manual Transmission DGT = 4-Spd. Automatic 46RE Transmission

AR = use ase required - = Non illustrated part

1999 BE

Shaft, Propeller, Rear, 2 Piece, Body 32, 34, BE 1, 2, 3, 6, 7, 8
Figure 16-140

32
34



ITEM	PART NUMBER	QTY	LINE	SERIES	BODY	ENGINE	TRANS	TRIM	DESCRIPTION
------	-------------	-----	------	--------	------	--------	-------	------	-------------

Note: Sales Codes;
DHH= Transfer Case- Shift-On-The-Fly
DHG= Transfer Case-Shift-On-The-Fly
DDC= Transmission - 5-Speed HD Manual
DDP= Transmission - 5-Speed Manual
DDX= Transmission - 5 Speed HD Manual
DEE= Transmission - 6 Speed HD Manual
DGP= Transmission - 4 Speed, Automatic 47RE
DGT= Transmission - 4 Speed, Automatic 46RE

1									SHAFT, Drive, 2 Piece
	52105277AB	1	7		32, 34		DEE		[DHH]
	52105278AB	1	7, 8		32, 34		DEE		[DHG]
	52105516	1	2		32, 34		DGT		
	52105517	1	2		32, 34		DDP		
	52105518	1	3		34		DGT		
	52105519	1	3		34		DDP		
	52105520AD	1	2, 3		32, 34	ET0, EW0	DDX		
		1	2, 3		32, 34	ET0	DEE		
	52105521	1	2		32, 34		DGP		
	52105523	1	3		34		DGP		
	52105526	1	7		32, 34		DDP		[DHH]
	52105527	1	7		32, 34		DGT		[DHH]
	52105529	1	7		32, 34		DGP		[DHH]
	52105535AC	1	7		32, 34	ET0, EW0	DDX		[DHH]
	52105536	1	7		32, 34		DDP		[DHG]
	52105537	1	7		32, 34		DGT		[DHG]
	52105538	1	8		34	EM0	DGT		
	52105546	1	8		34		DDP		
	52105552AC	1	7, 8		32, 34	ET0, EW0	DDX		[DHG]
	52105553	1	8		34		DGP		[DHG]
	52105571	1	7		32, 34		DGP		[DHG]

RAM PICKUP/CLUB CAB (BE)

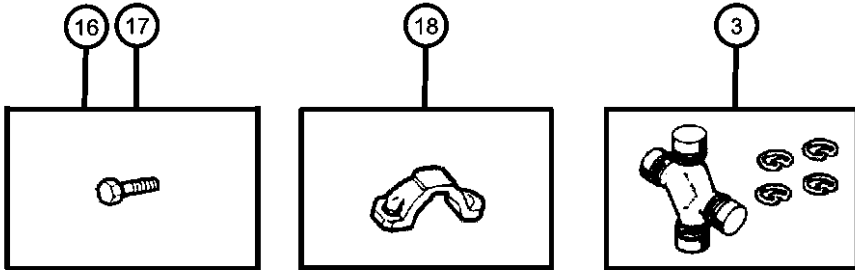
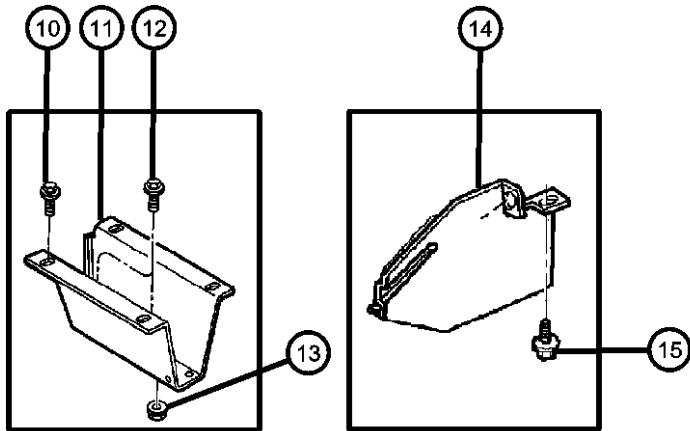
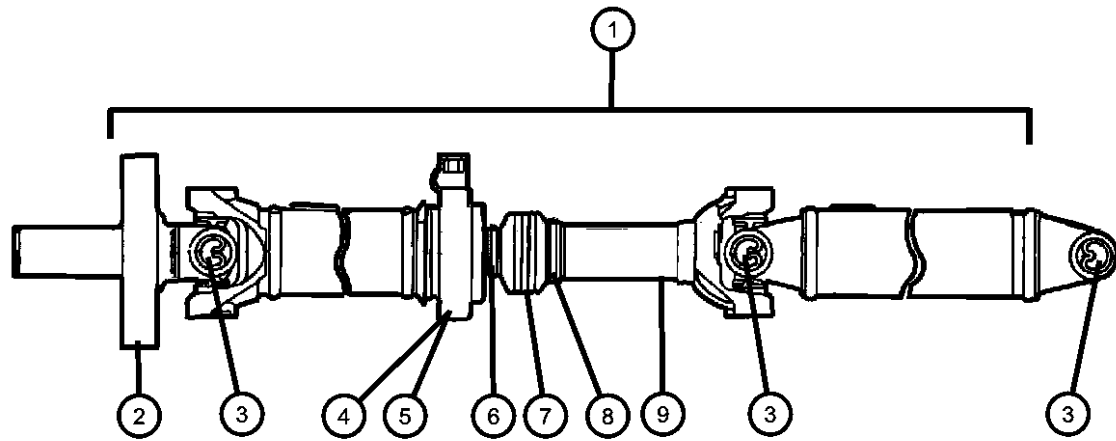
SERIES	LINE	BODY	ENGINE	TRANSMISSION
L = RAM 1500, 2500, 3500	1 = Lt. Duty DODGE 2WD	31 = CLUB CAB 2-DR 6.5 FT BOX	ETC = 5.9L Cummins 24V Diesel Engine	DGP = 4-Spd. Automatic 47RE Transmission
	2 = Med. Duty DODGE 2WD	32 = CLUB CAB 2-DR 8FT BOX	EWA = 8.0L V10 MPI Engine	DD0 = ALL 5 SPEED MANUAL TRANSMISSIONS
	3 = HD DODGE 2WD	33 = QUAD CAB 4-DR 6.5 FT BOX	EM0 = ALL 5.9L 8 CYL ENGINES - GAS	DG0 = ALL AUTOMATIC TRANSMISSIONS
	6 = Lt. Duty DODGE 4WD	34 = QUAD CAB 4-DR 8FT BOX	EMM = 5.9L SMPI V8 Engine	DDC = 5-Speed HD Manual Transmission
	7 = Med. Duty DODGE 4WD		EML = 5.9L V8 MPI Engine	DDP = 5-Speed Manual Transmission
	8 = HD DODGE 4WD		ELF = 5.2L V8 MPI Engine	DDX = 5-Speed HD Manual Transmission
				DEE = 6-Speed HD Manual Transmission
				DGT = 4-Spd. Automatic 46RE Transmission

AR = use ase required - = Non illustrated part

1999 BE

Shaft, Propeller, Rear, 2 Piece, Body 32, 34, BE 1, 2, 3, 6, 7, 8
Figure 16-140

32
34



ITEM	PART NUMBER	QTY	LINE	SERIES	BODY	ENGINE	TRANS	TRIM	DESCRIPTION
	52105835AA	1	1		32, 34		DGT		
	52105836AA	1	1		32, 34		DDC		
	52105838AA	1	6		32, 34		DDC		
	52105854AA	1	6		32, 34		DGT		
2									YOKE, Drive Shaft
	04773015	1	2		32, 34		DGT		
		1	2		32, 34		DDP		
		1	3		34		DGT		
		1	3		34		DDP		
		1	2		32, 34		DGP		
		1	3		34		DGP		
	04773017	1	7		32, 34		DEE		[DHH]
		1	7		32, 34		DDP		[DHH]
		1	7		32, 34		DGT		[DHH]
		1	7		32, 34		DGP		[DHH]
		1	7		32, 34	ET0, EW0	DDX		[DHH]
	04882170	1	7		32, 34		DDP		[DHG]
		1	7		32, 34		DGT		[DHG]
		1	8		34	EM0	DGT		
		1	8		34		DDP		
		1	8		34		DGP		[DHG]
		1	7, 8		32, 34		DEE		[DHG]
		1	2, 3		32, 34	ET0, EW0	DDX		
		1	2, 3		32, 34	ET0	DEE		
		1	7, 8		32, 34	ET0, EW0	DDX		[DHG]
		1	7		32, 34		DGP		[DHG]
	05014041AA	1	1		32, 34		DDC		
	05014042AA	1	6		32, 34		DDC		

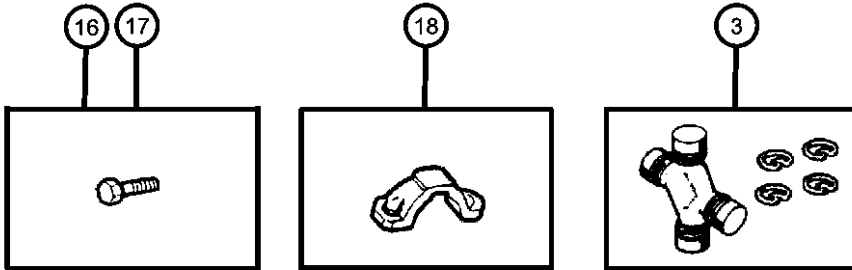
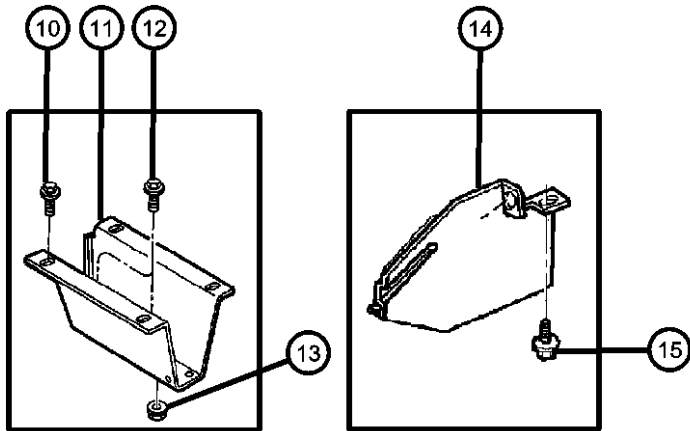
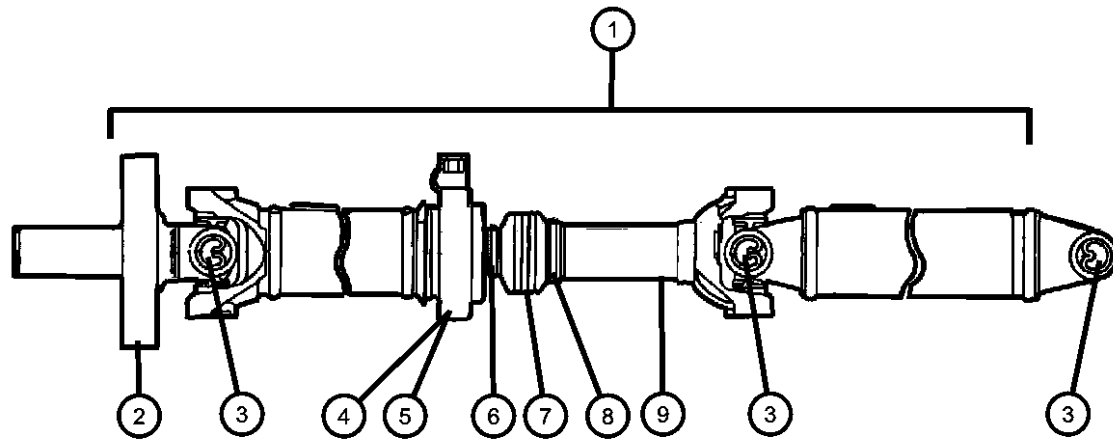
RAM PICKUP/CLUB CAB (BE)

SERIES	LINE	BODY	ENGINE	TRANSMISSION
L = RAM 1500, 2500, 3500	1 = Lt. Duty DODGE 2WD	31 = CLUB CAB 2-DR 6.5 FT BOX	ETC = 5.9L Cummins 24V Diesel Engine	DGP = 4-Spd. Automatic 47RE Transmission
	2 = Med. Duty DODGE 2WD	32 = CLUB CAB 2-DR 8FT BOX	EWA = 8.0L V10 MPI Engine	DD0 = ALL 5 SPEED MANUAL TRANSMISSIONS
	3 = HD DODGE 2WD	33 = QUAD CAB 4-DR 6.5 FT BOX	EM0 = ALL 5.9L 8 CYL ENGINES - GAS	DG0 = ALL AUTOMATIC TRANSMISSIONS
	6 = Lt. Duty DODGE 4WD	34 = QUAD CAB 4-DR 8FT BOX	EMM = 5.9L SMPI V8 Engine	DDC = 5-Speed HD Manual Transmission
	7 = Med. Duty DODGE 4WD		EML = 5.9L V8 MPI Engine	DDP = 5-Speed Manual Transmission
	8 = HD DODGE 4WD		ELF = 5.2L V8 MPI Engine	DDX = 5-Speed HD Manual Transmission
				DEE = 6-Speed HD Manual Transmission
				DGT = 4-Spd. Automatic 46RE Transmission

AR = use ase required - = Non illustrated part

Shaft,Propeller,Rear,2 Piece,Body 32,34,BE 1,2,3,6,7,8
Figure 16-140

32
34



ITEM	PART NUMBER	QTY	LINE	SERIES	BODY	ENGINE	TRANS	TRIM	DESCRIPTION
	05014043AA	1	6		32, 34		DGT		
	05014044AA	1	1		32, 34		DGT		
3	05003146AA	3	2		32, 34		DGT		U-JOINT
		3	2		32, 34		DDP		
		3	2		32, 34		DGP		
		3	2, 3		32, 34	ET0, EW0	DDX		
		3	2, 3		32, 34	ET0	DEE		
		3	3		34		DGP		
		3	3		34		DGT		
		3	3		34		DDP		
		3	7		32, 34		DGP		[DHH]
		3	7		32, 34	ET0, EW0	DDX		[DHH]
		3	7		32, 34		DDP		[DHG]
		3	7		32, 34		DGT		[DHG]
		3	7		32, 34		DGP		[DHG]
		3	7		32, 34		DGT		[DHH]
		3	7		32, 34		DDP		[DHH]
		3	7		32, 34		DEE		[DHH]
		3	7, 8		32, 34		DEE		[DHG]
		3	7, 8		32, 34	ET0, EW0	DDX		[DHG]
		3	8		34		DGP		[DHG]
		3	8		34		DDP		
		3	8		34	EM0	DGT		
	05014062AA	2	1		32, 34		DGT		Front, Center
		2	1		32, 34		DDC		Front, Center
		2	6		32, 34		DDC		Front, Center
		2	6		32, 34				Front, Center

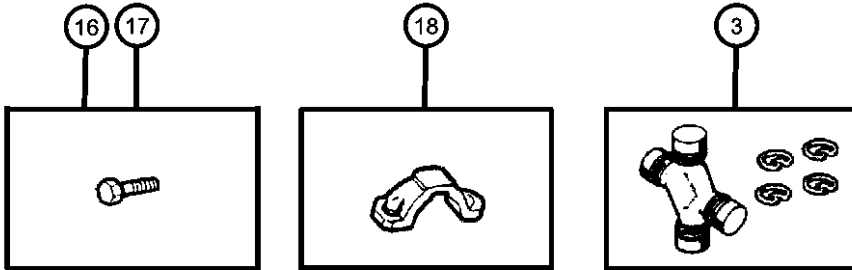
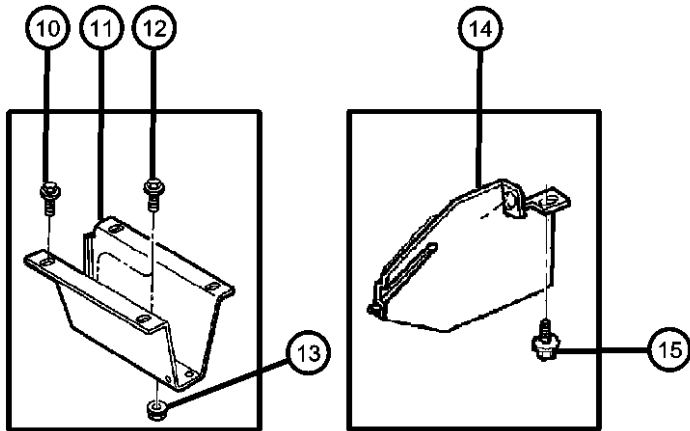
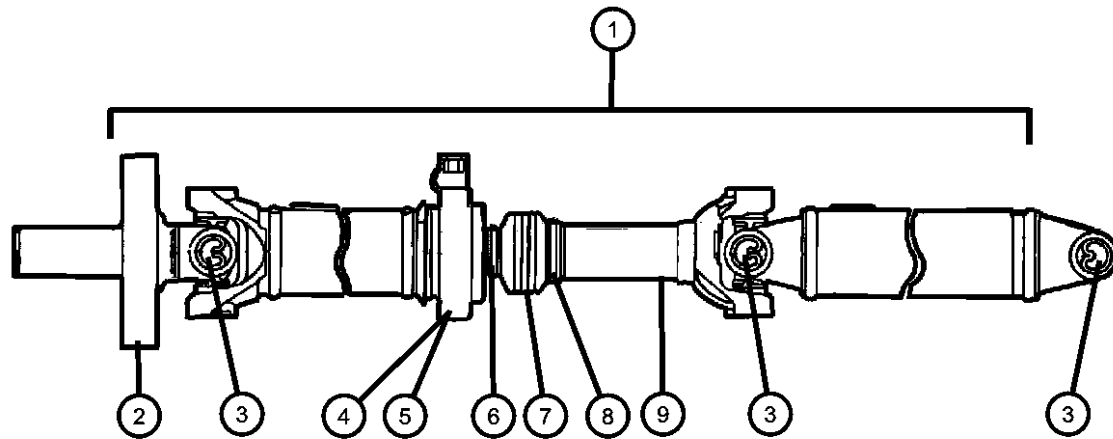
RAM PICKUP/CLUB CAB (BE)

SERIES	LINE	BODY	ENGINE	TRANSMISSION
L = RAM 1500, 2500, 3500	1 = Lt. Duty DODGE 2WD	31 = CLUB CAB 2-DR 6.5 FT BOX	ETC = 5.9L Cummins 24V Diesel Engine	DGP = 4-Spd. Automatic 47RE Transmission
	2 = Med. Duty DODGE 2WD	32 = CLUB CAB 2-DR 8FT BOX	EWA = 8.0L V10 MPI Engine	DD0 = ALL 5 SPEED MANUAL TRANSMISSIONS
	3 = HD DODGE 2WD	33 = QUAD CAB 4-DR 6.5 FT BOX	EM0 = ALL 5.9L 8 CYL ENGINES - GAS	DG0 = ALL AUTOMATIC TRANSMISSIONS
	6 = Lt. Duty DODGE 4WD	34 = QUAD CAB 4-DR 8FT BOX	EMM = 5.9L SMPI V8 Engine	DDC = 5-Speed HD Manual Transmission
	7 = Med. Duty DODGE 4WD		EML = 5.9L V8 MPI Engine	DDP = 5-Speed Manual Transmission
	8 = HD DODGE 4WD		ELF = 5.2L V8 MPI Engine	DDX = 5-Speed HD Manual Transmission
				DEE = 6-Speed HD Manual Transmission
				DGT = 4-Spd. Automatic 46RE Transmission

AR = use ase required - = Non illustrated part

Shaft,Propeller,Rear,2 Piece,Body 32,34,BE 1,2,3,6,7,8
Figure 16-140

32
34



ITEM	PART NUMBER	QTY	LINE	SERIES	BODY	ENGINE	TRANS	TRIM	DESCRIPTION
	05014063AA	1	1		32, 34		DGT		Rear
		1	1		32, 34		DDC		Rear
		1	6		32, 34		DDC		Rear
		1	6		32, 34		DGT		Rear
4	05014097AA	1	6		32, 34		DDC		CENTER BEARING, Drive Shaft
		1	6		32, 34		DGT		
		1	1		32, 34		DGT		
		1	1		32, 34		DDC		
5	04773014	1	7		32, 34		DEE		BEARING, Drive Shaft
		1	7, 8		32, 34		DEE		[DHH]
		1	2		32, 34		DGT		[DHG]
		1	2		32, 34		DDP		
		1	3		34		DGT		
		1	3		34		DDP		
		1	2, 3		32, 34	ET0, EW0	DDX		
		1	2, 3		32, 34	ET0	DEE		
		1	2		32, 34		DGP		
		1	3		34		DGP		
		1	7		32, 34		DDP		[DHH]
		1	7		32, 34		DGT		[DHH]
		1	7		32, 34		DGP		[DHH]
		1	7		32, 34	ET0, EW0	DDX		[DHH]
		1	7		32, 34		DDP		[DHG]
		1	7		32, 34		DGT		[DHG]
		1	8		34	EM0	DGT		
		1	8		34		DDP		

RAM PICKUP/CLUB CAB (BE)

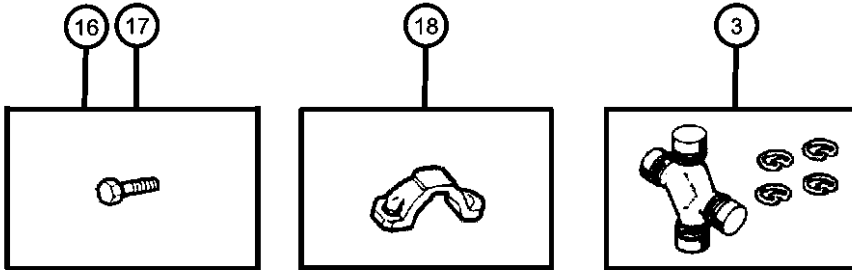
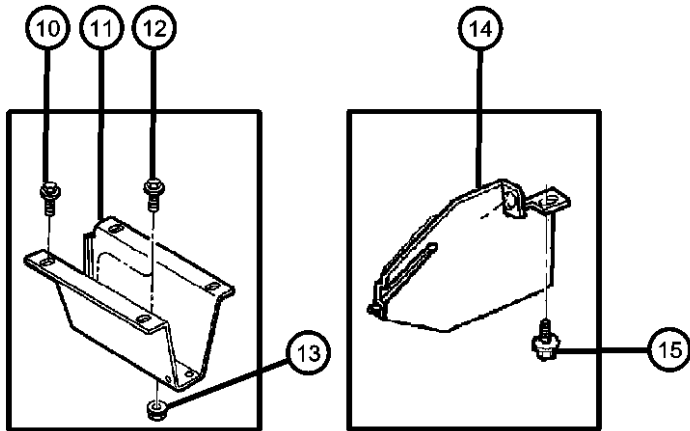
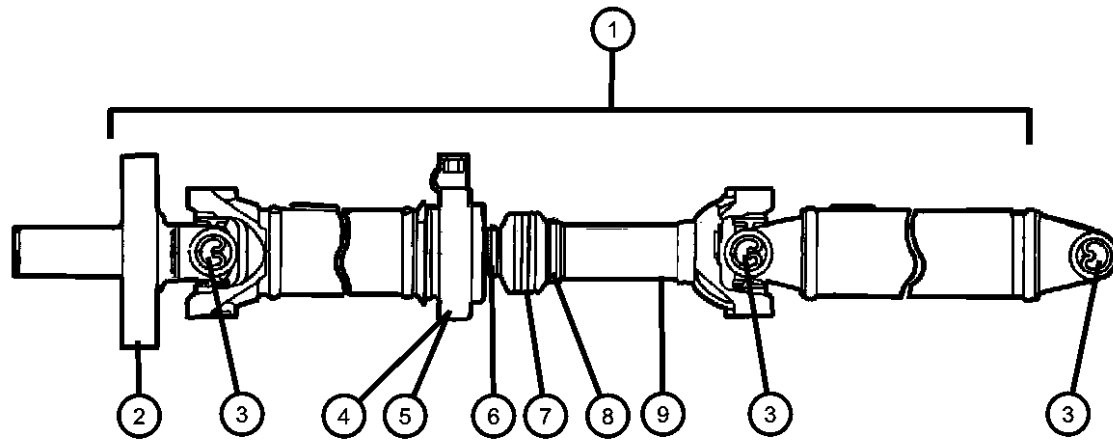
SERIES	LINE
L = RAM 1500, 2500, 3500	1 = Lt. Duty DODGE 2WD
	2 = Med. Duty DODGE 2WD
	3 = HD DODGE 2WD
	6 = Lt. Duty DODGE 4WD
	7 = Med. Duty DODGE 4WD
	8 = HD DODGE 4WD

BODY	ENGINE	TRANSMISSION
31 = CLUB CAB 2-DR 6.5 FT BOX	ETC = 5.9L Cummins 24V Diesel Engine	DGP = 4-Spd. Automatic 47RE Transmission
32 = CLUB CAB 2-DR 8FT BOX	EWA = 8.0L V10 MPI Engine	DD0 = ALL 5 SPEED MANUAL TRANSMISSIONS
33 = QUAD CAB 4-DR 6.5 FT BOX	EM0 = ALL 5.9L 8 CYL ENGINES - GAS	DG0 = ALL AUTOMATIC TRANSMISSIONS
34 = QUAD CAB 4-DR 8FT BOX	EMM = 5.9L SMPI V8 Engine	DDC = 5-Speed HD Manual Transmission
	EML = 5.9L V8 MPI Engine	DDP = 5-Speed Manual Transmission
	ELF = 5.2L V8 MPI Engine	DDX = 5-Speed HD Manual Transmission
		DEE = 6-Speed HD Manual Transmission
		DGT = 4-Spd. Automatic 46RE Transmission

AR = use ase required - = Non illustrated part

Shaft, Propeller, Rear, 2 Piece, Body 32, 34, BE 1, 2, 3, 6, 7, 8
Figure 16-140

32
34



ITEM	PART NUMBER	QTY	LINE	SERIES	BODY	ENGINE	TRANS	TRIM	DESCRIPTION
		1	7, 8		32, 34	ET0, EW0	DDX		[DHG]
		1	8		34		DGP		[DHG]
		1	7		32, 34		DGP		[DHG]
6	05212720	1	2		32, 34		DGT		CLAMP, Boot
		1	2		32, 34		DDP		
		1	3		34		DGT		
		1	3		34		DDP		
		1	2		32, 34		DGP		
		1	3		34		DGP		
		1	7		32, 34		DGT		[DHG]
		1	7		32, 34		DGP		[DHG]
		1	8		34		DGP		[DHG]
		1	7		32, 34		DDP		[DHH]
		1	7		32, 34		DDP		[DHG]
		1	7		32, 34		DGT		[DHH]
		1	7		32, 34		DGP		[DHH]
		1	8		34		DDP		
		1	7		32, 34		DEE		[DHH]
		1	7, 8		32, 34		DEE		[DHG]
		1	7, 8		32, 34	ET0, EW0	DDX		[DHG]
		1	7		32, 34	ET0, EW0	DDX		[DHH]
		1	2, 3		32, 34	ET0, EW0	DDX		
		1	8		34	EM0	DGT		
		1	2, 3		32, 34	ET0	DEE		
7	04428807	1	2		32, 34		DGT		BOOT, Driveshaft
		1	2		32, 34		DDP		

RAM PICKUP/CLUB CAB (BE)

SERIES	LINE
L = RAM 1500, 2500, 3500	1 = Lt. Duty DODGE 2WD
	2 = Med. Duty DODGE 2WD
	3 = HD DODGE 2WD
	6 = Lt. Duty DODGE 4WD
	7 = Med. Duty DODGE 4WD
	8 = HD DODGE 4WD

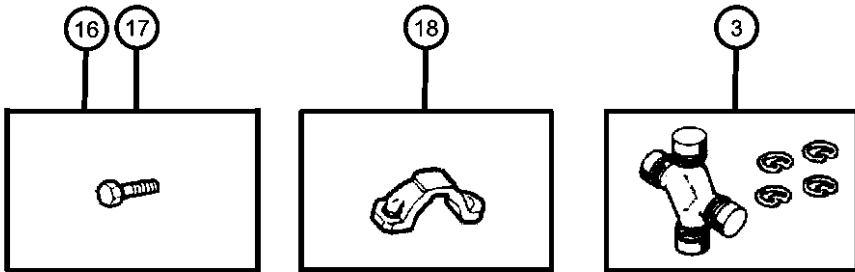
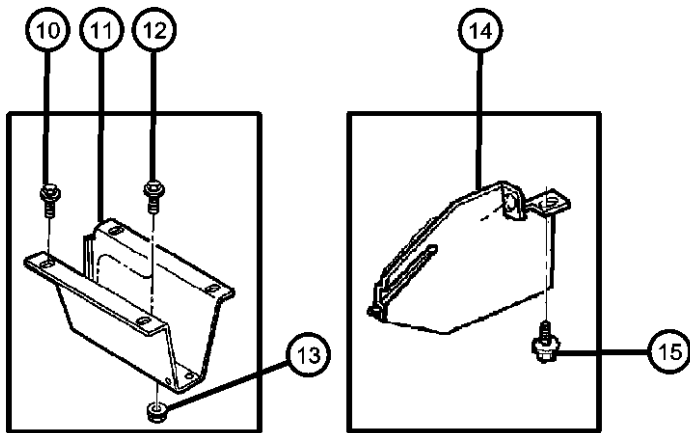
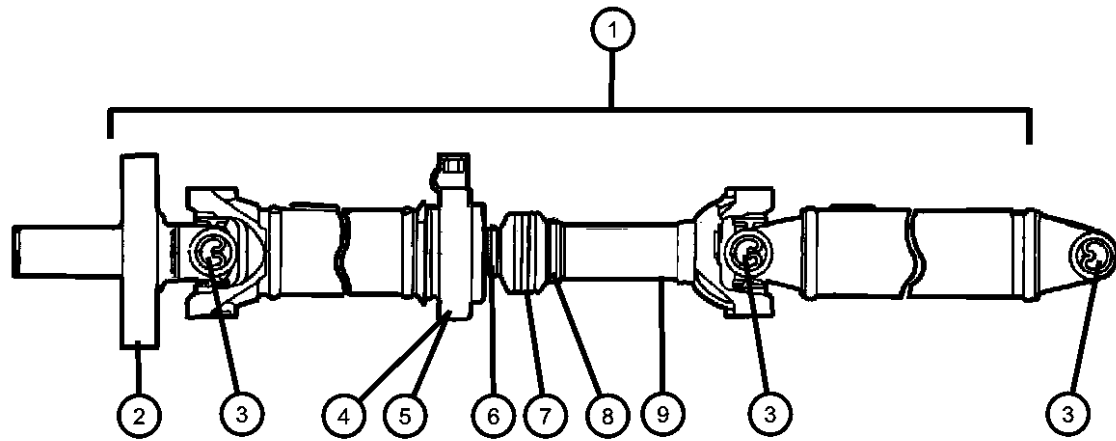
BODY	ENGINE	TRANSMISSION
31 = CLUB CAB 2-DR 6.5 FT BOX	ETC = 5.9L Cummins 24V Diesel Engine	DGP = 4-Spd. Automatic 47RE Transmission
32 = CLUB CAB 2-DR 8FT BOX	EWA = 8.0L V10 MPI Engine	DD0 = ALL 5 SPEED MANUAL TRANSMISSIONS
33 = QUAD CAB 4-DR 6.5 FT BOX	EM0 = ALL 5.9L 8 CYL ENGINES - GAS	DG0 = ALL AUTOMATIC TRANSMISSIONS
34 = QUAD CAB 4-DR 8FT BOX	EMM = 5.9L SMPI V8 Engine	DDC = 5-Speed HD Manual Transmission
	EML = 5.9L V8 MPI Engine	DDP = 5-Speed Manual Transmission
	ELF = 5.2L V8 MPI Engine	DDX = 5-Speed HD Manual Transmission
		DEE = 6-Speed HD Manual Transmission
		DGT = 4-Spd. Automatic 46RE Transmission

AR = use ase required - = Non illustrated part

1999 BE

Shaft, Propeller, Rear, 2 Piece, Body 32, 34, BE 1, 2, 3, 6, 7, 8
Figure 16-140

32
34



ITEM	PART NUMBER	QTY	LINE	SERIES	BODY	ENGINE	TRANS	TRIM	DESCRIPTION
		1	3		34		DGT		
		1	3		34		DDP		
		1	2		32, 34		DGP		
		1	3		34		DGP		
		1	7		32, 34		DGT		[DHG]
		1	7		32, 34		DGP		[DHG]
		1	8		34		DGP		[DHG]
		1	7		32, 34		DDP		[DHH]
		1	7		32, 34		DDP		[DHG]
		1	7		32, 34		DGT		[DHH]
		1	7		32, 34		DGP		[DHH]
		1	8		34		DDP		
		1	7, 8		32, 34		DEE		[DHG]
		1	7, 8		32, 34	ET0, EW0	DDX		[DHG]
		1	7		32, 34	ET0, EW0	DDX		[DHH]
		1	2, 3		32, 34	ET0, EW0	DDX		
		1	2, 3		32, 34	ET0	DEE		
		1	8		34	EM0	DGT		
		1	7		32, 34		DEE		[DHH]
	05012793AA	1	1		32, 34		DGT		
		1	1		32, 34		DDC		
		1	6		32, 34		DDC		
		1	6		32, 34		DGT		
8									CLAMP, Boot
	04428808	1	2		32, 34		DGT		
		1	2		32, 34		DDP		
		1	3		34		DGT		
		1	3		34		DDP		

RAM PICKUP/CLUB CAB (BE)

SERIES	LINE
L = RAM 1500, 2500, 3500	1 = Lt. Duty DODGE 2WD
	2 = Med. Duty DODGE 2WD
	3 = HD DODGE 2WD
	6 = Lt. Duty DODGE 4WD
	7 = Med. Duty DODGE 4WD
	8 = HD DODGE 4WD

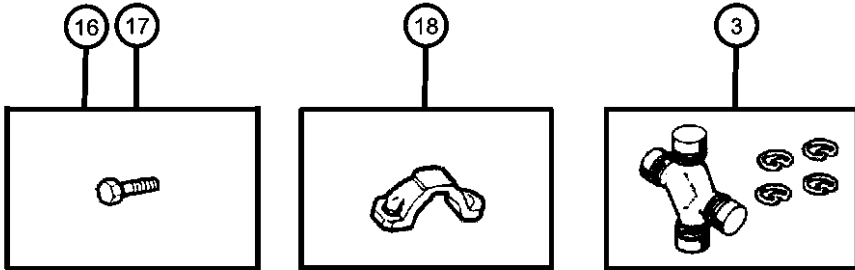
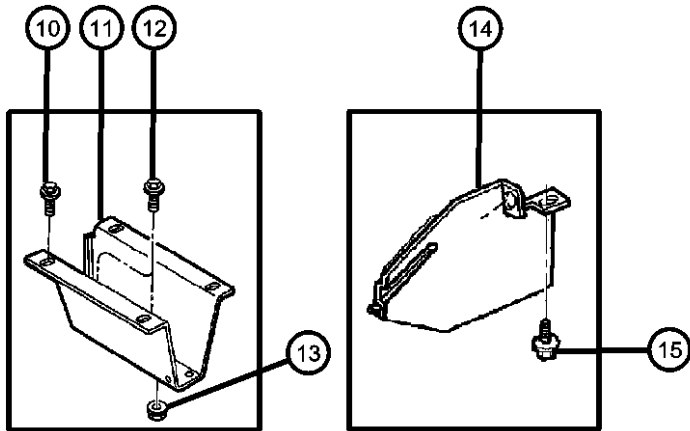
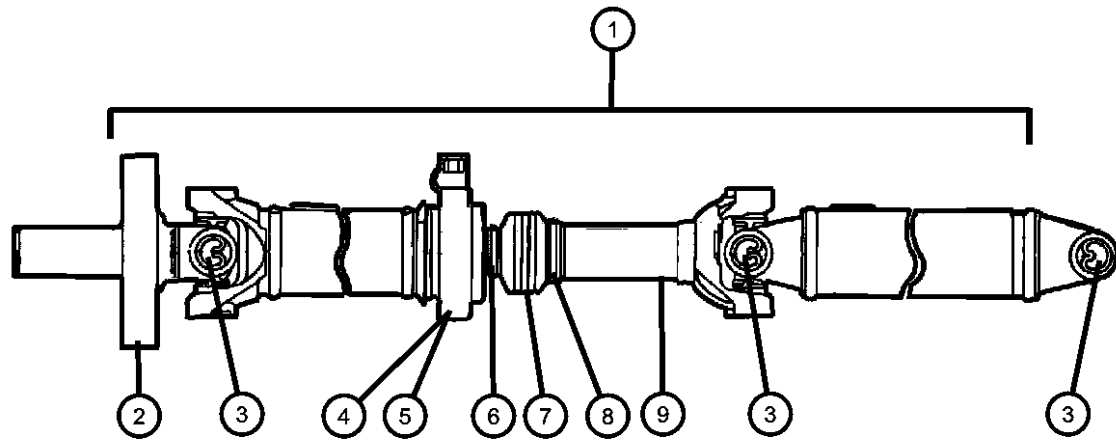
BODY	ENGINE	TRANSMISSION
31 = CLUB CAB 2-DR 6.5 FT BOX	ETC = 5.9L Cummins 24V Diesel Engine	DGP = 4-Spd. Automatic 47RE Transmission
32 = CLUB CAB 2-DR 8FT BOX	EWA = 8.0L V10 MPI Engine	DD0 = ALL 5 SPEED MANUAL TRANSMISSIONS
33 = QUAD CAB 4-DR 6.5 FT BOX	EM0 = ALL 5.9L 8 CYL ENGINES - GAS	DG0 = ALL AUTOMATIC TRANSMISSIONS
34 = QUAD CAB 4-DR 8FT BOX	EMM = 5.9L SMPI V8 Engine	DDC = 5-Speed HD Manual Transmission
	EML = 5.9L V8 MPI Engine	DDP = 5-Speed Manual Transmission
	ELF = 5.2L V8 MPI Engine	DDX = 5-Speed HD Manual Transmission
		DEE = 6-Speed HD Manual Transmission
		DGT = 4-Spd. Automatic 46RE Transmission

AR = use ase required - = Non illustrated part

1999 BE

Shaft, Propeller, Rear, 2 Piece, Body 32, 34, BE 1, 2, 3, 6, 7, 8
Figure 16-140

32
34



ITEM	PART NUMBER	QTY	LINE	SERIES	BODY	ENGINE	TRANS	TRIM	DESCRIPTION
		1	2		32, 34		DGP		
		1	3		34		DGP		
		1	7		32, 34		DGT		[DHG]
		1	7		32, 34		DGP		[DHG]
		1	8		34		DGP		[DHG]
		1	7		32, 34		DDP		[DHH]
		1	7		32, 34		DDP		[DHG]
		1	7		32, 34		DGT		[DHH]
		1	7		32, 34		DGP		[DHH]
		1	8		34		DDP		
		1	7		32, 34		DEE		[DHH]
		1	7, 8		32, 34		DEE		[DHG]
		1	7, 8		32, 34	ET0, EW0	DDX		[DHG]
		1	7		32, 34	ET0, EW0	DDX		[DHH]
		1	2, 3		32, 34	ET0, EW0	DDX		
		1	2, 3		32, 34	ET0	DEE		
		1	8		34	EM0	DGT		
9									YOKE, Drive Shaft
	04428804	1	2		32, 34		DGT		
		1	2		32, 34		DDP		
		1	3		34		DGT		
		1	3		34		DDP		
		1	2		32, 34		DGP		
		1	3		34		DGP		
		1	7		32, 34		DDP		[DHH]
		1	7		32, 34		DGT		[DHH]
		1	7		32, 34		DGP		[DHH]
		1	7		32, 34		DDP		[DHG]

RAM PICKUP/CLUB CAB (BE)

SERIES	LINE
L = RAM 1500, 2500, 3500	1 = Lt. Duty DODGE 2WD
	2 = Med. Duty DODGE 2WD
	3 = HD DODGE 2WD
	6 = Lt. Duty DODGE 4WD
	7 = Med. Duty DODGE 4WD
	8 = HD DODGE 4WD

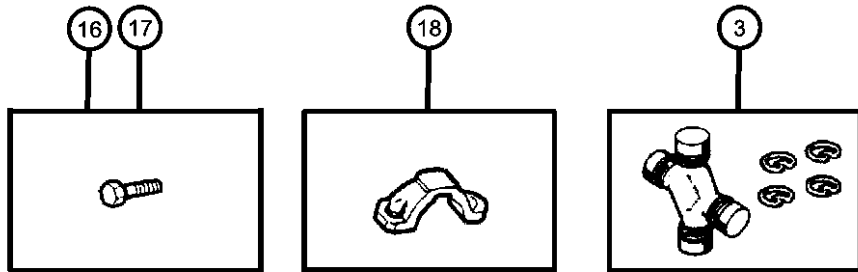
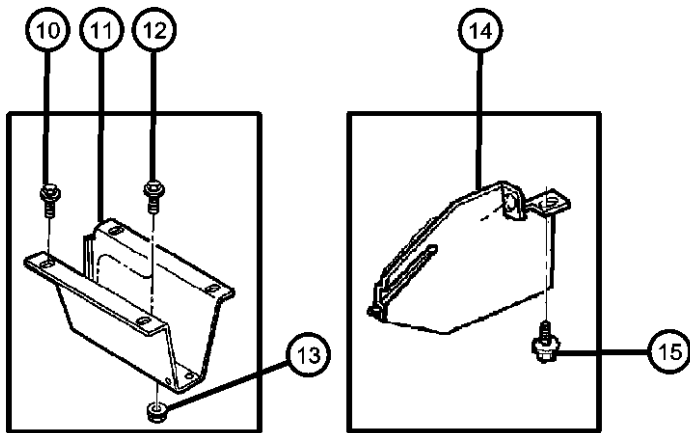
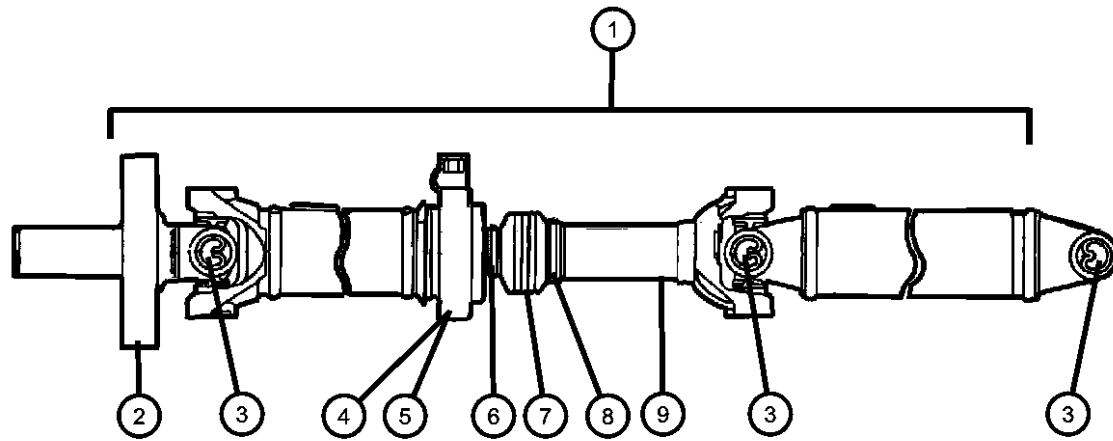
BODY	ENGINE
31 = CLUB CAB 2-DR 6.5 FT BOX	ETC = 5.9L Cummins 24V Diesel Engine
32 = CLUB CAB 2-DR 8FT BOX	EWA = 8.0L V10 MPI Engine
33 = QUAD CAB 4-DR 6.5 FT BOX	EM0 = ALL 5.9L 8 CYL ENGINES - GAS
34 = QUAD CAB 4-DR 8FT BOX	EMM = 5.9L SMPI V8 Engine
	EML = 5.9L V8 MPI Engine
	ELF = 5.2L V8 MPI Engine

TRANSMISSION
DGP = 4-Spd. Automatic 47RE Transmission
DD0 = ALL 5 SPEED MANUAL TRANSMISSIONS
DG0 = ALL AUTOMATIC TRANSMISSIONS
DDC = 5-Speed HD Manual Transmission
DDP = 5-Speed Manual Transmission
DDX = 5-Speed HD Manual Transmission
DEE = 6-Speed HD Manual Transmission
DGT = 4-Spd. Automatic 46RE Transmission

AR = use ase required - = Non illustrated part

Shaft, Propeller, Rear, 2 Piece, Body 32, 34, BE 1, 2, 3, 6, 7, 8
Figure 16-140

32
34



ITEM	PART NUMBER	QTY	LINE	SERIES	BODY	ENGINE	TRANS	TRIM	DESCRIPTION
		1	7		32, 34		DGT		[DHG]
		1	8		34	EM0	DGT		
		1	8		34		DDP		
		1	8		34		DGP		[DHG]
		1	7		32, 34		DEE		[DHH]
		1	7, 8		32, 34		DEE		[DHG]
		1	2, 3		32, 34	ET0, EW0	DDX		
		1	2, 3		32, 34	ET0	DEE		
		1	7		32, 34	ET0, EW0	DDX		[DHH]
		1	7, 8		32, 34	ET0, EW0	DDX		[DHG]
		1	7		32, 34		DGP		[DHG]
	05014056AA	1	1		32, 34		DGT		
		1	1		32, 34		DDC		
		1	6		32, 34		DDC		
		1	6		32, 34		DGT		
10									SCREW AND WASHER, Hex Head, M10x1.5x30
	06101060	2	3		34				
		2	6, 7, 8		32, 34				
		2	1, 2				DGT		
		2	1, 2				DBB		
		2	2		32, 34		DGP		
11									BRACKET, Drive Shaft Bearing
	52105268	1	7, 8		32, 34				
	52105280	1	1		32, 34				
	52105293	1	2, 3		32, 34				
	52105294	1	6		32, 34				
12									SCREW AND WASHER, Hex Head, M10x1.5x30

RAM PICKUP/CLUB CAB (BE)

SERIES	LINE
L = RAM 1500, 2500, 3500	1 = Lt. Duty DODGE 2WD
	2 = Med. Duty DODGE 2WD
	3 = HD DODGE 2WD
	6 = Lt. Duty DODGE 4WD
	7 = Med. Duty DODGE 4WD
	8 = HD DODGE 4WD

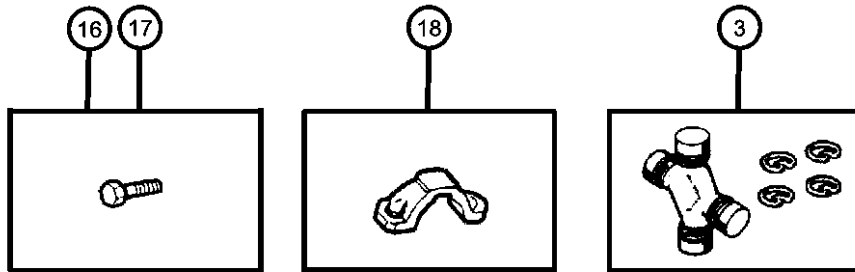
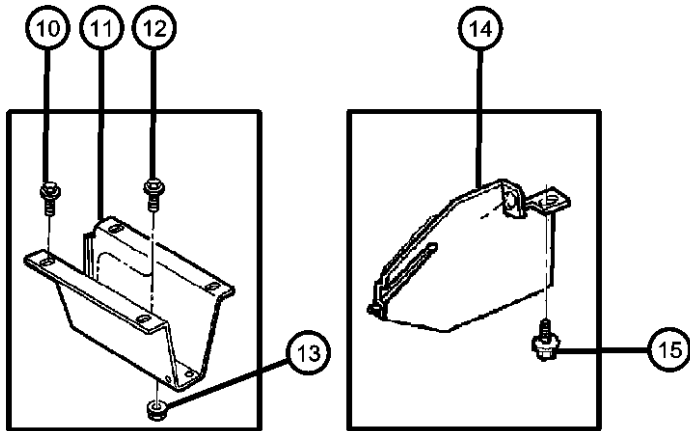
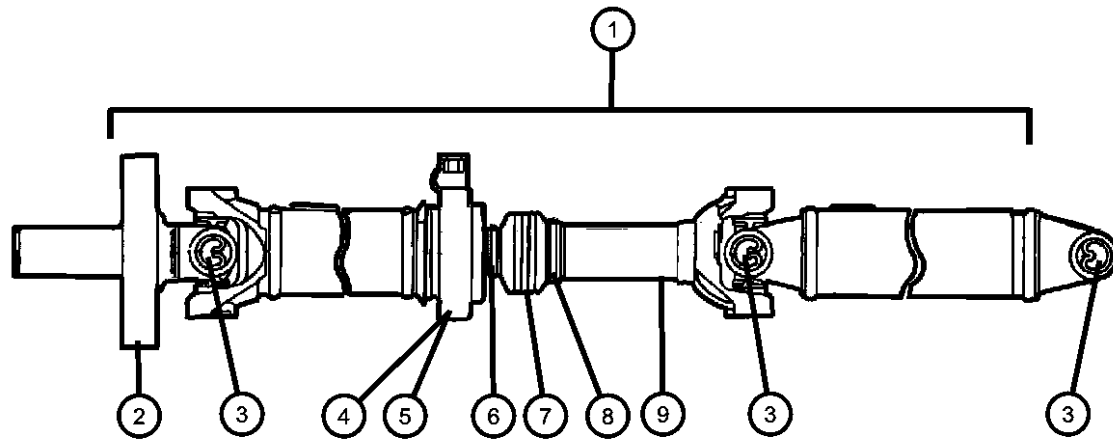
BODY	ENGINE
31 = CLUB CAB 2-DR 6.5 FT BOX	ETC = 5.9L Cummins 24V Diesel Engine
32 = CLUB CAB 2-DR 8FT BOX	EWA = 8.0L V10 MPI Engine
33 = QUAD CAB 4-DR 6.5 FT BOX	EM0 = ALL 5.9L 8 CYL ENGINES - GAS
34 = QUAD CAB 4-DR 8FT BOX	EMM = 5.9L SMPI V8 Engine
	EML = 5.9L V8 MPI Engine
	ELF = 5.2L V8 MPI Engine

TRANSMISSION
DGP = 4-Spd. Automatic 47RE Transmission
DD0 = ALL 5 SPEED MANUAL TRANSMISSIONS
DG0 = ALL AUTOMATIC TRANSMISSIONS
DDC = 5-Speed HD Manual Transmission
DDP = 5-Speed Manual Transmission
DDX = 5-Speed HD Manual Transmission
DEE = 6-Speed HD Manual Transmission
DGT = 4-Spd. Automatic 46RE Transmission

AR = use ase required - = Non illustrated part

Shaft, Propeller, Rear, 2 Piece, Body 32, 34, BE 1, 2, 3, 6, 7, 8
Figure 16-140

32
34



ITEM	PART NUMBER	QTY	LINE	SERIES	BODY	ENGINE	TRANS	TRIM	DESCRIPTION
	06101060	2	3		34				
		2	6, 7, 8		32, 34				
		2	1, 2				DGT		
		2	1, 2				DBB		
		2	2		32, 34		DGP		
13	06101696	6	1, 2				DBB		NUT
		6	1		32, 34		DG0		
		4	3		34				
		4	7, 8		32, 34				
14	52097944	1	2, 3		32, 34	EMM, EWO			SHIELD, Center Bearing
		1	6, 7, 8		32, 34	EMM, EWO			
15	34201888	2							SCREW, Hex Head
16	06029562	4							SCREW AND WASHER, Hex Head, .25-28x.68, [DRB]
17	06034965	4							BOLT, Hex Head, [DRD,DRE,DRL]
18	02781904	2							CLAMP, U-Joint [DRB]
	04428723	2							[DRD,DRE,DRL]

RAM PICKUP/CLUB CAB (BE)

SERIES	LINE	BODY	ENGINE	TRANSMISSION
L = RAM 1500, 2500, 3500	1 = Lt. Duty DODGE 2WD 2 = Med. Duty DODGE 2WD 3 = HD DODGE 2WD 6 = Lt. Duty DODGE 4WD 7 = Med. Duty DODGE 4WD 8 = HD DODGE 4WD	31 = CLUB CAB 2-DR 6.5 FT BOX 32 = CLUB CAB 2-DR 8FT BOX 33 = QUAD CAB 4-DR 6.5 FT BOX 34 = QUAD CAB 4-DR 8FT BOX	ETC = 5.9L Cummins 24V Diesel Engine EWA = 8.0L V10 MPI Engine EM0 = ALL 5.9L 8 CYL ENGINES - GAS EMM = 5.9L SMPI V8 Engine EML = 5.9L V8 MPI Engine ELF = 5.2L V8 MPI Engine	DGP = 4-Spd. Automatic 47RE Transmission DD0 = ALL 5 SPEED MANUAL TRANSMISSIONS DG0 = ALL AUTOMATIC TRANSMISSIONS DDC = 5-Speed HD Manual Transmission DDP = 5-Speed Manual Transmission DDX = 5-Speed HD Manual Transmission DEE = 6-Speed HD Manual Transmission DGT = 4-Spd. Automatic 46RE Transmission

AR = use ase required - = Non illustrated part

1999 BE

Group - 17

Rear Suspension

Group - 17 Rear Suspension

Group-Fig. No.

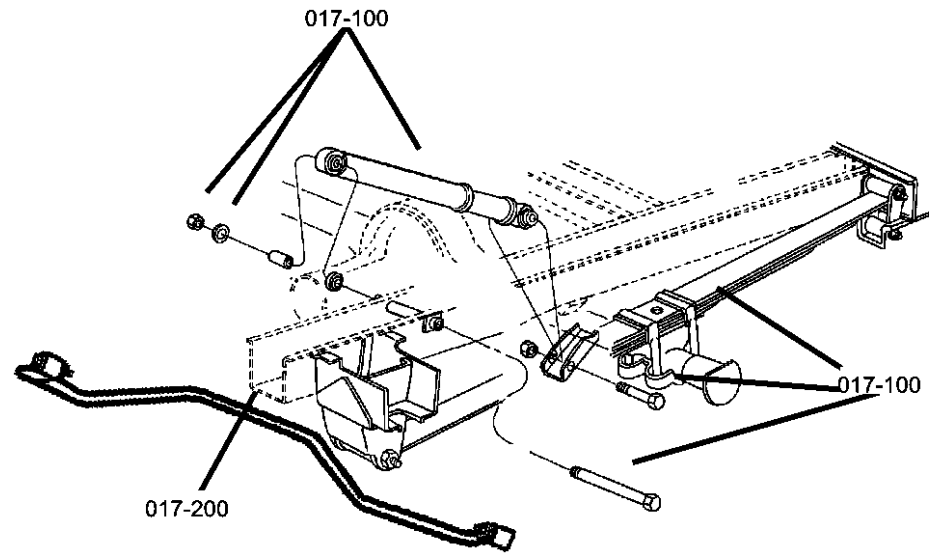
Illustration Title

Rear Suspension

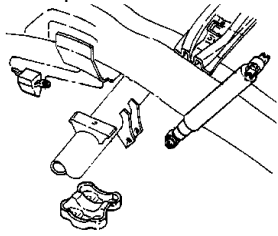
Suspension, Rear, Leaf With Shock Absorber Fig. 17 - 110

Rear Stabilizer

Stabilizer, Rear Fig. 17 - 210



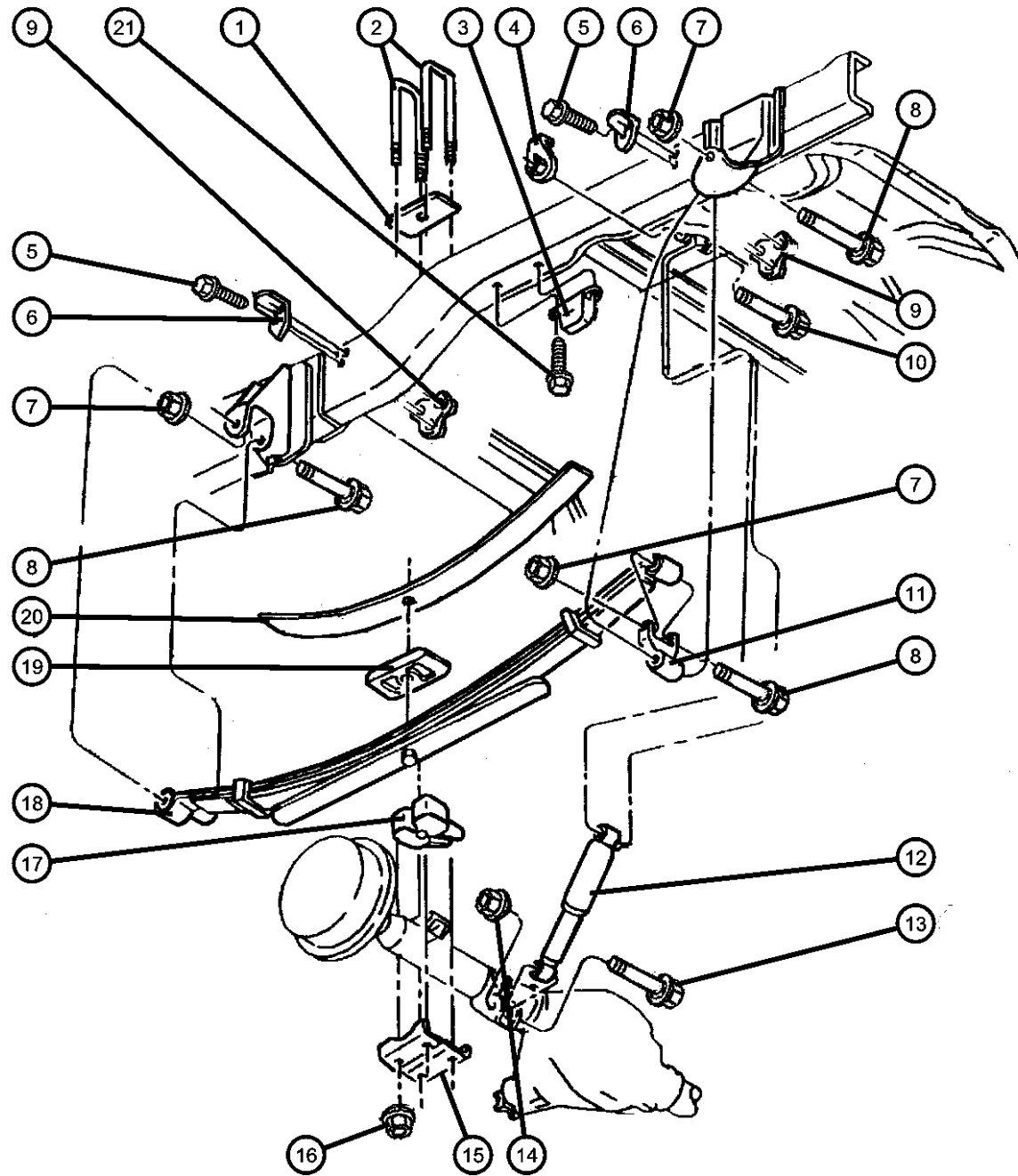
017-100
Rear Suspension



017-200
Rear Stabilizer



**Suspension, Rear, Leaf With Shock Absorber
Figure 17-110**



ITEM	PART NUMBER	QTY	LINE	SERIES	BODY	ENGINE	TRANS	TRIM	DESCRIPTION
------	-------------	-----	------	--------	------	--------	-------	------	-------------

Note: DRB=9.25 Light Duty Axle—DRG=9.25 Heavy Duty Axle—DRD=Dana 60 Heavy Duty Axle—DRE=Dana 70 Axle—DRL=Dana 80 Axle—A

1									SEAT, Spring
	52038217	2	1, 6						[Z1B,Z6B,DRB,DRD]
	52038310AB	2	2, 7						[Z2B,Z7B,DRD,DRE]
	52038311AB	2	2, 7						[Z2B,Z7B,DRL]
		2	3, 8		34				[Z3A,Z8B,DRL]
2									CLIP, Spring
	52037932	4	2, 3						[Z2B,Z3A,DRL,-AHJ]
	52038482	4	1						[Z1B]
	52038485	4	6						[Z6B]
	52038486	4	7						[Z7B,DRE,DRD,-AHJ]
	52038650	4	7, 8						[Z7B,Z8B,DRL,-AHJ]
	52038720	4	2, 3						[Z2B,Z3A,DRL,+AHJ]
	52038721	4	7, 8						[Z7B,Z8B,DRL,+AHJ]
	52038965	4	2						[Z2B,DRD,DRE+AHJ]
	52038966	4	7						[Z7B,DRE,DRD,+AHJ]
	52038484	4	2, 3						[Z2B,Z3A,DRD,DRE,-AHJ]
3									BUMPER, Jounce
	52038718	2	1, 2, 3						Rear
		2	6, 7, 8						Rear
4	06502817	2							LOCK NUT, M14-2.00, Upper Shock, Mounting
5	06101223	12	2, 3, 7, 8						SCREW, Hex Head, [AHJ]
6	52106435AA	4	2, 3, 7, 8						BRACKET, Bumper, [AHJ]
7									NUT, Hex Flange Lock
	06502396	6	2, 3, 7, 8						[Z2B,Z3A,Z7B,Z8B] Shackle, Mounting
	06502698	6	1, 6						[Z1B,Z6B] Shackle, Mounting
8									SCREW, Pilot Point

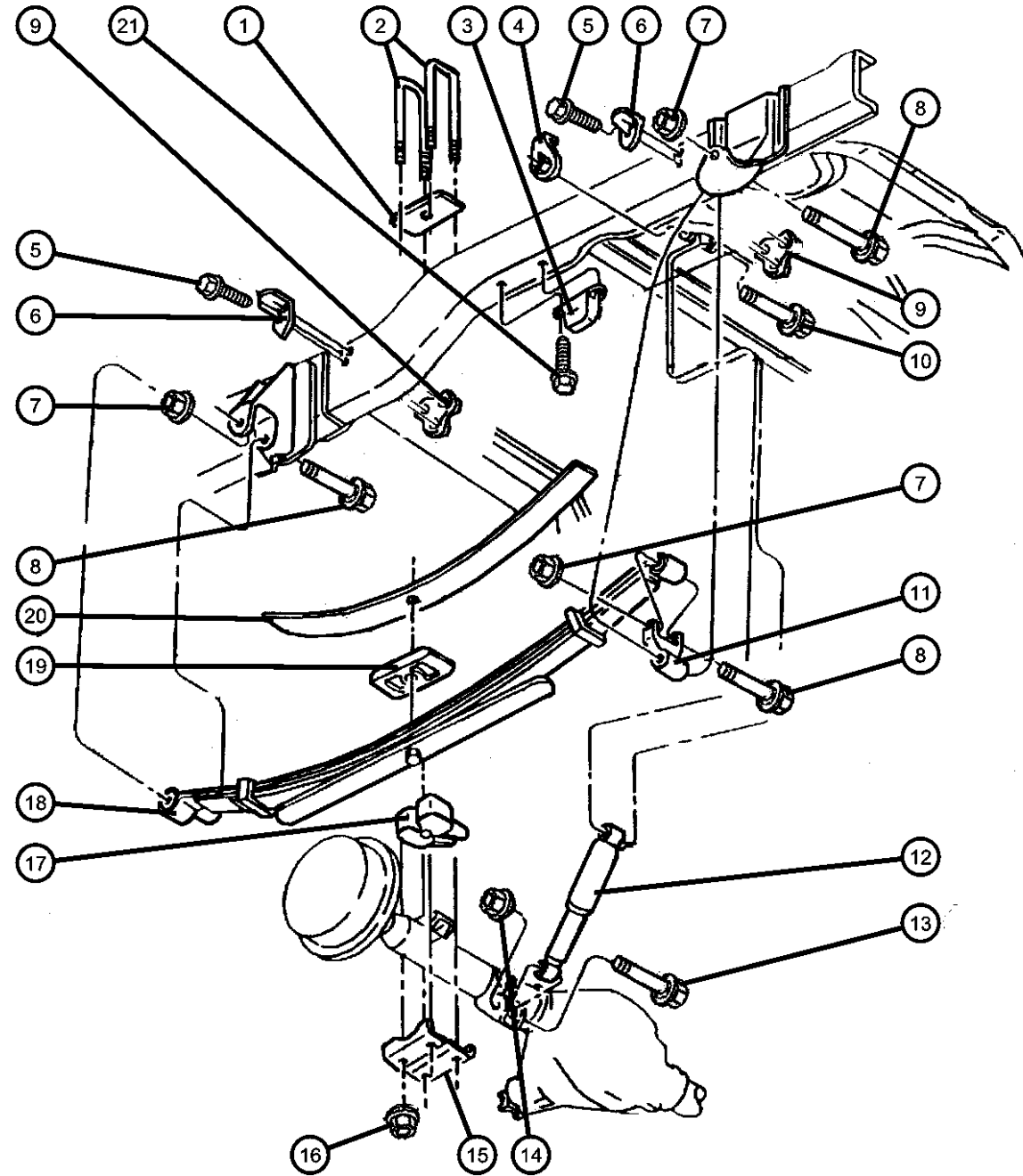
RAM PICKUP/CLUB CAB (BE)

SERIES	LINE	BODY	ENGINE	TRANSMISSION
L = RAM 1500, 2500, 3500	1 = Lt. Duty DODGE 2WD 2 = Med. Duty DODGE 2WD 3 = HD DODGE 2WD 6 = Lt. Duty DODGE 4WD 7 = Med. Duty DODGE 4WD 8 = HD DODGE 4WD	31 = CLUB CAB 2-DR 6.5 FT BOX 32 = CLUB CAB 2-DR 8FT BOX 33 = QUAD CAB 4-DR 6.5 FT BOX 34 = QUAD CAB 4-DR 8FT BOX	ETC = 5.9L Cummins 24V Diesel Engine EWA = 8.0L V10 MPI Engine EM0 = ALL 5.9L 8 CYL ENGINES - GAS EMM = 5.9L SMPI V8 Engine EML = 5.9L V8 MPI Engine ELF = 5.2L V8 MPI Engine	DGP = 4-Spd. Automatic 47RE Transmission DD0 = ALL 5 SPEED MANUAL TRANSMISSIONS DG0 = ALL AUTOMATIC TRANSMISSIONS DDC = 5-Speed HD Manual Transmission DDP = 5-Speed Manual Transmission DDX = 5-Speed HD Manual Transmission DEE = 6-Speed HD Manual Transmission DGT = 4-Spd. Automatic 46RE Transmission

AR = use ase required - = Non illustrated part

1999 BE

**Suspension, Rear, Leaf With Shock Absorber
Figure 17-110**



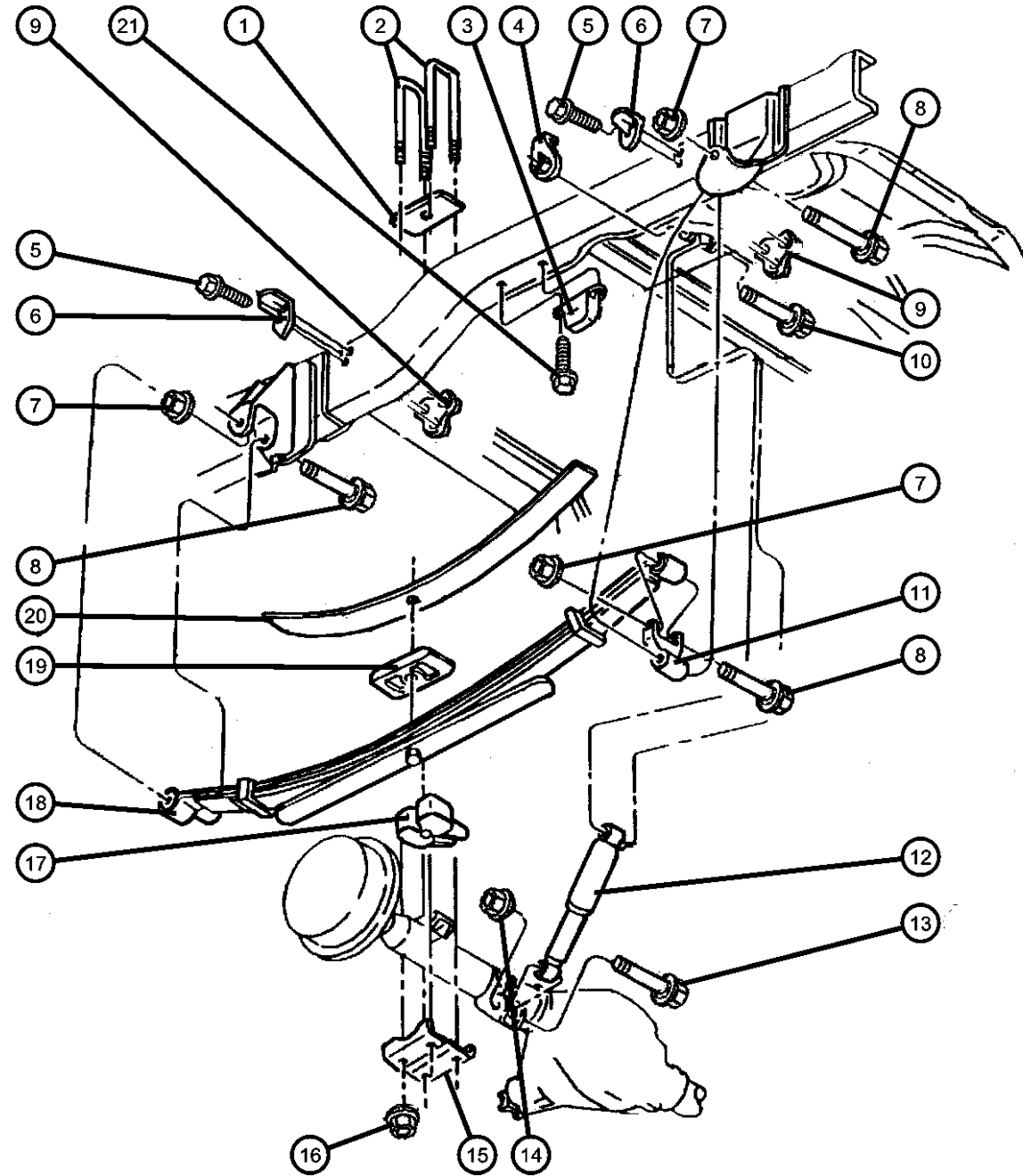
ITEM	PART NUMBER	QTY	LINE	SERIES	BODY	ENGINE	TRANS	TRIM	DESCRIPTION
	06504782	6	7, 8, 2, 3						[Z2B,Z3A,Z7B,Z8B]] Shackle, Mounting
	06505599AA	6	1, 6						[Z1B,Z6B] Shackle, Mounting
9	52038359	4	2, 3, 7, 8						NUT, Hex Flange Lock, M14x1.50, [AHJ]
10	06502818	2							BOLT, Hex Flange Head, M14x2.00x80.00, Upper Shock, Mounting
11									SHACKLE, Spring
	52038664	2	8, 2, 3, 7						[Z2B,Z3A,Z7B,Z8B], Mounting
	52039479AA	2	1, 6						[Z1B,Z6B], Mounting
12									SHOCK ABSORBER, Suspension, Rear
	52039481AA	2	1			EL0, EM0			[Z1B]
	0SGR5198								Rancho Shock
	0SG23278								Mopar V-Line Alternative Part
	52039483AB	2	3		34				[Z3A]
	0SGR5198								Rancho Shock
	0SG23278								Mopar V-Line Alternative Part
	52039485AA	2	6			EL0, EM0			[Z6B]
	52039488AB	2	7			EL0, EM0			[Z7B]
	0SGR5274								Rancho Shock
		2	7		32, 34	EW0			[Z7B]
	0SGR5274								Rancho Shock
	52039490AB	2	7		32, 34	ET0			[Z7B]
	0SGR5274								Rancho Shock (8800 GVW)
	52039492AB	2	8		34				[Z8B]
	0SGR5274								Rancho Shock
	52106082AB	2	2			EL0, EM0			[Z2B]
	0SGR5198								Rancho Shock

RAM PICKUP/CLUB CAB (BE)

SERIES	LINE	BODY	ENGINE	TRANSMISSION
L = RAM 1500, 2500, 3500	1 = Lt. Duty DODGE 2WD 2 = Med. Duty DODGE 2WD 3 = HD DODGE 2WD 6 = Lt. Duty DODGE 4WD 7 = Med. Duty DODGE 4WD 8 = HD DODGE 4WD	31 = CLUB CAB 2-DR 6.5 FT BOX 32 = CLUB CAB 2-DR 8FT BOX 33 = QUAD CAB 4-DR 6.5 FT BOX 34 = QUAD CAB 4-DR 8FT BOX	ETC = 5.9L Cummins 24V Diesel Engine EWA = 8.0L V10 MPI Engine EM0 = ALL 5.9L 8 CYL ENGINES - GAS EMM = 5.9L SMPI V8 Engine EML = 5.9L V8 MPI Engine ELF = 5.2L V8 MPI Engine	DGP = 4-Spd. Automatic 47RE Transmission DD0 = ALL 5 SPEED MANUAL TRANSMISSIONS DG0 = ALL AUTOMATIC TRANSMISSIONS DDC = 5-Speed HD Manual Transmission DDP = 5-Speed Manual Transmission DDX = 5-Speed HD Manual Transmission DEE = 6-Speed HD Manual Transmission DGT = 4-Spd. Automatic 46RE Transmission

AR = use ase required - = Non illustrated part

**Suspension, Rear, Leaf With Shock Absorber
Figure 17-110**



ITEM	PART NUMBER	QTY	LINE	SERIES	BODY	ENGINE	TRANS	TRIM	DESCRIPTION
	0SG23278	2	2		32, 34	ET0, EW0			Mopar V-Line Alternative Part [Z2B]
	0SGR5198								Rancho Shock
	0SG23278								Mopar V-Line Alternative Part [Z2B]
	52106261AB	2	2		31, 33	EW0			[Z2B]
	52106264AB	2	2		31, 33	ET0			[Z2B]
	52106265AB	2	7		31, 33	ET0, EW0			[Z7B]
	0SG23278								Mopar V-Line Alternative Part
13	06502818	2							BOLT, Hex Flange Head, M14x2.00x80.00, Lower Shock, Mounting
14	06502698	2							NUT, Hex Flange Lock, Lower Shock M14X2.0, Mounting
15									PLATE, Rear Spring Clip
	52038457	2	1, 6						[Z1B,Z6B,DRB,DRD]
	52038458	2	2, 7						[Z2B,Z7B,DRD,DRE]
	52038459	2	2, 7						[Z2B,Z7B,DRL]
		2	3, 8		34				[Z3A,Z8B,DRL]
16									NUT, Hex Flange Lock
	06502698	8	1, 2, 3						[Z1B,Z2B,Z3A]-Spring Clip, Mounting
		8	6, 7						[Z6B,Z7B] -Spring Clip, Mounting
		8	8		34				[Z8B] -Spring Clip, Mounting
17									SPACER, Spring
	52038328	1	6						[Z6B], Right
	52038329	1	6						[Z6B], Left
	52038330	1	7, 8						[Z7B,Z8B], Right
	52038331	1	7, 8						[Z7B,Z8B], Left
18									SPRING, Rear Leaf
	52106289AD	1							[ZDR,ZSR]

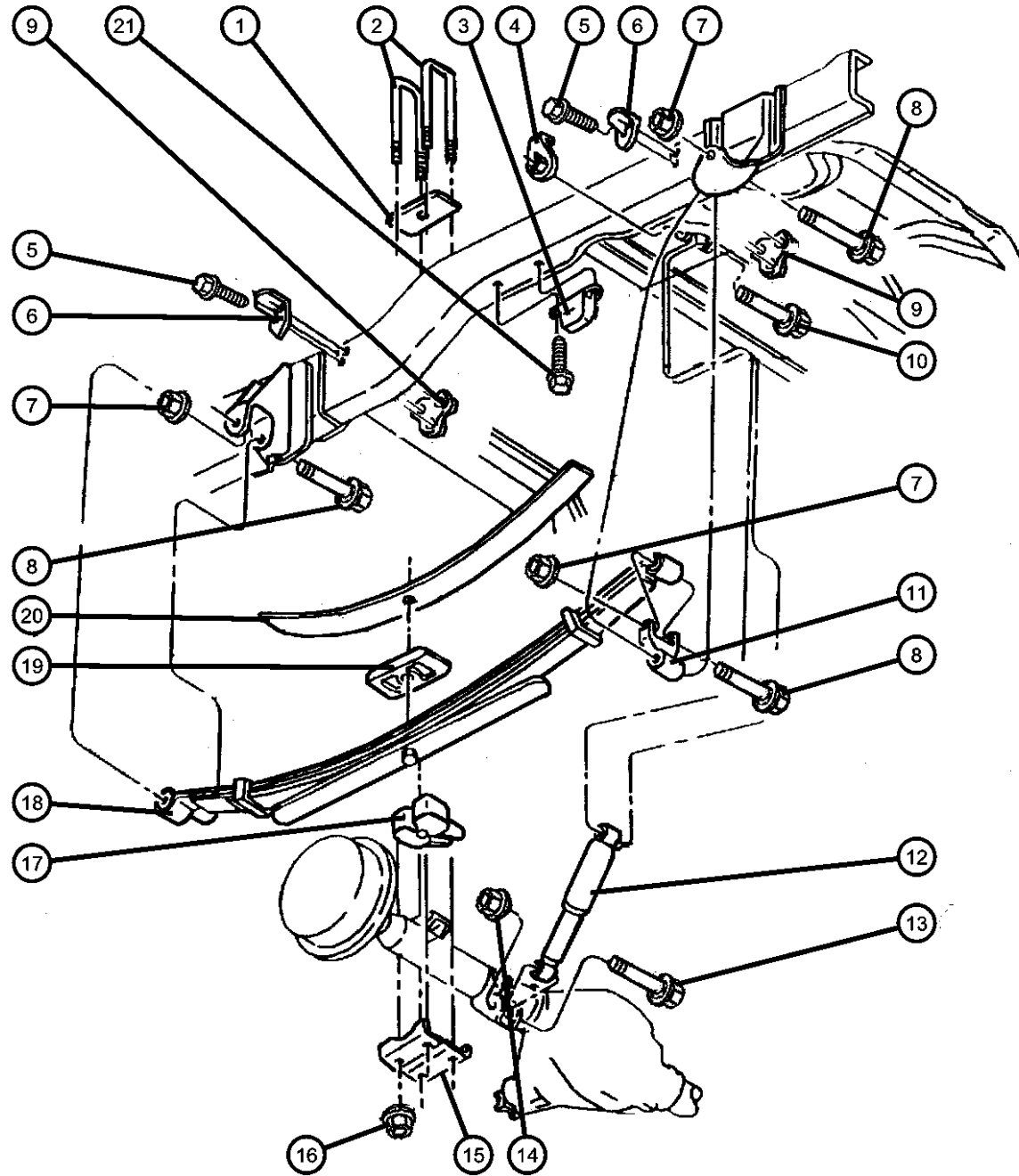
RAM PICKUP/CLUB CAB (BE)

SERIES	LINE	BODY	ENGINE	TRANSMISSION
L = RAM 1500, 2500, 3500	1 = Lt. Duty DODGE 2WD 2 = Med. Duty DODGE 2WD 3 = HD DODGE 2WD 6 = Lt. Duty DODGE 4WD 7 = Med. Duty DODGE 4WD 8 = HD DODGE 4WD	31 = CLUB CAB 2-DR 6.5 FT BOX 32 = CLUB CAB 2-DR 8FT BOX 33 = QUAD CAB 4-DR 6.5 FT BOX 34 = QUAD CAB 4-DR 8FT BOX	ETC = 5.9L Cummins 24V Diesel Engine EWA = 8.0L V10 MPI Engine EM0 = ALL 5.9L 8 CYL ENGINES - GAS EMM = 5.9L SMPI V8 Engine EML = 5.9L V8 MPI Engine ELF = 5.2L V8 MPI Engine	DGP = 4-Spd. Automatic 47RE Transmission DD0 = ALL 5 SPEED MANUAL TRANSMISSIONS DG0 = ALL AUTOMATIC TRANSMISSIONS DDC = 5-Speed HD Manual Transmission DDP = 5-Speed Manual Transmission DDX = 5-Speed HD Manual Transmission DEE = 6-Speed HD Manual Transmission DGT = 4-Spd. Automatic 46RE Transmission

AR = use ase required - = Non illustrated part

**Suspension, Rear, Leaf With Shock Absorber
Figure 17-110**

ITEM	PART NUMBER	QTY	LINE	SERIES	BODY	ENGINE	TRANS	TRIM	DESCRIPTION
	52106291AD	1							[ZBS,ZPS]
	52106293AC	1							[ZGR,ZVR]
	52106294AD	1							[ZHR,ZWR]
	52106295AC	1							[ZCR,ZRR]
	52106297AD	1							[ZAS,ZNS]
19	52038327	2	2, 3, 7, 8						SPACER, Spring, [AHJ]
20									SPRING, Rear Auxilliary
	52039181AB	2	2, 3						[Z2B,Z3A,+AHJ]
	52106402AB	2	7, 8						[Z7B,Z8B,+AHJ]
21	06503183	4							SCREW, Hex Head, M10x1.5x30, M10X1.50X30.00

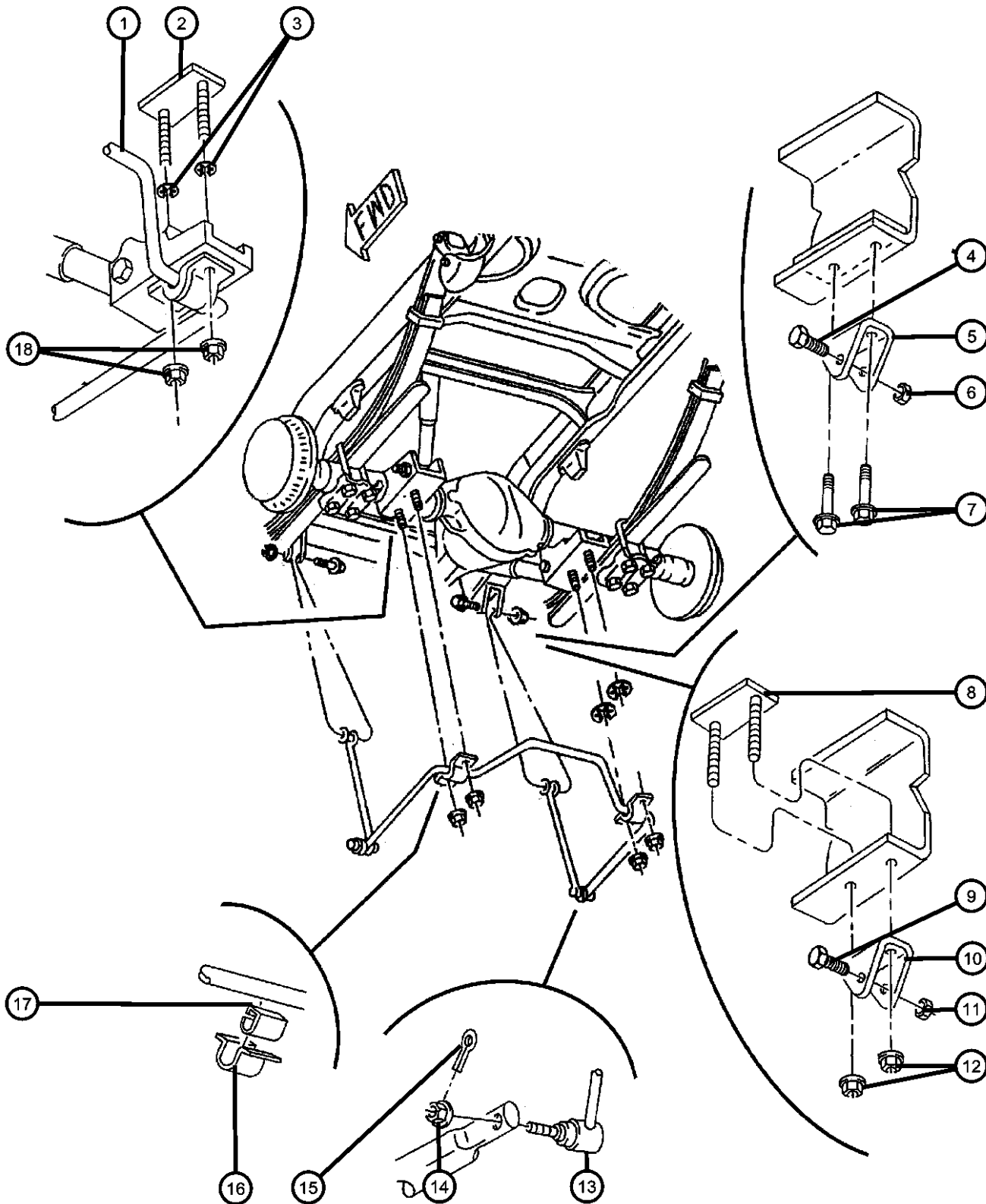


RAM PICKUP/CLUB CAB (BE)

SERIES	LINE	BODY	ENGINE	TRANSMISSION
L = RAM 1500, 2500, 3500	1 = Lt. Duty DODGE 2WD 2 = Med. Duty DODGE 2WD 3 = HD DODGE 2WD 6 = Lt. Duty DODGE 4WD 7 = Med. Duty DODGE 4WD 8 = HD DODGE 4WD	31 = CLUB CAB 2-DR 6.5 FT BOX 32 = CLUB CAB 2-DR 8FT BOX 33 = QUAD CAB 4-DR 6.5 FT BOX 34 = QUAD CAB 4-DR 8FT BOX	ETC = 5.9L Cummins 24V Diesel Engine EWA = 8.0L V10 MPI Engine EM0 = ALL 5.9L 8 CYL ENGINES - GAS EMM = 5.9L SMPI V8 Engine EML = 5.9L V8 MPI Engine ELF = 5.2L V8 MPI Engine	DGP = 4-Spd. Automatic 47RE Transmission DD0 = ALL 5 SPEED MANUAL TRANSMISSIONS DG0 = ALL AUTOMATIC TRANSMISSIONS DDC = 5-Speed HD Manual Transmission DDP = 5-Speed Manual Transmission DDX = 5-Speed HD Manual Transmission DEE = 6-Speed HD Manual Transmission DGT = 4-Spd. Automatic 46RE Transmission

AR = use ase required - = Non illustrated part

Stabilizer, Rear
Figure 17-210



ITEM	PART NUMBER	QTY	LINE	SERIES	BODY	ENGINE	TRANS	TRIM	DESCRIPTION
1									BAR, Rear Sway
	52038907	1	2, 3						
	52039120	1	7, 8						
2	52038713	2							PLATE, Stabilizer Bar, Stud Plate to Frame or Axle
3	J4000235	1							NUT, Push, .375, Stabilizer Bar Stud Plate Retaining
4	11505098	2							BOLT, Hex Flange Head, M12x1.75x60, Stabilizer Bar Link
5	52038700	2							BRACKET, Stabilizer Bar
6	06502697	2							NUT, Hex Flange Lock, M12x1.75, Stabilizer Bar Link to Frame
7	06101223	12	2, 3, 7, 8						SCREW, Hex Head
8	52038713	2							PLATE, Stabilizer Bar, Stud Plate to Frame or Axle
9	11505098	2							BOLT, Hex Flange Head, M12x1.75x60, Stabilizer Bar Link
10	52038700	2							BRACKET, Stabilizer Bar
11	06502697	2							NUT, Hex Flange Lock, M12x1.75, Stabilizer Bar Link to Frame
12	06502696	4							NUT, Hex Flange Lock, M14x1.50, Stabilizer Bar Retainer
13									LINK, Sway Eliminator
	52106057AA	2	2, 3						
	52106058AA	2	7, 8						
14	06502748	2							NUT, Hex, M12x1.75, Stabilizer to Link Mounting
15	06100017	2							PIN, Cotter, M2.5x28.00, Stabilizer Bar Link
16	52087865	2							RETAINER, Stabilizer Bar Grommet, Bushing
17									BUSHING, Stabilizer Bar
	52037548	2	7, 8						

RAM PICKUP/CLUB CAB (BE)

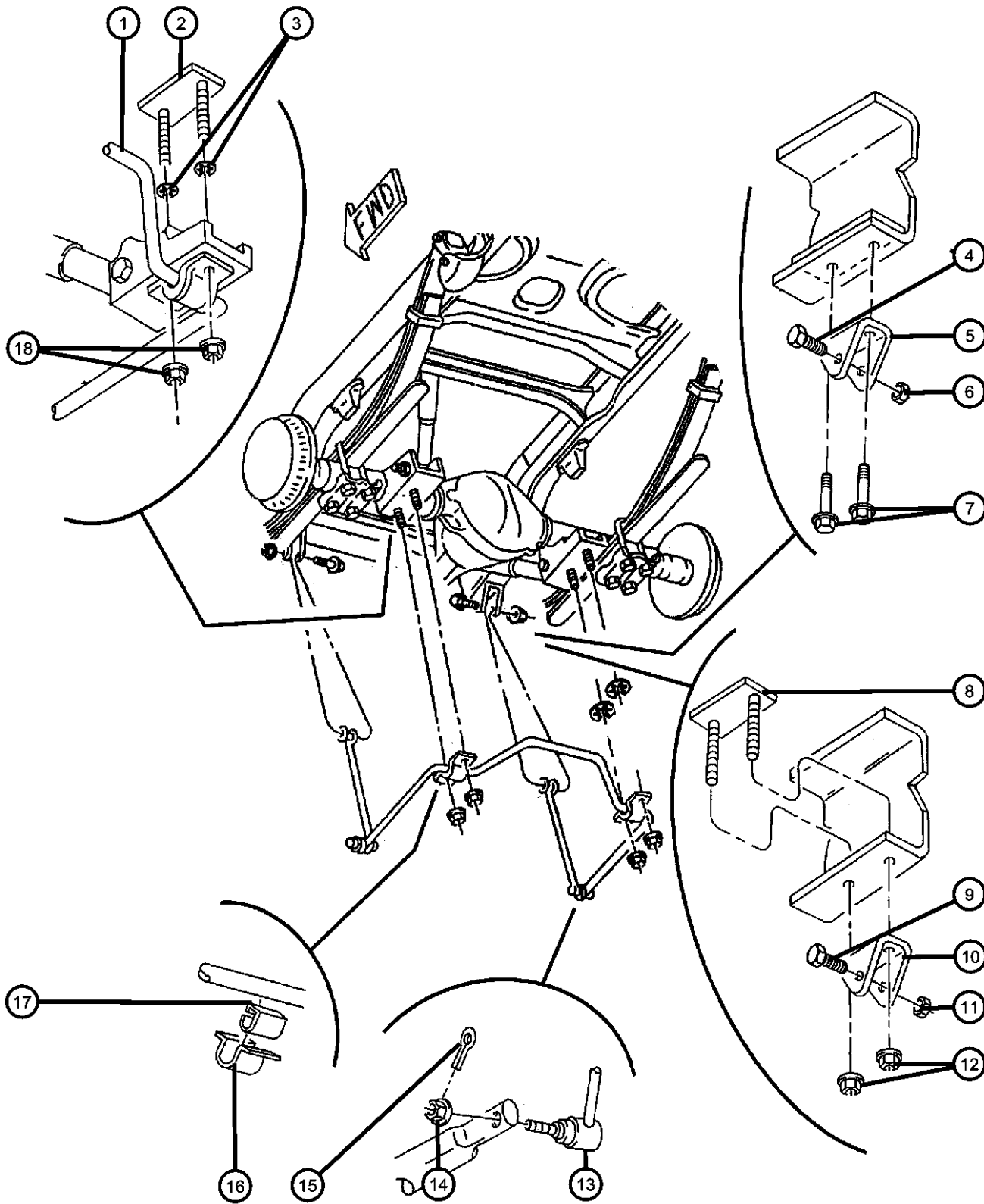
SERIES	LINE
L = RAM 1500, 2500, 3500	1 = Lt. Duty DODGE 2WD 2 = Med. Duty DODGE 2WD 3 = HD DODGE 2WD 6 = Lt. Duty DODGE 4WD 7 = Med. Duty DODGE 4WD 8 = HD DODGE 4WD

BODY	ENGINE	TRANSMISSION
31 = CLUB CAB 2-DR 6.5 FT BOX	ETC = 5.9L Cummins 24V Diesel Engine	DGP = 4-Spd. Automatic 47RE Transmission
32 = CLUB CAB 2-DR 8FT BOX	EWA = 8.0L V10 MPI Engine	DD0 = ALL 5 SPEED MANUAL TRANSMISSIONS
33 = QUAD CAB 4-DR 6.5 FT BOX	EM0 = ALL 5.9L 8 CYL ENGINES - GAS	DG0 = ALL AUTOMATIC TRANSMISSIONS
34 = QUAD CAB 4-DR 8FT BOX	EMM = 5.9L SMPI V8 Engine	DDC = 5-Speed HD Manual Transmission
	EML = 5.9L V8 MPI Engine	DDP = 5-Speed Manual Transmission
	ELF = 5.2L V8 MPI Engine	DDX = 5-Speed HD Manual Transmission
		DEE = 6-Speed HD Manual Transmission
		DGT = 4-Spd. Automatic 46RE Transmission

AR = use ase required - = Non illustrated part

1999 BE

Stabilizer, Rear
Figure 17-210



ITEM	PART NUMBER	QTY	LINE	SERIES	BODY	ENGINE	TRANS	TRIM	DESCRIPTION
------	-------------	-----	------	--------	------	--------	-------	------	-------------

	52038843	2	2, 3						
18	06502696	4							

NUT, Hex Flange Lock, M14x1.50,
Stabilizer Bar Retainer

RAM PICKUP/CLUB CAB (BE)

SERIES	LINE	BODY	ENGINE	TRANSMISSION
L = RAM 1500, 2500, 3500	1 = Lt. Duty DODGE 2WD 2 = Med. Duty DODGE 2WD 3 = HD DODGE 2WD 6 = Lt. Duty DODGE 4WD 7 = Med. Duty DODGE 4WD 8 = HD DODGE 4WD	31 = CLUB CAB 2-DR 6.5 FT BOX 32 = CLUB CAB 2-DR 8FT BOX 33 = QUAD CAB 4-DR 6.5 FT BOX 34 = QUAD CAB 4-DR 8FT BOX	ETC = 5.9L Cummins 24V Diesel Engine EWA = 8.0L V10 MPI Engine EM0 = ALL 5.9L 8 CYL ENGINES - GAS EMM = 5.9L SMPI V8 Engine EML = 5.9L V8 MPI Engine ELF = 5.2L V8 MPI Engine	DGP = 4-Spd. Automatic 47RE Transmission DD0 = ALL 5 SPEED MANUAL TRANSMISSIONS DG0 = ALL AUTOMATIC TRANSMISSIONS DDC = 5-Speed HD Manual Transmission DDP = 5-Speed Manual Transmission DDX = 5-Speed HD Manual Transmission DEE = 6-Speed HD Manual Transmission DGT = 4-Spd. Automatic 46RE Transmission

AR = use ase required - = Non illustrated part

1999 BE

Group - 19

Steering

Group - 19 Steering

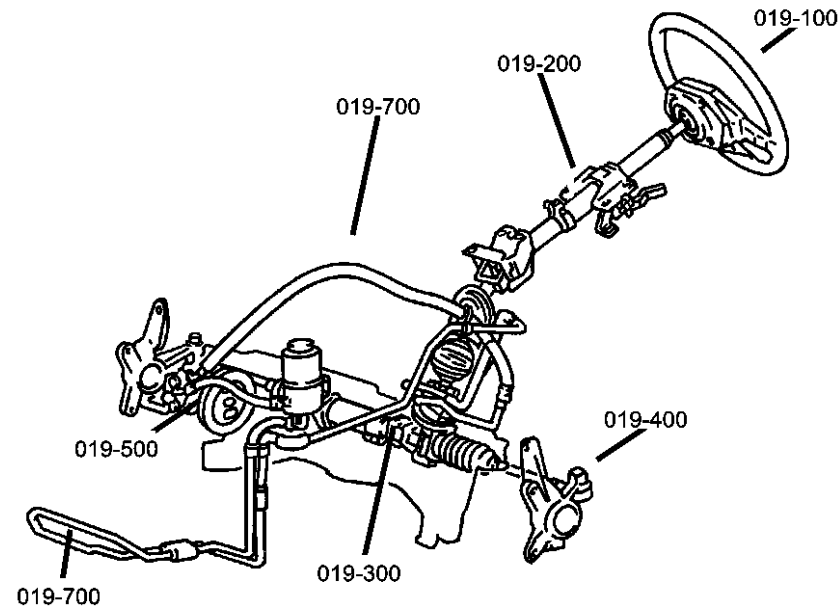


Illustration Title

Group-Fig. No.

Steering Wheel

Wheel, Steering Fig. 19 - 110

Steering Column

Column, Steering,Upper And Lower Fig. 19 - 210

Steering Gear

Power Steering Gear..... Fig. 19 - 310

Steering Linkage

Linkage, Steering,BE 1,2,3 Fig. 19 - 410

Linkage,Steering,BE 6,7,8 Fig. 19 - 420

Power Steering Pump

Pump,Power Steering and Mounting,EL0,EM0 Gas..... Fig. 19 - 510

Pump,Power Steering and Mounting,EW0 Gas..... Fig. 19 - 520

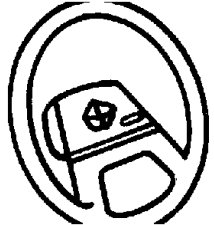
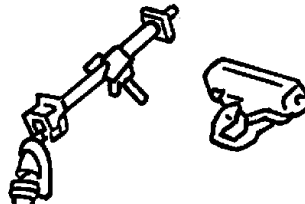
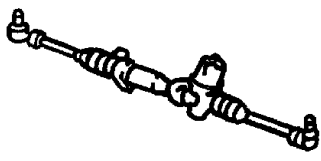
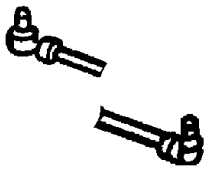
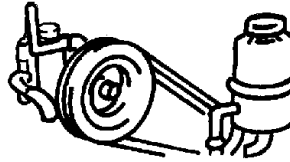

Pump,Power Steering and Mounting,ET0 Diesel..... Fig. 19 - 530

Power Steering Hoses

Hoses,Power Steering with EL0,EM0 Gas Fig. 19 - 710

Hoses,Power Steering with EW0 Gas Fig. 19 - 720

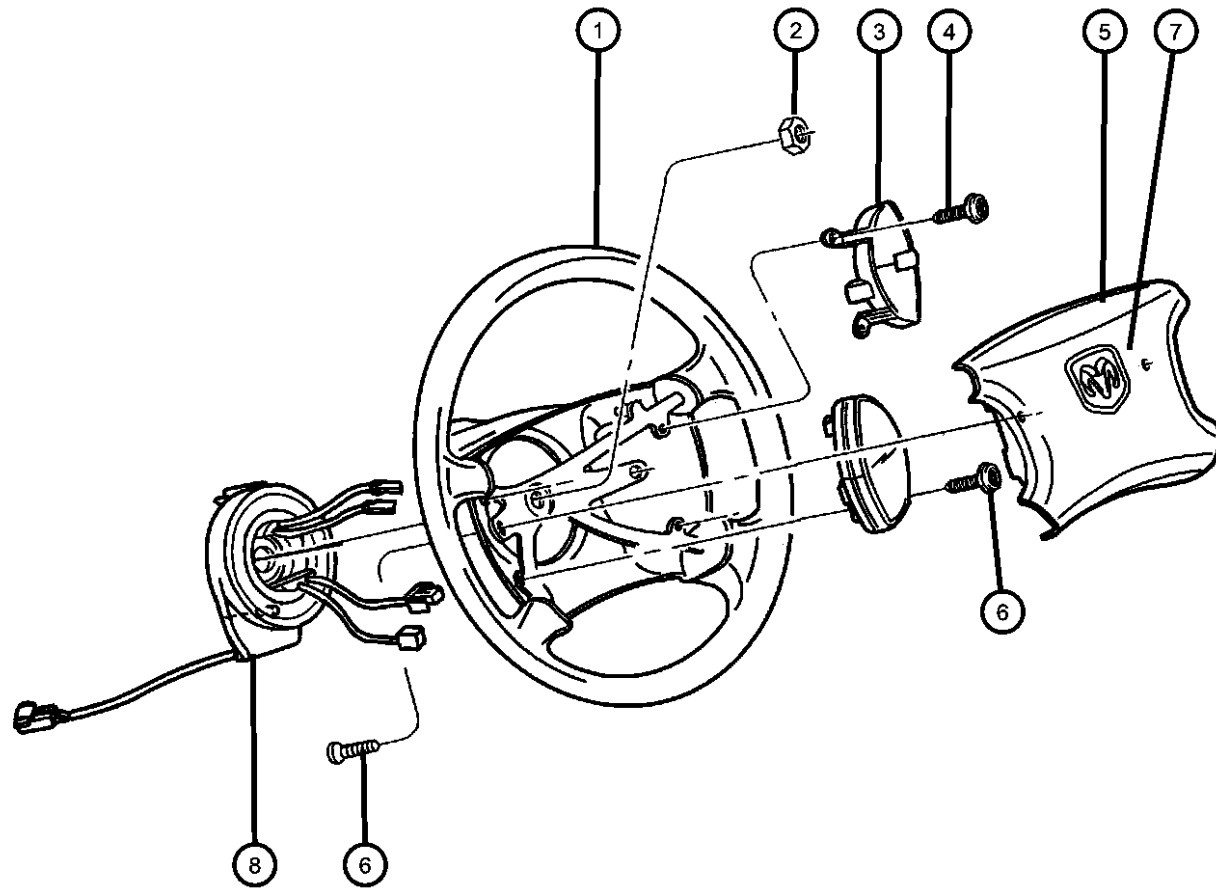
Hoses,Power Steering,with Hydroboost System with EM0,ET0,EW0 Engines..... Fig. 19 - 730

<p>019-100 Steering Wheel</p> 	<p>019-200 Steering Column</p> 	<p>019-300 Steering Gear</p> 	<p>019-400 Steering Linkage</p> 
<p>019-500 Power Steering Pump</p> 	<p>019-700 Power Steering Hoses</p> 		

**Wheel, Steering
Figure 19-110**

ITEM	PART NUMBER	QTY	LINE	SERIES	BODY	ENGINE	TRANS	TRIM	DESCRIPTION
------	-------------	-----	------	--------	------	--------	-------	------	-------------

Note: If Horn Switch is defective, you must replace the AIR BAG COVER WITH SWITCH and not the AIR BAG MODULE ASSEMBLY itself.
 Note: CGW=Air Bags-Next Generation—NHM=Speed Control—RDZ=Audio Controls-Steering Wheel Mounted—SCB=Steering Wheel-2 Spoke-



1									WHEEL, Steering
	5EH10DX9AC	1							Black [SCB,-NHM]
	5FL421X9AD	1							Black [SCV,+NHM,-RDZ]
	5FM14DX9AC	1							Black [SCB,+NHM]
	5GC421X9AF	1							Black [SCV,+NHM,+RDZ]
2	06505248AA	1					DG0		NUT, Hex Flange Lock, Steering Wheel Mounting
3									SWITCH, Speed Control
	56021332AB	1							Right
	56021333AB	1							Left
4	06035142	1							SCREW, .164-32x1.00, Speed Control Switch Mounting
5	5GV11DX9AA	1							AIR BAG, Driver
6	06503771	2							SCREW, Hex Flange Head, M6x1x23, Air Bag Module to Steering Wheel Mounting
7	0TK64DX9AA	1							COVER, Air Bag Module, Includes Horn Switch
8									CLOCKSPRING
	56045454AC	1							[-NHM,-RDZ]
	56045455AC	1							[+NHM,-RDZ]
	56045456AC	1							[+NHM,+RDZ]
-9									SWITCH, Radio Control
	04685619AB	1							Right
	04685632AB	1							Left

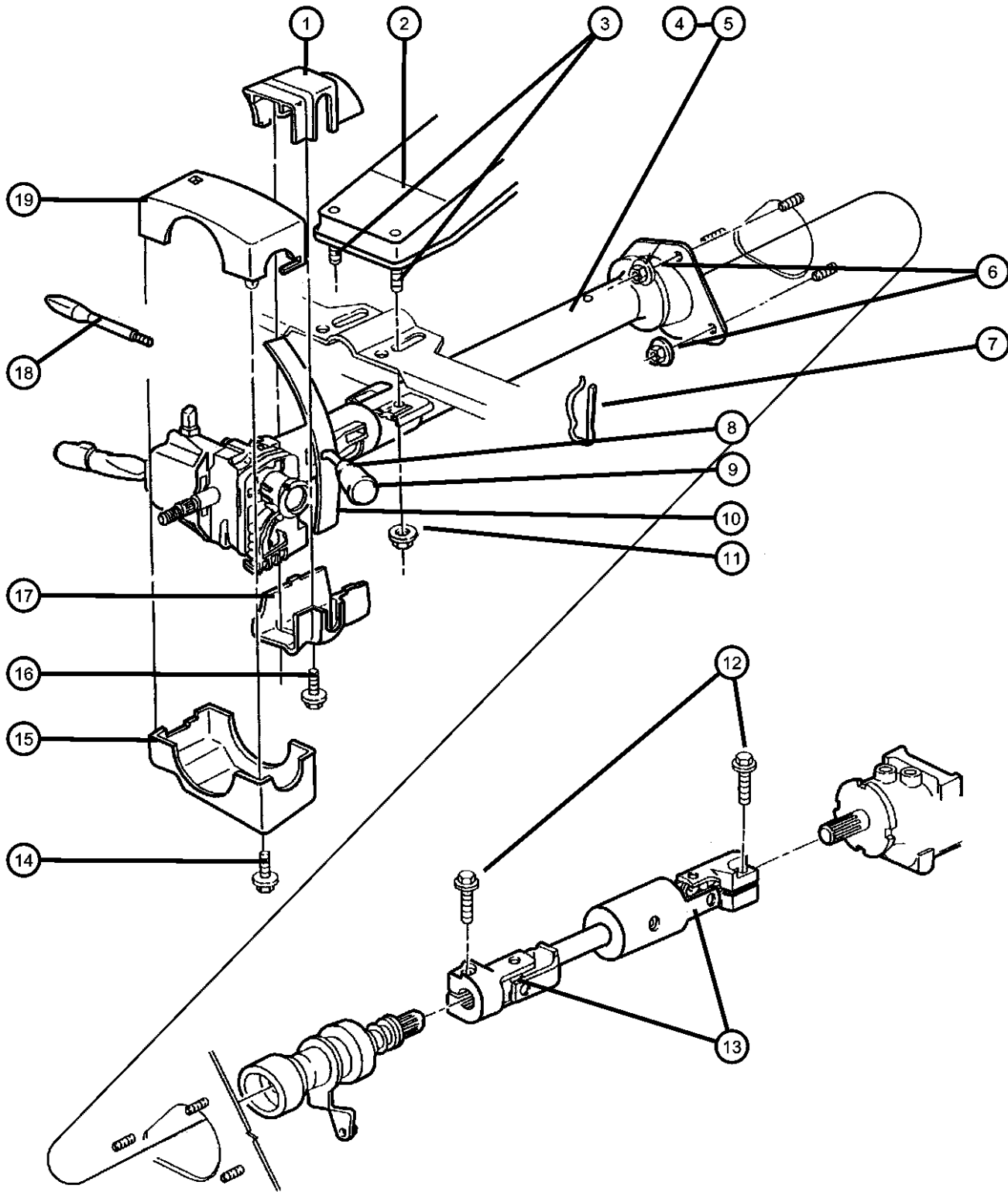
RAM PICKUP/CLUB CAB (BE)

SERIES	LINE	BODY	ENGINE	TRANSMISSION
L = RAM 1500, 2500, 3500	1 = Lt. Duty DODGE 2WD 2 = Med. Duty DODGE 2WD 3 = HD DODGE 2WD 6 = Lt. Duty DODGE 4WD 7 = Med. Duty DODGE 4WD 8 = HD DODGE 4WD	31 = CLUB CAB 2-DR 6.5 FT BOX 32 = CLUB CAB 2-DR 8FT BOX 33 = QUAD CAB 4-DR 6.5 FT BOX 34 = QUAD CAB 4-DR 8FT BOX	ETC = 5.9L Cummins 24V Diesel Engine EWA = 8.0L V10 MPI Engine EM0 = ALL 5.9L 8 CYL ENGINES - GAS EMM = 5.9L SMPI V8 Engine EML = 5.9L V8 MPI Engine ELF = 5.2L V8 MPI Engine	DGP = 4-Spd. Automatic 47RE Transmission DD0 = ALL 5 SPEED MANUAL TRANSMISSIONS DG0 = ALL AUTOMATIC TRANSMISSIONS DDC = 5-Speed HD Manual Transmission DDP = 5-Speed Manual Transmission DDX = 5-Speed HD Manual Transmission DEE = 6-Speed HD Manual Transmission DGT = 4-Spd. Automatic 46RE Transmission

AR = use ase required - = Non illustrated part

1999 BE

**Column, Steering, Upper And Lower
Figure 19-210**



ITEM	PART NUMBER	QTY	LINE	SERIES	BODY	ENGINE	TRANS	TRIM	DESCRIPTION
Note:SUA=Tilt Steering Column—DBB=All Manual Transmissions—DG0=All Automatic Transmissions									
1	5CE58JX8AB	1					DG0		SHROUD, Steering Column Front Fixed with Column Shift [DG0], Upper
	5CN67PX8	1					DBB		Front Fixed with Floor Shift [DBB], Upper
2	55351014AD	1							BRACKET, Steering Column, Clutch and Brake Pedal
3	06503761	2							STUD, M6x1.00mmx48.80mm, Steering Column Upper
4	04897478AC	1					DG0		COLUMN, Steering, Tilt [DG0]
	04897479AC	1					DBB		[DBB]
5	04897480AC	1					DG0		COLUMN, Steering, Non tilt [DG0]
	04897481AC	1					DBB		[DBB]
6	04897481AC	1							NUT AND WASHER, Hex Lock Nut-Coned Lock Washer, M8 x 1.25, (NOT SERVICED),
7	04897481AC	1							PIN, Pivot, Part of Column Assembly, (NOT SERVICED)
8	04690522AB	1					DG0		LEVER, Gearshift, Includes Gap Hider and Overdrive Switch
9	56021048	1					DG0		SWITCH, Overdrive Lockout, [DG0]
10	04470108AB	1					DG0		GAP HIDER, Steering Column Shroud, [DG0]
11	06503014	2							NUT AND WASHER, Hex, M6x1
12	06504926AA	2							SCREW, Hex Flange Head, M10x1.5x40, Intermediate Shaft to Gear and Column Mounting
13	55351113AA	1	6, 7, 8						SHAFT, Intermediate
	55351114AA	1	1, 2, 3						
14									SCREW, .164-32x1.00

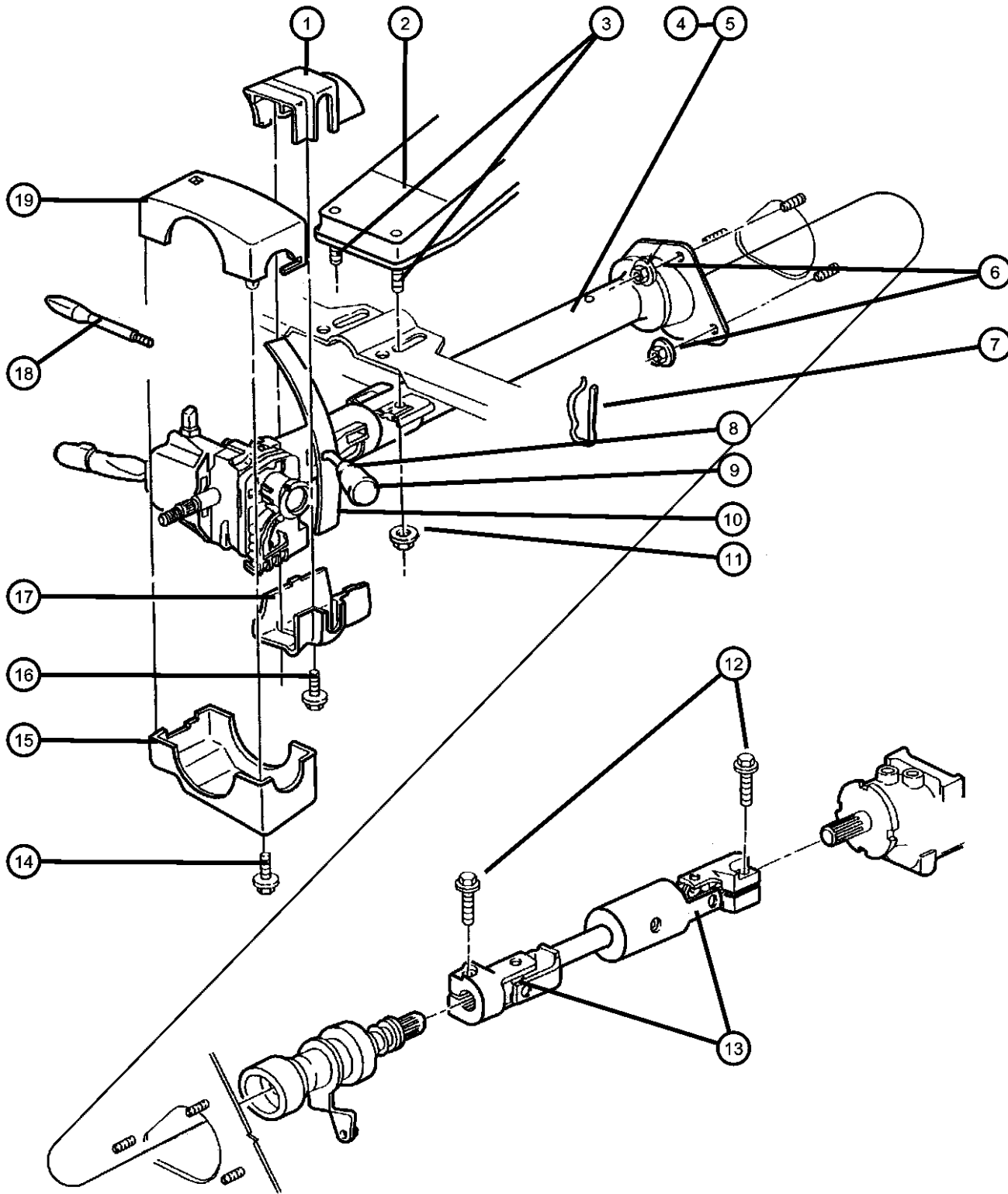
RAM PICKUP/CLUB CAB (BE)

SERIES	LINE	BODY	ENGINE	TRANSMISSION
L = RAM 1500, 2500, 3500	1 = Lt. Duty DODGE 2WD 2 = Med. Duty DODGE 2WD 3 = HD DODGE 2WD 6 = Lt. Duty DODGE 4WD 7 = Med. Duty DODGE 4WD 8 = HD DODGE 4WD	31 = CLUB CAB 2-DR 6.5 FT BOX 32 = CLUB CAB 2-DR 8FT BOX 33 = QUAD CAB 4-DR 6.5 FT BOX 34 = QUAD CAB 4-DR 8FT BOX	ETC = 5.9L Cummins 24V Diesel Engine EWA = 8.0L V10 MPI Engine EM0 = ALL 5.9L 8 CYL ENGINES - GAS EMM = 5.9L SMPI V8 Engine EML = 5.9L V8 MPI Engine ELF = 5.2L V8 MPI Engine	DGP = 4-Spd. Automatic 47RE Transmission DD0 = ALL 5 SPEED MANUAL TRANSMISSIONS DG0 = ALL AUTOMATIC TRANSMISSIONS DDC = 5-Speed HD Manual Transmission DDP = 5-Speed Manual Transmission DDX = 5-Speed HD Manual Transmission DEE = 6-Speed HD Manual Transmission DGT = 4-Spd. Automatic 46RE Transmission

AR = use ase required - = Non illustrated part

1999 BE

**Column, Steering, Upper And Lower
Figure 19-210**



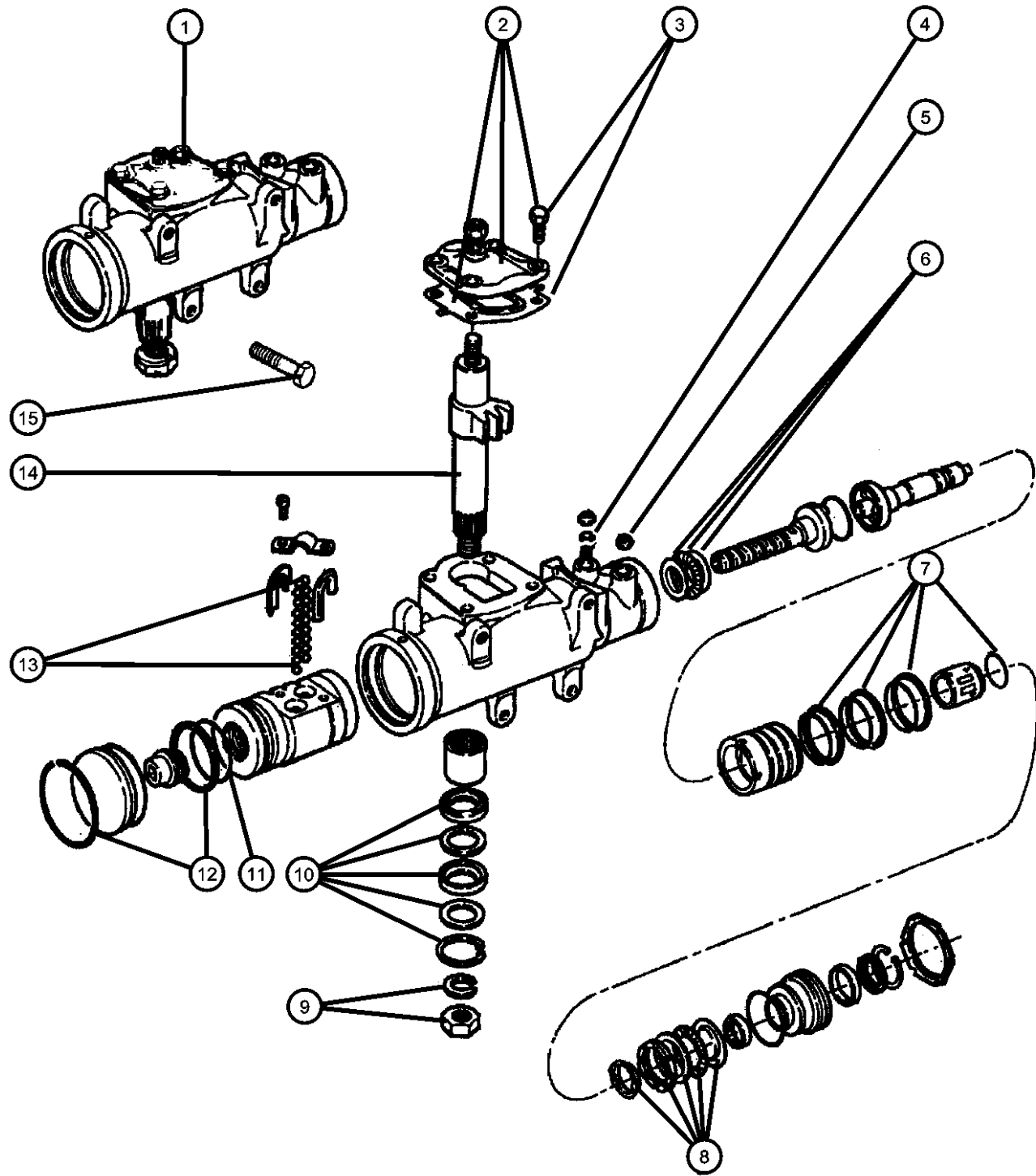
ITEM	PART NUMBER	QTY	LINE	SERIES	BODY	ENGINE	TRANS	TRIM	DESCRIPTION
	06035142	1							Lower Fixed Shroud to Steering Column Attaching
		1							Lower Lock Housing to Steering Column
15	0KJ95JX8AB	1							SHROUD, Steering Column, Rear Lock Housing with Key Pad, Lower
16	04470105	1							SCREW, Filister Head, #8-16x.25, Upper to Lower Lock Housing
17									SHROUD, Steering Column
	5CT42JX8AC	1					DG0		Front Fixed, Lower
	5CU51JX8AB	1					DBB		Front Fixed, Lower
18	04470103	1							LEVER, Tilt Column Release
19									SHROUD, Lock Housing
	0DH69JX8AC	1							Rear [+SUA], Upper
	0DH72JX8AB	1							Rear [-SUA], Upper
-20									SWITCH, Ignition
	56021346	1					DG0		
		1					DBB		
-21									SCREW, Ignition Switch
	06503845	5					DG0		
		5					DBB		
-22									SCREW, 6 Lobed
	06506514AA	5					DBB		
		5					DG0		

RAM PICKUP/CLUB CAB (BE)

SERIES	LINE	BODY	ENGINE	TRANSMISSION
L = RAM 1500, 2500, 3500	1 = Lt. Duty DODGE 2WD 2 = Med. Duty DODGE 2WD 3 = HD DODGE 2WD 6 = Lt. Duty DODGE 4WD 7 = Med. Duty DODGE 4WD 8 = HD DODGE 4WD	31 = CLUB CAB 2-DR 6.5 FT BOX 32 = CLUB CAB 2-DR 8FT BOX 33 = QUAD CAB 4-DR 6.5 FT BOX 34 = QUAD CAB 4-DR 8FT BOX	ETC = 5.9L Cummins 24V Diesel Engine EWA = 8.0L V10 MPI Engine EM0 = ALL 5.9L 8 CYL ENGINES - GAS EMM = 5.9L SMPI V8 Engine EML = 5.9L V8 MPI Engine ELF = 5.2L V8 MPI Engine	DGP = 4-Spd. Automatic 47RE Transmission DD0 = ALL 5 SPEED MANUAL TRANSMISSIONS DG0 = ALL AUTOMATIC TRANSMISSIONS DDC = 5-Speed HD Manual Transmission DDP = 5-Speed Manual Transmission DDX = 5-Speed HD Manual Transmission DEE = 6-Speed HD Manual Transmission DGT = 4-Spd. Automatic 46RE Transmission

AR = use ase required - = Non illustrated part

**Power Steering Gear
Figure 19-310**



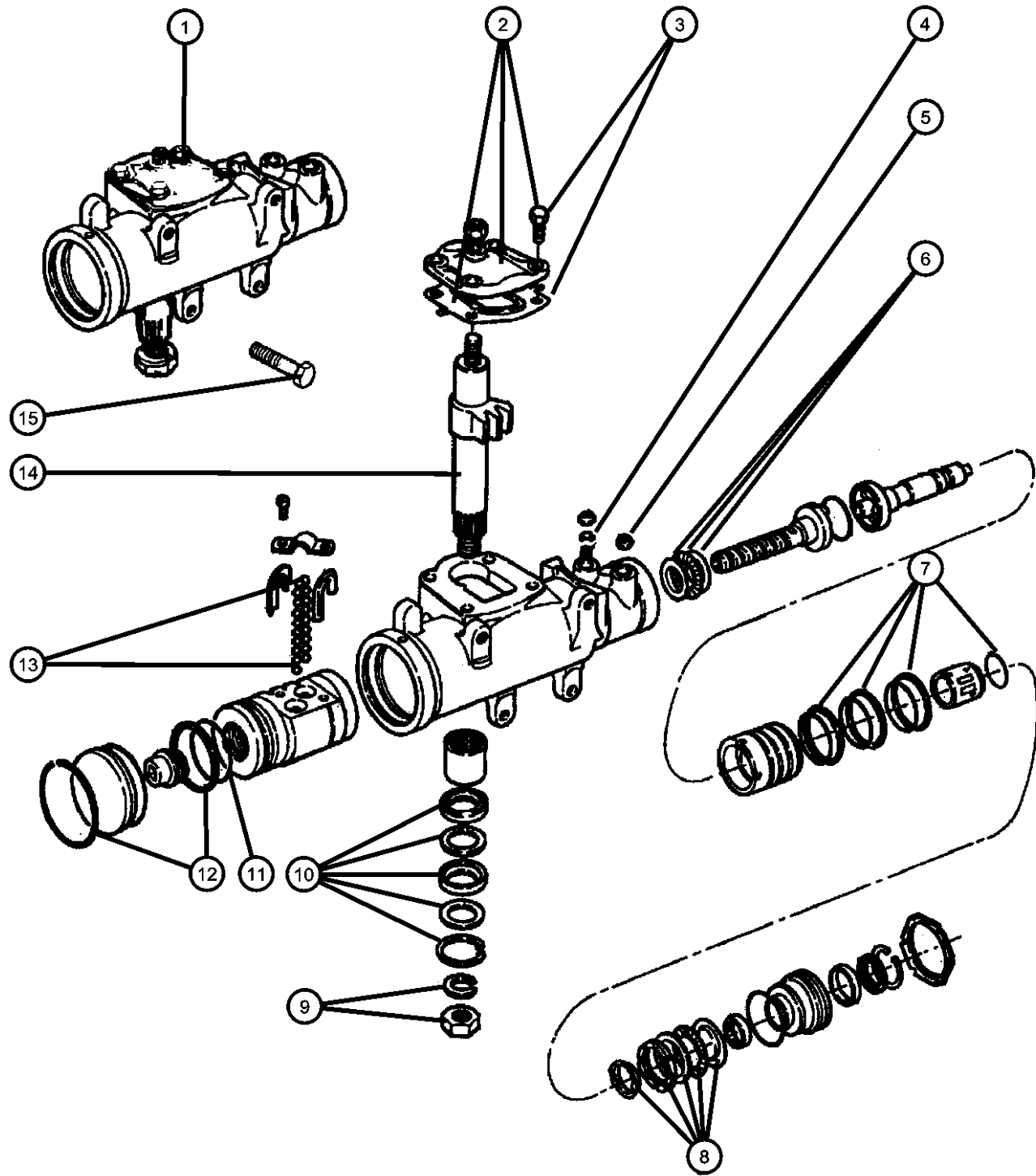
ITEM	PART NUMBER	QTY	LINE	SERIES	BODY	ENGINE	TRANS	TRIM	DESCRIPTION
Note: Check the VIN Number for the 'Z' Code Identification.—Parts not called out on the illustration is serviced with the Gearbox assy.									
1	52113500AB	1	2, 3, 7, 8						GEAR, Power Steering
	52113502AA	1	1, 6						
2	03893554	1	1, 6						COVER, Steering Gear Housing
		1	2, 3, 7, 8						
3	03893558	1	1, 6						SEAL, Steering Gear Cover
		1	2, 3, 7, 8						
4	04210545	1	1, 6						VALVE, Power Steering Gear
		1	2, 3, 7, 8						
5	J3251183	1	1, 6						O RING, Power Steering Pump
		1	2, 3, 7, 8						
6	04897000AA	1	1, 6						REPAIR KIT, Thrust Bearing, Steering Gear
		1	2, 3, 7, 8						
7	03491350	1	1, 6						SEAL, Steering Gear Valve
		1	2, 3, 7, 8						
8	04886349AA	1	1, 6						SEAL KIT, Steering gear adjuster plug
		1	2, 3, 7, 8						
9	J3200501	1	2, 3, 7, 8						NUT, Steering Gear Arm

RAM PICKUP/CLUB CAB (BE)

SERIES	LINE	BODY	ENGINE	TRANSMISSION
L = RAM 1500, 2500, 3500	1 = Lt. Duty DODGE 2WD 2 = Med. Duty DODGE 2WD 3 = HD DODGE 2WD 6 = Lt. Duty DODGE 4WD 7 = Med. Duty DODGE 4WD 8 = HD DODGE 4WD	31 = CLUB CAB 2-DR 6.5 FT BOX 32 = CLUB CAB 2-DR 8FT BOX 33 = QUAD CAB 4-DR 6.5 FT BOX 34 = QUAD CAB 4-DR 8FT BOX	ETC = 5.9L Cummins 24V Diesel Engine EWA = 8.0L V10 MPI Engine EM0 = ALL 5.9L 8 CYL ENGINES - GAS EMM = 5.9L SMPI V8 Engine EML = 5.9L V8 MPI Engine ELF = 5.2L V8 MPI Engine	DGP = 4-Spd. Automatic 47RE Transmission DD0 = ALL 5 SPEED MANUAL TRANSMISSIONS DG0 = ALL AUTOMATIC TRANSMISSIONS DDC = 5-Speed HD Manual Transmission DDP = 5-Speed Manual Transmission DDX = 5-Speed HD Manual Transmission DEE = 6-Speed HD Manual Transmission DGT = 4-Spd. Automatic 46RE Transmission

AR = use ase required - = Non illustrated part

Power Steering Gear
Figure 19-310



ITEM	PART NUMBER	QTY	LINE	SERIES	BODY	ENGINE	TRANS	TRIM	DESCRIPTION
10		1	1, 6						SEAL KIT, Steering gear pitman shaft
	04470365	1	1, 6						
11		1	2, 3, 7, 8						SEAL, Steering Gear
	03893559	1	1, 6						
12		1	2, 3, 7, 8						SEAL KIT, Steering gear end plug
	03893557	1	1, 6						
13		1	2, 3, 7, 8						BALL, Steering Gear
	03822799	1	1, 6						
14		1	2, 3, 7, 8						SHAFT, Pitman
	03491343	1	1, 6						
15		3	2, 3, 7, 8						SCREW AND WASHER, Hex Head, M14 x 2 x 115.0
	06504742								

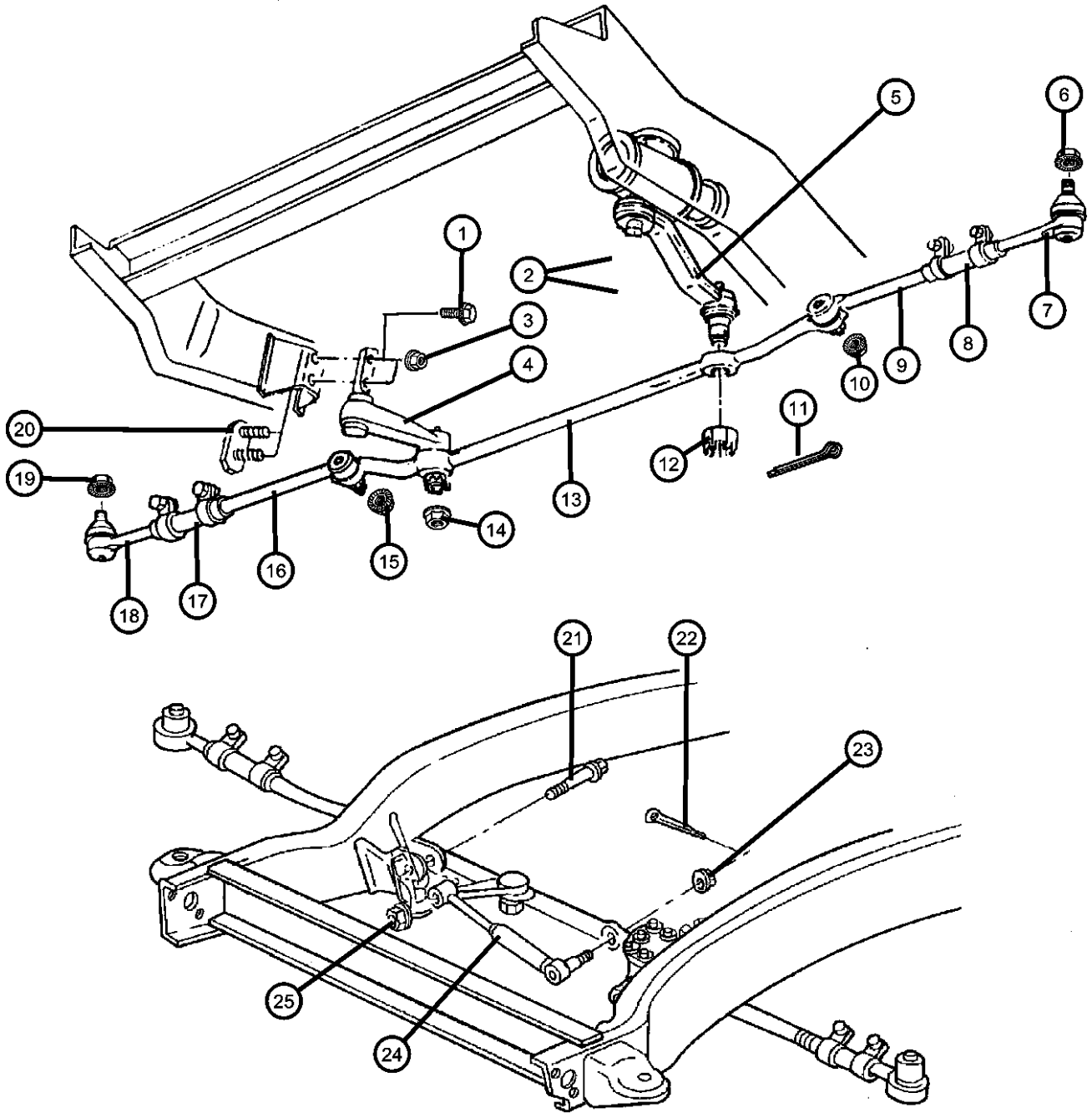
RAM PICKUP/CLUB CAB (BE)

SERIES	LINE	BODY	ENGINE	TRANSMISSION
L = RAM 1500, 2500, 3500	1 = Lt. Duty DODGE 2WD 2 = Med. Duty DODGE 2WD 3 = HD DODGE 2WD 6 = Lt. Duty DODGE 4WD 7 = Med. Duty DODGE 4WD 8 = HD DODGE 4WD	31 = CLUB CAB 2-DR 6.5 FT BOX 32 = CLUB CAB 2-DR 8FT BOX 33 = QUAD CAB 4-DR 6.5 FT BOX 34 = QUAD CAB 4-DR 8FT BOX	ETC = 5.9L Cummins 24V Diesel Engine EWA = 8.0L V10 MPI Engine EM0 = ALL 5.9L 8 CYL ENGINES - GAS EMM = 5.9L SMPI V8 Engine EML = 5.9L V8 MPI Engine ELF = 5.2L V8 MPI Engine	DGP = 4-Spd. Automatic 47RE Transmission DD0 = ALL 5 SPEED MANUAL TRANSMISSIONS DG0 = ALL AUTOMATIC TRANSMISSIONS DDC = 5-Speed HD Manual Transmission DDP = 5-Speed Manual Transmission DDX = 5-Speed HD Manual Transmission DEE = 6-Speed HD Manual Transmission DGT = 4-Spd. Automatic 46RE Transmission

AR = use ase required - = Non illustrated part

1999 BE

Linkage, Steering, BE 1,2,3
Figure 19-410



ITEM	PART NUMBER	QTY	LINE	SERIES	BODY	ENGINE	TRANS	TRIM	DESCRIPTION
------	-------------	-----	------	--------	------	--------	-------	------	-------------

Note: Check the VIN Number for the 'Z' Code Identification.

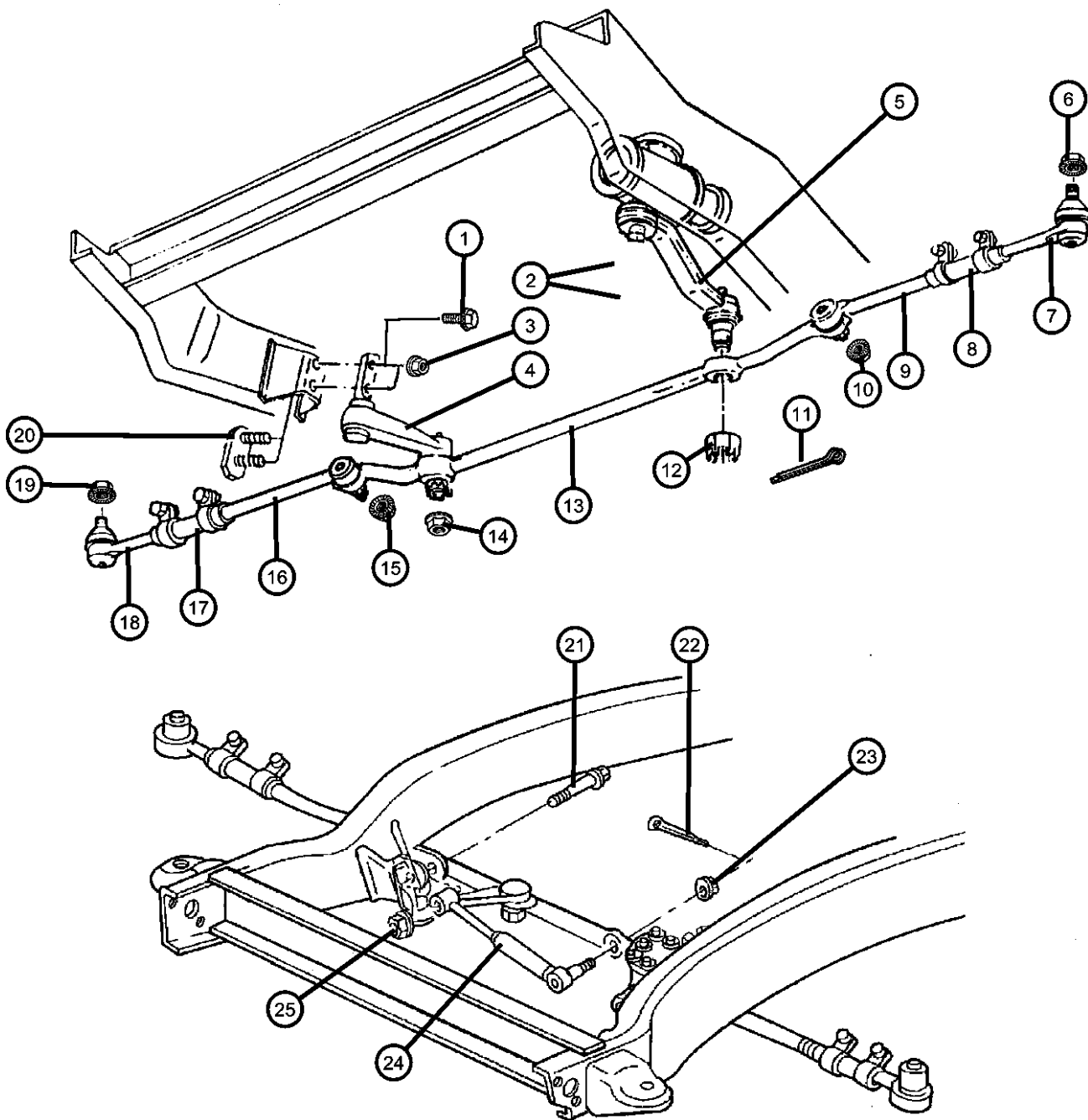
1	06503814	2	2, 3						SCREW AND WASHER, M16x2x50, [Z2B,Z3A]
2	J3200501	1	2, 3, 7, 8						NUT, Steering Gear Arm, 2
		1	1, 6						
3	06504196	2	1						NUT, M12x1.75, [Z1B]
4									ARM, Idler
	52038589	1	2, 3						[Z2B,Z3A]
	52038728	1	1						[Z1B]
5									ARM, Pitman
	52037624	1	1						[Z1B]
	52038587	1	2, 3						[Z2B,Z3A]
6	06502749	2	1, 2, 3						NUT, Castle, M14x1.5, Outer Tie Rod to Knuckle Mounting SOCKET, Tie Rod, Outer
7									
	52037584	1	1						[Z1B]
		1	2, 3						[Z2B,Z3A]
8									SLEEVE, Steering Linkage
	52004472	1	1						[Z1B] Adjusting
		1	2, 3						[Z2B,Z3A] Adjusting
9									SOCKET, Tie Rod, Inner
	52037583	1	1						[Z1B]
		1	2, 3						[Z2B,Z3A]
10	06502749	2	1, 2, 3						NUT, Castle, M14x1.5, Inner Tie Rod to Center Link
11	06100017	2							PIN, Cotter, M2.5x28.00
12	06502749	2	1, 2, 3						NUT, Castle, M14x1.5, Steering Gear Arm to Center Link
13									LINK, Steering Center
	52037562	1	1						[Z1B]

RAM PICKUP/CLUB CAB (BE)

SERIES	LINE	BODY	ENGINE	TRANSMISSION
L = RAM 1500, 2500, 3500	1 = Lt. Duty DODGE 2WD 2 = Med. Duty DODGE 2WD 3 = HD DODGE 2WD 6 = Lt. Duty DODGE 4WD 7 = Med. Duty DODGE 4WD 8 = HD DODGE 4WD	31 = CLUB CAB 2-DR 6.5 FT BOX 32 = CLUB CAB 2-DR 8FT BOX 33 = QUAD CAB 4-DR 6.5 FT BOX 34 = QUAD CAB 4-DR 8FT BOX	ETC = 5.9L Cummins 24V Diesel Engine EWA = 8.0L V10 MPI Engine EM0 = ALL 5.9L 8 CYL ENGINES - GAS EMM = 5.9L SMPI V8 Engine EML = 5.9L V8 MPI Engine ELF = 5.2L V8 MPI Engine	DGP = 4-Spd. Automatic 47RE Transmission DD0 = ALL 5 SPEED MANUAL TRANSMISSIONS DG0 = ALL AUTOMATIC TRANSMISSIONS DDC = 5-Speed HD Manual Transmission DDP = 5-Speed Manual Transmission DDX = 5-Speed HD Manual Transmission DEE = 6-Speed HD Manual Transmission DGT = 4-Spd. Automatic 46RE Transmission

AR = use ase required - = Non illustrated part

Linkage, Steering, BE 1,2,3
Figure 19-410



ITEM	PART NUMBER	QTY	LINE	SERIES	BODY	ENGINE	TRANS	TRIM	DESCRIPTION
	52037563	1	2, 3						[Z2B,Z3A]
14	06502749	2	1, 2, 3						NUT, Castle, M14x1.5, Center Link to Idler Arm
15	06502749	2	1, 2, 3						NUT, Castle, M14x1.5, Inner Tie Rod to Center Link
16									SOCKET, Tie Rod, Inner
	52037583	1	1						[Z1B]
		1	2, 3						[Z2B,Z3A]
17									SLEEVE, Steering Linkage
	52004472	1	1						[Z1B] Adjusting
		1	2, 3						[Z2B,Z3A] Adjusting
18									SOCKET, Tie Rod, Outer
	52037584	1	1						[Z1B]
		1	2, 3						[Z2B,Z3A]
19	06502749	2	1, 2, 3						NUT, Castle, M14x1.5, Outer Tie Rod to Knuckle Mounting
20	52038856	1	1						STUD PLATE, Idler Arm, [Z1B]
21	06502473	1	3						BOLT, Hex Flange Head, M12x1.75x65, [Z3A]
22	06100017	2							PIN, Cotter, M2.5x28.00
23	06502748	1	3						NUT, Hex, M12x1.75, [Z3A]
									DAMPER Stud to Drag Link
24	52039282	1	3						DAMPER, Steering, [Z3A]
25	06502697	1	3						NUT, Hex Flange Lock, M12x1.75, [Z3A] Damper to Frame Bracket Mounting

RAM PICKUP/CLUB CAB (BE)

SERIES	LINE	BODY	ENGINE	TRANSMISSION
L = RAM 1500, 2500, 3500	1 = Lt. Duty DODGE 2WD 2 = Med. Duty DODGE 2WD 3 = HD DODGE 2WD 6 = Lt. Duty DODGE 4WD 7 = Med. Duty DODGE 4WD 8 = HD DODGE 4WD	31 = CLUB CAB 2-DR 6.5 FT BOX 32 = CLUB CAB 2-DR 8FT BOX 33 = QUAD CAB 4-DR 6.5 FT BOX 34 = QUAD CAB 4-DR 8FT BOX	ETC = 5.9L Cummins 24V Diesel Engine EWA = 8.0L V10 MPI Engine EM0 = ALL 5.9L 8 CYL ENGINES - GAS EMM = 5.9L SMPI V8 Engine EML = 5.9L V8 MPI Engine ELF = 5.2L V8 MPI Engine	DGP = 4-Spd. Automatic 47RE Transmission DD0 = ALL 5 SPEED MANUAL TRANSMISSIONS DG0 = ALL AUTOMATIC TRANSMISSIONS DDC = 5-Speed HD Manual Transmission DDP = 5-Speed Manual Transmission DDX = 5-Speed HD Manual Transmission DEE = 6-Speed HD Manual Transmission DGT = 4-Spd. Automatic 46RE Transmission

AR = use ase required - = Non illustrated part

1999 BE

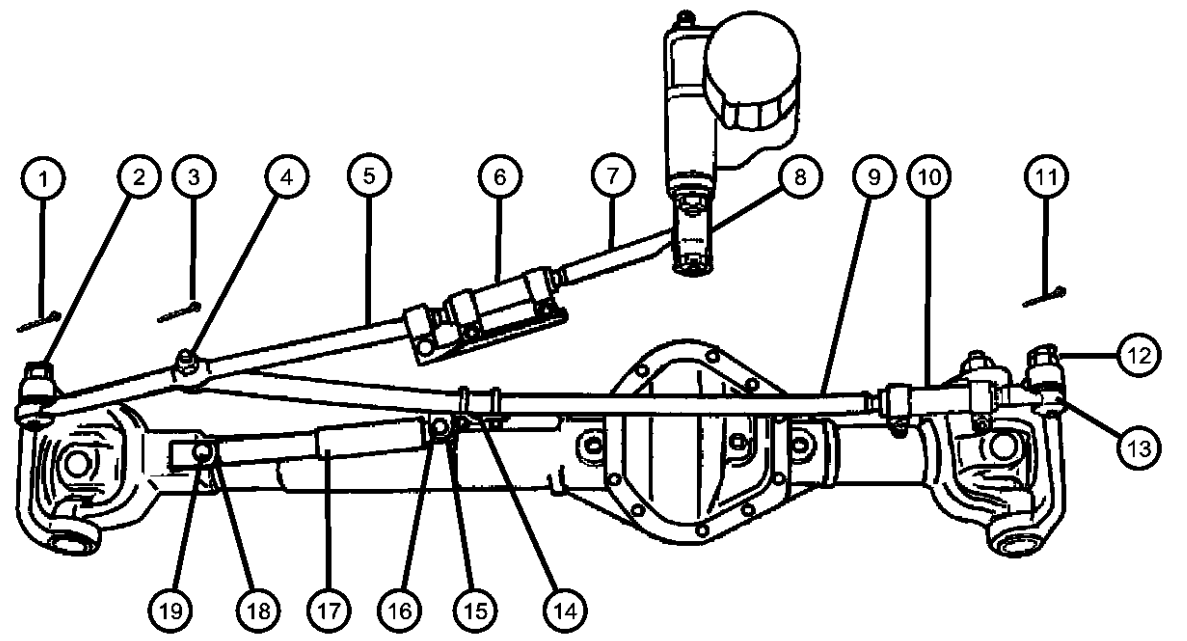
Linkage,Steering,BE 6,7,8
Figure 19-420

ITEM	PART NUMBER	QTY	LINE	SERIES	BODY	ENGINE	TRANS	TRIM	DESCRIPTION
1	00120123	3							PIN, Cotter
2	06502749	3	1, 2, 3, 6						NUT, Castle, M14x1.5 Drag Link to Knuckle Mounting
		3	7, 8						Drag Link to Knuckle Mounting
3	00120123	3							PIN, Cotter
4	06502749	3	7, 8						NUT, Castle, M14x1.5 Tie Rod to Drag Link Mounting
		2	1, 2, 3						Tie Rod to Drag Link Mounting
5	52038934	1	7, 8						SOCKET, Drag Link [Z7B,Z8B], Outer
	52039185	1	6						[Z6B], Outer
6	52037600	1	6						TUBE, Tie Rod [Z6B]
		1	7, 8						[Z7B,Z8B]
7	52037579	1	6						SOCKET, Drag Link [Z6B], Inner
		1	7, 8						[Z7B,Z8B], Inner
8	52037627	1	6						ARM, Pitman [Z6B]
	52038946AB	1	7, 8						[Z7B,Z8B]
9	52038937	1	7, 8						SOCKET, Tie Rod [Z7B,Z8B], Inner
	52039263	1	6						[Z6B], Inner
10	52037600	1	6						TUBE, Tie Rod [Z6B]
	52039182	1	7, 8						[Z7B,Z8B]
11	00120123	3							PIN, Cotter
12									NUT, Castle, M14x1.5

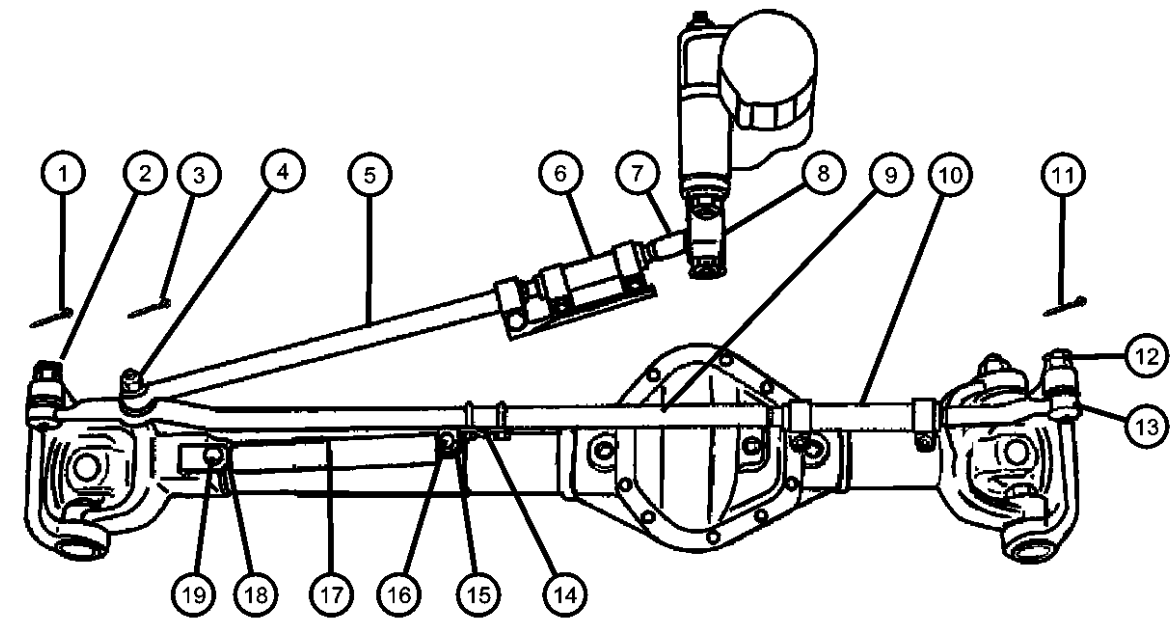
RAM PICKUP/CLUB CAB (BE)

SERIES	LINE	BODY	ENGINE	TRANSMISSION
L = RAM 1500, 2500, 3500	1 = Lt. Duty DODGE 2WD 2 = Med. Duty DODGE 2WD 3 = HD DODGE 2WD 6 = Lt. Duty DODGE 4WD 7 = Med. Duty DODGE 4WD 8 = HD DODGE 4WD	31 = CLUB CAB 2-DR 6.5 FT BOX 32 = CLUB CAB 2-DR 8FT BOX 33 = QUAD CAB 4-DR 6.5 FT BOX 34 = QUAD CAB 4-DR 8FT BOX	ETC = 5.9L Cummins 24V Diesel Engine EWA = 8.0L V10 MPI Engine EM0 = ALL 5.9L 8 CYL ENGINES - GAS EMM = 5.9L SMPI V8 Engine EML = 5.9L V8 MPI Engine ELF = 5.2L V8 MPI Engine	DGP = 4-Spd. Automatic 47RE Transmission DD0 = ALL 5 SPEED MANUAL TRANSMISSIONS DG0 = ALL AUTOMATIC TRANSMISSIONS DDC = 5-Speed HD Manual Transmission DDP = 5-Speed Manual Transmission DDX = 5-Speed HD Manual Transmission DEE = 6-Speed HD Manual Transmission DGT = 4-Spd. Automatic 46RE Transmission

AR = use ase required - = Non illustrated part



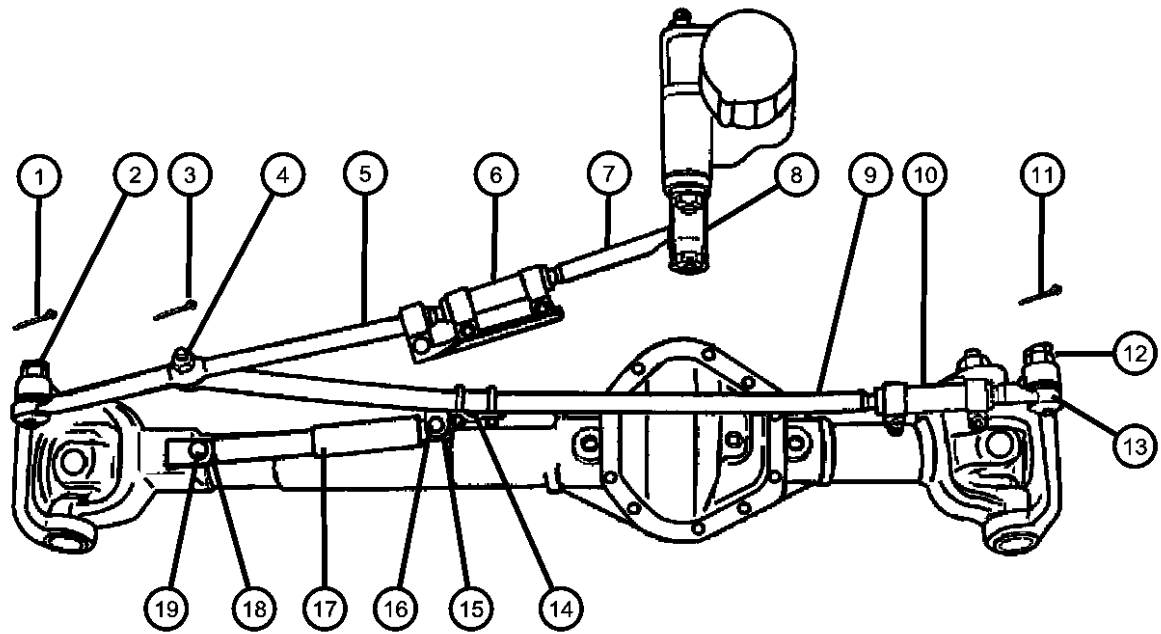
LIGHT DUTY



HEAVY DUTY

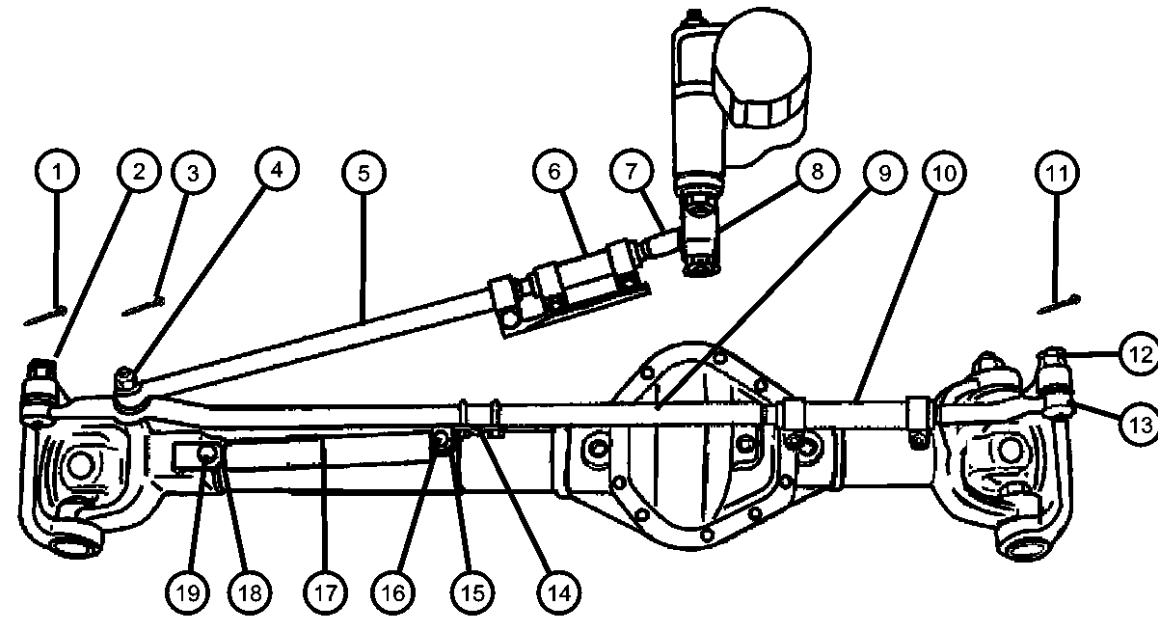
Linkage,Steering,BE 6,7,8
Figure 19-420

ITEM	PART NUMBER	QTY	LINE	SERIES	BODY	ENGINE	TRANS	TRIM	DESCRIPTION
------	-------------	-----	------	--------	------	--------	-------	------	-------------



LIGHT DUTY

	06502749	3	1, 2, 3, 6						
		3	7, 8						
13									SOCKET, Tie Rod
	52037579	1	6						[Z6B], Outer
	52039184	1	7, 8						[Z7B,Z8B], Outer
14									BRACKET, Steering Damper
	52039179	1	7, 8						[Z7B,Z8B]
	52039260	1	6						[Z6B]
15	06502473	1	6, 7, 8						BOLT, Hex Flange Head, M12x1.75x65, [Z6B,Z7B,Z8B]
16	06502748	2	6, 7, 8						NUT, Hex, M12x1.75, Damper to Tie Rod Bracket Mounting
17	52039280	1	6, 7, 8						DAMPER, Steering, [Z6B,Z7B,Z8B]
18	06502473	1	6, 7, 8						BOLT, Hex Flange Head, M12x1.75x65, [Z6B,Z7B,Z8B]
19	06502697	1	6, 7, 8						NUT, Hex Flange Lock, M12x1.75, [Z6B,Z7B,Z8B]



HEAVY DUTY

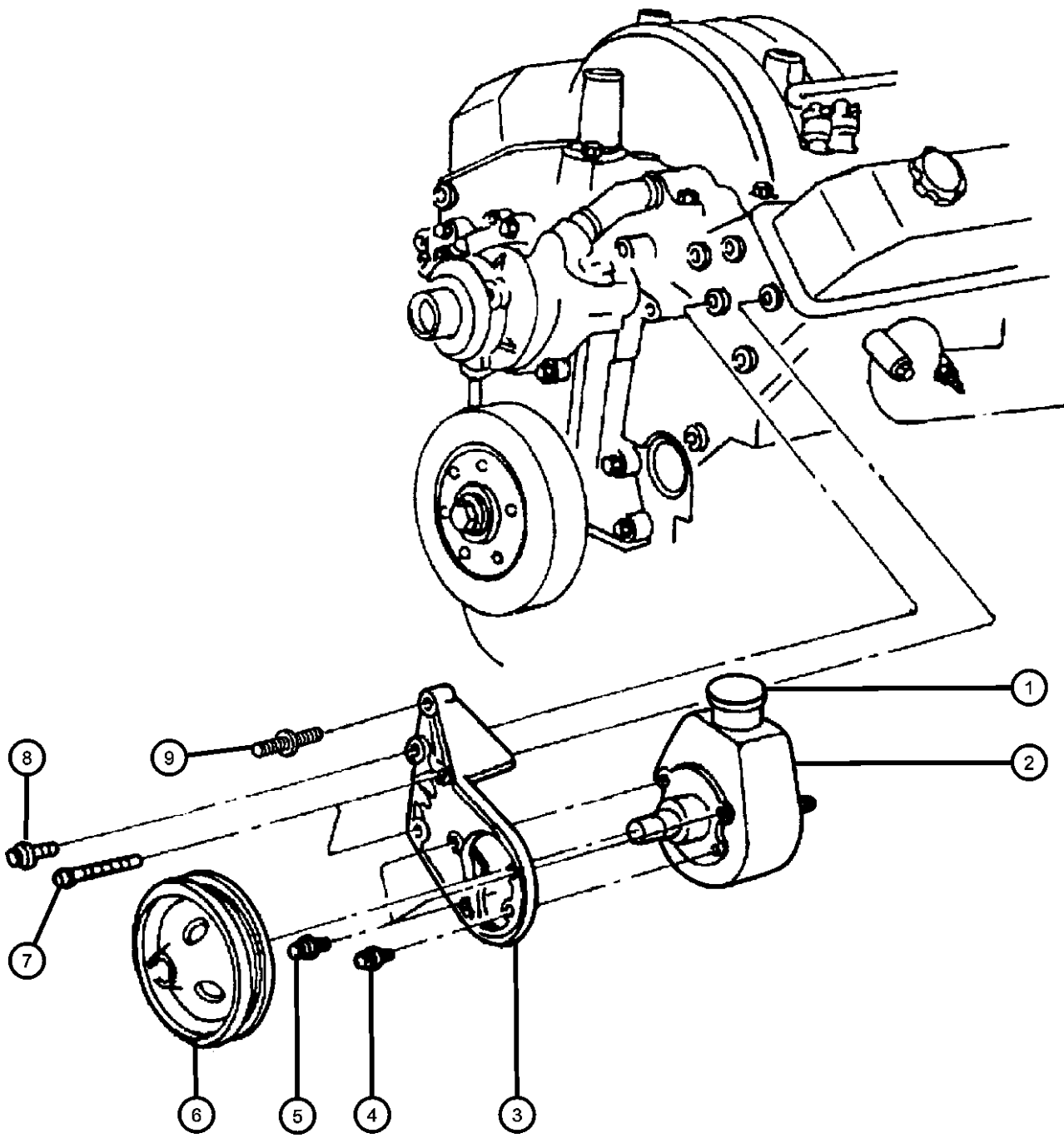
RAM PICKUP/CLUB CAB (BE)

SERIES	LINE	BODY	ENGINE	TRANSMISSION
L = RAM 1500, 2500, 3500	1 = Lt. Duty DODGE 2WD	31 = CLUB CAB 2-DR 6.5 FT BOX	ETC = 5.9L Cummins 24V Diesel Engine	DGP = 4-Spd. Automatic 47RE Transmission
	2 = Med. Duty DODGE 2WD	32 = CLUB CAB 2-DR 8FT BOX	EWA = 8.0L V10 MPI Engine	DD0 = ALL 5 SPEED MANUAL TRANSMISSIONS
	3 = HD DODGE 2WD	33 = QUAD CAB 4-DR 6.5 FT BOX	EM0 = ALL 5.9L 8 CYL ENGINES - GAS	DG0 = ALL AUTOMATIC TRANSMISSIONS
	6 = Lt. Duty DODGE 4WD	34 = QUAD CAB 4-DR 8FT BOX	EMM = 5.9L SMPI V8 Engine	DDC = 5-Speed HD Manual Transmission
	7 = Med. Duty DODGE 4WD		EML = 5.9L V8 MPI Engine	DDP = 5-Speed Manual Transmission
	8 = HD DODGE 4WD		ELF = 5.2L V8 MPI Engine	DDX = 5-Speed HD Manual Transmission
				DEE = 6-Speed HD Manual Transmission
				DGT = 4-Spd. Automatic 46RE Transmission

AR = use ase required - = Non illustrated part

1999 BE

Pump,Power Steering and Mounting,EL0,EM0 Gas
Figure 19-510



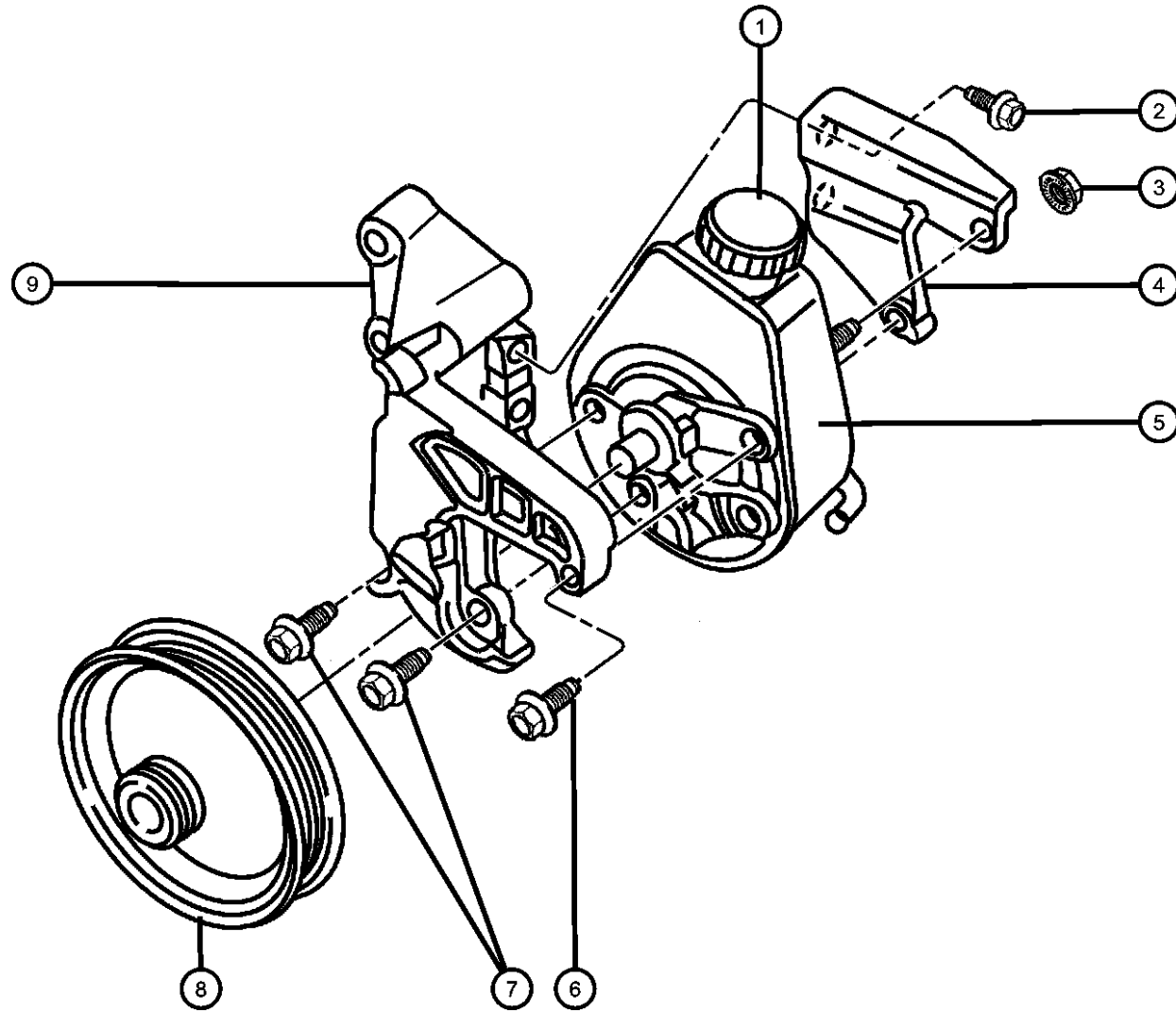
ITEM	PART NUMBER	QTY	LINE	SERIES	BODY	ENGINE	TRANS	TRIM	DESCRIPTION
Note: EH0=3.9L V-6—EL0=5.2L V-8,EM0=5.9L V-8									
1									CAP, Power Steering Pump
	04694766	1	3, 8			EM0			Reservior
		1				EL0			Reservior
		1	1, 2, 6, 7			EM0			Reservior
2									PUMP, Power Steering
	52039042AB	1	3, 8			EM0			
	52039145AB	1				EL0			
		1	1, 2, 6, 7			EM0			
3									BRACKET, Power Steering Pump
	53005613	1	3, 8			EM0			Mounting
		1				EL0			Mounting
		1	1, 2, 6, 7			EM0			Mounting
4		1							SCREW AND WASHER, Hex Head, M10-1.50x30, (NOT SERVICED),
5									BOLT, Hex Head, M10x1.50x28
	06502501	3	3, 8			EM0			Power Steering Bracket to Pump
		3				EL0			Power Steering Bracket to Pump
		3	1, 2, 6, 7			EM0			Power Steering Bracket to Pump
6									PULLEY, Power Steering Pump
	53005614	1	3, 8			EM0			
		1				EL0			
		1	1, 2, 6, 7			EM0			
7	06034247	2				EL0, EM0, EW0			BOLT, Hex Head, .375-16x.25, Power Steering Bracket to Cylinder Head
8	06034249	1				EL0, EM0			SCREW AND WASHER, Power Steering Bracket to Cylinder Head
9	06034985	1				EL0, EM0			STUD, .375-16x3.04, Power Steering Bracket to Cylinder Head

RAM PICKUP/CLUB CAB (BE)

SERIES	LINE	BODY	ENGINE	TRANSMISSION
L = RAM 1500, 2500, 3500	1 = Lt. Duty DODGE 2WD 2 = Med. Duty DODGE 2WD 3 = HD DODGE 2WD 6 = Lt. Duty DODGE 4WD 7 = Med. Duty DODGE 4WD 8 = HD DODGE 4WD	31 = CLUB CAB 2-DR 6.5 FT BOX 32 = CLUB CAB 2-DR 8FT BOX 33 = QUAD CAB 4-DR 6.5 FT BOX 34 = QUAD CAB 4-DR 8FT BOX	ETC = 5.9L Cummins 24V Diesel Engine EWA = 8.0L V10 MPI Engine EM0 = ALL 5.9L 8 CYL ENGINES - GAS EMM = 5.9L SMPI V8 Engine EML = 5.9L V8 MPI Engine ELF = 5.2L V8 MPI Engine	DGP = 4-Spd. Automatic 47RE Transmission DD0 = ALL 5 SPEED MANUAL TRANSMISSIONS DG0 = ALL AUTOMATIC TRANSMISSIONS DDC = 5-Speed HD Manual Transmission DDP = 5-Speed Manual Transmission DDX = 5-Speed HD Manual Transmission DEE = 6-Speed HD Manual Transmission DGT = 4-Spd. Automatic 46RE Transmission

AR = use ase required - = Non illustrated part

**Pump,Power Steering and Mounting,EW0 Gas
Figure 19-520**



ITEM	PART NUMBER	QTY	LINE	SERIES	BODY	ENGINE	TRANS	TRIM	DESCRIPTION
Notes: EW0=8.0L V-10 Gas Engine									
1									CAP, Power Steering Pump
	04694766	1	3, 8			EW0			Reservior
		1	1, 2, 6, 7			EW0			Reservior
2									SCREW, Hex Head, .312-18x.94
	06034549	2	3, 8			EW0			Rear Bracket to Front Bracket
		2	1, 2, 6, 7			EW0			Rear Bracket to Front Bracket
3									NUT, Hex Flange, M10x1.5
	06502135	2	3, 8			EW0			Pump Stud to Rear Bracket
		2	1, 2, 6, 7			EW0			Pump Stud to Rear Bracket
4									BRACKET, Power Steering Pump
	53010011	1	3, 8			EW0			Rear
		1	1, 2, 6, 7			EW0			Rear
5									PUMP, Power Steering
	52039042AB	1	3, 8			EW0			
	52039145AB	1	1, 2, 6, 7			EW0			
6									BOLT, Hex Head, M10x1.50x28
	06502501	1	3, 8			EW0			Front Bracket to Pump
		1	1, 2, 6, 7			EW0			Front Bracket to Pump
7									SCREW, M10x1.5x35
	06101864	2	3, 8			EW0			Front Bracket to Pump
		2	1, 2, 6, 7			EW0			Front Bracket to Pump
8									PULLEY, Power Steering Pump
	53005614	1	3, 8			EW0			
		1	1, 2, 6, 7			EW0			
9									BRACKET, Power Steering Pump
	53010002	1	3, 8			EW0			Front
		1	1, 2, 6, 7			EW0			Front

RAM PICKUP/CLUB CAB (BE)

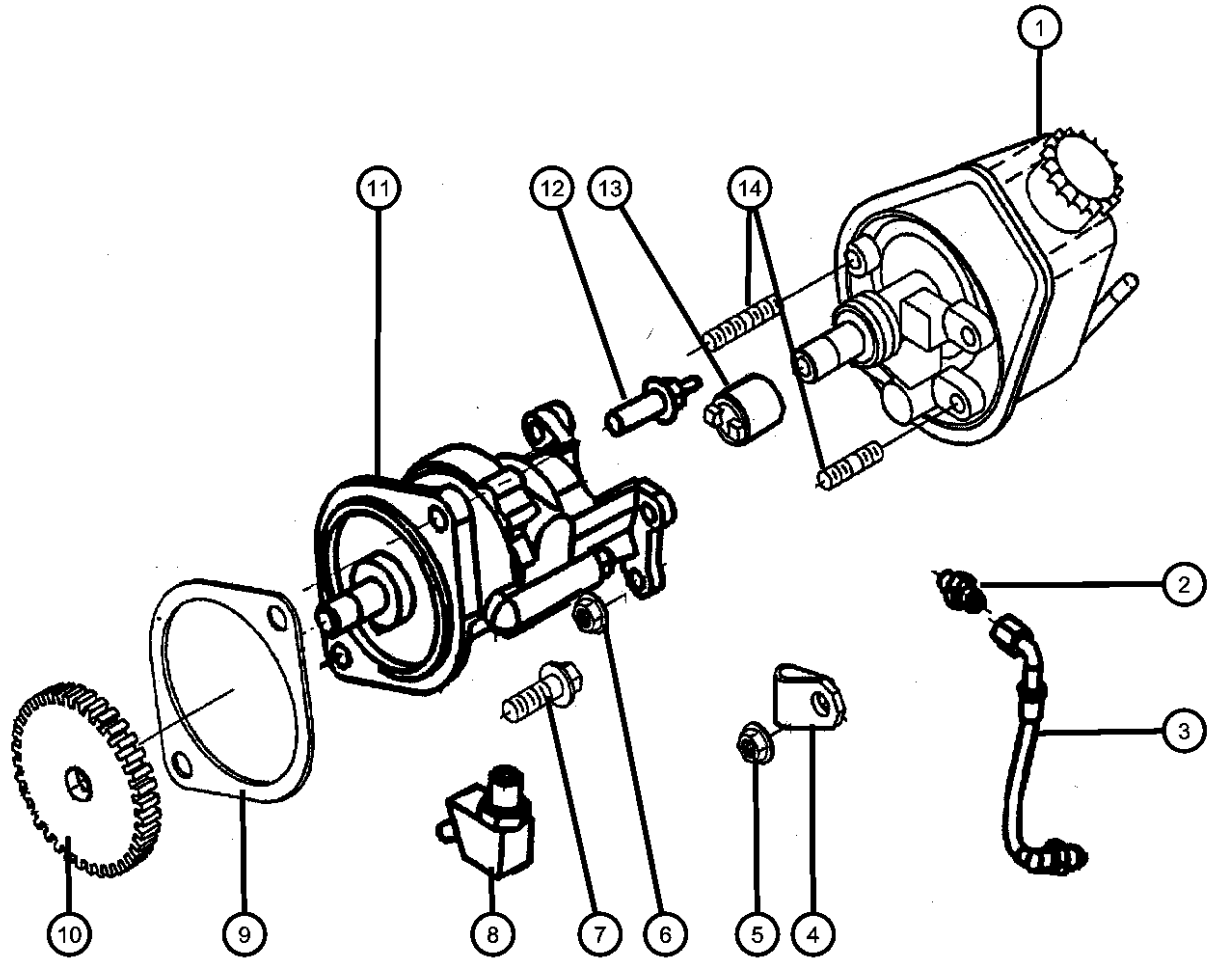
SERIES	LINE	BODY	ENGINE	TRANSMISSION
L = RAM 1500, 2500, 3500	1 = Lt. Duty DODGE 2WD 2 = Med. Duty DODGE 2WD 3 = HD DODGE 2WD 6 = Lt. Duty DODGE 4WD 7 = Med. Duty DODGE 4WD 8 = HD DODGE 4WD	31 = CLUB CAB 2-DR 6.5 FT BOX 32 = CLUB CAB 2-DR 8FT BOX 33 = QUAD CAB 4-DR 6.5 FT BOX 34 = QUAD CAB 4-DR 8FT BOX	ETC = 5.9L Cummins 24V Diesel Engine EWA = 8.0L V10 MPI Engine EM0 = ALL 5.9L 8 CYL ENGINES - GAS EMM = 5.9L SMPI V8 Engine EML = 5.9L V8 MPI Engine ELF = 5.2L V8 MPI Engine	DGP = 4-Spd. Automatic 47RE Transmission DD0 = ALL 5 SPEED MANUAL TRANSMISSIONS DG0 = ALL AUTOMATIC TRANSMISSIONS DDC = 5-Speed HD Manual Transmission DDP = 5-Speed Manual Transmission DDX = 5-Speed HD Manual Transmission DEE = 6-Speed HD Manual Transmission DGT = 4-Spd. Automatic 46RE Transmission

AR = use ase required - = Non illustrated part

Pump,Power Steering and Mounting,ET0 Diesel
Figure 19-530

ITEM	PART NUMBER	QTY	LINE	SERIES	BODY	ENGINE	TRANS	TRIM	DESCRIPTION
------	-------------	-----	------	--------	------	--------	-------	------	-------------

Note: ET0=All Diesel Engines—DBB=All Manual Transmissions



1	04883960AA	1				ET0	DBB		PUMP, Power Steering
		1				ET0	DG0		
2	05003637AA	1				ET0	DBB		NIPPLE, Pump
3	05011428AA	1				ET0	DBB		HOSE, Vacuum Pump
4	05011799AA	1				ET0	DBB		BRACKET, Vacuum Pump
5	04429862	1				ET0	DBB		NUT, Hex Flange, M10x1.5
6	04429862	1				ET0	DBB		NUT, Hex Flange, M10x1.5
7	04429637	1				ET0	DBB		SCREW, Hex Head, M12X1.75X.35
8	05011617AA	1				ET0	DBB		CHECK VALVE, Vacuum Pump
9	04638531	1				ET0	DBB		GASKET, Hydraulic Pump
10	05011797AA	1				ET0	DBB		GEAR, Accessory Drive
11	05011796AA	1				ET0	DBB		PUMP, Vacuum
12	05011421AA	1				ET0	DBB		SCREW
13	04728162	1				ET0	DBB		HUB, Hydraulic Brake Pump
14	04761972	4				ET0	DBB		STUD

RAM PICKUP/CLUB CAB (BE)

SERIES	LINE	BODY	ENGINE	TRANSMISSION
L = RAM 1500, 2500, 3500	1 = Lt. Duty DODGE 2WD	31 = CLUB CAB 2-DR 6.5 FT BOX	ETC = 5.9L Cummins 24V Diesel Engine	DGP = 4-Spd. Automatic 47RE Transmission
	2 = Med. Duty DODGE 2WD	32 = CLUB CAB 2-DR 8FT BOX	EWA = 8.0L V10 MPI Engine	DD0 = ALL 5 SPEED MANUAL TRANSMISSIONS
	3 = HD DODGE 2WD	33 = QUAD CAB 4-DR 6.5 FT BOX	EM0 = ALL 5.9L 8 CYL ENGINES - GAS	DG0 = ALL AUTOMATIC TRANSMISSIONS
	6 = Lt. Duty DODGE 4WD	34 = QUAD CAB 4-DR 8FT BOX	EMM = 5.9L SMPI V8 Engine	DDC = 5-Speed HD Manual Transmission
	7 = Med. Duty DODGE 4WD		EML = 5.9L V8 MPI Engine	DDP = 5-Speed Manual Transmission
	8 = HD DODGE 4WD		ELF = 5.2L V8 MPI Engine	DDX = 5-Speed HD Manual Transmission
				DEE = 6-Speed HD Manual Transmission
				DGT = 4-Spd. Automatic 46RE Transmission

AR = use ase required - = Non illustrated part

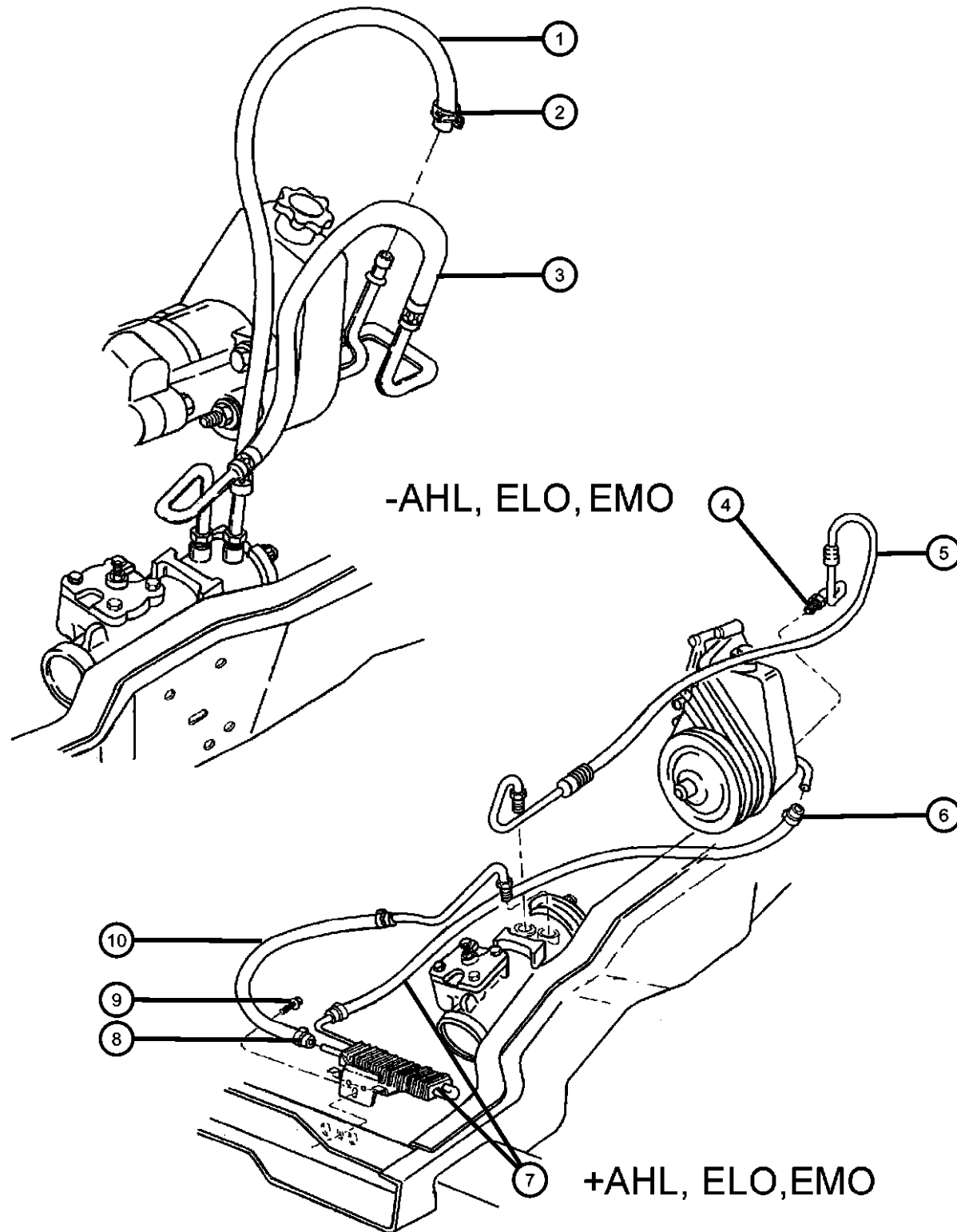
1999 BE

Hoses, Power Steering with EL0, EM0 Gas
Figure 19-710

ITEM	PART NUMBER	QTY	LINE	SERIES	BODY	ENGINE	TRANS	TRIM	DESCRIPTION
------	-------------	-----	------	--------	------	--------	-------	------	-------------

Note: EL0=5.2L V-8—EM0=5.9L V8—AHC=Trailer Tow Prep Group

1	52038432	1				EL0, EM0			HOSE, Power Steering Return, [-AHC]
2	02448761	1				EL0, EM0			CLAMP, Hose
3									HOSE, Power Steering Pressure
	52038430	1	1, 2, 3			EL0, EM0			
	52039356	1	6, 7, 8			EL0, EM0			
4	05205254	1				EL0, EM0			O RING, Power Steering Hose, As Required On All Engines
5									HOSE, Power Steering Pressure
	52038430	1	1, 2, 3			EL0, EM0			
	52039356	1	6, 7, 8			EL0, EM0			
6	02448761	1				EL0, EM0			CLAMP, Hose
7	52106395AA	1				EL0, EM0			HOSE AND COOLER, Power Steering, [+AHC]
8	02448761	1				EL0, EM0			CLAMP, Hose
9	06502064	1				EL0, EM0			SCREW, Tapping, M6x1x20, Cooler Mounting
10	52038567	1				EL0, EM0			HOSE, Power Steering Return, [+AHC]



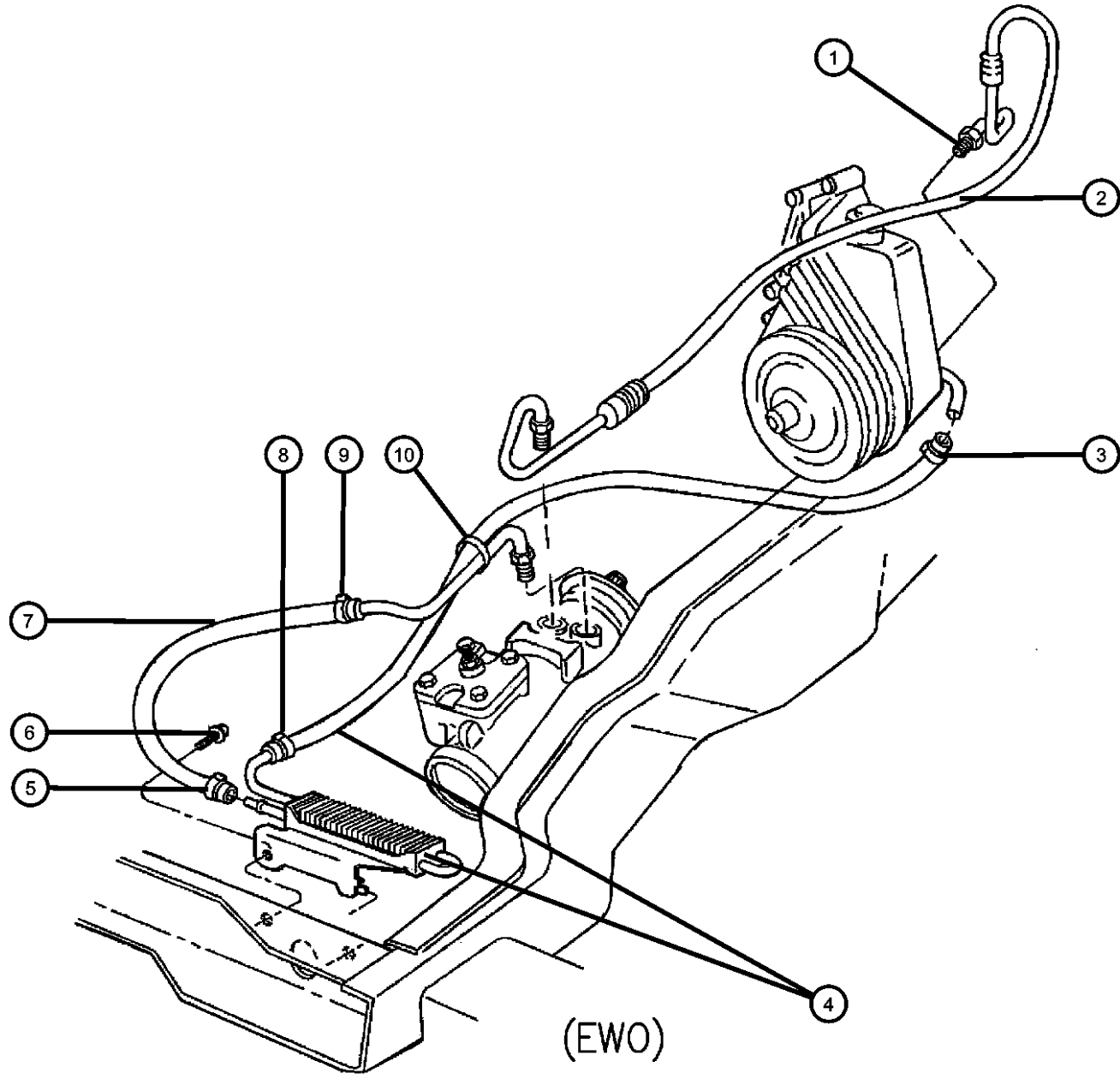
RAM PICKUP/CLUB CAB (BE)

SERIES	LINE	BODY	ENGINE	TRANSMISSION
L = RAM 1500, 2500, 3500	1 = Lt. Duty DODGE 2WD 2 = Med. Duty DODGE 2WD 3 = HD DODGE 2WD 6 = Lt. Duty DODGE 4WD 7 = Med. Duty DODGE 4WD 8 = HD DODGE 4WD	31 = CLUB CAB 2-DR 6.5 FT BOX 32 = CLUB CAB 2-DR 8FT BOX 33 = QUAD CAB 4-DR 6.5 FT BOX 34 = QUAD CAB 4-DR 8FT BOX	ETC = 5.9L Cummins 24V Diesel Engine EWA = 8.0L V10 MPI Engine EM0 = ALL 5.9L 8 CYL ENGINES - GAS EMM = 5.9L SMPI V8 Engine EML = 5.9L V8 MPI Engine ELF = 5.2L V8 MPI Engine	DGP = 4-Spd. Automatic 47RE Transmission DD0 = ALL 5 SPEED MANUAL TRANSMISSIONS DG0 = ALL AUTOMATIC TRANSMISSIONS DDC = 5-Speed HD Manual Transmission DDP = 5-Speed Manual Transmission DDX = 5-Speed HD Manual Transmission DEE = 6-Speed HD Manual Transmission DGT = 4-Spd. Automatic 46RE Transmission

AR = use ase required - = Non illustrated part

1999 BE

Hoses, Power Steering with EW0 Gas
Figure 19-720



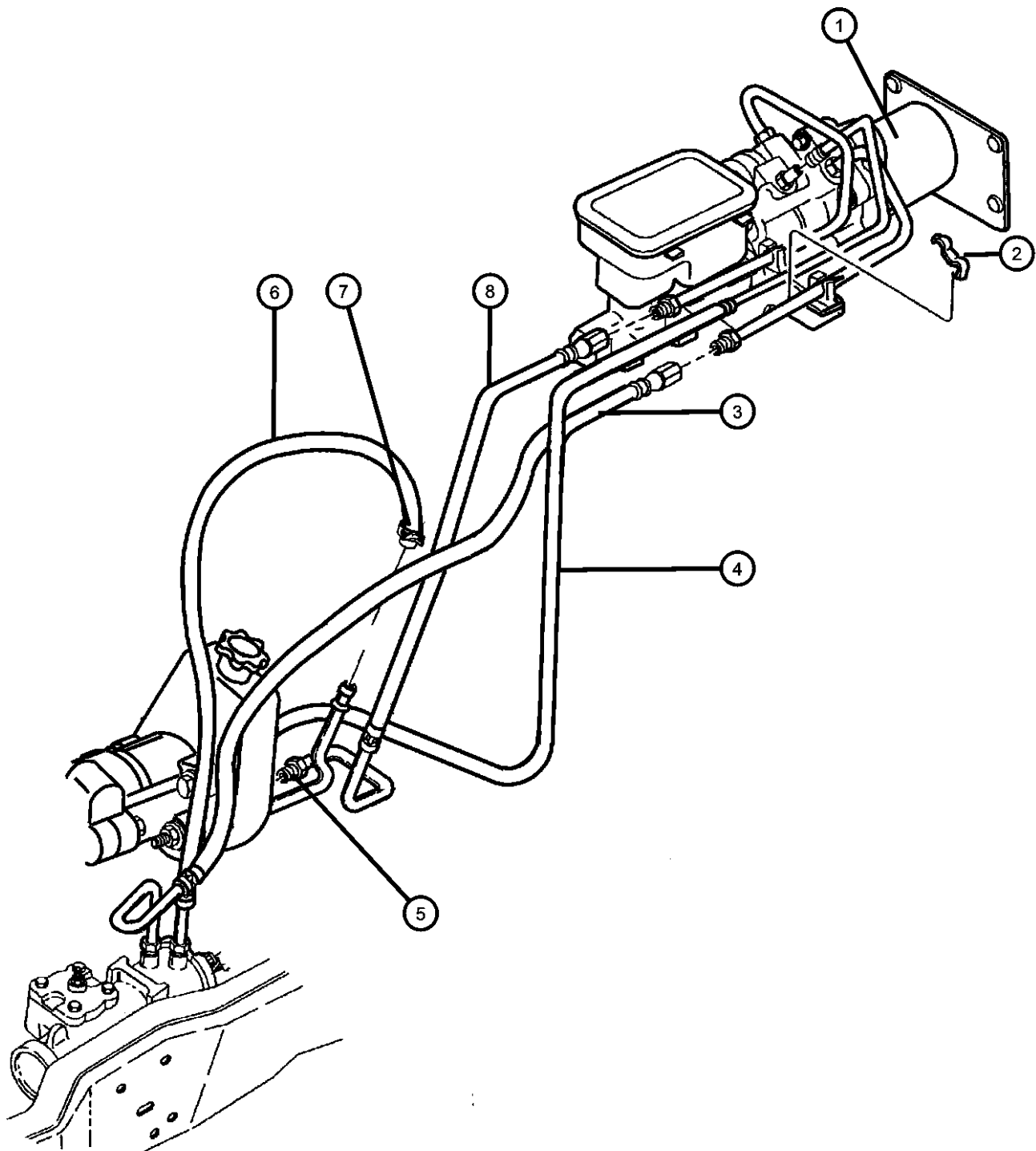
ITEM	PART NUMBER	QTY	LINE	SERIES	BODY	ENGINE	TRANS	TRIM	DESCRIPTION
EW0=8.0L Engine									
1	05205254	1				EW0			O RING, Power Steering Hose, Use as required
2	52038434	1				EW0			HOSE, Power Steering Pressure
3	02448761	1				EW0			CLAMP, Hose
4	52106395AA	1				EW0			HOSE AND COOLER, Power Steering
5	02448761	1				EW0			CLAMP, Hose
6	06502064	1				EW0			SCREW, Tapping, M6x1x20, Cooler Mounting
7	52038567	1				EW0			HOSE, Power Steering Return
8	02448761	1				EW0			CLAMP, Hose
9	02448761	1				EW0			CLAMP, Hose
10	04641780	1				EW0			STRAP, Tie

RAM PICKUP/CLUB CAB (BE)

SERIES	LINE	BODY	ENGINE	TRANSMISSION
L = RAM 1500, 2500, 3500	1 = Lt. Duty DODGE 2WD 2 = Med. Duty DODGE 2WD 3 = HD DODGE 2WD 6 = Lt. Duty DODGE 4WD 7 = Med. Duty DODGE 4WD 8 = HD DODGE 4WD	31 = CLUB CAB 2-DR 6.5 FT BOX 32 = CLUB CAB 2-DR 8FT BOX 33 = QUAD CAB 4-DR 6.5 FT BOX 34 = QUAD CAB 4-DR 8FT BOX	ETC = 5.9L Cummins 24V Diesel Engine EWA = 8.0L V10 MPI Engine EM0 = ALL 5.9L 8 CYL ENGINES - GAS EMM = 5.9L SMPI V8 Engine EML = 5.9L V8 MPI Engine ELF = 5.2L V8 MPI Engine	DGP = 4-Spd. Automatic 47RE Transmission DD0 = ALL 5 SPEED MANUAL TRANSMISSIONS DG0 = ALL AUTOMATIC TRANSMISSIONS DDC = 5-Speed HD Manual Transmission DDP = 5-Speed Manual Transmission DDX = 5-Speed HD Manual Transmission DEE = 6-Speed HD Manual Transmission DGT = 4-Spd. Automatic 46RE Transmission

AR = use ase required - = Non illustrated part

**Hoses, Power Steering, with Hydroboost System with EM0, ET0, EW0 Engines
Figure 19-730**



ITEM	PART NUMBER	QTY	LINE	SERIES	BODY	ENGINE	TRANS	TRIM	DESCRIPTION
------	-------------	-----	------	--------	------	--------	-------	------	-------------

Note: EM0=5.9L V8—ET0= All Diesel Engines—EW0= 8.0L V-10 Gas Engine—AHC=Trailer Tow Prep Group

1									HYDRO-BOOSTER, Power Brake
	05003330AA	1	2, 7			ET0			
	05003330AB	1	3, 8						
2									CLIP, Power Steering Hose
	04695734	2				ET0			
		2	3, 8			EM0, EW0			
3									HOSE, Power Steering Pressure
	52039358AC	1	2, 3, 7, 8			ET0			Gear to Hydroboost
		1	3, 8			EM0, EW0			Gear to Hydroboost
4									HOSE, Power Steering Return
	52106085AA	1	2, 3, 7, 8			ET0			Pump to Hydroboost
	52106996AA	1	3, 8			EM0, EW0			Pump to Hydroboost
5									O RING, Power Steering Hose
	05205254	2	2, 3, 7, 8			ET0			as Required
		2	3, 8			EM0, EW0			as Required
6									HOSE, Power Steering Return
	52006724	1	2, 3, 7, 8			ET0			Gear to Pump
	52038567	1				ELO, EM0			Gear to Pump
		1				EW0			Gear to Pump
7	02448761	1				ELO, EM0, ET0			CLAMP, Hose
8									HOSE, Power Steering Pressure
	52106302AA	1	2, 3, 7, 8			ET0			Pump to Hydroboost
		1	3, 8			EM0, EW0			Pump to Hydroboost

RAM PICKUP/CLUB CAB (BE)

SERIES	LINE	BODY	ENGINE	TRANSMISSION
L = RAM 1500, 2500, 3500	1 = Lt. Duty DODGE 2WD 2 = Med. Duty DODGE 2WD 3 = HD DODGE 2WD 6 = Lt. Duty DODGE 4WD 7 = Med. Duty DODGE 4WD 8 = HD DODGE 4WD	31 = CLUB CAB 2-DR 6.5 FT BOX 32 = CLUB CAB 2-DR 8FT BOX 33 = QUAD CAB 4-DR 6.5 FT BOX 34 = QUAD CAB 4-DR 8FT BOX	ETC = 5.9L Cummins 24V Diesel Engine EWA = 8.0L V10 MPI Engine EM0 = ALL 5.9L 8 CYL ENGINES - GAS EMM = 5.9L SMPI V8 Engine EML = 5.9L V8 MPI Engine ELF = 5.2L V8 MPI Engine	DGP = 4-Spd. Automatic 47RE Transmission DD0 = ALL 5 SPEED MANUAL TRANSMISSIONS DG0 = ALL AUTOMATIC TRANSMISSIONS DDC = 5-Speed HD Manual Transmission DDP = 5-Speed Manual Transmission DDX = 5-Speed HD Manual Transmission DEE = 6-Speed HD Manual Transmission DGT = 4-Spd. Automatic 46RE Transmission

AR = use ase required - = Non illustrated part

1999 BE

Group - 46RE

Automatic Transmission 4 Speed

Group - 46RE Automatic Transmission 4 Speed

Illustration Title

Group-Fig. No.

Transmission Assembly

Transmission Assembly [DGT] Fig. 46RE - 110

Case and Extension

Case and Related [DGT] Fig. 46RE - 210
 Extensions [DGT] Fig. 46RE - 220

Oil Pump

Pump, Oil with Reaction Shaft [DGT] Fig. 46RE - 310

Gear Train

Clutch, Front and Rear with Gear Train [DGT] Fig. 46RE - 410
 Intermediate Shaft and Gear Train [DGT] Fig. 46RE - 420
 Output Shaft [DGT] Fig. 46RE - 430

Bands, Reverse and Kickdown

Bands, Kickdown and Reverse [DGT] Fig. 46RE - 510

Valve Body

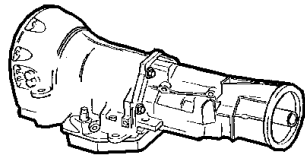
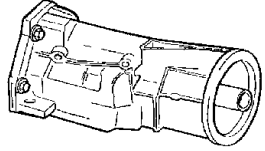
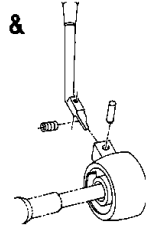
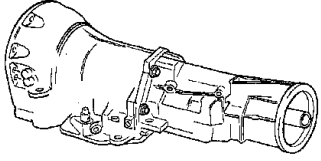

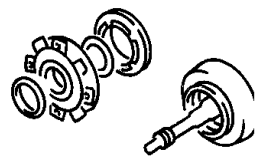
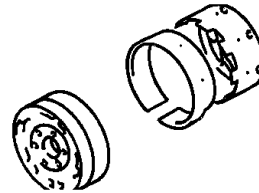
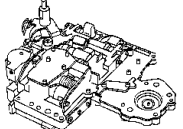
Valve Body [DGT] Fig. 46RE - 710
 Servos, Accumulator Piston and Spring [DGT] Fig. 46RE - 720
 Parking Sprag [DGT] Fig. 46RE - 730

Overdrive Gear Train

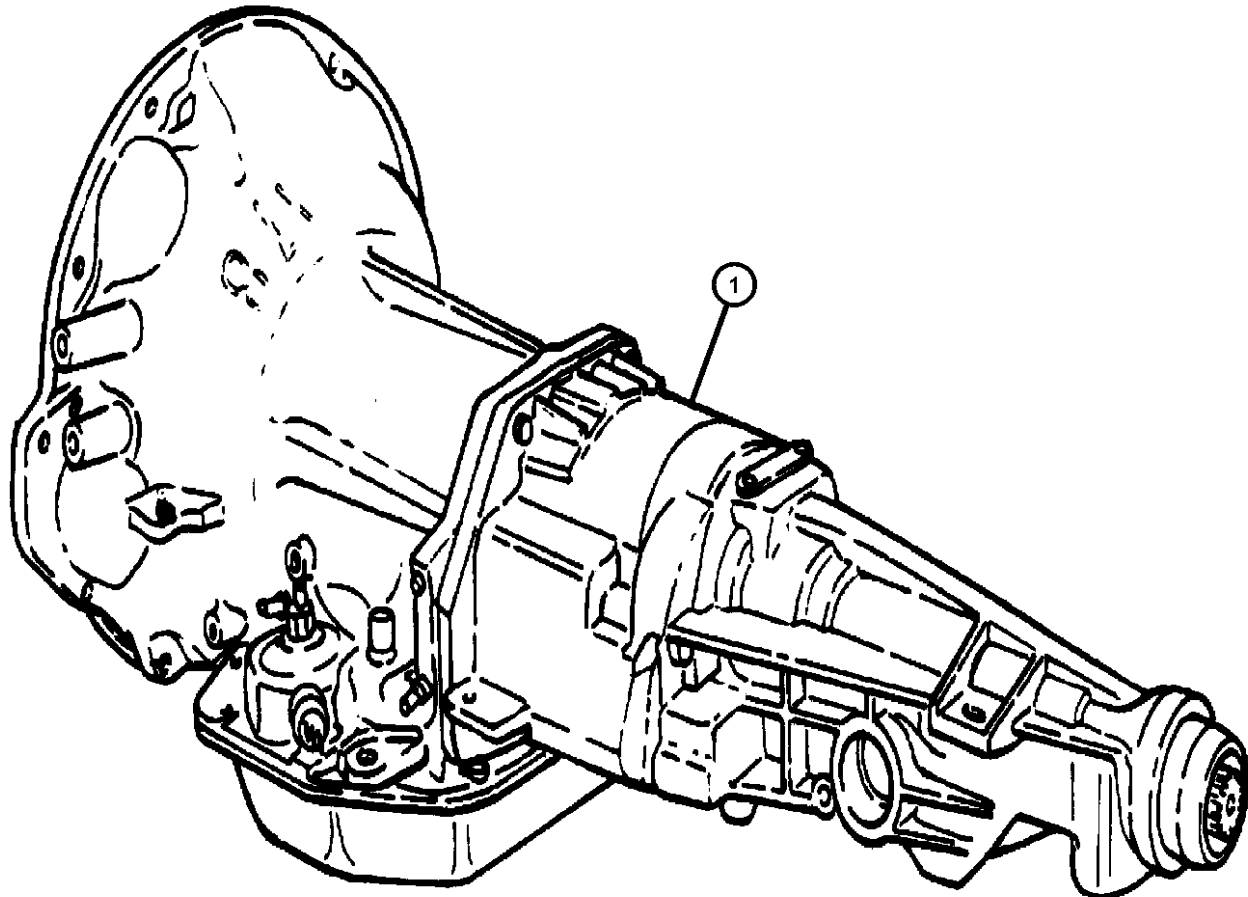
Clutch, Overdrive and Gear Train [DGT] Fig. 46RE - 1010

Gearshift Controls

Controls, Gearshift, Lower [DGT] Fig. 46RE - 1210

<p>46RE-100 Transmission Assembly</p> 	<p>46RE-1000 Overdrive Gear Train</p> 	<p>46RE-1200 Gearshift Controls &</p> 	<p>46RE-200 Case and Extension</p> 
<p>46RE-300 Oil Pump</p> 	<p>46RE-400 Gear Train</p> 	<p>46RE-500 Bands, Reverse and Kickdown</p> 	<p>46RE-700 Valve Body</p> 

**Transmission Assembly [DGT]
Figure 46RE-110**



ITEM	PART NUMBER	QTY	LINE	SERIES	BODY	ENGINE	TRANS	TRIM	DESCRIPTION
NOTES: Sales Codes [DGT] = 4 Speed Automatic Transmission 46RE [ELO] = All 5.2L 8 Cylinder Gas Engines [EM0] = All 5.9L 8 Cylinder Gas Engines									
1									TRANSMISSION PACKAGE
	05013405AA	1	1, 2, 3			ELO	DGT		52119820AA (Package Contains 52119820AA Transmission, K4736595 Converter, K1949765 Screws.)
	05010124AA								Mopar Automatic Transmission Fluid Quart
	05010125AC								Mopar Automatic Transmission Fluid Gallon
	05013406AA	1	6, 7, 8			ELO	DGT		52119821AA (Package Contains 52119821AA Transmission, K4736595 Converter, K1949765 Screws.)
	05010124AA								Mopar Automatic Transmission Fluid Quart
	05010125AC								Mopar Automatic Transmission Fluid Gallon
	05013407AA	1	1, 2, 3			EM0	DGT		52119822AA (Package Contains 52119822AA Transmission, K4736591 Converter, K1949765 Screws.)
	05010124AA								Mopar Automatic Transmission Fluid Quart
	05010125AC								Mopar Automatic Transmission Fluid Gallon
	05013408AA	1	6, 7, 8			EM0	DGT		52119823AA (Package Contains 52119823AA Transmission, K4736591 Converter, K1949765 Screws.)
	05010124AA								Mopar Automatic Transmission Fluid Quart
	05010125AC								Mopar Automatic Transmission Fluid Gallon
-2									OVERDRIVE
	52118156	1	6, 7, 8			ELO	DGT		

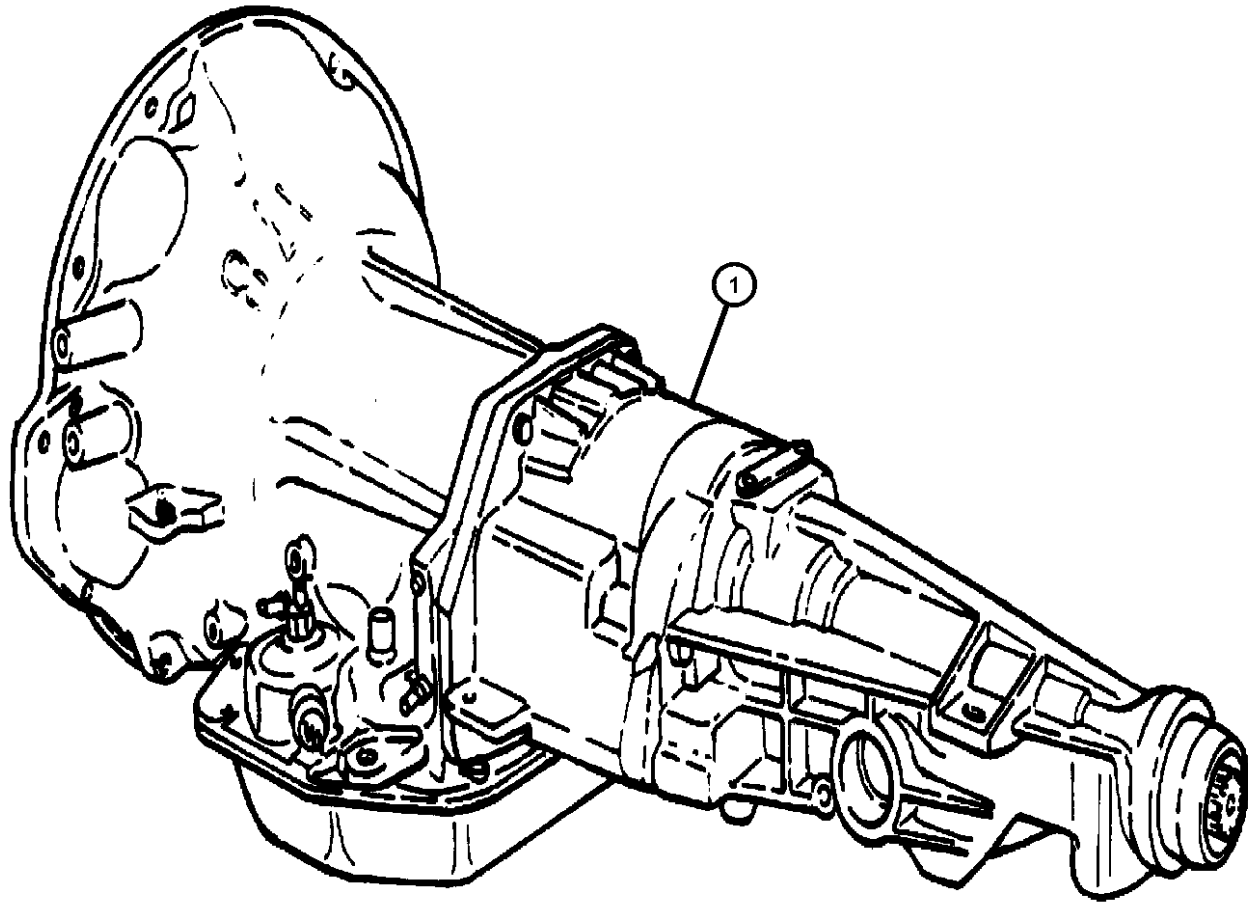
RAM PICKUP/CLUB CAB (BE)

SERIES	LINE	BODY	ENGINE	TRANSMISSION
L = RAM 1500, 2500, 3500	1 = Lt. Duty DODGE 2WD 2 = Med. Duty DODGE 2WD 3 = HD DODGE 2WD 6 = Lt. Duty DODGE 4WD 7 = Med. Duty DODGE 4WD 8 = HD DODGE 4WD	31 = CLUB CAB 2-DR 6.5 FT BOX 32 = CLUB CAB 2-DR 8FT BOX 33 = QUAD CAB 4-DR 6.5 FT BOX 34 = QUAD CAB 4-DR 8FT BOX	ETC = 5.9L Cummins 24V Diesel Engine EWA = 8.0L V10 MPI Engine EM0 = ALL 5.9L 8 CYL ENGINES - GAS EMM = 5.9L SMPI V8 Engine EML = 5.9L V8 MPI Engine ELF = 5.2L V8 MPI Engine	DGP = 4-Spd. Automatic 47RE Transmission DD0 = ALL 5 SPEED MANUAL TRANSMISSIONS DG0 = ALL AUTOMATIC TRANSMISSIONS DDC = 5-Speed HD Manual Transmission DDP = 5-Speed Manual Transmission DDX = 5-Speed HD Manual Transmission DEE = 6-Speed HD Manual Transmission DGT = 4-Spd. Automatic 46RE Transmission

AR = use ase required - = Non illustrated part

Transmission Assembly [DGT]
Figure 46RE-110

ITEM	PART NUMBER	QTY	LINE	SERIES	BODY	ENGINE	TRANS	TRIM	DESCRIPTION
		1	6, 7, 8			EM0	DGT		
	52118784	1	1, 2, 3			ELO	DGT		
		1	1, 2, 3			EM0	DGT		



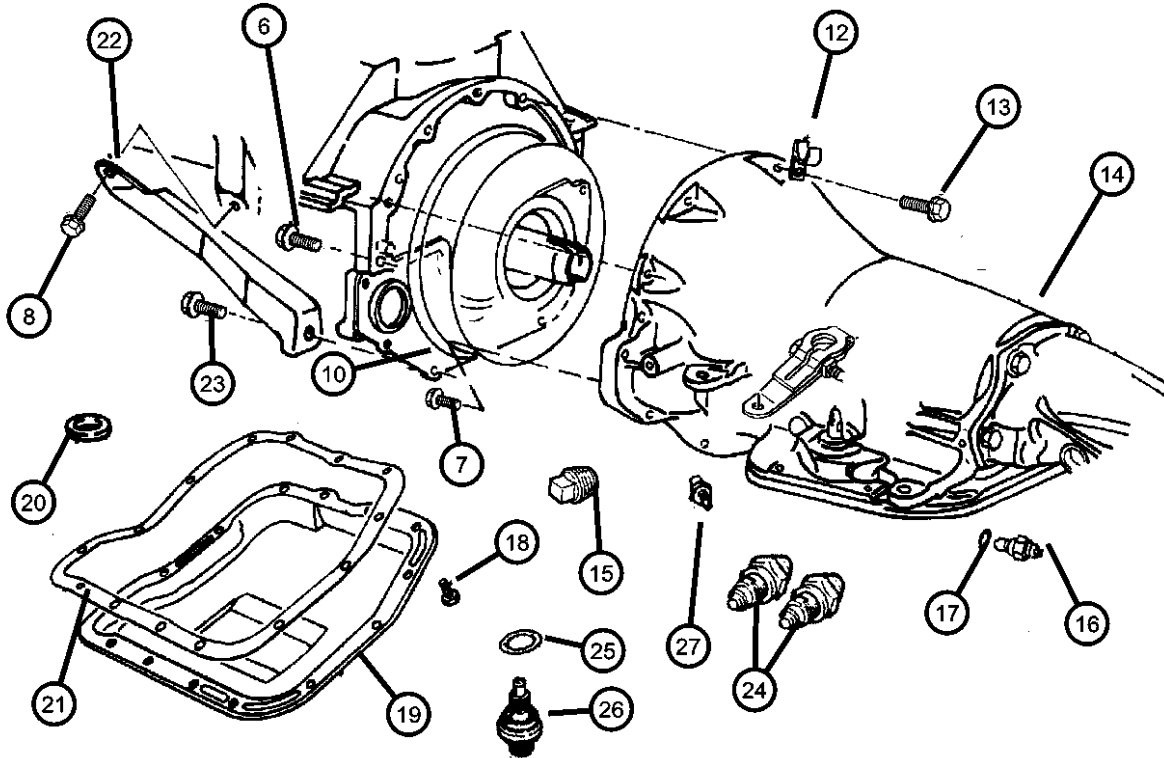
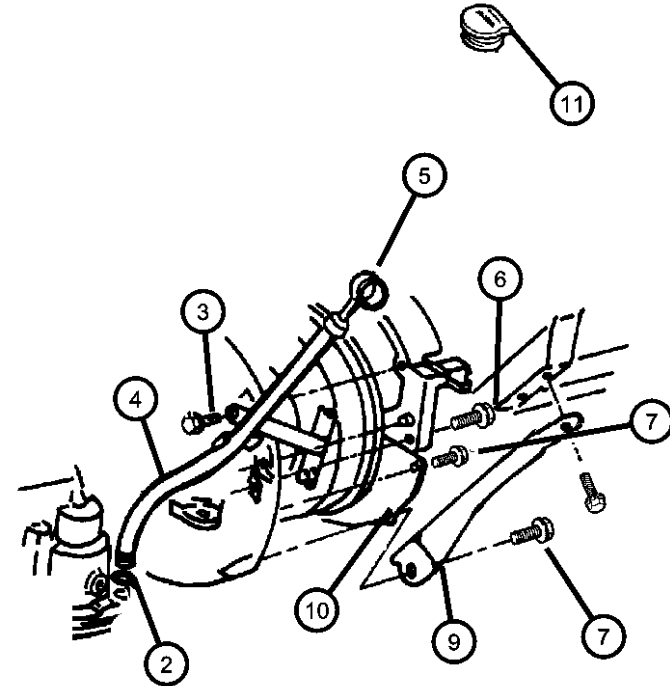
RAM PICKUP/CLUB CAB (BE)

SERIES	LINE	BODY	ENGINE	TRANSMISSION
L = RAM 1500, 2500, 3500	1 = Lt. Duty DODGE 2WD 2 = Med. Duty DODGE 2WD 3 = HD DODGE 2WD 6 = Lt. Duty DODGE 4WD 7 = Med. Duty DODGE 4WD 8 = HD DODGE 4WD	31 = CLUB CAB 2-DR 6.5 FT BOX 32 = CLUB CAB 2-DR 8FT BOX 33 = QUAD CAB 4-DR 6.5 FT BOX 34 = QUAD CAB 4-DR 8FT BOX	ETC = 5.9L Cummins 24V Diesel Engine EWA = 8.0L V10 MPI Engine EM0 = ALL 5.9L 8 CYL ENGINES - GAS EMM = 5.9L SMPI V8 Engine EML = 5.9L V8 MPI Engine ELF = 5.2L V8 MPI Engine	DGP = 4-Spd. Automatic 47RE Transmission DD0 = ALL 5 SPEED MANUAL TRANSMISSIONS DG0 = ALL AUTOMATIC TRANSMISSIONS DDC = 5-Speed HD Manual Transmission DDP = 5-Speed Manual Transmission DDX = 5-Speed HD Manual Transmission DEE = 6-Speed HD Manual Transmission DGT = 4-Spd. Automatic 46RE Transmission

AR = use ase required - = Non illustrated part

Case and Related [DGT]
Figure 46RE-210

ITEM	PART NUMBER	QTY	LINE	SERIES	BODY	ENGINE	TRANS	TRIM	DESCRIPTION
									NOTES: Sales Codes [DGT] = 4 Speed Automatic Transmission 46RE [ELO] = All 5.2L 8 Cylinder Gas Engines [EM0] = All 5.9L 8 Cylinder Gas Engines
-1									SEAL AND GASKET PACKAGE, Transmission
	04863884	1	1, 2, 3			ELO	DGT		
		1	6, 7, 8			ELO	DGT		
		1	1, 2, 3			EM0	DGT		
		1	6, 7, 8			EM0	DGT		
2	52118629	1					DG0		SEAL, Oil Filler Tube
3	00181112	1					DG0		SCREW AND WASHER, .375-16x1.00
4	52118620	1					DGT		TUBE, Transmission Oil Filler
5	52107769AA	1					DG0		INDICATOR, Transmission Fluid Level
6	06024473	2					DG0		SCREW AND WASHER, Hex Head, .437-14x2.00
7	06023092	3					DGT		SCREW AND WASHER, Hex Head, .25-20x.50
8	06022266	4				ELO, EM0, EW0	DG0		SCREW, Hex Head, .375-16x1.5
9	52117772	1					DGT		STRUT, Transmission to BlockRight
10	04130503	1				ELO, EM0	DGT		COVER, Transmission Dust
11	52117709	1				ELO, EM0			GROMMET, Timing Probe
12									CLIP
	52118181	2	1, 2, 3			ELO	DGT		
		2	6, 7, 8			ELO	DGT		
		2	1, 2, 3			EM0	DGT		
		2	6, 7, 8			EM0	DGT		
13	06022266	5				ELO, EM0	DBB		SCREW, Hex Head, .375-16x1.5
14									CASE, Transmission
	52118756	1	1, 2, 3			ELO	DGT		



RAM PICKUP/CLUB CAB (BE)

SERIES	LINE
L = RAM 1500, 2500, 3500	1 = Lt. Duty DODGE 2WD 2 = Med. Duty DODGE 2WD 3 = HD DODGE 2WD 6 = Lt. Duty DODGE 4WD 7 = Med. Duty DODGE 4WD 8 = HD DODGE 4WD

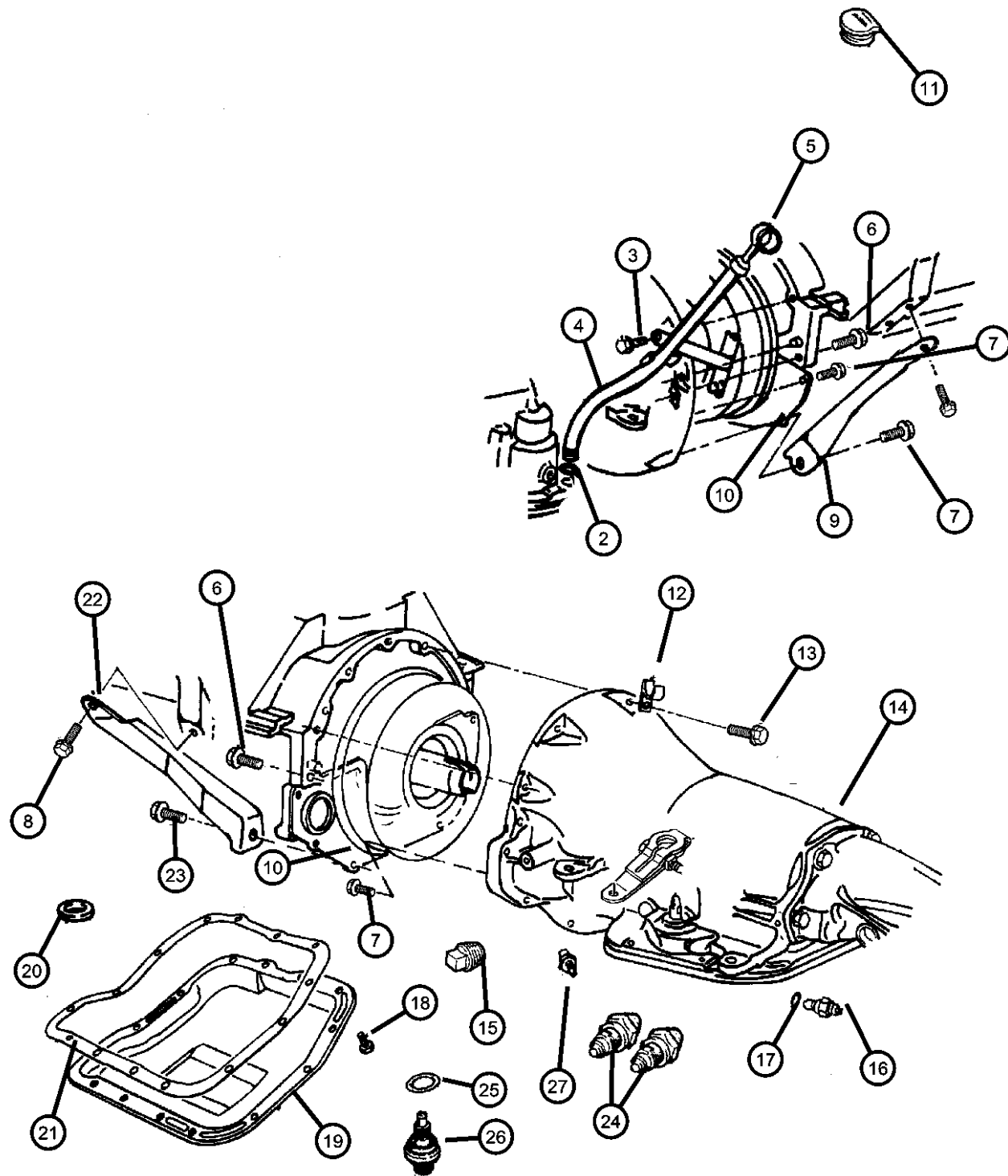
BODY	ENGINE
31 = CLUB CAB 2-DR 6.5 FT BOX 32 = CLUB CAB 2-DR 8FT BOX 33 = QUAD CAB 4-DR 6.5 FT BOX 34 = QUAD CAB 4-DR 8FT BOX	ETC = 5.9L Cummins 24V Diesel Engine EWA = 8.0L V10 MPI Engine EM0 = ALL 5.9L 8 CYL ENGINES - GAS EMM = 5.9L SMPI V8 Engine EML = 5.9L V8 MPI Engine ELF = 5.2L V8 MPI Engine

TRANSMISSION
DGP = 4-Spd. Automatic 47RE Transmission DD0 = ALL 5 SPEED MANUAL TRANSMISSIONS DG0 = ALL AUTOMATIC TRANSMISSIONS DDC = 5-Speed HD Manual Transmission DDP = 5-Speed Manual Transmission DDX = 5-Speed HD Manual Transmission DEE = 6-Speed HD Manual Transmission DGT = 4-Spd. Automatic 46RE Transmission

AR = use ase required - = Non illustrated part

1999 BE

Case and Related [DGT]
Figure 46RE-210



ITEM	PART NUMBER	QTY	LINE	SERIES	BODY	ENGINE	TRANS	TRIM	DESCRIPTION
		1	6, 7, 8			ELO	DGT		
		1	1, 2, 3			EM0	DGT		
		1	6, 7, 8			EM0	DGT		
15									PLUG, Pressure Check
	06028095	1	1, 2, 3			ELO	DGT		
		1	1, 2, 3			EM0	DGT		
16									SWITCH, Neutral, Safety, Back Up
	56028181	1	1, 2, 3			ELO	DGT		
		1	6, 7, 8			ELO	DGT		
		1	1, 2, 3			EM0	DGT		
		1	6, 7, 8			EM0	DGT		
17									O RING, Trans Speed Sensor
	06501701	1	1, 2, 3			ELO	DGT		
		1	6, 7, 8			ELO	DGT		
		1	1, 2, 3			EM0	DGT		
		1	6, 7, 8			EM0	DGT		
18									SCREW AND WASHER, Hex Head, .312-18x.625
	04723548	12	1, 2, 3			ELO	DGT		
		12	6, 7, 8			ELO	DGT		
		12	1, 2, 3			EM0	DGT		
		12	6, 7, 8			EM0	DGT		
19									PAN, Transmission Oil
	52118780	1	1, 2, 3			ELO	DGT		
		1	6, 7, 8			ELO	DGT		
		1	1, 2, 3			EM0	DGT		
		1	6, 7, 8			EM0	DGT		
20									MAGNET, Transmission

RAM PICKUP/CLUB CAB (BE)

SERIES	LINE
L = RAM 1500, 2500, 3500	1 = Lt. Duty DODGE 2WD
	2 = Med. Duty DODGE 2WD
	3 = HD DODGE 2WD
	6 = Lt. Duty DODGE 4WD
	7 = Med. Duty DODGE 4WD
	8 = HD DODGE 4WD

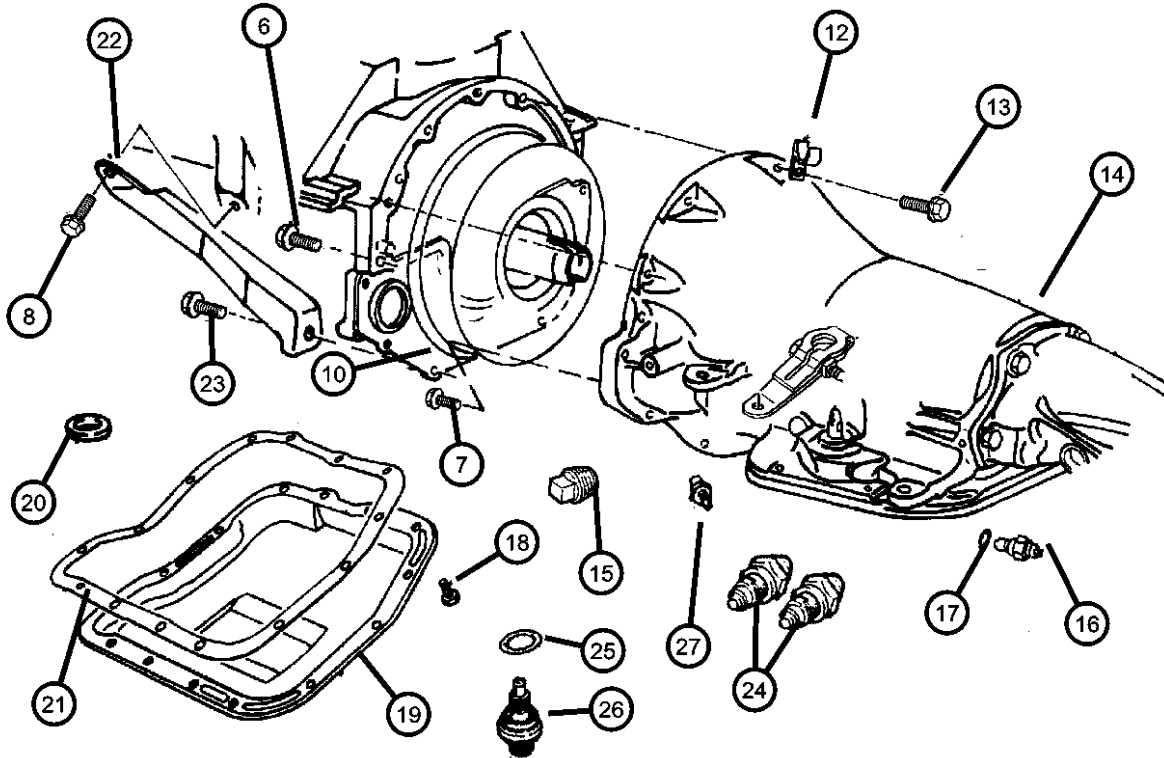
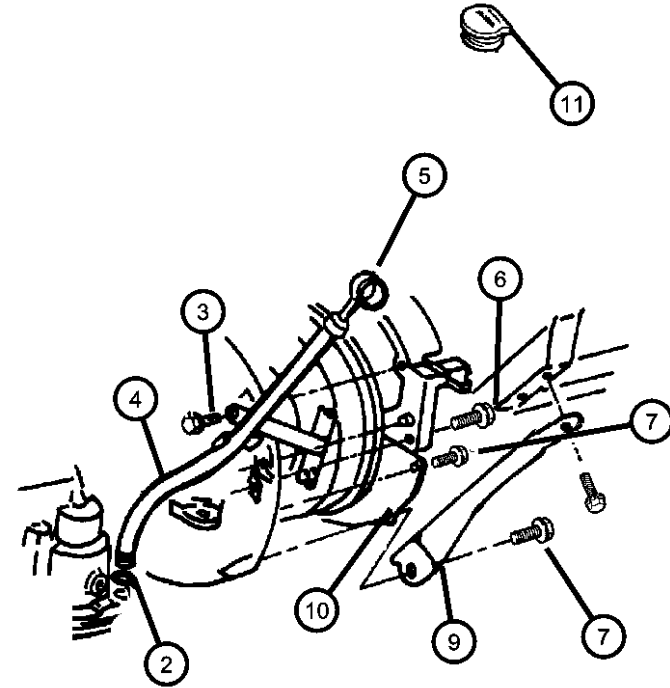
BODY	ENGINE
31 = CLUB CAB 2-DR 6.5 FT BOX	ETC = 5.9L Cummins 24V Diesel Engine
32 = CLUB CAB 2-DR 8FT BOX	EWA = 8.0L V10 MPI Engine
33 = QUAD CAB 4-DR 6.5 FT BOX	EM0 = ALL 5.9L 8 CYL ENGINES - GAS
34 = QUAD CAB 4-DR 8FT BOX	EMM = 5.9L SMPI V8 Engine
	EML = 5.9L V8 MPI Engine
	ELF = 5.2L V8 MPI Engine

TRANSMISSION
DGP = 4-Spd. Automatic 47RE Transmission
DD0 = ALL 5 SPEED MANUAL TRANSMISSIONS
DG0 = ALL AUTOMATIC TRANSMISSIONS
DDC = 5-Speed HD Manual Transmission
DDP = 5-Speed Manual Transmission
DDX = 5-Speed HD Manual Transmission
DEE = 6-Speed HD Manual Transmission
DGT = 4-Spd. Automatic 46RE Transmission

AR = use ase required - = Non illustrated part

1999 BE

Case and Related [DGT]
Figure 46RE-210



ITEM	PART NUMBER	QTY	LINE	SERIES	BODY	ENGINE	TRANS	TRIM	DESCRIPTION
	03681601	1	1, 2, 3			ELO	DGT		
		1	6, 7, 8			ELO	DGT		
		1	1, 2, 3			EM0	DGT		
		1	6, 7, 8			EM0	DGT		
21									GASKET, Oil Pan
	02464324	1	1, 2, 3			ELO	DGT		
		1	6, 7, 8			ELO	DGT		
		1	1, 2, 3			EM0	DGT		
		1	6, 7, 8			EM0	DGT		
22	52117771	1					DGT		STRUT, Transmission to BlockLeft
23									SCREW
	06036036AA	1	1, 2, 3			EM0	DGT		
		1	1, 2, 3			ELO	DGT		
24									NUT, Inverted Flare, .62-18
	06033879	2	1, 2, 3			ELO	DGT		
		2	6, 7, 8			ELO	DGT		
		2	1, 2, 3			EM0	DGT		
		2	6, 7, 8			EM0	DGT		
25									O RING, Trans Speed Sensor
	06501701	1	1, 2, 3			ELO	DGT		
		1	6, 7, 8			ELO	DGT		
		1	1, 2, 3			EM0	DGT		
		1	6, 7, 8			EM0	DGT		
26									SENSOR, Transmission Output Speed
	04412879	1	1, 2, 3			ELO	DGT		
		1	6, 7, 8			ELO	DGT		
		1	1, 2, 3			EM0	DGT		

RAM PICKUP/CLUB CAB (BE)

SERIES	LINE
L = RAM 1500, 2500, 3500	1 = Lt. Duty DODGE 2WD
	2 = Med. Duty DODGE 2WD
	3 = HD DODGE 2WD
	6 = Lt. Duty DODGE 4WD
	7 = Med. Duty DODGE 4WD
	8 = HD DODGE 4WD

BODY	ENGINE
31 = CLUB CAB 2-DR 6.5 FT BOX	ETC = 5.9L Cummins 24V Diesel Engine
32 = CLUB CAB 2-DR 8FT BOX	EWA = 8.0L V10 MPI Engine
33 = QUAD CAB 4-DR 6.5 FT BOX	EM0 = ALL 5.9L 8 CYL ENGINES - GAS
34 = QUAD CAB 4-DR 8FT BOX	EMM = 5.9L SMPI V8 Engine
	EML = 5.9L V8 MPI Engine
	ELF = 5.2L V8 MPI Engine

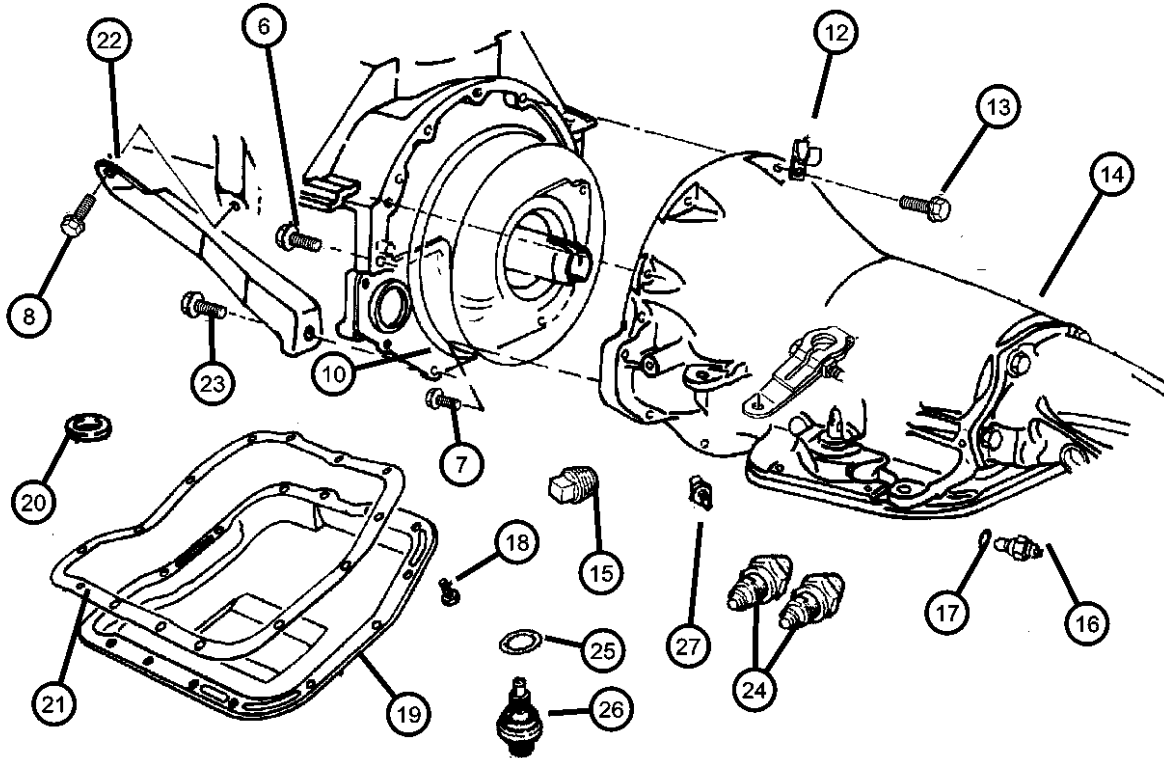
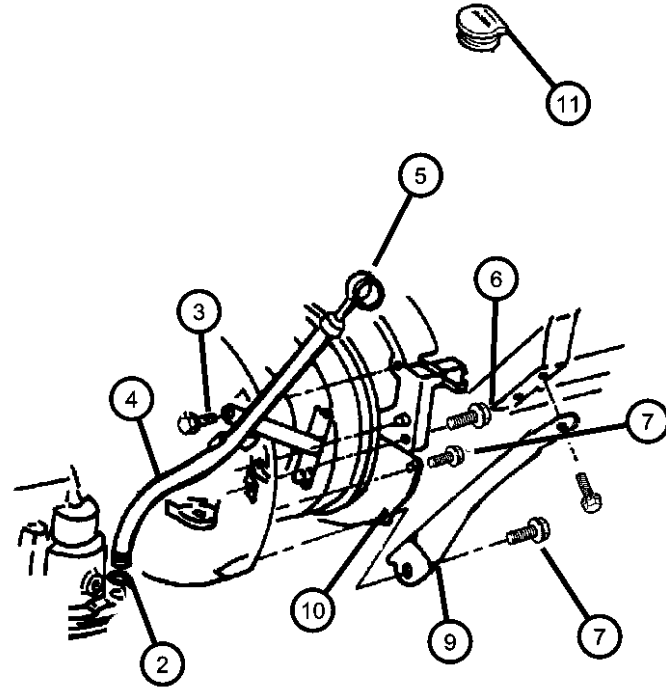
TRANSMISSION
DGP = 4-Spd. Automatic 47RE Transmission
DD0 = ALL 5 SPEED MANUAL TRANSMISSIONS
DG0 = ALL AUTOMATIC TRANSMISSIONS
DDC = 5-Speed HD Manual Transmission
DDP = 5-Speed Manual Transmission
DDX = 5-Speed HD Manual Transmission
DEE = 6-Speed HD Manual Transmission
DGT = 4-Spd. Automatic 46RE Transmission

AR = use ase required - = Non illustrated part

1999 BE

Case and Related [DGT]
Figure 46RE-210

ITEM	PART NUMBER	QTY	LINE	SERIES	BODY	ENGINE	TRANS	TRIM	DESCRIPTION
27	06036036AA	1	6, 7, 8			EM0	DGT		SCREW
		1	1, 2, 3			EM0	DGT		
		1	6, 7, 8			EM0	DGT		

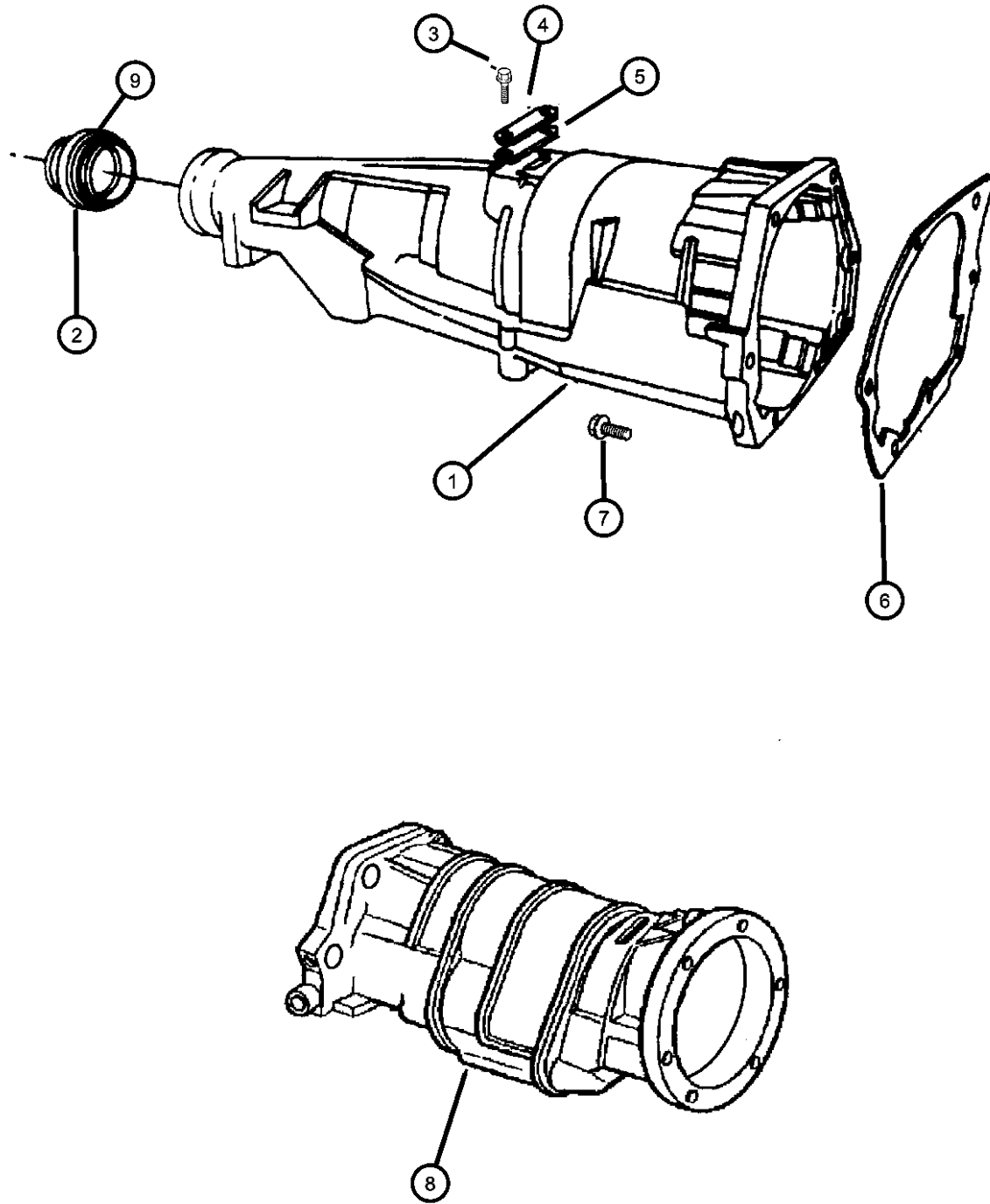


RAM PICKUP/CLUB CAB (BE)

SERIES	LINE	BODY	ENGINE	TRANSMISSION
L = RAM 1500, 2500, 3500	1 = Lt. Duty DODGE 2WD 2 = Med. Duty DODGE 2WD 3 = HD DODGE 2WD 6 = Lt. Duty DODGE 4WD 7 = Med. Duty DODGE 4WD 8 = HD DODGE 4WD	31 = CLUB CAB 2-DR 6.5 FT BOX 32 = CLUB CAB 2-DR 8FT BOX 33 = QUAD CAB 4-DR 6.5 FT BOX 34 = QUAD CAB 4-DR 8FT BOX	ETC = 5.9L Cummins 24V Diesel Engine EWA = 8.0L V10 MPI Engine EM0 = ALL 5.9L 8 CYL ENGINES - GAS EMM = 5.9L SMPI V8 Engine EML = 5.9L V8 MPI Engine ELF = 5.2L V8 MPI Engine	DGP = 4-Spd. Automatic 47RE Transmission DD0 = ALL 5 SPEED MANUAL TRANSMISSIONS DG0 = ALL AUTOMATIC TRANSMISSIONS DDC = 5-Speed HD Manual Transmission DDP = 5-Speed Manual Transmission DDX = 5-Speed HD Manual Transmission DEE = 6-Speed HD Manual Transmission DGT = 4-Spd. Automatic 46RE Transmission

AR = use ase required - = Non illustrated part

Extensions [DGT]
Figure 46RE-220



ITEM	PART NUMBER	QTY	LINE	SERIES	BODY	ENGINE	TRANS	TRIM	DESCRIPTION
1	05003231AA	1	1, 2, 3			ELO	DGT		CASE, Transmission Rear
		1	1, 2, 3			EM0	DGT		
2	04531216	1	1, 2, 3			ELO	DGT		SEAL, Extension Yoke
		1	1, 2, 3			EM0	DGT		
3		1							SCREW, (NOT SERVICED)
4	02466957	1	6, 7, 8			ELO	DGT		COVER, Transmission Converter
		1	6, 7, 8			EM0	DGT		
5	02801398	1	6, 7, 8			ELO	DGT		GASKET, Transmission
		1	6, 7, 8			EM0	DGT		
6	04471565	1	1, 2, 3			ELO	DGT		GASKET, Overdrive Piston Retainer
		1	1, 2, 3			EM0	DGT		
7	06036046AA	7	1, 2, 3			ELO	DGT		SCREW, Hex Flange Head, .375-16x1.38
		7	1, 2, 3			EM0	DGT		
8	04798535	1	6, 7, 8			ELO	DGT		ADAPTER, Transfer Case
		1	6, 7, 8			EM0	DGT		
9									SEAL, Adapter

NOTES: Sales Codes
[DGT] = 4 Speed Automatic Transmission 46RE
[ELO] = All 5.2L 8 Cylinder Gas Engines
[EM0] = All 5.9L 8 Cylinder Gas Engines

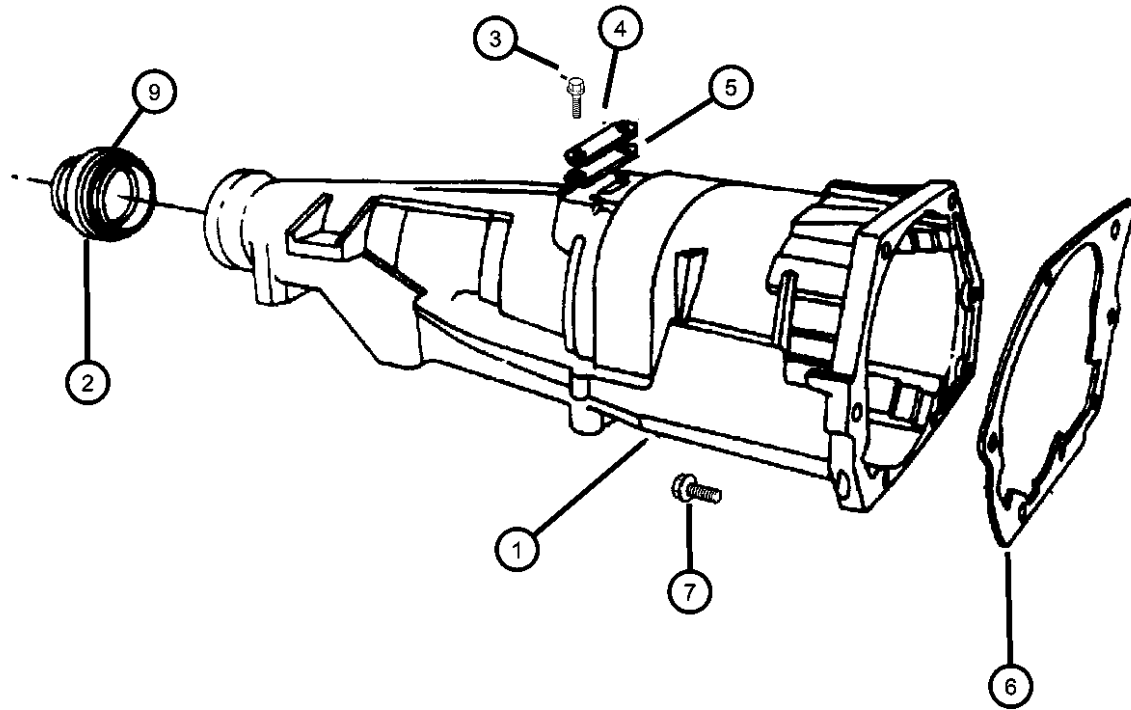
RAM PICKUP/CLUB CAB (BE)

SERIES	LINE	BODY	ENGINE	TRANSMISSION
L = RAM 1500, 2500, 3500	1 = Lt. Duty DODGE 2WD 2 = Med. Duty DODGE 2WD 3 = HD DODGE 2WD 6 = Lt. Duty DODGE 4WD 7 = Med. Duty DODGE 4WD 8 = HD DODGE 4WD	31 = CLUB CAB 2-DR 6.5 FT BOX 32 = CLUB CAB 2-DR 8FT BOX 33 = QUAD CAB 4-DR 6.5 FT BOX 34 = QUAD CAB 4-DR 8FT BOX	ETC = 5.9L Cummins 24V Diesel Engine EWA = 8.0L V10 MPI Engine EM0 = ALL 5.9L 8 CYL ENGINES - GAS EMM = 5.9L SMPI V8 Engine EML = 5.9L V8 MPI Engine ELF = 5.2L V8 MPI Engine	DGP = 4-Spd. Automatic 47RE Transmission DD0 = ALL 5 SPEED MANUAL TRANSMISSIONS DG0 = ALL AUTOMATIC TRANSMISSIONS DDC = 5-Speed HD Manual Transmission DDP = 5-Speed Manual Transmission DDX = 5-Speed HD Manual Transmission DEE = 6-Speed HD Manual Transmission DGT = 4-Spd. Automatic 46RE Transmission

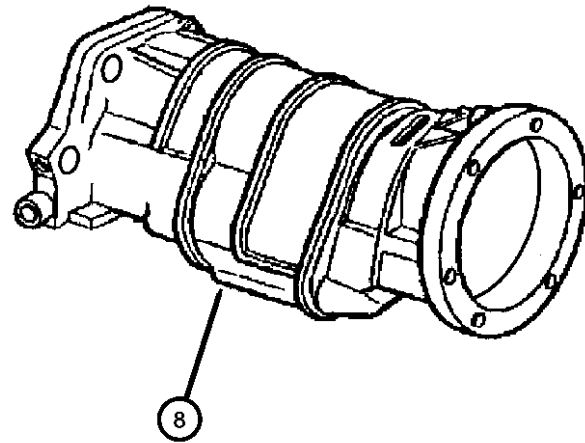
AR = use ase required - = Non illustrated part

Extensions [DGT]
Figure 46RE-220

ITEM	PART NUMBER	QTY	LINE	SERIES	BODY	ENGINE	TRANS	TRIM	DESCRIPTION
------	-------------	-----	------	--------	------	--------	-------	------	-------------



	04269956	1	6, 7, 8			EL0	DGT		
		1	6, 7, 8			EM0	DGT		



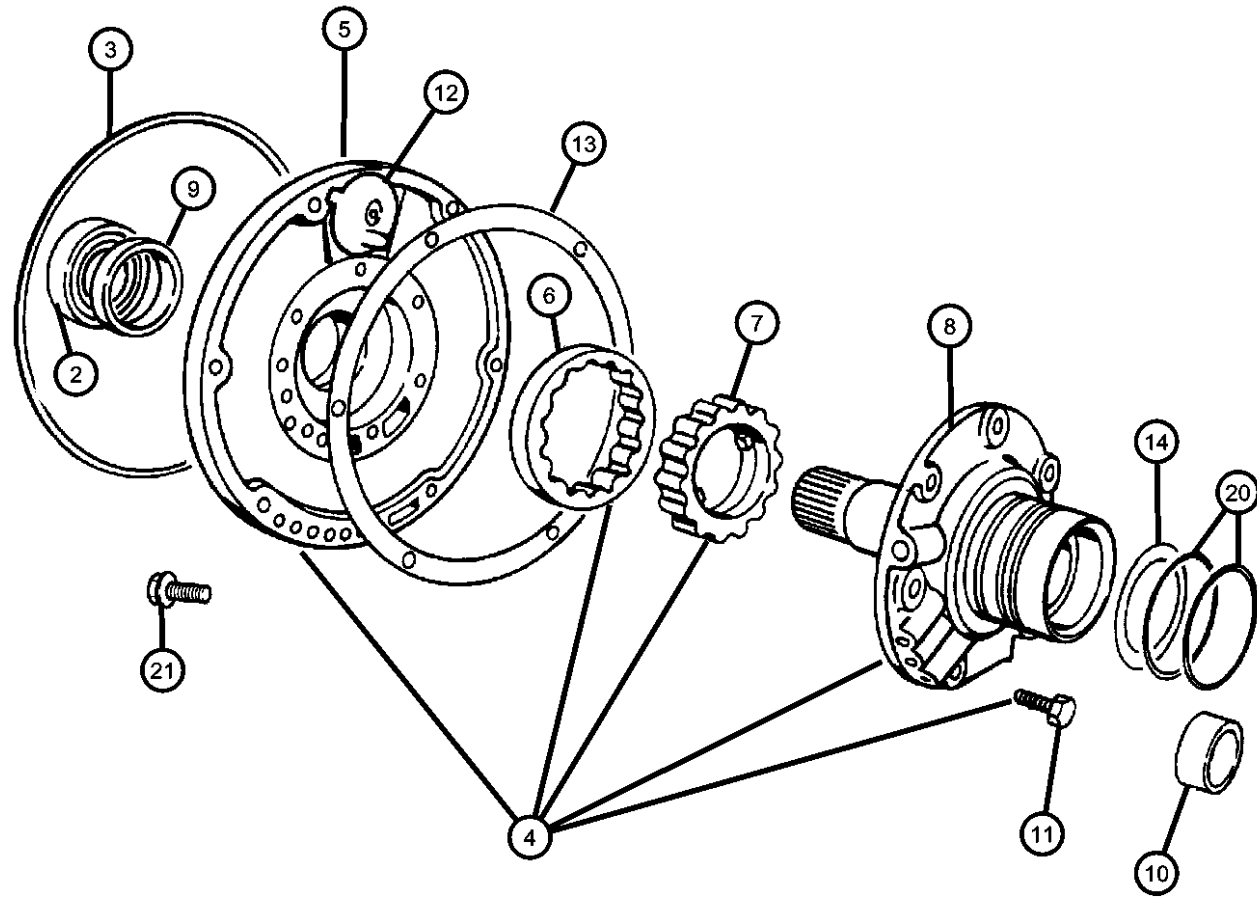
RAM PICKUP/CLUB CAB (BE)

SERIES	LINE	BODY	ENGINE	TRANSMISSION
L = RAM 1500, 2500, 3500	1 = Lt. Duty DODGE 2WD	31 = CLUB CAB 2-DR 6.5 FT BOX	ETC = 5.9L Cummins 24V Diesel Engine	DGP = 4-Spd. Automatic 47RE Transmission
	2 = Med. Duty DODGE 2WD	32 = CLUB CAB 2-DR 8FT BOX	EWA = 8.0L V10 MPI Engine	DD0 = ALL 5 SPEED MANUAL TRANSMISSIONS
	3 = HD DODGE 2WD	33 = QUAD CAB 4-DR 6.5 FT BOX	EM0 = ALL 5.9L 8 CYL ENGINES - GAS	DG0 = ALL AUTOMATIC TRANSMISSIONS
	6 = Lt. Duty DODGE 4WD	34 = QUAD CAB 4-DR 8FT BOX	EMM = 5.9L SMPI V8 Engine	DDC = 5-Speed HD Manual Transmission
	7 = Med. Duty DODGE 4WD		EML = 5.9L V8 MPI Engine	DDP = 5-Speed Manual Transmission
	8 = HD DODGE 4WD		ELF = 5.2L V8 MPI Engine	DDX = 5-Speed HD Manual Transmission
				DEE = 6-Speed HD Manual Transmission
				DGT = 4-Spd. Automatic 46RE Transmission

AR = use ase required - = Non illustrated part

1999 BE

**Pump, Oil with Reaction Shaft [DGT]
Figure 46RE-310**



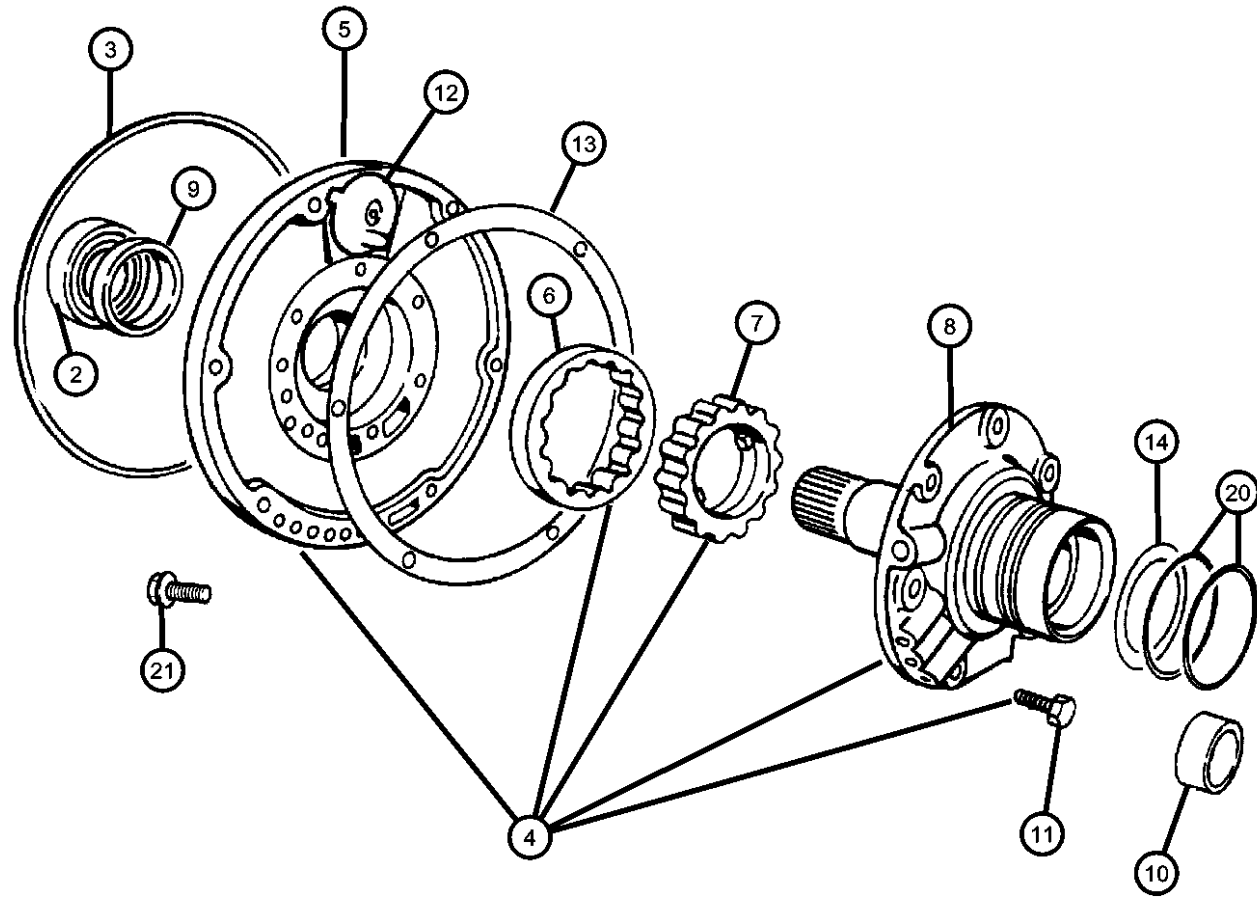
ITEM	PART NUMBER	QTY	LINE	SERIES	BODY	ENGINE	TRANS	TRIM	DESCRIPTION
				NOTES: Sales Codes [DGT] = 4 Speed Automatic Transmission 46RE [ELO] = All 5.2L 8 Cylinder Gas Engines [EM0] = All 5.9L 8 Cylinder Gas Engines					
-1									GASKET AND SEAL PACKAGE, Transmission Oil Pump
	04746109	1	1, 2, 3			ELO	DGT		
		1	6, 7, 8			ELO	DGT		
		1	1, 2, 3			EM0	DGT		
		1	6, 7, 8			EM0	DGT		
2									SEAL, Impeller Hub, 57.25mm OD
	04531225	1	1, 2, 3			ELO	DGT		T/C Impeller Hub
		1	6, 7, 8			ELO	DGT		T/C Impeller Hub
		1	1, 2, 3			EM0	DGT		T/C Impeller Hub
		1	6, 7, 8			EM0	DGT		T/C Impeller Hub
3									SEAL, Front Pump Housing
	01942021	1	1, 2, 3			ELO	DGT		Frnt. Pump Housing
		1	6, 7, 8			ELO	DGT		Frnt. Pump Housing
		1	1, 2, 3			EM0	DGT		Frnt. Pump Housing
		1	6, 7, 8			EM0	DGT		Frnt. Pump Housing
4									PUMP PACKAGE, Transmission
	04796467	1	1, 2, 3			ELO	DGT		
		1	6, 7, 8			ELO	DGT		
		1	1, 2, 3			EM0	DGT		
		1	6, 7, 8			EM0	DGT		
5		1							HOUSING, Pump, Serviced In Pump Package, (NOT SERVICED)
6		1							ROTOR, Oil Pump, Serviced In Pump Package, (NOT SERVICED)
7		1							ROTOR, Oil Pump, Serviced In Pump Package, (NOT SERVICED)

RAM PICKUP/CLUB CAB (BE)

SERIES	LINE	BODY	ENGINE	TRANSMISSION
L = RAM 1500, 2500, 3500	1 = Lt. Duty DODGE 2WD 2 = Med. Duty DODGE 2WD 3 = HD DODGE 2WD 6 = Lt. Duty DODGE 4WD 7 = Med. Duty DODGE 4WD 8 = HD DODGE 4WD	31 = CLUB CAB 2-DR 6.5 FT BOX 32 = CLUB CAB 2-DR 8FT BOX 33 = QUAD CAB 4-DR 6.5 FT BOX 34 = QUAD CAB 4-DR 8FT BOX	ETC = 5.9L Cummins 24V Diesel Engine EWA = 8.0L V10 MPI Engine EM0 = ALL 5.9L 8 CYL ENGINES - GAS EMM = 5.9L SMPI V8 Engine EML = 5.9L V8 MPI Engine ELF = 5.2L V8 MPI Engine	DGP = 4-Spd. Automatic 47RE Transmission DD0 = ALL 5 SPEED MANUAL TRANSMISSIONS DG0 = ALL AUTOMATIC TRANSMISSIONS DDC = 5-Speed HD Manual Transmission DDP = 5-Speed Manual Transmission DDX = 5-Speed HD Manual Transmission DEE = 6-Speed HD Manual Transmission DGT = 4-Spd. Automatic 46RE Transmission

AR = use ase required - = Non illustrated part

**Pump, Oil with Reaction Shaft [DGT]
Figure 46RE-310**



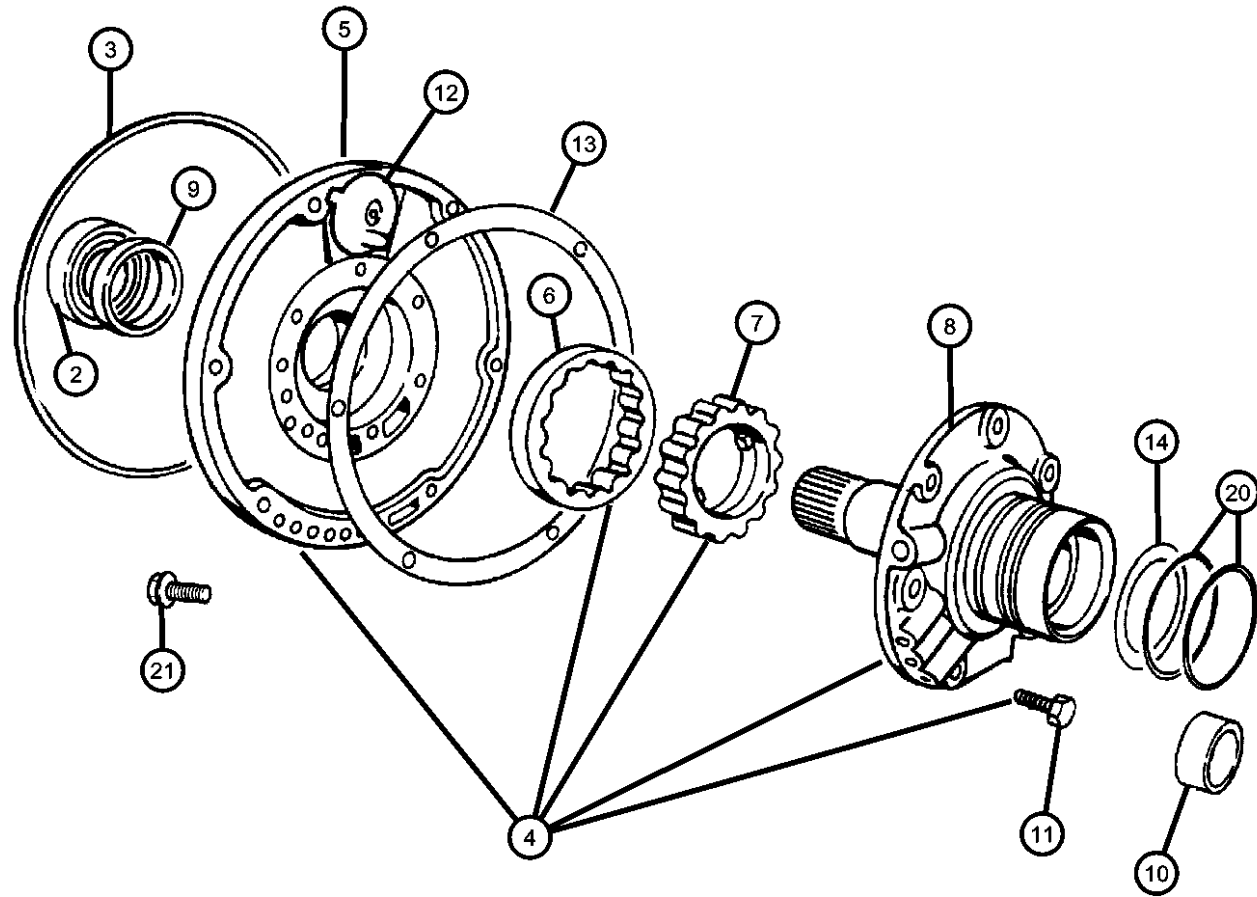
ITEM	PART NUMBER	QTY	LINE	SERIES	BODY	ENGINE	TRANS	TRIM	DESCRIPTION
8		1							SHAFT, Oil Pump, Serviced In Pump Package, (NOT SERVICED)
9		1							BUSHING, Serviced In Pump Package, (NOT SERVICED)
10		1							BUSHING, Serviced In Pump Package, (NOT SERVICED)
11									SCREW, Hex Head, .312-18x.687
	00179815	6	1, 2, 3			ELO	DGT		Suppt, 5/16-18 x 11/16"
		6	6, 7, 8			ELO	DGT		Suppt, 5/16-18 x 11/16"
		6	1, 2, 3			EM0	DGT		Suppt, 5/16-18 x 11/16"
		6	6, 7, 8			EM0	DGT		Suppt, 5/16-18 x 11/16"
12									BAFFLE PACKAGE, Pump
	03420087	1	1, 2, 3			ELO	DGT		w/Nail, Front Pump Housing Vent ***
		1	6, 7, 8			ELO	DGT		w/Nail, Front Pump Housing Vent ***
		1	1, 2, 3			EM0	DGT		w/Nail, Front Pump Housing Vent ***
		1	6, 7, 8			EM0	DGT		w/Nail, Front Pump Housing Vent ***
13									GASKET, Transmission Oil Pump
	04028377	1	1, 2, 3			ELO	DGT		Front Pump Housing
		1	6, 7, 8			ELO	DGT		Front Pump Housing
		1	1, 2, 3			EM0	DGT		Front Pump Housing
		1	6, 7, 8			EM0	DGT		Front Pump Housing
14									THRUST WASHER, Front Clutch
	04617161	1	1, 2, 3			ELO	DGT		.062" Thick
		1	6, 7, 8			ELO	DGT		.062" Thick
		1	1, 2, 3			EM0	DGT		.062" Thick
		1	6, 7, 8			EM0	DGT		.062" Thick
-15									THRUST WASHER, Front Clutch, Pink .085

RAM PICKUP/CLUB CAB (BE)

SERIES	LINE	BODY	ENGINE	TRANSMISSION
L = RAM 1500, 2500, 3500	1 = Lt. Duty DODGE 2WD 2 = Med. Duty DODGE 2WD 3 = HD DODGE 2WD 6 = Lt. Duty DODGE 4WD 7 = Med. Duty DODGE 4WD 8 = HD DODGE 4WD	31 = CLUB CAB 2-DR 6.5 FT BOX 32 = CLUB CAB 2-DR 8FT BOX 33 = QUAD CAB 4-DR 6.5 FT BOX 34 = QUAD CAB 4-DR 8FT BOX	ETC = 5.9L Cummins 24V Diesel Engine EWA = 8.0L V10 MPI Engine EM0 = ALL 5.9L 8 CYL ENGINES - GAS EMM = 5.9L SMPI V8 Engine EML = 5.9L V8 MPI Engine ELF = 5.2L V8 MPI Engine	DGP = 4-Spd. Automatic 47RE Transmission DD0 = ALL 5 SPEED MANUAL TRANSMISSIONS DG0 = ALL AUTOMATIC TRANSMISSIONS DDC = 5-Speed HD Manual Transmission DDP = 5-Speed Manual Transmission DDX = 5-Speed HD Manual Transmission DEE = 6-Speed HD Manual Transmission DGT = 4-Spd. Automatic 46RE Transmission

AR = use ase required - = Non illustrated part

Pump, Oil with Reaction Shaft [DGT]
Figure 46RE-310



ITEM	PART NUMBER	QTY	LINE	SERIES	BODY	ENGINE	TRANS	TRIM	DESCRIPTION
	04617162	1	1, 2, 3			ELO	DGT		
		1	6, 7, 8			ELO	DGT		
		1	1, 2, 3			EM0	DGT		
		1	6, 7, 8			EM0	DGT		
-16									THRUST WASHER, Front Clutch, Yellow .103
	04617163	1	1, 2, 3			ELO	DGT		
		1	6, 7, 8			ELO	DGT		
		1	1, 2, 3			EM0	DGT		
		1	6, 7, 8			EM0	DGT		
-17									THRUST WASHER, Front Clutch, Orange .121
	04617164	1	1, 2, 3			ELO	DGT		
		1	6, 7, 8			ELO	DGT		
		1	1, 2, 3			EM0	DGT		
		1	6, 7, 8			EM0	DGT		
-18									THRUST WASHER, Front Clutch, Blue .139"
	04617165	1	1, 2, 3			ELO	DGT		
		1	6, 7, 8			ELO	DGT		
		1	1, 2, 3			EM0	DGT		
		1	6, 7, 8			EM0	DGT		
-19									THRUST WASHER, Front Clutch, Black .157
	04617166	1	1, 2, 3			ELO	DGT		
		1	6, 7, 8			ELO	DGT		
		1	1, 2, 3			EM0	DGT		
		1	6, 7, 8			EM0	DGT		
20									SEAL, Reaction Shaft
	03743689	2	1, 2, 3			ELO	DGT		Reaction Shaft Support ***

RAM PICKUP/CLUB CAB (BE)

SERIES LINE
L = RAM 1500, 2500, 3500
1 = Lt. Duty DODGE 2WD
2 = Med. Duty DODGE 2WD
3 = HD DODGE 2WD
6 = Lt. Duty DODGE 4WD
7 = Med. Duty DODGE 4WD
8 = HD DODGE 4WD

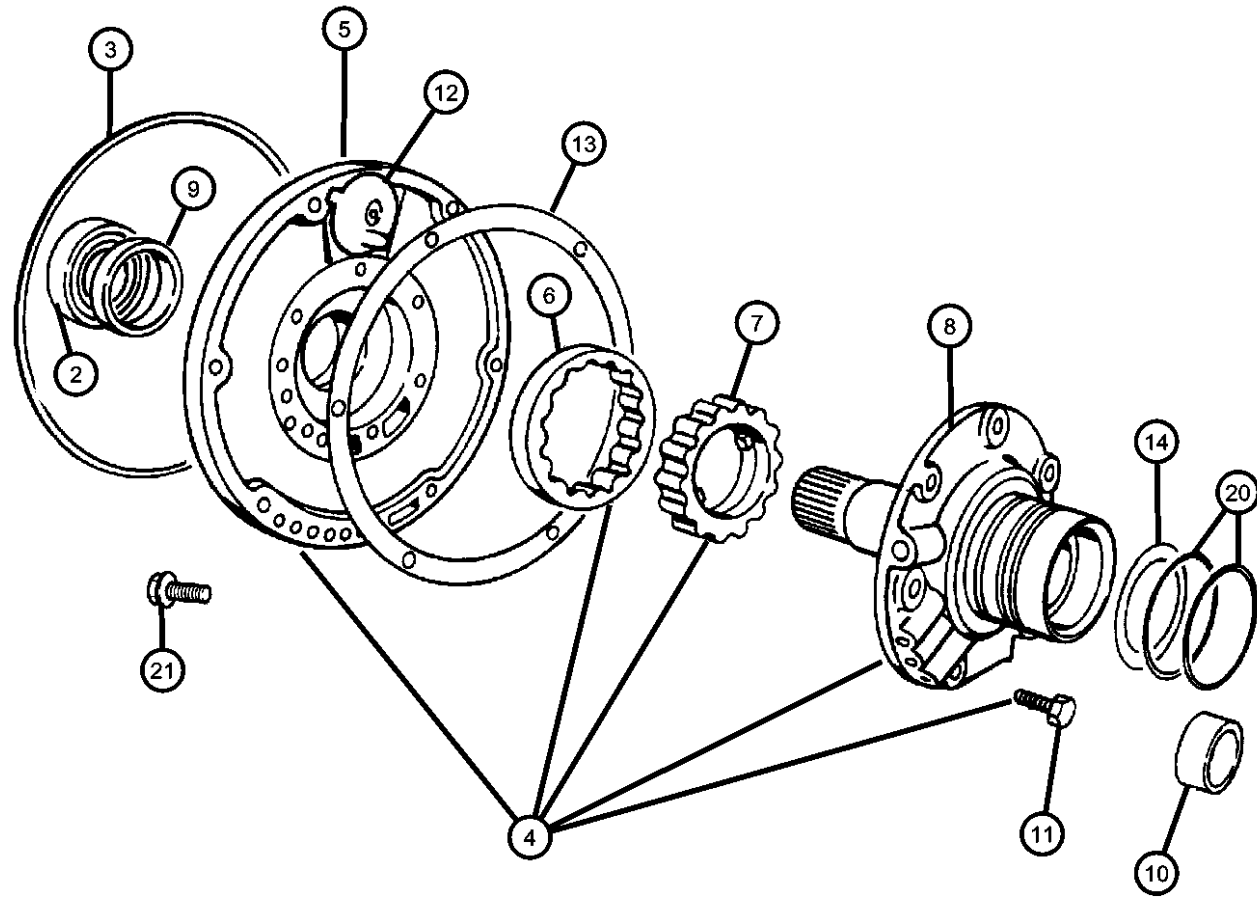
BODY
31 = CLUB CAB 2-DR 6.5 FT BOX
32 = CLUB CAB 2-DR 8FT BOX
33 = QUAD CAB 4-DR 6.5 FT BOX
34 = QUAD CAB 4-DR 8FT BOX
ENGINE
ETC = 5.9L Cummins 24V Diesel Engine
EWA = 8.0L V10 MPI Engine
EM0 = ALL 5.9L 8 CYL ENGINES - GAS
EMM = 5.9L SMPI V8 Engine
EML = 5.9L V8 MPI Engine
ELF = 5.2L V8 MPI Engine

TRANSMISSION
DGP = 4-Spd. Automatic 47RE Transmission
DD0 = ALL 5 SPEED MANUAL TRANSMISSIONS
DG0 = ALL AUTOMATIC TRANSMISSIONS
DDC = 5-Speed HD Manual Transmission
DDP = 5-Speed Manual Transmission
DDX = 5-Speed HD Manual Transmission
DEE = 6-Speed HD Manual Transmission
DGT = 4-Spd. Automatic 46RE Transmission

AR = use ase required - = Non illustrated part

1999 BE

**Pump, Oil with Reaction Shaft [DGT]
Figure 46RE-310**



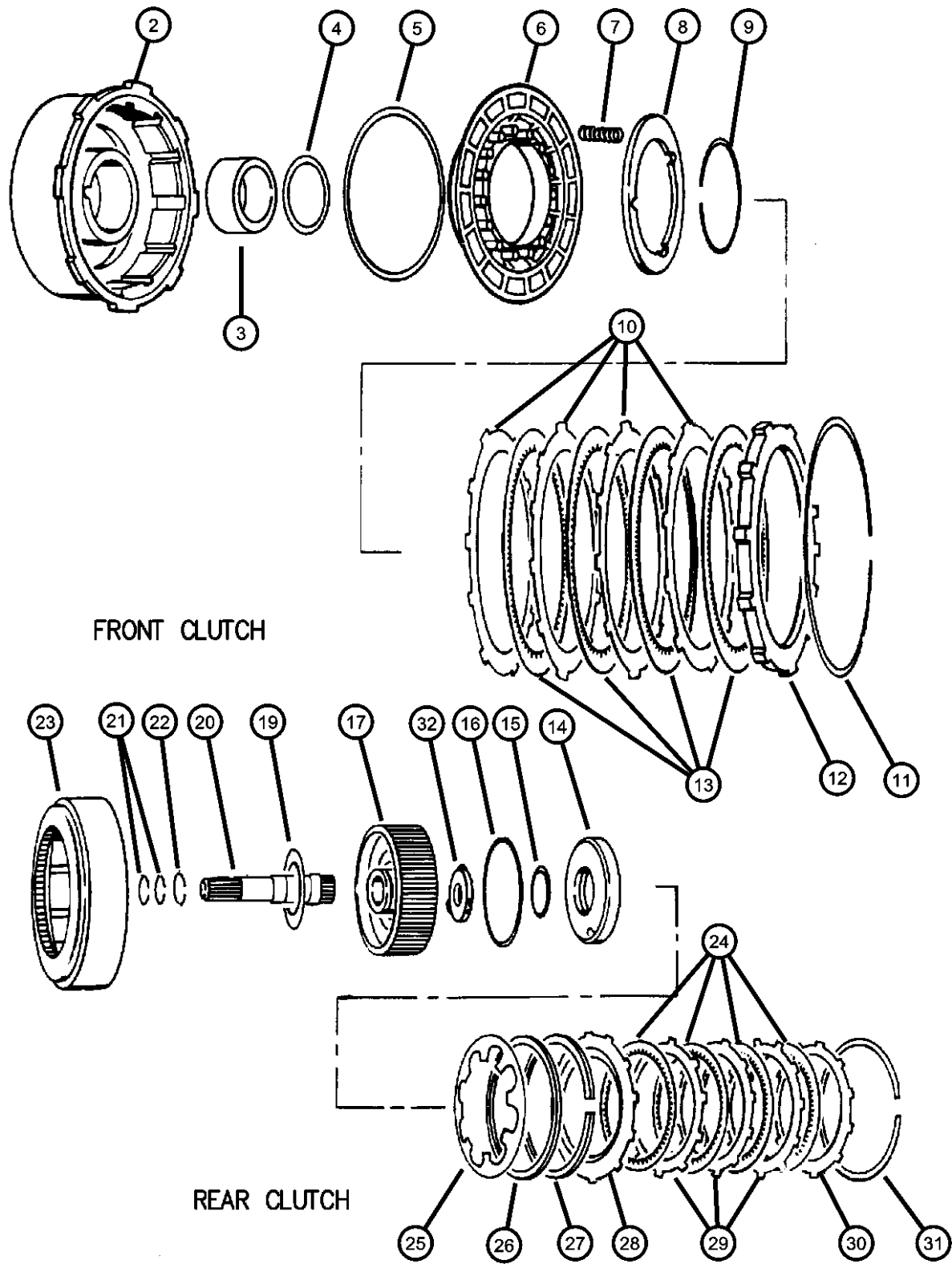
ITEM	PART NUMBER	QTY	LINE	SERIES	BODY	ENGINE	TRANS	TRIM	DESCRIPTION
		2	6, 7, 8			ELO	DGT		Reaction Shaft Support ***
		2	1, 2, 3			EM0	DGT		Reaction Shaft Support ***
		2	6, 7, 8			EM0	DGT		Reaction Shaft Support ***
21									SCREW AND WASHER, Hex Flange Head, .312-18x1.375
	06023943	7	1, 2, 3			ELO	DGT		w/Washer, Hsg. 5/16-18 x 1-3/8"
		7	6, 7, 8			ELO	DGT		w/Washer, Hsg. 5/16-18 x 1-3/8"
		7	1, 2, 3			EM0	DGT		w/Washer, Hsg. 5/16-18 x 1-3/8"
		7	6, 7, 8			EM0	DGT		w/Washer, Hsg. 5/16-18 x 1-3/8"

RAM PICKUP/CLUB CAB (BE)

SERIES	LINE	BODY	ENGINE	TRANSMISSION
L = RAM 1500, 2500, 3500	1 = Lt. Duty DODGE 2WD	31 = CLUB CAB 2-DR 6.5 FT BOX	ETC = 5.9L Cummins 24V Diesel Engine	DGP = 4-Spd. Automatic 47RE Transmission
	2 = Med. Duty DODGE 2WD	32 = CLUB CAB 2-DR 8FT BOX	EWA = 8.0L V10 MPI Engine	DD0 = ALL 5 SPEED MANUAL TRANSMISSIONS
	3 = HD DODGE 2WD	33 = QUAD CAB 4-DR 6.5 FT BOX	EM0 = ALL 5.9L 8 CYL ENGINES - GAS	DG0 = ALL AUTOMATIC TRANSMISSIONS
	6 = Lt. Duty DODGE 4WD	34 = QUAD CAB 4-DR 8FT BOX	EMM = 5.9L SMPI V8 Engine	DDC = 5-Speed HD Manual Transmission
	7 = Med. Duty DODGE 4WD		EML = 5.9L V8 MPI Engine	DDP = 5-Speed Manual Transmission
	8 = HD DODGE 4WD		ELF = 5.2L V8 MPI Engine	DDX = 5-Speed HD Manual Transmission
				DEE = 6-Speed HD Manual Transmission
				DGT = 4-Spd. Automatic 46RE Transmission

AR = use ase required - = Non illustrated part

**Clutch, Front and Rear with Gear Train [DGT]
Figure 46RE-410**



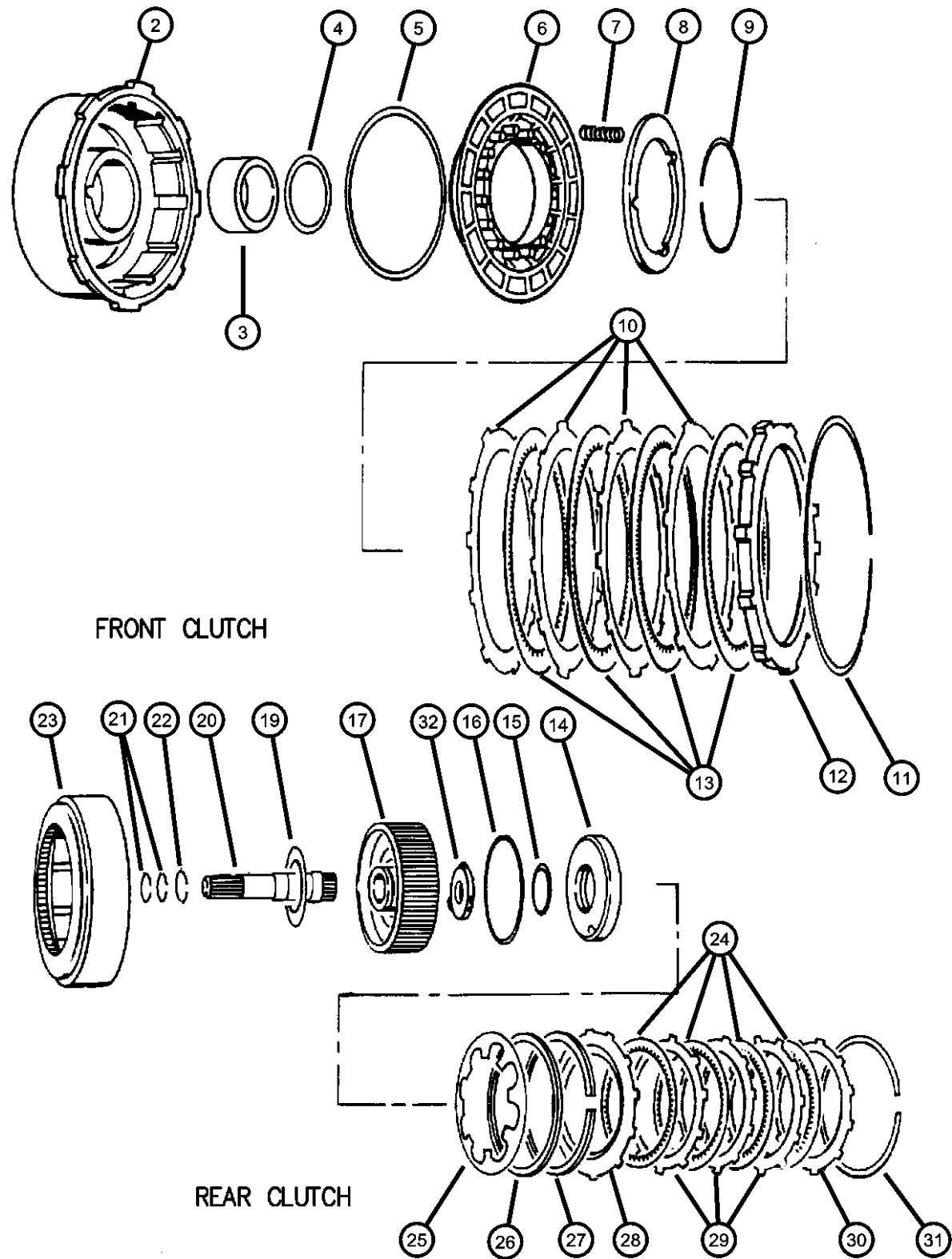
ITEM	PART NUMBER	QTY	LINE	SERIES	BODY	ENGINE	TRANS	TRIM	DESCRIPTION
-1									SEAL PACKAGE, Transmission Clutch
	04637078	1	1, 2, 3			EL0	DGT		
		1	6, 7, 8			EL0	DGT		
		1	1, 2, 3			EM0	DGT		
		1	6, 7, 8			EM0	DGT		
2									RETAINER, Clutch
	04058437AB	1	1, 2, 3			EL0	DGT		
		1	6, 7, 8			EL0	DGT		
		1	1, 2, 3			EM0	DGT		
		1	6, 7, 8			EM0	DGT		
3									BUSHING, Front Clutch
	04058647	1	1, 2, 3			EL0	DGT		
		1	6, 7, 8			EL0	DGT		
		1	1, 2, 3			EM0	DGT		
		1	6, 7, 8			EM0	DGT		
4									SEAL, Front Clutch Piston
	03410226	1	1, 2, 3			EL0	DGT		Inner, Inner
		1	6, 7, 8			EL0	DGT		Inner, Inner
		1	1, 2, 3			EM0	DGT		Inner, Inner
		1	6, 7, 8			EM0	DGT		Inner, Inner
5									SEAL, Front Piston Clutch
	04058484	1	1, 2, 3			EL0	DGT		Outer, Outer
		1	6, 7, 8			EL0	DGT		Outer, Outer
		1	1, 2, 3			EM0	DGT		Outer, Outer
		1	6, 7, 8			EM0	DGT		Outer, Outer

RAM PICKUP/CLUB CAB (BE)

SERIES	LINE	BODY	ENGINE	TRANSMISSION
L = RAM 1500, 2500, 3500	1 = Lt. Duty DODGE 2WD	31 = CLUB CAB 2-DR 6.5 FT BOX	ETC = 5.9L Cummins 24V Diesel Engine	DGP = 4-Spd. Automatic 47RE Transmission
	2 = Med. Duty DODGE 2WD	32 = CLUB CAB 2-DR 8FT BOX	EWA = 8.0L V10 MPI Engine	DD0 = ALL 5 SPEED MANUAL TRANSMISSIONS
	3 = HD DODGE 2WD	33 = QUAD CAB 4-DR 6.5 FT BOX	EM0 = ALL 5.9L 8 CYL ENGINES - GAS	DG0 = ALL AUTOMATIC TRANSMISSIONS
	6 = Lt. Duty DODGE 4WD	34 = QUAD CAB 4-DR 8FT BOX	EMM = 5.9L SMPI V8 Engine	DDC = 5-Speed HD Manual Transmission
	7 = Med. Duty DODGE 4WD		EML = 5.9L V8 MPI Engine	DDP = 5-Speed Manual Transmission
	8 = HD DODGE 4WD		ELF = 5.2L V8 MPI Engine	DDX = 5-Speed HD Manual Transmission
				DEE = 6-Speed HD Manual Transmission
				DGT = 4-Spd. Automatic 46RE Transmission

AR = use ase required - = Non illustrated part

**Clutch, Front and Rear with Gear Train [DGT]
Figure 46RE-410**



ITEM	PART NUMBER	QTY	LINE	SERIES	BODY	ENGINE	TRANS	TRIM	DESCRIPTION
6	02464651AB	1	1, 2, 3			ELO	DGT		PISTON, Clutch
		1	6, 7, 8			ELO	DGT		
		1	1, 2, 3			EM0	DGT		
		1	6, 7, 8			EM0	DGT		
7	02801243	9	1, 2, 3			ELO	DGT		SPRING, Front Clutch
		9	6, 7, 8			ELO	DGT		
		9	1, 2, 3			EM0	DGT		
		9	6, 7, 8			EM0	DGT		
8	02801949	1	1, 2, 3			ELO	DGT		RETAINER, Transmission
		1	6, 7, 8			ELO	DGT		
		1	1, 2, 3			EM0	DGT		
		1	6, 7, 8			EM0	DGT		
9	02124824	1	1, 2, 3			ELO	DGT		SNAP RING Inner, .060" Thk., 3" I.D.
		1	6, 7, 8			ELO	DGT		
		1	1, 2, 3			EM0	DGT		
		1	6, 7, 8			EM0	DGT		
10	52118812AA	3	1, 2, 3			ELO	DGT		PLATE, Clutch Separator
		3	6, 7, 8			ELO	DGT		
		3	1, 2, 3			EM0	DGT		
		3	6, 7, 8			EM0	DGT		
11	03410570	1	1, 2, 3			ELO	DGT	SNAP RING Frt. Clutch, .050" Thk., 7-8/64" O.D.	

RAM PICKUP/CLUB CAB (BE)

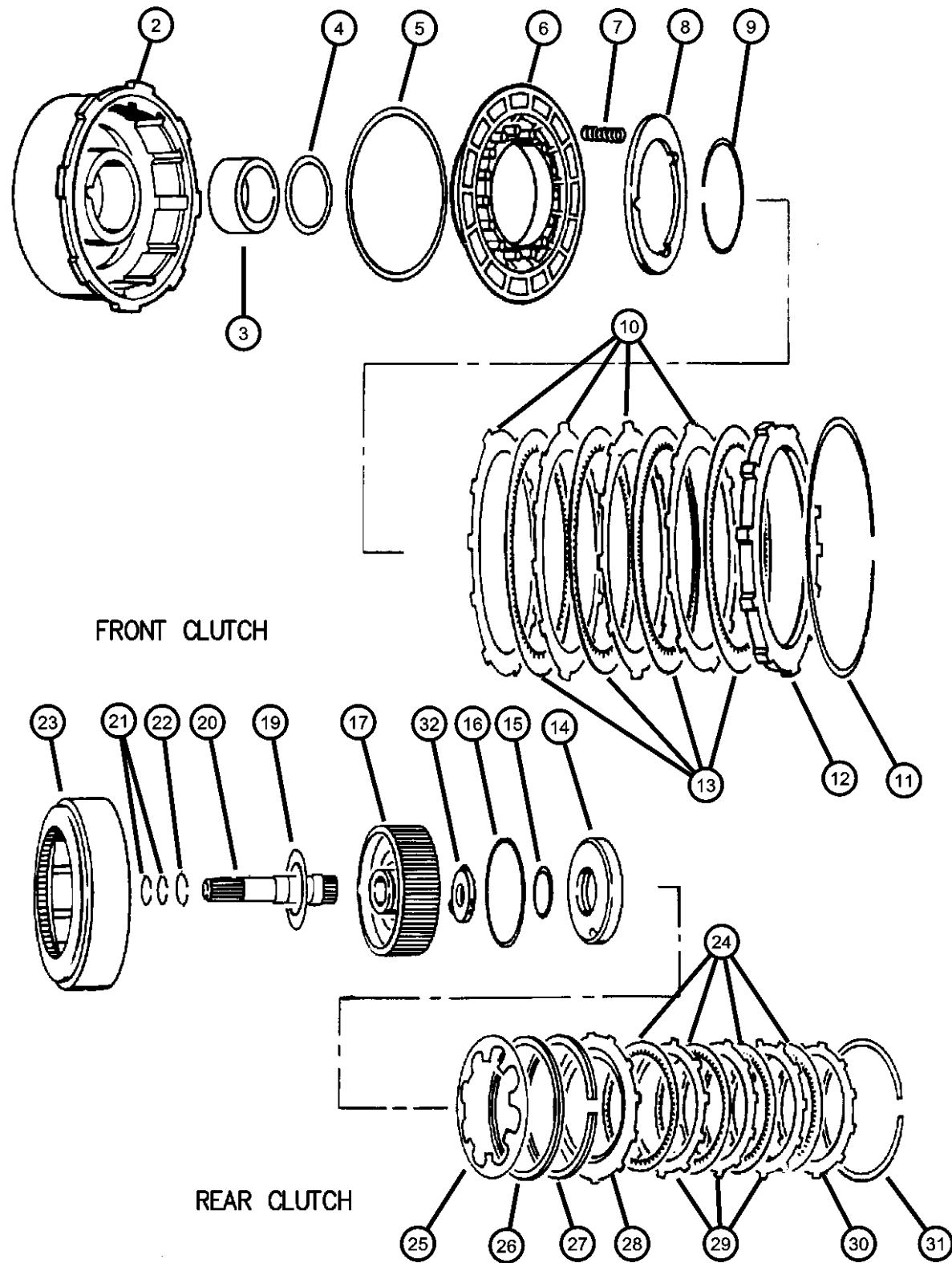
SERIES	LINE
L = RAM 1500, 2500, 3500	1 = Lt. Duty DODGE 2WD 2 = Med. Duty DODGE 2WD 3 = HD DODGE 2WD 6 = Lt. Duty DODGE 4WD 7 = Med. Duty DODGE 4WD 8 = HD DODGE 4WD

BODY	ENGINE
31 = CLUB CAB 2-DR 6.5 FT BOX 32 = CLUB CAB 2-DR 8FT BOX 33 = QUAD CAB 4-DR 6.5 FT BOX 34 = QUAD CAB 4-DR 8FT BOX	ETC = 5.9L Cummins 24V Diesel Engine EWA = 8.0L V10 MPI Engine EM0 = ALL 5.9L 8 CYL ENGINES - GAS EMM = 5.9L SMPI V8 Engine EML = 5.9L V8 MPI Engine ELF = 5.2L V8 MPI Engine

TRANSMISSION
DGP = 4-Spd. Automatic 47RE Transmission DD0 = ALL 5 SPEED MANUAL TRANSMISSIONS DG0 = ALL AUTOMATIC TRANSMISSIONS DDC = 5-Speed HD Manual Transmission DDP = 5-Speed Manual Transmission DDX = 5-Speed HD Manual Transmission DEE = 6-Speed HD Manual Transmission DGT = 4-Spd. Automatic 46RE Transmission

AR = use ase required - = Non illustrated part

Clutch, Front and Rear with Gear Train [DGT]
Figure 46RE-410



ITEM	PART NUMBER	QTY	LINE	SERIES	BODY	ENGINE	TRANS	TRIM	DESCRIPTION
		1	6, 7, 8			ELO	DGT		Frnt. Clutch, .050" Thk., 7-8/64" O.D.
		1	1, 2, 3			EM0	DGT		Frnt. Clutch, .050" Thk., 7-8/64" O.D.
		1	6, 7, 8			EM0	DGT		Frnt. Clutch, .050" Thk., 7-8/64" O.D.
12									PLATE, Transmission Clutch Reaction
	04617567	1	1, 2, 3			ELO	DGT		
		1	6, 7, 8			ELO	DGT		
		1	1, 2, 3			EM0	DGT		
		1	6, 7, 8			EM0	DGT		
13									DISC, Direct Clutch
	04617201AB	3	1, 2, 3			ELO	DGT		
		3	6, 7, 8			ELO	DGT		
		3	1, 2, 3			EM0	DGT		
		3	6, 7, 8			EM0	DGT		
14									PISTON, Clutch
	03743624AB	1	1, 2, 3			ELO	DGT		
		1	6, 7, 8			ELO	DGT		
		1	1, 2, 3			EM0	DGT		
		1	6, 7, 8			EM0	DGT		
15									SEAL, Rear Clutch Piston
	01942054	1	1, 2, 3			ELO	DGT		Inner
		1	6, 7, 8			ELO	DGT		Inner
		1	1, 2, 3			EM0	DGT		Inner
		1	6, 7, 8			EM0	DGT		Inner
16									SEAL, Rear Clutch Piston
	02124835	1	1, 2, 3			ELO	DGT		Outer
		1	6, 7, 8			ELO	DGT		Outer

RAM PICKUP/CLUB CAB (BE)

SERIES LINE
L = RAM 1500, 2500, 3500
1 = Lt. Duty DODGE 2WD
2 = Med. Duty DODGE 2WD
3 = HD DODGE 2WD
6 = Lt. Duty DODGE 4WD
7 = Med. Duty DODGE 4WD
8 = HD DODGE 4WD

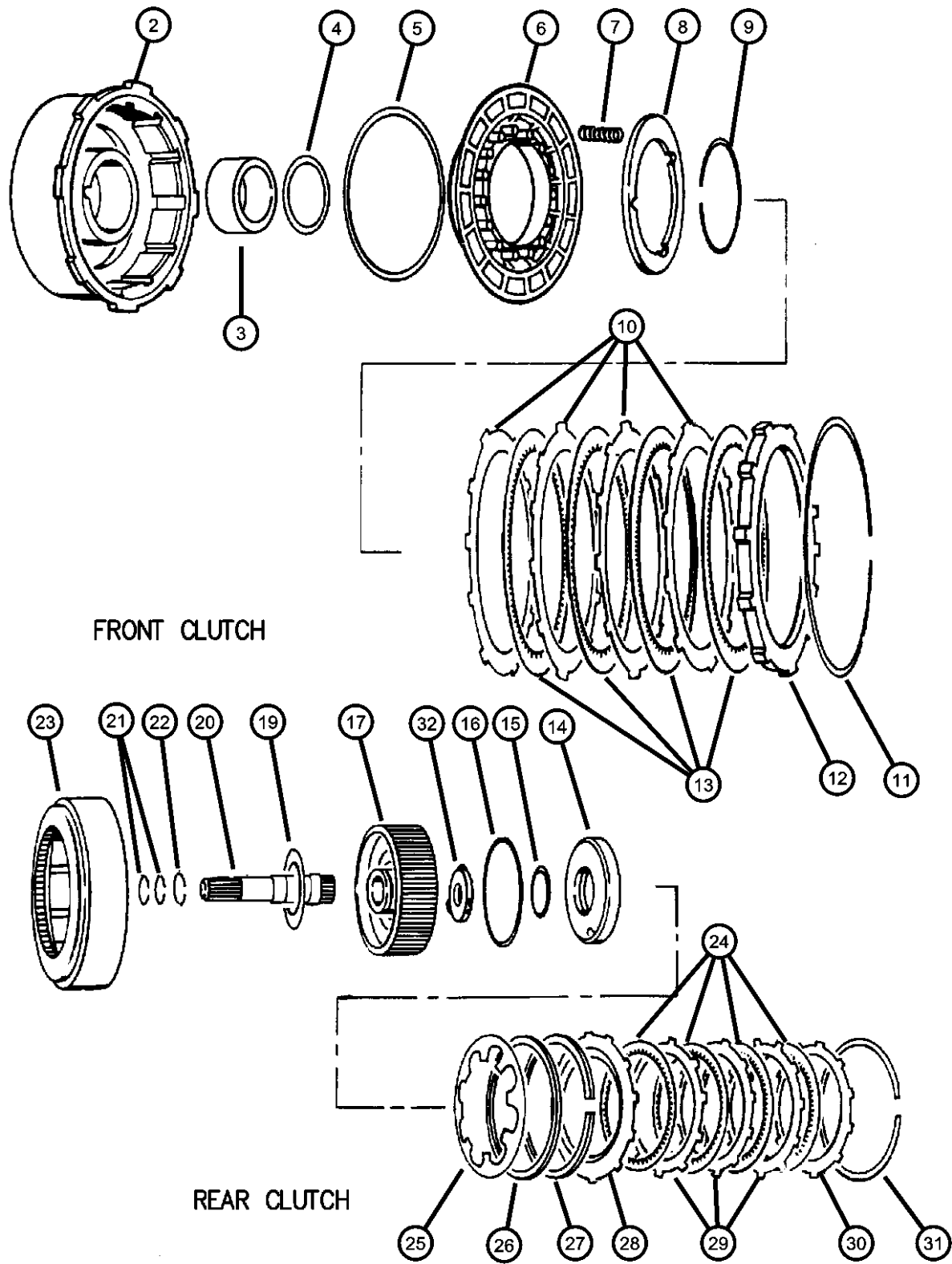
BODY ENGINE TRANSMISSION
31 = CLUB CAB 2-DR 6.5 FT BOX
32 = CLUB CAB 2-DR 8FT BOX
33 = QUAD CAB 4-DR 6.5 FT BOX
34 = QUAD CAB 4-DR 8FT BOX
ETC = 5.9L Cummins 24V Diesel Engine
EWA = 8.0L V10 MPI Engine
EM0 = ALL 5.9L 8 CYL ENGINES - GAS
EMM = 5.9L SMPI V8 Engine
EML = 5.9L V8 MPI Engine
ELF = 5.2L V8 MPI Engine

TRANSMISSION
DGP = 4-Spd. Automatic 47RE Transmission
DD0 = ALL 5 SPEED MANUAL TRANSMISSIONS
DG0 = ALL AUTOMATIC TRANSMISSIONS
DDC = 5-Speed HD Manual Transmission
DDP = 5-Speed Manual Transmission
DDX = 5-Speed HD Manual Transmission
DEE = 6-Speed HD Manual Transmission
DGT = 4-Spd. Automatic 46RE Transmission

AR = use ase required - = Non illustrated part

1999 BE

**Clutch, Front and Rear with Gear Train [DGT]
Figure 46RE-410**



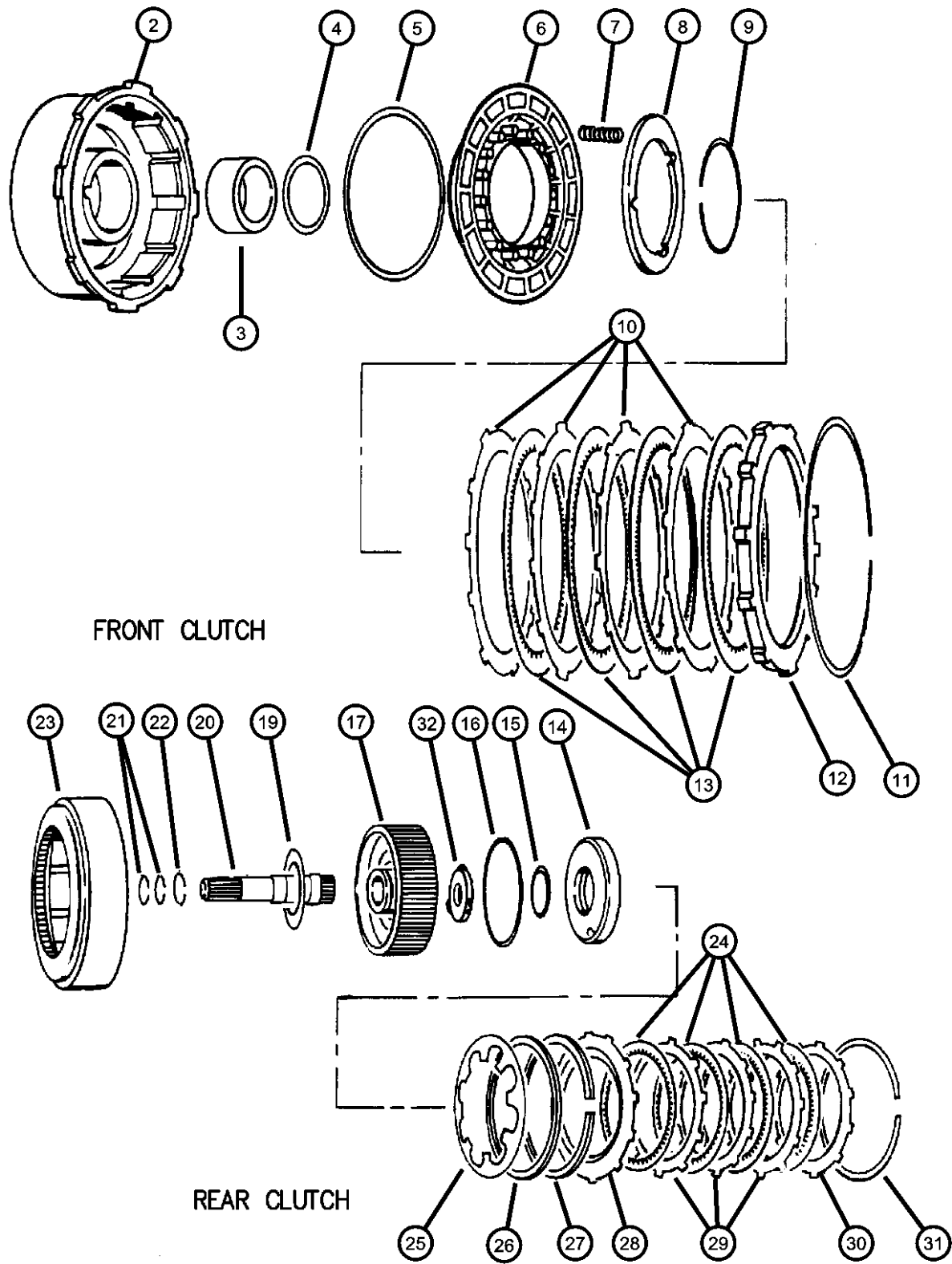
ITEM	PART NUMBER	QTY	LINE	SERIES	BODY	ENGINE	TRANS	TRIM	DESCRIPTION
17	04617855	1	1, 2, 3			EM0	DGT		Outer
		1	6, 7, 8			EM0	DGT		Outer
		1	1, 2, 3			ELO	DGT		RETAINER, Transmission
		1	6, 7, 8			ELO	DGT		Rear Clutch Piston
		1	1, 2, 3			EM0	DGT		Rear Clutch Piston
-18	04058443	1	6, 7, 8			EM0	DGT		Rear Clutch Piston
		1	1, 2, 3			ELO	DGT		SEAL, Rear Clutch Retainer
		1	6, 7, 8			ELO	DGT		Piston Ret. Oil Seal Lock, 1-7/8" O.D.
		1	6, 7, 8			ELO	DGT		Piston Ret. Oil Seal Lock, 1-7/8" O.D.
		1	1, 2, 3			EM0	DGT		Piston Ret. Oil Seal Lock, 1-7/8" O.D.
19	04617161	1	6, 7, 8			EM0	DGT		Piston Ret. Oil Seal Lock, 1-7/8" O.D.
		1	6, 7, 8			EM0	DGT		Piston Ret. Oil Seal Lock, 1-7/8" O.D.
		1	1, 2, 3			ELO	DGT		THRUST WASHER, Front Clutch
		1	6, 7, 8			ELO	DGT		THRUST WASHER, Front Clutch
		1	1, 2, 3			EM0	DGT		THRUST WASHER, Front Clutch
20	04617396	1	6, 7, 8			EM0	DGT		THRUST WASHER, Front Clutch
		1	1, 2, 3			ELO	DGT		INPUT SHAFT, Transmission
		1	6, 7, 8			ELO	DGT		INPUT SHAFT, Transmission
		1	1, 2, 3			EM0	DGT		INPUT SHAFT, Transmission
		1	6, 7, 8			EM0	DGT		INPUT SHAFT, Transmission
21	04741836	1	1, 2, 3			ELO	DGT		SEAL, Input Shaft
		1	6, 7, 8			ELO	DGT		SEAL, Input Shaft
		1	1, 2, 3			EM0	DGT		SEAL, Input Shaft
		1	6, 7, 8			EM0	DGT		SEAL, Input Shaft
		1	1, 2, 3			EM0	DGT		SEAL, Input Shaft

RAM PICKUP/CLUB CAB (BE)

SERIES	LINE	BODY	ENGINE	TRANSMISSION
L = RAM 1500, 2500, 3500	1 = Lt. Duty DODGE 2WD	31 = CLUB CAB 2-DR 6.5 FT BOX	ETC = 5.9L Cummins 24V Diesel Engine	DGP = 4-Spd. Automatic 47RE Transmission
	2 = Med. Duty DODGE 2WD	32 = CLUB CAB 2-DR 8FT BOX	EWA = 8.0L V10 MPI Engine	DD0 = ALL 5 SPEED MANUAL TRANSMISSIONS
	3 = HD DODGE 2WD	33 = QUAD CAB 4-DR 6.5 FT BOX	EM0 = ALL 5.9L 8 CYL ENGINES - GAS	DG0 = ALL AUTOMATIC TRANSMISSIONS
	6 = Lt. Duty DODGE 4WD	34 = QUAD CAB 4-DR 8FT BOX	EMM = 5.9L SMPI V8 Engine	DDC = 5-Speed HD Manual Transmission
	7 = Med. Duty DODGE 4WD		EML = 5.9L V8 MPI Engine	DDP = 5-Speed Manual Transmission
	8 = HD DODGE 4WD		ELF = 5.2L V8 MPI Engine	DDX = 5-Speed HD Manual Transmission
				DEE = 6-Speed HD Manual Transmission
				DGT = 4-Spd. Automatic 46RE Transmission

AR = use ase required - = Non illustrated part

**Clutch, Front and Rear with Gear Train [DGT]
Figure 46RE-410**



ITEM	PART NUMBER	QTY	LINE	SERIES	BODY	ENGINE	TRANS	TRIM	DESCRIPTION
22		1	6, 7, 8			EM0	DGT		SNAP RING
	02124872	1	1, 2, 3			ELO	DGT		Rr. Clutch Piston , .060" Thk., 1-31/64" O.D.
		1	6, 7, 8			ELO	DGT		Rr. Clutch Piston .060" Thk., 1-31/64" O.D.
		1	1, 2, 3			EM0	DGT		Rr. Clutch Piston .060" Thk., 1-31/64" O.D.
		1	6, 7, 8			EM0	DGT		Rr. Clutch Piston , .060" Thk., 1-31/64" O.D.
23									RETAINER, Rear Clutch
	03743622	1	1, 2, 3			ELO	DGT		
		1	6, 7, 8			ELO	DGT		
		1	1, 2, 3			EM0	DGT		
		1	6, 7, 8			EM0	DGT		
24									DISC, Clutch
	02801992AB	4	1, 2, 3			ELO	DGT		
		4	6, 7, 8			ELO	DGT		
		4	1, 2, 3			EM0	DGT		
		4	6, 7, 8			EM0	DGT		
25									SPRING, Rear Clutch Piston
	03743621AB	1	1, 2, 3			ELO	DGT		
		1	6, 7, 8			ELO	DGT		
		1	1, 2, 3			EM0	DGT		
		1	6, 7, 8			EM0	DGT		
26									SPACER, Rear Clutch Piston
	03515077	1	1, 2, 3			ELO	DGT		Plastic, 6-13/16" O.D
		1	6, 7, 8			ELO	DGT		Plastic, 6-13/16" O.D
		1	1, 2, 3			EM0	DGT		Plastic, 6-13/16" O.D
		1	6, 7, 8			EM0	DGT		Plastic, 6-13/16" O.D

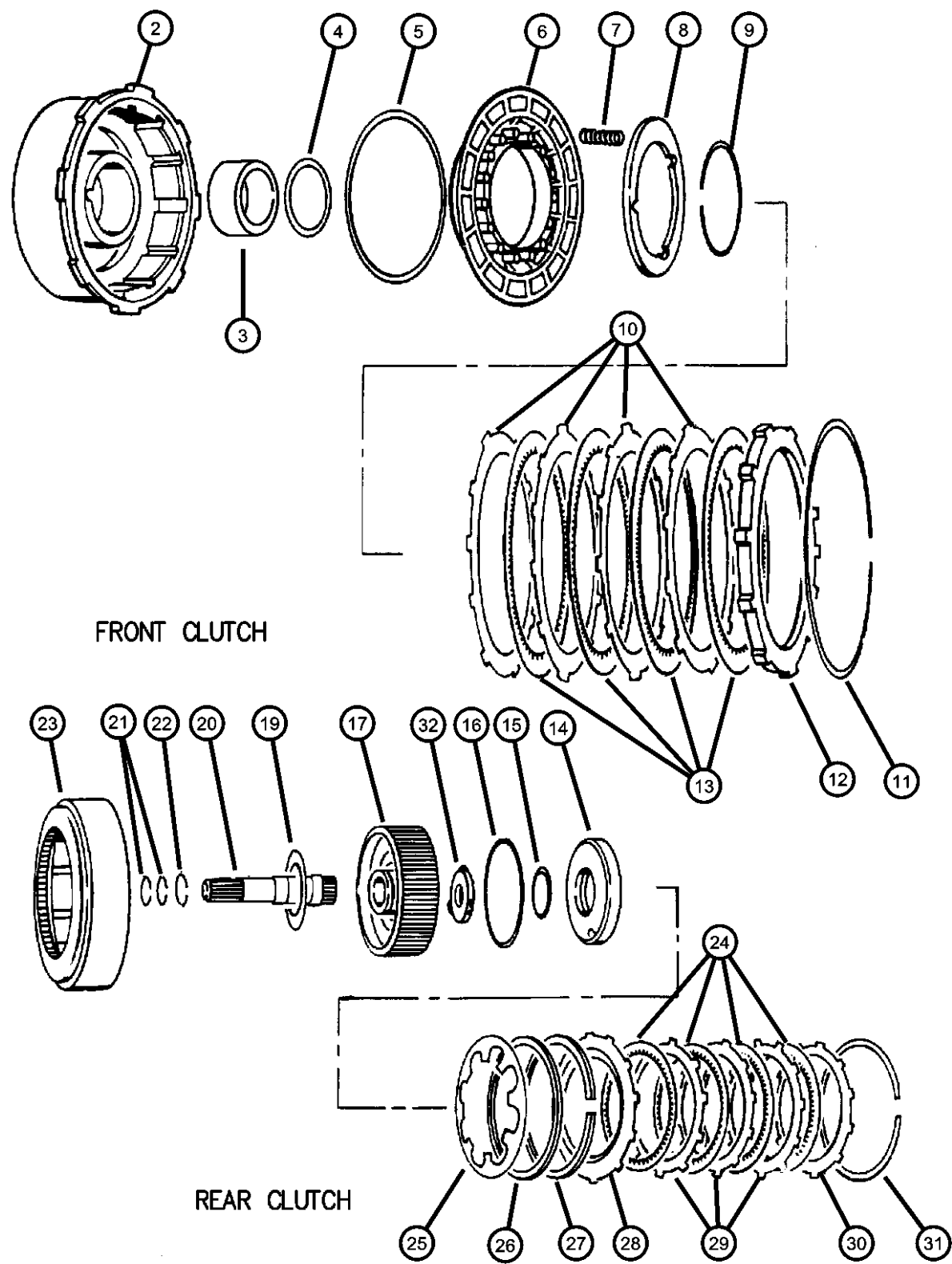
RAM PICKUP/CLUB CAB (BE)

SERIES	LINE	BODY	ENGINE	TRANSMISSION
L = RAM 1500, 2500, 3500	1 = Lt. Duty DODGE 2WD 2 = Med. Duty DODGE 2WD 3 = HD DODGE 2WD 6 = Lt. Duty DODGE 4WD 7 = Med. Duty DODGE 4WD 8 = HD DODGE 4WD	31 = CLUB CAB 2-DR 6.5 FT BOX 32 = CLUB CAB 2-DR 8FT BOX 33 = QUAD CAB 4-DR 6.5 FT BOX 34 = QUAD CAB 4-DR 8FT BOX	ETC = 5.9L Cummins 24V Diesel Engine EWA = 8.0L V10 MPI Engine EM0 = ALL 5.9L 8 CYL ENGINES - GAS EMM = 5.9L SMPI V8 Engine EML = 5.9L V8 MPI Engine ELF = 5.2L V8 MPI Engine	DGP = 4-Spd. Automatic 47RE Transmission DD0 = ALL 5 SPEED MANUAL TRANSMISSIONS DG0 = ALL AUTOMATIC TRANSMISSIONS DDC = 5-Speed HD Manual Transmission DDP = 5-Speed Manual Transmission DDX = 5-Speed HD Manual Transmission DEE = 6-Speed HD Manual Transmission DGT = 4-Spd. Automatic 46RE Transmission

AR = use ase required - = Non illustrated part

Clutch, Front and Rear with Gear Train [DGT]

Figure 46RE-410



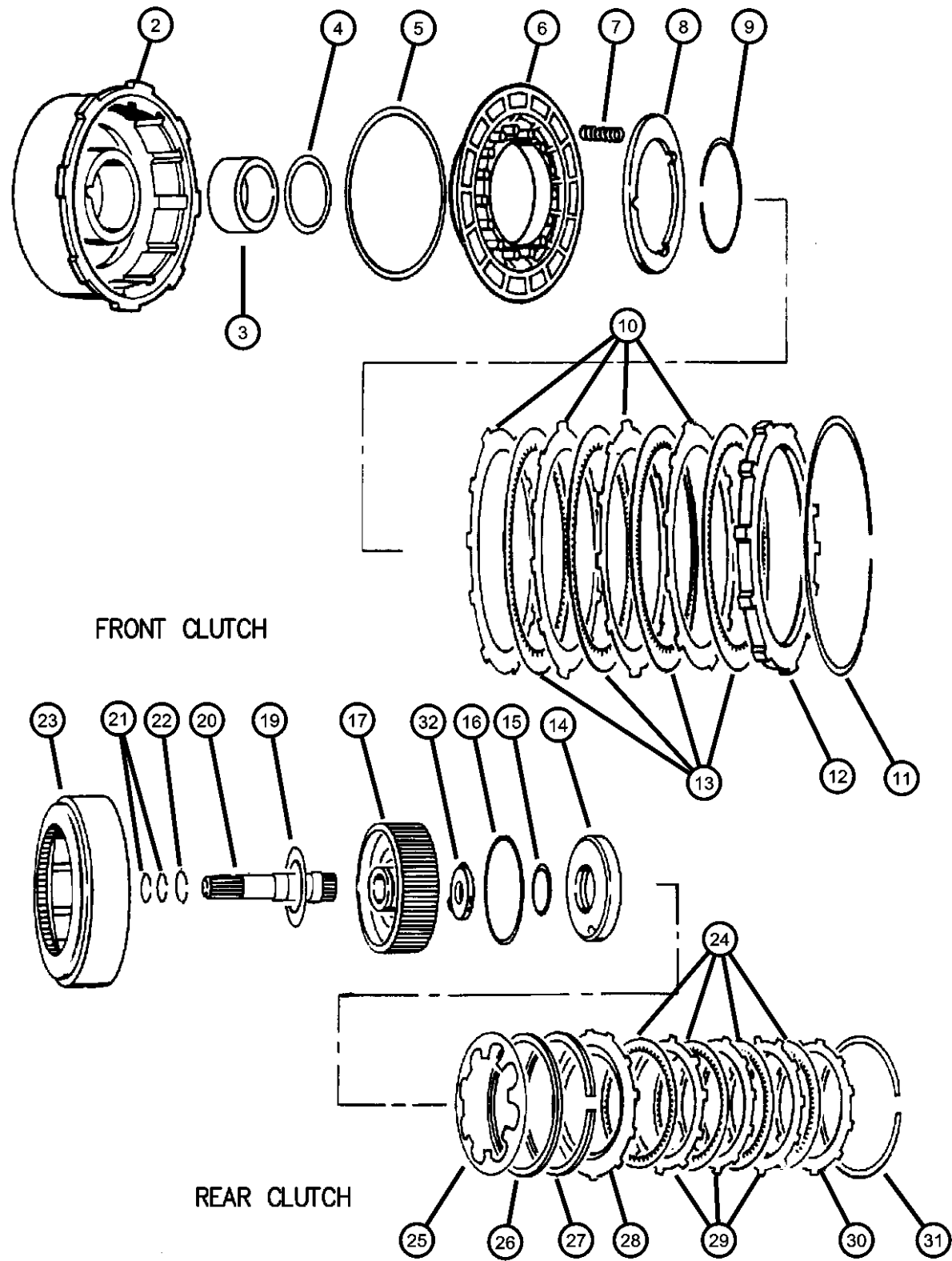
ITEM	PART NUMBER	QTY	LINE	SERIES	BODY	ENGINE	TRANS	TRIM	DESCRIPTION
27	02466806	1	1, 2, 3			ELO	DGT		SPRING, Rear Clutch
		1	6, 7, 8			ELO	DGT		
		1	1, 2, 3			EM0	DGT		
		1	6, 7, 8			EM0	DGT		
28	02466803	1	1, 2, 3			ELO	DGT		PLATE, Clutch Pressure
		1	6, 7, 8			ELO	DGT		Front
		1	1, 2, 3			EM0	DGT		Front
		1	6, 7, 8			EM0	DGT		Front
29	02124826AB	3	1, 2, 3			ELO	DGT		PLATE, Clutch Separator
		3	6, 7, 8			ELO	DGT		
		3	1, 2, 3			EM0	DGT		
		3	6, 7, 8			EM0	DGT		
30	04617567	1	1, 2, 3			ELO	DGT		PLATE, Transmission Clutch
		1	6, 7, 8			ELO	DGT		Reaction
		1	1, 2, 3			EM0	DGT		Rear
		1	6, 7, 8			EM0	DGT		Rear
31	01942063	1	1, 2, 3			ELO	DGT		SNAP RING
		1	6, 7, 8			ELO	DGT		.060" Thick
		1	1, 2, 3			EM0	DGT		.060" Thick
		1	6, 7, 8			EM0	DGT		.060" Thick
	01942064	1	1, 2, 3			ELO	DGT		.074" Thick
		1	6, 7, 8			ELO	DGT		.074" Thick

RAM PICKUP/CLUB CAB (BE)

SERIES	LINE	BODY	ENGINE	TRANSMISSION
L = RAM 1500, 2500, 3500	1 = Lt. Duty DODGE 2WD	31 = CLUB CAB 2-DR 6.5 FT BOX	ETC = 5.9L Cummins 24V Diesel Engine	DGP = 4-Spd. Automatic 47RE Transmission
	2 = Med. Duty DODGE 2WD	32 = CLUB CAB 2-DR 8FT BOX	EWA = 8.0L V10 MPI Engine	DD0 = ALL 5 SPEED MANUAL TRANSMISSIONS
	3 = HD DODGE 2WD	33 = QUAD CAB 4-DR 6.5 FT BOX	EM0 = ALL 5.9L 8 CYL ENGINES - GAS	DG0 = ALL AUTOMATIC TRANSMISSIONS
	6 = Lt. Duty DODGE 4WD	34 = QUAD CAB 4-DR 8FT BOX	EMM = 5.9L SMPI V8 Engine	DDC = 5-Speed HD Manual Transmission
	7 = Med. Duty DODGE 4WD		EML = 5.9L V8 MPI Engine	DDP = 5-Speed Manual Transmission
	8 = HD DODGE 4WD		ELF = 5.2L V8 MPI Engine	DDX = 5-Speed HD Manual Transmission
				DEE = 6-Speed HD Manual Transmission
				DGT = 4-Spd. Automatic 46RE Transmission

AR = use ase required - = Non illustrated part

**Clutch, Front and Rear with Gear Train [DGT]
Figure 46RE-410**



ITEM	PART NUMBER	QTY	LINE	SERIES	BODY	ENGINE	TRANS	TRIM	DESCRIPTION
		1	1, 2, 3			EM0	DGT		.074" Thick
		1	6, 7, 8			EM0	DGT		.074" Thick
	01942065	1	1, 2, 3			ELO	DGT		.088" Thick
		1	6, 7, 8			ELO	DGT		.088" Thick
		1	1, 2, 3			EM0	DGT		.088" Thick
		1	6, 7, 8			EM0	DGT		.088" Thick
	02466811	1	1, 2, 3			ELO	DGT		.106" Thick
		1	6, 7, 8			ELO	DGT		.106" Thick
		1	1, 2, 3			EM0	DGT		.106" Thick
		1	6, 7, 8			EM0	DGT		.106" Thick
32									THRUST WASHER, Output Shaft, Red .068
	04505186	1	1, 2, 3			ELO	DGT		Intermediate Shaft, Thrust, w/ 3 Point Bronze Face, .068" Thk.
		1	6, 7, 8			ELO	DGT		Intermediate Shaft, Thrust, w/ 3 Point Bronze Face, .068" Thk.
		1	1, 2, 3			EM0	DGT		Intermediate Shaft, Thrust, w/ 3 Point Bronze Face, .068" Thk.
		1	6, 7, 8			EM0	DGT		Intermediate Shaft, Thrust, w/ 3 Point Bronze Face, .068" Thk.
-33									CHECK BALL, Dia-.187
	00147483	1	6, 7, 8			ELO	DGT		
		1	1, 2, 3			EM0	DGT		

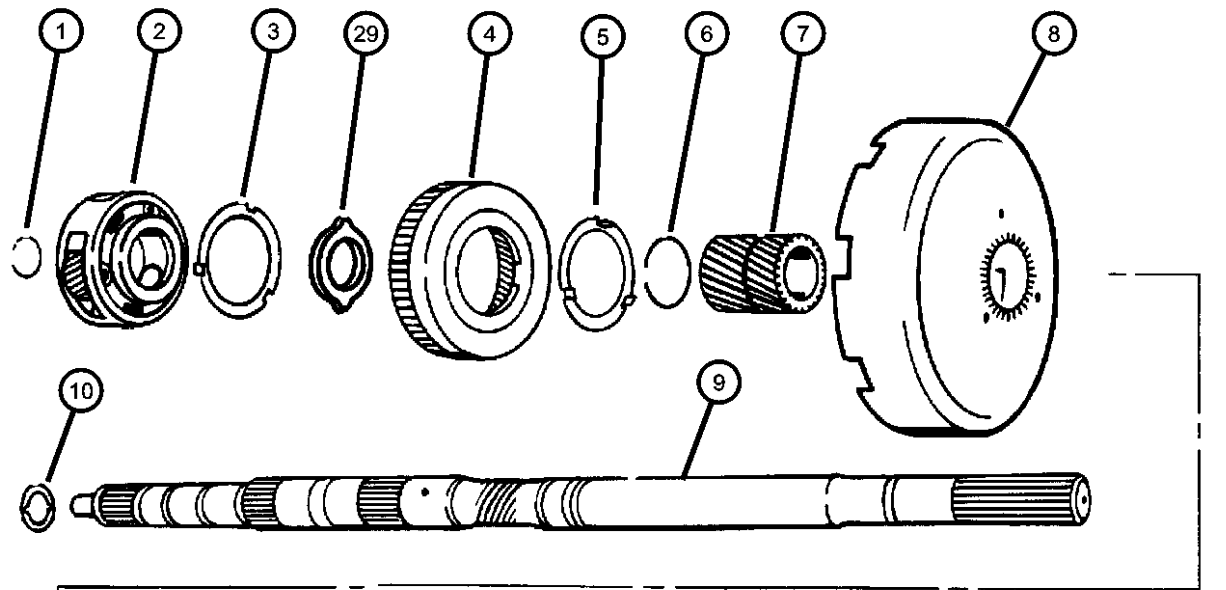
RAM PICKUP/CLUB CAB (BE)

SERIES	LINE	BODY	ENGINE	TRANSMISSION
L = RAM 1500, 2500, 3500	1 = Lt. Duty DODGE 2WD 2 = Med. Duty DODGE 2WD 3 = HD DODGE 2WD 6 = Lt. Duty DODGE 4WD 7 = Med. Duty DODGE 4WD 8 = HD DODGE 4WD	31 = CLUB CAB 2-DR 6.5 FT BOX 32 = CLUB CAB 2-DR 8FT BOX 33 = QUAD CAB 4-DR 6.5 FT BOX 34 = QUAD CAB 4-DR 8FT BOX	ETC = 5.9L Cummins 24V Diesel Engine EWA = 8.0L V10 MPI Engine EM0 = ALL 5.9L 8 CYL ENGINES - GAS EMM = 5.9L SMPI V8 Engine EML = 5.9L V8 MPI Engine ELF = 5.2L V8 MPI Engine	DGP = 4-Spd. Automatic 47RE Transmission DD0 = ALL 5 SPEED MANUAL TRANSMISSIONS DG0 = ALL AUTOMATIC TRANSMISSIONS DDC = 5-Speed HD Manual Transmission DDP = 5-Speed Manual Transmission DDX = 5-Speed HD Manual Transmission DEE = 6-Speed HD Manual Transmission DGT = 4-Spd. Automatic 46RE Transmission

AR = use ase required - = Non illustrated part

Intermediate Shaft and Gear Train [DGT]

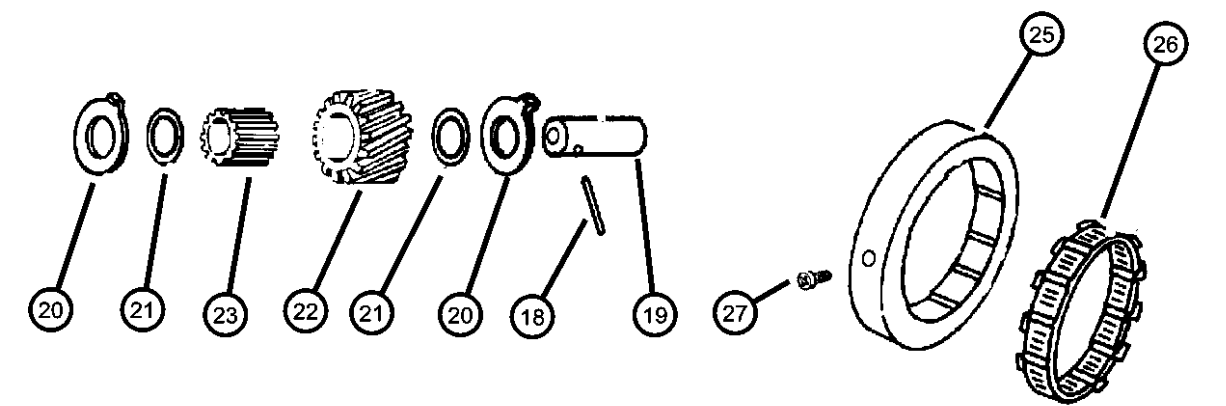
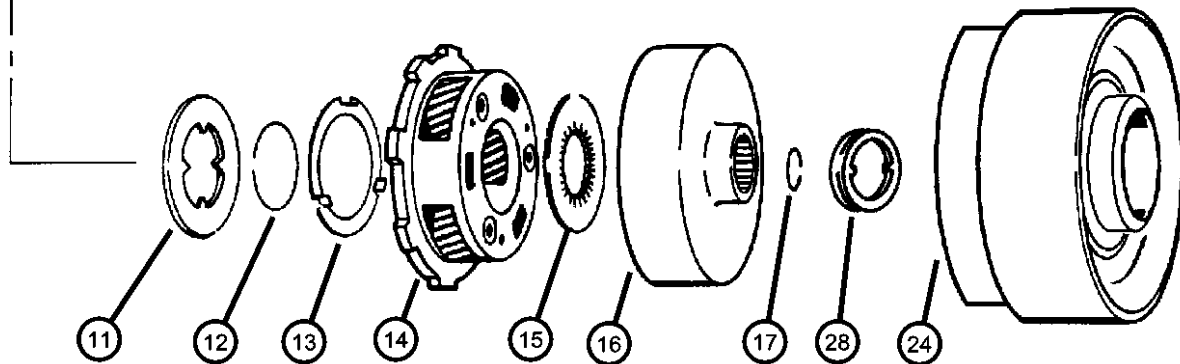
Figure 46RE-420



ITEM	PART NUMBER	QTY	LINE	SERIES	BODY	ENGINE	TRANS	TRIM	DESCRIPTION
------	-------------	-----	------	--------	------	--------	-------	------	-------------

NOTES: Sales Codes
 [DGT] = 4 Speed Automatic Transmission 46RE
 [ELO] = All 5.2L 8 Cylinder Gas Engines
 [EM0] = All 5.9L 8 Cylinder Gas Engines

1	06024312	1	1, 2, 3			ELO	DGT		SNAP RING, 1.108 Free Diameter
		1	6, 7, 8			ELO	DGT		
		1	1, 2, 3			EM0	DGT		
		1	6, 7, 8			EM0	DGT		
2	04617612	1	1, 2, 3			ELO	DGT		CARRIER, Planetary Pinion
		1	6, 7, 8			ELO	DGT		
	52118693	1	1, 2, 3			EM0	DGT		
		1	6, 7, 8			EM0	DGT		
3	02801060	1	1, 2, 3			ELO	DGT		THRUST WASHER, Planetary Carrier
		1	6, 7, 8			ELO	DGT		Frt. Carrier Thrust, w/4 Tabs, 3-13/32" O.D.
		1	1, 2, 3			EM0	DGT		Frt. Carrier Thrust, w/4 Tabs, 3-13/32" O.D.
		1	6, 7, 8			EM0	DGT		Frt. Carrier Thrust, w/4 Tabs, 3-13/32" O.D.
	04539129	1	1, 2, 3			EM0	DGT		Frt. Carrier Thrust, w/4 Tabs, 3-13/32" O.D.
		1	6, 7, 8			EM0	DGT		With 5 Tabs
		1	6, 7, 8			EM0	DGT		With 5 Tabs
4	02892656	1	1, 2, 3			ELO	DGT		GEAR, Front Annulus
		1	6, 7, 8			ELO	DGT		w/Support 2-1/2" I.D. Center Hole ***
		1	6, 7, 8			ELO	DGT		w/Support, 2-1/2" I.D. Center Hole ***
		1	1, 2, 3			EM0	DGT		w/Support 2-1/2" I.D. Center Hole ***



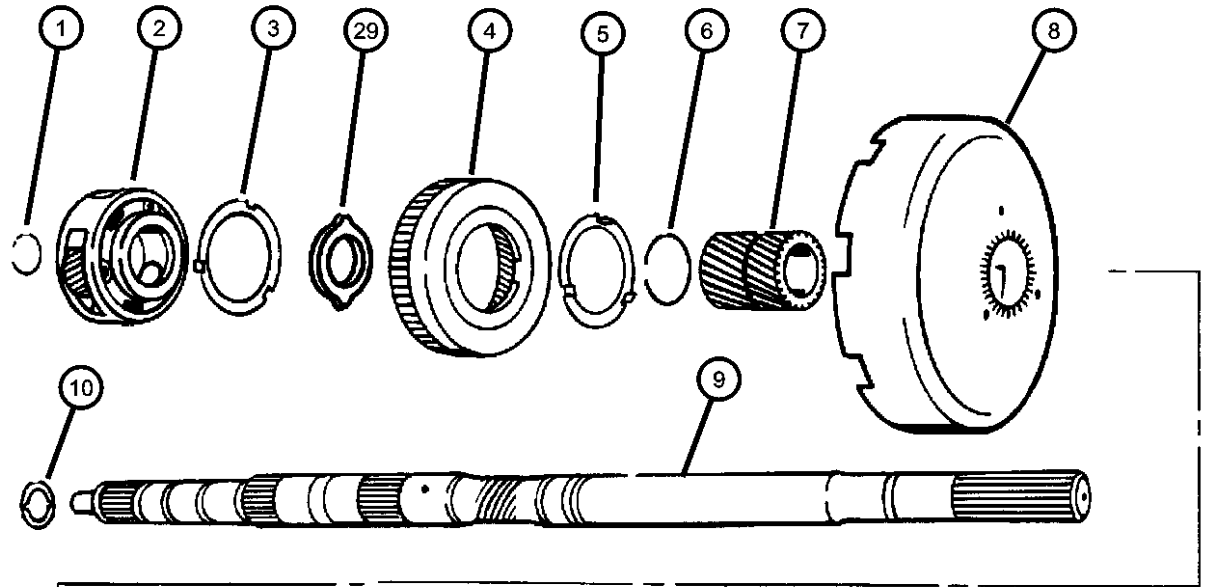
FRONT & REAR PLANET PINION CARRIER GEARS

RAM PICKUP/CLUB CAB (BE)

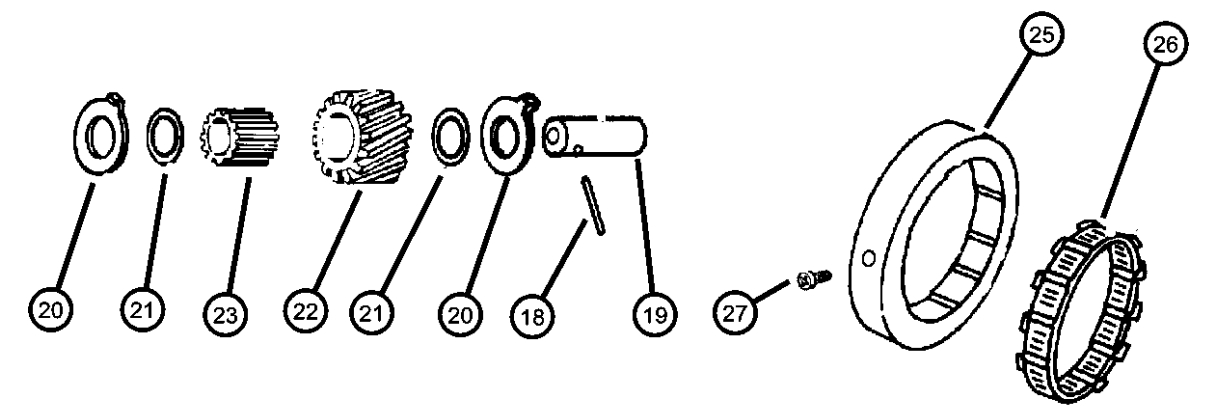
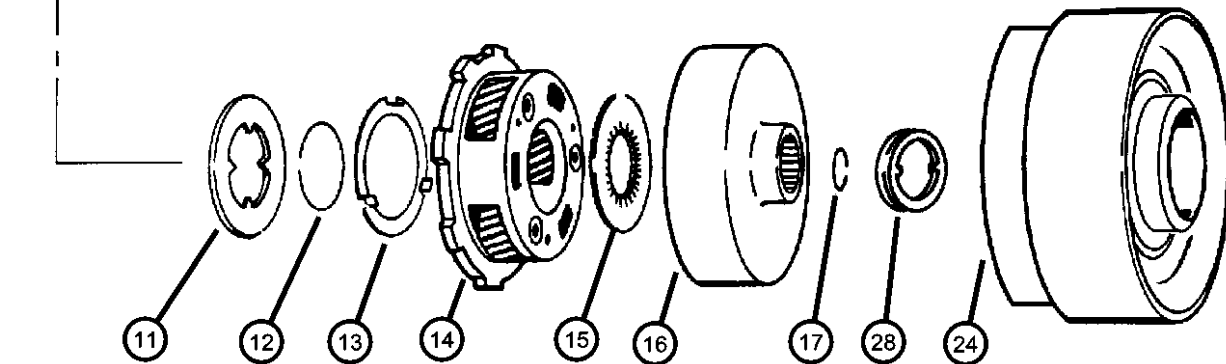
SERIES	LINE	BODY	ENGINE	TRANSMISSION
L = RAM 1500, 2500, 3500	1 = Lt. Duty DODGE 2WD 2 = Med. Duty DODGE 2WD 3 = HD DODGE 2WD 6 = Lt. Duty DODGE 4WD 7 = Med. Duty DODGE 4WD 8 = HD DODGE 4WD	31 = CLUB CAB 2-DR 6.5 FT BOX 32 = CLUB CAB 2-DR 8FT BOX 33 = QUAD CAB 4-DR 6.5 FT BOX 34 = QUAD CAB 4-DR 8FT BOX	ETC = 5.9L Cummins 24V Diesel Engine EWA = 8.0L V10 MPI Engine EM0 = ALL 5.9L 8 CYL ENGINES - GAS EMM = 5.9L SMPI V8 Engine EML = 5.9L V8 MPI Engine ELF = 5.2L V8 MPI Engine	DGP = 4-Spd. Automatic 47RE Transmission DD0 = ALL 5 SPEED MANUAL TRANSMISSIONS DG0 = ALL AUTOMATIC TRANSMISSIONS DDC = 5-Speed HD Manual Transmission DDP = 5-Speed Manual Transmission DDX = 5-Speed HD Manual Transmission DEE = 6-Speed HD Manual Transmission DGT = 4-Spd. Automatic 46RE Transmission

AR = use ase required - = Non illustrated part

Intermediate Shaft and Gear Train [DGT]
Figure 46RE-420



ITEM	PART NUMBER	QTY	LINE	SERIES	BODY	ENGINE	TRANS	TRIM	DESCRIPTION
5		1	6, 7, 8			EM0	DGT		w/Support 2-1/2" I.D. Center Hole *** WASHER
	04618000	1	1, 2, 3			ELO	DGT		With 6 Tabs
		1	6, 7, 8			ELO	DGT		With 6 Tabs
		1	1, 2, 3			EM0	DGT		With 6 Tabs
		1	6, 7, 8			EM0	DGT		With 6 Tabs
6		1	1, 2, 3			ELO	DGT		SNAP RING, Sun Gear
	01736521	1	6, 7, 8			ELO	DGT		
		1	1, 2, 3			EM0	DGT		
		1	6, 7, 8			EM0	DGT		
7		1	1, 2, 3			ELO	DGT		GEAR, Sun
	02801311	1	6, 7, 8			ELO	DGT		w/Bushing,
		1	1, 2, 3			ELO	DGT		w/Bushing,
		1	6, 7, 8			EM0	DGT		w/Bushing,
		1	6, 7, 8			EM0	DGT		w/Bushing,
8		1	1, 2, 3			ELO	DGT		SHELL, Sun Gear
	04617978	1	6, 7, 8			ELO	DGT		
		1	1, 2, 3			ELO	DGT		
		1	6, 7, 8			EM0	DGT		
		1	6, 7, 8			EM0	DGT		
9		1	1, 2, 3			ELO	DGT		INTERMEDIATE SHAFT, Transmission
	04617611	1	6, 7, 8			ELO	DGT		
		1	1, 2, 3			ELO	DGT		
		1	6, 7, 8			EM0	DGT		
		1	6, 7, 8			EM0	DGT		
10		1	1, 2, 3			ELO	DGT		PLATE, Transmission Module
		1	6, 7, 8			EM0	DGT		



FRONT & REAR PLANET PINION CARRIER GEARS

RAM PICKUP/CLUB CAB (BE)

SERIES	LINE
L = RAM 1500, 2500, 3500	1 = Lt. Duty DODGE 2WD
	2 = Med. Duty DODGE 2WD
	3 = HD DODGE 2WD
	6 = Lt. Duty DODGE 4WD
	7 = Med. Duty DODGE 4WD
	8 = HD DODGE 4WD

BODY	ENGINE
31 = CLUB CAB 2-DR 6.5 FT BOX	ETC = 5.9L Cummins 24V Diesel Engine
32 = CLUB CAB 2-DR 8FT BOX	EWA = 8.0L V10 MPI Engine
33 = QUAD CAB 4-DR 6.5 FT BOX	EM0 = ALL 5.9L 8 CYL ENGINES - GAS
34 = QUAD CAB 4-DR 8FT BOX	EMM = 5.9L SMPI V8 Engine
	EML = 5.9L V8 MPI Engine
	ELF = 5.2L V8 MPI Engine

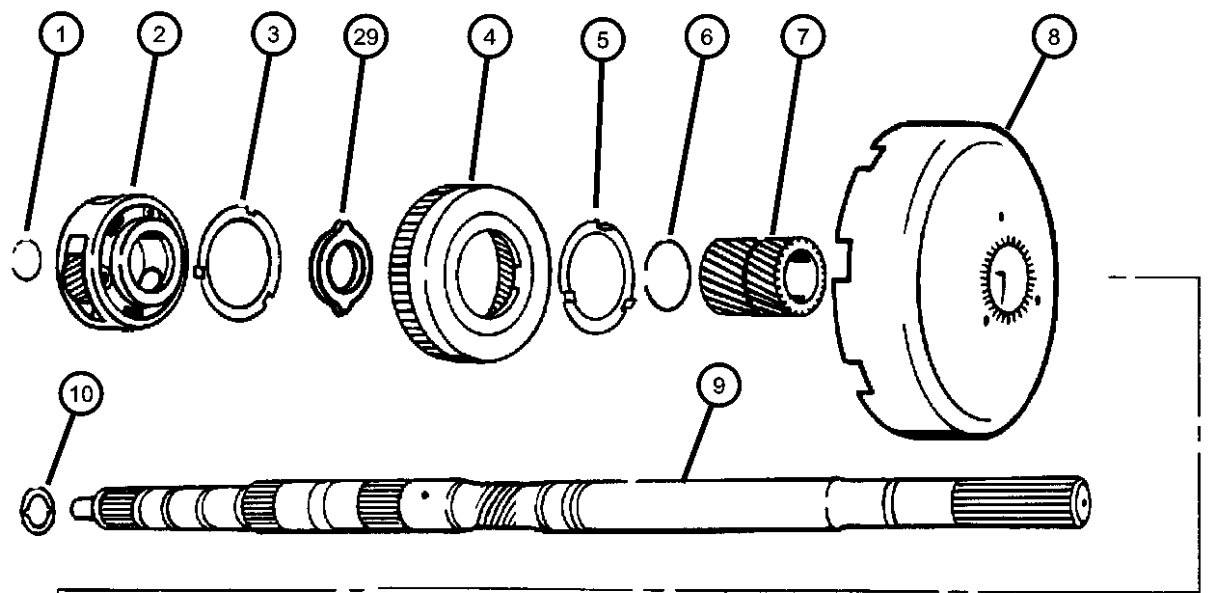
TRANSMISSION
DGP = 4-Spd. Automatic 47RE Transmission
DD0 = ALL 5 SPEED MANUAL TRANSMISSIONS
DG0 = ALL AUTOMATIC TRANSMISSIONS
DDC = 5-Speed HD Manual Transmission
DDP = 5-Speed Manual Transmission
DDX = 5-Speed HD Manual Transmission
DEE = 6-Speed HD Manual Transmission
DGT = 4-Spd. Automatic 46RE Transmission

AR = use ase required - = Non illustrated part

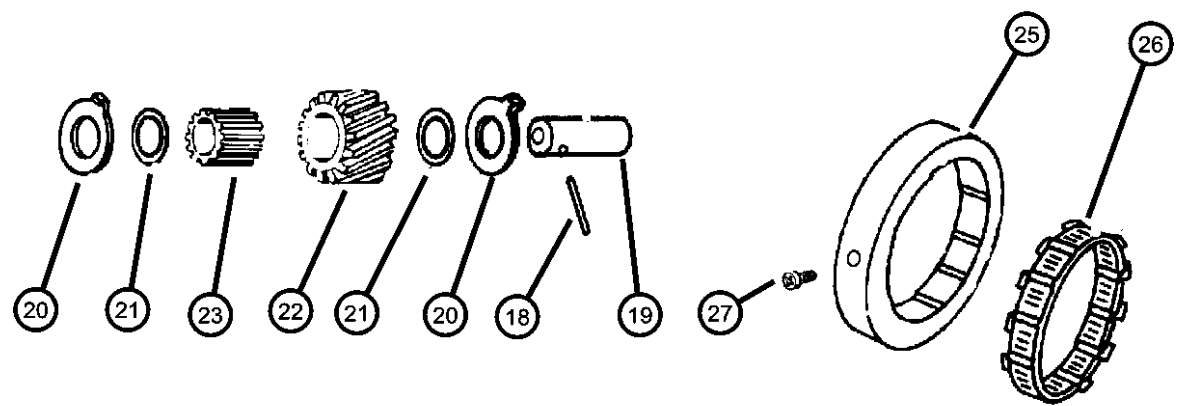
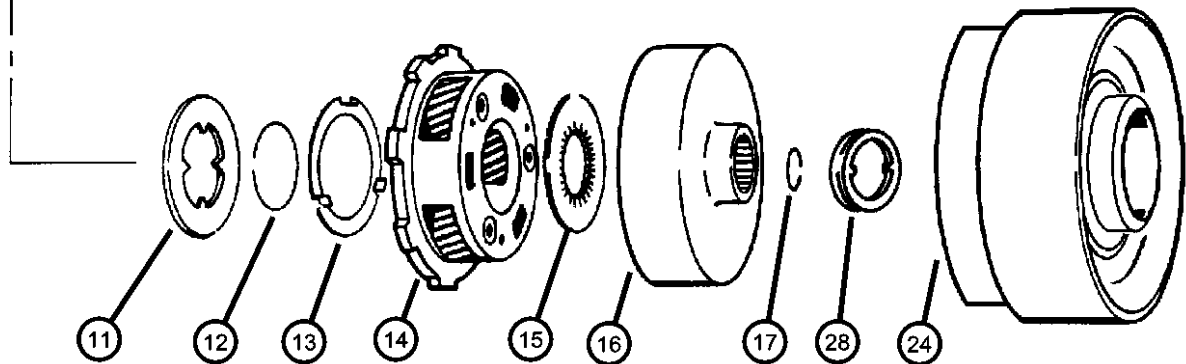
1999 BE

Intermediate Shaft and Gear Train [DGT]

Figure 46RE-420



ITEM	PART NUMBER	QTY	LINE	SERIES	BODY	ENGINE	TRANS	TRIM	DESCRIPTION
	04505188	1	1, 2, 3			ELO	DGT		Intermediate Shaft, Thrust .060" Thick
		1	6, 7, 8			ELO	DGT		Intermediate Shaft, Thrust .060" Thick
		1	1, 2, 3			EM0	DGT		Intermediate Shaft, Thrust .060" Thick
		1	6, 7, 8			EM0	DGT		Intermediate Shaft, Thrust .060" Thick
11	01942080	1	1, 2, 3			ELO	DGT		PLATE, Sun Gear Driving Shell
		1	6, 7, 8			ELO	DGT		Thrust, w/4 Inside Tongs
		1	1, 2, 3			EM0	DGT		Thrust, w/4 Inside Tongs
		1	6, 7, 8			EM0	DGT		Thrust, w/4 Inside Tongs
12	01736521	1	1, 2, 3			ELO	DGT		SNAP RING, Sun Gear
		1	6, 7, 8			ELO	DGT		Shell Lock
		1	1, 2, 3			EM0	DGT		Shell Lock
		1	6, 7, 8			EM0	DGT		Shell Lock
13	02801060	1	1, 2, 3			ELO	DGT		THRUST WASHER, Planetary Carrier
		1	6, 7, 8			ELO	DGT		Rear, w/4 Tabs, 3-13/32" O.D.
		1	1, 2, 3			EM0	DGT		Rear, w/4 Tabs, 3-13/32" O.D.
		1	6, 7, 8			EM0	DGT		Rear, w/4 Tabs, 3-13/32" O.D.
	04617888	1	1, 2, 3			ELO	DGT		2 1/4 ID
		1	1, 2, 3			EM0	DGT		2 1/4 ID
14	02801061	1	1, 2, 3			ELO	DGT		CARRIER, Planetary Pinion
		1	6, 7, 8			ELO	DGT		
		1	1, 2, 3			EM0	DGT		
		1	6, 7, 8			EM0	DGT		



FRONT & REAR PLANET PINION CARRIER GEARS

RAM PICKUP/CLUB CAB (BE)

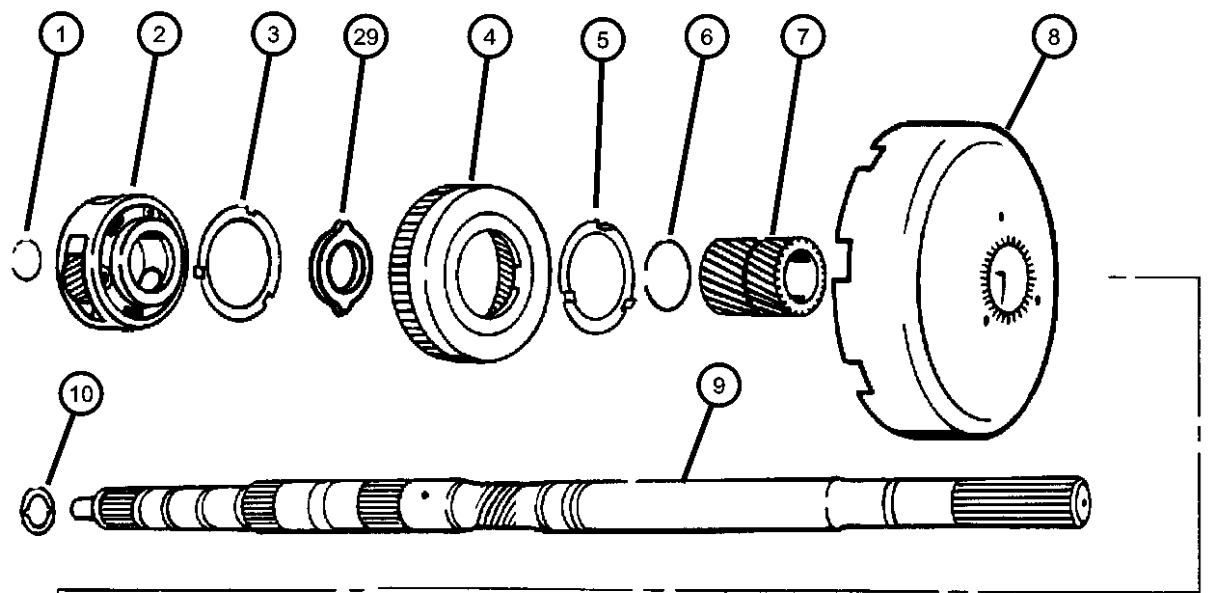
SERIES	LINE
L = RAM 1500, 2500, 3500	1 = Lt. Duty DODGE 2WD 2 = Med. Duty DODGE 2WD 3 = HD DODGE 2WD 6 = Lt. Duty DODGE 4WD 7 = Med. Duty DODGE 4WD 8 = HD DODGE 4WD

BODY	ENGINE	TRANSMISSION
31 = CLUB CAB 2-DR 6.5 FT BOX 32 = CLUB CAB 2-DR 8FT BOX 33 = QUAD CAB 4-DR 6.5 FT BOX 34 = QUAD CAB 4-DR 8FT BOX	ETC = 5.9L Cummins 24V Diesel Engine EWA = 8.0L V10 MPI Engine EM0 = ALL 5.9L 8 CYL ENGINES - GAS EMM = 5.9L SMPI V8 Engine EML = 5.9L V8 MPI Engine ELF = 5.2L V8 MPI Engine	DGP = 4-Spd. Automatic 47RE Transmission DD0 = ALL 5 SPEED MANUAL TRANSMISSIONS DG0 = ALL AUTOMATIC TRANSMISSIONS DDC = 5-Speed HD Manual Transmission DDP = 5-Speed Manual Transmission DDX = 5-Speed HD Manual Transmission DEE = 6-Speed HD Manual Transmission DGT = 4-Spd. Automatic 46RE Transmission

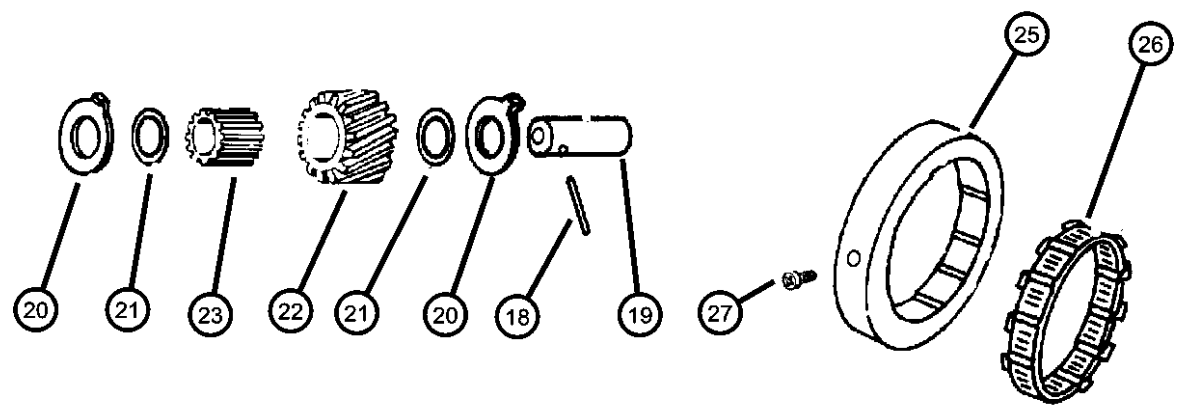
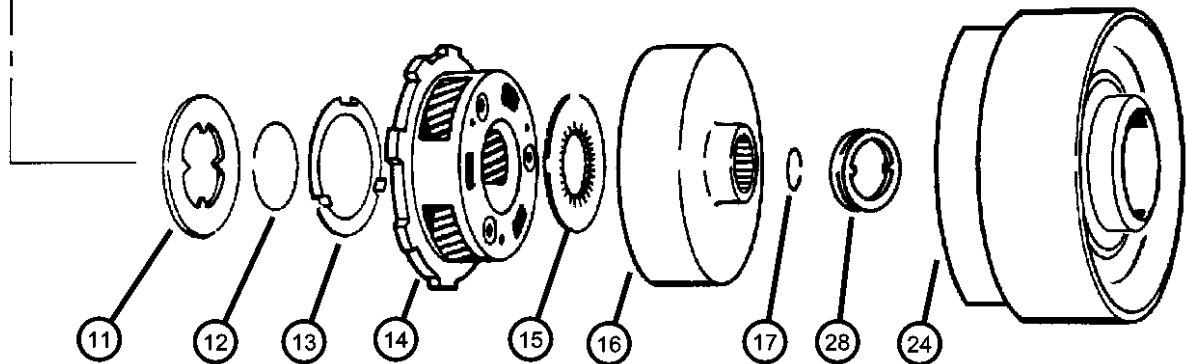
AR = use ase required - = Non illustrated part

Intermediate Shaft and Gear Train [DGT]

Figure 46RE-420



ITEM	PART NUMBER	QTY	LINE	SERIES	BODY	ENGINE	TRANS	TRIM	DESCRIPTION
15	02400580	1	1, 2, 3			ELO	DGT		PLATE, Annulus Gear Thrust
		1	6, 7, 8			ELO	DGT		w/31 Inside Teeth, 3-23/64" O.D.
		1	1, 2, 3			EM0	DGT		w/31 Inside Teeth, 3-23/64" O.D.
		1	6, 7, 8			EM0	DGT		w/31 Inside Teeth, 3-23/64" O.D.
16	04810002AB	1	1, 2, 3			ELO	DGT		GEAR, Rear Annulus
		1	6, 7, 8			ELO	DGT		
		1	1, 2, 3			EM0	DGT		
		1	6, 7, 8			EM0	DGT		
17	06033591	1	1, 2, 3			ELO	DGT		SNAP RING
		1	6, 7, 8			ELO	DGT		Reverse Drum Retaining
		1	1, 2, 3			EM0	DGT		Reverse Drum Retaining
		1	6, 7, 8			EM0	DGT		Reverse Drum Retaining
18	06024666	4	1, 2, 3			ELO	DGT		DOWEL, .108x1.00
		4	6, 7, 8			ELO	DGT		
		4	1, 2, 3			EM0	DGT		
		4	6, 7, 8			EM0	DGT		
19	04428223	4	6, 7, 8			EM0	DGT		SHAFT, Planetary
		4	1, 2, 3			ELO	DGT		Front and Rear Planet Pinion
		4	6, 7, 8			ELO	DGT		Front and Rear Planet Pinion
		5	1, 2, 3			EM0	DGT		Front and Rear Planet Pinion
20	02801315	8	1, 2, 3			ELO	DGT		THRUST WASHER, Planetary Carrier



FRONT & REAR PLANET PINION CARRIER GEARS

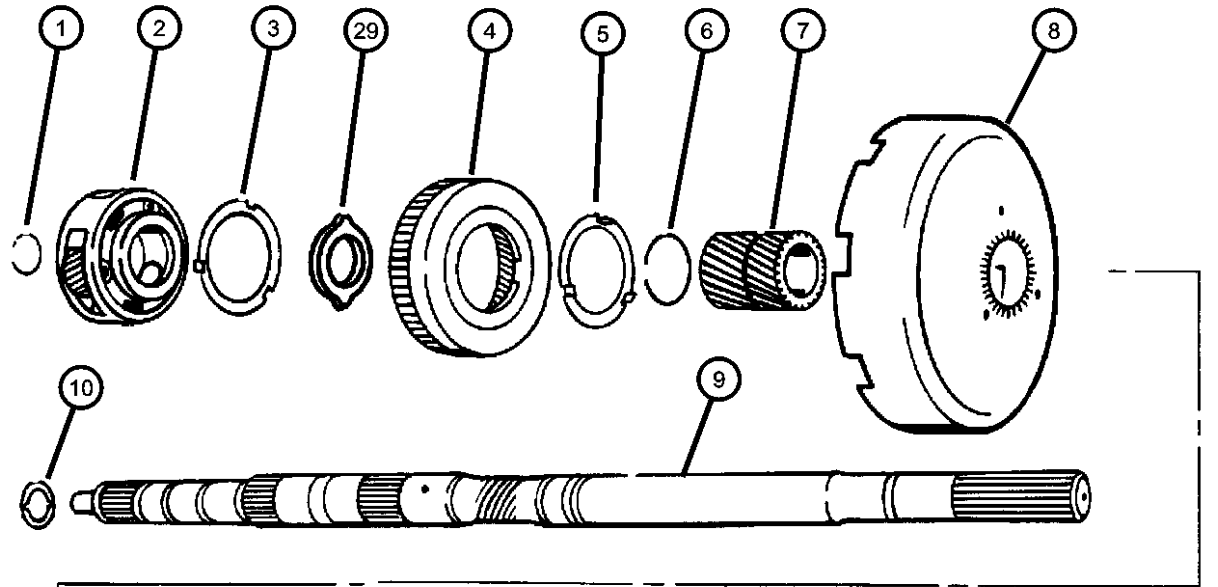
RAM PICKUP/CLUB CAB (BE)

SERIES	LINE
L = RAM 1500, 2500, 3500	1 = Lt. Duty DODGE 2WD 2 = Med. Duty DODGE 2WD 3 = HD DODGE 2WD 6 = Lt. Duty DODGE 4WD 7 = Med. Duty DODGE 4WD 8 = HD DODGE 4WD

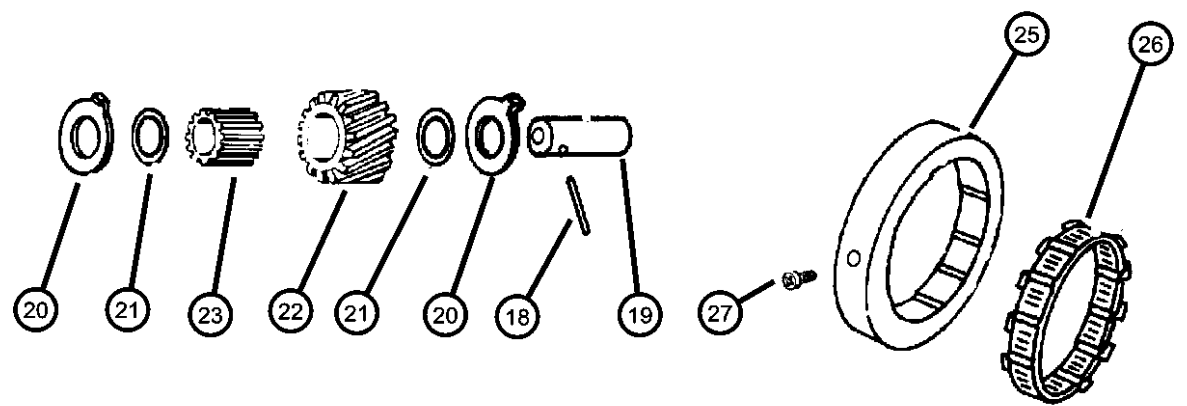
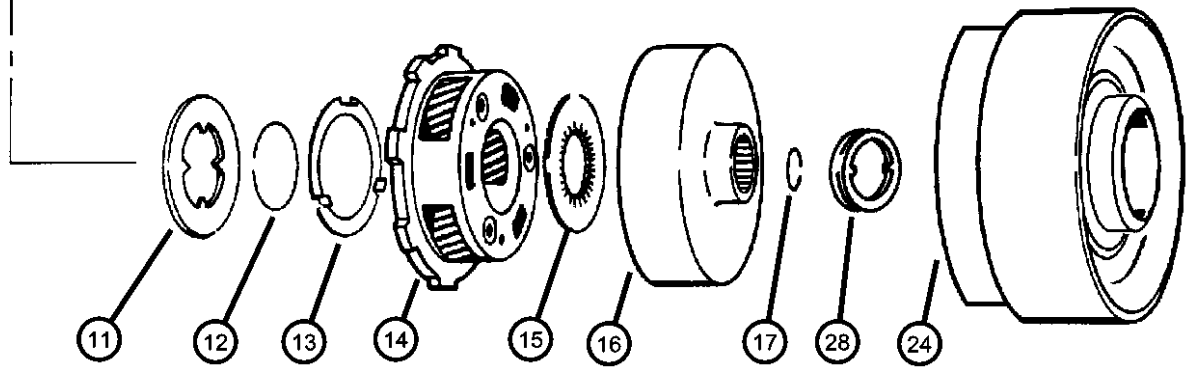
BODY	ENGINE	TRANSMISSION
31 = CLUB CAB 2-DR 6.5 FT BOX 32 = CLUB CAB 2-DR 8FT BOX 33 = QUAD CAB 4-DR 6.5 FT BOX 34 = QUAD CAB 4-DR 8FT BOX	ETC = 5.9L Cummins 24V Diesel Engine EWA = 8.0L V10 MPI Engine EM0 = ALL 5.9L 8 CYL ENGINES - GAS EMM = 5.9L SMPI V8 Engine EML = 5.9L V8 MPI Engine ELF = 5.2L V8 MPI Engine	DGP = 4-Spd. Automatic 47RE Transmission DD0 = ALL 5 SPEED MANUAL TRANSMISSIONS DG0 = ALL AUTOMATIC TRANSMISSIONS DDC = 5-Speed HD Manual Transmission DDP = 5-Speed Manual Transmission DDX = 5-Speed HD Manual Transmission DEE = 6-Speed HD Manual Transmission DGT = 4-Spd. Automatic 46RE Transmission

AR = use ase required - = Non illustrated part

**Intermediate Shaft and Gear Train [DGT]
Figure 46RE-420**



ITEM	PART NUMBER	QTY	LINE	SERIES	BODY	ENGINE	TRANS	TRIM	DESCRIPTION
21	02204649	8	6, 7, 8			ELO	DGT		Front and Rear Planet Pinion
		8	1, 2, 3			EM0	DGT		Front and Rear Planet Pinion
		8	6, 7, 8			EM0	DGT		Front and Rear Planet Pinion
		8	1, 2, 3			ELO	DGT		THRUST WASHER, Planet Pinion
		8	6, 7, 8			ELO	DGT		Front and Rear Planet Pinion
		8	1, 2, 3			EM0	DGT		Front and Rear Planet Pinion
		8	6, 7, 8			EM0	DGT		Front and Rear Planet Pinion
		8	6, 7, 8			EM0	DGT		Front and Rear Planet Pinion
22	02400667	4	1, 2, 3			ELO	DGT		PINION, Transmission Planetary
		4	6, 7, 8			ELO	DGT		Front and Rear Planet Pinion
		4	1, 2, 3			EM0	DGT		Front and Rear Planet Pinion
		4	6, 7, 8			EM0	DGT		Front and Rear Planet Pinion
23	03743664	92	1, 2, 3			ELO	DGT		ROLLER, Front and Rear Pinion
		92	6, 7, 8			ELO	DGT		Front and Rear Pinion
		115	1, 2, 3			EM0	DGT		Front and Rear Pinion
		115	6, 7, 8			EM0	DGT		Front and Rear Pinion
24	52118057	1	1, 2, 3			ELO	DGT		DRUM, Automatic Transmission
		1	6, 7, 8			ELO	DGT		w/Race, Reverse ***
		1	1, 2, 3			EM0	DGT		w/Race, Reverse ***
		1	6, 7, 8			EM0	DGT		w/Race, Reverse ***
25	04471473	1	1, 2, 3			ELO	DGT		CAM, Overrunning Clutch
		1	6, 7, 8			ELO	DGT		(14 Cam Lobes)
		1	1, 2, 3			EM0	DGT		(14 Cam Lobes)
		1	6, 7, 8			EM0	DGT		(14 Cam Lobes)



FRONT & REAR PLANET PINION CARRIER GEARS

RAM PICKUP/CLUB CAB (BE)

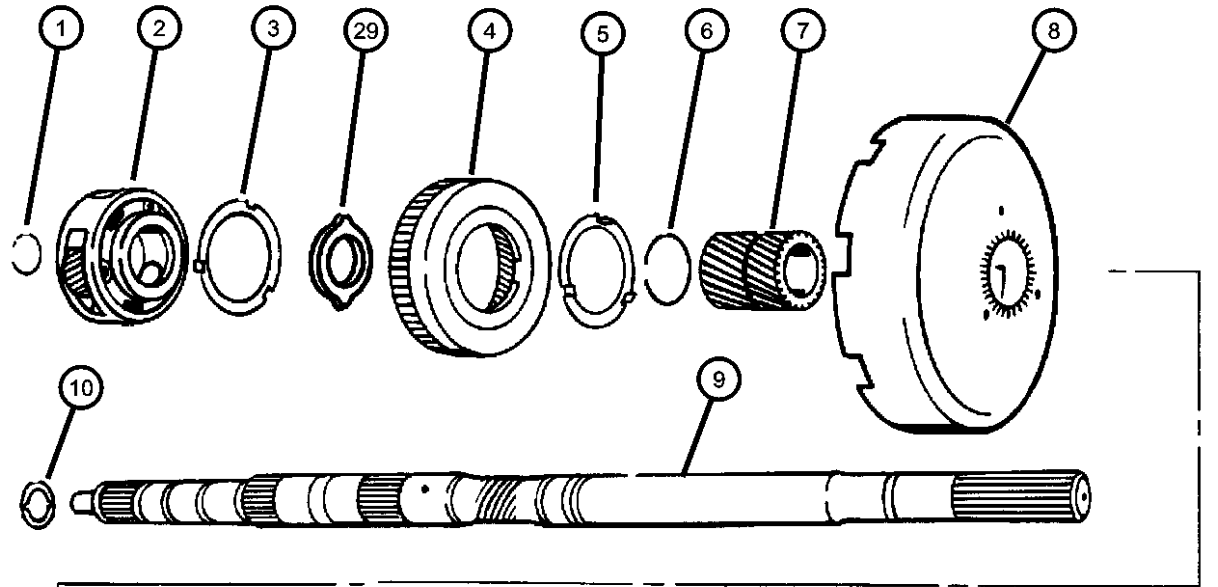
- | | |
|--------------------------|--|
| SERIES | LINE |
| L = RAM 1500, 2500, 3500 | 1 = Lt. Duty DODGE 2WD
2 = Med. Duty DODGE 2WD
3 = HD DODGE 2WD
6 = Lt. Duty DODGE 4WD
7 = Med. Duty DODGE 4WD
8 = HD DODGE 4WD |

- | | |
|--|--|
| BODY | ENGINE |
| 31 = CLUB CAB 2-DR 6.5 FT BOX
32 = CLUB CAB 2-DR 8FT BOX
33 = QUAD CAB 4-DR 6.5 FT BOX
34 = QUAD CAB 4-DR 8FT BOX | ETC = 5.9L Cummins 24V Diesel Engine
EWA = 8.0L V10 MPI Engine
EM0 = ALL 5.9L 8 CYL ENGINES - GAS
EMM = 5.9L SMPI V8 Engine
EML = 5.9L V8 MPI Engine
ELF = 5.2L V8 MPI Engine |

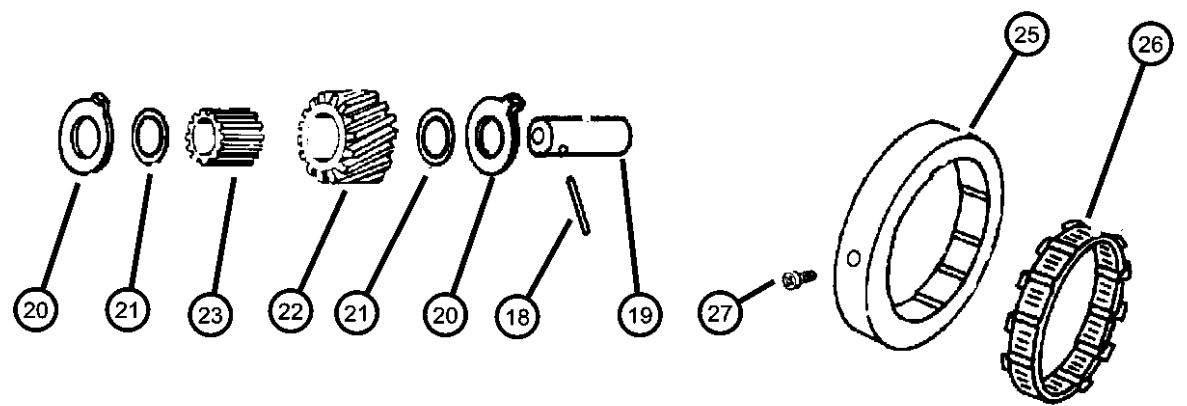
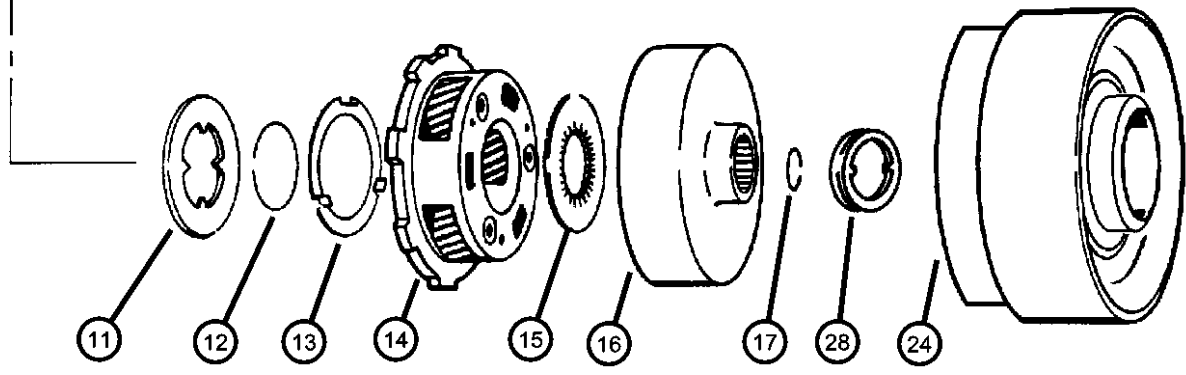
- | |
|--|
| TRANSMISSION |
| DGP = 4-Spd. Automatic 47RE Transmission
DD0 = ALL 5 SPEED MANUAL TRANSMISSIONS
DG0 = ALL AUTOMATIC TRANSMISSIONS
DDC = 5-Speed HD Manual Transmission
DDP = 5-Speed Manual Transmission
DDX = 5-Speed HD Manual Transmission
DEE = 6-Speed HD Manual Transmission
DGT = 4-Spd. Automatic 46RE Transmission |

AR = use ase required - = Non illustrated part

Intermediate Shaft and Gear Train [DGT]
Figure 46RE-420



ITEM	PART NUMBER	QTY	LINE	SERIES	BODY	ENGINE	TRANS	TRIM	DESCRIPTION
26	04617199	1	1, 2, 3			ELO	DGT		CLUTCH, Overrunning 14 Rollers Nylon Caged, "O" Running Clutch ***
		1	6, 7, 8			ELO	DGT		14 Rollers Nylon Caged, "O" Running Clutch ***
		1	1, 2, 3			EM0	DGT		14 Rollers Nylon Caged, "O" Running Clutch ***
		1	6, 7, 8			EM0	DGT		14 Rollers Nylon Caged, "O" Running Clutch ***
27	00152796	6	1, 2, 3			ELO	DGT		SCREW, .25-20 Cam Retainer
		6	6, 7, 8			ELO	DGT		Cam Retainer
		6	1, 2, 3			EM0	DGT		Cam Retainer
		6	6, 7, 8			EM0	DGT		Cam Retainer
28	52118059	1	1, 2, 3			ELO	DGT		THRUST WASHER, Reverse Drum
		1	6, 7, 8			ELO	DGT		
		1	1, 2, 3			EM0	DGT		
		1	6, 7, 8			EM0	DGT		
29	02400580	1	1, 2, 3			ELO	DGT		PLATE, Annulus Gear Thrust
		1	6, 7, 8			ELO	DGT		
		1	1, 2, 3			EM0	DGT		
		1	6, 7, 8			EM0	DGT		



FRONT & REAR PLANET PINION CARRIER GEARS

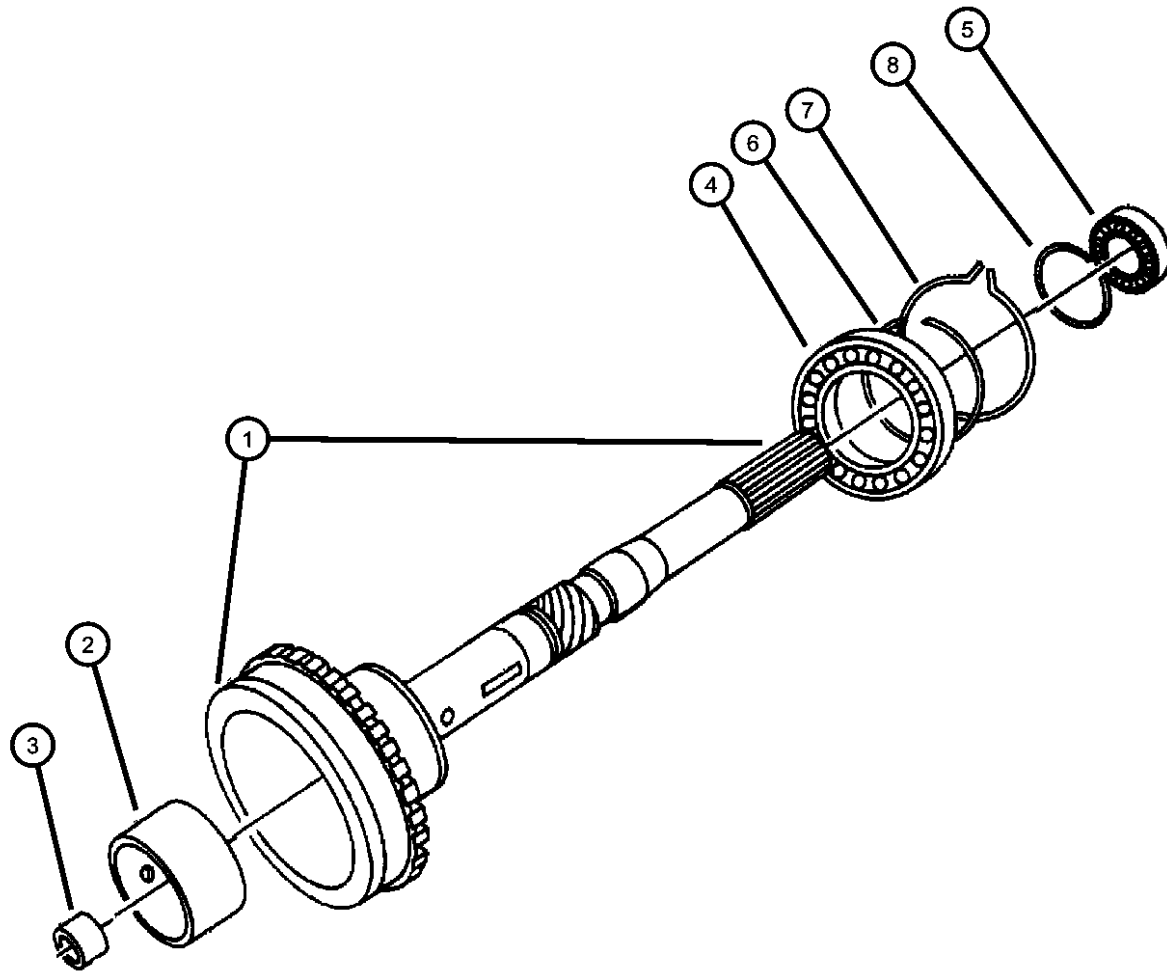
RAM PICKUP/CLUB CAB (BE)

- | | |
|--------------------------|--|
| SERIES | LINE |
| L = RAM 1500, 2500, 3500 | 1 = Lt. Duty DODGE 2WD
2 = Med. Duty DODGE 2WD
3 = HD DODGE 2WD
6 = Lt. Duty DODGE 4WD
7 = Med. Duty DODGE 4WD
8 = HD DODGE 4WD |

- | | | |
|--|--|--|
| BODY | ENGINE | TRANSMISSION |
| 31 = CLUB CAB 2-DR 6.5 FT BOX
32 = CLUB CAB 2-DR 8FT BOX
33 = QUAD CAB 4-DR 6.5 FT BOX
34 = QUAD CAB 4-DR 8FT BOX | ETC = 5.9L Cummins 24V Diesel Engine
EWA = 8.0L V10 MPI Engine
EM0 = ALL 5.9L 8 CYL ENGINES - GAS
EMM = 5.9L SMPI V8 Engine
EML = 5.9L V8 MPI Engine
ELF = 5.2L V8 MPI Engine | DGP = 4-Spd. Automatic 47RE Transmission
DD0 = ALL 5 SPEED MANUAL TRANSMISSIONS
DG0 = ALL AUTOMATIC TRANSMISSIONS
DDC = 5-Speed HD Manual Transmission
DDP = 5-Speed Manual Transmission
DDX = 5-Speed HD Manual Transmission
DEE = 6-Speed HD Manual Transmission
DGT = 4-Spd. Automatic 46RE Transmission |

AR = use ase required - = Non illustrated part

Output Shaft [DGT]
Figure 46RE-430



ITEM	PART NUMBER	QTY	LINE	SERIES	BODY	ENGINE	TRANS	TRIM	DESCRIPTION
NOTES: Sales Codes [DGT] = 4 Speed Automatic Transmission 46RE [ELO] = All 5.2L 8 Cylinder Gas Engines [EM0] = All 5.9L 8 Cylinder Gas Engines									
1									SHAFT, Output
	04798536	1	6, 7, 8			ELO	DGT		
		1	6, 7, 8			EM0	DGT		
	05003232AA	1	1, 2, 3			ELO	DGT		
		1	1, 2, 3			EM0	DGT		
2		1							BUSHING, (NOT SERVICED)
3		1							BUSHING, (NOT SERVICED)
4									BEARING, Output Shaft
	04461008	1	1, 2, 3			ELO	DGT		
		1	1, 2, 3			EM0	DGT		
		1	6, 7, 8			ELO	DGT		
		1	6, 7, 8			EM0	DGT		
5									BEARING, Output Shaft
	02466224	1	1, 2, 3			ELO	DGT		
		1	1, 2, 3			EM0	DGT		
6									SNAP RING
	04461068	1	1, 2, 3			ELO	DGT		
		1	1, 2, 3			EM0	DGT		
		1	6, 7, 8			ELO	DGT		
		1	6, 7, 8			EM0	DGT		
7									SNAP RING
	04461057	1	1, 2, 3			ELO	DGT		
		1	1, 2, 3			EM0	DGT		
		1	6, 7, 8			ELO	DGT		
		1	6, 7, 8			EM0	DGT		

RAM PICKUP/CLUB CAB (BE)

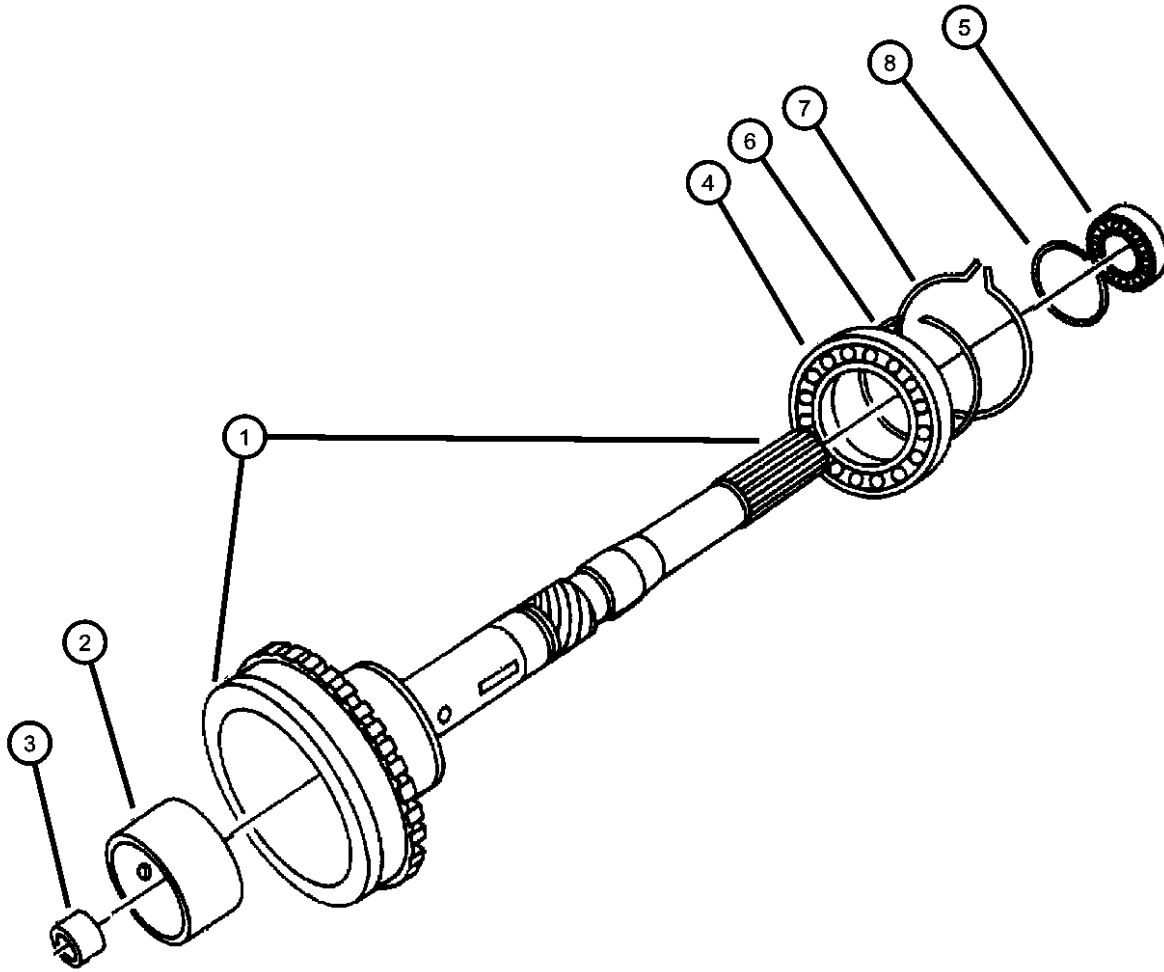
SERIES	LINE	BODY	ENGINE	TRANSMISSION
L = RAM 1500, 2500, 3500	1 = Lt. Duty DODGE 2WD 2 = Med. Duty DODGE 2WD 3 = HD DODGE 2WD 6 = Lt. Duty DODGE 4WD 7 = Med. Duty DODGE 4WD 8 = HD DODGE 4WD	31 = CLUB CAB 2-DR 6.5 FT BOX 32 = CLUB CAB 2-DR 8FT BOX 33 = QUAD CAB 4-DR 6.5 FT BOX 34 = QUAD CAB 4-DR 8FT BOX	ETC = 5.9L Cummins 24V Diesel Engine EWA = 8.0L V10 MPI Engine EM0 = ALL 5.9L 8 CYL ENGINES - GAS EMM = 5.9L SMPI V8 Engine EML = 5.9L V8 MPI Engine ELF = 5.2L V8 MPI Engine	DGP = 4-Spd. Automatic 47RE Transmission DD0 = ALL 5 SPEED MANUAL TRANSMISSIONS DG0 = ALL AUTOMATIC TRANSMISSIONS DDC = 5-Speed HD Manual Transmission DDP = 5-Speed Manual Transmission DDX = 5-Speed HD Manual Transmission DEE = 6-Speed HD Manual Transmission DGT = 4-Spd. Automatic 46RE Transmission

AR = use ase required - = Non illustrated part

1999 BE

Output Shaft [DGT]
Figure 46RE-430

ITEM	PART NUMBER	QTY	LINE	SERIES	BODY	ENGINE	TRANS	TRIM	DESCRIPTION
8	04461069	1	1, 2, 3			ELO	DGT		SNAP RING
		1	1, 2, 3			EM0	DGT		



RAM PICKUP/CLUB CAB (BE)

SERIES	LINE	BODY	ENGINE	TRANSMISSION
L = RAM 1500, 2500, 3500	1 = Lt. Duty DODGE 2WD 2 = Med. Duty DODGE 2WD 3 = HD DODGE 2WD 6 = Lt. Duty DODGE 4WD 7 = Med. Duty DODGE 4WD 8 = HD DODGE 4WD	31 = CLUB CAB 2-DR 6.5 FT BOX 32 = CLUB CAB 2-DR 8FT BOX 33 = QUAD CAB 4-DR 6.5 FT BOX 34 = QUAD CAB 4-DR 8FT BOX	ETC = 5.9L Cummins 24V Diesel Engine EWA = 8.0L V10 MPI Engine EM0 = ALL 5.9L 8 CYL ENGINES - GAS EMM = 5.9L SMPI V8 Engine EML = 5.9L V8 MPI Engine ELF = 5.2L V8 MPI Engine	DGP = 4-Spd. Automatic 47RE Transmission DD0 = ALL 5 SPEED MANUAL TRANSMISSIONS DG0 = ALL AUTOMATIC TRANSMISSIONS DDC = 5-Speed HD Manual Transmission DDP = 5-Speed Manual Transmission DDX = 5-Speed HD Manual Transmission DEE = 6-Speed HD Manual Transmission DGT = 4-Spd. Automatic 46RE Transmission

AR = use ase required - = Non illustrated part

**Bands, Kickdown and Reverse [DGT]
Figure 46RE-510**

ITEM	PART NUMBER	QTY	LINE	SERIES	BODY	ENGINE	TRANS	TRIM	DESCRIPTION
------	-------------	-----	------	--------	------	--------	-------	------	-------------

NOTES: Sales Codes
 [DGT] = 4 Speed Automatic Transmission 46RE
 [ELO] = All 5.2L 8 Cylinder Gas Engines
 [EM0] = All 5.9L 8 Cylinder Gas Engines

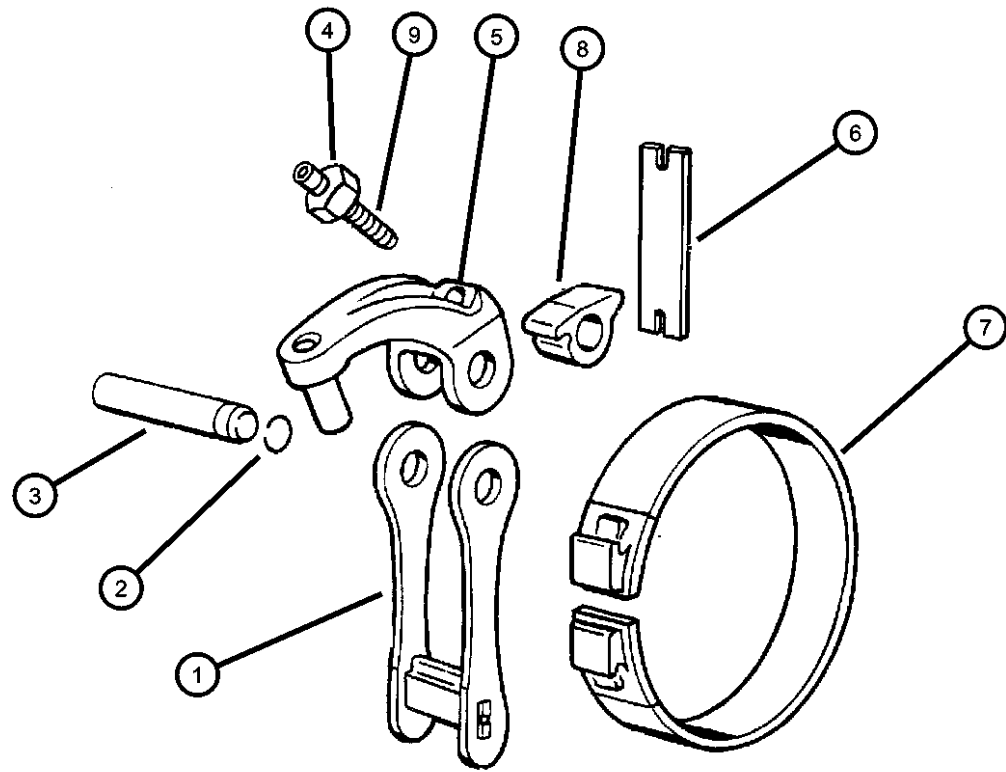
1	04617044	1	1, 2, 3			ELO	DGT		LINK, Transmission Reverse Band
		1	6, 7, 8			ELO	DGT		
		1	1, 2, 3			EM0	DGT		
		1	6, 7, 8			EM0	DGT		
2	06030910	2	1, 2, 3			ELO	DGT		SEAL, Reverse Band
		2	6, 7, 8			ELO	DGT		
		2	1, 2, 3			EM0	DGT		
		2	6, 7, 8			EM0	DGT		
3	02124857	1	1, 2, 3			ELO	DGT		SHAFT, Band Lever
		1	6, 7, 8			ELO	DGT		Reverse
		1	1, 2, 3			EM0	DGT		Reverse
		1	6, 7, 8			EM0	DGT		Reverse
4	00271506	1	1, 2, 3			ELO	DGT		NUT, Hex, .42-20
		1	6, 7, 8			ELO	DGT		Adj. Screw Lock,
		1	1, 2, 3			EM0	DGT		Adj. Screw Lock,
		1	6, 7, 8			EM0	DGT		Adj. Screw Lock,
5	04617028AB	1	1, 2, 3			ELO	DGT		LEVER, Reverse Band
		1	6, 7, 8			ELO	DGT		
		1	1, 2, 3			EM0	DGT		
		1	6, 7, 8			EM0	DGT		

RAM PICKUP/CLUB CAB (BE)

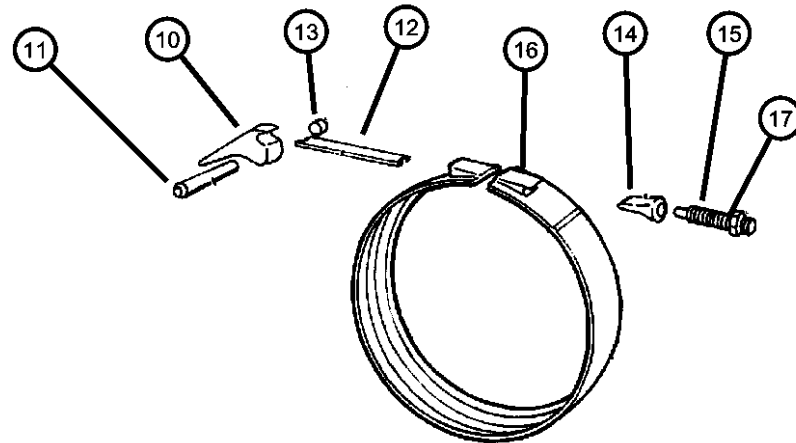
SERIES	LINE
L = RAM 1500, 2500, 3500	1 = Lt. Duty DODGE 2WD
	2 = Med. Duty DODGE 2WD
	3 = HD DODGE 2WD
	6 = Lt. Duty DODGE 4WD
	7 = Med. Duty DODGE 4WD
	8 = HD DODGE 4WD

BODY	ENGINE
31 = CLUB CAB 2-DR 6.5 FT BOX	ETC = 5.9L Cummins 24V Diesel Engine
32 = CLUB CAB 2-DR 8FT BOX	EWA = 8.0L V10 MPI Engine
33 = QUAD CAB 4-DR 6.5 FT BOX	EM0 = ALL 5.9L 8 CYL ENGINES - GAS
34 = QUAD CAB 4-DR 8FT BOX	EMM = 5.9L SMPI V8 Engine
	EML = 5.9L V8 MPI Engine
	ELF = 5.2L V8 MPI Engine

TRANSMISSION
DGP = 4-Spd. Automatic 47RE Transmission
DD0 = ALL 5 SPEED MANUAL TRANSMISSIONS
DG0 = ALL AUTOMATIC TRANSMISSIONS
DDC = 5-Speed HD Manual Transmission
DDP = 5-Speed Manual Transmission
DDX = 5-Speed HD Manual Transmission
DEE = 6-Speed HD Manual Transmission
DGT = 4-Spd. Automatic 46RE Transmission



REVERSE BAND



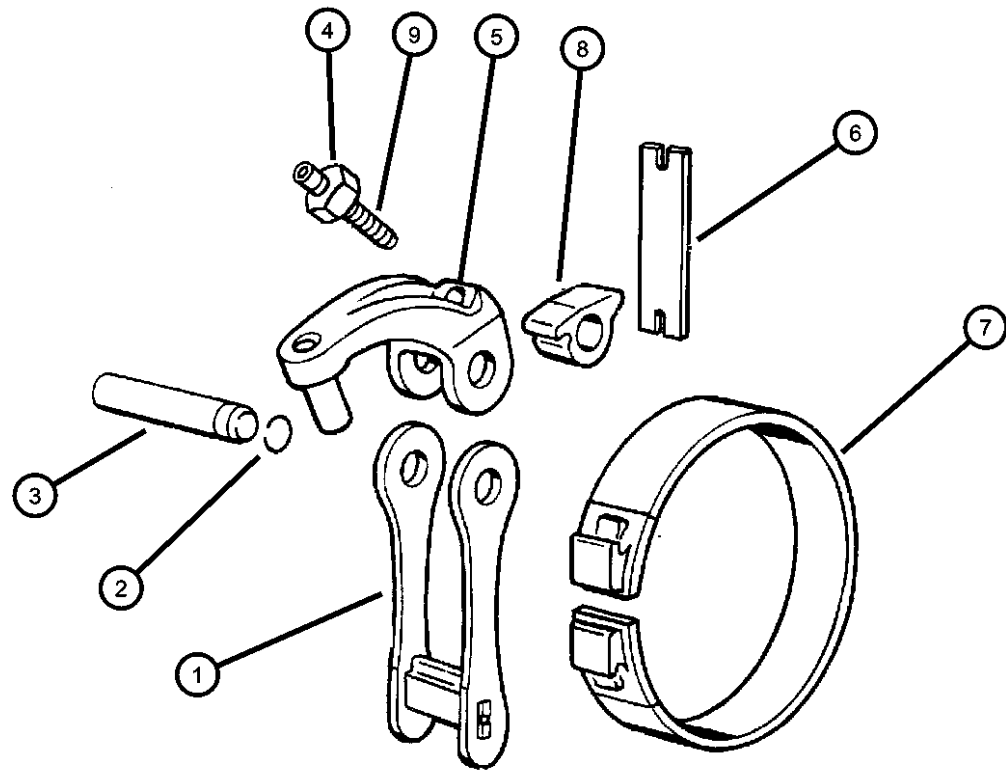
KICKDOWN BAND

AR = use ase required - = Non illustrated part

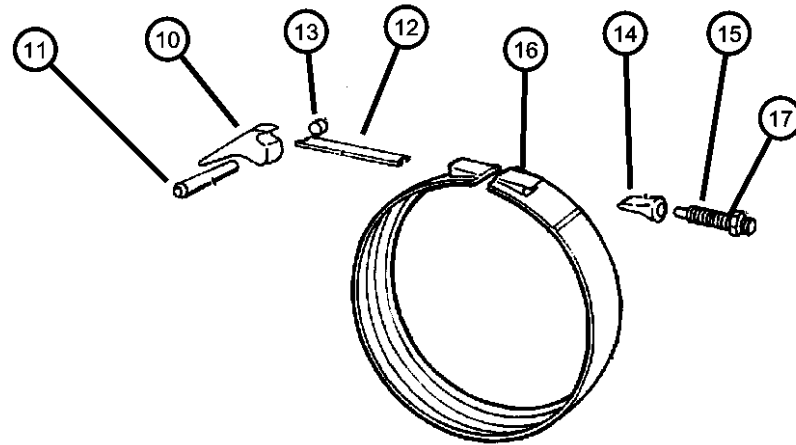
1999 BE

**Bands, Kickdown and Reverse [DGT]
Figure 46RE-510**

ITEM	PART NUMBER	QTY	LINE	SERIES	BODY	ENGINE	TRANS	TRIM	DESCRIPTION
6	04471497AB	1	1, 2, 3			ELO	DGT		STRUT, Reverse Band
		1	6, 7, 8			ELO	DGT		
		1	1, 2, 3			EM0	DGT		
		1	6, 7, 8			EM0	DGT		
7	04471476AB	1	1, 2, 3			ELO	DGT		BAND, Reverse
		1	6, 7, 8			ELO	DGT		
		1	1, 2, 3			EM0	DGT		
		1	6, 7, 8			EM0	DGT		
8	04617014AB	1	1, 2, 3			ELO	DGT		LEVER, Reverse Band
		1	6, 7, 8			ELO	DGT		
		1	1, 2, 3			EM0	DGT		
		1	6, 7, 8			EM0	DGT		
9	01942141	1	1, 2, 3			ELO	DGT		SCREW, Trans Reverse Band Adjusting, .437-20x1.5
		1	6, 7, 8			ELO	DGT		
		1	1, 2, 3			EM0	DGT		
		1	6, 7, 8			EM0	DGT		
10	52118264	1	1, 2, 3			ELO	DGT		LEVER, Kickdown
		1	6, 7, 8			ELO	DGT		
		1	1, 2, 3			EM0	DGT		
		1	6, 7, 8			EM0	DGT		
11	04531181	1	1, 2, 3			ELO	DGT	SHAFT, Band Lever	



REVERSE BAND



KICKDOWN BAND

RAM PICKUP/CLUB CAB (BE)

SERIES	LINE
L = RAM 1500, 2500, 3500	1 = Lt. Duty DODGE 2WD 2 = Med. Duty DODGE 2WD 3 = HD DODGE 2WD 6 = Lt. Duty DODGE 4WD 7 = Med. Duty DODGE 4WD 8 = HD DODGE 4WD

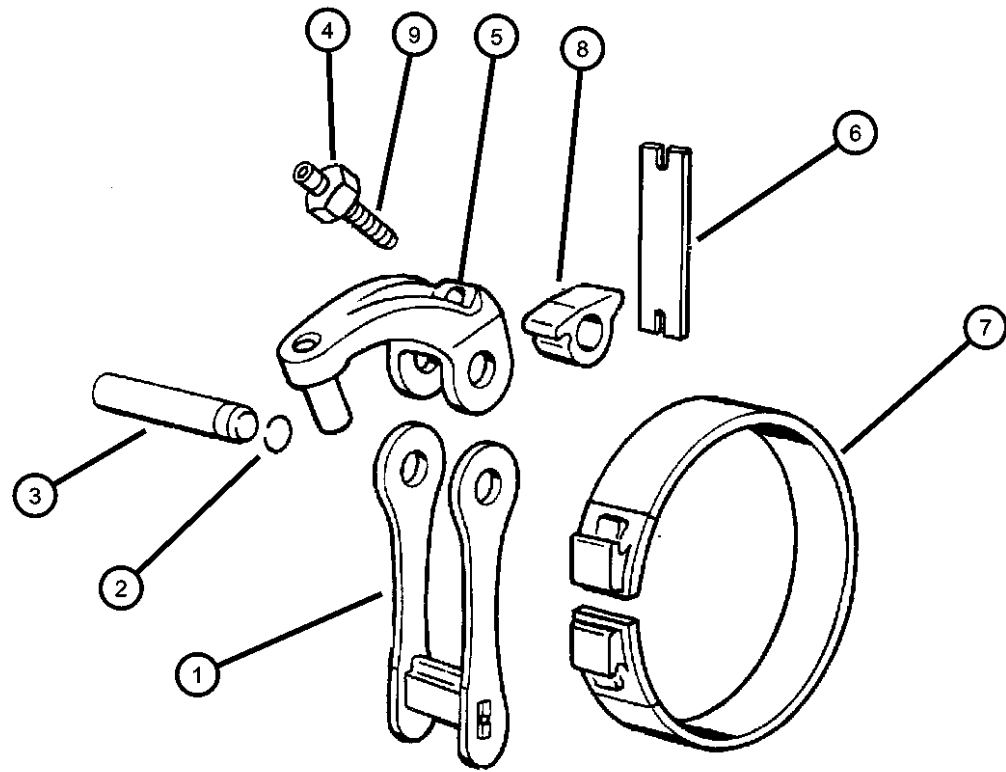
BODY	ENGINE
31 = CLUB CAB 2-DR 6.5 FT BOX 32 = CLUB CAB 2-DR 8FT BOX 33 = QUAD CAB 4-DR 6.5 FT BOX 34 = QUAD CAB 4-DR 8FT BOX	ETC = 5.9L Cummins 24V Diesel Engine EWA = 8.0L V10 MPI Engine EM0 = ALL 5.9L 8 CYL ENGINES - GAS EMM = 5.9L SMPI V8 Engine EML = 5.9L V8 MPI Engine ELF = 5.2L V8 MPI Engine

TRANSMISSION
DGP = 4-Spd. Automatic 47RE Transmission DD0 = ALL 5 SPEED MANUAL TRANSMISSIONS DG0 = ALL AUTOMATIC TRANSMISSIONS DDC = 5-Speed HD Manual Transmission DDP = 5-Speed Manual Transmission DDX = 5-Speed HD Manual Transmission DEE = 6-Speed HD Manual Transmission DGT = 4-Spd. Automatic 46RE Transmission

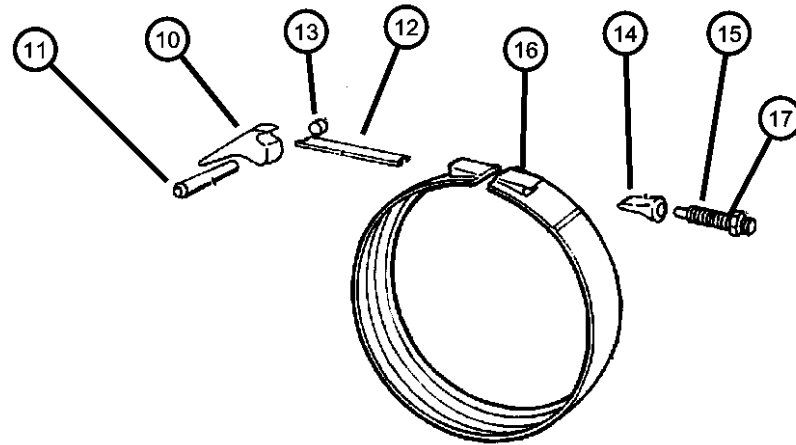
AR = use ase required - = Non illustrated part

**Bands, Kickdown and Reverse [DGT]
Figure 46RE-510**

ITEM	PART NUMBER	QTY	LINE	SERIES	BODY	ENGINE	TRANS	TRIM	DESCRIPTION
		1	6, 7, 8			ELO	DGT		
		1	1, 2, 3			EM0	DGT		
		1	6, 7, 8			EM0	DGT		
12	02124848	1	1, 2, 3			ELO	DGT		STRUT, Kickdown Band
		1	6, 7, 8			ELO	DGT		
		1	1, 2, 3			EM0	DGT		
		1	6, 7, 8			EM0	DGT		
13		1							PLUG, (NOT SERVICED)
14	03743338	1	1, 2, 3			ELO	DGT		ANCHOR, Kickdown Band
		1	6, 7, 8			ELO	DGT		
		1	1, 2, 3			EM0	DGT		
		1	6, 7, 8			EM0	DGT		
15		1							SCREW, Trans Kick Down Band Adjusting, .5-20x2.54, 02400389, (NOT SERVICED)
16	04329853	1	1, 2, 3			ELO	DGT		BAND, Kickdown
		1	6, 7, 8			ELO	DGT		
		1	1, 2, 3			EM0	DGT		
		1	6, 7, 8			EM0	DGT		
17	00124934	1	1, 2, 3			ELO	DGT		NUT, Hex Jam, .50-20
		1	6, 7, 8			ELO	DGT		
		1	1, 2, 3			EM0	DGT		
		1	6, 7, 8			EM0	DGT		



REVERSE BAND



KICKDOWN BAND

RAM PICKUP/CLUB CAB (BE)

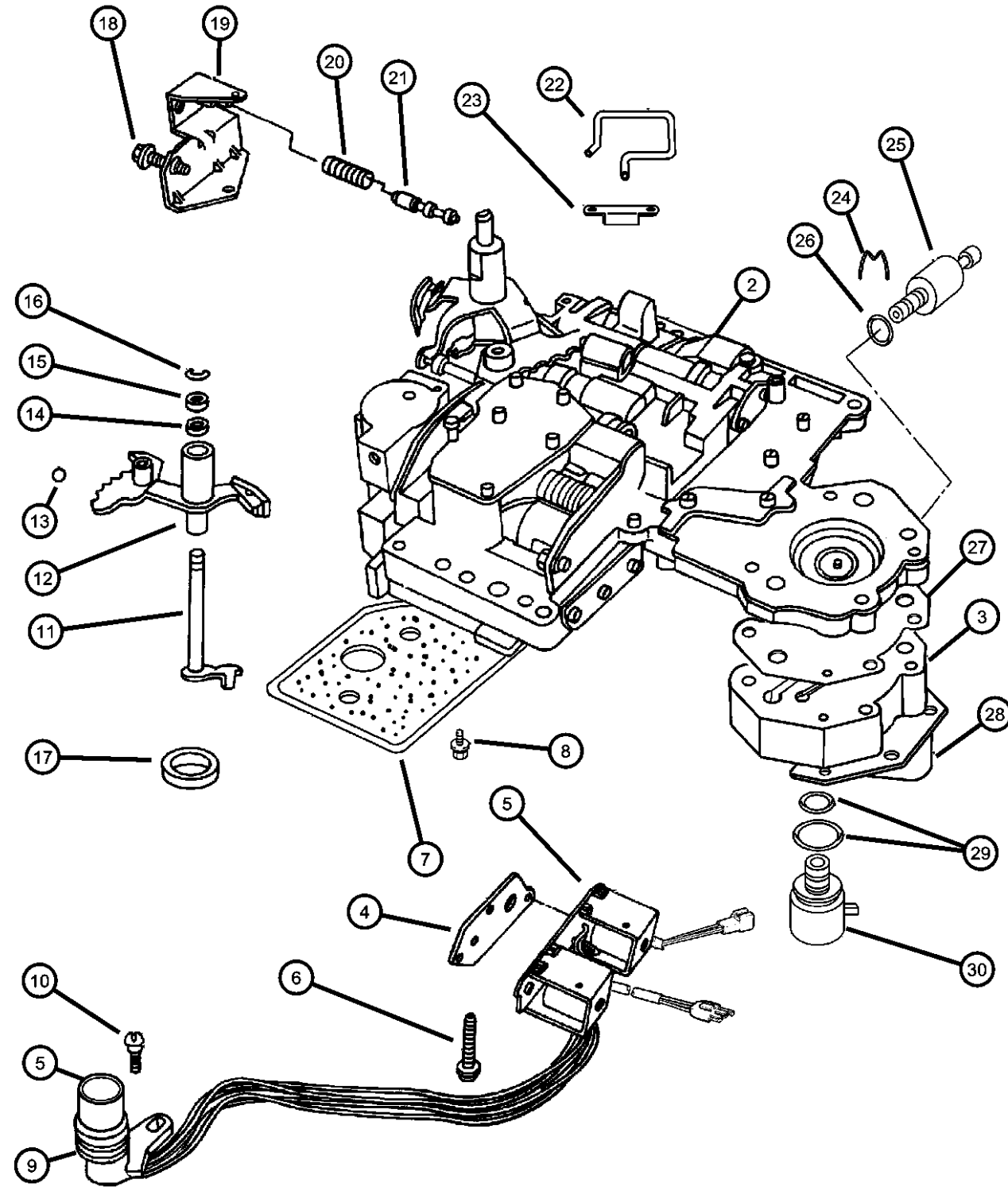
SERIES	LINE
L = RAM 1500, 2500, 3500	1 = Lt. Duty DODGE 2WD 2 = Med. Duty DODGE 2WD 3 = HD DODGE 2WD 6 = Lt. Duty DODGE 4WD 7 = Med. Duty DODGE 4WD 8 = HD DODGE 4WD

BODY	ENGINE
31 = CLUB CAB 2-DR 6.5 FT BOX 32 = CLUB CAB 2-DR 8FT BOX 33 = QUAD CAB 4-DR 6.5 FT BOX 34 = QUAD CAB 4-DR 8FT BOX	ETC = 5.9L Cummins 24V Diesel Engine EWA = 8.0L V10 MPI Engine EM0 = ALL 5.9L 8 CYL ENGINES - GAS EMM = 5.9L SMPI V8 Engine EML = 5.9L V8 MPI Engine ELF = 5.2L V8 MPI Engine

TRANSMISSION
DGP = 4-Spd. Automatic 47RE Transmission DD0 = ALL 5 SPEED MANUAL TRANSMISSIONS DG0 = ALL AUTOMATIC TRANSMISSIONS DDC = 5-Speed HD Manual Transmission DDP = 5-Speed Manual Transmission DDX = 5-Speed HD Manual Transmission DEE = 6-Speed HD Manual Transmission DGT = 4-Spd. Automatic 46RE Transmission

AR = use ase required - = Non illustrated part

Valve Body [DGT]
Figure 46RE-710



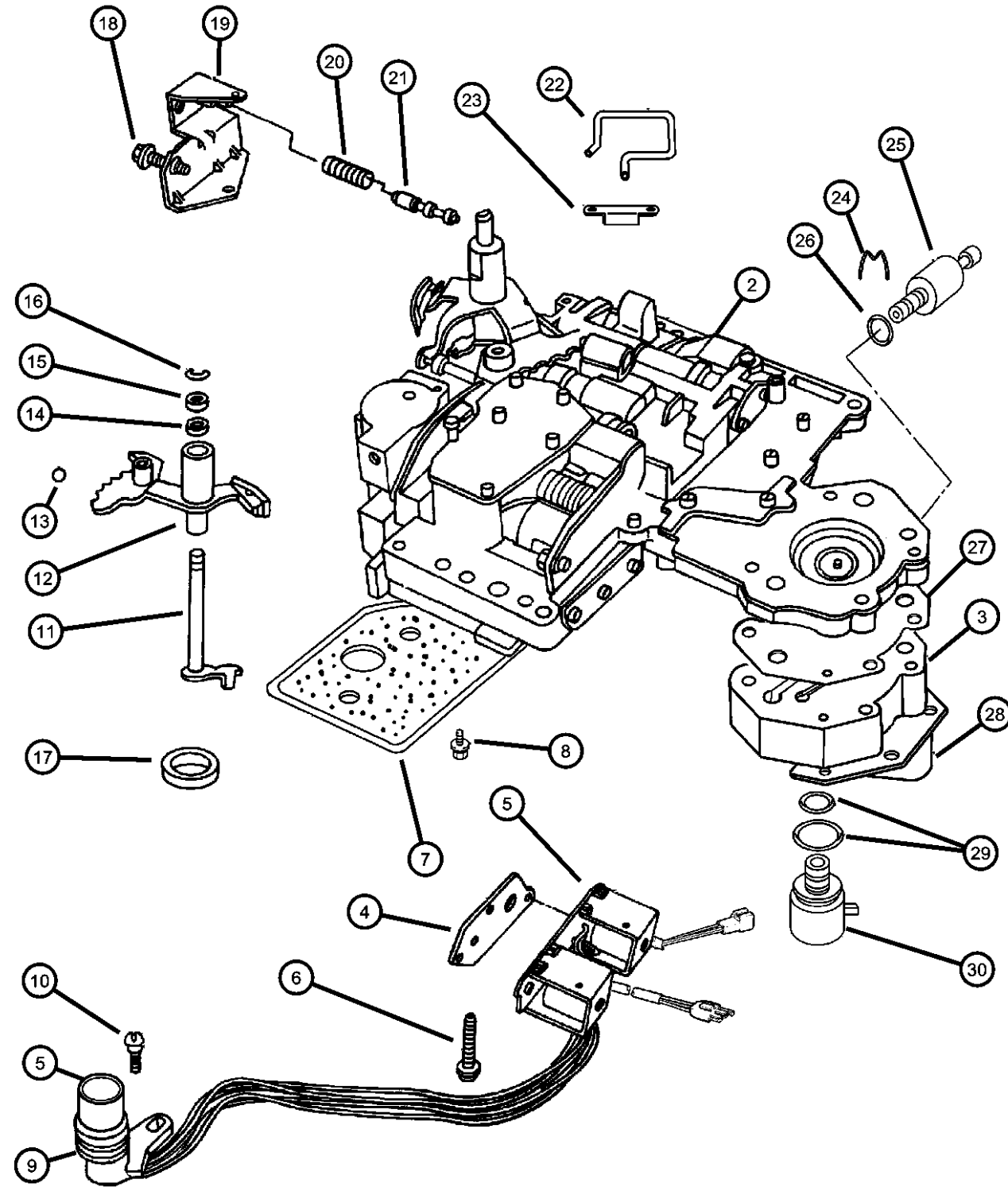
ITEM	PART NUMBER	QTY	LINE	SERIES	BODY	ENGINE	TRANS	TRIM	DESCRIPTION
-1									SEAL AND GASKET PACKAGE, Valve Body and Servo
	04863892AC	1	1, 2, 3			ELO	DGT		
		1	6, 7, 8			ELO	DGT		
		1	6, 7, 8			EM0	DGT		
		1	1, 2, 3			EM0	DGT		
2									VALVE BODY ASSEMBLY
	52118793	1	1, 2, 3			ELO	DGT		
		1	6, 7, 8			ELO	DGT		
		1	1, 2, 3			EM0	DGT		
		1	6, 7, 8			EM0	DGT		
3		1							BODY, Governor, Serviced In Assembly, (NOT SERVICED)
4									GASKET PACKAGE, Transmission Solenoid
	04886333AA	1	1, 2, 3			ELO	DGT		
		1	6, 7, 8			ELO	DGT		
		1	1, 2, 3			EM0	DGT		
		1	6, 7, 8			EM0	DGT		
5									SOLENOID, Transmission Overdrive
	52118500	1	1, 2, 3			ELO	DGT		
		1	6, 7, 8			ELO	DGT		
		1	1, 2, 3			EM0	DGT		
		1	6, 7, 8			EM0	DGT		
6									BOLT, Valve Body, .25-20x1.75
	00181071	3	1, 2, 3			ELO	DGT		
		3	6, 7, 8			ELO	DGT		

RAM PICKUP/CLUB CAB (BE)

SERIES	LINE	BODY	ENGINE	TRANSMISSION
L = RAM 1500, 2500, 3500	1 = Lt. Duty DODGE 2WD 2 = Med. Duty DODGE 2WD 3 = HD DODGE 2WD 6 = Lt. Duty DODGE 4WD 7 = Med. Duty DODGE 4WD 8 = HD DODGE 4WD	31 = CLUB CAB 2-DR 6.5 FT BOX 32 = CLUB CAB 2-DR 8FT BOX 33 = QUAD CAB 4-DR 6.5 FT BOX 34 = QUAD CAB 4-DR 8FT BOX	ETC = 5.9L Cummins 24V Diesel Engine EWA = 8.0L V10 MPI Engine EM0 = ALL 5.9L 8 CYL ENGINES - GAS EMM = 5.9L SMPI V8 Engine EML = 5.9L V8 MPI Engine ELF = 5.2L V8 MPI Engine	DGP = 4-Spd. Automatic 47RE Transmission DD0 = ALL 5 SPEED MANUAL TRANSMISSIONS DG0 = ALL AUTOMATIC TRANSMISSIONS DDC = 5-Speed HD Manual Transmission DDP = 5-Speed Manual Transmission DDX = 5-Speed HD Manual Transmission DEE = 6-Speed HD Manual Transmission DGT = 4-Spd. Automatic 46RE Transmission

AR = use ase required - = Non illustrated part

Valve Body [DGT]
Figure 46RE-710



ITEM	PART NUMBER	QTY	LINE	SERIES	BODY	ENGINE	TRANS	TRIM	DESCRIPTION
7	52118789	3	1, 2, 3			EM0	DGT		FILTER, Valve Body
		3	6, 7, 8			EM0	DGT		
		1	1, 2, 3			ELO	DGT		
		1	6, 7, 8			ELO	DGT		
		1	1, 2, 3			EM0	DGT		
8	06033826	1	6, 7, 8			EM0	DGT		SCREW AND WASHER, Oil Filter Mounting, Fillester Head .190-24x2.500
		3	1, 2, 3			ELO	DGT		
		3	6, 7, 8			ELO	DGT		
		3	1, 2, 3			EM0	DGT		
		3	6, 7, 8			EM0	DGT		
9	06034748	2	1, 2, 3			ELO	DGT		O RING, Solenoid Wiring, Transmission
		2	6, 7, 8			ELO	DGT		
		2	1, 2, 3			EM0	DGT		
		2	6, 7, 8			EM0	DGT		
		2	1, 2, 3			EM0	DGT		
10	06033985	1	1, 2, 3			ELO	DGT		SCREW, Tapping, .19-24x.75
		1	6, 7, 8			ELO	DGT		
		1	1, 2, 3			EM0	DGT		
		1	6, 7, 8			EM0	DGT		
		1	1, 2, 3			EM0	DGT		
11	03681227	1	1, 2, 3			ELO	DGT		LEVER, Throttle Valve
		1	6, 7, 8			ELO	DGT		
		1	1, 2, 3			EM0	DGT		
		1	6, 7, 8			EM0	DGT		
		1	1, 2, 3			EM0	DGT		

RAM PICKUP/CLUB CAB (BE)

SERIES	LINE
L = RAM 1500, 2500, 3500	1 = Lt. Duty DODGE 2WD
	2 = Med. Duty DODGE 2WD
	3 = HD DODGE 2WD
	6 = Lt. Duty DODGE 4WD
	7 = Med. Duty DODGE 4WD
	8 = HD DODGE 4WD

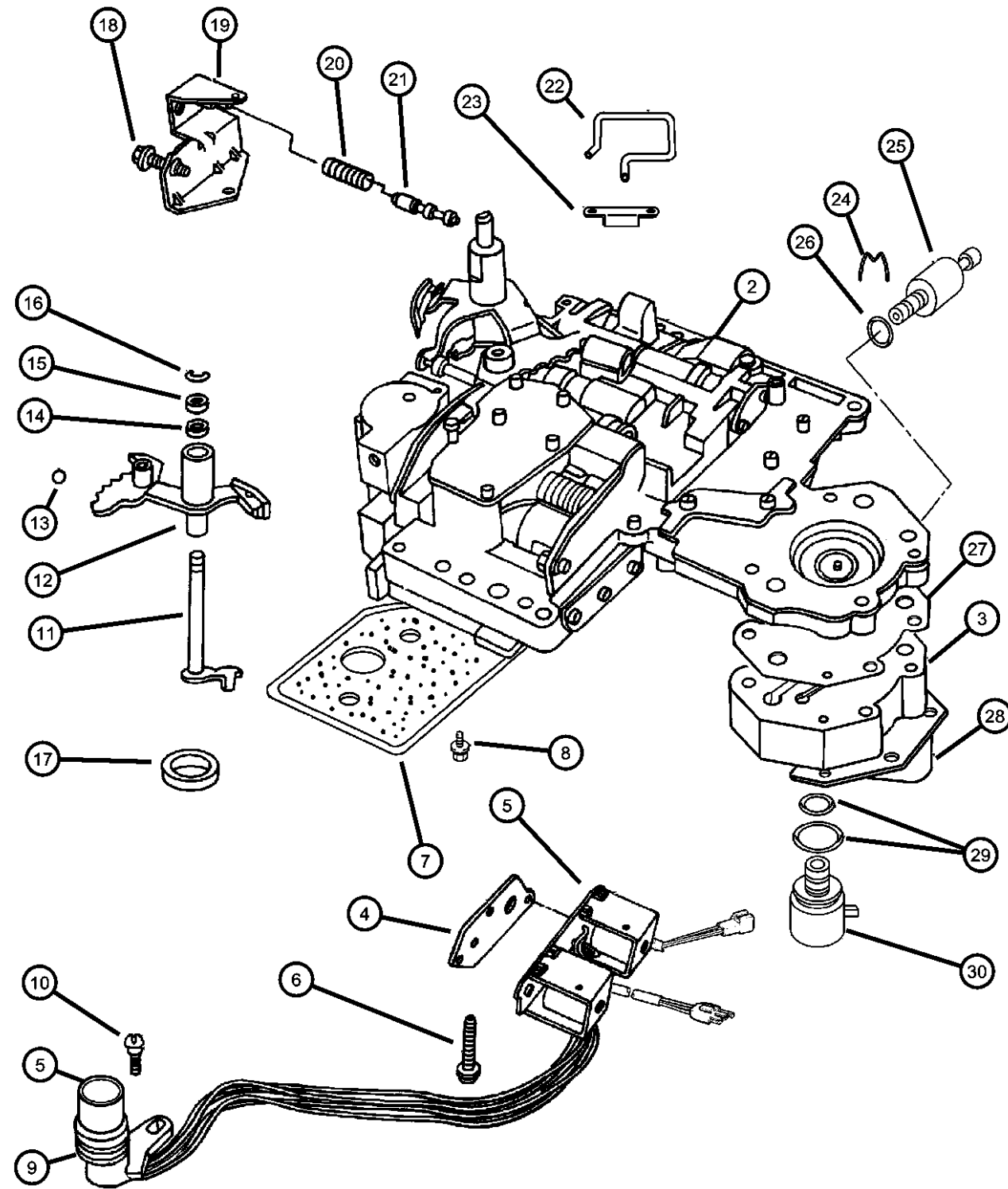
BODY	ENGINE
31 = CLUB CAB 2-DR 6.5 FT BOX	ETC = 5.9L Cummins 24V Diesel Engine
32 = CLUB CAB 2-DR 8FT BOX	EWA = 8.0L V10 MPI Engine
33 = QUAD CAB 4-DR 6.5 FT BOX	EM0 = ALL 5.9L 8 CYL ENGINES - GAS
34 = QUAD CAB 4-DR 8FT BOX	EMM = 5.9L SMPI V8 Engine
	EML = 5.9L V8 MPI Engine
	ELF = 5.2L V8 MPI Engine

TRANSMISSION
DGP = 4-Spd. Automatic 47RE Transmission
DD0 = ALL 5 SPEED MANUAL TRANSMISSIONS
DG0 = ALL AUTOMATIC TRANSMISSIONS
DDC = 5-Speed HD Manual Transmission
DDP = 5-Speed Manual Transmission
DDX = 5-Speed HD Manual Transmission
DEE = 6-Speed HD Manual Transmission
DGT = 4-Spd. Automatic 46RE Transmission

AR = use ase required - = Non illustrated part

1999 BE

Valve Body [DGT]
Figure 46RE-710



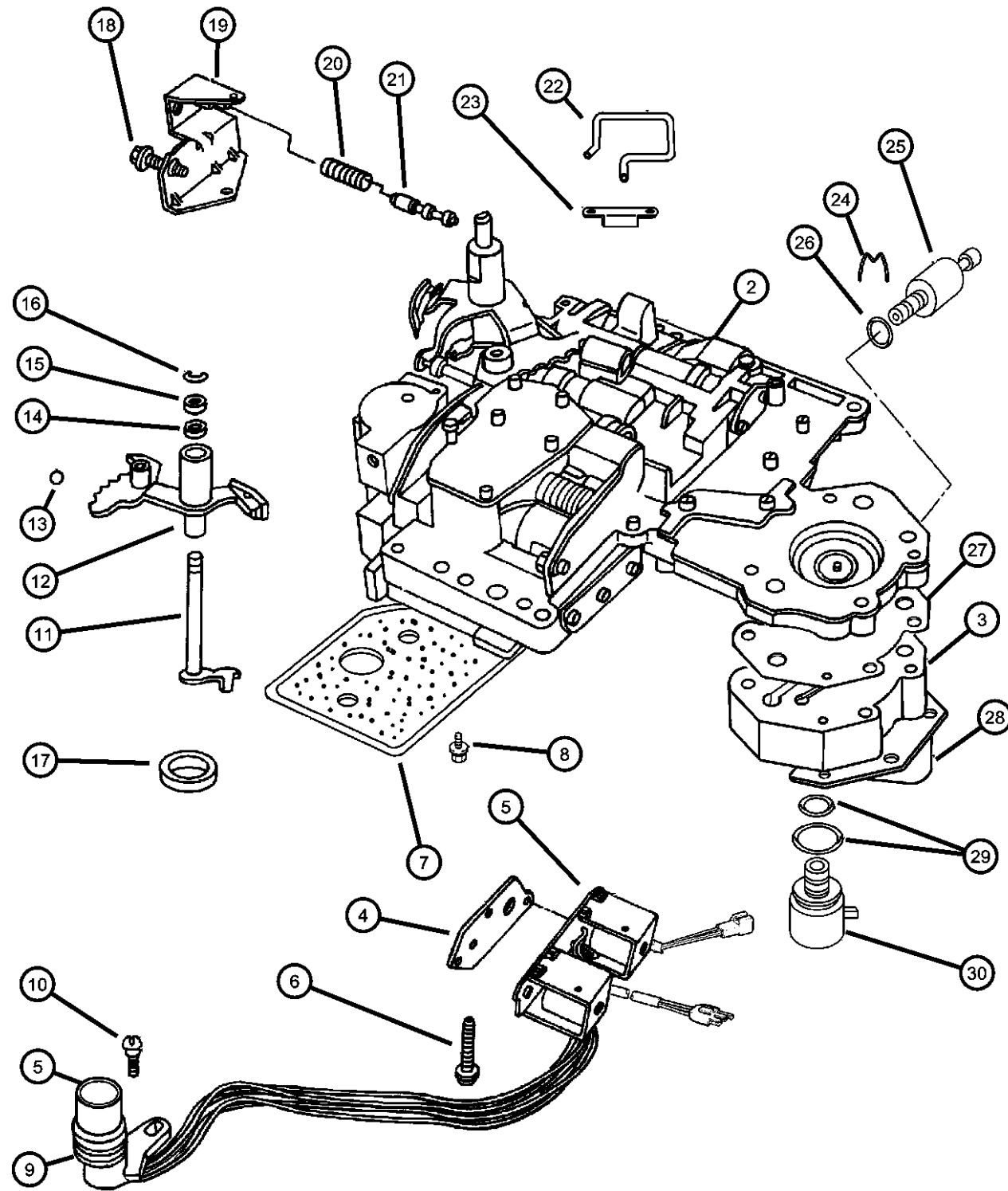
ITEM	PART NUMBER	QTY	LINE	SERIES	BODY	ENGINE	TRANS	TRIM	DESCRIPTION
12		1	6, 7, 8			EM0	DGT		LEVER, Manual Valve
	04617439	1	1, 2, 3			ELO	DGT		
		1	6, 7, 8			ELO	DGT		
		1	1, 2, 3			EM0	DGT		
		1	6, 7, 8			EM0	DGT		
13									BALL, Manual Lever Detent, .343 Diameter
	00147488	1	1, 2, 3			ELO	DGT		
		1	6, 7, 8			ELO	DGT		
		1	1, 2, 3			EM0	DGT		
		1	6, 7, 8			EM0	DGT		
14									SEAL, Valve Lever Shift
	02466548	1	1, 2, 3			ELO	DGT		Rubber, 5/8" O.D.
		1	6, 7, 8			ELO	DGT		Rubber, 5/8" O.D.
		1	1, 2, 3			EM0	DGT		Rubber, 5/8" O.D.
		1	6, 7, 8			EM0	DGT		Rubber, 5/8" O.D.
15									WASHER, Manual Valve Lever
	02538062	1	1, 2, 3			ELO	DGT		
		1	6, 7, 8			ELO	DGT		
		1	1, 2, 3			EM0	DGT		
		1	6, 7, 8			EM0	DGT		
16									SNAP RING
	06035208	1	1, 2, 3			ELO	DGT		
		1	6, 7, 8			ELO	DGT		
		1	1, 2, 3			EM0	DGT		
		1	6, 7, 8			EM0	DGT		
17									SEAL, Manual Shift Valve, 1.25 OD

RAM PICKUP/CLUB CAB (BE)

SERIES	LINE	BODY	ENGINE	TRANSMISSION
L = RAM 1500, 2500, 3500	1 = Lt. Duty DODGE 2WD 2 = Med. Duty DODGE 2WD 3 = HD DODGE 2WD 6 = Lt. Duty DODGE 4WD 7 = Med. Duty DODGE 4WD 8 = HD DODGE 4WD	31 = CLUB CAB 2-DR 6.5 FT BOX 32 = CLUB CAB 2-DR 8FT BOX 33 = QUAD CAB 4-DR 6.5 FT BOX 34 = QUAD CAB 4-DR 8FT BOX	ETC = 5.9L Cummins 24V Diesel Engine EWA = 8.0L V10 MPI Engine EM0 = ALL 5.9L 8 CYL ENGINES - GAS EMM = 5.9L SMPI V8 Engine EML = 5.9L V8 MPI Engine ELF = 5.2L V8 MPI Engine	DGP = 4-Spd. Automatic 47RE Transmission DD0 = ALL 5 SPEED MANUAL TRANSMISSIONS DG0 = ALL AUTOMATIC TRANSMISSIONS DDC = 5-Speed HD Manual Transmission DDP = 5-Speed Manual Transmission DDX = 5-Speed HD Manual Transmission DEE = 6-Speed HD Manual Transmission DGT = 4-Spd. Automatic 46RE Transmission

AR = use ase required - = Non illustrated part

Valve Body [DGT]
Figure 46RE-710



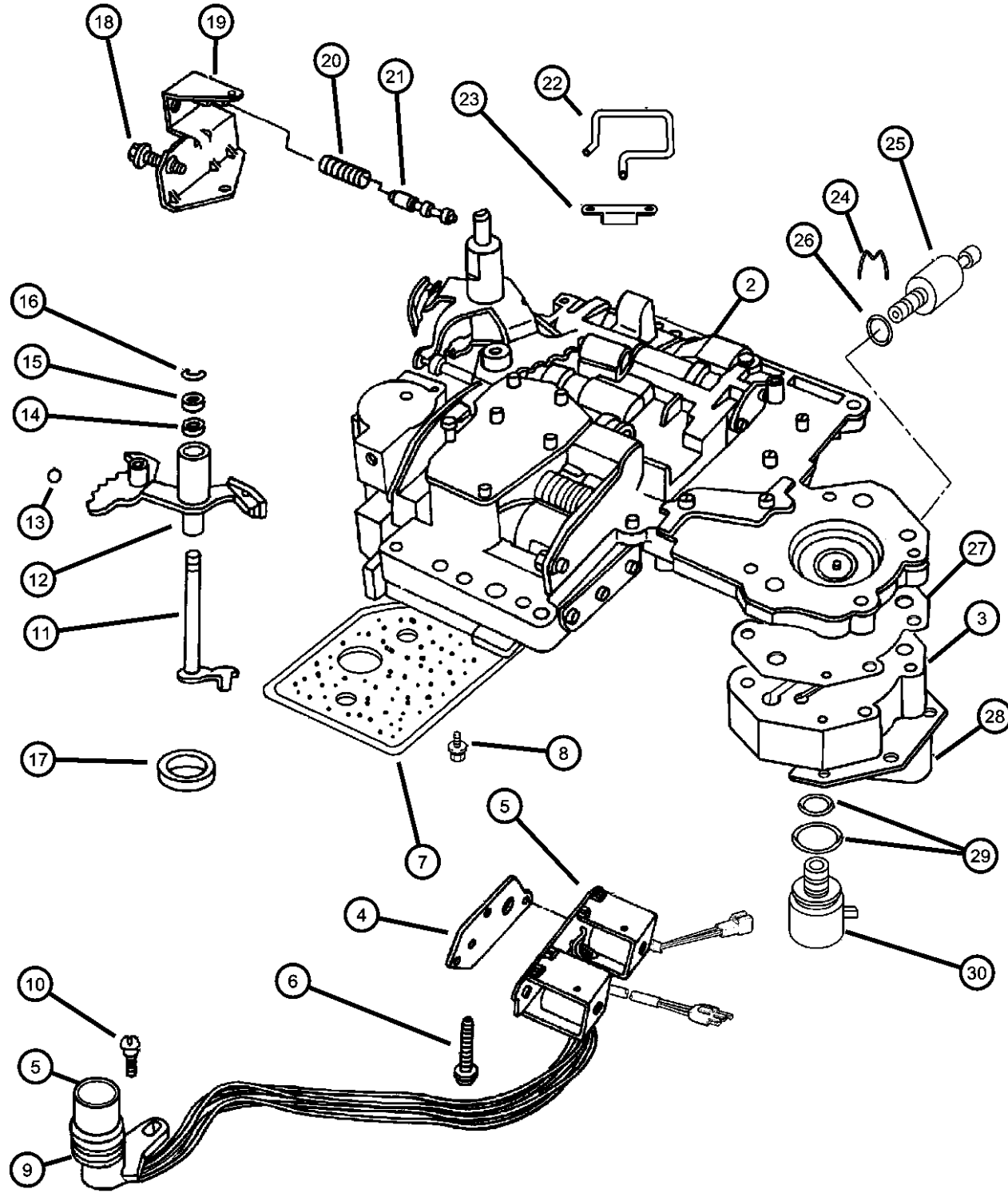
ITEM	PART NUMBER	QTY	LINE	SERIES	BODY	ENGINE	TRANS	TRIM	DESCRIPTION
	04505098	1	1, 2, 3			ELO	DGT		
		1	6, 7, 8			ELO	DGT		
		1	1, 2, 3			EM0	DGT		
		1	6, 7, 8			EM0	DGT		
18									SCREW, Cap Head Lock, .312-24x1.25
	06030609	1	1, 2, 3			ELO	DGT		
		1	6, 7, 8			ELO	DGT		
		1	1, 2, 3			EM0	DGT		
		1	6, 7, 8			EM0	DGT		
19									BRACKET, Valve Body Switch
	04617010	1	1, 2, 3			ELO	DGT		
		1	6, 7, 8			ELO	DGT		
		1	1, 2, 3			EM0	DGT		
		1	6, 7, 8			EM0	DGT		
20									SPRING, Switch Valve
	04130492	1	1, 2, 3			ELO	DGT		
		1	6, 7, 8			ELO	DGT		
		1	1, 2, 3			EM0	DGT		
		1	6, 7, 8			EM0	DGT		
21									VALVE, Trans Lockup Switch
	04505036	1	1, 2, 3			ELO	DGT		
		1	6, 7, 8			ELO	DGT		
		1	1, 2, 3			EM0	DGT		
		1	6, 7, 8			EM0	DGT		
22									TUBE, Boost Valve
	04617008	1	1, 2, 3			ELO	DGT		
		1	6, 7, 8			ELO	DGT		

RAM PICKUP/CLUB CAB (BE)

SERIES	LINE	BODY	ENGINE	TRANSMISSION
L = RAM 1500, 2500, 3500	1 = Lt. Duty DODGE 2WD	31 = CLUB CAB 2-DR 6.5 FT BOX	ETC = 5.9L Cummins 24V Diesel Engine	DGP = 4-Spd. Automatic 47RE Transmission
	2 = Med. Duty DODGE 2WD	32 = CLUB CAB 2-DR 8FT BOX	EWA = 8.0L V10 MPI Engine	DD0 = ALL 5 SPEED MANUAL TRANSMISSIONS
	3 = HD DODGE 2WD	33 = QUAD CAB 4-DR 6.5 FT BOX	EM0 = ALL 5.9L 8 CYL ENGINES - GAS	DG0 = ALL AUTOMATIC TRANSMISSIONS
	6 = Lt. Duty DODGE 4WD	34 = QUAD CAB 4-DR 8FT BOX	EMM = 5.9L SMPI V8 Engine	DDC = 5-Speed HD Manual Transmission
	7 = Med. Duty DODGE 4WD		EML = 5.9L V8 MPI Engine	DDP = 5-Speed Manual Transmission
	8 = HD DODGE 4WD		ELF = 5.2L V8 MPI Engine	DDX = 5-Speed HD Manual Transmission
				DEE = 6-Speed HD Manual Transmission
				DGT = 4-Spd. Automatic 46RE Transmission

AR = use ase required - = Non illustrated part

Valve Body [DGT]
Figure 46RE-710



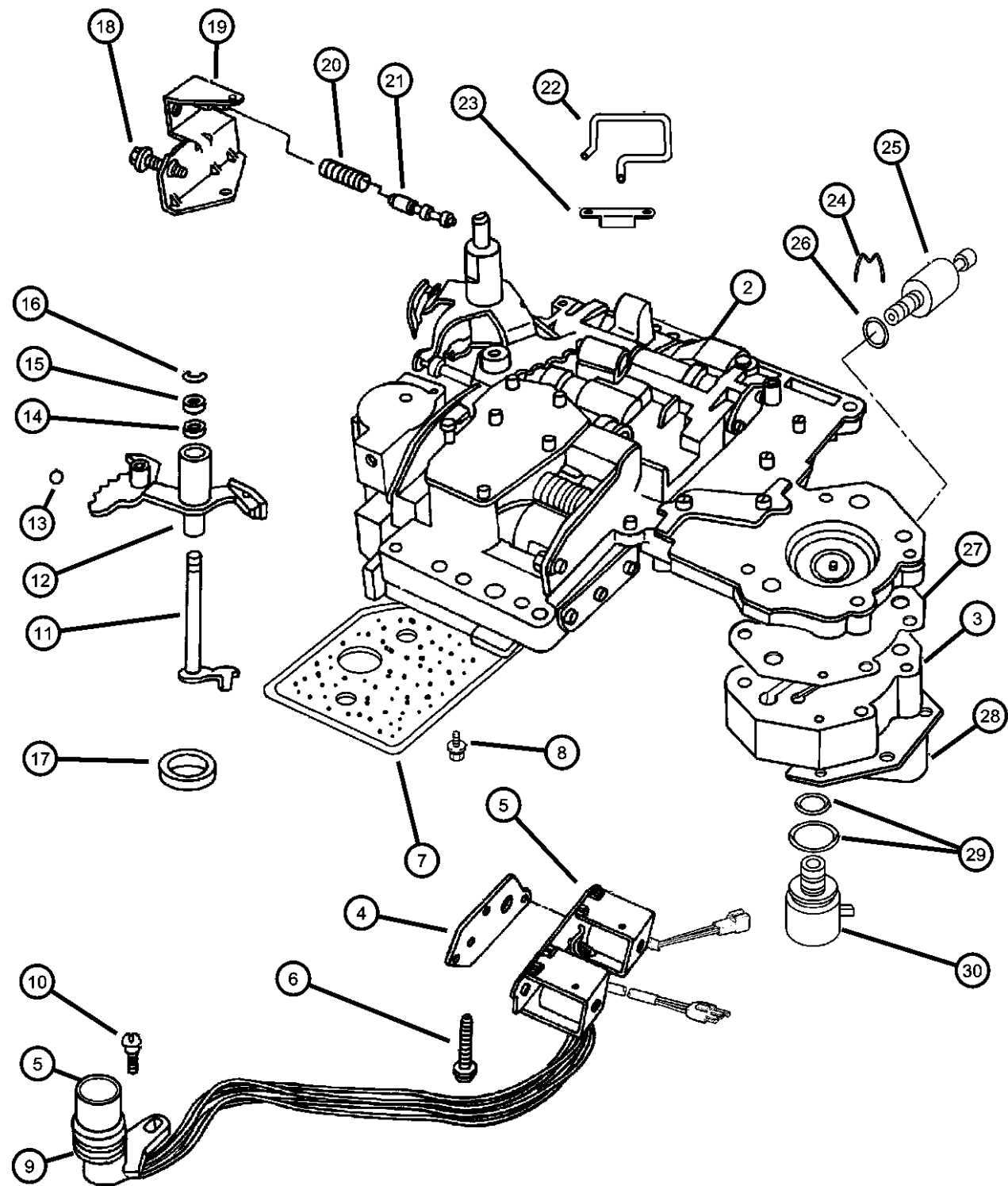
ITEM	PART NUMBER	QTY	LINE	SERIES	BODY	ENGINE	TRANS	TRIM	DESCRIPTION
		1	1, 2, 3			EM0	DGT		
		1	6, 7, 8			EM0	DGT		
23									RETAINER, Boost Valve Oil Supply Tube
	52117958	1	1, 2, 3			ELO	DGT		
		1	6, 7, 8			ELO	DGT		
		1	1, 2, 3			EM0	DGT		
		1	6, 7, 8			EM0	DGT		
24									CLIP, Transmission Governor Transducer
	04617219	1	1, 2, 3			ELO	DGT		
		1	6, 7, 8			ELO	DGT		
		1	1, 2, 3			EM0	DGT		
		1	6, 7, 8			EM0	DGT		
25									TRANSDUCER, Pressure Sensor
	56041403AA	1	1, 2, 3			ELO	DGT		
		1	6, 7, 8			ELO	DGT		
		1	1, 2, 3			EM0	DGT		
		1	6, 7, 8			EM0	DGT		
26									O RING, Pressure Switch
	06034493	1	1, 2, 3			ELO	DGT		.369 I.D.
		1	6, 7, 8			ELO	DGT		.369 I.D.
		1	1, 2, 3			EM0	DGT		.369 I.D.
		1	6, 7, 8			EM0	DGT		.369 I.D.
27									GASKET, Transmission Solenoid
	04617216	1	1, 2, 3			ELO	DGT		
		1	6, 7, 8			ELO	DGT		
		1	1, 2, 3			EM0	DGT		
		1	6, 7, 8			EM0	DGT		

RAM PICKUP/CLUB CAB (BE)

SERIES	LINE	BODY	ENGINE	TRANSMISSION
L = RAM 1500, 2500, 3500	1 = Lt. Duty DODGE 2WD 2 = Med. Duty DODGE 2WD 3 = HD DODGE 2WD 6 = Lt. Duty DODGE 4WD 7 = Med. Duty DODGE 4WD 8 = HD DODGE 4WD	31 = CLUB CAB 2-DR 6.5 FT BOX 32 = CLUB CAB 2-DR 8FT BOX 33 = QUAD CAB 4-DR 6.5 FT BOX 34 = QUAD CAB 4-DR 8FT BOX	ETC = 5.9L Cummins 24V Diesel Engine EWA = 8.0L V10 MPI Engine EM0 = ALL 5.9L 8 CYL ENGINES - GAS EMM = 5.9L SMPI V8 Engine EML = 5.9L V8 MPI Engine ELF = 5.2L V8 MPI Engine	DGP = 4-Spd. Automatic 47RE Transmission DD0 = ALL 5 SPEED MANUAL TRANSMISSIONS DG0 = ALL AUTOMATIC TRANSMISSIONS DDC = 5-Speed HD Manual Transmission DDP = 5-Speed Manual Transmission DDX = 5-Speed HD Manual Transmission DEE = 6-Speed HD Manual Transmission DGT = 4-Spd. Automatic 46RE Transmission

AR = use ase required - = Non illustrated part

Valve Body [DGT]
Figure 46RE-710



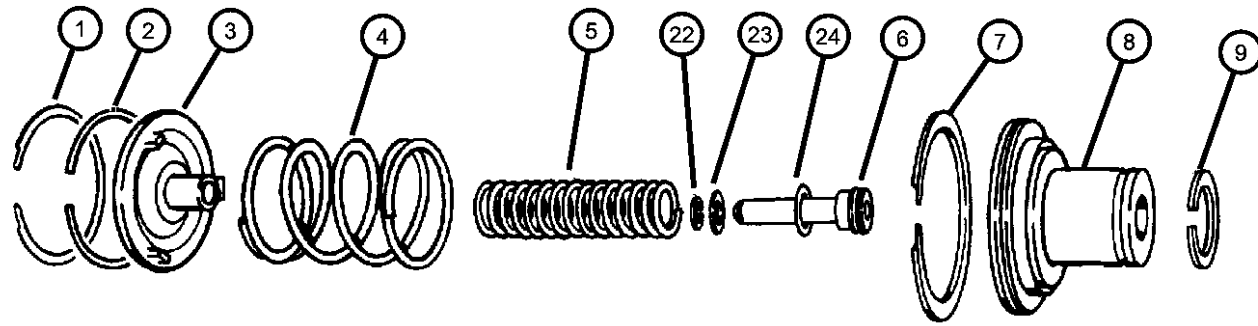
ITEM	PART NUMBER	QTY	LINE	SERIES	BODY	ENGINE	TRANS	TRIM	DESCRIPTION
28	04617211	1	1, 2, 3			ELO	DGT		RETAINER, Transmission Governor Solenoid
		1	6, 7, 8			ELO	DGT		
		1	1, 2, 3			EM0	DGT		
		1	6, 7, 8			EM0	DGT		
29	04723549	1	1, 2, 3			ELO	DGT		O RING PACKAGE, Valve Body, Transmission Solenoid, .494 I.D., .873 I.D. ***
		1	6, 7, 8			ELO	DGT		Solenoid, .494 I.D., .873 I.D. ***
		1	1, 2, 3			EM0	DGT		Solenoid, .494 I.D., .873 I.D. ***
		1	6, 7, 8			EM0	DGT		Solenoid, .494 I.D., .873 I.D. ***
30	04617210	1	1, 2, 3			ELO	DGT		SOLENOID, Transmission Governor Pressure, 2 Prong Connector
		1	6, 7, 8			ELO	DGT		Pressure, 2 Prong Connector
		1	1, 2, 3			EM0	DGT		Pressure, 2 Prong Connector ***
		1	6, 7, 8			EM0	DGT		Pressure, 2 Prong Connector
-31	03878313	1	1, 2, 3			ELO	DGT		SCREEN, Transmission Regulator Valve
		1	6, 7, 8			ELO	DGT		
		1	1, 2, 3			EM0	DGT		
		1	6, 7, 8			EM0	DGT		

RAM PICKUP/CLUB CAB (BE)

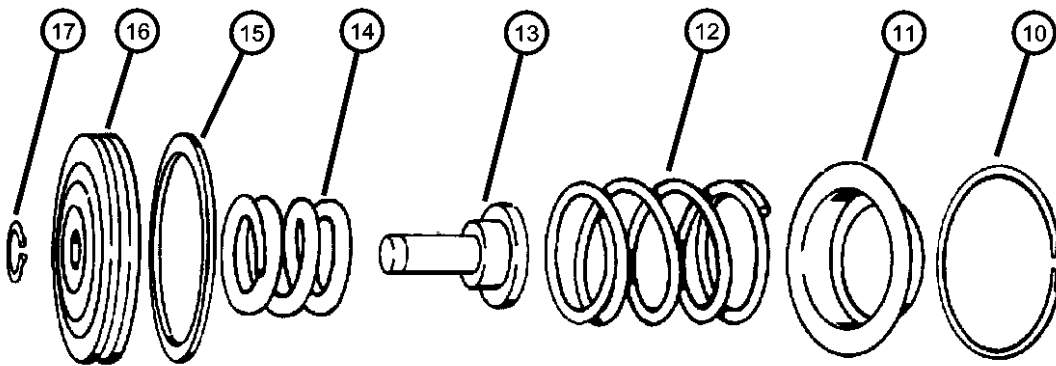
SERIES	LINE	BODY	ENGINE	TRANSMISSION
L = RAM 1500, 2500, 3500	1 = Lt. Duty DODGE 2WD 2 = Med. Duty DODGE 2WD 3 = HD DODGE 2WD 6 = Lt. Duty DODGE 4WD 7 = Med. Duty DODGE 4WD 8 = HD DODGE 4WD	31 = CLUB CAB 2-DR 6.5 FT BOX 32 = CLUB CAB 2-DR 8FT BOX 33 = QUAD CAB 4-DR 6.5 FT BOX 34 = QUAD CAB 4-DR 8FT BOX	ETC = 5.9L Cummins 24V Diesel Engine EWA = 8.0L V10 MPI Engine EM0 = ALL 5.9L 8 CYL ENGINES - GAS EMM = 5.9L SMPI V8 Engine EML = 5.9L V8 MPI Engine ELF = 5.2L V8 MPI Engine	DGP = 4-Spd. Automatic 47RE Transmission DD0 = ALL 5 SPEED MANUAL TRANSMISSIONS DG0 = ALL AUTOMATIC TRANSMISSIONS DDC = 5-Speed HD Manual Transmission DDP = 5-Speed Manual Transmission DDX = 5-Speed HD Manual Transmission DEE = 6-Speed HD Manual Transmission DGT = 4-Spd. Automatic 46RE Transmission

AR = use ase required - = Non illustrated part

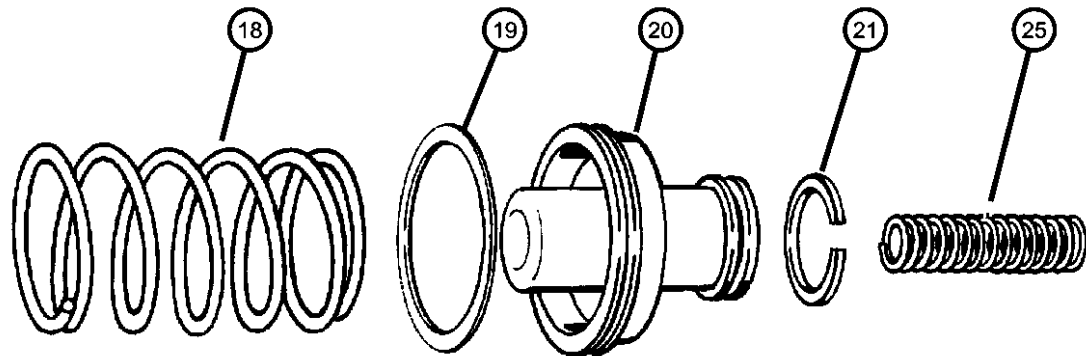
**Servos, Accumulator Piston and Spring [DGT]
Figure 46RE-720**



KICKDOWN SERVO



LOW AND REVERSE SERVO



ACCUMULATOR PISTON AND SPRING

ITEM	PART NUMBER	QTY	LINE	SERIES	BODY	ENGINE	TRANS	TRIM	DESCRIPTION
NOTES: Sales Codes [DGT] = 4 Speed Automatic Transmission 46RE [ELO] = All 5.2L 8 Cylinder Gas Engines [EM0] = All 5.9L 8 Cylinder Gas Engines									
1	01942130	1	1, 2, 3			ELO	DGT		SNAP RING Kickdown Servo Guide
		1	6, 7, 8			ELO	DGT		Kickdown Servo Guide
		1	1, 2, 3			EM0	DGT		Kickdown Servo Guide
		1	6, 7, 8			EM0	DGT		Kickdown Servo Guide
2	01942123	1	1, 2, 3			ELO	DGT		SEAL Kickdown Servo Guide
		1	6, 7, 8			ELO	DGT		
		1	1, 2, 3			EM0	DGT		
		1	6, 7, 8			EM0	DGT		Kickdown Servo Guide
3	03410441	1	1, 2, 3			ELO	DGT		GUIDE, Kickdown Servo
		1	6, 7, 8			ELO	DGT		
		1	1, 2, 3			EM0	DGT		
		1	6, 7, 8			EM0	DGT		
4	04617528	1	1, 2, 3			ELO	DGT		SPRING, Kickdown Servo Piston Except 5.9
	04617573	1	1, 2, 3			EM0	DGT		5.9 With PTO
		1	6, 7, 8			EM0	DGT		5.9 W/O PTO
5	03410444	1	1, 2, 3			ELO	DGT		SPRING, Kickdown Servo Piston Piston, Inner, 6 Coils
		1	6, 7, 8			ELO	DGT		Piston, Inner, 6 Coils
		1	1, 2, 3			EM0	DGT		Piston, Inner, 6 Coils
		1	6, 7, 8			EM0	DGT		Piston, Inner, 6 Coils
6									PISTON, Kickdown Servo

RAM PICKUP/CLUB CAB (BE)

SERIES	LINE
L = RAM 1500, 2500, 3500	1 = Lt. Duty DODGE 2WD 2 = Med. Duty DODGE 2WD 3 = HD DODGE 2WD 6 = Lt. Duty DODGE 4WD 7 = Med. Duty DODGE 4WD 8 = HD DODGE 4WD

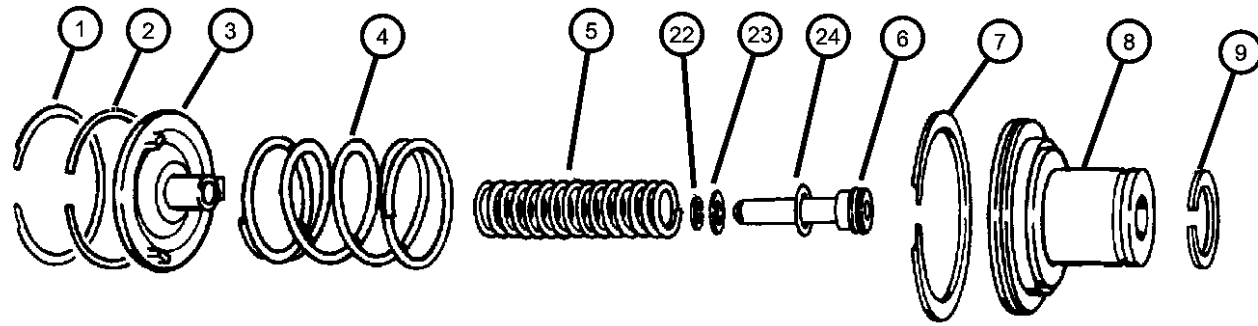
BODY	ENGINE
31 = CLUB CAB 2-DR 6.5 FT BOX 32 = CLUB CAB 2-DR 8FT BOX 33 = QUAD CAB 4-DR 6.5 FT BOX 34 = QUAD CAB 4-DR 8FT BOX	ETC = 5.9L Cummins 24V Diesel Engine EWA = 8.0L V10 MPI Engine EM0 = ALL 5.9L 8 CYL ENGINES - GAS EMM = 5.9L SMPI V8 Engine EML = 5.9L V8 MPI Engine ELF = 5.2L V8 MPI Engine

TRANSMISSION
DGP = 4-Spd. Automatic 47RE Transmission DD0 = ALL 5 SPEED MANUAL TRANSMISSIONS DG0 = ALL AUTOMATIC TRANSMISSIONS DDC = 5-Speed HD Manual Transmission DDP = 5-Speed Manual Transmission DDX = 5-Speed HD Manual Transmission DEE = 6-Speed HD Manual Transmission DGT = 4-Spd. Automatic 46RE Transmission

AR = use ase required - = Non illustrated part

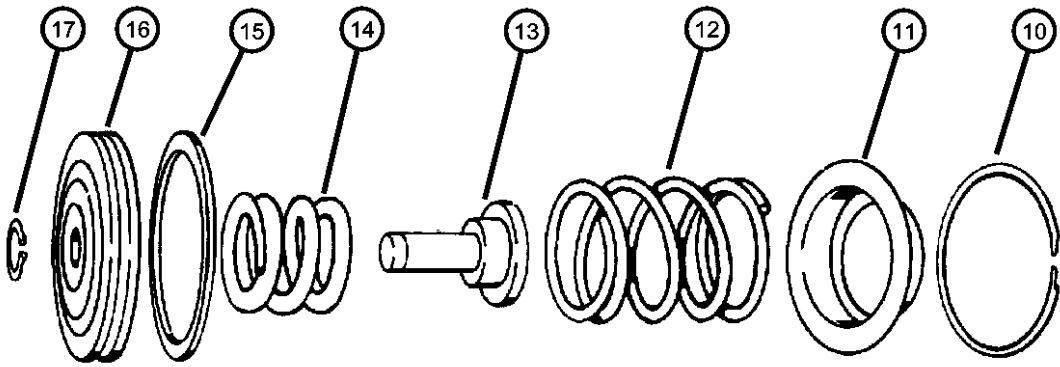
1999 BE

Servos, Accumulator Piston and Spring [DGT]
Figure 46RE-720

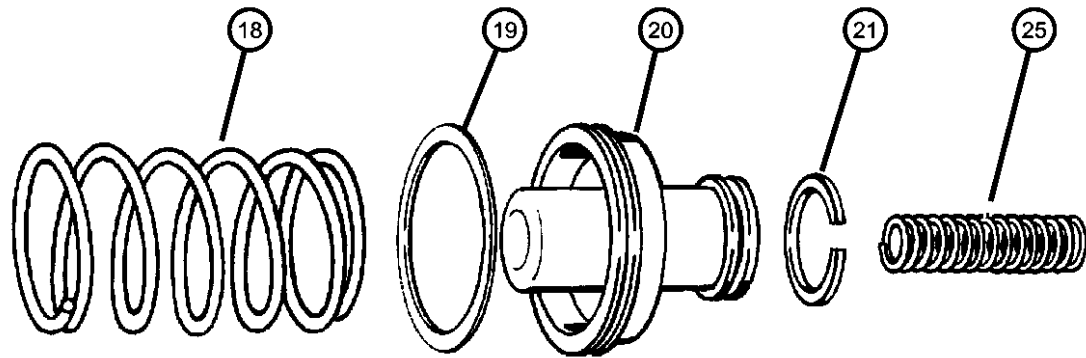


KICKDOWN SERVO

ITEM	PART NUMBER	QTY	LINE	SERIES	BODY	ENGINE	TRANS	TRIM	DESCRIPTION
	03410445	1	1, 2, 3			ELO	DGT		Inner
		1	6, 7, 8			ELO	DGT		Inner
		1	1, 2, 3			EM0	DGT		Inner
		1	6, 7, 8			EM0	DGT		Inner
7	01942123	1	1, 2, 3			ELO	DGT		SEAL
		1	6, 7, 8			ELO	DGT		Large
		1	1, 2, 3			EM0	DGT		Large
		1	6, 7, 8			EM0	DGT		Large
8	03410440	1	1, 2, 3			ELO	DGT		PISTON, Kickdown Servo
		1	6, 7, 8			ELO	DGT		
		1	1, 2, 3			EM0	DGT		
		1	6, 7, 8			EM0	DGT		
9	04412444	1	1, 2, 3			ELO	DGT		SEAL
		1	6, 7, 8			ELO	DGT		
		1	1, 2, 3			EM0	DGT		
		1	6, 7, 8			EM0	DGT		
10	01942130	1	1, 2, 3			ELO	DGT		SNAP RING
		1	6, 7, 8			ELO	DGT		
		1	1, 2, 3			EM0	DGT		
		1	6, 7, 8			EM0	DGT		
11	01942150	1	1, 2, 3			ELO	DGT		RETAINER, Transmission Reverse Servo Piston Spring
		1	6, 7, 8			ELO	DGT		
		1	1, 2, 3			EM0	DGT		
		1	6, 7, 8			EM0	DGT		



LOW AND REVERSE SERVO



ACCUMULATOR PISTON AND SPRING

RAM PICKUP/CLUB CAB (BE)

SERIES	LINE
L = RAM 1500, 2500, 3500	1 = Lt. Duty DODGE 2WD 2 = Med. Duty DODGE 2WD 3 = HD DODGE 2WD 6 = Lt. Duty DODGE 4WD 7 = Med. Duty DODGE 4WD 8 = HD DODGE 4WD

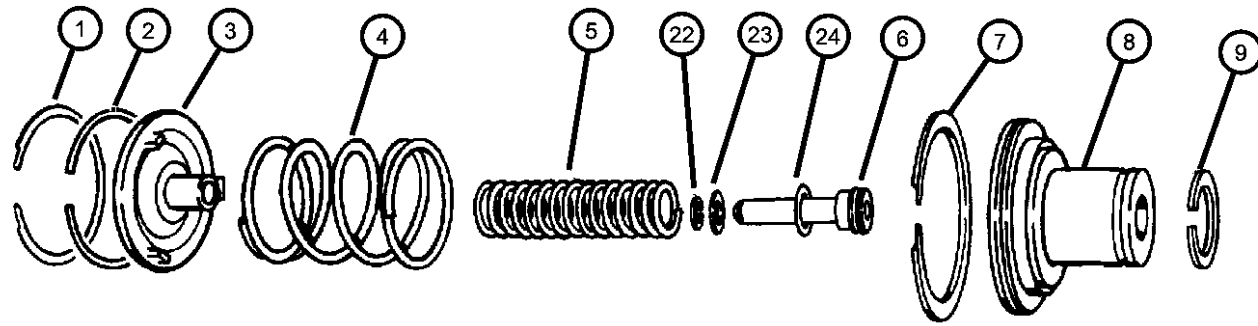
BODY	ENGINE
31 = CLUB CAB 2-DR 6.5 FT BOX 32 = CLUB CAB 2-DR 8FT BOX 33 = QUAD CAB 4-DR 6.5 FT BOX 34 = QUAD CAB 4-DR 8FT BOX	ETC = 5.9L Cummins 24V Diesel Engine EWA = 8.0L V10 MPI Engine EM0 = ALL 5.9L 8 CYL ENGINES - GAS EMM = 5.9L SMPI V8 Engine EML = 5.9L V8 MPI Engine ELF = 5.2L V8 MPI Engine

TRANSMISSION
DGP = 4-Spd. Automatic 47RE Transmission DD0 = ALL 5 SPEED MANUAL TRANSMISSIONS DG0 = ALL AUTOMATIC TRANSMISSIONS DDC = 5-Speed HD Manual Transmission DDP = 5-Speed Manual Transmission DDX = 5-Speed HD Manual Transmission DEE = 6-Speed HD Manual Transmission DGT = 4-Spd. Automatic 46RE Transmission

AR = use ase required - = Non illustrated part

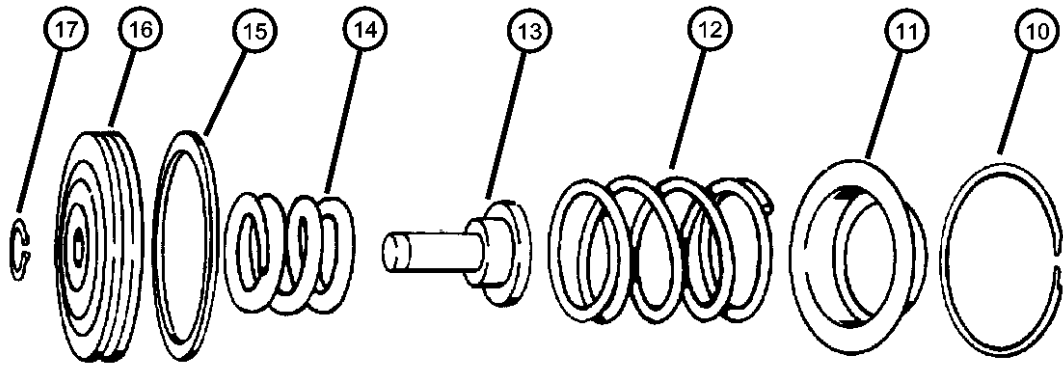
1999 BE

Servos, Accumulator Piston and Spring [DGT]
Figure 46RE-720

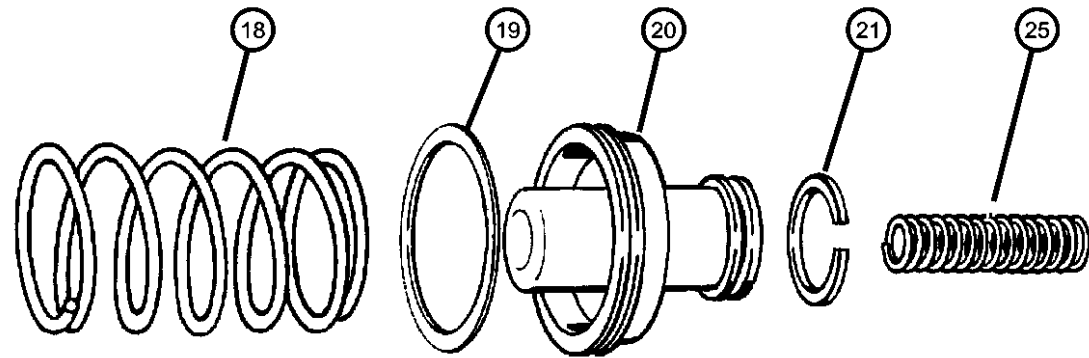


KICKDOWN SERVO

ITEM	PART NUMBER	QTY	LINE	SERIES	BODY	ENGINE	TRANS	TRIM	DESCRIPTION
		1	6, 7, 8			ELO	DGT		
		1	1, 2, 3			EM0	DGT		
		1	6, 7, 8			EM0	DGT		
12	02801241	1	1, 2, 3			ELO	DGT		SPRING, Reverse Servo Piston
		1	6, 7, 8			ELO	DGT		
		1	1, 2, 3			EM0	DGT		
		1	6, 7, 8			EM0	DGT		
13	52118740AB	1	1, 2, 3			ELO	DGT		PLUG, Reverse Servo Piston
		1	6, 7, 8			ELO	DGT		
		1	1, 2, 3			EM0	DGT		
		1	6, 7, 8			EM0	DGT		
14	52118759AB	1	1, 2, 3			ELO	DGT		SPRING, Reverse Servo Piston
		1	6, 7, 8			ELO	DGT		
		1	1, 2, 3			EM0	DGT		
		1	6, 7, 8			EM0	DGT		
15	04058741	1	1, 2, 3			ELO	DGT		SEAL, Piston Reverse Servo, Rubber
		1	6, 7, 8			ELO	DGT		Rubber
		1	1, 2, 3			EM0	DGT		Rubber
		1	6, 7, 8			EM0	DGT		Rubber
16	02801281	1	1, 2, 3			ELO	DGT		PISTON, Reverse Servo
		1	6, 7, 8			ELO	DGT		
		1	1, 2, 3			EM0	DGT		



LOW AND REVERSE SERVO



ACCUMULATOR PISTON AND SPRING

RAM PICKUP/CLUB CAB (BE)

SERIES	LINE
L = RAM 1500, 2500, 3500	1 = Lt. Duty DODGE 2WD
	2 = Med. Duty DODGE 2WD
	3 = HD DODGE 2WD
	6 = Lt. Duty DODGE 4WD
	7 = Med. Duty DODGE 4WD
	8 = HD DODGE 4WD

BODY	ENGINE
31 = CLUB CAB 2-DR 6.5 FT BOX	ETC = 5.9L Cummins 24V Diesel Engine
32 = CLUB CAB 2-DR 8FT BOX	EWA = 8.0L V10 MPI Engine
33 = QUAD CAB 4-DR 6.5 FT BOX	EM0 = ALL 5.9L 8 CYL ENGINES - GAS
34 = QUAD CAB 4-DR 8FT BOX	EMM = 5.9L SMPI V8 Engine
	EML = 5.9L V8 MPI Engine
	ELF = 5.2L V8 MPI Engine

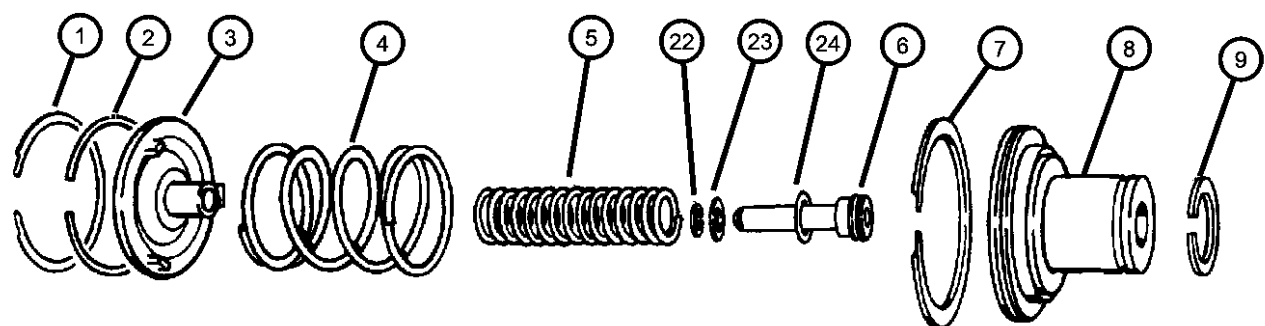
TRANSMISSION
DGP = 4-Spd. Automatic 47RE Transmission
DD0 = ALL 5 SPEED MANUAL TRANSMISSIONS
DG0 = ALL AUTOMATIC TRANSMISSIONS
DDC = 5-Speed HD Manual Transmission
DDP = 5-Speed Manual Transmission
DDX = 5-Speed HD Manual Transmission
DEE = 6-Speed HD Manual Transmission
DGT = 4-Spd. Automatic 46RE Transmission

AR = use ase required - = Non illustrated part

1999 BE

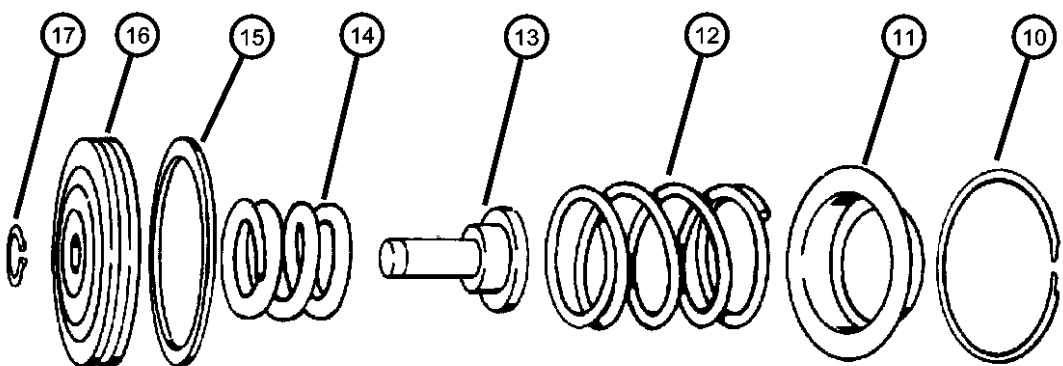
Servos, Accumulator Piston and Spring [DGT]

Figure 46RE-720

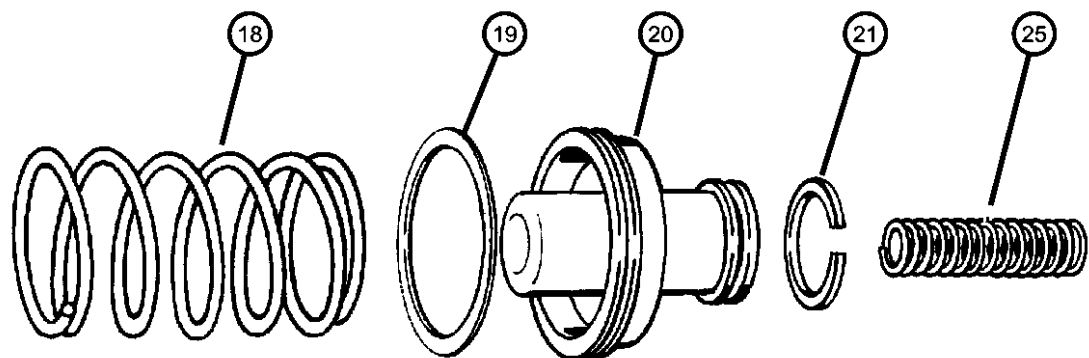


KICKDOWN SERVO

ITEM	PART NUMBER	QTY	LINE	SERIES	BODY	ENGINE	TRANS	TRIM	DESCRIPTION
17		1	6, 7, 8			EM0	DGT		SNAP RING, .435 ID
	06027153	1	1, 2, 3			ELO	DGT		.
		1	6, 7, 8			ELO	DGT		.
		1	1, 2, 3			EM0	DGT		.
		1	6, 7, 8			EM0	DGT		.
18									SPRING, Accumulator Piston
	03515079	1	1, 2, 3			ELO	DGT		Lower
		1	6, 7, 8			ELO	DGT		Lower
		1	1, 2, 3			EM0	DGT		Lower
		1	6, 7, 8			EM0	DGT		Lower
19									SEAL, Piston Accumulator
	03743013	1	1, 2, 3			ELO	DGT		Large
		1	6, 7, 8			ELO	DGT		Large
		1	1, 2, 3			EM0	DGT		Large
		1	6, 7, 8			EM0	DGT		Large
20									PISTON, Accumulator
	03743650	1	1, 2, 3			ELO	DGT		
		1	6, 7, 8			ELO	DGT		
		1	1, 2, 3			EM0	DGT		
		1	6, 7, 8			EM0	DGT		
21									SEAL, Piston Accumulator
	03743010	1	1, 2, 3			ELO	DGT		Small
		1	6, 7, 8			ELO	DGT		Small
		1	1, 2, 3			EM0	DGT		Small
		1	6, 7, 8			EM0	DGT		Small
22									SNAP RING, Brake Master Cylinder



LOW AND REVERSE SERVO



ACCUMULATOR PISTON AND SPRING

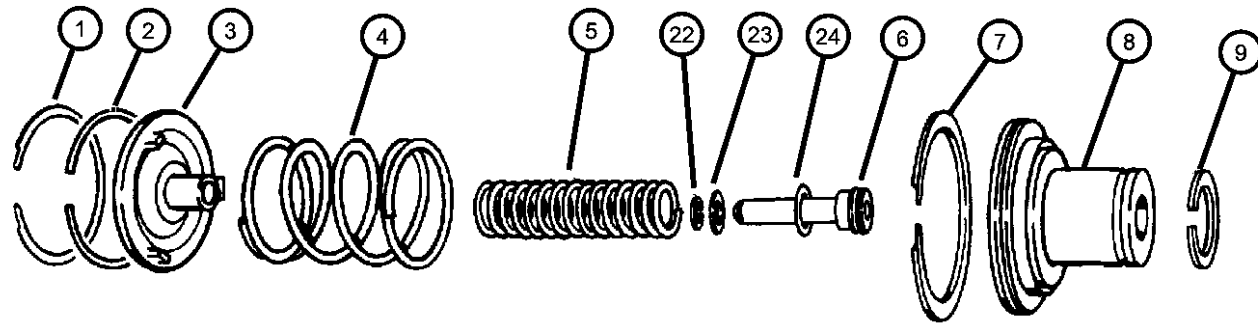
RAM PICKUP/CLUB CAB (BE)

SERIES	LINE
L = RAM 1500, 2500, 3500	1 = Lt. Duty DODGE 2WD
	2 = Med. Duty DODGE 2WD
	3 = HD DODGE 2WD
	6 = Lt. Duty DODGE 4WD
	7 = Med. Duty DODGE 4WD
	8 = HD DODGE 4WD

BODY	ENGINE	TRANSMISSION
31 = CLUB CAB 2-DR 6.5 FT BOX	ETC = 5.9L Cummins 24V Diesel Engine	DGP = 4-Spd. Automatic 47RE Transmission
32 = CLUB CAB 2-DR 8FT BOX	EWA = 8.0L V10 MPI Engine	DD0 = ALL 5 SPEED MANUAL TRANSMISSIONS
33 = QUAD CAB 4-DR 6.5 FT BOX	EM0 = ALL 5.9L 8 CYL ENGINES - GAS	DG0 = ALL AUTOMATIC TRANSMISSIONS
34 = QUAD CAB 4-DR 8FT BOX	EMM = 5.9L SMPI V8 Engine	DDC = 5-Speed HD Manual Transmission
	EML = 5.9L V8 MPI Engine	DDP = 5-Speed Manual Transmission
	ELF = 5.2L V8 MPI Engine	DDX = 5-Speed HD Manual Transmission
		DEE = 6-Speed HD Manual Transmission
		DGT = 4-Spd. Automatic 46RE Transmission

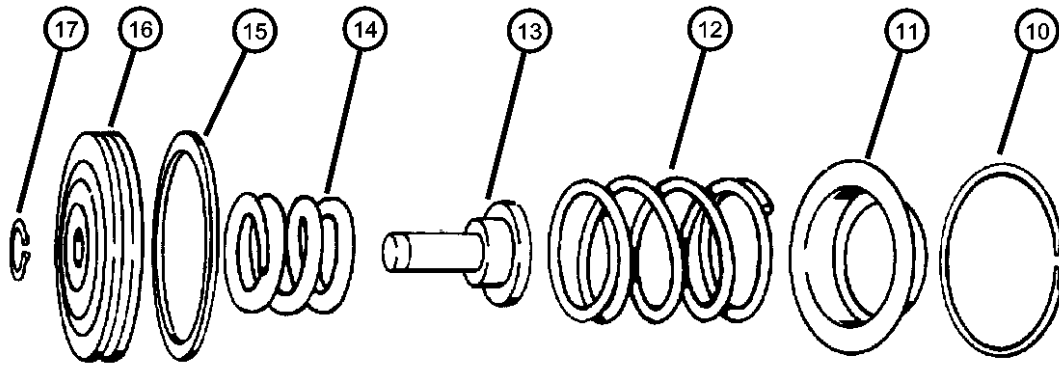
AR = use ase required - = Non illustrated part

Servos, Accumulator Piston and Spring [DGT]
Figure 46RE-720

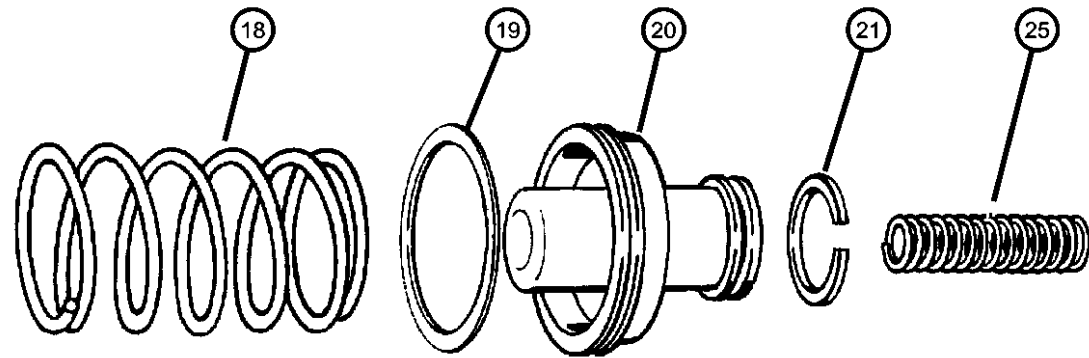


KICKDOWN SERVO

ITEM	PART NUMBER	QTY	LINE	SERIES	BODY	ENGINE	TRANS	TRIM	DESCRIPTION
	06031392	1	1, 2, 3			ELO	DGT		
		1	6, 7, 8			ELO	DGT		
		1	1, 2, 3			EM0	DGT		
		1	6, 7, 8			EM0	DGT		
23									RETAINER, Kick Down
	03410437	1	1, 2, 3			ELO	DGT		Piston Inner
		1	6, 7, 8			ELO	DGT		Piston Inner
		1	1, 2, 3			EM0	DGT		Piston Inner
		1	6, 7, 8			EM0	DGT		Piston Inner
24									O RING, Kick Down Servo
	06028864	1	1, 2, 3			ELO	DGT		Inner, 15/16 x 1-1/8" x3/32"
		1	6, 7, 8			ELO	DGT		Inner, 15/16 x 1-1/8" x3/32"
		1	1, 2, 3			EM0	DGT		Inner, 15/16 x 1-1/8" x3/32"
		1	6, 7, 8			EM0	DGT		Inner, 15/16 x 1-1/8" x3/32"
25	04617529	1	6, 7, 8			ELO	DGT		SPRING, Accumulator Piston



LOW AND REVERSE SERVO



ACCUMULATOR PISTON AND SPRING

RAM PICKUP/CLUB CAB (BE)

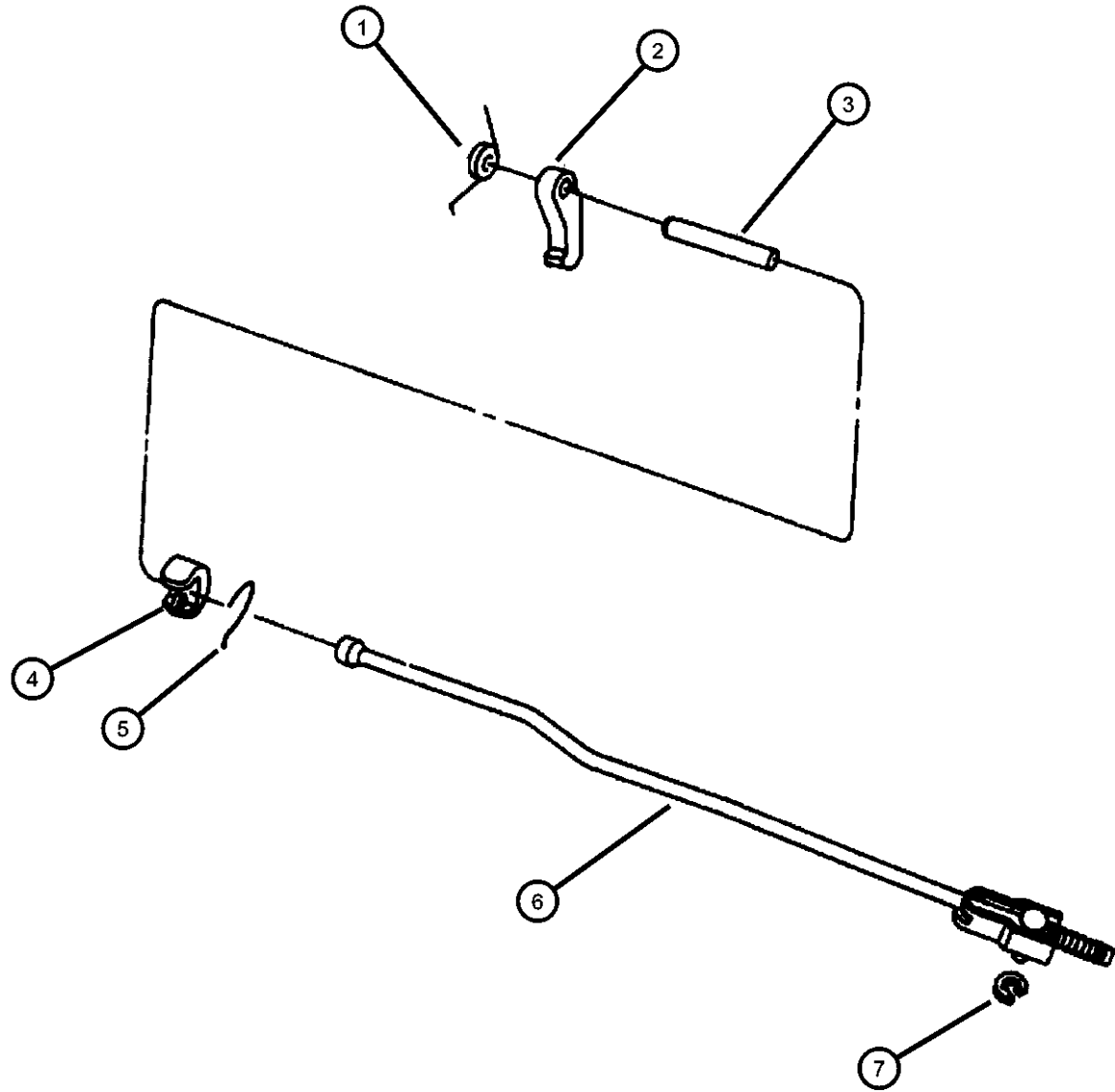
SERIES	LINE
L = RAM 1500, 2500, 3500	1 = Lt. Duty DODGE 2WD 2 = Med. Duty DODGE 2WD 3 = HD DODGE 2WD 6 = Lt. Duty DODGE 4WD 7 = Med. Duty DODGE 4WD 8 = HD DODGE 4WD

BODY	ENGINE	TRANSMISSION
31 = CLUB CAB 2-DR 6.5 FT BOX	ETC = 5.9L Cummins 24V Diesel Engine	DGP = 4-Spd. Automatic 47RE Transmission
32 = CLUB CAB 2-DR 8FT BOX	EWA = 8.0L V10 MPI Engine	DD0 = ALL 5 SPEED MANUAL TRANSMISSIONS
33 = QUAD CAB 4-DR 6.5 FT BOX	EM0 = ALL 5.9L 8 CYL ENGINES - GAS	DG0 = ALL AUTOMATIC TRANSMISSIONS
34 = QUAD CAB 4-DR 8FT BOX	EMM = 5.9L SMPI V8 Engine EML = 5.9L V8 MPI Engine ELF = 5.2L V8 MPI Engine	DDC = 5-Speed HD Manual Transmission DDP = 5-Speed Manual Transmission DDX = 5-Speed HD Manual Transmission DEE = 6-Speed HD Manual Transmission DGT = 4-Spd. Automatic 46RE Transmission

AR = use ase required - = Non illustrated part

1999 BE

**Parking Sprag [DGT]
Figure 46RE-730**



ITEM	PART NUMBER	QTY	LINE	SERIES	BODY	ENGINE	TRANS	TRIM	DESCRIPTION
	NOTES: Sales Codes [DGT] = 4 Speed Automatic Transmission 46RE [ELO] = All 5.2L 8 Cylinder Gas Engines [EM0] = All 5.9L 8 Cylinder Gas Engines								
1	02466909	1	1, 2, 3			ELO	DGT		SPRING, Parking Sprag
		1	1, 2, 3			EM0	DGT		
		1	6, 7, 8			ELO	DGT		
		1	6, 7, 8			EM0	DGT		
2	04471415	1	1, 2, 3			ELO	DGT		SPRAG, Transmission Parking
		1	1, 2, 3			EM0	DGT		
		1	6, 7, 8			ELO	DGT		
		1	6, 7, 8			EM0	DGT		
3	02466892	1	1, 2, 3			ELO	DGT		SHAFT, Parking Sprag
		1	1, 2, 3			EM0	DGT		
		1	6, 7, 8			ELO	DGT		
		1	6, 7, 8			EM0	DGT		
4	06035256	1	1, 2, 3			ELO	DGT		SNAP RING, Rod
		1	6, 7, 8			ELO	DGT		
		1	1, 2, 3			EM0	DGT		
		1	6, 7, 8			EM0	DGT		
5	02538042	1	1, 2, 3			ELO	DGT		PLUG, Parking Sprag
		1	1, 2, 3			EM0	DGT		
		1	6, 7, 8			ELO	DGT		
		1	6, 7, 8			EM0	DGT		

RAM PICKUP/CLUB CAB (BE)

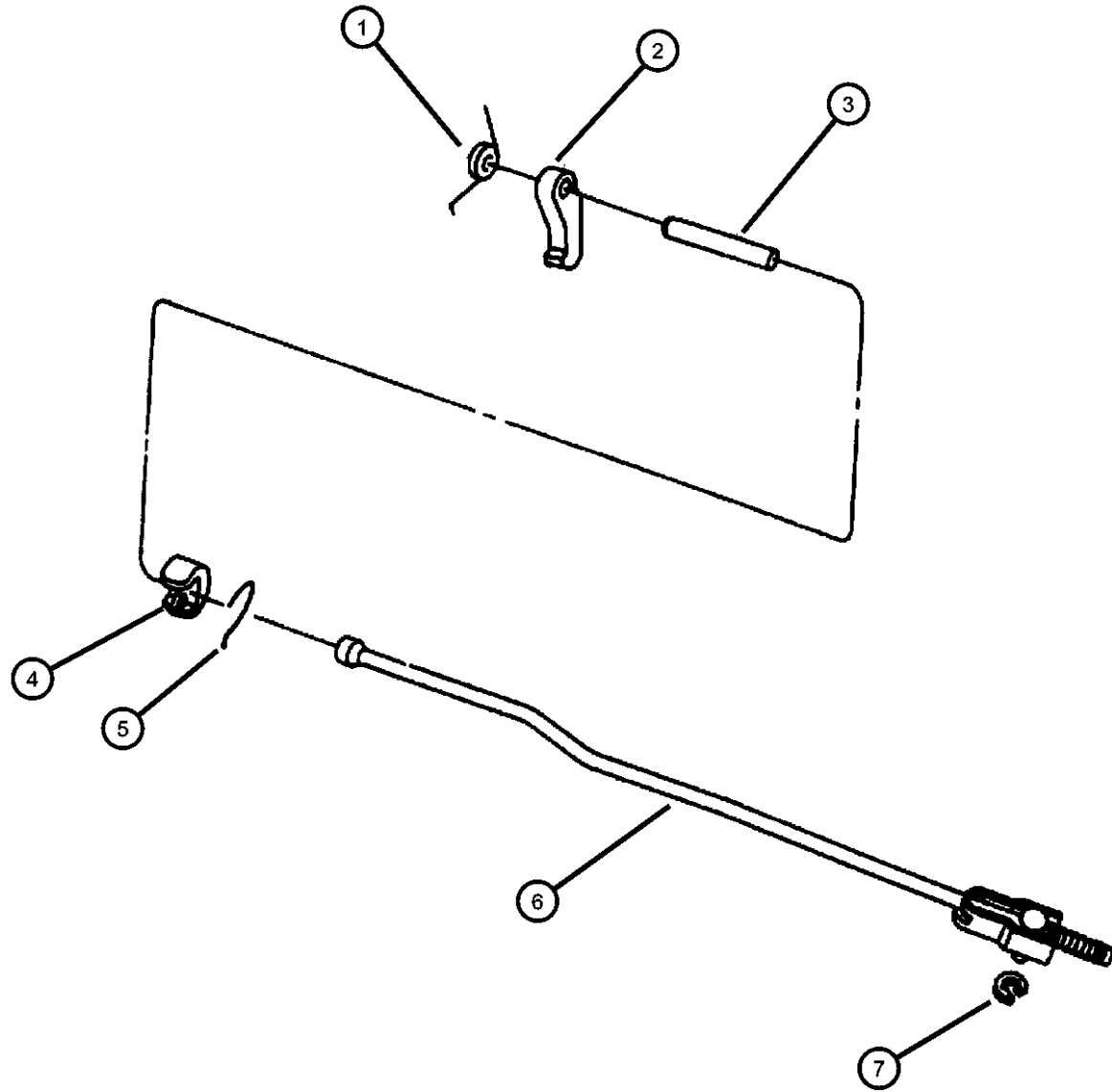
SERIES	LINE	BODY	ENGINE	TRANSMISSION
L = RAM 1500, 2500, 3500	1 = Lt. Duty DODGE 2WD 2 = Med. Duty DODGE 2WD 3 = HD DODGE 2WD 6 = Lt. Duty DODGE 4WD 7 = Med. Duty DODGE 4WD 8 = HD DODGE 4WD	31 = CLUB CAB 2-DR 6.5 FT BOX 32 = CLUB CAB 2-DR 8FT BOX 33 = QUAD CAB 4-DR 6.5 FT BOX 34 = QUAD CAB 4-DR 8FT BOX	ETC = 5.9L Cummins 24V Diesel Engine EWA = 8.0L V10 MPI Engine EM0 = ALL 5.9L 8 CYL ENGINES - GAS EMM = 5.9L SMPI V8 Engine EML = 5.9L V8 MPI Engine ELF = 5.2L V8 MPI Engine	DGP = 4-Spd. Automatic 47RE Transmission DD0 = ALL 5 SPEED MANUAL TRANSMISSIONS DG0 = ALL AUTOMATIC TRANSMISSIONS DDC = 5-Speed HD Manual Transmission DDP = 5-Speed Manual Transmission DDX = 5-Speed HD Manual Transmission DEE = 6-Speed HD Manual Transmission DGT = 4-Spd. Automatic 46RE Transmission

AR = use ase required - = Non illustrated part

1999 BE

Parking Sprag [DGT]
Figure 46RE-730

ITEM	PART NUMBER	QTY	LINE	SERIES	BODY	ENGINE	TRANS	TRIM	DESCRIPTION
6	02538034	1	1, 2, 3			ELO	DGT		SNAP RING, Transmission
		1	1, 2, 3			EM0	DGT		
		1	6, 7, 8			ELO	DGT		
		1	6, 7, 8			EM0	DGT		
7	04471478	1	1, 2, 3			ELO	DGT		ROD, Parking Sprag
		1	6, 7, 8			ELO	DGT		
		1	1, 2, 3			EM0	DGT		
		1	6, 7, 8			EM0	DGT		



RAM PICKUP/CLUB CAB (BE)

SERIES	LINE	BODY	ENGINE	TRANSMISSION
L = RAM 1500, 2500, 3500	1 = Lt. Duty DODGE 2WD	31 = CLUB CAB 2-DR 6.5 FT BOX	ETC = 5.9L Cummins 24V Diesel Engine	DGP = 4-Spd. Automatic 47RE Transmission
	2 = Med. Duty DODGE 2WD	32 = CLUB CAB 2-DR 8FT BOX	EWA = 8.0L V10 MPI Engine	DD0 = ALL 5 SPEED MANUAL TRANSMISSIONS
	3 = HD DODGE 2WD	33 = QUAD CAB 4-DR 6.5 FT BOX	EM0 = ALL 5.9L 8 CYL ENGINES - GAS	DG0 = ALL AUTOMATIC TRANSMISSIONS
	6 = Lt. Duty DODGE 4WD	34 = QUAD CAB 4-DR 8FT BOX	EMM = 5.9L SMPI V8 Engine	DDC = 5-Speed HD Manual Transmission
	7 = Med. Duty DODGE 4WD		EML = 5.9L V8 MPI Engine	DDP = 5-Speed Manual Transmission
	8 = HD DODGE 4WD		ELF = 5.2L V8 MPI Engine	DDX = 5-Speed HD Manual Transmission
				DEE = 6-Speed HD Manual Transmission
				DGT = 4-Spd. Automatic 46RE Transmission

AR = use ase required - = Non illustrated part

1999 BE

**Clutch, Overdrive and Gear Train [DGT]
Figure 46RE-1010**

ITEM	PART NUMBER	QTY	LINE	SERIES	BODY	ENGINE	TRANS	TRIM	DESCRIPTION
------	-------------	-----	------	--------	------	--------	-------	------	-------------

NOTES: Sales Codes
 [DGT] = 4 Speed Automatic Transmission 46RE
 [ELO] = All 5.2L 8 Cylinder Gas Engines
 [EM0] = All 5.9L 8 Cylinder Gas Engines

1									PLATE PACKAGE, Transmission Module
	04740774	1	1, 2, 3			ELO	DGT		
		1	1, 2, 3			EM0	DGT		
		1	6, 7, 8			ELO	DGT		
		1	6, 7, 8			EM0	DGT		
2		1							BEARING, Serviced In Plate Pkg. (4740774), (NOT SERVICED)
3		1							BUSHING, Serviced In Sun Gear, (NOT SERVICED)
4									GEAR, Overdrive Sun
	04778742	1	1, 2, 3			ELO	DGT		
		1	1, 2, 3			EM0	DGT		
		1	6, 7, 8			ELO	DGT		
		1	6, 7, 8			EM0	DGT		
5									CARRIER, O/Drive Planet Pinion
	04798520	1	1, 2, 3			ELO	DGT		
		1	1, 2, 3			EM0	DGT		
		1	6, 7, 8			ELO	DGT		
		1	6, 7, 8			EM0	DGT		
6									RACE, Overrunning Clutch
	04461124	1	1, 2, 3			ELO	DGT		
		1	1, 2, 3			EM0	DGT		
		1	6, 7, 8			ELO	DGT		
		1	6, 7, 8			EM0	DGT		
7									THRUST BEARING, Ovedrive Third Position
	04461014	1	1, 2, 3			ELO	DGT		

RAM PICKUP/CLUB CAB (BE)

SERIES	LINE
L = RAM 1500, 2500, 3500	1 = Lt. Duty DODGE 2WD 2 = Med. Duty DODGE 2WD 3 = HD DODGE 2WD 6 = Lt. Duty DODGE 4WD 7 = Med. Duty DODGE 4WD 8 = HD DODGE 4WD

BODY	ENGINE
31 = CLUB CAB 2-DR 6.5 FT BOX 32 = CLUB CAB 2-DR 8FT BOX 33 = QUAD CAB 4-DR 6.5 FT BOX 34 = QUAD CAB 4-DR 8FT BOX	ETC = 5.9L Cummins 24V Diesel Engine EWA = 8.0L V10 MPI Engine EM0 = ALL 5.9L 8 CYL ENGINES - GAS EMM = 5.9L SMPI V8 Engine EML = 5.9L V8 MPI Engine ELF = 5.2L V8 MPI Engine

TRANSMISSION
DGP = 4-Spd. Automatic 47RE Transmission DD0 = ALL 5 SPEED MANUAL TRANSMISSIONS DG0 = ALL AUTOMATIC TRANSMISSIONS DDC = 5-Speed HD Manual Transmission DDP = 5-Speed Manual Transmission DDX = 5-Speed HD Manual Transmission DEE = 6-Speed HD Manual Transmission DGT = 4-Spd. Automatic 46RE Transmission

AR = use ase required - = Non illustrated part

1999 BE

**Clutch, Overdrive and Gear Train [DGT]
Figure 46RE-1010**

ITEM	PART NUMBER	QTY	LINE	SERIES	BODY	ENGINE	TRANS	TRIM	DESCRIPTION
8	04461015	1	1, 2, 3			EM0	DGT		CLUTCH, Overdrive Overrunning
		1	6, 7, 8			ELO	DGT		
		1	6, 7, 8			EM0	DGT		
		1	1, 2, 3			ELO	DGT		
9	04761010	1	1, 2, 3			ELO	DGT		GEAR, Overdrive Annulus
		1	1, 2, 3			EM0	DGT		
		1	6, 7, 8			ELO	DGT		
		1	6, 7, 8			EM0	DGT		
10	04461059	1	1, 2, 3			ELO	DGT		SNAP RING, 5.25 OD
		1	1, 2, 3			EM0	DGT		
		1	6, 7, 8			ELO	DGT		
		1	6, 7, 8			EM0	DGT		
11	04461060	2	1, 2, 3			EM0	DGT		SNAP RING, 6.00 OD
		1	1, 2, 3			ELO	DGT		
12	04461089	1	1, 2, 3			ELO	DGT		DRUM, Automatic Transmission
		1	1, 2, 3			EM0	DGT		
		1	6, 7, 8			ELO	DGT		
		1	6, 7, 8			EM0	DGT		
13	04461063	1	1, 2, 3			ELO	DGT		SNAP RING, 2.1875 OD
		1	1, 2, 3			EM0	DGT		
		1	6, 7, 8			ELO	DGT		

RAM PICKUP/CLUB CAB (BE)

SERIES	LINE
L = RAM 1500, 2500, 3500	1 = Lt. Duty DODGE 2WD
	2 = Med. Duty DODGE 2WD
	3 = HD DODGE 2WD
	6 = Lt. Duty DODGE 4WD
	7 = Med. Duty DODGE 4WD
	8 = HD DODGE 4WD

BODY	ENGINE
31 = CLUB CAB 2-DR 6.5 FT BOX	ETC = 5.9L Cummins 24V Diesel Engine
32 = CLUB CAB 2-DR 8FT BOX	EWA = 8.0L V10 MPI Engine
33 = QUAD CAB 4-DR 6.5 FT BOX	EM0 = ALL 5.9L 8 CYL ENGINES - GAS
34 = QUAD CAB 4-DR 8FT BOX	EMM = 5.9L SMPI V8 Engine
	EML = 5.9L V8 MPI Engine
	ELF = 5.2L V8 MPI Engine

TRANSMISSION
DGP = 4-Spd. Automatic 47RE Transmission
DD0 = ALL 5 SPEED MANUAL TRANSMISSIONS
DG0 = ALL AUTOMATIC TRANSMISSIONS
DDC = 5-Speed HD Manual Transmission
DDP = 5-Speed Manual Transmission
DDX = 5-Speed HD Manual Transmission
DEE = 6-Speed HD Manual Transmission
DGT = 4-Spd. Automatic 46RE Transmission

AR = use ase required - = Non illustrated part

1999 BE

Clutch, Overdrive and Gear Train [DGT]
Figure 46RE-1010

ITEM	PART NUMBER	QTY	LINE	SERIES	BODY	ENGINE	TRANS	TRIM	DESCRIPTION
14	04461027	1	6, 7, 8			EM0	DGT		SPRING, Direct Clutch
		1	1, 2, 3			ELO	DGT		
		1	1, 2, 3			EM0	DGT		
		1	6, 7, 8			ELO	DGT		
		1	6, 7, 8			EM0	DGT		
15	04461072	1	1, 2, 3			ELO	DGT		HUB, Direct Clutch
		1	1, 2, 3			EM0	DGT		
		1	6, 7, 8			ELO	DGT		
		1	6, 7, 8			EM0	DGT		
		1	6, 7, 8			EM0	DGT		
16	04446724	1	1, 2, 3			ELO	DGT		THRUST BEARING, Overdrive
		1	6, 7, 8			ELO	DGT		
		1	1, 2, 3			EM0	DGT		
		1	6, 7, 8			EM0	DGT		
		1	6, 7, 8			EM0	DGT		
17	04461030	1	1, 2, 3			EM0	DGT		PLATE, Transmission Clutch Reaction
		1	6, 7, 8			ELO	DGT		
		1	6, 7, 8			EM0	DGT		
		1	1, 2, 3			ELO	DGT		
		1	1, 2, 3			ELO	DGT		
18	04461042	8	1, 2, 3			ELO	DGT		DISC, Direct Clutch
		8	1, 2, 3			EM0	DGT		
		8	6, 7, 8			ELO	DGT		
		8	6, 7, 8			ELO	DGT		
		8	6, 7, 8			EM0	DGT		
19								PLATE, Transmission Clutch Reaction	

RAM PICKUP/CLUB CAB (BE)

SERIES LINE
L = RAM 1500, 2500, 3500
1 = Lt. Duty DODGE 2WD
2 = Med. Duty DODGE 2WD
3 = HD DODGE 2WD
6 = Lt. Duty DODGE 4WD
7 = Med. Duty DODGE 4WD
8 = HD DODGE 4WD

BODY ENGINE TRANSMISSION
31 = CLUB CAB 2-DR 6.5 FT BOX ETC = 5.9L Cummins 24V Diesel Engine DGP = 4-Spd. Automatic 47RE Transmission
32 = CLUB CAB 2-DR 8FT BOX EWA = 8.0L V10 MPI Engine DD0 = ALL 5 SPEED MANUAL TRANSMISSIONS
33 = QUAD CAB 4-DR 6.5 FT BOX EM0 = ALL 5.9L 8 CYL ENGINES - GAS DG0 = ALL AUTOMATIC TRANSMISSIONS
34 = QUAD CAB 4-DR 8FT BOX EMM = 5.9L SMPI V8 Engine DDC = 5-Speed HD Manual Transmission
EML = 5.9L V8 MPI Engine DDP = 5-Speed Manual Transmission
ELF = 5.2L V8 MPI Engine DDX = 5-Speed HD Manual Transmission
DEE = 6-Speed HD Manual Transmission
DGT = 4-Spd. Automatic 46RE Transmission

AR = use ase required - = Non illustrated part

1999 BE

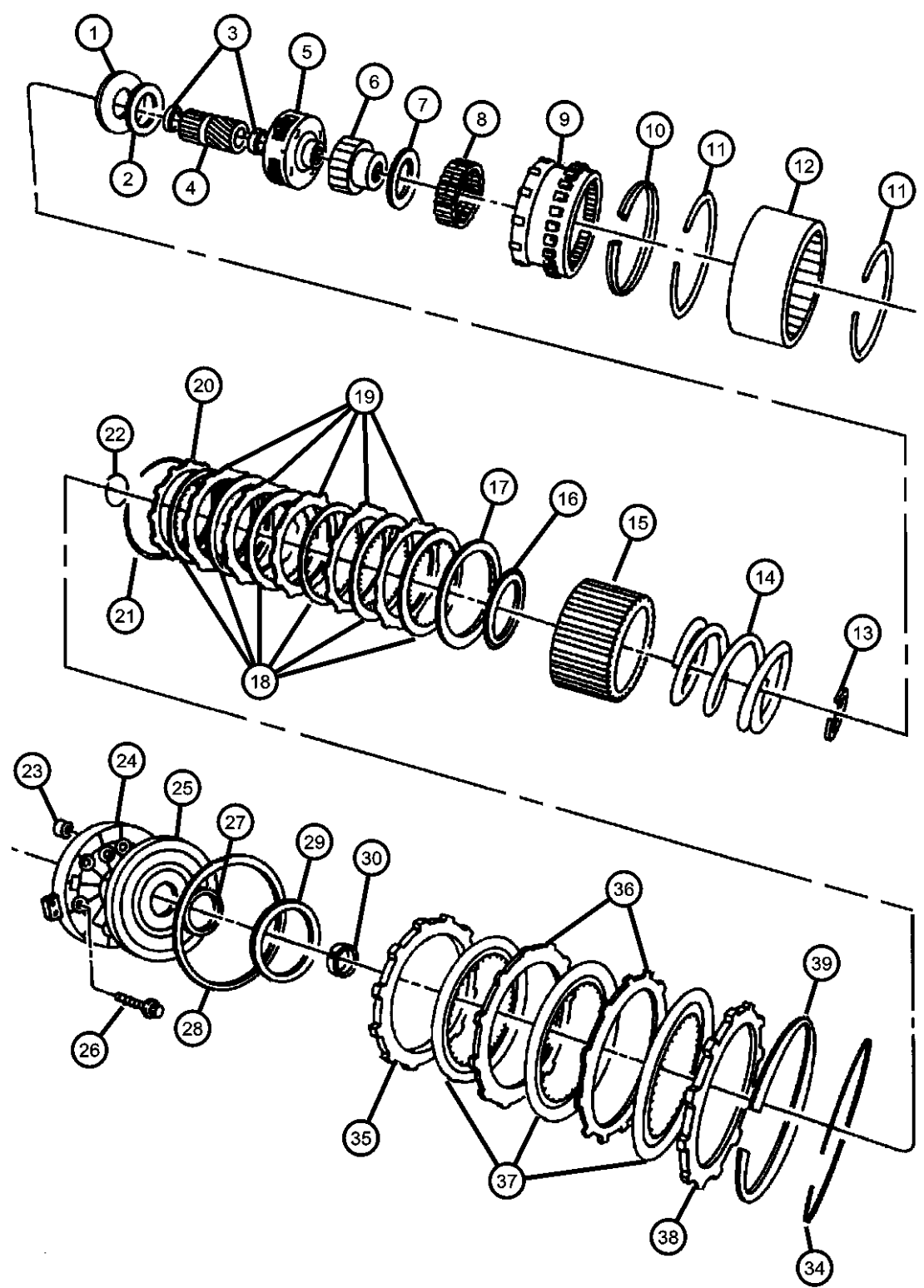
**Clutch, Overdrive and Gear Train [DGT]
Figure 46RE-1010**

ITEM	PART NUMBER	QTY	LINE	SERIES	BODY	ENGINE	TRANS	TRIM	DESCRIPTION
20	04461054	7	1, 2, 3			ELO	DGT		PLATE, Transmission Clutch Reaction
		7	6, 7, 8			ELO	DGT		
		7	6, 7, 8			EM0	DGT		
21	04461031	1	1, 2, 3			ELO	DGT		SPRING, Direct Clutch
		1	1, 2, 3			EM0	DGT		
		1	6, 7, 8			ELO	DGT		
		1	6, 7, 8			EM0	DGT		
22	04461032	1	1, 2, 3			ELO	DGT		SNAP RING, 1.875" OD
		1	1, 2, 3			EM0	DGT		
		1	6, 7, 8			ELO	DGT		
		1	6, 7, 8			EM0	DGT		
23	04461064	1	1, 2, 3			ELO	DGT		FILTER, Overdrive Clutch
		1	1, 2, 3			EM0	DGT		
		1	6, 7, 8			ELO	DGT		
		1	6, 7, 8			EM0	DGT		
24	04412583	1	1, 2, 3			ELO	DGT		RETAINER, Transmission O/Drive Clutch Piston
		1	6, 7, 8			ELO	DGT		
		1	1, 2, 3			EM0	DGT		
		1	6, 7, 8			EM0	DGT		
24	52117975	1	1, 2, 3			ELO	DGT		RETAINER, Transmission O/Drive Clutch Piston
		1	6, 7, 8			ELO	DGT		
		1	1, 2, 3			EM0	DGT		

RAM PICKUP/CLUB CAB (BE)

SERIES	LINE	BODY	ENGINE	TRANSMISSION
L = RAM 1500, 2500, 3500	1 = Lt. Duty DODGE 2WD 2 = Med. Duty DODGE 2WD 3 = HD DODGE 2WD 6 = Lt. Duty DODGE 4WD 7 = Med. Duty DODGE 4WD 8 = HD DODGE 4WD	31 = CLUB CAB 2-DR 6.5 FT BOX 32 = CLUB CAB 2-DR 8FT BOX 33 = QUAD CAB 4-DR 6.5 FT BOX 34 = QUAD CAB 4-DR 8FT BOX	ETC = 5.9L Cummins 24V Diesel Engine EWA = 8.0L V10 MPI Engine EM0 = ALL 5.9L 8 CYL ENGINES - GAS EMM = 5.9L SMPI V8 Engine EML = 5.9L V8 MPI Engine ELF = 5.2L V8 MPI Engine	DGP = 4-Spd. Automatic 47RE Transmission DD0 = ALL 5 SPEED MANUAL TRANSMISSIONS DG0 = ALL AUTOMATIC TRANSMISSIONS DDC = 5-Speed HD Manual Transmission DDP = 5-Speed Manual Transmission DDX = 5-Speed HD Manual Transmission DEE = 6-Speed HD Manual Transmission DGT = 4-Spd. Automatic 46RE Transmission

AR = use ase required - = Non illustrated part



Clutch, Overdrive and Gear Train [DGT]
Figure 46RE-1010

ITEM	PART NUMBER	QTY	LINE	SERIES	BODY	ENGINE	TRANS	TRIM	DESCRIPTION
25		1	6, 7, 8			EM0	DGT		PISTON, Overdrive Clutch
	52118599	1	1, 2, 3			ELO	DGT		
		1	6, 7, 8			ELO	DGT		
		1	1, 2, 3			EM0	DGT		
		1	6, 7, 8			EM0	DGT		
26		6	1, 2, 3			ELO	DGT		SCREW, .25-20
	00152796	6	6, 7, 8			ELO	DGT		
		6	1, 2, 3			EM0	DGT		
27		1	1, 2, 3			ELO	DGT		SEAL, Overdrive Clutch Piston
	04431697	1	6, 7, 8			ELO	DGT		
		1	1, 2, 3			EM0	DGT		
		1	6, 7, 8			EM0	DGT		
28		1	1, 2, 3			ELO	DGT		SEAL, Overdrive Clutch Piston
	04431696	1	6, 7, 8			ELO	DGT		
		1	1, 2, 3			EM0	DGT		
		1	6, 7, 8			EM0	DGT		
29		1	1, 2, 3			ELO	DGT		PLATE, Transmission O/Drive Clutch
	04431585	1	6, 7, 8			ELO	DGT	.123-.125" Thick	
		1	1, 2, 3			ELO	DGT	.123-.125" Thick	
		1	6, 7, 8			EM0	DGT	.123-.125" Thick	
		1	1, 2, 3			EM0	DGT	.123-.125" Thick	
	04431586	1	6, 7, 8			ELO	DGT	.153-.155" Thick	
		1	1, 2, 3			ELO	DGT	.153-.155" Thick	
		1	6, 7, 8			ELO	DGT	.153-.155" Thick	

RAM PICKUP/CLUB CAB (BE)

SERIES	LINE
L = RAM 1500, 2500, 3500	1 = Lt. Duty DODGE 2WD
	2 = Med. Duty DODGE 2WD
	3 = HD DODGE 2WD
	6 = Lt. Duty DODGE 4WD
	7 = Med. Duty DODGE 4WD
	8 = HD DODGE 4WD

BODY	ENGINE
31 = CLUB CAB 2-DR 6.5 FT BOX	ETC = 5.9L Cummins 24V Diesel Engine
32 = CLUB CAB 2-DR 8FT BOX	EWA = 8.0L V10 MPI Engine
33 = QUAD CAB 4-DR 6.5 FT BOX	EM0 = ALL 5.9L 8 CYL ENGINES - GAS
34 = QUAD CAB 4-DR 8FT BOX	EMM = 5.9L SMPI V8 Engine
	EML = 5.9L V8 MPI Engine
	ELF = 5.2L V8 MPI Engine

TRANSMISSION
DGP = 4-Spd. Automatic 47RE Transmission
DD0 = ALL 5 SPEED MANUAL TRANSMISSIONS
DG0 = ALL AUTOMATIC TRANSMISSIONS
DDC = 5-Speed HD Manual Transmission
DDP = 5-Speed Manual Transmission
DDX = 5-Speed HD Manual Transmission
DEE = 6-Speed HD Manual Transmission
DGT = 4-Spd. Automatic 46RE Transmission

AR = use ase required - = Non illustrated part

1999 BE

Clutch, Overdrive and Gear Train [DGT]
Figure 46RE-1010

ITEM	PART NUMBER	QTY	LINE	SERIES	BODY	ENGINE	TRANS	TRIM	DESCRIPTION
		1	1, 2, 3			EM0	DGT		.153-.155" Thick
		1	6, 7, 8			EM0	DGT		.153-.155" Thick
	04431587	1	1, 2, 3			ELO	DGT		.183-.185" Thick
		1	6, 7, 8			ELO	DGT		.183-.185" Thick
		1	1, 2, 3			EM0	DGT		.183-.185" Thick
		1	6, 7, 8			EM0	DGT		.183-.185" Thick
	04431588	1	1, 2, 3			ELO	DGT		.213-.215" Thick
		1	6, 7, 8			ELO	DGT		.213-.215" Thick
		1	1, 2, 3			EM0	DGT		.213-.215" Thick
		1	6, 7, 8			EM0	DGT		.213-.215" Thick
	04431590	1	1, 2, 3			ELO	DGT		.243-.245" Thick
		1	6, 7, 8			ELO	DGT		.243-.245" Thick
		1	1, 2, 3			EM0	DGT		.243-.245" Thick
		1	6, 7, 8			EM0	DGT		.243-.245" Thick
	04431731	1	1, 2, 3			ELO	DGT		.138-.140" Thick
		1	6, 7, 8			ELO	DGT		.138-.140" Thick
		1	1, 2, 3			EM0	DGT		.138-.140" Thick
		1	6, 7, 8			EM0	DGT		.138-.140" Thick
	04431732	1	1, 2, 3			ELO	DGT		.168-.170" Thick
		1	6, 7, 8			ELO	DGT		.168-.170" Thick
		1	1, 2, 3			EM0	DGT		.168-.170" Thick
		1	6, 7, 8			EM0	DGT		.168-.170" Thick
	04431733	1	1, 2, 3			ELO	DGT		.198-.200" Thick
		1	6, 7, 8			ELO	DGT		.198-.200" Thick
		1	1, 2, 3			EM0	DGT		.198-.200" Thick
		1	6, 7, 8			EM0	DGT		.198-.200" Thick
	04431734	1	1, 2, 3			ELO	DGT		.228-.230" Thick
		1	6, 7, 8			ELO	DGT		.228-.230" Thick

RAM PICKUP/CLUB CAB (BE)

SERIES LINE
L = RAM 1500, 2500, 3500
1 = Lt. Duty DODGE 2WD
2 = Med. Duty DODGE 2WD
3 = HD DODGE 2WD
6 = Lt. Duty DODGE 4WD
7 = Med. Duty DODGE 4WD
8 = HD DODGE 4WD

BODY ENGINE TRANSMISSION
31 = CLUB CAB 2-DR 6.5 FT BOX ETC = 5.9L Cummins 24V Diesel Engine DGP = 4-Spd. Automatic 47RE Transmission
32 = CLUB CAB 2-DR 8FT BOX EWA = 8.0L V10 MPI Engine DD0 = ALL 5 SPEED MANUAL TRANSMISSIONS
33 = QUAD CAB 4-DR 6.5 FT BOX EM0 = ALL 5.9L 8 CYL ENGINES - GAS DG0 = ALL AUTOMATIC TRANSMISSIONS
34 = QUAD CAB 4-DR 8FT BOX EMM = 5.9L SMPI V8 Engine DDC = 5-Speed HD Manual Transmission
ELF = 5.2L V8 MPI Engine DDP = 5-Speed Manual Transmission
DDX = 5-Speed HD Manual Transmission
DEE = 6-Speed HD Manual Transmission
DGT = 4-Spd. Automatic 46RE Transmission

AR = use ase required - = Non illustrated part

1999 BE

Clutch, Overdrive and Gear Train [DGT]
Figure 46RE-1010

ITEM	PART NUMBER	QTY	LINE	SERIES	BODY	ENGINE	TRANS	TRIM	DESCRIPTION
		1	1, 2, 3			EM0	DGT		.228-.230" Thick
		1	6, 7, 8			EM0	DGT		.228-.230" Thick
	04431735	1	1, 2, 3			ELO	DGT		.108-.110" Thick
		1	6, 7, 8			ELO	DGT		.108-.110" Thick
		1	1, 2, 3			EM0	DGT		.108-.110" Thick
		1	6, 7, 8			EM0	DGT		.108-.110" Thick
30									SPACER, Intermediate Shaft, 1.58mm
	04431916	1	1, 2, 3			ELO	DGT		
		1	6, 7, 8			ELO	DGT		
		1	1, 2, 3			EM0	DGT		
		1	6, 7, 8			EM0	DGT		
-31									SPACER, Intermediate Shaft, .175
	04431917	1	1, 2, 3			ELO	DGT		
		1	6, 7, 8			ELO	DGT		
		1	1, 2, 3			EM0	DGT		
		1	6, 7, 8			EM0	DGT		
-32									SPACER, Intermediate Shaft, .193
	04431918	1	1, 2, 3			ELO	DGT		
		1	6, 7, 8			ELO	DGT		
		1	1, 2, 3			EM0	DGT		
		1	6, 7, 8			EM0	DGT		
-33									SPACER, Intermediate Shaft, .211
	04431919	1	1, 2, 3			ELO	DGT		
		1	6, 7, 8			ELO	DGT		
		1	1, 2, 3			EM0	DGT		
		1	6, 7, 8			EM0	DGT		
34									SNAP RING, 6.50 OD

RAM PICKUP/CLUB CAB (BE)

SERIES LINE
L = RAM 1500, 2500, 3500
1 = Lt. Duty DODGE 2WD
2 = Med. Duty DODGE 2WD
3 = HD DODGE 2WD
6 = Lt. Duty DODGE 4WD
7 = Med. Duty DODGE 4WD
8 = HD DODGE 4WD

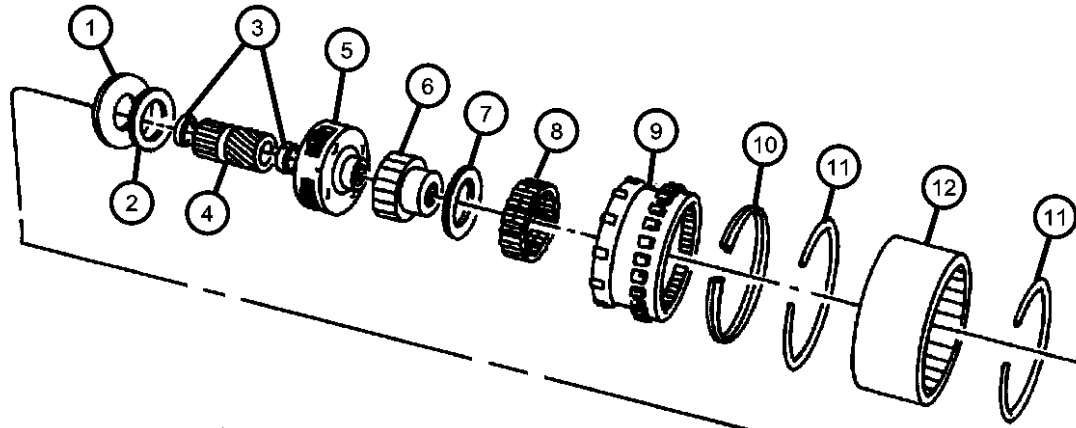
BODY ENGINE TRANSMISSION
31 = CLUB CAB 2-DR 6.5 FT BOX ETC = 5.9L Cummins 24V Diesel Engine DGP = 4-Spd. Automatic 47RE Transmission
32 = CLUB CAB 2-DR 8FT BOX EWA = 8.0L V10 MPI Engine DD0 = ALL 5 SPEED MANUAL TRANSMISSIONS
33 = QUAD CAB 4-DR 6.5 FT BOX EM0 = ALL 5.9L 8 CYL ENGINES - GAS DG0 = ALL AUTOMATIC TRANSMISSIONS
34 = QUAD CAB 4-DR 8FT BOX EMM = 5.9L SMPI V8 Engine DDC = 5-Speed HD Manual Transmission
ELF = 5.2L V8 MPI Engine DDP = 5-Speed Manual Transmission
DDX = 5-Speed HD Manual Transmission
DEE = 6-Speed HD Manual Transmission
DGT = 4-Spd. Automatic 46RE Transmission

AR = use ase required - = Non illustrated part

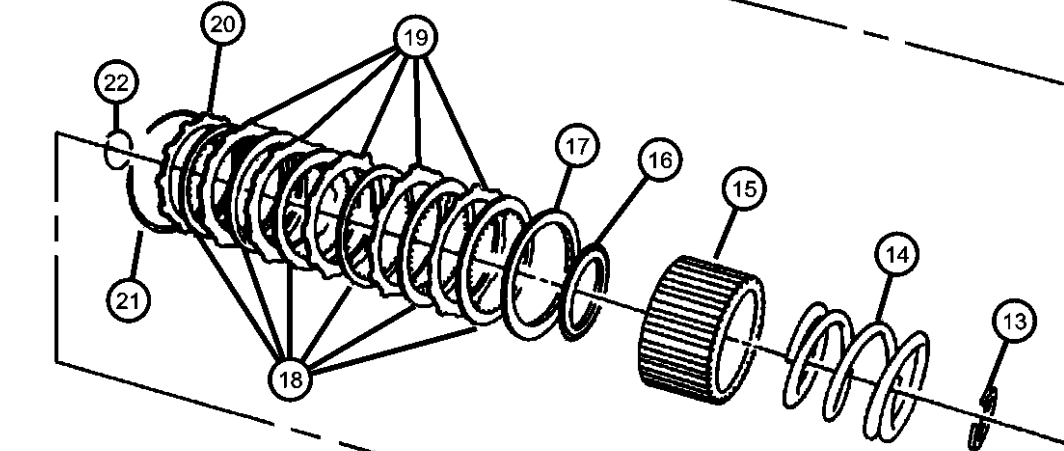
1999 BE

Clutch, Overdrive and Gear Train [DGT]
Figure 46RE-1010

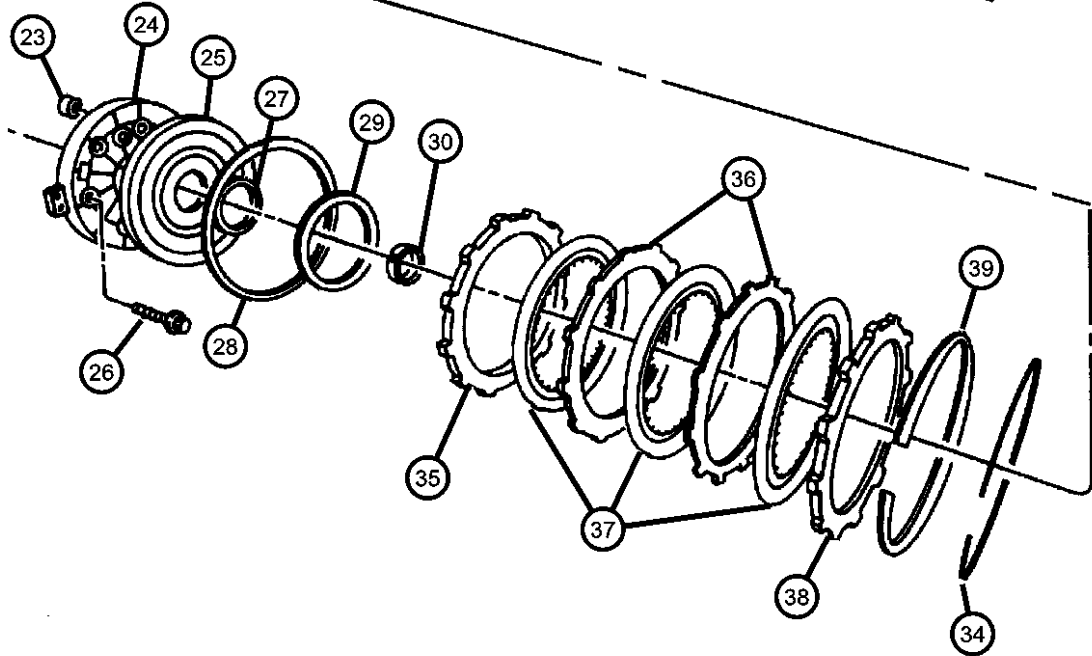
ITEM	PART NUMBER	QTY	LINE	SERIES	BODY	ENGINE	TRANS	TRIM	DESCRIPTION
------	-------------	-----	------	--------	------	--------	-------	------	-------------



	04461065	1	1, 2, 3			ELO	DGT		
		1	1, 2, 3			EM0	DGT		
		1	6, 7, 8			ELO	DGT		
		1	6, 7, 8			EM0	DGT		
35	04461033	2	1, 2, 3			ELO	DGT		PLATE, Transmission Clutch Reaction
36	04461047	3	1, 2, 3			ELO	DGT		PLATE, Transmission Clutch Reaction
37									DISC, Direct Clutch



	04461181	4	1, 2, 3			ELO	DGT		
		4	1, 2, 3			EM0			
		4	6, 7, 8			ELO	DGT		
		4	6, 7, 8			EM0	DGT		
38	04461033	2	1, 2, 3			ELO	DGT		PLATE, Transmission Clutch Reaction
39									SPRING, Overdrive Clutch
	04461066	1	1, 2, 3			ELO	DGT		
		1	1, 2, 3			EM0	DGT		
		1	6, 7, 8			ELO	DGT		
		1	6, 7, 8			EM0	DGT		



RAM PICKUP/CLUB CAB (BE)

SERIES	LINE
L = RAM 1500, 2500, 3500	1 = Lt. Duty DODGE 2WD
	2 = Med. Duty DODGE 2WD
	3 = HD DODGE 2WD
	6 = Lt. Duty DODGE 4WD
	7 = Med. Duty DODGE 4WD
	8 = HD DODGE 4WD

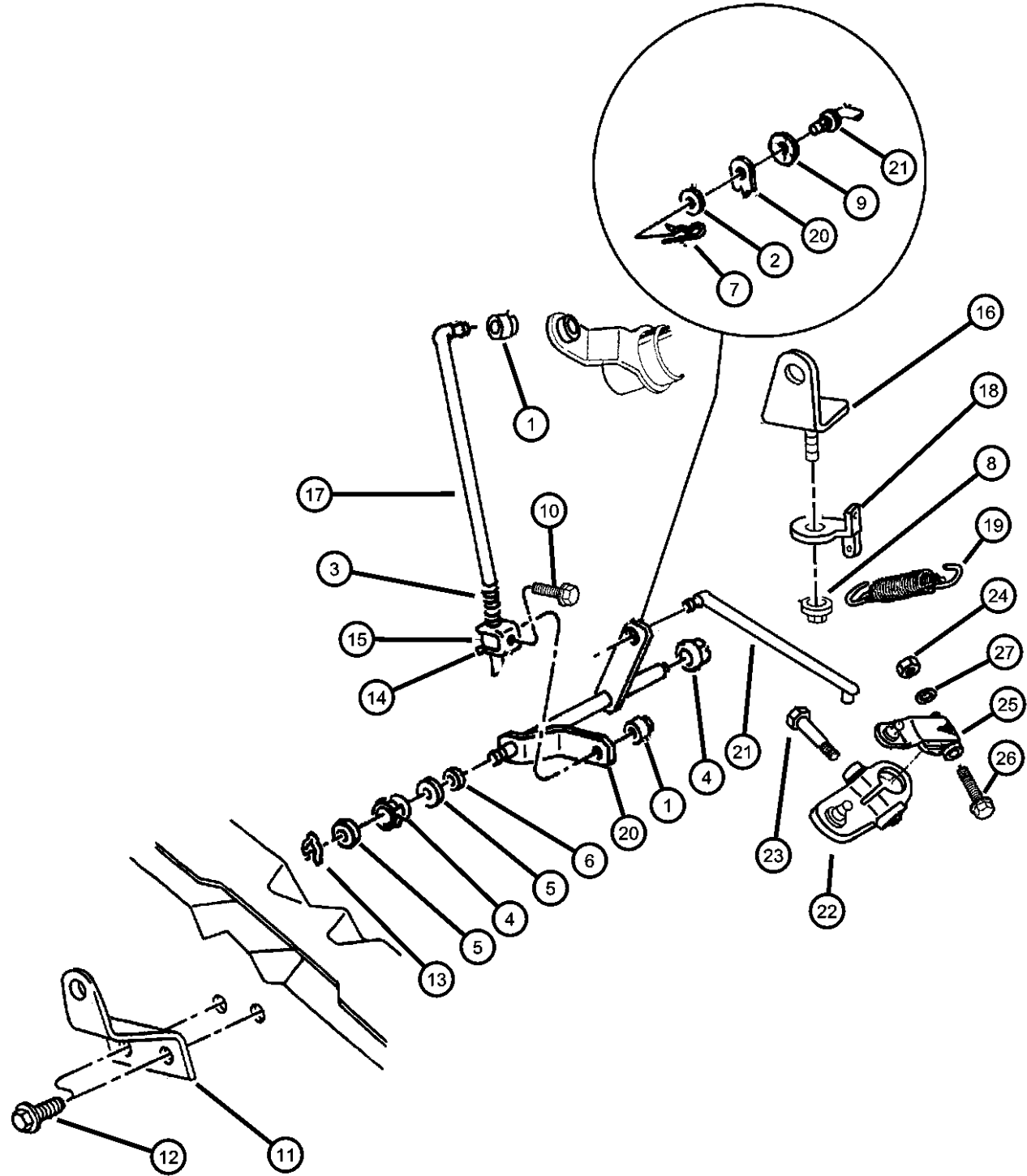
BODY	ENGINE
31 = CLUB CAB 2-DR 6.5 FT BOX	ETC = 5.9L Cummins 24V Diesel Engine
32 = CLUB CAB 2-DR 8FT BOX	EWA = 8.0L V10 MPI Engine
33 = QUAD CAB 4-DR 6.5 FT BOX	EM0 = ALL 5.9L 8 CYL ENGINES - GAS
34 = QUAD CAB 4-DR 8FT BOX	EMM = 5.9L SMPI V8 Engine
	EML = 5.9L V8 MPI Engine
	ELF = 5.2L V8 MPI Engine

TRANSMISSION
DGP = 4-Spd. Automatic 47RE Transmission
DD0 = ALL 5 SPEED MANUAL TRANSMISSIONS
DG0 = ALL AUTOMATIC TRANSMISSIONS
DDC = 5-Speed HD Manual Transmission
DDP = 5-Speed Manual Transmission
DDX = 5-Speed HD Manual Transmission
DEE = 6-Speed HD Manual Transmission
DGT = 4-Spd. Automatic 46RE Transmission

AR = use ase required - = Non illustrated part

1999 BE

**Controls, Gearshift, Lower [DGT]
Figure 46RE-1210**



ITEM	PART NUMBER	QTY	LINE	SERIES	BODY	ENGINE	TRANS	TRIM	DESCRIPTION
------	-------------	-----	------	--------	------	--------	-------	------	-------------

NOTES: Sales Codes
 [DGT] = 4 Speed Automatic Transmission 46RE
 [ELO] = All 5.2L 8 Cylinder Gas Engines
 [EM0] = All 5.9L 8 Cylinder Gas Engines

1	03575333	1					DG0		GROMMET, Control Rod Front With Tilt Column
		1					DG0		With ou Tilt Column
2	J0120393	1					DG0		WASHER, Flat, Flat
3	03575354	1					DG0		SPRING, Gearshift Control Rod, Control Rod Adjusting
4	03467800	2					DG0		BUSHING, Gearshift Torque Shaft, Torque Shaft
5	06504763	2					DG0		WASHER, Flat, M13.5
6	06034943	1					DG0		WASHER
7	J4004295	1					DG0		PIN, Rod To Trans Shaft Lever, Rod or Swivel To T/Shaft Lever
8	06028114	1					DG0		NUT, Hex, .437-14, Bracket Mounting. Lock 7/16-14
9	00391888	1					DG0		WASHER, Wave, .359x.593x.010, Spring
10	00181082	1					DG0		BOLT, Hex Head, 5/16-18x1/2
11	52077802	1					DG0		BRACKET, Gearshift, Torque Shaft, Frame End
12	52077802	1							SCREW, (NOT SERVICED)
13	06032475	1					DG0		RING, Transmission Torque Shaft
14	52107734	1					DG0		CLAMP, w/Screw, Control Rod Swivel ***
15	03575334	1					DG0		SWIVEL, Gearshift Control Rod, Control Rod Clamp ***
16	52077803	1				ELO, EM0	DGT		BRACKET, Gearshift, Torque Shaft Mounting Transmission End
17	52107699AB	1					DG0		ROD, Gear Shift Control
18	52078718	1					DG0		BRACKET, Throttle Valve Spring
19	53009055	1					DG0		SPRING, Throttle Valve Return

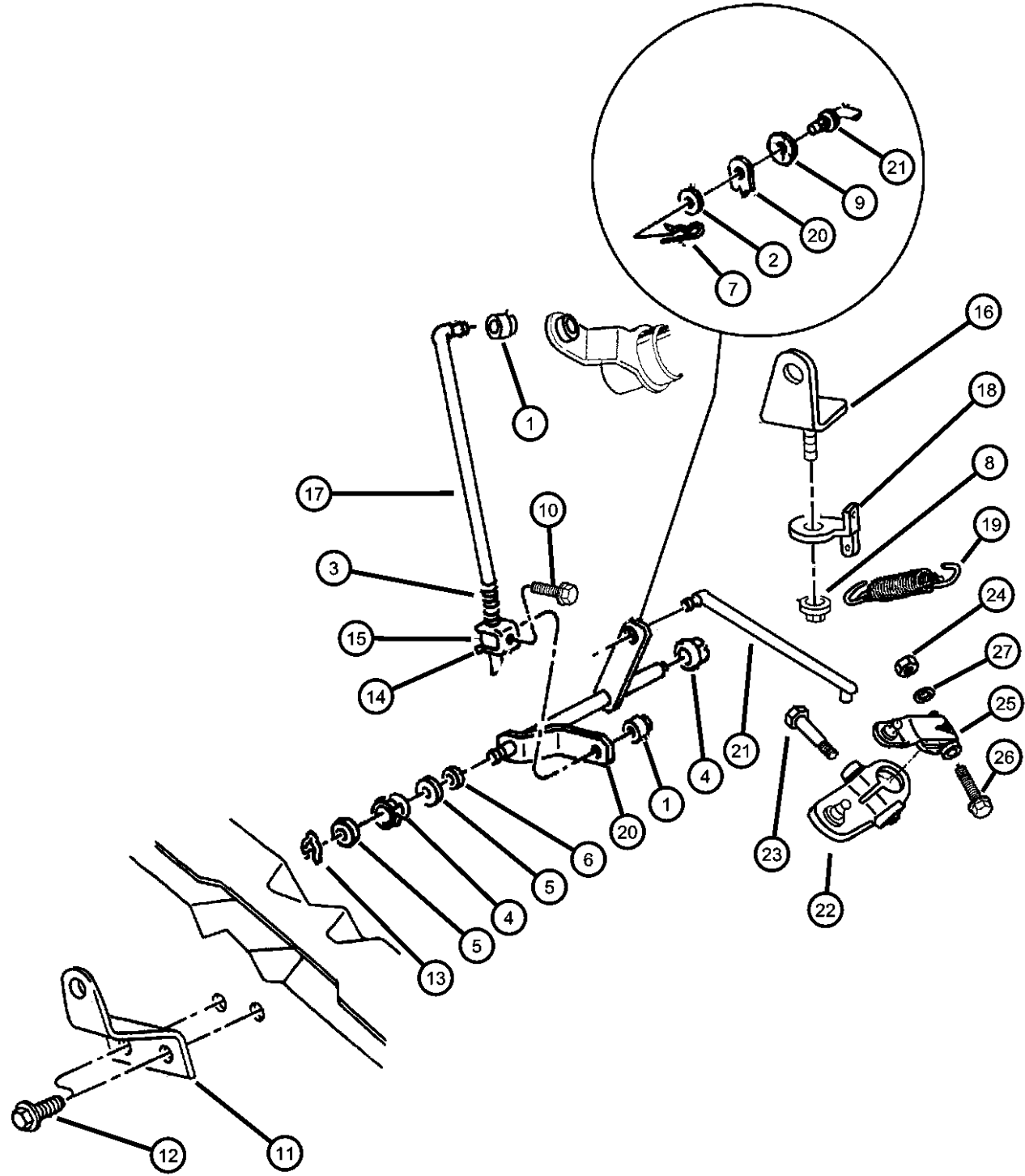
RAM PICKUP/CLUB CAB (BE)

SERIES	LINE	BODY	ENGINE	TRANSMISSION
L = RAM 1500, 2500, 3500	1 = Lt. Duty DODGE 2WD 2 = Med. Duty DODGE 2WD 3 = HD DODGE 2WD 6 = Lt. Duty DODGE 4WD 7 = Med. Duty DODGE 4WD 8 = HD DODGE 4WD	31 = CLUB CAB 2-DR 6.5 FT BOX 32 = CLUB CAB 2-DR 8FT BOX 33 = QUAD CAB 4-DR 6.5 FT BOX 34 = QUAD CAB 4-DR 8FT BOX	ETC = 5.9L Cummins 24V Diesel Engine EWA = 8.0L V10 MPI Engine EM0 = ALL 5.9L 8 CYL ENGINES - GAS EMM = 5.9L SMPI V8 Engine EML = 5.9L V8 MPI Engine ELF = 5.2L V8 MPI Engine	DGP = 4-Spd. Automatic 47RE Transmission DD0 = ALL 5 SPEED MANUAL TRANSMISSIONS DG0 = ALL AUTOMATIC TRANSMISSIONS DDC = 5-Speed HD Manual Transmission DDP = 5-Speed Manual Transmission DDX = 5-Speed HD Manual Transmission DEE = 6-Speed HD Manual Transmission DGT = 4-Spd. Automatic 46RE Transmission

AR = use ase required - = Non illustrated part

1999 BE

**Controls, Gearshift, Lower [DGT]
Figure 46RE-1210**



ITEM	PART NUMBER	QTY	LINE	SERIES	BODY	ENGINE	TRANS	TRIM	DESCRIPTION
20	52079030AB	1					DGT		TORQUE SHAFT, Gearshift
21	52077621	1					DGT		ROD, Gear Shift Control, Transmission, G/Shift Control, Rear
22	52077804AC	1					DGP, DGT		LEVER, Manual Control
23	00180034	1					DGP, DGT		SCREW AND WASHER, Hex Head, .25-20x1.50
24	00115984	1					DGP, DGT		NUT, Brake Line
25	52079065	1					DG0		LEVER, Throttle Valve
26	00181065	1					DG0		BOLT, Hex Head, .25-20x1.00
27	00138165	1					DG0		WASHER, Lock

RAM PICKUP/CLUB CAB (BE)

SERIES	LINE	BODY	ENGINE	TRANSMISSION
L = RAM 1500, 2500, 3500	1 = Lt. Duty DODGE 2WD 2 = Med. Duty DODGE 2WD 3 = HD DODGE 2WD 6 = Lt. Duty DODGE 4WD 7 = Med. Duty DODGE 4WD 8 = HD DODGE 4WD	31 = CLUB CAB 2-DR 6.5 FT BOX 32 = CLUB CAB 2-DR 8FT BOX 33 = QUAD CAB 4-DR 6.5 FT BOX 34 = QUAD CAB 4-DR 8FT BOX	ETC = 5.9L Cummins 24V Diesel Engine EWA = 8.0L V10 MPI Engine EM0 = ALL 5.9L 8 CYL ENGINES - GAS EMM = 5.9L SMPI V8 Engine EML = 5.9L V8 MPI Engine ELF = 5.2L V8 MPI Engine	DGP = 4-Spd. Automatic 47RE Transmission DD0 = ALL 5 SPEED MANUAL TRANSMISSIONS DG0 = ALL AUTOMATIC TRANSMISSIONS DDC = 5-Speed HD Manual Transmission DDP = 5-Speed Manual Transmission DDX = 5-Speed HD Manual Transmission DEE = 6-Speed HD Manual Transmission DGT = 4-Spd. Automatic 46RE Transmission

AR = use ase required - = Non illustrated part

Group - 47RE

Automatic Transmission 4 Speed

Group - 47RE Automatic Transmission 4 Speed

Illustration Title

Group-Fig. No.

Transmission Assembly

Transmission Assembly,4 Speed 47RE Fig. 47RE - 110

Case and Extension

Case and Related Parts,4 Speed 47RE..... Fig. 47RE - 210
 Extension,4 Speed 47RE..... Fig. 47RE - 220

Oil Pump

Pump, Oil with Reaction Shaft,4 Speed 47RE..... Fig. 47RE - 320

Gear Train

Clutch, Front and Rear, with Gear Train,4 Speed 47RE Fig. 47RE - 410
 Gear Train and Intermediate Shaft,4 Speed 47RE Fig. 47RE - 420
 Output Shaft, 4 Speed 47RE Fig. 47RE - 430

Bands, Reverse and Kickdown

Bands, Reverse and Kickdown with Linkage,4 Speed 47RE Fig. 47RE - 510

Valve Body

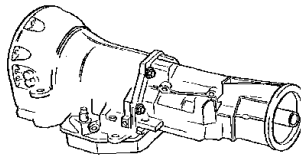
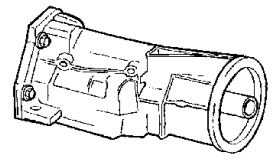
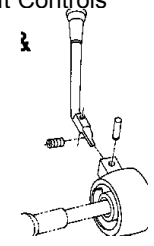
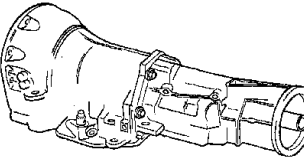

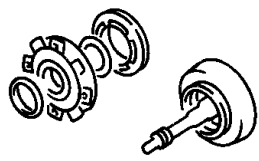
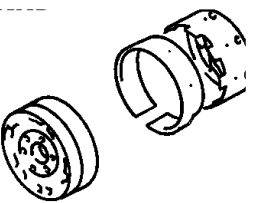
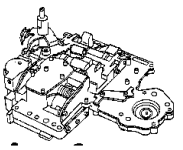
Valve Body,4 Speed 47RE Fig. 47RE - 710
 Servos, Accumulator Piston and Spring,4 Speed 47RE Fig. 47RE - 720
 Parking Sprag,4 Speed 47RE..... Fig. 47RE - 730

Overdrive Gear Train

Clutch, Overdrive with Gear Train,4 Speed 47RE Fig. 47RE - 1010

Gearshift Controls

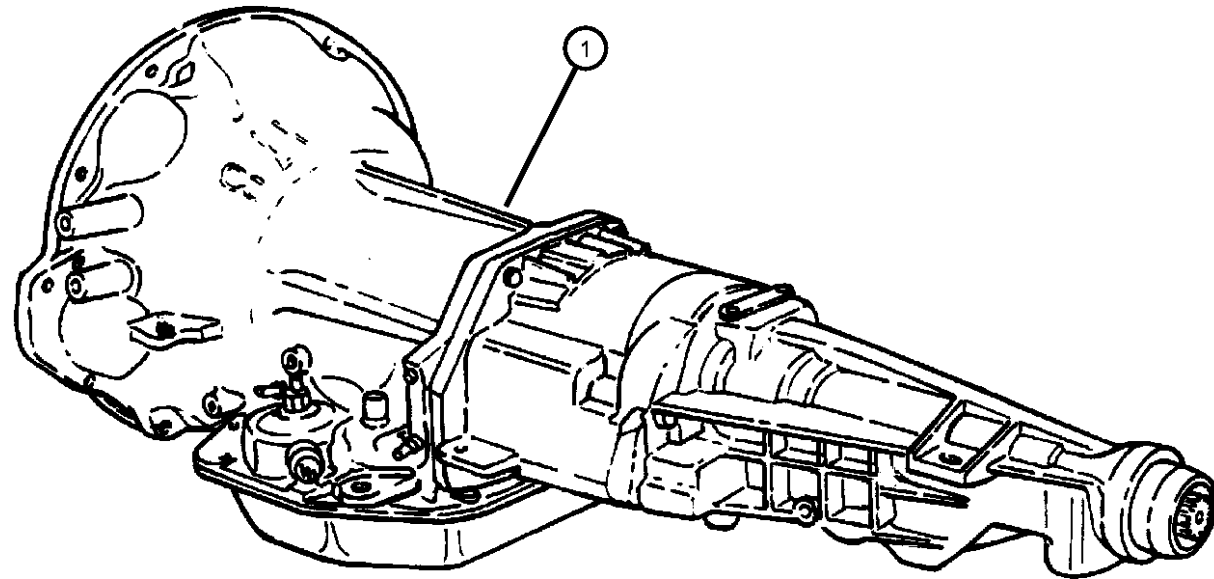
Controls, Gearshift, Lower,4 Speed 47RE Fig. 47RE - 1210

<p>47RE-100 Transmission Assembly</p> 	<p>47RE-1000 Overdrive Gear Train</p> 	<p>47RE-1200 Gearshift Controls</p> 	<p>47RE-200 Case and Extension</p> 
<p>47RE-300 Oil Pump</p> 	<p>47RE-400 Gear Train</p> 	<p>47RE-500 Bands, Reverse and Kickdown</p> 	<p>47RE-700 Valve Body</p> 

**Transmission Assembly,4 Speed 47RE
Figure 47RE-110**

ITEM	PART NUMBER	QTY	LINE	SERIES	BODY	ENGINE	TRANS	TRIM	DESCRIPTION
------	-------------	-----	------	--------	------	--------	-------	------	-------------

NOTES: Sales Codes
 [DGP] = 4 Speed Automatic Transmission 47RE
 [EM0] = All 8.0L Gas Engines
 [ET0] = All 5.9L Turbo Diesel Engines



1									TRANSMISSION PACKAGE
	05013628AA	1	1, 2, 3			ET0	DGP		
	05010124AA								Mopar Automatic Transmission Fluid Quart
	05010125AC								Mopar Automatic Transmission Fluid Gallon
	05013629AA	1	1, 2, 3			EW0	DGP		
	05010124AA								Mopar Automatic Transmission Fluid Quart
	05010125AC								Mopar Automatic Transmission Fluid Gallon
	05013630AA	1	6, 7, 8			ET0	DGP		
	05010124AA								Mopar Automatic Transmission Fluid Quart
	05010125AC								Mopar Automatic Transmission Fluid Gallon
	05013631AA	1	6, 7, 8			EW0	DGP		
	05010124AA								Mopar Automatic Transmission Fluid Quart
	05010125AC								Mopar Automatic Transmission Fluid Gallon
-2									OVERDRIVE
	52118158	1	6, 7, 8			ET0, EW0	DGP		
	52118786	1	1, 2, 3			ET0, EW0	DGP		

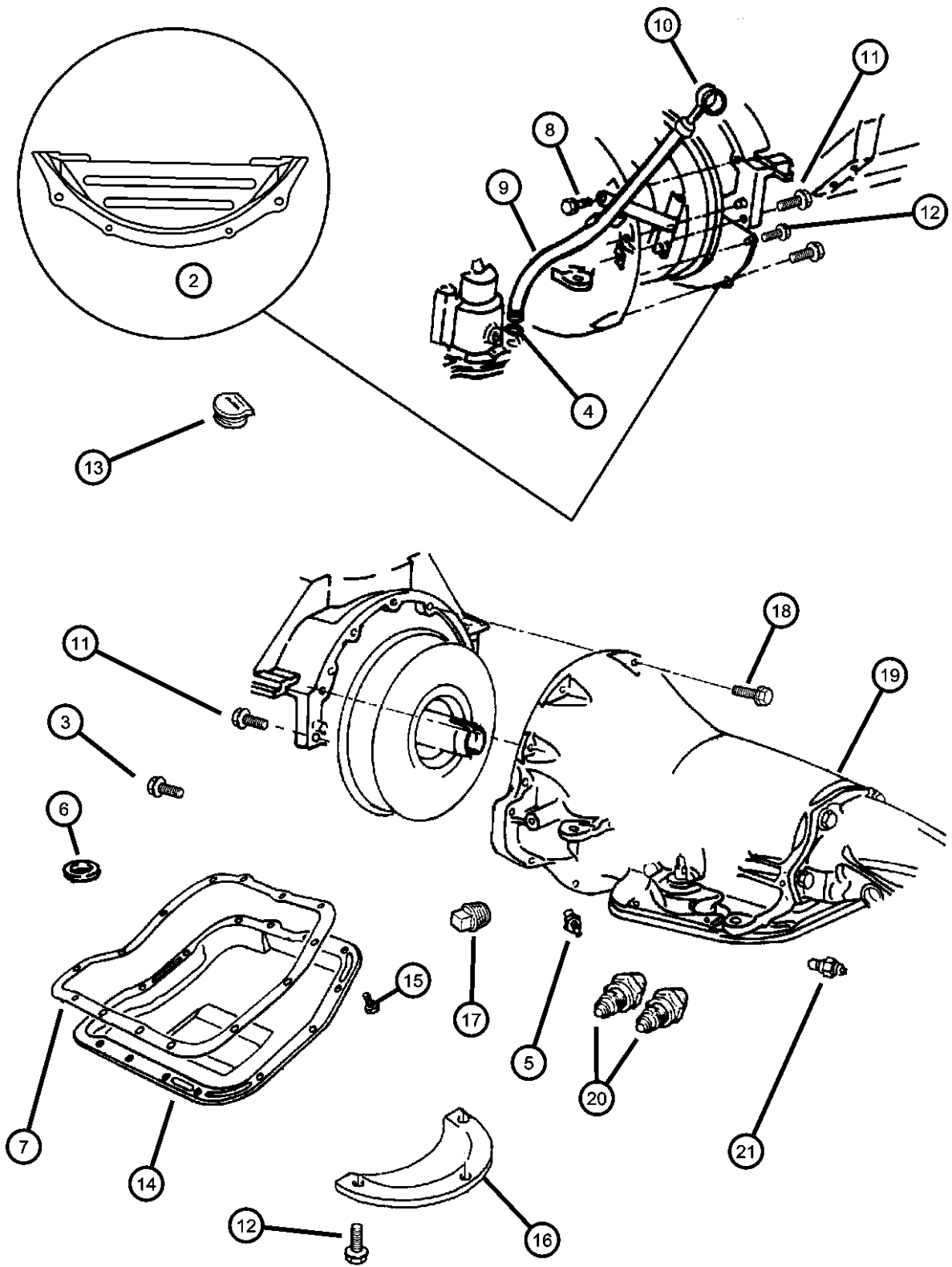
RAM PICKUP/CLUB CAB (BE)

SERIES	LINE	BODY	ENGINE	TRANSMISSION
L = RAM 1500, 2500, 3500	1 = Lt. Duty DODGE 2WD 2 = Med. Duty DODGE 2WD 3 = HD DODGE 2WD 6 = Lt. Duty DODGE 4WD 7 = Med. Duty DODGE 4WD 8 = HD DODGE 4WD	31 = CLUB CAB 2-DR 6.5 FT BOX 32 = CLUB CAB 2-DR 8FT BOX 33 = QUAD CAB 4-DR 6.5 FT BOX 34 = QUAD CAB 4-DR 8FT BOX	ETC = 5.9L Cummins 24V Diesel Engine EWA = 8.0L V10 MPI Engine EM0 = ALL 5.9L 8 CYL ENGINES - GAS EMM = 5.9L SMPI V8 Engine EML = 5.9L V8 MPI Engine ELF = 5.2L V8 MPI Engine	DGP = 4-Spd. Automatic 47RE Transmission DD0 = ALL 5 SPEED MANUAL TRANSMISSIONS DG0 = ALL AUTOMATIC TRANSMISSIONS DDC = 5-Speed HD Manual Transmission DDP = 5-Speed Manual Transmission DDX = 5-Speed HD Manual Transmission DEE = 6-Speed HD Manual Transmission DGT = 4-Spd. Automatic 46RE Transmission

AR = use ase required - = Non illustrated part

1999 BE

**Case and Related Parts,4 Speed 47RE
Figure 47RE-210**



ITEM	PART NUMBER	QTY	LINE	SERIES	BODY	ENGINE	TRANS	TRIM	DESCRIPTION
------	-------------	-----	------	--------	------	--------	-------	------	-------------

NOTES: Sales Codes
 [DGP] = 4 Speed Automatic Transmission 47RE
 [EM0] = All 8.0L Gas Engines
 [ET0] = All 5.9L Turbo Diesel Engines

-1									SEAL AND GASKET PACKAGE, Transmission
	04863884	1	1, 2, 3			ET0, EW0	DGP		
		1	6, 7, 8			ET0, EW0	DGP		
2	52117614	1				EW0	DGP		COVER, Transmission Case
3	52117614	1							SCREW, (NOT SERVICED)
4	52118629	1					DG0		SEAL, Oil Filler Tube
5									SCREW
	06036115AA	1	1, 2, 3			ET0, EW0	DGP		
		1	6, 7, 8			ET0, EW0	DGP		
6									MAGNET, Transmission
	03681601	1	1, 2, 3			ET0, EW0	DGP		
		1	6, 7, 8			ET0, EW0	DGP		
7									GASKET, Oil Pan
	02464324	1	1, 2, 3			ET0, EW0	DGP		
		1	6, 7, 8			ET0, EW0	DGP		
8	06024473	2					DG0		SCREW AND WASHER, Hex Head, .437-14x2.00
9	52118621	1					DGP		TUBE, Transmission Oil Filler
10	52107769AA	1					DG0		INDICATOR, Transmission Fluid Level
11	06024473	2					DG0		SCREW AND WASHER, Hex Head, .437-14x2.00
12	06024473	2							SCREW, (NOT SERVICED)
13	52117709	1				EL0, EM0			GROMMET, Timing Probe
14									PAN, Transmission Oil
	52118780	1	1, 2, 3			ET0, EW0	DGP		
		1	6, 7, 8			ET0, EW0	DGP		

RAM PICKUP/CLUB CAB (BE)

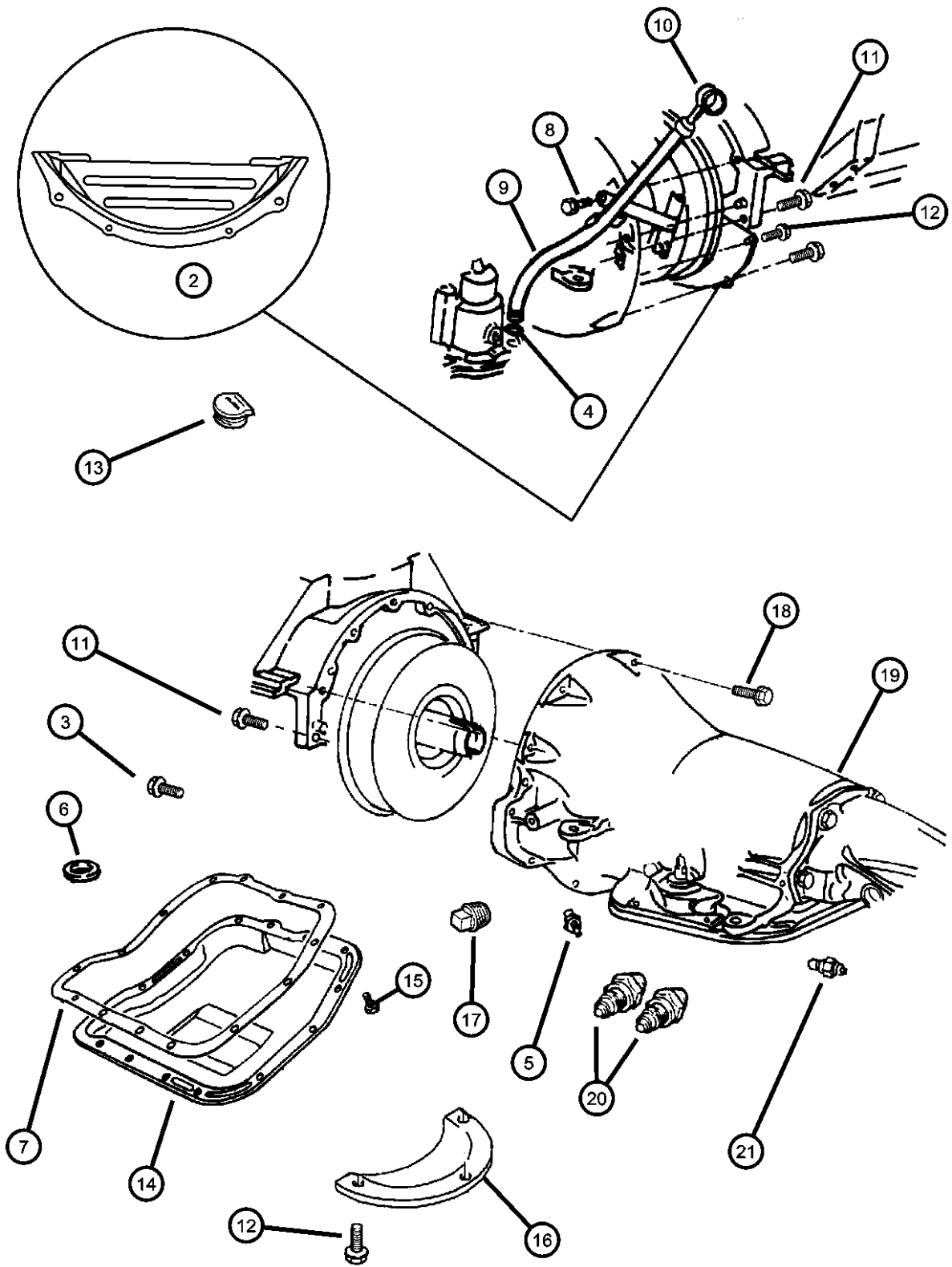
SERIES	LINE
L = RAM 1500, 2500, 3500	1 = Lt. Duty DODGE 2WD
	2 = Med. Duty DODGE 2WD
	3 = HD DODGE 2WD
	6 = Lt. Duty DODGE 4WD
	7 = Med. Duty DODGE 4WD
	8 = HD DODGE 4WD

BODY	ENGINE	TRANSMISSION
31 = CLUB CAB 2-DR 6.5 FT BOX	ETC = 5.9L Cummins 24V Diesel Engine	DGP = 4-Spd. Automatic 47RE Transmission
32 = CLUB CAB 2-DR 8FT BOX	EWA = 8.0L V10 MPI Engine	DD0 = ALL 5 SPEED MANUAL TRANSMISSIONS
33 = QUAD CAB 4-DR 6.5 FT BOX	EM0 = ALL 5.9L 8 CYL ENGINES - GAS	DG0 = ALL AUTOMATIC TRANSMISSIONS
34 = QUAD CAB 4-DR 8FT BOX	EMM = 5.9L SMPI V8 Engine	DDC = 5-Speed HD Manual Transmission
	EML = 5.9L V8 MPI Engine	DDP = 5-Speed Manual Transmission
	ELF = 5.2L V8 MPI Engine	DDX = 5-Speed HD Manual Transmission
		DEE = 6-Speed HD Manual Transmission
		DGT = 4-Spd. Automatic 46RE Transmission

AR = use ase required - = Non illustrated part

1999 BE

Case and Related Parts,4 Speed 47RE
Figure 47RE-210



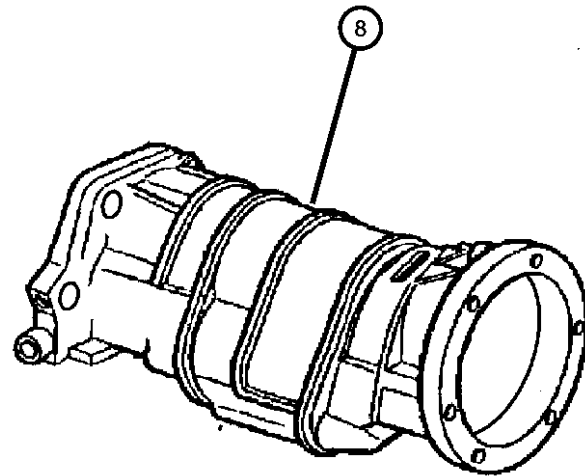
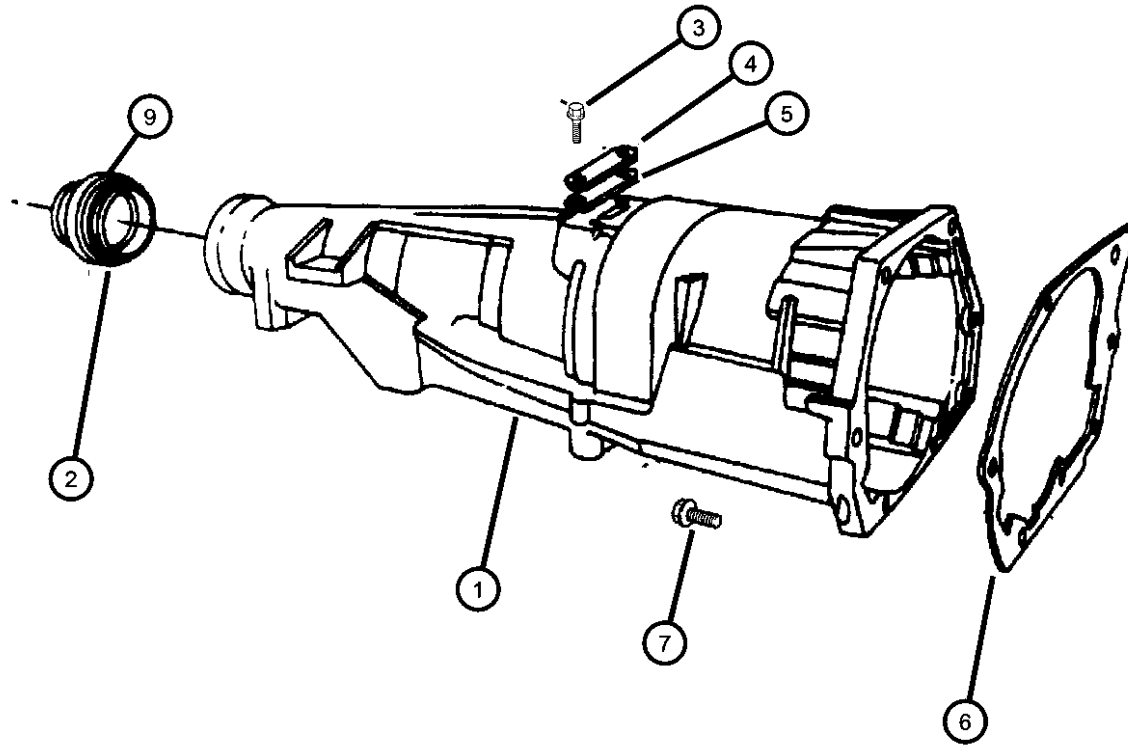
ITEM	PART NUMBER	QTY	LINE	SERIES	BODY	ENGINE	TRANS	TRIM	DESCRIPTION
15									SCREW AND WASHER, Hex Head, .312-18x.625
	04723548	12	1, 2, 3			ET0, EW0	DGP		
		12	6, 7, 8			ET0, EW0	DGP		
16	04428472	1					DGP		COVER, Transmission Dust PLUG, Pressure Check
17									
	06028095	1	1, 2, 3			ET0, EW0	DGP		
		1	6, 7, 8			ET0, EW0	DGP		
18	06022266	4				ELO, EM0, EW0	DG0		SCREW, Hex Head, .375-16x1.5
19									CASE, Transmission
	52118758	1	1, 2, 3			ET0, EW0	DGP		
		1	6, 7, 8			ET0, EW0	DGP		
20									CONNECTOR, Oil Cooler Tube
	52028764AA	2	1, 2, 3			ET0, EW0	DGP		
		2	6, 7, 8			ET0, EW0	DGP		
21									SWITCH, Neutral, Safety, Back Up
	56028181	1	1, 2, 3			ET0, EW0	DGP		
		1	6, 7, 8			ET0, EW0	DGP		
-22									SENSOR, Transmission Output Speed
	04800879	1	1, 2, 3			ET0, EW0	DGP		
		1	6, 7, 8			ET0, EW0	DGP		

RAM PICKUP/CLUB CAB (BE)

SERIES	LINE	BODY	ENGINE	TRANSMISSION
L = RAM 1500, 2500, 3500	1 = Lt. Duty DODGE 2WD 2 = Med. Duty DODGE 2WD 3 = HD DODGE 2WD 6 = Lt. Duty DODGE 4WD 7 = Med. Duty DODGE 4WD 8 = HD DODGE 4WD	31 = CLUB CAB 2-DR 6.5 FT BOX 32 = CLUB CAB 2-DR 8FT BOX 33 = QUAD CAB 4-DR 6.5 FT BOX 34 = QUAD CAB 4-DR 8FT BOX	ETC = 5.9L Cummins 24V Diesel Engine EWA = 8.0L V10 MPI Engine EM0 = ALL 5.9L 8 CYL ENGINES - GAS EMM = 5.9L SMPI V8 Engine EML = 5.9L V8 MPI Engine ELF = 5.2L V8 MPI Engine	DGP = 4-Spd. Automatic 47RE Transmission DD0 = ALL 5 SPEED MANUAL TRANSMISSIONS DG0 = ALL AUTOMATIC TRANSMISSIONS DDC = 5-Speed HD Manual Transmission DDP = 5-Speed Manual Transmission DDX = 5-Speed HD Manual Transmission DEE = 6-Speed HD Manual Transmission DGT = 4-Spd. Automatic 46RE Transmission

AR = use ase required - = Non illustrated part

Extension,4 Speed 47RE
Figure 47RE-220



ITEM	PART NUMBER	QTY	LINE	SERIES	BODY	ENGINE	TRANS	TRIM	DESCRIPTION
------	-------------	-----	------	--------	------	--------	-------	------	-------------

NOTES: Sales Codes
[DGP] = 4 Speed Automatic Transmission 47RE
[EM0] = All 8.0L Gas Engines
[ET0] = All 5.9L Turbo Diesel Engines

1	05003231AA	1	1, 2, 3			ET0, EW0	DGP		CASE, Transmission Rear
2	04531216	1	1, 2, 3			ET0, EW0	DGP		SEAL, Extension Yoke
3	04531216	1							SCREW, (NOT SERVICED)
4	02466957	1	1, 2, 3			ET0, EW0	DGP		COVER, Transmission Converter
5	02801398	1	1, 2, 3			ET0, EW0	DGP		GASKET, Transmission
6									GASKET, Overdrive Piston Retainer
	04471565	1	1, 2, 3			ET0, EW0	DGP		
		1	6, 7, 8			ET0, EW0	DGP		
7									SCREW, Hex Flange Head, .375-16x1.38
	06036046AA	7	1, 2, 3			ET0, EW0	DGP		
		7	6, 7, 8			ET0, EW0	DGP		
8	04798535	1	6, 7, 8			ET0, EW0	DGP		ADAPTER, Transfer Case
9	04269956	1	6, 7, 8			ET0, EW0	DGP		SEAL, Adapter

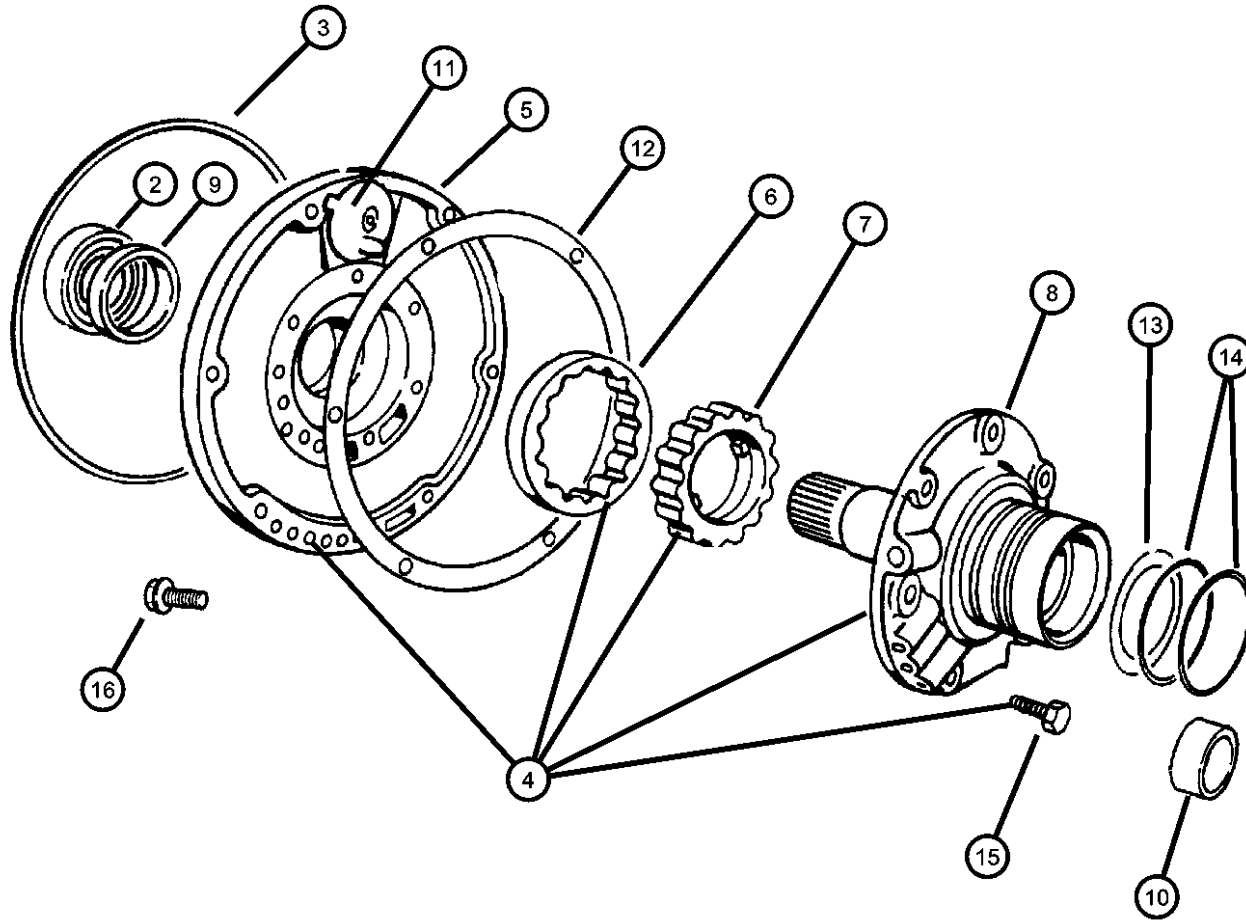
RAM PICKUP/CLUB CAB (BE)

SERIES	LINE	BODY	ENGINE	TRANSMISSION
L = RAM 1500, 2500, 3500	1 = Lt. Duty DODGE 2WD	31 = CLUB CAB 2-DR 6.5 FT BOX	ETC = 5.9L Cummins 24V Diesel Engine	DGP = 4-Spd. Automatic 47RE Transmission
	2 = Med. Duty DODGE 2WD	32 = CLUB CAB 2-DR 8FT BOX	EWA = 8.0L V10 MPI Engine	DD0 = ALL 5 SPEED MANUAL TRANSMISSIONS
	3 = HD DODGE 2WD	33 = QUAD CAB 4-DR 6.5 FT BOX	EM0 = ALL 5.9L 8 CYL ENGINES - GAS	DG0 = ALL AUTOMATIC TRANSMISSIONS
	6 = Lt. Duty DODGE 4WD	34 = QUAD CAB 4-DR 8FT BOX	EMM = 5.9L SMPI V8 Engine	DDC = 5-Speed HD Manual Transmission
	7 = Med. Duty DODGE 4WD		EML = 5.9L V8 MPI Engine	DDP = 5-Speed Manual Transmission
	8 = HD DODGE 4WD		ELF = 5.2L V8 MPI Engine	DDX = 5-Speed HD Manual Transmission
				DEE = 6-Speed HD Manual Transmission
				DGT = 4-Spd. Automatic 46RE Transmission

AR = use ase required - = Non illustrated part

1999 BE

**Pump, Oil with Reaction Shaft,4 Speed 47RE
Figure 47RE-320**



ITEM	PART NUMBER	QTY	LINE	SERIES	BODY	ENGINE	TRANS	TRIM	DESCRIPTION
NOTES: Sales Codes [DGP] = 4 Speed Automatic Transmission 47RE [EM0] = All 8.0L Gas Engines [ET0] = All 5.9L Turbo Diesel Engines									
-1									GASKET AND SEAL PACKAGE, Transmission Oil Pump
	04746109	1	1, 2, 3			ET0, EW0	DGP		
		1	6, 7, 8			ET0, EW0	DGP		
2									SEAL, Impeller Hub, 57.25mm OD
	04531225	1	1, 2, 3			ET0, EW0	DGP		
		1	6, 7, 8			ET0, EW0	DGP		
3									SEAL, Front Pump Housing
	01942021	1	1, 2, 3			ET0, EW0	DGP		
		1	6, 7, 8			ET0, EW0	DGP		
4									PUMP, Transmission Oil
	04505030	1	1, 2, 3			ET0, EW0	DGP		
		1	6, 7, 8			ET0, EW0	DGP		
5		1							HOUSING, Pump, (NOT SERVICED)
6		1							ROTOR, Oil Pump, (NOT SERVICED)
7		1							ROTOR, Oil Pump, (NOT SERVICED)
8		1							SHAFT, (NOT SERVICED)
9		1							BUSHING, (NOT SERVICED)
10		1							BUSHING, (NOT SERVICED)
11									BAFFLE PACKAGE, Pump
	03420087	1	1, 2, 3			ET0, EW0	DGP		
		1	6, 7, 8			ET0, EW0	DGP		
12									GASKET, Transmission Oil Pump
	04028377	1	1, 2, 3			ET0, EW0	DGP		
		1	6, 7, 8			ET0, EW0	DGP		

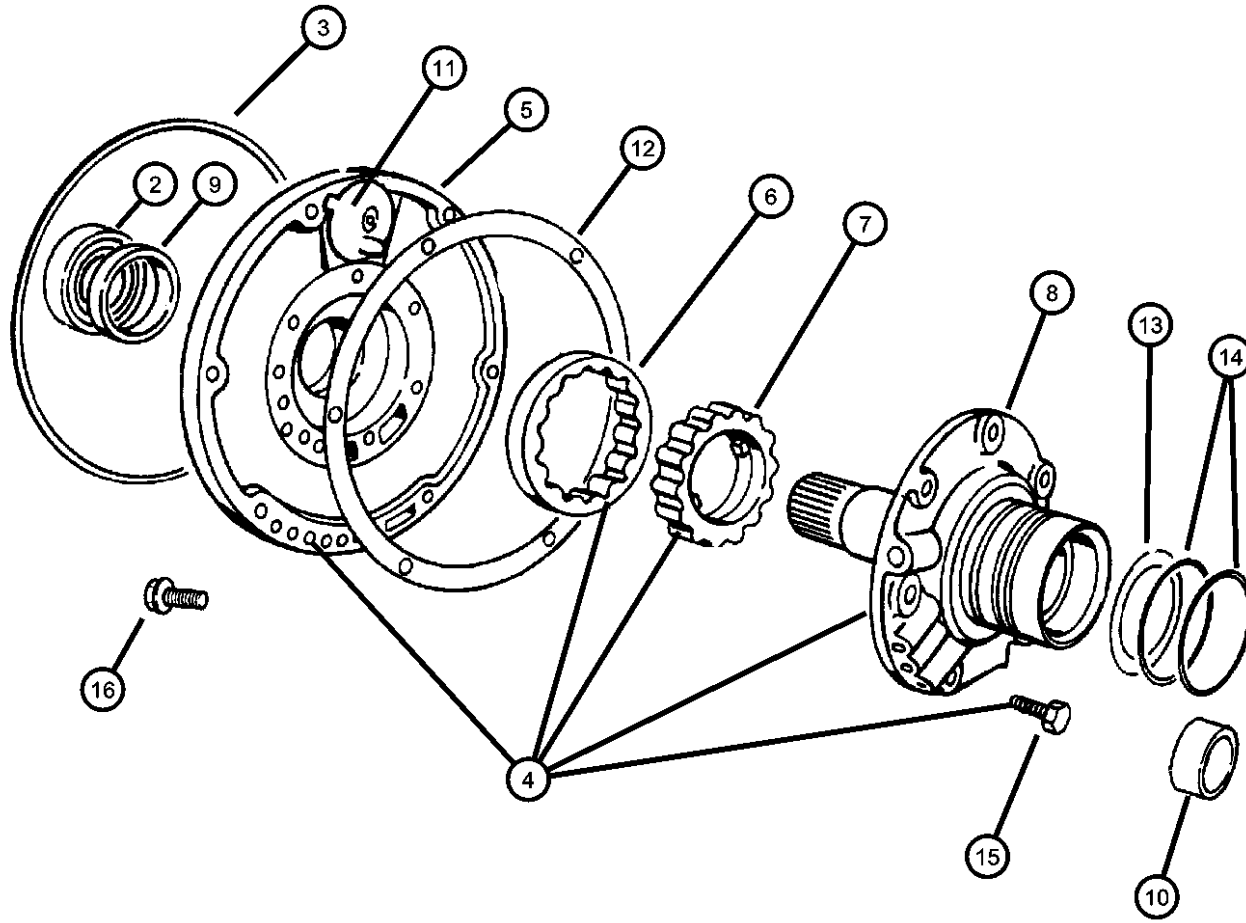
RAM PICKUP/CLUB CAB (BE)

SERIES	LINE	BODY	ENGINE	TRANSMISSION
L = RAM 1500, 2500, 3500	1 = Lt. Duty DODGE 2WD 2 = Med. Duty DODGE 2WD 3 = HD DODGE 2WD 6 = Lt. Duty DODGE 4WD 7 = Med. Duty DODGE 4WD 8 = HD DODGE 4WD	31 = CLUB CAB 2-DR 6.5 FT BOX 32 = CLUB CAB 2-DR 8FT BOX 33 = QUAD CAB 4-DR 6.5 FT BOX 34 = QUAD CAB 4-DR 8FT BOX	ETC = 5.9L Cummins 24V Diesel Engine EWA = 8.0L V10 MPI Engine EM0 = ALL 5.9L 8 CYL ENGINES - GAS EMM = 5.9L SMPI V8 Engine EML = 5.9L V8 MPI Engine ELF = 5.2L V8 MPI Engine	DGP = 4-Spd. Automatic 47RE Transmission DD0 = ALL 5 SPEED MANUAL TRANSMISSIONS DG0 = ALL AUTOMATIC TRANSMISSIONS DDC = 5-Speed HD Manual Transmission DDP = 5-Speed Manual Transmission DDX = 5-Speed HD Manual Transmission DEE = 6-Speed HD Manual Transmission DGT = 4-Spd. Automatic 46RE Transmission

AR = use ase required - = Non illustrated part

1999 BE

**Pump, Oil with Reaction Shaft,4 Speed 47RE
Figure 47RE-320**



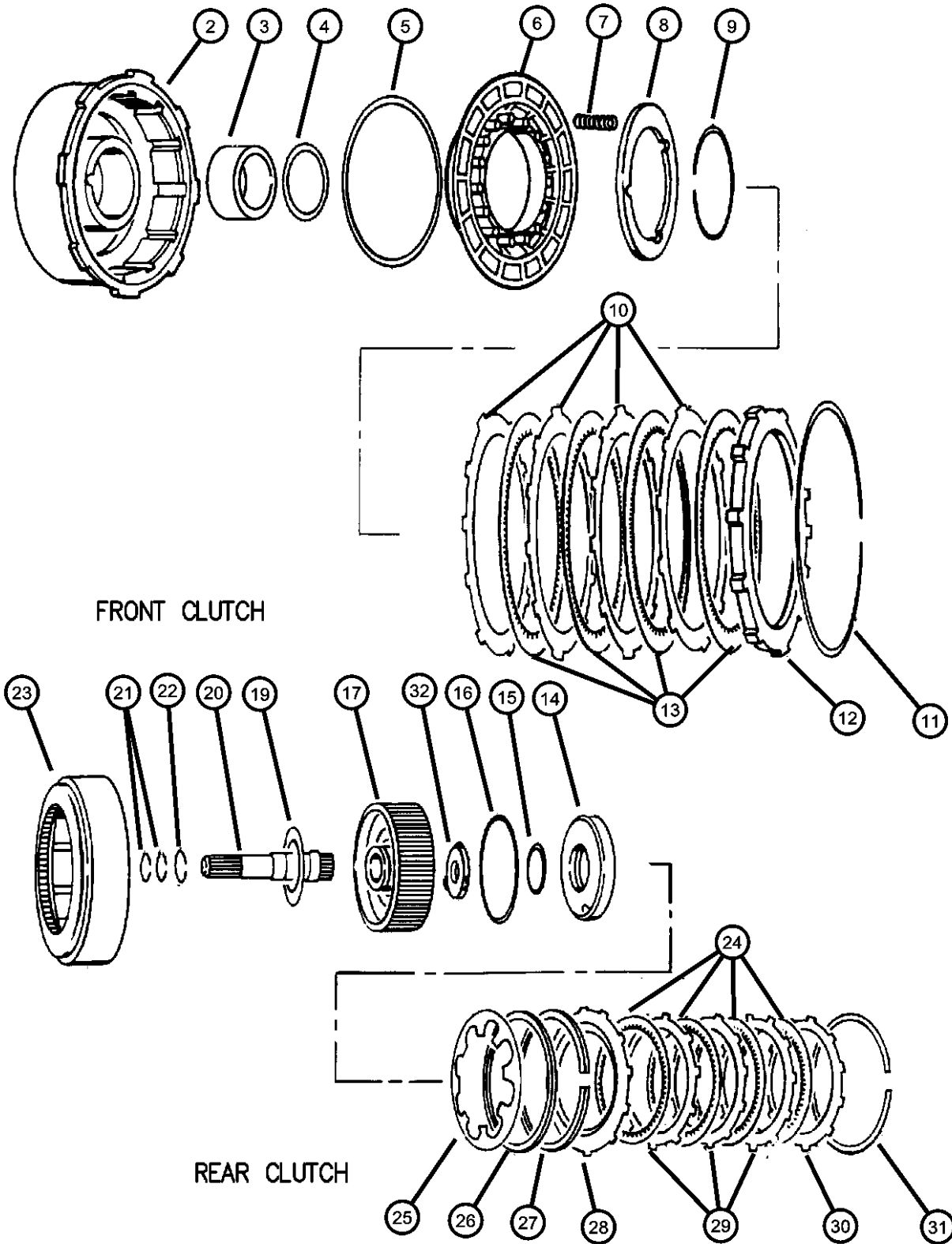
ITEM	PART NUMBER	QTY	LINE	SERIES	BODY	ENGINE	TRANS	TRIM	DESCRIPTION
13	04617161	1	1, 2, 3			ET0, EW0	DGP		THRUST WASHER, Front Clutch
		1	6, 7, 8			ET0, EW0	DGP		
14	03743689	2	1, 2, 3			ET0, EW0	DGP		SEAL, Reaction Shaft
		2	6, 7, 8			ET0, EW0	DGP		
15	00179815	6	1, 2, 3			ET0, EW0	DGP		SCREW, Hex Head, .312-18x.687
		6	6, 7, 8			ET0, EW0	DGP		
16	06023943	7	1, 2, 3			ET0, EW0	DGP		SCREW AND WASHER, Hex Flange Head, .312-18x1.375
		7	6, 7, 8			ET0, EW0	DGP		

RAM PICKUP/CLUB CAB (BE)

SERIES	LINE	BODY	ENGINE	TRANSMISSION
L = RAM 1500, 2500, 3500	1 = Lt. Duty DODGE 2WD 2 = Med. Duty DODGE 2WD 3 = HD DODGE 2WD 6 = Lt. Duty DODGE 4WD 7 = Med. Duty DODGE 4WD 8 = HD DODGE 4WD	31 = CLUB CAB 2-DR 6.5 FT BOX 32 = CLUB CAB 2-DR 8FT BOX 33 = QUAD CAB 4-DR 6.5 FT BOX 34 = QUAD CAB 4-DR 8FT BOX	ETC = 5.9L Cummins 24V Diesel Engine EWA = 8.0L V10 MPI Engine EM0 = ALL 5.9L 8 CYL ENGINES - GAS EMM = 5.9L SMPI V8 Engine EML = 5.9L V8 MPI Engine ELF = 5.2L V8 MPI Engine	DGP = 4-Spd. Automatic 47RE Transmission DD0 = ALL 5 SPEED MANUAL TRANSMISSIONS DG0 = ALL AUTOMATIC TRANSMISSIONS DDC = 5-Speed HD Manual Transmission DDP = 5-Speed Manual Transmission DDX = 5-Speed HD Manual Transmission DEE = 6-Speed HD Manual Transmission DGT = 4-Spd. Automatic 46RE Transmission

AR = use ase required - = Non illustrated part

Clutch, Front and Rear, with Gear Train, 4 Speed 47RE
Figure 47RE-410



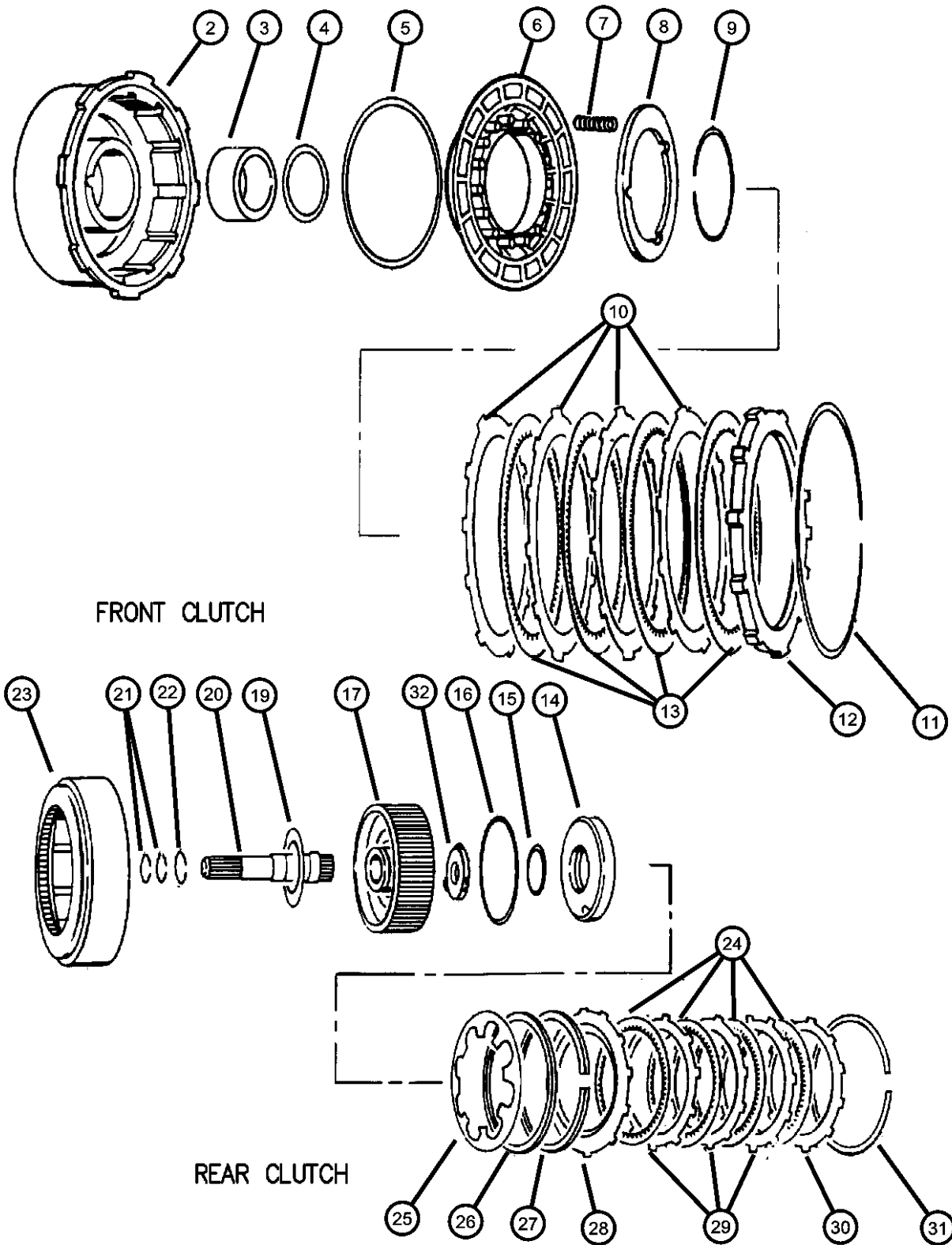
ITEM	PART NUMBER	QTY	LINE	SERIES	BODY	ENGINE	TRANS	TRIM	DESCRIPTION
-1									SEAL PACKAGE, Transmission Clutch
	04637078	1	1, 2, 3			ET0, EW0	DGP		
		1	6, 7, 8			ET0, EW0	DGP		
2									RETAINER, Clutch
	04058648AB	1	1, 2, 3			ET0, EW0	DGP		
		1	6, 7, 8			ET0, EW0	DGP		
3									BUSHING, Front Clutch
	04058647	1	1, 2, 3			ET0, EW0	DGP		
		1	6, 7, 8			ET0, EW0	DGP		
4									SEAL, Front Clutch Piston
	03410226	1	1, 2, 3			ET0, EW0	DGP		Inner
		1	6, 7, 8			ET0, EW0	DGP		Inner
5									SEAL, Front Piston Clutch
	04058484	1	1, 2, 3			ET0, EW0	DGP		Outer
		1	6, 7, 8			ET0, EW0	DGP		Outer
6									PISTON, Clutch
	02464651AB	1	1, 2, 3			ET0, EW0	DGP		
		1	6, 7, 8			ET0, EW0	DGP		
7									SPRING, Front Clutch
	02801243	9	1, 2, 3			ET0, EW0	DGP		
		9	6, 7, 8			ET0, EW0	DGP		
8									RETAINER, Transmission
	02801949	1	1, 2, 3			ET0, EW0	DGP		
		1	6, 7, 8			ET0, EW0	DGP		
9									SNAP RING

RAM PICKUP/CLUB CAB (BE)

SERIES	LINE	BODY	ENGINE	TRANSMISSION
L = RAM 1500, 2500, 3500	1 = Lt. Duty DODGE 2WD	31 = CLUB CAB 2-DR 6.5 FT BOX	ETC = 5.9L Cummins 24V Diesel Engine	DGP = 4-Spd. Automatic 47RE Transmission
	2 = Med. Duty DODGE 2WD	32 = CLUB CAB 2-DR 8FT BOX	EWA = 8.0L V10 MPI Engine	DD0 = ALL 5 SPEED MANUAL TRANSMISSIONS
	3 = HD DODGE 2WD	33 = QUAD CAB 4-DR 6.5 FT BOX	EM0 = ALL 5.9L 8 CYL ENGINES - GAS	DG0 = ALL AUTOMATIC TRANSMISSIONS
	6 = Lt. Duty DODGE 4WD	34 = QUAD CAB 4-DR 8FT BOX	EMM = 5.9L SMPI V8 Engine	DDC = 5-Speed HD Manual Transmission
	7 = Med. Duty DODGE 4WD		EML = 5.9L V8 MPI Engine	DDP = 5-Speed Manual Transmission
	8 = HD DODGE 4WD		ELF = 5.2L V8 MPI Engine	DDX = 5-Speed HD Manual Transmission
				DEE = 6-Speed HD Manual Transmission
				DGT = 4-Spd. Automatic 46RE Transmission

AR = use ase required - = Non illustrated part

**Clutch, Front and Rear, with Gear Train, 4 Speed 47RE
Figure 47RE-410**



ITEM	PART NUMBER	QTY	LINE	SERIES	BODY	ENGINE	TRANS	TRIM	DESCRIPTION
	02124824	1	1, 2, 3			ET0, EW0	DGP		
		1	6, 7, 8			ET0, EW0	DGP		
10	02124826AB	4	1, 2, 3			ET0, EW0	DGP		PLATE, Clutch Separator
		4	6, 7, 8			ET0, EW0	DGP		
11	03410570	1	1, 2, 3			ET0, EW0	DGP		SNAP RING
		1	6, 7, 8			ET0, EW0	DGP		
12	04617567	1	1, 2, 3			ET0, EW0	DGP		PLATE, Transmission Clutch Reaction
		1	6, 7, 8			ET0, EW0	DGP		
13	04617201AB	4	1, 2, 3			ET0, EW0	DGP		DISC, Direct Clutch
		4	6, 7, 8			ET0, EW0	DGP		
14	03743624AB	1	1, 2, 3			ET0, EW0	DGP		PISTON, Clutch
		1	6, 7, 8			ET0, EW0	DGP		
15	01942054	1	1, 2, 3			ET0, EW0	DGP		SEAL, Rear Clutch Piston
		1	6, 7, 8			ET0, EW0	DGP		Inner
16	02124835	1	1, 2, 3			ET0, EW0	DGP		SEAL, Rear Clutch Piston
		1	6, 7, 8			ET0, EW0	DGP		Outer
17	04617855	1	1, 2, 3			ET0, EW0	DGP		RETAINER, Transmission
		1	6, 7, 8			ET0, EW0	DGP		Rear
-18									SEAL, Rear Clutch Retainer

RAM PICKUP/CLUB CAB (BE)

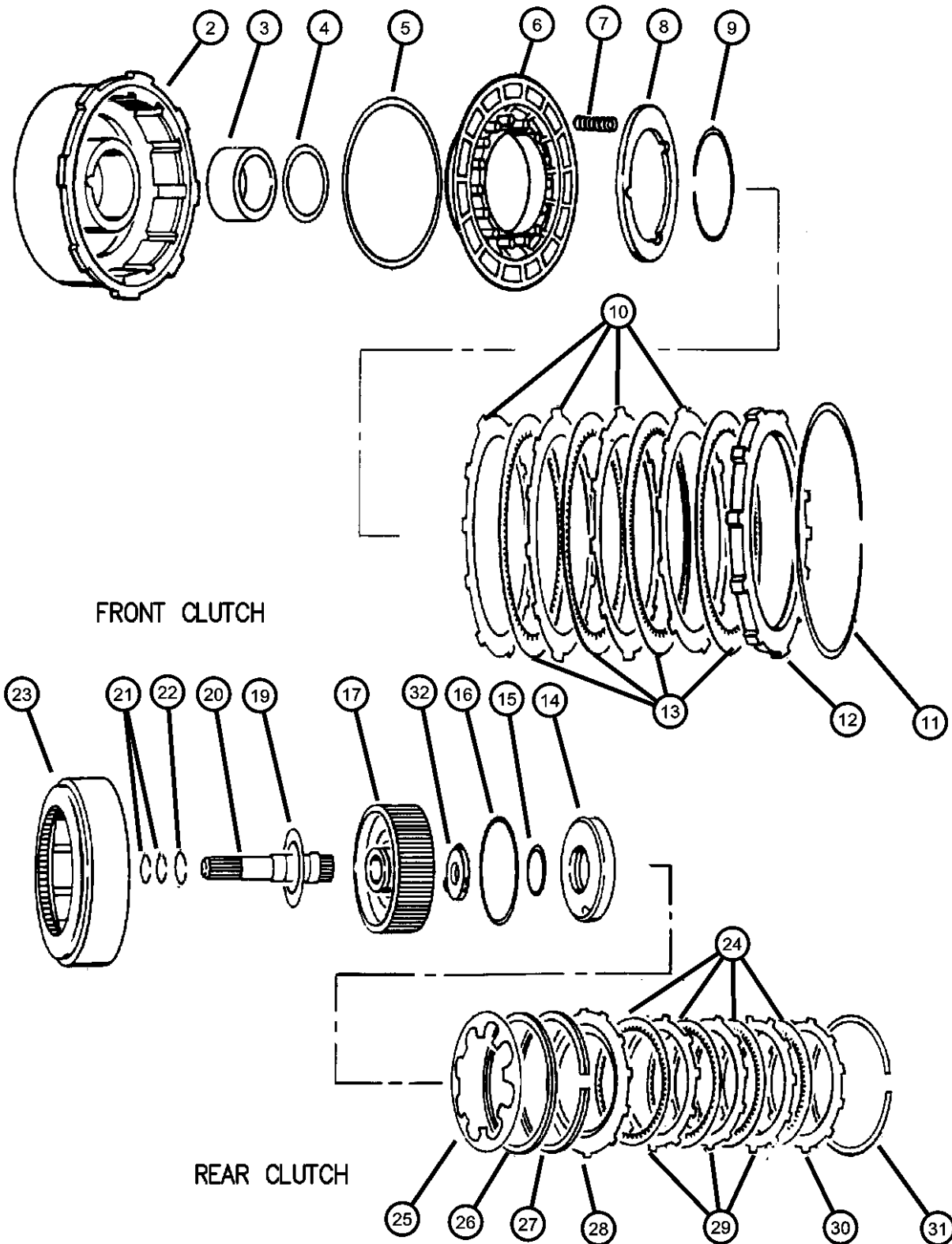
SERIES	LINE
L = RAM 1500, 2500, 3500	1 = Lt. Duty DODGE 2WD 2 = Med. Duty DODGE 2WD 3 = HD DODGE 2WD 6 = Lt. Duty DODGE 4WD 7 = Med. Duty DODGE 4WD 8 = HD DODGE 4WD

BODY	ENGINE
31 = CLUB CAB 2-DR 6.5 FT BOX 32 = CLUB CAB 2-DR 8FT BOX 33 = QUAD CAB 4-DR 6.5 FT BOX 34 = QUAD CAB 4-DR 8FT BOX	ETC = 5.9L Cummins 24V Diesel Engine EWA = 8.0L V10 MPI Engine EM0 = ALL 5.9L 8 CYL ENGINES - GAS EMM = 5.9L SMPI V8 Engine EML = 5.9L V8 MPI Engine ELF = 5.2L V8 MPI Engine

TRANSMISSION
DGP = 4-Spd. Automatic 47RE Transmission DD0 = ALL 5 SPEED MANUAL TRANSMISSIONS DG0 = ALL AUTOMATIC TRANSMISSIONS DDC = 5-Speed HD Manual Transmission DDP = 5-Speed Manual Transmission DDX = 5-Speed HD Manual Transmission DEE = 6-Speed HD Manual Transmission DGT = 4-Spd. Automatic 46RE Transmission

AR = use ase required - = Non illustrated part

**Clutch, Front and Rear, with Gear Train, 4 Speed 47RE
Figure 47RE-410**



ITEM	PART NUMBER	QTY	LINE	SERIES	BODY	ENGINE	TRANS	TRIM	DESCRIPTION
19	04058443	1	1, 2, 3			ET0, EW0	DGP		THRUST WASHER, Front Clutch
		1	6, 7, 8			ET0, EW0	DGP		
20	04617161	1	1, 2, 3			ET0, EW0	DGP		Rear
		1	6, 7, 8			ET0, EW0	DGP		
21	04617396	1	1, 2, 3			ET0, EW0	DGP		SEAL, Input Shaft
		1	6, 7, 8			ET0, EW0	DGP		
22	04741836	1	1, 2, 3			ET0, EW0	DGP		SNAP RING
		1	6, 7, 8			ET0, EW0	DGP		
23	02124872	1	1, 2, 3			ET0, EW0	DGP		RETAINER, Rear Clutch
		1	6, 7, 8			ET0, EW0	DGP		
24	03743622	1	1, 2, 3			ET0, EW0	DGP		DISC, Clutch
		1	6, 7, 8			ET0, EW0	DGP		
25	02801992AB	4	1, 2, 3			ET0, EW0	DGP		SPRING, Rear Clutch Piston
		4	6, 7, 8			ET0, EW0	DGP		
26	03743621AB	1	1, 2, 3			ET0, EW0	DGP		SPACER, Rear Clutch Piston
		1	6, 7, 8			ET0, EW0	DGP		
27	03515077	1	1, 2, 3			ET0, EW0	DGP		SPRING, Rear Clutch Wave
	02466806	1	1, 2, 3			ET0, EW0	DGP		

RAM PICKUP/CLUB CAB (BE)

SERIES LINE
L = RAM 1500, 2500, 3500
1 = Lt. Duty DODGE 2WD
2 = Med. Duty DODGE 2WD
3 = HD DODGE 2WD
6 = Lt. Duty DODGE 4WD
7 = Med. Duty DODGE 4WD
8 = HD DODGE 4WD

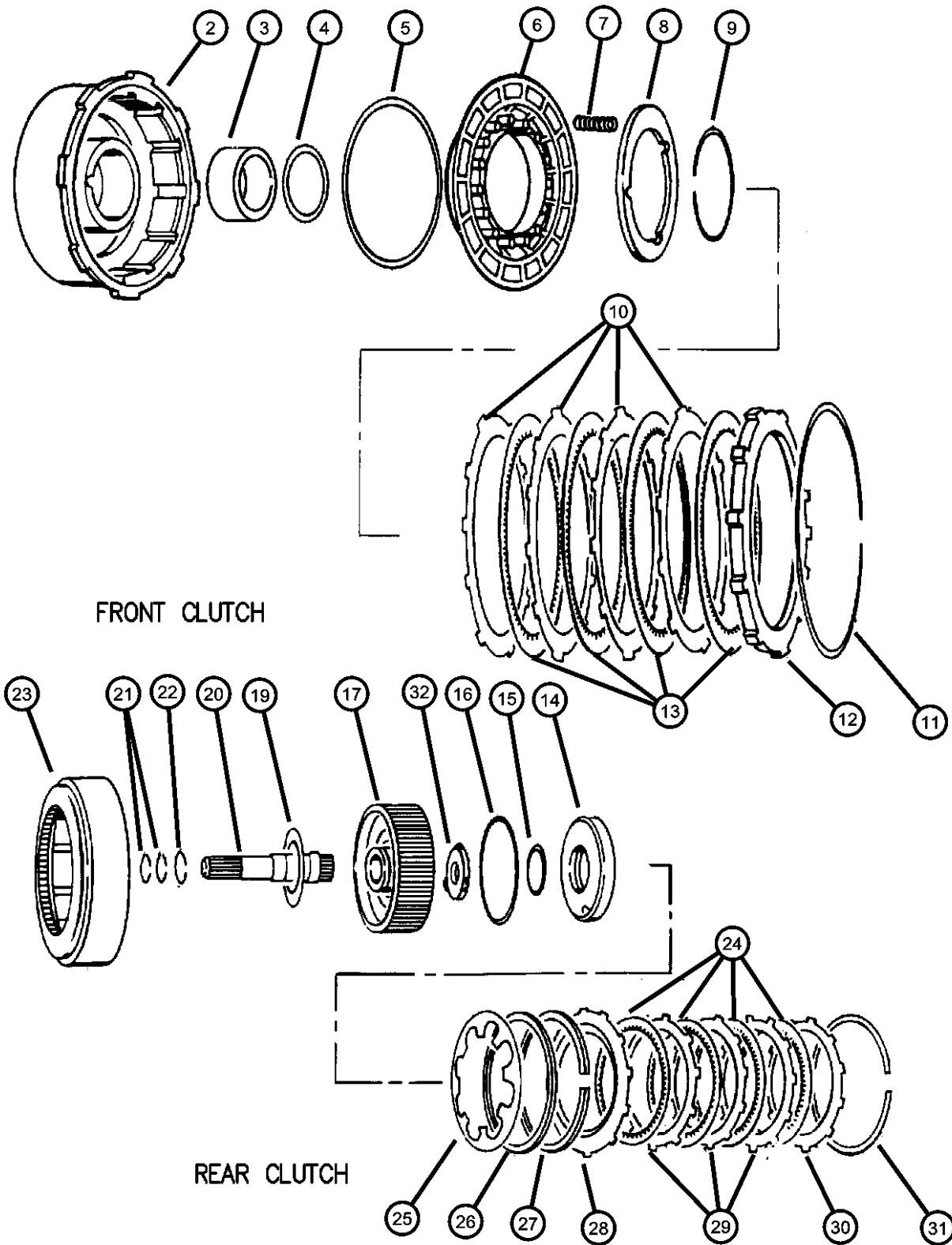
BODY ENGINE TRANSMISSION
31 = CLUB CAB 2-DR 6.5 FT BOX
32 = CLUB CAB 2-DR 8FT BOX
33 = QUAD CAB 4-DR 6.5 FT BOX
34 = QUAD CAB 4-DR 8FT BOX
ETC = 5.9L Cummins 24V Diesel Engine
EWA = 8.0L V10 MPI Engine
EM0 = ALL 5.9L 8 CYL ENGINES - GAS
EMM = 5.9L SMPI V8 Engine
EML = 5.9L V8 MPI Engine
ELF = 5.2L V8 MPI Engine

TRANSMISSION
DGP = 4-Spd. Automatic 47RE Transmission
DD0 = ALL 5 SPEED MANUAL TRANSMISSIONS
DG0 = ALL AUTOMATIC TRANSMISSIONS
DDC = 5-Speed HD Manual Transmission
DDP = 5-Speed Manual Transmission
DDX = 5-Speed HD Manual Transmission
DEE = 6-Speed HD Manual Transmission
DGT = 4-Spd. Automatic 46RE Transmission

AR = use ase required - = Non illustrated part

1999 BE

Clutch, Front and Rear, with Gear Train, 4 Speed 47RE
Figure 47RE-410



ITEM	PART NUMBER	QTY	LINE	SERIES	BODY	ENGINE	TRANS	TRIM	DESCRIPTION
28		1	6, 7, 8			ET0, EW0	DGP		Wave PLATE, Clutch Pressure
	02466803	1	1, 2, 3			ET0, EW0	DGP		Rear
		1	6, 7, 8			ET0, EW0	DGP		Rear
29		4	1, 2, 3			ET0, EW0	DGP		PLATE, Clutch Separator
	02124826AB	4	6, 7, 8			ET0, EW0	DGP		
30		1	1, 2, 3			ET0, EW0	DGP		PLATE, Transmission Clutch Reaction
	04617567	1	6, 7, 8			ET0, EW0	DGP		
31		1	1, 2, 3			ET0, EW0	DGP		SNAP RING
	01942063	1	6, 7, 8			ET0, EW0	DGP		.060" Thick
	01942064	1	1, 2, 3			ET0, EW0	DGP		.060" Thick
	01942065	1	6, 7, 8			ET0, EW0	DGP		.074" Thick
	02466811	1	1, 2, 3			ET0, EW0	DGP		.074" Thick
		1	6, 7, 8			ET0, EW0	DGP		.088" Thick
		1	1, 2, 3			ET0, EW0	DGP		.088" Thick
		1	6, 7, 8			ET0, EW0	DGP		.106" Thick
		1	6, 7, 8			ET0, EW0	DGP		.106" Thick
32		1	1, 2, 3			ET0, EW0	DGP		THRUST WASHER, Output Shaft, Red .068
	04505186	1	6, 7, 8			ET0, EW0	DGP		
-33		1	1, 2, 3			ET0, EW0	DGP		CHECK BALL, Dia-.187
	00147483	1	6, 7, 8			ET0, EW0	DGP		

RAM PICKUP/CLUB CAB (BE)

SERIES LINE
L = RAM 1500, 2500, 3500
1 = Lt. Duty DODGE 2WD
2 = Med. Duty DODGE 2WD
3 = HD DODGE 2WD
6 = Lt. Duty DODGE 4WD
7 = Med. Duty DODGE 4WD
8 = HD DODGE 4WD

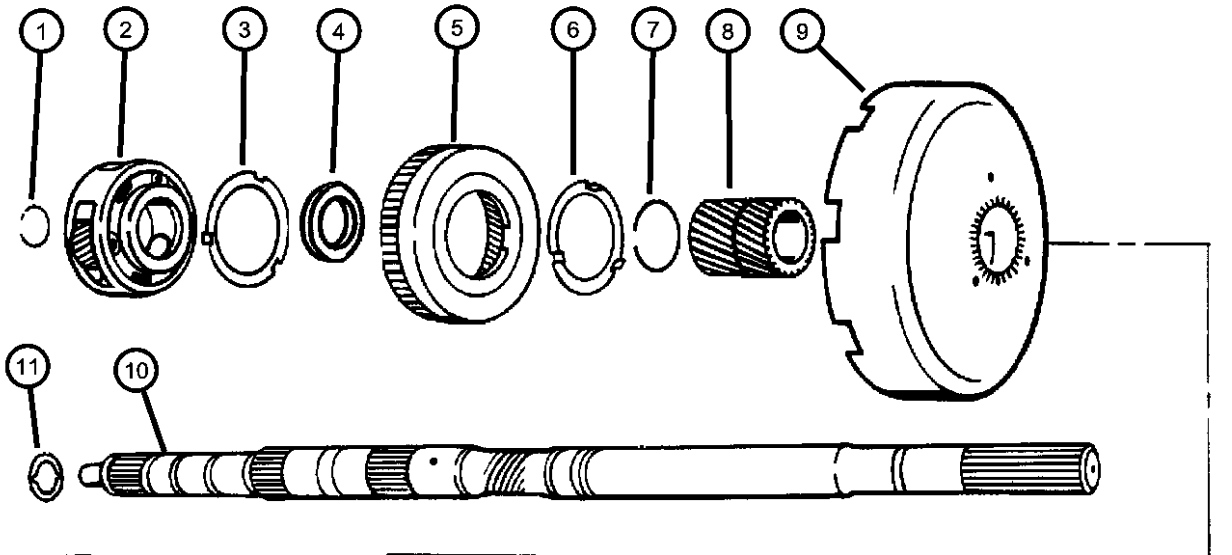
BODY
31 = CLUB CAB 2-DR 6.5 FT BOX
32 = CLUB CAB 2-DR 8FT BOX
33 = QUAD CAB 4-DR 6.5 FT BOX
34 = QUAD CAB 4-DR 8FT BOX
ENGINE
ETC = 5.9L Cummins 24V Diesel Engine
EWA = 8.0L V10 MPI Engine
EM0 = ALL 5.9L 8 CYL ENGINES - GAS
EMM = 5.9L SMPI V8 Engine
EML = 5.9L V8 MPI Engine
ELF = 5.2L V8 MPI Engine

TRANSMISSION
DGP = 4-Spd. Automatic 47RE Transmission
DD0 = ALL 5 SPEED MANUAL TRANSMISSIONS
DG0 = ALL AUTOMATIC TRANSMISSIONS
DDC = 5-Speed HD Manual Transmission
DDP = 5-Speed Manual Transmission
DDX = 5-Speed HD Manual Transmission
DEE = 6-Speed HD Manual Transmission
DGT = 4-Spd. Automatic 46RE Transmission

AR = use ase required - = Non illustrated part

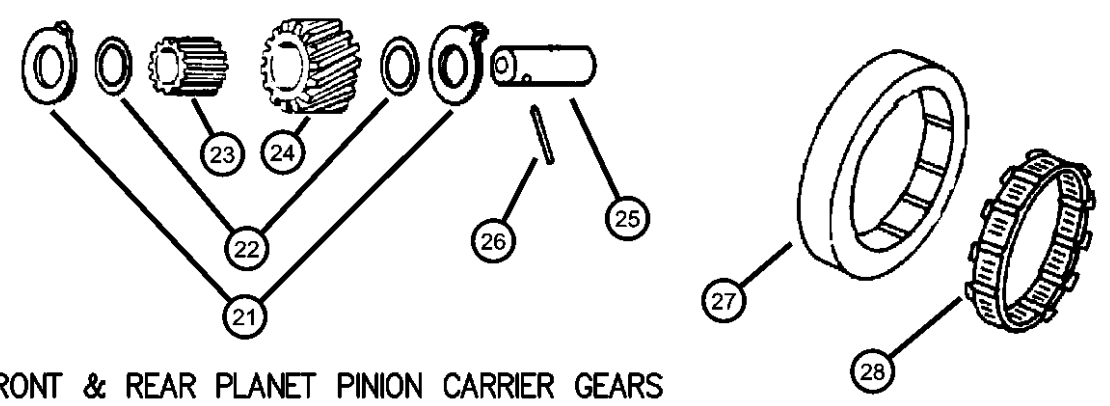
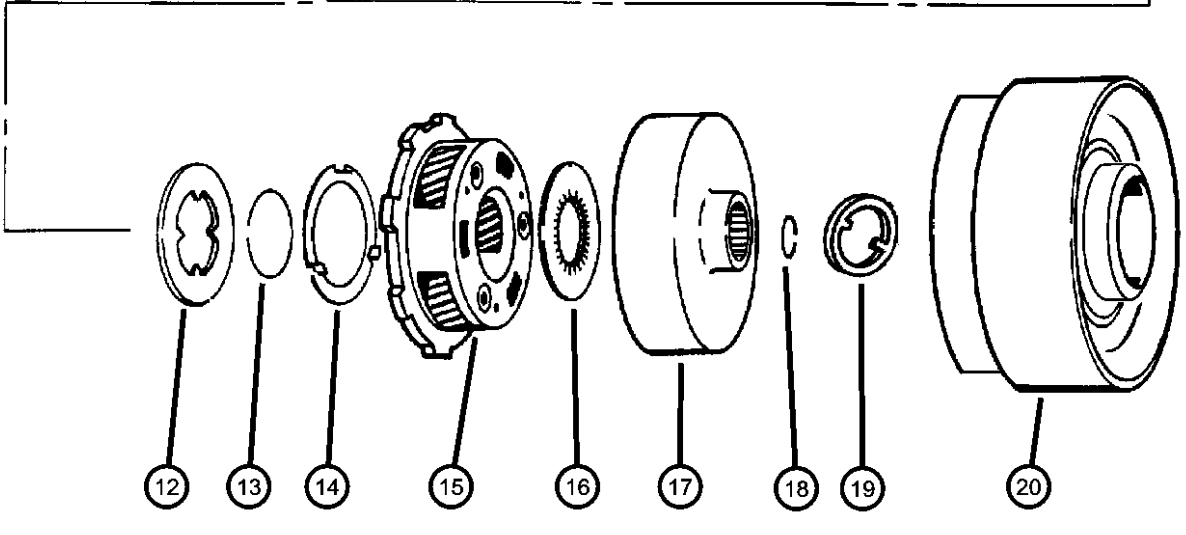
Gear Train and Intermediate Shaft,4 Speed 47RE

Figure 47RE-420



ITEM	PART NUMBER	QTY	LINE	SERIES	BODY	ENGINE	TRANS	TRIM	DESCRIPTION
1	06024311	1	1, 2, 3			ET0, EW0	DGP		SNAP RING, 1.108 Free Diameter .055-.059" Thick
		1	6, 7, 8			ET0, EW0	DGP		.055-.059" Thick
	06024312	1	1, 2, 3			ET0, EW0	DGP		.062-.066" Thick
		1	6, 7, 8			ET0, EW0	DGP		.062-.066" Thick
2	04617998	1	1, 2, 3			ET0, EW0	DGP		CARRIER, Planetary Pinion
		1	6, 7, 8			ET0, EW0	DGP		
3	04539129	1	1, 2, 3			ET0, EW0	DGP		THRUST WASHER, Planetary Carrier
		1	6, 7, 8			ET0, EW0	DGP		
4	04617951	1	1, 2, 3			ET0, EW0	DGP		BUSHING, Support Case
		1	6, 7, 8			ET0, EW0	DGP		
5	02892656	1	1, 2, 3			ET0, EW0	DGP		GEAR, Front Annulus
		1	6, 7, 8			ET0, EW0	DGP		
6	04618000	1	1, 2, 3			ET0, EW0	DGP		WASHER
		1	6, 7, 8			ET0, EW0	DGP		
7	01736521	1	1, 2, 3			ET0, EW0	DGP		SNAP RING, Sun Gear
		1	6, 7, 8			ET0, EW0	DGP		
8	02801311	1	1, 2, 3			ET0, EW0	DGP		GEAR, Sun

NOTES: Sales Codes
 [DGP] = 4 Speed Automatic Transmission 47RE
 [EM0] = All 8.0L Gas Engines
 [ET0] = All 5.9L Turbo Diesel Engines



FRONT & REAR PLANET PINION CARRIER GEARS

RAM PICKUP/CLUB CAB (BE)

SERIES	LINE
L = RAM 1500, 2500, 3500	1 = Lt. Duty DODGE 2WD 2 = Med. Duty DODGE 2WD 3 = HD DODGE 2WD 6 = Lt. Duty DODGE 4WD 7 = Med. Duty DODGE 4WD 8 = HD DODGE 4WD

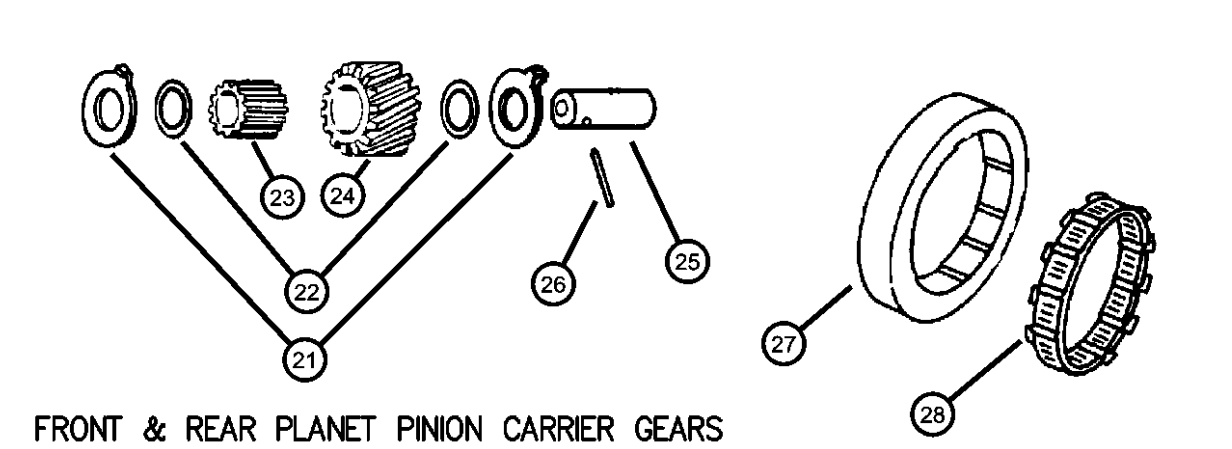
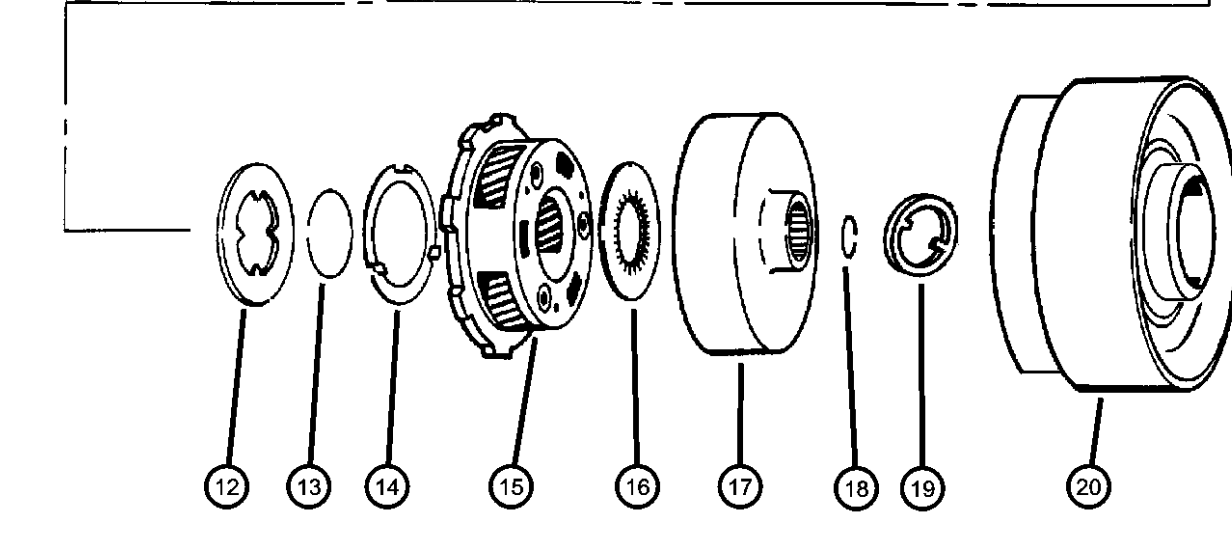
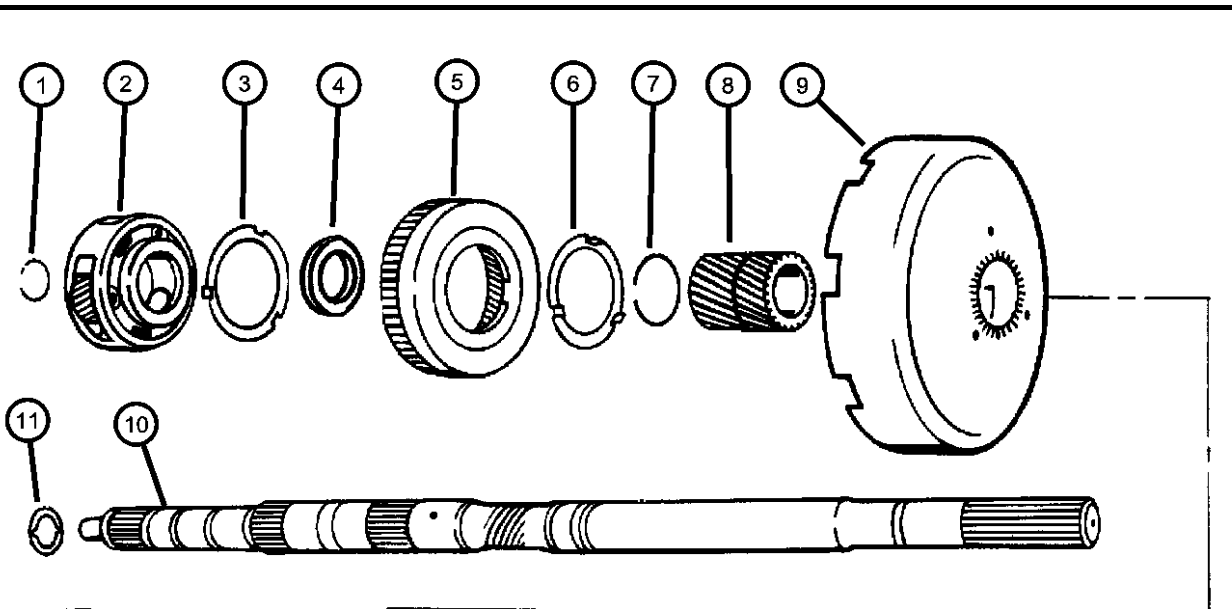
BODY	ENGINE
31 = CLUB CAB 2-DR 6.5 FT BOX 32 = CLUB CAB 2-DR 8FT BOX 33 = QUAD CAB 4-DR 6.5 FT BOX 34 = QUAD CAB 4-DR 8FT BOX	ETC = 5.9L Cummins 24V Diesel Engine EWA = 8.0L V10 MPI Engine EM0 = ALL 5.9L 8 CYL ENGINES - GAS EMM = 5.9L SMPI V8 Engine EML = 5.9L V8 MPI Engine ELF = 5.2L V8 MPI Engine

TRANSMISSION
DGP = 4-Spd. Automatic 47RE Transmission DD0 = ALL 5 SPEED MANUAL TRANSMISSIONS DG0 = ALL AUTOMATIC TRANSMISSIONS DDC = 5-Speed HD Manual Transmission DDP = 5-Speed Manual Transmission DDX = 5-Speed HD Manual Transmission DEE = 6-Speed HD Manual Transmission DGT = 4-Spd. Automatic 46RE Transmission

AR = use ase required - = Non illustrated part

Gear Train and Intermediate Shaft,4 Speed 47RE

Figure 47RE-420



ITEM	PART NUMBER	QTY	LINE	SERIES	BODY	ENGINE	TRANS	TRIM	DESCRIPTION
9		1	6, 7, 8			ET0, EW0	DGP		SHELL, Sun Gear
	04617978	1	1, 2, 3			ET0, EW0	DGP		
10		1	6, 7, 8			ET0, EW0	DGP		INTERMEDIATE SHAFT, Transmission
	04617611	1	1, 2, 3			ET0, EW0	DGP		
11		1	1, 2, 3			ET0, EW0	DGP		PLATE, Transmission Module
	04505188	1	6, 7, 8			ET0, EW0	DGP		
12		1	1, 2, 3			ET0, EW0	DGP		PLATE, Sun Gear Driving Shell
	01942080	1	6, 7, 8			ET0, EW0	DGP		
13		1	1, 2, 3			ET0, EW0	DGP		SNAP RING, Sun Gear
	01736521	1	6, 7, 8			ET0, EW0	DGP		
14		1	1, 2, 3			ET0, EW0	DGP		THRUST WASHER, Planetary Carrier
	04617888	1	6, 7, 8			ET0, EW0	DGP		
15		1	1, 2, 3			ET0, EW0	DGP		CARRIER, Planetary Pinion
	02801061	1	6, 7, 8			ET0, EW0	DGP		
16		1	1, 2, 3			ET0, EW0	DGP		PLATE, Annulus Gear Thrust
	02400580	1	6, 7, 8			ET0, EW0	DGP		
17		1	1, 2, 3			ET0, EW0	DGP		GEAR, Rear Annulus
	04810002AB	1							

RAM PICKUP/CLUB CAB (BE)

SERIES	LINE
L = RAM 1500, 2500, 3500	1 = Lt. Duty DODGE 2WD
	2 = Med. Duty DODGE 2WD
	3 = HD DODGE 2WD
	6 = Lt. Duty DODGE 4WD
	7 = Med. Duty DODGE 4WD
	8 = HD DODGE 4WD

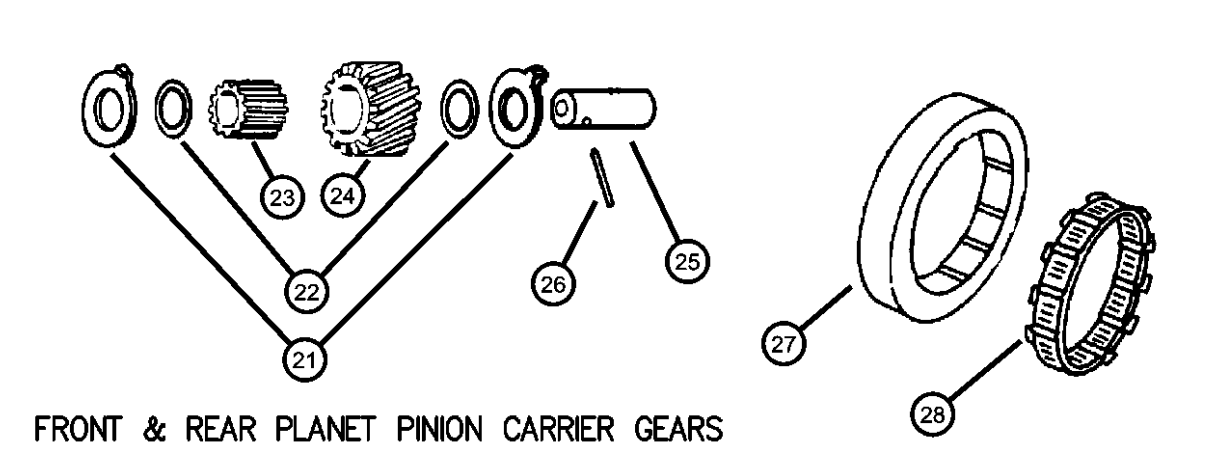
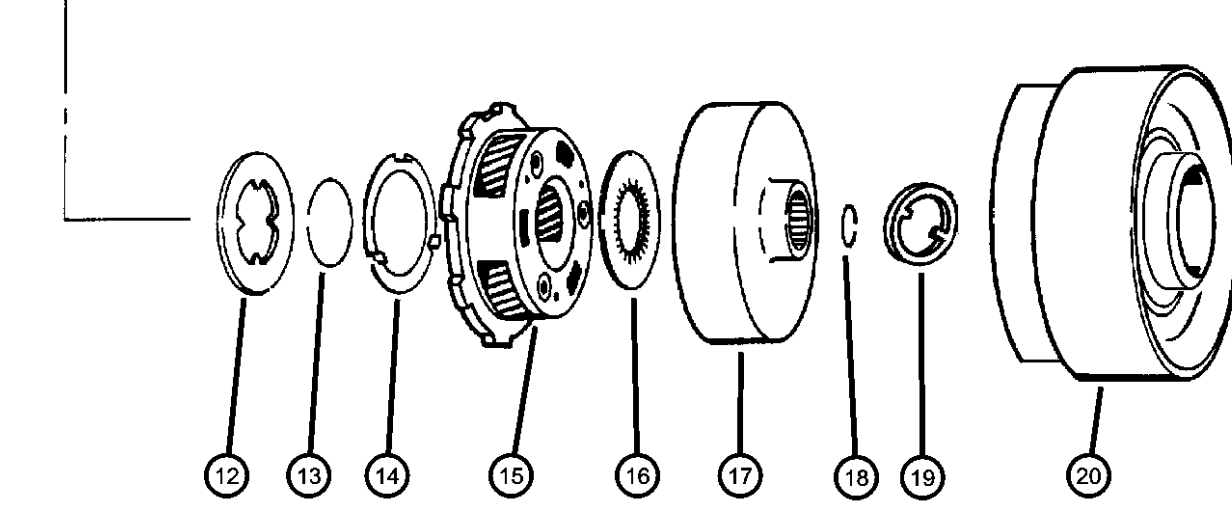
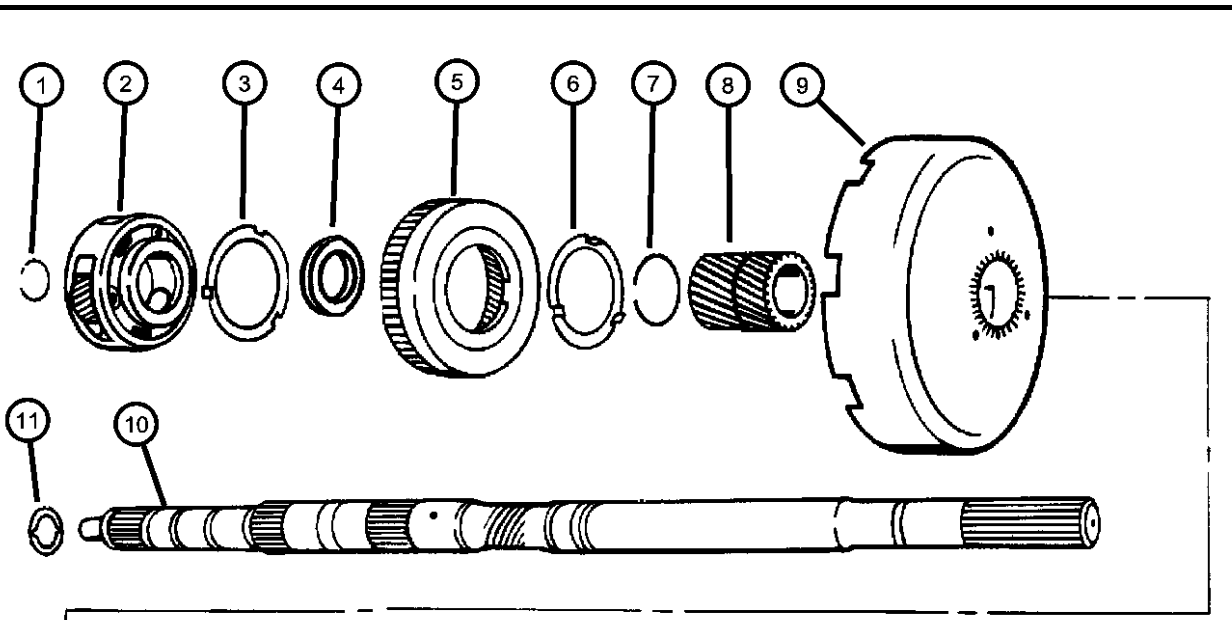
BODY	ENGINE
31 = CLUB CAB 2-DR 6.5 FT BOX	ETC = 5.9L Cummins 24V Diesel Engine
32 = CLUB CAB 2-DR 8FT BOX	EWA = 8.0L V10 MPI Engine
33 = QUAD CAB 4-DR 6.5 FT BOX	EM0 = ALL 5.9L 8 CYL ENGINES - GAS
34 = QUAD CAB 4-DR 8FT BOX	EMM = 5.9L SMPI V8 Engine
	EML = 5.9L V8 MPI Engine
	ELF = 5.2L V8 MPI Engine

TRANSMISSION
DGP = 4-Spd. Automatic 47RE Transmission
DD0 = ALL 5 SPEED MANUAL TRANSMISSIONS
DG0 = ALL AUTOMATIC TRANSMISSIONS
DDC = 5-Speed HD Manual Transmission
DDP = 5-Speed Manual Transmission
DDX = 5-Speed HD Manual Transmission
DEE = 6-Speed HD Manual Transmission
DGT = 4-Spd. Automatic 46RE Transmission

AR = use ase required - = Non illustrated part

Gear Train and Intermediate Shaft,4 Speed 47RE

Figure 47RE-420



FRONT & REAR PLANET PINION CARRIER GEARS

ITEM	PART NUMBER	QTY	LINE	SERIES	BODY	ENGINE	TRANS	TRIM	DESCRIPTION
18		1	6, 7, 8			ET0, EW0	DGP		SNAP RING
	06033591	1	1, 2, 3			ET0, EW0	DGP		
		1	6, 7, 8			ET0, EW0	DGP		
19		1	1, 2, 3			ET0, EW0	DGP		THRUST WASHER, Reverse Drum
	52118059	1	1, 2, 3			ET0, EW0	DGP		
		1	6, 7, 8			ET0, EW0	DGP		
20		1	1, 2, 3			ET0, EW0	DGP		DRUM, Automatic Transmission
	52118057	1	1, 2, 3			ET0, EW0	DGP		
		1	6, 7, 8			ET0, EW0	DGP		
21									THRUST WASHER, Planetary Carrier
	02801315	8	1, 2, 3			ET0, EW0	DGP		Rear
		10	1, 2, 3			ET0, EW0	DGP		Front
		8	6, 7, 8			ET0, EW0	DGP		Rear
		10	6, 7, 8			ET0, EW0	DGP		Front
22									THRUST WASHER, Planet Pinion
	02204649	8	1, 2, 3			ET0, EW0	DGP		Rear
		10	1, 2, 3			ET0, EW0	DGP		Front
		8	6, 7, 8			ET0, EW0	DGP		Rear
		10	6, 7, 8			ET0, EW0	DGP		Front
23									ROLLER, Front and Rear Pinion
	03743664	92	1, 2, 3			ET0, EW0	DGP		Rear
		115	1, 2, 3			ET0, EW0	DGP		Front
		92	6, 7, 8			ET0, EW0	DGP		Rear
		115	6, 7, 8			ET0, EW0	DGP		Front
24									PINION, Transmission Planetary
	02400667	4	1, 2, 3			ET0, EW0	DGP		Rear

RAM PICKUP/CLUB CAB (BE)

SERIES	LINE
L = RAM 1500, 2500, 3500	1 = Lt. Duty DODGE 2WD
	2 = Med. Duty DODGE 2WD
	3 = HD DODGE 2WD
	6 = Lt. Duty DODGE 4WD
	7 = Med. Duty DODGE 4WD
	8 = HD DODGE 4WD

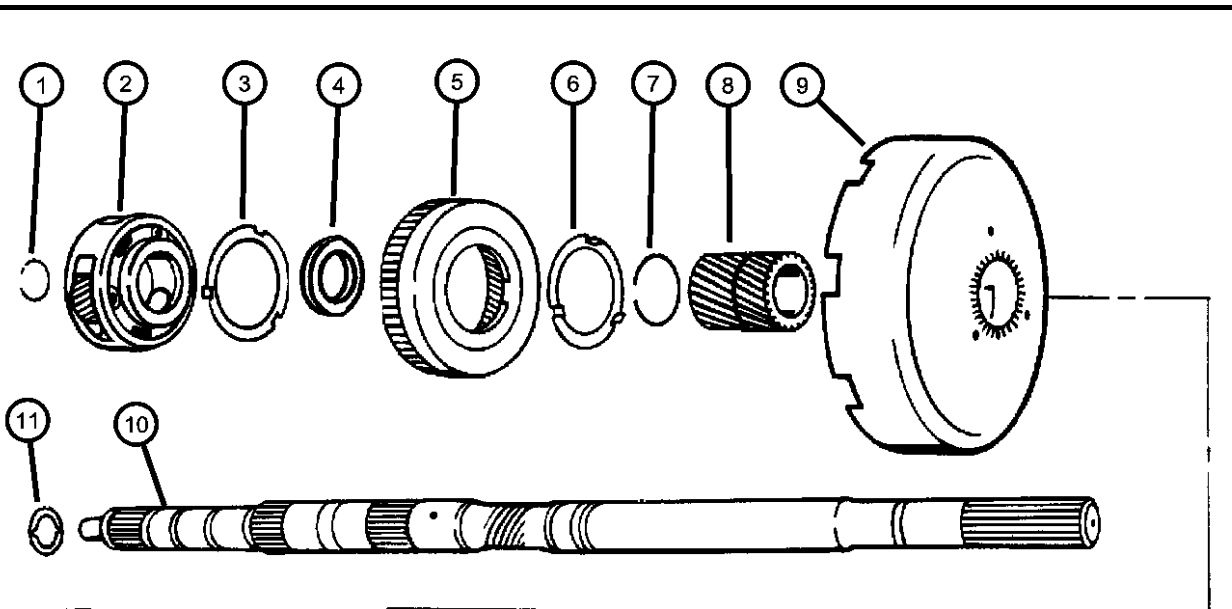
BODY	ENGINE
31 = CLUB CAB 2-DR 6.5 FT BOX	ETC = 5.9L Cummins 24V Diesel Engine
32 = CLUB CAB 2-DR 8FT BOX	EWA = 8.0L V10 MPI Engine
33 = QUAD CAB 4-DR 6.5 FT BOX	EM0 = ALL 5.9L 8 CYL ENGINES - GAS
34 = QUAD CAB 4-DR 8FT BOX	EMM = 5.9L SMPI V8 Engine
	EML = 5.9L V8 MPI Engine
	ELF = 5.2L V8 MPI Engine

TRANSMISSION
DGP = 4-Spd. Automatic 47RE Transmission
DD0 = ALL 5 SPEED MANUAL TRANSMISSIONS
DG0 = ALL AUTOMATIC TRANSMISSIONS
DDC = 5-Speed HD Manual Transmission
DDP = 5-Speed Manual Transmission
DDX = 5-Speed HD Manual Transmission
DEE = 6-Speed HD Manual Transmission
DGT = 4-Spd. Automatic 46RE Transmission

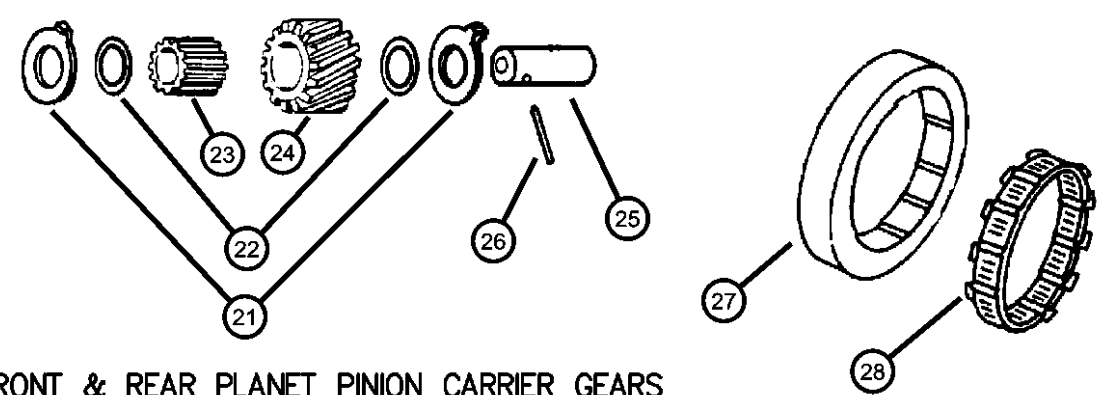
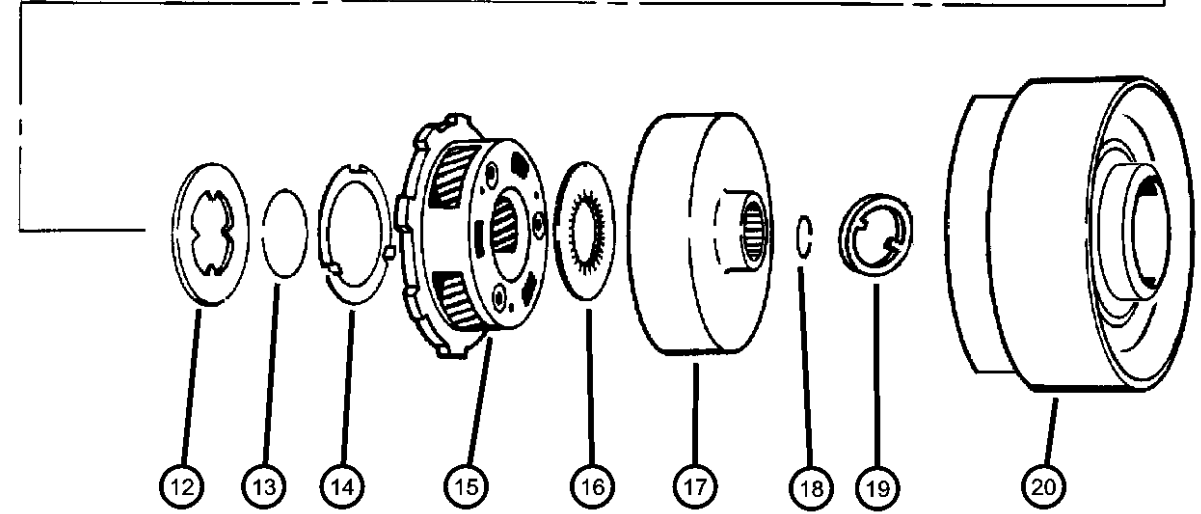
AR = use ase required - = Non illustrated part

Gear Train and Intermediate Shaft,4 Speed 47RE

Figure 47RE-420



ITEM	PART NUMBER	QTY	LINE	SERIES	BODY	ENGINE	TRANS	TRIM	DESCRIPTION
25	04428223	5	1, 2, 3			ET0, EW0	DGP		Front
		4	6, 7, 8			ET0, EW0	DGP		Rear
		5	6, 7, 8			ET0, EW0	DGP		Front
		5	1, 2, 3			ET0, EW0	DGP		SHAFT, Planetary
		5	6, 7, 8			ET0, EW0	DGP		
26	06024666	4	1, 2, 3			ET0, EW0	DGP		Rear
		4	6, 7, 8			ET0, EW0	DGP		Rear
		5	1, 2, 3			ET0, EW0	DGP		DOWEL, .108x1.00
		5	6, 7, 8			ET0, EW0	DGP		
27	04471473	1	1, 2, 3			ET0, EW0	DGP		CAM, Overrunning Clutch
		1	6, 7, 8			ET0, EW0	DGP		
28	04617199	1	1, 2, 3			ET0, EW0	DGP		CLUTCH, Overrunning
		1	6, 7, 8			ET0, EW0	DGP		
		1	6, 7, 8			ET0, EW0	DGP		



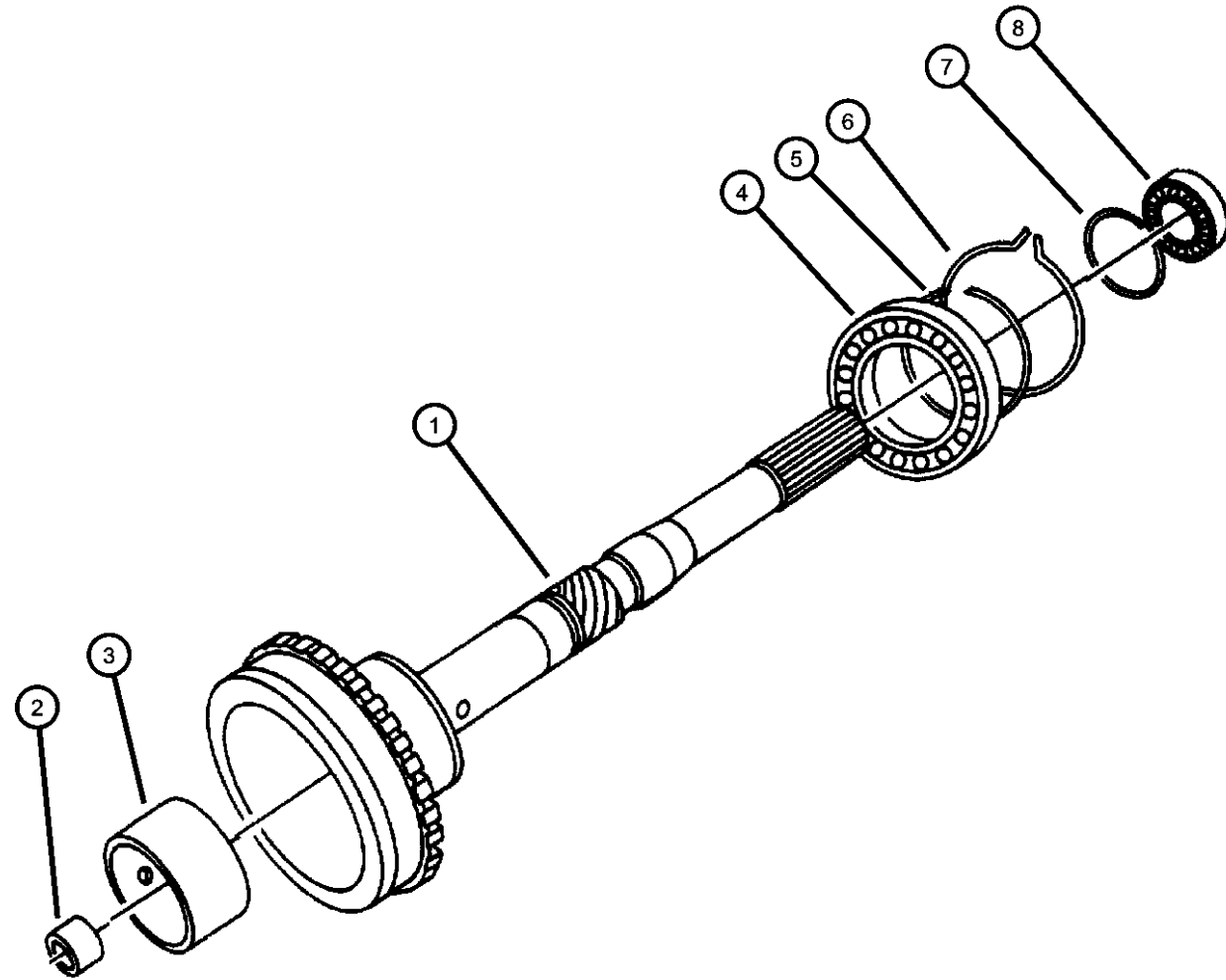
FRONT & REAR PLANET PINION CARRIER GEARS

RAM PICKUP/CLUB CAB (BE)

SERIES	LINE	BODY	ENGINE	TRANSMISSION
L = RAM 1500, 2500, 3500	1 = Lt. Duty DODGE 2WD 2 = Med. Duty DODGE 2WD 3 = HD DODGE 2WD 6 = Lt. Duty DODGE 4WD 7 = Med. Duty DODGE 4WD 8 = HD DODGE 4WD	31 = CLUB CAB 2-DR 6.5 FT BOX 32 = CLUB CAB 2-DR 8FT BOX 33 = QUAD CAB 4-DR 6.5 FT BOX 34 = QUAD CAB 4-DR 8FT BOX	ETC = 5.9L Cummins 24V Diesel Engine EWA = 8.0L V10 MPI Engine EM0 = ALL 5.9L 8 CYL ENGINES - GAS EMM = 5.9L SMPI V8 Engine EML = 5.9L V8 MPI Engine ELF = 5.2L V8 MPI Engine	DGP = 4-Spd. Automatic 47RE Transmission DD0 = ALL 5 SPEED MANUAL TRANSMISSIONS DG0 = ALL AUTOMATIC TRANSMISSIONS DDC = 5-Speed HD Manual Transmission DDP = 5-Speed Manual Transmission DDX = 5-Speed HD Manual Transmission DEE = 6-Speed HD Manual Transmission DGT = 4-Spd. Automatic 46RE Transmission

AR = use ase required - = Non illustrated part

**Output Shaft, 4 Speed 47RE
Figure 47RE-430**



ITEM	PART NUMBER	QTY	LINE	SERIES	BODY	ENGINE	TRANS	TRIM	DESCRIPTION
NOTES: Sales Codes [DGP] = 4 Speed Automatic Transmission 47RE [EM0] = All 8.0L Gas Engines [ET0] = All 5.9L Turbo Diesel Engines									
1	04874036	1	6, 7, 8			ET0, EW0	DGP		OUTPUT SHAFT, Transmission
	05003233AA	1	1, 2, 3			ET0, EW0	DGP		
2	05003233AA	1							BUSHING, (NOT SERVICED)
3	05003233AA	1							BUSHING, (NOT SERVICED)
4	04461008	1	1, 2, 3			ET0, EW0	DGP		BEARING, Output Shaft
		1	6, 7, 8			ET0, EW0	DGP		
5	04461068	1	1, 2, 3			ET0, EW0	DGP		SNAP RING
		1	6, 7, 8			ET0, EW0	DGP		
6	04461057	1	1, 2, 3			ET0, EW0	DGP		SNAP RING
		1	6, 7, 8			ET0, EW0	DGP		
7	04461069	1	1, 2, 3			ET0, EW0	DGP		SNAP RING
8	02466224	1	1, 2, 3			ET0, EW0	DGP		BEARING, Output Shaft
		1	6, 7, 8				DG0		

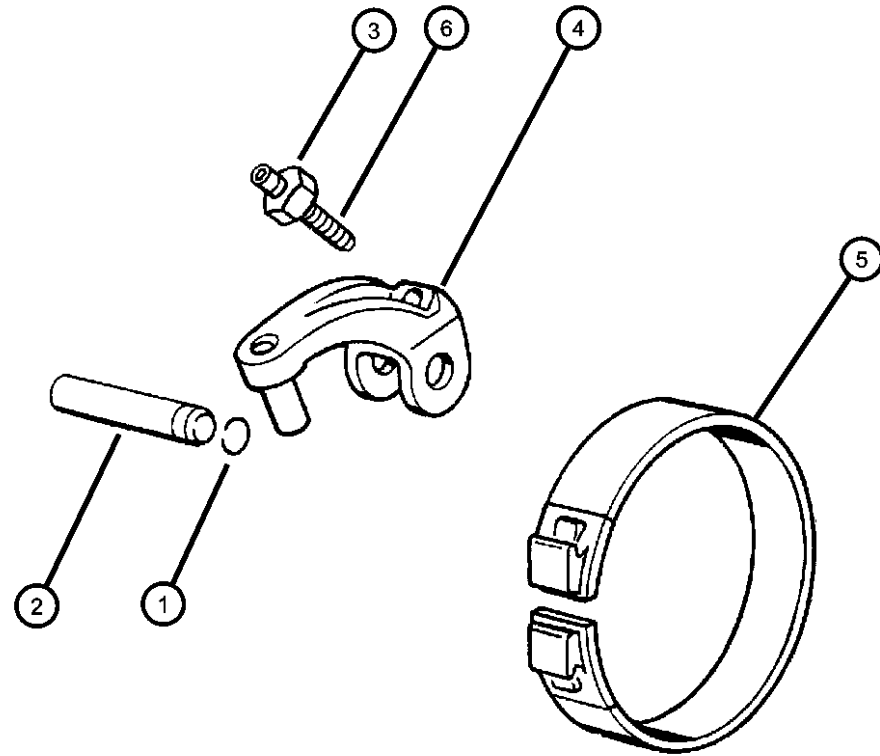
RAM PICKUP/CLUB CAB (BE)

SERIES	LINE	BODY	ENGINE	TRANSMISSION
L = RAM 1500, 2500, 3500	1 = Lt. Duty DODGE 2WD 2 = Med. Duty DODGE 2WD 3 = HD DODGE 2WD 6 = Lt. Duty DODGE 4WD 7 = Med. Duty DODGE 4WD 8 = HD DODGE 4WD	31 = CLUB CAB 2-DR 6.5 FT BOX 32 = CLUB CAB 2-DR 8FT BOX 33 = QUAD CAB 4-DR 6.5 FT BOX 34 = QUAD CAB 4-DR 8FT BOX	ETC = 5.9L Cummins 24V Diesel Engine EWA = 8.0L V10 MPI Engine EM0 = ALL 5.9L 8 CYL ENGINES - GAS EMM = 5.9L SMPI V8 Engine EML = 5.9L V8 MPI Engine ELF = 5.2L V8 MPI Engine	DGP = 4-Spd. Automatic 47RE Transmission DD0 = ALL 5 SPEED MANUAL TRANSMISSIONS DG0 = ALL AUTOMATIC TRANSMISSIONS DDC = 5-Speed HD Manual Transmission DDP = 5-Speed Manual Transmission DDX = 5-Speed HD Manual Transmission DEE = 6-Speed HD Manual Transmission DGT = 4-Spd. Automatic 46RE Transmission

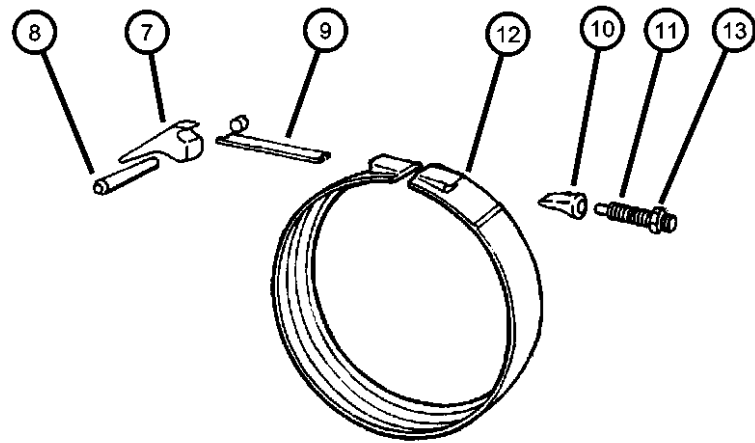
AR = use ase required - = Non illustrated part

1999 BE

Bands, Reverse and Kickdown with Linkage, 4 Speed 47RE
Figure 47RE-510



REVERSE BAND



KICKDOWN BAND

ITEM	PART NUMBER	QTY	LINE	SERIES	BODY	ENGINE	TRANS	TRIM	DESCRIPTION
NOTES: Sales Codes [DGP] = 4 Speed Automatic Transmission 47RE [EM0] = All 8.0L Gas Engines [ET0] = All 5.9L Turbo Diesel Engines									
1	01556385	2	1, 2, 3			ET0, EW0	DGP		O RING
		2	6, 7, 8			ET0, EW0	DGP		
2	04531234	1	1, 2, 3			ET0, EW0	DGP		SHAFT, Band Lever
		1	6, 7, 8			ET0, EW0	DGP		
3	00114942	1	1, 2, 3			ET0, EW0	DGP		NUT, Hex, .375-24
		1	6, 7, 8			ET0, EW0	DGP		
4	04531226AB	1	1, 2, 3			ET0, EW0	DGP		LEVER, Reverse Band
		1	6, 7, 8			ET0, EW0	DGP		
5	04531231	1	1, 2, 3			ET0, EW0	DGP		BAND, Reverse
		1	6, 7, 8			ET0, EW0	DGP		
6	02538472	1	1, 2, 3			ET0, EW0	DGP		SCREW, Trans Reverse Band Adjusting, .375-24-1.88
		1	6, 7, 8			ET0, EW0	DGP		
7	02125067	1	1, 2, 3			ET0, EW0	DGP		LEVER, Kickdown
		1	6, 7, 8			ET0, EW0	DGP		
8	04531181	1	1, 2, 3			ET0, EW0	DGP		SHAFT, Band Lever
		1	6, 7, 8			ET0, EW0	DGP		
9									STRUT, Kickdown Band

RAM PICKUP/CLUB CAB (BE)

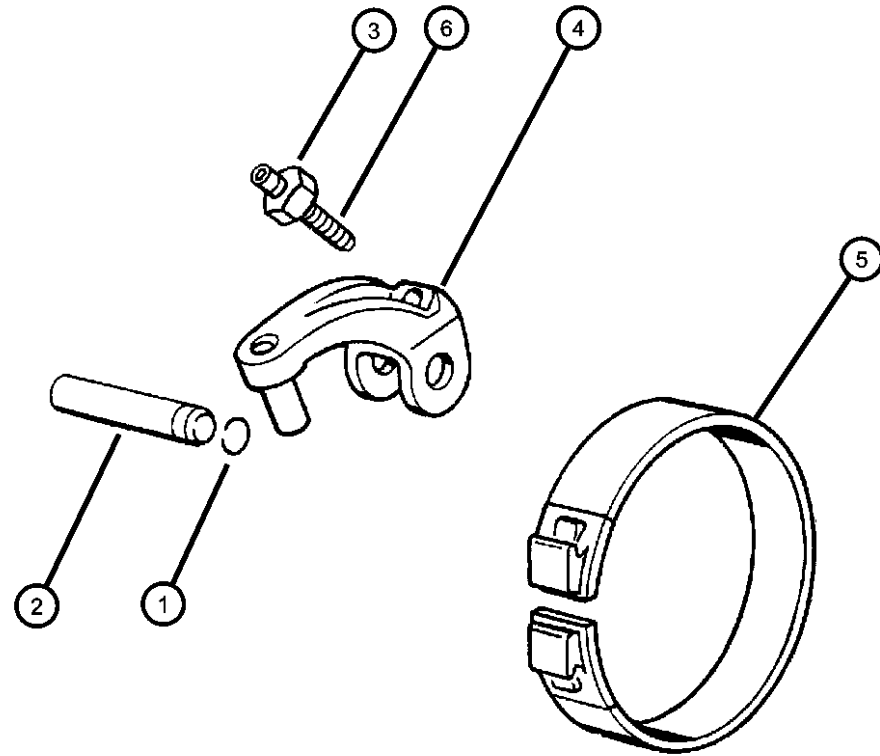
SERIES	LINE
L = RAM 1500, 2500, 3500	1 = Lt. Duty DODGE 2WD 2 = Med. Duty DODGE 2WD 3 = HD DODGE 2WD 6 = Lt. Duty DODGE 4WD 7 = Med. Duty DODGE 4WD 8 = HD DODGE 4WD

BODY	ENGINE
31 = CLUB CAB 2-DR 6.5 FT BOX 32 = CLUB CAB 2-DR 8FT BOX 33 = QUAD CAB 4-DR 6.5 FT BOX 34 = QUAD CAB 4-DR 8FT BOX	ETC = 5.9L Cummins 24V Diesel Engine EWA = 8.0L V10 MPI Engine EM0 = ALL 5.9L 8 CYL ENGINES - GAS EMM = 5.9L SMPI V8 Engine EML = 5.9L V8 MPI Engine ELF = 5.2L V8 MPI Engine

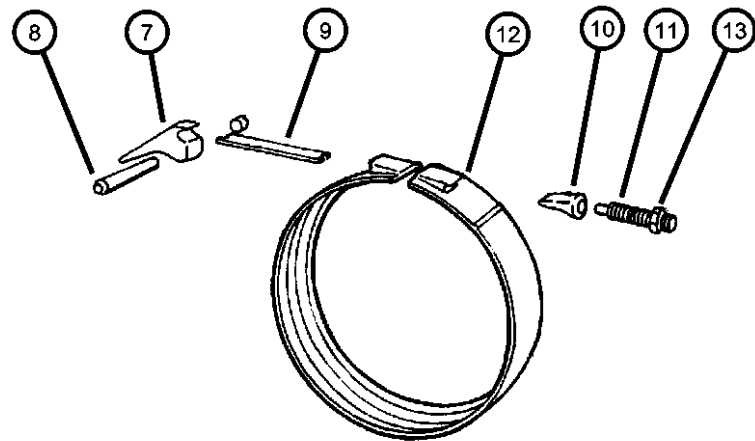
TRANSMISSION
DGP = 4-Spd. Automatic 47RE Transmission DD0 = ALL 5 SPEED MANUAL TRANSMISSIONS DG0 = ALL AUTOMATIC TRANSMISSIONS DDC = 5-Speed HD Manual Transmission DDP = 5-Speed Manual Transmission DDX = 5-Speed HD Manual Transmission DEE = 6-Speed HD Manual Transmission DGT = 4-Spd. Automatic 46RE Transmission

AR = use ase required - = Non illustrated part

Bands, Reverse and Kickdown with Linkage,4 Speed 47RE
Figure 47RE-510



REVERSE BAND



KICKDOWN BAND

ITEM	PART NUMBER	QTY	LINE	SERIES	BODY	ENGINE	TRANS	TRIM	DESCRIPTION
10	02124848	1	1, 2, 3			ET0, EW0	DGP		ANCHOR, Kickdown Band
		1	6, 7, 8			ET0, EW0	DGP		
11	03743338	1	1, 2, 3			ET0, EW0	DGP		SCREW, Trans Reverse Band Adjusting, .375-24-1.88
		1	6, 7, 8			ET0, EW0	DGP		
12	02538472	1	1, 2, 3			ET0, EW0	DGP		BAND, Kickdown
		1	6, 7, 8			ET0, EW0	DGP		
13	04329853	1	1, 2, 3			ET0, EW0	DGP		NUT, Hex Jam, .50-20
		1	6, 7, 8			ET0, EW0	DGP		
	00124934	1	1, 2, 3			ET0, EW0	DGP		
		1	6, 7, 8			ET0, EW0	DGP		

RAM PICKUP/CLUB CAB (BE)

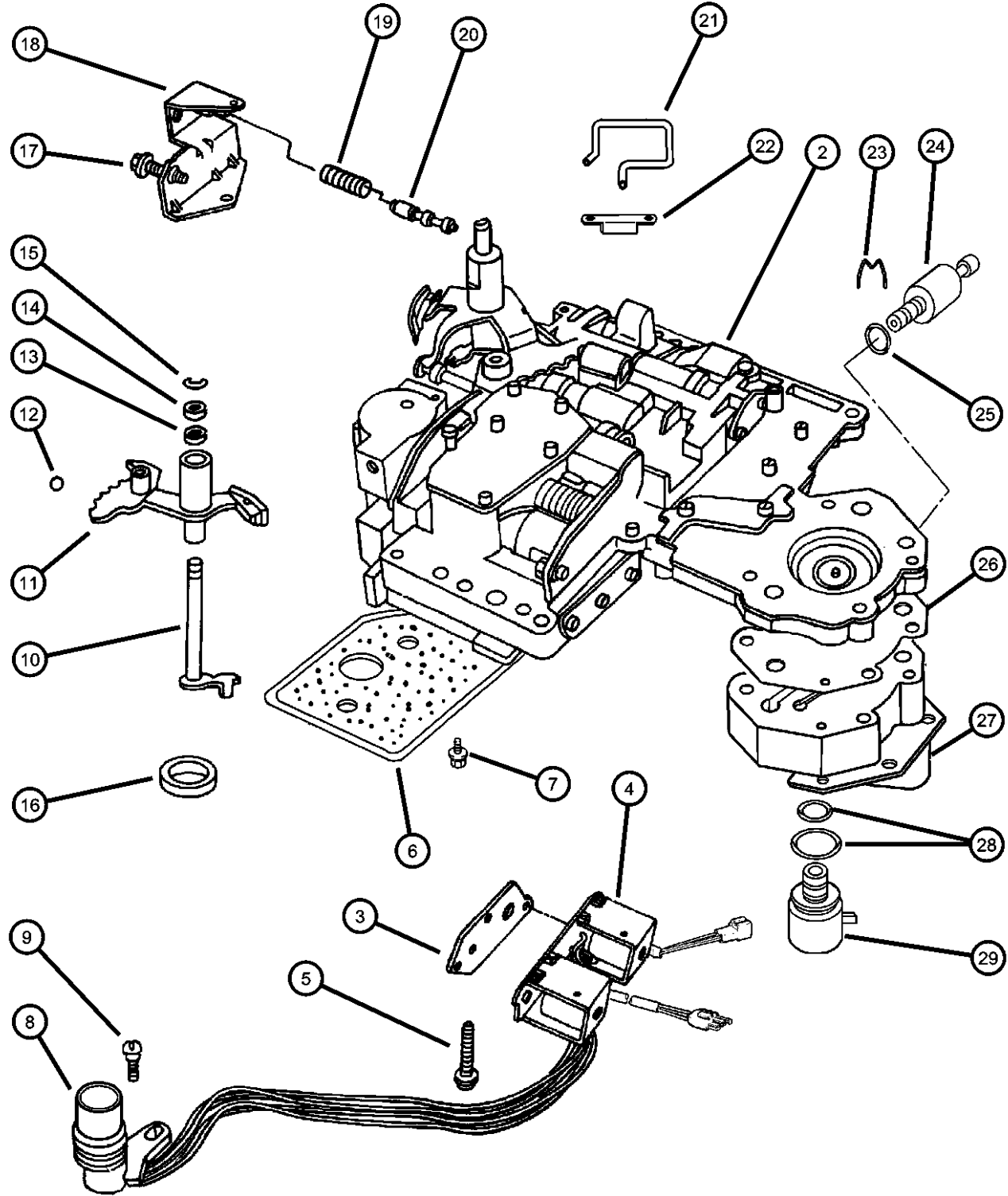
SERIES	LINE
L = RAM 1500, 2500, 3500	1 = Lt. Duty DODGE 2WD
	2 = Med. Duty DODGE 2WD
	3 = HD DODGE 2WD
	6 = Lt. Duty DODGE 4WD
	7 = Med. Duty DODGE 4WD
	8 = HD DODGE 4WD

BODY	ENGINE
31 = CLUB CAB 2-DR 6.5 FT BOX	ETC = 5.9L Cummins 24V Diesel Engine
32 = CLUB CAB 2-DR 8FT BOX	EWA = 8.0L V10 MPI Engine
33 = QUAD CAB 4-DR 6.5 FT BOX	EM0 = ALL 5.9L 8 CYL ENGINES - GAS
34 = QUAD CAB 4-DR 8FT BOX	EMM = 5.9L SMPI V8 Engine
	EML = 5.9L V8 MPI Engine
	ELF = 5.2L V8 MPI Engine

TRANSMISSION
DGP = 4-Spd. Automatic 47RE Transmission
DD0 = ALL 5 SPEED MANUAL TRANSMISSIONS
DG0 = ALL AUTOMATIC TRANSMISSIONS
DDC = 5-Speed HD Manual Transmission
DDP = 5-Speed Manual Transmission
DDX = 5-Speed HD Manual Transmission
DEE = 6-Speed HD Manual Transmission
DGT = 4-Spd. Automatic 46RE Transmission

AR = use ase required - = Non illustrated part

Valve Body,4 Speed 47RE
Figure 47RE-710



ITEM	PART NUMBER	QTY	LINE	SERIES	BODY	ENGINE	TRANS	TRIM	DESCRIPTION
------	-------------	-----	------	--------	------	--------	-------	------	-------------

NOTES: Sales Codes
 [DGP] = 4 Speed Automatic Transmission 47RE
 [EM0] = All 8.0L Gas Engines
 [ET0] = All 5.9L Turbo Diesel Engines

-1									SEAL AND GASKET PACKAGE, Valve Body and Servo
	04863892AC	1	1, 2, 3			ET0, EW0	DGP		
		1	6, 7, 8			ET0, EW0	DGP		
2									BODY, Transfer Plate
	52118796	1	1, 2, 3			ET0, EW0	DGP		
		1	6, 7, 8			ET0, EW0	DGP		
3									GASKET, Transmission Solenoid
	52118510	1	1, 2, 3			ET0, EW0	DGP		
		1	6, 7, 8			ET0, EW0	DGP		
4									SOLENOID, Transmission Overdrive
	52118500	1	1, 2, 3			ET0, EW0	DGP		
		1	6, 7, 8			ET0, EW0	DGP		
5									BOLT, Valve Body, .25-20x1.75
	00181071	3	1, 2, 3			ET0, EW0	DGP		
		3	6, 7, 8			ET0, EW0	DGP		
6									FILTER, Valve Body
	52118789	1	1, 2, 3			ET0, EW0	DGP		
		1	6, 7, 8			ET0, EW0	DGP		
7									SCREW AND WASHER, Oil Filter Mounting, Fillester Head .190-24x2.500
	06033826	3	1, 2, 3			ET0, EW0	DGP		
		3	6, 7, 8			ET0, EW0	DGP		
8									O RING, Solenoid Wiring, Transmission
	06034748	2	1, 2, 3			ET0, EW0	DGP		

RAM PICKUP/CLUB CAB (BE)

SERIES	LINE
L = RAM 1500, 2500, 3500	1 = Lt. Duty DODGE 2WD 2 = Med. Duty DODGE 2WD 3 = HD DODGE 2WD 6 = Lt. Duty DODGE 4WD 7 = Med. Duty DODGE 4WD 8 = HD DODGE 4WD

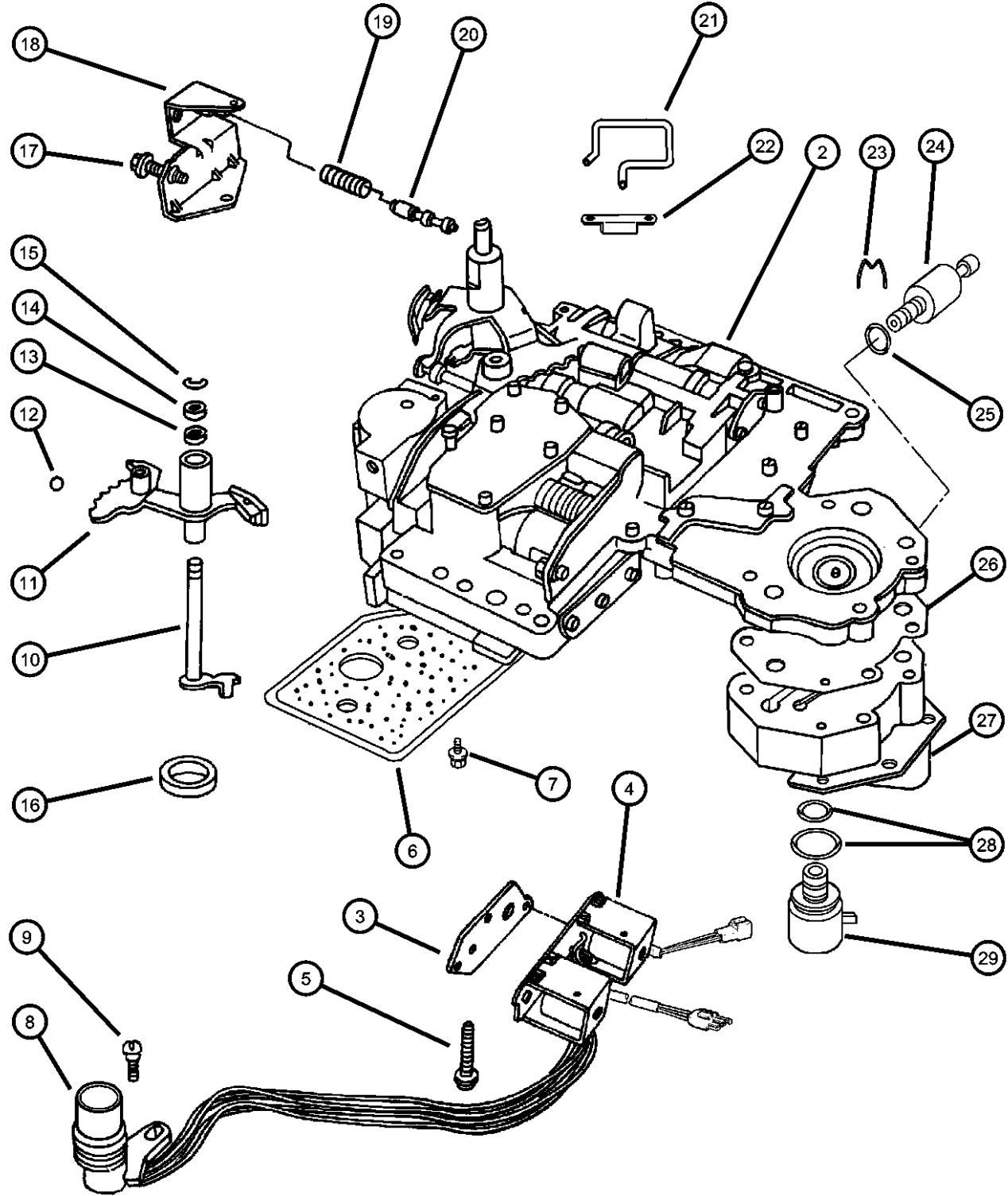
BODY	ENGINE
31 = CLUB CAB 2-DR 6.5 FT BOX 32 = CLUB CAB 2-DR 8FT BOX 33 = QUAD CAB 4-DR 6.5 FT BOX 34 = QUAD CAB 4-DR 8FT BOX	ETC = 5.9L Cummins 24V Diesel Engine EWA = 8.0L V10 MPI Engine EM0 = ALL 5.9L 8 CYL ENGINES - GAS EMM = 5.9L SMPI V8 Engine EML = 5.9L V8 MPI Engine ELF = 5.2L V8 MPI Engine

TRANSMISSION
DGP = 4-Spd. Automatic 47RE Transmission DD0 = ALL 5 SPEED MANUAL TRANSMISSIONS DG0 = ALL AUTOMATIC TRANSMISSIONS DDC = 5-Speed HD Manual Transmission DDP = 5-Speed Manual Transmission DDX = 5-Speed HD Manual Transmission DEE = 6-Speed HD Manual Transmission DGT = 4-Spd. Automatic 46RE Transmission

AR = use ase required - = Non illustrated part

1999 BE

Valve Body,4 Speed 47RE
Figure 47RE-710



ITEM	PART NUMBER	QTY	LINE	SERIES	BODY	ENGINE	TRANS	TRIM	DESCRIPTION
9		2	6, 7, 8			ET0, EW0	DGP		SCREW, Tapping, .19-24x.75
	06033985	1	1, 2, 3			ET0, EW0	DGP		
10		1	6, 7, 8			ET0, EW0	DGP		LEVER, Throttle Valve
	03681227	1	1, 2, 3			ET0, EW0	DGP		
11		1	6, 7, 8			ET0, EW0	DGP		LEVER, Manual Valve
	04617439	1	1, 2, 3			ET0, EW0	DGP		
12		1	6, 7, 8			ET0, EW0	DGP		BALL, Manual Lever Detent, .343 Diameter
	00147488	1	1, 2, 3			ET0, EW0	DGP		
13		4	6, 7, 8			ET0, EW0	DGP		SEAL, Valve Lever Shift
	02466548	1	1, 2, 3			ET0, EW0	DGP		
14		1	6, 7, 8			ET0, EW0	DGP		WASHER, Manual Valve Lever
	02538062	1	1, 2, 3			ET0, EW0	DGP		
15		1	6, 7, 8			ET0, EW0	DGP		SNAP RING
	06035208	2	1, 2, 3			ET0, EW0	DGP		
16		2	6, 7, 8			ET0, EW0	DGP		SEAL, Manual Shift Valve, 1.25 OD
	04505098	1	1, 2, 3			ET0, EW0	DGP		
17		1	6, 7, 8			ET0, EW0	DGP		SCREW, Cap Head Lock, .312-24x1.25
	06030609	1	1, 2, 3			ET0, EW0	DGP		

RAM PICKUP/CLUB CAB (BE)

SERIES	LINE
L = RAM 1500, 2500, 3500	1 = Lt. Duty DODGE 2WD
	2 = Med. Duty DODGE 2WD
	3 = HD DODGE 2WD
	6 = Lt. Duty DODGE 4WD
	7 = Med. Duty DODGE 4WD
	8 = HD DODGE 4WD

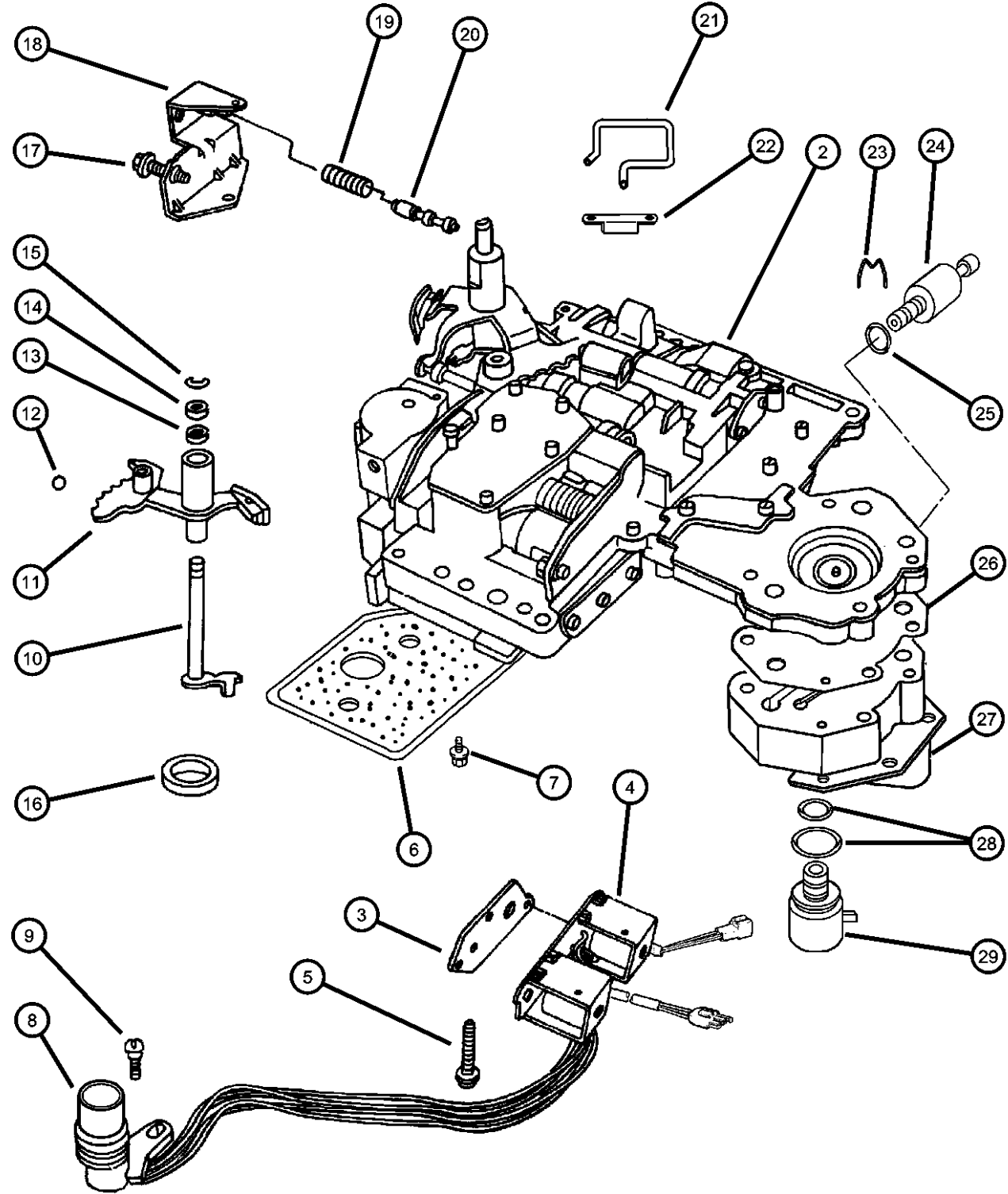
BODY	ENGINE
31 = CLUB CAB 2-DR 6.5 FT BOX	ETC = 5.9L Cummins 24V Diesel Engine
32 = CLUB CAB 2-DR 8FT BOX	EWA = 8.0L V10 MPI Engine
33 = QUAD CAB 4-DR 6.5 FT BOX	EM0 = ALL 5.9L 8 CYL ENGINES - GAS
34 = QUAD CAB 4-DR 8FT BOX	EMM = 5.9L SMPI V8 Engine
	EML = 5.9L V8 MPI Engine
	ELF = 5.2L V8 MPI Engine

TRANSMISSION
DGP = 4-Spd. Automatic 47RE Transmission
DD0 = ALL 5 SPEED MANUAL TRANSMISSIONS
DG0 = ALL AUTOMATIC TRANSMISSIONS
DDC = 5-Speed HD Manual Transmission
DDP = 5-Speed Manual Transmission
DDX = 5-Speed HD Manual Transmission
DEE = 6-Speed HD Manual Transmission
DGT = 4-Spd. Automatic 46RE Transmission

AR = use ase required - = Non illustrated part

1999 BE

Valve Body,4 Speed 47RE
Figure 47RE-710



ITEM	PART NUMBER	QTY	LINE	SERIES	BODY	ENGINE	TRANS	TRIM	DESCRIPTION
18		1	6, 7, 8			ET0, EW0	DGP		BRACKET, Valve Body Switch
	04617010	1	1, 2, 3			ET0, EW0	DGP		
19		1	6, 7, 8			ET0, EW0	DGP		SPRING, Switch Valve
	04130492	1	1, 2, 3			ET0, EW0	DGP		
20		1	6, 7, 8			ET0, EW0	DGP		VALVE, Trans Lockup Switch
	04505036	1	1, 2, 3			ET0, EW0	DGP		
21		1	6, 7, 8			ET0, EW0	DGP		TUBE, Boost Valve
	04617008	1	1, 2, 3			ET0, EW0	DGP		
22		1	6, 7, 8			ET0, EW0	DGP		RETAINER, Boost Valve Oil Supply Tube
	52117958	1	1, 2, 3			ET0, EW0	DGP		
23		1	6, 7, 8			ET0, EW0	DGP		CLIP, Transmission Governor Transducer
	04617219	1	1, 2, 3			ET0, EW0	DGP		
24		1	6, 7, 8			ET0, EW0	DGP		TRANSDUCER, Pressure Sensor
	56041403AA	1	1, 2, 3			ET0, EW0	DGP		
25		1	6, 7, 8			ET0, EW0	DGP		O RING, Pressure Switch
	06034493	1	1, 2, 3			ET0, EW0	DGP		
26		1	6, 7, 8			ET0, EW0	DGP		GASKET, Transmission Solenoid
	04617216	1	1, 2, 3			ET0, EW0	DGP		

RAM PICKUP/CLUB CAB (BE)

SERIES	LINE
L = RAM 1500, 2500, 3500	1 = Lt. Duty DODGE 2WD 2 = Med. Duty DODGE 2WD 3 = HD DODGE 2WD 6 = Lt. Duty DODGE 4WD 7 = Med. Duty DODGE 4WD 8 = HD DODGE 4WD

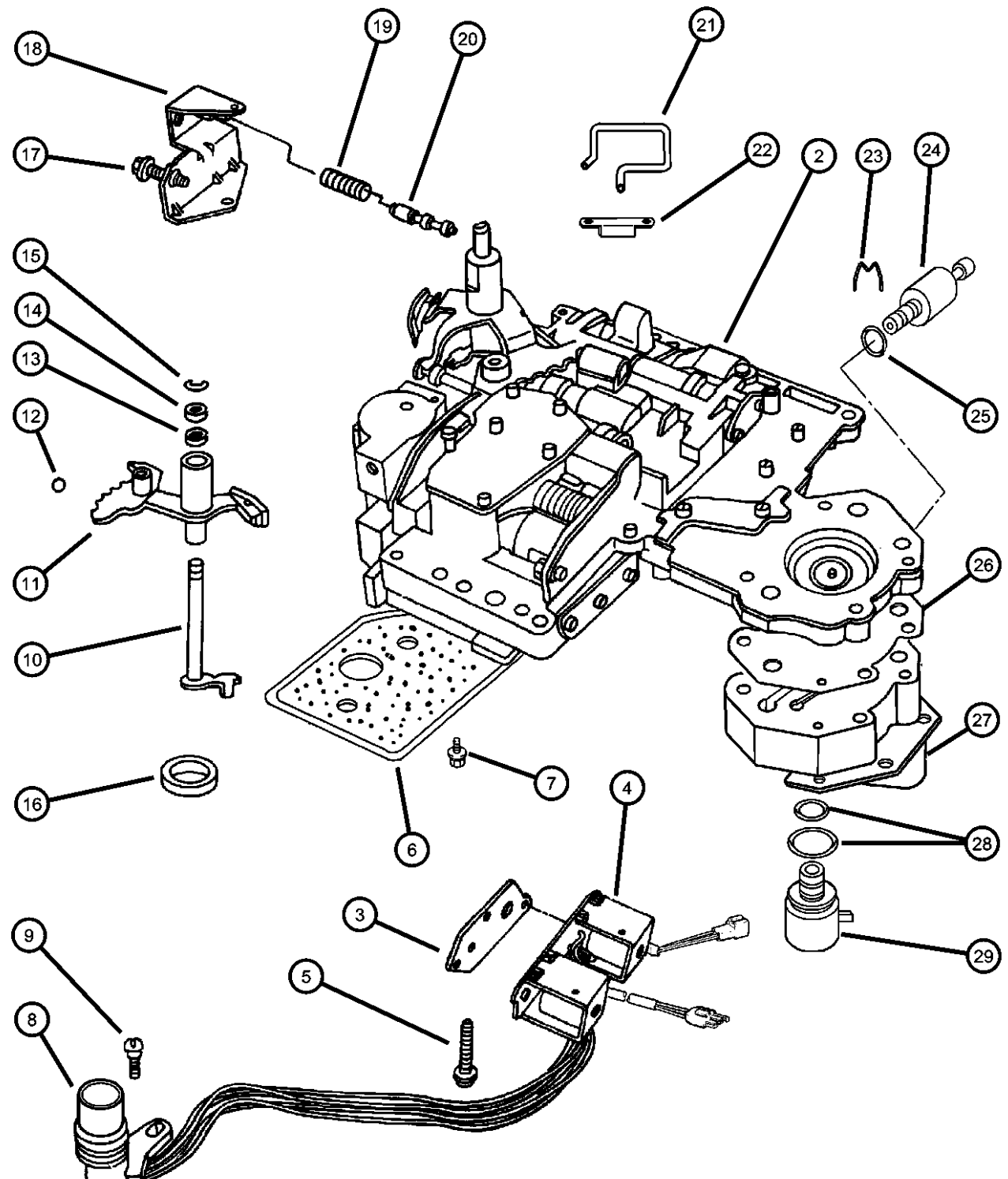
BODY	ENGINE
31 = CLUB CAB 2-DR 6.5 FT BOX 32 = CLUB CAB 2-DR 8FT BOX 33 = QUAD CAB 4-DR 6.5 FT BOX 34 = QUAD CAB 4-DR 8FT BOX	ETC = 5.9L Cummins 24V Diesel Engine EWA = 8.0L V10 MPI Engine EM0 = ALL 5.9L 8 CYL ENGINES - GAS EMM = 5.9L SMPI V8 Engine EML = 5.9L V8 MPI Engine ELF = 5.2L V8 MPI Engine

TRANSMISSION
DGP = 4-Spd. Automatic 47RE Transmission DD0 = ALL 5 SPEED MANUAL TRANSMISSIONS DG0 = ALL AUTOMATIC TRANSMISSIONS DDC = 5-Speed HD Manual Transmission DDP = 5-Speed Manual Transmission DDX = 5-Speed HD Manual Transmission DEE = 6-Speed HD Manual Transmission DGT = 4-Spd. Automatic 46RE Transmission

AR = use ase required - = Non illustrated part

1999 BE

Valve Body,4 Speed 47RE
Figure 47RE-710



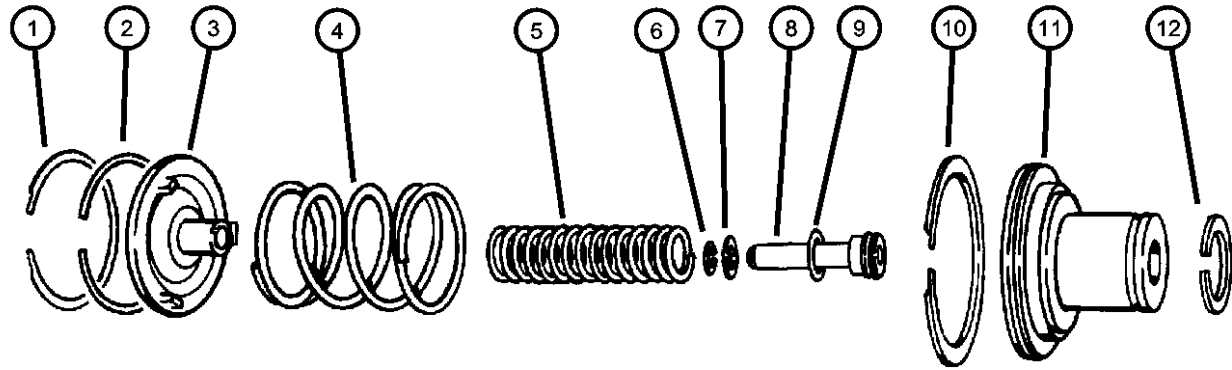
ITEM	PART NUMBER	QTY	LINE	SERIES	BODY	ENGINE	TRANS	TRIM	DESCRIPTION
27		1	6, 7, 8			ET0, EW0	DGP		RETAINER, Transmission Governor Solenoid
	04617211	1	1, 2, 3			ET0, EW0	DGP		
		1	6, 7, 8			ET0, EW0	DGP		
28		1	1, 2, 3			ET0, EW0	DGP		O RING PACKAGE, Valve Body, Transmission
	04723549	1	6, 7, 8			ET0, EW0	DGP		
29		1	1, 2, 3			ET0, EW0	DGP		SOLENOID, Transmission Governor
	04617210	1	6, 7, 8			ET0, EW0	DGP		
-30		1	1, 2, 3			ET0, EW0	DGP		SCREEN, Transmission Regulator Valve
	03878313	1	6, 7, 8			ET0, EW0	DGP		

RAM PICKUP/CLUB CAB (BE)

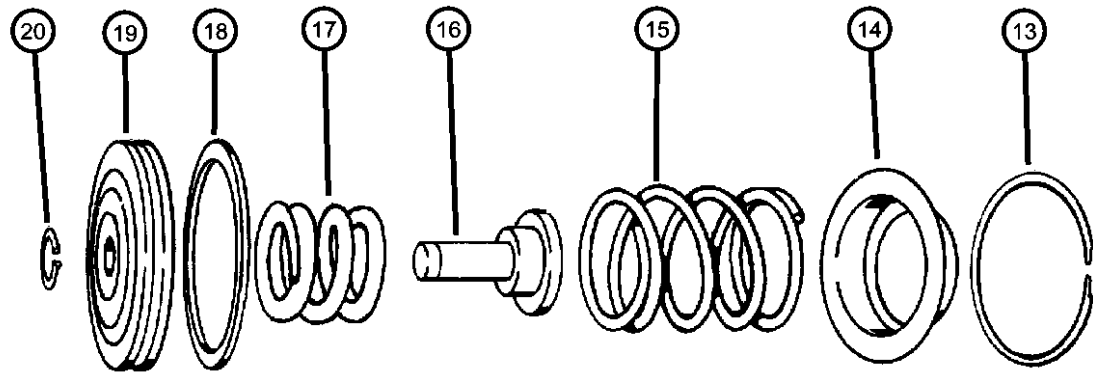
SERIES	LINE	BODY	ENGINE	TRANSMISSION
L = RAM 1500, 2500, 3500	1 = Lt. Duty DODGE 2WD 2 = Med. Duty DODGE 2WD 3 = HD DODGE 2WD 6 = Lt. Duty DODGE 4WD 7 = Med. Duty DODGE 4WD 8 = HD DODGE 4WD	31 = CLUB CAB 2-DR 6.5 FT BOX 32 = CLUB CAB 2-DR 8FT BOX 33 = QUAD CAB 4-DR 6.5 FT BOX 34 = QUAD CAB 4-DR 8FT BOX	ETC = 5.9L Cummins 24V Diesel Engine EWA = 8.0L V10 MPI Engine EM0 = ALL 5.9L 8 CYL ENGINES - GAS EMM = 5.9L SMPI V8 Engine EML = 5.9L V8 MPI Engine ELF = 5.2L V8 MPI Engine	DGP = 4-Spd. Automatic 47RE Transmission DD0 = ALL 5 SPEED MANUAL TRANSMISSIONS DG0 = ALL AUTOMATIC TRANSMISSIONS DDC = 5-Speed HD Manual Transmission DDP = 5-Speed Manual Transmission DDX = 5-Speed HD Manual Transmission DEE = 6-Speed HD Manual Transmission DGT = 4-Spd. Automatic 46RE Transmission

AR = use ase required - = Non illustrated part

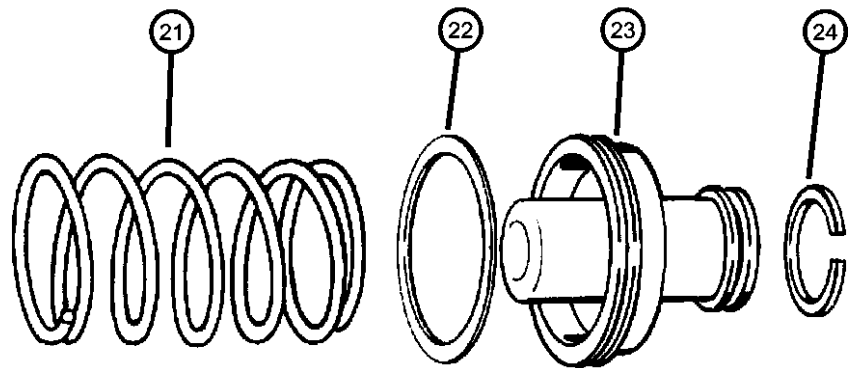
Servos, Accumulator Piston and Spring, 4 Speed 47RE
Figure 47RE-720



KICKDOWN SERVO



LOW AND REVERSE SERVO



ACCUMULATOR PISTON AND SPRING

ITEM	PART NUMBER	QTY	LINE	SERIES	BODY	ENGINE	TRANS	TRIM	DESCRIPTION
1	01942130	1	1, 2, 3			ET0, EW0	DGP		SNAP RING
2	01942123	1	1, 2, 3			ET0, EW0	DGP		SEAL
3	03410441	1	1, 2, 3			ET0, EW0	DGP		GUIDE, Kickdown Servo
4	03410518	1	1, 2, 3			ET0, EW0	DGP		SPRING, Kickdown Servo Piston
5	03410444	1	1, 2, 3			ET0, EW0	DGP		SPRING, Kickdown Servo Piston
6	06031392	1	1, 2, 3			ET0, EW0	DGP		SNAP RING, Brake Master Cylinder
7	03410437	1	1, 2, 3			ET0, EW0	DGP		RETAINER, Kick Down
8	03410445	1	1, 2, 3			ET0, EW0	DGP		PISTON, Kickdown Servo
9		1	6, 7, 8			ET0, EW0	DGP		Inner
		1	6, 7, 8			ET0, EW0	DGP		Inner
									O RING, Kick Down Servo

NOTES: Sales Codes
 [DGP] = 4 Speed Automatic Transmission 47RE
 [EM0] = All 8.0L Gas Engines
 [ET0] = All 5.9L Turbo Diesel Engines

RAM PICKUP/CLUB CAB (BE)

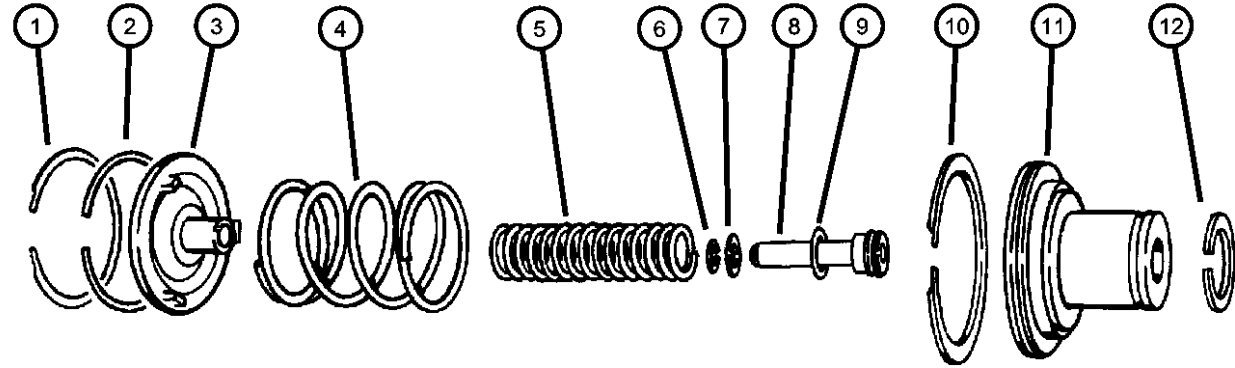
SERIES	LINE
L = RAM 1500, 2500, 3500	1 = Lt. Duty DODGE 2WD
	2 = Med. Duty DODGE 2WD
	3 = HD DODGE 2WD
	6 = Lt. Duty DODGE 4WD
	7 = Med. Duty DODGE 4WD
	8 = HD DODGE 4WD

BODY	ENGINE
31 = CLUB CAB 2-DR 6.5 FT BOX	ETC = 5.9L Cummins 24V Diesel Engine
32 = CLUB CAB 2-DR 8FT BOX	EWA = 8.0L V10 MPI Engine
33 = QUAD CAB 4-DR 6.5 FT BOX	EM0 = ALL 5.9L 8 CYL ENGINES - GAS
34 = QUAD CAB 4-DR 8FT BOX	EMM = 5.9L SMPI V8 Engine
	EML = 5.9L V8 MPI Engine
	ELF = 5.2L V8 MPI Engine

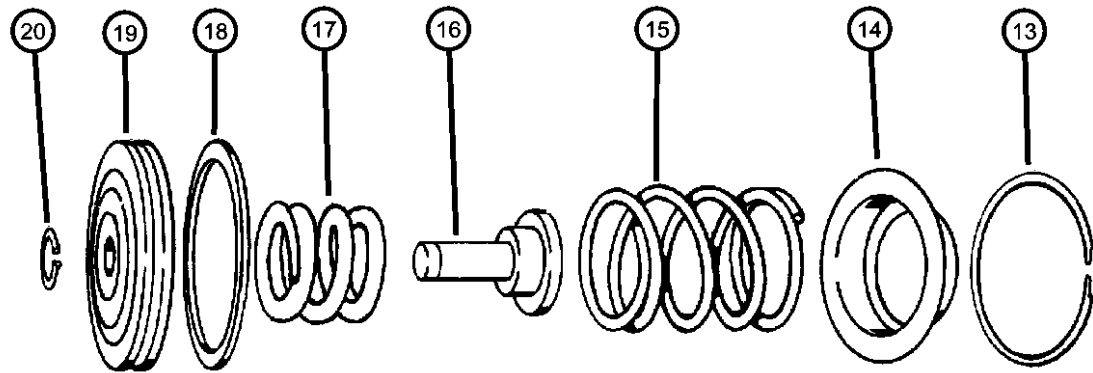
TRANSMISSION
DGP = 4-Spd. Automatic 47RE Transmission
DD0 = ALL 5 SPEED MANUAL TRANSMISSIONS
DG0 = ALL AUTOMATIC TRANSMISSIONS
DDC = 5-Speed HD Manual Transmission
DDP = 5-Speed Manual Transmission
DDX = 5-Speed HD Manual Transmission
DEE = 6-Speed HD Manual Transmission
DGT = 4-Spd. Automatic 46RE Transmission

AR = use ase required - = Non illustrated part

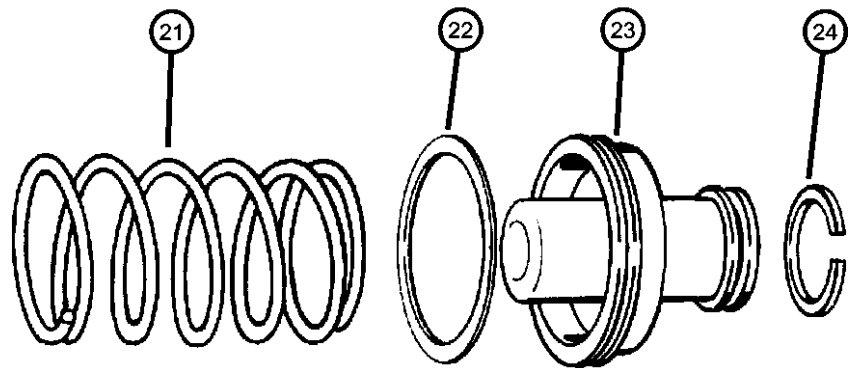
Servos, Accumulator Piston and Spring,4 Speed 47RE
Figure 47RE-720



KICKDOWN SERVO



LOW AND REVERSE SERVO



ACCUMULATOR PISTON AND SPRING

ITEM	PART NUMBER	QTY	LINE	SERIES	BODY	ENGINE	TRANS	TRIM	DESCRIPTION
	06028864	1	1, 2, 3			ET0, EW0	DGP		
		1	6, 7, 8			ET0, EW0	DGP		
10	01942123	1	1, 2, 3			ET0, EW0	DGP		SEAL
		1	6, 7, 8			ET0, EW0	DGP		
11	03410440	1	1, 2, 3			ET0, EW0	DGP		PISTON, Kickdown Servo
		1	6, 7, 8			ET0, EW0	DGP		
12	04412444	1	1, 2, 3			ET0, EW0	DGP		SEAL
		1	6, 7, 8			ET0, EW0	DGP		
13	01942130	1	1, 2, 3			ET0, EW0	DGP		SNAP RING
		1	6, 7, 8			ET0, EW0	DGP		
14	52118342	1	1, 2, 3			ET0, EW0	DGP		RETAINER, Transmission Reverse Servo Piston Spring
		1	6, 7, 8			ET0, EW0	DGP		
15	04617773	1	1, 2, 3			ET0, EW0	DGP		SPRING, Reverse Servo Piston
		1	6, 7, 8			ET0, EW0	DGP		
16	52118742AB	1	1, 2, 3			ET0, EW0	DGP		PLUG, Reverse Servo Piston
		1	6, 7, 8			ET0, EW0	DGP		
17	03515079	1	1, 2, 3			ET0, EW0	DGP		SPRING, Accumulator Piston
		1	6, 7, 8			ET0, EW0	DGP		
18									SEAL, Reverse Servo Piston

RAM PICKUP/CLUB CAB (BE)

SERIES	LINE
L = RAM 1500, 2500, 3500	1 = Lt. Duty DODGE 2WD 2 = Med. Duty DODGE 2WD 3 = HD DODGE 2WD 6 = Lt. Duty DODGE 4WD 7 = Med. Duty DODGE 4WD 8 = HD DODGE 4WD

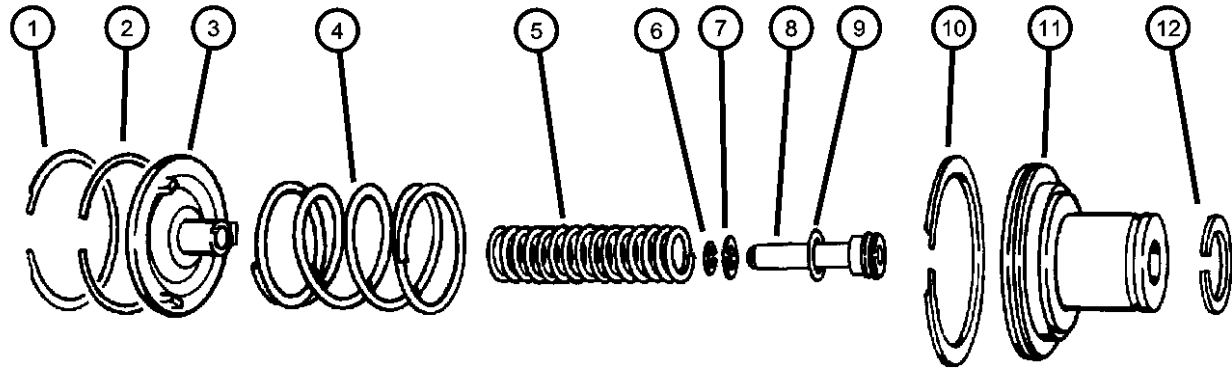
BODY	ENGINE
31 = CLUB CAB 2-DR 6.5 FT BOX 32 = CLUB CAB 2-DR 8FT BOX 33 = QUAD CAB 4-DR 6.5 FT BOX 34 = QUAD CAB 4-DR 8FT BOX	ETC = 5.9L Cummins 24V Diesel Engine EWA = 8.0L V10 MPI Engine EM0 = ALL 5.9L 8 CYL ENGINES - GAS EMM = 5.9L SMPI V8 Engine EML = 5.9L V8 MPI Engine ELF = 5.2L V8 MPI Engine

TRANSMISSION
DGP = 4-Spd. Automatic 47RE Transmission DD0 = ALL 5 SPEED MANUAL TRANSMISSIONS DG0 = ALL AUTOMATIC TRANSMISSIONS DDC = 5-Speed HD Manual Transmission DDP = 5-Speed Manual Transmission DDX = 5-Speed HD Manual Transmission DEE = 6-Speed HD Manual Transmission DGT = 4-Spd. Automatic 46RE Transmission

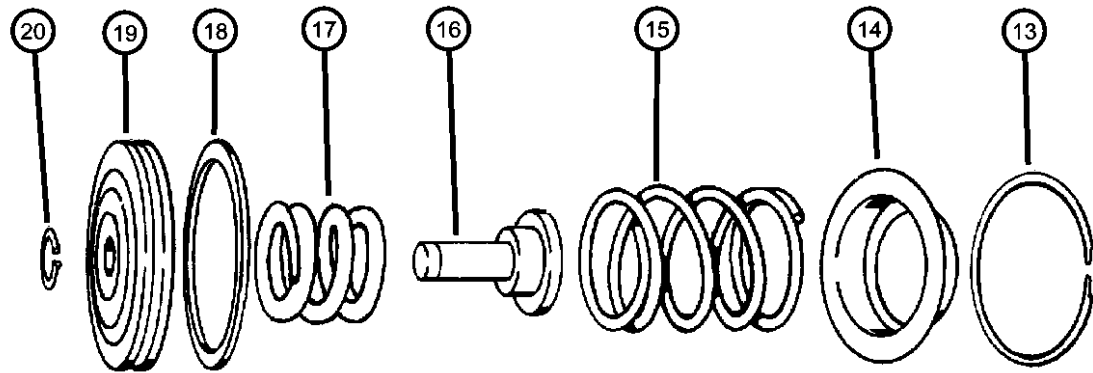
AR = use ase required - = Non illustrated part

1999 BE

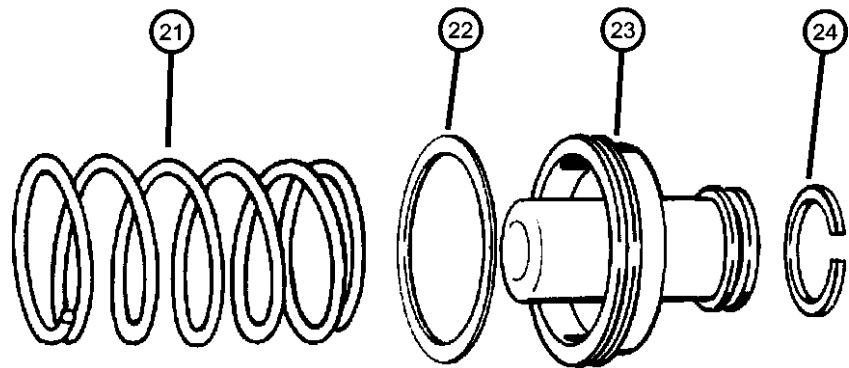
Servos, Accumulator Piston and Spring, 4 Speed 47RE
Figure 47RE-720



KICKDOWN SERVO



LOW AND REVERSE SERVO



ACCUMULATOR PISTON AND SPRING

ITEM	PART NUMBER	QTY	LINE	SERIES	BODY	ENGINE	TRANS	TRIM	DESCRIPTION
19	04531233	1	6, 7, 8			ET0, EW0	DGP		PISTON, Reverse Servo
		1	1, 2, 3			ET0, EW0	DGP		
20	52118745	1	1, 2, 3			ET0, EW0	DGP		SNAP RING, .435 ID
		1	6, 7, 8			ET0, EW0	DGP		
21	06027153	1	1, 2, 3			ET0, EW0	DGP		SPRING, Accumulator Piston
		1	6, 7, 8			ET0, EW0	DGP		
22	03515079	1	1, 2, 3			ET0, EW0	DGP		SEAL, Piston Accumulator
		1	6, 7, 8			ET0, EW0	DGP		
23	03743013	1	1, 2, 3			ET0, EW0	DGP		PISTON, Accumulator
		1	6, 7, 8			ET0, EW0	DGP		
24	03743650	1	1, 2, 3			ET0, EW0	DGP		SEAL, Piston Accumulator
		1	6, 7, 8			ET0, EW0	DGP		
	03743010	1	1, 2, 3			ET0, EW0	DGP		
		1	6, 7, 8			ET0, EW0	DGP		

RAM PICKUP/CLUB CAB (BE)

SERIES	LINE
L = RAM 1500, 2500, 3500	1 = Lt. Duty DODGE 2WD
	2 = Med. Duty DODGE 2WD
	3 = HD DODGE 2WD
	6 = Lt. Duty DODGE 4WD
	7 = Med. Duty DODGE 4WD
	8 = HD DODGE 4WD

BODY	ENGINE	TRANSMISSION
31 = CLUB CAB 2-DR 6.5 FT BOX	ETC = 5.9L Cummins 24V Diesel Engine	DGP = 4-Spd. Automatic 47RE Transmission
32 = CLUB CAB 2-DR 8FT BOX	EWA = 8.0L V10 MPI Engine	DD0 = ALL 5 SPEED MANUAL TRANSMISSIONS
33 = QUAD CAB 4-DR 6.5 FT BOX	EM0 = ALL 5.9L 8 CYL ENGINES - GAS	DG0 = ALL AUTOMATIC TRANSMISSIONS
34 = QUAD CAB 4-DR 8FT BOX	EMM = 5.9L SMPI V8 Engine	DDC = 5-Speed HD Manual Transmission
	EML = 5.9L V8 MPI Engine	DDP = 5-Speed Manual Transmission
	ELF = 5.2L V8 MPI Engine	DDX = 5-Speed HD Manual Transmission
		DEE = 6-Speed HD Manual Transmission
		DGT = 4-Spd. Automatic 46RE Transmission

AR = use ase required - = Non illustrated part

1999 BE

**Parking Sprag,4 Speed 47RE
Figure 47RE-730**

ITEM	PART NUMBER	QTY	LINE	SERIES	BODY	ENGINE	TRANS	TRIM	DESCRIPTION
------	-------------	-----	------	--------	------	--------	-------	------	-------------

NOTES: Sales Codes
 [DGP] = 4 Speed Automatic Transmission 47RE
 [EM0] = All 8.0L Gas Engines
 [ET0] = All 5.9L Turbo Diesel Engines

1	02466909	1	1, 2, 3			ET0, EW0	DGP		SPRING, Parking Sprag
		1	6, 7, 8			ET0, EW0	DGP		
2	04471415	1	1, 2, 3			ET0, EW0	DGP		SPRAG, Transmission Parking
		1	6, 7, 8			ET0, EW0	DGP		
3	02466892	1	1, 2, 3			ET0, EW0	DGP		SHAFT, Parking Sprag
		1	6, 7, 8			ET0, EW0	DGP		
4	83503127	1	1, 2, 3			ET0, EW0	DGP		SCREW
		1	6, 7, 8			ET0, EW0	DGP		
5	02538042	1	1, 2, 3			ET0, EW0	DGP		PLUG, Parking Sprag
		1	6, 7, 8			ET0, EW0	DGP		
6	02538034	1	1, 2, 3			ET0, EW0	DGP		SNAP RING, Transmission
		1	6, 7, 8			ET0, EW0	DGP		
7	04471478	1	1, 2, 3			ET0, EW0	DGP		ROD, Parking Sprag
		1	6, 7, 8			ET0, EW0	DGP		
8	06035256	1	1, 2, 3			ET0, EW0	DGP		SNAP RING, Rod
		1	6, 7, 8			ET0, EW0	DGP		

RAM PICKUP/CLUB CAB (BE)

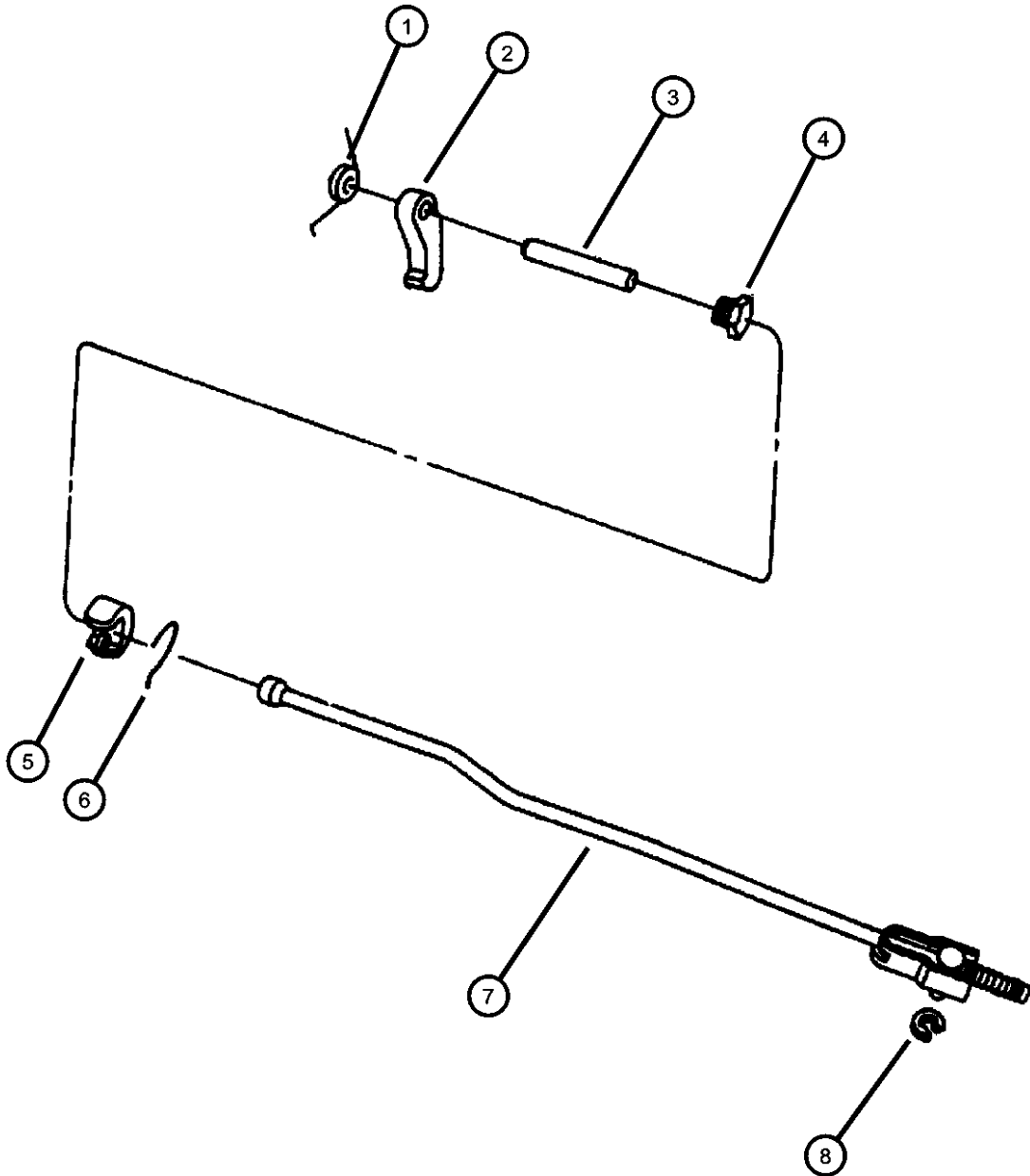
SERIES	LINE
L = RAM 1500, 2500, 3500	1 = Lt. Duty DODGE 2WD
	2 = Med. Duty DODGE 2WD
	3 = HD DODGE 2WD
	6 = Lt. Duty DODGE 4WD
	7 = Med. Duty DODGE 4WD
	8 = HD DODGE 4WD

BODY	ENGINE
31 = CLUB CAB 2-DR 6.5 FT BOX	ETC = 5.9L Cummins 24V Diesel Engine
32 = CLUB CAB 2-DR 8FT BOX	EWA = 8.0L V10 MPI Engine
33 = QUAD CAB 4-DR 6.5 FT BOX	EM0 = ALL 5.9L 8 CYL ENGINES - GAS
34 = QUAD CAB 4-DR 8FT BOX	EMM = 5.9L SMPI V8 Engine
	EML = 5.9L V8 MPI Engine
	ELF = 5.2L V8 MPI Engine

TRANSMISSION
DGP = 4-Spd. Automatic 47RE Transmission
DD0 = ALL 5 SPEED MANUAL TRANSMISSIONS
DG0 = ALL AUTOMATIC TRANSMISSIONS
DDC = 5-Speed HD Manual Transmission
DDP = 5-Speed Manual Transmission
DDX = 5-Speed HD Manual Transmission
DEE = 6-Speed HD Manual Transmission
DGT = 4-Spd. Automatic 46RE Transmission

AR = use ase required - = Non illustrated part

1999 BE



Clutch, Overdrive with Gear Train,4 Speed 47RE
Figure 47RE-1010

ITEM	PART NUMBER	QTY	LINE	SERIES	BODY	ENGINE	TRANS	TRIM	DESCRIPTION
------	-------------	-----	------	--------	------	--------	-------	------	-------------

NOTES: Sales Codes
 [DGP] = 4 Speed Automatic Transmission 47RE
 [EM0] = All 8.0L Gas Engines
 [ET0] = All 5.9L Turbo Diesel Engines

1	04740774	1	1, 2, 3			ET0, EW0	DGP		PLATE PACKAGE, Transmission Module
		AR	6, 7, 8			ET0, EW0			
2		AR							BEARING, (NOT SERVICED)
3	04778742	1	1, 2, 3			ET0, EW0	DGP		GEAR, Overdrive Sun
		1	6, 7, 8			ET0, EW0	DGP		
4		1							BUSHING, (NOT SERVICED)
5	04761011	1	1, 2, 3			ET0, EW0	DGP		CARRIER, O/Drive Planet Pinion
		1	6, 7, 8			ET0, EW0	DGP		
6	04461124	1	1, 2, 3			ET0, EW0	DGP		RACE, Overrunning Clutch
		1	6, 7, 8			ET0, EW0	DGP		
7	04461014	1	1, 2, 3			ET0, EW0	DGP		THRUST BEARING, Ovedrive Third Position
		1	6, 7, 8			ET0, EW0	DGP		
8	04461015	1	1, 2, 3			ET0, EW0	DGP		CLUTCH, Overdrive Overrunning
		1	6, 7, 8			ET0, EW0	DGP		
9	04761010	1	1, 2, 3			ET0, EW0	DGP		GEAR, Overdrive Annulus
		1	6, 7, 8			ET0, EW0	DGP		
10									SNAP RING, 5.25 OD

RAM PICKUP/CLUB CAB (BE)

SERIES	LINE
L = RAM 1500, 2500, 3500	1 = Lt. Duty DODGE 2WD 2 = Med. Duty DODGE 2WD 3 = HD DODGE 2WD 6 = Lt. Duty DODGE 4WD 7 = Med. Duty DODGE 4WD 8 = HD DODGE 4WD

BODY	ENGINE
31 = CLUB CAB 2-DR 6.5 FT BOX 32 = CLUB CAB 2-DR 8FT BOX 33 = QUAD CAB 4-DR 6.5 FT BOX 34 = QUAD CAB 4-DR 8FT BOX	ETC = 5.9L Cummins 24V Diesel Engine EWA = 8.0L V10 MPI Engine EM0 = ALL 5.9L 8 CYL ENGINES - GAS EMM = 5.9L SMPI V8 Engine EML = 5.9L V8 MPI Engine ELF = 5.2L V8 MPI Engine

TRANSMISSION
DGP = 4-Spd. Automatic 47RE Transmission DD0 = ALL 5 SPEED MANUAL TRANSMISSIONS DG0 = ALL AUTOMATIC TRANSMISSIONS DDC = 5-Speed HD Manual Transmission DDP = 5-Speed Manual Transmission DDX = 5-Speed HD Manual Transmission DEE = 6-Speed HD Manual Transmission DGT = 4-Spd. Automatic 46RE Transmission

AR = use ase required - = Non illustrated part

1999 BE

Clutch, Overdrive with Gear Train,4 Speed 47RE
Figure 47RE-1010

ITEM	PART NUMBER	QTY	LINE	SERIES	BODY	ENGINE	TRANS	TRIM	DESCRIPTION
20	04864053	9	1, 2, 3			ET0, EW0	DGP		
		9	6, 7, 8			ET0, EW0	DGP		
21	04461183	1	1, 2, 3			ET0, EW0	DGP		PLATE, Pressure
		1	6, 7, 8			ET0, EW0	DGP		
22	04461032	1	1, 2, 3			ET0, EW0	DGP		SPRING, Direct Clutch
		1	6, 7, 8			ET0, EW0	DGP		
23	04461064	1	1, 2, 3			ET0, EW0	DGP		SNAP RING, 1.875" OD
		1	6, 7, 8			ET0, EW0	DGP		
24	04412583	1	1, 2, 3			ET0, EW0	DGP		FILTER, Overdrive Clutch
		1	6, 7, 8			ET0, EW0	DGP		
25	52117975	1	1, 2, 3			ET0, EW0	DGP		RETAINER, Transmission O/Drive Clutch Piston
		1	6, 7, 8			ET0, EW0	DGP		
26	52118599	1	1, 2, 3			ET0, EW0	DGP		PISTON, Overdrive Clutch
		1	6, 7, 8			ET0, EW0	DGP		
27	00152796	6	1, 2, 3			ET0, EW0	DGP		SCREW, .25-20
		6	6, 7, 8			ET0, EW0	DGP		
28	04431697	1	1, 2, 3			ET0, EW0	DGP		SEAL, Overdrive Clutch Piston
		1	6, 7, 8			ET0, EW0	DGP		SEAL, Overdrive Clutch Piston

RAM PICKUP/CLUB CAB (BE)

SERIES
 L = RAM 1500,
 2500, 3500

LINE
 1 = Lt. Duty DODGE 2WD
 2 = Med. Duty DODGE 2WD
 3 = HD DODGE 2WD
 6 = Lt. Duty DODGE 4WD
 7 = Med. Duty DODGE 4WD
 8 = HD DODGE 4WD

BODY

31 = CLUB CAB 2-DR 6.5 FT BOX
 32 = CLUB CAB 2-DR 8FT BOX
 33 = QUAD CAB 4-DR 6.5 FT BOX
 34 = QUAD CAB 4-DR 8FT BOX

ENGINE

ETC = 5.9L Cummins 24V Diesel Engine
 EWA = 8.0L V10 MPI Engine
 EM0 = ALL 5.9L 8 CYL ENGINES - GAS
 EMM = 5.9L SMPI V8 Engine
 EML = 5.9L V8 MPI Engine
 ELF = 5.2L V8 MPI Engine

TRANSMISSION

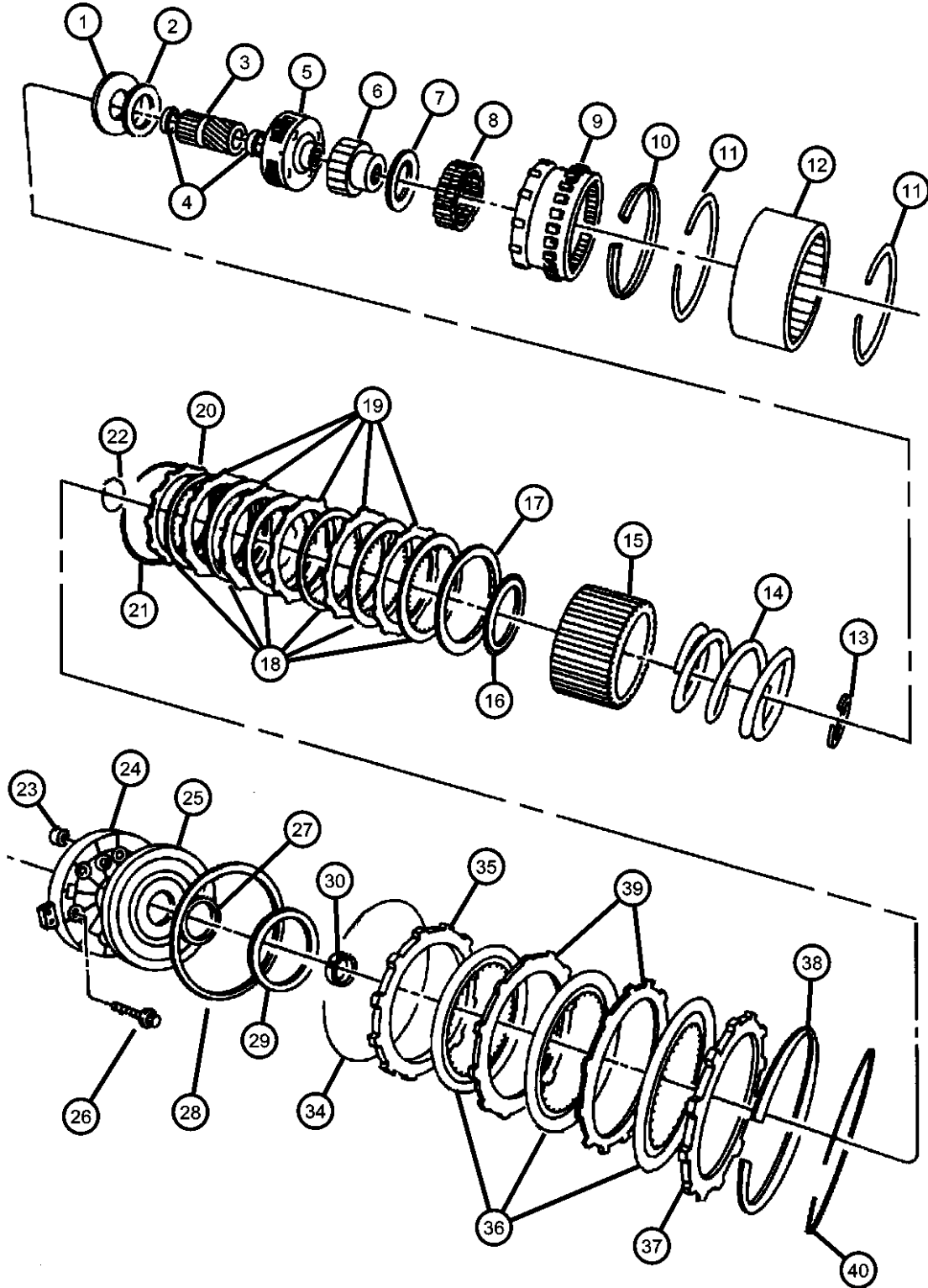
DGP = 4-Spd. Automatic 47RE Transmission
 DD0 = ALL 5 SPEED MANUAL TRANSMISSIONS
 DG0 = ALL AUTOMATIC TRANSMISSIONS
 DDC = 5-Speed HD Manual Transmission
 DDP = 5-Speed Manual Transmission
 DDX = 5-Speed HD Manual Transmission
 DEE = 6-Speed HD Manual Transmission
 DGT = 4-Spd. Automatic 46RE Transmission

AR = use ase required - = Non illustrated part

1999 BE

Clutch, Overdrive with Gear Train,4 Speed 47RE
Figure 47RE-1010

ITEM	PART NUMBER	QTY	LINE	SERIES	BODY	ENGINE	TRANS	TRIM	DESCRIPTION
------	-------------	-----	------	--------	------	--------	-------	------	-------------



	04617352	1	1, 2, 3			ET0, EW0	DGP		
		1	6, 7, 8			ET0, EW0	DGP		
29									PLATE, Transmission O/Drive Clutch
	04431585	1	1, 2, 3			ET0, EW0	DGP		.123-.125" Thick
		1	6, 7, 8			ET0, EW0	DGP		.123-.125" Thick
	04431586	1	1, 2, 3			ET0, EW0	DGP		.153-.155" Thick
		1	6, 7, 8			ET0, EW0	DGP		.153-.155" Thick
	04431587	1	1, 2, 3			ET0, EW0	DGP		.183-.185" Thick
		1	6, 7, 8			ET0, EW0	DGP		.183-.185" Thick
	04431588	1	1, 2, 3			ET0, EW0	DGP		.213-.215" Thick
		1	6, 7, 8			ET0, EW0	DGP		.213-.215" Thick
	04431590	1	1, 2, 3			ET0, EW0	DGP		.243-.245" Thick
		1	6, 7, 8			ET0, EW0	DGP		.243-.245" Thick
	04431731	1	1, 2, 3			ET0, EW0	DGP		.138-.140" Thick
		1	6, 7, 8			ET0, EW0	DGP		.138-.140" Thick
	04431732	1	1, 2, 3			ET0, EW0	DGP		.168-.170" Thick
		1	6, 7, 8			ET0, EW0	DGP		.168-.170" Thick
	04431733	1	1, 2, 3			ET0, EW0	DGP		.198-.200" Thick
		1	6, 7, 8			ET0, EW0	DGP		.198-.200" Thick
	04431734	1	1, 2, 3			ET0, EW0	DGP		.228-.230" Thick
		1	6, 7, 8			ET0, EW0	DGP		.228-.230" Thick
	04431735	1	1, 2, 3			ET0, EW0	DGP		.108-.110" Thick
		1	6, 7, 8			ET0, EW0	DGP		.108-.110" Thick
30									SPACER, Intermediate Shaft, 1.58mm
	04431916	1	1, 2, 3			ET0, EW0	DGP		
		1	6, 7, 8			ET0, EW0	DGP		
-31									SPACER, Intermediate Shaft, .175

RAM PICKUP/CLUB CAB (BE)

SERIES	LINE	BODY	ENGINE	TRANSMISSION
L = RAM 1500, 2500, 3500	1 = Lt. Duty DODGE 2WD 2 = Med. Duty DODGE 2WD 3 = HD DODGE 2WD 6 = Lt. Duty DODGE 4WD 7 = Med. Duty DODGE 4WD 8 = HD DODGE 4WD	31 = CLUB CAB 2-DR 6.5 FT BOX 32 = CLUB CAB 2-DR 8FT BOX 33 = QUAD CAB 4-DR 6.5 FT BOX 34 = QUAD CAB 4-DR 8FT BOX	ETC = 5.9L Cummins 24V Diesel Engine EWA = 8.0L V10 MPI Engine EM0 = ALL 5.9L 8 CYL ENGINES - GAS EMM = 5.9L SMPI V8 Engine EML = 5.9L V8 MPI Engine ELF = 5.2L V8 MPI Engine	DGP = 4-Spd. Automatic 47RE Transmission DD0 = ALL 5 SPEED MANUAL TRANSMISSIONS DG0 = ALL AUTOMATIC TRANSMISSIONS DDC = 5-Speed HD Manual Transmission DDP = 5-Speed Manual Transmission DDX = 5-Speed HD Manual Transmission DEE = 6-Speed HD Manual Transmission DGT = 4-Spd. Automatic 46RE Transmission

AR = use ase required - = Non illustrated part

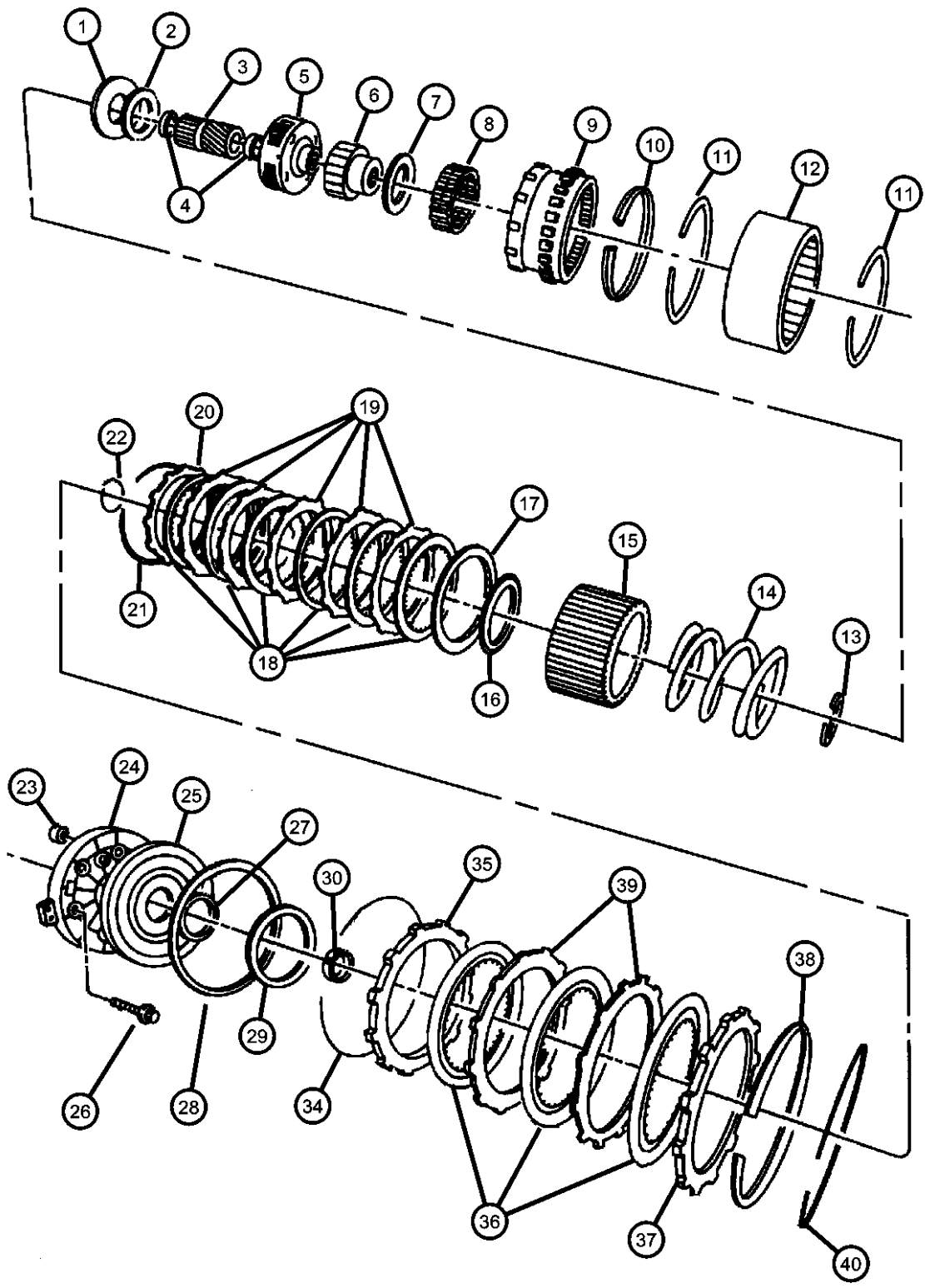
Clutch, Overdrive with Gear Train,4 Speed 47RE
Figure 47RE-1010

ITEM	PART NUMBER	QTY	LINE	SERIES	BODY	ENGINE	TRANS	TRIM	DESCRIPTION
	04431917	1	1, 2, 3			ET0, EW0	DGP		
		1	6, 7, 8			ET0, EW0	DGP		
-32	04431918	1	1, 2, 3			ET0, EW0	DGP		SPACER, Intermediate Shaft, .193
		1	6, 7, 8			ET0, EW0	DGP		
-33	04431919	1	1, 2, 3			ET0, EW0	DGP		SPACER, Intermediate Shaft, .211
		1	6, 7, 8			ET0, EW0	DGP		
34	04461082	1	1, 2, 3			ET0, EW0	DGP		SNAP RING, Overdrive Clutch
		1	6, 7, 8			ET0, EW0	DGP		
35	04461033	1	1, 2, 3			ET0, EW0	DGP		PLATE, Transmission Clutch Reaction
		1	6, 7, 8			ET0, EW0	DGP		
36	04461181	5	1, 2, 3			ET0, EW0	DGP		DISC, Direct Clutch
		5	6, 7, 8			ET0, EW0	DGP		
37	04461033	1	1, 2, 3			ET0, EW0	DGP		PLATE, Transmission Clutch Reaction
		1	6, 7, 8			ET0, EW0	DGP		
38	04461066	1	1, 2, 3			ET0, EW0	DGP		SPRING, Overdrive Clutch
		1	6, 7, 8			ET0, EW0	DGP		
39	04461047	5	1, 2, 3			ET0, EW0	DGP		PLATE, Transmission Clutch Reaction
		5	6, 7, 8			ET0, EW0	DGP		

RAM PICKUP/CLUB CAB (BE)

SERIES	LINE	BODY	ENGINE	TRANSMISSION
L = RAM 1500, 2500, 3500	1 = Lt. Duty DODGE 2WD 2 = Med. Duty DODGE 2WD 3 = HD DODGE 2WD 6 = Lt. Duty DODGE 4WD 7 = Med. Duty DODGE 4WD 8 = HD DODGE 4WD	31 = CLUB CAB 2-DR 6.5 FT BOX 32 = CLUB CAB 2-DR 8FT BOX 33 = QUAD CAB 4-DR 6.5 FT BOX 34 = QUAD CAB 4-DR 8FT BOX	ETC = 5.9L Cummins 24V Diesel Engine EWA = 8.0L V10 MPI Engine EM0 = ALL 5.9L 8 CYL ENGINES - GAS EMM = 5.9L SMPI V8 Engine EML = 5.9L V8 MPI Engine ELF = 5.2L V8 MPI Engine	DGP = 4-Spd. Automatic 47RE Transmission DD0 = ALL 5 SPEED MANUAL TRANSMISSIONS DG0 = ALL AUTOMATIC TRANSMISSIONS DDC = 5-Speed HD Manual Transmission DDP = 5-Speed Manual Transmission DDX = 5-Speed HD Manual Transmission DEE = 6-Speed HD Manual Transmission DGT = 4-Spd. Automatic 46RE Transmission

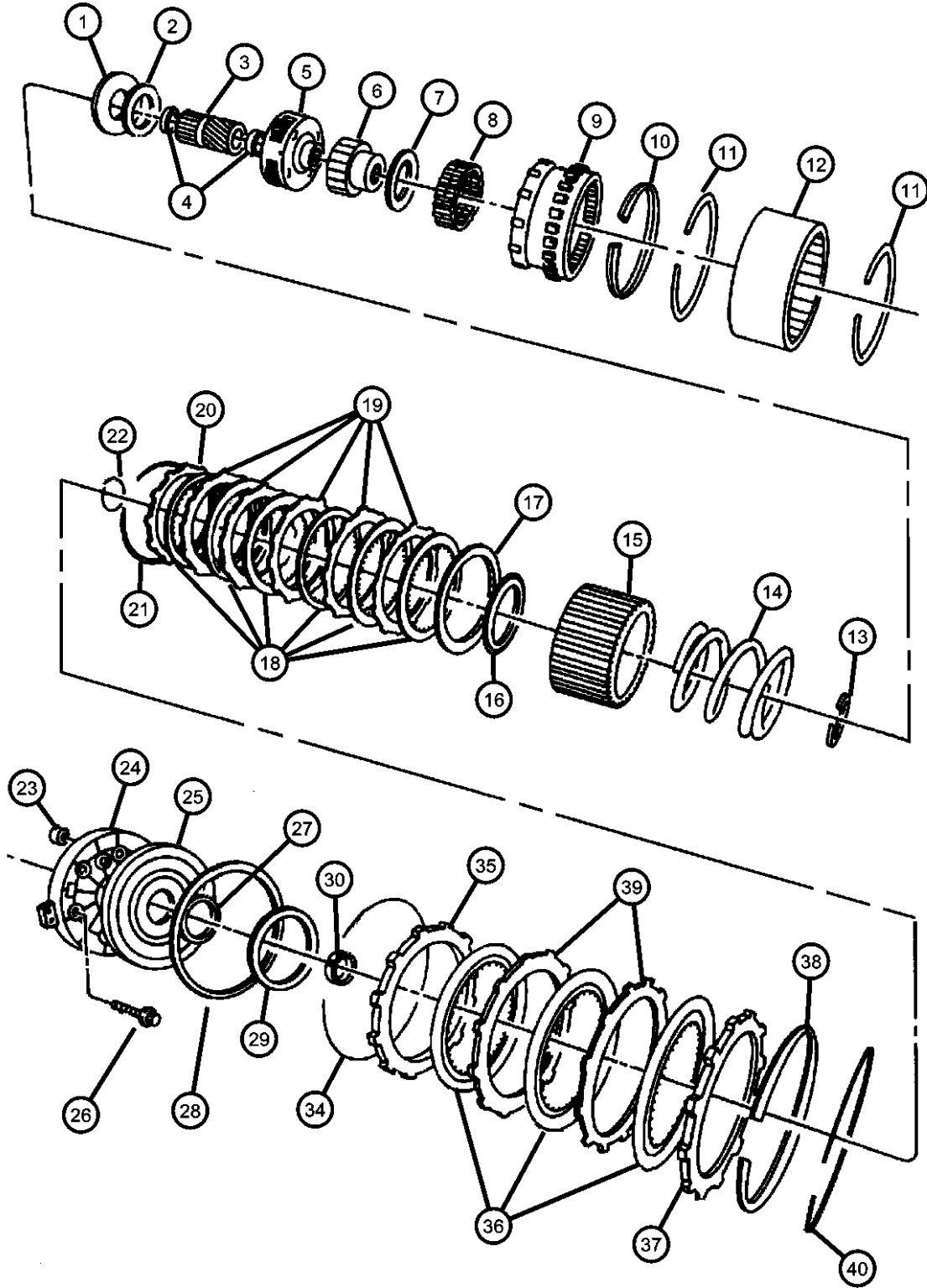
AR = use ase required - = Non illustrated part



Clutch, Overdrive with Gear Train,4 Speed 47RE
Figure 47RE-1010

ITEM	PART NUMBER	QTY	LINE	SERIES	BODY	ENGINE	TRANS	TRIM	DESCRIPTION
------	-------------	-----	------	--------	------	--------	-------	------	-------------

40	04461065	1	1, 2, 3			ET0, EW0	DGP		SNAP RING, 6.50 OD
		1	6, 7, 8			ET0, EW0	DGP		



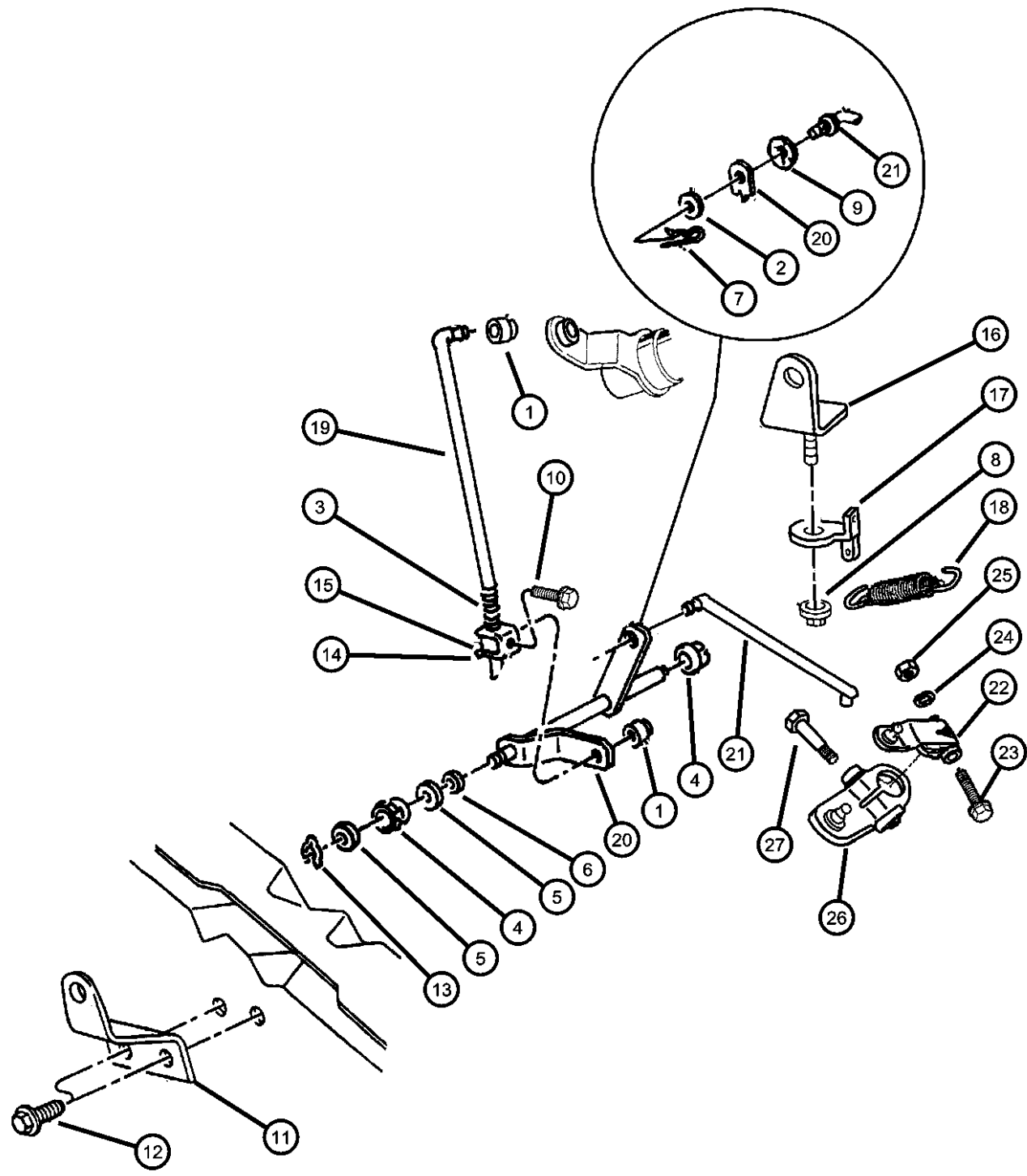
RAM PICKUP/CLUB CAB (BE)

SERIES	LINE	BODY	ENGINE	TRANSMISSION
L = RAM 1500, 2500, 3500	1 = Lt. Duty DODGE 2WD 2 = Med. Duty DODGE 2WD 3 = HD DODGE 2WD 6 = Lt. Duty DODGE 4WD 7 = Med. Duty DODGE 4WD 8 = HD DODGE 4WD	31 = CLUB CAB 2-DR 6.5 FT BOX 32 = CLUB CAB 2-DR 8FT BOX 33 = QUAD CAB 4-DR 6.5 FT BOX 34 = QUAD CAB 4-DR 8FT BOX	ETC = 5.9L Cummins 24V Diesel Engine EWA = 8.0L V10 MPI Engine EM0 = ALL 5.9L 8 CYL ENGINES - GAS EMM = 5.9L SMPI V8 Engine EML = 5.9L V8 MPI Engine ELF = 5.2L V8 MPI Engine	DGP = 4-Spd. Automatic 47RE Transmission DD0 = ALL 5 SPEED MANUAL TRANSMISSIONS DG0 = ALL AUTOMATIC TRANSMISSIONS DDC = 5-Speed HD Manual Transmission DDP = 5-Speed Manual Transmission DDX = 5-Speed HD Manual Transmission DEE = 6-Speed HD Manual Transmission DGT = 4-Spd. Automatic 46RE Transmission

AR = use ase required - = Non illustrated part

1999 BE

**Controls, Gearshift, Lower, 4 Speed 47RE
Figure 47RE-1210**



ITEM	PART NUMBER	QTY	LINE	SERIES	BODY	ENGINE	TRANS	TRIM	DESCRIPTION
------	-------------	-----	------	--------	------	--------	-------	------	-------------

NOTES: Sales Codes
 [DGP] = 4 Speed Automatic Transmission 47RE
 [EM0] = All 8.0L Gas Engines
 [ET0] = All 5.9L Turbo Diesel Engines

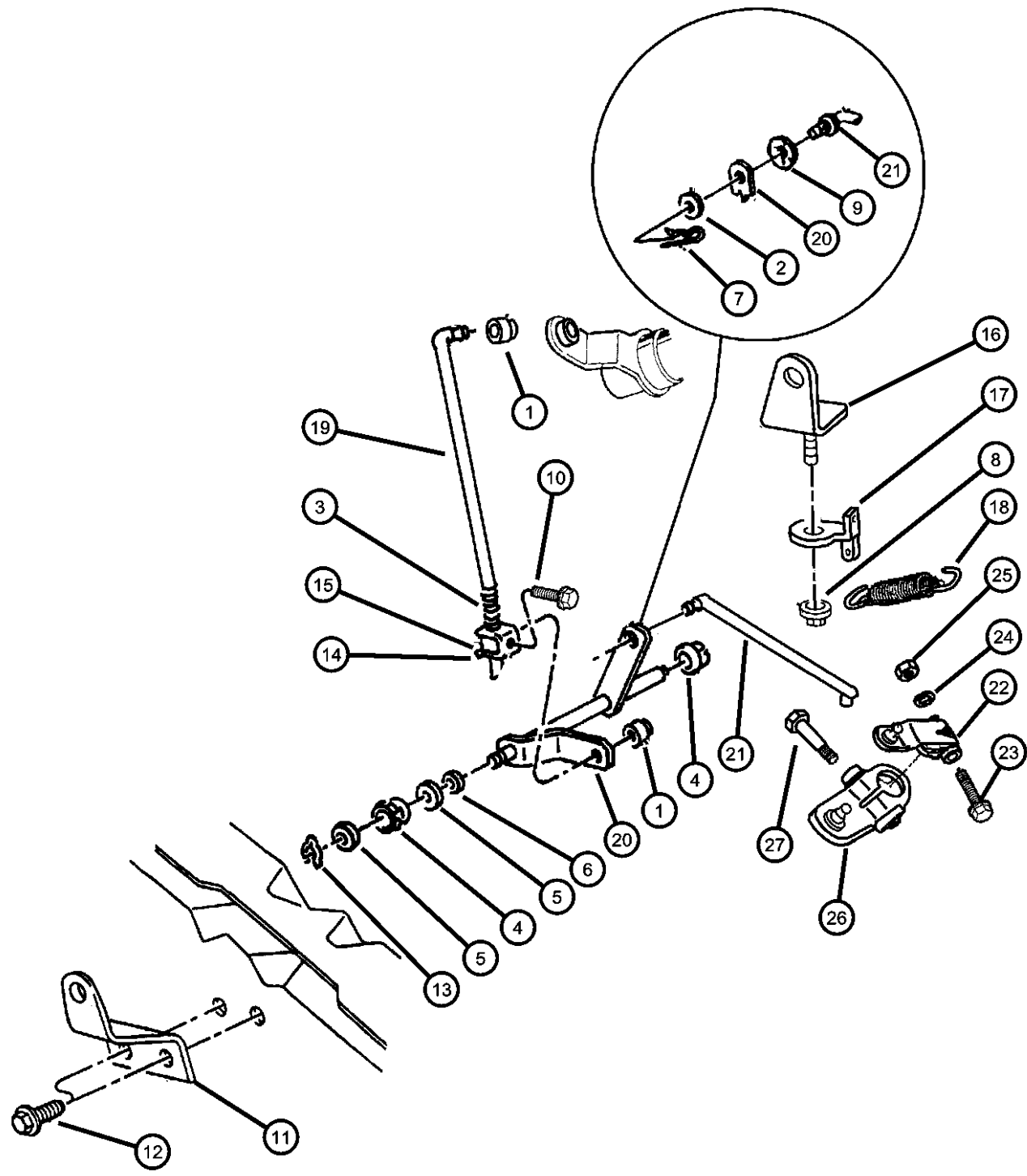
1	03575333	1					DG0		GROMMET, Control Rod Front
2	J0120393	1					DG0		WASHER, Flat
3	03575354	1					DG0		SPRING, Gearshift Control Rod, Adjusting
4	03467800	2					DG0		BUSHING, Gearshift Torque Shaft
5	06504763	2					DG0		WASHER, Flat, M13.5
6	06034943	1					DG0		WASHER
7	J4004295	1					DG0		PIN, Rod To Trans Shaft Lever
8	06028114	1					DG0		NUT, Hex, .437-14, Bracket Mtg. Lock 7/16-14
9	00391888	1					DG0		WASHER, Wave, .359x.593x.010
10	00181082	1					DG0		BOLT, Hex Head, 5/16-18x1/2
11	52077802	1					DG0		BRACKET, Gearshift, Torque Shaft, Frame End
12	52077802	1					DG0		SCREW, (NOT SERVICED)
13	06032475	1					DG0		RING, Transmission Torque Shaft
14	52107734	1					DG0		CLAMP
15	03575334	1					DG0		SWIVEL, Gearshift Control Rod
16	52077803	1			EL0, EM0		DGT		BRACKET, Gearshift, Torque Shaft Mtg., Trans. End
17	52078718	1					DG0		BRACKET, Throttle Valve Spring
18	53009055	1					DG0		SPRING, Throttle Valve Return
19	52107699AB	1					DG0		ROD, Gear Shift Control
20	52079228AB	1					DGP		TORQUE SHAFT, Gearshift
21	52077630	1					DGP		ROD, Gear Shift Control, Transmission
22	52079065	1					DG0		LEVER, Throttle Valve
23	00181065	1					DG0		BOLT, Hex Head, .25-20x1.00

RAM PICKUP/CLUB CAB (BE)

SERIES	LINE	BODY	ENGINE	TRANSMISSION
L = RAM 1500, 2500, 3500	1 = Lt. Duty DODGE 2WD 2 = Med. Duty DODGE 2WD 3 = HD DODGE 2WD 6 = Lt. Duty DODGE 4WD 7 = Med. Duty DODGE 4WD 8 = HD DODGE 4WD	31 = CLUB CAB 2-DR 6.5 FT BOX 32 = CLUB CAB 2-DR 8FT BOX 33 = QUAD CAB 4-DR 6.5 FT BOX 34 = QUAD CAB 4-DR 8FT BOX	ETC = 5.9L Cummins 24V Diesel Engine EWA = 8.0L V10 MPI Engine EM0 = ALL 5.9L 8 CYL ENGINES - GAS EMM = 5.9L SMPI V8 Engine EML = 5.9L V8 MPI Engine ELF = 5.2L V8 MPI Engine	DGP = 4-Spd. Automatic 47RE Transmission DD0 = ALL 5 SPEED MANUAL TRANSMISSIONS DG0 = ALL AUTOMATIC TRANSMISSIONS DDC = 5-Speed HD Manual Transmission DDP = 5-Speed Manual Transmission DDX = 5-Speed HD Manual Transmission DEE = 6-Speed HD Manual Transmission DGT = 4-Spd. Automatic 46RE Transmission

AR = use ase required - = Non illustrated part

Controls, Gearshift, Lower, 4 Speed 47RE
Figure 47RE-1210



ITEM	PART NUMBER	QTY	LINE	SERIES	BODY	ENGINE	TRANS	TRIM	DESCRIPTION
24	00138165	1					DG0		WASHER, Lock
25	J0120375	1					DG0		NUT, Hex, .250-20
26	52077804AC	1					DGP, DGT		LEVER, Manual Control
27	00180034	1					DGP, DGT		SCREW AND WASHER, Hex Head, .25-20x1.50

RAM PICKUP/CLUB CAB (BE)

SERIES	LINE	BODY	ENGINE	TRANSMISSION
L = RAM 1500, 2500, 3500	1 = Lt. Duty DODGE 2WD 2 = Med. Duty DODGE 2WD 3 = HD DODGE 2WD 6 = Lt. Duty DODGE 4WD 7 = Med. Duty DODGE 4WD 8 = HD DODGE 4WD	31 = CLUB CAB 2-DR 6.5 FT BOX 32 = CLUB CAB 2-DR 8FT BOX 33 = QUAD CAB 4-DR 6.5 FT BOX 34 = QUAD CAB 4-DR 8FT BOX	ETC = 5.9L Cummins 24V Diesel Engine EWA = 8.0L V10 MPI Engine EM0 = ALL 5.9L 8 CYL ENGINES - GAS EMM = 5.9L SMPI V8 Engine EML = 5.9L V8 MPI Engine ELF = 5.2L V8 MPI Engine	DGP = 4-Spd. Automatic 47RE Transmission DD0 = ALL 5 SPEED MANUAL TRANSMISSIONS DG0 = ALL AUTOMATIC TRANSMISSIONS DDC = 5-Speed HD Manual Transmission DDP = 5-Speed Manual Transmission DDX = 5-Speed HD Manual Transmission DEE = 6-Speed HD Manual Transmission DGT = 4-Spd. Automatic 46RE Transmission

AR = use ase required - = Non illustrated part

Group - 3500

Manual Transmission 5 Speed

Group - 3500 Manual Transmission 5 Speed

Illustration Title

Group-Fig. No.

Transmission Assembly

Transmission Assembly 3500 [DDC] Fig. 3500 - 110

Case and Extension

Case and Extensions [DDC] Fig. 3500 - 210

Gear Train

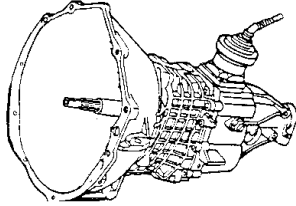
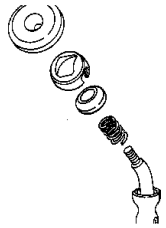
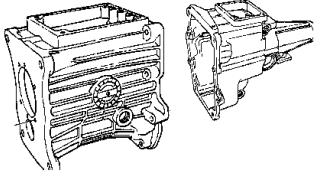
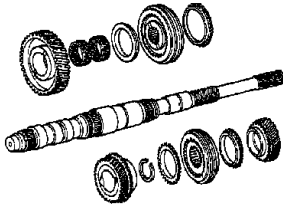
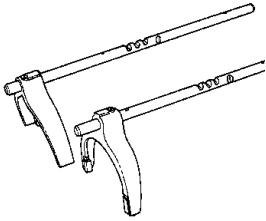
Gear Train [DDC] Fig. 3500 - 410

Fork and Rails

Shift Forks and Rails [DDC] Fig. 3500 - 910

Gearshift Controls

Gear Shift Controls [DDC] Fig. 3500 - 1210

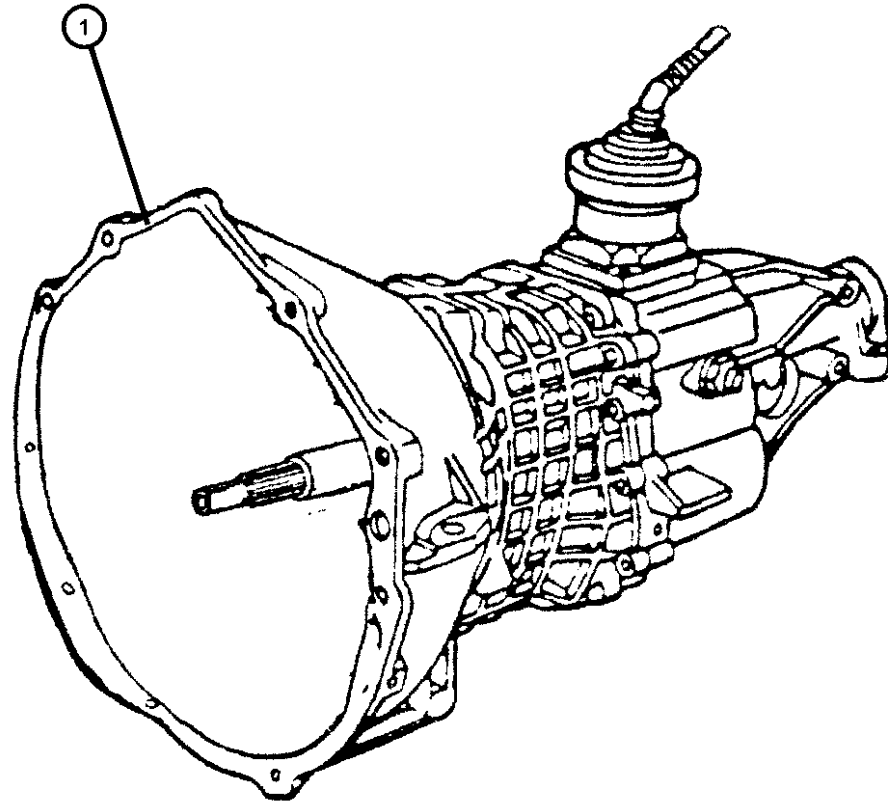
<p>3500-100 Transmission Assembly</p> 	<p>3500-1200 Gearshift Controls</p> 	<p>3500-200 Case and Extension</p> 	<p>3500-400 Gear Train</p> 
<p>3500-900 Fork and Rails</p> 			

**Transmission Assembly 3500 [DDC]
Figure 3500-110**

ITEM	PART NUMBER	QTY	LINE	SERIES	BODY	ENGINE	TRANS	TRIM	DESCRIPTION
------	-------------	-----	------	--------	------	--------	-------	------	-------------

NOTES: Sales Codes
[DDC] = All 5 Speed Heavy Duty Manual Transmissions
[ELO] = All 5.2L 8 Cylinder Gas Engines

1									TRANSMISSION, 5 Speed
	52108132	1	1, 2, 3			ELO	DDC		
	52108133	1	6, 7, 8			ELO	DDC		



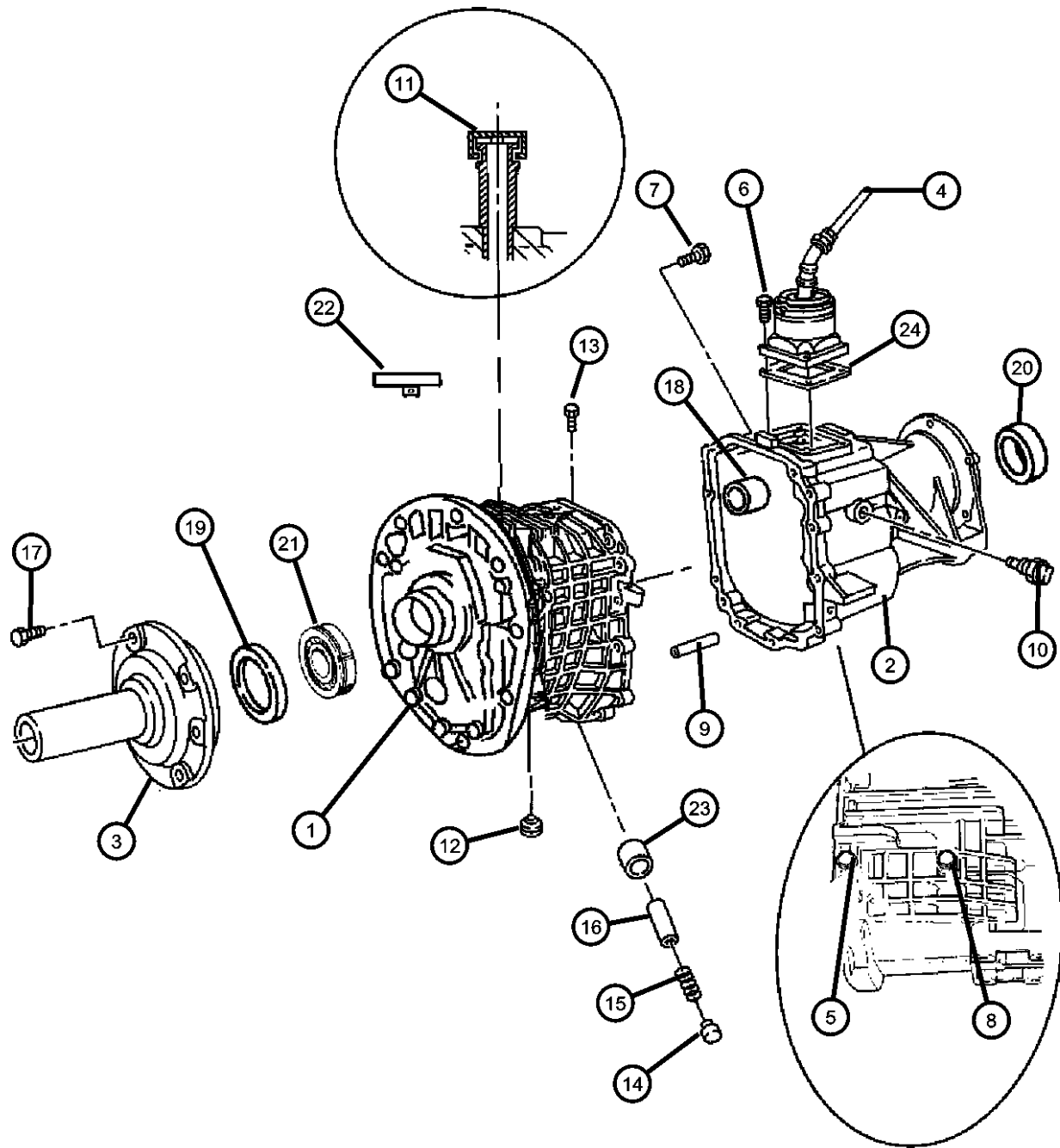
RAM PICKUP/CLUB CAB (BE)

SERIES	LINE	BODY	ENGINE	TRANSMISSION
L = RAM 1500, 2500, 3500	1 = Lt. Duty DODGE 2WD 2 = Med. Duty DODGE 2WD 3 = HD DODGE 2WD 6 = Lt. Duty DODGE 4WD 7 = Med. Duty DODGE 4WD 8 = HD DODGE 4WD	31 = CLUB CAB 2-DR 6.5 FT BOX 32 = CLUB CAB 2-DR 8FT BOX 33 = QUAD CAB 4-DR 6.5 FT BOX 34 = QUAD CAB 4-DR 8FT BOX	ETC = 5.9L Cummins 24V Diesel Engine EWA = 8.0L V10 MPI Engine EM0 = ALL 5.9L 8 CYL ENGINES - GAS EMM = 5.9L SMPI V8 Engine EML = 5.9L V8 MPI Engine ELF = 5.2L V8 MPI Engine	DGP = 4-Spd. Automatic 47RE Transmission DD0 = ALL 5 SPEED MANUAL TRANSMISSIONS DG0 = ALL AUTOMATIC TRANSMISSIONS DDC = 5-Speed HD Manual Transmission DDP = 5-Speed Manual Transmission DDX = 5-Speed HD Manual Transmission DEE = 6-Speed HD Manual Transmission DGT = 4-Spd. Automatic 46RE Transmission

AR = use ase required - = Non illustrated part

1999 BE

**Case and Extensions [DDC]
Figure 3500-210**



ITEM	PART NUMBER	QTY	LINE	SERIES	BODY	ENGINE	TRANS	TRIM	DESCRIPTION
------	-------------	-----	------	--------	------	--------	-------	------	-------------

NOTES: Sales Codes
[DDC] = All 5 Speed Heavy Duty Manual Transmissions
[ELO] = All 5.2L 8 Cylinder Gas Engines

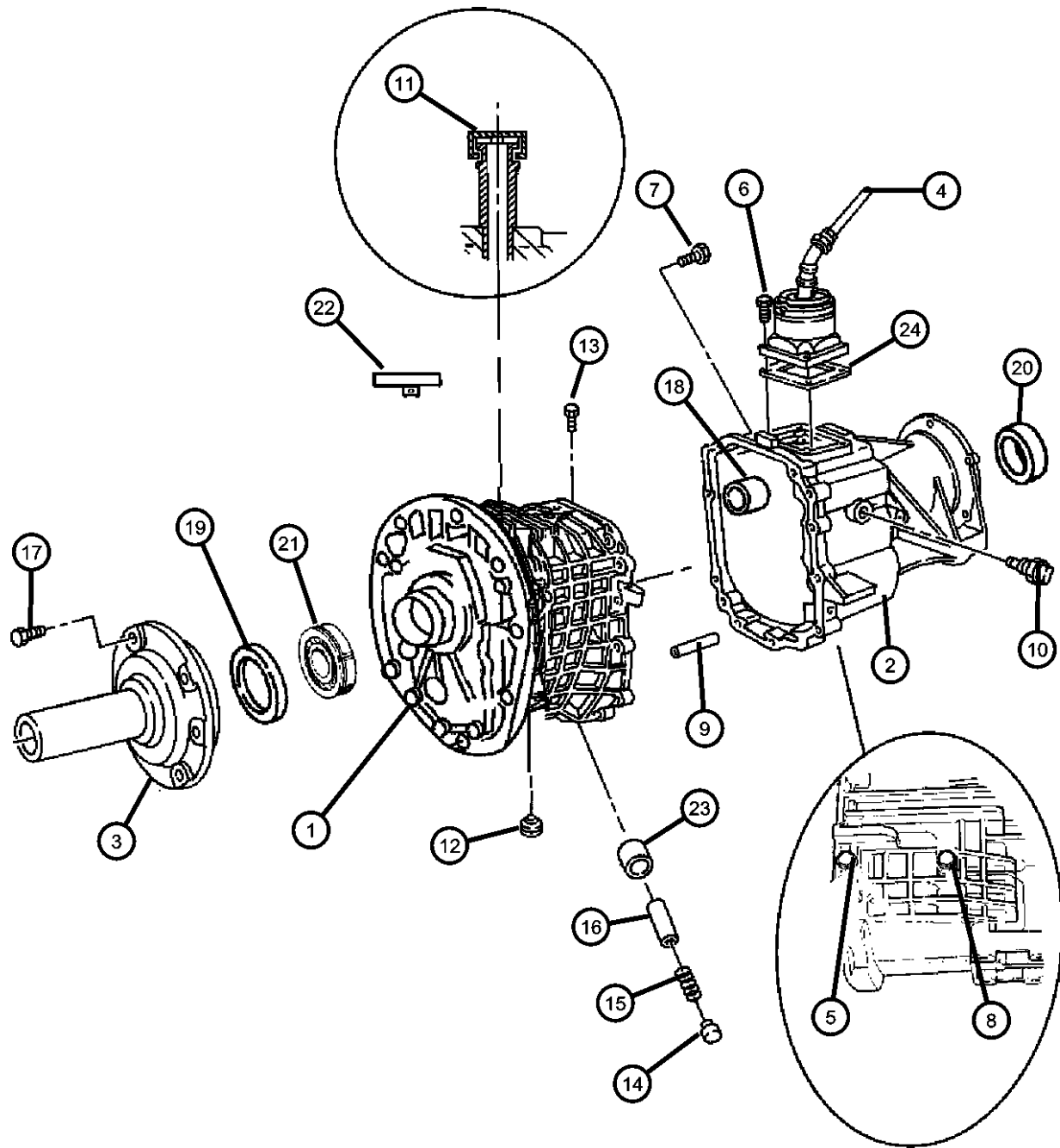
1	04874311	1	1, 2, 3			ELO	DDC		CASE, Transmission
		1	6, 7, 8			ELO	DDC		
2	04740988	1	6, 7, 8			ELO	DDC		CASE, Transmission Rear
	05003287AA	1	1, 2, 3			ELO	DDC		
3	04874019	1	1, 2, 3			ELO	DDC		RETAINER, Shaft
		1	6, 7, 8			ELO	DDC		
4	04886199AA	1	1, 2, 3			ELO	DDC		LEVER, Gearshift
		1	6, 7, 8			ELO	DDC		
5	04741313	1	1, 2, 3			ELO	DDC		BOLT, M8-1.25x70
		1	6, 7, 8			ELO	DDC		
6	04741144	4	1, 2, 3			ELO	DDC		BOLT, Hex Head
		4	6, 7, 8			ELO	DDC		
7	04741123	11	1, 2, 3			ELO	DDC		BOLT, Hex Head, M8x1.25x50
		11	6, 7, 8			ELO	DDC		
8	04741115	1	1, 2, 3			ELO	DDC		BOLT, Hex
		1	6, 7, 8			ELO	DDC		
9	04741122	2	1, 2, 3			ELO	DDC		PIN, Locating

RAM PICKUP/CLUB CAB (BE)

SERIES	LINE	BODY	ENGINE	TRANSMISSION
L = RAM 1500, 2500, 3500	1 = Lt. Duty DODGE 2WD 2 = Med. Duty DODGE 2WD 3 = HD DODGE 2WD 6 = Lt. Duty DODGE 4WD 7 = Med. Duty DODGE 4WD 8 = HD DODGE 4WD	31 = CLUB CAB 2-DR 6.5 FT BOX 32 = CLUB CAB 2-DR 8FT BOX 33 = QUAD CAB 4-DR 6.5 FT BOX 34 = QUAD CAB 4-DR 8FT BOX	ETC = 5.9L Cummins 24V Diesel Engine EWA = 8.0L V10 MPI Engine EM0 = ALL 5.9L 8 CYL ENGINES - GAS EMM = 5.9L SMPI V8 Engine EML = 5.9L V8 MPI Engine ELF = 5.2L V8 MPI Engine	DGP = 4-Spd. Automatic 47RE Transmission DD0 = ALL 5 SPEED MANUAL TRANSMISSIONS DG0 = ALL AUTOMATIC TRANSMISSIONS DDC = 5-Speed HD Manual Transmission DDP = 5-Speed Manual Transmission DDX = 5-Speed HD Manual Transmission DEE = 6-Speed HD Manual Transmission DGT = 4-Spd. Automatic 46RE Transmission

AR = use ase required - = Non illustrated part

Case and Extensions [DDC]
Figure 3500-210



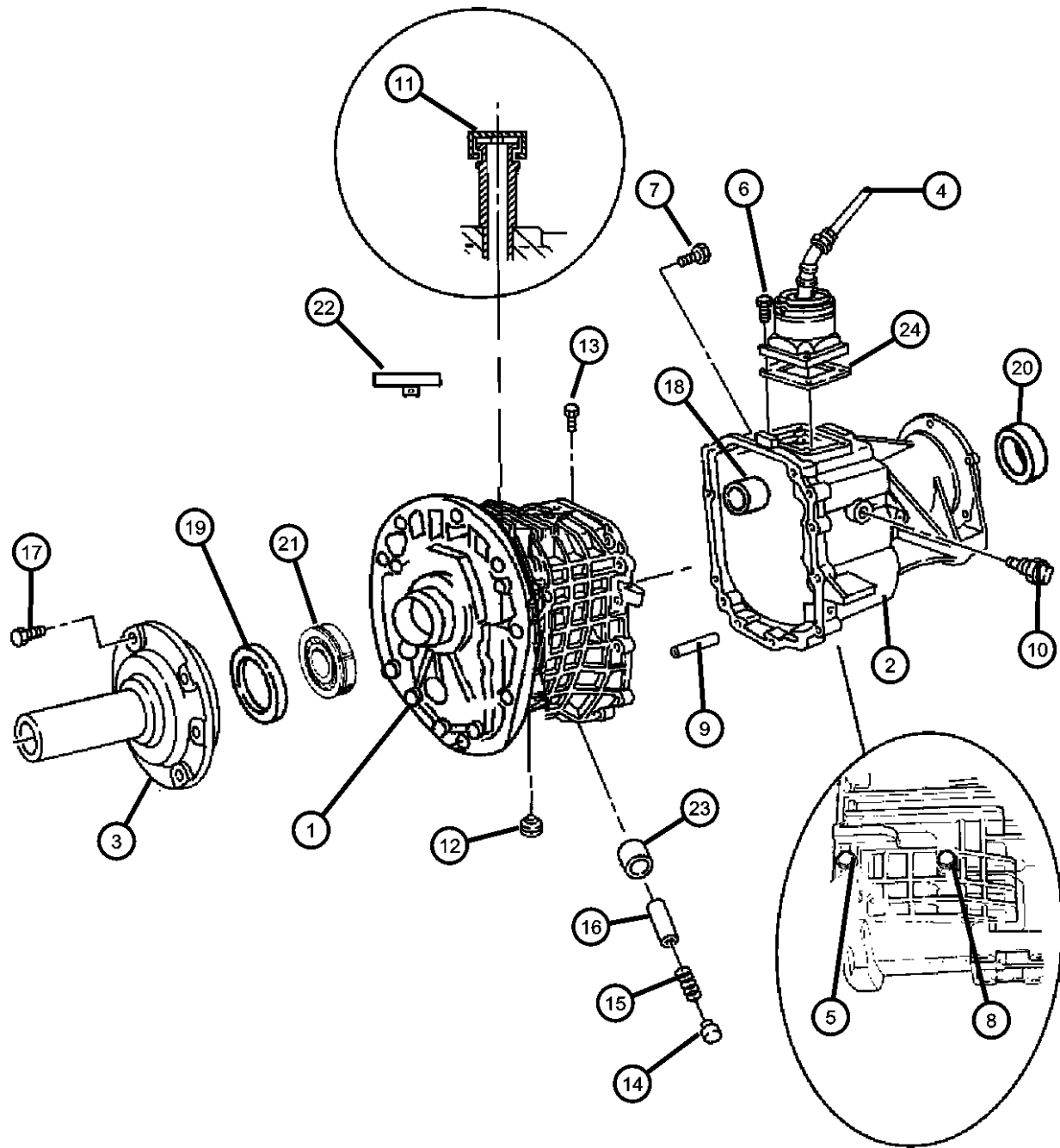
ITEM	PART NUMBER	QTY	LINE	SERIES	BODY	ENGINE	TRANS	TRIM	DESCRIPTION
10		2	6, 7, 8			ELO			SWITCH, Back Up Lamp
	04741121	1	1, 2, 3			ELO	DDC		
		1	6, 7, 8			ELO	DDC		
11		1	1, 2, 3			ELO	DDC		VENT, Transmission
	04740901	1	6, 7, 8			ELO	DDC		
12		1	1, 2, 3			ELO	DDC		PLUG, Oil Fill
	04882280	1	6, 7, 8			ELO	DDC		
13		1	1, 2, 3			ELO	DDC		PIN, Detent
	04740904	1	6, 7, 8			ELO	DDC		
14		1	1, 2, 3			ELO	DDC		CAP, Detent
	04741128	1	6, 7, 8			ELO	DDC		
15		1	1, 2, 3			ELO	DDC		SPRING, Shift Detent
	04773182	1	6, 7, 8			ELO	DDC		
16		1	1, 2, 3			ELO	DDC		PLUNGER
	04741129	1	6, 7, 8			ELO	DDC		
17		6	1, 2, 3			ELO	DDC		BOLT, Hex Head, M6x1.00x25
	04741300	6	6, 7, 8			ELO	DDC		
18		1	1, 2, 3			ELO	DDC		BEARING, Ball
	04741112	1	6, 7, 8			ELO	DDC		

RAM PICKUP/CLUB CAB (BE)

SERIES	LINE	BODY	ENGINE	TRANSMISSION
L = RAM 1500, 2500, 3500	1 = Lt. Duty DODGE 2WD	31 = CLUB CAB 2-DR 6.5 FT BOX	ETC = 5.9L Cummins 24V Diesel Engine	DGP = 4-Spd. Automatic 47RE Transmission
	2 = Med. Duty DODGE 2WD	32 = CLUB CAB 2-DR 8FT BOX	EWA = 8.0L V10 MPI Engine	DD0 = ALL 5 SPEED MANUAL TRANSMISSIONS
	3 = HD DODGE 2WD	33 = QUAD CAB 4-DR 6.5 FT BOX	EM0 = ALL 5.9L 8 CYL ENGINES - GAS	DG0 = ALL AUTOMATIC TRANSMISSIONS
	6 = Lt. Duty DODGE 4WD	34 = QUAD CAB 4-DR 8FT BOX	EMM = 5.9L SMPI V8 Engine	DDC = 5-Speed HD Manual Transmission
	7 = Med. Duty DODGE 4WD		EML = 5.9L V8 MPI Engine	DDP = 5-Speed Manual Transmission
	8 = HD DODGE 4WD		ELF = 5.2L V8 MPI Engine	DDX = 5-Speed HD Manual Transmission
				DEE = 6-Speed HD Manual Transmission
				DGT = 4-Spd. Automatic 46RE Transmission

AR = use ase required - = Non illustrated part

Case and Extensions [DDC]
Figure 3500-210



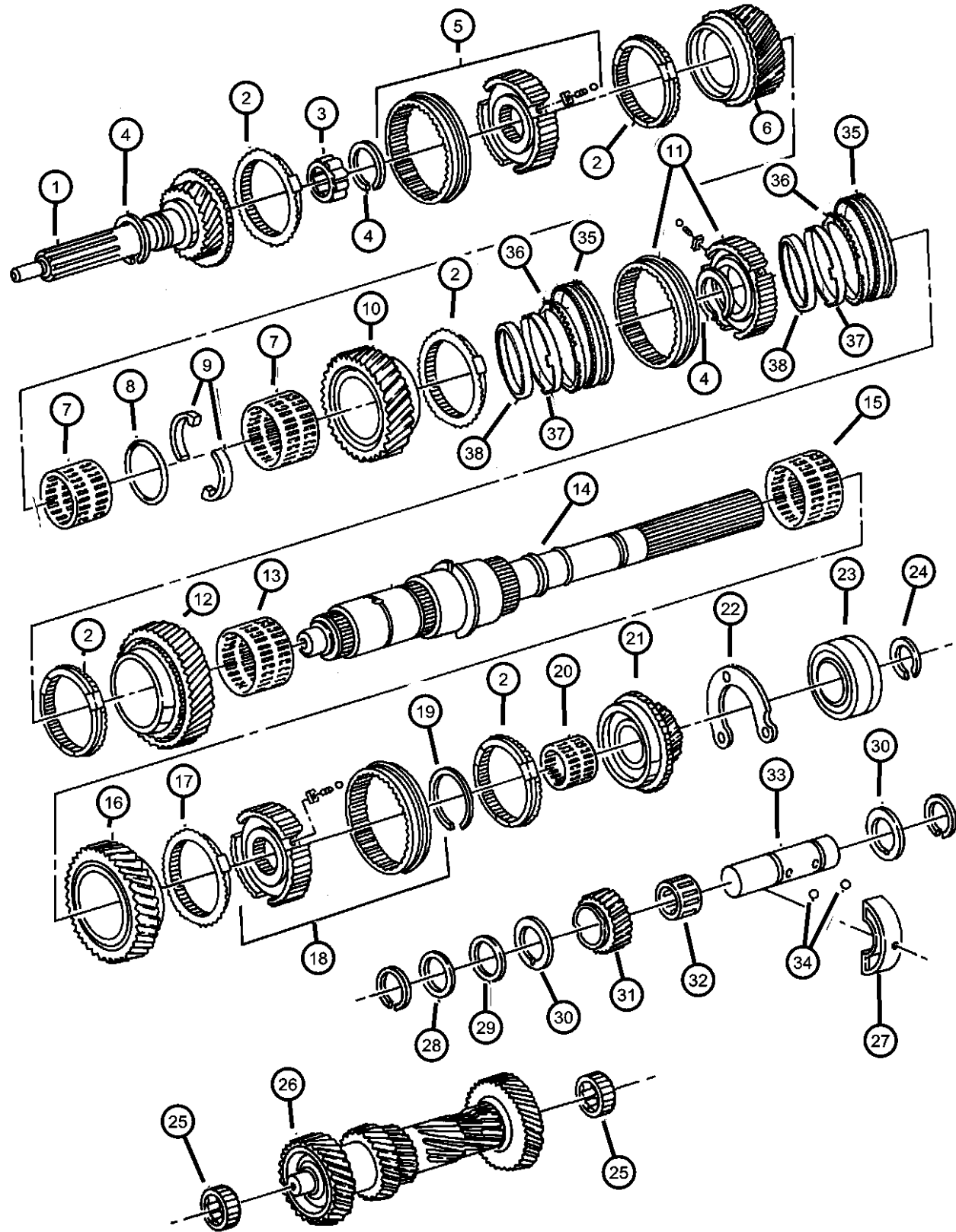
ITEM	PART NUMBER	QTY	LINE	SERIES	BODY	ENGINE	TRANS	TRIM	DESCRIPTION
19	04741296	1	1, 2, 3			ELO	DDC		SEAL, Input Shaft
		1	6, 7, 8			ELO	DDC		
20	04741118	1	6, 7, 8			ELO	DDC		SEAL, Output Shaft
	04741119	1	1, 2, 3			ELO	DDC		
21	04874174	1	1, 2, 3			ELO	DDC		BEARING, Input Shaft
		1	6, 7, 8			ELO	DDC		
22	04740901	1	1, 2, 3			ELO	DDC		VENT, Transmission
		1	6, 7, 8			ELO	DDC		
23	04740892	2	1, 2, 3			ELO	DDC		BUSHING, Detent
		2	6, 7, 8			ELO			
24	04886153AA	1	1, 2, 3			ELO	DDC		SEAL, Shift Lever
		1	6, 7, 8			ELO	DDC		

RAM PICKUP/CLUB CAB (BE)

SERIES	LINE	BODY	ENGINE	TRANSMISSION
L = RAM 1500, 2500, 3500	1 = Lt. Duty DODGE 2WD 2 = Med. Duty DODGE 2WD 3 = HD DODGE 2WD 6 = Lt. Duty DODGE 4WD 7 = Med. Duty DODGE 4WD 8 = HD DODGE 4WD	31 = CLUB CAB 2-DR 6.5 FT BOX 32 = CLUB CAB 2-DR 8FT BOX 33 = QUAD CAB 4-DR 6.5 FT BOX 34 = QUAD CAB 4-DR 8FT BOX	ETC = 5.9L Cummins 24V Diesel Engine EWA = 8.0L V10 MPI Engine EM0 = ALL 5.9L 8 CYL ENGINES - GAS EMM = 5.9L SMPI V8 Engine EML = 5.9L V8 MPI Engine ELF = 5.2L V8 MPI Engine	DGP = 4-Spd. Automatic 47RE Transmission DD0 = ALL 5 SPEED MANUAL TRANSMISSIONS DG0 = ALL AUTOMATIC TRANSMISSIONS DDC = 5-Speed HD Manual Transmission DDP = 5-Speed Manual Transmission DDX = 5-Speed HD Manual Transmission DEE = 6-Speed HD Manual Transmission DGT = 4-Spd. Automatic 46RE Transmission

AR = use ase required - = Non illustrated part

**Gear Train [DDC]
Figure 3500-410**



ITEM	PART NUMBER	QTY	LINE	SERIES	BODY	ENGINE	TRANS	TRIM	DESCRIPTION
------	-------------	-----	------	--------	------	--------	-------	------	-------------

NOTES: Sales Codes
[DDC] = All 5 Speed Heavy Duty Manual Transmissions
[ELO] = All 5.2L 8 Cylinder Gas Engines

1	04883472AA	1	1, 2, 3			ELO	DDC		SHAFT, Input
		1	6, 7, 8			ELO	DDC		
2	04741277	1	1, 2, 3			ELO	DDC		STOP RING, Synchronizer
		1	6, 7, 8			ELO	DDC		
3	04741878	1	1, 2, 3			ELO	DDC		NEEDLE BEARING, Input Shaft
		1	6, 7, 8			ELO	DDC		
4	04741266	1	1, 2, 3			ELO	DDC		SNAP RING, Output Shaft Bearing
		1	6, 7, 8			ELO	DDC		
5	04741293	1	1, 2, 3			ELO	DDC		SYNCHRONIZER, Third and Fourth
		1	6, 7, 8			ELO	DDC		
6	04874312	1	1, 2, 3			ELO	DDC		GEAR, Third
		1	6, 7, 8			ELO	DDC		
7	04741874	1	1, 2, 3			ELO	DDC		NEEDLE BEARING, Second Gear
		1	6, 7, 8			ELO	DDC		
8	04897922AA	1	1, 2, 3			ELO	DDC		SNAP RING
		1	6, 7, 8			ELO	DDC		
9									THRUST WASHER, Second And Third Gear

RAM PICKUP/CLUB CAB (BE)

SERIES LINE
L = RAM 1500, 2500, 3500
1 = Lt. Duty DODGE 2WD
2 = Med. Duty DODGE 2WD
3 = HD DODGE 2WD
6 = Lt. Duty DODGE 4WD
7 = Med. Duty DODGE 4WD
8 = HD DODGE 4WD

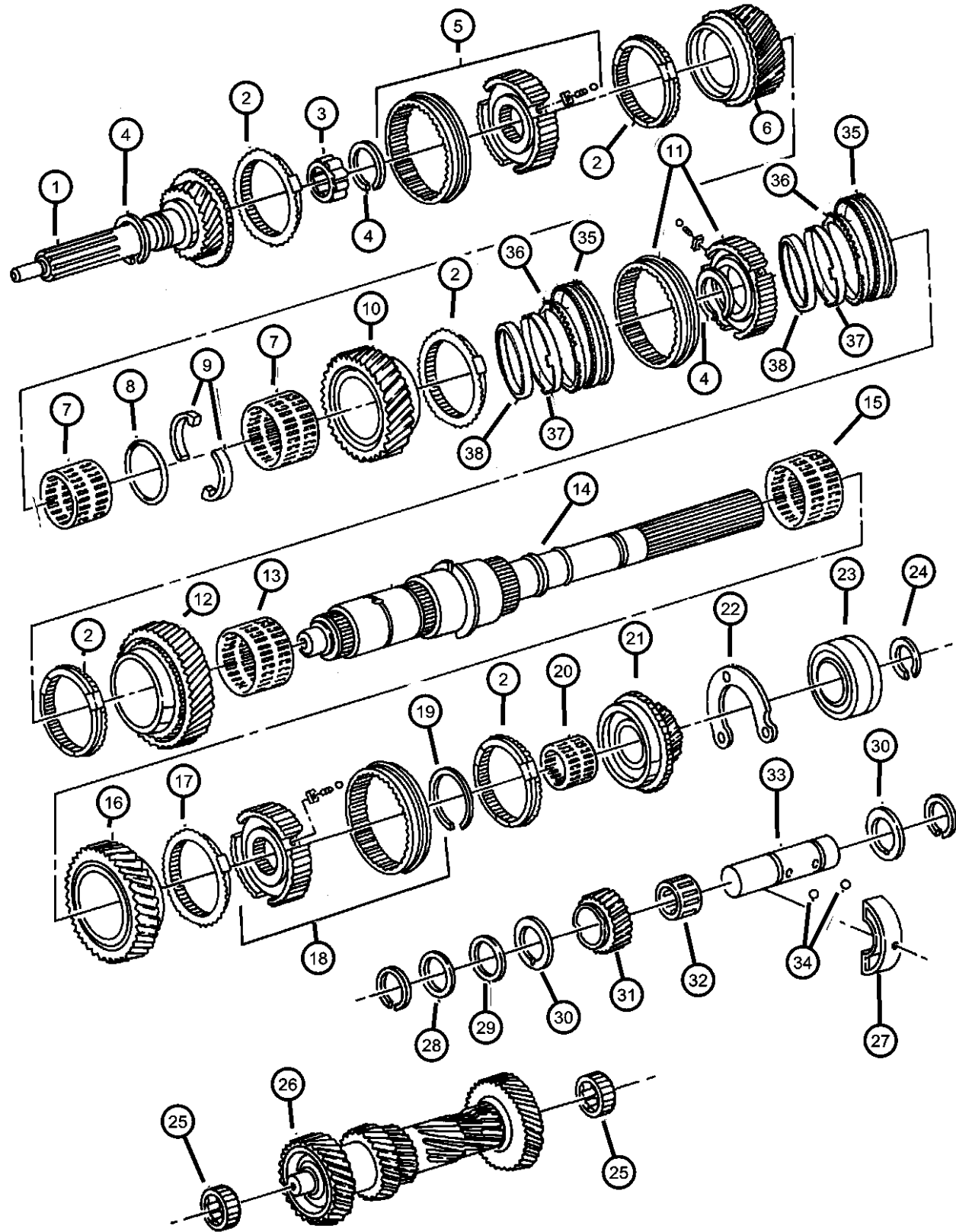
BODY
31 = CLUB CAB 2-DR 6.5 FT BOX
32 = CLUB CAB 2-DR 8FT BOX
33 = QUAD CAB 4-DR 6.5 FT BOX
34 = QUAD CAB 4-DR 8FT BOX
ENGINE
ETC = 5.9L Cummins 24V Diesel Engine
EWA = 8.0L V10 MPI Engine
EM0 = ALL 5.9L 8 CYL ENGINES - GAS
EMM = 5.9L SMPI V8 Engine
EML = 5.9L V8 MPI Engine
ELF = 5.2L V8 MPI Engine

TRANSMISSION
DGP = 4-Spd. Automatic 47RE Transmission
DD0 = ALL 5 SPEED MANUAL TRANSMISSIONS
DG0 = ALL AUTOMATIC TRANSMISSIONS
DDC = 5-Speed HD Manual Transmission
DDP = 5-Speed Manual Transmission
DDX = 5-Speed HD Manual Transmission
DEE = 6-Speed HD Manual Transmission
DGT = 4-Spd. Automatic 46RE Transmission

AR = use ase required - = Non illustrated part

1999 BE

**Gear Train [DDC]
Figure 3500-410**



ITEM	PART NUMBER	QTY	LINE	SERIES	BODY	ENGINE	TRANS	TRIM	DESCRIPTION
10	04746070	2	1, 2, 3			ELO	DDC		GEAR, Second
		2	6, 7, 8			ELO			
11	04874358	1	1, 2, 3			ELO	DDC		SYNCHRONIZER, First and Second
		1	6, 7, 8			ELO	DDC		
12	04874356	1	1, 2, 3			ELO	DDC		GEAR, First
		1	6, 7, 8			ELO	DDC		
13	04874355	1	1, 2, 3			ELO	DDC		NEEDLE BEARING, Transmission
		1	6, 7, 8			ELO	DDC		
14	04741871	1	1, 2, 3			ELO	DDC		SHAFT, Output
		1	6, 7, 8			ELO	DDC		
15	05003288AA	1	1, 2, 3			ELO	DDC		NEEDLE BEARING, Transmission
	05003289AA	1	6, 7, 8			ELO	DDC		
16	04741871	1	1, 2, 3			ELO	DDC		GEAR, Reverse
		1	6, 7, 8			ELO	DDC		
17	04741284	1	1, 2, 3			ELO	DDC		STOP RING, Synchronizer
		1	6, 7, 8			ELO	DDC		
18	04741285	1	1, 2, 3			ELO	DDC		SYNCHRONIZER, Fifth And Reverse
		1	6, 7, 8			ELO	DDC		

RAM PICKUP/CLUB CAB (BE)

SERIES LINE
 L = RAM 1500, 2500, 3500
 1 = Lt. Duty DODGE 2WD
 2 = Med. Duty DODGE 2WD
 3 = HD DODGE 2WD
 6 = Lt. Duty DODGE 4WD
 7 = Med. Duty DODGE 4WD
 8 = HD DODGE 4WD

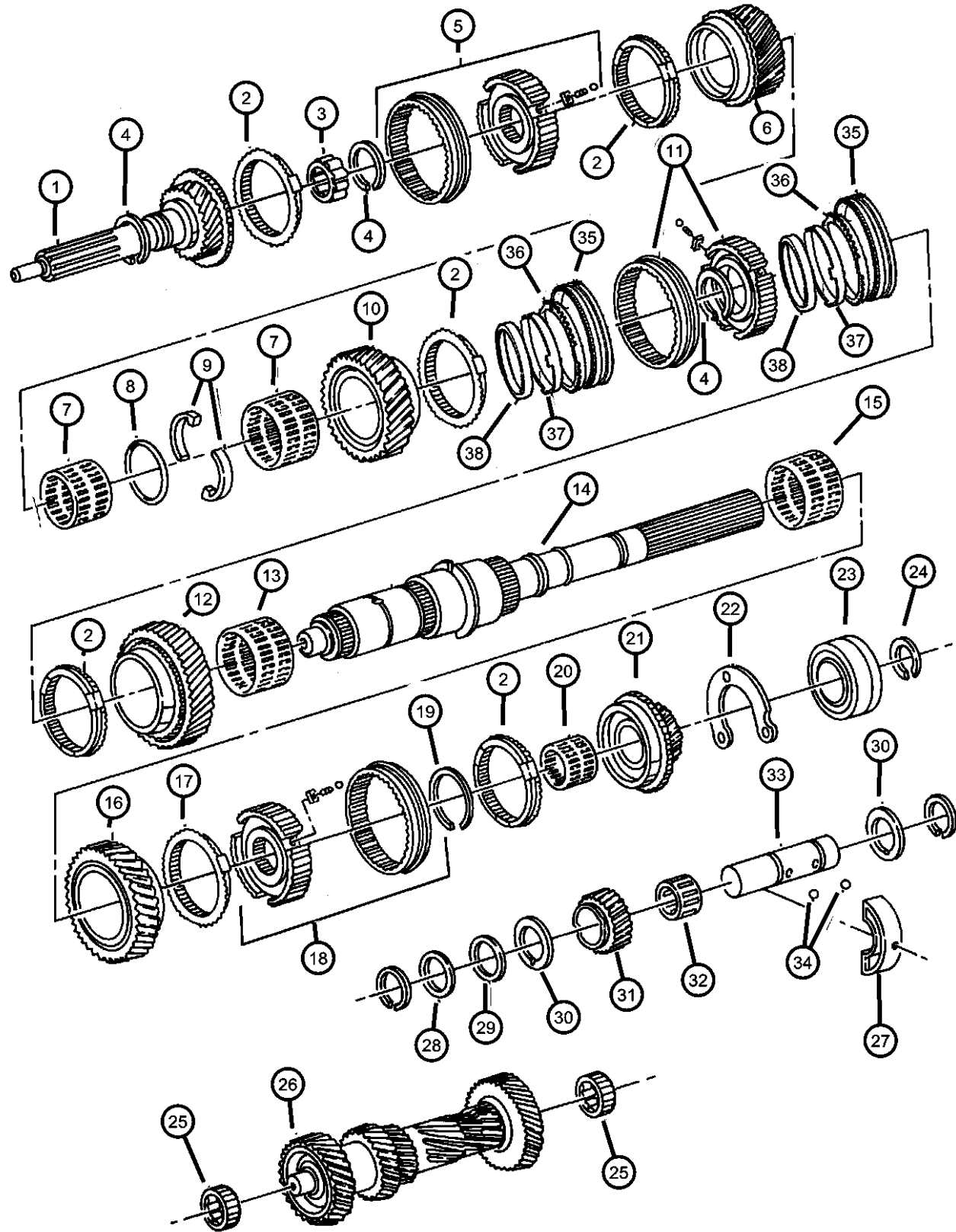
BODY
 31 = CLUB CAB 2-DR 6.5 FT BOX
 32 = CLUB CAB 2-DR 8FT BOX
 33 = QUAD CAB 4-DR 6.5 FT BOX
 34 = QUAD CAB 4-DR 8FT BOX

ENGINE
 ETC = 5.9L Cummins 24V Diesel Engine
 EWA = 8.0L V10 MPI Engine
 EM0 = ALL 5.9L 8 CYL ENGINES - GAS
 EMM = 5.9L SMPI V8 Engine
 EML = 5.9L V8 MPI Engine
 ELF = 5.2L V8 MPI Engine

TRANSMISSION
 DGP = 4-Spd. Automatic 47RE Transmission
 DD0 = ALL 5 SPEED MANUAL TRANSMISSIONS
 DG0 = ALL AUTOMATIC TRANSMISSIONS
 DDC = 5-Speed HD Manual Transmission
 DDP = 5-Speed Manual Transmission
 DDX = 5-Speed HD Manual Transmission
 DEE = 6-Speed HD Manual Transmission
 DGT = 4-Spd. Automatic 46RE Transmission

AR = use ase required - = Non illustrated part

**Gear Train [DDC]
Figure 3500-410**



ITEM	PART NUMBER	QTY	LINE	SERIES	BODY	ENGINE	TRANS	TRIM	DESCRIPTION
19	04741278	1	1, 2, 3			ELO	DDC		RING, Transmission
		1	6, 7, 8			ELO	DDC		
20	04741805	AR	1, 2, 3			ELO	DDC		BEARING, Needle
		AR	6, 7, 8			ELO			
21	04741273	1	1, 2, 3			ELO	DDC		GEAR, Fifth
		1	6, 7, 8			ELO	DDC		
22	04874361	1	1, 2, 3			ELO	DDC		RETAINER, Transmission Output Shaft Bearing
		1	6, 7, 8			ELO	DDC		
23	04741114	1	6, 7, 8			ELO	DDC		BEARING, Output Shaft
	04741116	1	1, 2, 3			ELO	DDC		
24	04741866	1	1, 2, 3			ELO	DDC		SNAP RING, Output Shaft Bearing
		1	6, 7, 8			ELO	DDC		
25	04741266	1	1, 2, 3			ELO	DDC		BEARING, Countershaft
		1	6, 7, 8			ELO	DDC		
26	04740900	2	1, 2, 3			ELO	DDC		SHAFT, Counter
		2	6, 7, 8			ELO			
27	04874310	1	1, 2, 3			ELO	DDC		SUPPORT, Segment Idler Shaft
		1	6, 7, 8			ELO	DDC		

RAM PICKUP/CLUB CAB (BE)

SERIES LINE
 L = RAM 1500, 2500, 3500
 1 = Lt. Duty DODGE 2WD
 2 = Med. Duty DODGE 2WD
 3 = HD DODGE 2WD
 6 = Lt. Duty DODGE 4WD
 7 = Med. Duty DODGE 4WD
 8 = HD DODGE 4WD

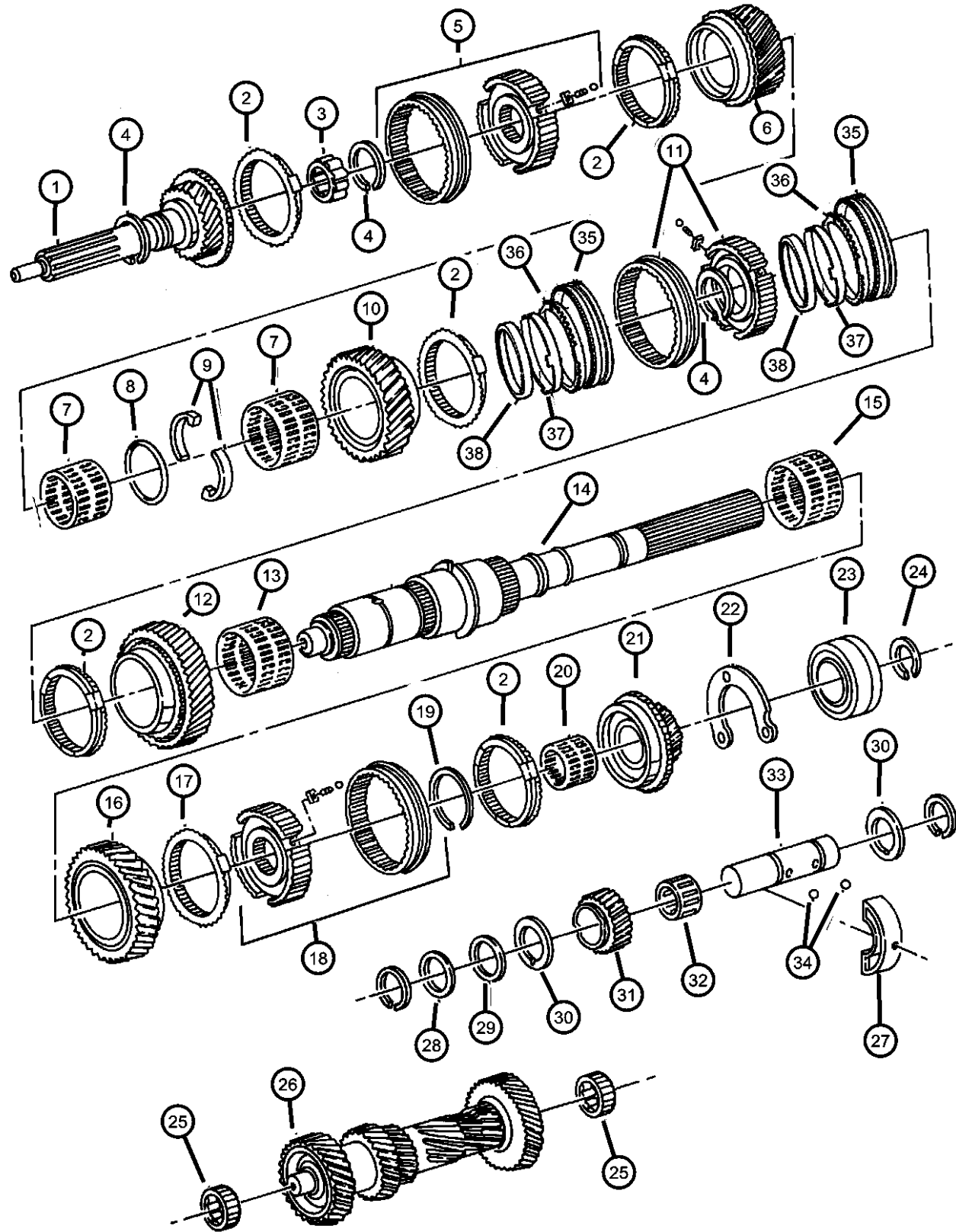
BODY
 31 = CLUB CAB 2-DR 6.5 FT BOX
 32 = CLUB CAB 2-DR 8FT BOX
 33 = QUAD CAB 4-DR 6.5 FT BOX
 34 = QUAD CAB 4-DR 8FT BOX

ENGINE
 ETC = 5.9L Cummins 24V Diesel Engine
 EWA = 8.0L V10 MPI Engine
 EM0 = ALL 5.9L 8 CYL ENGINES - GAS
 EMM = 5.9L SMPI V8 Engine
 EML = 5.9L V8 MPI Engine
 ELF = 5.2L V8 MPI Engine

TRANSMISSION
 DGP = 4-Spd. Automatic 47RE Transmission
 DD0 = ALL 5 SPEED MANUAL TRANSMISSIONS
 DG0 = ALL AUTOMATIC TRANSMISSIONS
 DDC = 5-Speed HD Manual Transmission
 DDP = 5-Speed Manual Transmission
 DDX = 5-Speed HD Manual Transmission
 DEE = 6-Speed HD Manual Transmission
 DGT = 4-Spd. Automatic 46RE Transmission

AR = use ase required - = Non illustrated part

**Gear Train [DDC]
Figure 3500-410**



ITEM	PART NUMBER	QTY	LINE	SERIES	BODY	ENGINE	TRANS	TRIM	DESCRIPTION
	04741312	1	1, 2, 3			ELO	DDC		
		1	6, 7, 8			ELO	DDC		
28	04741310	1	1, 2, 3			ELO	DDC		WASHER, Flat
		1	6, 7, 8			ELO	DDC		
29	04741309	1	1, 2, 3			ELO	DDC		WASHER, Idler Gear
		1	6, 7, 8			ELO	DDC		
30	04741307	2	1, 2, 3			ELO	DDC		THRUST WASHER, Reverse Idler
		2	6, 7, 8			ELO			
31	04741306	1	1, 2, 3			ELO	DDC		GEAR, Reverse Idler
		1	6, 7, 8			ELO	DDC		
32	04874359	1	1, 2, 3			ELO	DDC		BEARING, Idler
		1	6, 7, 8			ELO	DDC		
33	04741303	1	1, 2, 3			ELO	DDC		IDLER SHAFT, Transmission
		1	6, 7, 8			ELO	DDC		
34	04741891	2	1, 2, 3			ELO	DDC		BALL, Check, 4 mm
		2	6, 7, 8			ELO			
35	04874403	2	1, 2, 3			ELO	DDC		RING
		2	6, 7, 8			ELO			
36	04874363	2	1, 2, 3			ELO	DDC		RING, Synchronizer Blocker

RAM PICKUP/CLUB CAB (BE)

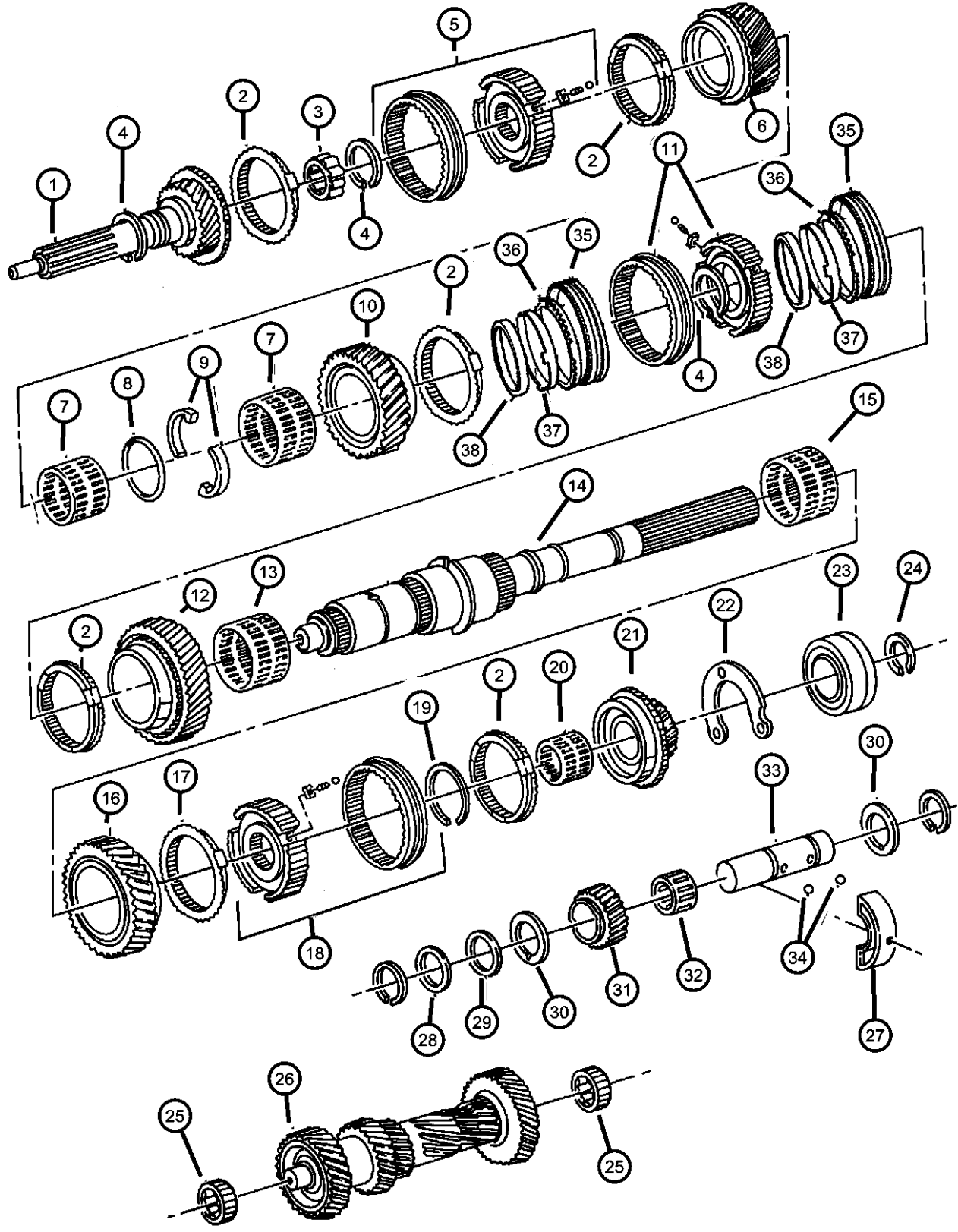
SERIES LINE
 L = RAM 1500, 2500, 3500
 1 = Lt. Duty DODGE 2WD
 2 = Med. Duty DODGE 2WD
 3 = HD DODGE 2WD
 6 = Lt. Duty DODGE 4WD
 7 = Med. Duty DODGE 4WD
 8 = HD DODGE 4WD

BODY
 31 = CLUB CAB 2-DR 6.5 FT BOX
 32 = CLUB CAB 2-DR 8FT BOX
 33 = QUAD CAB 4-DR 6.5 FT BOX
 34 = QUAD CAB 4-DR 8FT BOX
 ENGINE
 ETC = 5.9L Cummins 24V Diesel Engine
 EWA = 8.0L V10 MPI Engine
 EM0 = ALL 5.9L 8 CYL ENGINES - GAS
 EMM = 5.9L SMPI V8 Engine
 EML = 5.9L V8 MPI Engine
 ELF = 5.2L V8 MPI Engine

TRANSMISSION
 DGP = 4-Spd. Automatic 47RE Transmission
 DD0 = ALL 5 SPEED MANUAL TRANSMISSIONS
 DG0 = ALL AUTOMATIC TRANSMISSIONS
 DDC = 5-Speed HD Manual Transmission
 DDP = 5-Speed Manual Transmission
 DDX = 5-Speed HD Manual Transmission
 DEE = 6-Speed HD Manual Transmission
 DGT = 4-Spd. Automatic 46RE Transmission

AR = use ase required - = Non illustrated part

**Gear Train [DDC]
Figure 3500-410**



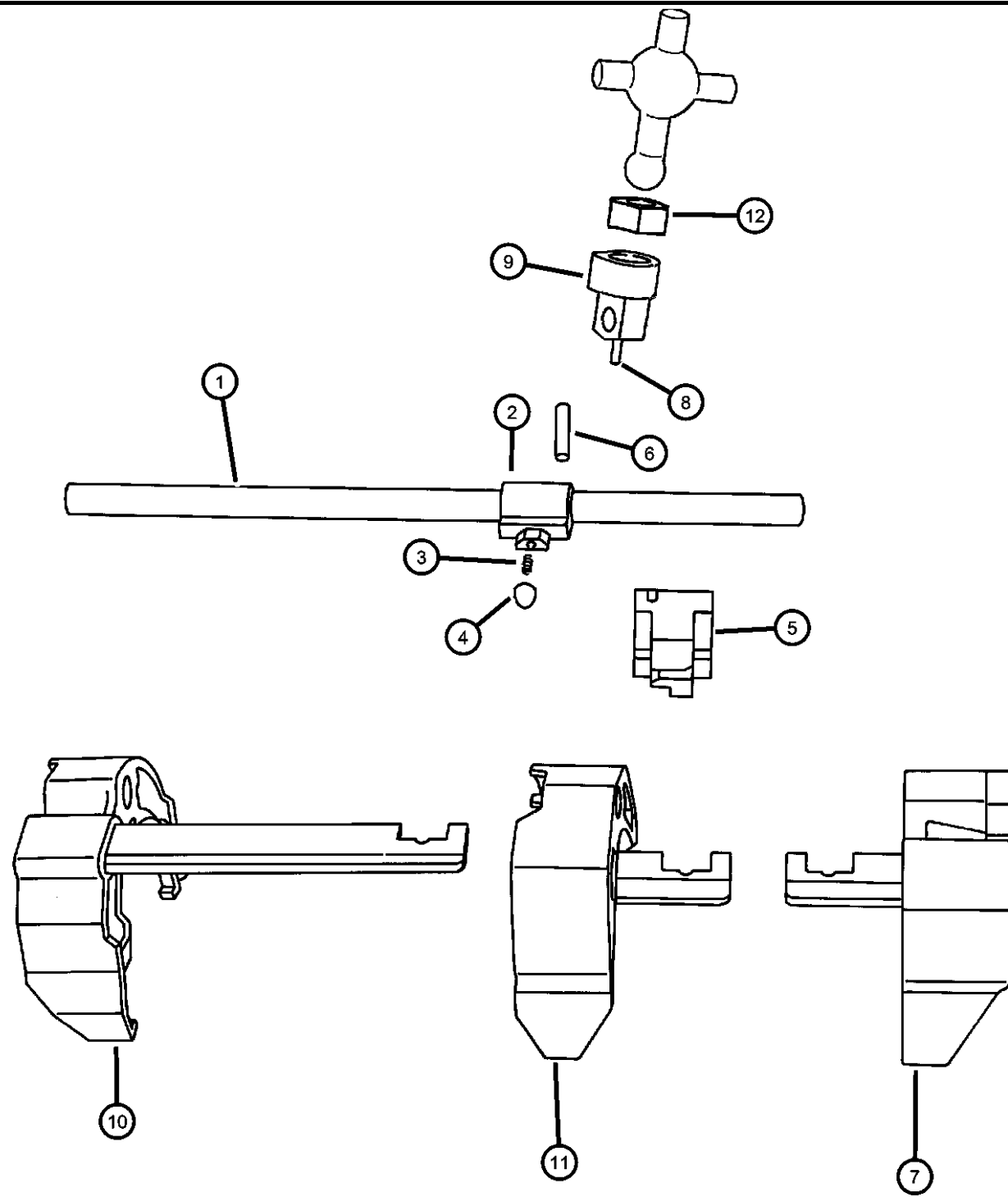
ITEM	PART NUMBER	QTY	LINE	SERIES	BODY	ENGINE	TRANS	TRIM	DESCRIPTION
37		2	6, 7, 8			ELO			CONE, Synchronizer
	04874405	2	1, 2, 3			ELO	DDC		
38		2	6, 7, 8			ELO			RING
	04874404	2	1, 2, 3			ELO	DDC		
		2	6, 7, 8			ELO			

RAM PICKUP/CLUB CAB (BE)

SERIES	LINE	BODY	ENGINE	TRANSMISSION
L = RAM 1500, 2500, 3500	1 = Lt. Duty DODGE 2WD 2 = Med. Duty DODGE 2WD 3 = HD DODGE 2WD 6 = Lt. Duty DODGE 4WD 7 = Med. Duty DODGE 4WD 8 = HD DODGE 4WD	31 = CLUB CAB 2-DR 6.5 FT BOX 32 = CLUB CAB 2-DR 8FT BOX 33 = QUAD CAB 4-DR 6.5 FT BOX 34 = QUAD CAB 4-DR 8FT BOX	ETC = 5.9L Cummins 24V Diesel Engine EWA = 8.0L V10 MPI Engine EM0 = ALL 5.9L 8 CYL ENGINES - GAS EMM = 5.9L SMPI V8 Engine EML = 5.9L V8 MPI Engine ELF = 5.2L V8 MPI Engine	DGP = 4-Spd. Automatic 47RE Transmission DD0 = ALL 5 SPEED MANUAL TRANSMISSIONS DG0 = ALL AUTOMATIC TRANSMISSIONS DDC = 5-Speed HD Manual Transmission DDP = 5-Speed Manual Transmission DDX = 5-Speed HD Manual Transmission DEE = 6-Speed HD Manual Transmission DGT = 4-Spd. Automatic 46RE Transmission

AR = use ase required - = Non illustrated part

**Shift Forks and Rails [DDC]
Figure 3500-910**



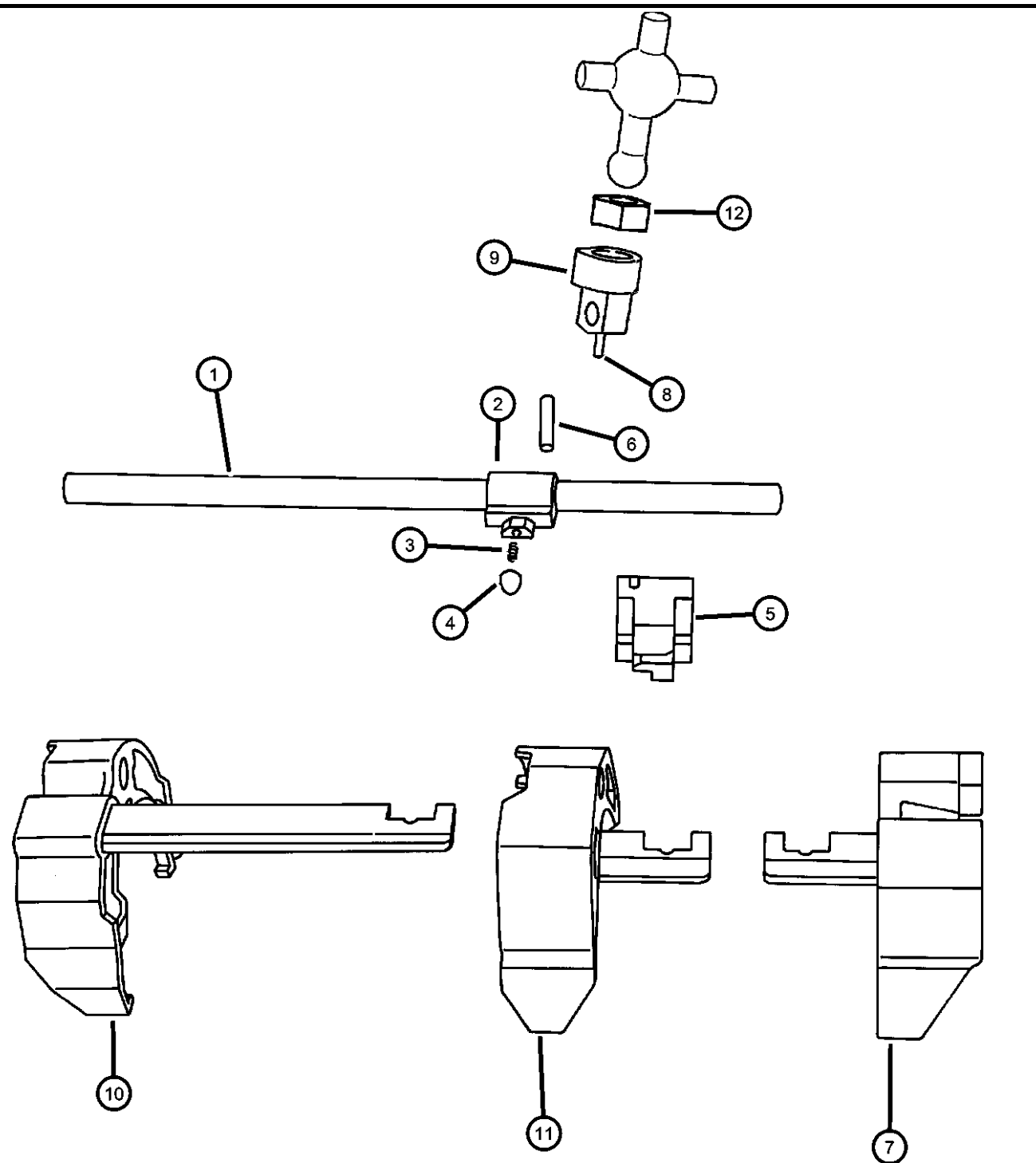
ITEM	PART NUMBER	QTY	LINE	SERIES	BODY	ENGINE	TRANS	TRIM	DESCRIPTION
NOTES: Sales Codes [DDC] = All 5 Speed Heavy Duty Manual Transmissions [ELO] = All 5.2L 8 Cylinder Gas Engines									
1	04798770	1	1, 2, 3			ELO	DDC		SHAFT, Selector
	04798771	1	6, 7, 8			ELO	DDC		
2	04856988	1	1, 2, 3			ELO	DDC		LEVER, Shift Shaft
		1	6, 7, 8			ELO	DDC		
3	04741137	1	1, 2, 3			ELO	DDC		SPRING, Lever
		1	6, 7, 8			ELO	DDC		
4	04761634	1	1, 2, 3			ELO	DDC		PLUNGER
		1	6, 7, 8			ELO	DDC		
5	05012337AA	1	1, 2, 3			ELO	DDC		BUSHING, Transmission
		1	6, 7, 8			ELO	DDC		
6	04741138	1	1, 2, 3			ELO	DDC		PIN, Shift Shaft
		1	6, 7, 8			ELO	DDC		
7	04886076AA	1	1, 2, 3			ELO	DDC		FORK, Third and Fourth
		1	6, 7, 8			ELO	DDC		
8	04741139	1	1, 2, 3			ELO	DDC		PIN, Shift Shaft
		1	6, 7, 8			ELO	DDC		Roll
									Roll
9	04874352	1	1, 2, 3			ELO	DDC		SOCKET, Shift Shaft

RAM PICKUP/CLUB CAB (BE)

SERIES	LINE	BODY	ENGINE	TRANSMISSION
L = RAM 1500, 2500, 3500	1 = Lt. Duty DODGE 2WD 2 = Med. Duty DODGE 2WD 3 = HD DODGE 2WD 6 = Lt. Duty DODGE 4WD 7 = Med. Duty DODGE 4WD 8 = HD DODGE 4WD	31 = CLUB CAB 2-DR 6.5 FT BOX 32 = CLUB CAB 2-DR 8FT BOX 33 = QUAD CAB 4-DR 6.5 FT BOX 34 = QUAD CAB 4-DR 8FT BOX	ETC = 5.9L Cummins 24V Diesel Engine EWA = 8.0L V10 MPI Engine EM0 = ALL 5.9L 8 CYL ENGINES - GAS EMM = 5.9L SMPI V8 Engine EML = 5.9L V8 MPI Engine ELF = 5.2L V8 MPI Engine	DGP = 4-Spd. Automatic 47RE Transmission DD0 = ALL 5 SPEED MANUAL TRANSMISSIONS DG0 = ALL AUTOMATIC TRANSMISSIONS DDC = 5-Speed HD Manual Transmission DDP = 5-Speed Manual Transmission DDX = 5-Speed HD Manual Transmission DEE = 6-Speed HD Manual Transmission DGT = 4-Spd. Automatic 46RE Transmission

AR = use ase required - = Non illustrated part

**Shift Forks and Rails [DDC]
Figure 3500-910**



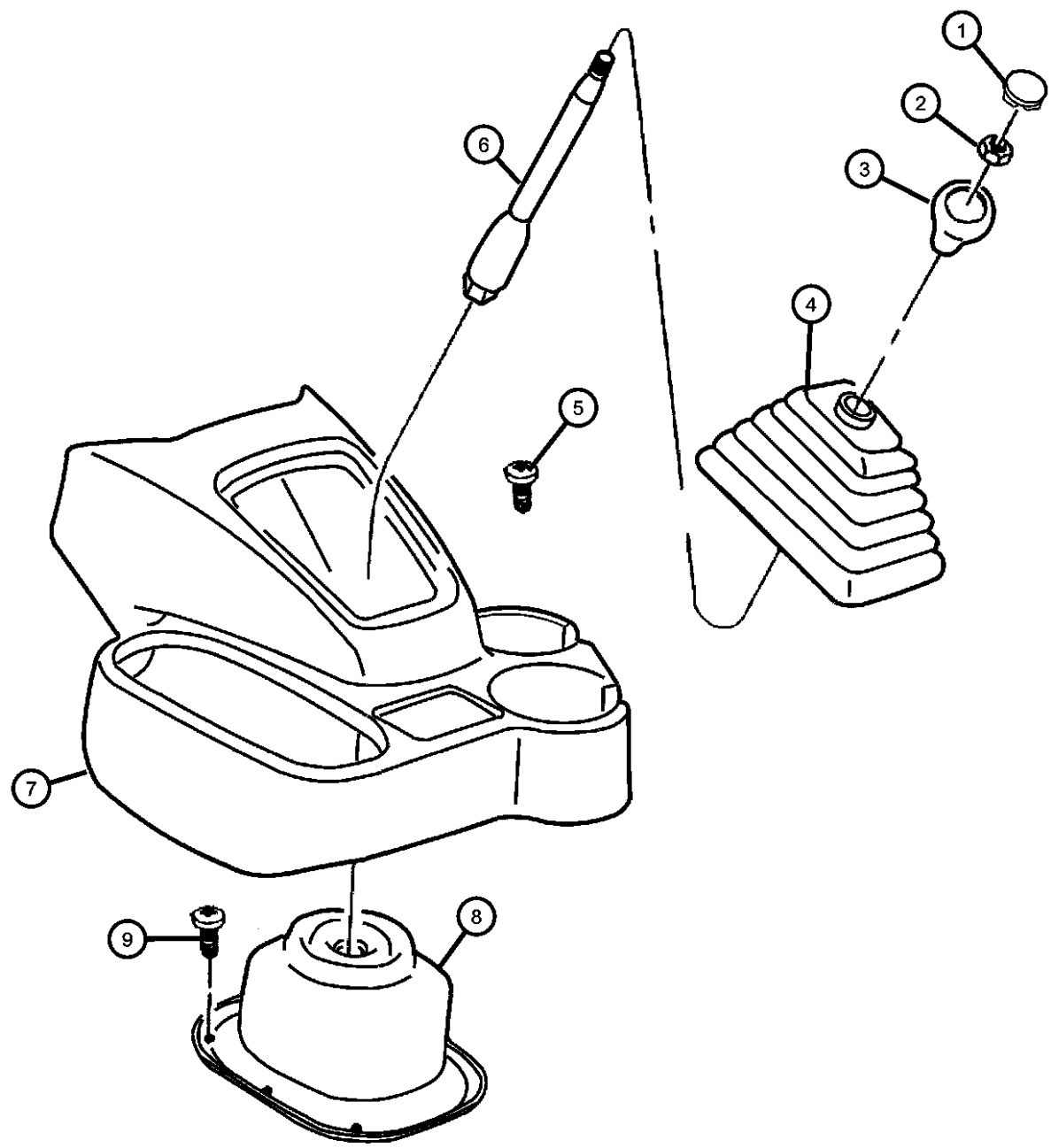
ITEM	PART NUMBER	QTY	LINE	SERIES	BODY	ENGINE	TRANS	TRIM	DESCRIPTION
10		1	6, 7, 8			ELO	DDC		FORK, Transmission
	04773564	1	1, 2, 3			ELO	DDC		
11		1	6, 7, 8			ELO	DDC		FORK, First and Second
	04886077AA	1	1, 2, 3			ELO	DDC		
		1	6, 7, 8			ELO	DDC		
12		1	1, 2, 3			ELO	DDC		ISOLATOR, Shift Lever
	05012020AA	1	6, 7, 8			ELO	DDC		

RAM PICKUP/CLUB CAB (BE)

SERIES	LINE	BODY	ENGINE	TRANSMISSION
L = RAM 1500, 2500, 3500	1 = Lt. Duty DODGE 2WD 2 = Med. Duty DODGE 2WD 3 = HD DODGE 2WD 6 = Lt. Duty DODGE 4WD 7 = Med. Duty DODGE 4WD 8 = HD DODGE 4WD	31 = CLUB CAB 2-DR 6.5 FT BOX 32 = CLUB CAB 2-DR 8FT BOX 33 = QUAD CAB 4-DR 6.5 FT BOX 34 = QUAD CAB 4-DR 8FT BOX	ETC = 5.9L Cummins 24V Diesel Engine EWA = 8.0L V10 MPI Engine EM0 = ALL 5.9L 8 CYL ENGINES - GAS EMM = 5.9L SMPI V8 Engine EML = 5.9L V8 MPI Engine ELF = 5.2L V8 MPI Engine	DGP = 4-Spd. Automatic 47RE Transmission DD0 = ALL 5 SPEED MANUAL TRANSMISSIONS DG0 = ALL AUTOMATIC TRANSMISSIONS DDC = 5-Speed HD Manual Transmission DDP = 5-Speed Manual Transmission DDX = 5-Speed HD Manual Transmission DEE = 6-Speed HD Manual Transmission DGT = 4-Spd. Automatic 46RE Transmission

AR = use ase required - = Non illustrated part

**Gear Shift Controls [DDC]
Figure 3500-1210**



ITEM	PART NUMBER	QTY	LINE	SERIES	BODY	ENGINE	TRANS	TRIM	DESCRIPTION
NOTES: Sales Codes [DBB] = All 5 Speed Manual Transmissions [ELO] = All 5.2L 8 Cylinder Gas Engines									
1	04446921	1					DD0		INSERT, Transmission Shift Knob, Shift Pattern
2	06502556	1					DBB		NUT, Hex, M10-1.5, Gear Shift Control Selector Lever, M10x1.5
3	52104174	1					DBB		KNOB, Gearshift, Gear Shift Lever ***
4	52107614AB	1					DBB		BOOT, Gear Shift Lever
5	06101946	6	1, 2, 3				DBB		SCREW, Tapping
6	52107612	1					DBB		LEVER, Gearshift
7									CONSOLE, Floor
	5EZ54LAZ	1					DBB		AGATE
	5EZ54RC8	1					DBB		Dark Cirrus
	5EZ54VK9	1					DBB		Dark Suede
8	52107613AB	1					DBB		BOOT, Gear Shift Lever
9	06101946	6	1, 2, 3				DBB		SCREW, Tapping

RAM PICKUP/CLUB CAB (BE)

SERIES	LINE	BODY	ENGINE	TRANSMISSION
L = RAM 1500, 2500, 3500	1 = Lt. Duty DODGE 2WD 2 = Med. Duty DODGE 2WD 3 = HD DODGE 2WD 6 = Lt. Duty DODGE 4WD 7 = Med. Duty DODGE 4WD 8 = HD DODGE 4WD	31 = CLUB CAB 2-DR 6.5 FT BOX 32 = CLUB CAB 2-DR 8FT BOX 33 = QUAD CAB 4-DR 6.5 FT BOX 34 = QUAD CAB 4-DR 8FT BOX	ETC = 5.9L Cummins 24V Diesel Engine EWA = 8.0L V10 MPI Engine EM0 = ALL 5.9L 8 CYL ENGINES - GAS EMM = 5.9L SMPI V8 Engine EML = 5.9L V8 MPI Engine ELF = 5.2L V8 MPI Engine	DGP = 4-Spd. Automatic 47RE Transmission DD0 = ALL 5 SPEED MANUAL TRANSMISSIONS DG0 = ALL AUTOMATIC TRANSMISSIONS DDC = 5-Speed HD Manual Transmission DDP = 5-Speed Manual Transmission DDX = 5-Speed HD Manual Transmission DEE = 6-Speed HD Manual Transmission DGT = 4-Spd. Automatic 46RE Transmission

AR = use ase required - = Non illustrated part

Group - 4500

Manual Transmission 5 Speed

Group - 4500 Manual Transmission 5 Speed

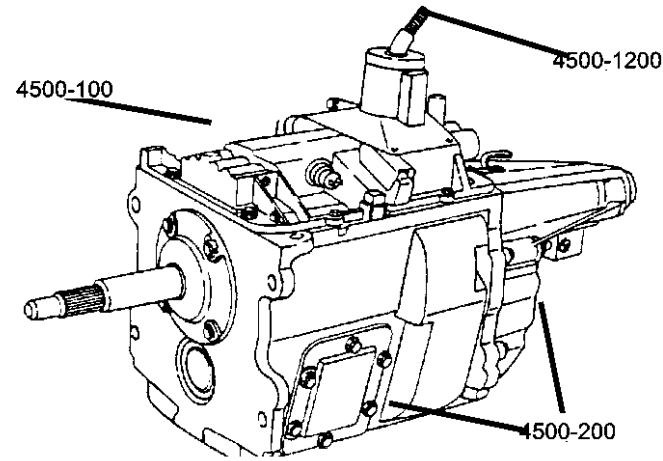


Illustration Title

Group-Fig. No.

Transmission Assembly

Transmission 5 Speed - 4500 [DDP],[DDX] Fig. 4500 - 110

Case and Extension

Case 5 Speed - 4500 [DDP],[DDX] Fig. 4500 - 210

Gear Train

Gear Train 5 Speed - 4500 [DDP],[DDX] Fig. 4500 - 410

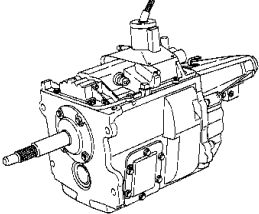
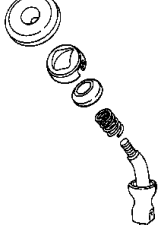
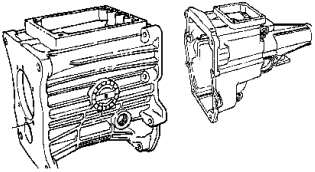
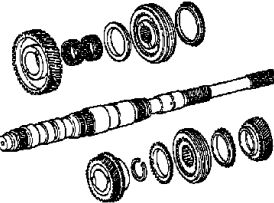
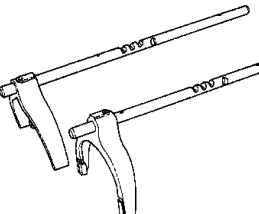
Gear Train 5 Speed - 4500 [DDP],[DDX] Fig. 4500 - 420

Fork and Rails

Forks and Controls 5 speed - 4500 [DDP],[DDX] Fig. 4500 - 910

Gearshift Controls

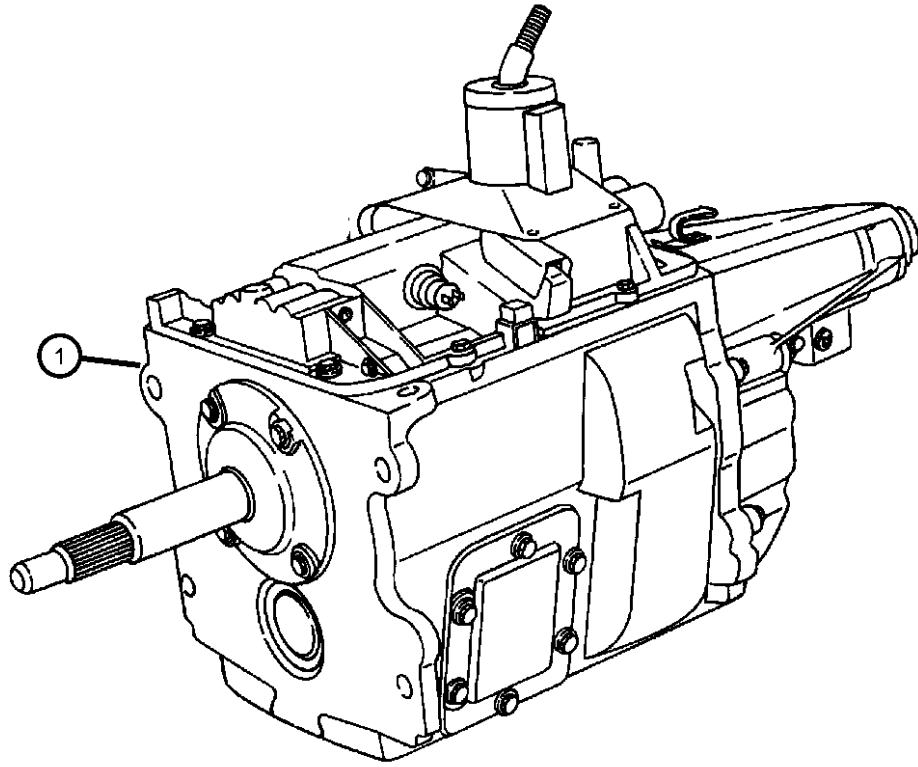
Gear Shift Controls 5 Speed - 4500 [DDP],[DDX] Fig. 4500 - 1210

<p>4500-100 Transmission Assembly</p> 	<p>4500-1200 Gearshift Controls</p> 	<p>4500-200 Case and Extension</p> 	<p>4500-400 Gear Train</p> 
<p>4500-900 Fork and Rails</p> 			

**Transmission 5 Speed - 4500 [DDP],[DDX]
Figure 4500-110**

ITEM	PART NUMBER	QTY	LINE	SERIES	BODY	ENGINE	TRANS	TRIM	DESCRIPTION
------	-------------	-----	------	--------	------	--------	-------	------	-------------

NOTES: Sales Codes
 [DDP] = All 5 Speed Manual Transmissions
 [DDX] = All 5 Speed Heavy Duty Manual Transmissions
 [EL0] = All 5.2L 8 Cylinder Gas Engines
 [EM0] = All 5.9L 8 Cylinder Gas Engines
 [ET0] = 5.9L Turbo Diesel Engines
 [EW0] = All 8.0L Gas Engines



1									TRANSMISSION, 5 Speed
	52108128	1	1, 2, 3			EL0, EM0	DDP		
	04874459								Mopar Manual Transmission Fluid
	52108129	1	6, 7, 8			EL0, EM0	DDP		
	04874459								Mopar Manual Transmission Fluid
	52108130	1	1, 2, 3			ET0, EW0	DDX		
	04874459								Mopar Manual Transmission Fluid
	52108131	1	6, 7, 8			ET0, EW0	DDX		
	04874459								Mopar Manual Transmission Fluid

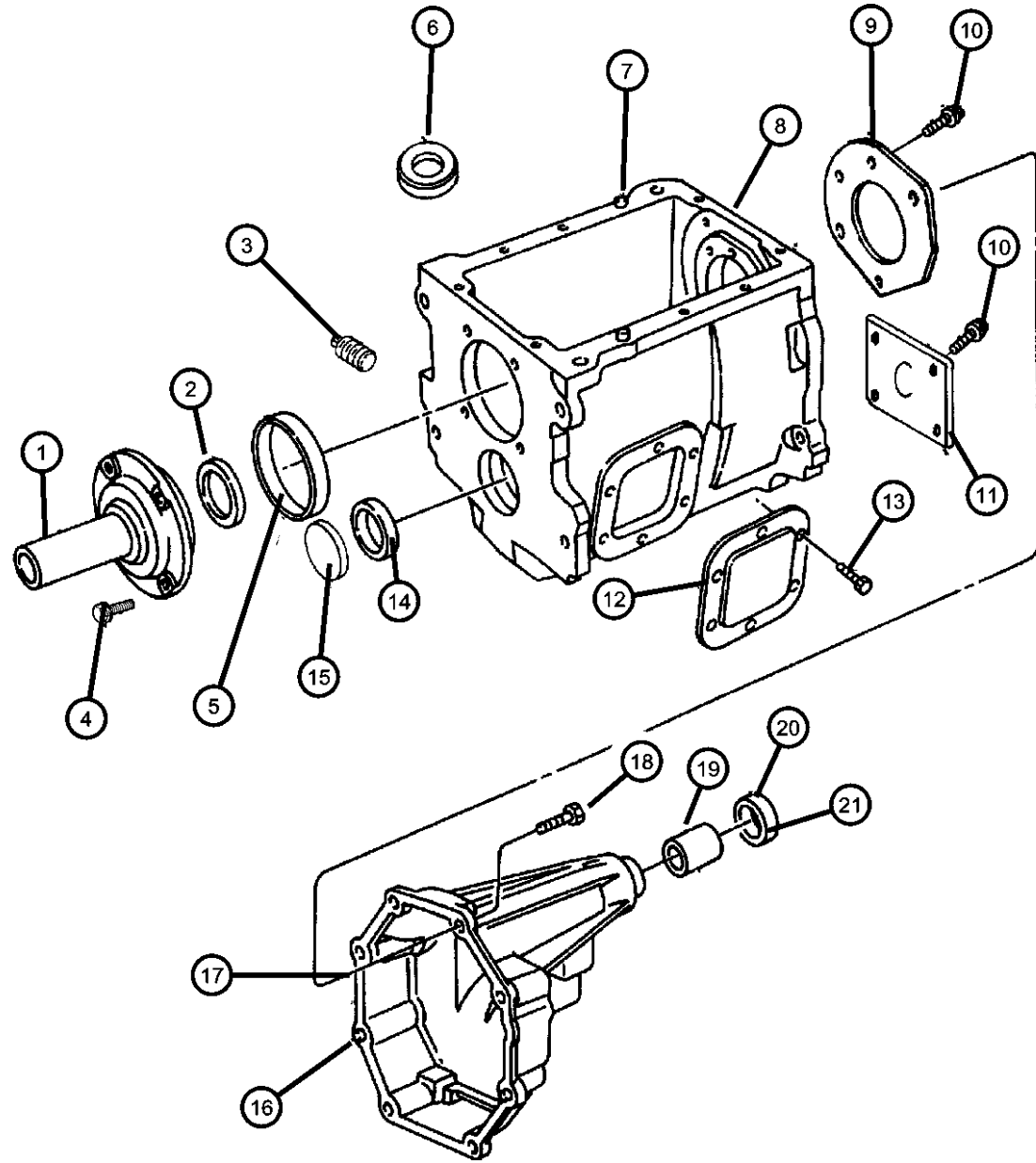
RAM PICKUP/CLUB CAB (BE)

SERIES	LINE	BODY	ENGINE	TRANSMISSION
L = RAM 1500, 2500, 3500	1 = Lt. Duty DODGE 2WD 2 = Med. Duty DODGE 2WD 3 = HD DODGE 2WD 6 = Lt. Duty DODGE 4WD 7 = Med. Duty DODGE 4WD 8 = HD DODGE 4WD	31 = CLUB CAB 2-DR 6.5 FT BOX 32 = CLUB CAB 2-DR 8FT BOX 33 = QUAD CAB 4-DR 6.5 FT BOX 34 = QUAD CAB 4-DR 8FT BOX	ETC = 5.9L Cummins 24V Diesel Engine EWA = 8.0L V10 MPI Engine EM0 = ALL 5.9L 8 CYL ENGINES - GAS EMM = 5.9L SMPI V8 Engine EML = 5.9L V8 MPI Engine ELF = 5.2L V8 MPI Engine	DGP = 4-Spd. Automatic 47RE Transmission DD0 = ALL 5 SPEED MANUAL TRANSMISSIONS DG0 = ALL AUTOMATIC TRANSMISSIONS DDC = 5-Speed HD Manual Transmission DDP = 5-Speed Manual Transmission DDX = 5-Speed HD Manual Transmission DEE = 6-Speed HD Manual Transmission DGT = 4-Spd. Automatic 46RE Transmission

AR = use ase required - = Non illustrated part

1999 BE

Case 5 Speed - 4500 [DDP],[DDX]
Figure 4500-210



ITEM	PART NUMBER	QTY	LINE	SERIES	BODY	ENGINE	TRANS	TRIM	DESCRIPTION
------	-------------	-----	------	--------	------	--------	-------	------	-------------

NOTES: Sales Codes

[DDP] = All 5 Speed Manual Transmissions

[DDX] = All 5 Speed Heavy Duty Manual Transmissions

[E0] = All 5.2L 8 Cylinder Gas Engines

[EM0] = All 5.9L 8 Cylinder Gas Engines

[ET0] = 5.9L Turbo Diesel Engines

[EW0] = All 8.0L Gas Engines

1									RETAINER, Transmission Drive Gear
	04741542	1	1, 2, 3			E0, EM0	DDP		
		1	6, 7, 8			E0, EM0	DDP		
	04741543	1	1, 2, 3			ET0, EW0	DDX		
		1	6, 7, 8			ET0, EW0	DDX		
2									SEAL, Input
	05012115AA	1	1, 2, 3			E0, EM0	DDP		
		1	6, 7, 8			E0, EM0	DDP		
		1	1, 2, 3			ET0, EW0	DDX		
		1	6, 7, 8			ET0, EW0	DDX		
3									PLUG, Oil Fill
	04637849	1	1, 2, 3			E0, EM0	DDP		
		1	6, 7, 8			E0, EM0	DDP		
		1	1, 2, 3			ET0, EW0	DDX		
		1	6, 7, 8			ET0, EW0	DDX		
4									SCREW, Drive Gear
	04637777	4	1, 2, 3			E0, EM0	DDP		
		4	6, 7, 8			E0, EM0	DDP		
		4	1, 2, 3			ET0, EW0			
		4	6, 7, 8			ET0, EW0	DDX		
5									CUP, Transmission Drive Gear Bearing
	04741544	1	1, 2, 3			E0, EM0	DDP		

RAM PICKUP/CLUB CAB (BE)

SERIES	LINE
L = RAM 1500, 2500, 3500	1 = Lt. Duty DODGE 2WD
	2 = Med. Duty DODGE 2WD
	3 = HD DODGE 2WD
	6 = Lt. Duty DODGE 4WD
	7 = Med. Duty DODGE 4WD
	8 = HD DODGE 4WD

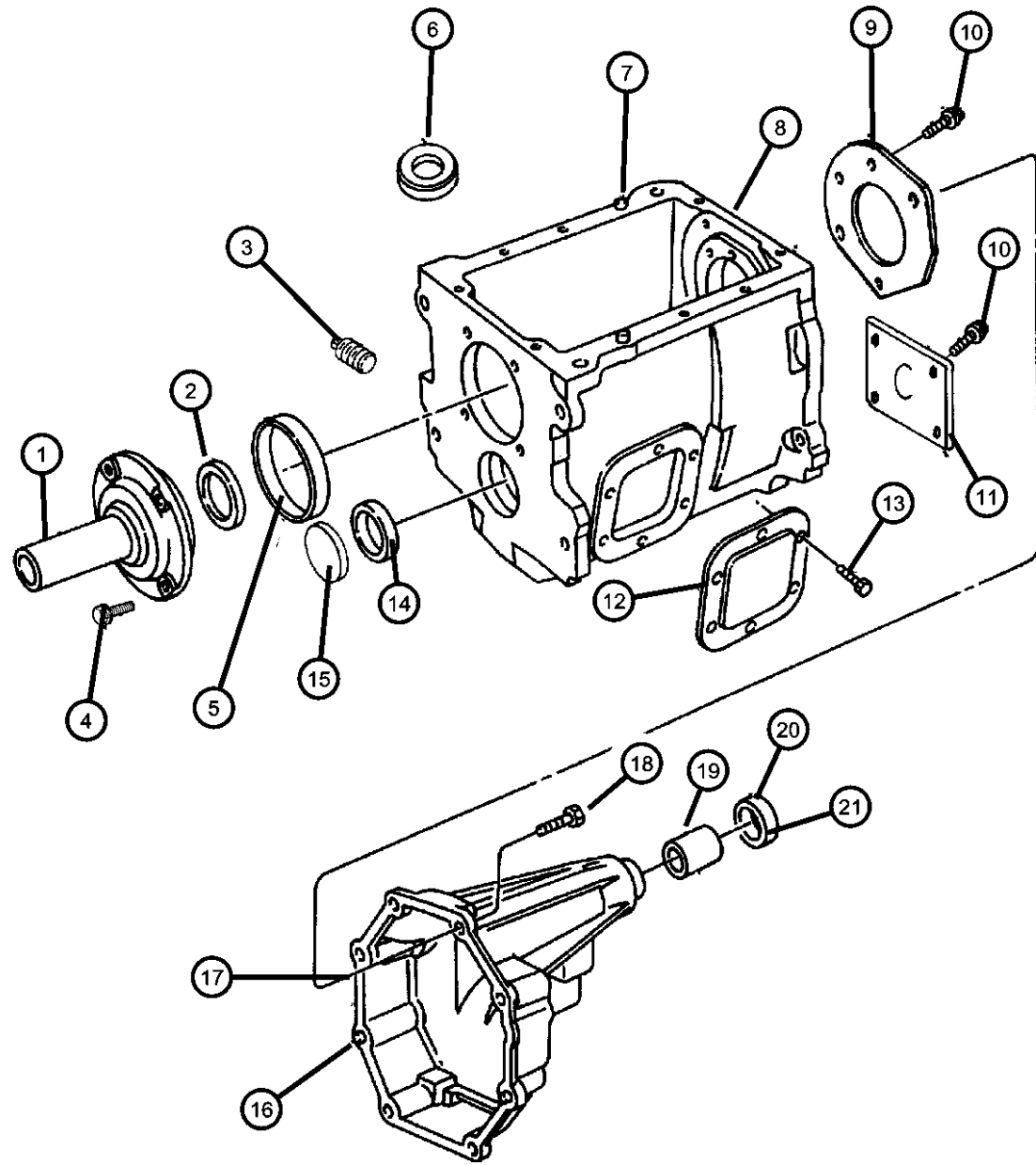
BODY	ENGINE
31 = CLUB CAB 2-DR 6.5 FT BOX	ETC = 5.9L Cummins 24V Diesel Engine
32 = CLUB CAB 2-DR 8FT BOX	EWA = 8.0L V10 MPI Engine
33 = QUAD CAB 4-DR 6.5 FT BOX	EM0 = ALL 5.9L 8 CYL ENGINES - GAS
34 = QUAD CAB 4-DR 8FT BOX	EMM = 5.9L SMPI V8 Engine
	EML = 5.9L V8 MPI Engine
	ELF = 5.2L V8 MPI Engine

TRANSMISSION
DGP = 4-Spd. Automatic 47RE Transmission
DD0 = ALL 5 SPEED MANUAL TRANSMISSIONS
DG0 = ALL AUTOMATIC TRANSMISSIONS
DDC = 5-Speed HD Manual Transmission
DDP = 5-Speed Manual Transmission
DDX = 5-Speed HD Manual Transmission
DEE = 6-Speed HD Manual Transmission
DGT = 4-Spd. Automatic 46RE Transmission

AR = use ase required - = Non illustrated part

1999 BE

Case 5 Speed - 4500 [DDP],[DDX]
Figure 4500-210



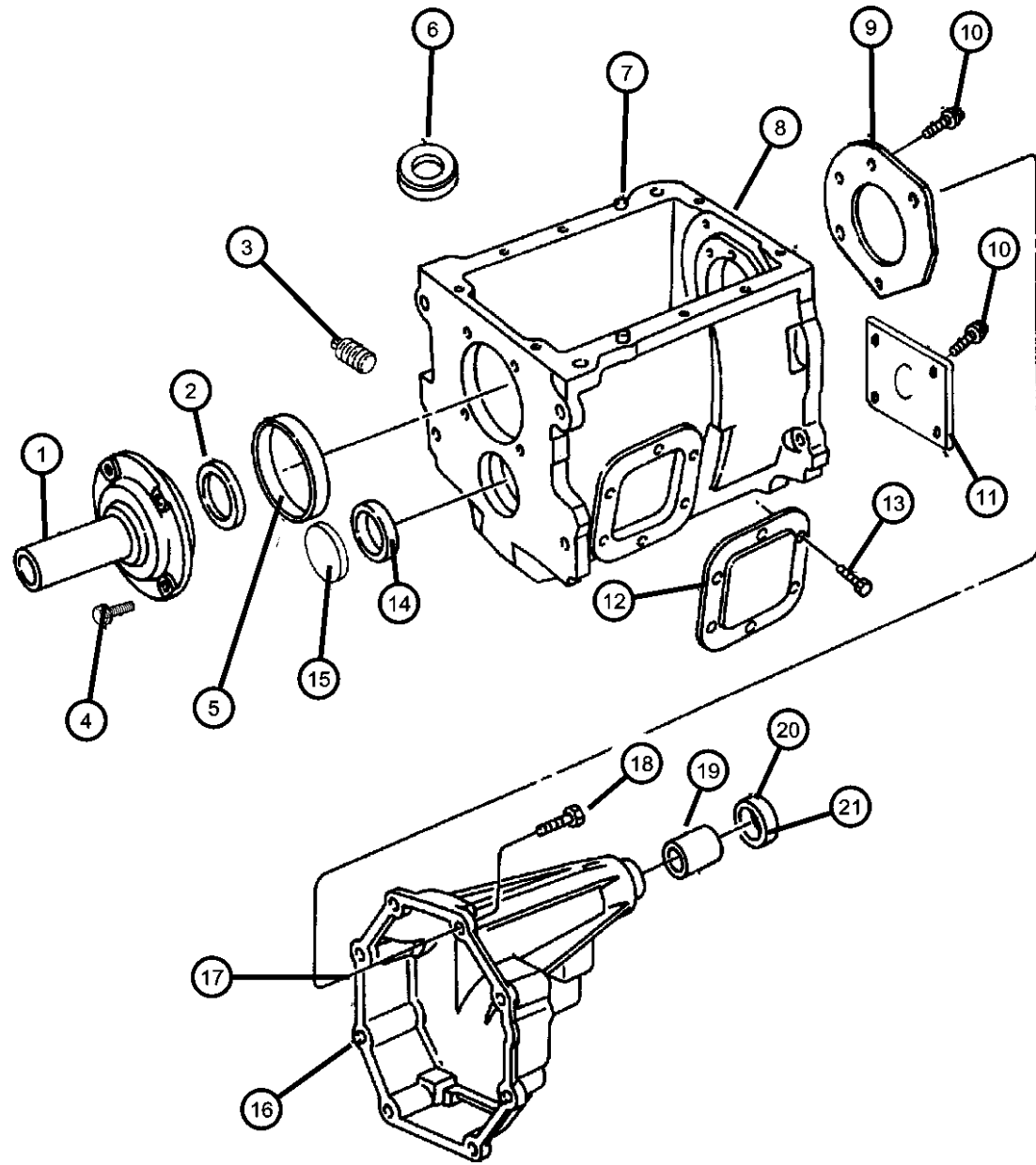
ITEM	PART NUMBER	QTY	LINE	SERIES	BODY	ENGINE	TRANS	TRIM	DESCRIPTION
		1	6, 7, 8			ELO, EM0	DDP		
		1	1, 2, 3			ET0, EW0	DDX		
		1	6, 7, 8			ET0, EW0	DDX		
6	04773012	1	1, 2, 3			ELO, EM0	DDP		MAGNET, Transmission
		1	6, 7, 8			ELO, EM0	DDP		
		1	1, 2, 3			ET0, EW0	DDX		
		1	6, 7, 8			ET0, EW0	DDX		
7	04637847	2	1, 2, 3			ELO, EM0	DDP		DOWEL, Gear Shift Cover
		2	6, 7, 8			ELO, EM0	DDP		
		2	6, 7, 8			ET0, EW0	DDX		
8	04882319	1	1, 2, 3			ELO, EM0	DDP		CASE, Transmission
		1	6, 7, 8			ELO, EM0	DDP		
		1	1, 2, 3			ET0, EW0	DDX		
		1	6, 7, 8			ET0, EW0	DDX		
9	04637784	1	1, 2, 3			ELO, EM0	DDP		PLATE, Transmission Module
		1	6, 7, 8			ELO, EM0	DDP		
		1	1, 2, 3			ET0, EW0	DDX		
		1	6, 7, 8			ET0, EW0	DDX		
10	00181088	10	1, 2, 3			ELO, EM0	DDP		BOLT, Hex Head, .312-18x1.00
		10	6, 7, 8			ELO, EM0	DDP		
		10	1, 2, 3			ET0, EW0			
		10	6, 7, 8			ET0, EW0	DDX		
11									PLATE, Transmission Module

RAM PICKUP/CLUB CAB (BE)

SERIES	LINE	BODY	ENGINE	TRANSMISSION
L = RAM 1500, 2500, 3500	1 = Lt. Duty DODGE 2WD 2 = Med. Duty DODGE 2WD 3 = HD DODGE 2WD 6 = Lt. Duty DODGE 4WD 7 = Med. Duty DODGE 4WD 8 = HD DODGE 4WD	31 = CLUB CAB 2-DR 6.5 FT BOX 32 = CLUB CAB 2-DR 8FT BOX 33 = QUAD CAB 4-DR 6.5 FT BOX 34 = QUAD CAB 4-DR 8FT BOX	ETC = 5.9L Cummins 24V Diesel Engine EWA = 8.0L V10 MPI Engine EM0 = ALL 5.9L 8 CYL ENGINES - GAS EMM = 5.9L SMPI V8 Engine EML = 5.9L V8 MPI Engine ELF = 5.2L V8 MPI Engine	DGP = 4-Spd. Automatic 47RE Transmission DD0 = ALL 5 SPEED MANUAL TRANSMISSIONS DG0 = ALL AUTOMATIC TRANSMISSIONS DDC = 5-Speed HD Manual Transmission DDP = 5-Speed Manual Transmission DDX = 5-Speed HD Manual Transmission DEE = 6-Speed HD Manual Transmission DGT = 4-Spd. Automatic 46RE Transmission

AR = use ase required - = Non illustrated part

Case 5 Speed - 4500 [DDP],[DDX]
Figure 4500-210



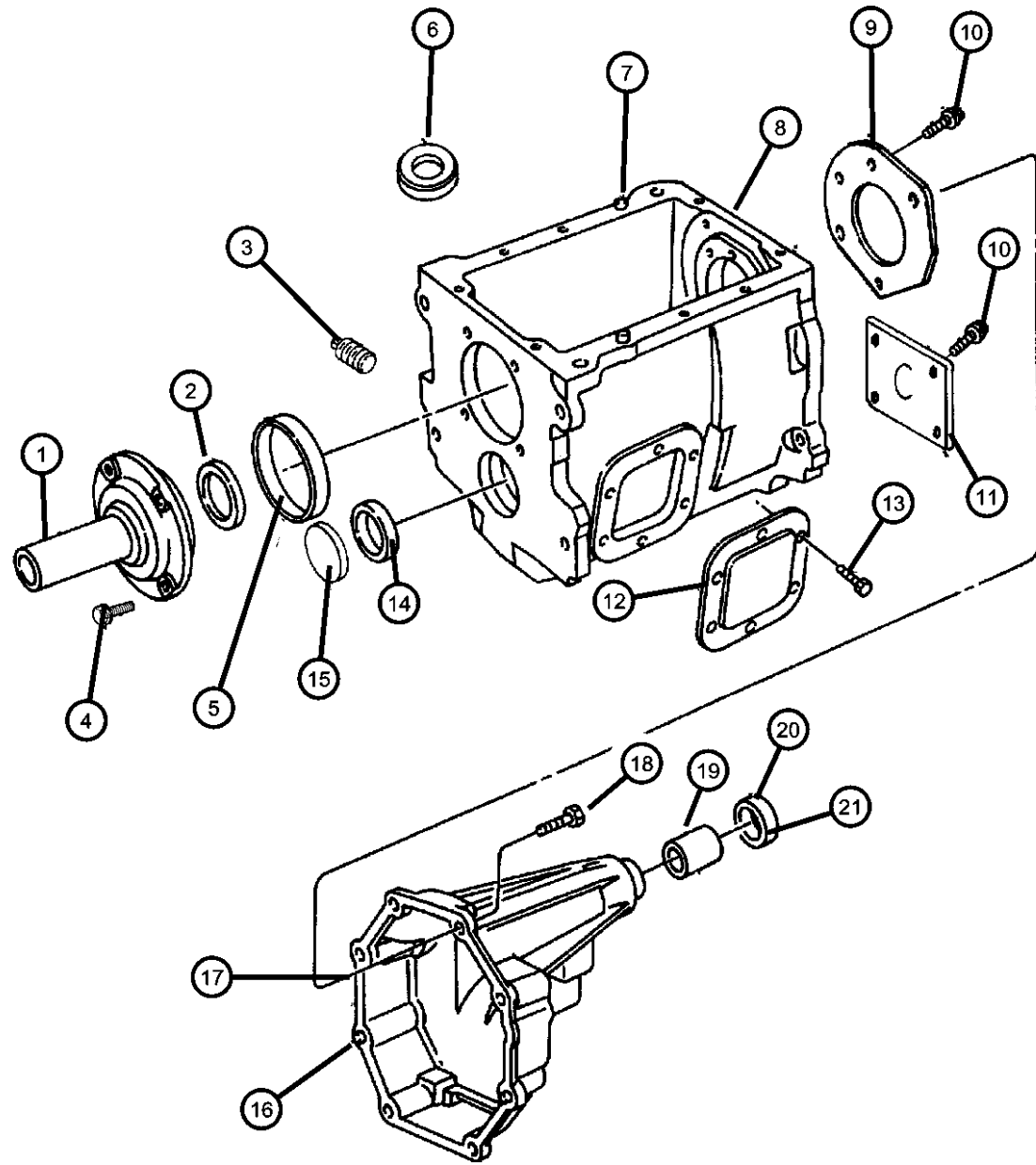
ITEM	PART NUMBER	QTY	LINE	SERIES	BODY	ENGINE	TRANS	TRIM	DESCRIPTION
	04637785	1	1, 2, 3			ELO, EM0	DDP		
		1	6, 7, 8			ELO, EM0	DDP		
		1	1, 2, 3			ET0, EW0	DDX		
		1	6, 7, 8			ET0, EW0	DDX		
12									COVER, Power Take Off
	00556875	2	1, 2, 3			ELO, EM0	DDP		
		2	6, 7, 8			ELO, EM0	DDP		
		2	1, 2, 3			ET0, EW0			
		2	6, 7, 8			ET0, EW0	DDX		
13									BOLT, Transfer Case
	04637851	6	6, 7, 8			EM0	DDP		
		6	6, 7, 8			ET0, EW0	DDX, DEE		
14									BEARING CUP, Intermediate Shaft
	04637691	1	1, 2, 3			ELO, EM0	DDP		
		1	6, 7, 8			ELO, EM0	DDP		
		1	1, 2, 3			ET0, EW0	DDX		
		1	6, 7, 8			ET0, EW0	DDX		
15									PLUG, Countershaft
	04637689	1	1, 2, 3			ELO, EM0	DDP		
		1	6, 7, 8			ELO, EM0	DDP		
		1	1, 2, 3			ET0, EW0	DDX		
		1	6, 7, 8			ET0, EW0	DDX		
16									DOWEL, Transmission Case
	04637804	2	1, 2, 3			ELO, EM0	DDP		
		2	6, 7, 8			ELO, EM0	DDP		
		2	1, 2, 3			ET0, EW0			
		2	6, 7, 8			ET0, EW0	DDX		

RAM PICKUP/CLUB CAB (BE)

SERIES	LINE	BODY	ENGINE	TRANSMISSION
L = RAM 1500, 2500, 3500	1 = Lt. Duty DODGE 2WD 2 = Med. Duty DODGE 2WD 3 = HD DODGE 2WD 6 = Lt. Duty DODGE 4WD 7 = Med. Duty DODGE 4WD 8 = HD DODGE 4WD	31 = CLUB CAB 2-DR 6.5 FT BOX 32 = CLUB CAB 2-DR 8FT BOX 33 = QUAD CAB 4-DR 6.5 FT BOX 34 = QUAD CAB 4-DR 8FT BOX	ETC = 5.9L Cummins 24V Diesel Engine EWA = 8.0L V10 MPI Engine EM0 = ALL 5.9L 8 CYL ENGINES - GAS EMM = 5.9L SMPI V8 Engine EML = 5.9L V8 MPI Engine ELF = 5.2L V8 MPI Engine	DGP = 4-Spd. Automatic 47RE Transmission DD0 = ALL 5 SPEED MANUAL TRANSMISSIONS DG0 = ALL AUTOMATIC TRANSMISSIONS DDC = 5-Speed HD Manual Transmission DDP = 5-Speed Manual Transmission DDX = 5-Speed HD Manual Transmission DEE = 6-Speed HD Manual Transmission DGT = 4-Spd. Automatic 46RE Transmission

AR = use ase required - = Non illustrated part

Case 5 Speed - 4500 [DDP],[DDX]
Figure 4500-210



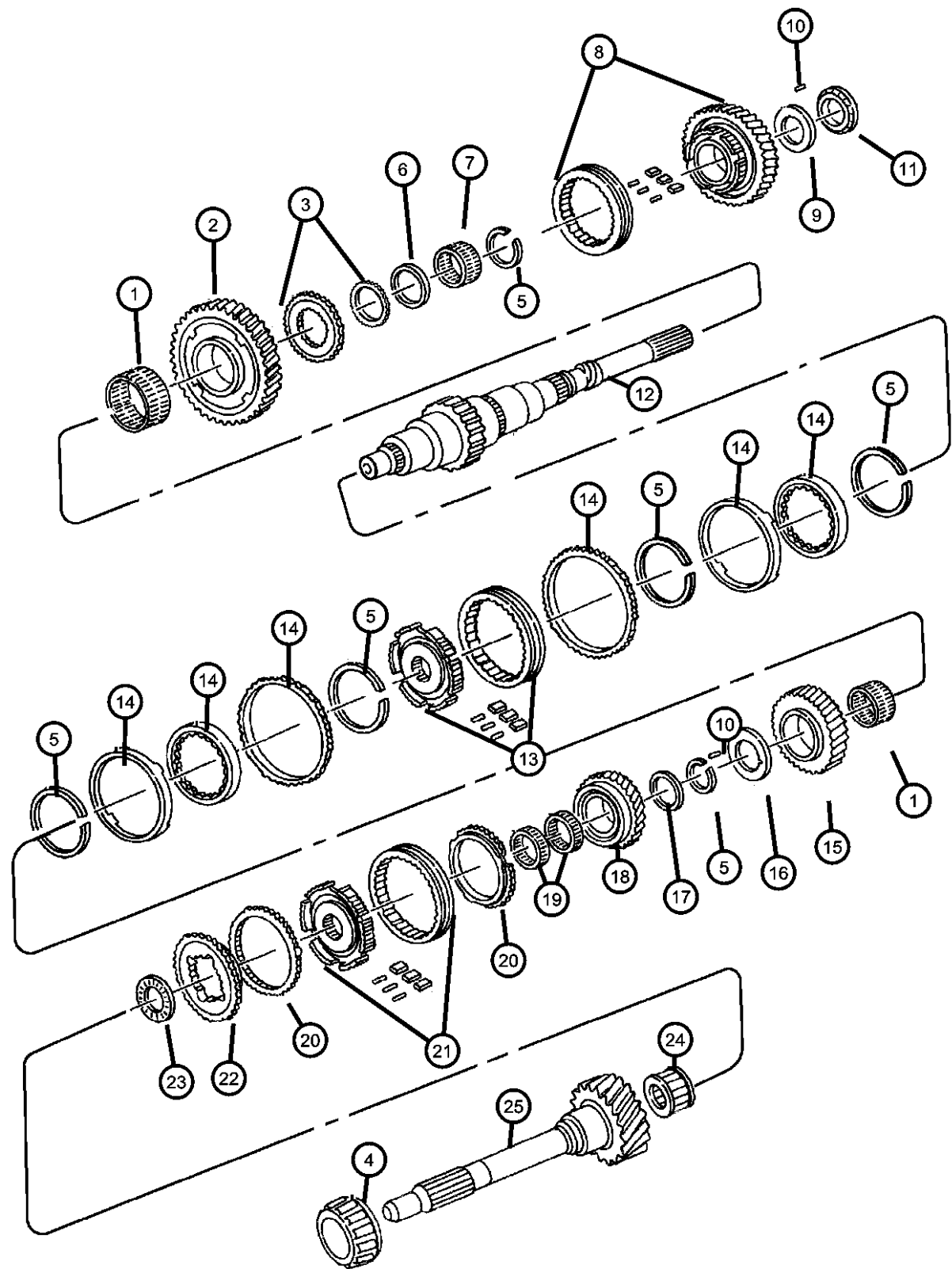
ITEM	PART NUMBER	QTY	LINE	SERIES	BODY	ENGINE	TRANS	TRIM	DESCRIPTION
17									RETAINER, Transmission Case Rear
	05003034AA	1	1, 2, 3			EL0, EM0	DDP		
	05003035AA	1	1, 2, 3			ET0, EW0	DDX		
	05014479AA	1	6, 7, 8			EL0, EM0	DDP		
		1	6, 7, 8			ET0, EW0	DDX		
18									SCREW, Hex Head
	04637805	8	1, 2, 3			EL0, EM0	DDP		
		8	6, 7, 8			EL0, EM0	DDP		
		8	1, 2, 3			ET0, EW0			
		8	6, 7, 8			ET0, EW0	DDX		
19									BUSHING, Extension Housing
	02801724	1	1, 2, 3			EL0, EM0	DDP		
	05003210AA	1	1, 2, 3			ET0, EW0	DDX		
20									SEAL, Output Shaft
	04741119	1	1, 2, 3			EL0, EM0	DDP		
	04741920	1	1, 2, 3			ET0, EW0	DDX		
21									SEAL, Adapter
	04269956	1	6, 7, 8			EL0, EM0	DDP		
		1	6, 7, 8			ET0, EW0	DDX		

RAM PICKUP/CLUB CAB (BE)

SERIES	LINE	BODY	ENGINE	TRANSMISSION
L = RAM 1500, 2500, 3500	1 = Lt. Duty DODGE 2WD 2 = Med. Duty DODGE 2WD 3 = HD DODGE 2WD 6 = Lt. Duty DODGE 4WD 7 = Med. Duty DODGE 4WD 8 = HD DODGE 4WD	31 = CLUB CAB 2-DR 6.5 FT BOX 32 = CLUB CAB 2-DR 8FT BOX 33 = QUAD CAB 4-DR 6.5 FT BOX 34 = QUAD CAB 4-DR 8FT BOX	ETC = 5.9L Cummins 24V Diesel Engine EWA = 8.0L V10 MPI Engine EM0 = ALL 5.9L 8 CYL ENGINES - GAS EMM = 5.9L SMPI V8 Engine EML = 5.9L V8 MPI Engine ELF = 5.2L V8 MPI Engine	DGP = 4-Spd. Automatic 47RE Transmission DD0 = ALL 5 SPEED MANUAL TRANSMISSIONS DG0 = ALL AUTOMATIC TRANSMISSIONS DDC = 5-Speed HD Manual Transmission DDP = 5-Speed Manual Transmission DDX = 5-Speed HD Manual Transmission DEE = 6-Speed HD Manual Transmission DGT = 4-Spd. Automatic 46RE Transmission

AR = use ase required - = Non illustrated part

**Gear Train 5 Speed - 4500 [DDP],[DDX]
Figure 4500-410**



ITEM	PART NUMBER	QTY	LINE	SERIES	BODY	ENGINE	TRANS	TRIM	DESCRIPTION
------	-------------	-----	------	--------	------	--------	-------	------	-------------

NOTES: Sales Codes
 [DDP] = 5 Speed Manual Transmission
 [DDX] = 5 Speed Heavy Duty Manual Transmission
 [EL0] = All 5.2L 8 Cylinder Gas Engines
 [EM0] = All 5.9L 8 Cylinder Gas Engines
 [ET0] = 5.9L Turbo Diesel Engines
 [EW0] = All 8.0L Gas Engines

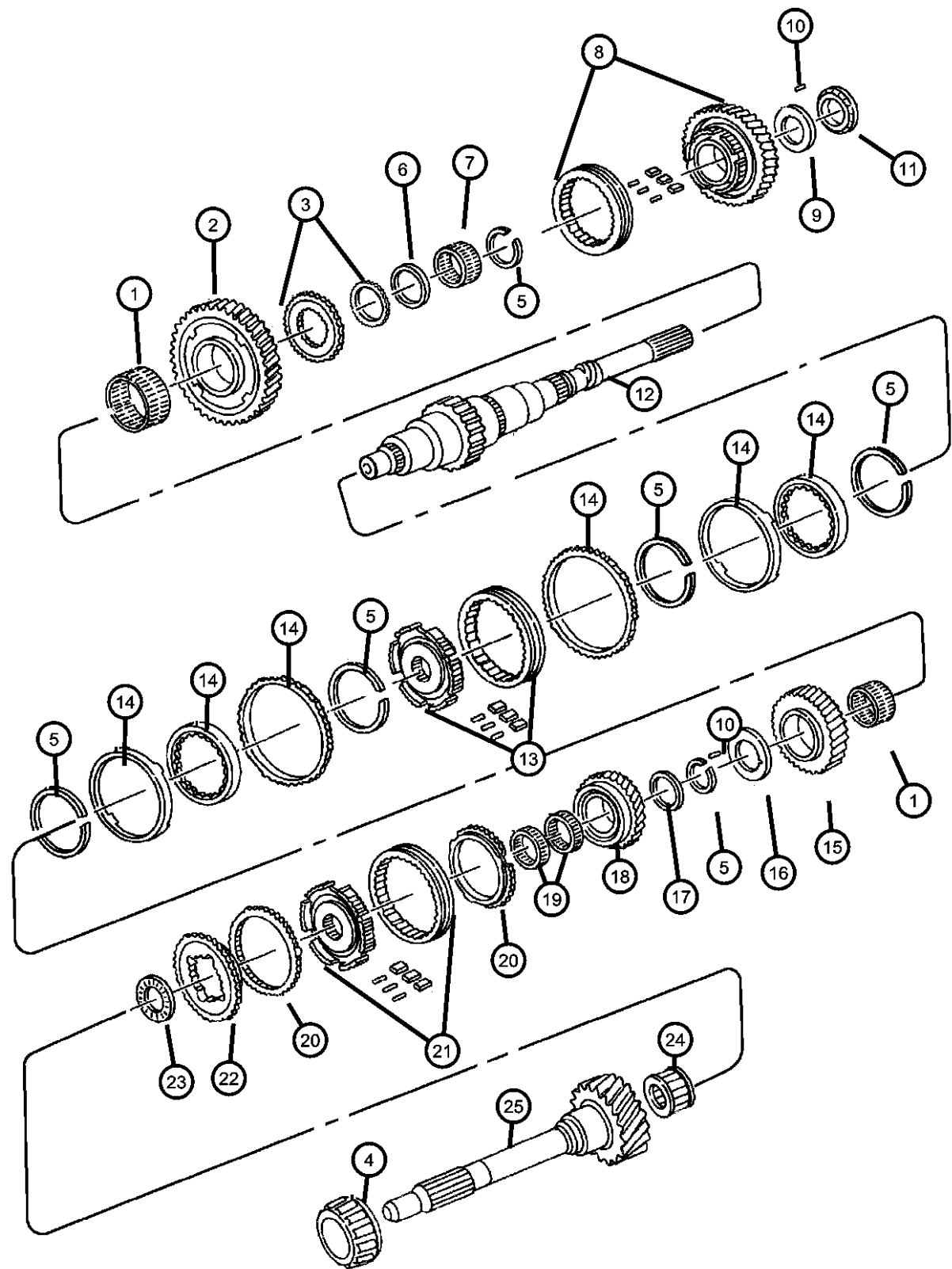
1	04798769	1	1, 2, 3			EL0, EM0	DDP		BEARING, First Gear
		1	6, 7, 8			ET0, EW0	DDX		
		1	6, 7, 8			EL0, EM0	DDP		
		1	1, 2, 3			ET0, EW0	DDX		
2	04637728	1	1, 2, 3			EL0, EM0	DDP		GEAR, First
		1	6, 7, 8			EL0, EM0	DDP		
		1	1, 2, 3			ET0, EW0	DDX		
		1	6, 7, 8			ET0, EW0	DDX		
3	05003055AA	1	1, 2, 3			EL0, EM0	DDP		GEAR PACKAGE, Reverse Clutch
		1	6, 7, 8			EL0, EM0	DDP		
		1	1, 2, 3			ET0, EW0	DDX		
		1	6, 7, 8			ET0, EW0	DDX		
4	04723145	1	1, 2, 3			EL0, EM0	DDP		BEARING, Drive Gear
		1	6, 7, 8			EL0, EM0	DDP		
		1	1, 2, 3			ET0, EW0	DDX		
		1	6, 7, 8			ET0, EW0	DDX		
5	05003056AA	1	1, 2, 3			EL0, EM0	DDP		SNAP RING PACKAGE, Transmission
		1	6, 7, 8			EL0, EM0	DDP		

RAM PICKUP/CLUB CAB (BE)

SERIES	LINE	BODY	ENGINE	TRANSMISSION
L = RAM 1500, 2500, 3500	1 = Lt. Duty DODGE 2WD	31 = CLUB CAB 2-DR 6.5 FT BOX	ETC = 5.9L Cummins 24V Diesel Engine	DGP = 4-Spd. Automatic 47RE Transmission
	2 = Med. Duty DODGE 2WD	32 = CLUB CAB 2-DR 8FT BOX	EWA = 8.0L V10 MPI Engine	DD0 = ALL 5 SPEED MANUAL TRANSMISSIONS
	3 = HD DODGE 2WD	33 = QUAD CAB 4-DR 6.5 FT BOX	EM0 = ALL 5.9L 8 CYL ENGINES - GAS	DG0 = ALL AUTOMATIC TRANSMISSIONS
	6 = Lt. Duty DODGE 4WD	34 = QUAD CAB 4-DR 8FT BOX	EMM = 5.9L SMPI V8 Engine	DDC = 5-Speed HD Manual Transmission
	7 = Med. Duty DODGE 4WD		EML = 5.9L V8 MPI Engine	DDP = 5-Speed Manual Transmission
	8 = HD DODGE 4WD		ELF = 5.2L V8 MPI Engine	DDX = 5-Speed HD Manual Transmission
				DEE = 6-Speed HD Manual Transmission
				DGT = 4-Spd. Automatic 46RE Transmission

AR = use ase required - = Non illustrated part

**Gear Train 5 Speed - 4500 [DDP],[DDX]
Figure 4500-410**



ITEM	PART NUMBER	QTY	LINE	SERIES	BODY	ENGINE	TRANS	TRIM	DESCRIPTION
6	04882542	1	1, 2, 3			ET0, EW0	DDX		SPACER, Reverse Synchronizer
		1	6, 7, 8			ET0, EW0	DDX		
		1	1, 2, 3			ELO, EM0	DDP		
		1	6, 7, 8			ELO, EM0	DDP		
		1	1, 2, 3			ET0, EW0	DDX		
7	04637761	1	6, 7, 8			ET0, EW0	DDX		BEARING, Reverse Synchronizer
		1	1, 2, 3			ELO, EM0	DDP		
		1	6, 7, 8			ELO, EM0	DDP		
		1	1, 2, 3			ET0, EW0	DDX		
		1	6, 7, 8			ET0, EW0	DDX		
8	04882374	1	1, 2, 3			ELO, EM0	DDP		SYNCHRONIZER, Reverse
		1	6, 7, 8			ELO, EM0	DDP		
		1	1, 2, 3			ET0, EW0	DDX		
		1	6, 7, 8			ET0, EW0	DDX		
		1	1, 2, 3			ELO, EM0	DDP		
9	04637763	1	6, 7, 8			ELO, EM0	DDP		THRUST WASHER, Reverse Gear
		1	1, 2, 3			ELO, EM0	DDP		
		1	6, 7, 8			ET0, EW0	DDX		
		1	1, 2, 3			ET0, EW0	DDX		
		1	6, 7, 8			ET0, EW0	DDX		
10	04773176	2	1, 2, 3			ELO, EM0	DDP		PIN, Split Thrust Washer
		2	6, 7, 8			ELO, EM0	DDP		
		2	1, 2, 3			ET0, EW0	DDX		
		2	6, 7, 8			ET0, EW0	DDX		
		2	1, 2, 3			ET0, EW0	DDX		
11								BEARING CONE, Main Shaft	

RAM PICKUP/CLUB CAB (BE)

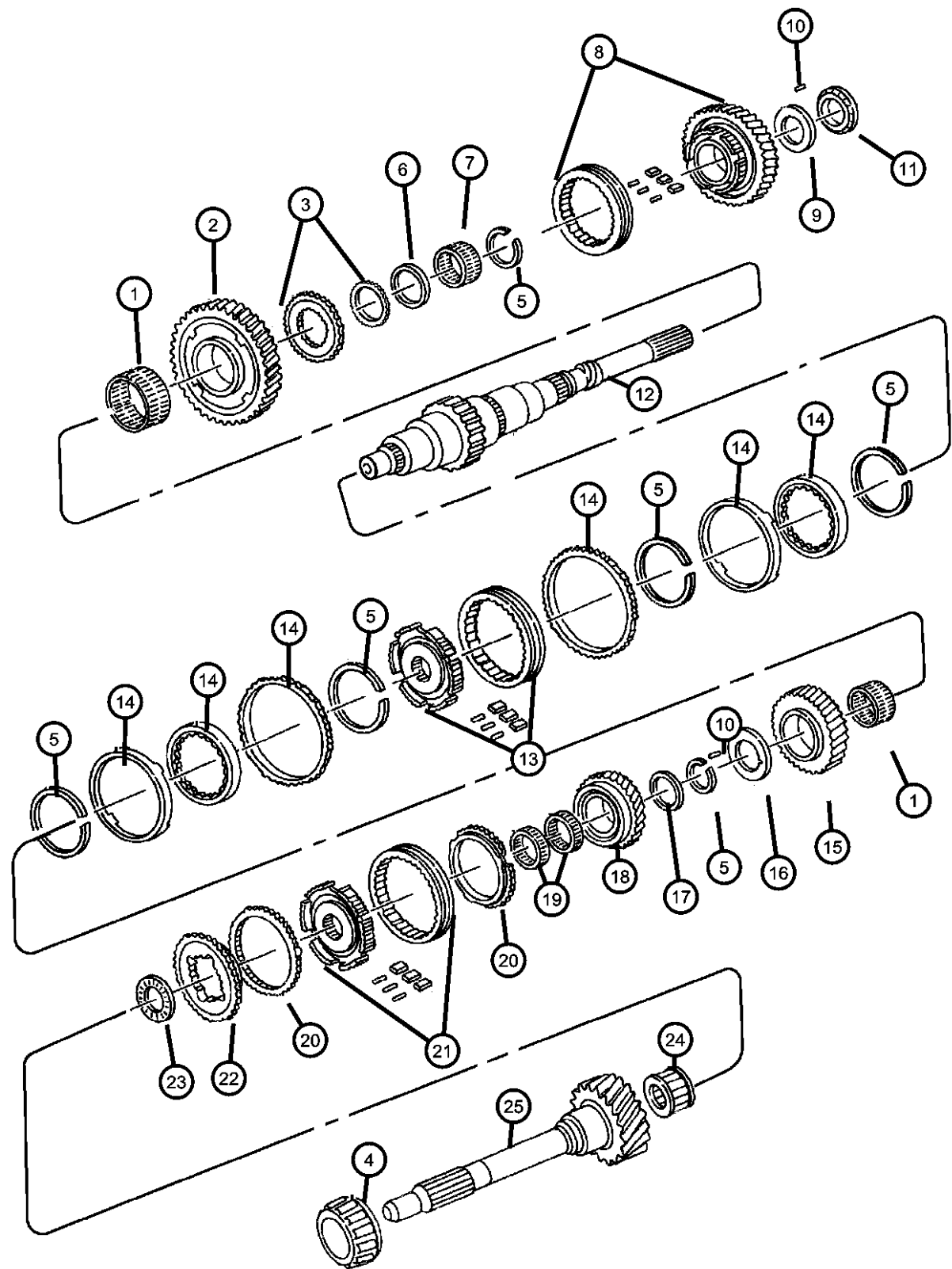
SERIES	LINE
L = RAM 1500, 2500, 3500	1 = Lt. Duty DODGE 2WD 2 = Med. Duty DODGE 2WD 3 = HD DODGE 2WD 6 = Lt. Duty DODGE 4WD 7 = Med. Duty DODGE 4WD 8 = HD DODGE 4WD

BODY	ENGINE
31 = CLUB CAB 2-DR 6.5 FT BOX 32 = CLUB CAB 2-DR 8FT BOX 33 = QUAD CAB 4-DR 6.5 FT BOX 34 = QUAD CAB 4-DR 8FT BOX	ETC = 5.9L Cummins 24V Diesel Engine EWA = 8.0L V10 MPI Engine EM0 = ALL 5.9L 8 CYL ENGINES - GAS EMM = 5.9L SMPI V8 Engine EML = 5.9L V8 MPI Engine ELF = 5.2L V8 MPI Engine

TRANSMISSION
DGP = 4-Spd. Automatic 47RE Transmission DD0 = ALL 5 SPEED MANUAL TRANSMISSIONS DG0 = ALL AUTOMATIC TRANSMISSIONS DDC = 5-Speed HD Manual Transmission DDP = 5-Speed Manual Transmission DDX = 5-Speed HD Manual Transmission DEE = 6-Speed HD Manual Transmission DGT = 4-Spd. Automatic 46RE Transmission

AR = use ase required - = Non illustrated part

**Gear Train 5 Speed - 4500 [DDP],[DDX]
Figure 4500-410**



ITEM	PART NUMBER	QTY	LINE	SERIES	BODY	ENGINE	TRANS	TRIM	DESCRIPTION
	04637771	1	1, 2, 3			ELO, EM0	DDP		
		1	6, 7, 8			ELO, EM0	DDP		
		1	1, 2, 3			ET0, EW0	DDX		
		1	6, 7, 8			ET0, EW0	DDX		
12									MAINSHAFT, Transmission
	05003037AA	1	1, 2, 3			ELO, EM0	DDP		
	05003038AA	1	1, 2, 3			ET0, EW0	DDX		
	05003215AA	1	6, 7, 8			ELO, EM0	DDP		
	05003218AA	1	6, 7, 8			ET0, EW0	DDX		
13									SYNCHRONIZER, First and Second
	04796270	1	1, 2, 3			ELO, EM0	DDP		
		1	6, 7, 8			ELO, EM0	DDP		
		1	1, 2, 3			ET0, EW0	DDX		
		1	6, 7, 8			ET0, EW0	DDX		
14									STOP RING PACKAGE, Synchronizer
	04637726	AR	1, 2, 3			ELO, EM0	DDP		
		AR	6, 7, 8			ELO, EM0	DDP		
		AR	1, 2, 3			ET0, EW0			
		AR	6, 7, 8			ET0, EW0	DDX		
15									GEAR, Second
	04637730	1	1, 2, 3			ELO, EM0	DDP		
		1	6, 7, 8			ELO, EM0	DDP		
		1	1, 2, 3			ET0, EW0	DDX		
		1	6, 7, 8			ET0, EW0	DDX		
16									THRUST WASHER, Third Gear
	04637732	1	1, 2, 3			ELO, EM0	DDP		
		1	6, 7, 8			ELO, EM0	DDP		

RAM PICKUP/CLUB CAB (BE)

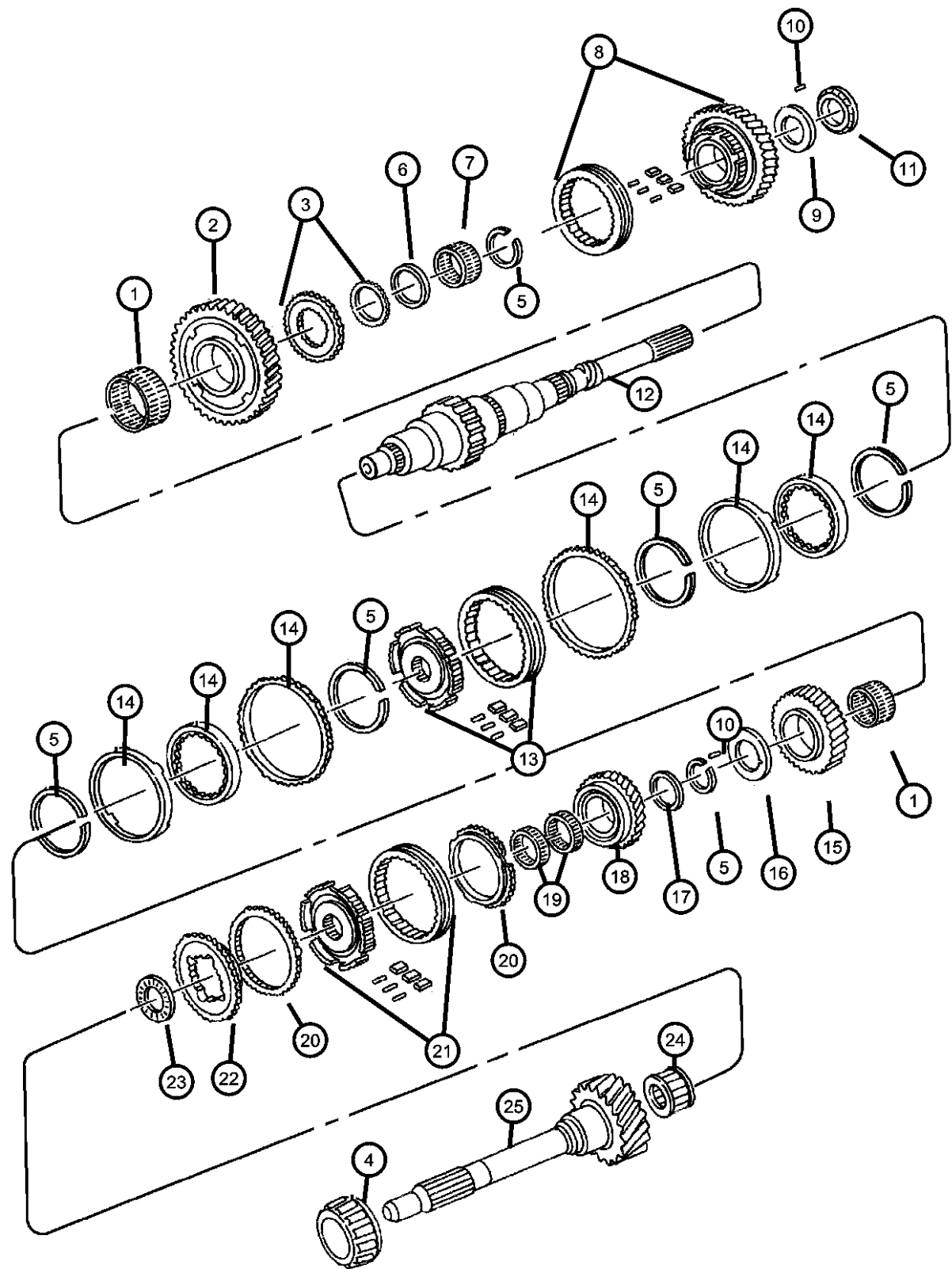
SERIES	LINE
L = RAM 1500, 2500, 3500	1 = Lt. Duty DODGE 2WD 2 = Med. Duty DODGE 2WD 3 = HD DODGE 2WD 6 = Lt. Duty DODGE 4WD 7 = Med. Duty DODGE 4WD 8 = HD DODGE 4WD

BODY	ENGINE
31 = CLUB CAB 2-DR 6.5 FT BOX 32 = CLUB CAB 2-DR 8FT BOX 33 = QUAD CAB 4-DR 6.5 FT BOX 34 = QUAD CAB 4-DR 8FT BOX	ETC = 5.9L Cummins 24V Diesel Engine EWA = 8.0L V10 MPI Engine EM0 = ALL 5.9L 8 CYL ENGINES - GAS EMM = 5.9L SMPI V8 Engine EML = 5.9L V8 MPI Engine ELF = 5.2L V8 MPI Engine

TRANSMISSION
DGP = 4-Spd. Automatic 47RE Transmission DD0 = ALL 5 SPEED MANUAL TRANSMISSIONS DG0 = ALL AUTOMATIC TRANSMISSIONS DDC = 5-Speed HD Manual Transmission DDP = 5-Speed Manual Transmission DDX = 5-Speed HD Manual Transmission DEE = 6-Speed HD Manual Transmission DGT = 4-Spd. Automatic 46RE Transmission

AR = use ase required - = Non illustrated part

**Gear Train 5 Speed - 4500 [DDP],[DDX]
Figure 4500-410**



ITEM	PART NUMBER	QTY	LINE	SERIES	BODY	ENGINE	TRANS	TRIM	DESCRIPTION
17	04882540	1	1, 2, 3			ET0, EW0	DDX		SPACER, Third Gear
		1	6, 7, 8			ET0, EW0	DDX		
		1	1, 2, 3			ELO, EM0	DDP		
		1	6, 7, 8			ELO, EM0	DDP		
18	04874369	1	1, 2, 3			ET0, EW0	DDX		GEAR, Third
		1	6, 7, 8			ET0, EW0	DDX		
		1	1, 2, 3			ELO, EM0	DDP		
		1	6, 7, 8			ELO, EM0	DDP		
19	04798768	1	1, 2, 3			ET0, EW0	DDX		BEARING, Third Gear
		1	6, 7, 8			ET0, EW0	DDX		
		1	1, 2, 3			ELO, EM0	DDP		
		1	6, 7, 8			ELO, EM0	DDP		
20	04897883AA	2	1, 2, 3			ET0, EW0	DDX		RING, Blocker
		2	6, 7, 8			ET0, EW0	DDX		
		2	6, 7, 8			ELO, EM0	DDP		
		2	1, 2, 3			ELO, EM0	DDP		
21	04740824	1	1, 2, 3			ET0, EW0	DDX		SYNCHRONIZER, Third and Fourth
		1	6, 7, 8			ET0, EW0	DDX		
		1	1, 2, 3			ELO, EM0	DDP		
		1	6, 7, 8			ELO, EM0	DDP		

RAM PICKUP/CLUB CAB (BE)

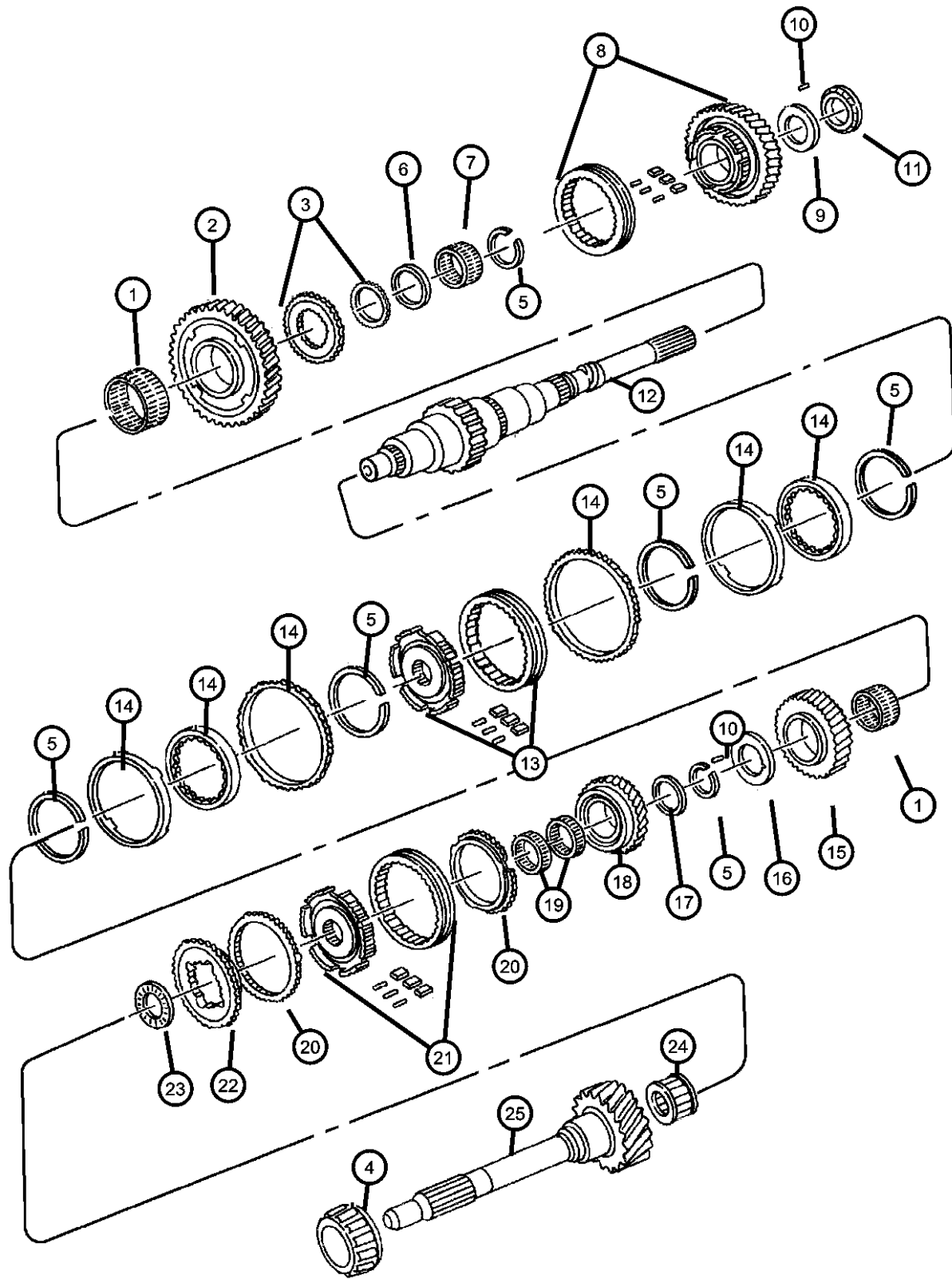
- | | |
|--------------------------|--|
| SERIES | LINE |
| L = RAM 1500, 2500, 3500 | 1 = Lt. Duty DODGE 2WD
2 = Med. Duty DODGE 2WD
3 = HD DODGE 2WD
6 = Lt. Duty DODGE 4WD
7 = Med. Duty DODGE 4WD
8 = HD DODGE 4WD |

- | | |
|--|--|
| BODY | ENGINE |
| 31 = CLUB CAB 2-DR 6.5 FT BOX
32 = CLUB CAB 2-DR 8FT BOX
33 = QUAD CAB 4-DR 6.5 FT BOX
34 = QUAD CAB 4-DR 8FT BOX | ETC = 5.9L Cummins 24V Diesel Engine
EWA = 8.0L V10 MPI Engine
EM0 = ALL 5.9L 8 CYL ENGINES - GAS
EMM = 5.9L SMPI V8 Engine
EML = 5.9L V8 MPI Engine
ELF = 5.2L V8 MPI Engine |

- | |
|--|
| TRANSMISSION |
| DGP = 4-Spd. Automatic 47RE Transmission
DD0 = ALL 5 SPEED MANUAL TRANSMISSIONS
DG0 = ALL AUTOMATIC TRANSMISSIONS
DDC = 5-Speed HD Manual Transmission
DDP = 5-Speed Manual Transmission
DDX = 5-Speed HD Manual Transmission
DEE = 6-Speed HD Manual Transmission
DGT = 4-Spd. Automatic 46RE Transmission |

AR = use ase required - = Non illustrated part

**Gear Train 5 Speed - 4500 [DDP],[DDX]
Figure 4500-410**



ITEM	PART NUMBER	QTY	LINE	SERIES	BODY	ENGINE	TRANS	TRIM	DESCRIPTION
22	04874370	1	1, 2, 3			ELO, EM0	DDP		GEAR, Clutch Drive
		1	6, 7, 8			ELO, EM0	DDP		
		1	1, 2, 3			ET0, EW0	DDX		
		1	6, 7, 8			ET0, EW0	DDX		
23	04637755	1	1, 2, 3			ELO, EM0	DDP		THRUST BEARING, Drive Gear
		1	6, 7, 8			ELO, EM0	DDP		
		1	1, 2, 3			ET0, EW0	DDX		
		1	6, 7, 8			ET0, EW0	DDX		
24	04637774	1	1, 2, 3			ELO, EM0	DDP		NEEDLE BEARING, Input Shaft
		1	6, 7, 8			ELO, EM0	DDP		
		1	1, 2, 3			ET0, EW0	DDX		
		1	6, 7, 8			ET0, EW0	DDX		
25	04882357	1	1, 2, 3			ELO, EM0	DDP		SHAFT, Input
		1	6, 7, 8			ELO, EM0	DDP		
	04882358	1	1, 2, 3			ET0, EW0	DDX		
		1	6, 7, 8			ET0, EW0	DDX		

RAM PICKUP/CLUB CAB (BE)

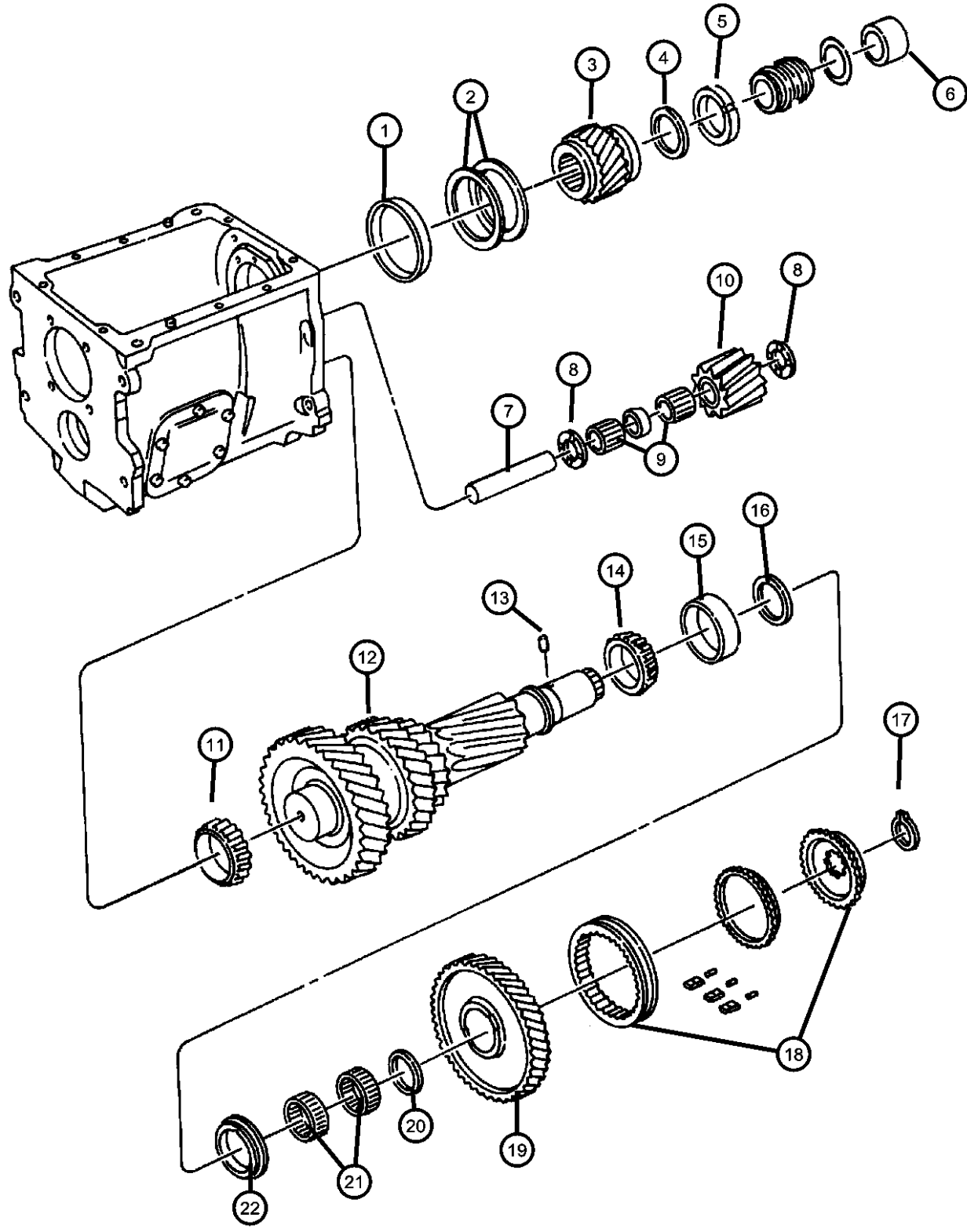
SERIES	LINE
L = RAM 1500, 2500, 3500	1 = Lt. Duty DODGE 2WD 2 = Med. Duty DODGE 2WD 3 = HD DODGE 2WD 6 = Lt. Duty DODGE 4WD 7 = Med. Duty DODGE 4WD 8 = HD DODGE 4WD

BODY	ENGINE
31 = CLUB CAB 2-DR 6.5 FT BOX 32 = CLUB CAB 2-DR 8FT BOX 33 = QUAD CAB 4-DR 6.5 FT BOX 34 = QUAD CAB 4-DR 8FT BOX	ETC = 5.9L Cummins 24V Diesel Engine EWA = 8.0L V10 MPI Engine EM0 = ALL 5.9L 8 CYL ENGINES - GAS EMM = 5.9L SMPI V8 Engine EML = 5.9L V8 MPI Engine ELF = 5.2L V8 MPI Engine

TRANSMISSION
DGP = 4-Spd. Automatic 47RE Transmission DD0 = ALL 5 SPEED MANUAL TRANSMISSIONS DG0 = ALL AUTOMATIC TRANSMISSIONS DDC = 5-Speed HD Manual Transmission DDP = 5-Speed Manual Transmission DDX = 5-Speed HD Manual Transmission DEE = 6-Speed HD Manual Transmission DGT = 4-Spd. Automatic 46RE Transmission

AR = use ase required - = Non illustrated part

**Gear Train 5 Speed - 4500 [DDP],[DDX]
Figure 4500-420**



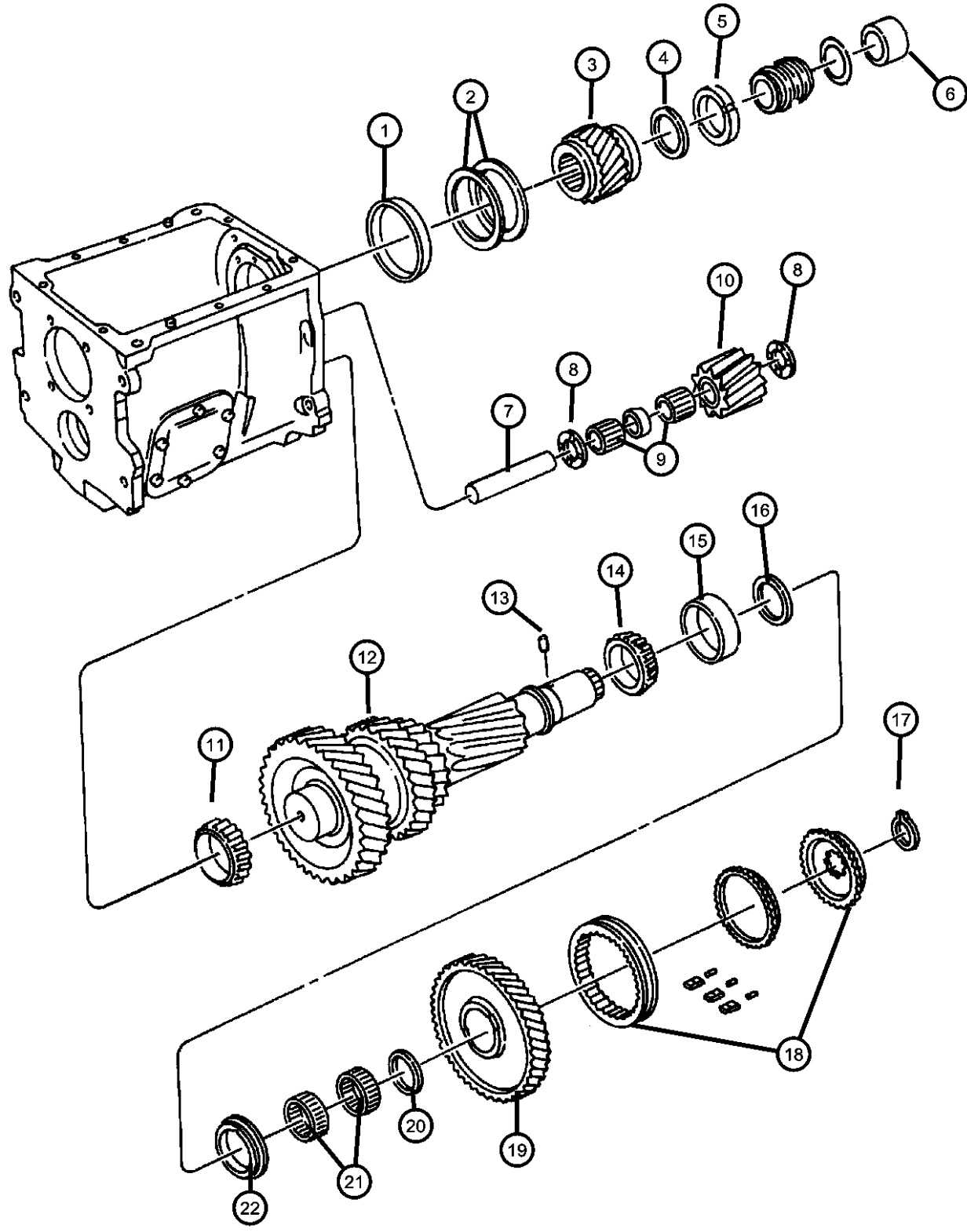
ITEM	PART NUMBER	QTY	LINE	SERIES	BODY	ENGINE	TRANS	TRIM	DESCRIPTION
NOTES: Sales Codes [DDP] = 5 Speed Manual Transmission [DDX] = 5 Speed Heavy Duty Manual Transmission [EL0] = All 5.2L 8 Cylinder Gas Engines [EM0] = All 5.9L 8 Cylinder Gas Engines [ET0] = 5.9L Turbo Diesel Engines [EW0] = All 8.0L Gas Engines									
1	04637782	1	1, 2, 3			EL0, EM0	DDP		BEARING CUP, Main Shaft
		1	6, 7, 8			EL0, EM0	DDP		
		1	1, 2, 3			ET0, EW0	DDX		
		1	6, 7, 8			ET0, EW0	DDX		
2	04864284	1	1, 2, 3			EL0, EM0	DDP		SHIM PACKAGE, Rear Mainshaft Bearing
		1	6, 7, 8			EL0, EM0	DDP		
		1	1, 2, 3			ET0, EW0	DDX		
		1	6, 7, 8			ET0, EW0	DDX		
3	04637798	1	1, 2, 3			EL0, EM0	DDP		GEAR, Overdrive Mainshaft
		1	6, 7, 8			EL0, EM0	DDP		
	04741551	1	1, 2, 3			ET0, EW0	DDX		
		1	6, 7, 8			ET0, EW0	DDX		
4	04637801	1	1, 2, 3			EL0, EM0	DDP		WASHER, Overdrive Gear
		1	6, 7, 8			EL0, EM0	DDP		
	04741552	1	1, 2, 3			ET0, EW0	DDX		
		1	6, 7, 8			ET0, EW0	DDX		
5	04897347AA	1	1, 2, 3			EL0, EM0	DDP		NUT AND WASHER PACKAGE
		1	6, 7, 8			EL0, EM0	DDP		

RAM PICKUP/CLUB CAB (BE)

SERIES	LINE	BODY	ENGINE	TRANSMISSION
L = RAM 1500, 2500, 3500	1 = Lt. Duty DODGE 2WD	31 = CLUB CAB 2-DR 6.5 FT BOX	ETC = 5.9L Cummins 24V Diesel Engine	DGP = 4-Spd. Automatic 47RE Transmission
	2 = Med. Duty DODGE 2WD	32 = CLUB CAB 2-DR 8FT BOX	EWA = 8.0L V10 MPI Engine	DD0 = ALL 5 SPEED MANUAL TRANSMISSIONS
	3 = HD DODGE 2WD	33 = QUAD CAB 4-DR 6.5 FT BOX	EM0 = ALL 5.9L 8 CYL ENGINES - GAS	DG0 = ALL AUTOMATIC TRANSMISSIONS
	6 = Lt. Duty DODGE 4WD	34 = QUAD CAB 4-DR 8FT BOX	EMM = 5.9L SMPI V8 Engine	DDC = 5-Speed HD Manual Transmission
	7 = Med. Duty DODGE 4WD		EML = 5.9L V8 MPI Engine	DDP = 5-Speed Manual Transmission
	8 = HD DODGE 4WD		ELF = 5.2L V8 MPI Engine	DDX = 5-Speed HD Manual Transmission
				DEE = 6-Speed HD Manual Transmission
				DGT = 4-Spd. Automatic 46RE Transmission

AR = use ase required - = Non illustrated part

**Gear Train 5 Speed - 4500 [DDP],[DDX]
Figure 4500-420**



ITEM	PART NUMBER	QTY	LINE	SERIES	BODY	ENGINE	TRANS	TRIM	DESCRIPTION
6	04897348AA	1	1, 2, 3			ET0, EW0	DDX		
		1	6, 7, 8			ET0, EW0	DDX		SEAL, Adapter
7	04269956	1	6, 7, 8			ELO, EM0	DDP		
		1	6, 7, 8			ET0, EW0	DDX		SHAFT, Idler
8	04882366	1	1, 2, 3			ELO, EM0	DDP		
		1	6, 7, 8			ELO, EM0	DDP		
		1	1, 2, 3			ET0, EW0	DDX		
		1	6, 7, 8			ET0, EW0	DDX		WASHER, Reverse Idler
9	04882538	2	1, 2, 3			ELO, EM0	DDP		
		2	6, 7, 8			ELO, EM0	DDP		
		2	1, 2, 3			ET0, EW0			
		2	6, 7, 8			ET0, EW0	DDX		BEARING, Idler Gear
10	04882365	2	1, 2, 3			ELO, EM0	DDP		
		2	6, 7, 8			ELO, EM0	DDP		
		2	1, 2, 3			ET0, EW0			
		2	6, 7, 8			ET0, EW0	DDX		GEAR, Reverse Idler
11	04882364	1	1, 2, 3			ELO, EM0	DDP		
		1	6, 7, 8			ELO, EM0	DDP		
		1	1, 2, 3			ET0, EW0	DDX		
		1	6, 7, 8			ET0, EW0	DDX		BEARING CONE, Cluster Gear
11	04637705	1	1, 2, 3			ELO, EM0	DDP		
		1	6, 7, 8			ELO, EM0	DDP		

RAM PICKUP/CLUB CAB (BE)

SERIES	LINE
L = RAM 1500, 2500, 3500	1 = Lt. Duty DODGE 2WD 2 = Med. Duty DODGE 2WD 3 = HD DODGE 2WD 6 = Lt. Duty DODGE 4WD 7 = Med. Duty DODGE 4WD 8 = HD DODGE 4WD

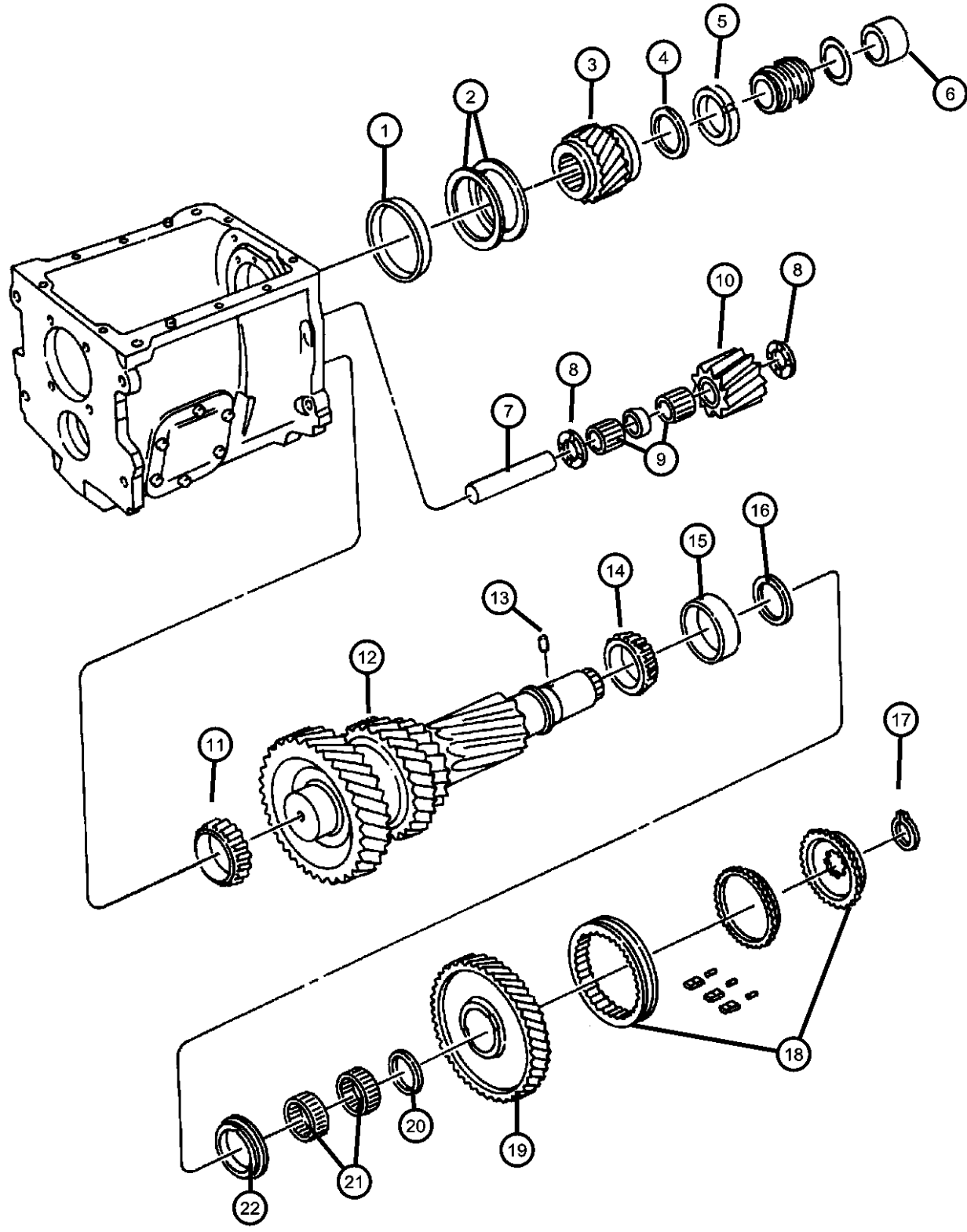
BODY	ENGINE
31 = CLUB CAB 2-DR 6.5 FT BOX 32 = CLUB CAB 2-DR 8FT BOX 33 = QUAD CAB 4-DR 6.5 FT BOX 34 = QUAD CAB 4-DR 8FT BOX	ETC = 5.9L Cummins 24V Diesel Engine EWA = 8.0L V10 MPI Engine EM0 = ALL 5.9L 8 CYL ENGINES - GAS EMM = 5.9L SMPI V8 Engine EML = 5.9L V8 MPI Engine ELF = 5.2L V8 MPI Engine

TRANSMISSION
DGP = 4-Spd. Automatic 47RE Transmission DD0 = ALL 5 SPEED MANUAL TRANSMISSIONS DG0 = ALL AUTOMATIC TRANSMISSIONS DDC = 5-Speed HD Manual Transmission DDP = 5-Speed Manual Transmission DDX = 5-Speed HD Manual Transmission DEE = 6-Speed HD Manual Transmission DGT = 4-Spd. Automatic 46RE Transmission

AR = use ase required - = Non illustrated part

1999 BE

**Gear Train 5 Speed - 4500 [DDP],[DDX]
Figure 4500-420**



ITEM	PART NUMBER	QTY	LINE	SERIES	BODY	ENGINE	TRANS	TRIM	DESCRIPTION
12	04882367	1	1, 2, 3			ET0, EW0	DDX		COUNTERSHAFT
		1	6, 7, 8			ET0, EW0	DDX		
		1	1, 2, 3			EL0, EM0	DDP		
		1	6, 7, 8			EL0, EM0	DDP		
		1	1, 2, 3			ET0, EW0	DDX		
13	04773176	1	6, 7, 8			ET0, EW0	DDX		PIN, Split Thrust Washer
		2	1, 2, 3			EL0, EM0	DDP		
		2	6, 7, 8			EL0, EM0	DDP		
		2	1, 2, 3			ET0, EW0	DDX		
		2	6, 7, 8			ET0, EW0	DDX		
14	04637708	1	1, 2, 3			EL0, EM0	DDP		BEARING CONE, Cluster Gear
		1	6, 7, 8			EL0, EM0	DDP		
		1	1, 2, 3			ET0, EW0	DDX		
		1	6, 7, 8			ET0, EW0	DDX		
		1	1, 2, 3			ET0, EW0	DDX		
15	04637707	1	1, 2, 3			EL0, EM0	DDP		BEARING CUP, Cluster Gear
		1	6, 7, 8			EL0, EM0	DDP		
		1	1, 2, 3			ET0, EW0	DDX		
		1	6, 7, 8			ET0, EW0	DDX		
		1	1, 2, 3			ET0, EW0	DDX		
16	04637780	1	1, 2, 3			EL0, EM0	DDP		SHIM PACKAGE, Countershaft
		1	6, 7, 8			EL0, EM0	DDP		
		1	1, 2, 3			ET0, EW0	DDX		
		1	6, 7, 8			ET0, EW0	DDX		
		1	1, 2, 3			ET0, EW0	DDX		

RAM PICKUP/CLUB CAB (BE)

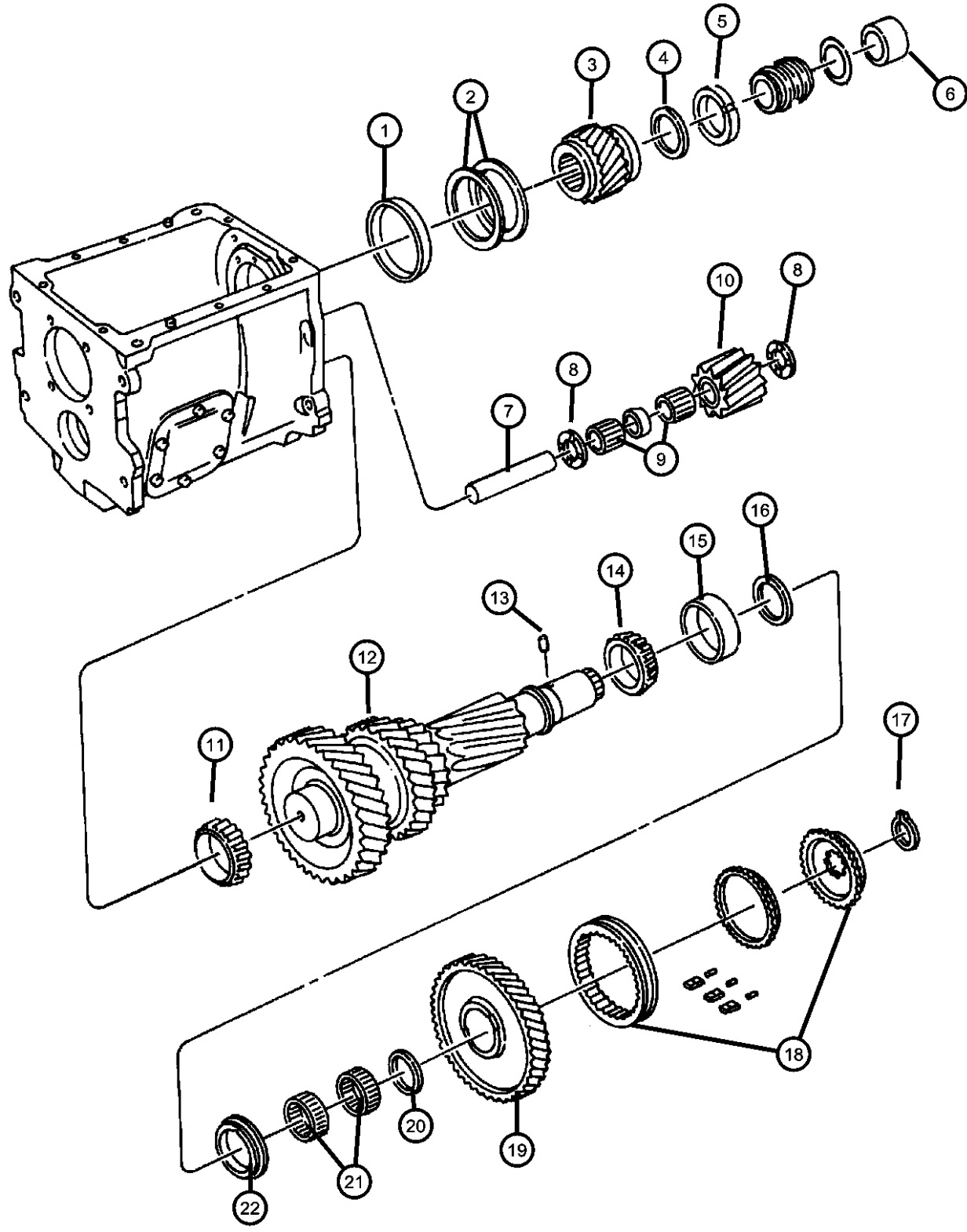
SERIES	LINE
L = RAM 1500, 2500, 3500	1 = Lt. Duty DODGE 2WD 2 = Med. Duty DODGE 2WD 3 = HD DODGE 2WD 6 = Lt. Duty DODGE 4WD 7 = Med. Duty DODGE 4WD 8 = HD DODGE 4WD

BODY	ENGINE
31 = CLUB CAB 2-DR 6.5 FT BOX 32 = CLUB CAB 2-DR 8FT BOX 33 = QUAD CAB 4-DR 6.5 FT BOX 34 = QUAD CAB 4-DR 8FT BOX	ETC = 5.9L Cummins 24V Diesel Engine EWA = 8.0L V10 MPI Engine EM0 = ALL 5.9L 8 CYL ENGINES - GAS EMM = 5.9L SMPI V8 Engine EML = 5.9L V8 MPI Engine ELF = 5.2L V8 MPI Engine

TRANSMISSION
DGP = 4-Spd. Automatic 47RE Transmission DD0 = ALL 5 SPEED MANUAL TRANSMISSIONS DG0 = ALL AUTOMATIC TRANSMISSIONS DDC = 5-Speed HD Manual Transmission DDP = 5-Speed Manual Transmission DDX = 5-Speed HD Manual Transmission DEE = 6-Speed HD Manual Transmission DGT = 4-Spd. Automatic 46RE Transmission

AR = use ase required - = Non illustrated part

**Gear Train 5 Speed - 4500 [DDP],[DDX]
Figure 4500-420**



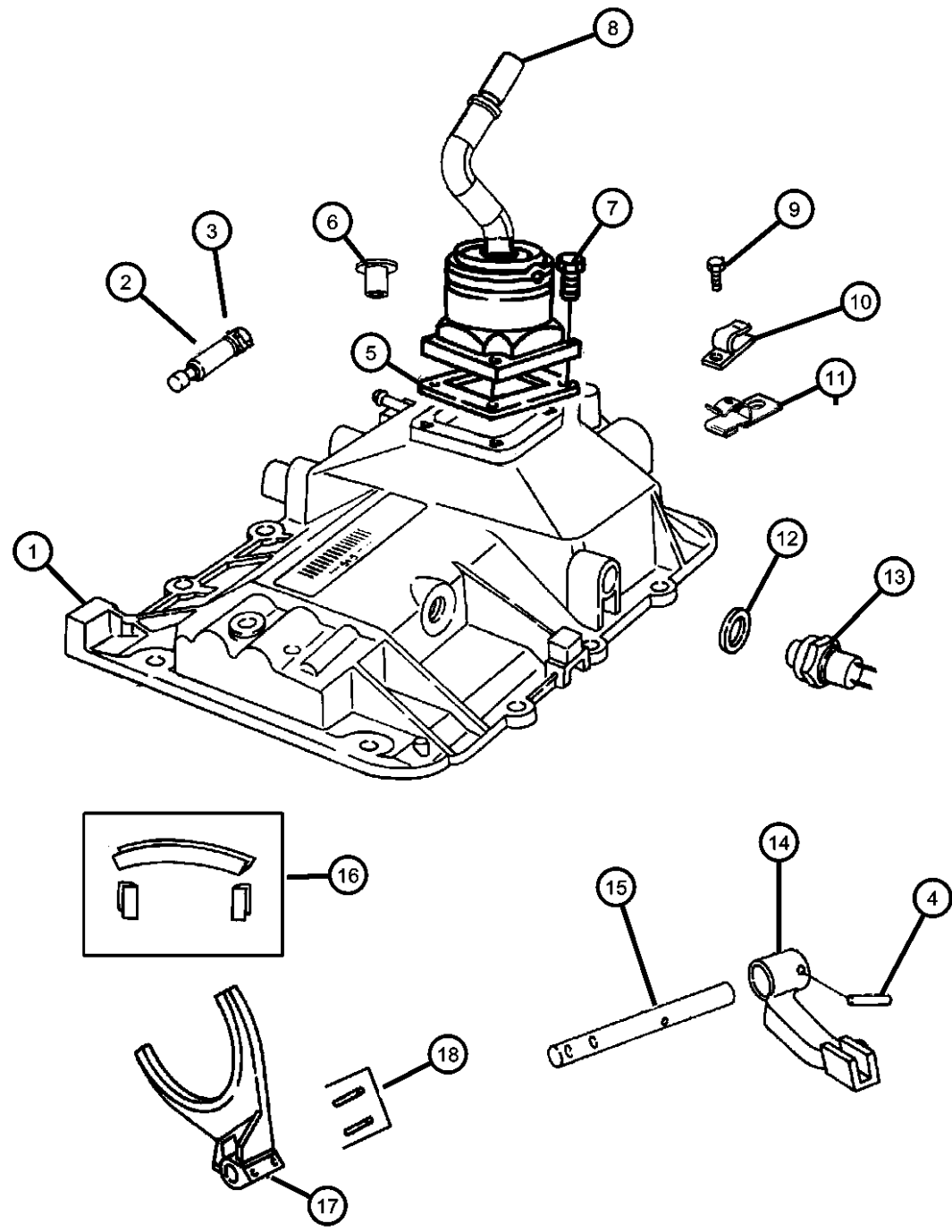
ITEM	PART NUMBER	QTY	LINE	SERIES	BODY	ENGINE	TRANS	TRIM	DESCRIPTION
17	05003056AA	1	1, 2, 3			ELO, EM0	DDP		SNAP RING PACKAGE, Transmission
		1	6, 7, 8			ELO, EM0	DDP		
		1	1, 2, 3			ET0, EW0	DDX		
		1	6, 7, 8			ET0, EW0	DDX		
18	05003156AA	1	1, 2, 3			ELO, EM0	DDP		SYNCHRONIZER PACKAGE, Overdrive
		1	6, 7, 8			ELO, EM0	DDP		
		1	1, 2, 3			ET0, EW0	DDX		
		1	6, 7, 8			ET0, EW0	DDX		
19	04637786	1	1, 2, 3			ELO, EM0	DDP		GEAR, Countershaft
		1	6, 7, 8			ELO, EM0	DDP		
		1	1, 2, 3			ET0, EW0	DDX		
		1	6, 7, 8			ET0, EW0	DDX		
20		1							GEAR, Speedometer Drive, (NOT REQUIRED)
21	04882541	1	1, 2, 3			ELO, EM0	DDP		BEARING, Overdrive
		1	6, 7, 8			ELO, EM0	DDP		
		1	1, 2, 3			ET0, EW0	DDX		
		1	6, 7, 8			ET0, EW0	DDX		
22	04637778	1	1, 2, 3			ELO, EM0	DDP		THRUST WASHER, Countershaft
		1	6, 7, 8			ELO, EM0	DDP		
		1	1, 2, 3			ET0, EW0	DDX		
		1	6, 7, 8			ET0, EW0	DDX		

RAM PICKUP/CLUB CAB (BE)

SERIES	LINE	BODY	ENGINE	TRANSMISSION
L = RAM 1500, 2500, 3500	1 = Lt. Duty DODGE 2WD 2 = Med. Duty DODGE 2WD 3 = HD DODGE 2WD 6 = Lt. Duty DODGE 4WD 7 = Med. Duty DODGE 4WD 8 = HD DODGE 4WD	31 = CLUB CAB 2-DR 6.5 FT BOX 32 = CLUB CAB 2-DR 8FT BOX 33 = QUAD CAB 4-DR 6.5 FT BOX 34 = QUAD CAB 4-DR 8FT BOX	ETC = 5.9L Cummins 24V Diesel Engine EWA = 8.0L V10 MPI Engine EM0 = ALL 5.9L 8 CYL ENGINES - GAS EMM = 5.9L SMPI V8 Engine EML = 5.9L V8 MPI Engine ELF = 5.2L V8 MPI Engine	DGP = 4-Spd. Automatic 47RE Transmission DD0 = ALL 5 SPEED MANUAL TRANSMISSIONS DG0 = ALL AUTOMATIC TRANSMISSIONS DDC = 5-Speed HD Manual Transmission DDP = 5-Speed Manual Transmission DDX = 5-Speed HD Manual Transmission DEE = 6-Speed HD Manual Transmission DGT = 4-Spd. Automatic 46RE Transmission

AR = use ase required - = Non illustrated part

Forks and Controls 5 speed - 4500 [DDP],[DDX]
Figure 4500-910



ITEM	PART NUMBER	QTY	LINE	SERIES	BODY	ENGINE	TRANS	TRIM	DESCRIPTION
------	-------------	-----	------	--------	------	--------	-------	------	-------------

NOTES: Sales Codes
 [DDP] = 5 Speed Manual Transmission
 [DDX] = 5 Speed Heavy Duty Manual Transmission
 [EL0] = All 5.2L 8 Cylinder Gas Engines
 [EM0] = All 5.9L 8 Cylinder Gas Engines
 [ET0] = 5.9L Turbo Diesel Engines
 [EW0] = All 8.0L Gas Engines

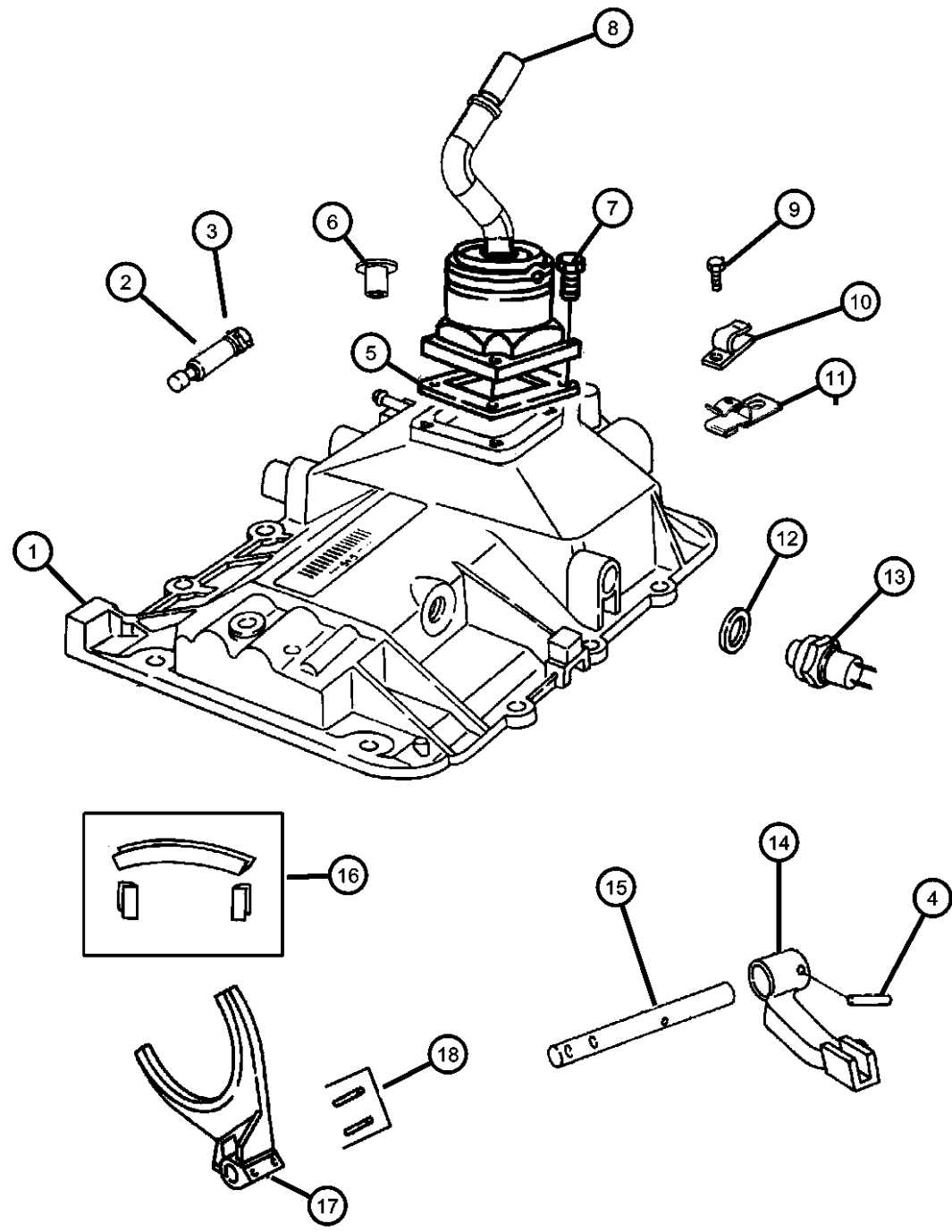
1	05003036AA	1	1, 2, 3			EL0, EM0	DDP		HOUSING, Shift Lever Includes [1,2 & 3,4] Shift Forks
		1	6, 7, 8			EL0, EM0	DDP		Includes [1,2 & 3,4] Shift Forks
		1	1, 2, 3			ET0, EW0	DDX		Includes [1,2 & 3,4] Shift Forks
		1	6, 7, 8			ET0, EW0	DDX		Includes [1,2 & 3,4] Shift Forks
2	04741660	1	1, 2, 3			EL0, EM0	DDP		VENT, Transmission
		1	6, 7, 8			ET0, EW0	DDX		
		1	6, 7, 8			EL0, EM0	DDP		
		1	1, 2, 3			ET0, EW0	DDX		
3	04638633	1	1, 2, 3			EL0, EM0	DDP		CLIP, Vent Tube
		1	6, 7, 8			EL0, EM0	DDP		
		1	1, 2, 3			ET0, EW0	DDX		
		1	6, 7, 8			ET0, EW0	DDX		
4	01664355	1	6, 7, 8			ET0, EW0	DDX		PIN, Shift Fork
		1	6, 7, 8			EL0, EM0	DDP		
		1	1, 2, 3			ET0, EW0	DDX		
		2	1, 2, 3			EL0, EM0	DDP		
5	05003214AA	1	1, 2, 3			EL0, EM0	DDP		SPACER, Shift Tower
		1	6, 7, 8			EL0, EM0	DDP		

RAM PICKUP/CLUB CAB (BE)

SERIES	LINE	BODY	ENGINE	TRANSMISSION
L = RAM 1500, 2500, 3500	1 = Lt. Duty DODGE 2WD	31 = CLUB CAB 2-DR 6.5 FT BOX	ETC = 5.9L Cummins 24V Diesel Engine	DGP = 4-Spd. Automatic 47RE Transmission
	2 = Med. Duty DODGE 2WD	32 = CLUB CAB 2-DR 8FT BOX	EWA = 8.0L V10 MPI Engine	DD0 = ALL 5 SPEED MANUAL TRANSMISSIONS
	3 = HD DODGE 2WD	33 = QUAD CAB 4-DR 6.5 FT BOX	EM0 = ALL 5.9L 8 CYL ENGINES - GAS	DG0 = ALL AUTOMATIC TRANSMISSIONS
	6 = Lt. Duty DODGE 4WD	34 = QUAD CAB 4-DR 8FT BOX	EMM = 5.9L SMPI V8 Engine	DDC = 5-Speed HD Manual Transmission
	7 = Med. Duty DODGE 4WD		EML = 5.9L V8 MPI Engine	DDP = 5-Speed Manual Transmission
	8 = HD DODGE 4WD		ELF = 5.2L V8 MPI Engine	DDX = 5-Speed HD Manual Transmission
				DEE = 6-Speed HD Manual Transmission
				DGT = 4-Spd. Automatic 46RE Transmission

AR = use ase required - = Non illustrated part

Forks and Controls 5 speed - 4500 [DDP],[DDX]
Figure 4500-910



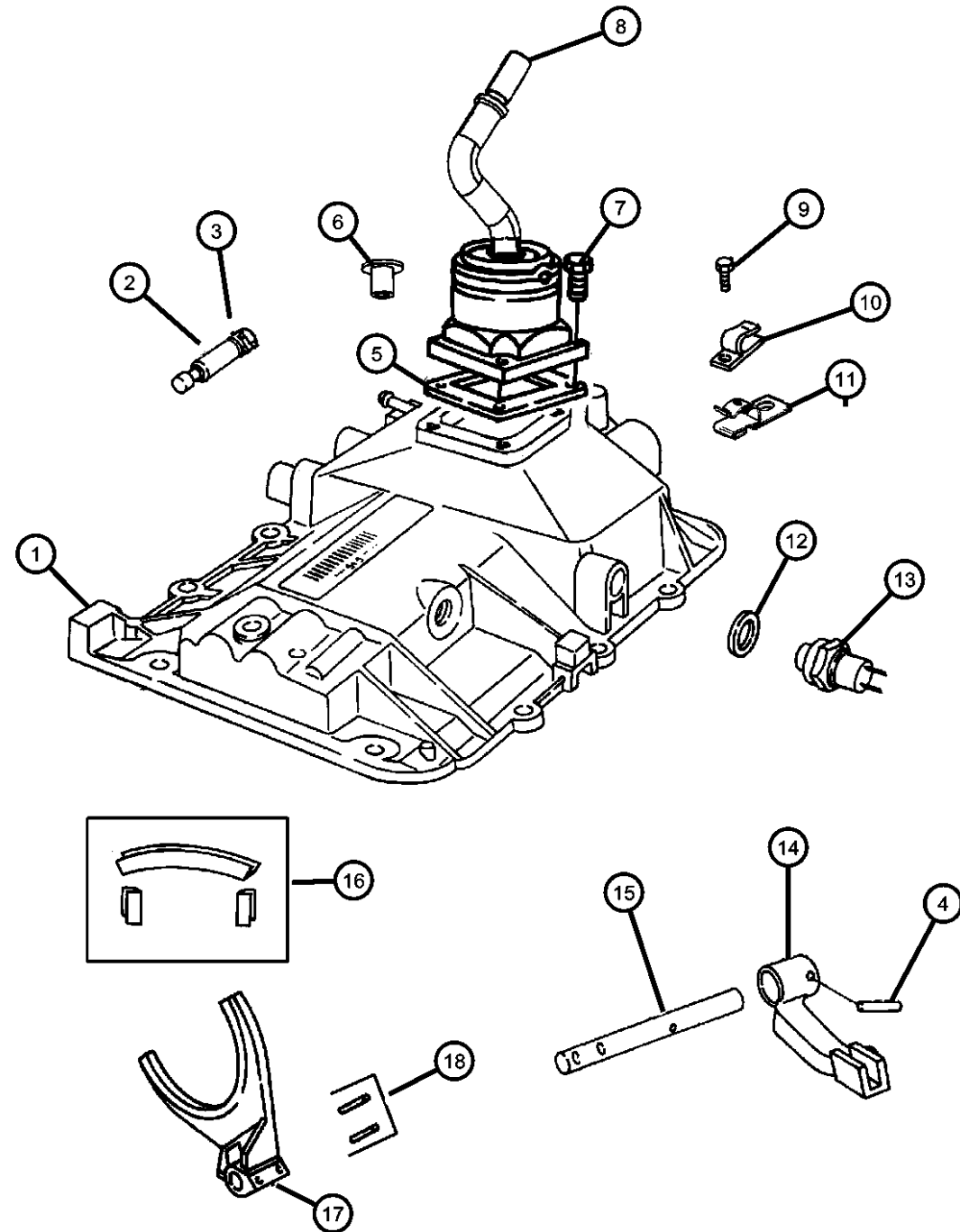
ITEM	PART NUMBER	QTY	LINE	SERIES	BODY	ENGINE	TRANS	TRIM	DESCRIPTION
		1	1, 2, 3			ET0, EW0	DDX		
		1	6, 7, 8			ET0, EW0	DDX		
6	05003212AA	4	1, 2, 3			ELO, EM0	DDP		BUSHING, Gearshift Lever
		4	6, 7, 8			ELO, EM0	DDP		
		4	1, 2, 3			ET0, EW0			
		4	6, 7, 8			ET0, EW0	DDX		
7	05003213AA	4	1, 2, 3			ELO, EM0	DDP		BOLT
		4	6, 7, 8			ELO, EM0	DDP		
		4	1, 2, 3			ET0, EW0			
		4	6, 7, 8			ET0, EW0	DDX		
8	05003211AA	1	1, 2, 3			ELO, EM0	DDP		LEVER, Gearshift
		1	6, 7, 8			ELO, EM0	DDP		
		1	1, 2, 3			ET0, EW0	DDX		
		1	6, 7, 8			ET0, EW0	DDX		
9	00181088	10	1, 2, 3			ELO, EM0	DDP		BOLT, Hex Head, .312-18x1.00
		10	6, 7, 8			ELO, EM0	DDP		
		10	1, 2, 3			ET0, EW0			
		10	6, 7, 8			ET0, EW0	DDX		
10	52118181	5	1, 2, 3			ELO, EM0	DDP		CLIP
		5	6, 7, 8			ET0, EW0	DDX		
		5	6, 7, 8			ELO, EM0	DDP		
		5	1, 2, 3			ET0, EW0			
11									CLIP, Vacuum Harness

RAM PICKUP/CLUB CAB (BE)

SERIES	LINE	BODY	ENGINE	TRANSMISSION
L = RAM 1500, 2500, 3500	1 = Lt. Duty DODGE 2WD 2 = Med. Duty DODGE 2WD 3 = HD DODGE 2WD 6 = Lt. Duty DODGE 4WD 7 = Med. Duty DODGE 4WD 8 = HD DODGE 4WD	31 = CLUB CAB 2-DR 6.5 FT BOX 32 = CLUB CAB 2-DR 8FT BOX 33 = QUAD CAB 4-DR 6.5 FT BOX 34 = QUAD CAB 4-DR 8FT BOX	ETC = 5.9L Cummins 24V Diesel Engine EWA = 8.0L V10 MPI Engine EM0 = ALL 5.9L 8 CYL ENGINES - GAS EMM = 5.9L SMPI V8 Engine EML = 5.9L V8 MPI Engine ELF = 5.2L V8 MPI Engine	DGP = 4-Spd. Automatic 47RE Transmission DD0 = ALL 5 SPEED MANUAL TRANSMISSIONS DG0 = ALL AUTOMATIC TRANSMISSIONS DDC = 5-Speed HD Manual Transmission DDP = 5-Speed Manual Transmission DDX = 5-Speed HD Manual Transmission DEE = 6-Speed HD Manual Transmission DGT = 4-Spd. Automatic 46RE Transmission

AR = use ase required - = Non illustrated part

Forks and Controls 5 speed - 4500 [DDP],[DDX]
Figure 4500-910



ITEM	PART NUMBER	QTY	LINE	SERIES	BODY	ENGINE	TRANS	TRIM	DESCRIPTION
	06016203	1	6, 7, 8			ELO, EM0	DDP		
		1	6, 7, 8			ET0, EW0	DDX		
12	01302807	1	1, 2, 3			ELO, EM0	DDP		GASKET, Back Up Lamp Switch
		1	6, 7, 8			ELO, EM0	DDP		
		1	1, 2, 3			ET0, EW0	DDX		
		1	6, 7, 8			ET0, EW0	DDX		
13	56007270	1	1, 2, 3			ELO, EM0	DDP		SWITCH, Back Up Lamp
		1	6, 7, 8			ET0, EW0	DDX		
		1	6, 7, 8			ELO, EM0	DDP		
		1	1, 2, 3			ET0, EW0	DDX		
14	04637692	1	1, 2, 3			ELO, EM0	DDP		LUG, Overdrive
		1	6, 7, 8			ELO, EM0	DDP		
		1	1, 2, 3			ET0, EW0	DDX		
		1	6, 7, 8			ET0, EW0	DDX		
15	04778216	1	1, 2, 3			ELO, EM0	DDP		RAIL, Over Drive Lug
		1	6, 7, 8			ET0, EW0	DDX		
		1	6, 7, 8			ELO, EM0	DDP		
		1	1, 2, 3			ET0, EW0	DDX		
16	05012019AA	1	1, 2, 3			ELO, EM0	DDP		PAD PACKAGE, Shift Fork
		1	6, 7, 8			ELO, EM0	DDP		
		1	1, 2, 3			ET0, EW0	DDX		
		1	6, 7, 8			ET0, EW0	DDX		
17									FORK, Transmission

RAM PICKUP/CLUB CAB (BE)

SERIES	LINE
L = RAM 1500, 2500, 3500	1 = Lt. Duty DODGE 2WD
	2 = Med. Duty DODGE 2WD
	3 = HD DODGE 2WD
	6 = Lt. Duty DODGE 4WD
	7 = Med. Duty DODGE 4WD
	8 = HD DODGE 4WD

BODY	ENGINE
31 = CLUB CAB 2-DR 6.5 FT BOX	ETC = 5.9L Cummins 24V Diesel Engine
32 = CLUB CAB 2-DR 8FT BOX	EWA = 8.0L V10 MPI Engine
33 = QUAD CAB 4-DR 6.5 FT BOX	EM0 = ALL 5.9L 8 CYL ENGINES - GAS
34 = QUAD CAB 4-DR 8FT BOX	EMM = 5.9L SMPI V8 Engine
	EML = 5.9L V8 MPI Engine
	ELF = 5.2L V8 MPI Engine

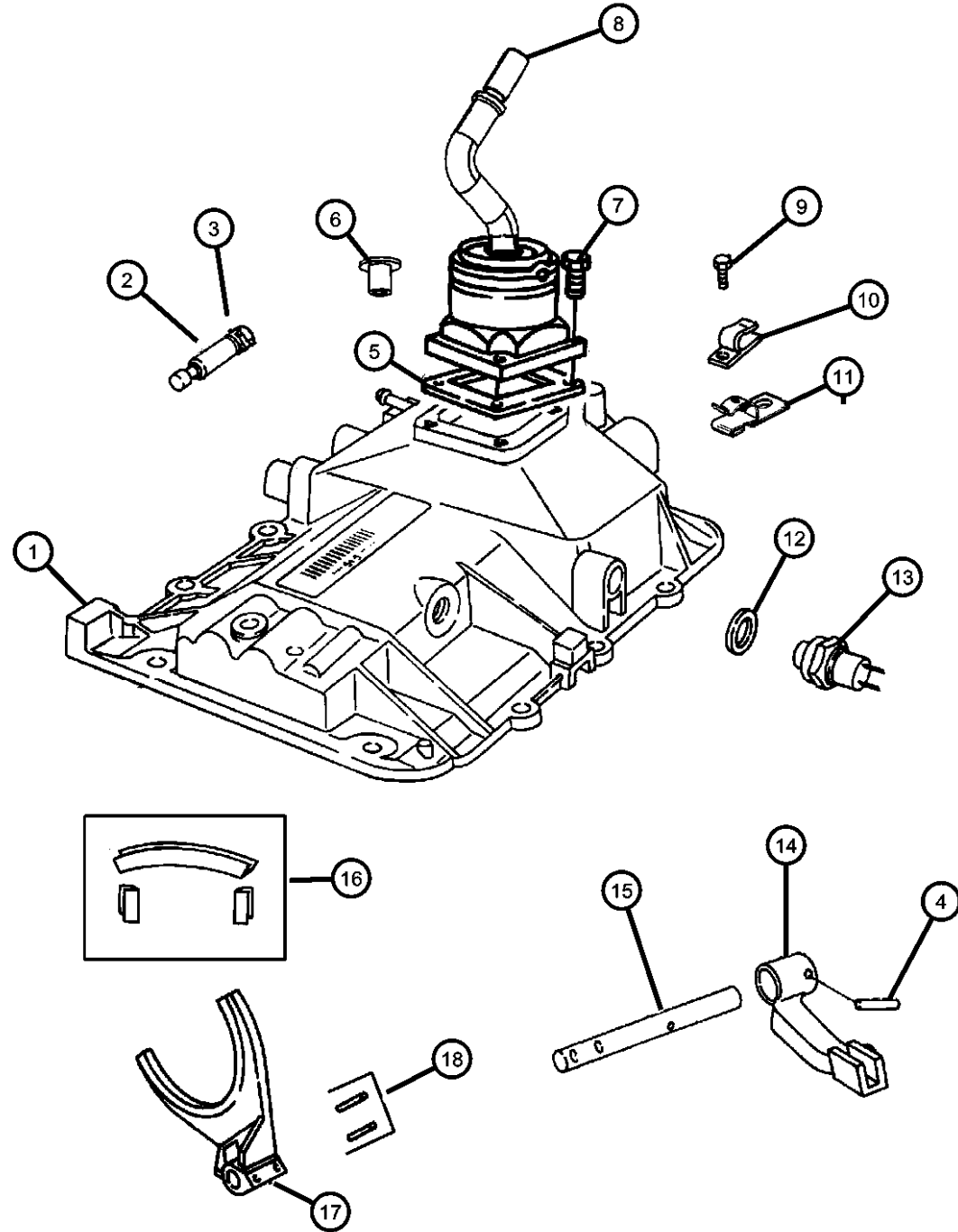
TRANSMISSION
DGP = 4-Spd. Automatic 47RE Transmission
DD0 = ALL 5 SPEED MANUAL TRANSMISSIONS
DG0 = ALL AUTOMATIC TRANSMISSIONS
DDC = 5-Speed HD Manual Transmission
DDP = 5-Speed Manual Transmission
DDX = 5-Speed HD Manual Transmission
DEE = 6-Speed HD Manual Transmission
DGT = 4-Spd. Automatic 46RE Transmission

AR = use ase required - = Non illustrated part

1999 BE

Forks and Controls 5 speed - 4500 [DDP],[DDX]
Figure 4500-910

ITEM	PART NUMBER	QTY	LINE	SERIES	BODY	ENGINE	TRANS	TRIM	DESCRIPTION
	04773178	1	1, 2, 3			ELO, EM0	DDP		
		1	6, 7, 8			ET0, EW0	DDX		
		1	6, 7, 8			ELO, EM0	DDP		
		1	1, 2, 3			ET0, EW0	DDX		
18	01664355	2	1, 2, 3			ELO, EM0	DDP		PIN, Shift Fork
		2	6, 7, 8			ELO, EM0	DDP		
		2	1, 2, 3			ET0, EW0			
		2	6, 7, 8			ET0, EW0	DDX		



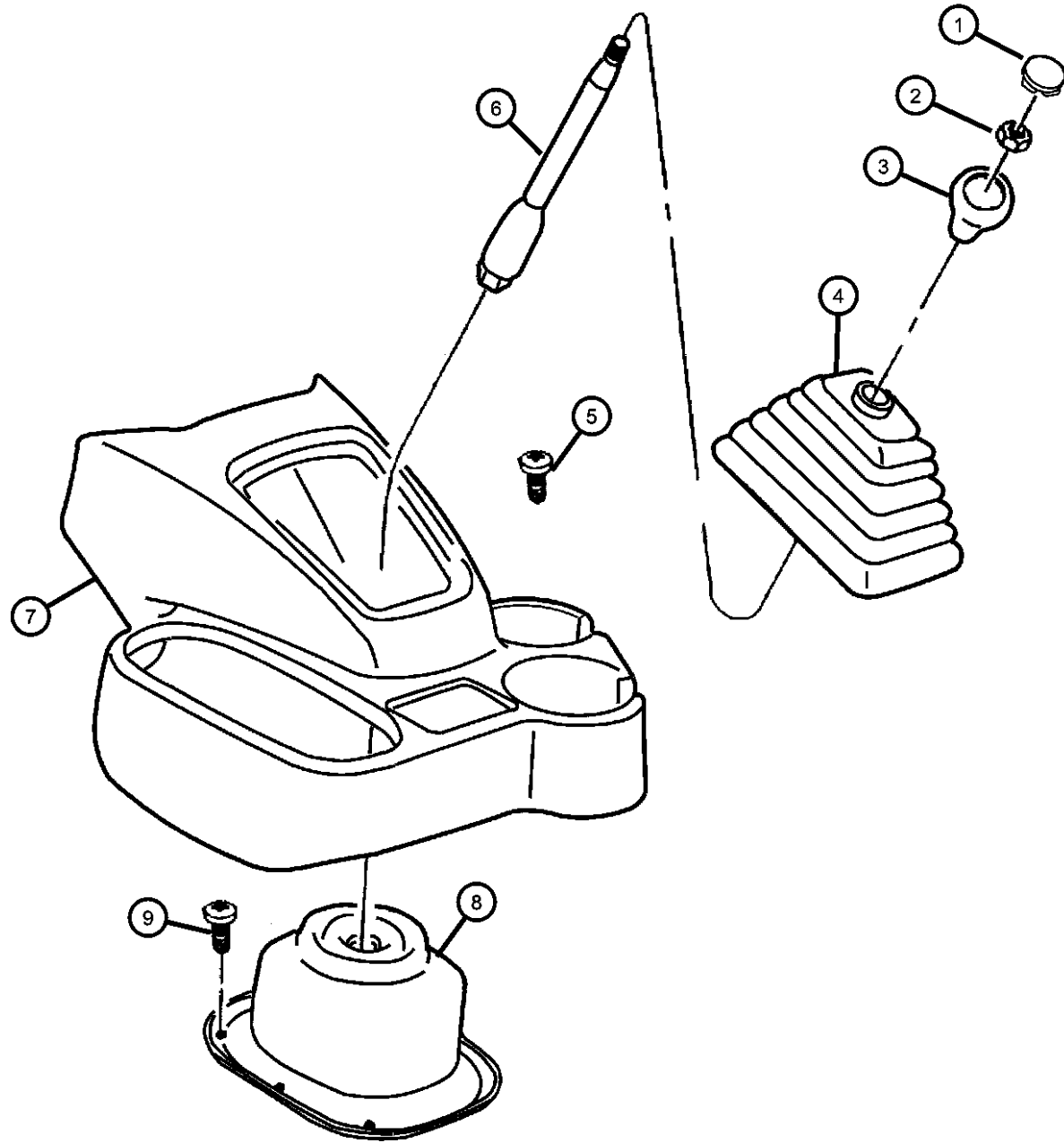
RAM PICKUP/CLUB CAB (BE)

SERIES	LINE	BODY	ENGINE	TRANSMISSION
L = RAM 1500, 2500, 3500	1 = Lt. Duty DODGE 2WD 2 = Med. Duty DODGE 2WD 3 = HD DODGE 2WD 6 = Lt. Duty DODGE 4WD 7 = Med. Duty DODGE 4WD 8 = HD DODGE 4WD	31 = CLUB CAB 2-DR 6.5 FT BOX 32 = CLUB CAB 2-DR 8FT BOX 33 = QUAD CAB 4-DR 6.5 FT BOX 34 = QUAD CAB 4-DR 8FT BOX	ETC = 5.9L Cummins 24V Diesel Engine EWA = 8.0L V10 MPI Engine EM0 = ALL 5.9L 8 CYL ENGINES - GAS EMM = 5.9L SMPI V8 Engine EML = 5.9L V8 MPI Engine ELF = 5.2L V8 MPI Engine	DGP = 4-Spd. Automatic 47RE Transmission DD0 = ALL 5 SPEED MANUAL TRANSMISSIONS DG0 = ALL AUTOMATIC TRANSMISSIONS DDC = 5-Speed HD Manual Transmission DDP = 5-Speed Manual Transmission DDX = 5-Speed HD Manual Transmission DEE = 6-Speed HD Manual Transmission DGT = 4-Spd. Automatic 46RE Transmission

AR = use ase required - = Non illustrated part

1999 BE

**Gear Shift Controls 5 Speed - 4500 [DDP],[DDX]
Figure 4500-1210**



ITEM	PART NUMBER	QTY	LINE	SERIES	BODY	ENGINE	TRANS	TRIM	DESCRIPTION
------	-------------	-----	------	--------	------	--------	-------	------	-------------

NOTES: Sales Codes
 [DDP] = 5 Speed Manual Transmission
 [DDX] = 5 Speed Heavy Duty Manual Transmission
 [EL0] = All 5.2L 8 Cylinder Gas Engines
 [EM0] = All 5.9L 8 Cylinder Gas Engines
 [ET0] = 5.9L Turbo Diesel Engines
 [EW0] = All 8.0L Gas Engines

1	04446921	1					DD0		INSERT, Transmission Shift Knob, Shift Pattern
2	06502556	1					DBB		NUT, Hex, M10-1.5, Gear Shift Control Selector Lever
3	52104174	1					DBB		KNOB, Gearshift, Gear Shift Lever ***
4	52107614AB	1					DBB		BOOT, Gear Shift Lever
5	06101946	6	1, 2, 3				DBB		SCREW, Tapping
6	52107612	1					DBB		LEVER, Gearshift
7									CONSOLE, Floor
	5EZ54LAZ	1					DBB		AGATE
	5EZ54RC8	1					DBB		Dark Cirrus
	5EZ54VK9	1					DBB		Dark Suede
8	52107613AB	1					DBB		BOOT, Gear Shift Lever
9	06101946	6	1, 2, 3				DBB		SCREW, Tapping

RAM PICKUP/CLUB CAB (BE)

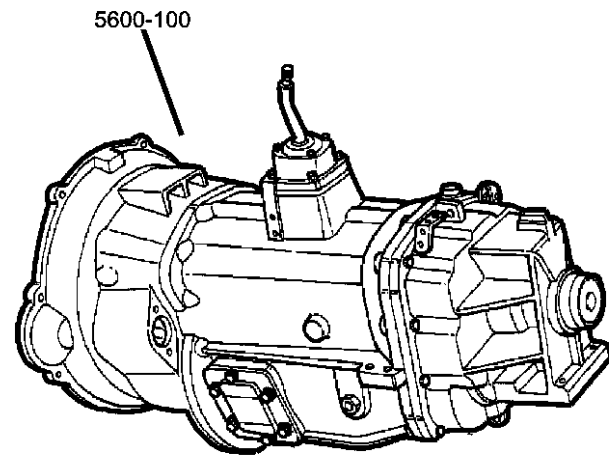
SERIES	LINE	BODY	ENGINE	TRANSMISSION
L = RAM 1500, 2500, 3500	1 = Lt. Duty DODGE 2WD 2 = Med. Duty DODGE 2WD 3 = HD DODGE 2WD 6 = Lt. Duty DODGE 4WD 7 = Med. Duty DODGE 4WD 8 = HD DODGE 4WD	31 = CLUB CAB 2-DR 6.5 FT BOX 32 = CLUB CAB 2-DR 8FT BOX 33 = QUAD CAB 4-DR 6.5 FT BOX 34 = QUAD CAB 4-DR 8FT BOX	ETC = 5.9L Cummins 24V Diesel Engine EWA = 8.0L V10 MPI Engine EM0 = ALL 5.9L 8 CYL ENGINES - GAS EMM = 5.9L SMPI V8 Engine EML = 5.9L V8 MPI Engine ELF = 5.2L V8 MPI Engine	DGP = 4-Spd. Automatic 47RE Transmission DD0 = ALL 5 SPEED MANUAL TRANSMISSIONS DG0 = ALL AUTOMATIC TRANSMISSIONS DDC = 5-Speed HD Manual Transmission DDP = 5-Speed Manual Transmission DDX = 5-Speed HD Manual Transmission DEE = 6-Speed HD Manual Transmission DGT = 4-Spd. Automatic 46RE Transmission

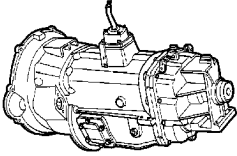

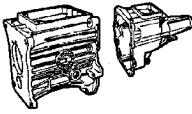
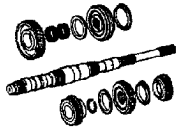
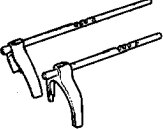
AR = use ase required - = Non illustrated part

1999 BE

Group - 5600

Manual Transmission 6 Speed



<p>5600-100 Transmission Assembly</p> 	<p>5600-1200 Gear Shift Controls</p> 	<p>5600-200 Case and Extension</p> 	<p>5600-400 Gear Train</p> 
<p>5600-900 Fork and Rails</p> 			

Group - 5600 Manual Transmission 6 Speed

Illustration Title

Group-Fig. No.

Transmission Assembly

Transmission - 5600 6 Speed [DEE] Fig. 5600 - 110

Case and Extension

Case and Related Parts - 5600 6 Speed [DEE] Fig. 5600 - 210

Gear Train

Gear Train - 5600 6 Speed [DEE] Fig. 5600 - 410

Gear Train - 5600 6 Speed [DEE] Fig. 5600 - 420

Fork and Rails

Fork and Rails - 5600 6 Speed [DEE] Fig. 5600 - 910

Gear Shift Controls

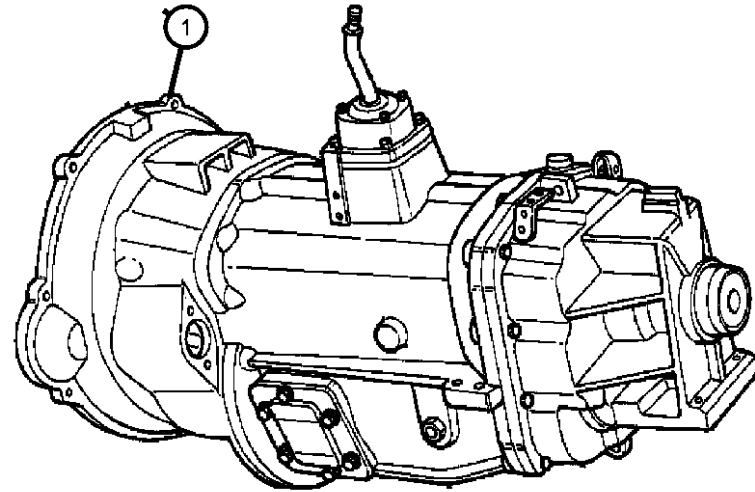
Controls, Gearshift - 5600 6 Speed [DEE] Fig. 5600 - 1210

**Transmission - 5600 6 Speed [DEE]
Figure 5600-110**

ITEM	PART NUMBER	QTY	LINE	SERIES	BODY	ENGINE	TRANS	TRIM	DESCRIPTION
------	-------------	-----	------	--------	------	--------	-------	------	-------------

NOTES: Sales Codes
[DEE] = 6 Speed Heavy Duty Manual Transmission
[ET0] = 5.9L Cummins Turbo Diesel

1									TRANSMISSION, 6 speed
	52108401	1	1, 2, 3			ET0	DEE		
	52108402	1	6, 7, 8			ET0	DEE		



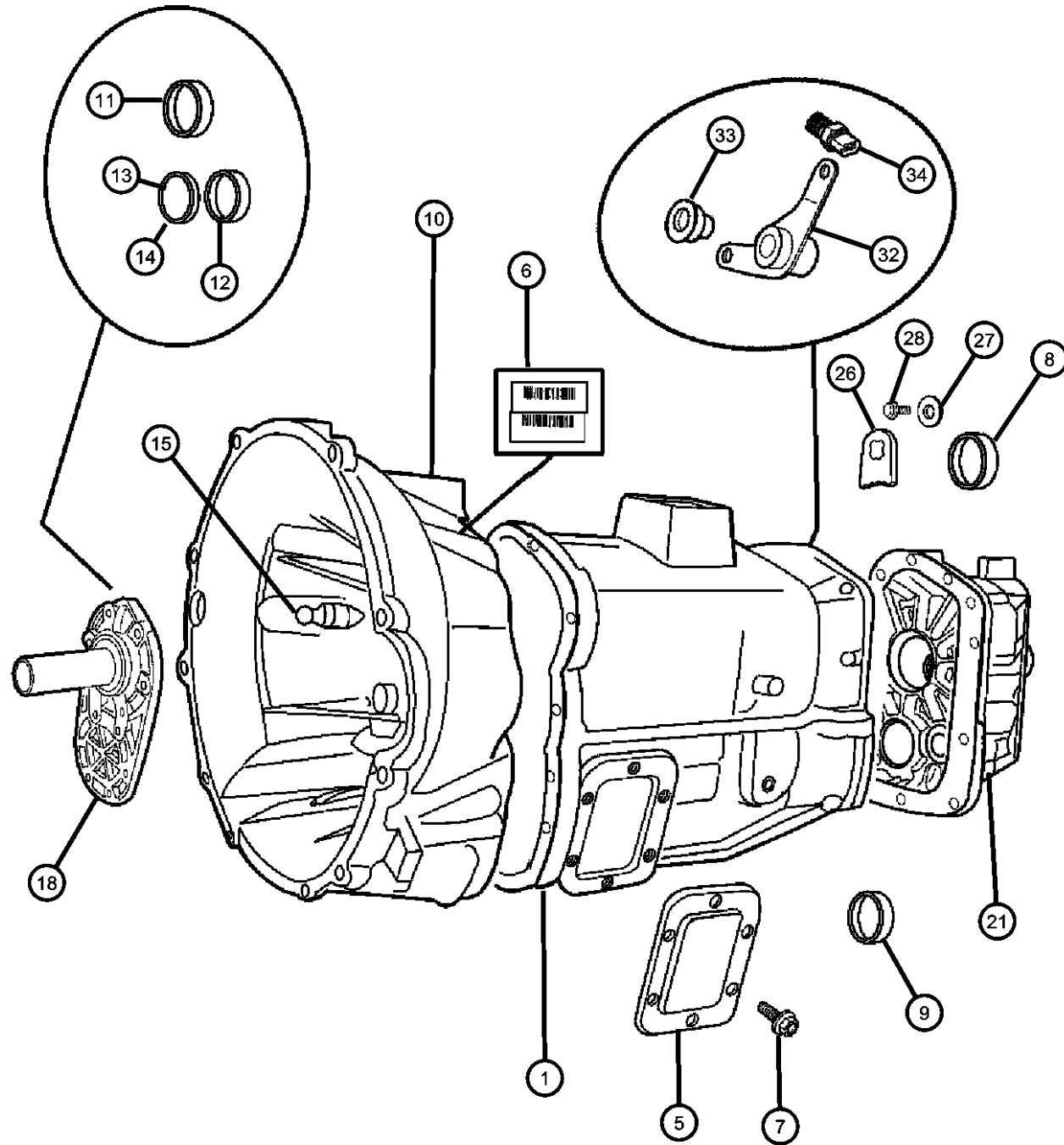
RAM PICKUP/CLUB CAB (BE)

SERIES	LINE	BODY	ENGINE	TRANSMISSION
L = RAM 1500, 2500, 3500	1 = Lt. Duty DODGE 2WD 2 = Med. Duty DODGE 2WD 3 = HD DODGE 2WD 6 = Lt. Duty DODGE 4WD 7 = Med. Duty DODGE 4WD 8 = HD DODGE 4WD	31 = CLUB CAB 2-DR 6.5 FT BOX 32 = CLUB CAB 2-DR 8FT BOX 33 = QUAD CAB 4-DR 6.5 FT BOX 34 = QUAD CAB 4-DR 8FT BOX	ETC = 5.9L Cummins 24V Diesel Engine EWA = 8.0L V10 MPI Engine EM0 = ALL 5.9L 8 CYL ENGINES - GAS EMM = 5.9L SMPI V8 Engine EML = 5.9L V8 MPI Engine ELF = 5.2L V8 MPI Engine	DGP = 4-Spd. Automatic 47RE Transmission DD0 = ALL 5 SPEED MANUAL TRANSMISSIONS DG0 = ALL AUTOMATIC TRANSMISSIONS DDC = 5-Speed HD Manual Transmission DDP = 5-Speed Manual Transmission DDX = 5-Speed HD Manual Transmission DEE = 6-Speed HD Manual Transmission DGT = 4-Spd. Automatic 46RE Transmission

AR = use ase required - = Non illustrated part

1999 BE

**Case and Related Parts - 5600 6 Speed [DEE]
Figure 5600-210**



ITEM	PART NUMBER	QTY	LINE	SERIES	BODY	ENGINE	TRANS	TRIM	DESCRIPTION
1	05003578AA	1	1, 2, 3			ET0	DEE		CASE, Transmission
		1	6, 7, 8			ET0	DEE		
-2	04882280	1	1, 2, 3			ET0	DEE		PLUG, Oil Fill
		1	6, 7, 8			ET0	DEE		
-3	05003579AA	6	1, 2, 3			ET0	DEE		BUSHING, Shift Rail
		6	6, 7, 8			ET0	DEE		
-4	04761099	2	1, 2, 3			ET0	DEE		PIN, Locating
5	00556875	2	1, 2, 3			ET0	DEE		COVER, Power Take Off
		2	6, 7, 8			ET0	DEE		
6	05016174AA	1	1, 2, 3			ET0	DEE		LABEL, Equipment Identification
		1	6, 7, 8			ET0	DEE		
7	05015221AA	12	1, 2, 3			ET0	DEE		SCREW
		12	6, 7, 8			ET0	DEE		
8	05003580AA	1	1, 2, 3			ET0	DEE		BEARING CUP, Output Shaft
		1	6, 7, 8			ET0	DEE		
9	05012134AA	1	1, 2, 3			ET0	DEE		CUP, Bearing Inner [Timken# 554241]
		1	6, 7, 8			ET0	DEE		[Timken# 554241]
10									HOUSING, Clutch

RAM PICKUP/CLUB CAB (BE)

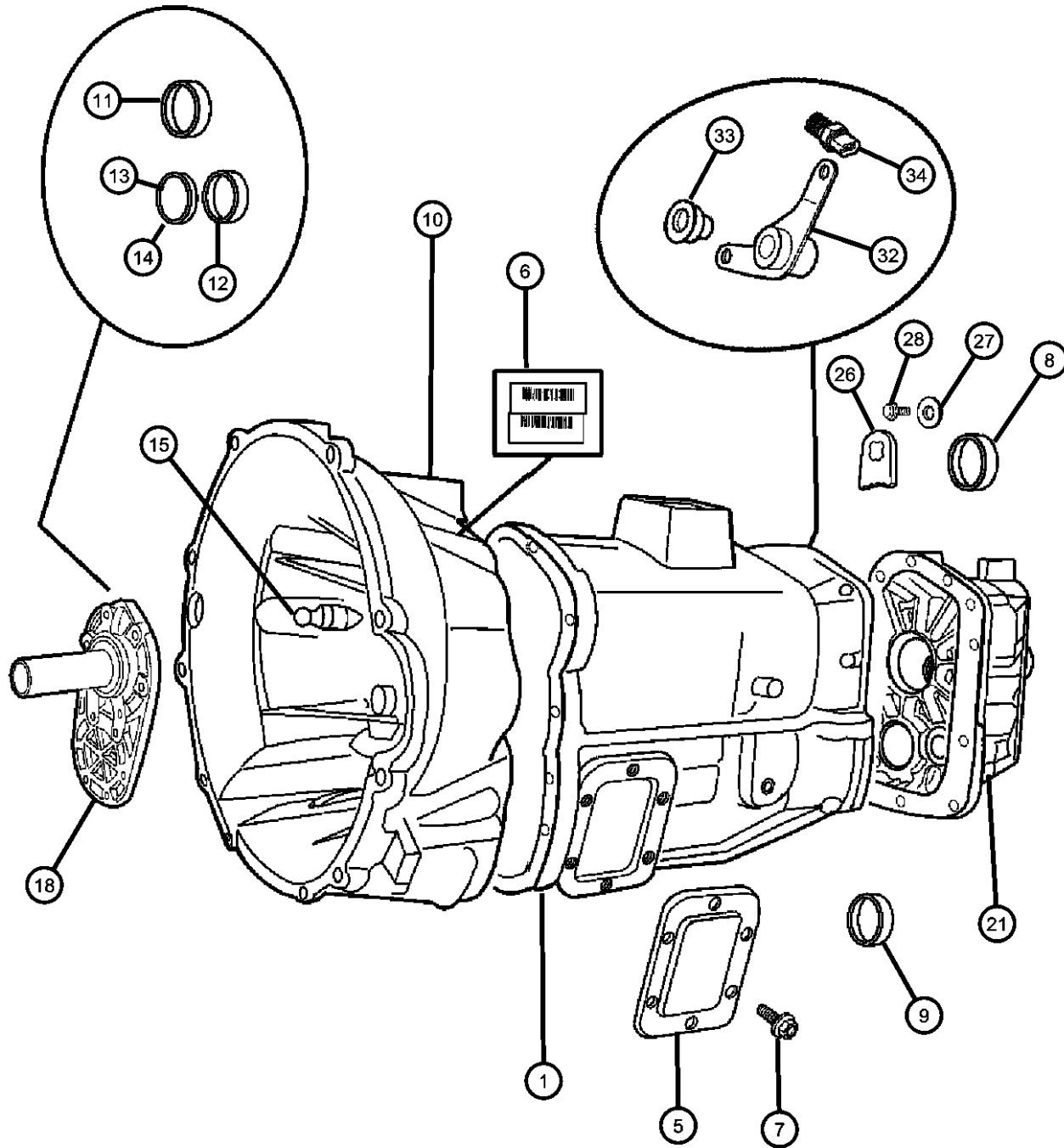
SERIES	LINE
L = RAM 1500, 2500, 3500	1 = Lt. Duty DODGE 2WD 2 = Med. Duty DODGE 2WD 3 = HD DODGE 2WD 6 = Lt. Duty DODGE 4WD 7 = Med. Duty DODGE 4WD 8 = HD DODGE 4WD

BODY	ENGINE	TRANSMISSION
31 = CLUB CAB 2-DR 6.5 FT BOX 32 = CLUB CAB 2-DR 8FT BOX 33 = QUAD CAB 4-DR 6.5 FT BOX 34 = QUAD CAB 4-DR 8FT BOX	ETC = 5.9L Cummins 24V Diesel Engine EWA = 8.0L V10 MPI Engine EM0 = ALL 5.9L 8 CYL ENGINES - GAS EMM = 5.9L SMPI V8 Engine EML = 5.9L V8 MPI Engine ELF = 5.2L V8 MPI Engine	DGP = 4-Spd. Automatic 47RE Transmission DD0 = ALL 5 SPEED MANUAL TRANSMISSIONS DG0 = ALL AUTOMATIC TRANSMISSIONS DDC = 5-Speed HD Manual Transmission DDP = 5-Speed Manual Transmission DDX = 5-Speed HD Manual Transmission DEE = 6-Speed HD Manual Transmission DGT = 4-Spd. Automatic 46RE Transmission

AR = use ase required - = Non illustrated part

1999 BE

Case and Related Parts - 5600 6 Speed [DEE]
Figure 5600-210



ITEM	PART NUMBER	QTY	LINE	SERIES	BODY	ENGINE	TRANS	TRIM	DESCRIPTION
	05003582AA	1	1, 2, 3			ET0	DEE		
		1	6, 7, 8			ET0	DEE		
11	05003583AA	1	1, 2, 3			ET0	DEE		BEARING CUP, Input Shaft
		1	6, 7, 8			ET0	DEE		
12	05003584AA	1	1, 2, 3			ET0	DEE		BEARING CUP, Output Shaft
		1	6, 7, 8			ET0	DEE		
13	05012112AA	1	1, 2, 3			ET0	DEE		GUIDE, Oil
		1	6, 7, 8			ET0	DEE		
14	05012112AA	1	1, 2, 3			ET0	DEE		GUIDE, Oil
		1	6, 7, 8			ET0	DEE		
15	52087542	1	1, 2, 3			ET0	DEE		PIVOT, Clutch Release
		1	6, 7, 8			ET0	DEE		
-16	06022190	1	1, 2, 3			ET0	DEE		WASHER, Clutch Pivot
		1	6, 7, 8			ET0	DEE		
-17	05222757	2	1, 2, 3			ET0	DEE		DOWEL
		2	6, 7, 8			ET0	DEE		
18	05012114AA	1	1, 2, 3			ET0	DEE		RETAINER, Transmission Input Shaft
		1	6, 7, 8			ET0	DEE		
-19									GUIDE, Oil

RAM PICKUP/CLUB CAB (BE)

SERIES LINE
L = RAM 1500, 2500, 3500
1 = Lt. Duty DODGE 2WD
2 = Med. Duty DODGE 2WD
3 = HD DODGE 2WD
6 = Lt. Duty DODGE 4WD
7 = Med. Duty DODGE 4WD
8 = HD DODGE 4WD

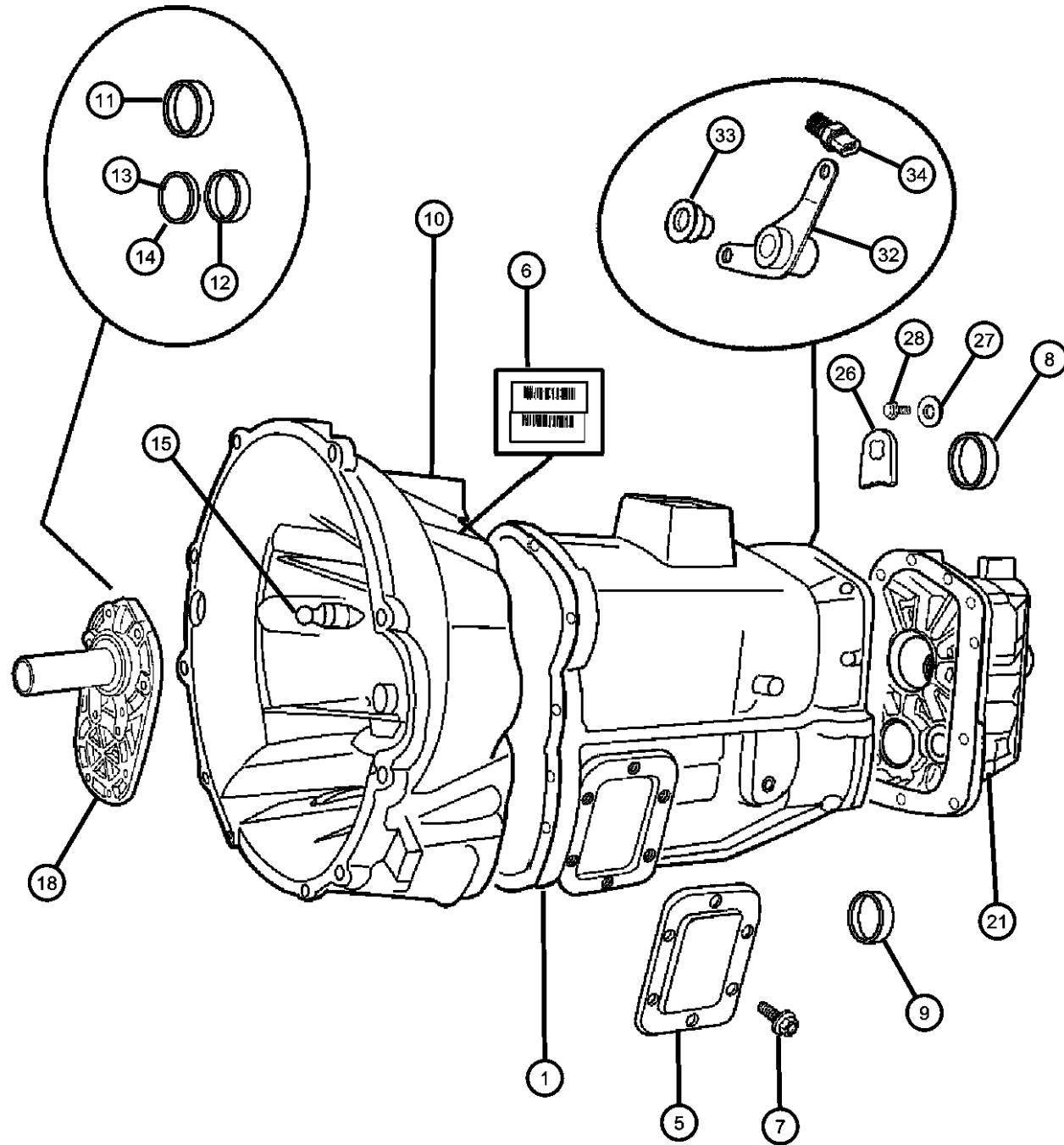
BODY
31 = CLUB CAB 2-DR 6.5 FT BOX
32 = CLUB CAB 2-DR 8FT BOX
33 = QUAD CAB 4-DR 6.5 FT BOX
34 = QUAD CAB 4-DR 8FT BOX
ENGINE
ETC = 5.9L Cummins 24V Diesel Engine
EWA = 8.0L V10 MPI Engine
EM0 = ALL 5.9L 8 CYL ENGINES - GAS
EMM = 5.9L SMPI V8 Engine
EML = 5.9L V8 MPI Engine
ELF = 5.2L V8 MPI Engine

TRANSMISSION
DGP = 4-Spd. Automatic 47RE Transmission
DD0 = ALL 5 SPEED MANUAL TRANSMISSIONS
DG0 = ALL AUTOMATIC TRANSMISSIONS
DDC = 5-Speed HD Manual Transmission
DDP = 5-Speed Manual Transmission
DDX = 5-Speed HD Manual Transmission
DEE = 6-Speed HD Manual Transmission
DGT = 4-Spd. Automatic 46RE Transmission

AR = use ase required - = Non illustrated part

1999 BE

**Case and Related Parts - 5600 6 Speed [DEE]
Figure 5600-210**



ITEM	PART NUMBER	QTY	LINE	SERIES	BODY	ENGINE	TRANS	TRIM	DESCRIPTION
	05012113AA	1	1, 2, 3			ET0	DEE		
		1	6, 7, 8			ET0	DEE		
-20	05012115AA	1	1, 2, 3			ET0	DEE		SEAL, Input
		1	6, 7, 8			ET0	DEE		
21	05003585AA	1	1, 2, 3			ET0	DEE		HOUSING, Transmission Rear Extension
	05003586AA	1	6, 7, 8			ET0	DEE		
-22	04740901	1	1, 2, 3			ET0	DEE		VENT, Transmission
		1	6, 7, 8			ET0	DEE		
-23	05003587AA	1	1, 2, 3			ET0	DEE		BUSHING, Crossover Shaft
		1	6, 7, 8			ET0	DEE		
-24	04269956	1	6, 7, 8			ET0	DEE		SEAL, Adapter
	04741920	1	1, 2, 3			ET0	DEE		
-25	05003210AA	1	1, 2, 3			ET0	DEE		BUSHING, Extension Housing CAM, Alignment
26	05011966AA	1	1, 2, 3			ET0	DEE		
		1	6, 7, 8			ET0	DEE		
27	06100880	1	1, 2, 3			ET0	DEE		WASHER
		1	6, 7, 8			ET0	DEE		
28	06501474	1	1, 2, 3			ET0	DEE		BOLT, Hex Head, M8x1.25x16
		1	6, 7, 8			ET0	DEE		

RAM PICKUP/CLUB CAB (BE)

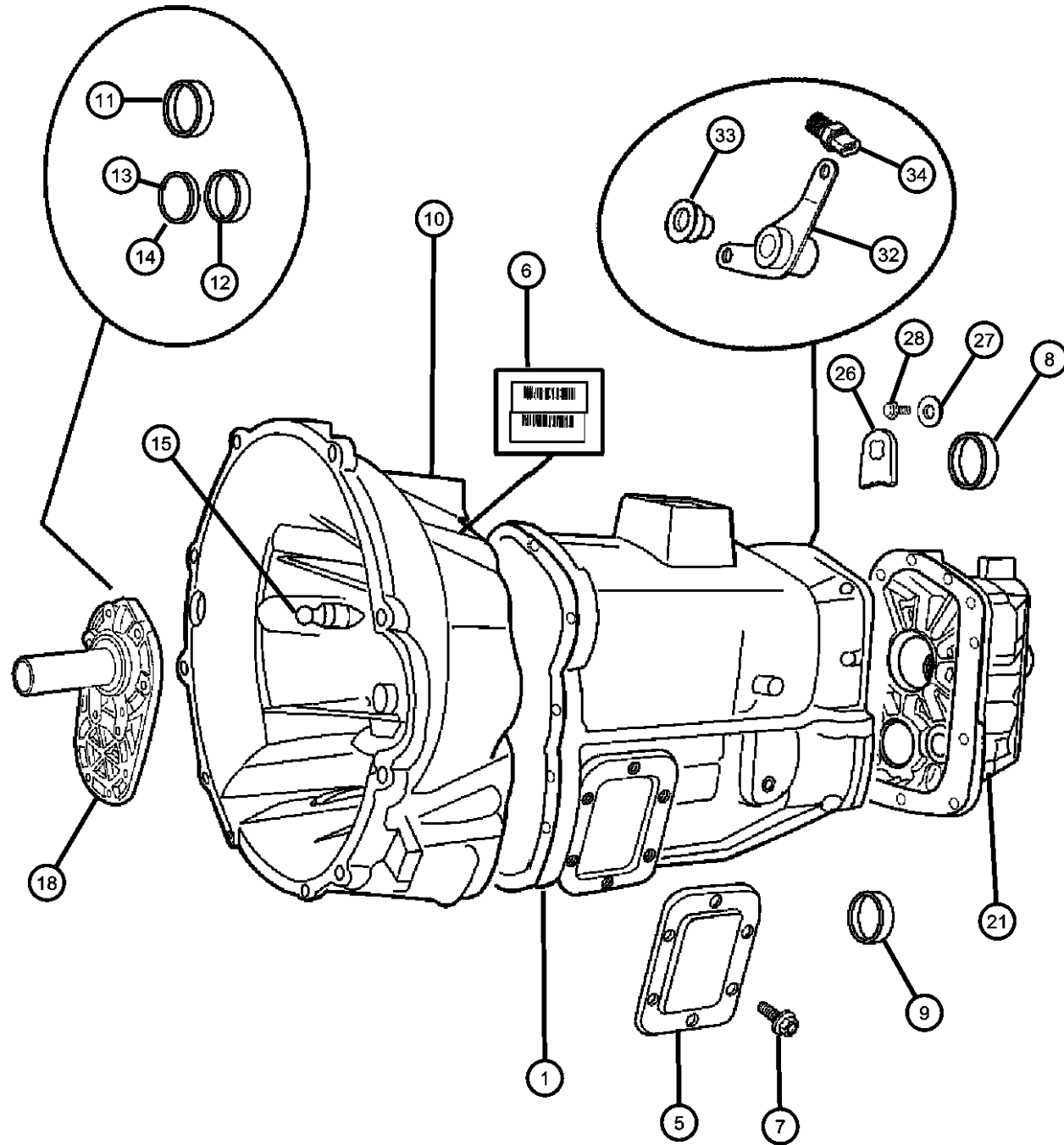
SERIES	LINE
L = RAM 1500, 2500, 3500	1 = Lt. Duty DODGE 2WD 2 = Med. Duty DODGE 2WD 3 = HD DODGE 2WD 6 = Lt. Duty DODGE 4WD 7 = Med. Duty DODGE 4WD 8 = HD DODGE 4WD

BODY	ENGINE
31 = CLUB CAB 2-DR 6.5 FT BOX 32 = CLUB CAB 2-DR 8FT BOX 33 = QUAD CAB 4-DR 6.5 FT BOX 34 = QUAD CAB 4-DR 8FT BOX	ETC = 5.9L Cummins 24V Diesel Engine EWA = 8.0L V10 MPI Engine EM0 = ALL 5.9L 8 CYL ENGINES - GAS EMM = 5.9L SMPI V8 Engine EML = 5.9L V8 MPI Engine ELF = 5.2L V8 MPI Engine

TRANSMISSION
DGP = 4-Spd. Automatic 47RE Transmission DD0 = ALL 5 SPEED MANUAL TRANSMISSIONS DG0 = ALL AUTOMATIC TRANSMISSIONS DDC = 5-Speed HD Manual Transmission DDP = 5-Speed Manual Transmission DDX = 5-Speed HD Manual Transmission DEE = 6-Speed HD Manual Transmission DGT = 4-Spd. Automatic 46RE Transmission

AR = use ase required - = Non illustrated part

Case and Related Parts - 5600 6 Speed [DEE]
Figure 5600-210



ITEM	PART NUMBER	QTY	LINE	SERIES	BODY	ENGINE	TRANS	TRIM	DESCRIPTION
-29	05003589AA	1	1, 2, 3			ET0	DEE		PLUNGER
		1	6, 7, 8			ET0	DEE		
-30	05011967AB	1	1, 2, 3			ET0	DEE		SPRING, Crossover Lever
		1	6, 7, 8			ET0	DEE		
-31	04210616	1	1, 2, 3			ET0	DEE		PLUG, Oil Fill, Plug w/Washer Detent
		1	6, 7, 8			ET0	DEE		
32	52103101	1	1, 2, 3			ET0	DEE		BRACKET, Exhaust Pipe to T/Case
		1	6, 7, 8			ET0	DEE		
33	52085085	1	6, 7, 8			ET0	DEE		BUSHING, Exhaust Hanger
		1	1, 2, 3			ET0	DEE		
34	56007270	1	1, 2, 3			ET0	DEE		SWITCH, Back Up Lamp
		1	6, 7, 8			ET0	DEE		
-35	05012138AA	1	1, 2, 3			ET0	DEE		GASKET, Back Up Lamp Switch
		1	6, 7, 8			ET0	DEE		
-36	53008550	2	1, 2, 3			ET0	DEE		CLIP
		2	6, 7, 8			ET0	DEE		
-37	05012136AA	AR	1, 2, 3			ET0	DEE		CLIP, Wiring
		AR	6, 7, 8			ET0	DEE		

RAM PICKUP/CLUB CAB (BE)

SERIES	LINE
L = RAM 1500, 2500, 3500	1 = Lt. Duty DODGE 2WD
	2 = Med. Duty DODGE 2WD
	3 = HD DODGE 2WD
	6 = Lt. Duty DODGE 4WD
	7 = Med. Duty DODGE 4WD
	8 = HD DODGE 4WD

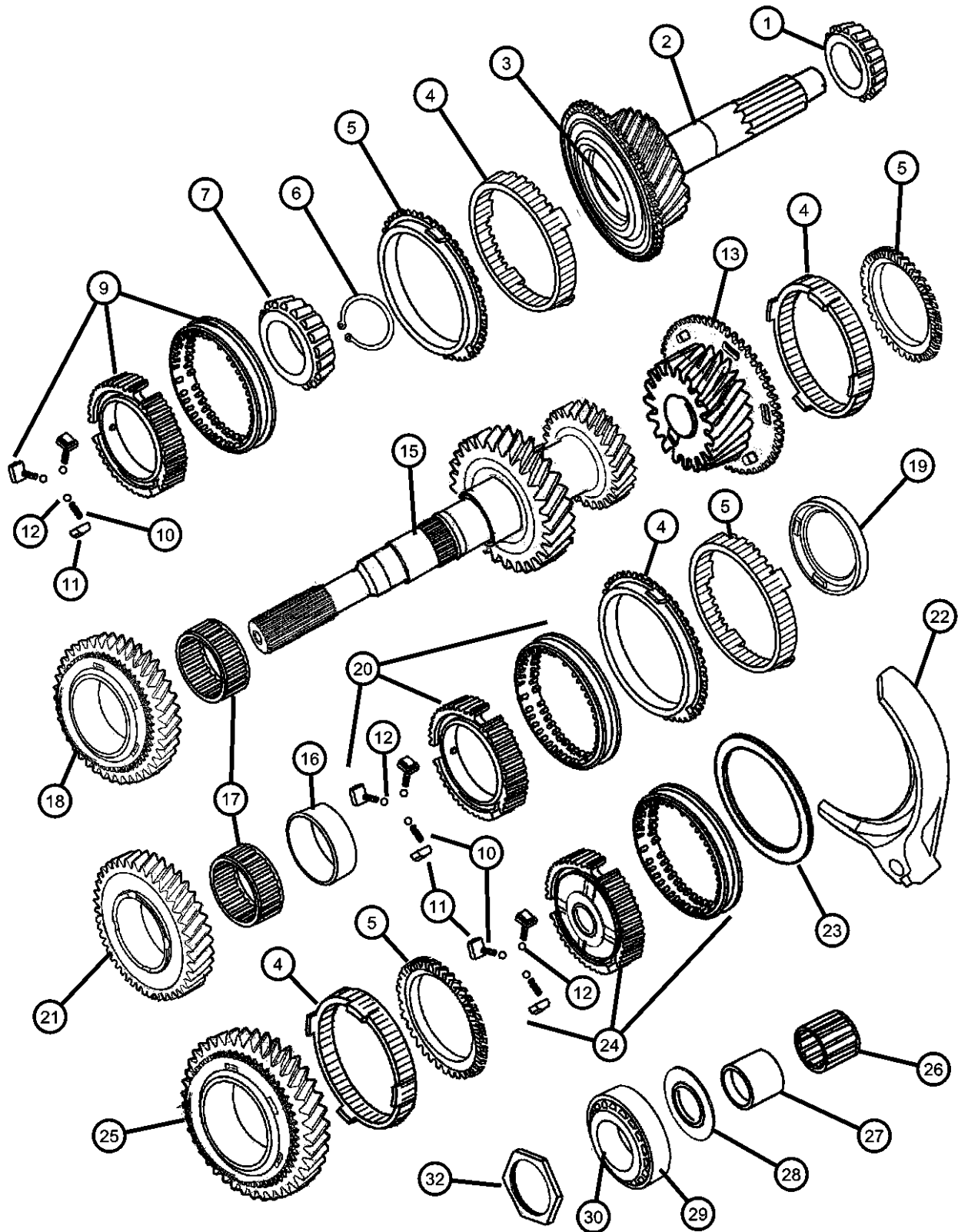
BODY	ENGINE
31 = CLUB CAB 2-DR 6.5 FT BOX	ETC = 5.9L Cummins 24V Diesel Engine
32 = CLUB CAB 2-DR 8FT BOX	EWA = 8.0L V10 MPI Engine
33 = QUAD CAB 4-DR 6.5 FT BOX	EM0 = ALL 5.9L 8 CYL ENGINES - GAS
34 = QUAD CAB 4-DR 8FT BOX	EMM = 5.9L SMPI V8 Engine
	EML = 5.9L V8 MPI Engine
	ELF = 5.2L V8 MPI Engine

TRANSMISSION
DGP = 4-Spd. Automatic 47RE Transmission
DD0 = ALL 5 SPEED MANUAL TRANSMISSIONS
DG0 = ALL AUTOMATIC TRANSMISSIONS
DDC = 5-Speed HD Manual Transmission
DDP = 5-Speed Manual Transmission
DDX = 5-Speed HD Manual Transmission
DEE = 6-Speed HD Manual Transmission
DGT = 4-Spd. Automatic 46RE Transmission

AR = use ase required - = Non illustrated part

1999 BE

**Gear Train - 5600 6 Speed [DEE]
Figure 5600-410**



ITEM	PART NUMBER	QTY	LINE	SERIES	BODY	ENGINE	TRANS	TRIM	DESCRIPTION
1	05010047AA	1	1, 2, 3			ET0	DEE		BEARING CONE, Input Shaft
		1	6, 7, 8			ET0	DEE		
2	05010045AA	1	1, 2, 3			ET0	DEE		SHAFT, Input
		1	6, 7, 8			ET0	DEE		
3	05010046AA	1	1, 2, 3			ET0	DEE		BEARING CUP, Input Shaft
		1	6, 7, 8			ET0	DEE		
4	05010053AA	AR	1, 2, 3			ET0	DEE		CONE, Input Shaft
		AR	6, 7, 8			ET0	DEE		
5	05010054AA	AR	1, 2, 3			ET0	DEE		RING, Blocker
		AR	6, 7, 8			ET0	DEE		
6	05010058AA	1	1, 2, 3			ET0	DEE		RETAINING RING, Bearing
		1	6, 7, 8			ET0	DEE		
7	05010057AA	1	1, 2, 3			ET0	DEE		BEARING CONE, Output Shaft
		1	6, 7, 8			ET0	DEE		
-8	05011376AA	1	1, 2, 3			ET0	DEE		SHIM PACKAGE, Drive Pinion Bearing
		1	6, 7, 8			ET0	DEE		
9	05010055AA	1	1, 2, 3			ET0	DEE		SYNCHRONIZER, Fifth

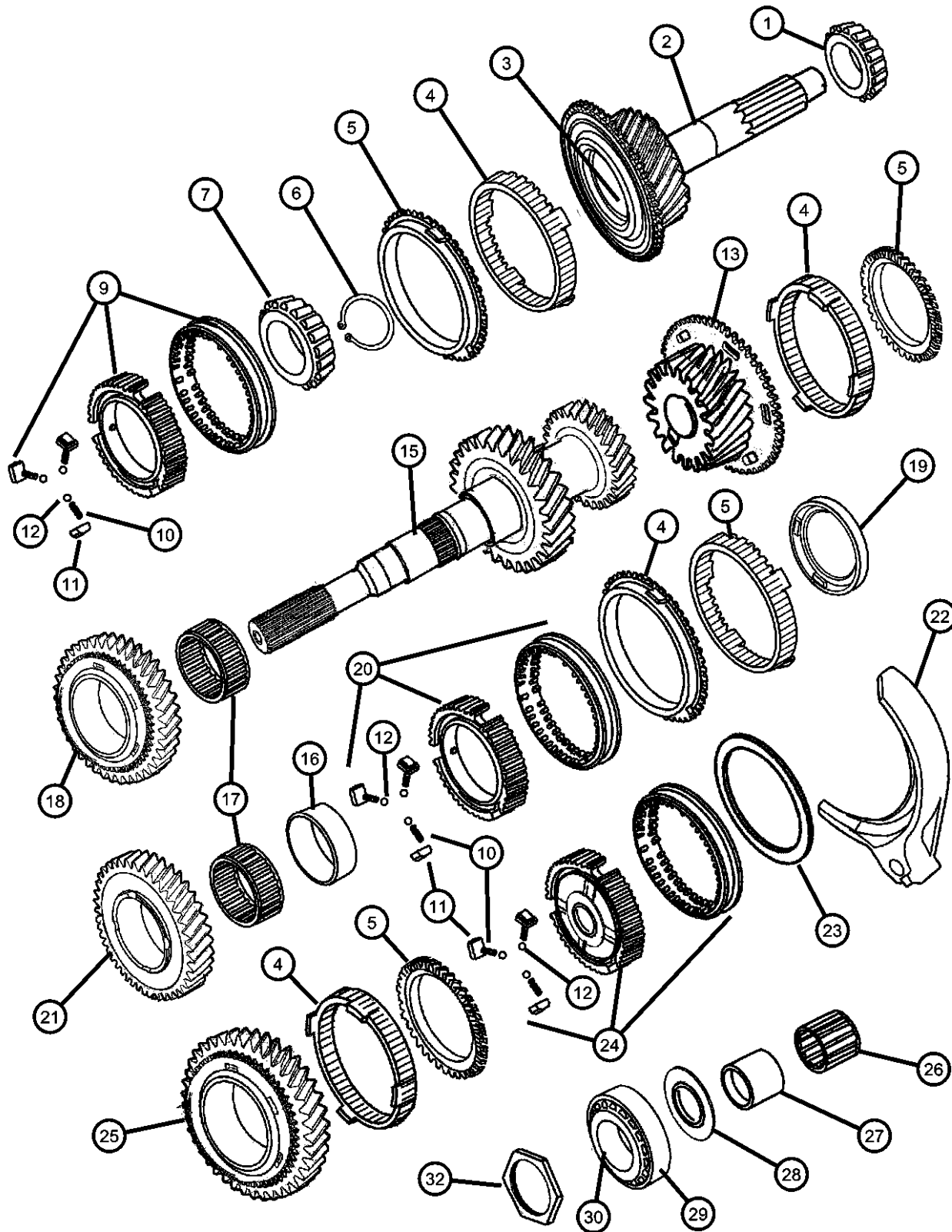
RAM PICKUP/CLUB CAB (BE)

SERIES LINE
 L = RAM 1500, 2500, 3500
 1 = Lt. Duty DODGE 2WD
 2 = Med. Duty DODGE 2WD
 3 = HD DODGE 2WD
 6 = Lt. Duty DODGE 4WD
 7 = Med. Duty DODGE 4WD
 8 = HD DODGE 4WD

BODY ENGINE TRANSMISSION
 31 = CLUB CAB 2-DR 6.5 FT BOX ETC = 5.9L Cummins 24V Diesel Engine DGP = 4-Spd. Automatic 47RE Transmission
 32 = CLUB CAB 2-DR 8FT BOX EWA = 8.0L V10 MPI Engine DD0 = ALL 5 SPEED MANUAL TRANSMISSIONS
 33 = QUAD CAB 4-DR 6.5 FT BOX EM0 = ALL 5.9L 8 CYL ENGINES - GAS DG0 = ALL AUTOMATIC TRANSMISSIONS
 34 = QUAD CAB 4-DR 8FT BOX EMM = 5.9L SMPI V8 Engine DDC = 5-Speed HD Manual Transmission
 ELF = 5.2L V8 MPI Engine DDP = 5-Speed Manual Transmission
 DDX = 5-Speed HD Manual Transmission
 DEE = 6-Speed HD Manual Transmission
 DGT = 4-Spd. Automatic 46RE Transmission

AR = use ase required - = Non illustrated part

**Gear Train - 5600 6 Speed [DEE]
Figure 5600-410**



ITEM	PART NUMBER	QTY	LINE	SERIES	BODY	ENGINE	TRANS	TRIM	DESCRIPTION
10	05012350AA	1	6, 7, 8			ET0	DEE		SPRING, Synchronizer
11	05010056AA	AR	1, 2, 3			ET0	DEE		KEY, Synchronizer
12	04741136	AR	6, 7, 8			ET0	DEE		BALL, Shift Lever, M5
13	05010052AA	1	1, 2, 3			ET0	DEE		GEAR, Sixth
-14	05010051AA	1	1, 2, 3			ET0	DEE		BEARING, Sixth Gear
15	05010049AA	1	1, 2, 3			ET0	DEE		SHAFT, Output
16	05010077AA	1	1, 2, 3			ET0	DEE		SLEEVE, First Gear
17	05010059AA	AR	1, 2, 3			ET0	DEE		BEARING
18	05010060AA	1	1, 2, 3			ET0	DEE		GEAR, Second

RAM PICKUP/CLUB CAB (BE)

SERIES
L = RAM 1500, 2500, 3500

LINE
1 = Lt. Duty DODGE 2WD
2 = Med. Duty DODGE 2WD
3 = HD DODGE 2WD
6 = Lt. Duty DODGE 4WD
7 = Med. Duty DODGE 4WD
8 = HD DODGE 4WD

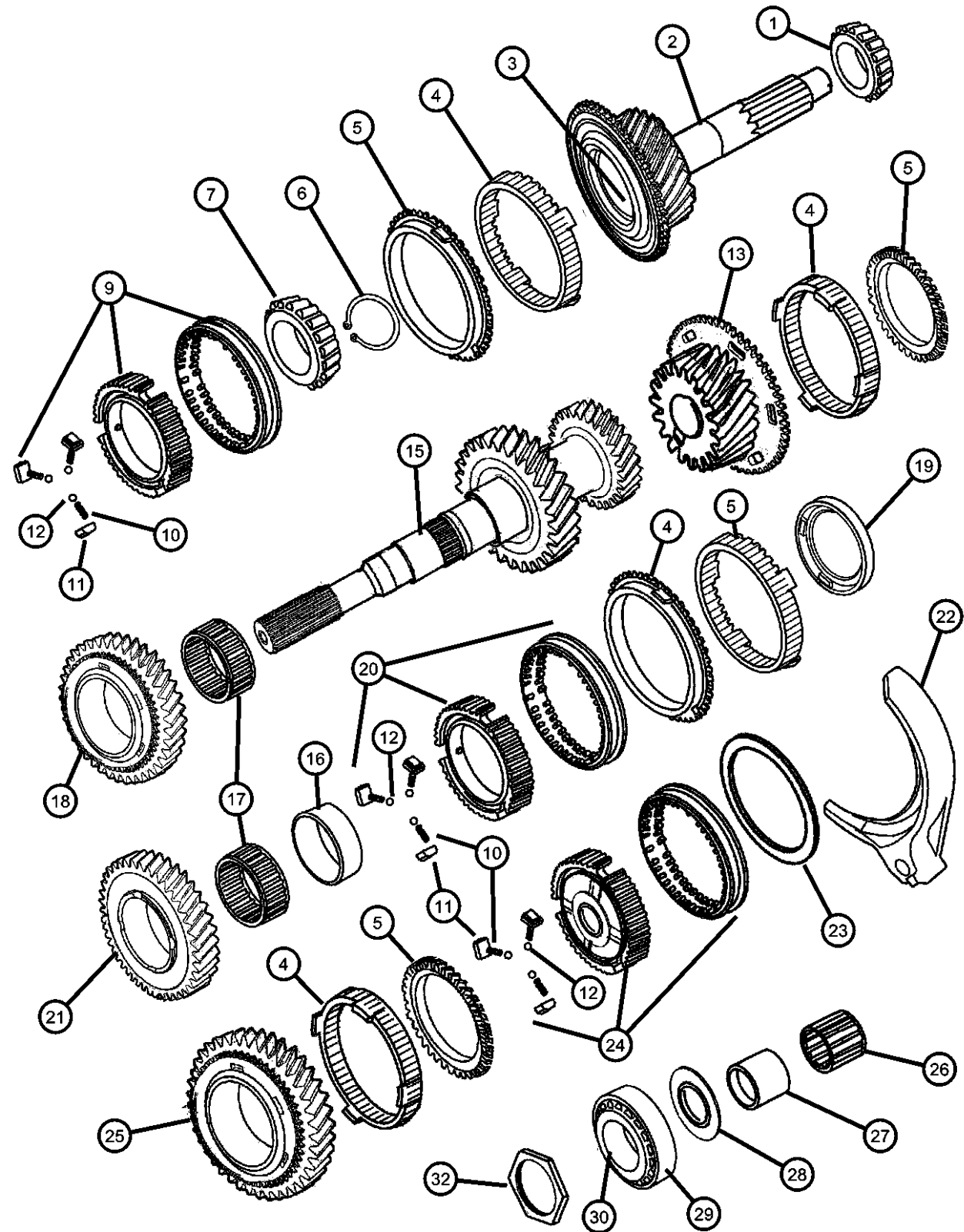
BODY
31 = CLUB CAB 2-DR 6.5 FT BOX
32 = CLUB CAB 2-DR 8FT BOX
33 = QUAD CAB 4-DR 6.5 FT BOX
34 = QUAD CAB 4-DR 8FT BOX

ENGINE
ETC = 5.9L Cummins 24V Diesel Engine
EWA = 8.0L V10 MPI Engine
EM0 = ALL 5.9L 8 CYL ENGINES - GAS
EMM = 5.9L SMPI V8 Engine
EML = 5.9L V8 MPI Engine
ELF = 5.2L V8 MPI Engine

TRANSMISSION
DGP = 4-Spd. Automatic 47RE Transmission
DD0 = ALL 5 SPEED MANUAL TRANSMISSIONS
DG0 = ALL AUTOMATIC TRANSMISSIONS
DDC = 5-Speed HD Manual Transmission
DDP = 5-Speed Manual Transmission
DDX = 5-Speed HD Manual Transmission
DEE = 6-Speed HD Manual Transmission
DGT = 4-Spd. Automatic 46RE Transmission

AR = use ase required - = Non illustrated part

Gear Train - 5600 6 Speed [DEE]
Figure 5600-410



ITEM	PART NUMBER	QTY	LINE	SERIES	BODY	ENGINE	TRANS	TRIM	DESCRIPTION
19	05010061AA	AR	1, 2, 3			ET0	DEE		RING, Blocker
		AR	6, 7, 8			ET0	DEE		
20	05010062AA	1	1, 2, 3			ET0	DEE		SYNCHRONIZER, First and Second
		1	6, 7, 8			ET0	DEE		
21	05010063AA	1	1, 2, 3			ET0	DEE		GEAR, First
		1	6, 7, 8			ET0	DEE		
22	05012128AA	1	1, 2, 3			ET0	DEE		FORK, Transmission, Reverse
		1	6, 7, 8			ET0	DEE		
23	05012127AA	1	1, 2, 3			ET0	DEE		RING
		1	6, 7, 8			ET0	DEE		
24	05012125AA	1	1, 2, 3			ET0	DEE		SYNCHRONIZER, Reverse
		1	6, 7, 8			ET0	DEE		
25	05012130AA	1	1, 2, 3			ET0	DEE		GEAR, Reverse
		1	6, 7, 8			ET0	DEE		
26	04637761	1	1, 2, 3			ET0	DEE		BEARING, Reverse Synchronizer
		1	6, 7, 8			ET0	DEE		
27	05012129AA	1	1, 2, 3			ET0	DEE		SLEEVE, Reverse
		1	6, 7, 8			ET0	DEE		

RAM PICKUP/CLUB CAB (BE)

SERIES
 L = RAM 1500, 2500, 3500

LINE
 1 = Lt. Duty DODGE 2WD
 2 = Med. Duty DODGE 2WD
 3 = HD DODGE 2WD
 6 = Lt. Duty DODGE 4WD
 7 = Med. Duty DODGE 4WD
 8 = HD DODGE 4WD

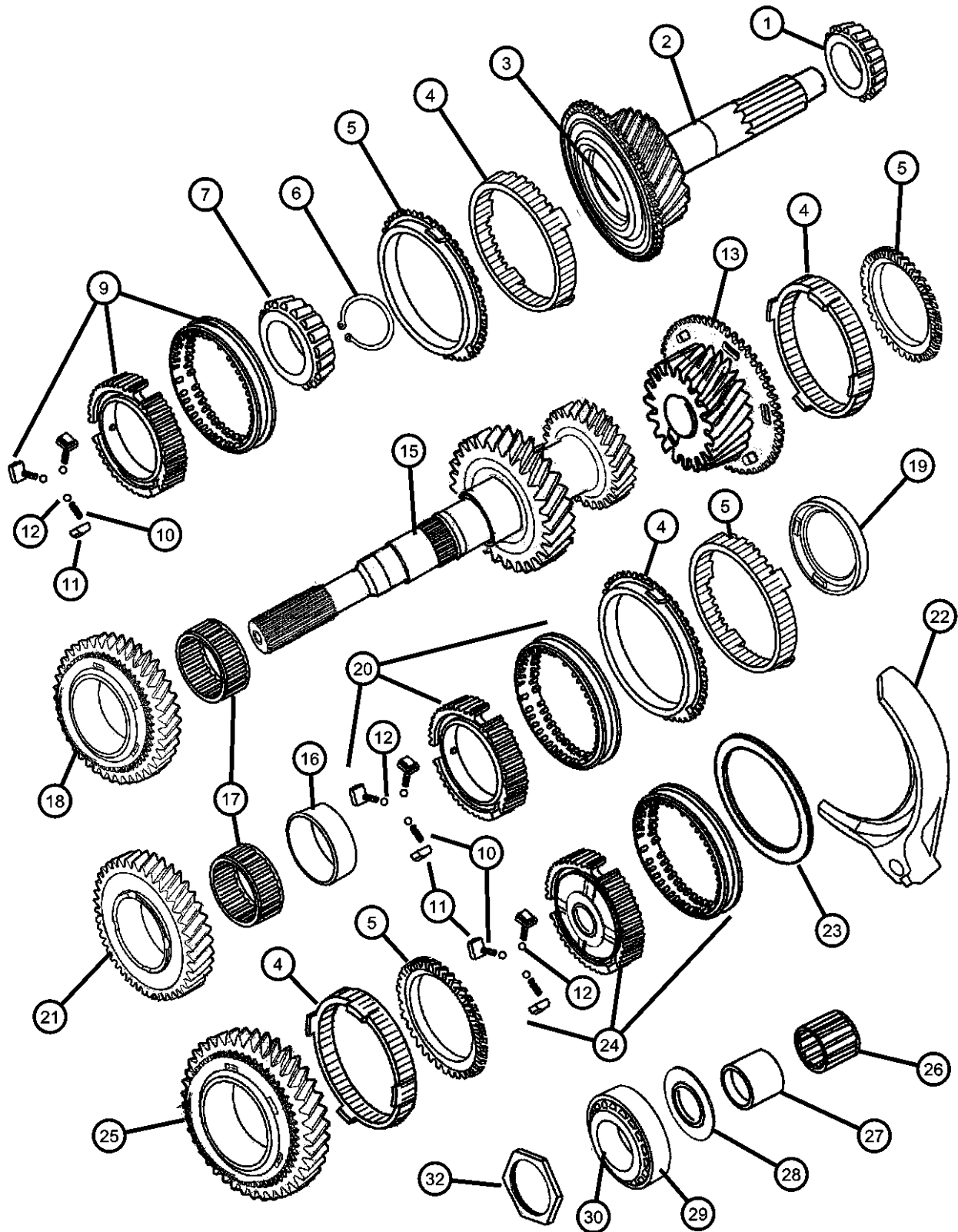
BODY
 31 = CLUB CAB 2-DR 6.5 FT BOX
 32 = CLUB CAB 2-DR 8FT BOX
 33 = QUAD CAB 4-DR 6.5 FT BOX
 34 = QUAD CAB 4-DR 8FT BOX

ENGINE
 ETC = 5.9L Cummins 24V Diesel Engine
 EWA = 8.0L V10 MPI Engine
 EM0 = ALL 5.9L 8 CYL ENGINES - GAS
 EMM = 5.9L SMPI V8 Engine
 EML = 5.9L V8 MPI Engine
 ELF = 5.2L V8 MPI Engine

TRANSMISSION
 DGP = 4-Spd. Automatic 47RE Transmission
 DD0 = ALL 5 SPEED MANUAL TRANSMISSIONS
 DG0 = ALL AUTOMATIC TRANSMISSIONS
 DDC = 5-Speed HD Manual Transmission
 DDP = 5-Speed Manual Transmission
 DDX = 5-Speed HD Manual Transmission
 DEE = 6-Speed HD Manual Transmission
 DGT = 4-Spd. Automatic 46RE Transmission

AR = use ase required - = Non illustrated part

**Gear Train - 5600 6 Speed [DEE]
Figure 5600-410**



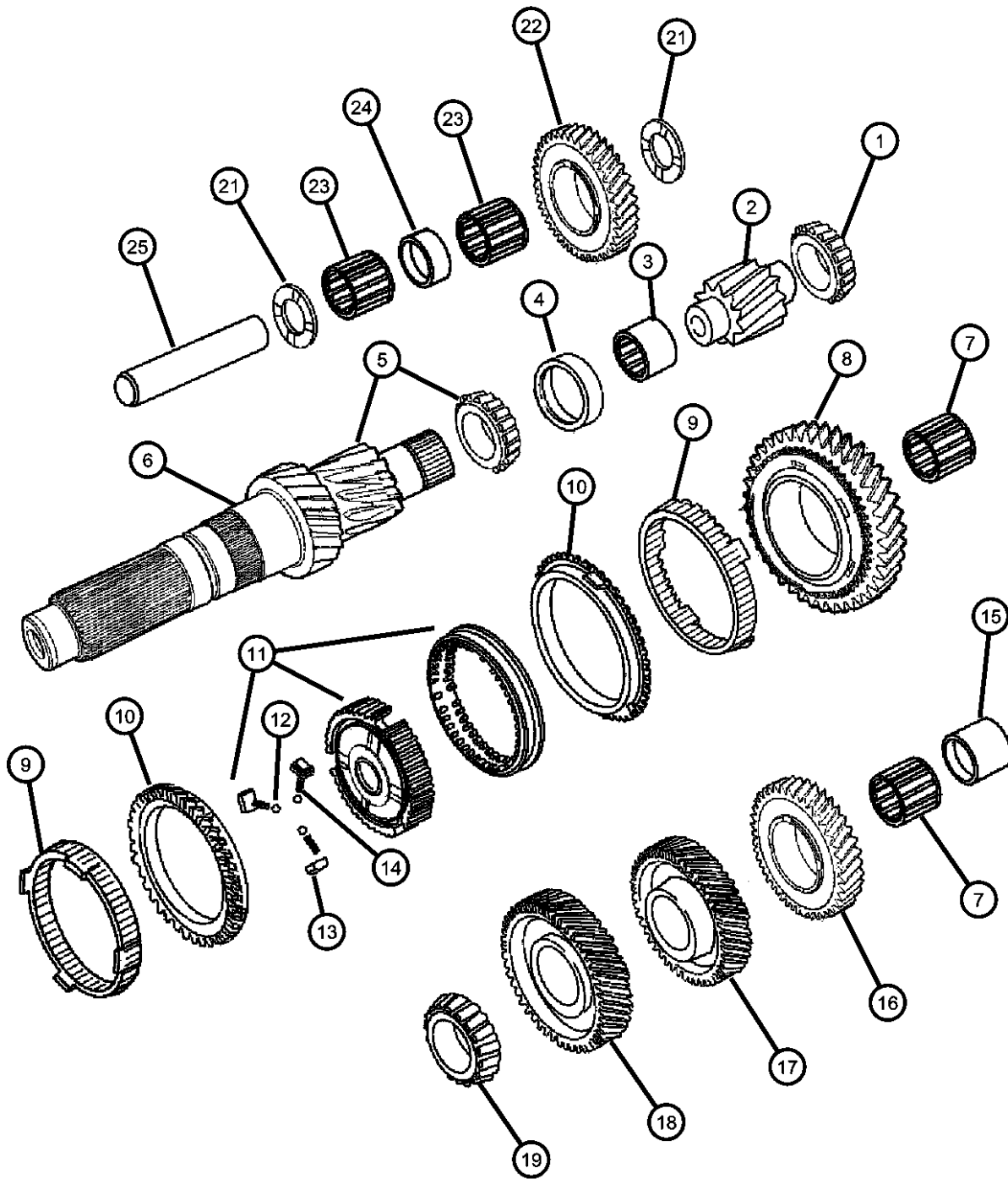
ITEM	PART NUMBER	QTY	LINE	SERIES	BODY	ENGINE	TRANS	TRIM	DESCRIPTION
28	05012131AA	1	1, 2, 3			ET0	DEE		WASHER, Reverse Thrust
		1	6, 7, 8			ET0	DEE		
29	05003580AA	1	1, 2, 3			ET0	DEE		BEARING CUP, Output Shaft
		1	6, 7, 8			ET0	DEE		
30	05010065AA	1	1, 2, 3			ET0	DEE		BEARING CONE, Output Shaft
		1	6, 7, 8			ET0	DEE		
-31	05011352AA	1	1, 2, 3			ET0	DEE		SNAP RING PACKAGE, Mainshaft
		1	6, 7, 8			ET0	DEE		
32	05012133AA	1	1, 2, 3			ET0	DEE		NUT, Locking
		1	6, 7, 8			ET0	DEE		

RAM PICKUP/CLUB CAB (BE)

SERIES	LINE	BODY	ENGINE	TRANSMISSION
L = RAM 1500, 2500, 3500	1 = Lt. Duty DODGE 2WD 2 = Med. Duty DODGE 2WD 3 = HD DODGE 2WD 6 = Lt. Duty DODGE 4WD 7 = Med. Duty DODGE 4WD 8 = HD DODGE 4WD	31 = CLUB CAB 2-DR 6.5 FT BOX 32 = CLUB CAB 2-DR 8FT BOX 33 = QUAD CAB 4-DR 6.5 FT BOX 34 = QUAD CAB 4-DR 8FT BOX	ETC = 5.9L Cummins 24V Diesel Engine EWA = 8.0L V10 MPI Engine EM0 = ALL 5.9L 8 CYL ENGINES - GAS EMM = 5.9L SMPI V8 Engine EML = 5.9L V8 MPI Engine ELF = 5.2L V8 MPI Engine	DGP = 4-Spd. Automatic 47RE Transmission DD0 = ALL 5 SPEED MANUAL TRANSMISSIONS DG0 = ALL AUTOMATIC TRANSMISSIONS DDC = 5-Speed HD Manual Transmission DDP = 5-Speed Manual Transmission DDX = 5-Speed HD Manual Transmission DEE = 6-Speed HD Manual Transmission DGT = 4-Spd. Automatic 46RE Transmission

AR = use ase required - = Non illustrated part

**Gear Train - 5600 6 Speed [DEE]
Figure 5600-420**



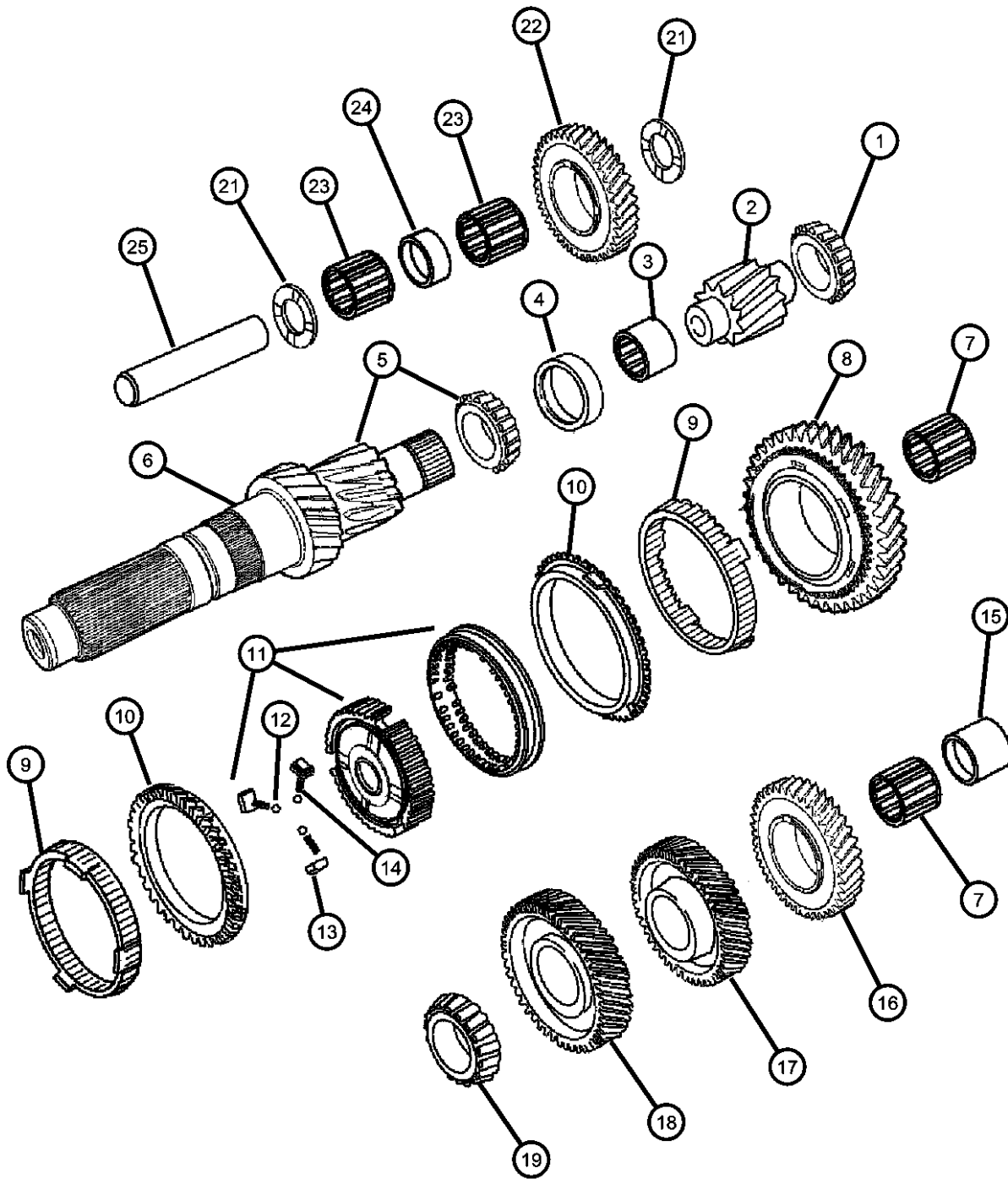
ITEM	PART NUMBER	QTY	LINE	SERIES	BODY	ENGINE	TRANS	TRIM	DESCRIPTION
NOTES: Sales Codes [DEE] = 6 Speed Heavy Duty Manual Transmission [ET0] = 5.9L Cummins Turbo Diesel									
1	05012124AA	1	1, 2, 3			ET0	DEE		CONE ASSEMBLY, Countershaft
		1	6, 7, 8			ET0	DEE		
2	05012122AA	1	1, 2, 3			ET0	DEE		GEAR, Countershaft, Reverse
		1	6, 7, 8			ET0	DEE		
3	05012123AA	1	1, 2, 3			ET0	DEE		SLEEVE, Reverse
		1	6, 7, 8			ET0	DEE		
4	05003581AA	1	1, 2, 3			ET0	DEE		BEARING CUP, Output Shaft [Timken#NP88200]
		1	6, 7, 8			ET0	DEE		[Timken#NP88200]
5	05010066AA	1	1, 2, 3			ET0	DEE		COUNTERSHAFT, Serviced w/Bearing
		1	6, 7, 8			ET0	DEE		
6	04798769	AR	1, 2, 3			ET0	DEE		BEARING, First Gear
		AR	6, 7, 8			ET0	DEE		
7	05010068AA	1	1, 2, 3			ET0	DEE		THRUST WASHER, Second And Third Gear
		1	6, 7, 8			ET0	DEE		
8	05010069AA	1	1, 2, 3			ET0	DEE		GEAR, Third
		1	6, 7, 8			ET0	DEE		
9									CONE, Input Shaft

RAM PICKUP/CLUB CAB (BE)

SERIES	LINE	BODY	ENGINE	TRANSMISSION
L = RAM 1500, 2500, 3500	1 = Lt. Duty DODGE 2WD 2 = Med. Duty DODGE 2WD 3 = HD DODGE 2WD 6 = Lt. Duty DODGE 4WD 7 = Med. Duty DODGE 4WD 8 = HD DODGE 4WD	31 = CLUB CAB 2-DR 6.5 FT BOX 32 = CLUB CAB 2-DR 8FT BOX 33 = QUAD CAB 4-DR 6.5 FT BOX 34 = QUAD CAB 4-DR 8FT BOX	ETC = 5.9L Cummins 24V Diesel Engine EWA = 8.0L V10 MPI Engine EM0 = ALL 5.9L 8 CYL ENGINES - GAS EMM = 5.9L SMPI V8 Engine EML = 5.9L V8 MPI Engine ELF = 5.2L V8 MPI Engine	DGP = 4-Spd. Automatic 47RE Transmission DD0 = ALL 5 SPEED MANUAL TRANSMISSIONS DG0 = ALL AUTOMATIC TRANSMISSIONS DDC = 5-Speed HD Manual Transmission DDP = 5-Speed Manual Transmission DDX = 5-Speed HD Manual Transmission DEE = 6-Speed HD Manual Transmission DGT = 4-Spd. Automatic 46RE Transmission

AR = use ase required - = Non illustrated part

**Gear Train - 5600 6 Speed [DEE]
Figure 5600-420**



ITEM	PART NUMBER	QTY	LINE	SERIES	BODY	ENGINE	TRANS	TRIM	DESCRIPTION
	05010053AA	AR	1, 2, 3			ET0	DEE		
		AR	6, 7, 8			ET0	DEE		
10	05010054AA	AR	1, 2, 3			ET0	DEE		RING, Blocker
		AR	6, 7, 8			ET0	DEE		
11									SYNCHRONIZER, Third and Fourth
	05010070AA	1	1, 2, 3			ET0	DEE		
		1	6, 7, 8			ET0	DEE		
12									BALL, Shift Lever, M5
	04741136	AR	1, 2, 3			ET0	DEE		
		AR	6, 7, 8			ET0	DEE		
13									KEY, Synchronizer
	05010056AA	AR	1, 2, 3			ET0	DEE		
		AR	6, 7, 8			ET0	DEE		
14									SPRING, Synchronizer
	05012350AA	AR	1, 2, 3			ET0	DEE		
		AR	6, 7, 8			ET0	DEE		
15									SLEEVE, Fourth Gear
	05010071AA	1	1, 2, 3			ET0	DEE		
		1	6, 7, 8			ET0	DEE		
16									GEAR, Fourth
	05010072AA	1	1, 2, 3			ET0	DEE		
		1	6, 7, 8			ET0	DEE		
17									GEAR, Countershaft, Sixth
	05010074AA	1	1, 2, 3			ET0	DEE		
		1	6, 7, 8			ET0	DEE		
18									GEAR, Countershaft, Input

RAM PICKUP/CLUB CAB (BE)

SERIES LINE
 L = RAM 1500, 2500, 3500
 1 = Lt. Duty DODGE 2WD
 2 = Med. Duty DODGE 2WD
 3 = HD DODGE 2WD
 6 = Lt. Duty DODGE 4WD
 7 = Med. Duty DODGE 4WD
 8 = HD DODGE 4WD

BODY
 31 = CLUB CAB 2-DR 6.5 FT BOX
 32 = CLUB CAB 2-DR 8FT BOX
 33 = QUAD CAB 4-DR 6.5 FT BOX
 34 = QUAD CAB 4-DR 8FT BOX

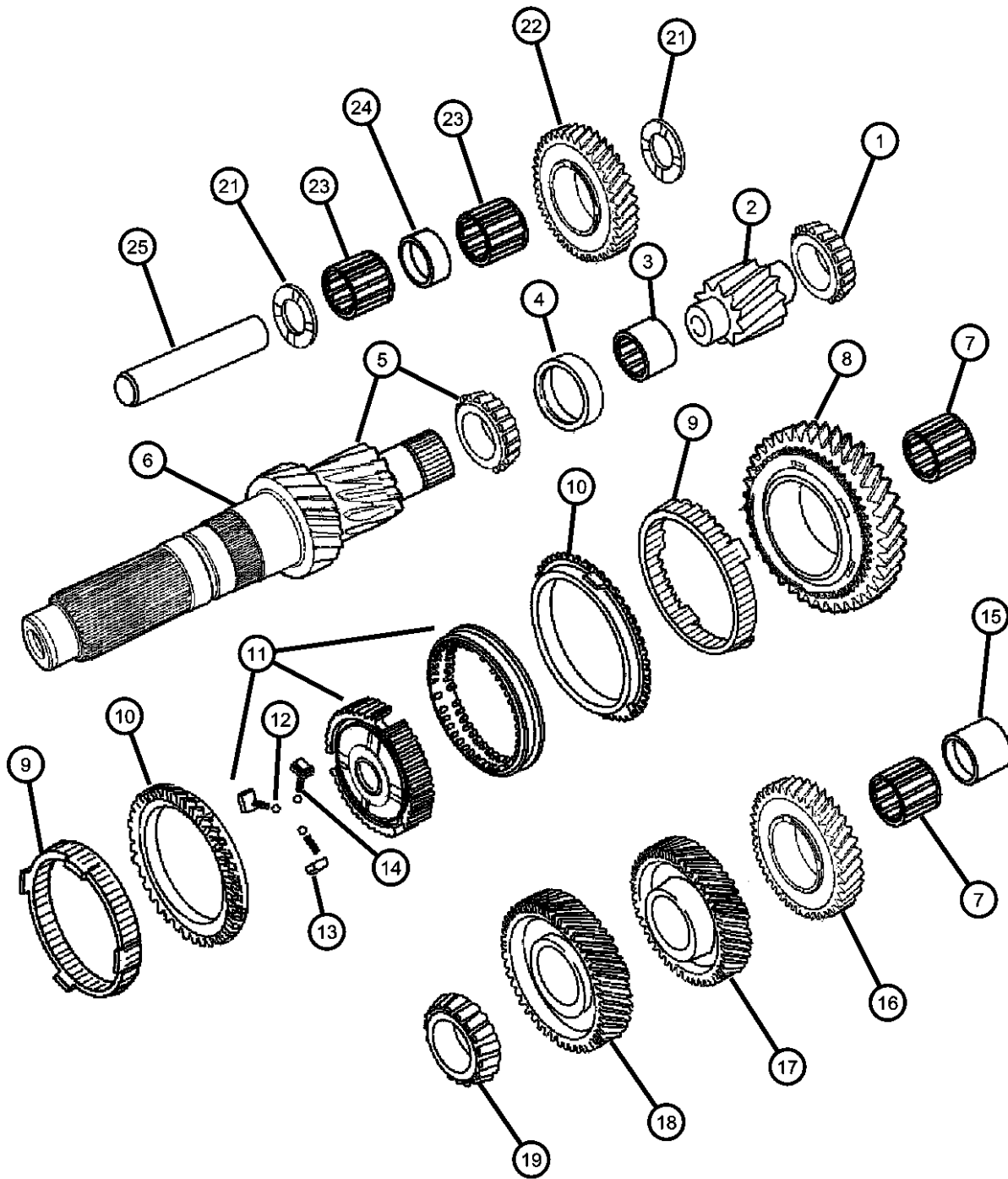
ENGINE
 ETC = 5.9L Cummins 24V Diesel Engine
 EWA = 8.0L V10 MPI Engine
 EM0 = ALL 5.9L 8 CYL ENGINES - GAS
 EMM = 5.9L SMPI V8 Engine
 EML = 5.9L V8 MPI Engine
 ELF = 5.2L V8 MPI Engine

TRANSMISSION
 DGP = 4-Spd. Automatic 47RE Transmission
 DD0 = ALL 5 SPEED MANUAL TRANSMISSIONS
 DG0 = ALL AUTOMATIC TRANSMISSIONS
 DDC = 5-Speed HD Manual Transmission
 DDP = 5-Speed Manual Transmission
 DDX = 5-Speed HD Manual Transmission
 DEE = 6-Speed HD Manual Transmission
 DGT = 4-Spd. Automatic 46RE Transmission

AR = use ase required - = Non illustrated part

1999 BE

**Gear Train - 5600 6 Speed [DEE]
Figure 5600-420**



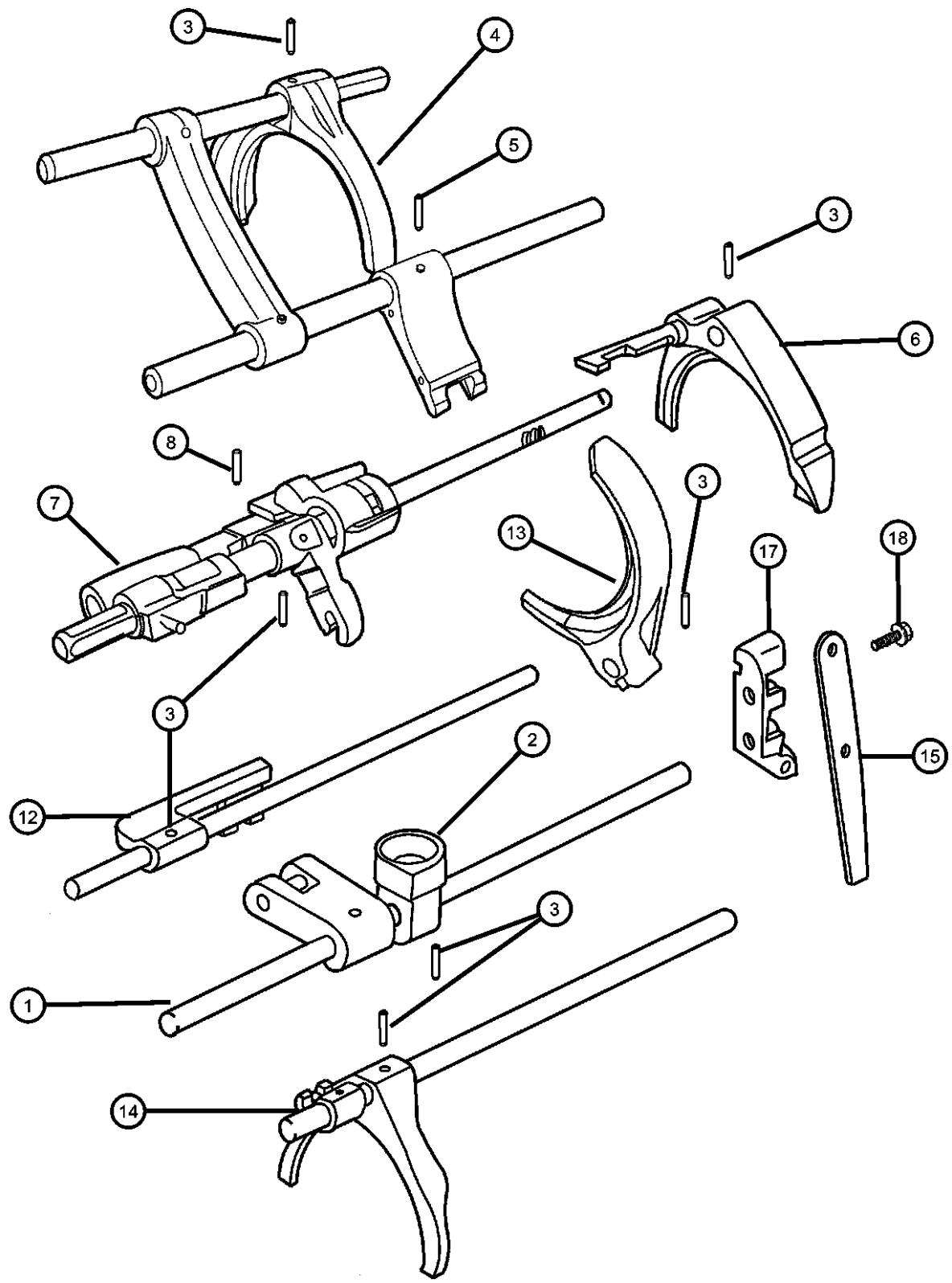
ITEM	PART NUMBER	QTY	LINE	SERIES	BODY	ENGINE	TRANS	TRIM	DESCRIPTION
	05010073AA	1	1, 2, 3			ET0	DEE		
19		1	6, 7, 8			ET0	DEE		CONE ASSEMBLY, Countershaft, Front
	05010075AA	1	1, 2, 3			ET0	DEE		
-20		1	6, 7, 8			ET0	DEE		SNAP RING PACKAGE, Countershaft
	05011358AA	1	1, 2, 3			ET0	DEE		
21		1	6, 7, 8			ET0	DEE		WASHER, Idler Gear
	05012118AA	2	1, 2, 3			ET0	DEE		
22		2	6, 7, 8			ET0	DEE		GEAR, Idler
	05012121AA	1	1, 2, 3			ET0	DEE		
23		1	6, 7, 8			ET0	DEE		BEARING, Idler
	05012119AA	2	1, 2, 3			ET0	DEE		
24		2	6, 7, 8			ET0	DEE		SPACER, Idler
	05012120AA	1	1, 2, 3			ET0	DEE		
25		1	6, 7, 8			ET0	DEE		SHAFT, Idler
	05012117AA	1	1, 2, 3			ET0	DEE		
		1	6, 7, 8			ET0	DEE		

RAM PICKUP/CLUB CAB (BE)

SERIES	LINE	BODY	ENGINE	TRANSMISSION
L = RAM 1500, 2500, 3500	1 = Lt. Duty DODGE 2WD 2 = Med. Duty DODGE 2WD 3 = HD DODGE 2WD 6 = Lt. Duty DODGE 4WD 7 = Med. Duty DODGE 4WD 8 = HD DODGE 4WD	31 = CLUB CAB 2-DR 6.5 FT BOX 32 = CLUB CAB 2-DR 8FT BOX 33 = QUAD CAB 4-DR 6.5 FT BOX 34 = QUAD CAB 4-DR 8FT BOX	ETC = 5.9L Cummins 24V Diesel Engine EWA = 8.0L V10 MPI Engine EM0 = ALL 5.9L 8 CYL ENGINES - GAS EMM = 5.9L SMPI V8 Engine EML = 5.9L V8 MPI Engine ELF = 5.2L V8 MPI Engine	DGP = 4-Spd. Automatic 47RE Transmission DD0 = ALL 5 SPEED MANUAL TRANSMISSIONS DG0 = ALL AUTOMATIC TRANSMISSIONS DDC = 5-Speed HD Manual Transmission DDP = 5-Speed Manual Transmission DDX = 5-Speed HD Manual Transmission DEE = 6-Speed HD Manual Transmission DGT = 4-Spd. Automatic 46RE Transmission

AR = use ase required - = Non illustrated part

Fork and Rails - 5600 6 Speed [DEE]
Figure 5600-910



ITEM	PART NUMBER	QTY	LINE	SERIES	BODY	ENGINE	TRANS	TRIM	DESCRIPTION
1									RAIL, Shift
	05010078AA	1	1, 2, 3			ET0	DEE		
		1	6, 7, 8			ET0	DEE		
2									SOCKET, Shift Shaft
	05010086AA	1	1, 2, 3			ET0	DEE		
		1	6, 7, 8			ET0	DEE		
3									PIN, Shift Shaft
	04741139	1	1, 2, 3			ET0	DEE		
		1	6, 7, 8			ET0	DEE		
4									FORK, Third and Fourth
	05010090AA	1	1, 2, 3			ET0	DEE		
		1	6, 7, 8			ET0	DEE		
5									PIN, Roll
	05010083AA	1	1, 2, 3			ET0	DEE		
		1	6, 7, 8			ET0	DEE		
6									FORK, First and Second
	05010091AA	1	1, 2, 3			ET0	DEE		
		1	6, 7, 8			ET0	DEE		
7									RAIL, Shift
	05010079AA	1	1, 2, 3			ET0	DEE		
		1	6, 7, 8			ET0	DEE		
8									PIN, Roll
	05010082AA	1	1, 2, 3			ET0	DEE		
		1	6, 7, 8			ET0	DEE		
-9									BLOCKER, Shift
	05010088AA	1	1, 2, 3			ET0	DEE		

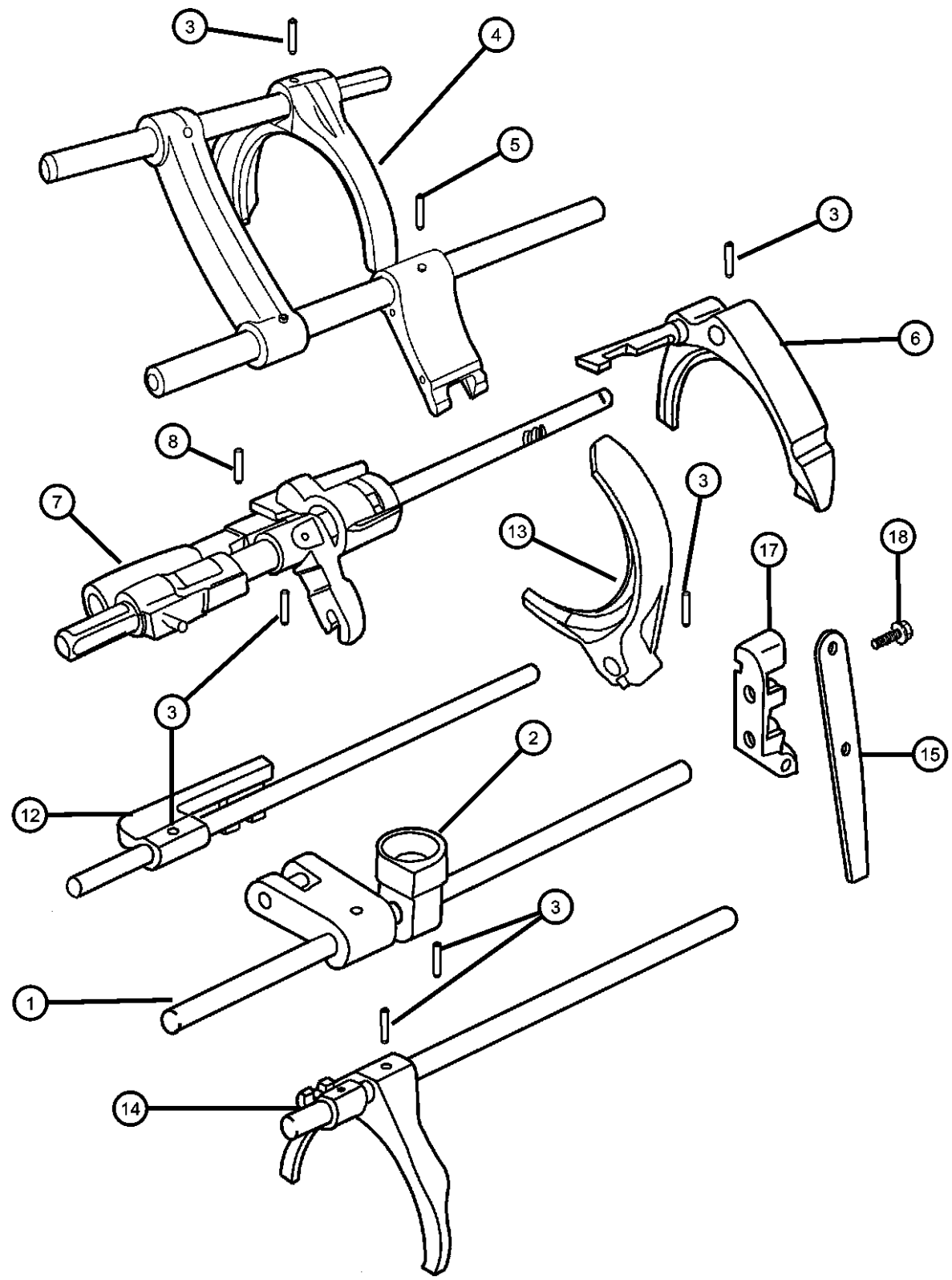
NOTES: Sales Codes
[DEE] = 6 Speed Heavy Duty Manual Transmission
[ET0] = 5.9L Cummins Turbo Diesel

RAM PICKUP/CLUB CAB (BE)

SERIES	LINE	BODY	ENGINE	TRANSMISSION
L = RAM 1500, 2500, 3500	1 = Lt. Duty DODGE 2WD 2 = Med. Duty DODGE 2WD 3 = HD DODGE 2WD 6 = Lt. Duty DODGE 4WD 7 = Med. Duty DODGE 4WD 8 = HD DODGE 4WD	31 = CLUB CAB 2-DR 6.5 FT BOX 32 = CLUB CAB 2-DR 8FT BOX 33 = QUAD CAB 4-DR 6.5 FT BOX 34 = QUAD CAB 4-DR 8FT BOX	ETC = 5.9L Cummins 24V Diesel Engine EWA = 8.0L V10 MPI Engine EM0 = ALL 5.9L 8 CYL ENGINES - GAS EMM = 5.9L SMPI V8 Engine EML = 5.9L V8 MPI Engine ELF = 5.2L V8 MPI Engine	DGP = 4-Spd. Automatic 47RE Transmission DD0 = ALL 5 SPEED MANUAL TRANSMISSIONS DG0 = ALL AUTOMATIC TRANSMISSIONS DDC = 5-Speed HD Manual Transmission DDP = 5-Speed Manual Transmission DDX = 5-Speed HD Manual Transmission DEE = 6-Speed HD Manual Transmission DGT = 4-Spd. Automatic 46RE Transmission

AR = use ase required - = Non illustrated part

Fork and Rails - 5600 6 Speed [DEE]
Figure 5600-910



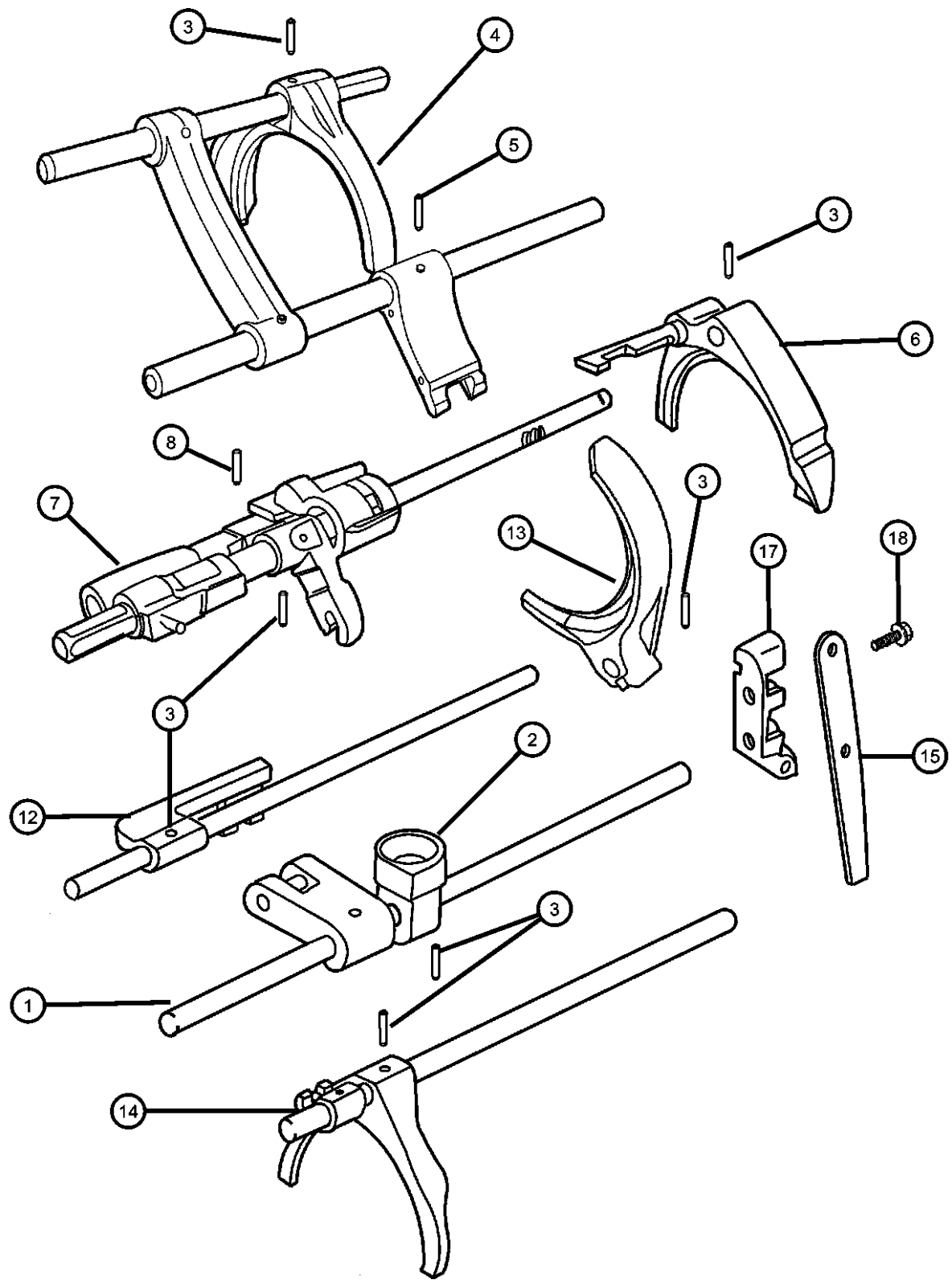
ITEM	PART NUMBER	QTY	LINE	SERIES	BODY	ENGINE	TRANS	TRIM	DESCRIPTION
-10		1	6, 7, 8			ET0	DEE		BOLT, Shift rail blocker
	04740904	1	1, 2, 3			ET0	DEE		
-11		1	6, 7, 8			ET0	DEE		GATE, Gearshift Rod
	05010089AA	1	1, 2, 3			ET0	DEE		
12		1	6, 7, 8			ET0	DEE		RAIL, Reverse Shift, Rail and Gate Serviced in Assembly
	05010097AA	1	1, 2, 3			ET0	DEE		
13		1	6, 7, 8			ET0	DEE		FORK, Transmission, Reverse
	05012128AA	1	1, 2, 3			ET0	DEE		
14		1	6, 7, 8			ET0	DEE		FORK, Fifth Shift
	05010093AA	1	1, 2, 3			ET0	DEE		
15		1	6, 7, 8			ET0	DEE		ARM, Transmission Shift
	05016173AA	1	1, 2, 3			ET0	DEE		
-16		1	6, 7, 8			ET0	DEE		PIN, Shift Shaft
	05010084AA	1	1, 2, 3			ET0	DEE		
17		1	6, 7, 8			ET0	DEE		BRACKET, Shift Fork
	05010095AA	1	1, 2, 3			ET0	DEE		
18		1	6, 7, 8			ET0	DEE		BOLT, M8

RAM PICKUP/CLUB CAB (BE)

SERIES	LINE	BODY	ENGINE	TRANSMISSION
L = RAM 1500, 2500, 3500	1 = Lt. Duty DODGE 2WD 2 = Med. Duty DODGE 2WD 3 = HD DODGE 2WD 6 = Lt. Duty DODGE 4WD 7 = Med. Duty DODGE 4WD 8 = HD DODGE 4WD	31 = CLUB CAB 2-DR 6.5 FT BOX 32 = CLUB CAB 2-DR 8FT BOX 33 = QUAD CAB 4-DR 6.5 FT BOX 34 = QUAD CAB 4-DR 8FT BOX	ETC = 5.9L Cummins 24V Diesel Engine EWA = 8.0L V10 MPI Engine EM0 = ALL 5.9L 8 CYL ENGINES - GAS EMM = 5.9L SMPI V8 Engine EML = 5.9L V8 MPI Engine ELF = 5.2L V8 MPI Engine	DGP = 4-Spd. Automatic 47RE Transmission DD0 = ALL 5 SPEED MANUAL TRANSMISSIONS DG0 = ALL AUTOMATIC TRANSMISSIONS DDC = 5-Speed HD Manual Transmission DDP = 5-Speed Manual Transmission DDX = 5-Speed HD Manual Transmission DEE = 6-Speed HD Manual Transmission DGT = 4-Spd. Automatic 46RE Transmission

AR = use ase required - = Non illustrated part

Fork and Rails - 5600 6 Speed [DEE]
Figure 5600-910



ITEM	PART NUMBER	QTY	LINE	SERIES	BODY	ENGINE	TRANS	TRIM	DESCRIPTION
------	-------------	-----	------	--------	------	--------	-------	------	-------------

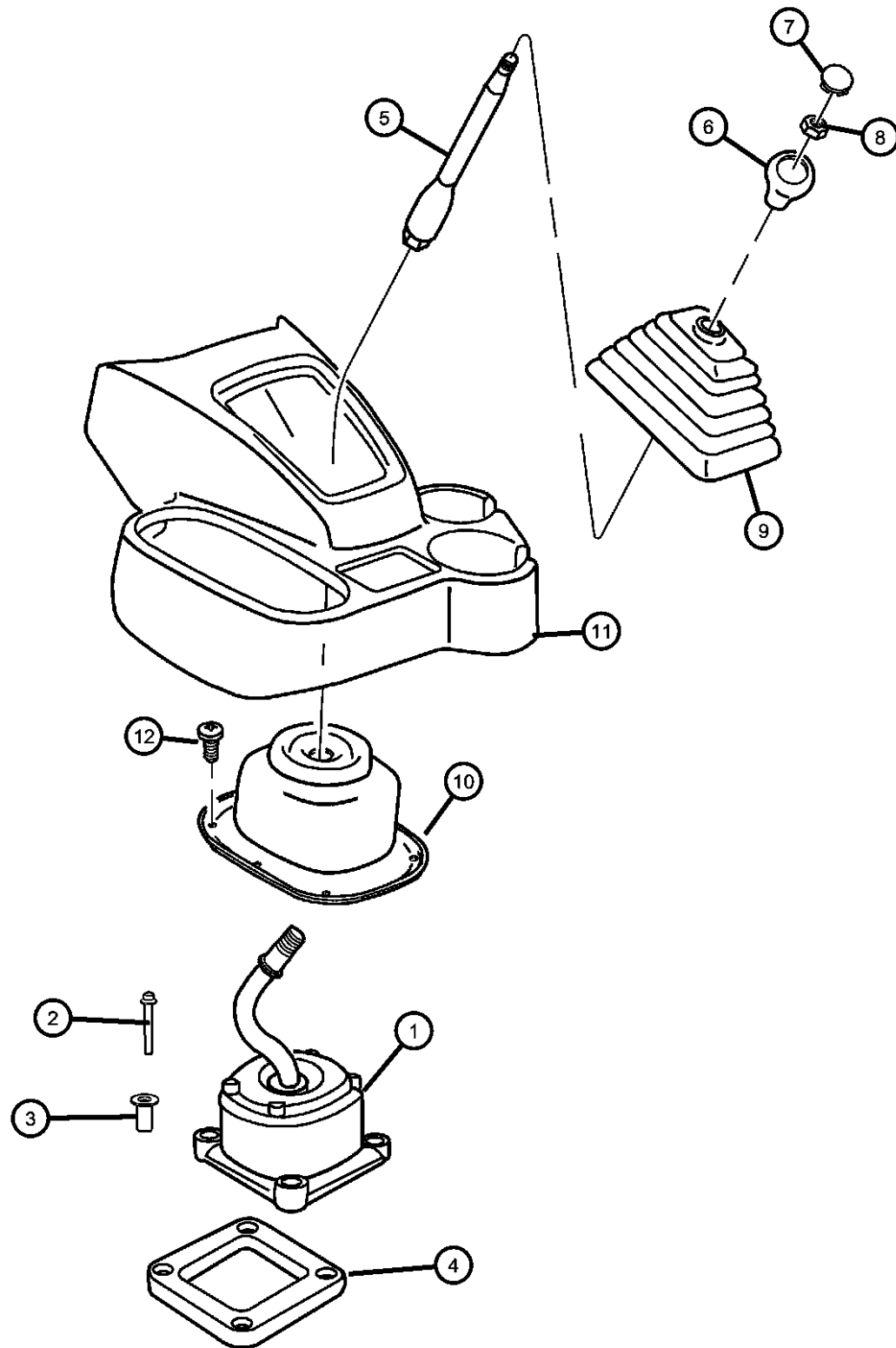
	05010096AA	2	1, 2, 3			ET0	DEE		
		2	6, 7, 8			ET0	DEE		

RAM PICKUP/CLUB CAB (BE)

SERIES	LINE	BODY	ENGINE	TRANSMISSION
L = RAM 1500, 2500, 3500	1 = Lt. Duty DODGE 2WD	31 = CLUB CAB 2-DR 6.5 FT BOX	ETC = 5.9L Cummins 24V Diesel Engine	DGP = 4-Spd. Automatic 47RE Transmission
	2 = Med. Duty DODGE 2WD	32 = CLUB CAB 2-DR 8FT BOX	EWA = 8.0L V10 MPI Engine	DD0 = ALL 5 SPEED MANUAL TRANSMISSIONS
	3 = HD DODGE 2WD	33 = QUAD CAB 4-DR 6.5 FT BOX	EM0 = ALL 5.9L 8 CYL ENGINES - GAS	DG0 = ALL AUTOMATIC TRANSMISSIONS
	6 = Lt. Duty DODGE 4WD	34 = QUAD CAB 4-DR 8FT BOX	EMM = 5.9L SMPI V8 Engine	DDC = 5-Speed HD Manual Transmission
	7 = Med. Duty DODGE 4WD		EML = 5.9L V8 MPI Engine	DDP = 5-Speed Manual Transmission
	8 = HD DODGE 4WD		ELF = 5.2L V8 MPI Engine	DDX = 5-Speed HD Manual Transmission
				DEE = 6-Speed HD Manual Transmission
				DGT = 4-Spd. Automatic 46RE Transmission

AR = use ase required - = Non illustrated part

**Controls, Gearshift - 5600 6 Speed [DEE]
Figure 5600-1210**



ITEM	PART NUMBER	QTY	LINE	SERIES	BODY	ENGINE	TRANS	TRIM	DESCRIPTION
------	-------------	-----	------	--------	------	--------	-------	------	-------------

NOTES: Sales Codes
 [DBB] = All Manual Transmissions
 [DEE] = 6 Speed Heavy Duty Manual Transmission
 [ET0] = All 5.9L Turbo Diesel Engines

1	05012139AA	1	1, 2, 3			ET0	DEE		LEVER, Gearshift
		1	6, 7, 8			ET0	DEE		
2	05003213AA	4	1, 2, 3			ET0	DEE		BOLT
		4	6, 7, 8			ET0	DEE		
3	05003212AA	4	1, 2, 3			ET0	DEE		BUSHING, Gearshift Lever
		4	6, 7, 8			ET0	DEE		
4	05003214AA	1	1, 2, 3			ET0	DEE		SPACER, Shift Tower
		1	6, 7, 8			ET0	DEE		
5	52107612	1					DBB		LEVER, Gearshift
6	52104174	1	6, 7, 8						KNOB, Gearshift
7	52108192	1				ET0	DEE		INSERT, Transmission Shift Knob
8	06502556	1	6, 7, 8						NUT, Hex, M10-1.5
9	52107614AB	1					DBB		BOOT, Gear Shift Lever
10	52107613AB	1					DBB		BOOT, Gear Shift Lever
11	5EZ54LAZ	1					DBB		CONSOLE, Floor
	5EZ54RC8	1					DBB		[AGate]
	5EZ54VK9	1					DBB		[Dark Mist Gray]
	5EZ54VK9	1					DBB		[Dark Tan]
12	5EZ54VK9	1							SCREW, (NOT SERVICED),

RAM PICKUP/CLUB CAB (BE)

SERIES	LINE	BODY	ENGINE	TRANSMISSION
L = RAM 1500, 2500, 3500	1 = Lt. Duty DODGE 2WD 2 = Med. Duty DODGE 2WD 3 = HD DODGE 2WD 6 = Lt. Duty DODGE 4WD 7 = Med. Duty DODGE 4WD 8 = HD DODGE 4WD	31 = CLUB CAB 2-DR 6.5 FT BOX 32 = CLUB CAB 2-DR 8FT BOX 33 = QUAD CAB 4-DR 6.5 FT BOX 34 = QUAD CAB 4-DR 8FT BOX	ETC = 5.9L Cummins 24V Diesel Engine EWA = 8.0L V10 MPI Engine EM0 = ALL 5.9L 8 CYL ENGINES - GAS EMM = 5.9L SMPI V8 Engine EML = 5.9L V8 MPI Engine ELF = 5.2L V8 MPI Engine	DGP = 4-Spd. Automatic 47RE Transmission DD0 = ALL 5 SPEED MANUAL TRANSMISSIONS DG0 = ALL AUTOMATIC TRANSMISSIONS DDC = 5-Speed HD Manual Transmission DDP = 5-Speed Manual Transmission DDX = 5-Speed HD Manual Transmission DEE = 6-Speed HD Manual Transmission DGT = 4-Spd. Automatic 46RE Transmission

AR = use ase required - = Non illustrated part

1999 BE

Group - 231

Transfer Case Model 231 [DHJ, DHK, DHN]

Group - 231 Transfer Case Model 231 [DHJ, DHK, DHN]

Illustration Title

Group-Fig. No.

Transfer Case Assembly

Transfer Case Assembly 231 [DHK]..... Fig. 231 - 110

Case and Related Parts

Case and Related Parts 231 [DHK]..... Fig. 231 - 210

Gear Train

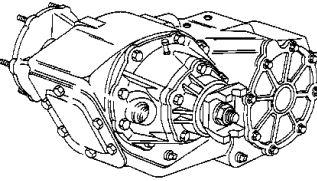

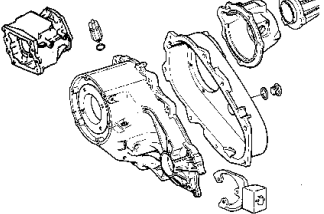
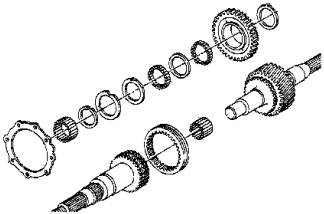
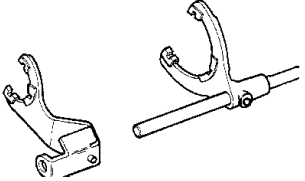
Gear Train 231 [DHK]..... Fig. 231 - 410

Fork and Rails

Forks, Rails, Miscellaneous 231 [DHK]..... Fig. 231 - 910

Gearshift Controls

Controls, Transfer Case 231 [DHK]..... Fig. 231 - 1210

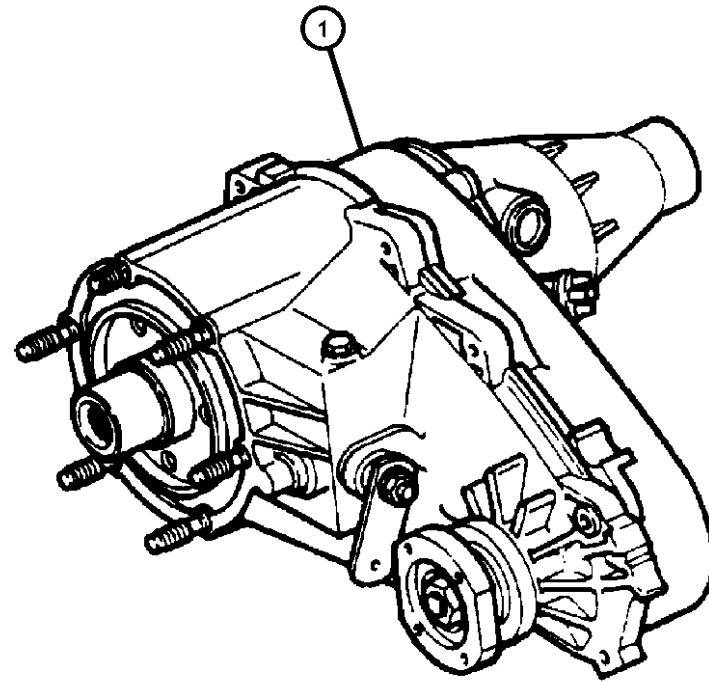
<p>231-100 Transfer Case Assembly</p> 	<p>231-1200 Gearshift Controls</p> 	<p>231-200 Case and Related Parts</p> 	<p>231-400 Gear Train</p> 
<p>231-900 Fork and Rails</p> 			

**Transfer Case Assembly 231 [DHK]
Figure 231-110**

ITEM	PART NUMBER	QTY	LINE	SERIES	BODY	ENGINE	TRANS	TRIM	DESCRIPTION
------	-------------	-----	------	--------	------	--------	-------	------	-------------

NOTES: Sales Codes
 [DDC] = 5 Speed Heavy Duty Manual Transmission
 [DG0] = All Automatic Transmissions
 [EL0] = All 5.2L 8 Cylinder Gas Engines
 [EM0] = All 5.9L 8 Cylinder Gas Engines

1									TRANSFER CASE, NP231 HD
	52105021	1	6, 7, 8			EL0, EM0	DDC		
	52105022	1	6, 7, 8			EL0, EM0	DG0		



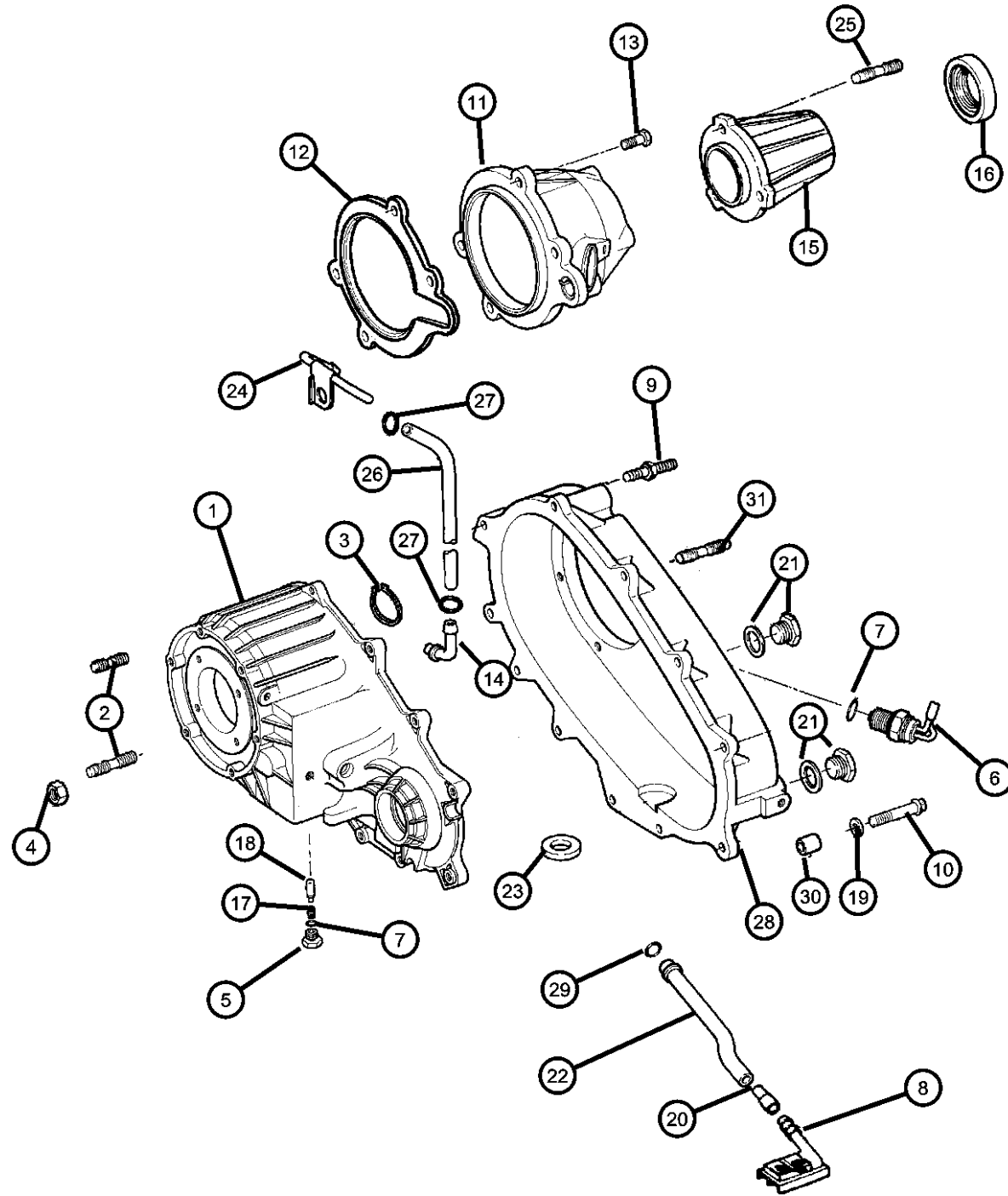
RAM PICKUP/CLUB CAB (BE)

SERIES	LINE	BODY	ENGINE	TRANSMISSION
L = RAM 1500, 2500, 3500	1 = Lt. Duty DODGE 2WD 2 = Med. Duty DODGE 2WD 3 = HD DODGE 2WD 6 = Lt. Duty DODGE 4WD 7 = Med. Duty DODGE 4WD 8 = HD DODGE 4WD	31 = CLUB CAB 2-DR 6.5 FT BOX 32 = CLUB CAB 2-DR 8FT BOX 33 = QUAD CAB 4-DR 6.5 FT BOX 34 = QUAD CAB 4-DR 8FT BOX	ETC = 5.9L Cummins 24V Diesel Engine EWA = 8.0L V10 MPI Engine EM0 = ALL 5.9L 8 CYL ENGINES - GAS EMM = 5.9L SMPI V8 Engine EML = 5.9L V8 MPI Engine ELF = 5.2L V8 MPI Engine	DGP = 4-Spd. Automatic 47RE Transmission DD0 = ALL 5 SPEED MANUAL TRANSMISSIONS DG0 = ALL AUTOMATIC TRANSMISSIONS DDC = 5-Speed HD Manual Transmission DDP = 5-Speed Manual Transmission DDX = 5-Speed HD Manual Transmission DEE = 6-Speed HD Manual Transmission DGT = 4-Spd. Automatic 46RE Transmission

AR = use ase required - = Non illustrated part

1999 BE

Case and Related Parts 231 [DHK]
Figure 231-210



ITEM	PART NUMBER	QTY	LINE	SERIES	BODY	ENGINE	TRANS	TRIM	DESCRIPTION
------	-------------	-----	------	--------	------	--------	-------	------	-------------

NOTES: Sales Codes
[DDC] = 5 Speed Heavy Duty Manual Transmission
[DG0] = All Automatic Transmissions
[EL0] = All 5.2L 8 Cylinder Gas Engines
[EM0] = All 5.9L 8 Cylinder Gas Engines

1	04798111	1	6, 7, 8			EL0, EM0	DDC		CASE, Transfer Front [52105021]
		1	6, 7, 8			EL0, EM0	DG0		[52105022]
	05015430AA	1	6, 7, 8			EL0, EM0	DG0		[52105022AB]
		1	6, 7, 8			EL0, EM0	DDC		[52105021AB]
2	04505365	6	6, 7, 8			EL0, EM0	DG0		STUD [52105022AB]
		6	6, 7, 8			EL0, EM0	DDC		[52105021AB]
	04746253	6	6, 7, 8			EL0, EM0	DDC		[52105021]
		6	6, 7, 8			EL0, EM0	DG0		[52105022]
3	04219065	1	6, 7, 8			EL0, EM0	DDC		SNAP RING, Annulus Gear
		1	6, 7, 8			EL0, EM0	DG0		
4	06033172	6	6, 7, 8						NUT AND WASHER, Hex, .375-24
5	04886473AA	1	6, 7, 8			EL0, EM0	DDC		SCREW
		1	6, 7, 8			EL0, EM0	DG0		
6	53001101	1	6, 7, 8			EL0, EM0	DDC		SWITCH, Transfer Case
		1	6, 7, 8			EL0, EM0	DG0		
7	04338956	2	6, 7, 8			EL0, EM0	DG0		SEAL, Vacuum Switch
		2	6, 7, 8			EL0, EM0	DDC		
8	04338943	1	6, 7, 8			EL0, EM0	DDC		FILTER, Transfer Case Oil

RAM PICKUP/CLUB CAB (BE)

SERIES LINE
L = RAM 1500, 2500, 3500
1 = Lt. Duty DODGE 2WD
2 = Med. Duty DODGE 2WD
3 = HD DODGE 2WD
6 = Lt. Duty DODGE 4WD
7 = Med. Duty DODGE 4WD
8 = HD DODGE 4WD

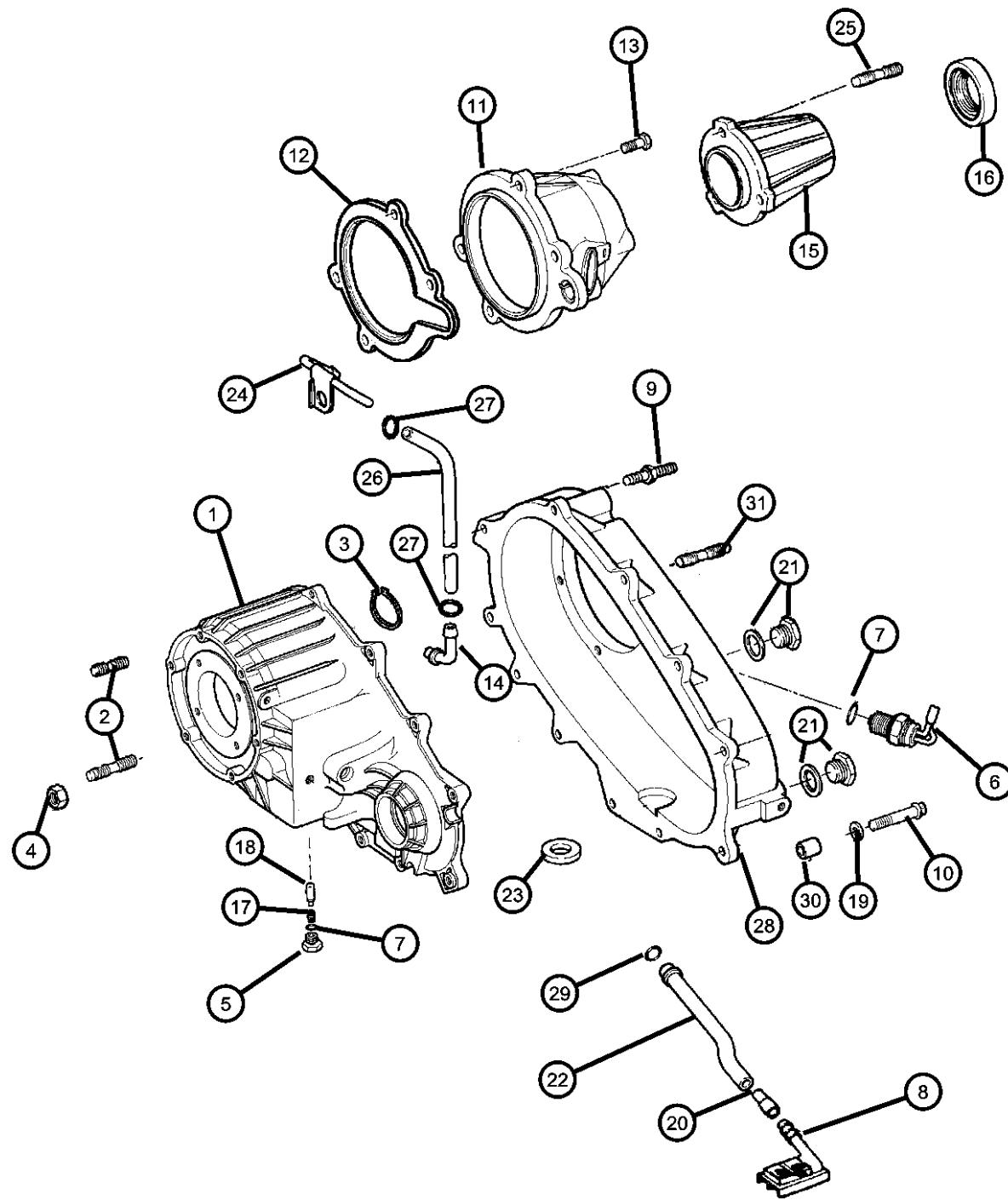
BODY
31 = CLUB CAB 2-DR 6.5 FT BOX
32 = CLUB CAB 2-DR 8FT BOX
33 = QUAD CAB 4-DR 6.5 FT BOX
34 = QUAD CAB 4-DR 8FT BOX
ENGINE
ETC = 5.9L Cummins 24V Diesel Engine
EWA = 8.0L V10 MPI Engine
EM0 = ALL 5.9L 8 CYL ENGINES - GAS
EMM = 5.9L SMPI V8 Engine
EML = 5.9L V8 MPI Engine
ELF = 5.2L V8 MPI Engine

TRANSMISSION
DGP = 4-Spd. Automatic 47RE Transmission
DD0 = ALL 5 SPEED MANUAL TRANSMISSIONS
DG0 = ALL AUTOMATIC TRANSMISSIONS
DDC = 5-Speed HD Manual Transmission
DDP = 5-Speed Manual Transmission
DDX = 5-Speed HD Manual Transmission
DEE = 6-Speed HD Manual Transmission
DGT = 4-Spd. Automatic 46RE Transmission

AR = use ase required - = Non illustrated part

1999 BE

Case and Related Parts 231 [DHK]
Figure 231-210



ITEM	PART NUMBER	QTY	LINE	SERIES	BODY	ENGINE	TRANS	TRIM	DESCRIPTION
9		1	6, 7, 8			ELO, EM0	DG0		BOLT, Transfer Case
	04210617	10	6, 7, 8			ELO, EM0	DDC		
		10	6, 7, 8			ELO, EM0	DG0		
10		2	6, 7, 8			ELO, EM0	DDC		BOLT, Hex Flange Head
	04210614	2	6, 7, 8			ELO, EM0	DDC		
		2	6, 7, 8			ELO, EM0	DG0		
11		1	6, 7, 8			ELO, EM0	DDC		RETAINER, Transfer Case Rear
	04897956AA	1	6, 7, 8			ELO, EM0	DDC		
		1	6, 7, 8			ELO, EM0	DG0		
12		1	6, 7, 8			ELO, EM0	DDC		GASKET, Transfer Case
	04897958AA	1	6, 7, 8			ELO, EM0	DDC		
		1	6, 7, 8			ELO, EM0	DG0		
13		9	6, 7, 8			ELO, EM0	DDC		BOLT
	06500318	9	6, 7, 8			ELO, EM0	DDC		
		9	6, 7, 8			ELO, EM0	DG0		
14		1	6, 7, 8			ELO, EM0	DDC		VENT, Transfer Case
	04796910	1	6, 7, 8			ELO, EM0	DDC		
		1	6, 7, 8			ELO, EM0	DG0		
	53007494	1	6, 7, 8						Hydrophobic
15	04746150	1	6, 7, 8			ELO, EM0	DDC		EXTENSION, Transfer Case
16		1	6, 7, 8			ELO, EM0	DDC		SEAL, Output Shaft
	04746258	1	6, 7, 8			ELO, EM0	DDC		
		1	6, 7, 8			ELO, EM0	DG0		
17		1	6, 7, 8			ELO, EM0	DDC		SPRING, Poppet
	04798257	1	6, 7, 8			ELO, EM0	DDC		
		1	6, 7, 8			ELO, EM0	DG0		
18									PLUNGER

RAM PICKUP/CLUB CAB (BE)

SERIES LINE
L = RAM 1500, 2500, 3500
1 = Lt. Duty DODGE 2WD
2 = Med. Duty DODGE 2WD
3 = HD DODGE 2WD
6 = Lt. Duty DODGE 4WD
7 = Med. Duty DODGE 4WD
8 = HD DODGE 4WD

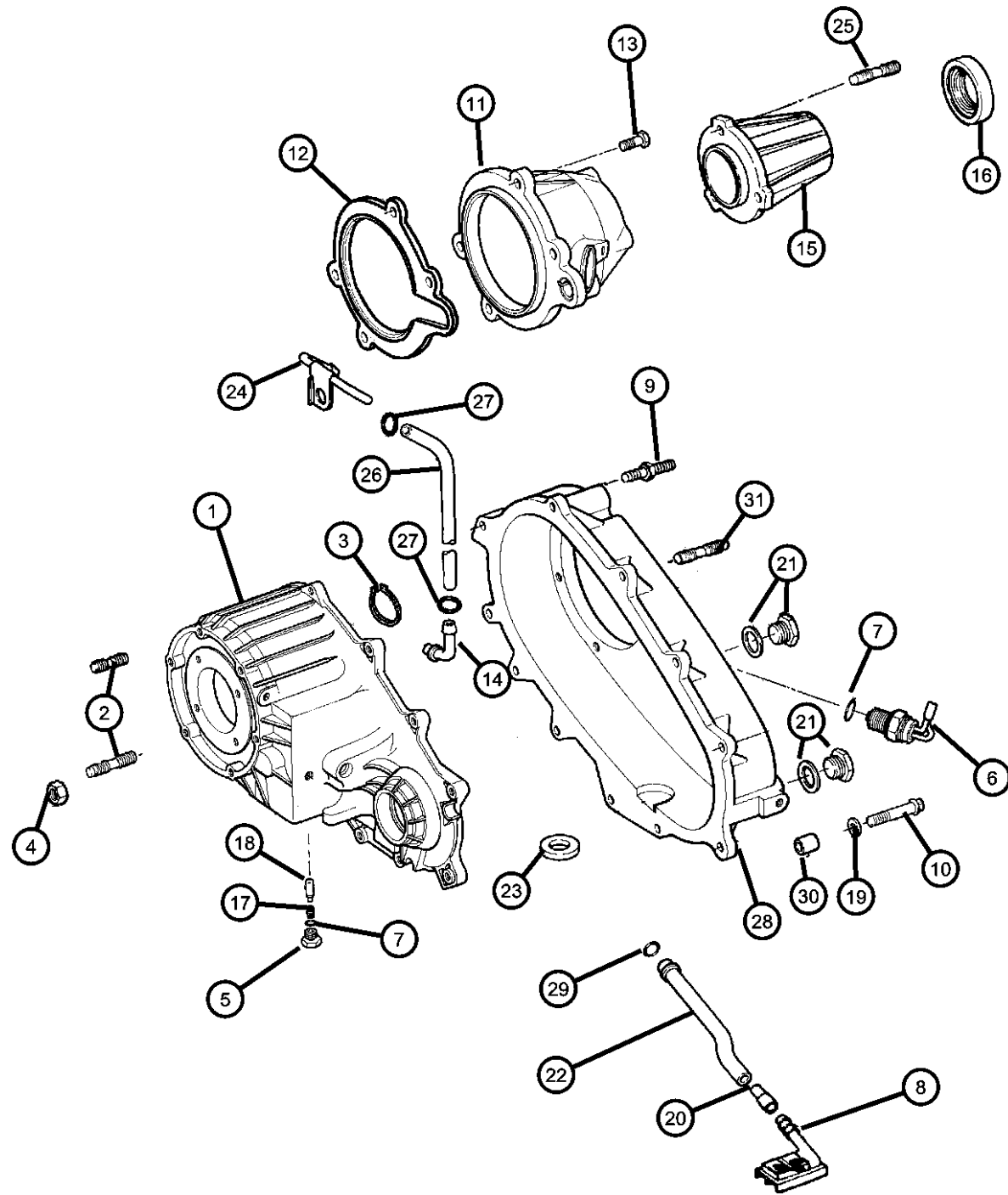
BODY
31 = CLUB CAB 2-DR 6.5 FT BOX
32 = CLUB CAB 2-DR 8FT BOX
33 = QUAD CAB 4-DR 6.5 FT BOX
34 = QUAD CAB 4-DR 8FT BOX
ENGINE
ETC = 5.9L Cummins 24V Diesel Engine
EWA = 8.0L V10 MPI Engine
EM0 = ALL 5.9L 8 CYL ENGINES - GAS
EMM = 5.9L SMPI V8 Engine
EML = 5.9L V8 MPI Engine
ELF = 5.2L V8 MPI Engine

TRANSMISSION
DGP = 4-Spd. Automatic 47RE Transmission
DD0 = ALL 5 SPEED MANUAL TRANSMISSIONS
DG0 = ALL AUTOMATIC TRANSMISSIONS
DDC = 5-Speed HD Manual Transmission
DDP = 5-Speed Manual Transmission
DDX = 5-Speed HD Manual Transmission
DEE = 6-Speed HD Manual Transmission
DGT = 4-Spd. Automatic 46RE Transmission

AR = use ase required - = Non illustrated part

1999 BE

Case and Related Parts 231 [DHK]
Figure 231-210



ITEM	PART NUMBER	QTY	LINE	SERIES	BODY	ENGINE	TRANS	TRIM	DESCRIPTION
	53008217	1	6, 7, 8			ELO, EMO	DDC		
		1	6, 7, 8			ELO, EMO	DG0		WASHER, Flat
19	04210983	2	6, 7, 8			ELO, EMO	DDC		
		2	6, 7, 8			ELO, EMO	DG0		CONNECTOR, Oil Tube Pickup
20	04338944	1	6, 7, 8			ELO, EMO	DDC		
		1	6, 7, 8			ELO, EMO	DG0		PLUG, Oil Fill
21	04856641	2	6, 7, 8			ELO, EMO	DDC		
		2	6, 7, 8			ELO, EMO	DG0		TUBE, Oil Pickup
22	04338941	1	6, 7, 8			ELO, EMO	DDC		
		1	6, 7, 8			ELO, EMO	DG0		MAGNET, Transmission
23	03681601	1	6, 7, 8			ELO, EMO	DDC		
		1	6, 7, 8			ELO, EMO	DG0		TUBE, Transfer Case Vent, (NOT SERVICED)
24		1							BOLT, Transfer Case
25	04210617	10	6, 7, 8			ELO, EMO	DDC		
		10	6, 7, 8			ELO, EMO	DG0		
26	04443176	1	6, 7, 8						HOSE, Fuel, .31 I.D. 50 Foot Roll
27	04443176	1							CLAMP, Oil Cooler Line, (NOT SERVICED)
28	04741242	1	6, 7, 8			ELO, EMO	DDC		CASE, Transfer Rear
		1	6, 7, 8			ELO, EMO	DG0		
29									SEAL, Oil

RAM PICKUP/CLUB CAB (BE)

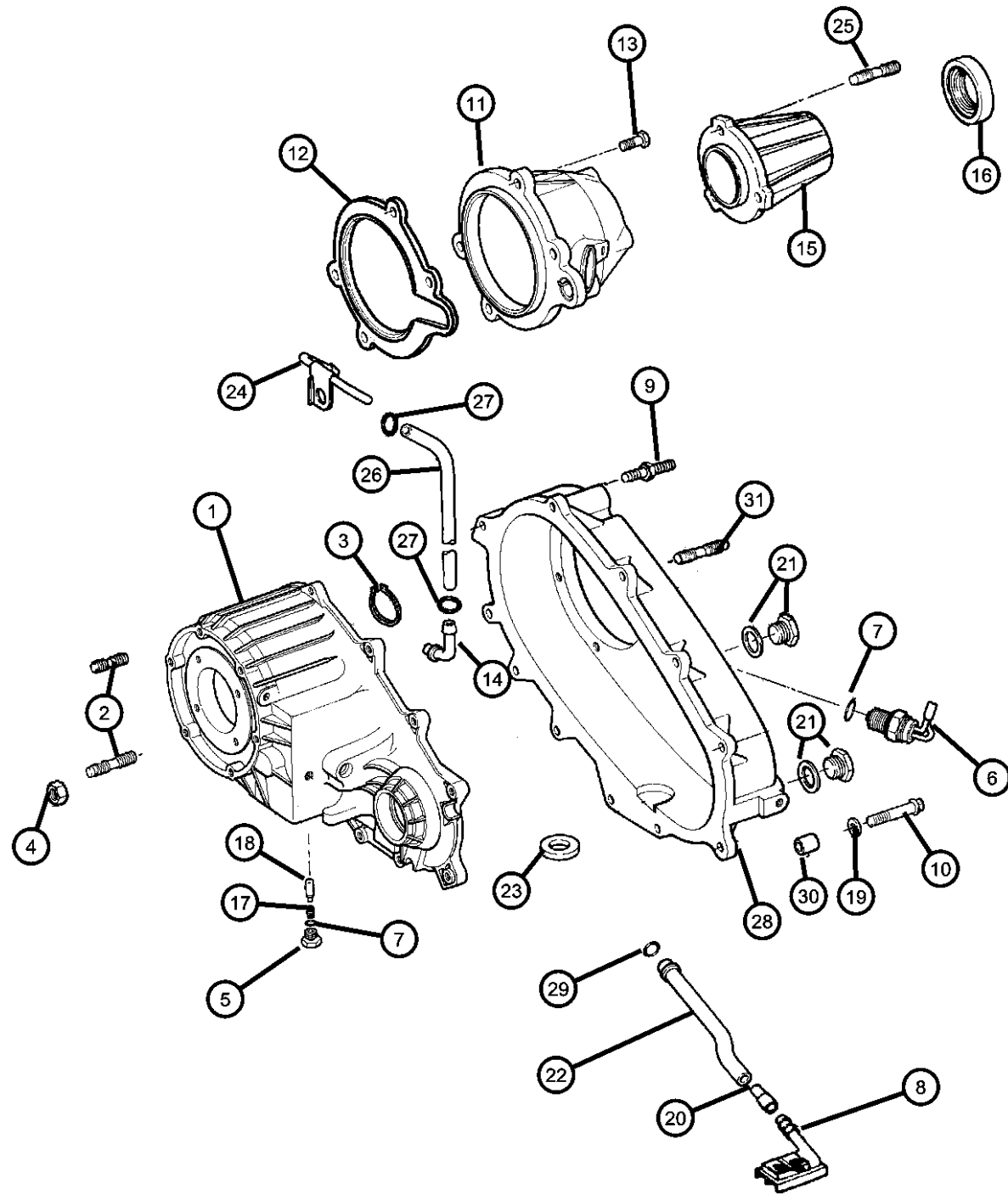
SERIES	LINE
L = RAM 1500, 2500, 3500	1 = Lt. Duty DODGE 2WD
	2 = Med. Duty DODGE 2WD
	3 = HD DODGE 2WD
	6 = Lt. Duty DODGE 4WD
	7 = Med. Duty DODGE 4WD
	8 = HD DODGE 4WD

BODY	ENGINE	TRANSMISSION
31 = CLUB CAB 2-DR 6.5 FT BOX	ETC = 5.9L Cummins 24V Diesel Engine	DGP = 4-Spd. Automatic 47RE Transmission
32 = CLUB CAB 2-DR 8FT BOX	EWA = 8.0L V10 MPI Engine	DD0 = ALL 5 SPEED MANUAL TRANSMISSIONS
33 = QUAD CAB 4-DR 6.5 FT BOX	EM0 = ALL 5.9L 8 CYL ENGINES - GAS	DG0 = ALL AUTOMATIC TRANSMISSIONS
34 = QUAD CAB 4-DR 8FT BOX	EMM = 5.9L SMPI V8 Engine	DDC = 5-Speed HD Manual Transmission
	EML = 5.9L V8 MPI Engine	DDP = 5-Speed Manual Transmission
	ELF = 5.2L V8 MPI Engine	DDX = 5-Speed HD Manual Transmission
		DEE = 6-Speed HD Manual Transmission
		DGT = 4-Spd. Automatic 46RE Transmission

AR = use ase required - = Non illustrated part

1999 BE

**Case and Related Parts 231 [DHK]
Figure 231-210**



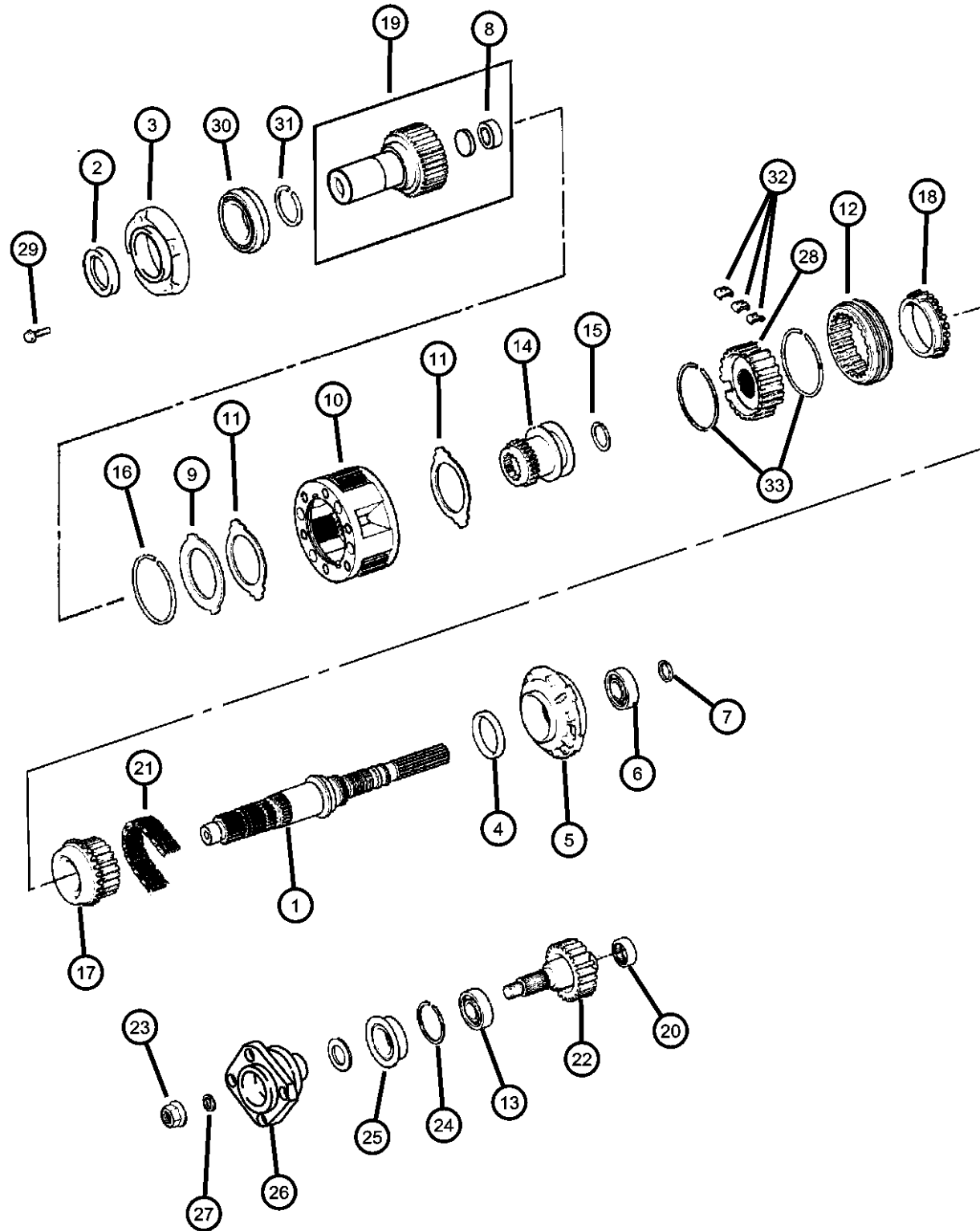
ITEM	PART NUMBER	QTY	LINE	SERIES	BODY	ENGINE	TRANS	TRIM	DESCRIPTION
	04338942	1	6, 7, 8			ELO, EMO	DDC		
		1	6, 7, 8			ELO, EMO	DG0		
30	04116310	2	6, 7, 8			ELO, EMO	DDC		DOWEL, Transfer Case
		2	6, 7, 8			ELO, EMO	DG0		
31	05016563AA	1	6, 7, 8			ELO, EMO	DG0		BOLT, Transfer Case
		1	6, 7, 8			ELO, EMO	DDC		

RAM PICKUP/CLUB CAB (BE)

SERIES	LINE	BODY	ENGINE	TRANSMISSION
L = RAM 1500, 2500, 3500	1 = Lt. Duty DODGE 2WD 2 = Med. Duty DODGE 2WD 3 = HD DODGE 2WD 6 = Lt. Duty DODGE 4WD 7 = Med. Duty DODGE 4WD 8 = HD DODGE 4WD	31 = CLUB CAB 2-DR 6.5 FT BOX 32 = CLUB CAB 2-DR 8FT BOX 33 = QUAD CAB 4-DR 6.5 FT BOX 34 = QUAD CAB 4-DR 8FT BOX	ETC = 5.9L Cummins 24V Diesel Engine EWA = 8.0L V10 MPI Engine EM0 = ALL 5.9L 8 CYL ENGINES - GAS EMM = 5.9L SMPI V8 Engine EML = 5.9L V8 MPI Engine ELF = 5.2L V8 MPI Engine	DGP = 4-Spd. Automatic 47RE Transmission DD0 = ALL 5 SPEED MANUAL TRANSMISSIONS DG0 = ALL AUTOMATIC TRANSMISSIONS DDC = 5-Speed HD Manual Transmission DDP = 5-Speed Manual Transmission DDX = 5-Speed HD Manual Transmission DEE = 6-Speed HD Manual Transmission DGT = 4-Spd. Automatic 46RE Transmission

AR = use ase required - = Non illustrated part

**Gear Train 231 [DHK]
Figure 231-410**



ITEM	PART NUMBER	QTY	LINE	SERIES	BODY	ENGINE	TRANS	TRIM	DESCRIPTION
1	04797022	1	6, 7, 8			EL0, EM0	DDC		MAINSHAFT, Transfer Case
		1	6, 7, 8			EL0, EM0	DG0		
2	04167929	1	6, 7, 8			EL0, EM0	DDC		SEAL, Input Gear
		1	6, 7, 8			EL0, EM0	DG0		
3	04338973	1	6, 7, 8			EL0, EM0	DDC		EXTENSION, Transfer Case
		1	6, 7, 8			EL0, EM0	DG0		
4	04210603	1	6, 7, 8			EL0, EM0	DDC		SEAL, Main Shaft
		1	6, 7, 8			EL0, EM0	DG0		
5	04338936	1	6, 7, 8			EL0, EM0	DDC		PUMP, Transfer Case Oil
		1	6, 7, 8			EL0, EM0	DG0		
6	04897981AA	1	6, 7, 8			EL0, EM0	DDC		BEARING, Output Shaft
		1	6, 7, 8			EL0, EM0	DG0		
7	06025755	1	6, 7, 8			EL0, EM0	DDC		SNAP RING, 1.28 ID
		1	6, 7, 8			EL0, EM0	DG0		
8	83503507	1	6, 7, 8			EL0, EM0	DDC		BEARING, Input Shaft
		1	6, 7, 8			EL0, EM0	DG0		
9									RING

RAM PICKUP/CLUB CAB (BE)

SERIES LINE
 L = RAM 1500, 2500, 3500
 1 = Lt. Duty DODGE 2WD
 2 = Med. Duty DODGE 2WD
 3 = HD DODGE 2WD
 6 = Lt. Duty DODGE 4WD
 7 = Med. Duty DODGE 4WD
 8 = HD DODGE 4WD

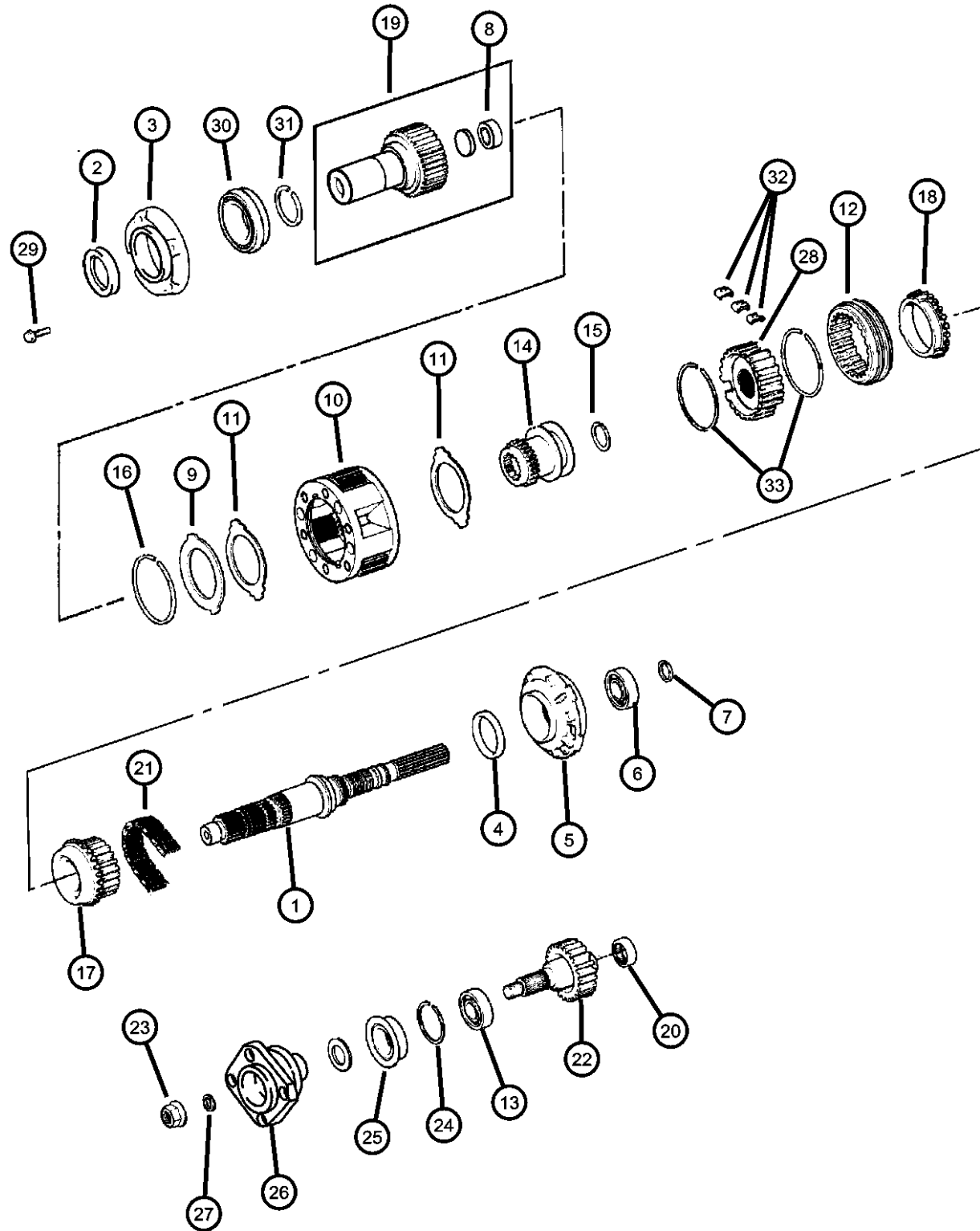
BODY
 31 = CLUB CAB 2-DR 6.5 FT BOX
 32 = CLUB CAB 2-DR 8FT BOX
 33 = QUAD CAB 4-DR 6.5 FT BOX
 34 = QUAD CAB 4-DR 8FT BOX
 ENGINE
 ETC = 5.9L Cummins 24V Diesel Engine
 EWA = 8.0L V10 MPI Engine
 EM0 = ALL 5.9L 8 CYL ENGINES - GAS
 EMM = 5.9L SMPI V8 Engine
 EML = 5.9L V8 MPI Engine
 ELF = 5.2L V8 MPI Engine

TRANSMISSION
 DGP = 4-Spd. Automatic 47RE Transmission
 DD0 = ALL 5 SPEED MANUAL TRANSMISSIONS
 DG0 = ALL AUTOMATIC TRANSMISSIONS
 DDC = 5-Speed HD Manual Transmission
 DDP = 5-Speed Manual Transmission
 DDX = 5-Speed HD Manual Transmission
 DEE = 6-Speed HD Manual Transmission
 DGT = 4-Spd. Automatic 46RE Transmission

AR = use ase required - = Non illustrated part

1999 BE

**Gear Train 231 [DHK]
Figure 231-410**



ITEM	PART NUMBER	QTY	LINE	SERIES	BODY	ENGINE	TRANS	TRIM	DESCRIPTION
	04338909	1	6, 7, 8			ELO, EMO	DDC		
		1	6, 7, 8			ELO, EMO	DG0		
10	04796903	1	6, 7, 8			ELO, EMO	DDC		PLANETARY, Transfer Case
		1	6, 7, 8			ELO, EMO	DG0		
11	04338908	2	6, 7, 8			ELO, EMO	DDC		THRUST WASHER, Planetary Carrier
		2	6, 7, 8			ELO, EMO	DG0		
12	04746144	1	6, 7, 8			ELO, EMO	DDC		SLEEVE, Synchronizer
		1	6, 7, 8			ELO, EMO	DG0		
13	04338892	1	6, 7, 8			ELO, EMO	DDC		BEARING
		1	6, 7, 8			ELO, EMO	DG0		
14	04797013	1	6, 7, 8			ELO, EMO	DDC		SLEEVE, Range Fork
		1	6, 7, 8			ELO, EMO	DDC		[52105021]
		1	6, 7, 8			ELO, EMO	DDC		[52105021AB]
	04897955AA	1	6, 7, 8			ELO, EMO	DG0		[52105022]
		1	6, 7, 8			ELO, EMO	DG0		[52105022AB]
15	04338933	1	6, 7, 8			ELO, EMO	DDC		SNAP RING
		1	6, 7, 8			ELO, EMO	DG0		
16	04338910	1	6, 7, 8			ELO, EMO	DDC		SNAP RING
		1	6, 7, 8			ELO, EMO	DG0		
17	04797023	1	6, 7, 8			ELO, EMO	DDC		SPROCKET, Transfer Case

RAM PICKUP/CLUB CAB (BE)

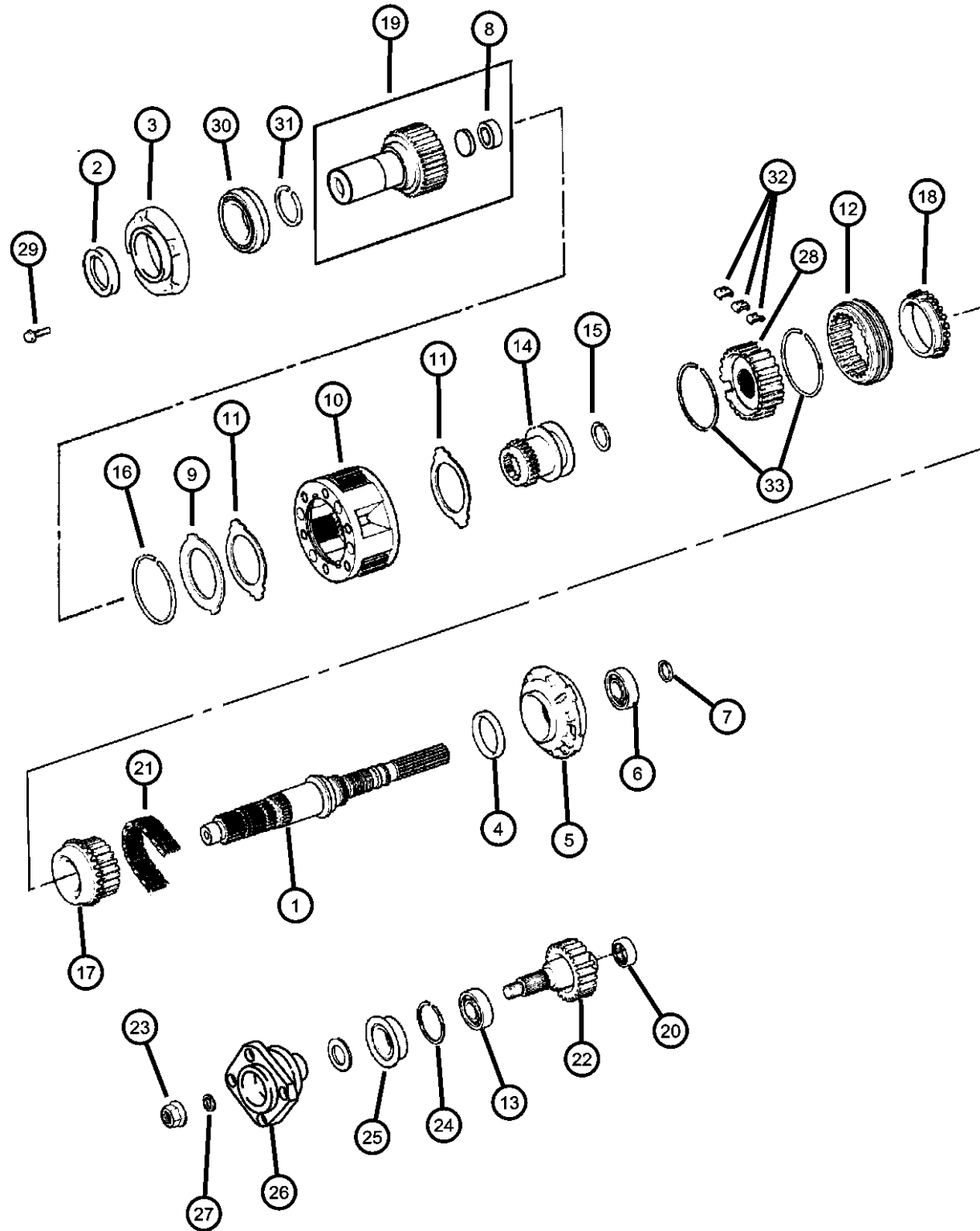
SERIES LINE
 L = RAM 1500, 2500, 3500
 1 = Lt. Duty DODGE 2WD
 2 = Med. Duty DODGE 2WD
 3 = HD DODGE 2WD
 6 = Lt. Duty DODGE 4WD
 7 = Med. Duty DODGE 4WD
 8 = HD DODGE 4WD

BODY
 31 = CLUB CAB 2-DR 6.5 FT BOX
 32 = CLUB CAB 2-DR 8FT BOX
 33 = QUAD CAB 4-DR 6.5 FT BOX
 34 = QUAD CAB 4-DR 8FT BOX
 ENGINE
 ETC = 5.9L Cummins 24V Diesel Engine
 EWA = 8.0L V10 MPI Engine
 EMO = ALL 5.9L 8 CYL ENGINES - GAS
 EMM = 5.9L SMPI V8 Engine
 EML = 5.9L V8 MPI Engine
 ELF = 5.2L V8 MPI Engine

TRANSMISSION
 DGP = 4-Spd. Automatic 47RE Transmission
 DD0 = ALL 5 SPEED MANUAL TRANSMISSIONS
 DG0 = ALL AUTOMATIC TRANSMISSIONS
 DDC = 5-Speed HD Manual Transmission
 DDP = 5-Speed Manual Transmission
 DDX = 5-Speed HD Manual Transmission
 DEE = 6-Speed HD Manual Transmission
 DGT = 4-Spd. Automatic 46RE Transmission

AR = use ase required - = Non illustrated part

**Gear Train 231 [DHK]
Figure 231-410**



ITEM	PART NUMBER	QTY	LINE	SERIES	BODY	ENGINE	TRANS	TRIM	DESCRIPTION
18		1	6, 7, 8			ELO, EM0	DG0		RING, Blocker
	04746139	1	6, 7, 8			ELO, EM0	DDC		
		1	6, 7, 8			ELO, EM0	DG0		
19		1	6, 7, 8			ELO, EM0	DDC		GEAR, Input
	04796965	1	6, 7, 8			ELO, EM0	DDC		[52105021]
	04897953AA	1	6, 7, 8			ELO, EM0	DG0		[52105022]
	05015432AA	1	6, 7, 8			ELO, EM0	DG0		[52105022AB]
	05015441AA	1	6, 7, 8			ELO, EM0	DDC		[52105021AB]
20		1	6, 7, 8			ELO, EM0	DDC		BEARING, Output Shaft
	04269189	1	6, 7, 8			ELO, EM0	DDC		
		1	6, 7, 8			ELO, EM0	DG0		
21		1	6, 7, 8			ELO, EM0	DDC		CHAIN, Transfer Case
	04636961	1	6, 7, 8			ELO, EM0	DDC		
		1	6, 7, 8			ELO, EM0	DG0		
22		1	6, 7, 8			ELO, EM0	DDC		OUTPUT SHAFT, Transfer Case
	04636965	1	6, 7, 8			ELO, EM0	DDC		
		1	6, 7, 8			ELO, EM0	DG0		
23		1	6, 7, 8			ELO, EM0	DDC		NUT, Hex Flange
	04446488	1	6, 7, 8			ELO, EM0	DDC		
		1	6, 7, 8			ELO, EM0	DG0		
24		1	6, 7, 8			ELO, EM0	DDC		SNAP RING, Bearing
	04338894	1	6, 7, 8			ELO, EM0	DDC		
		1	6, 7, 8			ELO, EM0	DG0		
25		1	6, 7, 8			ELO, EM0	DDC		SEAL
	04798112	1	6, 7, 8			ELO, EM0	DDC		
		1	6, 7, 8			ELO, EM0	DG0		
26		1	6, 7, 8			ELO, EM0	DDC		YOKE, Transfer Case

RAM PICKUP/CLUB CAB (BE)

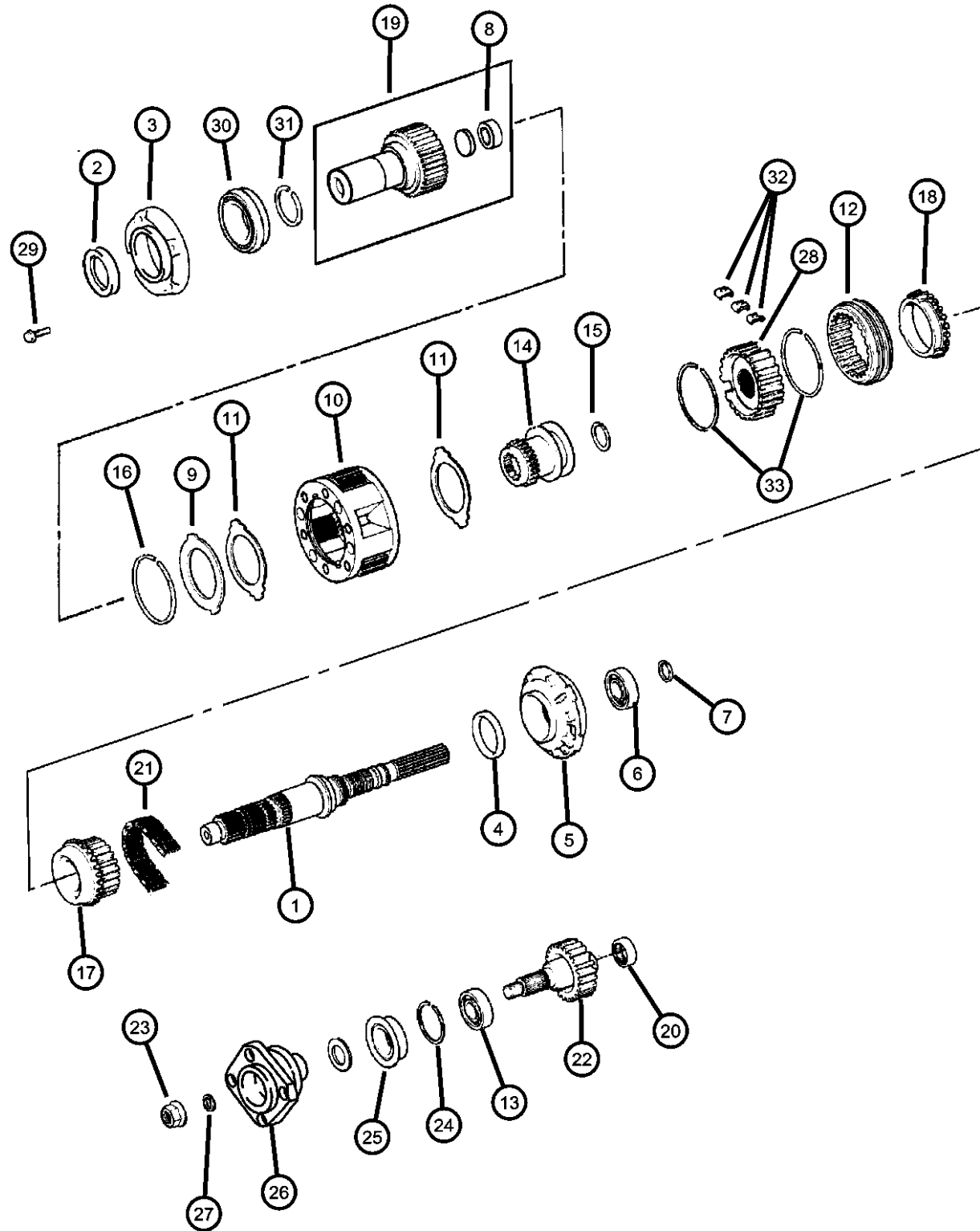
SERIES	LINE
L = RAM 1500, 2500, 3500	1 = Lt. Duty DODGE 2WD
	2 = Med. Duty DODGE 2WD
	3 = HD DODGE 2WD
	6 = Lt. Duty DODGE 4WD
	7 = Med. Duty DODGE 4WD
	8 = HD DODGE 4WD

BODY	ENGINE
31 = CLUB CAB 2-DR 6.5 FT BOX	ETC = 5.9L Cummins 24V Diesel Engine
32 = CLUB CAB 2-DR 8FT BOX	EWA = 8.0L V10 MPI Engine
33 = QUAD CAB 4-DR 6.5 FT BOX	EM0 = ALL 5.9L 8 CYL ENGINES - GAS
34 = QUAD CAB 4-DR 8FT BOX	EMM = 5.9L SMPI V8 Engine
	EML = 5.9L V8 MPI Engine
	ELF = 5.2L V8 MPI Engine

TRANSMISSION
DGP = 4-Spd. Automatic 47RE Transmission
DD0 = ALL 5 SPEED MANUAL TRANSMISSIONS
DG0 = ALL AUTOMATIC TRANSMISSIONS
DDC = 5-Speed HD Manual Transmission
DDP = 5-Speed Manual Transmission
DDX = 5-Speed HD Manual Transmission
DEE = 6-Speed HD Manual Transmission
DGT = 4-Spd. Automatic 46RE Transmission

AR = use ase required - = Non illustrated part

**Gear Train 231 [DHK]
Figure 231-410**



ITEM	PART NUMBER	QTY	LINE	SERIES	BODY	ENGINE	TRANS	TRIM	DESCRIPTION
	04897960AA	1	6, 7, 8			ELO, EM0	DDC		
		1	6, 7, 8			ELO, EM0	DG0		
27									WASHER, Flat
	04446487	1	6, 7, 8			ELO, EM0	DDC		
		1	6, 7, 8			ELO, EM0	DG0		
28									HUB, Synchronizer
	04746143	1	6, 7, 8			ELO, EM0	DDC		
		1	6, 7, 8			ELO, EM0	DG0		
29									BOLT
	06500318	9	6, 7, 8			ELO, EM0	DDC		
		9	6, 7, 8			ELO, EM0	DG0		
30									BEARING, Input Gear
	04338891	1	6, 7, 8			ELO, EM0	DG0		[52105022AB]
		1	6, 7, 8			ELO, EM0	DDC		[52105021AB]
	04746155	1	6, 7, 8			ELO, EM0	DDC		[52105021]
		1	6, 7, 8			ELO, EM0	DG0		[52105022]
31									SNAP RING
	03821558	1	6, 7, 8			ELO, EM0	DDC		
		1	6, 7, 8			ELO, EM0	DG0		
32									KEY, Synchronizer
	04746137	3	6, 7, 8			ELO, EM0	DG0		
		3	6, 7, 8			ELO, EM0	DDC		
33									SPRING, Synchronizer
	04746138	2	6, 7, 8			ELO, EM0	DDP		
		2	6, 7, 8			ELO, EM0	DG0		

RAM PICKUP/CLUB CAB (BE)

SERIES LINE
L = RAM 1500, 2500, 3500
1 = Lt. Duty DODGE 2WD
2 = Med. Duty DODGE 2WD
3 = HD DODGE 2WD
6 = Lt. Duty DODGE 4WD
7 = Med. Duty DODGE 4WD
8 = HD DODGE 4WD

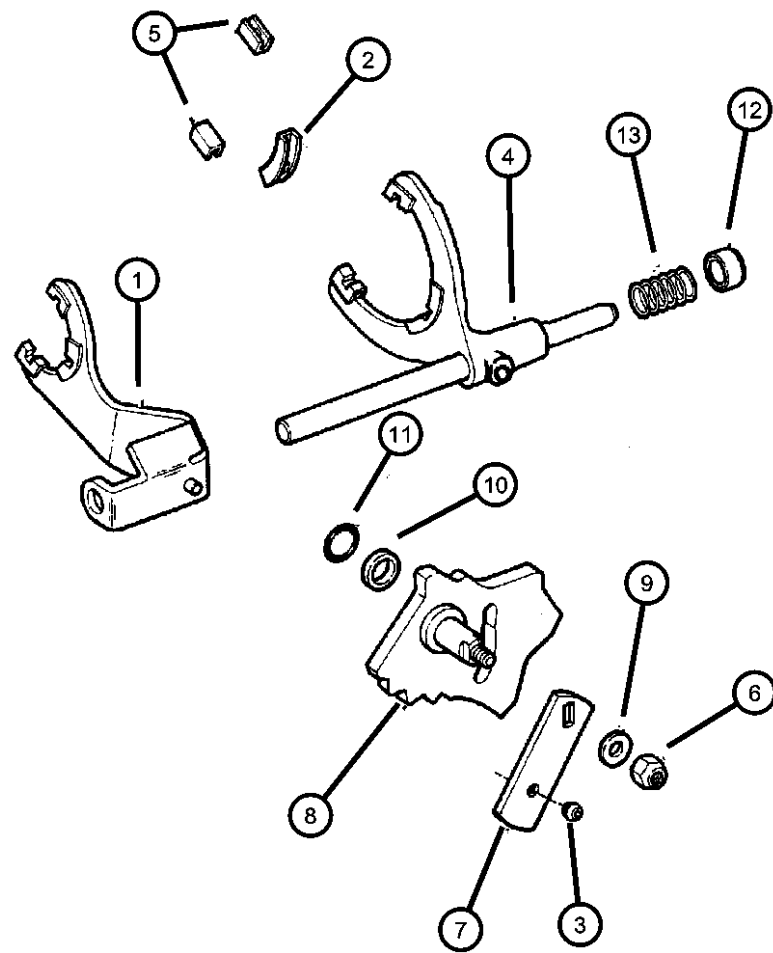
BODY
31 = CLUB CAB 2-DR 6.5 FT BOX
32 = CLUB CAB 2-DR 8FT BOX
33 = QUAD CAB 4-DR 6.5 FT BOX
34 = QUAD CAB 4-DR 8FT BOX

ENGINE
ETC = 5.9L Cummins 24V Diesel Engine
EWA = 8.0L V10 MPI Engine
EM0 = ALL 5.9L 8 CYL ENGINES - GAS
EMM = 5.9L SMPI V8 Engine
EML = 5.9L V8 MPI Engine
ELF = 5.2L V8 MPI Engine

TRANSMISSION
DGP = 4-Spd. Automatic 47RE Transmission
DD0 = ALL 5 SPEED MANUAL TRANSMISSIONS
DG0 = ALL AUTOMATIC TRANSMISSIONS
DDC = 5-Speed HD Manual Transmission
DDP = 5-Speed Manual Transmission
DDX = 5-Speed HD Manual Transmission
DEE = 6-Speed HD Manual Transmission
DGT = 4-Spd. Automatic 46RE Transmission

AR = use ase required - = Non illustrated part

Forks, Rails, Miscellaneous 231 [DHK]
Figure 231-910



ITEM	PART NUMBER	QTY	LINE	SERIES	BODY	ENGINE	TRANS	TRIM	DESCRIPTION
NOTES: Sales Codes [DDC] = 5 Speed Heavy Duty Manual Transmission [ELO] = All 5.2L 8 Cylinder Gas Engines [EM0] = All 5.9L 8 Cylinder Gas Engines									
1	04798136	1	6, 7, 8			ELO, EM0	DDC		FORK, Range
		1	6, 7, 8			ELO, EM0	DG0		
2	04746140	1	6, 7, 8			ELO, EM0	DDC		PAD, Shift Fork
		1	6, 7, 8			ELO, EM0	DG0		
3	03467791	1	6, 7, 8			ELO, EM0	DDC		GROMMET, Shift Lever
		1	6, 7, 8			ELO, EM0	DG0		
4	04746136	1	6, 7, 8			ELO, EM0	DDC		FORK, Mode
		1	6, 7, 8			ELO, EM0	DG0		
5	04167969	2	6, 7, 8			ELO, EM0	DDC		PAD, Shift Fork
		2	6, 7, 8			ELO, EM0	DG0		
6	00152345	1	6, 7, 8			ELO, EM0	DDC		NUT, Hex Flange Lock
		1	6, 7, 8			ELO, EM0	DG0		
7	04897959AA	1	6, 7, 8			ELO, EM0	DDC		LEVER, Transfer Case
		1	6, 7, 8			ELO, EM0	DG0		
8	04897952AA	1	6, 7, 8			ELO, EM0	DDC		SECTOR, Transfer Case
		1	6, 7, 8			ELO, EM0	DG0		
9									WASHER, Flat

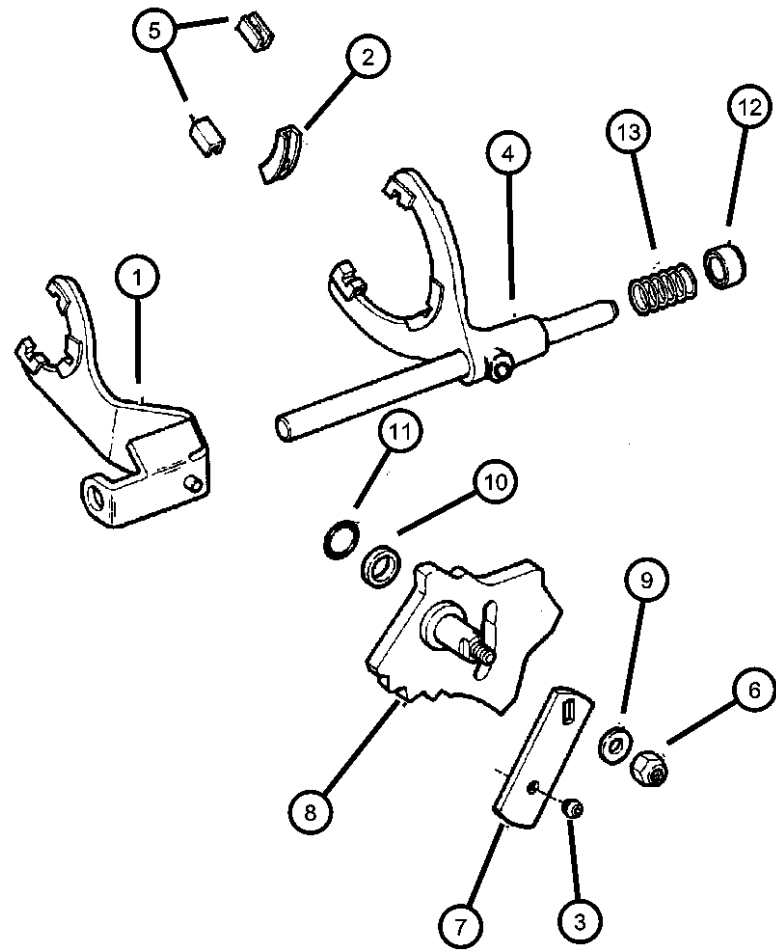
RAM PICKUP/CLUB CAB (BE)

SERIES	LINE	BODY	ENGINE	TRANSMISSION
L = RAM 1500, 2500, 3500	1 = Lt. Duty DODGE 2WD 2 = Med. Duty DODGE 2WD 3 = HD DODGE 2WD 6 = Lt. Duty DODGE 4WD 7 = Med. Duty DODGE 4WD 8 = HD DODGE 4WD	31 = CLUB CAB 2-DR 6.5 FT BOX 32 = CLUB CAB 2-DR 8FT BOX 33 = QUAD CAB 4-DR 6.5 FT BOX 34 = QUAD CAB 4-DR 8FT BOX	ETC = 5.9L Cummins 24V Diesel Engine EWA = 8.0L V10 MPI Engine EM0 = ALL 5.9L 8 CYL ENGINES - GAS EMM = 5.9L SMPI V8 Engine EML = 5.9L V8 MPI Engine ELF = 5.2L V8 MPI Engine	DGP = 4-Spd. Automatic 47RE Transmission DD0 = ALL 5 SPEED MANUAL TRANSMISSIONS DG0 = ALL AUTOMATIC TRANSMISSIONS DDC = 5-Speed HD Manual Transmission DDP = 5-Speed Manual Transmission DDX = 5-Speed HD Manual Transmission DEE = 6-Speed HD Manual Transmission DGT = 4-Spd. Automatic 46RE Transmission

AR = use ase required - = Non illustrated part

1999 BE

Forks, Rails, Miscellaneous 231 [DHK]
Figure 231-910



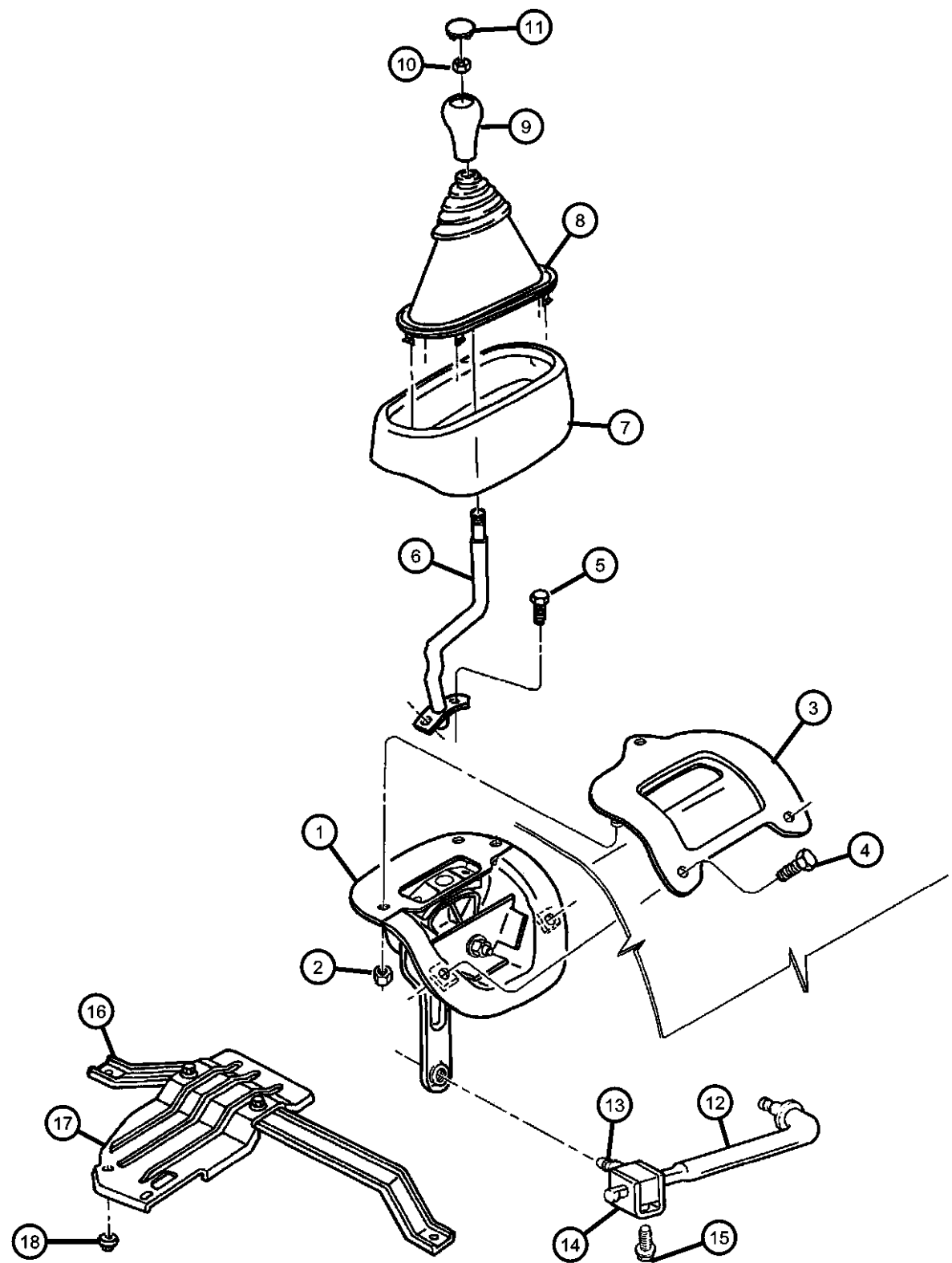
ITEM	PART NUMBER	QTY	LINE	SERIES	BODY	ENGINE	TRANS	TRIM	DESCRIPTION
	S2436163	1	6, 7, 8			ELO, EM0	DDC		
		1	6, 7, 8			ELO, EM0	DG0		
10									RETAINER, Rear Clutch
	04167964	1	6, 7, 8			ELO, EM0	DDC		
		1	6, 7, 8			ELO, EM0	DG0		
11									SEAL, O-Ring
	04167963	1	6, 7, 8			ELO, EM0	DDC		
		1	6, 7, 8			ELO, EM0	DG0		
12									CUP, Shift Fork Spring
	83503515	1	6, 7, 8			ELO, EM0	DDC		
		1	6, 7, 8			ELO, EM0	DG0		
13									SPRING, Mode Fork
	00013816	1	6, 7, 8			ELO, EM0	DDC		
		1	6, 7, 8			ELO, EM0	DG0		

RAM PICKUP/CLUB CAB (BE)

SERIES	LINE	BODY	ENGINE	TRANSMISSION
L = RAM 1500, 2500, 3500	1 = Lt. Duty DODGE 2WD 2 = Med. Duty DODGE 2WD 3 = HD DODGE 2WD 6 = Lt. Duty DODGE 4WD 7 = Med. Duty DODGE 4WD 8 = HD DODGE 4WD	31 = CLUB CAB 2-DR 6.5 FT BOX 32 = CLUB CAB 2-DR 8FT BOX 33 = QUAD CAB 4-DR 6.5 FT BOX 34 = QUAD CAB 4-DR 8FT BOX	ETC = 5.9L Cummins 24V Diesel Engine EWA = 8.0L V10 MPI Engine EM0 = ALL 5.9L 8 CYL ENGINES - GAS EMM = 5.9L SMPI V8 Engine EML = 5.9L V8 MPI Engine ELF = 5.2L V8 MPI Engine	DGP = 4-Spd. Automatic 47RE Transmission DD0 = ALL 5 SPEED MANUAL TRANSMISSIONS DG0 = ALL AUTOMATIC TRANSMISSIONS DDC = 5-Speed HD Manual Transmission DDP = 5-Speed Manual Transmission DDX = 5-Speed HD Manual Transmission DEE = 6-Speed HD Manual Transmission DGT = 4-Spd. Automatic 46RE Transmission

AR = use ase required - = Non illustrated part

**Controls, Transfer Case 231 [DHK]
Figure 231-1210**



ITEM	PART NUMBER	QTY	LINE	SERIES	BODY	ENGINE	TRANS	TRIM	DESCRIPTION
------	-------------	-----	------	--------	------	--------	-------	------	-------------

NOTES: Sales Codes
 [DDC] = 5 Speed Heavy Duty Manual Transmission
 [DG0] = All Automatic Transmissions
 [EL0] = All 5.2L 8 Cylinder Gas Engines
 [EM0] = All 5.9L 8 Cylinder Gas Engines

1	52105214AE	1	6, 7, 8						SHIFTER, Transfer Case
2	06101467	2	6, 7, 8						NUT, Hex Flange, M8x1.25
3	52105216AB	1	6, 7, 8						RING
4	06502064	2	6, 7, 8						SCREW, Tapping, M6x1x20
5	06101727	2	6, 7, 8						BOLT, Hex Head
6	52105005	1	6, 7, 8						LEVER, Transfer Case
7									BEZEL, Transfer Case
	5FB39LAZAB	1	6, 7, 8				DG0		Agate
	5FB39RC8AB	1	6, 7, 8				DG0		Dark Cirrus
	5FB39VK9AB	1	6, 7, 8				DG0		Dark Suede
8	52105059AB	1	6, 7, 8						BOOT, Gearshift
9	52104174	1	6, 7, 8						KNOB, Gearshift
10	06502556	1	6, 7, 8						NUT, Hex, M10-1.5
11	52105001	1							INSERT, Gearshift Knob
12	52105006	1					DDC, DG0		ROD, Gear Shift Control, Transfer Case
13	03467790	1					DDC, DG0		SWIVEL, Gearshift Control Rod
14	04377309	1					DDC, DG0		CLAMP, Shift Rod
15	00181086	1							BOLT, Hex Head, .312-18x.75
16	52058673	1	6, 7, 8						CROSSMEMBER, Skid Plate, With S/C XEF
17	52058674AB	1	6, 7, 8						SKID PLATE, Front, With S/C XEF
18	06101340	2	6, 7, 8						U-NUT, M10-1.50, With S/C XEF
-19	06101340	2							BOLT, Hex Head, (NOT SERVICED)

RAM PICKUP/CLUB CAB (BE)

SERIES	LINE	BODY	ENGINE	TRANSMISSION
L = RAM 1500, 2500, 3500	1 = Lt. Duty DODGE 2WD 2 = Med. Duty DODGE 2WD 3 = HD DODGE 2WD 6 = Lt. Duty DODGE 4WD 7 = Med. Duty DODGE 4WD 8 = HD DODGE 4WD	31 = CLUB CAB 2-DR 6.5 FT BOX 32 = CLUB CAB 2-DR 8FT BOX 33 = QUAD CAB 4-DR 6.5 FT BOX 34 = QUAD CAB 4-DR 8FT BOX	ETC = 5.9L Cummins 24V Diesel Engine EWA = 8.0L V10 MPI Engine EM0 = ALL 5.9L 8 CYL ENGINES - GAS EMM = 5.9L SMPI V8 Engine EML = 5.9L V8 MPI Engine ELF = 5.2L V8 MPI Engine	DGP = 4-Spd. Automatic 47RE Transmission DD0 = ALL 5 SPEED MANUAL TRANSMISSIONS DG0 = ALL AUTOMATIC TRANSMISSIONS DDC = 5-Speed HD Manual Transmission DDP = 5-Speed Manual Transmission DDX = 5-Speed HD Manual Transmission DEE = 6-Speed HD Manual Transmission DGT = 4-Spd. Automatic 46RE Transmission

AR = use ase required - = Non illustrated part

Group - 241

Transfer Case Model 241 [DHE, DHG, DHH]

Group - 241 Transfer Case Model 241 [DHE, DHG, DHH]

Illustration Title

Group-Fig. No.

Transfer Case Assembly

Transfer Case 241 [DHH],[DHG] Fig. 241 - 110

Case and Related Parts

Case and Related Parts 241 [DHH],[DHG] Fig. 241 - 210

Gear Train

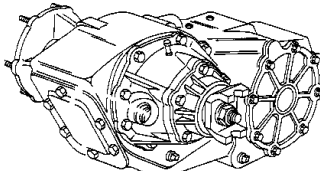

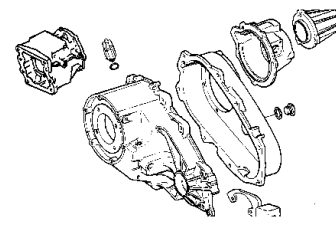
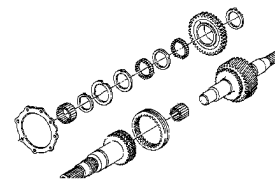
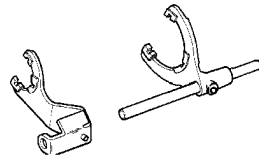
Gear Train 241 [DHH],[DHG] Fig. 241 - 410

Fork and Rails

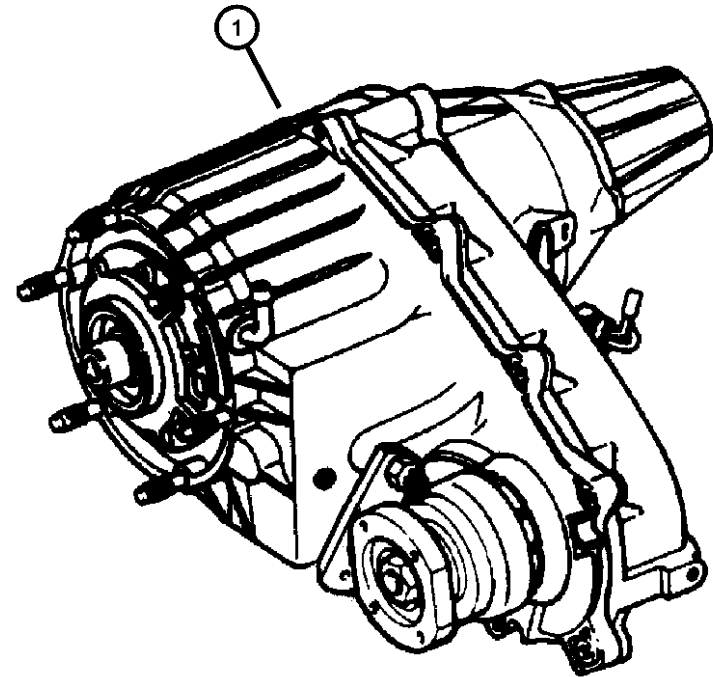
Forks 241 [DHH],[DHG] Fig. 241 - 910

Gearshift Controls

Controls 241 [DHH],[DHG] Fig. 241 - 1210

<p>241-100 Transfer Case Assembly</p> 	<p>241-1200 Gearshift Controls</p> 	<p>241-200 Case and Related Parts</p> 	<p>241-400 Gear Train</p> 
<p>241-900 Fork and Rails</p> 			

**Transfer Case 241 [DHH],[DHG]
Figure 241-110**



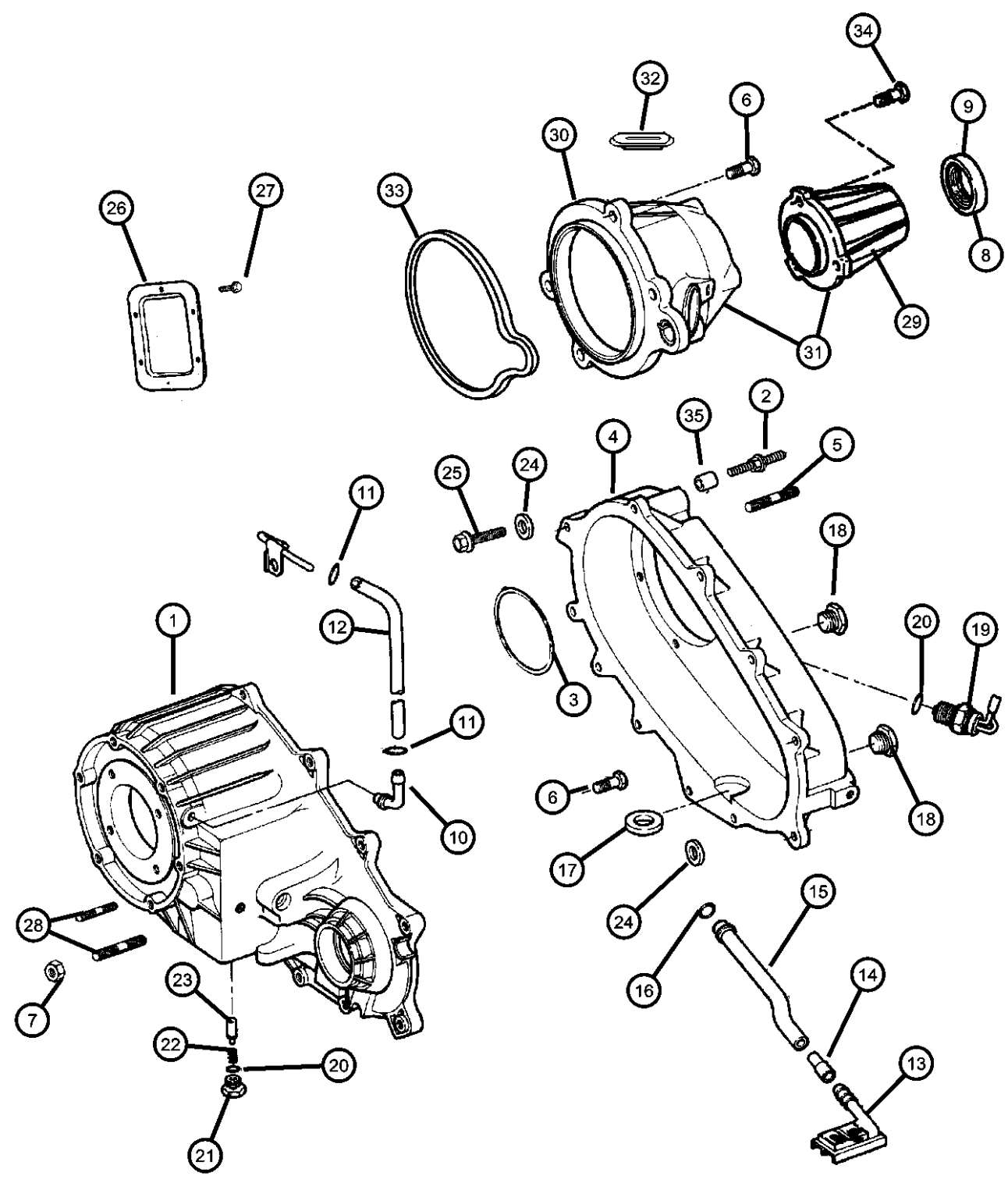
ITEM	PART NUMBER	QTY	LINE	SERIES	BODY	ENGINE	TRANS	TRIM	DESCRIPTION
NOTES: Sales Codes [DDP] = 5 Speed Manual Transmission [DDX] = 5 Speed Heavy Duty Manual Transmission [DEE] = 6 Speed Heavy Duty Manual Transmission [DG0] = All Automatic Transmissions [EL0] = All 5.2L 8 Cylinder Gas Engines [EM0] = All 5.9L 8 Cylinder Gas Engines [ET0] = All 5.9L Turbo Diesels [EW0] = All 8.0L Gas Engines									
1	52105027	1	6, 7, 8			ET0, EW0	DDX, DEE		TRANSFER CASE, NP241 HD, 29 Tooth
-2									TRANSFER CASE, NP241 HD, 23 Tooth
	52105026	1	6, 7, 8			EM0	DDP		
	52105028	1	6, 7, 8			EM0, ET0, EW0	DG0		
-3	52105024	1	6, 7, 8			ET0, EW0	DDX, DEE		TRANSFER CASE, NP241, 29 Tooth
-4									TRANSFER CASE, NP241, 23 Tooth
	52105023	1	6, 7, 8			EL0, EM0	DDP		
	52105025	1	6, 7, 8				DG0		

RAM PICKUP/CLUB CAB (BE)

SERIES	LINE	BODY	ENGINE	TRANSMISSION
L = RAM 1500, 2500, 3500	1 = Lt. Duty DODGE 2WD 2 = Med. Duty DODGE 2WD 3 = HD DODGE 2WD 6 = Lt. Duty DODGE 4WD 7 = Med. Duty DODGE 4WD 8 = HD DODGE 4WD	31 = CLUB CAB 2-DR 6.5 FT BOX 32 = CLUB CAB 2-DR 8FT BOX 33 = QUAD CAB 4-DR 6.5 FT BOX 34 = QUAD CAB 4-DR 8FT BOX	ETC = 5.9L Cummins 24V Diesel Engine EWA = 8.0L V10 MPI Engine EM0 = ALL 5.9L 8 CYL ENGINES - GAS EMM = 5.9L SMPI V8 Engine EML = 5.9L V8 MPI Engine ELF = 5.2L V8 MPI Engine	DGP = 4-Spd. Automatic 47RE Transmission DD0 = ALL 5 SPEED MANUAL TRANSMISSIONS DG0 = ALL AUTOMATIC TRANSMISSIONS DDC = 5-Speed HD Manual Transmission DDP = 5-Speed Manual Transmission DDX = 5-Speed HD Manual Transmission DEE = 6-Speed HD Manual Transmission DGT = 4-Spd. Automatic 46RE Transmission

AR = use ase required - = Non illustrated part

**Case and Related Parts 241 [DHH],[DHG]
Figure 241-210**



ITEM	PART NUMBER	QTY	LINE	SERIES	BODY	ENGINE	TRANS	TRIM	DESCRIPTION
------	-------------	-----	------	--------	------	--------	-------	------	-------------

NOTES: Sales Codes
 [DDP] = 5 Speed Manual Transmission
 [DDX] = 5 Speed Heavy Duty Manual Transmission
 [DEE] = 6 Speed Heavy Duty Manual Transmission
 [DG0] = All Automatic Transmissions
 [ELO] = All 5.2L 8 Cylinder Gas Engines
 [EM0] = All 5.9L 8 Cylinder Gas Engines
 [ET0] = All 5.9L Turbo Diesels
 [EW0] = All 8.0L Gas Engines

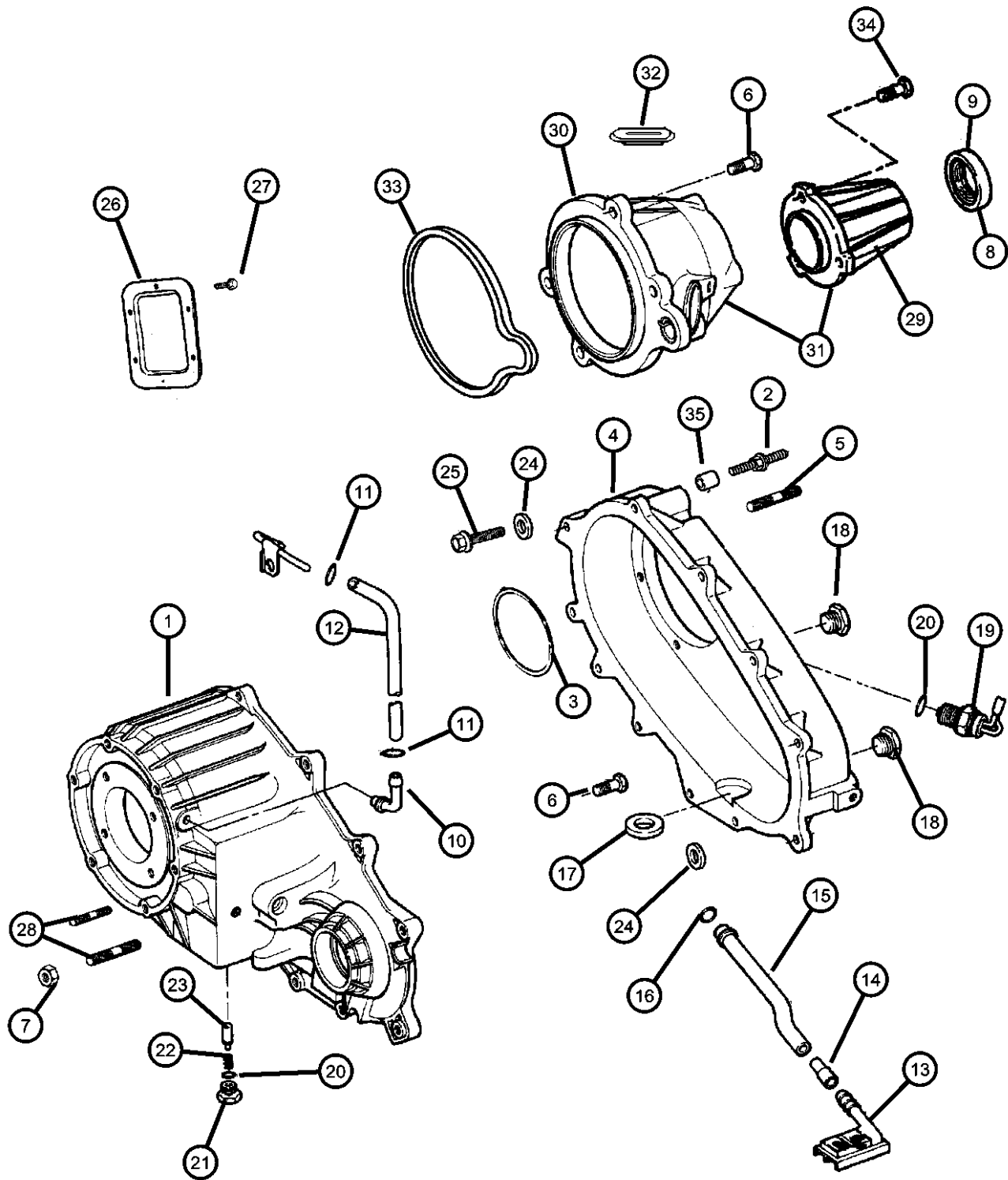
1	04897961AA	1	6, 7, 8				DG0		CASE, Transfer Front
		1	6, 7, 8			ET0, EW0	DDX, DEE		
		1	6, 7, 8			ELO, EM0	DDP		
	04897993AA	1	6, 7, 8			EM0	DDP		Heavy Duty
		1	6, 7, 8			ET0, EW0	DDX, DEE		
		1	6, 7, 8			EM0, ET0, EW0	DG0		
2	06501289	2	6, 7, 8			ELO, EM0	DDP		STUD
		2	6, 7, 8			ET0, EW0	DDX, DEE		
		2	6, 7, 8			EM0	DDP		Heavy Duty
		2	6, 7, 8			ET0, EW0	DDX, DEE		
3	04219065	1	6, 7, 8				DG0		SNAP RING, Annulus Gear
		1	6, 7, 8			ET0, EW0	DDX, DEE		
		1	6, 7, 8			ELO, EM0	DDP		
		1	6, 7, 8			EM0	DDP		Heavy Duty
		1	6, 7, 8			ET0, EW0	DDX, DEE		
		1	6, 7, 8			EM0, ET0, EW0	DG0		
4	04797550	1	6, 7, 8			ELO, EM0	DDP		CASE, Transfer Rear

RAM PICKUP/CLUB CAB (BE)

SERIES	LINE	BODY	ENGINE	TRANSMISSION
L = RAM 1500, 2500, 3500	1 = Lt. Duty DODGE 2WD	31 = CLUB CAB 2-DR 6.5 FT BOX	ETC = 5.9L Cummins 24V Diesel Engine	DGP = 4-Spd. Automatic 47RE Transmission
	2 = Med. Duty DODGE 2WD	32 = CLUB CAB 2-DR 8FT BOX	EWA = 8.0L V10 MPI Engine	DD0 = ALL 5 SPEED MANUAL TRANSMISSIONS
	3 = HD DODGE 2WD	33 = QUAD CAB 4-DR 6.5 FT BOX	EM0 = ALL 5.9L 8 CYL ENGINES - GAS	DG0 = ALL AUTOMATIC TRANSMISSIONS
	6 = Lt. Duty DODGE 4WD	34 = QUAD CAB 4-DR 8FT BOX	EMM = 5.9L SMPI V8 Engine	DDC = 5-Speed HD Manual Transmission
	7 = Med. Duty DODGE 4WD		EML = 5.9L V8 MPI Engine	DDP = 5-Speed Manual Transmission
	8 = HD DODGE 4WD		ELF = 5.2L V8 MPI Engine	DDX = 5-Speed HD Manual Transmission
				DEE = 6-Speed HD Manual Transmission
				DGT = 4-Spd. Automatic 46RE Transmission

AR = use ase required - = Non illustrated part

Case and Related Parts 241 [DHH],[DHG]
Figure 241-210



ITEM	PART NUMBER	QTY	LINE	SERIES	BODY	ENGINE	TRANS	TRIM	DESCRIPTION
		1	6, 7, 8			ET0, EW0	DDX, DEE		
		1	6, 7, 8				DG0		
		1	6, 7, 8			EM0	DDP		
		1	6, 7, 8			ET0, EW0	DDX, DEE		Heavy Duty
		1	6, 7, 8			EM0, ET0, EW0	DG0		
5									BOLT, Transfer Case
	04210617	12	6, 7, 8		EL0, EM0		DDP		
		12	6, 7, 8		ET0, EW0		DDX, DEE		
		12	6, 7, 8						
		8	6, 7, 8		EM0		DDP		
		8	6, 7, 8		ET0, EW0		DDX, DEE		Heavy Duty
		8	6, 7, 8		EM0, ET0, EW0				
6									BOLT, Retainer
	06501371	4	6, 7, 8		EL0, EM0		DDP		
		4	6, 7, 8		ET0, EW0		DDX, DEE		
		4	6, 7, 8						
		4	6, 7, 8		EM0		DDP		
		4	6, 7, 8		ET0, EW0		DDX, DEE		Heavy Duty
		4	6, 7, 8		EM0, ET0, EW0				
7	06033172	6	6, 7, 8						NUT AND WASHER, Hex, .375-24
8									SEAL, Output Shaft
	04741920	1	6, 7, 8		EM0		DDP		
		1	6, 7, 8		ET0, EW0		DDX, DEE		
		1	6, 7, 8		EM0, ET0, EW0		DG0		
9									SEAL, Output Shaft
	04746258	1	6, 7, 8		EL0, EM0		DDP		

RAM PICKUP/CLUB CAB (BE)

SERIES	LINE
L = RAM 1500, 2500, 3500	1 = Lt. Duty DODGE 2WD
	2 = Med. Duty DODGE 2WD
	3 = HD DODGE 2WD
	6 = Lt. Duty DODGE 4WD
	7 = Med. Duty DODGE 4WD
	8 = HD DODGE 4WD

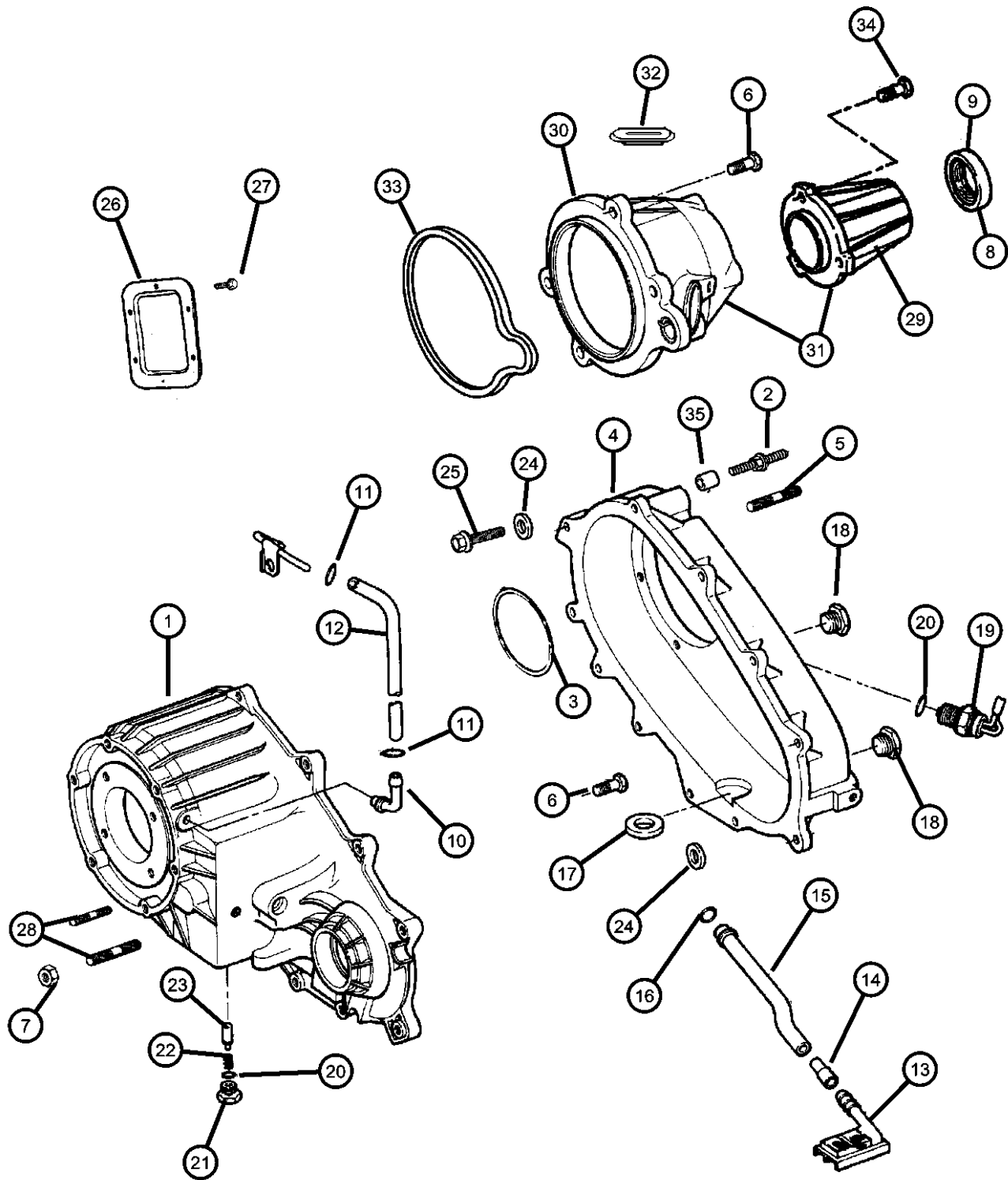
BODY	ENGINE
31 = CLUB CAB 2-DR 6.5 FT BOX	ETC = 5.9L Cummins 24V Diesel Engine
32 = CLUB CAB 2-DR 8FT BOX	EWA = 8.0L V10 MPI Engine
33 = QUAD CAB 4-DR 6.5 FT BOX	EM0 = ALL 5.9L 8 CYL ENGINES - GAS
34 = QUAD CAB 4-DR 8FT BOX	EMM = 5.9L SMPI V8 Engine
	EML = 5.9L V8 MPI Engine
	ELF = 5.2L V8 MPI Engine

TRANSMISSION
DGP = 4-Spd. Automatic 47RE Transmission
DD0 = ALL 5 SPEED MANUAL TRANSMISSIONS
DG0 = ALL AUTOMATIC TRANSMISSIONS
DDC = 5-Speed HD Manual Transmission
DDP = 5-Speed Manual Transmission
DDX = 5-Speed HD Manual Transmission
DEE = 6-Speed HD Manual Transmission
DGT = 4-Spd. Automatic 46RE Transmission

AR = use ase required - = Non illustrated part

1999 BE

Case and Related Parts 241 [DHH],[DHG]
Figure 241-210



ITEM	PART NUMBER	QTY	LINE	SERIES	BODY	ENGINE	TRANS	TRIM	DESCRIPTION
		1	6, 7, 8			ET0, EW0	DDX, DEE		
		1	6, 7, 8				DG0		VENT, Transfer Case
10	04796910	1	6, 7, 8			EL0, EM0	DDP		
		1	6, 7, 8			ET0, EW0	DDX, DEE		Air Breather
		1	6, 7, 8				DG0		
		1	6, 7, 8			EM0	DDP		
		1	6, 7, 8			ET0, EW0	DDX, DEE		Heavy Duty
		1	6, 7, 8			EM0, ET0, EW0	DG0		
11		1							CLAMP, Oil Cooler Line, (NOT SERVICED)
12	04443176	1	6, 7, 8						HOSE, Fuel, .31 I.D. 50 Foot Roll
13	04338943	1	6, 7, 8						FILTER, Transfer Case Oil
		1	6, 7, 8			EL0, EM0	DDP		
		1	6, 7, 8			ET0, EW0	DDX, DEE		
		1	6, 7, 8				DG0		
		1	6, 7, 8			EM0	DDP		
		1	6, 7, 8			ET0, EW0	DDX, DEE		Heavy Duty
		1	6, 7, 8			EM0, ET0, EW0	DG0		
14	04338944	1	6, 7, 8						CONNECTOR, Oil Tube Pickup
		1	6, 7, 8			EL0, EM0	DDP		
		1	6, 7, 8			ET0, EW0	DDX, DEE		
		1	6, 7, 8				DG0		
		1	6, 7, 8			EM0	DDP		
		1	6, 7, 8			ET0, EW0	DDX, DEE		Heavy Duty
		1	6, 7, 8			EM0, ET0, EW0	DG0		
15									TUBE, Oil Pickup

RAM PICKUP/CLUB CAB (BE)

SERIES	LINE
L = RAM 1500, 2500, 3500	1 = Lt. Duty DODGE 2WD
	2 = Med. Duty DODGE 2WD
	3 = HD DODGE 2WD
	6 = Lt. Duty DODGE 4WD
	7 = Med. Duty DODGE 4WD
	8 = HD DODGE 4WD

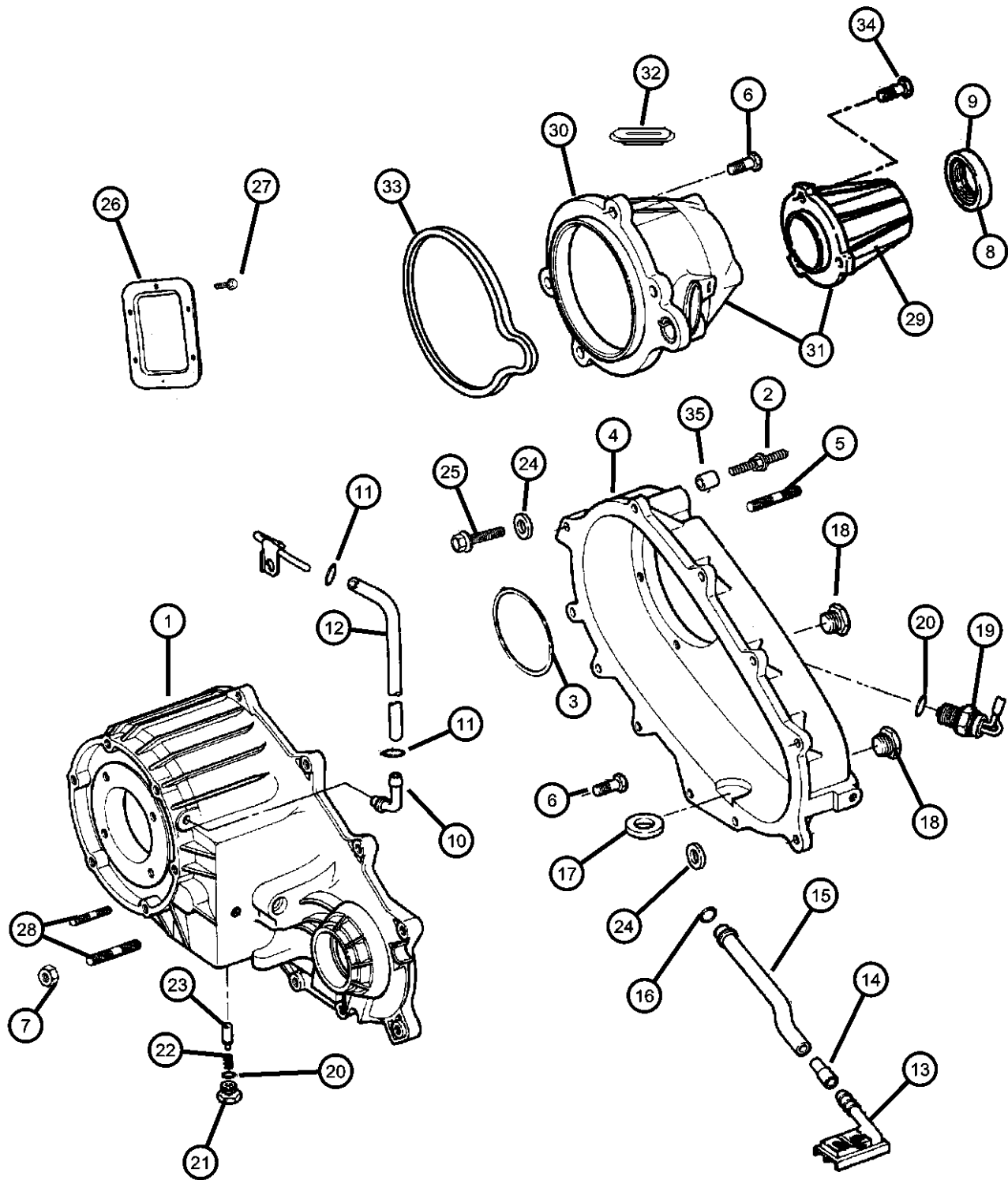
BODY	ENGINE
31 = CLUB CAB 2-DR 6.5 FT BOX	ETC = 5.9L Cummins 24V Diesel Engine
32 = CLUB CAB 2-DR 8FT BOX	EWA = 8.0L V10 MPI Engine
33 = QUAD CAB 4-DR 6.5 FT BOX	EM0 = ALL 5.9L 8 CYL ENGINES - GAS
34 = QUAD CAB 4-DR 8FT BOX	EMM = 5.9L SMPI V8 Engine
	EML = 5.9L V8 MPI Engine
	ELF = 5.2L V8 MPI Engine

TRANSMISSION
DGP = 4-Spd. Automatic 47RE Transmission
DD0 = ALL 5 SPEED MANUAL TRANSMISSIONS
DG0 = ALL AUTOMATIC TRANSMISSIONS
DDC = 5-Speed HD Manual Transmission
DDP = 5-Speed Manual Transmission
DDX = 5-Speed HD Manual Transmission
DEE = 6-Speed HD Manual Transmission
DGT = 4-Spd. Automatic 46RE Transmission

AR = use ase required - = Non illustrated part

1999 BE

Case and Related Parts 241 [DHH],[DHG]
Figure 241-210



ITEM	PART NUMBER	QTY	LINE	SERIES	BODY	ENGINE	TRANS	TRIM	DESCRIPTION
	83503523	1	6, 7, 8			ELO, EM0	DDP		
		1	6, 7, 8			ET0, EW0	DDX, DEE		
		1	6, 7, 8				DG0		
		1	6, 7, 8			EM0	DDP		
		1	6, 7, 8			ET0, EW0	DDX, DEE		Heavy Duty
		1	6, 7, 8			EM0, ET0, EW0	DG0		
16									SEAL, Oil
	04338942	1	6, 7, 8			ELO, EM0	DDP		
		1	6, 7, 8			ET0, EW0	DDX, DEE		
		1	6, 7, 8				DG0		
		1	6, 7, 8			EM0	DDP		
		1	6, 7, 8			ET0, EW0	DDX, DEE		Heavy Duty
		1	6, 7, 8			EM0, ET0, EW0	DG0		
17									MAGNET, Transmission
	03681601	1	6, 7, 8			EM0	DDP		
		1	6, 7, 8			ET0, EW0	DDX, DEE		Heavy Duty
		1	6, 7, 8			EM0, ET0, EW0	DG0		
		1	6, 7, 8			ELO, EM0	DDP		
		1	6, 7, 8			ET0, EW0	DDX, DEE		
		1	6, 7, 8				DG0		
18									PLUG, Oil Fill
	04856641	1	6, 7, 8			ELO, EM0	DDP		
		1	6, 7, 8			ET0, EW0	DDX, DEE		
		1	6, 7, 8				DG0		
		2	6, 7, 8			EM0	DDP		
		2	6, 7, 8			ET0, EW0	DDX, DEE		Heavy Duty

RAM PICKUP/CLUB CAB (BE)

SERIES	LINE
L = RAM 1500, 2500, 3500	1 = Lt. Duty DODGE 2WD
	2 = Med. Duty DODGE 2WD
	3 = HD DODGE 2WD
	6 = Lt. Duty DODGE 4WD
	7 = Med. Duty DODGE 4WD
	8 = HD DODGE 4WD

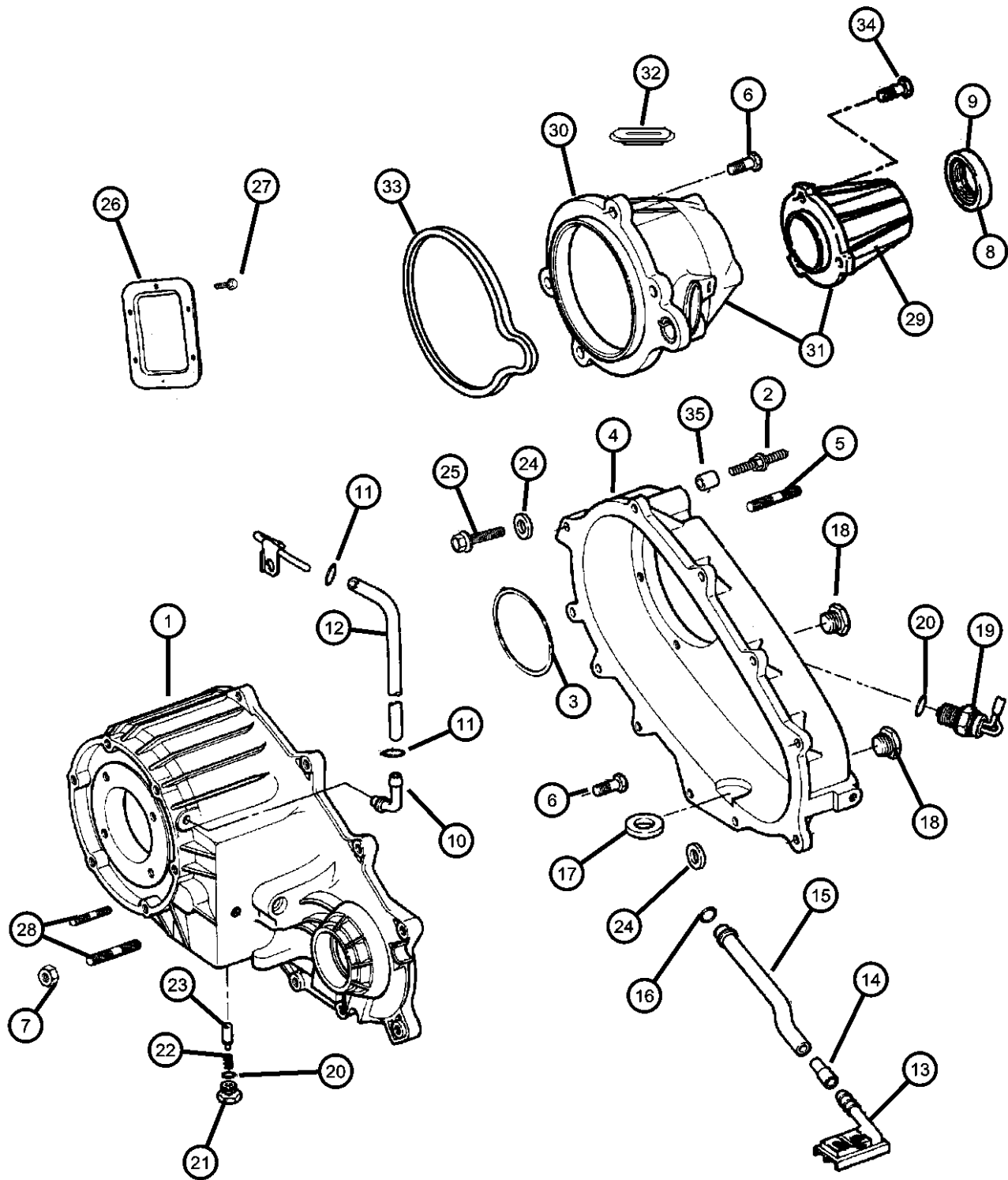
BODY	ENGINE
31 = CLUB CAB 2-DR 6.5 FT BOX	ETC = 5.9L Cummins 24V Diesel Engine
32 = CLUB CAB 2-DR 8FT BOX	EWA = 8.0L V10 MPI Engine
33 = QUAD CAB 4-DR 6.5 FT BOX	EM0 = ALL 5.9L 8 CYL ENGINES - GAS
34 = QUAD CAB 4-DR 8FT BOX	EMM = 5.9L SMPI V8 Engine
	EML = 5.9L V8 MPI Engine
	ELF = 5.2L V8 MPI Engine

TRANSMISSION
DGP = 4-Spd. Automatic 47RE Transmission
DD0 = ALL 5 SPEED MANUAL TRANSMISSIONS
DG0 = ALL AUTOMATIC TRANSMISSIONS
DDC = 5-Speed HD Manual Transmission
DDP = 5-Speed Manual Transmission
DDX = 5-Speed HD Manual Transmission
DEE = 6-Speed HD Manual Transmission
DGT = 4-Spd. Automatic 46RE Transmission

AR = use ase required - = Non illustrated part

1999 BE

Case and Related Parts 241 [DHH],[DHG]
Figure 241-210



ITEM	PART NUMBER	QTY	LINE	SERIES	BODY	ENGINE	TRANS	TRIM	DESCRIPTION
19	53001101	2	6, 7, 8			EM0, ETO, EWO			SWITCH, Transfer Case
		1	6, 7, 8			EL0, EM0	DDP		
		1	6, 7, 8			ET0, EWO	DDX, DEE		Vacuum
		1	6, 7, 8				DG0		
		1	6, 7, 8			EM0	DDP		Heavy Duty
		1	6, 7, 8			ET0, EWO	DDX, DEE		
		1	6, 7, 8			EM0, ETO, EWO	DG0		
20	04338956	2	6, 7, 8			EL0, EM0	DDP		SEAL, Vacuum Switch
		2	6, 7, 8			ET0, EWO	DDX, DEE		
		2	6, 7, 8						
		2	6, 7, 8			EM0	DDP		
		2	6, 7, 8			ET0, EWO	DDX, DEE		Heavy Duty
		2	6, 7, 8			EM0, ETO, EWO			
21	04886473AA	1	6, 7, 8			EL0, EM0	DDP		SCREW
		1	6, 7, 8			ET0, EWO	DDX, DEE		
		1	6, 7, 8				DG0		
		1	6, 7, 8			EM0	DDP		
		1	6, 7, 8			ET0, EWO	DDX, DEE		Heavy Duty
		1	6, 7, 8			EM0, ETO, EWO	DG0		
22	04798257	1	6, 7, 8			EL0, EM0	DDP		SPRING, Poppet
		1	6, 7, 8			ET0, EWO	DDX, DEE		
		1	6, 7, 8				DG0		

RAM PICKUP/CLUB CAB (BE)

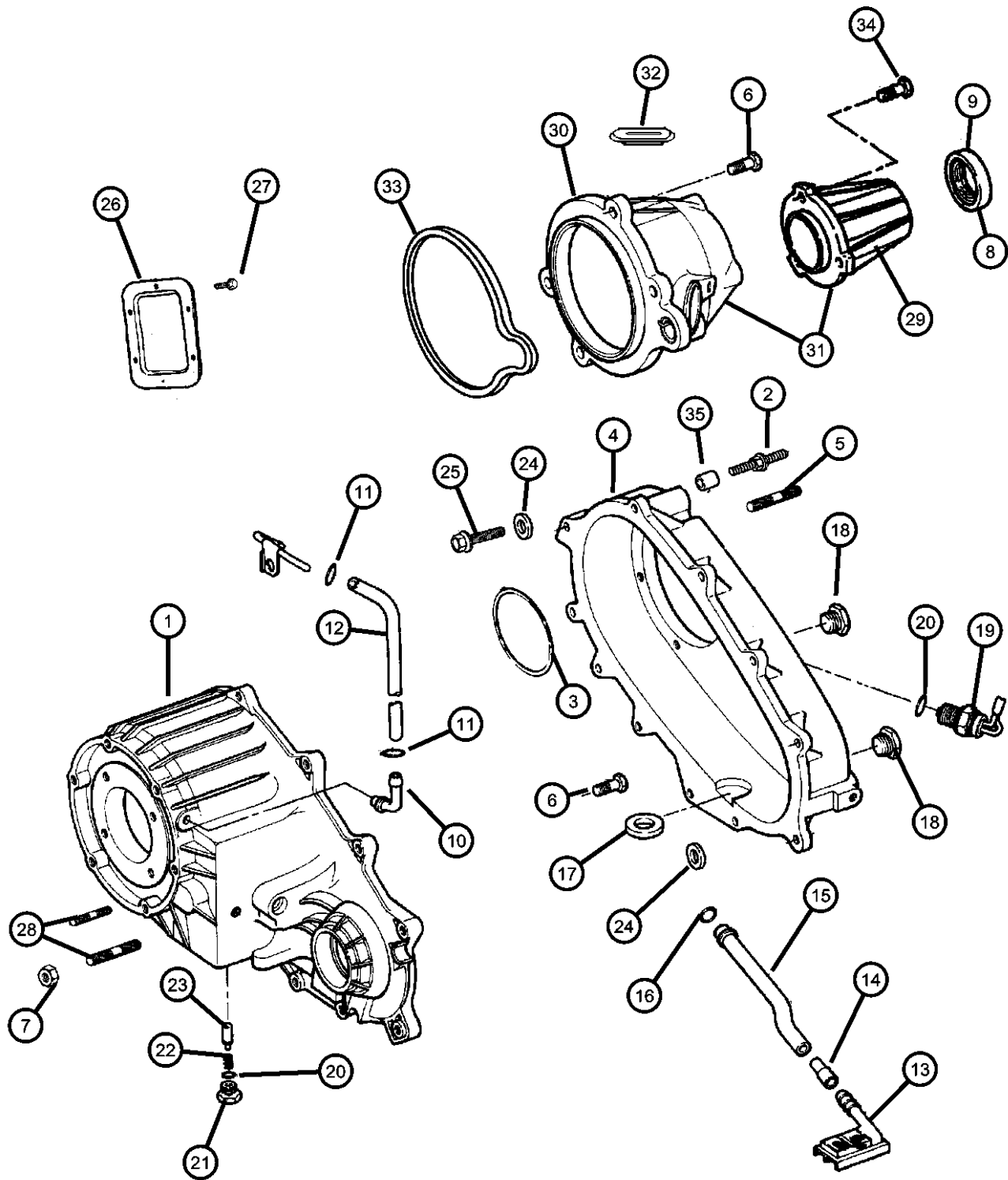
SERIES	LINE
L = RAM 1500, 2500, 3500	1 = Lt. Duty DODGE 2WD
	2 = Med. Duty DODGE 2WD
	3 = HD DODGE 2WD
	6 = Lt. Duty DODGE 4WD
	7 = Med. Duty DODGE 4WD
	8 = HD DODGE 4WD

BODY	ENGINE
31 = CLUB CAB 2-DR 6.5 FT BOX	ETC = 5.9L Cummins 24V Diesel Engine
32 = CLUB CAB 2-DR 8FT BOX	EWA = 8.0L V10 MPI Engine
33 = QUAD CAB 4-DR 6.5 FT BOX	EM0 = ALL 5.9L 8 CYL ENGINES - GAS
34 = QUAD CAB 4-DR 8FT BOX	EMM = 5.9L SMPI V8 Engine
	EML = 5.9L V8 MPI Engine
	ELF = 5.2L V8 MPI Engine

TRANSMISSION
DGP = 4-Spd. Automatic 47RE Transmission
DD0 = ALL 5 SPEED MANUAL TRANSMISSIONS
DG0 = ALL AUTOMATIC TRANSMISSIONS
DDC = 5-Speed HD Manual Transmission
DDP = 5-Speed Manual Transmission
DDX = 5-Speed HD Manual Transmission
DEE = 6-Speed HD Manual Transmission
DGT = 4-Spd. Automatic 46RE Transmission

AR = use ase required - = Non illustrated part

Case and Related Parts 241 [DHH],[DHG]
Figure 241-210



ITEM	PART NUMBER	QTY	LINE	SERIES	BODY	ENGINE	TRANS	TRIM	DESCRIPTION
		1	6, 7, 8			EM0	DDP		
		1	6, 7, 8			ET0, EW0	DDX, DEE		Heavy Duty
		1	6, 7, 8			EM0, ET0, EW0	DG0		
23	53008217	1	6, 7, 8			EL0, EM0	DDP		PLUNGER
		1	6, 7, 8			ET0, EW0	DDX, DEE		
		1	6, 7, 8				DG0		
		1	6, 7, 8			EM0	DDP		
		1	6, 7, 8			ET0, EW0	DDX, DEE		Heavy Duty
		1	6, 7, 8			EM0, ET0, EW0	DG0		
24	04210983	2	6, 7, 8			EL0, EM0	DDP		WASHER, Flat
		2	6, 7, 8			ET0, EW0	DDX, DEE		
		2	6, 7, 8						
		2	6, 7, 8			EM0	DDP		
		2	6, 7, 8			ET0, EW0	DDX, DEE		Heavy Duty
		2	6, 7, 8			EM0, ET0, EW0			
25	04210614	1	6, 7, 8			EL0, EM0	DDP		BOLT, Hex Flange Head
		1	6, 7, 8			ET0, EW0	DDX, DEE		
		1	6, 7, 8				DG0		
		1	6, 7, 8			EM0	DDP		
		1	6, 7, 8			ET0, EW0	DDX, DEE		Heavy Duty
		1	6, 7, 8			EM0, ET0, EW0	DG0		
26	00556875	1	6, 7, 8			EM0	DDP		COVER, Power Take Off

RAM PICKUP/CLUB CAB (BE)

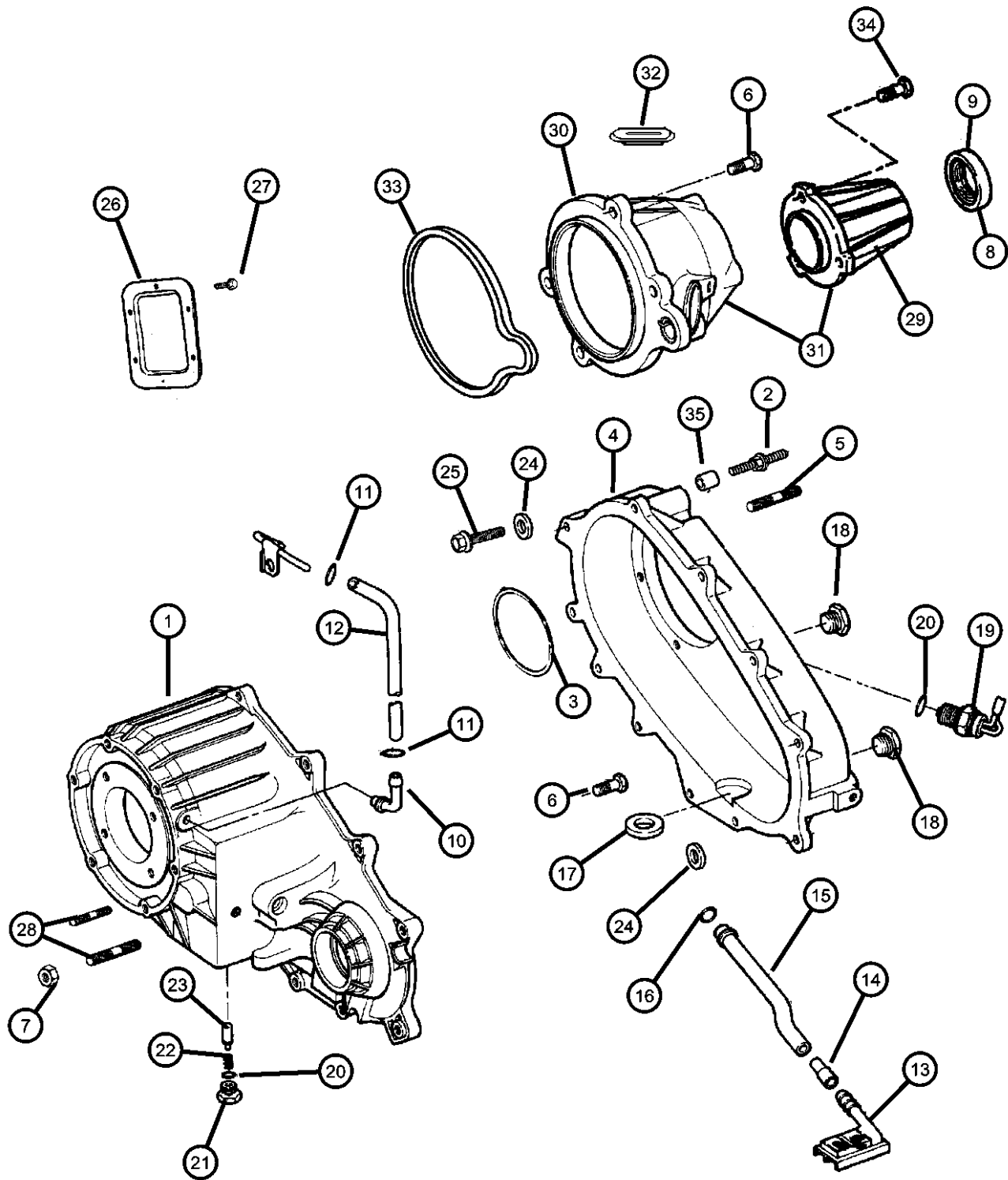
SERIES	LINE
L = RAM 1500, 2500, 3500	1 = Lt. Duty DODGE 2WD
	2 = Med. Duty DODGE 2WD
	3 = HD DODGE 2WD
	6 = Lt. Duty DODGE 4WD
	7 = Med. Duty DODGE 4WD
	8 = HD DODGE 4WD

BODY	ENGINE	TRANSMISSION
31 = CLUB CAB 2-DR 6.5 FT BOX	ETC = 5.9L Cummins 24V Diesel Engine	DGP = 4-Spd. Automatic 47RE Transmission
32 = CLUB CAB 2-DR 8FT BOX	EWA = 8.0L V10 MPI Engine	DD0 = ALL 5 SPEED MANUAL TRANSMISSIONS
33 = QUAD CAB 4-DR 6.5 FT BOX	EM0 = ALL 5.9L 8 CYL ENGINES - GAS	DG0 = ALL AUTOMATIC TRANSMISSIONS
34 = QUAD CAB 4-DR 8FT BOX	EMM = 5.9L SMPI V8 Engine	DDC = 5-Speed HD Manual Transmission
	EML = 5.9L V8 MPI Engine	DDP = 5-Speed Manual Transmission
	ELF = 5.2L V8 MPI Engine	DDX = 5-Speed HD Manual Transmission
		DEE = 6-Speed HD Manual Transmission
		DGT = 4-Spd. Automatic 46RE Transmission

AR = use ase required - = Non illustrated part

1999 BE

Case and Related Parts 241 [DHH],[DHG]
Figure 241-210



ITEM	PART NUMBER	QTY	LINE	SERIES	BODY	ENGINE	TRANS	TRIM	DESCRIPTION
		1	6, 7, 8			ET0, EW0	DDX, DEE		
		1	6, 7, 8			EM0, ET0, EW0	DG0		BOLT, Transfer Case
27	04637851	6	6, 7, 8		EM0		DDP		
		6	6, 7, 8		ET0, EW0		DDX, DEE		
		6	6, 7, 8		EM0, ET0, EW0				STUD
28	04746253	6	6, 7, 8		EL0, EM0		DDP		
		6	6, 7, 8		ET0, EW0		DDX, DEE		
		6	6, 7, 8			EM0		DDP	
		6	6, 7, 8		ET0, EW0		DDX, DEE		Heavy Duty
		6	6, 7, 8		EM0, ET0, EW0		DG0		
29	04798002	1	6, 7, 8		EL0, EM0		DDP		EXTENSION, Transfer Case
		1	6, 7, 8		ET0, EW0		DDX, DEE		241 Light Duty
		1	6, 7, 8				DG0		241 Light Duty
30	04897980AA	1	6, 7, 8		EL0, EM0		DDP		EXTENSION, Transfer Case
		1	6, 7, 8		ET0, EW0		DDX, DEE		241 Light Duty
		1	6, 7, 8				DG0		241 Light Duty
31	04897996AA	1	6, 7, 8		EM0		DDP		RETAINER, Transfer Case Rear
		1	6, 7, 8		ET0, EW0		DDX, DEE		241 Heavy Duty
		1	6, 7, 8		EM0, ET0, EW0		DG0		241 Heavy Duty
32									PLUG

RAM PICKUP/CLUB CAB (BE)

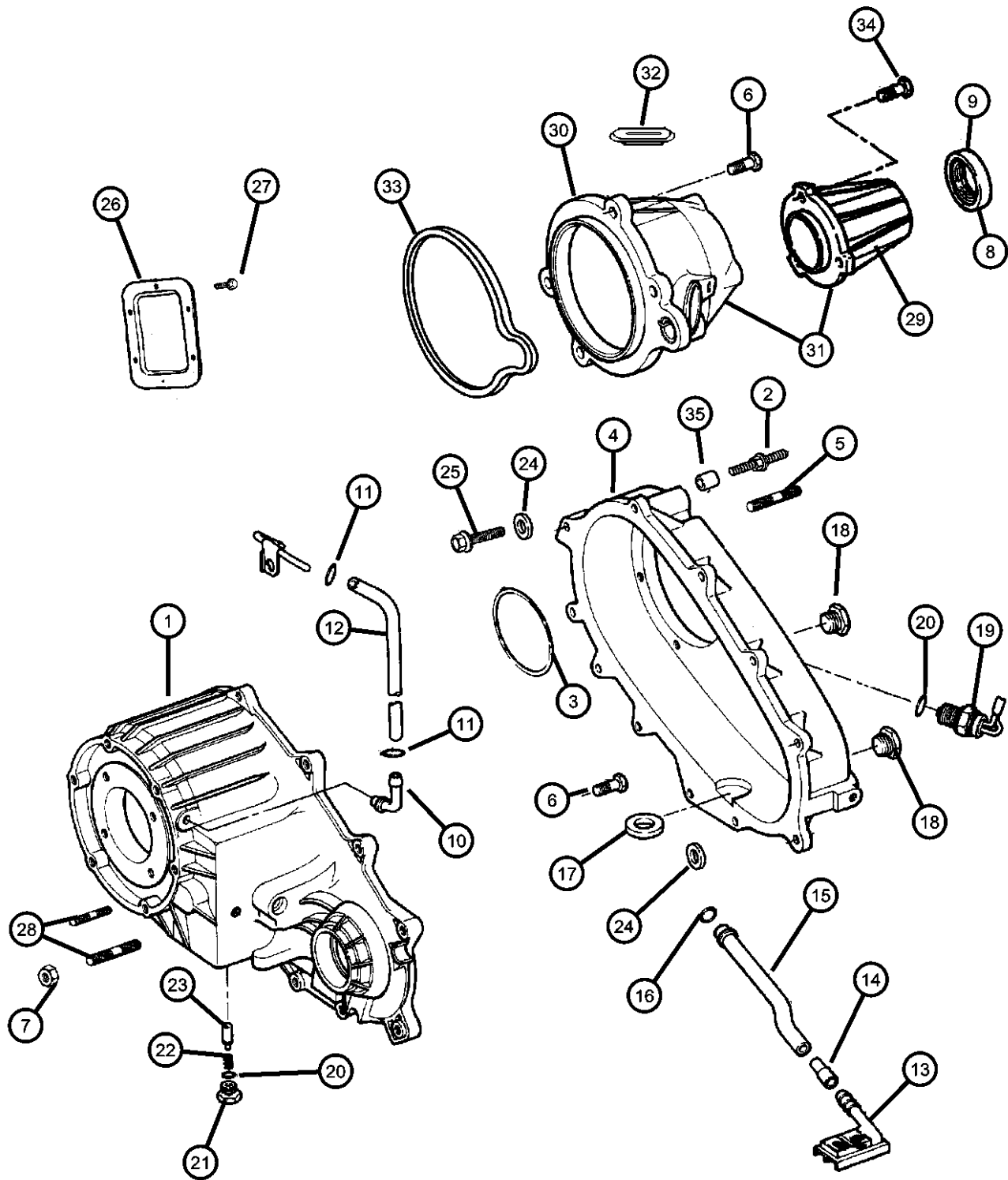
SERIES	LINE
L = RAM 1500, 2500, 3500	1 = Lt. Duty DODGE 2WD
	2 = Med. Duty DODGE 2WD
	3 = HD DODGE 2WD
	6 = Lt. Duty DODGE 4WD
	7 = Med. Duty DODGE 4WD
	8 = HD DODGE 4WD

BODY	ENGINE
31 = CLUB CAB 2-DR 6.5 FT BOX	ETC = 5.9L Cummins 24V Diesel Engine
32 = CLUB CAB 2-DR 8FT BOX	EWA = 8.0L V10 MPI Engine
33 = QUAD CAB 4-DR 6.5 FT BOX	EM0 = ALL 5.9L 8 CYL ENGINES - GAS
34 = QUAD CAB 4-DR 8FT BOX	EMM = 5.9L SMPI V8 Engine
	EML = 5.9L V8 MPI Engine
	ELF = 5.2L V8 MPI Engine

TRANSMISSION
DGP = 4-Spd. Automatic 47RE Transmission
DD0 = ALL 5 SPEED MANUAL TRANSMISSIONS
DG0 = ALL AUTOMATIC TRANSMISSIONS
DDC = 5-Speed HD Manual Transmission
DDP = 5-Speed Manual Transmission
DDX = 5-Speed HD Manual Transmission
DEE = 6-Speed HD Manual Transmission
DGT = 4-Spd. Automatic 46RE Transmission

AR = use ase required - = Non illustrated part

Case and Related Parts 241 [DHH],[DHG]
Figure 241-210



ITEM	PART NUMBER	QTY	LINE	SERIES	BODY	ENGINE	TRANS	TRIM	DESCRIPTION
	05010123AA	1	6, 7, 8			EM0	DDP		
		1	6, 7, 8			ET0, EW0	DDX, DEE		
		1	6, 7, 8			EM0, ET0, EW0	DG0		
33									GASKET, Rear Oil Seal Retainer
	04856645	1	6, 7, 8		ELO, EM0		DDP		
		1	6, 7, 8		ET0, EW0		DDX, DEE		
		1	6, 7, 8				DG0		
		1	6, 7, 8		EM0		DDP		
		1	6, 7, 8		ET0, EW0		DDX, DEE		Heavy Duty
		1	6, 7, 8		EM0, ET0, EW0		DG0		
34									BOLT, Transfer Case
	04210617	12	6, 7, 8		ELO, EM0		DDP		
		12	6, 7, 8		ET0, EW0		DDX, DEE		
		8	6, 7, 8		EM0		DDP		
		8	6, 7, 8		ET0, EW0		DDX, DEE		
35									DOWEL, Transfer Case
	04116310	2	6, 7, 8		EM0		DDP		
		2	6, 7, 8		ET0, EW0		DDX, DEE		Heavy Duty
		2	6, 7, 8		EM0, ET0, EW0				
		2	6, 7, 8		ELO, EM0		DDP		
		2	6, 7, 8		ET0, EW0		DDX, DEE		
		2	6, 7, 8				DG0		

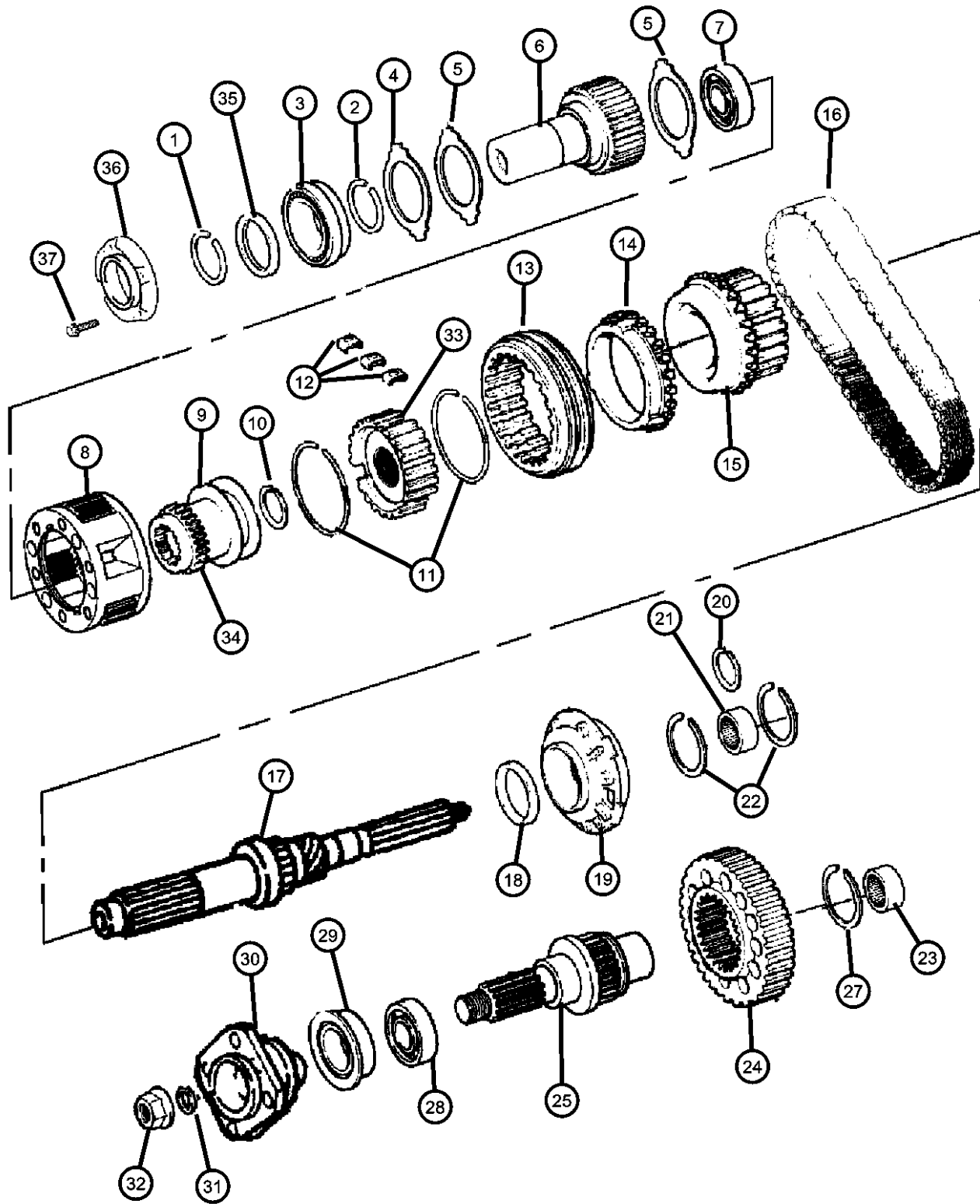
RAM PICKUP/CLUB CAB (BE)

SERIES	LINE
L = RAM 1500, 2500, 3500	1 = Lt. Duty DODGE 2WD
	2 = Med. Duty DODGE 2WD
	3 = HD DODGE 2WD
	6 = Lt. Duty DODGE 4WD
	7 = Med. Duty DODGE 4WD
	8 = HD DODGE 4WD

BODY	ENGINE	TRANSMISSION
31 = CLUB CAB 2-DR 6.5 FT BOX	ETC = 5.9L Cummins 24V Diesel Engine	DGP = 4-Spd. Automatic 47RE Transmission
32 = CLUB CAB 2-DR 8FT BOX	EWA = 8.0L V10 MPI Engine	DD0 = ALL 5 SPEED MANUAL TRANSMISSIONS
33 = QUAD CAB 4-DR 6.5 FT BOX	EM0 = ALL 5.9L 8 CYL ENGINES - GAS	DG0 = ALL AUTOMATIC TRANSMISSIONS
34 = QUAD CAB 4-DR 8FT BOX	EMM = 5.9L SMPI V8 Engine	DDC = 5-Speed HD Manual Transmission
	EML = 5.9L V8 MPI Engine	DDP = 5-Speed Manual Transmission
	ELF = 5.2L V8 MPI Engine	DDX = 5-Speed HD Manual Transmission
		DEE = 6-Speed HD Manual Transmission
		DGT = 4-Spd. Automatic 46RE Transmission

AR = use ase required - = Non illustrated part

**Gear Train 241 [DHH],[DHG]
Figure 241-410**



ITEM	PART NUMBER	QTY	LINE	SERIES	BODY	ENGINE	TRANS	TRIM	DESCRIPTION
------	-------------	-----	------	--------	------	--------	-------	------	-------------

NOTES: Sales Codes

- [DDP] = 5 Speed Manual Transmission
- [DDX] = 5 Speed Heavy Duty Manual Transmission
- [DEE] = 6 Speed Heavy Duty Manual Transmission
- [DG0] = All Automatic Transmissions
- [EL0] = All 5.2L 8 Cylinder Gas Engines
- [EM0] = All 5.9L 8 Cylinder Gas Engines
- [ET0] = All 5.9L Turbo Diesels
- [EW0] = All 8.0L Gas Engines

1									SNAP RING
	03821558	1	6, 7, 8			EL0, EM0	DDP		
		1	6, 7, 8			ET0, EW0	DDX, DEE		
		1	6, 7, 8				DG0		
		1	6, 7, 8			EM0	DDP		Heavy Duty
		1	6, 7, 8			ET0, EW0	DDX, DEE		Heavy Duty
		1	6, 7, 8			EM0, ET0, EW0	DG0		Heavy Duty
2									SNAP RING
	04338910	1	6, 7, 8			EL0, EM0	DDP		
		1	6, 7, 8			ET0, EW0	DDX, DEE		
		1	6, 7, 8				DG0		
		1	6, 7, 8			EM0	DDP		Heavy Duty
		1	6, 7, 8			ET0, EW0	DDX, DEE		Heavy Duty
		1	6, 7, 8			EM0, ET0, EW0	DG0		Heavy Duty
3									BEARING, Input Gear
	04746155	1	6, 7, 8				DG0		
		1	6, 7, 8			ET0, EW0	DDX, DEE		
		1	6, 7, 8			EL0, EM0	DDP		
		1	6, 7, 8			EM0	DDP		Heavy Duty
		1	6, 7, 8			ET0, EW0	DDX, DEE		Heavy Duty
		1	6, 7, 8			EM0, ET0, EW0	DG0		Heavy Duty

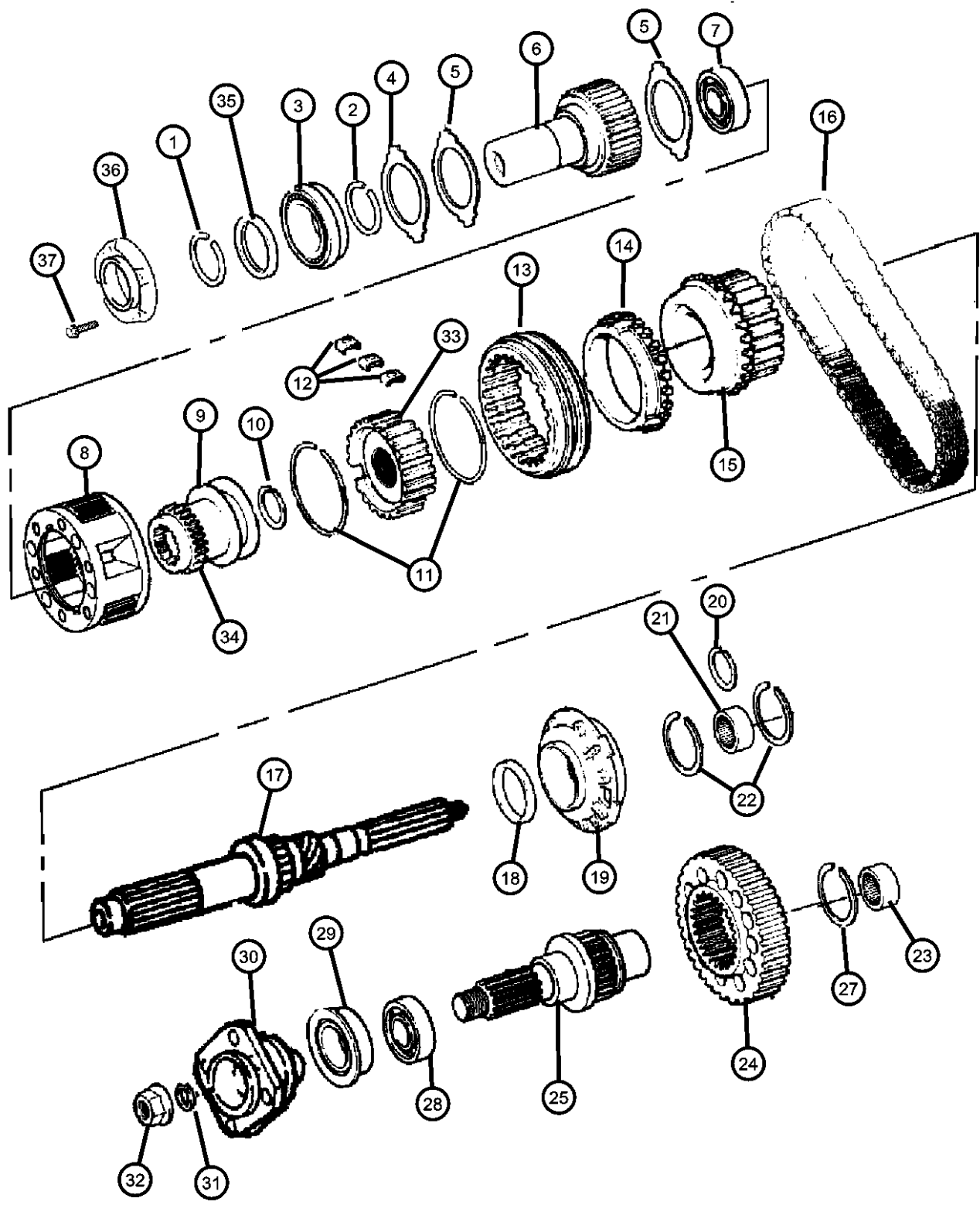
RAM PICKUP/CLUB CAB (BE)

SERIES	LINE
L = RAM 1500, 2500, 3500	1 = Lt. Duty DODGE 2WD
	2 = Med. Duty DODGE 2WD
	3 = HD DODGE 2WD
	6 = Lt. Duty DODGE 4WD
	7 = Med. Duty DODGE 4WD
	8 = HD DODGE 4WD

BODY	ENGINE	TRANSMISSION
31 = CLUB CAB 2-DR 6.5 FT BOX	ETC = 5.9L Cummins 24V Diesel Engine	DGP = 4-Spd. Automatic 47RE Transmission
32 = CLUB CAB 2-DR 8FT BOX	EWA = 8.0L V10 MPI Engine	DD0 = ALL 5 SPEED MANUAL TRANSMISSIONS
33 = QUAD CAB 4-DR 6.5 FT BOX	EM0 = ALL 5.9L 8 CYL ENGINES - GAS	DG0 = ALL AUTOMATIC TRANSMISSIONS
34 = QUAD CAB 4-DR 8FT BOX	EMM = 5.9L SMPI V8 Engine	DDC = 5-Speed HD Manual Transmission
	EML = 5.9L V8 MPI Engine	DDP = 5-Speed Manual Transmission
	ELF = 5.2L V8 MPI Engine	DDX = 5-Speed HD Manual Transmission
		DEE = 6-Speed HD Manual Transmission
		DGT = 4-Spd. Automatic 46RE Transmission

AR = use ase required - = Non illustrated part

**Gear Train 241 [DHH],[DHG]
Figure 241-410**



ITEM	PART NUMBER	QTY	LINE	SERIES	BODY	ENGINE	TRANS	TRIM	DESCRIPTION
4	04338909	1	6, 7, 8			EL0, EM0	DDP		RING
		1	6, 7, 8			ET0, EW0	DDX, DEE		
		1	6, 7, 8				DG0		
		1	6, 7, 8			EM0	DDP		Heavy Duty
		1	6, 7, 8			ET0, EW0	DDX, DEE		Heavy Duty
		1	6, 7, 8			EM0, ET0, EW0	DG0		Heavy Duty
5	04338908	2	6, 7, 8			EL0, EM0	DDP		THRUST WASHER, Planetary Carrier
		2	6, 7, 8			ET0, EW0	DDX, DEE		
		2	6, 7, 8						
		2	6, 7, 8			EM0	DDP		Heavy Duty
		2	6, 7, 8			ET0, EW0	DDX, DEE		Heavy Duty
		2	6, 7, 8			EM0, ET0, EW0			Heavy Duty
6	04856628	1	6, 7, 8			EL0, EM0	DDP		GEAR, Input
		1	6, 7, 8			EM0	DDP		Heavy Duty
	04856629	1	6, 7, 8			ET0, EW0	DDX, DEE		
		1	6, 7, 8			ET0, EW0	DDX, DEE		Heavy Duty
		1	6, 7, 8				DG0		
04897963AA	1	6, 7, 8			EM0, ET0, EW0	DG0		Heavy Duty	
	1	6, 7, 8							
7	04746127	1	6, 7, 8			EL0, EM0	DDP		BEARING, Input Shaft
		1	6, 7, 8			ET0, EW0	DDX, DEE		
		1	6, 7, 8				DG0		
		1	6, 7, 8			EM0	DDP		Heavy Duty

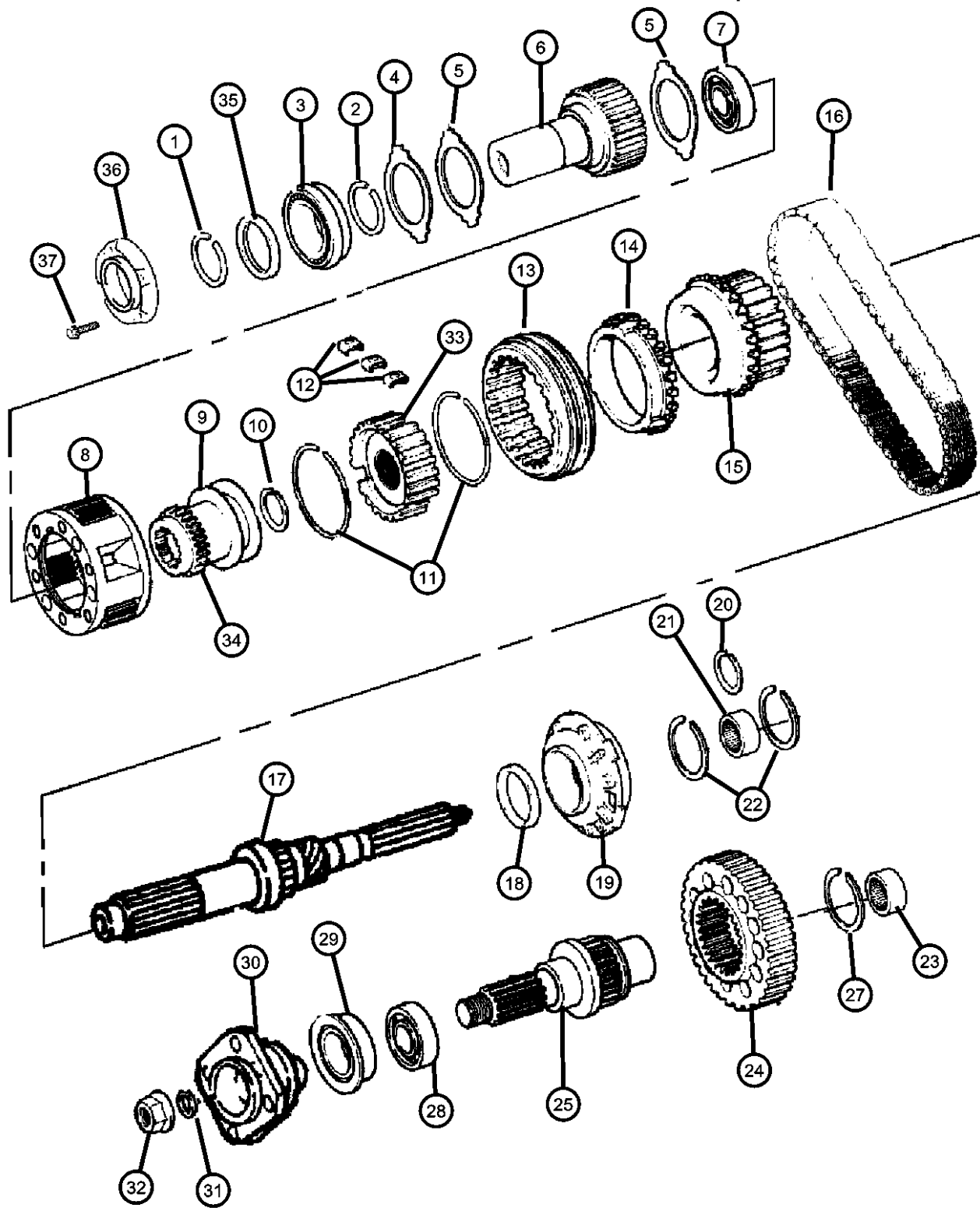
RAM PICKUP/CLUB CAB (BE)

SERIES	LINE
L = RAM 1500, 2500, 3500	1 = Lt. Duty DODGE 2WD 2 = Med. Duty DODGE 2WD 3 = HD DODGE 2WD 6 = Lt. Duty DODGE 4WD 7 = Med. Duty DODGE 4WD 8 = HD DODGE 4WD

BODY	ENGINE	TRANSMISSION
31 = CLUB CAB 2-DR 6.5 FT BOX 32 = CLUB CAB 2-DR 8FT BOX 33 = QUAD CAB 4-DR 6.5 FT BOX 34 = QUAD CAB 4-DR 8FT BOX	ETC = 5.9L Cummins 24V Diesel Engine EWA = 8.0L V10 MPI Engine EM0 = ALL 5.9L 8 CYL ENGINES - GAS EMM = 5.9L SMPI V8 Engine EML = 5.9L V8 MPI Engine ELF = 5.2L V8 MPI Engine	DGP = 4-Spd. Automatic 47RE Transmission DD0 = ALL 5 SPEED MANUAL TRANSMISSIONS DG0 = ALL AUTOMATIC TRANSMISSIONS DDC = 5-Speed HD Manual Transmission DDP = 5-Speed Manual Transmission DDX = 5-Speed HD Manual Transmission DEE = 6-Speed HD Manual Transmission DGT = 4-Spd. Automatic 46RE Transmission

AR = use ase required - = Non illustrated part

**Gear Train 241 [DHH],[DHG]
Figure 241-410**



ITEM	PART NUMBER	QTY	LINE	SERIES	BODY	ENGINE	TRANS	TRIM	DESCRIPTION
8	04797030	1	6, 7, 8			ET0, EW0	DDX, DEE		Heavy Duty
		1	6, 7, 8			EM0, ET0, EW0	DG0		Heavy Duty
		1	6, 7, 8						PLANETARY, Transfer Case
		1	6, 7, 8			EL0, EM0	DDP		
		1	6, 7, 8			ET0, EW0	DDX, DEE		
		1	6, 7, 8				DG0		
9	04797032	1	6, 7, 8			EM0	DDP		Heavy Duty
		1	6, 7, 8			ET0, EW0	DDX, DEE		Heavy Duty
		1	6, 7, 8				DG0		
		1	6, 7, 8			EM0	DDP		Heavy Duty
		1	6, 7, 8			ET0, EW0	DDX, DEE		Heavy Duty
		1	6, 7, 8			EM0, ET0, EW0	DG0		Heavy Duty
10	04746128	1	6, 7, 8			ET0, EW0	DDX, DEE		Heavy Duty
		1	6, 7, 8			EM0	DDP		Heavy Duty
		1	6, 7, 8			ET0, EW0	DDX, DEE		
		1	6, 7, 8			EL0, EM0	DDP		
		1	6, 7, 8				DG0		
		1	6, 7, 8			EM0, ET0, EW0	DG0		Heavy Duty
11	04746138	1	6, 7, 8			EM0	DDP		SNAP RING, Mainshaft
		1	6, 7, 8			ET0, EW0	DDX, DEE		Heavy Duty
		1	6, 7, 8			EM0, ET0, EW0	DG0		Heavy Duty
		2	6, 7, 8			EL0, EM0	DDP		
		2	6, 7, 8			ET0, EW0			
		2	6, 7, 8				DG0		
11	04746138	2	6, 7, 8			EM0	DDP		Heavy Duty
		2	6, 7, 8			ET0, EW0			
		2	6, 7, 8				DG0		
		2	6, 7, 8			EM0	DDP		Heavy Duty
		2	6, 7, 8			ET0, EW0	DDX, DEE		Heavy Duty
		2	6, 7, 8						

RAM PICKUP/CLUB CAB (BE)

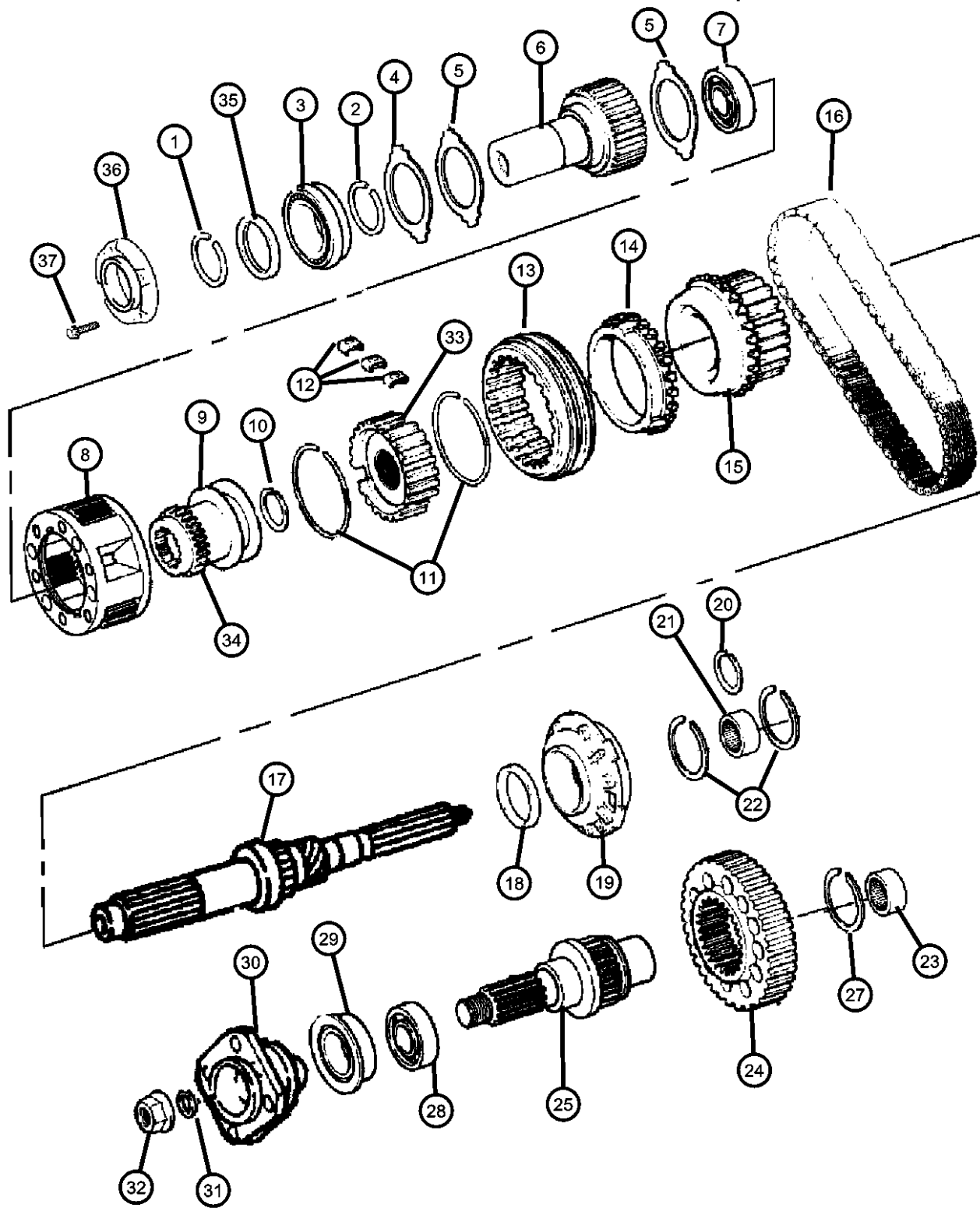
SERIES LINE
 L = RAM 1500, 2500, 3500
 1 = Lt. Duty DODGE 2WD
 2 = Med. Duty DODGE 2WD
 3 = HD DODGE 2WD
 6 = Lt. Duty DODGE 4WD
 7 = Med. Duty DODGE 4WD
 8 = HD DODGE 4WD

BODY
 31 = CLUB CAB 2-DR 6.5 FT BOX
 32 = CLUB CAB 2-DR 8FT BOX
 33 = QUAD CAB 4-DR 6.5 FT BOX
 34 = QUAD CAB 4-DR 8FT BOX
 ENGINE
 ETC = 5.9L Cummins 24V Diesel Engine
 EWA = 8.0L V10 MPI Engine
 EM0 = ALL 5.9L 8 CYL ENGINES - GAS
 EMM = 5.9L SMPI V8 Engine
 EML = 5.9L V8 MPI Engine
 ELF = 5.2L V8 MPI Engine

TRANSMISSION
 DGP = 4-Spd. Automatic 47RE Transmission
 DD0 = ALL 5 SPEED MANUAL TRANSMISSIONS
 DG0 = ALL AUTOMATIC TRANSMISSIONS
 DDC = 5-Speed HD Manual Transmission
 DDP = 5-Speed Manual Transmission
 DDX = 5-Speed HD Manual Transmission
 DEE = 6-Speed HD Manual Transmission
 DGT = 4-Spd. Automatic 46RE Transmission

AR = use ase required - = Non illustrated part

**Gear Train 241 [DHH],[DHG]
Figure 241-410**



ITEM	PART NUMBER	QTY	LINE	SERIES	BODY	ENGINE	TRANS	TRIM	DESCRIPTION
12	04746137	2	6, 7, 8			EM0, ETO, EW0			Heavy Duty KEY, Synchronizer
		3	6, 7, 8			EL0, EM0	DDP		
		3	6, 7, 8			ET0, EW0	DDX, DEE		
		3	6, 7, 8						
		3	6, 7, 8			EM0	DDP		Heavy Duty
		3	6, 7, 8			ET0, EW0	DDX, DEE		Heavy Duty
		3	6, 7, 8			EM0, ETO, EW0			Heavy Duty
13	04746144	1	6, 7, 8			EL0, EM0	DDP		SLEEVE, Synchronizer
		1	6, 7, 8			ET0, EW0	DDX, DEE		
		1	6, 7, 8				DG0		
		1	6, 7, 8			EM0	DDP		Heavy Duty
		1	6, 7, 8			ET0, EW0	DDX, DEE		Heavy Duty
		1	6, 7, 8			EM0, ETO, EW0	DG0		Heavy Duty
		1	6, 7, 8						
14	04746139	1	6, 7, 8			EL0, EM0	DDP		RING, Blocker
		1	6, 7, 8			ET0, EW0	DDX, DEE		
		1	6, 7, 8				DG0		
		1	6, 7, 8			EM0	DDP		Heavy Duty
		1	6, 7, 8			ET0, EW0	DDX, DEE		Heavy Duty
		1	6, 7, 8			EM0, ETO, EW0	DG0		Heavy Duty
15	04746142	1	6, 7, 8			EM0	DDP		SPROCKET, Transfer Case
		1	6, 7, 8			ET0, EW0	DDX, DEE		Heavy Duty
		1	6, 7, 8			EM0, ETO, EW0	DG0		Heavy Duty
		1	6, 7, 8						

RAM PICKUP/CLUB CAB (BE)

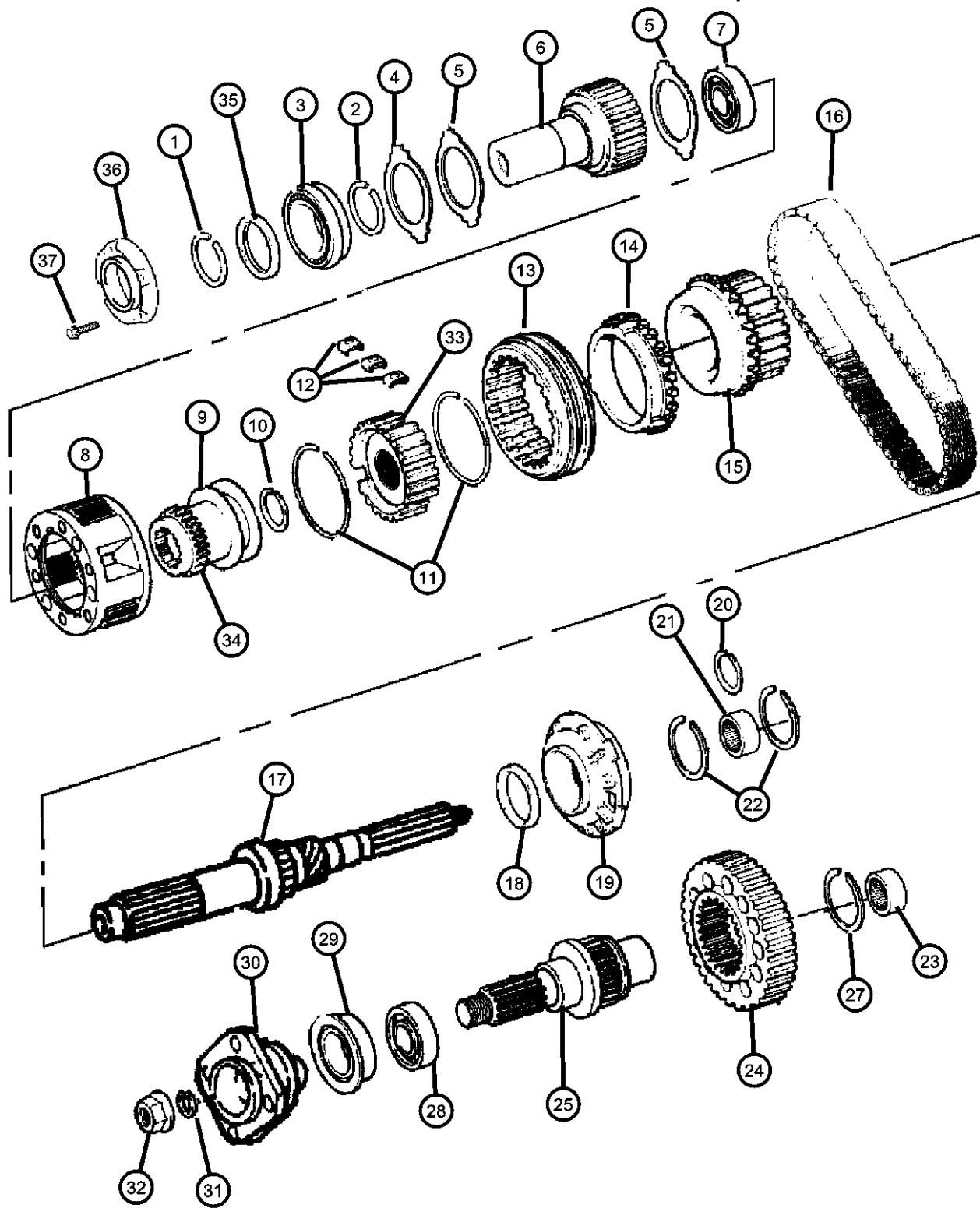
SERIES	LINE
L = RAM 1500, 2500, 3500	1 = Lt. Duty DODGE 2WD 2 = Med. Duty DODGE 2WD 3 = HD DODGE 2WD 6 = Lt. Duty DODGE 4WD 7 = Med. Duty DODGE 4WD 8 = HD DODGE 4WD

BODY	ENGINE
31 = CLUB CAB 2-DR 6.5 FT BOX 32 = CLUB CAB 2-DR 8FT BOX 33 = QUAD CAB 4-DR 6.5 FT BOX 34 = QUAD CAB 4-DR 8FT BOX	ETC = 5.9L Cummins 24V Diesel Engine EWA = 8.0L V10 MPI Engine EM0 = ALL 5.9L 8 CYL ENGINES - GAS EMM = 5.9L SMPI V8 Engine EML = 5.9L V8 MPI Engine ELF = 5.2L V8 MPI Engine

TRANSMISSION
DGP = 4-Spd. Automatic 47RE Transmission DD0 = ALL 5 SPEED MANUAL TRANSMISSIONS DG0 = ALL AUTOMATIC TRANSMISSIONS DDC = 5-Speed HD Manual Transmission DDP = 5-Speed Manual Transmission DDX = 5-Speed HD Manual Transmission DEE = 6-Speed HD Manual Transmission DGT = 4-Spd. Automatic 46RE Transmission

AR = use ase required - = Non illustrated part

**Gear Train 241 [DHH],[DHG]
Figure 241-410**



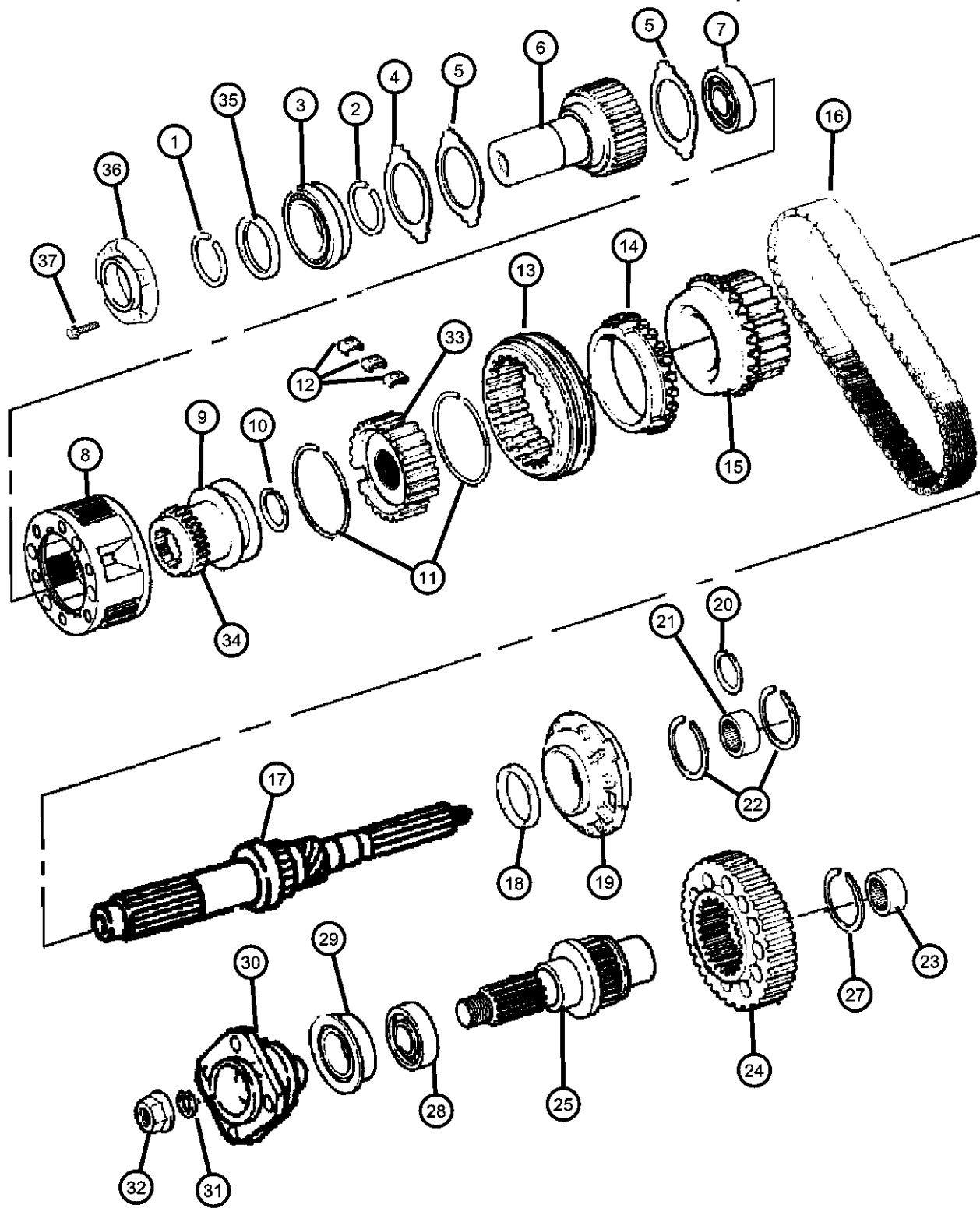
ITEM	PART NUMBER	QTY	LINE	SERIES	BODY	ENGINE	TRANS	TRIM	DESCRIPTION
16	04746256	1	6, 7, 8			ELO, EM0	DDP		CHAIN, Transfer Case
		1	6, 7, 8			ET0, EW0	DDX, DEE		
		1	6, 7, 8				DG0		
17	04746147	1	6, 7, 8			EM0	DDP		MAINSHAFT, Transfer Case
		1	6, 7, 8			ET0, EW0	DDX, DEE		
		1	6, 7, 8			EM0, ET0, EW0	DG0		
18	04746257	1	6, 7, 8			ELO, EM0	DDP		SEAL, Main Shaft
		1	6, 7, 8			ET0, EW0	DDX, DEE		
		1	6, 7, 8				DG0		
19	04778949	1	6, 7, 8			ELO, EM0	DDP		PUMP, Transfer Case Oil
		1	6, 7, 8			ET0, EW0	DDX, DEE		
		1	6, 7, 8				DG0		
20	04883579AA	1	6, 7, 8			EM0	DDP		SEAL, Main Shaft
		1	6, 7, 8			ET0, EW0	DDX, DEE		
		1	6, 7, 8			EM0, ET0, EW0	DG0		
21	04210603	1	6, 7, 8			ELO, EM0	DDP		PUMP, Transfer Case Oil
		1	6, 7, 8			ET0, EW0	DDX, DEE		
		1	6, 7, 8				DG0		
22	04338936	1	6, 7, 8			ELO, EM0	DDP		SEAL, Main Shaft
		1	6, 7, 8			ET0, EW0	DDX, DEE		
		1	6, 7, 8				DG0		
23	04883596AA	1	6, 7, 8			EM0	DDP		SEAL, Main Shaft
		1	6, 7, 8			ET0, EW0	DDX, DEE		
		1	6, 7, 8				DG0		

RAM PICKUP/CLUB CAB (BE)

SERIES	LINE	BODY	ENGINE	TRANSMISSION
L = RAM 1500, 2500, 3500	1 = Lt. Duty DODGE 2WD 2 = Med. Duty DODGE 2WD 3 = HD DODGE 2WD 6 = Lt. Duty DODGE 4WD 7 = Med. Duty DODGE 4WD 8 = HD DODGE 4WD	31 = CLUB CAB 2-DR 6.5 FT BOX 32 = CLUB CAB 2-DR 8FT BOX 33 = QUAD CAB 4-DR 6.5 FT BOX 34 = QUAD CAB 4-DR 8FT BOX	ETC = 5.9L Cummins 24V Diesel Engine EWA = 8.0L V10 MPI Engine EM0 = ALL 5.9L 8 CYL ENGINES - GAS EMM = 5.9L SMPI V8 Engine EML = 5.9L V8 MPI Engine ELF = 5.2L V8 MPI Engine	DGP = 4-Spd. Automatic 47RE Transmission DD0 = ALL 5 SPEED MANUAL TRANSMISSIONS DG0 = ALL AUTOMATIC TRANSMISSIONS DDC = 5-Speed HD Manual Transmission DDP = 5-Speed Manual Transmission DDX = 5-Speed HD Manual Transmission DEE = 6-Speed HD Manual Transmission DGT = 4-Spd. Automatic 46RE Transmission

AR = use ase required - = Non illustrated part

**Gear Train 241 [DHH],[DHG]
Figure 241-410**



ITEM	PART NUMBER	QTY	LINE	SERIES	BODY	ENGINE	TRANS	TRIM	DESCRIPTION
20		1	6, 7, 8			EM0, ET0, EW0	DG0		Heavy Duty
	04856643	1	6, 7, 8			EM0	DDP		SNAP RING, Output Bearing Heavy Duty Only
		1	6, 7, 8			ET0, EW0	DDX, DEE		Heavy Duty Only
		1	6, 7, 8			EM0, ET0, EW0	DG0		Heavy Duty Only
21									BEARING, Output Shaft
	04883601AA	1	6, 7, 8			EM0	DDP		Heavy Duty
		1	6, 7, 8			ET0, EW0	DDX, DEE		Heavy Duty
		1	6, 7, 8			EM0, ET0, EW0	DG0		Heavy Duty
	04897981AA	1	6, 7, 8			ELO, EM0	DDP		
		1	6, 7, 8			ET0, EW0	DDX, DEE		
		1	6, 7, 8				DG0		
22									SNAP RING
	04883597AA	2	6, 7, 8			EM0	DDP		Heavy Duty
		2	6, 7, 8			ET0, EW0	DDX, DEE		Heavy Duty
		2	6, 7, 8			EM0, ET0, EW0			Heavy Duty
	04897982AA	1	6, 7, 8			ELO, EM0	DDP		Standard
		1	6, 7, 8			ET0, EW0	DDX, DEE		Standard
		1	6, 7, 8				DG0		Standard
23									BEARING, Output Shaft
	04269189	1	6, 7, 8			ELO, EM0	DDP		
		1	6, 7, 8			ET0, EW0	DDX, DEE		
		1	6, 7, 8				DG0		
		1	6, 7, 8			EM0	DDP		Heavy Duty
		1	6, 7, 8			ET0, EW0	DDX, DEE		Heavy Duty
		1	6, 7, 8			EM0, ET0, EW0	DG0		Heavy Duty

RAM PICKUP/CLUB CAB (BE)

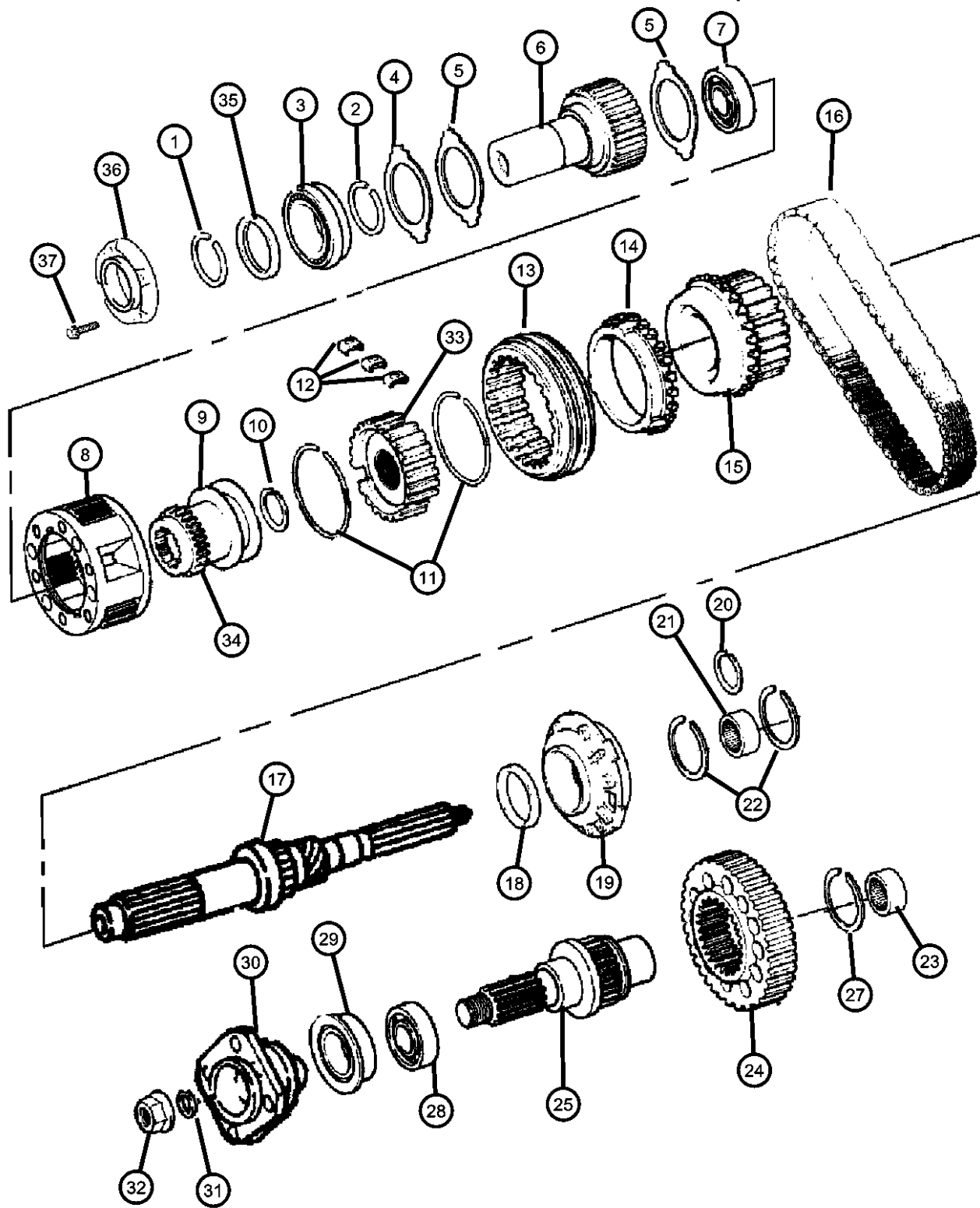
SERIES	LINE
L = RAM 1500, 2500, 3500	1 = Lt. Duty DODGE 2WD 2 = Med. Duty DODGE 2WD 3 = HD DODGE 2WD 6 = Lt. Duty DODGE 4WD 7 = Med. Duty DODGE 4WD 8 = HD DODGE 4WD

BODY	ENGINE
31 = CLUB CAB 2-DR 6.5 FT BOX 32 = CLUB CAB 2-DR 8FT BOX 33 = QUAD CAB 4-DR 6.5 FT BOX 34 = QUAD CAB 4-DR 8FT BOX	ETC = 5.9L Cummins 24V Diesel Engine EWA = 8.0L V10 MPI Engine EM0 = ALL 5.9L 8 CYL ENGINES - GAS EMM = 5.9L SMPI V8 Engine EML = 5.9L V8 MPI Engine ELF = 5.2L V8 MPI Engine

TRANSMISSION
DGP = 4-Spd. Automatic 47RE Transmission DD0 = ALL 5 SPEED MANUAL TRANSMISSIONS DG0 = ALL AUTOMATIC TRANSMISSIONS DDC = 5-Speed HD Manual Transmission DDP = 5-Speed Manual Transmission DDX = 5-Speed HD Manual Transmission DEE = 6-Speed HD Manual Transmission DGT = 4-Spd. Automatic 46RE Transmission

AR = use ase required - = Non illustrated part

**Gear Train 241 [DHH],[DHG]
Figure 241-410**



ITEM	PART NUMBER	QTY	LINE	SERIES	BODY	ENGINE	TRANS	TRIM	DESCRIPTION
24	04746145	1	6, 7, 8			EM0	DDP		SPROCKET, Driven Heavy Duty
		1	6, 7, 8			ET0, EW0	DDX, DEE		Heavy Duty
		1	6, 7, 8			EM0, ET0, EW0	DG0		Heavy Duty
	04746259	1	6, 7, 8			EL0, EM0	DDP		
		1	6, 7, 8			ET0, EW0	DDX, DEE		
		1	6, 7, 8				DG0		
25	83503517	1	6, 7, 8			EL0, EM0	DDP		OUTPUT SHAFT, Transfer Case
		1	6, 7, 8			ET0, EW0	DDX, DEE		
		1	6, 7, 8				DG0		
-26	04746146	1	6, 7, 8			EM0	DDP		SHAFT, Output Heavy Duty
		1	6, 7, 8			ET0, EW0	DDX, DEE		Heavy Duty
		1	6, 7, 8			EM0, ET0, EW0	DG0		Heavy Duty
27	04167991	1	6, 7, 8			EL0, EM0	DDP		SNAP RING, Bearing
		1	6, 7, 8			ET0, EW0	DDX, DEE		
		1	6, 7, 8				DG0		
		1	6, 7, 8			EM0	DDP		Heavy Duty
		1	6, 7, 8			ET0, EW0	DDX, DEE		Heavy Duty
		1	6, 7, 8			EM0, ET0, EW0	DG0		Heavy Duty
28	02466224	1	6, 7, 8			ET0, EW0	DDX, DEE		BEARING, Output Shaft
		1	6, 7, 8				DG0		
		1	6, 7, 8			EL0, EM0	DDP		

RAM PICKUP/CLUB CAB (BE)

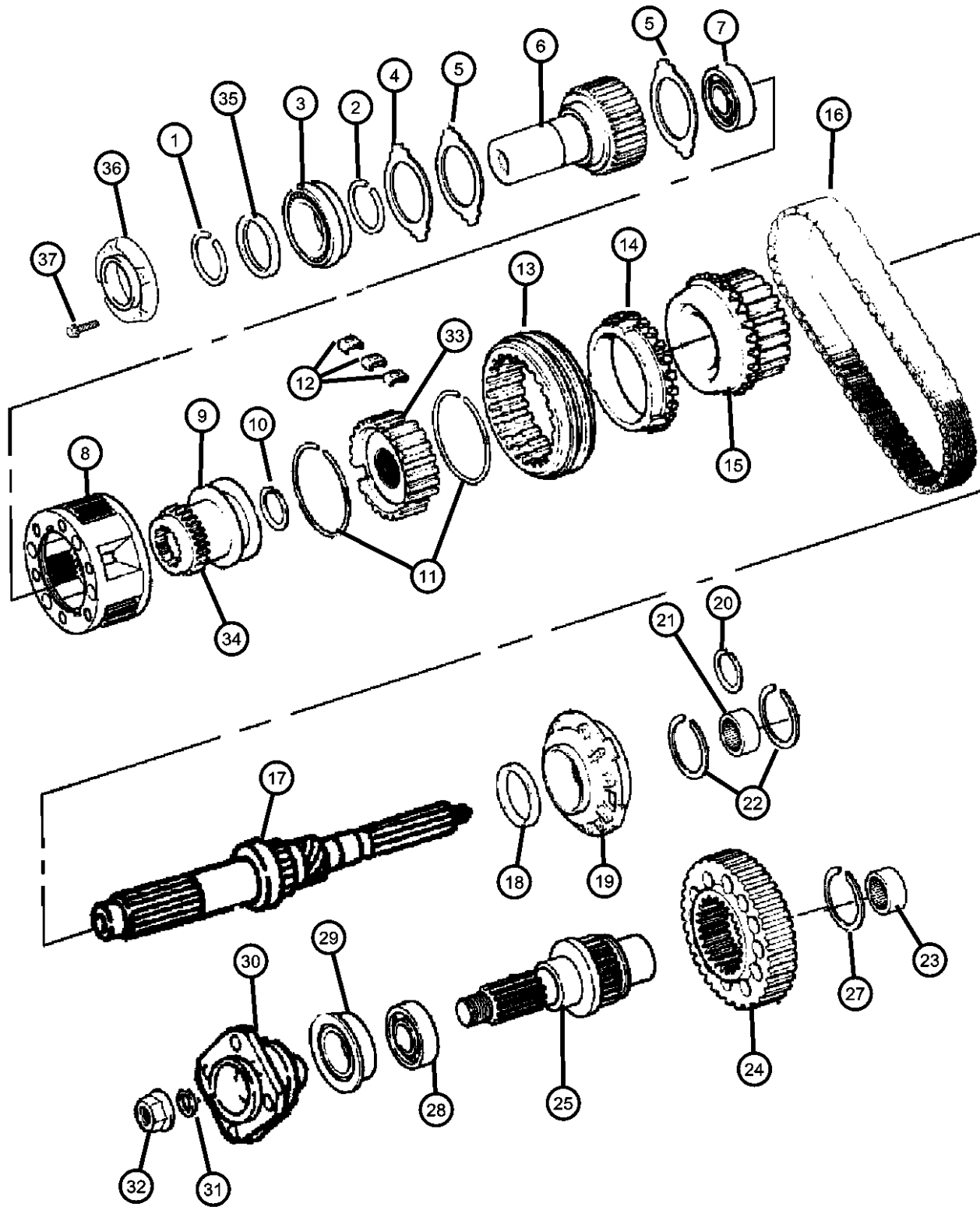
SERIES	LINE
L = RAM 1500, 2500, 3500	1 = Lt. Duty DODGE 2WD 2 = Med. Duty DODGE 2WD 3 = HD DODGE 2WD 6 = Lt. Duty DODGE 4WD 7 = Med. Duty DODGE 4WD 8 = HD DODGE 4WD

BODY	ENGINE
31 = CLUB CAB 2-DR 6.5 FT BOX 32 = CLUB CAB 2-DR 8FT BOX 33 = QUAD CAB 4-DR 6.5 FT BOX 34 = QUAD CAB 4-DR 8FT BOX	ETC = 5.9L Cummins 24V Diesel Engine EWA = 8.0L V10 MPI Engine EM0 = ALL 5.9L 8 CYL ENGINES - GAS EMM = 5.9L SMPI V8 Engine EML = 5.9L V8 MPI Engine ELF = 5.2L V8 MPI Engine

TRANSMISSION
DGP = 4-Spd. Automatic 47RE Transmission DD0 = ALL 5 SPEED MANUAL TRANSMISSIONS DG0 = ALL AUTOMATIC TRANSMISSIONS DDC = 5-Speed HD Manual Transmission DDP = 5-Speed Manual Transmission DDX = 5-Speed HD Manual Transmission DEE = 6-Speed HD Manual Transmission DGT = 4-Spd. Automatic 46RE Transmission

AR = use ase required - = Non illustrated part

**Gear Train 241 [DHH],[DHG]
Figure 241-410**



ITEM	PART NUMBER	QTY	LINE	SERIES	BODY	ENGINE	TRANS	TRIM	DESCRIPTION
		1	6, 7, 8			EM0	DDP		Heavy Duty
		1	6, 7, 8			ET0, EW0	DDX, DEE		Heavy Duty
		1	6, 7, 8			EM0, ET0, EW0	DG0		Heavy Duty
29									SEAL, Output Shaft
	04798125	1	6, 7, 8			EL0, EM0	DDP		
		1	6, 7, 8			ET0, EW0	DDX, DEE		
		1	6, 7, 8				DG0		
		1	6, 7, 8			EM0	DDP		Heavy Duty
		1	6, 7, 8			ET0, EW0	DDX, DEE		Heavy Duty
		1	6, 7, 8			EM0, ET0, EW0	DG0		Heavy Duty
30									YOKE, Transfer Case Output
	04897983AA	1	6, 7, 8			EL0, EM0	DDP		
		1	6, 7, 8			ET0, EW0	DDX, DEE		
		1	6, 7, 8				DG0		
		1	6, 7, 8			EM0	DDP		Heavy Duty
		1	6, 7, 8			ET0, EW0	DDX, DEE		Heavy Duty
		1	6, 7, 8			EM0, ET0, EW0	DG0		Heavy Duty
31									WASHER, Transfer Case Yoke
	04210973	1	6, 7, 8			EL0, EM0	DDP		
		1	6, 7, 8			ET0, EW0	DDX, DEE		
		1	6, 7, 8				DG0		
		1	6, 7, 8			EM0	DDP		Heavy Duty
		1	6, 7, 8			ET0, EW0	DDX, DEE		Heavy Duty
		1	6, 7, 8			EM0, ET0, EW0	DG0		Heavy Duty
32									NUT, Transfer Case Yoke
	04167924	1	6, 7, 8			EL0, EM0	DDP		

RAM PICKUP/CLUB CAB (BE)

SERIES	LINE
L = RAM 1500, 2500, 3500	1 = Lt. Duty DODGE 2WD
	2 = Med. Duty DODGE 2WD
	3 = HD DODGE 2WD
	6 = Lt. Duty DODGE 4WD
	7 = Med. Duty DODGE 4WD
	8 = HD DODGE 4WD

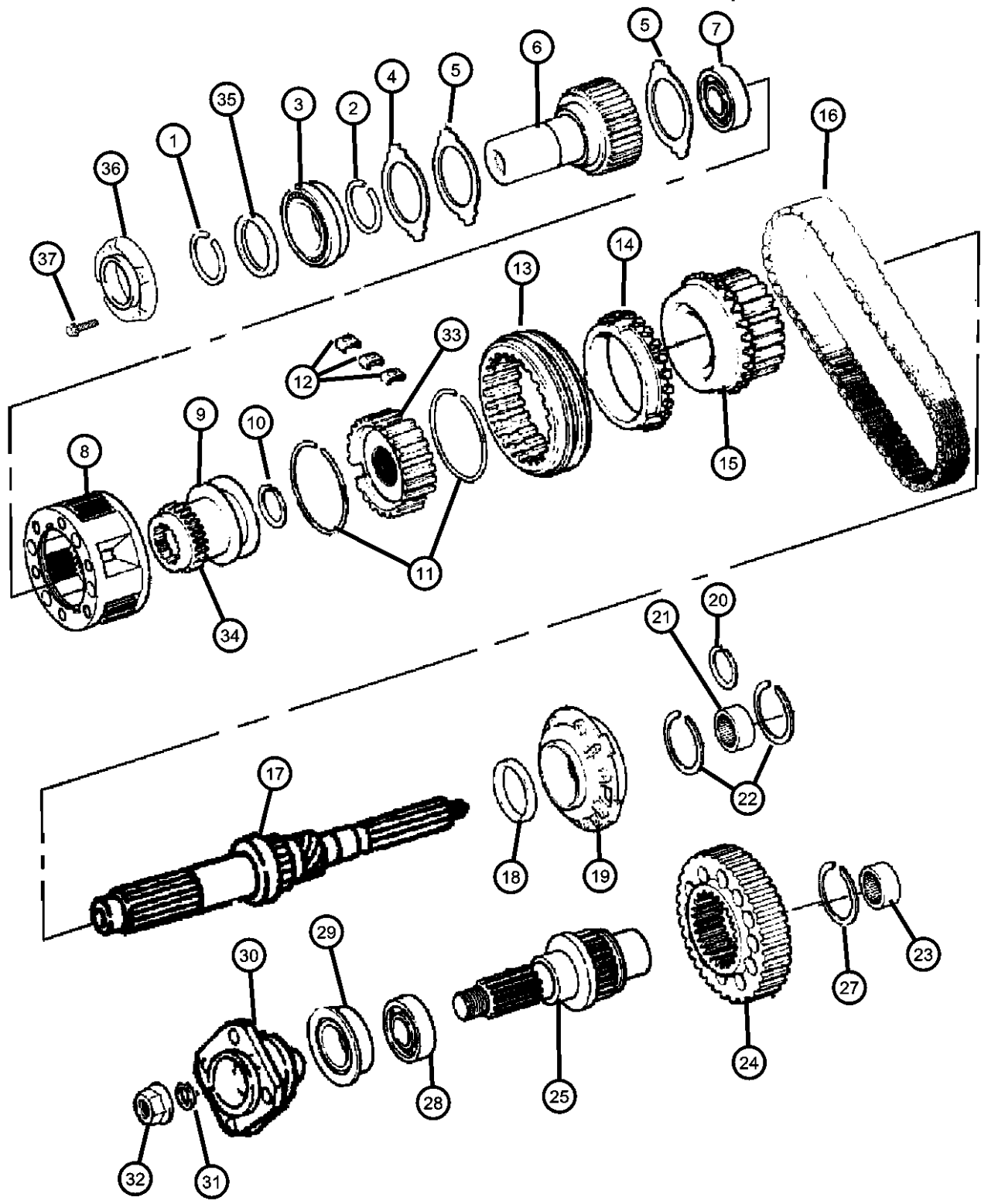
BODY	ENGINE
31 = CLUB CAB 2-DR 6.5 FT BOX	ETC = 5.9L Cummins 24V Diesel Engine
32 = CLUB CAB 2-DR 8FT BOX	EWA = 8.0L V10 MPI Engine
33 = QUAD CAB 4-DR 6.5 FT BOX	EM0 = ALL 5.9L 8 CYL ENGINES - GAS
34 = QUAD CAB 4-DR 8FT BOX	EMM = 5.9L SMPI V8 Engine
	EML = 5.9L V8 MPI Engine
	ELF = 5.2L V8 MPI Engine

TRANSMISSION
DGP = 4-Spd. Automatic 47RE Transmission
DD0 = ALL 5 SPEED MANUAL TRANSMISSIONS
DG0 = ALL AUTOMATIC TRANSMISSIONS
DDC = 5-Speed HD Manual Transmission
DDP = 5-Speed Manual Transmission
DDX = 5-Speed HD Manual Transmission
DEE = 6-Speed HD Manual Transmission
DGT = 4-Spd. Automatic 46RE Transmission

AR = use ase required - = Non illustrated part

1999 BE

**Gear Train 241 [DHH],[DHG]
Figure 241-410**



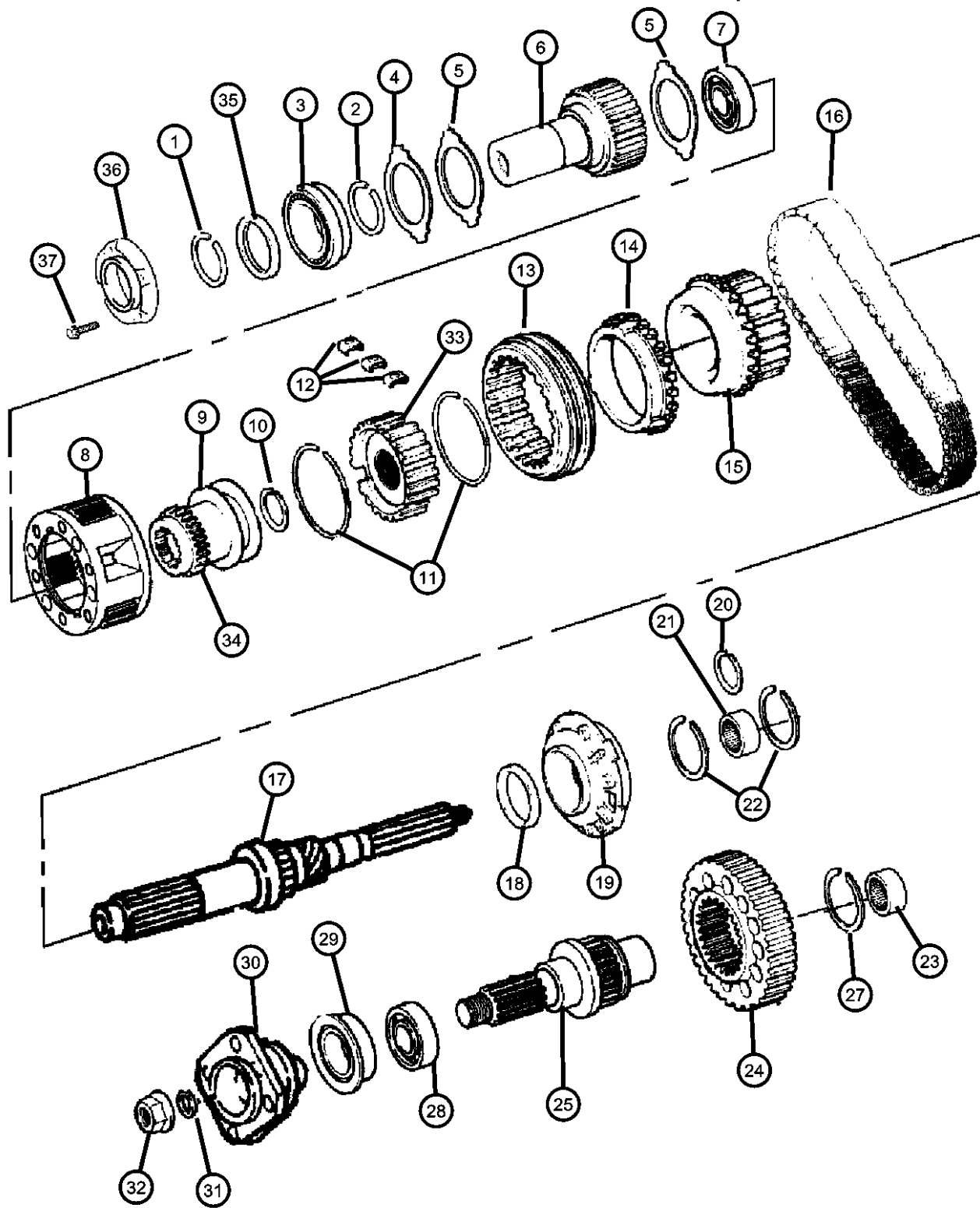
ITEM	PART NUMBER	QTY	LINE	SERIES	BODY	ENGINE	TRANS	TRIM	DESCRIPTION
		1	6, 7, 8			ET0, EW0	DDX, DEE		
		1	6, 7, 8				DG0		
		1	6, 7, 8			EM0	DDP		Heavy Duty
		1	6, 7, 8			ET0, EW0	DDX, DEE		Heavy Duty
		1	6, 7, 8			EM0, ET0, EW0	DG0		Heavy Duty
33									HUB, Synchronizer
	04746143	1	6, 7, 8			EL0, EM0	DDP		
		1	6, 7, 8			ET0, EW0	DDX, DEE		
		1	6, 7, 8				DG0		
		1	6, 7, 8			EM0	DDP		Heavy Duty
		1	6, 7, 8			ET0, EW0	DDX, DEE		Heavy Duty
		1	6, 7, 8			EM0, ET0, EW0	DG0		Heavy Duty
34									HUB, Synchronizer Range
	04746130	1	6, 7, 8			EM0, ET0, EW0	DG0		
		1	6, 7, 8			ET0, EW0	DDX, DEE		
		1	6, 7, 8			EM0	DDP		
35									SEAL, Input Gear
	04167929	1	6, 7, 8			EL0, EM0	DDP		
		1	6, 7, 8			ET0, EW0	DDX, DEE		
		1	6, 7, 8				DG0		
		1	6, 7, 8			EM0	DDP		Heavy Duty
		1	6, 7, 8			ET0, EW0	DDX, DEE		Heavy Duty
		1	6, 7, 8			EM0, ET0, EW0	DG0		Heavy Duty
36									EXTENSION, Transfer Case
	04338973	1	6, 7, 8			EL0, EM0	DDP		
		1	6, 7, 8			ET0, EW0	DDX, DEE		

RAM PICKUP/CLUB CAB (BE)

SERIES	LINE	BODY	ENGINE	TRANSMISSION
L = RAM 1500, 2500, 3500	1 = Lt. Duty DODGE 2WD 2 = Med. Duty DODGE 2WD 3 = HD DODGE 2WD 6 = Lt. Duty DODGE 4WD 7 = Med. Duty DODGE 4WD 8 = HD DODGE 4WD	31 = CLUB CAB 2-DR 6.5 FT BOX 32 = CLUB CAB 2-DR 8FT BOX 33 = QUAD CAB 4-DR 6.5 FT BOX 34 = QUAD CAB 4-DR 8FT BOX	ETC = 5.9L Cummins 24V Diesel Engine EWA = 8.0L V10 MPI Engine EM0 = ALL 5.9L 8 CYL ENGINES - GAS EMM = 5.9L SMPI V8 Engine EML = 5.9L V8 MPI Engine ELF = 5.2L V8 MPI Engine	DGP = 4-Spd. Automatic 47RE Transmission DD0 = ALL 5 SPEED MANUAL TRANSMISSIONS DG0 = ALL AUTOMATIC TRANSMISSIONS DDC = 5-Speed HD Manual Transmission DDP = 5-Speed Manual Transmission DDX = 5-Speed HD Manual Transmission DEE = 6-Speed HD Manual Transmission DGT = 4-Spd. Automatic 46RE Transmission

AR = use ase required - = Non illustrated part

**Gear Train 241 [DHH],[DHG]
Figure 241-410**

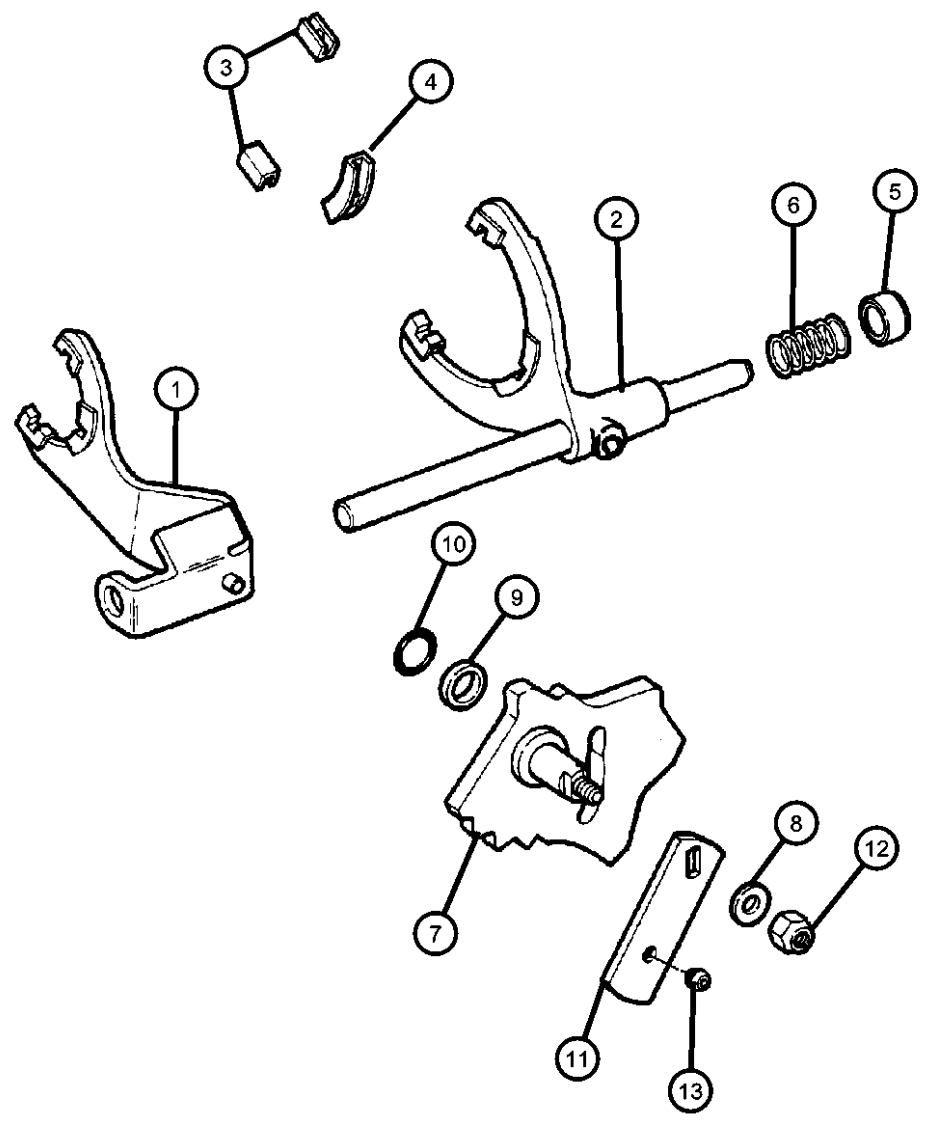


ITEM	PART NUMBER	QTY	LINE	SERIES	BODY	ENGINE	TRANS	TRIM	DESCRIPTION
		1	6, 7, 8				DG0		
		1	6, 7, 8			EM0	DDP		Heavy Duty
		1	6, 7, 8			ET0, EW0	DDX, DEE		Heavy Duty
		1	6, 7, 8			EM0, ET0, EW0	DG0		Heavy Duty
37	06500318	4	6, 7, 8			EL0, EM0	DDP		BOLT
		4	6, 7, 8			ET0, EW0	DDX, DEE		
		4	6, 7, 8						
		4	6, 7, 8			EM0	DDP		Heavy Duty
		4	6, 7, 8			ET0, EW0	DDX, DEE		Heavy Duty
		4	6, 7, 8			EM0, ET0, EW0			Heavy Duty

RAM PICKUP/CLUB CAB (BE)	TRANSMISSION
SERIES	DGP = 4-Spd. Automatic 47RE Transmission
L = RAM 1500, 2500, 3500	DD0 = ALL 5 SPEED MANUAL TRANSMISSIONS
1 = Lt. Duty DODGE 2WD	DG0 = ALL AUTOMATIC TRANSMISSIONS
2 = Med. Duty DODGE 2WD	DDC = 5-Speed HD Manual Transmission
3 = HD DODGE 2WD	DDP = 5-Speed Manual Transmission
6 = Lt. Duty DODGE 4WD	DDX = 5-Speed HD Manual Transmission
7 = Med. Duty DODGE 4WD	DEE = 6-Speed HD Manual Transmission
8 = HD DODGE 4WD	DGT = 4-Spd. Automatic 46RE Transmission
BODY	ENGINE
31 = CLUB CAB 2-DR 6.5 FT BOX	ETC = 5.9L Cummins 24V Diesel Engine
32 = CLUB CAB 2-DR 8FT BOX	EWA = 8.0L V10 MPI Engine
33 = QUAD CAB 4-DR 6.5 FT BOX	EM0 = ALL 5.9L 8 CYL ENGINES - GAS
34 = QUAD CAB 4-DR 8FT BOX	EMM = 5.9L SMPI V8 Engine
	EML = 5.9L V8 MPI Engine
	ELF = 5.2L V8 MPI Engine

AR = use ase required - = Non illustrated part

Forks 241 [DHH],[DHG]
Figure 241-910



ITEM	PART NUMBER	QTY	LINE	SERIES	BODY	ENGINE	TRANS	TRIM	DESCRIPTION
------	-------------	-----	------	--------	------	--------	-------	------	-------------

NOTES: Sales Codes
 [DDP] = 5 Speed Manual Transmission
 [DDX] = 5 Speed Heavy Duty Manual Transmission
 [DEE] = 6 Speed Heavy Duty Manual Transmission
 [DG0] = All Automatic Transmissions
 [EL0] = All 5.2L 8 Cylinder Gas Engines
 [EM0] = All 5.9L 8 Cylinder Gas Engines
 [ET0] = All 5.9L Turbo Diesels
 [EW0] = All 8.0L Gas Engines

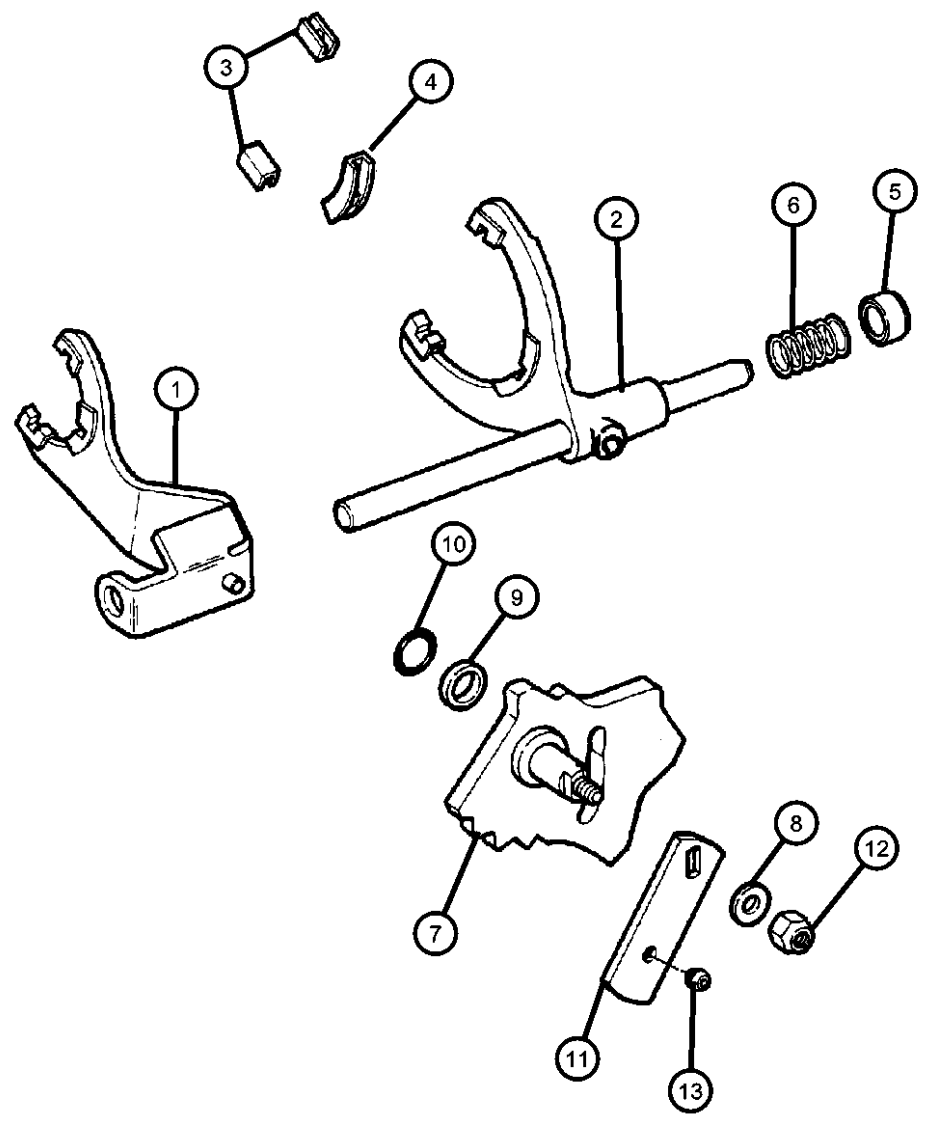
1	04798136	1	6, 7, 8			EL0, EM0	DDP		FORK, Range
		1	6, 7, 8			ET0, EW0	DDX, DEE		
		1	6, 7, 8				DG0		
		1	6, 7, 8			EM0	DDP		
		1	6, 7, 8			ET0, EW0	DDX, DEE		Heavy Duty
		1	6, 7, 8			EM0, ET0, EW0	DG0		
2	04746136	1	6, 7, 8			EL0, EM0	DDP		FORK, Mode
		1	6, 7, 8			ET0, EW0	DDX, DEE		
		1	6, 7, 8				DG0		
		1	6, 7, 8			EM0	DDP		
		1	6, 7, 8			ET0, EW0	DDX, DEE		Heavy Duty
		1	6, 7, 8			EM0, ET0, EW0	DG0		
3	04167969	2	6, 7, 8			EL0, EM0	DDP		PAD, Shift Fork
		2	6, 7, 8			ET0, EW0	DDX, DEE		
		2	6, 7, 8						
		1	6, 7, 8			EM0	DDP		
		1	6, 7, 8			ET0, EW0	DDX, DEE		
		1	6, 7, 8			EM0, ET0, EW0	DG0		

RAM PICKUP/CLUB CAB (BE)

SERIES	LINE	BODY	ENGINE	TRANSMISSION
L = RAM 1500, 2500, 3500	1 = Lt. Duty DODGE 2WD 2 = Med. Duty DODGE 2WD 3 = HD DODGE 2WD 6 = Lt. Duty DODGE 4WD 7 = Med. Duty DODGE 4WD 8 = HD DODGE 4WD	31 = CLUB CAB 2-DR 6.5 FT BOX 32 = CLUB CAB 2-DR 8FT BOX 33 = QUAD CAB 4-DR 6.5 FT BOX 34 = QUAD CAB 4-DR 8FT BOX	ETC = 5.9L Cummins 24V Diesel Engine EWA = 8.0L V10 MPI Engine EM0 = ALL 5.9L 8 CYL ENGINES - GAS EMM = 5.9L SMPI V8 Engine EML = 5.9L V8 MPI Engine ELF = 5.2L V8 MPI Engine	DGP = 4-Spd. Automatic 47RE Transmission DD0 = ALL 5 SPEED MANUAL TRANSMISSIONS DG0 = ALL AUTOMATIC TRANSMISSIONS DDC = 5-Speed HD Manual Transmission DDP = 5-Speed Manual Transmission DDX = 5-Speed HD Manual Transmission DEE = 6-Speed HD Manual Transmission DGT = 4-Spd. Automatic 46RE Transmission

AR = use ase required - = Non illustrated part

Forks 241 [DHH],[DHG]
Figure 241-910



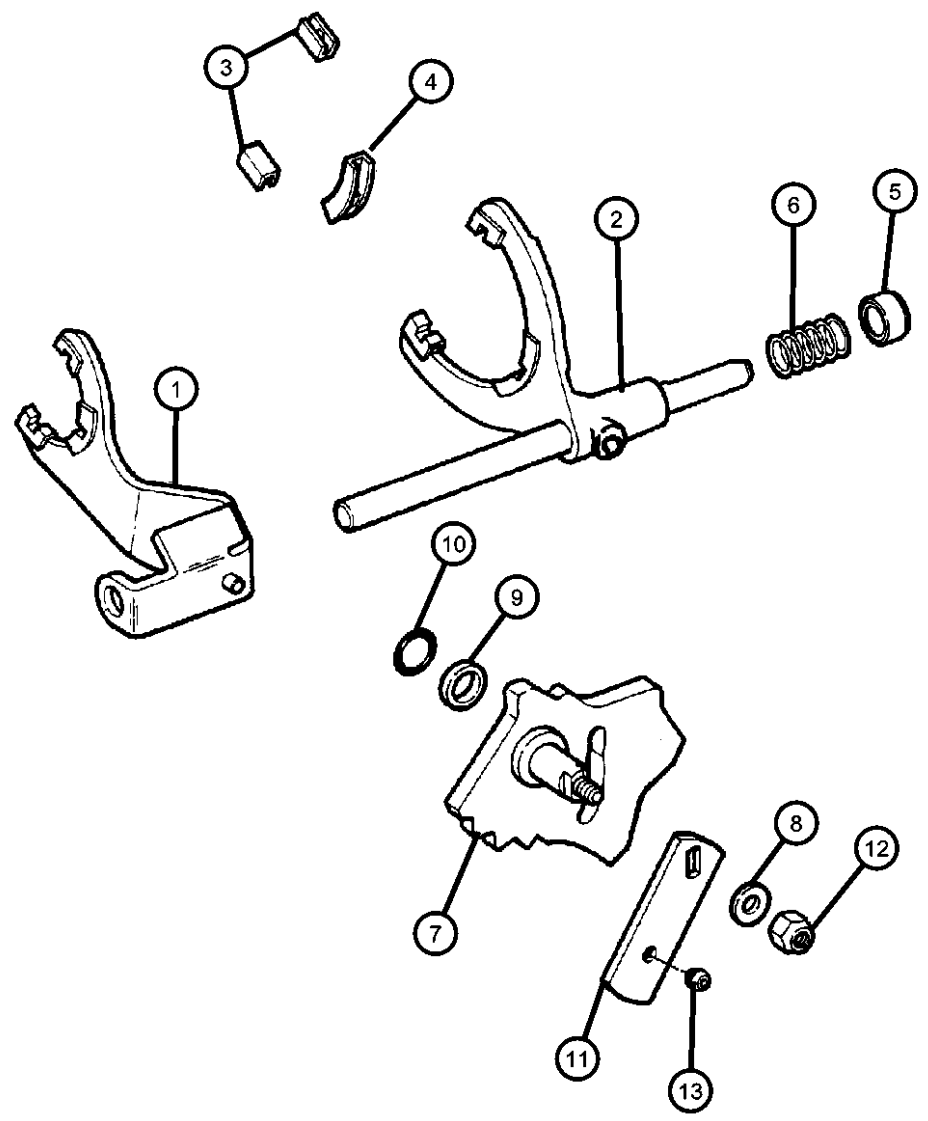
ITEM	PART NUMBER	QTY	LINE	SERIES	BODY	ENGINE	TRANS	TRIM	DESCRIPTION
4	04746140	1	6, 7, 8			EL0, EM0	DDP		PAD, Shift Fork
		1	6, 7, 8			ET0, EW0	DDX, DEE		
		1	6, 7, 8			EM0	DDP		
		1	6, 7, 8			ET0, EW0	DDX, DEE		Heavy Duty
		1	6, 7, 8			EM0, ET0, EW0	DG0		
5	83503515	1	6, 7, 8			EL0, EM0	DDP		CUP, Shift Fork Spring
		1	6, 7, 8			ET0, EW0	DDX, DEE		
		1	6, 7, 8				DG0		
		1	6, 7, 8			EM0	DDP		
		1	6, 7, 8			ET0, EW0	DDX, DEE		Heavy Duty
		1	6, 7, 8			EM0, ET0, EW0	DG0		
6	00013816	1	6, 7, 8			EL0, EM0	DDP		SPRING, Mode Fork
		1	6, 7, 8			ET0, EW0	DDX, DEE		
		1	6, 7, 8				DG0		
		1	6, 7, 8			EM0	DDP		
		1	6, 7, 8			ET0, EW0	DDX, DEE		Heavy Duty
		1	6, 7, 8			EM0, ET0, EW0	DG0		
7	04897962AA	1	6, 7, 8				DG0		SECTOR, Transfer Case
		1	6, 7, 8			ET0, EW0	DDX, DEE		
		1	6, 7, 8			EL0, EM0	DDP		
		1	6, 7, 8			EM0	DDP		
		1	6, 7, 8			ET0, EW0	DDX, DEE		Heavy Duty

RAM PICKUP/CLUB CAB (BE)

SERIES	LINE	BODY	ENGINE	TRANSMISSION
L = RAM 1500, 2500, 3500	1 = Lt. Duty DODGE 2WD	31 = CLUB CAB 2-DR 6.5 FT BOX	ETC = 5.9L Cummins 24V Diesel Engine	DGP = 4-Spd. Automatic 47RE Transmission
	2 = Med. Duty DODGE 2WD	32 = CLUB CAB 2-DR 8FT BOX	EWA = 8.0L V10 MPI Engine	DD0 = ALL 5 SPEED MANUAL TRANSMISSIONS
	3 = HD DODGE 2WD	33 = QUAD CAB 4-DR 6.5 FT BOX	EM0 = ALL 5.9L 8 CYL ENGINES - GAS	DG0 = ALL AUTOMATIC TRANSMISSIONS
	6 = Lt. Duty DODGE 4WD	34 = QUAD CAB 4-DR 8FT BOX	EMM = 5.9L SMPI V8 Engine	DDC = 5-Speed HD Manual Transmission
	7 = Med. Duty DODGE 4WD		EML = 5.9L V8 MPI Engine	DDP = 5-Speed Manual Transmission
	8 = HD DODGE 4WD		ELF = 5.2L V8 MPI Engine	DDX = 5-Speed HD Manual Transmission
				DEE = 6-Speed HD Manual Transmission
				DGT = 4-Spd. Automatic 46RE Transmission

AR = use ase required - = Non illustrated part

Forks 241 [DHH],[DHG]
Figure 241-910



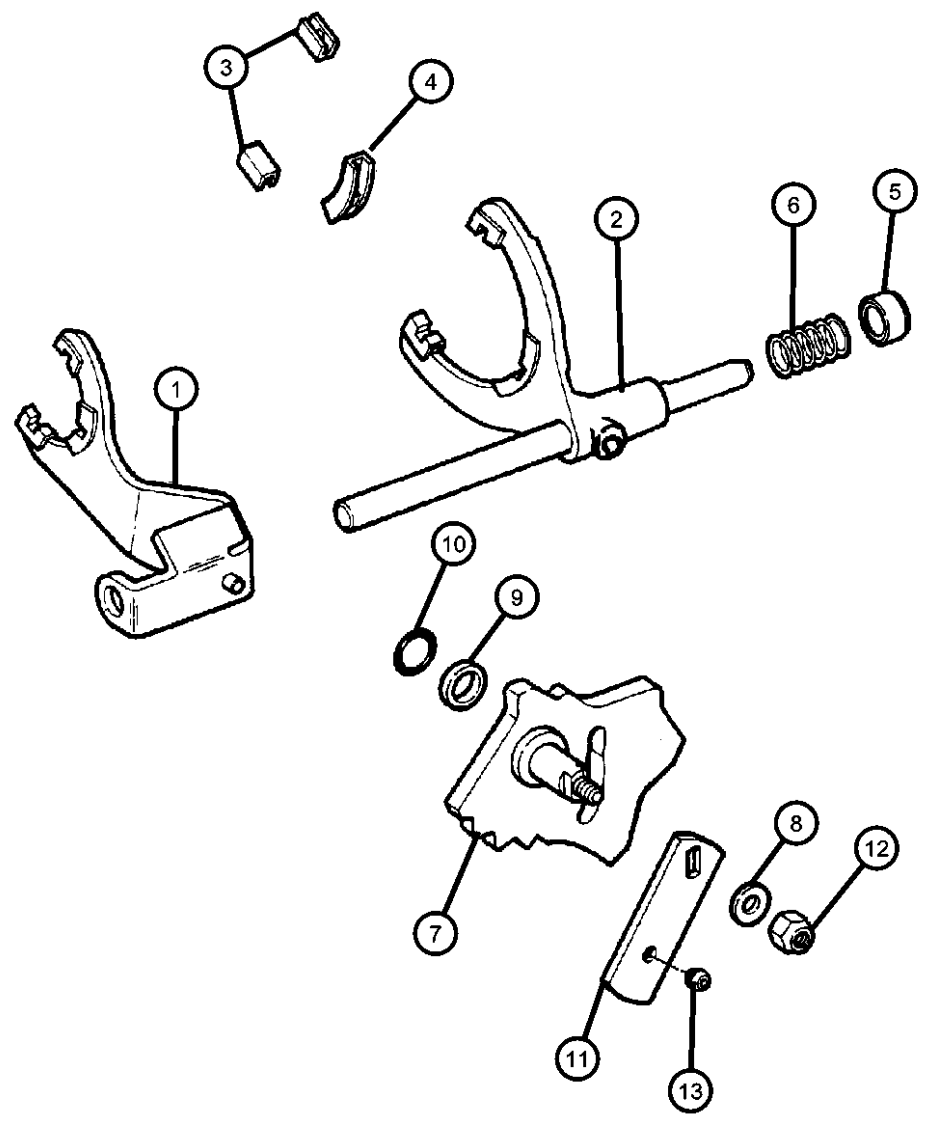
ITEM	PART NUMBER	QTY	LINE	SERIES	BODY	ENGINE	TRANS	TRIM	DESCRIPTION
		1	6, 7, 8			EM0, ETO, EWO	DG0		
8	S2436163	1	6, 7, 8			ELO, EM0	DDP		WASHER, Flat
		1	6, 7, 8			EM0	DDP		
		1	6, 7, 8			EM0, ETO, EWO	DG0		
9	04167964	1	6, 7, 8			ELO, EM0	DDP		SEAL, O-Ring
		1	6, 7, 8			ET0, EWO	DDX, DEE		
		1	6, 7, 8				DG0		
		1	6, 7, 8			EM0	DDP		
		1	6, 7, 8			ET0, EWO	DDX, DEE		Heavy Duty
		1	6, 7, 8			EM0, ETO, EWO	DG0		
10	04167963	1	6, 7, 8			ELO, EM0	DDP		SEAL, O-Ring
		1	6, 7, 8			ET0, EWO	DDX, DEE		
		1	6, 7, 8				DG0		
		1	6, 7, 8			EM0	DDP		
		1	6, 7, 8			ET0, EWO	DDX, DEE		Heavy Duty
		1	6, 7, 8			EM0, ETO, EWO	DG0		
11	04897959AA	1	6, 7, 8			ELO, EM0	DDP		LEVER, Transfer Case
		1	6, 7, 8			ET0, EWO	DDX, DEE		
		1	6, 7, 8				DG0		
		1	6, 7, 8			EM0	DDP		
		1	6, 7, 8			ET0, EWO	DDX, DEE		Heavy Duty
		1	6, 7, 8			EM0, ETO, EWO	DG0		

RAM PICKUP/CLUB CAB (BE)

SERIES	LINE	BODY	ENGINE	TRANSMISSION
L = RAM 1500, 2500, 3500	1 = Lt. Duty DODGE 2WD	31 = CLUB CAB 2-DR 6.5 FT BOX	ETC = 5.9L Cummins 24V Diesel Engine	DGP = 4-Spd. Automatic 47RE Transmission
	2 = Med. Duty DODGE 2WD	32 = CLUB CAB 2-DR 8FT BOX	EWA = 8.0L V10 MPI Engine	DD0 = ALL 5 SPEED MANUAL TRANSMISSIONS
	3 = HD DODGE 2WD	33 = QUAD CAB 4-DR 6.5 FT BOX	EM0 = ALL 5.9L 8 CYL ENGINES - GAS	DG0 = ALL AUTOMATIC TRANSMISSIONS
	6 = Lt. Duty DODGE 4WD	34 = QUAD CAB 4-DR 8FT BOX	EMM = 5.9L SMPI V8 Engine	DDC = 5-Speed HD Manual Transmission
	7 = Med. Duty DODGE 4WD		EML = 5.9L V8 MPI Engine	DDP = 5-Speed Manual Transmission
	8 = HD DODGE 4WD		ELF = 5.2L V8 MPI Engine	DDX = 5-Speed HD Manual Transmission
				DEE = 6-Speed HD Manual Transmission
				DGT = 4-Spd. Automatic 46RE Transmission

AR = use ase required - = Non illustrated part

Forks 241 [DHH],[DHG]
Figure 241-910



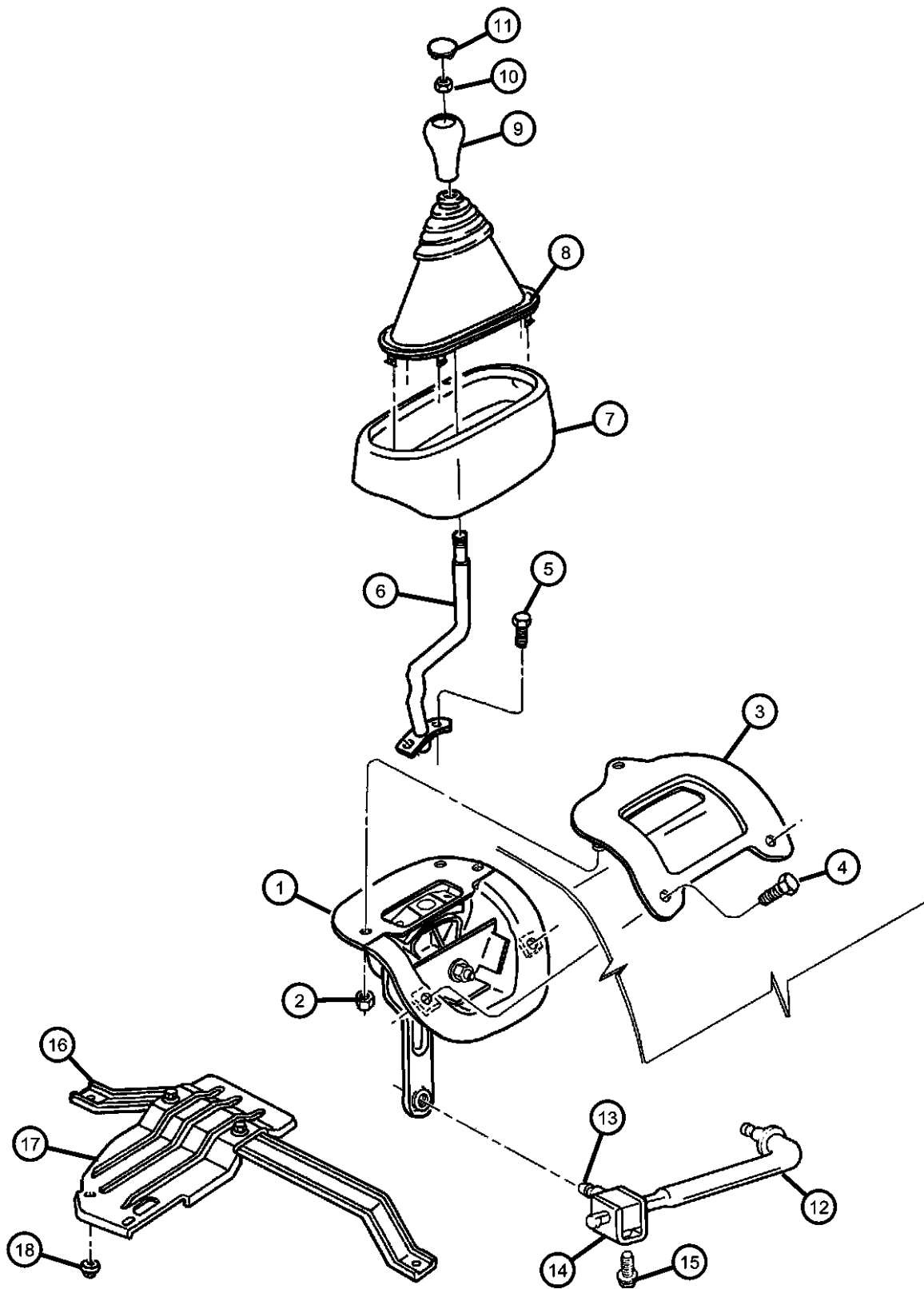
ITEM	PART NUMBER	QTY	LINE	SERIES	BODY	ENGINE	TRANS	TRIM	DESCRIPTION
12	00152345	1	6, 7, 8			EL0, EM0	DDP		NUT
		1	6, 7, 8			ET0, EW0	DDX, DEE		
		1	6, 7, 8				DG0		
		1	6, 7, 8			EM0	DDP		
		1	6, 7, 8			ET0, EW0	DDX, DEE		Heavy Duty
		1	6, 7, 8			EM0, ET0, EW0	DG0		
13	03467791	1	6, 7, 8			EL0, EM0	DDP		GROMMET, Shift Lever
		1	6, 7, 8			ET0, EW0	DDX, DEE		
		1	6, 7, 8				DG0		
		1	6, 7, 8			EM0	DDP		
		1	6, 7, 8			ET0, EW0	DDX, DEE		Heavy Duty
		1	6, 7, 8			EM0, ET0, EW0	DG0		

RAM PICKUP/CLUB CAB (BE)

SERIES	LINE	BODY	ENGINE	TRANSMISSION
L = RAM 1500, 2500, 3500	1 = Lt. Duty DODGE 2WD	31 = CLUB CAB 2-DR 6.5 FT BOX	ETC = 5.9L Cummins 24V Diesel Engine	DGP = 4-Spd. Automatic 47RE Transmission
	2 = Med. Duty DODGE 2WD	32 = CLUB CAB 2-DR 8FT BOX	EWA = 8.0L V10 MPI Engine	DD0 = ALL 5 SPEED MANUAL TRANSMISSIONS
	3 = HD DODGE 2WD	33 = QUAD CAB 4-DR 6.5 FT BOX	EM0 = ALL 5.9L 8 CYL ENGINES - GAS	DG0 = ALL AUTOMATIC TRANSMISSIONS
	6 = Lt. Duty DODGE 4WD	34 = QUAD CAB 4-DR 8FT BOX	EMM = 5.9L SMPI V8 Engine	DDC = 5-Speed HD Manual Transmission
	7 = Med. Duty DODGE 4WD		EML = 5.9L V8 MPI Engine	DDP = 5-Speed Manual Transmission
	8 = HD DODGE 4WD		ELF = 5.2L V8 MPI Engine	DDX = 5-Speed HD Manual Transmission
				DEE = 6-Speed HD Manual Transmission
				DGT = 4-Spd. Automatic 46RE Transmission

AR = use ase required - = Non illustrated part

Controls 241 [DHH],[DHG]
Figure 241-1210



ITEM	PART NUMBER	QTY	LINE	SERIES	BODY	ENGINE	TRANS	TRIM	DESCRIPTION
------	-------------	-----	------	--------	------	--------	-------	------	-------------

NOTES: Sales Codes
[DDC] = 5 Speed Heavy Duty Manual Transmission
[DG0] = All Automatic Transmissions

1	52105214AE	1	6, 7, 8						SHIFTER, Transfer Case
2	06101467	2	6, 7, 8						NUT, Hex Flange, M8x1.25
3	52105216AB	1	6, 7, 8						RING
4	06502064	2	6, 7, 8						SCREW, Tapping, M6x1x20
5	06101727	2	6, 7, 8						BOLT, Hex Head
6	52105005	1	6, 7, 8						LEVER, Transfer Case
7									BEZEL, Transfer Case
	5FB39LAZAB	1	6, 7, 8				DG0		Agate
	5FB39RC8AB	1	6, 7, 8				DG0		Dark Cirrus
	5FB39VK9AB	1	6, 7, 8				DG0		Dark Suede
8	52105059AB	1	6, 7, 8						BOOT, Gearshift
9	52104174	1	6, 7, 8						KNOB, Gearshift
10	06502556	1	6, 7, 8						NUT, Hex, M10-1.5
11	52105001	1							INSERT, Gearshift Knob
12	52105006	1					DDC, DG0		ROD, Gear Shift Control, Transfer Case
13	03467790	1					DDC, DG0		SWIVEL, Gearshift Control Rod
14	04377309	1					DDC, DG0		CLAMP, Shift Rod
15	00181086	1							BOLT, Hex Head, .312-18x.75
16	52058673	1	6, 7, 8						CROSSMEMBER, Skid Plate, With S/C XEF
17	52058674AB	1	6, 7, 8						SKID PLATE, Front, With S/C XEF
18	06101340	2	6, 7, 8						U-NUT, M10-1.50, S/C XEF

RAM PICKUP/CLUB CAB (BE)

SERIES	LINE
L = RAM 1500, 2500, 3500	1 = Lt. Duty DODGE 2WD
	2 = Med. Duty DODGE 2WD
	3 = HD DODGE 2WD
	6 = Lt. Duty DODGE 4WD
	7 = Med. Duty DODGE 4WD
	8 = HD DODGE 4WD

BODY	ENGINE	TRANSMISSION
31 = CLUB CAB 2-DR 6.5 FT BOX	ETC = 5.9L Cummins 24V Diesel Engine	DGP = 4-Spd. Automatic 47RE Transmission
32 = CLUB CAB 2-DR 8FT BOX	EWA = 8.0L V10 MPI Engine	DD0 = ALL 5 SPEED MANUAL TRANSMISSIONS
33 = QUAD CAB 4-DR 6.5 FT BOX	EM0 = ALL 5.9L 8 CYL ENGINES - GAS	DG0 = ALL AUTOMATIC TRANSMISSIONS
34 = QUAD CAB 4-DR 8FT BOX	EMM = 5.9L SMPI V8 Engine	DDC = 5-Speed HD Manual Transmission
	EML = 5.9L V8 MPI Engine	DDP = 5-Speed Manual Transmission
	ELF = 5.2L V8 MPI Engine	DDX = 5-Speed HD Manual Transmission
		DEE = 6-Speed HD Manual Transmission
		DGT = 4-Spd. Automatic 46RE Transmission

AR = use ase required - = Non illustrated part

1999 BE

Group - 22

Wheels, Covers and Jacks

Group - 22 Wheels, Covers and Jacks

Illustration Title

Group-Fig. No.

Wheels and Hardware

Wheels And HardwareFig. 22 - 130

Wheel Covers and Center Caps

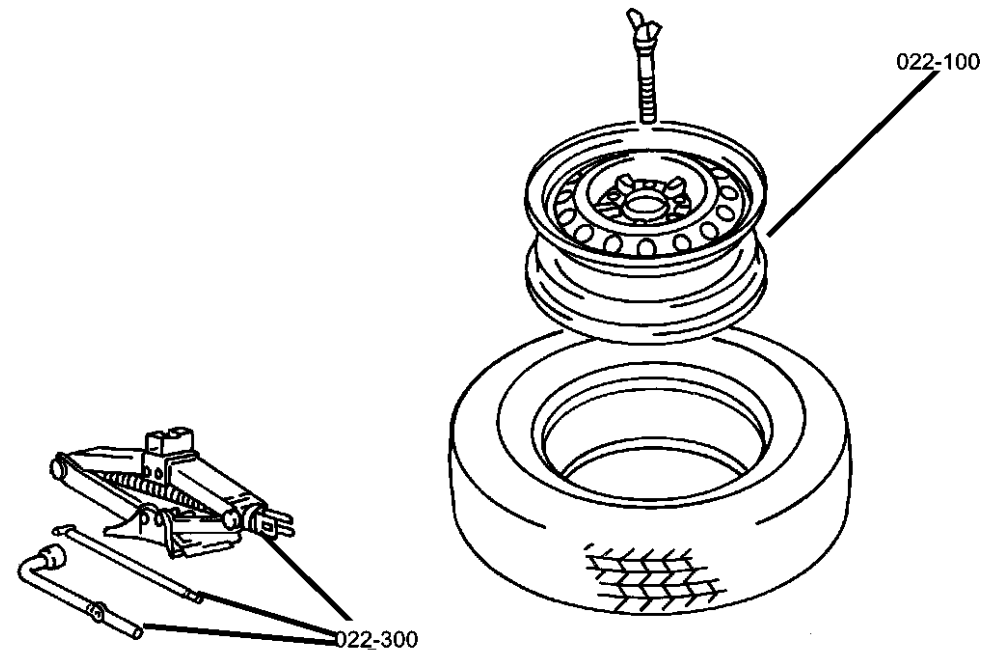
Caps And Covers, Wheel.....Fig. 22 - 230

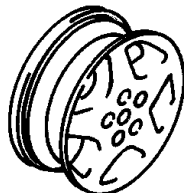
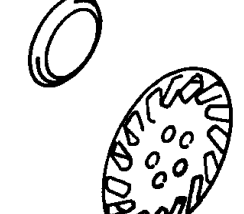
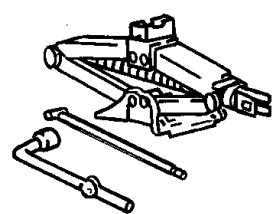
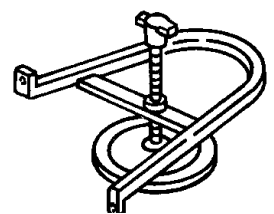
Jack Stowage

Jack And StowageFig. 22 - 340

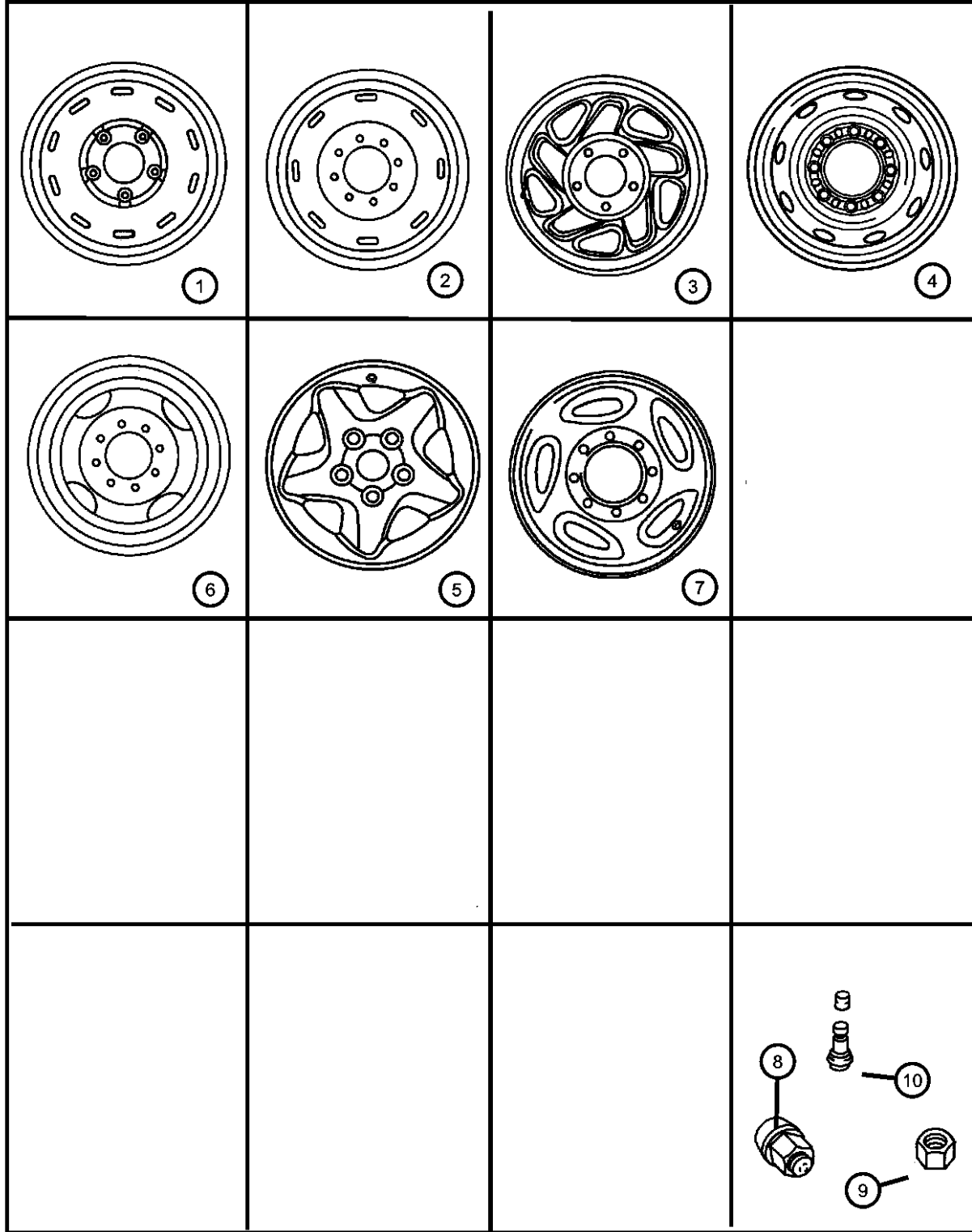
Spare Tire Stowage

Wheel, Spare Underslung Mounting.....Fig. 22 - 430



<p>022-100 Wheels and Hardware</p> 	<p>022-200 Wheel Covers and Center Caps</p> 	<p>022-300 Jack Stowage</p> 	<p>022-400 Spare Tire Stowage</p> 
---	--	---	--

Wheels And Hardware
Figure 22-130



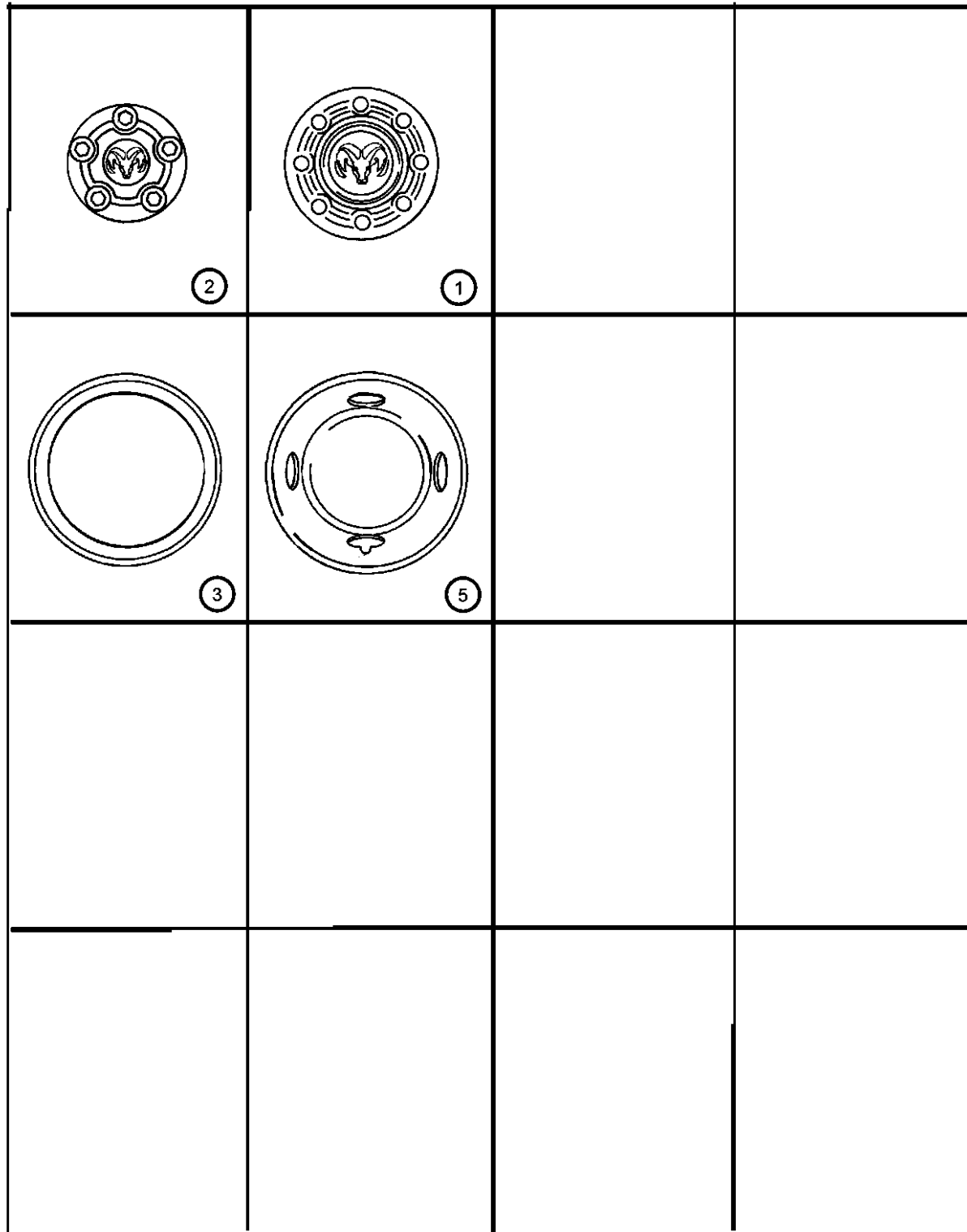
ITEM	PART NUMBER	QTY	LINE	SERIES	BODY	ENGINE	TRANS	TRIM	DESCRIPTION
1	5FS04S4AAC	4	1, 6						WHEEL, Steel, 16x7, [WDK]
2	5FS05S4A	4	2, 7						WHEEL, Steel [WDG]
		1	2, 7						[WDG,WDC], Spare
3	52057938AB	4	1, 6						WHEEL, Steel [WDB]
	52057939AD	4	2, 7						[WDC]
4	5DB86P4A	6	3, 8		34				WHEEL, Steel 16x6.0, Argent, [WDD] with Dual Rear Wheels
		1	3, 8		34				16x6.0, Argent, [WLB] Spare Dual Rear Wheels
5	52038955	4	1, 6						WHEEL, Aluminum, 16x7.0 Polished Aluminum [WDS]
6	52113111AA	4	1, 6						WHEEL, Aluminum, 16x7.0 Painted Aluminum [WDX]
7	5EK53PAKAC	4	1, 6						WHEEL, Aluminum, 16x7.0 Painted Aluminum [WND]
8	J4006956	20	1, 6						NUT, Wheel, .50x20, Capped [w/WDB,WDC,WND,WDS,WDX]
9	06034726	32	3, 8		34				NUT, Hex Flange, .56-18
10	02073355	4	1, 6						STEM, Wheel Valve Rubber, 1.25
	02530153	2	3, 8		34				Rubber, 1.50
	52057949AB	4	2, 3, 7, 8						Steel

RAM PICKUP/CLUB CAB (BE)

SERIES	LINE	BODY	ENGINE	TRANSMISSION
L = RAM 1500, 2500, 3500	1 = Lt. Duty DODGE 2WD 2 = Med. Duty DODGE 2WD 3 = HD DODGE 2WD 6 = Lt. Duty DODGE 4WD 7 = Med. Duty DODGE 4WD 8 = HD DODGE 4WD	31 = CLUB CAB 2-DR 6.5 FT BOX 32 = CLUB CAB 2-DR 8FT BOX 33 = QUAD CAB 4-DR 6.5 FT BOX 34 = QUAD CAB 4-DR 8FT BOX	ETC = 5.9L Cummins 24V Diesel Engine EWA = 8.0L V10 MPI Engine EM0 = ALL 5.9L 8 CYL ENGINES - GAS EMM = 5.9L SMPI V8 Engine EML = 5.9L V8 MPI Engine ELF = 5.2L V8 MPI Engine	DGP = 4-Spd. Automatic 47RE Transmission DD0 = ALL 5 SPEED MANUAL TRANSMISSIONS DG0 = ALL AUTOMATIC TRANSMISSIONS DDC = 5-Speed HD Manual Transmission DDP = 5-Speed Manual Transmission DDX = 5-Speed HD Manual Transmission DEE = 6-Speed HD Manual Transmission DGT = 4-Spd. Automatic 46RE Transmission

AR = use ase required - = Non illustrated part

**Caps And Covers, Wheel
Figure 22-230**



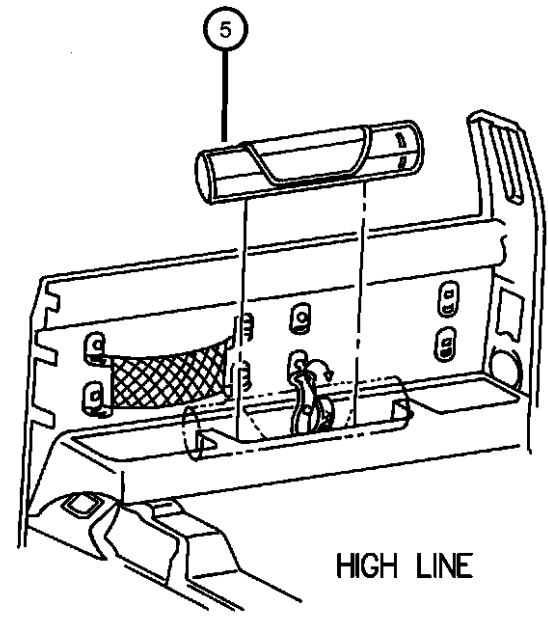
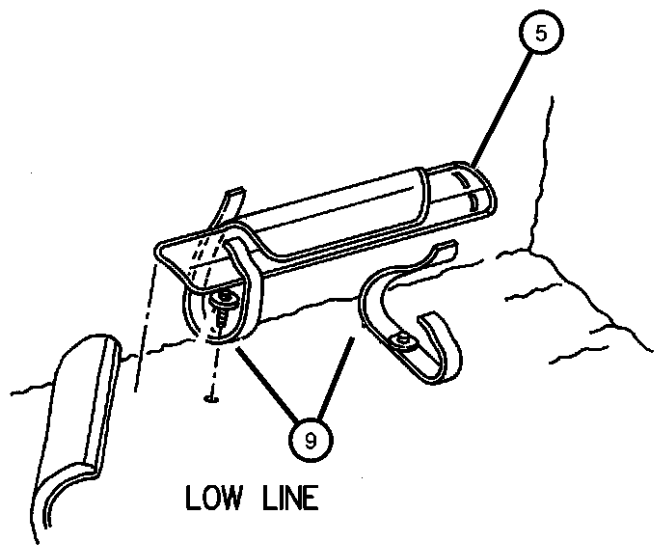
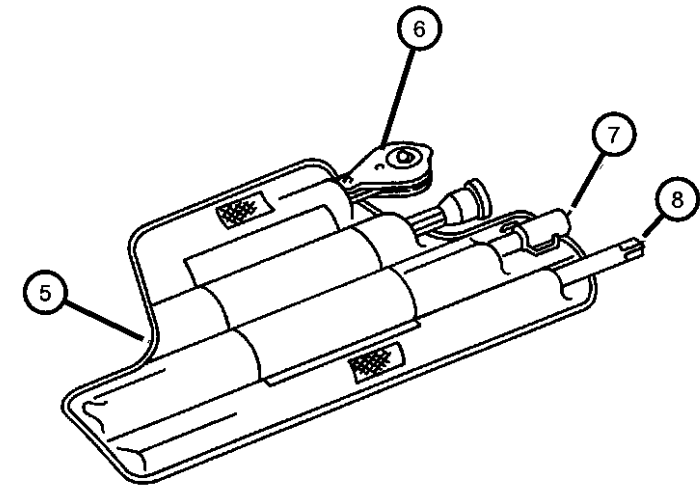
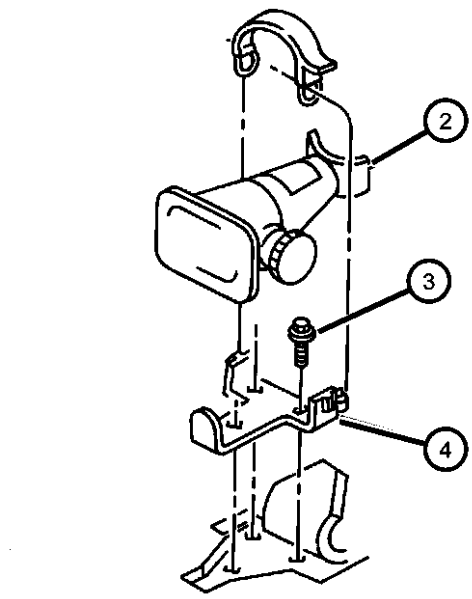
ITEM	PART NUMBER	QTY	LINE	SERIES	BODY	ENGINE	TRANS	TRIM	DESCRIPTION
1	04753123	4	1, 6						CAP, Wheel Center WND
	52038267	4	1, 6						WMJ,WDK
2	52038915	4	1, 6						CAP, Wheel Center, Chrome WML,WD5
	52039264	4	2, 7						WDC,WMJ
	52106283AA	4	2, 7						WDG
3	52058200	4	1, 2, 6, 7						RING, Wheel Trim, 16"
-4									CAP, Wheel Center, Chrome, with Dual Wheels
	52106863AA	2	3, 8					34	WDW,WMG, Front
	52106866AA	2	3, 8					34	WDW,WMG, Rear
5									SKINS, Wheel, Chrome 16x6.0
	52057936	2	3, 8					34	Front
	52057937	2	3, 8					34	Rear

RAM PICKUP/CLUB CAB (BE)

SERIES	LINE	BODY	ENGINE	TRANSMISSION
L = RAM 1500, 2500, 3500	1 = Lt. Duty DODGE 2WD 2 = Med. Duty DODGE 2WD 3 = HD DODGE 2WD 6 = Lt. Duty DODGE 4WD 7 = Med. Duty DODGE 4WD 8 = HD DODGE 4WD	31 = CLUB CAB 2-DR 6.5 FT BOX 32 = CLUB CAB 2-DR 8FT BOX 33 = QUAD CAB 4-DR 6.5 FT BOX 34 = QUAD CAB 4-DR 8FT BOX	ETC = 5.9L Cummins 24V Diesel Engine EWA = 8.0L V10 MPI Engine EM0 = ALL 5.9L 8 CYL ENGINES - GAS EMM = 5.9L SMPI V8 Engine EML = 5.9L V8 MPI Engine ELF = 5.2L V8 MPI Engine	DGP = 4-Spd. Automatic 47RE Transmission DD0 = ALL 5 SPEED MANUAL TRANSMISSIONS DG0 = ALL AUTOMATIC TRANSMISSIONS DDC = 5-Speed HD Manual Transmission DDP = 5-Speed Manual Transmission DDX = 5-Speed HD Manual Transmission DEE = 6-Speed HD Manual Transmission DGT = 4-Spd. Automatic 46RE Transmission

AR = use ase required - = Non illustrated part

Jack And Stowage
Figure 22-340



LOW LINE

HIGH LINE

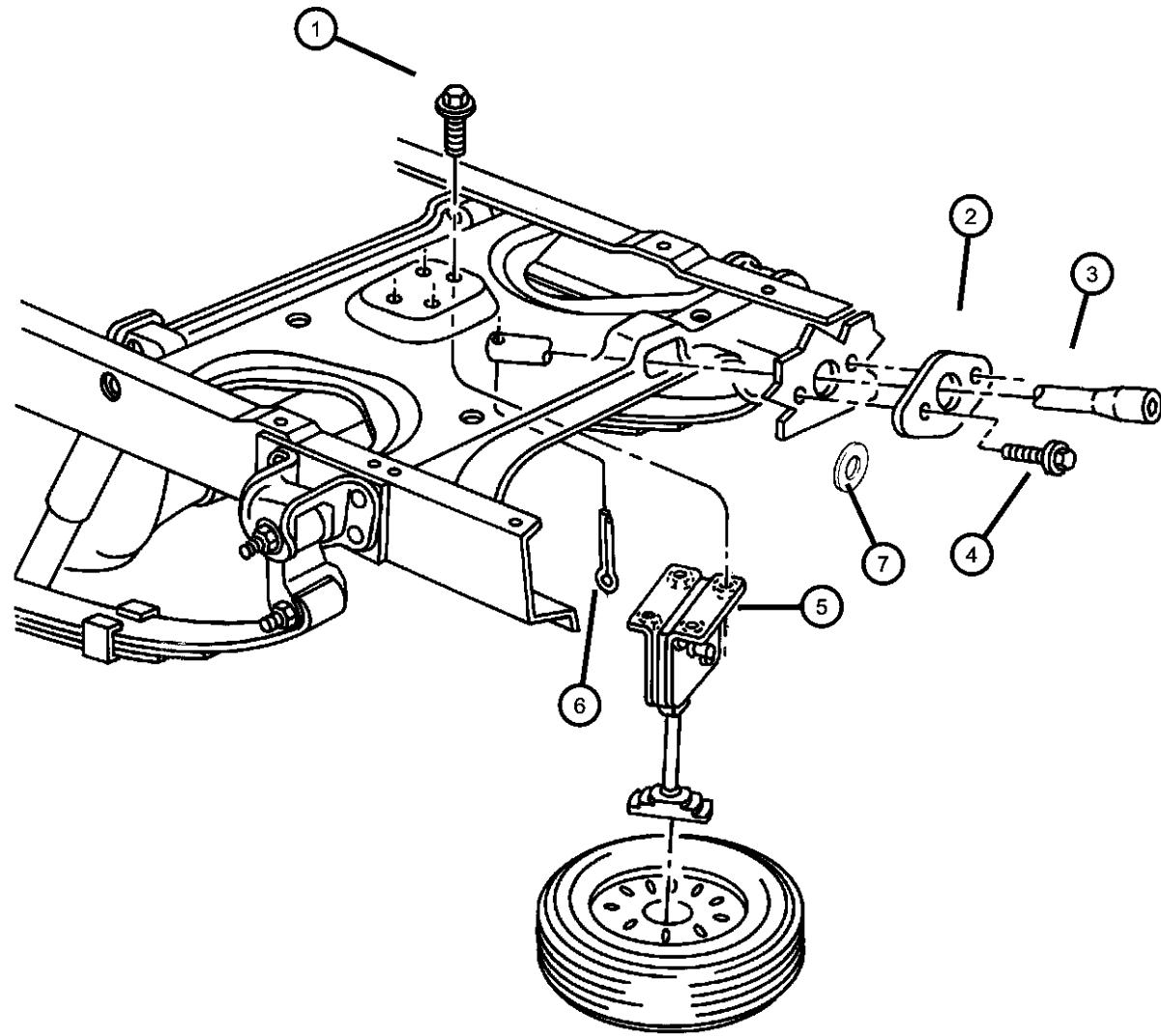
ITEM	PART NUMBER	QTY	LINE	SERIES	BODY	ENGINE	TRANS	TRIM	DESCRIPTION
-1									STRAP, Jack Storage
	52038253	1	1, 2, 6, 7						
	52038254	1	3, 8		34				
2									JACK, Screw Type
	52020414AA	1	1, 6						
	52038317AB	1	2, 7						
	52038318AB	1	3, 8		34				
3	00181063	1							SCREW AND WASHER, .25-20x.75
4									BRACKET, Jack Jack Storage Tool Storage
	55275327AB	1							
	52038376	2							
5									BAG, Jack Tool Storage
	52020344AA	1	1, 6						
		1	2, 7						
		1	3, 8		34				
6									TOOL, Wrench
	52019871AB	1	1, 6						
	52020339AA	1	2, 7						
	52020343AA	1	3, 8		34				
7									DRIVER, Jack Handle
	52020330AC	1	1, 6						
		1	3, 8		34				
8									EXTENSION, Jack Handle
	52020337AA	1	1, 6						
		1	2, 7						
		1	3, 8		34				
9	52038377	2							STRAP, Jack Tool Storage
-10	52019871AB	1	1, 6						TOOL, Wrench

RAM PICKUP/CLUB CAB (BE)

SERIES	LINE	BODY	ENGINE	TRANSMISSION
L = RAM 1500, 2500, 3500	1 = Lt. Duty DODGE 2WD 2 = Med. Duty DODGE 2WD 3 = HD DODGE 2WD 6 = Lt. Duty DODGE 4WD 7 = Med. Duty DODGE 4WD 8 = HD DODGE 4WD	31 = CLUB CAB 2-DR 6.5 FT BOX 32 = CLUB CAB 2-DR 8FT BOX 33 = QUAD CAB 4-DR 6.5 FT BOX 34 = QUAD CAB 4-DR 8FT BOX	ETC = 5.9L Cummins 24V Diesel Engine EWA = 8.0L V10 MPI Engine EM0 = ALL 5.9L 8 CYL ENGINES - GAS EMM = 5.9L SMPI V8 Engine EML = 5.9L V8 MPI Engine ELF = 5.2L V8 MPI Engine	DGP = 4-Spd. Automatic 47RE Transmission DD0 = ALL 5 SPEED MANUAL TRANSMISSIONS DG0 = ALL AUTOMATIC TRANSMISSIONS DDC = 5-Speed HD Manual Transmission DDP = 5-Speed Manual Transmission DDX = 5-Speed HD Manual Transmission DEE = 6-Speed HD Manual Transmission DGT = 4-Spd. Automatic 46RE Transmission

AR = use ase required - = Non illustrated part

Wheel, Spare Underslung Mounting
Figure 22-430



ITEM	PART NUMBER	QTY	LINE	SERIES	BODY	ENGINE	TRANS	TRIM	DESCRIPTION
1	06101452	4							SCREW AND WASHER, Hex Head, M8x1.25x20, Winch Mtg.
2	52019948	1							GROMMET, Spare Tire Winch Tube w/Tire Carrier Winch
	52058402	1							w/o Tire Carrier Winch
3	52019997	1	1, 2, 6, 7		31, 33				TUBE, Winch Actuator, w/Tire Carrier Winch
4	52019997	1							SCREW, Pan Head, .164-18x.50, (NOT SERVICED)
5	52058707	1							WINCH, Spare Tire Carrier
6	52058707	1							PIN, Cotter, (NOT SERVICED)
7	52019948	1							GROMMET, Spare Tire Winch Tube w/Tire Carrier Winch
	52058402	1							w/o Tire Carrier Winch

RAM PICKUP/CLUB CAB (BE)

SERIES	LINE	BODY	ENGINE	TRANSMISSION
L = RAM 1500, 2500, 3500	1 = Lt. Duty DODGE 2WD	31 = CLUB CAB 2-DR 6.5 FT BOX	ETC = 5.9L Cummins 24V Diesel Engine	DGP = 4-Spd. Automatic 47RE Transmission
	2 = Med. Duty DODGE 2WD	32 = CLUB CAB 2-DR 8FT BOX	EWA = 8.0L V10 MPI Engine	DD0 = ALL 5 SPEED MANUAL TRANSMISSIONS
	3 = HD DODGE 2WD	33 = QUAD CAB 4-DR 6.5 FT BOX	EM0 = ALL 5.9L 8 CYL ENGINES - GAS	DG0 = ALL AUTOMATIC TRANSMISSIONS
	6 = Lt. Duty DODGE 4WD	34 = QUAD CAB 4-DR 8FT BOX	EMM = 5.9L SMPI V8 Engine	DDC = 5-Speed HD Manual Transmission
	7 = Med. Duty DODGE 4WD		EML = 5.9L V8 MPI Engine	DDP = 5-Speed Manual Transmission
	8 = HD DODGE 4WD		ELF = 5.2L V8 MPI Engine	DDX = 5-Speed HD Manual Transmission
				DEE = 6-Speed HD Manual Transmission
				DGT = 4-Spd. Automatic 46RE Transmission

AR = use ase required - = Non illustrated part

1999 BE

Group - 23D

Wiper/Lock Cylinder and Keys

Group - 23D Wiper/Lock Cylinder and Keys

Illustration Title

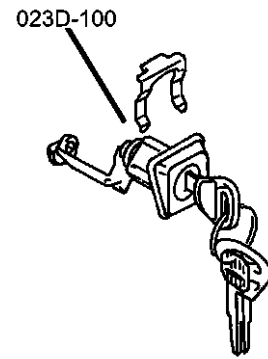
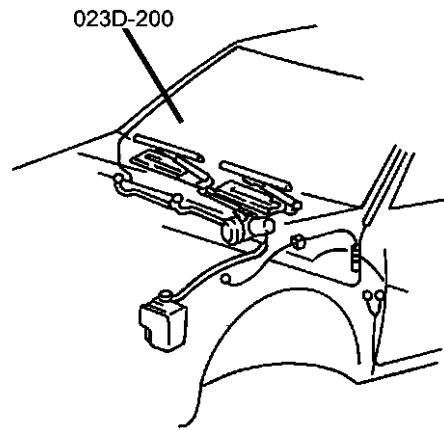
Group-Fig. No.

Lock Cylinders and Keys

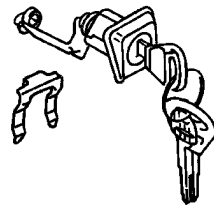
Lock Cylinders and Components Fig. 23D - 110

Windshield Wiper and Washer Systems

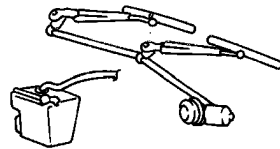
Windshield Wiper & Washer System Fig. 23D - 230



23D-100
Lock Cylinders and Keys



23D-200
Windshield Wiper and Washer Systems

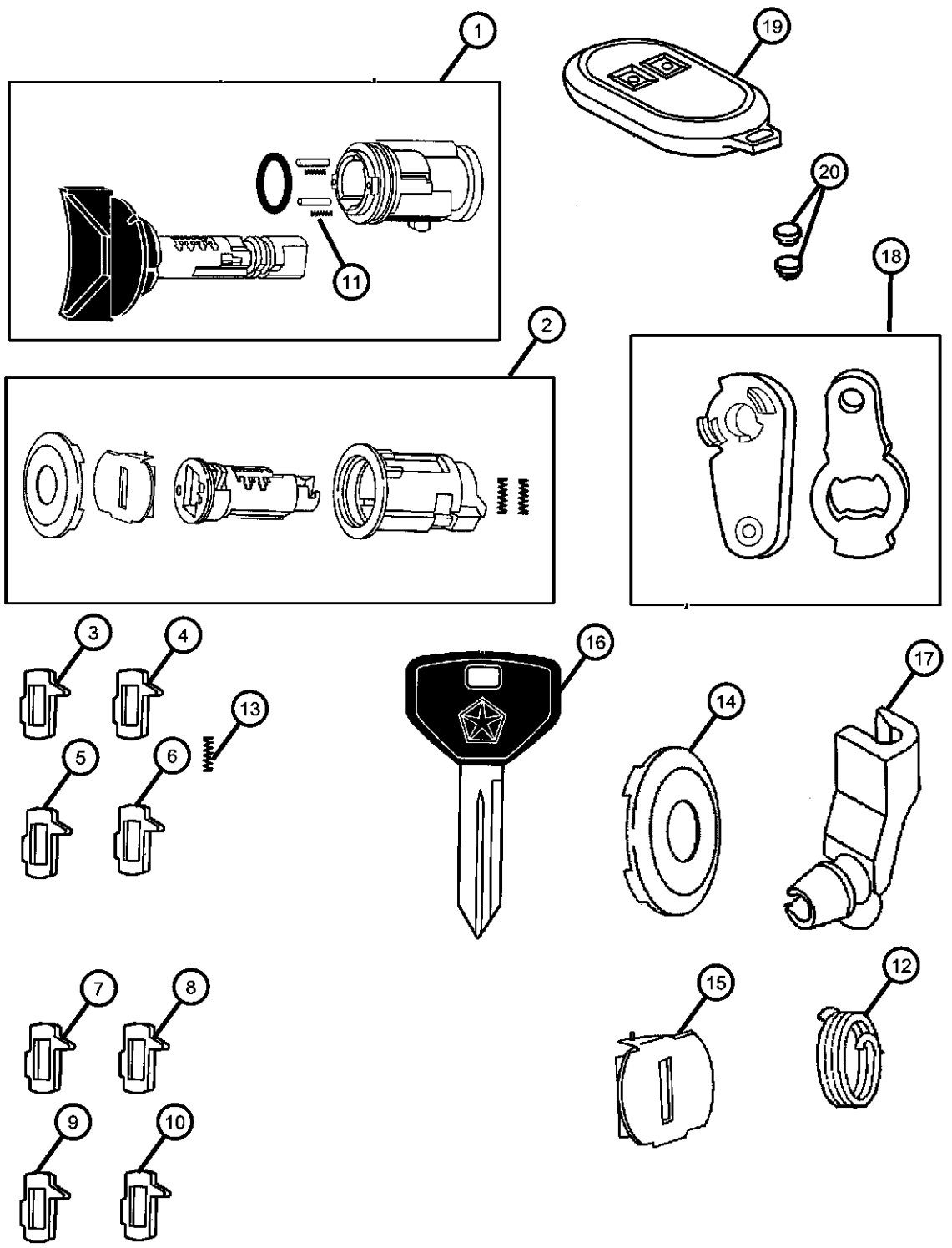


Lock Cylinders and Components
Figure 23D-110

ITEM	PART NUMBER	QTY	LINE	SERIES	BODY	ENGINE	TRANS	TRIM	DESCRIPTION
1	05003845AA	1							CYLINDER, Ignition Lock
2	04778125	1							LOCK CYLINDER, Door/Liftgate
3	04778117	1							TUMBLER, Door and Deck Number 1, Wide
4	04778118	1							TUMBLER, Door and Deck Number 2, Wide
5	04778119	1							TUMBLER, Door and Deck Number 3, Wide
6	04778120	1							TUMBLER, Door and Deck Number 4, Wide
7	05010879AA	1							TUMBLER, Ignition Number 1, Sidebar
8	05010880AA	1							TUMBLER, Ignition Number 2, Sidebar
9	05010881AA	1							TUMBLER, Ignition Number 3, Sidebar
10	05010882AA	1							TUMBLER, Ignition Number 4, Sidebar
11	05010883AA	1							SPRING, Ignition Tumbler, Sidebar
12	04378793	1							SPRING, Cylinder Return
13	04778121	1							SPRING, Door and Deck Tumbler
14	04778149	1							CAP, Door Lock Cylinder, Bright
15	04778150	1							SHUTTER, Door, Deck and Liftgate, Bright
16	04796386	2							KEY, Blank
17	06026125	1							CLIP, Retainer
18	55075824	1							LEVER, Door Lock Cylinder
19	56045497AB	2							TRANSMITTER, Keyless Entry
20	83504802	2							BATTERY, Transmitter

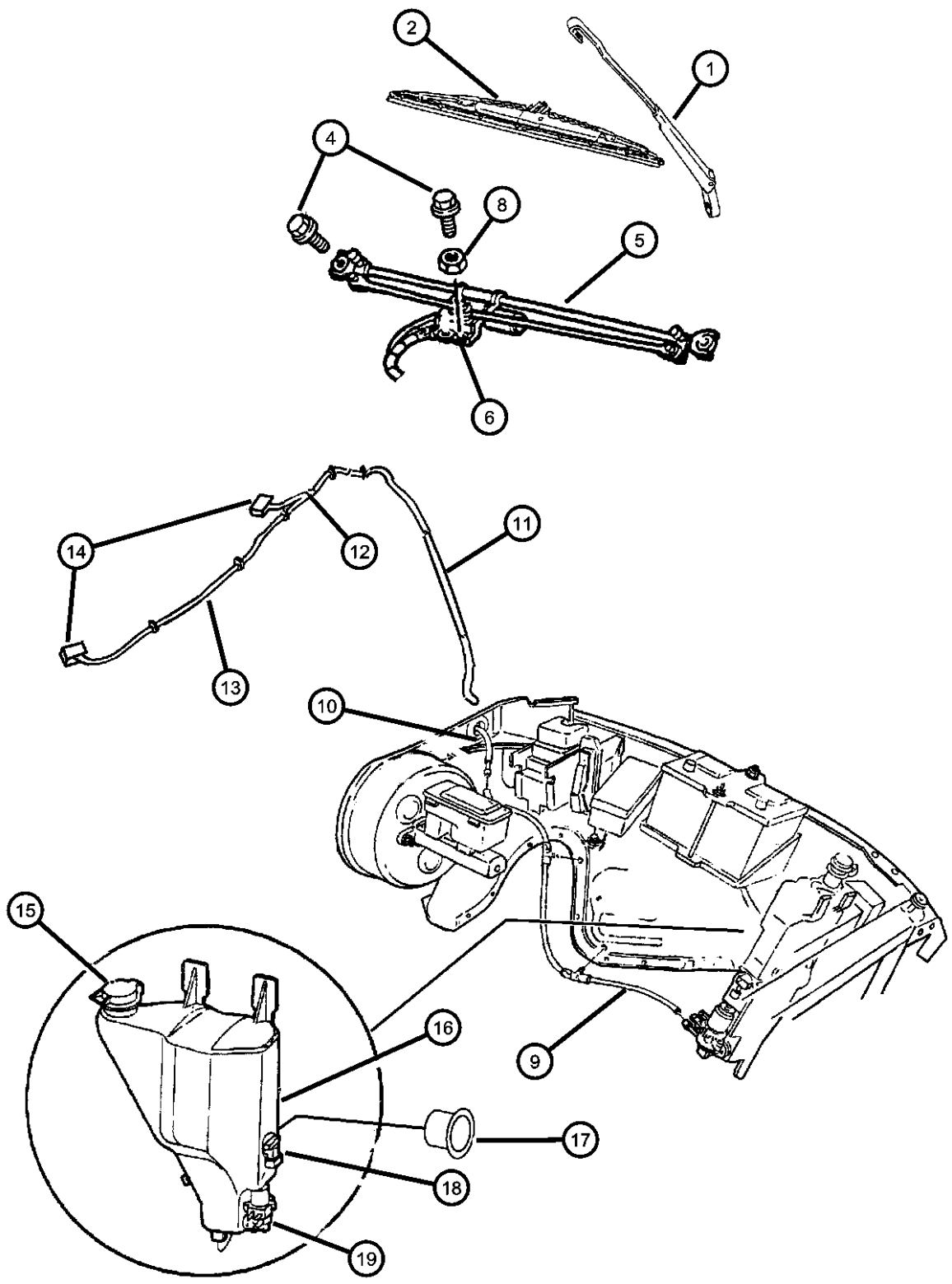
RAM PICKUP/CLUB CAB (BE)

SERIES	LINE	BODY	ENGINE	TRANSMISSION
L = RAM 1500, 2500, 3500	1 = Lt. Duty DODGE 2WD 2 = Med. Duty DODGE 2WD 3 = HD DODGE 2WD 6 = Lt. Duty DODGE 4WD 7 = Med. Duty DODGE 4WD 8 = HD DODGE 4WD	31 = CLUB CAB 2-DR 6.5 FT BOX 32 = CLUB CAB 2-DR 8FT BOX 33 = QUAD CAB 4-DR 6.5 FT BOX 34 = QUAD CAB 4-DR 8FT BOX	ETC = 5.9L Cummins 24V Diesel Engine EWA = 8.0L V10 MPI Engine EM0 = ALL 5.9L 8 CYL ENGINES - GAS EMM = 5.9L SMPI V8 Engine EML = 5.9L V8 MPI Engine ELF = 5.2L V8 MPI Engine	DGP = 4-Spd. Automatic 47RE Transmission DD0 = ALL 5 SPEED MANUAL TRANSMISSIONS DG0 = ALL AUTOMATIC TRANSMISSIONS DDC = 5-Speed HD Manual Transmission DDP = 5-Speed Manual Transmission DDX = 5-Speed HD Manual Transmission DEE = 6-Speed HD Manual Transmission DGT = 4-Spd. Automatic 46RE Transmission



AR = use ase required - = Non illustrated part

**Windshield Wiper & Washer System
Figure 23D-230**



ITEM	PART NUMBER	QTY	LINE	SERIES	BODY	ENGINE	TRANS	TRIM	DESCRIPTION
1	55154582AC	2							ARM, Wiper
2	55076910AA	2							BLADE, Wiper
	WBFLAT03AA								Mopar Alternative Flat Blade Set
	WBW00020AD								Mopar Alternative Winter Wiper Blades
	WB000020AE								Mopar V-Line Alternative Part
	WB-BLU020AA								Mopar Alternative Color Wiper Blade (Blue)
	WBRED020AA								Mopar Alternative Color Wiper Blade (Red)
	WBYEL020AA								Mopar Alternative Color Wiper Blade (Yellow)
	WB-WHI020AA								Mopar Alternative Color Wiper Blade (White)
	WB-CAR020AA								Mopar Alternative Color Wiper Blade (Carbon Fiber)
-3	04897022AA	2							REFILL, Wiper Blade
	WB00000BAA								Mopar V-Line Alternative Part
4	06100568	1							BOLT AND WASHER, Implement Attaching
5	55076549AC	1							MODULE, Wiper, Motor, Pivot & Linkage
6	55076549AC	1							MOTOR, Wiper, Serviced w/Wiper Module Assembly, (NOT SERVICED)
-7	05003621AA	3							SPACER
8	05003621AA	3							NUT, Motor Pivot Arm 14X20, (NOT SERVICED)
9	55154999	1							HOSE, Windshield Washer, w/Clips Washer Reservoir to Cowl
10	04334799	1							CONNECTOR, Washer Hose, In Line
11	55154703	1							HOSE, Windshield Washer
12	J3236813	1							CONNECTOR, Washer Hose, Y
13	55154781	1							HOSE, Windshield Washer
14	56005414	2							NOZZLE, Washer, Windshield

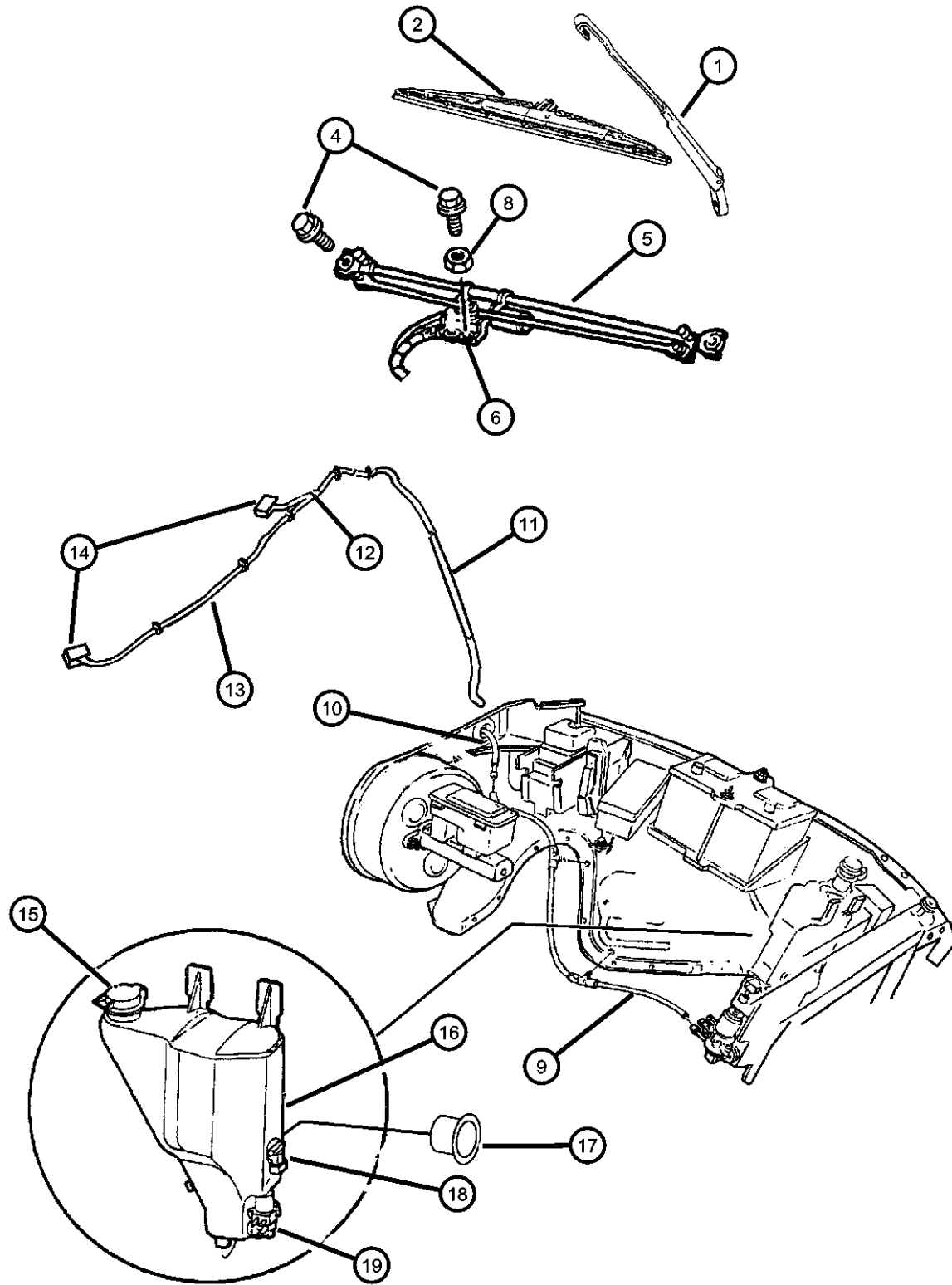
RAM PICKUP/CLUB CAB (BE)

SERIES	LINE	BODY	ENGINE	TRANSMISSION
L = RAM 1500, 2500, 3500	1 = Lt. Duty DODGE 2WD 2 = Med. Duty DODGE 2WD 3 = HD DODGE 2WD 6 = Lt. Duty DODGE 4WD 7 = Med. Duty DODGE 4WD 8 = HD DODGE 4WD	31 = CLUB CAB 2-DR 6.5 FT BOX 32 = CLUB CAB 2-DR 8FT BOX 33 = QUAD CAB 4-DR 6.5 FT BOX 34 = QUAD CAB 4-DR 8FT BOX	ETC = 5.9L Cummins 24V Diesel Engine EWA = 8.0L V10 MPI Engine EM0 = ALL 5.9L 8 CYL ENGINES - GAS EMM = 5.9L SMPI V8 Engine EML = 5.9L V8 MPI Engine ELF = 5.2L V8 MPI Engine	DGP = 4-Spd. Automatic 47RE Transmission DD0 = ALL 5 SPEED MANUAL TRANSMISSIONS DG0 = ALL AUTOMATIC TRANSMISSIONS DDC = 5-Speed HD Manual Transmission DDP = 5-Speed Manual Transmission DDX = 5-Speed HD Manual Transmission DEE = 6-Speed HD Manual Transmission DGT = 4-Spd. Automatic 46RE Transmission

AR = use ase required - = Non illustrated part

**Windshield Wiper & Washer System
Figure 23D-230**

ITEM	PART NUMBER	QTY	LINE	SERIES	BODY	ENGINE	TRANS	TRIM	DESCRIPTION
15	04756656	1							CAP, Washer Reservoir
16	55154852	1							RESERVOIR, Washer w/Sensor
	55154853	1							w/o Sensor
17	04334568	2							GROMMET, Washer Reservoir
18	55155039	1							SENSOR, Washer Fluid Level
19	55154758	1							PUMP, Washer, Windshield



RAM PICKUP/CLUB CAB (BE)

SERIES	LINE	BODY	ENGINE	TRANSMISSION
L = RAM 1500, 2500, 3500	1 = Lt. Duty DODGE 2WD 2 = Med. Duty DODGE 2WD 3 = HD DODGE 2WD 6 = Lt. Duty DODGE 4WD 7 = Med. Duty DODGE 4WD 8 = HD DODGE 4WD	31 = CLUB CAB 2-DR 6.5 FT BOX 32 = CLUB CAB 2-DR 8FT BOX 33 = QUAD CAB 4-DR 6.5 FT BOX 34 = QUAD CAB 4-DR 8FT BOX	ETC = 5.9L Cummins 24V Diesel Engine EWA = 8.0L V10 MPI Engine EM0 = ALL 5.9L 8 CYL ENGINES - GAS EMM = 5.9L SMPI V8 Engine EML = 5.9L V8 MPI Engine ELF = 5.2L V8 MPI Engine	DGP = 4-Spd. Automatic 47RE Transmission DD0 = ALL 5 SPEED MANUAL TRANSMISSIONS DG0 = ALL AUTOMATIC TRANSMISSIONS DDC = 5-Speed HD Manual Transmission DDP = 5-Speed Manual Transmission DDX = 5-Speed HD Manual Transmission DEE = 6-Speed HD Manual Transmission DGT = 4-Spd. Automatic 46RE Transmission

AR = use ase required - = Non illustrated part

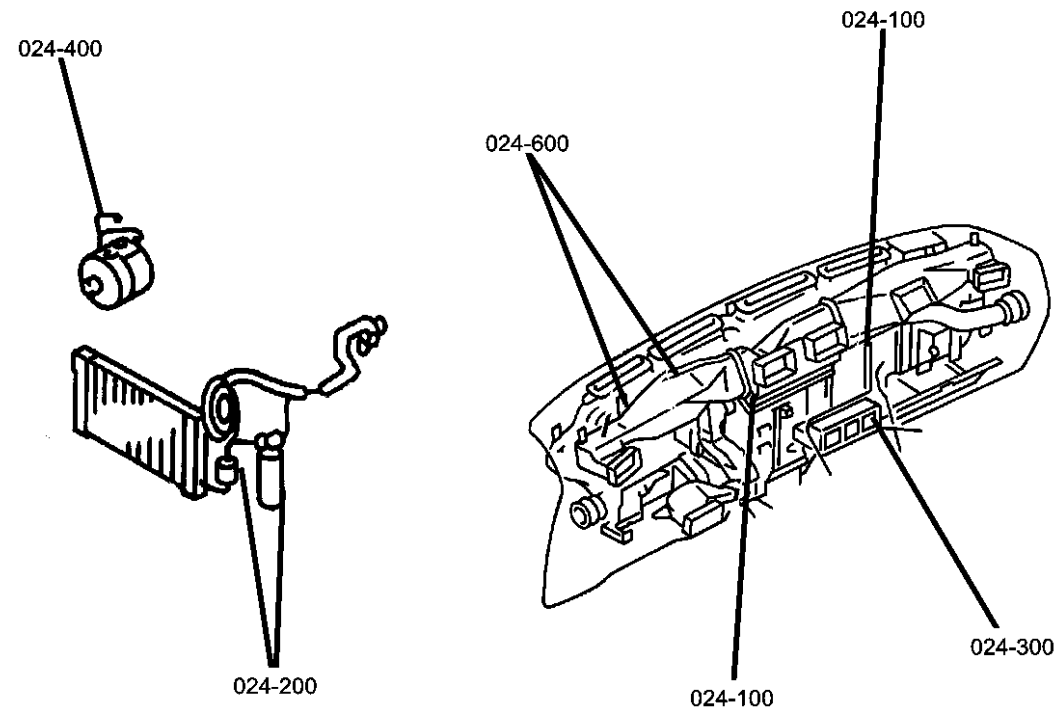
Group - 24

Air Conditioning & Heater

Group - 24 Air Conditioning & Heater

Illustration Title

Group-Fig. No.



Air Conditioner and Heater Units

Air Conditioning And Heater UnitFig. 24 - 160

Air Conditioner and Heater Plumbing

Plumbing, Air ConditioningFig. 24 - 220
 Plumbing, Heater 5.2, 5.9L EnginesFig. 24 - 260
 Plumbing, Heater 8.0L EngineFig. 24 - 265
 Plumbing, Heater Diesel EngineFig. 24 - 267
 Plumbing, Cabin Heater Diesel EngineFig. 24 - 269
 Plumbing, Air Conditioning Diesel EngineFig. 24 - 280

Air Conditioner and Heater Controls

Control, HeaterFig. 24 - 310
 Control, Air ConditioningFig. 24 - 350

Air Conditioning Compressor

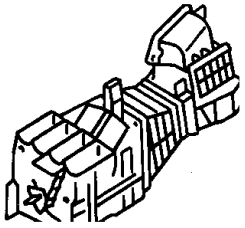
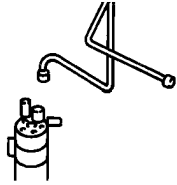
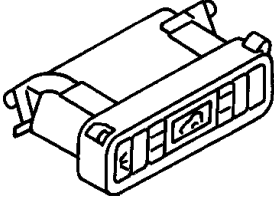
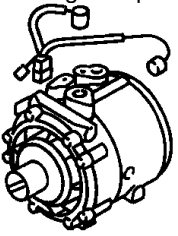
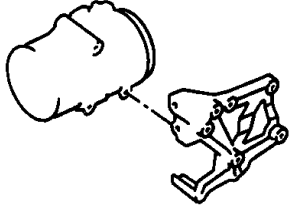
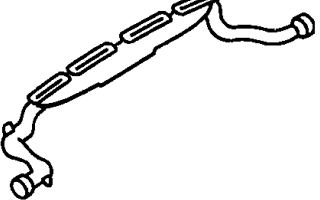
Compressor, Gas EnginesFig. 24 - 410
 Compressor, Diesel EngineFig. 24 - 440

Air Conditioning Compressor Mounting

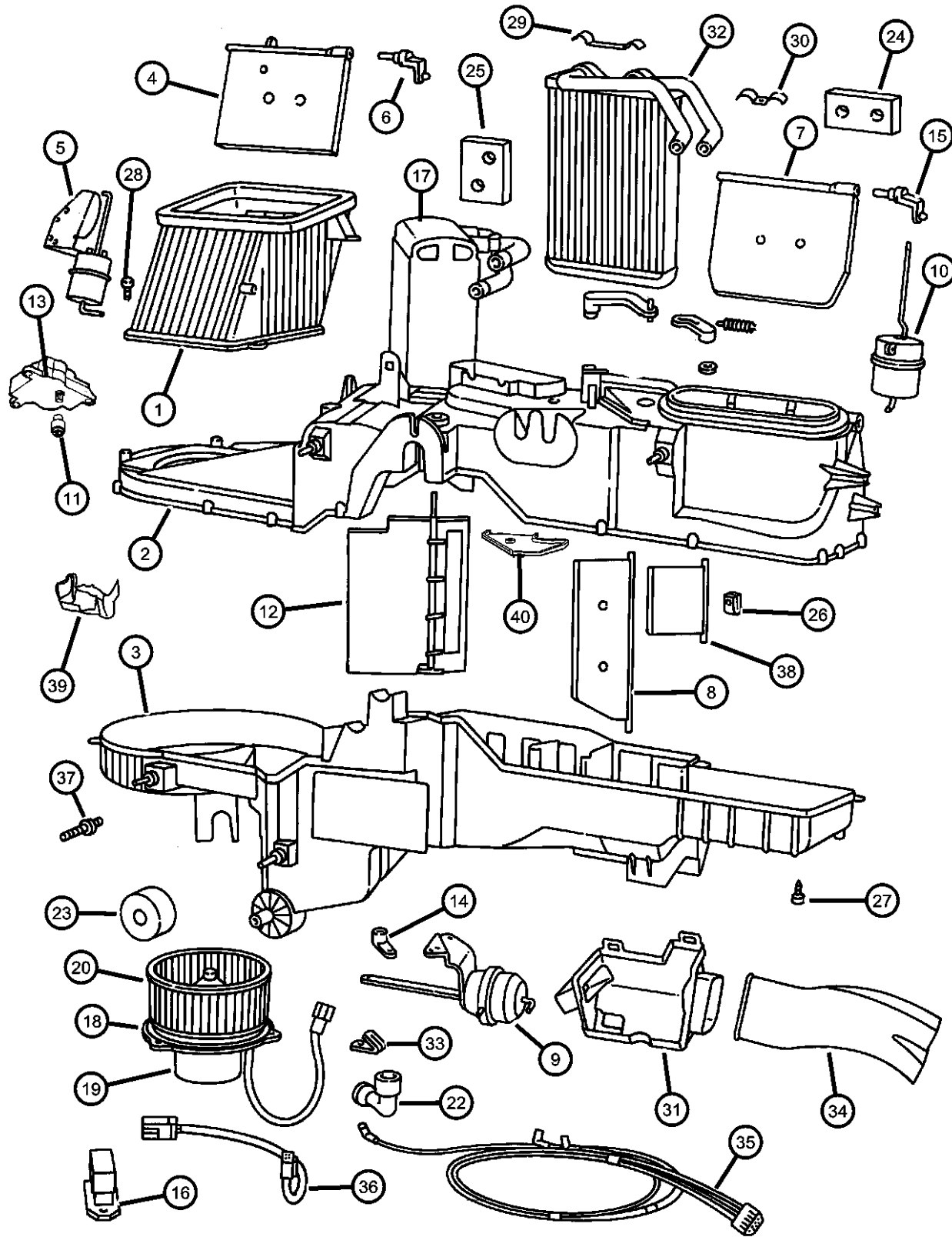
Mounting, Compressor 5.2, 5.9L EngineFig. 24 - 520
 Mounting, Compressor 8.0L EngineFig. 24 - 525

Air Ducts and Outlets

Air DuctsFig. 24 - 630

<p>024-100 Air Conditioner and Heater Units</p> 	<p>024-200 Air Conditioner and Heater Plumbing</p> 	<p>024-300 Air Conditioner and Heater Controls</p> 	<p>024-400 Air Conditioning Compressor</p> 
<p>024-500 Air Conditioning Compressor Mounting</p> 	<p>024-600 Air Ducts and Outlets</p> 		

Air Conditioning And Heater Unit
Figure 24-160



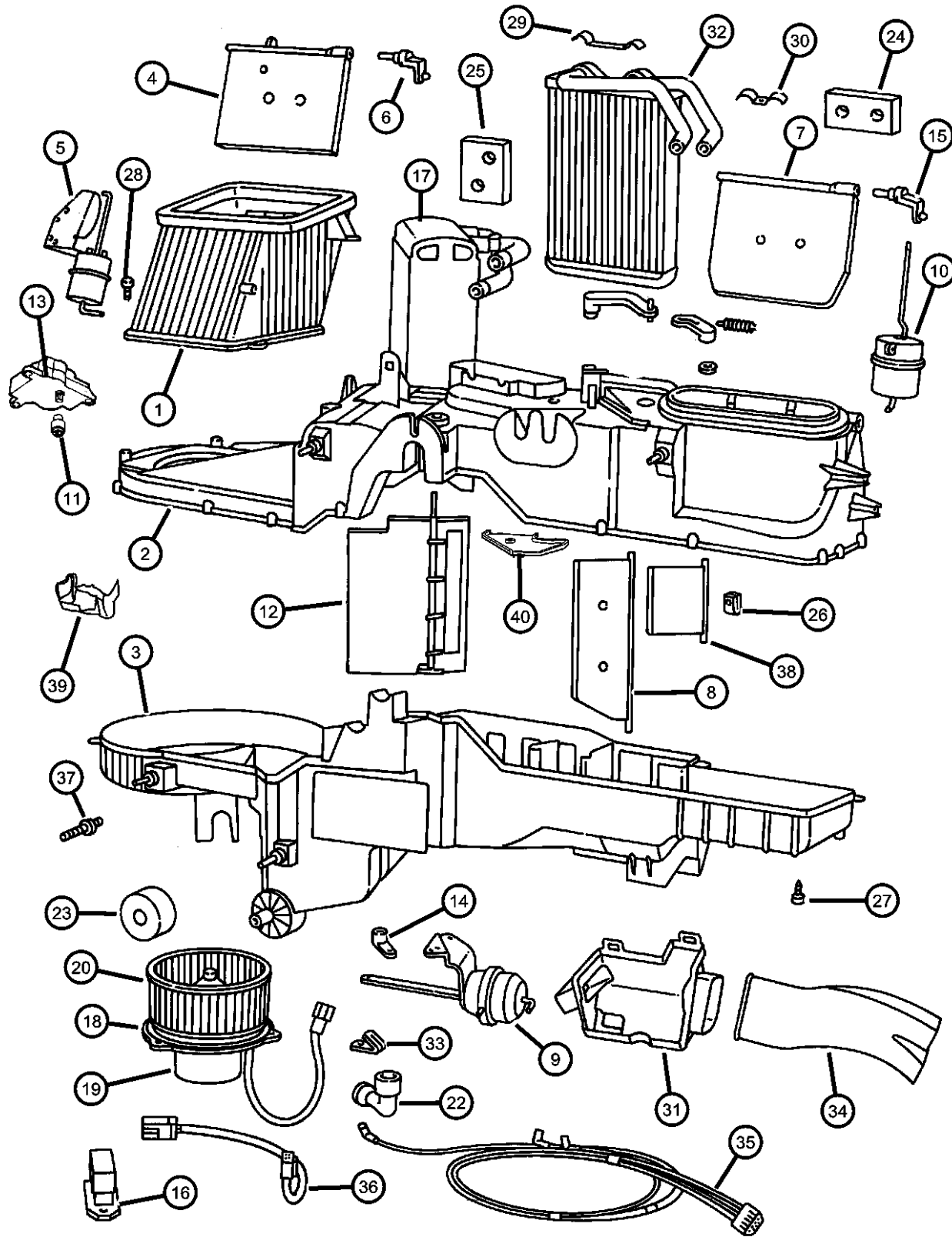
ITEM	PART NUMBER	QTY	LINE	SERIES	BODY	ENGINE	TRANS	TRIM	DESCRIPTION
1	04886383AA	1							HOUSING, Air Recirculating
2	05012919AB	1							CASE, Heater And A/C Unit
3	05012920AB	1							CASE, Heater And A/C Unit
4	04720026	1							DOOR, Fresh Air
5	04886070AA	1							ACTUATOR, Fresh Air Door
6	04720029	1							CLIP, Fresh Air Door
7	04720023	1							DOOR, Vent
8	04778420	1							DOOR, Floor Defroster Duct
9	04882286	1							ACTUATOR, Heater Door
10	04720279AB	1							ACTUATOR, Heater
11	05012923AB	1							COUPLING, Servo
12	05012922AA	1							DOOR, A/C Temperature
13	05012924AA	1							SERVO, A/C Temperature Door
14	04720347	1							LEVER, A/C Floor Door Duct
15	04720348	1							LEVER, A/C Vent Defrost Door
16	04720278	1							RESISTOR, Blower Motor
17	05011167AA	1							EVAPORATOR, Air Conditioning
	V9900009								Mopar V-Line Alternative Part
	V9900006								Mopar V-Line Alternative Part
18	04720039	1							SEAL, Blower Motor
19	05012833AA	1							MOTOR, Blower
20	04720009	1							BLOWER
-21	05013495AA	1							COVER, Blower Motor
22	05210066	1							TUBE, A/C Motor Cooling
23	04720037	1							SEAL, Evaporator Drain
24	04720033	1							SEAL, Heater Tubes
25	04720034	1							SEAL, Evaporator Tubes
26	04720034	1							U-NUT, Implement Mounting, (NOT SERVICED)

RAM PICKUP/CLUB CAB (BE)

SERIES	LINE	BODY	ENGINE	TRANSMISSION
L = RAM 1500, 2500, 3500	1 = Lt. Duty DODGE 2WD	31 = CLUB CAB 2-DR 6.5 FT BOX	ETC = 5.9L Cummins 24V Diesel Engine	DGP = 4-Spd. Automatic 47RE Transmission
	2 = Med. Duty DODGE 2WD	32 = CLUB CAB 2-DR 8FT BOX	EWA = 8.0L V10 MPI Engine	DD0 = ALL 5 SPEED MANUAL TRANSMISSIONS
	3 = HD DODGE 2WD	33 = QUAD CAB 4-DR 6.5 FT BOX	EM0 = ALL 5.9L 8 CYL ENGINES - GAS	DG0 = ALL AUTOMATIC TRANSMISSIONS
	6 = Lt. Duty DODGE 4WD	34 = QUAD CAB 4-DR 8FT BOX	EMM = 5.9L SMPI V8 Engine	DDC = 5-Speed HD Manual Transmission
	7 = Med. Duty DODGE 4WD		EML = 5.9L V8 MPI Engine	DDP = 5-Speed Manual Transmission
	8 = HD DODGE 4WD		ELF = 5.2L V8 MPI Engine	DDX = 5-Speed HD Manual Transmission
				DEE = 6-Speed HD Manual Transmission
				DGT = 4-Spd. Automatic 46RE Transmission

AR = use ase required - = Non illustrated part

Air Conditioning And Heater Unit
Figure 24-160



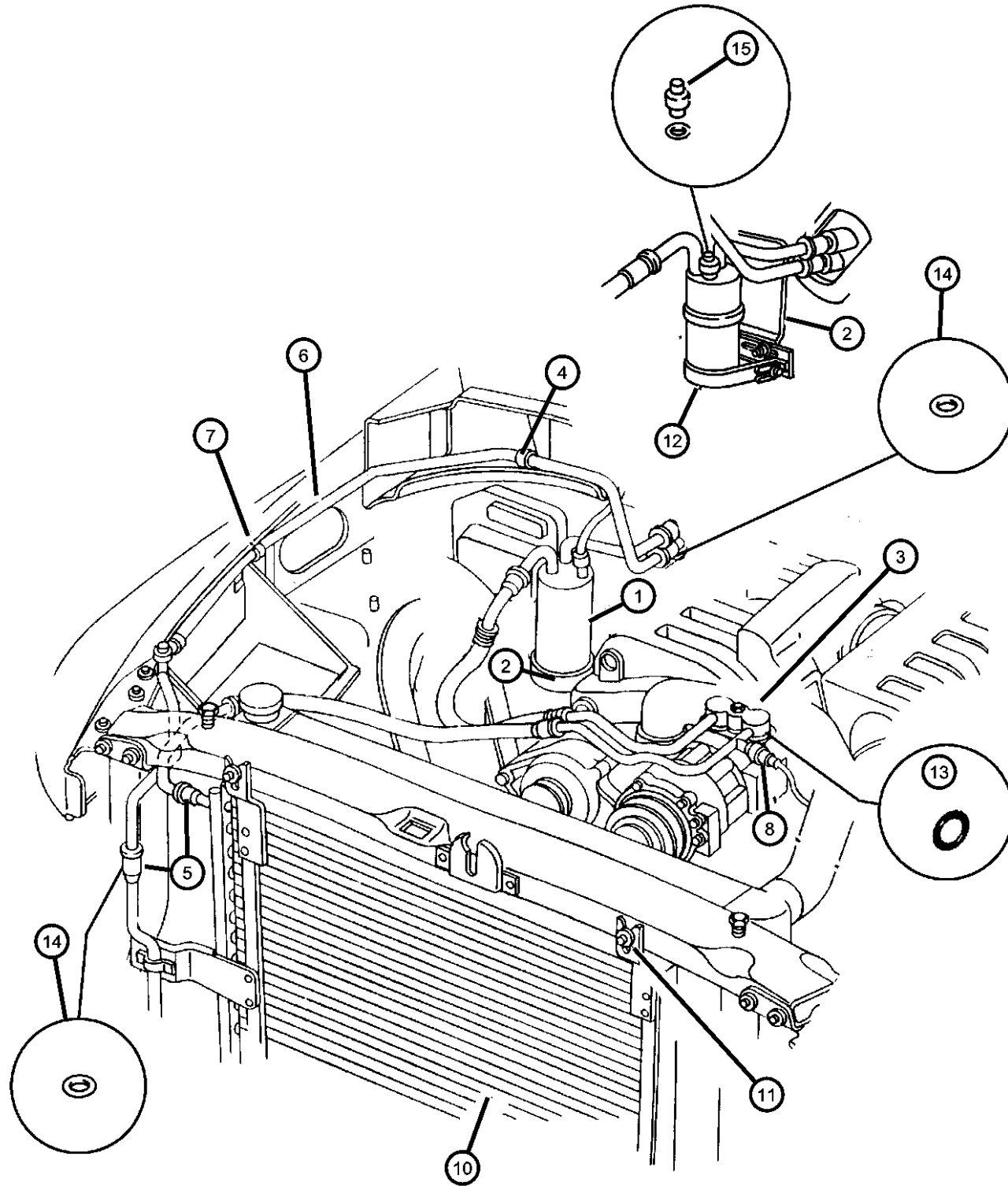
ITEM	PART NUMBER	QTY	LINE	SERIES	BODY	ENGINE	TRANS	TRIM	DESCRIPTION
27	04720533	20							SCREW, Heater Housing
28	04720534	12							SCREW, Pan Head
29	04720555	1							CLAMP, Heater Core
30	04720028	1							CLIP, Heater Core
31	05011724AA	1							COVER, A/C and Heater
32	04746215	1							CORE, Heater
33	04720031	2							RETAINER, Wiring Harness
34	05011713AA	1							DUCT, A/C And Heater
35	04746208	1							HARNASS, A/C And Heater Vacuum
36	05012921AA	1							WIRING, Resistor Block Jumper
37	04720032	4							STUD, A/C Heater Housing
38	04778421	1							DOOR, Floor Defroster Duct
39	04778415	1							INSULATOR, Air Conditioning
40	04746884	1							BAFFLE, Air Inlet, without Air Conditioning
-41	55056421AA	1				ETO			HARNASS, Vacuum
-42									HARNASS ASSEMBLY, Vacuum
	55036098	1				ELO, EMO			
	55055705AB	1				ELO, EMO, EW0			
-43	05013495AB	1							COVER, Blower Motor

RAM PICKUP/CLUB CAB (BE)

SERIES	LINE	BODY	ENGINE	TRANSMISSION
L = RAM 1500, 2500, 3500	1 = Lt. Duty DODGE 2WD 2 = Med. Duty DODGE 2WD 3 = HD DODGE 2WD 6 = Lt. Duty DODGE 4WD 7 = Med. Duty DODGE 4WD 8 = HD DODGE 4WD	31 = CLUB CAB 2-DR 6.5 FT BOX 32 = CLUB CAB 2-DR 8FT BOX 33 = QUAD CAB 4-DR 6.5 FT BOX 34 = QUAD CAB 4-DR 8FT BOX	ETC = 5.9L Cummins 24V Diesel Engine EWA = 8.0L V10 MPI Engine EM0 = ALL 5.9L 8 CYL ENGINES - GAS EMM = 5.9L SMPI V8 Engine EML = 5.9L V8 MPI Engine ELF = 5.2L V8 MPI Engine	DGP = 4-Spd. Automatic 47RE Transmission DD0 = ALL 5 SPEED MANUAL TRANSMISSIONS DG0 = ALL AUTOMATIC TRANSMISSIONS DDC = 5-Speed HD Manual Transmission DDP = 5-Speed Manual Transmission DDX = 5-Speed HD Manual Transmission DEE = 6-Speed HD Manual Transmission DGT = 4-Spd. Automatic 46RE Transmission

AR = use ase required - = Non illustrated part

Plumbing, Air Conditioning
Figure 24-220



ITEM	PART NUMBER	QTY	LINE	SERIES	BODY	ENGINE	TRANS	TRIM	DESCRIPTION
1	55055838AB	1							ACCUMULATOR, Suction and Discharge Line
2	55035607	1							BRACKET, Accumulator, Accumulator Support
3									LINE, A/C Suction & Discharge
	55055830AA	1				ELO, EMO			
	55055832AA	1				EW0			
4	05010432AA	1				ELO, EMO			BRACKET, A/C Line
5	04596152	2				ELO, EMO, EW0			CLIP, A/C Quick Disconnect
6	55055835AA	1				ELO, EMO, EW0			LINE, A/C Liquid
7	55036022	1	6, 7, 8						CLIP, A/C Liquid Line
8									SWITCH, A/C High Pressure Cut Off
	04897617AA	1				EW0			
		1				ELO, EMO			
-9	05015805AA	1				ELO, EMO, EW0			O RING, High Pressure
10	55055824AA	1				ELO, EMO, EW0			CONDENSER, Air Conditioning
11	55055824AA	1							SCREW, (NOT SERVICED)
12	55036206AC	1							BAND, Accumulator Retaining
13	04761737	AR							O RING, A/C Suction Line
14	04728705	1							O RING, Low Pressure Cutout Switc
15	04897775AA	1							SWITCH, A/C Cycling

RAM PICKUP/CLUB CAB (BE)

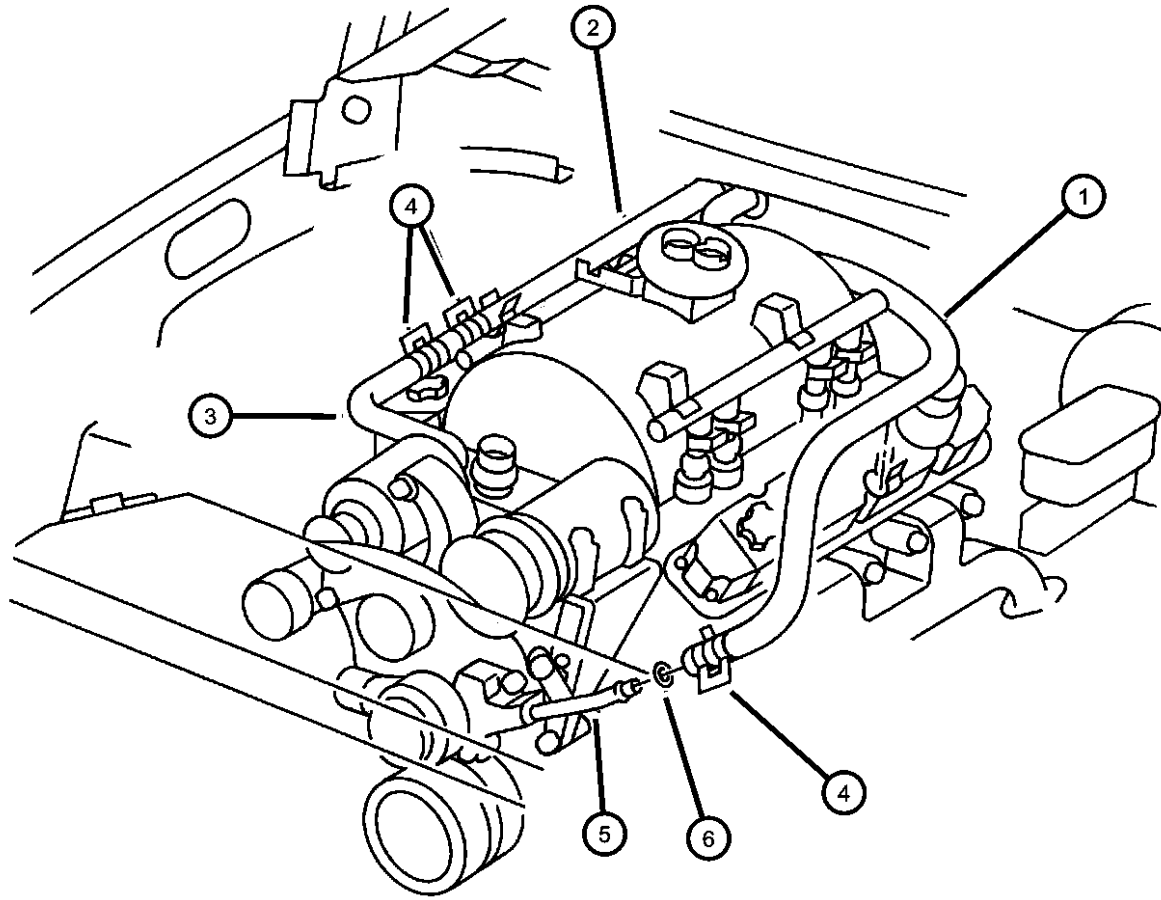
SERIES	LINE	BODY	ENGINE	TRANSMISSION
L = RAM 1500, 2500, 3500	1 = Lt. Duty DODGE 2WD 2 = Med. Duty DODGE 2WD 3 = HD DODGE 2WD 6 = Lt. Duty DODGE 4WD 7 = Med. Duty DODGE 4WD 8 = HD DODGE 4WD	31 = CLUB CAB 2-DR 6.5 FT BOX 32 = CLUB CAB 2-DR 8FT BOX 33 = QUAD CAB 4-DR 6.5 FT BOX 34 = QUAD CAB 4-DR 8FT BOX	ETC = 5.9L Cummins 24V Diesel Engine EWA = 8.0L V10 MPI Engine EM0 = ALL 5.9L 8 CYL ENGINES - GAS EMM = 5.9L SMPI V8 Engine EML = 5.9L V8 MPI Engine ELF = 5.2L V8 MPI Engine	DGP = 4-Spd. Automatic 47RE Transmission DD0 = ALL 5 SPEED MANUAL TRANSMISSIONS DG0 = ALL AUTOMATIC TRANSMISSIONS DDC = 5-Speed HD Manual Transmission DDP = 5-Speed Manual Transmission DDX = 5-Speed HD Manual Transmission DEE = 6-Speed HD Manual Transmission DGT = 4-Spd. Automatic 46RE Transmission

AR = use ase required - = Non illustrated part

1999 BE

**Plumbing, Heater 5.2, 5.9L Engines
Figure 24-260**

ITEM	PART NUMBER	QTY	LINE	SERIES	BODY	ENGINE	TRANS	TRIM	DESCRIPTION
1	04741932	1				EL0, EM0			HOSE, 5/8" I.D. 50 Foot Roll
2	55036503AB	1				ELF, EM0			HOSE, Heater
3	55036413AB	1				ELF, EM0			HOSE, Heater
4	06502017	6				ELF, EM0			CLAMP, Heater Hose
5	55036160	1				EL0, EM0			TUBE, Water Pump Inlet
6	04740906	1				EL0, EM0			O RING, Tube Assy, Heater Return



RAM PICKUP/CLUB CAB (BE)

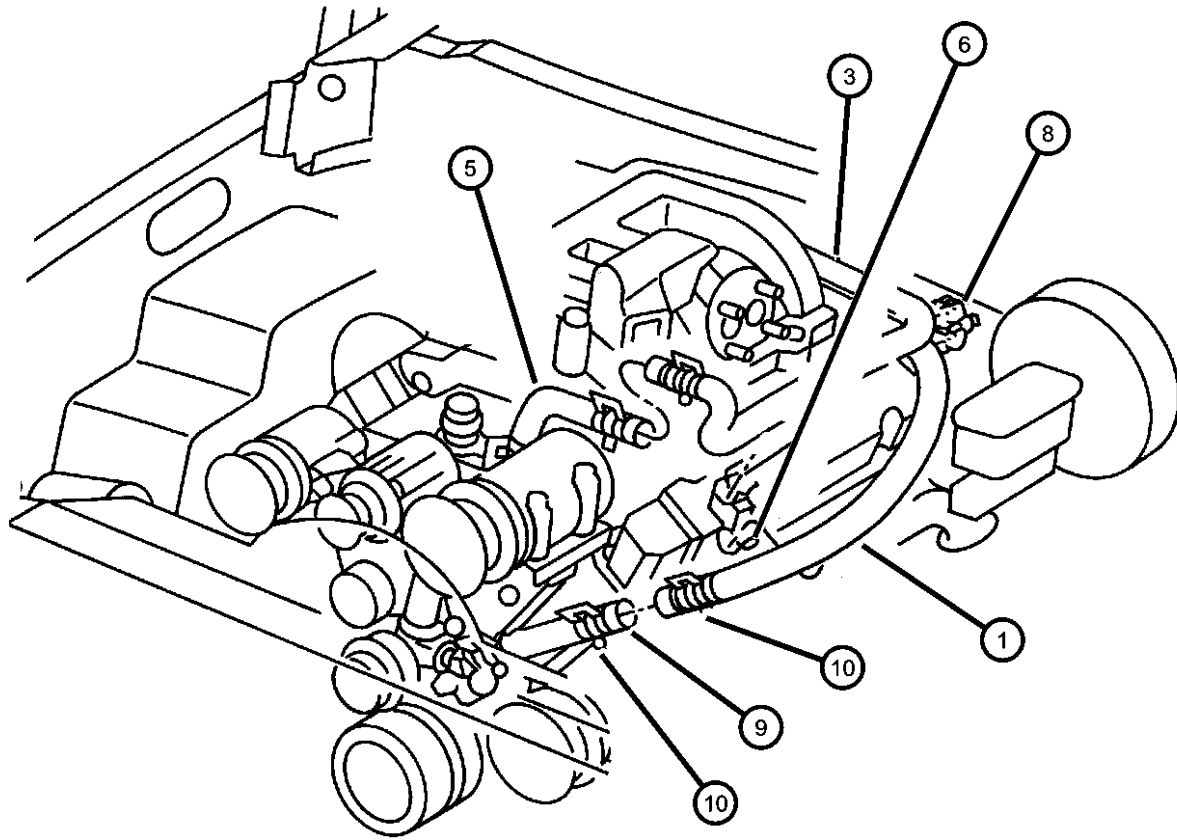
SERIES	LINE	BODY	ENGINE	TRANSMISSION
L = RAM 1500, 2500, 3500	1 = Lt. Duty DODGE 2WD 2 = Med. Duty DODGE 2WD 3 = HD DODGE 2WD 6 = Lt. Duty DODGE 4WD 7 = Med. Duty DODGE 4WD 8 = HD DODGE 4WD	31 = CLUB CAB 2-DR 6.5 FT BOX 32 = CLUB CAB 2-DR 8FT BOX 33 = QUAD CAB 4-DR 6.5 FT BOX 34 = QUAD CAB 4-DR 8FT BOX	ETC = 5.9L Cummins 24V Diesel Engine EWA = 8.0L V10 MPI Engine EM0 = ALL 5.9L 8 CYL ENGINES - GAS EMM = 5.9L SMPI V8 Engine EML = 5.9L V8 MPI Engine ELF = 5.2L V8 MPI Engine	DGP = 4-Spd. Automatic 47RE Transmission DD0 = ALL 5 SPEED MANUAL TRANSMISSIONS DG0 = ALL AUTOMATIC TRANSMISSIONS DDC = 5-Speed HD Manual Transmission DDP = 5-Speed Manual Transmission DDX = 5-Speed HD Manual Transmission DEE = 6-Speed HD Manual Transmission DGT = 4-Spd. Automatic 46RE Transmission

AR = use ase required - = Non illustrated part

1999 BE

**Plumbing, Heater 8.0L Engine
Figure 24-265**

ITEM	PART NUMBER	QTY	LINE	SERIES	BODY	ENGINE	TRANS	TRIM	DESCRIPTION
1	55036776	1				EW0			HOSE, Heater Return
-2	04637938	1				EW0			SLEEVE, Heater Hose
3	55036777	1				EW0			HOSE, Heater Supply
-4	04637938	1				EW0			SLEEVE, Heater Hose
5	55036415	1				EW0			HOSE AND TUBE, Thermostat, w/Tube Manifold to Hose
6	55036056	1				EW0			CLIP, Heater Hose, Hose
-7	06032878	1				EW0			STUD, .312-18x2.00, Clip to Cover
8	55036735	1				EW0			CLIP, Heater Hose, Hose
9	55055328	1				EW0			HOSE, Heater, w/Tube Water Pump to Hose
10	06502017	8				EW0			CLAMP, Heater Hose



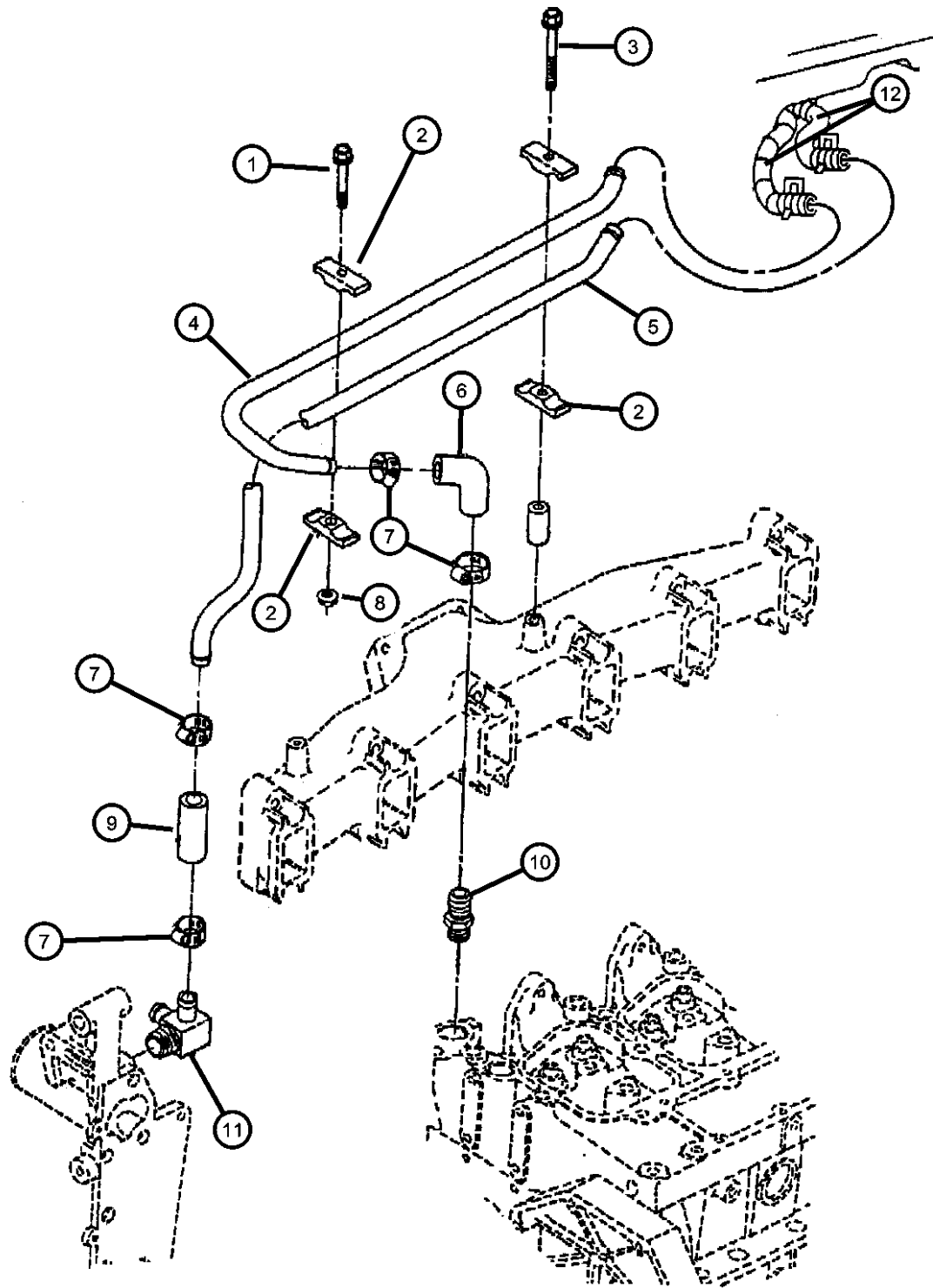
RAM PICKUP/CLUB CAB (BE)

SERIES	LINE	BODY	ENGINE	TRANSMISSION
L = RAM 1500, 2500, 3500	1 = Lt. Duty DODGE 2WD 2 = Med. Duty DODGE 2WD 3 = HD DODGE 2WD 6 = Lt. Duty DODGE 4WD 7 = Med. Duty DODGE 4WD 8 = HD DODGE 4WD	31 = CLUB CAB 2-DR 6.5 FT BOX 32 = CLUB CAB 2-DR 8FT BOX 33 = QUAD CAB 4-DR 6.5 FT BOX 34 = QUAD CAB 4-DR 8FT BOX	ETC = 5.9L Cummins 24V Diesel Engine EWA = 8.0L V10 MPI Engine EM0 = ALL 5.9L 8 CYL ENGINES - GAS EMM = 5.9L SMPI V8 Engine EML = 5.9L V8 MPI Engine ELF = 5.2L V8 MPI Engine	DGP = 4-Spd. Automatic 47RE Transmission DD0 = ALL 5 SPEED MANUAL TRANSMISSIONS DG0 = ALL AUTOMATIC TRANSMISSIONS DDC = 5-Speed HD Manual Transmission DDP = 5-Speed Manual Transmission DDX = 5-Speed HD Manual Transmission DEE = 6-Speed HD Manual Transmission DGT = 4-Spd. Automatic 46RE Transmission

AR = use ase required - = Non illustrated part

1999 BE

**Plumbing, Heater Diesel Engine
Figure 24-267**



ITEM	PART NUMBER	QTY	LINE	SERIES	BODY	ENGINE	TRANS	TRIM	DESCRIPTION
------	-------------	-----	------	--------	------	--------	-------	------	-------------

Note:
ET0 = All 5.9L Turbo Diesel Engines
EW0 = All 8.0L Gas Engines

1	04429114	1				ET0			BOLT
2	04429089	2				ET0			CLAMP, Tube Retaining
3	04429631	6				ET0			BOLT
4	05014191AA	1				ET0			TUBE, Heater
5	05014191AA	1				ET0			TUBE, Heater
6	04429812	1				ET0			ELBOW, Oil Cooler Hose
7	04429812	1							CLAMP, Oil Cooler, (NOT SERVICED)
8	04429689	1				ET0			NUT
9	04429689	1							HOSE, Transmission Oil Cooler, 04638704, (NOT SERVICED)
10	04883885AA	1				ET0			COUPLING, Hose
11	04429812	1				ET0			ELBOW, Oil Cooler Hose
12									HOSE, Heater
	55036506AB	1				ET0			Heater Supply
	55037546	AR							Heater Return

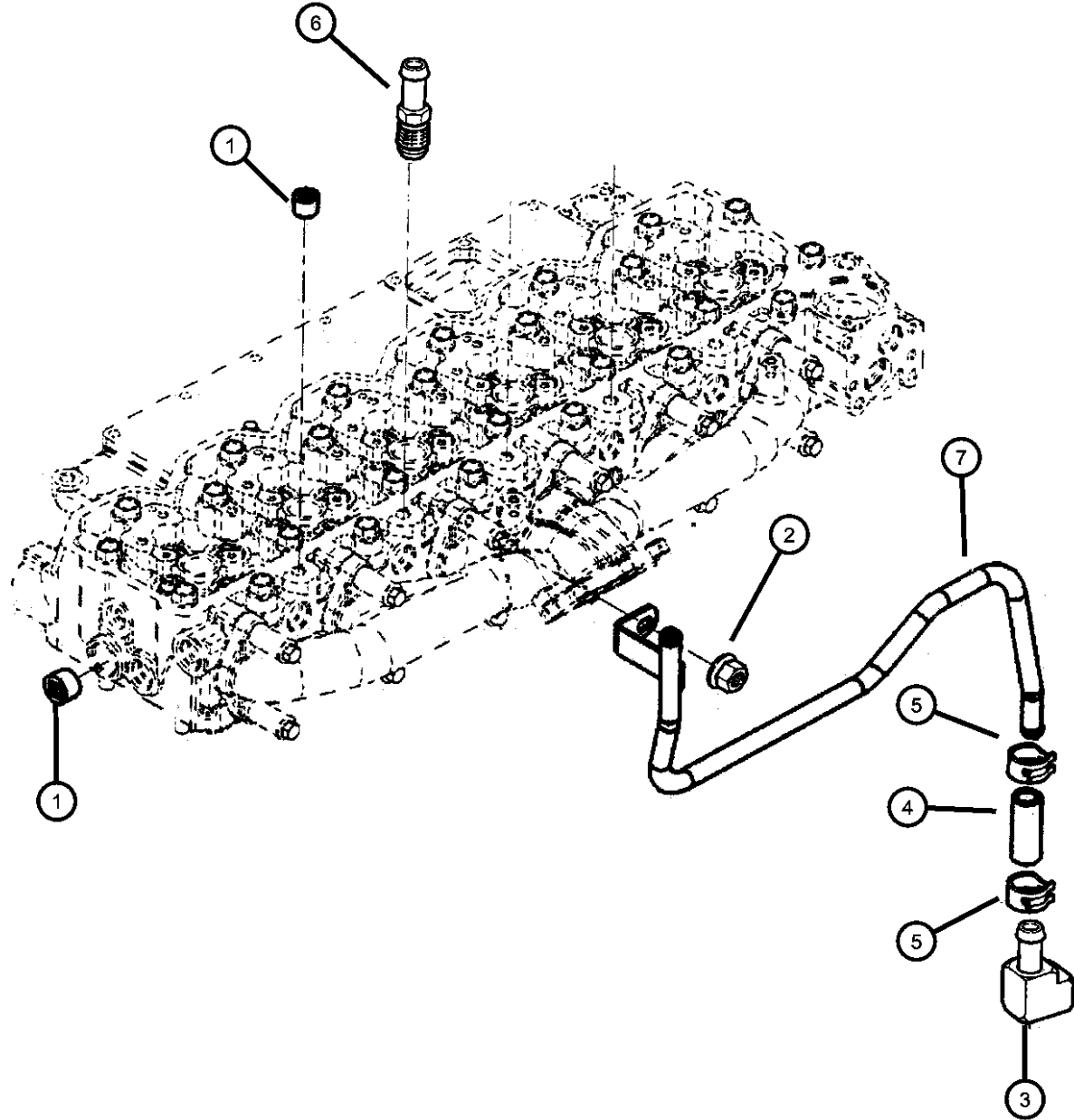
RAM PICKUP/CLUB CAB (BE)

SERIES	LINE	BODY	ENGINE	TRANSMISSION
L = RAM 1500, 2500, 3500	1 = Lt. Duty DODGE 2WD 2 = Med. Duty DODGE 2WD 3 = HD DODGE 2WD 6 = Lt. Duty DODGE 4WD 7 = Med. Duty DODGE 4WD 8 = HD DODGE 4WD	31 = CLUB CAB 2-DR 6.5 FT BOX 32 = CLUB CAB 2-DR 8FT BOX 33 = QUAD CAB 4-DR 6.5 FT BOX 34 = QUAD CAB 4-DR 8FT BOX	ETC = 5.9L Cummins 24V Diesel Engine EWA = 8.0L V10 MPI Engine EM0 = ALL 5.9L 8 CYL ENGINES - GAS EMM = 5.9L SMPI V8 Engine EML = 5.9L V8 MPI Engine ELF = 5.2L V8 MPI Engine	DGP = 4-Spd. Automatic 47RE Transmission DD0 = ALL 5 SPEED MANUAL TRANSMISSIONS DG0 = ALL AUTOMATIC TRANSMISSIONS DDC = 5-Speed HD Manual Transmission DDP = 5-Speed Manual Transmission DDX = 5-Speed HD Manual Transmission DEE = 6-Speed HD Manual Transmission DGT = 4-Spd. Automatic 46RE Transmission

AR = use ase required - = Non illustrated part

1999 BE

Plumbing, Cabin Heater Diesel Engine
Figure 24-269



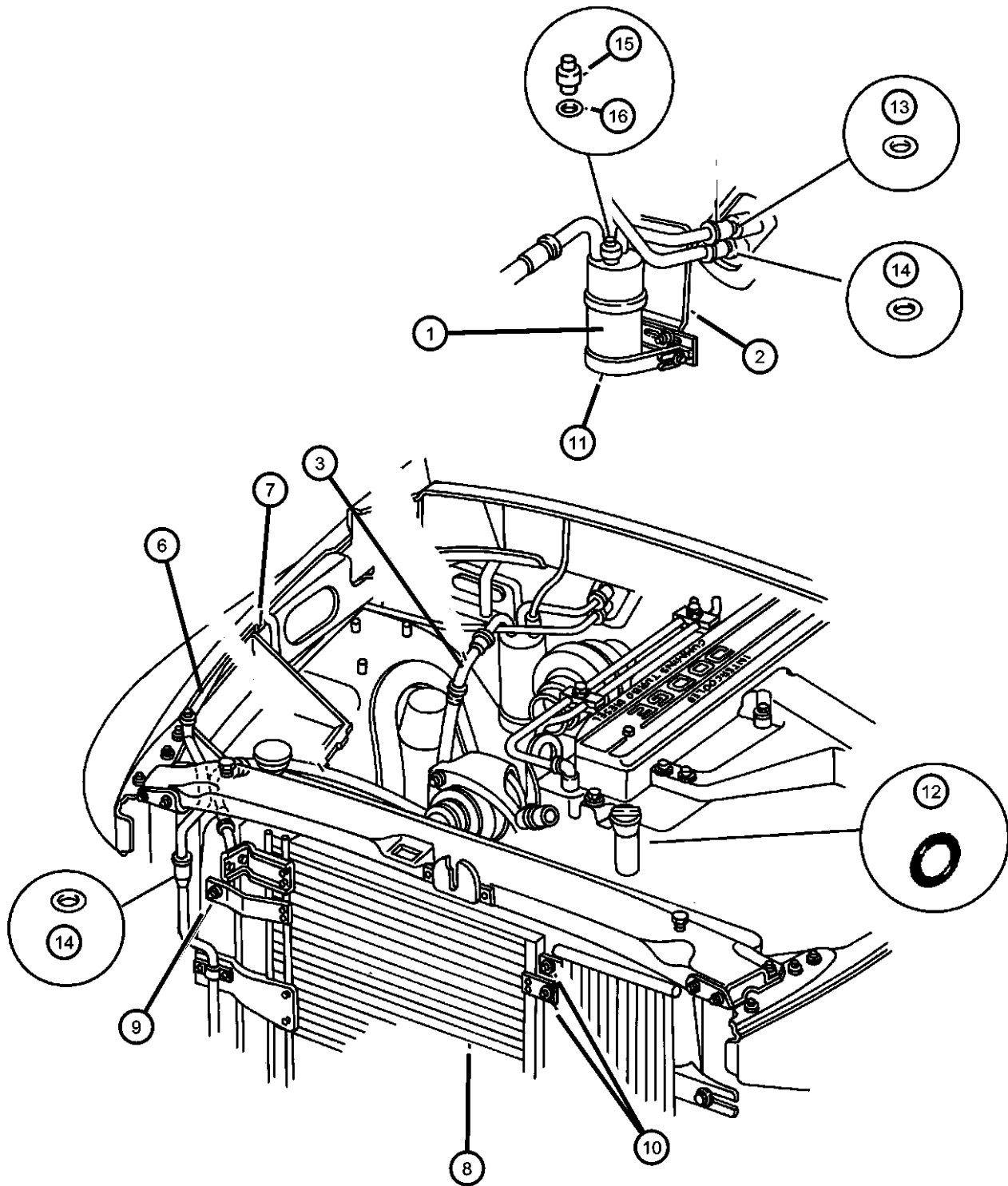
ITEM	PART NUMBER	QTY	LINE	SERIES	BODY	ENGINE	TRANS	TRIM	DESCRIPTION
1	04429369	1				ET0			PLUG, Pipe
2	04429862	1				ET0			NUT, Hex Flange, M10x1.5
3	04429976	1				ET0			COUPLING, Elbow Hose
4	05011409AA	2				ET0			HOSE, Oil Cooler
5	05011900AA	8				ET0			CLAMP, Heater
6	05011901AA	1				ET0			COUPLING, Hose
7	05014191AA	1				ET0			TUBE, Heater

RAM PICKUP/CLUB CAB (BE)

SERIES	LINE	BODY	ENGINE	TRANSMISSION
L = RAM 1500, 2500, 3500	1 = Lt. Duty DODGE 2WD 2 = Med. Duty DODGE 2WD 3 = HD DODGE 2WD 6 = Lt. Duty DODGE 4WD 7 = Med. Duty DODGE 4WD 8 = HD DODGE 4WD	31 = CLUB CAB 2-DR 6.5 FT BOX 32 = CLUB CAB 2-DR 8FT BOX 33 = QUAD CAB 4-DR 6.5 FT BOX 34 = QUAD CAB 4-DR 8FT BOX	ETC = 5.9L Cummins 24V Diesel Engine EWA = 8.0L V10 MPI Engine EM0 = ALL 5.9L 8 CYL ENGINES - GAS EMM = 5.9L SMPI V8 Engine EML = 5.9L V8 MPI Engine ELF = 5.2L V8 MPI Engine	DGP = 4-Spd. Automatic 47RE Transmission DD0 = ALL 5 SPEED MANUAL TRANSMISSIONS DG0 = ALL AUTOMATIC TRANSMISSIONS DDC = 5-Speed HD Manual Transmission DDP = 5-Speed Manual Transmission DDX = 5-Speed HD Manual Transmission DEE = 6-Speed HD Manual Transmission DGT = 4-Spd. Automatic 46RE Transmission

AR = use ase required - = Non illustrated part

**Plumbing, Air Conditioning Diesel Engine
Figure 24-280**



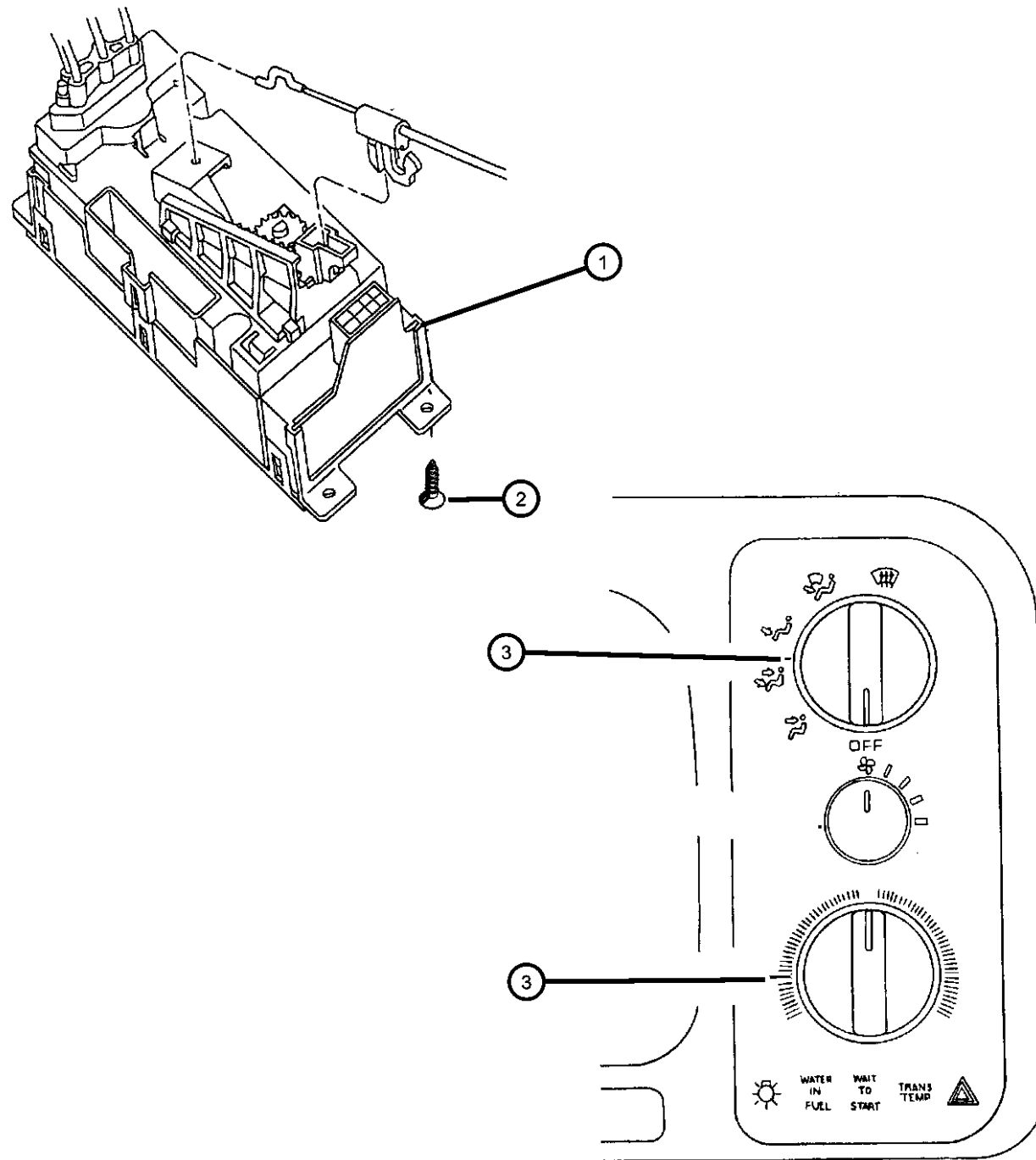
ITEM	PART NUMBER	QTY	LINE	SERIES	BODY	ENGINE	TRANS	TRIM	DESCRIPTION
1	55055838AB	1							ACCUMULATOR, Suction and Discharge Line
2	55035607	1							BRACKET, Accumulator
3	55055833AB	1				ET0			LINE, A/C Suction & Discharge
-4	04897775AA	1							SWITCH, A/C Cycling
-5	04728705	1							O RING, Low Pressure Cutout Switc
6	55055834AA	1				ET0			LINE, A/C Liquid
7	55036022	1	6, 7, 8						CLIP, A/C Liquid Line
8	55055825AB	1				ET0			CONDENSER, Air Conditioning
9	06502885	1				ET0			SCREW AND WASHER, Hex Head, M6x1x18.5
10	06100048	2				ET0			NUT, Hex, M6x1.00
11	55036206AB	1							BAND, Accumulator Retaining
12	04761737	AR							O RING, A/C Suction Line
13	04741705	4				ET0			O RING, A/C and Heater
14	04741705	4				ET0			O RING, A/C and Heater
15	04897775AA	1							SWITCH, A/C Cycling
16	04728705	1							O RING, Low Pressure Cutout Switc

RAM PICKUP/CLUB CAB (BE)

SERIES	LINE	BODY	ENGINE	TRANSMISSION
L = RAM 1500, 2500, 3500	1 = Lt. Duty DODGE 2WD 2 = Med. Duty DODGE 2WD 3 = HD DODGE 2WD 6 = Lt. Duty DODGE 4WD 7 = Med. Duty DODGE 4WD 8 = HD DODGE 4WD	31 = CLUB CAB 2-DR 6.5 FT BOX 32 = CLUB CAB 2-DR 8FT BOX 33 = QUAD CAB 4-DR 6.5 FT BOX 34 = QUAD CAB 4-DR 8FT BOX	ETC = 5.9L Cummins 24V Diesel Engine EWA = 8.0L V10 MPI Engine EM0 = ALL 5.9L 8 CYL ENGINES - GAS EMM = 5.9L SMPI V8 Engine EML = 5.9L V8 MPI Engine ELF = 5.2L V8 MPI Engine	DGP = 4-Spd. Automatic 47RE Transmission DD0 = ALL 5 SPEED MANUAL TRANSMISSIONS DG0 = ALL AUTOMATIC TRANSMISSIONS DDC = 5-Speed HD Manual Transmission DDP = 5-Speed Manual Transmission DDX = 5-Speed HD Manual Transmission DEE = 6-Speed HD Manual Transmission DGT = 4-Spd. Automatic 46RE Transmission

AR = use ase required - = Non illustrated part

Control, Heater
Figure 24-310



ITEM	PART NUMBER	QTY	LINE	SERIES	BODY	ENGINE	TRANS	TRIM	DESCRIPTION
1	05015735AA	1							CONTROL, Heater w/o Power Mirrors
	05015737AA	1							w/Power Mirrors
2	06032723	4							SCREW, Self Tapping, M4.2x1.69x19.05, Control Mounting
3	05003986AB	3							KNOB, A/C And Heater Control - Rotary
-4	05003281AA	1							BULB, Heater and A/C Control

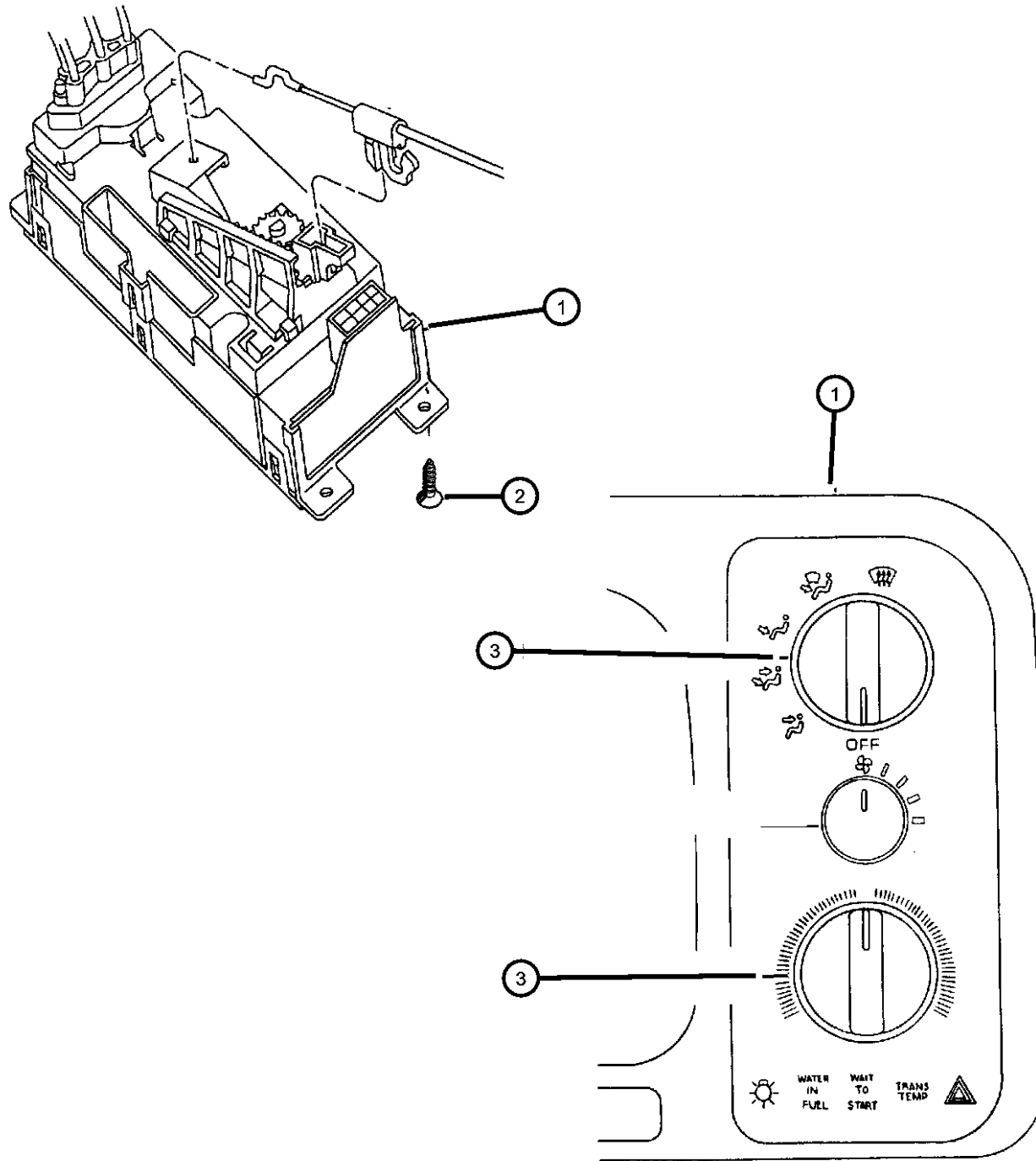
RAM PICKUP/CLUB CAB (BE)

SERIES	LINE	BODY	ENGINE	TRANSMISSION
L = RAM 1500, 2500, 3500	1 = Lt. Duty DODGE 2WD 2 = Med. Duty DODGE 2WD 3 = HD DODGE 2WD 6 = Lt. Duty DODGE 4WD 7 = Med. Duty DODGE 4WD 8 = HD DODGE 4WD	31 = CLUB CAB 2-DR 6.5 FT BOX 32 = CLUB CAB 2-DR 8FT BOX 33 = QUAD CAB 4-DR 6.5 FT BOX 34 = QUAD CAB 4-DR 8FT BOX	ETC = 5.9L Cummins 24V Diesel Engine EWA = 8.0L V10 MPI Engine EM0 = ALL 5.9L 8 CYL ENGINES - GAS EMM = 5.9L SMPI V8 Engine EML = 5.9L V8 MPI Engine ELF = 5.2L V8 MPI Engine	DGP = 4-Spd. Automatic 47RE Transmission DD0 = ALL 5 SPEED MANUAL TRANSMISSIONS DG0 = ALL AUTOMATIC TRANSMISSIONS DDC = 5-Speed HD Manual Transmission DDP = 5-Speed Manual Transmission DDX = 5-Speed HD Manual Transmission DEE = 6-Speed HD Manual Transmission DGT = 4-Spd. Automatic 46RE Transmission

AR = use ase required - = Non illustrated part

1999 BE

Control, Air Conditioning
Figure 24-350



ITEM	PART NUMBER	QTY	LINE	SERIES	BODY	ENGINE	TRANS	TRIM	DESCRIPTION
1	05015734AA	1							CONTROL, A/C And Heater w/o Power Mirror
	05015736AA	1							w/Power Mirror
2	06032723	4							SCREW, Self Tapping, M4.2x1.69x19.05, Control Mounting
3	05003986AB	3							KNOB, A/C And Heater Control - Rotary
-4	05003281AA	1							BULB, Heater and A/C Control
-5	05013680AB	1							HARNESS, A/C And Heater Vacuum

RAM PICKUP/CLUB CAB (BE)

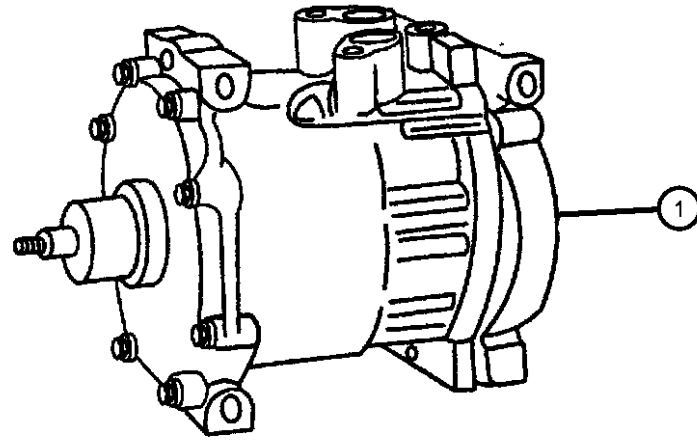
SERIES	LINE	BODY	ENGINE	TRANSMISSION
L = RAM 1500, 2500, 3500	1 = Lt. Duty DODGE 2WD 2 = Med. Duty DODGE 2WD 3 = HD DODGE 2WD 6 = Lt. Duty DODGE 4WD 7 = Med. Duty DODGE 4WD 8 = HD DODGE 4WD	31 = CLUB CAB 2-DR 6.5 FT BOX 32 = CLUB CAB 2-DR 8FT BOX 33 = QUAD CAB 4-DR 6.5 FT BOX 34 = QUAD CAB 4-DR 8FT BOX	ETC = 5.9L Cummins 24V Diesel Engine EWA = 8.0L V10 MPI Engine EM0 = ALL 5.9L 8 CYL ENGINES - GAS EMM = 5.9L SMPI V8 Engine EML = 5.9L V8 MPI Engine ELF = 5.2L V8 MPI Engine	DGP = 4-Spd. Automatic 47RE Transmission DD0 = ALL 5 SPEED MANUAL TRANSMISSIONS DG0 = ALL AUTOMATIC TRANSMISSIONS DDC = 5-Speed HD Manual Transmission DDP = 5-Speed Manual Transmission DDX = 5-Speed HD Manual Transmission DEE = 6-Speed HD Manual Transmission DGT = 4-Spd. Automatic 46RE Transmission

AR = use ase required - = Non illustrated part

1999 BE

**Compressor, Gas Engines
Figure 24-410**

ITEM	PART NUMBER	QTY	LINE	SERIES	BODY	ENGINE	TRANS	TRIM	DESCRIPTION
------	-------------	-----	------	--------	------	--------	-------	------	-------------



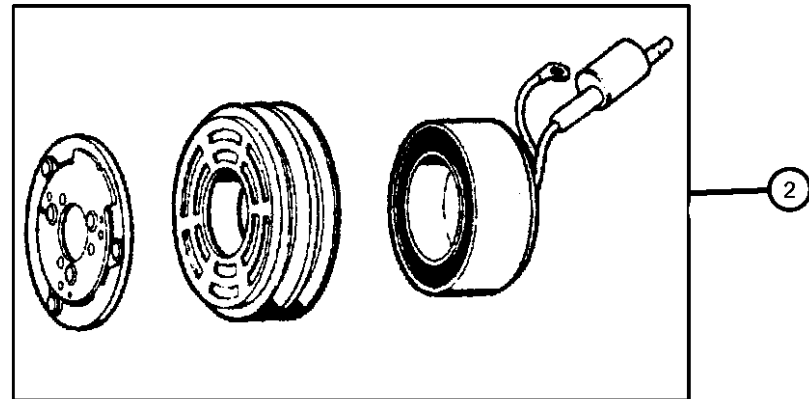
NOTE

Sales Code

ELO - ENGINES - ALL 5.2L 8 CYL GAS

EML - ENGINE - "MAGNUM" 5.9L SMPI V8

1	55055540AF	1				ELO, EMO, EWO			COMPRESSOR, Air Conditioning
2	04882008	1				ELO, EMO, EWO			CLUTCH, A/C Compressor



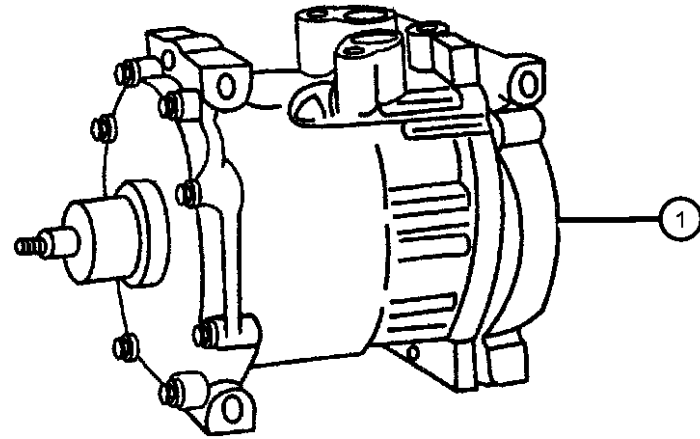
RAM PICKUP/CLUB CAB (BE)

SERIES	LINE	BODY	ENGINE	TRANSMISSION
L = RAM 1500, 2500, 3500	1 = Lt. Duty DODGE 2WD 2 = Med. Duty DODGE 2WD 3 = HD DODGE 2WD 6 = Lt. Duty DODGE 4WD 7 = Med. Duty DODGE 4WD 8 = HD DODGE 4WD	31 = CLUB CAB 2-DR 6.5 FT BOX 32 = CLUB CAB 2-DR 8FT BOX 33 = QUAD CAB 4-DR 6.5 FT BOX 34 = QUAD CAB 4-DR 8FT BOX	ETC = 5.9L Cummins 24V Diesel Engine EWA = 8.0L V10 MPI Engine EM0 = ALL 5.9L 8 CYL ENGINES - GAS EMM = 5.9L SMPI V8 Engine EML = 5.9L V8 MPI Engine ELF = 5.2L V8 MPI Engine	DGP = 4-Spd. Automatic 47RE Transmission DD0 = ALL 5 SPEED MANUAL TRANSMISSIONS DG0 = ALL AUTOMATIC TRANSMISSIONS DDC = 5-Speed HD Manual Transmission DDP = 5-Speed Manual Transmission DDX = 5-Speed HD Manual Transmission DEE = 6-Speed HD Manual Transmission DGT = 4-Spd. Automatic 46RE Transmission

AR = use ase required - = Non illustrated part

1999 BE

**Compressor, Diesel Engine
Figure 24-440**



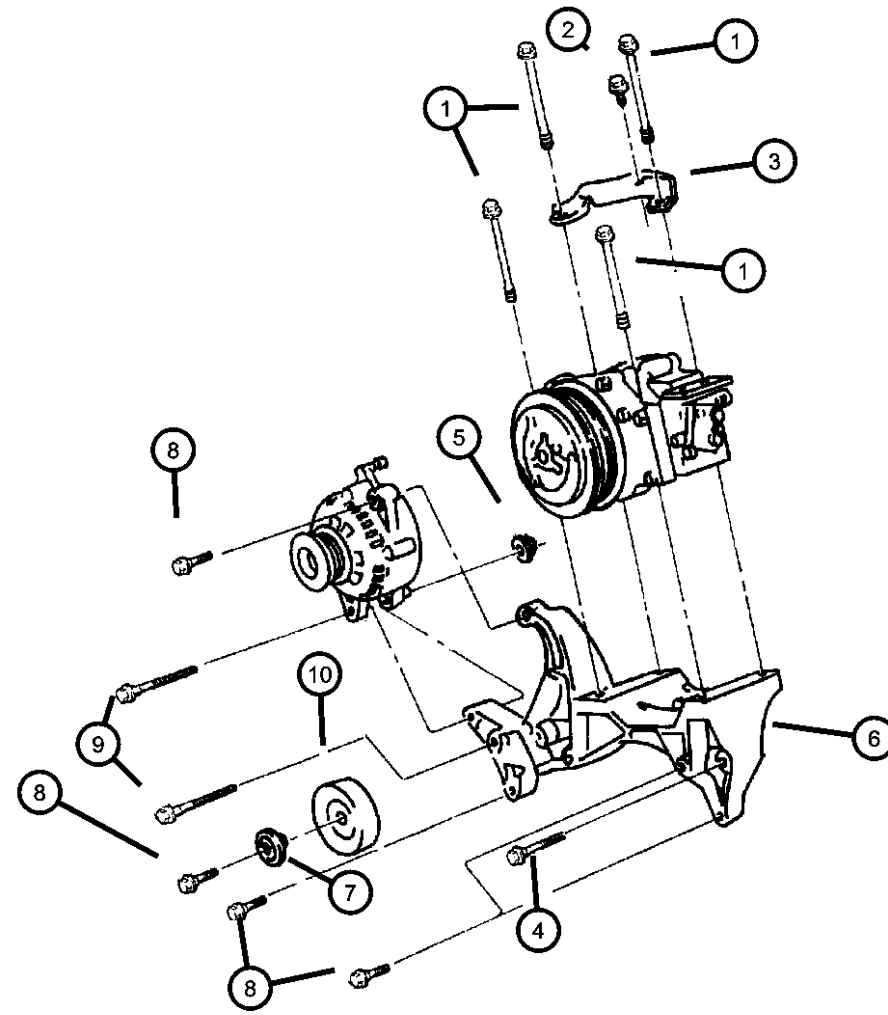
ITEM	PART NUMBER	QTY	LINE	SERIES	BODY	ENGINE	TRANS	TRIM	DESCRIPTION
1	55055339AD	1				ET0			COMPRESSOR, Air Conditioning
-2									CLUTCH, A/C Compressor
	04882009	1				ET0			Use with 55055339AB
	05016127AA	1				ET0			Use with 55055339AD

RAM PICKUP/CLUB CAB (BE)

SERIES	LINE	BODY	ENGINE	TRANSMISSION
L = RAM 1500, 2500, 3500	1 = Lt. Duty DODGE 2WD 2 = Med. Duty DODGE 2WD 3 = HD DODGE 2WD 6 = Lt. Duty DODGE 4WD 7 = Med. Duty DODGE 4WD 8 = HD DODGE 4WD	31 = CLUB CAB 2-DR 6.5 FT BOX 32 = CLUB CAB 2-DR 8FT BOX 33 = QUAD CAB 4-DR 6.5 FT BOX 34 = QUAD CAB 4-DR 8FT BOX	ETC = 5.9L Cummins 24V Diesel Engine EWA = 8.0L V10 MPI Engine EM0 = ALL 5.9L 8 CYL ENGINES - GAS EMM = 5.9L SMPI V8 Engine EML = 5.9L V8 MPI Engine ELF = 5.2L V8 MPI Engine	DGP = 4-Spd. Automatic 47RE Transmission DD0 = ALL 5 SPEED MANUAL TRANSMISSIONS DG0 = ALL AUTOMATIC TRANSMISSIONS DDC = 5-Speed HD Manual Transmission DDP = 5-Speed Manual Transmission DDX = 5-Speed HD Manual Transmission DEE = 6-Speed HD Manual Transmission DGT = 4-Spd. Automatic 46RE Transmission

AR = use ase required - = Non illustrated part

**Mounting, Compressor 5.2, 5.9L Engine
Figure 24-520**



ITEM	PART NUMBER	QTY	LINE	SERIES	BODY	ENGINE	TRANS	TRIM	DESCRIPTION
1	05016127AA	1							BOLT, (NOT SERVICED),
2	05016127AA	1							BOLT, (NOT SERVICED)
3	53010252	1				ELO, EM0			BRACE, A/C Compressor
4									BOLT, Hex Head, .375-16x.75
	06034246	1				ELO, EM0			
		3				EMM			
5		3							NUT, Lock, (NOT SERVICED)
6	53008614	1				ELO, EM0			BRACKET, Alternator And Compressor
7	33002201	1				ELO, EM0			BUSHING, Idler Pulley
8	33002201	1							BOLT, (NOT SERVICED)
9	06034247	1				ELO, EM0			BOLT, Hex Head, .375-16x.25
10	53009508	1				ELO, EM0			PULLEY, Idler

RAM PICKUP/CLUB CAB (BE)

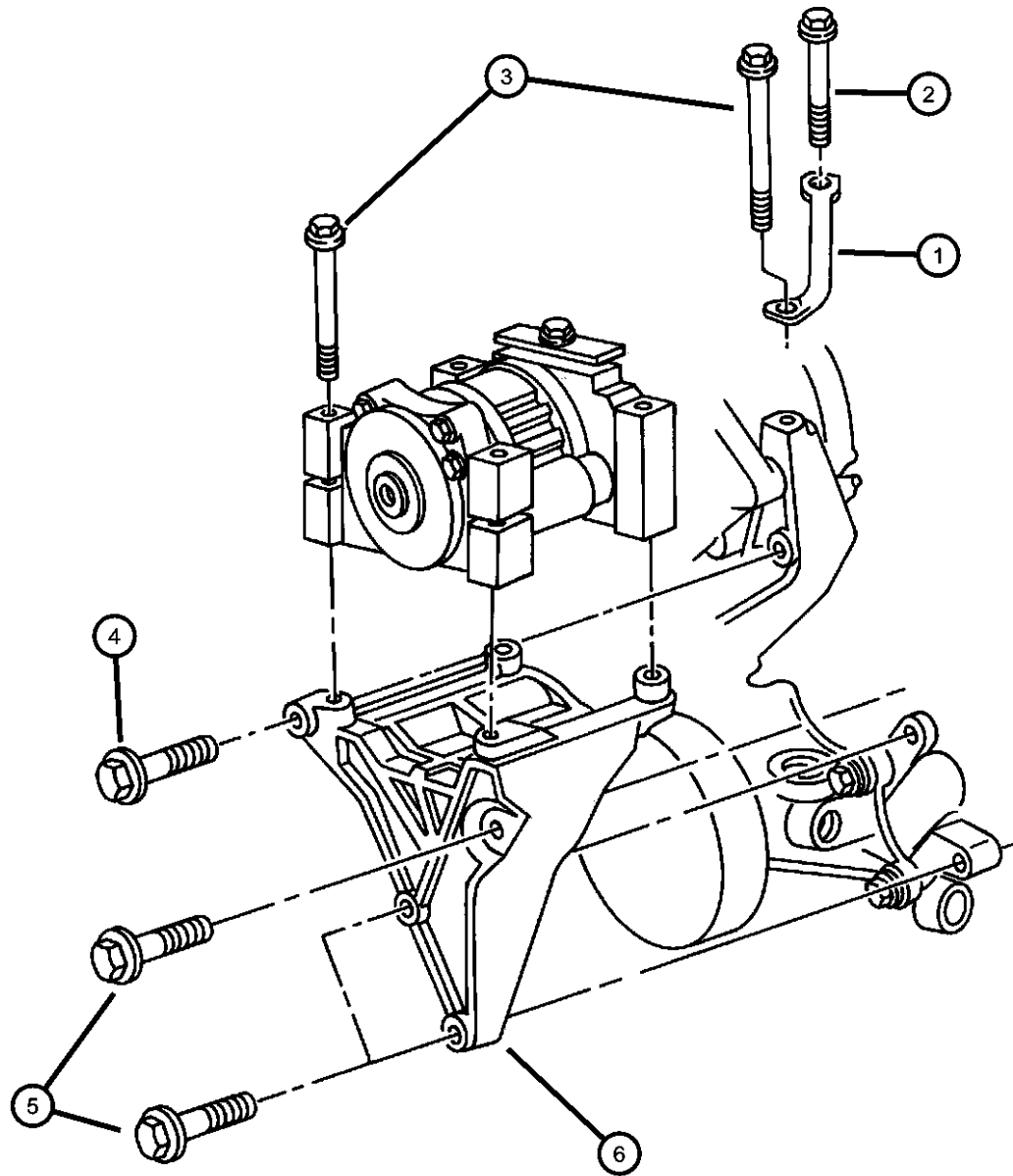
SERIES	LINE	BODY	ENGINE	TRANSMISSION
L = RAM 1500, 2500, 3500	1 = Lt. Duty DODGE 2WD 2 = Med. Duty DODGE 2WD 3 = HD DODGE 2WD 6 = Lt. Duty DODGE 4WD 7 = Med. Duty DODGE 4WD 8 = HD DODGE 4WD	31 = CLUB CAB 2-DR 6.5 FT BOX 32 = CLUB CAB 2-DR 8FT BOX 33 = QUAD CAB 4-DR 6.5 FT BOX 34 = QUAD CAB 4-DR 8FT BOX	ETC = 5.9L Cummins 24V Diesel Engine EWA = 8.0L V10 MPI Engine EM0 = ALL 5.9L 8 CYL ENGINES - GAS EMM = 5.9L SMPI V8 Engine EML = 5.9L V8 MPI Engine ELF = 5.2L V8 MPI Engine	DGP = 4-Spd. Automatic 47RE Transmission DD0 = ALL 5 SPEED MANUAL TRANSMISSIONS DG0 = ALL AUTOMATIC TRANSMISSIONS DDC = 5-Speed HD Manual Transmission DDP = 5-Speed Manual Transmission DDX = 5-Speed HD Manual Transmission DEE = 6-Speed HD Manual Transmission DGT = 4-Spd. Automatic 46RE Transmission

AR = use ase required - = Non illustrated part

1999 BE

**Mounting, Compressor 8.0L Engine
Figure 24-525**

ITEM	PART NUMBER	QTY	LINE	SERIES	BODY	ENGINE	TRANS	TRIM	DESCRIPTION
1	53010014	1				EW0			BRACE, A/C Compressor, Compressor Mounting Bracket
2	53010014	1							SCREW, (NOT SERVICED)
3	00154555	1				EW0			SCREW
4	00154555	1							SCREW, (NOT SERVICED)
5	00154555	1							SCREW, (NOT SERVICED)
6	53005619	1				EW0			BRACKET, A/C Compressor, Compressor Mounting

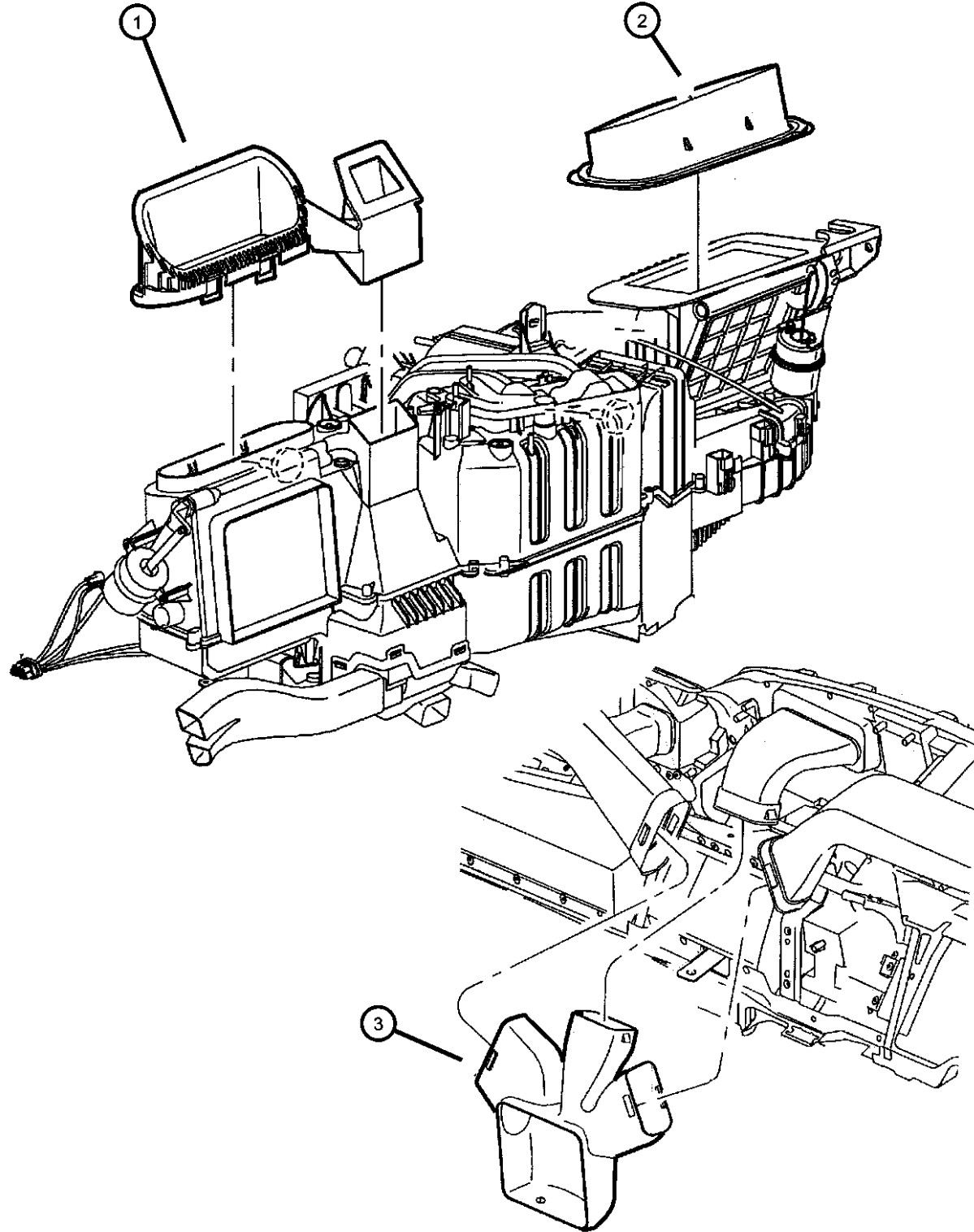


RAM PICKUP/CLUB CAB (BE)

SERIES	LINE	BODY	ENGINE	TRANSMISSION
L = RAM 1500, 2500, 3500	1 = Lt. Duty DODGE 2WD 2 = Med. Duty DODGE 2WD 3 = HD DODGE 2WD 6 = Lt. Duty DODGE 4WD 7 = Med. Duty DODGE 4WD 8 = HD DODGE 4WD	31 = CLUB CAB 2-DR 6.5 FT BOX 32 = CLUB CAB 2-DR 8FT BOX 33 = QUAD CAB 4-DR 6.5 FT BOX 34 = QUAD CAB 4-DR 8FT BOX	ETC = 5.9L Cummins 24V Diesel Engine EWA = 8.0L V10 MPI Engine EM0 = ALL 5.9L 8 CYL ENGINES - GAS EMM = 5.9L SMPI V8 Engine EML = 5.9L V8 MPI Engine ELF = 5.2L V8 MPI Engine	DGP = 4-Spd. Automatic 47RE Transmission DD0 = ALL 5 SPEED MANUAL TRANSMISSIONS DG0 = ALL AUTOMATIC TRANSMISSIONS DDC = 5-Speed HD Manual Transmission DDP = 5-Speed Manual Transmission DDX = 5-Speed HD Manual Transmission DEE = 6-Speed HD Manual Transmission DGT = 4-Spd. Automatic 46RE Transmission

AR = use ase required - = Non illustrated part

Air Ducts
Figure 24-630



ITEM	PART NUMBER	QTY	LINE	SERIES	BODY	ENGINE	TRANS	TRIM	DESCRIPTION
------	-------------	-----	------	--------	------	--------	-------	------	-------------

Note: All other distribution ducts are serviced in instrument panel.

1	55055442	1							ADAPTER, Defroster Duct,
2	55036517	1							Defroster and Demister Duct
3	55115857AC	1							BAFFLE, Air Intake, Inlet *** DUCT, Air Distribution

RAM PICKUP/CLUB CAB (BE)

SERIES	LINE	BODY	ENGINE	TRANSMISSION
L = RAM 1500, 2500, 3500	1 = Lt. Duty DODGE 2WD	31 = CLUB CAB 2-DR 6.5 FT BOX	ETC = 5.9L Cummins 24V Diesel Engine	DGP = 4-Spd. Automatic 47RE Transmission
	2 = Med. Duty DODGE 2WD	32 = CLUB CAB 2-DR 8FT BOX	EWA = 8.0L V10 MPI Engine	DD0 = ALL 5 SPEED MANUAL TRANSMISSIONS
	3 = HD DODGE 2WD	33 = QUAD CAB 4-DR 6.5 FT BOX	EM0 = ALL 5.9L 8 CYL ENGINES - GAS	DG0 = ALL AUTOMATIC TRANSMISSIONS
	6 = Lt. Duty DODGE 4WD	34 = QUAD CAB 4-DR 8FT BOX	EMM = 5.9L SMPI V8 Engine	DDC = 5-Speed HD Manual Transmission
	7 = Med. Duty DODGE 4WD		EML = 5.9L V8 MPI Engine	DDP = 5-Speed Manual Transmission
	8 = HD DODGE 4WD		ELF = 5.2L V8 MPI Engine	DDX = 5-Speed HD Manual Transmission
				DEE = 6-Speed HD Manual Transmission
				DGT = 4-Spd. Automatic 46RE Transmission

AR = use ase required - = Non illustrated part

1999 BE

Group - 25

Emission Systems

Group - 25 Emission Systems

Group-Fig. No.

Illustration Title

Emission Labels

Emission Labels Fig. 25 - 140

Vacuum Canister

Vacuum Canister Fig. 25 - 340

Emission Harness

Emission Control Vacuum Harness Fig. 25 - 440

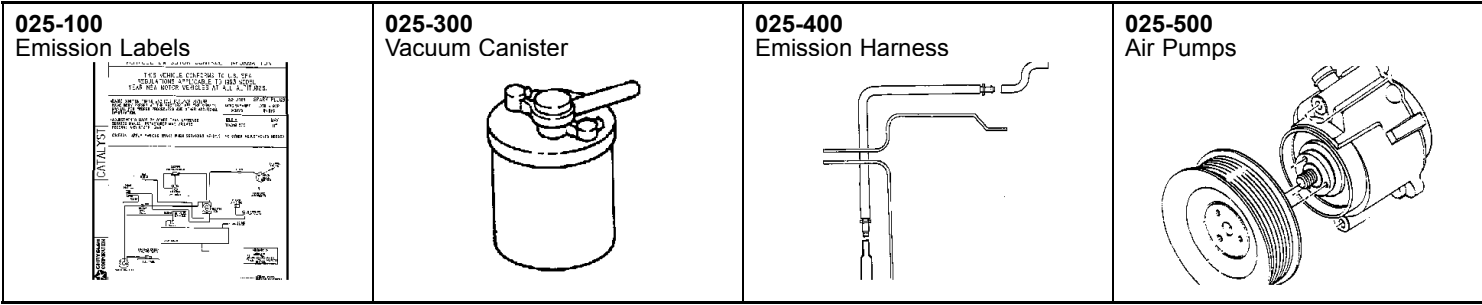
Leak Detection Pump Fig. 25 - 450

Vacuum Pump Fig. 25 - 470

Air Pumps

Air Pump Fig. 25 - 510

Air Injection Plumbing Fig. 25 - 520



Emission Labels
Figure 25-140

ITEM	PART NUMBER	QTY	LINE	SERIES	BODY	ENGINE	TRANS	TRIM	DESCRIPTION
------	-------------	-----	------	--------	------	--------	-------	------	-------------

Note; ELF= 5.2 Gas Engines, EML= 5.9 Light Duty Gas Engine, EMM= 5.9 Heavy Duty Gas Engine, EWA= 8.0 Gas Engine, DBB= Manual Transmissions, DGO= All Automatic Transmissions.

1									LABEL, Emission
	53031946AA	1	1		31, 33	ELF			Federal, Export
	53031947AA	1	1		31, 33	ELF			Canada
	53031948AA	1	1		32	ELF	DBB		Federal, Export
	53031949AA	1	1		32	ELF	DBB		Canada
	53031950AA	1	6		31, 33	ELF			Federal, Export
	53031951AA	1	6		31, 33	ELF			Canada
	53031952AA	1	1		32	ELF	DG0		Federal, Export
		1	1		34	ELF			Federal, Export
		1	6		32, 34	ELF			Federal, Export
	53031953AA	1	1		32	ELF	DG0		Canada
		1	1		34	ELF			Canada
		1	6		32, 34	ELF			Canada
	53031954AA	1	1		31, 33	ELF			California
	53031956AA	1	6		31, 33	ELF			California
	53031957AA	1	1, 6		32, 34	ELF			California
	53031958AA	1	1		31, 33	EML	DG0		Federal, Export
	53031959AA	1	1		31, 33	EML	DG0		Canada
	53031960AA	1	1		32	EML	DG0		Federal, Export
	53031961AA	1	1		32	EML	DG0		Canada
	53031963AA	1	6		31, 33	EML	DG0		Federal, Export
	53031964AA	1	6		31, 33	EML	DG0		Canada
	53031965AA	1	2, 7			EML			Federal, Export
	53031966AA	1	2, 7			EML			Canada
	53031967AA	1	1		34	EML	DG0		Federal, Export
		1	6		32, 34	EML	DG0		Federal, Export
	53031968AA	1	1		34	EML	DG0		Canada

1

IMPORTANT VEHICLE INFORMATION

THIS VEHICLE CONFORMS TO U.S. EPA REGULATIONS APPLICABLE TO 19XX MODEL YEAR NEW LIGHT-DUTY TRUCKS WITH A CURB WEIGHT GREATER THAN POUNDS AT ALL ALTITUDES.

CATALYST

* BASIC IGNITION TIMING AND IDLE FUEL/AIR MIXTURE HAVE BEEN PRESET AT THE FACTORY. SEE THE SERVICE MANUAL FOR PROPER PROCEDURES AND OTHER ADDITIONAL INFORMATION.

◦ ADJUSTMENTS MADE BY OTHER THAN APPROVED SERVICE MANUAL PROCEDURES MAY VIOLATE FEDERAL AND STATE LAWS.

CAUTION : APPLY PARKING BRAKE WHEN SERVICING VEHICLE.

XX LITER
NCR5. 2T5FEX3
NCRTG

SPARK PLUGS

IDLE *	MAN	AUTO
TIMING BTC	X	X

NO OTHER ADJUSTMENTS NEEDED

Diagram labels: VAPOR CANISTER, TRUCK VENT, EGR VALVE, FUEL PRESSURE REGULATOR, PCV VALVE, DRIFICE, TO CLIMATE CONTROL CRUISE CONTROL 4X4 AXLE (WHEN EQUIPPED), DRIFICE CHECK VALVE, FILTER, THROTTLE BODY, WAF SENSOR, BREATHING CAP, TO AIR CLEANER, TO BRAKE BOOSTER, FRONT OF VEHICLE.

RAM PICKUP/CLUB CAB (BE)

SERIES	LINE	BODY	ENGINE	TRANSMISSION
L = RAM 1500, 2500, 3500	1 = Lt. Duty DODGE 2WD 2 = Med. Duty DODGE 2WD 3 = HD DODGE 2WD 6 = Lt. Duty DODGE 4WD 7 = Med. Duty DODGE 4WD 8 = HD DODGE 4WD	31 = CLUB CAB 2-DR 6.5 FT BOX 32 = CLUB CAB 2-DR 8FT BOX 33 = QUAD CAB 4-DR 6.5 FT BOX 34 = QUAD CAB 4-DR 8FT BOX	ETC = 5.9L Cummins 24V Diesel Engine EWA = 8.0L V10 MPI Engine EM0 = ALL 5.9L 8 CYL ENGINES - GAS EMM = 5.9L SMPI V8 Engine EML = 5.9L V8 MPI Engine ELF = 5.2L V8 MPI Engine	DGP = 4-Spd. Automatic 47RE Transmission DD0 = ALL 5 SPEED MANUAL TRANSMISSIONS DG0 = ALL AUTOMATIC TRANSMISSIONS DDC = 5-Speed HD Manual Transmission DDP = 5-Speed Manual Transmission DDX = 5-Speed HD Manual Transmission DEE = 6-Speed HD Manual Transmission DGT = 4-Spd. Automatic 46RE Transmission

AR = use ase required - = Non illustrated part

1999 BE

Emission Labels
Figure 25-140

ITEM	PART NUMBER	QTY	LINE	SERIES	BODY	ENGINE	TRANS	TRIM	DESCRIPTION
		1	6		32, 34	EML	DG0		Canada
	53031971AA	1	1		31, 32, 33	EML			California
	53031973AA	1	2, 3, 7, 8			EML	DBB		California
	53031978AA	1	1		34	EML	DG0		California
		1	6		31, 33	EML	DG0		California
	53031979AA	1	6		32, 34	EML	DG0		California
	53031980AA	1	2, 3, 7, 8			EML	DG0		California
	53031983AA	1	3, 8		34	EMM			Federal, Export, Engine Information
	53031984AA	1	3, 8		34	EMM			Federal, Export, Body Information
	53031985AA	1	3, 8		34	EMM			Canada, Engine Information
	53031986AA	1	3, 8		34	EMM			Canada, Body Information
	53031987AA	1	2, 3, 7, 8			EWA			Federal, Export, Engine Information
	53031988AA	1	2, 3, 7, 8			EWA			Federal, Export, Body Information
	53031989AA	1	2, 3, 7, 8			EWA			Canada, Engine Information
	53031990AA	1	2, 3, 7, 8			EWA			Canada, Body Information
	53031991AA	1	2, 3, 7			EWA			California
	53031993AA	1	8		34	EWA			California

1

IMPORTANT VEHICLE INFORMATION

THIS VEHICLE CONFORMS TO U.S. EPA REGULATIONS APPLICABLE TO 19XX MODEL YEAR NEW LIGHT-DUTY TRUCKS WITH A CURB WEIGHT GREATER THAN POUNDS AT ALL ALTITUDES.

<p>* BASIC IGNITION TIMING AND IDLE FUEL/AIR MIXTURE HAVE BEEN PRESET AT THE FACTORY. SEE THE SERVICE MANUAL FOR PROPER PROCEDURES AND OTHER ADDITIONAL INFORMATION.</p> <p>◦ ADJUSTMENTS MADE BY OTHER THAN APPROVED SERVICE MANUAL PROCEDURES MAY VIOLATE FEDERAL AND STATE LAWS.</p> <p>CAUTION : APPLY PARKING BRAKE WHEN SERVICING VEHICLE.</p>	<p>XX LITER NCR5. 2T5FEX3 NCRTG</p>	<p>SPARK PLUGS</p>
	<p><u>IDLE *</u> TIMING BTC</p>	<p><u>MAN</u> <u>AUTO</u> X X</p>
<p>NO OTHER ADJUSTMENTS NEEDED</p>		

FRONT OF VEHICLE

CATALYST

CHRYSLER CORPORATION

RAM PICKUP/CLUB CAB (BE)

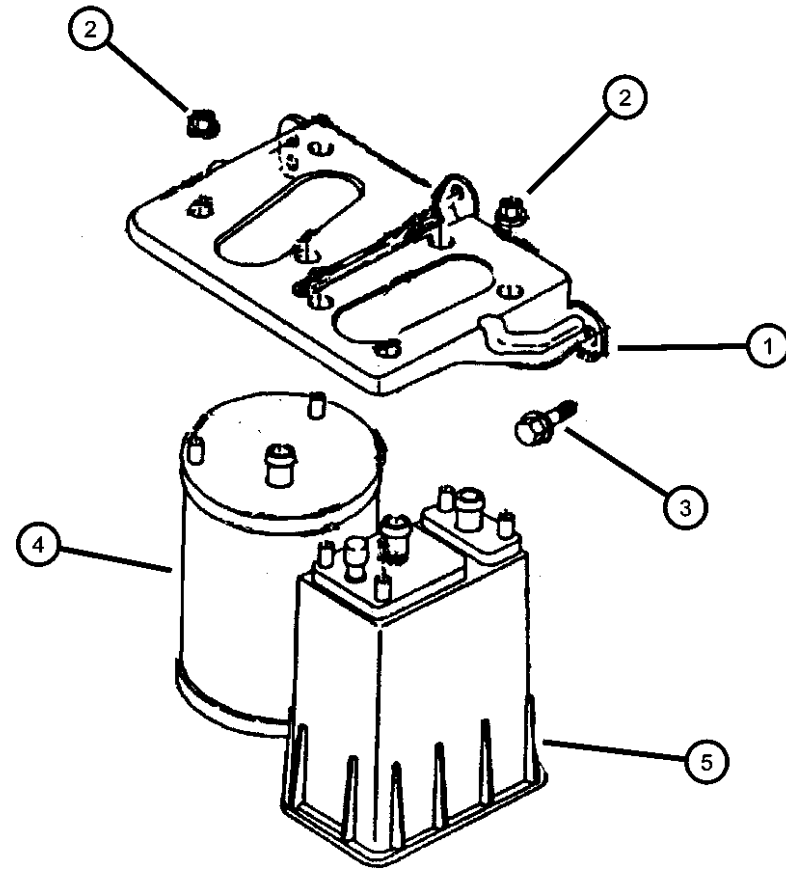
SERIES	LINE	BODY	ENGINE	TRANSMISSION
L = RAM 1500, 2500, 3500	1 = Lt. Duty DODGE 2WD 2 = Med. Duty DODGE 2WD 3 = HD DODGE 2WD 6 = Lt. Duty DODGE 4WD 7 = Med. Duty DODGE 4WD 8 = HD DODGE 4WD	31 = CLUB CAB 2-DR 6.5 FT BOX 32 = CLUB CAB 2-DR 8FT BOX 33 = QUAD CAB 4-DR 6.5 FT BOX 34 = QUAD CAB 4-DR 8FT BOX	ETC = 5.9L Cummins 24V Diesel Engine EWA = 8.0L V10 MPI Engine EM0 = ALL 5.9L 8 CYL ENGINES - GAS EMM = 5.9L SMPI V8 Engine EML = 5.9L V8 MPI Engine ELF = 5.2L V8 MPI Engine	DGP = 4-Spd. Automatic 47RE Transmission DD0 = ALL 5 SPEED MANUAL TRANSMISSIONS DG0 = ALL AUTOMATIC TRANSMISSIONS DDC = 5-Speed HD Manual Transmission DDP = 5-Speed Manual Transmission DDX = 5-Speed HD Manual Transmission DEE = 6-Speed HD Manual Transmission DGT = 4-Spd. Automatic 46RE Transmission

AR = use ase required - = Non illustrated part

Vacuum Canister
Figure 25-340

ITEM	PART NUMBER	QTY	LINE	SERIES	BODY	ENGINE	TRANS	TRIM	DESCRIPTION
1	53030893AB	1				ELO, EMO, EWO			BRACKET, Vapor Canister
2	06500284	4				ETO			NUT, Hex, M6x1.00
3	00154726	4				ELO, EMO, EWO			BOLT, Hex Flange Head, .312-18x.50
4	53031584AC	1				ELO, EMO, EWO			CANISTER, Fuel Vapor
5	53030837	1				ELO, EMO, EWO			CANISTER, Vapor

Note; ELF= 5.2 Gas Engine, EMO= All 5.9 Gas Engines, EWO= All 8.0 Gas Engines.



RAM PICKUP/CLUB CAB (BE)

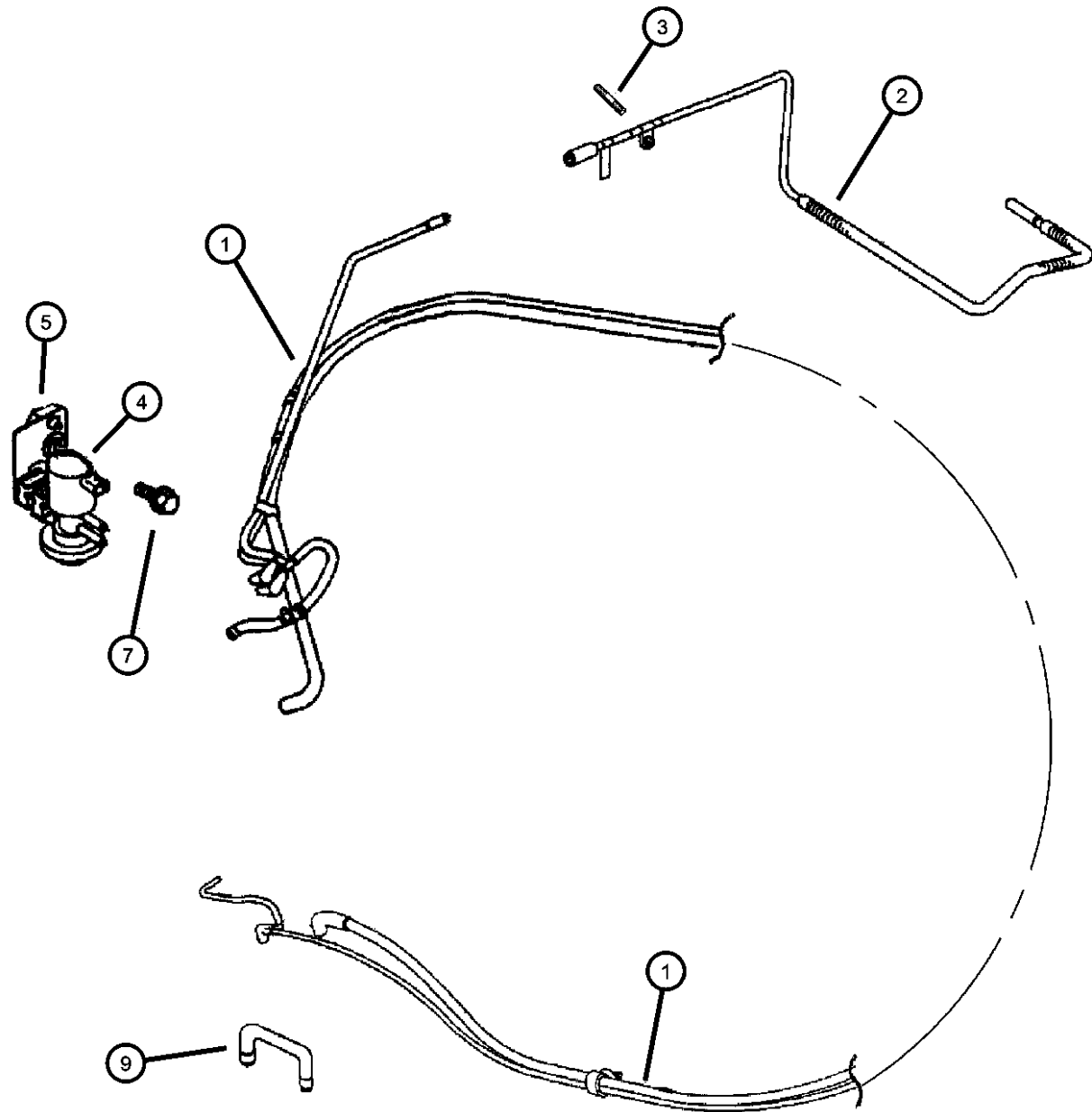
SERIES	LINE	BODY	ENGINE	TRANSMISSION
L = RAM 1500, 2500, 3500	1 = Lt. Duty DODGE 2WD 2 = Med. Duty DODGE 2WD 3 = HD DODGE 2WD 6 = Lt. Duty DODGE 4WD 7 = Med. Duty DODGE 4WD 8 = HD DODGE 4WD	31 = CLUB CAB 2-DR 6.5 FT BOX 32 = CLUB CAB 2-DR 8FT BOX 33 = QUAD CAB 4-DR 6.5 FT BOX 34 = QUAD CAB 4-DR 8FT BOX	ETC = 5.9L Cummins 24V Diesel Engine EWA = 8.0L V10 MPI Engine EM0 = ALL 5.9L 8 CYL ENGINES - GAS EMM = 5.9L SMPI V8 Engine EML = 5.9L V8 MPI Engine ELF = 5.2L V8 MPI Engine	DGP = 4-Spd. Automatic 47RE Transmission DD0 = ALL 5 SPEED MANUAL TRANSMISSIONS DG0 = ALL AUTOMATIC TRANSMISSIONS DDC = 5-Speed HD Manual Transmission DDP = 5-Speed Manual Transmission DDX = 5-Speed HD Manual Transmission DEE = 6-Speed HD Manual Transmission DGT = 4-Spd. Automatic 46RE Transmission

AR = use ase required - = Non illustrated part

1999 BE

**Emission Control Vacuum Harness
Figure 25-440**

ITEM	PART NUMBER	QTY	LINE	SERIES	BODY	ENGINE	TRANS	TRIM	DESCRIPTION
Note; ELF= 5.2 Gas Engines, ELO= All 5.2 Gas Engines, EMO= All 5.9 Gas Engines, EWO= All 8.0 Gas Engines.									
1									HARNESS, Vacuum Canister Purge
	53032155AC	1				ELO, EMO, EWO			Federal, Canada
	53032156AC	1				ELO, EMO, EWO			California
2									HARNESS, Emission Control
	53032153	1				ELO, EMO			
	53032154	1				EWO			
3	06503159	1				EWO			STUD, Double Ended, M6x1.0x38
4	04669475AB	1				ELO, EMO, EWO			SOLENOID, Duty Cycle Purge
5	04865228AA	1				ELO, EMO, EWO			SOLENOID, Duty Cycle Purge, Federal, Canada
-6	04897709AA	1				ELO, EMO, EWO			BRACKET PACKAGE, LDP/DCP And Filter, California
7	06503587	1				ELO, EMO, EWO			STUD, Collared, M6x1.0/.250-14 x 50.0
-8	06101839	3				ELO, EMO, EWO			SCREW AND WASHER, Hex Head, M8x1.25x40
9	53031611AC	1				ELO, EMO, EWO			HOSE, Carbon Canister
-10									HARNESS, Emission Control Vacuum
	53041076	1				EWO			
	55036098	1				ELO, EMO			



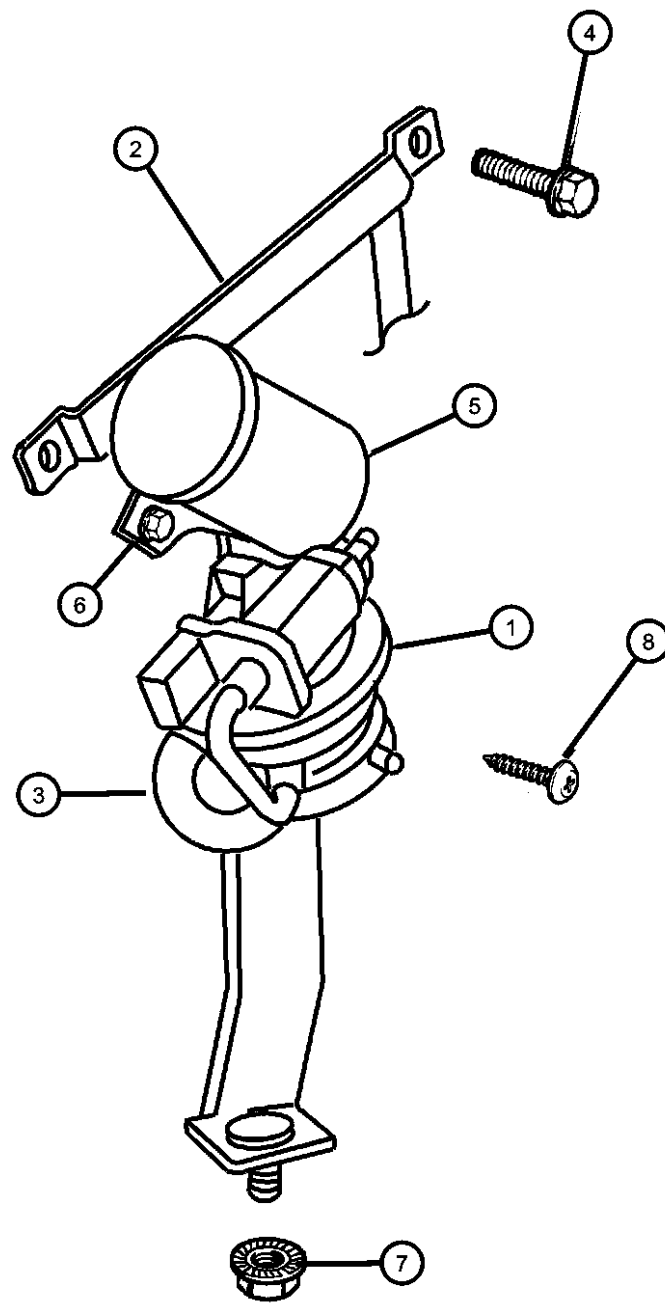
RAM PICKUP/CLUB CAB (BE)

SERIES	LINE	BODY	ENGINE	TRANSMISSION
L = RAM 1500, 2500, 3500	1 = Lt. Duty DODGE 2WD 2 = Med. Duty DODGE 2WD 3 = HD DODGE 2WD 6 = Lt. Duty DODGE 4WD 7 = Med. Duty DODGE 4WD 8 = HD DODGE 4WD	31 = CLUB CAB 2-DR 6.5 FT BOX 32 = CLUB CAB 2-DR 8FT BOX 33 = QUAD CAB 4-DR 6.5 FT BOX 34 = QUAD CAB 4-DR 8FT BOX	ETC = 5.9L Cummins 24V Diesel Engine EWA = 8.0L V10 MPI Engine EM0 = ALL 5.9L 8 CYL ENGINES - GAS EMM = 5.9L SMPI V8 Engine EML = 5.9L V8 MPI Engine ELF = 5.2L V8 MPI Engine	DGP = 4-Spd. Automatic 47RE Transmission DD0 = ALL 5 SPEED MANUAL TRANSMISSIONS DG0 = ALL AUTOMATIC TRANSMISSIONS DDC = 5-Speed HD Manual Transmission DDP = 5-Speed Manual Transmission DDX = 5-Speed HD Manual Transmission DEE = 6-Speed HD Manual Transmission DGT = 4-Spd. Automatic 46RE Transmission

AR = use ase required - = Non illustrated part

1999 BE

**Leak Detection Pump
Figure 25-450**



ITEM	PART NUMBER	QTY	LINE	SERIES	BODY	ENGINE	TRANS	TRIM	DESCRIPTION
Note; ELF= 5.2 Gas Engines, ELO= All 5.2 Gas Engines, EMO= All 5.9 Gas Engines, EWO= All 8.0 Gas Engines.									
1	04669336AD	1				ELO, EMO, EWO			PUMP, Leak Detection
2	04897709AA	1				ELO, EMO, EWO			BRACKET PACKAGE, LDP/DCP And Filter
3	53030877	1				ELO, EMO, EWO			HOSE, Filter to Leak Detection Pump
4	06101839	3				ELO, EMO, EWO			SCREW AND WASHER, Hex Head, M8x1.25x40
5	04612901	1				ELO, EMO, EWO			FILTER, Fuel Vapor Vent
6	04612901	1							SCREW, M6x1.00x11.00, (NOT SERVICED)
7	06100051	1				ELO, EMO, EWO			NUT AND WASHER, Hex Nut-Coned Washer, M8 x 1.25
8	06035482	3				ELO, EMO, EWO			SCREW, Tapping, .19-16x.375

RAM PICKUP/CLUB CAB (BE)

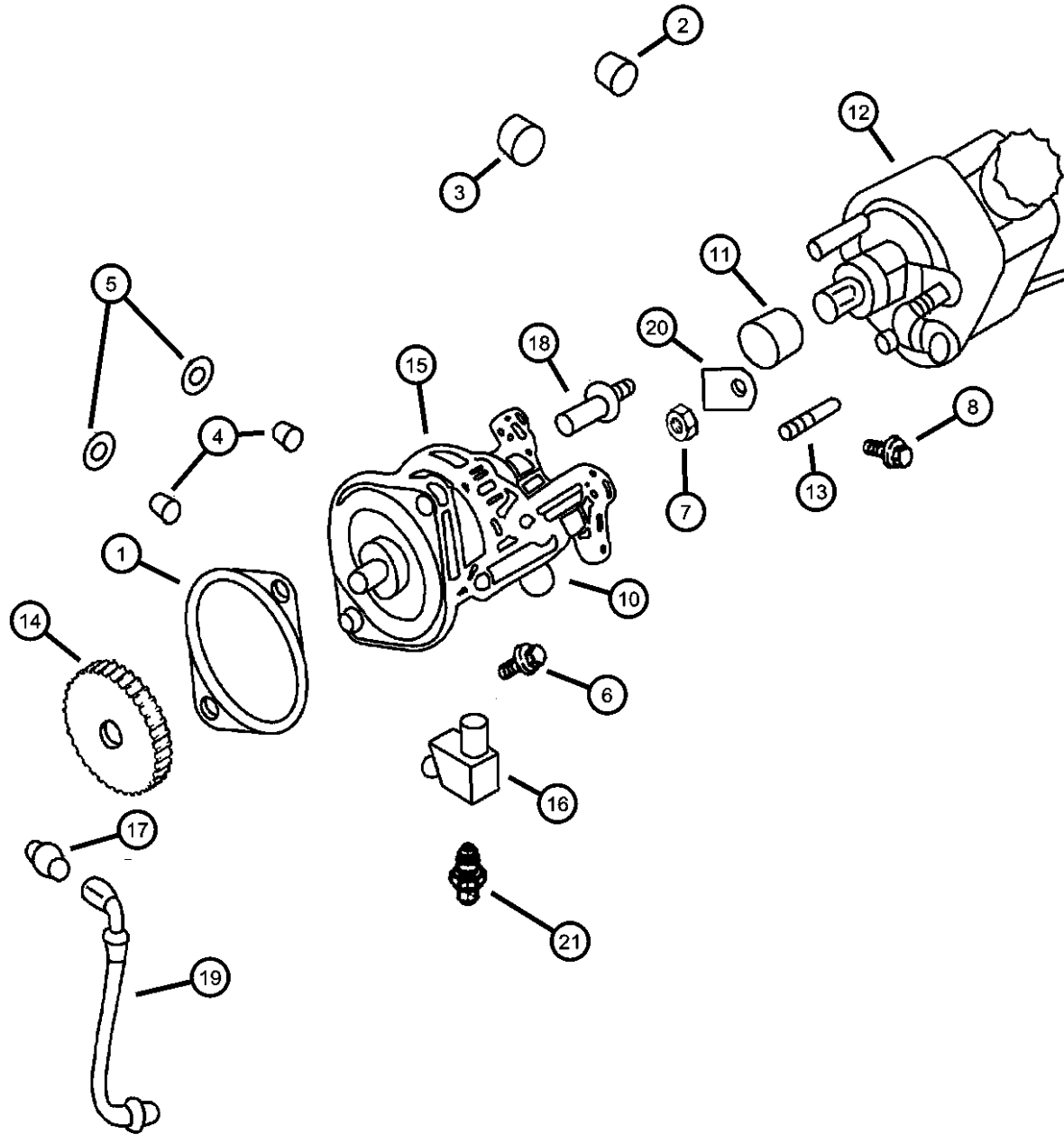
SERIES	LINE	BODY	ENGINE	TRANSMISSION
L = RAM 1500, 2500, 3500	1 = Lt. Duty DODGE 2WD 2 = Med. Duty DODGE 2WD 3 = HD DODGE 2WD 6 = Lt. Duty DODGE 4WD 7 = Med. Duty DODGE 4WD 8 = HD DODGE 4WD	31 = CLUB CAB 2-DR 6.5 FT BOX 32 = CLUB CAB 2-DR 8FT BOX 33 = QUAD CAB 4-DR 6.5 FT BOX 34 = QUAD CAB 4-DR 8FT BOX	ETC = 5.9L Cummins 24V Diesel Engine EWA = 8.0L V10 MPI Engine EM0 = ALL 5.9L 8 CYL ENGINES - GAS EMM = 5.9L SMPI V8 Engine EML = 5.9L V8 MPI Engine ELF = 5.2L V8 MPI Engine	DGP = 4-Spd. Automatic 47RE Transmission DD0 = ALL 5 SPEED MANUAL TRANSMISSIONS DG0 = ALL AUTOMATIC TRANSMISSIONS DDC = 5-Speed HD Manual Transmission DDP = 5-Speed Manual Transmission DDX = 5-Speed HD Manual Transmission DEE = 6-Speed HD Manual Transmission DGT = 4-Spd. Automatic 46RE Transmission

AR = use ase required - = Non illustrated part

1999 BE

**Vacuum Pump
Figure 25-470**

ITEM	PART NUMBER	QTY	LINE	SERIES	BODY	ENGINE	TRANS	TRIM	DESCRIPTION
Note; ETO= All Diesel Engines, ETC= 24 Valve Diesel Engine DBB= Manual Transmissions, DGO= All Automatic Transmissions.									
1	04638531	1				ETO	DBB		GASKET, Hydraulic Pump
2	04429568	1				ETO	DBB		PLUG, Pipe
3	04429369	1				ETO	DBB		PLUG, Pipe
4	05003614AA	2				ETO	DBB		PLUG, Expansion
5	05003604AA	2				ETO	DBB		O RING
6	04429637	1				ETO	DBB		SCREW, Hex Head, M12X1.75X.35
7	04429862	1				ETO	DBB		NUT, Hex Flange, M10x1.5
8	04429862	1							SCREW, Hex Head, M8x1.25x16, (NOT REQUIRED)
-9	05011818AA	1				ETO	DGO		SCREW, Hex Head, M8x1.25x12
10	04429862	1				ETO	DBB		NUT, Hex Flange, M10x1.5
11	04728162	1				ETO	DBB		HUB, Hydraulic Brake Pump
12	04883960AA	1				ETO	DBB		PUMP, Power Steering
13	04761972	4				ETO	DBB		STUD
14	05011797AA	1				ETO	DBB		GEAR, Accessory Drive
15	05011796AA	1				ETO	DBB		PUMP, Vacuum
16	05011617AA	1				ETO	DBB		CHECK VALVE, Vacuum Pump
17	05003637AA	1				ETO	DBB		NIPPLE, Pump
18	05011421AA	1				ETO	DBB		SCREW
19	05011428AA	1				ETO	DBB		HOSE, Vacuum Pump
20	05011799AA	1				ETO	DBB		BRACKET, Vacuum Pump
21	04638529	1				ETO	DBB		CONNECTOR, Vacuum, With Caps

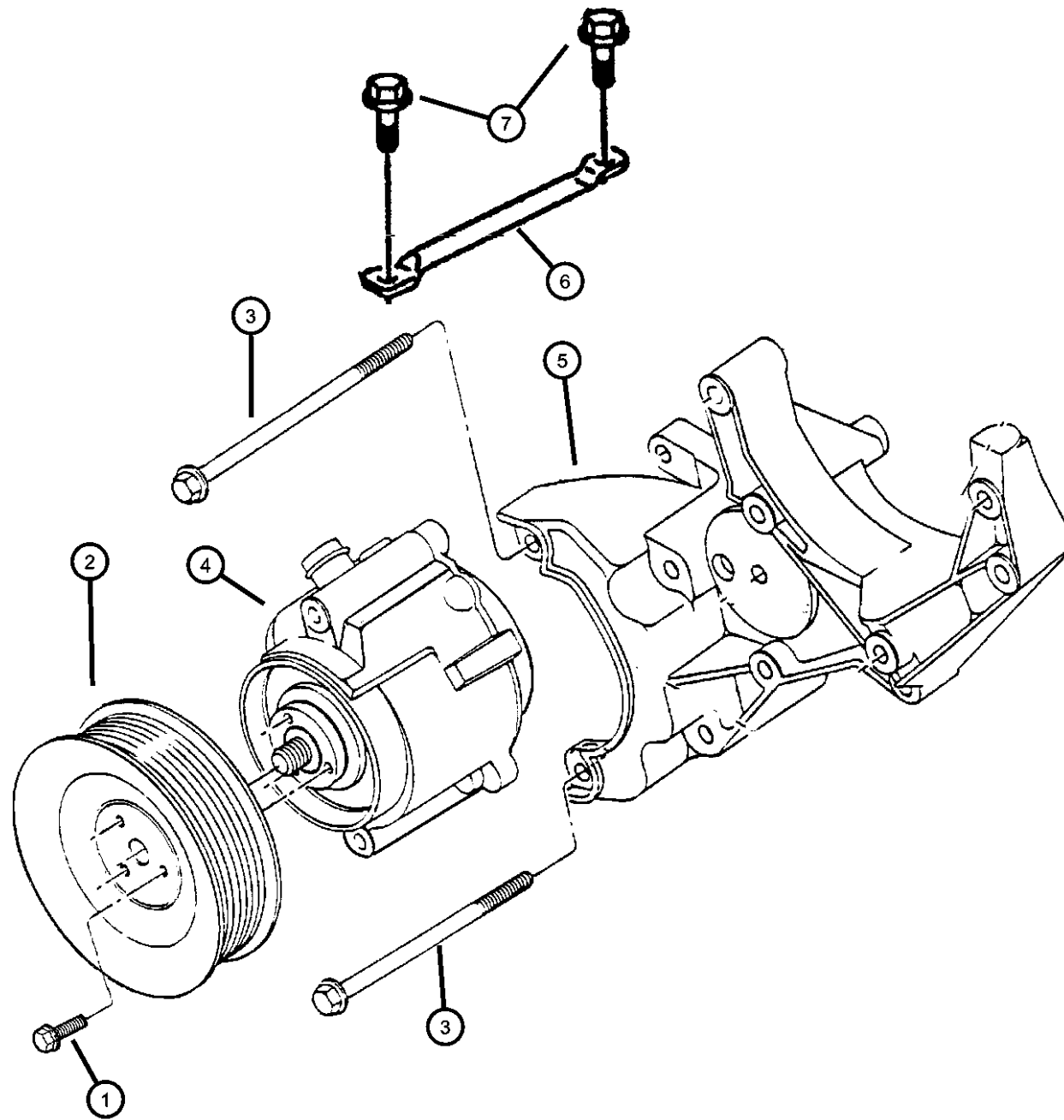


RAM PICKUP/CLUB CAB (BE)

SERIES	LINE	BODY	ENGINE	TRANSMISSION
L = RAM 1500, 2500, 3500	1 = Lt. Duty DODGE 2WD 2 = Med. Duty DODGE 2WD 3 = HD DODGE 2WD 6 = Lt. Duty DODGE 4WD 7 = Med. Duty DODGE 4WD 8 = HD DODGE 4WD	31 = CLUB CAB 2-DR 6.5 FT BOX 32 = CLUB CAB 2-DR 8FT BOX 33 = QUAD CAB 4-DR 6.5 FT BOX 34 = QUAD CAB 4-DR 8FT BOX	ETC = 5.9L Cummins 24V Diesel Engine EWA = 8.0L V10 MPI Engine EM0 = ALL 5.9L 8 CYL ENGINES - GAS EMM = 5.9L SMPI V8 Engine EML = 5.9L V8 MPI Engine ELF = 5.2L V8 MPI Engine	DGP = 4-Spd. Automatic 47RE Transmission DD0 = ALL 5 SPEED MANUAL TRANSMISSIONS DGO = ALL AUTOMATIC TRANSMISSIONS DDC = 5-Speed HD Manual Transmission DDP = 5-Speed Manual Transmission DDX = 5-Speed HD Manual Transmission DEE = 6-Speed HD Manual Transmission DGT = 4-Spd. Automatic 46RE Transmission

AR = use ase required - = Non illustrated part

**Air Pump
Figure 25-510**



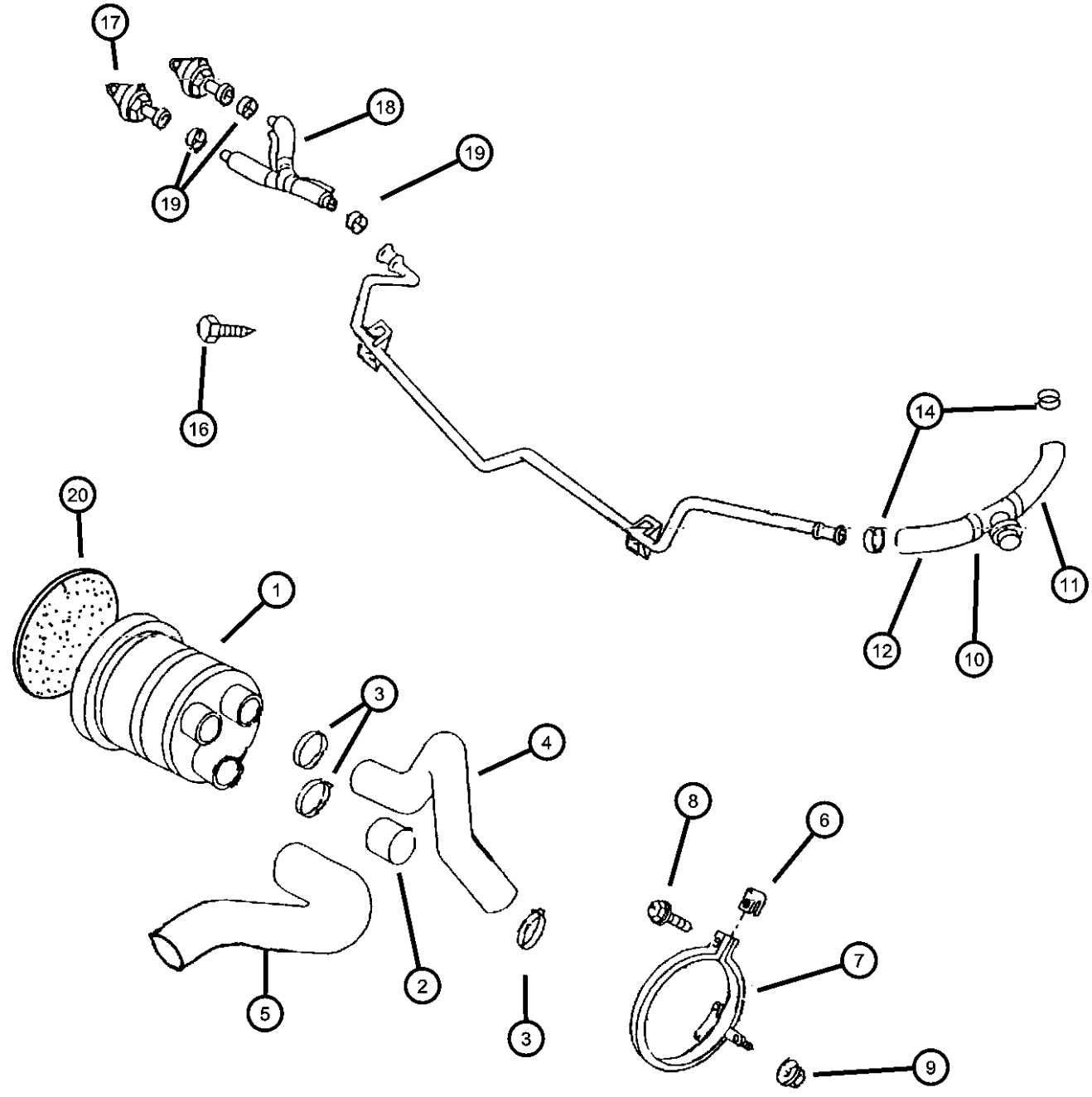
ITEM	PART NUMBER	QTY	LINE	SERIES	BODY	ENGINE	TRANS	TRIM	DESCRIPTION
Note; EMM= 5.9 Heavy Duty Gas Engines, EWO= All 8.0 Gas Engines.									
1									SCREW AND WASHER, Hex Head, M6x1x18
	06501714	3				EMM			
		3				EWO			
2									PULLEY, Air Pump
	53008638	1				EMM			
		1				EWO			
3									BOLT, .375-16x5.0, (NOT SERVICED)
4									PUMP, Fuel Injection
	53030503	1				EMM			
		1				EWO			
5									BRACKET, Air Pump And Tensioner
	53005621	1				EWO			
	53008344	1				EMM			
6	53010013AB	1				EWO			BRACE, Alternator
7	53010013AB	1							BOLT, .312-18x.75, (NOT SERVICED)

RAM PICKUP/CLUB CAB (BE)

SERIES	LINE	BODY	ENGINE	TRANSMISSION
L = RAM 1500, 2500, 3500	1 = Lt. Duty DODGE 2WD 2 = Med. Duty DODGE 2WD 3 = HD DODGE 2WD 6 = Lt. Duty DODGE 4WD 7 = Med. Duty DODGE 4WD 8 = HD DODGE 4WD	31 = CLUB CAB 2-DR 6.5 FT BOX 32 = CLUB CAB 2-DR 8FT BOX 33 = QUAD CAB 4-DR 6.5 FT BOX 34 = QUAD CAB 4-DR 8FT BOX	ETC = 5.9L Cummins 24V Diesel Engine EWA = 8.0L V10 MPI Engine EM0 = ALL 5.9L 8 CYL ENGINES - GAS EMM = 5.9L SMPI V8 Engine EML = 5.9L V8 MPI Engine ELF = 5.2L V8 MPI Engine	DGP = 4-Spd. Automatic 47RE Transmission DD0 = ALL 5 SPEED MANUAL TRANSMISSIONS DG0 = ALL AUTOMATIC TRANSMISSIONS DDC = 5-Speed HD Manual Transmission DDP = 5-Speed Manual Transmission DDX = 5-Speed HD Manual Transmission DEE = 6-Speed HD Manual Transmission DGT = 4-Spd. Automatic 46RE Transmission

AR = use ase required - = Non illustrated part

**Air Injection Plumbing
Figure 25-520**



ITEM	PART NUMBER	QTY	LINE	SERIES	BODY	ENGINE	TRANS	TRIM	DESCRIPTION
Note EWO= All 8.0 Gas Engines.									
1	04324506	1				EWO			FILTER, Air Pump
2	53041014	1				EWO			CAP, Air Pump Filter
3	53041045	1				EWO			CLAMP, Hose
4	53040053	1				EWO			TUBE, Air Pump Inlet
5	53031546	1				EWO			REDUCER, Air Pump Inlet
6	53031546	1				EWO			U-NUT, .25-20, (NOT REQUIRED)
7	53041077	1				EWO			BRACKET, Air Pump Silencer Filter
8	53041077	1				EWO			SCREW AND WASHER, Hex Head, .25-20x1.625, (NOT REQUIRED)
9	06033560	3				EWO			NUT AND WASHER, Hex Nut-Coned Washer, .25-20
10	53030577	1				EWO			VALVE, Air Injection
11	53030217	1				EWO			HOSE, Relief Valve
12	53030535	1				EMM			TUBE, Fuel
-13	53041060	1				EWO			HOSE, Relief Valve
14	02448762	2				EWO			CLAMP, Hose
-15	53030661AB	1			32, 34	EWO			TUBE, Aspirator Downstream
16	06502468	4				EWO			SCREW, Hex Flange Head, M8x1.25x20
17	53030467	2				EWO			VALVE, Air Injection
18	53031224AB	1	2, 7		31, 33	EWO			TUBE, Aspirator Downstream GVW Rating - 8800#
	53031557AB	1	3, 8		34	EMM			
		1	2, 3, 7, 8		32, 34	EWO			
19	02448761	3	2, 3, 7, 8		32, 34	EWO			CLAMP, Hose
		3	2, 7		31, 33	EWO			
20	04324514	1				EWO			FILTER, Air Pump

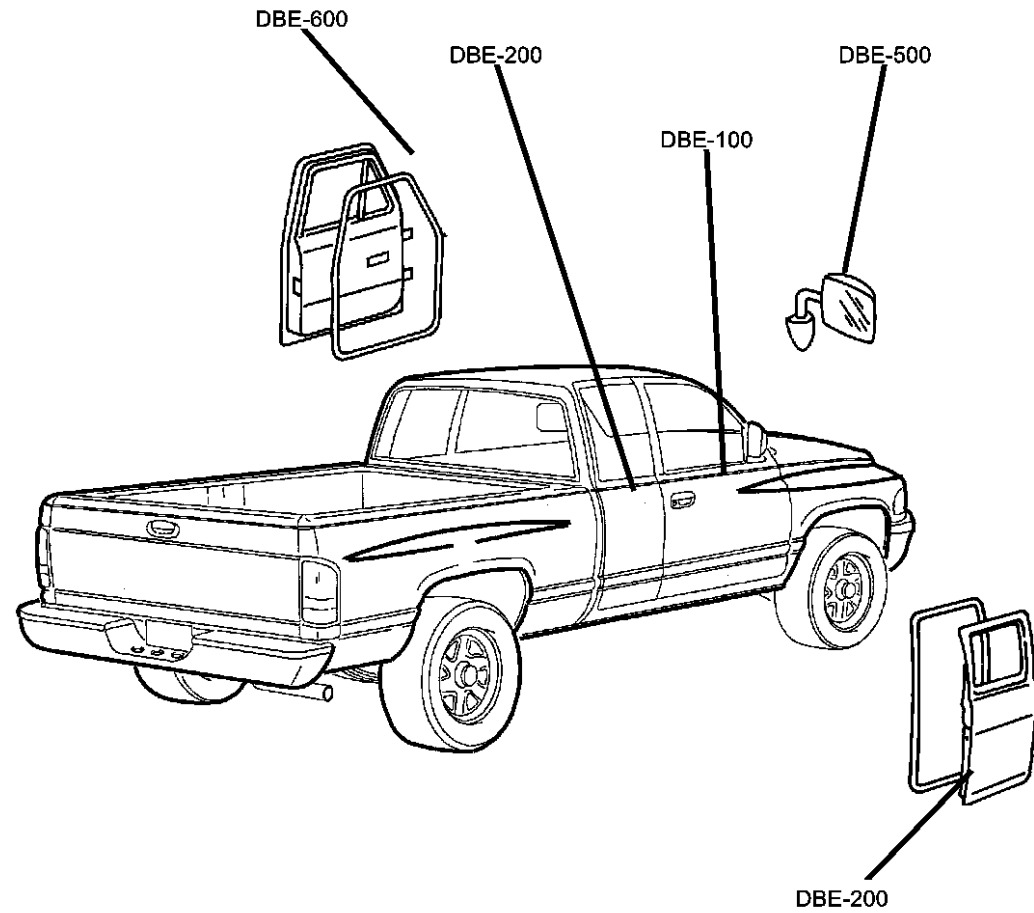
RAM PICKUP/CLUB CAB (BE)

SERIES	LINE	BODY	ENGINE	TRANSMISSION
L = RAM 1500, 2500, 3500	1 = Lt. Duty DODGE 2WD 2 = Med. Duty DODGE 2WD 3 = HD DODGE 2WD 6 = Lt. Duty DODGE 4WD 7 = Med. Duty DODGE 4WD 8 = HD DODGE 4WD	31 = CLUB CAB 2-DR 6.5 FT BOX 32 = CLUB CAB 2-DR 8FT BOX 33 = QUAD CAB 4-DR 6.5 FT BOX 34 = QUAD CAB 4-DR 8FT BOX	ETC = 5.9L Cummins 24V Diesel Engine EWA = 8.0L V10 MPI Engine EM0 = ALL 5.9L 8 CYL ENGINES - GAS EMM = 5.9L SMPI V8 Engine EML = 5.9L V8 MPI Engine ELF = 5.2L V8 MPI Engine	DGP = 4-Spd. Automatic 47RE Transmission DD0 = ALL 5 SPEED MANUAL TRANSMISSIONS DG0 = ALL AUTOMATIC TRANSMISSIONS DDC = 5-Speed HD Manual Transmission DDP = 5-Speed Manual Transmission DDX = 5-Speed HD Manual Transmission DEE = 6-Speed HD Manual Transmission DGT = 4-Spd. Automatic 46RE Transmission

AR = use ase required - = Non illustrated part

Group - DBE

Doors and Related Parts



Group - DBE Doors and Related Parts

Illustration Title

Group-Fig. No.

Front Door

Door, Front Shell and Hinges.....	Fig. DBE - 110
Door, Front Glass And Regulators.....	Fig. DBE - 120
Door, Front Lock And Controls.....	Fig. DBE - 130

Rear Door

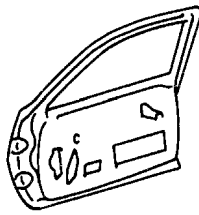

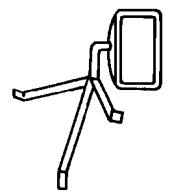
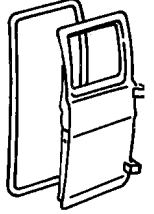
Half Door, And Hinges.....	Fig. DBE - 210
Half Door, Glass and Controls.....	Fig. DBE - 220

Exterior Mirror

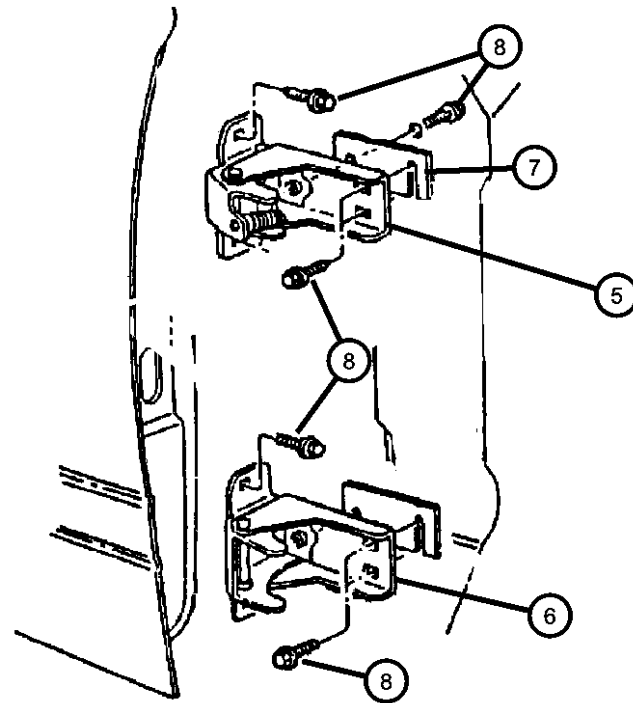
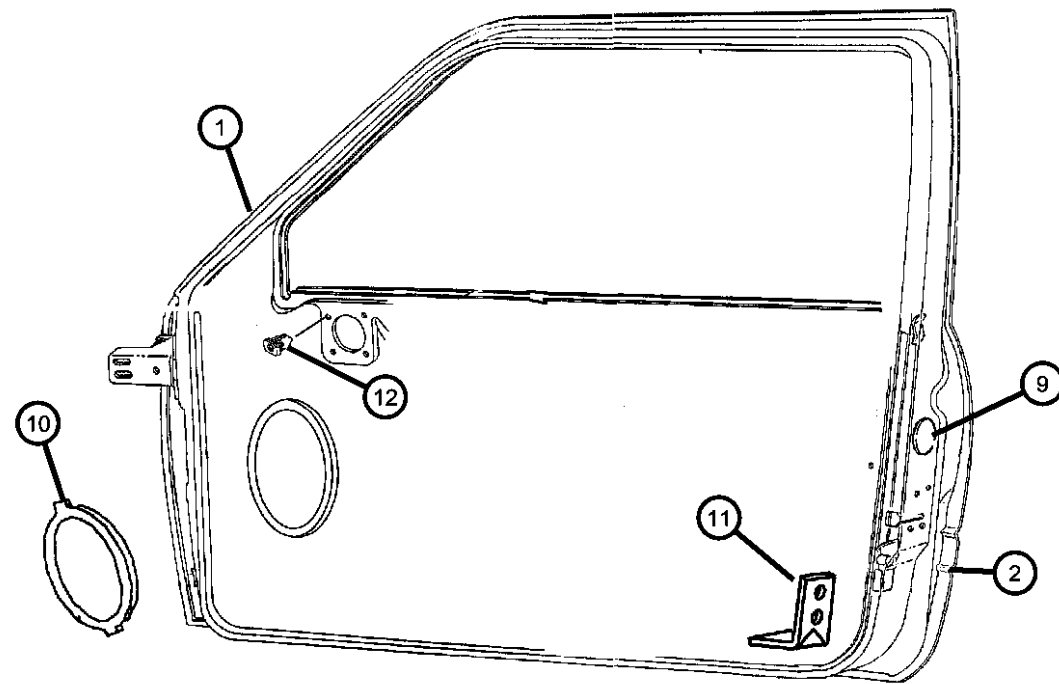
Exterior Mirrors.....	Fig. DBE - 515
-----------------------	----------------

Weatherstrips and Seals

Weatherstrips And Seals.....	Fig. DBE - 610
Half Door.....	Fig. DBE - 620

<p>DBE-100 Front Door</p> 	<p>DBE-200 Rear Door</p> 	<p>DBE-500 Exterior Mirror</p> 	<p>DBE-600 Weatherstrips and Seals</p> 
--	---	--	---

**Door, Front Shell and Hinges
Figure DBE-110**



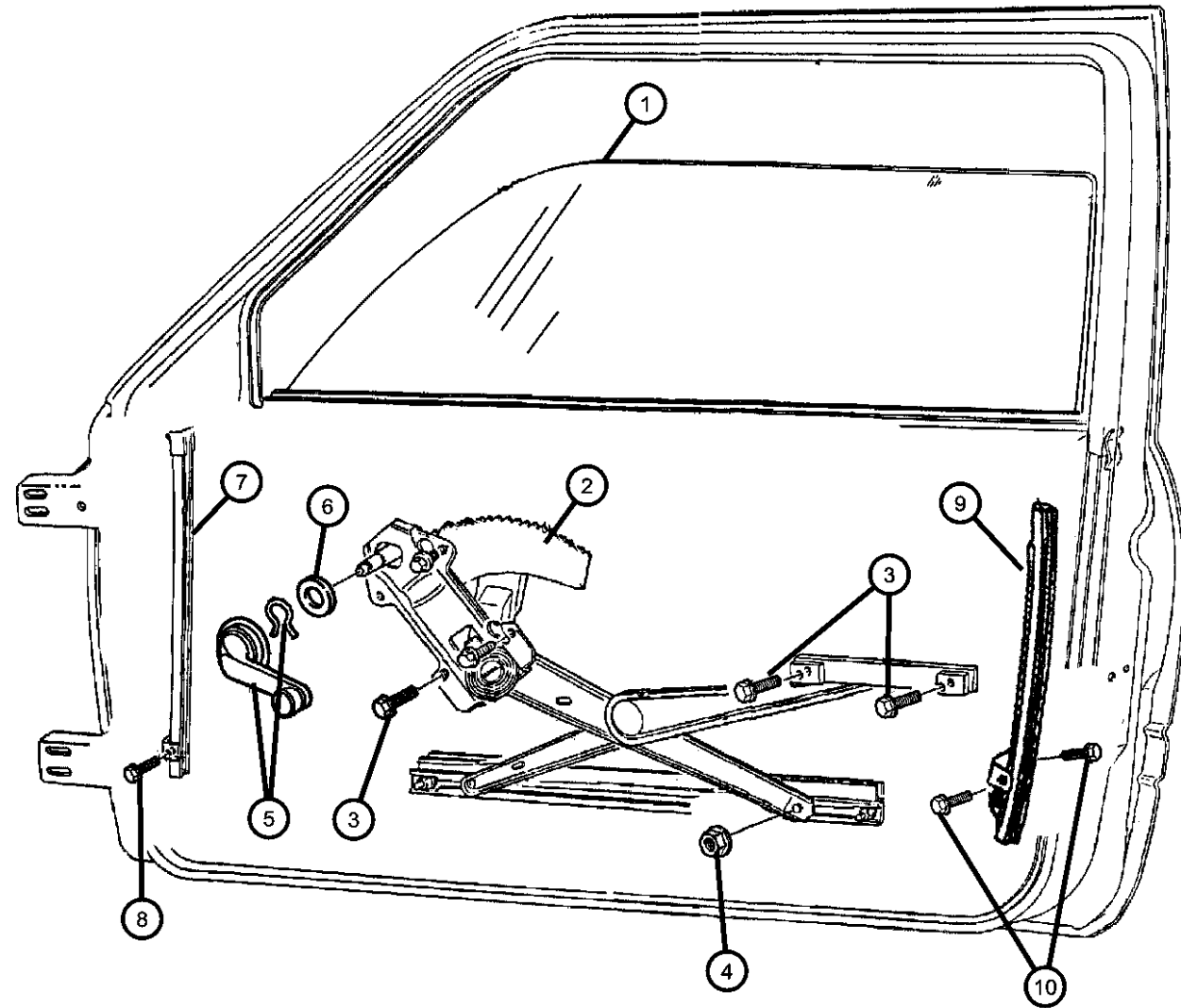
ITEM	PART NUMBER	QTY	LINE	SERIES	BODY	ENGINE	TRANS	TRIM	DESCRIPTION
1									DOOR, Front
	55023572AD	1	1, 2, 6, 7		31, 32				Right
	55023573AD	1	1, 2, 6, 7		31, 32				Left
	55274978AD	1			33, 34				Right
	55274979AD	1			33, 34				Left
2									PANEL, Door Outer
	55023570	1	1, 2, 6, 7		31, 32				Right
	55023571	1	1, 2, 6, 7		31, 32				Left
	55274972	1			33, 34				Right
	55274973	1			33, 34				Left
-3									WATERDAM, Front Door
	55134612	1							Right
	55134613	1							Left
-4	55275459AA	2			33, 34				TAPE, Anti Chip
5									HINGE, Door
	55075956AB	1							Right
	55075957AB	1							Left
6	55275464AA	2							HINGE, DoorLower
7	55074736	AR							SHIM, Door Hinge
8	06503538	8							SCREW AND WASHER, Hex Head, M8x1.25x30
9	04440486	2							PLUG, Body, 19.05mm x 31.75mm
10	55135002	2							PATCH, Waterdam Speaker
11									REINFORCEMENT, Door Inner
	55346416	1	1, 2, 6, 7		31, 32				
		1			33, 34				
12	06034715	8							CLIP, Speaker

RAM PICKUP/CLUB CAB (BE)

SERIES	LINE	BODY	ENGINE	TRANSMISSION
L = RAM 1500, 2500, 3500	1 = Lt. Duty DODGE 2WD 2 = Med. Duty DODGE 2WD 3 = HD DODGE 2WD 6 = Lt. Duty DODGE 4WD 7 = Med. Duty DODGE 4WD 8 = HD DODGE 4WD	31 = CLUB CAB 2-DR 6.5 FT BOX 32 = CLUB CAB 2-DR 8FT BOX 33 = QUAD CAB 4-DR 6.5 FT BOX 34 = QUAD CAB 4-DR 8FT BOX	ETC = 5.9L Cummins 24V Diesel Engine EWA = 8.0L V10 MPI Engine EM0 = ALL 5.9L 8 CYL ENGINES - GAS EMM = 5.9L SMPI V8 Engine EML = 5.9L V8 MPI Engine ELF = 5.2L V8 MPI Engine	DGP = 4-Spd. Automatic 47RE Transmission DD0 = ALL 5 SPEED MANUAL TRANSMISSIONS DG0 = ALL AUTOMATIC TRANSMISSIONS DDC = 5-Speed HD Manual Transmission DDP = 5-Speed Manual Transmission DDX = 5-Speed HD Manual Transmission DEE = 6-Speed HD Manual Transmission DGT = 4-Spd. Automatic 46RE Transmission

AR = use ase required - = Non illustrated part

**Door, Front Glass And Regulators
Figure DBE-120**



ITEM	PART NUMBER	QTY	LINE	SERIES	BODY	ENGINE	TRANS	TRIM	DESCRIPTION
1	55135396AB	1							GLASS, Front Door Right
	55135397AB	1							Left
2	55075812	1							REGULATOR, Front Door Window Manual, Right
	55075813	1							Manual, Left
	55154924	1							Electric w/Motor, Right
	55154925	1							Electric w/Motor, Left
	06504055	AR							SCREW, Hex Head, M6x1x16, Regulator
4	06502691	1							NUT, Hex Flange Lock, M6x1, Glass To Regulator
5	0FW80PX9	2							HANDLE, Window Regulator
6	55076218	2							SPACER, Door Handle
7									CHANNEL, Front Door Glass Lower
	55075774	1							Right
	55075775	1							Left
8	06504055	AR							SCREW, Hex Head, M6x1x16
9									CHANNEL, Rear Door Glass Lower
	55075934	1							Right
	55075935	1							Left
10	55075935	1							SCREW, (NOT SERVICED)

RAM PICKUP/CLUB CAB (BE)

SERIES	LINE	BODY	ENGINE	TRANSMISSION
L = RAM 1500, 2500, 3500	1 = Lt. Duty DODGE 2WD 2 = Med. Duty DODGE 2WD 3 = HD DODGE 2WD 6 = Lt. Duty DODGE 4WD 7 = Med. Duty DODGE 4WD 8 = HD DODGE 4WD	31 = CLUB CAB 2-DR 6.5 FT BOX 32 = CLUB CAB 2-DR 8FT BOX 33 = QUAD CAB 4-DR 6.5 FT BOX 34 = QUAD CAB 4-DR 8FT BOX	ETC = 5.9L Cummins 24V Diesel Engine EWA = 8.0L V10 MPI Engine EM0 = ALL 5.9L 8 CYL ENGINES - GAS EMM = 5.9L SMPI V8 Engine EML = 5.9L V8 MPI Engine ELF = 5.2L V8 MPI Engine	DGP = 4-Spd. Automatic 47RE Transmission DD0 = ALL 5 SPEED MANUAL TRANSMISSIONS DG0 = ALL AUTOMATIC TRANSMISSIONS DDC = 5-Speed HD Manual Transmission DDP = 5-Speed Manual Transmission DDX = 5-Speed HD Manual Transmission DEE = 6-Speed HD Manual Transmission DGT = 4-Spd. Automatic 46RE Transmission

AR = use ase required - = Non illustrated part

**Door, Front Lock And Controls
Figure DBE-130**

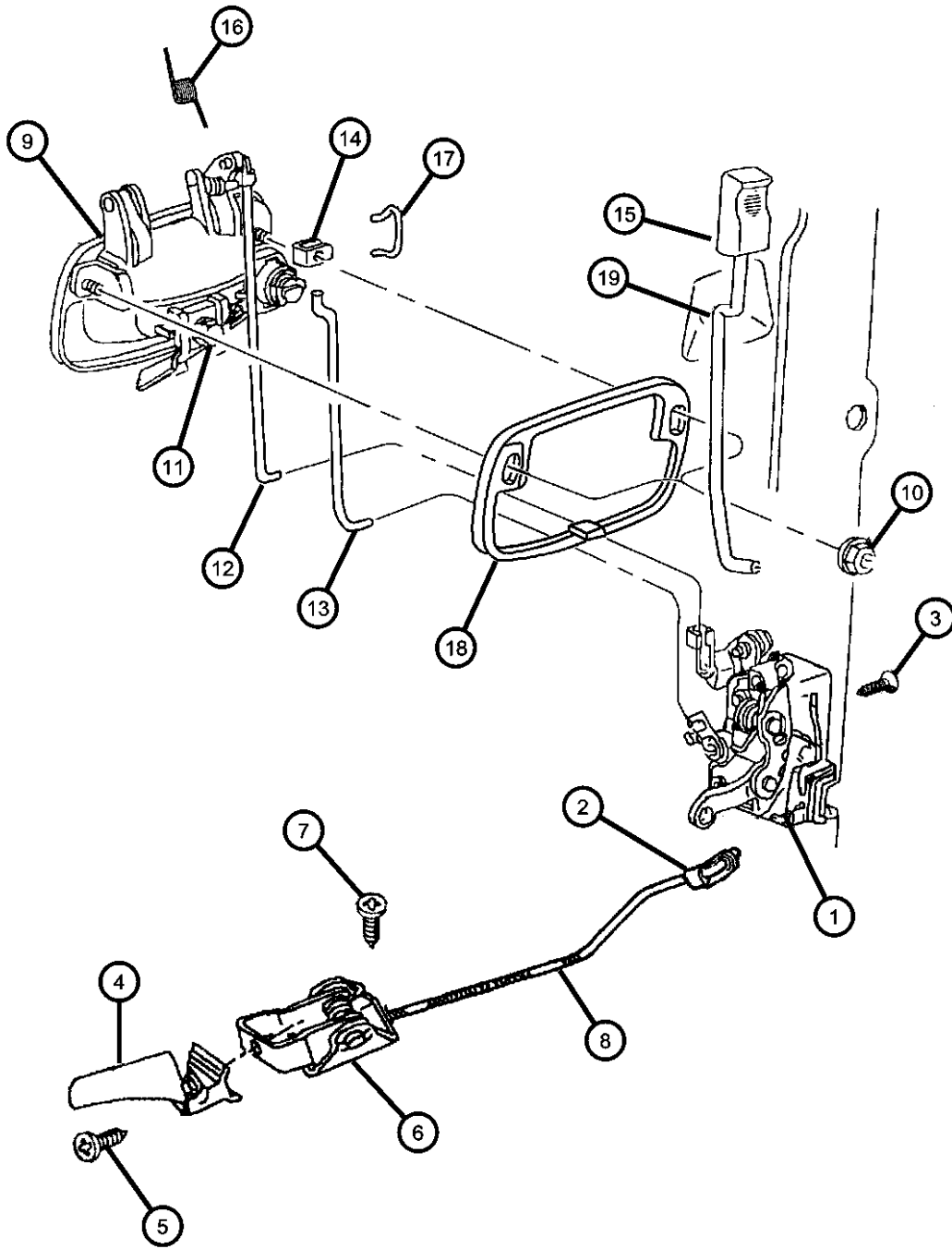
ITEM	PART NUMBER	QTY	LINE	SERIES	BODY	ENGINE	TRANS	TRIM	DESCRIPTION
1									LATCH, Front Door
	55076288	1							Manual, Right
	55076289	1							Manual, Left
	55076290	1							Electric, Right
	55076291	1							Electric, Left
2									CLIP, Latch Link
	04658674	1							Right
	04658675	2							Left
3	06033876	6							SCREW, Tapping, M6.3x1.8x38.1
4									HANDLE, Interior Door
	55075338	1							Right
	55075339	1							Left
5	06503124	4							SCREW, Hex Head Tapping, M6x1x20
6									REMOTE CONTROL, Door
	55076124	1							Right
	55076125	1							Left
7	06503124	4							SCREW, Hex Head Tapping, M6x1x20
8									LINK, Remote Handle to Latch
	55074726	1							Right
	55074727	1							Left
9									HANDLE, Front Door Exterior
	55275022	1							Right
	55275023	1							Left
10	06101443	4							NUT AND WASHER, Hex, M5x.80
11	06101443	4							SCREW, (NOT SERVICED)
12	55074724	2							LINK, Exterior Door Handle
13									LINK, Key Cylinder To Latch
	55076004	1							Right

RAM PICKUP/CLUB CAB (BE)

SERIES	LINE	BODY	ENGINE	TRANSMISSION
L = RAM 1500, 2500, 3500	1 = Lt. Duty DODGE 2WD 2 = Med. Duty DODGE 2WD 3 = HD DODGE 2WD 6 = Lt. Duty DODGE 4WD 7 = Med. Duty DODGE 4WD 8 = HD DODGE 4WD	31 = CLUB CAB 2-DR 6.5 FT BOX 32 = CLUB CAB 2-DR 8FT BOX 33 = QUAD CAB 4-DR 6.5 FT BOX 34 = QUAD CAB 4-DR 8FT BOX	ETC = 5.9L Cummins 24V Diesel Engine EWA = 8.0L V10 MPI Engine EM0 = ALL 5.9L 8 CYL ENGINES - GAS EMM = 5.9L SMPI V8 Engine EML = 5.9L V8 MPI Engine ELF = 5.2L V8 MPI Engine	DGP = 4-Spd. Automatic 47RE Transmission DD0 = ALL 5 SPEED MANUAL TRANSMISSIONS DG0 = ALL AUTOMATIC TRANSMISSIONS DDC = 5-Speed HD Manual Transmission DDP = 5-Speed Manual Transmission DDX = 5-Speed HD Manual Transmission DEE = 6-Speed HD Manual Transmission DGT = 4-Spd. Automatic 46RE Transmission

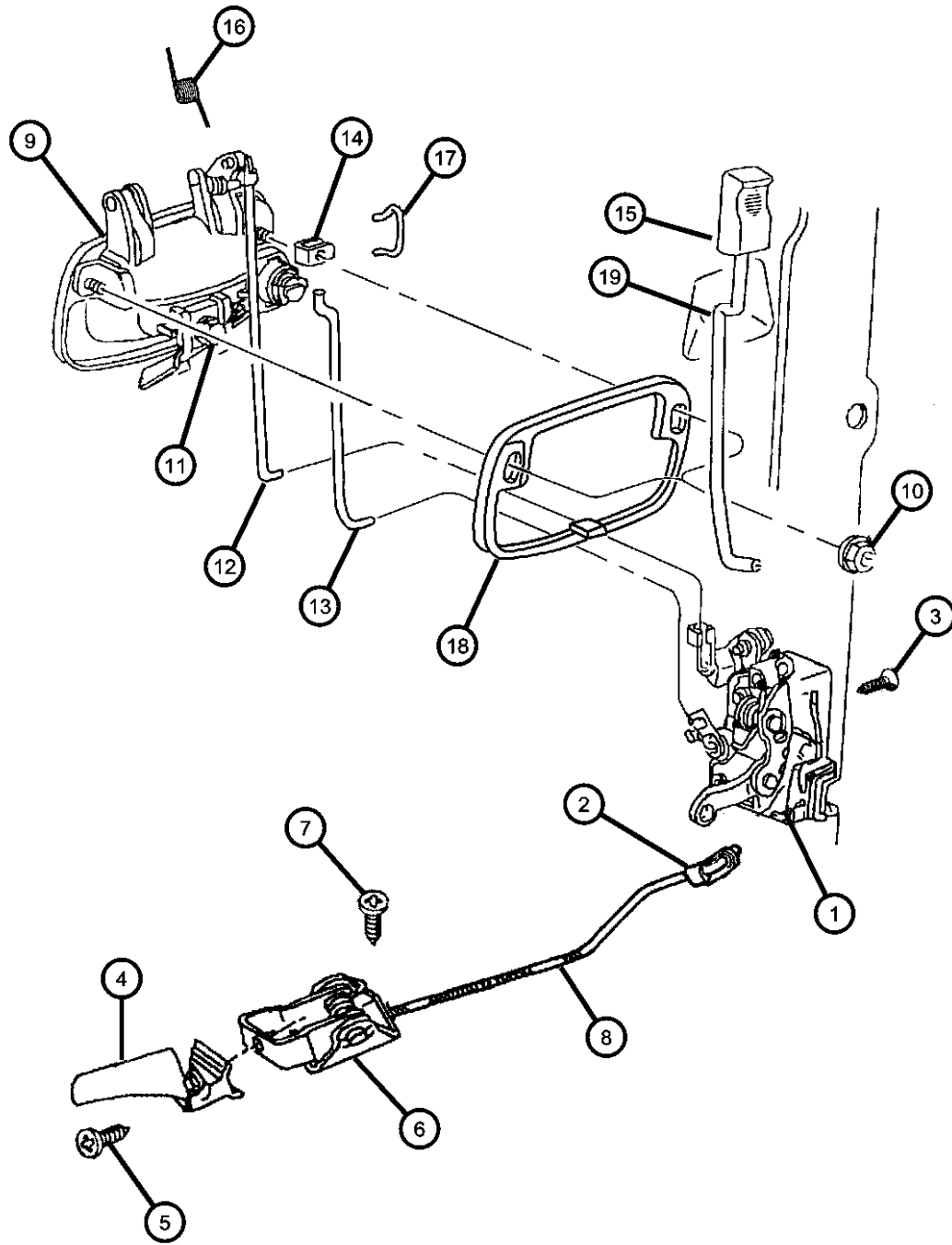
AR = use ase required - = Non illustrated part

1999 BE



Door, Front Lock And Controls
Figure DBE-130

ITEM	PART NUMBER	QTY	LINE	SERIES	BODY	ENGINE	TRANS	TRIM	DESCRIPTION
	55076005	1							Left
14	55076005	1							CLIP, Lever Key Cylinder, (NOT SERVICED)
15									KNOB, Door
	0JS24RC3	1							Gray
	0JS24SK5	1							Tan
16	0JS24SK5	1							SPRING, Outside Door Handle, (NOT SERVICED),
17	0JS24SK5	1							CLIP, (NOT SERVICED)
18	0JS24SK5	1							BRACKET, (NOT SERVICED)
19									ROD, Inside Lock to Latch
	55076354	1							Right
	55076355	1							Left



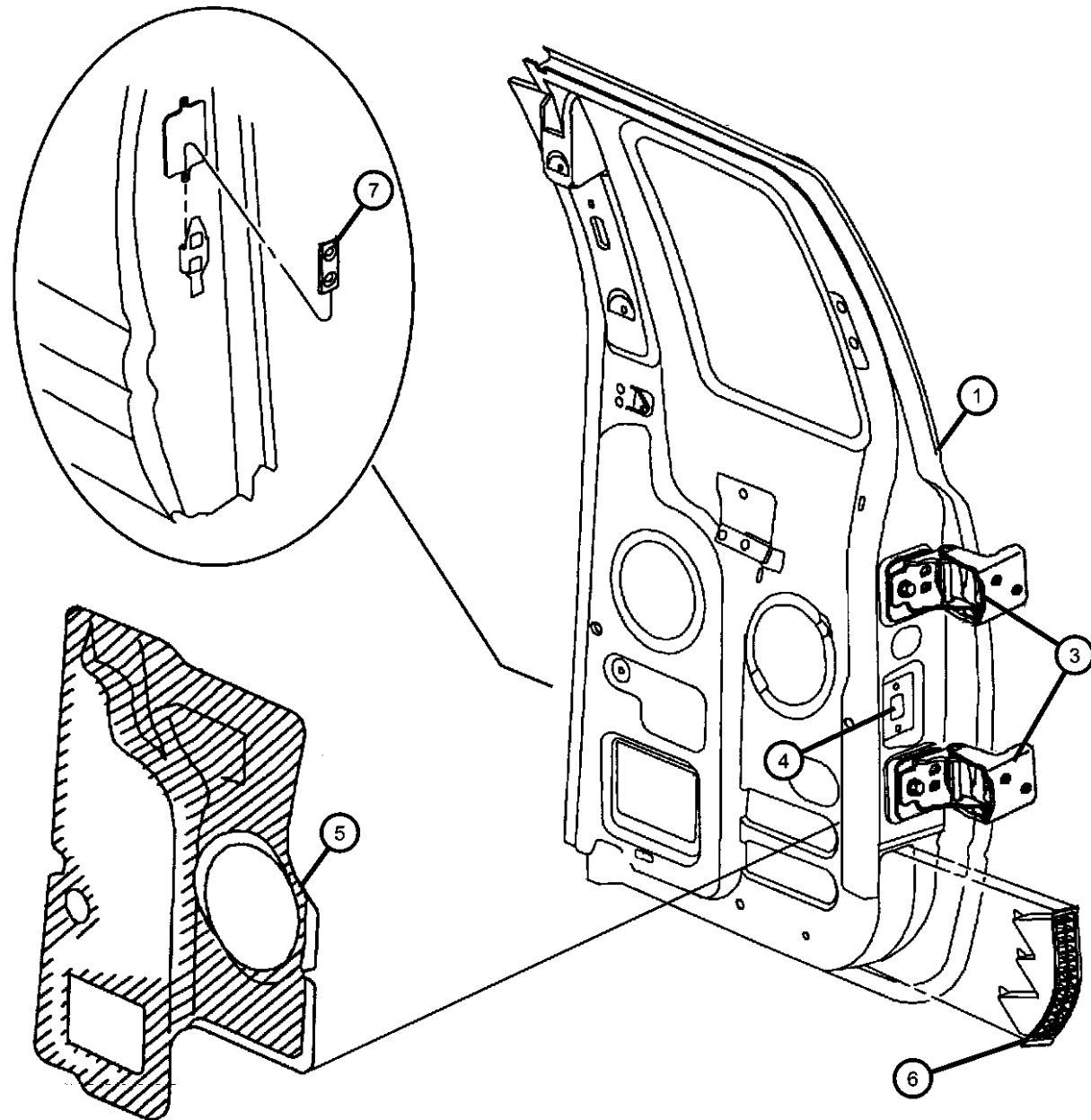
RAM PICKUP/CLUB CAB (BE)

SERIES	LINE	BODY	ENGINE	TRANSMISSION
L = RAM 1500, 2500, 3500	1 = Lt. Duty DODGE 2WD	31 = CLUB CAB 2-DR 6.5 FT BOX	ETC = 5.9L Cummins 24V Diesel Engine	DGP = 4-Spd. Automatic 47RE Transmission
	2 = Med. Duty DODGE 2WD	32 = CLUB CAB 2-DR 8FT BOX	EWA = 8.0L V10 MPI Engine	DD0 = ALL 5 SPEED MANUAL TRANSMISSIONS
	3 = HD DODGE 2WD	33 = QUAD CAB 4-DR 6.5 FT BOX	EM0 = ALL 5.9L 8 CYL ENGINES - GAS	DG0 = ALL AUTOMATIC TRANSMISSIONS
	6 = Lt. Duty DODGE 4WD	34 = QUAD CAB 4-DR 8FT BOX	EMM = 5.9L SMPI V8 Engine	DDC = 5-Speed HD Manual Transmission
	7 = Med. Duty DODGE 4WD		EML = 5.9L V8 MPI Engine	DDP = 5-Speed Manual Transmission
	8 = HD DODGE 4WD		ELF = 5.2L V8 MPI Engine	DDX = 5-Speed HD Manual Transmission
				DEE = 6-Speed HD Manual Transmission
				DGT = 4-Spd. Automatic 46RE Transmission

AR = use ase required - = Non illustrated part

1999 BE

Half Door, And Hinges
Figure DBE-210



ITEM	PART NUMBER	QTY	LINE	SERIES	BODY	ENGINE	TRANS	TRIM	DESCRIPTION
1									DOOR, Side Cargo
	55274970AB	1			33, 34				Right
	55274971AB	1			33, 34				Left
-2									PANEL, Rear Door
	55274962AB	1			33, 34				Right
	55274963AB	1			33, 34				Left
3	55275157	4			33, 34				HINGE, Door
4	55275238	2			33, 34				CHECK, Rear Door
5	55275238	2							WATERDAM, Rear Door, (NOT SERVICED)
6									EXHAUSTER, Quarter Panel
	55055836AB	1			33, 34				Right
	55055837AB	1			33, 34				Left
7	55256000	2			33, 34				PLATE, Front Door Striker
-8	04520288	2							STRIKER, Door Latch

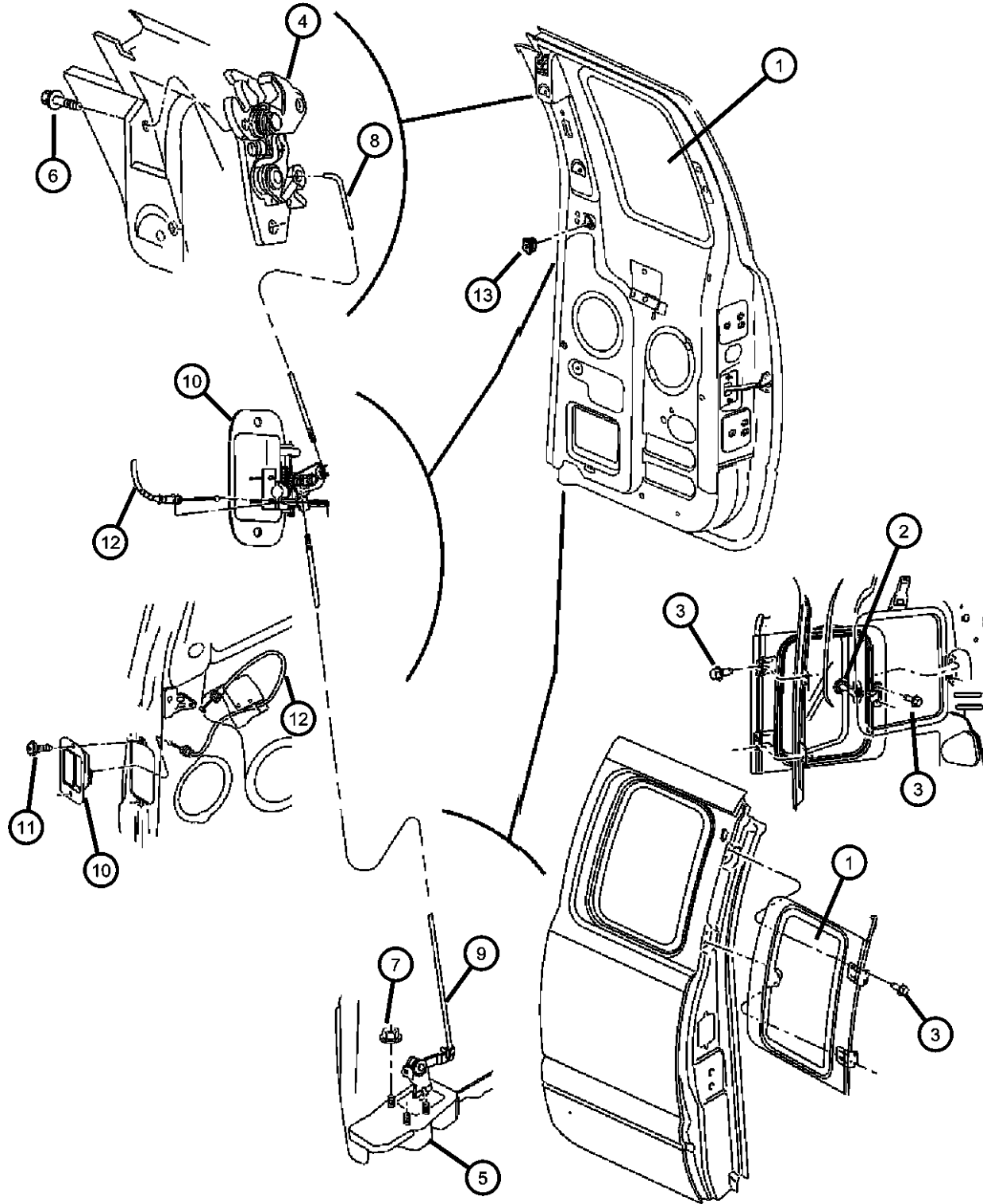
RAM PICKUP/CLUB CAB (BE)

SERIES	LINE	BODY	ENGINE	TRANSMISSION
L = RAM 1500, 2500, 3500	1 = Lt. Duty DODGE 2WD 2 = Med. Duty DODGE 2WD 3 = HD DODGE 2WD 6 = Lt. Duty DODGE 4WD 7 = Med. Duty DODGE 4WD 8 = HD DODGE 4WD	31 = CLUB CAB 2-DR 6.5 FT BOX 32 = CLUB CAB 2-DR 8FT BOX 33 = QUAD CAB 4-DR 6.5 FT BOX 34 = QUAD CAB 4-DR 8FT BOX	ETC = 5.9L Cummins 24V Diesel Engine EWA = 8.0L V10 MPI Engine EM0 = ALL 5.9L 8 CYL ENGINES - GAS EMM = 5.9L SMPI V8 Engine EML = 5.9L V8 MPI Engine ELF = 5.2L V8 MPI Engine	DGP = 4-Spd. Automatic 47RE Transmission DD0 = ALL 5 SPEED MANUAL TRANSMISSIONS DG0 = ALL AUTOMATIC TRANSMISSIONS DDC = 5-Speed HD Manual Transmission DDP = 5-Speed Manual Transmission DDX = 5-Speed HD Manual Transmission DEE = 6-Speed HD Manual Transmission DGT = 4-Spd. Automatic 46RE Transmission

AR = use ase required - = Non illustrated part

1999 BE

Half Door, Glass and Controls
Figure DBE-220



ITEM	PART NUMBER	QTY	LINE	SERIES	BODY	ENGINE	TRANS	TRIM	DESCRIPTION
1	55275054AC	1			33, 34				GLASS, Quarter Right
	DD09566YPY								Collision Replacement Glass
	55275055AC	1			33, 34				Left
	DD09567YPY								Collision Replacement Glass
2									LATCH, Body Side Glass
	04897392AB	1	8		33, 34				
		1	1, 2, 3, 6, 7		33, 34				
3	06502640	8			33, 34				BOLT, Hex Flange Head, M6x1.0x17
4									LATCH, Cargo Door Upper, Right
	55275098AD	1			33, 34				Upper, Left
	55275099AD	1			33, 34				LATCH, Cargo Door
5									Lower, Right
	55275100	1			33, 34				Lower, Left
	55275101	1			33, 34				
6	06100302	4			33, 34				SCREW AND WASHER, Hex Head, M8x1.25x16.00
7	06100048	6			33, 34				NUT, Hex, M6x1.00
8									ROD, Cargo Door Latch to Lock, Upper
	55275456AA	1			33, 34				Right
	55275457AA	1			33, 34				Left
9									ROD, Cargo Door Latch to Lock, Lower
	55275114AB	1			33, 34				Right
	55275115AB	1			33, 34				Left
10	55275108	1			33, 34				HANDLE, Cargo Door ShutfaceRight
11	06505407AA	4			33, 34				SCREW

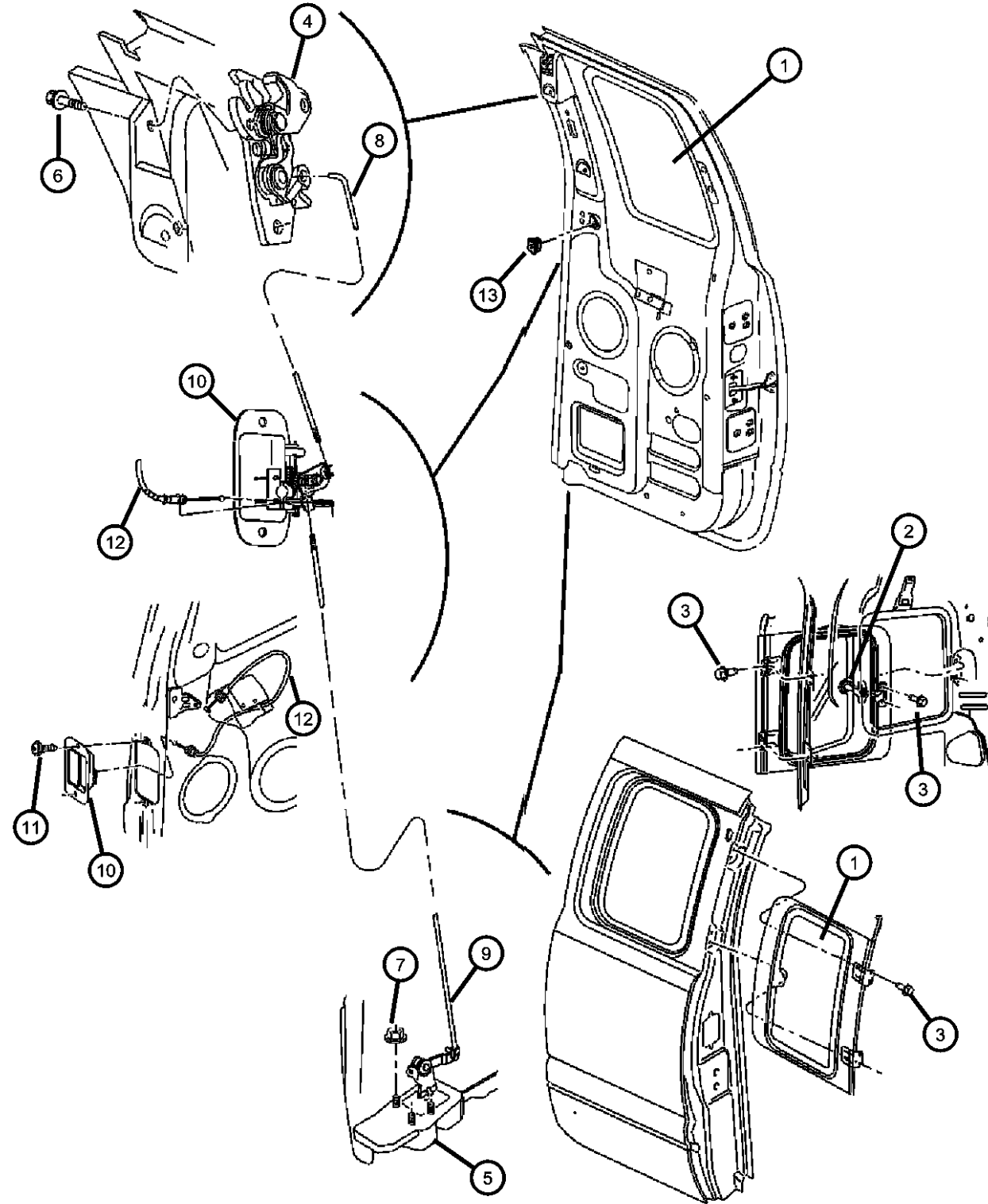
RAM PICKUP/CLUB CAB (BE)

SERIES	LINE	BODY	ENGINE	TRANSMISSION
L = RAM 1500, 2500, 3500	1 = Lt. Duty DODGE 2WD 2 = Med. Duty DODGE 2WD 3 = HD DODGE 2WD 6 = Lt. Duty DODGE 4WD 7 = Med. Duty DODGE 4WD 8 = HD DODGE 4WD	31 = CLUB CAB 2-DR 6.5 FT BOX 32 = CLUB CAB 2-DR 8FT BOX 33 = QUAD CAB 4-DR 6.5 FT BOX 34 = QUAD CAB 4-DR 8FT BOX	ETC = 5.9L Cummins 24V Diesel Engine EWA = 8.0L V10 MPI Engine EM0 = ALL 5.9L 8 CYL ENGINES - GAS EMM = 5.9L SMPI V8 Engine EML = 5.9L V8 MPI Engine ELF = 5.2L V8 MPI Engine	DGP = 4-Spd. Automatic 47RE Transmission DD0 = ALL 5 SPEED MANUAL TRANSMISSIONS DG0 = ALL AUTOMATIC TRANSMISSIONS DDC = 5-Speed HD Manual Transmission DDP = 5-Speed Manual Transmission DDX = 5-Speed HD Manual Transmission DEE = 6-Speed HD Manual Transmission DGT = 4-Spd. Automatic 46RE Transmission

AR = use ase required - = Non illustrated part

1999 BE

Half Door, Glass and Controls
Figure DBE-220



ITEM	PART NUMBER	QTY	LINE	SERIES	BODY	ENGINE	TRANS	TRIM	DESCRIPTION
------	-------------	-----	------	--------	------	--------	-------	------	-------------

12	55275106	2			33, 34				CABLE, DOOR, CARGO
13	06501773	2			33, 34				NUT, Plastic Snap-in

RAM PICKUP/CLUB CAB (BE)

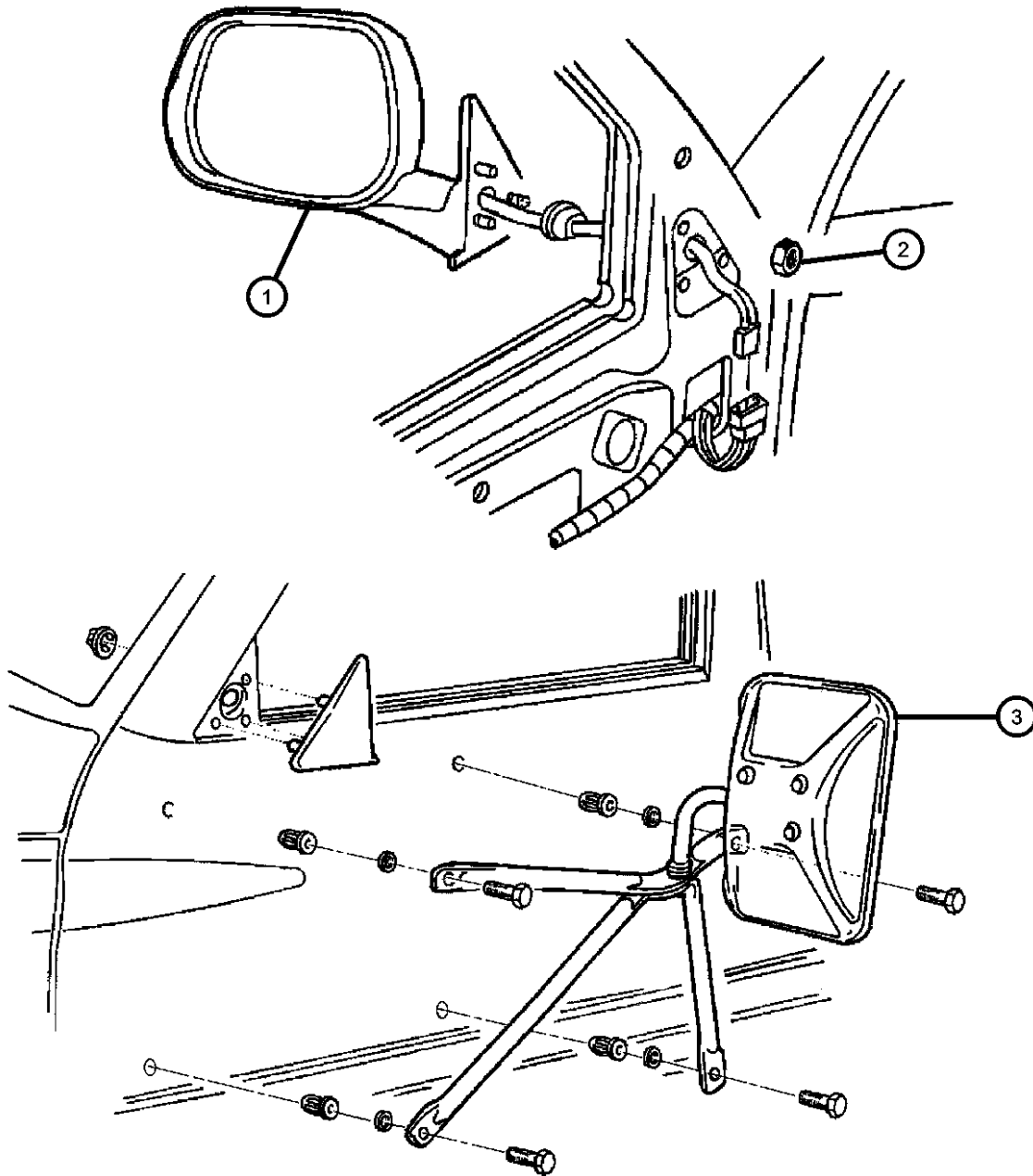
SERIES	LINE	BODY	ENGINE	TRANSMISSION
L = RAM 1500, 2500, 3500	1 = Lt. Duty DODGE 2WD 2 = Med. Duty DODGE 2WD 3 = HD DODGE 2WD 6 = Lt. Duty DODGE 4WD 7 = Med. Duty DODGE 4WD 8 = HD DODGE 4WD	31 = CLUB CAB 2-DR 6.5 FT BOX 32 = CLUB CAB 2-DR 8FT BOX 33 = QUAD CAB 4-DR 6.5 FT BOX 34 = QUAD CAB 4-DR 8FT BOX	ETC = 5.9L Cummins 24V Diesel Engine EWA = 8.0L V10 MPI Engine EM0 = ALL 5.9L 8 CYL ENGINES - GAS EMM = 5.9L SMPI V8 Engine EML = 5.9L V8 MPI Engine ELF = 5.2L V8 MPI Engine	DGP = 4-Spd. Automatic 47RE Transmission DD0 = ALL 5 SPEED MANUAL TRANSMISSIONS DG0 = ALL AUTOMATIC TRANSMISSIONS DDC = 5-Speed HD Manual Transmission DDP = 5-Speed Manual Transmission DDX = 5-Speed HD Manual Transmission DEE = 6-Speed HD Manual Transmission DGT = 4-Spd. Automatic 46RE Transmission

AR = use ase required - = Non illustrated part

1999 BE

Exterior Mirrors
Figure DBE-515

ITEM	PART NUMBER	QTY	LINE	SERIES	BODY	ENGINE	TRANS	TRIM	DESCRIPTION
1									MIRROR, Outside Rearview
	04746372	1							Manual (GPC), Right, Left
	55076478AB	1							Manual - Foldaway (GPU), Right, Left
	55076479AB	1							Manual - Foldaway (GPU), Left
	55076488AB	1							Elect - Heated Foldaway (GTS), Right
	55076489AB	1							Elect - Heated Foldaway (GPV), Left
		1							Elect - Heated Foldaway (GTS), Left
	55076744AC	1							Elect - Heated (GPV), Right
	55077122AB	1							Elect Heated Foldaway (Europe) (GTS), Right
2	J4200408	6							NUT AND WASHER, Hex Nut-Coned Washer, M5 x 0.80
3	55074917	1							MIRROR KIT, Trailer Tow
-4									GLASS, Mirror Replacement
	05019890AA	1							Foldaway (GPU), Right
	05019891AA	1							Foldaway (GPU), Left
	05019892AA	1							Elect - Heated Foldaway (GTS), Right
	05019893AA	1							Elect - Heated Foldaway (GPV), Left
		1							Elect - Heated Foldaway (GTS), Left



RAM PICKUP/CLUB CAB (BE)

SERIES	LINE	BODY	ENGINE	TRANSMISSION
L = RAM 1500, 2500, 3500	1 = Lt. Duty DODGE 2WD 2 = Med. Duty DODGE 2WD 3 = HD DODGE 2WD 6 = Lt. Duty DODGE 4WD 7 = Med. Duty DODGE 4WD 8 = HD DODGE 4WD	31 = CLUB CAB 2-DR 6.5 FT BOX 32 = CLUB CAB 2-DR 8FT BOX 33 = QUAD CAB 4-DR 6.5 FT BOX 34 = QUAD CAB 4-DR 8FT BOX	ETC = 5.9L Cummins 24V Diesel Engine EWA = 8.0L V10 MPI Engine EM0 = ALL 5.9L 8 CYL ENGINES - GAS EMM = 5.9L SMPI V8 Engine EML = 5.9L V8 MPI Engine ELF = 5.2L V8 MPI Engine	DGP = 4-Spd. Automatic 47RE Transmission DD0 = ALL 5 SPEED MANUAL TRANSMISSIONS DG0 = ALL AUTOMATIC TRANSMISSIONS DDC = 5-Speed HD Manual Transmission DDP = 5-Speed Manual Transmission DDX = 5-Speed HD Manual Transmission DEE = 6-Speed HD Manual Transmission DGT = 4-Spd. Automatic 46RE Transmission

AR = use ase required - = Non illustrated part

1999 BE

**Weatherstrips And Seals
Figure DBE-610**

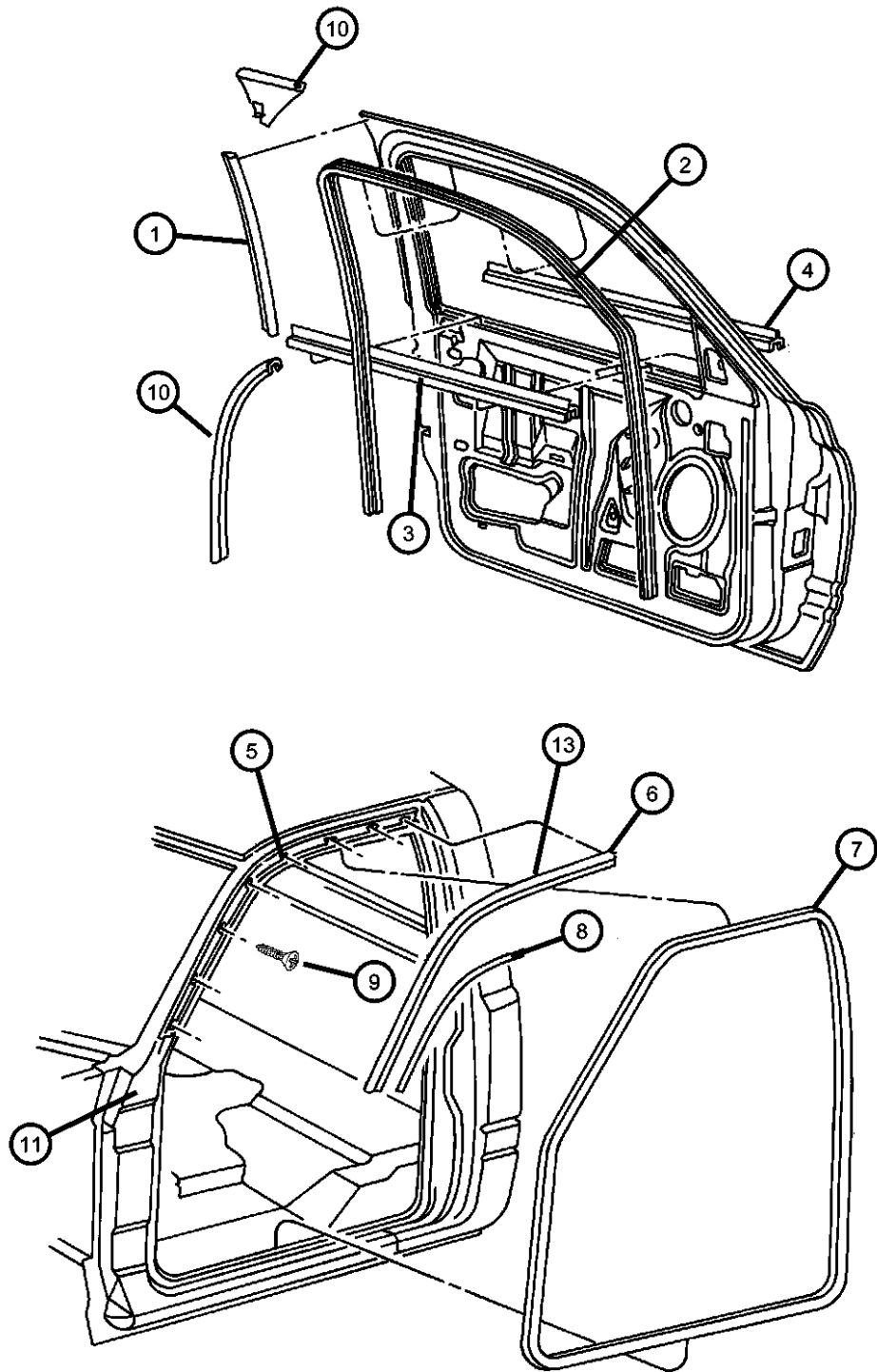
ITEM	PART NUMBER	QTY	LINE	SERIES	BODY	ENGINE	TRANS	TRIM	DESCRIPTION
1		1							SEAL, B-Pillar, 55135304, (NOT SERVICED),
2									SEAL, Glass Run, Front
	55135252	1							Right
	55135253	1							Left
3	55134598	2							WEATHERSTRIP, Front Door Belt
4									WEATHERSTRIP, Door Belt
	55275504AA	1							Right
	55275505AA	1							Left
5									RETAINER, Bodyside Seal
	55135004	1	1, 2, 6, 7		31, 32				Right
	55135005	1	1, 2, 6, 7		31, 32				Left
	55275056AC	1			33, 34				Right
	55275057AC	1			33, 34				Left
6									WEATHERSTRIP, Body Side
	55275436AB	1	1, 2, 6, 7		31, 32				Right
	55275437AB	1	1, 2, 6, 7		31, 32				Left
7									WEATHERSTRIP, Front Door
	55276282AA	2			33, 34				
	55276286AA	2	1, 2, 6, 7		31, 32				
8	55275394AB	2							MOLDING, Door
9	00153341	20							SCREW, Pan Head, .64-18x.50
10	00153341	20							SEAL, (NOT SERVICED)
11									SEAL, Body Side
	55275508AA	1							Right
	55275509AA	1							Left
-12									SEAL, Front Door, Sill
	55275424AA	1			33, 34				Right

RAM PICKUP/CLUB CAB (BE)

SERIES	LINE	BODY	ENGINE	TRANSMISSION
L = RAM 1500, 2500, 3500	1 = Lt. Duty DODGE 2WD 2 = Med. Duty DODGE 2WD 3 = HD DODGE 2WD 6 = Lt. Duty DODGE 4WD 7 = Med. Duty DODGE 4WD 8 = HD DODGE 4WD	31 = CLUB CAB 2-DR 6.5 FT BOX 32 = CLUB CAB 2-DR 8FT BOX 33 = QUAD CAB 4-DR 6.5 FT BOX 34 = QUAD CAB 4-DR 8FT BOX	ETC = 5.9L Cummins 24V Diesel Engine EWA = 8.0L V10 MPI Engine EM0 = ALL 5.9L 8 CYL ENGINES - GAS EMM = 5.9L SMPI V8 Engine EML = 5.9L V8 MPI Engine ELF = 5.2L V8 MPI Engine	DGP = 4-Spd. Automatic 47RE Transmission DD0 = ALL 5 SPEED MANUAL TRANSMISSIONS DG0 = ALL AUTOMATIC TRANSMISSIONS DDC = 5-Speed HD Manual Transmission DDP = 5-Speed Manual Transmission DDX = 5-Speed HD Manual Transmission DEE = 6-Speed HD Manual Transmission DGT = 4-Spd. Automatic 46RE Transmission

AR = use ase required - = Non illustrated part

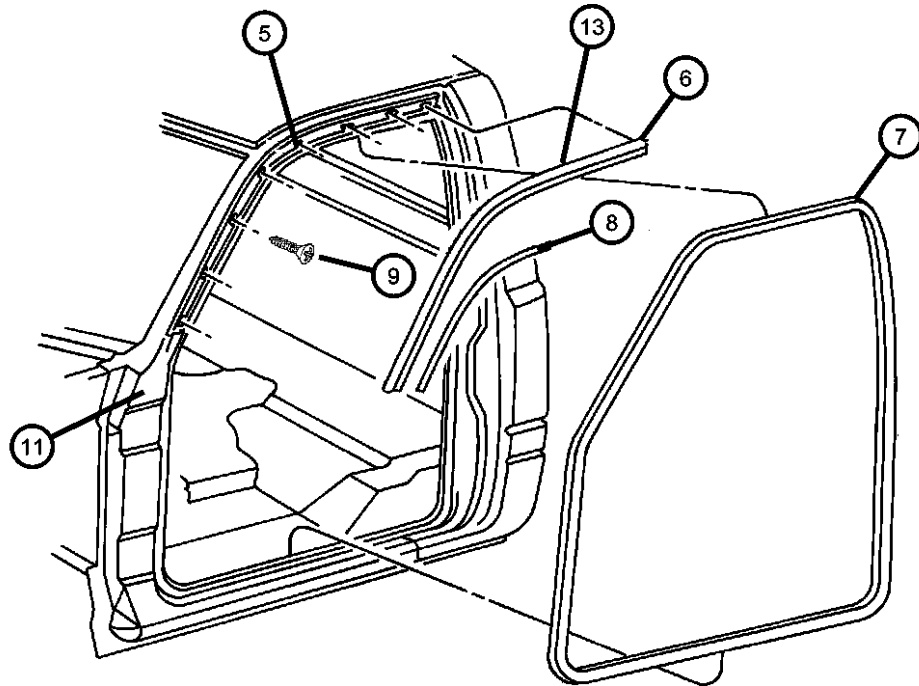
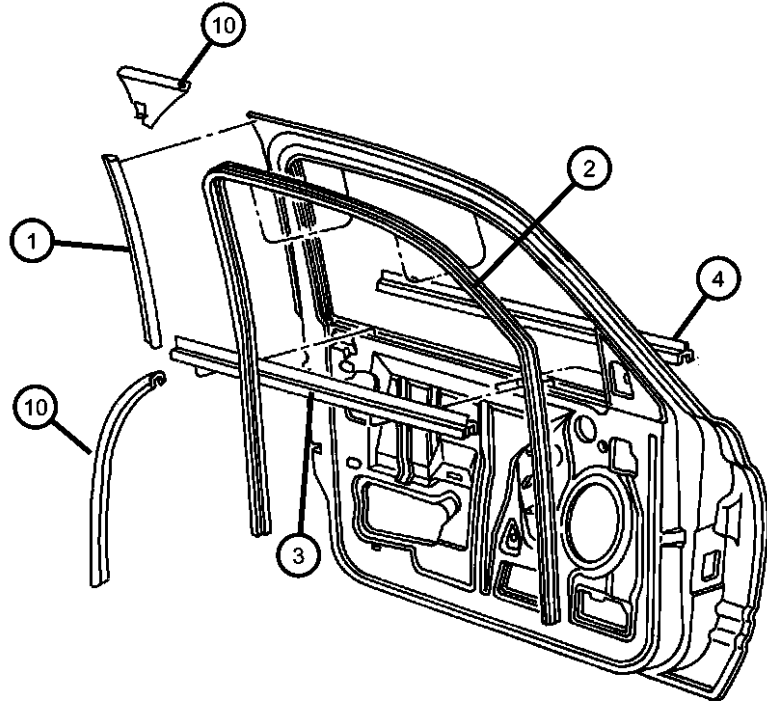
1999 BE



**Weatherstrips And Seals
Figure DBE-610**

ITEM	PART NUMBER	QTY	LINE	SERIES	BODY	ENGINE	TRANS	TRIM	DESCRIPTION
------	-------------	-----	------	--------	------	--------	-------	------	-------------

	55275425AA	1			33, 34				Left
13	55275460AC	2			33, 34				SEAL, Body Side



RAM PICKUP/CLUB CAB (BE)

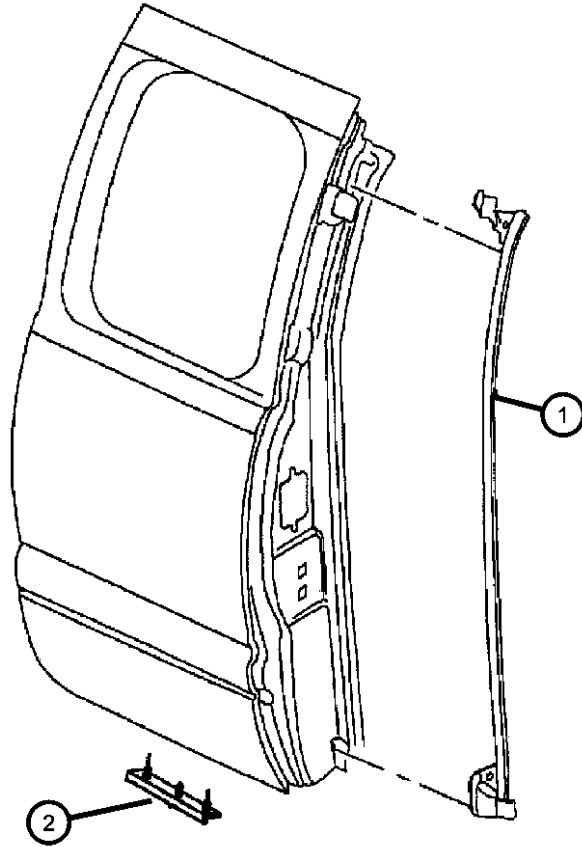
SERIES	LINE	BODY	ENGINE	TRANSMISSION
L = RAM 1500, 2500, 3500	1 = Lt. Duty DODGE 2WD	31 = CLUB CAB 2-DR 6.5 FT BOX	ETC = 5.9L Cummins 24V Diesel Engine	DGP = 4-Spd. Automatic 47RE Transmission
	2 = Med. Duty DODGE 2WD	32 = CLUB CAB 2-DR 8FT BOX	EWA = 8.0L V10 MPI Engine	DD0 = ALL 5 SPEED MANUAL TRANSMISSIONS
	3 = HD DODGE 2WD	33 = QUAD CAB 4-DR 6.5 FT BOX	EM0 = ALL 5.9L 8 CYL ENGINES - GAS	DG0 = ALL AUTOMATIC TRANSMISSIONS
	6 = Lt. Duty DODGE 4WD	34 = QUAD CAB 4-DR 8FT BOX	EMM = 5.9L SMPI V8 Engine	DDC = 5-Speed HD Manual Transmission
	7 = Med. Duty DODGE 4WD		EML = 5.9L V8 MPI Engine	DDP = 5-Speed Manual Transmission
	8 = HD DODGE 4WD		ELF = 5.2L V8 MPI Engine	DDX = 5-Speed HD Manual Transmission
				DEE = 6-Speed HD Manual Transmission
				DGT = 4-Spd. Automatic 46RE Transmission

AR = use ase required - = Non illustrated part

1999 BE

**Half Door
Figure DBE-620**

ITEM	PART NUMBER	QTY	LINE	SERIES	BODY	ENGINE	TRANS	TRIM	DESCRIPTION
1									WEATHERSTRIP, Cargo Door
	55275040AE	1			33, 34				Right
	55275041AE	1			33, 34				Left
2	55275426AA	2			33, 34				WEATHERSTRIP, Cargo Door



RAM PICKUP/CLUB CAB (BE)

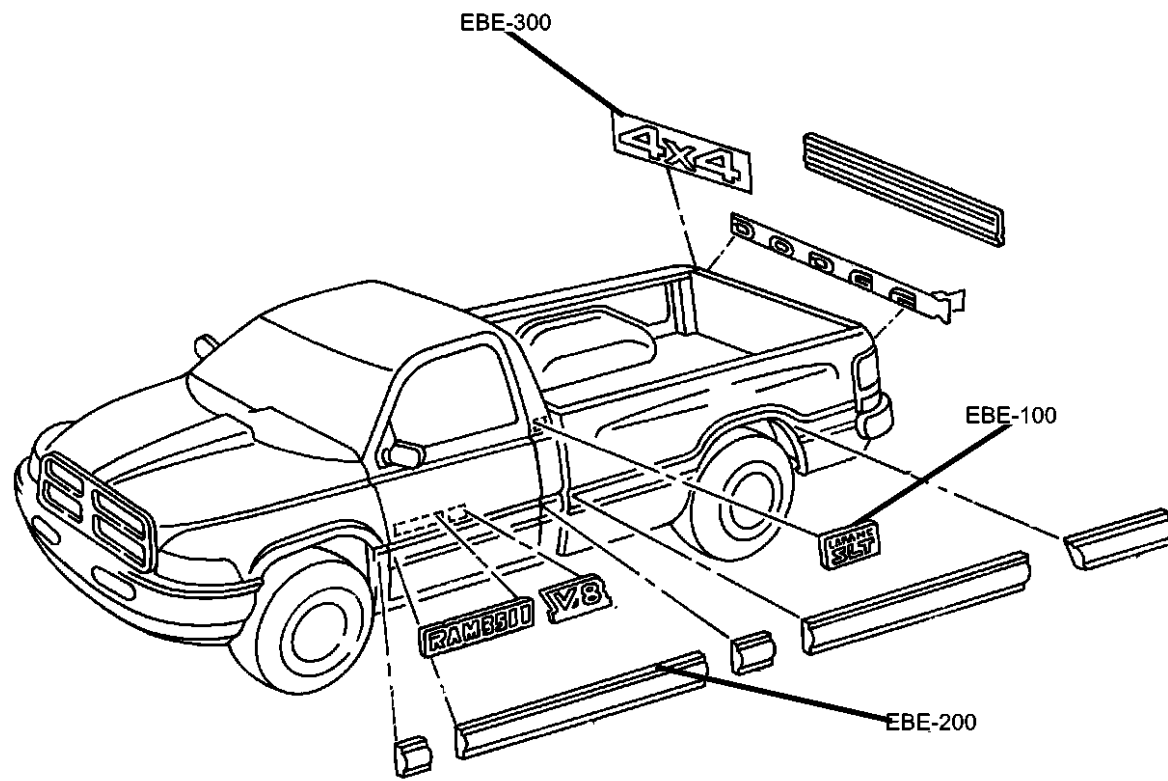
SERIES	LINE	BODY	ENGINE	TRANSMISSION
L = RAM 1500, 2500, 3500	1 = Lt. Duty DODGE 2WD 2 = Med. Duty DODGE 2WD 3 = HD DODGE 2WD 6 = Lt. Duty DODGE 4WD 7 = Med. Duty DODGE 4WD 8 = HD DODGE 4WD	31 = CLUB CAB 2-DR 6.5 FT BOX 32 = CLUB CAB 2-DR 8FT BOX 33 = QUAD CAB 4-DR 6.5 FT BOX 34 = QUAD CAB 4-DR 8FT BOX	ETC = 5.9L Cummins 24V Diesel Engine EWA = 8.0L V10 MPI Engine EM0 = ALL 5.9L 8 CYL ENGINES - GAS EMM = 5.9L SMPI V8 Engine EML = 5.9L V8 MPI Engine ELF = 5.2L V8 MPI Engine	DGP = 4-Spd. Automatic 47RE Transmission DD0 = ALL 5 SPEED MANUAL TRANSMISSIONS DG0 = ALL AUTOMATIC TRANSMISSIONS DDC = 5-Speed HD Manual Transmission DDP = 5-Speed Manual Transmission DDX = 5-Speed HD Manual Transmission DEE = 6-Speed HD Manual Transmission DGT = 4-Spd. Automatic 46RE Transmission

AR = use ase required - = Non illustrated part

1999 BE

Group - EBE

Exterior Ornamentation



Group - EBE Exterior Ornamentation

Illustration Title

Group-Fig. No.

Nameplates


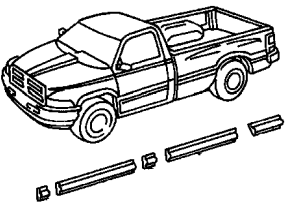
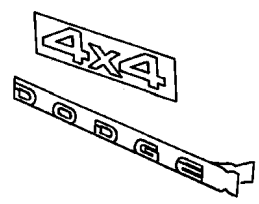
Nameplates Fig. EBE - 140

Moldings and Ornamentation

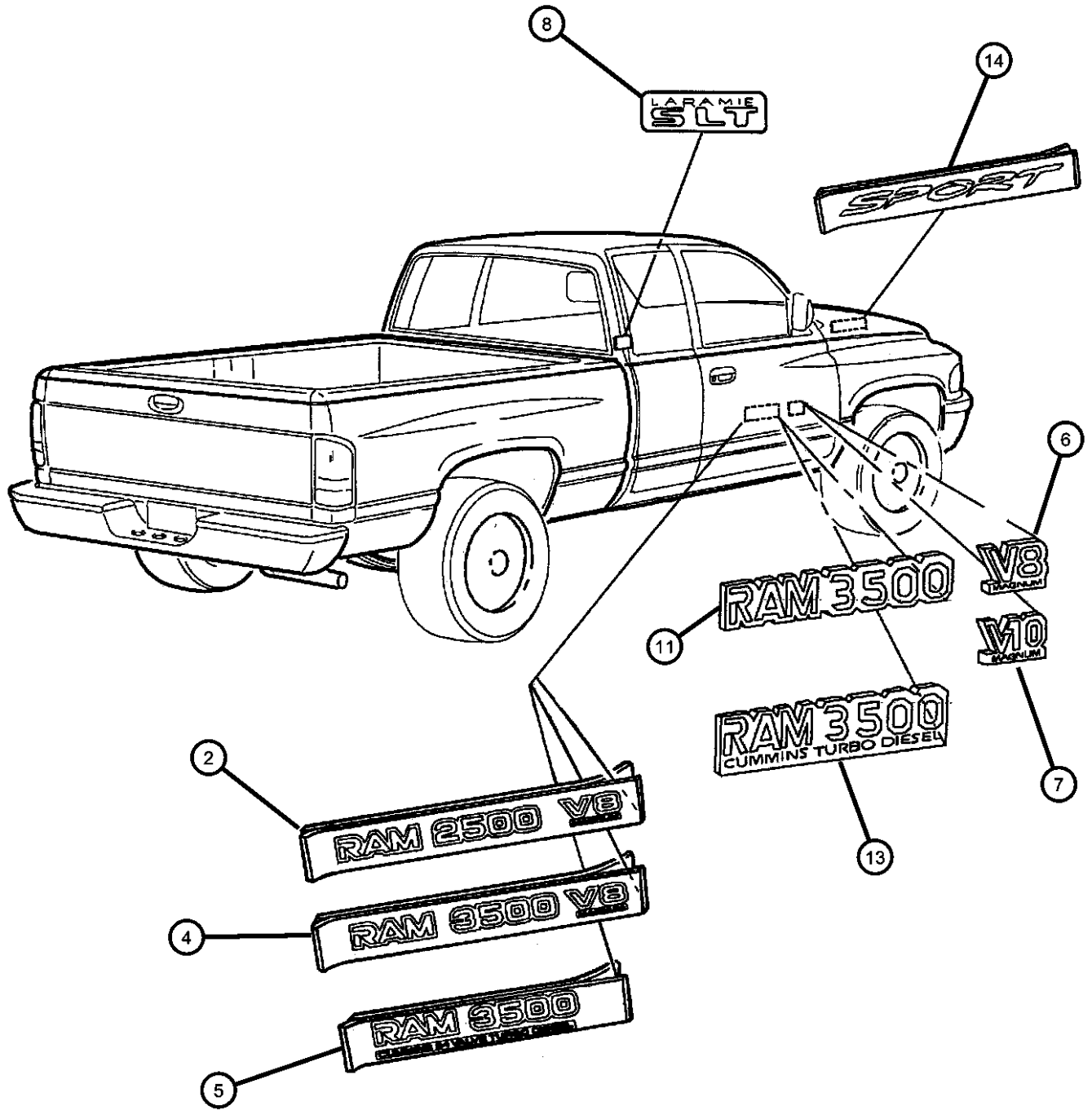
Moldings Fig. EBE - 210

Decals and Tapestripes

Tape Strips And Decals Fig. EBE - 350

<p>EBE-100 Nameplates</p> 	<p>EBE-200 Moldings and Ornamentation</p> 	<p>EBE-300 Decals and Tapestripes</p> 	
---	--	---	--

**Nameplates
Figure EBE-140**



ITEM	PART NUMBER	QTY	LINE	SERIES	BODY	ENGINE	TRANS	TRIM	DESCRIPTION
-1	5GL05CA1AA	2	1, 6						NAMEPLATE, Ram 1500, Decal Silver, V8
	5GL05PCHAA	2	1, 6						Blue, V8
2	5GL07CA1AA	2	2, 7						NAMEPLATE, Ram 2500, Decal Silver, V8
	5GL07PCHAA	2	2, 7						Blue, V8
	5GL11CA1AA	2	2, 7						Silver, V10
	5GL11PCHAA	2	2, 7						Blue, V10
-3	5GL09CA1AA	2	2, 7						NAMEPLATE, Ram 2500 Cummins, Decal Silver
	5GL09PCHAA	2	2, 7						Blue
4	5GL08CA1AA	2	3, 8		34				NAMEPLATE, Ram 3500, Decal Silver, V8
	5GL08PCHAA	2	3, 8		34				Blue, V8
	5GL12CA1AA	2	3, 8		34				Silver, V10
	5GL12PCHAA	2	3, 8		34				Blue, V10
5	5GL10CA1AA	2	3, 8		34				NAMEPLATE, Ram 3500 Cummins, Decal Silver
	5GL10PCHAA	2	3, 8		34				Blue
6	55296307AB	2							NAMEPLATE, Door, V8 MAGNUM
7	55295306AB	2							NAMEPLATE, Door, V10 MAGNUM
8	55274860AB	2							NAMEPLATE, Cab, Laramie SLT
-9	55295310AB	1	1, 6						NAMEPLATE, Front Fender, Ram 1500
-10	55295311AB	2	2, 7						NAMEPLATE, Front Fender, Ram 2500
11	55295312AB	2	3, 8		34				NAMEPLATE, Front Fender, Ram 3500
-12	55295313AC	2	2, 7						NAMEPLATE, Front Fender, Ram 2500 Cummins

RAM PICKUP/CLUB CAB (BE)

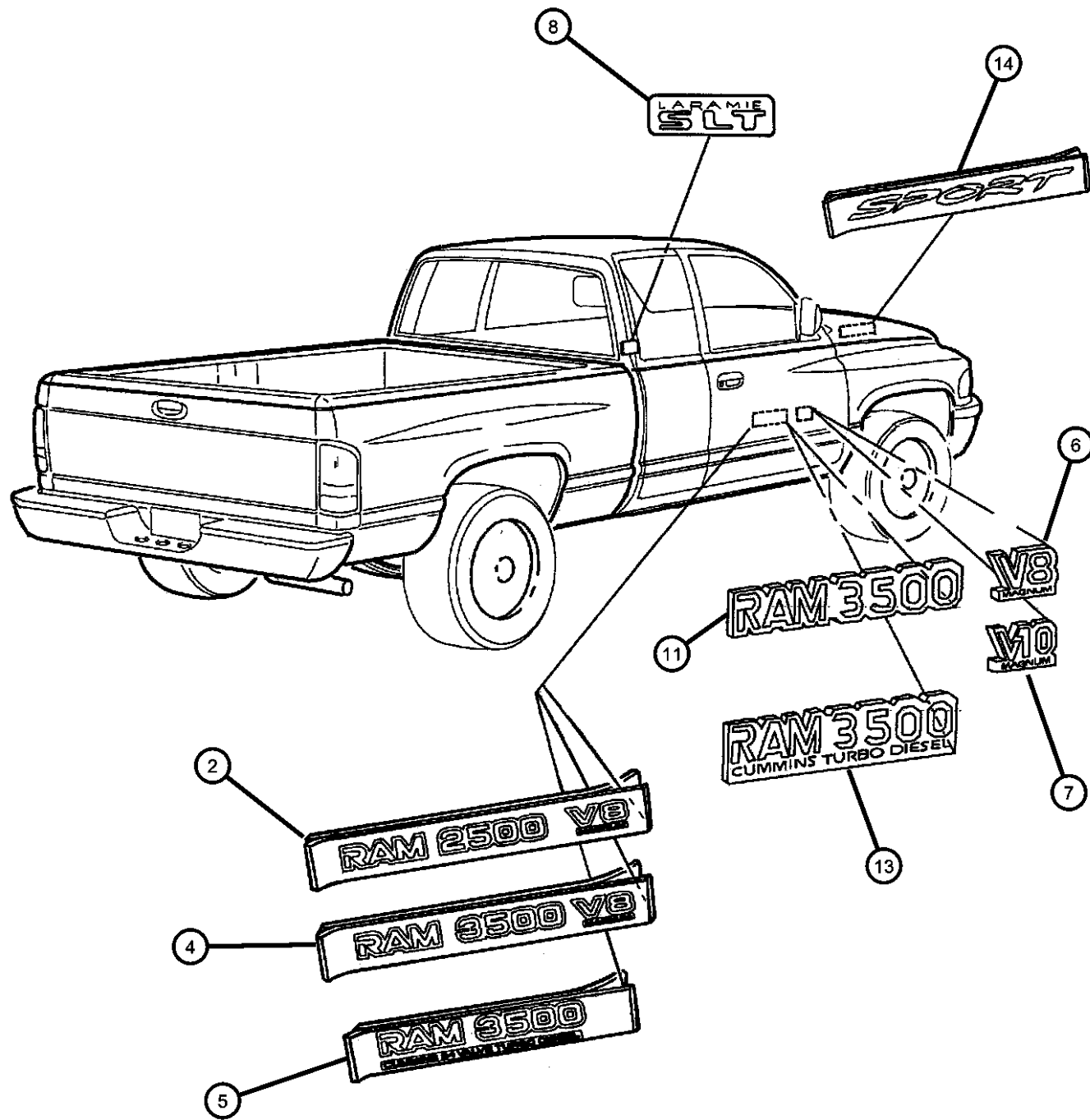
SERIES	LINE	BODY	ENGINE	TRANSMISSION
L = RAM 1500, 2500, 3500	1 = Lt. Duty DODGE 2WD 2 = Med. Duty DODGE 2WD 3 = HD DODGE 2WD 6 = Lt. Duty DODGE 4WD 7 = Med. Duty DODGE 4WD 8 = HD DODGE 4WD	31 = CLUB CAB 2-DR 6.5 FT BOX 32 = CLUB CAB 2-DR 8FT BOX 33 = QUAD CAB 4-DR 6.5 FT BOX 34 = QUAD CAB 4-DR 8FT BOX	ETC = 5.9L Cummins 24V Diesel Engine EWA = 8.0L V10 MPI Engine EM0 = ALL 5.9L 8 CYL ENGINES - GAS EMM = 5.9L SMPI V8 Engine EML = 5.9L V8 MPI Engine ELF = 5.2L V8 MPI Engine	DGP = 4-Spd. Automatic 47RE Transmission DD0 = ALL 5 SPEED MANUAL TRANSMISSIONS DG0 = ALL AUTOMATIC TRANSMISSIONS DDC = 5-Speed HD Manual Transmission DDP = 5-Speed Manual Transmission DDX = 5-Speed HD Manual Transmission DEE = 6-Speed HD Manual Transmission DGT = 4-Spd. Automatic 46RE Transmission

AR = use ase required - = Non illustrated part

1999 BE

Nameplates
Figure EBE-140

ITEM	PART NUMBER	QTY	LINE	SERIES	BODY	ENGINE	TRANS	TRIM	DESCRIPTION
13	55295314AC	2	3, 8		34				NAMEPLATE, Front Fender, Ram 3500 Cummins
14									NAMEPLATE, Sport, Decal
	5GL04CA1AA	2							Silver
	5GL04PCHAA	2							Blue



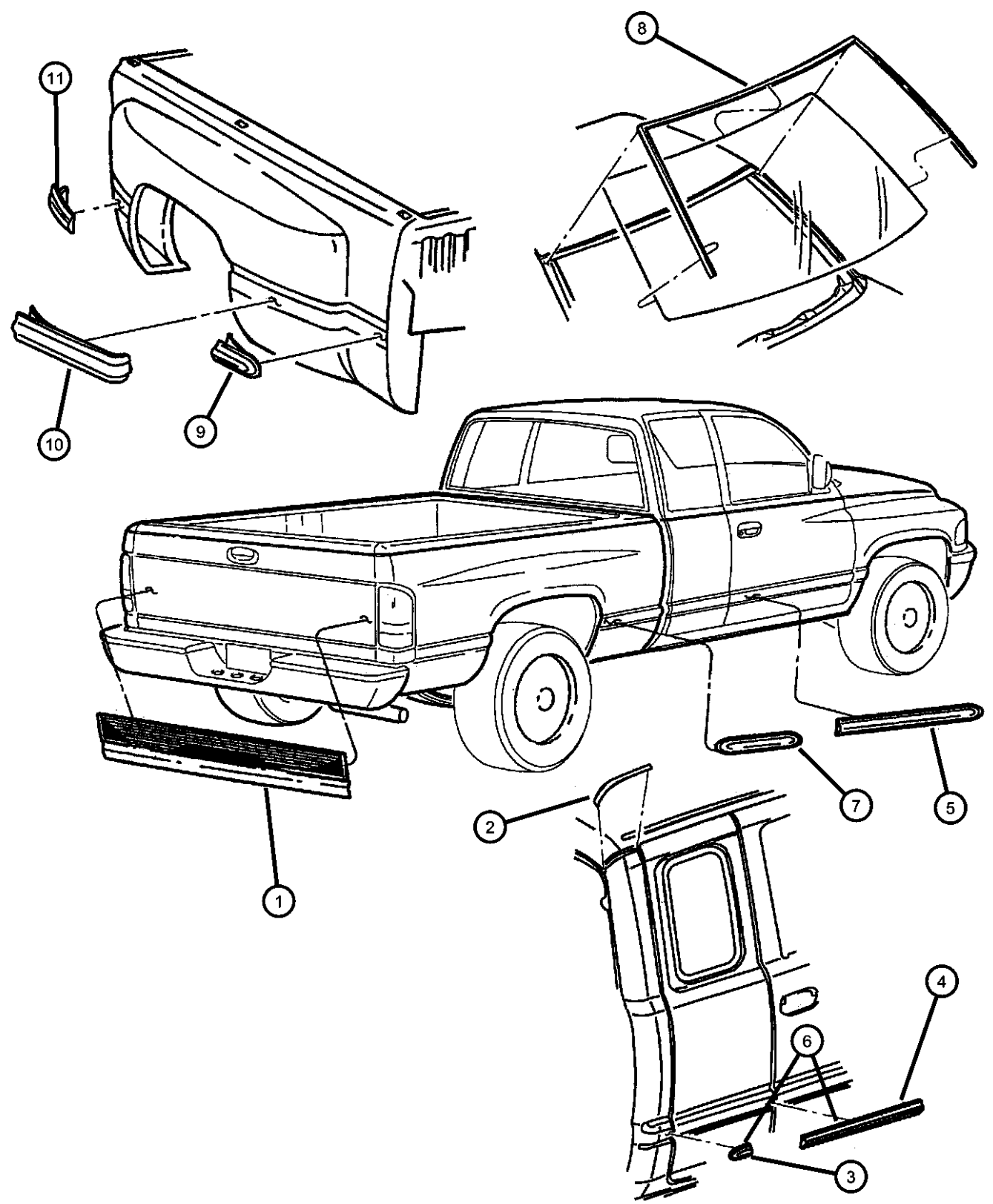
RAM PICKUP/CLUB CAB (BE)

SERIES	LINE	BODY	ENGINE	TRANSMISSION
L = RAM 1500, 2500, 3500	1 = Lt. Duty DODGE 2WD 2 = Med. Duty DODGE 2WD 3 = HD DODGE 2WD 6 = Lt. Duty DODGE 4WD 7 = Med. Duty DODGE 4WD 8 = HD DODGE 4WD	31 = CLUB CAB 2-DR 6.5 FT BOX 32 = CLUB CAB 2-DR 8FT BOX 33 = QUAD CAB 4-DR 6.5 FT BOX 34 = QUAD CAB 4-DR 8FT BOX	ETC = 5.9L Cummins 24V Diesel Engine EWA = 8.0L V10 MPI Engine EM0 = ALL 5.9L 8 CYL ENGINES - GAS EMM = 5.9L SMPI V8 Engine EML = 5.9L V8 MPI Engine ELF = 5.2L V8 MPI Engine	DGP = 4-Spd. Automatic 47RE Transmission DD0 = ALL 5 SPEED MANUAL TRANSMISSIONS DG0 = ALL AUTOMATIC TRANSMISSIONS DDC = 5-Speed HD Manual Transmission DDP = 5-Speed Manual Transmission DDX = 5-Speed HD Manual Transmission DEE = 6-Speed HD Manual Transmission DGT = 4-Spd. Automatic 46RE Transmission

AR = use ase required - = Non illustrated part

1999 BE

**Mouldings
Figure EBE-210**



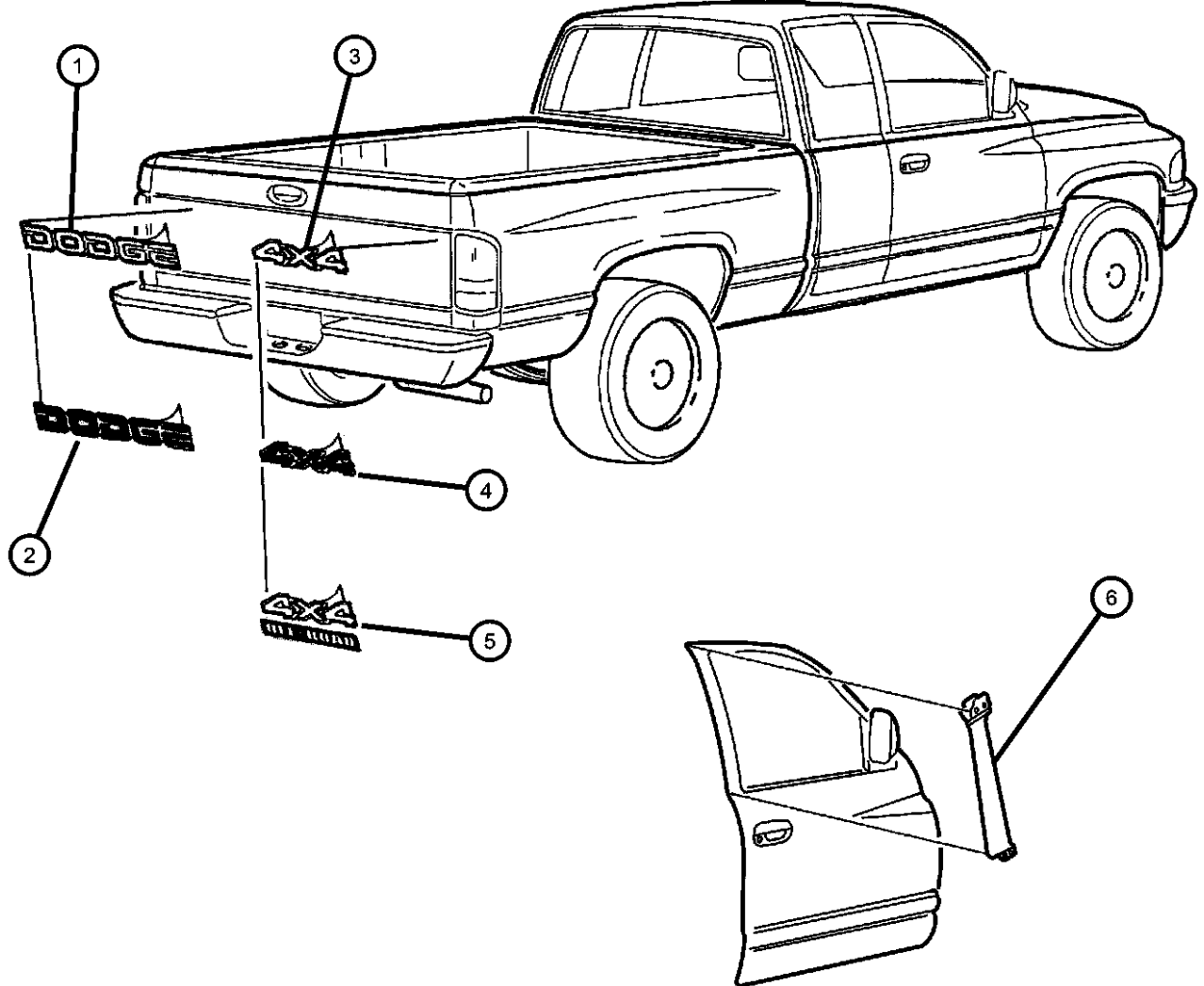
ITEM	PART NUMBER	QTY	LINE	SERIES	BODY	ENGINE	TRANS	TRIM	DESCRIPTION
1	55295060	1							APPLIQUE, Tailgate
2									MOLDING, Roof Quarter Joint
	55275358	1			33, 34				Right
	55275359	1			33, 34				Left
	55275438AA	1	1, 2, 6, 7		31, 32				Right
	55275439AA	1	1, 2, 6, 7		31, 32				Left
3	55076542	1			33, 34				MOLDING, Cab
4									MOLDING, Cargo Door
	55076538	1			33, 34				Right
	55076539	1			33, 34				Left
5									MOLDING, Front Door
	55076536	1							Right
	55076537	1							Left
6									MOLDING, Cab
	55076888AA	1	1, 2, 6, 7		31, 32				Right
	55076889AA	1	1, 2, 6, 7		31, 32				Left
7									MOLDING, Box Side Panel
	55076891AA	2	1, 2, 6, 7		31, 33				Right And Left
	55076902AA	2	1, 2, 6, 7		32, 34				Right And Left
8	55275017	1							MOLDING, Windshield
9	55076900AA	2	3, 8		34				MOLDING, Box Side Panel
10									MOLDING, Fender Rear
	55076898AA	1	3, 8		34				Right
	55076899AA	1	3, 8		34				Left
11									MOLDING, Fender Rear
	55076892AA	1	3, 8		34				Right
	55076893AA	1	3, 8		34				Left

RAM PICKUP/CLUB CAB (BE)

SERIES	LINE	BODY	ENGINE	TRANSMISSION
L = RAM 1500, 2500, 3500	1 = Lt. Duty DODGE 2WD 2 = Med. Duty DODGE 2WD 3 = HD DODGE 2WD 6 = Lt. Duty DODGE 4WD 7 = Med. Duty DODGE 4WD 8 = HD DODGE 4WD	31 = CLUB CAB 2-DR 6.5 FT BOX 32 = CLUB CAB 2-DR 8FT BOX 33 = QUAD CAB 4-DR 6.5 FT BOX 34 = QUAD CAB 4-DR 8FT BOX	ETC = 5.9L Cummins 24V Diesel Engine EWA = 8.0L V10 MPI Engine EM0 = ALL 5.9L 8 CYL ENGINES - GAS EMM = 5.9L SMPI V8 Engine EML = 5.9L V8 MPI Engine ELF = 5.2L V8 MPI Engine	DGP = 4-Spd. Automatic 47RE Transmission DD0 = ALL 5 SPEED MANUAL TRANSMISSIONS DG0 = ALL AUTOMATIC TRANSMISSIONS DDC = 5-Speed HD Manual Transmission DDP = 5-Speed Manual Transmission DDX = 5-Speed HD Manual Transmission DEE = 6-Speed HD Manual Transmission DGT = 4-Spd. Automatic 46RE Transmission

AR = use ase required - = Non illustrated part

**Tape Strips And Decals
Figure EBE-350**



ITEM	PART NUMBER	QTY	LINE	SERIES	BODY	ENGINE	TRANS	TRIM	DESCRIPTION
1	5GL13CA1AA	1							DECAL, Dodge, Sport Appearance Silver
	5GL13PCHAA	1							Blue
2	5DV73PX9	1							DECAL, Dodge Black
	5DV73TA1	1							Silver
3	5GL14CA1AA	1	6, 7, 8						DECAL, 4x4, Sport Appearance Silver
	5GL14PCHAA	1	6, 7, 8						Blue
4	5DV76PX9	1	6, 7, 8						DECAL, 4 x 4 Black
	5DV76TA1	1	6, 7, 8						Silver
5	5GL14CA1AA	1	6, 7, 8						DECAL, 4x4, OFF ROAD Silver
	5GL14PCHAA	1	6, 7, 8						Blue
6	55274888AD	1							TAPE, Pillar, Blackout Right
	55274889AD	1							Left

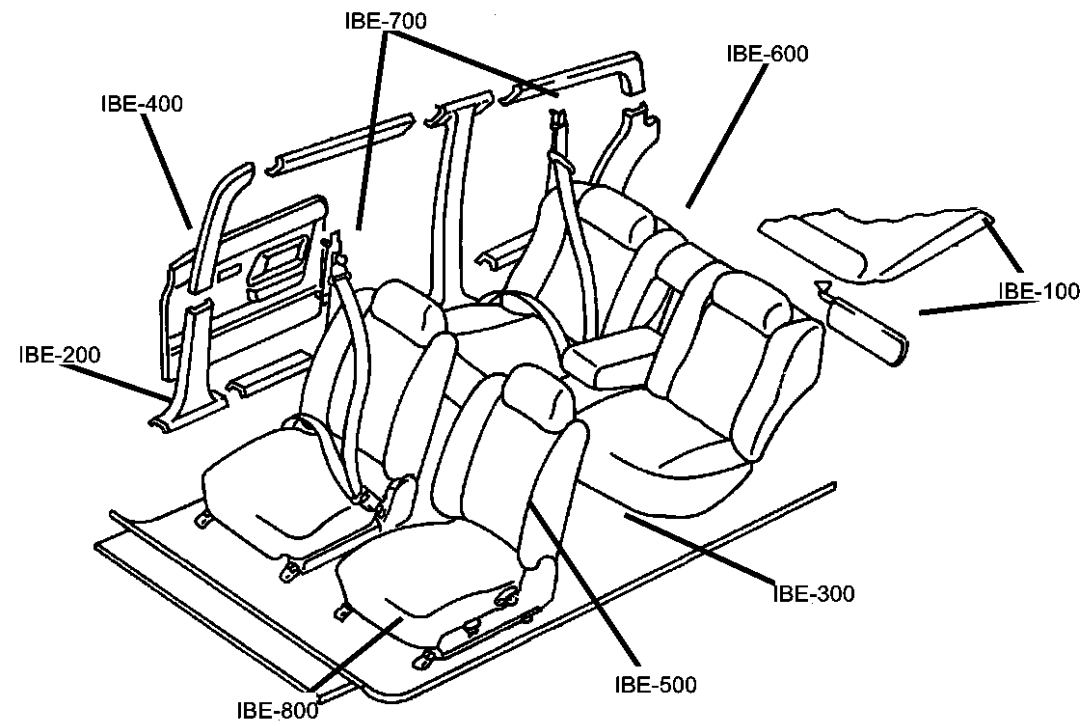
RAM PICKUP/CLUB CAB (BE)

SERIES	LINE	BODY	ENGINE	TRANSMISSION
L = RAM 1500, 2500, 3500	1 = Lt. Duty DODGE 2WD 2 = Med. Duty DODGE 2WD 3 = HD DODGE 2WD 6 = Lt. Duty DODGE 4WD 7 = Med. Duty DODGE 4WD 8 = HD DODGE 4WD	31 = CLUB CAB 2-DR 6.5 FT BOX 32 = CLUB CAB 2-DR 8FT BOX 33 = QUAD CAB 4-DR 6.5 FT BOX 34 = QUAD CAB 4-DR 8FT BOX	ETC = 5.9L Cummins 24V Diesel Engine EWA = 8.0L V10 MPI Engine EM0 = ALL 5.9L 8 CYL ENGINES - GAS EMM = 5.9L SMPI V8 Engine EML = 5.9L V8 MPI Engine ELF = 5.2L V8 MPI Engine	DGP = 4-Spd. Automatic 47RE Transmission DD0 = ALL 5 SPEED MANUAL TRANSMISSIONS DG0 = ALL AUTOMATIC TRANSMISSIONS DDC = 5-Speed HD Manual Transmission DDP = 5-Speed Manual Transmission DDX = 5-Speed HD Manual Transmission DEE = 6-Speed HD Manual Transmission DGT = 4-Spd. Automatic 46RE Transmission

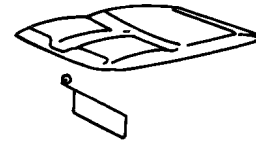
AR = use ase required - = Non illustrated part

Group - IBE

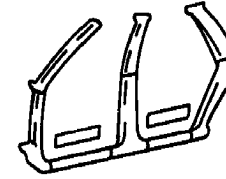
Interior Trim



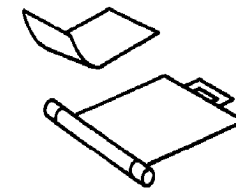
IBE-100
Headliner and Visor



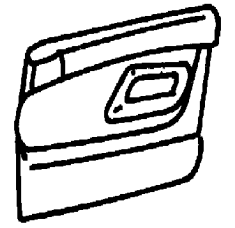
IBE-200
Moldings, Scuff Plates



IBE-300
Carpet



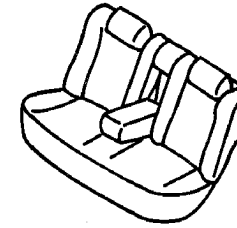
IBE-400
Door Trim Panels



IBE-500
Front Seats and Attaching Parts



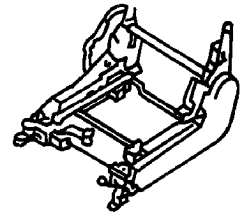
IBE-600
Rear Seats



IBE-700
Seat Belts



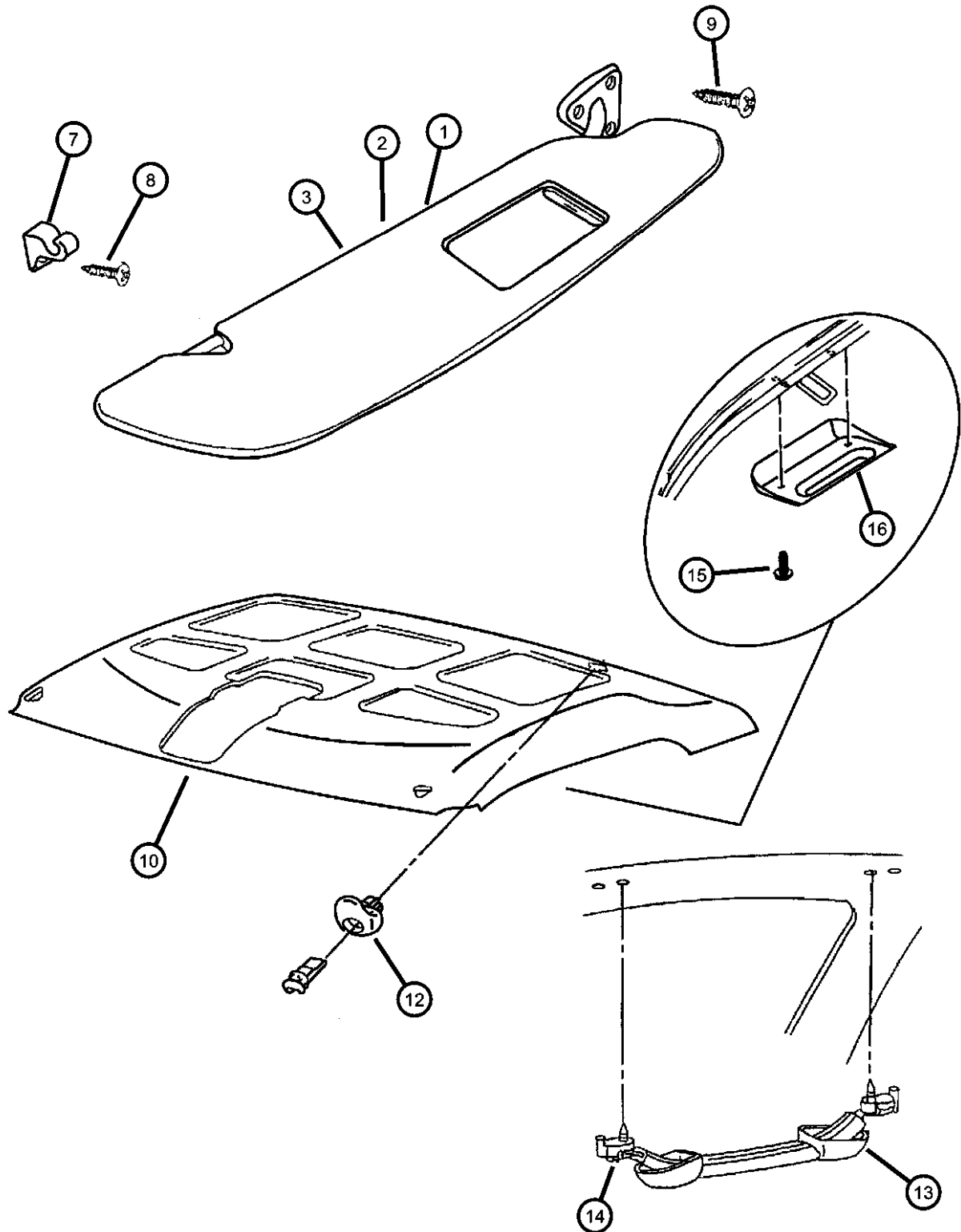
IBE-800
Adjusters, Covers, Shields, and Risers



Group - IBE Interior Trim

Illustration Title	Group-Fig. No.
Headliner and Visor	
Headliner, Sunvisor, Coat Hooks, and Assist Straps	Fig. IBE - 110
Moldings, Scuff Plates	
A -Pillar.....	Fig. IBE - 210
Cowl And Sill	Fig. IBE - 220
Quarter Trim Panel.....	Fig. IBE - 230
Trim Cab Back.....	Fig. IBE - 240
Carpet	
Carpet and Mats.....	Fig. IBE - 310
Door Trim Panels	
Front Door Trim Panels.....	Fig. IBE - 410
Rear Door Trim Panel.....	Fig. IBE - 420
Front Seats and Attaching Parts	
Seat, Front, Trim Code DP	Fig. IBE - 510
Seat, Front, Trim Code R1	Fig. IBE - 520
Seat, Front, Trim Code S9.....	Fig. IBE - 530
Seat, Front, Trim Codes SX, TY	Fig. IBE - 540
Rear Seats	
Rear Seat	Fig. IBE - 610
Seat Belts	
Lap Belt	Fig. IBE - 710
Shoulder Belt, Front and Rear, Lap Belt, Rear Seat.....	Fig. IBE - 720
Adjusters, Covers, Shields, and Risers	
Seat, Floor Attaching.....	Fig. IBE - 810
Adjusters, Recliners.....	Fig. IBE - 820

Headliner, Sunvisor, Coat Hooks, and Assist Straps
Figure IBE-110



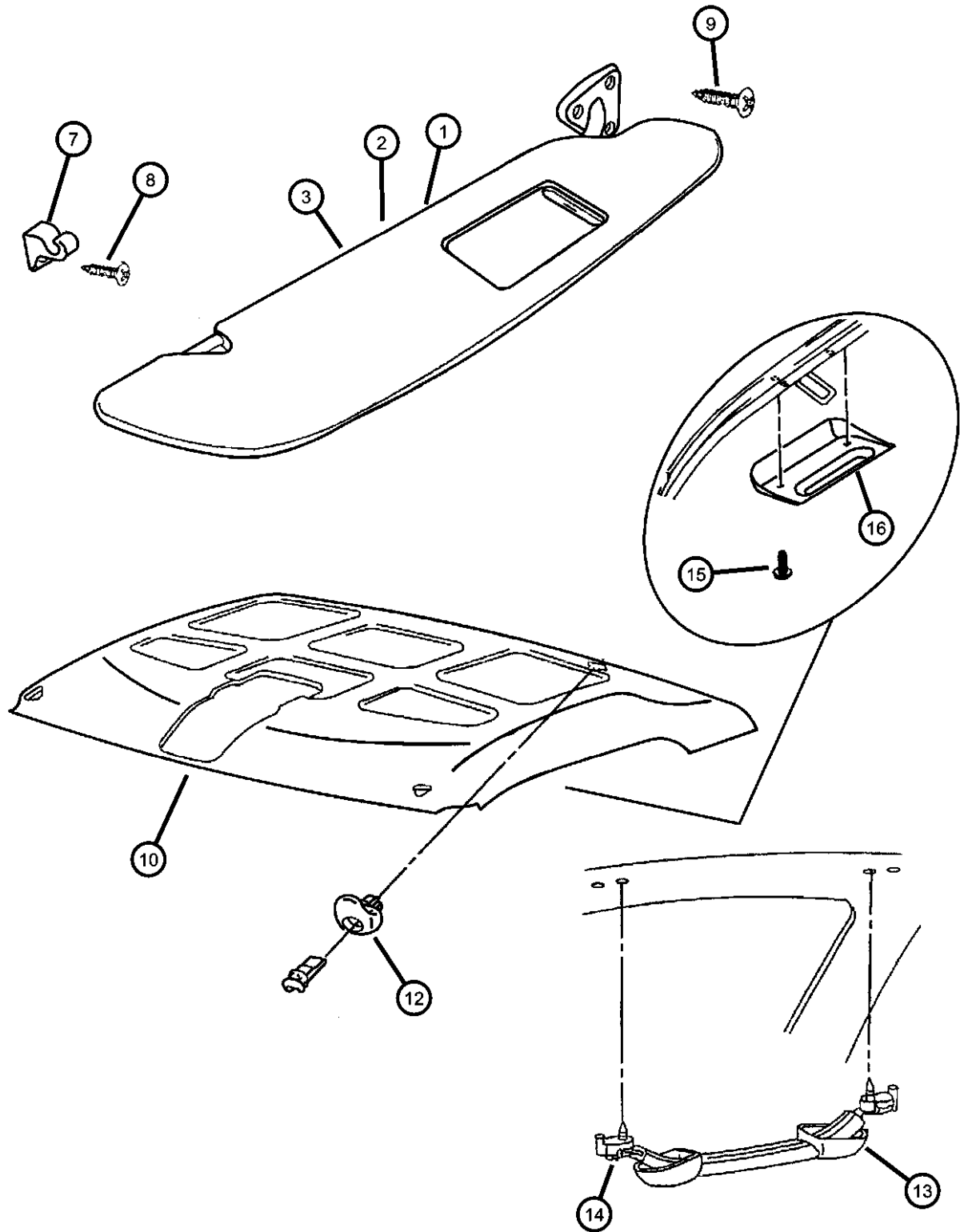
ITEM	PART NUMBER	QTY	LINE	SERIES	BODY	ENGINE	TRANS	TRIM	DESCRIPTION
1	5ES00TL2AD	1							VISOR *O0 Without Mirror, Right
	5ES01TL2AD	1							*O0 Without Mirror, Left
2	5ES02TL2AD	1							*O0 VISOR, W/Mirror, With Mirror, Right
3	5FV64TL2AD	1							VISOR, Illuminated *O0 Right
	5FV65TL2AD	1							*O0 Left
-4									LABEL, Transfer Case Shift
	52105334	1	6, 7, 8						
	52105360AA	1	6, 7, 8						CANADA
-5									LABEL, Diesel Starting CANADA
	53040084AA	1							
	53040085AA	1							
-6	55350848AA	2							LABEL, Air Bag Warning
7	5EZ92SL2	2							*O0 BRACKET, Sunvisor
8	00152383	2							SCREW, Pan Head, .19-16x.75
9	11501150	6							SCREW, Oval Head Tapping, .164x18x.984
10									HEADLINER
	5ET05TL2AG	1			33, 34				*O0 With Overhead Console
	5ET10TL2AC	1			33, 34				*O0 Without Overhead Console
	5FE26TL2AC	1	1, 2, 6, 7		31, 32				*O0 Without Overhead Console
	5FG27TL2AC	1	1, 2, 6, 7		31, 32				*O0 With Overhead Console
-11									PIN, Push
	5FU82TL2	2							*O0 Backlite Area, Shorter
	5GG00TL2AA	2							*O0 Dome Light Area, Longer
12	5FY27TL2AB	2							*O0 HOOK, Coat
13	5DZ39SL2	1							*O0 HANDLE, Roof Grab
14	5DZ39SL2	1							SCREW, .164-18x1.00, (NOT SERVICED)

RAM PICKUP/CLUB CAB (BE)

SERIES	LINE	BODY	ENGINE	TRANSMISSION
L = RAM 1500, 2500, 3500	1 = Lt. Duty DODGE 2WD 2 = Med. Duty DODGE 2WD 3 = HD DODGE 2WD 6 = Lt. Duty DODGE 4WD 7 = Med. Duty DODGE 4WD 8 = HD DODGE 4WD	31 = CLUB CAB 2-DR 6.5 FT BOX 32 = CLUB CAB 2-DR 8FT BOX 33 = QUAD CAB 4-DR 6.5 FT BOX 34 = QUAD CAB 4-DR 8FT BOX	ETC = 5.9L Cummins 24V Diesel Engine EWA = 8.0L V10 MPI Engine EM0 = ALL 5.9L 8 CYL ENGINES - GAS EMM = 5.9L SMPI V8 Engine EML = 5.9L V8 MPI Engine ELF = 5.2L V8 MPI Engine	DGP = 4-Spd. Automatic 47RE Transmission DD0 = ALL 5 SPEED MANUAL TRANSMISSIONS DG0 = ALL AUTOMATIC TRANSMISSIONS DDC = 5-Speed HD Manual Transmission DDP = 5-Speed Manual Transmission DDX = 5-Speed HD Manual Transmission DEE = 6-Speed HD Manual Transmission DGT = 4-Spd. Automatic 46RE Transmission

AR = use ase required - = Non illustrated part

Headliner, Sunvisor, Coat Hooks, and Assist Straps
Figure IBE-110



ITEM	PART NUMBER	QTY	LINE	SERIES	BODY	ENGINE	TRANS	TRIM	DESCRIPTION
15	5DZ39SL2	1							SCREW, M5x0.8x16.00, (NOT SERVICED)
16	5FV52TL2	1			33, 34			*00	COVER, Striker Right
	5FV53TL2	1			33, 34			*00	Left

RAM PICKUP/CLUB CAB (BE)

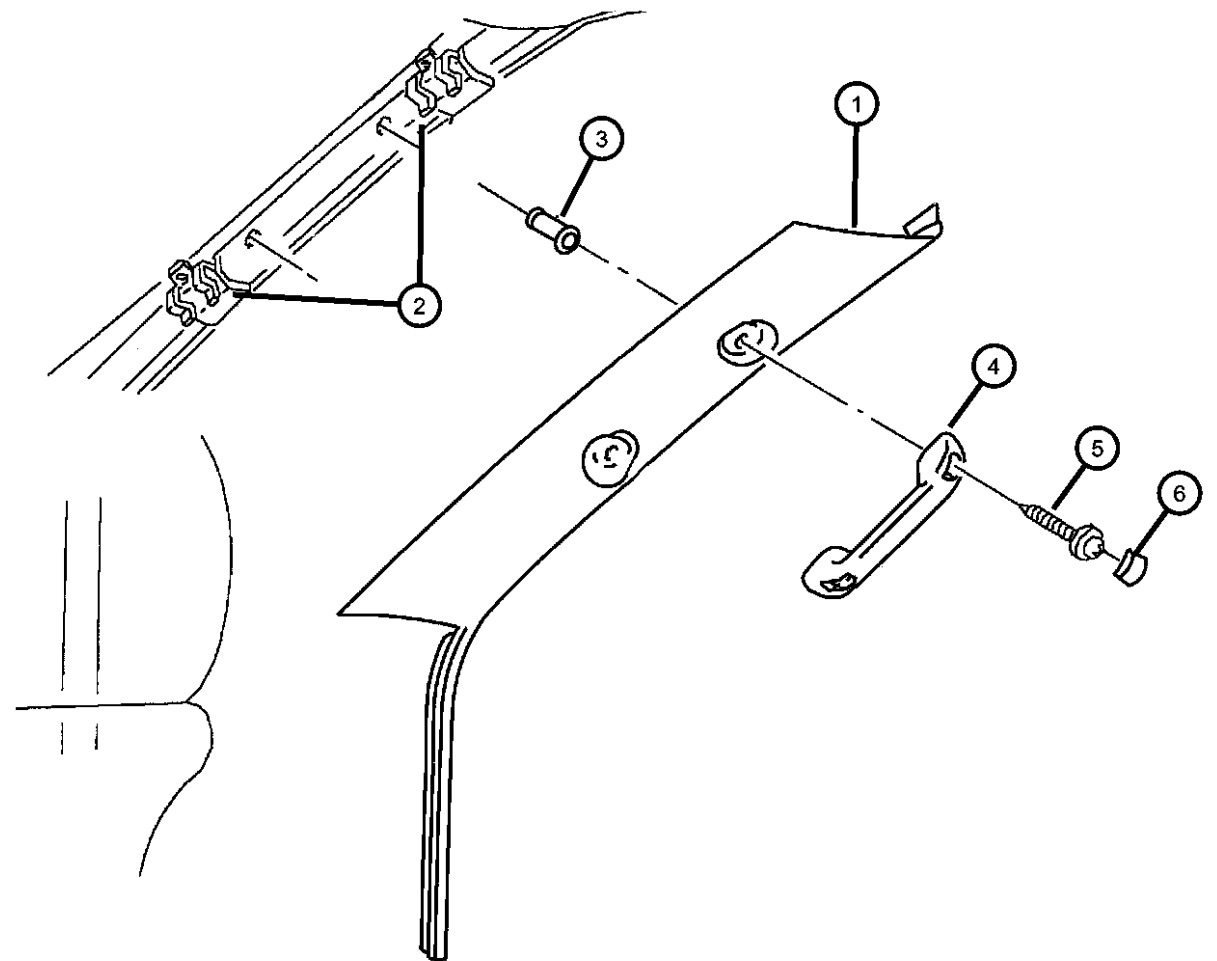
SERIES	LINE	BODY	ENGINE	TRANSMISSION
L = RAM 1500, 2500, 3500	1 = Lt. Duty DODGE 2WD 2 = Med. Duty DODGE 2WD 3 = HD DODGE 2WD 6 = Lt. Duty DODGE 4WD 7 = Med. Duty DODGE 4WD 8 = HD DODGE 4WD	31 = CLUB CAB 2-DR 6.5 FT BOX 32 = CLUB CAB 2-DR 8FT BOX 33 = QUAD CAB 4-DR 6.5 FT BOX 34 = QUAD CAB 4-DR 8FT BOX	ETC = 5.9L Cummins 24V Diesel Engine EWA = 8.0L V10 MPI Engine EM0 = ALL 5.9L 8 CYL ENGINES - GAS EMM = 5.9L SMPI V8 Engine EML = 5.9L V8 MPI Engine ELF = 5.2L V8 MPI Engine	DGP = 4-Spd. Automatic 47RE Transmission DD0 = ALL 5 SPEED MANUAL TRANSMISSIONS DG0 = ALL AUTOMATIC TRANSMISSIONS DDC = 5-Speed HD Manual Transmission DDP = 5-Speed Manual Transmission DDX = 5-Speed HD Manual Transmission DEE = 6-Speed HD Manual Transmission DGT = 4-Spd. Automatic 46RE Transmission

AR = use ase required - = Non illustrated part

1999 BE

**A -Pillar
Figure IBE-210**

ITEM	PART NUMBER	QTY	LINE	SERIES	BODY	ENGINE	TRANS	TRIM	DESCRIPTION
1									PANEL, A Pillar Trim
	5ES44LAZ	1						*00	Agate, (AZ), Without Infinity Sound, Right
	5ES44RC3	1						*00	Mist Gray, (C3), Without Infinity Sound, Right
	5ES44RK5	1						*00	Camel, (K9), Without Infinity Sound, Right
	5ES57LAZ	1						*00	Agate, (AZ), Without Infinity Sound, Left
	5ES57RC3	1						*00	Mist Gray, (C3), Without Infinity Sound, Left
	5ES57RK5	1						*00	Camel, (K9), Without Infinity Sound, Left
	5GK68LAZAA	1						*00	Agate, (AZ), With Infinity Sound, Right
	5GK68RC3AA	1						*00	Mist Gray, (C3), With Infinity Sound, Right
	5GK68RK5AA	1						*00	Camel, (K9), With Infinity Sound, Right
	5GK69LAZAA	1						*00	Agate, (AZ), With Infinity Sound, Left
	5GK69RC3AA	1						*00	Mist Gray, (C3), With Infinity Sound, Left
	5GK69RK5AA	1						*00	Camel, (K9), With Infinity Sound, Left
2	55214846	2						*00	CLIP, Trim Panel
3	06503910	2							NUT
4									HANDLE, Roof Grab
	5DX76LAZAB	1						*00	Agate, (AZ)
	5DX76RC3AB	1						*00	Mist Gray, (C3)
	5DX76RK5AB	1						*00	Camel, (K9)
5	06504432	2							SCREW, Pan Head, M6-1.00x29.00
6									PLUG, Assist and Grab Handle
	0H526TAZ	2						*00	Agate, (AZ)



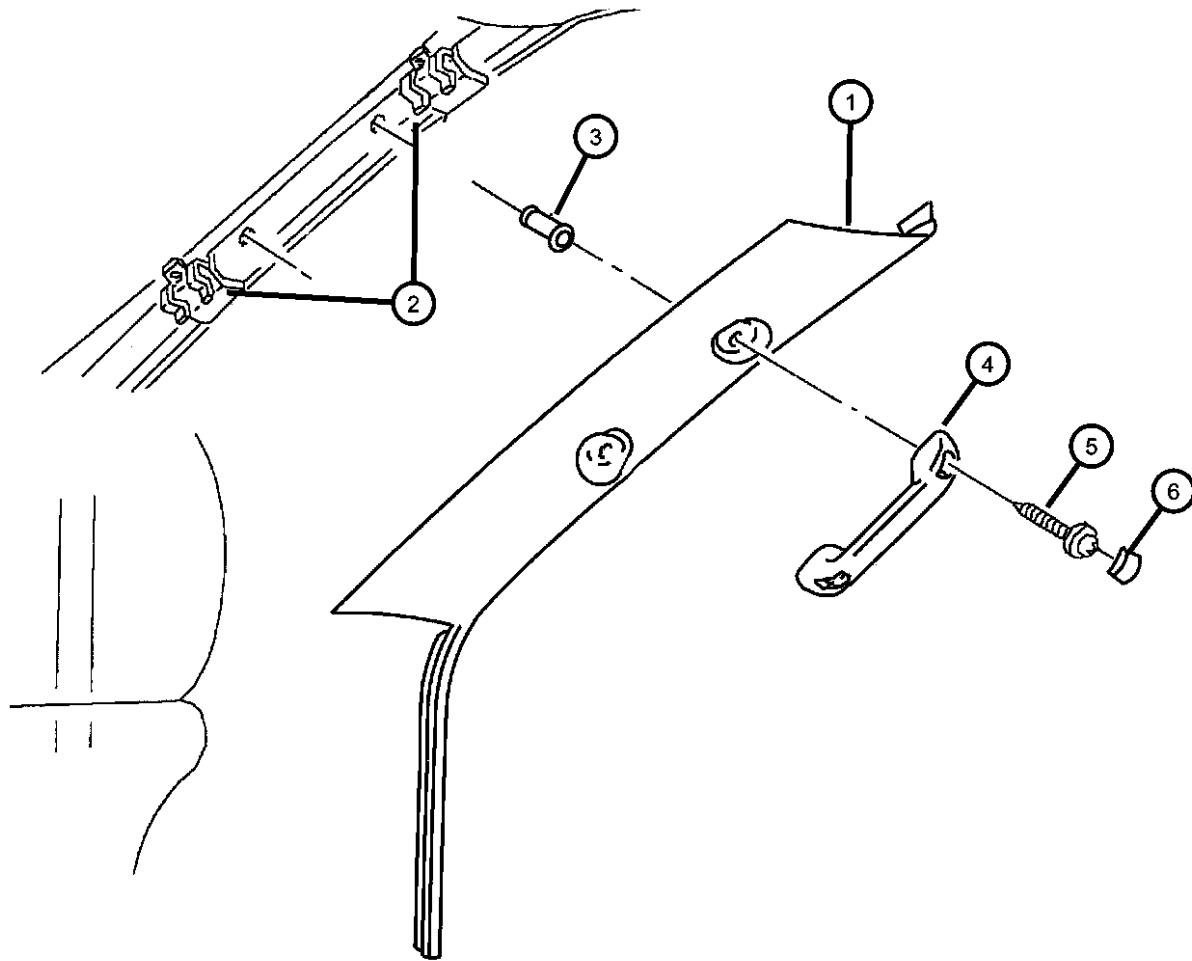
RAM PICKUP/CLUB CAB (BE)

SERIES	LINE	BODY	ENGINE	TRANSMISSION
L = RAM 1500, 2500, 3500	1 = Lt. Duty DODGE 2WD 2 = Med. Duty DODGE 2WD 3 = HD DODGE 2WD 6 = Lt. Duty DODGE 4WD 7 = Med. Duty DODGE 4WD 8 = HD DODGE 4WD	31 = CLUB CAB 2-DR 6.5 FT BOX 32 = CLUB CAB 2-DR 8FT BOX 33 = QUAD CAB 4-DR 6.5 FT BOX 34 = QUAD CAB 4-DR 8FT BOX	ETC = 5.9L Cummins 24V Diesel Engine EWA = 8.0L V10 MPI Engine EM0 = ALL 5.9L 8 CYL ENGINES - GAS EMM = 5.9L SMPI V8 Engine EML = 5.9L V8 MPI Engine ELF = 5.2L V8 MPI Engine	DGP = 4-Spd. Automatic 47RE Transmission DD0 = ALL 5 SPEED MANUAL TRANSMISSIONS DG0 = ALL AUTOMATIC TRANSMISSIONS DDC = 5-Speed HD Manual Transmission DDP = 5-Speed Manual Transmission DDX = 5-Speed HD Manual Transmission DEE = 6-Speed HD Manual Transmission DGT = 4-Spd. Automatic 46RE Transmission

AR = use ase required - = Non illustrated part

**A -Pillar
Figure IBE-210**

ITEM	PART NUMBER	QTY	LINE	SERIES	BODY	ENGINE	TRANS	TRIM	DESCRIPTION
	0H526TC3	2						*O0	Mist Gray, (C3)
	0H526TK5	2						*O0	Camel, (K9)



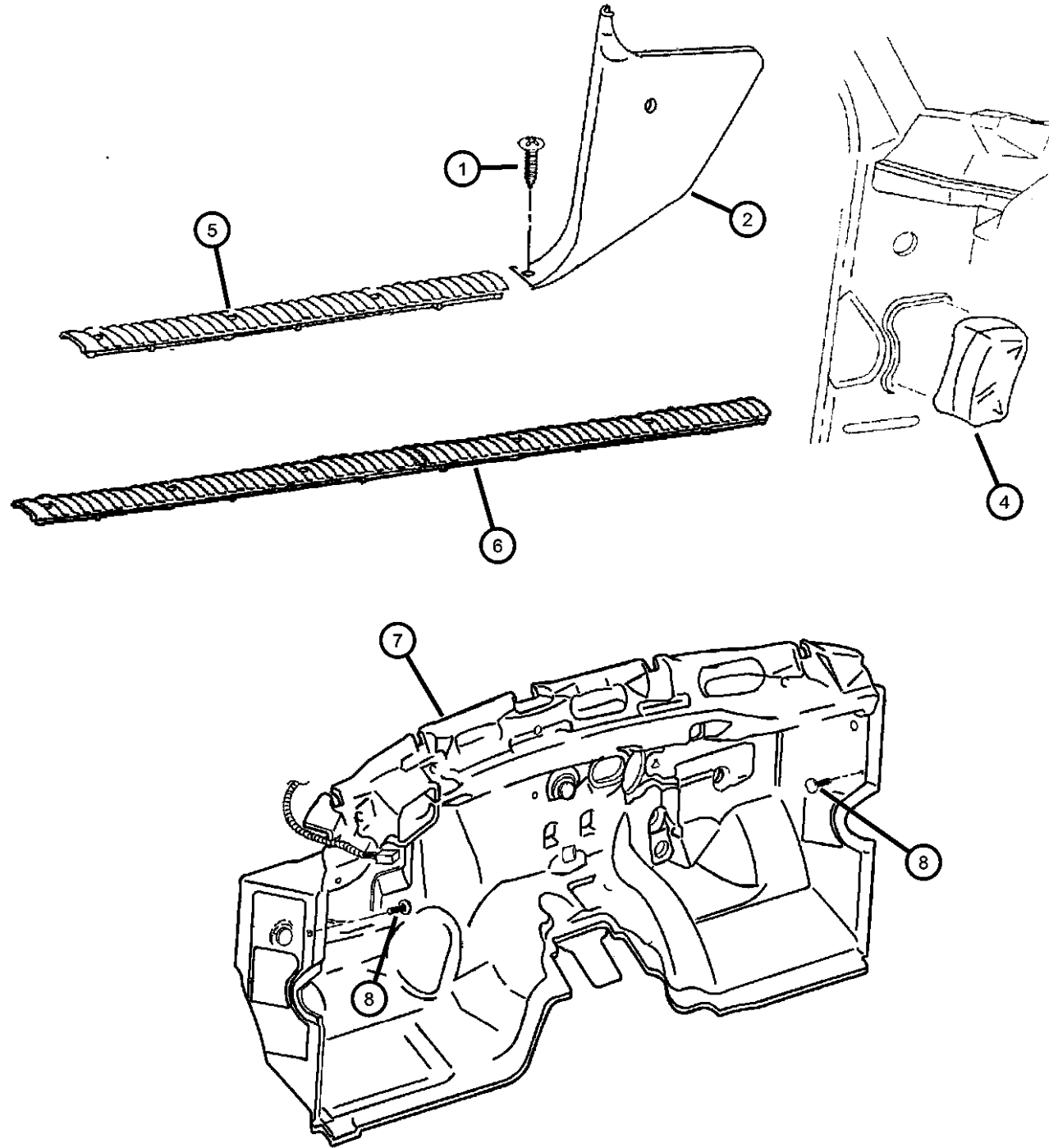
RAM PICKUP/CLUB CAB (BE)

SERIES	LINE	BODY	ENGINE	TRANSMISSION
L = RAM 1500, 2500, 3500	1 = Lt. Duty DODGE 2WD	31 = CLUB CAB 2-DR 6.5 FT BOX	ETC = 5.9L Cummins 24V Diesel Engine	DGP = 4-Spd. Automatic 47RE Transmission
	2 = Med. Duty DODGE 2WD	32 = CLUB CAB 2-DR 8FT BOX	EWA = 8.0L V10 MPI Engine	DD0 = ALL 5 SPEED MANUAL TRANSMISSIONS
	3 = HD DODGE 2WD	33 = QUAD CAB 4-DR 6.5 FT BOX	EM0 = ALL 5.9L 8 CYL ENGINES - GAS	DG0 = ALL AUTOMATIC TRANSMISSIONS
	6 = Lt. Duty DODGE 4WD	34 = QUAD CAB 4-DR 8FT BOX	EMM = 5.9L SMPI V8 Engine	DDC = 5-Speed HD Manual Transmission
	7 = Med. Duty DODGE 4WD		EML = 5.9L V8 MPI Engine	DDP = 5-Speed Manual Transmission
	8 = HD DODGE 4WD		ELF = 5.2L V8 MPI Engine	DDX = 5-Speed HD Manual Transmission
				DEE = 6-Speed HD Manual Transmission
				DGT = 4-Spd. Automatic 46RE Transmission

AR = use ase required - = Non illustrated part

1999 BE

**Cowl And Sill
Figure IBE-220**



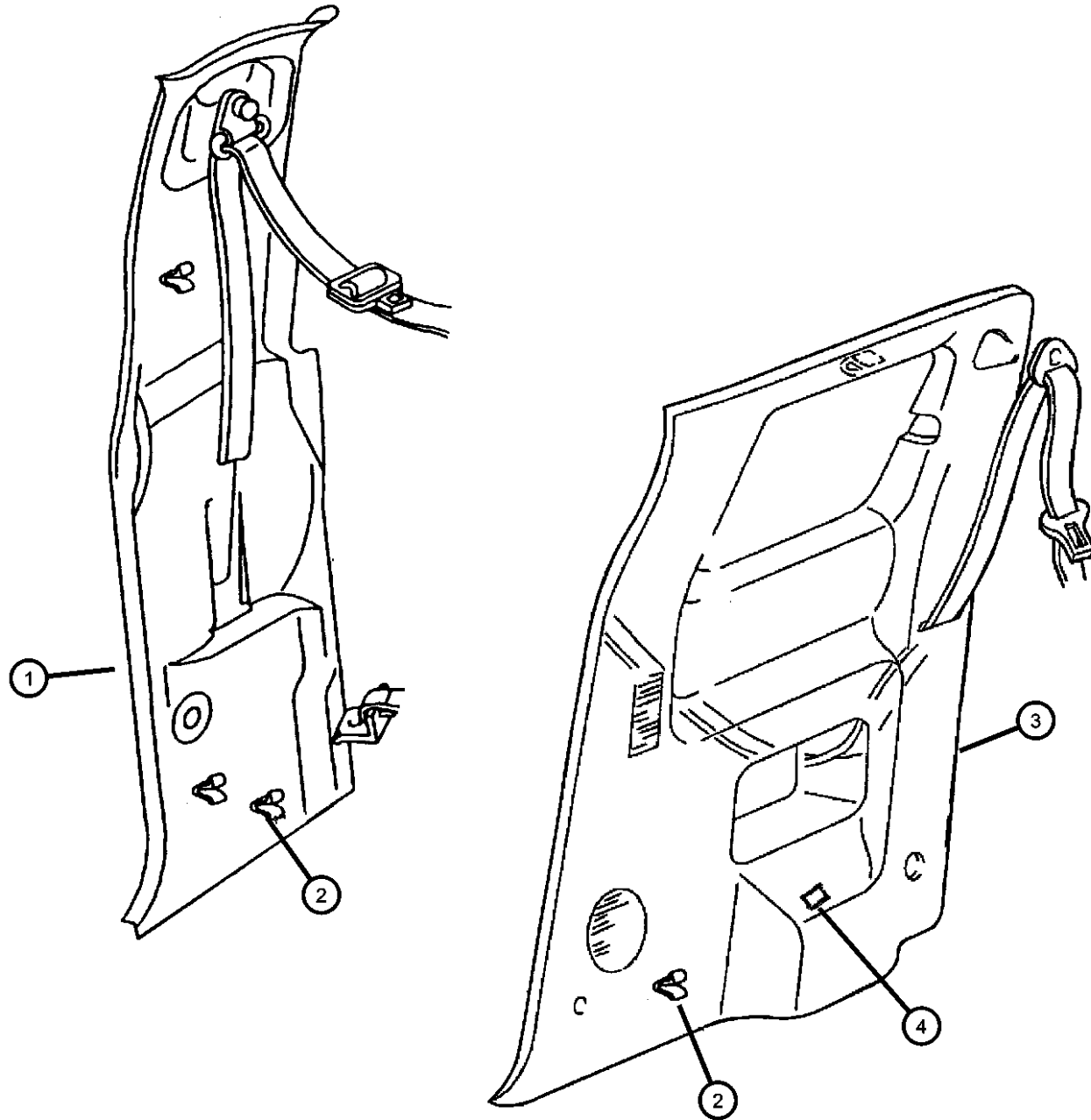
ITEM	PART NUMBER	QTY	LINE	SERIES	BODY	ENGINE	TRANS	TRIM	DESCRIPTION
1									SCREW, Pan Head, .19-16x1.50
	00154562	12			33, 34				
		8	1, 2, 6, 7		31, 32				
2									PANEL, Cowl
	5FH90LAZ	1						*O0	Agate, (AZ), Right
	5FH90RC3	1						*O0	Mist Gray, (C3), Right
	5FH90RK5	1						*O0	Camel, (K9), Right
	5FH91LAZ	1						*O0	Agate, (AZ), Left
	5FH91RC3	1						*O0	Mist Gray, (C3), Left
	5FH91RK5	1						*O0	Camel, (K9), Left
-3	55214846	2						*O0	CLIP, Trim Panel
4	04386474	2							SILENCER, Wheelhouse
5									PANEL, Side Sill
	5FH80LAZ	1	1, 2, 6, 7		31, 32			*O0	Agate, (AZ), Right
	5FH80RC3	1	1, 2, 6, 7		31, 32			*O0	Mist Gray, (C3), Right
	5FH80RK5	1	1, 2, 6, 7		31, 32			*O0	Camel, (K9), Right
	5FH81LAZ	1	1, 2, 6, 7		31, 32			*O0	Agate, (AZ), Left
	5FH81RC3	1	1, 2, 6, 7		31, 32			*O0	Mist Gray, (C3), Left
	5FH81RK5	1	1, 2, 6, 7		31, 32			*O0	Camel, (K9), Left
6									MOLDING, Side Sill
	5FY04LAZAA	1			33, 34			*O0	Agate, (AZ), Right
	5FY04RC3AA	1			33, 34			*O0	Mist Gray, (C3), Right
	5FY04RK5AA	1			33, 34			*O0	Camel, (K9), Right
	5FY05LAZAA	1			33, 34			*O0	Agate, (AZ), Left
	5FY05RC3AA	1			33, 34			*O0	Mist Gray, (C3), Left
	5FY05RK5AA	1			33, 34			*O0	Camel, (K9), Left
7	55350755AB	1							INSULATION, Dash Panel
8	06031321	4							PIN, Retainer

RAM PICKUP/CLUB CAB (BE)

SERIES	LINE	BODY	ENGINE	TRANSMISSION
L = RAM 1500, 2500, 3500	1 = Lt. Duty DODGE 2WD 2 = Med. Duty DODGE 2WD 3 = HD DODGE 2WD 6 = Lt. Duty DODGE 4WD 7 = Med. Duty DODGE 4WD 8 = HD DODGE 4WD	31 = CLUB CAB 2-DR 6.5 FT BOX 32 = CLUB CAB 2-DR 8FT BOX 33 = QUAD CAB 4-DR 6.5 FT BOX 34 = QUAD CAB 4-DR 8FT BOX	ETC = 5.9L Cummins 24V Diesel Engine EWA = 8.0L V10 MPI Engine EM0 = ALL 5.9L 8 CYL ENGINES - GAS EMM = 5.9L SMPI V8 Engine EML = 5.9L V8 MPI Engine ELF = 5.2L V8 MPI Engine	DGP = 4-Spd. Automatic 47RE Transmission DD0 = ALL 5 SPEED MANUAL TRANSMISSIONS DG0 = ALL AUTOMATIC TRANSMISSIONS DDC = 5-Speed HD Manual Transmission DDP = 5-Speed Manual Transmission DDX = 5-Speed HD Manual Transmission DEE = 6-Speed HD Manual Transmission DGT = 4-Spd. Automatic 46RE Transmission

AR = use ase required - = Non illustrated part

Quarter Trim Panel
Figure IBE-230



ITEM	PART NUMBER	QTY	LINE	SERIES	BODY	ENGINE	TRANS	TRIM	DESCRIPTION
1									PANEL, C Pillar
	5ES66LAZAB	1			33, 34			*00	Agate, (AZ), Right
	5ES66RC3AB	1			33, 34			*00	Mist Gray, (C3), Right
	5ES66RK5AB	1			33, 34			*00	Camel, (K9), Right
	5ES67LAZAB	1			33, 34			*00	Agate, (AZ), Left
	5ES67RC3AB	1			33, 34			*00	Mist Gray, (C3), Left
	5ES67RK5AB	1			33, 34			*00	Camel, (K9), Left
2	55214846	2						*00	CLIP, Trim Panel
3									PANEL, Quarter Trim
	5FH82LAZAB	1	1, 2, 6, 7		31, 32			*00	Agate, (AZ), Right
	5FH82RC3AB	1	1, 2, 6, 7		31, 32			*00	Mist Gray, (C3), Right
	5FH82RK5AB	1	1, 2, 6, 7		31, 32			*00	Camel, (K9), Right
	5FH83LAZAB	1	1, 2, 6, 7		31, 32			*00	Agate, (AZ), Left
	5FH83RC3AB	1	1, 2, 6, 7		31, 32			*00	Mist Gray, (C3), Left
	5FH83RK5AB	1	1, 2, 6, 7		31, 32			*00	Camel, (K9), Left
4	55350643AB	2							BUMPER, Seat Cushion

RAM PICKUP/CLUB CAB (BE)

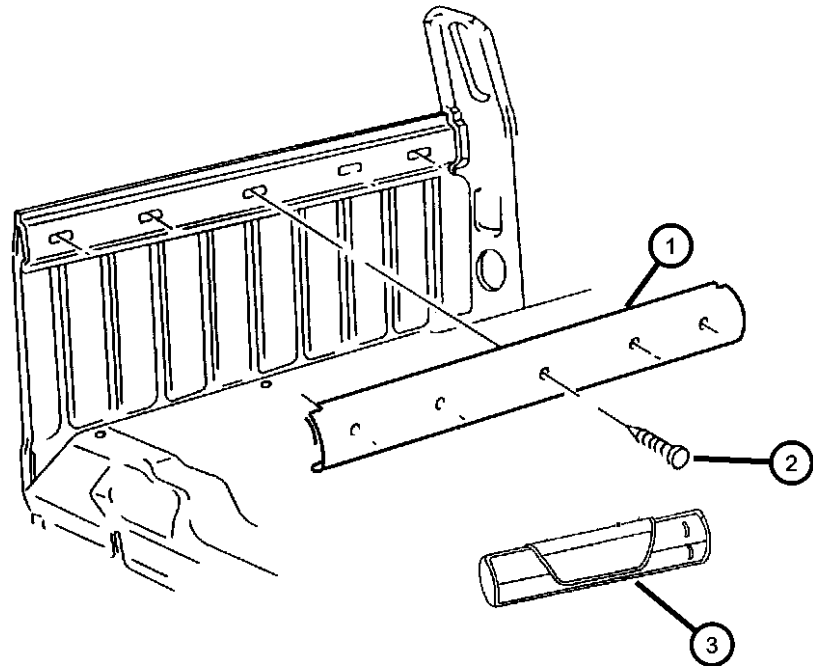
SERIES	LINE	BODY	ENGINE	TRANSMISSION
L = RAM 1500, 2500, 3500	1 = Lt. Duty DODGE 2WD 2 = Med. Duty DODGE 2WD 3 = HD DODGE 2WD 6 = Lt. Duty DODGE 4WD 7 = Med. Duty DODGE 4WD 8 = HD DODGE 4WD	31 = CLUB CAB 2-DR 6.5 FT BOX 32 = CLUB CAB 2-DR 8FT BOX 33 = QUAD CAB 4-DR 6.5 FT BOX 34 = QUAD CAB 4-DR 8FT BOX	ETC = 5.9L Cummins 24V Diesel Engine EWA = 8.0L V10 MPI Engine EM0 = ALL 5.9L 8 CYL ENGINES - GAS EMM = 5.9L SMPI V8 Engine EML = 5.9L V8 MPI Engine ELF = 5.2L V8 MPI Engine	DGP = 4-Spd. Automatic 47RE Transmission DD0 = ALL 5 SPEED MANUAL TRANSMISSIONS DG0 = ALL AUTOMATIC TRANSMISSIONS DDC = 5-Speed HD Manual Transmission DDP = 5-Speed Manual Transmission DDX = 5-Speed HD Manual Transmission DEE = 6-Speed HD Manual Transmission DGT = 4-Spd. Automatic 46RE Transmission

AR = use ase required - = Non illustrated part

1999 BE

**Trim Cab Back
Figure IBE-240**

ITEM	PART NUMBER	QTY	LINE	SERIES	BODY	ENGINE	TRANS	TRIM	DESCRIPTION
1	5FZ52LAZAA	1						*O0	PANEL, Cab Back Trim Agate, (AZ)
	5FZ52RC8AA	1						*O0	Mist Gray, (C3)
2	5DV62LAZ	5						*O0	FASTENER, Trim Panel Attaching Agate, (AZ)
	5DV62RC8	5						*O0	Mist Gray, (C3)
3	52020344AA	1	1, 6						BAG, Jack Tool Storage



RAM PICKUP/CLUB CAB (BE)

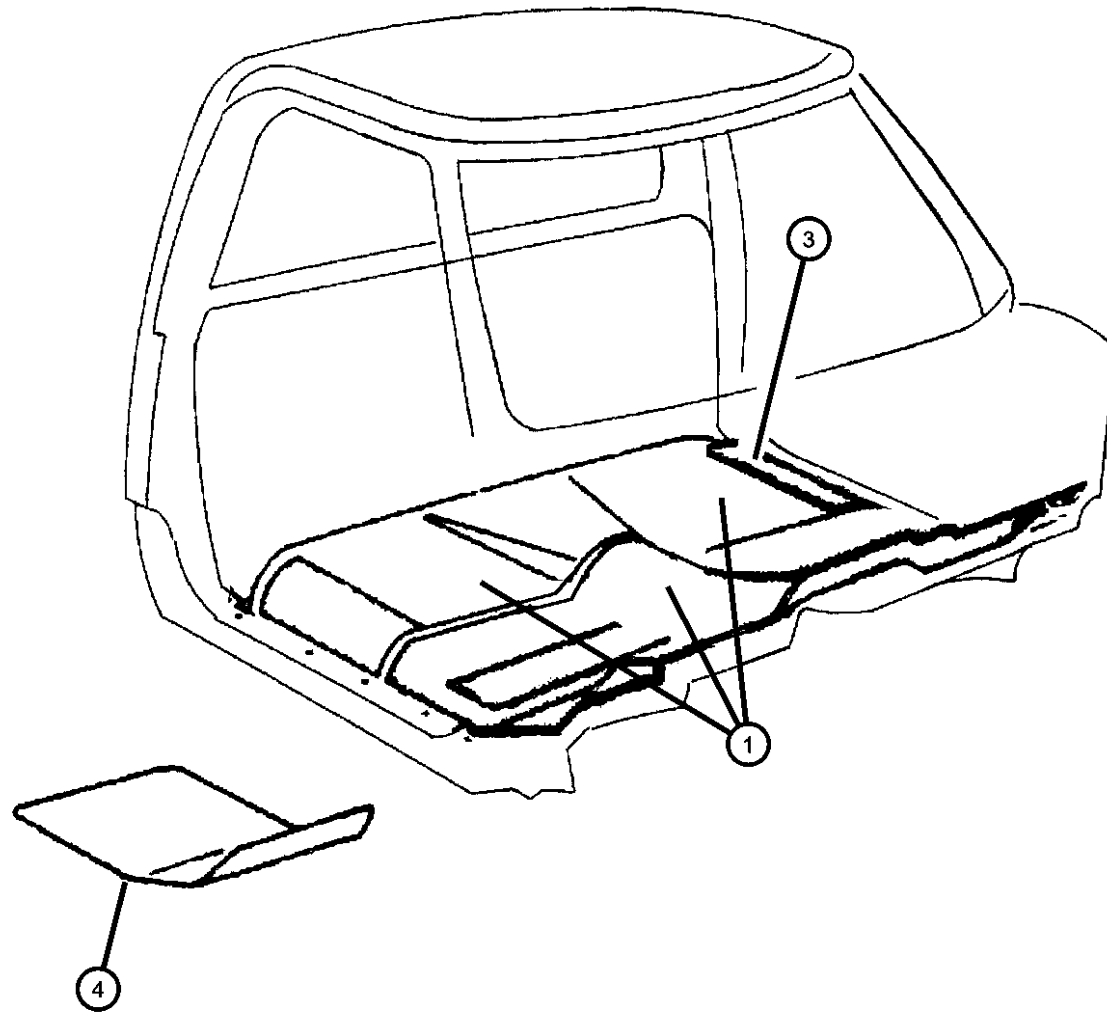
SERIES	LINE	BODY	ENGINE	TRANSMISSION
L = RAM 1500, 2500, 3500	1 = Lt. Duty DODGE 2WD 2 = Med. Duty DODGE 2WD 3 = HD DODGE 2WD 6 = Lt. Duty DODGE 4WD 7 = Med. Duty DODGE 4WD 8 = HD DODGE 4WD	31 = CLUB CAB 2-DR 6.5 FT BOX 32 = CLUB CAB 2-DR 8FT BOX 33 = QUAD CAB 4-DR 6.5 FT BOX 34 = QUAD CAB 4-DR 8FT BOX	ETC = 5.9L Cummins 24V Diesel Engine EWA = 8.0L V10 MPI Engine EM0 = ALL 5.9L 8 CYL ENGINES - GAS EMM = 5.9L SMPI V8 Engine EML = 5.9L V8 MPI Engine ELF = 5.2L V8 MPI Engine	DGP = 4-Spd. Automatic 47RE Transmission DD0 = ALL 5 SPEED MANUAL TRANSMISSIONS DG0 = ALL AUTOMATIC TRANSMISSIONS DDC = 5-Speed HD Manual Transmission DDP = 5-Speed Manual Transmission DDX = 5-Speed HD Manual Transmission DEE = 6-Speed HD Manual Transmission DGT = 4-Spd. Automatic 46RE Transmission

AR = use ase required - = Non illustrated part

1999 BE

**Carpet and Mats
Figure IBE-310**

ITEM	PART NUMBER	QTY	LINE	SERIES	BODY	ENGINE	TRANS	TRIM	DESCRIPTION
1									CARPET, Floor
	5ES73LAZAD	1			33, 34			*O0	Agate, (AZ)
	5ES73RC8AD	1			33, 34			*O0	Mist Gray, (C3)
	5ES73VK9AD	1			33, 34			*O0	Tan, K9)
	5FW89LAZAD	1	1, 2, 6, 7		31, 32			*O0	Agate, (AZ)
	5FW89RC8AD	1	1, 2, 6, 7		31, 32			*O0	Mist Gray, (C3)
	5FW89VK9AD	1	1, 2, 6, 7		31, 32			*O0	Tan, K9)
-2	55350782AA	2			33, 34				COVER, Carpet Anchor Hole
3									MAT, Floor
	5ES76DX9AC	1			33, 34			*O0	
	5FW88DX9AC	1	1, 2, 6, 7		31, 32			*O0	
4									MAT KIT, Floor - Front
	5FJ56LAZAB	1						*O0	Agate, (AZ)
	5FJ56RC8AB	1						*O0	Mist Gray, (C3)
	5FJ56VK9AB	1						*O0	Tan, K9)



RAM PICKUP/CLUB CAB (BE)

SERIES	LINE	BODY	ENGINE	TRANSMISSION
L = RAM 1500, 2500, 3500	1 = Lt. Duty DODGE 2WD 2 = Med. Duty DODGE 2WD 3 = HD DODGE 2WD 6 = Lt. Duty DODGE 4WD 7 = Med. Duty DODGE 4WD 8 = HD DODGE 4WD	31 = CLUB CAB 2-DR 6.5 FT BOX 32 = CLUB CAB 2-DR 8FT BOX 33 = QUAD CAB 4-DR 6.5 FT BOX 34 = QUAD CAB 4-DR 8FT BOX	ETC = 5.9L Cummins 24V Diesel Engine EWA = 8.0L V10 MPI Engine EM0 = ALL 5.9L 8 CYL ENGINES - GAS EMM = 5.9L SMPI V8 Engine EML = 5.9L V8 MPI Engine ELF = 5.2L V8 MPI Engine	DGP = 4-Spd. Automatic 47RE Transmission DD0 = ALL 5 SPEED MANUAL TRANSMISSIONS DG0 = ALL AUTOMATIC TRANSMISSIONS DDC = 5-Speed HD Manual Transmission DDP = 5-Speed Manual Transmission DDX = 5-Speed HD Manual Transmission DEE = 6-Speed HD Manual Transmission DGT = 4-Spd. Automatic 46RE Transmission

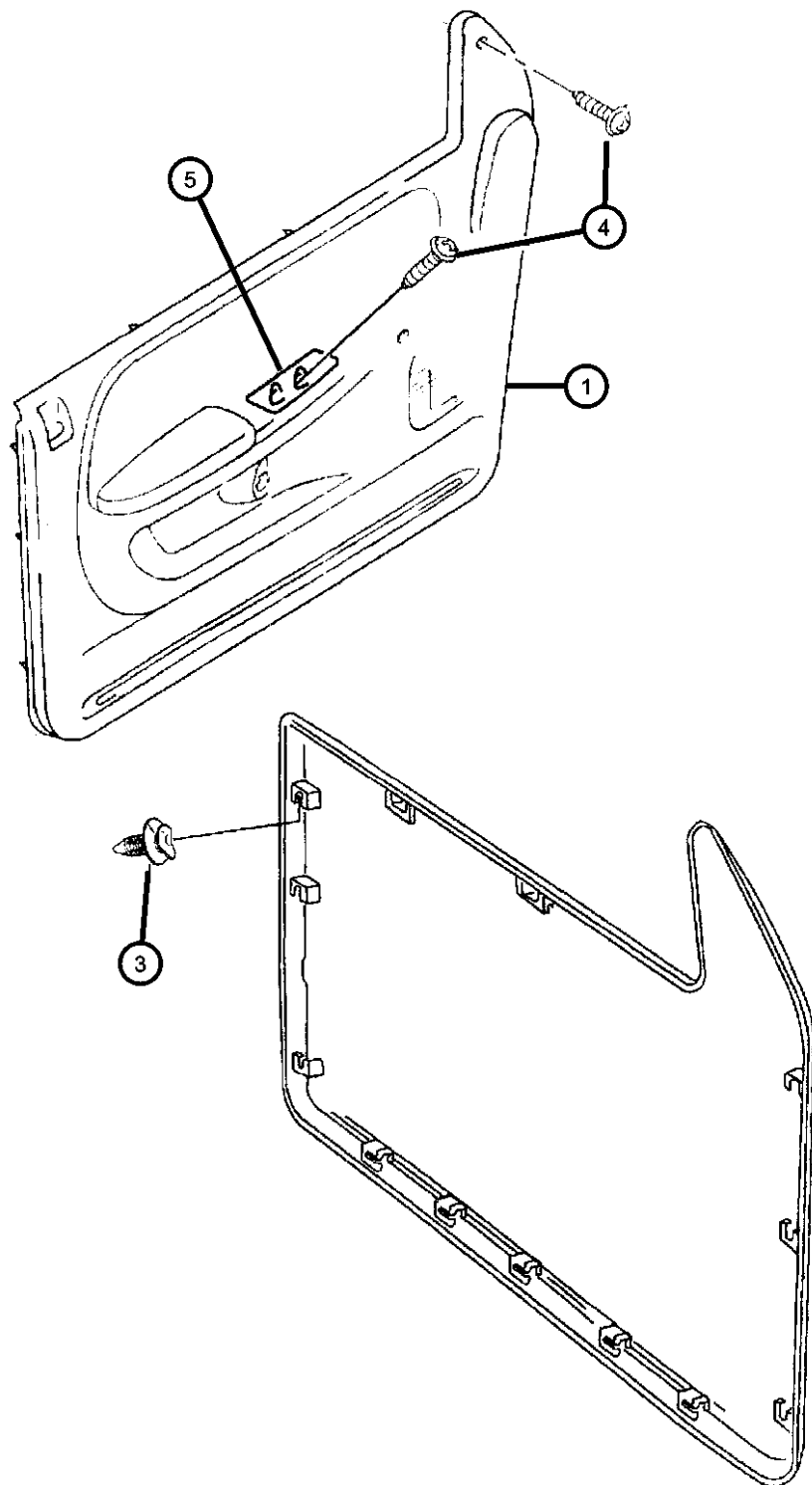
AR = use ase required - = Non illustrated part

1999 BE

**Front Door Trim Panels
Figure IBE-410**

ITEM	PART NUMBER	QTY	LINE	SERIES	BODY	ENGINE	TRANS	TRIM	DESCRIPTION
------	-------------	-----	------	--------	------	--------	-------	------	-------------

NOTE: When replacing Door Trim Panel installer must replace X-mas tree style pin 6505878AA.
NOTE: SALES CODE: [ASP = SLT Decor or L.E. Decor]



1									PANEL, Door Trim Front
	0PL59LAZ	1	1, 2, 6, 7		31, 32			*00	Agate, (AZ), Without [SLT] Decor Group [ASP], With or Without Power Mirrors, Left
	0PL59TC3	1	1, 2, 6, 7		31, 32			*00	Mist Gray, (C3), Without [SLT] Decor Group [ASP], With or Without Power Mirrors, Left
	0PL68LAZ	1	1, 2, 6, 7		31, 32			*00	Agate, (AZ), Without [SLT] Decor Group [ASP], Right
	0PL68TC3	1	1, 2, 6, 7		31, 32			*00	Mist Gray, (C3), Without [SLT] Decor Group [ASP], Right
	0RH601C3AA	1	1, 2, 6, 7		31, 32			*00	Mist Gray, C3), With [SLT] Decor Group, [ASP], Without Leather, Right
	0RH601K9AA	1	1, 2, 6, 7		31, 32			*00	Camel, (K9)), With [SLT] Decor Group, [ASP], Without Leather, Right
	0RH60LAZAA	1	1, 2, 6, 7		31, 32			*00	Agate, (AZ), With [SLT] Decor Group, [ASP], Without Leather, Right
	0RH611C3AA	1	1, 2, 6, 7		31, 32			*00	Mist Gray, C3), With [SLT] Decor Group, [ASP], Without Leather, Left
	0RH611K9AA	1	1, 2, 6, 7		31, 32			*00	Camel, (K9)), With [SLT] Decor Group, [ASP], Without Leather, Left
	0RH61LAZAA	1	1, 2, 6, 7		31, 32			*00	Agate, (AZ), With [SLT] Decor Group, [ASP], Without Leather, Left
	0RH68LAZAA	1			33, 34			*00	Agate, (AZ), Without [SLT] Decor Group, [ASP], Right
	0RH68RC3AA	1			33, 34			*00	Mist Gray, (C3), Without [SLT] Decor Group, [ASP], Right
	0RH69LAZAA	1			33, 34			*00	Agate, (AZ), Without [SLT] Decor Group, [ASP], Left
	0RH69RC3AA	1			33, 34			*00	Mist Gray, (C3), Without [SLT] Decor Group, [ASP], Left

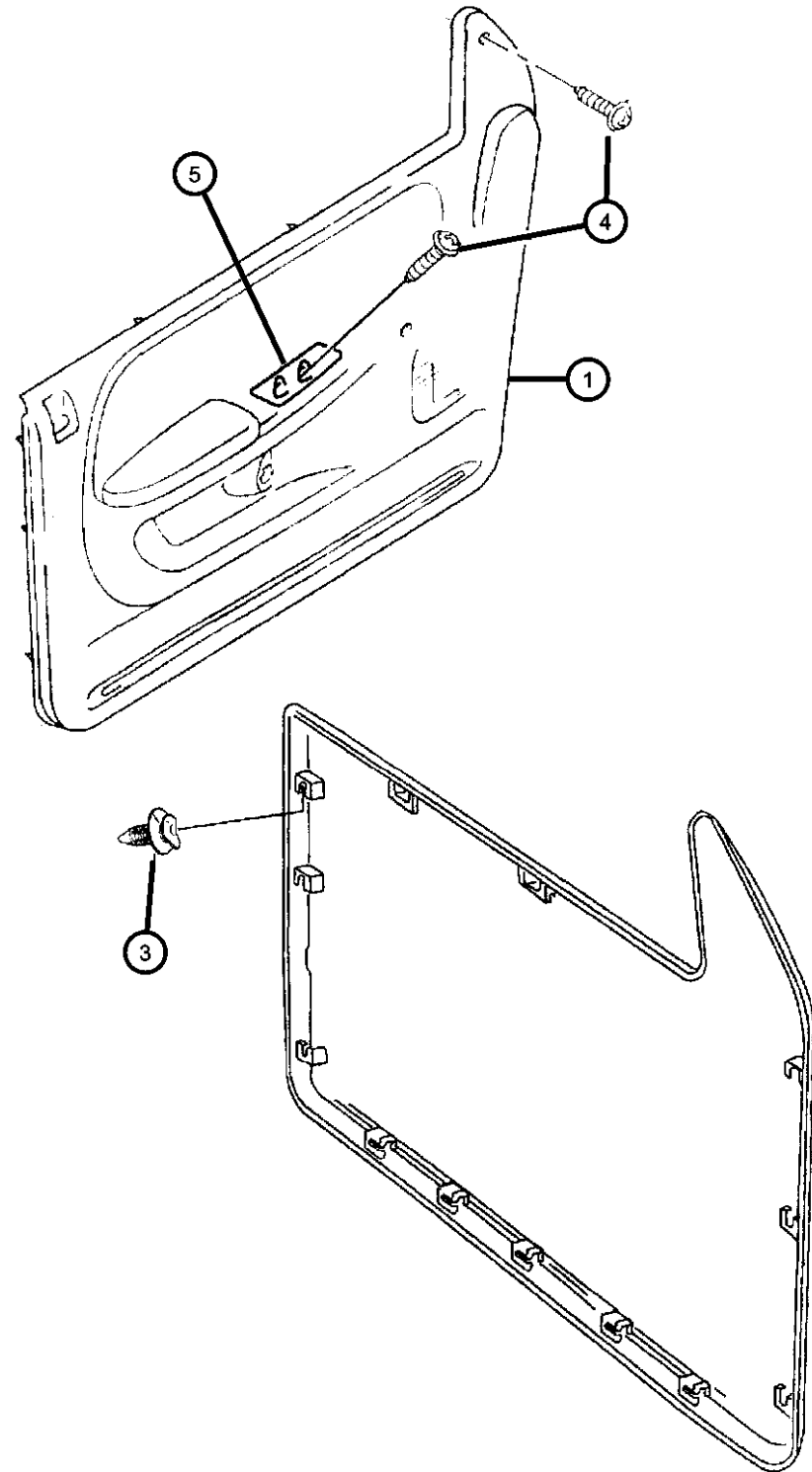
RAM PICKUP/CLUB CAB (BE)

SERIES	LINE	BODY	ENGINE	TRANSMISSION
L = RAM 1500, 2500, 3500	1 = Lt. Duty DODGE 2WD 2 = Med. Duty DODGE 2WD 3 = HD DODGE 2WD 6 = Lt. Duty DODGE 4WD 7 = Med. Duty DODGE 4WD 8 = HD DODGE 4WD	31 = CLUB CAB 2-DR 6.5 FT BOX 32 = CLUB CAB 2-DR 8FT BOX 33 = QUAD CAB 4-DR 6.5 FT BOX 34 = QUAD CAB 4-DR 8FT BOX	ETC = 5.9L Cummins 24V Diesel Engine EWA = 8.0L V10 MPI Engine EM0 = ALL 5.9L 8 CYL ENGINES - GAS EMM = 5.9L SMPI V8 Engine EML = 5.9L V8 MPI Engine ELF = 5.2L V8 MPI Engine	DGP = 4-Spd. Automatic 47RE Transmission DD0 = ALL 5 SPEED MANUAL TRANSMISSIONS DG0 = ALL AUTOMATIC TRANSMISSIONS DDC = 5-Speed HD Manual Transmission DDP = 5-Speed Manual Transmission DDX = 5-Speed HD Manual Transmission DEE = 6-Speed HD Manual Transmission DGT = 4-Spd. Automatic 46RE Transmission

AR = use ase required - = Non illustrated part

1999 BE

**Front Door Trim Panels
Figure IBE-410**



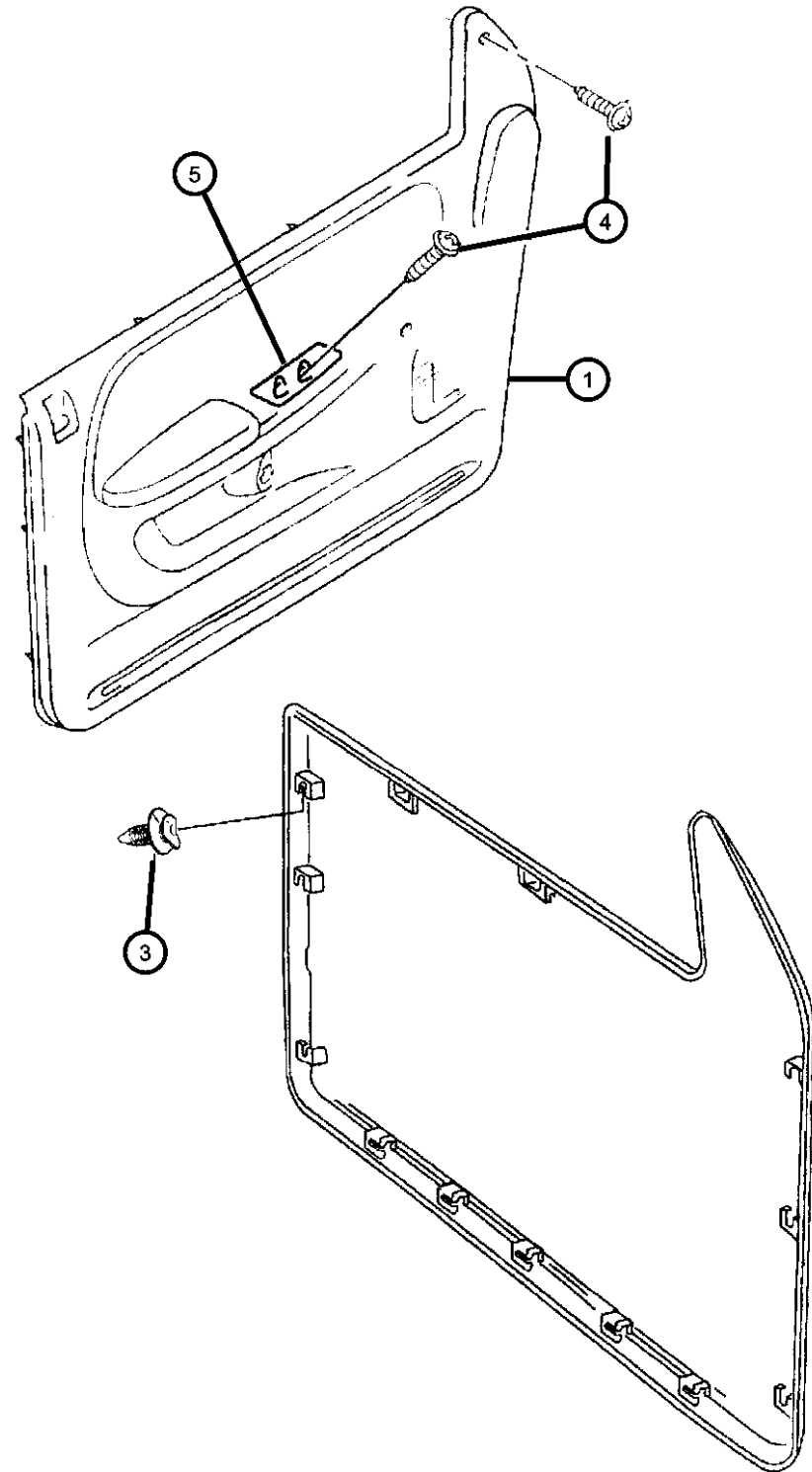
ITEM	PART NUMBER	QTY	LINE	SERIES	BODY	ENGINE	TRANS	TRIM	DESCRIPTION
	0RH701C3AA	1			33, 34			*00	Mist Gray, C3), With [SLT] Decor Group, [ASP], Without Leather, Right
	0RH701K9AA	1			33, 34			*00	Camel, (K9), With [SLT] Decor Group, [ASP], Without Leather, Right
	0RH70LAZAA	1			33, 34			*00	Agate, (AZ), With [SLT] Decor Group, [ASP], Without Leather, Right
	0RH711C3AA	1			33, 34			*00	Mist Gray, C3), With [SLT] Decor Group, [ASP], Without Leather, Left
	0RH711K9AA	1			33, 34			*00	Camel, (K9), With [SLT] Decor Group, [ASP], Without Leather, Left
	0RH71LAZAA	1			33, 34			*00	Agate, (AZ), With [SLT] Decor Group, [ASP], Without Leather, Left
	0RH721AZAA	1			33, 34			*00	Agate, (AZ), With [SLT] Decor Group, [ASP], With Leather, Right
	0RH721K9AA	1			33, 34			*00	Camel, (K9)), With [SLT] Decor Group, [ASP], With Leather, Right
	0RH731AZAA	1			33, 34			*00	Agate, (AZ), With [SLT] Decor Group, [ASP], With Leather, Left
	0RH731K9AA	1			33, 34			*00	Camel, (K9)), With [SLT] Decor Group, [ASP], With Leather, Left
	0RZ681AZAA	1	1, 2, 6, 7		31, 32			*00	Agate, (AZ), With [SLT] Decor Group, [ASP], With Leather, Right
	0RZ681K9AA	1	1, 2, 6, 7		31, 32			*00	Camel, (K9)), With [SLT] Decor Group, [ASP], With Leather, Right
	0RZ691AZAA	1	1, 2, 6, 7		31, 32			*00	Agate, (AZ), With [SLT] Decor Group, [ASP], With Leather, Left
	0RZ691K9AA	1	1, 2, 6, 7		31, 32			*00	Camel, (K9)), With [SLT] Decor Group, [ASP], With Leather, Left

RAM PICKUP/CLUB CAB (BE)

SERIES	LINE	BODY	ENGINE	TRANSMISSION
L = RAM 1500, 2500, 3500	1 = Lt. Duty DODGE 2WD 2 = Med. Duty DODGE 2WD 3 = HD DODGE 2WD 6 = Lt. Duty DODGE 4WD 7 = Med. Duty DODGE 4WD 8 = HD DODGE 4WD	31 = CLUB CAB 2-DR 6.5 FT BOX 32 = CLUB CAB 2-DR 8FT BOX 33 = QUAD CAB 4-DR 6.5 FT BOX 34 = QUAD CAB 4-DR 8FT BOX	ETC = 5.9L Cummins 24V Diesel Engine EWA = 8.0L V10 MPI Engine EM0 = ALL 5.9L 8 CYL ENGINES - GAS EMM = 5.9L SMPI V8 Engine EML = 5.9L V8 MPI Engine ELF = 5.2L V8 MPI Engine	DGP = 4-Spd. Automatic 47RE Transmission DD0 = ALL 5 SPEED MANUAL TRANSMISSIONS DG0 = ALL AUTOMATIC TRANSMISSIONS DDC = 5-Speed HD Manual Transmission DDP = 5-Speed Manual Transmission DDX = 5-Speed HD Manual Transmission DEE = 6-Speed HD Manual Transmission DGT = 4-Spd. Automatic 46RE Transmission

AR = use ase required - = Non illustrated part

**Front Door Trim Panels
Figure IBE-410**



ITEM	PART NUMBER	QTY	LINE	SERIES	BODY	ENGINE	TRANS	TRIM	DESCRIPTION
-2	OKM64TC3	1			33, 34			*00	PLUG, Mirror Switch, Without Power Mirror, [AZ, C3] PIN, Door Panel
3	06505878AA	13			33, 34			*00	
		10	1, 2, 6, 7		31, 32			*00	
4		10							SCREW, .164-18x1.00, (NOT SERVICED)
5									PULL CUP, Front Door Trim Panel
	04741402	1	1, 2, 6, 7		31, 32			*00	Without L.E. Decor Group, Right
	04741403	1	1, 2, 6, 7		31, 32			*00	Without L.E. Decor Group, Left
	04741404	1	1, 2, 6, 7		31, 32			*00	With L.E. Decor Group, Right
	04741405	1	1, 2, 6, 7		31, 32			*00	With L.E. Decor Group, Left
	55350342	1			33, 34			*00	With L.E. Decor Group, Right
	55350343	1			33, 34			*00	With L.E. Decor Group, Left
	55350756AA	1			33, 34			*00	Without L.E. Decor Group, Right
	55350757AA	1			33, 34			*00	Without L.E. Decor Group, Left

RAM PICKUP/CLUB CAB (BE)

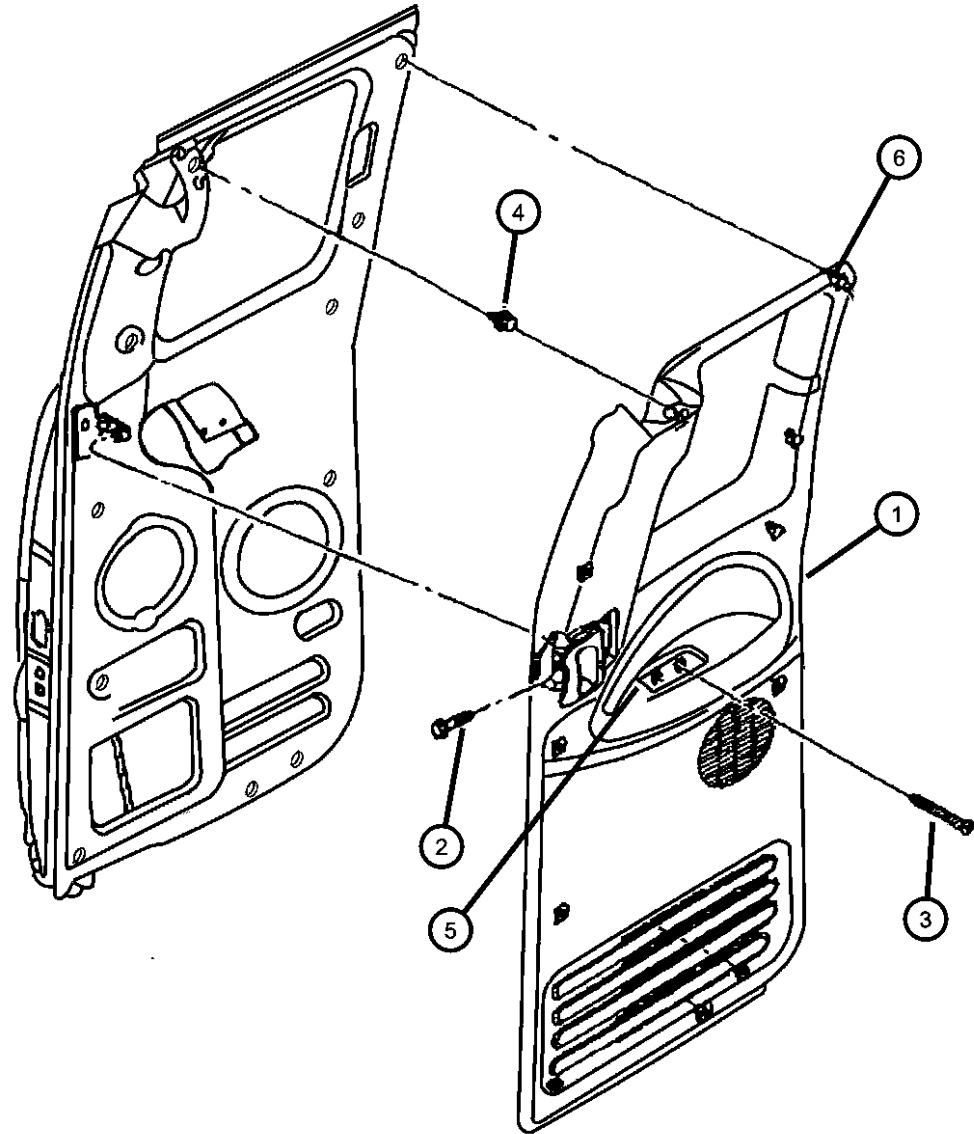
SERIES	LINE	BODY	ENGINE	TRANSMISSION
L = RAM 1500, 2500, 3500	1 = Lt. Duty DODGE 2WD 2 = Med. Duty DODGE 2WD 3 = HD DODGE 2WD 6 = Lt. Duty DODGE 4WD 7 = Med. Duty DODGE 4WD 8 = HD DODGE 4WD	31 = CLUB CAB 2-DR 6.5 FT BOX 32 = CLUB CAB 2-DR 8FT BOX 33 = QUAD CAB 4-DR 6.5 FT BOX 34 = QUAD CAB 4-DR 8FT BOX	ETC = 5.9L Cummins 24V Diesel Engine EWA = 8.0L V10 MPI Engine EM0 = ALL 5.9L 8 CYL ENGINES - GAS EMM = 5.9L SMPI V8 Engine EML = 5.9L V8 MPI Engine ELF = 5.2L V8 MPI Engine	DGP = 4-Spd. Automatic 47RE Transmission DD0 = ALL 5 SPEED MANUAL TRANSMISSIONS DG0 = ALL AUTOMATIC TRANSMISSIONS DDC = 5-Speed HD Manual Transmission DDP = 5-Speed Manual Transmission DDX = 5-Speed HD Manual Transmission DEE = 6-Speed HD Manual Transmission DGT = 4-Spd. Automatic 46RE Transmission

AR = use ase required - = Non illustrated part

**Rear Door Trim Panel
Figure IBE-420**

ITEM	PART NUMBER	QTY	LINE	SERIES	BODY	ENGINE	TRANS	TRIM	DESCRIPTION
------	-------------	-----	------	--------	------	--------	-------	------	-------------

NOTE; When replacing Door Trim Panel installer must replace X-mas tree style pin 6505878AA.



1									PANEL, Rear Door Trim
	5EV54LAZAB	1			33, 34			*00	[AZ], Right
	5EV54RC3AB	1			33, 34			*00	[C3], Right
	5EV54RK5AB	1			33, 34			*00	[K9], Right
	5EV55LAZAB	1			33, 34			*00	[AZ], Left
	5EV55RC3AB	1			33, 34			*00	[C3], Left
	5EV55RK5AB	1			33, 34			*00	[K9], Left
2	06035372	2			33, 34				SCREW, Pan Head Tapping, M6.3x1.8x22.23
3	06035372	2							SCREW, .164-18x1.00, (NOT SERVICED)
4	06503709	1			33, 34			*00	PIN, Door Panel
5	55350344	1			33, 34			*00	CUP, Door Pull
6	55214846	2						*00	CLIP, Trim Panel

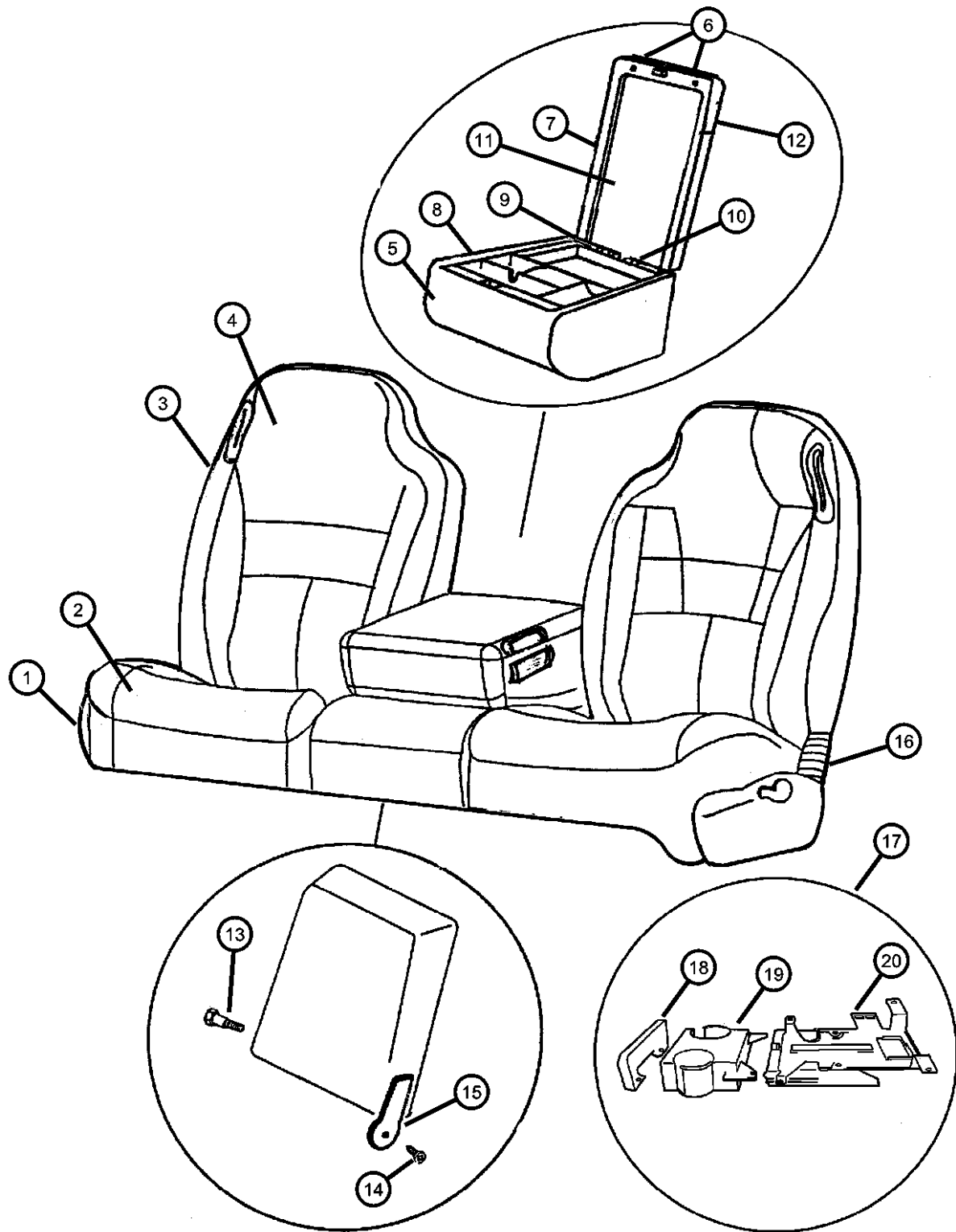
RAM PICKUP/CLUB CAB (BE)

SERIES	LINE	BODY	ENGINE	TRANSMISSION
L = RAM 1500, 2500, 3500	1 = Lt. Duty DODGE 2WD 2 = Med. Duty DODGE 2WD 3 = HD DODGE 2WD 6 = Lt. Duty DODGE 4WD 7 = Med. Duty DODGE 4WD 8 = HD DODGE 4WD	31 = CLUB CAB 2-DR 6.5 FT BOX 32 = CLUB CAB 2-DR 8FT BOX 33 = QUAD CAB 4-DR 6.5 FT BOX 34 = QUAD CAB 4-DR 8FT BOX	ETC = 5.9L Cummins 24V Diesel Engine EWA = 8.0L V10 MPI Engine EM0 = ALL 5.9L 8 CYL ENGINES - GAS EMM = 5.9L SMPI V8 Engine EML = 5.9L V8 MPI Engine ELF = 5.2L V8 MPI Engine	DGP = 4-Spd. Automatic 47RE Transmission DD0 = ALL 5 SPEED MANUAL TRANSMISSIONS DG0 = ALL AUTOMATIC TRANSMISSIONS DDC = 5-Speed HD Manual Transmission DDP = 5-Speed Manual Transmission DDX = 5-Speed HD Manual Transmission DEE = 6-Speed HD Manual Transmission DGT = 4-Spd. Automatic 46RE Transmission

AR = use ase required - = Non illustrated part

1999 BE

Seat, Front, Trim Code DP
Figure IBE-510



ITEM	PART NUMBER	QTY	LINE	SERIES	BODY	ENGINE	TRANS	TRIM	DESCRIPTION
------	-------------	-----	------	--------	------	--------	-------	------	-------------

Trim Code DPAZ = Agate
Trim Code DPK9 = Camel

1									CUSHION, Front Seat
	OSP121AZAA	1			33, 34			*DP	Agate, (AZ), Center
		1	1, 2, 6, 7		31, 32			*DP	Agate, (AZ), Center
	OSP121K5AA	1			33, 34			*DP	Tan, (K9), Center
		1	1, 2, 6, 7		31, 32			*DP	Tan, (K9), Center
	OSP141AZAA	1			31, 32			*DP	Agate, (AZ), Right
		1			33, 34			*DP	Agate, (AZ), Right
	OSP141K5AA	1			31, 32			*DP	Tan, (K9), Right
		1			33, 34			*DP	Tan, (K9), Right
	OSP151AZAA	1			33, 34			*DP	Agate, (AZ), Left
		1	1, 2, 6, 7		31, 32			*DP	Agate, (AZ), Left
	OSP151K5AA	1			33, 34			*DP	Tan, (K9), Left
		1	1, 2, 6, 7		31, 32			*DP	Tan, (K9), Left
2									COVER, Front Seat Cushion
	OSP001AZAA	1			33, 34			*DP	Agate, (AZ), Right
		1	1, 2, 6, 7		31, 32			*DP	Agate, (AZ), Right
	OSP001K5AA	1			33, 34			*DP	Tan, (K9), Right
		1	1, 2, 6, 7		31, 32			*DP	Tan, (K9), Right
	OSP011AZAA	1			33, 34			*DP	Agate, (AZ), Left
		1	1, 2, 6, 7		31, 32			*DP	Agate, (AZ), Left
	OSP011K5AA	1			33, 34			*DP	Tan, (K9), Left
		1	1, 2, 6, 7		31, 32			*DP	Tan, (K9), Left
	OSP571AZAA	1			31, 32			*DP	Agate, (AZ), Center
		1			33, 34			*DP	Agate, (AZ), Center
	OSP571K5AA	1			33, 34			*DP	Tan, (K9), Center
		1	1, 2, 6, 7		31, 32			*DP	Tan, (K9), Center
3									SEAT BACK, Front

RAM PICKUP/CLUB CAB (BE)

SERIES	LINE
L = RAM 1500, 2500, 3500	1 = Lt. Duty DODGE 2WD
	2 = Med. Duty DODGE 2WD
	3 = HD DODGE 2WD
	6 = Lt. Duty DODGE 4WD
	7 = Med. Duty DODGE 4WD
	8 = HD DODGE 4WD

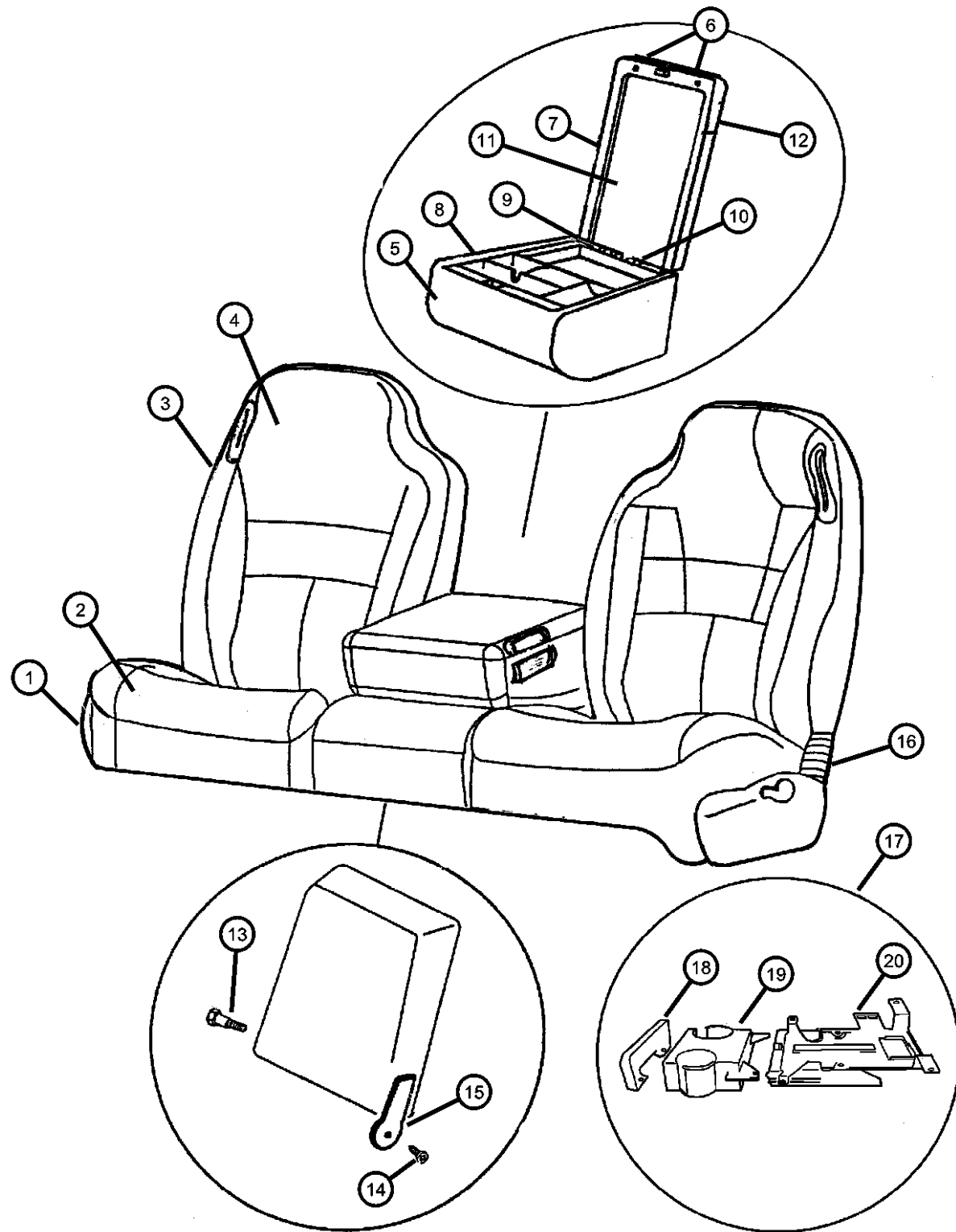
BODY	ENGINE
31 = CLUB CAB 2-DR 6.5 FT BOX	ETC = 5.9L Cummins 24V Diesel Engine
32 = CLUB CAB 2-DR 8FT BOX	EWA = 8.0L V10 MPI Engine
33 = QUAD CAB 4-DR 6.5 FT BOX	EM0 = ALL 5.9L 8 CYL ENGINES - GAS
34 = QUAD CAB 4-DR 8FT BOX	EMM = 5.9L SMPI V8 Engine
	EML = 5.9L V8 MPI Engine
	ELF = 5.2L V8 MPI Engine

TRANSMISSION
DGP = 4-Spd. Automatic 47RE Transmission
DD0 = ALL 5 SPEED MANUAL TRANSMISSIONS
DG0 = ALL AUTOMATIC TRANSMISSIONS
DDC = 5-Speed HD Manual Transmission
DDP = 5-Speed Manual Transmission
DDX = 5-Speed HD Manual Transmission
DEE = 6-Speed HD Manual Transmission
DGT = 4-Spd. Automatic 46RE Transmission

AR = use ase required - = Non illustrated part

1999 BE

Seat, Front, Trim Code DP
Figure IBE-510



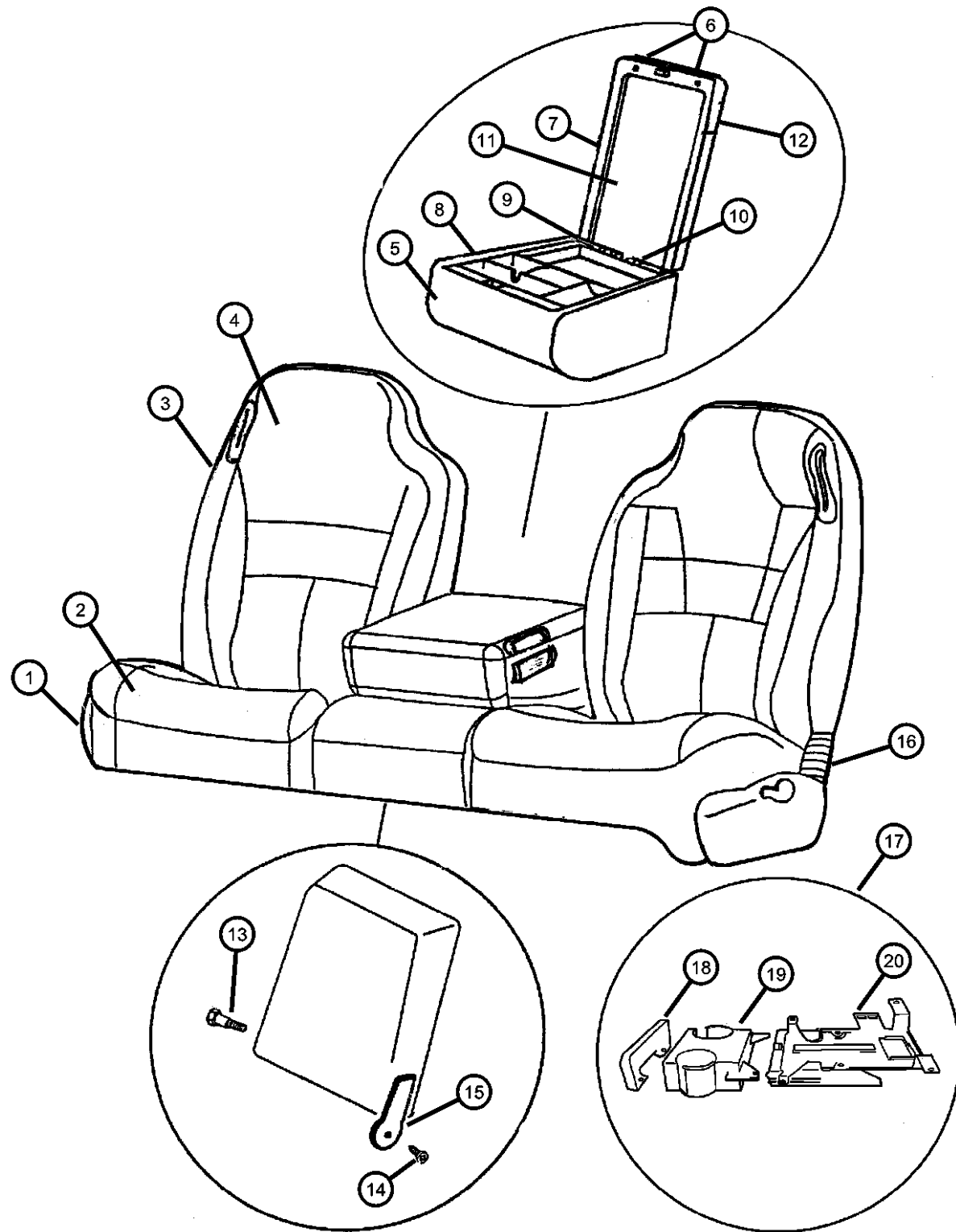
ITEM	PART NUMBER	QTY	LINE	SERIES	BODY	ENGINE	TRANS	TRIM	DESCRIPTION
	OSP061AZAA	1			33, 34			*DP	Agate, (AZ), Right
	OSP061K5AA	1			33, 34			*DP	Tan, (K9), Right
	OSP071AZAA	1			33, 34			*DP	Agate, (AZ), Left
	OSP071K5AA	1			33, 34			*DP	Tan, (K9), Left
	OSP101AZAA	1	1, 2, 6, 7		31, 32			*DP	Agate, (AZ), Right
	OSP101K5AA	1	1, 2, 6, 7		31, 32			*DP	Tan, (K9), Right
	OSP111AZAA	1	1, 2, 6, 7		31, 32			*DP	Agate, (AZ), Left
	OSP111K5AA	1	1, 2, 6, 7		31, 32			*DP	Tan, (K9), Left
4									COVER, Front Seat Back
	OSP581AZAA	1			33, 34			*DP	Agate, (AZ), Right
	OSP581K5AA	1	1, 2, 6, 7		31, 32			*DP	Agate, (AZ), Right
	OSP591AZAA	1	1, 2, 6, 7		31, 32			*DP	Tan, (K9), Right
	OSP591K5AA	1	1, 2, 6, 7		31, 32			*DP	Tan, (K9), Right
	OSP591AZAA	1			33, 34			*DP	Agate, (AZ), Left
	OSP591K5AA	1	1, 2, 6, 7		31, 32			*DP	Agate, (AZ), Left
	OSP591K5AA	1			33, 34			*DP	Tan, (K9), Left
	OSP591K5AA	1	1, 2, 6, 7		31, 32			*DP	Tan, (K9), Left
5									BASE, Armrest
	OSS381AZAA	1			33, 34			*DP	Agate, (AZ)
	OSS381K5AA	1	1, 2, 6, 7		31, 32			*DP	Agate, (AZ)
	OSS381K5AA	1	1, 2, 6, 7		31, 32			*DP	Tan, (K9)
	OSS381K5AA	1			33, 34			*DP	Tan, (K9)
6									LID, Armrest Bin
	OSS231AZAA	1			33, 34			*DP	Agate, (AZ)
	OSS231K5AA	1	1, 2, 6, 7		31, 32			*DP	Agate, (AZ)
	OSS231K5AA	1			33, 34			*DP	Tan, (K9)
	OSS231K5AA	1	1, 2, 6, 7		31, 32			*DP	Tan, (K9)
7									BEZEL, Armrest, Lid

RAM PICKUP/CLUB CAB (BE)

SERIES	LINE	BODY	ENGINE	TRANSMISSION
L = RAM 1500, 2500, 3500	1 = Lt. Duty DODGE 2WD	31 = CLUB CAB 2-DR 6.5 FT BOX	ETC = 5.9L Cummins 24V Diesel Engine	DGP = 4-Spd. Automatic 47RE Transmission
	2 = Med. Duty DODGE 2WD	32 = CLUB CAB 2-DR 8FT BOX	EWA = 8.0L V10 MPI Engine	DD0 = ALL 5 SPEED MANUAL TRANSMISSIONS
	3 = HD DODGE 2WD	33 = QUAD CAB 4-DR 6.5 FT BOX	EM0 = ALL 5.9L 8 CYL ENGINES - GAS	DG0 = ALL AUTOMATIC TRANSMISSIONS
	6 = Lt. Duty DODGE 4WD	34 = QUAD CAB 4-DR 8FT BOX	EMM = 5.9L SMPI V8 Engine	DDC = 5-Speed HD Manual Transmission
	7 = Med. Duty DODGE 4WD		EML = 5.9L V8 MPI Engine	DDP = 5-Speed Manual Transmission
	8 = HD DODGE 4WD		ELF = 5.2L V8 MPI Engine	DDX = 5-Speed HD Manual Transmission
				DEE = 6-Speed HD Manual Transmission
				DGT = 4-Spd. Automatic 46RE Transmission

AR = use ase required - = Non illustrated part

Seat, Front, Trim Code DP
Figure IBE-510



ITEM	PART NUMBER	QTY	LINE	SERIES	BODY	ENGINE	TRANS	TRIM	DESCRIPTION
	04778673	1	1, 2, 6, 7		31, 32			*DP	
		1			33, 34			*DP	
8	05278455AA	1	1, 2, 6, 7		31, 32			*DP	BEZEL, Armrest, Bin
		1			33, 34			*DP	
9	04773684	1	1, 2, 6, 7		31, 32			*DP	PIN, Armrest Lid Hinge
		1			33, 34			*DP	
10	04773685	1	1, 2, 6, 7		31, 32			*DP	SPRING, Armrest Lid Hinge
		1			33, 34			*DP	
11	05278456AA	1	1, 2, 6, 7		31, 32			*DP	LINER, Armrest Lid
		1			33, 34			*DP	
12	04797715	1	1, 2, 6, 7		31, 32			*DP	BEZEL, Armrest
		1			33, 34			*DP	
13	04773507	1	1, 2, 6, 7		31, 32			*DP	BOLT, Armrest Pivot
		1			33, 34			*DP	
14		1							SCREW, (NOT SERVICED)
15	04773418	1	1, 2, 6, 7		31, 32			*DP	COVER, Bracket
		1			33, 34			*DP	Right
	04773419	1	1, 2, 6, 7		31, 32			*DP	Right
		1			33, 34			*DP	Left
		1			33, 34			*DP	Left
16	05010197AA	1	1, 2, 6, 7		31, 32			*DP	BELLOWS, Seat Mechanism

RAM PICKUP/CLUB CAB (BE)

SERIES LINE
L = RAM 1500, 2500, 3500
1 = Lt. Duty DODGE 2WD
2 = Med. Duty DODGE 2WD
3 = HD DODGE 2WD
6 = Lt. Duty DODGE 4WD
7 = Med. Duty DODGE 4WD
8 = HD DODGE 4WD

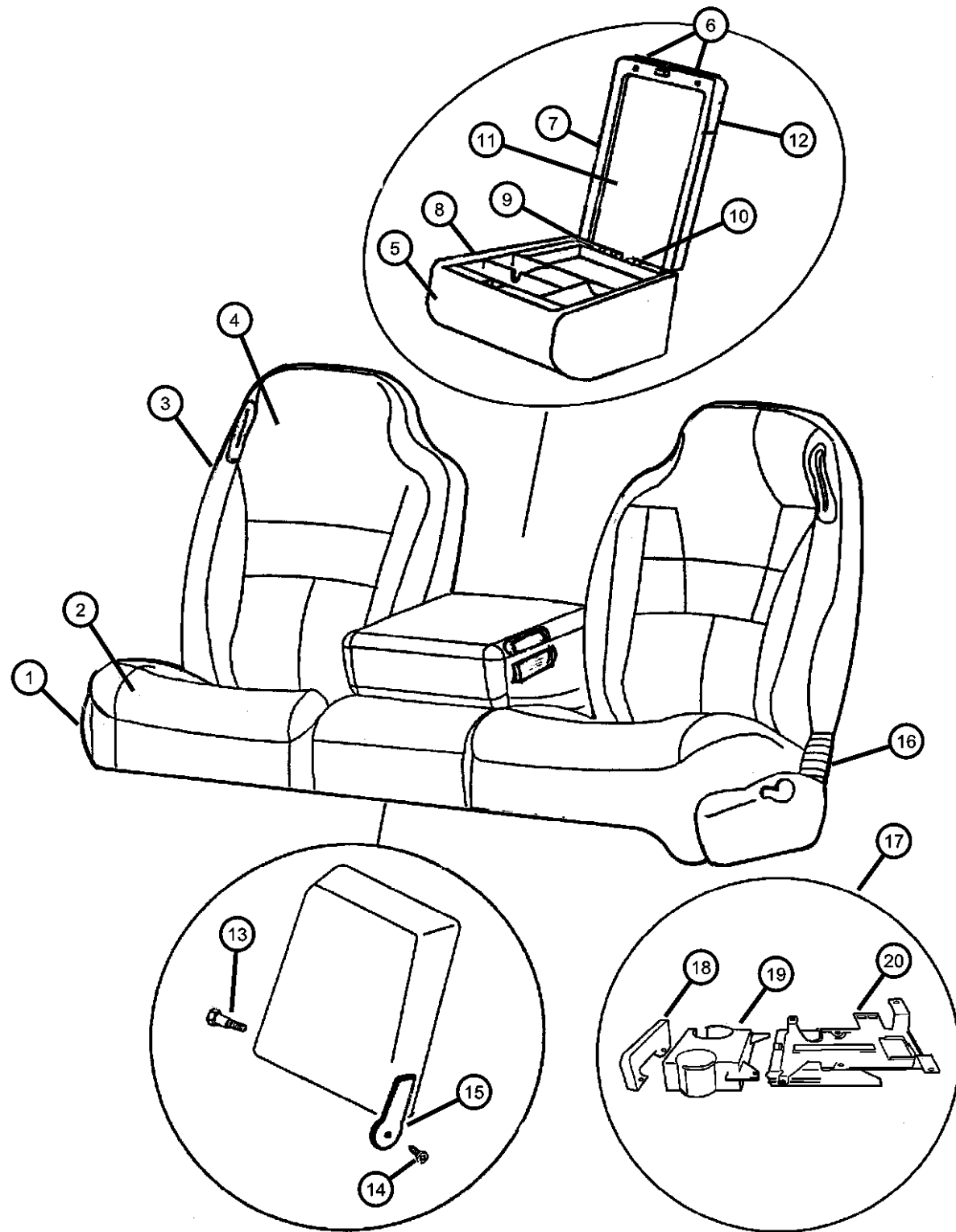
BODY
31 = CLUB CAB 2-DR 6.5 FT BOX
32 = CLUB CAB 2-DR 8FT BOX
33 = QUAD CAB 4-DR 6.5 FT BOX
34 = QUAD CAB 4-DR 8FT BOX
ENGINE
ETC = 5.9L Cummins 24V Diesel Engine
EWA = 8.0L V10 MPI Engine
EM0 = ALL 5.9L 8 CYL ENGINES - GAS
EMM = 5.9L SMPI V8 Engine
EML = 5.9L V8 MPI Engine
ELF = 5.2L V8 MPI Engine

TRANSMISSION
DGP = 4-Spd. Automatic 47RE Transmission
DD0 = ALL 5 SPEED MANUAL TRANSMISSIONS
DG0 = ALL AUTOMATIC TRANSMISSIONS
DDC = 5-Speed HD Manual Transmission
DDP = 5-Speed Manual Transmission
DDX = 5-Speed HD Manual Transmission
DEE = 6-Speed HD Manual Transmission
DGT = 4-Spd. Automatic 46RE Transmission

AR = use ase required - = Non illustrated part

1999 BE

Seat, Front, Trim Code DP
Figure IBE-510



ITEM	PART NUMBER	QTY	LINE	SERIES	BODY	ENGINE	TRANS	TRIM	DESCRIPTION
17		1			33, 34			*DP	CUPHOLDER
	04883916AA	1	1, 2, 6, 7		31, 32			*DP	
		1			33, 34			*DP	
18		1			31, 32			*DP	FACE PLATE, Cupholder
	05015994AA	1	1, 2, 6, 7		31, 32			*DP	
		1			33, 34			*DP	
19		1			31, 32			*DP	DRAWER, Cupholder
	05003198AA	1	1, 2, 6, 7		31, 32			*DP	
		1			33, 34			*DP	
20		1			31, 32			*DP	HOUSING, Cup Holder
	05015995AA	1	1, 2, 6, 7		31, 32			*DP	
		1			33, 34			*DP	

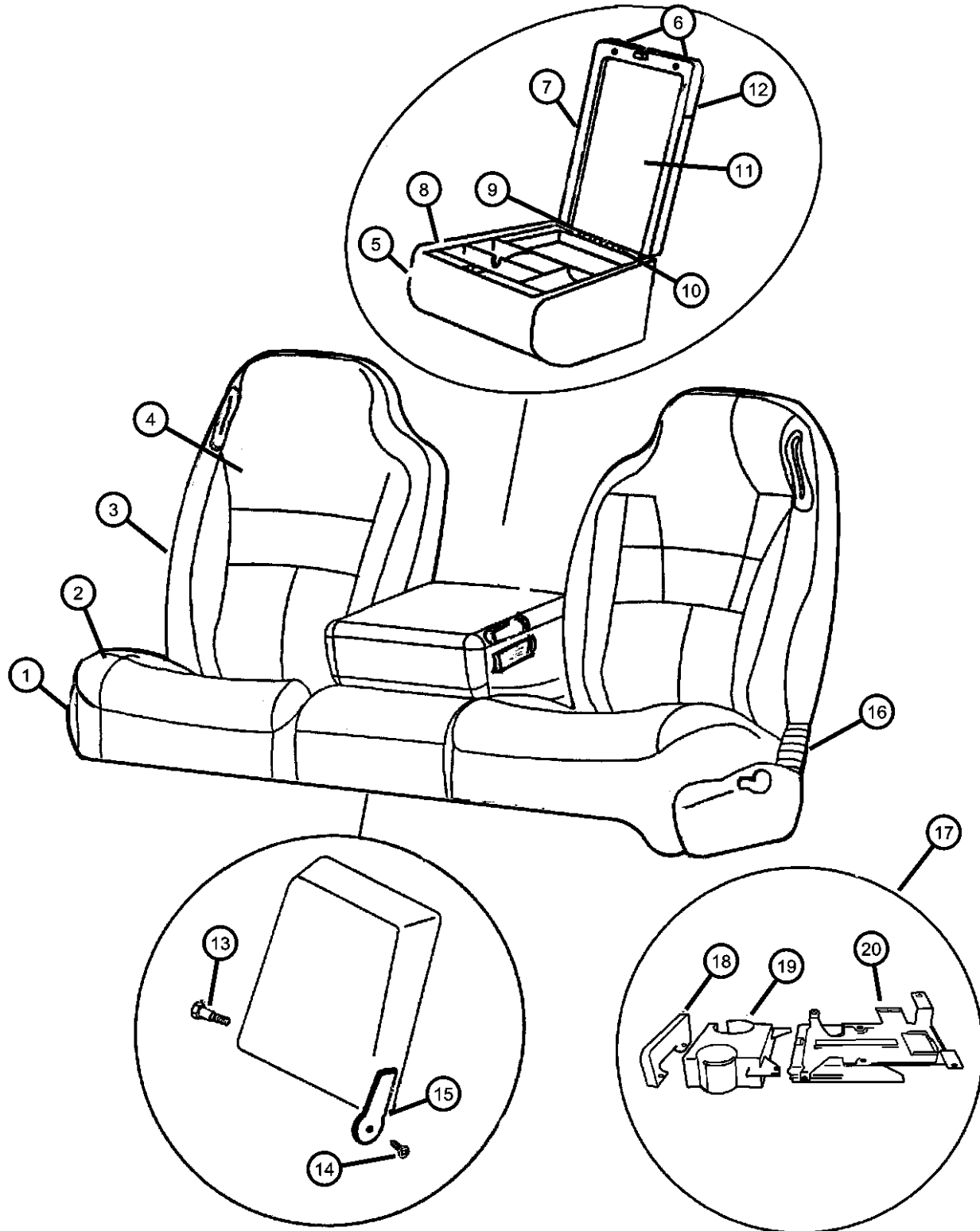
RAM PICKUP/CLUB CAB (BE)

SERIES	LINE	BODY	ENGINE	TRANSMISSION
L = RAM 1500, 2500, 3500	1 = Lt. Duty DODGE 2WD 2 = Med. Duty DODGE 2WD 3 = HD DODGE 2WD 6 = Lt. Duty DODGE 4WD 7 = Med. Duty DODGE 4WD 8 = HD DODGE 4WD	31 = CLUB CAB 2-DR 6.5 FT BOX 32 = CLUB CAB 2-DR 8FT BOX 33 = QUAD CAB 4-DR 6.5 FT BOX 34 = QUAD CAB 4-DR 8FT BOX	ETC = 5.9L Cummins 24V Diesel Engine EWA = 8.0L V10 MPI Engine EM0 = ALL 5.9L 8 CYL ENGINES - GAS EMM = 5.9L SMPI V8 Engine EML = 5.9L V8 MPI Engine ELF = 5.2L V8 MPI Engine	DGP = 4-Spd. Automatic 47RE Transmission DD0 = ALL 5 SPEED MANUAL TRANSMISSIONS DG0 = ALL AUTOMATIC TRANSMISSIONS DDC = 5-Speed HD Manual Transmission DDP = 5-Speed Manual Transmission DDX = 5-Speed HD Manual Transmission DEE = 6-Speed HD Manual Transmission DGT = 4-Spd. Automatic 46RE Transmission

AR = use ase required - = Non illustrated part

1999 BE

Seat, Front, Trim Code R1
Figure IBE-520



ITEM	PART NUMBER	QTY	LINE	SERIES	BODY	ENGINE	TRANS	TRIM	DESCRIPTION
------	-------------	-----	------	--------	------	--------	-------	------	-------------

Trim Code R1AZ = Agate
Trim Code R1C3 = Mist Gray
Trim Code R1K9 = Camel

1									CUSHION, Front Seat
	0SP641AZAA	1			33, 34			*R1	Agate, (AZ), Center
		1	1, 2, 6, 7		31, 32			*R1	Agate, (AZ), Center
	0SP641C3AA	1			33, 34			*R1	Mist Gray, (C3), Center
		1	1, 2, 6, 7		31, 32			*R1	Mist Gray, (C3), Center
	0SP641K5AA	1			33, 34			*R1	Tan, (K9), Center
		1	1, 2, 6, 7		31, 32			*R1	Tan, (K9), Center
	0SP661AZAA	1			33, 34			*R1	Agate, (AZ), Right
		1	1, 2, 6, 7		31, 32			*R1	Agate, (AZ), Right
	0SP661C3AA	1			33, 34			*R1	Mist Gray, (C3), Right
		1	1, 2, 6, 7		31, 32			*R1	Mist Gray, (C3), Right
	0SP661K5AA	1			33, 34			*R1	Tan, (K9), Right
		1	1, 2, 6, 7		31, 32			*R1	Tan, (K9), Right
	0SP671AZAA	1			31, 32			*R1	Agate, (AZ), Without Power, Left
		1			33, 34			*R1	Agate, (AZ), Without Power, Left
	0SP671C3AA	1			31, 32			*R1	Mist Gray, (C3), Without Power, Left
		1			33, 34			*R1	Mist Gray, (C3), Without Power, Left
	0SP671K5AA	1			31, 32			*R1	Tan, (K9), Without Power, Left
		1			33, 34			*R1	Tan, (K9), Without Power, Left
	0SP751AZAA	1			33, 34			*R1	Agate, (AZ), With Power, Left
		1	1, 2, 6, 7		31, 32			*R1	Agate, (AZ), With Power, Left
	0SP751C3AA	1			33, 34			*R1	Mist Gray, (C3), With Power, Left
		1	1, 2, 6, 7		31, 32			*R1	Mist Gray, (C3), With Power, Left
	0SP751K5AA	1			33, 34			*R1	Tan, (K9), With Power, Left
		1	1, 2, 6, 7		31, 32			*R1	Tan, (K9), With Power, Left

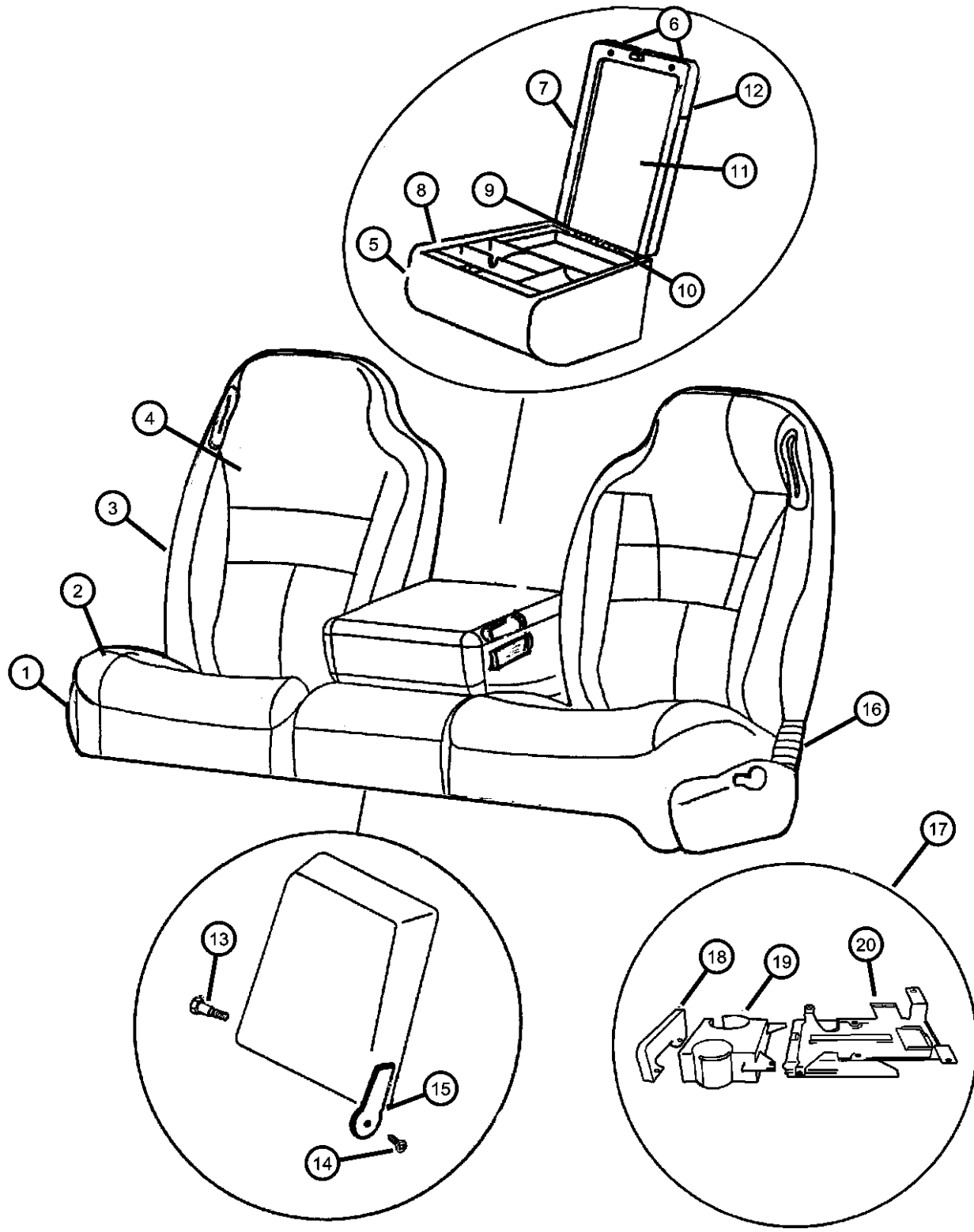
RAM PICKUP/CLUB CAB (BE)

SERIES	LINE	BODY	ENGINE	TRANSMISSION
L = RAM 1500, 2500, 3500	1 = Lt. Duty DODGE 2WD 2 = Med. Duty DODGE 2WD 3 = HD DODGE 2WD 6 = Lt. Duty DODGE 4WD 7 = Med. Duty DODGE 4WD 8 = HD DODGE 4WD	31 = CLUB CAB 2-DR 6.5 FT BOX 32 = CLUB CAB 2-DR 8FT BOX 33 = QUAD CAB 4-DR 6.5 FT BOX 34 = QUAD CAB 4-DR 8FT BOX	ETC = 5.9L Cummins 24V Diesel Engine EWA = 8.0L V10 MPI Engine EM0 = ALL 5.9L 8 CYL ENGINES - GAS EMM = 5.9L SMPI V8 Engine EML = 5.9L V8 MPI Engine ELF = 5.2L V8 MPI Engine	DGP = 4-Spd. Automatic 47RE Transmission DD0 = ALL 5 SPEED MANUAL TRANSMISSIONS DG0 = ALL AUTOMATIC TRANSMISSIONS DDC = 5-Speed HD Manual Transmission DDP = 5-Speed Manual Transmission DDX = 5-Speed HD Manual Transmission DEE = 6-Speed HD Manual Transmission DGT = 4-Spd. Automatic 46RE Transmission

AR = use ase required - = Non illustrated part

1999 BE

Seat, Front, Trim Code R1
Figure IBE-520



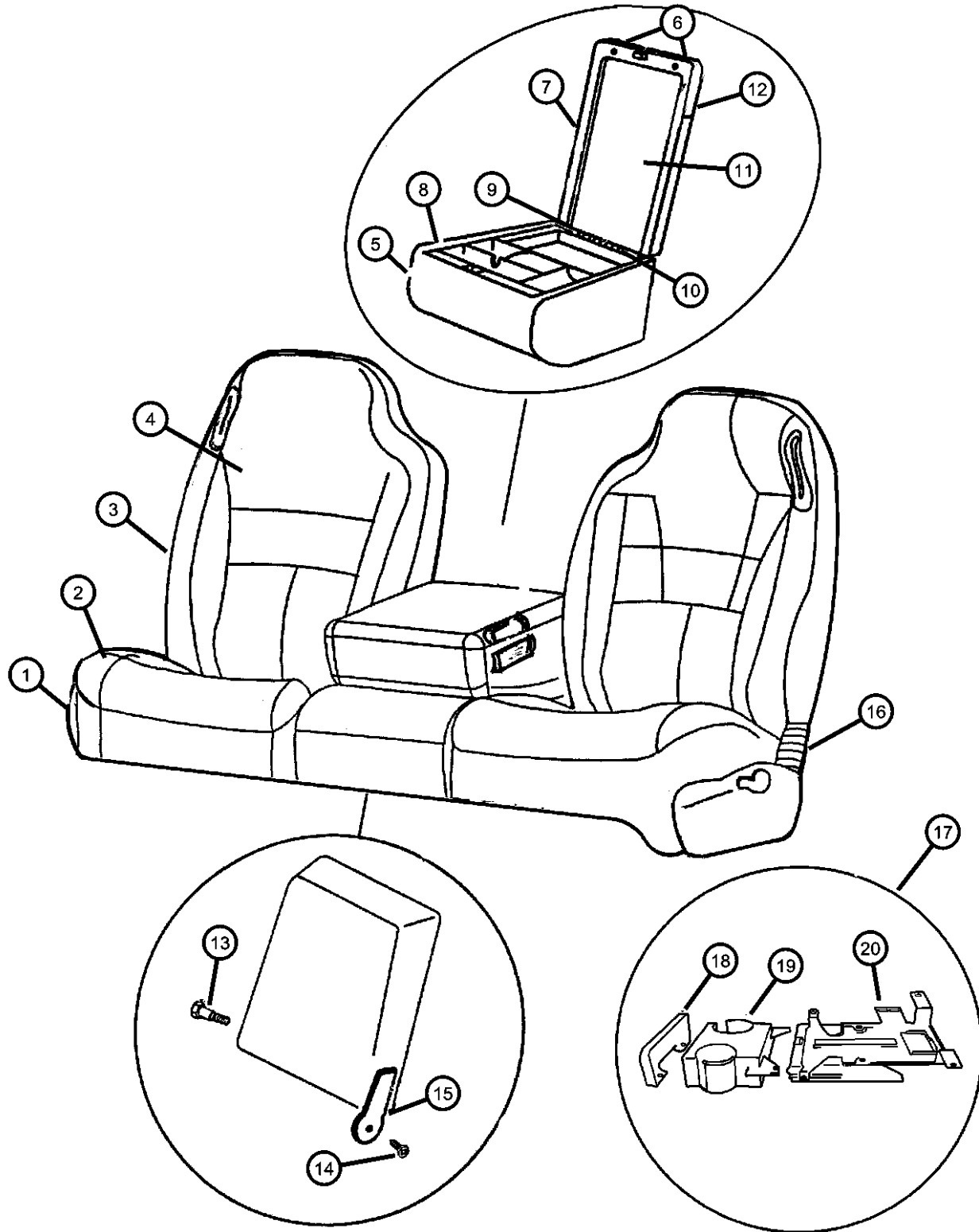
ITEM	PART NUMBER	QTY	LINE	SERIES	BODY	ENGINE	TRANS	TRIM	DESCRIPTION
2									COVER, Front Seat Cushion
	OSP041AZAA	1			33, 34			*R1	Agate, (AZ), Right
		1	1, 2, 6, 7		31, 32			*R1	Agate, (AZ), Right
	OSP041C3AA	1			33, 34			*R1	Mist Gray, (C3), Right
		1	1, 2, 6, 7		31, 32			*R1	Mist Gray, (C3), Right
	OSP041K5AA	1			33, 34			*R1	Tan, (K9), Right
		1	1, 2, 6, 7		31, 32			*R1	Tan, (K9), Right
	OSP051AZAA	1			33, 34			*R1	Agate, (AZ), Without Power, Left
		1	1, 2, 6, 7		31, 32			*R1	Agate, (AZ), Without Power, Left
	OSP051C3AA	1			33, 34			*R1	Mist Gray, (C3), Without Power, Left
		1	1, 2, 6, 7		31, 32			*R1	Mist Gray, (C3), Without Power, Left
	OSP051K5AA	1			33, 34			*R1	Mist Gray, (C3), Without Power, Left
		1	1, 2, 6, 7		31, 32			*R1	Tan, (K9), Without Power, Left
	OSP801AZAA	1			33, 34			*R1	Tan, (K9), Without Power, Left
		1	1, 2, 6, 7		33, 34			*R1	Agate, (AZ), Center
	OSP801C3AA	1			31, 32			*R1	Agate, (AZ), Center
		1	1, 2, 6, 7		33, 34			*R1	Mist Gray, (C3), Center
	OSP801K5AA	1			31, 32			*R1	Mist Gray, (C3), Center
		1	1, 2, 6, 7		31, 32			*R1	Tan, (K9), Center
	OSQ921AZAA	1			33, 34			*R1	Tan, (K9), Center
		1	1, 2, 6, 7		31, 32			*R1	Agate, (AZ), With Power, Left
	OSQ921C3AA	1			33, 34			*R1	Agate, (AZ), With Power, Left
		1	1, 2, 6, 7		31, 32			*R1	Mist Gray, (C3), With Power, Left
	OSQ921K5AA	1			31, 32			*R1	Mist Gray, (C3), With Power, Left
		1	1, 2, 6, 7		31, 32			*R1	Tan, (K9), With Power, Left
		1			33, 34			*R1	Tan, (K9), With Power, Left
3									SEAT BACK, Front
	OSP621AZAA	1			33, 34			*R1	Agate, (AZ), Right

RAM PICKUP/CLUB CAB (BE)

SERIES	LINE	BODY	ENGINE	TRANSMISSION
L = RAM 1500, 2500, 3500	1 = Lt. Duty DODGE 2WD	31 = CLUB CAB 2-DR 6.5 FT BOX	ETC = 5.9L Cummins 24V Diesel Engine	DGP = 4-Spd. Automatic 47RE Transmission
	2 = Med. Duty DODGE 2WD	32 = CLUB CAB 2-DR 8FT BOX	EWA = 8.0L V10 MPI Engine	DD0 = ALL 5 SPEED MANUAL TRANSMISSIONS
	3 = HD DODGE 2WD	33 = QUAD CAB 4-DR 6.5 FT BOX	EM0 = ALL 5.9L 8 CYL ENGINES - GAS	DG0 = ALL AUTOMATIC TRANSMISSIONS
	6 = Lt. Duty DODGE 4WD	34 = QUAD CAB 4-DR 8FT BOX	EMM = 5.9L SMPI V8 Engine	DDC = 5-Speed HD Manual Transmission
	7 = Med. Duty DODGE 4WD		EML = 5.9L V8 MPI Engine	DDP = 5-Speed Manual Transmission
	8 = HD DODGE 4WD		ELF = 5.2L V8 MPI Engine	DDX = 5-Speed HD Manual Transmission
				DEE = 6-Speed HD Manual Transmission
				DGT = 4-Spd. Automatic 46RE Transmission

AR = use ase required - = Non illustrated part

Seat, Front, Trim Code R1
Figure IBE-520



ITEM	PART NUMBER	QTY	LINE	SERIES	BODY	ENGINE	TRANS	TRIM	DESCRIPTION
	OSP621C3AA	1			33, 34			*R1	Mist Gray, (C3), Right
	OSP621K5AA	1			33, 34			*R1	Tan, (K9), Right
	OSP631AZAA	1	1, 2, 6, 7		31, 32			*R1	Agate, (AZ), Without Power, Left
	OSP631C3AA	1	1, 2, 6, 7		31, 32			*R1	Mist Gray, (C3), Without Power, Left
	OSP631K5AA	1	1, 2, 6, 7		31, 32			*R1	Tan, (K9), Without Power, Left
	OSP651AZAA	1	1, 2, 6, 7		31, 32			*R1	Agate, (AZ), With Power, Left
	OSP651C3AA	1	1, 2, 6, 7		31, 32			*R1	Mist Gray, (C3), With Power, Left
	OSP651K5AA	1	1, 2, 6, 7		31, 32			*R1	Tan, (K9), With Power, Left
	OSP731AZAA	1			33, 34			*R1	Agate, (AZ), Without Power, Left
	OSP731C3AA	1			33, 34			*R1	Mist Gray, (C3), Without Power, Left
	OSP731K5AA	1			33, 34			*R1	Tan, (K9), Without Power, Left
	OSP741AZAA	1	1, 2, 6, 7		31, 32			*R1	Agate, (AZ), Right
	OSP741C3AA	1	1, 2, 6, 7		31, 32			*R1	Mist Gray, (C3), Right
	OSP741K5AA	1	1, 2, 6, 7		31, 32			*R1	Tan, (K9), Right
	OSW931AZAA	1			33, 34			*R1	Agate, (AZ), With Power, Left
	OSW931C3AA	1			33, 34			*R1	Mist Gray, (C3), With Power, Left
	OSW931K5AA	1			33, 34			*R1	Tan, (K9), With Power, Left
4									COVER, Front Seat Back
	OSP781AZAA	1			33, 34			*R1	Agate, (AZ), Right
		1	1, 2, 6, 7		31, 32			*R1	Agate, (AZ), Right
	OSP781C3AA	1			33, 34			*R1	Mist Gray, (C3), Right
		1	1, 2, 6, 7		31, 32			*R1	Mist Gray, (C3), Right
	OSP781K5AA	1			33, 34			*R1	Tan, (K9), Right
		1	1, 2, 6, 7		31, 32			*R1	Tan, (K9), Right
	OSP791AZAA	1	1, 2, 6, 7		31, 32			*R1	Agate, (AZ), Left
		1			33, 34			*R1	Agate, (AZ), Left
	OSP791C3AA	1			33, 34			*R1	Mist Gray, (C3), Left

RAM PICKUP/CLUB CAB (BE)

SERIES	LINE
L = RAM 1500, 2500, 3500	1 = Lt. Duty DODGE 2WD
	2 = Med. Duty DODGE 2WD
	3 = HD DODGE 2WD
	6 = Lt. Duty DODGE 4WD
	7 = Med. Duty DODGE 4WD
	8 = HD DODGE 4WD

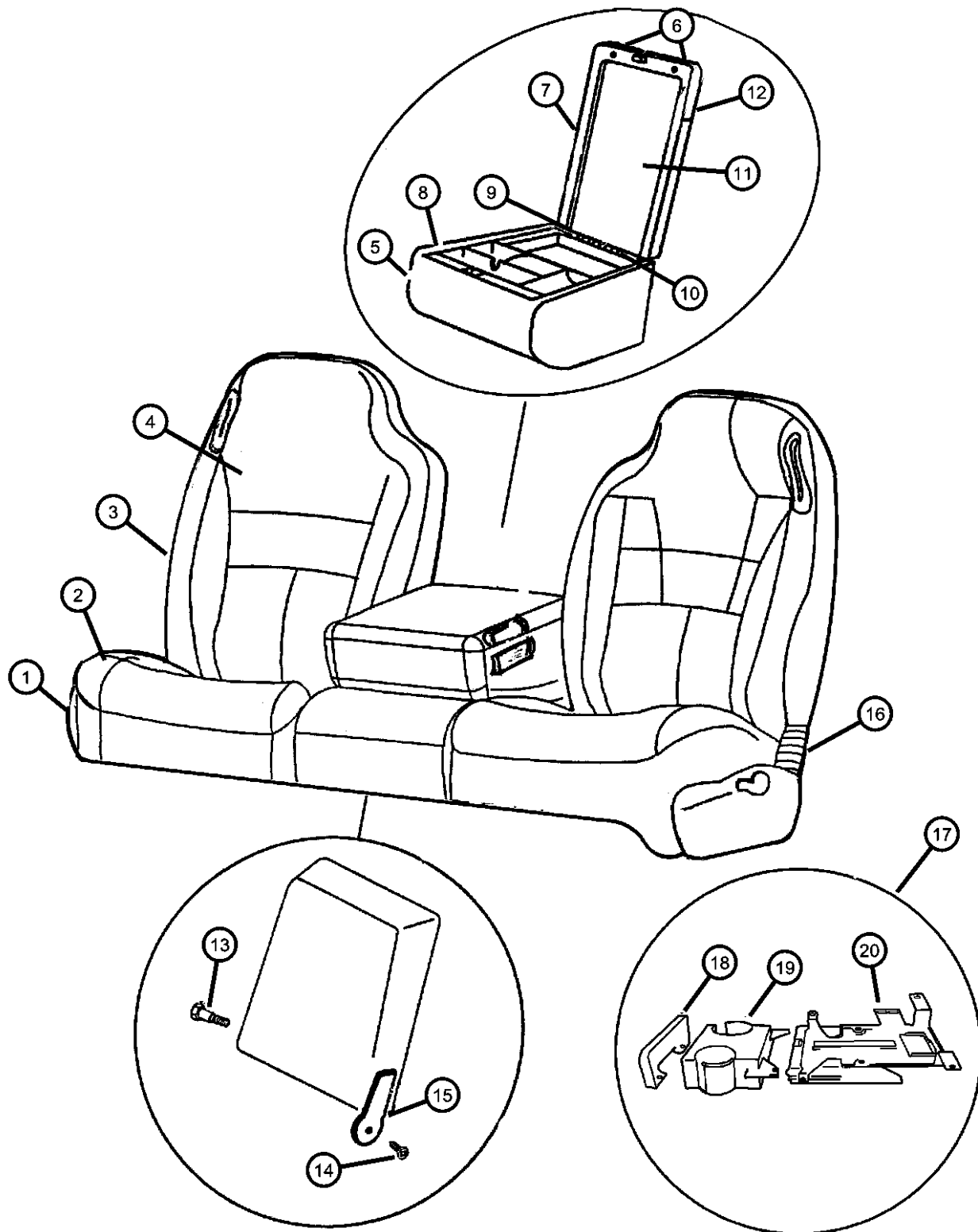
BODY	ENGINE
31 = CLUB CAB 2-DR 6.5 FT BOX	ETC = 5.9L Cummins 24V Diesel Engine
32 = CLUB CAB 2-DR 8FT BOX	EWA = 8.0L V10 MPI Engine
33 = QUAD CAB 4-DR 6.5 FT BOX	EM0 = ALL 5.9L 8 CYL ENGINES - GAS
34 = QUAD CAB 4-DR 8FT BOX	EMM = 5.9L SMPI V8 Engine
	EML = 5.9L V8 MPI Engine
	ELF = 5.2L V8 MPI Engine

TRANSMISSION
DGP = 4-Spd. Automatic 47RE Transmission
DD0 = ALL 5 SPEED MANUAL TRANSMISSIONS
DG0 = ALL AUTOMATIC TRANSMISSIONS
DDC = 5-Speed HD Manual Transmission
DDP = 5-Speed Manual Transmission
DDX = 5-Speed HD Manual Transmission
DEE = 6-Speed HD Manual Transmission
DGT = 4-Spd. Automatic 46RE Transmission

AR = use ase required - = Non illustrated part

1999 BE

Seat, Front, Trim Code R1
Figure IBE-520



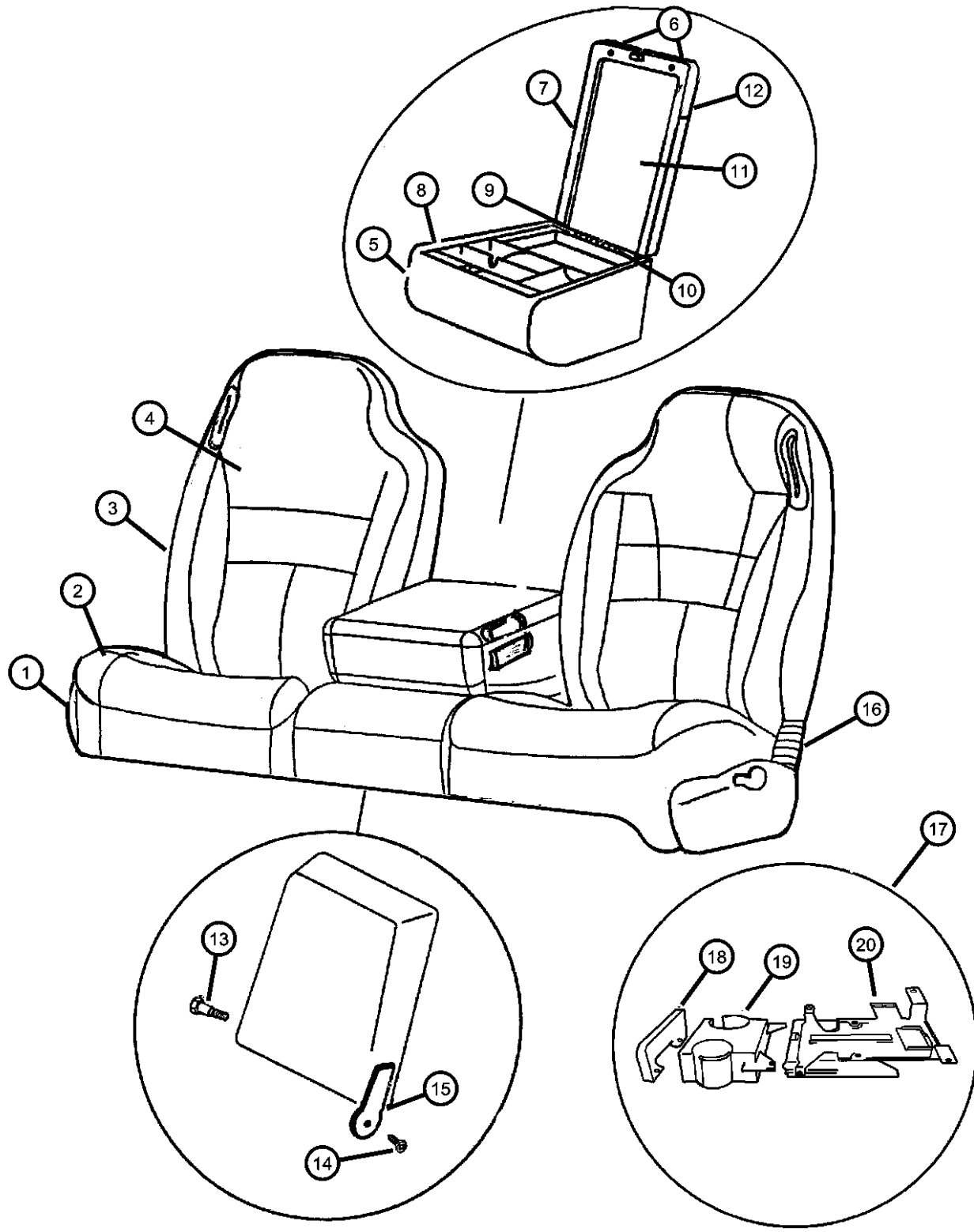
ITEM	PART NUMBER	QTY	LINE	SERIES	BODY	ENGINE	TRANS	TRIM	DESCRIPTION
		1	1, 2, 6, 7		31, 32			*R1	Mist Gray, (C3), Left
	0SP791K5AA	1			33, 34			*R1	Tan, (K9), Left
5		1	1, 2, 6, 7		31, 32			*R1	Tan, (K9), Left
									BASE, Armrest
	0SS371AZAA	1			33, 34			*R1	Agate, (AZ)
		1	1, 2, 6, 7		31, 32			*R1	Agate, (AZ)
	0SS371C3AA	1			33, 34			*R1	Mist Gray, (C3)
		1	1, 2, 6, 7		31, 32			*R1	Mist Gray, (C3)
	0SS371K5AA	1			33, 34			*R1	Tan, (K9)
		1	1, 2, 6, 7		31, 32			*R1	Tan, (K9)
6									LID, Armrest Bin
	0SS231AZAA	1			33, 34			*R1	Agate, (AZ)
		1	1, 2, 6, 7		31, 32			*R1	Agate, (AZ)
	0SS231C3AA	1			33, 34			*R1	Mist Gray, (C3)
		1	1, 2, 6, 7		31, 32			*R1	Mist Gray, (C3)
	0SS231K5AA	1			33, 34			*R1	Tan, (K9)
		1	1, 2, 6, 7		31, 32			*R1	Tan, (K9)
7									BEZEL, Armrest, Lid
	04778673	1			33, 34			*R1	
		1	1, 2, 6, 7		31, 32			*R1	
8									BEZEL, Armrest, Bin
	05278455AA	1			33, 34			*R1	
		1	1, 2, 6, 7		31, 32			*R1	
9									PIN, Armrest Lid Hinge
	04773684	1			33, 34			*R1	
		1	1, 2, 6, 7		31, 32			*R1	
10									SPRING, Armrest Lid Hinge
	04773685	1			33, 34			*R1	

RAM PICKUP/CLUB CAB (BE)

SERIES	LINE	BODY	ENGINE	TRANSMISSION
L = RAM 1500, 2500, 3500	1 = Lt. Duty DODGE 2WD 2 = Med. Duty DODGE 2WD 3 = HD DODGE 2WD 6 = Lt. Duty DODGE 4WD 7 = Med. Duty DODGE 4WD 8 = HD DODGE 4WD	31 = CLUB CAB 2-DR 6.5 FT BOX 32 = CLUB CAB 2-DR 8FT BOX 33 = QUAD CAB 4-DR 6.5 FT BOX 34 = QUAD CAB 4-DR 8FT BOX	ETC = 5.9L Cummins 24V Diesel Engine EWA = 8.0L V10 MPI Engine EM0 = ALL 5.9L 8 CYL ENGINES - GAS EMM = 5.9L SMPI V8 Engine EML = 5.9L V8 MPI Engine ELF = 5.2L V8 MPI Engine	DGP = 4-Spd. Automatic 47RE Transmission DD0 = ALL 5 SPEED MANUAL TRANSMISSIONS DG0 = ALL AUTOMATIC TRANSMISSIONS DDC = 5-Speed HD Manual Transmission DDP = 5-Speed Manual Transmission DDX = 5-Speed HD Manual Transmission DEE = 6-Speed HD Manual Transmission DGT = 4-Spd. Automatic 46RE Transmission

AR = use ase required - = Non illustrated part

Seat, Front, Trim Code R1
Figure IBE-520



ITEM	PART NUMBER	QTY	LINE	SERIES	BODY	ENGINE	TRANS	TRIM	DESCRIPTION
11		1	1, 2, 6, 7		31, 32			*R1	LINER, Armrest Lid
	05278456AA	1	1, 2, 6, 7		31, 32			*R1	
		1			33, 34			*R1	
12		1			33, 34			*R1	BEZEL, Armrest, Lid Latch Release Button
	04797715	1			33, 34			*R1	
		1	1, 2, 6, 7		31, 32			*R1	
13		1	1, 2, 6, 7		31, 32			*R1	BOLT, Armrest Pivot
	04773507	1	1, 2, 6, 7		31, 32			*R1	
		1			33, 34			*R1	
14		1							SCREW, (NOT SERVICED)
15		1							COVER, Bracket
	04773418	1			33, 34			*R1	Right
		1	1, 2, 6, 7		31, 32			*R1	Right
	04773419	1			33, 34			*R1	Left
		1	1, 2, 6, 7		31, 32			*R1	Left
16		2			33, 34			*R1	BELLOWS, Seat Mechanism
	05010197AA	2			33, 34			*R1	
		2	1, 2, 6, 7		31, 32			*R1	
17		1	1, 2, 6, 7		31, 32			*R1	CUPHOLDER
	04883916AA	1	1, 2, 6, 7		31, 32			*R1	
		1			33, 34			*R1	
18		1	1, 2, 6, 7		31, 32			*R1	FACE PLATE, Cupholder
	05015994AA	1	1, 2, 6, 7		31, 32			*R1	
		1			33, 34			*R1	
19		1	1, 2, 6, 7		31, 32			*R1	DRAWER, Cupholder
	05003198AA	1	1, 2, 6, 7		31, 32			*R1	

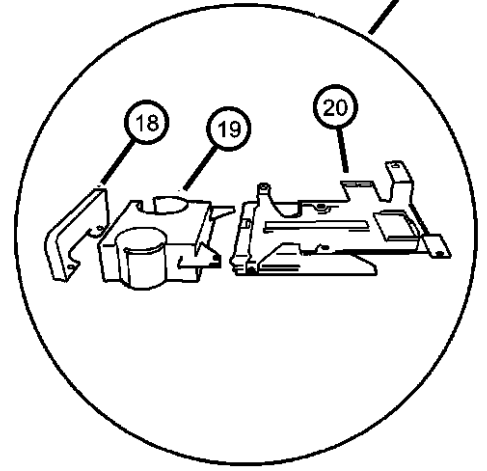
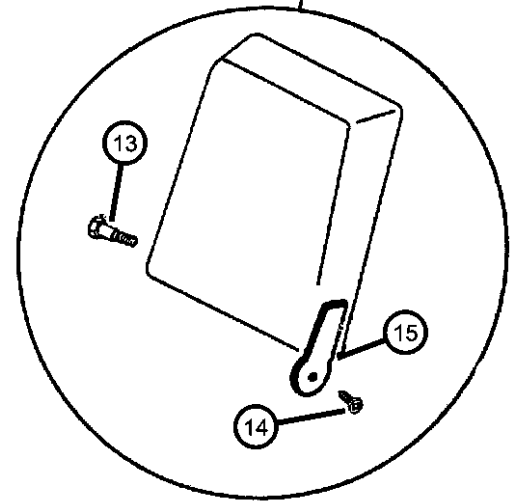
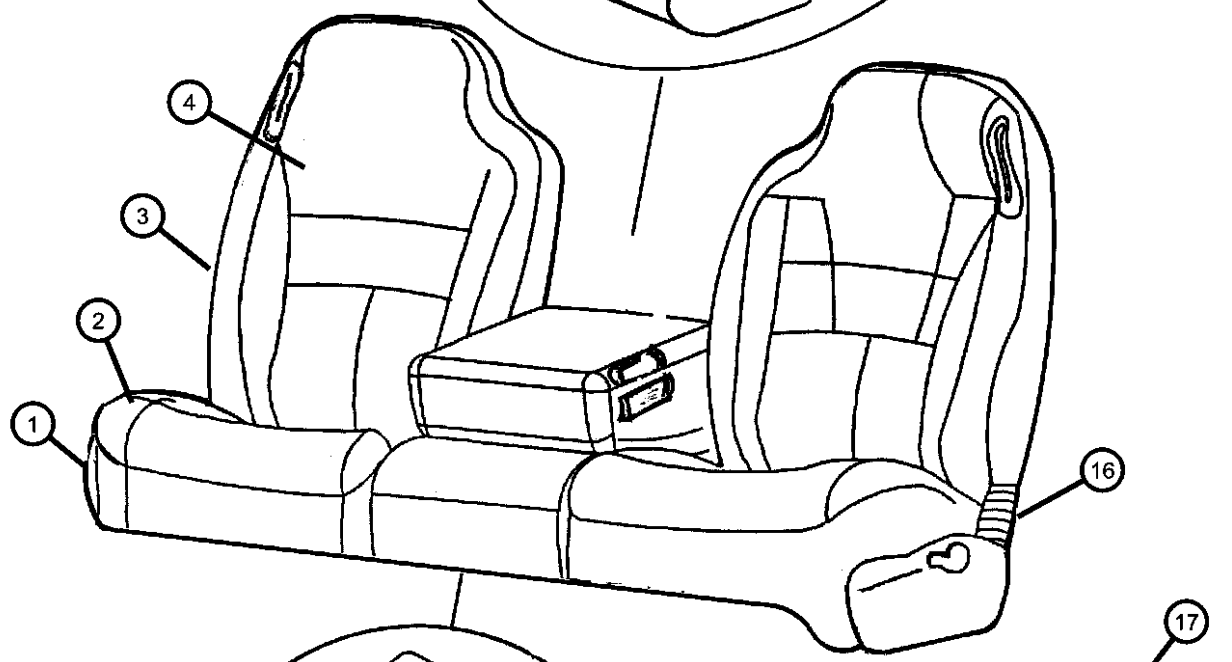
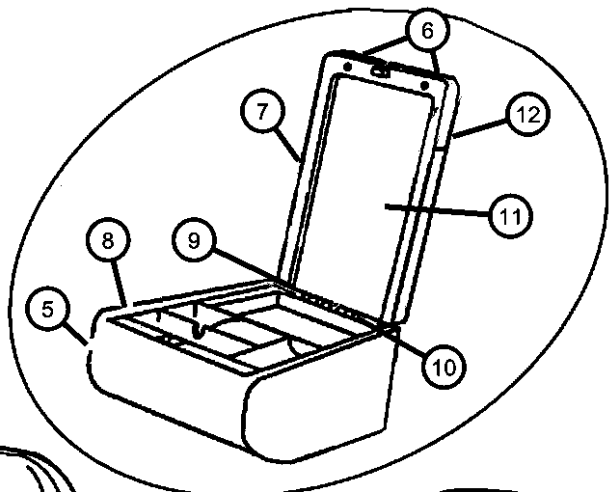
RAM PICKUP/CLUB CAB (BE)

SERIES	LINE	BODY	ENGINE	TRANSMISSION
L = RAM 1500, 2500, 3500	1 = Lt. Duty DODGE 2WD 2 = Med. Duty DODGE 2WD 3 = HD DODGE 2WD 6 = Lt. Duty DODGE 4WD 7 = Med. Duty DODGE 4WD 8 = HD DODGE 4WD	31 = CLUB CAB 2-DR 6.5 FT BOX 32 = CLUB CAB 2-DR 8FT BOX 33 = QUAD CAB 4-DR 6.5 FT BOX 34 = QUAD CAB 4-DR 8FT BOX	ETC = 5.9L Cummins 24V Diesel Engine EWA = 8.0L V10 MPI Engine EM0 = ALL 5.9L 8 CYL ENGINES - GAS EMM = 5.9L SMPI V8 Engine EML = 5.9L V8 MPI Engine ELF = 5.2L V8 MPI Engine	DGP = 4-Spd. Automatic 47RE Transmission DD0 = ALL 5 SPEED MANUAL TRANSMISSIONS DG0 = ALL AUTOMATIC TRANSMISSIONS DDC = 5-Speed HD Manual Transmission DDP = 5-Speed Manual Transmission DDX = 5-Speed HD Manual Transmission DEE = 6-Speed HD Manual Transmission DGT = 4-Spd. Automatic 46RE Transmission

AR = use ase required - = Non illustrated part

Seat, Front, Trim Code R1
Figure IBE-520

ITEM	PART NUMBER	QTY	LINE	SERIES	BODY	ENGINE	TRANS	TRIM	DESCRIPTION
------	-------------	-----	------	--------	------	--------	-------	------	-------------



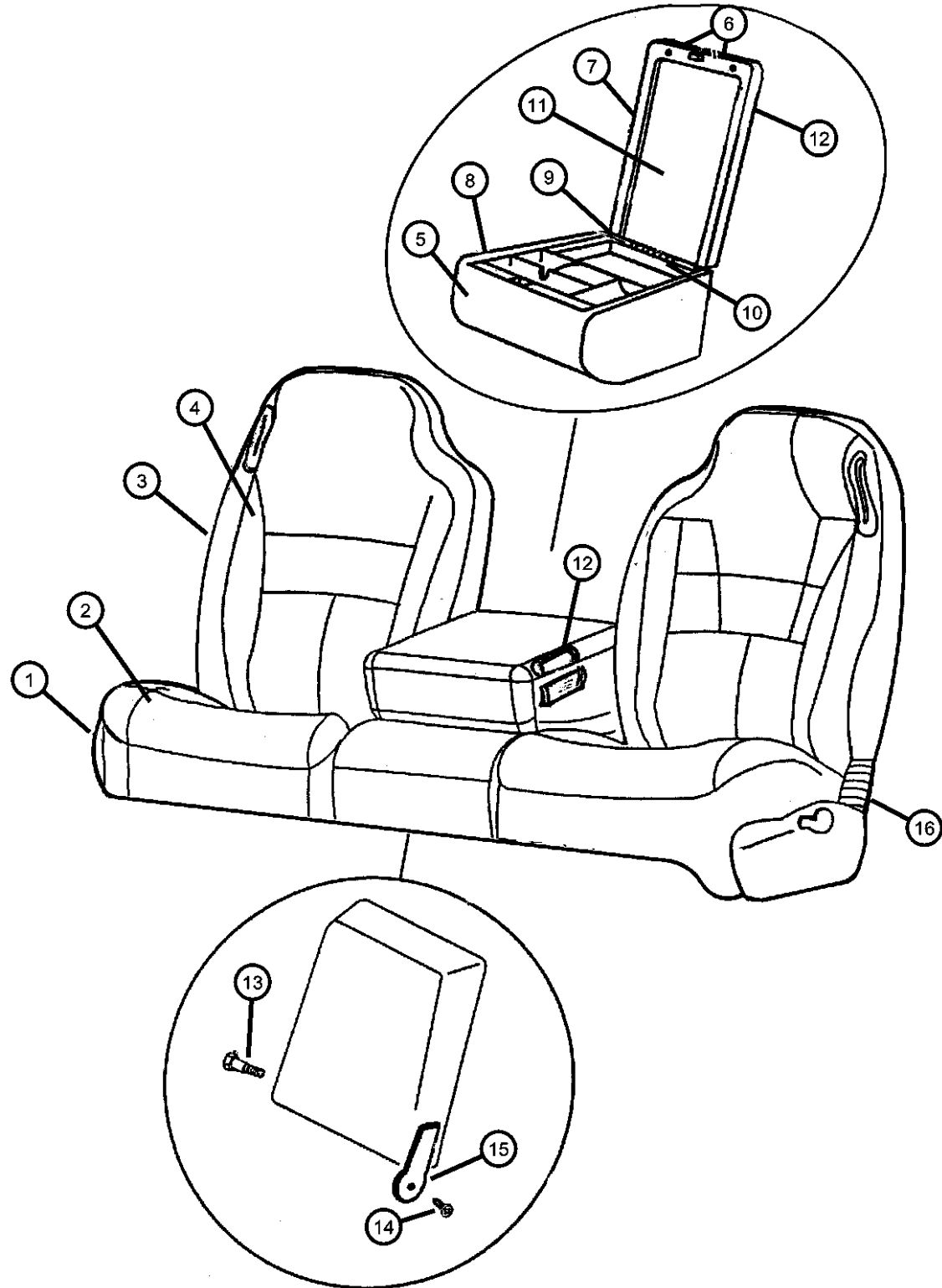
20		1			33, 34			*R1	HOUSING, Cup Holder
	05015995AA	1			33, 34			*R1	
		1	1, 2, 6, 7		31, 32			*R1	

RAM PICKUP/CLUB CAB (BE)

SERIES	LINE	BODY	ENGINE	TRANSMISSION
L = RAM 1500, 2500, 3500	1 = Lt. Duty DODGE 2WD 2 = Med. Duty DODGE 2WD 3 = HD DODGE 2WD 6 = Lt. Duty DODGE 4WD 7 = Med. Duty DODGE 4WD 8 = HD DODGE 4WD	31 = CLUB CAB 2-DR 6.5 FT BOX 32 = CLUB CAB 2-DR 8FT BOX 33 = QUAD CAB 4-DR 6.5 FT BOX 34 = QUAD CAB 4-DR 8FT BOX	ETC = 5.9L Cummins 24V Diesel Engine EWA = 8.0L V10 MPI Engine EM0 = ALL 5.9L 8 CYL ENGINES - GAS EMM = 5.9L SMPI V8 Engine EML = 5.9L V8 MPI Engine ELF = 5.2L V8 MPI Engine	DGP = 4-Spd. Automatic 47RE Transmission DD0 = ALL 5 SPEED MANUAL TRANSMISSIONS DG0 = ALL AUTOMATIC TRANSMISSIONS DDC = 5-Speed HD Manual Transmission DDP = 5-Speed Manual Transmission DDX = 5-Speed HD Manual Transmission DEE = 6-Speed HD Manual Transmission DGT = 4-Spd. Automatic 46RE Transmission

AR = use ase required - = Non illustrated part

Seat, Front, Trim Code S9
Figure IBE-530



ITEM	PART NUMBER	QTY	LINE	SERIES	BODY	ENGINE	TRANS	TRIM	DESCRIPTION
------	-------------	-----	------	--------	------	--------	-------	------	-------------

Trim Code S9AZ = Agate
Trim Code S9C3 = Mist Gray

1									CUSHION, Front Seat
	OSP831AZAA	1			33, 34			*S9	Agate, (AZ), Center
		1	1, 2, 6, 7		31, 32			*S9	Agate, (AZ), Center
	OSP831C3AA	1			33, 34			*S9	Mist Gray, (C3), Center
		1	1, 2, 6, 7		31, 32			*S9	Mist Gray, (C3), Center
	OSP881AZAA	1			33, 34			*S9	Agate, (AZ), Right
		1	1, 2, 6, 7		31, 32			*S9	Agate, (AZ), Right
	OSP881C3AA	1			33, 34			*S9	Mist Gray, (C3), Right
		1	1, 2, 6, 7		31, 32			*S9	Mist Gray, (C3), Right
	OSP891AZAA	1			33, 34			*S9	Agate, (AZ), Left
		1	1, 2, 6, 7		31, 32			*S9	Agate, (AZ), Left
	OSP891C3AA	1			31, 32			*S9	Mist Gray, (C3), Left
		1			33, 34			*S9	Mist Gray, (C3), Left
2									COVER, Front Seat Cushion
	OSP941AZAA	1	1, 2, 6, 7		31, 32			*S9	Agate, (AZ), Center
		1			33, 34			*S9	Agate, (AZ), Center
	OSP941C3AA	1	1, 2, 6, 7		31, 32			*S9	Mist Gray, (C3), Center
		1			33, 34			*S9	Mist Gray, (C3), Center
	OSP981AZAA	1	1, 2, 6, 7		31, 32			*S9	Agate, (AZ), Right
		1			33, 34			*S9	Agate, (AZ), Right
	OSP981C3AA	1	1, 2, 6, 7		31, 32			*S9	Mist Gray, (C3), Right
		1			33, 34			*S9	Mist Gray, (C3), Right
	OSP991AZAA	1	1, 2, 6, 7		31, 32			*S9	Agate, (AZ), Left
		1			33, 34			*S9	Agate, (AZ), Left
	OSP991C3AA	1	1, 2, 6, 7		31, 32			*S9	Mist Gray, (C3), Left
		1			33, 34			*S9	Mist Gray, (C3), Left
3									SEAT BACK, Front

RAM PICKUP/CLUB CAB (BE)

SERIES	LINE
L = RAM 1500, 2500, 3500	1 = Lt. Duty DODGE 2WD
	2 = Med. Duty DODGE 2WD
	3 = HD DODGE 2WD
	6 = Lt. Duty DODGE 4WD
	7 = Med. Duty DODGE 4WD
	8 = HD DODGE 4WD

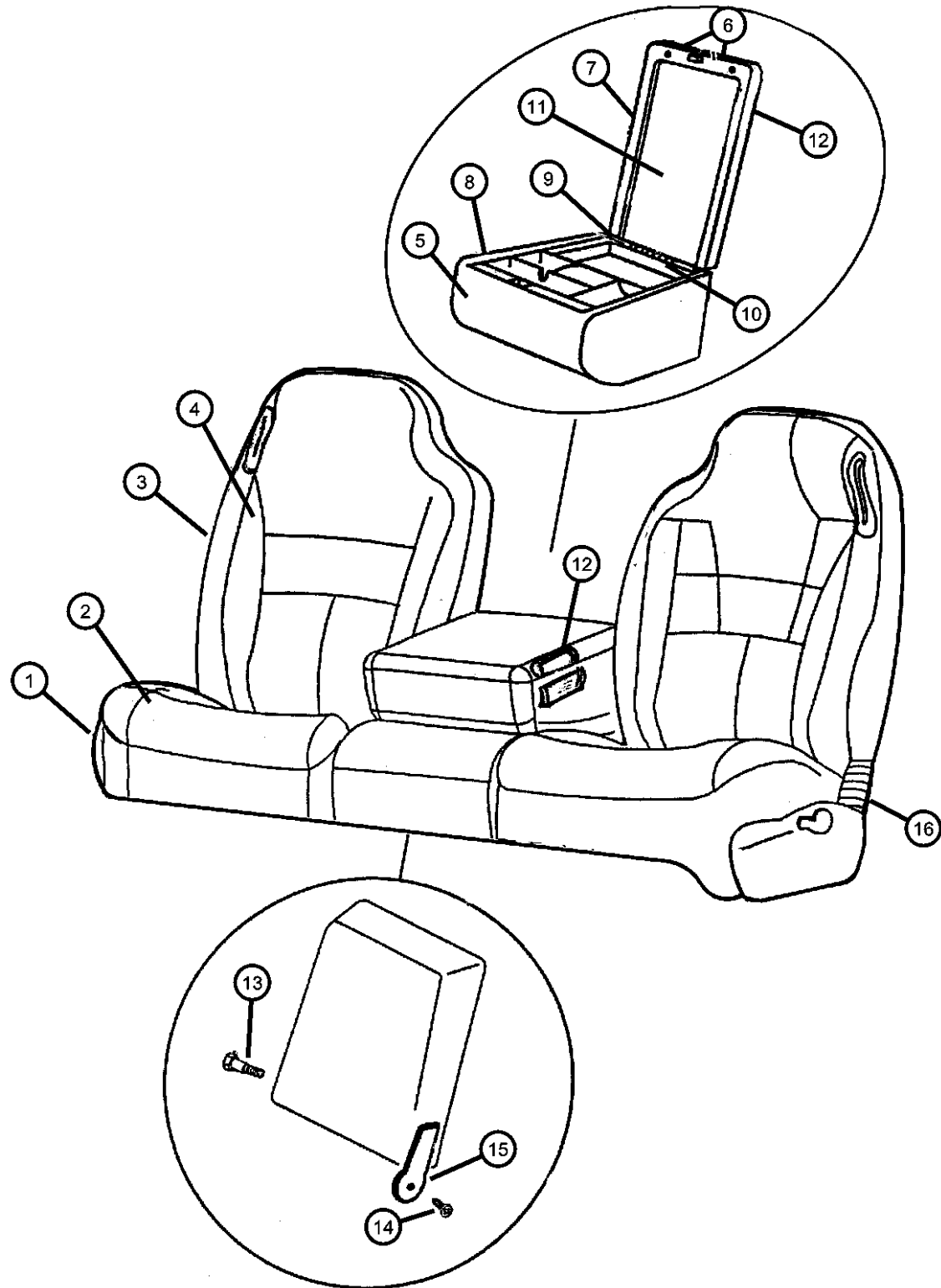
BODY	ENGINE
31 = CLUB CAB 2-DR 6.5 FT BOX	ETC = 5.9L Cummins 24V Diesel Engine
32 = CLUB CAB 2-DR 8FT BOX	EWA = 8.0L V10 MPI Engine
33 = QUAD CAB 4-DR 6.5 FT BOX	EM0 = ALL 5.9L 8 CYL ENGINES - GAS
34 = QUAD CAB 4-DR 8FT BOX	EMM = 5.9L SMPI V8 Engine
	EML = 5.9L V8 MPI Engine
	ELF = 5.2L V8 MPI Engine

TRANSMISSION
DGP = 4-Spd. Automatic 47RE Transmission
DD0 = ALL 5 SPEED MANUAL TRANSMISSIONS
DG0 = ALL AUTOMATIC TRANSMISSIONS
DDC = 5-Speed HD Manual Transmission
DDP = 5-Speed Manual Transmission
DDX = 5-Speed HD Manual Transmission
DEE = 6-Speed HD Manual Transmission
DGT = 4-Spd. Automatic 46RE Transmission

AR = use ase required - = Non illustrated part

1999 BE

Seat, Front, Trim Code S9
Figure IBE-530



ITEM	PART NUMBER	QTY	LINE	SERIES	BODY	ENGINE	TRANS	TRIM	DESCRIPTION
	OSP841AZAA	1	1, 2, 6, 7		31, 32			*S9	Agate, (AZ), Right
	OSP841C3AA	1	1, 2, 6, 7		31, 32			*S9	Mist Gray, (C3), Right
	OSP851AZAA	1	1, 2, 6, 7		31, 32			*S9	Agate, (AZ), Left
	OSP851C3AA	1	1, 2, 6, 7		31, 32			*S9	Mist Gray, (C3), Left
	OSP861AZAA	1			33, 34			*S9	Agate, (AZ), Right
	OSP861C3AA	1			33, 34			*S9	Mist Gray, (C3), Right
	OSP871AZAA	1			33, 34			*S9	Agate, (AZ), Left
	OSP871C3AA	1			33, 34			*S9	Mist Gray, (C3), Left
4									COVER, Front Seat Back
	OSP921AZAA	1			33, 34			*S9	Agate, (AZ), Right
	OSP921C3AA	1	1, 2, 6, 7		31, 32			*S9	Agate, (AZ), Right
	OSP921C3AA	1			33, 34			*S9	Mist Gray, (C3), Right
	OSP931AZAA	1	1, 2, 6, 7		31, 32			*S9	Mist Gray, (C3), Right
	OSP931AZAA	1			33, 34			*S9	Agate, (AZ), Left
	OSP931C3AA	1	1, 2, 6, 7		31, 32			*S9	Agate, (AZ), Left
	OSP931C3AA	1			33, 34			*S9	Mist Gray, (C3), Left
5									BASE, Armrest
	0SS361AZAA	1	1, 2, 6, 7		31, 32			*S9	Agate, (AZ)
	0SS361AZAA	1			33, 34			*S9	Agate, (AZ)
	0SS361C3AA	1	1, 2, 6, 7		31, 32			*S9	Mist Gray, (C3)
	0SS361C3AA	1			33, 34			*S9	Mist Gray, (C3)
6									LID, Armrest Bin
	0SS231AZAA	1	1, 2, 6, 7		31, 32			*S9	Agate, (AZ)
	0SS231AZAA	1			33, 34			*S9	Agate, (AZ)
	0SS231C3AA	1			33, 34			*S9	Mist Gray, (C3)
	0SS231C3AA	1	1, 2, 6, 7		31, 32			*S9	Mist Gray, (C3)
7									BEZEL, Armrest, Lid

RAM PICKUP/CLUB CAB (BE)

SERIES	LINE
L = RAM 1500, 2500, 3500	1 = Lt. Duty DODGE 2WD
	2 = Med. Duty DODGE 2WD
	3 = HD DODGE 2WD
	6 = Lt. Duty DODGE 4WD
	7 = Med. Duty DODGE 4WD
	8 = HD DODGE 4WD

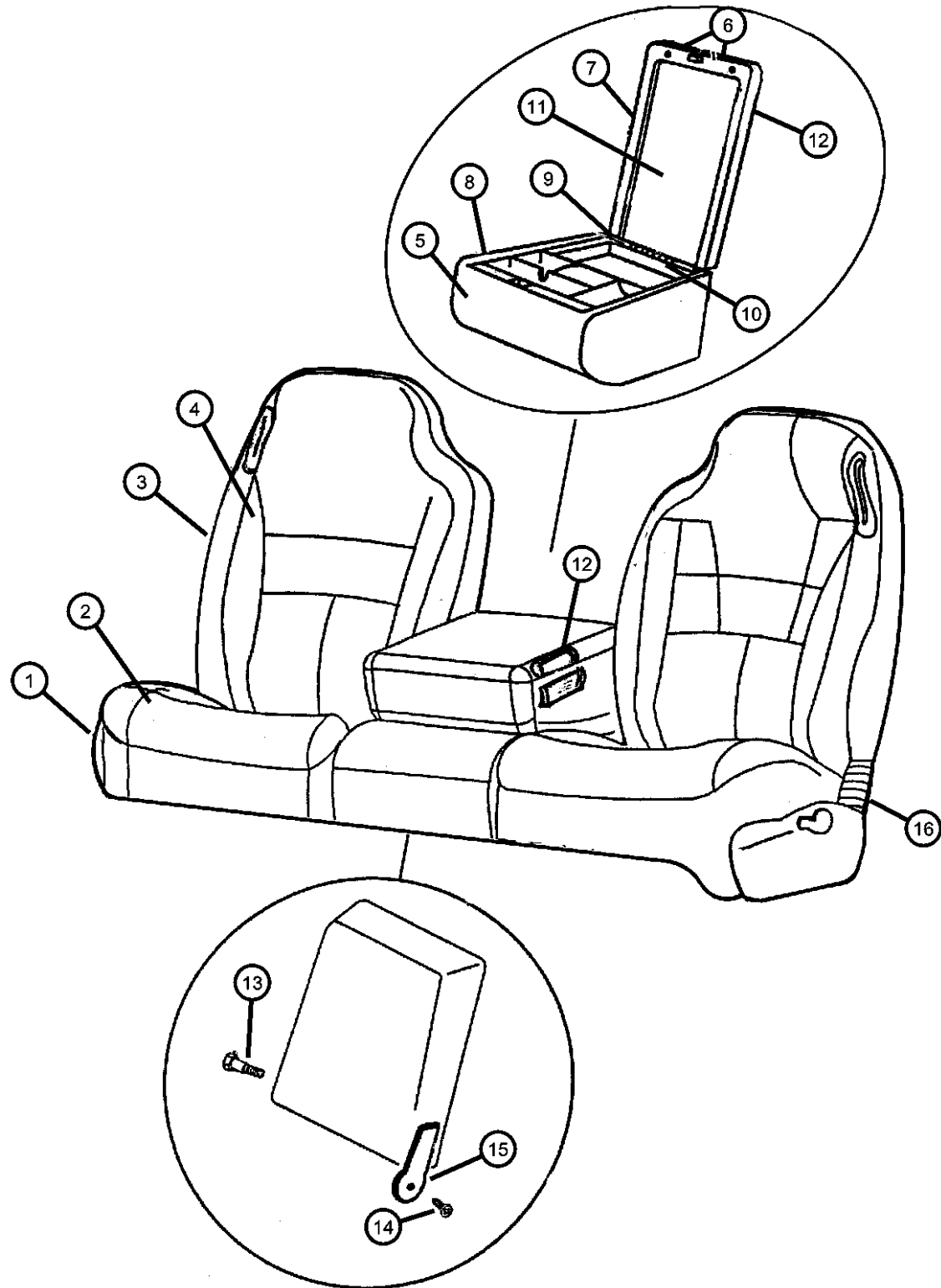
BODY	ENGINE
31 = CLUB CAB 2-DR 6.5 FT BOX	ETC = 5.9L Cummins 24V Diesel Engine
32 = CLUB CAB 2-DR 8FT BOX	EWA = 8.0L V10 MPI Engine
33 = QUAD CAB 4-DR 6.5 FT BOX	EM0 = ALL 5.9L 8 CYL ENGINES - GAS
34 = QUAD CAB 4-DR 8FT BOX	EMM = 5.9L SMPI V8 Engine
	EML = 5.9L V8 MPI Engine
	ELF = 5.2L V8 MPI Engine

TRANSMISSION
DGP = 4-Spd. Automatic 47RE Transmission
DD0 = ALL 5 SPEED MANUAL TRANSMISSIONS
DG0 = ALL AUTOMATIC TRANSMISSIONS
DDC = 5-Speed HD Manual Transmission
DDP = 5-Speed Manual Transmission
DDX = 5-Speed HD Manual Transmission
DEE = 6-Speed HD Manual Transmission
DGT = 4-Spd. Automatic 46RE Transmission

AR = use ase required - = Non illustrated part

1999 BE

Seat, Front, Trim Code S9
Figure IBE-530



ITEM	PART NUMBER	QTY	LINE	SERIES	BODY	ENGINE	TRANS	TRIM	DESCRIPTION
	04778673	1			33, 34			*S9	
		1	1, 2, 6, 7		31, 32			*S9	
8									BEZEL, Armrest, Bin
	05278455AA	1			33, 34			*S9	
		1	1, 2, 6, 7		31, 32			*S9	
9									PIN, Armrest Lid Hinge
	04773684	1			33, 34			*S9	
		1	1, 2, 6, 7		31, 32			*S9	
10									SPRING, Armrest Lid Hinge
	04773685	1			33, 34			*S9	
		1	1, 2, 6, 7		31, 32			*S9	
11									LINER, Armrest Lid
	05278456AA	1			33, 34			*S9	
		1	1, 2, 6, 7		31, 32			*S9	
12									BEZEL, Armrest
	04797715	1			33, 34			*S9	
		1	1, 2, 6, 7		31, 32			*S9	
13									BOLT, Armrest Pivot
	04773507	1			33, 34			*S9	
		1	1, 2, 6, 7		31, 32			*S9	
14									SCREW, (NOT SERVICED)
15									COVER, Bracket
	04773418	1			33, 34			*S9	Right
		1	1, 2, 6, 7		31, 32			*S9	Right
	04773419	1			33, 34			*S9	Left
		1	1, 2, 6, 7		31, 32			*S9	Left
16									BELLOWS, Seat Mechanism

RAM PICKUP/CLUB CAB (BE)

SERIES	LINE
L = RAM 1500, 2500, 3500	1 = Lt. Duty DODGE 2WD 2 = Med. Duty DODGE 2WD 3 = HD DODGE 2WD 6 = Lt. Duty DODGE 4WD 7 = Med. Duty DODGE 4WD 8 = HD DODGE 4WD

BODY	ENGINE
31 = CLUB CAB 2-DR 6.5 FT BOX 32 = CLUB CAB 2-DR 8FT BOX 33 = QUAD CAB 4-DR 6.5 FT BOX 34 = QUAD CAB 4-DR 8FT BOX	ETC = 5.9L Cummins 24V Diesel Engine EWA = 8.0L V10 MPI Engine EM0 = ALL 5.9L 8 CYL ENGINES - GAS EMM = 5.9L SMPI V8 Engine EML = 5.9L V8 MPI Engine ELF = 5.2L V8 MPI Engine

TRANSMISSION
DGP = 4-Spd. Automatic 47RE Transmission DD0 = ALL 5 SPEED MANUAL TRANSMISSIONS DG0 = ALL AUTOMATIC TRANSMISSIONS DDC = 5-Speed HD Manual Transmission DDP = 5-Speed Manual Transmission DDX = 5-Speed HD Manual Transmission DEE = 6-Speed HD Manual Transmission DGT = 4-Spd. Automatic 46RE Transmission

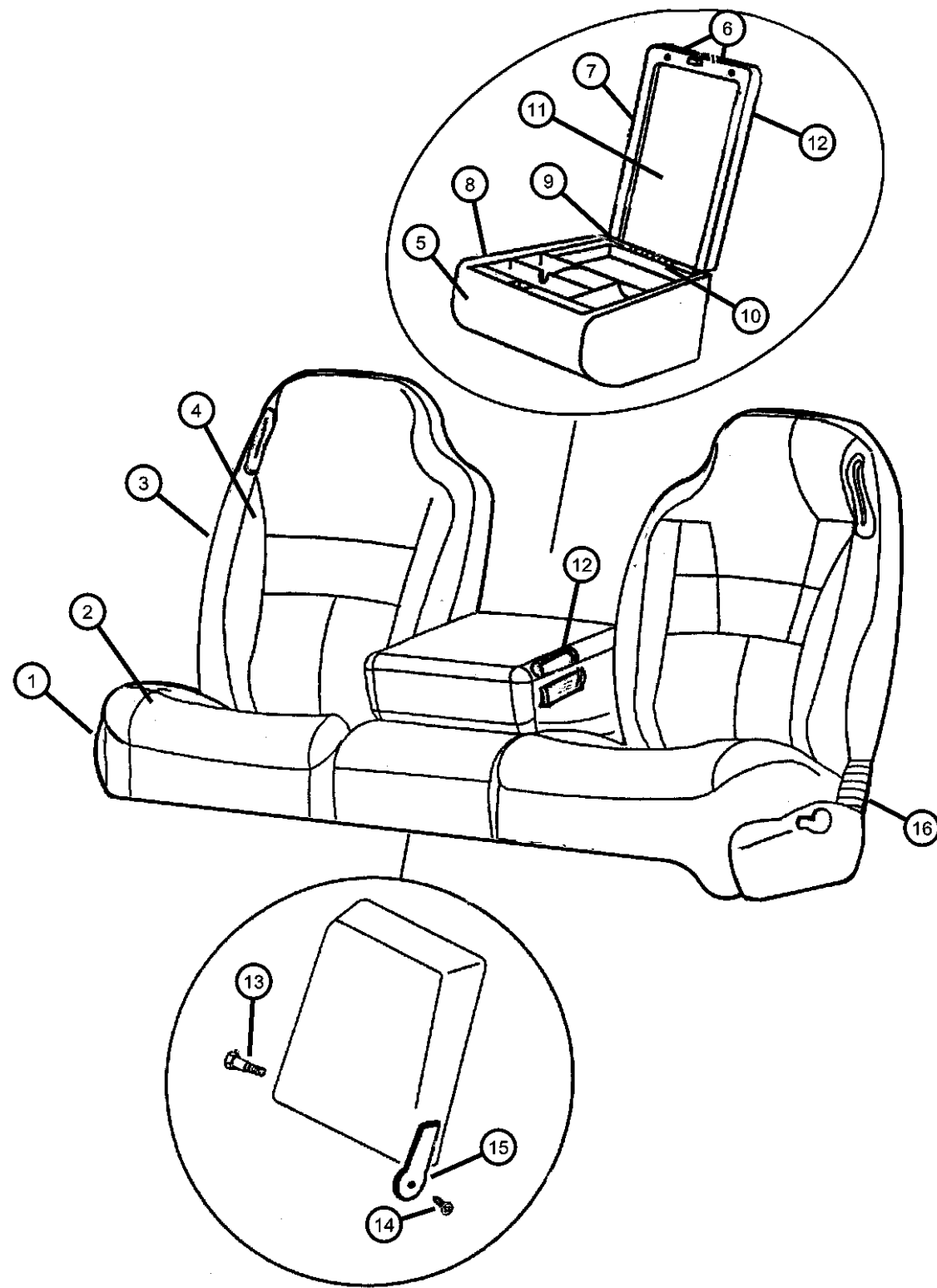
AR = use ase required - = Non illustrated part

1999 BE

Seat, Front, Trim Code S9
Figure IBE-530

ITEM	PART NUMBER	QTY	LINE	SERIES	BODY	ENGINE	TRANS	TRIM	DESCRIPTION
------	-------------	-----	------	--------	------	--------	-------	------	-------------

	05010197AA	2			33, 34			*S9	
		2	1, 2, 6, 7		31, 32			*S9	

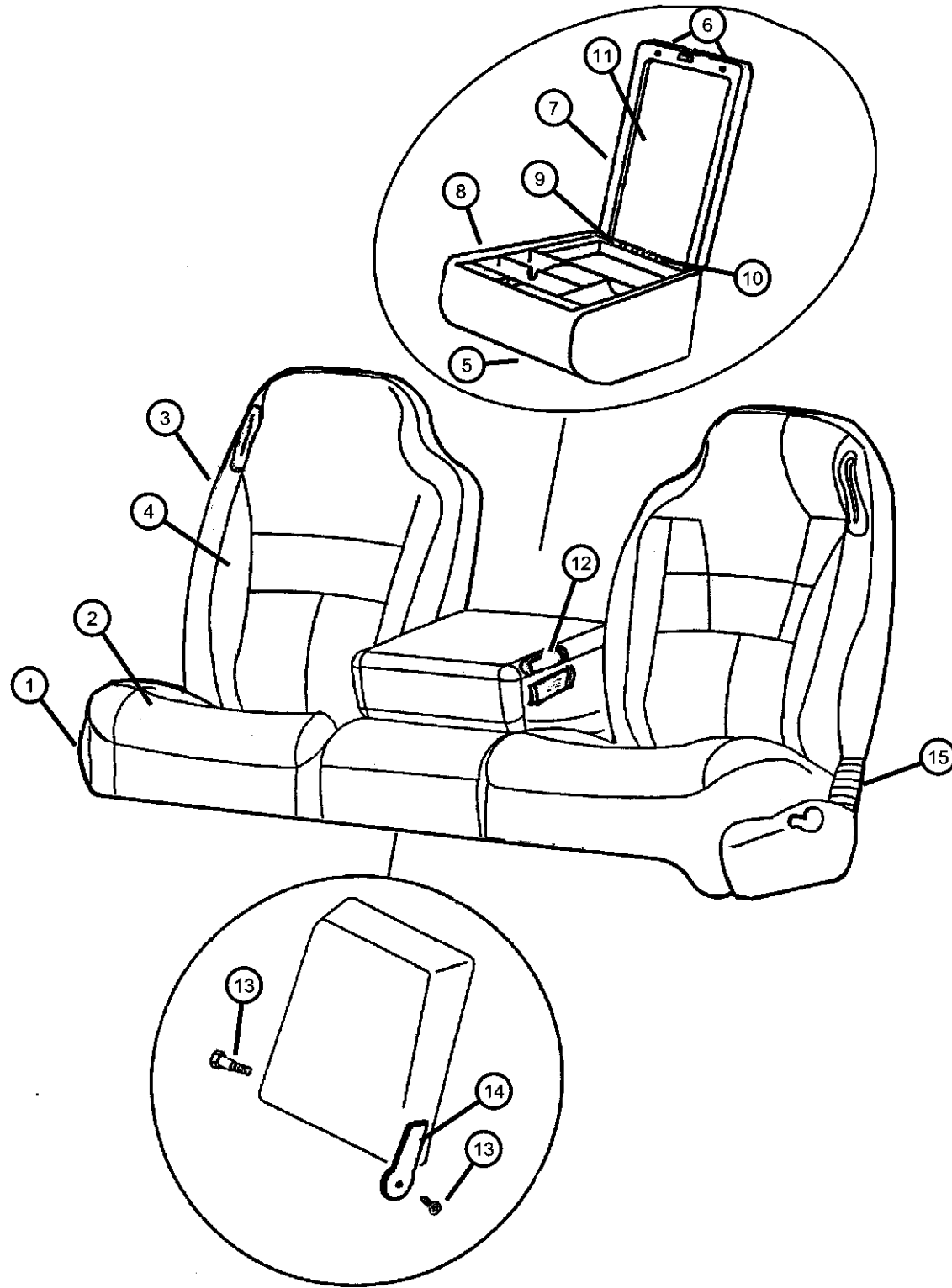


RAM PICKUP/CLUB CAB (BE)

SERIES	LINE	BODY	ENGINE	TRANSMISSION
L = RAM 1500, 2500, 3500	1 = Lt. Duty DODGE 2WD 2 = Med. Duty DODGE 2WD 3 = HD DODGE 2WD 6 = Lt. Duty DODGE 4WD 7 = Med. Duty DODGE 4WD 8 = HD DODGE 4WD	31 = CLUB CAB 2-DR 6.5 FT BOX 32 = CLUB CAB 2-DR 8FT BOX 33 = QUAD CAB 4-DR 6.5 FT BOX 34 = QUAD CAB 4-DR 8FT BOX	ETC = 5.9L Cummins 24V Diesel Engine EWA = 8.0L V10 MPI Engine EM0 = ALL 5.9L 8 CYL ENGINES - GAS EMM = 5.9L SMPI V8 Engine EML = 5.9L V8 MPI Engine ELF = 5.2L V8 MPI Engine	DGP = 4-Spd. Automatic 47RE Transmission DD0 = ALL 5 SPEED MANUAL TRANSMISSIONS DG0 = ALL AUTOMATIC TRANSMISSIONS DDC = 5-Speed HD Manual Transmission DDP = 5-Speed Manual Transmission DDX = 5-Speed HD Manual Transmission DEE = 6-Speed HD Manual Transmission DGT = 4-Spd. Automatic 46RE Transmission

AR = use ase required - = Non illustrated part

Seat, Front, Trim Codes SX, TY
Figure IBE-540



ITEM	PART NUMBER	QTY	LINE	SERIES	BODY	ENGINE	TRANS	TRIM	DESCRIPTION
------	-------------	-----	------	--------	------	--------	-------	------	-------------

Trim Code TYAZ = Agate
 Trim Code TYC3 = Mist Gray
 Trim Code SXAZ = Agate
 Trim Code SXC3 = Mist Gray

1									CUSHION, Front Seat
	0SQ041AZAA	1			33, 34			*SX	Agate, (AZ), Center
		1	1, 2, 6, 7		31, 32			*SX	Agate, (AZ), Center
		1			33, 34			*TY	Agate, (AZ), Center
	0SQ041C3AA	1			33, 34			*SX	Mist Gray, (C3), Center
		1	1, 2, 6, 7		31, 32			*SX	Mist Gray, (C3), Center
		1			33, 34			*TY	Mist Gray, (C3), Center
	0SQ061AZAA	1			33, 34			*SX	Agate, (AZ), Right
		1	1, 2, 6, 7		31, 32			*SX	Agate, (AZ), Right
		1			33, 34			*TY	Agate, (AZ), Right
	0SQ061C3AA	1			33, 34			*SX	Mist Gray, (C3), Right
		1	1, 2, 6, 7		31, 32			*SX	Mist Gray, (C3), Right
		1			33, 34			*TY	Mist Gray, (C3), Right
	0SQ071AZAA	1			33, 34			*SX	Agate, (AZ), Left
		1	1, 2, 6, 7		31, 32			*SX	Agate, (AZ), Left
		1			33, 34			*TY	Agate, (AZ), Left
	0SQ071C3AA	1			33, 34			*SX	Mist Gray, (C3), Left
		1	1, 2, 6, 7		31, 32			*SX	Mist Gray, (C3), Left
		1			33, 34			*TY	Mist Gray, (C3), Left
2									COVER, Front Seat Cushion
	0SQ091AZAA	1			33, 34			*SX	Agate, (AZ), Center
		1	1, 2, 6, 7		31, 32			*SX	Agate, (AZ), Center
		1			33, 34			*TY	Agate, (AZ), Center
	0SQ091C3AA	1			33, 34			*SX	Mist Gray, (C3), Center
		1	1, 2, 6, 7		31, 32			*SX	Mist Gray, (C3), Center

RAM PICKUP/CLUB CAB (BE)

SERIES	LINE
L = RAM 1500, 2500, 3500	1 = Lt. Duty DODGE 2WD
	2 = Med. Duty DODGE 2WD
	3 = HD DODGE 2WD
	6 = Lt. Duty DODGE 4WD
	7 = Med. Duty DODGE 4WD
	8 = HD DODGE 4WD

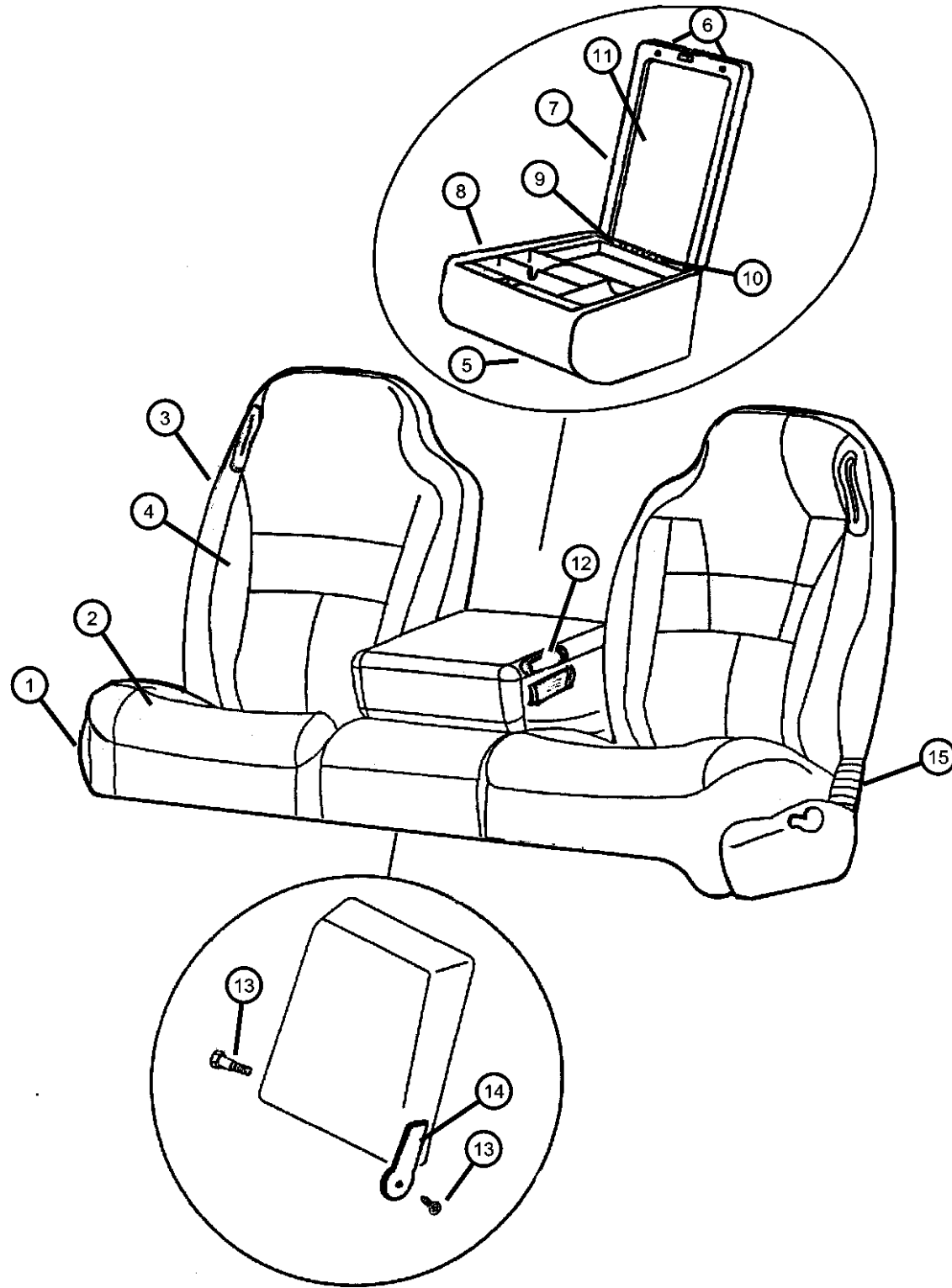
BODY	ENGINE
31 = CLUB CAB 2-DR 6.5 FT BOX	ETC = 5.9L Cummins 24V Diesel Engine
32 = CLUB CAB 2-DR 8FT BOX	EWA = 8.0L V10 MPI Engine
33 = QUAD CAB 4-DR 6.5 FT BOX	EM0 = ALL 5.9L 8 CYL ENGINES - GAS
34 = QUAD CAB 4-DR 8FT BOX	EMM = 5.9L SMPI V8 Engine
	EML = 5.9L V8 MPI Engine
	ELF = 5.2L V8 MPI Engine

TRANSMISSION
DGP = 4-Spd. Automatic 47RE Transmission
DD0 = ALL 5 SPEED MANUAL TRANSMISSIONS
DG0 = ALL AUTOMATIC TRANSMISSIONS
DDC = 5-Speed HD Manual Transmission
DDP = 5-Speed Manual Transmission
DDX = 5-Speed HD Manual Transmission
DEE = 6-Speed HD Manual Transmission
DGT = 4-Spd. Automatic 46RE Transmission

AR = use ase required - = Non illustrated part

1999 BE

Seat, Front, Trim Codes SX, TY
Figure IBE-540



ITEM	PART NUMBER	QTY	LINE	SERIES	BODY	ENGINE	TRANS	TRIM	DESCRIPTION
		1			33, 34			*TY	Mist Gray, (C3), Center
	0SQ101AZAA	1			33, 34			*SX	Agate, (AZ), Right
		1	1, 2, 6, 7		31, 32			*SX	Agate, (AZ), Right
		1			33, 34			*TY	Agate, (AZ), Right
	0SQ101C3AA	1			33, 34			*SX	Mist Gray, (C3), Right
		1	1, 2, 6, 7		31, 32			*SX	Mist Gray, (C3), Right
		1			33, 34			*TY	Mist Gray, (C3), Right
	0SQ111AZAA	1			33, 34			*SX	Agate, (AZ), Left
		1	1, 2, 6, 7		31, 32			*SX	Agate, (AZ), Left
		1			33, 34			*TY	Agate, (AZ), Left
	0SQ111C3AA	1			33, 34			*SX	Mist Gray, (C3), Left
		1	1, 2, 6, 7		31, 32			*SX	Mist Gray, (C3), Left
		1			33, 34			*TY	Mist Gray, (C3), Left
3									SEAT BACK, Front
	0SQ001AZAA	1	1, 2, 6, 7		31, 32			*SX	Agate, (AZ), Right
		1			33, 34			*TY	Agate, (AZ), Right
	0SQ001C3AA	1	1, 2, 6, 7		31, 32			*SX	Mist Gray, (C3), Right
		1			33, 34			*TY	Mist Gray, (C3), Right
	0SQ011AZAA	1	1, 2, 6, 7		31, 32			*SX	Agate, (AZ), Left
		1			33, 34			*TY	Agate, (AZ), Left
	0SQ011C3AA	1	1, 2, 6, 7		31, 32			*SX	Mist Gray, (C3), Left
		1			33, 34			*TY	Mist Gray, (C3), Left
	0SQ021AZAA	1			33, 34			*SX	Agate, (AZ), Right
	0SQ021C3AA	1			33, 34			*SX	Mist Gray, (C3), Right
	0SQ031AZAA	1			33, 34			*SX	Agate, (AZ), Left
	0SQ031C3AA	1			33, 34			*SX	Mist Gray, (C3), Left
4									COVER, Front Seat Back
	0SP701AZAA	1			33, 34			*SX	Agate, (AZ), Right

RAM PICKUP/CLUB CAB (BE)

SERIES	LINE
L = RAM 1500, 2500, 3500	1 = Lt. Duty DODGE 2WD
	2 = Med. Duty DODGE 2WD
	3 = HD DODGE 2WD
	6 = Lt. Duty DODGE 4WD
	7 = Med. Duty DODGE 4WD
	8 = HD DODGE 4WD

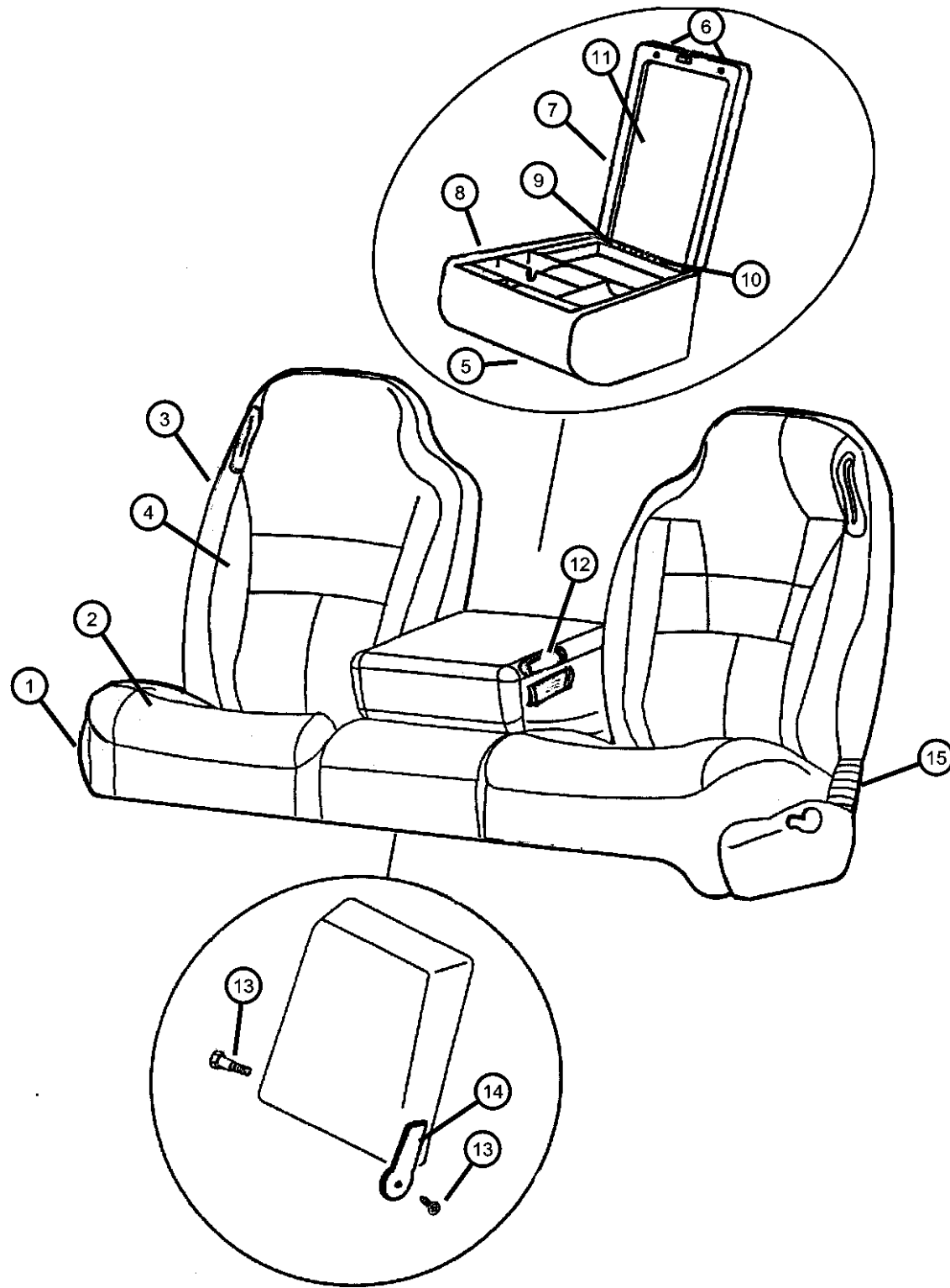
BODY	ENGINE
31 = CLUB CAB 2-DR 6.5 FT BOX	ETC = 5.9L Cummins 24V Diesel Engine
32 = CLUB CAB 2-DR 8FT BOX	EWA = 8.0L V10 MPI Engine
33 = QUAD CAB 4-DR 6.5 FT BOX	EM0 = ALL 5.9L 8 CYL ENGINES - GAS
34 = QUAD CAB 4-DR 8FT BOX	EMM = 5.9L SMPI V8 Engine
	EML = 5.9L V8 MPI Engine
	ELF = 5.2L V8 MPI Engine

TRANSMISSION
DGP = 4-Spd. Automatic 47RE Transmission
DD0 = ALL 5 SPEED MANUAL TRANSMISSIONS
DG0 = ALL AUTOMATIC TRANSMISSIONS
DDC = 5-Speed HD Manual Transmission
DDP = 5-Speed Manual Transmission
DDX = 5-Speed HD Manual Transmission
DEE = 6-Speed HD Manual Transmission
DGT = 4-Spd. Automatic 46RE Transmission

AR = use ase required - = Non illustrated part

1999 BE

Seat, Front, Trim Codes SX, TY
Figure IBE-540



ITEM	PART NUMBER	QTY	LINE	SERIES	BODY	ENGINE	TRANS	TRIM	DESCRIPTION
		1	1, 2, 6, 7		31, 32			*SX	Agate, (AZ), Right
		1			33, 34			*TY	Agate, (AZ), Right
	OSP701C3AA	1			33, 34			*SX	Mist Gray, (C3), Right
		1	1, 2, 6, 7		31, 32			*SX	Mist Gray, (C3), Right
		1			33, 34			*TY	Mist Gray, (C3), Right
	OSP711AZAA	1			33, 34			*SX	Agate, (AZ), Left
		1	1, 2, 6, 7		31, 32			*SX	Agate, (AZ), Left
		1			33, 34			*TY	Agate, (AZ), Left
	OSP711C3AA	1			33, 34			*SX	Mist Gray, (C3), Left
		1	1, 2, 6, 7		31, 32			*SX	Mist Gray, (C3), Left
		1			33, 34			*TY	Mist Gray, (C3), Left
5									BASE, Armrest
	OSS281AZAA	1			33, 34			*SX	Agate, (AZ)
		1	1, 2, 6, 7		31, 32			*SX	Agate, (AZ)
		1			33, 34			*TY	Agate, (AZ)
	OSS281C3AA	1			33, 34			*SX	Mist Gray, (C3)
		1	1, 2, 6, 7		31, 32			*SX	Mist Gray, (C3)
		1			33, 34			*TY	Mist Gray, (C3)
6									LID, Armrest Bin
	OSS231AZAA	1			33, 34			*SX	Agate, (AZ)
		1	1, 2, 6, 7		31, 32			*SX	Agate, (AZ)
		1			33, 34			*TY	Agate, (AZ)
	OSS231C3AA	1			33, 34			*SX	Mist Gray, (C3)
		1	1, 2, 6, 7		31, 32			*SX	Mist Gray, (C3)
		1			33, 34			*TY	Mist Gray, (C3)
7									BEZEL, Armrest, Lid
	04778673	1			33, 34			*SX	
		1			33, 34			*TY	

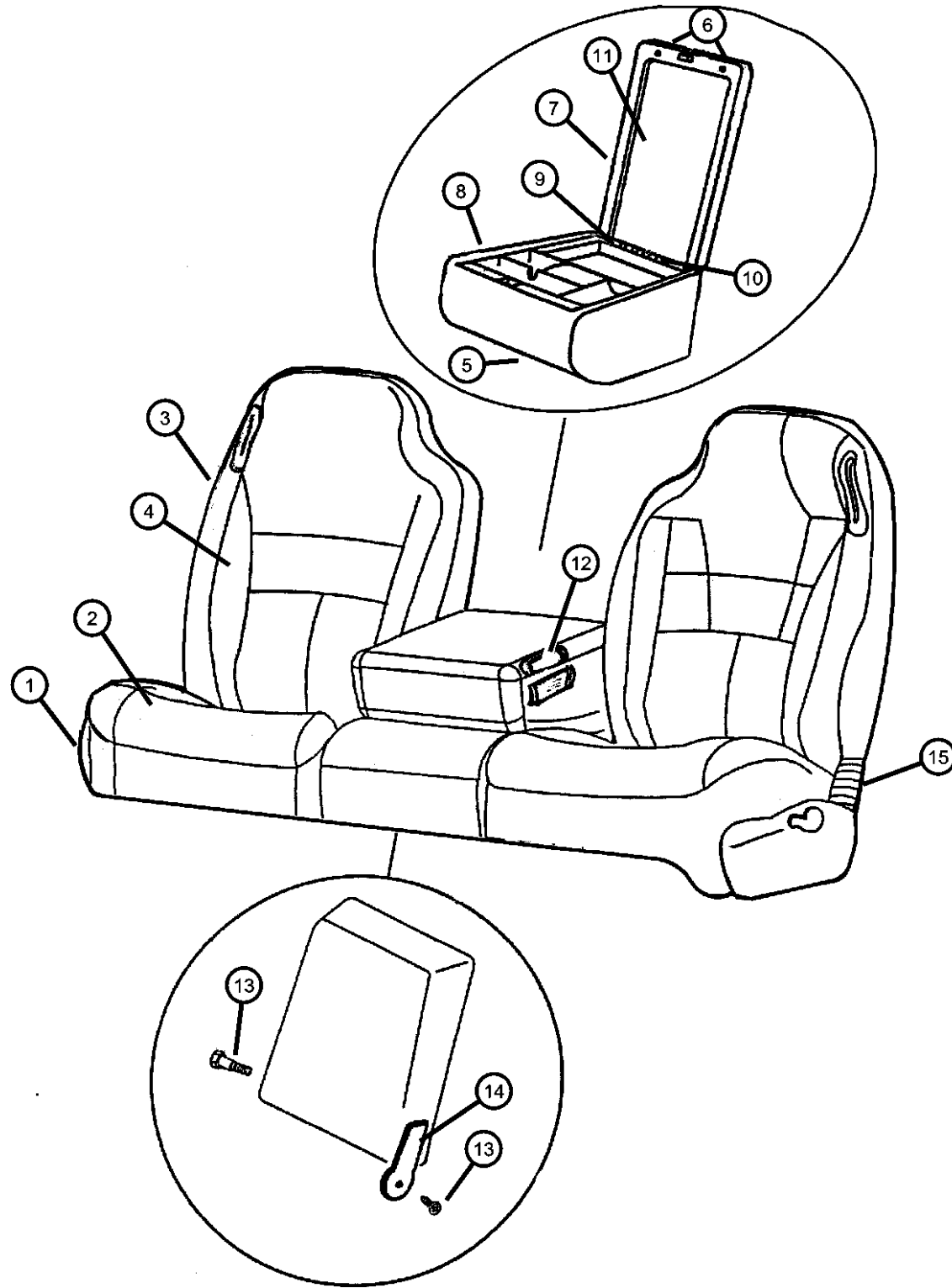
RAM PICKUP/CLUB CAB (BE)

SERIES	LINE	BODY	ENGINE	TRANSMISSION
L = RAM 1500, 2500, 3500	1 = Lt. Duty DODGE 2WD 2 = Med. Duty DODGE 2WD 3 = HD DODGE 2WD 6 = Lt. Duty DODGE 4WD 7 = Med. Duty DODGE 4WD 8 = HD DODGE 4WD	31 = CLUB CAB 2-DR 6.5 FT BOX 32 = CLUB CAB 2-DR 8FT BOX 33 = QUAD CAB 4-DR 6.5 FT BOX 34 = QUAD CAB 4-DR 8FT BOX	ETC = 5.9L Cummins 24V Diesel Engine EWA = 8.0L V10 MPI Engine EM0 = ALL 5.9L 8 CYL ENGINES - GAS EMM = 5.9L SMPI V8 Engine EML = 5.9L V8 MPI Engine ELF = 5.2L V8 MPI Engine	DGP = 4-Spd. Automatic 47RE Transmission DD0 = ALL 5 SPEED MANUAL TRANSMISSIONS DG0 = ALL AUTOMATIC TRANSMISSIONS DDC = 5-Speed HD Manual Transmission DDP = 5-Speed Manual Transmission DDX = 5-Speed HD Manual Transmission DEE = 6-Speed HD Manual Transmission DGT = 4-Spd. Automatic 46RE Transmission

AR = use ase required - = Non illustrated part

1999 BE

Seat, Front, Trim Codes SX, TY
Figure IBE-540



ITEM	PART NUMBER	QTY	LINE	SERIES	BODY	ENGINE	TRANS	TRIM	DESCRIPTION
8		1	1, 2, 6, 7		31, 32			*SX	BEZEL, Armrest, Bin
	05278455AA	1	1, 2, 6, 7		31, 32			*SX	
		1			33, 34			*TY	
9		1			33, 34			*SX	PIN, Armrest Lid Hinge
	04773684	1			33, 34			*TY	
		1	1, 2, 6, 7		31, 32			*SX	
		1			33, 34			*SX	
10		1			33, 34			*TY	SPRING, Armrest Lid Hinge
	04773685	1			33, 34			*TY	
		1	1, 2, 6, 7		31, 32			*SX	
		1			33, 34			*SX	
11		1			31, 32			*SX	LINER, Armrest Lid
	05278456AA	1	1, 2, 6, 7		31, 32			*SX	
		1			33, 34			*TY	
		1			33, 34			*SX	
12		1			33, 34			*SX	BEZEL, Armrest, Lid Latch Release Button
	04797715	1			33, 34			*SX	
		1	1, 2, 6, 7		31, 32			*SX	
		1			33, 34			*TY	
13		1			31, 32			*SX	BOLT, Armrest Pivot
	04773507	1	1, 2, 6, 7		31, 32			*SX	
		1			33, 34			*TY	
		1			33, 34			*SX	
14		1			31, 32			*SX	COVER, Bracket Right
	04773418	1	1, 2, 6, 7		31, 32			*SX	

RAM PICKUP/CLUB CAB (BE)

SERIES	LINE
L = RAM 1500, 2500, 3500	1 = Lt. Duty DODGE 2WD
	2 = Med. Duty DODGE 2WD
	3 = HD DODGE 2WD
	6 = Lt. Duty DODGE 4WD
	7 = Med. Duty DODGE 4WD
	8 = HD DODGE 4WD

BODY	ENGINE
31 = CLUB CAB 2-DR 6.5 FT BOX	ETC = 5.9L Cummins 24V Diesel Engine
32 = CLUB CAB 2-DR 8FT BOX	EWA = 8.0L V10 MPI Engine
33 = QUAD CAB 4-DR 6.5 FT BOX	EM0 = ALL 5.9L 8 CYL ENGINES - GAS
34 = QUAD CAB 4-DR 8FT BOX	EMM = 5.9L SMPI V8 Engine
	EML = 5.9L V8 MPI Engine
	ELF = 5.2L V8 MPI Engine

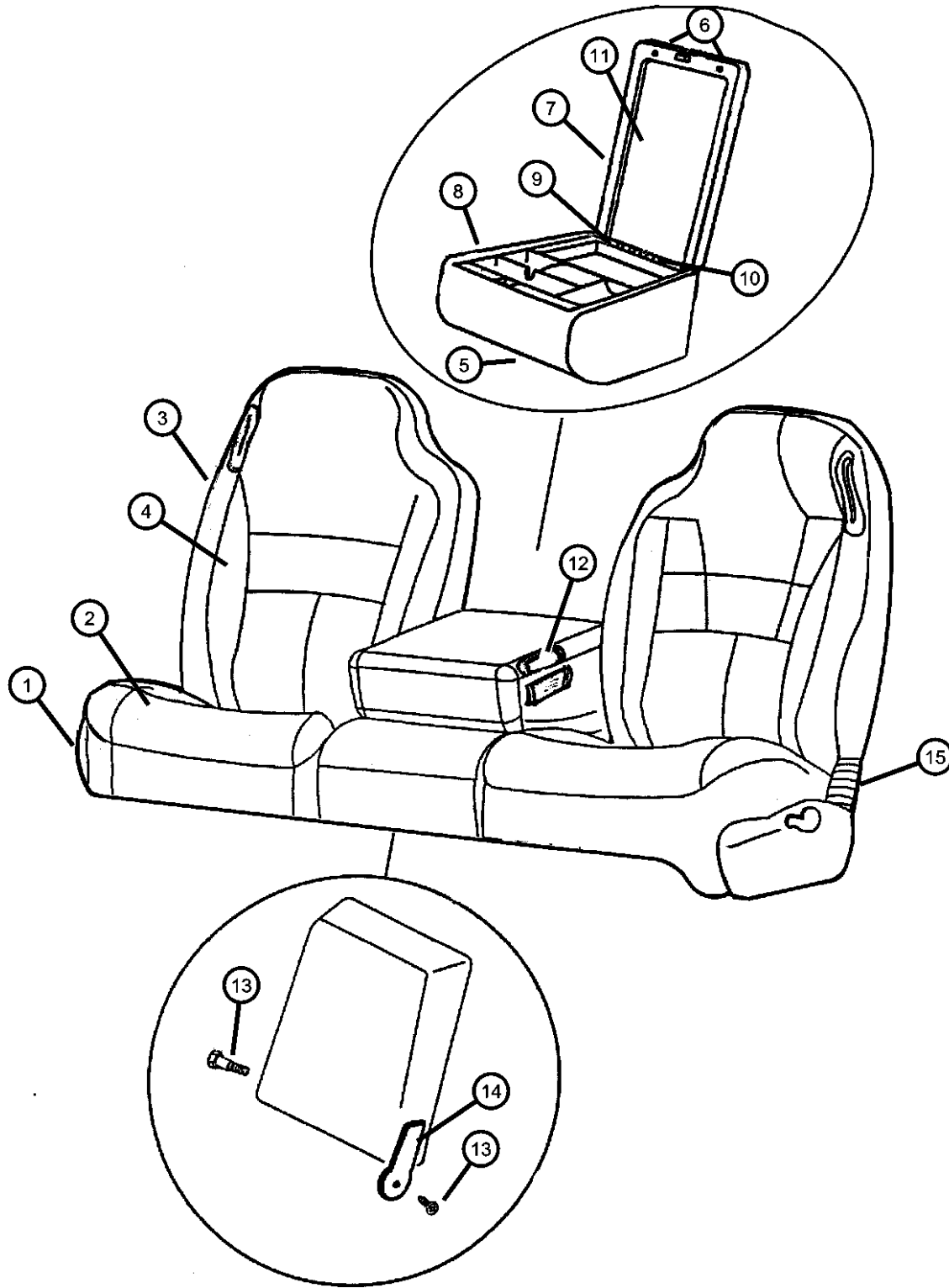
TRANSMISSION
DGP = 4-Spd. Automatic 47RE Transmission
DD0 = ALL 5 SPEED MANUAL TRANSMISSIONS
DG0 = ALL AUTOMATIC TRANSMISSIONS
DDC = 5-Speed HD Manual Transmission
DDP = 5-Speed Manual Transmission
DDX = 5-Speed HD Manual Transmission
DEE = 6-Speed HD Manual Transmission
DGT = 4-Spd. Automatic 46RE Transmission

AR = use ase required - = Non illustrated part

1999 BE

Seat, Front, Trim Codes SX, TY
Figure IBE-540

ITEM	PART NUMBER	QTY	LINE	SERIES	BODY	ENGINE	TRANS	TRIM	DESCRIPTION
		1			33, 34			*TY	Right
		1			33, 34			*SX	Right
	04773419	1	1, 2, 6, 7		31, 32			*SX	Left
		1			33, 34			*TY	Left
		1			33, 34			*SX	Left
15	05010197AA	2			33, 34			*TY	BELLOWS, Seat Mechanism
		1	1, 2, 6, 7		31, 32			*SX	
		1			33, 34			*SX	

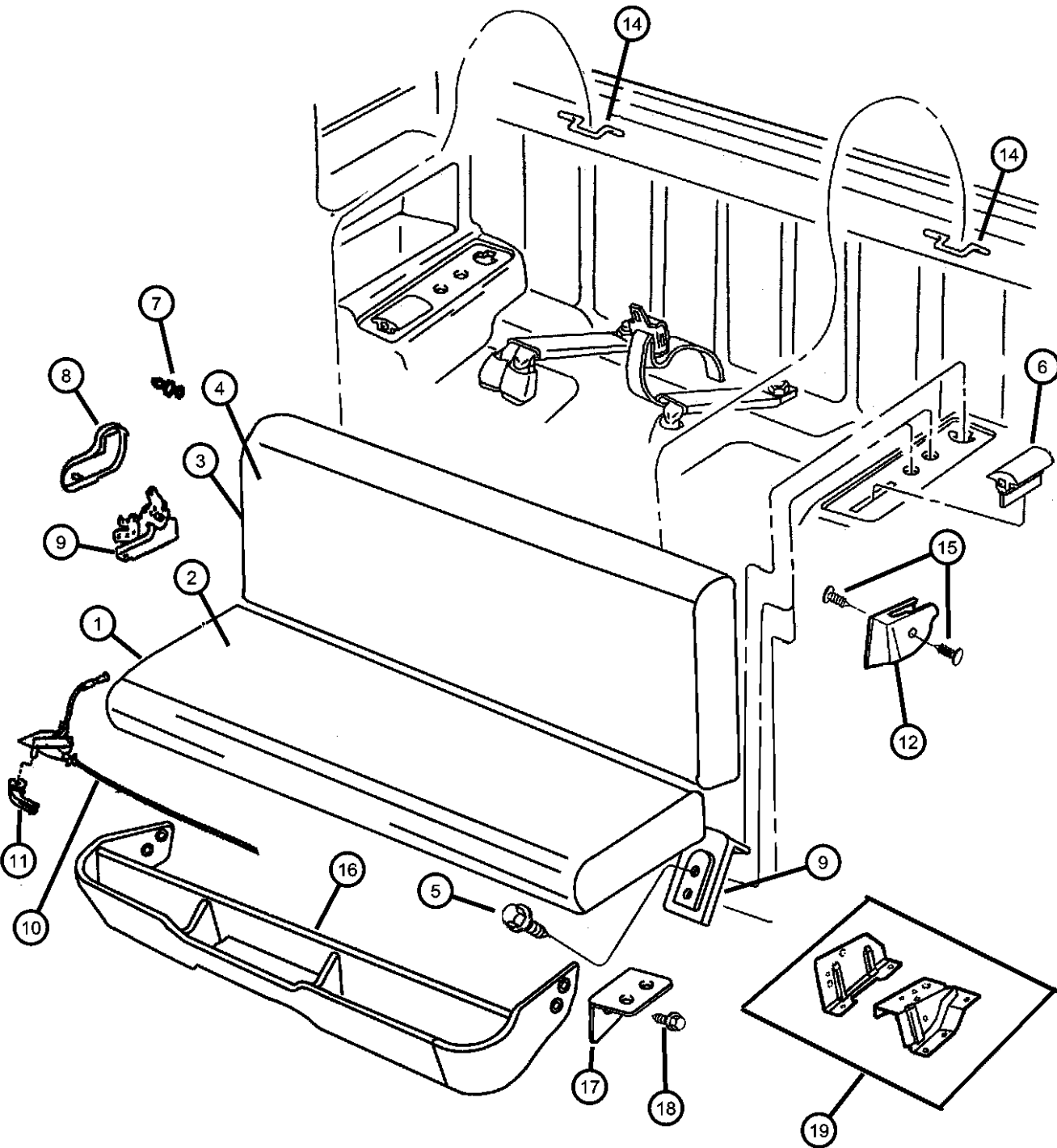


RAM PICKUP/CLUB CAB (BE)

SERIES	LINE	BODY	ENGINE	TRANSMISSION
L = RAM 1500, 2500, 3500	1 = Lt. Duty DODGE 2WD	31 = CLUB CAB 2-DR 6.5 FT BOX	ETC = 5.9L Cummins 24V Diesel Engine	DGP = 4-Spd. Automatic 47RE Transmission
	2 = Med. Duty DODGE 2WD	32 = CLUB CAB 2-DR 8FT BOX	EWA = 8.0L V10 MPI Engine	DD0 = ALL 5 SPEED MANUAL TRANSMISSIONS
	3 = HD DODGE 2WD	33 = QUAD CAB 4-DR 6.5 FT BOX	EM0 = ALL 5.9L 8 CYL ENGINES - GAS	DG0 = ALL AUTOMATIC TRANSMISSIONS
	6 = Lt. Duty DODGE 4WD	34 = QUAD CAB 4-DR 8FT BOX	EMM = 5.9L SMPI V8 Engine	DDC = 5-Speed HD Manual Transmission
	7 = Med. Duty DODGE 4WD		EML = 5.9L V8 MPI Engine	DDP = 5-Speed Manual Transmission
	8 = HD DODGE 4WD		ELF = 5.2L V8 MPI Engine	DDX = 5-Speed HD Manual Transmission
				DEE = 6-Speed HD Manual Transmission
				DGT = 4-Spd. Automatic 46RE Transmission

AR = use ase required - = Non illustrated part

**Rear Seat
Figure IBE-610**



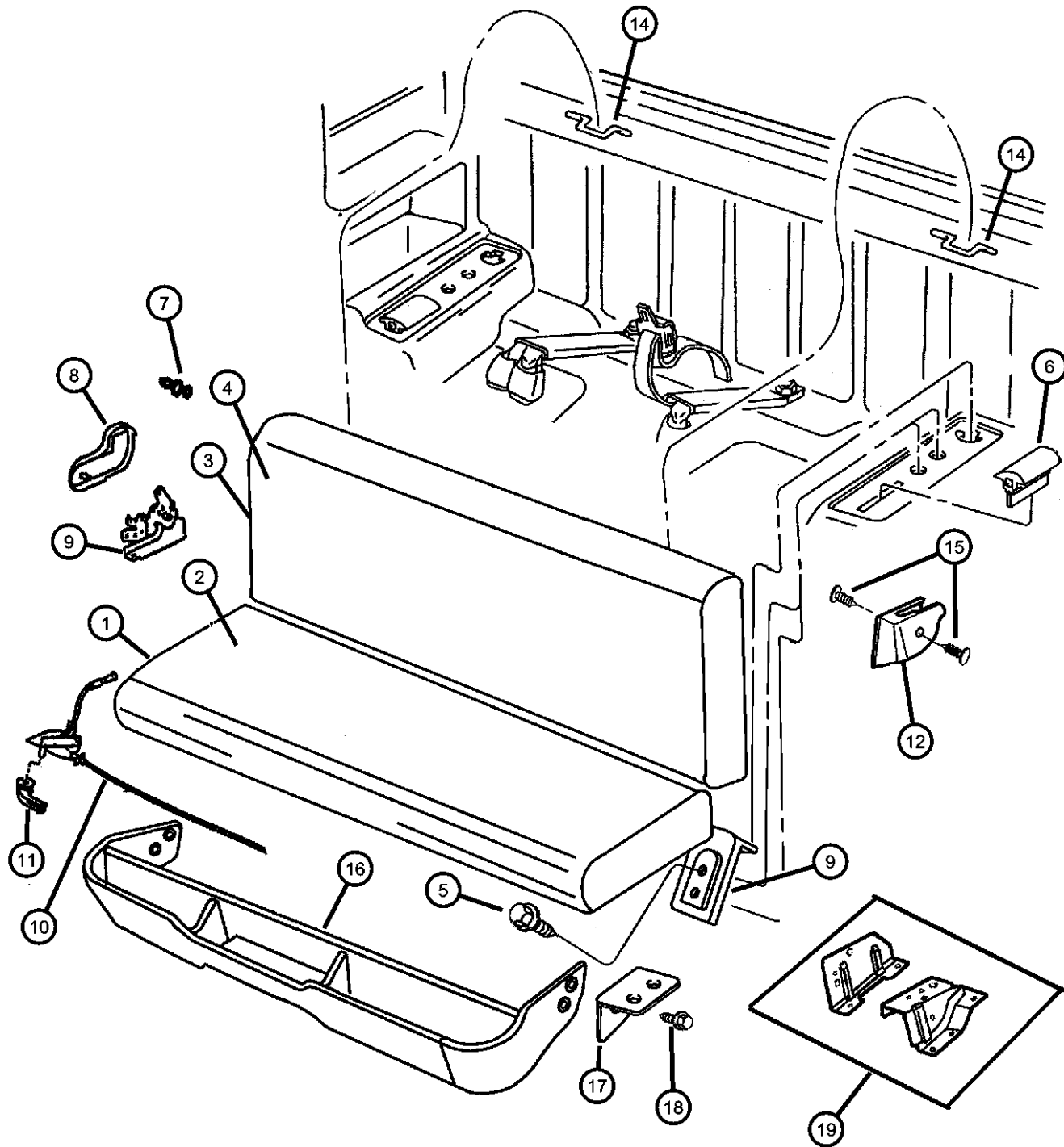
ITEM	PART NUMBER	QTY	LINE	SERIES	BODY	ENGINE	TRANS	TRIM	DESCRIPTION
1									CUSHION, Rear Seat
	0SP561AZAA	1			33, 34			*DP	Agate, (AZ)
		1	1, 2, 6, 7		31, 32			*DP	Agate, (AZ)
	0SP561K5AA	1			33, 34			*DP	Tan, (K9)
		1	1, 2, 6, 7		31, 32			*DP	Tan, (K9)
	0SP771AZAA	1			33, 34			*R1	Agate, (AZ)
		1	1, 2, 6, 7		31, 32			*R1	Agate, (AZ)
	0SP771C3AA	1			33, 34			*R1	Mist Gray, (C3)
		1	1, 2, 6, 7		31, 32			*R1	Mist Gray, (C3)
	0SP771K5AA	1			33, 34			*R1	Tan, (K9)
		1	1, 2, 6, 7		31, 32			*R1	Tan, (K9)
	0SP911AZAA	1			33, 34			*S9	Agate, (AZ)
		1	1, 2, 6, 7		31, 32			*S9	Agate, (AZ)
	0SP911C3AA	1			33, 34			*S9	Mist Gray, (C3)
		1	1, 2, 6, 7		31, 32			*S9	Mist Gray, (C3)
	0SQ081AZAA	1			33, 34			*SX	Agate, (AZ)
		1	1, 2, 6, 7		31, 32			*SX	Agate, (AZ)
	0SQ081C3AA	1			33, 34			*SX	Mist Gray, (C3)
		1	1, 2, 6, 7		31, 32			*SX	Mist Gray, (C3)
2									COVER, Rear Seat Cushion
	0SP611AZAA	1			33, 34			*DP	Agate, (AZ)
		1	1, 2, 6, 7		31, 32			*DP	Agate, (AZ)
	0SP611K5AA	1			33, 34			*DP	Tan, (K9)
		1	1, 2, 6, 7		31, 32			*DP	Tan, (K9)
	0SP821AZAA	1			33, 34			*R1	Agate, (AZ)
		1	1, 2, 6, 7		31, 32			*R1	Agate, (AZ)
	0SP821C3AA	1			33, 34			*R1	Mist Gray, (C3)
		1	1, 2, 6, 7		31, 32			*R1	Mist Gray, (C3)

RAM PICKUP/CLUB CAB (BE)

SERIES	LINE	BODY	ENGINE	TRANSMISSION
L = RAM 1500, 2500, 3500	1 = Lt. Duty DODGE 2WD	31 = CLUB CAB 2-DR 6.5 FT BOX	ETC = 5.9L Cummins 24V Diesel Engine	DGP = 4-Spd. Automatic 47RE Transmission
	2 = Med. Duty DODGE 2WD	32 = CLUB CAB 2-DR 8FT BOX	EWA = 8.0L V10 MPI Engine	DD0 = ALL 5 SPEED MANUAL TRANSMISSIONS
	3 = HD DODGE 2WD	33 = QUAD CAB 4-DR 6.5 FT BOX	EM0 = ALL 5.9L 8 CYL ENGINES - GAS	DG0 = ALL AUTOMATIC TRANSMISSIONS
	6 = Lt. Duty DODGE 4WD	34 = QUAD CAB 4-DR 8FT BOX	EMM = 5.9L SMPI V8 Engine	DDC = 5-Speed HD Manual Transmission
	7 = Med. Duty DODGE 4WD		EML = 5.9L V8 MPI Engine	DDP = 5-Speed Manual Transmission
	8 = HD DODGE 4WD		ELF = 5.2L V8 MPI Engine	DDX = 5-Speed HD Manual Transmission
				DEE = 6-Speed HD Manual Transmission
				DGT = 4-Spd. Automatic 46RE Transmission

AR = use ase required - = Non illustrated part

Rear Seat
Figure IBE-610



ITEM	PART NUMBER	QTY	LINE	SERIES	BODY	ENGINE	TRANS	TRIM	DESCRIPTION
	OSP821K5AA	1			33, 34			*R1	Tan, (K9)
		1	1, 2, 6, 7		31, 32			*R1	Tan, (K9)
	OSP971AZAA	1			33, 34			*S9	Agate, (AZ)
		1	1, 2, 6, 7		31, 32			*S9	Agate, (AZ)
	OSP971C3AA	1			33, 34			*S9	Mist Gray, (C3)
		1	1, 2, 6, 7		31, 32			*S9	Mist Gray, (C3)
	OSQ131AZAA	1			33, 34			*SX	Agate, (AZ)
		1	1, 2, 6, 7		31, 32			*SX	Agate, (AZ)
	OSQ131C3AA	1			33, 34			*SX	Mist Gray, (C3)
		1	1, 2, 6, 7		31, 32			*SX	Mist Gray, (C3)
3									SEAT BACK, Rear
	OSP551AZAA	1			33, 34			*DP	Agate, (AZ)
		1	1, 2, 6, 7		31, 32			*DP	Agate, (AZ)
	OSP551K5AA	1			33, 34			*DP	Tan, (K5)
		1	1, 2, 6, 7		31, 32			*DP	Tan, (K5)
	OSP761AZAA	1			33, 34			*R1	Agate, (AZ)
		1	1, 2, 6, 7		31, 32			*R1	Agate, (AZ)
	OSP761C3AA	1			33, 34			*R1	Mist Gray, (C3)
		1	1, 2, 6, 7		31, 32			*R1	Mist Gray, (C3)
	OSP761K5AA	1			33, 34			*R1	Tan, (K5)
		1	1, 2, 6, 7		31, 32			*R1	Tan, (K5)
	OSP901AZAA	1			31, 32			*S9	Agate, (AZ)
		1			33, 34			*S9	Agate, (AZ)
	OSP901C3AA	1			31, 32			*S9	Mist Gray, (C3)
		1	1, 2, 6, 7		31, 32			*S9	Mist Gray, (C3)
	OSQ051AZAA	1			33, 34			*SX	Agate, (AZ)
		1	1, 2, 6, 7		31, 32			*SX	Agate, (AZ)
	OSQ051C3AA	1			33, 34			*SX	Mist Gray, (C3)

RAM PICKUP/CLUB CAB (BE)

SERIES	LINE
L = RAM 1500, 2500, 3500	1 = Lt. Duty DODGE 2WD
	2 = Med. Duty DODGE 2WD
	3 = HD DODGE 2WD
	6 = Lt. Duty DODGE 4WD
	7 = Med. Duty DODGE 4WD
	8 = HD DODGE 4WD

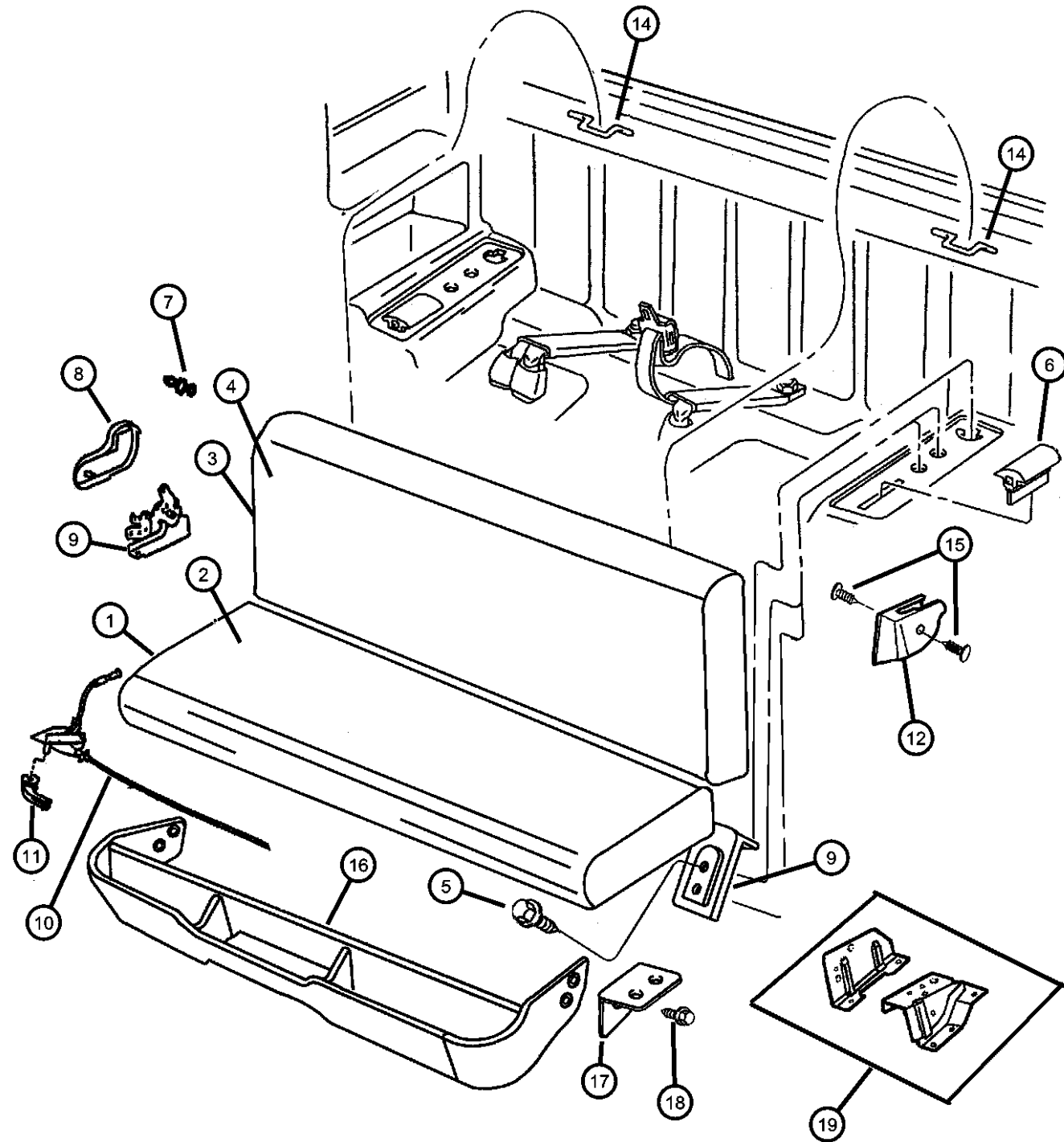
BODY	ENGINE
31 = CLUB CAB 2-DR 6.5 FT BOX	ETC = 5.9L Cummins 24V Diesel Engine
32 = CLUB CAB 2-DR 8FT BOX	EWA = 8.0L V10 MPI Engine
33 = QUAD CAB 4-DR 6.5 FT BOX	EM0 = ALL 5.9L 8 CYL ENGINES - GAS
34 = QUAD CAB 4-DR 8FT BOX	EMM = 5.9L SMPI V8 Engine
	EML = 5.9L V8 MPI Engine
	ELF = 5.2L V8 MPI Engine

TRANSMISSION
DGP = 4-Spd. Automatic 47RE Transmission
DD0 = ALL 5 SPEED MANUAL TRANSMISSIONS
DG0 = ALL AUTOMATIC TRANSMISSIONS
DDC = 5-Speed HD Manual Transmission
DDP = 5-Speed Manual Transmission
DDX = 5-Speed HD Manual Transmission
DEE = 6-Speed HD Manual Transmission
DGT = 4-Spd. Automatic 46RE Transmission

AR = use ase required - = Non illustrated part

1999 BE

Rear Seat
Figure IBE-610



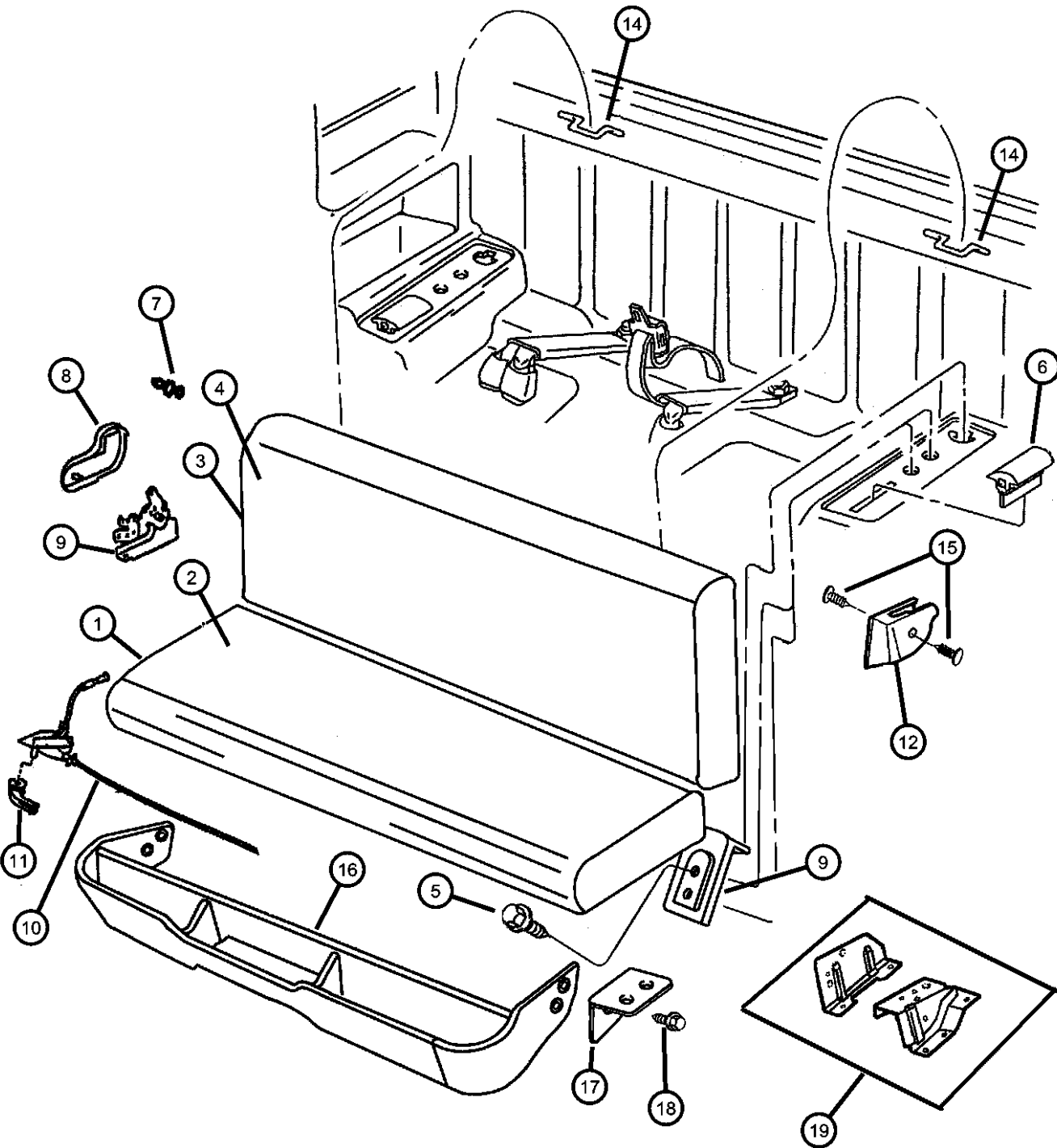
ITEM	PART NUMBER	QTY	LINE	SERIES	BODY	ENGINE	TRANS	TRIM	DESCRIPTION
4		1	1, 2, 6, 7		31, 32			*SX	Mist Gray, (C3) COVER, Rear Seat Back
	OSP601AZAA	1			33, 34			*DP	Agate, (AZ)
	OSP601K5AA	1	1, 2, 6, 7		31, 32			*DP	Agate, (AZ)
	OSP811AZAA	1	1, 2, 6, 7		33, 34			*DP	Tan, (K5)
	OSP811C3AA	1	1, 2, 6, 7		31, 32			*DP	Tan, (K5)
	OSP811K5AA	1	1, 2, 6, 7		33, 34			*R1	Agate, (AZ)
	OSP951AZAA	1	1, 2, 6, 7		31, 32			*R1	Agate, (AZ)
	OSP951C3AA	1	1, 2, 6, 7		33, 34			*R1	Mist Gray, (C3)
	OSP951K5AA	1	1, 2, 6, 7		31, 32			*R1	Mist Gray, (C3)
	OSQ121AZAA	1	1, 2, 6, 7		33, 34			*R1	Tan, (K5)
	OSQ121C3AA	1	1, 2, 6, 7		31, 32			*R1	Tan, (K5)
	OSQ121K5AA	1	1, 2, 6, 7		33, 34			*S9	Agate, (AZ)
	06500664	2						*S9	Agate, (AZ)
	55350643AB	2						*S9	Mist Gray, (C3)
	04778684	2						*S9	Mist Gray, (C3)
		2						*S9	Mist Gray, (C3)
		2						*R1	Agate, (AZ)
		1						*DP	Mist Gray, (C3)
5	06500664	2							SCREW AND WASHER, Hex Head, M8x1.25x35
6	55350643AB	2							BUMPER, Seat Cushion
7									BUSHING, Pivot
	04778684	2			33, 34			*SX	
		2			33, 34			*S9	
		2			33, 34			*R1	
		1			33, 34			*DP	

RAM PICKUP/CLUB CAB (BE)

SERIES	LINE	BODY	ENGINE	TRANSMISSION
L = RAM 1500, 2500, 3500	1 = Lt. Duty DODGE 2WD 2 = Med. Duty DODGE 2WD 3 = HD DODGE 2WD 6 = Lt. Duty DODGE 4WD 7 = Med. Duty DODGE 4WD 8 = HD DODGE 4WD	31 = CLUB CAB 2-DR 6.5 FT BOX 32 = CLUB CAB 2-DR 8FT BOX 33 = QUAD CAB 4-DR 6.5 FT BOX 34 = QUAD CAB 4-DR 8FT BOX	ETC = 5.9L Cummins 24V Diesel Engine EWA = 8.0L V10 MPI Engine EM0 = ALL 5.9L 8 CYL ENGINES - GAS EMM = 5.9L SMPI V8 Engine EML = 5.9L V8 MPI Engine ELF = 5.2L V8 MPI Engine	DGP = 4-Spd. Automatic 47RE Transmission DD0 = ALL 5 SPEED MANUAL TRANSMISSIONS DG0 = ALL AUTOMATIC TRANSMISSIONS DDC = 5-Speed HD Manual Transmission DDP = 5-Speed Manual Transmission DDX = 5-Speed HD Manual Transmission DEE = 6-Speed HD Manual Transmission DGT = 4-Spd. Automatic 46RE Transmission

AR = use ase required - = Non illustrated part

Rear Seat
Figure IBE-610



ITEM	PART NUMBER	QTY	LINE	SERIES	BODY	ENGINE	TRANS	TRIM	DESCRIPTION		
8	04778682	1			33, 34			*S9	COVER, Seat latch Right		
		1	1, 2, 6, 7		31, 32			*SX	Right		
		1	1, 2, 6, 7		31, 32			*R1	Right		
		1			33, 34			*R1	Right		
		1	1, 2, 6, 7		31, 32			*DP	Right		
		1	1, 2, 6, 7		31, 32			*S9	Right		
		1			33, 34			*DP	Right		
		1			33, 34			*SX	Right		
		04778683	1				33, 34			*S9	Left
			1	1, 2, 6, 7		31, 32			*SX	Left	
			1				33, 34			*SX	Left
			1	1, 2, 6, 7		31, 32			*DP	Left	
			1				33, 34			*DP	Left
			1	1, 2, 6, 7		31, 32			*R1	Left	
1	1, 2, 6, 7			31, 32			*S9	Left			
1					33, 34			*R1	Left		
9	05010284AA	1	1, 2, 6, 7		31, 32			*SX	LATCH, Seat Right		
		1			33, 34			*S9	Right		
		1			33, 34			*R1	Right		
		1	1, 2, 6, 7		31, 32			*DP	Right		
		1	1, 2, 6, 7		31, 32			*R1	Right		
		1	1, 2, 6, 7		31, 32			*S9	Right		
		1				33, 34			*DP	Right	
		1				33, 34			*SX	Right	
		05010285AA	1	1, 2, 6, 7		31, 32			*SX	Left	
			1	1, 2, 6, 7		31, 32			*R1	Left	

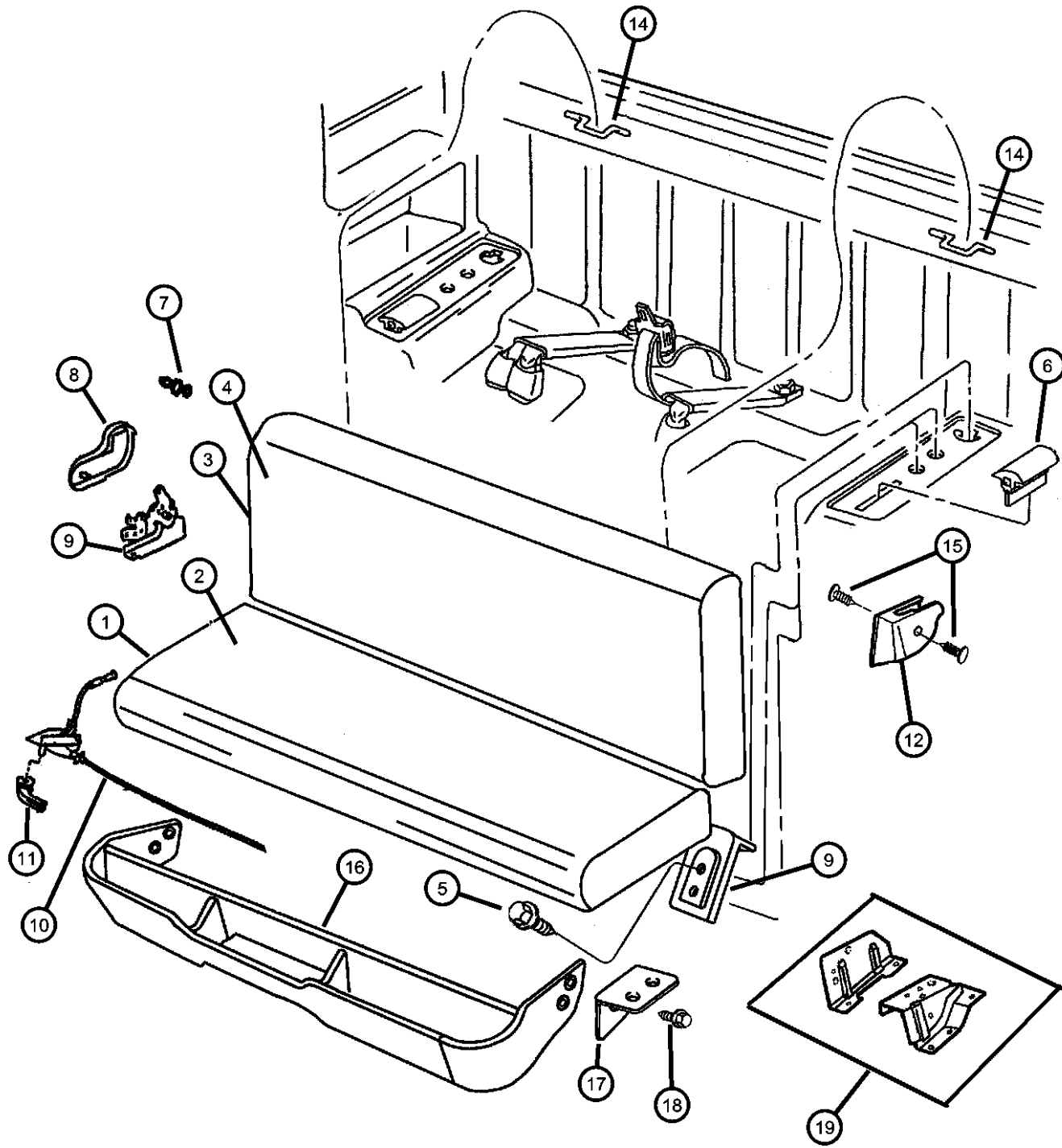
RAM PICKUP/CLUB CAB (BE)

SERIES	LINE	BODY	ENGINE	TRANSMISSION
L = RAM 1500, 2500, 3500	1 = Lt. Duty DODGE 2WD 2 = Med. Duty DODGE 2WD 3 = HD DODGE 2WD 6 = Lt. Duty DODGE 4WD 7 = Med. Duty DODGE 4WD 8 = HD DODGE 4WD	31 = CLUB CAB 2-DR 6.5 FT BOX 32 = CLUB CAB 2-DR 8FT BOX 33 = QUAD CAB 4-DR 6.5 FT BOX 34 = QUAD CAB 4-DR 8FT BOX	ETC = 5.9L Cummins 24V Diesel Engine EWA = 8.0L V10 MPI Engine EM0 = ALL 5.9L 8 CYL ENGINES - GAS EMM = 5.9L SMPI V8 Engine EML = 5.9L V8 MPI Engine ELF = 5.2L V8 MPI Engine	DGP = 4-Spd. Automatic 47RE Transmission DD0 = ALL 5 SPEED MANUAL TRANSMISSIONS DG0 = ALL AUTOMATIC TRANSMISSIONS DDC = 5-Speed HD Manual Transmission DDP = 5-Speed Manual Transmission DDX = 5-Speed HD Manual Transmission DEE = 6-Speed HD Manual Transmission DGT = 4-Spd. Automatic 46RE Transmission

AR = use ase required - = Non illustrated part

1999 BE

Rear Seat
Figure IBE-610



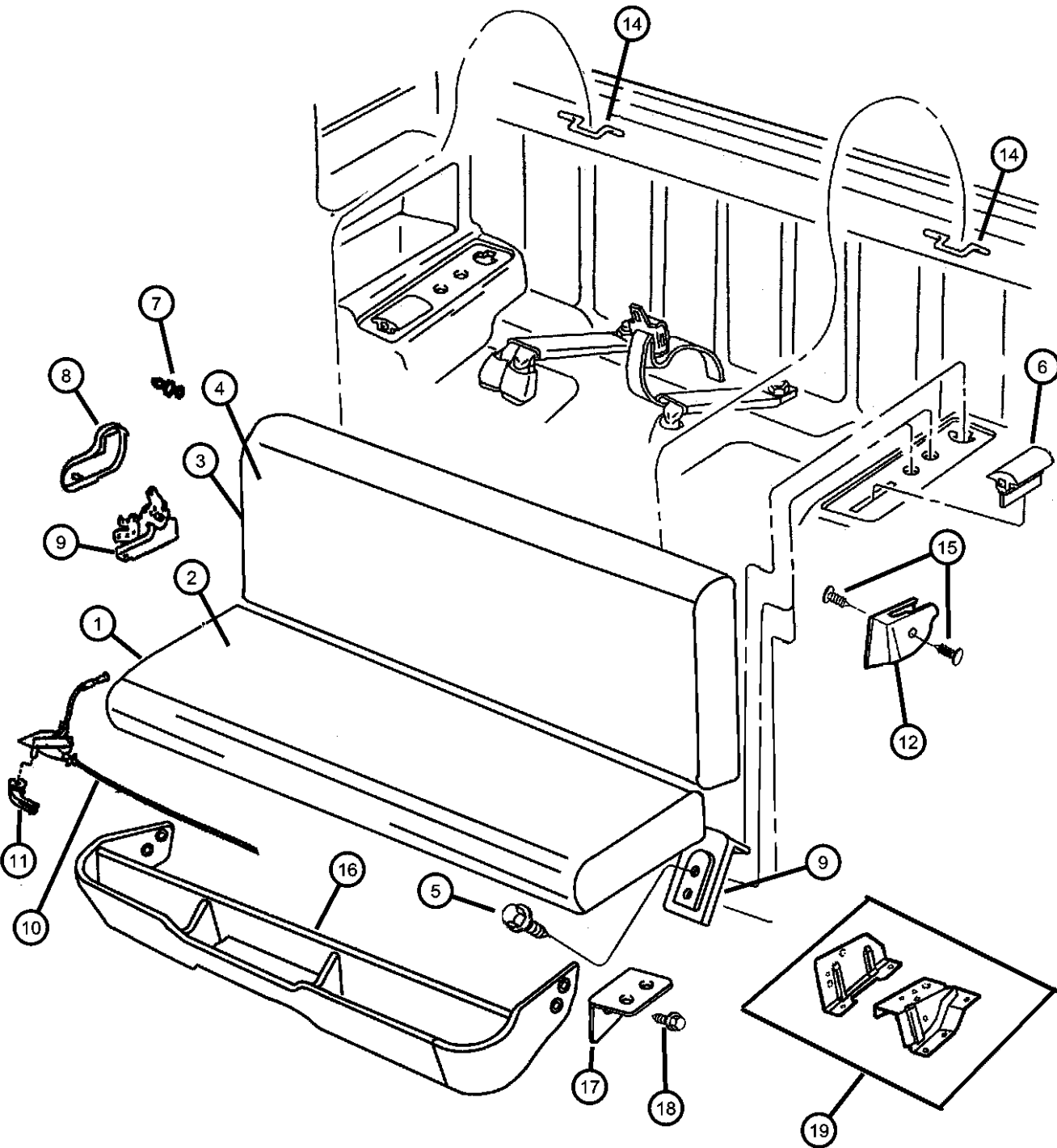
ITEM	PART NUMBER	QTY	LINE	SERIES	BODY	ENGINE	TRANS	TRIM	DESCRIPTION
		1			33, 34			*R1	Left
		1			33, 34			*DP	Left
		1	1, 2, 6, 7		31, 32			*DP	Left
		1	1, 2, 6, 7		31, 32			*S9	Left
		1			33, 34			*S9	Left
		1			33, 34			*SX	Left
10									LATCH, Seat
	05015489AA	1			33, 34			*SX	
		1			33, 34			*DP	
		1			33, 34			*R1	
		1			33, 34			*S9	
11									HANDLE, Recliner
	55196020	1	1, 2, 6, 7		31, 32			*SX	Right
		1	1, 2, 6, 7		31, 32			*R1	Right
		1			33, 34			*R1	Right
		1	1, 2, 6, 7		31, 32			*DP	Right
		1	1, 2, 6, 7		31, 32			*S9	Right
		1			33, 34			*DP	Right
		1			33, 34			*S9	Right
		1			33, 34			*SX	Right
	55196021	1	1, 2, 6, 7		31, 32			*SX	Left
		1	1, 2, 6, 7		31, 32			*DP	Left
		1	1, 2, 6, 7		31, 32			*R1	Left
		1	1, 2, 6, 7		31, 32			*S9	Left
		1			33, 34			*DP	Left
		1			33, 34			*R1	Left
		1			33, 34			*S9	Left
		1			33, 34			*SX	Left

RAM PICKUP/CLUB CAB (BE)

SERIES	LINE	BODY	ENGINE	TRANSMISSION
L = RAM 1500, 2500, 3500	1 = Lt. Duty DODGE 2WD 2 = Med. Duty DODGE 2WD 3 = HD DODGE 2WD 6 = Lt. Duty DODGE 4WD 7 = Med. Duty DODGE 4WD 8 = HD DODGE 4WD	31 = CLUB CAB 2-DR 6.5 FT BOX 32 = CLUB CAB 2-DR 8FT BOX 33 = QUAD CAB 4-DR 6.5 FT BOX 34 = QUAD CAB 4-DR 8FT BOX	ETC = 5.9L Cummins 24V Diesel Engine EWA = 8.0L V10 MPI Engine EM0 = ALL 5.9L 8 CYL ENGINES - GAS EMM = 5.9L SMPI V8 Engine EML = 5.9L V8 MPI Engine ELF = 5.2L V8 MPI Engine	DGP = 4-Spd. Automatic 47RE Transmission DD0 = ALL 5 SPEED MANUAL TRANSMISSIONS DG0 = ALL AUTOMATIC TRANSMISSIONS DDC = 5-Speed HD Manual Transmission DDP = 5-Speed Manual Transmission DDX = 5-Speed HD Manual Transmission DEE = 6-Speed HD Manual Transmission DGT = 4-Spd. Automatic 46RE Transmission

AR = use ase required - = Non illustrated part

**Rear Seat
Figure IBE-610**



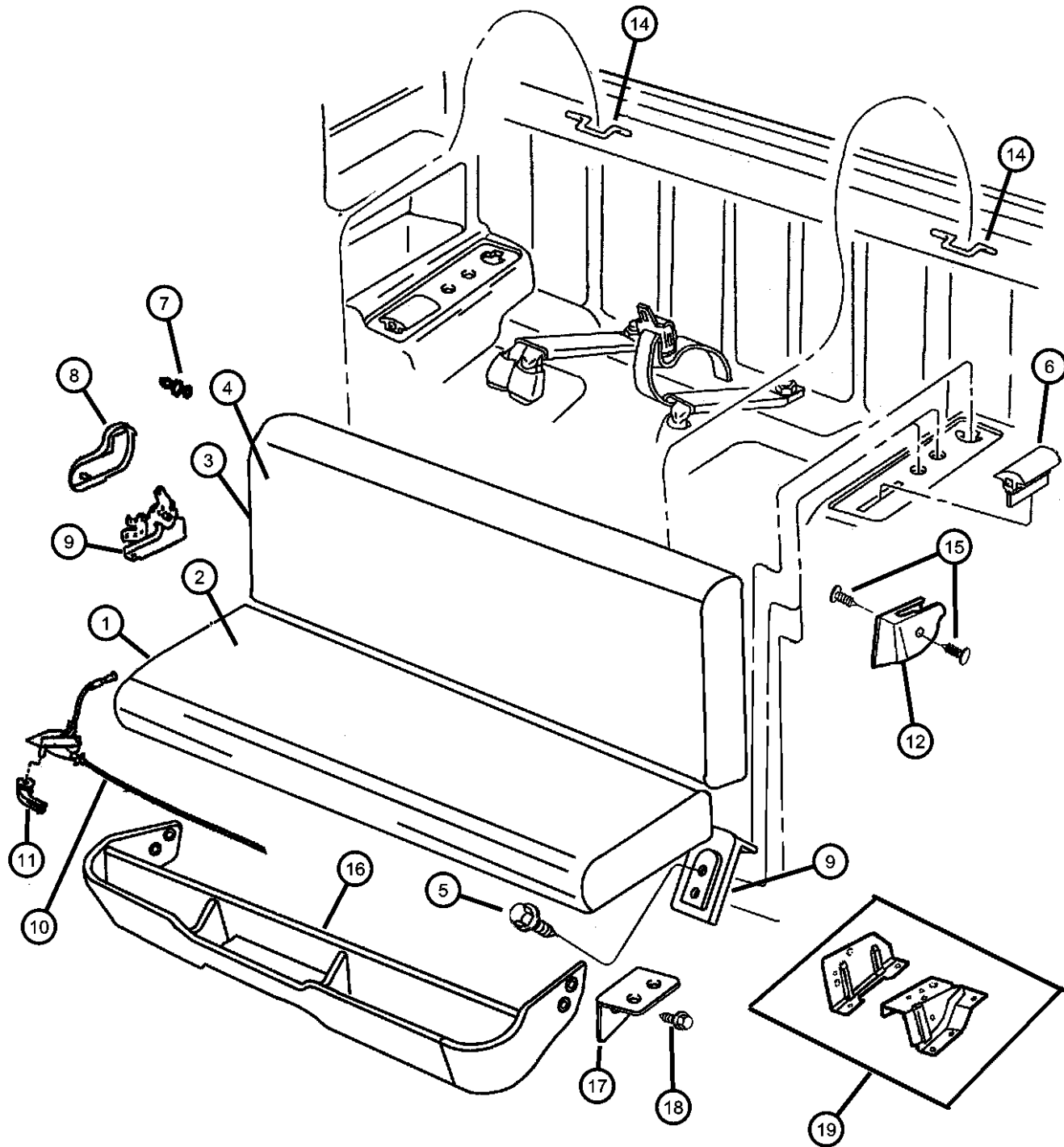
ITEM	PART NUMBER	QTY	LINE	SERIES	BODY	ENGINE	TRANS	TRIM	DESCRIPTION
12									COVER, Quarter Trim Opening
	5FH86LAZ	1			33, 34			*O0	Agate, Right
	5FH86RC3	1			33, 34			*O0	Mist Gray, Right
	5FH86RK5	1			33, 34			*O0	Camel, Right
	5FH87LAZ	1			33, 34			*O0	Agate, Left
	5FH87RC3	1			33, 34			*O0	Mist Gray, Left
	5FH87RK5	1			33, 34			*O0	Camel, Left
-13									SPRING, Seat Latch Return
	04778719	1	1, 2, 6, 7		31, 32			*SX	
		1	1, 2, 6, 7		31, 32			*R1	
		1			33, 34			*R1	
		1	1, 2, 6, 7		31, 32			*DP	
		1	1, 2, 6, 7		31, 32			*S9	
		1			33, 34			*S9	
		1			33, 34			*SX	
		1			33, 34			*DP	
14	55050160	2							FOOTMAN LOOP, Hold Down
15									FASTENER, Push Pin
	5GE96LAZAA	6			33, 34			*O0	Agate
	5GE96RC3AA	6			33, 34			*O0	Mist Gray
	5GE96RK5AA	6			33, 34			*O0	Camel
16									BIN, Storage
	05012913AA	1			33, 34			*SX	
		1			33, 34			*R1	
		1			33, 34			*DP	
17									LATCH, Storage Bin Lid
	05012914AA	1			33, 34			*SX	Right
		1			33, 34			*DP	Right

RAM PICKUP/CLUB CAB (BE)

SERIES	LINE	BODY	ENGINE	TRANSMISSION
L = RAM 1500, 2500, 3500	1 = Lt. Duty DODGE 2WD 2 = Med. Duty DODGE 2WD 3 = HD DODGE 2WD 6 = Lt. Duty DODGE 4WD 7 = Med. Duty DODGE 4WD 8 = HD DODGE 4WD	31 = CLUB CAB 2-DR 6.5 FT BOX 32 = CLUB CAB 2-DR 8FT BOX 33 = QUAD CAB 4-DR 6.5 FT BOX 34 = QUAD CAB 4-DR 8FT BOX	ETC = 5.9L Cummins 24V Diesel Engine EWA = 8.0L V10 MPI Engine EM0 = ALL 5.9L 8 CYL ENGINES - GAS EMM = 5.9L SMPI V8 Engine EML = 5.9L V8 MPI Engine ELF = 5.2L V8 MPI Engine	DGP = 4-Spd. Automatic 47RE Transmission DD0 = ALL 5 SPEED MANUAL TRANSMISSIONS DG0 = ALL AUTOMATIC TRANSMISSIONS DDC = 5-Speed HD Manual Transmission DDP = 5-Speed Manual Transmission DDX = 5-Speed HD Manual Transmission DEE = 6-Speed HD Manual Transmission DGT = 4-Spd. Automatic 46RE Transmission

AR = use ase required - = Non illustrated part

Rear Seat
Figure IBE-610



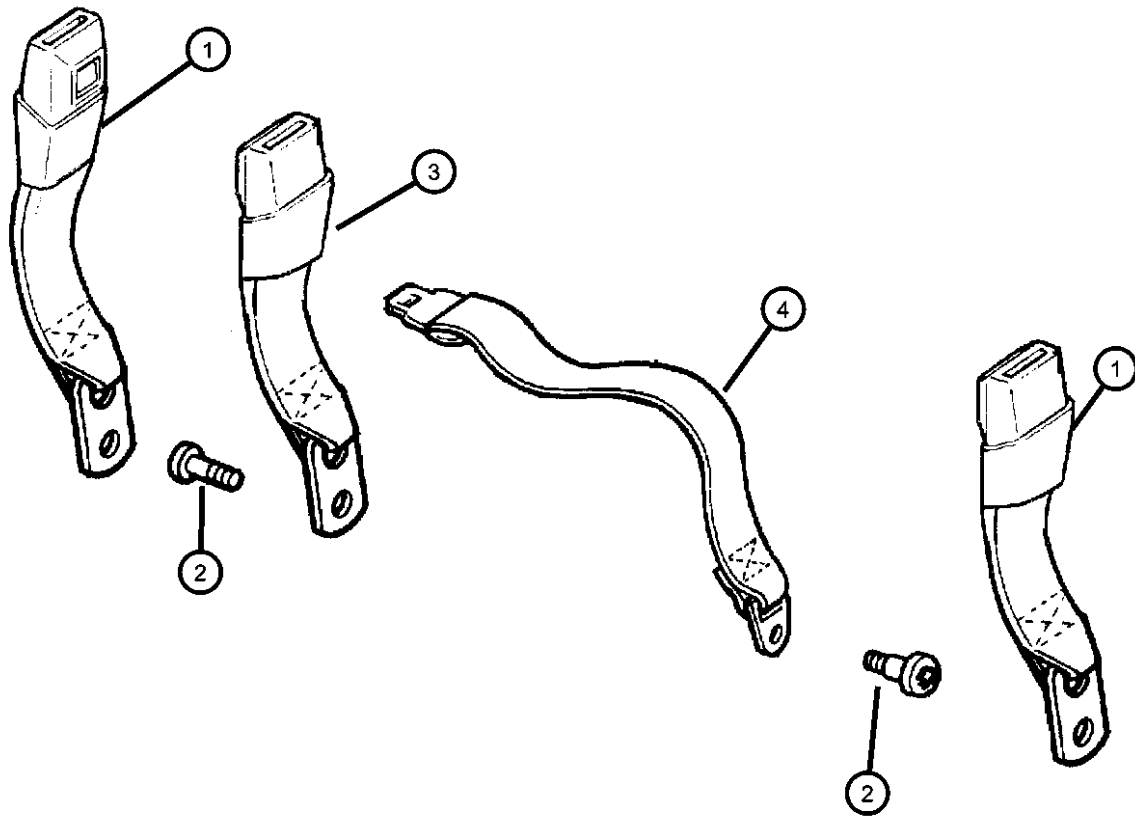
ITEM	PART NUMBER	QTY	LINE	SERIES	BODY	ENGINE	TRANS	TRIM	DESCRIPTION
		1			33, 34			*R1	Right
	05012915AA	1			33, 34			*SX	Left
		1			33, 34			*DP	Left
		1			33, 34			*R1	Left
18									BOLT
	05012916AA	4			33, 34			*SX	
		4			33, 34			*R1	
		4			33, 34			*DP	
19									SUPPORT, Rear Seat
	55275000	1							Right
	55275001	1							Left

RAM PICKUP/CLUB CAB (BE)

SERIES	LINE	BODY	ENGINE	TRANSMISSION
L = RAM 1500, 2500, 3500	1 = Lt. Duty DODGE 2WD	31 = CLUB CAB 2-DR 6.5 FT BOX	ETC = 5.9L Cummins 24V Diesel Engine	DGP = 4-Spd. Automatic 47RE Transmission
	2 = Med. Duty DODGE 2WD	32 = CLUB CAB 2-DR 8FT BOX	EWA = 8.0L V10 MPI Engine	DD0 = ALL 5 SPEED MANUAL TRANSMISSIONS
	3 = HD DODGE 2WD	33 = QUAD CAB 4-DR 6.5 FT BOX	EM0 = ALL 5.9L 8 CYL ENGINES - GAS	DG0 = ALL AUTOMATIC TRANSMISSIONS
	6 = Lt. Duty DODGE 4WD	34 = QUAD CAB 4-DR 8FT BOX	EMM = 5.9L SMPI V8 Engine	DDC = 5-Speed HD Manual Transmission
	7 = Med. Duty DODGE 4WD		EML = 5.9L V8 MPI Engine	DDP = 5-Speed Manual Transmission
	8 = HD DODGE 4WD		ELF = 5.2L V8 MPI Engine	DDX = 5-Speed HD Manual Transmission
				DEE = 6-Speed HD Manual Transmission
				DGT = 4-Spd. Automatic 46RE Transmission

AR = use ase required - = Non illustrated part

Lap Belt
Figure IBE-710



ITEM	PART NUMBER	QTY	LINE	SERIES	BODY	ENGINE	TRANS	TRIM	DESCRIPTION
Order Color 'AZ', C3' should use Agate. Order Color 'K9' should use Camel.									
1	5FP62LAZ	2	1, 2, 6, 7		31, 32			*DP	SEAT BELT, Front Inner Agate, (AZ)
		2	1, 2, 6, 7		31, 32			*R1	Agate, (AZ, C3)
		2	1, 2, 6, 7		31, 32			*S9	Agate, (AZ, C3)
		2	1, 2, 6, 7		31, 32			*SX	Agate, (AZ, C3)
		2			33, 34			*R1	Agate, (AZ, C3)
		2			33, 34			*S9	Agate, (AZ, C3)
		2			33, 34			*TY	Agate, (AZ, C3)
		2			33, 34			*DP	Agate, (AZ)
		2			33, 34			*SX	Agate, (AZ, C3)
	5FP62RK5	2	1, 2, 6, 7		31, 32			*DP	Tan, (K5)
		2	1, 2, 6, 7		31, 32			*R1	Tan, (K5)
		2			33, 34			*R1	Tan, (K5)
		2			33, 34			*DP	Tan, (K5)
2	05010812AA	2	1, 2, 6, 7		31, 32			*R1	BOLT, Seat Belt Anchor
		2			33, 34			*TY	
		1	1, 2, 6, 7		31, 32			*DP	
		1	1, 2, 6, 7		31, 32			*S9	
		1	1, 2, 6, 7		31, 32			*SX	
		1			33, 34			*DP	
		1			33, 34			*S9	
		1			33, 34			*SX	
		1			33, 34			*R1	
3	5GE461AZAA	1	1, 2, 6, 7		31, 32			*DP	LAP BELT, Buckle Half Agate, (AZ)
		1	1, 2, 6, 7		31, 32			*R1	Agate, (AZ, C3)

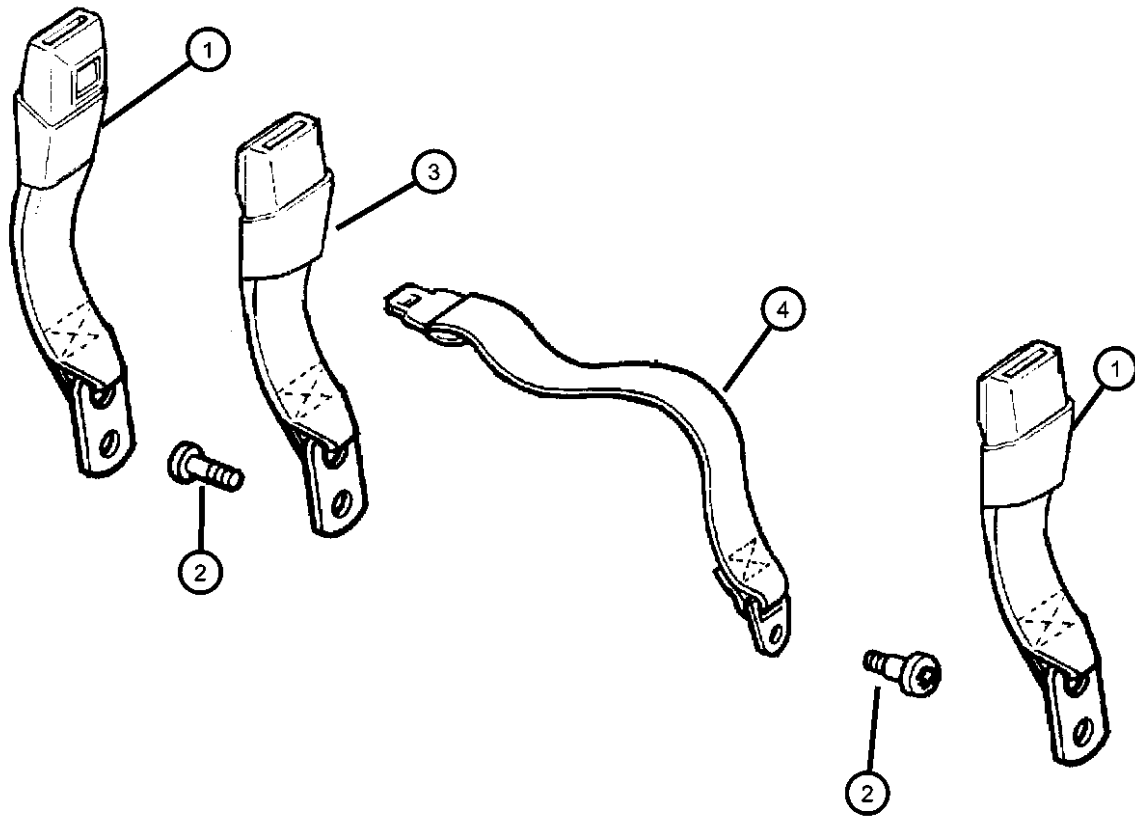
RAM PICKUP/CLUB CAB (BE)

SERIES	LINE	BODY	ENGINE	TRANSMISSION
L = RAM 1500, 2500, 3500	1 = Lt. Duty DODGE 2WD 2 = Med. Duty DODGE 2WD 3 = HD DODGE 2WD 6 = Lt. Duty DODGE 4WD 7 = Med. Duty DODGE 4WD 8 = HD DODGE 4WD	31 = CLUB CAB 2-DR 6.5 FT BOX 32 = CLUB CAB 2-DR 8FT BOX 33 = QUAD CAB 4-DR 6.5 FT BOX 34 = QUAD CAB 4-DR 8FT BOX	ETC = 5.9L Cummins 24V Diesel Engine EWA = 8.0L V10 MPI Engine EM0 = ALL 5.9L 8 CYL ENGINES - GAS EMM = 5.9L SMPI V8 Engine EML = 5.9L V8 MPI Engine ELF = 5.2L V8 MPI Engine	DGP = 4-Spd. Automatic 47RE Transmission DD0 = ALL 5 SPEED MANUAL TRANSMISSIONS DG0 = ALL AUTOMATIC TRANSMISSIONS DDC = 5-Speed HD Manual Transmission DDP = 5-Speed Manual Transmission DDX = 5-Speed HD Manual Transmission DEE = 6-Speed HD Manual Transmission DGT = 4-Spd. Automatic 46RE Transmission

AR = use ase required - = Non illustrated part

1999 BE

Lap Belt
Figure IBE-710



ITEM	PART NUMBER	QTY	LINE	SERIES	BODY	ENGINE	TRANS	TRIM	DESCRIPTION
		1	1, 2, 6, 7		31, 32			*S9	Agate, (AZ, C3)
		1	1, 2, 6, 7		31, 32			*SX	Agate, (AZ, C3)
		1			33, 34			*R1	Agate, (AZ, C3)
		1			33, 34			*S9	Agate, (AZ, C3)
		1			33, 34			*TY	Agate, (AZ, C3)
		1			33, 34			*DP	Agate, (AZ)
		1			33, 34			*SX	Agate, (AZ, C3)
	5GE461K5AA	1	1, 2, 6, 7		31, 32			*DP	Tan, (K5)
		1	1, 2, 6, 7		31, 32			*R1	Tan, (K5)
		1			33, 34			*DP	Tan, (K5)
		1			33, 34			*R1	Tan, (K5)
4									LAP BELT, Tip Half
	5GE47LAZAA	1	1, 2, 6, 7		31, 32			*DP	Agate, (AZ)
		1	1, 2, 6, 7		31, 32			*R1	Agate, (AZ, C3)
		1	1, 2, 6, 7		31, 32			*S9	Agate, (AZ, C3)
		1	1, 2, 6, 7		31, 32			*SX	Agate, (AZ, C3)
		1			33, 34			*R1	Agate, (AZ, C3)
		1			33, 34			*S9	Agate, (AZ, C3)
		1			33, 34			*TY	Agate, (AZ, C3)
		1			33, 34			*DP	Agate, (AZ)
		1			33, 34			*SX	Agate, (AZ, C3)
	5GE47RK5AA	1	1, 2, 6, 7		31, 32			*DP	Tan, (K5)
		1	1, 2, 6, 7		31, 32			*R1	Tan, (K5)
		1			33, 34			*R1	Tan, (K5)
		1			33, 34			*DP	Tan, (K5)
-5									EXTENDER, Seat Belt
	04856560	1	1, 2, 6, 7		31, 32			*DP	
		1			33, 34			*DP	

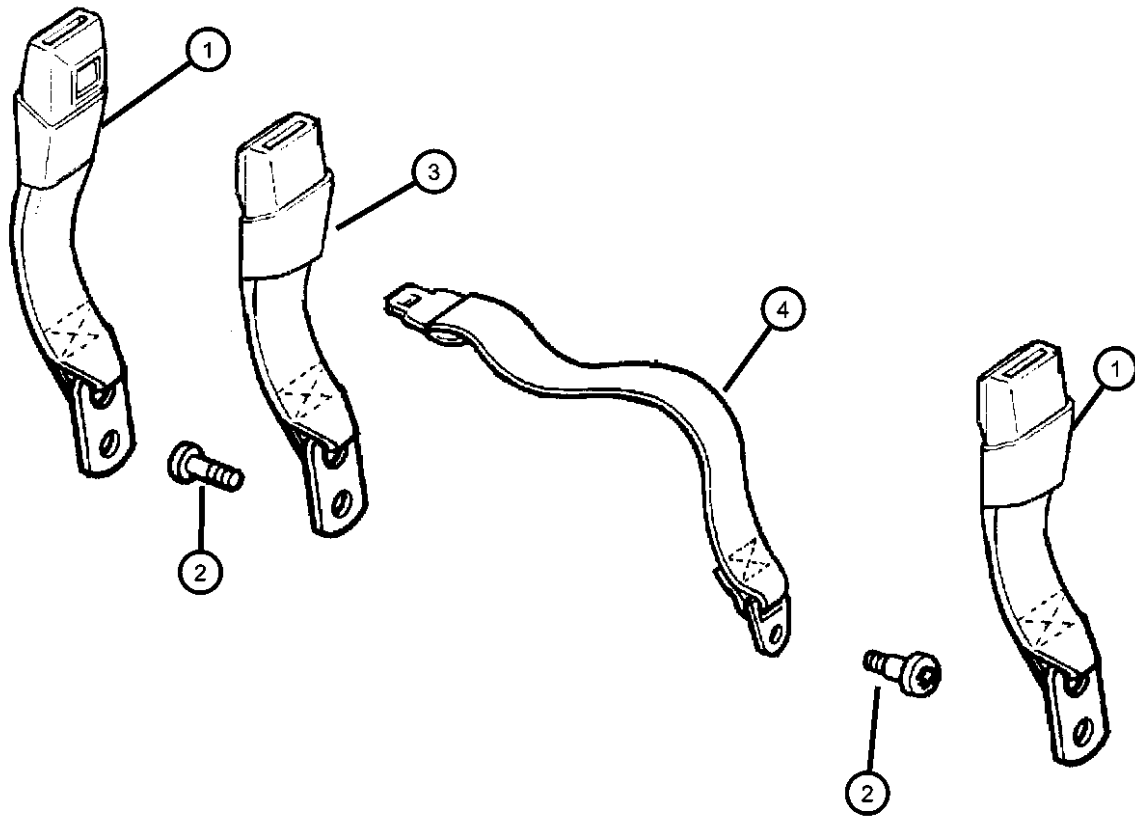
RAM PICKUP/CLUB CAB (BE)

SERIES	LINE	BODY	ENGINE	TRANSMISSION
L = RAM 1500, 2500, 3500	1 = Lt. Duty DODGE 2WD 2 = Med. Duty DODGE 2WD 3 = HD DODGE 2WD 6 = Lt. Duty DODGE 4WD 7 = Med. Duty DODGE 4WD 8 = HD DODGE 4WD	31 = CLUB CAB 2-DR 6.5 FT BOX 32 = CLUB CAB 2-DR 8FT BOX 33 = QUAD CAB 4-DR 6.5 FT BOX 34 = QUAD CAB 4-DR 8FT BOX	ETC = 5.9L Cummins 24V Diesel Engine EWA = 8.0L V10 MPI Engine EM0 = ALL 5.9L 8 CYL ENGINES - GAS EMM = 5.9L SMPI V8 Engine EML = 5.9L V8 MPI Engine ELF = 5.2L V8 MPI Engine	DGP = 4-Spd. Automatic 47RE Transmission DD0 = ALL 5 SPEED MANUAL TRANSMISSIONS DG0 = ALL AUTOMATIC TRANSMISSIONS DDC = 5-Speed HD Manual Transmission DDP = 5-Speed Manual Transmission DDX = 5-Speed HD Manual Transmission DEE = 6-Speed HD Manual Transmission DGT = 4-Spd. Automatic 46RE Transmission

AR = use ase required - = Non illustrated part

1999 BE

Lap Belt
Figure IBE-710



ITEM	PART NUMBER	QTY	LINE	SERIES	BODY	ENGINE	TRANS	TRIM	DESCRIPTION
		1			33, 34			*TY	
		1	1, 2, 6, 7		31, 32			*S9	
		1	1, 2, 6, 7		31, 32			*SX	
		1	1, 2, 6, 7		31, 32			*R1	
		1			33, 34			*SX	
		1			33, 34			*R1	
		1			33, 34			*S9	

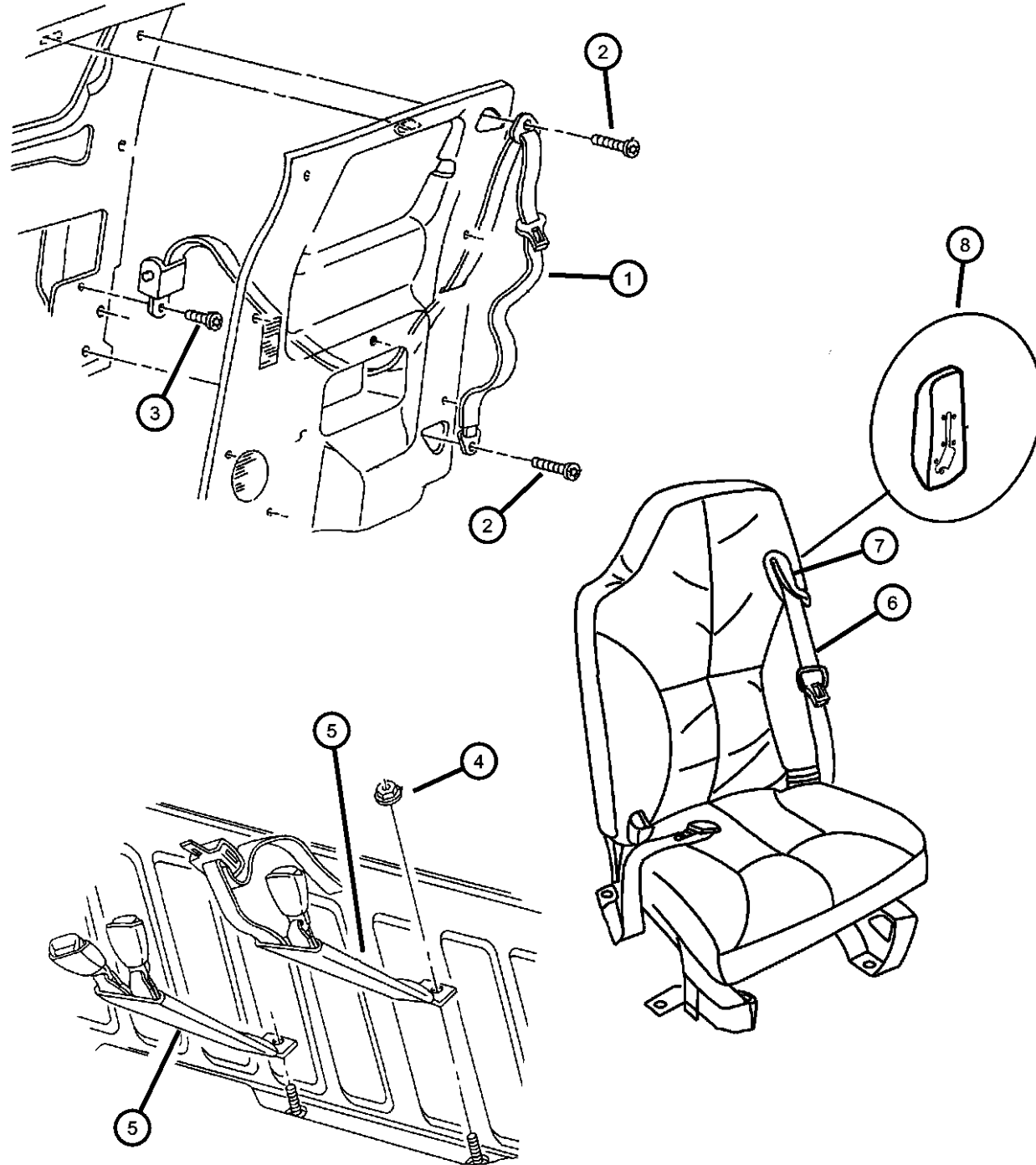
RAM PICKUP/CLUB CAB (BE)

SERIES	LINE	BODY	ENGINE	TRANSMISSION
L = RAM 1500, 2500, 3500	1 = Lt. Duty DODGE 2WD 2 = Med. Duty DODGE 2WD 3 = HD DODGE 2WD 6 = Lt. Duty DODGE 4WD 7 = Med. Duty DODGE 4WD 8 = HD DODGE 4WD	31 = CLUB CAB 2-DR 6.5 FT BOX 32 = CLUB CAB 2-DR 8FT BOX 33 = QUAD CAB 4-DR 6.5 FT BOX 34 = QUAD CAB 4-DR 8FT BOX	ETC = 5.9L Cummins 24V Diesel Engine EWA = 8.0L V10 MPI Engine EM0 = ALL 5.9L 8 CYL ENGINES - GAS EMM = 5.9L SMPI V8 Engine EML = 5.9L V8 MPI Engine ELF = 5.2L V8 MPI Engine	DGP = 4-Spd. Automatic 47RE Transmission DD0 = ALL 5 SPEED MANUAL TRANSMISSIONS DG0 = ALL AUTOMATIC TRANSMISSIONS DDC = 5-Speed HD Manual Transmission DDP = 5-Speed Manual Transmission DDX = 5-Speed HD Manual Transmission DEE = 6-Speed HD Manual Transmission DGT = 4-Spd. Automatic 46RE Transmission

AR = use ase required - = Non illustrated part

1999 BE

**Shoulder Belt, Front and Rear, Lap Belt, Rear Seat
Figure IBE-720**



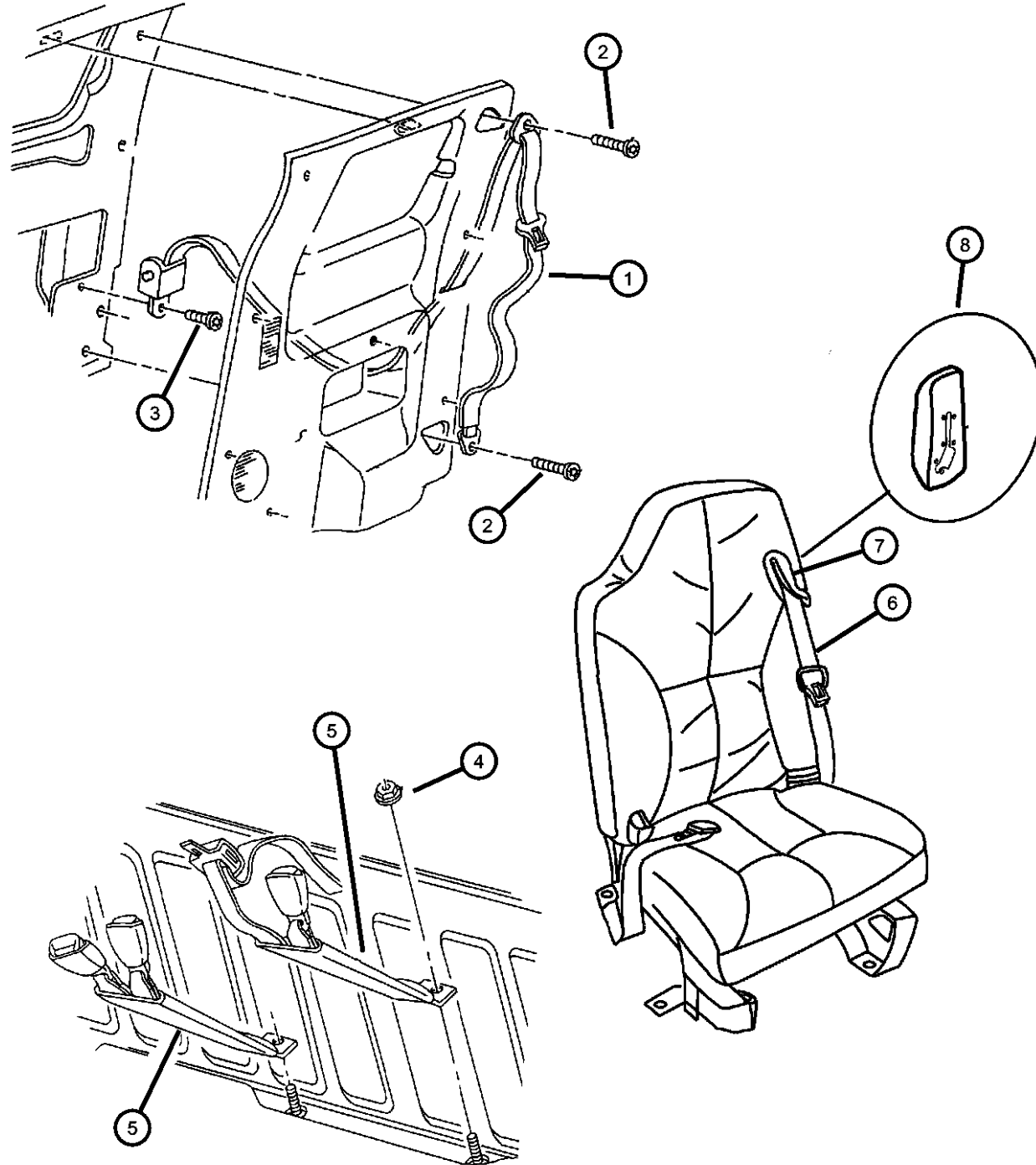
ITEM	PART NUMBER	QTY	LINE	SERIES	BODY	ENGINE	TRANS	TRIM	DESCRIPTION
1	5FP68LAZ	2						*O0	SEAT BELT, Rear Outer Agate, (AZ, C3)
	5FP68RK5	2						*O0	Camel, (K5)
2	06034395	4							SCREW, Pan Head, .437-20x1.79
3	06036108AA	2							SCREW, Pan Head
4	00152477	2							NUT, Hex Flange Lock, .437-20
5									SEAT BELT, Rear Inner
	5EX58SAZ	1						*O0	Agate, (AZ, C3), Right
	5EX58TK5	1						*O0	Camel, (K5), Right
	5EX59SAZ	1						*O0	Agate, (AZ, C3), Left
	5EX59TK5	1						*O0	Camel, (K5), Left
6									SEAT BELT, Front Outer
	5FP641AZAB	1	1, 2, 6, 7		31, 32			*R1	Mist Gray, (C3), Right
		1	1, 2, 6, 7		31, 32			*S9	Mist Gray, (C3), Right
		1	1, 2, 6, 7		31, 32			*SX	Mist Gray, (C3), Right
		1			33, 34			*R1	Mist Gray, (C3), Right
		1			33, 34			*S9	Mist Gray, (C3), Right
		1			33, 34			*TY	Mist Gray, (C3), Right
		1			33, 34			*SX	Mist Gray, (C3), Right
	5FP64LAZAB	1	1, 2, 6, 7		31, 32			*DP	Agate, (AZ), Right
		1	1, 2, 6, 7		31, 32			*R1	Agate, (AZ), Right
		1	1, 2, 6, 7		31, 32			*S9	Agate, (AZ), Right
		1	1, 2, 6, 7		31, 32			*SX	Agate, (AZ), Right
		1			33, 34			*DP	Agate, (AZ), Right
		1			33, 34			*R1	Agate, (AZ), Right
		1			33, 34			*S9	Agate, (AZ), Right
		1			33, 34			*TY	Agate, (AZ), Right
		1			33, 34			*SX	Agate, (AZ), Right

RAM PICKUP/CLUB CAB (BE)

SERIES	LINE	BODY	ENGINE	TRANSMISSION
L = RAM 1500, 2500, 3500	1 = Lt. Duty DODGE 2WD 2 = Med. Duty DODGE 2WD 3 = HD DODGE 2WD 6 = Lt. Duty DODGE 4WD 7 = Med. Duty DODGE 4WD 8 = HD DODGE 4WD	31 = CLUB CAB 2-DR 6.5 FT BOX 32 = CLUB CAB 2-DR 8FT BOX 33 = QUAD CAB 4-DR 6.5 FT BOX 34 = QUAD CAB 4-DR 8FT BOX	ETC = 5.9L Cummins 24V Diesel Engine EWA = 8.0L V10 MPI Engine EM0 = ALL 5.9L 8 CYL ENGINES - GAS EMM = 5.9L SMPI V8 Engine EML = 5.9L V8 MPI Engine ELF = 5.2L V8 MPI Engine	DGP = 4-Spd. Automatic 47RE Transmission DD0 = ALL 5 SPEED MANUAL TRANSMISSIONS DG0 = ALL AUTOMATIC TRANSMISSIONS DDC = 5-Speed HD Manual Transmission DDP = 5-Speed Manual Transmission DDX = 5-Speed HD Manual Transmission DEE = 6-Speed HD Manual Transmission DGT = 4-Spd. Automatic 46RE Transmission

AR = use ase required - = Non illustrated part

**Shoulder Belt, Front and Rear, Lap Belt, Rear Seat
Figure IBE-720**



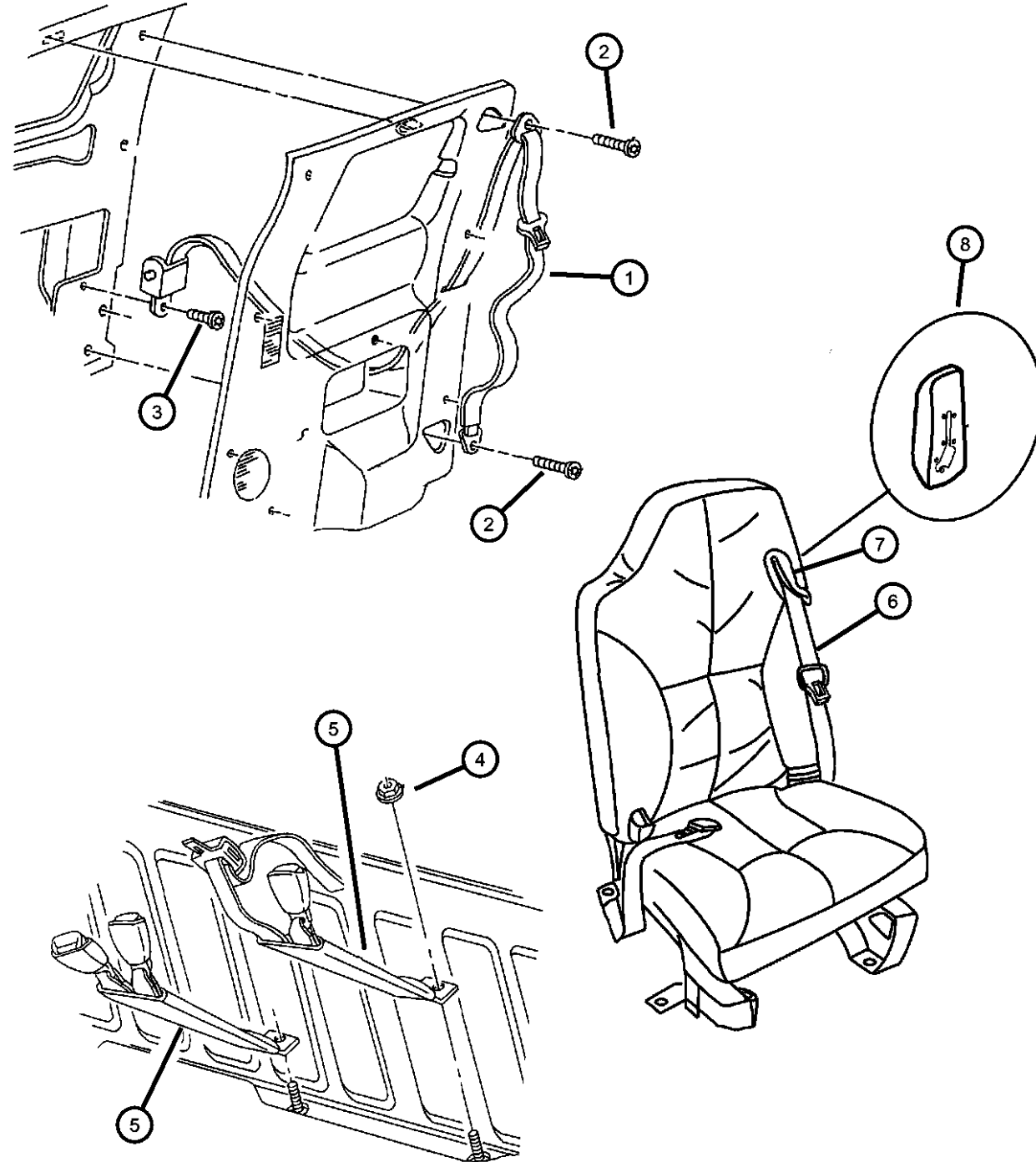
ITEM	PART NUMBER	QTY	LINE	SERIES	BODY	ENGINE	TRANS	TRIM	DESCRIPTION
	5FP64RK5AB	1	1, 2, 6, 7		31, 32			*DP	Tan, (K5), Right
		1	1, 2, 6, 7		31, 32			*R1	Tan, (K5), Right
		1			33, 34			*R1	Tan, (K5), Right
		1			33, 34			*DP	Tan, (K5), Right
	5FP651AZ	1			33, 34			*SX	Mist Gray, (C3), Left
	5FP65LAZ	1			33, 34			*SX	Agate, (AZ), Left
	5FP651AZAB	1	1, 2, 6, 7		31, 32			*R1	Mist Gray, (C3), Left
		1	1, 2, 6, 7		31, 32			*S9	Mist Gray, (C3), Left
		1	1, 2, 6, 7		31, 32			*SX	Mist Gray, (C3), Left
		1			33, 34			*R1	Mist Gray, (C3), Left
		1			33, 34			*S9	Mist Gray, (C3), Left
		1			33, 34			*TY	Mist Gray, (C3), Left
	5FP65LAZAB	1	1, 2, 6, 7		31, 32			*DP	Agate, (AZ), Left
		1	1, 2, 6, 7		31, 32			*R1	Agate, (AZ), Left
		1	1, 2, 6, 7		31, 32			*S9	Agate, (AZ), Left
		1	1, 2, 6, 7		31, 32			*SX	Agate, (AZ), Left
		1			33, 34			*S9	Agate, (AZ), Left
		1			33, 34			*TY	Agate, (AZ), Left
		1			33, 34			*DP	Agate, (AZ), Left
		1			33, 34			*R1	Agate, (AZ), Left
	5FP65RK5AB	1	1, 2, 6, 7		31, 32			*DP	Tan, (K5), Left
		1	1, 2, 6, 7		31, 32			*R1	Tan, (K5), Left
		1			33, 34			*DP	Tan, (K5), Left
		1			33, 34			*R1	Tan, (K5), Left
7		1							BEZEL, Seat Belt, (NOT SERVICED),
8									COVER, Seat Belt Retractor
	05015932AA	1	1, 2, 6, 7		31, 32			*SX	Right

RAM PICKUP/CLUB CAB (BE)

SERIES	LINE	BODY	ENGINE	TRANSMISSION
L = RAM 1500, 2500, 3500	1 = Lt. Duty DODGE 2WD 2 = Med. Duty DODGE 2WD 3 = HD DODGE 2WD 6 = Lt. Duty DODGE 4WD 7 = Med. Duty DODGE 4WD 8 = HD DODGE 4WD	31 = CLUB CAB 2-DR 6.5 FT BOX 32 = CLUB CAB 2-DR 8FT BOX 33 = QUAD CAB 4-DR 6.5 FT BOX 34 = QUAD CAB 4-DR 8FT BOX	ETC = 5.9L Cummins 24V Diesel Engine EWA = 8.0L V10 MPI Engine EM0 = ALL 5.9L 8 CYL ENGINES - GAS EMM = 5.9L SMPI V8 Engine EML = 5.9L V8 MPI Engine ELF = 5.2L V8 MPI Engine	DGP = 4-Spd. Automatic 47RE Transmission DD0 = ALL 5 SPEED MANUAL TRANSMISSIONS DG0 = ALL AUTOMATIC TRANSMISSIONS DDC = 5-Speed HD Manual Transmission DDP = 5-Speed Manual Transmission DDX = 5-Speed HD Manual Transmission DEE = 6-Speed HD Manual Transmission DGT = 4-Spd. Automatic 46RE Transmission

AR = use ase required - = Non illustrated part

**Shoulder Belt, Front and Rear, Lap Belt, Rear Seat
Figure IBE-720**



ITEM	PART NUMBER	QTY	LINE	SERIES	BODY	ENGINE	TRANS	TRIM	DESCRIPTION
		1	1, 2, 6, 7		31, 32			*S9	Right
		1	1, 2, 6, 7		31, 32			*R1	Right
		1	1, 2, 6, 7		31, 32			*DP	Right
		1			33, 34			*SX	Right
		1			33, 34			*S9	Right
		1			33, 34			*R1	Right
		1			33, 34			*DP	Right
		1			33, 34			*TY	Right
	05015933AA	1	1, 2, 6, 7		31, 32			*SX	Left
		1	1, 2, 6, 7		31, 32			*S9	Left
		1	1, 2, 6, 7		31, 32			*R1	Left
		1	1, 2, 6, 7		31, 32			*DP	Left
		1			33, 34			*S9	Left
		1			33, 34			*R1	Left
		1			33, 34			*DP	Left
		1			33, 34			*TY	Left
		1			33, 34			*SX	Left
-9	05017032AA	1							ANCHOR PACKAGE, Child Seat Tether

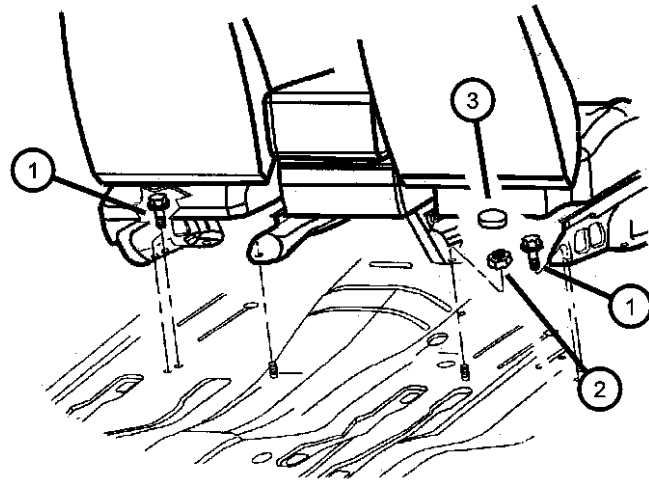
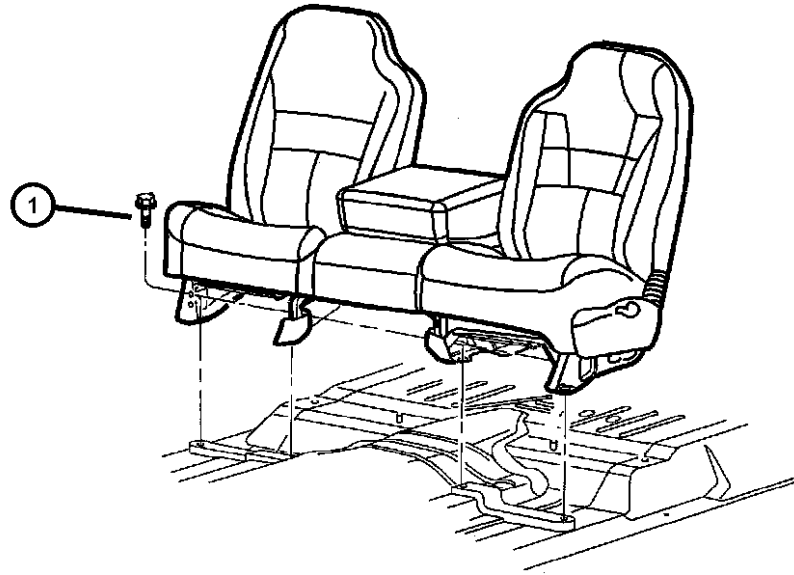
RAM PICKUP/CLUB CAB (BE)

SERIES	LINE	BODY	ENGINE	TRANSMISSION
L = RAM 1500, 2500, 3500	1 = Lt. Duty DODGE 2WD 2 = Med. Duty DODGE 2WD 3 = HD DODGE 2WD 6 = Lt. Duty DODGE 4WD 7 = Med. Duty DODGE 4WD 8 = HD DODGE 4WD	31 = CLUB CAB 2-DR 6.5 FT BOX 32 = CLUB CAB 2-DR 8FT BOX 33 = QUAD CAB 4-DR 6.5 FT BOX 34 = QUAD CAB 4-DR 8FT BOX	ETC = 5.9L Cummins 24V Diesel Engine EWA = 8.0L V10 MPI Engine EM0 = ALL 5.9L 8 CYL ENGINES - GAS EMM = 5.9L SMPI V8 Engine EML = 5.9L V8 MPI Engine ELF = 5.2L V8 MPI Engine	DGP = 4-Spd. Automatic 47RE Transmission DD0 = ALL 5 SPEED MANUAL TRANSMISSIONS DG0 = ALL AUTOMATIC TRANSMISSIONS DDC = 5-Speed HD Manual Transmission DDP = 5-Speed Manual Transmission DDX = 5-Speed HD Manual Transmission DEE = 6-Speed HD Manual Transmission DGT = 4-Spd. Automatic 46RE Transmission

AR = use ase required - = Non illustrated part

**Seat, Floor Attaching
Figure IBE-810**

ITEM	PART NUMBER	QTY	LINE	SERIES	BODY	ENGINE	TRANS	TRIM	DESCRIPTION
1	06505401AA	4							SCREW AND WASHER, M10x1.5x45
2	00152477	2							NUT, Hex Flange Lock, .437-20
3	5GA09DX9AB	1	1, 2, 6, 7		31, 32			*00	COVER, Seat Anchor

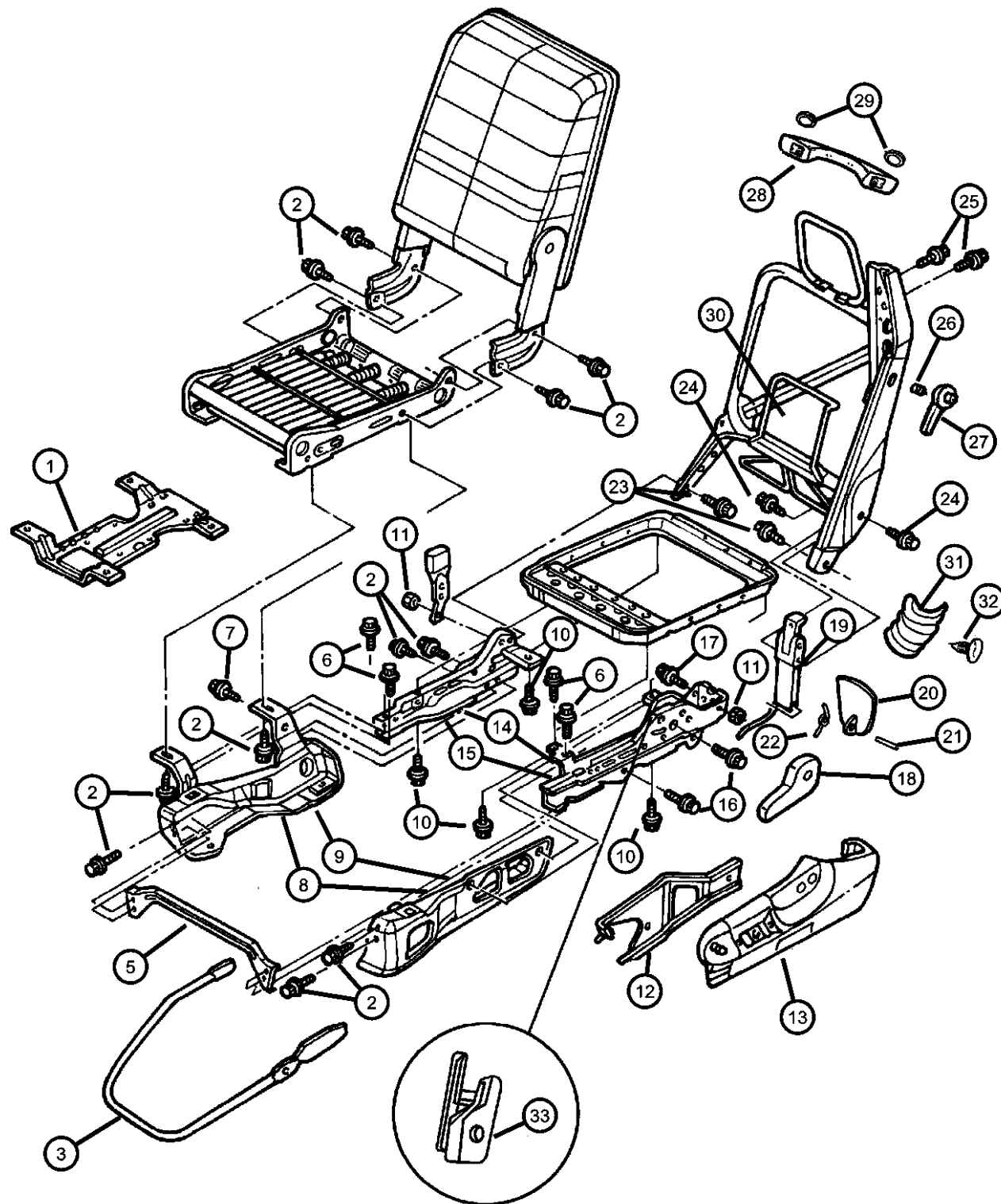


RAM PICKUP/CLUB CAB (BE)

SERIES	LINE	BODY	ENGINE	TRANSMISSION
L = RAM 1500, 2500, 3500	1 = Lt. Duty DODGE 2WD 2 = Med. Duty DODGE 2WD 3 = HD DODGE 2WD 6 = Lt. Duty DODGE 4WD 7 = Med. Duty DODGE 4WD 8 = HD DODGE 4WD	31 = CLUB CAB 2-DR 6.5 FT BOX 32 = CLUB CAB 2-DR 8FT BOX 33 = QUAD CAB 4-DR 6.5 FT BOX 34 = QUAD CAB 4-DR 8FT BOX	ETC = 5.9L Cummins 24V Diesel Engine EWA = 8.0L V10 MPI Engine EM0 = ALL 5.9L 8 CYL ENGINES - GAS EMM = 5.9L SMPI V8 Engine EML = 5.9L V8 MPI Engine ELF = 5.2L V8 MPI Engine	DGP = 4-Spd. Automatic 47RE Transmission DD0 = ALL 5 SPEED MANUAL TRANSMISSIONS DG0 = ALL AUTOMATIC TRANSMISSIONS DDC = 5-Speed HD Manual Transmission DDP = 5-Speed Manual Transmission DDX = 5-Speed HD Manual Transmission DEE = 6-Speed HD Manual Transmission DGT = 4-Spd. Automatic 46RE Transmission

AR = use ase required - = Non illustrated part

**Adjusters, Recliners
Figure IBE-820**



ITEM	PART NUMBER	QTY	LINE	SERIES	BODY	ENGINE	TRANS	TRIM	DESCRIPTION
1	05010212AA	1			33, 34			*SX	BRACKET, Control Unit
		1			33, 34			*S9	
		1			33, 34			*R1	
		1	1, 2, 6, 7		31, 32			*SX	
		1	1, 2, 6, 7		31, 32			*S9	
		1	1, 2, 6, 7		31, 32			*R1	
		1			33, 34			*TY	
		1			33, 34			*DP	
2	04773714	1			33, 34			*DP	BOLT
		1			33, 34			*R1	
		8	1, 2, 6, 7		31, 32			*R1	
		8	1, 2, 6, 7		31, 32			*DP	
		8			33, 34			*SX	
		8			33, 34			*S9	
		8	1, 2, 6, 7		31, 32			*SX	
		8	1, 2, 6, 7		31, 32			*S9	
		8			33, 34			*TY	
		8			33, 34			*DP	
3	05010314AA	2			33, 34			*SX	TOWEL BAR, Seat Adjuster Handle
		2			33, 34			*S9	
		2			33, 34			*R1	
		2	1, 2, 6, 7		31, 32			*SX	
		2	1, 2, 6, 7		31, 32			*S9	
		2	1, 2, 6, 7		31, 32			*R1	
		2			33, 34			*TY	
		1			33, 34			*DP	

RAM PICKUP/CLUB CAB (BE)

SERIES	LINE
L = RAM 1500, 2500, 3500	1 = Lt. Duty DODGE 2WD 2 = Med. Duty DODGE 2WD 3 = HD DODGE 2WD 6 = Lt. Duty DODGE 4WD 7 = Med. Duty DODGE 4WD 8 = HD DODGE 4WD

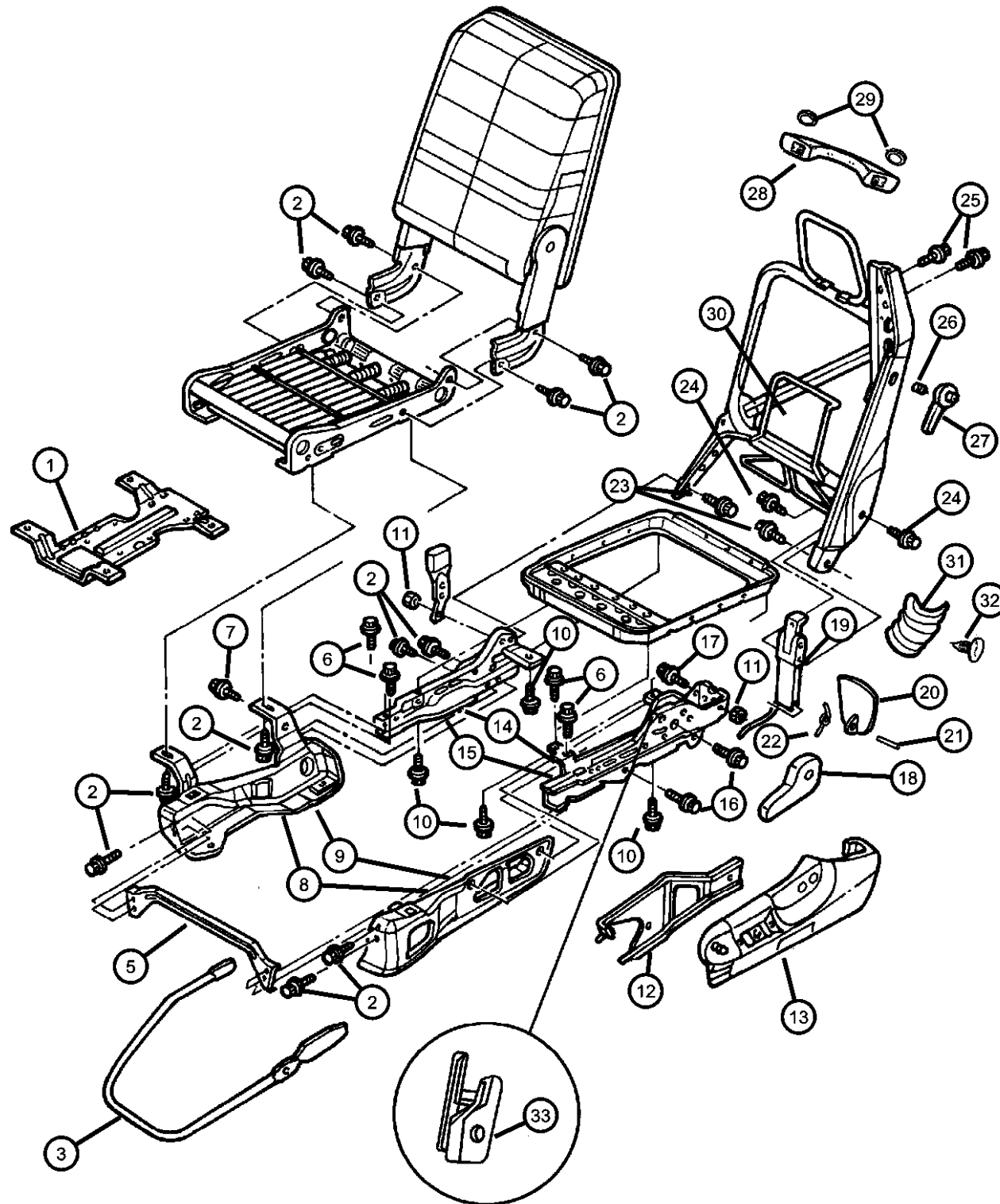
BODY	ENGINE
31 = CLUB CAB 2-DR 6.5 FT BOX 32 = CLUB CAB 2-DR 8FT BOX 33 = QUAD CAB 4-DR 6.5 FT BOX 34 = QUAD CAB 4-DR 8FT BOX	ETC = 5.9L Cummins 24V Diesel Engine EWA = 8.0L V10 MPI Engine EM0 = ALL 5.9L 8 CYL ENGINES - GAS EMM = 5.9L SMPI V8 Engine EML = 5.9L V8 MPI Engine ELF = 5.2L V8 MPI Engine

TRANSMISSION
DGP = 4-Spd. Automatic 47RE Transmission DD0 = ALL 5 SPEED MANUAL TRANSMISSIONS DG0 = ALL AUTOMATIC TRANSMISSIONS DDC = 5-Speed HD Manual Transmission DDP = 5-Speed Manual Transmission DDX = 5-Speed HD Manual Transmission DEE = 6-Speed HD Manual Transmission DGT = 4-Spd. Automatic 46RE Transmission

AR = use ase required - = Non illustrated part

1999 BE

**Adjusters, Recliners
Figure IBE-820**



ITEM	PART NUMBER	QTY	LINE	SERIES	BODY	ENGINE	TRANS	TRIM	DESCRIPTION
-4		1	1, 2, 6, 7		31, 32			*DP	
	05010307AA	2			33, 34			*SX	SPRING, Return Assist
		2			33, 34			*S9	
		2			33, 34			*R1	
		2	1, 2, 6, 7		31, 32			*SX	
		2	1, 2, 6, 7		31, 32			*S9	
		2	1, 2, 6, 7		31, 32			*R1	
		2			33, 34			*TY	
		1			33, 34			*DP	
5		1	1, 2, 6, 7		31, 32			*DP	
	05010281AA	2			33, 34			*SX	REINFORCEMENT, Seat Mount
		2			33, 34			*S9	
		2			33, 34			*R1	
		2	1, 2, 6, 7		31, 32			*SX	
		2	1, 2, 6, 7		31, 32			*S9	
		2	1, 2, 6, 7		31, 32			*R1	
		2			33, 34			*TY	
		1			33, 34			*DP	
6		1	1, 2, 6, 7		31, 32			*DP	
	05010191AA	8			33, 34			*SX	BOLT, Seat
		8			33, 34			*S9	
		8			33, 34			*R1	
		8	1, 2, 6, 7		31, 32			*SX	
		8	1, 2, 6, 7		31, 32			*S9	
		8	1, 2, 6, 7		31, 32			*R1	

RAM PICKUP/CLUB CAB (BE)

SERIES
L = RAM 1500,
2500, 3500

LINE

1 = Lt. Duty DODGE 2WD
2 = Med. Duty DODGE 2WD
3 = HD DODGE 2WD
6 = Lt. Duty DODGE 4WD
7 = Med. Duty DODGE 4WD
8 = HD DODGE 4WD

BODY

31 = CLUB CAB 2-DR 6.5 FT
BOX
32 = CLUB CAB 2-DR 8FT
BOX
33 = QUAD CAB 4-DR 6.5 FT
BOX
34 = QUAD CAB 4-DR 8FT
BOX

ENGINE

ETC = 5.9L Cummins 24V
Diesel Engine
EWA = 8.0L V10 MPI Engine
EM0 = ALL 5.9L 8 CYL
ENGINES - GAS
EMM = 5.9L SMPI V8 Engine
EML = 5.9L V8 MPI Engine
ELF = 5.2L V8 MPI Engine

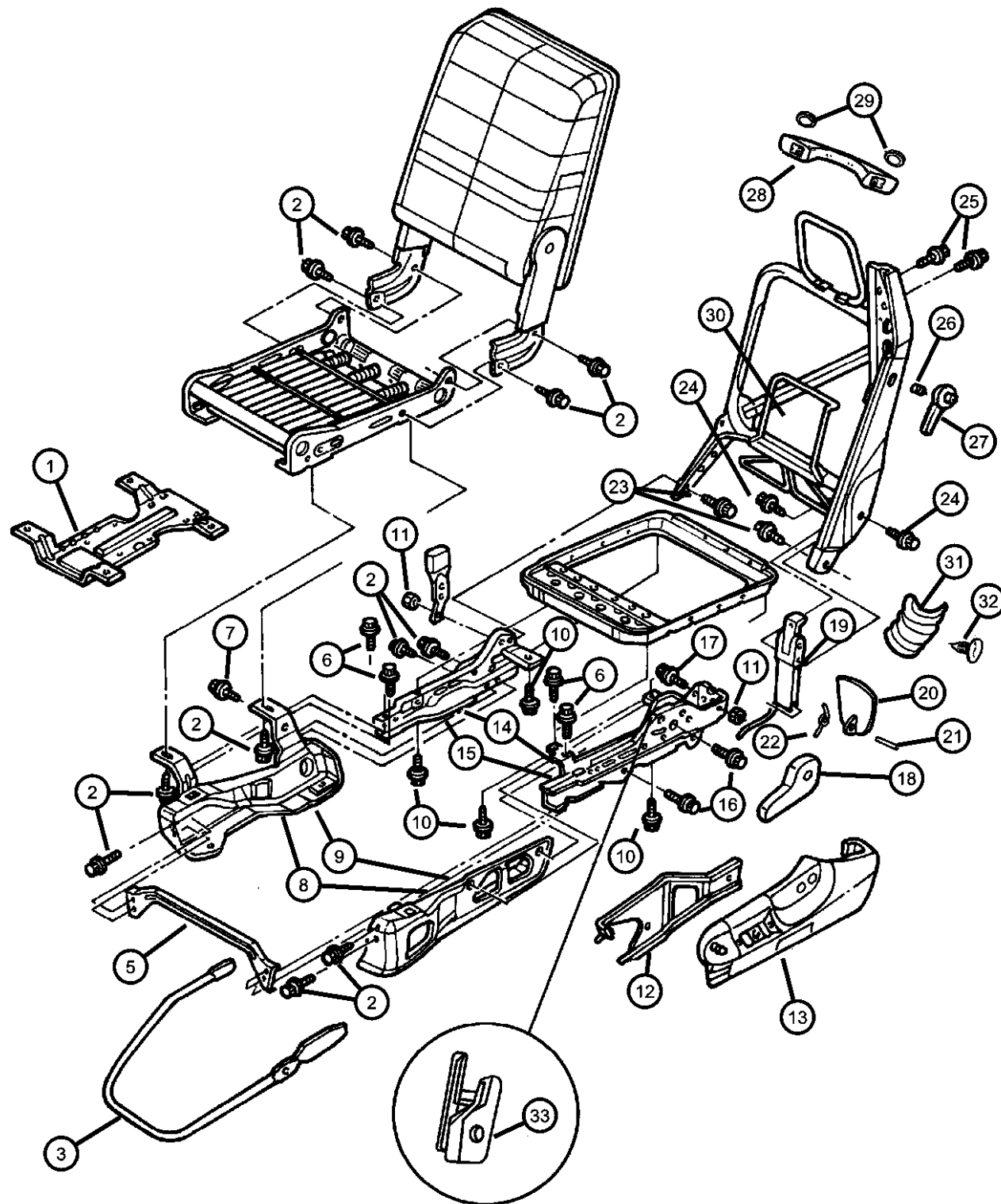
TRANSMISSION

DGP = 4-Spd. Automatic 47RE
Transmission
DD0 = ALL 5 SPEED MANUAL
TRANSMISSIONS
DG0 = ALL AUTOMATIC
TRANSMISSIONS
DDC = 5-Speed HD Manual
Transmission
DDP = 5-Speed Manual Transmission
DDX = 5-Speed HD Manual
Transmission
DEE = 6-Speed HD Manual
Transmission
DGT = 4-Spd. Automatic 46RE
Transmission

AR = use ase required - = Non illustrated part

1999 BE

**Adjusters, Recliners
Figure IBE-820**



ITEM	PART NUMBER	QTY	LINE	SERIES	BODY	ENGINE	TRANS	TRIM	DESCRIPTION
		8			33, 34			*TY	
		8			33, 34			*DP	
7		8	1, 2, 6, 7		31, 32			*DP	BOLT, Seat Belt Anchor
	05010812AA	2			33, 34			*SX	
		2			33, 34			*S9	
		2			33, 34			*R1	
		2	1, 2, 6, 7		31, 32			*SX	
		2	1, 2, 6, 7		31, 32			*S9	
		2	1, 2, 6, 7		31, 32			*R1	
		2			33, 34			*TY	
		2			33, 34			*DP	
8		2	1, 2, 6, 7		31, 32			*DP	CONTROL, Seat release, EZ entry
	05010253AA	1	1, 2, 6, 7		31, 32			*SX	
		1	1, 2, 6, 7		31, 32			*S9	
		1	1, 2, 6, 7		31, 32			*R1	
		1	1, 2, 6, 7		31, 32			*DP	
9									RISER, Seat
	05010291AA	1			33, 34			*SX	Passenger, Inboard
		1			33, 34			*S9	Passenger, Inboard
		1			33, 34			*R1	Passenger, Inboard
		1			33, 34			*TY	Passenger, Inboard
		1			33, 34			*DP	Passenger, Inboard
	05010296AA	1			33, 34			*SX	Passenger, Outboard
		1			33, 34			*S9	Passenger, Outboard
		1			33, 34			*R1	Passenger, Outboard
		1			33, 34			*TY	Passenger, Outboard

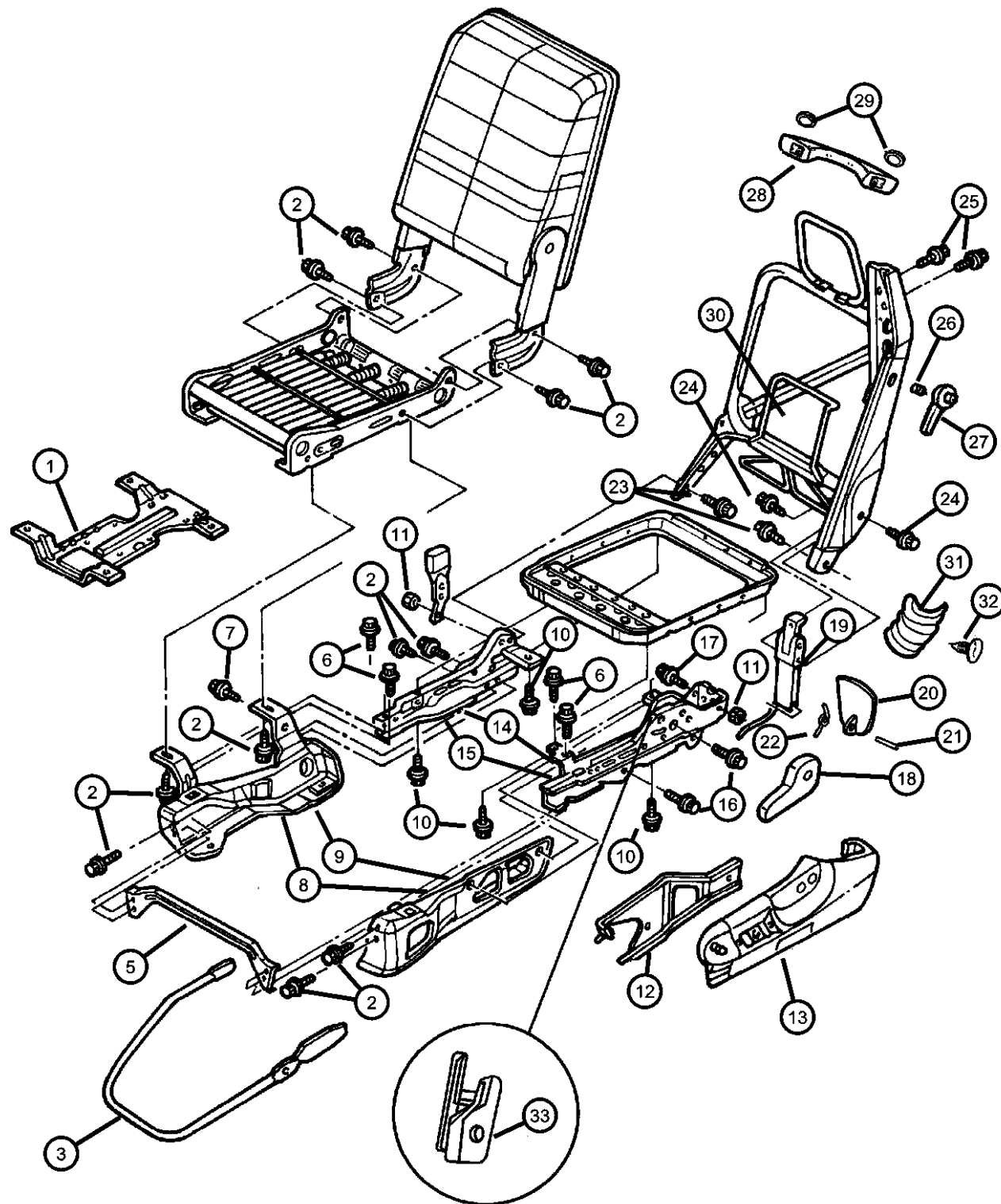
RAM PICKUP/CLUB CAB (BE)

SERIES	LINE	BODY	ENGINE	TRANSMISSION
L = RAM 1500, 2500, 3500	1 = Lt. Duty DODGE 2WD	31 = CLUB CAB 2-DR 6.5 FT BOX	ETC = 5.9L Cummins 24V Diesel Engine	DGP = 4-Spd. Automatic 47RE Transmission
	2 = Med. Duty DODGE 2WD	32 = CLUB CAB 2-DR 8FT BOX	EWA = 8.0L V10 MPI Engine	DD0 = ALL 5 SPEED MANUAL TRANSMISSIONS
	3 = HD DODGE 2WD	33 = QUAD CAB 4-DR 6.5 FT BOX	EM0 = ALL 5.9L 8 CYL ENGINES - GAS	DG0 = ALL AUTOMATIC TRANSMISSIONS
	6 = Lt. Duty DODGE 4WD	34 = QUAD CAB 4-DR 8FT BOX	EMM = 5.9L SMPI V8 Engine	DDC = 5-Speed HD Manual Transmission
	7 = Med. Duty DODGE 4WD		EML = 5.9L V8 MPI Engine	DDP = 5-Speed Manual Transmission
	8 = HD DODGE 4WD		ELF = 5.2L V8 MPI Engine	DDX = 5-Speed HD Manual Transmission
				DEE = 6-Speed HD Manual Transmission
				DGT = 4-Spd. Automatic 46RE Transmission

AR = use ase required - = Non illustrated part

1999 BE

Adjusters, Recliners
Figure IBE-820



ITEM	PART NUMBER	QTY	LINE	SERIES	BODY	ENGINE	TRANS	TRIM	DESCRIPTION
		1			33, 34			*DP	Passenger, Outboard
	05010297AA	1			33, 34			*SX	Driver, Inboard
		1			33, 34			*S9	Driver, Inboard
		1			33, 34			*R1	Driver, Inboard
		1	1, 2, 6, 7		31, 32			*SX	Driver, Inboard
		1	1, 2, 6, 7		31, 32			*S9	Driver, Inboard
		1	1, 2, 6, 7		31, 32			*R1	Driver, Inboard
		1			33, 34			*TY	Driver, Inboard
		1			33, 34			*DP	Driver, Inboard
	05010298AA	1	1, 2, 6, 7		31, 32			*DP	Driver, Inboard
		1			33, 34			*SX	Driver, Outboard
		1			33, 34			*S9	Driver, Outboard
		1			33, 34			*R1	Driver, Outboard
		1	1, 2, 6, 7		31, 32			*SX	Driver, Outboard
		1	1, 2, 6, 7		31, 32			*S9	Driver, Outboard
		1	1, 2, 6, 7		31, 32			*R1	Driver, Outboard
		1			33, 34			*TY	Driver, Outboard
		1			33, 34			*DP	Driver, Outboard
		1	1, 2, 6, 7		31, 32			*DP	Driver, Outboard
10	05010312AA	4	1, 2, 6, 7		31, 32			*SX	BOLT, Adjuster to Seat Frame
		4	1, 2, 6, 7		31, 32			*S9	
		4	1, 2, 6, 7		31, 32			*R1	
		4	1, 2, 6, 7		31, 32			*DP	
		8			33, 34			*TY	
11	05010277AA	2			33, 34			*SX	NUT, Hex, M12x1.25
		2			33, 34			*S9	

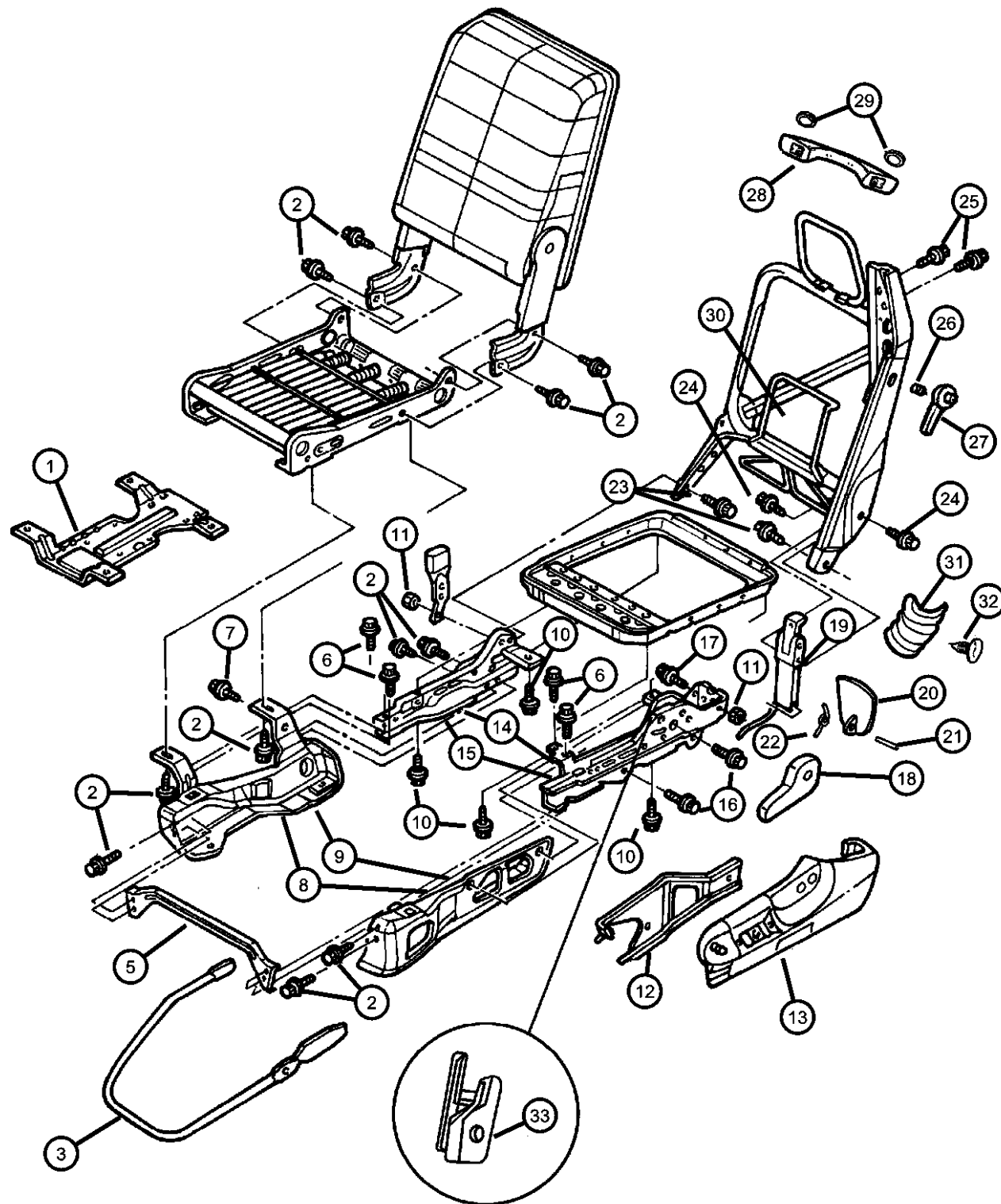
RAM PICKUP/CLUB CAB (BE)

SERIES	LINE	BODY	ENGINE	TRANSMISSION
L = RAM 1500, 2500, 3500	1 = Lt. Duty DODGE 2WD	31 = CLUB CAB 2-DR 6.5 FT BOX	ETC = 5.9L Cummins 24V Diesel Engine	DGP = 4-Spd. Automatic 47RE Transmission
	2 = Med. Duty DODGE 2WD	32 = CLUB CAB 2-DR 8FT BOX	EWA = 8.0L V10 MPI Engine	DD0 = ALL 5 SPEED MANUAL TRANSMISSIONS
	3 = HD DODGE 2WD	33 = QUAD CAB 4-DR 6.5 FT BOX	EM0 = ALL 5.9L 8 CYL ENGINES - GAS	DG0 = ALL AUTOMATIC TRANSMISSIONS
	6 = Lt. Duty DODGE 4WD	34 = QUAD CAB 4-DR 8FT BOX	EMM = 5.9L SMPI V8 Engine	DDC = 5-Speed HD Manual Transmission
	7 = Med. Duty DODGE 4WD		EML = 5.9L V8 MPI Engine	DDP = 5-Speed Manual Transmission
	8 = HD DODGE 4WD		ELF = 5.2L V8 MPI Engine	DDX = 5-Speed HD Manual Transmission
				DEE = 6-Speed HD Manual Transmission
				DGT = 4-Spd. Automatic 46RE Transmission

AR = use ase required - = Non illustrated part

1999 BE

**Adjusters, Recliners
Figure IBE-820**



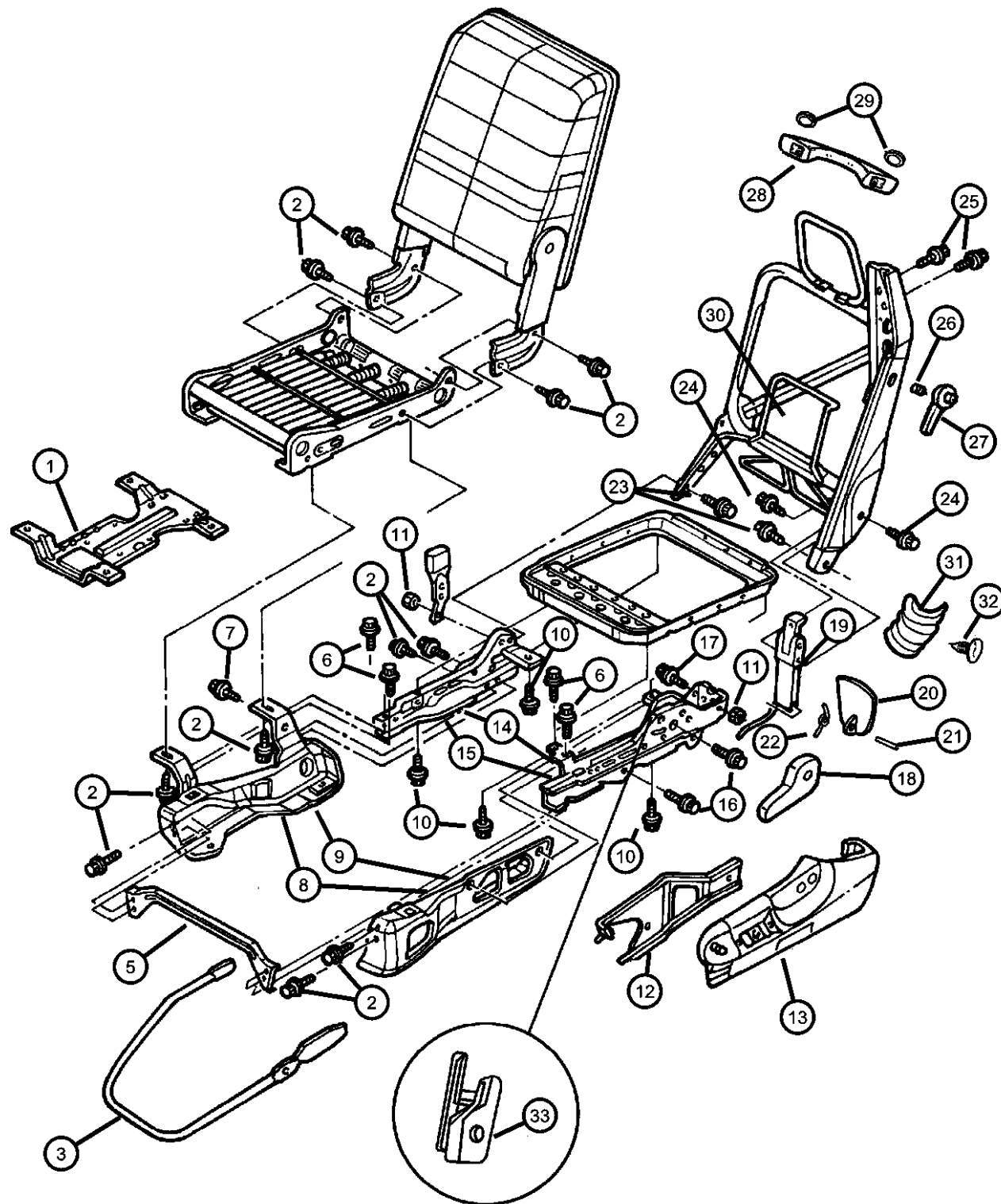
ITEM	PART NUMBER	QTY	LINE	SERIES	BODY	ENGINE	TRANS	TRIM	DESCRIPTION
		2			33, 34			*R1	
		2	1, 2, 6, 7		31, 32			*SX	
		2	1, 2, 6, 7		31, 32			*S9	
		2	1, 2, 6, 7		31, 32			*R1	
		2			33, 34			*TY	
		2			33, 34			*DP	
		2	1, 2, 6, 7		31, 32			*DP	
12	05010299AA	1			33, 34			*SX	BRACKET, Seat Driver
		1			33, 34			*S9	Driver
		1			33, 34			*R1	Driver
		1	1, 2, 6, 7		31, 32			*SX	Driver
		1	1, 2, 6, 7		31, 32			*S9	Driver
		1	1, 2, 6, 7		31, 32			*R1	Driver
		1			33, 34			*TY	Driver
		1			33, 34			*DP	Driver
	05010300AA	1	1, 2, 6, 7		31, 32			*DP	Driver
		1			33, 34			*SX	Passenger
		1			33, 34			*S9	Passenger
		1			33, 34			*R1	Passenger
		1	1, 2, 6, 7		31, 32			*SX	Passenger
		1	1, 2, 6, 7		31, 32			*S9	Passenger
		1	1, 2, 6, 7		31, 32			*R1	Passenger
		1			33, 34			*TY	Passenger
		1			33, 34			*DP	Passenger
		1	1, 2, 6, 7		31, 32			*DP	Passenger
13	0RT661AZAA	1			33, 34			*S9	SHIELD, Seat Cushion Agate, (AZ), Passenger

RAM PICKUP/CLUB CAB (BE)

SERIES	LINE	BODY	ENGINE	TRANSMISSION
L = RAM 1500, 2500, 3500	1 = Lt. Duty DODGE 2WD 2 = Med. Duty DODGE 2WD 3 = HD DODGE 2WD 6 = Lt. Duty DODGE 4WD 7 = Med. Duty DODGE 4WD 8 = HD DODGE 4WD	31 = CLUB CAB 2-DR 6.5 FT BOX 32 = CLUB CAB 2-DR 8FT BOX 33 = QUAD CAB 4-DR 6.5 FT BOX 34 = QUAD CAB 4-DR 8FT BOX	ETC = 5.9L Cummins 24V Diesel Engine EWA = 8.0L V10 MPI Engine EM0 = ALL 5.9L 8 CYL ENGINES - GAS EMM = 5.9L SMPI V8 Engine EML = 5.9L V8 MPI Engine ELF = 5.2L V8 MPI Engine	DGP = 4-Spd. Automatic 47RE Transmission DD0 = ALL 5 SPEED MANUAL TRANSMISSIONS DG0 = ALL AUTOMATIC TRANSMISSIONS DDC = 5-Speed HD Manual Transmission DDP = 5-Speed Manual Transmission DDX = 5-Speed HD Manual Transmission DEE = 6-Speed HD Manual Transmission DGT = 4-Spd. Automatic 46RE Transmission

AR = use ase required - = Non illustrated part

Adjusters, Recliners
Figure IBE-820



ITEM	PART NUMBER	QTY	LINE	SERIES	BODY	ENGINE	TRANS	TRIM	DESCRIPTION
		1			33, 34			*SX	Agate, (AZ), Passenger
		1			33, 34			*R1	Agate, (AZ), Passenger
		1			33, 34			*DP	Agate, (AZ), Passenger
		1	1, 2, 6, 7		31, 32			*SX	Agate, (AZ), Passenger
		1	1, 2, 6, 7		31, 32			*S9	Agate, (AZ), Passenger
		1	1, 2, 6, 7		31, 32			*R1	Agate, (AZ), Passenger
		1	1, 2, 6, 7		31, 32			*DP	Agate, (AZ), Passenger
		1			33, 34			*TY	Agate, (AZ), Passenger
	ORT661C3AA	1			33, 34			*S9	Mist Gray, (C3), Passenger
		1			33, 34			*SX	Mist Gray, (C3), Passenger
		1			33, 34			*R1	Mist Gray, (C3), Passenger
		1	1, 2, 6, 7		31, 32			*SX	Mist Gray, (C3), Passenger
		1	1, 2, 6, 7		31, 32			*S9	Mist Gray, (C3), Passenger
		1	1, 2, 6, 7		31, 32			*R1	Mist Gray, (C3), Passenger
		1			33, 34			*TY	Mist Gray, (C3), Passenger
	ORT661K9AA	1			33, 34			*R1	Camel, (K9), Passenger
		1	1, 2, 6, 7		31, 32			*R1	Camel, (K9), Passenger
		1	1, 2, 6, 7		31, 32			*DP	Camel, (K9), Passenger
		1			33, 34			*DP	Camel, (K9), Passenger
	ORT721AZAA	1			33, 34			*SX	Agate, (AZ), Driver, Manual Seat
		1			33, 34			*S9	Agate, (AZ), Driver, Manual Seat
		1			33, 34			*R1	Agate, (AZ), Driver, Manual Seat
		1	1, 2, 6, 7		31, 32			*SX	Agate, (AZ), Driver, Manual Seat
		1	1, 2, 6, 7		31, 32			*S9	Agate, (AZ), Driver, Manual Seat
		1	1, 2, 6, 7		31, 32			*R1	Agate, (AZ), Driver, Manual Seat
		1			33, 34			*TY	Agate, (AZ), Driver, Manual Seat
	ORT721C3AA	1			33, 34			*SX	Mist Gray, (C3), Driver, Manual Seat

RAM PICKUP/CLUB CAB (BE)

SERIES
L = RAM 1500,
2500, 3500

LINE

1 = Lt. Duty DODGE 2WD
2 = Med. Duty DODGE 2WD
3 = HD DODGE 2WD
6 = Lt. Duty DODGE 4WD
7 = Med. Duty DODGE 4WD
8 = HD DODGE 4WD

BODY

31 = CLUB CAB 2-DR 6.5 FT
BOX
32 = CLUB CAB 2-DR 8FT
BOX
33 = QUAD CAB 4-DR 6.5 FT
BOX
34 = QUAD CAB 4-DR 8FT
BOX

ENGINE

ETC = 5.9L Cummins 24V
Diesel Engine
EWA = 8.0L V10 MPI Engine
EM0 = ALL 5.9L 8 CYL
ENGINES - GAS
EMM = 5.9L SMPI V8 Engine
EML = 5.9L V8 MPI Engine
ELF = 5.2L V8 MPI Engine

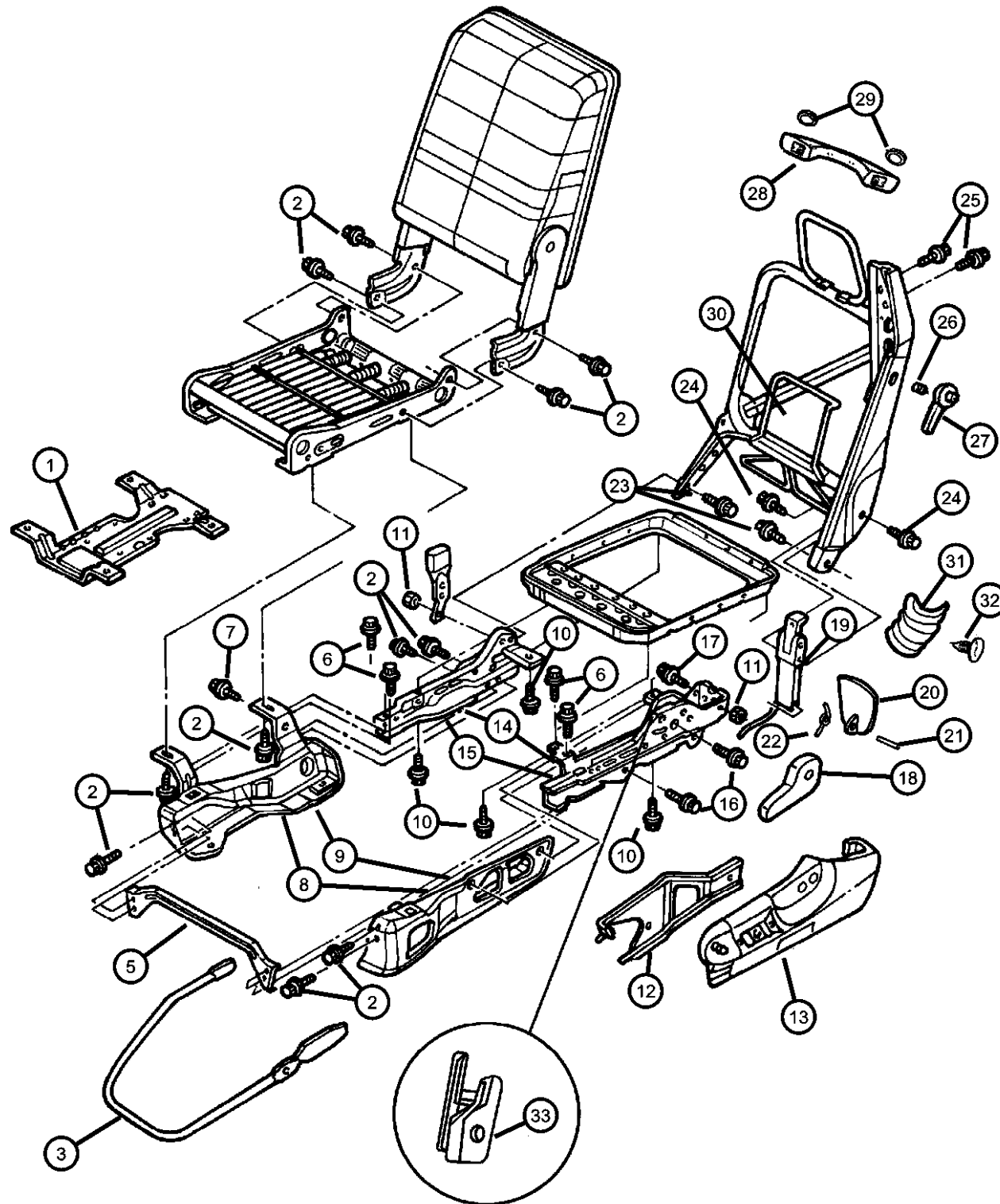
TRANSMISSION

DGP = 4-Spd. Automatic 47RE
Transmission
DD0 = ALL 5 SPEED MANUAL
TRANSMISSIONS
DG0 = ALL AUTOMATIC
TRANSMISSIONS
DDC = 5-Speed HD Manual
Transmission
DDP = 5-Speed Manual Transmission
DDX = 5-Speed HD Manual
Transmission
DEE = 6-Speed HD Manual
Transmission
DGT = 4-Spd. Automatic 46RE
Transmission

AR = use ase required - = Non illustrated part

1999 BE

**Adjusters, Recliners
Figure IBE-820**



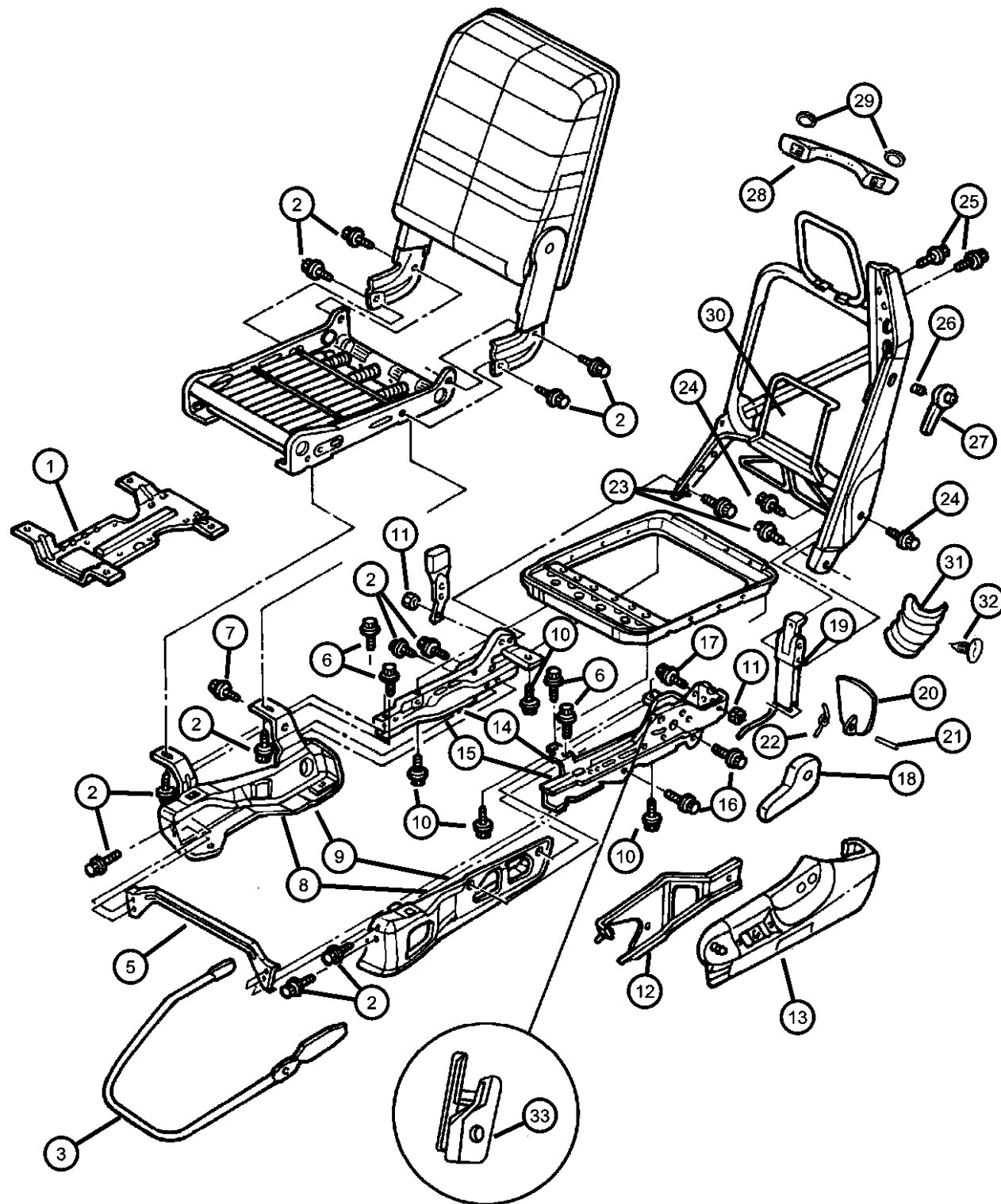
ITEM	PART NUMBER	QTY	LINE	SERIES	BODY	ENGINE	TRANS	TRIM	DESCRIPTION
		1			33, 34			*S9	Mist Gray, (C3), Driver, Manual Seat
		1			33, 34			*R1	Mist Gray, (C3), Driver, Manual Seat
		1	1, 2, 6, 7		31, 32			*SX	Mist Gray, (C3), Driver, Manual Seat
		1	1, 2, 6, 7		31, 32			*S9	Mist Gray, (C3), Driver, Manual Seat
		1	1, 2, 6, 7		31, 32			*R1	Mist Gray, (C3), Driver, Manual Seat
		1			33, 34			*TY	Mist Gray, (C3), Driver, Manual Seat
	ORT721K9AA	1			33, 34			*R1	Camel, (K9), Driver, Manual Seat
		1	1, 2, 6, 7		31, 32			*R1	Camel, (K9), Driver, Manual Seat
	ORT731AZAA	1			33, 34			*DP	Agate, (AZ), Driver, Power Seat
		1	1, 2, 6, 7		31, 32			*R1	Agate, (AZ), Driver, Power Seat
		1	1, 2, 6, 7		31, 32			*DP	Agate, (AZ), Driver, Power Seat
		1			33, 34			*R1	Agate, (AZ), Driver, Power Seat
	ORT731C3AA	1			33, 34			*R1	Mist Gray, (C3), Driver, Power Seat
		1	1, 2, 6, 7		31, 32			*R1	Mist Gray, (C3), Driver, Power Seat
	ORT731K9AA	1			33, 34			*R1	Camel, (K9), Driver, Power Seat
		1			33, 34			*DP	Camel, (K9), Driver, Power Seat
14		1	1, 2, 6, 7		31, 32			*DP	Camel, (K9), Driver, Power Seat
	05010175AA	1			33, 34			*R1	ADJUSTER, Power Seat, Includes Motors Driver
		1			33, 34			*DP	Driver
		1	1, 2, 6, 7		31, 32			*R1	Driver
		1	1, 2, 6, 7		31, 32			*DP	Driver
15									ADJUSTER, Manual Seat
	05010172AA	1			33, 34			*SX	Driver, Inboard

RAM PICKUP/CLUB CAB (BE)

SERIES	LINE	BODY	ENGINE	TRANSMISSION
L = RAM 1500, 2500, 3500	1 = Lt. Duty DODGE 2WD 2 = Med. Duty DODGE 2WD 3 = HD DODGE 2WD 6 = Lt. Duty DODGE 4WD 7 = Med. Duty DODGE 4WD 8 = HD DODGE 4WD	31 = CLUB CAB 2-DR 6.5 FT BOX 32 = CLUB CAB 2-DR 8FT BOX 33 = QUAD CAB 4-DR 6.5 FT BOX 34 = QUAD CAB 4-DR 8FT BOX	ETC = 5.9L Cummins 24V Diesel Engine EWA = 8.0L V10 MPI Engine EM0 = ALL 5.9L 8 CYL ENGINES - GAS EMM = 5.9L SMPI V8 Engine EML = 5.9L V8 MPI Engine ELF = 5.2L V8 MPI Engine	DGP = 4-Spd. Automatic 47RE Transmission DD0 = ALL 5 SPEED MANUAL TRANSMISSIONS DG0 = ALL AUTOMATIC TRANSMISSIONS DDC = 5-Speed HD Manual Transmission DDP = 5-Speed Manual Transmission DDX = 5-Speed HD Manual Transmission DEE = 6-Speed HD Manual Transmission DGT = 4-Spd. Automatic 46RE Transmission

AR = use ase required - = Non illustrated part

**Adjusters, Recliners
Figure IBE-820**



ITEM	PART NUMBER	QTY	LINE	SERIES	BODY	ENGINE	TRANS	TRIM	DESCRIPTION
		1			33, 34			*S9	Driver, Inboard
		1			33, 34			*R1	Driver, Inboard
		1	1, 2, 6, 7		31, 32			*SX	Driver, Inboard
		1	1, 2, 6, 7		31, 32			*S9	Driver, Inboard
		1	1, 2, 6, 7		31, 32			*R1	Driver, Inboard
		1			33, 34			*TY	Driver, Inboard
	05010174AA	1			33, 34			*SX	Driver, Outboard
		1			33, 34			*S9	Driver, Outboard
		1			33, 34			*R1	Driver, Outboard
		1	1, 2, 6, 7		31, 32			*SX	Driver, Outboard
		1	1, 2, 6, 7		31, 32			*S9	Driver, Outboard
		1	1, 2, 6, 7		31, 32			*R1	Driver, Outboard
	05010177AA	1			33, 34			*TY	Driver, Outboard
		1			33, 34			*SX	Without Easy Entry, Passenger, Inboard
		1			33, 34			*S9	Without Easy Entry, Passenger, Inboard
		1			33, 34			*R1	Without Easy Entry, Passenger, Inboard
		1	1, 2, 6, 7		31, 32			*SX	Without Easy Entry, Passenger, Inboard
		1	1, 2, 6, 7		31, 32			*S9	Without Easy Entry, Passenger, Inboard
		1	1, 2, 6, 7		31, 32			*R1	Without Easy Entry, Passenger, Inboard
		1			33, 34			*TY	Without Easy Entry, Passenger, Inboard
		1			33, 34			*DP	Without Easy Entry, Passenger, Inboard
		1	1, 2, 6, 7		31, 32			*DP	Without Easy Entry, Passenger, Inboard
	05010178AA	1			33, 34			*SX	Passenger, Outboard
		1			33, 34			*S9	Passenger, Outboard

RAM PICKUP/CLUB CAB (BE)

SERIES
L = RAM 1500,
2500, 3500

LINE

1 = Lt. Duty DODGE 2WD
2 = Med. Duty DODGE 2WD
3 = HD DODGE 2WD
6 = Lt. Duty DODGE 4WD
7 = Med. Duty DODGE 4WD
8 = HD DODGE 4WD

BODY

31 = CLUB CAB 2-DR 6.5 FT
BOX
32 = CLUB CAB 2-DR 8FT
BOX
33 = QUAD CAB 4-DR 6.5 FT
BOX
34 = QUAD CAB 4-DR 8FT
BOX

ENGINE

ETC = 5.9L Cummins 24V
Diesel Engine
EWA = 8.0L V10 MPI Engine
EM0 = ALL 5.9L 8 CYL
ENGINES - GAS
EMM = 5.9L SMPI V8 Engine
EML = 5.9L V8 MPI Engine
ELF = 5.2L V8 MPI Engine

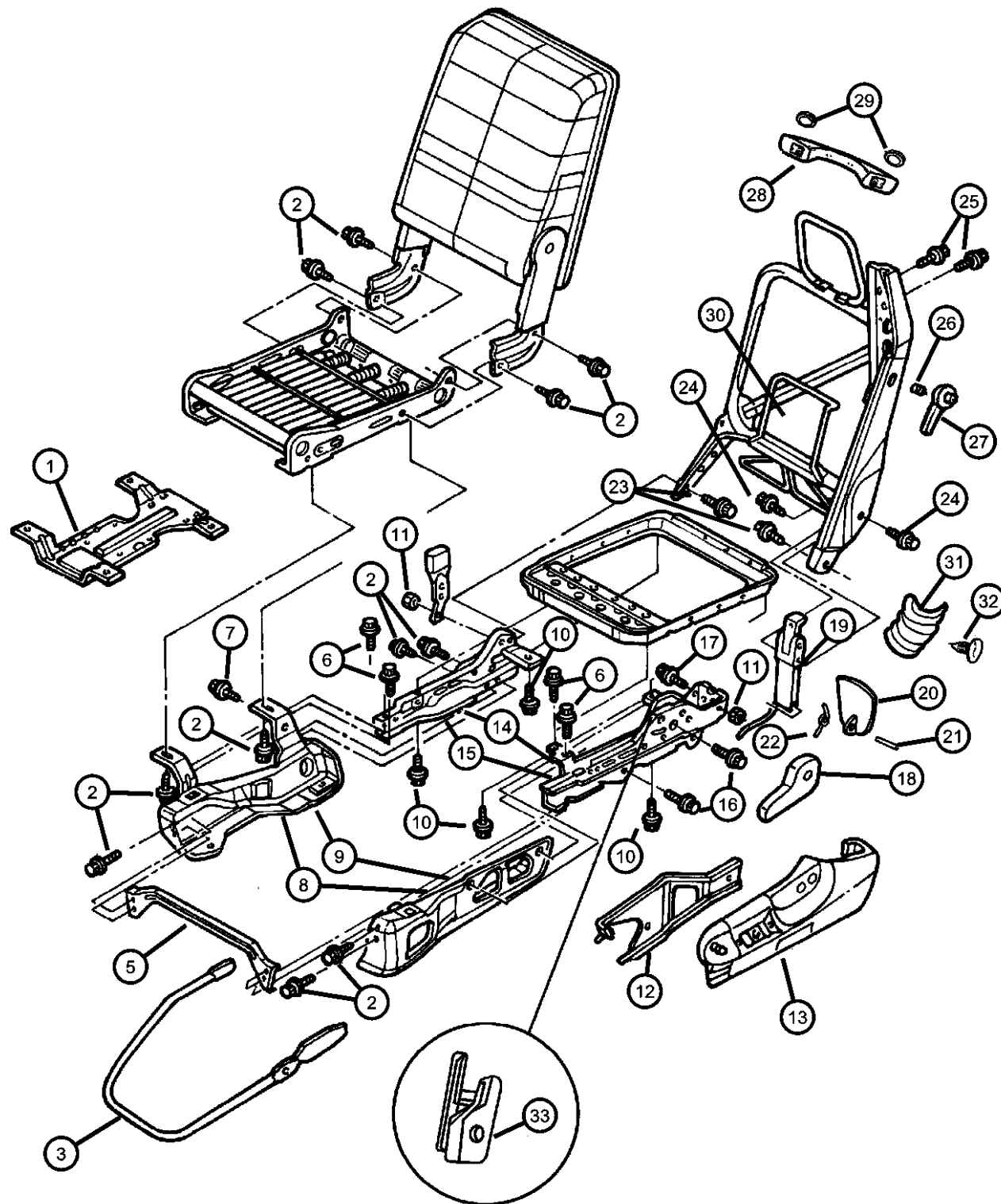
TRANSMISSION

DGP = 4-Spd. Automatic 47RE
Transmission
DD0 = ALL 5 SPEED MANUAL
TRANSMISSIONS
DG0 = ALL AUTOMATIC
TRANSMISSIONS
DDC = 5-Speed HD Manual
Transmission
DDP = 5-Speed Manual Transmission
DDX = 5-Speed HD Manual
Transmission
DEE = 6-Speed HD Manual
Transmission
DGT = 4-Spd. Automatic 46RE
Transmission

AR = use ase required - = Non illustrated part

1999 BE

**Adjusters, Recliners
Figure IBE-820**



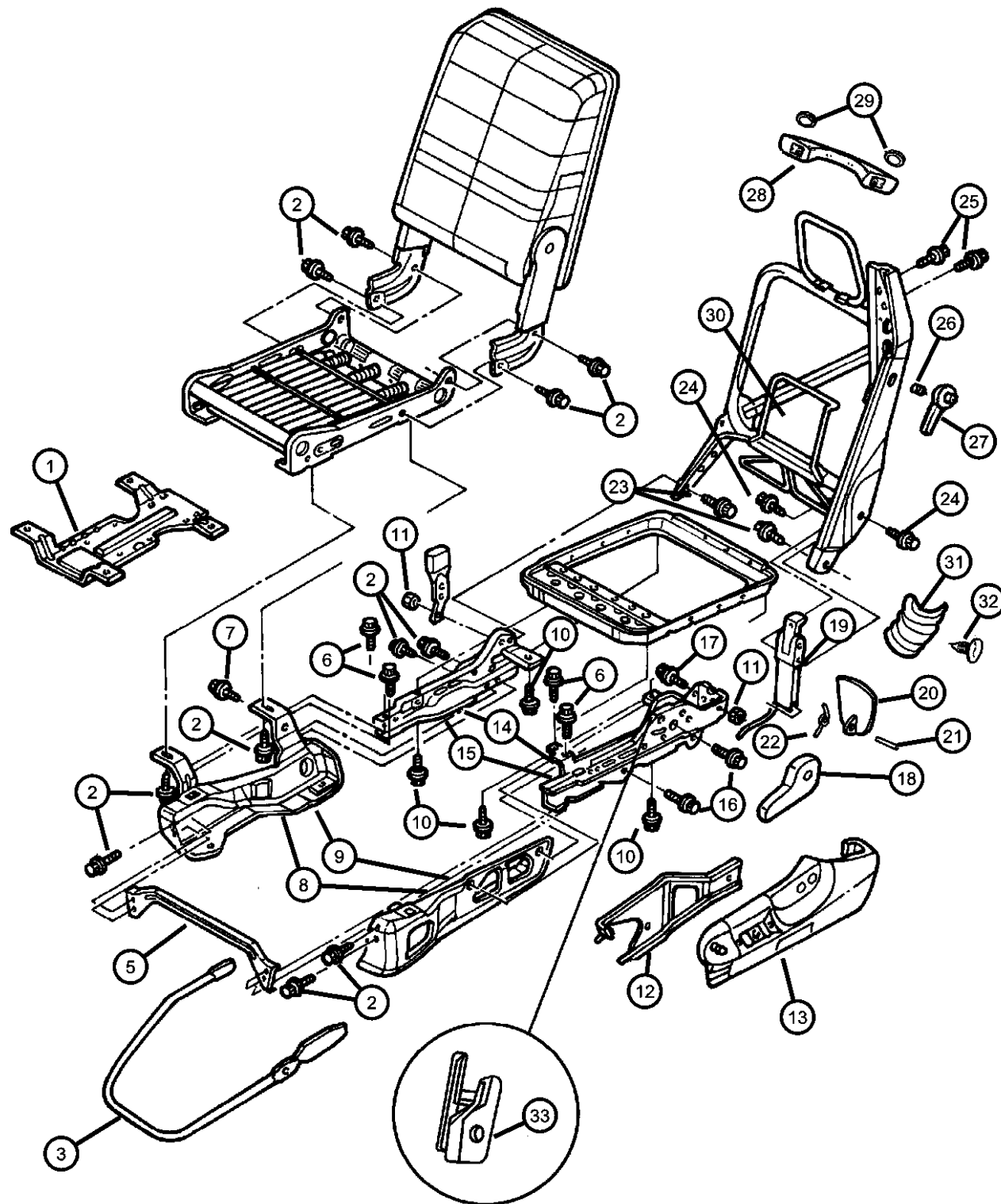
ITEM	PART NUMBER	QTY	LINE	SERIES	BODY	ENGINE	TRANS	TRIM	DESCRIPTION
		1			33, 34			*R1	Passenger, Outboard
		1	1, 2, 6, 7		31, 32			*SX	Passenger, Outboard
		1	1, 2, 6, 7		31, 32			*S9	Passenger, Outboard
		1	1, 2, 6, 7		31, 32			*R1	Passenger, Outboard
		1			33, 34			*TY	Passenger, Outboard
		1			33, 34			*DP	Passenger, Outboard
		1	1, 2, 6, 7		31, 32			*DP	Passenger, Outboard
	05013439AA	1	1, 2, 6, 7		31, 32			*SX	With Easy Entry, Passenger, Inboard
		1	1, 2, 6, 7		31, 32			*S9	With Easy Entry, Passenger, Inboard
		1	1, 2, 6, 7		31, 32			*R1	With Easy Entry, Passenger, Inboard
		1	1, 2, 6, 7		31, 32			*DP	With Easy Entry, Passenger, Inboard
16									BOLT, Seat
	05010191AA	8			33, 34			*SX	
		8			33, 34			*S9	
		8			33, 34			*R1	
		8	1, 2, 6, 7		31, 32			*SX	
		8	1, 2, 6, 7		31, 32			*S9	
		8	1, 2, 6, 7		31, 32			*R1	
		8			33, 34			*TY	
		8			33, 34			*DP	
		8	1, 2, 6, 7		31, 32			*DP	
17									BOLT, Recliner
	05010816AA	2			33, 34			*SX	
		2			33, 34			*S9	
		2			33, 34			*R1	
		2	1, 2, 6, 7		31, 32			*SX	

RAM PICKUP/CLUB CAB (BE)

SERIES	LINE	BODY	ENGINE	TRANSMISSION
L = RAM 1500, 2500, 3500	1 = Lt. Duty DODGE 2WD 2 = Med. Duty DODGE 2WD 3 = HD DODGE 2WD 6 = Lt. Duty DODGE 4WD 7 = Med. Duty DODGE 4WD 8 = HD DODGE 4WD	31 = CLUB CAB 2-DR 6.5 FT BOX 32 = CLUB CAB 2-DR 8FT BOX 33 = QUAD CAB 4-DR 6.5 FT BOX 34 = QUAD CAB 4-DR 8FT BOX	ETC = 5.9L Cummins 24V Diesel Engine EWA = 8.0L V10 MPI Engine EM0 = ALL 5.9L 8 CYL ENGINES - GAS EMM = 5.9L SMPI V8 Engine EML = 5.9L V8 MPI Engine ELF = 5.2L V8 MPI Engine	DGP = 4-Spd. Automatic 47RE Transmission DD0 = ALL 5 SPEED MANUAL TRANSMISSIONS DG0 = ALL AUTOMATIC TRANSMISSIONS DDC = 5-Speed HD Manual Transmission DDP = 5-Speed Manual Transmission DDX = 5-Speed HD Manual Transmission DEE = 6-Speed HD Manual Transmission DGT = 4-Spd. Automatic 46RE Transmission

AR = use ase required - = Non illustrated part

**Adjusters, Recliners
Figure IBE-820**



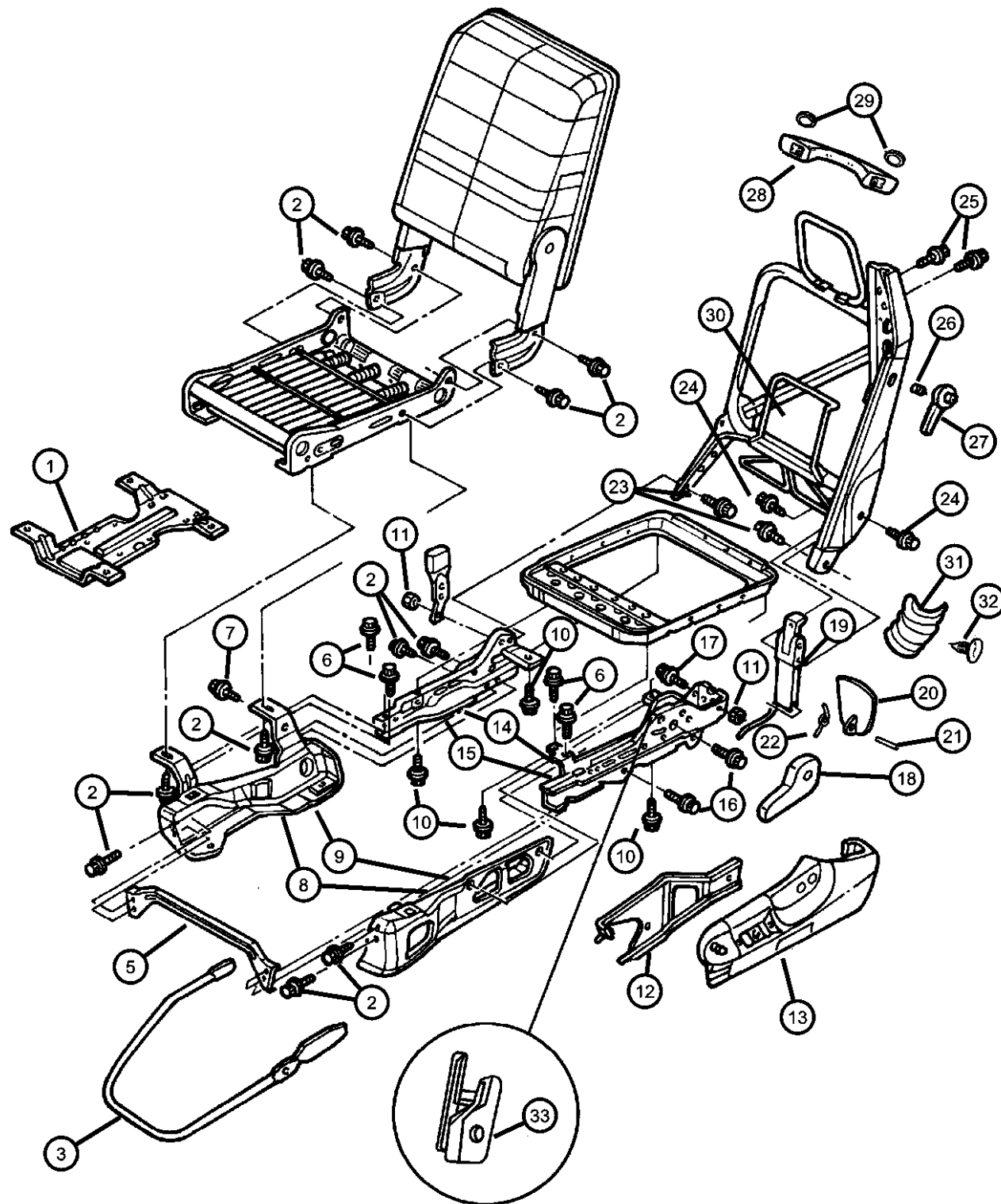
ITEM	PART NUMBER	QTY	LINE	SERIES	BODY	ENGINE	TRANS	TRIM	DESCRIPTION			
18	05010258AA	2	1, 2, 6, 7		31, 32			*S9	HANDLE, Seat Recliner			
		2	1, 2, 6, 7		31, 32			*R1				
		2			33, 34			*TY				
		2			33, 34			*DP				
		2	1, 2, 6, 7		31, 32			*DP				
		1			33, 34			*SX				
		1			33, 34			*S9				
		1			33, 34			*R1				
		1	1, 2, 6, 7		31, 32			*SX				
		1	1, 2, 6, 7		31, 32			*S9				
		1	1, 2, 6, 7		31, 32			*R1				
		1			33, 34			*TY				
		1			33, 34			*DP				
		1	1, 2, 6, 7		31, 32			*DP				
		19	05010259AA	1			33, 34				*SX	RECLINER, Front Seat Back, Two doors have 2 cables, Four doors have one cable.
1					33, 34			*S9				
1					33, 34			*R1				
1	1, 2, 6, 7				31, 32			*SX				
1	1, 2, 6, 7				31, 32			*S9				
1	1, 2, 6, 7				31, 32			*R1				
1					33, 34			*TY				
1					33, 34			*DP				
1	1, 2, 6, 7				31, 32			*DP				
19	05010286AA			1			33, 34			*SX	RECLINER, Front Seat Back, Two doors have 2 cables, Four doors have one cable.	
				1			33, 34			*S9		

RAM PICKUP/CLUB CAB (BE)

SERIES	LINE	BODY	ENGINE	TRANSMISSION
L = RAM 1500, 2500, 3500	1 = Lt. Duty DODGE 2WD 2 = Med. Duty DODGE 2WD 3 = HD DODGE 2WD 6 = Lt. Duty DODGE 4WD 7 = Med. Duty DODGE 4WD 8 = HD DODGE 4WD	31 = CLUB CAB 2-DR 6.5 FT BOX 32 = CLUB CAB 2-DR 8FT BOX 33 = QUAD CAB 4-DR 6.5 FT BOX 34 = QUAD CAB 4-DR 8FT BOX	ETC = 5.9L Cummins 24V Diesel Engine EWA = 8.0L V10 MPI Engine EM0 = ALL 5.9L 8 CYL ENGINES - GAS EMM = 5.9L SMPI V8 Engine EML = 5.9L V8 MPI Engine ELF = 5.2L V8 MPI Engine	DGP = 4-Spd. Automatic 47RE Transmission DD0 = ALL 5 SPEED MANUAL TRANSMISSIONS DG0 = ALL AUTOMATIC TRANSMISSIONS DDC = 5-Speed HD Manual Transmission DDP = 5-Speed Manual Transmission DDX = 5-Speed HD Manual Transmission DEE = 6-Speed HD Manual Transmission DGT = 4-Spd. Automatic 46RE Transmission

AR = use ase required - = Non illustrated part

**Adjusters, Recliners
Figure IBE-820**



ITEM	PART NUMBER	QTY	LINE	SERIES	BODY	ENGINE	TRANS	TRIM	DESCRIPTION
		1			33, 34			*R1	Passenger
		1			33, 34			*TY	Passenger
		1			33, 34			*DP	Passenger
	05010287AA	1			33, 34			*SX	Driver
		1			33, 34			*S9	Driver
		1			33, 34			*R1	Driver
		1			33, 34			*TY	Driver
		1			33, 34			*DP	Driver
	05010288AA	1	1, 2, 6, 7		31, 32			*SX	Passenger
		1	1, 2, 6, 7		31, 32			*S9	Passenger
		1	1, 2, 6, 7		31, 32			*R1	Passenger
		1	1, 2, 6, 7		31, 32			*DP	Passenger
	05010289AA	1	1, 2, 6, 7		31, 32			*SX	Driver
		1	1, 2, 6, 7		31, 32			*S9	Driver
		1	1, 2, 6, 7		31, 32			*R1	Driver
		1	1, 2, 6, 7		31, 32			*DP	Driver
20									SHIELD, Seat Adjuster
	05010305AA	2			33, 34			*SX	
		2			33, 34			*S9	
		2			33, 34			*R1	
		2	1, 2, 6, 7		31, 32			*SX	
		2	1, 2, 6, 7		31, 32			*S9	
		2	1, 2, 6, 7		31, 32			*R1	
		2			33, 34			*TY	
		2			33, 34			*DP	
		2	1, 2, 6, 7		31, 32			*DP	
21									PIN, Roll
	05010826AA	2			33, 34			*SX	

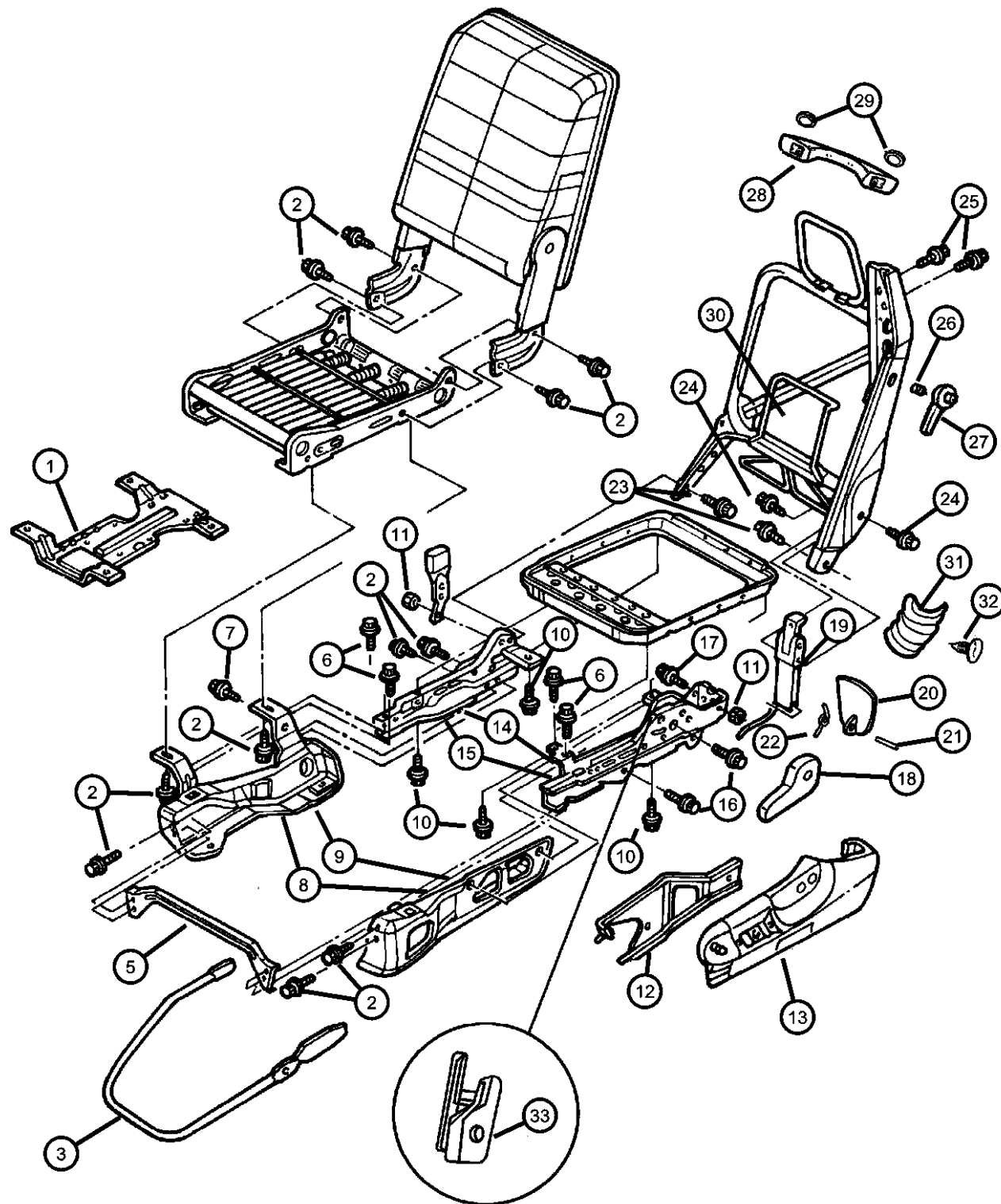
RAM PICKUP/CLUB CAB (BE)

SERIES	LINE	BODY	ENGINE	TRANSMISSION
L = RAM 1500, 2500, 3500	1 = Lt. Duty DODGE 2WD 2 = Med. Duty DODGE 2WD 3 = HD DODGE 2WD 6 = Lt. Duty DODGE 4WD 7 = Med. Duty DODGE 4WD 8 = HD DODGE 4WD	31 = CLUB CAB 2-DR 6.5 FT BOX 32 = CLUB CAB 2-DR 8FT BOX 33 = QUAD CAB 4-DR 6.5 FT BOX 34 = QUAD CAB 4-DR 8FT BOX	ETC = 5.9L Cummins 24V Diesel Engine EWA = 8.0L V10 MPI Engine EM0 = ALL 5.9L 8 CYL ENGINES - GAS EMM = 5.9L SMPI V8 Engine EML = 5.9L V8 MPI Engine ELF = 5.2L V8 MPI Engine	DGP = 4-Spd. Automatic 47RE Transmission DD0 = ALL 5 SPEED MANUAL TRANSMISSIONS DG0 = ALL AUTOMATIC TRANSMISSIONS DDC = 5-Speed HD Manual Transmission DDP = 5-Speed Manual Transmission DDX = 5-Speed HD Manual Transmission DEE = 6-Speed HD Manual Transmission DGT = 4-Spd. Automatic 46RE Transmission

AR = use ase required - = Non illustrated part

1999 BE

**Adjusters, Recliners
Figure IBE-820**



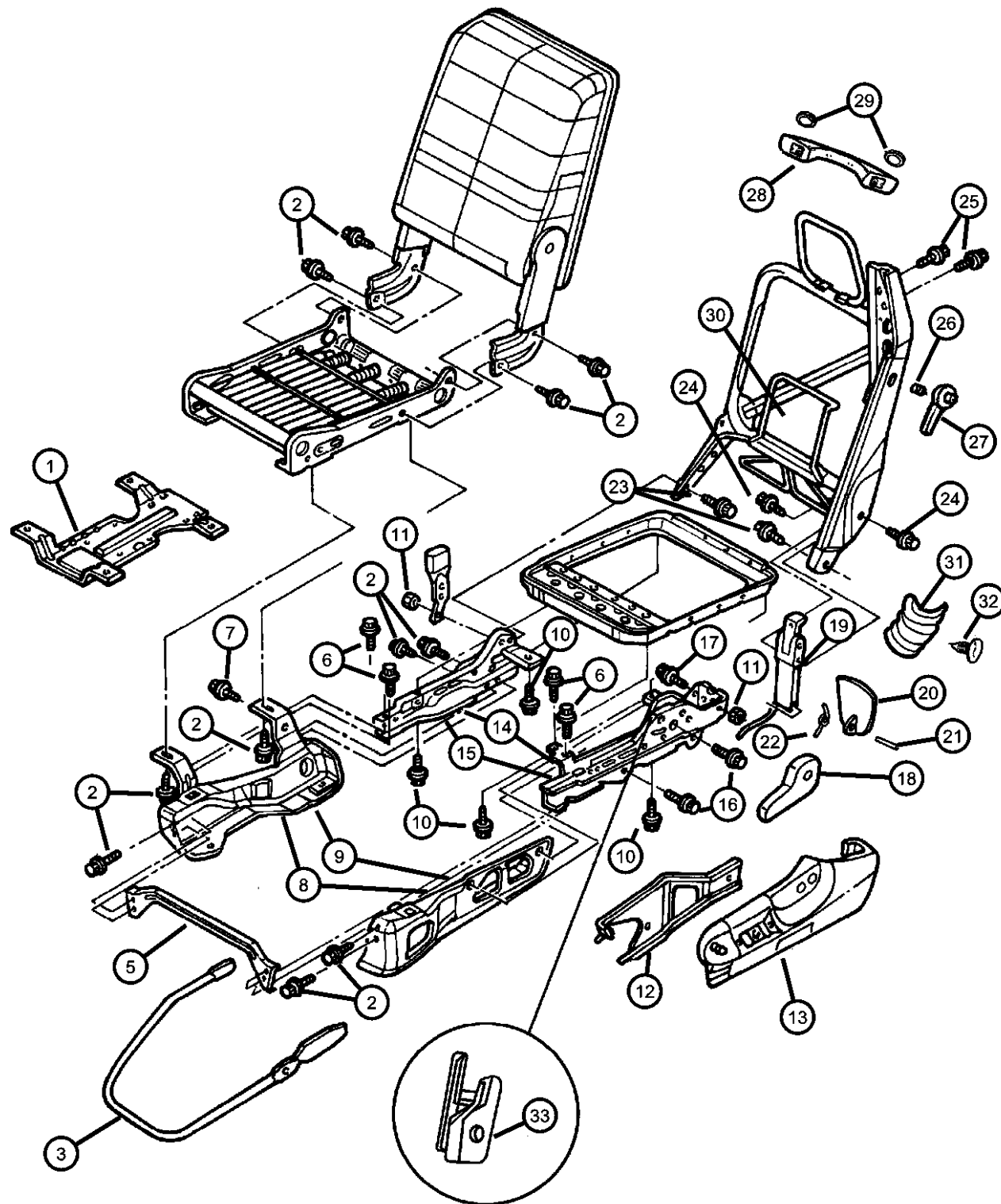
ITEM	PART NUMBER	QTY	LINE	SERIES	BODY	ENGINE	TRANS	TRIM	DESCRIPTION
		2			33, 34			*S9	
		2			33, 34			*R1	
		2	1, 2, 6, 7		31, 32			*SX	
		2	1, 2, 6, 7		31, 32			*S9	
		2	1, 2, 6, 7		31, 32			*R1	
		2			33, 34			*TY	
		2			33, 34			*DP	
		2	1, 2, 6, 7		31, 32			*DP	
22									SPRING, Return Assist
	05010308AA	1			33, 34			*SX	Passenger
		1			33, 34			*S9	Passenger
		1			33, 34			*R1	Passenger
		1	1, 2, 6, 7		31, 32			*SX	Passenger
		1	1, 2, 6, 7		31, 32			*S9	Passenger
		1	1, 2, 6, 7		31, 32			*R1	Passenger
		1			33, 34			*TY	Passenger
		1			33, 34			*DP	Passenger
	05010309AA	1	1, 2, 6, 7		31, 32			*DP	Passenger
		1			33, 34			*SX	Driver
		1			33, 34			*S9	Driver
		1			33, 34			*R1	Driver
		1	1, 2, 6, 7		31, 32			*SX	Driver
		1	1, 2, 6, 7		31, 32			*S9	Driver
		1	1, 2, 6, 7		31, 32			*R1	Driver
		1			33, 34			*TY	Driver
		1			33, 34			*DP	Driver
		1	1, 2, 6, 7		31, 32			*DP	Driver
23									BOLT, Pivot

RAM PICKUP/CLUB CAB (BE)

SERIES	LINE	BODY	ENGINE	TRANSMISSION
L = RAM 1500, 2500, 3500	1 = Lt. Duty DODGE 2WD 2 = Med. Duty DODGE 2WD 3 = HD DODGE 2WD 6 = Lt. Duty DODGE 4WD 7 = Med. Duty DODGE 4WD 8 = HD DODGE 4WD	31 = CLUB CAB 2-DR 6.5 FT BOX 32 = CLUB CAB 2-DR 8FT BOX 33 = QUAD CAB 4-DR 6.5 FT BOX 34 = QUAD CAB 4-DR 8FT BOX	ETC = 5.9L Cummins 24V Diesel Engine EWA = 8.0L V10 MPI Engine EM0 = ALL 5.9L 8 CYL ENGINES - GAS EMM = 5.9L SMPI V8 Engine EML = 5.9L V8 MPI Engine ELF = 5.2L V8 MPI Engine	DGP = 4-Spd. Automatic 47RE Transmission DD0 = ALL 5 SPEED MANUAL TRANSMISSIONS DG0 = ALL AUTOMATIC TRANSMISSIONS DDC = 5-Speed HD Manual Transmission DDP = 5-Speed Manual Transmission DDX = 5-Speed HD Manual Transmission DEE = 6-Speed HD Manual Transmission DGT = 4-Spd. Automatic 46RE Transmission

AR = use ase required - = Non illustrated part

**Adjusters, Recliners
Figure IBE-820**



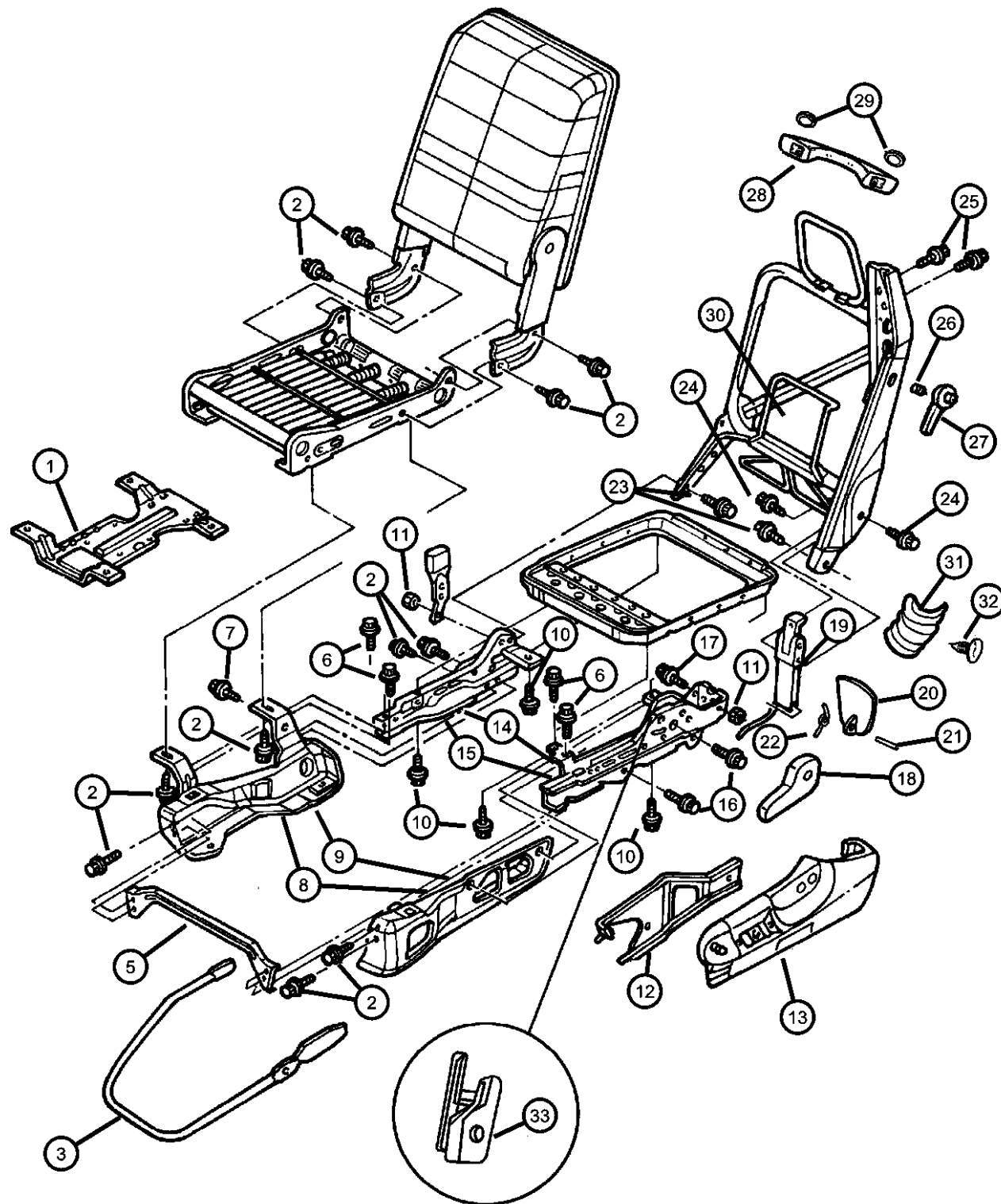
ITEM	PART NUMBER	QTY	LINE	SERIES	BODY	ENGINE	TRANS	TRIM	DESCRIPTION
	05010813AA	2			33, 34			*SX	Inboard, Driver, Passenger
		2			33, 34			*S9	Inboard, Driver, Passenger
		2			33, 34			*R1	Inboard, Driver, Passenger
		2	1, 2, 6, 7		31, 32			*SX	Inboard, Driver, Passenger
		2	1, 2, 6, 7		31, 32			*S9	Inboard, Driver, Passenger
		2	1, 2, 6, 7		31, 32			*R1	Inboard, Driver, Passenger
		2			33, 34			*TY	Inboard, Driver, Passenger
		2			33, 34			*DP	Inboard, Driver, Passenger
	05010815AA	2	1, 2, 6, 7		31, 32			*DP	Inboard, Driver, Passenger
		1			33, 34			*SX	Passenger, Outboard
		1			33, 34			*S9	Passenger, Outboard
		1			33, 34			*R1	Passenger, Outboard
		1	1, 2, 6, 7		31, 32			*SX	Passenger, Outboard
		1	1, 2, 6, 7		31, 32			*S9	Passenger, Outboard
		1	1, 2, 6, 7		31, 32			*R1	Passenger, Outboard
		1			33, 34			*TY	Passenger, Outboard
		1			33, 34			*DP	Passenger, Outboard
		1	1, 2, 6, 7		31, 32			*DP	Passenger, Outboard
24	05010210AA	4			33, 34			*SX	BOLT, Recliner to Seat Back
		4			33, 34			*S9	
		4			33, 34			*R1	
		4	1, 2, 6, 7		31, 32			*SX	
		4	1, 2, 6, 7		31, 32			*S9	
		4	1, 2, 6, 7		31, 32			*R1	
		4			33, 34			*TY	
		4			33, 34			*DP	
		4	1, 2, 6, 7		31, 32			*DP	

RAM PICKUP/CLUB CAB (BE)

SERIES	LINE	BODY	ENGINE	TRANSMISSION
L = RAM 1500, 2500, 3500	1 = Lt. Duty DODGE 2WD 2 = Med. Duty DODGE 2WD 3 = HD DODGE 2WD 6 = Lt. Duty DODGE 4WD 7 = Med. Duty DODGE 4WD 8 = HD DODGE 4WD	31 = CLUB CAB 2-DR 6.5 FT BOX 32 = CLUB CAB 2-DR 8FT BOX 33 = QUAD CAB 4-DR 6.5 FT BOX 34 = QUAD CAB 4-DR 8FT BOX	ETC = 5.9L Cummins 24V Diesel Engine EWA = 8.0L V10 MPI Engine EM0 = ALL 5.9L 8 CYL ENGINES - GAS EMM = 5.9L SMPI V8 Engine EML = 5.9L V8 MPI Engine ELF = 5.2L V8 MPI Engine	DGP = 4-Spd. Automatic 47RE Transmission DD0 = ALL 5 SPEED MANUAL TRANSMISSIONS DG0 = ALL AUTOMATIC TRANSMISSIONS DDC = 5-Speed HD Manual Transmission DDP = 5-Speed Manual Transmission DDX = 5-Speed HD Manual Transmission DEE = 6-Speed HD Manual Transmission DGT = 4-Spd. Automatic 46RE Transmission

AR = use ase required - = Non illustrated part

**Adjusters, Recliners
Figure IBE-820**



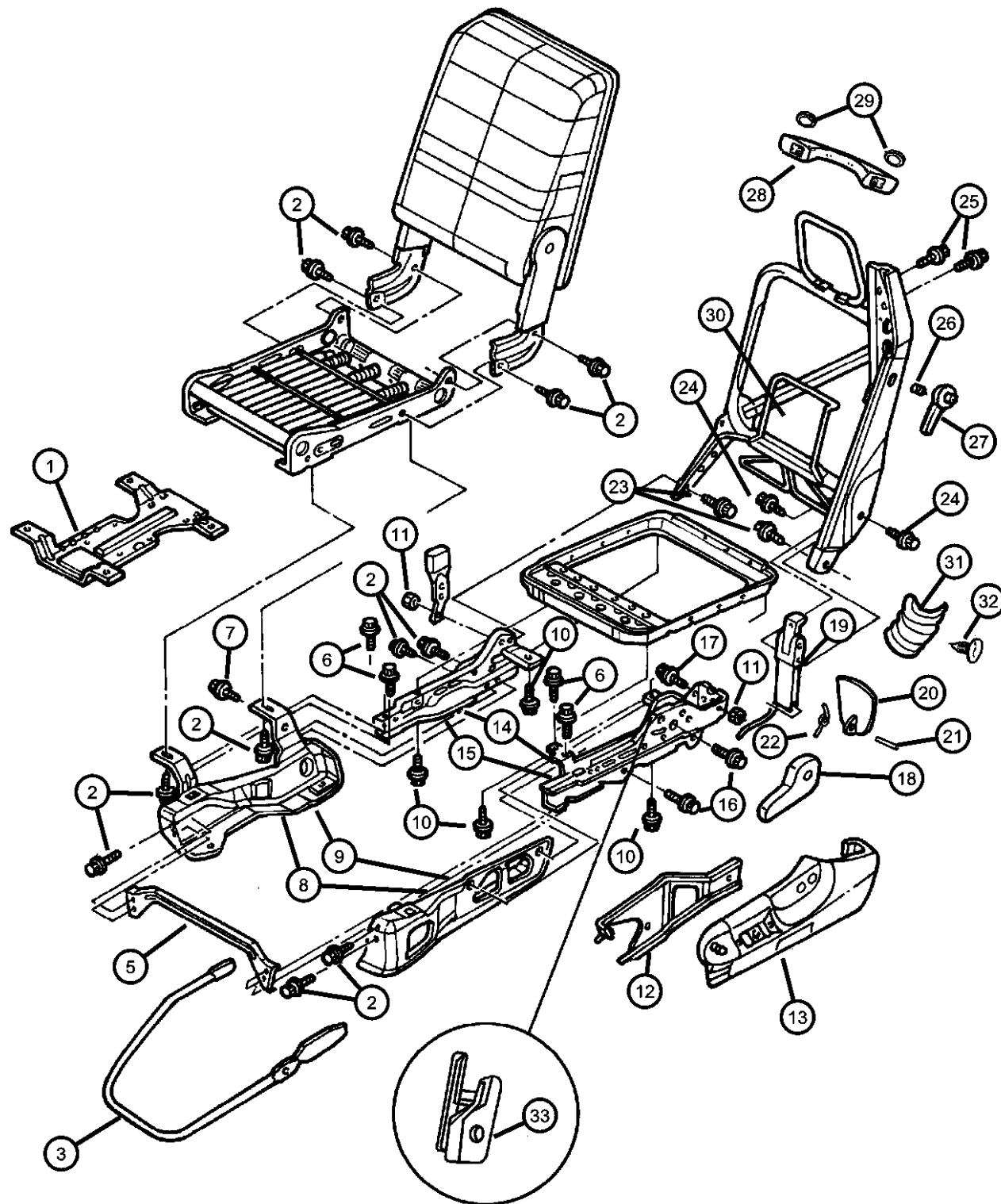
ITEM	PART NUMBER	QTY	LINE	SERIES	BODY	ENGINE	TRANS	TRIM	DESCRIPTION
25	05010818AA	4			33, 34			*SX	BOLT, Seat Belt
		4			33, 34			*S9	
		4			33, 34			*R1	
		4	1, 2, 6, 7		31, 32			*SX	
		4	1, 2, 6, 7		31, 32			*S9	
		4	1, 2, 6, 7		31, 32			*R1	
		4			33, 34			*TY	
		4	1, 2, 6, 7		31, 32			*DP	
26	05010841AA	1	1, 2, 6, 7		31, 32			*SX	SPRING, Seat Latch Return
		1	1, 2, 6, 7		31, 32			*S9	
		1	1, 2, 6, 7		31, 32			*R1	
		1	1, 2, 6, 7		31, 32			*DP	
27	05010260AA	1	1, 2, 6, 7		31, 32			*SX	HANDLE, Seat Recliner
		1	1, 2, 6, 7		31, 32			*S9	Dump, Passenger
		1	1, 2, 6, 7		31, 32			*R1	Dump, Passenger
		1	1, 2, 6, 7		31, 32			*DP	Dump, Passenger
	05010261AA	1	1, 2, 6, 7		31, 32			*SX	Dump, Driver
		1	1, 2, 6, 7		31, 32			*S9	Dump, Driver
		1	1, 2, 6, 7		31, 32			*R1	Dump, Driver
28	0RS181AZAA	2			33, 34			*SX	HANDLE, Seat Back
		2			33, 34			*S9	Agate, (AZ)
		2			33, 34			*R1	Agate, (AZ)

RAM PICKUP/CLUB CAB (BE)

SERIES	LINE	BODY	ENGINE	TRANSMISSION
L = RAM 1500, 2500, 3500	1 = Lt. Duty DODGE 2WD 2 = Med. Duty DODGE 2WD 3 = HD DODGE 2WD 6 = Lt. Duty DODGE 4WD 7 = Med. Duty DODGE 4WD 8 = HD DODGE 4WD	31 = CLUB CAB 2-DR 6.5 FT BOX 32 = CLUB CAB 2-DR 8FT BOX 33 = QUAD CAB 4-DR 6.5 FT BOX 34 = QUAD CAB 4-DR 8FT BOX	ETC = 5.9L Cummins 24V Diesel Engine EWA = 8.0L V10 MPI Engine EM0 = ALL 5.9L 8 CYL ENGINES - GAS EMM = 5.9L SMPI V8 Engine EML = 5.9L V8 MPI Engine ELF = 5.2L V8 MPI Engine	DGP = 4-Spd. Automatic 47RE Transmission DD0 = ALL 5 SPEED MANUAL TRANSMISSIONS DG0 = ALL AUTOMATIC TRANSMISSIONS DDC = 5-Speed HD Manual Transmission DDP = 5-Speed Manual Transmission DDX = 5-Speed HD Manual Transmission DEE = 6-Speed HD Manual Transmission DGT = 4-Spd. Automatic 46RE Transmission

AR = use ase required - = Non illustrated part

**Adjusters, Recliners
Figure IBE-820**



ITEM	PART NUMBER	QTY	LINE	SERIES	BODY	ENGINE	TRANS	TRIM	DESCRIPTION
		2			33, 34			*DP	Agate, (AZ)
	0RS181C3AA	2			33, 34			*SX	Mist Gray, (C3)
		2			33, 34			*S9	Mist Gray, (C3)
		2			33, 34			*R1	Mist Gray, (C3)
	0RS181K9AA	2			33, 34			*R1	Camel, (K9)
		2			33, 34			*DP	Camel, (K9)
29									CAP, Assist Handle Screw Cover
	0RS801AZAA	4			33, 34			*SX	Agate, (AZ)
		4			33, 34			*S9	
		4			33, 34			*R1	
		4			33, 34			*DP	
	0RS801C3AA	4			33, 34			*SX	Mist Gray, (C3)
		4			33, 34			*S9	Mist Gray, (C3)
		4			33, 34			*R1	Mist Gray, (C3)
	0RS801K9AA	4			33, 34			*R1	Camel, (K9)
		4			33, 34			*DP	Camel, (K9)
30									LUMBAR, Support
	05010279AA	1			33, 34			*R1	
		1			33, 34			*DP	
		1	1, 2, 6, 7		31, 32			*R1	
		1	1, 2, 6, 7		31, 32			*DP	
31									BELLOWS, Seat Mechanism
	05010197AA	2			33, 34			*SX	
		2			33, 34			*S9	
		2			33, 34			*R1	
		2	1, 2, 6, 7		31, 32			*SX	
		2	1, 2, 6, 7		31, 32			*S9	
		2	1, 2, 6, 7		31, 32			*R1	

RAM PICKUP/CLUB CAB (BE)

SERIES	LINE
L = RAM 1500, 2500, 3500	1 = Lt. Duty DODGE 2WD
	2 = Med. Duty DODGE 2WD
	3 = HD DODGE 2WD
	6 = Lt. Duty DODGE 4WD
	7 = Med. Duty DODGE 4WD
	8 = HD DODGE 4WD

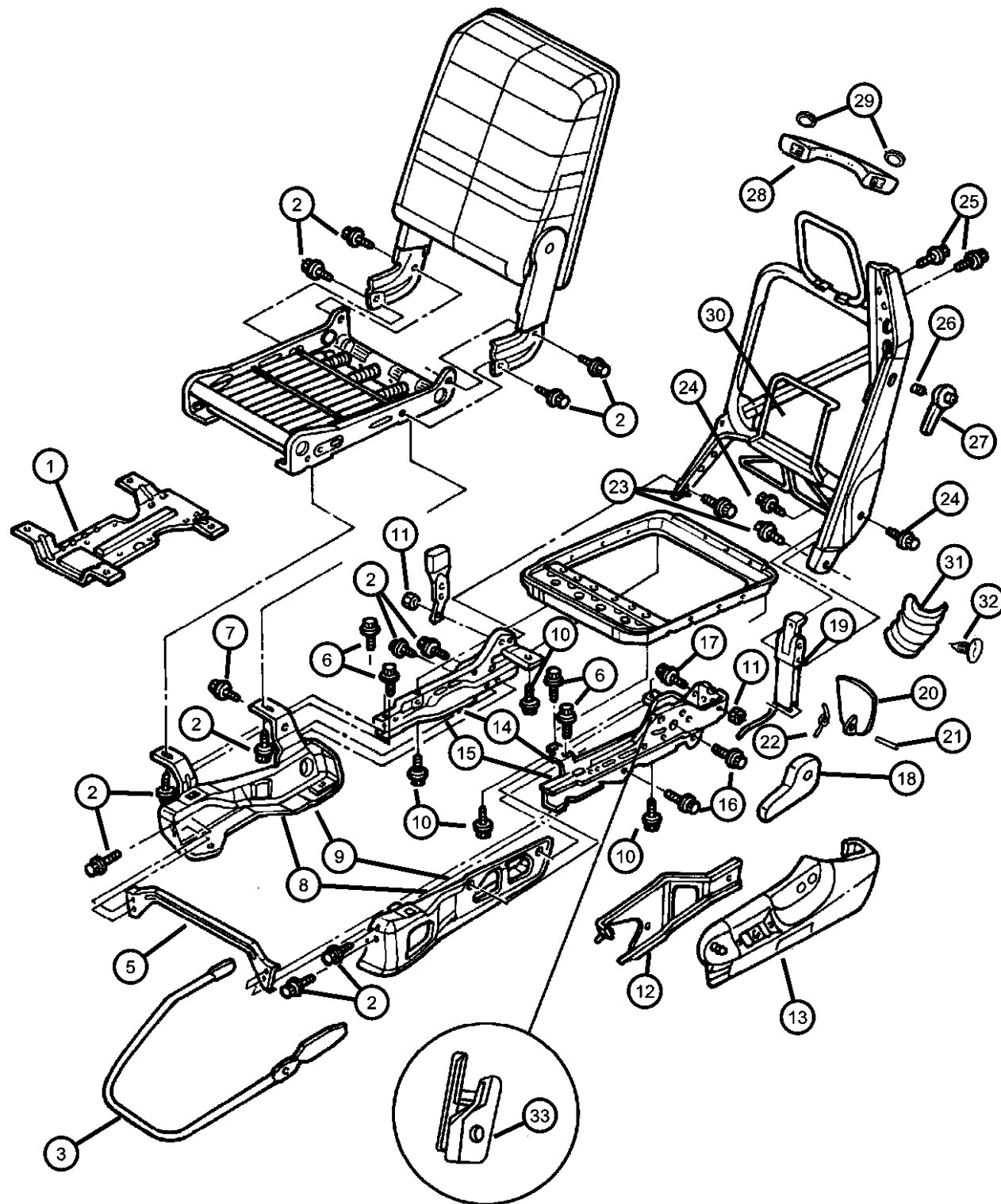
BODY	ENGINE
31 = CLUB CAB 2-DR 6.5 FT BOX	ETC = 5.9L Cummins 24V Diesel Engine
32 = CLUB CAB 2-DR 8FT BOX	EWA = 8.0L V10 MPI Engine
33 = QUAD CAB 4-DR 6.5 FT BOX	EM0 = ALL 5.9L 8 CYL ENGINES - GAS
34 = QUAD CAB 4-DR 8FT BOX	EMM = 5.9L SMPI V8 Engine
	EML = 5.9L V8 MPI Engine
	ELF = 5.2L V8 MPI Engine

TRANSMISSION
DGP = 4-Spd. Automatic 47RE Transmission
DD0 = ALL 5 SPEED MANUAL TRANSMISSIONS
DG0 = ALL AUTOMATIC TRANSMISSIONS
DDC = 5-Speed HD Manual Transmission
DDP = 5-Speed Manual Transmission
DDX = 5-Speed HD Manual Transmission
DEE = 6-Speed HD Manual Transmission
DGT = 4-Spd. Automatic 46RE Transmission

AR = use ase required - = Non illustrated part

1999 BE

**Adjusters, Recliners
Figure IBE-820**



ITEM	PART NUMBER	QTY	LINE	SERIES	BODY	ENGINE	TRANS	TRIM	DESCRIPTION
		2			33, 34			*TY	
		2			33, 34			*DP	
		2	1, 2, 6, 7		31, 32			*DP	
32	05010315AA	6			33, 34			*SX	RETAINER, Push On
		6			33, 34			*S9	
		6			33, 34			*R1	
		6	1, 2, 6, 7		31, 32			*SX	
		6	1, 2, 6, 7		31, 32			*S9	
		6	1, 2, 6, 7		31, 32			*R1	
		6			33, 34			*TY	
		6			33, 34			*DP	
		6	1, 2, 6, 7		31, 32			*DP	
33	05014198AA	1	1, 2, 6, 7		31, 32				CAM, Memory Dump
		1	1, 2, 6, 7		31, 32			*DP	Blue, Passenger
		1	1, 2, 6, 7		31, 32			*S9	Blue, Passenger
		1	1, 2, 6, 7		31, 32			*R1	Blue, Passenger
		1	1, 2, 6, 7		31, 32			*SX	Blue, Passenger
	05014199AA	1	1, 2, 6, 7		31, 32			*DP	Gray, Driver
		1	1, 2, 6, 7		31, 32			*S9	Gray, Driver
		1	1, 2, 6, 7		31, 32			*R1	Gray, Driver
		1	1, 2, 6, 7		31, 32			*SX	Gray, Driver
-34	05010820AA	1	1, 2, 6, 7		31, 32				CABLE, Seat Adjuster
		1	1, 2, 6, 7		31, 32			*SX	
		1	1, 2, 6, 7		31, 32			*S9	
		1	1, 2, 6, 7		31, 32			*R1	
		1	1, 2, 6, 7		31, 32			*DP	
-35									SPRING, Seat Latch Return

RAM PICKUP/CLUB CAB (BE)

SERIES	LINE
L = RAM 1500, 2500, 3500	1 = Lt. Duty DODGE 2WD 2 = Med. Duty DODGE 2WD 3 = HD DODGE 2WD 6 = Lt. Duty DODGE 4WD 7 = Med. Duty DODGE 4WD 8 = HD DODGE 4WD

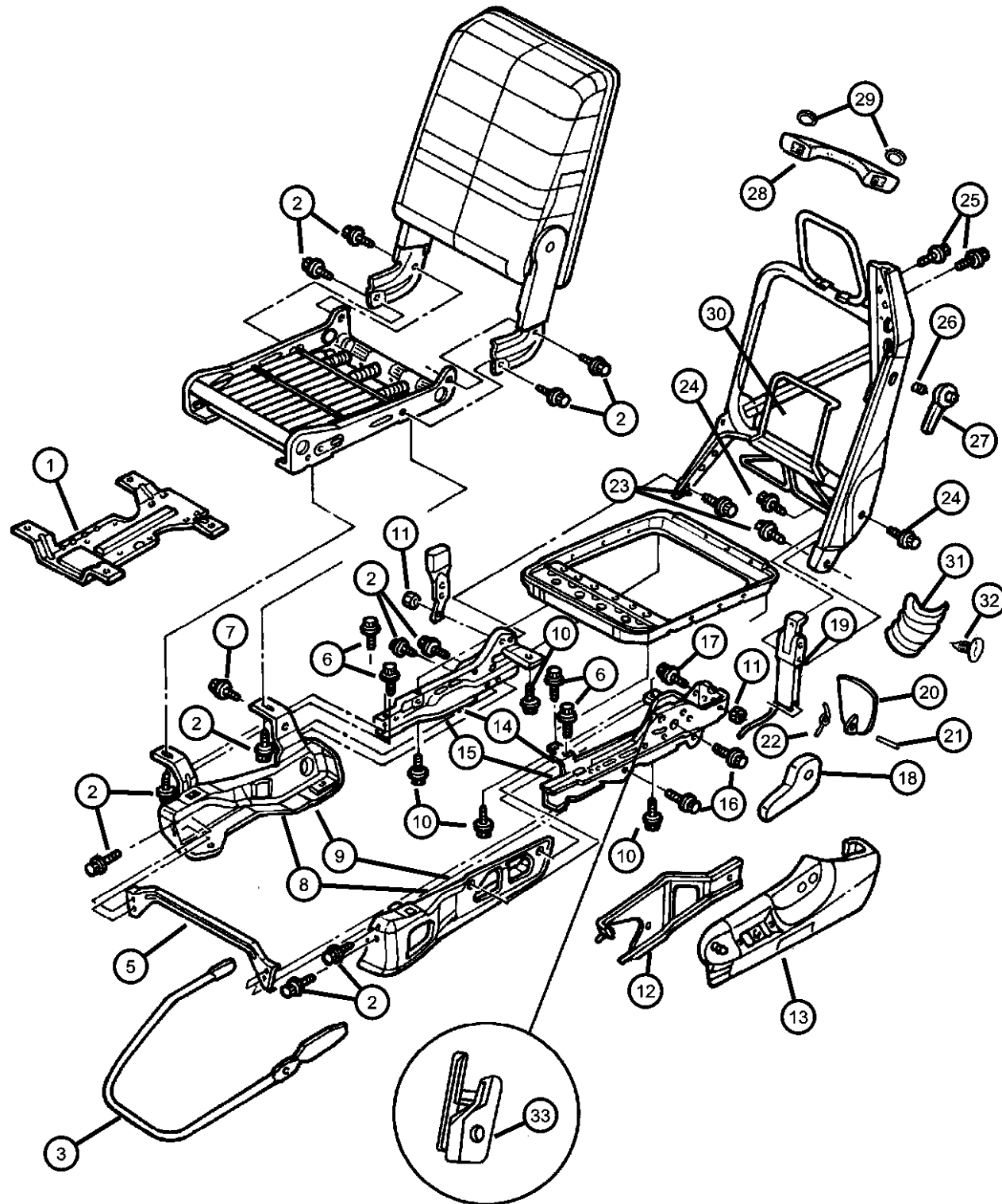
BODY	ENGINE
31 = CLUB CAB 2-DR 6.5 FT BOX 32 = CLUB CAB 2-DR 8FT BOX 33 = QUAD CAB 4-DR 6.5 FT BOX 34 = QUAD CAB 4-DR 8FT BOX	ETC = 5.9L Cummins 24V Diesel Engine EWA = 8.0L V10 MPI Engine EM0 = ALL 5.9L 8 CYL ENGINES - GAS EMM = 5.9L SMPI V8 Engine EML = 5.9L V8 MPI Engine ELF = 5.2L V8 MPI Engine

TRANSMISSION
DGP = 4-Spd. Automatic 47RE Transmission DD0 = ALL 5 SPEED MANUAL TRANSMISSIONS DG0 = ALL AUTOMATIC TRANSMISSIONS DDC = 5-Speed HD Manual Transmission DDP = 5-Speed Manual Transmission DDX = 5-Speed HD Manual Transmission DEE = 6-Speed HD Manual Transmission DGT = 4-Spd. Automatic 46RE Transmission

AR = use ase required - = Non illustrated part

1999 BE

**Adjusters, Recliners
Figure IBE-820**



ITEM	PART NUMBER	QTY	LINE	SERIES	BODY	ENGINE	TRANS	TRIM	DESCRIPTION
	05010827AA	1	1, 2, 6, 7		31, 32			*SX	Inboard
		1	1, 2, 6, 7		31, 32			*S9	Inboard
		1	1, 2, 6, 7		31, 32			*R1	Inboard
		1	1, 2, 6, 7		31, 32			*DP	Inboard
-36									SPRING, Seat Latch Return
	05010895AA	1	1, 2, 6, 7		31, 32			*SX	Outboard
		1	1, 2, 6, 7		31, 32			*S9	Outboard
		1	1, 2, 6, 7		31, 32			*R1	Outboard
		1	1, 2, 6, 7		31, 32			*DP	Outboard
-37									SPRING, Seat Track Adjuster, Easy Entry Assist Between Adjusters
	05010894AA	1	1, 2, 6, 7		31, 32			*SX	
		1	1, 2, 6, 7		31, 32			*S9	
		1	1, 2, 6, 7		31, 32			*R1	
		1	1, 2, 6, 7		31, 32			*DP	

RAM PICKUP/CLUB CAB (BE)

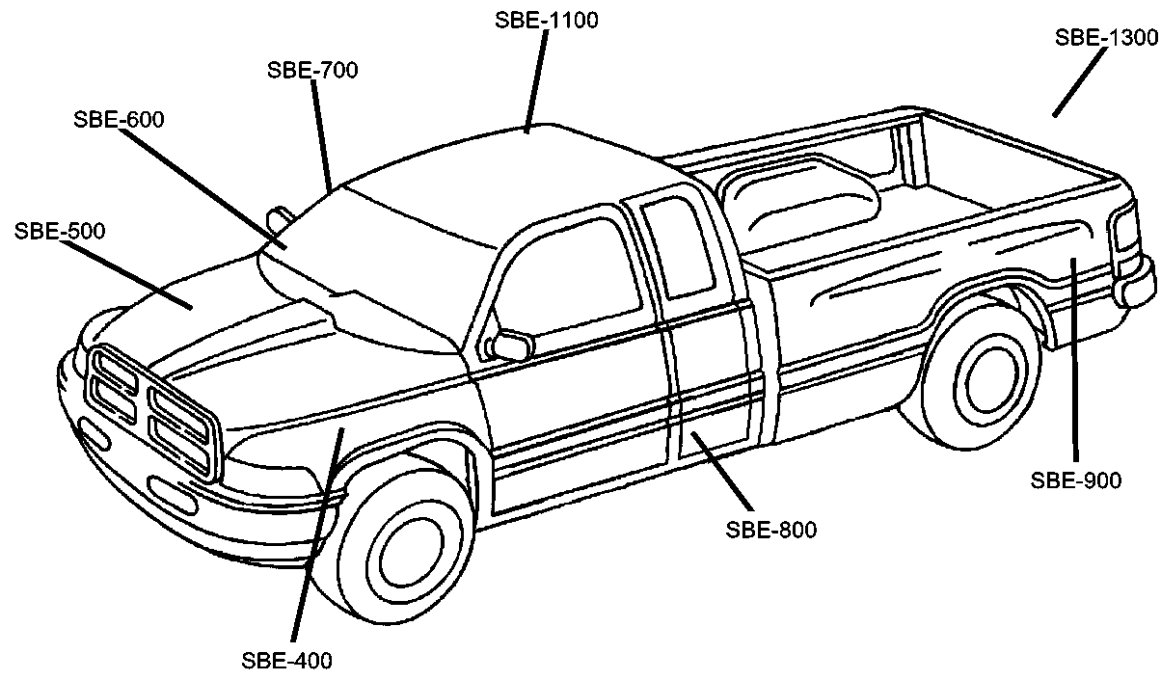
SERIES	LINE	BODY	ENGINE	TRANSMISSION
L = RAM 1500, 2500, 3500	1 = Lt. Duty DODGE 2WD	31 = CLUB CAB 2-DR 6.5 FT BOX	ETC = 5.9L Cummins 24V Diesel Engine	DGP = 4-Spd. Automatic 47RE Transmission
	2 = Med. Duty DODGE 2WD	32 = CLUB CAB 2-DR 8FT BOX	EWA = 8.0L V10 MPI Engine	DD0 = ALL 5 SPEED MANUAL TRANSMISSIONS
	3 = HD DODGE 2WD	33 = QUAD CAB 4-DR 6.5 FT BOX	EM0 = ALL 5.9L 8 CYL ENGINES - GAS	DG0 = ALL AUTOMATIC TRANSMISSIONS
	6 = Lt. Duty DODGE 4WD	34 = QUAD CAB 4-DR 8FT BOX	EMM = 5.9L SMPI V8 Engine	DDC = 5-Speed HD Manual Transmission
	7 = Med. Duty DODGE 4WD		EML = 5.9L V8 MPI Engine	DDP = 5-Speed Manual Transmission
	8 = HD DODGE 4WD		ELF = 5.2L V8 MPI Engine	DDX = 5-Speed HD Manual Transmission
				DEE = 6-Speed HD Manual Transmission
				DGT = 4-Spd. Automatic 46RE Transmission

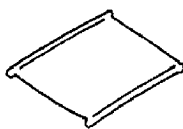
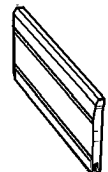
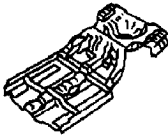

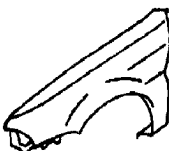

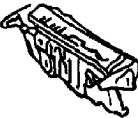

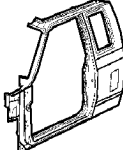
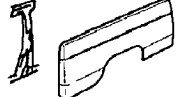
AR = use ase required - = Non illustrated part

1999 BE

Group - SBE

Body Sheet Metal Except Doors

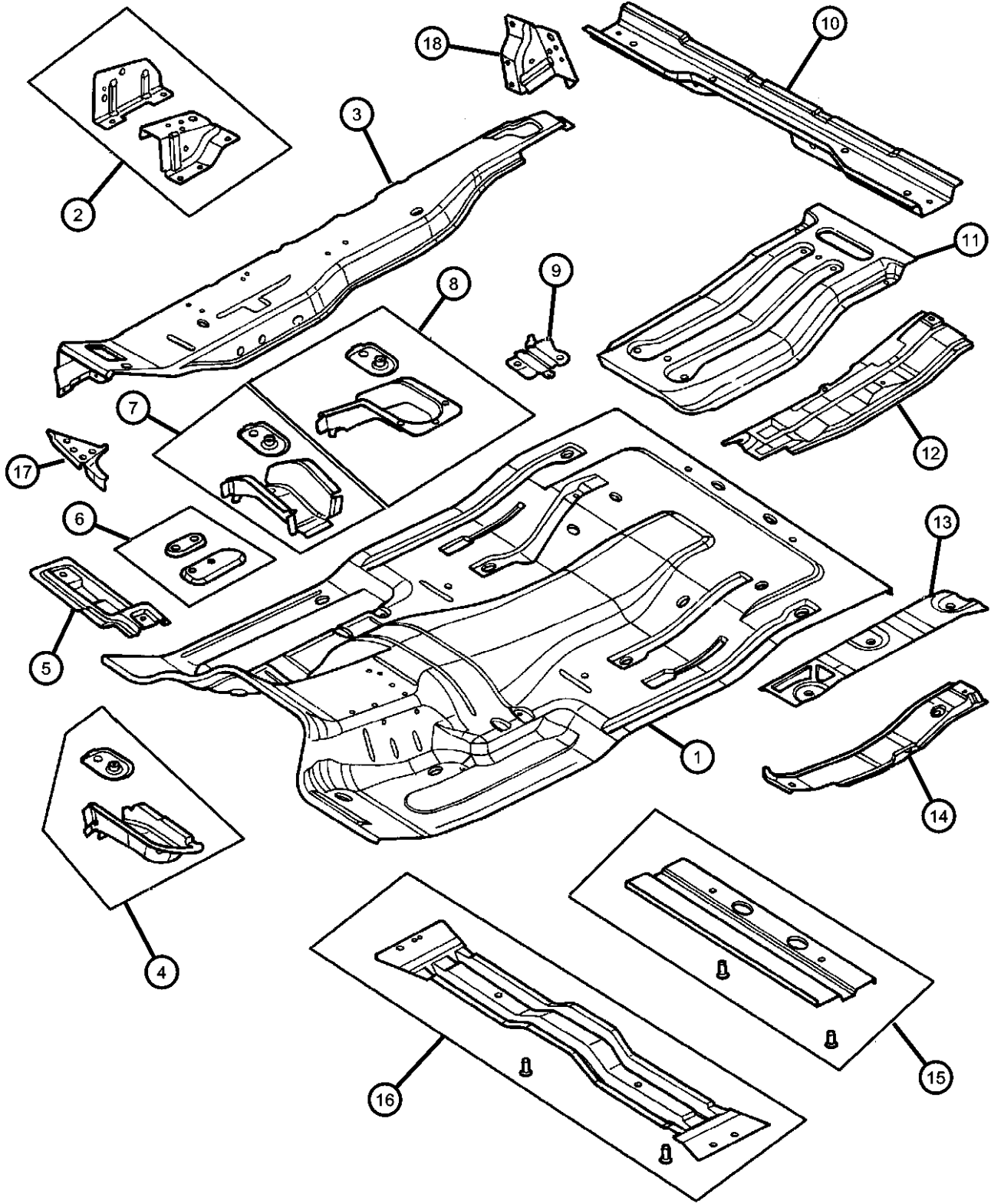


<p>SBE-1100 Roof Panel</p> 	<p>SBE-1300 Tailgate</p> 	<p>SBE-200 Floor Pans</p> 	<p>SBE-300 Plugs</p> 
<p>SBE-400 Front Fenders</p> 	<p>SBE-500 Hood and Hood Release</p> 	<p>SBE-600 Cowl and Dash Panel</p> 	<p>SBE-700 Glass and Rear View Mirror</p> 
<p>SBE-800 Aperture Panel</p> 	<p>SBE-900 Quarter Panel and Pillar</p> 		

Group - SBE Body Sheet Metal Except Doors

Illustration Title	Group-Fig. No.
Floor Pans	
Floor Pan	Fig. SBE - 210
Floor Box and Panel	Fig. SBE - 220
Plugs	
Plugs	Fig. SBE - 310
Front Fenders	
Front Fender.....	Fig. SBE - 410
Hood and Hood Release	
Hood and Hood Release	Fig. SBE - 510
Cowl and Dash Panel	
Cowl and Dash Panel.....	Fig. SBE - 610
Glass and Rear View Mirror	
Glass, Windshield, Backlite, Quarter Window and Mirror	Fig. SBE - 710
Aperture Panel	
Aperture Panel Bodyside, 2 Door.....	Fig. SBE - 810
Aperture Panel Bodyside, 4 Door	Fig. SBE - 820
Quarter Panel and Pillar	
Quarter Panel.....	Fig. SBE - 910
Roof Panel	
Roof Panel.....	Fig. SBE - 1110
Tailgate	
Tailgate.....	Fig. SBE - 1310

**Floor Pan
Figure SBE-210**



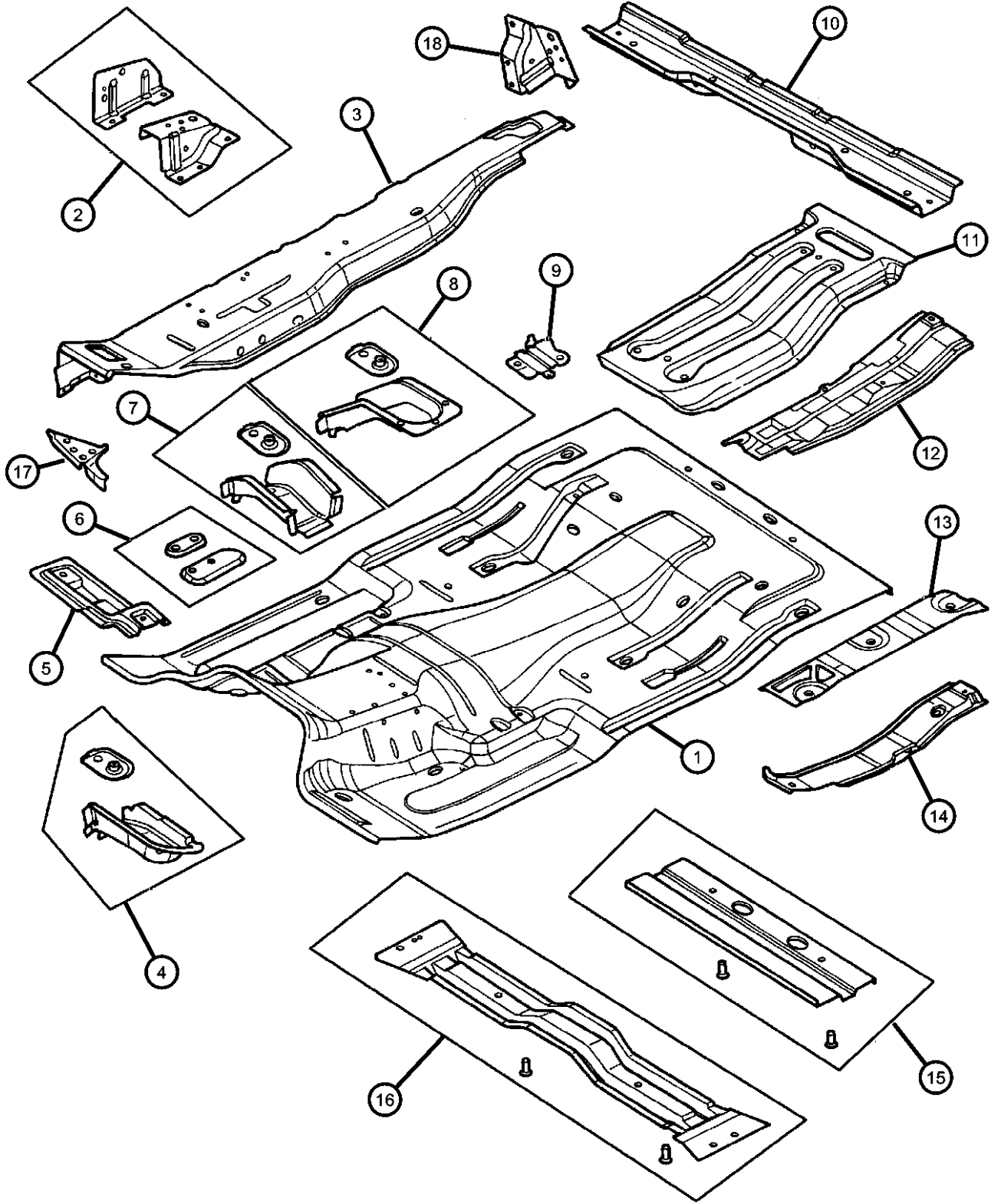
ITEM	PART NUMBER	QTY	LINE	SERIES	BODY	ENGINE	TRANS	TRIM	DESCRIPTION
1	55275180AB	1							PANEL, Front Floor PanCenter
2									SUPPORT, Rear Seat
	55275000	1							Right
	55275001	1							Left
3									PANEL, Floor Outer
	55275152	1							Right
	55275153	1							Left
4									SUPPORT, Underbody Hold Down
	55274926	1							Right
	55274927	1							Left
5	55275084	2							SUPPORT, Front SeatFront
6									SUPPORT, Front Seat
	55275086	1							Right, Rear
	55275087	1							Left, Rear
7									SUPPORT, Underbody Hold Down
	55275184	1							Right, Middle
	55275185	1							Left, Middle
8	55274580	2							SUPPORT, Underbody Hold DownRear
9	55275327AB	1							BRACKET, Jack
10	55275362	1							CROSSMEMBER, Rear Floor
11	55274638	1							REINFORCEMENT, Floor Pan
12	55275296	1							SHIELD, HeatUpper, Right
13	55274656	1							SHIELD, HeatCenter
14	55274655AB	1							SHIELD, Heat, Rear Upper Left
15	55254778	1							REINFORCEMENT, Seat Belt Anchor
16	55275165	1							REINFORCEMENT, Front Seat
17									SUPPORT, Cowl Side
	55274570	1							Right

RAM PICKUP/CLUB CAB (BE)

SERIES	LINE	BODY	ENGINE	TRANSMISSION
L = RAM 1500, 2500, 3500	1 = Lt. Duty DODGE 2WD 2 = Med. Duty DODGE 2WD 3 = HD DODGE 2WD 6 = Lt. Duty DODGE 4WD 7 = Med. Duty DODGE 4WD 8 = HD DODGE 4WD	31 = CLUB CAB 2-DR 6.5 FT BOX 32 = CLUB CAB 2-DR 8FT BOX 33 = QUAD CAB 4-DR 6.5 FT BOX 34 = QUAD CAB 4-DR 8FT BOX	ETC = 5.9L Cummins 24V Diesel Engine EWA = 8.0L V10 MPI Engine EM0 = ALL 5.9L 8 CYL ENGINES - GAS EMM = 5.9L SMPI V8 Engine EML = 5.9L V8 MPI Engine ELF = 5.2L V8 MPI Engine	DGP = 4-Spd. Automatic 47RE Transmission DD0 = ALL 5 SPEED MANUAL TRANSMISSIONS DG0 = ALL AUTOMATIC TRANSMISSIONS DDC = 5-Speed HD Manual Transmission DDP = 5-Speed Manual Transmission DDX = 5-Speed HD Manual Transmission DEE = 6-Speed HD Manual Transmission DGT = 4-Spd. Automatic 46RE Transmission

AR = use ase required - = Non illustrated part

Floor Pan
Figure SBE-210



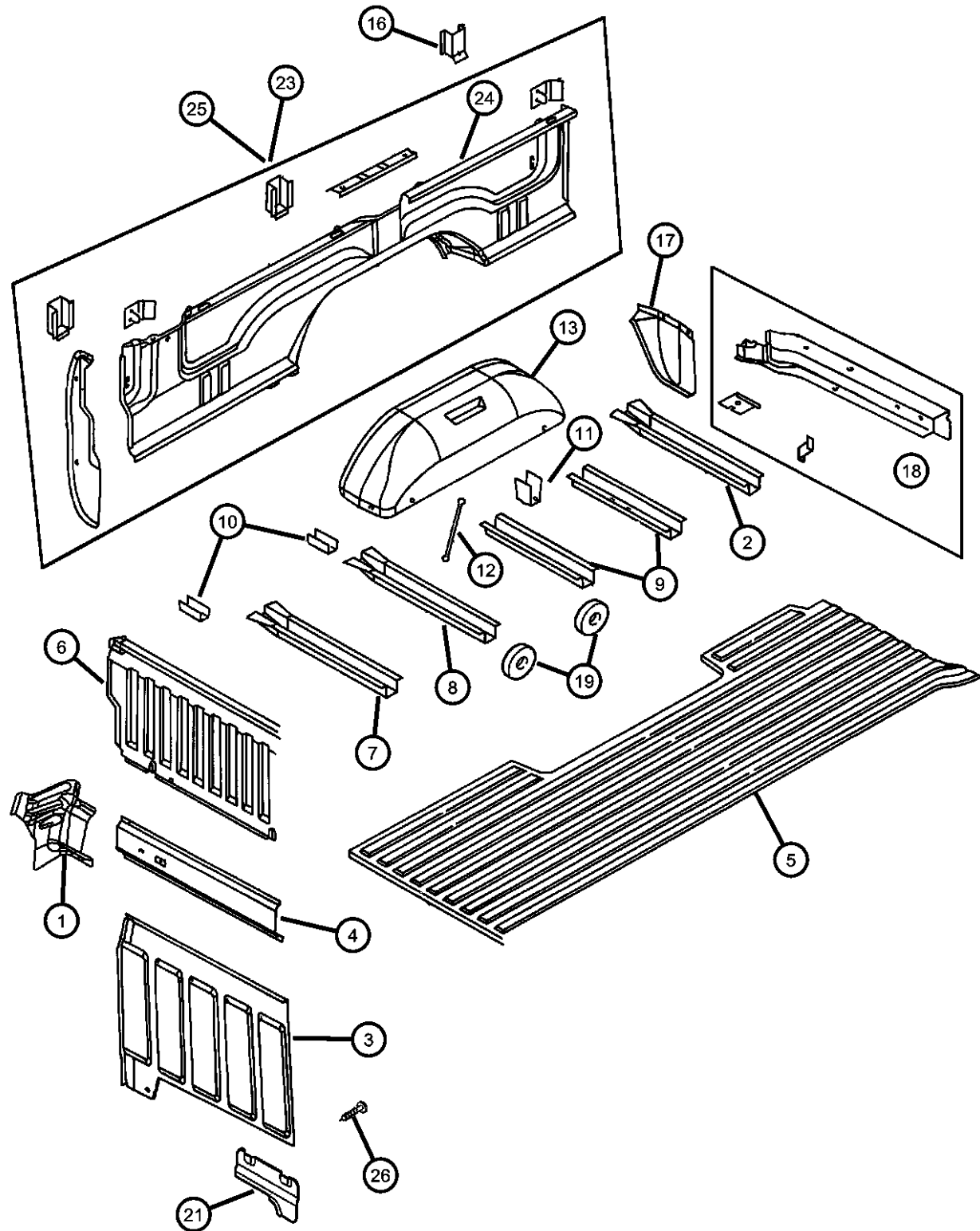
ITEM	PART NUMBER	QTY	LINE	SERIES	BODY	ENGINE	TRANS	TRIM	DESCRIPTION
18	55274571	1							Left EXTENSION, Cab Back
	55274628	1	1, 2, 6, 7		31, 32				Right
	55274629	1	1, 2, 6, 7		31, 32				Left
	55275420	1			33, 34				Right
	55275421	1			33, 34				Left

RAM PICKUP/CLUB CAB (BE)

SERIES	LINE	BODY	ENGINE	TRANSMISSION
L = RAM 1500, 2500, 3500	1 = Lt. Duty DODGE 2WD	31 = CLUB CAB 2-DR 6.5 FT BOX	ETC = 5.9L Cummins 24V Diesel Engine	DGP = 4-Spd. Automatic 47RE Transmission
	2 = Med. Duty DODGE 2WD	32 = CLUB CAB 2-DR 8FT BOX	EWA = 8.0L V10 MPI Engine	DD0 = ALL 5 SPEED MANUAL TRANSMISSIONS
	3 = HD DODGE 2WD	33 = QUAD CAB 4-DR 6.5 FT BOX	EM0 = ALL 5.9L 8 CYL ENGINES - GAS	DG0 = ALL AUTOMATIC TRANSMISSIONS
	6 = Lt. Duty DODGE 4WD	34 = QUAD CAB 4-DR 8FT BOX	EMM = 5.9L SMPI V8 Engine	DDC = 5-Speed HD Manual Transmission
	7 = Med. Duty DODGE 4WD		EML = 5.9L V8 MPI Engine	DDP = 5-Speed Manual Transmission
	8 = HD DODGE 4WD		ELF = 5.2L V8 MPI Engine	DDX = 5-Speed HD Manual Transmission
				DEE = 6-Speed HD Manual Transmission
				DGT = 4-Spd. Automatic 46RE Transmission

AR = use ase required - = Non illustrated part

**Floor Box and Panel
Figure SBE-220**



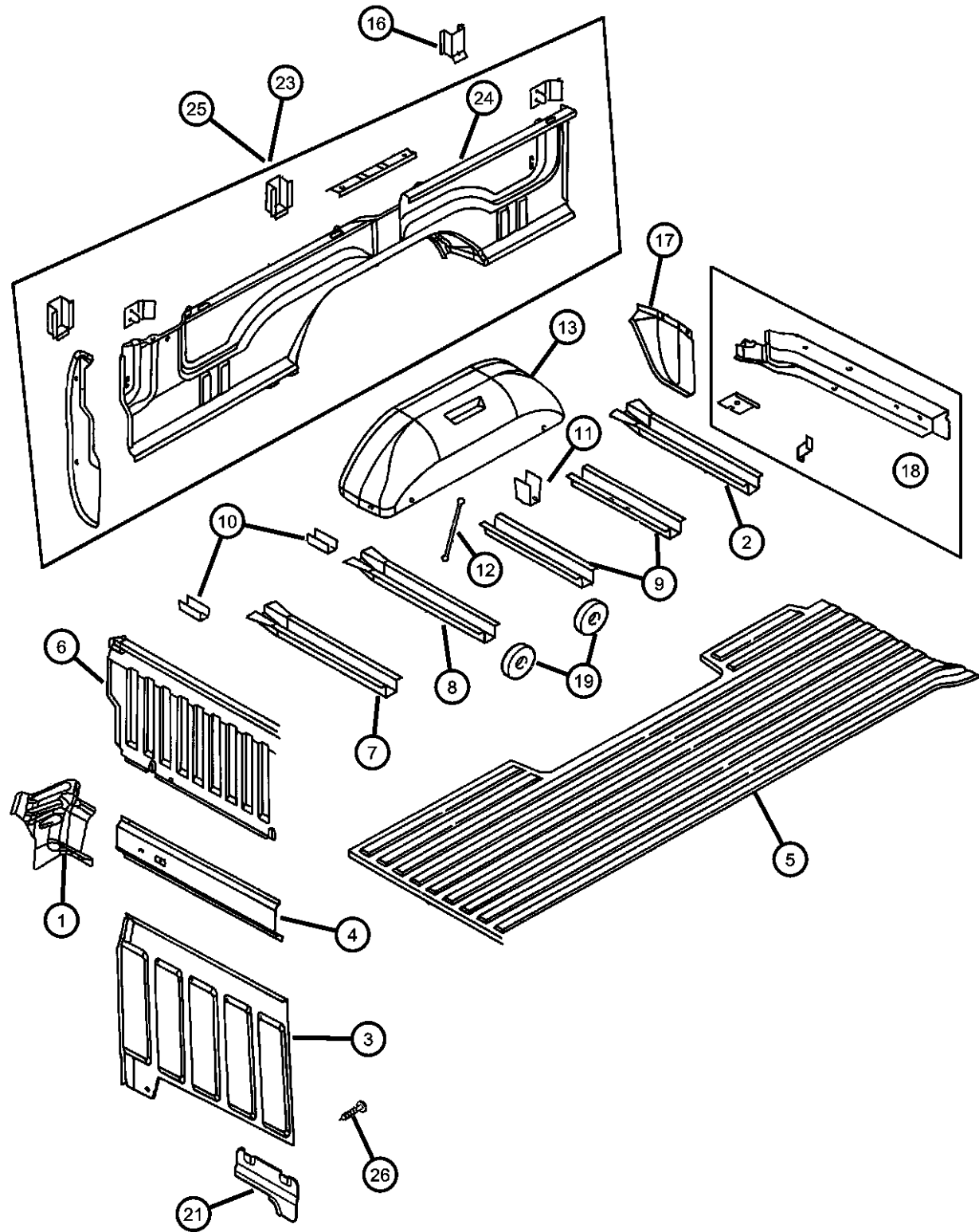
ITEM	PART NUMBER	QTY	LINE	SERIES	BODY	ENGINE	TRANS	TRIM	DESCRIPTION
1									EXTENSION, Cab Back
	55274628	1	1, 2, 6, 7		31, 32				Right
	55274629	1	1, 2, 6, 7		31, 32				Left
	55275420	1			33, 34				Right
	55275421	1			33, 34				Left
2	55345618	1							CROSSMEMBER, Rear Box
3	55275107	1							PANEL, Cab Back
4	55023544AB	1							REINFORCEMENT, Cab Back
5									PANEL, Box Floor
	55275374	1	1, 2, 6, 7		31, 33				6 1/2 Foot Box
	55275375AB	1			32, 34				8 Foot Box
6	55023626	1							PANEL, Front Box, Center
7	55275253	1							CROSSMEMBER, Rear Box, #1
									For 6 1/2 and 8 Foot Box
8									CROSSMEMBER, Rear Box
	55274766	1	1, 2, 6, 7		31, 33				#2 For 6 1/2 Foot Box
	55346134	1			32, 34				#2 For 8 Foot Box
9									CROSSMEMBER, Rear Box
	55274770	1	1, 2, 6, 7		31, 33				#3 For 6 1/2 Foot Box
		2	1, 2, 6, 7		31, 33				#3 and #4 for 8 Foot Box
10	55346091	2							TAPPING PLATE, Floor
									Crossmember, Tie Downs
11	55346091	2							BRACKET, Box Floor Center,
									Serviced in Croosmember #2,
									(NOT SERVICED)
12									BRACE, Box Side Wheelhouse,
									Rear
	55345734	2							Right
	55345735	2							Left
13	55023614	2							WHEELHOUSE, Rear Inner
-14	55135298	4	1, 2, 6, 7		31, 32				PLATE, Inner Quarter Baffle

RAM PICKUP/CLUB CAB (BE)

SERIES	LINE	BODY	ENGINE	TRANSMISSION
L = RAM 1500, 2500, 3500	1 = Lt. Duty DODGE 2WD 2 = Med. Duty DODGE 2WD 3 = HD DODGE 2WD 6 = Lt. Duty DODGE 4WD 7 = Med. Duty DODGE 4WD 8 = HD DODGE 4WD	31 = CLUB CAB 2-DR 6.5 FT BOX 32 = CLUB CAB 2-DR 8FT BOX 33 = QUAD CAB 4-DR 6.5 FT BOX 34 = QUAD CAB 4-DR 8FT BOX	ETC = 5.9L Cummins 24V Diesel Engine EWA = 8.0L V10 MPI Engine EM0 = ALL 5.9L 8 CYL ENGINES - GAS EMM = 5.9L SMPI V8 Engine EML = 5.9L V8 MPI Engine ELF = 5.2L V8 MPI Engine	DGP = 4-Spd. Automatic 47RE Transmission DD0 = ALL 5 SPEED MANUAL TRANSMISSIONS DG0 = ALL AUTOMATIC TRANSMISSIONS DDC = 5-Speed HD Manual Transmission DDP = 5-Speed Manual Transmission DDX = 5-Speed HD Manual Transmission DEE = 6-Speed HD Manual Transmission DGT = 4-Spd. Automatic 46RE Transmission

AR = use ase required - = Non illustrated part

**Floor Box and Panel
Figure SBE-220**



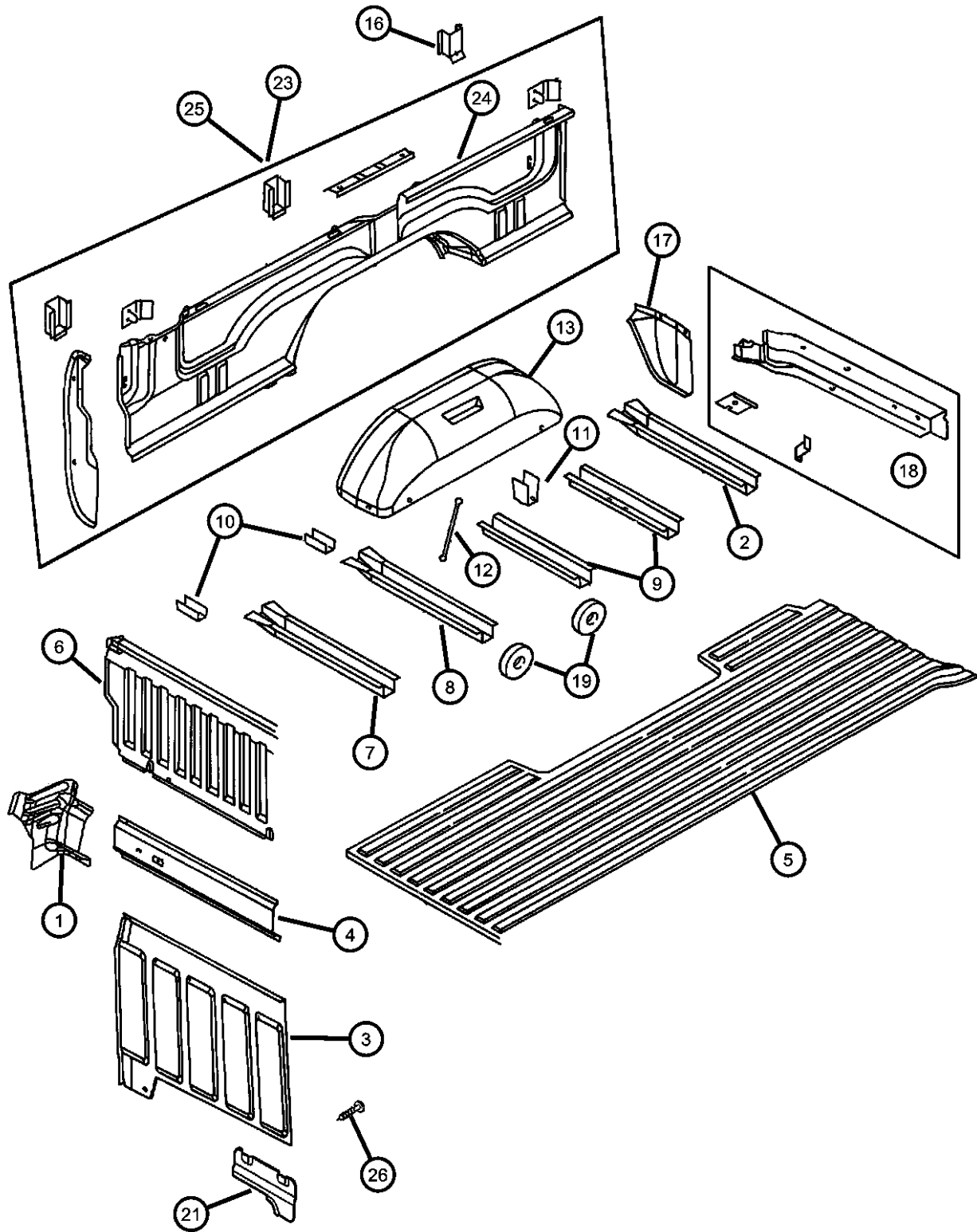
ITEM	PART NUMBER	QTY	LINE	SERIES	BODY	ENGINE	TRANS	TRIM	DESCRIPTION
-15	06502328	1	1, 2, 6, 7		31, 32				PIN, Push, M5.80x13.00
16									REINFORCEMENT, Quarter Rear Corner
	55274806AB	1							Right
	55274807AB	1							Left
17									EXTENSION, Wheel House
	55344824	1	3, 8		34				Right
	55344825	1	3, 8		34				Left
18	55275186	1							SILL, Box
19	55275466AA	4							ISOLATOR
-20	55275188	2							TAPPING PLATE, Sill to Frame
21									REINFORCEMENT, Cab Back to Floor
	55275092	1							Right
	55275093	1							Left
-22									SCREW AND WASHER, Hex Head, M10x1.5x45
	06503298	8			32, 34				Box Hold Down
		6	1, 2, 6, 7		31, 33				Box Hold Down
23									PANEL, Box Side
	04856376	1	1, 2, 6, 7		31, 33				6 1/2 Foot Box, Right
	04856377	1	1, 2, 6, 7		31, 33				6 1/2 Foot Box, Left
	04856380	1			32, 34				8 Foot Box, Right
	04856381	1			32, 34				8 Foot Box, Left
24									PANEL, Box Side Outer
	55023618	1	1, 2, 6, 7		31, 33				6 1/2 Foot Box, Right
	55023619	1	1, 2, 6, 7		31, 33				6 1/2 Foot Box, Left
	55023620	1			32, 34				8 Foot Box, Right
	55023621	1			32, 34				8 Foot Box, Left

RAM PICKUP/CLUB CAB (BE)

SERIES	LINE	BODY	ENGINE	TRANSMISSION
L = RAM 1500, 2500, 3500	1 = Lt. Duty DODGE 2WD 2 = Med. Duty DODGE 2WD 3 = HD DODGE 2WD 6 = Lt. Duty DODGE 4WD 7 = Med. Duty DODGE 4WD 8 = HD DODGE 4WD	31 = CLUB CAB 2-DR 6.5 FT BOX 32 = CLUB CAB 2-DR 8FT BOX 33 = QUAD CAB 4-DR 6.5 FT BOX 34 = QUAD CAB 4-DR 8FT BOX	ETC = 5.9L Cummins 24V Diesel Engine EWA = 8.0L V10 MPI Engine EM0 = ALL 5.9L 8 CYL ENGINES - GAS EMM = 5.9L SMPI V8 Engine EML = 5.9L V8 MPI Engine ELF = 5.2L V8 MPI Engine	DGP = 4-Spd. Automatic 47RE Transmission DD0 = ALL 5 SPEED MANUAL TRANSMISSIONS DG0 = ALL AUTOMATIC TRANSMISSIONS DDC = 5-Speed HD Manual Transmission DDP = 5-Speed Manual Transmission DDX = 5-Speed HD Manual Transmission DEE = 6-Speed HD Manual Transmission DGT = 4-Spd. Automatic 46RE Transmission

AR = use ase required - = Non illustrated part

**Floor Box and Panel
Figure SBE-220**



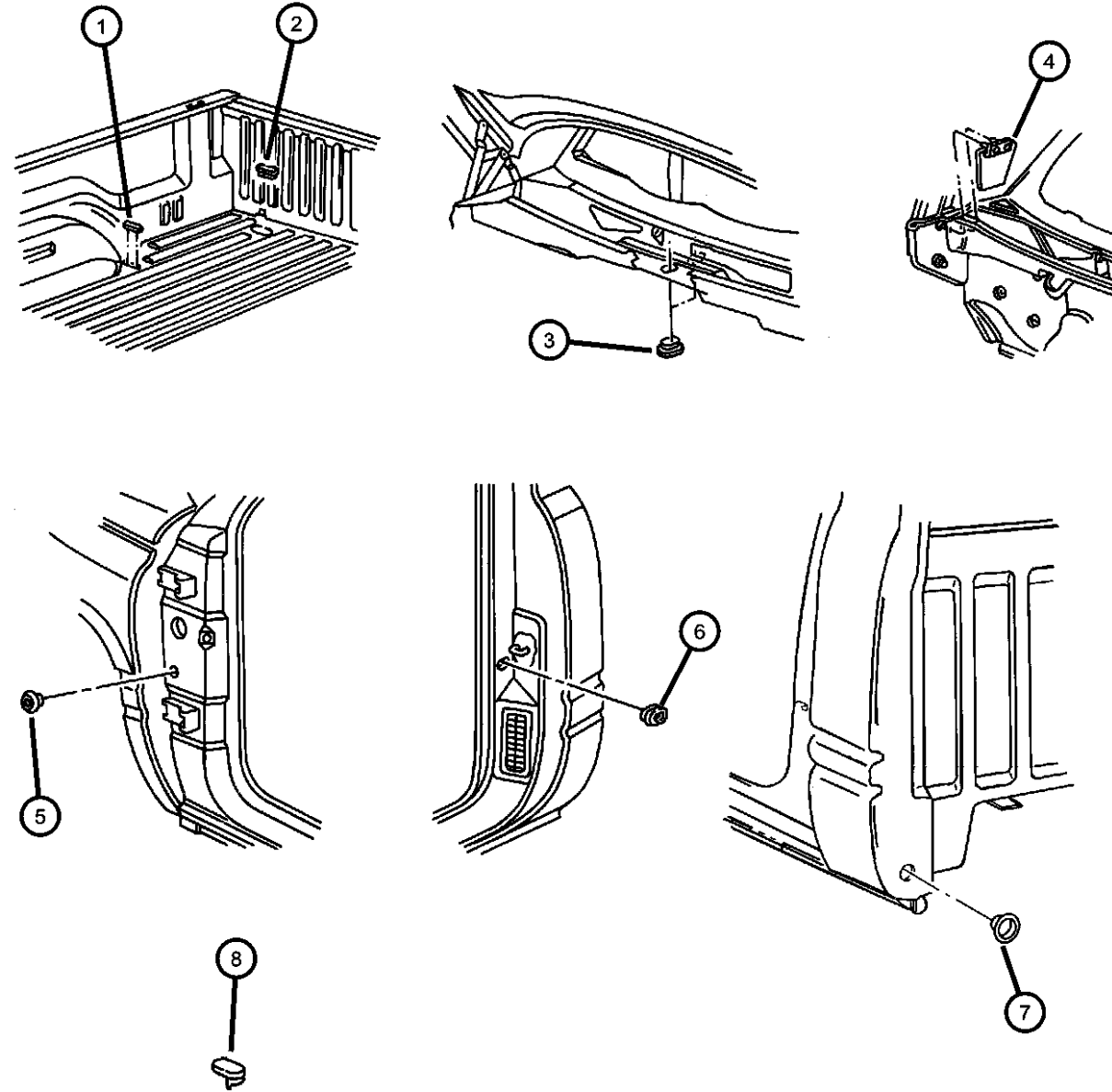
ITEM	PART NUMBER	QTY	LINE	SERIES	BODY	ENGINE	TRANS	TRIM	DESCRIPTION
25	04856384	1			32, 34				PANEL, Box Side, Dual Wheels 8 Foot Box, Right
	04856385	1			32, 34				8 Foot Box, Left
26	06503221	2							PIN

RAM PICKUP/CLUB CAB (BE)

SERIES	LINE	BODY	ENGINE	TRANSMISSION
L = RAM 1500, 2500, 3500	1 = Lt. Duty DODGE 2WD 2 = Med. Duty DODGE 2WD 3 = HD DODGE 2WD 6 = Lt. Duty DODGE 4WD 7 = Med. Duty DODGE 4WD 8 = HD DODGE 4WD	31 = CLUB CAB 2-DR 6.5 FT BOX 32 = CLUB CAB 2-DR 8FT BOX 33 = QUAD CAB 4-DR 6.5 FT BOX 34 = QUAD CAB 4-DR 8FT BOX	ETC = 5.9L Cummins 24V Diesel Engine EWA = 8.0L V10 MPI Engine EM0 = ALL 5.9L 8 CYL ENGINES - GAS EMM = 5.9L SMPI V8 Engine EML = 5.9L V8 MPI Engine ELF = 5.2L V8 MPI Engine	DGP = 4-Spd. Automatic 47RE Transmission DD0 = ALL 5 SPEED MANUAL TRANSMISSIONS DG0 = ALL AUTOMATIC TRANSMISSIONS DDC = 5-Speed HD Manual Transmission DDP = 5-Speed Manual Transmission DDX = 5-Speed HD Manual Transmission DEE = 6-Speed HD Manual Transmission DGT = 4-Spd. Automatic 46RE Transmission

AR = use ase required - = Non illustrated part

**Plugs
Figure SBE-310**



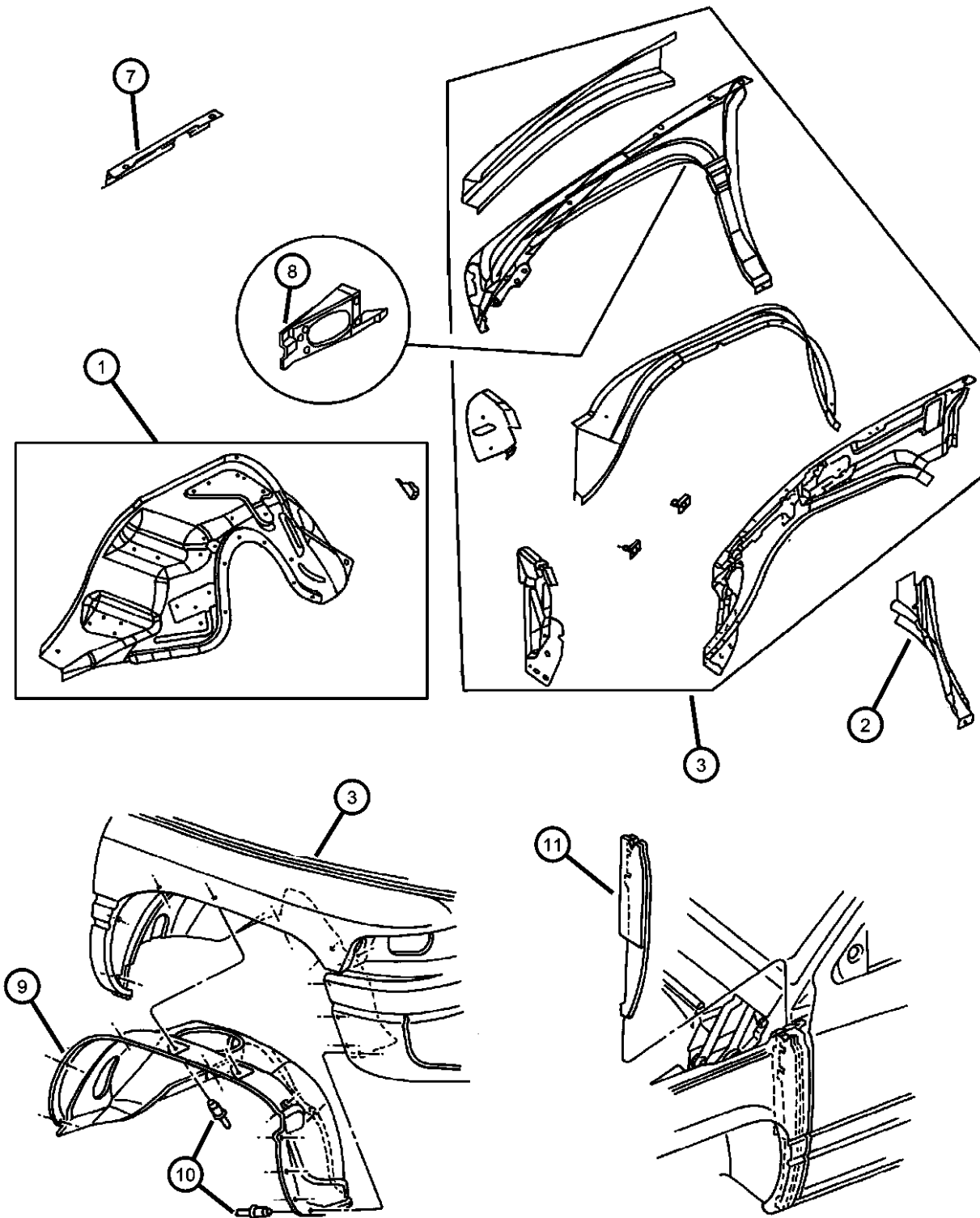
ITEM	PART NUMBER	QTY	LINE	SERIES	BODY	ENGINE	TRANS	TRIM	DESCRIPTION
1	04440486	2							PLUG, Body, 19.05mm x 31.75mmLeft
2	55346332	2							PLUG, Sealing
3	04475385	2							PLUG, Plenum Lower Push Rod Access
4	55035931	2							SEAL, Plenum Drain
5	04674441	2							PLUG, Body, .75 DiameterBody Side
6	01774076	2							PLUGBody Side
7	55257380AA	8							PLUG, Floor Pan Outer Drain, 25mm
8	04586055	19							PLUG, Floor Pan
-9	56006990	1							PLUG, Sealing, Antenna Hole
-10	52108193AB	1							PLUG, Dash Panel Clutch Opening, 2 1/2 Inches Round
-11	04084000	2							PLUG, Hood, Hood Rear Round
-12	04475385	2							PLUG, Hood Rear Oval

RAM PICKUP/CLUB CAB (BE)

SERIES	LINE	BODY	ENGINE	TRANSMISSION
L = RAM 1500, 2500, 3500	1 = Lt. Duty DODGE 2WD 2 = Med. Duty DODGE 2WD 3 = HD DODGE 2WD 6 = Lt. Duty DODGE 4WD 7 = Med. Duty DODGE 4WD 8 = HD DODGE 4WD	31 = CLUB CAB 2-DR 6.5 FT BOX 32 = CLUB CAB 2-DR 8FT BOX 33 = QUAD CAB 4-DR 6.5 FT BOX 34 = QUAD CAB 4-DR 8FT BOX	ETC = 5.9L Cummins 24V Diesel Engine EWA = 8.0L V10 MPI Engine EM0 = ALL 5.9L 8 CYL ENGINES - GAS EMM = 5.9L SMPI V8 Engine EML = 5.9L V8 MPI Engine ELF = 5.2L V8 MPI Engine	DGP = 4-Spd. Automatic 47RE Transmission DD0 = ALL 5 SPEED MANUAL TRANSMISSIONS DG0 = ALL AUTOMATIC TRANSMISSIONS DDC = 5-Speed HD Manual Transmission DDP = 5-Speed Manual Transmission DDX = 5-Speed HD Manual Transmission DEE = 6-Speed HD Manual Transmission DGT = 4-Spd. Automatic 46RE Transmission

AR = use ase required - = Non illustrated part

**Front Fender
Figure SBE-410**



ITEM	PART NUMBER	QTY	LINE	SERIES	BODY	ENGINE	TRANS	TRIM	DESCRIPTION
1	55275310AG	1							WHEELHOUSE, Front Inner Right
	55275311AG	1							Left
2	55023530	1							REINFORCEMENT, Fender Right
	55023531	1							Left
3	55234708AG	1							PANEL, Fender Right
	55234709AG	1							Left
-4	06503757	2							SCREW AND WASHER, Hex Head, M8-1.25x22.00, Fender Outer to Aperture
-5	06502282	12							SCREW, Hex Head, M8x1.25x30, Fender Inner to Radiator Closure
-6	06503461	AR							SCREW, Fender Outer to Radiator Closure
7	55234648	1							REINFORCEMENT, Fender, Upper Right
	55234649	1							Left
8	55275396AB	1							REINFORCEMENT, Fender Right
	55275397AB	1							Left
9	55346014	1	1, 2, 3						SHIELD, Wheelhouse 2 Wheel Drive, Right
	55346015	1	1, 2, 3						2 Wheel Drive, Left
	55346052	1	6, 7, 8						4 Wheel Drive, Right
	55346053	1	6, 7, 8						4 Wheel Drive, Left
10	34201631	18							RIVET, M6.25x28 Black
11	55135108AB	1							SEAL, Fender To Cowl Right

RAM PICKUP/CLUB CAB (BE)

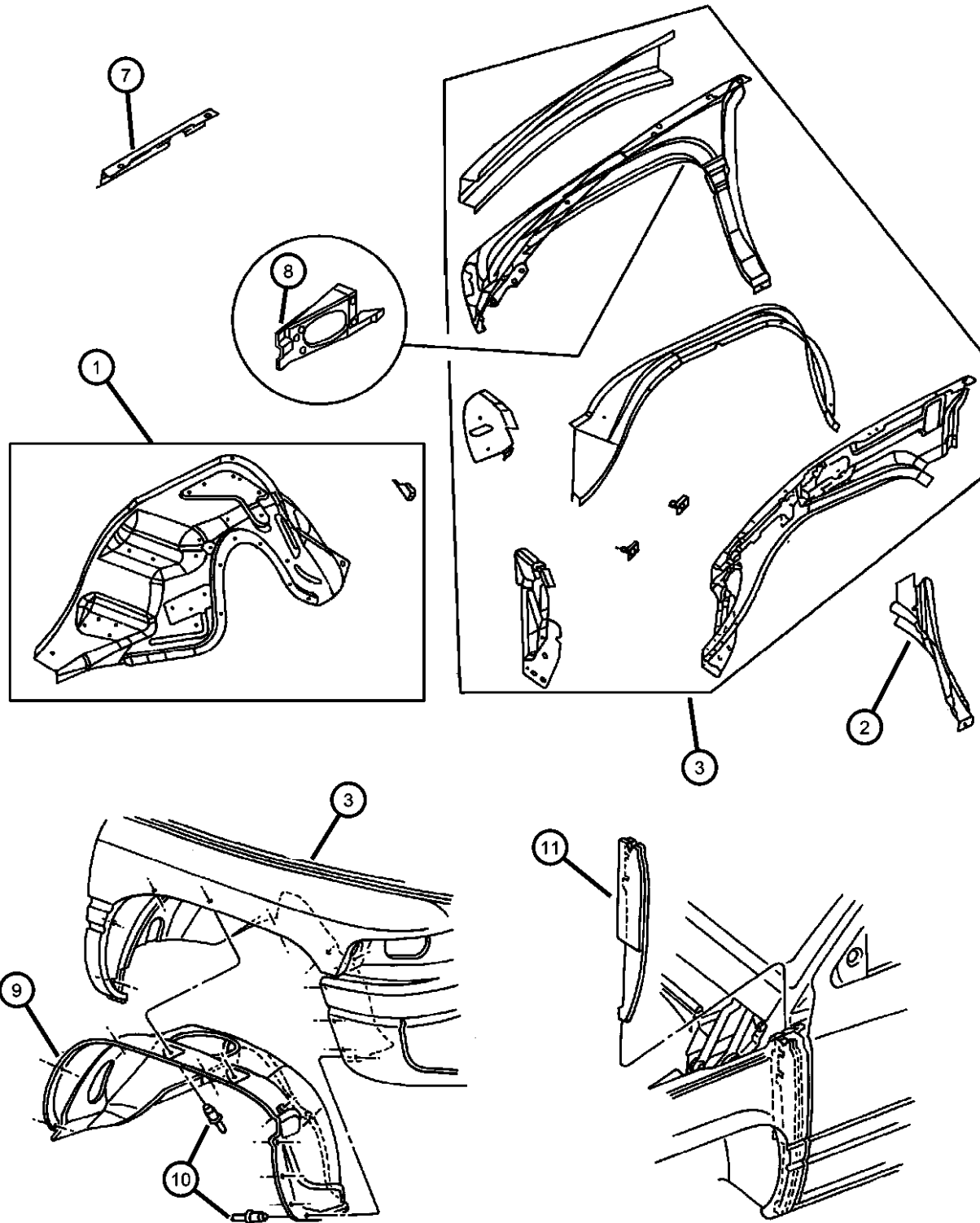
SERIES	LINE	BODY	ENGINE	TRANSMISSION
L = RAM 1500, 2500, 3500	1 = Lt. Duty DODGE 2WD 2 = Med. Duty DODGE 2WD 3 = HD DODGE 2WD 6 = Lt. Duty DODGE 4WD 7 = Med. Duty DODGE 4WD 8 = HD DODGE 4WD	31 = CLUB CAB 2-DR 6.5 FT BOX 32 = CLUB CAB 2-DR 8FT BOX 33 = QUAD CAB 4-DR 6.5 FT BOX 34 = QUAD CAB 4-DR 8FT BOX	ETC = 5.9L Cummins 24V Diesel Engine EWA = 8.0L V10 MPI Engine EM0 = ALL 5.9L 8 CYL ENGINES - GAS EMM = 5.9L SMPI V8 Engine EML = 5.9L V8 MPI Engine ELF = 5.2L V8 MPI Engine	DGP = 4-Spd. Automatic 47RE Transmission DD0 = ALL 5 SPEED MANUAL TRANSMISSIONS DG0 = ALL AUTOMATIC TRANSMISSIONS DDC = 5-Speed HD Manual Transmission DDP = 5-Speed Manual Transmission DDX = 5-Speed HD Manual Transmission DEE = 6-Speed HD Manual Transmission DGT = 4-Spd. Automatic 46RE Transmission

AR = use ase required - = Non illustrated part

1999 BE

Front Fender
Figure SBE-410

ITEM	PART NUMBER	QTY	LINE	SERIES	BODY	ENGINE	TRANS	TRIM	DESCRIPTION
	55135109AB	1							Left
-12	53040076	2							LABEL, Battery Jump Start
	53040081	1							CANADA



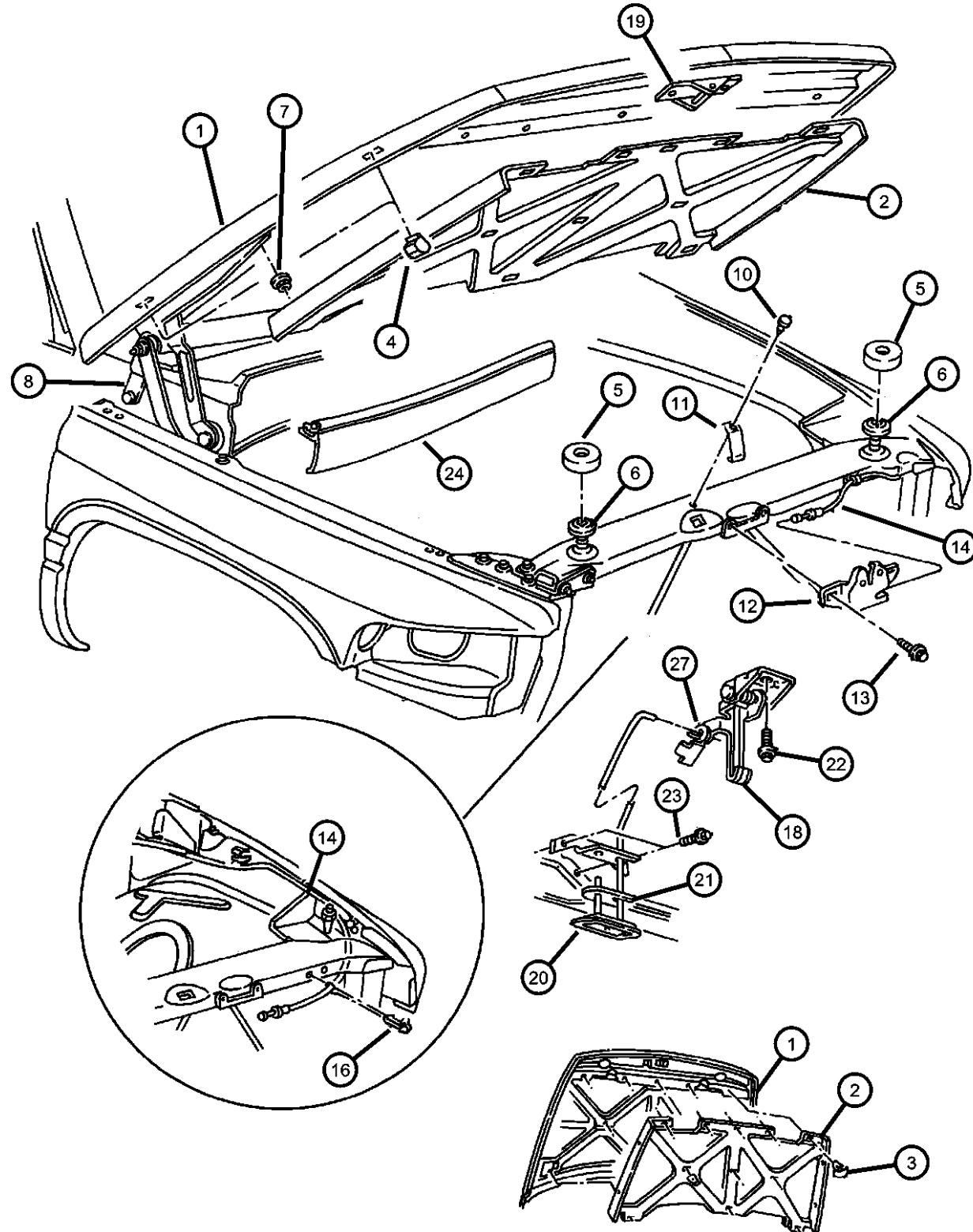
RAM PICKUP/CLUB CAB (BE)

SERIES	LINE	BODY	ENGINE	TRANSMISSION
L = RAM 1500, 2500, 3500	1 = Lt. Duty DODGE 2WD 2 = Med. Duty DODGE 2WD 3 = HD DODGE 2WD 6 = Lt. Duty DODGE 4WD 7 = Med. Duty DODGE 4WD 8 = HD DODGE 4WD	31 = CLUB CAB 2-DR 6.5 FT BOX 32 = CLUB CAB 2-DR 8FT BOX 33 = QUAD CAB 4-DR 6.5 FT BOX 34 = QUAD CAB 4-DR 8FT BOX	ETC = 5.9L Cummins 24V Diesel Engine EWA = 8.0L V10 MPI Engine EM0 = ALL 5.9L 8 CYL ENGINES - GAS EMM = 5.9L SMPI V8 Engine EML = 5.9L V8 MPI Engine ELF = 5.2L V8 MPI Engine	DGP = 4-Spd. Automatic 47RE Transmission DD0 = ALL 5 SPEED MANUAL TRANSMISSIONS DG0 = ALL AUTOMATIC TRANSMISSIONS DDC = 5-Speed HD Manual Transmission DDP = 5-Speed Manual Transmission DDX = 5-Speed HD Manual Transmission DEE = 6-Speed HD Manual Transmission DGT = 4-Spd. Automatic 46RE Transmission

AR = use ase required - = Non illustrated part

1999 BE

Hood and Hood Release Figure SBE-510



ITEM	PART NUMBER	QTY	LINE	SERIES	BODY	ENGINE	TRANS	TRIM	DESCRIPTION
------	-------------	-----	------	--------	------	--------	-------	------	-------------

Sales Code MFN = Grille Body Color

1	55075923AC	1							HOOD
2	55350404AC	1							PAD, Hood Silencer
3	06003351	15							RETAINER, Hood Insulation, .415x.690
4	55234899	2							BUMPER, Hood to Fender
5	02276804	2							BUMPER, Hood
6	06035724	2							SCREW, Round Head, .312-18x1.50
7	06100051	4							NUT AND WASHER, Hex Nut-Coned Washer, M8 x 1.25
8									HINGE, Hood, spa to setup 55076271ab
	55076270AC	1							Right
	55076271AC	1							Left
-9	06503661	6							SCREW AND WASHER, Hex Head, M8x1.25x25, Hood Hinge to Cowl End Attach
10	06500787	1							RIVET, M5x11.30
11	55075178	1							SKID PLATE, Secondary Hood Catch
12	55275379	1							LATCH, Hood
13	06101455	2							SCREW AND WASHER, Hex Head, M6x1x20
14	55076343	1							RELEASE, Hood Latch
-15	05207294	1							GROMMET, Hood Latch Release
16	06503794	3							CLIP, M6.3x11.2
-17	06504288	6							SCREW AND WASHER, Hex Head
18	55076367	1							CATCH, Hood Safety
19	55075937	1							STRIKER, Hood Latch
20									ROD, Hood Safety Catch
	55275195	1							Without Sports Appearance Group, Sales Code MFN

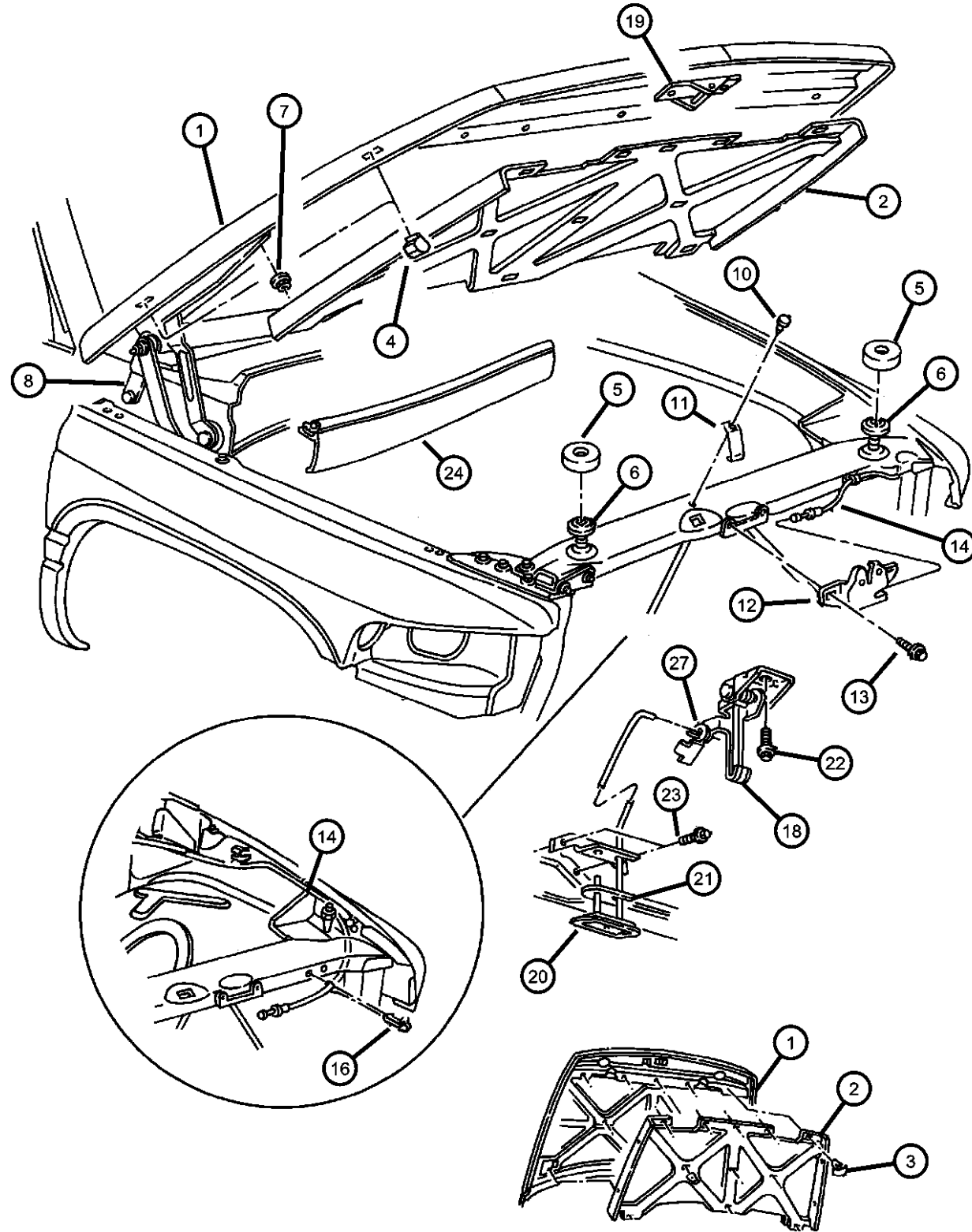
RAM PICKUP/CLUB CAB (BE)

SERIES	LINE	BODY	ENGINE	TRANSMISSION
L = RAM 1500, 2500, 3500	1 = Lt. Duty DODGE 2WD 2 = Med. Duty DODGE 2WD 3 = HD DODGE 2WD 6 = Lt. Duty DODGE 4WD 7 = Med. Duty DODGE 4WD 8 = HD DODGE 4WD	31 = CLUB CAB 2-DR 6.5 FT BOX 32 = CLUB CAB 2-DR 8FT BOX 33 = QUAD CAB 4-DR 6.5 FT BOX 34 = QUAD CAB 4-DR 8FT BOX	ETC = 5.9L Cummins 24V Diesel Engine EWA = 8.0L V10 MPI Engine EM0 = ALL 5.9L 8 CYL ENGINES - GAS EMM = 5.9L SMPI V8 Engine EML = 5.9L V8 MPI Engine ELF = 5.2L V8 MPI Engine	DGP = 4-Spd. Automatic 47RE Transmission DD0 = ALL 5 SPEED MANUAL TRANSMISSIONS DG0 = ALL AUTOMATIC TRANSMISSIONS DDC = 5-Speed HD Manual Transmission DDP = 5-Speed Manual Transmission DDX = 5-Speed HD Manual Transmission DEE = 6-Speed HD Manual Transmission DGT = 4-Spd. Automatic 46RE Transmission

AR = use ase required - = Non illustrated part

1999 BE

Hood and Hood Release
Figure SBE-510



ITEM	PART NUMBER	QTY	LINE	SERIES	BODY	ENGINE	TRANS	TRIM	DESCRIPTION
	55275477AA	1							With Sports Appearance Group, Sales Code MFN
21	55275133AB	1							GUIDE, Hood Safety
22	06502655	1							SCREW, Hex Head, M6x1x15
23	00154782	3							SCREW, Hex Head, .19-16x.5
24	55135340	1							SEAL, Hood To Plenum
-25									SEAL, Cowl
	55135342	1							Right
	55135343	1							Left
-26	55036839	2							TAPE, Hood To Seal
27	04658677	1							CLIP, Latch Link
-28	06100557	2							BOLT AND CONED WASHER, Hex Head, M6x20x14, Attach Clip Cable to Body

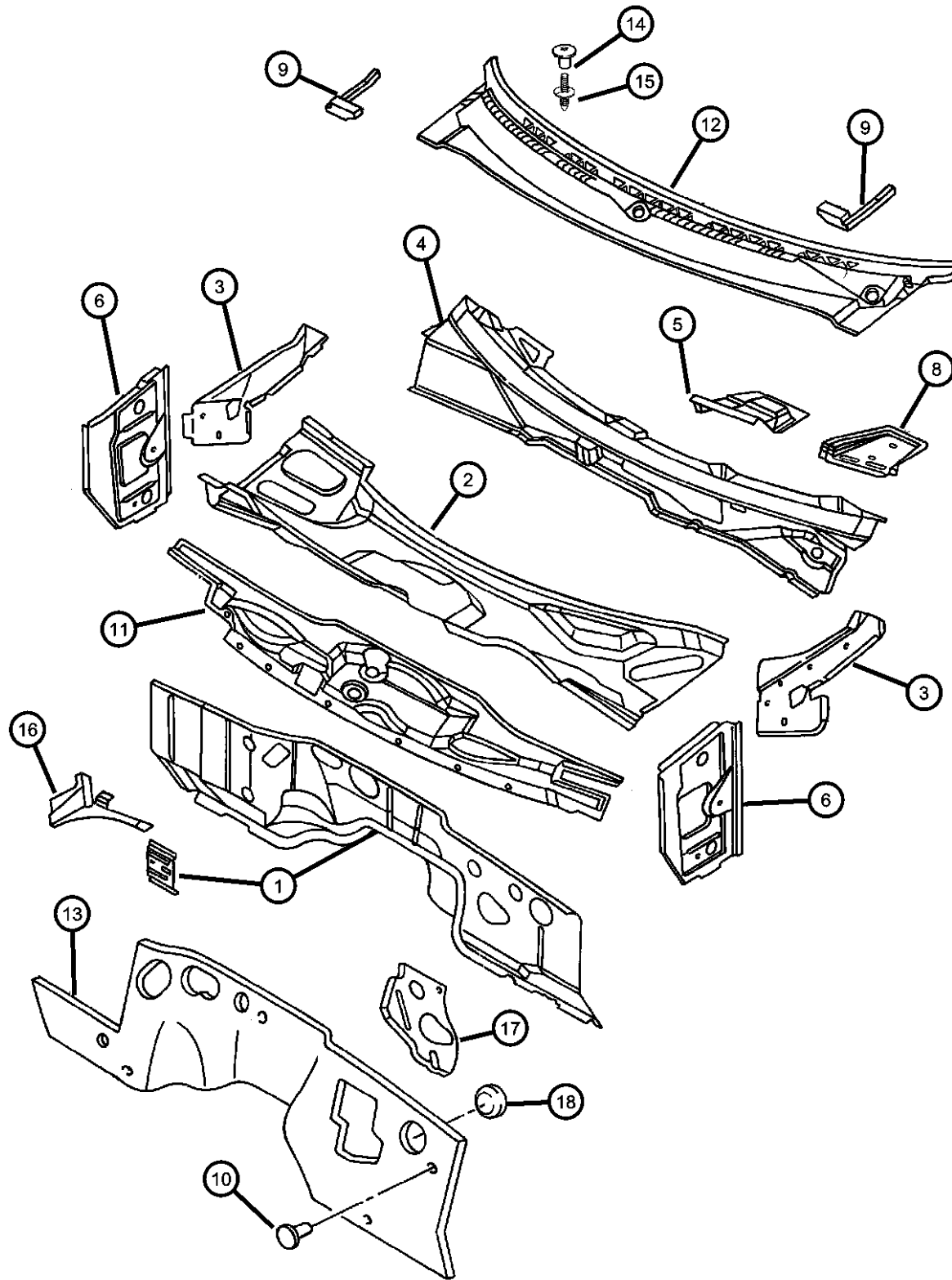
RAM PICKUP/CLUB CAB (BE)

SERIES	LINE	BODY	ENGINE	TRANSMISSION
L = RAM 1500, 2500, 3500	1 = Lt. Duty DODGE 2WD 2 = Med. Duty DODGE 2WD 3 = HD DODGE 2WD 6 = Lt. Duty DODGE 4WD 7 = Med. Duty DODGE 4WD 8 = HD DODGE 4WD	31 = CLUB CAB 2-DR 6.5 FT BOX 32 = CLUB CAB 2-DR 8FT BOX 33 = QUAD CAB 4-DR 6.5 FT BOX 34 = QUAD CAB 4-DR 8FT BOX	ETC = 5.9L Cummins 24V Diesel Engine EWA = 8.0L V10 MPI Engine EM0 = ALL 5.9L 8 CYL ENGINES - GAS EMM = 5.9L SMPI V8 Engine EML = 5.9L V8 MPI Engine ELF = 5.2L V8 MPI Engine	DGP = 4-Spd. Automatic 47RE Transmission DD0 = ALL 5 SPEED MANUAL TRANSMISSIONS DG0 = ALL AUTOMATIC TRANSMISSIONS DDC = 5-Speed HD Manual Transmission DDP = 5-Speed Manual Transmission DDX = 5-Speed HD Manual Transmission DEE = 6-Speed HD Manual Transmission DGT = 4-Spd. Automatic 46RE Transmission

AR = use ase required - = Non illustrated part

1999 BE

**Cowl and Dash Panel
Figure SBE-610**



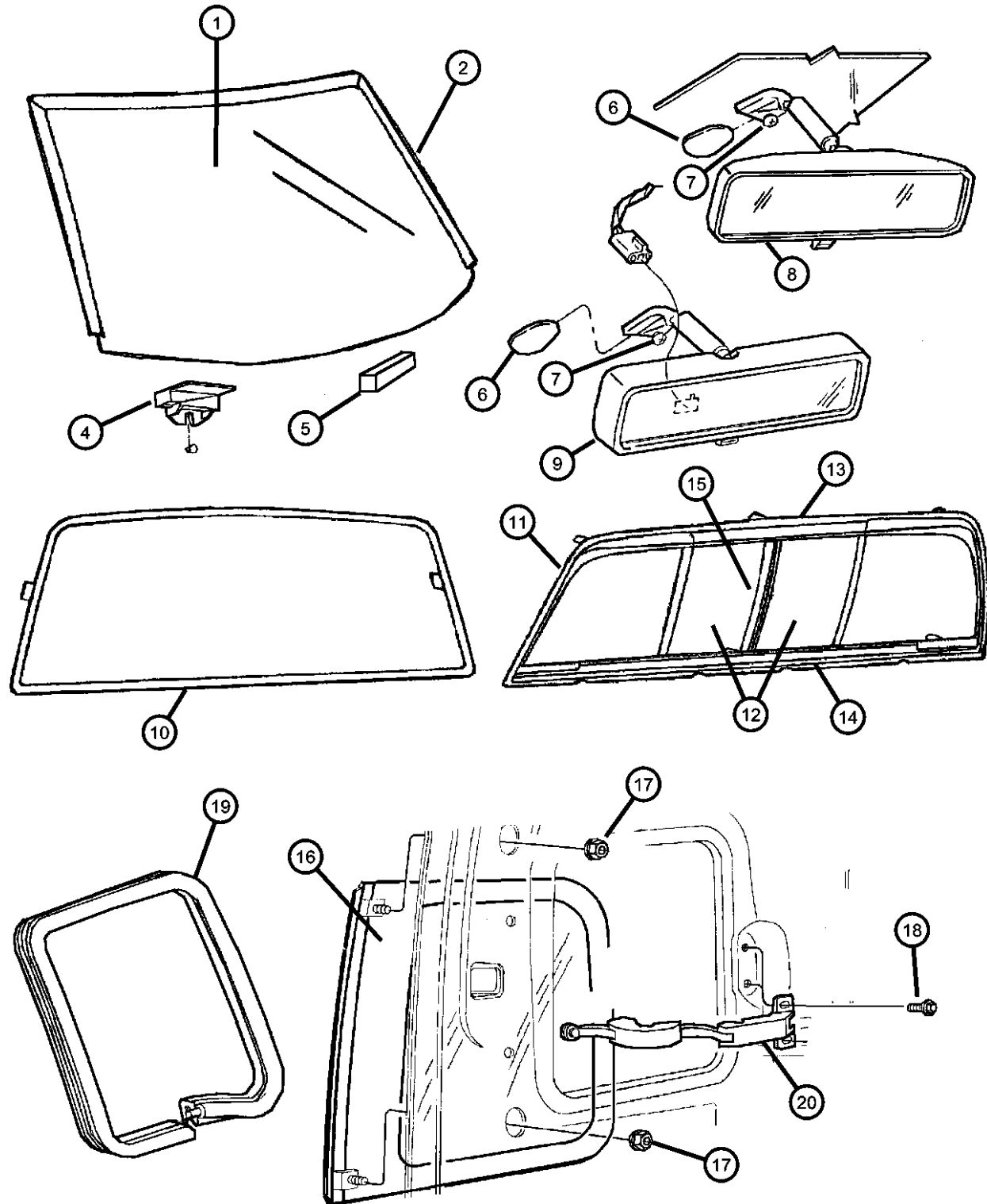
ITEM	PART NUMBER	QTY	LINE	SERIES	BODY	ENGINE	TRANS	TRIM	DESCRIPTION
1	55274586AB	1							PANEL, Dash
2	55275298	1							PANEL, Cowl And Plenum
3									PANEL, Plenum End
	55274644	1							Right
	55274645	1							Left
4	55274643	1							PANEL, Cowl And Plenum
5	55023557	1							SUPPORT, Steering ColumnUpper
6									PANEL, Cowl Side
	55275302	1							Right
	55275303	1							Left
-7	06502871	2							BOLT, M6.3x22.80, Attach Panel to Cowl Vent Grille
8	55274575	1							SUPPORT, Steering ColumnLower
9									SEAL, Cowl
	55135342	1							Right
	55135343	1							Left
10	J3081054	3							CLIP, Silencer
11	55215683AB	1							INSULATION, Dash PanelDiesel
12	55036871	1							PANEL, Cowl Top
13									INSULATION, Dash Panel
	55350212AD	1							Diesel
	55350755AB	1							Gas Only
14	06503339	5							NUT, Plastic
15	06503338	AR							STUD, .250-20x16.2
16									REINFORCEMENT, Hood Hinge
	55274588	1							Right
	55274589	1							Left
17	55234637	1							REINFORCEMENT, Brake Booster
18	52108193AB	1							PLUG, Dash Panel Opening, 2 1/2 Inches Round Rubber

RAM PICKUP/CLUB CAB (BE)

SERIES	LINE	BODY	ENGINE	TRANSMISSION
L = RAM 1500, 2500, 3500	1 = Lt. Duty DODGE 2WD 2 = Med. Duty DODGE 2WD 3 = HD DODGE 2WD 6 = Lt. Duty DODGE 4WD 7 = Med. Duty DODGE 4WD 8 = HD DODGE 4WD	31 = CLUB CAB 2-DR 6.5 FT BOX 32 = CLUB CAB 2-DR 8FT BOX 33 = QUAD CAB 4-DR 6.5 FT BOX 34 = QUAD CAB 4-DR 8FT BOX	ETC = 5.9L Cummins 24V Diesel Engine EWA = 8.0L V10 MPI Engine EM0 = ALL 5.9L 8 CYL ENGINES - GAS EMM = 5.9L SMPI V8 Engine EML = 5.9L V8 MPI Engine ELF = 5.2L V8 MPI Engine	DGP = 4-Spd. Automatic 47RE Transmission DD0 = ALL 5 SPEED MANUAL TRANSMISSIONS DG0 = ALL AUTOMATIC TRANSMISSIONS DDC = 5-Speed HD Manual Transmission DDP = 5-Speed Manual Transmission DDX = 5-Speed HD Manual Transmission DEE = 6-Speed HD Manual Transmission DGT = 4-Spd. Automatic 46RE Transmission

AR = use ase required - = Non illustrated part

**Glass, Windshield, Backlite, Quarter Window and Mirror
Figure SBE-710**



ITEM	PART NUMBER	QTY	LINE	SERIES	BODY	ENGINE	TRANS	TRIM	DESCRIPTION
1	55076400AB	1							WINDSHIELD
2	55275017	1							MOLDING, Windshield
-3	04864015	1							INSTALLATION PACKAGE, Windshield Glass
4	55275388	2							SPACER, Windshield
5	04278662	1							SPACER
6	55076401	1							BUTTON, Rear View Mirror
7	06031094	1							SCREW, Pan Head Tapping, .19-16x.375
8	55076403	1							MIRROR, Inside Rear View
9	55076402	1							MIRROR, Inside Rear View, Electric
10	55346646	1							BACKLITE, Tinted
	DB09370GTY								Collision Replacement Glass
11	55346644AE	1							BACKLITE, Solar
12									GLASS, Backlite, Sliding
	05012880AB	1							Right
	DB09459YPY								Collision Replacement Glass
	05012881AB	1							Left
	DB09460YPY								Collision Replacement Glass
13	05011532AA	1							CHANNEL, Sliding BackliteUpper
14	05011533AA	1							CHANNEL, Sliding BackliteLower
15	04773094AB	1							LATCH, Sliding Window
16									GLASS, Quarter Window, Club Cab Only, For Quad Cab See Doors
	04897130AA	1	1, 2, 6, 7		31, 32				Right
	DQ08789YPY								Collision Replacement Glass
	04897131AA	1	1, 2, 6, 7		31, 32				Left
	DQ08790YPY								Collision Replacement Glass
17	06500284	2							NUT, Hex, M6x1.00

RAM PICKUP/CLUB CAB (BE)

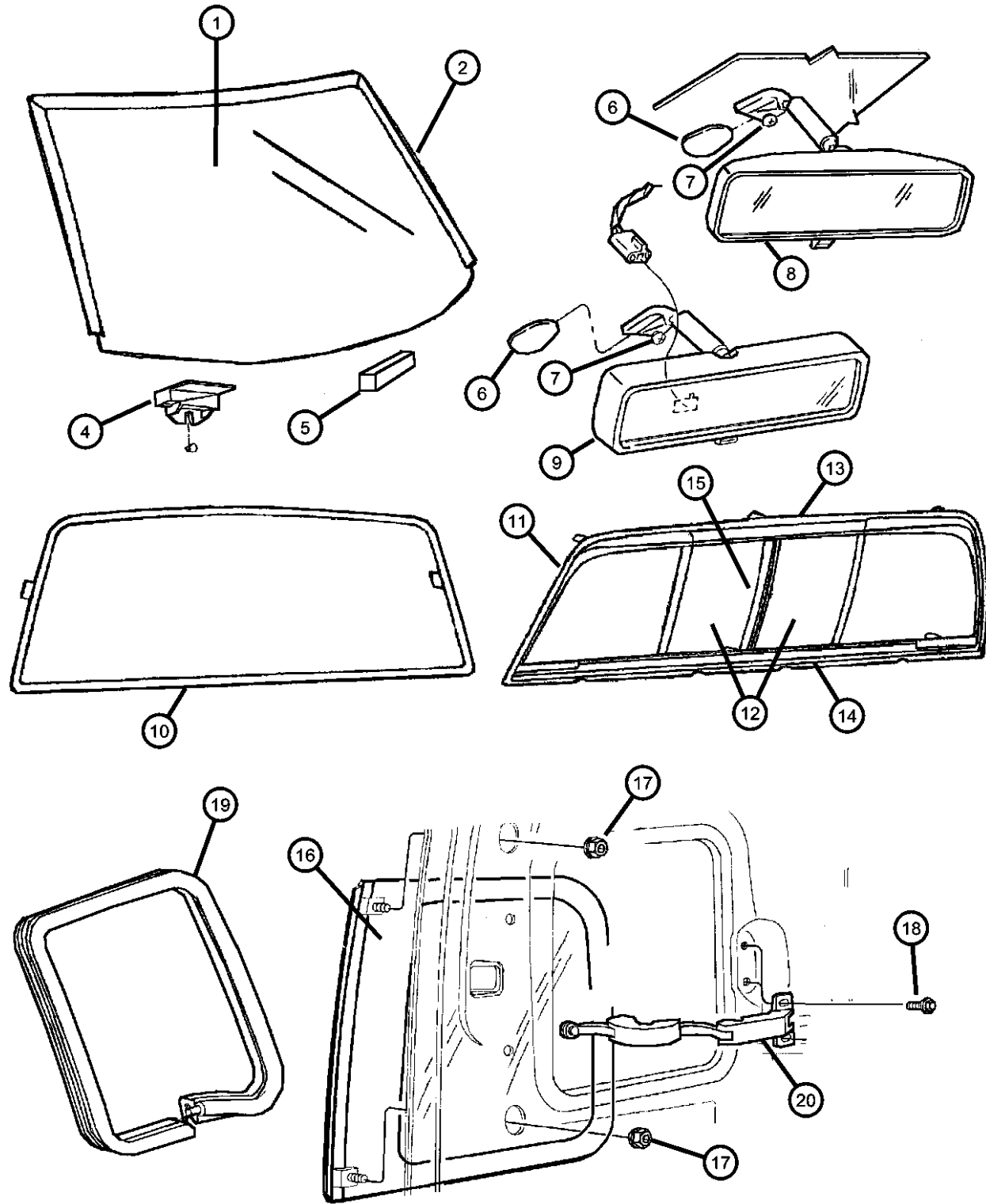
SERIES	LINE
L = RAM 1500, 2500, 3500	1 = Lt. Duty DODGE 2WD
	2 = Med. Duty DODGE 2WD
	3 = HD DODGE 2WD
	6 = Lt. Duty DODGE 4WD
	7 = Med. Duty DODGE 4WD
	8 = HD DODGE 4WD

BODY	ENGINE	TRANSMISSION
31 = CLUB CAB 2-DR 6.5 FT BOX	ETC = 5.9L Cummins 24V Diesel Engine	DGP = 4-Spd. Automatic 47RE Transmission
32 = CLUB CAB 2-DR 8FT BOX	EWA = 8.0L V10 MPI Engine	DD0 = ALL 5 SPEED MANUAL TRANSMISSIONS
33 = QUAD CAB 4-DR 6.5 FT BOX	EM0 = ALL 5.9L 8 CYL ENGINES - GAS	DG0 = ALL AUTOMATIC TRANSMISSIONS
34 = QUAD CAB 4-DR 8FT BOX	EMM = 5.9L SMPI V8 Engine	DDC = 5-Speed HD Manual Transmission
	EML = 5.9L V8 MPI Engine	DDP = 5-Speed Manual Transmission
	ELF = 5.2L V8 MPI Engine	DDX = 5-Speed HD Manual Transmission
		DEE = 6-Speed HD Manual Transmission
		DGT = 4-Spd. Automatic 46RE Transmission

AR = use ase required - = Non illustrated part

1999 BE

Glass, Windshield, Backlite, Quarter Window and Mirror
Figure SBE-710



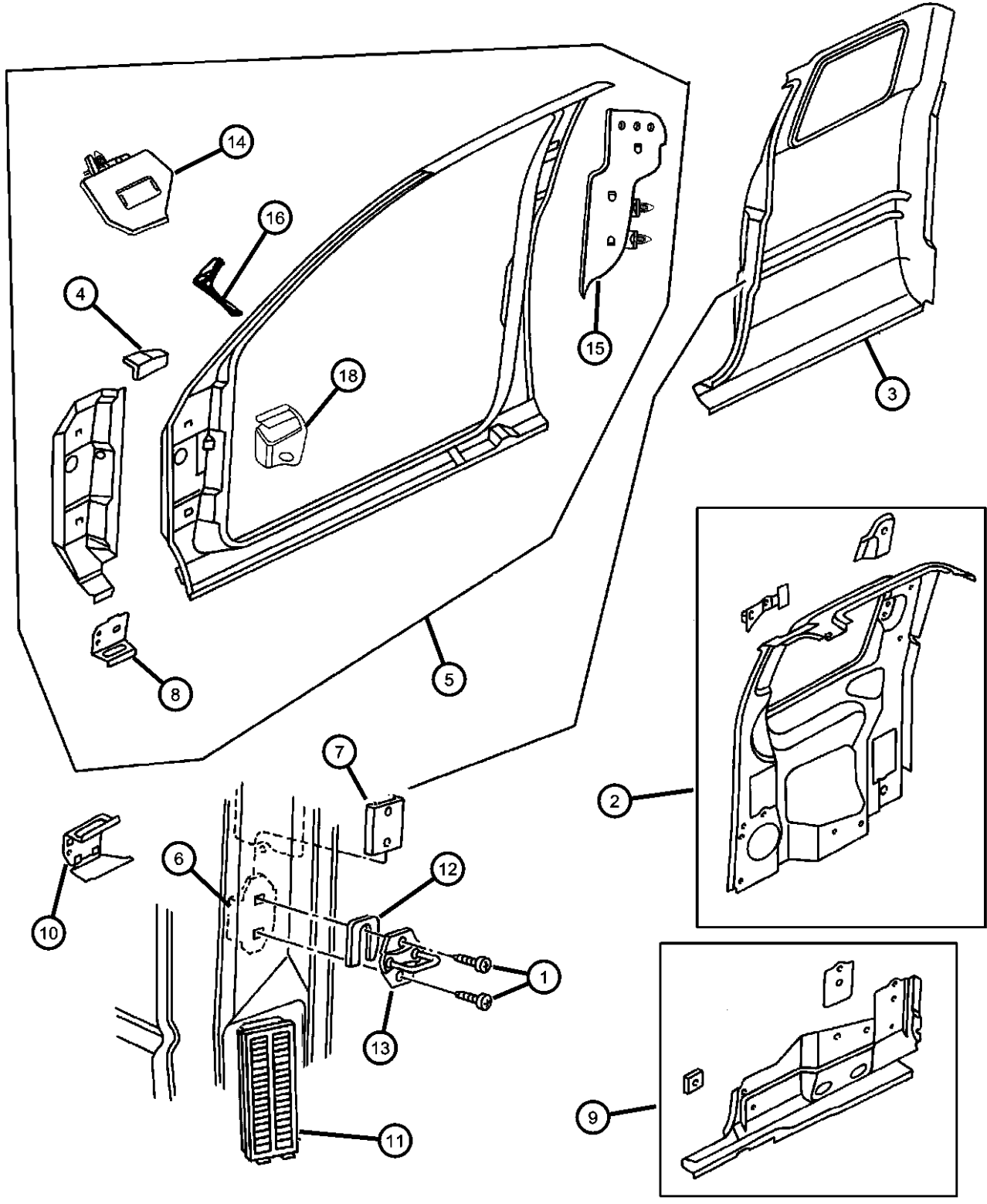
ITEM	PART NUMBER	QTY	LINE	SERIES	BODY	ENGINE	TRANS	TRIM	DESCRIPTION
18	06503958	4	1, 2, 6, 7		31, 32				SCREW AND WASHER, Self Tapping, M6x1x22
19	55135048	2	1, 2, 6, 7		31, 32				SEAL, Quarter Window
20	04673452	AR	1, 2, 6, 7		31, 32				LATCH, Vent Window

RAM PICKUP/CLUB CAB (BE)

SERIES	LINE	BODY	ENGINE	TRANSMISSION
L = RAM 1500, 2500, 3500	1 = Lt. Duty DODGE 2WD 2 = Med. Duty DODGE 2WD 3 = HD DODGE 2WD 6 = Lt. Duty DODGE 4WD 7 = Med. Duty DODGE 4WD 8 = HD DODGE 4WD	31 = CLUB CAB 2-DR 6.5 FT BOX 32 = CLUB CAB 2-DR 8FT BOX 33 = QUAD CAB 4-DR 6.5 FT BOX 34 = QUAD CAB 4-DR 8FT BOX	ETC = 5.9L Cummins 24V Diesel Engine EWA = 8.0L V10 MPI Engine EM0 = ALL 5.9L 8 CYL ENGINES - GAS EMM = 5.9L SMPI V8 Engine EML = 5.9L V8 MPI Engine ELF = 5.2L V8 MPI Engine	DGP = 4-Spd. Automatic 47RE Transmission DD0 = ALL 5 SPEED MANUAL TRANSMISSIONS DG0 = ALL AUTOMATIC TRANSMISSIONS DDC = 5-Speed HD Manual Transmission DDP = 5-Speed Manual Transmission DDX = 5-Speed HD Manual Transmission DEE = 6-Speed HD Manual Transmission DGT = 4-Spd. Automatic 46RE Transmission

AR = use ase required - = Non illustrated part

**Aperture Panel Bodyside, 2 Door
Figure SBE-810**



ITEM	PART NUMBER	QTY	LINE	SERIES	BODY	ENGINE	TRANS	TRIM	DESCRIPTION
------	-------------	-----	------	--------	------	--------	-------	------	-------------

Note: Item #5 is to be modified for a club cab. Remove panel 55274840-1 which is used on a standard cab.

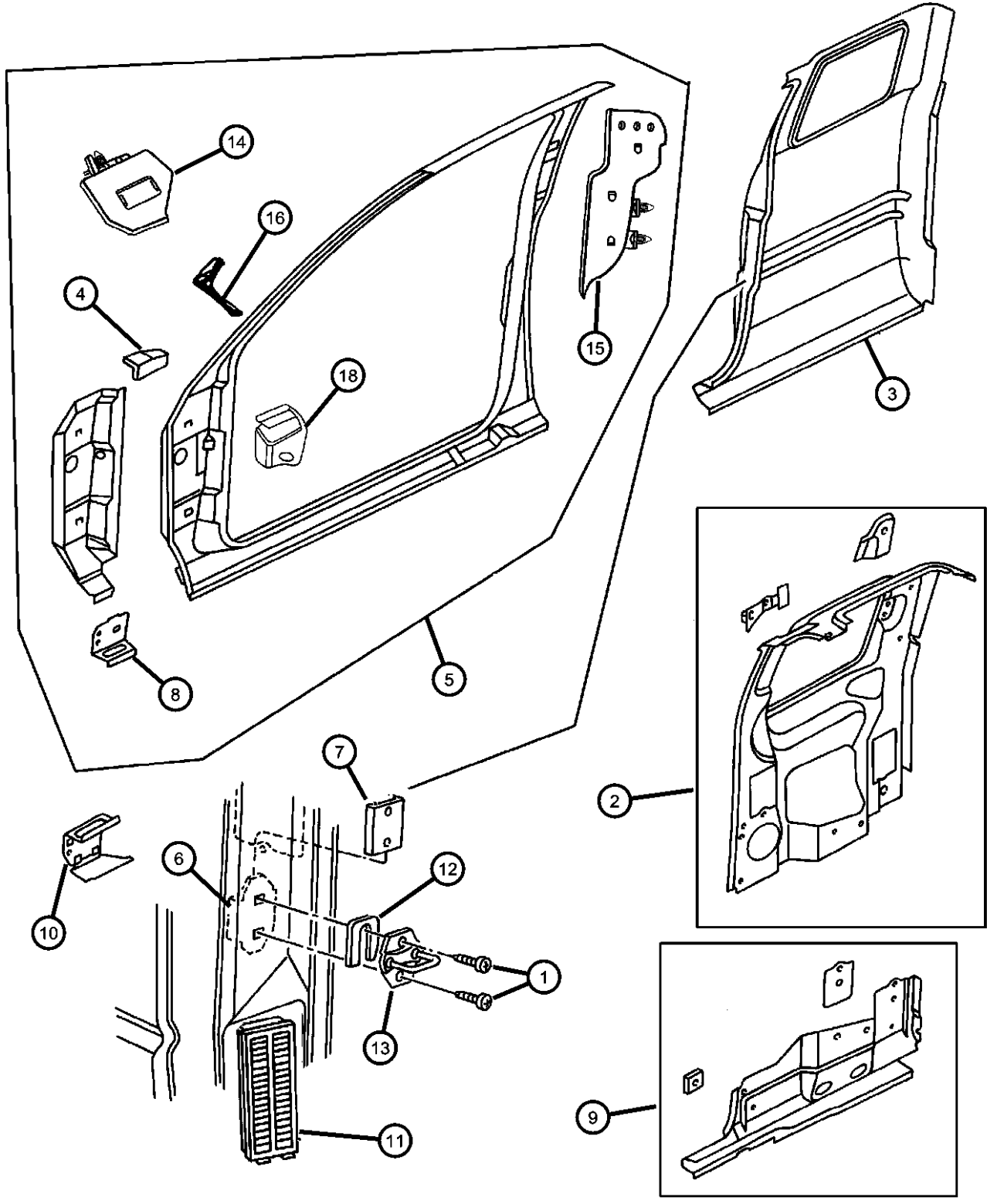
1	06503120	4							SCREW AND WASHER, Button Head Torx
2	55275266	1	1, 2, 6, 7		31, 32				PANEL, Quarter Inner, Upper Right
	55275267	1	1, 2, 6, 7		31, 32				Left
3	55274622	1	1, 2, 6, 7		31, 32				PANEL, Quarter, Outer Right
	55274623	1	1, 2, 6, 7		31, 32				Left
4	55275222	1							BRACKET, Aperture to Fender Right
	55275223	1							Left
5	05003138AB	1	1, 2, 6, 7		31, 32				PANEL, Body Side Aperture Rear Right
	05003139AB	1	1, 2, 6, 7		31, 32				Left
6	04512871AB	2	1, 2, 6, 7		31, 32				RETAINER, Door Lock Striker
7	55256000	2	1, 2, 6, 7		31, 32				PLATE, Front Door Striker
8	55274600	1	1, 2, 6, 7		31, 32				TAPPING PLATE, Side Pillar Hinge Right
	55274601	1	1, 2, 6, 7		31, 32				Left
9	55275268AB	1	1, 2, 6, 7		31, 32				PANEL, Quarter Inner Right
	55275269AB	1	1, 2, 6, 7		31, 32				Left
10	55275366	1	1, 2, 6, 7		31, 32				BAFFLE, Body Side Hinge Pillar Right
	55275367	1	1, 2, 6, 7		31, 32				Left
11	55036334	2	1, 2, 6, 7		31, 32				EXHAUSTER, Quarter Panel
12	04520289	AR							SPACER, Door Latch Striker Gold

RAM PICKUP/CLUB CAB (BE)

SERIES	LINE	BODY	ENGINE	TRANSMISSION
L = RAM 1500, 2500, 3500	1 = Lt. Duty DODGE 2WD	31 = CLUB CAB 2-DR 6.5 FT BOX	ETC = 5.9L Cummins 24V Diesel Engine	DGP = 4-Spd. Automatic 47RE Transmission
	2 = Med. Duty DODGE 2WD	32 = CLUB CAB 2-DR 8FT BOX	EWA = 8.0L V10 MPI Engine	DD0 = ALL 5 SPEED MANUAL TRANSMISSIONS
	3 = HD DODGE 2WD	33 = QUAD CAB 4-DR 6.5 FT BOX	EM0 = ALL 5.9L 8 CYL ENGINES - GAS	DG0 = ALL AUTOMATIC TRANSMISSIONS
	6 = Lt. Duty DODGE 4WD	34 = QUAD CAB 4-DR 8FT BOX	EMM = 5.9L SMPI V8 Engine	DDC = 5-Speed HD Manual Transmission
	7 = Med. Duty DODGE 4WD		EML = 5.9L V8 MPI Engine	DDP = 5-Speed Manual Transmission
	8 = HD DODGE 4WD		ELF = 5.2L V8 MPI Engine	DDX = 5-Speed HD Manual Transmission
				DEE = 6-Speed HD Manual Transmission
				DGT = 4-Spd. Automatic 46RE Transmission

AR = use ase required - = Non illustrated part

Aperture Panel Bodyside, 2 Door
Figure SBE-810



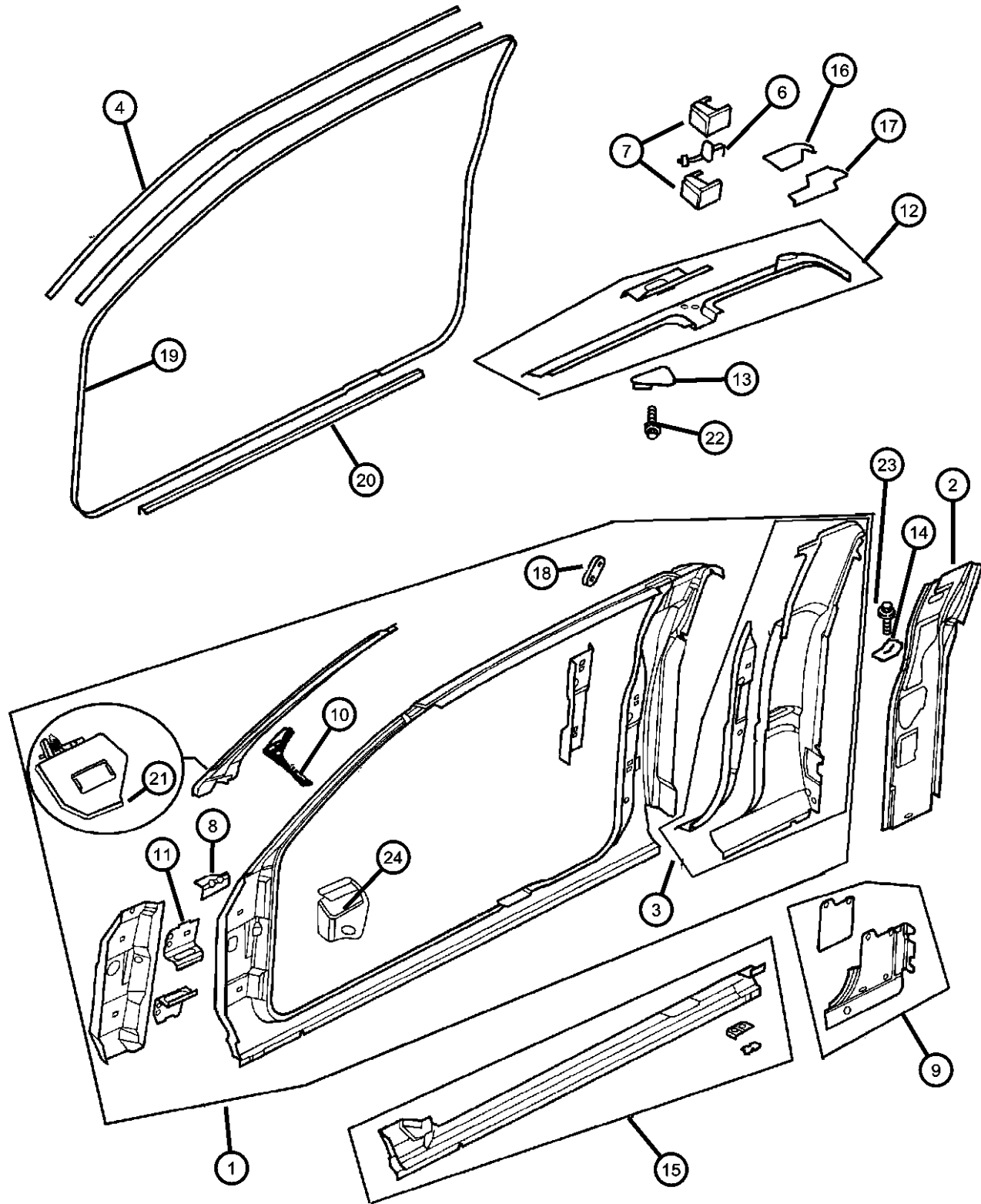
ITEM	PART NUMBER	QTY	LINE	SERIES	BODY	ENGINE	TRANS	TRIM	DESCRIPTION
	55075483	AR							Silver
13	04520288	2							STRIKER, Door Latch
14									BAFFLE, A Pillar
	55135346	1							Right
	55135347	1							Left
15									BAFFLE, B Pillar
	55135172	1	1, 2, 6, 7		31, 32				Right
	55135173	1	1, 2, 6, 7		31, 32				Left
16									GUSSET, Cowl Plenum To Cowl Side
	55274562AC	1							Right
	55274563AC	1							Left
-17	06502328	1	1, 2, 6, 7		31, 32				PIN, Push, M5.80x13.00
18									SEAL, Body Side
	55275508AA	1							Right
	55275509AA	1							Left

RAM PICKUP/CLUB CAB (BE)

SERIES	LINE	BODY	ENGINE	TRANSMISSION
L = RAM 1500, 2500, 3500	1 = Lt. Duty DODGE 2WD	31 = CLUB CAB 2-DR 6.5 FT BOX	ETC = 5.9L Cummins 24V Diesel Engine	DGP = 4-Spd. Automatic 47RE Transmission
	2 = Med. Duty DODGE 2WD	32 = CLUB CAB 2-DR 8FT BOX	EWA = 8.0L V10 MPI Engine	DD0 = ALL 5 SPEED MANUAL TRANSMISSIONS
	3 = HD DODGE 2WD	33 = QUAD CAB 4-DR 6.5 FT BOX	EM0 = ALL 5.9L 8 CYL ENGINES - GAS	DG0 = ALL AUTOMATIC TRANSMISSIONS
	6 = Lt. Duty DODGE 4WD	34 = QUAD CAB 4-DR 8FT BOX	EMM = 5.9L SMPI V8 Engine	DDC = 5-Speed HD Manual Transmission
	7 = Med. Duty DODGE 4WD		EML = 5.9L V8 MPI Engine	DDP = 5-Speed Manual Transmission
	8 = HD DODGE 4WD		ELF = 5.2L V8 MPI Engine	DDX = 5-Speed HD Manual Transmission
				DEE = 6-Speed HD Manual Transmission
				DGT = 4-Spd. Automatic 46RE Transmission

AR = use ase required - = Non illustrated part

**Aperture Panel Bodyside, 4 Door
Figure SBE-820**



ITEM	PART NUMBER	QTY	LINE	SERIES	BODY	ENGINE	TRANS	TRIM	DESCRIPTION
1	05013088AB	1			33, 34				PANEL, Body Side Aperture Rear Rear, Right
	05013089AB	1			33, 34				Rear, Left
2	55275136	1			33, 34				PANEL, Quarter Inner Right, Upper
	55275137	1			33, 34				Left, Upper
3	55275140	1			33, 34				PANEL, Quarter Right, Outer
	55275141	1			33, 34				Left, Outer
4	55275460AC	2			33, 34				SEAL, Body SideUpper, Secondary
-5	55275056AC	1			33, 34				RETAINER, Bodyside Seal Right
	55275057AC	1			33, 34				Left
6	55275238	2			33, 34				CHECK, Rear Door
7	55275157	4			33, 34				HINGE, Door
8	55275222	1							BRACKET, Aperture to Fender Right
	55275223	1							Left
9	55275212	1			33, 34				PANEL, Quarter Inner Right, Lower
	55275213	1			33, 34				Left, Lower
10	55274562AC	1							GUSSET, Cowl Plenum To Cowl Side Right
	55274563AC	1							Left
11	55274600	1			33, 34				TAPPING PLATE, Side Pillar Hinge Right
	55274601	1			33, 34				Left
12									RAIL, Roof

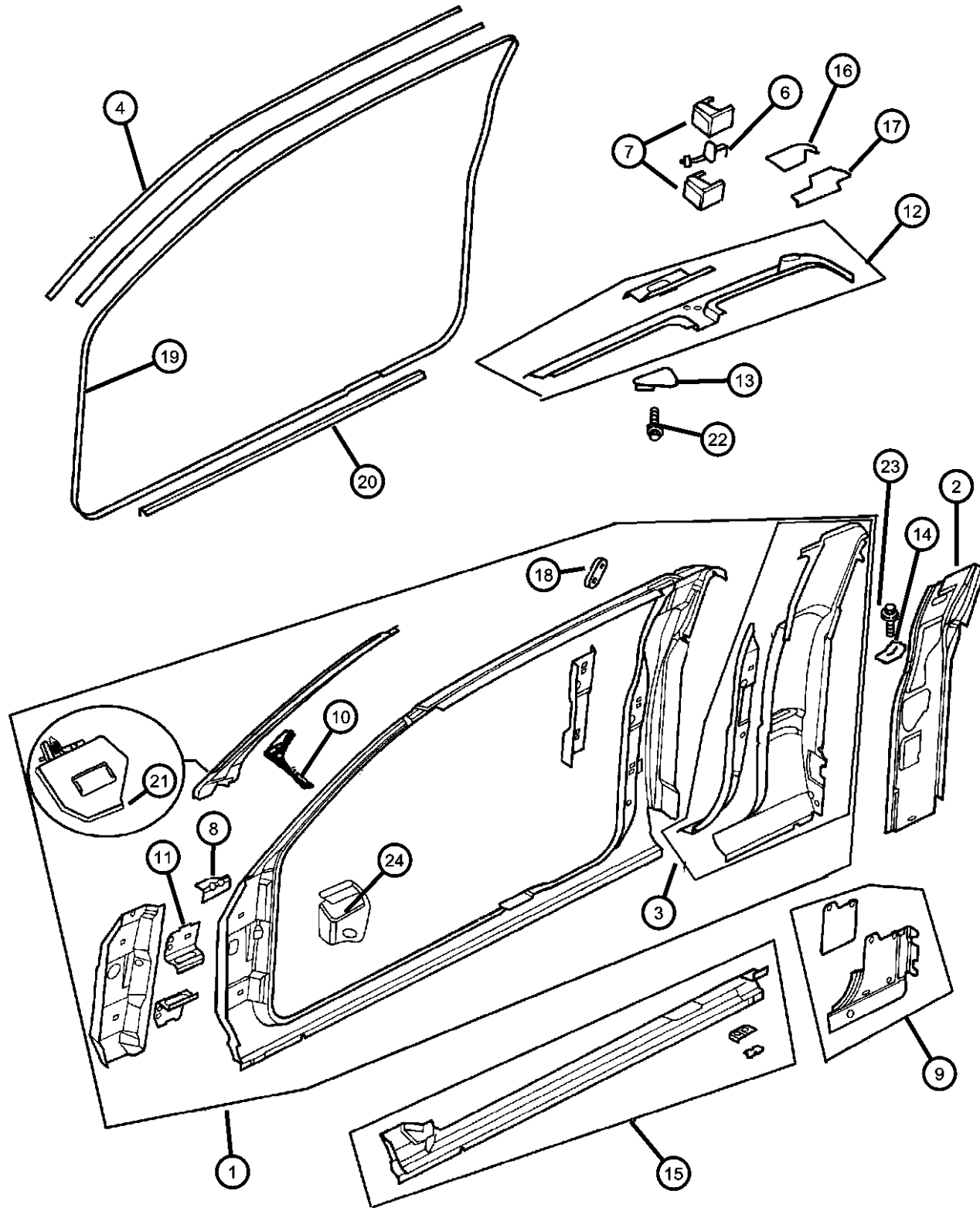
RAM PICKUP/CLUB CAB (BE)

SERIES	LINE	BODY	ENGINE	TRANSMISSION
L = RAM 1500, 2500, 3500	1 = Lt. Duty DODGE 2WD 2 = Med. Duty DODGE 2WD 3 = HD DODGE 2WD 6 = Lt. Duty DODGE 4WD 7 = Med. Duty DODGE 4WD 8 = HD DODGE 4WD	31 = CLUB CAB 2-DR 6.5 FT BOX 32 = CLUB CAB 2-DR 8FT BOX 33 = QUAD CAB 4-DR 6.5 FT BOX 34 = QUAD CAB 4-DR 8FT BOX	ETC = 5.9L Cummins 24V Diesel Engine EWA = 8.0L V10 MPI Engine EM0 = ALL 5.9L 8 CYL ENGINES - GAS EMM = 5.9L SMPI V8 Engine EML = 5.9L V8 MPI Engine ELF = 5.2L V8 MPI Engine	DGP = 4-Spd. Automatic 47RE Transmission DD0 = ALL 5 SPEED MANUAL TRANSMISSIONS DG0 = ALL AUTOMATIC TRANSMISSIONS DDC = 5-Speed HD Manual Transmission DDP = 5-Speed Manual Transmission DDX = 5-Speed HD Manual Transmission DEE = 6-Speed HD Manual Transmission DGT = 4-Spd. Automatic 46RE Transmission

AR = use ase required - = Non illustrated part

1999 BE

**Aperture Panel Bodyside, 4 Door
Figure SBE-820**



ITEM	PART NUMBER	QTY	LINE	SERIES	BODY	ENGINE	TRANS	TRIM	DESCRIPTION
	55275226	1			33, 34				Right, Inner
	55275227	1			33, 34				Left, Inner
13	55275102	1			33, 34				STRIKER, Door Latch
	55275103	1			33, 34				Right, Upper
	55275104	1			33, 34				Left, Upper
14	55275105	1			33, 34				STRIKER, Door
	55275172	1			33, 34				Right, Lower
	55275173	1			33, 34				Left, Lower
15	55275208AC	1			33, 34				REINFORCEMENT, Sill
	55275209AC	1			33, 34				Right
16	55275210AC	1			33, 34				Left
	55275211AC	1			33, 34				BAFFLE, C Pillar
17	04490835AB	2			33, 34				BAFFLE, C Pillar
	55275038	1			33, 34				Right, Outer
	55275039	1			33, 34				Left, Outer
18	55275424AA	1			33, 34				REINFORCEMENT, Shoulder Belt
19	55275425AA	1			33, 34				WEATHERSTRIP, Front Door
	55275038	1			33, 34				Right
	55275039	1			33, 34				Left
20	55135346	1			33, 34				SEAL, Front Door
	55135347	1			33, 34				Right
21									Left

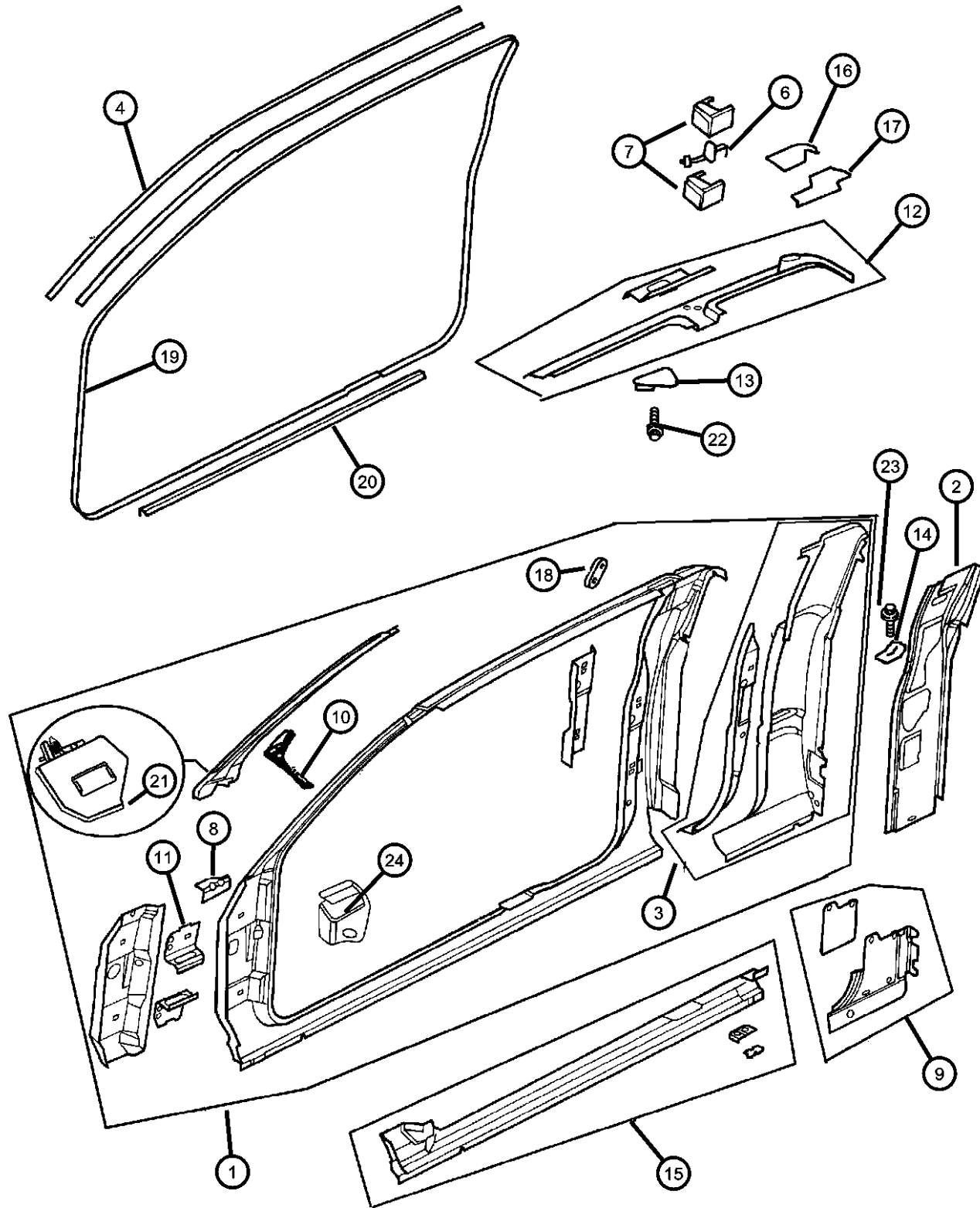
RAM PICKUP/CLUB CAB (BE)

SERIES	LINE	BODY	ENGINE	TRANSMISSION
L = RAM 1500, 2500, 3500	1 = Lt. Duty DODGE 2WD	31 = CLUB CAB 2-DR 6.5 FT BOX	ETC = 5.9L Cummins 24V Diesel Engine	DGP = 4-Spd. Automatic 47RE Transmission
	2 = HD DODGE 2WD	32 = CLUB CAB 2-DR 8FT BOX	EWA = 8.0L V10 MPI Engine	DD0 = ALL 5 SPEED MANUAL TRANSMISSIONS
	3 = HD DODGE 4WD	33 = QUAD CAB 4-DR 6.5 FT BOX	EM0 = ALL 5.9L 8 CYL ENGINES - GAS	DG0 = ALL AUTOMATIC TRANSMISSIONS
	6 = Lt. Duty DODGE 4WD	34 = QUAD CAB 4-DR 8FT BOX	EMM = 5.9L SMPI V8 Engine	DDC = 5-Speed HD Manual Transmission
	7 = Med. Duty DODGE 4WD		EML = 5.9L V8 MPI Engine	DDP = 5-Speed Manual Transmission
	8 = HD DODGE 4WD		ELF = 5.2L V8 MPI Engine	DDX = 5-Speed HD Manual Transmission
				DEE = 6-Speed HD Manual Transmission
				DGT = 4-Spd. Automatic 46RE Transmission

AR = use ase required - = Non illustrated part

1999 BE

Aperture Panel Bodyside, 4 Door
Figure SBE-820



ITEM	PART NUMBER	QTY	LINE	SERIES	BODY	ENGINE	TRANS	TRIM	DESCRIPTION
22	06100583	6			33, 34				BOLT AND CONED WASHER, Hex Head, M8x25x20
23	06505553AA	4			33, 34				SCREW
24									SEAL, Body Side
	55275508AA	1							Right
	55275509AA	1							Left

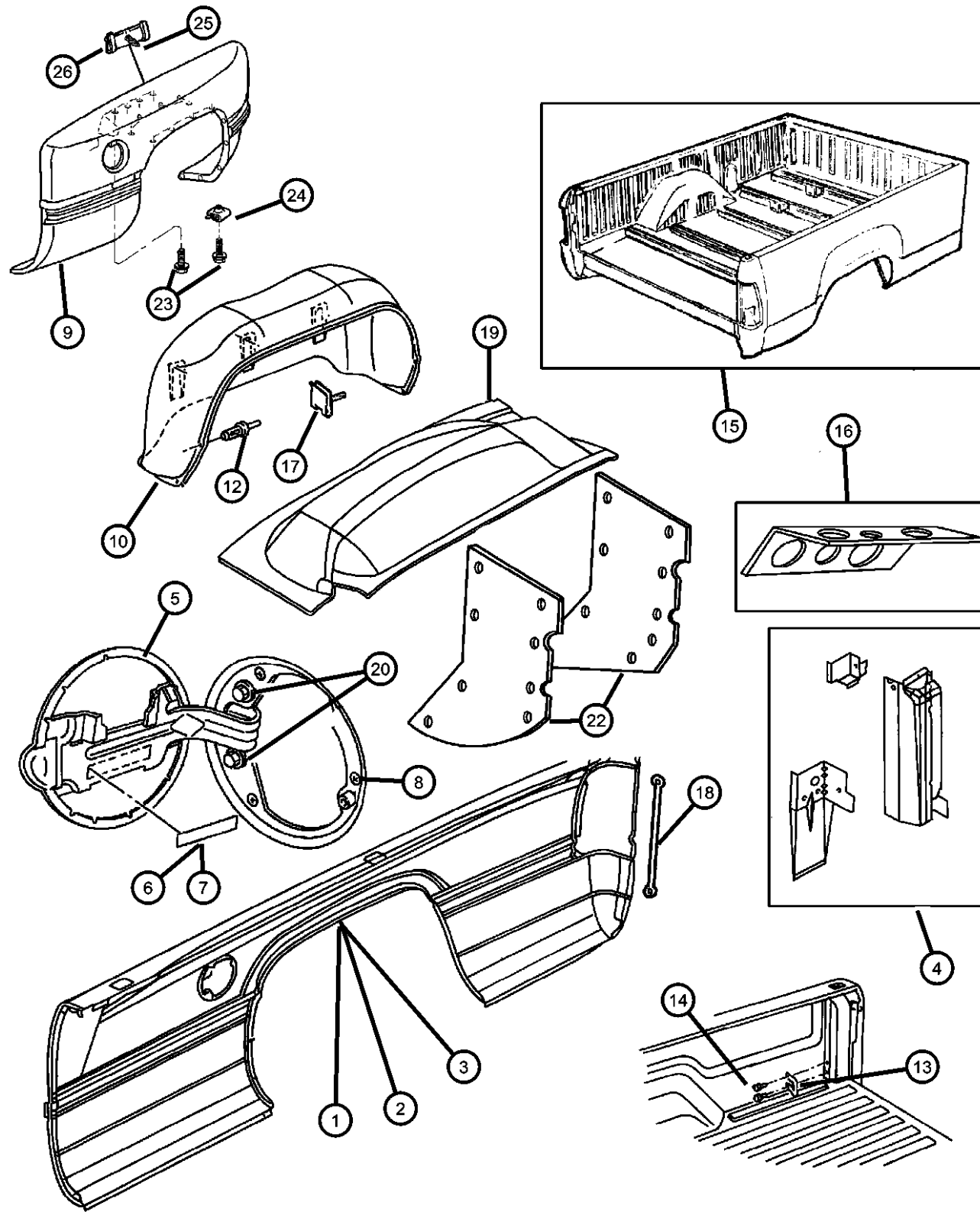
RAM PICKUP/CLUB CAB (BE)

SERIES	LINE	BODY	ENGINE	TRANSMISSION
L = RAM 1500, 2500, 3500	1 = Lt. Duty DODGE 2WD 2 = Med. Duty DODGE 2WD 3 = HD DODGE 2WD 6 = Lt. Duty DODGE 4WD 7 = Med. Duty DODGE 4WD 8 = HD DODGE 4WD	31 = CLUB CAB 2-DR 6.5 FT BOX 32 = CLUB CAB 2-DR 8FT BOX 33 = QUAD CAB 4-DR 6.5 FT BOX 34 = QUAD CAB 4-DR 8FT BOX	ETC = 5.9L Cummins 24V Diesel Engine EWA = 8.0L V10 MPI Engine EM0 = ALL 5.9L 8 CYL ENGINES - GAS EMM = 5.9L SMPI V8 Engine EML = 5.9L V8 MPI Engine ELF = 5.2L V8 MPI Engine	DGP = 4-Spd. Automatic 47RE Transmission DD0 = ALL 5 SPEED MANUAL TRANSMISSIONS DG0 = ALL AUTOMATIC TRANSMISSIONS DDC = 5-Speed HD Manual Transmission DDP = 5-Speed Manual Transmission DDX = 5-Speed HD Manual Transmission DEE = 6-Speed HD Manual Transmission DGT = 4-Spd. Automatic 46RE Transmission

AR = use ase required - = Non illustrated part

1999 BE

Quarter Panel
Figure SBE-910



ITEM	PART NUMBER	QTY	LINE	SERIES	BODY	ENGINE	TRANS	TRIM	DESCRIPTION
1	04856376	1	1, 2, 6, 7		31, 33				PANEL, Box Side 6 1/2 Foot Box, Right
	04856377	1	1, 2, 6, 7		31, 33				6 1/2 Foot Box, Left
	04856380	1			32, 34				8 Foot Box, Right
	04856381	1			32, 34				8 Foot Box, Left
2	55023618	1	1, 2, 6, 7		31, 33				PANEL, Box Side Outer 6 1/2 Foot Box, Right
	55023619	1	1, 2, 6, 7		31, 33				6 1/2 Foot Box, Left
	55023620	1			32, 34				8 Foot Box, Right
	55023621	1			32, 34				8 Foot Box, Left
3	04856384	1			32, 34				PANEL, Box Side, Dual Wheels Right
	04856385	1			32, 34				Left
4	55274806AB	1							REINFORCEMENT, Quarter Rear Corner Right
	55274807AB	1							Left
5	55076234AB	1							DOOR, Fuel Fill Dual Wheel
	55076235AB	1							
6	04206059	1							LABEL, Unleaded Fuel Only English
	04490411	1							French
7	04428652	1							LABEL, FuelDiesel
8	55076327	2							BUMPER, Fuel Door Dual Wheel
	55345963	2	3, 8		34				
9	05003144AA	1	3, 8		34				FENDER, Dual Wheel Right

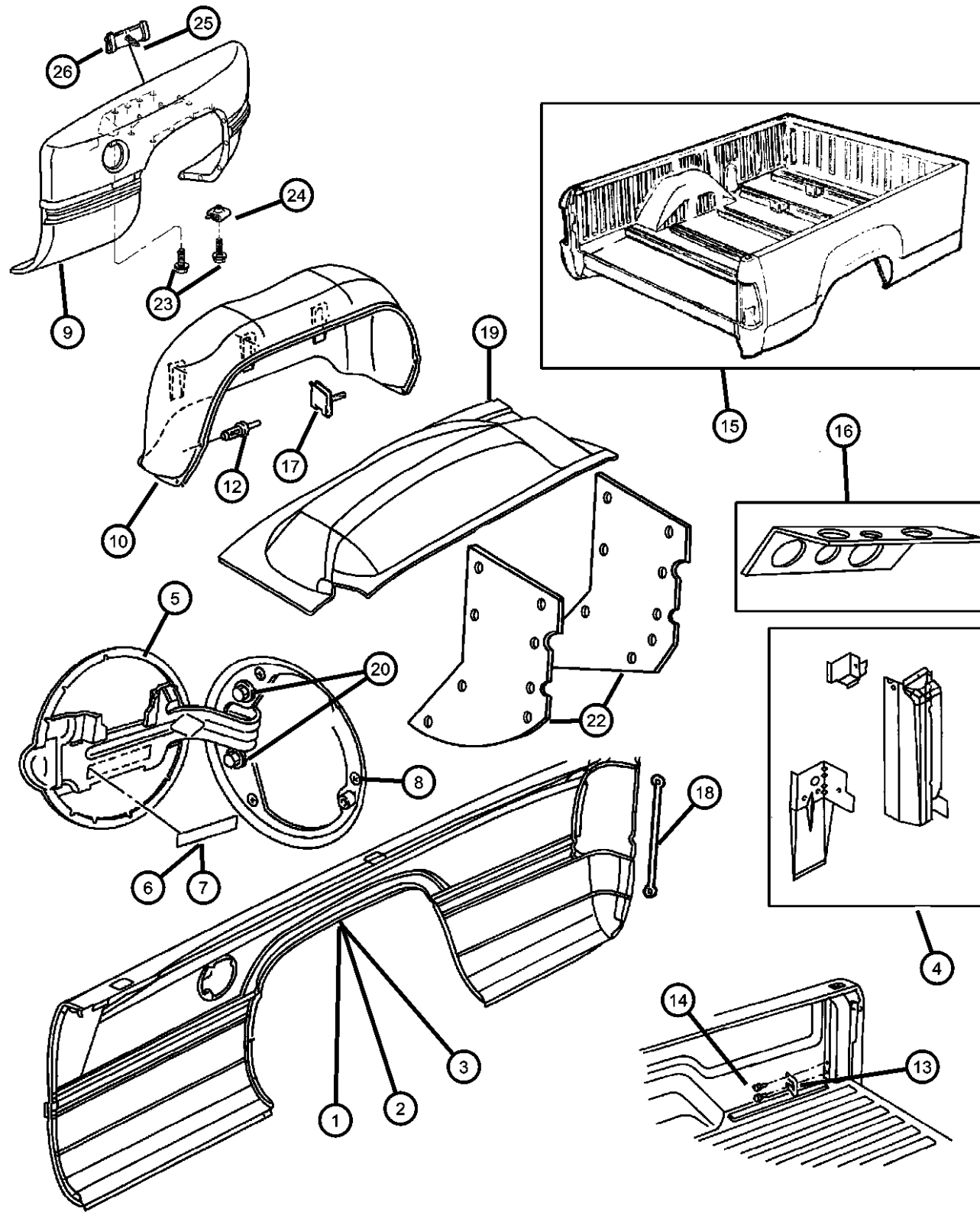
RAM PICKUP/CLUB CAB (BE)

SERIES	LINE	BODY	ENGINE	TRANSMISSION
L = RAM 1500, 2500, 3500	1 = Lt. Duty DODGE 2WD 2 = Med. Duty DODGE 2WD 3 = HD DODGE 2WD 6 = Lt. Duty DODGE 4WD 7 = Med. Duty DODGE 4WD 8 = HD DODGE 4WD	31 = CLUB CAB 2-DR 6.5 FT BOX 32 = CLUB CAB 2-DR 8FT BOX 33 = QUAD CAB 4-DR 6.5 FT BOX 34 = QUAD CAB 4-DR 8FT BOX	ETC = 5.9L Cummins 24V Diesel Engine EWA = 8.0L V10 MPI Engine EM0 = ALL 5.9L 8 CYL ENGINES - GAS EMM = 5.9L SMPI V8 Engine EML = 5.9L V8 MPI Engine ELF = 5.2L V8 MPI Engine	DGP = 4-Spd. Automatic 47RE Transmission DD0 = ALL 5 SPEED MANUAL TRANSMISSIONS DG0 = ALL AUTOMATIC TRANSMISSIONS DDC = 5-Speed HD Manual Transmission DDP = 5-Speed Manual Transmission DDX = 5-Speed HD Manual Transmission DEE = 6-Speed HD Manual Transmission DGT = 4-Spd. Automatic 46RE Transmission

AR = use ase required - = Non illustrated part

1999 BE

Quarter Panel
Figure SBE-910



ITEM	PART NUMBER	QTY	LINE	SERIES	BODY	ENGINE	TRANS	TRIM	DESCRIPTION
	05003145AA	1	3, 8		34				Left
10	55346010	2	6, 7, 8						SHIELD, Wheelhouse
-11	06502871	32	3, 8		34				BOLT, M6.3x22.80
12	34201631	14	6, 7, 8						RIVET, M6.25x28 Black
13	55033171	2							STRIKER, Door Latch
14	06100575	2							BOLT AND CONED WASHER, Hex Head, M8x25x17
15									BOX, Pickup
	04874783AB	1	1, 2, 6, 7		31, 33				6 1/2 Foot Box
	04874785AB	1			32, 34				8 Foot Box
	04882570AB	1			32, 34				Dual Wheel
16									REINFORCEMENT, Box Side
	55274780	2							Right
	55274781	2							Left
17	06503735	18	3, 8		34				SCREW, Stake, M6x1x20
18									BRACKET, Stop Lamp
	55344816	1							Right
	55344817	1							Left
19	55345598	2	3, 8		34				EXTENSION, Wheel House, Dual Wheel
20	06503259	2							SCREW, Tapping, M6x1x20
-21	34202335	4							FASTENER, M7.4 Christmas Tree
22									SHIELD, Splash
	55275260	1	3, 8		34				Right, Front
	55275261	1	3, 8		34				Left, Front
	55275262	1	3, 8		34				Right, Rear
	55275263	1	3, 8		34				Left, Rear
23	06503267	40	3, 8		34				SCREW, Round Head, M6x1x25
24	06101712	40	3, 8		34				NUT, U, M6x1.00

RAM PICKUP/CLUB CAB (BE)

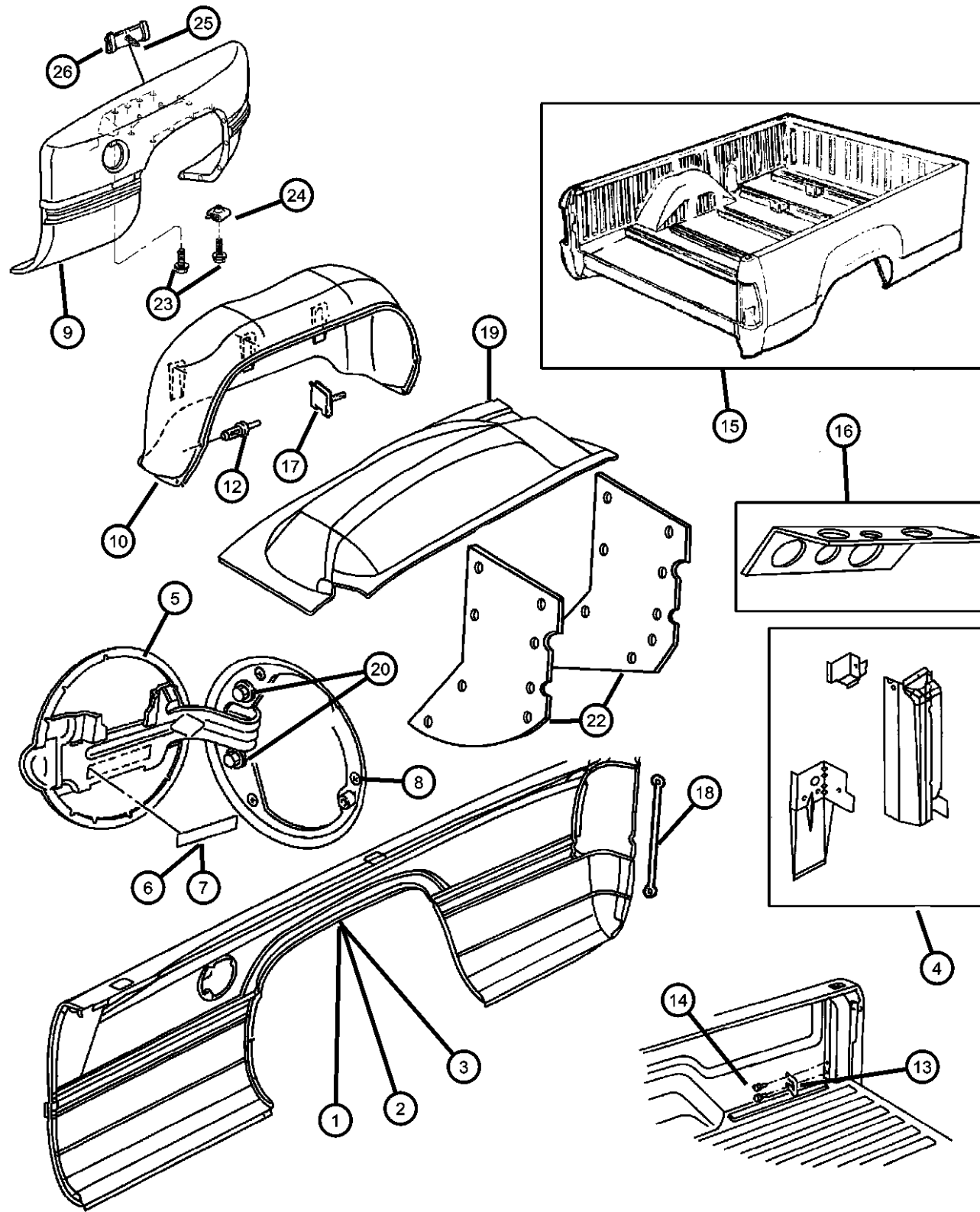
SERIES	LINE
L = RAM 1500, 2500, 3500	1 = Lt. Duty DODGE 2WD
	2 = Med. Duty DODGE 2WD
	3 = HD DODGE 2WD
	6 = Lt. Duty DODGE 4WD
	7 = Med. Duty DODGE 4WD
	8 = HD DODGE 4WD

BODY	ENGINE	TRANSMISSION
31 = CLUB CAB 2-DR 6.5 FT BOX	ETC = 5.9L Cummins 24V Diesel Engine	DGP = 4-Spd. Automatic 47RE Transmission
32 = CLUB CAB 2-DR 8FT BOX	EWA = 8.0L V10 MPI Engine	DD0 = ALL 5 SPEED MANUAL TRANSMISSIONS
33 = QUAD CAB 4-DR 6.5 FT BOX	EM0 = ALL 5.9L 8 CYL ENGINES - GAS	DG0 = ALL AUTOMATIC TRANSMISSIONS
34 = QUAD CAB 4-DR 8FT BOX	EMM = 5.9L SMPI V8 Engine	DDC = 5-Speed HD Manual Transmission
	EML = 5.9L V8 MPI Engine	DDP = 5-Speed Manual Transmission
	ELF = 5.2L V8 MPI Engine	DDX = 5-Speed HD Manual Transmission
		DEE = 6-Speed HD Manual Transmission
		DGT = 4-Spd. Automatic 46RE Transmission

AR = use ase required - = Non illustrated part

1999 BE

Quarter Panel
Figure SBE-910



ITEM	PART NUMBER	QTY	LINE	SERIES	BODY	ENGINE	TRANS	TRIM	DESCRIPTION
25	06503298	6	1, 2, 6, 7		31, 33				SCREW AND WASHER, Hex Head, M10x1.5x45
26	06502780	16	3, 8		34				STUD, M6x1.0x18.0
-27	04386472	2	1, 2, 6, 7		31, 32				SILENCER, Wheelhouse, Rear Wheelhouse Front

RAM PICKUP/CLUB CAB (BE)

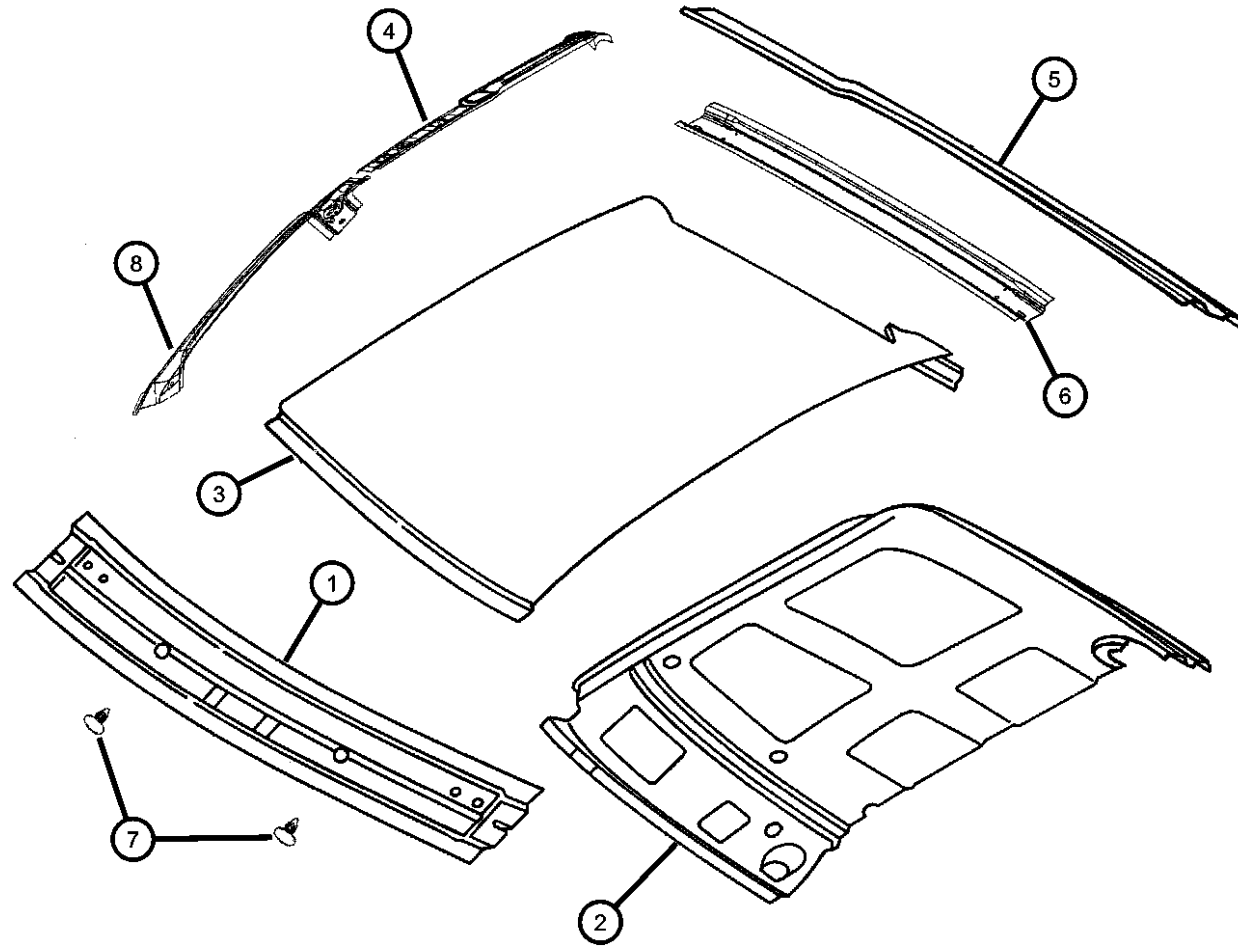
SERIES	LINE	BODY	ENGINE	TRANSMISSION
L = RAM 1500, 2500, 3500	1 = Lt. Duty DODGE 2WD 2 = Med. Duty DODGE 2WD 3 = HD DODGE 2WD 6 = Lt. Duty DODGE 4WD 7 = Med. Duty DODGE 4WD 8 = HD DODGE 4WD	31 = CLUB CAB 2-DR 6.5 FT BOX 32 = CLUB CAB 2-DR 8FT BOX 33 = QUAD CAB 4-DR 6.5 FT BOX 34 = QUAD CAB 4-DR 8FT BOX	ETC = 5.9L Cummins 24V Diesel Engine EWA = 8.0L V10 MPI Engine EM0 = ALL 5.9L 8 CYL ENGINES - GAS EMM = 5.9L SMPI V8 Engine EML = 5.9L V8 MPI Engine ELF = 5.2L V8 MPI Engine	DGP = 4-Spd. Automatic 47RE Transmission DD0 = ALL 5 SPEED MANUAL TRANSMISSIONS DG0 = ALL AUTOMATIC TRANSMISSIONS DDC = 5-Speed HD Manual Transmission DDP = 5-Speed Manual Transmission DDX = 5-Speed HD Manual Transmission DEE = 6-Speed HD Manual Transmission DGT = 4-Spd. Automatic 46RE Transmission

AR = use ase required - = Non illustrated part

1999 BE

**Roof Panel
Figure SBE-1110**

ITEM	PART NUMBER	QTY	LINE	SERIES	BODY	ENGINE	TRANS	TRIM	DESCRIPTION
1	55275322	1							HEADER, Roof Front
2	55275164AB	1							ROOF, Inner
3									ROOF
	55274932	1	1, 2, 6, 7		31, 32				
	55274996	1			33, 34				
4									RAIL, Roof
	55274624	1	1, 2, 6, 7		31, 32				Right
	55274625	1	1, 2, 6, 7		31, 32				Left
	55275226	1			33, 34				Right
	55275227	1			33, 34				Left
5	55023541	1							HEADER, Roof Rear
6	04778709	1							BOW, Roof
7	06030441	4							PIN, Retainer
8									FRAME, Windshield Side
	55275280AB	1							Right
	55275281AB	1							Left



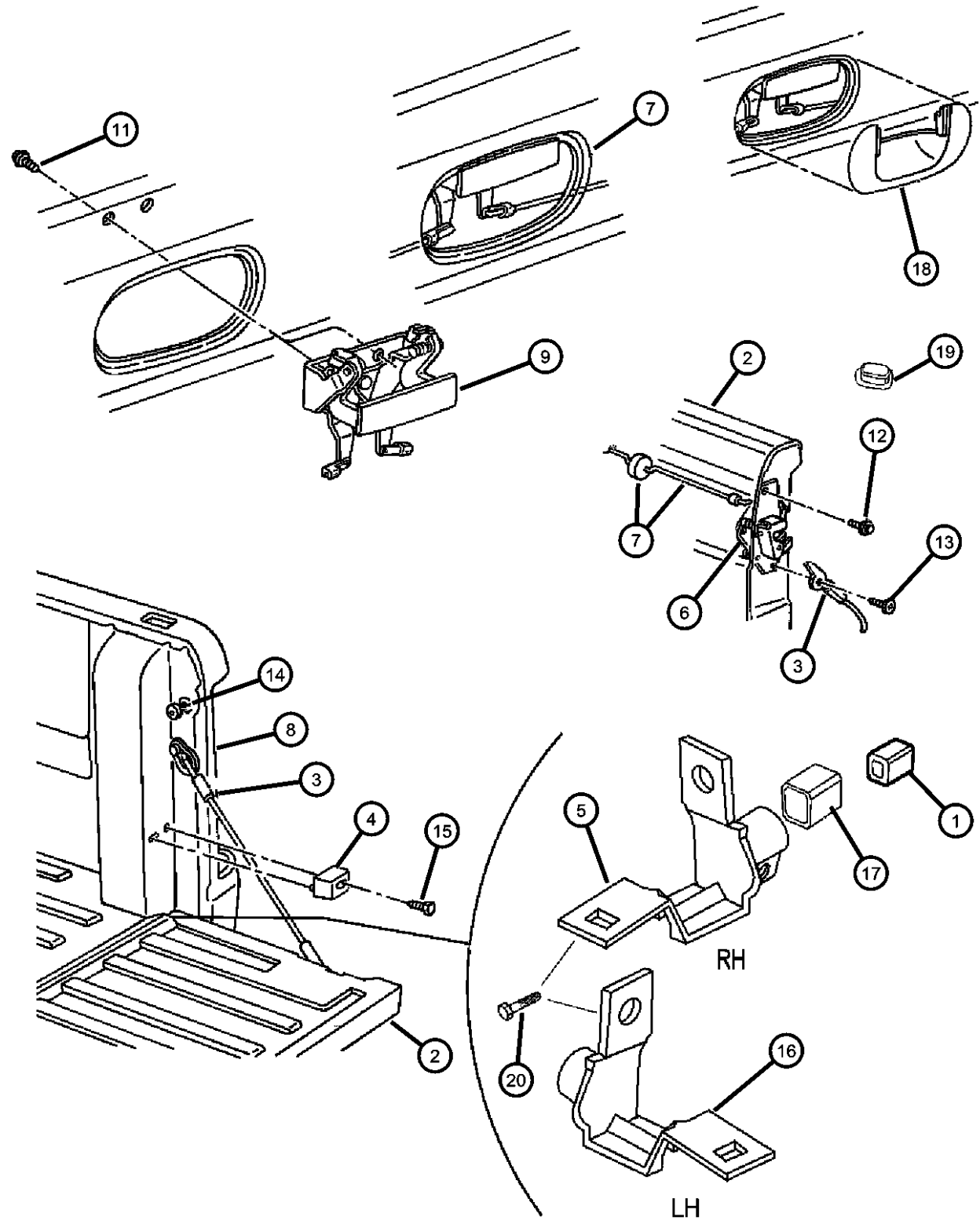
RAM PICKUP/CLUB CAB (BE)

SERIES	LINE	BODY	ENGINE	TRANSMISSION
L = RAM 1500, 2500, 3500	1 = Lt. Duty DODGE 2WD 2 = Med. Duty DODGE 2WD 3 = HD DODGE 2WD 6 = Lt. Duty DODGE 4WD 7 = Med. Duty DODGE 4WD 8 = HD DODGE 4WD	31 = CLUB CAB 2-DR 6.5 FT BOX 32 = CLUB CAB 2-DR 8FT BOX 33 = QUAD CAB 4-DR 6.5 FT BOX 34 = QUAD CAB 4-DR 8FT BOX	ETC = 5.9L Cummins 24V Diesel Engine EWA = 8.0L V10 MPI Engine EM0 = ALL 5.9L 8 CYL ENGINES - GAS EMM = 5.9L SMPI V8 Engine EML = 5.9L V8 MPI Engine ELF = 5.2L V8 MPI Engine	DGP = 4-Spd. Automatic 47RE Transmission DD0 = ALL 5 SPEED MANUAL TRANSMISSIONS DG0 = ALL AUTOMATIC TRANSMISSIONS DDC = 5-Speed HD Manual Transmission DDP = 5-Speed Manual Transmission DDX = 5-Speed HD Manual Transmission DEE = 6-Speed HD Manual Transmission DGT = 4-Spd. Automatic 46RE Transmission

AR = use ase required - = Non illustrated part

1999 BE

Tailgate
Figure SBE-1310



ITEM	PART NUMBER	QTY	LINE	SERIES	BODY	ENGINE	TRANS	TRIM	DESCRIPTION
------	-------------	-----	------	--------	------	--------	-------	------	-------------

Note:Sales Codes
 [DBB]=Transmissions - All Manual
 [DG6]=Transmission - 4-Speed Automatic, 42RL
 [DRA]=Axle - Rear,Corporate 8.25
 [DRK]=Axle - Rear,Dana 44/226MM
 [EK0]=Engines - All 3.7L 6 Cylinder Gas
 [495]=Venezuela CKD
 [497]=Egypt CKD

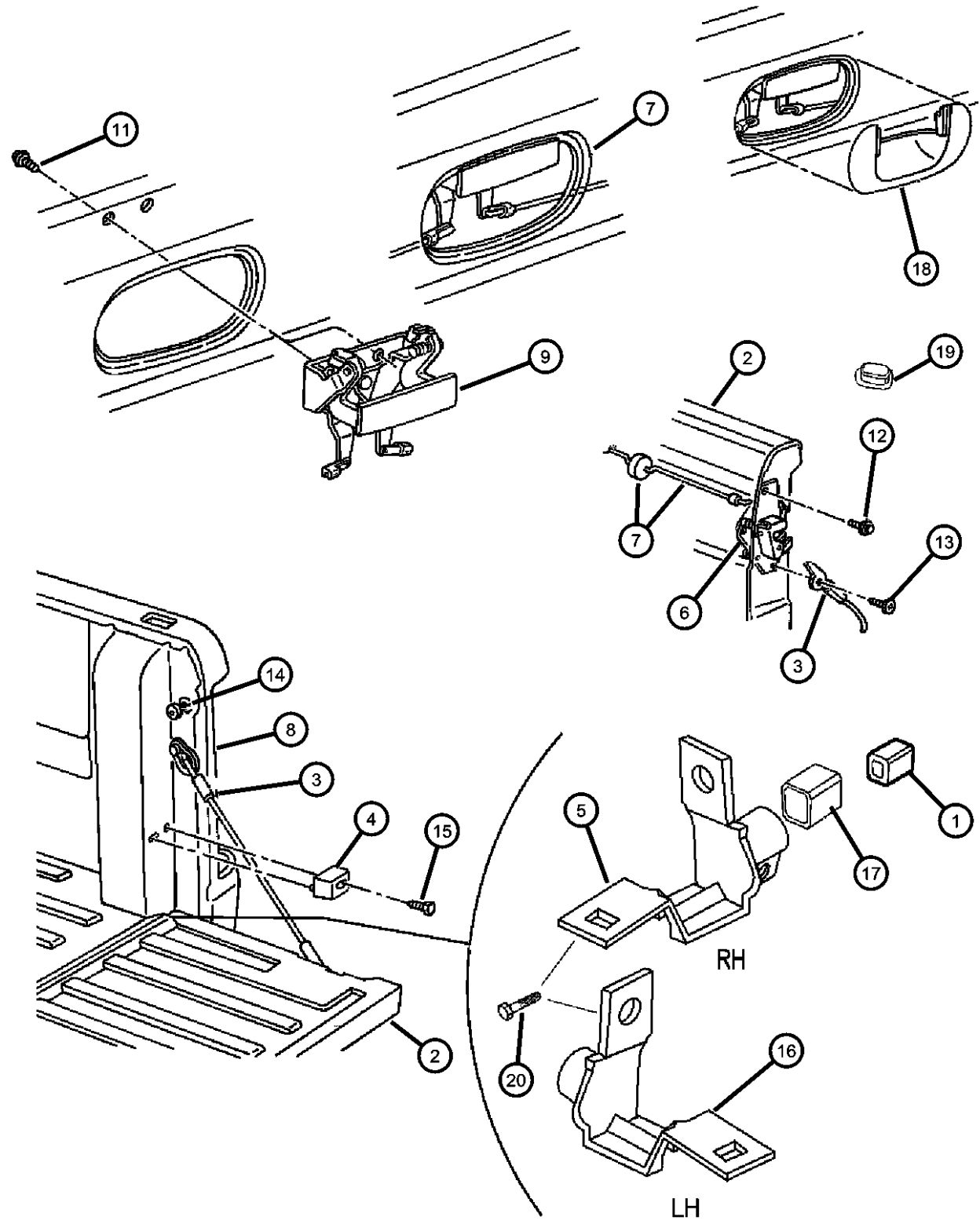
1	55275016	1							PIVOT, Tailgate, Body Half, Plastic
2									TAILGATE
	55274833AC	1							Dual Wheel
	55274915AC	1							
3									CABLE, Tailgate
	55345124AB	1							Right
	55345125AB	1							Left
4	55274842	2							BUMPER, Tailgate
5	55274916	1							PIVOT, Tailgate, Also Serviced in Tailgate, Right
6									LATCH, Tailgate
	55275484AA	1							Right
	55275485AA	1							Left
7	55075698AC	2							ROD, Tailgate Handle to Latch
8									REINFORCEMENT, Box Side
	55275020	1							Right
	55275021	1							Left
9	55074580AB	1							HANDLE, Liftgate
-10	04658674	1							CLIP, Latch Link
11	04658674	1							SCREW AND WASHER, Tapping, M6-1.0x20.0, M6x1.00x20.00, (NOT SERVICED)
12	06036019AA	2							SCREW
13	06036018AA	2							BOLT, Shoulder

RAM PICKUP/CLUB CAB (BE)

SERIES	LINE	BODY	ENGINE	TRANSMISSION
L = RAM 1500, 2500, 3500	1 = Lt. Duty DODGE 2WD	31 = CLUB CAB 2-DR 6.5 FT BOX	ETC = 5.9L Cummins 24V Diesel Engine	DGP = 4-Spd. Automatic 47RE Transmission
	2 = Med. Duty DODGE 2WD	32 = CLUB CAB 2-DR 8FT BOX	EWA = 8.0L V10 MPI Engine	DD0 = ALL 5 SPEED MANUAL TRANSMISSIONS
	3 = HD DODGE 2WD	33 = QUAD CAB 4-DR 6.5 FT BOX	EM0 = ALL 5.9L 8 CYL ENGINES - GAS	DG0 = ALL AUTOMATIC TRANSMISSIONS
	6 = Lt. Duty DODGE 4WD	34 = QUAD CAB 4-DR 8FT BOX	EMM = 5.9L SMPI V8 Engine	DDC = 5-Speed HD Manual Transmission
	7 = Med. Duty DODGE 4WD		EML = 5.9L V8 MPI Engine	DDP = 5-Speed Manual Transmission
	8 = HD DODGE 4WD		ELF = 5.2L V8 MPI Engine	DDX = 5-Speed HD Manual Transmission
				DEE = 6-Speed HD Manual Transmission
				DGT = 4-Spd. Automatic 46RE Transmission

AR = use ase required - = Non illustrated part

Tailgate
Figure SBE-1310



ITEM	PART NUMBER	QTY	LINE	SERIES	BODY	ENGINE	TRANS	TRIM	DESCRIPTION
14	06034460	2							STRIKER, Tailgate Latch, .375-16x1.988
15	06034460	2							SCREW, .19-16x.50, (NOT SERVICED)
16	55274917	1							PIVOT, Tailgate, Also Serviced in Tailgate, Left
17	55274936AC	2							BUSHING, Tailgate Pivot
18	55074751	1							ESCUTCHEON, Tail Gate Handle
19	55275360	1							BUMPER, Latch Striker
20	06025351	4							SCREW AND WASHER, Hex Head, .312-18x1.00

RAM PICKUP/CLUB CAB (BE)

SERIES	LINE	BODY	ENGINE	TRANSMISSION
L = RAM 1500, 2500, 3500	1 = Lt. Duty DODGE 2WD 2 = Med. Duty DODGE 2WD 3 = HD DODGE 2WD 6 = Lt. Duty DODGE 4WD 7 = Med. Duty DODGE 4WD 8 = HD DODGE 4WD	31 = CLUB CAB 2-DR 6.5 FT BOX 32 = CLUB CAB 2-DR 8FT BOX 33 = QUAD CAB 4-DR 6.5 FT BOX 34 = QUAD CAB 4-DR 8FT BOX	ETC = 5.9L Cummins 24V Diesel Engine EWA = 8.0L V10 MPI Engine EM0 = ALL 5.9L 8 CYL ENGINES - GAS EMM = 5.9L SMPI V8 Engine EML = 5.9L V8 MPI Engine ELF = 5.2L V8 MPI Engine	DGP = 4-Spd. Automatic 47RE Transmission DD0 = ALL 5 SPEED MANUAL TRANSMISSIONS DG0 = ALL AUTOMATIC TRANSMISSIONS DDC = 5-Speed HD Manual Transmission DDP = 5-Speed Manual Transmission DDX = 5-Speed HD Manual Transmission DEE = 6-Speed HD Manual Transmission DGT = 4-Spd. Automatic 46RE Transmission

AR = use ase required - = Non illustrated part