

## VIN PLATE DECODING INFORMATION

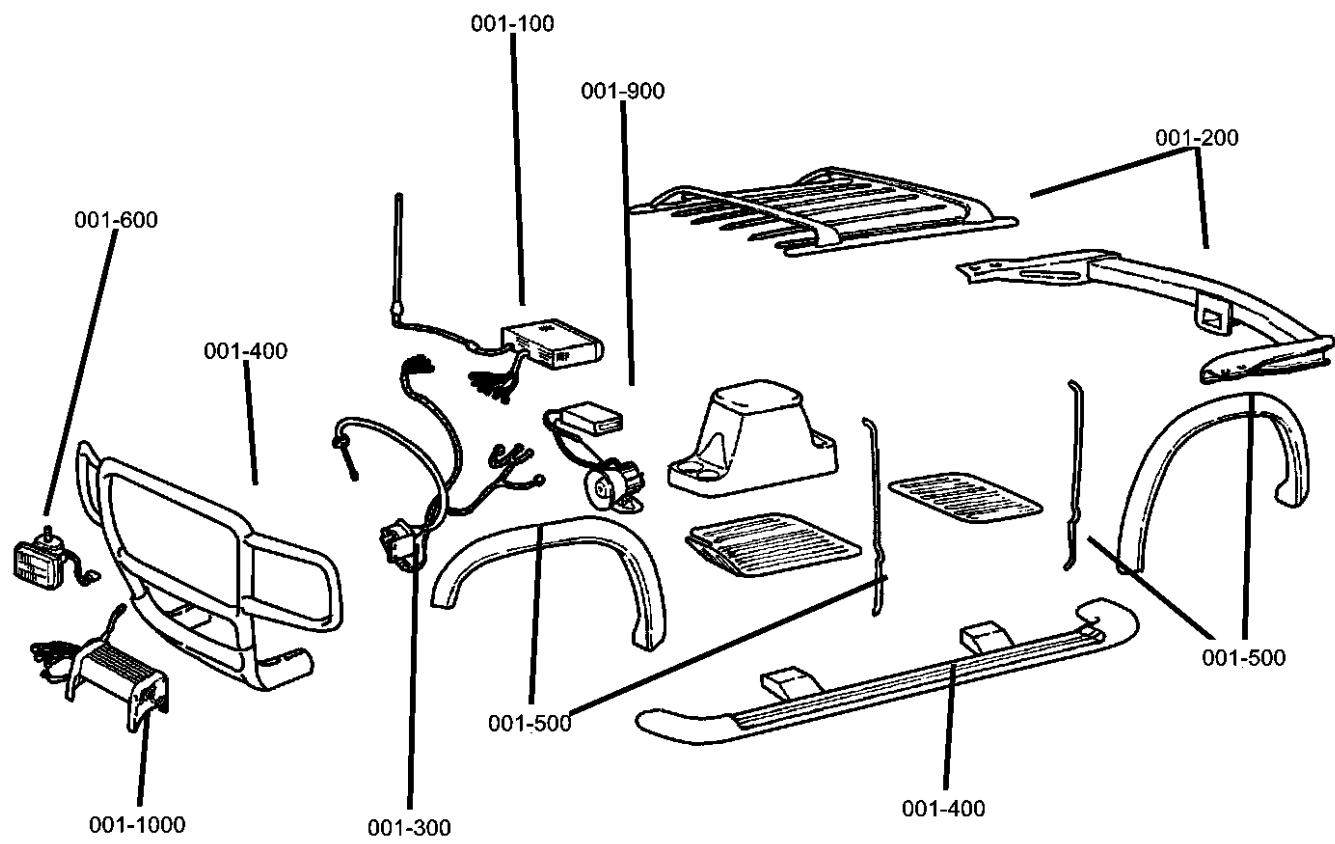
<b>1</b>	<b>2</b>	<b>3</b>	<b>4</b>	<b>5</b>	<b>6</b>	<b>7</b>	<b>8</b>	<b>9</b>	<b>10</b>	<b>11</b>	<b>12 thru 17</b>
<b>Country</b>	<b>Make</b>	<b>Vehicle Type</b>	<b>Other</b>	<b>Line</b>	<b>Series</b>	<b>Body Style</b>	<b>Engine</b>	<b>Check Digit</b>	<b>Model Year</b>	<b>Assy. Plant</b>	<b>Sequence No.</b>

The following table interprets the VIN Plate position shown above.

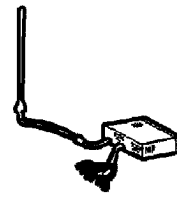
Position	Interpretation	Codes = Description
1	Country of Origin	1 = Built in U.S. by DaimlerChrysler Corporation 3 = Built in Mexico by DaimlerChrysler de Mexico
2	Assembler	B = Dodge
3	Vehicle Type	7 = Truck
4	GVWR & Pass. Safety	E = 1361-1814 kg (3001-4000 lbs) F = 1815-2267 kg (4001-5000 lbs) G = 2268-2721 kg (5001-6000 lbs) H = 2722 - 3175 kg (6001 - 7000 lbs) J = 3176 - 3628 kg (7001 - 8000 lbs) K = 3629 - 4082 kg (8001 - 9000 lbs) L = 4083 - 4535 kg (9001 - 10000 lbs) M = 4536 - 6350 kg (10001 - 14000 lbs) W = Bus & Incomplete vehicles D = 0-1360 kg (0-3000 lbs)
5	Vehicle Line	C = Ram Cab Chassis/Ram Pick Up (4x2) F = Ram Cab Chassis/Ram Pick Up (4x4)
6	Series	1 = 1500 2 = 2500 3 = 3500
7	Body Style	2 = Club Cab (2WD) 3 = Quad Cab (2WD&4WD)
8	Engine	Y = 5.2L 8Cyl. (ELF) 5 = 5.9L 8 Cyl. (EMM) Z = 5.9L 8Cyl. (EML) 6 = 5.9L I6 Cyl. Diesel (ETC) W = 8.0L 10 Cyl. (EWA) 7 = 5.9L I6 Cyl. Turbo Diesel (ETH)
9	Check Digit	0 = Check Digit
10	Model Year	W = 1998 X = 1999 1 = 2001 Y = 2000
11	Assembly Plant	M = Lago Alberto G = Saltillo J = St. Louis North
12 thru 17	Vehicle Build Sequence	Model Year Assembly Sequence

# Group - 1

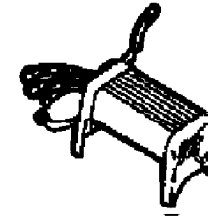
## Component Parts for Mopar Accessories



**001-100**  
Audio & Electronics



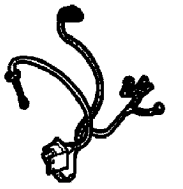
**001-1000**  
4 - Wheeling & Off Road



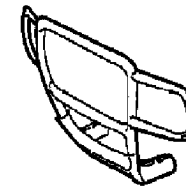
**001-200**  
Carriers & Cargo Hauling



**001-300**  
Driving Convenience



**001-400**  
Exterior Appearance



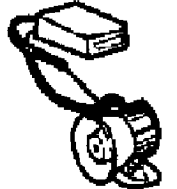
**001-500**  
Exterior Protection



**001-600**  
Fog Lights & Electrical



**001-900**  
Security

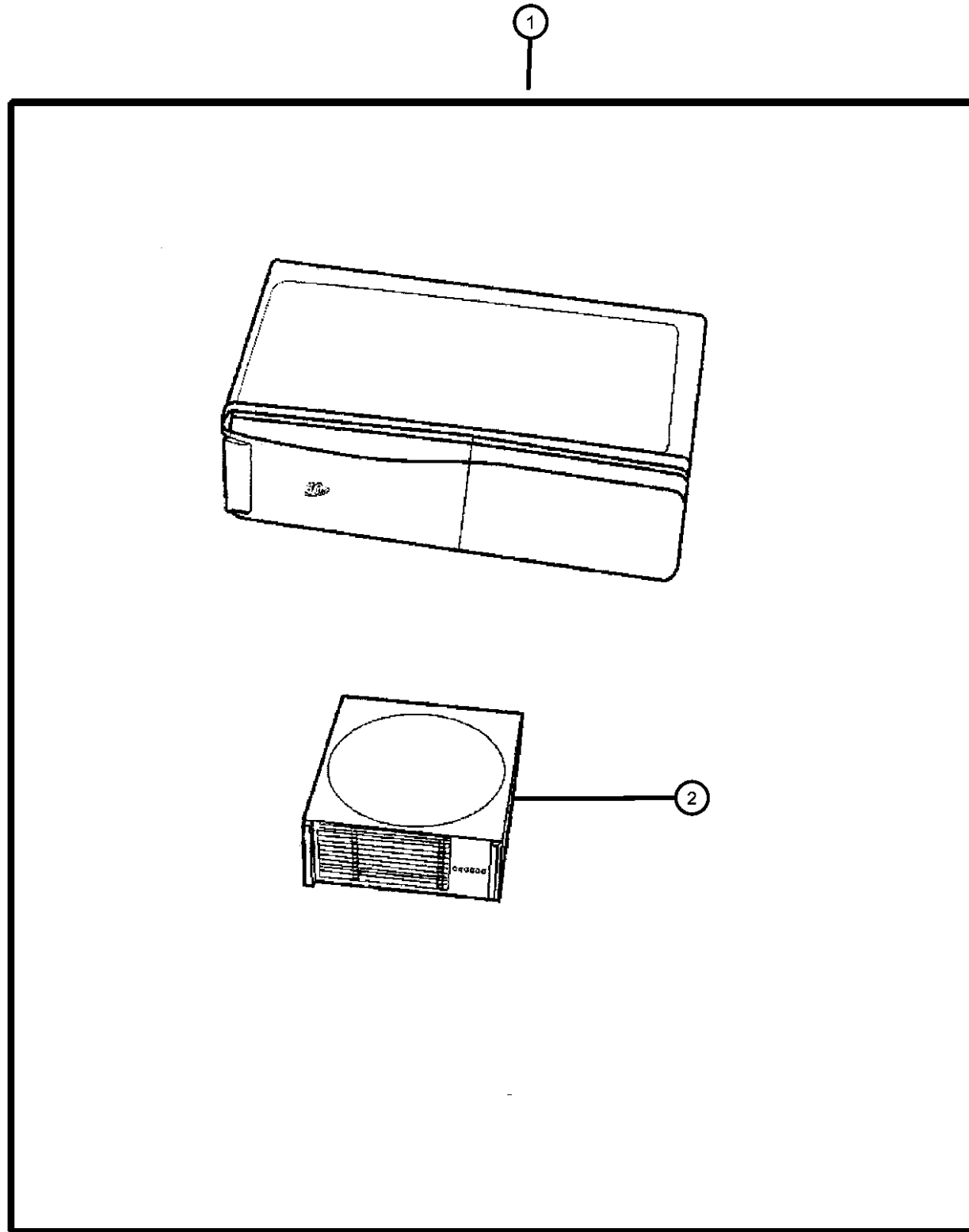


---

## Group - 1 Component Parts for Mopar Accessories

Illustration Title	Group-Fig. No.
<b>Audio &amp; Electronics</b>	
Player Kit .....	Fig. 1 - 110
Player Kit - 12 Disc .....	Fig. 1 - 120
<b>Carriers &amp; Cargo Hauling</b>	
Cover Kit, Tonneau Sport .....	Fig. 1 - 210
Cover Kit, Tonneau - Folding .....	Fig. 1 - 212
Cover Kit, Tonneau - Hard .....	Fig. 1 - 216
Mirror Package - Trailer Tow .....	Fig. 1 - 230
Wiring Kit - Trailer Tow .....	Fig. 1 - 240
Adapter Kit - Ball Mount .....	Fig. 1 - 250
<b>Driving Convenience</b>	
Speed Control Kit .....	Fig. 1 - 310
<b>Exterior Appearance</b>	
Step Bumper .....	Fig. 1 - 410
Step Kit .....	Fig. 1 - 420
Running Board .....	Fig. 1 - 430
Grille Guard .....	Fig. 1 - 440
<b>Exterior Protection</b>	
Molding Kit .....	Fig. 1 - 510
Shield Kit - Air Front .....	Fig. 1 - 520
Skid Plate .....	Fig. 1 - 530
<b>Fog Lights &amp; Electrical</b>	
Light Kit - Fog .....	Fig. 1 - 610
Light Kit - Off Road .....	Fig. 1 - 612
Fog Lamp Kit - Brush Guard .....	Fig. 1 - 620
Fog Lamp Kit - Fascia .....	Fig. 1 - 622
Installation Kit - Off Road Lamps .....	Fig. 1 - 630
Heater Kit .....	Fig. 1 - 640
<b>Security</b>	
Security .....	Fig. 1 - 910
<b>4 - Wheeling &amp; Off Road</b>	
Winch Kit - Power .....	Fig. 1 - 1010

**Player Kit  
Figure 1-110**



ITEM	PART NUMBER	QTY	LINE	SERIES	BODY	ENGINE	TRANS	TRIM	DESCRIPTION
------	-------------	-----	------	--------	------	--------	-------	------	-------------

NOTE; Use with CD-Controlled radios. For radios without CD Changer controls, use FM-Modulator Kit 82202292

1	82202700	1							PLAYER KIT, CD Changer - 6 Disc
2	04797433	1							MAGAZINE, CD Changer

**RAM PICKUP/CLUB CAB (BE)**

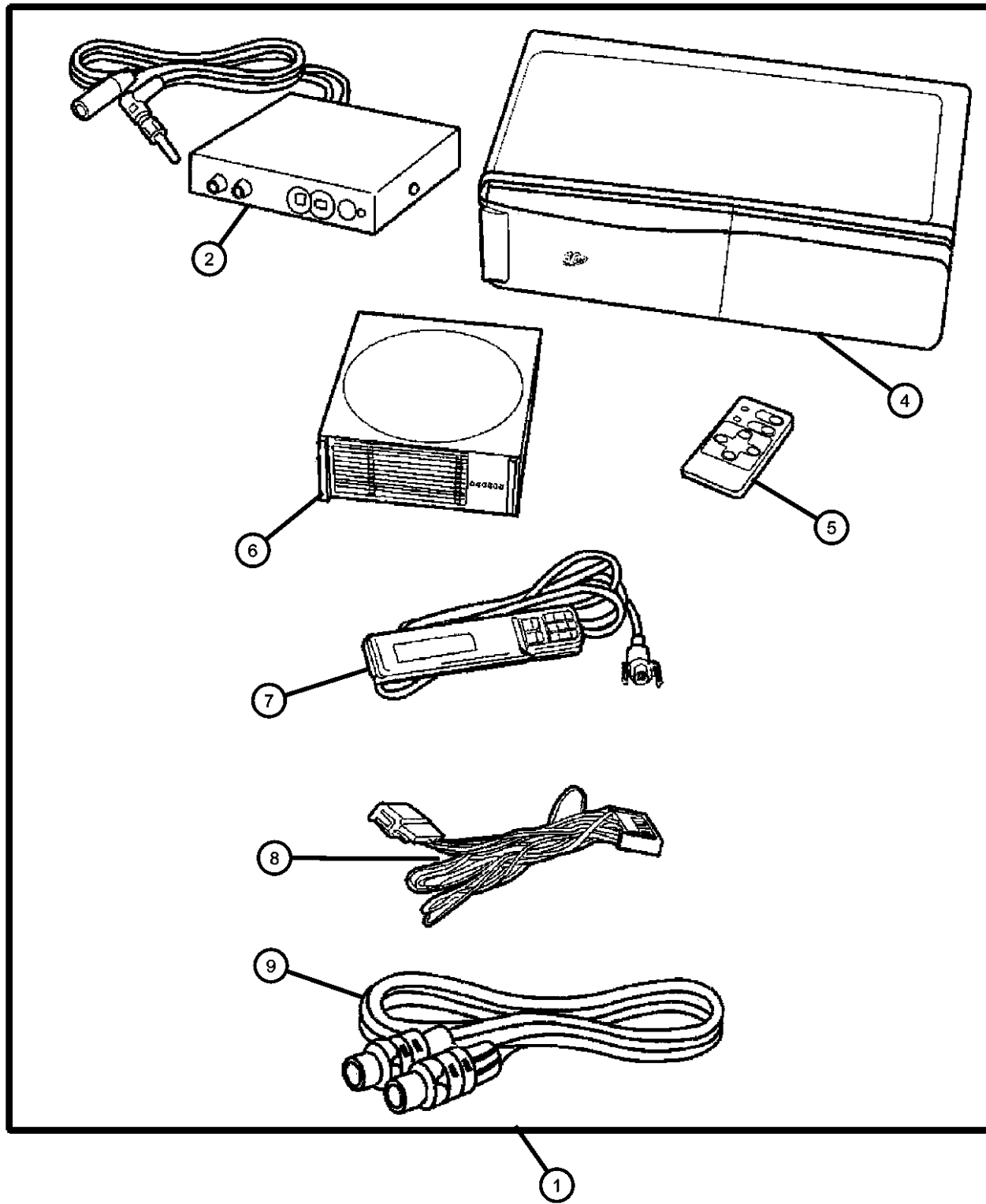
SERIES	LINE	BODY	ENGINE	TRANSMISSION
L = Ram Truck (All)	3 = HD DODGE 2WD 8 = HD DODGE 4WD 1 = Lt. Duty DODGE 2WD 6 = Lt. Duty DODGE 4WD 2 = Med. Duty DODGE 2WD 7 = Med. Duty DODGE 4WD	31 = CLUB CAB 2-DR 6.5 FT BOX 32 = CLUB CAB 2-DR 8FT BOX 33 = QUAD CAB 4-DR 6.5 FT BOX 34 = QUAD CAB 4-DR 8FT BOX	ELF = ENGINE - 5.2L V8 MPI EML = ENGINE - 5.9L V8 MPI EMM = ENGINE - "MAGNUM" 5.9L SMPI V8 ETC = ENGINE- 5.9L CUMMINS 24V DIESEL ETH = ENGINE- 5.9L HO CUMMINS TURBO DIESEL EWA = ENGINE - 8.0L V10 MPI	DDC = TRANSMISSION - 5-SPEED HD MANUAL DDP = TRANSMISSION - 5-SPEED MANUAL DDX = TRANSMISSION - 5-SPEED HD MANUAL DEE = TRANSMISSION - 6-SPEED HD MANUAL DGP = TRANSMISSION - 4-SPD. AUTOMATIC,47RE DGT = TRANSMISSION - 4-SPD. AUTOMATIC,46RE

AR = use ase required - = Non illustrated part

2000 BE



Player Kit - 12 Disc  
Figure 1-120



ITEM	PART NUMBER	QTY	LINE	SERIES	BODY	ENGINE	TRANS	TRIM	DESCRIPTION
1	82204730	1			31, 33, 34				PLAYER KIT, CD Changer - 12 Disc
2	05013804AA	1			31, 33, 34				MODULATOR, FM
-3	05013800AA	1			31, 33, 34				HARDWARE KIT, Mounting
4	05013806AA	1			31, 33, 34				CHANGER, CD
5	05013802AA	1			31, 33, 34				CONTROLLER, CD Wireless
6	05013805AA	1			31, 33, 34				MAGAZINE, CD Changer
7	05013803AA	1			31, 33, 34				CONTROLLER, CD Wired
8	04465117	1			31, 33, 34				ADAPTOR, A/C
9	05013801AA	1			31, 33, 34				DIN CORD, CD Player

NOTE: For radio without CD controls. Pentastar Logo, Includes RF Modulator, Power Cord, Din Cord, Hand Held and IR Remote Controller and

RAM PICKUP/CLUB CAB (BE)

SERIES	LINE	BODY	ENGINE	TRANSMISSION
L = Ram Truck (All)	3 = HD DODGE 2WD	31 = CLUB CAB 2-DR 6.5 FT BOX	ELF = ENGINE - 5.2L V8 MPI	DDC = TRANSMISSION - 5-SPEED HD MANUAL
	8 = HD DODGE 4WD	32 = CLUB CAB 2-DR 8FT BOX	EML = ENGINE - 5.9L V8 MPI	DDP = TRANSMISSION - 5-SPEED MANUAL
	1 = Lt. Duty DODGE 2WD	33 = QUAD CAB 4-DR 6.5 FT BOX	EMM = ENGINE - "MAGNUM" 5.9L SMPI V8	DDX = TRANSMISSION - 5-SPEED HD MANUAL
	6 = Lt. Duty DODGE 4WD	34 = QUAD CAB 4-DR 8FT BOX	ETC = ENGINE- 5.9L CUMMINS 24V DIESEL	DEE = TRANSMISSION - 6-SPEED HD MANUAL
	2 = Med. Duty DODGE 2WD		ETH = ENGINE- 5.9L HO CUMMINS TURBO DIESEL	DGP = TRANSMISSION - 4-SPD. AUTOMATIC, 47RE
	7 = Med. Duty DODGE 4WD		EWA = ENGINE - 8.0L V10 MPI	DGT = TRANSMISSION - 4-SPD. AUTOMATIC, 46RE

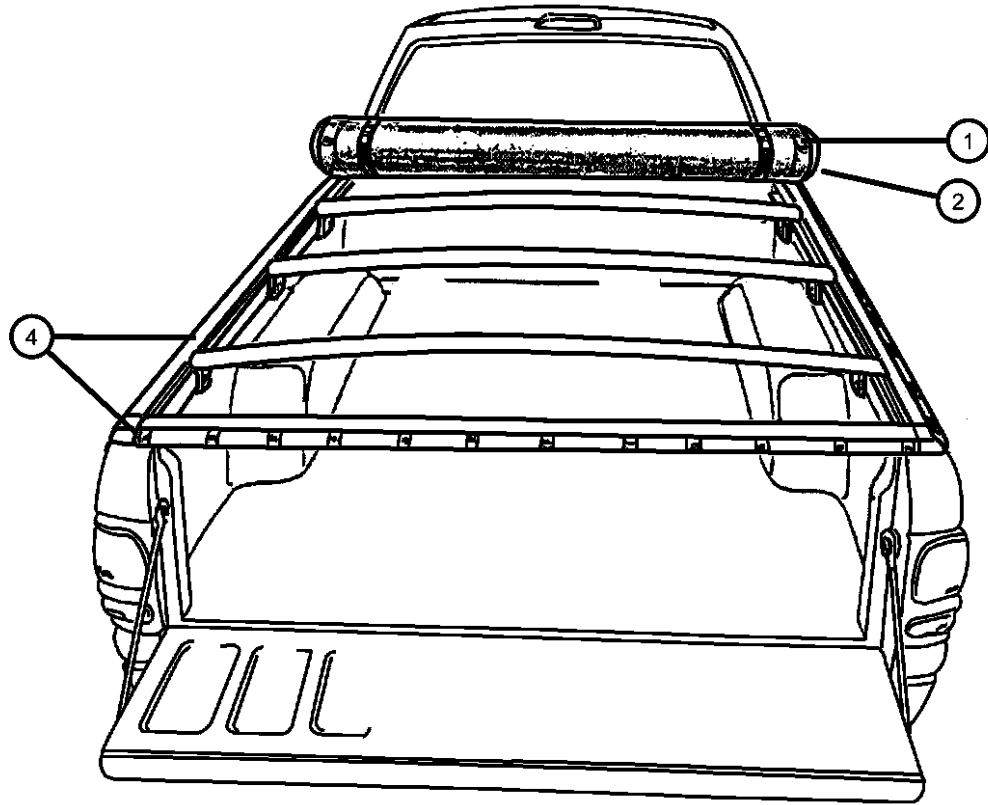
AR = use ase required - = Non illustrated part

**Cover Kit, Tonneau Sport  
Figure 1-210**

ITEM	PART NUMBER	QTY	LINE	SERIES	BODY	ENGINE	TRANS	TRIM	DESCRIPTION
------	-------------	-----	------	--------	------	--------	-------	------	-------------

NOTE; Not for use with OverRail Bedliners. Cover Kits have new material and new bow system.

1	82203124	1			31, 33				COVER, Tonneau 6.5' Bed Snap Style
	82203125	1			34				8' Bed Snap Style
2	82401379	1			31, 33				COVER KIT, Tonneau with Frame-Vinyl Premium Snap Style 6.5' Bed
	82401380	1			34				Premium Snap Style 8' Bed
-3	05017515AA	1			34				SNAP KIT, Tonneau Cover Package of 10
		1			31, 33				Package of 10
4	05017802AA	1			34				RAIL KIT, Tonneau - Rear Mounting Snaps and Mounting Hardware
		1			31, 33				Snaps and Mounting Hardware



**RAM PICKUP/CLUB CAB (BE)**

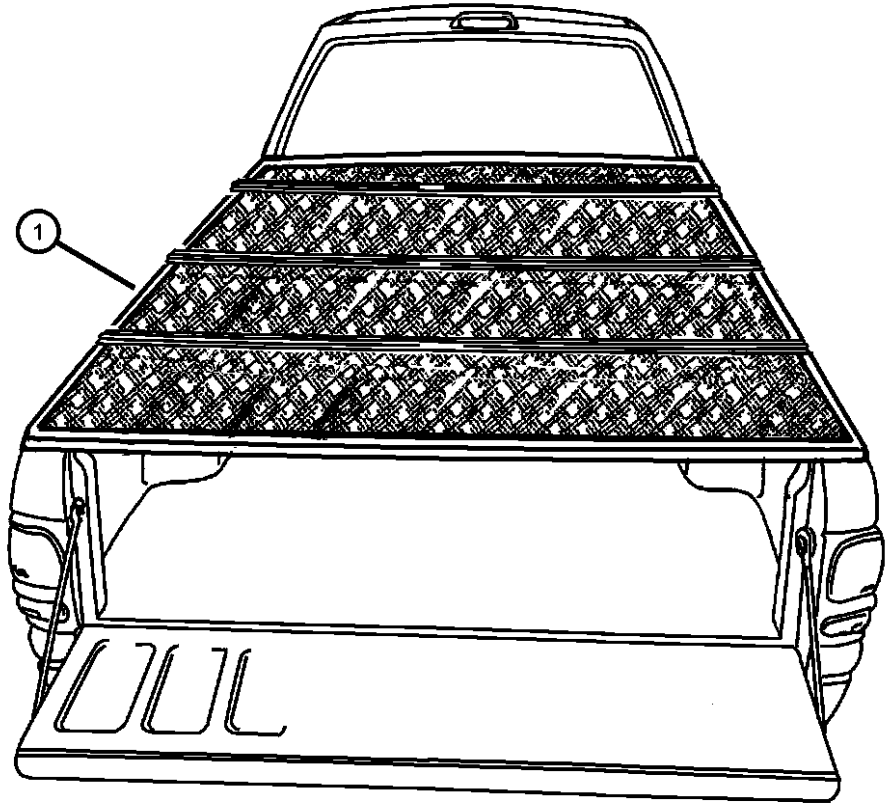
SERIES	LINE	BODY	ENGINE	TRANSMISSION
L = Ram Truck (All)	3 = HD DODGE 2WD 8 = HD DODGE 4WD 1 = Lt. Duty DODGE 2WD 6 = Lt. Duty DODGE 4WD 2 = Med. Duty DODGE 2WD 7 = Med. Duty DODGE 4WD	31 = CLUB CAB 2-DR 6.5 FT BOX 32 = CLUB CAB 2-DR 8FT BOX 33 = QUAD CAB 4-DR 6.5 FT BOX 34 = QUAD CAB 4-DR 8FT BOX	ELF = ENGINE - 5.2L V8 MPI EML = ENGINE - 5.9L V8 MPI EMM = ENGINE - "MAGNUM" 5.9L SMPI V8 ETC = ENGINE- 5.9L CUMMINS 24V DIESEL ETH = ENGINE- 5.9L HO CUMMINS TURBO DIESEL EWA = ENGINE - 8.0L V10 MPI	DDC = TRANSMISSION - 5-SPEED HD MANUAL DDP = TRANSMISSION - 5-SPEED MANUAL DDX = TRANSMISSION - 5-SPEED HD MANUAL DEE = TRANSMISSION - 6-SPEED HD MANUAL DGP = TRANSMISSION - 4-SPD. AUTOMATIC,47RE DGT = TRANSMISSION - 4-SPD. AUTOMATIC,46RE

AR = use ase required - = Non illustrated part

2000 BE

**Cover Kit, Tonneau - Folding**  
**Figure 1-212**

ITEM	PART NUMBER	QTY	LINE	SERIES	BODY	ENGINE	TRANS	TRIM	DESCRIPTION
1									COVER KIT, Tonneau-Folding
	82203920	1			31, 33				6.5 Foot Bed
	82203921	1			34				8 Foot Bed
-2	05018118AA	1			31, 33				LOCK KIT, Folding-tonneau
-3	05018386AA	1			31, 33				KEY, Master
-4									HARDWARE KIT, Tonneau - Folding
	82203246	1			31, 33				6.5 Foot Bed
	82203247	1			34				8 Foot Bed



**RAM PICKUP/CLUB CAB (BE)**

SERIES	LINE	BODY	ENGINE	TRANSMISSION
L = Ram Truck (All)	3 = HD DODGE 2WD	31 = CLUB CAB 2-DR 6.5 FT BOX	ELF = ENGINE - 5.2L V8 MPI	DDC = TRANSMISSION - 5-SPEED HD MANUAL
	8 = HD DODGE 4WD	32 = CLUB CAB 2-DR 8FT BOX	EML = ENGINE - 5.9L V8 MPI	DDP = TRANSMISSION - 5-SPEED MANUAL
	1 = Lt. Duty DODGE 2WD	33 = QUAD CAB 4-DR 6.5 FT BOX	EMM = ENGINE - "MAGNUM" 5.9L SMPI V8	DDX = TRANSMISSION - 5-SPEED HD MANUAL
	6 = Lt. Duty DODGE 4WD	34 = QUAD CAB 4-DR 8FT BOX	ETC = ENGINE- 5.9L CUMMINS 24V DIESEL	DEE = TRANSMISSION - 6-SPEED HD MANUAL
	2 = Med. Duty DODGE 2WD		ETH = ENGINE- 5.9L HO CUMMINS TURBO DIESEL	DGP = TRANSMISSION - 4-SPD. AUTOMATIC,47RE
	7 = Med. Duty DODGE 4WD		EWA = ENGINE - 8.0L V10 MPI	DGT = TRANSMISSION - 4-SPD. AUTOMATIC,46RE

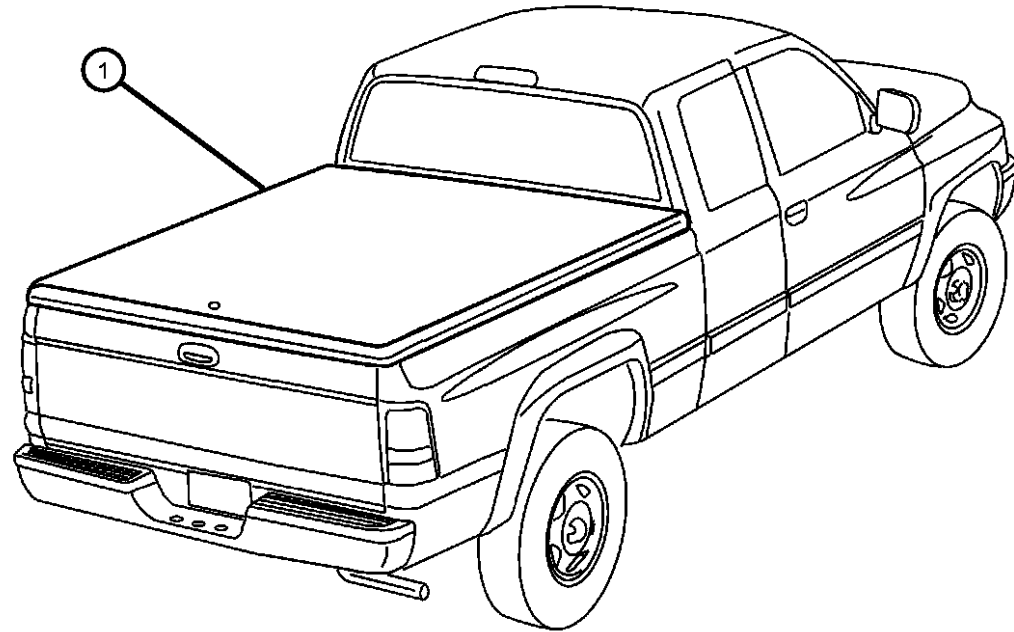
AR = use ase required - = Non illustrated part

2000 BE

**Cover Kit, Tonneau - Hard**  
**Figure 1-216**

ITEM	PART NUMBER	QTY	LINE	SERIES	BODY	ENGINE	TRANS	TRIM	DESCRIPTION
------	-------------	-----	------	--------	------	--------	-------	------	-------------

.NOTE; Use the Gas Props for the rear only. The kit contains two gas props, gas prop brackets for lid and frame - 2 of each bracket.



1									COVER KIT, Tonneau-Hard
	82204378	1			31, 33				White [PW7]
	82204380	1							Black [PX8]
	82204382	1			31, 33				Flame Red [PR4]
	82204386	1			31, 33				Chestnut [PU1]
	82204388	1			31, 33				Metallic Red [PRC]
	82204390	1			31, 33				Driftwood [PFA]
-2	05018117AA	1			31, 33				LOCK KIT, Hard-tonneau
-3	05018343AA	1			31, 33				KEY, Master
-4	05018067AA	1			31, 33				GAS PROP KIT, Tonneau-hard, Contains: Gas Props, Brackets for Lid and Frame - Two of each.

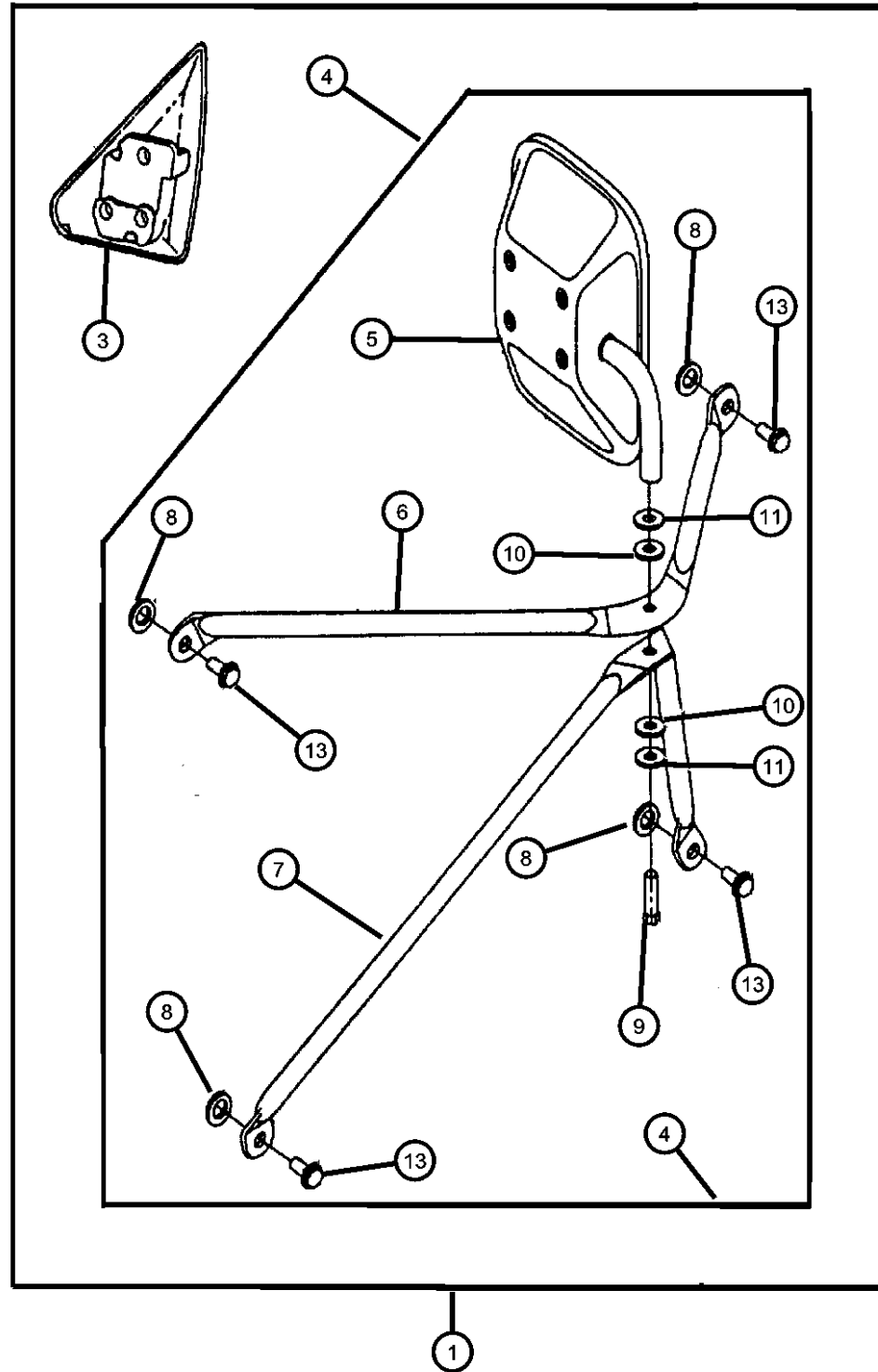
**RAM PICKUP/CLUB CAB (BE)**

SERIES	LINE	BODY	ENGINE	TRANSMISSION
L = Ram Truck (All)	3 = HD DODGE 2WD 8 = HD DODGE 4WD 1 = Lt. Duty DODGE 2WD 6 = Lt. Duty DODGE 4WD 2 = Med. Duty DODGE 2WD 7 = Med. Duty DODGE 4WD	31 = CLUB CAB 2-DR 6.5 FT BOX 32 = CLUB CAB 2-DR 8FT BOX 33 = QUAD CAB 4-DR 6.5 FT BOX 34 = QUAD CAB 4-DR 8FT BOX	ELF = ENGINE - 5.2L V8 MPI EML = ENGINE - 5.9L V8 MPI EMM = ENGINE - "MAGNUM" 5.9L SMPI V8 ETC = ENGINE- 5.9L CUMMINS 24V DIESEL ETH = ENGINE- 5.9L HO CUMMINS TURBO DIESEL EWA = ENGINE - 8.0L V10 MPI	DDC = TRANSMISSION - 5-SPEED HD MANUAL DDP = TRANSMISSION - 5-SPEED MANUAL DDX = TRANSMISSION - 5-SPEED HD MANUAL DEE = TRANSMISSION - 6-SPEED HD MANUAL DGP = TRANSMISSION - 4-SPD. AUTOMATIC,47RE DGT = TRANSMISSION - 4-SPD. AUTOMATIC,46RE

AR = use ase required - = Non illustrated part

2000 BE

Mirror Package - Trailer Tow  
Figure 1-230



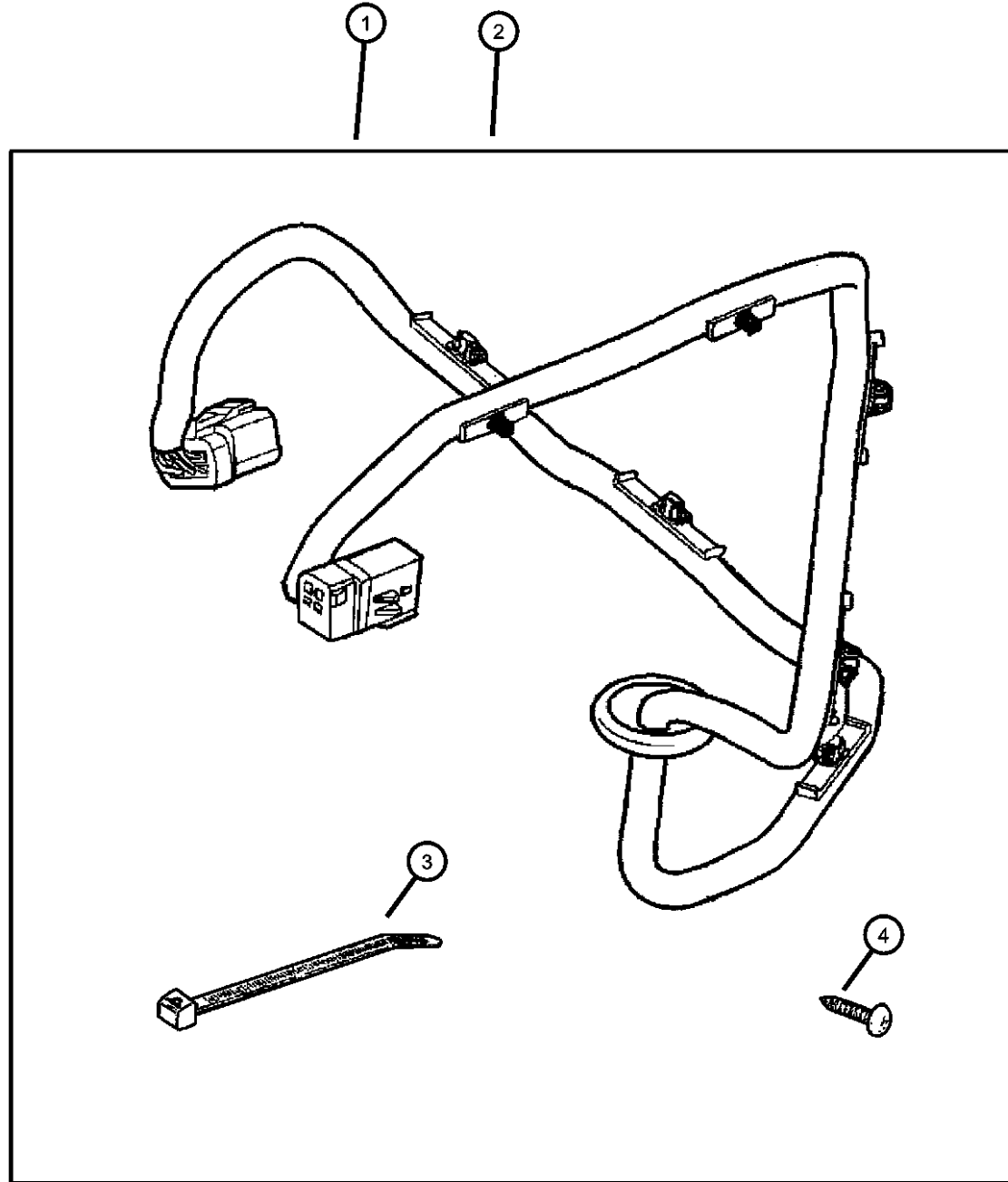
ITEM	PART NUMBER	QTY	LINE	SERIES	BODY	ENGINE	TRANS	TRIM	DESCRIPTION
1	82401002	1			31, 33, 34				MIRROR PACKAGE, Exterior
-2	06031438	8							NUT AND SEALER, .250-20
3									COVER, Mirror Flag
	55075444	1							Right
	55075445	1							Left
4	55074917	1							MIRROR KIT, Trailer Tow
5	04746372	1							MIRROR, Outside Rearview
6									BRACKET, Mirror
	04746368	1							Upper, Right
	04746369	1							Upper, Left
7									BRACKET, Mirror
	04746374	1							Lower, Right
	04746375	1							Lower, Left
8	04746373	8							WASHER, Mirror, Black
9	04746376	1							BOLT, Mirror
10	04723110	1							WASHER, Outside Mirror, Phenolic
11	04723109	1							WASHER, Outside Mirror
-12	55135182	2							SEAL, Mirror Opening
13	55135182	2							SCREW, Hex Head, .25-20x.75, (NOT SERVICED)

RAM PICKUP/CLUB CAB (BE)

SERIES	LINE	BODY	ENGINE	TRANSMISSION
L = Ram Truck (All)	3 = HD DODGE 2WD	31 = CLUB CAB 2-DR 6.5 FT BOX	ELF = ENGINE - 5.2L V8 MPI	DDC = TRANSMISSION - 5-SPEED HD MANUAL
	8 = HD DODGE 4WD	32 = CLUB CAB 2-DR 8FT BOX	EML = ENGINE - 5.9L V8 MPI	DDP = TRANSMISSION - 5-SPEED MANUAL
	1 = Lt. Duty DODGE 2WD	33 = QUAD CAB 4-DR 6.5 FT BOX	EMM = ENGINE - "MAGNUM" 5.9L SMPI V8	DDX = TRANSMISSION - 5-SPEED HD MANUAL
	6 = Lt. Duty DODGE 4WD	34 = QUAD CAB 4-DR 8FT BOX	ETC = ENGINE- 5.9L CUMMINS 24V DIESEL	DEE = TRANSMISSION - 6-SPEED HD MANUAL
	2 = Med. Duty DODGE 2WD		ETH = ENGINE- 5.9L HO CUMMINS TURBO DIESEL	DGP = TRANSMISSION - 4-SPD. AUTOMATIC,47RE
	7 = Med. Duty DODGE 4WD		EWA = ENGINE - 8.0L V10 MPI	DGT = TRANSMISSION - 4-SPD. AUTOMATIC,46RE

AR = use ase required - = Non illustrated part

**Wiring Kit - Trailer Tow**  
**Figure 1-240**



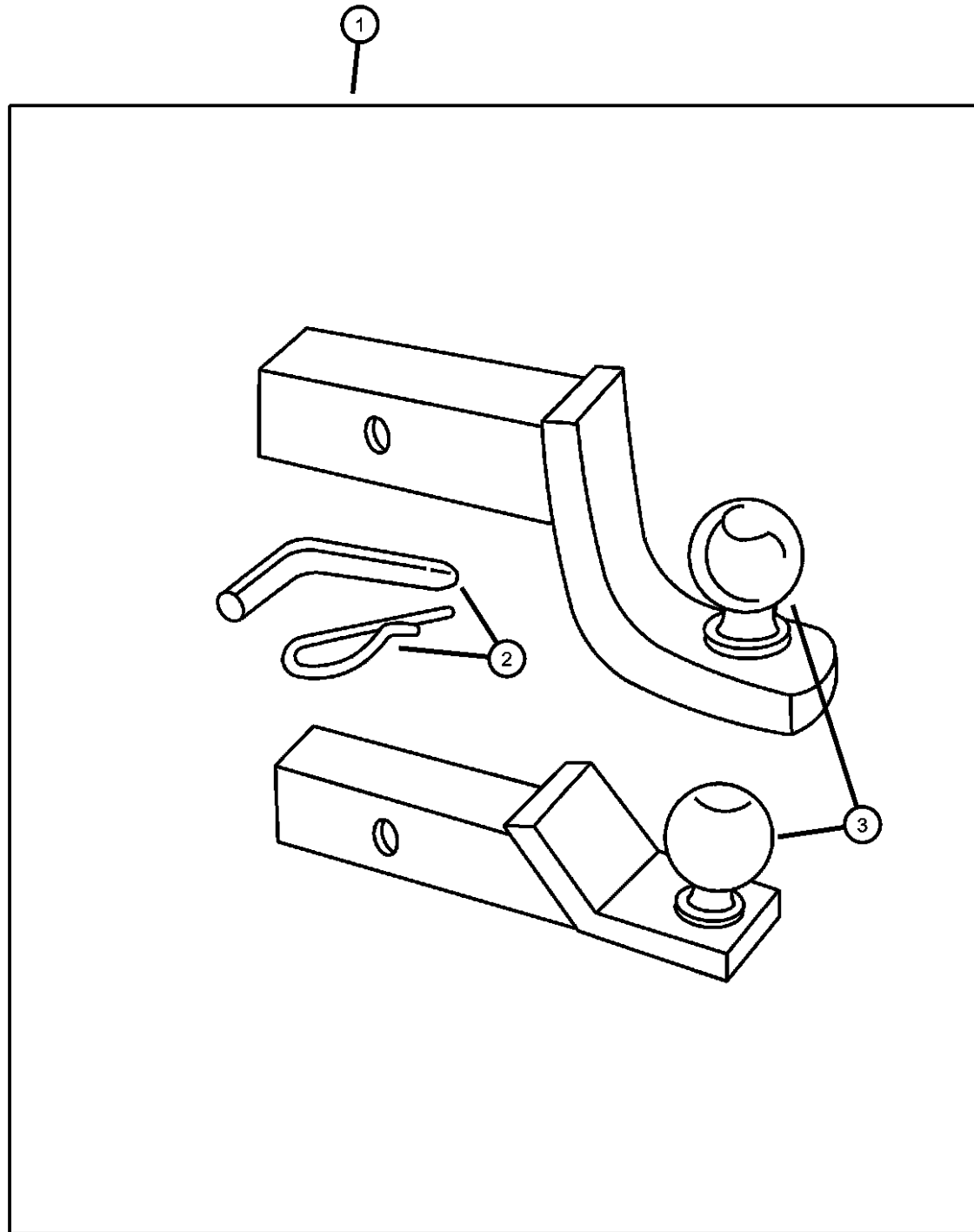
ITEM	PART NUMBER	QTY	LINE	SERIES	BODY	ENGINE	TRANS	TRIM	DESCRIPTION
1	82204641	1			31, 33, 34				WIRING KIT, Trailer Tow, 4 Way Flat Connector
2	82204724	1			31, 33, 34				WIRING KIT, Trailer Tow - 7 Way, Round Connector
3	06015756	1							STRAP, Tie
4	00154633	4							SCREW, .164-18x.625

**RAM PICKUP/CLUB CAB (BE)**

SERIES	LINE	BODY	ENGINE	TRANSMISSION
L = Ram Truck (All)	3 = HD DODGE 2WD 8 = HD DODGE 4WD 1 = Lt. Duty DODGE 2WD 6 = Lt. Duty DODGE 4WD 2 = Med. Duty DODGE 2WD 7 = Med. Duty DODGE 4WD	31 = CLUB CAB 2-DR 6.5 FT BOX 32 = CLUB CAB 2-DR 8FT BOX 33 = QUAD CAB 4-DR 6.5 FT BOX 34 = QUAD CAB 4-DR 8FT BOX	ELF = ENGINE - 5.2L V8 MPI EML = ENGINE - 5.9L V8 MPI EMM = ENGINE - "MAGNUM" 5.9L SMPI V8 ETC = ENGINE- 5.9L CUMMINS 24V DIESEL ETH = ENGINE- 5.9L HO CUMMINS TURBO DIESEL EWA = ENGINE - 8.0L V10 MPI	DDC = TRANSMISSION - 5-SPEED HD MANUAL DDP = TRANSMISSION - 5-SPEED MANUAL DDX = TRANSMISSION - 5-SPEED HD MANUAL DEE = TRANSMISSION - 6-SPEED HD MANUAL DGP = TRANSMISSION - 4-SPD. AUTOMATIC,47RE DGT = TRANSMISSION - 4-SPD. AUTOMATIC,46RE

AR = use ase required - = Non illustrated part

Adapter Kit - Ball Mount  
Figure 1-250



ITEM	PART NUMBER	QTY	LINE	SERIES	BODY	ENGINE	TRANS	TRIM	DESCRIPTION
1	82200248	1							ADAPTER KIT, Ball Mount
	82201148	1							3.5' Rise 2.75' Drop 2,000 lb. Rating 200 lb. Tongue Weight
	82201149	1							1.75' Rise 1' Drop 5,000 lb Tow Rating 500 lb Tongue Weight
2	05016666AA	1			31, 33, 34				3' Rise 2.25' Drop 5,000 lb. Tow Rating 500 lb. Tongue Weight PIN, Hitch
3	82401102	1			31, 33, 34				BALL KIT, Trailer Tow
	82401103	1			31, 33, 34				1 7/8' Ball 1x2 1/2' Shank
	82401104	1			31, 33, 34				2' Ball 1x2 1/8' Shank
	82401106	1			31, 33, 34				1 7/8' Ball 3/4x1 3/4' Shank
	82401197	1			31, 33, 34				2' Ball 1x2 7/8' Shank
	82401216	1			31, 33, 34				1 7/8' Ball 3/4x2 5/16 Shank
	82401218	1			31, 33, 34				1 7/8' Ball 1x2 7/8' Shank
	82401219	1			31, 33, 34				2 5/16' Ball 1x2 1/8' Shank
									2 5/16' Ball 1x2 7/8 Shank

RAM PICKUP/CLUB CAB (BE)

SERIES	LINE	BODY	ENGINE	TRANSMISSION
L = Ram Truck (All)	3 = HD DODGE 2WD 8 = HD DODGE 4WD 1 = Lt. Duty DODGE 2WD 6 = Lt. Duty DODGE 4WD 2 = Med. Duty DODGE 2WD 7 = Med. Duty DODGE 4WD	31 = CLUB CAB 2-DR 6.5 FT BOX 32 = CLUB CAB 2-DR 8FT BOX 33 = QUAD CAB 4-DR 6.5 FT BOX 34 = QUAD CAB 4-DR 8FT BOX	ELF = ENGINE - 5.2L V8 MPI EML = ENGINE - 5.9L V8 MPI EMM = ENGINE - "MAGNUM" 5.9L SMPI V8 ETC = ENGINE- 5.9L CUMMINS 24V DIESEL ETH = ENGINE- 5.9L HO CUMMINS TURBO DIESEL EWA = ENGINE - 8.0L V10 MPI	DDC = TRANSMISSION - 5-SPEED HD MANUAL DDP = TRANSMISSION - 5-SPEED MANUAL DDX = TRANSMISSION - 5-SPEED HD MANUAL DEE = TRANSMISSION - 6-SPEED HD MANUAL DGP = TRANSMISSION - 4-SPD. AUTOMATIC, 47RE DGT = TRANSMISSION - 4-SPD. AUTOMATIC, 46RE

AR = use ase required - = Non illustrated part

2000 BE

Speed Control Kit  
Figure 1-310

ITEM	PART NUMBER	QTY	LINE	SERIES	BODY	ENGINE	TRANS	TRIM	DESCRIPTION
-1									CONTROL PACKAGE, Speed Control
	82204651	1			33, 34				V10
	82204652	1			31, 33, 34				V6 and V8
	82204654	1			33, 34				Diesel
-2									SWITCH, Speed Control
	56021332AB	1							Right
	56021333AB	1							Left
-3	56045455AD	1							CLOCKSPRING
4	04669977	1							SERVO, Speed Control
5									CABLE, Speed Control
	52078598	1							V6 and V8
	52079311	1							V10
	53031574	1							Diesel
6	53007958	1							BRACKET, Speed Control Servo
7									HARNES, Vacuum Speed Control
	52078320	1							V6 and V8
	52078323	1							V10 and Diesel
8	06100775	2							NUT, Hex Flange, M5x.8
9	55035614	1							RESERVOIR, Vacuum
10	06025867	1							CLIP, Cable to Servo Attach
11	06502493	2							NUT, Hex Flange Serration, M6x1
12	52078479	1							CLIP, Vacuum Harness
13	06503441	1							CLIP, Cruise Control
14	06032988	3							SCREW

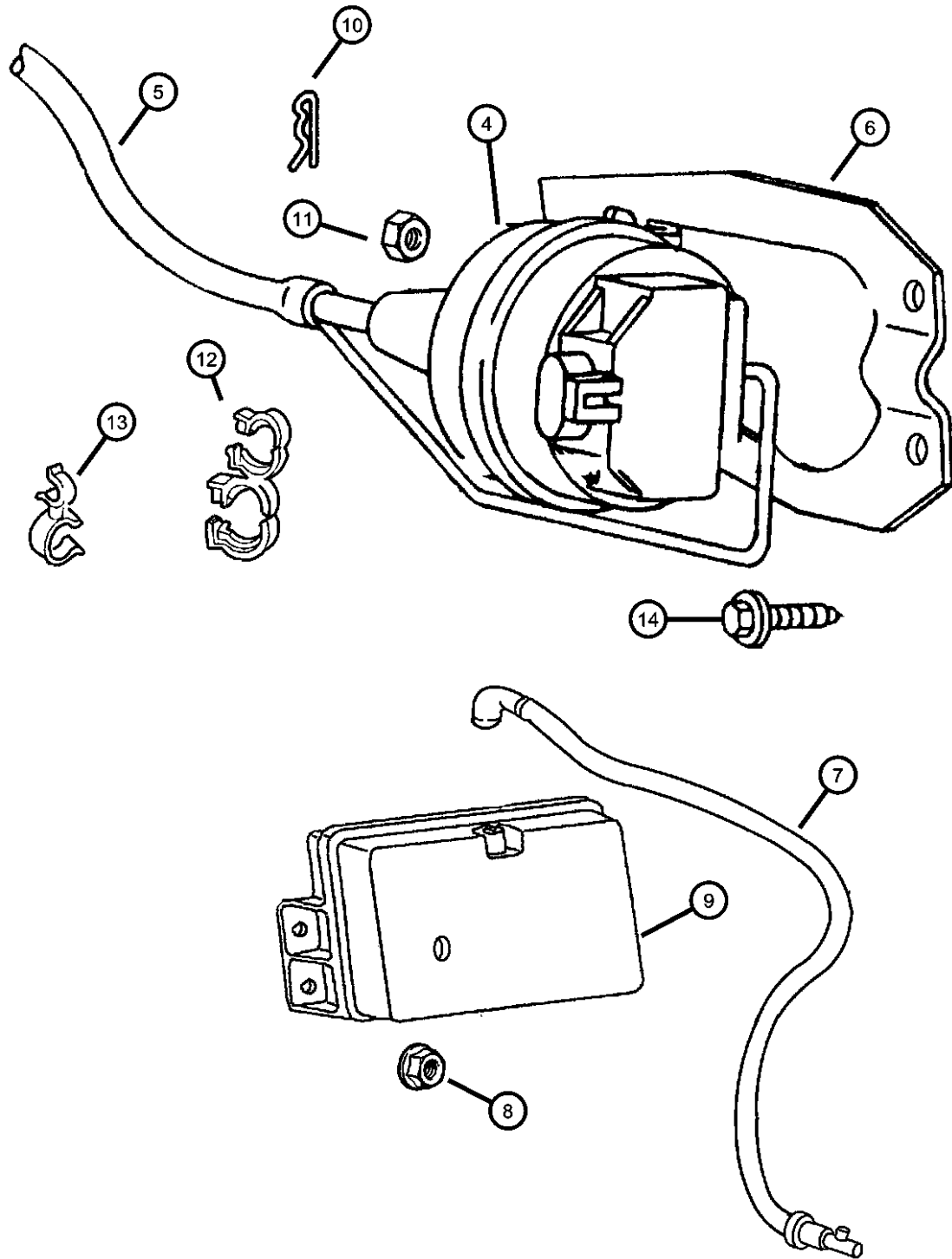
RAM PICKUP/CLUB CAB (BE)

SERIES	LINE
L = Ram Truck (All)	3 = HD DODGE 2WD
	8 = HD DODGE 4WD
	1 = Lt. Duty DODGE 2WD
	6 = Lt. Duty DODGE 4WD
	2 = Med. Duty DODGE 2WD
	7 = Med. Duty DODGE 4WD

BODY	ENGINE	TRANSMISSION
31 = CLUB CAB 2-DR 6.5 FT BOX	ELF = ENGINE - 5.2L V8 MPI	DDC = TRANSMISSION - 5-SPEED HD MANUAL
32 = CLUB CAB 2-DR 8FT BOX	EML = ENGINE - 5.9L V8 MPI	DDP = TRANSMISSION - 5-SPEED MANUAL
33 = QUAD CAB 4-DR 6.5 FT BOX	EMM = ENGINE - "MAGNUM" 5.9L SMPI V8	DDX = TRANSMISSION - 5-SPEED HD MANUAL
34 = QUAD CAB 4-DR 8FT BOX	ETC = ENGINE- 5.9L CUMMINS 24V DIESEL	DEE = TRANSMISSION - 6-SPEED HD MANUAL
	ETH = ENGINE- 5.9L HO CUMMINS TURBO DIESEL	DGP = TRANSMISSION - 4-SPD. AUTOMATIC, 47RE
	EWA = ENGINE - 8.0L V10 MPI	DGT = TRANSMISSION - 4-SPD. AUTOMATIC, 46RE

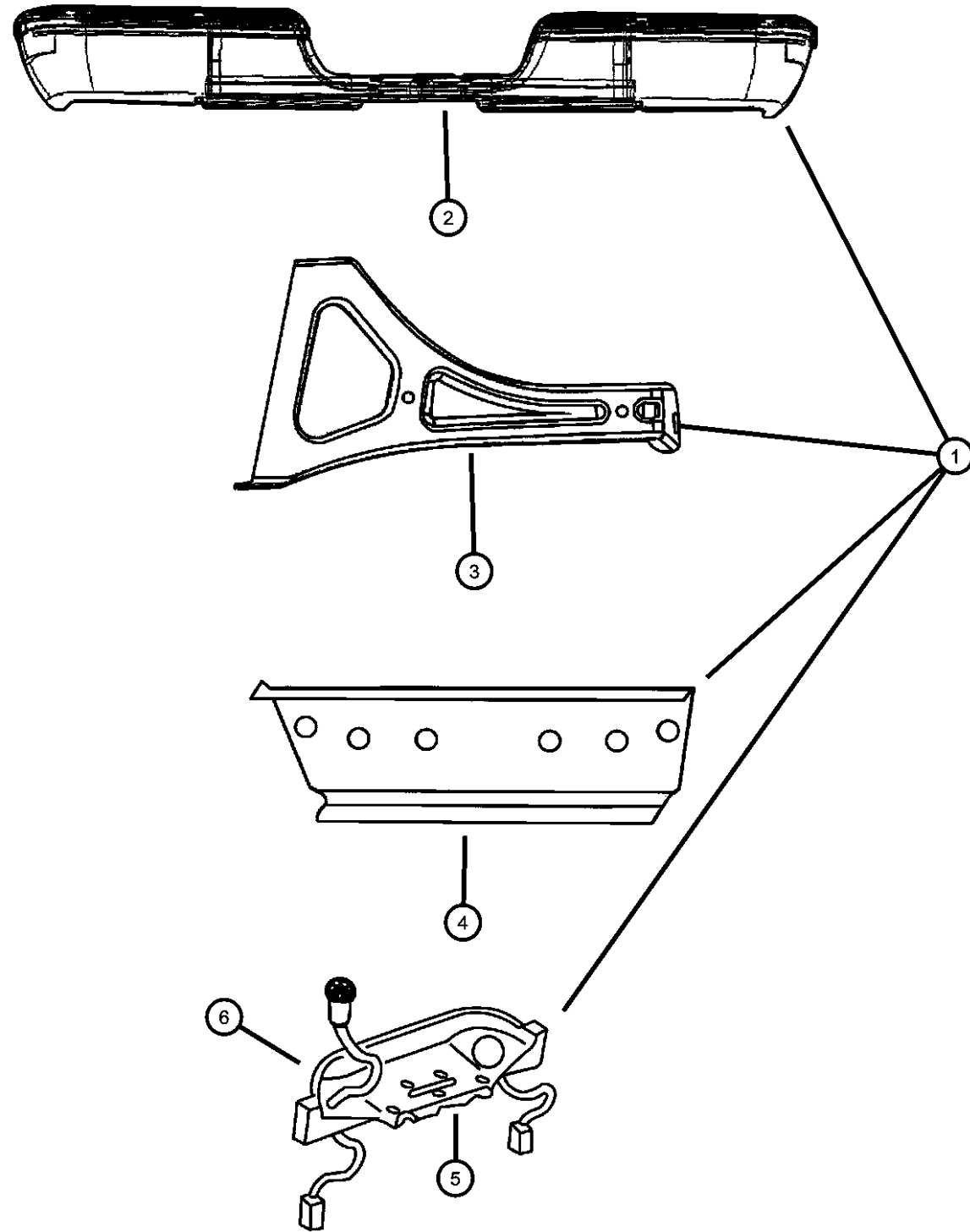
AR = use ase required - = Non illustrated part

2000 BE





Step Bumper  
Figure 1-410



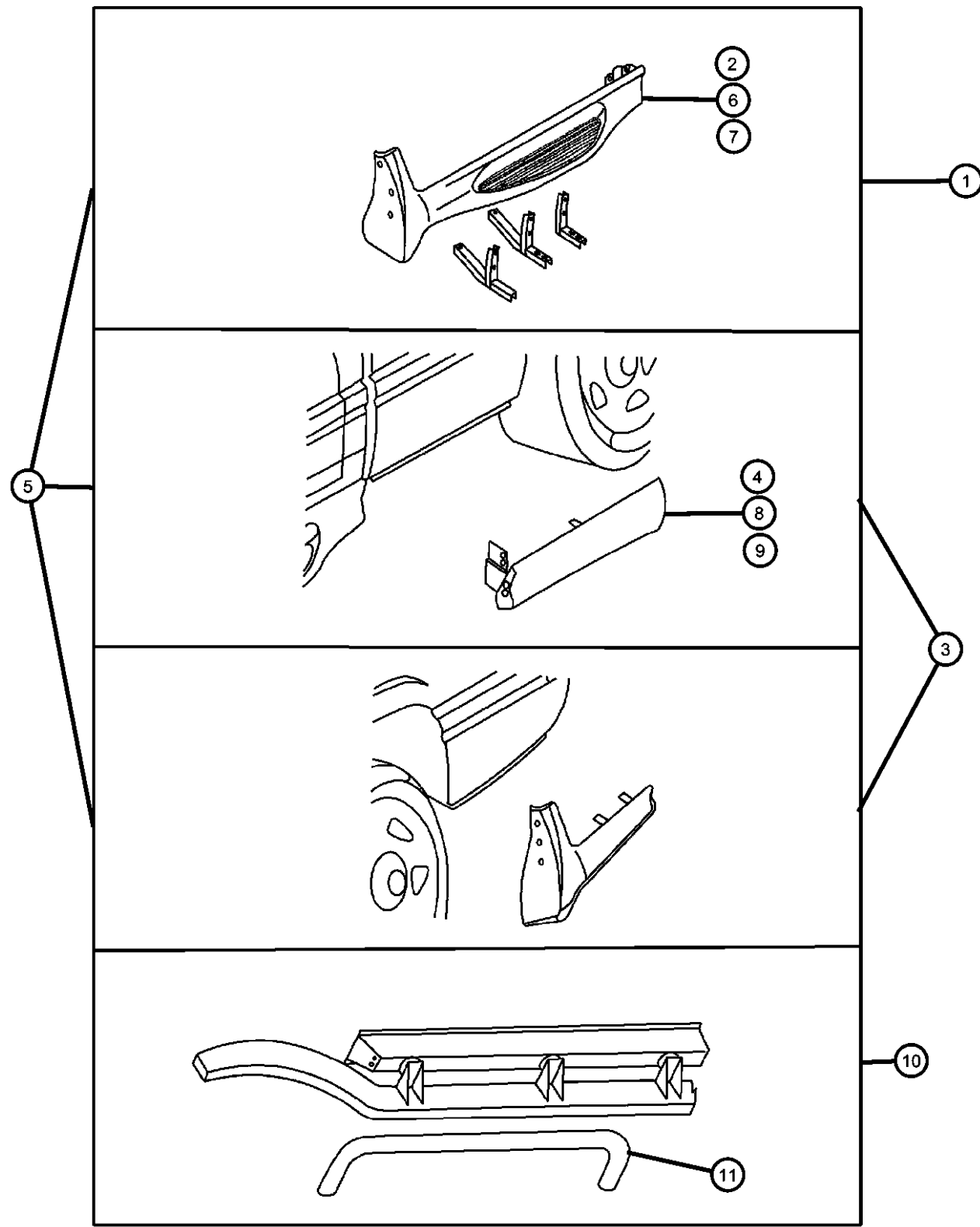
ITEM	PART NUMBER	QTY	LINE	SERIES	BODY	ENGINE	TRANS	TRIM	DESCRIPTION
1									BUMPER KIT, Step Rear
	82401315	1			31, 33, 34				Argent
	82401316	1			31, 33, 34				Bright
2									BUMPER, Rear
	55076634AE	1							Bright
	5FG80GW7AE	1							Painted P.A.R.
3									BRACKET, Rear Bumper Side
	55274868	1							Right
	55274869	1							Left
4	55274863	2							BRACKET, Rear Bumper
5	82401107	1			31, 33, 34				PANEL PACKAGE, License Plate With Light
6	55076850	1							PANEL, License Plate
-7	55054891	2							LENS, License Lamp
-8	L0000168	2							BULB, 168
-9	56018807	2							WIRING, Taillamp Socket
-10	06504394	4							BOLT AND RETAINER, M12X1.75X35.00
-11	06505099AA	8							NUT, Hex Flange Lock, M12x1.75
-12	06504122	2							BOLT, M12x1.75x35.00
-13	06100055	4							NUT AND WASHER, Hex Nut-Coned Washer, M12 x 1.75
-14	06504394	2							BOLT AND RETAINER, M12X1.75X35.00

RAM PICKUP/CLUB CAB (BE)

SERIES	LINE	BODY	ENGINE	TRANSMISSION
L = Ram Truck (All)	3 = HD DODGE 2WD	31 = CLUB CAB 2-DR 6.5 FT BOX	ELF = ENGINE - 5.2L V8 MPI	DDC = TRANSMISSION - 5-SPEED HD MANUAL
	8 = HD DODGE 4WD	32 = CLUB CAB 2-DR 8FT BOX	EML = ENGINE - 5.9L V8 MPI	DDP = TRANSMISSION - 5-SPEED MANUAL
	1 = Lt. Duty DODGE 2WD	33 = QUAD CAB 4-DR 6.5 FT BOX	EMM = ENGINE - "MAGNUM" 5.9L SMPI V8	DDX = TRANSMISSION - 5-SPEED HD MANUAL
	6 = Lt. Duty DODGE 4WD	34 = QUAD CAB 4-DR 8FT BOX	ETC = ENGINE- 5.9L CUMMINS 24V DIESEL	DEE = TRANSMISSION - 6-SPEED HD MANUAL
	2 = Med. Duty DODGE 2WD		ETH = ENGINE- 5.9L HO CUMMINS TURBO DIESEL	DGP = TRANSMISSION - 4-SPD. AUTOMATIC,47RE
	7 = Med. Duty DODGE 4WD		EWA = ENGINE - 8.0L V10 MPI	DGT = TRANSMISSION - 4-SPD. AUTOMATIC,46RE

AR = use ase required - = Non illustrated part

Step Kit  
Figure 1-420



ITEM	PART NUMBER	QTY	LINE	SERIES	BODY	ENGINE	TRANS	TRIM	DESCRIPTION
------	-------------	-----	------	--------	------	--------	-------	------	-------------

NOTE: P.A.R. = Paint as Required

1	82205110	1			33, 34				STEP KIT, Truck - Cab, Moulded with Ground Effects Solar Yellow - [VYH]
	82205149	1			31, 33, 34				Metalic Red - [PRF]
	82205150	1			31, 33, 34				White - [PW7]
	82205151	1			31, 33, 34				Driftwood - [PFA]
	82205152	1			31, 33, 34				Emerald Green - [PGF]
	82205153	1			31, 33, 34				Flame Red - [PR4]
	82205154	1			31, 33, 34				Black - [PX8]
	82205155	1			31, 33, 34				Forest Green - [SG8]
	82205156	1			31, 33, 34				Deep Amethyst - [TCU]
	82205157	1			31, 33, 34				Intense Blue - [SPG]
	82205751	1			31, 33, 34				Patriot Blue - [WBT/WB7]
	82205752	1			31, 33, 34				Dark Garnet Red - [XRV]
	82205753	1			31, 33, 34				Sierra Bronze - [XTL]
2	05017982AA	1			31, 33, 34				STEP KIT, Truck - Cab [P.A.R.], Replacement Board, Right
	05017983AA	1							[P.A.R.], Replacement Board, Left
3	82204242	1			31, 33				STEP KIT, Extension - Rear Flame Red - [PR4], 6.5 Foot Bed
	82204243	1	1, 2, 6, 7		32, 34				Flame Red - [PR4], 8 Foot Bed, without Dual Rear Wheels
	82204244	1			31, 33				Black - [PX8], 6.5 Foot Bed
	82204245	1			34				Black - [PX8], 8 Foot Bed, without Dual Rear Wheels
	82204246	1			31, 33				White [PW7], 6.5 Foot Bed
	82204247	1	1, 2, 6, 7		32, 34				White - [PW7], 8 Foot Bed, without Dual Rear Wheels
	82204250	1			31, 33				Driftwood [PFA ], 6.5 Foot Bed
	82204251	1	1, 2, 6, 7		34				Driftwood [PFA ], 8 Foot Bed, without Dual Rear Wheels

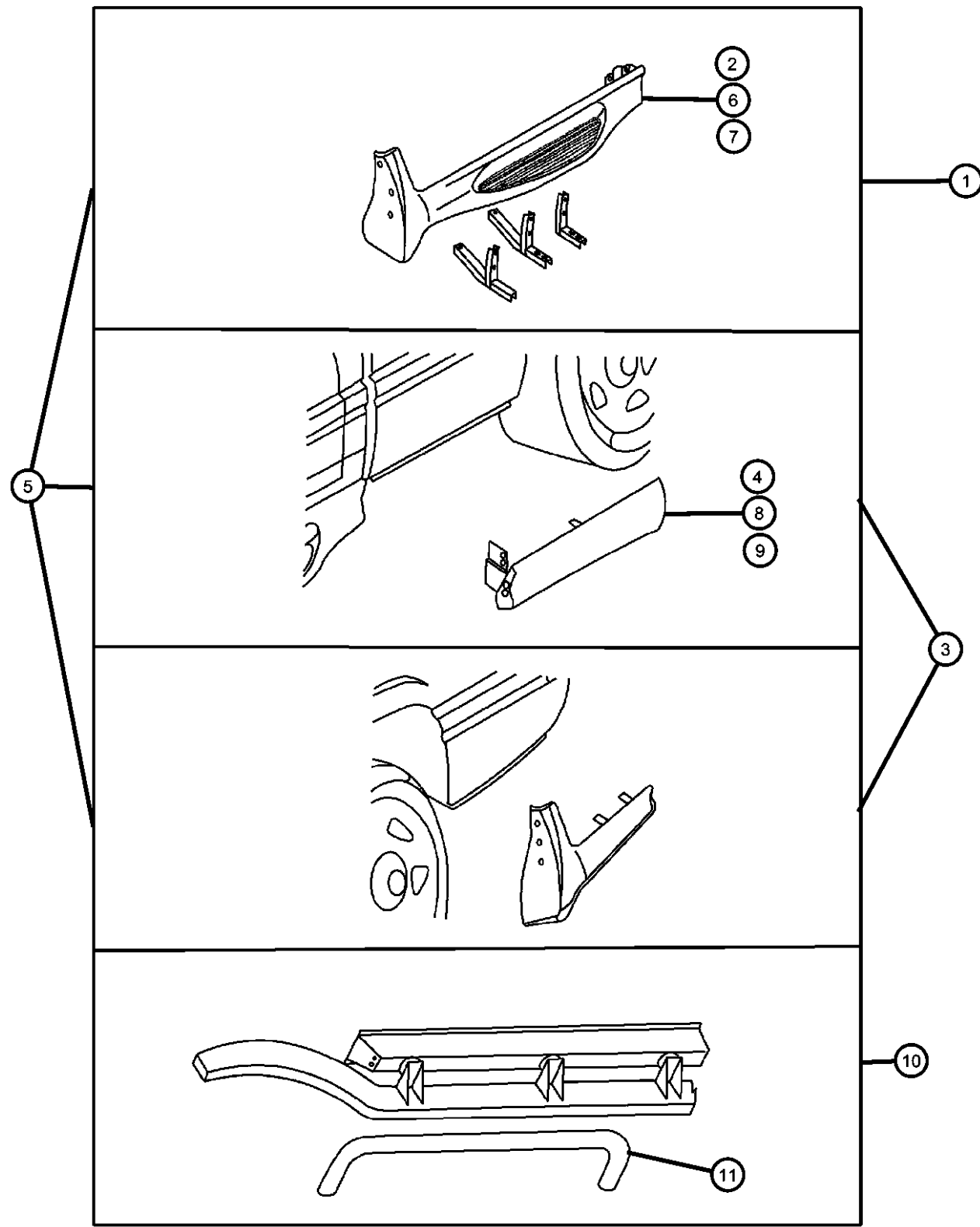
RAM PICKUP/CLUB CAB (BE)

SERIES	LINE	BODY	ENGINE	TRANSMISSION
L = Ram Truck (All)	3 = HD DODGE 2WD	31 = CLUB CAB 2-DR 6.5 FT BOX	ELF = ENGINE - 5.2L V8 MPI	DDC = TRANSMISSION - 5-SPEED HD MANUAL
	8 = HD DODGE 4WD	32 = CLUB CAB 2-DR 8FT BOX	EML = ENGINE - 5.9L V8 MPI	DDP = TRANSMISSION - 5-SPEED MANUAL
	1 = Lt. Duty DODGE 2WD	33 = QUAD CAB 4-DR 6.5 FT BOX	EMM = ENGINE - "MAGNUM" 5.9L SMPI V8	DDX = TRANSMISSION - 5-SPEED HD MANUAL
	6 = Lt. Duty DODGE 4WD	34 = QUAD CAB 4-DR 8FT BOX	ETC = ENGINE- 5.9L CUMMINS 24V DIESEL	DEE = TRANSMISSION - 6-SPEED HD MANUAL
	2 = Med. Duty DODGE 2WD		ETH = ENGINE- 5.9L HO CUMMINS TURBO DIESEL	DGP = TRANSMISSION - 4-SPD. AUTOMATIC, 47RE
	7 = Med. Duty DODGE 4WD		EWA = ENGINE - 8.0L V10 MPI	DGT = TRANSMISSION - 4-SPD. AUTOMATIC, 46RE

AR = use ase required - = Non illustrated part

2000 BE

Step Kit  
Figure 1-420



ITEM	PART NUMBER	QTY	LINE	SERIES	BODY	ENGINE	TRANS	TRIM	DESCRIPTION
	82204254	1							Metalic Red - [PRF], 6.5 Foot Bed
	82204255	1			34				Metalic Red - [PRF], 8 Foot Bed, without Dual Rear Wheels
	82204256	1			31, 33				Forest Green - [PG8], 6.5 Foot Bed
	82204257	1	1, 2, 6, 7		32, 34				Forest Green - [PG8], 8 Foot Bed, without Dual Rear Wheels
	82204258	1			31, 33				Deep Amethyst - [TCU], 6.5 Foot Bed
	82204259	1	1, 2, 6, 7		32, 34				Deep Amethyst - [TCU], 8 Foot Bed, without Dual Rear Wheels
	82204260	1			31, 33				Intense Blue - [SPG], 6.5 Foot Bed
	82204261	1			34				Intense Blue - [SPG], 8 Foot Bed, without Dual Rear Wheels
	82205111	1			31, 33				Solar Yellow - [VYH], 6.5 Foot Bed
	82205112	1			34				Solar Yellow - [VYH], 8 Foot Bed, without Dual Rear Wheels
	82205754	1			31, 33				Patriot Blue - [WBT/WB7], 6.5 Foot Bed
	82205755	1			31, 33				Dark Garnet Red - [XRV], 6.5 Foot Bed
	82205756	1			31, 33				Sierra Bronze - [XTL], 6.5 Foot Bed
	82205757	1			34				Patriot Blue - [WBT/WB7], 8 Foot Bed, without Dual Rear Wheels
	82205758	1			34				Dark Garnet Red - [XRV], 8 Foot Bed, without Dual Rear Wheels
	82205759	1			34				Sierra Bronze - [XTL], 8 Foot Bed, without Dual Rear Wheels
4									STEP KIT, Extension - Rear
	05017978AA	1			31, 33				[P.A.R.], 6.5 Foot Bed, Right
	05017979AA	1			31, 33				[P.A.R.], 6.5 Foot Bed, Left
	05017980AA	1			34				[P.A.R.], 8 Foot Bed, Right
	05017981AA	1			34				[P.A.R.], 8 Foot Bed, Left
5									STEP KIT, Truck - Full

RAM PICKUP/CLUB CAB (BE)

SERIES	LINE
L = Ram Truck (All)	3 = HD DODGE 2WD
	8 = HD DODGE 4WD
	1 = Lt. Duty DODGE 2WD
	6 = Lt. Duty DODGE 4WD
	2 = Med. Duty DODGE 2WD
	7 = Med. Duty DODGE 4WD

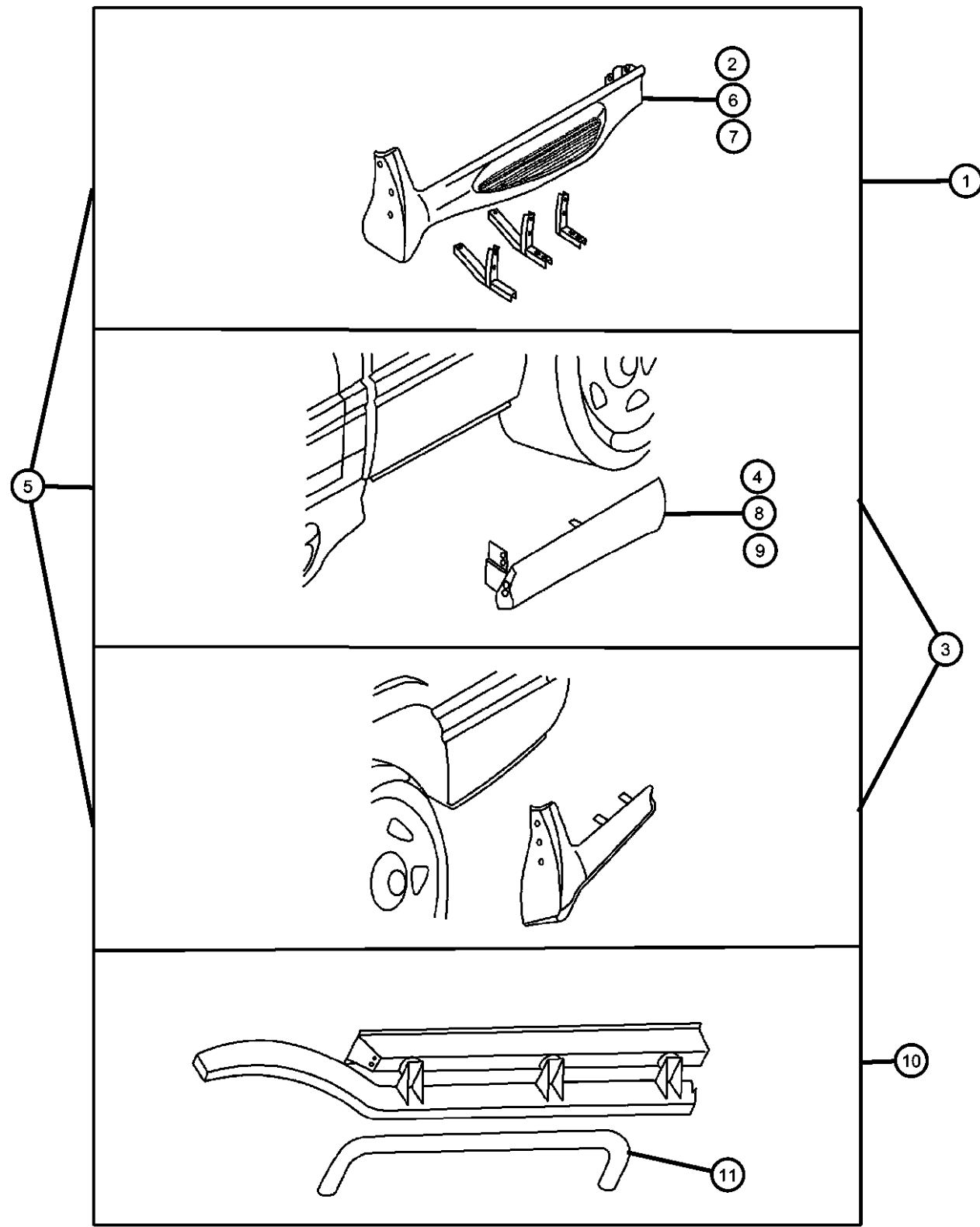
BODY
31 = CLUB CAB 2-DR 6.5 FT BOX
32 = CLUB CAB 2-DR 8FT BOX
33 = QUAD CAB 4-DR 6.5 FT BOX
34 = QUAD CAB 4-DR 8FT BOX

ENGINE
ELF = ENGINE - 5.2L V8 MPI
EML = ENGINE - 5.9L V8 MPI
EMM = ENGINE - "MAGNUM" 5.9L SMPI V8
ETC = ENGINE- 5.9L CUMMINS 24V DIESEL
ETH = ENGINE- 5.9L HO CUMMINS TURBO DIESEL
EWA = ENGINE - 8.0L V10 MPI

TRANSMISSION
DDC = TRANSMISSION - 5-SPEED HD MANUAL
DDP = TRANSMISSION - 5-SPEED MANUAL
DDX = TRANSMISSION - 5-SPEED HD MANUAL
DEE = TRANSMISSION - 6-SPEED HD MANUAL
DGP = TRANSMISSION - 4-SPD. AUTOMATIC, 47RE
DGT = TRANSMISSION - 4-SPD. AUTOMATIC, 46RE

AR = use ase required - = Non illustrated part

Step Kit  
Figure 1-420



ITEM	PART NUMBER	QTY	LINE	SERIES	BODY	ENGINE	TRANS	TRIM	DESCRIPTION
	82204287	1			31, 33				Forest Green - [SG8], 6.5 Foot Bed
	82204288	1			31, 33				Bright White - [GW7], 6.5 Foot Bed
	82204289	1			31, 33				Flame Red - [PR4], 6.5 Foot Bed
	82204290	1			31, 33				Metalic Red - [LRF], 6.5 Foot Bed
	82204291	1			31, 33				Black - [DX8], 6.5 Foot Bed
	82204292	1			31				Intense Blue - [VB3], 6.5 Bed
	82204538	1			31, 33				Driftwood - [RFA], 6.5 Foot Bed
	82204915	1			31, 33				Solar Yellow - [VYH], 6.5 Foot Bed
6	05018070AA	1			31, 33				STEP KIT, Right Side, [P.A.R.], Cab Side
7	05018071AA	1			31, 33				STEP KIT, Left Side, [P.A.R.], Cab Side
8	05018072AA	1			31, 33				STEP KIT, Right Side, [P.A.R.], Bed Side, 6.5 Foot Bed
9	05018073AA	1			31, 33				STEP KIT, Left Side, [P.A.R.], Bed Side, 6.5 Foot Bed
10									STEP KIT, Tubular Side
	82203927	1			31, 33, 34				Black Steel with Step Plate, Club Cab
	82203928	1			31, 33, 34				Black Anodized Aluminum with Step Plate, Club Cab
	82203929	1			31, 33, 34				Natural Anodized Aluminum with Step Plate, Club Cab
	82203930	1			31, 33, 34				Chromed Steel with Step Plate, Club Cab
11									STEP KIT, Tubular Side
	05018028AA	1							Black Steel with Step Plate, Club Cab, Right
	05018029AA	1							Black Steel with Step Plate, Club Cab, Left
	05018030AA	1							Black Anodized Aluminum with Step Plate, Club Cab, Right
	05018031AA	1							Black Anodized Aluminum with Step Plate, Club Cab, Left

RAM PICKUP/CLUB CAB (BE)

SERIES	LINE
L = Ram Truck (All)	3 = HD DODGE 2WD
	8 = HD DODGE 4WD
	1 = Lt. Duty DODGE 2WD
	6 = Lt. Duty DODGE 4WD
	2 = Med. Duty DODGE 2WD
	7 = Med. Duty DODGE 4WD

BODY
31 = CLUB CAB 2-DR 6.5 FT BOX
32 = CLUB CAB 2-DR 8FT BOX
33 = QUAD CAB 4-DR 6.5 FT BOX
34 = QUAD CAB 4-DR 8FT BOX

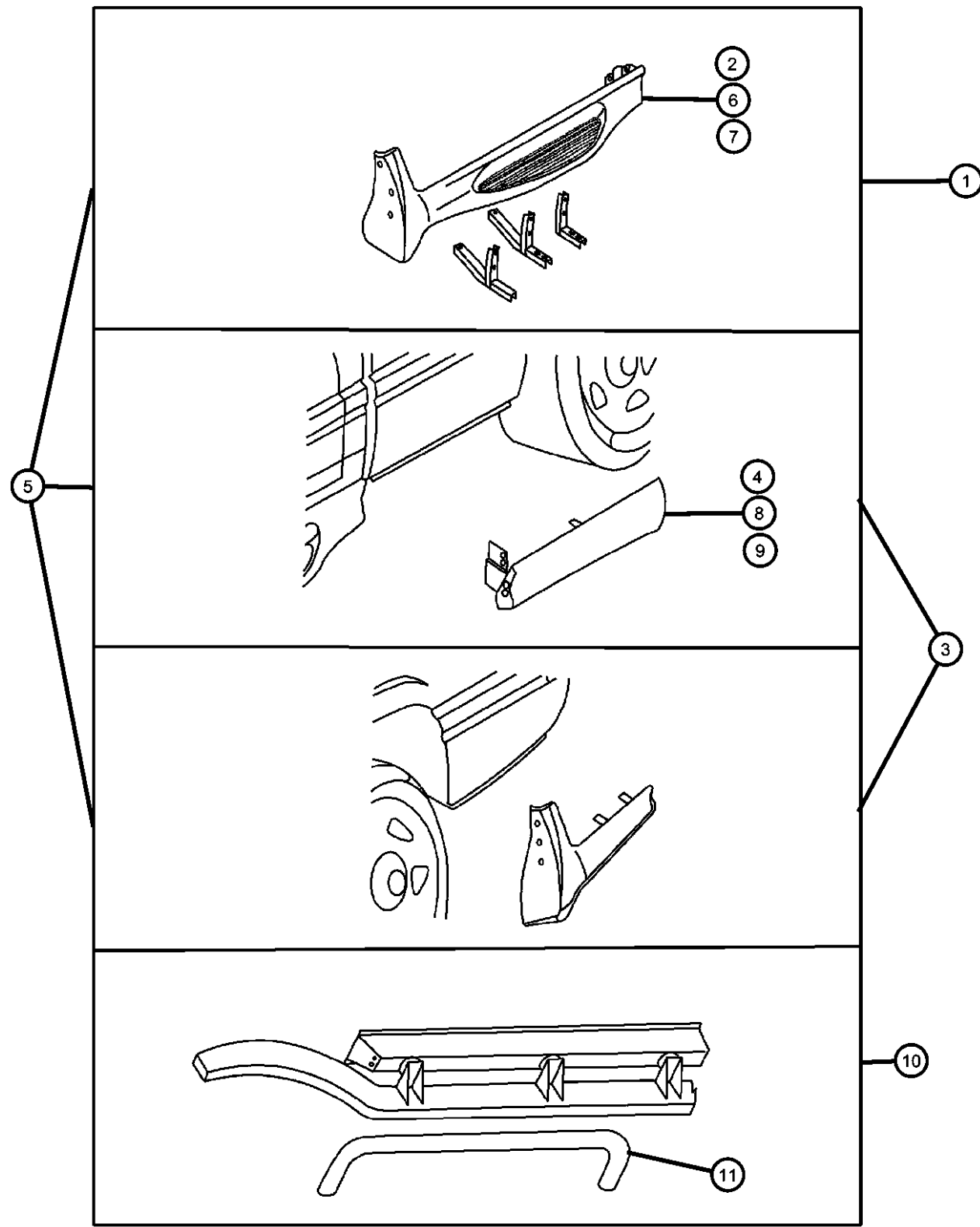
ENGINE
ELF = ENGINE - 5.2L V8 MPI
EML = ENGINE - 5.9L V8 MPI
EMM = ENGINE - "MAGNUM" 5.9L SMPI V8
ETC = ENGINE- 5.9L CUMMINS 24V DIESEL
ETH = ENGINE- 5.9L HO CUMMINS TURBO DIESEL
EWA = ENGINE - 8.0L V10 MPI

TRANSMISSION
DDC = TRANSMISSION - 5-SPEED HD MANUAL
DDP = TRANSMISSION - 5-SPEED MANUAL
DDX = TRANSMISSION - 5-SPEED HD MANUAL
DEE = TRANSMISSION - 6-SPEED HD MANUAL
DGP = TRANSMISSION - 4-SPD. AUTOMATIC, 47RE
DGT = TRANSMISSION - 4-SPD. AUTOMATIC, 46RE

AR = use ase required - = Non illustrated part

2000 BE

Step Kit  
Figure 1-420



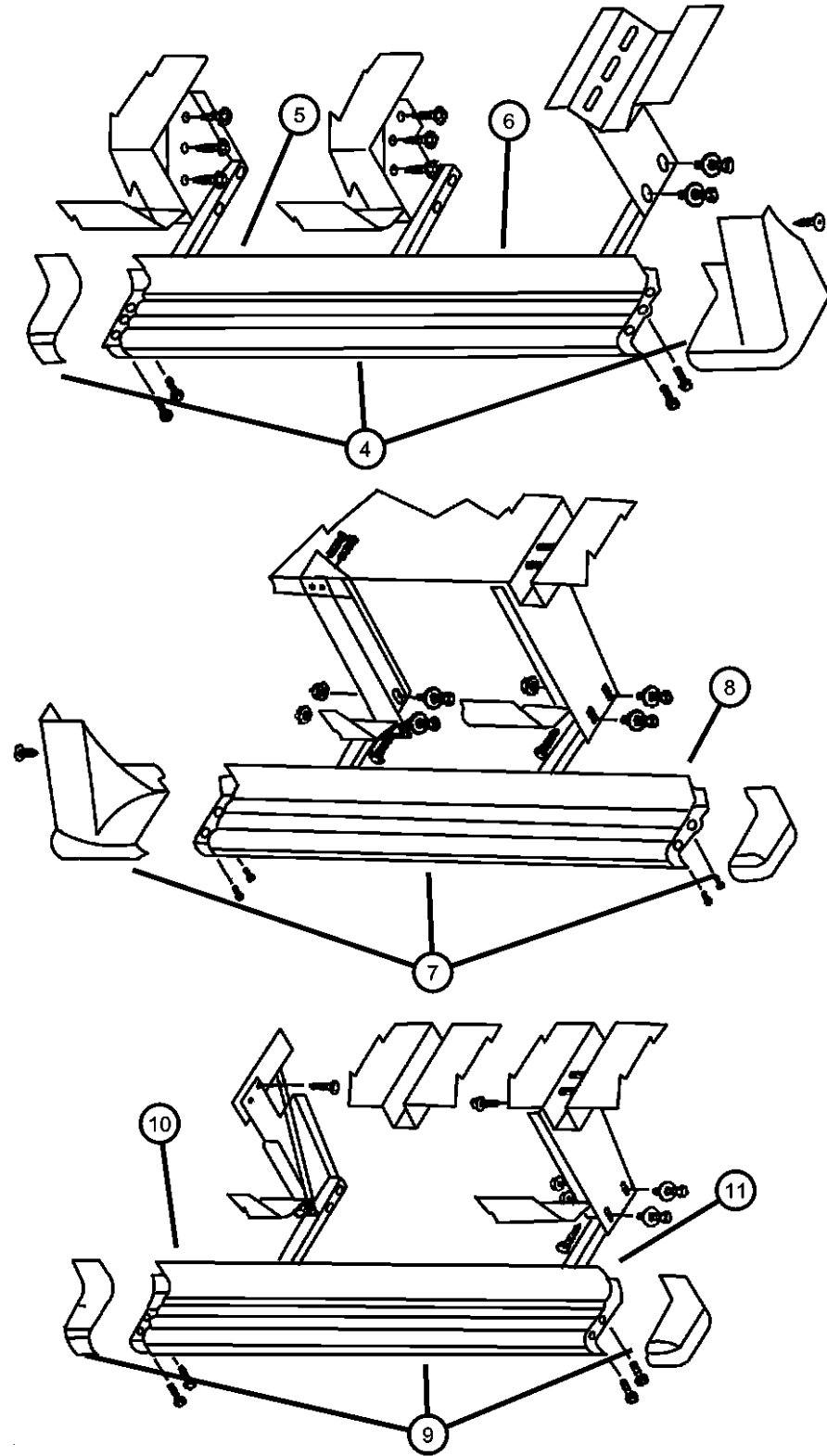
ITEM	PART NUMBER	QTY	LINE	SERIES	BODY	ENGINE	TRANS	TRIM	DESCRIPTION
	05018032AA	1							Natural Anodized Aluminum with Step Plate, Club Cab, Right
	05018033AA	1							Natural Anodized Aluminum with Step Plate, Club Cab, Left
	05018034AA	1							Chromed Steel with Step Plate, Club Cab, Right
	05018035AA	1							Chromed Steel with Step Plate, Club Cab, Left

RAM PICKUP/CLUB CAB (BE)

SERIES	LINE	BODY	ENGINE	TRANSMISSION
L = Ram Truck (All)	3 = HD DODGE 2WD	31 = CLUB CAB 2-DR 6.5 FT BOX	ELF = ENGINE - 5.2L V8 MPI	DDC = TRANSMISSION - 5-SPEED HD MANUAL
	8 = HD DODGE 4WD	32 = CLUB CAB 2-DR 8FT BOX	EML = ENGINE - 5.9L V8 MPI	DDP = TRANSMISSION - 5-SPEED MANUAL
	1 = Lt. Duty DODGE 2WD	33 = QUAD CAB 4-DR 6.5 FT BOX	EMM = ENGINE - "MAGNUM" 5.9L SMPI V8	DDX = TRANSMISSION - 5-SPEED HD MANUAL
	6 = Lt. Duty DODGE 4WD	34 = QUAD CAB 4-DR 8FT BOX	ETC = ENGINE- 5.9L CUMMINS 24V DIESEL	DEE = TRANSMISSION - 6-SPEED HD MANUAL
	2 = Med. Duty DODGE 2WD		ETH = ENGINE- 5.9L HO CUMMINS TURBO DIESEL	DGP = TRANSMISSION - 4-SPD. AUTOMATIC,47RE
	7 = Med. Duty DODGE 4WD		EWA = ENGINE - 8.0L V10 MPI	DGT = TRANSMISSION - 4-SPD. AUTOMATIC,46RE

AR = use ase required - = Non illustrated part

Running Board  
Figure 1-430



ITEM	PART NUMBER	QTY	LINE	SERIES	BODY	ENGINE	TRANS	TRIM	DESCRIPTION
------	-------------	-----	------	--------	------	--------	-------	------	-------------

NOTE: P.A.R.= Paint As Required.

-1

	82202469	1			31, 33				RUNNING BOARD KIT, Full Flat Black, 6.5 Foot Bed, with Rear Splash Gaurds
	82202470	1	3, 8		34				Flat Black, 6.5 Foot Bed, with Rear Splash Gaurds, with Dual Rear Wheels
	82202471	1			34				Flat Black, 8 Foot Bed, with Rear Splash Gaurd, without Dual Rear Wheels
	82202495	1	1, 6		31				Flat Black, 6.5 Foot Bed, without Rear Splash Gaurds
	82203040	1			31, 33				Bright White [GW7], 6.5 Foot Bed
	82203042	1			34				Bright White [GW7], 8 Foot Bed, without Dual Rear Wheels
	82203044	1			31, 33				Flame Red [PR4], 6.5 Foot Bed
	82203046	1			34				Flame Red [PR4], 8 Foot Bed, without Dual Rear Wheels
	82203048	1			31, 33				Black [PX8], 6.5 Foot Bed
	82203050	1			34				Black [PX8], 8 Foot Bed, without Dual Rear Wheels
	82203052	1			31, 33				Emerald Green [PGF], 6.5 Foot Bed
	82203054	1			34				Emerald Green [PGF], 8 Foot Bed, without Dual Rear Wheels
	82203060	1			31, 33				Light Driftwood [MFA], 6.5 Foot Bed
	82203062	1			34				Light Driftwood [MFA], 8 Foot Bed, without Dual Rear Wheels
	82203297	1			31, 33				Metalic Red [LRF], 6.5 Foot Bed
	82203299	1			34				Metalic Red [LRF], 8 Foot Bed, without Dual Rear Wheels
	82203313	1			31, 33				Chestnut [TU3], 6.5 Foot Bed
	82203315	1			34				Chestnut [TU3], 8 Foot Bed, without Dual Rear Wheels
	82203933	1			31, 33				Forest Green [SG8], 6.5 Foot Bed
	82203934	1			34				Forest Green [SG8], 8 Foot Bed, without Dual Rear Wheels

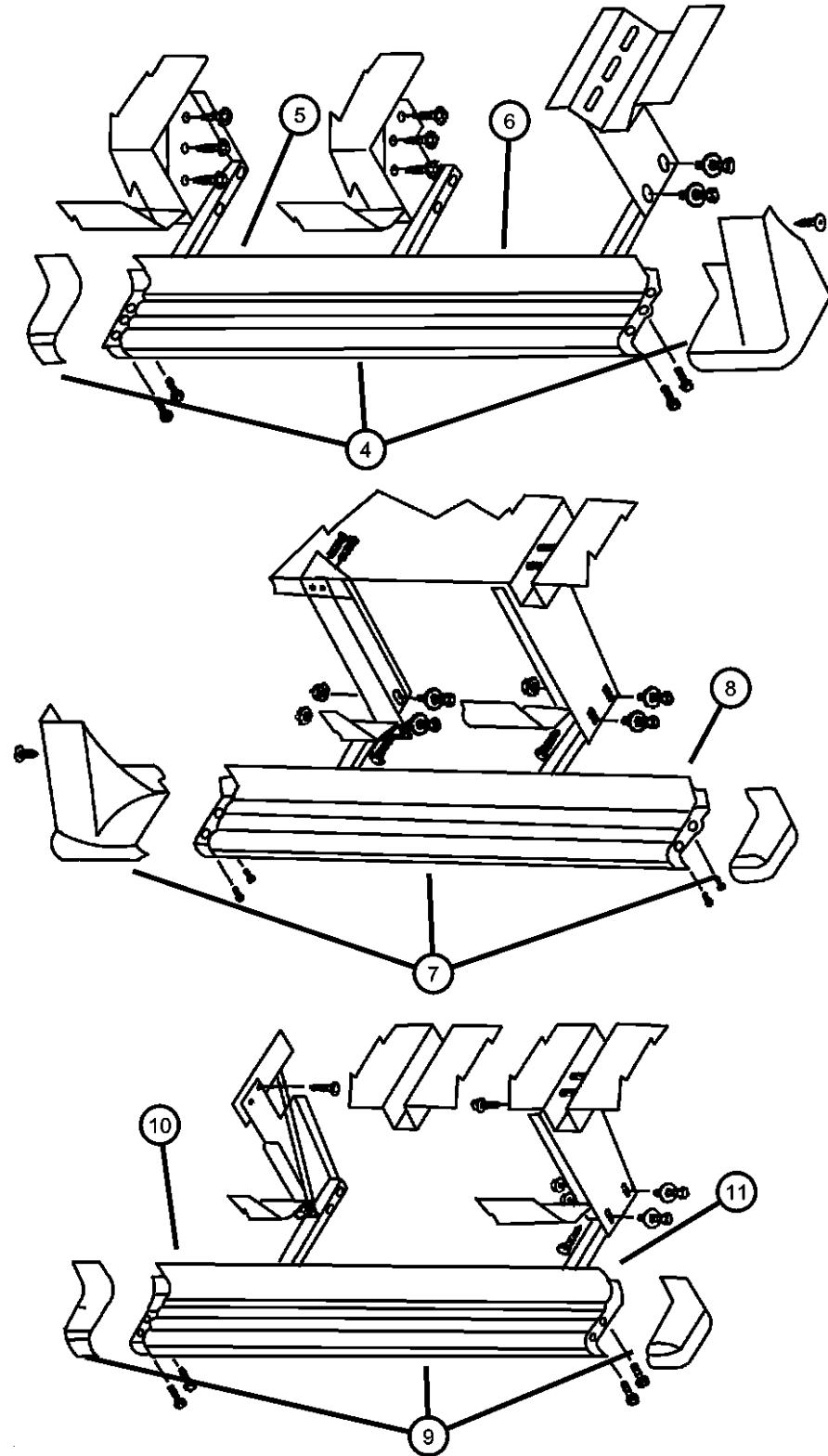
RAM PICKUP/CLUB CAB (BE)

SERIES	LINE	BODY	ENGINE	TRANSMISSION
L = Ram Truck (All)	3 = HD DODGE 2WD	31 = CLUB CAB 2-DR 6.5 FT BOX	ELF = ENGINE - 5.2L V8 MPI	DDC = TRANSMISSION - 5-SPEED HD MANUAL
	8 = HD DODGE 4WD	32 = CLUB CAB 2-DR 8FT BOX	EML = ENGINE - 5.9L V8 MPI	DDP = TRANSMISSION - 5-SPEED MANUAL
	1 = Lt. Duty DODGE 2WD	33 = QUAD CAB 4-DR 6.5 FT BOX	EMM = ENGINE - "MAGNUM" 5.9L SMPI V8	DDX = TRANSMISSION - 5-SPEED HD MANUAL
	6 = Lt. Duty DODGE 4WD	34 = QUAD CAB 4-DR 8FT BOX	ETC = ENGINE- 5.9L CUMMINS 24V DIESEL	DEE = TRANSMISSION - 6-SPEED HD MANUAL
	2 = Med. Duty DODGE 2WD		ETH = ENGINE- 5.9L HO CUMMINS TURBO DIESEL	DGP = TRANSMISSION - 4-SPD. AUTOMATIC, 47RE
	7 = Med. Duty DODGE 4WD		EWA = ENGINE - 8.0L V10 MPI	DGT = TRANSMISSION - 4-SPD. AUTOMATIC, 46RE

AR = use ase required - = Non illustrated part

2000 BE

Running Board  
Figure 1-430



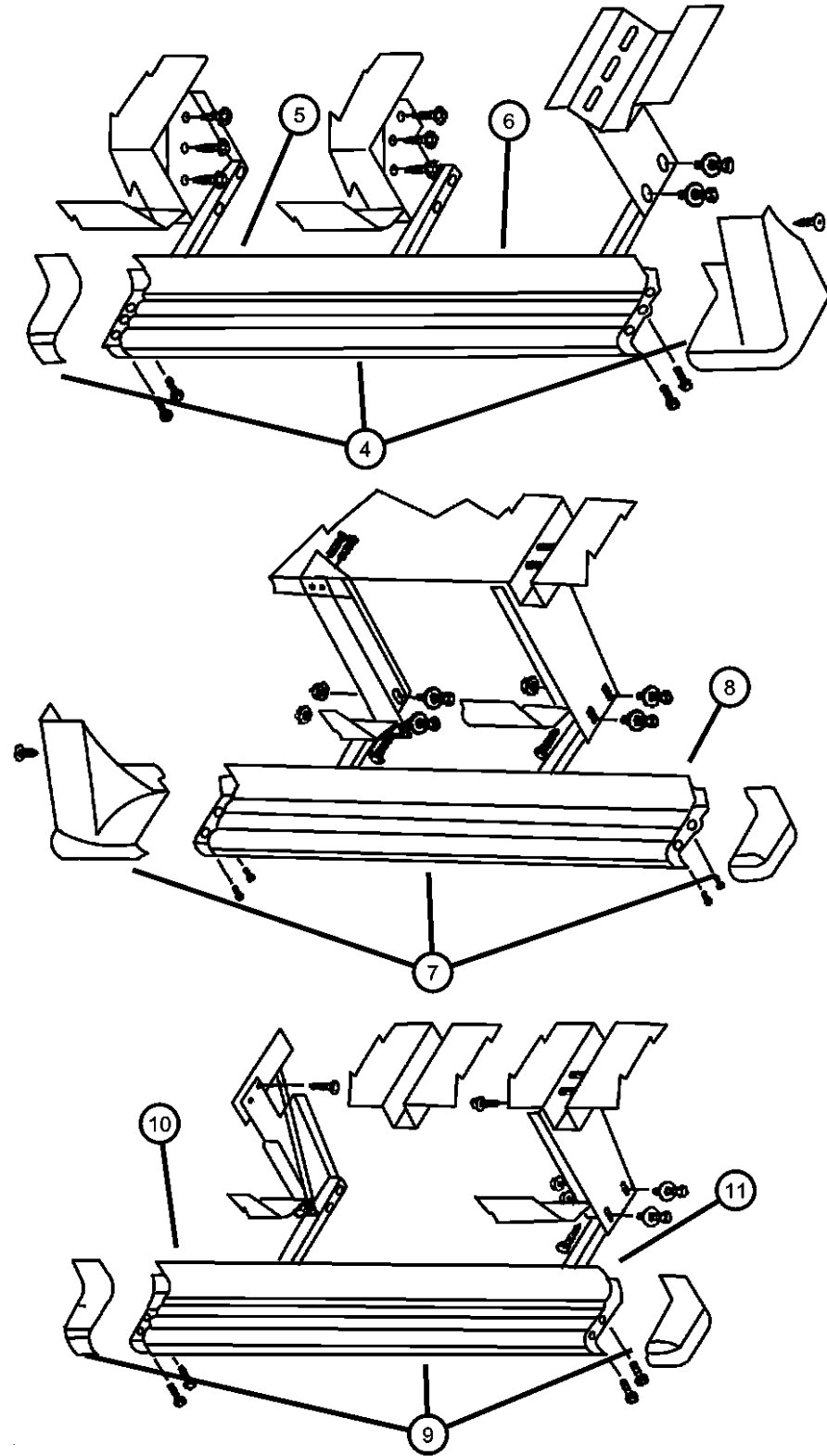
ITEM	PART NUMBER	QTY	LINE	SERIES	BODY	ENGINE	TRANS	TRIM	DESCRIPTION
	82203937	1			31, 33				Deep Amethyst [TCU], 6.5 Foot Bed
	82203938	1			34				Deep Amethyst [TCU], 8 Foot Bed, without Dual Wheels
	82203941	1			31, 33				Intense Blue [SPG], 6.5 Foot Bed
	82203942	1			34				Intense Blue [SPG], 8 Foot Bed, without Dual Rear Wheels
	82204913	1			31, 33				Solar Yellow [VYH], 6.5 Foot Bed
-2									RUNNING BOARD, Right Side
	05017898AA	1			31, 33				[P.A.R.], Bed Section, 6.5 Foot Bed
	05017900AA	1			31, 33				[P.A.R.], Cab Section, 6.5 Foot Bed
	05017902AA	1			31, 33				[P.A.R.], Bed Section, 6.5 Foot Bed
	05017914AA	1			34				[P.A.R.], Cab Section, 8 Foot Bed
	05017916AA	1			34				[P.A.R.], Bed Section, 8 Foot Bed
	05017936AA	1			31, 33, 34				[P.A.R.], Cab Section, 6.5 Foot Bed
	05017938AA	1			31, 33, 34				[P.A.R.], Bed Section, 6.5 Foot Bed
	05017950AA	1			31, 33				[P.A.R.], Cab Section, 8 Foot Bed
	05017952AA	1			31, 33				[P.A.R.], Bed Section, 8 Foot Bed
-3									RUNNING BOARD, Left Side
	05017899AA	1			31, 33				[P.A.R.], Bed Section, 6.5 Foot Bed
	05017901AA	1			31, 33				[P.A.R.], Cab Section, 6.5 Foot Bed
		1			31, 33				[P.A.R.], Bed Section, 6.5 Foot Bed
	05017915AA	1			34				[P.A.R.], Cab Section, 8 Foot Bed
	05017917AA	1			34				[P.A.R.], Bed Section, 8 Foot Bed
	05017937AA	1			31, 33, 34				[P.A.R.], Cab Section, 6.5 Foot Bed
	05017939AA	1			31, 33, 34				[P.A.R.], Bed Section, 6.5 Foot Bed
	05017951AA	1			31, 33				[P.A.R.], Cab Section, 8 Foot Bed

RAM PICKUP/CLUB CAB (BE)

SERIES	LINE	BODY	ENGINE	TRANSMISSION
L = Ram Truck (All)	3 = HD DODGE 2WD	31 = CLUB CAB 2-DR 6.5 FT BOX	ELF = ENGINE - 5.2L V8 MPI	DDC = TRANSMISSION - 5-SPEED HD MANUAL
	8 = HD DODGE 4WD	32 = CLUB CAB 2-DR 8FT BOX	EML = ENGINE - 5.9L V8 MPI	DDP = TRANSMISSION - 5-SPEED MANUAL
	1 = Lt. Duty DODGE 2WD	33 = QUAD CAB 4-DR 6.5 FT BOX	EMM = ENGINE - "MAGNUM" 5.9L SMPI V8	DDX = TRANSMISSION - 5-SPEED HD MANUAL
	6 = Lt. Duty DODGE 4WD	34 = QUAD CAB 4-DR 8FT BOX	ETC = ENGINE- 5.9L CUMMINS 24V DIESEL	DEE = TRANSMISSION - 6-SPEED HD MANUAL
	2 = Med. Duty DODGE 2WD		ETH = ENGINE- 5.9L HO CUMMINS TURBO DIESEL	DGP = TRANSMISSION - 4-SPD. AUTOMATIC, 47RE
	7 = Med. Duty DODGE 4WD		EWA = ENGINE - 8.0L V10 MPI	DGT = TRANSMISSION - 4-SPD. AUTOMATIC, 46RE

AR = use ase required - = Non illustrated part

Running Board  
Figure 1-430



ITEM	PART NUMBER	QTY	LINE	SERIES	BODY	ENGINE	TRANS	TRIM	DESCRIPTION
	05017953AA	1			31, 33				[P.A.R.], Bed Section, 8 Foot Bed
4	82202465	1			31				RUNNING BOARD KIT, Cab, Black
5	05017936AA	1			31, 33, 34				RUNNING BOARD, Right Side, Cab, Black
6	05017937AA	1			31, 33, 34				RUNNING BOARD, Left Side, Cab, Black
7	82202490	1							RUNNING BOARD KIT, Cab, Aluminum Diamond Plate, Club Cab
8									RUNNING BOARD, Left Side
	05018016AA	1							Right
	05018017AA	1							Left
9									RUNNING BOARD KIT, Bed
	82202473	1	1, 2, 6, 7		31, 33				Black, 6.5 Foot Box, with Rear Splash Guard
	82202474	1			34				Black, 8 Foot Box, without Rear Splash Guard
10									RUNNING BOARD, Right Side
	05017934AA	1	1, 2, 6, 7		31, 33				Black, 6.5 Foot Box, with Rear Splash Guard
	05017948AA	1			34				Black, 8 Foot Box, without Rear Splash Guard
11									RUNNING BOARD, Left Side
	05017935AA	1	1, 2, 6, 7		31, 33				Black, 6.5 Foot Box, with Rear Splash Guard
	05017949AA	1			34				Black, 8 Foot Box, without Rear Splash Guard

RAM PICKUP/CLUB CAB (BE)

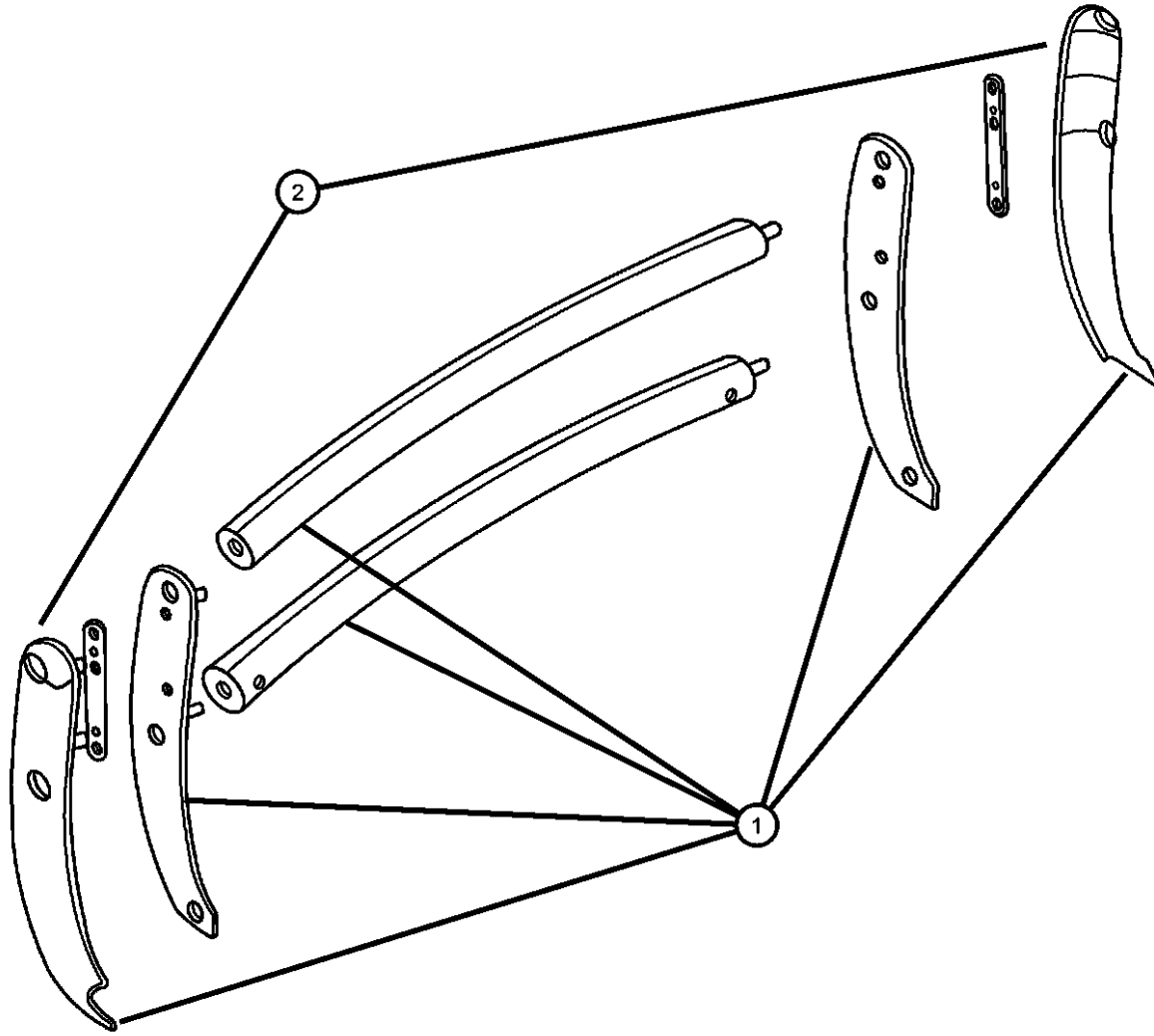
SERIES	LINE	BODY	ENGINE	TRANSMISSION
L = Ram Truck (All)	3 = HD DODGE 2WD	31 = CLUB CAB 2-DR 6.5 FT BOX	ELF = ENGINE - 5.2L V8 MPI	DDC = TRANSMISSION - 5-SPEED HD MANUAL
	8 = HD DODGE 4WD	32 = CLUB CAB 2-DR 8FT BOX	EML = ENGINE - 5.9L V8 MPI	DDP = TRANSMISSION - 5-SPEED MANUAL
	1 = Lt. Duty DODGE 2WD	33 = QUAD CAB 4-DR 6.5 FT BOX	EMM = ENGINE - "MAGNUM" 5.9L SMPI V8	DDX = TRANSMISSION - 5-SPEED HD MANUAL
	6 = Lt. Duty DODGE 4WD	34 = QUAD CAB 4-DR 8FT BOX	ETC = ENGINE- 5.9L CUMMINS 24V DIESEL	DEE = TRANSMISSION - 6-SPEED HD MANUAL
	2 = Med. Duty DODGE 2WD		ETH = ENGINE- 5.9L HO CUMMINS TURBO DIESEL	DGP = TRANSMISSION - 4-SPD. AUTOMATIC, 47RE
	7 = Med. Duty DODGE 4WD		EWA = ENGINE - 8.0L V10 MPI	DGT = TRANSMISSION - 4-SPD. AUTOMATIC, 46RE

AR = use ase required - = Non illustrated part



**Grille Gaurd  
Figure 1-440**

ITEM	PART NUMBER	QTY	LINE	SERIES	BODY	ENGINE	TRANS	TRIM	DESCRIPTION
1									GUARD KIT, Grille
	82202692	1			31, 33, 34				Steel Chrome
	82202853	1							Steel Black Painted
	82202854	1							Aluminum Silver
	82202855	1							Aluminum Black
2									COVER, Grille Guard Side
	04778110	1			31, 33, 34				Right
	04778111	1			31, 33, 34				Left



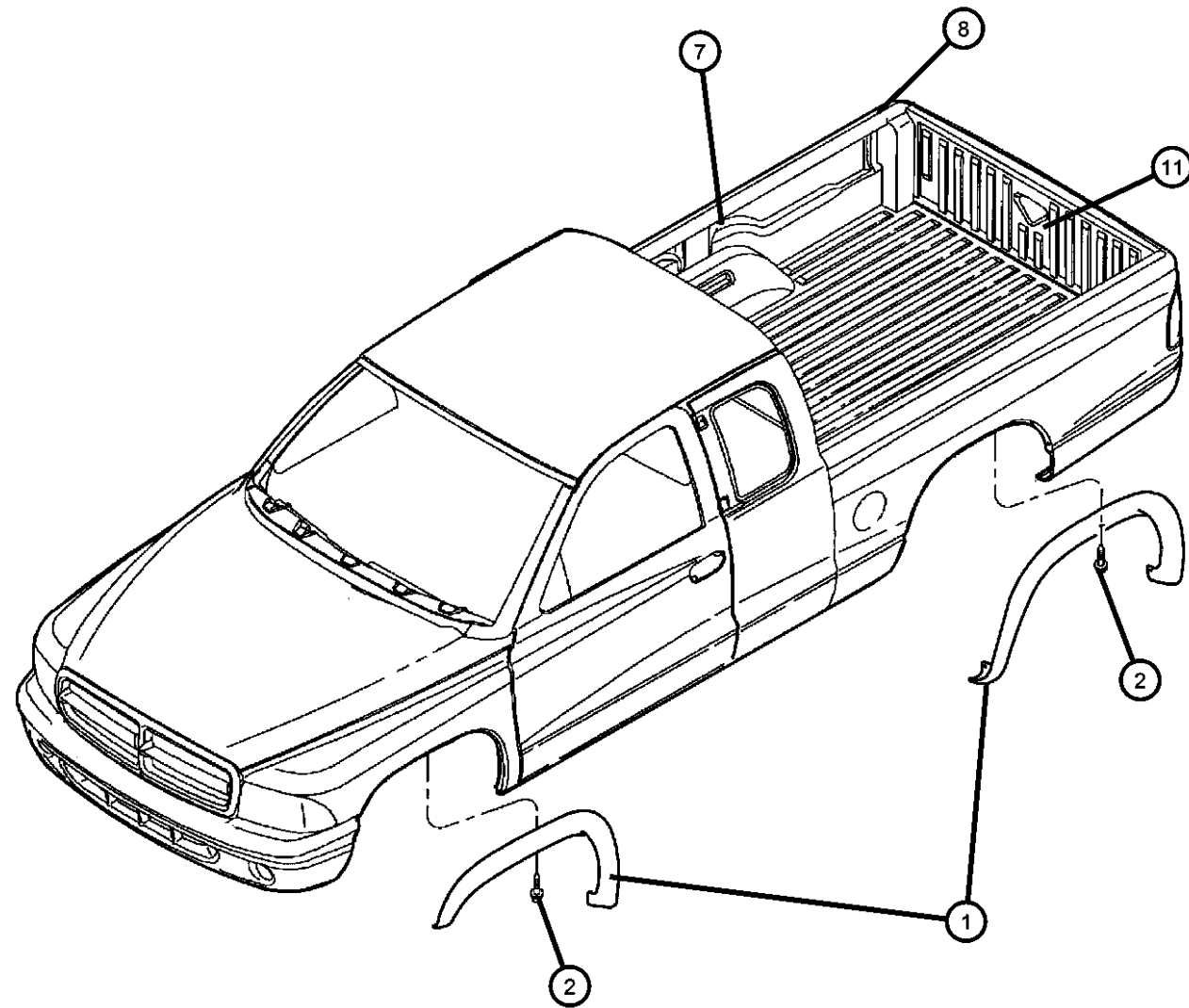
**RAM PICKUP/CLUB CAB (BE)**

SERIES	LINE	BODY	ENGINE	TRANSMISSION
L = Ram Truck (All)	3 = HD DODGE 2WD 8 = HD DODGE 4WD 1 = Lt. Duty DODGE 2WD 6 = Lt. Duty DODGE 4WD 2 = Med. Duty DODGE 2WD 7 = Med. Duty DODGE 4WD	31 = CLUB CAB 2-DR 6.5 FT BOX 32 = CLUB CAB 2-DR 8FT BOX 33 = QUAD CAB 4-DR 6.5 FT BOX 34 = QUAD CAB 4-DR 8FT BOX	ELF = ENGINE - 5.2L V8 MPI EML = ENGINE - 5.9L V8 MPI EMM = ENGINE - "MAGNUM" 5.9L SMPI V8 ETC = ENGINE- 5.9L CUMMINS 24V DIESEL ETH = ENGINE- 5.9L HO CUMMINS TURBO DIESEL EWA = ENGINE - 8.0L V10 MPI	DDC = TRANSMISSION - 5-SPEED HD MANUAL DDP = TRANSMISSION - 5-SPEED MANUAL DDX = TRANSMISSION - 5-SPEED HD MANUAL DEE = TRANSMISSION - 6-SPEED HD MANUAL DGP = TRANSMISSION - 4-SPD. AUTOMATIC,47RE DGT = TRANSMISSION - 4-SPD. AUTOMATIC,46RE

AR = use ase required - = Non illustrated part

2000 BE

Molding Kit  
Figure 1-510



ITEM	PART NUMBER	QTY	LINE	SERIES	BODY	ENGINE	TRANS	TRIM	DESCRIPTION
1									MOLDING KIT, Wheel Lip Opening
	82204931	1			31, 33, 34				Bright White PW7
	82204932	1			31, 33, 34				Flame Red PR4
	82204933	1			31, 33, 34				Black PX8
	82204934	1			31, 33, 34				Solar Yellow PYH
	82204937	1			31, 33, 34				Forest Green PG8
	82204938	1			31, 33, 34				Intense Blue PB3
	82204939	1			31, 33, 34				Moled Black (can be painted)
	82205338	1			31, 33, 34				Light Driftwood PFA
2	82205338	1							SCREW, (NOT SERVICED),
-3	05017966AA	1			31, 33, 34				MOLDING KIT, Wheel Lip Opening, [P.A.R.], Replacement, Right Front
-4	05017967AA	1			31, 33, 34				MOLDING KIT, Wheel Lip Opening, [P.A.R.], Replacement, Left Front
-5	05017968AA	1			31, 33, 34				MOLDING KIT, Wheel Lip Opening, [P.A.R.], Replacement, Right Rear
-6	05017969AA	1			31, 33, 34				MOLDING KIT, Wheel Lip Opening, [P.A.R.], Replacement, Left Rear
7									BEDLINER KIT, Under Rail
	82203890	1			31, 33				6.5' Bed
	82203891	1			34				8' Bed
	82205008	1			31, 33				6.5' Bed Heavy Duty
	82205009	1			34				8' Bed Heavy Duty
8									BEDLINER KIT, Over Rail
	82203892	1			31, 33				6.5' Bed
	82203893	1			34				8' Bed
-9	05011297AA	1							INSTALL KIT, Bedliner - Under Rail
-10	05011298AA	1							INSTALL KIT, Bedliner - Over Rail
11	82205217	1			31, 33, 34				COVER KIT, Tailgate-Molded

RAM PICKUP/CLUB CAB (BE)

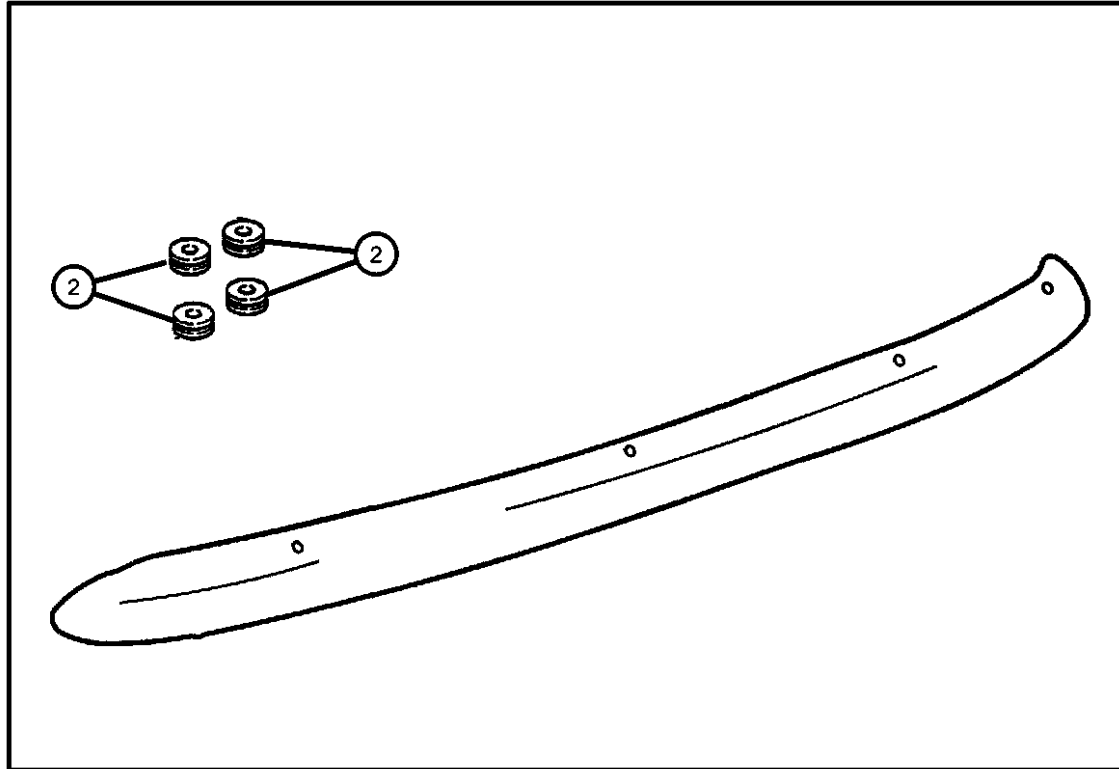
SERIES	LINE	BODY	ENGINE	TRANSMISSION
L = Ram Truck (All)	3 = HD DODGE 2WD	31 = CLUB CAB 2-DR 6.5 FT BOX	ELF = ENGINE - 5.2L V8 MPI	DDC = TRANSMISSION - 5-SPEED HD MANUAL
	8 = HD DODGE 4WD	32 = CLUB CAB 2-DR 8FT BOX	EML = ENGINE - 5.9L V8 MPI	DDP = TRANSMISSION - 5-SPEED MANUAL
	1 = Lt. Duty DODGE 2WD	33 = QUAD CAB 4-DR 6.5 FT BOX	EMM = ENGINE - "MAGNUM" 5.9L SMPI V8	DDX = TRANSMISSION - 5-SPEED HD MANUAL
	6 = Lt. Duty DODGE 4WD	34 = QUAD CAB 4-DR 8FT BOX	ETC = ENGINE- 5.9L CUMMINS 24V DIESEL	DEE = TRANSMISSION - 6-SPEED HD MANUAL
	2 = Med. Duty DODGE 2WD		ETH = ENGINE- 5.9L HO CUMMINS TURBO DIESEL	DGP = TRANSMISSION - 4-SPD. AUTOMATIC,47RE
	7 = Med. Duty DODGE 4WD		EWA = ENGINE - 8.0L V10 MPI	DGT = TRANSMISSION - 4-SPD. AUTOMATIC,46RE

AR = use ase required - = Non illustrated part

2000 BE

**Shield Kit - Air Front**  
**Figure 1-520**

ITEM	PART NUMBER	QTY	LINE	SERIES	BODY	ENGINE	TRANS	TRIM	DESCRIPTION
1									SHIELD KIT, Air - Front
	82204150	1			31, 33, 34				Smoke, Wrap Around
	82204324	1			31, 33, 34				Smoke, W/Silver Rams Head Logo
	82204738	1			31, 33, 34				Smoke. W/Fender Shields
2	05014754AA	1			31, 33, 34				SPACER, Air Deflector



1

**RAM PICKUP/CLUB CAB (BE)**

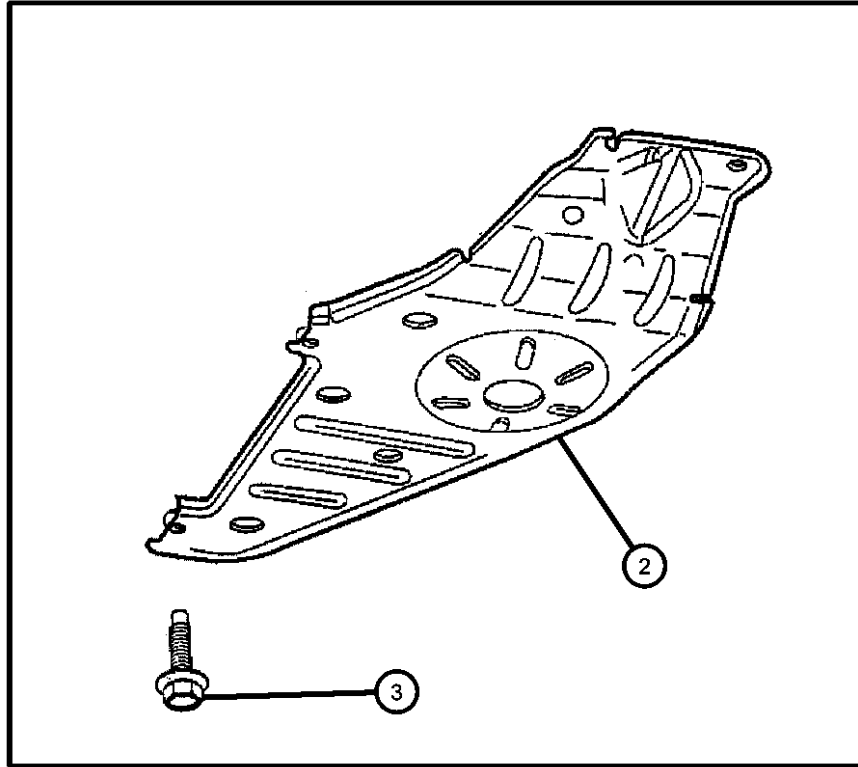
SERIES	LINE	BODY	ENGINE	TRANSMISSION
L = Ram Truck (All)	3 = HD DODGE 2WD	31 = CLUB CAB 2-DR 6.5 FT BOX	ELF = ENGINE - 5.2L V8 MPI	DDC = TRANSMISSION - 5-SPEED HD MANUAL
	8 = HD DODGE 4WD	32 = CLUB CAB 2-DR 8FT BOX	EML = ENGINE - 5.9L V8 MPI	DDP = TRANSMISSION - 5-SPEED MANUAL
	1 = Lt. Duty DODGE 2WD	33 = QUAD CAB 4-DR 6.5 FT BOX	EMM = ENGINE - "MAGNUM" 5.9L SMPI V8	DDX = TRANSMISSION - 5-SPEED HD MANUAL
	6 = Lt. Duty DODGE 4WD	34 = QUAD CAB 4-DR 8FT BOX	ETC = ENGINE- 5.9L CUMMINS 24V DIESEL	DEE = TRANSMISSION - 6-SPEED HD MANUAL
	2 = Med. Duty DODGE 2WD		ETH = ENGINE- 5.9L HO CUMMINS TURBO DIESEL	DGP = TRANSMISSION - 4-SPD. AUTOMATIC,47RE
	7 = Med. Duty DODGE 4WD		EWA = ENGINE - 8.0L V10 MPI	DGT = TRANSMISSION - 4-SPD. AUTOMATIC,46RE

AR = use ase required - = Non illustrated part

2000 BE

**Skid Plate  
Figure 1-530**

ITEM	PART NUMBER	QTY	LINE	SERIES	BODY	ENGINE	TRANS	TRIM	DESCRIPTION
-1	06101340	2	6, 7, 8						U-NUT, M10-1.50
2	52058674AC	1	6, 7, 8						SKID PLATE, Front
3	06505524AA	2	6, 7, 8						RETAINER
-4	06506164AA	2	6, 7, 8						SCREW AND WASHER, Hex Head



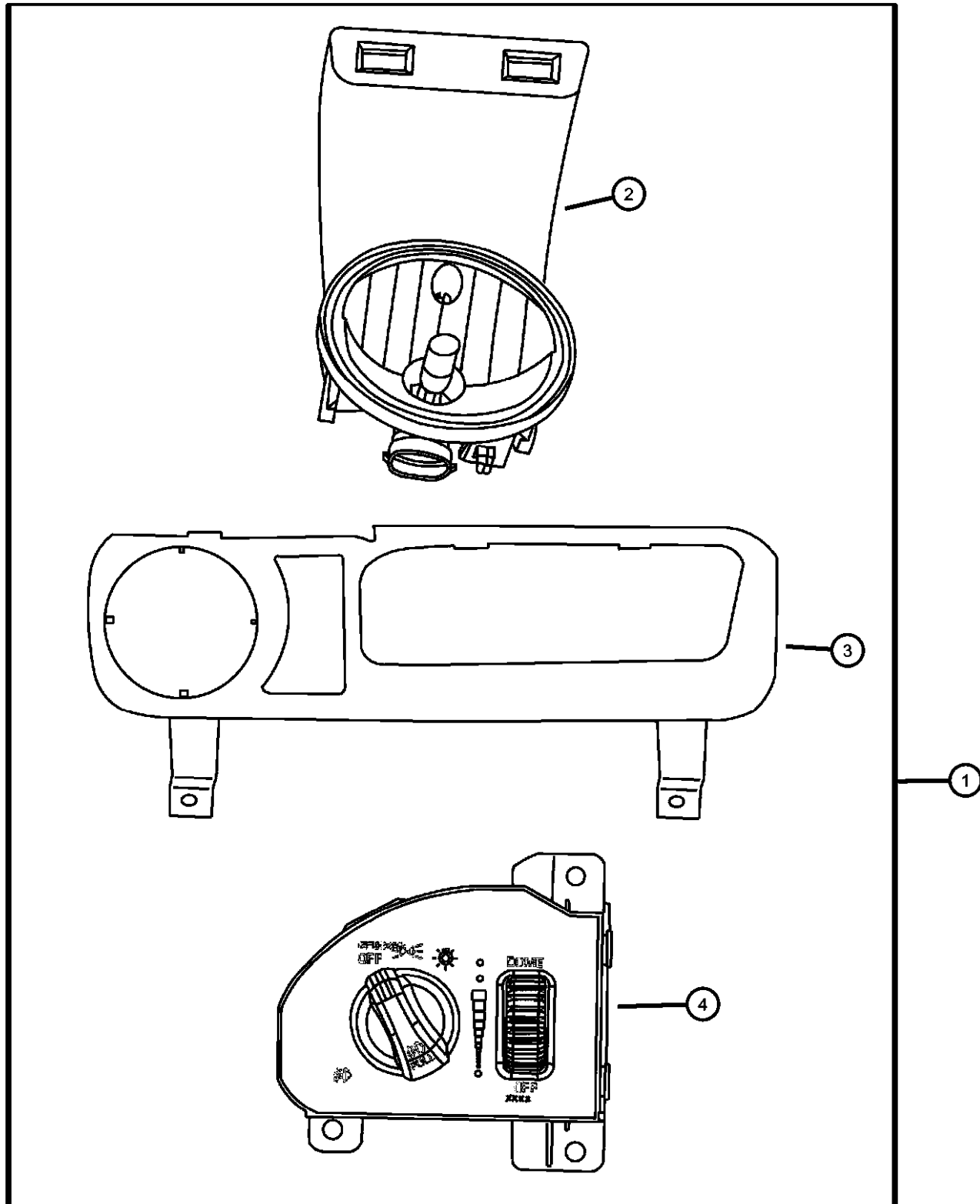
**RAM PICKUP/CLUB CAB (BE)**

SERIES	LINE	BODY	ENGINE	TRANSMISSION
L = Ram Truck (All)	3 = HD DODGE 2WD 8 = HD DODGE 4WD 1 = Lt. Duty DODGE 2WD 6 = Lt. Duty DODGE 4WD 2 = Med. Duty DODGE 2WD 7 = Med. Duty DODGE 4WD	31 = CLUB CAB 2-DR 6.5 FT BOX 32 = CLUB CAB 2-DR 8FT BOX 33 = QUAD CAB 4-DR 6.5 FT BOX 34 = QUAD CAB 4-DR 8FT BOX	ELF = ENGINE - 5.2L V8 MPI EML = ENGINE - 5.9L V8 MPI EMM = ENGINE - "MAGNUM" 5.9L SMPI V8 ETC = ENGINE- 5.9L CUMMINS 24V DIESEL ETH = ENGINE- 5.9L HO CUMMINS TURBO DIESEL EWA = ENGINE - 8.0L V10 MPI	DDC = TRANSMISSION - 5-SPEED HD MANUAL DDP = TRANSMISSION - 5-SPEED MANUAL DDX = TRANSMISSION - 5-SPEED HD MANUAL DEE = TRANSMISSION - 6-SPEED HD MANUAL DGP = TRANSMISSION - 4-SPD. AUTOMATIC,47RE DGT = TRANSMISSION - 4-SPD. AUTOMATIC,46RE

AR = use ase required - = Non illustrated part

2000 BE

Light Kit - Fog  
Figure 1-610



ITEM	PART NUMBER	QTY	LINE	SERIES	BODY	ENGINE	TRANS	TRIM	DESCRIPTION
------	-------------	-----	------	--------	------	--------	-------	------	-------------

NOTE: Light Packages - use 55 watt Bulb only. Complete kit including lights for mounting on a Brush Guard.

1									INSTALL PACKAGE, Fog Light
	82205656	1			31, 33, 34				For Vehicles w/Cargo Lamp Complete Lamp Kit
	82205657	1			31, 33, 34				For Vehicles w/o Cargo Lamps Complete Lamp Kit
2									LAMP, Fog
	55076940AB	1							Right
	55076941AB	1							Left
3									SHIELD, Bumper
	55076786AB	1							Right
	55076787AB	1							Left
4	56021675AE	1							SWITCH, Headlamp, W/ Cargo Lamp
-5	82204779	1			31, 33, 34				WIRING, Fog/Driving Light

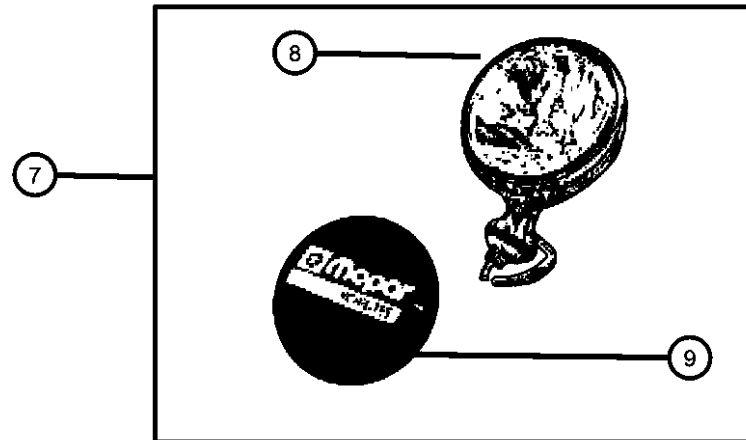
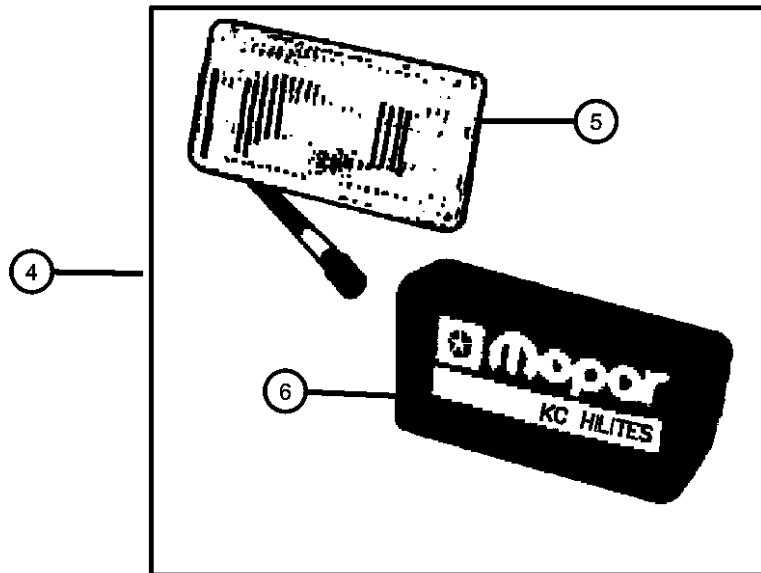
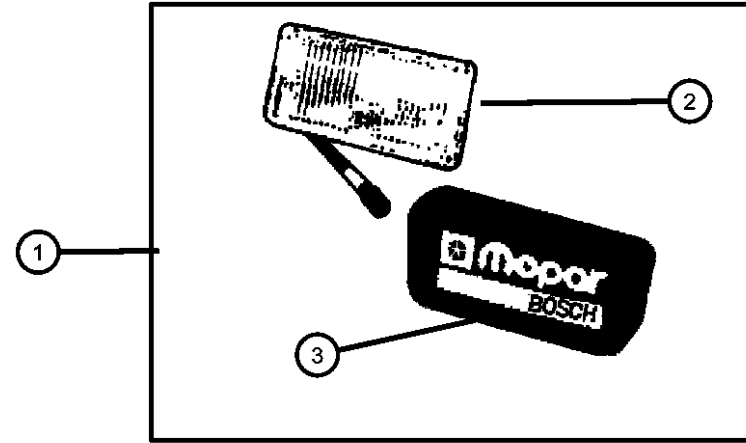
RAM PICKUP/CLUB CAB (BE)

SERIES	LINE	BODY	ENGINE	TRANSMISSION
L = Ram Truck (All)	3 = HD DODGE 2WD	31 = CLUB CAB 2-DR 6.5 FT BOX	ELF = ENGINE - 5.2L V8 MPI	DDC = TRANSMISSION - 5-SPEED HD MANUAL
	8 = HD DODGE 4WD	32 = CLUB CAB 2-DR 8FT BOX	EML = ENGINE - 5.9L V8 MPI	DDP = TRANSMISSION - 5-SPEED MANUAL
	1 = Lt. Duty DODGE 2WD	33 = QUAD CAB 4-DR 6.5 FT BOX	EMM = ENGINE - "MAGNUM" 5.9L SMPI V8	DDX = TRANSMISSION - 5-SPEED HD MANUAL
	6 = Lt. Duty DODGE 4WD	34 = QUAD CAB 4-DR 8FT BOX	ETC = ENGINE- 5.9L CUMMINS 24V DIESEL	DEE = TRANSMISSION - 6-SPEED HD MANUAL
	2 = Med. Duty DODGE 2WD		ETH = ENGINE- 5.9L HO CUMMINS TURBO DIESEL	DGP = TRANSMISSION - 4-SPD. AUTOMATIC, 47RE
	7 = Med. Duty DODGE 4WD		EWA = ENGINE - 8.0L V10 MPI	DGT = TRANSMISSION - 4-SPD. AUTOMATIC, 46RE

AR = use ase required - = Non illustrated part

2000 BE

**Light Kit - Off Raod  
Figure 1-612**



ITEM	PART NUMBER	QTY	LINE	SERIES	BODY	ENGINE	TRANS	TRIM	DESCRIPTION
NOTE: 82204005 Contains Two of 82202528									
1	82201252	1			31, 33, 34				LIGHT KIT, Off Road, 5 x 7 Inch Black Plastic
	82201775	1			31, 33, 34				
	82201777	1			31, 33, 34				Black Chrome
2	04720330	1							LENS, Fog Lamp, Off Road
3	04720332	1							COVER, Fog Lamp, Off Road
4									LIGHT KIT, Off Road, 6 x 9 Inch
	82203691	1			31, 33, 34				Black
	82203692	1			31, 33, 34				Chrome
5	04720316	1			31, 33, 34				LENS, Fog Lamp
6	04720317	1			31, 33, 34				COVER, Fog Lamp
7									LIGHT KIT, Off Road, 6 Inch Round
	82201777	1			31, 33, 34				Black Chrome
	82201778	1			31, 33, 34				Bright Chrome
8	04720333	1							LENS, Fog Lamp, Off Road
9	04720327	1							COVER, Off Road Lamp, Off Road
-10	82204005	1			31, 33, 34				LIGHT KIT, Off Road, 6 Inch Round, Black, Light Bar Mount
-11	82202528	1			31, 33, 34				LIGHT KIT, Off Road, 6 Inch Round, Black, Light Bar Mount
-12	82204503	1							COVER KIT, Light, Ram Logo
-13	04419298	1							BULB, 100 Watt
-14	L00H355W	1							BULB, Fog Lamp, H-3 55 WATT

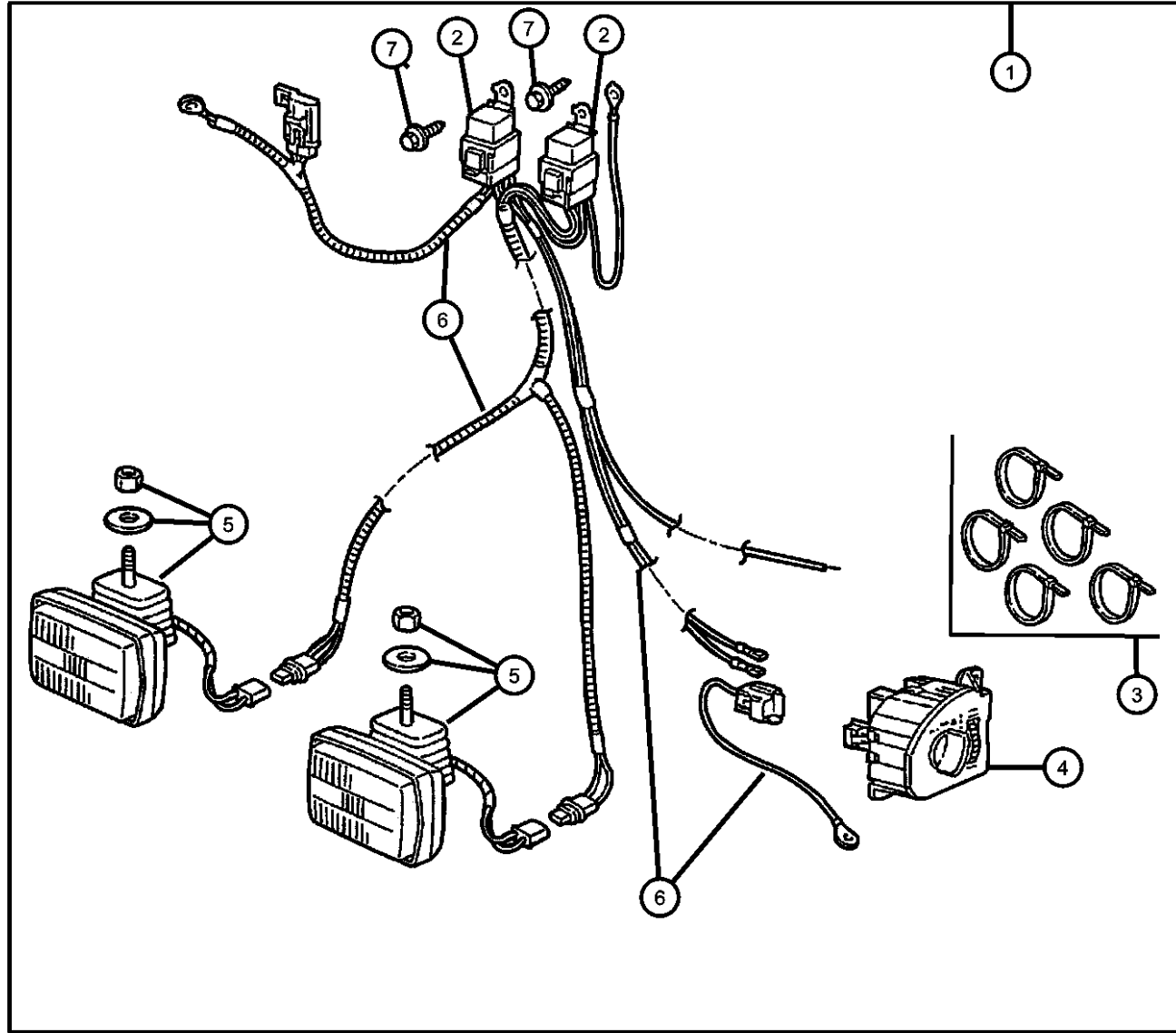
**RAM PICKUP/CLUB CAB (BE)**

SERIES	LINE	BODY	ENGINE	TRANSMISSION
L = Ram Truck (All)	3 = HD DODGE 2WD 8 = HD DODGE 4WD 1 = Lt. Duty DODGE 2WD 6 = Lt. Duty DODGE 4WD 2 = Med. Duty DODGE 2WD 7 = Med. Duty DODGE 4WD	31 = CLUB CAB 2-DR 6.5 FT BOX 32 = CLUB CAB 2-DR 8FT BOX 33 = QUAD CAB 4-DR 6.5 FT BOX 34 = QUAD CAB 4-DR 8FT BOX	ELF = ENGINE - 5.2L V8 MPI EML = ENGINE - 5.9L V8 MPI EMM = ENGINE - "MAGNUM" 5.9L SMPI V8 ETC = ENGINE- 5.9L CUMMINS 24V DIESEL ETH = ENGINE- 5.9L HO CUMMINS TURBO DIESEL EWA = ENGINE - 8.0L V10 MPI	DDC = TRANSMISSION - 5-SPEED HD MANUAL DDP = TRANSMISSION - 5-SPEED MANUAL DDX = TRANSMISSION - 5-SPEED HD MANUAL DEE = TRANSMISSION - 6-SPEED HD MANUAL DGP = TRANSMISSION - 4-SPD. AUTOMATIC,47RE DGT = TRANSMISSION - 4-SPD. AUTOMATIC,46RE

AR = use ase required - = Non illustrated part

Fog Lamp Kit - Brush Guard  
Figure 1-620

ITEM	PART NUMBER	QTY	LINE	SERIES	BODY	ENGINE	TRANS	TRIM	DESCRIPTION
1	82205660	1			31, 33, 34				LIGHT PACKAGE, Fog Without Cargo Lamp
	82205661	1			31, 33, 34				With Cargo Lamp
2	04638271	1			31, 33, 34				RELAY PACKAGE, Electrical
3	04641780	1							STRAP, Tie
4	56021675AE	1							SWITCH, Headlamp With Cargo Lamp
	56021676AE	1			31, 33, 34				Without Cargo Lamp
5	82201230	1			31, 33, 34				LIGHT KIT, Fog, Chrome 5x7
6	82201230	1							WIRING KIT, Fog/Driving Light, Serviced in Package, (NOT SERVICED)
7	00154552	1							SCREW, Hex Head, .190-16x.625



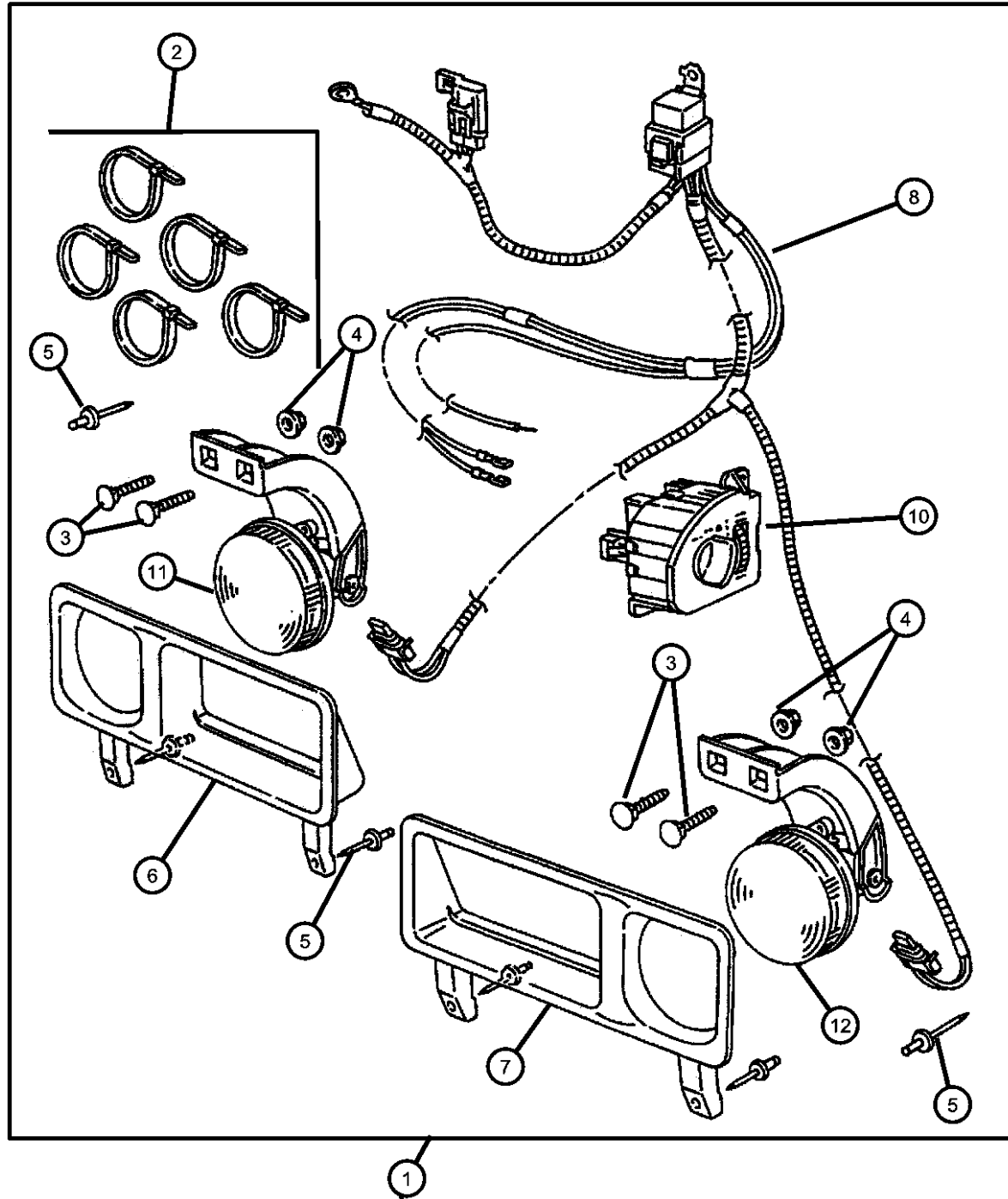
RAM PICKUP/CLUB CAB (BE)

SERIES	LINE	BODY	ENGINE	TRANSMISSION
L = Ram Truck (All)	3 = HD DODGE 2WD 8 = HD DODGE 4WD 1 = Lt. Duty DODGE 2WD 6 = Lt. Duty DODGE 4WD 2 = Med. Duty DODGE 2WD 7 = Med. Duty DODGE 4WD	31 = CLUB CAB 2-DR 6.5 FT BOX 32 = CLUB CAB 2-DR 8FT BOX 33 = QUAD CAB 4-DR 6.5 FT BOX 34 = QUAD CAB 4-DR 8FT BOX	ELF = ENGINE - 5.2L V8 MPI EML = ENGINE - 5.9L V8 MPI EMM = ENGINE - "MAGNUM" 5.9L SMPI V8 ETC = ENGINE- 5.9L CUMMINS 24V DIESEL ETH = ENGINE- 5.9L HO CUMMINS TURBO DIESEL EWA = ENGINE - 8.0L V10 MPI	DDC = TRANSMISSION - 5-SPEED HD MANUAL DDP = TRANSMISSION - 5-SPEED MANUAL DDX = TRANSMISSION - 5-SPEED HD MANUAL DEE = TRANSMISSION - 6-SPEED HD MANUAL DGP = TRANSMISSION - 4-SPD. AUTOMATIC,47RE DGT = TRANSMISSION - 4-SPD. AUTOMATIC,46RE

AR = use ase required - = Non illustrated part

2000 BE

Fog Lamp Kit - Fascia  
Figure 1-622



ITEM	PART NUMBER	QTY	LINE	SERIES	BODY	ENGINE	TRANS	TRIM	DESCRIPTION
1	82205656	1			31, 33, 34				LIGHT PACKAGE, Fog With Cargo Lamp
	82205657	1			31, 33, 34				Without Cargo Lamp
2	06015756	1							STRAP, Tie
3	06035422	4							BOLT, Square Head, .312-18x.875
4	06035423	4							NUT AND WASHER, Hex Coned, .312-18
5	06503938	4							RIVET, Blind, .25xM4/M7
6	55076786AB	1							SHIELD, Bumper
7	55076787AB	1							SHIELD, Bumper
8	82204779	1			31, 33, 34				WIRING, Fog/Driving Light
-9	82204779	1							RELAY, Serviced in Package, (NOT SERVICED)
10	05269430	1			31, 33, 34				SWITCH, Fog Lamp
11	55076940AB	1							LAMP, Fog
12	55076941AB	1							LAMP, Fog

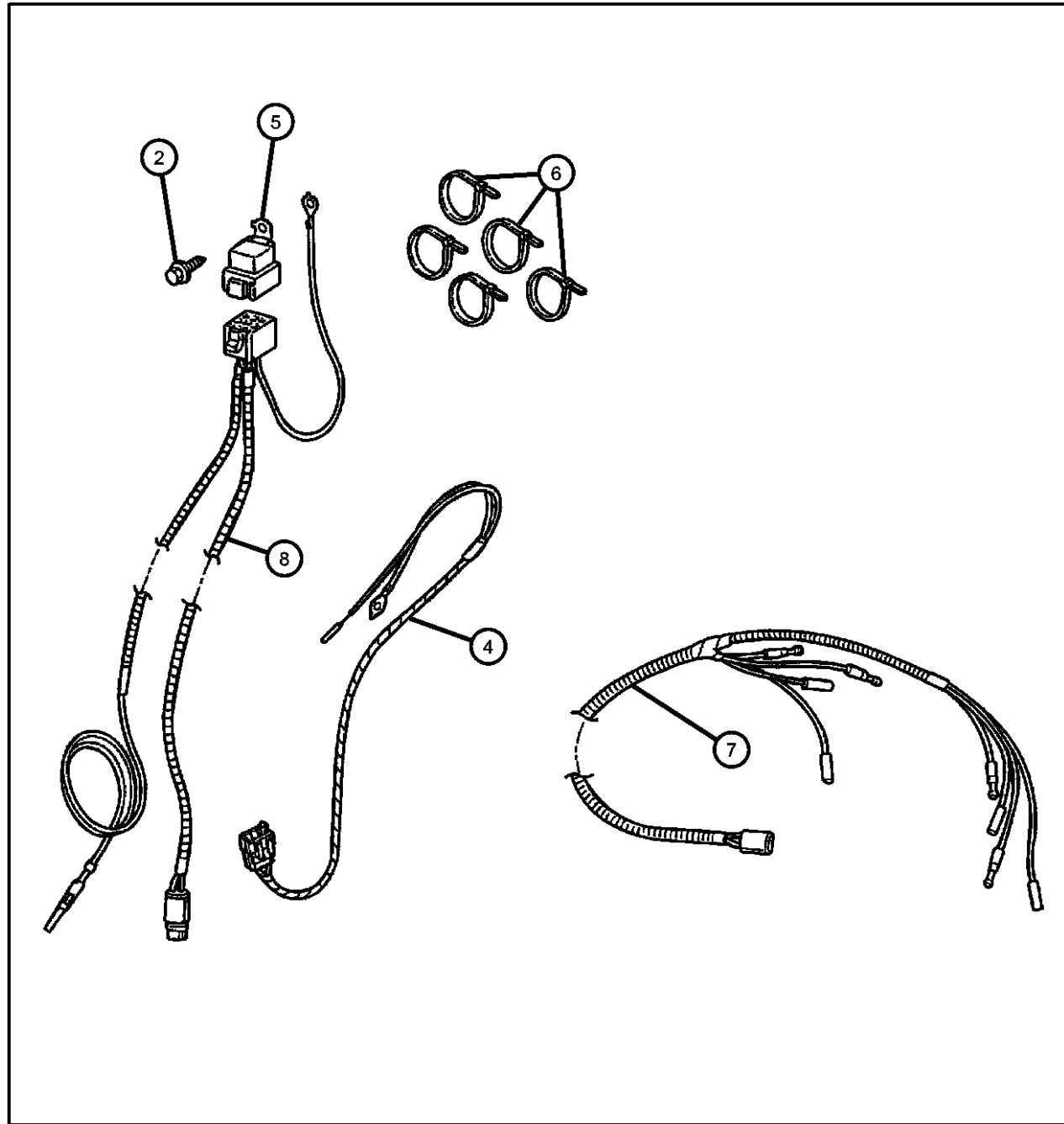
RAM PICKUP/CLUB CAB (BE)

SERIES	LINE	BODY	ENGINE	TRANSMISSION
L = Ram Truck (All)	3 = HD DODGE 2WD 8 = HD DODGE 4WD 1 = Lt. Duty DODGE 2WD 6 = Lt. Duty DODGE 4WD 2 = Med. Duty DODGE 2WD 7 = Med. Duty DODGE 4WD	31 = CLUB CAB 2-DR 6.5 FT BOX 32 = CLUB CAB 2-DR 8FT BOX 33 = QUAD CAB 4-DR 6.5 FT BOX 34 = QUAD CAB 4-DR 8FT BOX	ELF = ENGINE - 5.2L V8 MPI EML = ENGINE - 5.9L V8 MPI EMM = ENGINE - "MAGNUM" 5.9L SMPI V8 ETC = ENGINE- 5.9L CUMMINS 24V DIESEL ETH = ENGINE- 5.9L HO CUMMINS TURBO DIESEL EWA = ENGINE - 8.0L V10 MPI	DDC = TRANSMISSION - 5-SPEED HD MANUAL DDP = TRANSMISSION - 5-SPEED MANUAL DDX = TRANSMISSION - 5-SPEED HD MANUAL DEE = TRANSMISSION - 6-SPEED HD MANUAL DGP = TRANSMISSION - 4-SPD. AUTOMATIC,47RE DGT = TRANSMISSION - 4-SPD. AUTOMATIC,46RE

AR = use ase required - = Non illustrated part



**Installation Kit - Off Road Lamps**  
**Figure 1-630**



ITEM	PART NUMBER	QTY	LINE	SERIES	BODY	ENGINE	TRANS	TRIM	DESCRIPTION
1	82205342	1			31, 33, 34				INSTALL PACKAGE, Off Road Light
2	00154552	1							SCREW, Hex Head, .190-16x.625
-3	05269430	1			31, 33, 34				SWITCH, Fog Lamp
4	05269430	1							WIRING, Fog Lamp, (NOT SERVICED)
5	04638271	1			31, 33, 34				RELAY PACKAGE, Electrical
6	06015756	1							STRAP, Tie
7	06015756	1							WIRING, Light Bar, (NOT SERVICED)
8	06015756	1							WIRING, Off Road Light, (NOT SERVICED)

1

**RAM PICKUP/CLUB CAB (BE)**

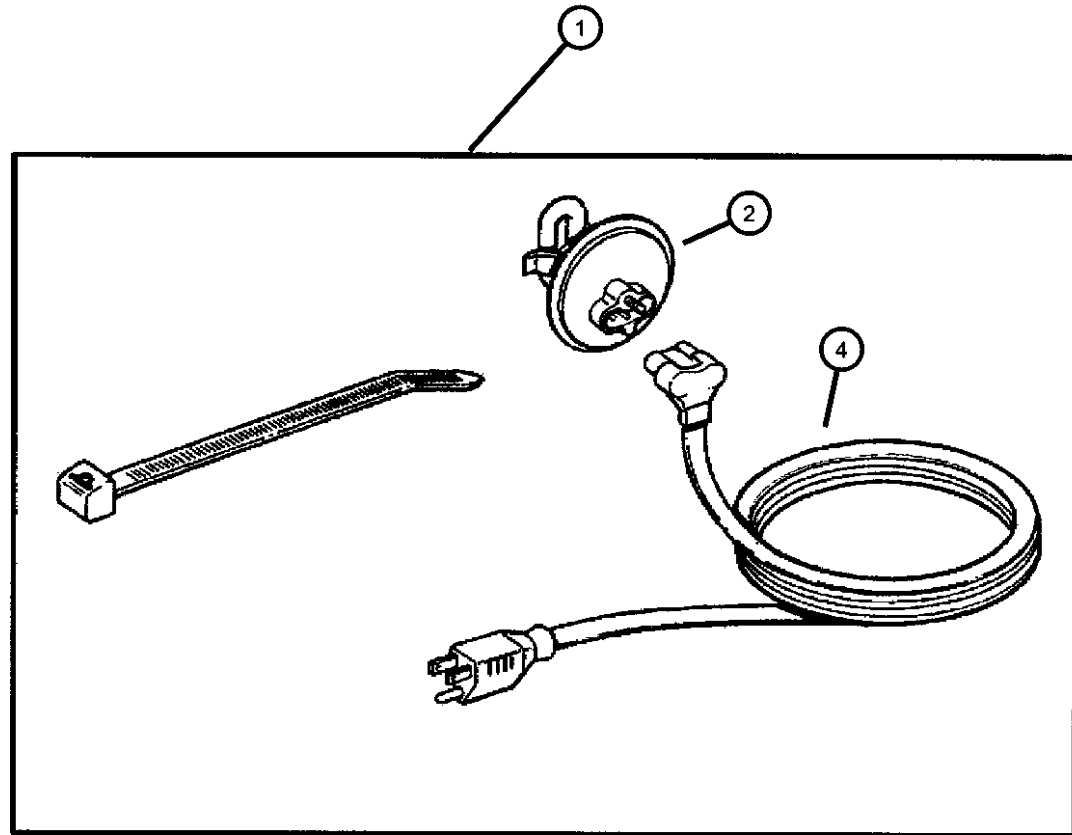
SERIES	LINE	BODY	ENGINE	TRANSMISSION
L = Ram Truck (All)	3 = HD DODGE 2WD	31 = CLUB CAB 2-DR 6.5 FT BOX	ELF = ENGINE - 5.2L V8 MPI	DDC = TRANSMISSION - 5-SPEED HD MANUAL
	8 = HD DODGE 4WD	32 = CLUB CAB 2-DR 8FT BOX	EML = ENGINE - 5.9L V8 MPI	DDP = TRANSMISSION - 5-SPEED MANUAL
	1 = Lt. Duty DODGE 2WD	33 = QUAD CAB 4-DR 6.5 FT BOX	EMM = ENGINE - "MAGNUM" 5.9L SMPI V8	DDX = TRANSMISSION - 5-SPEED HD MANUAL
	2 = Med. Duty DODGE 2WD	34 = QUAD CAB 4-DR 8FT BOX	ETC = ENGINE- 5.9L CUMMINS 24V DIESEL	DEE = TRANSMISSION - 6-SPEED HD MANUAL
	6 = Lt. Duty DODGE 4WD		ETH = ENGINE- 5.9L HO CUMMINS TURBO DIESEL	DGP = TRANSMISSION - 4-SPD. AUTOMATIC,47RE
	7 = Med. Duty DODGE 4WD		EWA = ENGINE - 8.0L V10 MPI	DGT = TRANSMISSION - 4-SPD. AUTOMATIC,46RE

AR = use ase required - = Non illustrated part

2000 BE

**Heater Kit  
Figure 1-640**

ITEM	PART NUMBER	QTY	LINE	SERIES	BODY	ENGINE	TRANS	TRIM	DESCRIPTION
NOTE: Serviced as a Kit Only.									
1	82300749	1			31, 33, 34				HEATER KIT, Engine Block
2	04798276AB	1							HEATER PACKAGE, Engine Block, ELO, EM0, EW0
-3									O RING, Engine Block Heater
	06501445	AR							11/64 Width
	06501446	1							9/64 Width
4	56020061	1							CORD, Engine Block Heater



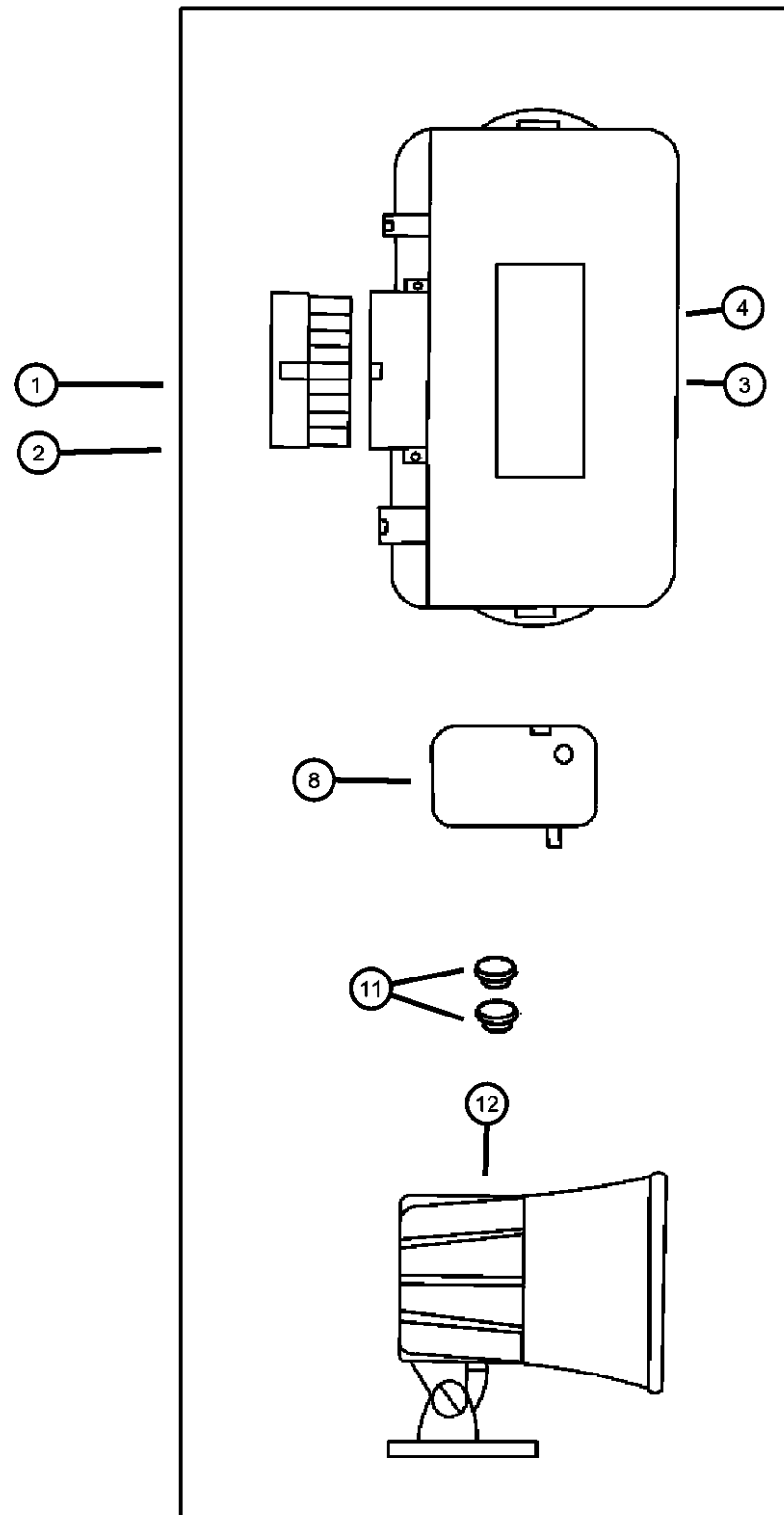
**RAM PICKUP/CLUB CAB (BE)**

SERIES	LINE	BODY	ENGINE	TRANSMISSION
L = Ram Truck (All)	3 = HD DODGE 2WD 8 = HD DODGE 4WD 1 = Lt. Duty DODGE 2WD 6 = Lt. Duty DODGE 4WD 2 = Med. Duty DODGE 2WD 7 = Med. Duty DODGE 4WD	31 = CLUB CAB 2-DR 6.5 FT BOX 32 = CLUB CAB 2-DR 8FT BOX 33 = QUAD CAB 4-DR 6.5 FT BOX 34 = QUAD CAB 4-DR 8FT BOX	ELF = ENGINE - 5.2L V8 MPI EML = ENGINE - 5.9L V8 MPI EMM = ENGINE - "MAGNUM" 5.9L SMPI V8 ETC = ENGINE- 5.9L CUMMINS 24V DIESEL ETH = ENGINE- 5.9L HO CUMMINS TURBO DIESEL EWA = ENGINE - 8.0L V10 MPI	DDC = TRANSMISSION - 5-SPEED HD MANUAL DDP = TRANSMISSION - 5-SPEED MANUAL DDX = TRANSMISSION - 5-SPEED HD MANUAL DEE = TRANSMISSION - 6-SPEED HD MANUAL DGP = TRANSMISSION - 4-SPD. AUTOMATIC,47RE DGT = TRANSMISSION - 4-SPD. AUTOMATIC,46RE

AR = use ase required - = Non illustrated part

2000 BE

Security  
Figure 1-910



ITEM	PART NUMBER	QTY	LINE	SERIES	BODY	ENGINE	TRANS	TRIM	DESCRIPTION
1	82300985	1			31, 33, 34				MODULE KIT, Alarm with Keyless
2	82300986	1			31, 33, 34				MODULE, Keyless Entry
3	04883255	1			31, 33, 34				MODULE, Security Alarm, Replacement Module For 82300985
4	04883257	1			31, 33, 34				MODULE, Keyless Entry Receiver, Replacement Module for 82300986
-5	82204681	1			31, 33, 34				WIRING KIT, Alarm with Keyless
-6	82205262	1			31, 33, 34				WIRING KIT, Park and Headlight
-7	04886258AA	1			31, 33, 34				SWITCH, Programing Bypass
8	04886374AA	1			31, 33, 34				TRANSMITTER, Alarm or Keyless
-9	82204681	1			31, 33, 34				WIRING KIT, Alarm with Keyless
-10	82205262	1			31, 33, 34				WIRING KIT, Park and Headlight
11	04636141	1			31, 33, 34				BATTERY, Transmitter
12	82203198	1			31, 33, 34				SIREN, Alarm, Replacement Siren

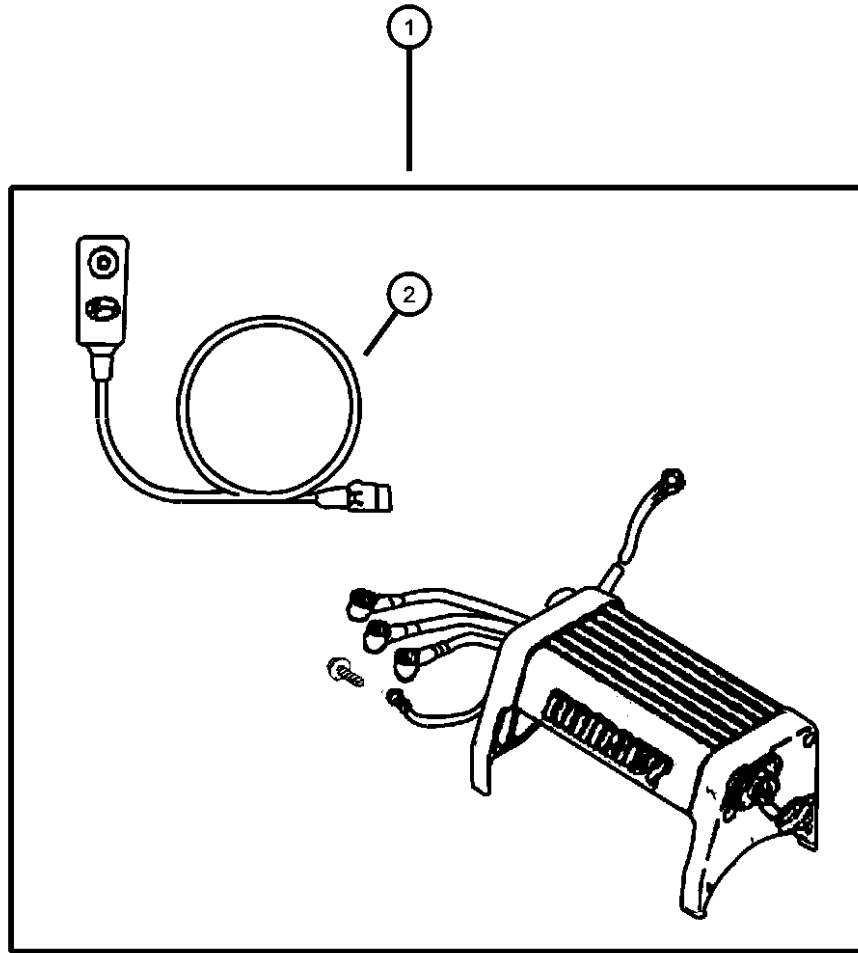
RAM PICKUP/CLUB CAB (BE)

SERIES	LINE	BODY	ENGINE	TRANSMISSION
L = Ram Truck (All)	3 = HD DODGE 2WD	31 = CLUB CAB 2-DR 6.5 FT BOX	ELF = ENGINE - 5.2L V8 MPI	DDC = TRANSMISSION - 5-SPEED HD MANUAL
	8 = HD DODGE 4WD	32 = CLUB CAB 2-DR 8FT BOX	EML = ENGINE - 5.9L V8 MPI	DDP = TRANSMISSION - 5-SPEED MANUAL
	1 = Lt. Duty DODGE 2WD	33 = QUAD CAB 4-DR 6.5 FT BOX	EMM = ENGINE - "MAGNUM" 5.9L SMPI V8	DDX = TRANSMISSION - 5-SPEED HD MANUAL
	6 = Lt. Duty DODGE 4WD	34 = QUAD CAB 4-DR 8FT BOX	ETC = ENGINE- 5.9L CUMMINS 24V DIESEL	DEE = TRANSMISSION - 6-SPEED HD MANUAL
	2 = Med. Duty DODGE 2WD		ETH = ENGINE- 5.9L HO CUMMINS TURBO DIESEL	DGP = TRANSMISSION - 4-SPD. AUTOMATIC,47RE
	7 = Med. Duty DODGE 4WD		EWA = ENGINE - 8.0L V10 MPI	DGT = TRANSMISSION - 4-SPD. AUTOMATIC,46RE

AR = use ase required - = Non illustrated part

**Winch Kit - Power  
Figure 1-1010**

ITEM	PART NUMBER	QTY	LINE	SERIES	BODY	ENGINE	TRANS	TRIM	DESCRIPTION
1									WINCH KIT, Power
	82204129	1	6, 7, 8		31, 33, 34				Ramsey Pro 9000H
	82204130	1	6, 7, 8		31, 33, 34				Ramesy Pro 6000H
	82204131	1	6, 7, 8		31, 33, 34				Ramesy Pro 8000H
	82204134	1	6, 7, 8		31, 33, 34				Ramesy Pro 8000HX
2	05018221AA	1	6, 7, 8		31, 33, 34				CABLE KIT, Winch
-3									SOLENOID, Winch
	05018363AA	1	6, 7, 8		31, 33, 34				For Winches 82204129,82204130,82204131
	05018366AA	1	6, 7, 8		31, 33, 34				For Winch 82204134



**RAM PICKUP/CLUB CAB (BE)**

SERIES	LINE	BODY	ENGINE	TRANSMISSION
L = Ram Truck (All)	3 = HD DODGE 2WD 8 = HD DODGE 4WD 1 = Lt. Duty DODGE 2WD 6 = Lt. Duty DODGE 4WD 2 = Med. Duty DODGE 2WD 7 = Med. Duty DODGE 4WD	31 = CLUB CAB 2-DR 6.5 FT BOX 32 = CLUB CAB 2-DR 8FT BOX 33 = QUAD CAB 4-DR 6.5 FT BOX 34 = QUAD CAB 4-DR 8FT BOX	ELF = ENGINE - 5.2L V8 MPI EML = ENGINE - 5.9L V8 MPI EMM = ENGINE - "MAGNUM" 5.9L SMPI V8 ETC = ENGINE- 5.9L CUMMINS 24V DIESEL ETH = ENGINE- 5.9L HO CUMMINS TURBO DIESEL EWA = ENGINE - 8.0L V10 MPI	DDC = TRANSMISSION - 5-SPEED HD MANUAL DDP = TRANSMISSION - 5-SPEED MANUAL DDX = TRANSMISSION - 5-SPEED HD MANUAL DEE = TRANSMISSION - 6-SPEED HD MANUAL DGP = TRANSMISSION - 4-SPD. AUTOMATIC,47RE DGT = TRANSMISSION - 4-SPD. AUTOMATIC,46RE

AR = use ase required - = Non illustrated part

# Group - 2

## Front Suspension & Drive

### Group - 2 Front Suspension & Drive

Illustration Title

Group-Fig. No.

#### Front Suspension

Upper and Lower Control Arms,Springs and Shocks,BE 1,2,3 ..... Fig. 2 - 110  
 Upper and Lower Control Arms,Springs and Shocks,BE 6,7,8 ..... Fig. 2 - 120  
 Front Stabilizer Bar,BE 1,2,3 ..... Fig. 2 - 130  
 Front Stabilizer Bar and Track Bar,BE 6,7,8 ..... Fig. 2 - 140

#### Front Axle Drive Shafts

Front Axle Shafts,Dana M44/216MM [DJC],M60/248MM [DJF],BE 6,7,8 ..... Fig. 2 - 210

#### Front Axle Housing

Front Axle Housing,Dana Model 44,BE 6 ..... Fig. 2 - 310  
 Front Axle Housing,Dana Model 60,BE 7,8 ..... Fig. 2 - 320

#### Front Axle Assembly

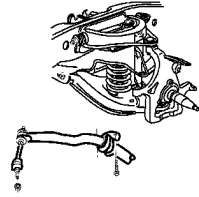
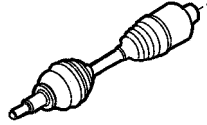
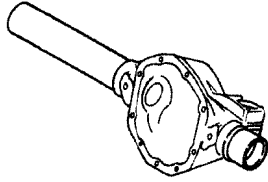
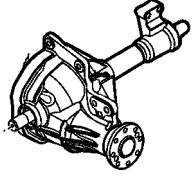
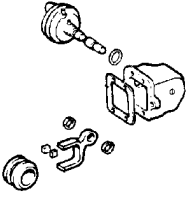
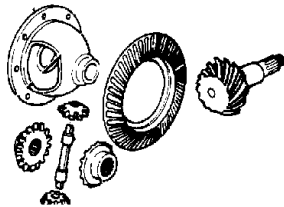
Axle Assy Front..... Fig. 2 - 410

#### Front Axle Disconnect

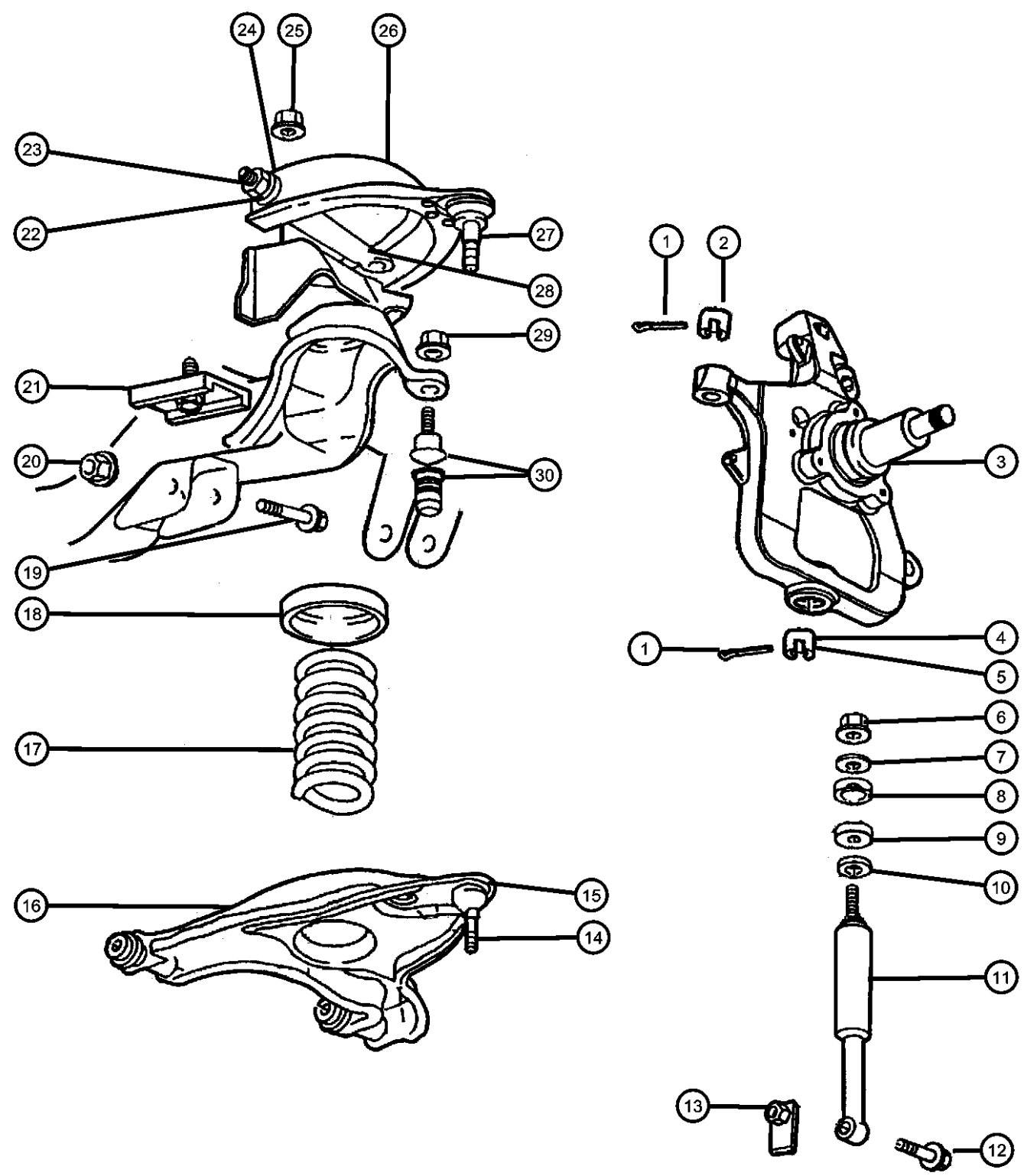
Vacuum Lines,Front Axle and Transfer Case ..... Fig. 2 - 510

#### Front Axle Differential

Differential, Front Axle Dana Model 44,BE 6..... Fig. 2 - 610  
 Differential, Front Axle,Dana Model 60,BE 7,8..... Fig. 2 - 620

<p><b>002-100</b> Front Suspension</p> 	<p><b>002-200</b> Front Axle Drive Shafts</p> 	<p><b>002-300</b> Front Axle Housing</p> 	<p><b>002-400</b> Front Axle Assembly</p> 
<p><b>002-500</b> Front Axle Disconnect</p> 	<p><b>002-600</b> Front Axle Differential</p> 		

Upper and Lower Control Arms, Springs and Shocks, BE 1,2,3  
Figure 2-110



ITEM	PART NUMBER	QTY	LINE	SERIES	BODY	ENGINE	TRANS	TRIM	DESCRIPTION
------	-------------	-----	------	--------	------	--------	-------	------	-------------

Note: UCA=Upper Control Arm—LCA=Lower Control Arm—XBC=Without Box—XBS=Sweptline Box—AGL=Super Sport Group (SS/T)—EH0=3

1	00120123	2	1, 2, 3						PIN, Cotter, UCA and LCA Ball Joint
2	06502749	2	1, 2, 3						NUT, Castle, M14x1.5, UCA Ball Joint Mounting
3									KNUCKLE, Front
	52106220AA	1	2, 3						Right
	52106221AA	1	2, 3						Left
	52106424AA	1	1						Right
	52106425AA	1	1						Left
4	06502857	2	2, 3						NUT, Hex, M20x1.5, LCA Ball Joint Mounting
5	06502858	2	1						NUT, Castle, M16x1.50, LCA Ball Joint Mounting
6	06503029	2							NUT, Hex, M12x1.25, Shock Upper Mounting
7	52106432AA	2	1, 2, 3						RETAINER, Front SuspensionUpper
8	52106543AA	2	1, 2, 3						GROMMET, Shock AbsorberUpper
9	52106983AA	2	1, 2, 3						GROMMET, Shock AbsorberLower
10	52106432AA	2	1, 2, 3						RETAINER, Front Suspension-Lower
11									SHOCK ABSORBER PACKAGE, Suspension, Front
	05017167AA	2	1			ELO, EM0			Z1B
	G0060205								Mopar V-Line Alternative Part
	0SGR5195								Rancho Shock
	0SG23277								Mopar V-Line Alternative Part
	05017608AA	2	2		33, 34	ELO, EM0			Z2B
	G0060205								Mopar V-Line Alternative Part
	0SGR5195								Rancho Shock
	05017609AA	2	2		34	EW0			Z2B
	05017610AA	2	2		33, 34	ET0			Z2B
	05017611AA	2	3		34	ELO, EM0, EW0			Z3A

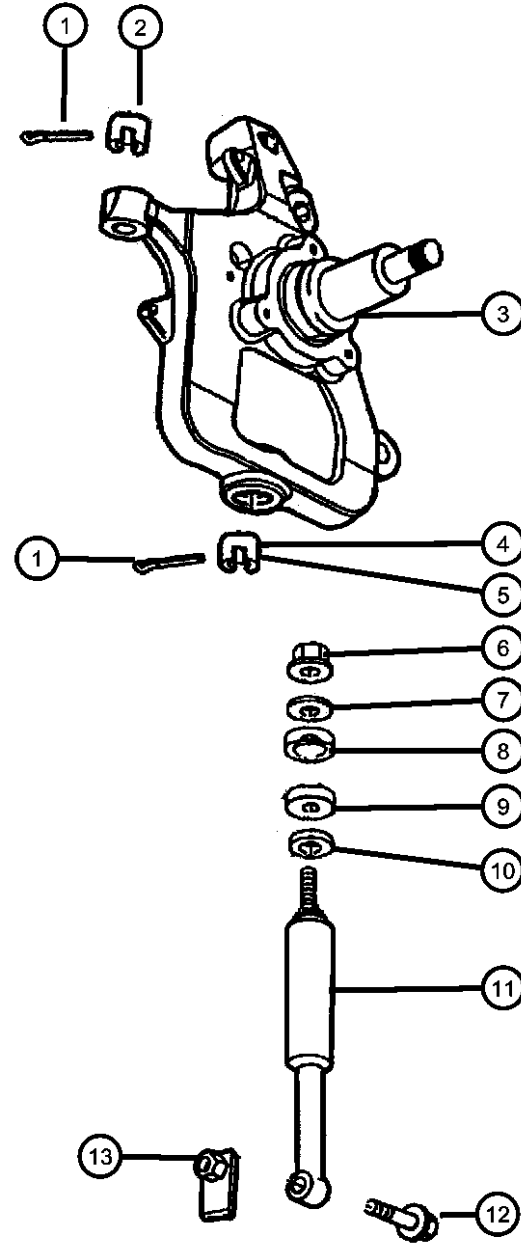
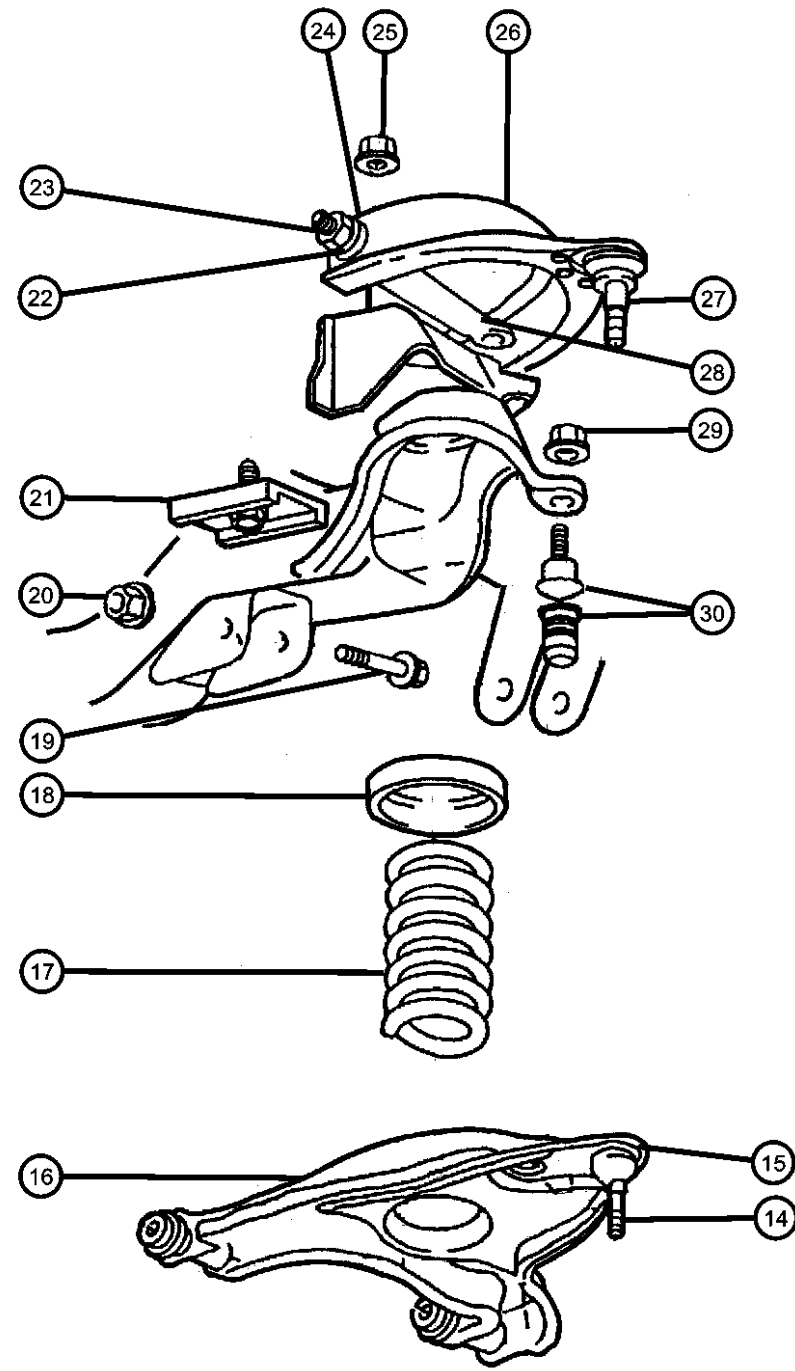
RAM PICKUP/CLUB CAB (BE)

SERIES	LINE
L = Ram Truck (All)	3 = HD DODGE 2WD
	8 = HD DODGE 4WD
	1 = Lt. Duty DODGE 2WD
	6 = Lt. Duty DODGE 4WD
	2 = Med. Duty DODGE 2WD
	7 = Med. Duty DODGE 4WD

BODY	ENGINE	TRANSMISSION
31 = CLUB CAB 2-DR 6.5 FT BOX	ELF = ENGINE - 5.2L V8 MPI	DDC = TRANSMISSION - 5-SPEED HD MANUAL
32 = CLUB CAB 2-DR 8FT BOX	EML = ENGINE - 5.9L V8 MPI	DDP = TRANSMISSION - 5-SPEED MANUAL
33 = QUAD CAB 4-DR 6.5 FT BOX	EMM = ENGINE - "MAGNUM" 5.9L SMPI V8	DDX = TRANSMISSION - 5-SPEED HD MANUAL
34 = QUAD CAB 4-DR 8FT BOX	ETC = ENGINE- 5.9L CUMMINS 24V DIESEL	DEE = TRANSMISSION - 6-SPEED HD MANUAL
	ETH = ENGINE- 5.9L HO CUMMINS TURBO DIESEL	DGP = TRANSMISSION - 4-SPD. AUTOMATIC, 47RE
	EWA = ENGINE - 8.0L V10 MPI	DGT = TRANSMISSION - 4-SPD. AUTOMATIC, 46RE

AR = use ase required - = Non illustrated part

Upper and Lower Control Arms, Springs and Shocks, BE 1,2,3  
Figure 2-110



ITEM	PART NUMBER	QTY	LINE	SERIES	BODY	ENGINE	TRANS	TRIM	DESCRIPTION
	05017612AA	2	3		34	ET0			Z3A
	05017613AA	2	2		33	EW0			Z2B
12	06502818	2							BOLT, Hex Flange Head, M14x2.00x80.00, Lower Shock Mounting
13	06502817	2							LOCK NUT, M14-2.00, Lower Shock Mounting
14	06502817	2							BALL JOINT, Lower Control Arm, (NOT SERVICED)
15	06502817	2							SNAP RING, Control Arm, (NOT SERVICED)
16									ARM, Lower Control, Front
	52113678AA	1	2, 3						Right
	52113679AA	1	2, 3						Left
	52113888AA	1	1						Right
	52113889AA	1	1						Left
17									SPRING, Front Coil
	52039018	1							Tag #018,ZHA,ZWA
	52039019	1							Tag #019,ZHB,ZWB
	52039020	1							Tag #020,ZHC,ZWC
	52039021	1							Tag #021,ZHD,ZWD
	52039022	1							Tag #022,ZHE,ZWE
	52039023	1							Tag #023,ZHF,ZWF
	52039024	1							Tag #024,ZHG,ZWG
	52039026	1							Tag #026,ZJA,ZXA
	52039027	1							Tag #027,ZJB,ZXB
	52039035	1							Tag #035,ZJC,ZXC
	52039036	1							Tag #036,ZJD,ZXD
	52039037	1							Tag #037,ZJE,ZXE
	52039038	1							Tag #038,ZJF,ZXF
	52039039	1							Tag #039,ZJG,ZXHG
	52039046	1							Tag #046,ZJH,ZXH

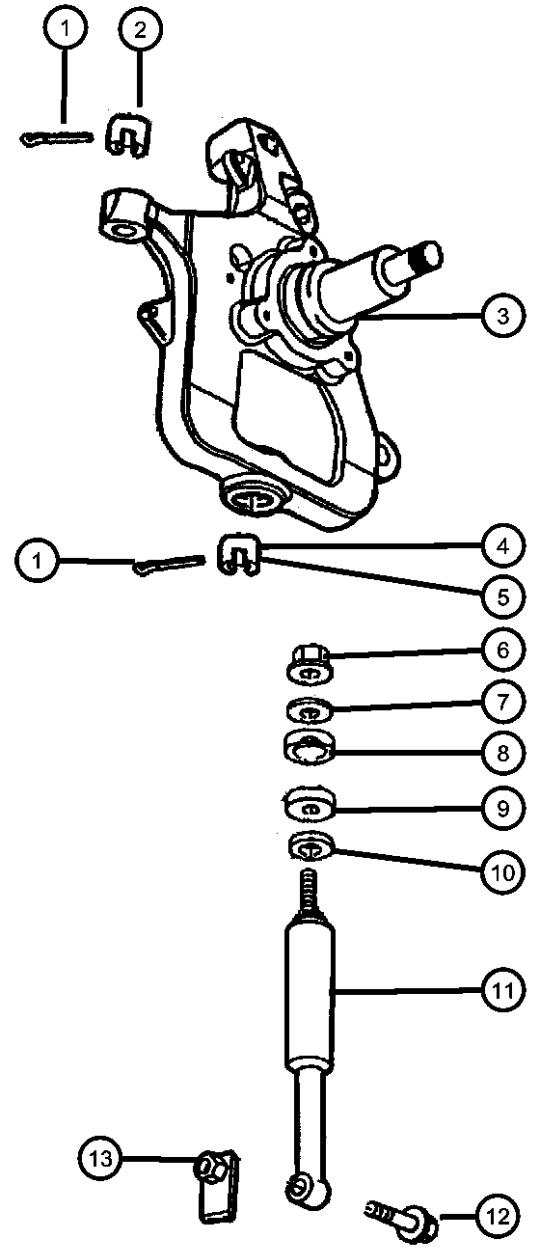
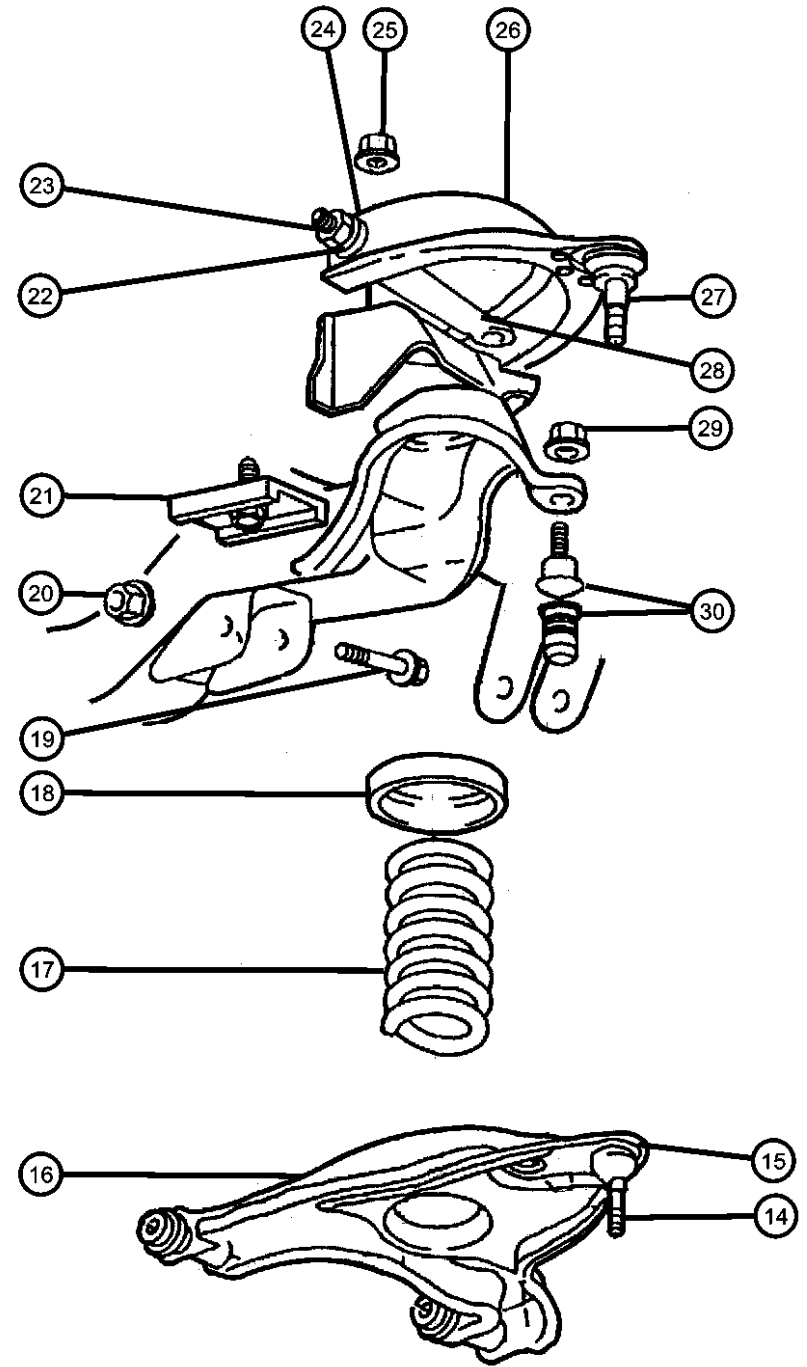
RAM PICKUP/CLUB CAB (BE)

SERIES	LINE
L = Ram Truck (All)	3 = HD DODGE 2WD
	8 = HD DODGE 4WD
	1 = Lt. Duty DODGE 2WD
	6 = Lt. Duty DODGE 4WD
	2 = Med. Duty DODGE 2WD
	7 = Med. Duty DODGE 4WD

BODY	ENGINE	TRANSMISSION
31 = CLUB CAB 2-DR 6.5 FT BOX	ELF = ENGINE - 5.2L V8 MPI	DDC = TRANSMISSION - 5-SPEED HD MANUAL
32 = CLUB CAB 2-DR 8FT BOX	EML = ENGINE - 5.9L V8 MPI	DDP = TRANSMISSION - 5-SPEED MANUAL
33 = QUAD CAB 4-DR 6.5 FT BOX	EMM = ENGINE - "MAGNUM" 5.9L SMPI V8	DDX = TRANSMISSION - 5-SPEED HD MANUAL
34 = QUAD CAB 4-DR 8FT BOX	ETC = ENGINE- 5.9L CUMMINS 24V DIESEL	DEE = TRANSMISSION - 6-SPEED HD MANUAL
	ETH = ENGINE- 5.9L HO CUMMINS TURBO DIESEL	DGP = TRANSMISSION - 4-SPD. AUTOMATIC, 47RE
	EWA = ENGINE - 8.0L V10 MPI	DGT = TRANSMISSION - 4-SPD. AUTOMATIC, 46RE

AR = use ase required - = Non illustrated part

Upper and Lower Control Arms, Springs and Shocks, BE 1,2,3  
Figure 2-110



ITEM	PART NUMBER	QTY	LINE	SERIES	BODY	ENGINE	TRANS	TRIM	DESCRIPTION
	52039047	1							Tag #047,ZJJ,ZXJ
	52039054	1							Tag #054,ZAA,ZNA
	52039059	1							Tag #059,ZAF,ZNF
	52039060	1							Tag #060,ZAG,ZNG
	52039072	1							Tag #072,ZDC,ZSC
	52039073	1							Tag #073,ZDD,ZSD
	52039074	1							Tag #074,ZDE,ZSE
	52039075	1							Tag #075,ZDF,ZSF
	52039076	1							Tag #076,ZDG,ZSG
	52106225AA	1							Tag #225AA,ZHJ,ZWJ
	52106228AA	1							Tag #226AA,ZHK,ZWK
	52106229AA	1							Tag #229AA,ZHL,ZWL
	52106230AA	1							Tag #230AA,ZJL,ZXL
	52106231AA	1							Tag #231AA,ZAJ,ZNJ
	52106232AA	1							Tag #232AA,ZCE,ZRE
	52106233AA	1							Tag #233AA,ZCF,ZRF
	52106240AA	1							Tag #240AA,ZDJ,ZSJ
	52106241AA	1							Tag #241AA,ZDH,ZSH
	52113005AA	1	2, 3		33, 34				Tag #005AA,ZFF,ZUF
	52113006AA	1	2, 3		33, 34				Tag #006AA,ZFG,ZUG
	52113007AA	1	2, 3		33, 34				Tag #007AA,ZFH,ZUH
	52113008AA	1	2, 3		33, 34				Tag #008AA,ZFJ,ZUJ
	52113077AA	1	2, 3		33, 34				Tag #077AA,ZFD,ZUD
	52113078AA	1	2, 3		33, 34				Tag #078AA,ZFE,ZUE
	52113165AA	1	1						Tag #165AA,ZEA,ZTA
	52113166AA	1	1						Tag #166AA,ZEB,ZTB
	52113167AA	1	1						Tag #167AA,ZEC,ZTC
	52113168AA	1	1						Tag #168AA,ZED,ZTD
	52113169AA	1	1						Tag #169AA,ZEE,ZTE
	52113170AA	1	1						Tag #170AA,ZEF,ZTF

RAM PICKUP/CLUB CAB (BE)

SERIES	LINE
L = Ram Truck (All)	3 = HD DODGE 2WD
	8 = HD DODGE 4WD
	1 = Lt. Duty DODGE 2WD
	6 = Lt. Duty DODGE 4WD
	2 = Med. Duty DODGE 2WD
	7 = Med. Duty DODGE 4WD

BODY
31 = CLUB CAB 2-DR 6.5 FT BOX
32 = CLUB CAB 2-DR 8FT BOX
33 = QUAD CAB 4-DR 6.5 FT BOX
34 = QUAD CAB 4-DR 8FT BOX

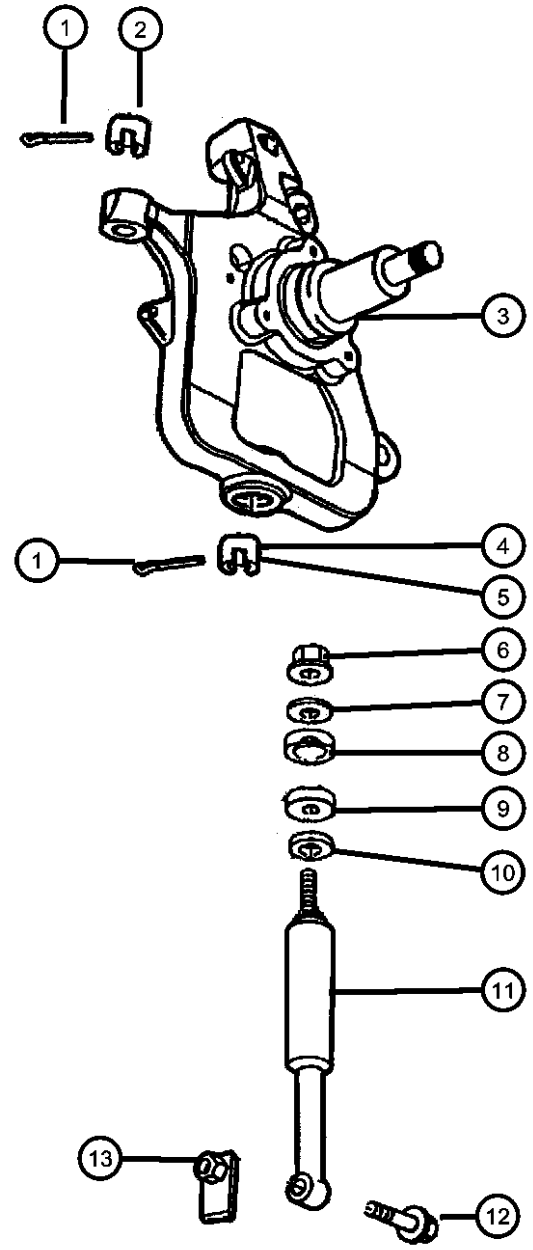
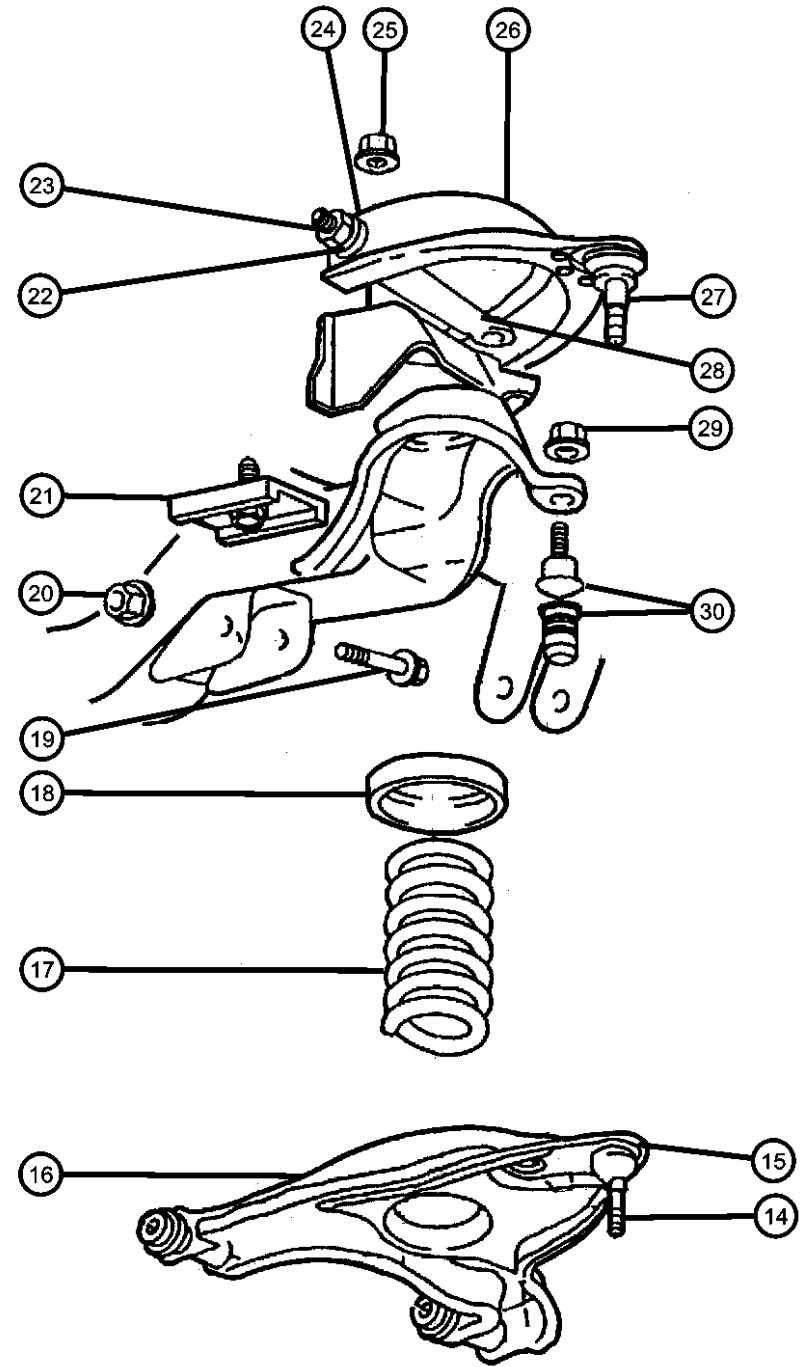
ENGINE
ELF = ENGINE - 5.2L V8 MPI
EML = ENGINE - 5.9L V8 MPI
EMM = ENGINE - "MAGNUM" 5.9L SMPI V8
ETC = ENGINE- 5.9L CUMMINS 24V DIESEL
ETH = ENGINE- 5.9L HO CUMMINS TURBO DIESEL
EWA = ENGINE - 8.0L V10 MPI

TRANSMISSION
DDC = TRANSMISSION - 5-SPEED HD MANUAL
DDP = TRANSMISSION - 5-SPEED MANUAL
DDX = TRANSMISSION - 5-SPEED HD MANUAL
DEE = TRANSMISSION - 6-SPEED HD MANUAL
DGP = TRANSMISSION - 4-SPD. AUTOMATIC,47RE
DGT = TRANSMISSION - 4-SPD. AUTOMATIC,46RE

AR = use ase required - = Non illustrated part



Upper and Lower Control Arms, Springs and Shocks, BE 1,2,3  
Figure 2-110



ITEM	PART NUMBER	QTY	LINE	SERIES	BODY	ENGINE	TRANS	TRIM	DESCRIPTION
	52113171AA	1	1						Tag #171AA,ZEG,ZTG
	52113172AA	1	1						Tag #172AA,ZEH,ZTH
	52113173AA	1	1						Tag #173AA,ZEJ,ZTJ
	52113174AA	1	2, 3		33, 34				Tag #174AA,ZFA,ZUA
	52113175AA	1	2, 3		33, 34				Tag #175AA,ZFB,ZUB
	52113176AA	1	2, 3		33, 34				Tag #176AA.ZFC.ZUC
18	52037718	2	1, 2, 3						ISOLATOR, Spring, Coil
19	06503047	4	1, 2, 3						BOLT, Hex Flange Head, M16x2.00x135, LCA Mounting
20	06504707	4	1, 2, 3						NUT, LCA Mounting
21	06505804AA	4	1, 2, 3						BOLT AND RETAINER, Suspension Arm
22	52037673	4	1, 2, 3						BUSHING, Control ArmUpper
23	06505476AA	4	1, 2, 3						NUTUpper
24	52038241	4	1, 2, 3						WASHER, Control Arm ShaftUpper
25	06504707	4	1, 2, 3						NUT, UCA to Frame, Upper
26	52106678AA	2	1, 2, 3						ARM, Upper Control, Front
27	52106678AA	2							BALL JOINT, Upper Control Arm, (NOT SERVICED)
28	52106301AA	2	1, 2, 3						SHAFT, Control ArmUpper
29	06101448	2	1, 2, 3						NUT AND WASHER, Hex Nut-Coned Washer, M10 x 1.5
30	52087636	2	1, 2, 3						BUMPER, Jounce

RAM PICKUP/CLUB CAB (BE)

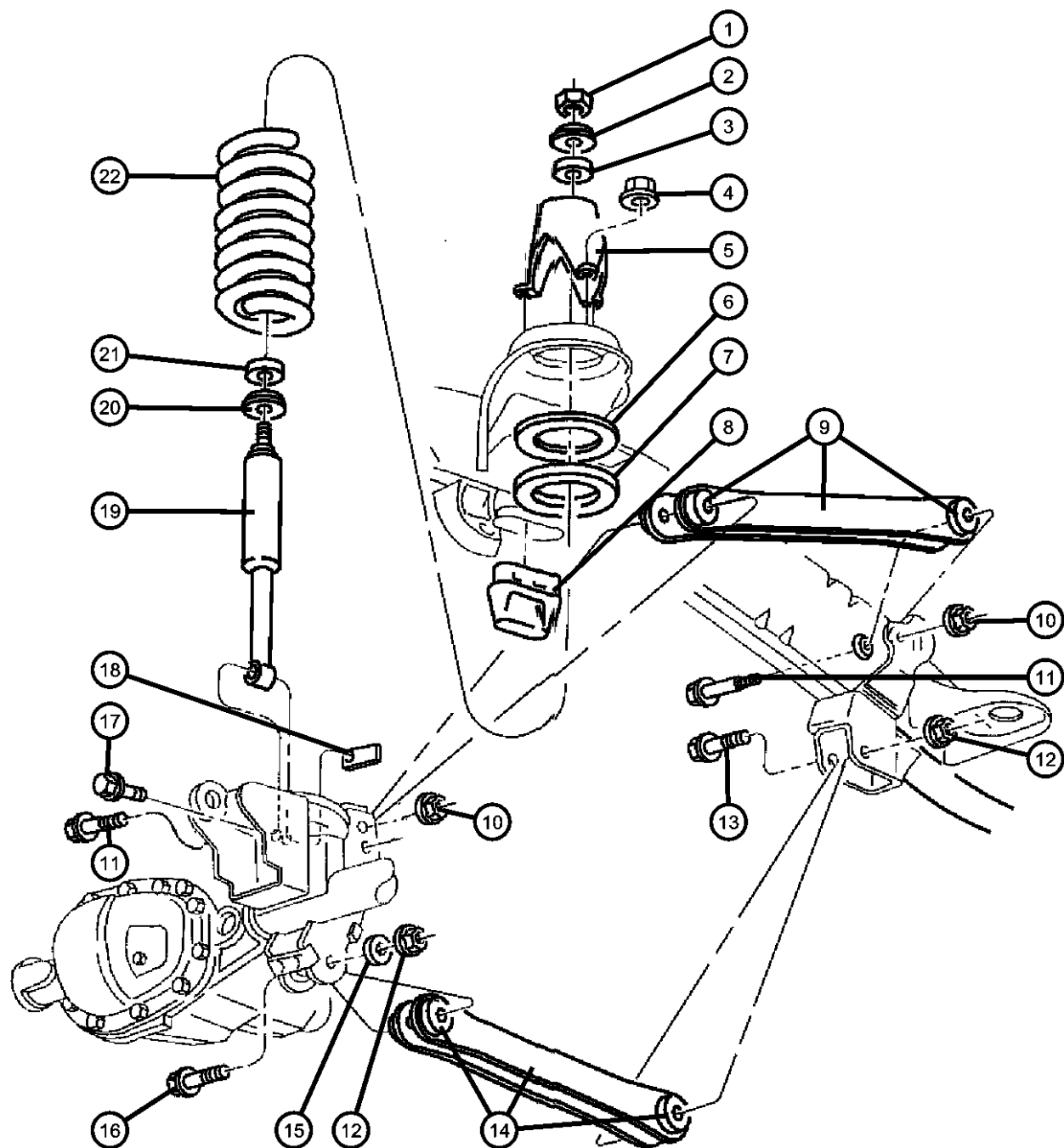
SERIES	LINE
L = Ram Truck (All)	3 = HD DODGE 2WD
	8 = HD DODGE 4WD
	1 = Lt. Duty DODGE 2WD
	6 = Lt. Duty DODGE 4WD
	2 = Med. Duty DODGE 2WD
	7 = Med. Duty DODGE 4WD

BODY	ENGINE	TRANSMISSION
31 = CLUB CAB 2-DR 6.5 FT BOX	ELF = ENGINE - 5.2L V8 MPI	DDC = TRANSMISSION - 5-SPEED HD MANUAL
32 = CLUB CAB 2-DR 8FT BOX	EML = ENGINE - 5.9L V8 MPI	DDP = TRANSMISSION - 5-SPEED MANUAL
33 = QUAD CAB 4-DR 6.5 FT BOX	EMM = ENGINE - "MAGNUM" 5.9L SMPI V8	DDX = TRANSMISSION - 5-SPEED HD MANUAL
34 = QUAD CAB 4-DR 8FT BOX	ETC = ENGINE- 5.9L CUMMINS 24V DIESEL	DEE = TRANSMISSION - 6-SPEED HD MANUAL
	ETH = ENGINE- 5.9L HO CUMMINS TURBO DIESEL	DGP = TRANSMISSION - 4-SPD. AUTOMATIC,47RE
	EWA = ENGINE - 8.0L V10 MPI	DGT = TRANSMISSION - 4-SPD. AUTOMATIC,46RE

AR = use ase required - = Non illustrated part

Upper and Lower Control Arms, Springs and Shocks, BE 6,7,8

Figure 2-120



Note:

- AWL = Off Road Group
  - ELO = All 5.2L 8 Cyl Gas Engines
  - EM0 = All 5.9L 8 Cyl Gas Engines
  - ET0 = All 5.9L Turbo Diesel Engines
  - EW0 = All 8.0L Gas Engines
  - UCA=Upper Control Arm
  - LCA=Lower Control Arm
- Check the VIN number for the 'Z' sales codes on suspension and springs.

ITEM	PART NUMBER	QTY	LINE	SERIES	BODY	ENGINE	TRANS	TRIM	DESCRIPTION
1	06503029	2							NUT, Hex, M12x1.25, Shock Mounting, Upper
2	52038257	2	6, 7, 8						RETAINER, Shock AbsorberUpper
3	52106742AA	2	6, 7, 8						GROMMET, Shock AbsorberUpper
4	06502696	6	6, 7, 8						NUT, Hex Flange Lock, M14x1.50, Shock Bracket to Frame, Mounting BRACKET, Upper Shock Cup
5	52038111	2	6, 7, 8						RING, Shock Absorber, With Studs
6	52038105	2	6, 7, 8						ISOLATOR, Spring
7	52037719	2	6, 7, 8						BUMPER, Jounce
8	52038838	2	6, 7, 8						ARM, Control
9									Upper
	52106798AA	2	6						Upper
	52106799AA	2	7, 8						NUT, Hex Flange Lock
10									UCA to Axle, Mounting
	06502698	2	6, 7, 8						UCA to Frame, Mounting
11									SCREW AND WASHER, Hex Head, M14-2x95
									UCA to Axle, Mounting
	06504989AA	2	6, 7, 8						UCA to Frame, Mounting
12									NUT, Hex Flange Lock
									LCA to Frame, Mounting
	06502396	2	6, 7, 8						LCA to Axle, Mounting
13	06505444AA	2	6, 7, 8						SCREW, Hex Flange Head, LCA to Frame, Mounting
14									ARM, Control

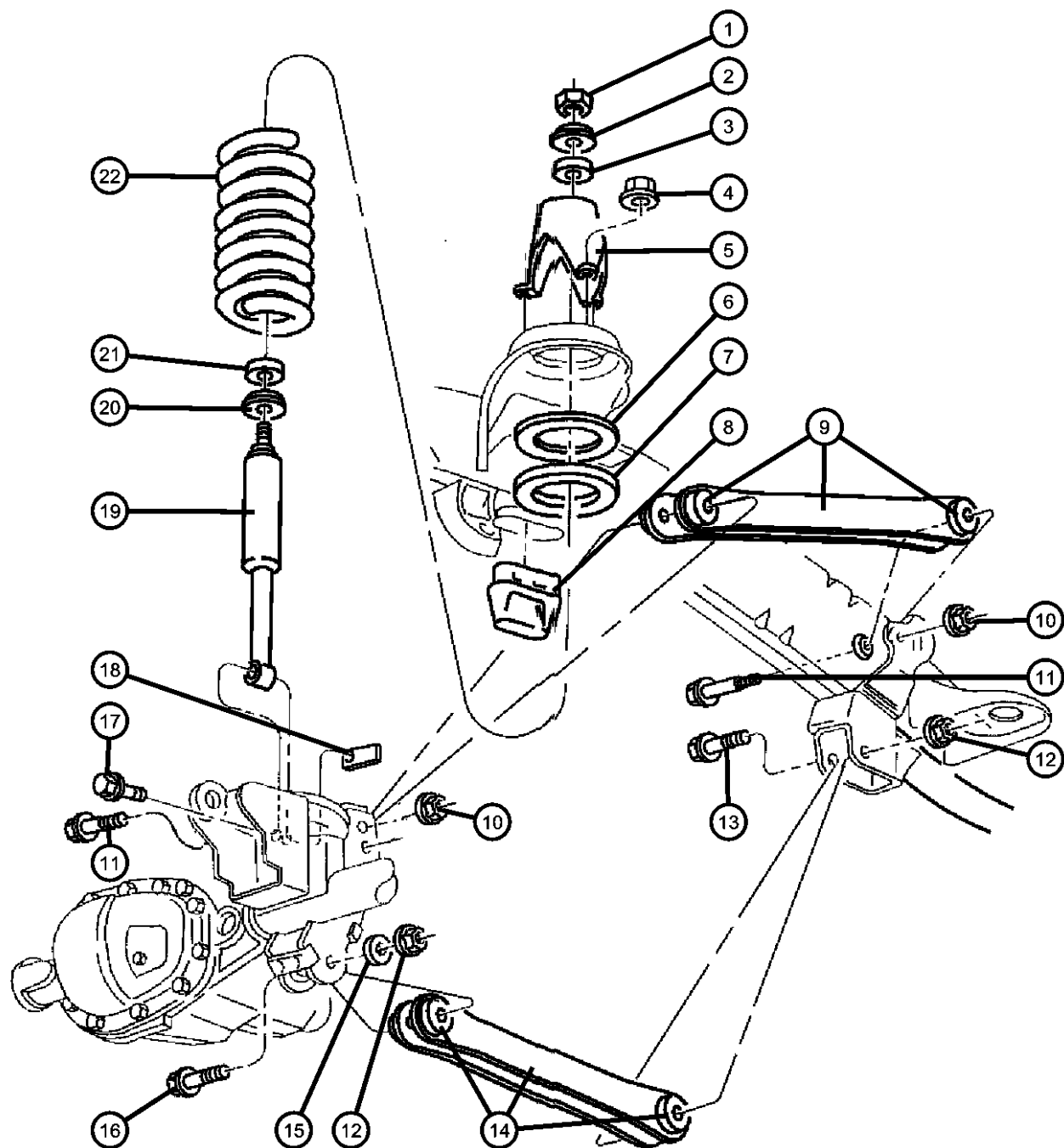
RAM PICKUP/CLUB CAB (BE)

SERIES	LINE	BODY	ENGINE	TRANSMISSION
L = Ram Truck (All)	3 = HD DODGE 2WD 8 = HD DODGE 4WD 1 = Lt. Duty DODGE 2WD 6 = Lt. Duty DODGE 4WD 2 = Med. Duty DODGE 2WD 7 = Med. Duty DODGE 4WD	31 = CLUB CAB 2-DR 6.5 FT BOX 32 = CLUB CAB 2-DR 8FT BOX 33 = QUAD CAB 4-DR 6.5 FT BOX 34 = QUAD CAB 4-DR 8FT BOX	ELF = ENGINE - 5.2L V8 MPI EML = ENGINE - 5.9L V8 MPI EMM = ENGINE - "MAGNUM" 5.9L SMPI V8 ETC = ENGINE- 5.9L CUMMINS 24V DIESEL ETH = ENGINE- 5.9L HO CUMMINS TURBO DIESEL EWA = ENGINE - 8.0L V10 MPI	DDC = TRANSMISSION - 5-SPEED HD MANUAL DDP = TRANSMISSION - 5-SPEED MANUAL DDX = TRANSMISSION - 5-SPEED HD MANUAL DEE = TRANSMISSION - 6-SPEED HD MANUAL DGP = TRANSMISSION - 4-SPD. AUTOMATIC, 47RE DGT = TRANSMISSION - 4-SPD. AUTOMATIC, 46RE

AR = use ase required - = Non illustrated part

Upper and Lower Control Arms, Springs and Shocks, BE 6,7,8

Figure 2-120



ITEM	PART NUMBER	QTY	LINE	SERIES	BODY	ENGINE	TRANS	TRIM	DESCRIPTION
	52106777AA	2	6						Lower
	52106778AA	2	7, 8						Lower
15	06505741AA	2	6, 7, 8						WASHER, Flat, LCA to Axle, Mounting
16	06505742AA	2	6, 7, 8						SCREW, LCA to Axle, Mounting
17	06502818	2							BOLT, Hex Flange Head, M14x2.00x80.00, Shock Mounting, Lower
18	06502817	2							LOCK NUT, M14-2.00, Shock Mounting, Lower
19									SHOCK ABSORBER PACKAGE, Suspension, Front
	04897464AC	2	8		34				Z8B
	0SGR5221								Rancho Shock
	0SGR5274								Rancho Shock
	04897468AC	2	7		33, 34	EL0, EM0, EWO			Z7B
	0SG23366								Mopar V-Line Alternative Part (8800 GVW)
	0SGR5221								Rancho Shock (8800 GVW)
	04897469AC	2	7		33	ET0			Z7B
	0SGR5221								Rancho Shock (8800 GVW)
	0SG23366								Mopar V-Line Alternative Part (8800 GVW)
	04897472AC	2	6			EL0, EM0			Z6B,-AWL
	0SGR5197								Rancho Shock
	0SG23279								Mopar V-Line Alternative Part
	04897473AC	2	7		34	ET0			Z7B
	0SGR5221								Rancho Shock (8800 GVW)
	0SG23366								Mopar V-Line Alternative Part (8800 GVW)
	05015240AC	2	6		31, 33	EL0, EM0			Z6B,+AWL
	0SGR5197								Rancho Shock
	0SG23279								Mopar V-Line Alternative Part

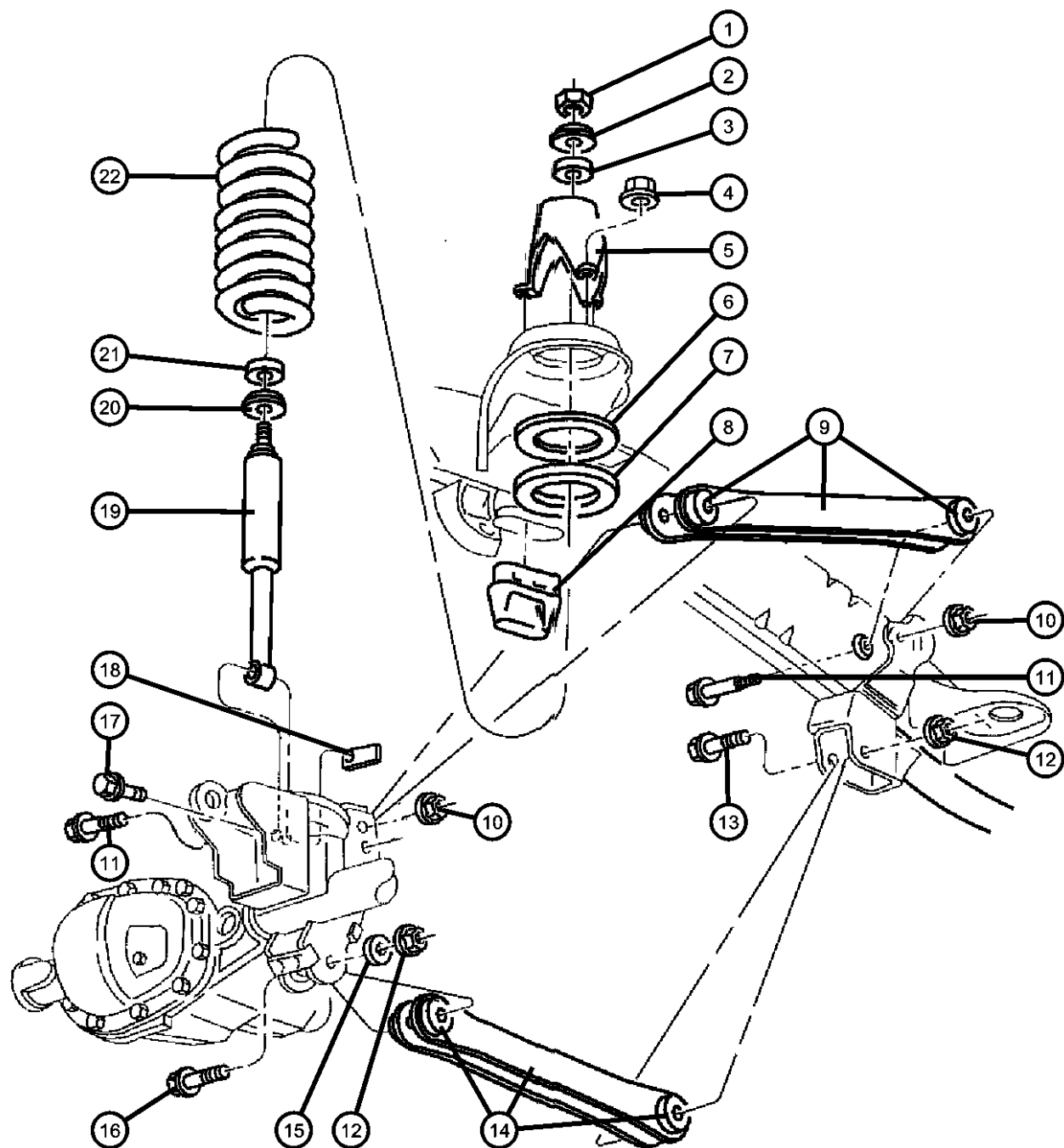
RAM PICKUP/CLUB CAB (BE)

SERIES	LINE	BODY	ENGINE	TRANSMISSION
L = Ram Truck (All)	3 = HD DODGE 2WD	31 = CLUB CAB 2-DR 6.5 FT BOX	ELF = ENGINE - 5.2L V8 MPI	DDC = TRANSMISSION - 5-SPEED HD MANUAL
	8 = HD DODGE 4WD	32 = CLUB CAB 2-DR 8FT BOX	EML = ENGINE - 5.9L V8 MPI	DDP = TRANSMISSION - 5-SPEED MANUAL
	1 = Lt. Duty DODGE 2WD	33 = QUAD CAB 4-DR 6.5 FT BOX	EMM = ENGINE - "MAGNUM" 5.9L SMPI V8	DDX = TRANSMISSION - 5-SPEED HD MANUAL
	6 = Lt. Duty DODGE 4WD	34 = QUAD CAB 4-DR 8FT BOX	ETC = ENGINE- 5.9L CUMMINS 24V DIESEL	DEE = TRANSMISSION - 6-SPEED HD MANUAL
	2 = Med. Duty DODGE 2WD		ETH = ENGINE- 5.9L HO CUMMINS TURBO DIESEL	DGP = TRANSMISSION - 4-SPD. AUTOMATIC, 47RE
	7 = Med. Duty DODGE 4WD		EWA = ENGINE - 8.0L V10 MPI	DGT = TRANSMISSION - 4-SPD. AUTOMATIC, 46RE

AR = use ase required - = Non illustrated part

Upper and Lower Control Arms, Springs and Shocks, BE 6,7,8

Figure 2-120



ITEM	PART NUMBER	QTY	LINE	SERIES	BODY	ENGINE	TRANS	TRIM	DESCRIPTION
20	52038258	2	6, 7, 8						RETAINER, Shock AbsorberLower
21	52106747AA	2	6, 7, 8						GROMMET, Shock AbsorberLower
22									SPRING, Front Coil
	52039018	1							Tag #018,ZWA,ZHA
	52039019	1							Tag #019,ZWB,ZHB
	52039020	1							Tag #020,ZWC,ZHC
	52039021	1							Tag #021,ZWD,ZHD
	52039022	1							Tag #022,ZWE,ZHE
	52039023	1							Tag #023,ZWF,ZHF
	52039024	1							Tag #024,ZWG,ZHG
	52039026	1							Tag #026,ZXA,ZJA
	52039027	1							Tag #027,ZXB,ZJB
	52039035	1							Tag #035,ZXC,ZJC
	52039036	1							Tag #036,ZXD,ZJD
	52039037	1							Tag #037,ZXE,ZJE
	52039038	1							Tag #038,ZXF,ZJF
	52039039	1							Tag #039,ZXG,ZJG
	52039046	1							Tag #046,ZXH,ZJH
	52039054	1							Tag #054,ZNA,ZAA
	52039059	1							Tag #059,ZNF,ZAF
	52039060	1							Tag #060,ZNG,ZAG
	52039072	1							Tag #072,ZSC,ZDC
	52039073	1							Tag #073,ZSD,ZDD
	52039074	1							Tag #074,ZSE,ZDE
	52039075	1							Tag #075,ZSF,ZDF
	52039076	1							Tag #076,ZSG,ZDG
	52039134	1							Tag #134,ZHH,ZWH
	52106228AA	1							Tag #228AA,ZHK,ZWK
	52106229AA	1							Tag #229AA,ZH,ZWL
	52106230AA	1							Tag #230AA,ZJL,ZXL

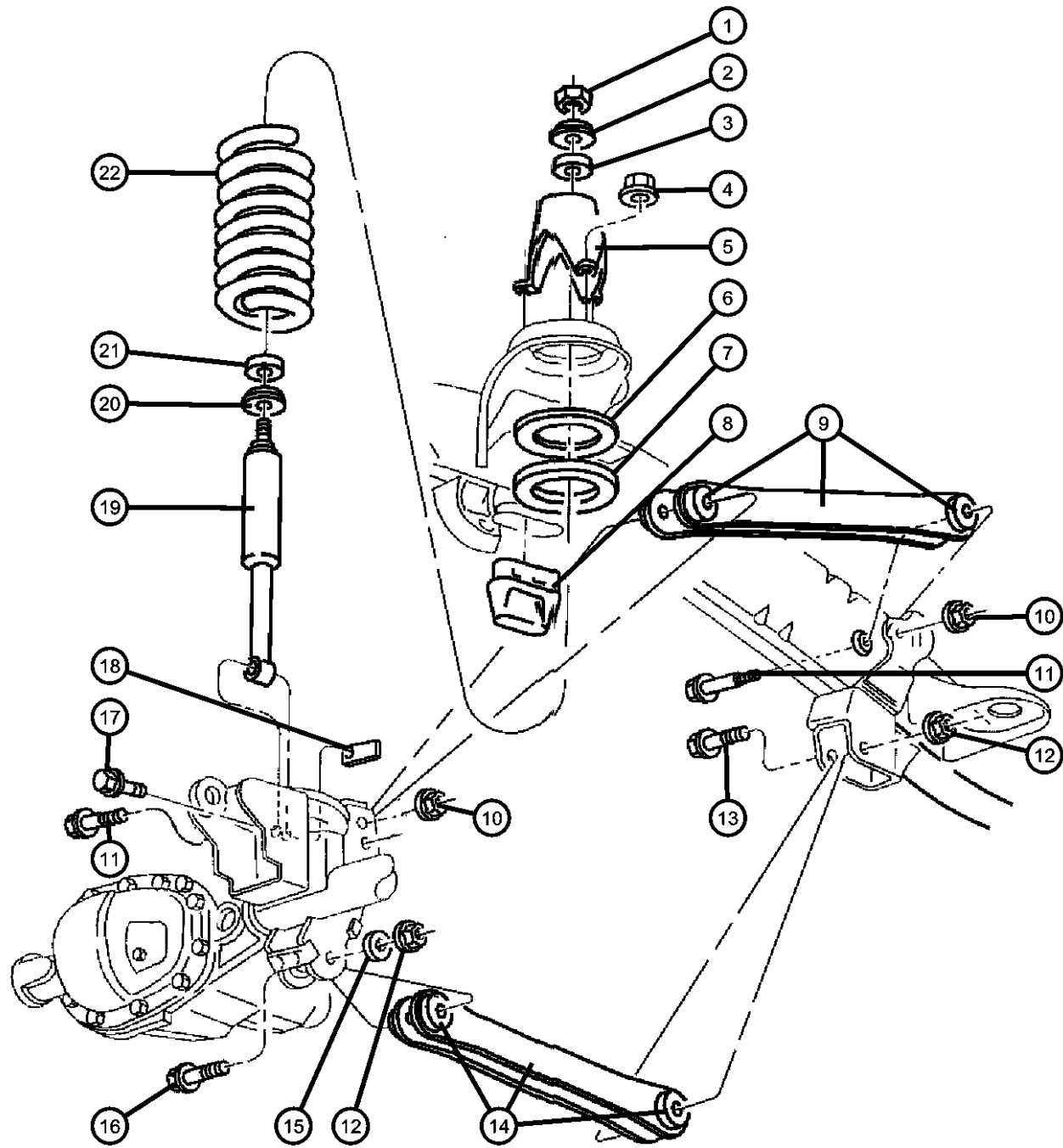
RAM PICKUP/CLUB CAB (BE)

SERIES	LINE	BODY	ENGINE	TRANSMISSION
L = Ram Truck (All)	3 = HD DODGE 2WD 8 = HD DODGE 4WD 1 = Lt. Duty DODGE 2WD 6 = Lt. Duty DODGE 4WD 2 = Med. Duty DODGE 2WD 7 = Med. Duty DODGE 4WD	31 = CLUB CAB 2-DR 6.5 FT BOX 32 = CLUB CAB 2-DR 8FT BOX 33 = QUAD CAB 4-DR 6.5 FT BOX 34 = QUAD CAB 4-DR 8FT BOX	ELF = ENGINE - 5.2L V8 MPI EML = ENGINE - 5.9L V8 MPI EMM = ENGINE - "MAGNUM" 5.9L SMPI V8 ETC = ENGINE- 5.9L CUMMINS 24V DIESEL ETH = ENGINE- 5.9L HO CUMMINS TURBO DIESEL EWA = ENGINE - 8.0L V10 MPI	DDC = TRANSMISSION - 5-SPEED HD MANUAL DDP = TRANSMISSION - 5-SPEED MANUAL DDX = TRANSMISSION - 5-SPEED HD MANUAL DEE = TRANSMISSION - 6-SPEED HD MANUAL DGP = TRANSMISSION - 4-SPD. AUTOMATIC, 47RE DGT = TRANSMISSION - 4-SPD. AUTOMATIC, 46RE

AR = use ase required - = Non illustrated part

Upper and Lower Control Arms, Springs and Shocks, BE 6,7,8  
Figure 2-120

ITEM	PART NUMBER	QTY	LINE	SERIES	BODY	ENGINE	TRANS	TRIM	DESCRIPTION
------	-------------	-----	------	--------	------	--------	-------	------	-------------



	52106231AA	1							Tag #231AA,ZAJ,ZNJ
	52106232AA	1							Tag #232AA,ZCE,ZRE
	52106233AA	1							Tag #233AA,ZCF,ZRF
	52106240AA	1							Tag #240AA,ZDJ,ZSJ
	52106241AA	1							Tag #241AA,ZDH,ZSH

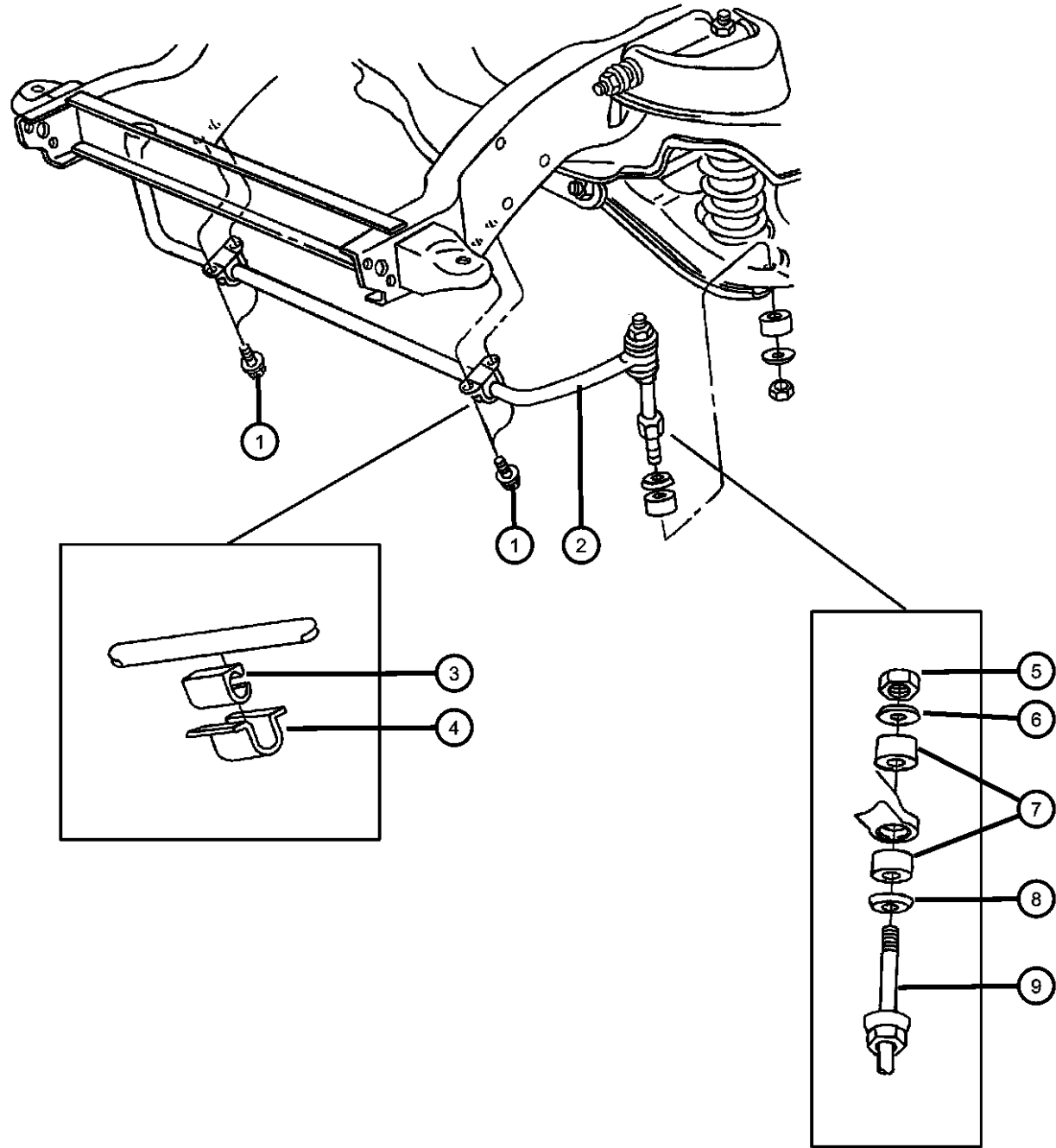
RAM PICKUP/CLUB CAB (BE)

SERIES	LINE	BODY	ENGINE	TRANSMISSION
L = Ram Truck (All)	3 = HD DODGE 2WD	31 = CLUB CAB 2-DR 6.5 FT BOX	ELF = ENGINE - 5.2L V8 MPI	DDC = TRANSMISSION - 5-SPEED HD MANUAL
	8 = HD DODGE 4WD	32 = CLUB CAB 2-DR 8FT BOX	EML = ENGINE - 5.9L V8 MPI	DDP = TRANSMISSION - 5-SPEED MANUAL
	1 = Lt. Duty DODGE 2WD	33 = QUAD CAB 4-DR 6.5 FT BOX	EMM = ENGINE - "MAGNUM" 5.9L SMPI V8	DDX = TRANSMISSION - 5-SPEED HD MANUAL
	6 = Lt. Duty DODGE 4WD	34 = QUAD CAB 4-DR 8FT BOX	ETC = ENGINE- 5.9L CUMMINS 24V DIESEL	DEE = TRANSMISSION - 6-SPEED HD MANUAL
	2 = Med. Duty DODGE 2WD		ETH = ENGINE- 5.9L HO CUMMINS TURBO DIESEL	DGP = TRANSMISSION - 4-SPD. AUTOMATIC,47RE
	7 = Med. Duty DODGE 4WD		EWA = ENGINE - 8.0L V10 MPI	DGT = TRANSMISSION - 4-SPD. AUTOMATIC,46RE

AR = use ase required - = Non illustrated part

2000 BE

Front Stabilizer Bar, BE 1,2,3  
Figure 2-130



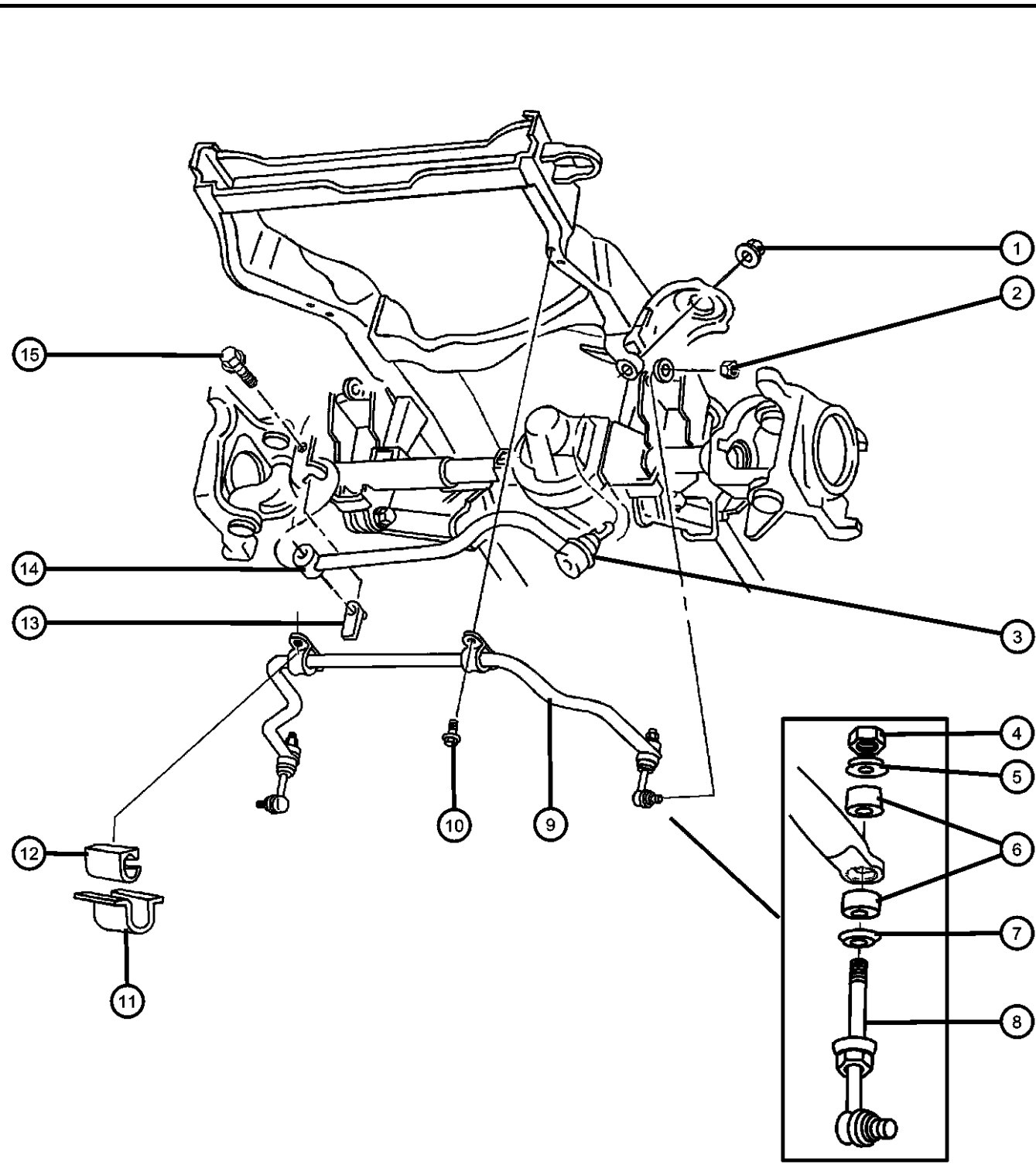
ITEM	PART NUMBER	QTY	LINE	SERIES	BODY	ENGINE	TRANS	TRIM	DESCRIPTION
1	06504010	4							SCREW AND WASHER, Hex Head, M10x1.50x35, Sway Bar Retainer to Frame Mounting BAR, Front Sway
2	52038455	1	1, 2, 3						BUSHING, Stabilizer Bar
3	52038851	2	1, 2, 3						RETAINER, Stabilizer Bar Grommet
4	52037710	2	1, 2, 3						NUT, Hex Lock, M10x1.5
5	06101687	4	1, 2, 3						RETAINER, Stabilizer Bar Grommet Large Hole
6	52038115	2	1, 2, 3						RETAINER, Stabilizer Bar Grommet Small Hole
	52038116	2	1, 2, 3						
7	52037916	8	1, 2, 3						GROMMET, Link
8	52037712AB	2	1, 2, 3						LINK, Sway Eliminator

RAM PICKUP/CLUB CAB (BE)

SERIES	LINE	BODY	ENGINE	TRANSMISSION
L = Ram Truck (All)	3 = HD DODGE 2WD 8 = HD DODGE 4WD 1 = Lt. Duty DODGE 2WD 6 = Lt. Duty DODGE 4WD 2 = Med. Duty DODGE 2WD 7 = Med. Duty DODGE 4WD	31 = CLUB CAB 2-DR 6.5 FT BOX 32 = CLUB CAB 2-DR 8FT BOX 33 = QUAD CAB 4-DR 6.5 FT BOX 34 = QUAD CAB 4-DR 8FT BOX	ELF = ENGINE - 5.2L V8 MPI EML = ENGINE - 5.9L V8 MPI EMM = ENGINE - "MAGNUM" 5.9L SMPI V8 ETC = ENGINE- 5.9L CUMMINS 24V DIESEL ETH = ENGINE- 5.9L HO CUMMINS TURBO DIESEL EWA = ENGINE - 8.0L V10 MPI	DDC = TRANSMISSION - 5-SPEED HD MANUAL DDP = TRANSMISSION - 5-SPEED MANUAL DDX = TRANSMISSION - 5-SPEED HD MANUAL DEE = TRANSMISSION - 6-SPEED HD MANUAL DGP = TRANSMISSION - 4-SPD. AUTOMATIC, 47RE DGT = TRANSMISSION - 4-SPD. AUTOMATIC, 46RE

AR = use ase required - = Non illustrated part

**Front Stabilizer Bar and Track Bar, BE 6,7,8**  
**Figure 2-140**



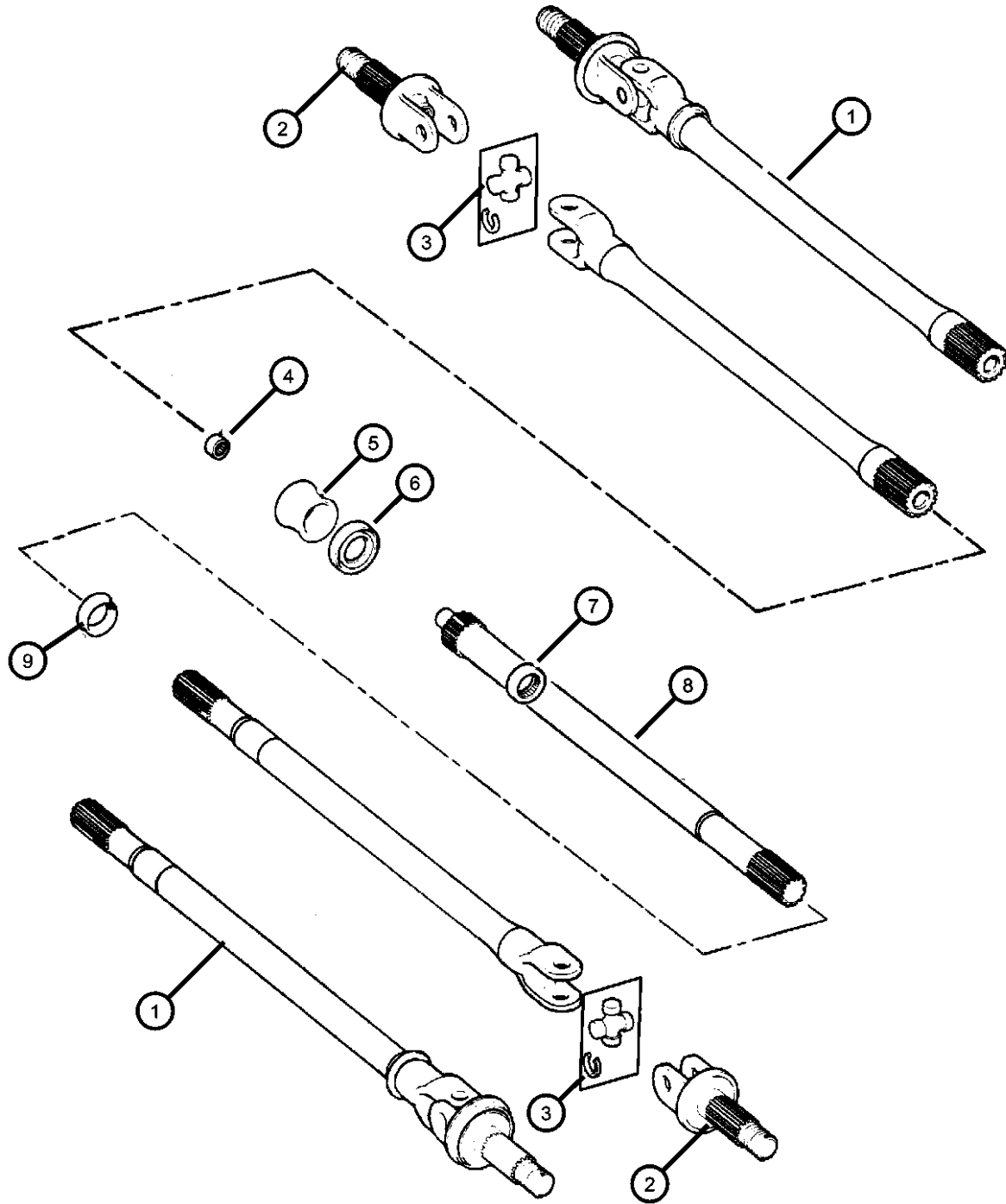
ITEM	PART NUMBER	QTY	LINE	SERIES	BODY	ENGINE	TRANS	TRIM	DESCRIPTION
1	06503861	1	6, 7, 8						NUT, Hex Flange, M14x1.5, Track Bar to Frame, Mounting
2	06505649AA	2	6, 7, 8						NUT, Hex Lock, M12 x 1.25, Link to Front Axle, Mounting
3	05018748AA	1	6, 7, 8						SEAL, Dust, Track Bar Ball Stud
4	06101687	2	6, 7, 8						NUT, Hex Lock, M10x1.5, Link to Stabilizer Bar, Mounting
5									RETAINER, Stabilizer Bar Grommet
	52038115	2	6						Large Hole
		2	7, 8		33, 34				Large Hole
	52038116	2	6						Small Hole
		2	7, 8		33, 34				Small Hole
6	52037916	4	6, 7, 8						GROMMET, Link
7	52106481AA	2	6, 7, 8						LINK, Sway Eliminator
8									BAR, Front Sway
	52039440	1	6						
	52113551AA	1	7, 8		33, 34				
9	06504010	4							SCREW AND WASHER, Hex Head, M10x1.50x35, Sway Bar Retainer to Frame, Mounting
10	52037710	2	6, 7, 8						RETAINER, Stabilizer Bar Grommet
11	52038851	2	6, 7, 8						BUSHING, Stabilizer Bar
12	06502817	1	6, 7, 8						LOCK NUT, M14-2.00, Track Bar to Axle, Mounting
13	52038933	1	6, 7, 8						BAR, Track
14	06503576	1	6, 7, 8						BOLT, Hex Flange Head, M14x2.00x67.50, Track Bar to Axle, Mounting

**RAM PICKUP/CLUB CAB (BE)**

SERIES	LINE	BODY	ENGINE	TRANSMISSION
L = Ram Truck (All)	3 = HD DODGE 2WD	31 = CLUB CAB 2-DR 6.5 FT BOX	ELF = ENGINE - 5.2L V8 MPI	DDC = TRANSMISSION - 5-SPEED HD MANUAL
	8 = HD DODGE 4WD	32 = CLUB CAB 2-DR 8FT BOX	EML = ENGINE - 5.9L V8 MPI	DDP = TRANSMISSION - 5-SPEED MANUAL
	1 = Lt. Duty DODGE 2WD	33 = QUAD CAB 4-DR 6.5 FT BOX	EMM = ENGINE - "MAGNUM" 5.9L SMPI V8	DDX = TRANSMISSION - 5-SPEED HD MANUAL
	6 = Lt. Duty DODGE 4WD	34 = QUAD CAB 4-DR 8FT BOX	ETC = ENGINE- 5.9L CUMMINS 24V DIESEL	DEE = TRANSMISSION - 6-SPEED HD MANUAL
	2 = Med. Duty DODGE 2WD		ETH = ENGINE- 5.9L HO CUMMINS TURBO DIESEL	DGP = TRANSMISSION - 4-SPD. AUTOMATIC, 47RE
	7 = Med. Duty DODGE 4WD		EWA = ENGINE - 8.0L V10 MPI	DGT = TRANSMISSION - 4-SPD. AUTOMATIC, 46RE

AR = use ase required - = Non illustrated part

**Front Axle Shafts,Dana M44/216MM [DJC],M60/248MM [DJF],BE 6,7,8  
Figure 2-210**



ITEM	PART NUMBER	QTY	LINE	SERIES	BODY	ENGINE	TRANS	TRIM	DESCRIPTION
Note:Sales Codes, [DJC]=Axle - Front,Dana M44/216MM [DJF]=Axle - Front,Dana M60/248mm									
1									SHAFT, Axle
	05015136AB	1	6						Right
	05015137AB	1	6						Left
	05015208AB	1	7		33, 34				Right
		1	8		34				Right
	05015209AB	1	7		33, 34				Left
		1	8		34				Left
2									SHAFT, Stub
	05015138AA	2	6						Right or Left
	05015194AA	1	7		33, 34				Right or Left
		1	8		34				Right or Left
3									U JOINT, Front Axle
	04137757	1	6						Right or Left
	05003004AB	1	7		33, 34				Right or Left
	V8013004AA								Mopar Alternative Universal Joint
		1	8		34				Right or Left
	V8013004AA								Mopar Alternative Universal Joint
4									BUSHING, Intermediate Shaft
	05252686	1	6						
		1	7		33, 34				
		1	8		34				
5									COLLAR, Axle Shift
	04778548	1	6						
	05015212AA	1	7		33, 34				
		1	8		34				
6									BUSHING, Axle Shaft
	04137740	1	6						
	05017907AA	1	7		33, 34				

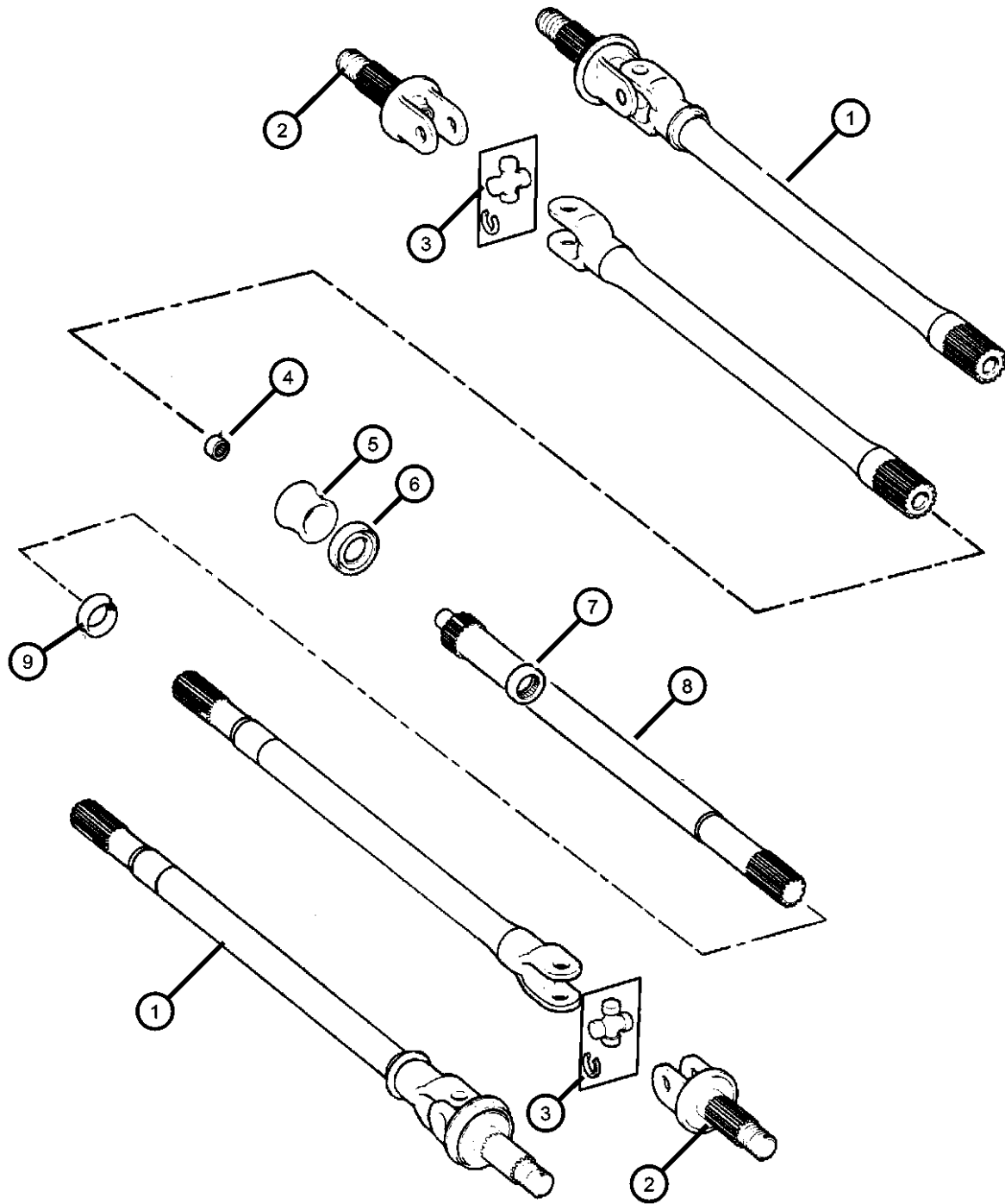
**RAM PICKUP/CLUB CAB (BE)**

SERIES	LINE	BODY	ENGINE	TRANSMISSION
L = Ram Truck (All)	3 = HD DODGE 2WD 8 = HD DODGE 4WD 1 = Lt. Duty DODGE 2WD 6 = Lt. Duty DODGE 4WD 2 = Med. Duty DODGE 2WD 7 = Med. Duty DODGE 4WD	31 = CLUB CAB 2-DR 6.5 FT BOX 32 = CLUB CAB 2-DR 8FT BOX 33 = QUAD CAB 4-DR 6.5 FT BOX 34 = QUAD CAB 4-DR 8FT BOX	ELF = ENGINE - 5.2L V8 MPI EML = ENGINE - 5.9L V8 MPI EMM = ENGINE - "MAGNUM" 5.9L SMPI V8 ETC = ENGINE- 5.9L CUMMINS 24V DIESEL ETH = ENGINE- 5.9L HO CUMMINS TURBO DIESEL EWA = ENGINE - 8.0L V10 MPI	DDC = TRANSMISSION - 5-SPEED HD MANUAL DDP = TRANSMISSION - 5-SPEED MANUAL DDX = TRANSMISSION - 5-SPEED HD MANUAL DEE = TRANSMISSION - 6-SPEED HD MANUAL DGP = TRANSMISSION - 4-SPD. AUTOMATIC,47RE DGT = TRANSMISSION - 4-SPD. AUTOMATIC,46RE

AR = use ase required - = Non illustrated part



Front Axle Shafts,Dana M44/216MM [DJC],M60/248MM [DJF],BE 6,7,8  
Figure 2-210



ITEM	PART NUMBER	QTY	LINE	SERIES	BODY	ENGINE	TRANS	TRIM	DESCRIPTION
7		1	8		34				SEAL, Axle Drive Shaft
	04506005AB	1	6						Right
	05015198AA	1	7		33, 34				Right
		1	8		34				Right
8									SHAFT, Axle Intermediate
	04762162	1	6						
	05015203AA	1	8		34				
		1	7		33, 34				
9									SEAL, Axle Drive Shaft
	04116366AB	1	6						Left
	05015201AA	1	7		33, 34				Left
		1	8		34				Left

RAM PICKUP/CLUB CAB (BE)

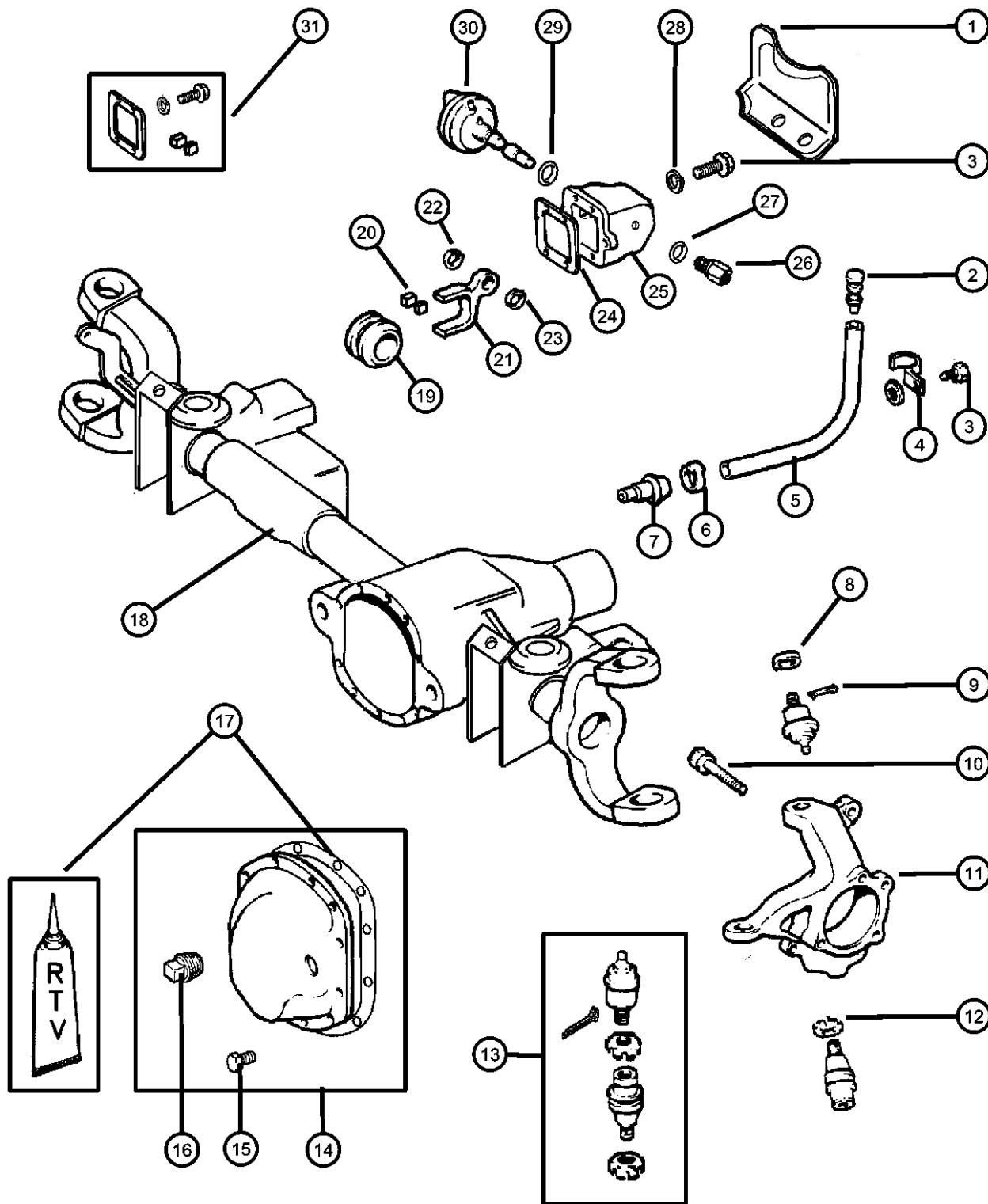
SERIES	LINE	BODY	ENGINE	TRANSMISSION
L = Ram Truck (All)	3 = HD DODGE 2WD 8 = HD DODGE 4WD 1 = Lt. Duty DODGE 2WD 6 = Lt. Duty DODGE 4WD 2 = Med. Duty DODGE 2WD 7 = Med. Duty DODGE 4WD	31 = CLUB CAB 2-DR 6.5 FT BOX 32 = CLUB CAB 2-DR 8FT BOX 33 = QUAD CAB 4-DR 6.5 FT BOX 34 = QUAD CAB 4-DR 8FT BOX	ELF = ENGINE - 5.2L V8 MPI EML = ENGINE - 5.9L V8 MPI EMM = ENGINE - "MAGNUM" 5.9L SMPI V8 ETC = ENGINE- 5.9L CUMMINS 24V DIESEL ETH = ENGINE- 5.9L HO CUMMINS TURBO DIESEL EWA = ENGINE - 8.0L V10 MPI	DDC = TRANSMISSION - 5-SPEED HD MANUAL DDP = TRANSMISSION - 5-SPEED MANUAL DDX = TRANSMISSION - 5-SPEED HD MANUAL DEE = TRANSMISSION - 6-SPEED HD MANUAL DGP = TRANSMISSION - 4-SPD. AUTOMATIC,47RE DGT = TRANSMISSION - 4-SPD. AUTOMATIC,46RE

AR = use ase required - = Non illustrated part

2000 BE

Front Axle Housing, Dana Model 44, BE 6

Figure 2-310



ITEM	PART NUMBER	QTY	LINE	SERIES	BODY	ENGINE	TRANS	TRIM	DESCRIPTION
1	04506117	1	6						SHIELD, Vacuum Disconnect
2	J5352955	1							VENT, AxleUpper
3	04137734	4	6						BOLT, Axle Disconnect Cover
4	52003837	1	6						BRACKET, Engine Splash Guard, Breather Hose
5	04443176	1							HOSE, Fuel, .31 I.D. 50 Foot Roll
6	00153455	1							CLAMP, Hose, .620
7	05011283AA	1	6						VENT, Axle
8	J0125258	2	6						NUT, Steering Knuckle SocketUpper
9	J0137214	2	6						PIN, Cotter
10	04746775	6	6						BOLT, Hub
11									KNUCKLE, Front
	05015134AA	1	6						Right
	05015135AA	1	6						Left
12	03634267	2	6						NUT, Steering Knuckle SocketLower
13	05017061AA	2	6						BALL JOINT, Front Knuckle, Kit
14	04762688	1	6						COVER, Differential
15	02954031	10	6						BOLT, Differential Cover
16	03640792	1	6						PLUG, Differential Cover
17	05010884AA	1	6						SEALANT, RTV
18									HOUSING, Axle
	05015132AA	1	6						[DMD,DMH]
	05017060AA	1	6						[DMF]
19	04778548	1	6						COLLAR, Axle Shift
20	04137731	2	6						CLIP, Axle Disconnect Fork
21	04137727	1	6						FORK, Axle Shift
22	04137728	1	6						SNAP RING, Vacuum Motor
23	04137729	2	6						SNAP RING, Vacuum Motor
24	04137732	1	6						GASKET, Axle Disconnect Housing
25	04384169	1	6						COVER, Axle Disconnect

RAM PICKUP/CLUB CAB (BE)

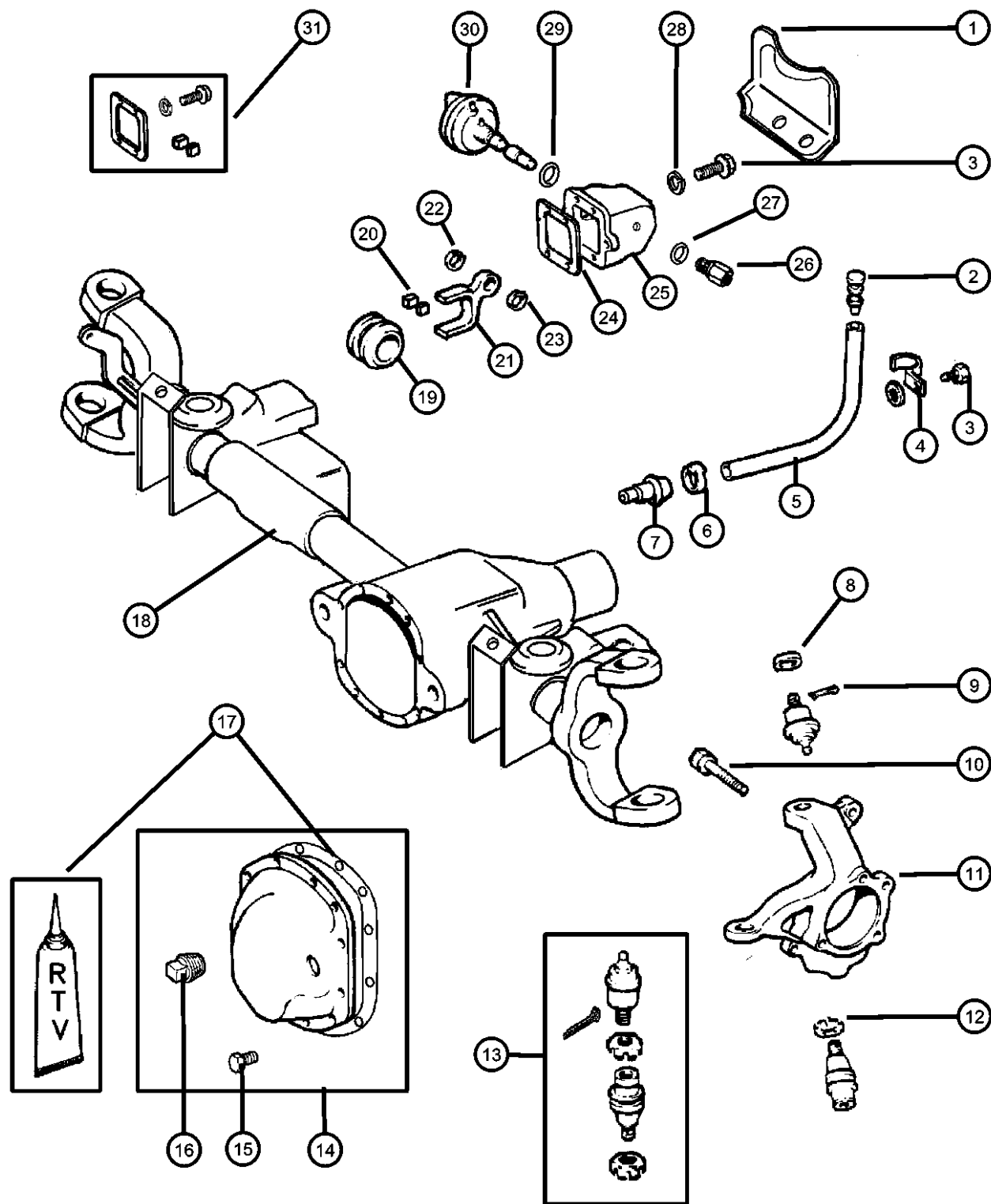
SERIES	LINE
L = Ram Truck (All)	3 = HD DODGE 2WD
	8 = HD DODGE 4WD
	1 = Lt. Duty DODGE 2WD
	6 = Lt. Duty DODGE 4WD
	2 = Med. Duty DODGE 2WD
	7 = Med. Duty DODGE 4WD

BODY	ENGINE	TRANSMISSION
31 = CLUB CAB 2-DR 6.5 FT BOX	ELF = ENGINE - 5.2L V8 MPI	DDC = TRANSMISSION - 5-SPEED HD MANUAL
32 = CLUB CAB 2-DR 8FT BOX	EML = ENGINE - 5.9L V8 MPI	DDP = TRANSMISSION - 5-SPEED MANUAL
33 = QUAD CAB 4-DR 6.5 FT BOX	EMM = ENGINE - "MAGNUM" 5.9L SMPI V8	DDX = TRANSMISSION - 5-SPEED HD MANUAL
34 = QUAD CAB 4-DR 8FT BOX	ETC = ENGINE- 5.9L CUMMINS 24V DIESEL	DEE = TRANSMISSION - 6-SPEED HD MANUAL
	ETH = ENGINE- 5.9L HO CUMMINS TURBO DIESEL	DGP = TRANSMISSION - 4-SPD. AUTOMATIC, 47RE
	EWA = ENGINE - 8.0L V10 MPI	DGT = TRANSMISSION - 4-SPD. AUTOMATIC, 46RE

AR = use ase required - = Non illustrated part

Front Axle Housing, Dana Model 44, BE 6

Figure 2-310



ITEM	PART NUMBER	QTY	LINE	SERIES	BODY	ENGINE	TRANS	TRIM	DESCRIPTION
26	04289880	1	6						SWITCH, Hub Lock Indicator
27	05209912	1	6						GASKET, Axle Disconnect Switch
28	04137733	4	6						LOCK WASHER
29	04137726	1	6						O RING, Shaft Disconnect
30	04882682	1	6						MOTOR KIT, Axle Vacuum
31	J8133708	1	6						CLIP KIT, Axle Disconnect

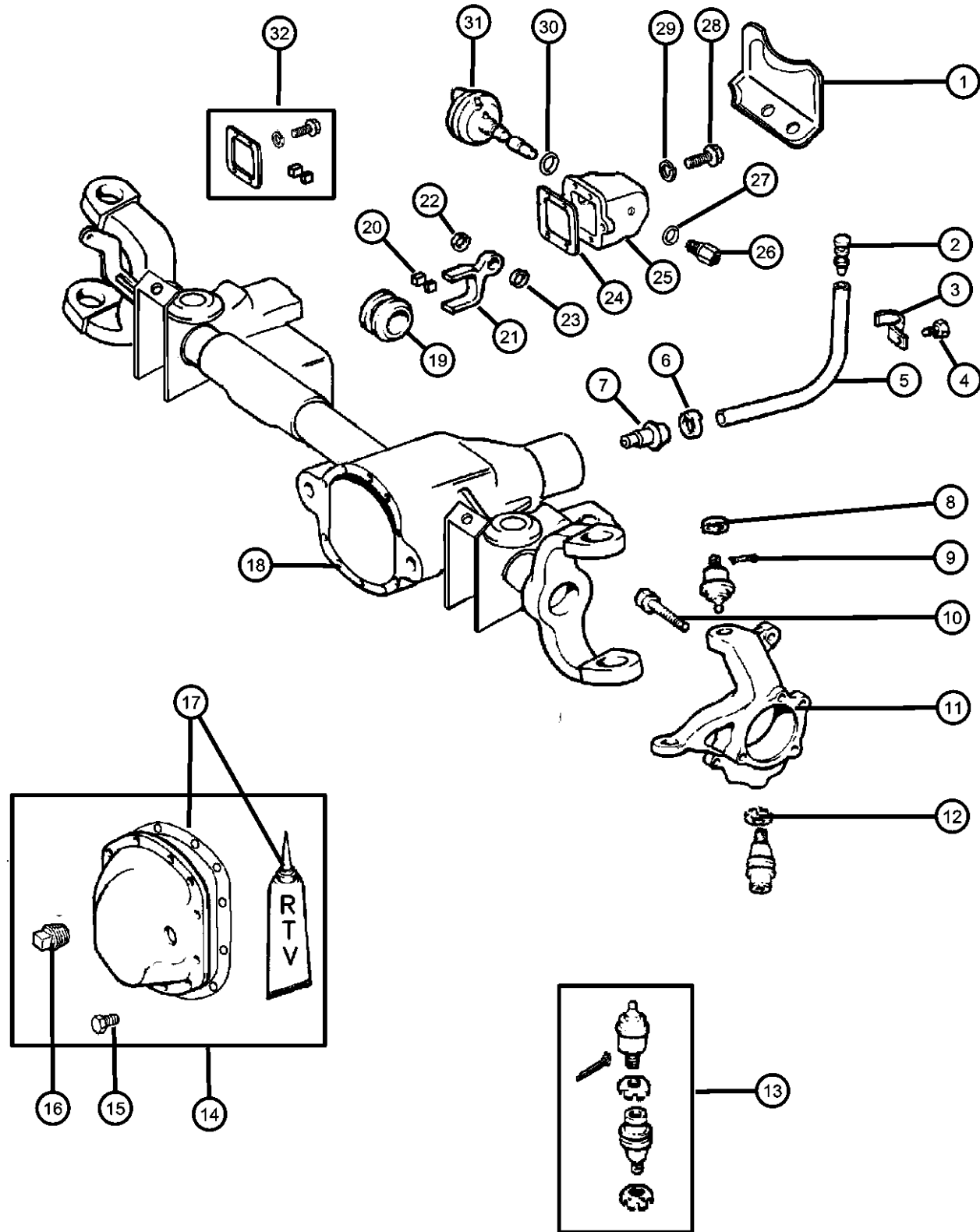
RAM PICKUP/CLUB CAB (BE)

SERIES	LINE	BODY	ENGINE	TRANSMISSION
L = Ram Truck (All)	3 = HD DODGE 2WD 8 = HD DODGE 4WD 1 = Lt. Duty DODGE 2WD 6 = Lt. Duty DODGE 4WD 2 = Med. Duty DODGE 2WD 7 = Med. Duty DODGE 4WD	31 = CLUB CAB 2-DR 6.5 FT BOX 32 = CLUB CAB 2-DR 8FT BOX 33 = QUAD CAB 4-DR 6.5 FT BOX 34 = QUAD CAB 4-DR 8FT BOX	ELF = ENGINE - 5.2L V8 MPI EML = ENGINE - 5.9L V8 MPI EMM = ENGINE - "MAGNUM" 5.9L SMPI V8 ETC = ENGINE- 5.9L CUMMINS 24V DIESEL ETH = ENGINE- 5.9L HO CUMMINS TURBO DIESEL EWA = ENGINE - 8.0L V10 MPI	DDC = TRANSMISSION - 5-SPEED HD MANUAL DDP = TRANSMISSION - 5-SPEED MANUAL DDX = TRANSMISSION - 5-SPEED HD MANUAL DEE = TRANSMISSION - 6-SPEED HD MANUAL DGP = TRANSMISSION - 4-SPD. AUTOMATIC, 47RE DGT = TRANSMISSION - 4-SPD. AUTOMATIC, 46RE

AR = use ase required - = Non illustrated part

2000 BE

Front Axle Housing, Dana Model 60, BE 7,8  
Figure 2-320



ITEM	PART NUMBER	QTY	LINE	SERIES	BODY	ENGINE	TRANS	TRIM	DESCRIPTION
Note:DJF = Dana 60 Axle									
1	04506117	1	7		33, 34				SHIELD, Vacuum Disconnect Motor
		1	8		34				Motor
2	J5352955	1	6, 7, 8						VENT, AxleUpper
3	52003837	1	7		33, 34				BRACKET, Engine Splash Guard
		1	8		34				Breather Hose
4	04137734	4	7		33, 34				BOLT, Axle Disconnect Cover
		4	8		34				
5	04443176	1							HOSE, Fuel, .31 I.D. 50 Foot Roll, Bulk Roll
6	00153455	1	6, 7, 8						CLAMP, Hose, .620
7	05011283AA	1	7		33, 34				VENT, Axle
		1	8		34				
8	05015124AA	1	7		33, 34				NUT, Steering Knucle Socket Upper
		1	8		34				Upper
9	00120123	3							PIN, CotterUpper
10	05015125AA	8	7		33, 34				BOLT, Hub Mounting
		8	8		34				Mounting
11	05015238AA	1	7		33, 34				KNUCKLE, Front Right
		1	8		34				Right
	05015239AA	1	7		33, 34				Left
		1	8		34				Left
12	03634267	2	7		33, 34				NUT, Steering Knucle Socket

RAM PICKUP/CLUB CAB (BE)

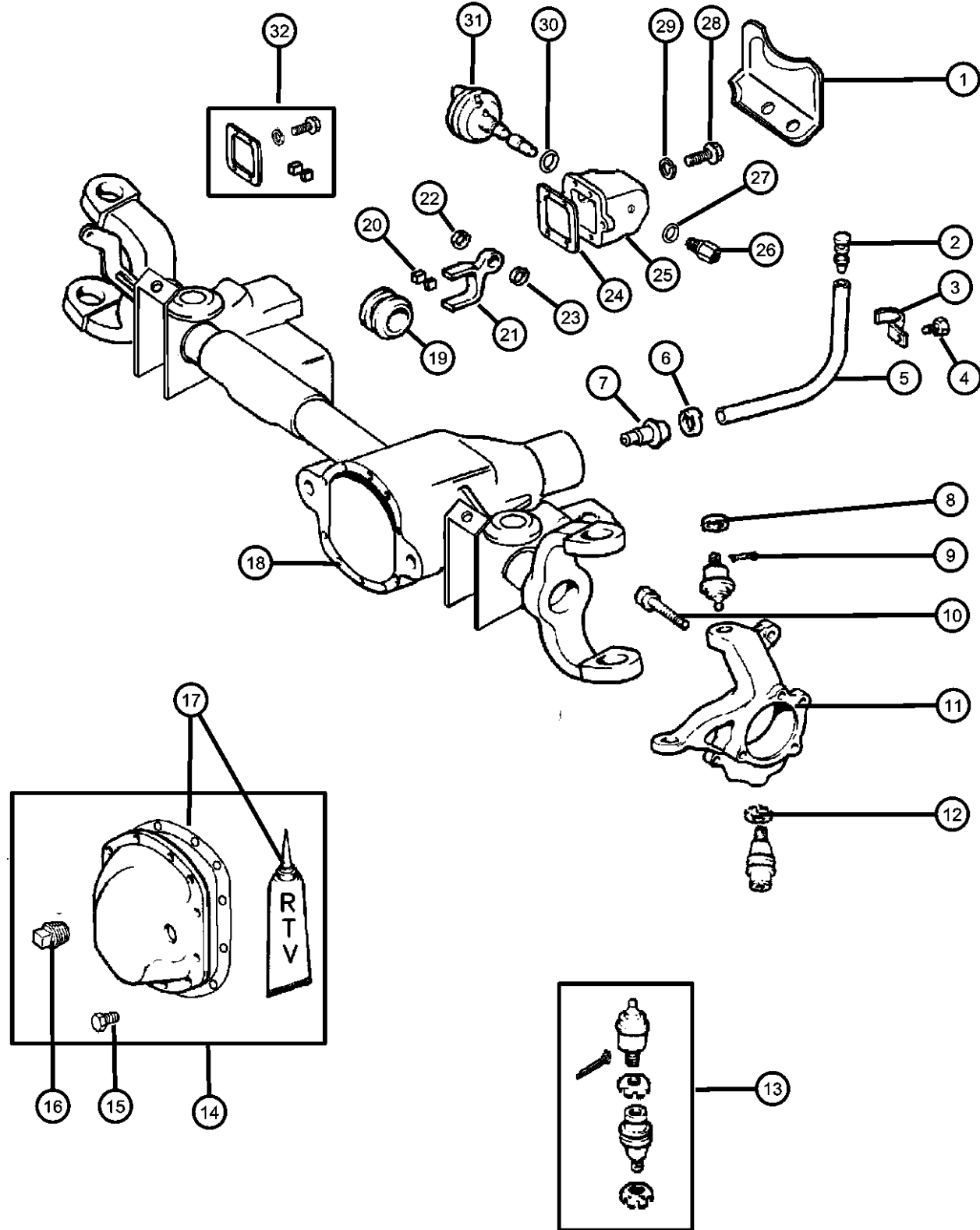
SERIES	LINE
L = Ram Truck (All)	3 = HD DODGE 2WD
	8 = HD DODGE 4WD
	1 = Lt. Duty DODGE 2WD
	6 = Lt. Duty DODGE 4WD
	2 = Med. Duty DODGE 2WD
	7 = Med. Duty DODGE 4WD

BODY	ENGINE	TRANSMISSION
31 = CLUB CAB 2-DR 6.5 FT BOX	ELF = ENGINE - 5.2L V8 MPI	DDC = TRANSMISSION - 5-SPEED HD MANUAL
32 = CLUB CAB 2-DR 8FT BOX	EML = ENGINE - 5.9L V8 MPI	DDP = TRANSMISSION - 5-SPEED MANUAL
33 = QUAD CAB 4-DR 6.5 FT BOX	EMM = ENGINE - "MAGNUM" 5.9L SMPI V8	DDX = TRANSMISSION - 5-SPEED HD MANUAL
34 = QUAD CAB 4-DR 8FT BOX	ETC = ENGINE- 5.9L CUMMINS 24V DIESEL	DEE = TRANSMISSION - 6-SPEED HD MANUAL
	ETH = ENGINE- 5.9L HO CUMMINS TURBO DIESEL	DGP = TRANSMISSION - 4-SPD. AUTOMATIC,47RE
	EWA = ENGINE - 8.0L V10 MPI	DGT = TRANSMISSION - 4-SPD. AUTOMATIC,46RE

AR = use ase required - = Non illustrated part

2000 BE

Front Axle Housing, Dana Model 60, BE 7,8  
Figure 2-320



ITEM	PART NUMBER	QTY	LINE	SERIES	BODY	ENGINE	TRANS	TRIM	DESCRIPTION
13		2	8		34				BALL JOINT, Front Knuckle
	05015114AA	2	7		33, 34				
		2	8		34				
14		1	7		33, 34				COVER, Differential Disconnect Housing
	05015193AA	1	7		33, 34				
		1	8		34				Disconnect Housing
15		10	7		33, 34				BOLT, Hex Flange Head Cover
	02952474	10	7		33, 34				
		10	8		34				Cover
16		1	7		33, 34				PLUG, Differential Cover Cover
	03640792	1	7		33, 34				
		1	8		34				Cover
17		1	8		34				SEALANT, RTV
	05010884AA	1	8		34				
18		1	7		33, 34				HOUSING, Axle
	05015189AA	1	7		33, 34				
		1	8		34				
19		1	7		33, 34				COLLAR, Axle Shift
	05015212AA	1	7		33, 34				
		1	8		34				
20		2	7		33, 34				CLIP, Axle Disconnect Fork
	04137731	2	7		33, 34				
		2	8		34				
21		1	7		33, 34				FORK, Axle Shift
	05015215AA	1	7		33, 34				
		1	8		34				
22		1	7		33, 34				SNAP RING, Vacuum Motor
	04137728	1	7		33, 34				

RAM PICKUP/CLUB CAB (BE)

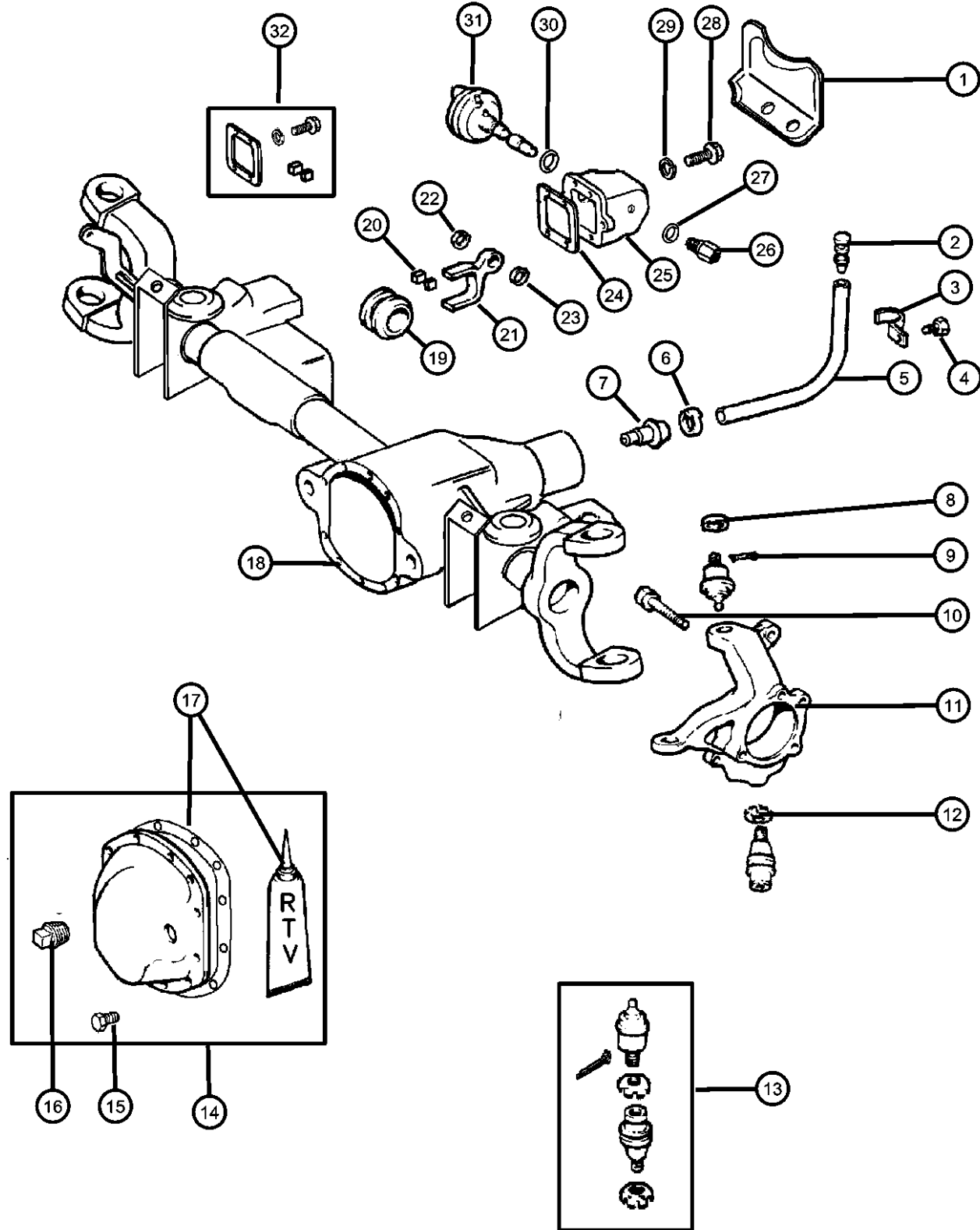
SERIES	LINE
L = Ram Truck	3 = HD DODGE 2WD
(All)	8 = HD DODGE 4WD
	1 = Lt. Duty DODGE 2WD
	6 = Lt. Duty DODGE 4WD
	2 = Med. Duty DODGE 2WD
	7 = Med. Duty DODGE 4WD

BODY	ENGINE	TRANSMISSION
31 = CLUB CAB 2-DR 6.5 FT BOX	ELF = ENGINE - 5.2L V8 MPI	DDC = TRANSMISSION - 5-SPEED HD MANUAL
32 = CLUB CAB 2-DR 8FT BOX	EML = ENGINE - 5.9L V8 MPI	DDP = TRANSMISSION - 5-SPEED MANUAL
33 = QUAD CAB 4-DR 6.5 FT BOX	EMM = ENGINE - "MAGNUM" 5.9L SMPI V8	DDX = TRANSMISSION - 5-SPEED HD MANUAL
34 = QUAD CAB 4-DR 8FT BOX	ETC = ENGINE- 5.9L CUMMINS 24V DIESEL	DEE = TRANSMISSION - 6-SPEED HD MANUAL
	ETH = ENGINE- 5.9L HO CUMMINS TURBO DIESEL	DGP = TRANSMISSION - 4-SPD. AUTOMATIC, 47RE
	EWA = ENGINE - 8.0L V10 MPI	DGT = TRANSMISSION - 4-SPD. AUTOMATIC, 46RE

AR = use ase required - = Non illustrated part

2000 BE

Front Axle Housing, Dana Model 60, BE 7,8  
Figure 2-320



ITEM	PART NUMBER	QTY	LINE	SERIES	BODY	ENGINE	TRANS	TRIM	DESCRIPTION
23		1	8		34				SNAP RING, Vacuum Motor
	04137729	2	7		33, 34				
		2	8		34				
24		1	7		33, 34				GASKET, Axle Disconnect Housing
	04137732	1	7		33, 34				
		1	8		34				
25		1	7		33, 34				COVER, Axle Disconnect
	04384169	1	7		33, 34				
		1	8		34				
26		1	7		33, 34				SWITCH, Hub Lock Indicator
	04289880	1	7		33, 34				
		1	8		34				
27		1	7		33, 34				GASKET, Axle Disconnect Switch
	05209912	1	7		33, 34				
		1	8		34				
28		4	7		33, 34				BOLT, Axle Disconnect Cover
	04137734	4	7		33, 34				
		4	8		34				
29		4	7		33, 34				LOCK WASHER
	04137733	4	7		33, 34				
		4	8		34				
30		1	7		33, 34				O RING, Shaft Disconnect
	04137726	1	7		33, 34				
		1	8		34				
31		1	7		33, 34				MOTOR KIT, Axle Vacuum
	04882682	1	7		33, 34				
		1	8		34				
32		1	7		33, 34				CLIP KIT, Axle Disconnect
	J8133708	1	7		33, 34				

RAM PICKUP/CLUB CAB (BE)

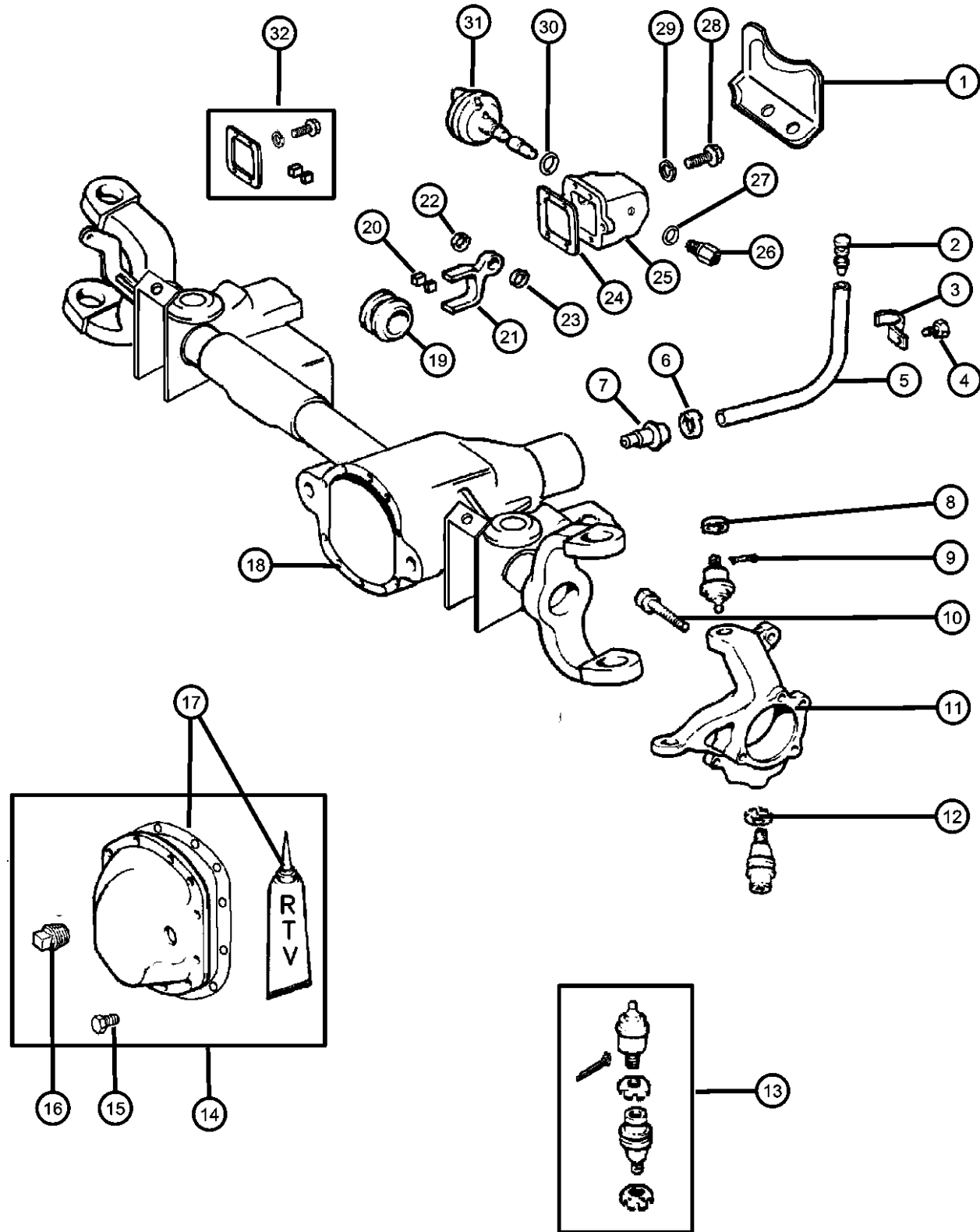
SERIES	LINE
L = Ram Truck (All)	3 = HD DODGE 2WD
	8 = HD DODGE 4WD
	1 = Lt. Duty DODGE 2WD
	6 = Lt. Duty DODGE 4WD
	2 = Med. Duty DODGE 2WD
	7 = Med. Duty DODGE 4WD

BODY	ENGINE	TRANSMISSION
31 = CLUB CAB 2-DR 6.5 FT BOX	ELF = ENGINE - 5.2L V8 MPI	DDC = TRANSMISSION - 5-SPEED HD MANUAL
32 = CLUB CAB 2-DR 8FT BOX	EML = ENGINE - 5.9L V8 MPI	DDP = TRANSMISSION - 5-SPEED MANUAL
33 = QUAD CAB 4-DR 6.5 FT BOX	EMM = ENGINE - "MAGNUM" 5.9L SMPI V8	DDX = TRANSMISSION - 5-SPEED HD MANUAL
34 = QUAD CAB 4-DR 8FT BOX	ETC = ENGINE- 5.9L CUMMINS 24V DIESEL	DEE = TRANSMISSION - 6-SPEED HD MANUAL
	ETH = ENGINE- 5.9L HO CUMMINS TURBO DIESEL	DGP = TRANSMISSION - 4-SPD. AUTOMATIC, 47RE
	EWA = ENGINE - 8.0L V10 MPI	DGT = TRANSMISSION - 4-SPD. AUTOMATIC, 46RE

AR = use ase required - = Non illustrated part

2000 BE

Front Axle Housing, Dana Model 60, BE 7,8  
Figure 2-320



ITEM	PART NUMBER	QTY	LINE	SERIES	BODY	ENGINE	TRANS	TRIM	DESCRIPTION
------	-------------	-----	------	--------	------	--------	-------	------	-------------

-33		1	8		34				SENSOR KIT, Anti-Lock Brakes
	05015882AA	1	7		33, 34				
		1	8		34				

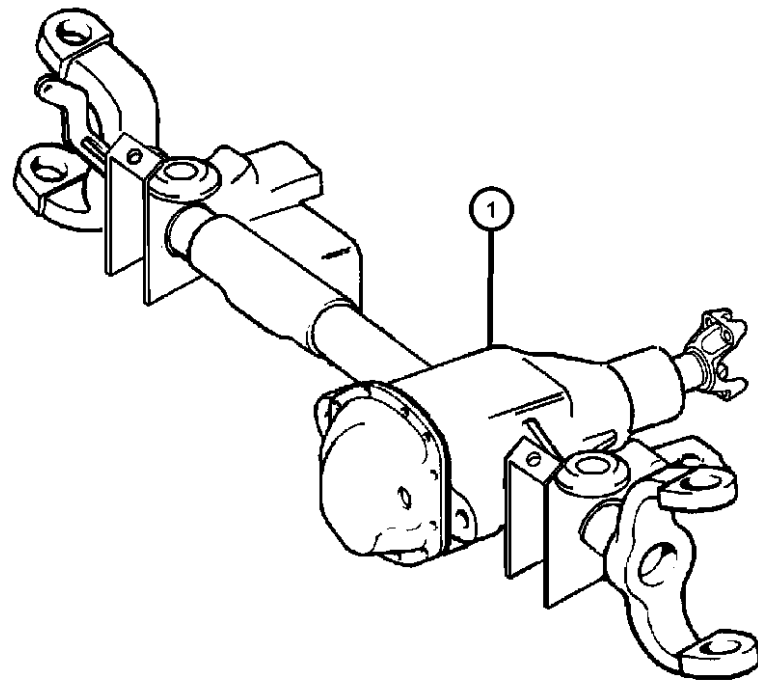
RAM PICKUP/CLUB CAB (BE)

SERIES	LINE
L = Ram Truck	3 = HD DODGE 2WD
(All)	8 = HD DODGE 4WD
	1 = Lt. Duty DODGE 2WD
	6 = Lt. Duty DODGE 4WD
	2 = Med. Duty DODGE 2WD
	7 = Med. Duty DODGE 4WD

BODY	ENGINE	TRANSMISSION
31 = CLUB CAB 2-DR 6.5 FT BOX	ELF = ENGINE - 5.2L V8 MPI	DDC = TRANSMISSION - 5-SPEED HD MANUAL
32 = CLUB CAB 2-DR 8FT BOX	EML = ENGINE - 5.9L V8 MPI	DDP = TRANSMISSION - 5-SPEED MANUAL
33 = QUAD CAB 4-DR 6.5 FT BOX	EMM = ENGINE - "MAGNUM" 5.9L SMPI V8	DDX = TRANSMISSION - 5-SPEED HD MANUAL
34 = QUAD CAB 4-DR 8FT BOX	ETC = ENGINE- 5.9L CUMMINS 24V DIESEL	DEE = TRANSMISSION - 6-SPEED HD MANUAL
	ETH = ENGINE- 5.9L HO CUMMINS TURBO DIESEL	DGP = TRANSMISSION - 4-SPD. AUTOMATIC, 47RE
	EWA = ENGINE - 8.0L V10 MPI	DGT = TRANSMISSION - 4-SPD. AUTOMATIC, 46RE

AR = use ase required - = Non illustrated part

Axle Assy Front  
Figure 2-410



ITEM	PART NUMBER	QTY	LINE	SERIES	BODY	ENGINE	TRANS	TRIM	DESCRIPTION
1									AXLE, Service Front
	05015161AA	1	6						[DJC,DMD] with Tag 52070130AI,52070143AI
	05015170AA	1	6						[DJC,DMH] with Tag 52070132AI,52070144AI
	05015183AB	1	6						[DJC,DMF] with Tag 52070196AB
	05015195AA	1	7		33, 34				[DJF,DMD] with Tag 52070136AI,52070148AG
		1	8		34				[DJF,DMD] with Tag 52070138AJ
	05015243AA	1	7		33, 34				[DJF,DMF] with Tag 52070137AI,52070152AG
		1	8		34				[DJF,DMF] with Tag 52070139AI

RAM PICKUP/CLUB CAB (BE)

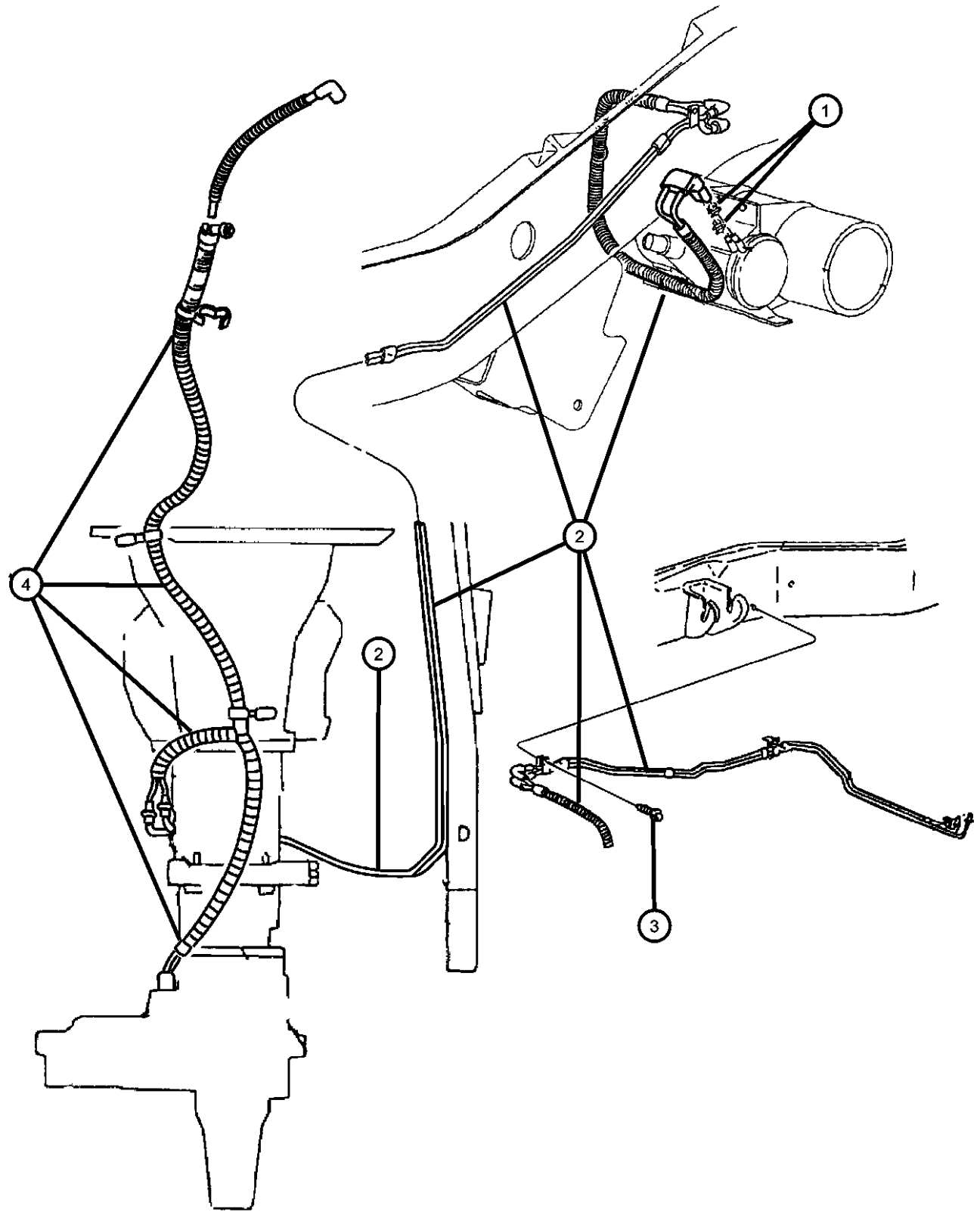
SERIES	LINE	BODY	ENGINE	TRANSMISSION
L = Ram Truck (All)	3 = HD DODGE 2WD 8 = HD DODGE 4WD 1 = Lt. Duty DODGE 2WD 6 = Lt. Duty DODGE 4WD 2 = Med. Duty DODGE 2WD 7 = Med. Duty DODGE 4WD	31 = CLUB CAB 2-DR 6.5 FT BOX 32 = CLUB CAB 2-DR 8FT BOX 33 = QUAD CAB 4-DR 6.5 FT BOX 34 = QUAD CAB 4-DR 8FT BOX	ELF = ENGINE - 5.2L V8 MPI EML = ENGINE - 5.9L V8 MPI EMM = ENGINE - "MAGNUM" 5.9L SMPI V8 ETC = ENGINE- 5.9L CUMMINS 24V DIESEL ETH = ENGINE- 5.9L HO CUMMINS TURBO DIESEL EWA = ENGINE - 8.0L V10 MPI	DDC = TRANSMISSION - 5-SPEED HD MANUAL DDP = TRANSMISSION - 5-SPEED MANUAL DDX = TRANSMISSION - 5-SPEED HD MANUAL DEE = TRANSMISSION - 6-SPEED HD MANUAL DGP = TRANSMISSION - 4-SPD. AUTOMATIC,47RE DGT = TRANSMISSION - 4-SPD. AUTOMATIC,46RE

AR = use ase required - = Non illustrated part

2000 BE



Vacuum Lines,Front Axle and Transfer Case  
Figure 2-510



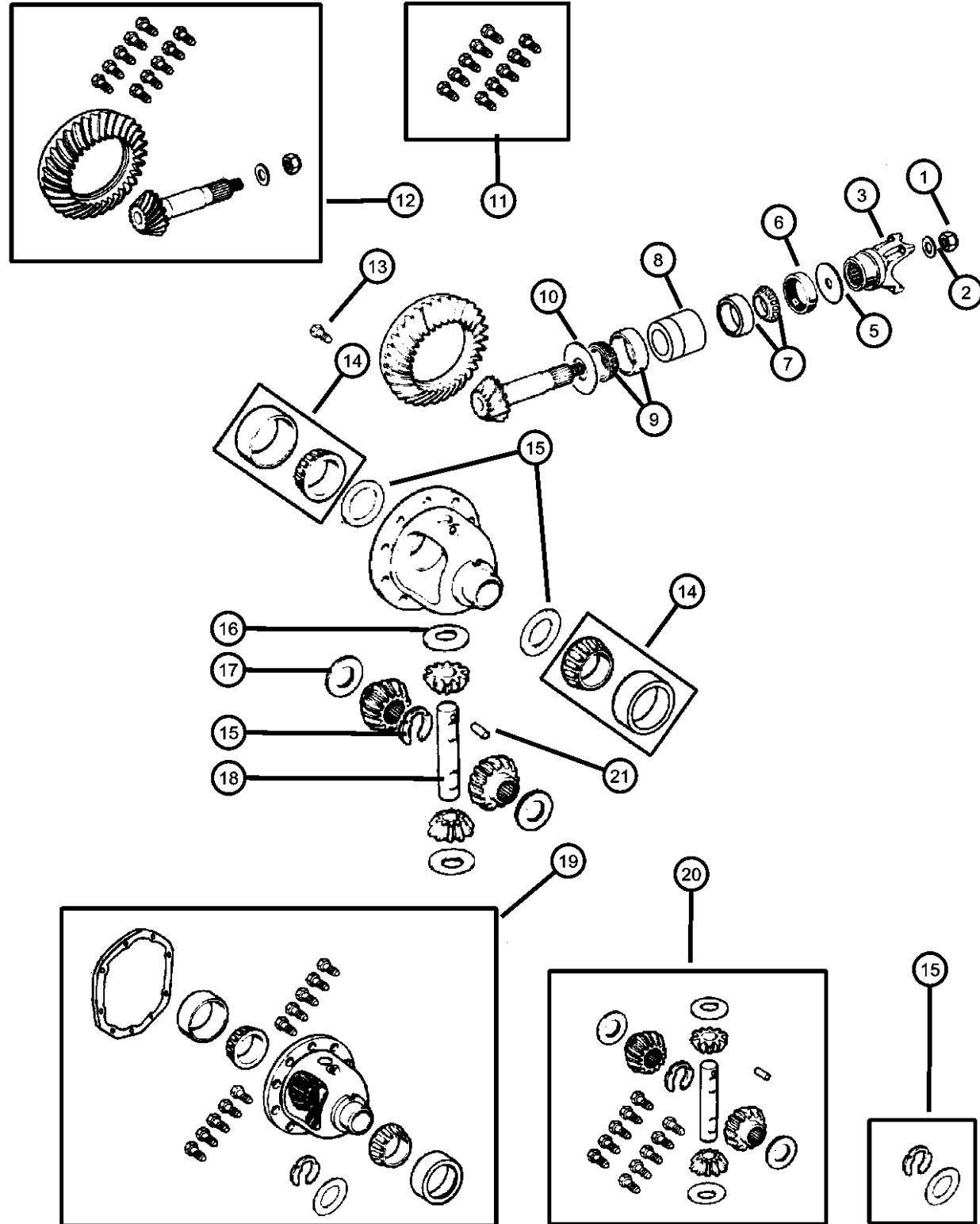
ITEM	PART NUMBER	QTY	LINE	SERIES	BODY	ENGINE	TRANS	TRIM	DESCRIPTION
1	06032173	2	6, 7, 8						CLAMP, Tube, .335 Diameter, Front Axle Disconnect to Vacuum Motor
2	52105299AB	1	6, 7, 8						HARNES, Vacuum Front Axle
3	06503319	3	6, 7, 8						SCREW, Hex Head, M6x1x20, From Front Axle Vacuum Disconnect Motor to Transmission
4	52105317AB	1	6, 7, 8						HARNES, Vacuum Front Axle

RAM PICKUP/CLUB CAB (BE)

SERIES	LINE	BODY	ENGINE	TRANSMISSION
L = Ram Truck (All)	3 = HD DODGE 2WD 8 = HD DODGE 4WD 1 = Lt. Duty DODGE 2WD 6 = Lt. Duty DODGE 4WD 2 = Med. Duty DODGE 2WD 7 = Med. Duty DODGE 4WD	31 = CLUB CAB 2-DR 6.5 FT BOX 32 = CLUB CAB 2-DR 8FT BOX 33 = QUAD CAB 4-DR 6.5 FT BOX 34 = QUAD CAB 4-DR 8FT BOX	ELF = ENGINE - 5.2L V8 MPI EML = ENGINE - 5.9L V8 MPI EMM = ENGINE - "MAGNUM" 5.9L SMPI V8 ETC = ENGINE- 5.9L CUMMINS 24V DIESEL ETH = ENGINE- 5.9L HO CUMMINS TURBO DIESEL EWA = ENGINE - 8.0L V10 MPI	DDC = TRANSMISSION - 5-SPEED HD MANUAL DDP = TRANSMISSION - 5-SPEED MANUAL DDX = TRANSMISSION - 5-SPEED HD MANUAL DEE = TRANSMISSION - 6-SPEED HD MANUAL DGP = TRANSMISSION - 4-SPD. AUTOMATIC,47RE DGT = TRANSMISSION - 4-SPD. AUTOMATIC,46RE

AR = use ase required - = Non illustrated part

**Differential, Front Axle Dana Model 44, BE 6**  
**Figure 2-610**



ITEM	PART NUMBER	QTY	LINE	SERIES	BODY	ENGINE	TRANS	TRIM	DESCRIPTION
------	-------------	-----	------	--------	------	--------	-------	------	-------------

Note: DJC = Dana 44 Axle— DMD = 3.54 Ratio— DMH = 3.92 Ratio—DMF = 4.09 Ratio

1	01791575	1	6						NUT, Pinion Yoke
2	01791576	1	6						WASHER, Pinion Yoke
3	05015133AA	1	6						YOKE, Drive Shaft
4	05012453AA	1	6						O RING, Pinion Flange, Fits Over Hub of Axle Yoke
5	04031974	1	6						SLINGER, Drive Pinion
6	05012454AA	1	6						SEAL, Drive Pinion
7	J8124052	1	6						BEARING, Drive Pinion, Bearing and Cup, Front
8	04746771	1	6						SPACER, Drive Pinion Bearing, Crush
9	J8126499	1	6						BEARING, Drive Pinion, Bearing and Cup, Rear
10	04761647	1	6						SHIM KIT, Pinion Shaft
11	04720891	1	6						BOLT KIT, Consists of 10 5252503 Screws
12									GEAR KIT, Ring And Pinion
	04137749	1	6						3.54 Ratio
	04506120	1	6						3.92 Ratio
	04882844	1	6						4.09 Ratio
13	05252503	10	6						SCREW, Drive Gear
14	04746733	1	6						BEARING, Differential Case, Consists of 2 Bearings and 2 Cups
15	04137769	1	6						SHIM KIT, Differential
16	01791561	2	6						WASHER, Pinion Thrust
17	04137755	2	6						WASHER, Differential Side Gear Thrust
18	83503069	1	6						SHAFT, Differential
19									CASE, Differential
	04778602	1	6						3.92,4.09 Ratio
	04874468								Mopar SAE 80W-90 Gear Lube Quart Bottle
	68003054AA								Mopar SAE 80W-90 Gear Lube 16 Gallon Keg

**RAM PICKUP/CLUB CAB (BE)**

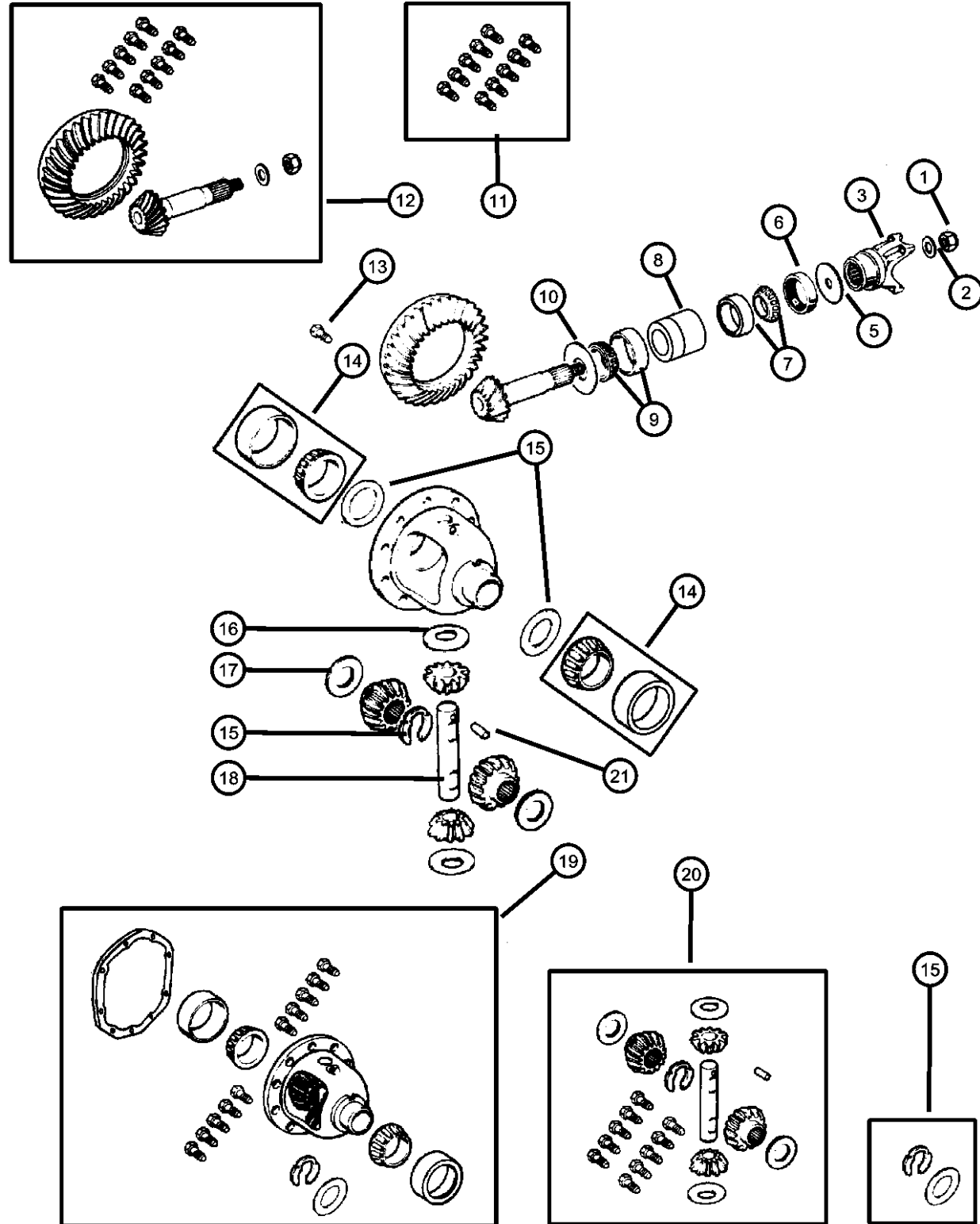
SERIES	LINE
L = Ram Truck (All)	3 = HD DODGE 2WD
	8 = HD DODGE 4WD
	1 = Lt. Duty DODGE 2WD
	6 = Lt. Duty DODGE 4WD
	2 = Med. Duty DODGE 2WD
	7 = Med. Duty DODGE 4WD

BODY	ENGINE	TRANSMISSION
31 = CLUB CAB 2-DR 6.5 FT BOX	ELF = ENGINE - 5.2L V8 MPI	DDC = TRANSMISSION - 5-SPEED HD MANUAL
32 = CLUB CAB 2-DR 8FT BOX	EML = ENGINE - 5.9L V8 MPI	DDP = TRANSMISSION - 5-SPEED MANUAL
33 = QUAD CAB 4-DR 6.5 FT BOX	EMM = ENGINE - "MAGNUM" 5.9L SMPI V8	DDX = TRANSMISSION - 5-SPEED HD MANUAL
34 = QUAD CAB 4-DR 8FT BOX	ETC = ENGINE- 5.9L CUMMINS 24V DIESEL	DEE = TRANSMISSION - 6-SPEED HD MANUAL
	ETH = ENGINE- 5.9L HO CUMMINS TURBO DIESEL	DGP = TRANSMISSION - 4-SPD. AUTOMATIC, 47RE
	EWA = ENGINE - 8.0L V10 MPI	DGT = TRANSMISSION - 4-SPD. AUTOMATIC, 46RE

AR = use ase required - = Non illustrated part

2000 BE

Differential, Front Axle Dana Model 44, BE 6  
Figure 2-610



ITEM	PART NUMBER	QTY	LINE	SERIES	BODY	ENGINE	TRANS	TRIM	DESCRIPTION
	04778672	1	6						3.54 Ratio
	04874468								Mopar SAE 80W-90 Gear Lube Quart Bottle
	68003054AA								Mopar SAE 80W-90 Gear Lube 16 Gallon Keg
20	04778595	1	6						GEAR KIT, Center Differential
21	01791563	1	6						PIN, Differential Shaft

RAM PICKUP/CLUB CAB (BE)

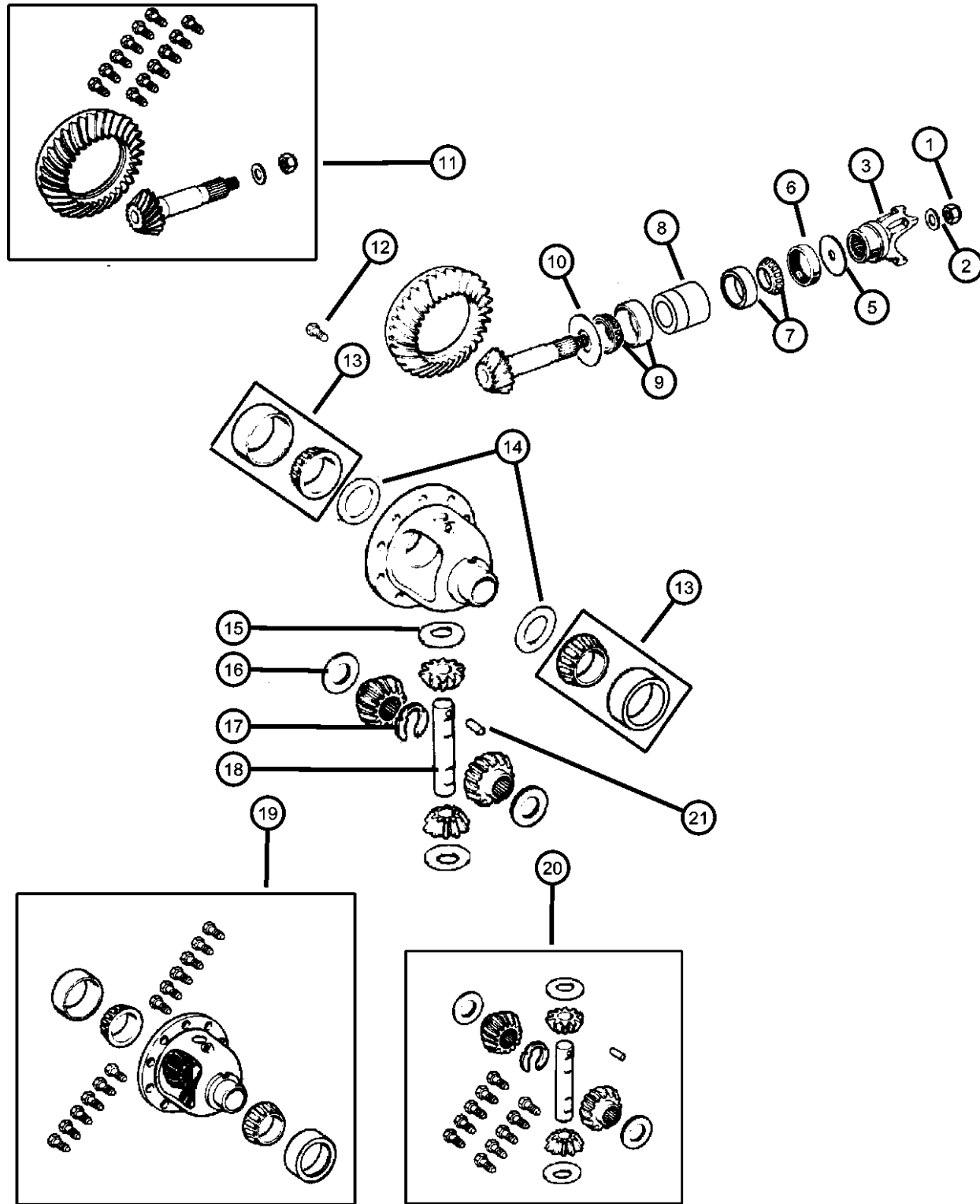
SERIES	LINE
L = Ram Truck (All)	3 = HD DODGE 2WD 8 = HD DODGE 4WD 1 = Lt. Duty DODGE 2WD 6 = Lt. Duty DODGE 4WD 2 = Med. Duty DODGE 2WD 7 = Med. Duty DODGE 4WD

BODY	ENGINE	TRANSMISSION
31 = CLUB CAB 2-DR 6.5 FT BOX	ELF = ENGINE - 5.2L V8 MPI	DDC = TRANSMISSION - 5-SPEED HD MANUAL
32 = CLUB CAB 2-DR 8FT BOX	EML = ENGINE - 5.9L V8 MPI EMM = ENGINE - "MAGNUM" 5.9L SMPI V8	DDP = TRANSMISSION - 5-SPEED MANUAL
33 = QUAD CAB 4-DR 6.5 FT BOX	ETC = ENGINE- 5.9L CUMMINS 24V DIESEL	DDX = TRANSMISSION - 5-SPEED HD MANUAL
34 = QUAD CAB 4-DR 8FT BOX	ETH = ENGINE- 5.9L HO CUMMINS TURBO DIESEL	DEE = TRANSMISSION - 6-SPEED HD MANUAL
	EWA = ENGINE - 8.0L V10 MPI	DGP = TRANSMISSION - 4-SPD. AUTOMATIC, 47RE DGT = TRANSMISSION - 4-SPD. AUTOMATIC, 46RE

AR = use ase required - = Non illustrated part

2000 BE

**Differential, Front Axle, Dana Model 60, BE 7,8**  
**Figure 2-620**



ITEM	PART NUMBER	QTY	LINE	SERIES	BODY	ENGINE	TRANS	TRIM	DESCRIPTION
Note: DJF = Dana 60—DMD = 3.54 Ratio—DMF = 4.10 Ratio									
1									NUT, Pinion Yoke
	01795173	1	7		33, 34				
		1	8		34				
2									WASHER, Pinion Yoke
	01795175	1	7		33, 34				
		1	8		34				
3									YOKE, Axle
	05015190AA	1	7		33, 34				
		1	8		34				
-4									O RING, Pinion Flange
	05012847AA	1	7		33, 34				Fits Over Hub of Axle Yoke
		1	8		34				Fits Over Hub of Axle Yoke
5									SLINGER, Drive Pinion
	04746867	1	7		33, 34				
		1	8		34				
6									SEAL, Drive Pinion
	05012846AB	1	7		33, 34				
		1	8		34				
7									BEARING, Drive Pinion
	04746604	1	7		33, 34				Bearing and Cup, Front
		1	8		34				Bearing and Cup, Front
8									SPACER, Drive Pinion Bearing
	04746606	1	7		33, 34				Crush
		1	8		34				Crush
9									BEARING, Drive Pinion
	04746603	1	7		33, 34				Bearing and Cup, Rear
		1	8		34				Bearing and Cup, Rear
10									SHIM KIT, Pinion Shaft
	04746868	1	7		33, 34				

**RAM PICKUP/CLUB CAB (BE)**

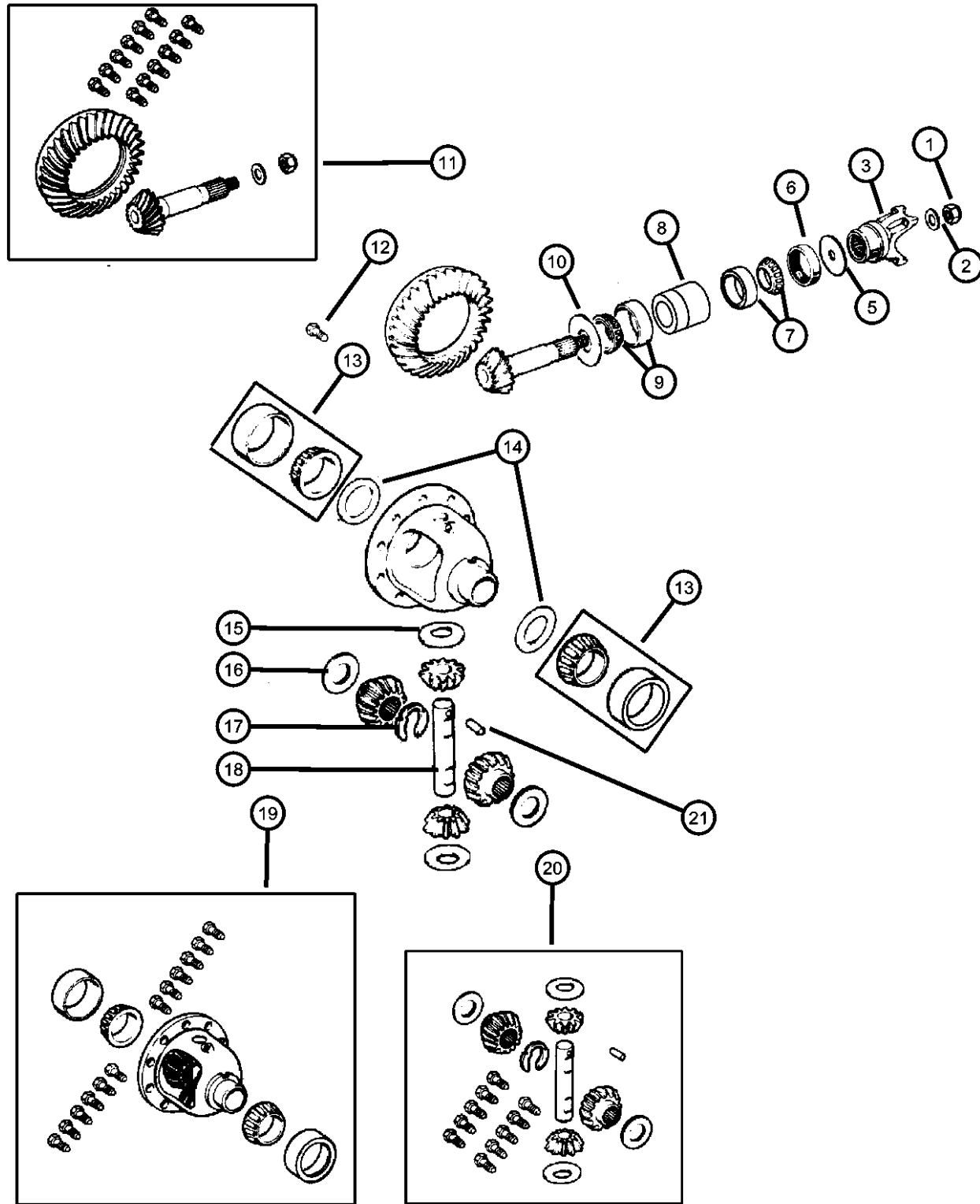
SERIES	LINE
L = Ram Truck (All)	3 = HD DODGE 2WD
	8 = HD DODGE 4WD
	1 = Lt. Duty DODGE 2WD
	6 = Lt. Duty DODGE 4WD
	2 = Med. Duty DODGE 2WD
	7 = Med. Duty DODGE 4WD

BODY	ENGINE	TRANSMISSION
31 = CLUB CAB 2-DR 6.5 FT BOX	ELF = ENGINE - 5.2L V8 MPI	DDC = TRANSMISSION - 5-SPEED HD MANUAL
32 = CLUB CAB 2-DR 8FT BOX	EML = ENGINE - 5.9L V8 MPI	DDP = TRANSMISSION - 5-SPEED MANUAL
33 = QUAD CAB 4-DR 6.5 FT BOX	EMM = ENGINE - "MAGNUM" 5.9L SMPI V8	DDX = TRANSMISSION - 5-SPEED HD MANUAL
34 = QUAD CAB 4-DR 8FT BOX	ETC = ENGINE- 5.9L CUMMINS 24V DIESEL	DEE = TRANSMISSION - 6-SPEED HD MANUAL
	ETH = ENGINE- 5.9L HO CUMMINS TURBO DIESEL	DGP = TRANSMISSION - 4-SPD. AUTOMATIC, 47RE
	EWA = ENGINE - 8.0L V10 MPI	DGT = TRANSMISSION - 4-SPD. AUTOMATIC, 46RE

AR = use ase required - = Non illustrated part

2000 BE

Differential, Front Axle, Dana Model 60, BE 7,8  
Figure 2-620



ITEM	PART NUMBER	QTY	LINE	SERIES	BODY	ENGINE	TRANS	TRIM	DESCRIPTION
11		1	8		34				GEAR KIT, Ring And Pinion
	04762222	1	7		33, 34				3.54 Ratio
		1	8		34				3.54 Ratio
	04864966	1	7		33, 34				4.10 Ratio
		1	8		34				4.10 Ratio
12		12	7		33, 34				SCREW, Hex Head Drive Gear
	04506066	12	8		34				Drive Gear
13		1	7		33, 34				BEARING, Differential Consists of 2 Cups and 2 Cones
	04746605	1	8		34				Consists of 2 Cups and 2 Cones
14		1	7		33, 34				SHIM, Differential Bearing
	03898313AB	1	8		34				
15		2	7		33, 34				WASHER Pinion, Thrust
	03507543	2	8		34				Pinion, Thrust
16		2							WASHER, Differential Side Gear, [Purchase Center Differential Gear Kit], (NOT SERVICED),
17		2							SNAP RING, Axle Shaft, [Purchase Center Differential Gear Kit], (NOT SERVICED)
18		1	7		33, 34				SHAFT, Differential
	01922276	1	8		34				
19		1	7		33, 34				CASE, Differential
	05015191AA	1	8		34				
20		1	7		33, 34				GEAR KIT, Center Differential
		1	8		34				

RAM PICKUP/CLUB CAB (BE)

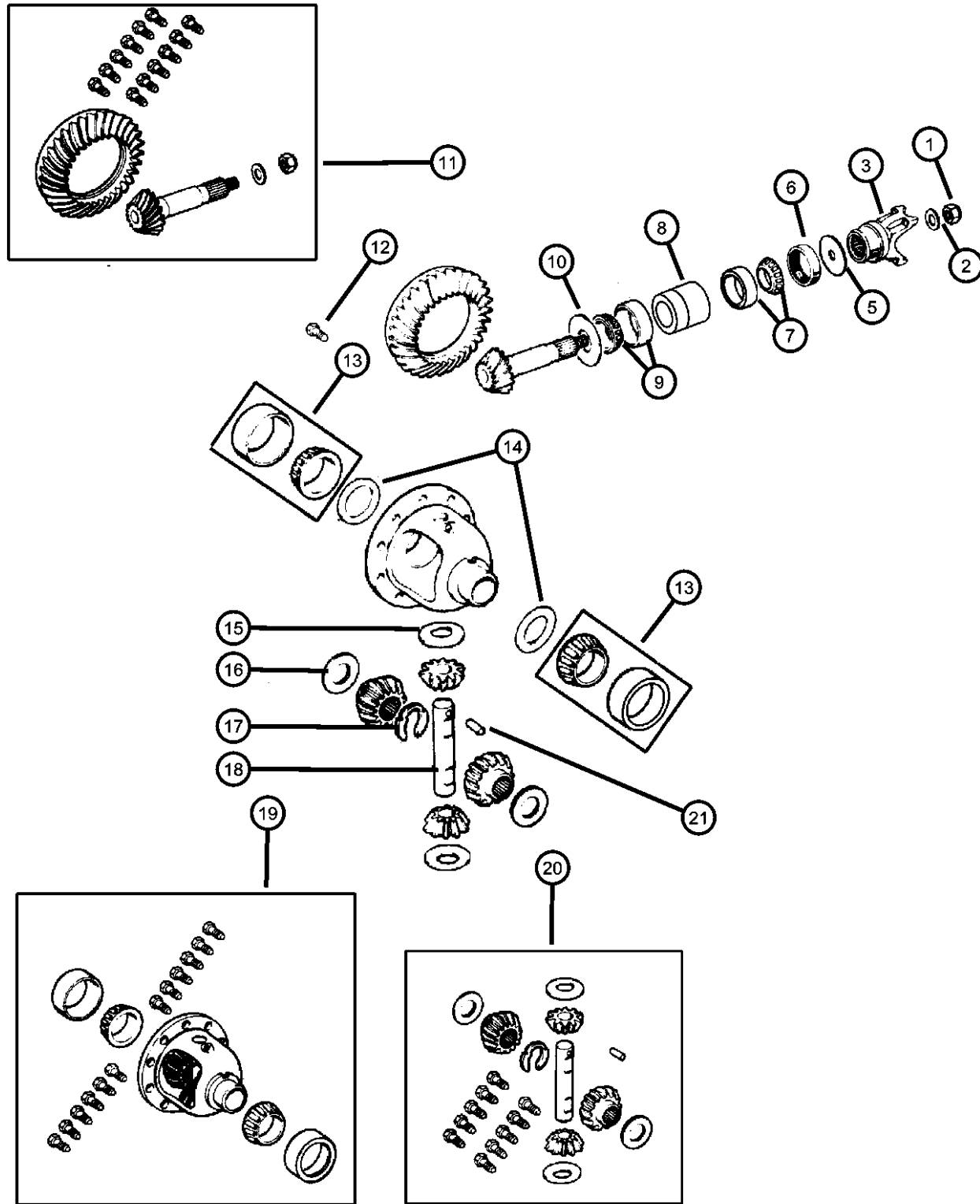
SERIES	LINE
L = Ram Truck	3 = HD DODGE 2WD
(All)	8 = HD DODGE 4WD
	1 = Lt. Duty DODGE 2WD
	6 = Lt. Duty DODGE 4WD
	2 = Med. Duty DODGE 2WD
	7 = Med. Duty DODGE 4WD

BODY	ENGINE	TRANSMISSION
31 = CLUB CAB 2-DR 6.5 FT BOX	ELF = ENGINE - 5.2L V8 MPI	DDC = TRANSMISSION - 5-SPEED HD MANUAL
32 = CLUB CAB 2-DR 8FT BOX	EML = ENGINE - 5.9L V8 MPI	DDP = TRANSMISSION - 5-SPEED MANUAL
33 = QUAD CAB 4-DR 6.5 FT BOX	EMM = ENGINE - "MAGNUM" 5.9L SMPI V8	DDX = TRANSMISSION - 5-SPEED HD MANUAL
34 = QUAD CAB 4-DR 8FT BOX	ETC = ENGINE- 5.9L CUMMINS 24V DIESEL	DEE = TRANSMISSION - 6-SPEED HD MANUAL
	ETH = ENGINE- 5.9L HO CUMMINS TURBO DIESEL	DGP = TRANSMISSION - 4-SPD. AUTOMATIC, 47RE
	EWA = ENGINE - 8.0L V10 MPI	DGT = TRANSMISSION - 4-SPD. AUTOMATIC, 46RE

AR = use ase required - = Non illustrated part

2000 BE

Differential, Front Axle, Dana Model 60, BE 7,8  
Figure 2-620



ITEM	PART NUMBER	QTY	LINE	SERIES	BODY	ENGINE	TRANS	TRIM	DESCRIPTION
	05015192AA	1	7		33, 34				
		1	8		34				
21	04883560AA	1	7		33, 34				ROLL PIN, Differential
		1	8		34				

RAM PICKUP/CLUB CAB (BE)

SERIES	LINE	BODY	ENGINE	TRANSMISSION
L = Ram Truck (All)	3 = HD DODGE 2WD	31 = CLUB CAB 2-DR 6.5 FT BOX	ELF = ENGINE - 5.2L V8 MPI	DDC = TRANSMISSION - 5-SPEED HD MANUAL
	8 = HD DODGE 4WD	32 = CLUB CAB 2-DR 8FT BOX	EML = ENGINE - 5.9L V8 MPI	DDP = TRANSMISSION - 5-SPEED MANUAL
	1 = Lt. Duty DODGE 2WD	33 = QUAD CAB 4-DR 6.5 FT BOX	EMM = ENGINE - "MAGNUM" 5.9L SMPI V8	DDX = TRANSMISSION - 5-SPEED HD MANUAL
	6 = Lt. Duty DODGE 4WD	34 = QUAD CAB 4-DR 8FT BOX	ETC = ENGINE- 5.9L CUMMINS 24V DIESEL	DEE = TRANSMISSION - 6-SPEED HD MANUAL
	2 = Med. Duty DODGE 2WD		ETH = ENGINE- 5.9L HO CUMMINS TURBO DIESEL	DGP = TRANSMISSION - 4-SPD. AUTOMATIC, 47RE
	7 = Med. Duty DODGE 4WD		EWA = ENGINE - 8.0L V10 MPI	DGT = TRANSMISSION - 4-SPD. AUTOMATIC, 46RE

AR = use ase required - = Non illustrated part

2000 BE

# Group - 3

## Rear Axle

### Group - 3 Rear Axle

Illustration Title

Group-Fig. No.

#### Rear Axle

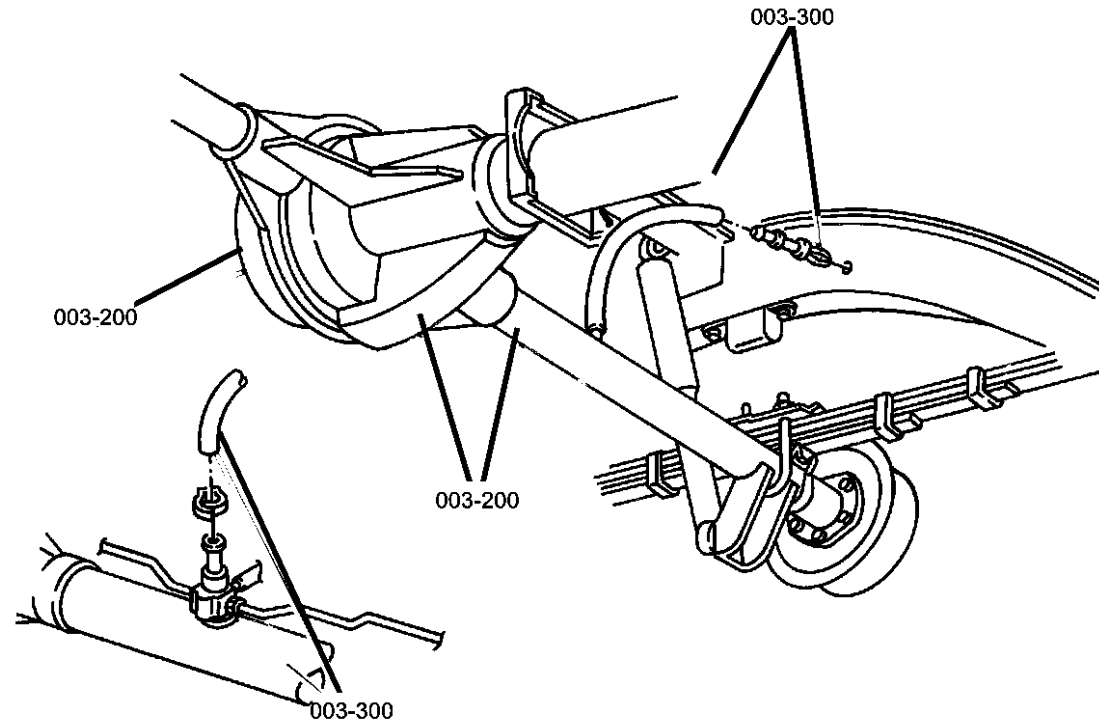
Axle Assembly,Rear,Chrysler Model 9.25,BE 1,6.....	Fig. 3 - 110
Axle Assembly,Rear,Dana Model 60,BE 2,7.....	Fig. 3 - 120
Axle Assembly,Rear,Dana Model 70,BE 2,7.....	Fig. 3 - 130
Axle Assembly,Rear,Dana Model 80,BE 2,3,7,8.....	Fig. 3 - 140

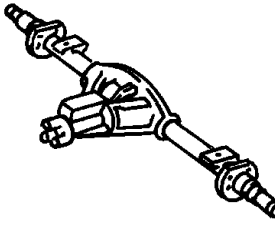
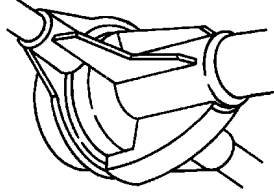
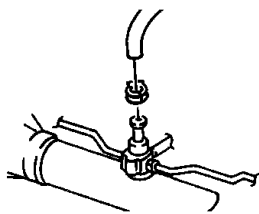
#### Differential and Housing

Axle,Rear,with Differential Parts,Chrysler 9.25,BE 1,6.....	Fig. 3 - 210
Axle,Rear,with Differential Parts,Dana Model 60,BE 2,7.....	Fig. 3 - 220
Axle,Rear,with Differential Parts,Dana Model 70,BE 2,7.....	Fig. 3 - 230
Axle,Rear,with Differential Parts,Dana Model 80,BE 2,3,7,8.....	Fig. 3 - 240

#### Rear Axle Vent

Vent, Rear Axle.....	Fig. 3 - 310
----------------------	--------------

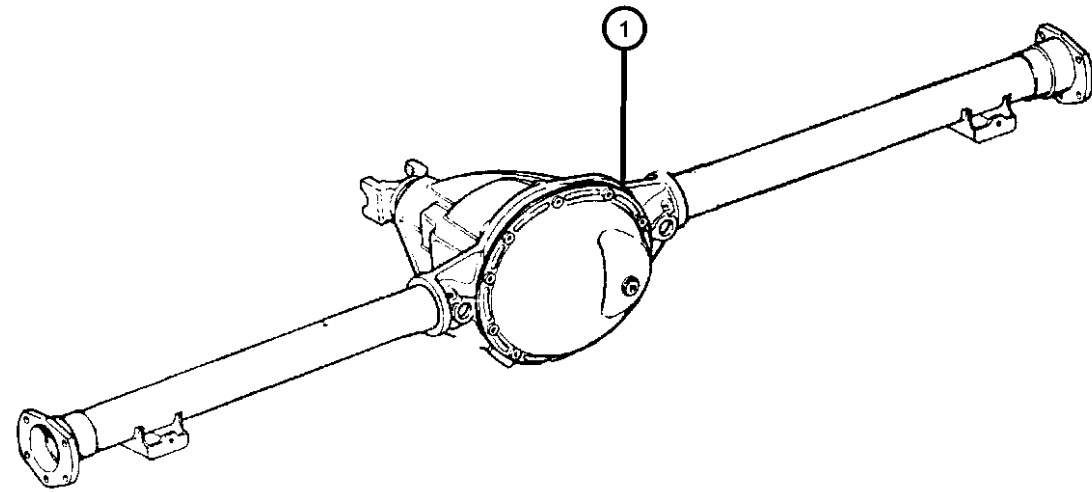


<p><b>003-100</b> Rear Axle</p> 	<p><b>003-200</b> Differential and Housing</p> 	<p><b>003-300</b> Rear Axle Vent</p> 	
--	--	---	--

**Axle Assembly,Rear,Chrysler Model 9.25,BE 1,6**  
**Figure 3-110**

ITEM	PART NUMBER	QTY	LINE	SERIES	BODY	ENGINE	TRANS	TRIM	DESCRIPTION
------	-------------	-----	------	--------	------	--------	-------	------	-------------

Note: DRB = 9.25 Chrysler Axle Light Duty—DMC = 3.21 Ratio—DMD = 3.55 Ratio—DMH = 3.92 Ratio—DMF= 4.10 Ratio—DSA = Anti-Spin Diff



1									AXLE, Service Rear
	05015360AA	1	1						Tag #52069941AA [DMC,-DSA]
	05010320AA								Mopar SAE 75W-90 Synthetic Gear Lube Quart
	68003056								Mopar SAE 75W-90 Synthetic Gear Lube 16 Gallon Keg
	05015374AA	1	6		31, 33				Tag #52069999AA [DMF,+DSA]
	05015375AA	1	1						Tag #52069942AA [DMD,-DSA]
	05010320AA								Mopar SAE 75W-90 Synthetic Gear Lube Quart
	68003056								Mopar SAE 75W-90 Synthetic Gear Lube 16 Gallon Keg
	05015388AA	1	1						Tag #52069943AA [DMD,+DSA]
	05010320AA								Mopar SAE 75W-90 Synthetic Gear Lube Quart
	68003056								Mopar SAE 75W-90 Synthetic Gear Lube 16 Gallon Keg
	05015404AA	1	1						Tag #52069944AA [DMH,+DSA]
	05010320AA								Mopar SAE 75W-90 Synthetic Gear Lube Quart
	68003056								Mopar SAE 75W-90 Synthetic Gear Lube 16 Gallon Keg
	05015411AA	1	6						Tag #52069945AA [DMD,-DSA]
	05010320AA								Mopar SAE 75W-90 Synthetic Gear Lube Quart
	68003056								Mopar SAE 75W-90 Synthetic Gear Lube 16 Gallon Keg
	05015417AA	1	6						Tag #52069944AA [DMD,+DSA]
	05010320AA								Mopar SAE 75W-90 Synthetic Gear Lube Quart
	68003056								Mopar SAE 75W-90 Synthetic Gear Lube 16 Gallon Keg
	05015418AA	1	6						Tag #52069947AA [DMH,+DSA]
	04318060AB								Mopar Friction Modifier for DSA Axles
	04874469								Synthetic Gear and Axle Lubricant 75W-140.

**RAM PICKUP/CLUB CAB (BE)**

SERIES	LINE	BODY	ENGINE	TRANSMISSION
L = Ram Truck (All)	3 = HD DODGE 2WD 8 = HD DODGE 4WD 1 = Lt. Duty DODGE 2WD 6 = Lt. Duty DODGE 4WD 2 = Med. Duty DODGE 2WD 7 = Med. Duty DODGE 4WD	31 = CLUB CAB 2-DR 6.5 FT BOX 32 = CLUB CAB 2-DR 8FT BOX 33 = QUAD CAB 4-DR 6.5 FT BOX 34 = QUAD CAB 4-DR 8FT BOX	ELF = ENGINE - 5.2L V8 MPI EML = ENGINE - 5.9L V8 MPI EMM = ENGINE - "MAGNUM" 5.9L SMPI V8 ETC = ENGINE- 5.9L CUMMINS 24V DIESEL ETH = ENGINE- 5.9L HO CUMMINS TURBO DIESEL EWA = ENGINE - 8.0L V10 MPI	DDC = TRANSMISSION - 5-SPEED HD MANUAL DDP = TRANSMISSION - 5-SPEED MANUAL DDX = TRANSMISSION - 5-SPEED HD MANUAL DEE = TRANSMISSION - 6-SPEED HD MANUAL DGP = TRANSMISSION - 4-SPD. AUTOMATIC,47RE DGT = TRANSMISSION - 4-SPD. AUTOMATIC,46RE

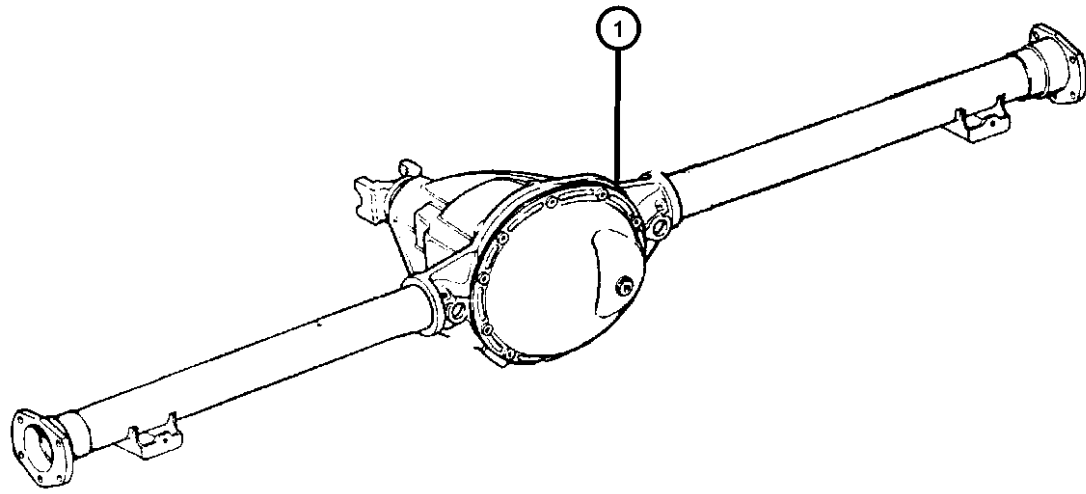
AR = use ase required - = Non illustrated part

2000 BE



**Axle Assembly,Rear,Chrysler Model 9.25,BE 1,6**  
**Figure 3-110**

ITEM	PART NUMBER	QTY	LINE	SERIES	BODY	ENGINE	TRANS	TRIM	DESCRIPTION
	05010320AA								Mopar SAE 75W-90 Synthetic Gear Lube Quart
	68003056								Mopar SAE 75W-90 Synthetic Gear Lube 16 Gallon Keg
	P5007326								Performance Mobil 1, 75W - 90 Synthetic Gear Lube



**RAM PICKUP/CLUB CAB (BE)**

SERIES	LINE	BODY	ENGINE	TRANSMISSION
L = Ram Truck (All)	3 = HD DODGE 2WD	31 = CLUB CAB 2-DR 6.5 FT BOX	ELF = ENGINE - 5.2L V8 MPI	DDC = TRANSMISSION - 5-SPEED HD MANUAL
	8 = HD DODGE 4WD	32 = CLUB CAB 2-DR 8FT BOX	EML = ENGINE - 5.9L V8 MPI	DDP = TRANSMISSION - 5-SPEED MANUAL
	1 = Lt. Duty DODGE 2WD	33 = QUAD CAB 4-DR 6.5 FT BOX	EMM = ENGINE - "MAGNUM" 5.9L SMPI V8	DDX = TRANSMISSION - 5-SPEED HD MANUAL
	6 = Lt. Duty DODGE 4WD	34 = QUAD CAB 4-DR 8FT BOX	ETC = ENGINE- 5.9L CUMMINS 24V DIESEL	DEE = TRANSMISSION - 6-SPEED HD MANUAL
	2 = Med. Duty DODGE 2WD		ETH = ENGINE- 5.9L HO CUMMINS TURBO DIESEL	DGP = TRANSMISSION - 4-SPD. AUTOMATIC,47RE
	7 = Med. Duty DODGE 4WD		EWA = ENGINE - 8.0L V10 MPI	DGT = TRANSMISSION - 4-SPD. AUTOMATIC,46RE

AR = use ase required - = Non illustrated part

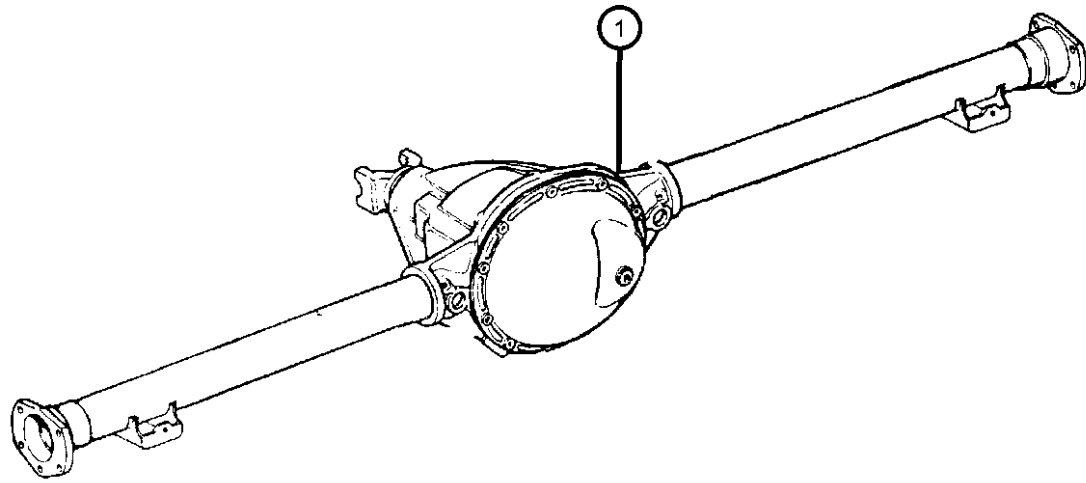
2000 BE

**Axle Assembly,Rear,Dana Model 60,BE 2,7**  
**Figure 3-120**

ITEM	PART NUMBER	QTY	LINE	SERIES	BODY	ENGINE	TRANS	TRIM	DESCRIPTION
------	-------------	-----	------	--------	------	--------	-------	------	-------------

Note:DRC = 5500LB Axle—DRD = 6200LB. Axle—DMD = 3.54 Ratio—DMF =4.09 Ratio—DSA = Limited Slip Differential or Trac-Lok—Check the

1									AXLE, Service Rear
	05015461AB	1	2		33, 34				Tag #52069454AG [DMD,-DSA]
	05015560AB	1	2		33, 34				Tag #52069455AG [DMF,+DSA]
	05015673AB	1	7		33, 34				Tag #52069456AI [DMD,-DSA]
	05015674AB	1	7		33, 34				Tag #52069457AI [DMF,+DSA]



**RAM PICKUP/CLUB CAB (BE)**

SERIES	LINE	BODY	ENGINE	TRANSMISSION
L = Ram Truck (All)	3 = HD DODGE 2WD 8 = HD DODGE 4WD 1 = Lt. Duty DODGE 2WD 6 = Lt. Duty DODGE 4WD 2 = Med. Duty DODGE 2WD 7 = Med. Duty DODGE 4WD	31 = CLUB CAB 2-DR 6.5 FT BOX 32 = CLUB CAB 2-DR 8FT BOX 33 = QUAD CAB 4-DR 6.5 FT BOX 34 = QUAD CAB 4-DR 8FT BOX	ELF = ENGINE - 5.2L V8 MPI EML = ENGINE - 5.9L V8 MPI EMM = ENGINE - "MAGNUM" 5.9L SMPI V8 ETC = ENGINE- 5.9L CUMMINS 24V DIESEL ETH = ENGINE- 5.9L HO CUMMINS TURBO DIESEL EWA = ENGINE - 8.0L V10 MPI	DDC = TRANSMISSION - 5-SPEED HD MANUAL DDP = TRANSMISSION - 5-SPEED MANUAL DDX = TRANSMISSION - 5-SPEED HD MANUAL DEE = TRANSMISSION - 6-SPEED HD MANUAL DGP = TRANSMISSION - 4-SPD. AUTOMATIC,47RE DGT = TRANSMISSION - 4-SPD. AUTOMATIC,46RE

AR = use ase required - = Non illustrated part

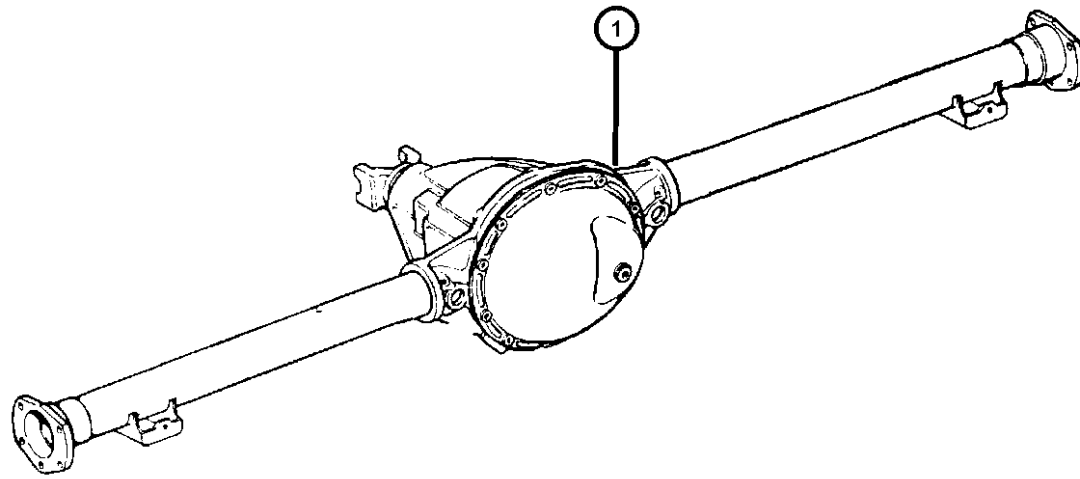
2000 BE

**Axle Assembly,Rear,Dana Model 70,BE 2,7  
Figure 3-130**

ITEM	PART NUMBER	QTY	LINE	SERIES	BODY	ENGINE	TRANS	TRIM	DESCRIPTION
------	-------------	-----	------	--------	------	--------	-------	------	-------------

Note:DRE =Dana 70 Rear Axle—DMD=3.54 Ratio—DMF =4.10 Ratio—DSA = Limited Slip Differential

1									AXLE, Service Rear
	05015601AB	1	2		33, 34				Tag #52069459AH [DMD,+DSA]
	05015604AB	1	2		33, 34				Tag #52069460AH [DMF,-DSA]
	05015605AB	1	2		33, 34				Tag #52069467AH [DMF,+DSA]
	05015676AB	1	7		33, 34				Tag #52069468AJ [DMD,-DSA]
	05015677AB	1	7		33, 34				Tag #52069469AJ [DMD,+DSA]
	05015687AB	1	7		33, 34				Tag #52069470AJ [DMF,-DSA]
	05015688AB	1	7		33, 34				Tag #52069471AJ [DMF,+DSA]
	05015589AB	1	2		33, 34				Tag #52069458AH [DMD,-DSA]
	04874468								Mopar SAE 80W-90 Gear Lube Quart Bottle
	68003054AA								Mopar SAE 80W-90 Gear Lube 16 Gallon Keg



**RAM PICKUP/CLUB CAB (BE)**

SERIES	LINE	BODY	ENGINE	TRANSMISSION
L = Ram Truck (All)	3 = HD DODGE 2WD 8 = HD DODGE 4WD 1 = Lt. Duty DODGE 2WD 6 = Lt. Duty DODGE 4WD 2 = Med. Duty DODGE 2WD 7 = Med. Duty DODGE 4WD	31 = CLUB CAB 2-DR 6.5 FT BOX 32 = CLUB CAB 2-DR 8FT BOX 33 = QUAD CAB 4-DR 6.5 FT BOX 34 = QUAD CAB 4-DR 8FT BOX	ELF = ENGINE - 5.2L V8 MPI EML = ENGINE - 5.9L V8 MPI EMM = ENGINE - "MAGNUM" 5.9L SMPI V8 ETC = ENGINE- 5.9L CUMMINS 24V DIESEL ETH = ENGINE- 5.9L HO CUMMINS TURBO DIESEL EWA = ENGINE - 8.0L V10 MPI	DDC = TRANSMISSION - 5-SPEED HD MANUAL DDP = TRANSMISSION - 5-SPEED MANUAL DDX = TRANSMISSION - 5-SPEED HD MANUAL DEE = TRANSMISSION - 6-SPEED HD MANUAL DGP = TRANSMISSION - 4-SPD. AUTOMATIC,47RE DGT = TRANSMISSION - 4-SPD. AUTOMATIC,46RE

AR = use ase required - = Non illustrated part

2000 BE

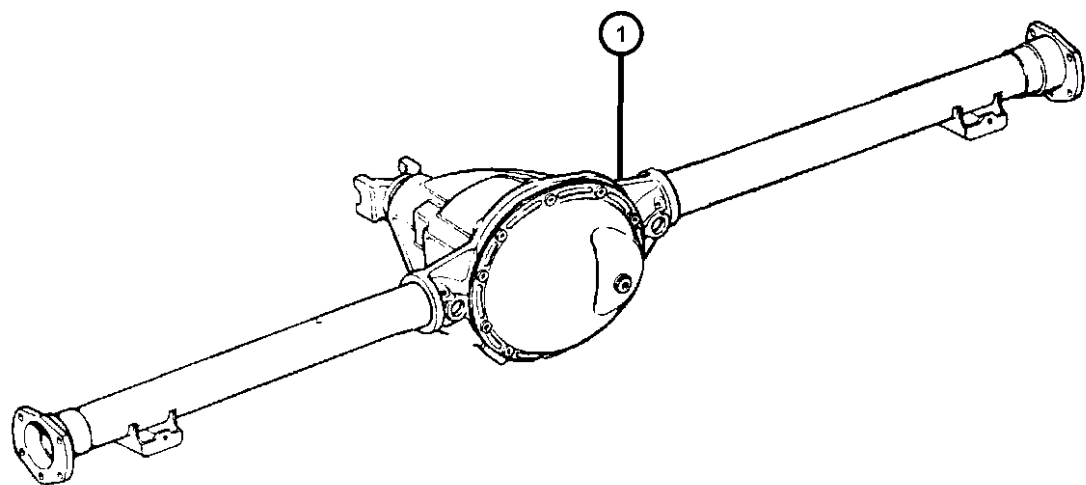
**Axle Assembly,Rear,Dana Model 80,BE 2,3,7,8**

**Figure 3-140**

ITEM	PART NUMBER	QTY	LINE	SERIES	BODY	ENGINE	TRANS	TRIM	DESCRIPTION
------	-------------	-----	------	--------	------	--------	-------	------	-------------

Note:DRL = Dana 80 Axle—DMD = 3.54 Ratio—DMF = 4.10 Ratio—DSA = Limited Slip Differential—WLA = Dual Rear Wheels

1									AXLE, Service Rear
	05015615AB	1	2		33, 34				Tag #52069472AG [DMD,-DSA]
	05015620AB	1	2		33, 34				Tag #52069473AG [DMD,+DSA]
	05015621AB	1	2		33, 34				Tag #52069474AG [DMF,-DSA]
	05015637AB	1	2		33, 34				Tag #52069475AG [DMF,+DSA]
	05015642AB	1	3		34				Tag #52069480AH [DMD,-DSA]
	05015645AB	1	3		34				Tag #52069481AH [DMD,+DSA]
	05015647AB	1	3		34				Tag #52069482AH [DMF,-DSA]
	05015648AB	1	3		34				Tag #52069483AH [DMF,+DSA]
	05015691AB	1	7		33, 34				Tag #52069476AI [DMD,-DSA]
	05015692AB	1	7		33, 34				Tag #52069477AI [DMD,+DSA]
	05015699AB	1	7		33, 34				Tag #52069478AI [DMF,-DSA]
	04874468								Mopar SAE 80W-90 Gear Lube Quart Bottle
	68003054AA								Mopar SAE 80W-90 Gear Lube 16 Gallon Keg
	05015700AB	1	7		33, 34				Tag #52069479AI [DMF,+DSA]
	05015704AB	1	8		34				Tag #52069484AH [DMD,-DSA]
	05015710AB	1	8		34				Tag #52069485AH [DMD,+DSA]
	05015730AB	1	8		34				Tag #52069486AH [DMF,-DSA]
	05015733AB	1	8		34				Tag #52069487AH [DMF,+DSA]



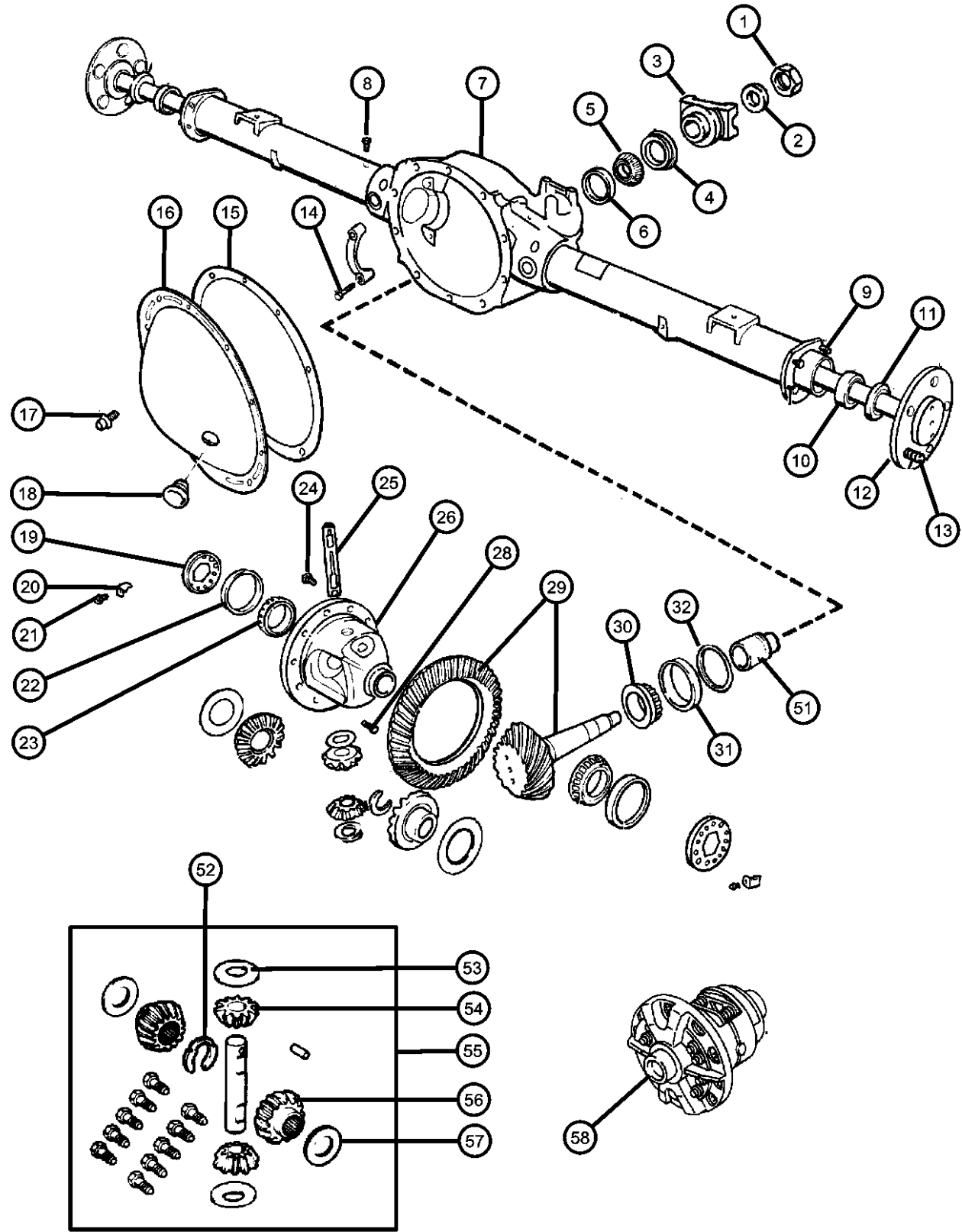
**RAM PICKUP/CLUB CAB (BE)**

SERIES	LINE	BODY	ENGINE	TRANSMISSION
L = Ram Truck (All)	3 = HD DODGE 2WD	31 = CLUB CAB 2-DR 6.5 FT BOX	ELF = ENGINE - 5.2L V8 MPI	DDC = TRANSMISSION - 5-SPEED HD MANUAL
	8 = HD DODGE 4WD	32 = CLUB CAB 2-DR 8FT BOX	EML = ENGINE - 5.9L V8 MPI	DDP = TRANSMISSION - 5-SPEED MANUAL
	1 = Lt. Duty DODGE 2WD	33 = QUAD CAB 4-DR 6.5 FT BOX	EMM = ENGINE - "MAGNUM" 5.9L SMPI V8	DDX = TRANSMISSION - 5-SPEED HD MANUAL
	6 = Lt. Duty DODGE 4WD	34 = QUAD CAB 4-DR 8FT BOX	ETC = ENGINE- 5.9L CUMMINS 24V DIESEL	DEE = TRANSMISSION - 6-SPEED HD MANUAL
	2 = Med. Duty DODGE 2WD		ETH = ENGINE- 5.9L HO CUMMINS TURBO DIESEL	DGP = TRANSMISSION - 4-SPD. AUTOMATIC,47RE
	7 = Med. Duty DODGE 4WD		EWA = ENGINE - 8.0L V10 MPI	DGT = TRANSMISSION - 4-SPD. AUTOMATIC,46RE

AR = use ase required - = Non illustrated part

2000 BE

**Axle,Rear,with Differential Parts,Chrysler 9.25,BE 1,6**  
**Figure 3-210**



ITEM	PART NUMBER	QTY	LINE	SERIES	BODY	ENGINE	TRANS	TRIM	DESCRIPTION
------	-------------	-----	------	--------	------	--------	-------	------	-------------

Note:DRB =9.25 Chrysler Axle—DMC= 3.21 Ratio—DMD=3.55 Ratio—DMH=3.92 Ratio—DMF=4.10 Ratio—DSA= Anti-Spin Differential

1	06028041	1	1						NUT, Pinion Yoke
2	02070117	1	1						WASHER, Pinion Yoke
3	52105064	1	1						FLANGE, Driveshaft Yoke
4	52070340AA	1	1						SEAL, Drive Pinion
5	01820552	1	1						BEARING, Drive Pinion Front
6	01820551	1	1						CUP, Pinion Bearing Front
7	05015359AA	1	1						HOUSING, Rear Axle
8	04137696AB	1							BOLT, Axle Vent
9	03723668	8	1						STUD Axle Housing to Backing Plate
10	03507898AB	2	1						BEARING, Wheel
11		2	6						SEAL, Axle Drive Shaft

**RAM PICKUP/CLUB CAB (BE)**

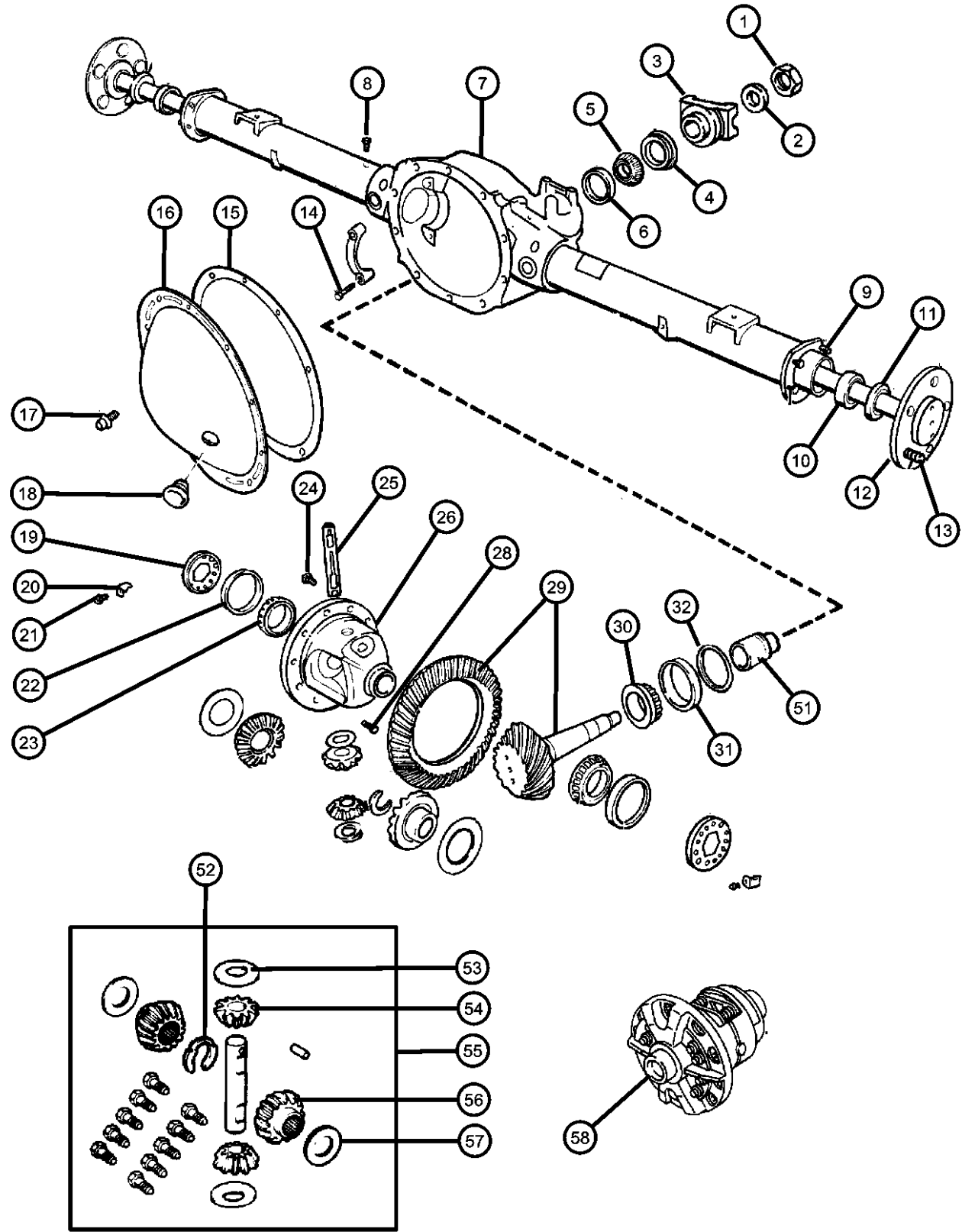
SERIES	LINE
L = Ram Truck	3 = HD DODGE 2WD
(All)	8 = HD DODGE 4WD
	1 = Lt. Duty DODGE 2WD
	6 = Lt. Duty DODGE 4WD
	2 = Med. Duty DODGE 2WD
	7 = Med. Duty DODGE 4WD

BODY	ENGINE	TRANSMISSION
31 = CLUB CAB 2-DR 6.5 FT BOX	ELF = ENGINE - 5.2L V8 MPI	DDC = TRANSMISSION - 5-SPEED HD MANUAL
32 = CLUB CAB 2-DR 8FT BOX	EML = ENGINE - 5.9L V8 MPI	DDP = TRANSMISSION - 5-SPEED MANUAL
33 = QUAD CAB 4-DR 6.5 FT BOX	EMM = ENGINE - "MAGNUM" 5.9L SMPI V8	DDX = TRANSMISSION - 5-SPEED HD MANUAL
34 = QUAD CAB 4-DR 8FT BOX	ETC = ENGINE- 5.9L CUMMINS 24V DIESEL	DEE = TRANSMISSION - 6-SPEED HD MANUAL
	ETH = ENGINE- 5.9L HO CUMMINS TURBO DIESEL	DGP = TRANSMISSION - 4-SPD. AUTOMATIC,47RE
	EWA = ENGINE - 8.0L V10 MPI	DGT = TRANSMISSION - 4-SPD. AUTOMATIC,46RE

AR = use ase required - = Non illustrated part

2000 BE

Axle,Rear,with Differential Parts,Chrysler 9.25,BE 1,6  
Figure 3-210



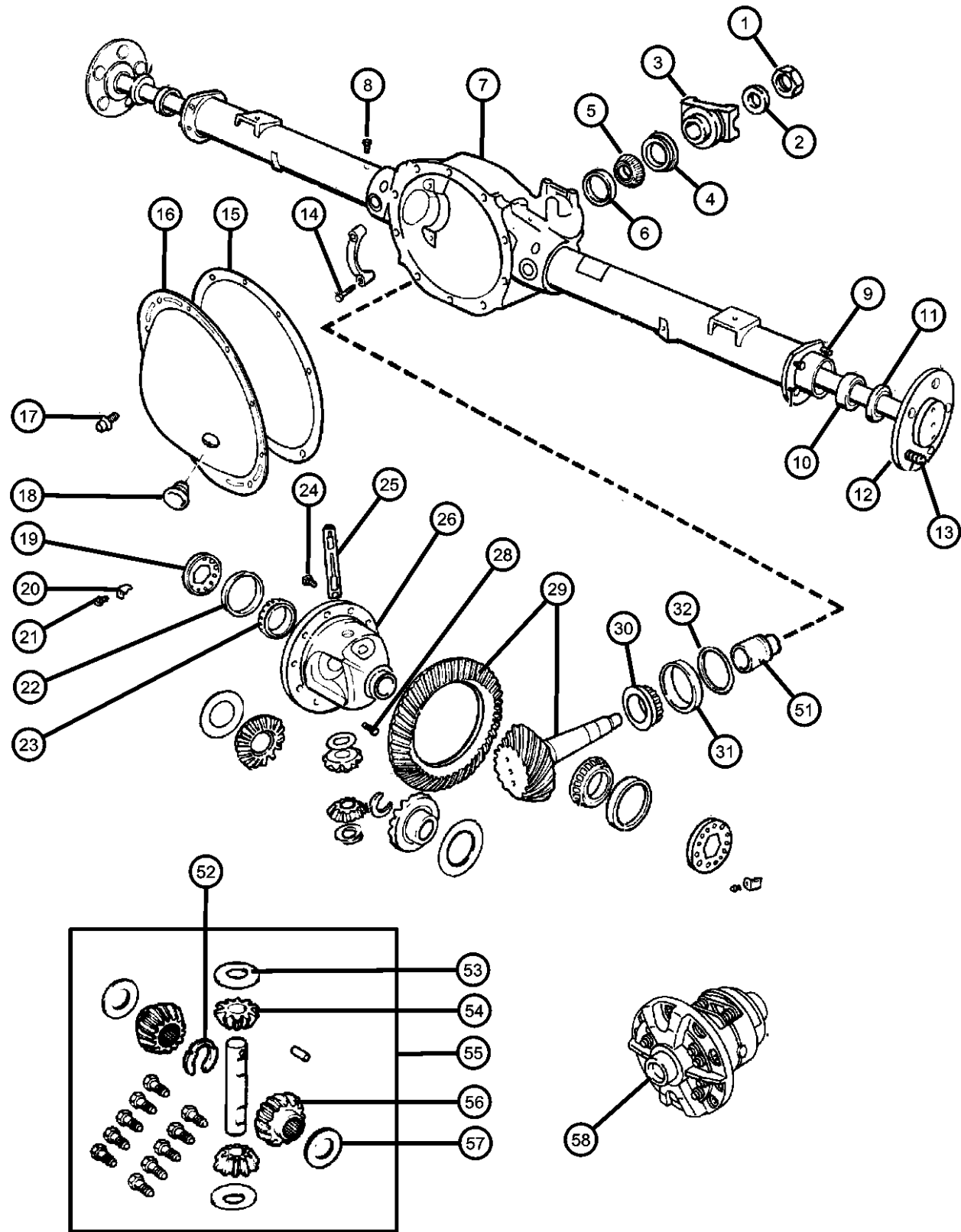
ITEM	PART NUMBER	QTY	LINE	SERIES	BODY	ENGINE	TRANS	TRIM	DESCRIPTION
	04137426	2	1						
12	52067614	2	6						SHAFT, Axle
13	06034731	2	6						STUD, Wheel
14	03432695	4	1						SCREW, Hex Head, .50-13x2.38 Carrier Bearing Cap Screws
15	05010884AA	4	6						Carrier Bearing Cap Screws SEALANT, RTV
16	04384293AC	1	6						COVER, Differential
17	06033043	1	1						SCREW AND WASHER, Hex Flange Head, .312-18x.562 Differential, Cover
18	03723687	12	1						Differential, Cover
19	03507723	12	6						PLUG, Differential Cover
20	03723858	1	1						ADJUSTER, Differential Bearing
		1	6						
		2	1						
		2	6						
		2	1						
		2	6						

RAM PICKUP/CLUB CAB (BE)

SERIES	LINE	BODY	ENGINE	TRANSMISSION
L = Ram Truck (All)	3 = HD DODGE 2WD 8 = HD DODGE 4WD 1 = Lt. Duty DODGE 2WD 6 = Lt. Duty DODGE 4WD 2 = Med. Duty DODGE 2WD 7 = Med. Duty DODGE 4WD	31 = CLUB CAB 2-DR 6.5 FT BOX 32 = CLUB CAB 2-DR 8FT BOX 33 = QUAD CAB 4-DR 6.5 FT BOX 34 = QUAD CAB 4-DR 8FT BOX	ELF = ENGINE - 5.2L V8 MPI EML = ENGINE - 5.9L V8 MPI EMM = ENGINE - "MAGNUM" 5.9L SMPI V8 ETC = ENGINE- 5.9L CUMMINS 24V DIESEL ETH = ENGINE- 5.9L HO CUMMINS TURBO DIESEL EWA = ENGINE - 8.0L V10 MPI	DDC = TRANSMISSION - 5-SPEED HD MANUAL DDP = TRANSMISSION - 5-SPEED MANUAL DDX = TRANSMISSION - 5-SPEED HD MANUAL DEE = TRANSMISSION - 6-SPEED HD MANUAL DGP = TRANSMISSION - 4-SPD. AUTOMATIC,47RE DGT = TRANSMISSION - 4-SPD. AUTOMATIC,46RE

AR = use ase required - = Non illustrated part

**Axle,Rear,with Differential Parts,Chrysler 9.25,BE 1,6**  
**Figure 3-210**



ITEM	PART NUMBER	QTY	LINE	SERIES	BODY	ENGINE	TRANS	TRIM	DESCRIPTION
21	06023092	2	1						SCREW AND WASHER, Hex Head, .25-20x.50 Differential Bearing Lock
		2	6						Differential Bearing Lock
22	03723148	2	1						CUP, Differential Side
		2	6						
23	03723149	2	1						BEARING, Differential
		2	6						
24	06036054AA	12	1						BOLT, Ring Gear Mounting
		12	6						Mounting
25	01633928	1	1						SHAFT, Differential Pinion Without [DSA]
		1	6						Without [DSA]
26	04384222	1	1						CASE, Differential [-DSA]
		1	6						[-DSA]
-27	04384227	1	1						TONE RING, Sensor
		1	6						
28	03507724	2	1						SCREW, Hex Head, .312-18x1.80 Differential Shaft Lock[-DSA]
		2	6						Differential Shaft Lock[-DSA]
29	05010321AA	1	1						GEAR KIT, Ring And Pinion [DMH] Includes Items 4,5,6,24,30,31,51
		1	6						[DMH] Includes Items 4,5,6,24,30,31,51
	05010322AA	1	1						[DMD] Includes Items 4,5,6,24,30,31,51

**RAM PICKUP/CLUB CAB (BE)**

SERIES	LINE
L = Ram Truck (All)	3 = HD DODGE 2WD
	8 = HD DODGE 4WD
	1 = Lt. Duty DODGE 2WD
	6 = Lt. Duty DODGE 4WD
	2 = Med. Duty DODGE 2WD
	7 = Med. Duty DODGE 4WD

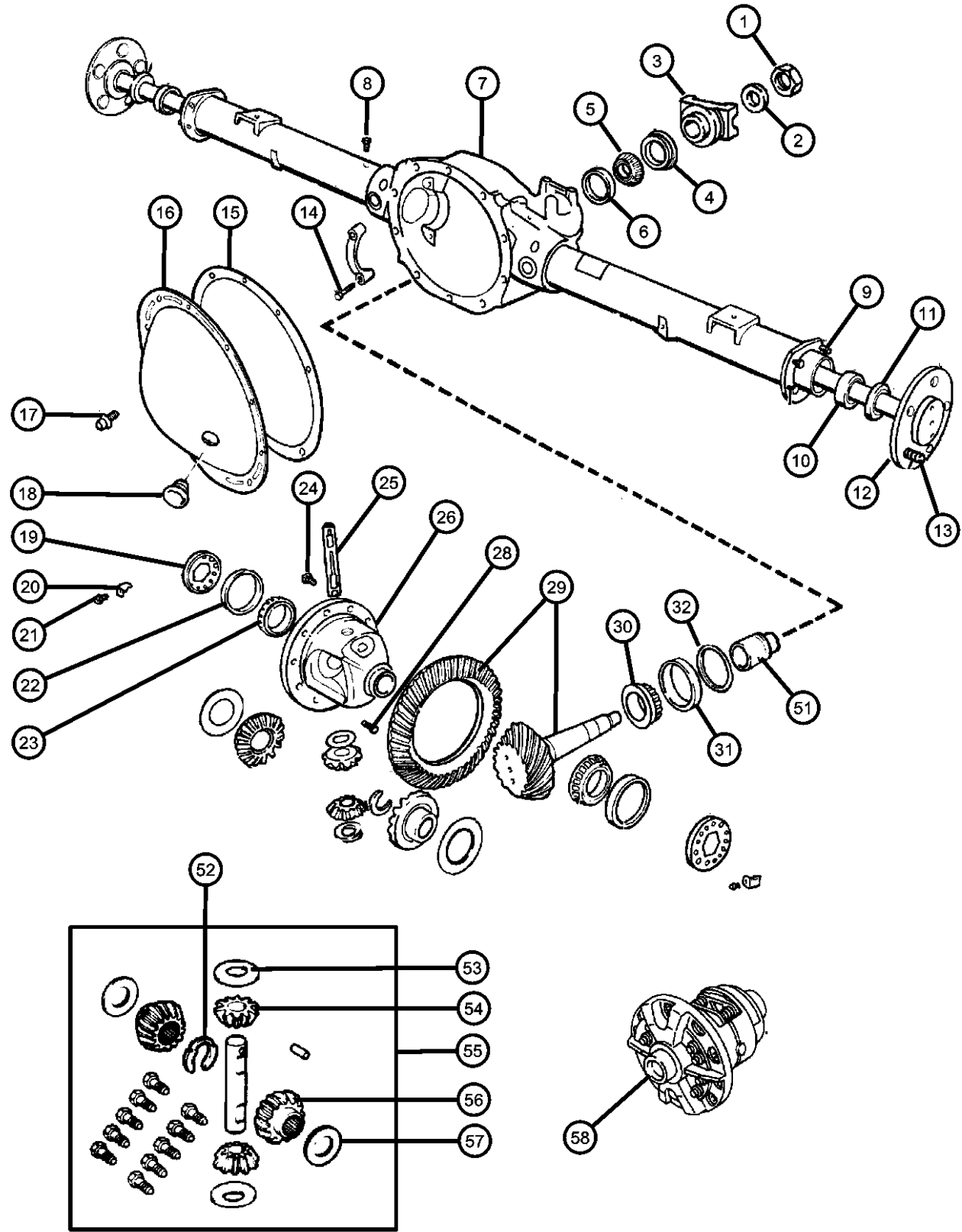
BODY
31 = CLUB CAB 2-DR 6.5 FT BOX
32 = CLUB CAB 2-DR 8FT BOX
33 = QUAD CAB 4-DR 6.5 FT BOX
34 = QUAD CAB 4-DR 8FT BOX

ENGINE
ELF = ENGINE - 5.2L V8 MPI
EML = ENGINE - 5.9L V8 MPI
EMM = ENGINE - "MAGNUM" 5.9L SMPI V8
ETC = ENGINE- 5.9L CUMMINS 24V DIESEL
ETH = ENGINE- 5.9L HO CUMMINS TURBO DIESEL
EWA = ENGINE - 8.0L V10 MPI

TRANSMISSION
DDC = TRANSMISSION - 5-SPEED HD MANUAL
DDP = TRANSMISSION - 5-SPEED MANUAL
DDX = TRANSMISSION - 5-SPEED HD MANUAL
DEE = TRANSMISSION - 6-SPEED HD MANUAL
DGP = TRANSMISSION - 4-SPD. AUTOMATIC,47RE
DGT = TRANSMISSION - 4-SPD. AUTOMATIC,46RE

AR = use ase required - = Non illustrated part

**Axle,Rear,with Differential Parts,Chrysler 9.25,BE 1,6**  
**Figure 3-210**



ITEM	PART NUMBER	QTY	LINE	SERIES	BODY	ENGINE	TRANS	TRIM	DESCRIPTION
		1	6						[DMD] Includes Items 4,5,6,24,30,31,51
	05015358AA	1	1						[DMC] Includes Items 4,5,6,24,30,31,51
	05015371AA	1	6		31, 33				[DMF] Includes Items 4,5,6,24,30,31,51
30									BEARING, Drive Pinion
	02852731	1	1						Rear
		1	6						Rear
31									CUP, Pinion Bearing
	02852732	1	1						Rear
		1	6						Rear
32									SHIM, Drive Pinion Bearing, 0.020
	03432320	1	1						
		1	6						
-33									SHIM, Drive Pinion Bearing, 0.021
	03432321	1	1						
		1	6						
-34									SHIM, Drive Pinion Bearing, 0.022
	03432322	1	1						
		1	6						
-35									SHIM, Drive Pinion Bearing, 0.023
	03432323	1	1						
		1	6						
-36									SHIM, Drive Pinion Bearing, 0.024
	03432324	1	1						
		1	6						
-37									SHIM, Drive Pinion Bearing, 0.025
	03432325	1	1						
		1	6						
-38									SHIM, Drive Pinion Bearing, 0.026

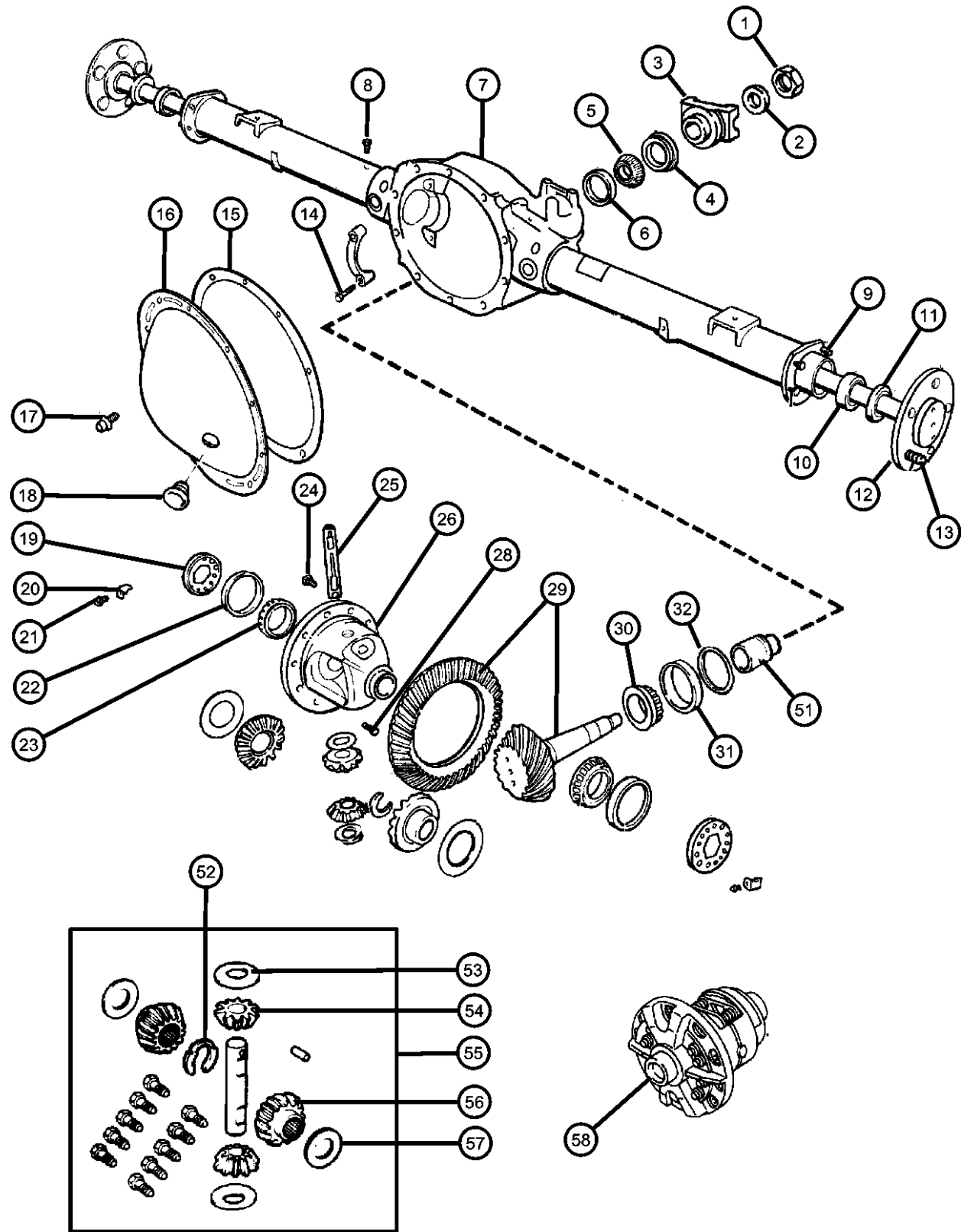
**RAM PICKUP/CLUB CAB (BE)**

SERIES	LINE	BODY	ENGINE	TRANSMISSION
L = Ram Truck (All)	3 = HD DODGE 2WD 8 = HD DODGE 4WD 1 = Lt. Duty DODGE 2WD 6 = Lt. Duty DODGE 4WD 2 = Med. Duty DODGE 2WD 7 = Med. Duty DODGE 4WD	31 = CLUB CAB 2-DR 6.5 FT BOX 32 = CLUB CAB 2-DR 8FT BOX 33 = QUAD CAB 4-DR 6.5 FT BOX 34 = QUAD CAB 4-DR 8FT BOX	ELF = ENGINE - 5.2L V8 MPI EML = ENGINE - 5.9L V8 MPI EMM = ENGINE - "MAGNUM" 5.9L SMPI V8 ETC = ENGINE- 5.9L CUMMINS 24V DIESEL ETH = ENGINE- 5.9L HO CUMMINS TURBO DIESEL EWA = ENGINE - 8.0L V10 MPI	DDC = TRANSMISSION - 5-SPEED HD MANUAL DDP = TRANSMISSION - 5-SPEED MANUAL DDX = TRANSMISSION - 5-SPEED HD MANUAL DEE = TRANSMISSION - 6-SPEED HD MANUAL DGP = TRANSMISSION - 4-SPD. AUTOMATIC,47RE DGT = TRANSMISSION - 4-SPD. AUTOMATIC,46RE

AR = use ase required - = Non illustrated part



Axle,Rear,with Differential Parts,Chrysler 9.25,BE 1,6  
Figure 3-210



ITEM	PART NUMBER	QTY	LINE	SERIES	BODY	ENGINE	TRANS	TRIM	DESCRIPTION
	03432326	1	1						
		1	6						
-39									SHIM, Drive Pinion Bearing, 0.027
	03432327	1	1						
		1	6						
-40									SHIM, Drive Pinion Bearing, 0.028
	03432328	1	1						
		1	6						
-41									SHIM, Drive Pinion Bearing, 0.029
	03432329	1	1						
		1	6						
-42									SHIM, Drive Pinion Bearing, 0.030
	03432330	1	1						
		1	6						
-43									SHIM, Drive Pinion Bearing, 0.031
	03432331	1	1						
		1	6						
-44									SHIM, Drive Pinion Bearing, 0.032
	03432332	1	1						
		1	6						
-45									SHIM, Drive Pinion Bearing, 0.033
	03432333	AR	1						
		AR	6						
-46									SHIM, Drive Pinion Bearing, 0.034
	03432334	1	1						
		1	6						
-47									SHIM, Drive Pinion Bearing, 0.035
	03432335	1	1						
		1	6						
-48									SHIM, Drive Pinion Bearing, 0.036

RAM PICKUP/CLUB CAB (BE)

SERIES	LINE
L = Ram Truck	3 = HD DODGE 2WD
(All)	8 = HD DODGE 4WD
	1 = Lt. Duty DODGE 2WD
	6 = Lt. Duty DODGE 4WD
	2 = Med. Duty DODGE 2WD
	7 = Med. Duty DODGE 4WD

BODY
31 = CLUB CAB 2-DR 6.5 FT BOX
32 = CLUB CAB 2-DR 8FT BOX
33 = QUAD CAB 4-DR 6.5 FT BOX
34 = QUAD CAB 4-DR 8FT BOX

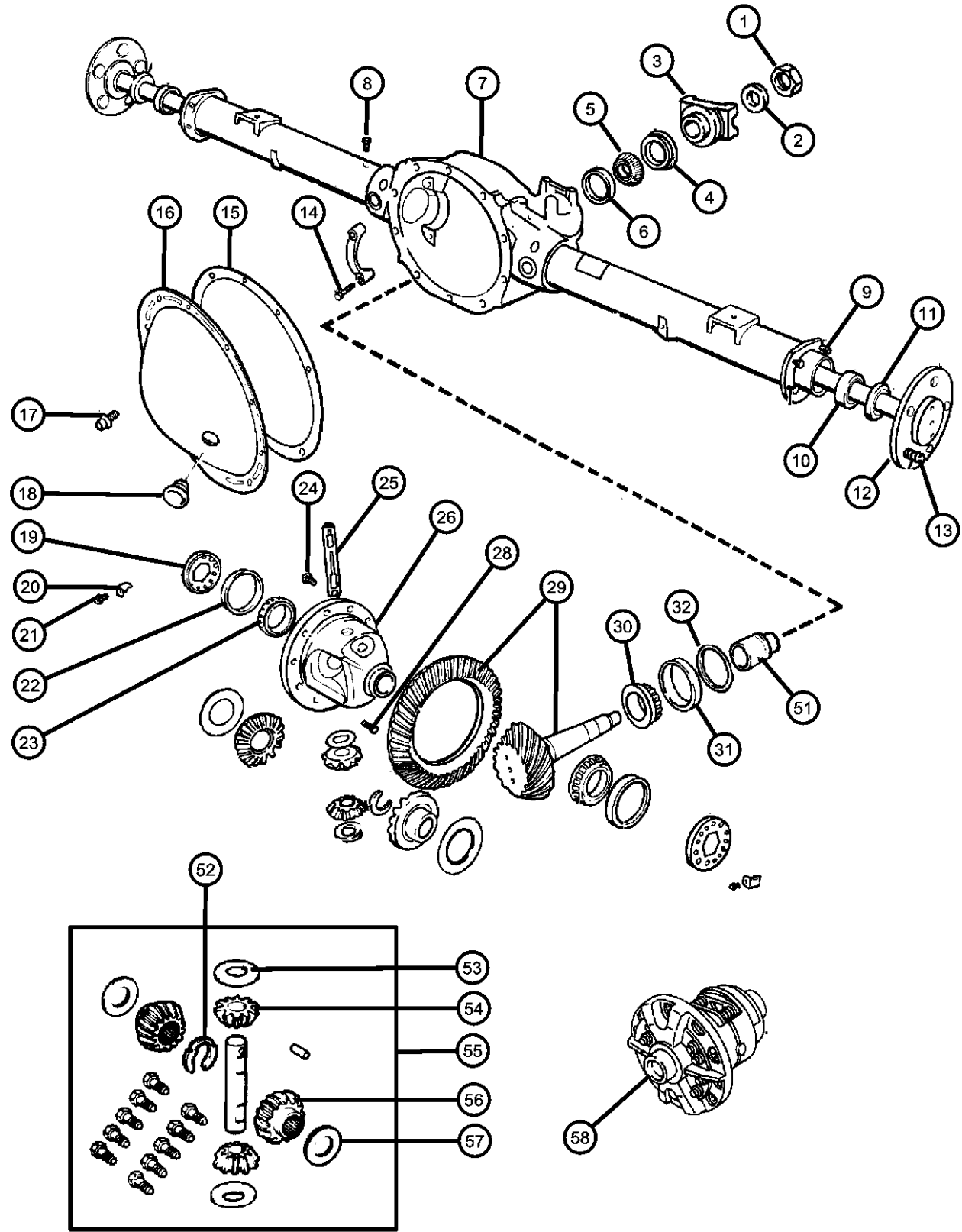
ENGINE
ELF = ENGINE - 5.2L V8 MPI
EML = ENGINE - 5.9L V8 MPI
EMM = ENGINE - "MAGNUM" 5.9L SMPI V8
ETC = ENGINE- 5.9L CUMMINS 24V DIESEL
ETH = ENGINE- 5.9L HO CUMMINS TURBO DIESEL
EWA = ENGINE - 8.0L V10 MPI

TRANSMISSION
DDC = TRANSMISSION - 5-SPEED HD MANUAL
DDP = TRANSMISSION - 5-SPEED MANUAL
DDX = TRANSMISSION - 5-SPEED HD MANUAL
DEE = TRANSMISSION - 6-SPEED HD MANUAL
DGP = TRANSMISSION - 4-SPD. AUTOMATIC,47RE
DGT = TRANSMISSION - 4-SPD. AUTOMATIC,46RE

AR = use ase required - = Non illustrated part

2000 BE

Axle,Rear,with Differential Parts,Chrysler 9.25,BE 1,6  
Figure 3-210



ITEM	PART NUMBER	QTY	LINE	SERIES	BODY	ENGINE	TRANS	TRIM	DESCRIPTION
	03432336	1	1						
-49		1	6						SHIM, Drive Pinion Bearing, 0.037
	03432337	1	1						
-50		1	6						SHIM, Drive Pinion Bearing, 0.038
	03432338	1	1						
51		1	6						SPACER, Drive Pinion Bearing
	03507678	1	1						Crush
		1	6						Crush
52									LOCK, Drive Shaft
	04137669	2	1						
		2	6						
53									WASHER, Pinion Thrust
	03507641	2	1						
		2	6						
54		2							PINION, Differential, Serviced in Differential GEAR PACKAGE, (NOT SERVICED)
55									GEAR PACKAGE, Differential
	04798912	1	1						
		1	6						
56		1							GEAR, Differential, Serviced in Differential GEAR PACKAGE, (NOT SERVICED)
57									WASHER PACKAGE, Side Gear Thrust
	04131294	1	1						
		1	6						
58									CASE, Differential

RAM PICKUP/CLUB CAB (BE)

SERIES	LINE
L = Ram Truck	3 = HD DODGE 2WD
(All)	8 = HD DODGE 4WD
	1 = Lt. Duty DODGE 2WD
	6 = Lt. Duty DODGE 4WD
	2 = Med. Duty DODGE 2WD
	7 = Med. Duty DODGE 4WD

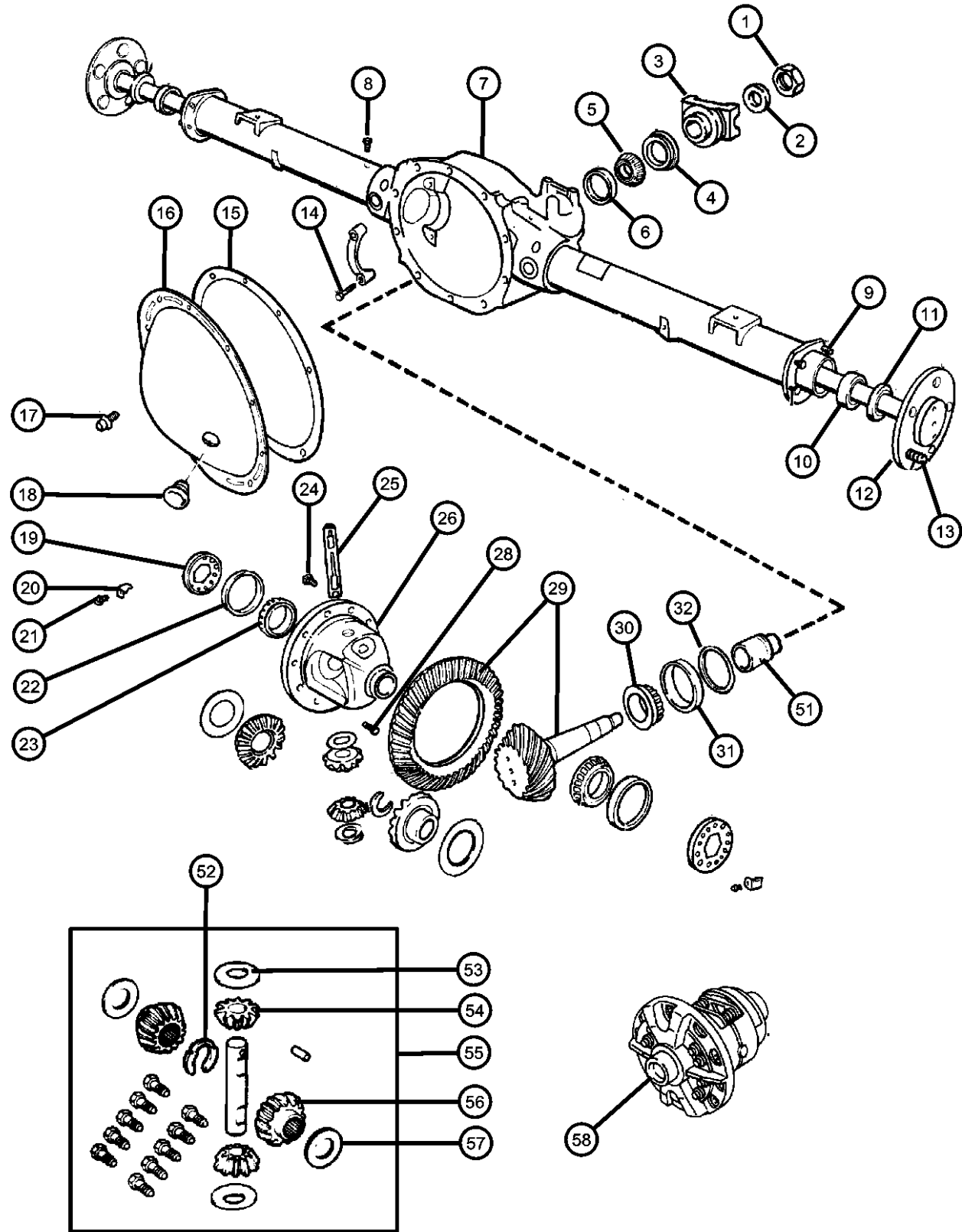
BODY
31 = CLUB CAB 2-DR 6.5 FT BOX
32 = CLUB CAB 2-DR 8FT BOX
33 = QUAD CAB 4-DR 6.5 FT BOX
34 = QUAD CAB 4-DR 8FT BOX

ENGINE
ELF = ENGINE - 5.2L V8 MPI
EML = ENGINE - 5.9L V8 MPI
EMM = ENGINE - "MAGNUM" 5.9L SMPI V8
ETC = ENGINE- 5.9L CUMMINS 24V DIESEL
ETH = ENGINE- 5.9L HO CUMMINS TURBO DIESEL
EWA = ENGINE - 8.0L V10 MPI

TRANSMISSION
DDC = TRANSMISSION - 5-SPEED HD MANUAL
DDP = TRANSMISSION - 5-SPEED MANUAL
DDX = TRANSMISSION - 5-SPEED HD MANUAL
DEE = TRANSMISSION - 6-SPEED HD MANUAL
DGP = TRANSMISSION - 4-SPD. AUTOMATIC,47RE
DGT = TRANSMISSION - 4-SPD. AUTOMATIC,46RE

AR = use ase required - = Non illustrated part

Axle,Rear,with Differential Parts,Chrysler 9.25,BE 1,6  
Figure 3-210



ITEM	PART NUMBER	QTY	LINE	SERIES	BODY	ENGINE	TRANS	TRIM	DESCRIPTION
------	-------------	-----	------	--------	------	--------	-------	------	-------------

	52068450	1	1						[+DSA]
		1	6						[+DSA]

RAM PICKUP/CLUB CAB (BE)

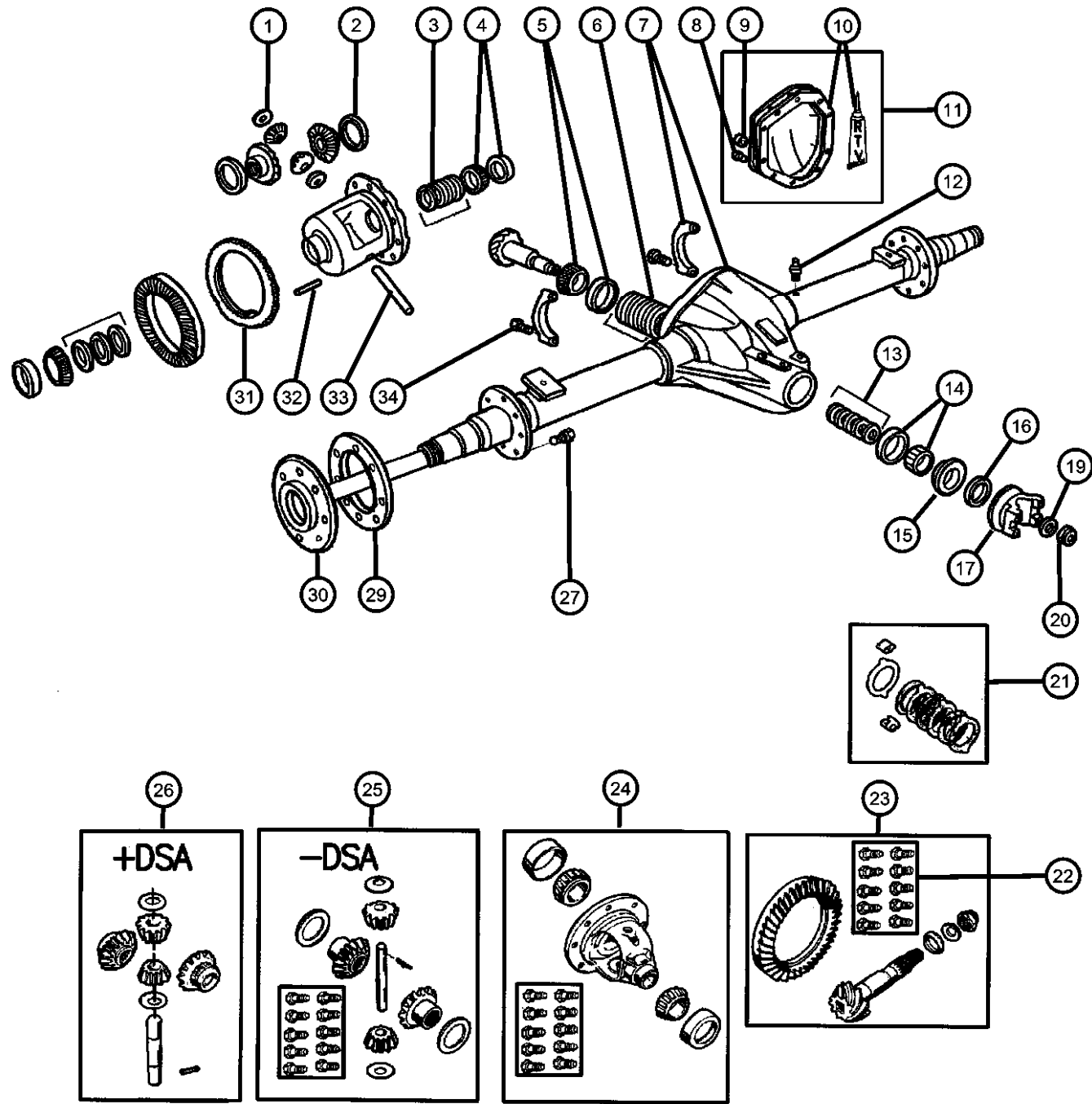
SERIES	LINE
L = Ram Truck	3 = HD DODGE 2WD
(All)	8 = HD DODGE 4WD
	1 = Lt. Duty DODGE 2WD
	6 = Lt. Duty DODGE 4WD
	2 = Med. Duty DODGE 2WD
	7 = Med. Duty DODGE 4WD

BODY	ENGINE	TRANSMISSION
31 = CLUB CAB 2-DR 6.5 FT BOX	ELF = ENGINE - 5.2L V8 MPI	DDC = TRANSMISSION - 5-SPEED HD MANUAL
32 = CLUB CAB 2-DR 8FT BOX	EML = ENGINE - 5.9L V8 MPI	DDP = TRANSMISSION - 5-SPEED MANUAL
33 = QUAD CAB 4-DR 6.5 FT BOX	EMM = ENGINE - "MAGNUM" 5.9L SMPI V8	DDX = TRANSMISSION - 5-SPEED HD MANUAL
34 = QUAD CAB 4-DR 8FT BOX	ETC = ENGINE- 5.9L CUMMINS 24V DIESEL	DEE = TRANSMISSION - 6-SPEED HD MANUAL
	ETH = ENGINE- 5.9L HO CUMMINS TURBO DIESEL	DGP = TRANSMISSION - 4-SPD. AUTOMATIC,47RE
	EWA = ENGINE - 8.0L V10 MPI	DGT = TRANSMISSION - 4-SPD. AUTOMATIC,46RE

AR = use ase required - = Non illustrated part

2000 BE

**Axle,Rear,with Differential Parts,Dana Model 60,BE 2,7**  
**Figure 3-220**



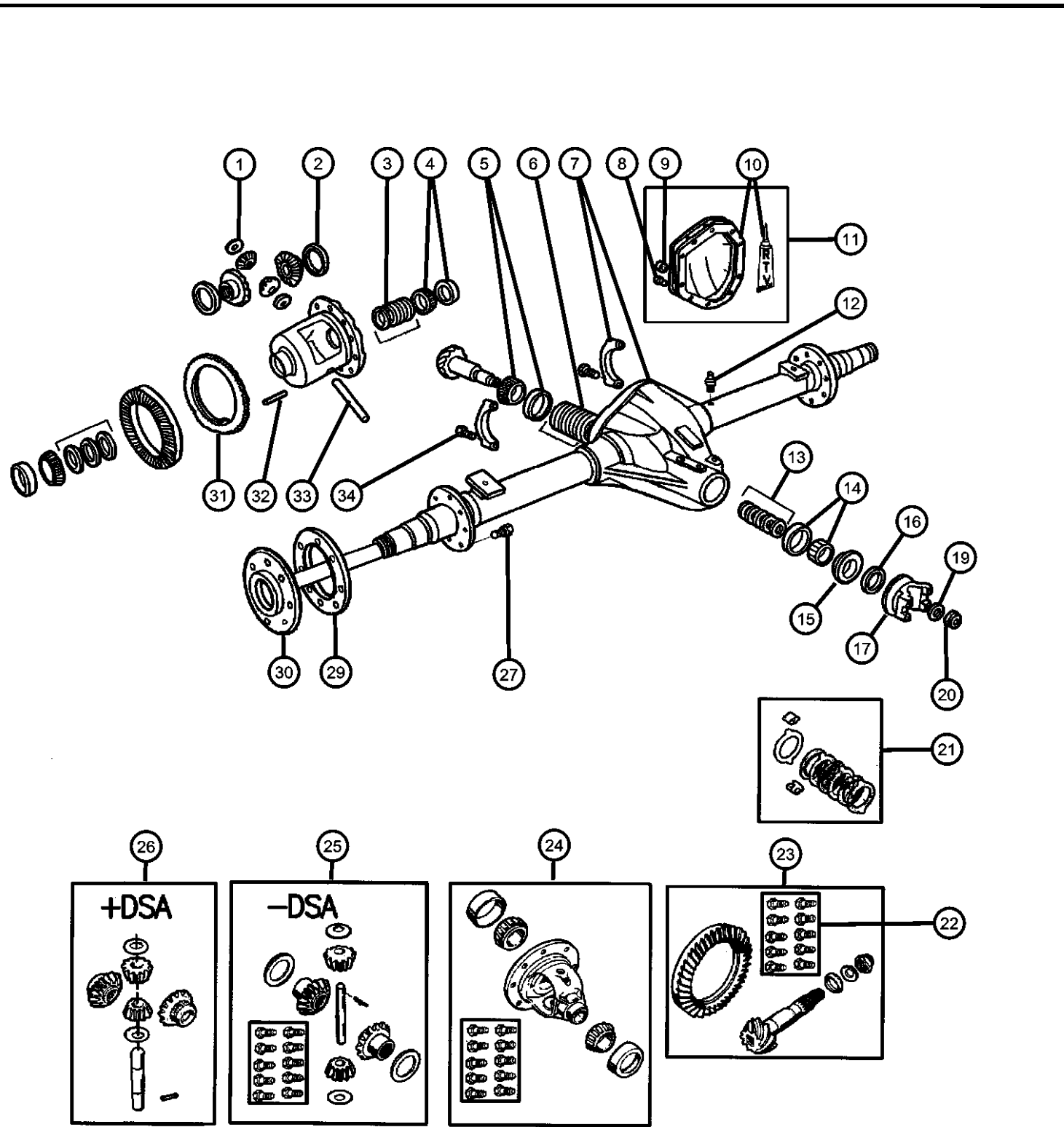
ITEM	PART NUMBER	QTY	LINE	SERIES	BODY	ENGINE	TRANS	TRIM	DESCRIPTION
1	03507543	2	2		33, 34				WASHER Differential Pinion Gear Thrust
		2	7		33, 34				Differential Pinion Gear Thrust
2	02961848	2	2		33, 34				WASHER Differential Side Gear Thrust
		2	7		33, 34				Differential Side Gear Thrust
3	03898313AB	1	2		33, 34				SHIM, Differential Bearing Bearing Adjusting
		1	7		33, 34				Bearing Adjusting
4	04746605	1	2		33, 34				BEARING, Differential
		1	7		33, 34				
5	04746603	1	2		33, 34				BEARING, Drive Pinion Rear
		1	7		33, 34				Rear
6	04746868	1	2		33, 34				SHIM KIT, Pinion Shaft
		1	7		33, 34				
7	05015457AA	1	2		33, 34				HOUSING, Rear Axle
	05015672AA	1	7		33, 34				
8	02952474	10	2		33, 34				BOLT, Hex Flange Head Cover
		10	7		33, 34				Cover
9	03640792	1	2		33, 34				PLUG, Differential Cover Cover
		1	7		33, 34				Cover
10	05010884AA	1	7		33, 34				SEALANT, RTV

**RAM PICKUP/CLUB CAB (BE)**

SERIES	LINE	BODY	ENGINE	TRANSMISSION
L = Ram Truck (All)	3 = HD DODGE 2WD 8 = HD DODGE 4WD 1 = Lt. Duty DODGE 2WD 6 = Lt. Duty DODGE 4WD 2 = Med. Duty DODGE 2WD 7 = Med. Duty DODGE 4WD	31 = CLUB CAB 2-DR 6.5 FT BOX 32 = CLUB CAB 2-DR 8FT BOX 33 = QUAD CAB 4-DR 6.5 FT BOX 34 = QUAD CAB 4-DR 8FT BOX	ELF = ENGINE - 5.2L V8 MPI EML = ENGINE - 5.9L V8 MPI EMM = ENGINE - "MAGNUM" 5.9L SMPI V8 ETC = ENGINE- 5.9L CUMMINS 24V DIESEL ETH = ENGINE- 5.9L HO CUMMINS TURBO DIESEL EWA = ENGINE - 8.0L V10 MPI	DDC = TRANSMISSION - 5-SPEED HD MANUAL DDP = TRANSMISSION - 5-SPEED MANUAL DDX = TRANSMISSION - 5-SPEED HD MANUAL DEE = TRANSMISSION - 6-SPEED HD MANUAL DGP = TRANSMISSION - 4-SPD. AUTOMATIC, 47RE DGT = TRANSMISSION - 4-SPD. AUTOMATIC, 46RE

AR = use ase required - = Non illustrated part

Axle,Rear,with Differential Parts,Dana Model 60,BE 2,7  
Figure 3-220



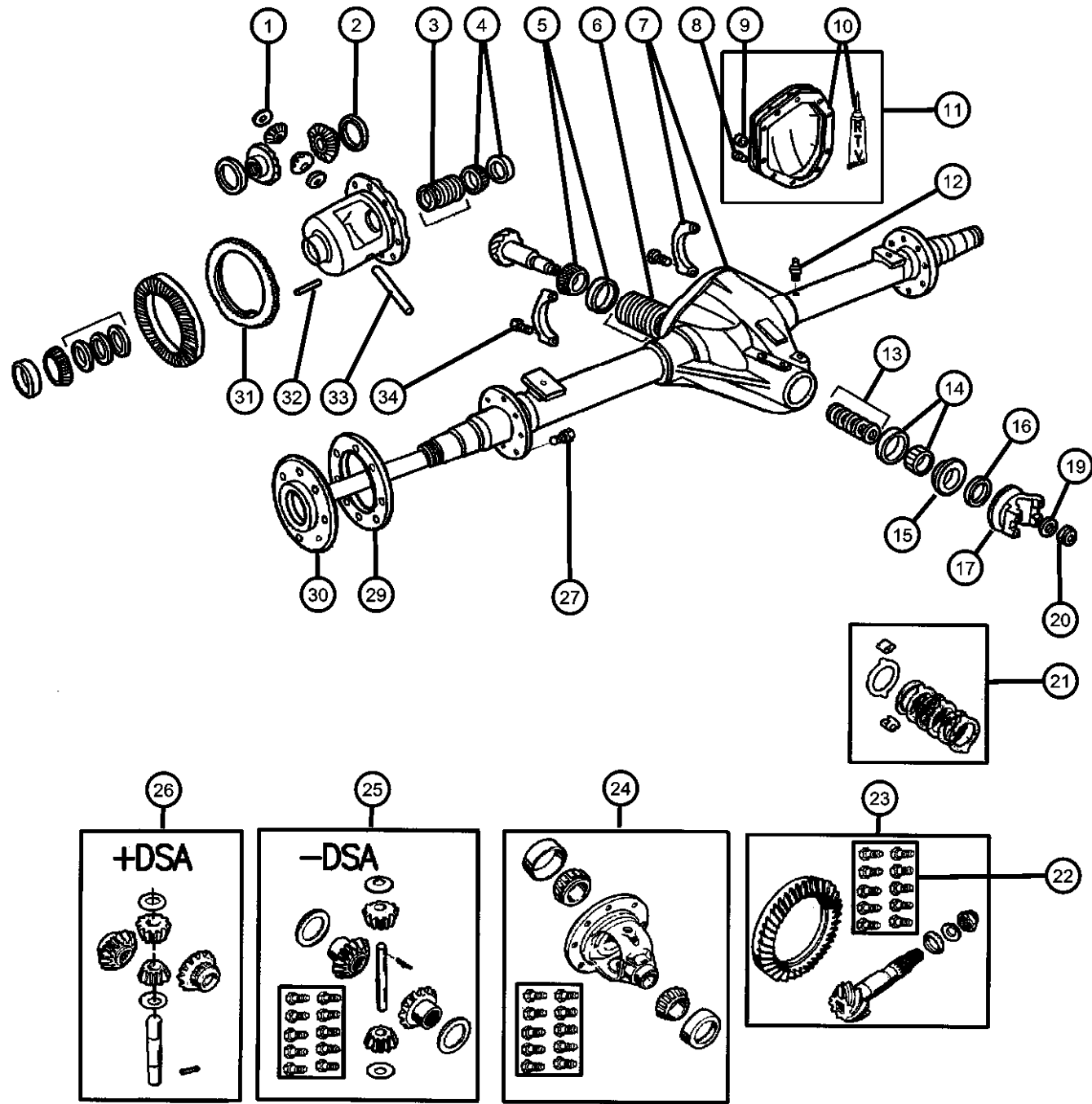
ITEM	PART NUMBER	QTY	LINE	SERIES	BODY	ENGINE	TRANS	TRIM	DESCRIPTION
		1	2		33, 34				
11									COVER, Differential
	04773402	1	2		33, 34				
	04773403	1	7		33, 34				
12	04137696AB	1							BOLT, Axle Vent
13									SPACER, Drive Pinion Bearing
	04746606	1	2		33, 34				Crush
		1	7		33, 34				Crush
14									BEARING, Drive Pinion
	04746604	1	2		33, 34				Front
		1	7		33, 34				Front
15									SLINGER, Drive Pinion
	04746867	1	2		33, 34				
		1	7		33, 34				
16									SEAL, Drive Pinion
	05012846AA	1	2		33, 34				
		1	7		33, 34				
17									YOKE, Axle
	05016791AA	1	2		33, 34				
		1	7		33, 34				
-18									O RING, Pinion Flange
	05012847AA	1	2		33, 34				Fits Over Hub of Axle Yoke
		1	7		33, 34				Fits Over Hub of Axle Yoke
19									WASHER, Pinion Yoke
	01795175	1	7		33, 34				
		1	2		33, 34				
20									NUT, Pinion Yoke
	01795173	1	7		33, 34				
		1	2		33, 34				
21									DISC AND PLATE KIT, Differential

RAM PICKUP/CLUB CAB (BE)

SERIES	LINE	BODY	ENGINE	TRANSMISSION
L = Ram Truck (All)	3 = HD DODGE 2WD 8 = HD DODGE 4WD 1 = Lt. Duty DODGE 2WD 6 = Lt. Duty DODGE 4WD 2 = Med. Duty DODGE 2WD 7 = Med. Duty DODGE 4WD	31 = CLUB CAB 2-DR 6.5 FT BOX 32 = CLUB CAB 2-DR 8FT BOX 33 = QUAD CAB 4-DR 6.5 FT BOX 34 = QUAD CAB 4-DR 8FT BOX	ELF = ENGINE - 5.2L V8 MPI EML = ENGINE - 5.9L V8 MPI EMM = ENGINE - "MAGNUM" 5.9L SMPI V8 ETC = ENGINE- 5.9L CUMMINS 24V DIESEL ETH = ENGINE- 5.9L HO CUMMINS TURBO DIESEL EWA = ENGINE - 8.0L V10 MPI	DDC = TRANSMISSION - 5-SPEED HD MANUAL DDP = TRANSMISSION - 5-SPEED MANUAL DDX = TRANSMISSION - 5-SPEED HD MANUAL DEE = TRANSMISSION - 6-SPEED HD MANUAL DGP = TRANSMISSION - 4-SPD. AUTOMATIC, 47RE DGT = TRANSMISSION - 4-SPD. AUTOMATIC, 46RE

AR = use ase required - = Non illustrated part

Axle,Rear,with Differential Parts,Dana Model 60,BE 2,7  
Figure 3-220



ITEM	PART NUMBER	QTY	LINE	SERIES	BODY	ENGINE	TRANS	TRIM	DESCRIPTION
	04506060	1	7		33, 34				
		1	2		33, 34				
22	04506066	12	7		33, 34				SCREW, Hex Head Ring Gear Mounting
		12	2		33, 34				Ring Gear Mounting
23									GEAR KIT, Ring And Pinion
	04762222	1	2		33, 34				[DMD]
		1	7		33, 34				[DMD]
	04864966	1	2		33, 34				[DMF]
		1	7		33, 34				[DMF]
24									CASE, Differential
	04506058AB	1	2		33, 34				[+DSA]
		1	7		33, 34				[+DSA]
	04746024AB	1	2		33, 34				[-DSA]
		1	7		33, 34				[-DSA]
25									GEAR KIT, Center Differential
	04746027	1	2		33, 34				[-DSA]
		1	7		33, 34				[-DSA]
26									GEAR KIT, Center Differential
	04506059	1	2		33, 34				[+DSA]
		1	7		33, 34				[+DSA]
27									STUD
	05003932AA	8	7		33, 34				Axle Housing to Backing Plate
		8	2		33, 34				Axle Housing to Backing Plate
-28									NUT
	05003934AA	8	7		33, 34				Axle Housing to Backing Plate
		8	2		33, 34				Axle Housing to Backing Plate
29									GASKET, Axle Shaft
	04384186	2	7		33, 34				Axle Shaft to Hub Mounting
		2	2		33, 34				Axle Shaft to Hub Mounting

RAM PICKUP/CLUB CAB (BE)

SERIES	LINE
L = Ram Truck (All)	3 = HD DODGE 2WD
	8 = HD DODGE 4WD
	1 = Lt. Duty DODGE 2WD
	6 = Lt. Duty DODGE 4WD
	2 = Med. Duty DODGE 2WD
	7 = Med. Duty DODGE 4WD

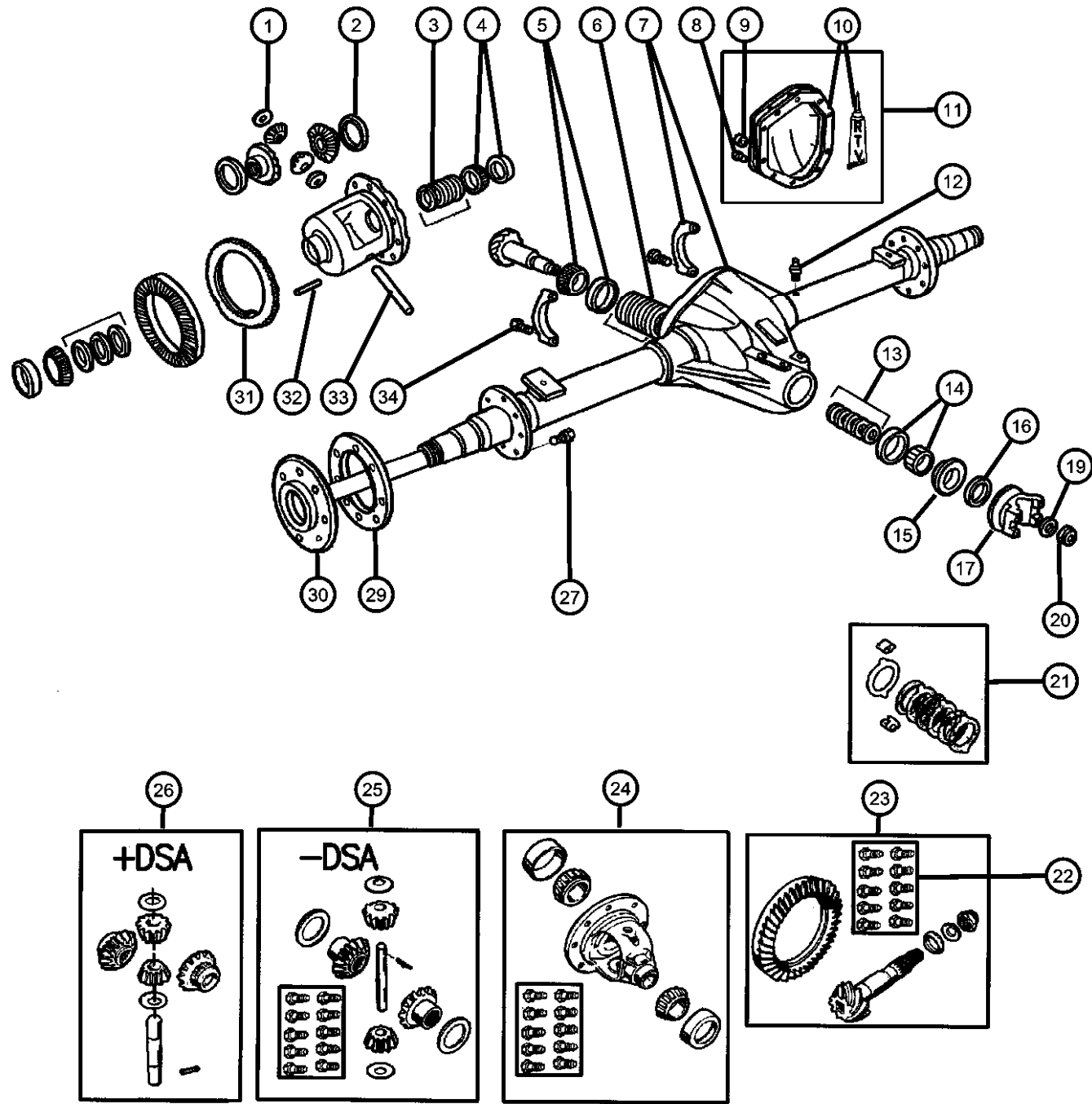
BODY
31 = CLUB CAB 2-DR 6.5 FT BOX
32 = CLUB CAB 2-DR 8FT BOX
33 = QUAD CAB 4-DR 6.5 FT BOX
34 = QUAD CAB 4-DR 8FT BOX

ENGINE
ELF = ENGINE - 5.2L V8 MPI
EML = ENGINE - 5.9L V8 MPI
EMM = ENGINE - "MAGNUM" 5.9L SMPI V8
ETC = ENGINE- 5.9L CUMMINS 24V DIESEL
ETH = ENGINE- 5.9L HO CUMMINS TURBO DIESEL
EWA = ENGINE - 8.0L V10 MPI

TRANSMISSION
DDC = TRANSMISSION - 5-SPEED HD MANUAL
DDP = TRANSMISSION - 5-SPEED MANUAL
DDX = TRANSMISSION - 5-SPEED HD MANUAL
DEE = TRANSMISSION - 6-SPEED HD MANUAL
DGP = TRANSMISSION - 4-SPD. AUTOMATIC, 47RE
DGT = TRANSMISSION - 4-SPD. AUTOMATIC, 46RE

AR = use ase required - = Non illustrated part

Axle,Rear,with Differential Parts,Dana Model 60,BE 2,7  
Figure 3-220



ITEM	PART NUMBER	QTY	LINE	SERIES	BODY	ENGINE	TRANS	TRIM	DESCRIPTION
30									SHAFT, Axle
	04746601	2	7		33, 34				
		2	2		33, 34				
31									TONE RING, Sensor
	04506057	1	7		33, 34				
		1	2		33, 34				
32									ROLL PIN, Differential
	04883560AA	1	2		33, 34				
		1	7		33, 34				
33									SHAFT, Differential
	01922276	1	2		33, 34				
		1	7		33, 34				
34									BOLT, Differential
	05003648AA	4	7		33, 34				
		4	2		33, 34				

RAM PICKUP/CLUB CAB (BE)

SERIES	LINE
L = Ram Truck (All)	3 = HD DODGE 2WD
	8 = HD DODGE 4WD
	1 = Lt. Duty DODGE 2WD
	6 = Lt. Duty DODGE 4WD
	2 = Med. Duty DODGE 2WD
	7 = Med. Duty DODGE 4WD

BODY
31 = CLUB CAB 2-DR 6.5 FT BOX
32 = CLUB CAB 2-DR 8FT BOX
33 = QUAD CAB 4-DR 6.5 FT BOX
34 = QUAD CAB 4-DR 8FT BOX

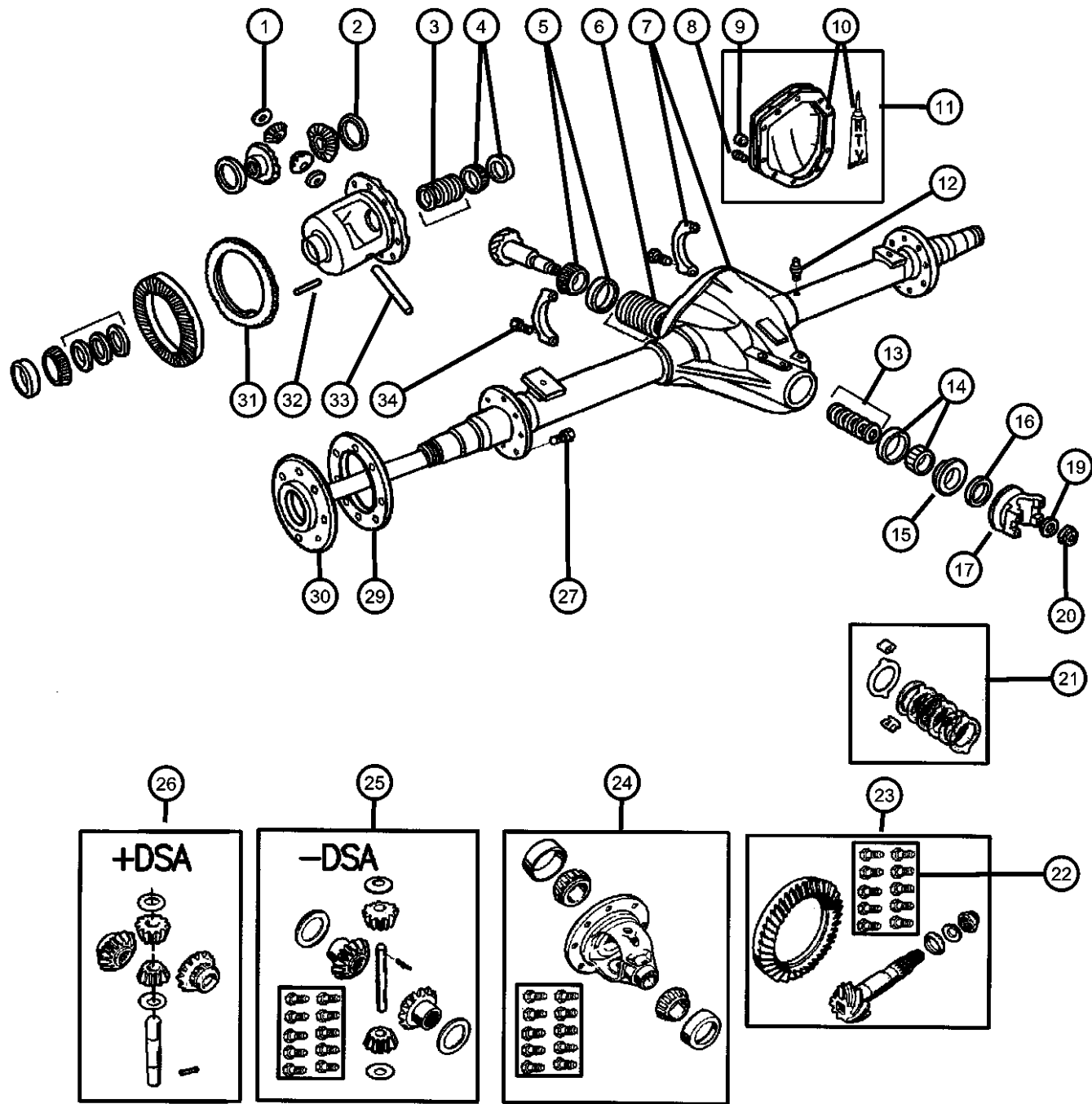
ENGINE
ELF = ENGINE - 5.2L V8 MPI
EML = ENGINE - 5.9L V8 MPI
EMM = ENGINE - "MAGNUM" 5.9L SMPI V8
ETC = ENGINE- 5.9L CUMMINS 24V DIESEL
ETH = ENGINE- 5.9L HO CUMMINS TURBO DIESEL
EWA = ENGINE - 8.0L V10 MPI

TRANSMISSION
DDC = TRANSMISSION - 5-SPEED HD MANUAL
DDP = TRANSMISSION - 5-SPEED MANUAL
DDX = TRANSMISSION - 5-SPEED HD MANUAL
DEE = TRANSMISSION - 6-SPEED HD MANUAL
DGP = TRANSMISSION - 4-SPD. AUTOMATIC,47RE
DGT = TRANSMISSION - 4-SPD. AUTOMATIC,46RE

AR = use ase required - = Non illustrated part

2000 BE

**Axle,Rear,with Differential Parts,Dana Model 70,BE 2,7**  
**Figure 3-230**



ITEM	PART NUMBER	QTY	LINE	SERIES	BODY	ENGINE	TRANS	TRIM	DESCRIPTION
1		4							WASHER, (NOT SERVICED)
2		4							WASHER, (NOT SERVICED)
3									SHIM, Differential Bearing
	03898313AB	1	2		33, 34				Adjusting
		1	7		33, 34				Adjusting
4									BEARING, Differential
	04746605	1	2		33, 34				
		1	7		33, 34				
5									BEARING, Drive Pinion
	04746617	1	2		33, 34				Rear
		1	7		33, 34				Rear
6									SHIM KIT, Pinion Shaft
	04746616	1	2		33, 34				
		1	7		33, 34				
7									HOUSING, Rear Axle
	05015587AA	1	2		33, 34				
	05015675AA	1	7		33, 34				
8									BOLT, Hex Flange Head
	02952474	10	2		33, 34				Cover
		10	7		33, 34				Cover
9									PLUG, Differential Cover
	03640792	1	2		33, 34				Cover
		1	7		33, 34				Cover
10									SEALANT, RTV
	05010884AA	1	2		33, 34				
		1	7		33, 34				
11									COVER, Differential
	04773400	1	7		33, 34				
	04773401	1	2		33, 34				

Note: DRE=Dana Model 70—DMD = 3.54 Ratio—DMF = 4.10 Ratio—DSA = Limited Slip Differential

**RAM PICKUP/CLUB CAB (BE)**

SERIES	LINE
L = Ram Truck (All)	3 = HD DODGE 2WD
	8 = HD DODGE 4WD
	1 = Lt. Duty DODGE 2WD
	6 = Lt. Duty DODGE 4WD
	2 = Med. Duty DODGE 2WD
	7 = Med. Duty DODGE 4WD

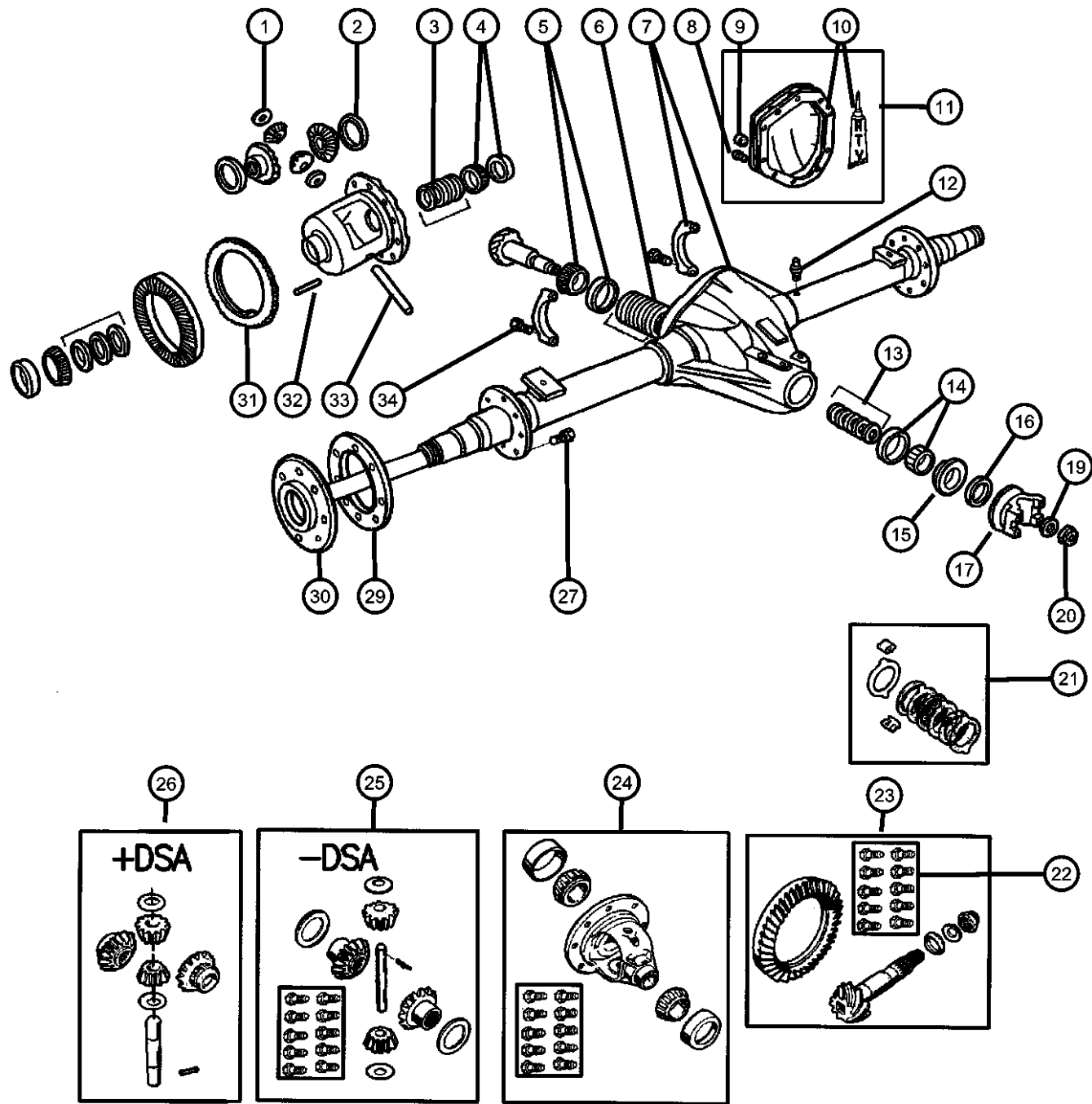
BODY	ENGINE	TRANSMISSION
31 = CLUB CAB 2-DR 6.5 FT BOX	ELF = ENGINE - 5.2L V8 MPI	DDC = TRANSMISSION - 5-SPEED HD MANUAL
32 = CLUB CAB 2-DR 8FT BOX	EML = ENGINE - 5.9L V8 MPI	DDP = TRANSMISSION - 5-SPEED MANUAL
33 = QUAD CAB 4-DR 6.5 FT BOX	EMM = ENGINE - "MAGNUM" 5.9L SMPI V8	DDX = TRANSMISSION - 5-SPEED HD MANUAL
34 = QUAD CAB 4-DR 8FT BOX	ETC = ENGINE- 5.9L CUMMINS 24V DIESEL	DEE = TRANSMISSION - 6-SPEED HD MANUAL
	ETH = ENGINE- 5.9L HO CUMMINS TURBO DIESEL	DGP = TRANSMISSION - 4-SPD. AUTOMATIC,47RE
	EWA = ENGINE - 8.0L V10 MPI	DGT = TRANSMISSION - 4-SPD. AUTOMATIC,46RE

AR = use ase required - = Non illustrated part

2000 BE



Axle,Rear,with Differential Parts,Dana Model 70,BE 2,7  
Figure 3-230



ITEM	PART NUMBER	QTY	LINE	SERIES	BODY	ENGINE	TRANS	TRIM	DESCRIPTION
12	04137696AB	1							BOLT, Axle Vent
13	04773913	1	2		33, 34				SPACER, Drive Pinion Bearing
		1	7		33, 34				
14	04746604	1	2		33, 34				BEARING, Drive Pinion Front
		1	7		33, 34				Front
15	04746867	1	2		33, 34				SLINGER, Drive Pinion
		1	7		33, 34				
16	05012846AA	1	2		33, 34				SEAL, Drive Pinion
		1	7		33, 34				
17	05015458AA	1	2		33, 34				YOKE, Axle
		1	7		33, 34				
-18	05012847AA	1	7		33, 34				O RING, Pinion Flange Fits Over Hub of Axle Yoke
		1	2		33, 34				Fits Over Hub of Axle Yoke
19	02070117	1	7		33, 34				WASHER, Pinion Yoke
		1	2		33, 34				
20	01795173	1	2		33, 34				NUT, Pinion Yoke
		1	7		33, 34				
21	04506072	1	7		33, 34				DISC AND PLATE KIT, Differential
		1	2		33, 34				
22	04506066	12	2		33, 34				SCREW, Hex Head Ring Gear Mounting

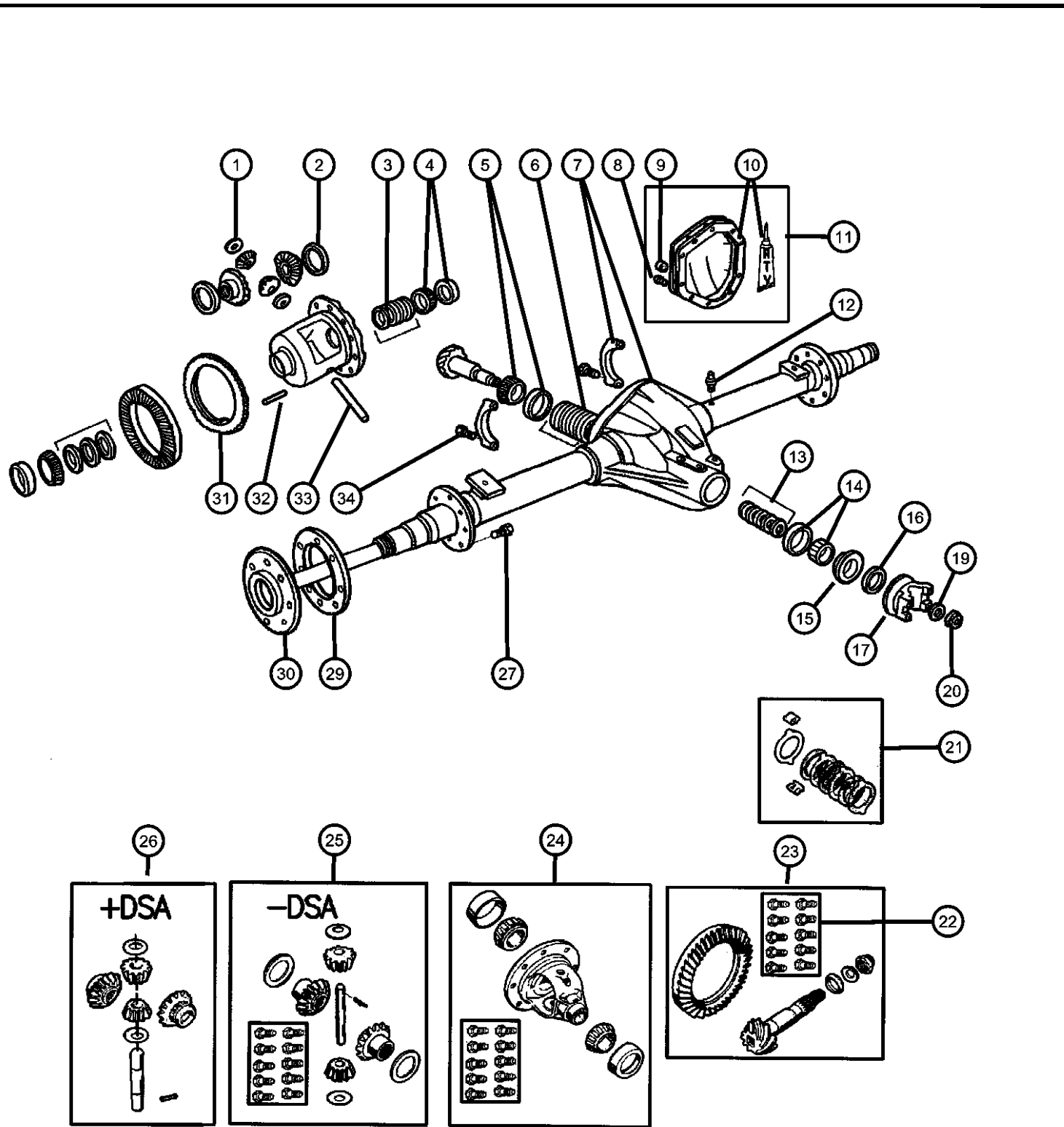
RAM PICKUP/CLUB CAB (BE)

SERIES	LINE
L = Ram Truck (All)	3 = HD DODGE 2WD 8 = HD DODGE 4WD 1 = Lt. Duty DODGE 2WD 6 = Lt. Duty DODGE 4WD 2 = Med. Duty DODGE 2WD 7 = Med. Duty DODGE 4WD

BODY	ENGINE	TRANSMISSION
31 = CLUB CAB 2-DR 6.5 FT BOX 32 = CLUB CAB 2-DR 8FT BOX 33 = QUAD CAB 4-DR 6.5 FT BOX 34 = QUAD CAB 4-DR 8FT BOX	ELF = ENGINE - 5.2L V8 MPI EML = ENGINE - 5.9L V8 MPI EMM = ENGINE - "MAGNUM" 5.9L SMPI V8 ETC = ENGINE- 5.9L CUMMINS 24V DIESEL ETH = ENGINE- 5.9L HO CUMMINS TURBO DIESEL EWA = ENGINE - 8.0L V10 MPI	DDC = TRANSMISSION - 5-SPEED HD MANUAL DDP = TRANSMISSION - 5-SPEED MANUAL DDX = TRANSMISSION - 5-SPEED HD MANUAL DEE = TRANSMISSION - 6-SPEED HD MANUAL DGP = TRANSMISSION - 4-SPD. AUTOMATIC, 47RE DGT = TRANSMISSION - 4-SPD. AUTOMATIC, 46RE

AR = use ase required - = Non illustrated part

Axle,Rear,with Differential Parts,Dana Model 70,BE 2,7  
Figure 3-230



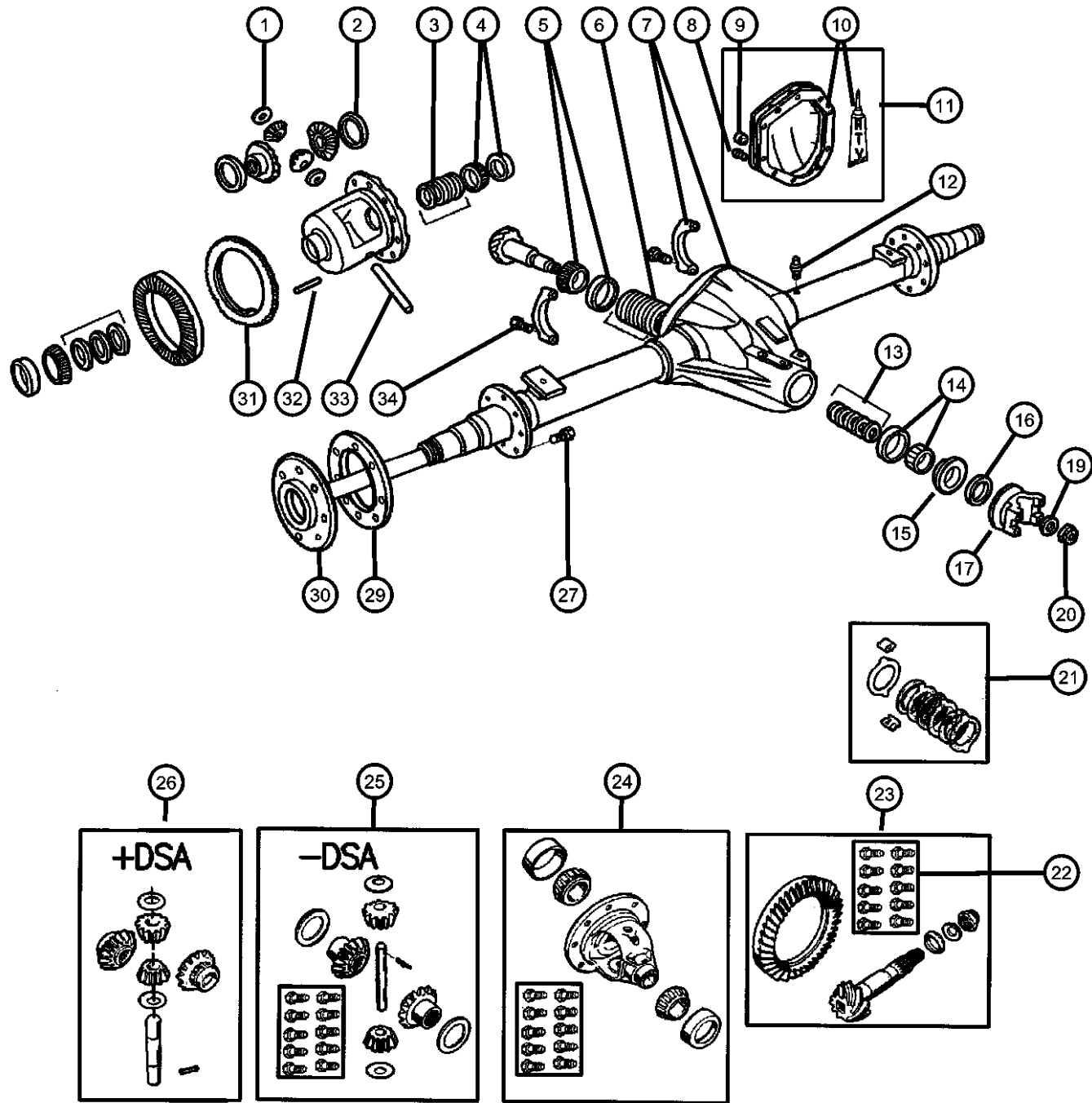
ITEM	PART NUMBER	QTY	LINE	SERIES	BODY	ENGINE	TRANS	TRIM	DESCRIPTION
		12	7		33, 34				Ring Gear Mounting
23									GEAR KIT, Ring And Pinion
	04746618AB	1	2		33, 34				[DMD]
		1	7		33, 34				[DMD]
	04746624AB	1	2		33, 34				[DMF]
		1	7		33, 34				[DMF]
24									CASE, Differential
	04638254AB	1	2		33, 34				[+DSA ]
		1	7		33, 34				[+DSA ]
	04746621AB	1	2		33, 34				[-DSA ]
		1	7		33, 34				[-DSA ]
25									GEAR KIT, Center Differential
	04746622	1	2		33, 34				[-DSA ]
		1	7		33, 34				[-DSA ]
26									GEAR KIT, Center Differential
	04638255	1	2		33, 34				[+DSA ]
		1	7		33, 34				[+DSA ]
27									STUD
	05003932AA	8	2		33, 34				Axle Housing to Backing Plate
		8	7		33, 34				Axle Housing to Backing Plate
-28									NUT
	05003934AA	8	7		33, 34				Axle Housing to Backing Plate
		8	2		33, 34				Axle Housing to Backing Plate
29									GASKET, Axle Shaft
	04384186	2	2		33, 34				Axle Shaft to Hub Mounting
		2	7		33, 34				Axle Shaft to Hub Mounting
30									SHAFT, Axle
	04746620	2	2		33, 34				
		2	7		33, 34				
31									RING, Tone

RAM PICKUP/CLUB CAB (BE)

SERIES	LINE	BODY	ENGINE	TRANSMISSION
L = Ram Truck (All)	3 = HD DODGE 2WD 8 = HD DODGE 4WD 1 = Lt. Duty DODGE 2WD 6 = Lt. Duty DODGE 4WD 2 = Med. Duty DODGE 2WD 7 = Med. Duty DODGE 4WD	31 = CLUB CAB 2-DR 6.5 FT BOX 32 = CLUB CAB 2-DR 8FT BOX 33 = QUAD CAB 4-DR 6.5 FT BOX 34 = QUAD CAB 4-DR 8FT BOX	ELF = ENGINE - 5.2L V8 MPI EML = ENGINE - 5.9L V8 MPI EMM = ENGINE - "MAGNUM" 5.9L SMPI V8 ETC = ENGINE- 5.9L CUMMINS 24V DIESEL ETH = ENGINE- 5.9L HO CUMMINS TURBO DIESEL EWA = ENGINE - 8.0L V10 MPI	DDC = TRANSMISSION - 5-SPEED HD MANUAL DDP = TRANSMISSION - 5-SPEED MANUAL DDX = TRANSMISSION - 5-SPEED HD MANUAL DEE = TRANSMISSION - 6-SPEED HD MANUAL DGP = TRANSMISSION - 4-SPD. AUTOMATIC,47RE DGT = TRANSMISSION - 4-SPD. AUTOMATIC,46RE

AR = use ase required - = Non illustrated part

Axle,Rear,with Differential Parts,Dana Model 70,BE 2,7  
Figure 3-230



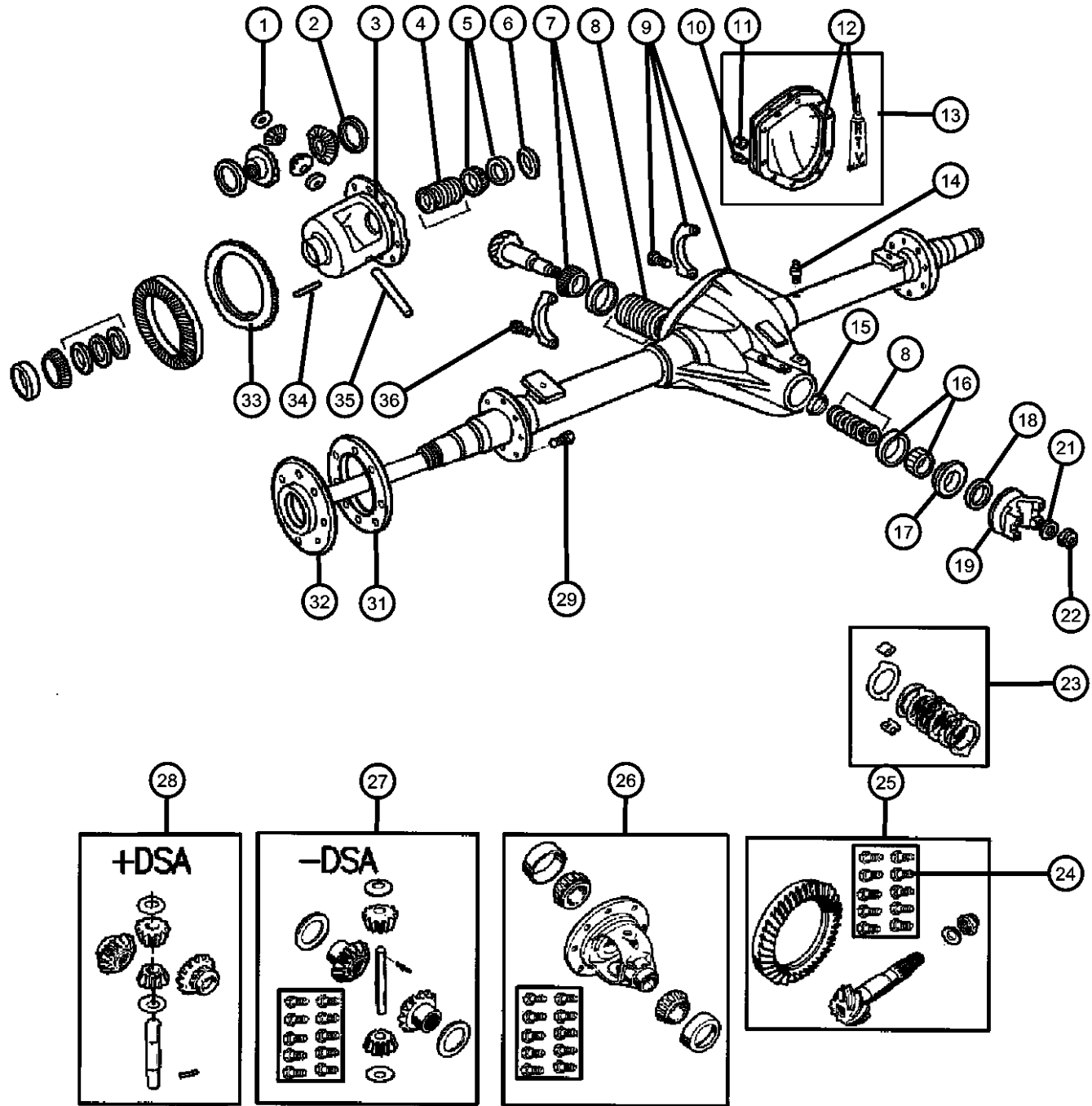
ITEM	PART NUMBER	QTY	LINE	SERIES	BODY	ENGINE	TRANS	TRIM	DESCRIPTION
	04506069	1	2		33, 34				
		1	7		33, 34				
32		1							ROLL PIN, Differential, (NOT SERVICED)
33		1							SHAFT, Differential, (NOT SERVICED)
34									BOLT, Differential
	05003648AA	4	7		33, 34				
		4	2		33, 34				

RAM PICKUP/CLUB CAB (BE)

SERIES	LINE	BODY	ENGINE	TRANSMISSION
L = Ram Truck (All)	3 = HD DODGE 2WD 8 = HD DODGE 4WD 1 = Lt. Duty DODGE 2WD 6 = Lt. Duty DODGE 4WD 2 = Med. Duty DODGE 2WD 7 = Med. Duty DODGE 4WD	31 = CLUB CAB 2-DR 6.5 FT BOX 32 = CLUB CAB 2-DR 8FT BOX 33 = QUAD CAB 4-DR 6.5 FT BOX 34 = QUAD CAB 4-DR 8FT BOX	ELF = ENGINE - 5.2L V8 MPI EML = ENGINE - 5.9L V8 MPI EMM = ENGINE - "MAGNUM" 5.9L SMPI V8 ETC = ENGINE- 5.9L CUMMINS 24V DIESEL ETH = ENGINE- 5.9L HO CUMMINS TURBO DIESEL EWA = ENGINE - 8.0L V10 MPI	DDC = TRANSMISSION - 5-SPEED HD MANUAL DDP = TRANSMISSION - 5-SPEED MANUAL DDX = TRANSMISSION - 5-SPEED HD MANUAL DEE = TRANSMISSION - 6-SPEED HD MANUAL DGP = TRANSMISSION - 4-SPD. AUTOMATIC,47RE DGT = TRANSMISSION - 4-SPD. AUTOMATIC,46RE

AR = use ase required - = Non illustrated part

**Axle,Rear,with Differential Parts,Dana Model 80,BE 2,3,7,8**  
**Figure 3-240**



ITEM	PART NUMBER	QTY	LINE	SERIES	BODY	ENGINE	TRANS	TRIM	DESCRIPTION
1		4							WASHER, (NOT SERVICED)
2		4							WASHER, (NOT SERVICED)
3									CASE, Differential
	04778763AC	1	2		33, 34				[DMD,DSA] Includes items 4,5,23,24,28
		1	7		33, 34				[DMD,DSA] Includes items 4,5,23,24,28
		1	3		34				[DMD,DSA] Includes items 4,5,23,24,28
		1	8		34				[DMD,DSA] Includes items 4,5,23,24,28
	04778772AC	1	2		33, 34				[DMF,DSA] Includes items 4,5,23,24,28
		1	7		33, 34				[DMF,DSA] Includes items 4,5,23,24,28
		1	3		34				[DMF,DSA] Includes items 4,5,23,24,28
		1	8		34				[DMF,DSA] Includes items 4,5,23,24,28
4									SHIM KIT, Differential
	04746982AB	1	7		33, 34				
		1	3		34				
		1	8		34				
		1	2		33, 34				
5									BEARING, Differential
	04746981	1	7		33, 34				Consists of 2 Bearings and 2 Cups
		1	3		34				Consists of 2 Bearings and 2 Cups
		1	8		34				Consists of 2 Bearings and 2 Cups
		1	2		33, 34				Consists of 2 Bearings and 2 Cups
6									SPACER KIT, Differential
	04746984	1	7		33, 34				Consists of 2 Flat Spacers
		1	3		34				Consists of 2 Flat Spacers

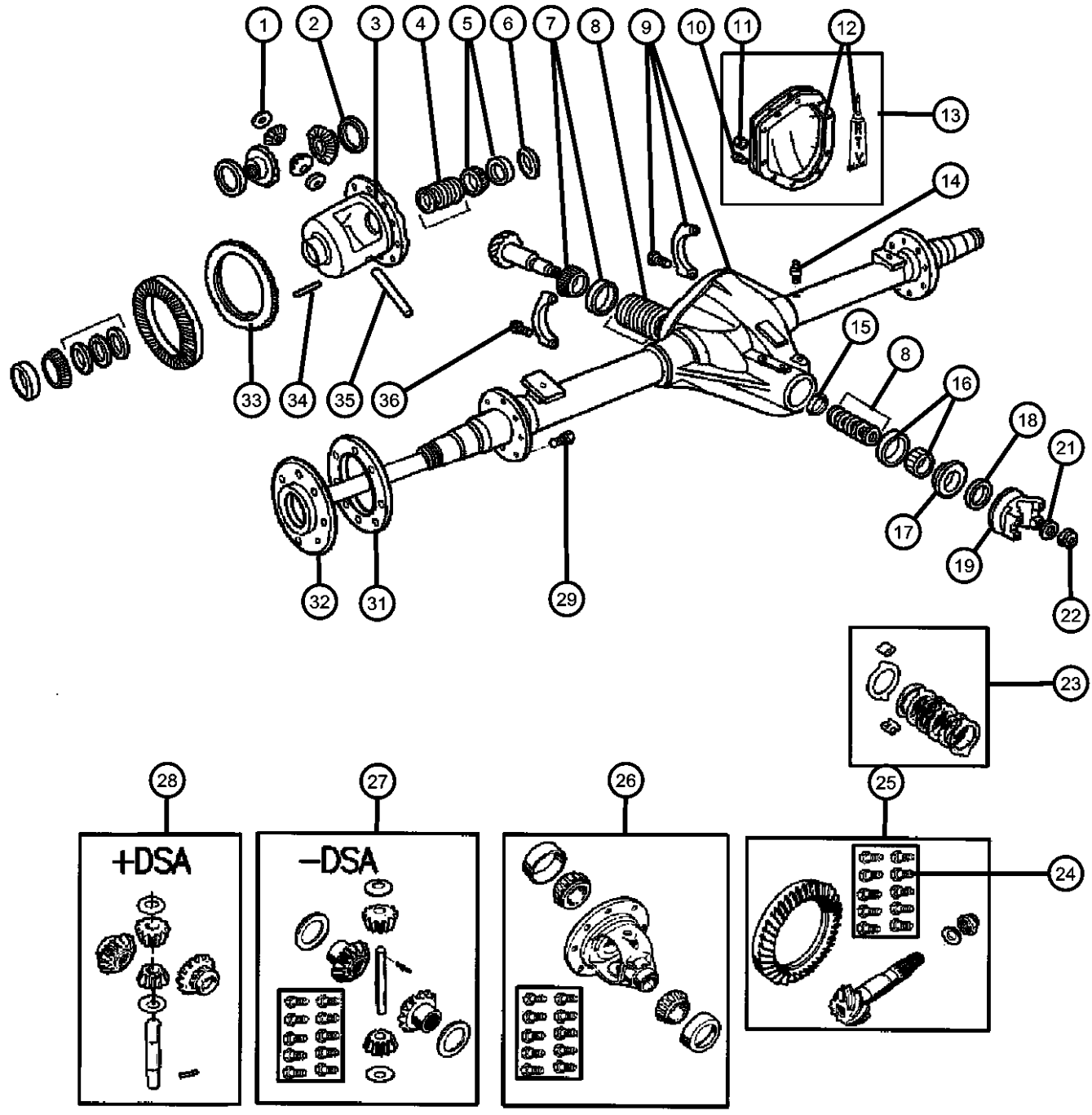
**RAM PICKUP/CLUB CAB (BE)**

SERIES	LINE
L = Ram Truck (All)	3 = HD DODGE 2WD 8 = HD DODGE 4WD 1 = Lt. Duty DODGE 2WD 6 = Lt. Duty DODGE 4WD 2 = Med. Duty DODGE 2WD 7 = Med. Duty DODGE 4WD

BODY	ENGINE	TRANSMISSION
31 = CLUB CAB 2-DR 6.5 FT BOX	ELF = ENGINE - 5.2L V8 MPI	DDC = TRANSMISSION - 5-SPEED HD MANUAL
32 = CLUB CAB 2-DR 8FT BOX	EML = ENGINE - 5.9L V8 MPI	DDP = TRANSMISSION - 5-SPEED MANUAL
33 = QUAD CAB 4-DR 6.5 FT BOX	EMM = ENGINE - "MAGNUM" 5.9L SMPI V8	DDX = TRANSMISSION - 5-SPEED HD MANUAL
34 = QUAD CAB 4-DR 8FT BOX	ETC = ENGINE- 5.9L CUMMINS 24V DIESEL	DEE = TRANSMISSION - 6-SPEED HD MANUAL
	ETH = ENGINE- 5.9L HO CUMMINS TURBO DIESEL	DGP = TRANSMISSION - 4-SPD. AUTOMATIC,47RE
	EWA = ENGINE - 8.0L V10 MPI	DGT = TRANSMISSION - 4-SPD. AUTOMATIC,46RE

AR = use ase required - = Non illustrated part

Axle,Rear,with Differential Parts,Dana Model 80,BE 2,3,7,8  
Figure 3-240



ITEM	PART NUMBER	QTY	LINE	SERIES	BODY	ENGINE	TRANS	TRIM	DESCRIPTION
		1	8		34				Consists of 2 Flat Spacers
		1	2		33, 34				Consists of 2 Flat Spacers
7	04746978	1	7		33, 34				BEARING, Drive Pinion
		1	3		34				Bearing and Cup, Rear
		1	8		34				Bearing and Cup, Rear
		1	2		33, 34				Bearing and Cup, Rear
8	04746983	1	7		33, 34				SHIM KIT, Pinion Shaft
		1	3		34				Front and Rear
		1	8		34				Front and Rear
		1	2		33, 34				Front and Rear
9	05015613AA	1	2		33, 34				HOUSING, Rear Axle
									[DMD]
	05015640AA	1	3		34				[DMD]
	05015690AA	1	7		33, 34				[DMD]
	05015693AA	1	3		34				[DMF]
	05015697AA	1	2		33, 34				[DMF]
	05015698AA	1	7		33, 34				[DMF]
	05015703AA	1	8		34				[DMD]
	05015729AA	1	8		34				[DMF]
10	02952474	10	2		33, 34				BOLT, Differential Cover
		10	3		34				Mounting
		10	7		33, 34				Mounting
		10	8		34				Mounting
11	03640792	1	2		33, 34				PLUG, Differential Cover
		1	3		34				
		1	7		33, 34				

RAM PICKUP/CLUB CAB (BE)

SERIES	LINE
L = Ram Truck (All)	3 = HD DODGE 2WD
	8 = HD DODGE 4WD
	1 = Lt. Duty DODGE 2WD
	6 = Lt. Duty DODGE 4WD
	2 = Med. Duty DODGE 2WD
	7 = Med. Duty DODGE 4WD

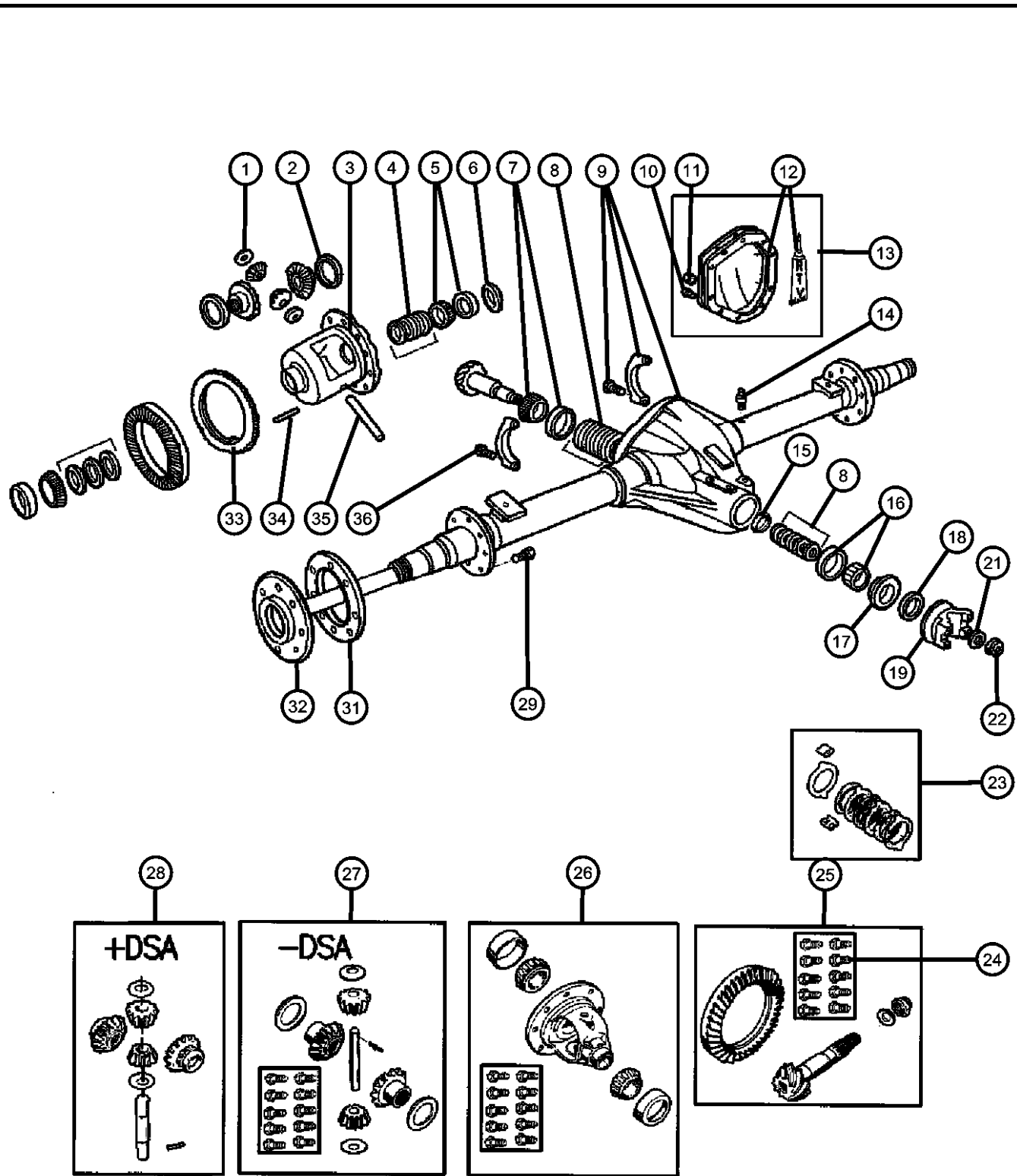
BODY
31 = CLUB CAB 2-DR 6.5 FT BOX
32 = CLUB CAB 2-DR 8FT BOX
33 = QUAD CAB 4-DR 6.5 FT BOX
34 = QUAD CAB 4-DR 8FT BOX

ENGINE
ELF = ENGINE - 5.2L V8 MPI
EML = ENGINE - 5.9L V8 MPI
EMM = ENGINE - "MAGNUM" 5.9L SMPI V8
ETC = ENGINE- 5.9L CUMMINS 24V DIESEL
ETH = ENGINE- 5.9L HO CUMMINS TURBO DIESEL
EWA = ENGINE - 8.0L V10 MPI

TRANSMISSION
DDC = TRANSMISSION - 5-SPEED HD MANUAL
DDP = TRANSMISSION - 5-SPEED MANUAL
DDX = TRANSMISSION - 5-SPEED HD MANUAL
DEE = TRANSMISSION - 6-SPEED HD MANUAL
DGP = TRANSMISSION - 4-SPD. AUTOMATIC,47RE
DGT = TRANSMISSION - 4-SPD. AUTOMATIC,46RE

AR = use ase required - = Non illustrated part

Axle,Rear,with Differential Parts,Dana Model 80,BE 2,3,7,8  
Figure 3-240



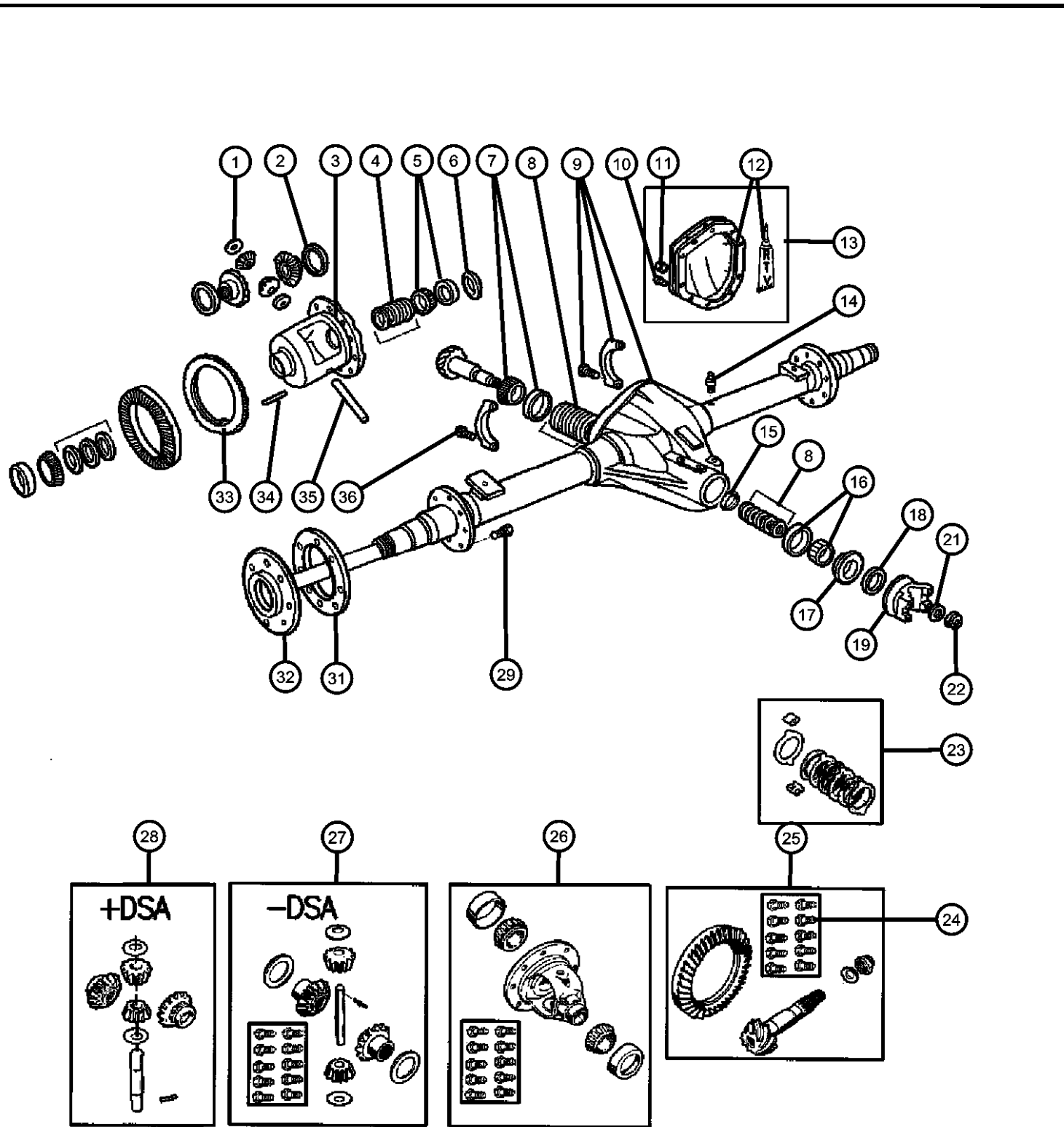
ITEM	PART NUMBER	QTY	LINE	SERIES	BODY	ENGINE	TRANS	TRIM	DESCRIPTION
12		1	8		34				SEALANT, RTV
	05010884AA	1	2		33, 34				
		1	7		33, 34				
		1	3		34				
		1	8		34				
13									COVER, Differential
	04746985	1	3		34				
		1	2		33, 34				
	04746989	1	8		34				
		1	7		33, 34				
14	04137696AB	1							BOLT, Axle Vent
15									SPACER, Drive Pinion
	04773230	1	7		33, 34				
		1	3		34				
		1	8		34				
		1	2		33, 34				
16									BEARING, Drive Pinion
	04746979	1	7		33, 34				Bearing and Cup, Front
		1	3		34				Bearing and Cup, Front
		1	8		34				Bearing and Cup, Front
		1	2		33, 34				Bearing and Cup, Front
17		1							SLINGER, Drive Pinion, Order Yoke Assembly, (NOT SERVICED), SEAL, Drive Pinion
18									
	05015618AB	1	7		33, 34				
		1	3		34				
		1	8		34				
		1	2		33, 34				
19									YOKE, Axle

RAM PICKUP/CLUB CAB (BE)

SERIES	LINE	BODY	ENGINE	TRANSMISSION
L = Ram Truck (All)	3 = HD DODGE 2WD 8 = HD DODGE 4WD 1 = Lt. Duty DODGE 2WD 6 = Lt. Duty DODGE 4WD 2 = Med. Duty DODGE 2WD 7 = Med. Duty DODGE 4WD	31 = CLUB CAB 2-DR 6.5 FT BOX 32 = CLUB CAB 2-DR 8FT BOX 33 = QUAD CAB 4-DR 6.5 FT BOX 34 = QUAD CAB 4-DR 8FT BOX	ELF = ENGINE - 5.2L V8 MPI EML = ENGINE - 5.9L V8 MPI EMM = ENGINE - "MAGNUM" 5.9L SMPI V8 ETC = ENGINE- 5.9L CUMMINS 24V DIESEL ETH = ENGINE- 5.9L HO CUMMINS TURBO DIESEL EWA = ENGINE - 8.0L V10 MPI	DDC = TRANSMISSION - 5-SPEED HD MANUAL DDP = TRANSMISSION - 5-SPEED MANUAL DDX = TRANSMISSION - 5-SPEED HD MANUAL DEE = TRANSMISSION - 6-SPEED HD MANUAL DGP = TRANSMISSION - 4-SPD. AUTOMATIC, 47RE DGT = TRANSMISSION - 4-SPD. AUTOMATIC, 46RE

AR = use ase required - = Non illustrated part

Axle,Rear,with Differential Parts,Dana Model 80,BE 2,3,7,8  
Figure 3-240



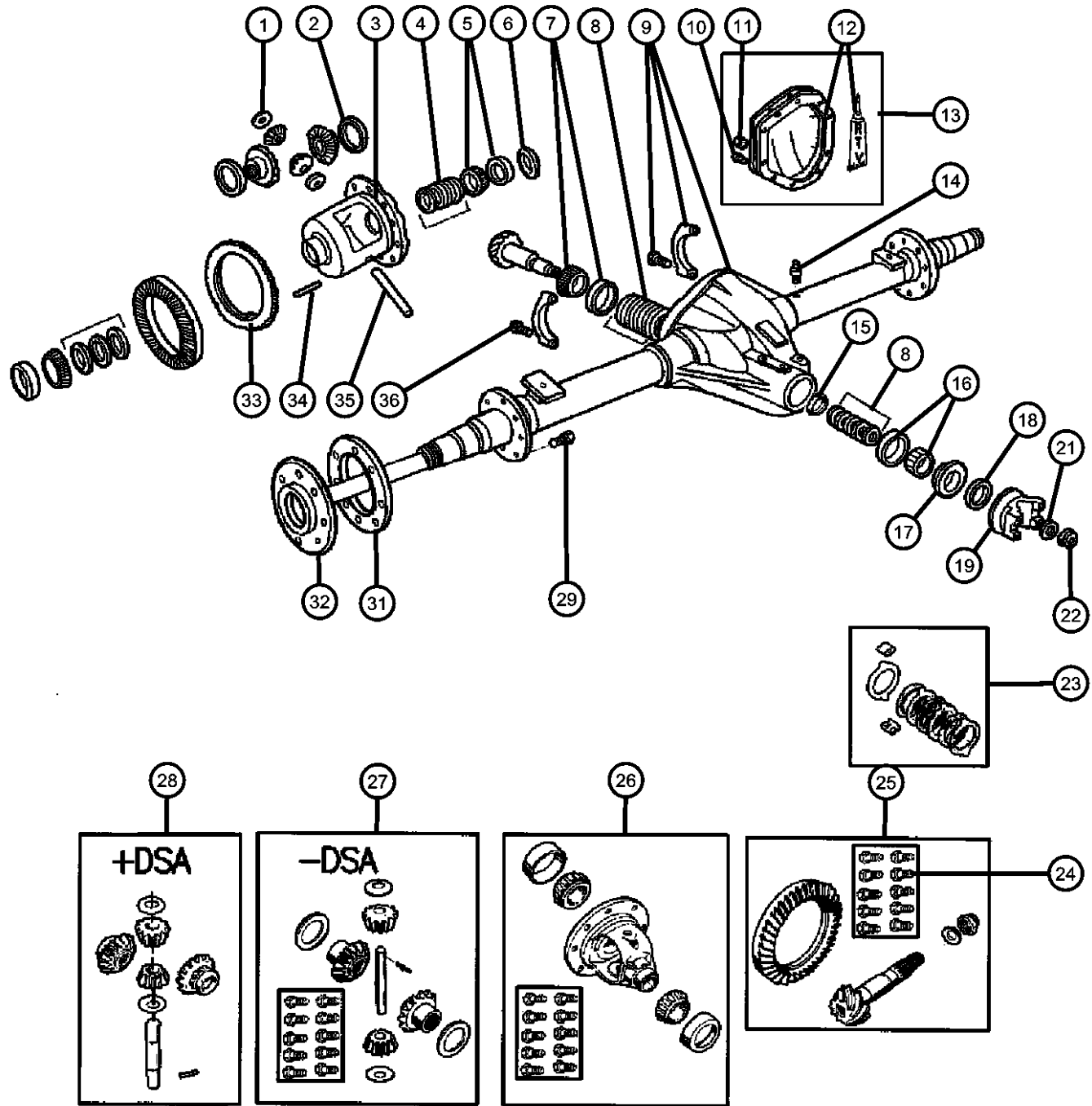
ITEM	PART NUMBER	QTY	LINE	SERIES	BODY	ENGINE	TRANS	TRIM	DESCRIPTION
	05015614AA	1	2		33, 34				
		1	7		33, 34				
	05015641AA	1	3		34				
		1	8		34				
-20									O RING, Pinion Flange
	05015619AA	1	7		33, 34				Fits Over Hub of Flange
		1	3		34				Fits Over Hub of Flange
		1	8		34				Fits Over Hub of Flange
		1	2		33, 34				Fits Over Hub of Flange
21									WASHER, Pinion Yoke
	04773240	1	7		33, 34				
		1	3		34				
		1	8		34				
		1	2		33, 34				
22									NUT, Pinion Yoke
	04773239	1	7		33, 34				
		1	3		34				
		1	8		34				
		1	2		33, 34				
23									DISC AND PLATE KIT, Differential
	05015623AA	1	2		33, 34				With [DSA]
		1	7		33, 34				With [DSA]
		1	3		34				With [DSA]
		1	8		34				With [DSA]
24									BOLT, Ring Gear
	04773238	12	7		33, 34				Mounting
		12	3		34				Mounting
		12	8		34				Mounting
		12	2		33, 34				Mounting
25									GEAR KIT, Ring And Pinion

RAM PICKUP/CLUB CAB (BE)

SERIES	LINE	BODY	ENGINE	TRANSMISSION
L = Ram Truck	3 = HD DODGE 2WD	31 = CLUB CAB 2-DR 6.5 FT BOX	ELF = ENGINE - 5.2L V8 MPI	DDC = TRANSMISSION - 5-SPEED HD MANUAL
(All)	8 = HD DODGE 4WD	32 = CLUB CAB 2-DR 8FT BOX	EML = ENGINE - 5.9L V8 MPI	DDP = TRANSMISSION - 5-SPEED MANUAL
	1 = Lt. Duty DODGE 2WD	33 = QUAD CAB 4-DR 6.5 FT BOX	EMM = ENGINE - "MAGNUM" 5.9L SMPI V8	DDX = TRANSMISSION - 5-SPEED HD MANUAL
	6 = Lt. Duty DODGE 4WD	34 = QUAD CAB 4-DR 8FT BOX	ETC = ENGINE- 5.9L CUMMINS 24V DIESEL	DEE = TRANSMISSION - 6-SPEED HD MANUAL
	2 = Med. Duty DODGE 2WD		ETH = ENGINE- 5.9L HO CUMMINS TURBO DIESEL	DGP = TRANSMISSION - 4-SPD. AUTOMATIC,47RE
	7 = Med. Duty DODGE 4WD		EWA = ENGINE - 8.0L V10 MPI	DGT = TRANSMISSION - 4-SPD. AUTOMATIC,46RE

AR = use ase required - = Non illustrated part

Axle,Rear,with Differential Parts,Dana Model 80,BE 2,3,7,8  
Figure 3-240



ITEM	PART NUMBER	QTY	LINE	SERIES	BODY	ENGINE	TRANS	TRIM	DESCRIPTION
	04746976	1	7		33, 34				[DMD]
		1	3		34				[DMD]
		1	8		34				[DMD]
	04746992	1	2		33, 34				[DMD]
		1	7		33, 34				[DMF]
		1	3		34				[DMF]
		1	8		34				[DMF]
26	04746977AB	1	8		34				CASE, Differential
		1	7		33, 34				[DMD] Without [DSA] Includes Items 4,24,27
		1	3		34				[DMD] Without [DSA] Includes Items 4,24,27
		1	2		33, 34				[DMD] Without [DSA] Includes Items 4,24,27
	04746993AB	1	2		33, 34				[DMF] Without [DSA] Includes Items 4,24,27
		1	7		33, 34				[DMF] Without [DSA] Includes Items 4,24,27
		1	3		34				[DMF] Without [DSA] Includes Items 4,24,27
		1	8		34				[DMF] Without [DSA] Includes Items 4,24,27
27	04746980	1	7		33, 34				GEAR KIT, Center Differential
		1	3		34				Without [DSA]
		1	8		34				Without [DSA]
		1	2		33, 34				Without [DSA]
28	05015622AA	1	2		33, 34				GEAR KIT, Center Differential
		1	7		33, 34				With [DSA]
		1	3		34				With [DSA]

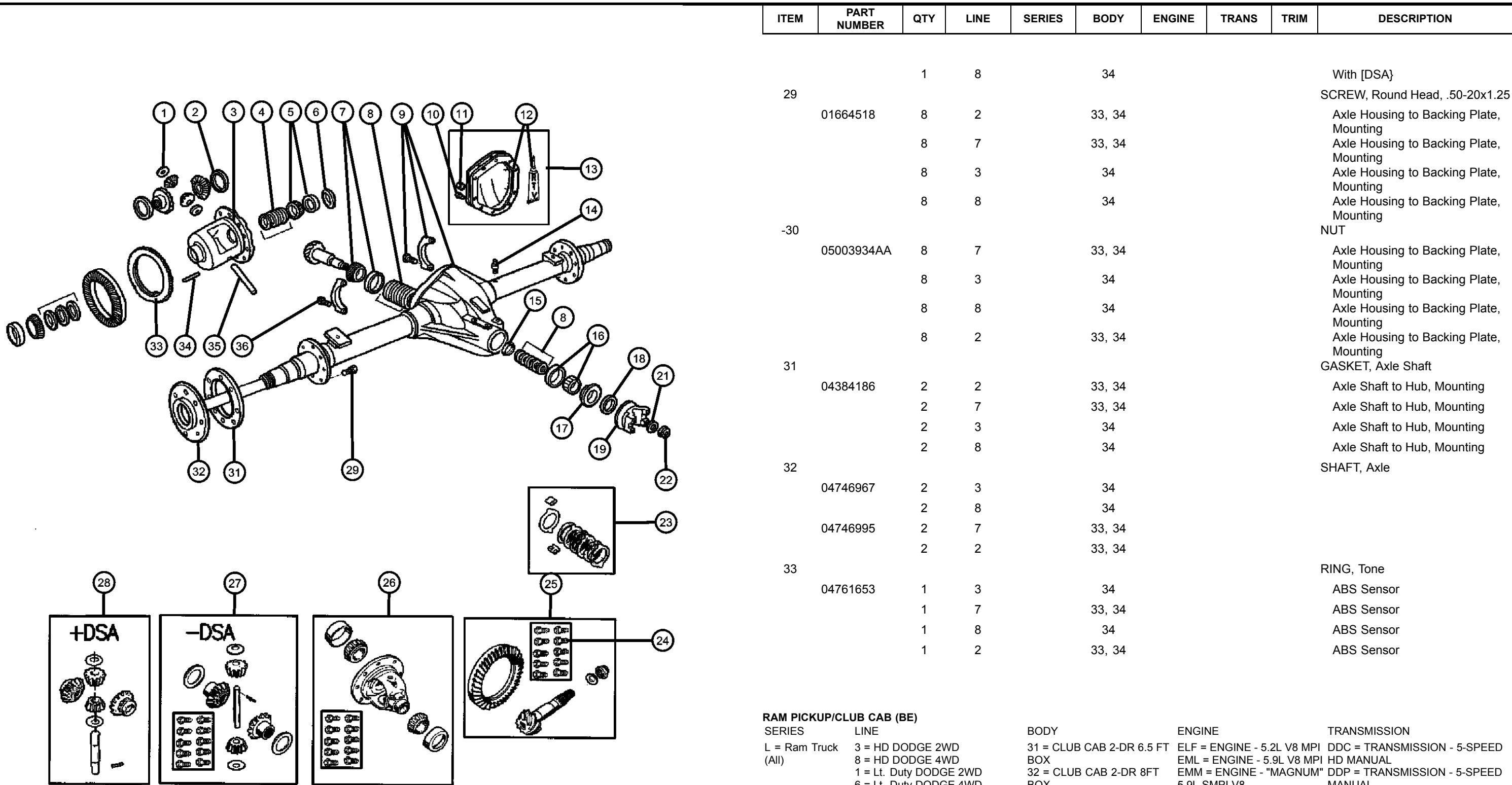
RAM PICKUP/CLUB CAB (BE)

SERIES	LINE	BODY	ENGINE	TRANSMISSION
L = Ram Truck (All)	3 = HD DODGE 2WD	31 = CLUB CAB 2-DR 6.5 FT BOX	ELF = ENGINE - 5.2L V8 MPI	DDC = TRANSMISSION - 5-SPEED HD MANUAL
	8 = HD DODGE 4WD	32 = CLUB CAB 2-DR 8FT BOX	EML = ENGINE - 5.9L V8 MPI	DDP = TRANSMISSION - 5-SPEED MANUAL
	1 = Lt. Duty DODGE 2WD	33 = QUAD CAB 4-DR 6.5 FT BOX	EMM = ENGINE - "MAGNUM" 5.9L SMPI V8	DDX = TRANSMISSION - 5-SPEED HD MANUAL
	6 = Lt. Duty DODGE 4WD	34 = QUAD CAB 4-DR 8FT BOX	ETC = ENGINE- 5.9L CUMMINS 24V DIESEL	DEE = TRANSMISSION - 6-SPEED HD MANUAL
	2 = Med. Duty DODGE 2WD		ETH = ENGINE- 5.9L HO CUMMINS TURBO DIESEL	DGP = TRANSMISSION - 4-SPD. AUTOMATIC,47RE
	7 = Med. Duty DODGE 4WD		EWA = ENGINE - 8.0L V10 MPI	DGT = TRANSMISSION - 4-SPD. AUTOMATIC,46RE

AR = use ase required - = Non illustrated part



Axle,Rear,with Differential Parts,Dana Model 80,BE 2,3,7,8  
Figure 3-240



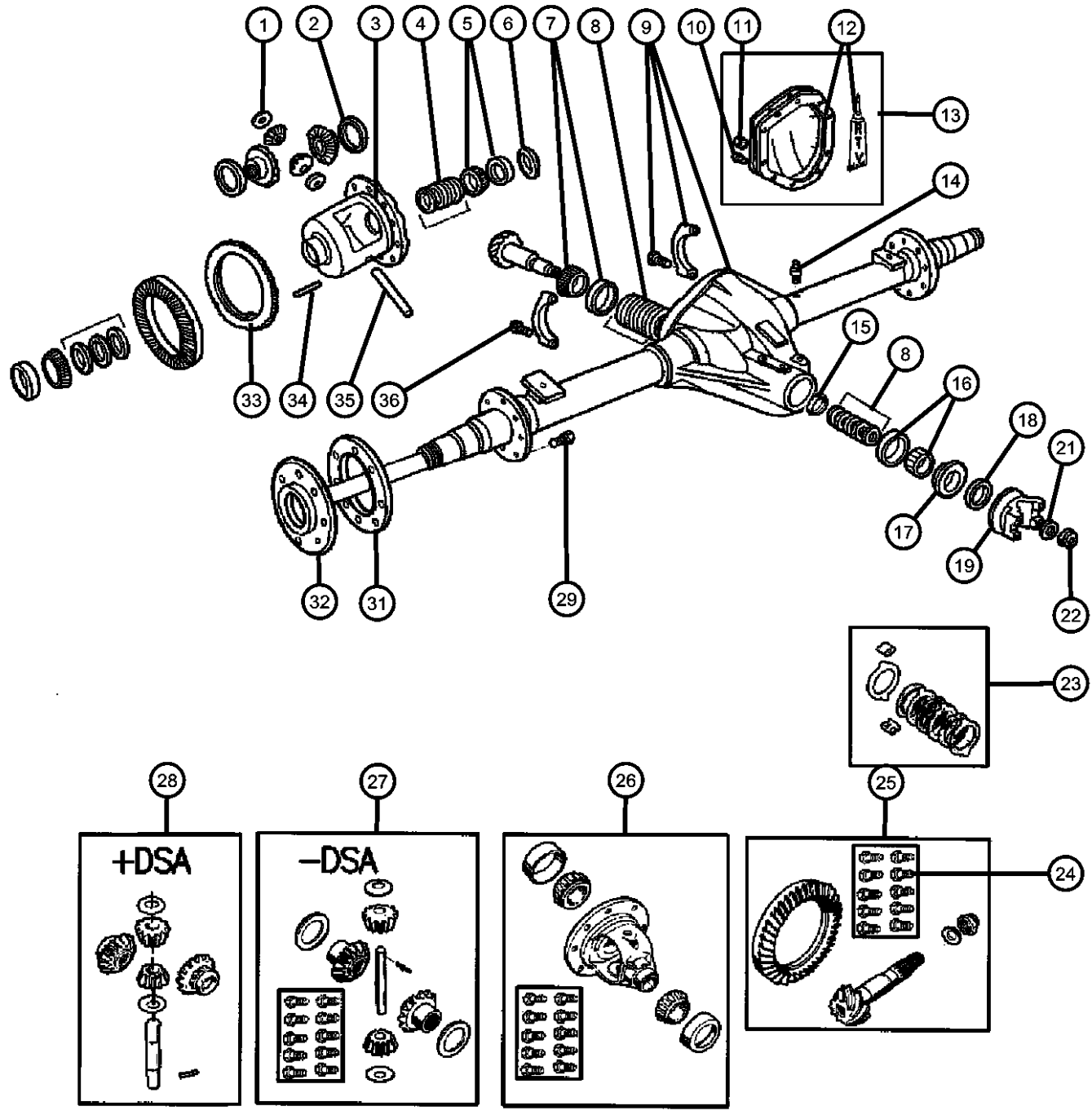
ITEM	PART NUMBER	QTY	LINE	SERIES	BODY	ENGINE	TRANS	TRIM	DESCRIPTION
		1	8		34				With [DSA}
29									SCREW, Round Head, .50-20x1.25
	01664518	8	2		33, 34				Axle Housing to Backing Plate, Mounting
		8	7		33, 34				Axle Housing to Backing Plate, Mounting
		8	3		34				Axle Housing to Backing Plate, Mounting
		8	8		34				Axle Housing to Backing Plate, Mounting
-30									NUT
	05003934AA	8	7		33, 34				Axle Housing to Backing Plate, Mounting
		8	3		34				Axle Housing to Backing Plate, Mounting
		8	8		34				Axle Housing to Backing Plate, Mounting
		8	2		33, 34				Axle Housing to Backing Plate, Mounting
31									GASKET, Axle Shaft
	04384186	2	2		33, 34				Axle Shaft to Hub, Mounting
		2	7		33, 34				Axle Shaft to Hub, Mounting
		2	3		34				Axle Shaft to Hub, Mounting
		2	8		34				Axle Shaft to Hub, Mounting
32									SHAFT, Axle
	04746967	2	3		34				
		2	8		34				
	04746995	2	7		33, 34				
		2	2		33, 34				
33									RING, Tone
	04761653	1	3		34				ABS Sensor
		1	7		33, 34				ABS Sensor
		1	8		34				ABS Sensor
		1	2		33, 34				ABS Sensor

RAM PICKUP/CLUB CAB (BE)

SERIES	LINE	BODY	ENGINE	TRANSMISSION
L = Ram Truck (All)	3 = HD DODGE 2WD	31 = CLUB CAB 2-DR 6.5 FT BOX	ELF = ENGINE - 5.2L V8 MPI	DDC = TRANSMISSION - 5-SPEED HD MANUAL
	8 = HD DODGE 4WD	32 = CLUB CAB 2-DR 8FT BOX	EML = ENGINE - 5.9L V8 MPI	DDP = TRANSMISSION - 5-SPEED MANUAL
	1 = Lt. Duty DODGE 2WD	33 = QUAD CAB 4-DR 6.5 FT BOX	EMM = ENGINE - "MAGNUM" 5.9L SMPI V8	DDX = TRANSMISSION - 5-SPEED HD MANUAL
	6 = Lt. Duty DODGE 4WD	34 = QUAD CAB 4-DR 8FT BOX	ETC = ENGINE- 5.9L CUMMINS 24V DIESEL	DEE = TRANSMISSION - 6-SPEED HD MANUAL
	2 = Med. Duty DODGE 2WD		ETH = ENGINE- 5.9L HO CUMMINS TURBO DIESEL	DGP = TRANSMISSION - 4-SPD. AUTOMATIC,47RE
	7 = Med. Duty DODGE 4WD		EWA = ENGINE - 8.0L V10 MPI	DGT = TRANSMISSION - 4-SPD. AUTOMATIC,46RE

AR = use ase required - = Non illustrated part

Axle,Rear,with Differential Parts,Dana Model 80,BE 2,3,7,8  
Figure 3-240



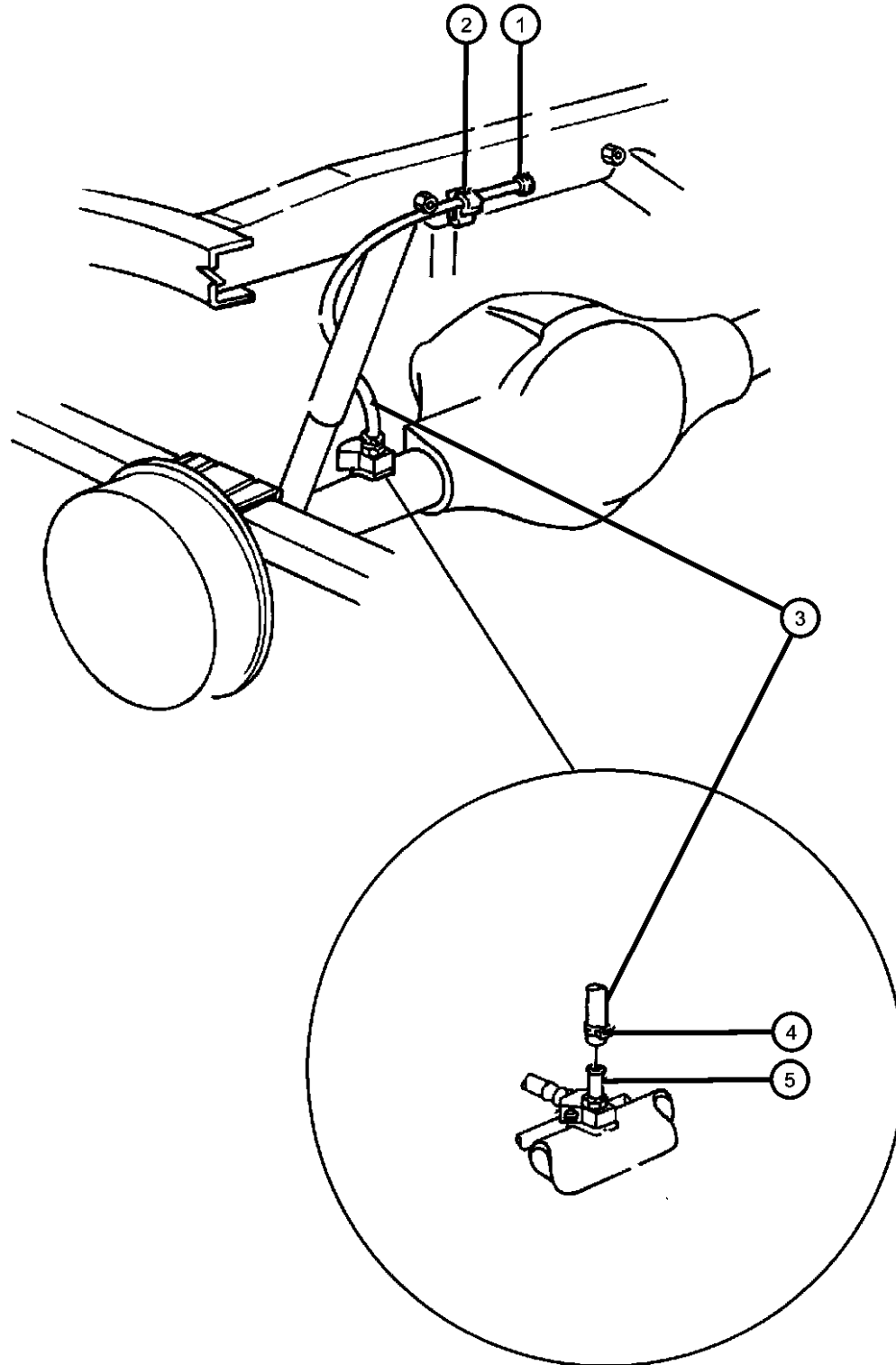
ITEM	PART NUMBER	QTY	LINE	SERIES	BODY	ENGINE	TRANS	TRIM	DESCRIPTION
34		1							ROLL PIN, Differential, (NOT SERVICED),
35		1							SHAFT, Differential, (NOT SERVICED)
36									BOLT, Differential
	05003648AA	4	7		33, 34				
		4	3		34				
		4	8		34				
		4	2		33, 34				

RAM PICKUP/CLUB CAB (BE)

SERIES	LINE	BODY	ENGINE	TRANSMISSION
L = Ram Truck (All)	3 = HD DODGE 2WD	31 = CLUB CAB 2-DR 6.5 FT BOX	ELF = ENGINE - 5.2L V8 MPI	DDC = TRANSMISSION - 5-SPEED HD MANUAL
	8 = HD DODGE 4WD	32 = CLUB CAB 2-DR 8FT BOX	EML = ENGINE - 5.9L V8 MPI	DDP = TRANSMISSION - 5-SPEED MANUAL
	1 = Lt. Duty DODGE 2WD	33 = QUAD CAB 4-DR 6.5 FT BOX	EMM = ENGINE - "MAGNUM" 5.9L SMPI V8	DDX = TRANSMISSION - 5-SPEED HD MANUAL
	6 = Lt. Duty DODGE 4WD	34 = QUAD CAB 4-DR 8FT BOX	ETC = ENGINE- 5.9L CUMMINS 24V DIESEL	DEE = TRANSMISSION - 6-SPEED HD MANUAL
	2 = Med. Duty DODGE 2WD		ETH = ENGINE- 5.9L HO CUMMINS TURBO DIESEL	DGP = TRANSMISSION - 4-SPD. AUTOMATIC,47RE
	7 = Med. Duty DODGE 4WD		EWA = ENGINE - 8.0L V10 MPI	DGT = TRANSMISSION - 4-SPD. AUTOMATIC,46RE

AR = use ase required - = Non illustrated part

Vent, Rear Axle  
Figure 3-310



ITEM	PART NUMBER	QTY	LINE	SERIES	BODY	ENGINE	TRANS	TRIM	DESCRIPTION
1	J5352955	1							VENT, AxleUpper
2	06032633	1							CLIP, Vent Tube
3	04443176	1							HOSE, Fuel, .31 I.D. 50 Foot Roll
4	00153455	1							CLAMP, Hose, .620
5	04137696AB	1							BOLT, Axle VentLower

**RAM PICKUP/CLUB CAB (BE)**

SERIES	LINE	BODY	ENGINE	TRANSMISSION
L = Ram Truck (All)	3 = HD DODGE 2WD 8 = HD DODGE 4WD 1 = Lt. Duty DODGE 2WD 6 = Lt. Duty DODGE 4WD 2 = Med. Duty DODGE 2WD 7 = Med. Duty DODGE 4WD	31 = CLUB CAB 2-DR 6.5 FT BOX 32 = CLUB CAB 2-DR 8FT BOX 33 = QUAD CAB 4-DR 6.5 FT BOX 34 = QUAD CAB 4-DR 8FT BOX	ELF = ENGINE - 5.2L V8 MPI EML = ENGINE - 5.9L V8 MPI EMM = ENGINE - "MAGNUM" 5.9L SMPI V8 ETC = ENGINE- 5.9L CUMMINS 24V DIESEL ETH = ENGINE- 5.9L HO CUMMINS TURBO DIESEL EWA = ENGINE - 8.0L V10 MPI	DDC = TRANSMISSION - 5-SPEED HD MANUAL DDP = TRANSMISSION - 5-SPEED MANUAL DDX = TRANSMISSION - 5-SPEED HD MANUAL DEE = TRANSMISSION - 6-SPEED HD MANUAL DGP = TRANSMISSION - 4-SPD. AUTOMATIC,47RE DGT = TRANSMISSION - 4-SPD. AUTOMATIC,46RE

AR = use ase required - = Non illustrated part

# Group - 4

## Parking Brake

### Group - 4 Parking Brake

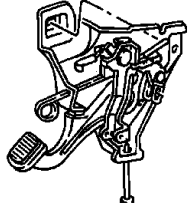
Group-Fig. No.

Illustration Title

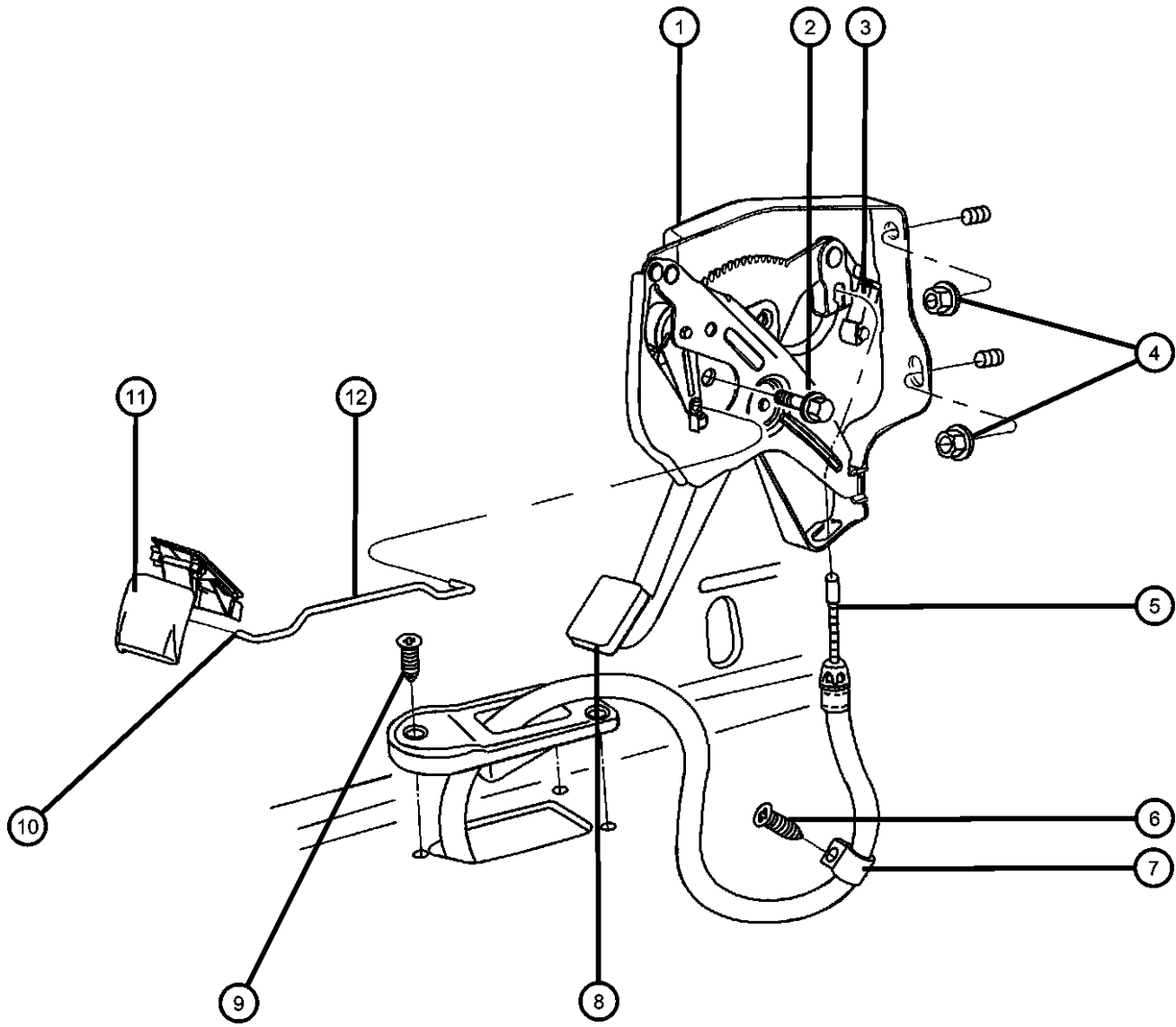
#### Parking Brake Lever and Cables

Parking Brake Lever .....	Fig. 4 - 110
Parking Brake Cable .....	Fig. 4 - 120

**004-100**  
Parking Brake Lever and Cables



**Parking Brake Lever  
Figure 4-110**



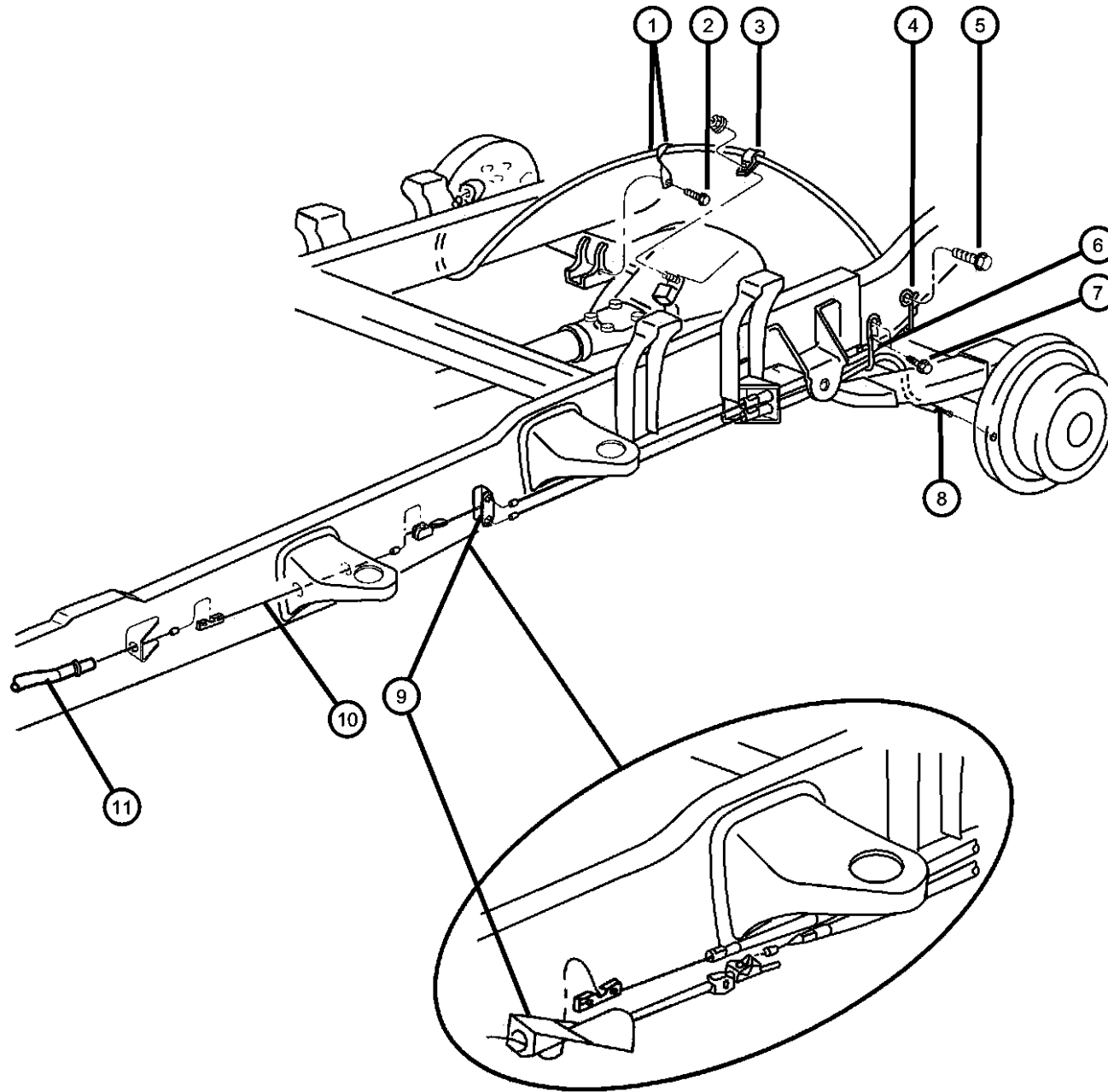
ITEM	PART NUMBER	QTY	LINE	SERIES	BODY	ENGINE	TRANS	TRIM	DESCRIPTION
1	52009842AC	1							LEVER, Park Brake Upto and Including 03-26-00
	52009842AD	1							03-27-00 and After
2	06101787	1							SCREW, Tapping, M8x20, Parking Brake Lever Attaching
3	05017047AA	1							SWITCH, Parking Brake
4	34201711	2							NUT, Hex Flange, M8x1.25, Parking Brake Assembly to Lever to Dash
5	52009767AA	1							CABLE, Parking Brake
6	J4004642	1							SCREW, Round Head, .164-18x.560, Parking Brake Cable Clip Mounting
7	00120524	1							CLIP, Cable
8	05017048AA	1							PAD, Parking Brake Pedal
9	J4004642	3							SCREW, Round Head, .164-18x.560, Parking Brake Cable Seal Mounting
10	04658677	1							CLIP, Latch Link
11									RELEASE, Parking Brake
	0RU38LAZAA	1							Agate
	0RU38RC8AA	1							Cirrus
	0RU38VK9AA	1							Suede
12									ROD, Parking Brake Release
	52009907AB	1							Upto and Including 03-26-00
	52009907AC	1							03-27-00 and After

**RAM PICKUP/CLUB CAB (BE)**

SERIES	LINE	BODY	ENGINE	TRANSMISSION
L = Ram Truck (All)	3 = HD DODGE 2WD 8 = HD DODGE 4WD 1 = Lt. Duty DODGE 2WD 6 = Lt. Duty DODGE 4WD 2 = Med. Duty DODGE 2WD 7 = Med. Duty DODGE 4WD	31 = CLUB CAB 2-DR 6.5 FT BOX 32 = CLUB CAB 2-DR 8FT BOX 33 = QUAD CAB 4-DR 6.5 FT BOX 34 = QUAD CAB 4-DR 8FT BOX	ELF = ENGINE - 5.2L V8 MPI EML = ENGINE - 5.9L V8 MPI EMM = ENGINE - "MAGNUM" 5.9L SMPI V8 ETC = ENGINE- 5.9L CUMMINS 24V DIESEL ETH = ENGINE- 5.9L HO CUMMINS TURBO DIESEL EWA = ENGINE - 8.0L V10 MPI	DDC = TRANSMISSION - 5-SPEED HD MANUAL DDP = TRANSMISSION - 5-SPEED MANUAL DDX = TRANSMISSION - 5-SPEED HD MANUAL DEE = TRANSMISSION - 6-SPEED HD MANUAL DGP = TRANSMISSION - 4-SPD. AUTOMATIC,47RE DGT = TRANSMISSION - 4-SPD. AUTOMATIC,46RE

AR = use ase required - = Non illustrated part

**Parking Brake Cable  
Figure 4-120**



ITEM	PART NUMBER	QTY	LINE	SERIES	BODY	ENGINE	TRANS	TRIM	DESCRIPTION
1	52009712AA	1	2, 3, 7, 8		33, 34				CABLE, Parking Brake Right
	52009934AA	1	1, 6						Right
2	52009934AA	1							SCREW, Hex Flange Head, M8x1.25x25.00, (NOT SERVICED)
3	06503291	1							CLIP, Brake Cable, 23x45x.76
4	52009060	1							GUIDE, Parking Brake Cable
5	52009060	1							SCREW, Hex Flange Head, M8x1.25x25.00, (NOT SERVICED)
6	52008943	1							GUIDE, Parking Brake Cable
7	06502282	2							SCREW, Hex Head, M8x1.25x30
8	52009697AA	1	7, 8		33, 34				CABLE, Parking Brake Left
	52009713AA	1	2, 3		33, 34				Left
	52009923AA	1	1, 6						Left
9	52008437AD	1	1, 6						TENSIONER, Parking Brake Cable
	52009841AA	1	2, 3, 7, 8		33, 34				
10	52009696AB	1	2, 3, 7, 8		34				CABLE, Parking Brake Intermediate
	52010070AB	1	2, 7		33				Intermediate
	52010077AB	1	1, 6		31, 33				Intermediate
	52010078AA	1	1, 6		34				Intermediate
11	52009767AA	1							CABLE, Parking BrakeFront

**RAM PICKUP/CLUB CAB (BE)**

SERIES	LINE	BODY	ENGINE	TRANSMISSION
L = Ram Truck (All)	3 = HD DODGE 2WD 8 = HD DODGE 4WD 1 = Lt. Duty DODGE 2WD 6 = Lt. Duty DODGE 4WD 2 = Med. Duty DODGE 2WD 7 = Med. Duty DODGE 4WD	31 = CLUB CAB 2-DR 6.5 FT BOX 32 = CLUB CAB 2-DR 8FT BOX 33 = QUAD CAB 4-DR 6.5 FT BOX 34 = QUAD CAB 4-DR 8FT BOX	ELF = ENGINE - 5.2L V8 MPI EML = ENGINE - 5.9L V8 MPI EMM = ENGINE - "MAGNUM" 5.9L SMPI V8 ETC = ENGINE- 5.9L CUMMINS 24V DIESEL ETH = ENGINE- 5.9L HO CUMMINS TURBO DIESEL EWA = ENGINE - 8.0L V10 MPI	DDC = TRANSMISSION - 5-SPEED HD MANUAL DDP = TRANSMISSION - 5-SPEED MANUAL DDX = TRANSMISSION - 5-SPEED HD MANUAL DEE = TRANSMISSION - 6-SPEED HD MANUAL DGP = TRANSMISSION - 4-SPD. AUTOMATIC,47RE DGT = TRANSMISSION - 4-SPD. AUTOMATIC,46RE

AR = use ase required - = Non illustrated part

# Group - 5

## Service Brakes

### Group - 5 Service Brakes

Illustration Title

Group-Fig. No.

#### Front Brakes

Brakes,Front,BE 1,6 ..... Fig. 5 - 110  
 Brakes,Front,BE 2,3,7,8 ..... Fig. 5 - 120

#### Rear Brakes

Brakes, Rear,11 Inches X 2.25 Inches,BE 1,6 ..... Fig. 5 - 210  
 Brakes, Rear, 12.125 Inches X 3.5 Inches,BE 2,3,7,8 ..... Fig. 5 - 220  
 Drums And Bearing, Rear Brake,12.125 X 3.5 Inches,BE 2,3,7,8 ..... Fig. 5 - 230

#### Power Brake Booster

Booster--Power Brake and Hydro..... Fig. 5 - 310

#### Brake Master Cylinder

Master Cylinder--Brake,All Bodies ..... Fig. 5 - 410  
 Hydraulic Control Unit,Brake,R.W.A.L and A.W.A.L ..... Fig. 5 - 420

#### Brake Lines and Hoses

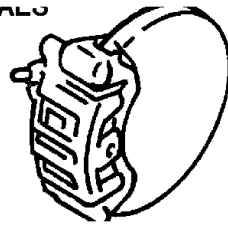
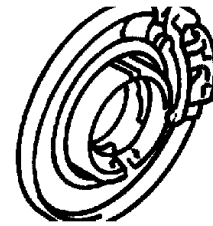
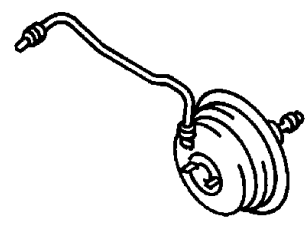
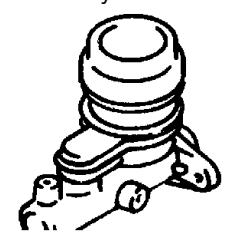
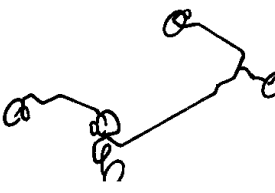

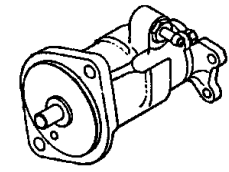
Rear Height Sensing System..... Fig. 5 - 510  
 Lines And Hoses,Brake,Front and Chassis ..... Fig. 5 - 520  
 Lines And Hoses,Brake,Rear ..... Fig. 5 - 530

#### Brake Pedals

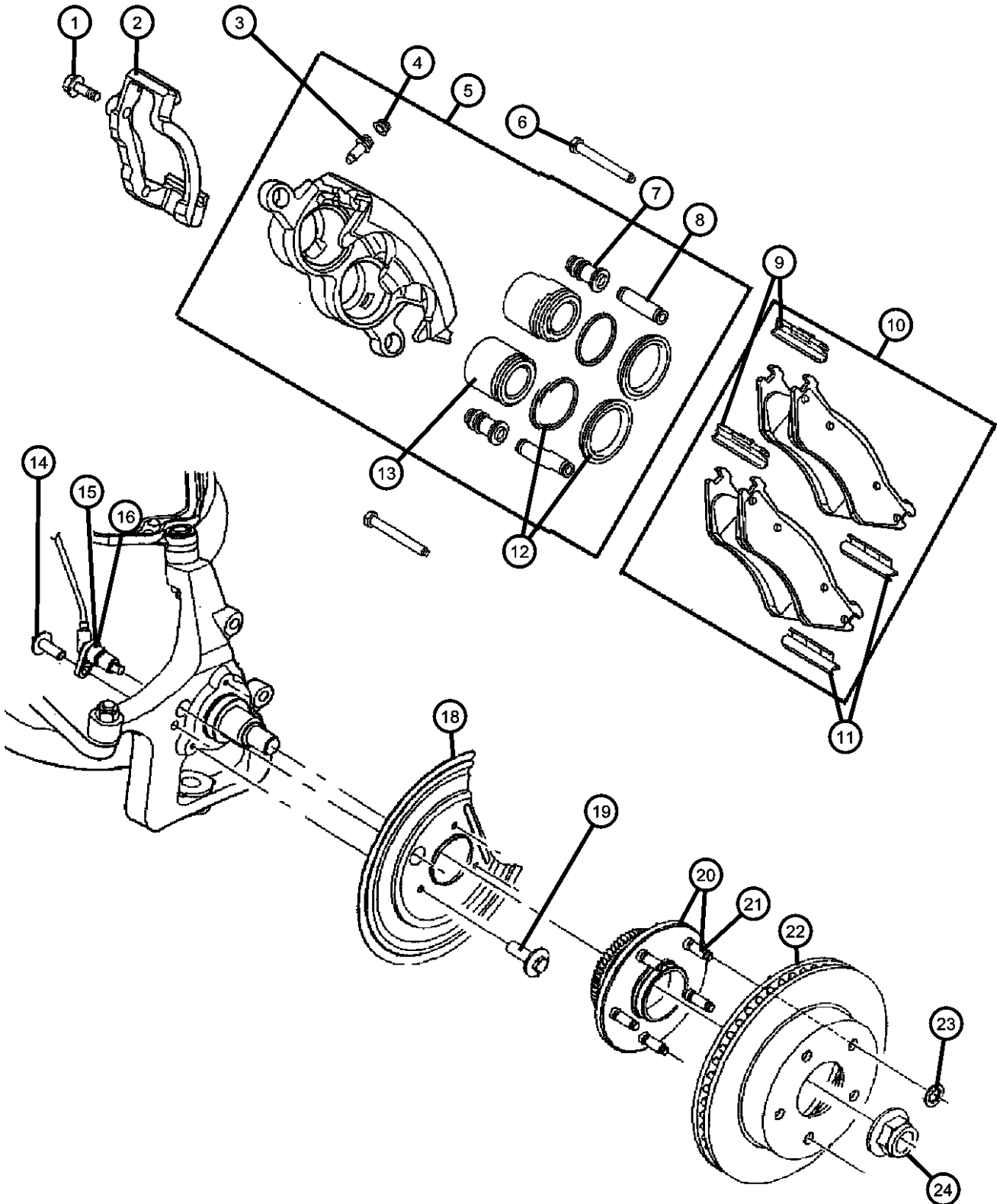
Pedal.Brake..... Fig. 5 - 610

#### Vacuum Pump

Vacuum Pump, Brake,BE 2,3,7,8 ..... Fig. 5 - 710

<p><b>005-100</b> Front Brakes ALU</p> 	<p><b>005-200</b> Rear Brakes</p> 	<p><b>005-300</b> Power Brake Booster</p> 	<p><b>005-400</b> Brake Master Cylinder</p> 
<p><b>005-500</b> Brake Lines and Hoses</p> 	<p><b>005-600</b> Brake Pedals</p> 	<p><b>005-700</b> Vacuum Pump</p> 	

Brakes,Front,BE 1,6  
Figure 5-110



ITEM	PART NUMBER	QTY	LINE	SERIES	BODY	ENGINE	TRANS	TRIM	DESCRIPTION
------	-------------	-----	------	--------	------	--------	-------	------	-------------

Note: The Up To Anti-Rattle Clip is without Center Tab and the After is with Center Tab

1	06504691	4	6						BOLT Adapter-Upto and Including 12-07-99, Mounting
		4	1						Adapter-Upto and Including 12-07-99, Mounting
	06506599AA	4	6						Adapter-12-08-99 and After, Mounting
		4	1						Adapter-12-08-99 and After, Mounting
2	05015251AB	1	6						ADAPTER, Disc Brake Caliper
		1	1						
3	05015248AA	1	6						BLEEDER SCREW, Brake
		1	1						
4	04238717	1	6						CAP, Bleeder
		1	1						
5	05018236AA	1	6						CALIPER, Disc Brake Right
		1	1						Right
	05018237AA	1	1						Left
		1	6						Left
6	04423639	2	6						PIN, Caliper
		2	1						
7	05003896AA	2	6						BUSHING, Disc Brake Caliper
		2	1						
8	05018238AA	2	1						SLEEVE, Disc Brake Caliper

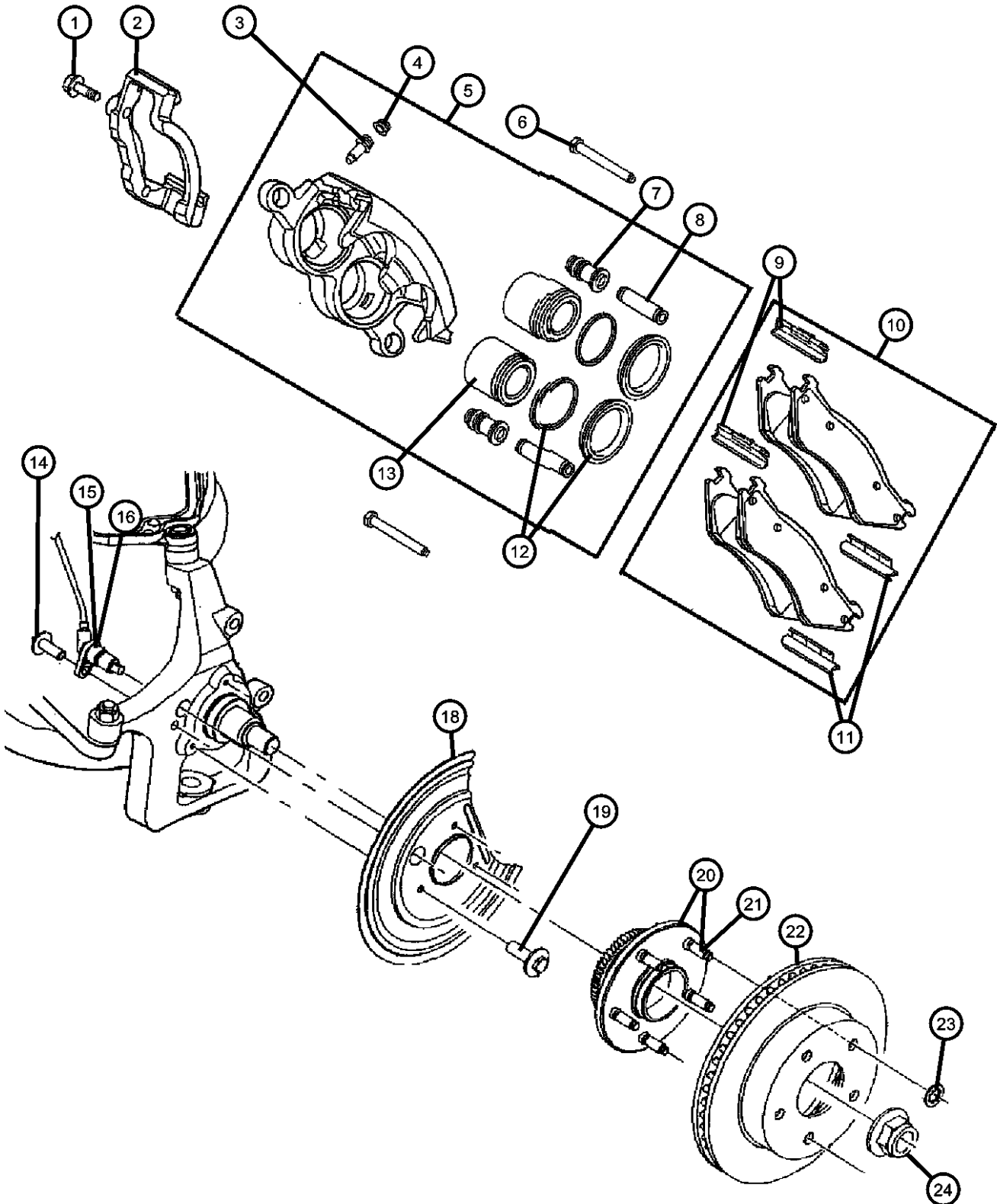
RAM PICKUP/CLUB CAB (BE)

SERIES	LINE	BODY	ENGINE	TRANSMISSION
L = Ram Truck (All)	3 = HD DODGE 2WD 8 = HD DODGE 4WD 1 = Lt. Duty DODGE 2WD 6 = Lt. Duty DODGE 4WD 2 = Med. Duty DODGE 2WD 7 = Med. Duty DODGE 4WD	31 = CLUB CAB 2-DR 6.5 FT BOX 32 = CLUB CAB 2-DR 8FT BOX 33 = QUAD CAB 4-DR 6.5 FT BOX 34 = QUAD CAB 4-DR 8FT BOX	ELF = ENGINE - 5.2L V8 MPI EML = ENGINE - 5.9L V8 MPI EMM = ENGINE - "MAGNUM" 5.9L SMPI V8 ETC = ENGINE- 5.9L CUMMINS 24V DIESEL ETH = ENGINE- 5.9L HO CUMMINS TURBO DIESEL EWA = ENGINE - 8.0L V10 MPI	DDC = TRANSMISSION - 5-SPEED HD MANUAL DDP = TRANSMISSION - 5-SPEED MANUAL DDX = TRANSMISSION - 5-SPEED HD MANUAL DEE = TRANSMISSION - 6-SPEED HD MANUAL DGP = TRANSMISSION - 4-SPD. AUTOMATIC,47RE DGT = TRANSMISSION - 4-SPD. AUTOMATIC,46RE

AR = use ase required - = Non illustrated part



Brakes,Front,BE 1,6  
Figure 5-110



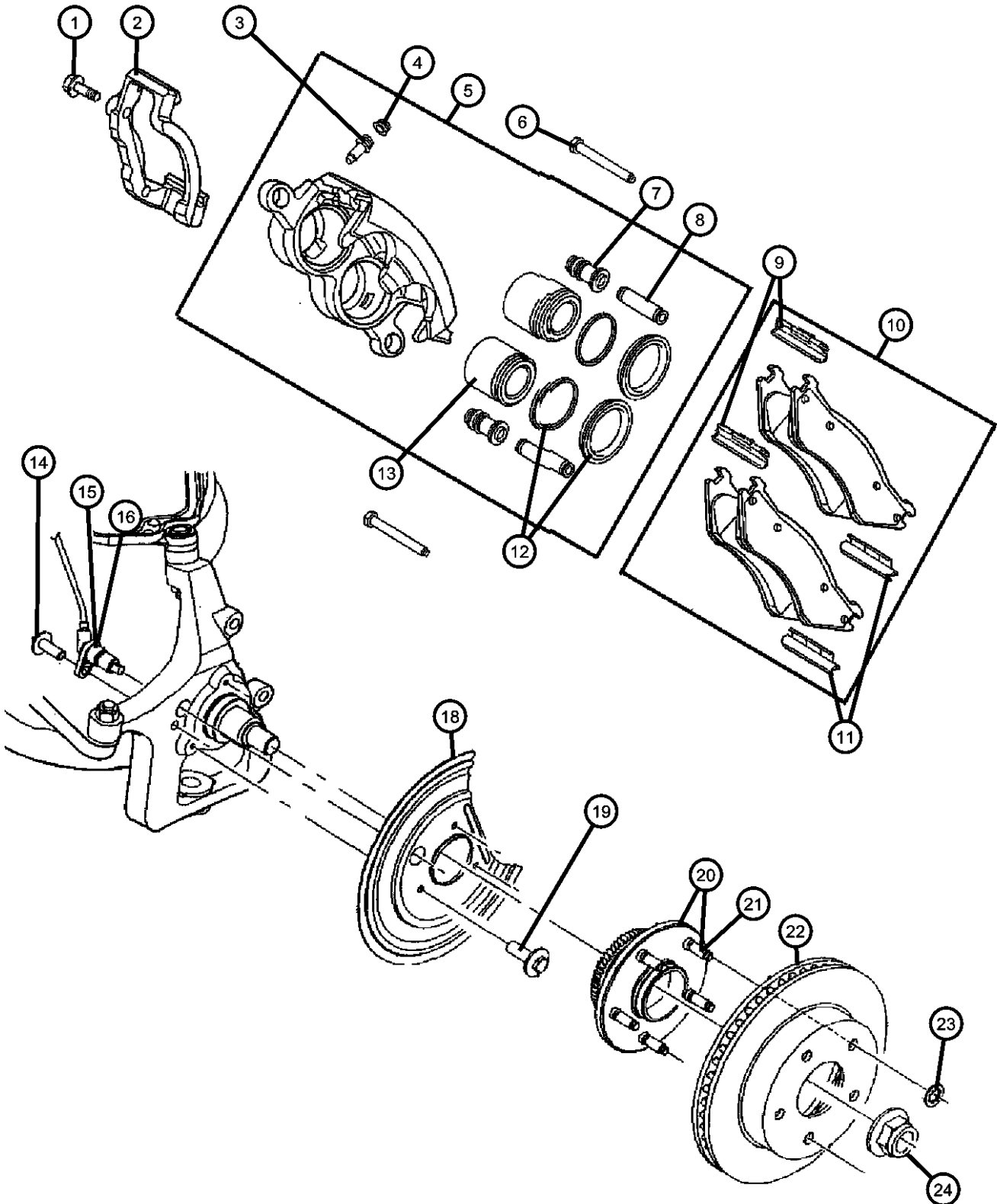
ITEM	PART NUMBER	QTY	LINE	SERIES	BODY	ENGINE	TRANS	TRIM	DESCRIPTION
9	05015249AA	2	6						CLIP, Brake Anti-Rattle
	05018403AA	1	1						Leading-Upto and Including 02-04-00
	05018403AA	1	6						Leading-Upto and Including 02-04-00
	05018403AA	1	6						Leading-02-05-00 and After
10	05018240AA	1	1						PAD KIT, Front Disc Brake
	BHKH5066								Mopar V-Line Alternative Part
	BHKH5628								Caliper Bolts
	VBRBE240								Mopar V-Line Alternative Part
	V1013240AC								Disc Hardware
	V1013240AC								Make It New Brake Kit (2 Wheel Drive Only)
	V1013240AC	2	6						Mopar V-Line Alternative Part
	BHKH5066								Mopar V-Line Alternative Part
	BHKH5628								Caliper Bolts
	VBRBE240								Mopar V-Line Alternative Part
	V1013240AC								Disc Hardware
	V1013240AC								Make It New Brake Kit (2 Wheel Drive Only)
	V1013240AC								Mopar V-Line Alternative Part
11	05015250AA	1	6						CLIP, Brake Anti-Rattle
	05015250AA	1	1						Trailing-Upto and Including 02-04-00
	05018404AA	1	6						Trailing-Upto and Including 02-04-00
	05018404AA	1	6						Trailing-02-05-00 and After
12	04364779	2	6						SEAL PACKAGE, Brake Caliper
	04364779	2	1						
13	05018235AA	2	1						PISTON, Brake

RAM PICKUP/CLUB CAB (BE)

SERIES	LINE	BODY	ENGINE	TRANSMISSION
L = Ram Truck (All)	3 = HD DODGE 2WD	31 = CLUB CAB 2-DR 6.5 FT BOX	ELF = ENGINE - 5.2L V8 MPI	DDC = TRANSMISSION - 5-SPEED HD MANUAL
	8 = HD DODGE 4WD	32 = CLUB CAB 2-DR 8FT BOX	EML = ENGINE - 5.9L V8 MPI	DDP = TRANSMISSION - 5-SPEED HD MANUAL
	1 = Lt. Duty DODGE 2WD	33 = QUAD CAB 4-DR 6.5 FT BOX	EMM = ENGINE - "MAGNUM" 5.9L SMPI V8	DDX = TRANSMISSION - 5-SPEED HD MANUAL
	6 = Lt. Duty DODGE 4WD	34 = QUAD CAB 4-DR 8FT BOX	ETC = ENGINE- 5.9L CUMMINS 24V DIESEL	DEE = TRANSMISSION - 6-SPEED HD MANUAL
	2 = Med. Duty DODGE 2WD		ETH = ENGINE- 5.9L HO CUMMINS TURBO DIESEL	DGP = TRANSMISSION - 4-SPD. AUTOMATIC,47RE
	7 = Med. Duty DODGE 4WD		EWA = ENGINE - 8.0L V10 MPI	DGT = TRANSMISSION - 4-SPD. AUTOMATIC,46RE

AR = use ase required - = Non illustrated part

Brakes,Front,BE 1,6  
Figure 5-110



ITEM	PART NUMBER	QTY	LINE	SERIES	BODY	ENGINE	TRANS	TRIM	DESCRIPTION
14	06502905	6	1, 2, 3						SCREW, Hex Flange Head, M8x1.25x23, ABS, Mounting
15	56028217AC	2	1						SENSOR, Anti-Lock Brake
16	05015283AA	1	6						SENSOR KIT, Anti-Lock Brakes, With Sensor,Screw,and Instruction Sheet
-17									BRACKET, Brake Sensor
	05015140AB	1	6						Right
	05015141AB	1	6						Left
18									SHIELD, Brake
	05015139AA	2	6						[BGK], Right or Left
	05015167AA	2	6						[BGJ], Right or Left
	52009792AA	1	1						Right
	52009793AA	1	1						Left
19	06502905	6	1, 2, 3						SCREW, Hex Flange Head, M8x1.25x23, Splash Shield, Mounting
20									HUB AND BEARING, Brake
	52009863AA	2	6						[BGJ]
	52009864AA	2	6						[BGK]
	52009867AA	2	1						[BGJ,BGK]
21									STUD, Hub
	04773408	5	1						
		5	6						
22									ROTOR, Brake
	52009801AA	2	6						
	52009865AA	2	1						
23									NUT, Push
	06031635	4	6		31, 33				
		4	1						
24									NUT, Axle Hub

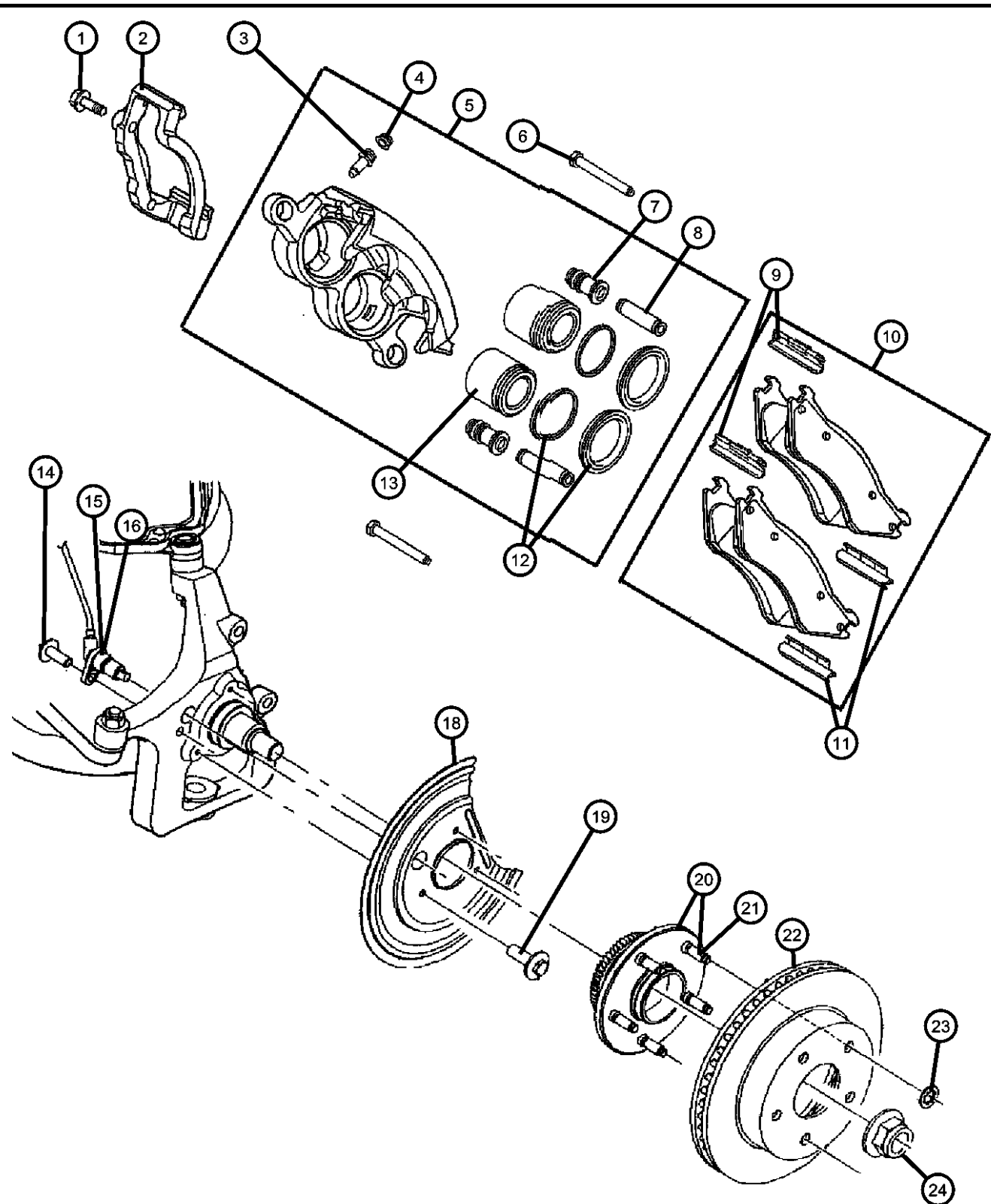
RAM PICKUP/CLUB CAB (BE)

SERIES	LINE
L = Ram Truck (All)	3 = HD DODGE 2WD
	8 = HD DODGE 4WD
	1 = Lt. Duty DODGE 2WD
	6 = Lt. Duty DODGE 4WD
	2 = Med. Duty DODGE 2WD
	7 = Med. Duty DODGE 4WD

BODY	ENGINE	TRANSMISSION
31 = CLUB CAB 2-DR 6.5 FT BOX	ELF = ENGINE - 5.2L V8 MPI	DDC = TRANSMISSION - 5-SPEED HD MANUAL
32 = CLUB CAB 2-DR 8FT BOX	EML = ENGINE - 5.9L V8 MPI	DDP = TRANSMISSION - 5-SPEED MANUAL
33 = QUAD CAB 4-DR 6.5 FT BOX	EMM = ENGINE - "MAGNUM" 5.9L SMPI V8	DDX = TRANSMISSION - 5-SPEED HD MANUAL
34 = QUAD CAB 4-DR 8FT BOX	ETC = ENGINE- 5.9L CUMMINS 24V DIESEL	DEE = TRANSMISSION - 6-SPEED HD MANUAL
	ETH = ENGINE- 5.9L HO CUMMINS TURBO DIESEL	DGP = TRANSMISSION - 4-SPD. AUTOMATIC,47RE
	EWA = ENGINE - 8.0L V10 MPI	DGT = TRANSMISSION - 4-SPD. AUTOMATIC,46RE

AR = use ase required - = Non illustrated part

Brakes,Front,BE 1,6  
Figure 5-110



ITEM	PART NUMBER	QTY	LINE	SERIES	BODY	ENGINE	TRANS	TRIM	DESCRIPTION
------	-------------	-----	------	--------	------	--------	-------	------	-------------

	04746773	2	6						
	06504007	2	1						

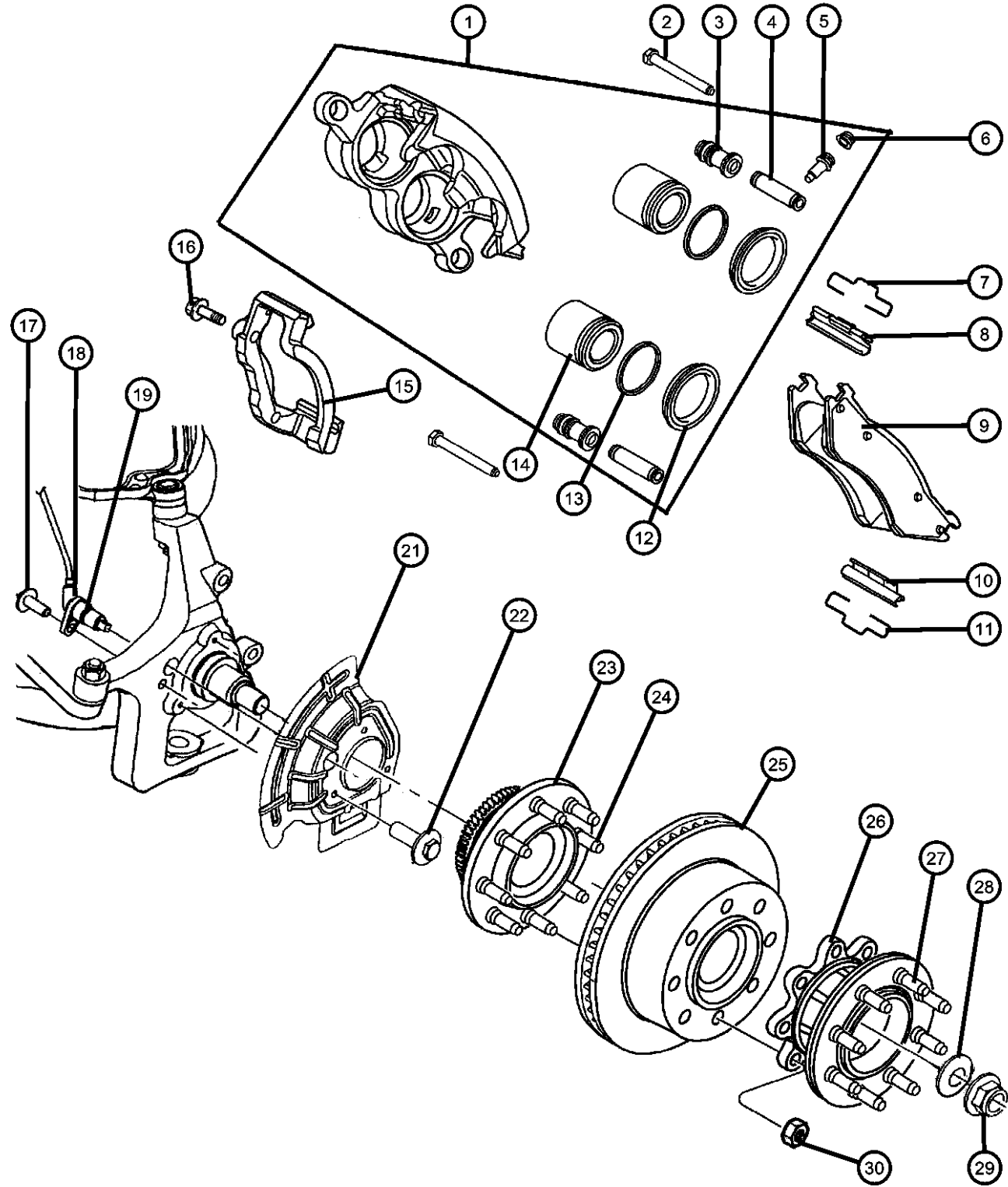
RAM PICKUP/CLUB CAB (BE)

SERIES	LINE
L = Ram Truck (All)	3 = HD DODGE 2WD
	8 = HD DODGE 4WD
	1 = Lt. Duty DODGE 2WD
	6 = Lt. Duty DODGE 4WD
	2 = Med. Duty DODGE 2WD
	7 = Med. Duty DODGE 4WD

BODY	ENGINE	TRANSMISSION
31 = CLUB CAB 2-DR 6.5 FT BOX	ELF = ENGINE - 5.2L V8 MPI	DDC = TRANSMISSION - 5-SPEED HD MANUAL
32 = CLUB CAB 2-DR 8FT BOX	EML = ENGINE - 5.9L V8 MPI	DDP = TRANSMISSION - 5-SPEED MANUAL
33 = QUAD CAB 4-DR 6.5 FT BOX	EMM = ENGINE - "MAGNUM" 5.9L SMPI V8	DDX = TRANSMISSION - 5-SPEED HD MANUAL
34 = QUAD CAB 4-DR 8FT BOX	ETC = ENGINE- 5.9L CUMMINS 24V DIESEL	DEE = TRANSMISSION - 6-SPEED HD MANUAL
	ETH = ENGINE- 5.9L HO CUMMINS TURBO DIESEL	DGP = TRANSMISSION - 4-SPD. AUTOMATIC,47RE
	EWA = ENGINE - 8.0L V10 MPI	DGT = TRANSMISSION - 4-SPD. AUTOMATIC,46RE

AR = use ase required - = Non illustrated part

**Brakes,Front,BE 2,3,7,8**  
**Figure 5-120**



ITEM	PART NUMBER	QTY	LINE	SERIES	BODY	ENGINE	TRANS	TRIM	DESCRIPTION
------	-------------	-----	------	--------	------	--------	-------	------	-------------

Note: The Up To Anti-Rattle Clip is without Center Tab and the After is with Center Tab

1	05015252AA	1	2, 3		33, 34				CALIPER, Disc Brake Right
		1	7		33, 34				Right
		1	8		34				Right
	05015253AA	1	2, 3		33, 34				Left
		1	7		33, 34				Left
		1	8		34				Left
2									PIN, Caliper
	05003898AA	2	2, 3		33, 34				
		2	7		33, 34				
		2	8		34				
3									BUSHING, Disc Brake Caliper
	05003896AA	2	2, 3		33, 34				
		2	7		33, 34				
		2	8		34				
4									SLEEVE, Disc Brake Caliper
	05003897AA	2	2, 3		33, 34				
		2	7		33, 34				
		2	8		34				
5									BLEEDER SCREW, Brake
	03780788	1	2, 3		33, 34				
		1	7		33, 34				
		1	8		34				
6									CAP, Bleeder
	04238717	1	2, 3		33, 34				
		1	7		33, 34				
		1	8		34				
7									RETAINER
	05066175AA	1	2, 3		33, 34				Leading-Upto and Including 06-18-00

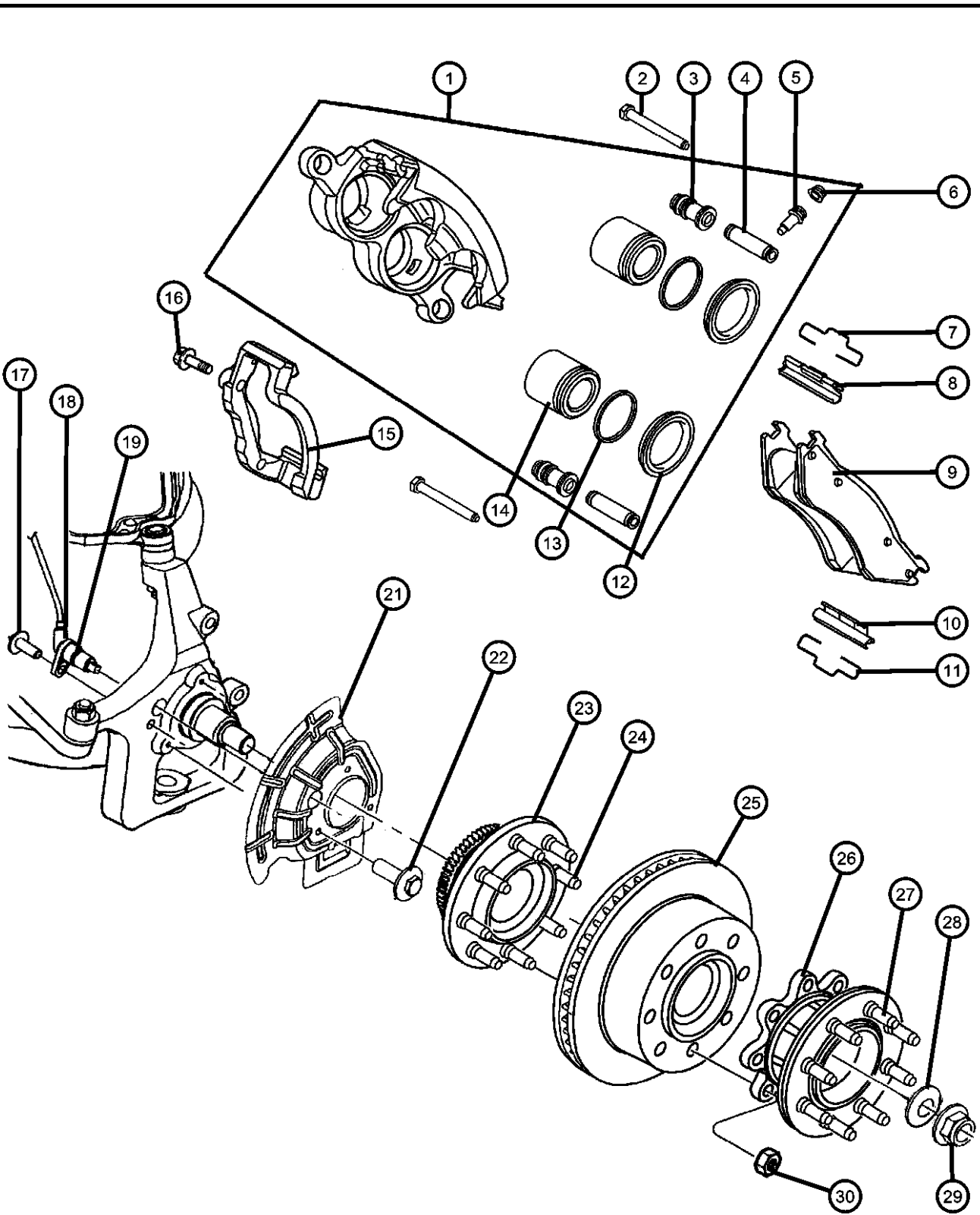
**RAM PICKUP/CLUB CAB (BE)**

SERIES	LINE	BODY	ENGINE	TRANSMISSION
L = Ram Truck (All)	3 = HD DODGE 2WD 8 = HD DODGE 4WD 1 = Lt. Duty DODGE 2WD 6 = Lt. Duty DODGE 4WD 2 = Med. Duty DODGE 2WD 7 = Med. Duty DODGE 4WD	31 = CLUB CAB 2-DR 6.5 FT BOX 32 = CLUB CAB 2-DR 8FT BOX 33 = QUAD CAB 4-DR 6.5 FT BOX 34 = QUAD CAB 4-DR 8FT BOX	ELF = ENGINE - 5.2L V8 MPI EML = ENGINE - 5.9L V8 MPI EMM = ENGINE - "MAGNUM" 5.9L SMPI V8 ETC = ENGINE- 5.9L CUMMINS 24V DIESEL ETH = ENGINE- 5.9L HO CUMMINS TURBO DIESEL EWA = ENGINE - 8.0L V10 MPI	DDC = TRANSMISSION - 5-SPEED HD MANUAL DDP = TRANSMISSION - 5-SPEED MANUAL DDX = TRANSMISSION - 5-SPEED HD MANUAL DEE = TRANSMISSION - 6-SPEED HD MANUAL DGP = TRANSMISSION - 4-SPD. AUTOMATIC,47RE DGT = TRANSMISSION - 4-SPD. AUTOMATIC,46RE

AR = use ase required - = Non illustrated part

Brakes,Front,BE 2,3,7,8

Figure 5-120



ITEM	PART NUMBER	QTY	LINE	SERIES	BODY	ENGINE	TRANS	TRIM	DESCRIPTION
		1	7		33, 34				Leading-Upto and Including 06-18-00
		1	8		34				Leading-Upto and Including 06-18-00
	05066246AA	1	7		33, 34				Leading-06-19-00 and After
		1	8		34				Leading-06-19-00 and After
8		1	2, 3		33, 34				Leading-06-19-00 and After
	05015255AA	1	7		33, 34				CLIP, Brake Anti-Rattle
		1	8		34				
		1	2, 3		33, 34				
9		1	7		33, 34				PAD KIT, Front Disc Brake
		1	8		34				
		1	2, 3		33, 34				
	05015254AA	1	2, 3		33, 34				Contains 4 Pads
	BHKH5593								Mopar V-Line Alternative Part Disc Hardware
	BHKH5067								Mopar V-Line Alternative Part Caliper Bolts
	V1013254AC								Mopar V-Line Alternative Part
		1	7		33, 34				Contains 4 Pads
	BHKH5593								Mopar V-Line Alternative Part Disc Hardware
	BHKH5067								Mopar V-Line Alternative Part Caliper Bolts
	V1013254AC								Mopar V-Line Alternative Part
		1	8		34				Contains 4 Pads
	BHKH5593								Mopar V-Line Alternative Part Disc Hardware
	BHKH5067								Mopar V-Line Alternative Part Caliper Bolts
	V1013254AC								Mopar V-Line Alternative Part
10		1	2, 3		33, 34				CLIP, Brake Anti-Rattle
	05015256AA	1	7		33, 34				
		1	8		34				

**RAM PICKUP/CLUB CAB (BE)**  
 SERIES LINE  
 L = Ram Truck (All)  
 3 = HD DODGE 2WD  
 8 = HD DODGE 4WD  
 1 = Lt. Duty DODGE 2WD  
 6 = Lt. Duty DODGE 4WD  
 2 = Med. Duty DODGE 2WD  
 7 = Med. Duty DODGE 4WD

**BODY**  
 31 = CLUB CAB 2-DR 6.5 FT BOX  
 32 = CLUB CAB 2-DR 8FT BOX  
 33 = QUAD CAB 4-DR 6.5 FT BOX  
 34 = QUAD CAB 4-DR 8FT BOX

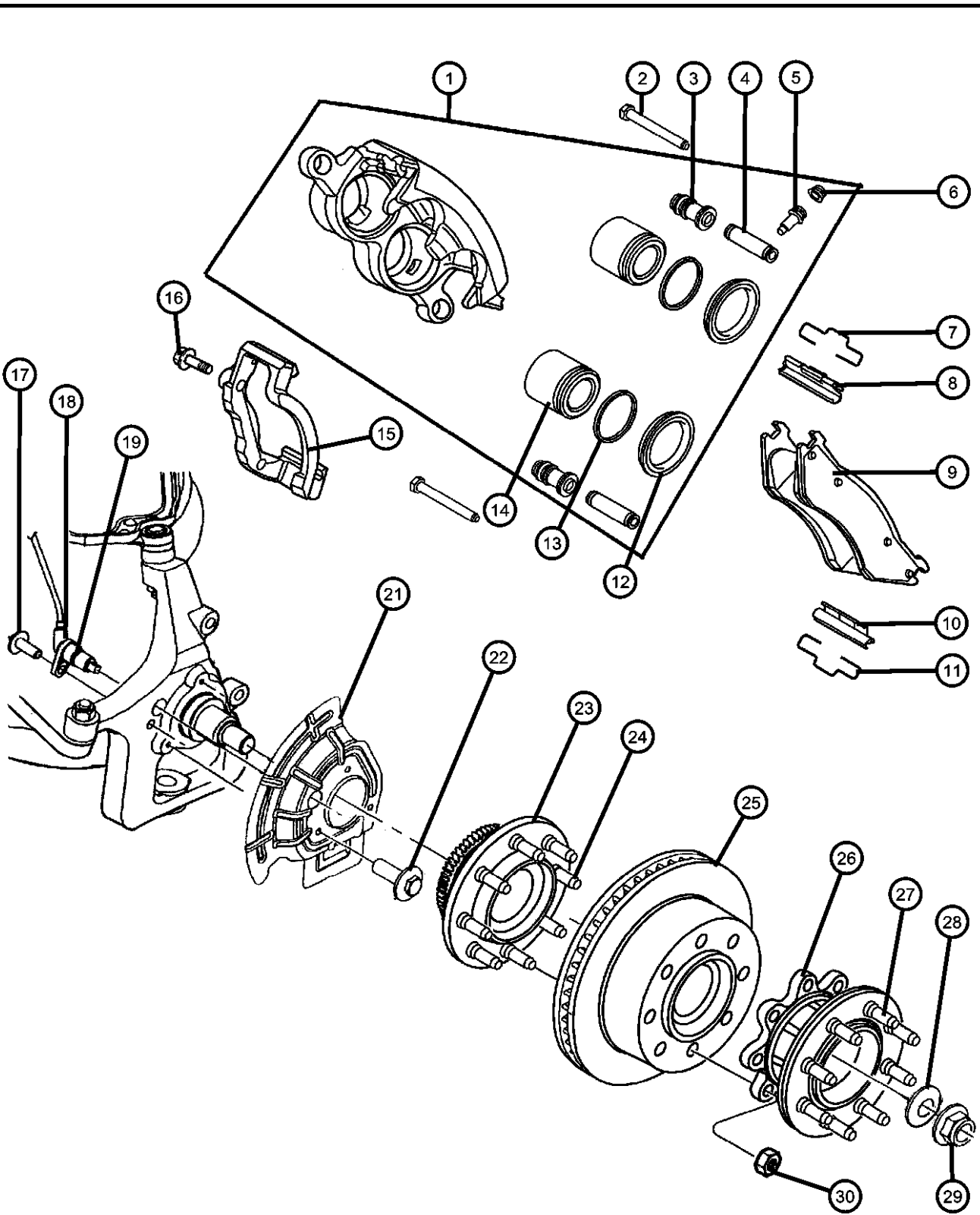
**ENGINE**  
 ELF = ENGINE - 5.2L V8 MPI  
 EML = ENGINE - 5.9L V8 MPI  
 EMM = ENGINE - "MAGNUM" 5.9L SMPI V8  
 ETC = ENGINE- 5.9L CUMMINS 24V DIESEL  
 ETH = ENGINE- 5.9L HO CUMMINS TURBO DIESEL  
 EWA = ENGINE - 8.0L V10 MPI

**TRANSMISSION**  
 DDC = TRANSMISSION - 5-SPEED HD MANUAL  
 DDP = TRANSMISSION - 5-SPEED MANUAL  
 DDX = TRANSMISSION - 5-SPEED HD MANUAL  
 DEE = TRANSMISSION - 6-SPEED HD MANUAL  
 DGP = TRANSMISSION - 4-SPD. AUTOMATIC,47RE  
 DGT = TRANSMISSION - 4-SPD. AUTOMATIC,46RE

AR = use ase required - = Non illustrated part

Brakes,Front,BE 2,3,7,8

Figure 5-120



ITEM	PART NUMBER	QTY	LINE	SERIES	BODY	ENGINE	TRANS	TRIM	DESCRIPTION
11	05066176AA	1	2, 3		33, 34				RETAINER Trailing-Upto and Including 06-18-00
		1	7		33, 34				Trailing-Upto and Including 06-18-00
		1	8		34				Trailing-Upto and Including 06-18-00
	05066245AA	1	8		34				Trailing-06-19-00 and After
		1	7		33, 34				Trailing-06-19-00 and After
		1	2, 3		33, 34				Trailing-06-19-00 and After
12	05003911AA	2	2, 3		33, 34				BOOT, Brake Piston
		2	7		33, 34				
		2	8		34				
13	05003910AA	2	2, 3		33, 34				SEAL, Caliper Piston
		2	7		33, 34				
		2	8		34				
14	05003912AA	2	2, 3		33, 34				PISTON, Brake
		2	7		33, 34				
		2	8		34				
15	05015318AA	1	2, 3		33, 34				ADAPTER, Disc Brake Caliper Right
		1	7		33, 34				Right
		1	8		34				Right
	05015319AA	1	2, 3		33, 34				Left
		1	7		33, 34				Left
		1	8		34				Left
16	06505830AA	4	2, 3		33, 34				BOLT Mounting

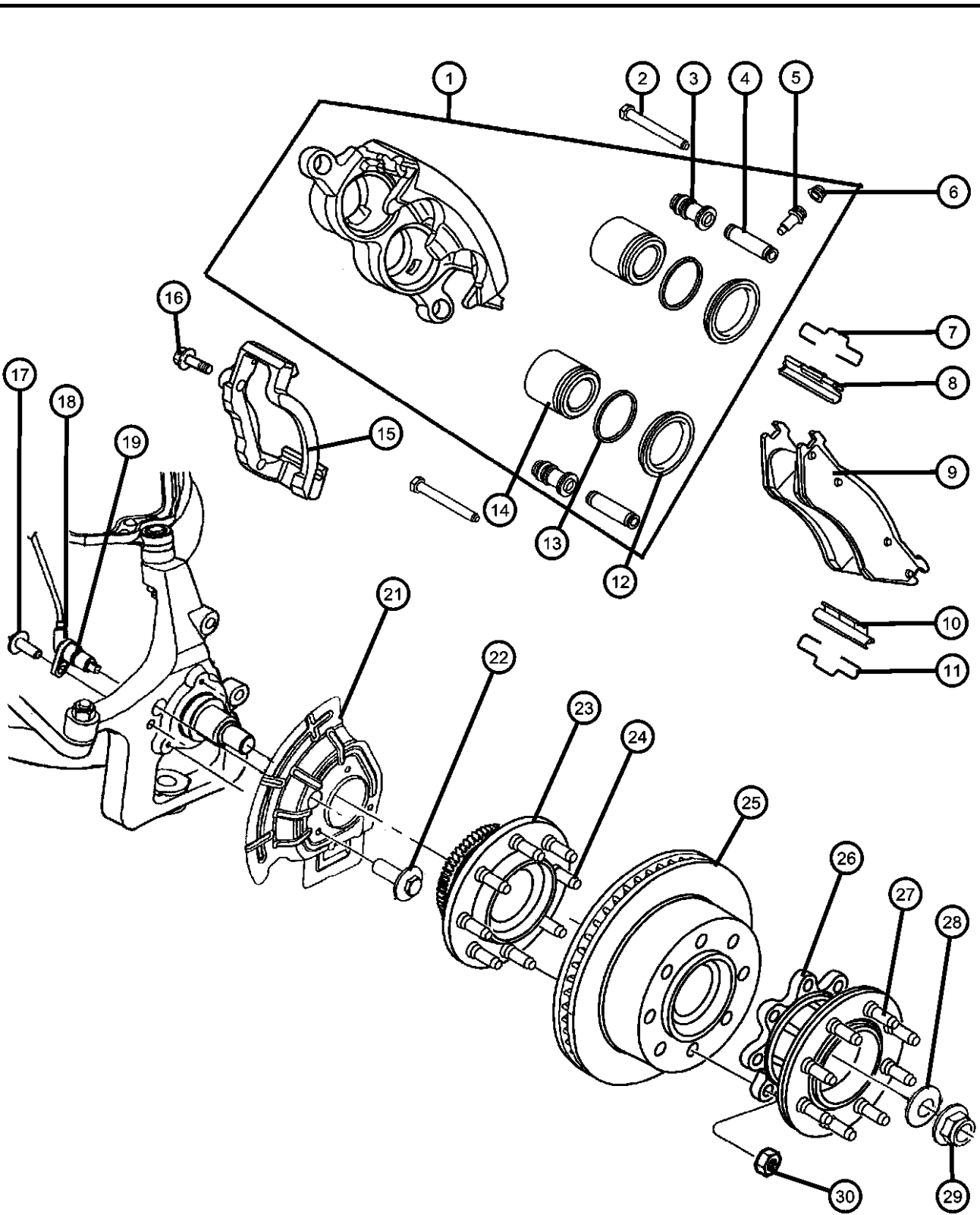
RAM PICKUP/CLUB CAB (BE)

SERIES	LINE	BODY	ENGINE	TRANSMISSION
L = Ram Truck (All)	3 = HD DODGE 2WD 8 = HD DODGE 4WD 1 = Lt. Duty DODGE 2WD 6 = Lt. Duty DODGE 4WD 2 = Med. Duty DODGE 2WD 7 = Med. Duty DODGE 4WD	31 = CLUB CAB 2-DR 6.5 FT BOX 32 = CLUB CAB 2-DR 8FT BOX 33 = QUAD CAB 4-DR 6.5 FT BOX 34 = QUAD CAB 4-DR 8FT BOX	ELF = ENGINE - 5.2L V8 MPI EML = ENGINE - 5.9L V8 MPI EMM = ENGINE - "MAGNUM" 5.9L SMPI V8 ETC = ENGINE- 5.9L CUMMINS 24V DIESEL ETH = ENGINE- 5.9L HO CUMMINS TURBO DIESEL EWA = ENGINE - 8.0L V10 MPI	DDC = TRANSMISSION - 5-SPEED HD MANUAL DDP = TRANSMISSION - 5-SPEED MANUAL DDX = TRANSMISSION - 5-SPEED HD MANUAL DEE = TRANSMISSION - 6-SPEED HD MANUAL DGP = TRANSMISSION - 4-SPD. AUTOMATIC,47RE DGT = TRANSMISSION - 4-SPD. AUTOMATIC,46RE

AR = use ase required - = Non illustrated part

Brakes,Front,BE 2,3,7,8

Figure 5-120



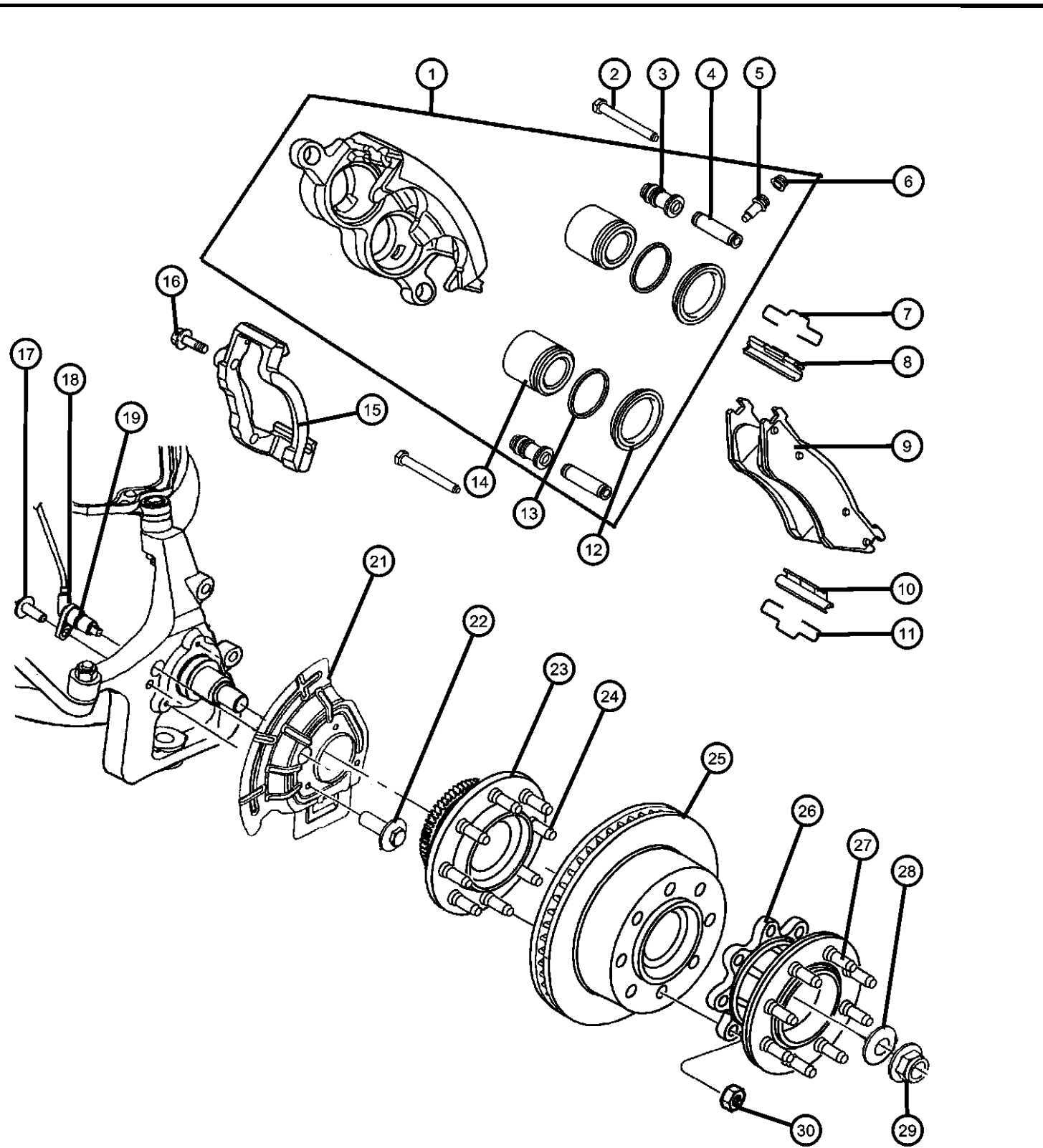
ITEM	PART NUMBER	QTY	LINE	SERIES	BODY	ENGINE	TRANS	TRIM	DESCRIPTION
		4	7		33, 34				Mounting
		4	8		34				Mounting
17	06502905	6	1, 2, 3						SCREW, Hex Flange Head, M8x1.25x23
18	56028216AC	2	2, 3		33, 34				SENSOR, Anti-Lock Brake
19									SENSOR KIT, Anti-Lock Brakes
	05015882AA	1	7		33, 34				
		1	8		34				
-20									BRACKET, Brake Sensor
	05015126AA	1	7		33, 34				Right
		1	8		34				Right
	05015127AA	1	7		33, 34				Left
		1	8		34				Left
21									SHIELD, Brake
	05015128AA	1	7		33, 34				Right
		1	8		34				Right
	05015129AA	1	7		33, 34				Left
		1	8		34				Left
	52009676AA	1	2, 3		33, 34				Upto and Including 10-31-99, Right
	52009676AB	1	2, 3		33, 34				11-01-99 and After, Right
	52009677AA	2	2, 3		33, 34				Upto and Including 10-31-99, Left
	52009677AB	1	2, 3		33, 34				11-01-99 and After, Left
22	06502905	6	1, 2, 3						SCREW, Hex Flange Head, M8x1.25x23, Splash Shield, Mounting
23									HUB AND BEARING, Brake
	05015228AA	1	2		33, 34				[BGJ,BGK]
		1	3		34				[BGJ,BGK]
	05015282AA	1	7		33, 34				[BGK]
		1	8		34				[BGJ,BGK]

RAM PICKUP/CLUB CAB (BE)

SERIES	LINE	BODY	ENGINE	TRANSMISSION
L = Ram Truck (All)	3 = HD DODGE 2WD	31 = CLUB CAB 2-DR 6.5 FT BOX	ELF = ENGINE - 5.2L V8 MPI	DDC = TRANSMISSION - 5-SPEED HD MANUAL
	8 = HD DODGE 4WD	32 = CLUB CAB 2-DR 8FT BOX	EML = ENGINE - 5.9L V8 MPI	DDP = TRANSMISSION - 5-SPEED MANUAL
	1 = Lt. Duty DODGE 2WD		EMM = ENGINE - "MAGNUM" 5.9L SMPI V8	DDX = TRANSMISSION - 5-SPEED HD MANUAL
	6 = Lt. Duty DODGE 4WD		ETC = ENGINE- 5.9L CUMMINS 24V DIESEL	DEE = TRANSMISSION - 6-SPEED HD MANUAL
	2 = Med. Duty DODGE 2WD	33 = QUAD CAB 4-DR 6.5 FT BOX	ETH = ENGINE- 5.9L HO CUMMINS TURBO DIESEL	DGP = TRANSMISSION - 4-SPD. AUTOMATIC,47RE
	7 = Med. Duty DODGE 4WD	34 = QUAD CAB 4-DR 8FT BOX	EWA = ENGINE - 8.0L V10 MPI	DGT = TRANSMISSION - 4-SPD. AUTOMATIC,46RE

AR = use ase required - = Non illustrated part

Brakes,Front,BE 2,3,7,8  
Figure 5-120



ITEM	PART NUMBER	QTY	LINE	SERIES	BODY	ENGINE	TRANS	TRIM	DESCRIPTION
24	05015456AA	1	7		33, 34				[BGJ] STUD, Hub
	05015229AA	16	3		34				Hub to Wheelhouse Extension
		16	8		34				Hub to Wheelhouse Extension
25	05015230AA	1	2		33, 34				ROTOR, Brake
		1	8		34				
		1	3		34				
		1	7		33, 34				
26	05015234AA	1	3		34				EXTENSION, Wheel House
		1	8		34				
27	05015229AA	16	3		34				STUD, Hub
		8	7		33, 34				Wheel, Mounting
		16	8		34				Wheel, Mounting
		8	2		33, 34				Wheel, Mounting
28	04746811	2	7		33, 34				WASHER, Flat
		2	8		34				
29	04746773	2	7		33, 34				NUT, Axle Hub
		2	8		34				
30	06505007AA	2	2, 3		33, 34				NUT
	04746899	8	3		34				Wheel House Extension to Hub Stud
		8	8		34				Wheel House Extension to Hub Stud

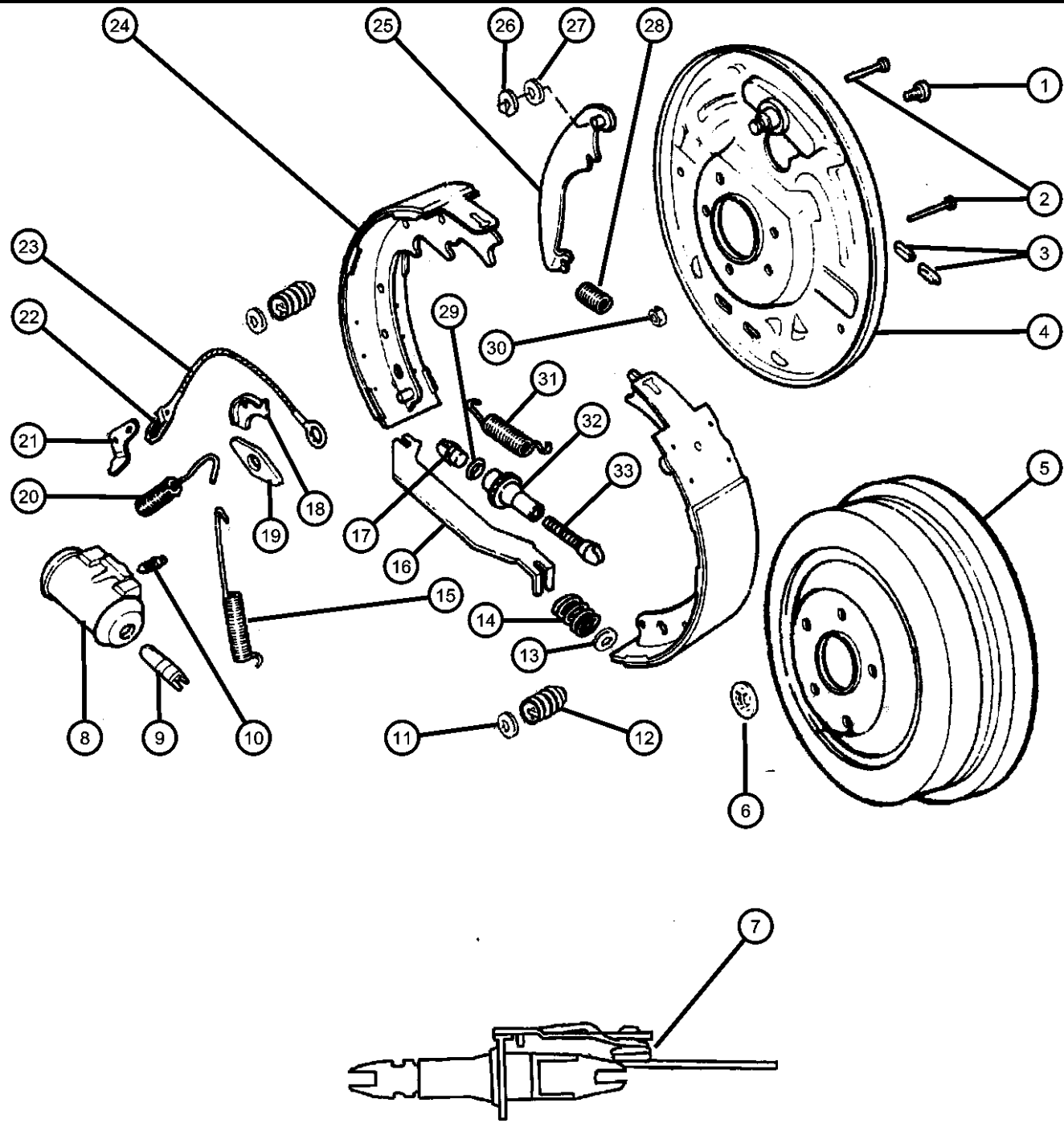
RAM PICKUP/CLUB CAB (BE)

SERIES	LINE	BODY	ENGINE	TRANSMISSION
L = Ram Truck (All)	3 = HD DODGE 2WD 8 = HD DODGE 4WD 1 = Lt. Duty DODGE 2WD 6 = Lt. Duty DODGE 4WD 2 = Med. Duty DODGE 2WD 7 = Med. Duty DODGE 4WD	31 = CLUB CAB 2-DR 6.5 FT BOX 32 = CLUB CAB 2-DR 8FT BOX 33 = QUAD CAB 4-DR 6.5 FT BOX 34 = QUAD CAB 4-DR 8FT BOX	ELF = ENGINE - 5.2L V8 MPI EML = ENGINE - 5.9L V8 MPI EMM = ENGINE - "MAGNUM" 5.9L SMPI V8 ETC = ENGINE- 5.9L CUMMINS 24V DIESEL ETH = ENGINE- 5.9L HO CUMMINS TURBO DIESEL EWA = ENGINE - 8.0L V10 MPI	DDC = TRANSMISSION - 5-SPEED HD MANUAL DDP = TRANSMISSION - 5-SPEED MANUAL DDX = TRANSMISSION - 5-SPEED HD MANUAL DEE = TRANSMISSION - 6-SPEED HD MANUAL DGP = TRANSMISSION - 4-SPD. AUTOMATIC,47RE DGT = TRANSMISSION - 4-SPD. AUTOMATIC,46RE

AR = use ase required - = Non illustrated part



**Brakes, Rear, 11 Inches X 2.25 Inches, BE 1,6**  
**Figure 5-210**



ITEM	PART NUMBER	QTY	LINE	SERIES	BODY	ENGINE	TRANS	TRIM	DESCRIPTION
1	06028921	2	1						BOLT, Hex Head Wheel Cylinder Mounting
2	05014223AA	2	6						PIN, Brake Shoe Hold Down
3	32000147	2	1						PLUG, Brake Adjusting Hole
4	05015320AA	1	1						PLATE, Brake Backing Right
	05015321AA	1	6						Right Left
5	52009800AA	2	1						DRUM, Brake
6	06031635	4	1						NUT, Push, .50-13 Brake Drum Retainer
7	04746582	4	6		31, 33				Brake Drum Retainer
	04746583	1	1						SPRING, Auto Adjusting Lever, Right
	04088898	1	1						Lever, Right Lever, Left
	V2108898AA	1	6						Lever, Left Lever, Left CYLINDER, Wheel Right Mopar V-Line Alternative Part Wheel Cylinder Right

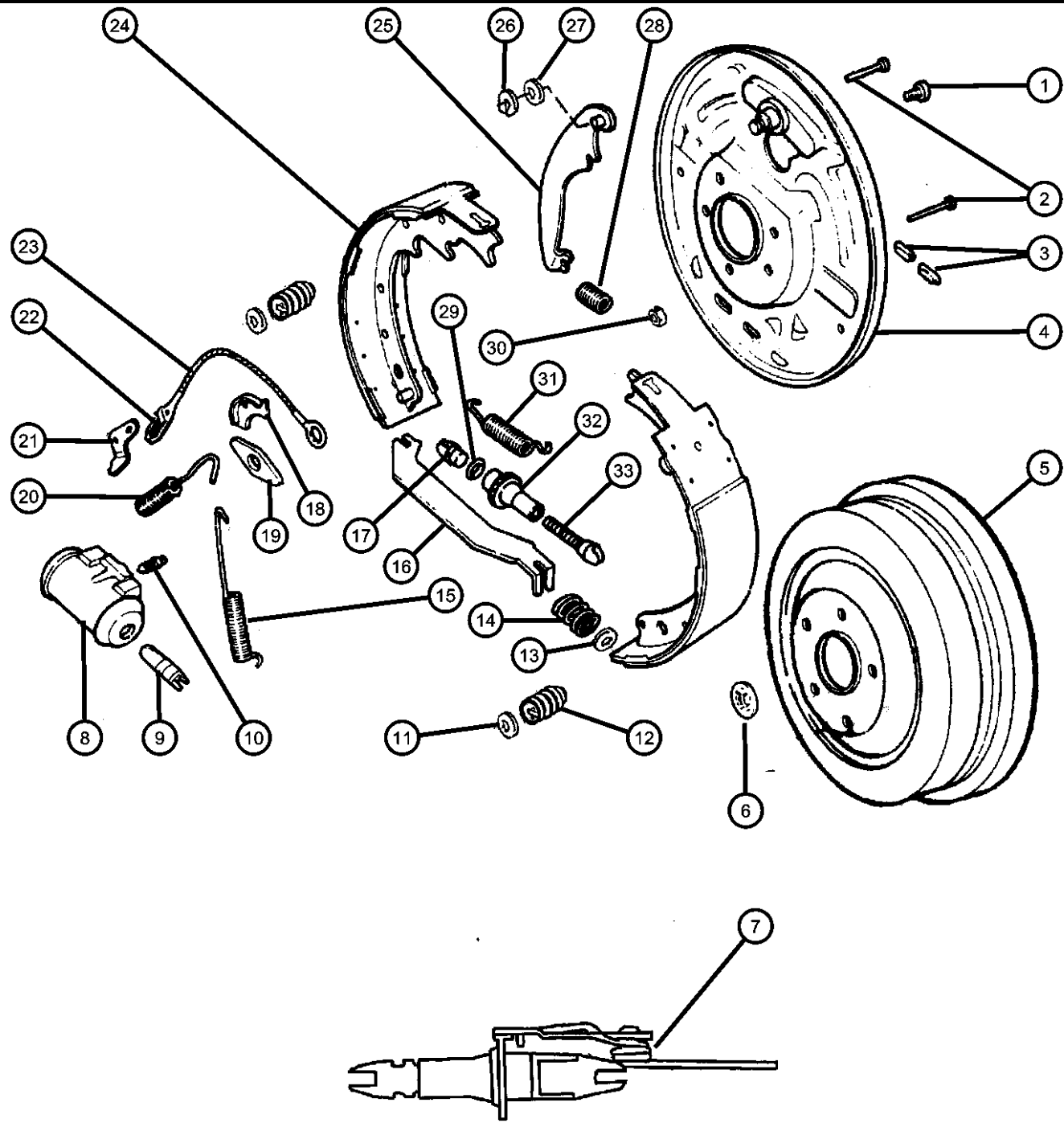
**RAM PICKUP/CLUB CAB (BE)**

SERIES	LINE
L = Ram Truck (All)	3 = HD DODGE 2WD
	8 = HD DODGE 4WD
	1 = Lt. Duty DODGE 2WD
	6 = Lt. Duty DODGE 4WD
	2 = Med. Duty DODGE 2WD
	7 = Med. Duty DODGE 4WD

BODY	ENGINE	TRANSMISSION
31 = CLUB CAB 2-DR 6.5 FT BOX	ELF = ENGINE - 5.2L V8 MPI	DDC = TRANSMISSION - 5-SPEED HD MANUAL
32 = CLUB CAB 2-DR 8FT BOX	EML = ENGINE - 5.9L V8 MPI	DDP = TRANSMISSION - 5-SPEED MANUAL
33 = QUAD CAB 4-DR 6.5 FT BOX	EMM = ENGINE - "MAGNUM" 5.9L SMPI V8	DDX = TRANSMISSION - 5-SPEED HD MANUAL
34 = QUAD CAB 4-DR 8FT BOX	ETC = ENGINE- 5.9L CUMMINS 24V DIESEL	DEE = TRANSMISSION - 6-SPEED HD MANUAL
	ETH = ENGINE- 5.9L HO CUMMINS TURBO DIESEL	DGP = TRANSMISSION - 4-SPD. AUTOMATIC, 47RE
	EWA = ENGINE - 8.0L V10 MPI	DGT = TRANSMISSION - 4-SPD. AUTOMATIC, 46RE

AR = use ase required - = Non illustrated part

**Brakes, Rear, 11 Inches X 2.25 Inches, BE 1,6**  
**Figure 5-210**



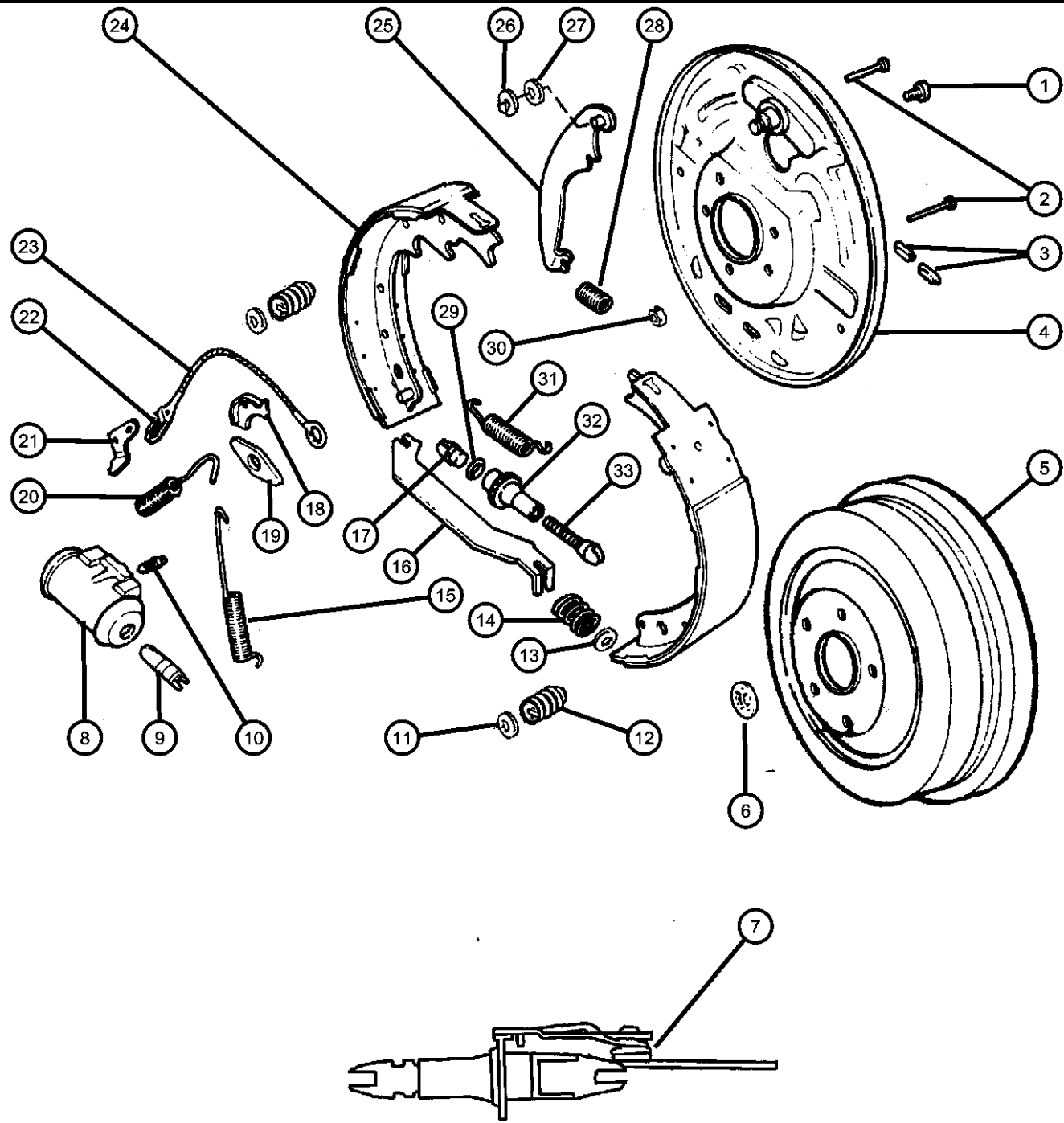
ITEM	PART NUMBER	QTY	LINE	SERIES	BODY	ENGINE	TRANS	TRIM	DESCRIPTION
	V2108898AA								Mopar V-Line Alternative Part Wheel Cylinder Left
	04088899	1	1						
	V2108899AA								Mopar V-Line Alternative Part Wheel Cylinder Left
		1	6						
	V2108899AA								Mopar V-Line Alternative Part Wheel Cylinder Left
9									LINK, Brake
	03492657	2	1						Wheel Cylinder (Push Rod)
		2	6						Wheel Cylinder (Push Rod)
10	J3203313	1	1						SCREW, Bleeder
		1	6						
11									CUP, Brake Hold Down Spring
	05014227AA	2	1						
		2	6						
12									SPRING, Brake Shoe Hold Down
	05014224AA	2	1						
		2	6						
13									CLIP, Park Brake Strut
	04773762	1	1						
		1	6						
14									SPRING, Parking Brake Strut
	04773942	1	1						
		1	6						
15									SPRING, Brake Shoe Return
	05003781AA	1	1						Primary
		1	6						Primary
16									STRUT, Parking Brake
	05003791AA	1	1						

**RAM PICKUP/CLUB CAB (BE)**

SERIES	LINE	BODY	ENGINE	TRANSMISSION
L = Ram Truck (All)	3 = HD DODGE 2WD 8 = HD DODGE 4WD 1 = Lt. Duty DODGE 2WD 6 = Lt. Duty DODGE 4WD 2 = Med. Duty DODGE 2WD 7 = Med. Duty DODGE 4WD	31 = CLUB CAB 2-DR 6.5 FT BOX 32 = CLUB CAB 2-DR 8FT BOX 33 = QUAD CAB 4-DR 6.5 FT BOX 34 = QUAD CAB 4-DR 8FT BOX	ELF = ENGINE - 5.2L V8 MPI EML = ENGINE - 5.9L V8 MPI EMM = ENGINE - "MAGNUM" 5.9L SMPI V8 ETC = ENGINE- 5.9L CUMMINS 24V DIESEL ETH = ENGINE- 5.9L HO CUMMINS TURBO DIESEL EWA = ENGINE - 8.0L V10 MPI	DDC = TRANSMISSION - 5-SPEED HD MANUAL DDP = TRANSMISSION - 5-SPEED MANUAL DDX = TRANSMISSION - 5-SPEED HD MANUAL DEE = TRANSMISSION - 6-SPEED HD MANUAL DGP = TRANSMISSION - 4-SPD. AUTOMATIC, 47RE DGT = TRANSMISSION - 4-SPD. AUTOMATIC, 46RE

AR = use ase required - = Non illustrated part

**Brakes, Rear, 11 Inches X 2.25 Inches, BE 1,6**  
**Figure 5-210**



ITEM	PART NUMBER	QTY	LINE	SERIES	BODY	ENGINE	TRANS	TRIM	DESCRIPTION
17		1	6						SOCKET, Brake Adjusting
	04746586	1	1						
18		1	6						GUIDE, Brake Adjusting Cable
	J3201947	1	1						
19		1	6						PLATE, Brake Shoe Guide
	05003786AA	1	1						
20		1	6						SPRING, Brake Shoe Return
	02953992	1	1						Secondary
		1	6						Secondary
21		1	6						LEVER, Rear Wheel Brake Adjust
	05003788AA	1	1						Right
		1	6						Right
	05003789AA	1	1						Left
		1	6						Left
22		1	6						SPRING, Adjuster Cable
	03461660	1	1						
		1	6						
23		1	6						CABLE, Brake Automatic Adjuster
	03461664	1	1						
		1	6						
24		1	6						SHOE AND LINING KIT, Drum
	05014126AA	1	1						
	BHKH7298								Mopar V-Line Alternative Part All In One Drum Combi Kits
	BHKH2666								Mopar V-Line Alternative Part Drum Self Adjuster Kit Left

**RAM PICKUP/CLUB CAB (BE)**

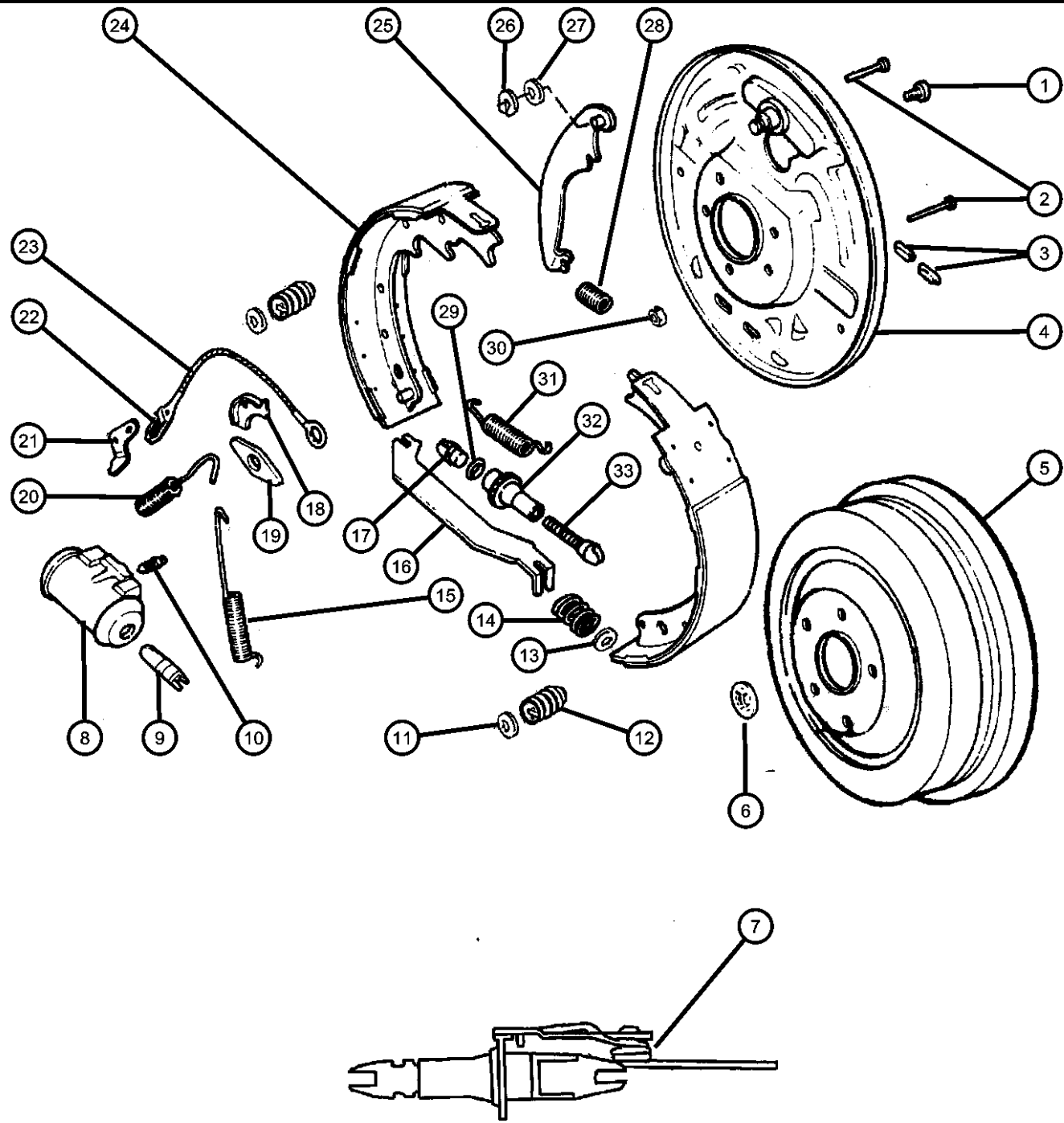
SERIES	LINE
L = Ram Truck (All)	3 = HD DODGE 2WD
	8 = HD DODGE 4WD
	1 = Lt. Duty DODGE 2WD
	6 = Lt. Duty DODGE 4WD
	2 = Med. Duty DODGE 2WD
	7 = Med. Duty DODGE 4WD

BODY	ENGINE	TRANSMISSION
31 = CLUB CAB 2-DR 6.5 FT BOX	ELF = ENGINE - 5.2L V8 MPI	DDC = TRANSMISSION - 5-SPEED HD MANUAL
32 = CLUB CAB 2-DR 8FT BOX	EML = ENGINE - 5.9L V8 MPI	DDP = TRANSMISSION - 5-SPEED MANUAL
33 = QUAD CAB 4-DR 6.5 FT BOX	EMM = ENGINE - "MAGNUM" 5.9L SMPI V8	DDX = TRANSMISSION - 5-SPEED HD MANUAL
34 = QUAD CAB 4-DR 8FT BOX	ETC = ENGINE- 5.9L CUMMINS 24V DIESEL	DEE = TRANSMISSION - 6-SPEED HD MANUAL
	ETH = ENGINE- 5.9L HO CUMMINS TURBO DIESEL	DGP = TRANSMISSION - 4-SPD. AUTOMATIC, 47RE
	EWA = ENGINE - 8.0L V10 MPI	DGT = TRANSMISSION - 4-SPD. AUTOMATIC, 46RE

AR = use ase required - = Non illustrated part

2000 BE

**Brakes, Rear, 11 Inches X 2.25 Inches, BE 1,6**  
**Figure 5-210**



ITEM	PART NUMBER	QTY	LINE	SERIES	BODY	ENGINE	TRANS	TRIM	DESCRIPTION
	BHKH2667								Mopar V-Line Alternative Part Drum Self Adjuster Kit
	V2013126AB								Mopar V-Line Alternative Part
		1	6						
	BHKH7298								Mopar V-Line Alternative Part All In One Drum Combi Kits
	BHKH2666								Mopar V-Line Alternative Part Drum Self Adjuster Kit Left
	BHKH2667								Mopar V-Line Alternative Part Drum Self Adjuster Kit
	V2013126AB								Mopar V-Line Alternative Part
25									LEVER, Park Brake Adjusting
	05003784AA	1	1						Right
		1	6						Right
	05003785AA	1	1						Left
		1	6						Left
26									RETAINER, Parking Brake Lever
	J3108202	1	1						
		1	6						
27									WASHER, Parking Brake Lever Mounting
	83502900	1	1						
		1	6						Mounting
28									SPRING, Brake Auto Adjuster Lever
	05003790AA	1	1						
		1	6						
29									WASHER, Rear Brake Adjuster
	04746585	1	1						
		1	6						
30									NUT, Hex Flange Lock
	00152345	8	1						Backing Plate Attaching
		8	6		31, 33				Backing Plate Attaching

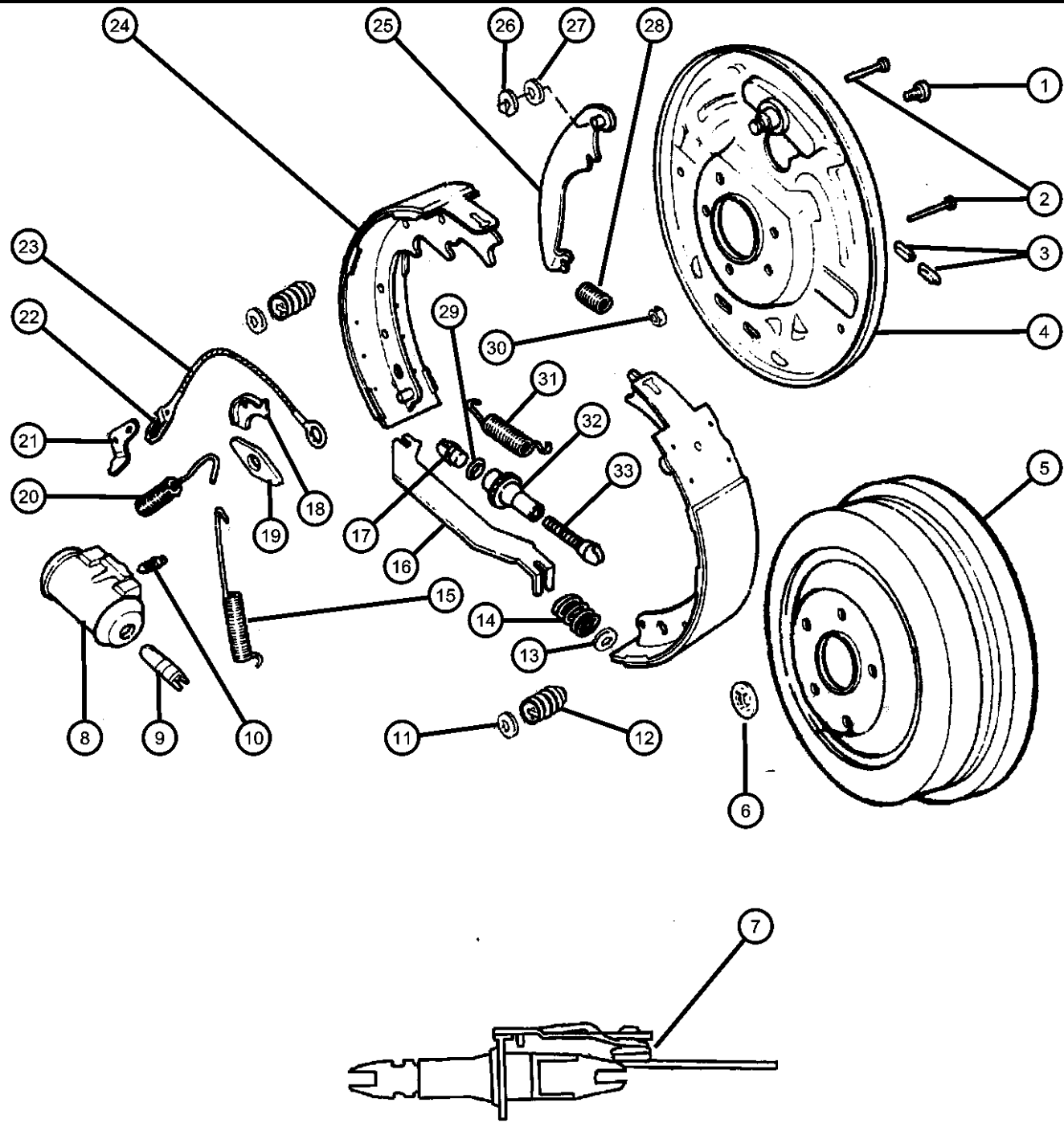
**RAM PICKUP/CLUB CAB (BE)**

SERIES	LINE
L = Ram Truck (All)	3 = HD DODGE 2WD
	8 = HD DODGE 4WD
	1 = Lt. Duty DODGE 2WD
	6 = Lt. Duty DODGE 4WD
	2 = Med. Duty DODGE 2WD
	7 = Med. Duty DODGE 4WD

BODY	ENGINE	TRANSMISSION
31 = CLUB CAB 2-DR 6.5 FT BOX	ELF = ENGINE - 5.2L V8 MPI	DDC = TRANSMISSION - 5-SPEED HD MANUAL
32 = CLUB CAB 2-DR 8FT BOX	EML = ENGINE - 5.9L V8 MPI	DDP = TRANSMISSION - 5-SPEED MANUAL
33 = QUAD CAB 4-DR 6.5 FT BOX	EMM = ENGINE - "MAGNUM" 5.9L SMPI V8	DDX = TRANSMISSION - 5-SPEED HD MANUAL
34 = QUAD CAB 4-DR 8FT BOX	ETC = ENGINE- 5.9L CUMMINS 24V DIESEL	DEE = TRANSMISSION - 6-SPEED HD MANUAL
	ETH = ENGINE- 5.9L HO CUMMINS TURBO DIESEL	DGP = TRANSMISSION - 4-SPD. AUTOMATIC, 47RE
	EWA = ENGINE - 8.0L V10 MPI	DGT = TRANSMISSION - 4-SPD. AUTOMATIC, 46RE

AR = use ase required - = Non illustrated part

**Brakes, Rear, 11 Inches X 2.25 Inches, BE 1,6**  
**Figure 5-210**



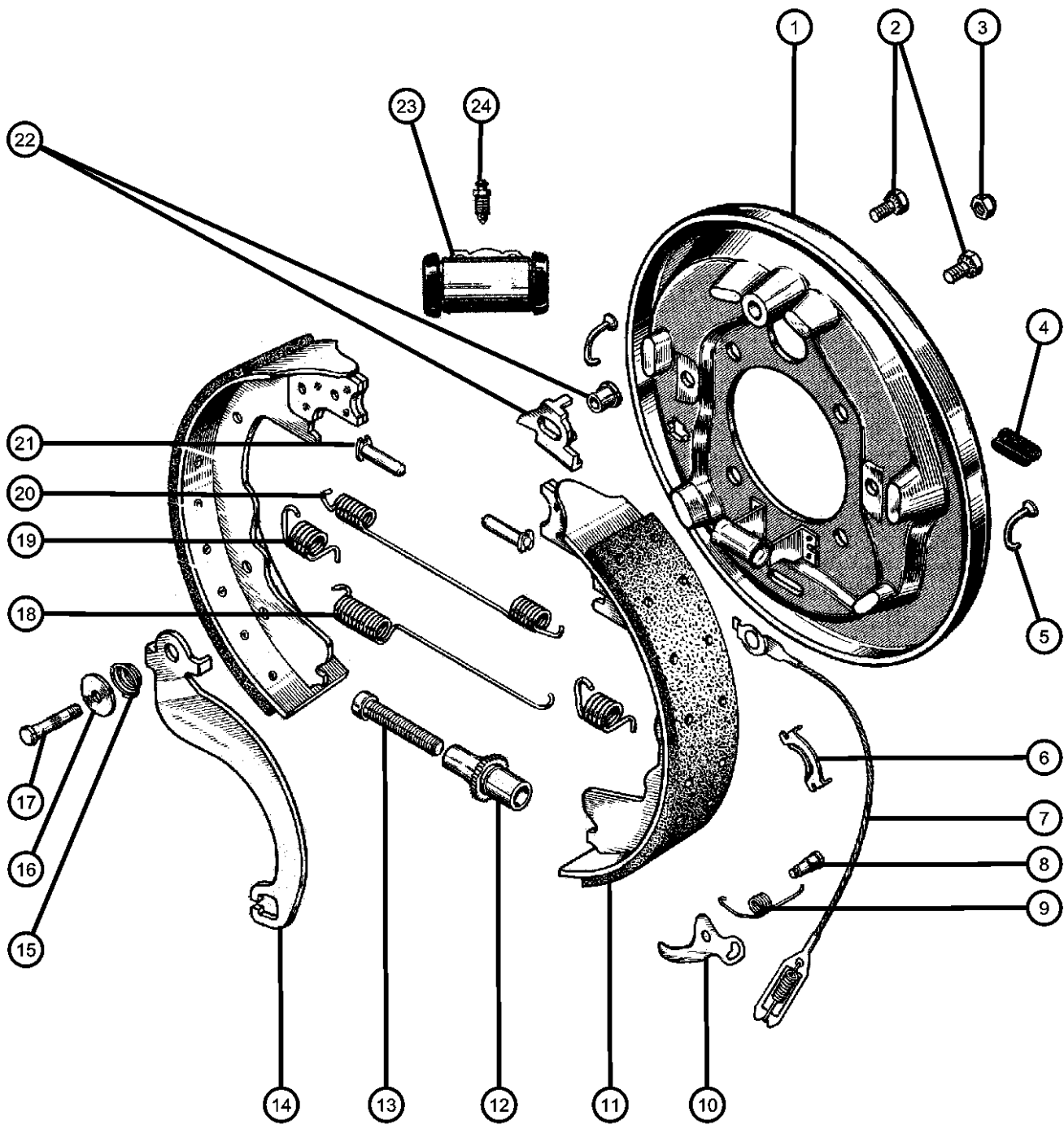
ITEM	PART NUMBER	QTY	LINE	SERIES	BODY	ENGINE	TRANS	TRIM	DESCRIPTION
31	05003787AA	1	1						SPRING, Brake Shoe to Shoe
		1	6						
32	02944692	1	1						NUT, Rear Brake Auto Adjust Pivot
		1	6						Right
		1	6						Right
	02944693	1	1						Left
		1	6						Left
33	02881686	1	1						SCREW, Brake Adjusting
		1	6						Right
		1	6						Right
	02881687	1	1						Left
		1	6						Left

**RAM PICKUP/CLUB CAB (BE)**

SERIES	LINE	BODY	ENGINE	TRANSMISSION
L = Ram Truck (All)	3 = HD DODGE 2WD	31 = CLUB CAB 2-DR 6.5 FT BOX	ELF = ENGINE - 5.2L V8 MPI	DDC = TRANSMISSION - 5-SPEED HD MANUAL
	8 = HD DODGE 4WD	32 = CLUB CAB 2-DR 8FT BOX	EML = ENGINE - 5.9L V8 MPI	DDP = TRANSMISSION - 5-SPEED MANUAL
	1 = Lt. Duty DODGE 2WD	33 = QUAD CAB 4-DR 6.5 FT BOX	EMM = ENGINE - "MAGNUM" 5.9L SMPI V8	DDX = TRANSMISSION - 5-SPEED HD MANUAL
	6 = Lt. Duty DODGE 4WD	34 = QUAD CAB 4-DR 8FT BOX	ETC = ENGINE- 5.9L CUMMINS 24V DIESEL	DEE = TRANSMISSION - 6-SPEED HD MANUAL
	2 = Med. Duty DODGE 2WD		ETH = ENGINE- 5.9L HO CUMMINS TURBO DIESEL	DGP = TRANSMISSION - 4-SPD. AUTOMATIC, 47RE
	7 = Med. Duty DODGE 4WD		EWA = ENGINE - 8.0L V10 MPI	DGT = TRANSMISSION - 4-SPD. AUTOMATIC, 46RE

AR = use ase required - = Non illustrated part

**Brakes, Rear, 12.125 Inches X 3.5 Inches, BE 2,3,7,8**  
**Figure 5-220**



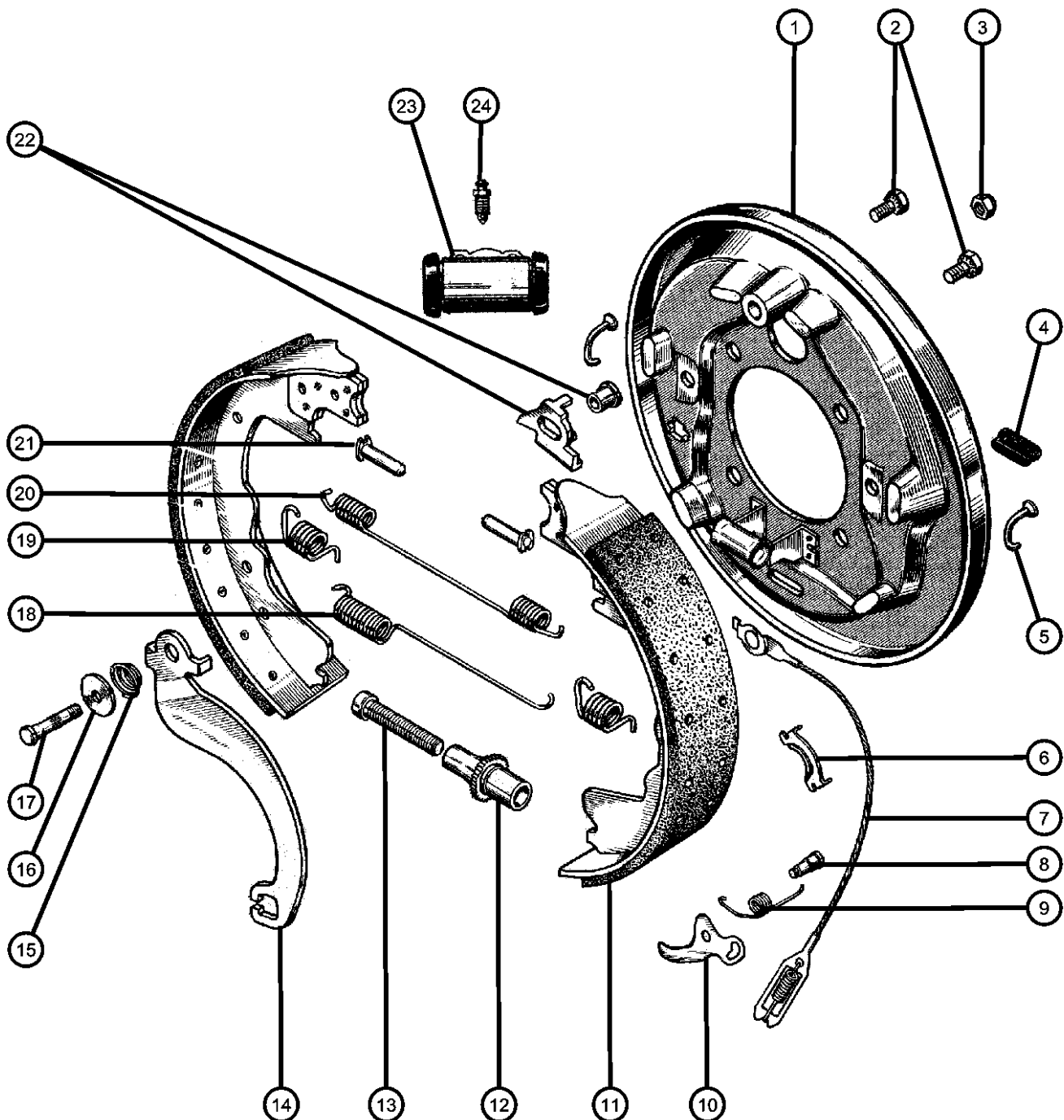
ITEM	PART NUMBER	QTY	LINE	SERIES	BODY	ENGINE	TRANS	TRIM	DESCRIPTION
1	05015340AA	1	2		33, 34				PLATE, Brake Backing Right
		1	7		33, 34				Right
		1	3		34				Right
		1	8		34				Right
	05015341AA	1	2		33, 34				Left
		1	7		33, 34				Left
		1	3		34				Left
		1	8		34				Left
2	06028921	2	2		33, 34				BOLT, Hex Head
		2	7		33, 34				
		2	3		34				
		2	8		34				
3	03492655	1	2		33, 34				NUT, Parking Brake
		1	7		33, 34				
		1	3		34				
		1	8		34				
4	32000147	1	8		34				PLUG, Brake Adjusting Hole
		1	7		33, 34				
		1	3		34				
		2	2		33, 34				
5	03492662	2	3		34				PIN, Brake Shoe Hold Down
		2	8		34				
		2	2		33, 34				
		2	7		33, 34				
6									GUIDE, Brake Adjusting Cable

**RAM PICKUP/CLUB CAB (BE)**

SERIES	LINE	BODY	ENGINE	TRANSMISSION
L = Ram Truck (All)	3 = HD DODGE 2WD 8 = HD DODGE 4WD 1 = Lt. Duty DODGE 2WD 6 = Lt. Duty DODGE 4WD 2 = Med. Duty DODGE 2WD 7 = Med. Duty DODGE 4WD	31 = CLUB CAB 2-DR 6.5 FT BOX 32 = CLUB CAB 2-DR 8FT BOX 33 = QUAD CAB 4-DR 6.5 FT BOX 34 = QUAD CAB 4-DR 8FT BOX	ELF = ENGINE - 5.2L V8 MPI EML = ENGINE - 5.9L V8 MPI EMM = ENGINE - "MAGNUM" 5.9L SMPI V8 ETC = ENGINE- 5.9L CUMMINS 24V DIESEL ETH = ENGINE- 5.9L HO CUMMINS TURBO DIESEL EWA = ENGINE - 8.0L V10 MPI	DDC = TRANSMISSION - 5-SPEED HD MANUAL DDP = TRANSMISSION - 5-SPEED MANUAL DDX = TRANSMISSION - 5-SPEED HD MANUAL DEE = TRANSMISSION - 6-SPEED HD MANUAL DGP = TRANSMISSION - 4-SPD. AUTOMATIC, 47RE DGT = TRANSMISSION - 4-SPD. AUTOMATIC, 46RE

AR = use ase required - = Non illustrated part

**Brakes, Rear, 12.125 Inches X 3.5 Inches, BE 2,3,7,8**  
**Figure 5-220**



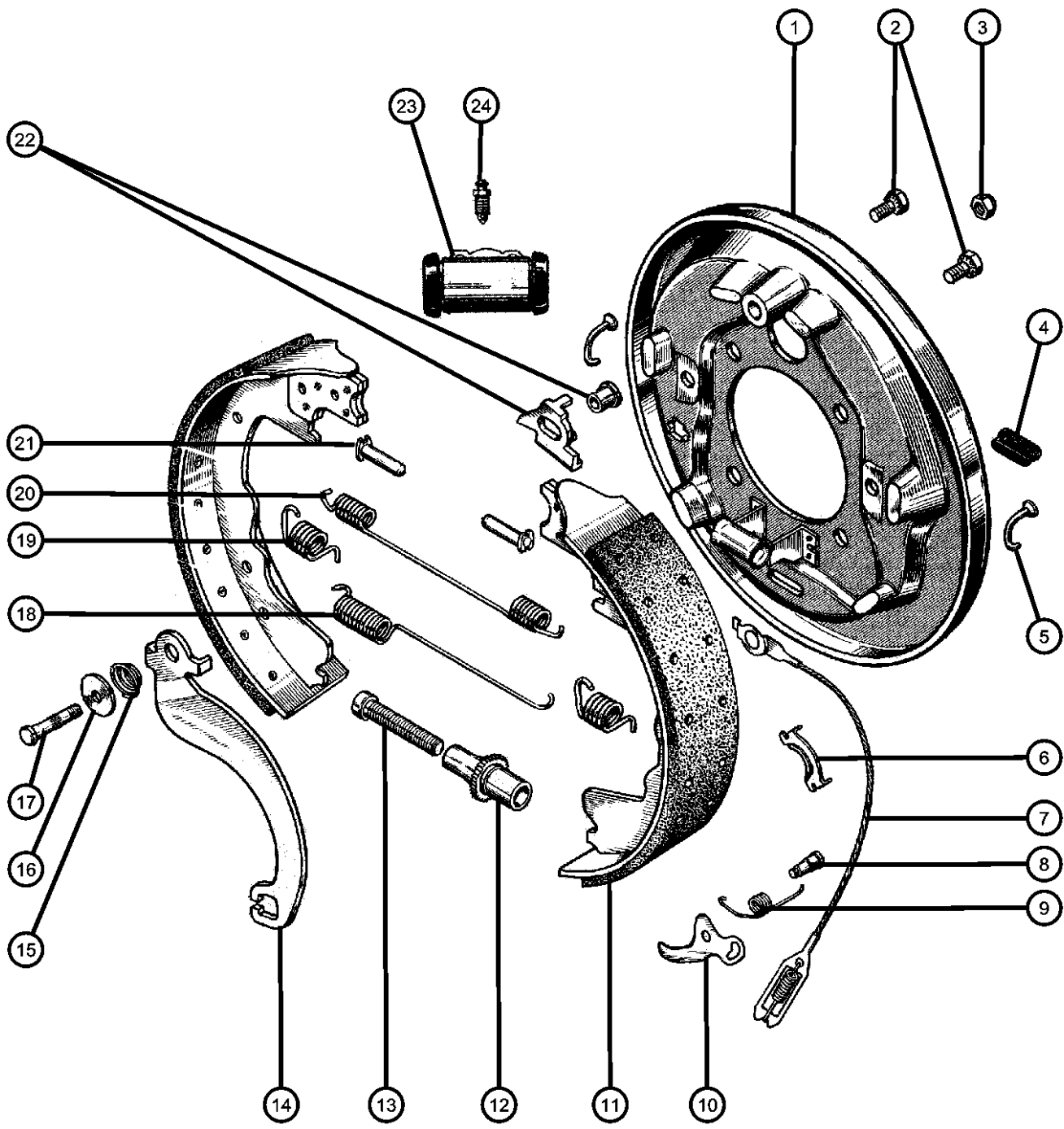
ITEM	PART NUMBER	QTY	LINE	SERIES	BODY	ENGINE	TRANS	TRIM	DESCRIPTION
7	03492664	1	2		33, 34				CABLE, Brake Automatic Adjuster
		1	8		34				
		1	7		33, 34				
		1	3		34				
8	04383267	1	7		33, 34				PIN, Brake Adjusting Lever
		1	3		34				
		1	8		34				
		1	2		33, 34				
9	03492671	1	7		33, 34				SPRING, Auto Adjusting
		1	3		34				
		1	8		34				
		1	2		33, 34				
10	04383274	1	2		33, 34				LEVER, Park Brake Adjusting
		1	7		33, 34				
		1	3		34				
		1	8		34				
10	04383275	1	2		33, 34				LEVER, Park Brake Adjusting
		1	7		33, 34				
		1	3		34				
		1	8		34				
10	04383276	1	2		33, 34				LEVER, Park Brake Adjusting
		1	7		33, 34				
		1	3		34				
		1	8		34				
10	04383277	1	2		33, 34				LEVER, Park Brake Adjusting
		1	7		33, 34				

**RAM PICKUP/CLUB CAB (BE)**

SERIES	LINE	BODY	ENGINE	TRANSMISSION
L = Ram Truck (All)	3 = HD DODGE 2WD 8 = HD DODGE 4WD 1 = Lt. Duty DODGE 2WD 6 = Lt. Duty DODGE 4WD 2 = Med. Duty DODGE 2WD 7 = Med. Duty DODGE 4WD	31 = CLUB CAB 2-DR 6.5 FT BOX 32 = CLUB CAB 2-DR 8FT BOX 33 = QUAD CAB 4-DR 6.5 FT BOX 34 = QUAD CAB 4-DR 8FT BOX	ELF = ENGINE - 5.2L V8 MPI EML = ENGINE - 5.9L V8 MPI EMM = ENGINE - "MAGNUM" 5.9L SMPI V8 ETC = ENGINE- 5.9L CUMMINS 24V DIESEL ETH = ENGINE- 5.9L HO CUMMINS TURBO DIESEL EWA = ENGINE - 8.0L V10 MPI	DDC = TRANSMISSION - 5-SPEED HD MANUAL DDP = TRANSMISSION - 5-SPEED MANUAL DDX = TRANSMISSION - 5-SPEED HD MANUAL DEE = TRANSMISSION - 6-SPEED HD MANUAL DGP = TRANSMISSION - 4-SPD. AUTOMATIC, 47RE DGT = TRANSMISSION - 4-SPD. AUTOMATIC, 46RE

AR = use ase required - = Non illustrated part

**Brakes, Rear, 12.125 Inches X 3.5 Inches, BE 2,3,7,8**  
**Figure 5-220**



ITEM	PART NUMBER	QTY	LINE	SERIES	BODY	ENGINE	TRANS	TRIM	DESCRIPTION
		1	3		34				Left
		1	8		34				Left
11	05015337AA	1	8		34				SHOE AND LINING KIT, Drum
	V2013337								Mopar V-Line Alternative Part
	BHKH7209								Mopar V-Line Alternative Part All In One Drum Combi Kits
	BHKH2599								Mopar V-Line Alternative Part Drum Self Adjuster Kit
	BHKH2598								Mopar V-Line Alternative Part Drum Self Adjuster Kit Left
		1	2		33, 34				Mopar V-Line Alternative Part
	V2013337								Mopar V-Line Alternative Part All In One Drum Combi Kits
	BHKH7209								Mopar V-Line Alternative Part Drum Self Adjuster Kit
	BHKH2599								Mopar V-Line Alternative Part Drum Self Adjuster Kit Left
	BHKH2598								Mopar V-Line Alternative Part Drum Self Adjuster Kit Left
		1	7		33, 34				Mopar V-Line Alternative Part
	V2013337								Mopar V-Line Alternative Part All In One Drum Combi Kits
	BHKH7209								Mopar V-Line Alternative Part Drum Self Adjuster Kit
	BHKH2599								Mopar V-Line Alternative Part Drum Self Adjuster Kit
	BHKH2598								Mopar V-Line Alternative Part Drum Self Adjuster Kit Left
		1	3		34				Mopar V-Line Alternative Part
	V2013337								Mopar V-Line Alternative Part All In One Drum Combi Kits
	BHKH7209								Mopar V-Line Alternative Part Drum Self Adjuster Kit
	BHKH2599								Mopar V-Line Alternative Part Drum Self Adjuster Kit
	BHKH2598								Mopar V-Line Alternative Part Drum Self Adjuster Kit Left
12									NUT, Brake Adjusting

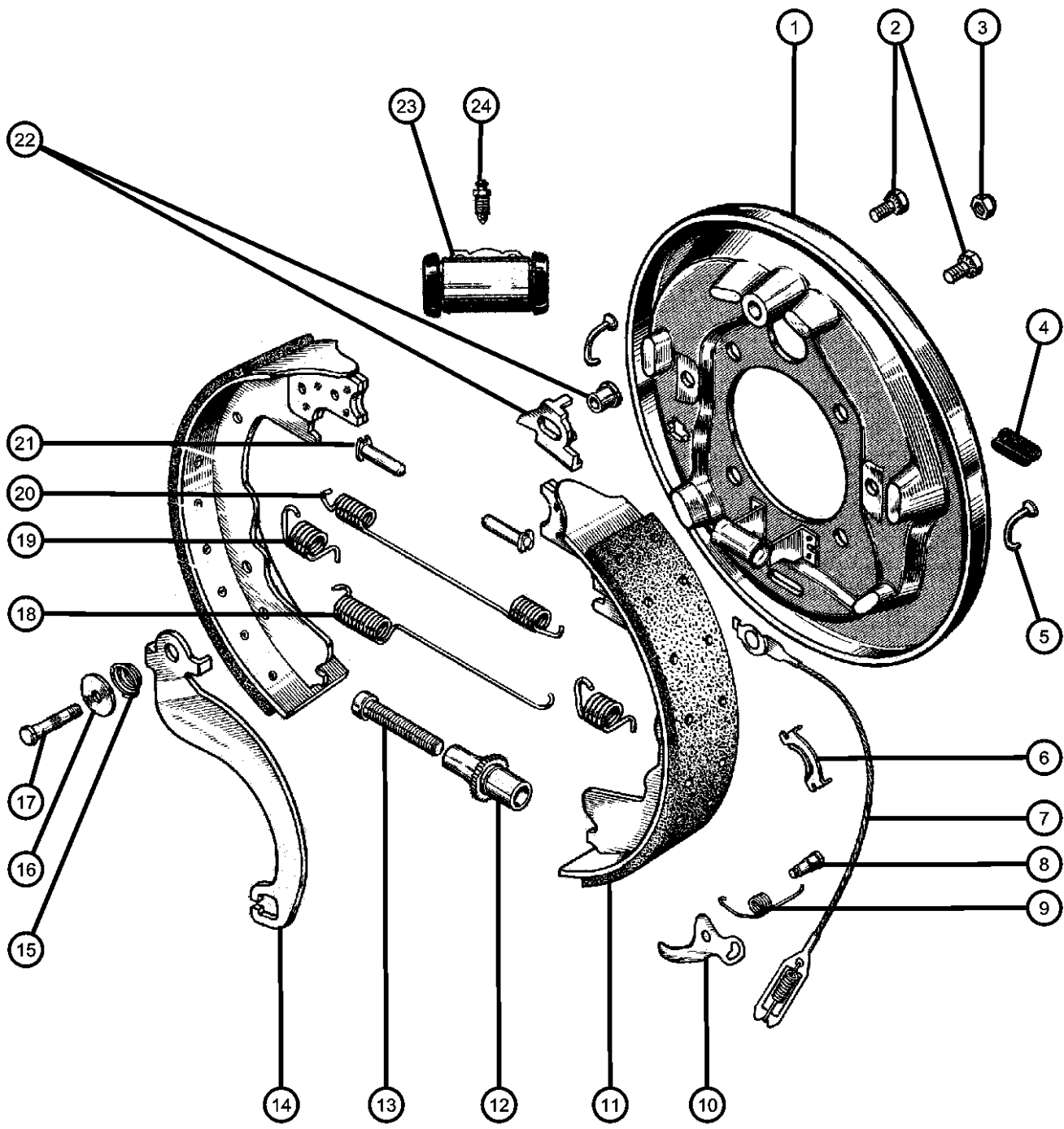
**RAM PICKUP/CLUB CAB (BE)**

SERIES	LINE	BODY	ENGINE	TRANSMISSION
L = Ram Truck (All)	3 = HD DODGE 2WD	31 = CLUB CAB 2-DR 6.5 FT BOX	ELF = ENGINE - 5.2L V8 MPI	DDC = TRANSMISSION - 5-SPEED HD MANUAL
	8 = HD DODGE 4WD	32 = CLUB CAB 2-DR 8FT BOX	EML = ENGINE - 5.9L V8 MPI	DDP = TRANSMISSION - 5-SPEED MANUAL
	1 = Lt. Duty DODGE 2WD	33 = QUAD CAB 4-DR 6.5 FT BOX	EMM = ENGINE - "MAGNUM" 5.9L SMPI V8	DDX = TRANSMISSION - 5-SPEED HD MANUAL
	6 = Lt. Duty DODGE 4WD	34 = QUAD CAB 4-DR 8FT BOX	ETC = ENGINE- 5.9L CUMMINS 24V DIESEL	DEE = TRANSMISSION - 6-SPEED HD MANUAL
	2 = Med. Duty DODGE 2WD		ETH = ENGINE- 5.9L HO CUMMINS TURBO DIESEL	DGP = TRANSMISSION - 4-SPD. AUTOMATIC, 47RE
	7 = Med. Duty DODGE 4WD		EWA = ENGINE - 8.0L V10 MPI	DGT = TRANSMISSION - 4-SPD. AUTOMATIC, 46RE

AR = use ase required - = Non illustrated part



**Brakes, Rear, 12.125 Inches X 3.5 Inches, BE 2,3,7,8**  
**Figure 5-220**



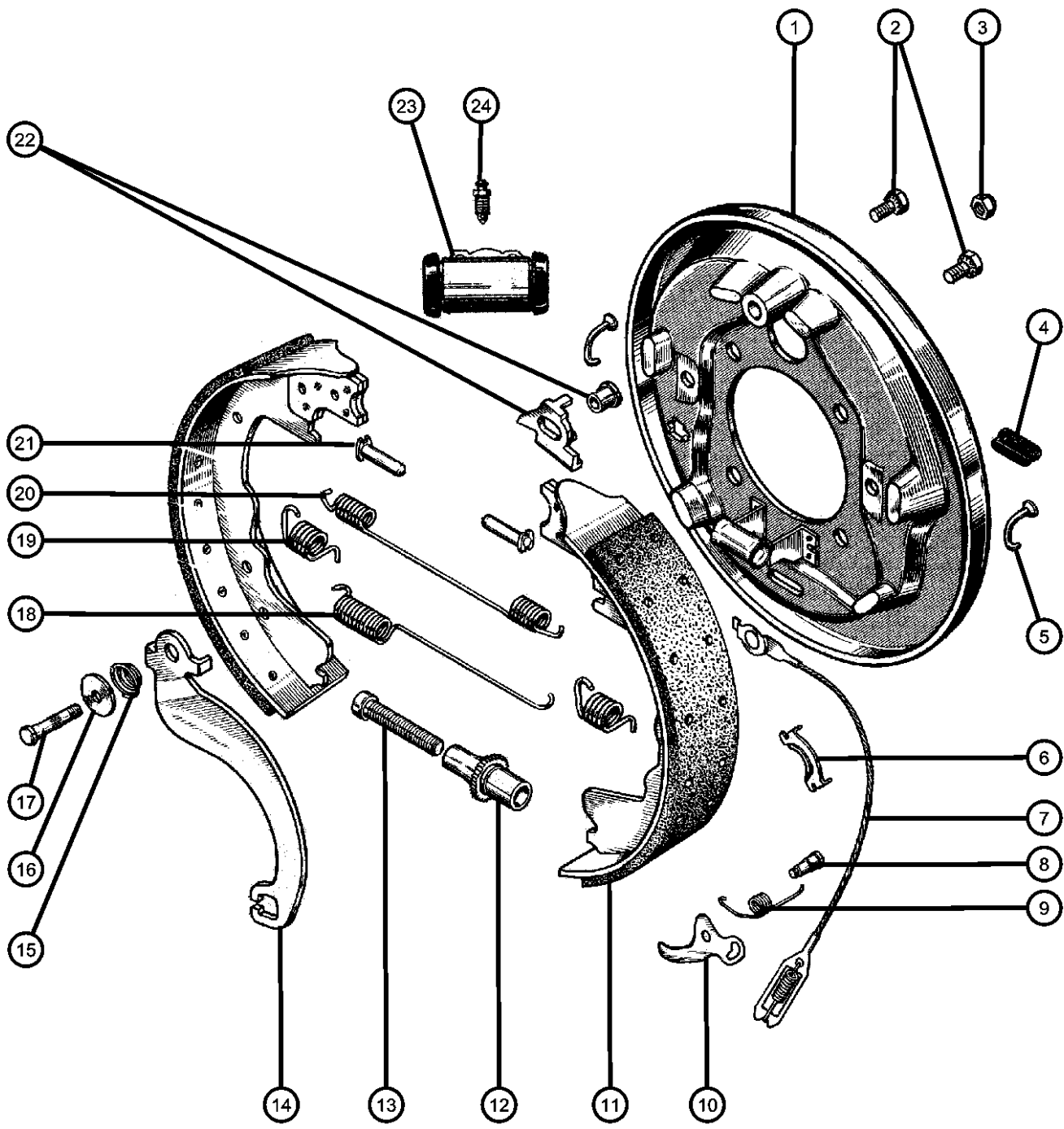
ITEM	PART NUMBER	QTY	LINE	SERIES	BODY	ENGINE	TRANS	TRIM	DESCRIPTION
	04383270	1	2		33, 34				Right
		1	7		33, 34				Right
		1	3		34				Right
		1	8		34				Right
	04383271	1	2		33, 34				Left
		1	7		33, 34				Left
		1	3		34				Left
		1	8		34				Left
13									SCREW, Brake Adjusting
	04383262	1	2		33, 34				Right
		1	7		33, 34				Right
		1	3		34				Right
		1	8		34				Right
	04383263	1	2		33, 34				Left
		1	7		33, 34				Left
		1	3		34				Left
		1	8		34				Left
14									LEVER, Park Brake Adjusting
	05010006AA	1	3		34				Right
		1	2		33, 34				Right
		1	7		33, 34				Right
		1	8		34				Right
	05010007AA	1	3		34				Left
		1	8		34				Left
		1	2		33, 34				Left
		1	7		33, 34				Left
15									SPRING, Parking Brake Lever
	03492656	1	3		34				
		1	8		34				
		1	2		33, 34				

**RAM PICKUP/CLUB CAB (BE)**

SERIES	LINE	BODY	ENGINE	TRANSMISSION
L = Ram Truck (All)	3 = HD DODGE 2WD	31 = CLUB CAB 2-DR 6.5 FT BOX	ELF = ENGINE - 5.2L V8 MPI	DDC = TRANSMISSION - 5-SPEED HD MANUAL
	8 = HD DODGE 4WD	32 = CLUB CAB 2-DR 8FT BOX	EML = ENGINE - 5.9L V8 MPI	DDP = TRANSMISSION - 5-SPEED MANUAL
	1 = Lt. Duty DODGE 2WD	33 = QUAD CAB 4-DR 6.5 FT BOX	EMM = ENGINE - "MAGNUM" 5.9L SMPI V8	DDX = TRANSMISSION - 5-SPEED HD MANUAL
	6 = Lt. Duty DODGE 4WD	34 = QUAD CAB 4-DR 8FT BOX	ETC = ENGINE- 5.9L CUMMINS 24V DIESEL	DEE = TRANSMISSION - 6-SPEED HD MANUAL
	2 = Med. Duty DODGE 2WD		ETH = ENGINE- 5.9L HO CUMMINS TURBO DIESEL	DGP = TRANSMISSION - 4-SPD. AUTOMATIC, 47RE
	7 = Med. Duty DODGE 4WD		EWA = ENGINE - 8.0L V10 MPI	DGT = TRANSMISSION - 4-SPD. AUTOMATIC, 46RE

AR = use ase required - = Non illustrated part

**Brakes, Rear, 12.125 Inches X 3.5 Inches, BE 2,3,7,8**  
**Figure 5-220**



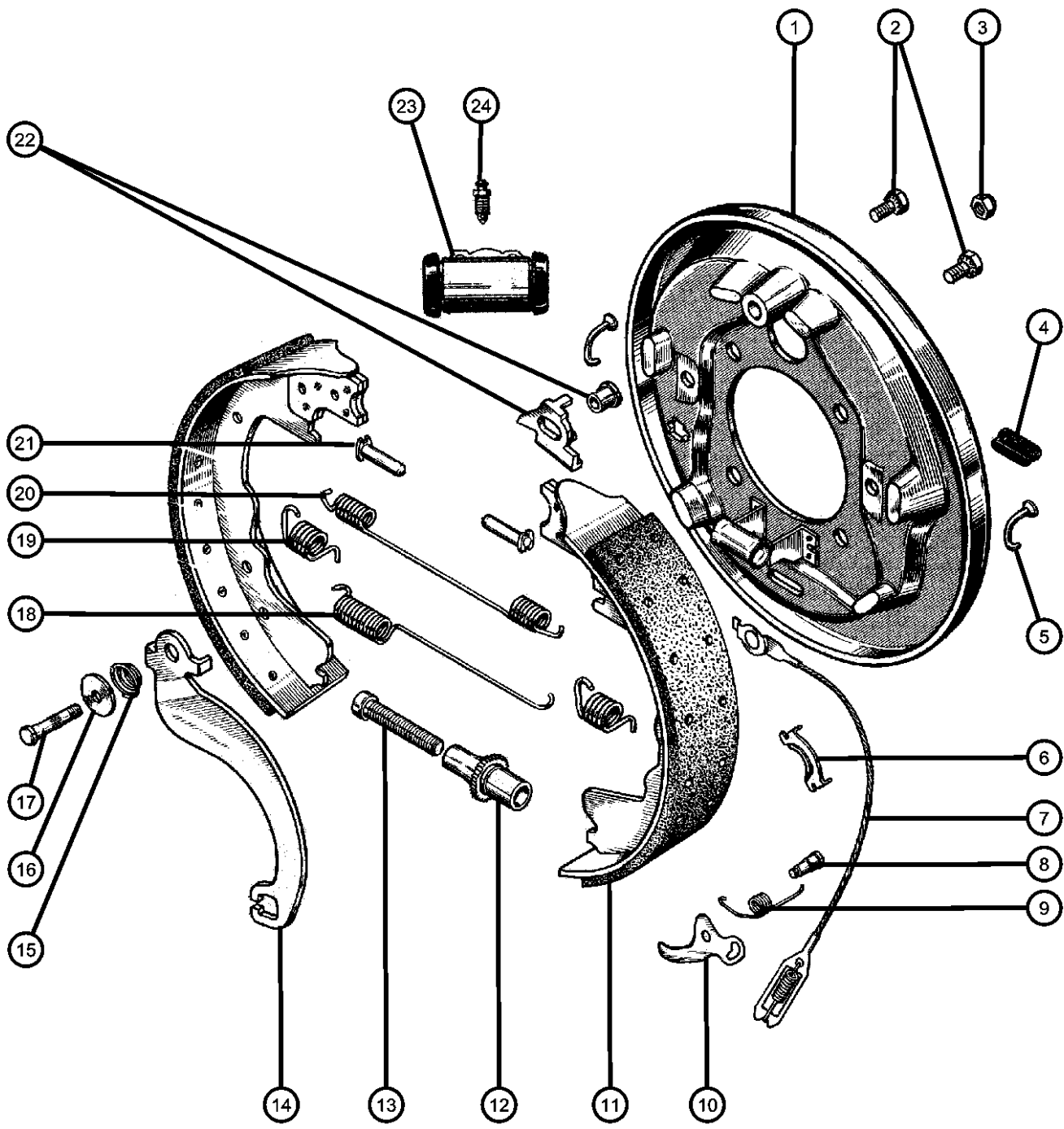
ITEM	PART NUMBER	QTY	LINE	SERIES	BODY	ENGINE	TRANS	TRIM	DESCRIPTION
16		1	7		33, 34				WASHER, Parking Brake Lever
	03492670	1	3		34				
		1	8		34				
		1	2		33, 34				
		1	7		33, 34				
17									BOLT, Park Brake Lever, .25-28
	04419698	1	2		33, 34				
		1	7		33, 34				
		1	8		34				
		1	3		34				
18									SPRING, Brake Shoe Return
	03492668	1	2		33, 34				Lower
		1	7		33, 34				Lower
		1	3		34				Lower
		1	8		34				Lower
19									SPRING, Brake Shoe Hold Down
	03492663	1	2		33, 34				
		1	3		34				
		1	8		34				
		1	7		33, 34				
20									SPRING, Brake Shoe Return
	03496235	1	7		33, 34				Upper
		1	3		34				Upper
		1	2		33, 34				Upper
		1	8		34				Upper
21									LINK, Brake
	03492657	2	7		33, 34				
		2	8		34				
		2	2		33, 34				

**RAM PICKUP/CLUB CAB (BE)**

SERIES	LINE	BODY	ENGINE	TRANSMISSION
L = Ram Truck (All)	3 = HD DODGE 2WD 8 = HD DODGE 4WD 1 = Lt. Duty DODGE 2WD 6 = Lt. Duty DODGE 4WD 2 = Med. Duty DODGE 2WD 7 = Med. Duty DODGE 4WD	31 = CLUB CAB 2-DR 6.5 FT BOX 32 = CLUB CAB 2-DR 8FT BOX 33 = QUAD CAB 4-DR 6.5 FT BOX 34 = QUAD CAB 4-DR 8FT BOX	ELF = ENGINE - 5.2L V8 MPI EML = ENGINE - 5.9L V8 MPI EMM = ENGINE - "MAGNUM" 5.9L SMPI V8 ETC = ENGINE- 5.9L CUMMINS 24V DIESEL ETH = ENGINE- 5.9L HO CUMMINS TURBO DIESEL EWA = ENGINE - 8.0L V10 MPI	DDC = TRANSMISSION - 5-SPEED HD MANUAL DDP = TRANSMISSION - 5-SPEED MANUAL DDX = TRANSMISSION - 5-SPEED HD MANUAL DEE = TRANSMISSION - 6-SPEED HD MANUAL DGP = TRANSMISSION - 4-SPD. AUTOMATIC, 47RE DGT = TRANSMISSION - 4-SPD. AUTOMATIC, 46RE

AR = use ase required - = Non illustrated part

**Brakes, Rear, 12.125 Inches X 3.5 Inches, BE 2,3,7,8**  
**Figure 5-220**



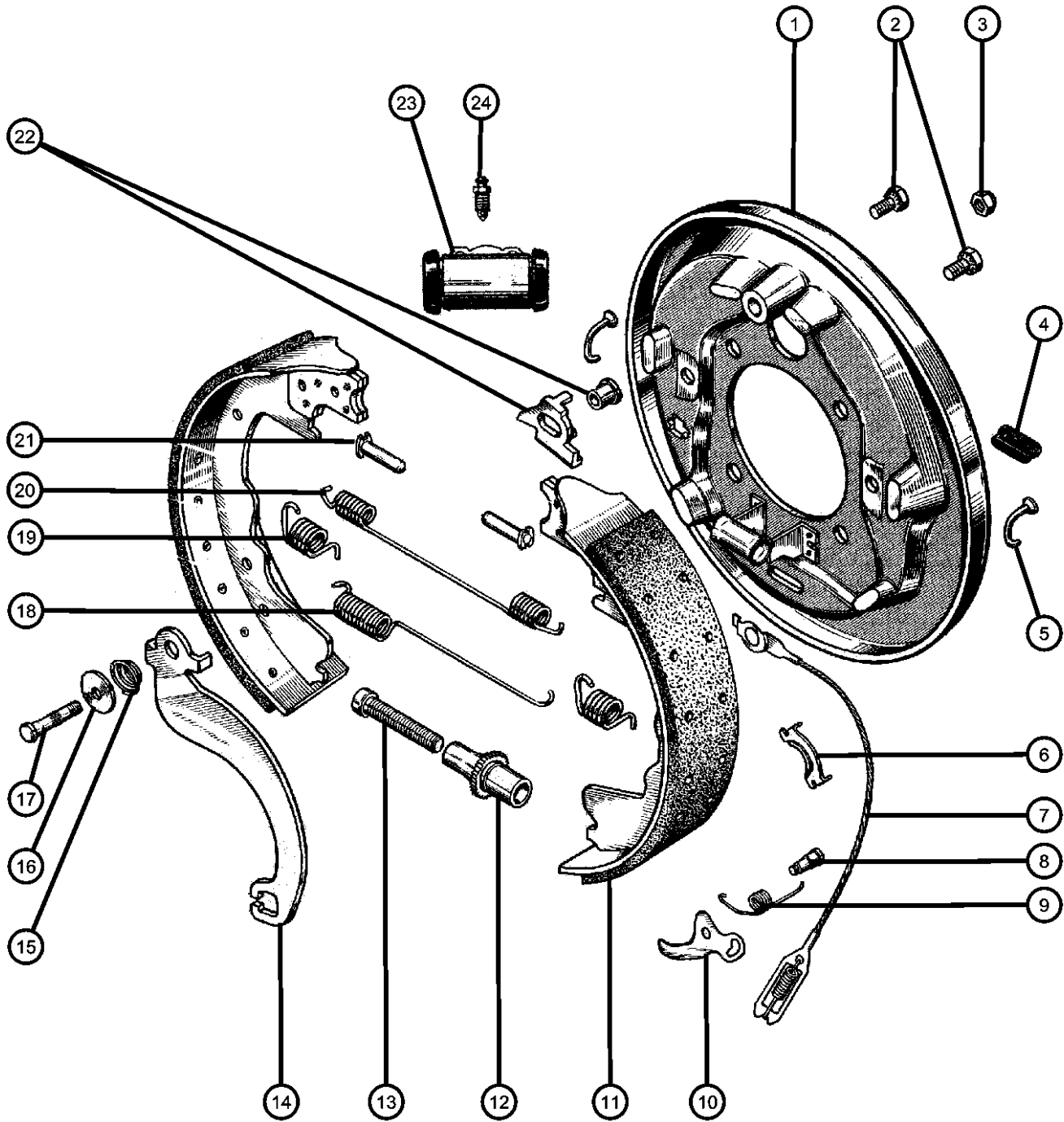
ITEM	PART NUMBER	QTY	LINE	SERIES	BODY	ENGINE	TRANS	TRIM	DESCRIPTION
22		2	3		34				CAM, Parking Brake Lever
	05010010AA	1	2		33, 34				Right
		1	8		34				Right
		1	7		33, 34				Right
		1	3		34				Right
	05010011AA	1	7		33, 34				Left
		1	8		34				Left
		1	3		34				Left
		1	2		33, 34				Left
23									CYLINDER, Wheel
	04088898	1	2		33, 34				Right
	V2108898AA								Mopar V-Line Alternative Part Wheel Cylinder
		1	7		33, 34				Right
	V2108898AA								Mopar V-Line Alternative Part Wheel Cylinder
		1	3		34				Right
	V2108898AA								Mopar V-Line Alternative Part Wheel Cylinder
		1	8		34				Right
	V2108898AA								Mopar V-Line Alternative Part Wheel Cylinder
	04088899	1	7		33, 34				Left
	V2108899AA								Mopar V-Line Alternative Part Wheel Cylinder
		1	2		33, 34				Left
	V2108899AA								Mopar V-Line Alternative Part Wheel Cylinder
		1	3		34				Left
	V2108899AA								Mopar V-Line Alternative Part Wheel Cylinder
		1	8		34				Left

**RAM PICKUP/CLUB CAB (BE)**

SERIES	LINE	BODY	ENGINE	TRANSMISSION
L = Ram Truck (All)	3 = HD DODGE 2WD 8 = HD DODGE 4WD 1 = Lt. Duty DODGE 2WD 6 = Lt. Duty DODGE 4WD 2 = Med. Duty DODGE 2WD 7 = Med. Duty DODGE 4WD	31 = CLUB CAB 2-DR 6.5 FT BOX 32 = CLUB CAB 2-DR 8FT BOX 33 = QUAD CAB 4-DR 6.5 FT BOX 34 = QUAD CAB 4-DR 8FT BOX	ELF = ENGINE - 5.2L V8 MPI EML = ENGINE - 5.9L V8 MPI EMM = ENGINE - "MAGNUM" 5.9L SMPI V8 ETC = ENGINE- 5.9L CUMMINS 24V DIESEL ETH = ENGINE- 5.9L HO CUMMINS TURBO DIESEL EWA = ENGINE - 8.0L V10 MPI	DDC = TRANSMISSION - 5-SPEED HD MANUAL DDP = TRANSMISSION - 5-SPEED MANUAL DDX = TRANSMISSION - 5-SPEED HD MANUAL DEE = TRANSMISSION - 6-SPEED HD MANUAL DGP = TRANSMISSION - 4-SPD. AUTOMATIC, 47RE DGT = TRANSMISSION - 4-SPD. AUTOMATIC, 46RE

AR = use ase required - = Non illustrated part

Brakes, Rear, 12.125 Inches X 3.5 Inches, BE 2,3,7,8  
Figure 5-220



ITEM	PART NUMBER	QTY	LINE	SERIES	BODY	ENGINE	TRANS	TRIM	DESCRIPTION
	V2108899AA								Mopar V-Line Alternative Part Wheel Cylinder
24	J3203313	1	7		33, 34				SCREW, Bleeder
		1	8		34				
		1	2		33, 34				
		1	3		34				
-25	05010008AA	1	2		33, 34				SPRING, Parking Brake Cable
		1	7		33, 34				Guide
		1	8		34				Guide
		1	3		34				Guide

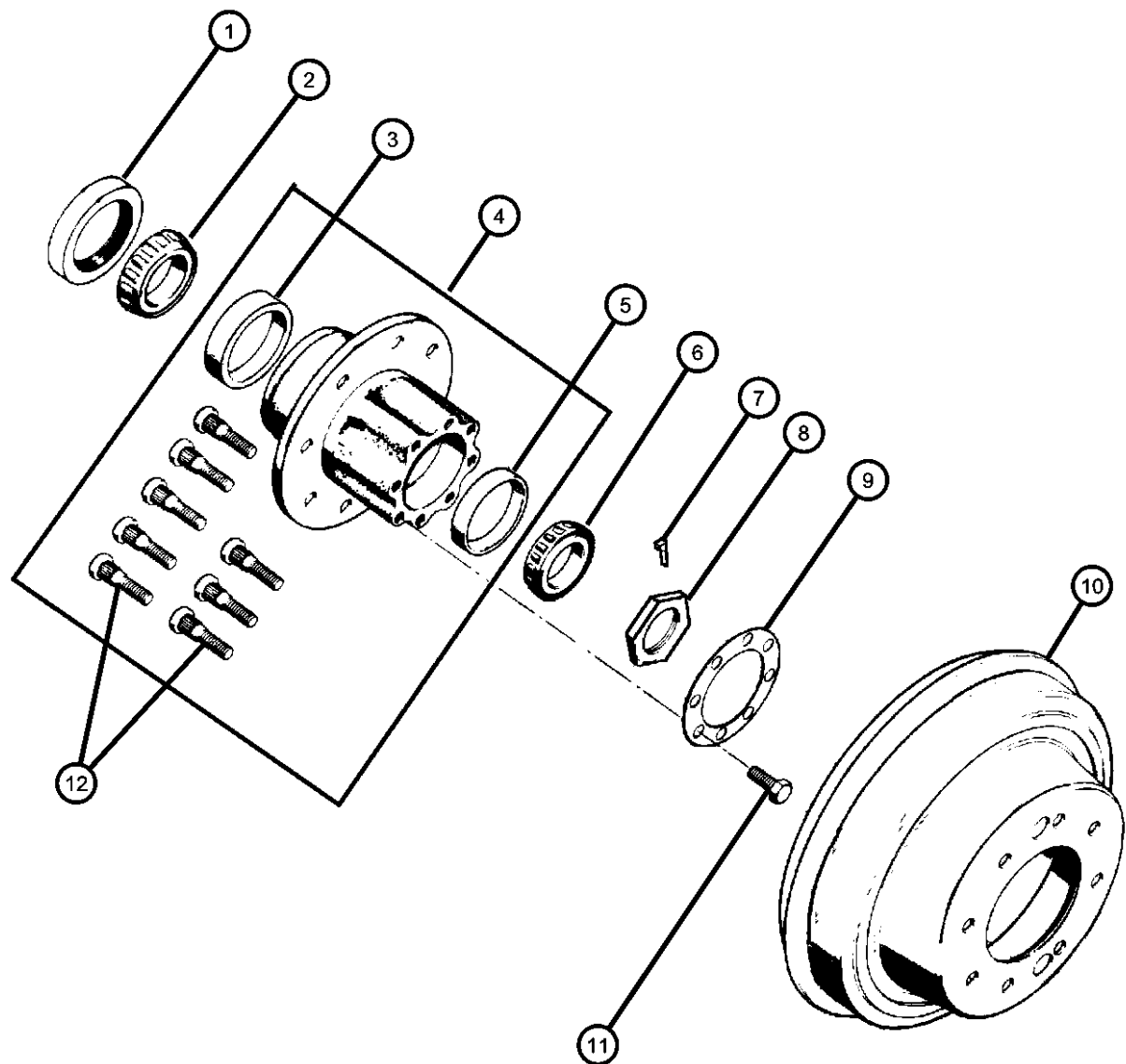
RAM PICKUP/CLUB CAB (BE)

SERIES	LINE	BODY	ENGINE	TRANSMISSION
L = Ram Truck (All)	3 = HD DODGE 2WD 8 = HD DODGE 4WD 1 = Lt. Duty DODGE 2WD 6 = Lt. Duty DODGE 4WD 2 = Med. Duty DODGE 2WD 7 = Med. Duty DODGE 4WD	31 = CLUB CAB 2-DR 6.5 FT BOX 32 = CLUB CAB 2-DR 8FT BOX 33 = QUAD CAB 4-DR 6.5 FT BOX 34 = QUAD CAB 4-DR 8FT BOX	ELF = ENGINE - 5.2L V8 MPI EML = ENGINE - 5.9L V8 MPI EMM = ENGINE - "MAGNUM" 5.9L SMPI V8 ETC = ENGINE- 5.9L CUMMINS 24V DIESEL ETH = ENGINE- 5.9L HO CUMMINS TURBO DIESEL EWA = ENGINE - 8.0L V10 MPI	DDC = TRANSMISSION - 5-SPEED HD MANUAL DDP = TRANSMISSION - 5-SPEED MANUAL DDX = TRANSMISSION - 5-SPEED HD MANUAL DEE = TRANSMISSION - 6-SPEED HD MANUAL DGP = TRANSMISSION - 4-SPD. AUTOMATIC, 47RE DGT = TRANSMISSION - 4-SPD. AUTOMATIC, 46RE

AR = use ase required - = Non illustrated part

Drums And Bearing, Rear Brake, 12.125 X 3.5 Inches, BE 2,3,7,8

Figure 5-230



ITEM	PART NUMBER	QTY	LINE	SERIES	BODY	ENGINE	TRANS	TRIM	DESCRIPTION
1									SEAL, Wheel Bearing
	02954738	2	3		34				
		2	8		34				
	03496557	2	2		33, 34				Without Flange
		2	7		33, 34				Without Flange
	05003464AA	2	2		33, 34				With Flange
		2	7		33, 34				With Flange
2									BEARING, Wheel
	00927017	2	2		33, 34				Inner
		2	7		33, 34				Inner
	02959942	2	3		34				Inner
		2	8		34				Inner
3									CUP, Wheel Bearing
	04746918	1	2		33, 34				
		1	7		33, 34				
	04746919	1	3		34				
		1	8		34				
4									HUB, Wheel
	52009735AA	2	2		33, 34				
		2	7		33, 34				
	52009839AA	2	8		34				
		2	3		34				
5									CUP, Wheel Bearing
	02955374	1	3		34				Outer
		1	8		34				Outer
		1	2		33, 34				Outer
		1	7		33, 34				Outer
6									BEARING, Wheel
	02852729	2	2		33, 34				Outer
		2	7		33, 34				Outer

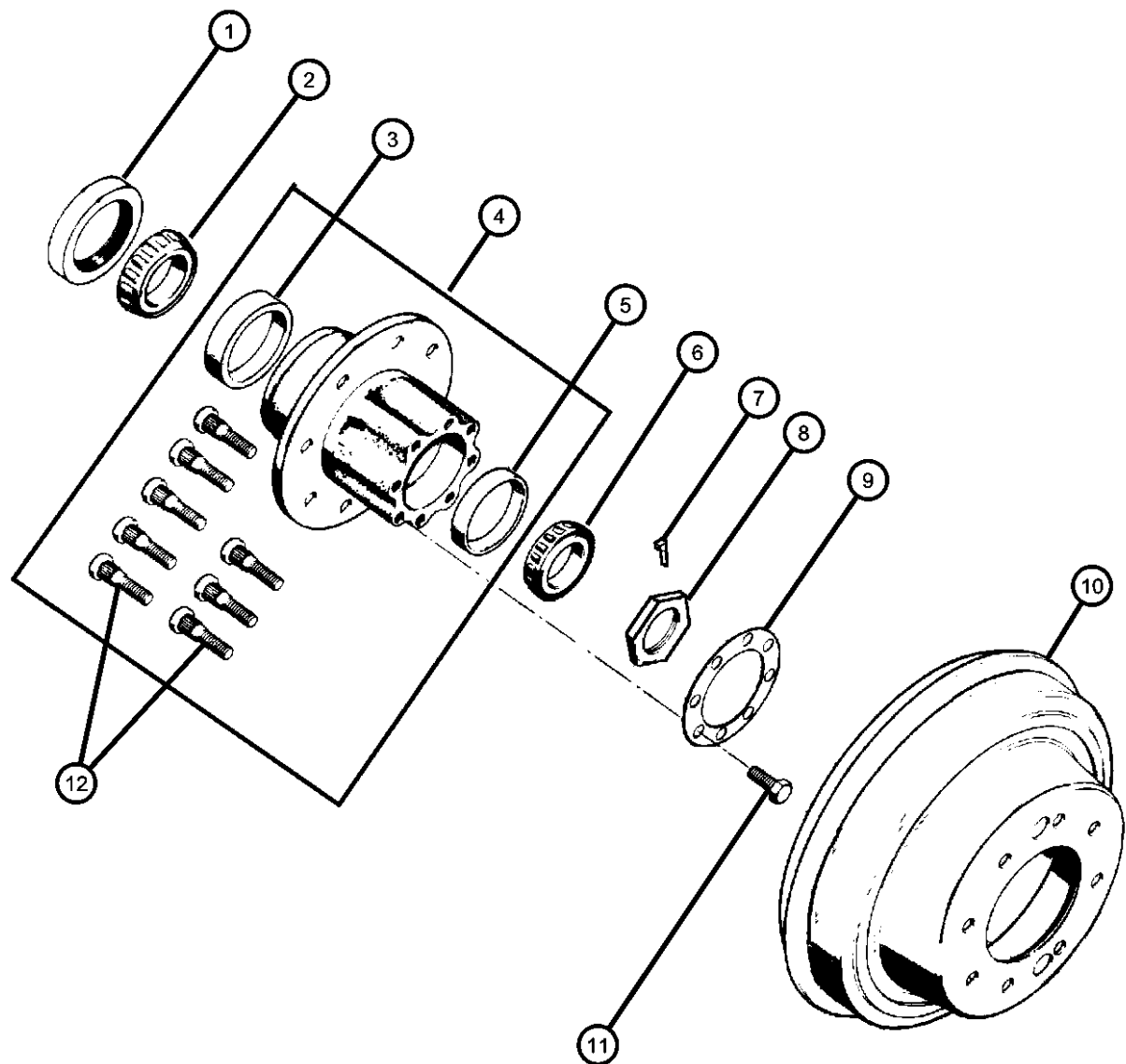
RAM PICKUP/CLUB CAB (BE)

SERIES	LINE	BODY	ENGINE	TRANSMISSION
L = Ram Truck (All)	3 = HD DODGE 2WD	31 = CLUB CAB 2-DR 6.5 FT BOX	ELF = ENGINE - 5.2L V8 MPI	DDC = TRANSMISSION - 5-SPEED HD MANUAL
	8 = HD DODGE 4WD	32 = CLUB CAB 2-DR 8FT BOX	EML = ENGINE - 5.9L V8 MPI	DDP = TRANSMISSION - 5-SPEED MANUAL
	1 = Lt. Duty DODGE 2WD	33 = QUAD CAB 4-DR 6.5 FT BOX	EMM = ENGINE - "MAGNUM" 5.9L SMPI V8	DDX = TRANSMISSION - 5-SPEED HD MANUAL
	6 = Lt. Duty DODGE 4WD	34 = QUAD CAB 4-DR 8FT BOX	ETC = ENGINE- 5.9L CUMMINS 24V DIESEL	DEE = TRANSMISSION - 6-SPEED HD MANUAL
	2 = Med. Duty DODGE 2WD		ETH = ENGINE- 5.9L HO CUMMINS TURBO DIESEL	DGP = TRANSMISSION - 4-SPD. AUTOMATIC, 47RE
	7 = Med. Duty DODGE 4WD		EWA = ENGINE - 8.0L V10 MPI	DGT = TRANSMISSION - 4-SPD. AUTOMATIC, 46RE

AR = use ase required - = Non illustrated part

Drums And Bearing, Rear Brake, 12.125 X 3.5 Inches, BE 2,3,7,8

Figure 5-230



ITEM	PART NUMBER	QTY	LINE	SERIES	BODY	ENGINE	TRANS	TRIM	DESCRIPTION
		2	8		34				Outer
		2	3		34				Outer
7	04797126	2	7		33, 34				LOCK, Wheel Bearing Adj Nut
		2	8		34				
		2	2		33, 34				
		2	3		34				
8	52069306	2	8		34				NUT, Bearing Adjusting
		2	7		33, 34				
		2	2		33, 34				
		2	3		34				
9	04384186	2	2		33, 34				GASKET, Axle Shaft
		2	7		33, 34				Axle Shaft to Hub Mounting
		2	8		34				Axle Shaft to Hub Mounting
		2	3		34				Axle Shaft to Hub Mounting
10	52009736AA	2	2		33, 34				DRUM, Brake
	52009741AA	2	3		34				
		2	8		34				
11	05003466AA	16	7		33, 34				BOLT
		16	3		34				Axle Shaft to Hub Mounting
		16	2		33, 34				Axle Shaft to Hub Mounting
		16	8		34				Axle Shaft to Hub Mounting
12	04746915	8	7		33, 34				STUD, Hub
		8	2		33, 34				Wheel

RAM PICKUP/CLUB CAB (BE)

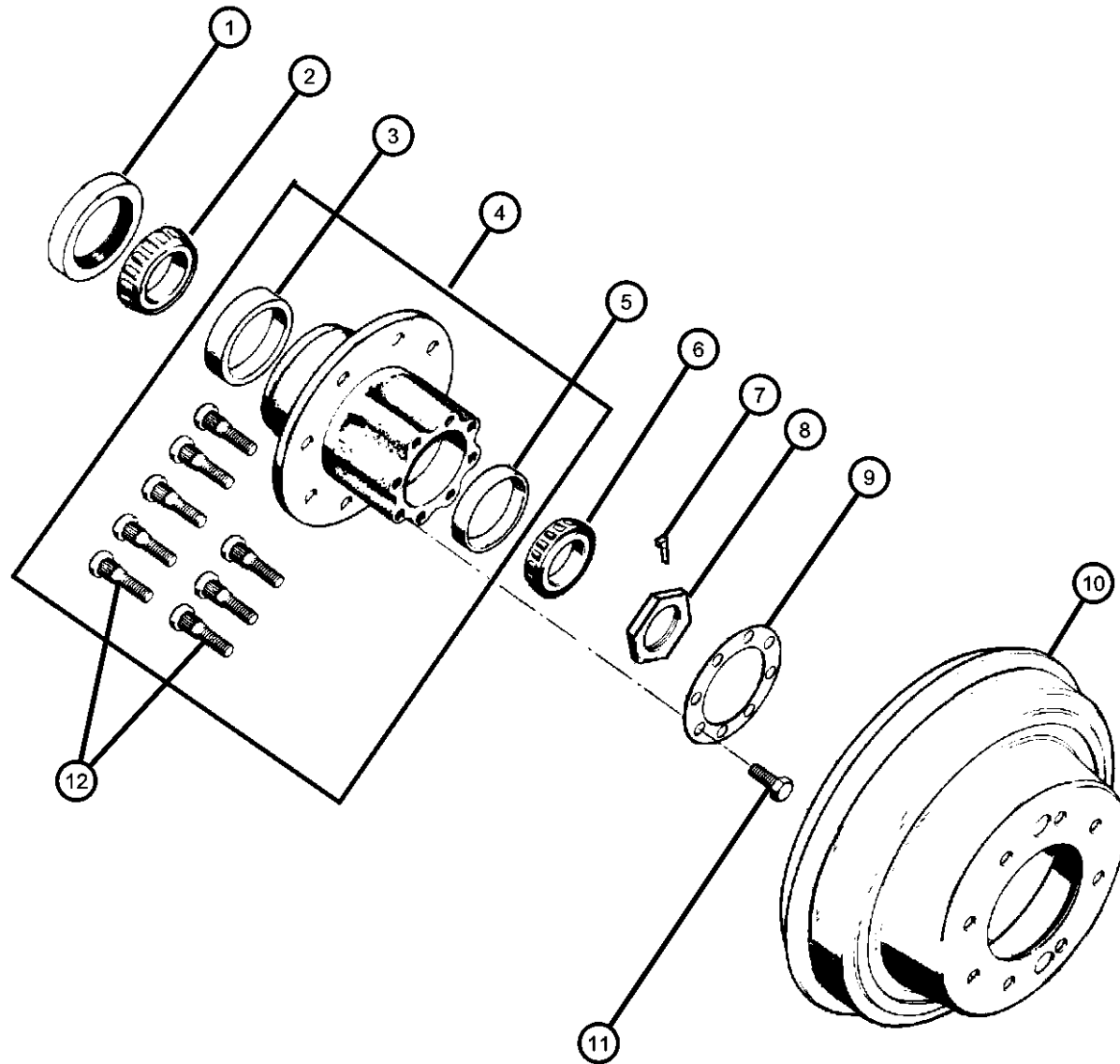
SERIES	LINE	BODY	ENGINE	TRANSMISSION
L = Ram Truck (All)	3 = HD DODGE 2WD	31 = CLUB CAB 2-DR 6.5 FT BOX	ELF = ENGINE - 5.2L V8 MPI	DDC = TRANSMISSION - 5-SPEED HD MANUAL
	8 = HD DODGE 4WD	32 = CLUB CAB 2-DR 8FT BOX	EML = ENGINE - 5.9L V8 MPI	DDP = TRANSMISSION - 5-SPEED MANUAL
	1 = Lt. Duty DODGE 2WD	33 = QUAD CAB 4-DR 6.5 FT BOX	EMM = ENGINE - "MAGNUM" 5.9L SMPI V8	DDX = TRANSMISSION - 5-SPEED HD MANUAL
	6 = Lt. Duty DODGE 4WD	34 = QUAD CAB 4-DR 8FT BOX	ETC = ENGINE- 5.9L CUMMINS 24V DIESEL	DEE = TRANSMISSION - 6-SPEED HD MANUAL
	2 = Med. Duty DODGE 2WD		ETH = ENGINE- 5.9L HO CUMMINS TURBO DIESEL	DGP = TRANSMISSION - 4-SPD. AUTOMATIC, 47RE
	7 = Med. Duty DODGE 4WD		EWA = ENGINE - 8.0L V10 MPI	DGT = TRANSMISSION - 4-SPD. AUTOMATIC, 46RE

AR = use ase required - = Non illustrated part

Drums And Bearing, Rear Brake, 12.125 X 3.5 Inches, BE 2,3,7,8  
Figure 5-230

ITEM	PART NUMBER	QTY	LINE	SERIES	BODY	ENGINE	TRANS	TRIM	DESCRIPTION
------	-------------	-----	------	--------	------	--------	-------	------	-------------

	04746916	8	3		34				Wheel
		8	8		34				Wheel



RAM PICKUP/CLUB CAB (BE)

SERIES	LINE	BODY	ENGINE	TRANSMISSION
L = Ram Truck (All)	3 = HD DODGE 2WD	31 = CLUB CAB 2-DR 6.5 FT BOX	ELF = ENGINE - 5.2L V8 MPI	DDC = TRANSMISSION - 5-SPEED HD MANUAL
	8 = HD DODGE 4WD	32 = CLUB CAB 2-DR 8FT BOX	EML = ENGINE - 5.9L V8 MPI	DDP = TRANSMISSION - 5-SPEED MANUAL
	1 = Lt. Duty DODGE 2WD	33 = QUAD CAB 4-DR 6.5 FT BOX	EMM = ENGINE - "MAGNUM" 5.9L SMPI V8	DDX = TRANSMISSION - 5-SPEED HD MANUAL
	6 = Lt. Duty DODGE 4WD	34 = QUAD CAB 4-DR 8FT BOX	ETC = ENGINE- 5.9L CUMMINS 24V DIESEL	DEE = TRANSMISSION - 6-SPEED HD MANUAL
	2 = Med. Duty DODGE 2WD		ETH = ENGINE- 5.9L HO CUMMINS TURBO DIESEL	DGP = TRANSMISSION - 4-SPD. AUTOMATIC, 47RE
	7 = Med. Duty DODGE 4WD		EWA = ENGINE - 8.0L V10 MPI	DGT = TRANSMISSION - 4-SPD. AUTOMATIC, 46RE

AR = use ase required - = Non illustrated part

2000 BE

**Booster--Power Brake and Hydro**  
**Figure 5-310**

ITEM	PART NUMBER	QTY	LINE	SERIES	BODY	ENGINE	TRANS	TRIM	DESCRIPTION
------	-------------	-----	------	--------	------	--------	-------	------	-------------

Note:EH0=3.9L V-6 Gas Engine—EL0=5.2L V-8 Gas Engine—EM0=5.9L Gas Engine—EW0=8.0L Gas Engine—TXN= LT275/70R17 OWL ON/O

1									GROMMET, Brake Booster Check Valve
	04883813AA	1	1, 6						
		1	2, 7		33, 34				
2									HOSE, Brake Booster
	52008111AE	1	1, 2, 6, 7						[EL0,EM0]
	52008212AD	1	1, 2, 6, 7						[EW0]
-3	02448761	2							CLAMP, Hose
-4	06016020	1							STRAP, Tie, Booster Hose to Breather Hose
5									VALVE, Brake Booster Check
	04723391	1	1, 6						
		1	2, 7		33, 34				
6									BOOSTER, Power Brake
	05015102AA	1	1, 6						[+TXN,+TXW]
	05015103AA	1	2, 7		33, 34				
		1	1, 6						[-TXN,-TXW]
-7	06503269	4							NUT, Hex, M10-1.5, Booster to Dash Mounting
8									CLIP, Brake Tube
	52009651AA	2	2, 7		33, 34				
		2	3, 8		34				
9									TUBE, Brake
	52009645AB	1	2, 7		33, 34				
		1	3, 8		34				
10									CLIP, Brake Tube
	52009651AA	2	2, 7		33, 34				
		2	3, 8		34				
11									TUBE, Brake
	52009650AC	1	2, 7		33, 34				
		1	3, 8		34				

**RAM PICKUP/CLUB CAB (BE)**

SERIES	LINE
L = Ram Truck (All)	3 = HD DODGE 2WD
	8 = HD DODGE 4WD
	1 = Lt. Duty DODGE 2WD
	6 = Lt. Duty DODGE 4WD
	2 = Med. Duty DODGE 2WD
	7 = Med. Duty DODGE 4WD

BODY	ENGINE	TRANSMISSION
31 = CLUB CAB 2-DR 6.5 FT BOX	ELF = ENGINE - 5.2L V8 MPI	DDC = TRANSMISSION - 5-SPEED HD MANUAL
32 = CLUB CAB 2-DR 8FT BOX	EML = ENGINE - 5.9L V8 MPI	DDP = TRANSMISSION - 5-SPEED MANUAL
33 = QUAD CAB 4-DR 6.5 FT BOX	EMM = ENGINE - "MAGNUM" 5.9L SMPI V8	DDX = TRANSMISSION - 5-SPEED HD MANUAL
34 = QUAD CAB 4-DR 8FT BOX	ETC = ENGINE- 5.9L CUMMINS 24V DIESEL	DEE = TRANSMISSION - 6-SPEED HD MANUAL
	ETH = ENGINE- 5.9L HO CUMMINS TURBO DIESEL	DGP = TRANSMISSION - 4-SPD. AUTOMATIC,47RE
	EWA = ENGINE - 8.0L V10 MPI	DGT = TRANSMISSION - 4-SPD. AUTOMATIC,46RE

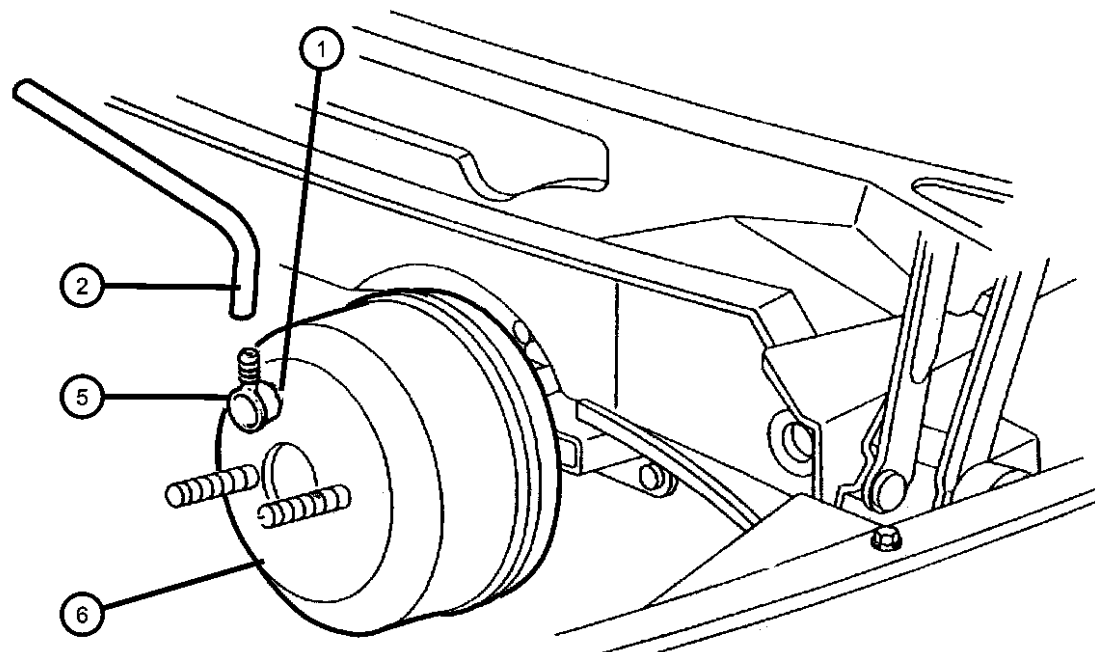
AR = use ase required - = Non illustrated part

2000 BE

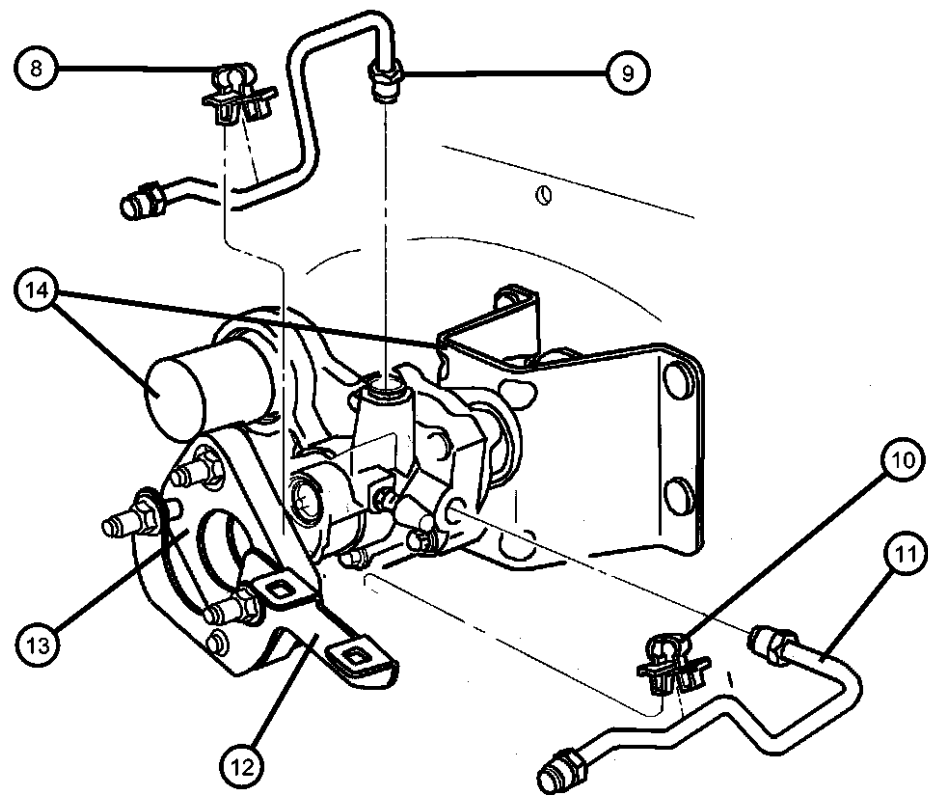


**Booster--Power Brake and Hydro**  
**Figure 5-310**

ITEM	PART NUMBER	QTY	LINE	SERIES	BODY	ENGINE	TRANS	TRIM	DESCRIPTION
------	-------------	-----	------	--------	------	--------	-------	------	-------------



12	52009652AA	1	2, 7		33, 34				BRACKET, Brake Booster
		1	3, 8		34				
13	05134380AA	1	2, 7		33, 34				SPACER, Brake Booster
		1	3, 8		34				
14	05003330AB	1	2, 7		33, 34				HYDRO-BOOSTER, Power Brake
		1	3, 8		34				

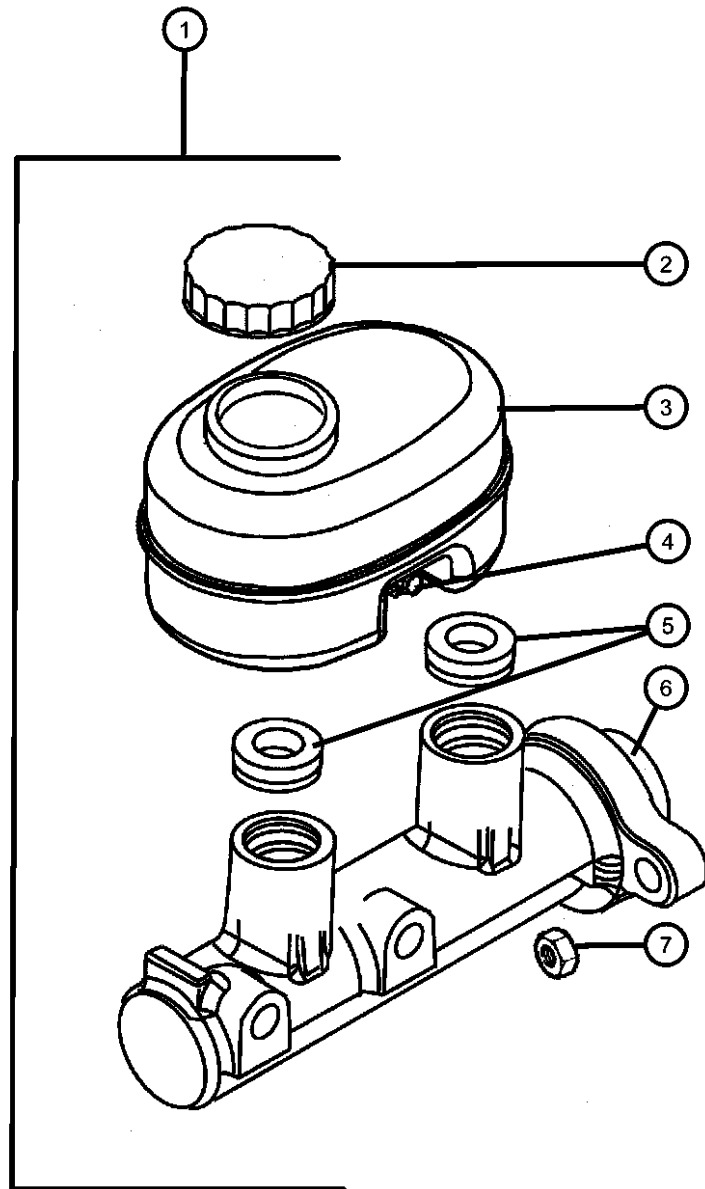


**RAM PICKUP/CLUB CAB (BE)**

SERIES	LINE	BODY	ENGINE	TRANSMISSION
L = Ram Truck (All)	3 = HD DODGE 2WD	31 = CLUB CAB 2-DR 6.5 FT BOX	ELF = ENGINE - 5.2L V8 MPI	DDC = TRANSMISSION - 5-SPEED HD MANUAL
	8 = HD DODGE 4WD	32 = CLUB CAB 2-DR 8FT BOX	EML = ENGINE - 5.9L V8 MPI	DDP = TRANSMISSION - 5-SPEED MANUAL
	1 = Lt. Duty DODGE 2WD	33 = QUAD CAB 4-DR 6.5 FT BOX	EMM = ENGINE - "MAGNUM" 5.9L SMPI V8	DDX = TRANSMISSION - 5-SPEED HD MANUAL
	6 = Lt. Duty DODGE 4WD	34 = QUAD CAB 4-DR 8FT BOX	ETC = ENGINE- 5.9L CUMMINS 24V DIESEL	DEE = TRANSMISSION - 6-SPEED HD MANUAL
	2 = Med. Duty DODGE 2WD		ETH = ENGINE- 5.9L HO CUMMINS TURBO DIESEL	DGP = TRANSMISSION - 4-SPD. AUTOMATIC,47RE
	7 = Med. Duty DODGE 4WD		EWA = ENGINE - 8.0L V10 MPI	DGT = TRANSMISSION - 4-SPD. AUTOMATIC,46RE

AR = use ase required - = Non illustrated part

**Master Cylinder--Brake,All Bodies**  
**Figure 5-410**



ITEM	PART NUMBER	QTY	LINE	SERIES	BODY	ENGINE	TRANS	TRIM	DESCRIPTION
1	05011256AB V1101256AA	1	1, 6						MASTER CYLINDER, Brake
	V1101256AA	1	2, 7		33, 34				Mopar Alternative Part - Master Cylinder
	V1101256AA	1	3, 8		34				Mopar Alternative Part - Master Cylinder
2	04683656	1	1, 6						Mopar Alternative Part - Master Cylinder
		1	2, 7		33, 34				CAP, Master Cylinder Reservoir
		1	3, 8		34				
3	04882865	1	1, 6						RESERVOIR, Brake Master Cylinder
		1	2, 7		33, 34				Includes 2,4,5,6
		1	3, 8		34				Includes 2,4,5,6
4	04723394	2	3, 8		34				PIN, Master Cylinder Reservoir
		2	2, 7		33, 34				Mounting
		2	1, 6						Mounting
5	04723389	2	3, 8		34				GROMMET, Master Cylinder Reservoir
		2	2, 7		33, 34				Mounting
		2	1, 6						Mounting
6	04723395	1	1, 6						SEAL, Master Cylinder To Booster
		1	2, 7		33, 34				Mounting
		1	3, 8		34				Mounting
7									NUT

**RAM PICKUP/CLUB CAB (BE)**

SERIES	LINE
L = Ram Truck (All)	3 = HD DODGE 2WD
	8 = HD DODGE 4WD
	1 = Lt. Duty DODGE 2WD
	6 = Lt. Duty DODGE 4WD
	2 = Med. Duty DODGE 2WD
	7 = Med. Duty DODGE 4WD

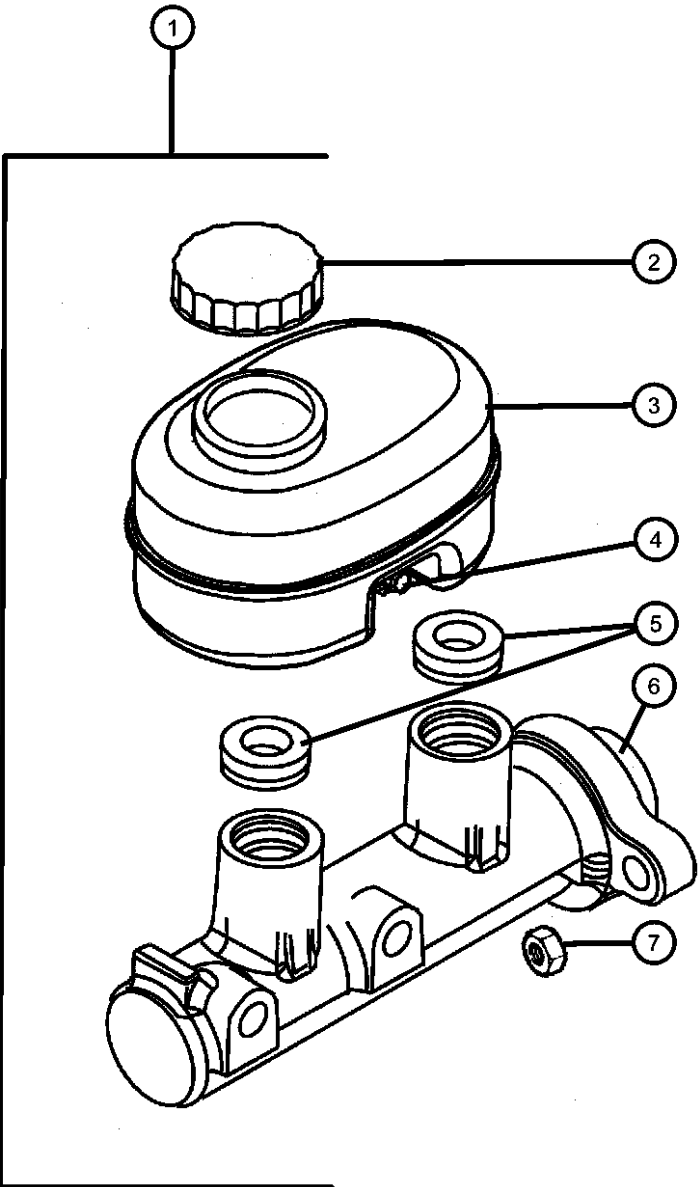
BODY	ENGINE	TRANSMISSION
31 = CLUB CAB 2-DR 6.5 FT BOX	ELF = ENGINE - 5.2L V8 MPI	DDC = TRANSMISSION - 5-SPEED HD MANUAL
32 = CLUB CAB 2-DR 8FT BOX	EML = ENGINE - 5.9L V8 MPI	DDP = TRANSMISSION - 5-SPEED MANUAL
33 = QUAD CAB 4-DR 6.5 FT BOX	EMM = ENGINE - "MAGNUM" 5.9L SMPI V8	DDX = TRANSMISSION - 5-SPEED HD MANUAL
34 = QUAD CAB 4-DR 8FT BOX	ETC = ENGINE- 5.9L CUMMINS 24V DIESEL	DEE = TRANSMISSION - 6-SPEED HD MANUAL
	ETH = ENGINE- 5.9L HO CUMMINS TURBO DIESEL	DGP = TRANSMISSION - 4-SPD. AUTOMATIC,47RE
	EWA = ENGINE - 8.0L V10 MPI	DGT = TRANSMISSION - 4-SPD. AUTOMATIC,46RE

AR = use ase required - = Non illustrated part

2000 BE

**Master Cylinder--Brake,All Bodies**  
**Figure 5-410**

ITEM	PART NUMBER	QTY	LINE	SERIES	BODY	ENGINE	TRANS	TRIM	DESCRIPTION
	04897209AA	2	3, 8		34				Master Cylinder to Booster, Mounting
		2	2, 7		33, 34				Master Cylinder to Booster, Mounting
		2	1, 6						Master Cylinder to Booster, Mounting

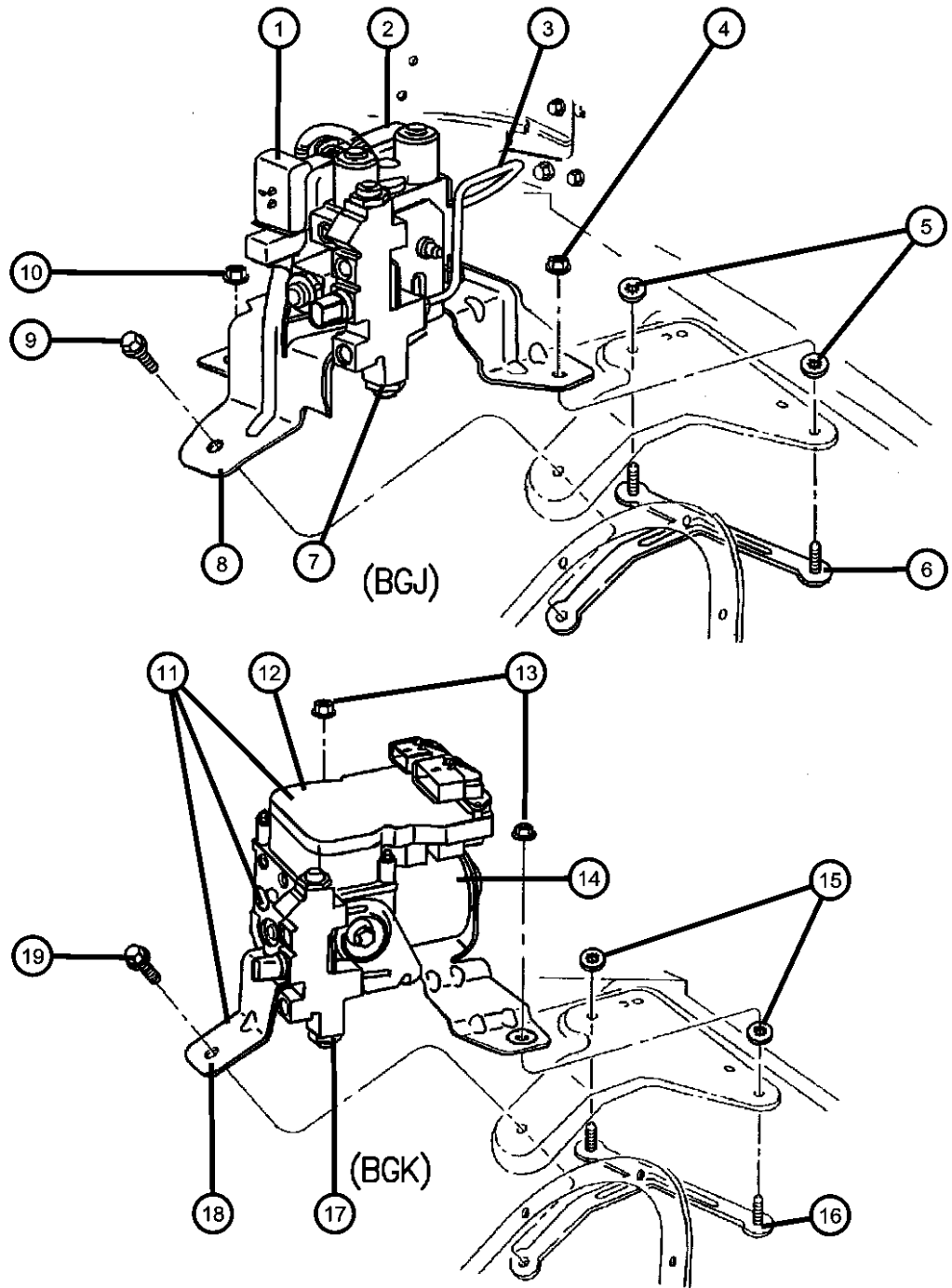


**RAM PICKUP/CLUB CAB (BE)**

SERIES	LINE	BODY	ENGINE	TRANSMISSION
L = Ram Truck (All)	3 = HD DODGE 2WD	31 = CLUB CAB 2-DR 6.5 FT BOX	ELF = ENGINE - 5.2L V8 MPI	DDC = TRANSMISSION - 5-SPEED HD MANUAL
	8 = HD DODGE 4WD	32 = CLUB CAB 2-DR 8FT BOX	EML = ENGINE - 5.9L V8 MPI	DDP = TRANSMISSION - 5-SPEED MANUAL
	1 = Lt. Duty DODGE 2WD	33 = QUAD CAB 4-DR 6.5 FT BOX	EMM = ENGINE - "MAGNUM" 5.9L SMPI V8	DDX = TRANSMISSION - 5-SPEED HD MANUAL
	6 = Lt. Duty DODGE 4WD	34 = QUAD CAB 4-DR 8FT BOX	ETC = ENGINE- 5.9L CUMMINS 24V DIESEL	DEE = TRANSMISSION - 6-SPEED HD MANUAL
	2 = Med. Duty DODGE 2WD		ETH = ENGINE- 5.9L HO CUMMINS TURBO DIESEL	DGP = TRANSMISSION - 4-SPD. AUTOMATIC,47RE
	7 = Med. Duty DODGE 4WD		EWA = ENGINE - 8.0L V10 MPI	DGT = TRANSMISSION - 4-SPD. AUTOMATIC,46RE

AR = use ase required - = Non illustrated part

**Hydraulic Control Unit, Brake, R.W.A.L and A.W.A.L  
Figure 5-420**



ITEM	PART NUMBER	QTY	LINE	SERIES	BODY	ENGINE	TRANS	TRIM	DESCRIPTION
------	-------------	-----	------	--------	------	--------	-------	------	-------------

Note:—BGJ=Rear Wheel Antilock Brakes—BGK=All Wheel Antilock Brakes

1									MODULE, Anti-lock Brakes
	05015525AA	1	1, 6						
	05015526AB	1	2, 7		33, 34				
2									VALVE, Brake Pressure Limit
	05003312AA	1	1, 6						
		1	2, 7		33, 34				
3									TUBE, Brake
	05003310AA	1	1, 6						Jumper Tube
		1	2, 7		33, 34				Jumper Tube
4	34201711	2							NUT, Hex Flange, M8x1.25, Hydraulic Control Unit to Stud Plate, Mounting
5	06100841	2							PUSH NUT, M8, Stud Plate to Fender, Mounting
6	52008038AB	1							STUD PLATE, Hydraulic Control Unit Mounting
7									VALVE, Proportioning
	05015419AA	1	1, 6						
	05015429AA	1	2, 7		33, 34				
8									BRACKET, Anti-Lock Brake Module
	05003311AA	1	2, 7		33, 34				Mounting
		1	1, 6						Mounting
9		1							SCREW AND WASHER, Hex Head, M8x1.25x33, (NOT SERVICED)
10	34201711	2							NUT, Hex Flange, M8x1.25, Hydraulic Control Unit to Stud Plate, Mounting
11									CONTROL UNIT, Anti-Lock Brake
	52010072AF	1	2, 7		33, 34				Includes Items 12,14,17,18,20,21
	52010073AE	1	1, 6						Includes Items 12,14,17,18,20,21
	52010074AF	1	3, 8		34				Includes Items 12,14,17,18,20,21

**RAM PICKUP/CLUB CAB (BE)**

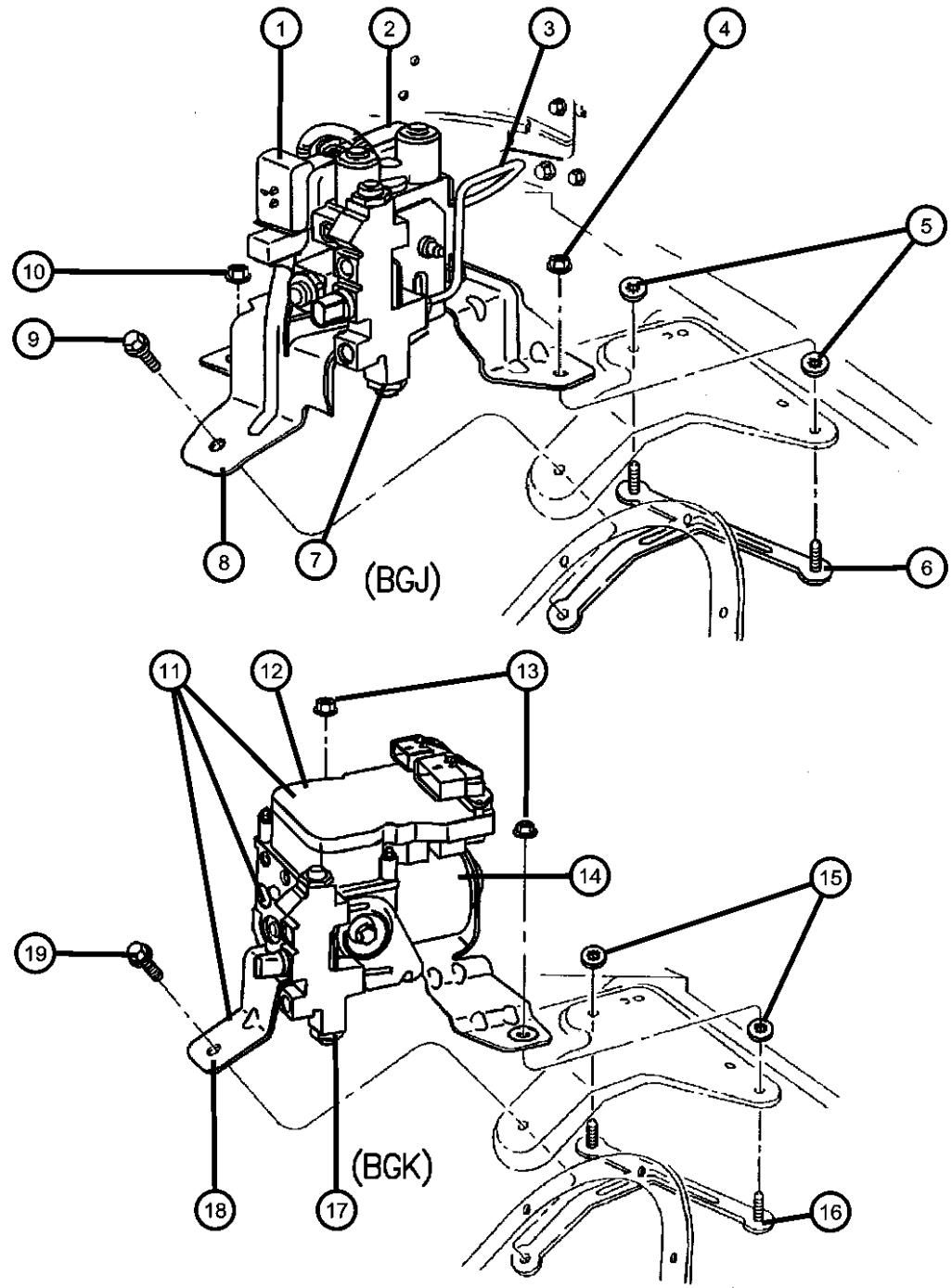
SERIES	LINE
L = Ram Truck (All)	3 = HD DODGE 2WD
	8 = HD DODGE 4WD
	1 = Lt. Duty DODGE 2WD
	6 = Lt. Duty DODGE 4WD
	2 = Med. Duty DODGE 2WD
	7 = Med. Duty DODGE 4WD

BODY	ENGINE	TRANSMISSION
31 = CLUB CAB 2-DR 6.5 FT BOX	ELF = ENGINE - 5.2L V8 MPI	DDC = TRANSMISSION - 5-SPEED HD MANUAL
32 = CLUB CAB 2-DR 8FT BOX	EML = ENGINE - 5.9L V8 MPI	DDP = TRANSMISSION - 5-SPEED MANUAL
33 = QUAD CAB 4-DR 6.5 FT BOX	EMM = ENGINE - "MAGNUM" 5.9L SMPI V8	DDX = TRANSMISSION - 5-SPEED HD MANUAL
34 = QUAD CAB 4-DR 8FT BOX	ETC = ENGINE- 5.9L CUMMINS 24V DIESEL	DEE = TRANSMISSION - 6-SPEED HD MANUAL
	ETH = ENGINE- 5.9L HO CUMMINS TURBO DIESEL	DGP = TRANSMISSION - 4-SPD. AUTOMATIC, 47RE
	EWA = ENGINE - 8.0L V10 MPI	DGT = TRANSMISSION - 4-SPD. AUTOMATIC, 46RE

AR = use ase required - = Non illustrated part

2000 BE

**Hydraulic Control Unit, Brake, R.W.A.L and A.W.A.L**  
**Figure 5-420**



ITEM	PART NUMBER	QTY	LINE	SERIES	BODY	ENGINE	TRANS	TRIM	DESCRIPTION
12									MODULE, Anti-lock Brakes
	05015527AB	1	1, 6						
	05015528AD	1	2, 7		33, 34				
	05015529AC	1	3, 8		34				
13	34201711	2							NUT, Hex Flange, M8x1.25, Hydraulic Control Unit to Stud Plate, Mounting
14									HYDRAULIC CONTROL UNIT, Anti-Lock Brake System
	05096264AA	1	2, 7		33, 34				
		1	3, 8		34				
		1	1, 6						
15	06100841	2							PUSH NUT, M8, Hydraulic Control Unit to Stud Plate, Mounting
16	52008038AB	1							STUD PLATE, Hydraulic Control Unit Mounting
17									VALVE, Proportioning
	05015419AA	1	1, 6						
	05015429AA	1	3, 8		34				
		1	2, 7		33, 34				
18									BRACKET, Anti-Lock Brake Module
	05003305AA	1	1, 6						Mounting
		1	3, 8		34				Mounting
		1	2, 7		33, 34				Mounting
19		1							SCREW AND WASHER, Hex Head, M8x1.25x33, (NOT SERVICED)
-20									TUBE, Brake
	05003307AA	1	1, 6						Module Jumper, Front
		1	3, 8		34				Module Jumper, Front
		1	2, 7		33, 34				Module Jumper, Front
-21									TUBE, Brake
	05003308AA	1	3, 8		34				Module Jumper, Rear

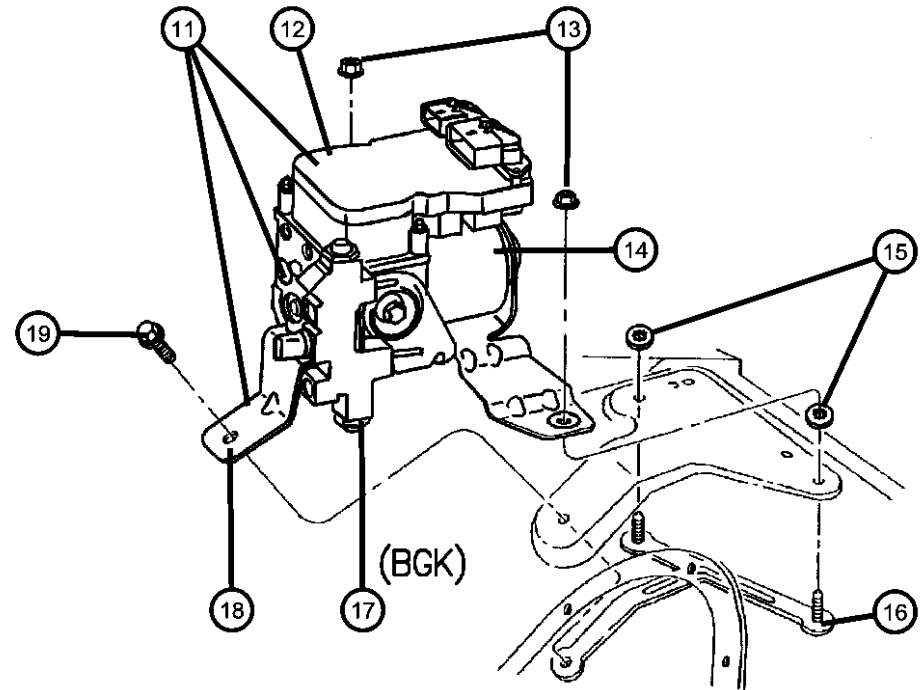
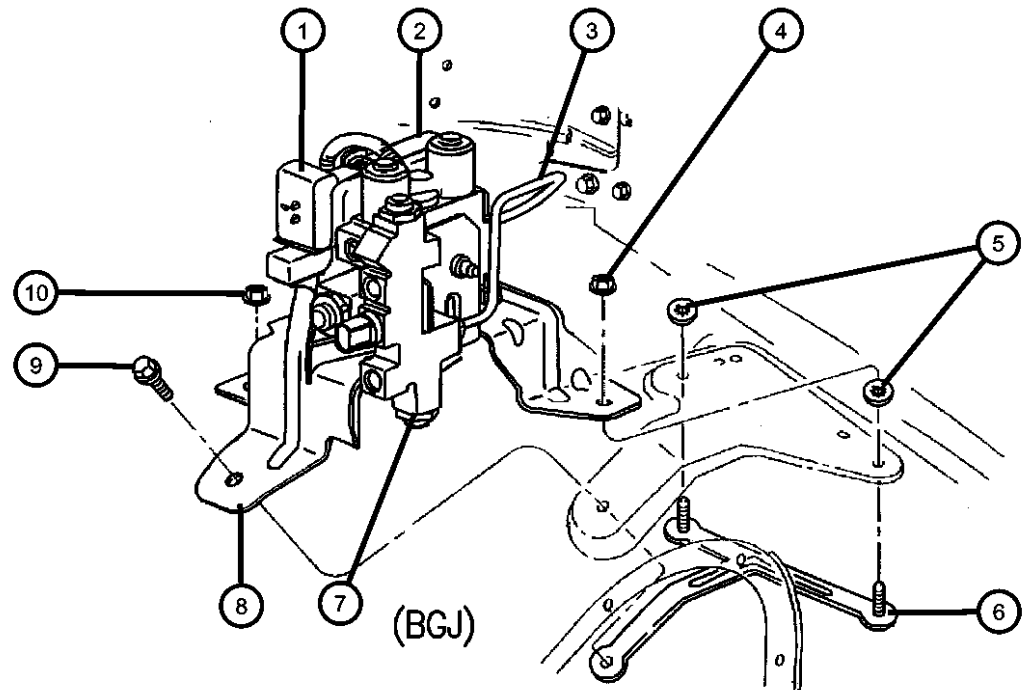
**RAM PICKUP/CLUB CAB (BE)**

SERIES	LINE	BODY	ENGINE	TRANSMISSION
L = Ram Truck (All)	3 = HD DODGE 2WD 8 = HD DODGE 4WD 1 = Lt. Duty DODGE 2WD 6 = Lt. Duty DODGE 4WD 2 = Med. Duty DODGE 2WD 7 = Med. Duty DODGE 4WD	31 = CLUB CAB 2-DR 6.5 FT BOX 32 = CLUB CAB 2-DR 8FT BOX 33 = QUAD CAB 4-DR 6.5 FT BOX 34 = QUAD CAB 4-DR 8FT BOX	ELF = ENGINE - 5.2L V8 MPI EML = ENGINE - 5.9L V8 MPI EMM = ENGINE - "MAGNUM" 5.9L SMPI V8 ETC = ENGINE- 5.9L CUMMINS 24V DIESEL ETH = ENGINE- 5.9L HO CUMMINS TURBO DIESEL EWA = ENGINE - 8.0L V10 MPI	DDC = TRANSMISSION - 5-SPEED HD MANUAL DDP = TRANSMISSION - 5-SPEED MANUAL DDX = TRANSMISSION - 5-SPEED HD MANUAL DEE = TRANSMISSION - 6-SPEED HD MANUAL DGP = TRANSMISSION - 4-SPD. AUTOMATIC, 47RE DGT = TRANSMISSION - 4-SPD. AUTOMATIC, 46RE

AR = use ase required - = Non illustrated part

Hydraulic Control Unit, Brake, R.W.A.L and A.W.A.L  
Figure 5-420

ITEM	PART NUMBER	QTY	LINE	SERIES	BODY	ENGINE	TRANS	TRIM	DESCRIPTION
------	-------------	-----	------	--------	------	--------	-------	------	-------------



		1	1, 6						Module Jumper, Rear
		1	2, 7		33, 34				Module Jumper, Rear

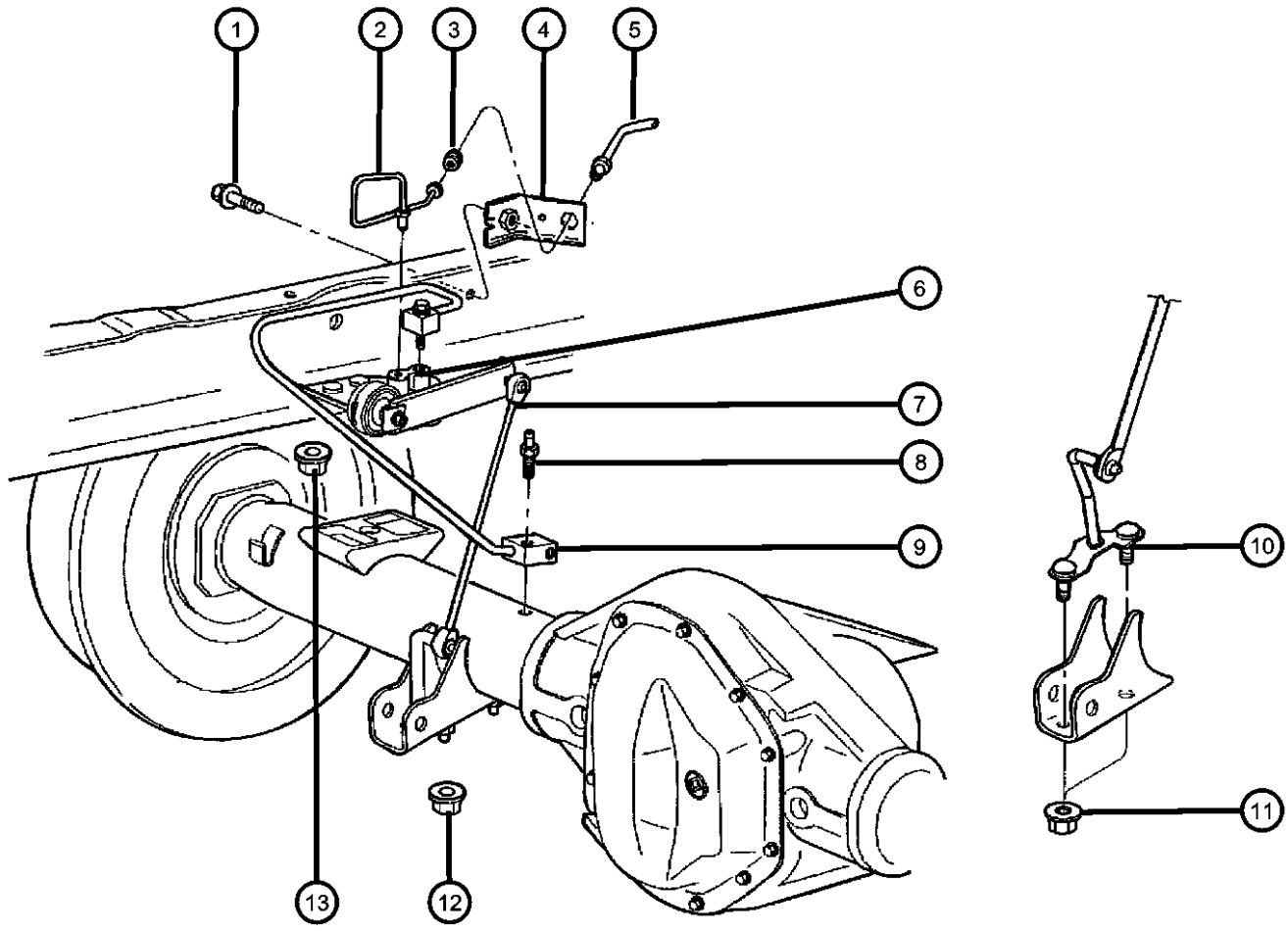
RAM PICKUP/CLUB CAB (BE)

SERIES	LINE	BODY	ENGINE	TRANSMISSION
L = Ram Truck (All)	3 = HD DODGE 2WD 8 = HD DODGE 4WD 1 = Lt. Duty DODGE 2WD 6 = Lt. Duty DODGE 4WD 2 = Med. Duty DODGE 2WD 7 = Med. Duty DODGE 4WD	31 = CLUB CAB 2-DR 6.5 FT BOX 32 = CLUB CAB 2-DR 8FT BOX 33 = QUAD CAB 4-DR 6.5 FT BOX 34 = QUAD CAB 4-DR 8FT BOX	ELF = ENGINE - 5.2L V8 MPI EML = ENGINE - 5.9L V8 MPI EMM = ENGINE - "MAGNUM" 5.9L SMPI V8 ETC = ENGINE- 5.9L CUMMINS 24V DIESEL ETH = ENGINE- 5.9L HO CUMMINS TURBO DIESEL EWA = ENGINE - 8.0L V10 MPI	DDC = TRANSMISSION - 5-SPEED HD MANUAL DDP = TRANSMISSION - 5-SPEED MANUAL DDX = TRANSMISSION - 5-SPEED HD MANUAL DEE = TRANSMISSION - 6-SPEED HD MANUAL DGP = TRANSMISSION - 4-SPD. AUTOMATIC, 47RE DGT = TRANSMISSION - 4-SPD. AUTOMATIC, 46RE

AR = use ase required - = Non illustrated part

2000 BE

**Rear Height Sensing System  
Figure 5-510**



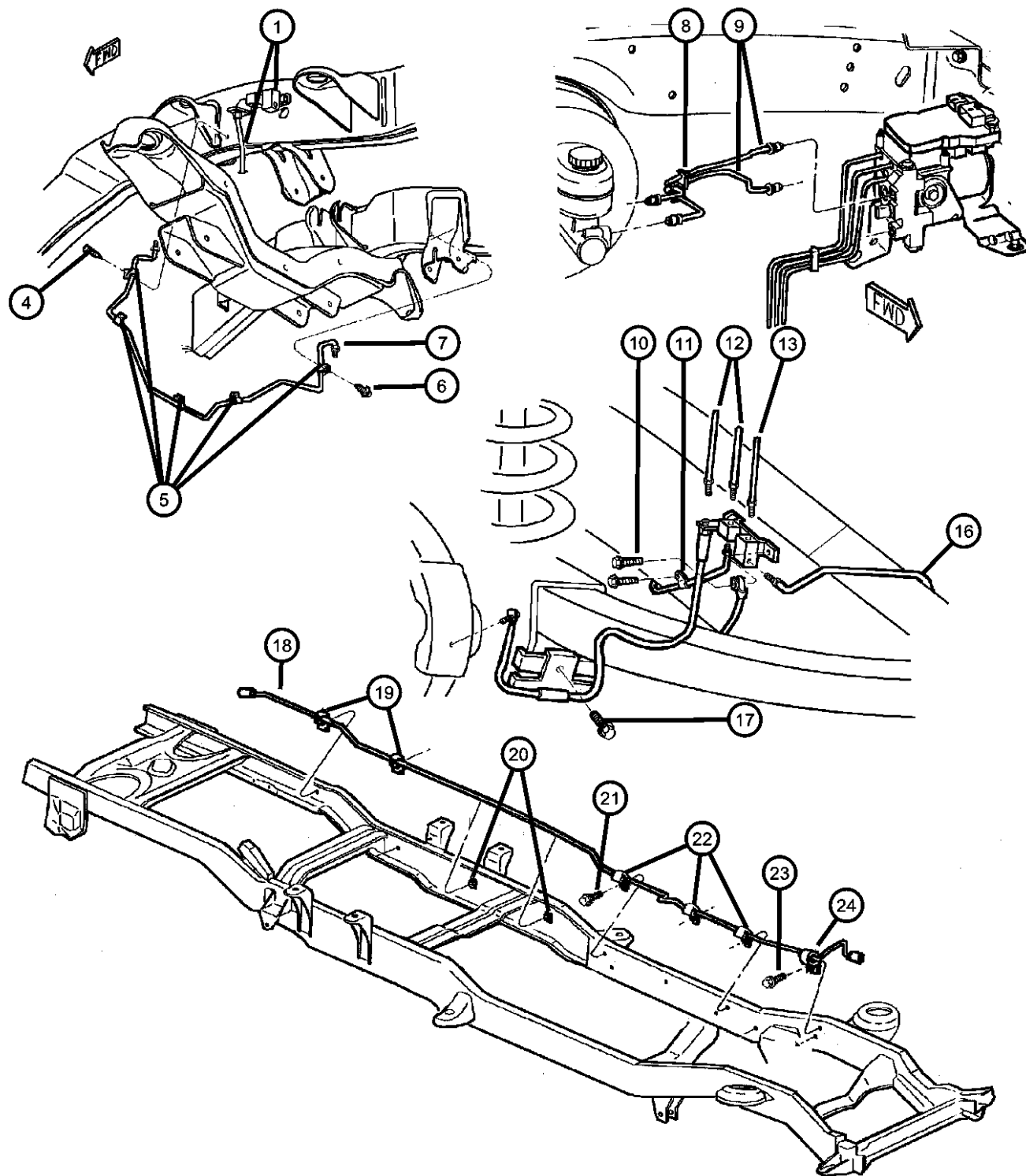
ITEM	PART NUMBER	QTY	LINE	SERIES	BODY	ENGINE	TRANS	TRIM	DESCRIPTION
1	06100296	1							BOLT, Hex Head, Rear Brake Hose Bracket Mounting
2	52009642AA	1	2, 7		33, 34				TUBE, Brake, Adapter to Proportioning Valve
3	52009641AA	1	2, 7		33, 34				ADAPTER, Brake Hose, Rear Brake Line to Height Sensing Proportioning Valve
4	52008966	1							BRACKET, Brake Hose
5									TUBE, Brake
	52009913AB	1	1, 2, 6, 7		31, 33				Junction to Rear Brake Hose
	52009914AA	1			34				Junction to Rear Brake Hose
6	52009939AA	1	2, 7		33, 34				VALVE, Height Sensing Brake
7	52009943AA	1	7		33, 34				LINKAGE, Height Sensing
8	04137696AB	1							BOLT, Axle Vent
9	52010082AA	1	2, 7		33, 34				HOSE, Brake, Height Sensing Proportioning Valve
	V1120082AA								Mopar V-Line Alternative Brake Hoses and Tubes
10	52009942AA	1	2		33, 34				LINKAGE, Height Sensing
11	06502696	2	2, 7						NUT, Hex Flange Lock, M14x1.50, Height Sensor Bracket Mounting
12	06502696	2	2, 7						NUT, Hex Flange Lock, M14x1.50, Height Sensor Bracket Mounting
13	06101695	2	2, 7		33, 34				NUT, Hex Flange Lock, M8x1.25, Height Sensing Proportioning Valve Bracket Attaching

**RAM PICKUP/CLUB CAB (BE)**

SERIES	LINE	BODY	ENGINE	TRANSMISSION
L = Ram Truck (All)	3 = HD DODGE 2WD 8 = HD DODGE 4WD 1 = Lt. Duty DODGE 2WD 6 = Lt. Duty DODGE 4WD 2 = Med. Duty DODGE 2WD 7 = Med. Duty DODGE 4WD	31 = CLUB CAB 2-DR 6.5 FT BOX 32 = CLUB CAB 2-DR 8FT BOX 33 = QUAD CAB 4-DR 6.5 FT BOX 34 = QUAD CAB 4-DR 8FT BOX	ELF = ENGINE - 5.2L V8 MPI EML = ENGINE - 5.9L V8 MPI EMM = ENGINE - "MAGNUM" 5.9L SMPI V8 ETC = ENGINE- 5.9L CUMMINS 24V DIESEL ETH = ENGINE- 5.9L HO CUMMINS TURBO DIESEL EWA = ENGINE - 8.0L V10 MPI	DDC = TRANSMISSION - 5-SPEED HD MANUAL DDP = TRANSMISSION - 5-SPEED MANUAL DDX = TRANSMISSION - 5-SPEED HD MANUAL DEE = TRANSMISSION - 6-SPEED HD MANUAL DGP = TRANSMISSION - 4-SPD. AUTOMATIC, 47RE DGT = TRANSMISSION - 4-SPD. AUTOMATIC, 46RE

AR = use ase required - = Non illustrated part

**Lines And Hoses, Brake, Front and Chassis**  
**Figure 5-520**



ITEM	PART NUMBER	QTY	LINE	SERIES	BODY	ENGINE	TRANS	TRIM	DESCRIPTION
									Note: BGJ=R.W.A.L.-Rear Wheel Anti-Lock Brakes BGK= A.W.A.L.-All Wheel Anti-Lock Brakes DBB = All Manual Transmissions EL0 = All 5.2L 8 Cyl Gas Engines EM0 = All 5.9L 8 Cyl Gas Engines ET0 = All 5.9L Turbo Diesel Engines EW0 = All 8.0L Gas Engines HCU= Hydraulic Control Unit
1	52009682AB	1	1, 2, 3						HOSE, Brake [BGJ], Right
	V1129682AA								Mopar V-Line Alternative Brake Hoses and Tubes
	52009683AB	1	1, 2, 3						[BGK], Left
	52009685AB	1	6, 7, 8						[BGJ] Upto and Including 02-14-00, Left
	V1129685AA								Mopar V-Line Alternative Brake Hoses and Tubes
	52009685AC	1	6, 7, 8						[BGJ] 02-15-00 and After, Left
	V1129685AA								Mopar V-Line Alternative Brake Hoses and Tubes
	52009687AB	1	1, 2, 3						[BGJ], Left
	52009688AB	1	6, 7, 8						[BGJ] Upto and Including 02-14-00, Right
	V1129688AA								Mopar V-Line Alternative Brake Hoses and Tubes
	52009688AC	1	6, 7, 8						[BGJ] 02-15-00 and After, Right
	V1129688AA								Mopar V-Line Alternative Brake Hoses and Tubes
	52009689AB	1	6, 7, 8						[BGK], Left
	52009845AB	1	1, 2, 3						[BGK], Right
	52009945AB	1	6, 7, 8						[BGK], Right
-2	J4006700	1	1, 2, 3						BOLT, Banjo Brake Hose to Caliper Mounting
		1	6, 7, 8						Brake Hose to Caliper Mounting
-3	J3237672	2	1, 2, 3						GASKET, Brake Hose To Caliper

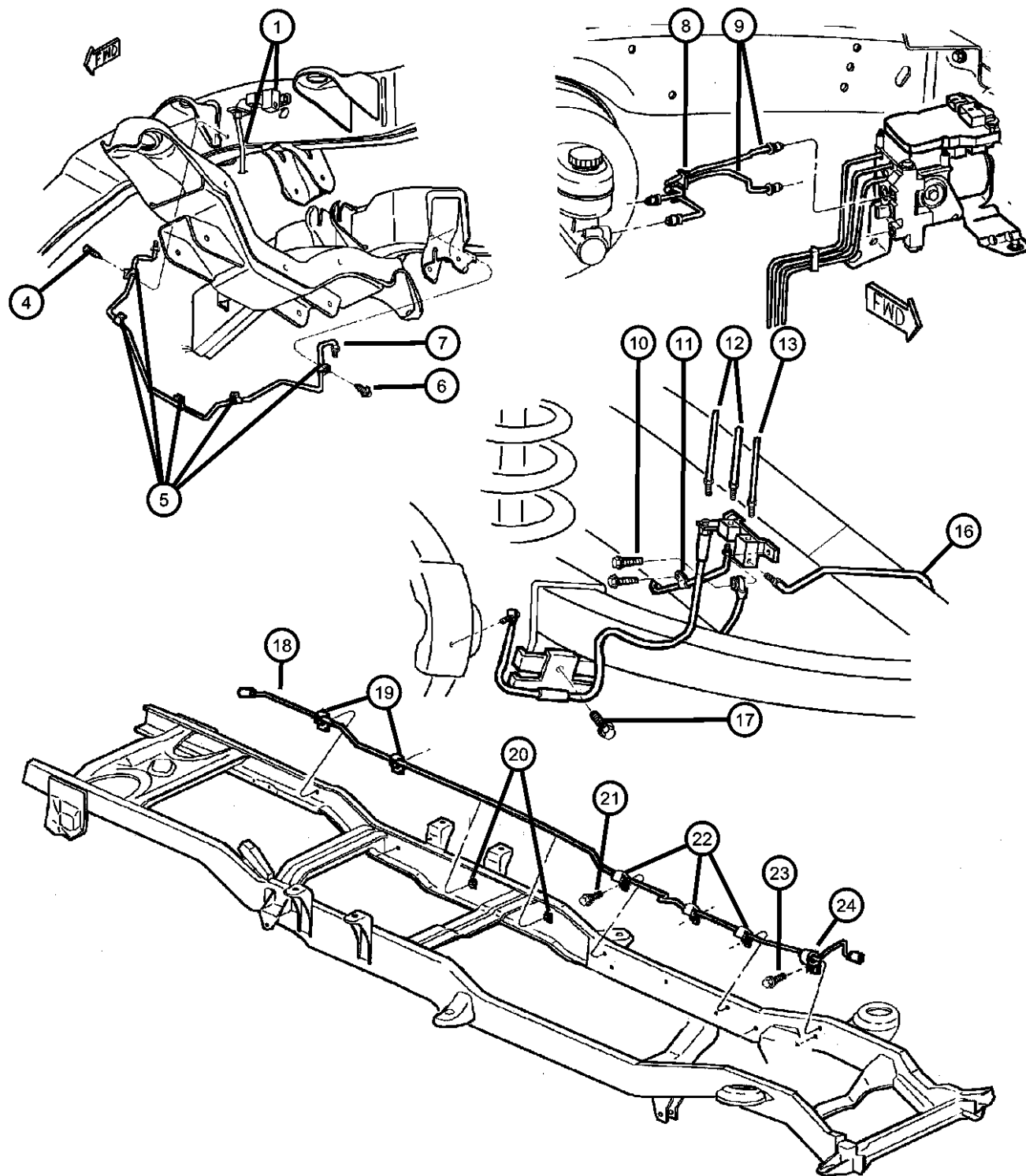
**RAM PICKUP/CLUB CAB (BE)**

SERIES	LINE	BODY	ENGINE	TRANSMISSION
L = Ram Truck (All)	3 = HD DODGE 2WD 8 = HD DODGE 4WD 1 = Lt. Duty DODGE 2WD 6 = Lt. Duty DODGE 4WD 2 = Med. Duty DODGE 2WD 7 = Med. Duty DODGE 4WD	31 = CLUB CAB 2-DR 6.5 FT BOX 32 = CLUB CAB 2-DR 8FT BOX 33 = QUAD CAB 4-DR 6.5 FT BOX 34 = QUAD CAB 4-DR 8FT BOX	ELF = ENGINE - 5.2L V8 MPI EML = ENGINE - 5.9L V8 MPI EMM = ENGINE - "MAGNUM" 5.9L SMPI V8 ETC = ENGINE- 5.9L CUMMINS 24V DIESEL ETH = ENGINE- 5.9L HO CUMMINS TURBO DIESEL EWA = ENGINE - 8.0L V10 MPI	DDC = TRANSMISSION - 5-SPEED HD MANUAL DDP = TRANSMISSION - 5-SPEED MANUAL DDX = TRANSMISSION - 5-SPEED HD MANUAL DEE = TRANSMISSION - 6-SPEED HD MANUAL DGP = TRANSMISSION - 4-SPD. AUTOMATIC, 47RE DGT = TRANSMISSION - 4-SPD. AUTOMATIC, 46RE

AR = use ase required - = Non illustrated part



Lines And Hoses,Brake,Front and Chassis  
Figure 5-520



ITEM	PART NUMBER	QTY	LINE	SERIES	BODY	ENGINE	TRANS	TRIM	DESCRIPTION
4		2	6, 7, 8						SCREW, Hex Head
	34201888	3							D Clip to Crossmember Mounting
		2							D Clip to Frame Mounting
5		4	6, 7, 8						CLIP, Brake Line
	52009165	5	1, 2, 3						to Frame and Crossmember
6	34201888	2							SCREW, Hex Head, Clip to Frame Mounting
7		1	1, 2, 3						TUBE, Brake
	52009176	1	6, 7, 8						[BGK]-Junction to Right Front Hose
	52009177	1	1, 2, 3						[BGK]-Junction to Right Front Hose
	52009194	1	6, 7, 8						BGJ-Junction to Right Front Hose
	52009195	1	1, 2, 3						BGJ-Junction to Right Front Hose
8	52008940	2							CLIP, Brake Line, 2 Way
9		1							TUBE, Brake
	52009763AB	1							[ET0]-Primary-Master Cylinder to Combination Valve
		1	3, 8		34				[EM0,EW0]-Primary-Master Cylinder to Combination Valve
	52009764AB	1							[ET0]-Secondary-Master Cylinder to Combination Valve
		1	3, 8		34				[EM0,EW0]-Secondary-Master Cylinder to Combination Valve
	52009917AD	1	1, 2, 6, 7						[ELO,EM0,EW0]-Primary-Master Cylinder to Combination Valve
	52009918AD	1	1, 2, 6, 7						[ELO,EM0,EW0]-Secondary-Master Cylinder to Combination Valve
10	34201888	2							SCREW, Hex Head, Junction Strip to Frame Mounting
11		4	6, 7, 8						CLIP, Brake Line
	52009165	4							to Frame and Crossmember

RAM PICKUP/CLUB CAB (BE)

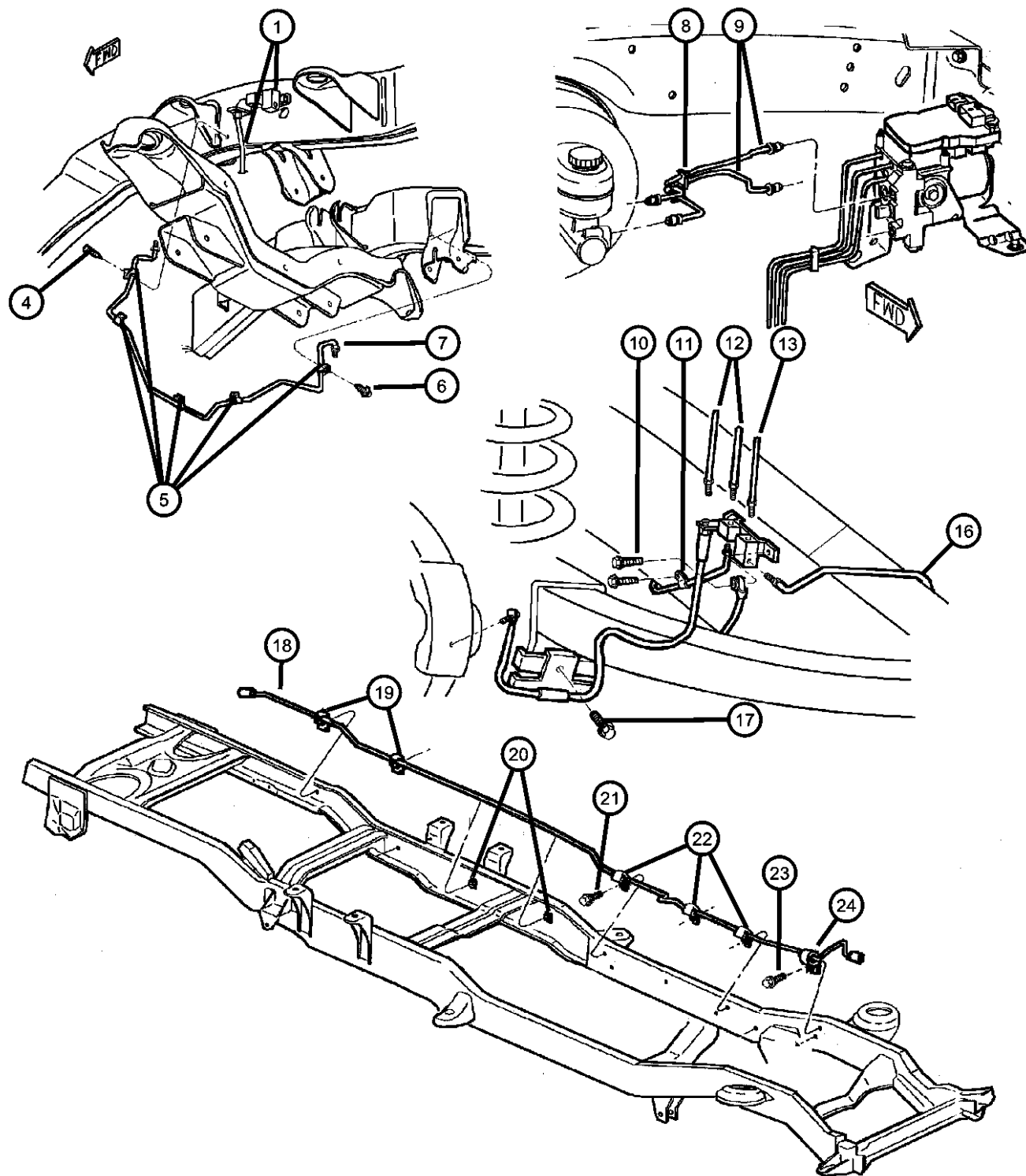
SERIES	LINE
L = Ram Truck (All)	3 = HD DODGE 2WD
	8 = HD DODGE 4WD
	1 = Lt. Duty DODGE 2WD
	6 = Lt. Duty DODGE 4WD
	2 = Med. Duty DODGE 2WD
	7 = Med. Duty DODGE 4WD

BODY	ENGINE	TRANSMISSION
31 = CLUB CAB 2-DR 6.5 FT BOX	ELF = ENGINE - 5.2L V8 MPI	DDC = TRANSMISSION - 5-SPEED HD MANUAL
32 = CLUB CAB 2-DR 8FT BOX	EML = ENGINE - 5.9L V8 MPI	DDP = TRANSMISSION - 5-SPEED MANUAL
33 = QUAD CAB 4-DR 6.5 FT BOX	EMM = ENGINE - "MAGNUM" 5.9L SMPI V8	DDX = TRANSMISSION - 5-SPEED HD MANUAL
34 = QUAD CAB 4-DR 8FT BOX	ETC = ENGINE- 5.9L CUMMINS 24V DIESEL	DEE = TRANSMISSION - 6-SPEED HD MANUAL
	ETH = ENGINE- 5.9L HO CUMMINS TURBO DIESEL	DGP = TRANSMISSION - 4-SPD. AUTOMATIC,47RE
	EWA = ENGINE - 8.0L V10 MPI	DGT = TRANSMISSION - 4-SPD. AUTOMATIC,46RE

AR = use ase required - = Non illustrated part

2000 BE

Lines And Hoses, Brake, Front and Chassis  
Figure 5-520



ITEM	PART NUMBER	QTY	LINE	SERIES	BODY	ENGINE	TRANS	TRIM	DESCRIPTION
12		5	1, 2, 3						to Frame and Crossmember TUBE, Brake
	52009380AB	1							BGJ-Combination Valve to Junction Front
	52009390AB	1							BGK-HCU to Junction Hose Left
	52009399AB	1							BGK-HCU to Junction Hose Right
13		1							TUBE, Brake
	52009706AB	1							BGJ-HCU to Junction Rear
		1							BGK-HCU to Junction Rear
-14									CLIP, Brake Line
	52008940	2							2 Way
	52009163	1							2 Way
-15	52009437	1							CLIP, 3 Way
16									TUBE, Brake
	52009913AB	1	1, 2, 6, 7		31, 33				Junction to Rear Brake Hose
	52009914AB	1			34				Junction to Rear Brake Hose
17	06101452	2	6, 7, 8						SCREW AND WASHER, Hex Head, M8x1.25x20, Front Brake Hose to Axle Mounting
18									TUBE, Brake
	52009913AB	1	1, 2, 6, 7		31, 33				Junction to Rear Brake Hose
	52009914AB	1			34				Junction to Rear Brake Hose
19	52007914	2							CLIP, Brake Line, Tube to Rear of Frame
20									CLIP, Fuel Line
	52102371AB	3	1, 6		31, 33				[ELO.EM0.EW0]
		3	2, 3, 7, 8						[ELO.EM0.EW0]
		2	1, 6		32, 34				[ELO.EM0.EW0]
	52102373AC	3	2, 3, 7, 8						[ET0]
21	34201888	4							SCREW, Hex Head
22									CLIP, Fuel Line

RAM PICKUP/CLUB CAB (BE)

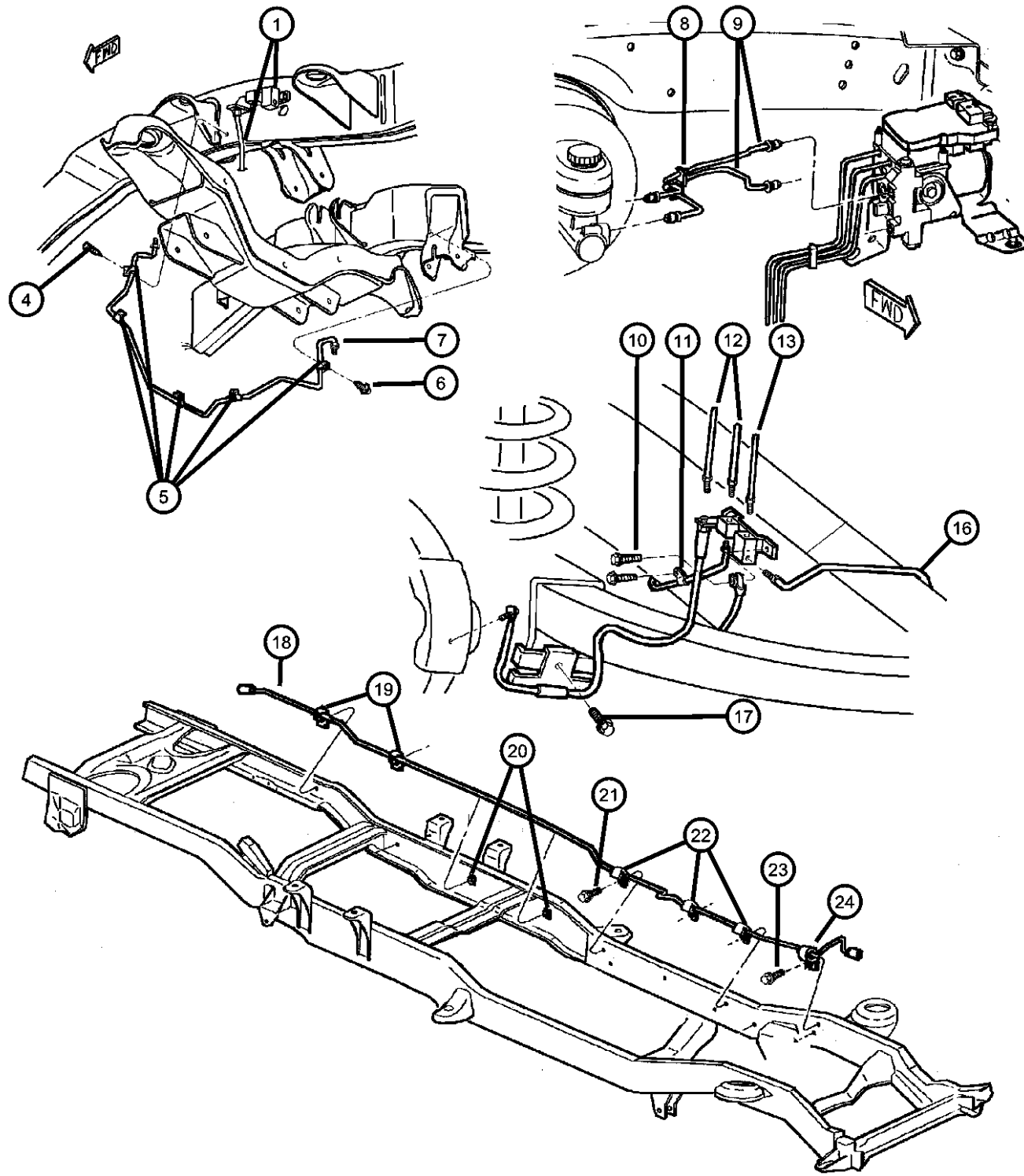
SERIES	LINE
L = Ram Truck (All)	3 = HD DODGE 2WD 8 = HD DODGE 4WD 1 = Lt. Duty DODGE 2WD 6 = Lt. Duty DODGE 4WD 2 = Med. Duty DODGE 2WD 7 = Med. Duty DODGE 4WD

BODY	ENGINE	TRANSMISSION
31 = CLUB CAB 2-DR 6.5 FT BOX	ELF = ENGINE - 5.2L V8 MPI EML = ENGINE - 5.9L V8 MPI	DDC = TRANSMISSION - 5-SPEED HD MANUAL
32 = CLUB CAB 2-DR 8FT BOX	EMM = ENGINE - "MAGNUM" 5.9L SMPI V8	DDP = TRANSMISSION - 5-SPEED MANUAL
33 = QUAD CAB 4-DR 6.5 FT BOX	ETC = ENGINE- 5.9L CUMMINS 24V DIESEL	DDX = TRANSMISSION - 5-SPEED HD MANUAL
34 = QUAD CAB 4-DR 8FT BOX	ETH = ENGINE- 5.9L HO CUMMINS TURBO DIESEL EWA = ENGINE - 8.0L V10 MPI	DEE = TRANSMISSION - 6-SPEED HD MANUAL DGP = TRANSMISSION - 4-SPD. AUTOMATIC, 47RE DGT = TRANSMISSION - 4-SPD. AUTOMATIC, 46RE

AR = use ase required - = Non illustrated part

2000 BE

**Lines And Hoses,Brake,Front and Chassis**  
**Figure 5-520**



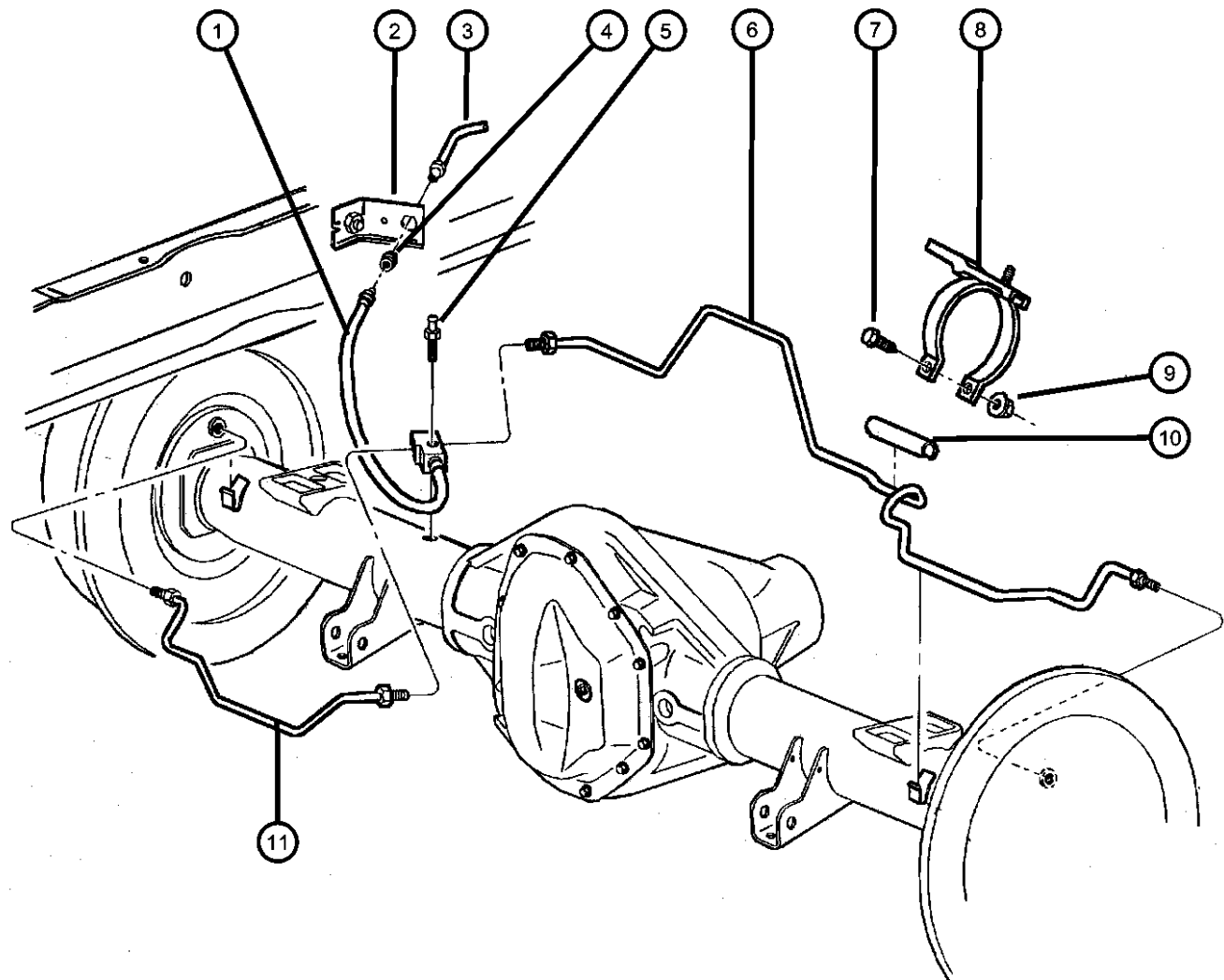
ITEM	PART NUMBER	QTY	LINE	SERIES	BODY	ENGINE	TRANS	TRIM	DESCRIPTION
	52102371AB	3	1, 6		31, 33				[ELO.EM0.EW0]
		3	2, 3, 7, 8						[ELO.EM0.EW0]
		2	1, 6		32, 34				[ELO.EM0.EW0]
	52102373AC	3	2, 3, 7, 8						[ET0]
23	34201888	1							SCREW, Hex Head, D Tube Clip to Frame
24	52008053	1							CLIP, Brake Line, Brake Tube Line Mounting

**RAM PICKUP/CLUB CAB (BE)**

SERIES	LINE	BODY	ENGINE	TRANSMISSION
L = Ram Truck (All)	3 = HD DODGE 2WD	31 = CLUB CAB 2-DR 6.5 FT BOX	ELF = ENGINE - 5.2L V8 MPI	DDC = TRANSMISSION - 5-SPEED HD MANUAL
	8 = HD DODGE 4WD	32 = CLUB CAB 2-DR 8FT BOX	EML = ENGINE - 5.9L V8 MPI	DDP = TRANSMISSION - 5-SPEED MANUAL
	1 = Lt. Duty DODGE 2WD	33 = QUAD CAB 4-DR 6.5 FT BOX	EMM = ENGINE - "MAGNUM" 5.9L SMPI V8	DDX = TRANSMISSION - 5-SPEED HD MANUAL
	6 = Lt. Duty DODGE 4WD	34 = QUAD CAB 4-DR 8FT BOX	ETC = ENGINE- 5.9L CUMMINS 24V DIESEL	DEE = TRANSMISSION - 6-SPEED HD MANUAL
	2 = Med. Duty DODGE 2WD		ETH = ENGINE- 5.9L HO CUMMINS TURBO DIESEL	DGP = TRANSMISSION - 4-SPD. AUTOMATIC,47RE
	7 = Med. Duty DODGE 4WD		EWA = ENGINE - 8.0L V10 MPI	DGT = TRANSMISSION - 4-SPD. AUTOMATIC,46RE

AR = use ase required - = Non illustrated part

**Lines And Hoses, Brake, Rear**  
**Figure 5-530**



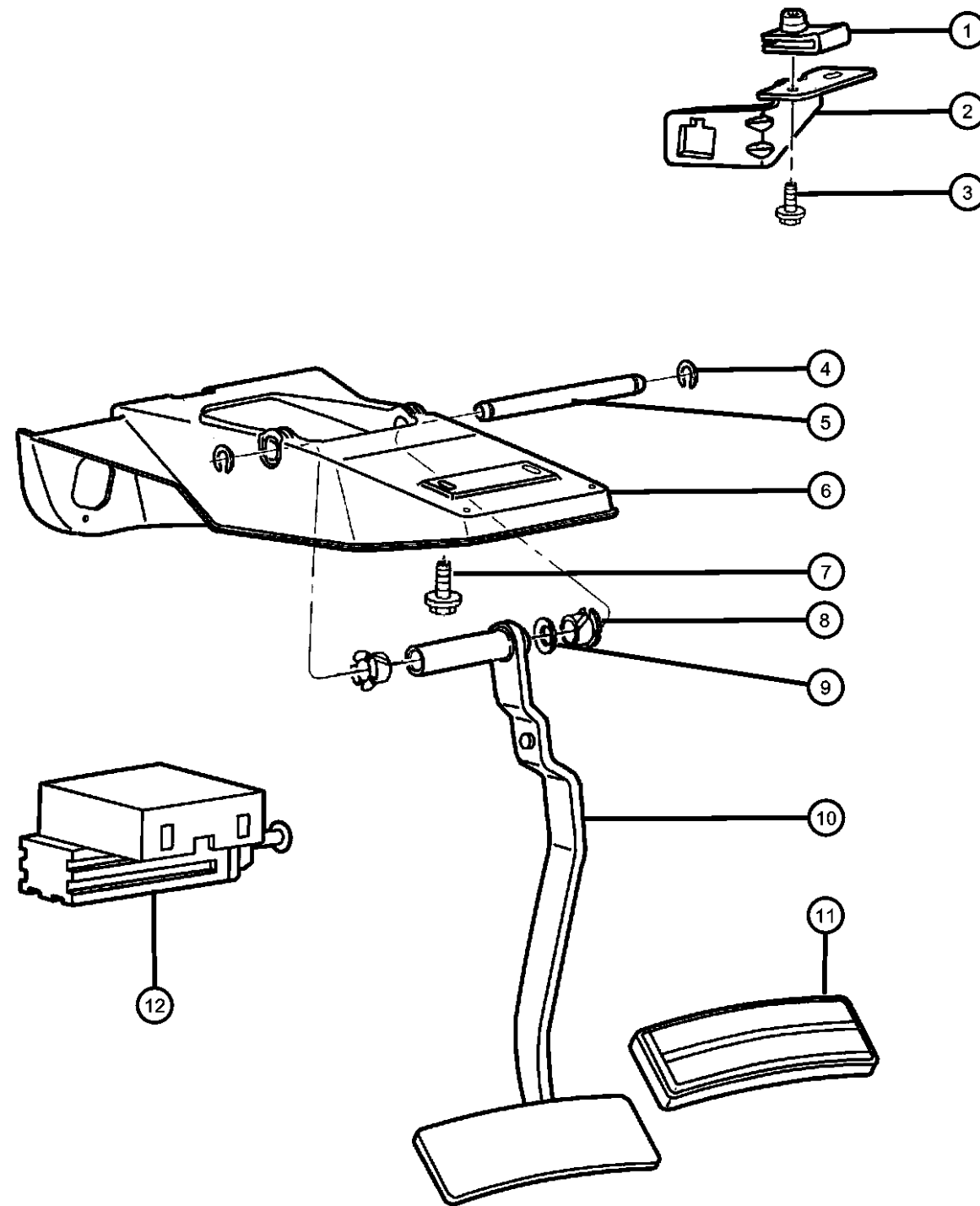
ITEM	PART NUMBER	QTY	LINE	SERIES	BODY	ENGINE	TRANS	TRIM	DESCRIPTION
Note: DRB = Rear Axle - Corporate 9.25 LD DRD = Rear Axle - Dana M60/248MM RBI DRE = Rear Axle - Dana M70/267MM RBI DRL = Rear Axle - Dana 80 (Hybrid)									
1	52009575AB	1	1, 3, 6, 8						HOSE, Brake with Tee
		1	2, 7		33, 34				with Tee
2	52008966	1							BRACKET, Brake HoseRear
3	52009913AA	1	1, 2, 6, 7		31, 33				TUBE, Brake Junction to Rear Brake Hose
	52009914AA	1			34				Junction to Rear Brake Hose
4	52009641AA	1	2, 7		33, 34				ADAPTER, Brake Hose
5	04137696AB	1							BOLT, Axle Vent
6	52007920AB	1	1, 6						TUBE, Brake [DRB] Up to and Including 02-06-00, Right
	52007921AD	1	1, 6						[DRB] 02-07-00 and After, Right
	52007984AB	1	2, 7		33, 34				[DRL], Right
	52007986AB	1	3, 8		34				[DRL], Right
	52009042AB	1	2, 7		33, 34				[DRD,DRE], Right
7	06101715	1							SCREW
8	52008668	1	1, 2, 6, 7						SHIELD, Brake Line [+DRL]
	52008670	1	2, 3, 7, 8		33, 34				[-DRL]
9	06500274	1							LOCK NUT, M6x1.0x6
10	52008755	1							SLEEVE, Brake Line
11	52007921AC	1	1, 6						TUBE, Brake [DRB], Left
	52007985AC	1	2, 7		33, 34				[DRL], Left
	52007987AC	1	3, 8		34				[DRL], Left
	52009043AC	1	2, 7		33, 34				[DRD,DRE], Left

**RAM PICKUP/CLUB CAB (BE)**

SERIES	LINE	BODY	ENGINE	TRANSMISSION
L = Ram Truck (All)	3 = HD DODGE 2WD 8 = HD DODGE 4WD 1 = Lt. Duty DODGE 2WD 6 = Lt. Duty DODGE 4WD 2 = Med. Duty DODGE 2WD 7 = Med. Duty DODGE 4WD	31 = CLUB CAB 2-DR 6.5 FT BOX 32 = CLUB CAB 2-DR 8FT BOX 33 = QUAD CAB 4-DR 6.5 FT BOX 34 = QUAD CAB 4-DR 8FT BOX	ELF = ENGINE - 5.2L V8 MPI EML = ENGINE - 5.9L V8 MPI EMM = ENGINE - "MAGNUM" 5.9L SMPI V8 ETC = ENGINE- 5.9L CUMMINS 24V DIESEL ETH = ENGINE- 5.9L HO CUMMINS TURBO DIESEL EWA = ENGINE - 8.0L V10 MPI	DDC = TRANSMISSION - 5-SPEED HD MANUAL DDP = TRANSMISSION - 5-SPEED MANUAL DDX = TRANSMISSION - 5-SPEED HD MANUAL DEE = TRANSMISSION - 6-SPEED HD MANUAL DGP = TRANSMISSION - 4-SPD. AUTOMATIC, 47RE DGT = TRANSMISSION - 4-SPD. AUTOMATIC, 46RE

AR = use ase required - = Non illustrated part

**Pedal.Brake**  
**Figure 5-610**



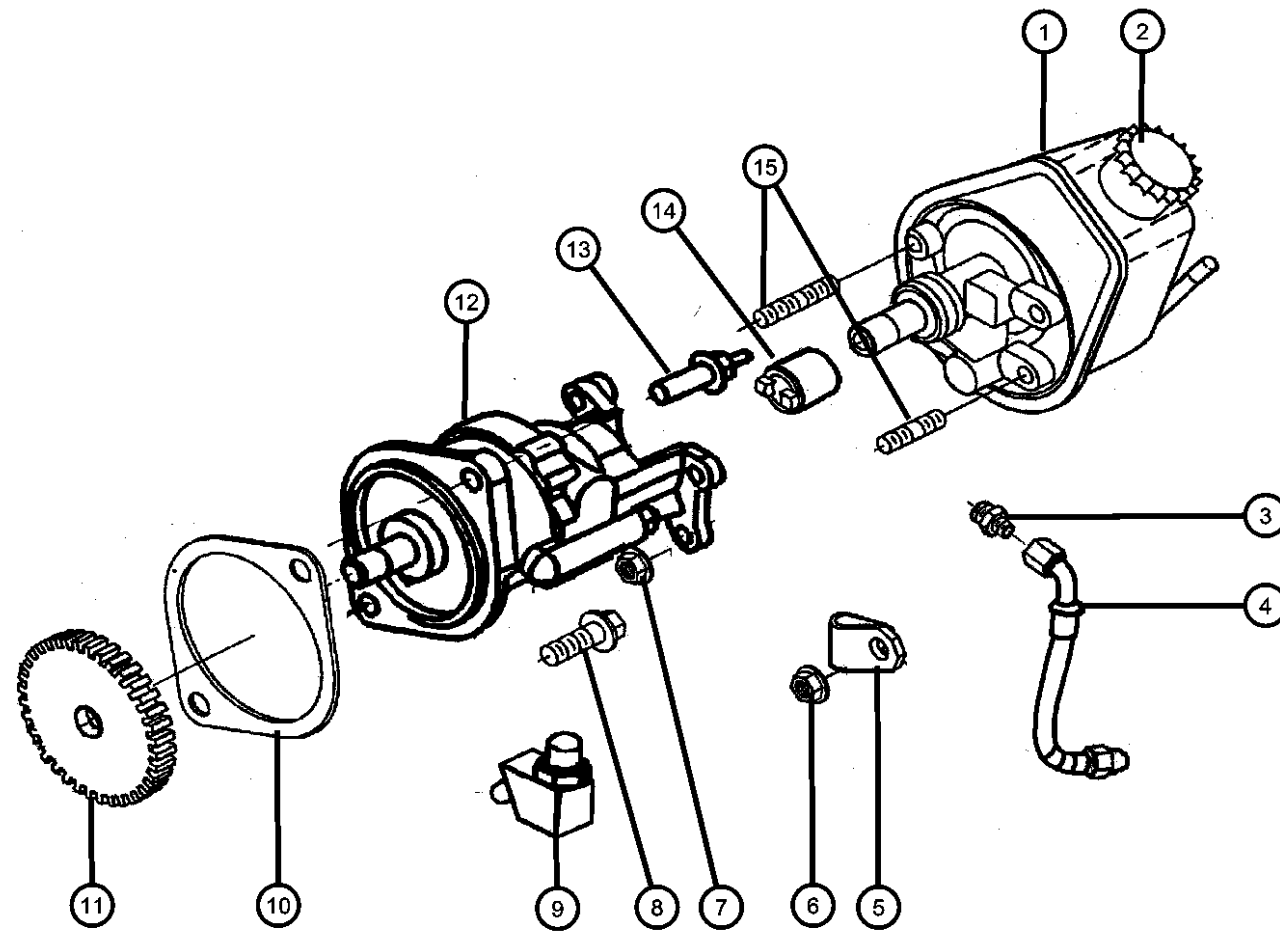
ITEM	PART NUMBER	QTY	LINE	SERIES	BODY	ENGINE	TRANS	TRIM	DESCRIPTION
Note:DBB= All Manual Transmissions—DG0=All Automatic Transmissions									
1	06101712	1							NUT, U, M6x1.00, Brake Switch Mounting
2	56045044AC	1							BRACKET, Brake Lamp Switch
3	06101718	2							SCREW AND WASHER, Oval Head, M6x1x25, Brake Switch Bracket Mounting
4	04103262	2							RETAINER, Shaft, Pivot
5	52077902	1							SHAFT, Pedal Pivot
6	55351014AE	1							BRACKET, Steering Column, Clutch and Brake Pedal
7	55351014AE	1							SCREW AND WASHER, Hex Head, M10x1.5x30, Brake Pedal Bracket to Support Mounting, (NOT SERVICED)
8	04294639	4							BUSHING, Clutch and Brake Pedal
9	52009582	1							WASHER, Brake Pedal Spring
10									PEDAL AND PAD, Brake
	52009423AB	1							[DG0]
	52009570AC	1							[DBB]
11									PAD, Pedal
	52009562	1							[DBB]
	52079345	1							[DG0]
12	05016294AB	1							SWITCH PACKAGE, Stop Lamp
-13	04294036	1							CLIP, Master Cylinder Push Rod to Brake Pedal Pin Mounting

**RAM PICKUP/CLUB CAB (BE)**

SERIES	LINE	BODY	ENGINE	TRANSMISSION
L = Ram Truck (All)	3 = HD DODGE 2WD	31 = CLUB CAB 2-DR 6.5 FT BOX	ELF = ENGINE - 5.2L V8 MPI	DDC = TRANSMISSION - 5-SPEED HD MANUAL
	8 = HD DODGE 4WD	32 = CLUB CAB 2-DR 8FT BOX	EML = ENGINE - 5.9L V8 MPI	DDP = TRANSMISSION - 5-SPEED MANUAL
	1 = Lt. Duty DODGE 2WD	33 = QUAD CAB 4-DR 6.5 FT BOX	EMM = ENGINE - "MAGNUM" 5.9L SMPI V8	DDX = TRANSMISSION - 5-SPEED HD MANUAL
	6 = Lt. Duty DODGE 4WD	34 = QUAD CAB 4-DR 8FT BOX	ETC = ENGINE- 5.9L CUMMINS 24V DIESEL	DEE = TRANSMISSION - 6-SPEED HD MANUAL
	2 = Med. Duty DODGE 2WD		ETH = ENGINE- 5.9L HO CUMMINS TURBO DIESEL	DGP = TRANSMISSION - 4-SPD. AUTOMATIC,47RE
	7 = Med. Duty DODGE 4WD		EWA = ENGINE - 8.0L V10 MPI	DGT = TRANSMISSION - 4-SPD. AUTOMATIC,46RE

AR = use ase required - = Non illustrated part

Vacuum Pump, Brake, BE 2,3,7,8  
Figure 5-710



ITEM	PART NUMBER	QTY	LINE	SERIES	BODY	ENGINE	TRANS	TRIM	DESCRIPTION
------	-------------	-----	------	--------	------	--------	-------	------	-------------

Note: ETB=5.9L Inline 6 Cylinder Cummins Turbo Diesel—ETC=5.9L 24 Valve Cummins Diesel Engine

1	04883960AA	1							PUMP, Power Steering
2	05018358AA	1							CAP, Power Steering Pump
3	05003637AA	1							NIPPLE, Pump
4	05015841AA	1							HOSE, Vacuum Pump
5	05011799AA	1							BRACKET, Vacuum Pump
6	04429862	1							NUT, Hex Flange, M10x1.5
7	04429862	4							NUT, Hex Flange, M10x1.5
8	04429637	1							SCREW, Hex Head, M12X1.75X.35
9	05011617AA	1							CHECK VALVE, Vacuum Pump
10	04638531	1							GASKET, Hydraulic Pump
11	05011797AA	1							GEAR, Accessory Drive
12	05011796AA	1							PUMP, Vacuum
13	05011421AA	1							SCREW
14	04728162	1							HUB, Hydraulic Brake Pump
15	04761972	4							STUD

RAM PICKUP/CLUB CAB (BE)

SERIES	LINE	BODY	ENGINE	TRANSMISSION
L = Ram Truck (All)	3 = HD DODGE 2WD	31 = CLUB CAB 2-DR 6.5 FT BOX	ELF = ENGINE - 5.2L V8 MPI	DDC = TRANSMISSION - 5-SPEED HD MANUAL
	8 = HD DODGE 4WD	32 = CLUB CAB 2-DR 8FT BOX	EML = ENGINE - 5.9L V8 MPI	DDP = TRANSMISSION - 5-SPEED MANUAL
	1 = Lt. Duty DODGE 2WD	33 = QUAD CAB 4-DR 6.5 FT BOX	EMM = ENGINE - "MAGNUM" 5.9L SMPI V8	DDX = TRANSMISSION - 5-SPEED HD MANUAL
	6 = Lt. Duty DODGE 4WD	34 = QUAD CAB 4-DR 8FT BOX	ETC = ENGINE- 5.9L CUMMINS 24V DIESEL	DEE = TRANSMISSION - 6-SPEED HD MANUAL
	2 = Med. Duty DODGE 2WD		ETH = ENGINE- 5.9L HO CUMMINS TURBO DIESEL	DGP = TRANSMISSION - 4-SPD. AUTOMATIC, 47RE
	7 = Med. Duty DODGE 4WD		EWA = ENGINE - 8.0L V10 MPI	DGT = TRANSMISSION - 4-SPD. AUTOMATIC, 46RE

AR = use ase required - = Non illustrated part

2000 BE

# Group - 6

## Clutch

### Group - 6 Clutch

Illustration Title

Group-Fig. No.

#### Clutch

Clutch Assembly ..... Fig. 6 - 110

#### Clutch Housing

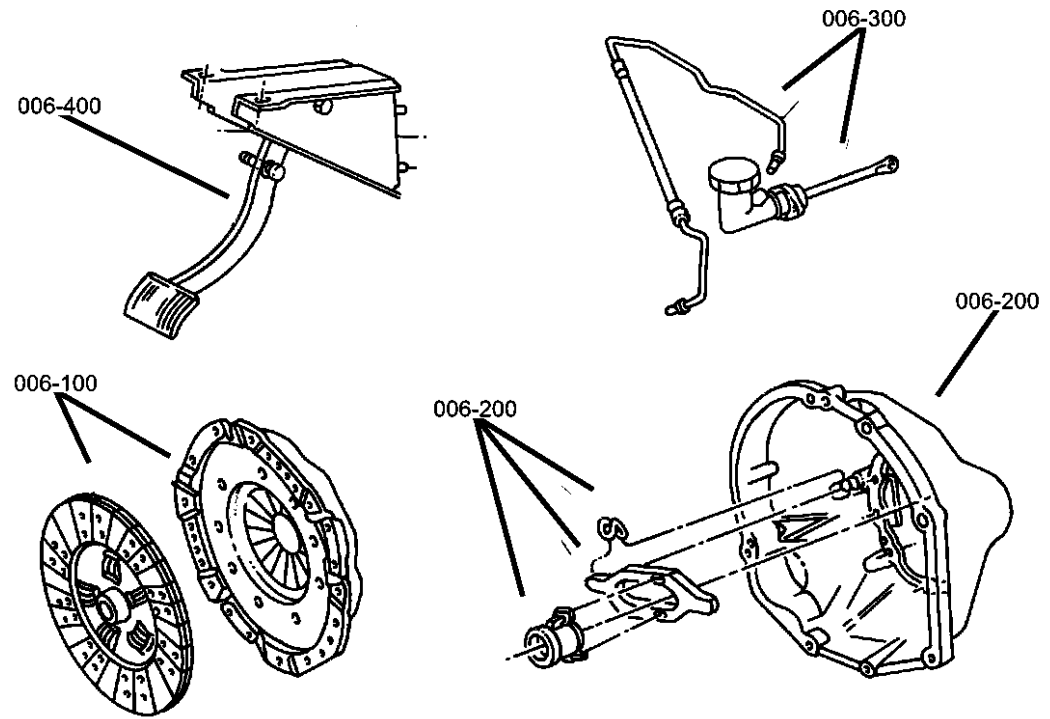
Housing and Pan,Clutch..... Fig. 6 - 210

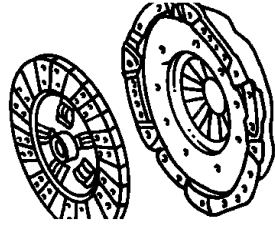
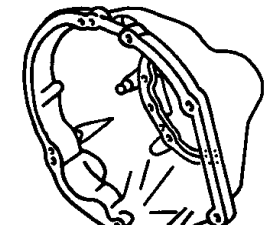
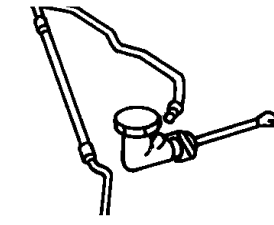
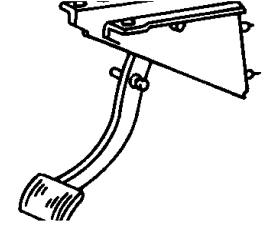
#### Clutch Controls

Controls,Hydraulic Clutch..... Fig. 6 - 310

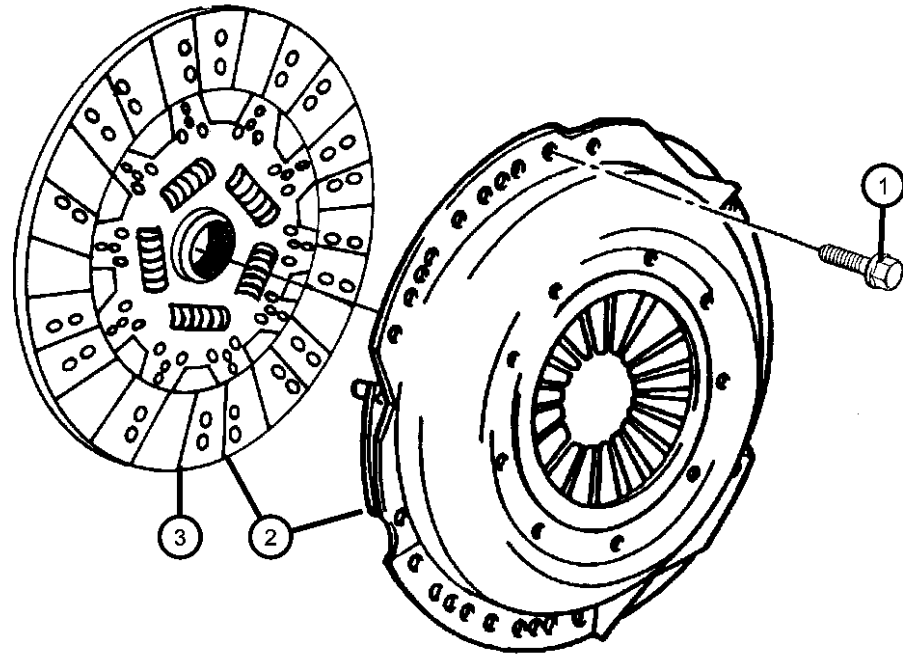
#### Clutch Pedals

Pedal,Clutch ..... Fig. 6 - 410



<p><b>006-100</b> Clutch</p> 	<p><b>006-200</b> Clutch Housing</p> 	<p><b>006-300</b> Clutch Controls</p> 	<p><b>006-400</b> Clutch Pedals</p> 
---	--	--	---

**Clutch Assembly  
Figure 6-110**



ITEM	PART NUMBER	QTY	LINE	SERIES	BODY	ENGINE	TRANS	TRIM	DESCRIPTION
Note:Sales Codes [DBB] = All Manual Transmissions [DEE] = 5 Speed Manual Transmission [DDX] = 6 Speed Heavy Duty Manual Transmission [ELO] = All 5.2L 8 Cylinder Gas Engines [EM0] = All 5.9L 8 Cylinder Gas Engines [ET0] = All 5.9L Turbo Diesels [ETC] = 5.9L Cummins 24V Diesel [ETH] = 5.9L cummins Turbo Diesel [EW0] = All 8.0L Gas Engines									
1									BOLT, Hex Flange Head
	06036096AA	8				ET0	DBB		Pressure Plate to Flywheel, Mounting
		8	2, 3, 7, 8			EW0	DDX		Pressure Plate to Flywheel, Mounting
	06035626	6				ELO, EM0	DBB		Pressure Plate to Flywheel, Mounting
2									CLUTCH KIT, Pressure Plate and Disc
	04762857	1				ELO, EM0	DBB		
	V9900097								Mopar V-Line Alternative Part
	04897532AC	1	2, 3, 7, 8			EW0	DDX		
		1				ETC	DBB		
	05014767AA	1	2, 3, 7, 8			ETH	DEE		
3									DISC, Clutch
	52107587	1				ELO, EM0	DBB		
	52107611AB	1				ETC	DBB		
	52107611AD	1	2, 3, 7, 8			EW0	DDX		
	52107775AA	1	2, 3, 7, 8			ETH	DEE		

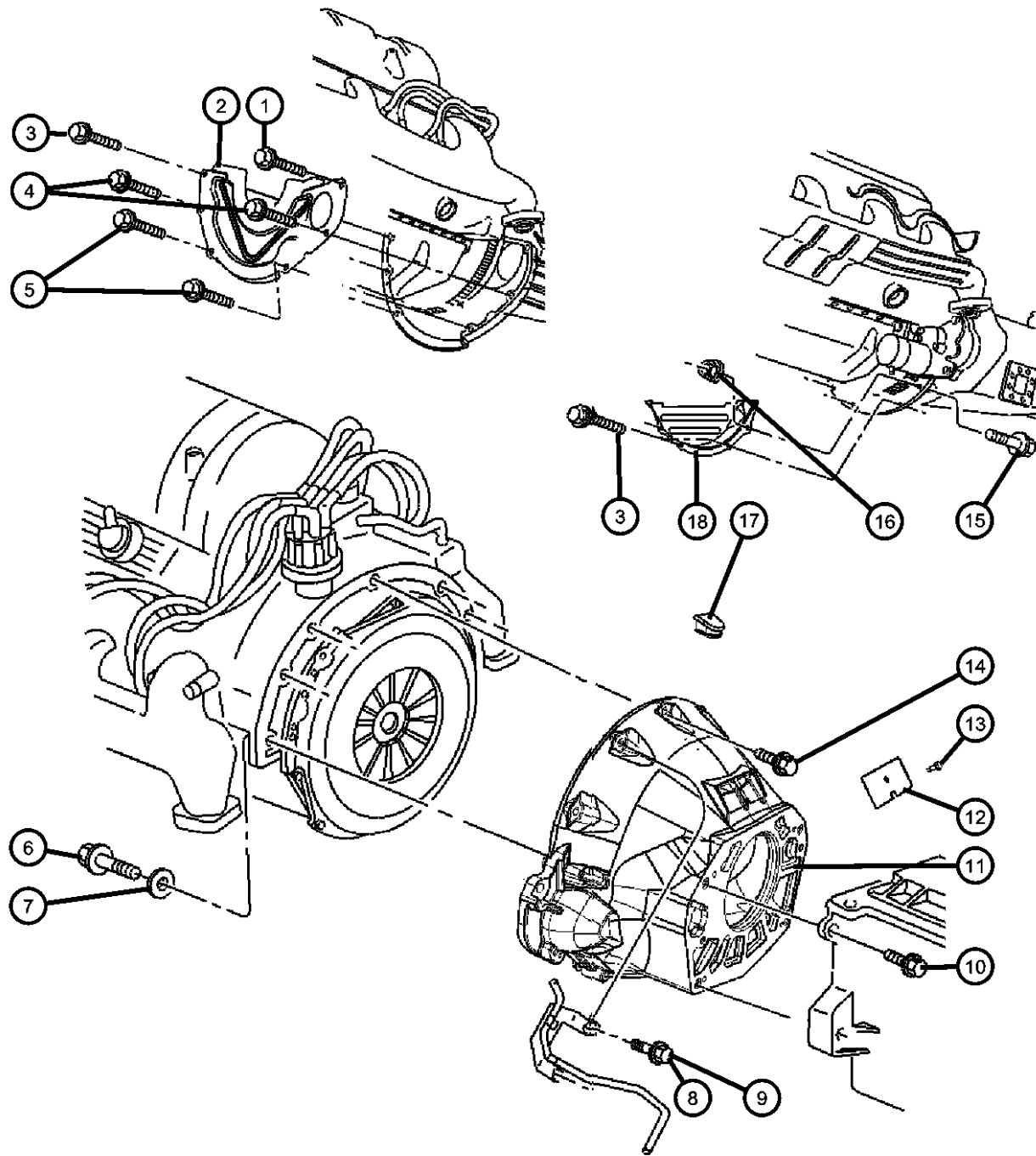
**RAM PICKUP/CLUB CAB (BE)**

SERIES	LINE	BODY	ENGINE	TRANSMISSION
L = Ram Truck (All)	3 = HD DODGE 2WD	31 = CLUB CAB 2-DR 6.5 FT BOX	ELF = ENGINE - 5.2L V8 MPI	DDC = TRANSMISSION - 5-SPEED HD MANUAL
	8 = HD DODGE 4WD	32 = CLUB CAB 2-DR 8FT BOX	EML = ENGINE - 5.9L V8 MPI	DDP = TRANSMISSION - 5-SPEED MANUAL
	1 = Lt. Duty DODGE 2WD	33 = QUAD CAB 4-DR 6.5 FT BOX	EMM = ENGINE - "MAGNUM" 5.9L SMPI V8	DDX = TRANSMISSION - 5-SPEED HD MANUAL
	6 = Lt. Duty DODGE 4WD	34 = QUAD CAB 4-DR 8FT BOX	ETC = ENGINE- 5.9L CUMMINS 24V DIESEL	DEE = TRANSMISSION - 6-SPEED HD MANUAL
	2 = Med. Duty DODGE 2WD		ETH = ENGINE- 5.9L HO CUMMINS TURBO DIESEL	DGP = TRANSMISSION - 4-SPD. AUTOMATIC,47RE
	7 = Med. Duty DODGE 4WD		EWA = ENGINE - 8.0L V10 MPI	DGT = TRANSMISSION - 4-SPD. AUTOMATIC,46RE

AR = use ase required - = Non illustrated part



Housing and Pan,Clutch  
Figure 6-210



ITEM	PART NUMBER	QTY	LINE	SERIES	BODY	ENGINE	TRANS	TRIM	DESCRIPTION
------	-------------	-----	------	--------	------	--------	-------	------	-------------

NOTES: Sales Codes  
 [DBB]=All Manual Transmissions  
 [DDC]=5 Speed Heavy Duty Manual Transmission  
 [DDP]=5 Speed Manual Transmission  
 [DDX]=5 Speed Heavy Duty Manual Transmission  
 [DEE]=6-Speed HD Manual Transmission  
 [ELO]=All 5.2L 8 Cylinder Gas Engines  
 [EM0]=All 5.9L 8 Cylinder Gas Engines  
 [ETC]=5.9L Cummins 24V Diesel Engine  
 [ET0]=All 5.9L Turbo Diesels  
 [EW0]=All 8.0L Gas Engines

1									SCREW AND WASHER, Hex Head, .437-14x1.50 Starter Motor, Mounting
	06035604	1				ELF, EM0			Starter Motor, Mounting
		2				EW0			Starter Motor, Mounting
2	52107753AC	1				ELO, EM0	DBB		SHIELD, Clutch Housing Dust
3	06023092	1				ELO, EM0, EW0	DBB		SCREW AND WASHER, Hex Head, .25-20x.50, Dust Shield to Clutch Housing, Mounting
									SCREW, .437-14x1.25
4		2				ELO	DDC		Dust Shield to Clutch Housing, Mounting
	06024028	2				EM0	DDP		Dust Shield to Clutch Housing, Mounting
5		2				ELO	DDC		SCREW AND WASHER, M10x1.50x45.00 Dust Shield to Clutch Housing, Mounting
	06101985	2				EM0	DDP		Dust Shield to Clutch Housing, Mounting
6		2							SCREW, Hex Head, [.437-14x3.50], (NOT SERVICED), WASHER, Coned, .480x.885x.121, Engine to Clutch Housing, Mounting
7	06028758	2				ELO, EM0	DBB		SCREW AND WASHER, Hex Head, .375-16x1.75, Clutch Housing to Cylinder Block, Mounting
8	06024487	8				ET0	DBB		

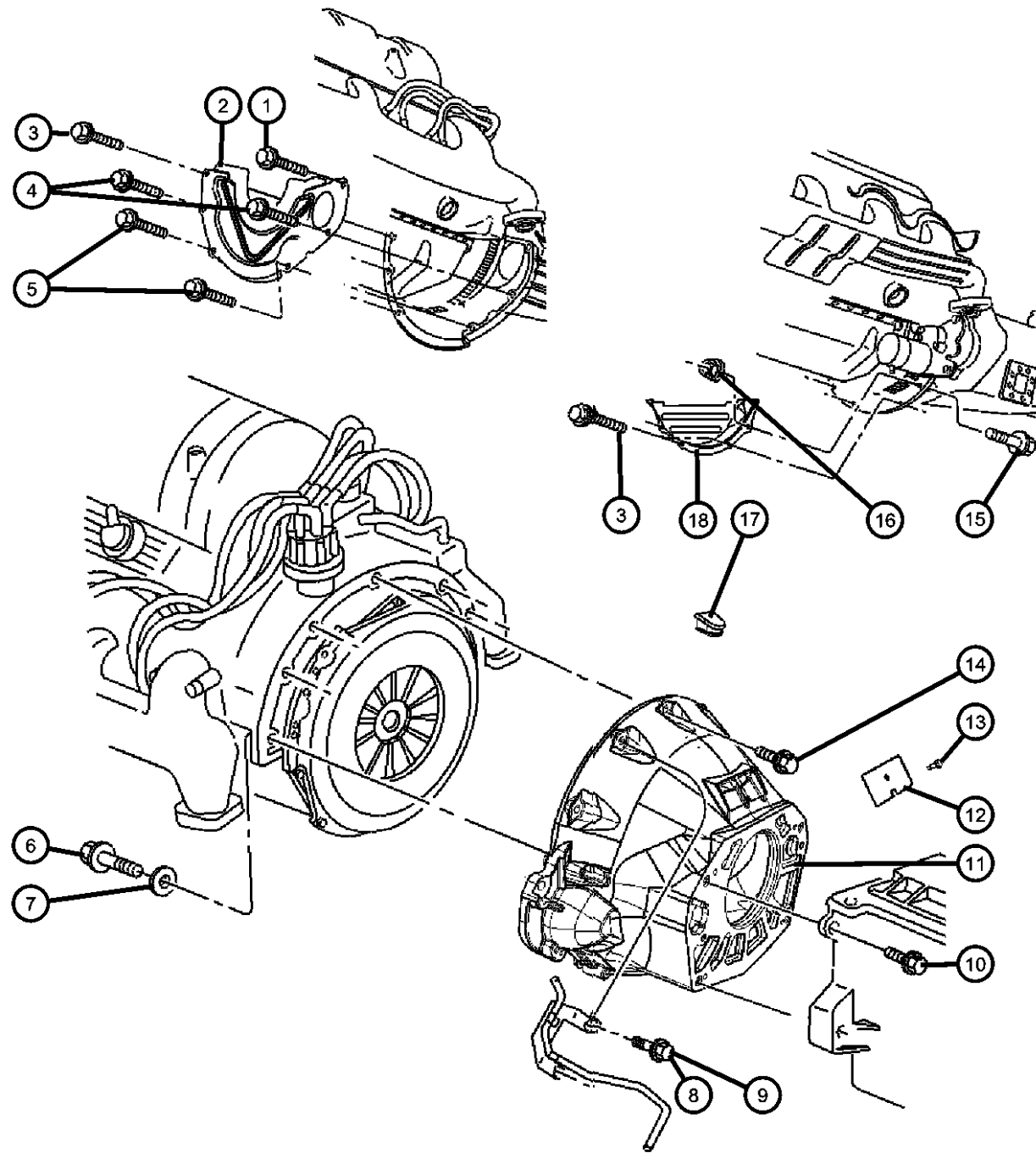
RAM PICKUP/CLUB CAB (BE)

SERIES	LINE	BODY	ENGINE	TRANSMISSION
L = Ram Truck (All)	3 = HD DODGE 2WD 8 = HD DODGE 4WD 1 = Lt. Duty DODGE 2WD 6 = Lt. Duty DODGE 4WD 2 = Med. Duty DODGE 2WD 7 = Med. Duty DODGE 4WD	31 = CLUB CAB 2-DR 6.5 FT BOX 32 = CLUB CAB 2-DR 8FT BOX 33 = QUAD CAB 4-DR 6.5 FT BOX 34 = QUAD CAB 4-DR 8FT BOX	ELF = ENGINE - 5.2L V8 MPI EML = ENGINE - 5.9L V8 MPI EMM = ENGINE - "MAGNUM" 5.9L SMPI V8 ETC = ENGINE- 5.9L CUMMINS 24V DIESEL ETH = ENGINE- 5.9L HO CUMMINS TURBO DIESEL EWA = ENGINE - 8.0L V10 MPI	DDC = TRANSMISSION - 5-SPEED HD MANUAL DDP = TRANSMISSION - 5-SPEED MANUAL DDX = TRANSMISSION - 5-SPEED HD MANUAL DEE = TRANSMISSION - 6-SPEED HD MANUAL DGP = TRANSMISSION - 4-SPD. AUTOMATIC,47RE DGT = TRANSMISSION - 4-SPD. AUTOMATIC,46RE

AR = use ase required - = Non illustrated part

2000 BE

Housing and Pan,Clutch  
Figure 6-210



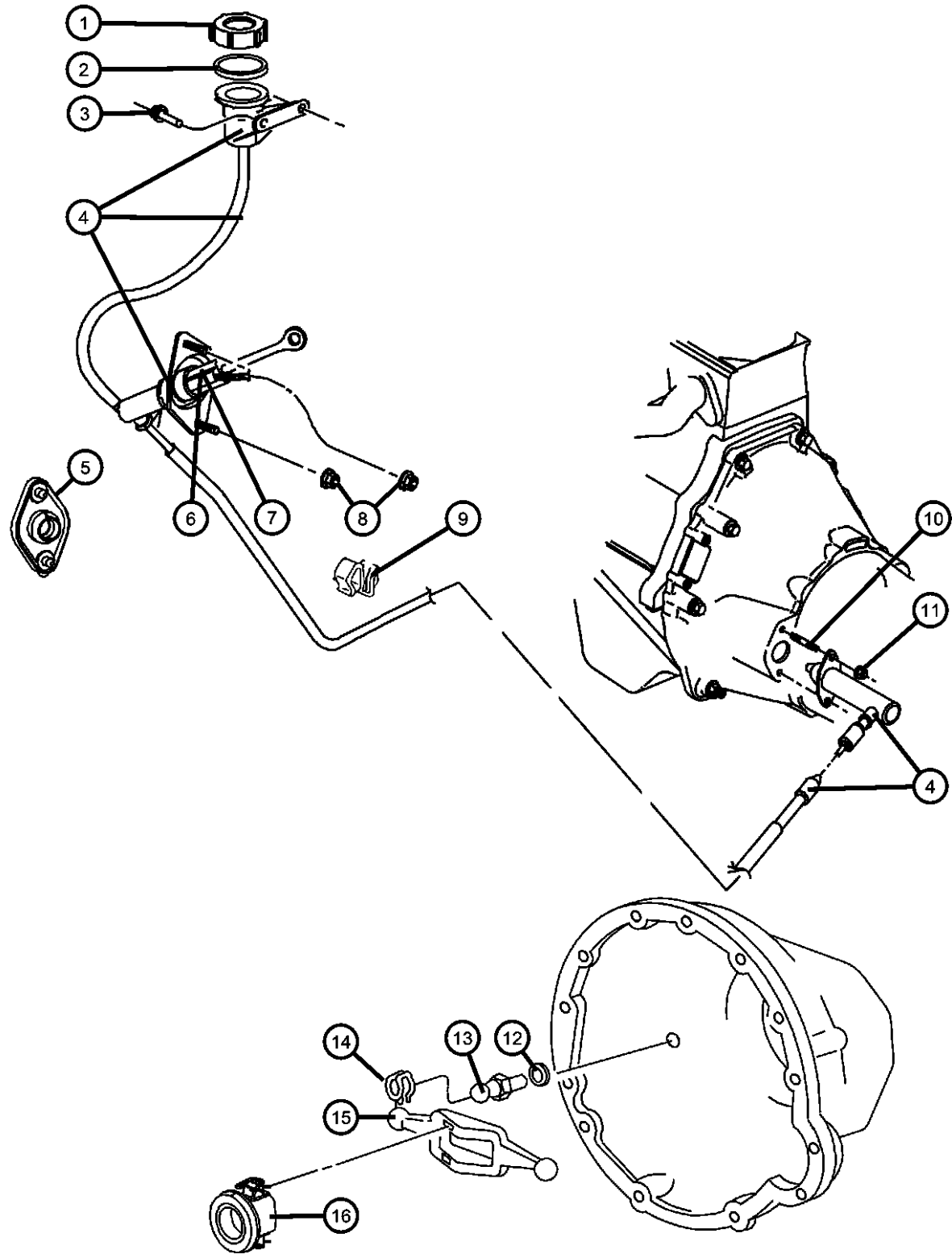
ITEM	PART NUMBER	QTY	LINE	SERIES	BODY	ENGINE	TRANS	TRIM	DESCRIPTION
9	06024473	2				EW0	DBB		SCREW AND WASHER, Hex Head, .437-14x2.00, Clutch Housing to Engine Dowel, Mounting
10	06024055	4					DDP, DDX		SCREW AND WASHER, Transmission to Clutch Housing, Mounting
11	05003582AA	1	1, 2, 3			ETC	DEE		HOUSING, Clutch
		1	6, 7, 8			ETC	DEE		
		1	6, 7, 8			ETH	DEE		
		1	1, 2, 3			ETH	DEE		
	52107540AB	1				EM0	DDP		
	53006513	1	2, 3, 7, 8			ETC, EW0	DDX		
12									SHIELD, Clutch Housing Vent
	53005474	1	2, 3, 7, 8			ETC, EW0	DDX		
		1				EM0	DDP		
13									SCREW
	00154596	1				ET0, EW0	DBB		Clutch Housing Vent Shield, Mounting
		1				EM0	DDP		Clutch Housing Vent Shield, Mounting
14									SCREW AND WASHER
	06022266	5				EL0, EM0	DBB		Clutch Housing to Cylinder Block, Mounting
		4				EW0	DBB		Clutch Housing to Cylinder Block, Mounting
15	06022266	4	2, 3, 7, 8			EW0	DDX		SCREW AND WASHER, Clutch Housing to Cylinder Block, Mounting
16	00152474	2	2, 3, 7, 8			EW0	DDX		NUT, Hex Flange Lock, .375-16, Cover to Transmission, Mounting
17	52117709	1				EL0, EM0			GROMMET, Timing Probe
18	52117614	1	2, 3, 7, 8			EW0	DDX		SHIELD, Clutch Housing Dust, Clutch Housing Dust Shield

RAM PICKUP/CLUB CAB (BE)

SERIES	LINE	BODY	ENGINE	TRANSMISSION
L = Ram Truck (All)	3 = HD DODGE 2WD	31 = CLUB CAB 2-DR 6.5 FT BOX	ELF = ENGINE - 5.2L V8 MPI	DDC = TRANSMISSION - 5-SPEED HD MANUAL
	8 = HD DODGE 4WD	32 = CLUB CAB 2-DR 8FT BOX	EML = ENGINE - 5.9L V8 MPI	DDP = TRANSMISSION - 5-SPEED MANUAL
	1 = Lt. Duty DODGE 2WD	33 = QUAD CAB 4-DR 6.5 FT BOX	EMM = ENGINE - "MAGNUM" 5.9L SMPI V8	DDX = TRANSMISSION - 5-SPEED HD MANUAL
	6 = Lt. Duty DODGE 4WD	34 = QUAD CAB 4-DR 8FT BOX	ETC = ENGINE- 5.9L CUMMINS 24V DIESEL	DEE = TRANSMISSION - 6-SPEED HD MANUAL
	2 = Med. Duty DODGE 2WD		ETH = ENGINE- 5.9L HO CUMMINS TURBO DIESEL	DGP = TRANSMISSION - 4-SPD. AUTOMATIC,47RE
	7 = Med. Duty DODGE 4WD		EWA = ENGINE - 8.0L V10 MPI	DGT = TRANSMISSION - 4-SPD. AUTOMATIC,46RE

AR = use ase required - = Non illustrated part

**Controls,Hydraulic Clutch**  
**Figure 6-310**



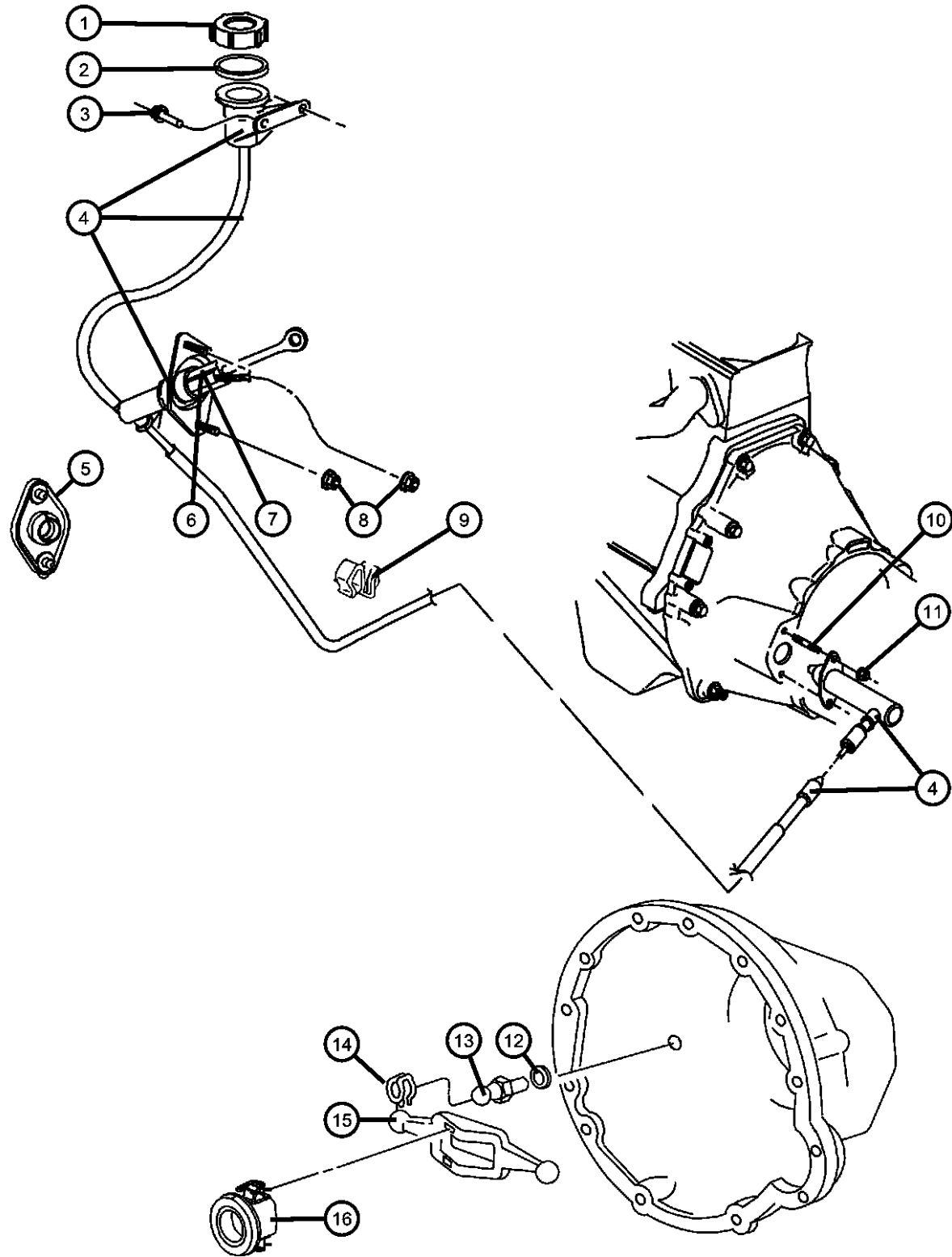
ITEM	PART NUMBER	QTY	LINE	SERIES	BODY	ENGINE	TRANS	TRIM	DESCRIPTION
1	04720156	1					DBB		CAP, Clutch Reservoir
2	04720157	1					DBB		DIAPHRAGM, Clutch Reservoir
3	06032988	2					DBB		SCREW, Clutch Master Cylinder Reservoir to Dash, Mounting
4									HYDRAULIC ASSY, Clutch Master Cylinder
	05015258AA	1				ELO, EMO, ETO	DBB		
	05019820AA	1	7, 8			EW0	DBB		
	52107791AA	1	2, 3			EW0	DBB		
5	52108193AB	1					DG0		PLUG, Clutch Master Cylinder Opening
6	53007944AB	1					DBB		SWITCH, Clutch Starter Interlock
7	05015960AA	1					DBB		COVER, Switch
8	06503269	2					DBB		NUT, Hex, M10-1.5, Clutch Master Cylinder to Dash, Mounting
9	05015260AA	1					DBB		CLIP, Clutch Tube
10	06032878	2					DBB		STUD, .312-18x2.00, Clutch Slave Cylinder to Clutch Housing, Mounting
11	00152472	2					DBB		NUT, Clutch Slave Cylinder to Clutch Housing, Mounting
12	06022190	1							WASHER, Clutch Release Pivot, Mounting
13	52087542	1							PIVOT, Clutch Release
14	04338855	1					DBB		SPRING, Clutch Release
15									LEVER, Clutch Release
	52087515	1				ET0, EW0	DBB		
	52107555	1				ELO, EMO	DBB		

NOTES: Sales Codes  
 [DBB] = All Manual Transmissions  
 [DDX] = 5 Speed Heavy Duty Manual Transmission  
 [DEE]=6-Speed HD Manual Transmission  
 [DG0]=All Automatic Transmissions  
 [ELO] = All 5.2L 8 Cylinder Gas Engines  
 [EM0] = All 5.9L 8 Cylinder Gas Engines  
 [ET0] = All 5.9L Turbo Diesel Engines  
 [EW0] = All 8.0L Gas Engines

RAM PICKUP/CLUB CAB (BE)		BODY	ENGINE	TRANSMISSION
SERIES	LINE			
L = Ram Truck (All)	3 = HD DODGE 2WD	31 = CLUB CAB 2-DR 6.5 FT BOX	ELF = ENGINE - 5.2L V8 MPI	DDC = TRANSMISSION - 5-SPEED HD MANUAL
	8 = HD DODGE 4WD	32 = CLUB CAB 2-DR 8FT BOX	EML = ENGINE - 5.9L V8 MPI	DDP = TRANSMISSION - 5-SPEED MANUAL
	1 = Lt. Duty DODGE 2WD	33 = QUAD CAB 4-DR 6.5 FT BOX	EMM = ENGINE - "MAGNUM" 5.9L SMPI V8	DDX = TRANSMISSION - 5-SPEED HD MANUAL
	6 = Lt. Duty DODGE 4WD	34 = QUAD CAB 4-DR 8FT BOX	ETC = ENGINE- 5.9L CUMMINS 24V DIESEL	DEE = TRANSMISSION - 6-SPEED HD MANUAL
	2 = Med. Duty DODGE 2WD		ETH = ENGINE- 5.9L HO CUMMINS TURBO DIESEL	DGP = TRANSMISSION - 4-SPD. AUTOMATIC,47RE
	7 = Med. Duty DODGE 4WD		EWA = ENGINE - 8.0L V10 MPI	DGT = TRANSMISSION - 4-SPD. AUTOMATIC,46RE

AR = use ase required - = Non illustrated part

Controls,Hydraulic Clutch  
Figure 6-310



ITEM	PART NUMBER	QTY	LINE	SERIES	BODY	ENGINE	TRANS	TRIM	DESCRIPTION
16									BEARING, Clutch Release
	52087514	1				ET0, EW0	DDX, DEE		
	53008342	1				ELO, EM0	DBB		

RAM PICKUP/CLUB CAB (BE)

SERIES	LINE	BODY	ENGINE	TRANSMISSION
L = Ram Truck (All)	3 = HD DODGE 2WD 8 = HD DODGE 4WD 1 = Lt. Duty DODGE 2WD 6 = Lt. Duty DODGE 4WD 2 = Med. Duty DODGE 2WD 7 = Med. Duty DODGE 4WD	31 = CLUB CAB 2-DR 6.5 FT BOX 32 = CLUB CAB 2-DR 8FT BOX 33 = QUAD CAB 4-DR 6.5 FT BOX 34 = QUAD CAB 4-DR 8FT BOX	ELF = ENGINE - 5.2L V8 MPI EML = ENGINE - 5.9L V8 MPI EMM = ENGINE - "MAGNUM" 5.9L SMPI V8 ETC = ENGINE- 5.9L CUMMINS 24V DIESEL ETH = ENGINE- 5.9L HO CUMMINS TURBO DIESEL EWA = ENGINE - 8.0L V10 MPI	DDC = TRANSMISSION - 5-SPEED HD MANUAL DDP = TRANSMISSION - 5-SPEED MANUAL DDX = TRANSMISSION - 5-SPEED HD MANUAL DEE = TRANSMISSION - 6-SPEED HD MANUAL DGP = TRANSMISSION - 4-SPD. AUTOMATIC,47RE DGT = TRANSMISSION - 4-SPD. AUTOMATIC,46RE

AR = use ase required - = Non illustrated part

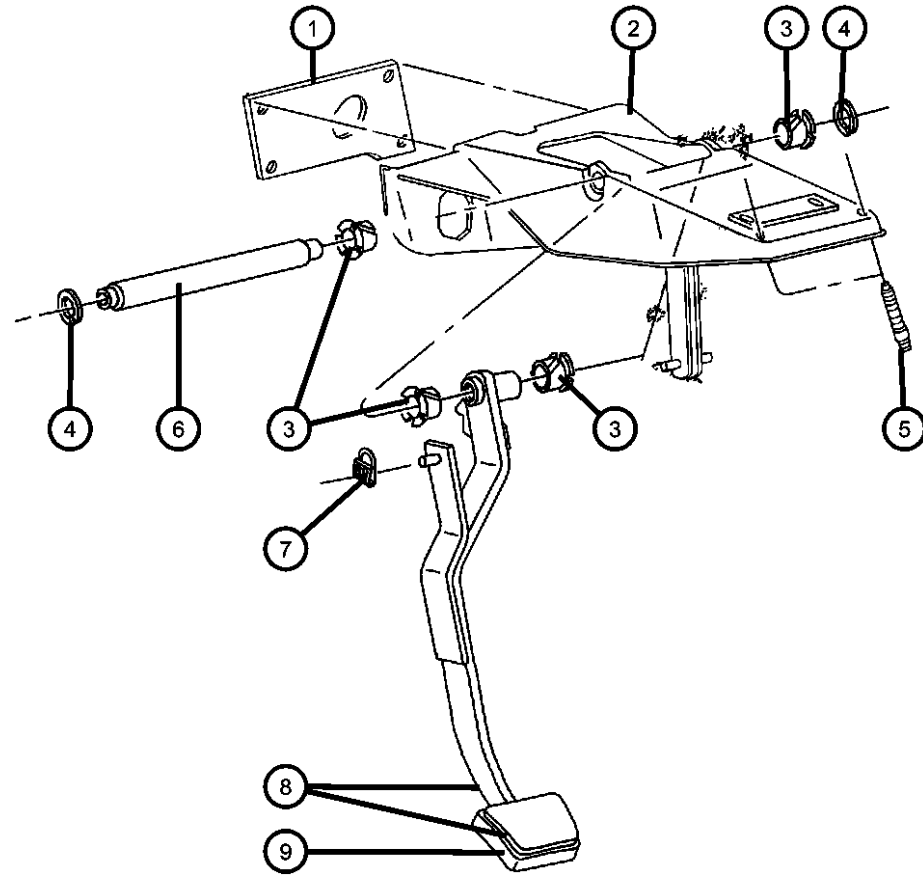
2000 BE

**Pedal,Clutch  
Figure 6-410**

ITEM	PART NUMBER	QTY	LINE	SERIES	BODY	ENGINE	TRANS	TRIM	DESCRIPTION
------	-------------	-----	------	--------	------	--------	-------	------	-------------

NOTES: Sales Codes  
[DBB] = All Manual Transmissions

1	55135213AB	1							SEAL, Steering Column Bracket to Dash, Mounting
2	55351014AD	1							BRACKET, Steering Column, Clutch and Brake Pedal
3	04294639	4							BUSHING, Clutch and Brake Pedal, Pivot
4	04103262	2							RETAINER, Shaft
5	06503761	2							STUD, M6x1.00mmx48.80mm
6	52077902	1							SHAFT, Clutch and Brake Pedal Pivot
7	04294036	1					DBB		CLIP, Clutch Master Cylinder Push Rod, Mounting
8	52009557AB	1					DBB		PEDAL AND PAD, Clutch
9	52009562	1					DBB		PAD, Pedal



**RAM PICKUP/CLUB CAB (BE)**

SERIES	LINE	BODY	ENGINE	TRANSMISSION
L = Ram Truck (All)	3 = HD DODGE 2WD 8 = HD DODGE 4WD 1 = Lt. Duty DODGE 2WD 6 = Lt. Duty DODGE 4WD 2 = Med. Duty DODGE 2WD 7 = Med. Duty DODGE 4WD	31 = CLUB CAB 2-DR 6.5 FT BOX 32 = CLUB CAB 2-DR 8FT BOX 33 = QUAD CAB 4-DR 6.5 FT BOX 34 = QUAD CAB 4-DR 8FT BOX	ELF = ENGINE - 5.2L V8 MPI EML = ENGINE - 5.9L V8 MPI EMM = ENGINE - "MAGNUM" 5.9L SMPI V8 ETC = ENGINE- 5.9L CUMMINS 24V DIESEL ETH = ENGINE- 5.9L HO CUMMINS TURBO DIESEL EWA = ENGINE - 8.0L V10 MPI	DDC = TRANSMISSION - 5-SPEED HD MANUAL DDP = TRANSMISSION - 5-SPEED MANUAL DDX = TRANSMISSION - 5-SPEED HD MANUAL DEE = TRANSMISSION - 6-SPEED HD MANUAL DGP = TRANSMISSION - 4-SPD. AUTOMATIC,47RE DGT = TRANSMISSION - 4-SPD. AUTOMATIC,46RE

AR = use ase required - = Non illustrated part

2000 BE

# Group - 7

## Cooling

### Group - 7 Cooling

Group-Fig. No.

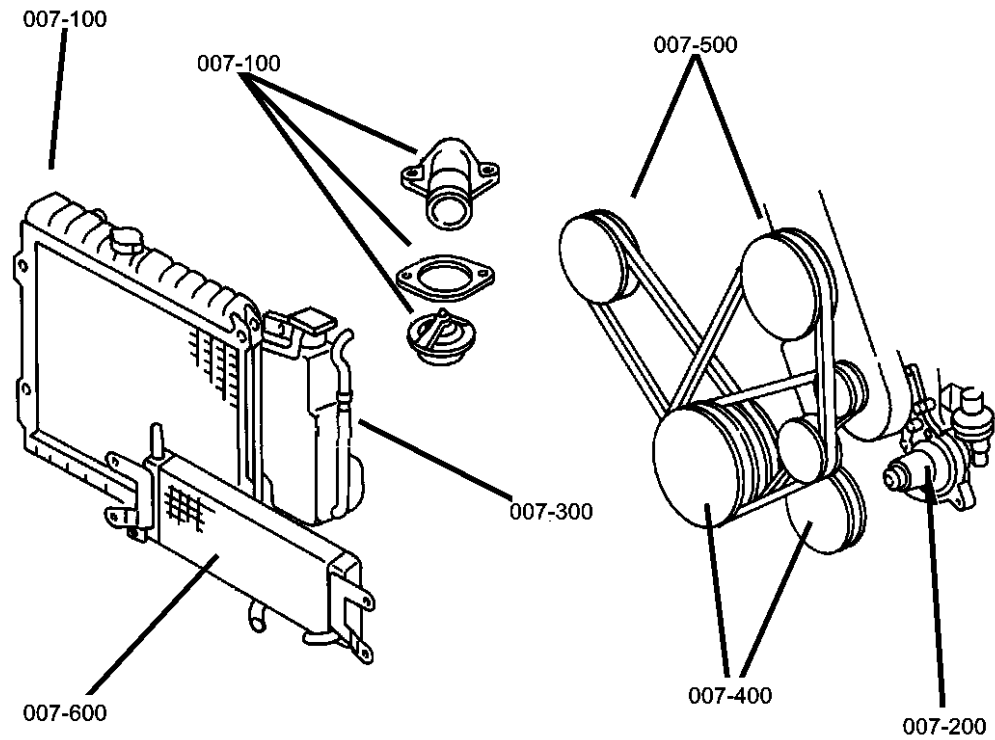


Illustration Title

#### Radiator and Related Parts

Radiator And Related Parts Gas Engines ..... Fig. 7 - 125  
 Radiator And Related Parts Diesel Engine ..... Fig. 7 - 130

#### Water Pump and Related Parts

Water Pump 5.2 And 5.9 Engine ..... Fig. 7 - 210  
 Water Pump Diesel Engine ..... Fig. 7 - 225  
 Water Pump 8.0 Engine ..... Fig. 7 - 230

#### Tank, Coolant Engine

Coolant Tank ..... Fig. 7 - 320

#### Pulleys and Related Parts

Drive Pulleys 5.2, 5.9 LD And 8.0 Engine ..... Fig. 7 - 410  
 Drive Pulleys 5.9 Hd Engine ..... Fig. 7 - 420  
 Drive Pulleys Diesel Engine ..... Fig. 7 - 440

#### Drive Belts

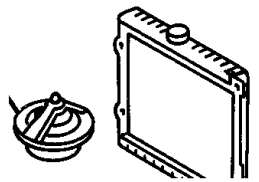
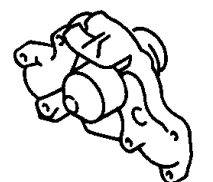
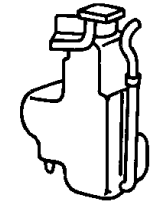
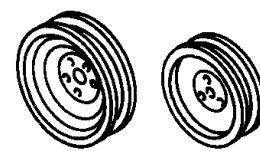
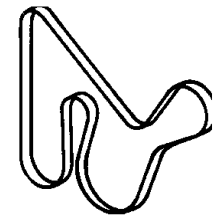
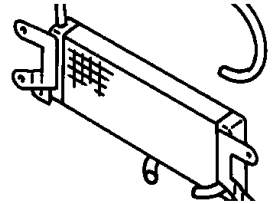
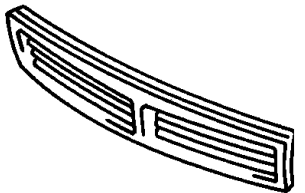
Drive Belts 5.2L And 5.9Ld Engine ..... Fig. 7 - 520  
 Drive Belts Diesel Engine ..... Fig. 7 - 530  
 Drive Belts 5.9 Hd Engine ..... Fig. 7 - 540  
 Drive Belts 8.0 Engine ..... Fig. 7 - 550

#### Lines, Transmission Oil Cooler

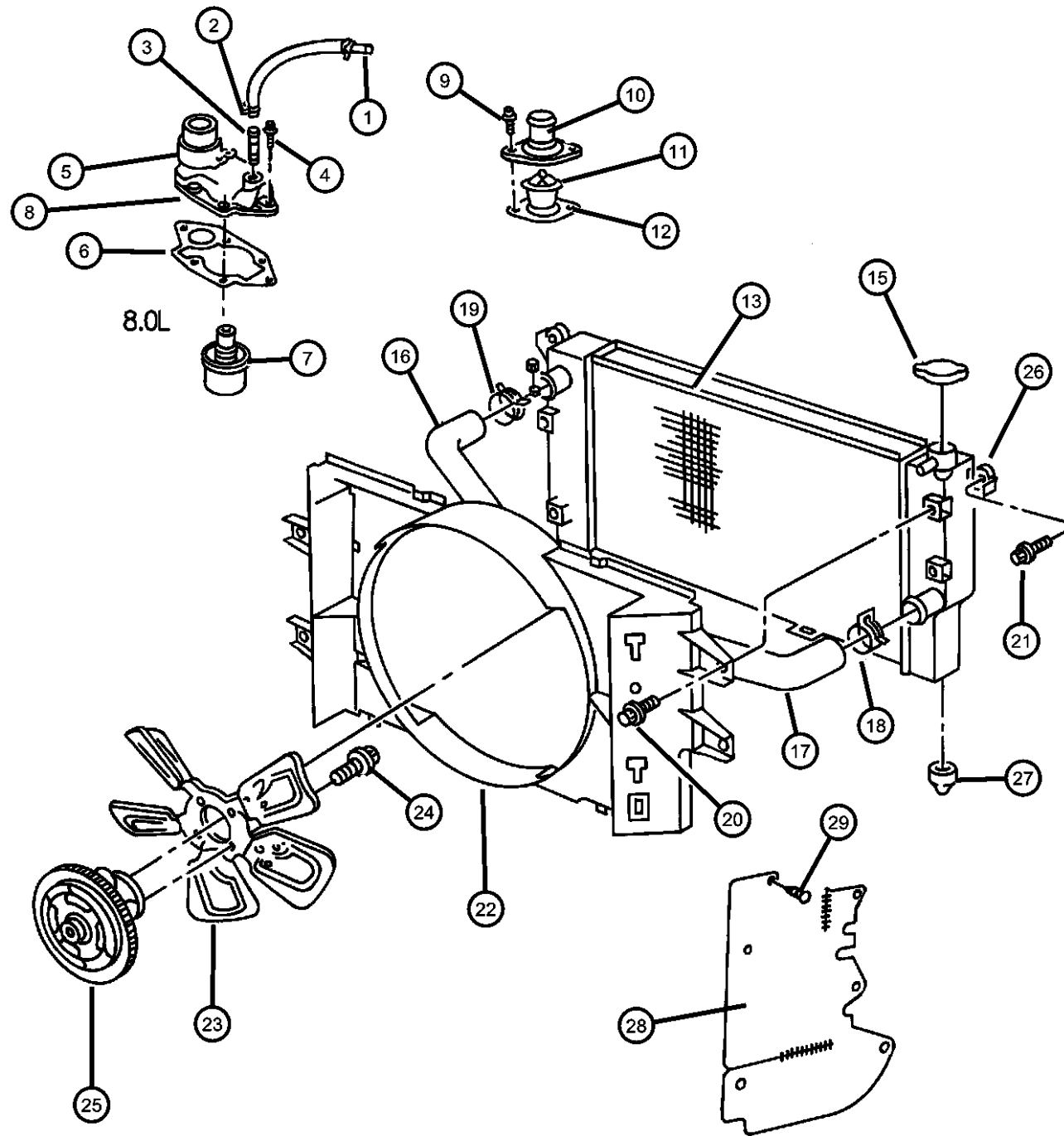
Oil Cooler And Lines Except Diesel Engine ..... Fig. 7 - 615  
 Oil Cooler And Lines Diesel Engine ..... Fig. 7 - 620  
 Auxiliary Oil Cooler 5.2, 5.9 And 8.0 Engine ..... Fig. 7 - 650  
 Auxiliary Oil Cooler Diesel Engine ..... Fig. 7 - 660

#### Grilles

Grille And Related Parts ..... Fig. 7 - 720

<p><b>007-100</b> Radiator and Related Parts</p> 	<p><b>007-200</b> Water Pump and Related Parts</p> 	<p><b>007-300</b> Tank, Coolant Engine</p> 	<p><b>007-400</b> Pulleys and Related Parts</p> 
<p><b>007-500</b> Drive Belts</p> 	<p><b>007-600</b> Lines, Transmission Oil Cooler</p> 	<p><b>007-700</b> Grilles</p> 	

**Radiator And Related Parts Gas Engines**  
**Figure 7-125**



ITEM	PART NUMBER	QTY	LINE	SERIES	BODY	ENGINE	TRANS	TRIM	DESCRIPTION
------	-------------	-----	------	--------	------	--------	-------	------	-------------

Note:  
 DBB = All Manual Transmissions  
 DG0 = All Automatic Transmissions  
 ELF = Magnum 5.9L SMPI V8 Engine  
 ELO = All 5.2L 8 Cyl Gas Engines  
 EML = Magnum 5.9L SMPI V8 Engine  
 EMM = Magnum 5.9L SMPI V8 Engine  
 EM0 = All 5.9L 8 Cyl Gas Engines  
 EW0 = All 8.0L Gas Engines

1	55036415	1				EW0			HOSE AND TUBE, Thermostat CLAMP, Heater Hose
2	06502017	6				ELF, EM0			
		8				EW0			
3	55035944	1				ELO, EM0			NIPPLE, Heater Inlet
		1				EW0			Heater Supply
4	06034506	6				EW0			BOLT AND CONED WASHER, Hex Head, .312-18x1.56
5	53006047AB	1				EW0			HOUSING, Thermostat
6	53005868AB	1				EW0			GASKET, Thermostat
7	53041078	1				EW0			THERMOSTAT, 195 Degrees
8	53010047	1				EW0			SEAL, Thermostat
9	06034549	18				ELO, EM0			SCREW, Hex Head, .312-18x.94
10	53020115	1				ELO, EM0			HOUSING, Thermostat
11	52028185	1				ELO, EM0			THERMOSTAT, 195 Degrees
12	53021051	1				ELO, EM0			GASKET, Thermostat
13	52006491AC	1				ELO, EM0	DBB		RADIATOR, Engine Cooling
	52006491AE	1				ELO, EM0	DG0		Without Transmission Cooler Line Fittings
	52029176AA	1				EW0	DG0		Without Transmission Cooler Line Fittings
	52029177AB	1				EW0	DBB		
	52029189AB	1				ELO, EM0	DG0		With Transmission Cooler Line Fittings

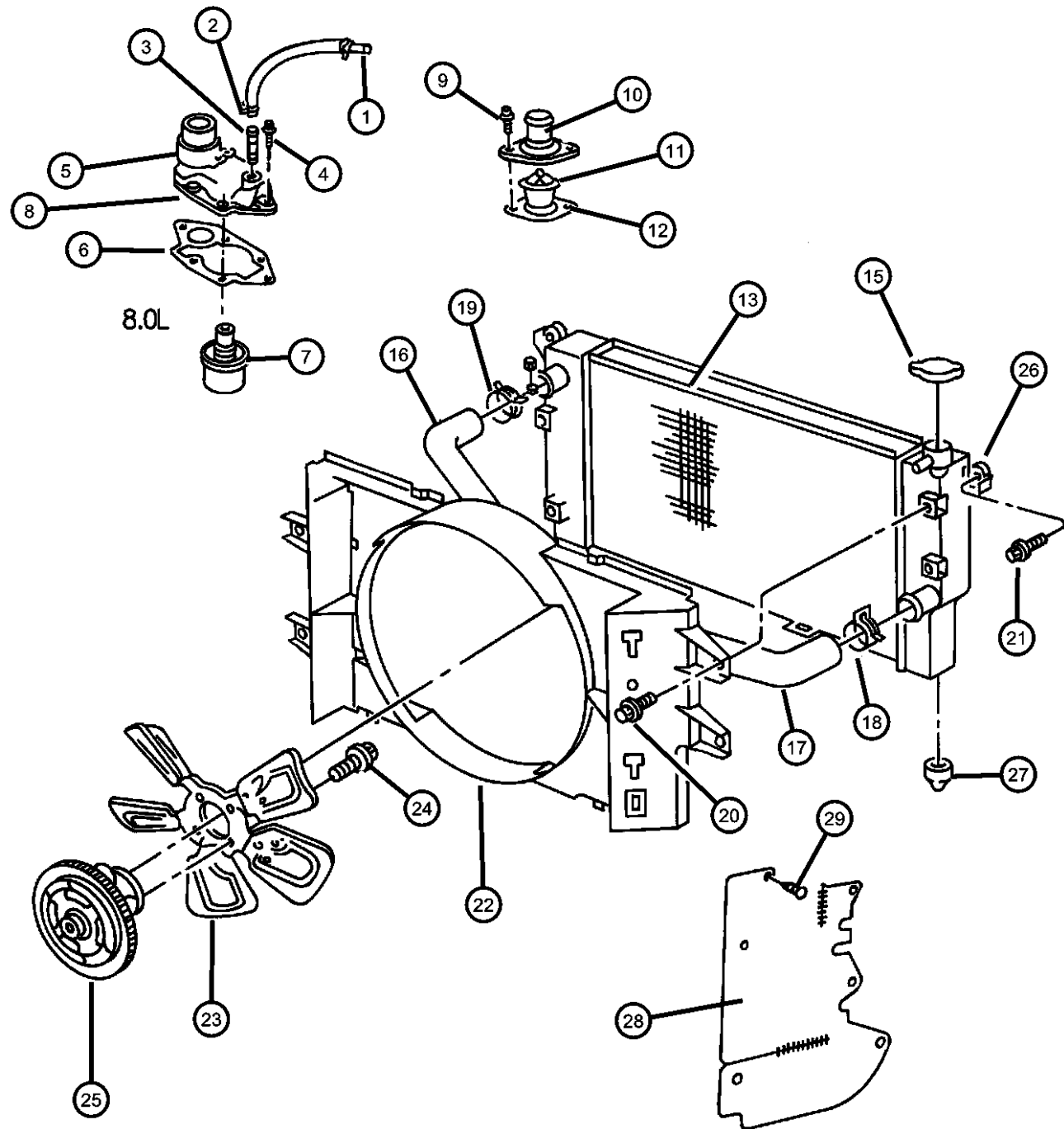
**RAM PICKUP/CLUB CAB (BE)**

SERIES	LINE	BODY	ENGINE	TRANSMISSION
L = Ram Truck (All)	3 = HD DODGE 2WD	31 = CLUB CAB 2-DR 6.5 FT BOX	ELF = ENGINE - 5.2L V8 MPI	DDC = TRANSMISSION - 5-SPEED HD MANUAL
	8 = HD DODGE 4WD	32 = CLUB CAB 2-DR 8FT BOX	EML = ENGINE - 5.9L V8 MPI	DDP = TRANSMISSION - 5-SPEED MANUAL
	1 = Lt. Duty DODGE 2WD	33 = QUAD CAB 4-DR 6.5 FT BOX	EMM = ENGINE - "MAGNUM" 5.9L SMPI V8	DDX = TRANSMISSION - 5-SPEED HD MANUAL
	6 = Lt. Duty DODGE 4WD	34 = QUAD CAB 4-DR 8FT BOX	ETC = ENGINE- 5.9L CUMMINS 24V DIESEL	DEE = TRANSMISSION - 6-SPEED HD MANUAL
	2 = Med. Duty DODGE 2WD		ETH = ENGINE- 5.9L HO CUMMINS TURBO DIESEL	DGP = TRANSMISSION - 4-SPD. AUTOMATIC, 47RE
	7 = Med. Duty DODGE 4WD		EWA = ENGINE - 8.0L V10 MPI	DGT = TRANSMISSION - 4-SPD. AUTOMATIC, 46RE

AR = use ase required - = Non illustrated part

2000 BE

**Radiator And Related Parts Gas Engines**  
**Figure 7-125**



ITEM	PART NUMBER	QTY	LINE	SERIES	BODY	ENGINE	TRANS	TRIM	DESCRIPTION
-14	52028466	1				EL0, EM0			DRAINCOCK, Radiator
15									CAP, Radiator
	52006926	1				EW0	DBB		
	04592098	1				EL0, EM0			
		1				EW0	DG0		
16									HOSE, Radiator
	52028641AB	1				EW0			Upper
	52028643AB	1				EL0, EM0			Upper
17									HOSE, Radiator
	52006484AB	1				EW0			Lower
	52028896AA	1				EL0, EML			Lower
18									CLAMP, Radiator
	06032277	1				EL0, EM0			
	52006750	1				EW0			
19									CLAMP, Radiator
	06032277	1				EL0, EM0			
	52006750	1				EW0			
20	52006750	1							BOLT, (NOT SERVICED)
21	06101718	4							SCREW AND WASHER, Oval Head, M6x1x25
22									SHROUD, Fan
	52006486	1				EW0			
	52028002	1				EL0, EM0			
23									FAN, Cooling
	52027709	1				EW0			
	52027846	1				ELO			
		1				EM0			Without [NMC]
	52027999	1				EM0			With [NMC]
24	06034256	6				EL0, EM0			SCREW AND WASHER, Hex Head, .312-18x.75
25									DRIVE, Fan

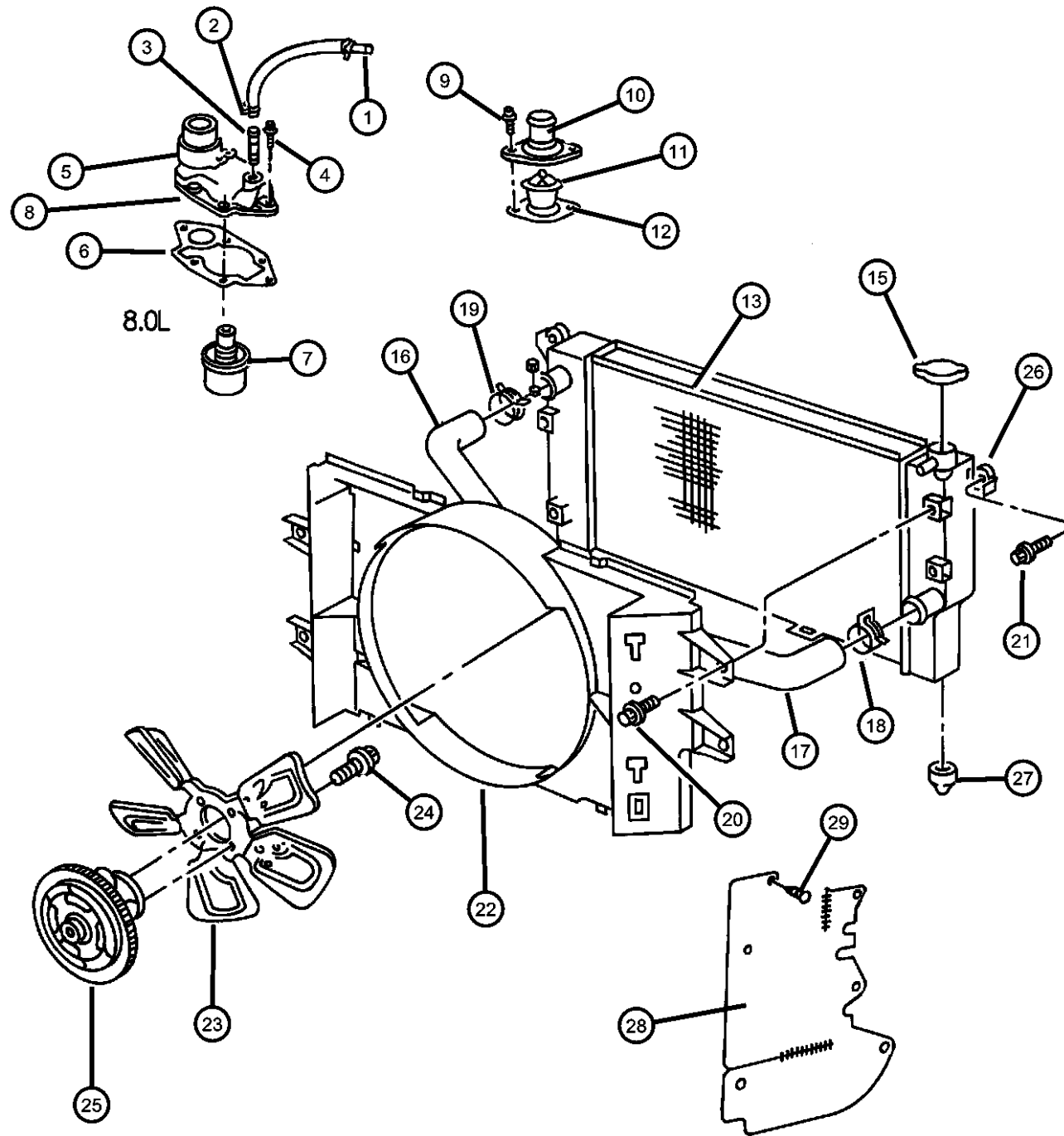
**RAM PICKUP/CLUB CAB (BE)**

SERIES	LINE	BODY	ENGINE	TRANSMISSION
L = Ram Truck (All)	3 = HD DODGE 2WD	31 = CLUB CAB 2-DR 6.5 FT BOX	ELF = ENGINE - 5.2L V8 MPI	DDC = TRANSMISSION - 5-SPEED HD MANUAL
	8 = HD DODGE 4WD	32 = CLUB CAB 2-DR 8FT BOX	EML = ENGINE - 5.9L V8 MPI	DDP = TRANSMISSION - 5-SPEED MANUAL
	1 = Lt. Duty DODGE 2WD	33 = QUAD CAB 4-DR 6.5 FT BOX	EMM = ENGINE - "MAGNUM" 5.9L SMPI V8	DDX = TRANSMISSION - 5-SPEED HD MANUAL
	6 = Lt. Duty DODGE 4WD	34 = QUAD CAB 4-DR 8FT BOX	ETC = ENGINE- 5.9L CUMMINS 24V DIESEL	DEE = TRANSMISSION - 6-SPEED HD MANUAL
	2 = Med. Duty DODGE 2WD		ETH = ENGINE- 5.9L HO CUMMINS TURBO DIESEL	DGP = TRANSMISSION - 4-SPD. AUTOMATIC,47RE
	7 = Med. Duty DODGE 4WD		EWA = ENGINE - 8.0L V10 MPI	DGT = TRANSMISSION - 4-SPD. AUTOMATIC,46RE

AR = use ase required - = Non illustrated part



**Radiator And Related Parts Gas Engines**  
**Figure 7-125**



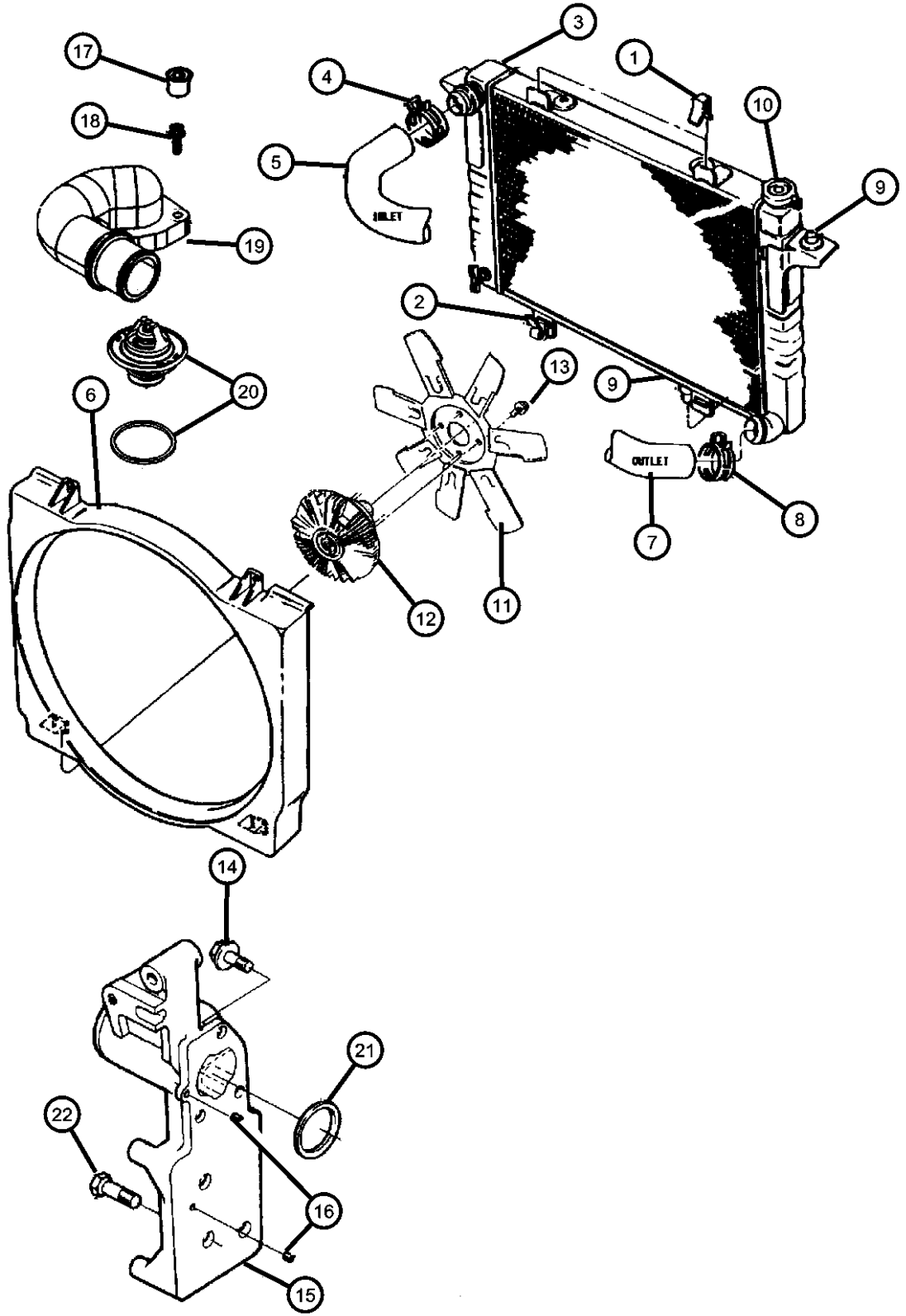
ITEM	PART NUMBER	QTY	LINE	SERIES	BODY	ENGINE	TRANS	TRIM	DESCRIPTION
	52027710AB	1				EM0			Up To 5-1-00
	52027883	1				ELO			
		1				EM0			without NMC
	52027885	1				EW0			
	52029400AA	1				EM0			After 5-1-00
26									ISOLATOR, Radiator
	52027828	2				EW0	DBB		
		2				EW0	DGO		
	04401950	2				ELO, EM0			
27									ISOLATOR, Radiator
	52027828	2				EW0	DBB		
		2				EW0	DGO		
	04401950	2				ELO, EM0			
28									SEAL, Radiator
	52027560	1				ELO, EM0			Right
	52027561	1				ELO, EM0			Left
29	06030441	2							PIN, Retainer

**RAM PICKUP/CLUB CAB (BE)**

SERIES	LINE	BODY	ENGINE	TRANSMISSION
L = Ram Truck (All)	3 = HD DODGE 2WD 8 = HD DODGE 4WD 1 = Lt. Duty DODGE 2WD 6 = Lt. Duty DODGE 4WD 2 = Med. Duty DODGE 2WD 7 = Med. Duty DODGE 4WD	31 = CLUB CAB 2-DR 6.5 FT BOX 32 = CLUB CAB 2-DR 8FT BOX 33 = QUAD CAB 4-DR 6.5 FT BOX 34 = QUAD CAB 4-DR 8FT BOX	ELF = ENGINE - 5.2L V8 MPI EML = ENGINE - 5.9L V8 MPI EMM = ENGINE - "MAGNUM" 5.9L SMPI V8 ETC = ENGINE- 5.9L CUMMINS 24V DIESEL ETH = ENGINE- 5.9L HO CUMMINS TURBO DIESEL EWA = ENGINE - 8.0L V10 MPI	DDC = TRANSMISSION - 5-SPEED HD MANUAL DDP = TRANSMISSION - 5-SPEED MANUAL DDX = TRANSMISSION - 5-SPEED HD MANUAL DEE = TRANSMISSION - 6-SPEED HD MANUAL DGP = TRANSMISSION - 4-SPD. AUTOMATIC,47RE DGT = TRANSMISSION - 4-SPD. AUTOMATIC,46RE

AR = use ase required - = Non illustrated part

**Radiator And Related Parts Diesel Engine**  
**Figure 7-130**



ITEM	PART NUMBER	QTY	LINE	SERIES	BODY	ENGINE	TRANS	TRIM	DESCRIPTION
------	-------------	-----	------	--------	------	--------	-------	------	-------------

Note:  
 DBB = All Manual Transmissions  
 DG0 = All Automatic Transmissions  
 ETC = 5.9L Cummins 24V Diesel Engine  
 ETH = 5.9L HO Cummins Turbo Diesel  
 ETO = All 5.9L Turbo Diesel Engines

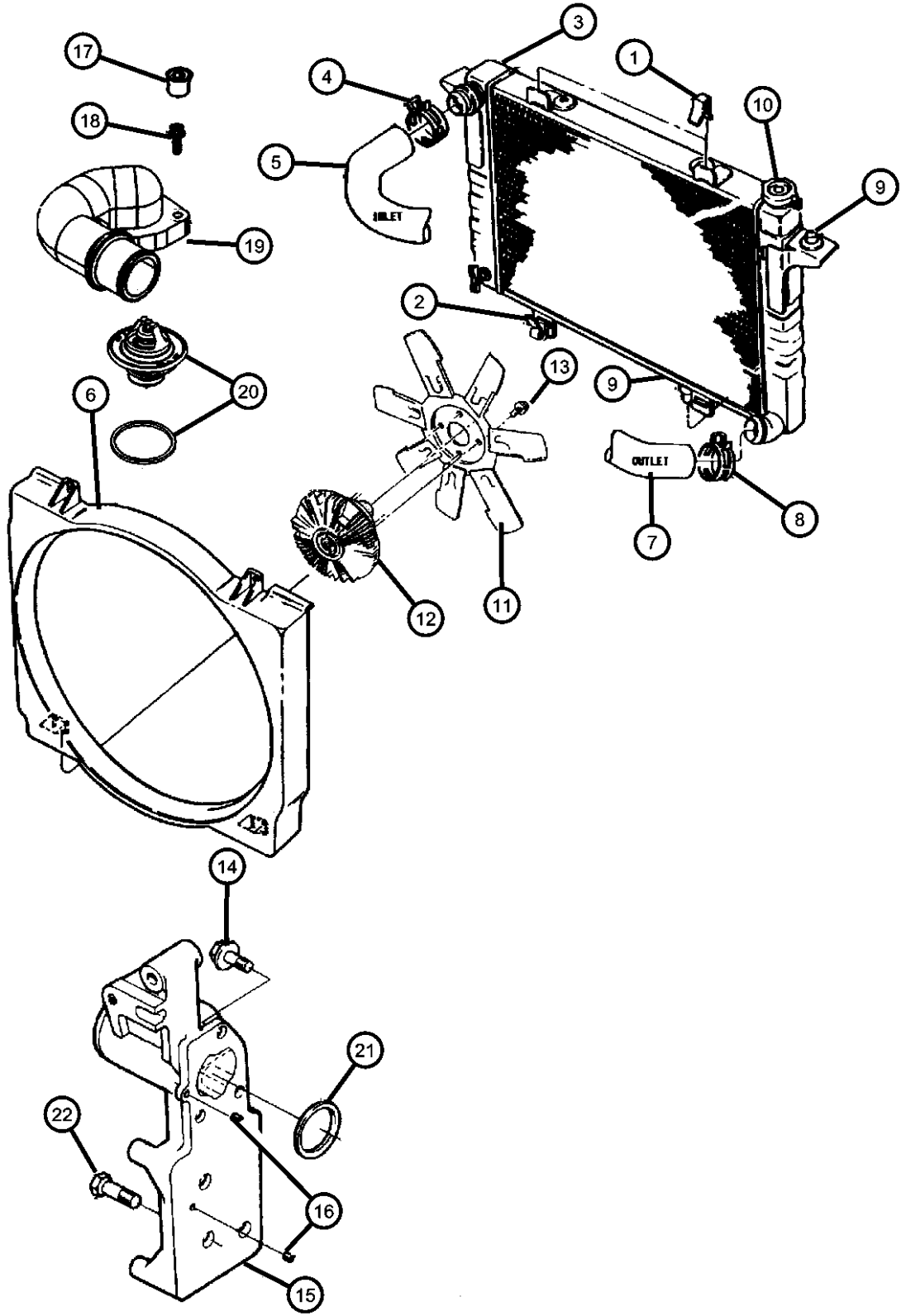
1	04546145	2				ETO			CLIP, Radiator Fan Shroud
2	04546145	2				ETO			CLIP, Radiator Fan Shroud
3	52030191AA	1				ETO			RADIATOR, Engine Cooling
4	06032277	1				ETO			CLAMP, Radiator
5	52028715	1				ETO			HOSE, RadiatorInlet, Upper
6	52028003	1				ETO			SHROUD, Fan
7	52006482AB	1				ETO			HOSE, RadiatorOutlet, Lower
8	06032277	1				ETO			CLAMP, Radiator
9									ISOLATOR, Radiator
	52027827	1				ETO			Upper
	52027828	2				ETO			Lower
10	52006926	2				ETO			CAP, Radiator
11	52028893AA	1				ETO			FAN, Cooling
12	52028894AA	1				ETO			DRIVE, Fan
13	06022225	4							SCREW AND WASHER, Hex Head, .312-18x.75
14	04429460	2				ETC			SCREW, Water Inlet, M10x1.5x25
15									CONNECTOR, Water Inlet
	04638933	1				ETH	DBB		
	05011928AA	1				ETC			
16									PIN, Roll
	04429484	2				ETC			
		2				ETH	DBB		
17									PLUG, Pipe
	05011903AA	1				ETC			
		1				ETH	DBB		

**RAM PICKUP/CLUB CAB (BE)**

SERIES	LINE	BODY	ENGINE	TRANSMISSION
L = Ram Truck (All)	3 = HD DODGE 2WD	31 = CLUB CAB 2-DR 6.5 FT BOX	ELF = ENGINE - 5.2L V8 MPI	DDC = TRANSMISSION - 5-SPEED HD MANUAL
	8 = HD DODGE 4WD	32 = CLUB CAB 2-DR 8FT BOX	EML = ENGINE - 5.9L V8 MPI	DDP = TRANSMISSION - 5-SPEED HD MANUAL
	1 = Lt. Duty DODGE 2WD	33 = QUAD CAB 4-DR 6.5 FT BOX	EMM = ENGINE - "MAGNUM" 5.9L SMPI V8	DDX = TRANSMISSION - 5-SPEED HD MANUAL
	6 = Lt. Duty DODGE 4WD	34 = QUAD CAB 4-DR 8FT BOX	ETC = ENGINE- 5.9L CUMMINS 24V DIESEL	DEE = TRANSMISSION - 6-SPEED HD MANUAL
	2 = Med. Duty DODGE 2WD		ETH = ENGINE- 5.9L HO CUMMINS TURBO DIESEL	DGP = TRANSMISSION - 4-SPD. AUTOMATIC, 47RE
	7 = Med. Duty DODGE 4WD		EWA = ENGINE - 8.0L V10 MPI	DGT = TRANSMISSION - 4-SPD. AUTOMATIC, 46RE

AR = use ase required - = Non illustrated part

**Radiator And Related Parts Diesel Engine**  
**Figure 7-130**



ITEM	PART NUMBER	QTY	LINE	SERIES	BODY	ENGINE	TRANS	TRIM	DESCRIPTION
18									SCREW, Hex Flange Head
	04761269	6				ETC			
	05016651AA	3				ETH	DBB		
19									HOUSING, Thermostat
	05015713AA	1				ETC	DBB		
		1				ETC	DG0		
		1				ETH	DBB		
20									THERMOSTAT
	05015708AA	1				ETC	DBB		
		1				ETC	DG0		
		1				ETH	DBB		
21									SEAL, Water Outlet
	04429697	1				ETC	DG0		
		1				ETC	DBB		
		1				ETH	DBB		
22									BOLT, Hex Head, M12x1.75x25
	04429495	3				ETC	DG0		
		3				ETC	DBB		
		3				ETH	DBB		
-23	52028466AB	1				ET0			DRAINCOCK, Radiator

**RAM PICKUP/CLUB CAB (BE)**

SERIES	LINE	BODY	ENGINE	TRANSMISSION
L = Ram Truck (All)	3 = HD DODGE 2WD	31 = CLUB CAB 2-DR 6.5 FT BOX	ELF = ENGINE - 5.2L V8 MPI	DDC = TRANSMISSION - 5-SPEED HD MANUAL
	8 = HD DODGE 4WD	32 = CLUB CAB 2-DR 8FT BOX	EML = ENGINE - 5.9L V8 MPI	DDP = TRANSMISSION - 5-SPEED MANUAL
	1 = Lt. Duty DODGE 2WD	33 = QUAD CAB 4-DR 6.5 FT BOX	EMM = ENGINE - "MAGNUM" 5.9L SMPI V8	DDX = TRANSMISSION - 5-SPEED HD MANUAL
	6 = Lt. Duty DODGE 4WD	34 = QUAD CAB 4-DR 8FT BOX	ETC = ENGINE- 5.9L CUMMINS 24V DIESEL	DEE = TRANSMISSION - 6-SPEED HD MANUAL
	2 = Med. Duty DODGE 2WD		ETH = ENGINE- 5.9L HO CUMMINS TURBO DIESEL	DGP = TRANSMISSION - 4-SPD. AUTOMATIC, 47RE
	7 = Med. Duty DODGE 4WD		EWA = ENGINE - 8.0L V10 MPI	DGT = TRANSMISSION - 4-SPD. AUTOMATIC, 46RE

AR = use ase required - = Non illustrated part

**Water Pump 5.2 And 5.9 Engine  
Figure 7-210**

ITEM	PART NUMBER	QTY	LINE	SERIES	BODY	ENGINE	TRANS	TRIM	DESCRIPTION
------	-------------	-----	------	--------	------	--------	-------	------	-------------

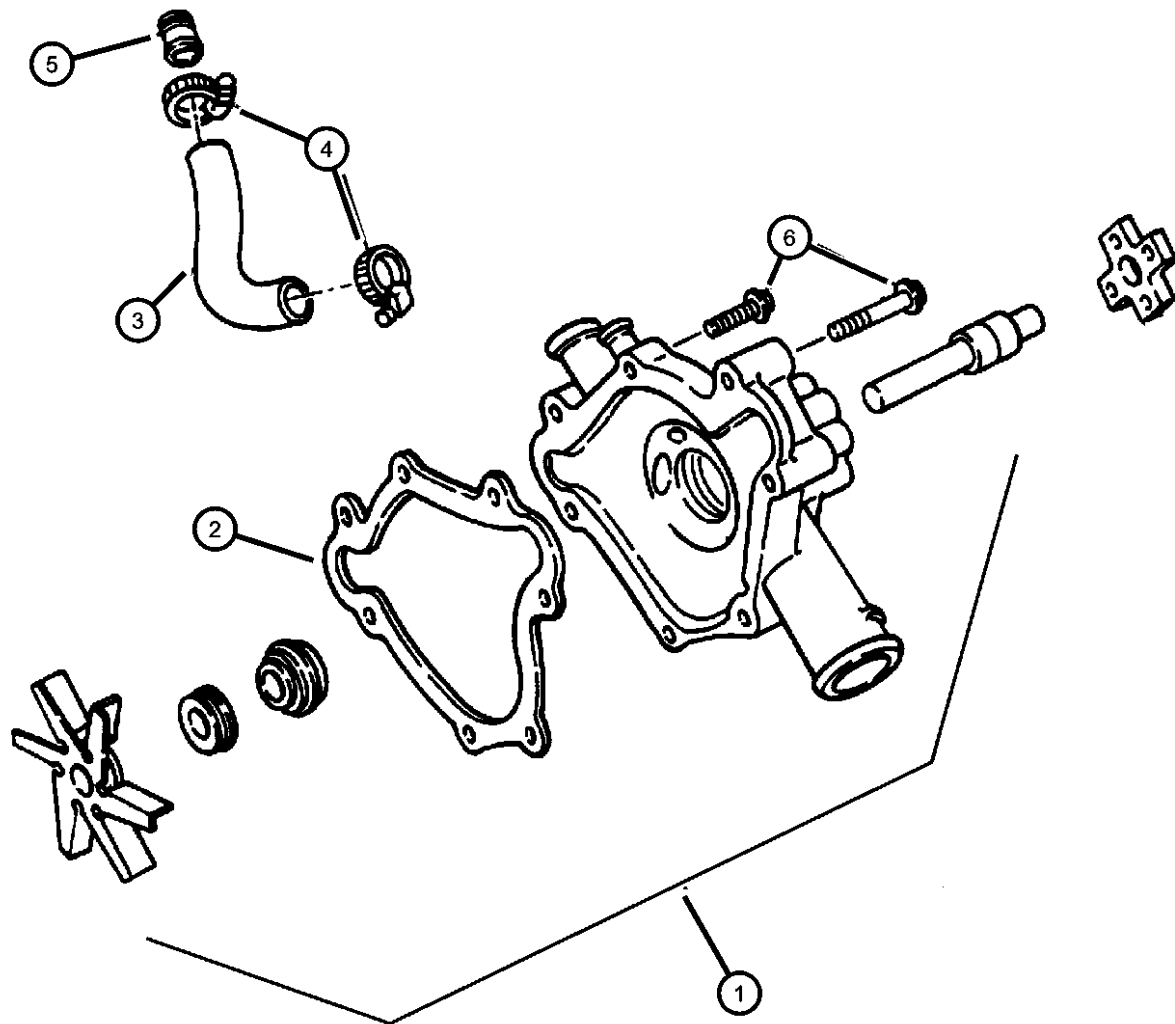
Note:

EL0 = All 5.2L 8 Cyl Gas Engines

EM0 = All 5.9L 8 Cyl Gas Engines

Parts With Separate Call Outs Not Serviced in Package

1									PUMP, Water, with Pulley
	53021018AB	1				EL0			
		1				EM0			
2	04483757	1				EM0, EL0			GASKET, Water Pump
3	53008654	1				EL0, EM0			HOSE, Water Pump Bypass
4	04401436	2				EL0, EM0			CLAMP, Radiator
5	53020185	1				EL0, EM0			NIPPLE, By-Pass
6	06034279	2				EL0, EM0			SCREW AND WASHER, Hex Head Lock, .375-16x1.75



**RAM PICKUP/CLUB CAB (BE)**

SERIES	LINE	BODY	ENGINE	TRANSMISSION
L = Ram Truck (All)	3 = HD DODGE 2WD 8 = HD DODGE 4WD 1 = Lt. Duty DODGE 2WD 6 = Lt. Duty DODGE 4WD 2 = Med. Duty DODGE 2WD 7 = Med. Duty DODGE 4WD	31 = CLUB CAB 2-DR 6.5 FT BOX 32 = CLUB CAB 2-DR 8FT BOX 33 = QUAD CAB 4-DR 6.5 FT BOX 34 = QUAD CAB 4-DR 8FT BOX	ELF = ENGINE - 5.2L V8 MPI EML = ENGINE - 5.9L V8 MPI EMM = ENGINE - "MAGNUM" 5.9L SMPI V8 ETC = ENGINE- 5.9L CUMMINS 24V DIESEL ETH = ENGINE- 5.9L HO CUMMINS TURBO DIESEL EWA = ENGINE - 8.0L V10 MPI	DDC = TRANSMISSION - 5-SPEED HD MANUAL DDP = TRANSMISSION - 5-SPEED MANUAL DDX = TRANSMISSION - 5-SPEED HD MANUAL DEE = TRANSMISSION - 6-SPEED HD MANUAL DGP = TRANSMISSION - 4-SPD. AUTOMATIC, 47RE DGT = TRANSMISSION - 4-SPD. AUTOMATIC, 46RE

AR = use ase required - = Non illustrated part

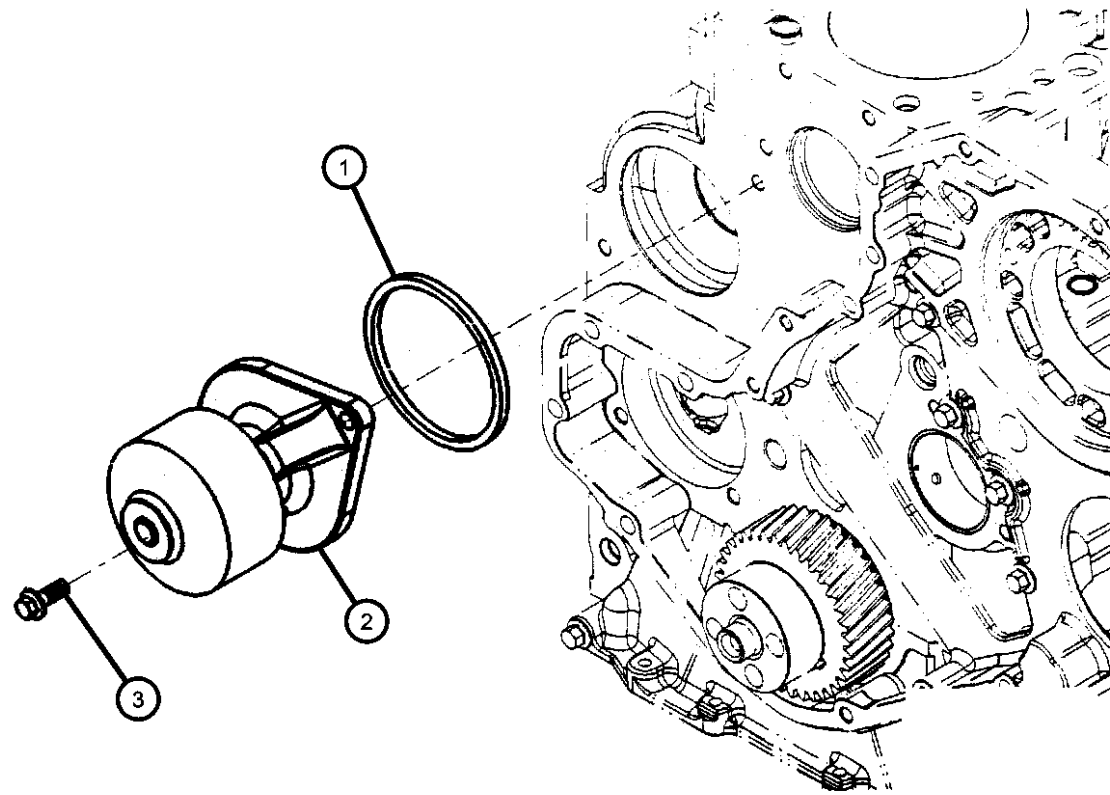
2000 BE

**Water Pump Diesel Engine  
Figure 7-225**

ITEM	PART NUMBER	QTY	LINE	SERIES	BODY	ENGINE	TRANS	TRIM	DESCRIPTION
------	-------------	-----	------	--------	------	--------	-------	------	-------------

Note:  
 DBB = All Manual Transmissions  
 ETC = 5.9L Cummins 24V Diesel Engine  
 ETH = 5.9L HO Cummins Turbo Diesel  
 ETO = All 5.9L Turbo Diesel Engines

1									SEAL, Water Pump To Front Cover
	04429698	1				ETC			
		1				ETH	DBB		
2									PUMP, Water
	05010964AA	1				ETC			
		1				ETH	DBB		
3									SCREW, Cap
	05003666AA	2				ETC			
		2				ETH	DBB		



**RAM PICKUP/CLUB CAB (BE)**

SERIES	LINE	BODY	ENGINE	TRANSMISSION
L = Ram Truck (All)	3 = HD DODGE 2WD 8 = HD DODGE 4WD 1 = Lt. Duty DODGE 2WD 6 = Lt. Duty DODGE 4WD 2 = Med. Duty DODGE 2WD 7 = Med. Duty DODGE 4WD	31 = CLUB CAB 2-DR 6.5 FT BOX 32 = CLUB CAB 2-DR 8FT BOX 33 = QUAD CAB 4-DR 6.5 FT BOX 34 = QUAD CAB 4-DR 8FT BOX	ELF = ENGINE - 5.2L V8 MPI EML = ENGINE - 5.9L V8 MPI EMM = ENGINE - "MAGNUM" 5.9L SMPI V8 ETC = ENGINE- 5.9L CUMMINS 24V DIESEL ETH = ENGINE- 5.9L HO CUMMINS TURBO DIESEL EWA = ENGINE - 8.0L V10 MPI	DDC = TRANSMISSION - 5-SPEED HD MANUAL DDP = TRANSMISSION - 5-SPEED MANUAL DDX = TRANSMISSION - 5-SPEED HD MANUAL DEE = TRANSMISSION - 6-SPEED HD MANUAL DGP = TRANSMISSION - 4-SPD. AUTOMATIC,47RE DGT = TRANSMISSION - 4-SPD. AUTOMATIC,46RE

AR = use ase required - = Non illustrated part

2000 BE

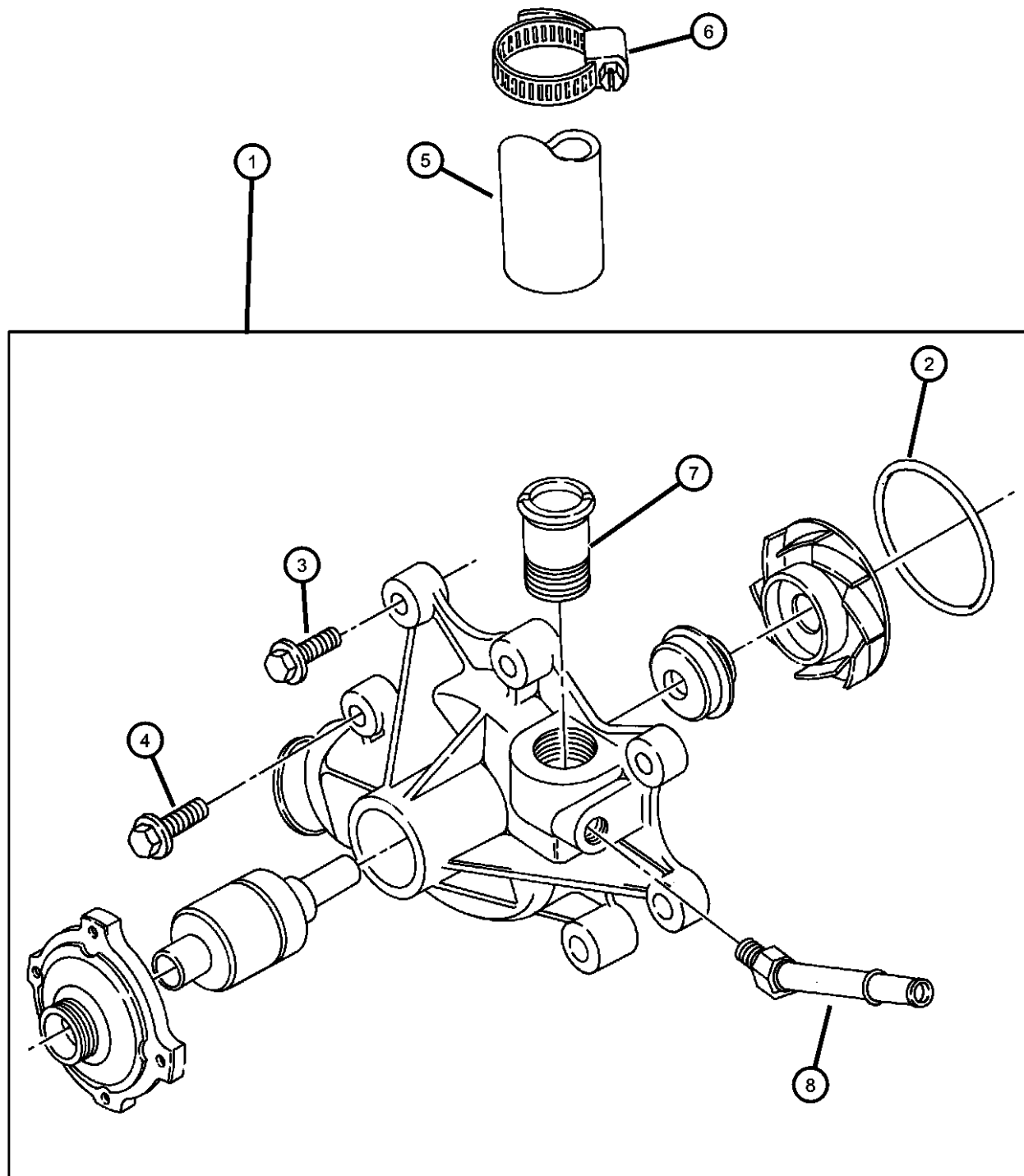
**Water Pump 8.0 Engine  
Figure 7-230**

ITEM	PART NUMBER	QTY	LINE	SERIES	BODY	ENGINE	TRANS	TRIM	DESCRIPTION
------	-------------	-----	------	--------	------	--------	-------	------	-------------

Note:

EW0 = All 8.0L Gas Engines

1	53021074AC	1				EW0			PUMP, Water
2	53021072	1				EW0			O RING, Water Pump
3	06034279	2				EW0			SCREW AND WASHER, Hex Head Lock, .375-16x1.75
4	06034076	4				EW0			SCREW AND WASHER, Hex Head Lock, .375-16x4.45
5	53005879	1				EW0			HOSE, Water Pump Bypass
6	04401438	2				EW0			CLAMP, Radiator
7	53006046	1				EW0			NIPPLE, By-Pass
8	53041101	1				EW0			ELBOW, .375-18 Straight



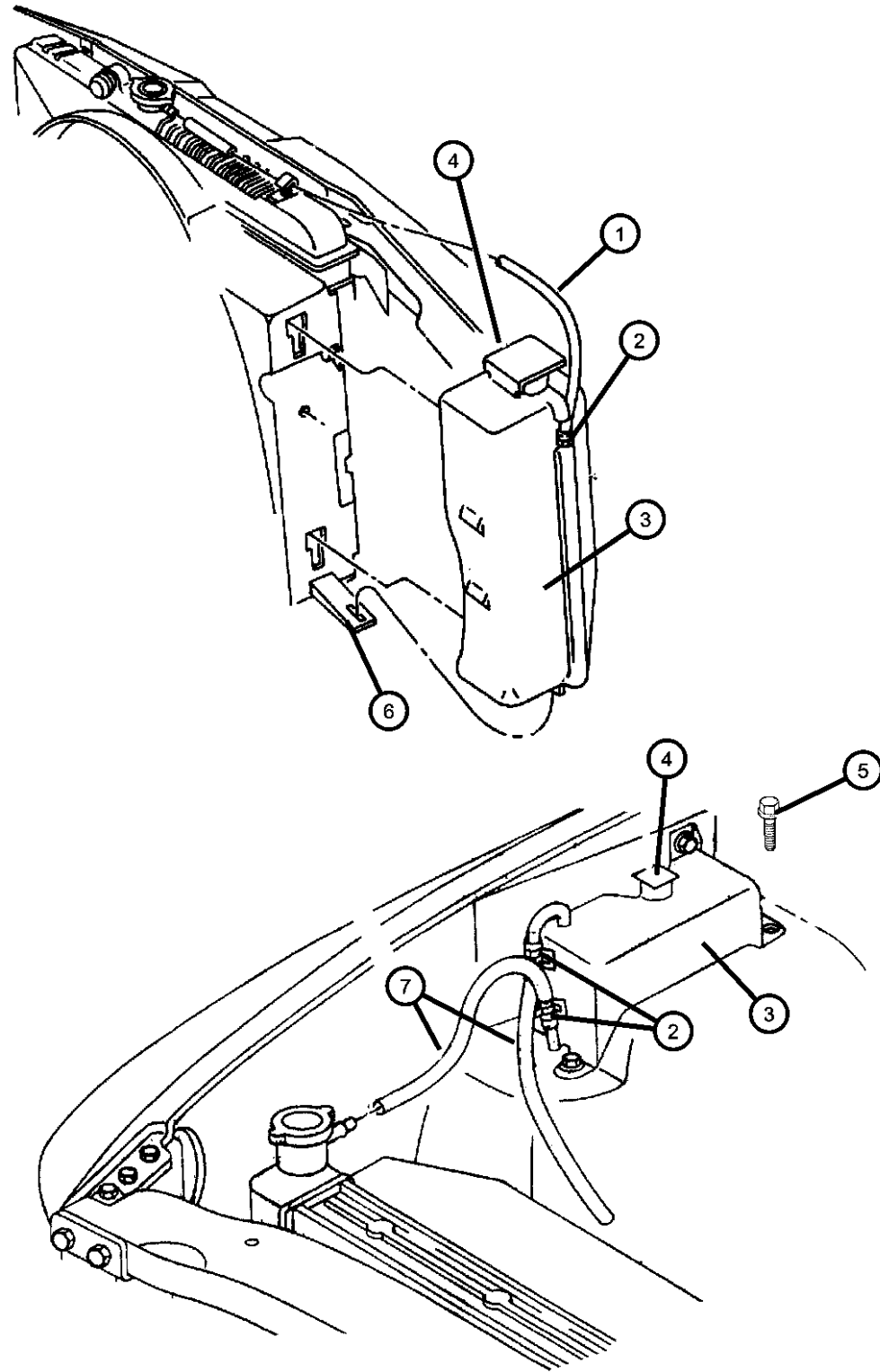
**RAM PICKUP/CLUB CAB (BE)**

SERIES	LINE	BODY	ENGINE	TRANSMISSION
L = Ram Truck (All)	3 = HD DODGE 2WD	31 = CLUB CAB 2-DR 6.5 FT BOX	ELF = ENGINE - 5.2L V8 MPI	DDC = TRANSMISSION - 5-SPEED HD MANUAL
	8 = HD DODGE 4WD	32 = CLUB CAB 2-DR 8FT BOX	EML = ENGINE - 5.9L V8 MPI	DDP = TRANSMISSION - 5-SPEED MANUAL
	1 = Lt. Duty DODGE 2WD	33 = QUAD CAB 4-DR 6.5 FT BOX	EMM = ENGINE - "MAGNUM" 5.9L SMPI V8	DDX = TRANSMISSION - 5-SPEED HD MANUAL
	6 = Lt. Duty DODGE 4WD	34 = QUAD CAB 4-DR 8FT BOX	ETC = ENGINE- 5.9L CUMMINS 24V DIESEL	DEE = TRANSMISSION - 6-SPEED HD MANUAL
	2 = Med. Duty DODGE 2WD		ETH = ENGINE- 5.9L HO CUMMINS TURBO DIESEL	DGP = TRANSMISSION - 4-SPD. AUTOMATIC, 47RE
	7 = Med. Duty DODGE 4WD		EWA = ENGINE - 8.0L V10 MPI	DGT = TRANSMISSION - 4-SPD. AUTOMATIC, 46RE

AR = use ase required - = Non illustrated part

2000 BE

**Coolant Tank  
Figure 7-320**



ITEM	PART NUMBER	QTY	LINE	SERIES	BODY	ENGINE	TRANS	TRIM	DESCRIPTION
------	-------------	-----	------	--------	------	--------	-------	------	-------------

Sales Code ELF,EL0 = 5.2L Gas Engine  
 Sales Code EML,EMM,EM0 = 5.9L Gas Engine  
 Sales Code EWA,EW0 = 8.0L Gas Engine  
 Sales Code ETC,ET0 = 5.9L Diesel Engine

1									HOSE, Coolant Reserve Tank
	04026148	1				EW0			
	52028147	1				ELO, EM0, ET0			
2									CLAMP, Hose
	02448761	1				EW0			
		1				ELO, EM0, ET0			
3									TANK, Coolant Reserve
	52027778	1				ELO, EM0, ET0			
	52028624	1				EW0			
4									CAP, Coolant Reserve Tank
	52028612	1				EW0			
		1				ELO, EM0, ET0			
5		1							SCREW, (NOT SERVICED)
6		1							BRACKET, Serviced in Radiator Shroud, (NOT SERVICED)
7									HOSE, Coolant Reserve Tank
	04026148	1				EW0			Rolled Stock
	52028147	1				ELO, EM0, ET0			Rolled Stock

**RAM PICKUP/CLUB CAB (BE)**

SERIES	LINE	BODY	ENGINE	TRANSMISSION
L = Ram Truck (All)	3 = HD DODGE 2WD 8 = HD DODGE 4WD 1 = Lt. Duty DODGE 2WD 6 = Lt. Duty DODGE 4WD 2 = Med. Duty DODGE 2WD 7 = Med. Duty DODGE 4WD	31 = CLUB CAB 2-DR 6.5 FT BOX 32 = CLUB CAB 2-DR 8FT BOX 33 = QUAD CAB 4-DR 6.5 FT BOX 34 = QUAD CAB 4-DR 8FT BOX	ELF = ENGINE - 5.2L V8 MPI EML = ENGINE - 5.9L V8 MPI EMM = ENGINE - "MAGNUM" 5.9L SMPI V8 ETC = ENGINE- 5.9L CUMMINS 24V DIESEL ETH = ENGINE- 5.9L HO CUMMINS TURBO DIESEL EWA = ENGINE - 8.0L V10 MPI	DDC = TRANSMISSION - 5-SPEED HD MANUAL DDP = TRANSMISSION - 5-SPEED MANUAL DDX = TRANSMISSION - 5-SPEED HD MANUAL DEE = TRANSMISSION - 6-SPEED HD MANUAL DGP = TRANSMISSION - 4-SPD. AUTOMATIC,47RE DGT = TRANSMISSION - 4-SPD. AUTOMATIC,46RE

AR = use ase required - = Non illustrated part

2000 BE

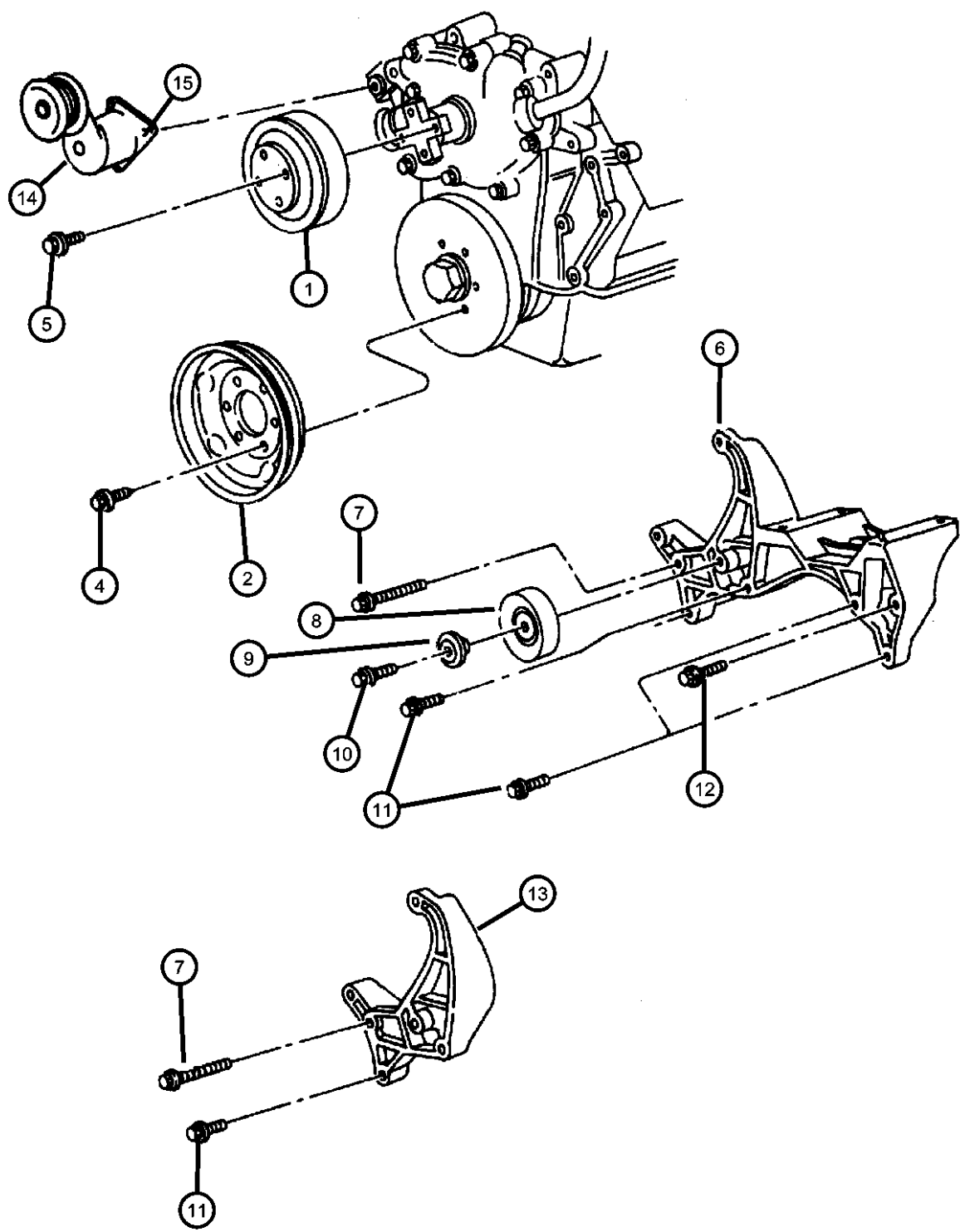
Drive Pulleys 5.2, 5.9 LD And 8.0 Engine

Figure 7-410

ITEM	PART NUMBER	QTY	LINE	SERIES	BODY	ENGINE	TRANS	TRIM	DESCRIPTION
------	-------------	-----	------	--------	------	--------	-------	------	-------------

Note:

- DDP = 5 Speed Manual Transmission
- DDX = 5 Speed Heavy Duty Manual Transmission
- ELO = All 5.2L 8 Cyl Gas Engines
- EML = Magnum 5.9L SMPI V8 Engine
- EMM = Magnum 5.9L SMPI V8 Engine
- EM0 = All 5.9L 8 Cyl Gas Engines
- ET0 = All 5.9L Turbo Diesel Engines
- EW0 = All 8.0L Gas Engines



1	52028147	1							PULLEY, Water Pump, Serviced with Pump, (NOT SERVICED), PULLEY, Crankshaft
2	53010222	1				ELO, EM0			PULLEY, Crankshaft
-3	53021284AA	1				EM0			DAMPER, Crankshaft
4	53021284AA	1							SCREW, (NOT SERVICED)
5									BOLT, Hex Head, .312-18x1.00
	00181088	10	1, 2, 3			ELO, EM0	DDP		
		10	6, 7, 8			ELO, EM0	DDP		
		10	1, 2, 3			ET0, EW0	DDX		
6	53008614	1				ELO, EM0			BRACKET, Alternator And Compressor
7									BOLT, Hex Head, .375-16x.25
	06034247	1				ELO, EM0			
		1				EW0			
8									PULLEY, Idler
	53009508	1				ELO, EM0			
		1				EW0			
9									BUSHING, Idler Pulley
	33002201	1				ELO, EM0			
		1				EW0			
10		1							BOLT, (NOT SERVICED)
11		1							BOLT, (NOT SERVICED)
12									BOLT, Hex Head, .375-16x.75
	06034246	1				ELO, EM0			
		3				EMM			

RAM PICKUP/CLUB CAB (BE)

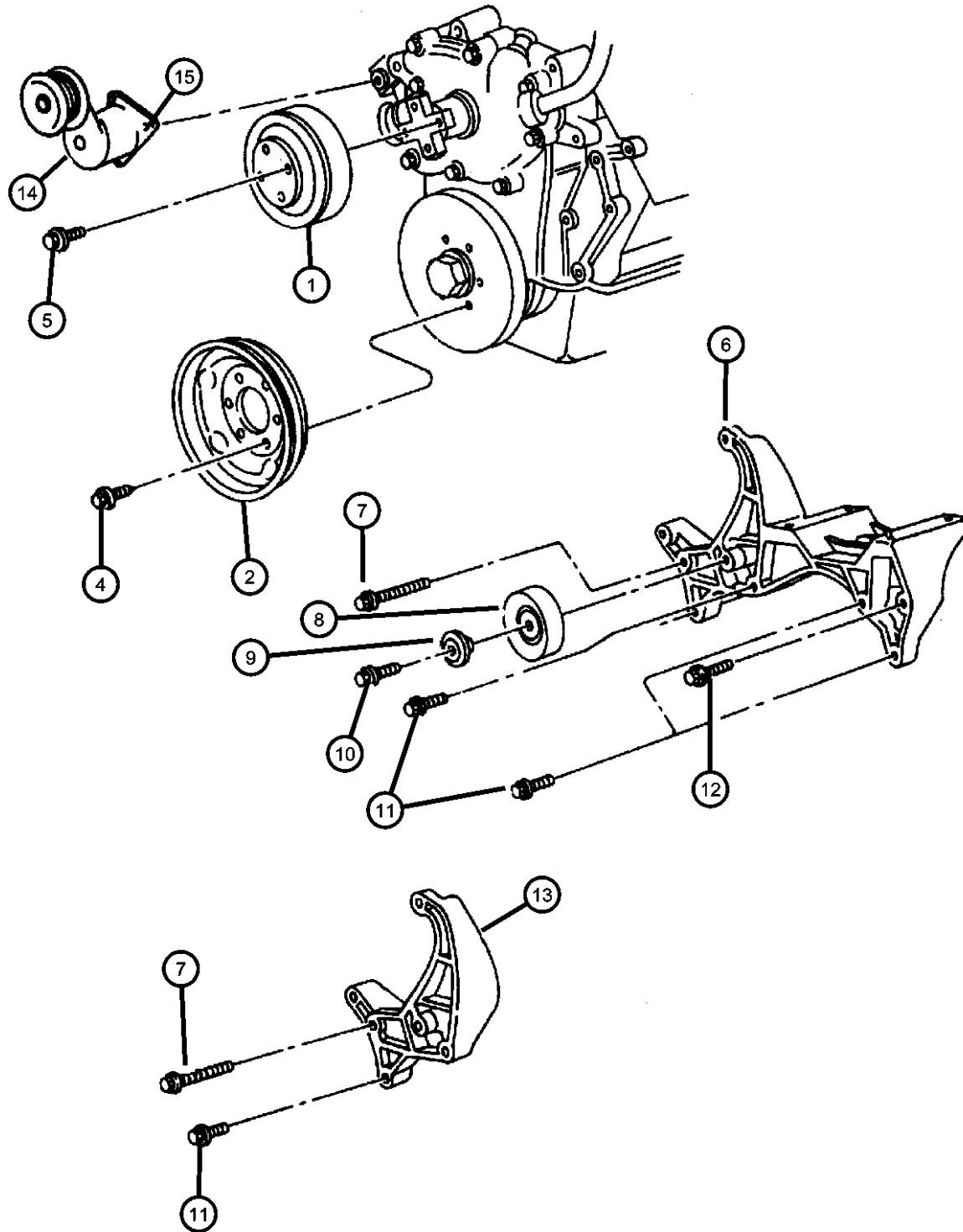
SERIES	LINE	BODY	ENGINE	TRANSMISSION
L = Ram Truck (All)	3 = HD DODGE 2WD	31 = CLUB CAB 2-DR 6.5 FT BOX	ELF = ENGINE - 5.2L V8 MPI	DDC = TRANSMISSION - 5-SPEED HD MANUAL
	8 = HD DODGE 4WD	32 = CLUB CAB 2-DR 8FT BOX	EML = ENGINE - 5.9L V8 MPI	DDP = TRANSMISSION - 5-SPEED MANUAL
	1 = Lt. Duty DODGE 2WD	33 = QUAD CAB 4-DR 6.5 FT BOX	EMM = ENGINE - "MAGNUM" 5.9L SMPI V8	DDX = TRANSMISSION - 5-SPEED HD MANUAL
	6 = Lt. Duty DODGE 4WD	34 = QUAD CAB 4-DR 8FT BOX	ETC = ENGINE- 5.9L CUMMINS 24V DIESEL	DEE = TRANSMISSION - 6-SPEED HD MANUAL
	2 = Med. Duty DODGE 2WD		ETH = ENGINE- 5.9L HO CUMMINS TURBO DIESEL	DGP = TRANSMISSION - 4-SPD. AUTOMATIC, 47RE
	7 = Med. Duty DODGE 4WD		EWA = ENGINE - 8.0L V10 MPI	DGT = TRANSMISSION - 4-SPD. AUTOMATIC, 46RE

AR = use ase required - = Non illustrated part



Drive Pulleys 5.2, 5.9 LD And 8.0 Engine  
Figure 7-410

ITEM	PART NUMBER	QTY	LINE	SERIES	BODY	ENGINE	TRANS	TRIM	DESCRIPTION
13	53008618	1				EL0, EM0			BRACKET, Alternator
14	53010158	1				EL0, EML			TENSIONER, Belt
	53010240	1				EMM			[NAA]
	53010255	1				EW0			[NAE]
15	06035198	1				EMM			SCREW, Torx Socket Head Cap, .375-16x2.75
		1				EW0			



RAM PICKUP/CLUB CAB (BE)

SERIES	LINE	BODY	ENGINE	TRANSMISSION
L = Ram Truck (All)	3 = HD DODGE 2WD 8 = HD DODGE 4WD 1 = Lt. Duty DODGE 2WD 6 = Lt. Duty DODGE 4WD 2 = Med. Duty DODGE 2WD 7 = Med. Duty DODGE 4WD	31 = CLUB CAB 2-DR 6.5 FT BOX 32 = CLUB CAB 2-DR 8FT BOX 33 = QUAD CAB 4-DR 6.5 FT BOX 34 = QUAD CAB 4-DR 8FT BOX	ELF = ENGINE - 5.2L V8 MPI EML = ENGINE - 5.9L V8 MPI EMM = ENGINE - "MAGNUM" 5.9L SMPI V8 ETC = ENGINE- 5.9L CUMMINS 24V DIESEL ETH = ENGINE- 5.9L HO CUMMINS TURBO DIESEL EWA = ENGINE - 8.0L V10 MPI	DDC = TRANSMISSION - 5-SPEED HD MANUAL DDP = TRANSMISSION - 5-SPEED MANUAL DDX = TRANSMISSION - 5-SPEED HD MANUAL DEE = TRANSMISSION - 6-SPEED HD MANUAL DGP = TRANSMISSION - 4-SPD. AUTOMATIC,47RE DGT = TRANSMISSION - 4-SPD. AUTOMATIC,46RE

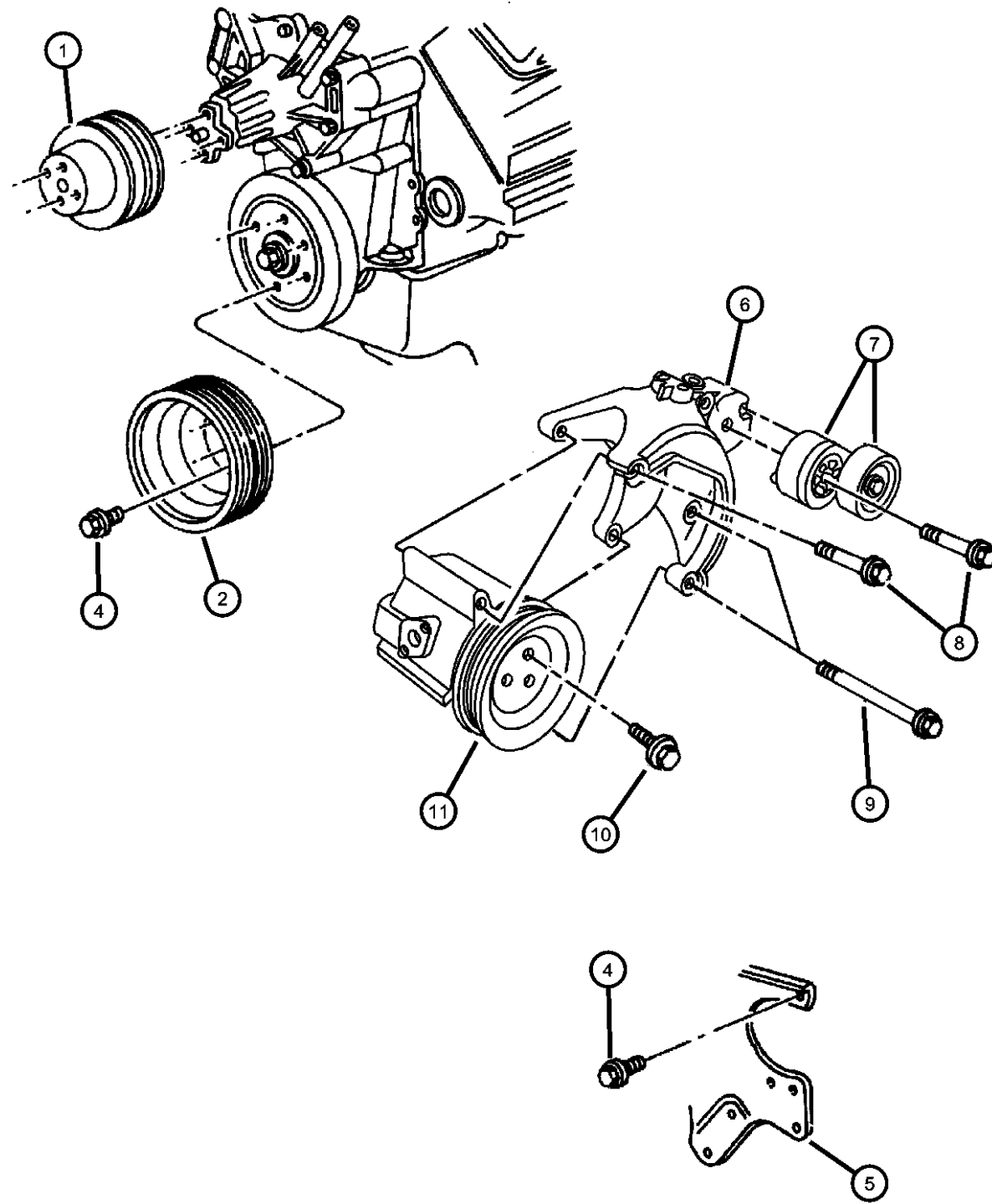
AR = use ase required - = Non illustrated part

**Drive Pulleys 5.9 Hd Engine  
Figure 7-420**

ITEM	PART NUMBER	QTY	LINE	SERIES	BODY	ENGINE	TRANS	TRIM	DESCRIPTION
------	-------------	-----	------	--------	------	--------	-------	------	-------------

Note:  
 ELO = All 5.2L 8 Cyl Gas Engines  
 EM0 = All 5.9L 8 Cyl Gas Engines  
 EML,EMM,EM0 = 5.9L Gas Engine

1		1							PULLEY, Water Pump, (NOT SERVICED)
2	53010222	1				ELO, EM0			PULLEY, Crankshaft
-3	53021284AA	1				EM0			DAMPER, Crankshaft
4	00181112	1					DG0		SCREW AND WASHER, .375-16x1.00
5	53008614	1				ELO, EM0			BRACKET, Alternator And Compressor
6	53008344	1				EMM			BRACKET, Air Pump And Tensioner
7	53010240	1				EMM			TENSIONER, Belt
8	06034246	3				EMM			BOLT, Hex Head, .375-16x.75
9	06034246	3				EMM			SCREW, (NOT SERVICED)
10	06501714	3				EMM			SCREW AND WASHER, Hex Head, M6x1x18
11	53008638	1				EMM			PULLEY, Air Pump



W/O A/C

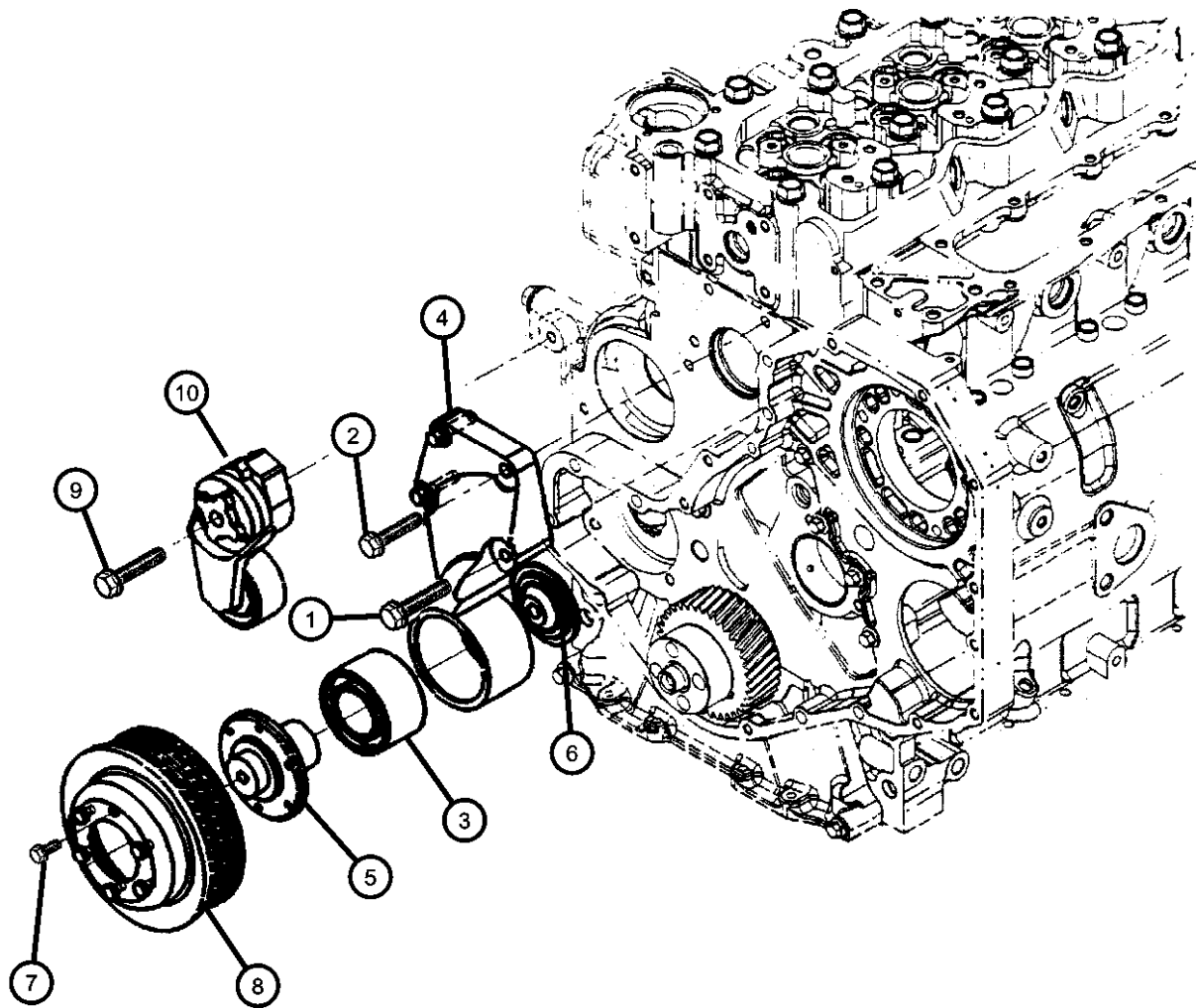
**RAM PICKUP/CLUB CAB (BE)**

SERIES	LINE	BODY	ENGINE	TRANSMISSION
L = Ram Truck (All)	3 = HD DODGE 2WD 8 = HD DODGE 4WD 1 = Lt. Duty DODGE 2WD 6 = Lt. Duty DODGE 4WD 2 = Med. Duty DODGE 2WD 7 = Med. Duty DODGE 4WD	31 = CLUB CAB 2-DR 6.5 FT BOX 32 = CLUB CAB 2-DR 8FT BOX 33 = QUAD CAB 4-DR 6.5 FT BOX 34 = QUAD CAB 4-DR 8FT BOX	ELF = ENGINE - 5.2L V8 MPI EML = ENGINE - 5.9L V8 MPI EMM = ENGINE - "MAGNUM" 5.9L SMPI V8 ETC = ENGINE- 5.9L CUMMINS 24V DIESEL ETH = ENGINE- 5.9L HO CUMMINS TURBO DIESEL EWA = ENGINE - 8.0L V10 MPI	DDC = TRANSMISSION - 5-SPEED HD MANUAL DDP = TRANSMISSION - 5-SPEED MANUAL DDX = TRANSMISSION - 5-SPEED HD MANUAL DEE = TRANSMISSION - 6-SPEED HD MANUAL DGP = TRANSMISSION - 4-SPD. AUTOMATIC,47RE DGT = TRANSMISSION - 4-SPD. AUTOMATIC,46RE

AR = use ase required - = Non illustrated part

2000 BE

**Drive Pulleys Diesel Engine  
Figure 7-440**



ITEM	PART NUMBER	QTY	LINE	SERIES	BODY	ENGINE	TRANS	TRIM	DESCRIPTION
1									BOLT, Hex Head, M8
	04429445	1				ETC			
		1				ETH	DBB		
2									SCREW, Hex Flange Head
	04429114	3				ETC			
		3				ETH	DBB		
3									BEARING, Idler Pulley
	04429639	1				ETC			
		1				ETH	DBB		
4									SUPPORT, Fan
	04429660	1				ETC			
		1				ETH	DBB		
5									HUB, Fan
	04429661	1				ETH	DBB		
		1				ETC			
6									RETAINER, Fan Hub
	04882043	1				ETC			
		1				ETH	DBB		
7									SCREW, Cap
	04429668	6				ETH	DBB		
		6				ETC			
8									PULLEY, Fan
	04429946	1				ETC			
		1				ETH	DBB		
9									BOLT, Hex Head
	04429779	1				ETH	DBB		

**RAM PICKUP/CLUB CAB (BE)**

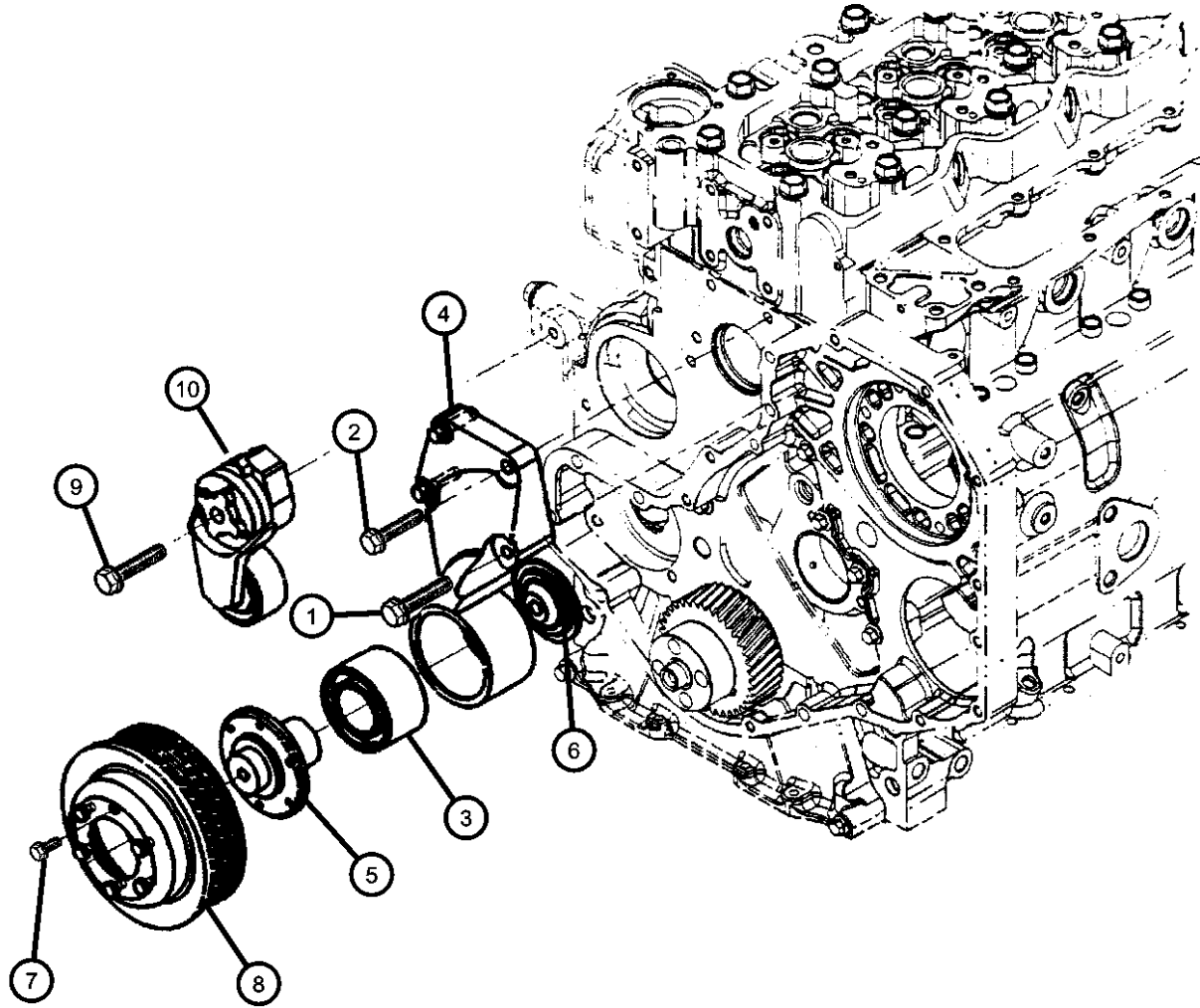
SERIES	LINE	BODY	ENGINE	TRANSMISSION
L = Ram Truck (All)	3 = HD DODGE 2WD 8 = HD DODGE 4WD 1 = Lt. Duty DODGE 2WD 6 = Lt. Duty DODGE 4WD 2 = Med. Duty DODGE 2WD 7 = Med. Duty DODGE 4WD	31 = CLUB CAB 2-DR 6.5 FT BOX 32 = CLUB CAB 2-DR 8FT BOX 33 = QUAD CAB 4-DR 6.5 FT BOX 34 = QUAD CAB 4-DR 8FT BOX	ELF = ENGINE - 5.2L V8 MPI EML = ENGINE - 5.9L V8 MPI EMM = ENGINE - "MAGNUM" 5.9L SMPI V8 ETC = ENGINE- 5.9L CUMMINS 24V DIESEL ETH = ENGINE- 5.9L HO CUMMINS TURBO DIESEL EWA = ENGINE - 8.0L V10 MPI	DDC = TRANSMISSION - 5-SPEED HD MANUAL DDP = TRANSMISSION - 5-SPEED MANUAL DDX = TRANSMISSION - 5-SPEED HD MANUAL DEE = TRANSMISSION - 6-SPEED HD MANUAL DGP = TRANSMISSION - 4-SPD. AUTOMATIC,47RE DGT = TRANSMISSION - 4-SPD. AUTOMATIC,46RE

AR = use ase required - = Non illustrated part

2000 BE

Drive Pulleys Diesel Engine  
Figure 7-440

ITEM	PART NUMBER	QTY	LINE	SERIES	BODY	ENGINE	TRANS	TRIM	DESCRIPTION
		1				ETC			
10									TENSIONER, Belt
	04429254	1				ETC			
	05017789AA	1				ETH	DBB		



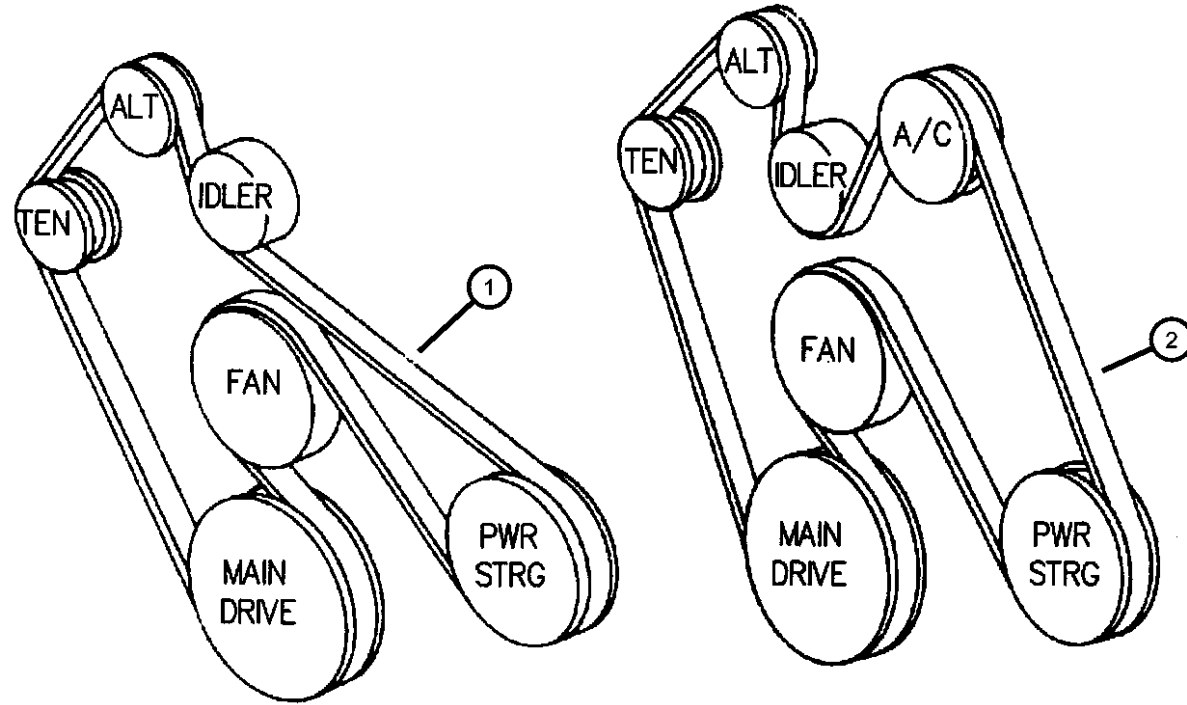
RAM PICKUP/CLUB CAB (BE)

SERIES	LINE	BODY	ENGINE	TRANSMISSION
L = Ram Truck (All)	3 = HD DODGE 2WD 8 = HD DODGE 4WD 1 = Lt. Duty DODGE 2WD 6 = Lt. Duty DODGE 4WD 2 = Med. Duty DODGE 2WD 7 = Med. Duty DODGE 4WD	31 = CLUB CAB 2-DR 6.5 FT BOX 32 = CLUB CAB 2-DR 8FT BOX 33 = QUAD CAB 4-DR 6.5 FT BOX 34 = QUAD CAB 4-DR 8FT BOX	ELF = ENGINE - 5.2L V8 MPI EML = ENGINE - 5.9L V8 MPI EMM = ENGINE - "MAGNUM" 5.9L SMPI V8 ETC = ENGINE- 5.9L CUMMINS 24V DIESEL ETH = ENGINE- 5.9L HO CUMMINS TURBO DIESEL EWA = ENGINE - 8.0L V10 MPI	DDC = TRANSMISSION - 5-SPEED HD MANUAL DDP = TRANSMISSION - 5-SPEED MANUAL DDX = TRANSMISSION - 5-SPEED HD MANUAL DEE = TRANSMISSION - 6-SPEED HD MANUAL DGP = TRANSMISSION - 4-SPD. AUTOMATIC,47RE DGT = TRANSMISSION - 4-SPD. AUTOMATIC,46RE

AR = use ase required - = Non illustrated part

2000 BE

**Drive Belts 5.2L And 5.9Ld Engine  
Figure 7-520**



ITEM	PART NUMBER	QTY	LINE	SERIES	BODY	ENGINE	TRANS	TRIM	DESCRIPTION
------	-------------	-----	------	--------	------	--------	-------	------	-------------

Note:  
EML = Magnum 5.9L SMPI V8 Engine  
ELO = All 5.2L 8 Cyl Gas Engines

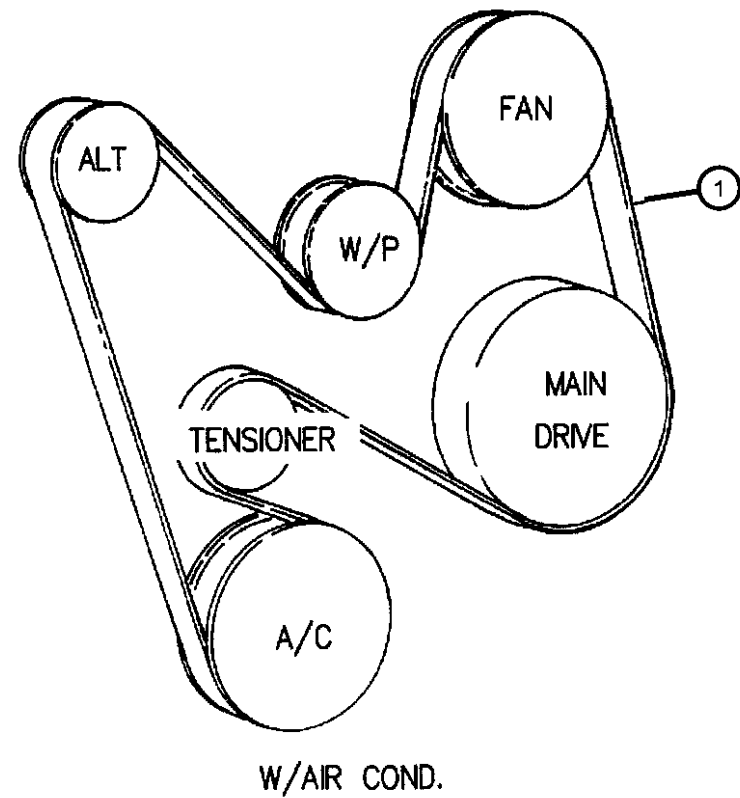
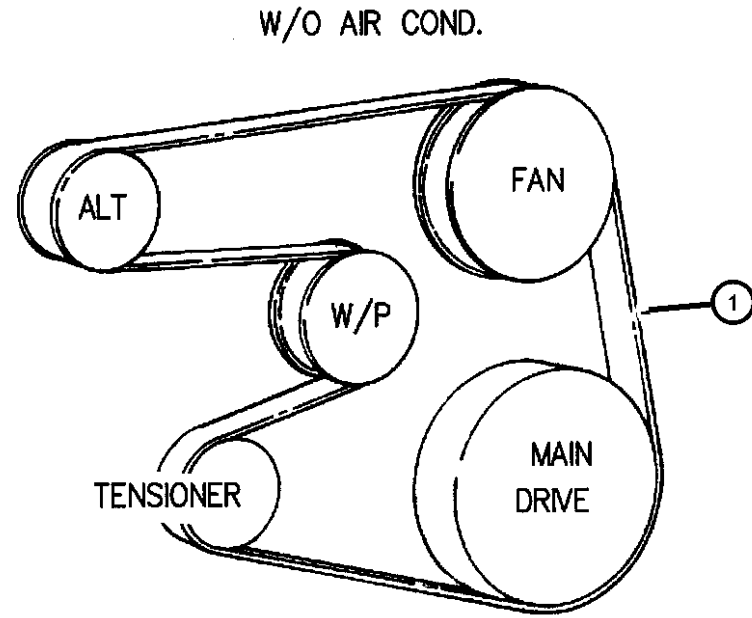
1	53010304	1				ELO, EML			BELT, Accessory Drive, Without Air Conditioning Mopar V-Line Alternative Part
	Q4070884								
2	53010303	1				ELO, EML			BELT, Accessory Drive, With Air Conditioning
-3	53008745	1				ELO, EML			LABEL, Belt Routing

**RAM PICKUP/CLUB CAB (BE)**

SERIES	LINE	BODY	ENGINE	TRANSMISSION
L = Ram Truck (All)	3 = HD DODGE 2WD 8 = HD DODGE 4WD 1 = Lt. Duty DODGE 2WD 6 = Lt. Duty DODGE 4WD 2 = Med. Duty DODGE 2WD 7 = Med. Duty DODGE 4WD	31 = CLUB CAB 2-DR 6.5 FT BOX 32 = CLUB CAB 2-DR 8FT BOX 33 = QUAD CAB 4-DR 6.5 FT BOX 34 = QUAD CAB 4-DR 8FT BOX	ELF = ENGINE - 5.2L V8 MPI EML = ENGINE - 5.9L V8 MPI EMM = ENGINE - "MAGNUM" 5.9L SMPI V8 ETC = ENGINE- 5.9L CUMMINS 24V DIESEL ETH = ENGINE- 5.9L HO CUMMINS TURBO DIESEL EWA = ENGINE - 8.0L V10 MPI	DDC = TRANSMISSION - 5-SPEED HD MANUAL DDP = TRANSMISSION - 5-SPEED MANUAL DDX = TRANSMISSION - 5-SPEED HD MANUAL DEE = TRANSMISSION - 6-SPEED HD MANUAL DGP = TRANSMISSION - 4-SPD. AUTOMATIC,47RE DGT = TRANSMISSION - 4-SPD. AUTOMATIC,46RE

AR = use ase required - = Non illustrated part

Drive Belts Diesel Engine  
Figure 7-530



ITEM	PART NUMBER	QTY	LINE	SERIES	BODY	ENGINE	TRANS	TRIM	DESCRIPTION
------	-------------	-----	------	--------	------	--------	-------	------	-------------

Note: Sales Code EH0 = 3.9L Gas Engine  
 Note: Sales Code EL0 = 5.2L Gas Engine  
 Note: Sales Code EM0 = 5.9L Gas Engine  
 Note: Sales Code EW0 = 8.0L Gas Engine  
 Note: Sales Code ET0 = 5.9L Diesel Engine

1									BELT, Accessory Drive
	53040171	1				ET0			with Air
	53040172	1				ET0			without Air
-2	53010177	1				ET0			LABEL, Belt Routing
-3	53040076	2				ET0			LABEL, Battery Jump Start

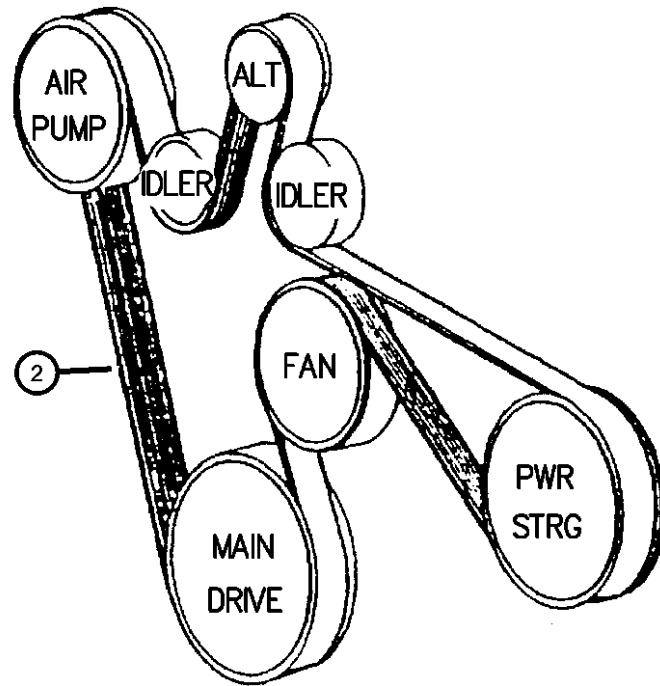
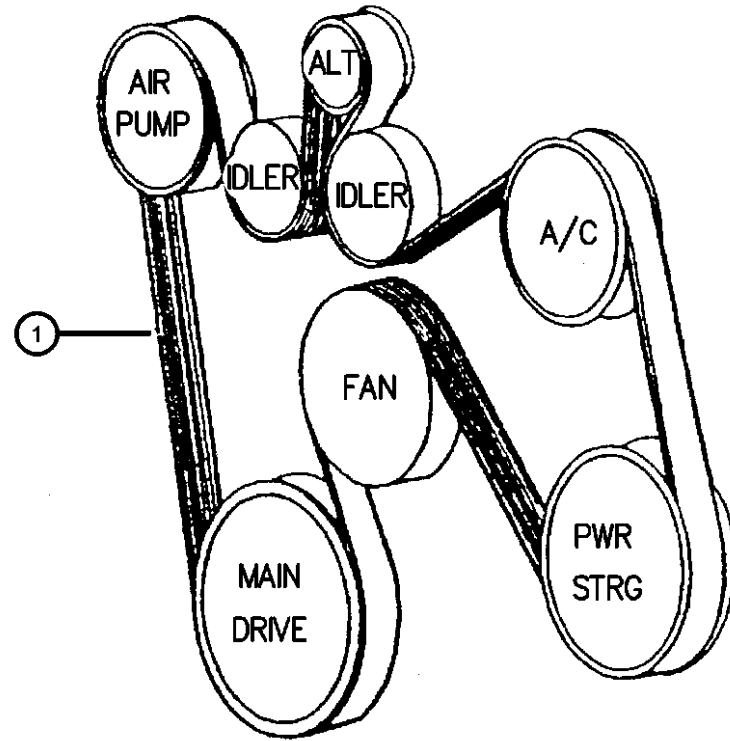
RAM PICKUP/CLUB CAB (BE)

SERIES	LINE	BODY	ENGINE	TRANSMISSION
L = Ram Truck (All)	3 = HD DODGE 2WD	31 = CLUB CAB 2-DR 6.5 FT BOX	ELF = ENGINE - 5.2L V8 MPI	DDC = TRANSMISSION - 5-SPEED HD MANUAL
	8 = HD DODGE 4WD	32 = CLUB CAB 2-DR 8FT BOX	EML = ENGINE - 5.9L V8 MPI	DDP = TRANSMISSION - 5-SPEED MANUAL
	1 = Lt. Duty DODGE 2WD	33 = QUAD CAB 4-DR 6.5 FT BOX	EMM = ENGINE - "MAGNUM" 5.9L SMPI V8	DDX = TRANSMISSION - 5-SPEED HD MANUAL
	6 = Lt. Duty DODGE 4WD	34 = QUAD CAB 4-DR 8FT BOX	ETC = ENGINE- 5.9L CUMMINS 24V DIESEL	DEE = TRANSMISSION - 6-SPEED HD MANUAL
	2 = Med. Duty DODGE 2WD		ETH = ENGINE- 5.9L HO CUMMINS TURBO DIESEL	DGP = TRANSMISSION - 4-SPD. AUTOMATIC,47RE
	7 = Med. Duty DODGE 4WD		EWA = ENGINE - 8.0L V10 MPI	DGT = TRANSMISSION - 4-SPD. AUTOMATIC,46RE

AR = use ase required - = Non illustrated part

2000 BE

Drive Belts 5.9 Hd Engine  
Figure 7-540



ITEM	PART NUMBER	QTY	LINE	SERIES	BODY	ENGINE	TRANS	TRIM	DESCRIPTION
------	-------------	-----	------	--------	------	--------	-------	------	-------------

Note: Sales Code  
EMM = Magnum 5.9L SMPI V8 Engine  
EM0 = 5.9L Gas Engine

1	53041115	1				EMM			BELT, Accessory Drive, w/Air Conditioning
2	53010308	1				EMM			BELT, Accessory Drive, w/o Air Conditioning
	Q4071037								Mopar V-Line Alternative Part
-3	53008747	1				EMM			LABEL, Belt Routing

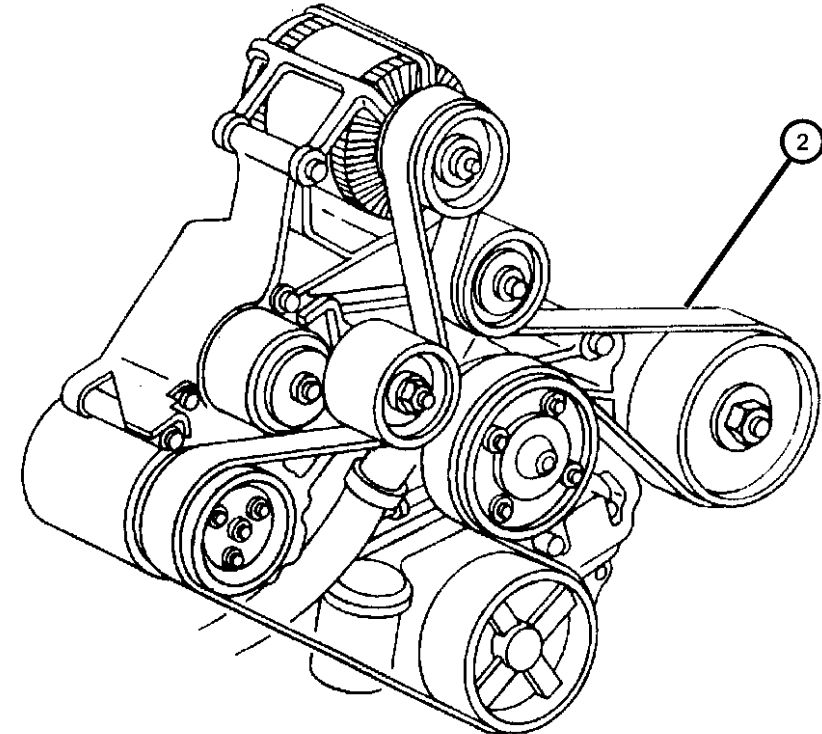
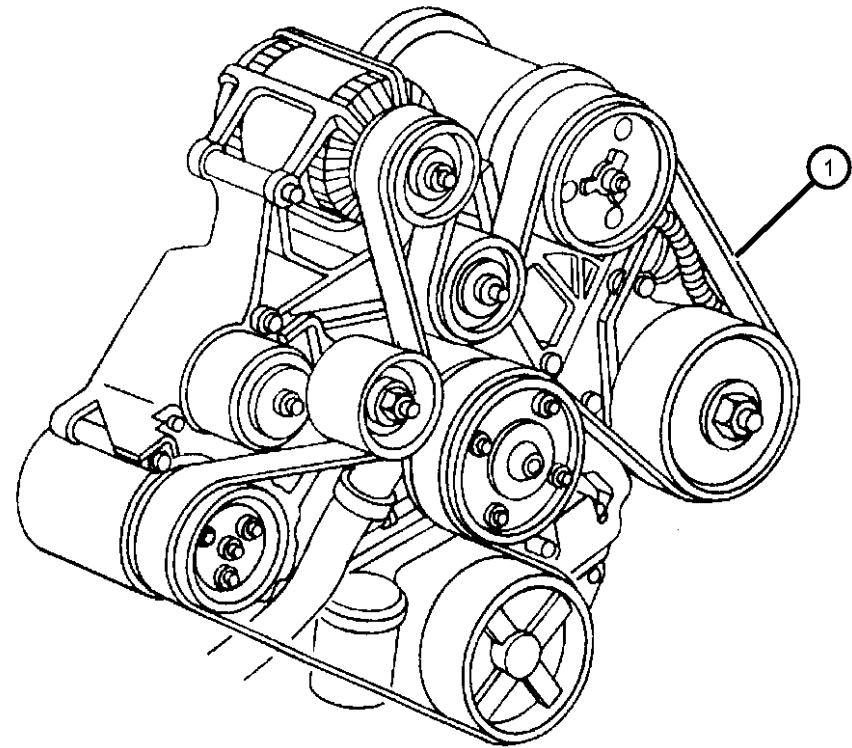
RAM PICKUP/CLUB CAB (BE)

SERIES	LINE	BODY	ENGINE	TRANSMISSION
L = Ram Truck (All)	3 = HD DODGE 2WD	31 = CLUB CAB 2-DR 6.5 FT BOX	ELF = ENGINE - 5.2L V8 MPI	DDC = TRANSMISSION - 5-SPEED HD MANUAL
	8 = HD DODGE 4WD	32 = CLUB CAB 2-DR 8FT BOX	EML = ENGINE - 5.9L V8 MPI	DDP = TRANSMISSION - 5-SPEED MANUAL
	1 = Lt. Duty DODGE 2WD	33 = QUAD CAB 4-DR 6.5 FT BOX	EMM = ENGINE - "MAGNUM" 5.9L SMPI V8	DDX = TRANSMISSION - 5-SPEED HD MANUAL
	6 = Lt. Duty DODGE 4WD	34 = QUAD CAB 4-DR 8FT BOX	ETC = ENGINE- 5.9L CUMMINS 24V DIESEL	DEE = TRANSMISSION - 6-SPEED HD MANUAL
	2 = Med. Duty DODGE 2WD		ETH = ENGINE- 5.9L HO CUMMINS TURBO DIESEL	DGP = TRANSMISSION - 4-SPD. AUTOMATIC,47RE
	7 = Med. Duty DODGE 4WD		EWA = ENGINE - 8.0L V10 MPI	DGT = TRANSMISSION - 4-SPD. AUTOMATIC,46RE

AR = use ase required - = Non illustrated part

2000 BE

Drive Belts 8.0 Engine  
Figure 7-550



ITEM	PART NUMBER	QTY	LINE	SERIES	BODY	ENGINE	TRANS	TRIM	DESCRIPTION
Note: Sales Code EW0 = 8.0L Gas Engine									
1	53041115	1				EW0			BELT, Accessory Drive, with Air Conditioning
2	53041116	1				EW0			BELT, Accessory Drive
	Q4071037								Federal, Hi Altitude, Without Air
	53041118	1				EW0			Mopar V-Line Alternative Part
	53041118	1				EW0			California Without Air
-3	53008747	1				EW0			LABEL, Belt Routing

RAM PICKUP/CLUB CAB (BE)

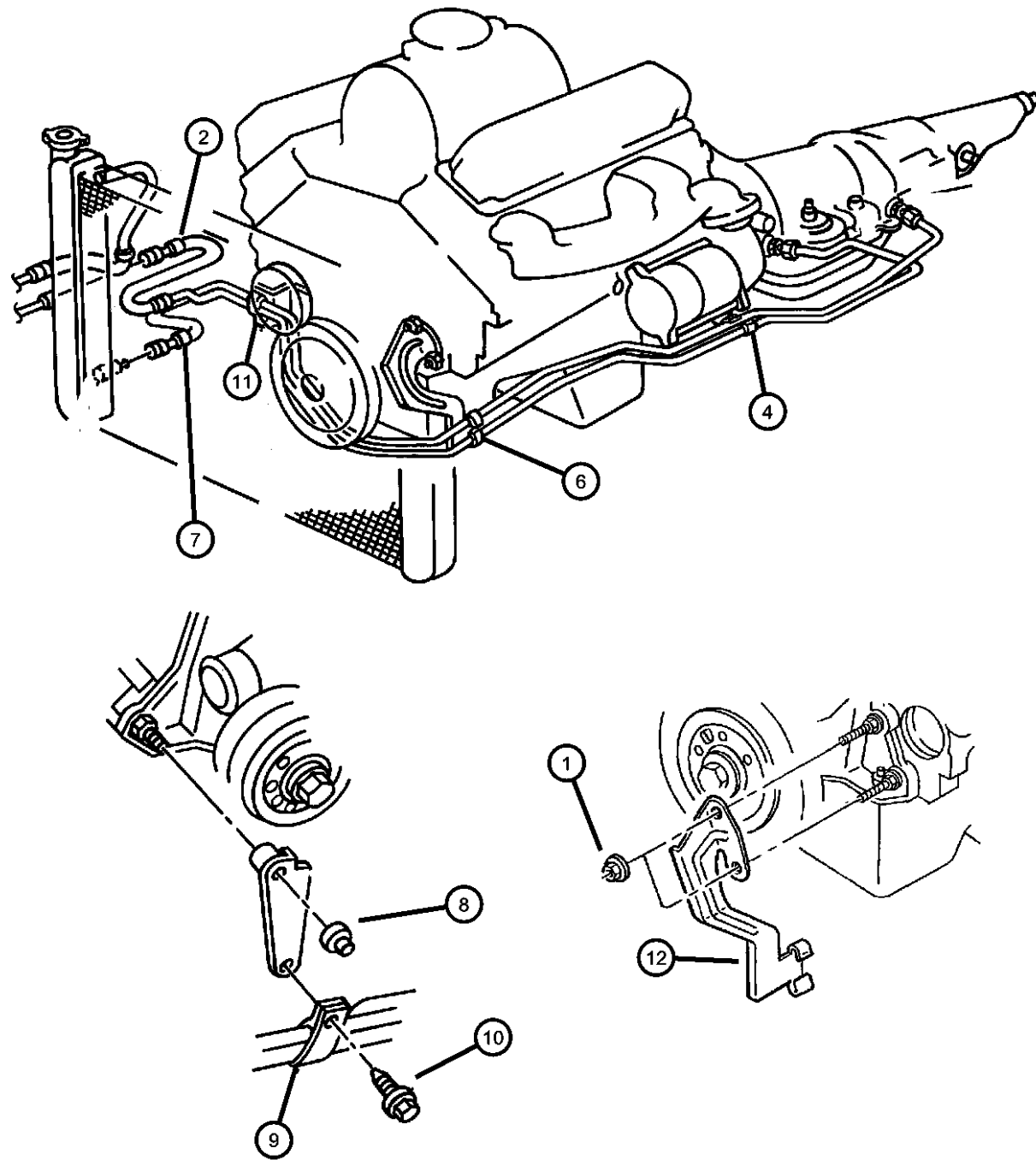
SERIES	LINE	BODY	ENGINE	TRANSMISSION
L = Ram Truck (All)	3 = HD DODGE 2WD	31 = CLUB CAB 2-DR 6.5 FT BOX	ELF = ENGINE - 5.2L V8 MPI	DDC = TRANSMISSION - 5-SPEED HD MANUAL
	8 = HD DODGE 4WD	32 = CLUB CAB 2-DR 8FT BOX	EML = ENGINE - 5.9L V8 MPI	DDP = TRANSMISSION - 5-SPEED MANUAL
	1 = Lt. Duty DODGE 2WD	33 = QUAD CAB 4-DR 6.5 FT BOX	EMM = ENGINE - "MAGNUM" 5.9L SMPI V8	DDX = TRANSMISSION - 5-SPEED HD MANUAL
	6 = Lt. Duty DODGE 4WD	34 = QUAD CAB 4-DR 8FT BOX	ETC = ENGINE- 5.9L CUMMINS 24V DIESEL	DEE = TRANSMISSION - 6-SPEED HD MANUAL
	2 = Med. Duty DODGE 2WD		ETH = ENGINE- 5.9L HO CUMMINS TURBO DIESEL	DGP = TRANSMISSION - 4-SPD. AUTOMATIC,47RE
	7 = Med. Duty DODGE 4WD		EWA = ENGINE - 8.0L V10 MPI	DGT = TRANSMISSION - 4-SPD. AUTOMATIC,46RE

AR = use ase required - = Non illustrated part

2000 BE



**Oil Cooler And Lines Except Diesel Engine  
Figure 7-615**



ITEM	PART NUMBER	QTY	LINE	SERIES	BODY	ENGINE	TRANS	TRIM	DESCRIPTION
Note: DGP = 4 Speed Automatic Transmission 47RE DGT = 4 Speed Automatic Transmission 46RE DG0 = All Automatic Transmissions EL0 = All 5.2L 8 Cyl Gas Engines EM0 = All 5.9L 8 Cyl Gas Engines EW0 = All 8.0L Gas Engines									
1	J4006001	2				EL0, EM0	DG0		NUT, Hex Flange, .375-16
2									TUBE AND HOSE, Oil Cooler
	04883317AB	1				EL0, EM0	DG0		Oil Cooler To Radaitor, Pressure
	52028670AG	1				EL0, EML	DGT		Pressure [NAA,NAB],
	52028671AD	1				EW0	DGP		Pressure
	52028672AD	1				EW0	DGP		Return
	52028839AA	1				EL0, EM0	DGT		Return
	52029303AC	1				EL0, EM0	DGT		Pressure [NAE]
-3									COOLER, Transmission Oil
	04863834AB	1				EW0	DG0		
	52027525AB	1				EL0, EM0	DG0		[NHB+AWL]
	52028804AB	1				EL0, EM0	DG0		[DMH+DMF]
	52028901AB	1				EL0, EM0	DG0		[NHB-AWL]
		1				EL0, EM0	DG0		[DMD]
4									BRACKET, Cooler Line
	52118483	1				EL0, EM0	DGT		
	52118484	2				EW0	DGP		
-5	00180077	1							BOLT, Hex Head, 5/16x18x3/4
6	53006015	1					DGT		BRACKET, Oil Cooler Tube
7	52028625AC	1				EL0, EM0	DGT		CONNECTOR, Oil Cooler Line, .375
8	J4006001	1				EL0, EM0			NUT, Hex Flange, .375-16
9	J4006001	1							CLIP, (NOT SERVICED)
10	J4006001	1							SCREW, (NOT SERVICED)
11	52117663AB	1					DGT		BRACKET, Oil Cooler Tube

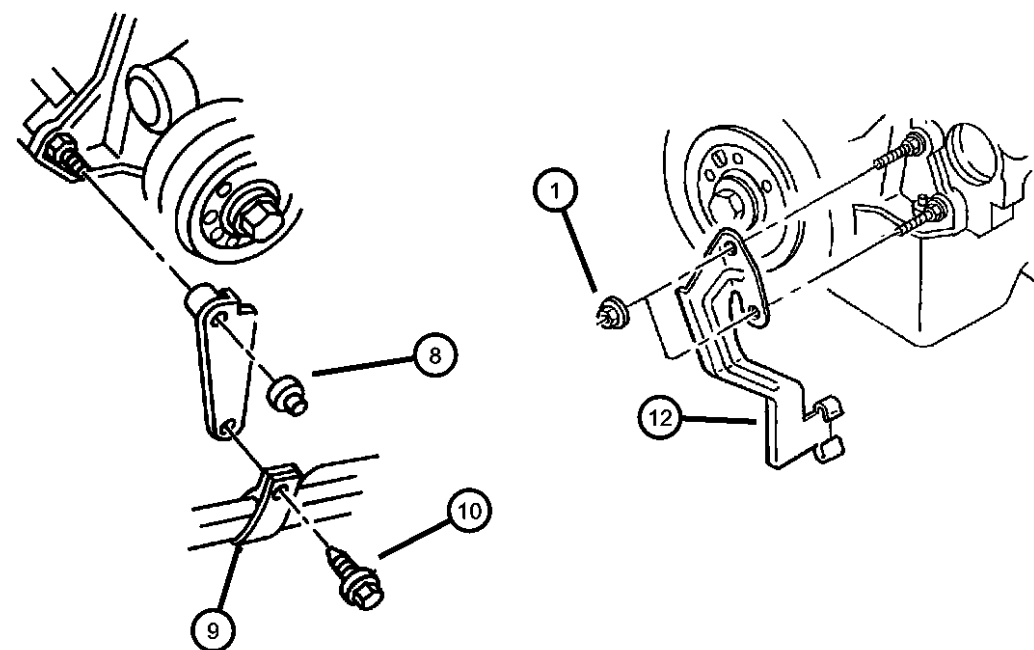
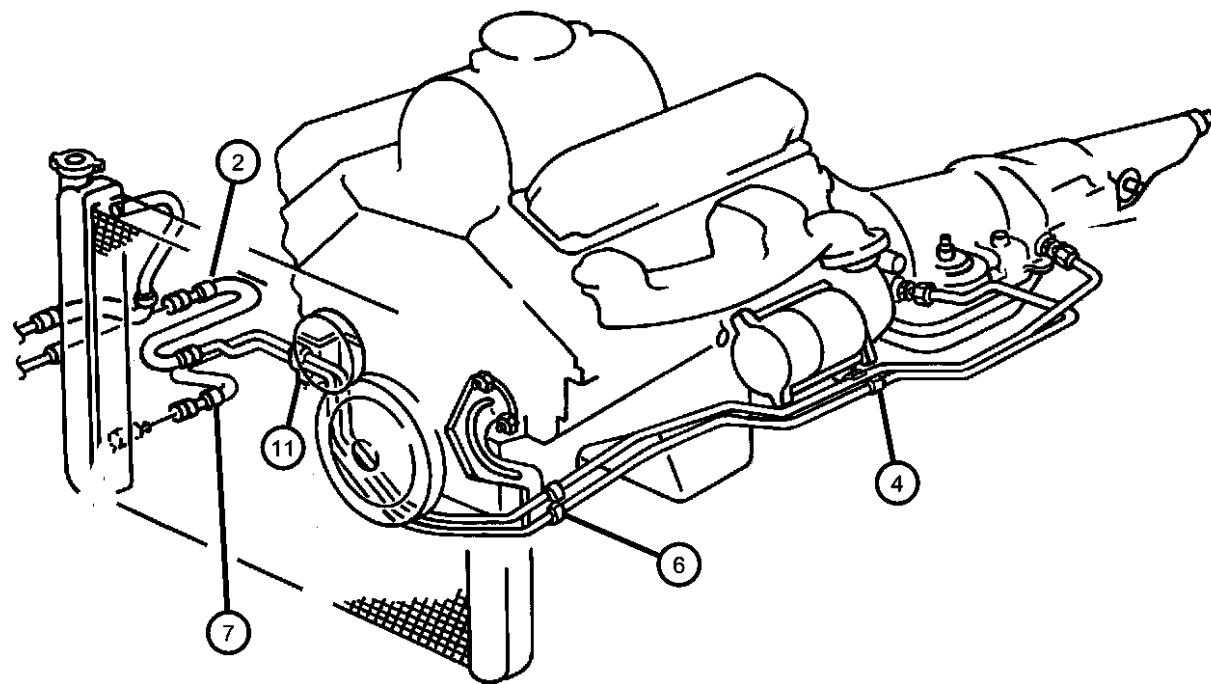
**RAM PICKUP/CLUB CAB (BE)**

SERIES	LINE	BODY	ENGINE	TRANSMISSION
L = Ram Truck (All)	3 = HD DODGE 2WD 8 = HD DODGE 4WD 1 = Lt. Duty DODGE 2WD 6 = Lt. Duty DODGE 4WD 2 = Med. Duty DODGE 2WD 7 = Med. Duty DODGE 4WD	31 = CLUB CAB 2-DR 6.5 FT BOX 32 = CLUB CAB 2-DR 8FT BOX 33 = QUAD CAB 4-DR 6.5 FT BOX 34 = QUAD CAB 4-DR 8FT BOX	ELF = ENGINE - 5.2L V8 MPI EML = ENGINE - 5.9L V8 MPI EMM = ENGINE - "MAGNUM" 5.9L SMPI V8 ETC = ENGINE- 5.9L CUMMINS 24V DIESEL ETH = ENGINE- 5.9L HO CUMMINS TURBO DIESEL EWA = ENGINE - 8.0L V10 MPI	DDC = TRANSMISSION - 5-SPEED HD MANUAL DDP = TRANSMISSION - 5-SPEED MANUAL DDX = TRANSMISSION - 5-SPEED HD MANUAL DEE = TRANSMISSION - 6-SPEED HD MANUAL DGP = TRANSMISSION - 4-SPD. AUTOMATIC, 47RE DGT = TRANSMISSION - 4-SPD. AUTOMATIC, 46RE

AR = use ase required - = Non illustrated part

**Oil Cooler And Lines Except Diesel Engine  
Figure 7-615**

ITEM	PART NUMBER	QTY	LINE	SERIES	BODY	ENGINE	TRANS	TRIM	DESCRIPTION
12	53006015	1					DGT		BRACKET, Oil Cooler Tube
-13	04810001AB	1				ELO, EM0	DGT		VALVE, Oil Cooler Pressure



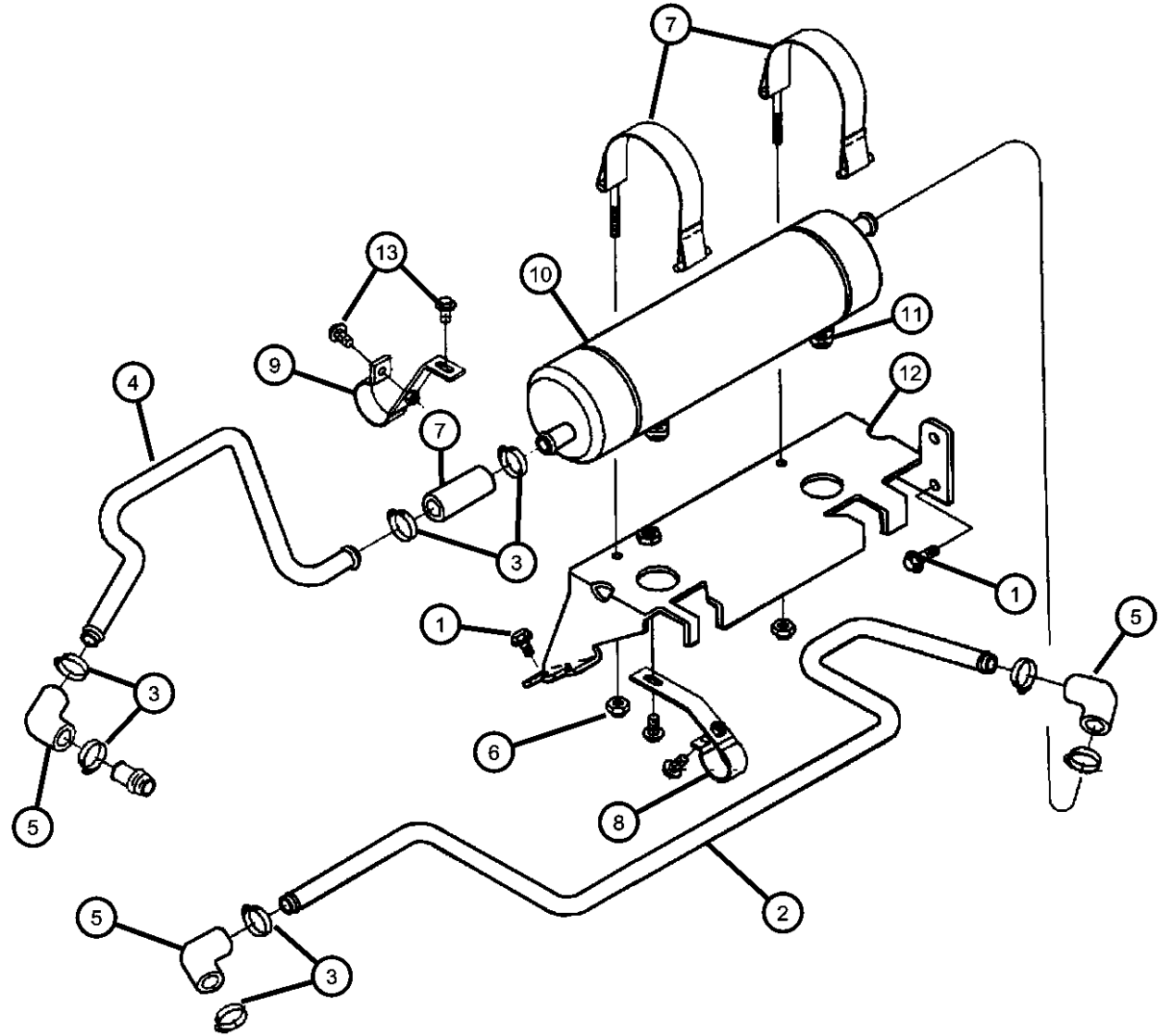
**RAM PICKUP/CLUB CAB (BE)**

SERIES	LINE	BODY	ENGINE	TRANSMISSION
L = Ram Truck (All)	3 = HD DODGE 2WD	31 = CLUB CAB 2-DR 6.5 FT BOX	ELF = ENGINE - 5.2L V8 MPI	DDC = TRANSMISSION - 5-SPEED HD MANUAL
	8 = HD DODGE 4WD	32 = CLUB CAB 2-DR 8FT BOX	EML = ENGINE - 5.9L V8 MPI	DDP = TRANSMISSION - 5-SPEED MANUAL
	1 = Lt. Duty DODGE 2WD	33 = QUAD CAB 4-DR 6.5 FT BOX	EMM = ENGINE - "MAGNUM" 5.9L SMPI V8	DDX = TRANSMISSION - 5-SPEED HD MANUAL
	6 = Lt. Duty DODGE 4WD	34 = QUAD CAB 4-DR 8FT BOX	ETC = ENGINE- 5.9L CUMMINS 24V DIESEL	DEE = TRANSMISSION - 6-SPEED HD MANUAL
	2 = Med. Duty DODGE 2WD		ETH = ENGINE- 5.9L HO CUMMINS TURBO DIESEL	DGP = TRANSMISSION - 4-SPD. AUTOMATIC,47RE
	7 = Med. Duty DODGE 4WD		EWA = ENGINE - 8.0L V10 MPI	DGT = TRANSMISSION - 4-SPD. AUTOMATIC,46RE

AR = use ase required - = Non illustrated part

2000 BE

**Oil Cooler And Lines Diesel Engine**  
**Figure 7-620**



ITEM	PART NUMBER	QTY	LINE	SERIES	BODY	ENGINE	TRANS	TRIM	DESCRIPTION
------	-------------	-----	------	--------	------	--------	-------	------	-------------

Note:  
 DBB = All Manual Transmissions  
 DG0 = All Automatic Transmissions  
 EL0 = All 5.2L 8 Cyl Gas Engines  
 EM0 = All 5.9L 8 Cyl Gas Engines  
 ETC = 5.9L Cummins 24V Diesel Engine  
 ETH = 5.9L HO Cummins Turbo Diesel  
 ET0 = All 5.9L Turbo Diesel Engines

1									BOLT, Hex Head
	04429630	2				ETC			
		2				ETH	DBB		
2	05011918AA	1				ETC	DG0		TUBE, Oil Cooler
3	06504180	2				ET0	DG0		CLAMP, Hose
4	05014171AA	1				ETC	DG0		TUBE, Oil Cooler
5	05011405AA	2				ETC	DG0		HOSE, Oil Cooler
6									NUT, Lock
	04882114	1				ETC			
		1				ETH	DBB		
7	04883885AA	1				ETC	DG0		COUPLING, Hose
8	52027991	2				EL0, EM0	DG0		BRACKET, Oil Cooler
9	04882110	1				ETC			SCREW, Hex Head, M8x1.25x16
10	05014861AA	1				ETC	DG0		COOLER, Torque Converter
11	52028723AA	1				ETC	DG0		CONNECTOR, Oil Cooler
12	52027991	2				EL0, EM0	DG0		BRACKET, Oil Cooler
13	04882110	1				ETC			SCREW, Hex Head, M8x1.25x16

**RAM PICKUP/CLUB CAB (BE)**

SERIES	LINE	BODY	ENGINE	TRANSMISSION
L = Ram Truck (All)	3 = HD DODGE 2WD	31 = CLUB CAB 2-DR 6.5 FT BOX	ELF = ENGINE - 5.2L V8 MPI	DDC = TRANSMISSION - 5-SPEED HD MANUAL
	8 = HD DODGE 4WD	32 = CLUB CAB 2-DR 8FT BOX	EML = ENGINE - 5.9L V8 MPI	DDP = TRANSMISSION - 5-SPEED HD MANUAL
	1 = Lt. Duty DODGE 2WD	33 = QUAD CAB 4-DR 6.5 FT BOX	EMM = ENGINE - "MAGNUM" 5.9L SMPI V8	DDX = TRANSMISSION - 5-SPEED HD MANUAL
	6 = Lt. Duty DODGE 4WD	34 = QUAD CAB 4-DR 8FT BOX	ETC = ENGINE- 5.9L CUMMINS 24V DIESEL	DEE = TRANSMISSION - 6-SPEED HD MANUAL
	2 = Med. Duty DODGE 2WD		ETH = ENGINE- 5.9L HO CUMMINS TURBO DIESEL	DGP = TRANSMISSION - 4-SPD. AUTOMATIC, 47RE
	7 = Med. Duty DODGE 4WD		EWA = ENGINE - 8.0L V10 MPI	DGT = TRANSMISSION - 4-SPD. AUTOMATIC, 46RE

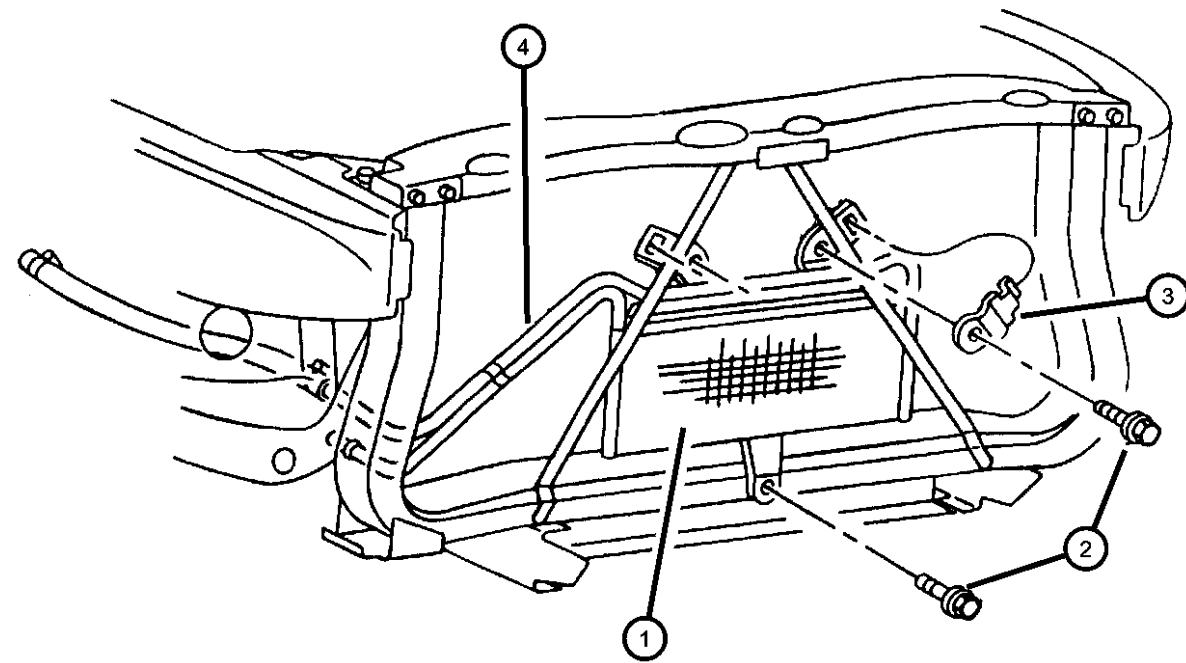
AR = use ase required - = Non illustrated part

**Auxiliary Oil Cooler 5.2, 5.9 And 8.0 Engine  
Figure 7-650**

ITEM	PART NUMBER	QTY	LINE	SERIES	BODY	ENGINE	TRANS	TRIM	DESCRIPTION
------	-------------	-----	------	--------	------	--------	-------	------	-------------

Note:

DGP = 4 Speed Automatic Transmission 47RE  
 DGT = 4 Speed Automatic Transmission 46RE  
 DG0 = All Automatic Transmissions  
 EL0 = All 5.2L 8 Cyl Gas Engines  
 EM0 = All 5.9L 8 Cyl Gas Engines  
 EW0 = All 8.0L Gas Engines



1									COOLER, Transmission Oil
	04863834	1				EW0	DG0		
	52028901AA	1				EL0, EM0	DG0		With [AWL]
	52028901AB	1				EL0, EM0	DG0		Without [AWL]
2									SCREW, Tapping, M6x1x20
	06502064	2				EW0			
		1				EL0, EM0	DG0		
3	52027991	2				EL0, EM0	DG0		BRACKET, Oil Cooler
4									TUBE AND HOSE, Oil Cooler
	04883317AB	1				EL0, EM0	DG0		[NHB] Pressure
	52028671AD	1				EW0	DGP		Pressure
	52028672AD	1				EW0	DGP		Return
	52028839AA	1				EL0, EM0	DGT		Return
	52029303AC	1				EL0, EM0	DGT		[NAE] Pressure

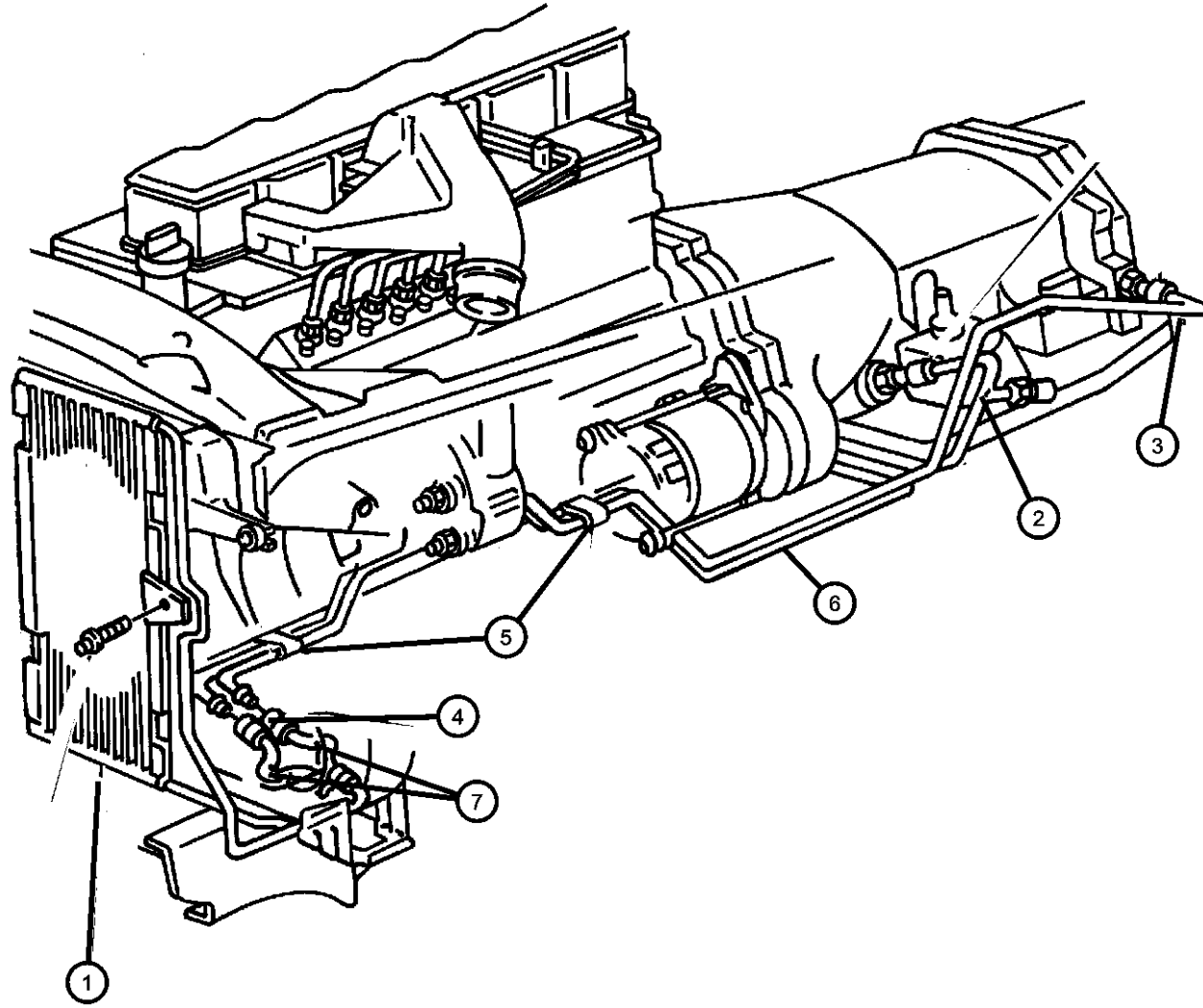
**RAM PICKUP/CLUB CAB (BE)**

SERIES	LINE	BODY	ENGINE	TRANSMISSION
L = Ram Truck (All)	3 = HD DODGE 2WD	31 = CLUB CAB 2-DR 6.5 FT BOX	ELF = ENGINE - 5.2L V8 MPI	DDC = TRANSMISSION - 5-SPEED HD MANUAL
	8 = HD DODGE 4WD	32 = CLUB CAB 2-DR 8FT BOX	EML = ENGINE - 5.9L V8 MPI	DDP = TRANSMISSION - 5-SPEED MANUAL
	1 = Lt. Duty DODGE 2WD	33 = QUAD CAB 4-DR 6.5 FT BOX	EMM = ENGINE - "MAGNUM" 5.9L SMPI V8	DDX = TRANSMISSION - 5-SPEED HD MANUAL
	6 = Lt. Duty DODGE 4WD	34 = QUAD CAB 4-DR 8FT BOX	ETC = ENGINE- 5.9L CUMMINS 24V DIESEL	DEE = TRANSMISSION - 6-SPEED HD MANUAL
	2 = Med. Duty DODGE 2WD		ETH = ENGINE- 5.9L HO CUMMINS TURBO DIESEL	DGP = TRANSMISSION - 4-SPD. AUTOMATIC, 47RE
	7 = Med. Duty DODGE 4WD		EWA = ENGINE - 8.0L V10 MPI	DGT = TRANSMISSION - 4-SPD. AUTOMATIC, 46RE

AR = use ase required - = Non illustrated part

2000 BE

**Auxiliary Oil Cooler Diesel Engine  
Figure 7-660**



ITEM	PART NUMBER	QTY	LINE	SERIES	BODY	ENGINE	TRANS	TRIM	DESCRIPTION
Note: DGP = 4 Speed Automatic Transmission 47RE DG0 = All Automatic Transmissions ET0 = All 5.9L Turbo Diesel Engines									
1	52028574AB	1				ET0	DG0		COOLER, Transmission Oil
2	52028732AC	1				ET0	DGP		TUBE, Oil Cooler
3	52028673	1				ET0	DGP		TUBE AND HOSE, Oil Cooler
4	52028467AB	2				ET0	DG0		CONNECTOR, Oil Cooler Tube, .50 Toc
5	52028680AB	2				ET0	DG0		CLIP
6	52028633	1				ET0	DGP		TUBE, Oil Cooler
7									HOSE AND CONNECTOR, Oil Cooler
	04798875AB	1				ET0	DG0		Return
	04798876AB	1				ET0	DG0		Pressure

**RAM PICKUP/CLUB CAB (BE)**

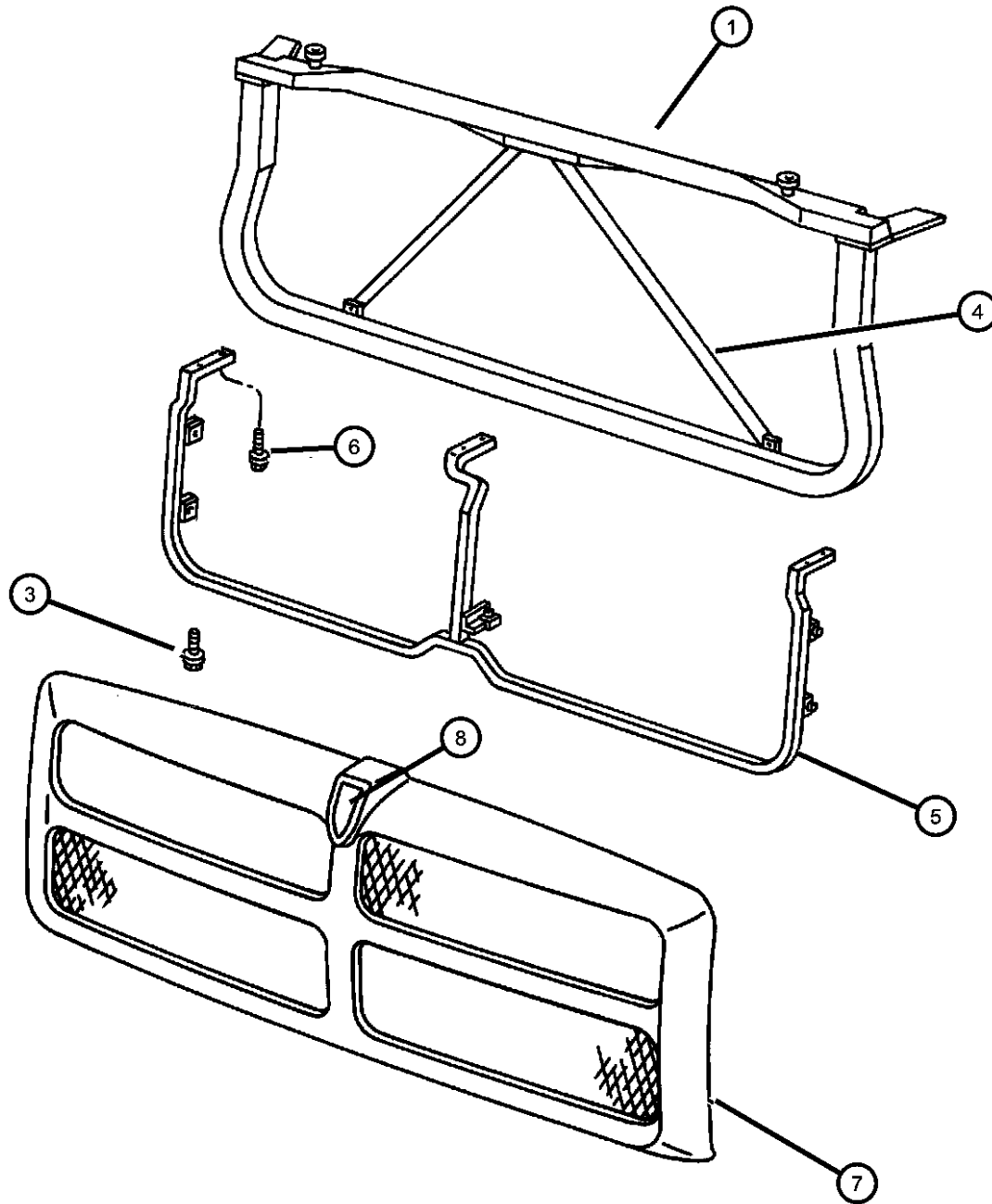
SERIES	LINE	BODY	ENGINE	TRANSMISSION
L = Ram Truck (All)	3 = HD DODGE 2WD 8 = HD DODGE 4WD 1 = Lt. Duty DODGE 2WD 6 = Lt. Duty DODGE 4WD 2 = Med. Duty DODGE 2WD 7 = Med. Duty DODGE 4WD	31 = CLUB CAB 2-DR 6.5 FT BOX 32 = CLUB CAB 2-DR 8FT BOX 33 = QUAD CAB 4-DR 6.5 FT BOX 34 = QUAD CAB 4-DR 8FT BOX	ELF = ENGINE - 5.2L V8 MPI EML = ENGINE - 5.9L V8 MPI EMM = ENGINE - "MAGNUM" 5.9L SMPI V8 ETC = ENGINE- 5.9L CUMMINS 24V DIESEL ETH = ENGINE- 5.9L HO CUMMINS TURBO DIESEL EWA = ENGINE - 8.0L V10 MPI	DDC = TRANSMISSION - 5-SPEED HD MANUAL DDP = TRANSMISSION - 5-SPEED MANUAL DDX = TRANSMISSION - 5-SPEED HD MANUAL DEE = TRANSMISSION - 6-SPEED HD MANUAL DGP = TRANSMISSION - 4-SPD. AUTOMATIC,47RE DGT = TRANSMISSION - 4-SPD. AUTOMATIC,46RE

AR = use ase required - = Non illustrated part

2000 BE

**Grille And Related Parts  
Figure 7-720**

ITEM	PART NUMBER	QTY	LINE	SERIES	BODY	ENGINE	TRANS	TRIM	DESCRIPTION
1	55275412AB	1							CLOSURE, Radiator Upper
	55275413AB	1							Lower
-2	55235112	1							TAPPING PLATE, Hood Latch
3	55235112	1							SCREW, (NOT SERVICED)
4	55234644	1							CROSS BRACE, Radiator
5									BRACKET, Radiator Grille
	55076476AB	1							with Chrome Grille
	55076867AB	1							with Body Color Grille
6	55076867AB	1							SCREW AND WASHER, Hex Head, (NOT SERVICED),
7									GRILLE, Radiator
	0QR33DX8AD	1							Black
	0QR33GW7AD	1							White
	0QR33PR4AD	1							Red
	0QR33SG8AD	1							Green
	0QR33VB3AD	1							Blue
	0QR33VY-HAD	1							Yellow
	55076550AB	1							Chrome
8	55295240	1							MEDALLION, Hood, Rams Head



**RAM PICKUP/CLUB CAB (BE)**

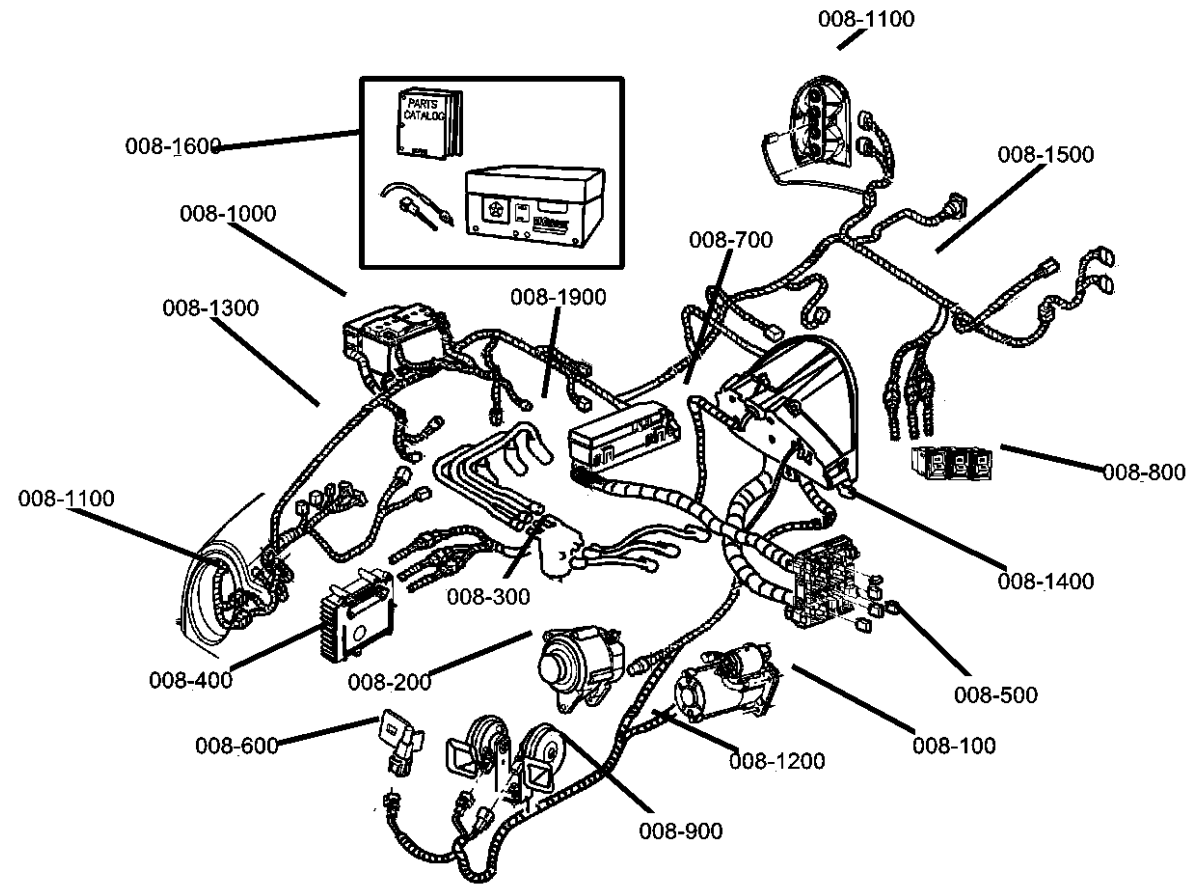
SERIES	LINE	BODY	ENGINE	TRANSMISSION
L = Ram Truck (All)	3 = HD DODGE 2WD	31 = CLUB CAB 2-DR 6.5 FT BOX	ELF = ENGINE - 5.2L V8 MPI	DDC = TRANSMISSION - 5-SPEED HD MANUAL
	8 = HD DODGE 4WD	32 = CLUB CAB 2-DR 8FT BOX	EML = ENGINE - 5.9L V8 MPI	DDP = TRANSMISSION - 5-SPEED MANUAL
	1 = Lt. Duty DODGE 2WD	33 = QUAD CAB 4-DR 6.5 FT BOX	EMM = ENGINE - "MAGNUM" 5.9L SMPI V8	DDX = TRANSMISSION - 5-SPEED HD MANUAL
	6 = Lt. Duty DODGE 4WD	34 = QUAD CAB 4-DR 8FT BOX	ETC = ENGINE- 5.9L CUMMINS 24V DIESEL	DEE = TRANSMISSION - 6-SPEED HD MANUAL
	2 = Med. Duty DODGE 2WD		ETH = ENGINE- 5.9L HO CUMMINS TURBO DIESEL	DGP = TRANSMISSION - 4-SPD. AUTOMATIC,47RE
	7 = Med. Duty DODGE 4WD		EWA = ENGINE - 8.0L V10 MPI	DGT = TRANSMISSION - 4-SPD. AUTOMATIC,46RE

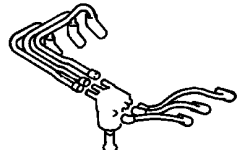
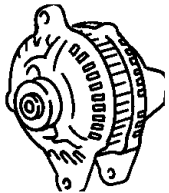
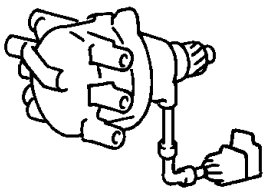
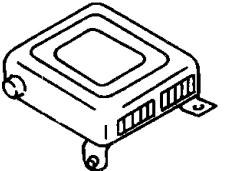
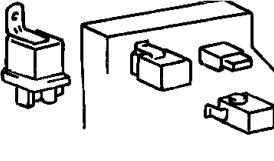
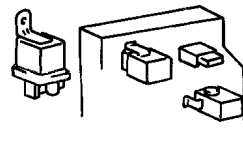
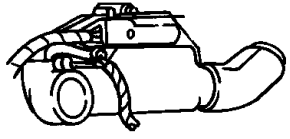
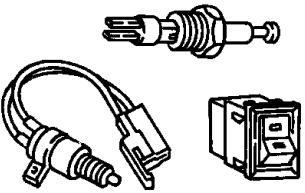
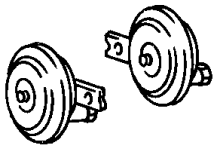
AR = use ase required - = Non illustrated part

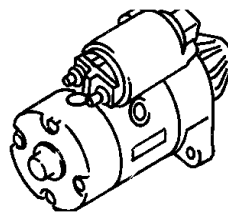
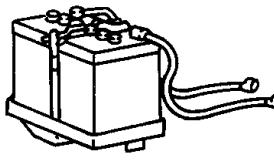
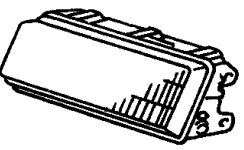
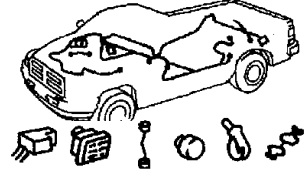


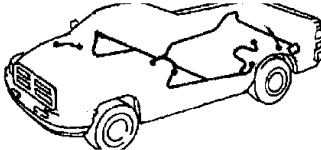
2000 BE

# Group - 8

## Electrical



<b>008-1900</b> Spark Plugs-Cables-Coils 	<b>008-200</b> Alternators 	<b>008-300</b> Distributor 	<b>008-400</b> Modules 
<b>008-500</b> Relays 	<b>008-600</b> Sensors 	<b>008-700</b> Single Board Engine Controllers 	<b>008-800</b> Switches 
<b>008-900</b> Horns 			

<b>008-100</b> Starters 	<b>008-1000</b> Battery Tray and Cables 	<b>008-1100</b> Lamps - Front, Rear and Courtesy 	<b>008-1200</b> Wiring-Engine & Related Parts 
<b>008-1300</b> Wiring-Headlamp to Dash 	<b>008-1400</b> Wiring-Instrument Panel 	<b>008-1500</b> Wiring-Body & Accessories 	<b>008-1600</b> Wiring Repair  <p>WIRING REPAIR PKG.</p>

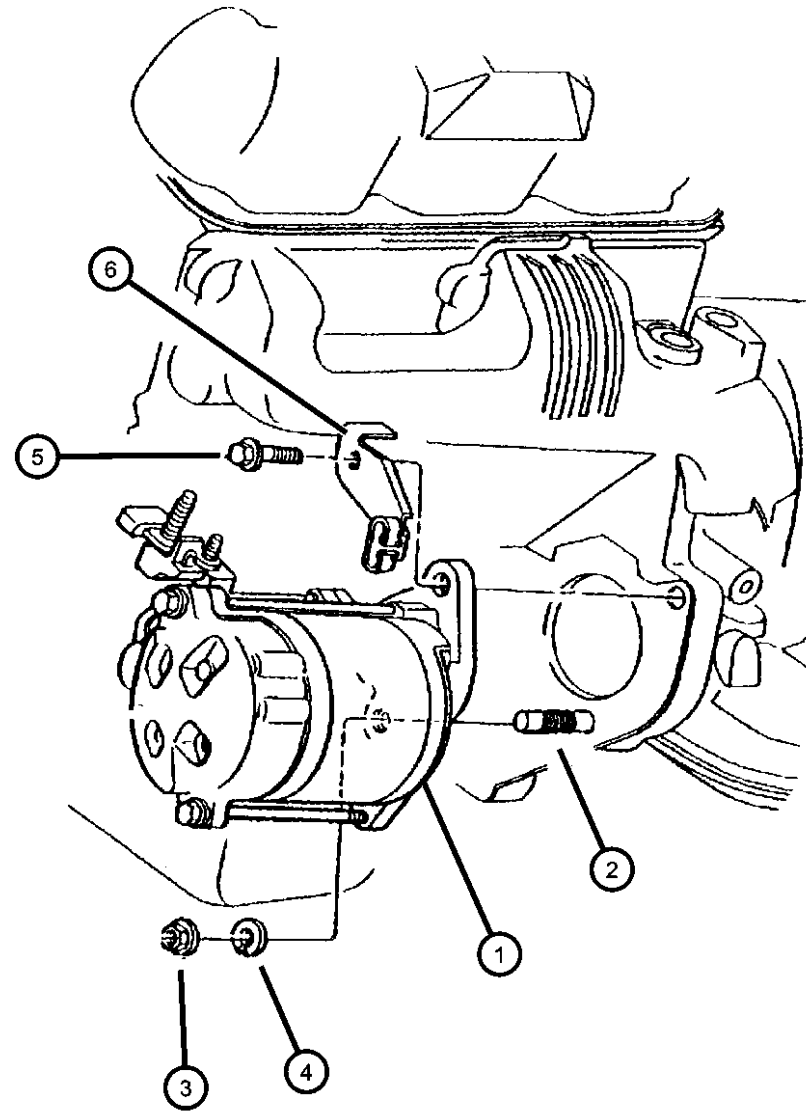
---

## Group - 8 Electrical

Illustration Title	Group-Fig. No.
<b>Starters</b>	
Starter & Mounting Gas Engines.....	Fig. 8 - 105
Starter & Mountings Diesel Engines.....	Fig. 8 - 110
<b>Alternators</b>	
Alternator & Mounting 5.2L & 5.9L Engines.....	Fig. 8 - 205
Alternator & Mounting 8.0L Engine.....	Fig. 8 - 215
Alternator & Mounting 5.9L Diesel Engines.....	Fig. 8 - 220
<b>Distributor</b>	
Distributors.....	Fig. 8 - 305
<b>Modules</b>	
Modules.....	Fig. 8 - 420
<b>Relays</b>	
Junction Block Relays and Fuses.....	Fig. 8 - 520
<b>Sensors</b>	
Sensors Engine [5.2 EL0, 5.9L EM0] Gas Engine].....	Fig. 8 - 605
Sensors Engine [5.9L Diesel].....	Fig. 8 - 610
Sensors Engine [8.0L Engine].....	Fig. 8 - 615
Sensors Drive Train.....	Fig. 8 - 620
Sensors Body.....	Fig. 8 - 625
<b>Single Board Engine Controllers</b>	
Single Board Engine Controllers.....	Fig. 8 - 720
<b>Switches</b>	
Switches.....	Fig. 8 - 820
<b>Horns</b>	
Horns.....	Fig. 8 - 905
<b>Battery Tray and Cables</b>	
Battery Tray & Cables.....	Fig. 8 - 1020
<b>Lamps - Front, Rear and Courtesy</b>	
Lamps Front.....	Fig. 8 - 1160
Lamps Rear.....	Fig. 8 - 1170
Lamps, Dome Courtesy and Reading.....	Fig. 8 - 1180
<b>Wiring-Engine &amp; Related Parts</b>	
Wiring, Engine.....	Fig. 8 - 1220
<b>Wiring-Headlamp to Dash</b>	
Wiring, Headlamp / Dash.....	Fig. 8 - 1320
<b>Wiring-Instrument Panel</b>	
Wiring, Instrument Panel.....	Fig. 8 - 1420
<b>Wiring-Body &amp; Accessories</b>	
Wiring, Body & Accessories.....	Fig. 8 - 1520
<b>Wiring Repair</b>	
Wiring Repair Package.....	Fig. 8 - 1605
<b>Spark Plugs-Cables-Coils</b>	
Spark Plugs--Cables--Coils.....	Fig. 8 - 1905



**Starter & Mounting Gas Engines  
Figure 8-105**



**V6-V8-V10**

ITEM	PART NUMBER	QTY	LINE	SERIES	BODY	ENGINE	TRANS	TRIM	DESCRIPTION
1									STARTER
	56027702AC	1				ELF, EM0			
	56027703AC	1				EW0			
2	06035606	1				ELF, EM0			STUD, .437-14/.437-20x2.00
3									NUT, Hex, .42-20
	00271506	1				ELF, EM0			
		1	1, 2, 3			ELO	DGT		
		1	6, 7, 8			ELO	DGT		
		1	1, 2, 3			EM0	DGT		
		1	6, 7, 8			EM0	DGT		
4		1							WASHER, (NOT SERVICED)
5									SCREW AND WASHER, Hex Head, .437-14x1.50
	06035604	1				ELF, EM0			
		2				EW0			
6		2							BRACKET, Oil Cooler Lines (See Cooling Section), (NOT SERVICED)

**RAM PICKUP/CLUB CAB (BE)**

SERIES	LINE	BODY	ENGINE	TRANSMISSION
L = Ram Truck (All)	3 = HD DODGE 2WD	31 = CLUB CAB 2-DR 6.5 FT BOX	ELF = ENGINE - 5.2L V8 MPI	DDC = TRANSMISSION - 5-SPEED HD MANUAL
	8 = HD DODGE 4WD	32 = CLUB CAB 2-DR 8FT BOX	EML = ENGINE - 5.9L V8 MPI	DDP = TRANSMISSION - 5-SPEED MANUAL
	1 = Lt. Duty DODGE 2WD	33 = QUAD CAB 4-DR 6.5 FT BOX	EMM = ENGINE - "MAGNUM" 5.9L SMPI V8	DDX = TRANSMISSION - 5-SPEED HD MANUAL
	6 = Lt. Duty DODGE 4WD	34 = QUAD CAB 4-DR 8FT BOX	ETC = ENGINE- 5.9L CUMMINS 24V DIESEL	DEE = TRANSMISSION - 6-SPEED HD MANUAL
	2 = Med. Duty DODGE 2WD		ETH = ENGINE- 5.9L HO CUMMINS TURBO DIESEL	DGP = TRANSMISSION - 4-SPD. AUTOMATIC, 47RE
	7 = Med. Duty DODGE 4WD		EWA = ENGINE - 8.0L V10 MPI	DGT = TRANSMISSION - 4-SPD. AUTOMATIC, 46RE

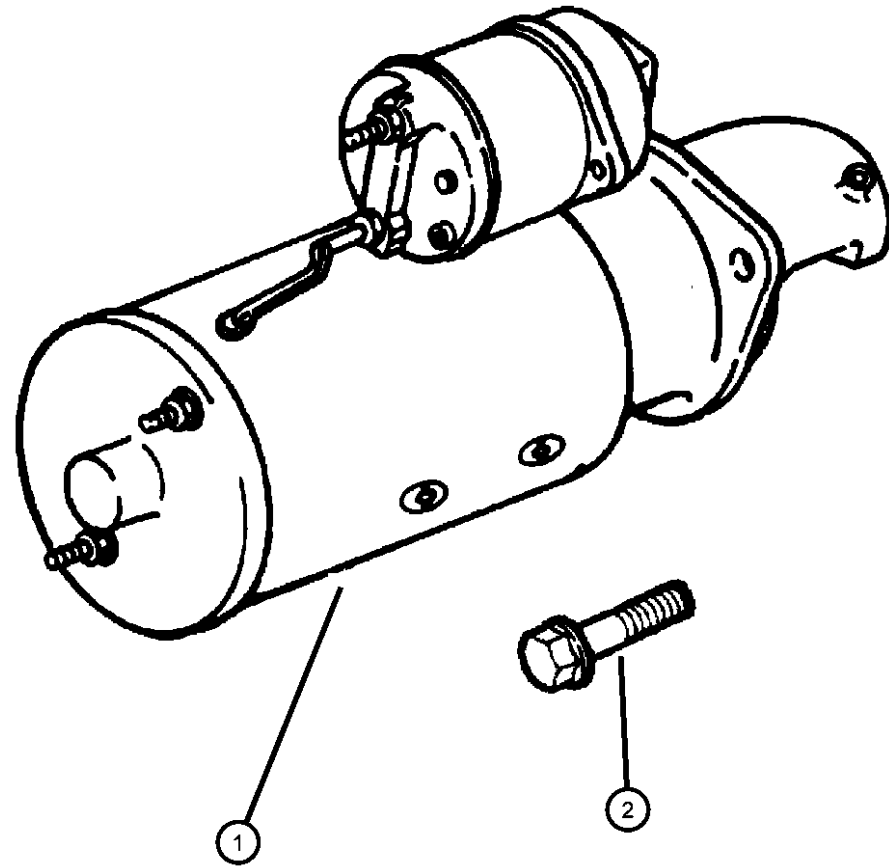
AR = use ase required - = Non illustrated part

**Starter & Mountings Diesel Engines**  
**Figure 8-110**

ITEM	PART NUMBER	QTY	LINE	SERIES	BODY	ENGINE	TRANS	TRIM	DESCRIPTION
------	-------------	-----	------	--------	------	--------	-------	------	-------------

Note:  
 ETC = 5.9L Cummins 24V Diesel Engine

1	R4741012	1				ETC			STARTER
2	04429834	3				ETC			SCREW, Starter Motor



**RAM PICKUP/CLUB CAB (BE)**

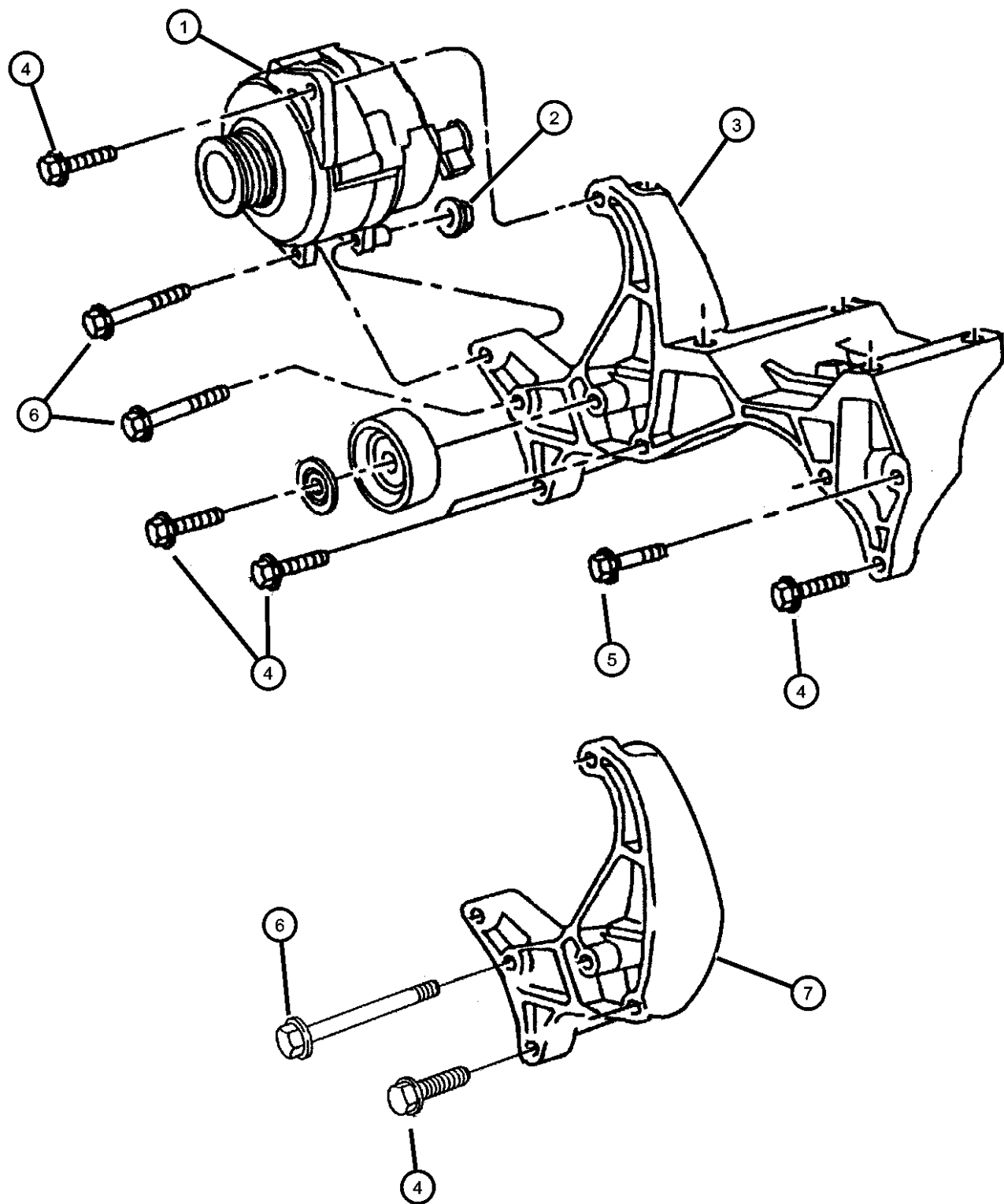
SERIES	LINE	BODY	ENGINE	TRANSMISSION
L = Ram Truck (All)	3 = HD DODGE 2WD	31 = CLUB CAB 2-DR 6.5 FT BOX	ELF = ENGINE - 5.2L V8 MPI	DDC = TRANSMISSION - 5-SPEED HD MANUAL
	8 = HD DODGE 4WD	32 = CLUB CAB 2-DR 8FT BOX	EML = ENGINE - 5.9L V8 MPI	DDP = TRANSMISSION - 5-SPEED MANUAL
	1 = Lt. Duty DODGE 2WD	33 = QUAD CAB 4-DR 6.5 FT BOX	EMM = ENGINE - "MAGNUM" 5.9L SMPI V8	DDX = TRANSMISSION - 5-SPEED HD MANUAL
	6 = Lt. Duty DODGE 4WD	34 = QUAD CAB 4-DR 8FT BOX	ETC = ENGINE- 5.9L CUMMINS 24V DIESEL	DEE = TRANSMISSION - 6-SPEED HD MANUAL
	2 = Med. Duty DODGE 2WD		ETH = ENGINE- 5.9L HO CUMMINS TURBO DIESEL	DGP = TRANSMISSION - 4-SPD. AUTOMATIC,47RE
	7 = Med. Duty DODGE 4WD		EWA = ENGINE - 8.0L V10 MPI	DGT = TRANSMISSION - 4-SPD. AUTOMATIC,46RE

AR = use ase required - = Non illustrated part

2000 BE

Alternator & Mounting 5.2L & 5.9L Engines

Figure 8-205



Note:

ELO = All 5.2L 8 Cyl Gas Engines

EM0 = All 5.9L 8 Cyl Gas Engines

EW0 = All 8.0L Gas Engines

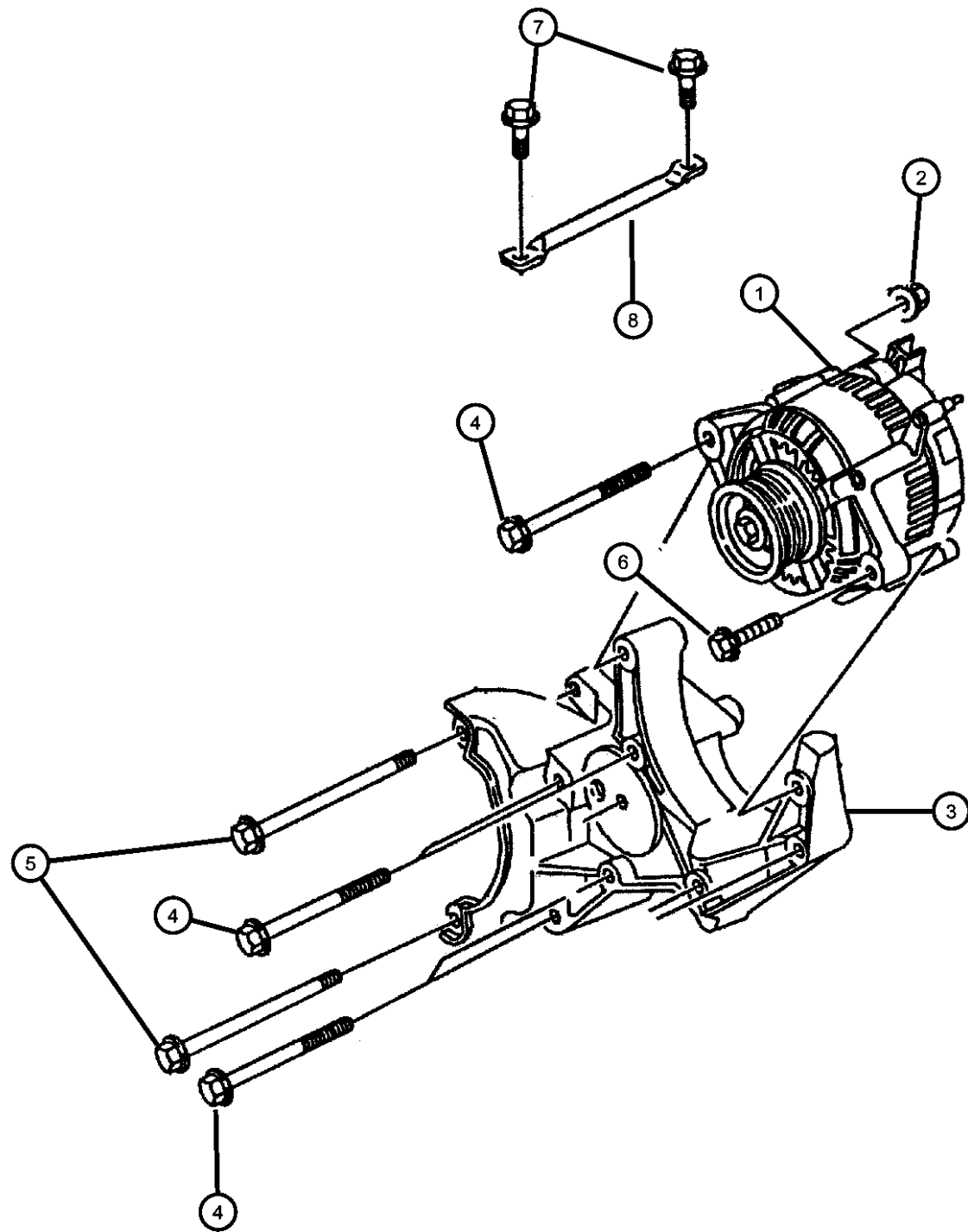
ITEM	PART NUMBER	QTY	LINE	SERIES	BODY	ENGINE	TRANS	TRIM	DESCRIPTION
1	56027912AB	1				ELO, EM0, EW0			ALTERNATOR 117 AMP
	56028920AA	1				ELO, EM0, EW0			136 AMP
2	56028920AA	1							NUT, 3/8-16, (NOT SERVICED),
3	53008614	1				ELO, EM0			BRACKET, Alternator And Compressor
4	53008614	1							SCREW AND WASHER, Hex Head, 3/8-16x2.0, (NOT SERVICED)
5	06034246	1				ELO, EM0			BOLT, Hex Head, .375-16x.75
6	06034247	1				ELO, EM0			BOLT, Hex Head, .375-16x.25
7	53008618	1				ELO, EM0			BRACKET, Alternator, w/o Air

RAM PICKUP/CLUB CAB (BE)

SERIES	LINE	BODY	ENGINE	TRANSMISSION
L = Ram Truck (All)	3 = HD DODGE 2WD	31 = CLUB CAB 2-DR 6.5 FT BOX	ELF = ENGINE - 5.2L V8 MPI	DDC = TRANSMISSION - 5-SPEED HD MANUAL
	8 = HD DODGE 4WD	32 = CLUB CAB 2-DR 8FT BOX	EML = ENGINE - 5.9L V8 MPI	DDP = TRANSMISSION - 5-SPEED MANUAL
	1 = Lt. Duty DODGE 2WD	33 = QUAD CAB 4-DR 6.5 FT BOX	EMM = ENGINE - "MAGNUM" 5.9L SMPI V8	DDX = TRANSMISSION - 5-SPEED HD MANUAL
	6 = Lt. Duty DODGE 4WD	34 = QUAD CAB 4-DR 8FT BOX	ETC = ENGINE- 5.9L CUMMINS 24V DIESEL	DEE = TRANSMISSION - 6-SPEED HD MANUAL
	2 = Med. Duty DODGE 2WD		ETH = ENGINE- 5.9L HO CUMMINS TURBO DIESEL	DGP = TRANSMISSION - 4-SPD. AUTOMATIC, 47RE
	7 = Med. Duty DODGE 4WD		EWA = ENGINE - 8.0L V10 MPI	DGT = TRANSMISSION - 4-SPD. AUTOMATIC, 46RE

AR = use ase required - = Non illustrated part

**Alternator & Mounting 8.0L Engine  
Figure 8-215**



ITEM	PART NUMBER	QTY	LINE	SERIES	BODY	ENGINE	TRANS	TRIM	DESCRIPTION
------	-------------	-----	------	--------	------	--------	-------	------	-------------

Note:  
 ELO = All 5.2L 8 Cyl Gas Engines  
 EM0 = All 5.9L 8 Cyl Gas Engines  
 EW0 = All 8.0L Gas Engines

1	56027912AB	1				ELO, EM0, EW0			ALTERNATOR 117 Amp (Bosch)
	56028238	1				ELO, EM0, EW0			
	56028920AA	1				ELO, EM0, EW0			136 Amp (Bosch)
2	56028920AA	1							NUT, .375-16, (NOT SERVICED),
3	53005621AB	1				EW0			BRACKET, Air Pump And Tensioner
4	06034247	4				EW0			BOLT, Hex Head, .375-16x.25
5	06034247	4							BOLT, .375-16x5.0, (NOT SERVICED)
6	06034247	4							BOLT, .375-16x2.0, (NOT SERVICED)
7	06034247	4							SCREW AND WASHER, .312-18x.75, (NOT SERVICED)
8	53010013AB	1				EW0			BRACE, Alternator
-9	53041112AB	1				EW0			BRACKET, Tensioner

**RAM PICKUP/CLUB CAB (BE)**

SERIES	LINE	BODY	ENGINE	TRANSMISSION
L = Ram Truck (All)	3 = HD DODGE 2WD	31 = CLUB CAB 2-DR 6.5 FT BOX	ELF = ENGINE - 5.2L V8 MPI	DDC = TRANSMISSION - 5-SPEED HD MANUAL
	8 = HD DODGE 4WD	32 = CLUB CAB 2-DR 8FT BOX	EML = ENGINE - 5.9L V8 MPI	DDP = TRANSMISSION - 5-SPEED MANUAL
	1 = Lt. Duty DODGE 2WD	33 = QUAD CAB 4-DR 6.5 FT BOX	EMM = ENGINE - "MAGNUM" 5.9L SMPI V8	DDX = TRANSMISSION - 5-SPEED HD MANUAL
	6 = Lt. Duty DODGE 4WD	34 = QUAD CAB 4-DR 8FT BOX	ETC = ENGINE- 5.9L CUMMINS 24V DIESEL	DEE = TRANSMISSION - 6-SPEED HD MANUAL
	2 = Med. Duty DODGE 2WD		ETH = ENGINE- 5.9L HO CUMMINS TURBO DIESEL	DGP = TRANSMISSION - 4-SPD. AUTOMATIC, 47RE
	7 = Med. Duty DODGE 4WD		EWA = ENGINE - 8.0L V10 MPI	DGT = TRANSMISSION - 4-SPD. AUTOMATIC, 46RE

AR = use ase required - = Non illustrated part

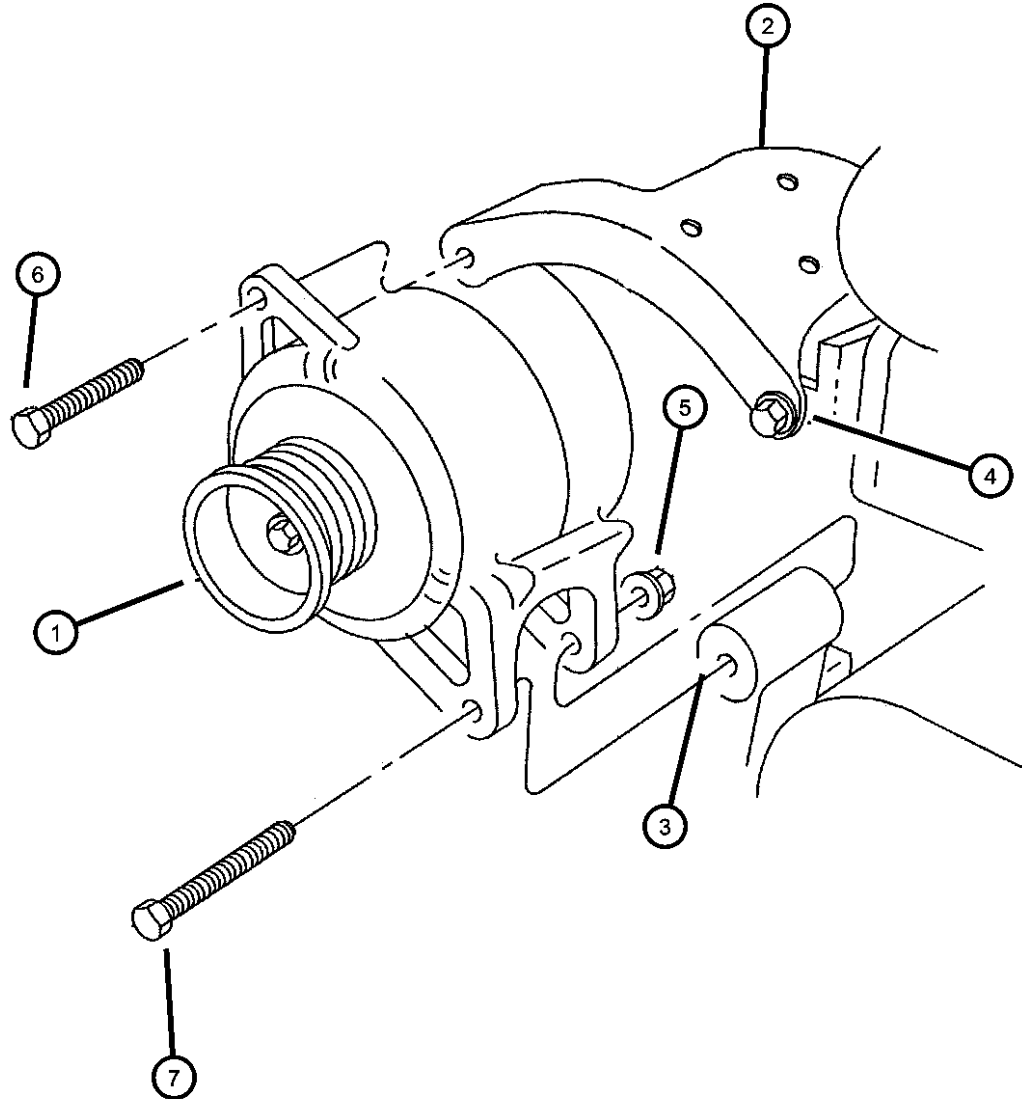
2000 BE

**Alternator & Mounting 5.9L Diesel Engines  
Figure 8-220**

ITEM	PART NUMBER	QTY	LINE	SERIES	BODY	ENGINE	TRANS	TRIM	DESCRIPTION
------	-------------	-----	------	--------	------	--------	-------	------	-------------

Note:  
ETC = 5.9L Cummins 24V Diesel Engine  
ET0 = All 5.9L Turbo Diesel Engines

1	56027221AB	1				ET0			ALTERNATOR, 136 Amp (Denso)
2	05011801AA	1				ETC			BRACKET, Alternator
3	05011802AA	1				ETC			BRACKET, Alternator
4	06100949	1				ET0			SCREW, Hex Head
5	06502337	1				ET0			NUT, M10x1.5
6	04638696	1				ET0			BOLT, Hex Flange Head, M10x1.50x45
7	04429363	1				ETC			SCREW, Hex Head
-8	04429114	3				ETC			SCREW, Hex Flange Head
-9	05011803AA	1				ETC			SCREW, Hex Head



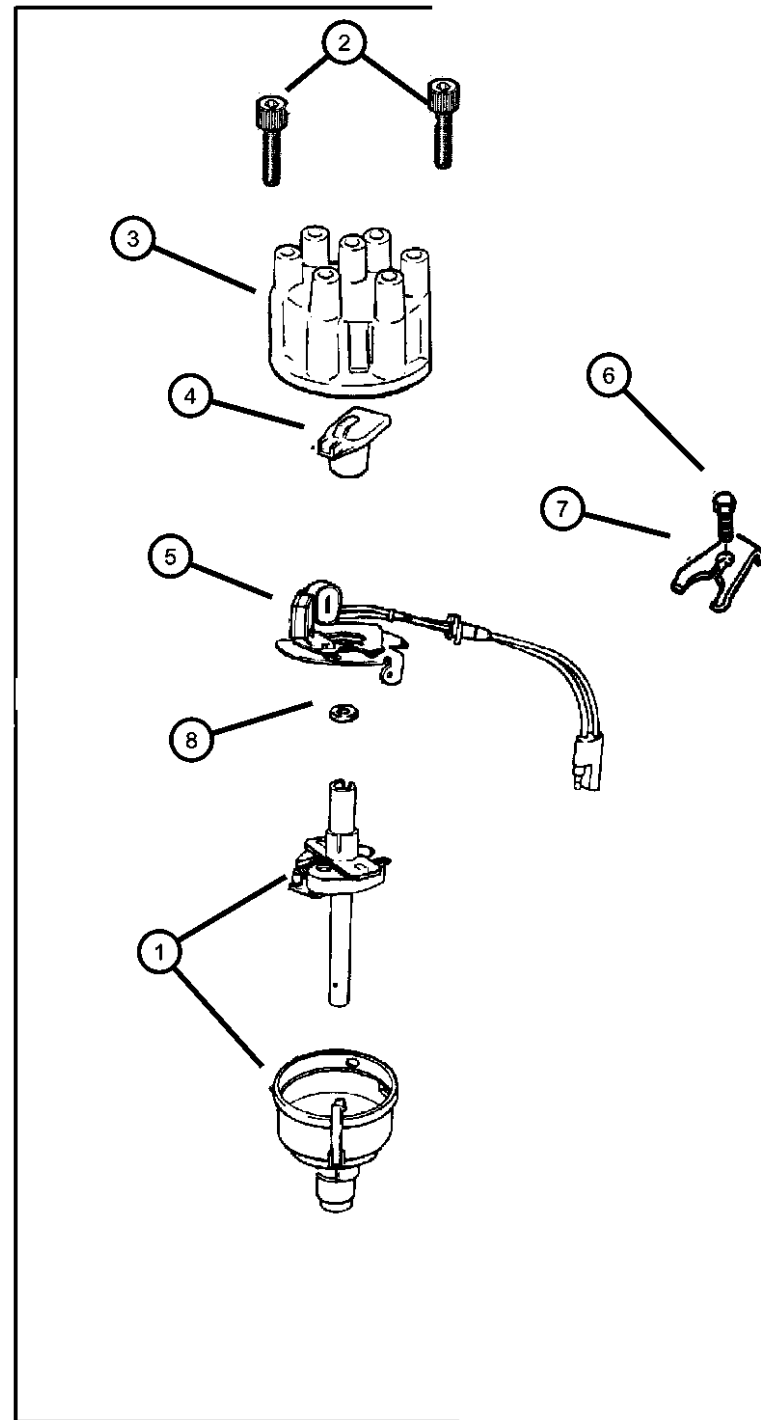
**RAM PICKUP/CLUB CAB (BE)**

SERIES	LINE	BODY	ENGINE	TRANSMISSION
L = Ram Truck (All)	3 = HD DODGE 2WD	31 = CLUB CAB 2-DR 6.5 FT BOX	ELF = ENGINE - 5.2L V8 MPI	DDC = TRANSMISSION - 5-SPEED HD MANUAL
	8 = HD DODGE 4WD	32 = CLUB CAB 2-DR 8FT BOX	EML = ENGINE - 5.9L V8 MPI	DDP = TRANSMISSION - 5-SPEED MANUAL
	1 = Lt. Duty DODGE 2WD	33 = QUAD CAB 4-DR 6.5 FT BOX	EMM = ENGINE - "MAGNUM" 5.9L SMPI V8	DDX = TRANSMISSION - 5-SPEED HD MANUAL
	6 = Lt. Duty DODGE 4WD	34 = QUAD CAB 4-DR 8FT BOX	ETC = ENGINE- 5.9L CUMMINS 24V DIESEL	DEE = TRANSMISSION - 6-SPEED HD MANUAL
	2 = Med. Duty DODGE 2WD		ETH = ENGINE- 5.9L HO CUMMINS TURBO DIESEL	DGP = TRANSMISSION - 4-SPD. AUTOMATIC,47RE
	7 = Med. Duty DODGE 4WD		EWA = ENGINE - 8.0L V10 MPI	DGT = TRANSMISSION - 4-SPD. AUTOMATIC,46RE

AR = use ase required - = Non illustrated part

2000 BE

Distributors  
Figure 8-305



ITEM	PART NUMBER	QTY	LINE	SERIES	BODY	ENGINE	TRANS	TRIM	DESCRIPTION
1	04740339AB	1				ELO, EM0			DISTRIBUTOR, Engine
2	56026706	2				ELO, EM0			SCREW, Hex Head, M5x0.8x27
3	53008767	1				ELO, EM0			CAP, Distributor
4	53008778	1				ELO, EM0			ROTOR, Distributor
5	56028143	1				ELO, EM0			SWITCH, Distributor Pick-Up
6	06028606	1				ELO, EM0			SCREW AND WASHER, Hex Head Lock, .312-18x1.00
7	04343950	1				ELO, EM0			CLAMP, Distributor
8	02875923	1				ELO, EM0			O RING, Distributor

Note:

ELO = All 5.2L 8 Cyl Gas Engines

EM0 = All 5.9L 8 Cyl Gas Engines

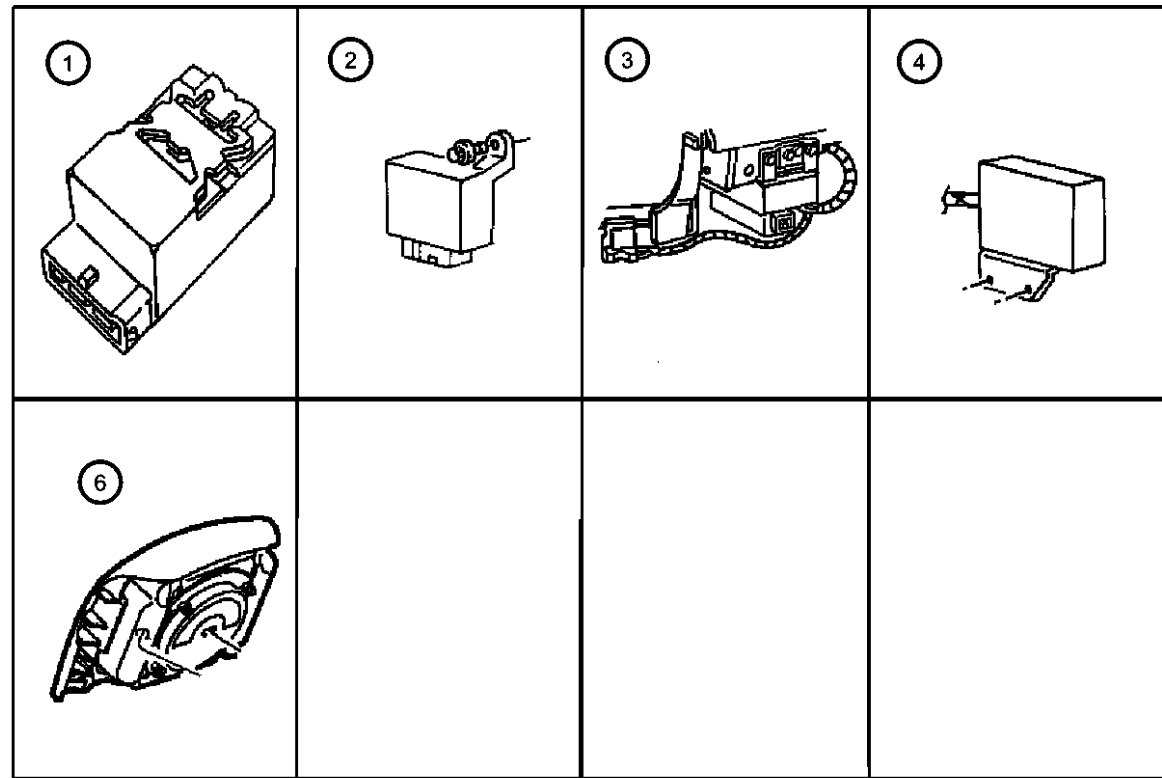
RAM PICKUP/CLUB CAB (BE)

SERIES	LINE	BODY	ENGINE	TRANSMISSION
L = Ram Truck (All)	3 = HD DODGE 2WD	31 = CLUB CAB 2-DR 6.5 FT BOX	ELF = ENGINE - 5.2L V8 MPI	DDC = TRANSMISSION - 5-SPEED HD MANUAL
	8 = HD DODGE 4WD	32 = CLUB CAB 2-DR 8FT BOX	EML = ENGINE - 5.9L V8 MPI	DDP = TRANSMISSION - 5-SPEED MANUAL
	1 = Lt. Duty DODGE 2WD	33 = QUAD CAB 4-DR 6.5 FT BOX	EMM = ENGINE - "MAGNUM" 5.9L SMPI V8	DDX = TRANSMISSION - 5-SPEED HD MANUAL
	2 = Med. Duty DODGE 2WD	34 = QUAD CAB 4-DR 8FT BOX	ETC = ENGINE- 5.9L CUMMINS 24V DIESEL	DEE = TRANSMISSION - 6-SPEED HD MANUAL
	6 = Lt. Duty DODGE 4WD		ETH = ENGINE- 5.9L HO CUMMINS TURBO DIESEL	DGP = TRANSMISSION - 4-SPD. AUTOMATIC,47RE
	7 = Med. Duty DODGE 4WD		EWA = ENGINE - 8.0L V10 MPI	DGT = TRANSMISSION - 4-SPD. AUTOMATIC,46RE

AR = use ase required - = Non illustrated part

2000 BE

Modules  
Figure 8-420



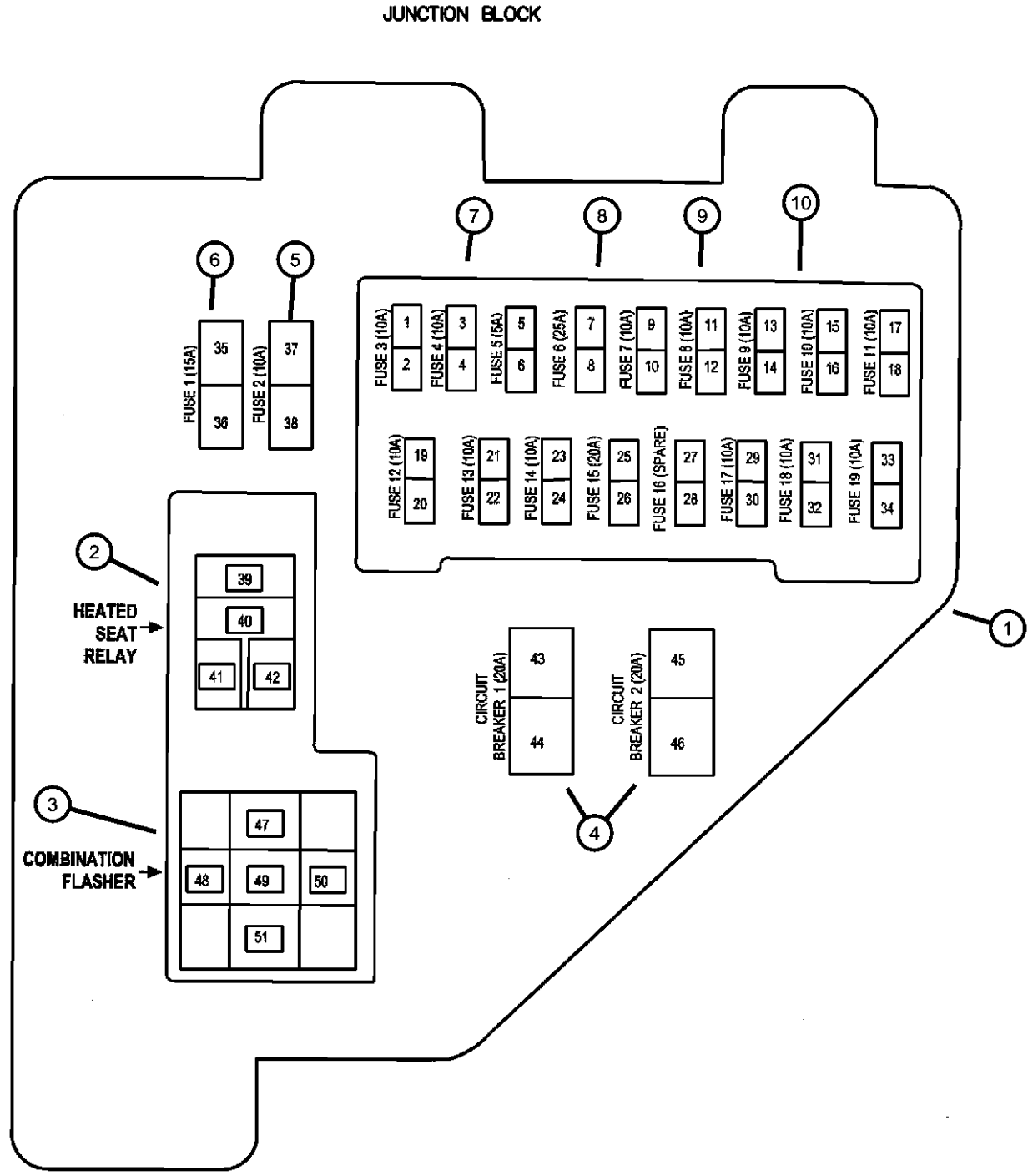
ITEM	PART NUMBER	QTY	LINE	SERIES	BODY	ENGINE	TRANS	TRIM	DESCRIPTION
1	55076549AF	1							MODULE, Wiper
2	56021561AC	1							MODULE, Daytime Running Lamp
3	56043128AF	1							MODULE, Air Bag Control
4									MODULE, Anti-lock Brakes
	05015525AA	1	1, 6						[BGJ]
	05015526AB	1	2, 7		33, 34				[BGJ]
	05015527AB	1	1, 6						[BGK]
	05015529AC	1	3, 8		34				With Four Wheel Drive
-5	05003311AA	1	1, 6						BRACKET, Anti-Lock Brake Module, R.W.A.L.
6									AIR BAG, Passenger
	5GE24LAZAA	1							Agate
	5GE24RC8AA	1							Cirrus
	5GE24VK9AA	1							Suede
-7									MODULE, Timing and Control
	56020157AC	1							Without Keyless Entry (Integrated)
	56045448AB	1							Up to 10/07/99, with Keyless Entry (Midlevel)
	56045448AC	1							10/07/99 & After, with Keyless Entry (Midlevel)
	56045999AD	1							With Heated Seats
-8	56045105AB	1			33, 34				MODULE, Heated Front Seats
-9									MODULE, Engine Controller
	353339302J	1				ETC	DG0		w/Federal Emissions
	353430302J	1				ETC	DG0		w/California Emissions
	353431302J	1				ETC	DBB		w/Federal Emissions
	353432302J	1				ETC	DBB		w/California Emissions

RAM PICKUP/CLUB CAB (BE)

SERIES	LINE	BODY	ENGINE	TRANSMISSION
L = Ram Truck (All)	3 = HD DODGE 2WD	31 = CLUB CAB 2-DR 6.5 FT BOX	ELF = ENGINE - 5.2L V8 MPI	DDC = TRANSMISSION - 5-SPEED HD MANUAL
	8 = HD DODGE 4WD	32 = CLUB CAB 2-DR 8FT BOX	EML = ENGINE - 5.9L V8 MPI	DDP = TRANSMISSION - 5-SPEED MANUAL
	1 = Lt. Duty DODGE 2WD	33 = QUAD CAB 4-DR 6.5 FT BOX	EMM = ENGINE - "MAGNUM" 5.9L SMPI V8	DDX = TRANSMISSION - 5-SPEED HD MANUAL
	6 = Lt. Duty DODGE 4WD	34 = QUAD CAB 4-DR 8FT BOX	ETC = ENGINE- 5.9L CUMMINS 24V DIESEL	DEE = TRANSMISSION - 6-SPEED HD MANUAL
	2 = Med. Duty DODGE 2WD		ETH = ENGINE- 5.9L HO CUMMINS TURBO DIESEL	DGP = TRANSMISSION - 4-SPD. AUTOMATIC, 47RE
	7 = Med. Duty DODGE 4WD		EWA = ENGINE - 8.0L V10 MPI	DGT = TRANSMISSION - 4-SPD. AUTOMATIC, 46RE

AR = use ase required - = Non illustrated part

**Junction Block Relays and Fuses  
Figure 8-520**



ITEM	PART NUMBER	QTY	LINE	SERIES	BODY	ENGINE	TRANS	TRIM	DESCRIPTION
1	56045391AB	1							JUNCTION BLOCK, Relay
2	56006846	1							RELAY, Electrical
3	56007348	1							FLASHER
4	04604235	2							BREAKER, Circuit
5	000ATC10	1							FUSE, Standard, 10 AMP, Red
6	000ATC15	1							FUSE, Standard, 15 AMP, Light Blue
7	0000ATM5	1							FUSE, Mini, 5 Amp, Tan
8	000ATM10	1							FUSE, Mini, 10 AMP, Red
9	000ATM20	1							FUSE, Mini, 20 AMP, Yellow
10	000ATM25	1							FUSE, Mini, 25 Amp, Natural
-11	04897895AA	1							HOLDER, Fuse, I.O.D. Fuse
-12	04897906AA	2							HOLDER, Fuse, Airbag Fuse
-13									RELAY, Mini
	04671168	1							Foglamp
		1							Heated Seat
-14	56026842	1				ETO			RELAY, Electrical, Air Intake Heater

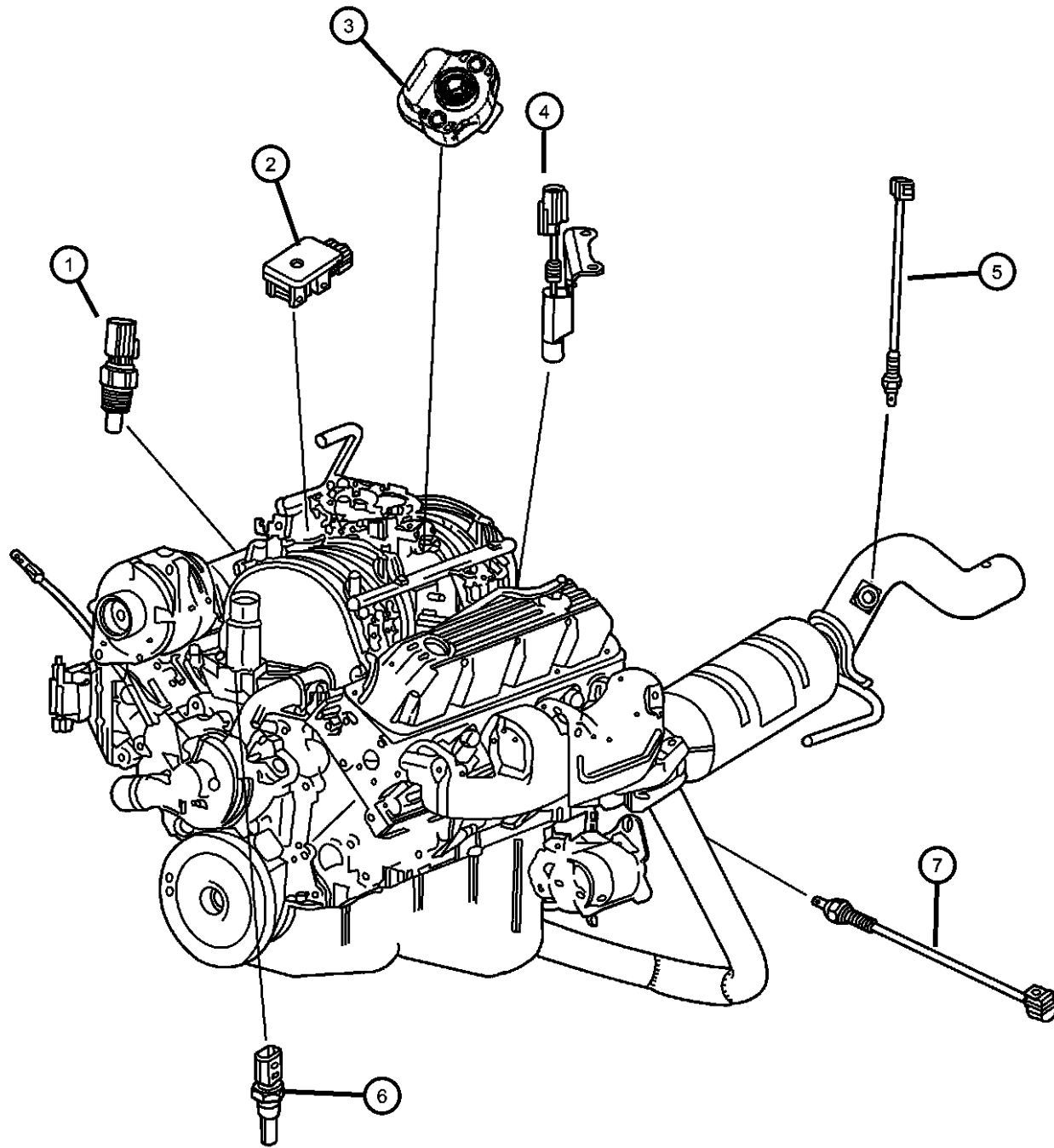
**RAM PICKUP/CLUB CAB (BE)**

SERIES	LINE	BODY	ENGINE	TRANSMISSION
L = Ram Truck (All)	3 = HD DODGE 2WD	31 = CLUB CAB 2-DR 6.5 FT BOX	ELF = ENGINE - 5.2L V8 MPI	DDC = TRANSMISSION - 5-SPEED HD MANUAL
	8 = HD DODGE 4WD	32 = CLUB CAB 2-DR 8FT BOX	EML = ENGINE - 5.9L V8 MPI	DDP = TRANSMISSION - 5-SPEED MANUAL
	1 = Lt. Duty DODGE 2WD	33 = QUAD CAB 4-DR 6.5 FT BOX	EMM = ENGINE - "MAGNUM" 5.9L SMPI V8	DDX = TRANSMISSION - 5-SPEED HD MANUAL
	6 = Lt. Duty DODGE 4WD	34 = QUAD CAB 4-DR 8FT BOX	ETC = ENGINE- 5.9L CUMMINS 24V DIESEL	DEE = TRANSMISSION - 6-SPEED HD MANUAL
	2 = Med. Duty DODGE 2WD		ETH = ENGINE- 5.9L HO CUMMINS TURBO DIESEL	DGP = TRANSMISSION - 4-SPD. AUTOMATIC,47RE
	7 = Med. Duty DODGE 4WD		EWA = ENGINE - 8.0L V10 MPI	DGT = TRANSMISSION - 4-SPD. AUTOMATIC,46RE

AR = use ase required - = Non illustrated part



**Sensors Engine [5.2 EL0, 5.9L EM0] Gas Engine]  
Figure 8-605**



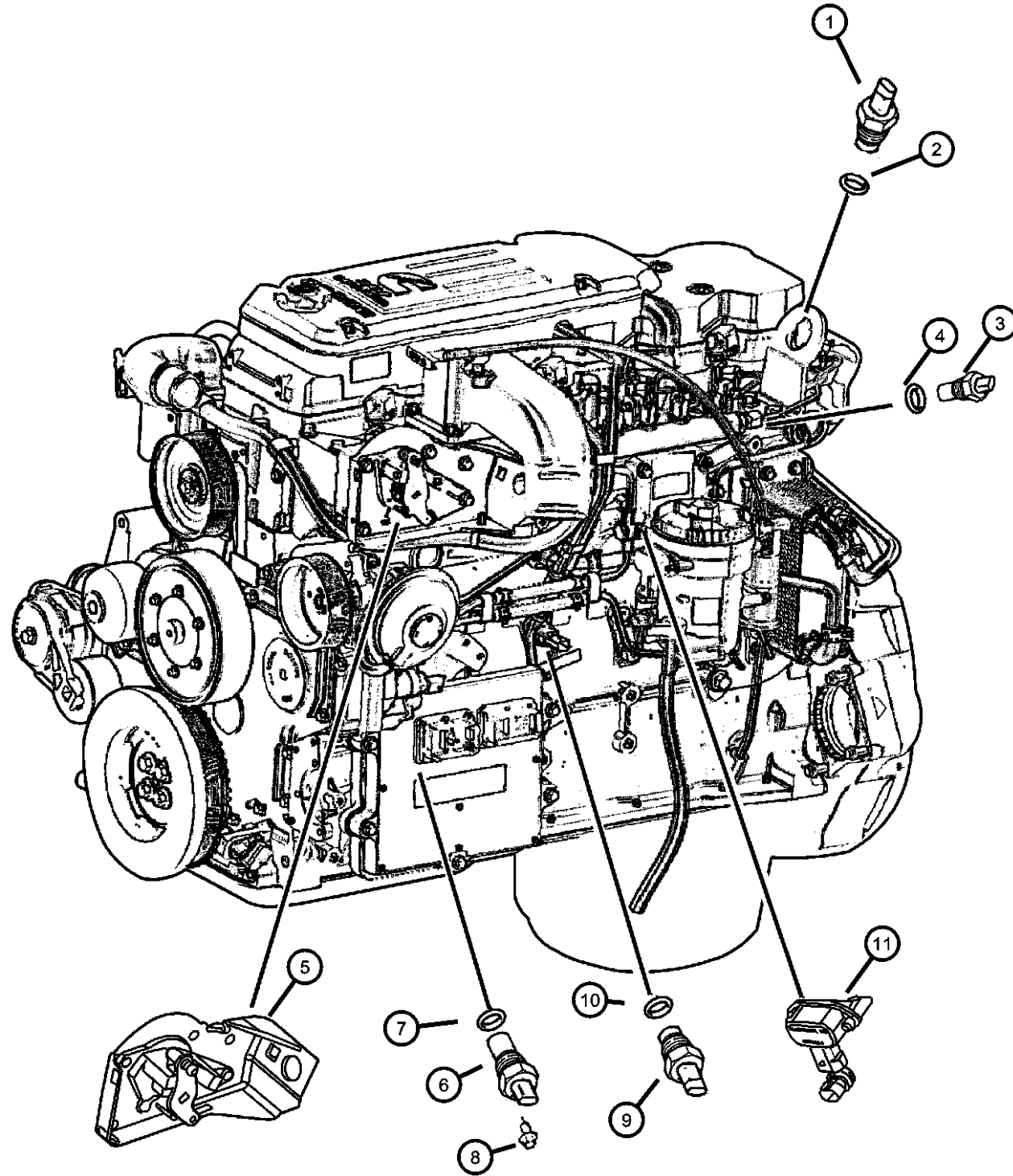
ITEM	PART NUMBER	QTY	LINE	SERIES	BODY	ENGINE	TRANS	TRIM	DESCRIPTION
Note: DG0 = All Automatic Transmissions EM0 = All 5.9L 8 Cylinder Gas Engines EV0 = All 4.7L Gas Engines									
1	56027872	1				EL0, EM0			SENSOR, Air Temperature
2	56029405	1				EL0, EM0			SENSOR, MAP
3									SENSOR, Throttle Position
	04882219	1				EL0			
		1				EM0			
4									SENSOR, Crankshaft Position
	56027870	1				EL0, EM0	DG0		
	56027871	1				EL0, EM0	DBB		
5	56041212AF	1				EL0, EML			SENSOR, OxygenAfter Catalyst
6	56004815	1				EL0, EM0			SENSOR, Coolant Temperature
7									SENSOR, Oxygen
	56041212AE	1				EL0, EML	DG0		Before Catalyst
		1				EMM	DG0		Before Catalyst, Right Side
		2	6, 7, 8			EMM	DDP		Before Catalyst
	56041213AF	1				EML	DDP		Before Catalyst
		1				EMM	DG0		Before Catalyst, Left Side
		2	1, 2, 3			EMM	DDP		Before Catalyst
		2				EL0, EML	DG0		Before Catalyst
-8		2							SENSOR, Camshaft, Serviced in Distributor Pickup Switch, (NOT SERVICED)

**RAM PICKUP/CLUB CAB (BE)**

SERIES	LINE	BODY	ENGINE	TRANSMISSION
L = Ram Truck (All)	3 = HD DODGE 2WD	31 = CLUB CAB 2-DR 6.5 FT BOX	ELF = ENGINE - 5.2L V8 MPI	DDC = TRANSMISSION - 5-SPEED HD MANUAL
	8 = HD DODGE 4WD	32 = CLUB CAB 2-DR 8FT BOX	EML = ENGINE - 5.9L V8 MPI	DDP = TRANSMISSION - 5-SPEED MANUAL
	1 = Lt. Duty DODGE 2WD	33 = QUAD CAB 4-DR 6.5 FT BOX	EMM = ENGINE - "MAGNUM" 5.9L SMPI V8	DDX = TRANSMISSION - 5-SPEED HD MANUAL
	6 = Lt. Duty DODGE 4WD	34 = QUAD CAB 4-DR 8FT BOX	ETC = ENGINE- 5.9L CUMMINS 24V DIESEL	DEE = TRANSMISSION - 6-SPEED HD MANUAL
	2 = Med. Duty DODGE 2WD		ETH = ENGINE- 5.9L HO CUMMINS TURBO DIESEL	DGP = TRANSMISSION - 4-SPD. AUTOMATIC, 47RE
	7 = Med. Duty DODGE 4WD		EWA = ENGINE - 8.0L V10 MPI	DGT = TRANSMISSION - 4-SPD. AUTOMATIC, 46RE

AR = use ase required - = Non illustrated part

Sensors Engine [5.9L Diesel]  
Figure 8-610



ITEM	PART NUMBER	QTY	LINE	SERIES	BODY	ENGINE	TRANS	TRIM	DESCRIPTION
1	05012801AA	1				ETC			SENSOR, Turbo Boost Pressure
2	05011851AA	1				ETC			O RING
3	05014197AA	1				ETC			SENSOR, Air Temperature
4	05003602AA	1				ETC			O RING
5									BELLCRANK, Accelerator and Cruise
	53031575	1				ETC	DG0		
	53031576	1				ETC	DBB		
6	05014994AA	1				ETC			SENSOR, Camshaft
7	05003602AA	1				ETC			O RING
8	04638672	1				ETC			SCREW
9	05011852AA	1				ETC			SENSOR, Temperature Sending Unit
10	05003602AA	1				ETC			O RING
11	05015582AA	1				ETC			SENSOR, Fuel/Water
-12	05015488AA	1				ETC			SENSOR, Crankshaft
-13									SENSOR, Oil Pressure
	05012991AA	1				ETC			
		1				ETH	DBB		

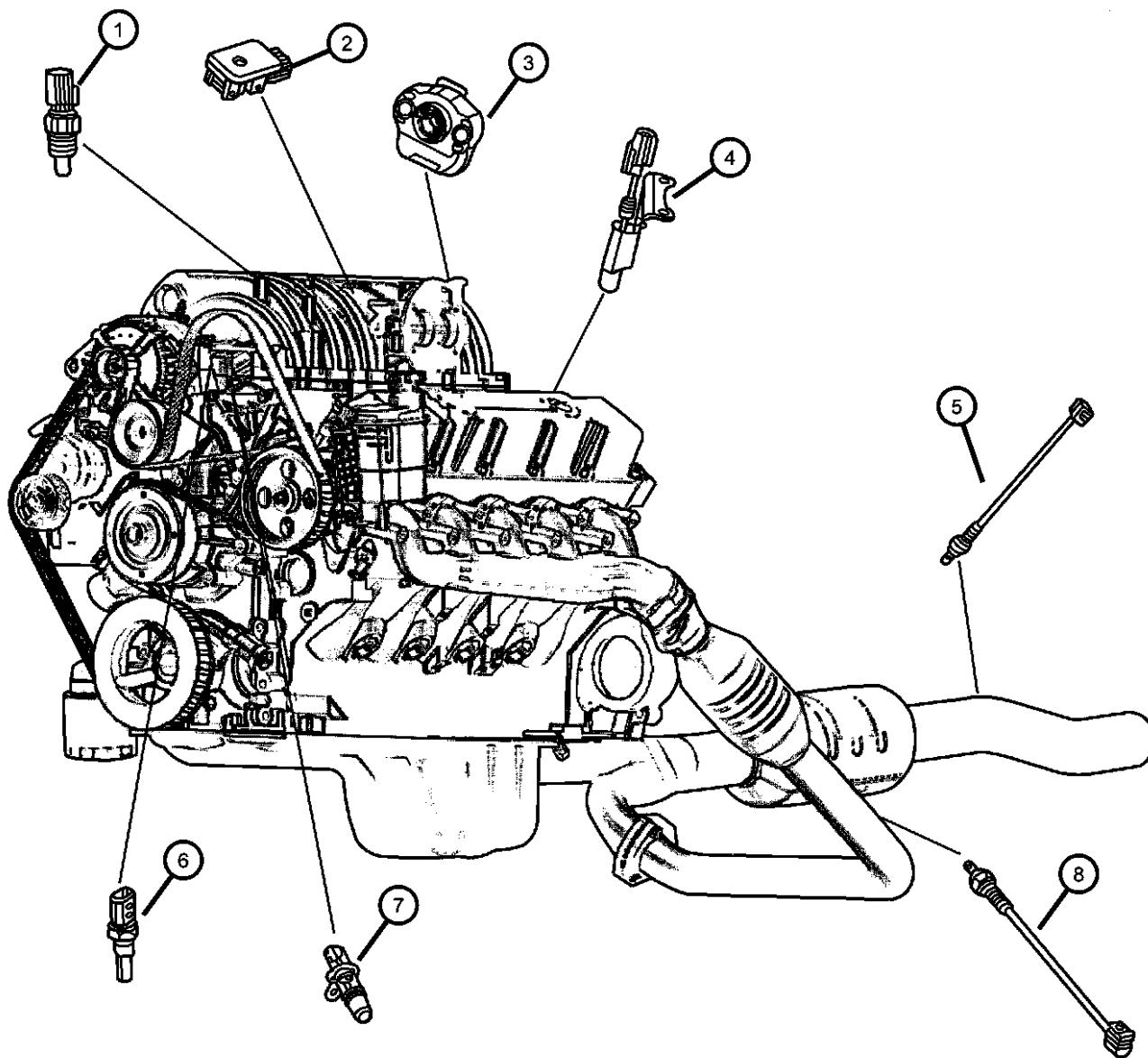
RAM PICKUP/CLUB CAB (BE)

SERIES	LINE	BODY	ENGINE	TRANSMISSION
L = Ram Truck (All)	3 = HD DODGE 2WD	31 = CLUB CAB 2-DR 6.5 FT BOX	ELF = ENGINE - 5.2L V8 MPI	DDC = TRANSMISSION - 5-SPEED HD MANUAL
	8 = HD DODGE 4WD	32 = CLUB CAB 2-DR 8FT BOX	EML = ENGINE - 5.9L V8 MPI	DDP = TRANSMISSION - 5-SPEED MANUAL
	1 = Lt. Duty DODGE 2WD	33 = QUAD CAB 4-DR 6.5 FT BOX	EMM = ENGINE - "MAGNUM" 5.9L SMPI V8	DDX = TRANSMISSION - 5-SPEED HD MANUAL
	6 = Lt. Duty DODGE 4WD	34 = QUAD CAB 4-DR 8FT BOX	ETC = ENGINE- 5.9L CUMMINS 24V DIESEL	DEE = TRANSMISSION - 6-SPEED HD MANUAL
	2 = Med. Duty DODGE 2WD		ETH = ENGINE- 5.9L HO CUMMINS TURBO DIESEL	DGP = TRANSMISSION - 4-SPD. AUTOMATIC, 47RE
	7 = Med. Duty DODGE 4WD		EWA = ENGINE - 8.0L V10 MPI	DGT = TRANSMISSION - 4-SPD. AUTOMATIC, 46RE

AR = use ase required - = Non illustrated part

Sensors Engine [8.0L Engine]  
Figure 8-615

ITEM	PART NUMBER	QTY	LINE	SERIES	BODY	ENGINE	TRANS	TRIM	DESCRIPTION
1	56027872	1				EW0			SENSOR, Air Temperature
2	04896131AA	1				EW0			SENSOR, MAP
3	04882219	1				EW0			SENSOR, Throttle Position
4	56027864	1				EW0			SENSOR, Crankshaft Position
5	56041212AF	1				EW0			SENSOR, OxygenAfter Catalyst
6	56004815	1				EW0			SENSOR, Coolant Temperature
7	56027860	1				EW0			SENSOR, D.I.S. Camshaft Reference
8	56041212AE	2				EW0			SENSOR, OxygenBefore Catalyst



RAM PICKUP/CLUB CAB (BE)

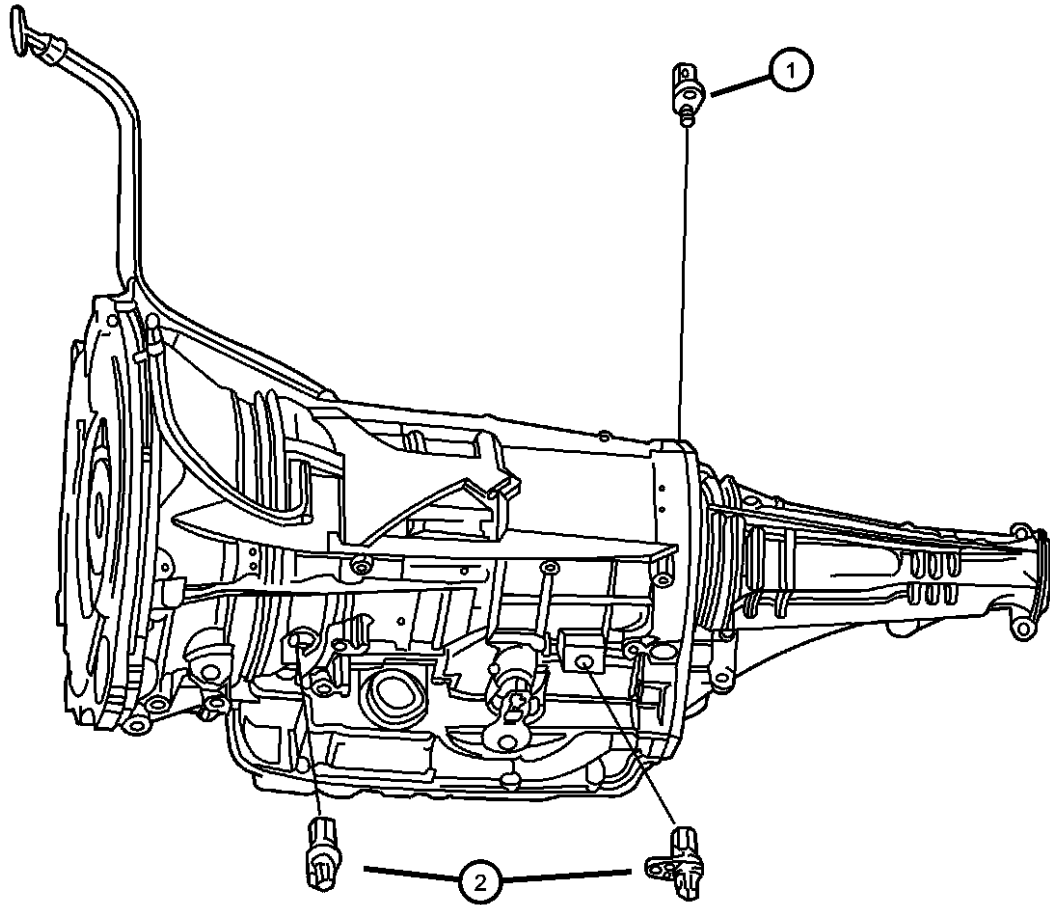
SERIES	LINE	BODY	ENGINE	TRANSMISSION
L = Ram Truck (All)	3 = HD DODGE 2WD 8 = HD DODGE 4WD 1 = Lt. Duty DODGE 2WD 6 = Lt. Duty DODGE 4WD 2 = Med. Duty DODGE 2WD 7 = Med. Duty DODGE 4WD	31 = CLUB CAB 2-DR 6.5 FT BOX 32 = CLUB CAB 2-DR 8FT BOX 33 = QUAD CAB 4-DR 6.5 FT BOX 34 = QUAD CAB 4-DR 8FT BOX	ELF = ENGINE - 5.2L V8 MPI EML = ENGINE - 5.9L V8 MPI EMM = ENGINE - "MAGNUM" 5.9L SMPI V8 ETC = ENGINE- 5.9L CUMMINS 24V DIESEL ETH = ENGINE- 5.9L HO CUMMINS TURBO DIESEL EWA = ENGINE - 8.0L V10 MPI	DDC = TRANSMISSION - 5-SPEED HD MANUAL DDP = TRANSMISSION - 5-SPEED MANUAL DDX = TRANSMISSION - 5-SPEED HD MANUAL DEE = TRANSMISSION - 6-SPEED HD MANUAL DGP = TRANSMISSION - 4-SPD. AUTOMATIC, 47RE DGT = TRANSMISSION - 4-SPD. AUTOMATIC, 46RE

AR = use ase required - = Non illustrated part

2000 BE

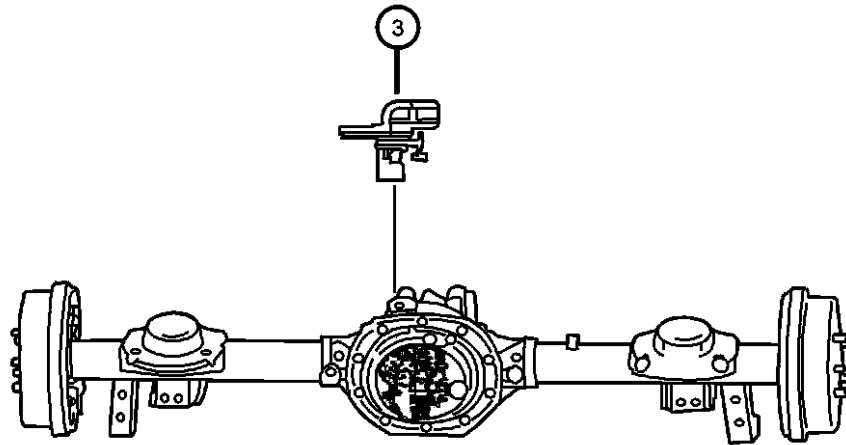
Sensors Drive Train  
Figure 8-620

ITEM	PART NUMBER	QTY	LINE	SERIES	BODY	ENGINE	TRANS	TRIM	DESCRIPTION
------	-------------	-----	------	--------	------	--------	-------	------	-------------



[DG4]=Multi-Speed Automatic Transmission

1									TRANSDUCER, Pressure Sensor
	56028196AA	AR	1, 2, 3			ELO	DGT		
		AR	6, 7, 8			ELO			
		AR	1, 2, 3			EM0	DGT		
		AR	1, 2, 3				DGP		
		AR	6, 7, 8						
		1	1, 2, 3			ET0	DGP		
		1	1, 2, 3			EW0	DGP		
		1	6, 7, 8			ET0	DGP		
		1	6, 7, 8			EW0	DGP		
2									SENSOR, Transmission Output Speed
	04412879	1	1, 2, 3			ELO	DGT		
		1	6, 7, 8			ELO	DGT		
		1	1, 2, 3			EM0	DGT		
		1	1, 2, 3				DGP		
		1	6, 7, 8				DGP		
		1	6, 7, 8			EM0	DGT		
		1	1, 2, 3			ET0	DGP		
		1	1, 2, 3			EW0	DGP		
3									SENSOR, Wheel Speed
	56028187AD	1							
	56028229AB	1	6, 7, 8				DBB		



RAM PICKUP/CLUB CAB (BE)

SERIES	LINE
L = Ram Truck (All)	3 = HD DODGE 2WD
	8 = HD DODGE 4WD
	1 = Lt. Duty DODGE 2WD
	6 = Lt. Duty DODGE 4WD
	2 = Med. Duty DODGE 2WD
	7 = Med. Duty DODGE 4WD

BODY	ENGINE	TRANSMISSION
31 = CLUB CAB 2-DR 6.5 FT BOX	ELF = ENGINE - 5.2L V8 MPI	DDC = TRANSMISSION - 5-SPEED HD MANUAL
32 = CLUB CAB 2-DR 8FT BOX	EML = ENGINE - 5.9L V8 MPI	DDP = TRANSMISSION - 5-SPEED MANUAL
33 = QUAD CAB 4-DR 6.5 FT BOX	EMM = ENGINE - "MAGNUM" 5.9L SMPI V8	DDX = TRANSMISSION - 5-SPEED HD MANUAL
34 = QUAD CAB 4-DR 8FT BOX	ETC = ENGINE- 5.9L CUMMINS 24V DIESEL	DEE = TRANSMISSION - 6-SPEED HD MANUAL
	ETH = ENGINE- 5.9L HO CUMMINS TURBO DIESEL	DGP = TRANSMISSION - 4-SPD. AUTOMATIC,47RE
	EWA = ENGINE - 8.0L V10 MPI	DGT = TRANSMISSION - 4-SPD. AUTOMATIC,46RE

AR = use ase required - = Non illustrated part

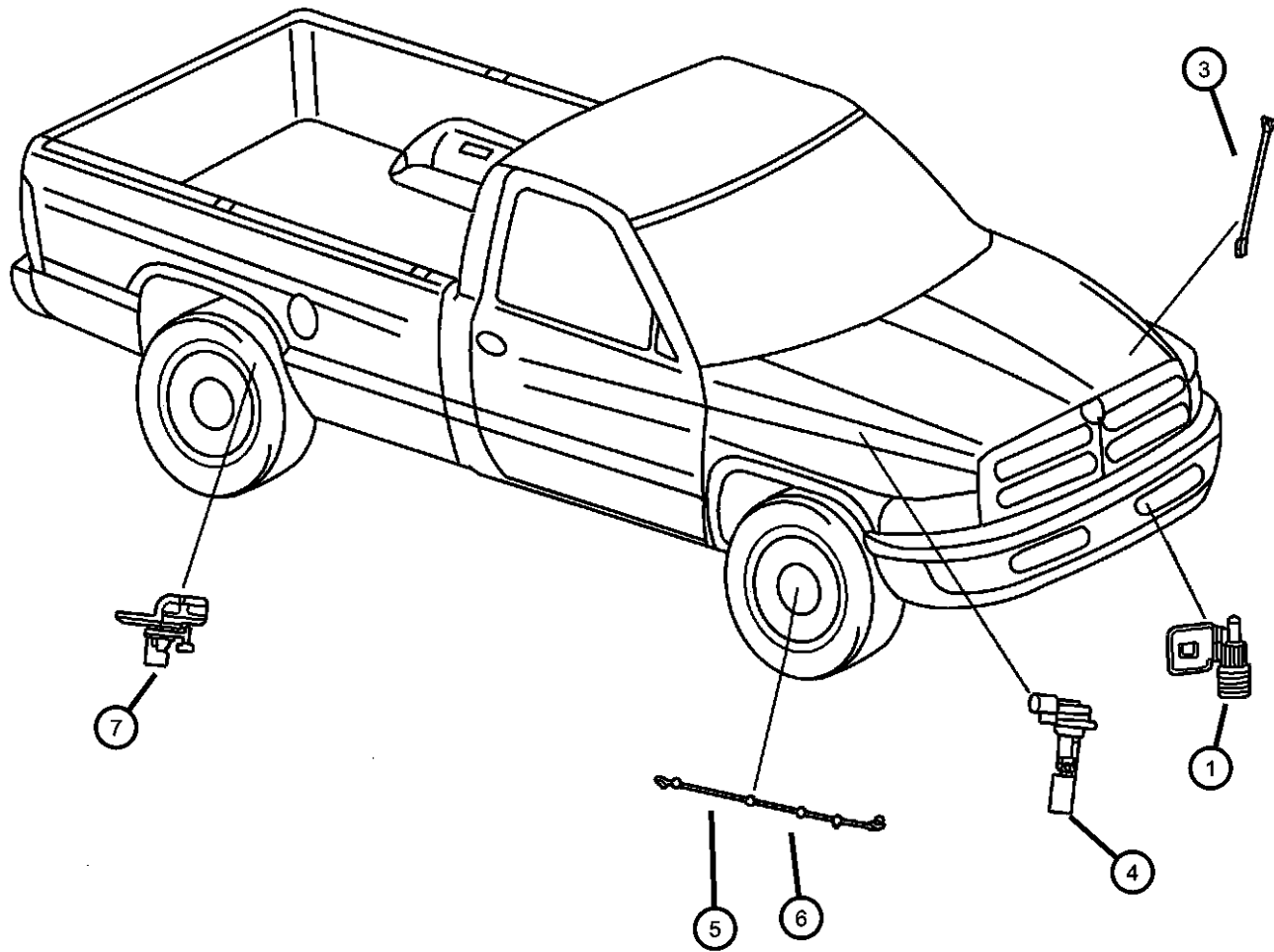
2000 BE

**Sensors Body  
Figure 8-625**

ITEM	PART NUMBER	QTY	LINE	SERIES	BODY	ENGINE	TRANS	TRIM	DESCRIPTION
------	-------------	-----	------	--------	------	--------	-------	------	-------------

Note:  
 DG0 = All Automatic Transmissions  
 EM0 = All 5.9L 8 Cylinder Gas Engines  
 EV0 = All 4.7L Gas Engines

1	04688204	1							SENSOR, Ambient Temperature
-2	56021433AC	1							BRACKET, Ambient Temperature Sensor
3	56027332	1							SENSOR, Battery Temperature
4	55155039	1							SENSOR, Washer Fluid Level
5									SENSOR KIT, Anti-Lock Brakes
	05015283AA	1	6						
	05015882AA	1	7		33, 34				
		1	8		34				
6									SENSOR, Anti-Lock Brake
	56028216AA	2	2, 3		33, 34				
	56028217AA	2	1						
7									SENSOR, Wheel Speed
	56028187AD	1							
	56028229AB	1	6, 7, 8				DBB		



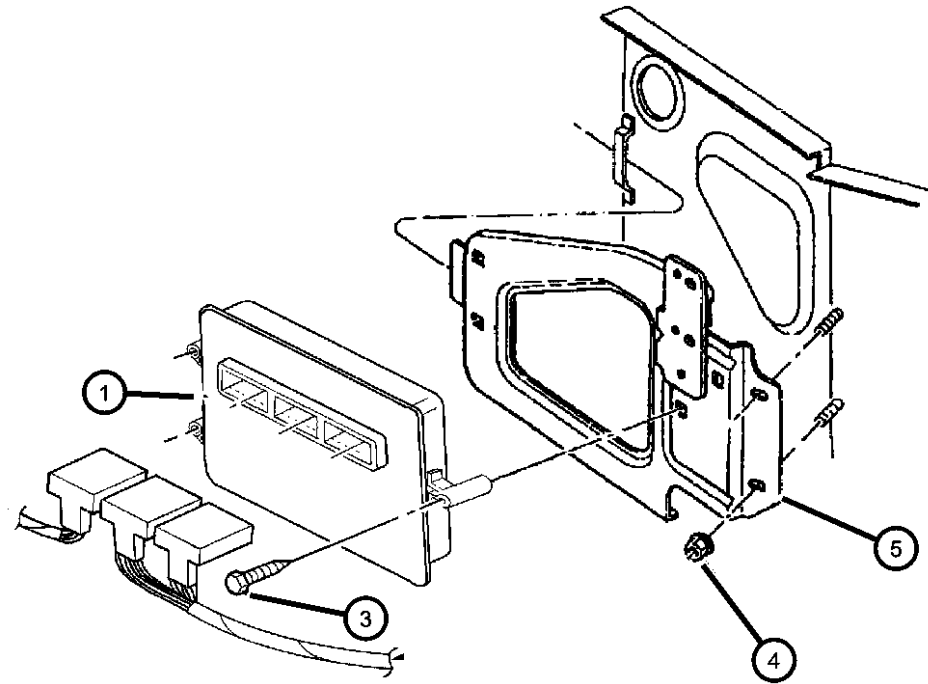
**RAM PICKUP/CLUB CAB (BE)**

SERIES	LINE	BODY	ENGINE	TRANSMISSION
L = Ram Truck (All)	3 = HD DODGE 2WD	31 = CLUB CAB 2-DR 6.5 FT BOX	ELF = ENGINE - 5.2L V8 MPI	DDC = TRANSMISSION - 5-SPEED HD MANUAL
	8 = HD DODGE 4WD	32 = CLUB CAB 2-DR 8FT BOX	EML = ENGINE - 5.9L V8 MPI	DDP = TRANSMISSION - 5-SPEED MANUAL
	1 = Lt. Duty DODGE 2WD	33 = QUAD CAB 4-DR 6.5 FT BOX	EMM = ENGINE - "MAGNUM" 5.9L SMPI V8	DDX = TRANSMISSION - 5-SPEED HD MANUAL
	6 = Lt. Duty DODGE 4WD	34 = QUAD CAB 4-DR 8FT BOX	ETC = ENGINE- 5.9L CUMMINS 24V DIESEL	DEE = TRANSMISSION - 6-SPEED HD MANUAL
	2 = Med. Duty DODGE 2WD		ETH = ENGINE- 5.9L HO CUMMINS TURBO DIESEL	DGP = TRANSMISSION - 4-SPD. AUTOMATIC,47RE
	7 = Med. Duty DODGE 4WD		EWA = ENGINE - 8.0L V10 MPI	DGT = TRANSMISSION - 4-SPD. AUTOMATIC,46RE

AR = use ase required - = Non illustrated part

2000 BE

**Single Board Engine Controllers  
Figure 8-720**



ITEM	PART NUMBER	QTY	LINE	SERIES	BODY	ENGINE	TRANS	TRIM	DESCRIPTION
EH0=3.9L Engine EM0=5.9L Engine EML=5.9L Engine MPI (Light Duty) EMM=5.9L Engine MPI (Heavy Duty) EW0=8.0L Engine ET0=5.9L Turbo Diesel Engine ETC=5.9L Cummins 24V Diesel Engine ETH=5.9L High Output Turbo Diesel Engine DG0=Automatic Transmission DBB=Manual Transmission									
1									MODULE, Powertrain Control
	56040366AE	1				ELO	DBB		w/Federal Emissions
	56040367AE	1				ELO	DBB		w/California Emissions
	56040368AF	1				ELO	DG0		w/Federal Emissions
	56040369AD	1				ELO	DG0		w/California Emissions
	56040399AE	1				EML	DBB		w/Federal Emissions
	56040400AE	1				EML	DBB		w/California Emissions
	56040401AD	1				EMM	DBB		w/Federal Emissions
	56040402AC	1				EM0	DBB		w/Leaded Fuel Emissions
	56040410AE	1				EML	DG0		w/Federal Emissions
	56040411AD	1				EML	DG0		w/California Emissions
	56040412AD	1				EMM	DG0		w/Federal Emissions
	56040413AC	1				EM0	DG0		w/Leaded Fuel Emissions
	56040414AC	1				ETC	DBB		w/Federal Emissions
	56040415AC	1				ETC	DBB		w/California Emissions
	56040416AC	1				ETC	DG0		w/Federal Emissions
	56040417AC	1				ETC	DG0		w/California Emissions
	56040418AF	1				EW0	DBB		w/Federal Emissions
	56040419AA	1				EW0	DBB		w/California Emissions
	56040420AE	1				EW0	DG0		w/Federal Emissions
	56040421AD	1				EW0	DG0		w/California Emissions
-2									MODULE, Engine Controller
	353339302J	1				ETC	DG0		w/Federal Emissions

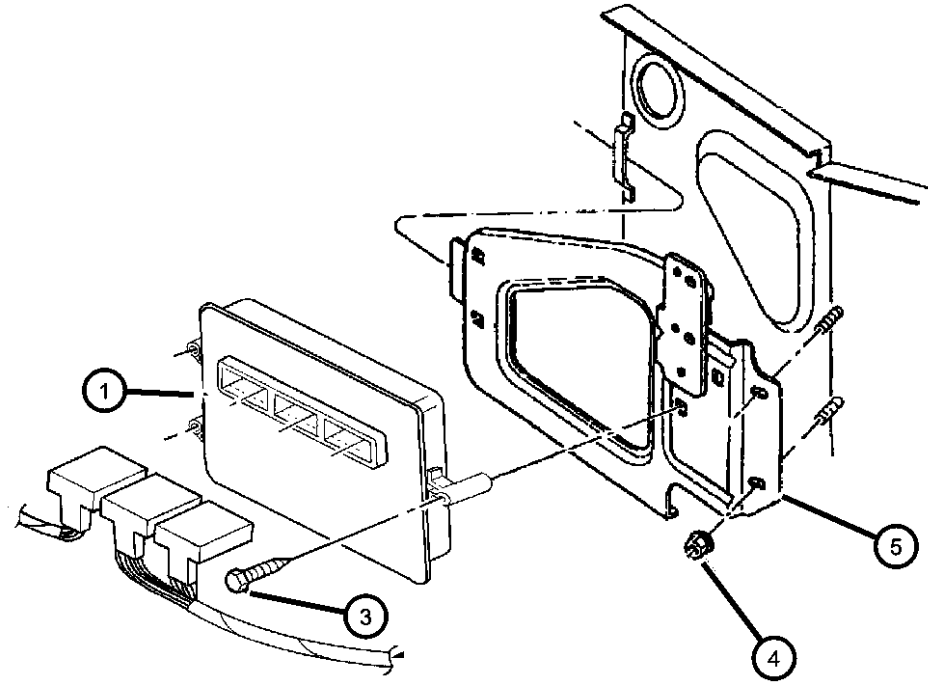
**RAM PICKUP/CLUB CAB (BE)**

SERIES	LINE	BODY	ENGINE	TRANSMISSION
L = Ram Truck (All)	3 = HD DODGE 2WD 8 = HD DODGE 4WD 1 = Lt. Duty DODGE 2WD 6 = Lt. Duty DODGE 4WD 2 = Med. Duty DODGE 2WD 7 = Med. Duty DODGE 4WD	31 = CLUB CAB 2-DR 6.5 FT BOX 32 = CLUB CAB 2-DR 8FT BOX 33 = QUAD CAB 4-DR 6.5 FT BOX 34 = QUAD CAB 4-DR 8FT BOX	ELF = ENGINE - 5.2L V8 MPI EML = ENGINE - 5.9L V8 MPI EMM = ENGINE - "MAGNUM" 5.9L SMPI V8 ETC = ENGINE- 5.9L CUMMINS 24V DIESEL ETH = ENGINE- 5.9L HO CUMMINS TURBO DIESEL EWA = ENGINE - 8.0L V10 MPI	DDC = TRANSMISSION - 5-SPEED HD MANUAL DDP = TRANSMISSION - 5-SPEED MANUAL DDX = TRANSMISSION - 5-SPEED HD MANUAL DEE = TRANSMISSION - 6-SPEED HD MANUAL DGP = TRANSMISSION - 4-SPD. AUTOMATIC,47RE DGT = TRANSMISSION - 4-SPD. AUTOMATIC,46RE

AR = use ase required - = Non illustrated part

**Single Board Engine Controllers  
Figure 8-720**

ITEM	PART NUMBER	QTY	LINE	SERIES	BODY	ENGINE	TRANS	TRIM	DESCRIPTION
	353430302J	1				ETC	DG0		w/California Emissions
	353431302J	1				ETC	DBB		w/Federal Emissions
	353432302J	1				ETC	DBB		w/California Emissions
3	353432302J	1							SCREW, Tapping, M4x8, SCREW, Mounting M4.8x1.59x45.00, (NOT SERVICED),
4	353432302J	1							NUT, NUT (M6x1.00) Not Serviced ***, (NOT SERVICED)
5	56028207AA	1							BRACKET, Module, JTEC Module



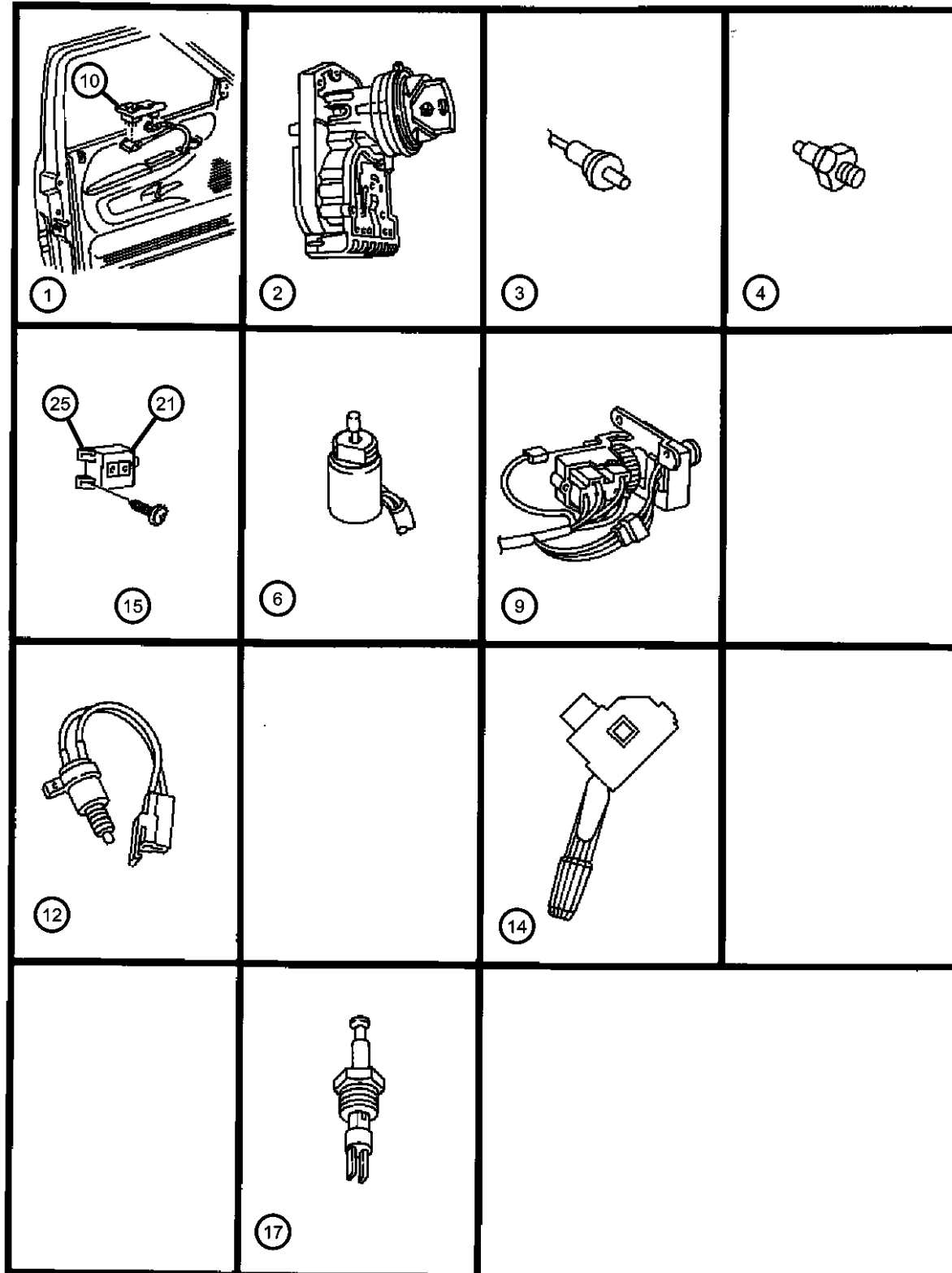
**RAM PICKUP/CLUB CAB (BE)**

SERIES	LINE	BODY	ENGINE	TRANSMISSION
L = Ram Truck (All)	3 = HD DODGE 2WD 8 = HD DODGE 4WD 1 = Lt. Duty DODGE 2WD 6 = Lt. Duty DODGE 4WD 2 = Med. Duty DODGE 2WD 7 = Med. Duty DODGE 4WD	31 = CLUB CAB 2-DR 6.5 FT BOX 32 = CLUB CAB 2-DR 8FT BOX 33 = QUAD CAB 4-DR 6.5 FT BOX 34 = QUAD CAB 4-DR 8FT BOX	ELF = ENGINE - 5.2L V8 MPI EML = ENGINE - 5.9L V8 MPI EMM = ENGINE - "MAGNUM" 5.9L SMPI V8 ETC = ENGINE- 5.9L CUMMINS 24V DIESEL ETH = ENGINE- 5.9L HO CUMMINS TURBO DIESEL EWA = ENGINE - 8.0L V10 MPI	DDC = TRANSMISSION - 5-SPEED HD MANUAL DDP = TRANSMISSION - 5-SPEED MANUAL DDX = TRANSMISSION - 5-SPEED HD MANUAL DEE = TRANSMISSION - 6-SPEED HD MANUAL DGP = TRANSMISSION - 4-SPD. AUTOMATIC,47RE DGT = TRANSMISSION - 4-SPD. AUTOMATIC,46RE

AR = use ase required - = Non illustrated part

2000 BE

Switches  
Figure 8-820



ITEM	PART NUMBER	QTY	LINE	SERIES	BODY	ENGINE	TRANS	TRIM	DESCRIPTION
1	56020394	1							SWITCH, 2 Gang
2									SWITCH, Ignition
	56021346	1					DG0		Automatic Transmission w/Buzzer & Halo
		1					DBB		Manual Transmission w/Buzzer & Halo
3	04565022	1							SWITCH AND LAMP, Glove Box
4	56028181AB	1	1, 2, 3				DGP		SWITCH, Neutral, Safety, Back Up
-5									SWITCH, Window and Door Lock Up to 4/10/00 (3 Gang)
	56021912AA	1							4/10/00 & After (3 Gang)
	56021912AB	1							
6	56021311	1							SWITCH, Mirror
-7	06503107	1	1, 6		31				NUT, Plastic, Mirror Mounting
-8	56007040	1							KNOB, Power Mirror Switch
9									SWITCH, Headlamp
	56021673AD	1							w/Cargo Lamp
	56021674AD	1							w/o Cargo Lamp
	56021675AE	1							w/Cargo Lamp & Foglamp
10									BEZEL, Power Window/Door Lock Switch
	56020390AB	1							2 Gang
	56045302AA	1							3 Gang
-11	04796652	1							CLIP, Bezel
12	05016294AB	1							SWITCH PACKAGE, Stop Lamp
-13	56021048	1					DG0		SWITCH, Overdrive Lockout
14	05269377	1					DBB		SWITCH, Multifunction
15									BEZEL, Instrument Panel Switch

RAM PICKUP/CLUB CAB (BE)

SERIES	LINE
L = Ram Truck (All)	3 = HD DODGE 2WD
	8 = HD DODGE 4WD
	1 = Lt. Duty DODGE 2WD
	6 = Lt. Duty DODGE 4WD
	2 = Med. Duty DODGE 2WD
	7 = Med. Duty DODGE 4WD

BODY
31 = CLUB CAB 2-DR 6.5 FT BOX
32 = CLUB CAB 2-DR 8FT BOX
33 = QUAD CAB 4-DR 6.5 FT BOX
34 = QUAD CAB 4-DR 8FT BOX

ENGINE
ELF = ENGINE - 5.2L V8 MPI
EML = ENGINE - 5.9L V8 MPI
EMM = ENGINE - "MAGNUM" 5.9L SMPI V8
ETC = ENGINE- 5.9L CUMMINS 24V DIESEL
ETH = ENGINE- 5.9L HO CUMMINS TURBO DIESEL
EWA = ENGINE - 8.0L V10 MPI

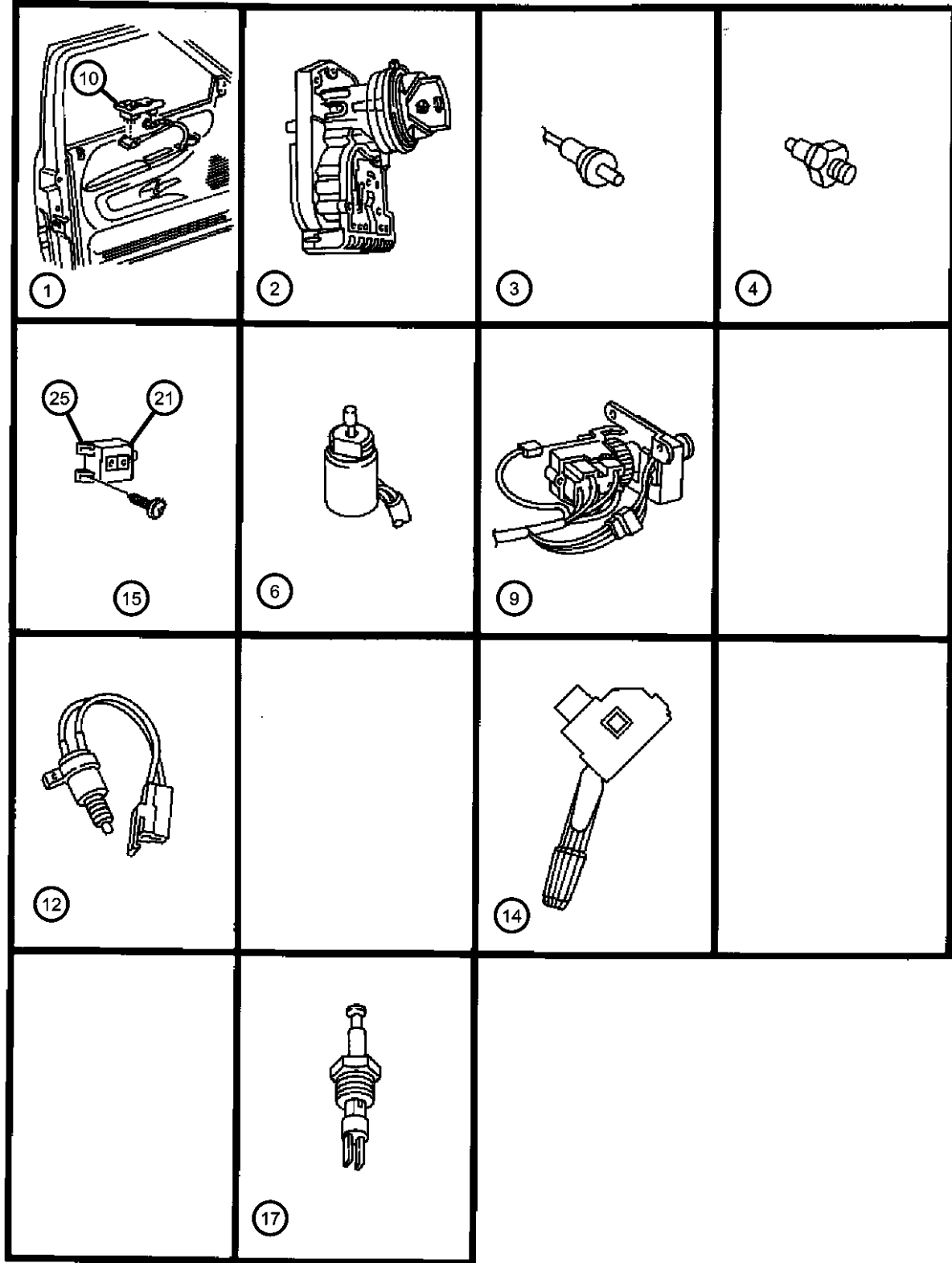
TRANSMISSION
DDC = TRANSMISSION - 5-SPEED HD MANUAL
DDP = TRANSMISSION - 5-SPEED MANUAL
DDX = TRANSMISSION - 5-SPEED HD MANUAL
DEE = TRANSMISSION - 6-SPEED HD MANUAL
DGP = TRANSMISSION - 4-SPD. AUTOMATIC, 47RE
DGT = TRANSMISSION - 4-SPD. AUTOMATIC, 46RE

AR = use ase required - = Non illustrated part



Switches  
Figure 8-820

ITEM	PART NUMBER	QTY	LINE	SERIES	BODY	ENGINE	TRANS	TRIM	DESCRIPTION
	05013874AA	1							
	05013875AA	1							Canada
-16	04289880	1	6						SWITCH, Hub Lock Indicator
17	04687558	2							SWITCH, Door Ajar
-18									SWITCH, Disarm
	56045449AB	1							Door (Left)
	56045450AB	1							Door (Right)
-19									SWITCH, Seat
	56045025AA	1			33, 34				Diver Side (8-Way)
	56045106AA	1			33, 34				Passenger Side (8-Way)
-20	56045177AC	1							SWITCH, Passenger Airbag Disarm
21									BEZEL, Instrument Panel Switch
	05013874AA	1							English
	05013875AA	1							French/English
-22	53007944AB	1					DBB		SWITCH, Clutch Starter Interlock
-23									SENDING UNIT, Oil Pressure
	56031005	1				EL0, EM0			
		1				EW0			
-24									SWITCH, Heated Seat
	56045098AB	1							Right
	56045099AB	1							Left
25	56045274AB	1							BEZEL, Switch, Heated Seats
-26									SWITCH, Remote Radio
	04685619AB	1							Right
	04685632AB	1							Left



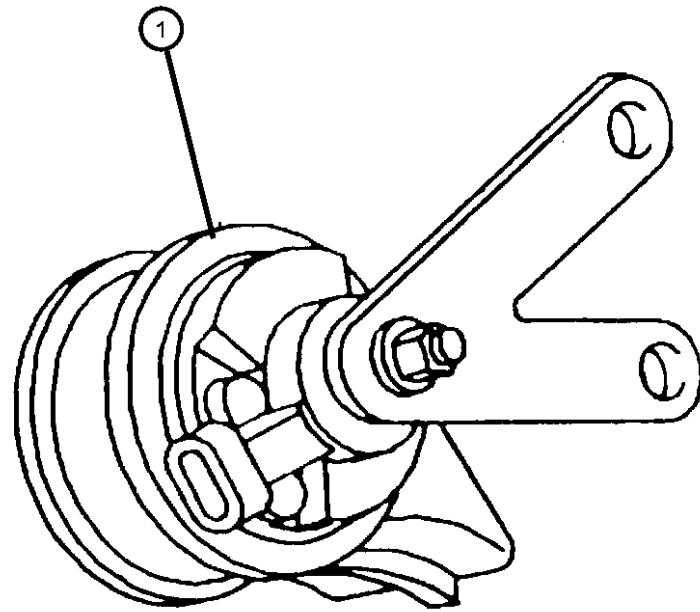
RAM PICKUP/CLUB CAB (BE)

SERIES	LINE	BODY	ENGINE	TRANSMISSION
L = Ram Truck (All)	3 = HD DODGE 2WD 8 = HD DODGE 4WD 1 = Lt. Duty DODGE 2WD 6 = Lt. Duty DODGE 4WD 2 = Med. Duty DODGE 2WD 7 = Med. Duty DODGE 4WD	31 = CLUB CAB 2-DR 6.5 FT BOX 32 = CLUB CAB 2-DR 8FT BOX 33 = QUAD CAB 4-DR 6.5 FT BOX 34 = QUAD CAB 4-DR 8FT BOX	ELF = ENGINE - 5.2L V8 MPI EML = ENGINE - 5.9L V8 MPI EMM = ENGINE - "MAGNUM" 5.9L SMPI V8 ETC = ENGINE- 5.9L CUMMINS 24V DIESEL ETH = ENGINE- 5.9L HO CUMMINS TURBO DIESEL EWA = ENGINE - 8.0L V10 MPI	DDC = TRANSMISSION - 5-SPEED HD MANUAL DDP = TRANSMISSION - 5-SPEED MANUAL DDX = TRANSMISSION - 5-SPEED HD MANUAL DEE = TRANSMISSION - 6-SPEED HD MANUAL DGP = TRANSMISSION - 4-SPD. AUTOMATIC, 47RE DGT = TRANSMISSION - 4-SPD. AUTOMATIC, 46RE

AR = use ase required - = Non illustrated part

Horns  
Figure 8-905

ITEM	PART NUMBER	QTY	LINE	SERIES	BODY	ENGINE	TRANS	TRIM	DESCRIPTION
1	56020086	1							HORN AND BRACKET, High Note
-2	56020085AB	1							HORN, Low Note
-3	06101718	4							SCREW AND WASHER, Oval Head, M6x1x25



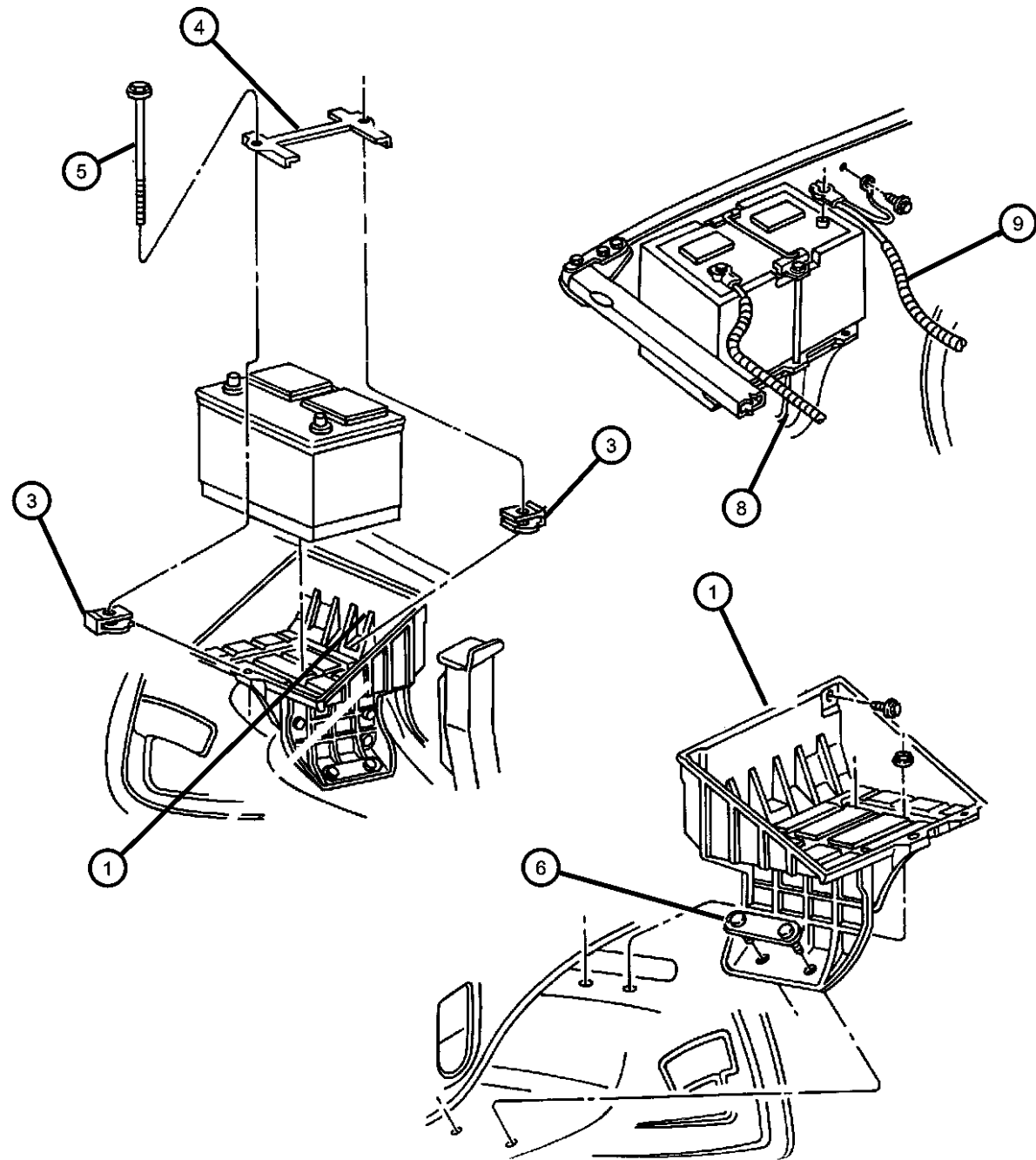
RAM PICKUP/CLUB CAB (BE)

SERIES	LINE	BODY	ENGINE	TRANSMISSION
L = Ram Truck (All)	3 = HD DODGE 2WD 8 = HD DODGE 4WD 1 = Lt. Duty DODGE 2WD 6 = Lt. Duty DODGE 4WD 2 = Med. Duty DODGE 2WD 7 = Med. Duty DODGE 4WD	31 = CLUB CAB 2-DR 6.5 FT BOX 32 = CLUB CAB 2-DR 8FT BOX 33 = QUAD CAB 4-DR 6.5 FT BOX 34 = QUAD CAB 4-DR 8FT BOX	ELF = ENGINE - 5.2L V8 MPI EML = ENGINE - 5.9L V8 MPI EMM = ENGINE - "MAGNUM" 5.9L SMPI V8 ETC = ENGINE- 5.9L CUMMINS 24V DIESEL ETH = ENGINE- 5.9L HO CUMMINS TURBO DIESEL EWA = ENGINE - 8.0L V10 MPI	DDC = TRANSMISSION - 5-SPEED HD MANUAL DDP = TRANSMISSION - 5-SPEED MANUAL DDX = TRANSMISSION - 5-SPEED HD MANUAL DEE = TRANSMISSION - 6-SPEED HD MANUAL DGP = TRANSMISSION - 4-SPD. AUTOMATIC,47RE DGT = TRANSMISSION - 4-SPD. AUTOMATIC,46RE

AR = use ase required - = Non illustrated part

2000 BE

**Battery Tray & Cables**  
**Figure 8-1020**



ITEM	PART NUMBER	QTY	LINE	SERIES	BODY	ENGINE	TRANS	TRIM	DESCRIPTION
									Note:
									DBB = All Manual Transmissions
									DG0 = All Automatic Transmissions
									ELO = All 5.2L 8 Cyl Gas Engines
									EMO = All 5.9L 8 Cyl Gas Engines
									ETC = 5.9L Cummins 24V Diesel Engine
									ETH = 5.9L HO Cummins Turbo Diesel
									ET0 = All 5.9L Turbo Diesel Engines
									EW0 = All 8.0L Gas Engines
1	55275126AE	1				ET0			TRAY, Battery
	0VU01205								Right
	0VU01207								Repair Battery Terminal End Top Post ( Ten Per Box)
	55275127AE	1							Repair Battery Terminal End Side Post ( Ten Per Box)
	BA078770EX								Left
	BA027750EX								Mopar Power Pro 7
	BA027600EX								Mopar Power Pro 6
	BAUNV34650								Mopar Power Pro 5
	NAS27700EX								Mopar Universal Battery
	0VU01205								Mopar NASCAR Battery
	0VU01207								Repair Battery Terminal End Top Post ( Ten Per Box)
									Repair Battery Terminal End Side Post ( Ten Per Box)
-2	55235050	1							STUD PLATE, Battery Tray
3	06101712	2							NUT, U, M6x1.00
4	55275220	1							STRAP, Battery
5	55235142	2							STUD, Battery Hold Down
6	55235051	1							PLATE, Battery Tray
-7									NUT AND WASHER, Hex Nut-Coned Washer, .25-20
	06033560	4				EW0			
		1				EL0, EMO			
8	56017788AB	1				ET0			WIRING, Battery Positive
									Right

**RAM PICKUP/CLUB CAB (BE)**

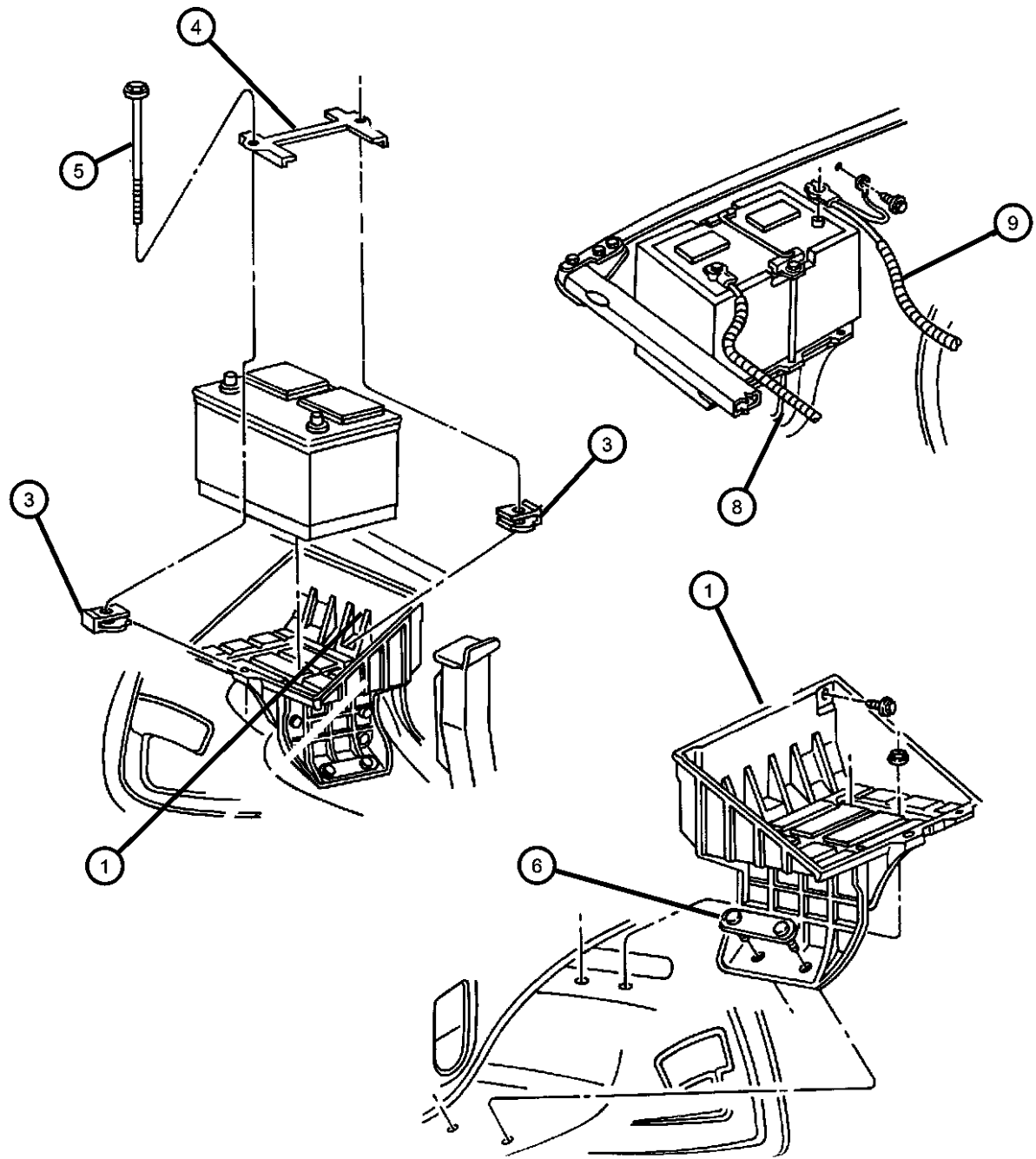
SERIES	LINE	BODY	ENGINE	TRANSMISSION
L = Ram Truck (All)	3 = HD DODGE 2WD	31 = CLUB CAB 2-DR 6.5 FT BOX	ELF = ENGINE - 5.2L V8 MPI	DDC = TRANSMISSION - 5-SPEED HD MANUAL
	8 = HD DODGE 4WD	32 = CLUB CAB 2-DR 8FT BOX	EML = ENGINE - 5.9L V8 MPI	DDP = TRANSMISSION - 5-SPEED MANUAL
	1 = Lt. Duty DODGE 2WD	33 = QUAD CAB 4-DR 6.5 FT BOX	EMM = ENGINE - "MAGNUM" 5.9L SMPI V8	DDX = TRANSMISSION - 5-SPEED HD MANUAL
	6 = Lt. Duty DODGE 4WD	34 = QUAD CAB 4-DR 8FT BOX	ETC = ENGINE- 5.9L CUMMINS 24V DIESEL	DEE = TRANSMISSION - 6-SPEED HD MANUAL
	2 = Med. Duty DODGE 2WD		ETH = ENGINE- 5.9L HO CUMMINS TURBO DIESEL	DGP = TRANSMISSION - 4-SPD. AUTOMATIC,47RE
	7 = Med. Duty DODGE 4WD		EWA = ENGINE - 8.0L V10 MPI	DGT = TRANSMISSION - 4-SPD. AUTOMATIC,46RE

AR = use ase required - = Non illustrated part

2000 BE

Battery Tray & Cables

Figure 8-1020



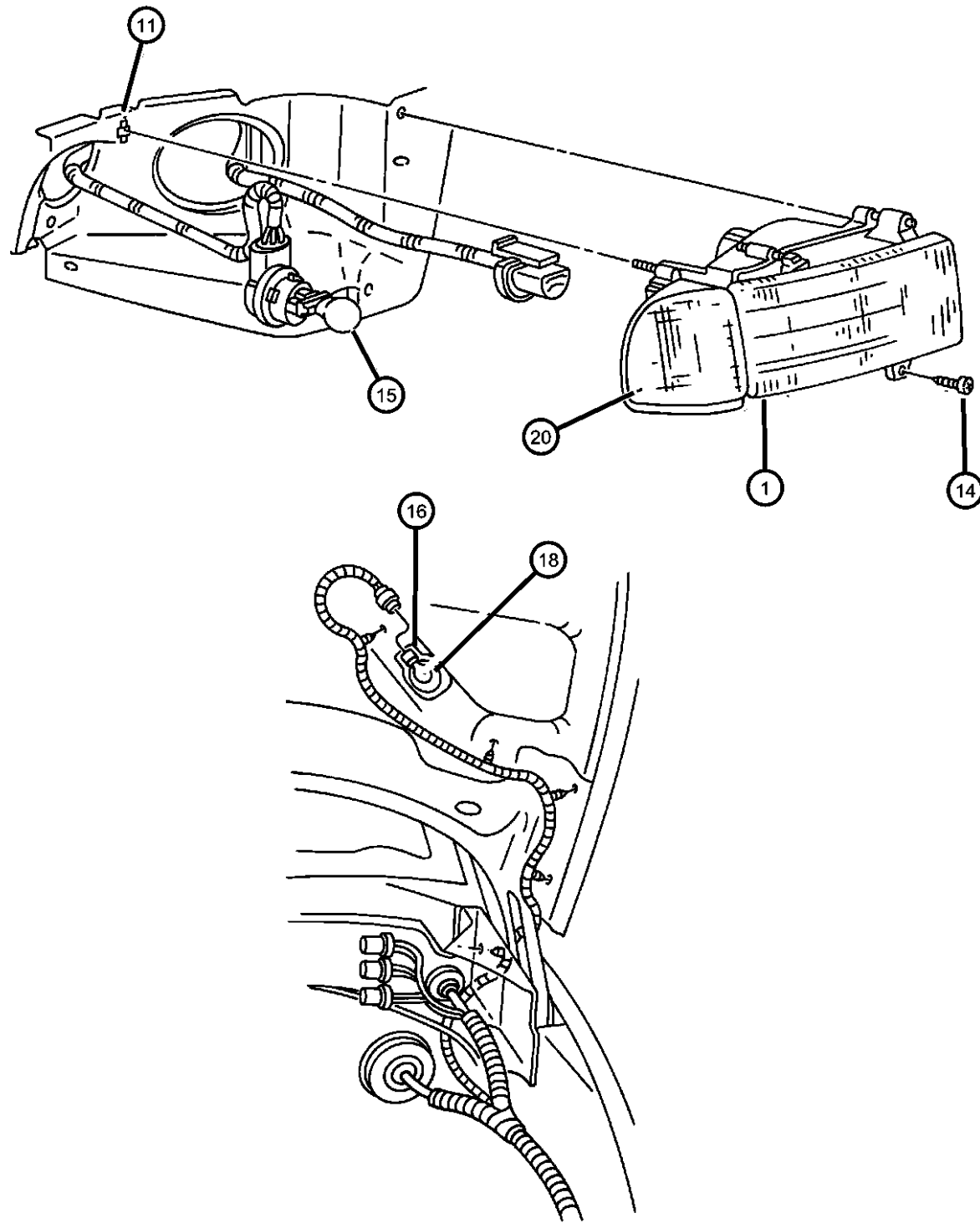
ITEM	PART NUMBER	QTY	LINE	SERIES	BODY	ENGINE	TRANS	TRIM	DESCRIPTION
	56020664	1				ETH	DBB		Left
	56020664AB	1				ETC	DBB		Left
		1				ETC	DG0		Left
	56021878AC	1				ELO, EMO, EW0			
9									WIRING, Battery Negative
	56020663AB	1				ELO, EMO, EW0			Battery/Alternator
	56020665AD	1				ET0			(Right)
	56020688AC	1				ET0			(Left)
-10	56027332	1							SENSOR, Battery Temperature
-11	06500284	2				ET0	DG0		NUT, Hex, M6x1.00
-12	06500284	2							NUT, Hex, .312-18, (NOT SERVICED)

RAM PICKUP/CLUB CAB (BE)

SERIES	LINE	BODY	ENGINE	TRANSMISSION
L = Ram Truck (All)	3 = HD DODGE 2WD	31 = CLUB CAB 2-DR 6.5 FT BOX	ELF = ENGINE - 5.2L V8 MPI	DDC = TRANSMISSION - 5-SPEED HD MANUAL
	8 = HD DODGE 4WD	32 = CLUB CAB 2-DR 8FT BOX	EML = ENGINE - 5.9L V8 MPI	DDP = TRANSMISSION - 5-SPEED MANUAL
	1 = Lt. Duty DODGE 2WD	33 = QUAD CAB 4-DR 6.5 FT BOX	EMM = ENGINE - "MAGNUM" 5.9L SMPI V8	DDX = TRANSMISSION - 5-SPEED HD MANUAL
	6 = Lt. Duty DODGE 4WD	34 = QUAD CAB 4-DR 8FT BOX	ETC = ENGINE- 5.9L CUMMINS 24V DIESEL	DEE = TRANSMISSION - 6-SPEED HD MANUAL
	2 = Med. Duty DODGE 2WD		ETH = ENGINE- 5.9L HO CUMMINS TURBO DIESEL	DGP = TRANSMISSION - 4-SPD. AUTOMATIC,47RE
	7 = Med. Duty DODGE 4WD		EWA = ENGINE - 8.0L V10 MPI	DGT = TRANSMISSION - 4-SPD. AUTOMATIC,46RE

AR = use ase required - = Non illustrated part

Lamps Front  
Figure 8-1160



ITEM	PART NUMBER	QTY	LINE	SERIES	BODY	ENGINE	TRANS	TRIM	DESCRIPTION
Note: ELO = All 5.2L 8 Cyl Gas Engines EM0 = All 5.9L 8 Cyl Gas Engines EW0 = All 8.0L Gas Engines									
1	55076748AI	1							LAMP, Headlamp Park And Turn Right
	55076749AI	1							Left
	55077024AC	1							[LME], Right
	55077025AC	1							[LME], Left
-2	00154824	1							BULB, Headlamp 9004LL
	00154882AA	1							Quad Headlamps
	L0009007QL	1							Quad Headlamps With Sport Option
-3									HEADLAMP
	55054780AF	1							Right
	55054781AD	1							Left
	55077042AC	1							Sport w/Quad H/Lamp, Right
	55077043AC	1							Sport w/Quad H/Lamp, Left
-4									LAMP, Park, Turn, Side Marker
	55054772	1							Right
	55054773	1							Left
	55077032AB	1							w/Quad H/Lamp, Right
	55077033AB	1							w/Quad H/Lamp, Left
-5									CARRIER, Headlamp
	55076674AC	1							H/Lamp/Park & Turn Signal w/o Quad H/Lamp, Right
	55076675AC	1							H/Lamp/Park & Turn Signal w/o Quad H/Lamp, Left
	55077034AC	1							H/Lamp/Park/Turn Signal w/Quad H/Lamp, Right
	55077035AC	1							H/Lamp/Park/Turn Signal w/Quad H/Lamp, Left
-6	06033375AB	1							SCREW, Special Head, .218-28x2.44

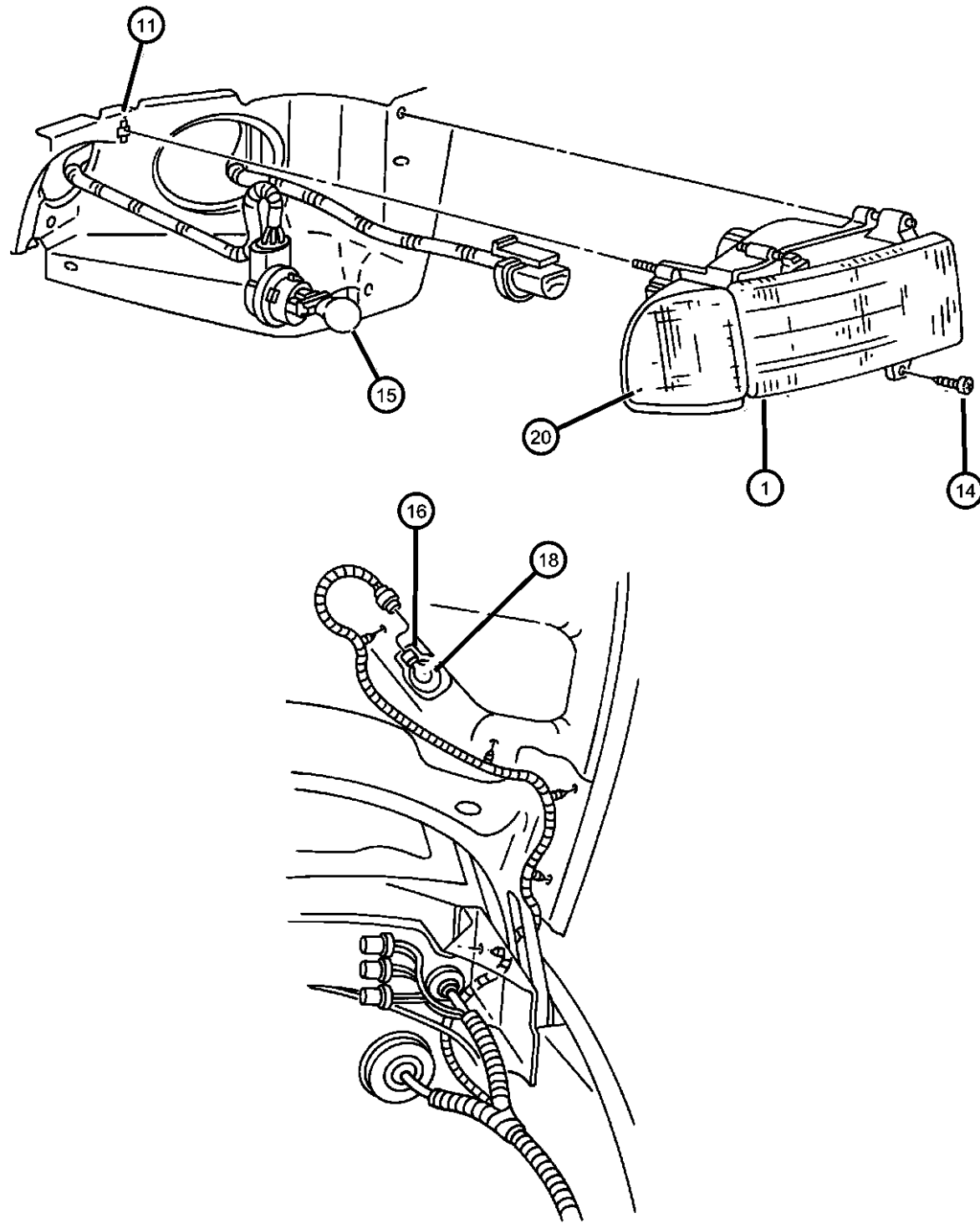
RAM PICKUP/CLUB CAB (BE)

SERIES	LINE	BODY	ENGINE	TRANSMISSION
L = Ram Truck (All)	3 = HD DODGE 2WD 8 = HD DODGE 4WD 1 = Lt. Duty DODGE 2WD 6 = Lt. Duty DODGE 4WD 2 = Med. Duty DODGE 2WD 7 = Med. Duty DODGE 4WD	31 = CLUB CAB 2-DR 6.5 FT BOX 32 = CLUB CAB 2-DR 8FT BOX 33 = QUAD CAB 4-DR 6.5 FT BOX 34 = QUAD CAB 4-DR 8FT BOX	ELF = ENGINE - 5.2L V8 MPI EML = ENGINE - 5.9L V8 MPI EMM = ENGINE - "MAGNUM" 5.9L SMPI V8 ETC = ENGINE- 5.9L CUMMINS 24V DIESEL ETH = ENGINE- 5.9L HO CUMMINS TURBO DIESEL EWA = ENGINE - 8.0L V10 MPI	DDC = TRANSMISSION - 5-SPEED HD MANUAL DDP = TRANSMISSION - 5-SPEED MANUAL DDX = TRANSMISSION - 5-SPEED HD MANUAL DEE = TRANSMISSION - 6-SPEED HD MANUAL DGP = TRANSMISSION - 4-SPD. AUTOMATIC, 47RE DGT = TRANSMISSION - 4-SPD. AUTOMATIC, 46RE

AR = use ase required - = Non illustrated part

2000 BE

Lamps Front  
Figure 8-1160



ITEM	PART NUMBER	QTY	LINE	SERIES	BODY	ENGINE	TRANS	TRIM	DESCRIPTION
-7	55054856AB	1							SCREW, Aero Headlamp
-8									WELT, Headlamp To Grille
	55076746	1							Right
	55076747	1							Left
-9	04805147	1							VENT, Headlamp
-10	J4004262	3							PIN, Push, .15x.41
11	06502776AB	2							CLIP, Lamp, Headlamp Mounting
-12	06033376	3							CLIP, Lamp, Aero Headlamp Adjusting Screw
-13	55077046AA	2							RETAINER, Headlamp Bulb
14	06504289	6							SCREW, Hex Head
15	00154525	2							BULB, 3157A, Park & Turn Signal SilverStar
16	56021441	1							LAMP, Underhood
-17	04897446AA	1							LENS, Lamp Module
18	L0000561	1							BULB, 561
-19	00154554	1	2, 3, 7, 8			EL0, EM0, EW0			SCREW, Self Piercing, .25-14x.625
20									LAMP, Park, Turn, Side Marker
	55054772	1							Right
	55054773	1							Left
-21	04773905	1							SOCKET AND WIRING, Turn Signal Lamp
-22									LAMP, Fog
	55076940AB	1							Right
	55076941AB	1							Left
	55076942AB	2							Sport
-23	04418098	2							CLIP, Tube, Fog Lamp Wiring
-24	05013490AA	1							BULB, 896
-25	06035422	4							BOLT, Square Head, .312-18x.875
-26	06035423	4							NUT AND WASHER, Hex Coned, .312-18

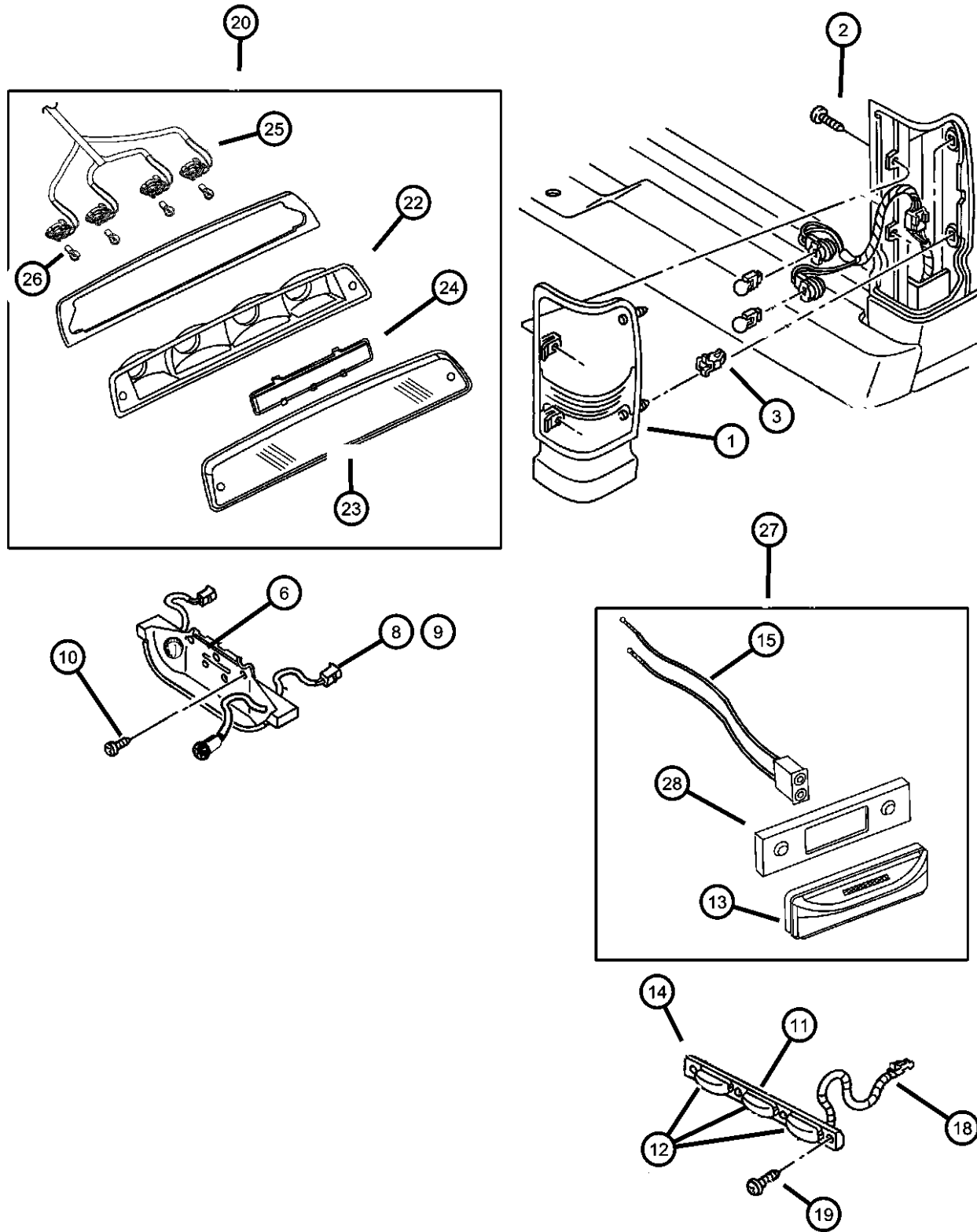
RAM PICKUP/CLUB CAB (BE)

SERIES	LINE	BODY	ENGINE	TRANSMISSION
L = Ram Truck (All)	3 = HD DODGE 2WD 8 = HD DODGE 4WD 1 = Lt. Duty DODGE 2WD 6 = Lt. Duty DODGE 4WD 2 = Med. Duty DODGE 2WD 7 = Med. Duty DODGE 4WD	31 = CLUB CAB 2-DR 6.5 FT BOX 32 = CLUB CAB 2-DR 8FT BOX 33 = QUAD CAB 4-DR 6.5 FT BOX 34 = QUAD CAB 4-DR 8FT BOX	ELF = ENGINE - 5.2L V8 MPI EML = ENGINE - 5.9L V8 MPI EMM = ENGINE - "MAGNUM" 5.9L SMPI V8 ETC = ENGINE- 5.9L CUMMINS 24V DIESEL ETH = ENGINE- 5.9L HO CUMMINS TURBO DIESEL EWA = ENGINE - 8.0L V10 MPI	DDC = TRANSMISSION - 5-SPEED HD MANUAL DDP = TRANSMISSION - 5-SPEED MANUAL DDX = TRANSMISSION - 5-SPEED HD MANUAL DEE = TRANSMISSION - 6-SPEED HD MANUAL DGP = TRANSMISSION - 4-SPD. AUTOMATIC,47RE DGT = TRANSMISSION - 4-SPD. AUTOMATIC,46RE

AR = use ase required - = Non illustrated part

2000 BE

Lamps Rear  
Figure 8-1170



ITEM	PART NUMBER	QTY	LINE	SERIES	BODY	ENGINE	TRANS	TRIM	DESCRIPTION
1	55055264AC	1							LAMP, Tail Stop Turn
	55055265AC	1							w/o Sport Package (Black), Right
	5EK44DX8AC	1							w/o Sport Package (Black), Left
	5EK44GW7AC	1							w/Sport Package (Black), Right
	5EK44PR4AC	1							w/Sport Package (White), Right
	5EK44SG8AC	1							w/Sport Package (Red), Right
	5EK44VB3AC	1							w/Sport Package (Green), Right
	5EK44VYHAC	1							w/Sport Package (Blue), Right
	5EK45DX8AC	1							w/Sport Package (Yellow), Right
	5EK45GW7AC	1							w/Sport Package (Black), Left
	5EK45PR4AC	1							w/Sport Package (White), Left
	5EK45SG8AC	1							w/Sport Package (Red), Left
	5EK45VB3AC	1							w/Sport Package (Green), Left
	5EK45VYHAC	1							w/Sport Package (Blue), Left
	5EK45VYHAC	1							w/Sport Package (Yellow), Left
2	06035455	4							SCREW, Tapping, .19-16x.625
3	06502831	4							CLIP, Lamp
-4	L0003157	4							BULB, 3157, Tail Lamp
-5	56021369	2							WIRING, Turn Signal and Back Up, Tail Lamp
6	55076850	AR							PANEL, License Plate
-7	04357065	1							LENS, License Lamp
	55054891	2							w/o Rear Bright Step Bumper or w/o Body Color Bumper
8	04362133	AR							w/Rear Bright Step Bumper or w/Body Color Bumper
9	56018807	2							SOCKET AND CABLE, License Lamp
10	56018807	2							WIRING, License Lamp, [MBF,MBQ] With Socket
11	55054823	1							SCREW, (NOT SERVICED)
12									LAMP BAR, Tailgate, Without Lenses
									LAMP

RAM PICKUP/CLUB CAB (BE)

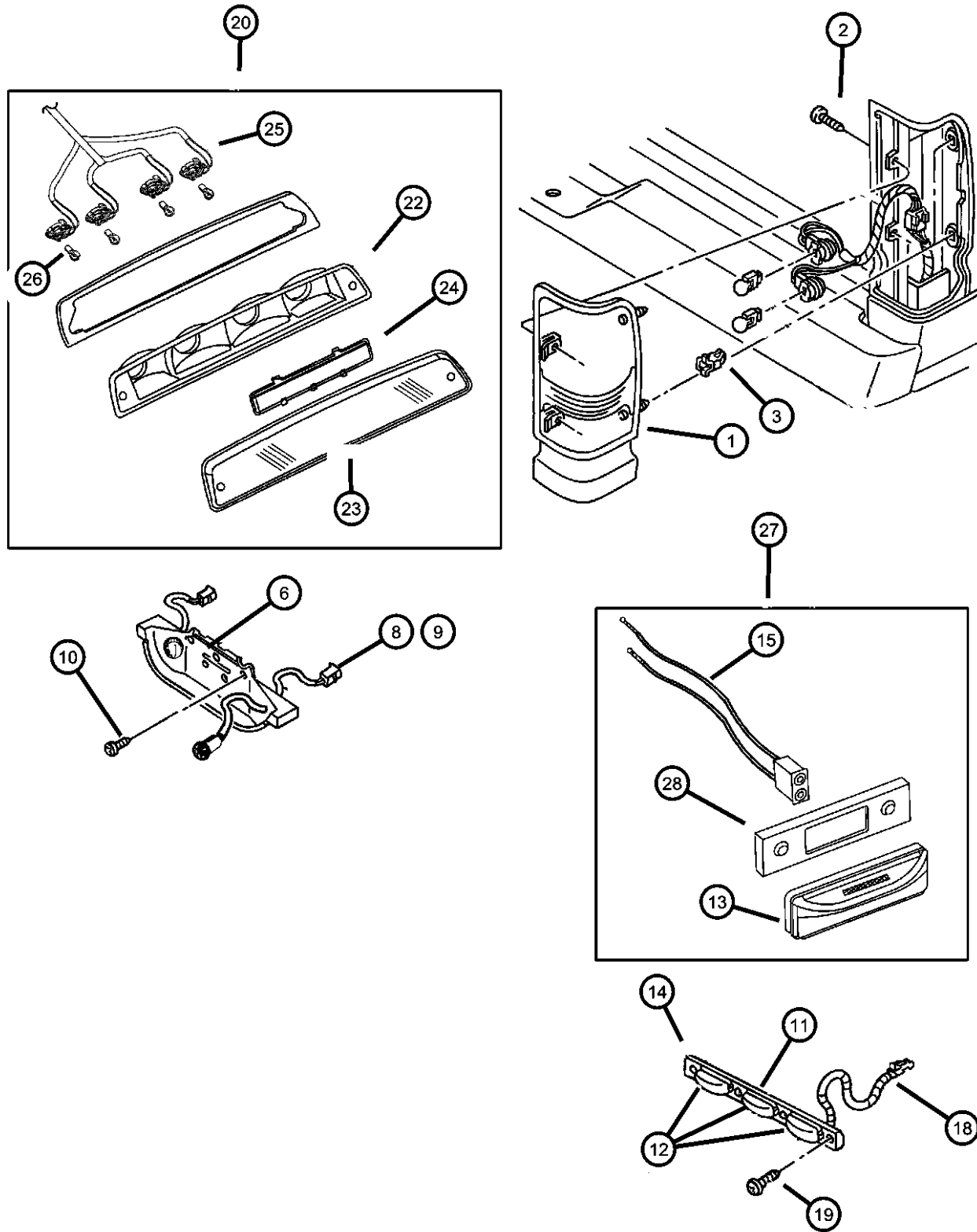
SERIES	LINE
L = Ram Truck (All)	3 = HD DODGE 2WD
	8 = HD DODGE 4WD
	1 = Lt. Duty DODGE 2WD
	6 = Lt. Duty DODGE 4WD
	2 = Med. Duty DODGE 2WD
	7 = Med. Duty DODGE 4WD

BODY	ENGINE	TRANSMISSION
31 = CLUB CAB 2-DR 6.5 FT BOX	ELF = ENGINE - 5.2L V8 MPI	DDC = TRANSMISSION - 5-SPEED HD MANUAL
32 = CLUB CAB 2-DR 8FT BOX	EML = ENGINE - 5.9L V8 MPI	DDP = TRANSMISSION - 5-SPEED MANUAL
33 = QUAD CAB 4-DR 6.5 FT BOX	EMM = ENGINE - "MAGNUM" 5.9L SMPI V8	DDX = TRANSMISSION - 5-SPEED HD MANUAL
34 = QUAD CAB 4-DR 8FT BOX	ETC = ENGINE- 5.9L CUMMINS 24V DIESEL	DEE = TRANSMISSION - 6-SPEED HD MANUAL
	ETH = ENGINE- 5.9L HO CUMMINS TURBO DIESEL	DGP = TRANSMISSION - 4-SPD. AUTOMATIC, 47RE
	EWA = ENGINE - 8.0L V10 MPI	DGT = TRANSMISSION - 4-SPD. AUTOMATIC, 46RE

AR = use ase required - = Non illustrated part

2000 BE

Lamps Rear  
Figure 8-1170



ITEM	PART NUMBER	QTY	LINE	SERIES	BODY	ENGINE	TRANS	TRIM	DESCRIPTION
	55054819	2	3, 8		34				Rear Fenders Dually Red
		3							Lens Tailgate (Red)
13	55054820	2	3, 8		34				LENS, Clearance Lamp, Yellow, Dual Wheel Fender
14	55054821	2	3, 8		34				HOUSING, Clearance Lamp, Dual Wheel Fender
15	55054960	2	3, 8		34				WIRING, Clearance Lamp Jumper, (Dual Wheels)
-16	55054960	2							SCREW, Mounting, (NOT SERVICED)
-17	06504118	5							U-NUT, M6 x 1.00, M6x1.00
18	55054824	1							WIRING, Tailgate
19	55054824	1							SCREW, (NOT SERVICED)
20									LAMP, High Mounted Stop w/Cargo Lamp
	55076688	1							w/Cargo Lamp
	55076689	1							w/o Cargo Lamp
-21	55054852	1							SEAL, High Mounted Stop Lamp
22	55054852	1							HOUSING, Lamp, Serv. Assy., (NOT SERVICED)
23	55054852	1							LENS, Taillamp, Serv. Assy., (NOT SERVICED)
24	55054852	1							LENS, High Mounted Stop Lamp, Serv. Assy., (NOT SERVICED)
25									WIRING, High Mounted Stop Lamp w/Cargo Lamp
	05017192AA	1							w/o Cargo Lamp
	05017193AA	1							w/o Cargo Lamp
26	L0000921	2							BULB, 921
27									LAMP, Fender Marker Red (Dual Wheels)
	55054956	2	3, 8		34				Red (Dual Wheels)
	55054958	2	3, 8		34				Yellow (Dual Wheels)
28	55054958	2							BRACKET, Fender Lamp [Serviced w/Housing Assembly], (NOT SERVICED),

RAM PICKUP/CLUB CAB (BE)

SERIES	LINE
L = Ram Truck (All)	3 = HD DODGE 2WD
	8 = HD DODGE 4WD
	1 = Lt. Duty DODGE 2WD
	6 = Lt. Duty DODGE 4WD
	2 = Med. Duty DODGE 2WD
	7 = Med. Duty DODGE 4WD

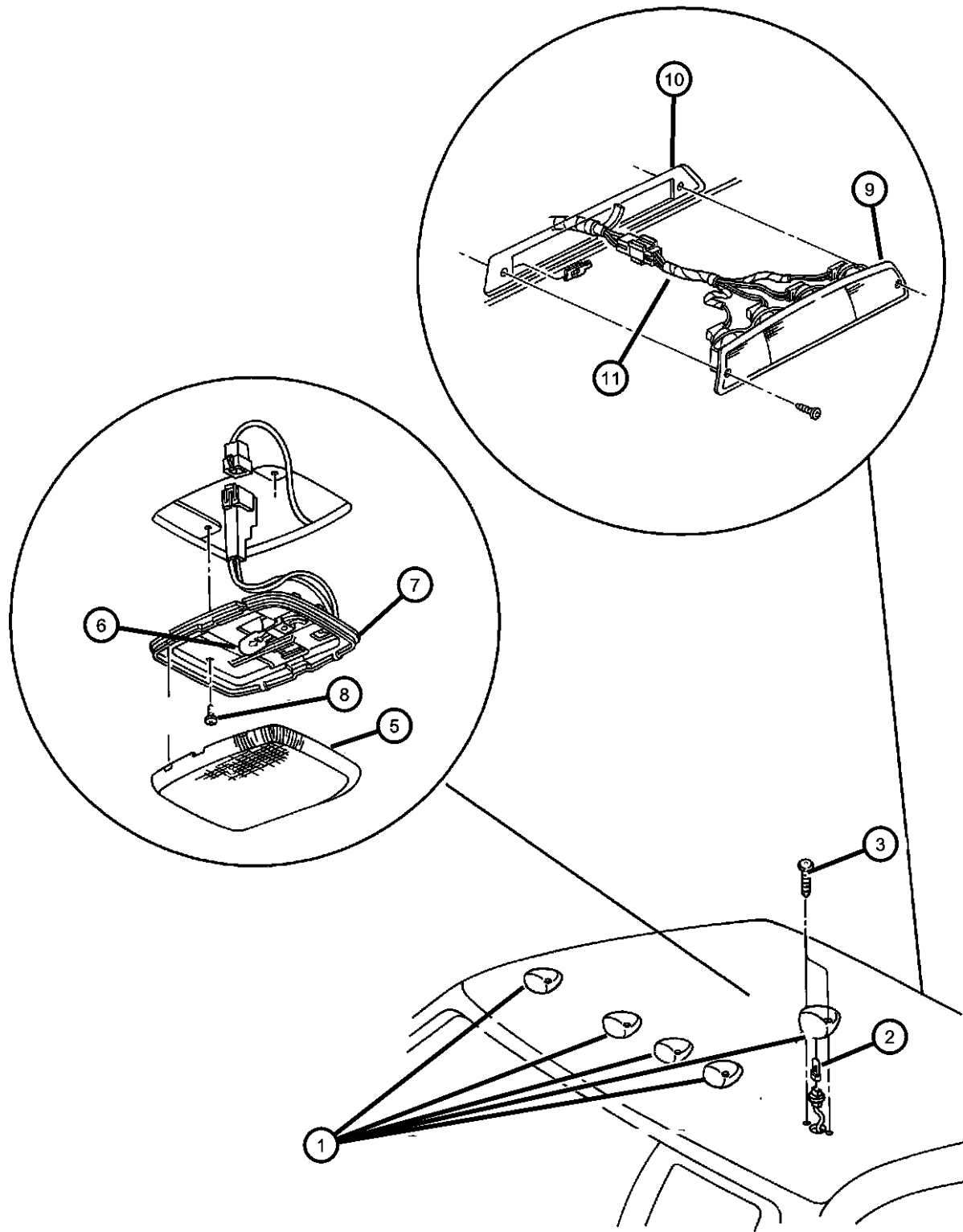
BODY	ENGINE	TRANSMISSION
31 = CLUB CAB 2-DR 6.5 FT BOX	ELF = ENGINE - 5.2L V8 MPI	DDC = TRANSMISSION - 5-SPEED HD MANUAL
32 = CLUB CAB 2-DR 8FT BOX	EML = ENGINE - 5.9L V8 MPI	DDP = TRANSMISSION - 5-SPEED MANUAL
33 = QUAD CAB 4-DR 6.5 FT BOX	EMM = ENGINE - "MAGNUM" 5.9L SMPI V8	DDX = TRANSMISSION - 5-SPEED HD MANUAL
34 = QUAD CAB 4-DR 8FT BOX	ETC = ENGINE- 5.9L CUMMINS 24V DIESEL	DEE = TRANSMISSION - 6-SPEED HD MANUAL
	ETH = ENGINE- 5.9L HO CUMMINS TURBO DIESEL	DGP = TRANSMISSION - 4-SPD. AUTOMATIC, 47RE
	EWA = ENGINE - 8.0L V10 MPI	DGT = TRANSMISSION - 4-SPD. AUTOMATIC, 46RE

AR = use ase required - = Non illustrated part

2000 BE



Lamps, Dome Courtesy and Reading  
Figure 8-1180



ITEM	PART NUMBER	QTY	LINE	SERIES	BODY	ENGINE	TRANS	TRIM	DESCRIPTION
1	55077067AA	5							LAMP, Cab
2	09421330	2							BULB, PC194
3	09421330	2							SCREW, (NOT SERVICED)
-4	J4000141	10							NUT, Square, .286x.355
5	0JV76TL2	1							LAMP, Dome, Beige
6	00154762	1							BULB, 579
7	00154762	1							BEZEL, Dome Lamp, Serviced w/Dome Lamp, (NOT SERVICED)
8	00154762	1							SCREW, Dome Lamp Mtg., (NOT SERVICED)
9									LAMP, High Mounted Stop
	55076688	1							Hi-mounted & Cargo w/Cargo Lamp
	55076689	1							Hi-mounted & Cargo w/o Cargo Lamp
10	55054852	1							SEAL, High Mounted Stop Lamp
11									WIRING, High Mounted Stop Lamp
	55054892	1							Hi-mounted & Cargo w/o Cargo Lamp
	55054893	1							Hi-mounted & Cargo w/Cargo Lamp

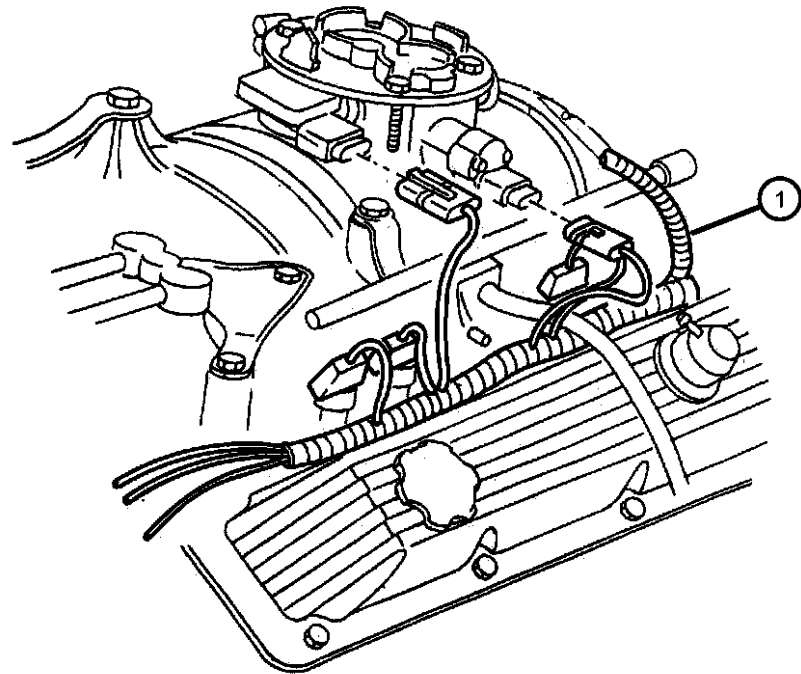
RAM PICKUP/CLUB CAB (BE)

SERIES	LINE	BODY	ENGINE	TRANSMISSION
L = Ram Truck (All)	3 = HD DODGE 2WD	31 = CLUB CAB 2-DR 6.5 FT BOX	ELF = ENGINE - 5.2L V8 MPI	DDC = TRANSMISSION - 5-SPEED HD MANUAL
	8 = HD DODGE 4WD	32 = CLUB CAB 2-DR 8FT BOX	EML = ENGINE - 5.9L V8 MPI	DDP = TRANSMISSION - 5-SPEED MANUAL
	1 = Lt. Duty DODGE 2WD	33 = QUAD CAB 4-DR 6.5 FT BOX	EMM = ENGINE - "MAGNUM" 5.9L SMPI V8	DDX = TRANSMISSION - 5-SPEED HD MANUAL
	6 = Lt. Duty DODGE 4WD	34 = QUAD CAB 4-DR 8FT BOX	ETC = ENGINE- 5.9L CUMMINS 24V DIESEL	DEE = TRANSMISSION - 6-SPEED HD MANUAL
	2 = Med. Duty DODGE 2WD		ETH = ENGINE- 5.9L HO CUMMINS TURBO DIESEL	DGP = TRANSMISSION - 4-SPD. AUTOMATIC, 47RE
	7 = Med. Duty DODGE 4WD		EWA = ENGINE - 8.0L V10 MPI	DGT = TRANSMISSION - 4-SPD. AUTOMATIC, 46RE

AR = use ase required - = Non illustrated part

**Wiring, Engine  
Figure 8-1220**

ITEM	PART NUMBER	QTY	LINE	SERIES	BODY	ENGINE	TRANS	TRIM	DESCRIPTION
------	-------------	-----	------	--------	------	--------	-------	------	-------------

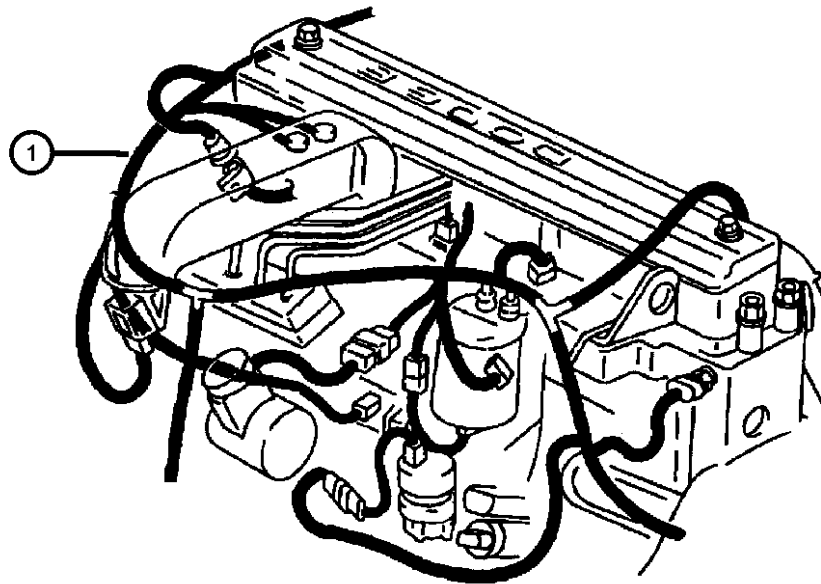


EL0=5.2L Engine  
 EML / EMM=5.9L MAGNUM SMPI Engine  
 EW0=8.0L Engine  
 ETC=5.9L Cummins 24V Engine  
 ET0=5.9L Turbo Diesel Engine  
 DG0=Automatic Transmission  
 DBB=Manual Transmission  
 DDC=5 Speed HD Manual Transmission  
 DDP=5 Speed Manual Transmission

1

WIRING, Engine

05015722AA	1					ETC	DBB		Federal Emission [tagged 3935879]
	1					ETC	DG0		Federal Emission [tagged 3935879]
	1					ETC	DBB		California Emission [tagged 3935879]
	1					ETC	DG0		California Emission [tagged 3935879]
05015722AB	1					ETC	DBB		Federal Emission [tagged 3946665]
	1					ETC	DG0		Federal Emission [tagged 3946665]
	1					ETC	DBB		California Emission [tagged 3946665]
	1					ETC	DG0		California Emission [tagged 3946665]
05017790AA	1					ETH	DBB		Federal Emission
	1					ETH	DBB		California Emission
56045319AD	1					ET0	DBB		Up to 12/23/99
56045319AE	1					ET0	DBB		12/23/99 & After
56045320AD	1					ET0	DG0		Up to 12/23/99
56045320AE	1					ET0	DG0		12/23/99 & After
56045610AC	1					EW0	DG0		
56045611AD	1					EW0	DBB		
56045726AF	1					EL0	DDC		
56045727AF	1					EL0, EML	DDP		
56045728AE	1					EL0, EML	DG0		Federal Emission



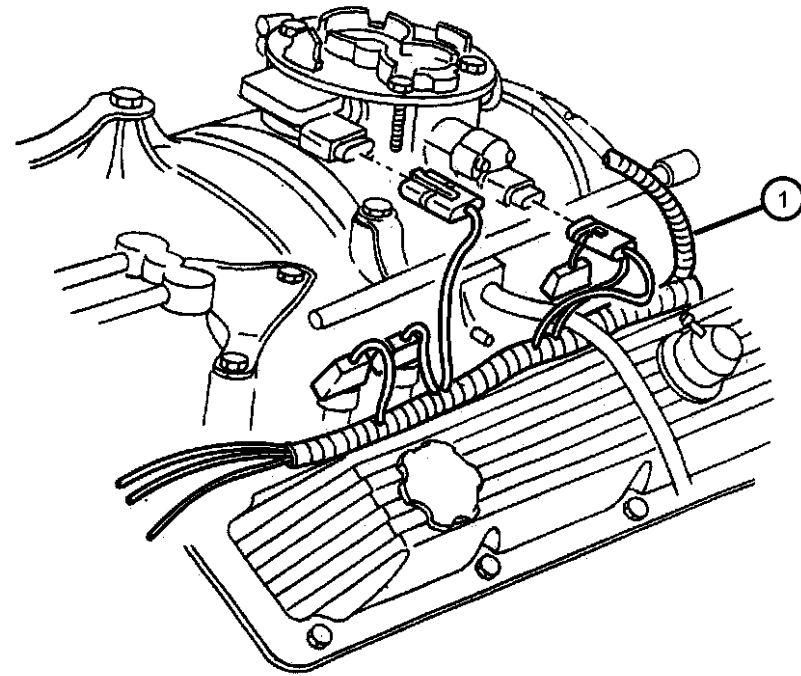
**RAM PICKUP/CLUB CAB (BE)**

SERIES	LINE	BODY	ENGINE	TRANSMISSION
L = Ram Truck (All)	3 = HD DODGE 2WD	31 = CLUB CAB 2-DR 6.5 FT BOX	ELF = ENGINE - 5.2L V8 MPI	DDC = TRANSMISSION - 5-SPEED HD MANUAL
	8 = HD DODGE 4WD	32 = CLUB CAB 2-DR 8FT BOX	EML = ENGINE - 5.9L V8 MPI	DDP = TRANSMISSION - 5-SPEED MANUAL
	1 = Lt. Duty DODGE 2WD	33 = QUAD CAB 4-DR 6.5 FT BOX	EMM = ENGINE - "MAGNUM" 5.9L SMPI V8	DDX = TRANSMISSION - 5-SPEED HD MANUAL
	6 = Lt. Duty DODGE 4WD	34 = QUAD CAB 4-DR 8FT BOX	ETC = ENGINE- 5.9L CUMMINS 24V DIESEL	DEE = TRANSMISSION - 6-SPEED HD MANUAL
	2 = Med. Duty DODGE 2WD		ETH = ENGINE- 5.9L HO CUMMINS TURBO DIESEL	DGP = TRANSMISSION - 4-SPD. AUTOMATIC, 47RE
	7 = Med. Duty DODGE 4WD		EWA = ENGINE - 8.0L V10 MPI	DGT = TRANSMISSION - 4-SPD. AUTOMATIC, 46RE

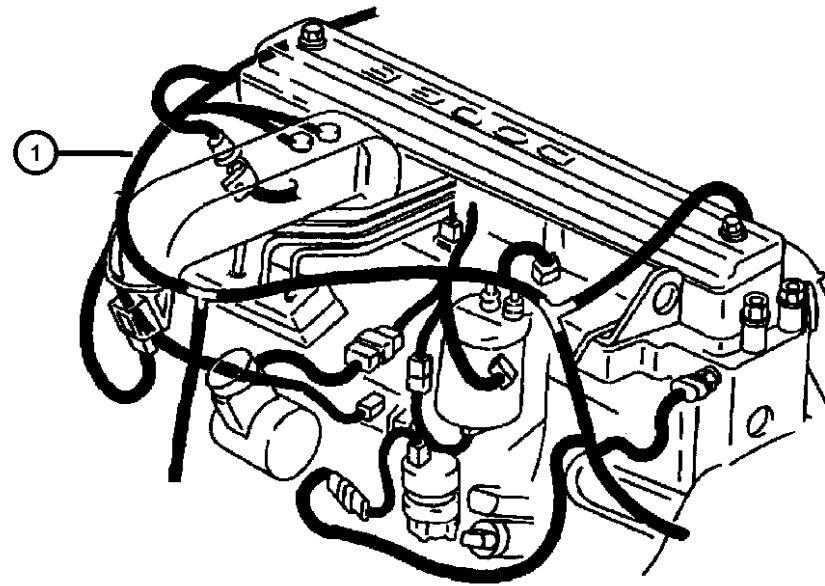
AR = use ase required - = Non illustrated part

2000 BE

Wiring, Engine  
Figure 8-1220



ITEM	PART NUMBER	QTY	LINE	SERIES	BODY	ENGINE	TRANS	TRIM	DESCRIPTION
	56045729AF	1				EMM	DBB		
	56045730AE	1				EMM	DG0		Federal Emission
	56045950AE	1				EL0, EML	DG0		California Emission
	56045952AE	1				EMM	DG0		California Emission
-2	56019829	1	6, 7, 8						WIRING, Indicator Lamp, 4x4 Indicator Lamp
-3									STRAP, Ground
	04372040	1							Radio Noise Suppression Ground
	04430302	1				EL0, EM0			Engine to I/Panel
		2				EW0			Engine to I/Panel
	04856792	1							Radio
-4	05011852AA	1				ETC			SENSOR, Temperature Sending Unit, Diesel Engine
-5	56021908AC	1				ET0			WIRING, Jumper, Diesel Engine

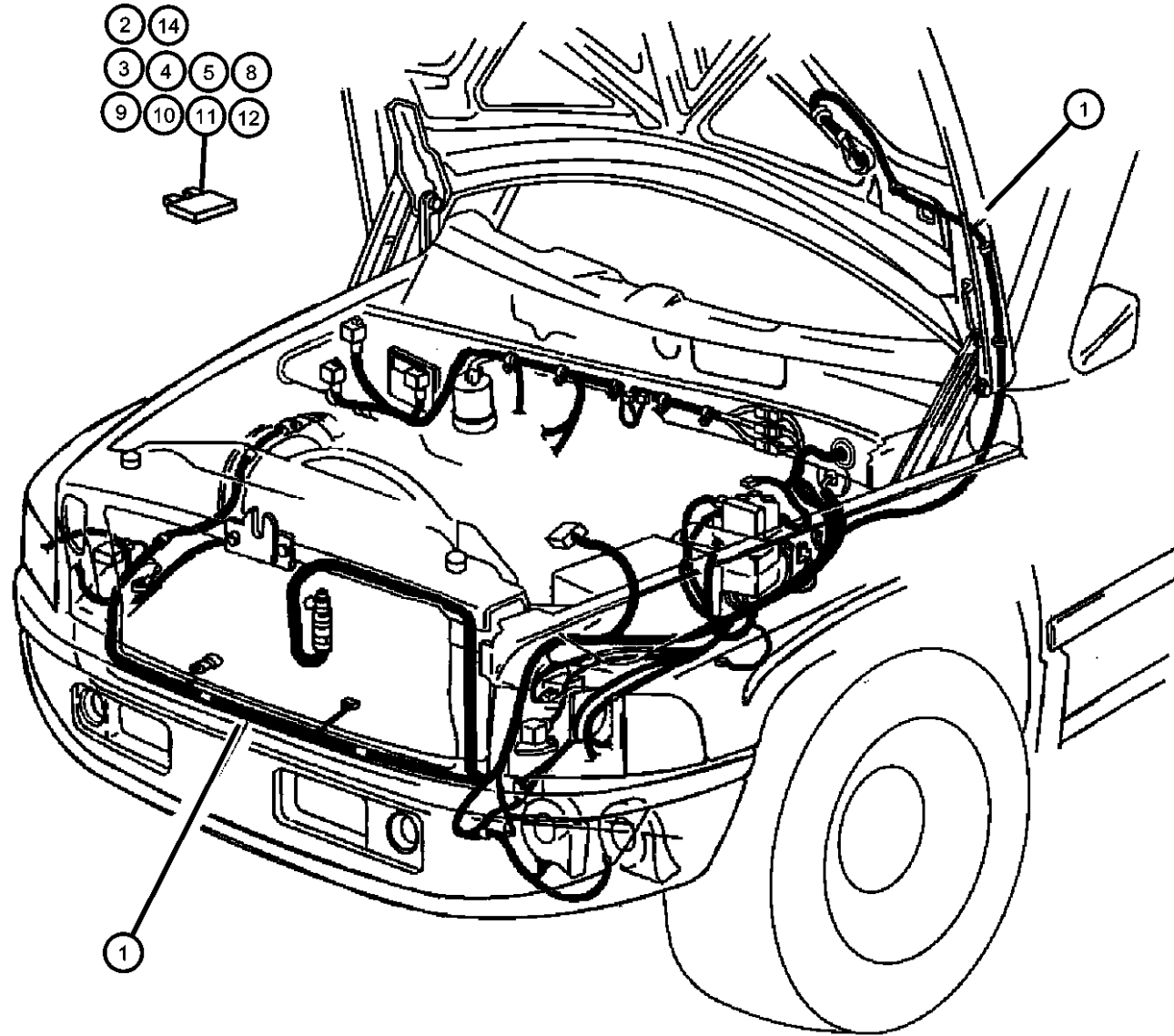


RAM PICKUP/CLUB CAB (BE)

SERIES	LINE	BODY	ENGINE	TRANSMISSION
L = Ram Truck (All)	3 = HD DODGE 2WD	31 = CLUB CAB 2-DR 6.5 FT BOX	ELF = ENGINE - 5.2L V8 MPI	DDC = TRANSMISSION - 5-SPEED HD MANUAL
	8 = HD DODGE 4WD	32 = CLUB CAB 2-DR 8FT BOX	EML = ENGINE - 5.9L V8 MPI	DDP = TRANSMISSION - 5-SPEED MANUAL
	1 = Lt. Duty DODGE 2WD	33 = QUAD CAB 4-DR 6.5 FT BOX	EMM = ENGINE - "MAGNUM" 5.9L SMPI V8	DDX = TRANSMISSION - 5-SPEED HD MANUAL
	6 = Lt. Duty DODGE 4WD	34 = QUAD CAB 4-DR 8FT BOX	ETC = ENGINE- 5.9L CUMMINS 24V DIESEL	DEE = TRANSMISSION - 6-SPEED HD MANUAL
	2 = Med. Duty DODGE 2WD		ETH = ENGINE- 5.9L HO CUMMINS TURBO DIESEL	DGP = TRANSMISSION - 4-SPD. AUTOMATIC, 47RE
	7 = Med. Duty DODGE 4WD		EWA = ENGINE - 8.0L V10 MPI	DGT = TRANSMISSION - 4-SPD. AUTOMATIC, 46RE

AR = use ase required - = Non illustrated part

**Wiring, Headlamp / Dash**  
**Figure 8-1320**



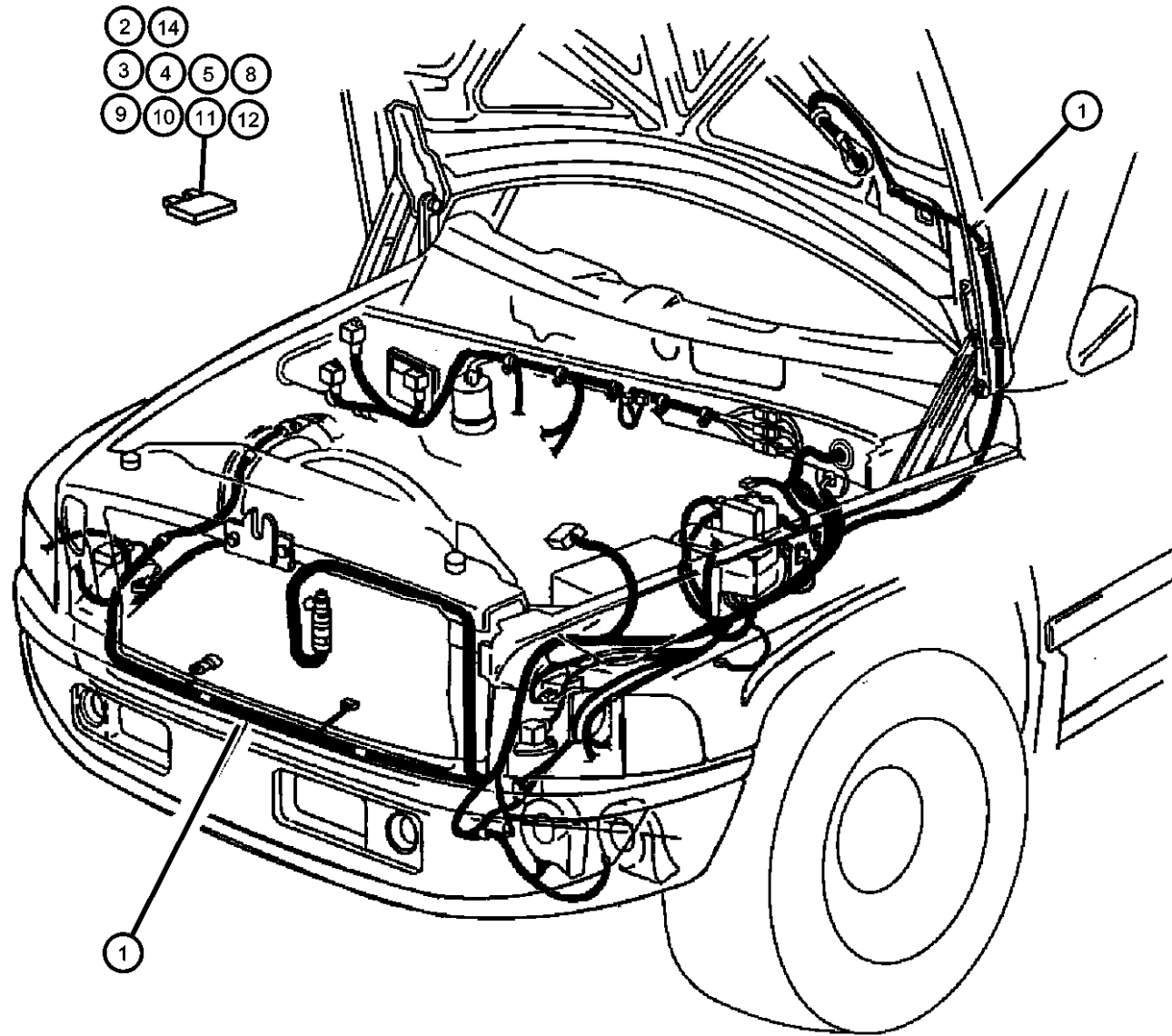
ITEM	PART NUMBER	QTY	LINE	SERIES	BODY	ENGINE	TRANS	TRIM	DESCRIPTION
									WIRING, Headlamp to Dash
1	56045420AD	1				ELO, EM0, EW0			Federal & Leaded Fuel Emission w/Power Disc/Rear Drum
	56045421AD	1				ELO, EM0, EW0			Federal & Leaded Fuel Emission w/Power Disc/Rear Drum, Foglamp/Overhead Console w/Trip & Compass & Keyless Entry Remote
	56045422AD	1				ELO, EM0, EW0			Federal & Leaded Fuel Emission w/Power Disc/Rear Drum, Trailer Tow & Foglamp
	56045423AD	1				ELO, EM0, EW0			Federal & Leaded Fuel Emission w/ABS, Foglamp/Overhead Console w/Trip & Compass & Keyless Entry Remote
	56045424AD	1				ELO, EM0, EW0			W/o Quad Headlamp Canada
	56045425AD	1				ET0			w/o Quad Headlamp
	56045426AE	1				ET0			w/o Quad Headlamp (CANADA)
	56045427AD	1				ELO, EM0, EW0			Federal & Leaded Fuel Emission w/Quad Headlamp
	56045428AD	1				ET0			w/Quad Headlamp
	56045429AD	1				ELO, EM0, EW0			w/Quad Headlamp (CANADA)
	56045430AD	1				ET0			w/Quad Headlamp (CANADA)
	56045552AD	1				ELO, EM0	DG0		California Emission w/o Quad Headlamp
	56045554AD	1				ELO, EM0	DG0		California Emission w/Quad Headlamp
2	06102075AA	3							FUSE CARTRIDGE, 20 Amp
3	06102076AA	2							FUSE CARTRIDGE, 30 Amp
4	06102077AA	4							FUSE CARTRIDGE, 40 Amp
5	06102078AA	2							FUSE CARTRIDGE, 50 Amp

**RAM PICKUP/CLUB CAB (BE)**

SERIES	LINE	BODY	ENGINE	TRANSMISSION
L = Ram Truck (All)	3 = HD DODGE 2WD 8 = HD DODGE 4WD 1 = Lt. Duty DODGE 2WD 6 = Lt. Duty DODGE 4WD 2 = Med. Duty DODGE 2WD 7 = Med. Duty DODGE 4WD	31 = CLUB CAB 2-DR 6.5 FT BOX 32 = CLUB CAB 2-DR 8FT BOX 33 = QUAD CAB 4-DR 6.5 FT BOX 34 = QUAD CAB 4-DR 8FT BOX	ELF = ENGINE - 5.2L V8 MPI EML = ENGINE - 5.9L V8 MPI EMM = ENGINE - "MAGNUM" 5.9L SMPI V8 ETC = ENGINE- 5.9L CUMMINS 24V DIESEL ETH = ENGINE- 5.9L HO CUMMINS TURBO DIESEL EWA = ENGINE - 8.0L V10 MPI	DDC = TRANSMISSION - 5-SPEED HD MANUAL DDP = TRANSMISSION - 5-SPEED MANUAL DDX = TRANSMISSION - 5-SPEED HD MANUAL DEE = TRANSMISSION - 6-SPEED HD MANUAL DGP = TRANSMISSION - 4-SPD. AUTOMATIC, 47RE DGT = TRANSMISSION - 4-SPD. AUTOMATIC, 46RE

AR = use ase required - = Non illustrated part

Wiring, Headlamp / Dash  
Figure 8-1320



ITEM	PART NUMBER	QTY	LINE	SERIES	BODY	ENGINE	TRANS	TRIM	DESCRIPTION
-6	56017713	1							PULLER, Fuse
-7									COVER, Power Distribution Center
	56021167	1							Lower
	56045543AC	AR							Up to 01/31/00, Upper
	56045543AD	AR							01/31/00 & After, Upper
8	000ATC20	1							FUSE, Standard, 20 Amp, Yellow
9	000ATM20	1							FUSE, Mini, 20 AMP, Yellow
10	000ATM15	1							FUSE, Mini, 15 AMP, Light Blue
11	000ATM10	1							FUSE, Mini, 10 AMP, Red
12	04687835	1							FUSE, Mini, 25 Amp, Natural
-13	04638094	5							RELAY PACKAGE, Electrical
14	04671168	1							RELAY, Mini
-15	06101757	1							FUSIBLE LINK, 140 AMP
-16	04773905	1							SOCKET AND WIRING, Turn Signal Lamp

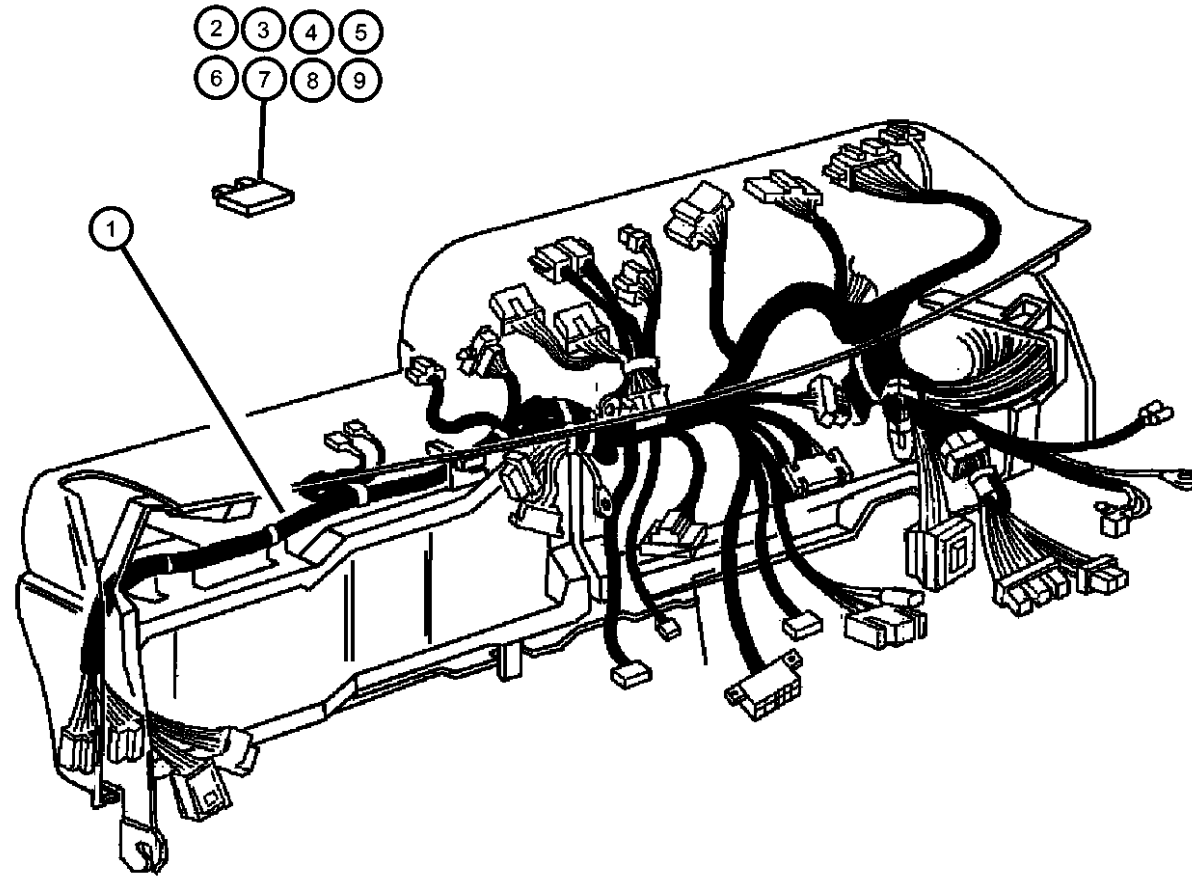
RAM PICKUP/CLUB CAB (BE)

SERIES	LINE	BODY	ENGINE	TRANSMISSION
L = Ram Truck (All)	3 = HD DODGE 2WD	31 = CLUB CAB 2-DR 6.5 FT BOX	ELF = ENGINE - 5.2L V8 MPI	DDC = TRANSMISSION - 5-SPEED HD MANUAL
	8 = HD DODGE 4WD	32 = CLUB CAB 2-DR 8FT BOX	EML = ENGINE - 5.9L V8 MPI	DDP = TRANSMISSION - 5-SPEED MANUAL
	1 = Lt. Duty DODGE 2WD	33 = QUAD CAB 4-DR 6.5 FT BOX	EMM = ENGINE - "MAGNUM" 5.9L SMPI V8	DDX = TRANSMISSION - 5-SPEED HD MANUAL
	6 = Lt. Duty DODGE 4WD	34 = QUAD CAB 4-DR 8FT BOX	ETC = ENGINE- 5.9L CUMMINS 24V DIESEL	DEE = TRANSMISSION - 6-SPEED HD MANUAL
	2 = Med. Duty DODGE 2WD		ETH = ENGINE- 5.9L HO CUMMINS TURBO DIESEL	DGP = TRANSMISSION - 4-SPD. AUTOMATIC, 47RE
	7 = Med. Duty DODGE 4WD		EWA = ENGINE - 8.0L V10 MPI	DGT = TRANSMISSION - 4-SPD. AUTOMATIC, 46RE

AR = use ase required - = Non illustrated part

2000 BE

Wiring, Instrument Panel  
Figure 8-1420



ITEM	PART NUMBER	QTY	LINE	SERIES	BODY	ENGINE	TRANS	TRIM	DESCRIPTION
1									WIRING, Instrument Panel
	56045361AD	1							w/Heated Seats
	56045362AD	1							w/Infinity Stereo, Keyless Entry, Power Seats & w/o Heated Seats
	56045363AD	1							w/o Infinity Stereo, w/o Power Seats, Heated Seats & w/Keyless Entry
	56045364AD	1							w/Infinity Stereo, Power Seats, Power Mirrors & Foglamp
	56045365AD	1							w/o Infinity Stereo, Keyless Entry, Power Seats, Power Mirrors, Foglamp & w/o Heated Seats (Base Model)
	56045768AC	1							w/Infinity Stereo, Audio Control Steering Wheel, Keyless Entry, Power Seats & w/o Heated Seats
2	000ATM10	1							FUSE, Mini, 10 AMP, Red
3									FUSE, Mini, 15 AMP, Light Blue
	000ATM15	1							
	06101487	6							
4	000ATM20	1							FUSE, Mini, 20 AMP, Yellow
5	000ATC20	1							FUSE, Standard, 20 Amp, Yellow
6	06102078AA	2							FUSE CARTRIDGE, 50 Amp
7	06102077AA	4							FUSE CARTRIDGE, 40 Amp
8	06102076AA	2							FUSE CARTRIDGE, 30 Amp
9	06102075AA	3							FUSE CARTRIDGE, 20 Amp
-10	56017713	1							PULLER, Fuse
-11	04604235	2							BREAKER, Circuit
-12	56007348	1							FLASHER
-13	04671168	1							RELAY, Mini
-14	04638094	5							RELAY PACKAGE, Electrical
-15	56045178AA	1							WIRING, Instrument Panel Jumper, Ash Receiver Lamp
-16	56045391AB	1							JUNCTION BLOCK, Relay

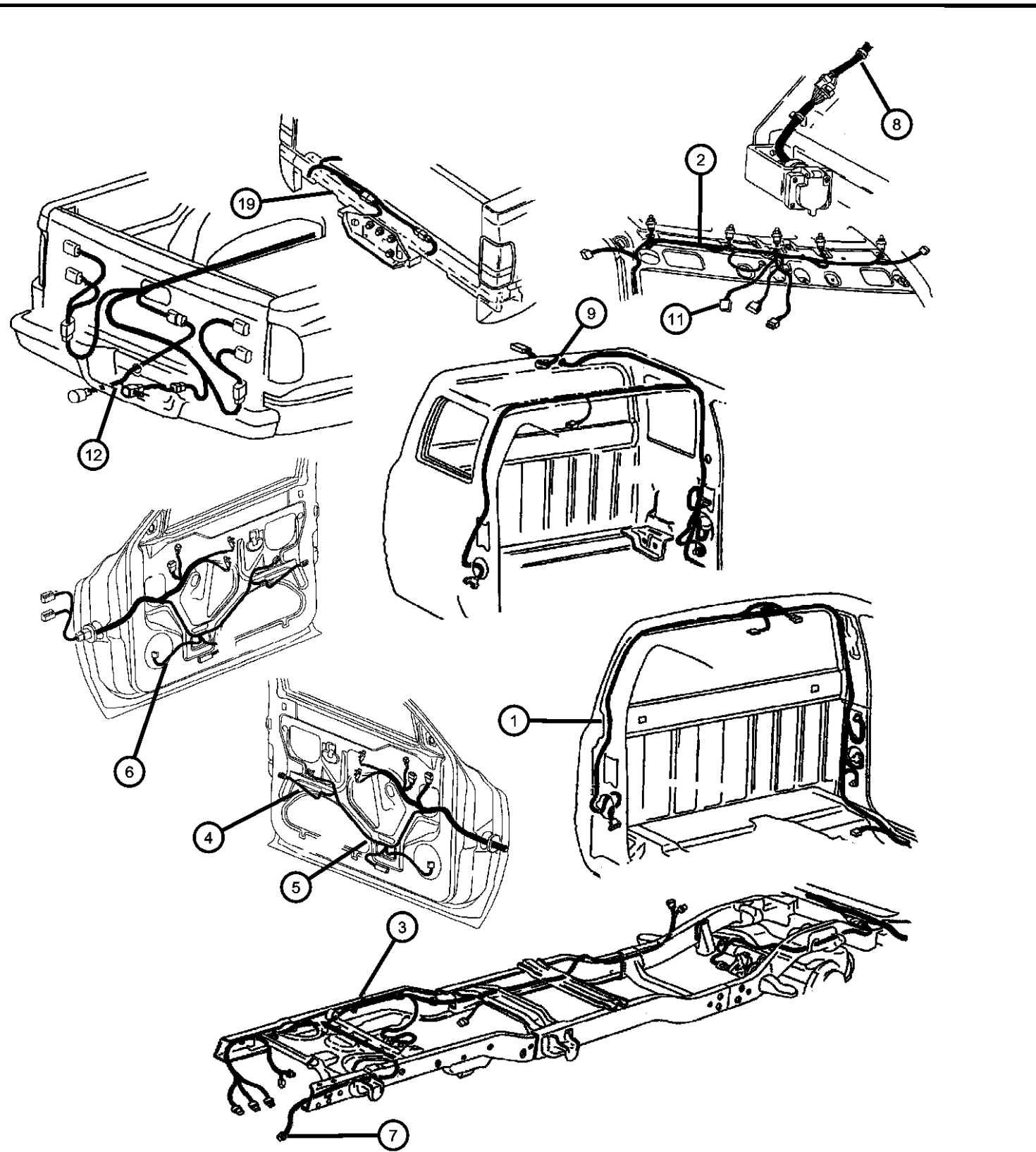
RAM PICKUP/CLUB CAB (BE)

SERIES	LINE	BODY	ENGINE	TRANSMISSION
L = Ram Truck (All)	3 = HD DODGE 2WD 8 = HD DODGE 4WD 1 = Lt. Duty DODGE 2WD 6 = Lt. Duty DODGE 4WD 2 = Med. Duty DODGE 2WD 7 = Med. Duty DODGE 4WD	31 = CLUB CAB 2-DR 6.5 FT BOX 32 = CLUB CAB 2-DR 8FT BOX 33 = QUAD CAB 4-DR 6.5 FT BOX 34 = QUAD CAB 4-DR 8FT BOX	ELF = ENGINE - 5.2L V8 MPI EML = ENGINE - 5.9L V8 MPI EMM = ENGINE - "MAGNUM" 5.9L SMPI V8 ETC = ENGINE- 5.9L CUMMINS 24V DIESEL ETH = ENGINE- 5.9L HO CUMMINS TURBO DIESEL EWA = ENGINE - 8.0L V10 MPI	DDC = TRANSMISSION - 5-SPEED HD MANUAL DDP = TRANSMISSION - 5-SPEED MANUAL DDX = TRANSMISSION - 5-SPEED HD MANUAL DEE = TRANSMISSION - 6-SPEED HD MANUAL DGP = TRANSMISSION - 4-SPD. AUTOMATIC, 47RE DGT = TRANSMISSION - 4-SPD. AUTOMATIC, 46RE

AR = use ase required - = Non illustrated part

2000 BE

**Wiring, Body & Accessories**  
**Figure 8-1520**



ITEM	PART NUMBER	QTY	LINE	SERIES	BODY	ENGINE	TRANS	TRIM	DESCRIPTION
1									WIRING, Body
	56045350AB	1	1, 6		31				w/o Infinity Stereo, Keyless Entry, Power Seats, Power Window & w/o Power Locks
	56045351AB	1	1, 6		31				w/o Infinity Stereo, w/Power Seats, Power Windows, Power Locks & w/ or w/o Keyless Entry
	56045352AB	1	1, 6		31				w/o Infinity Stereo & w/Keyless Entry
	56045353AB	1	1, 6		31				w/Infinity Stereo & w/o Keyless Entry
	56045354AB	1	1, 6		31				w/Infinity Stereo & Keyless Entry
	56045355AB	1			33, 34				w/o Infinity Stereo, Keyless Entry, Power Seats, Power Window, Power Locks & w/o Heated Seat
	56045357AB	1			33, 34				w/o Infinity Stereo, w/o Heated Seats & w/Keyless Entry
	56045358AB	1			33, 34				w/Infinity Stereo, w/o Keyless Entry & w/o Heated Seats
	56045359AB	1			33, 34				w/Infinity Stereo, Keyless Entry & w/o Heated Seats
	56045360AB	1			33, 34				w/Heated Seats
2									WIRING, Overhead Console
	05013607AA	1							w/Overhead Console w/Trip/Compass & w/o Security Alarm (w/o L.E.D.)
	05013608AA	1							w/Overhead Console w/Trip/Compass & w/Security Alarm (w/L.E.D.)
	05013609AA	1							w/Mini Overhead Console
	56045921AA	1							w/Overhead Console w/Trip/Compass & w/o Clearance Lamp
	56045922AB	1							w/Overhead Console w/Trip/Compass & w/ Clearance Lamp
	56045923AA	1							w/Mini Overhead Console & w/o Clearance Lamp
	56045924AB	1							w/Mini Overhead Console & w/ Clearance Lamp

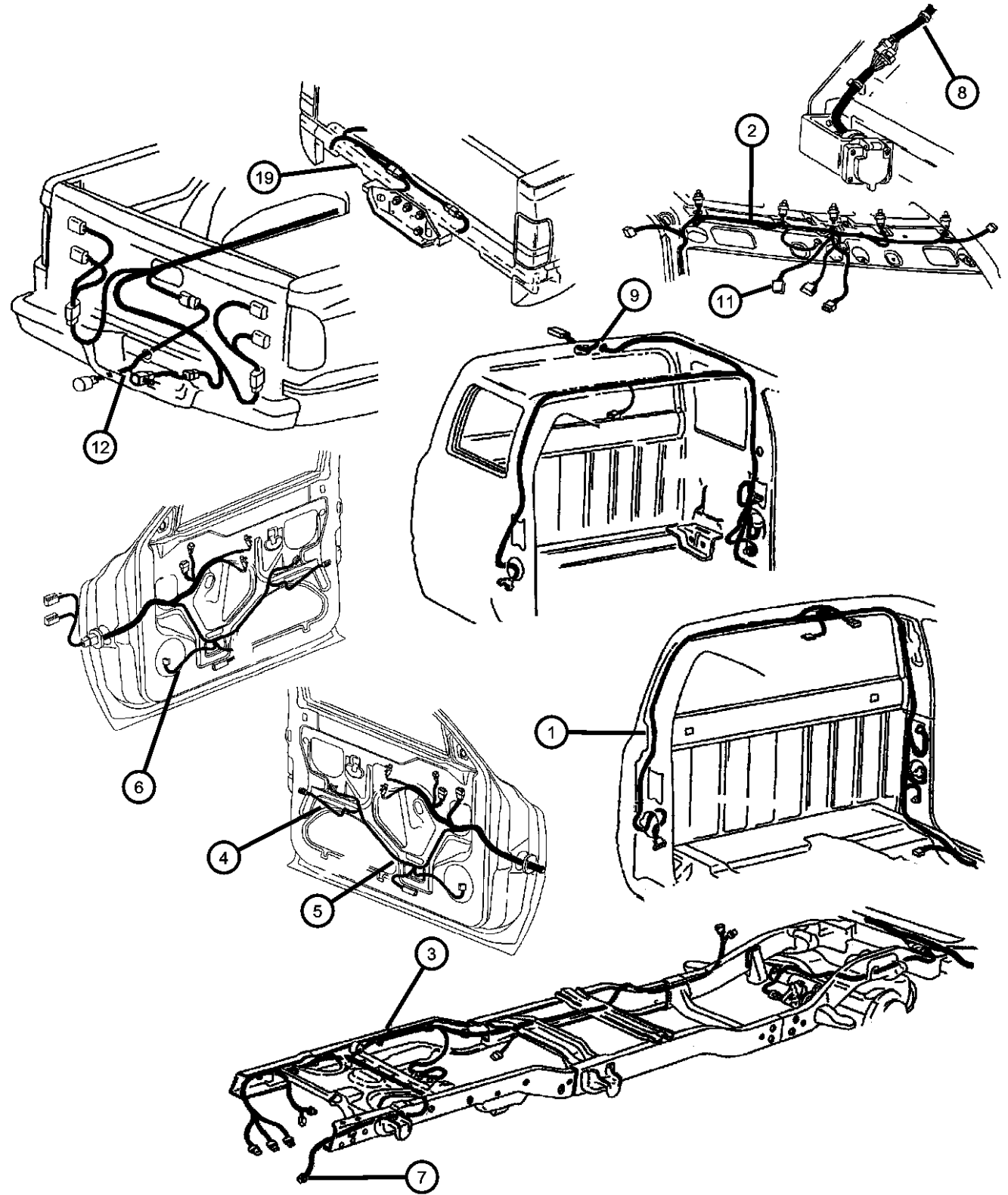
**RAM PICKUP/CLUB CAB (BE)**

<b>SERIES</b>	<b>LINE</b>	<b>BODY</b>	<b>ENGINE</b>	<b>TRANSMISSION</b>
L = Ram Truck (All)	3 = HD DODGE 2WD 8 = HD DODGE 4WD 1 = Lt. Duty DODGE 2WD 6 = Lt. Duty DODGE 4WD 2 = Med. Duty DODGE 2WD 7 = Med. Duty DODGE 4WD	31 = CLUB CAB 2-DR 6.5 FT BOX 32 = CLUB CAB 2-DR 8FT BOX 33 = QUAD CAB 4-DR 6.5 FT BOX 34 = QUAD CAB 4-DR 8FT BOX	ELF = ENGINE - 5.2L V8 MPI EML = ENGINE - 5.9L V8 MPI EMM = ENGINE - "MAGNUM" 5.9L SMPI V8 ETC = ENGINE- 5.9L CUMMINS 24V DIESEL ETH = ENGINE- 5.9L HO CUMMINS TURBO DIESEL EWA = ENGINE - 8.0L V10 MPI	DDC = TRANSMISSION - 5-SPEED HD MANUAL DDP = TRANSMISSION - 5-SPEED MANUAL DDX = TRANSMISSION - 5-SPEED HD MANUAL DEE = TRANSMISSION - 6-SPEED HD MANUAL DGP = TRANSMISSION - 4-SPD. AUTOMATIC, 47RE DGT = TRANSMISSION - 4-SPD. AUTOMATIC, 46RE

AR = use ase required - = Non illustrated part

**Wiring, Body & Accessories**  
**Figure 8-1520**

ITEM	PART NUMBER	QTY	LINE	SERIES	BODY	ENGINE	TRANS	TRIM	DESCRIPTION
		1							w/Clearance Lamp & w/o Overhaed Console
3	56045517AC	1							WIRING, Chassis
	56045518AC	1							w/o Trailer Tow
4	56045137AB	2							w/Trailer Tow
	56045242AB	1							WIRING, Door
	56045244AB	1							w/o Power Mirror, Infinity Stereo, Power Locks & Windows (Base Model), Right Door
	56045245AB	1							w/Power Mirror, w/o Infinity Stereo, Power Locks & Windows, Right Door
5	56045137AB	2							w/o Infinity Stereo, w/Power Locks & Windows, Right Door
	56045238AB	1							w/Infinity Stereo, Power Locks & Windows, Right Door
	56045240AB	1							WIRING, Door
	56045241AB	1							w/o Power Mirror, Infinity Stereo, Power Locks & Windows (Base Model), Left Door
6	56020697AB	2			33, 34				w/Power Mirror, w/o Infinity Stereo, Power Locks & Windows, Left Door
	56020698AB	2			33, 34				w/o Infinity Stereo, w/Power Locks & Windows, Left Door
7	56021369	2							w/Infinity Stereo, Power Locks & Windows, Left Door
8	56020143AD	1							WIRING, Door
9	05017192AA	1							w/o Infinity, Rear Door
	05017193AA	1							w/Infinity, Rear Door
-10	56038366AB	1							WIRING, Turn Signal and Back Up
									WIRING, Trailer Tow
									WIRING, High Mounted Stop Lamp
									w/Cargo Lamp
									w/o Cargo Lamp
									CONNECTOR, 7 Way



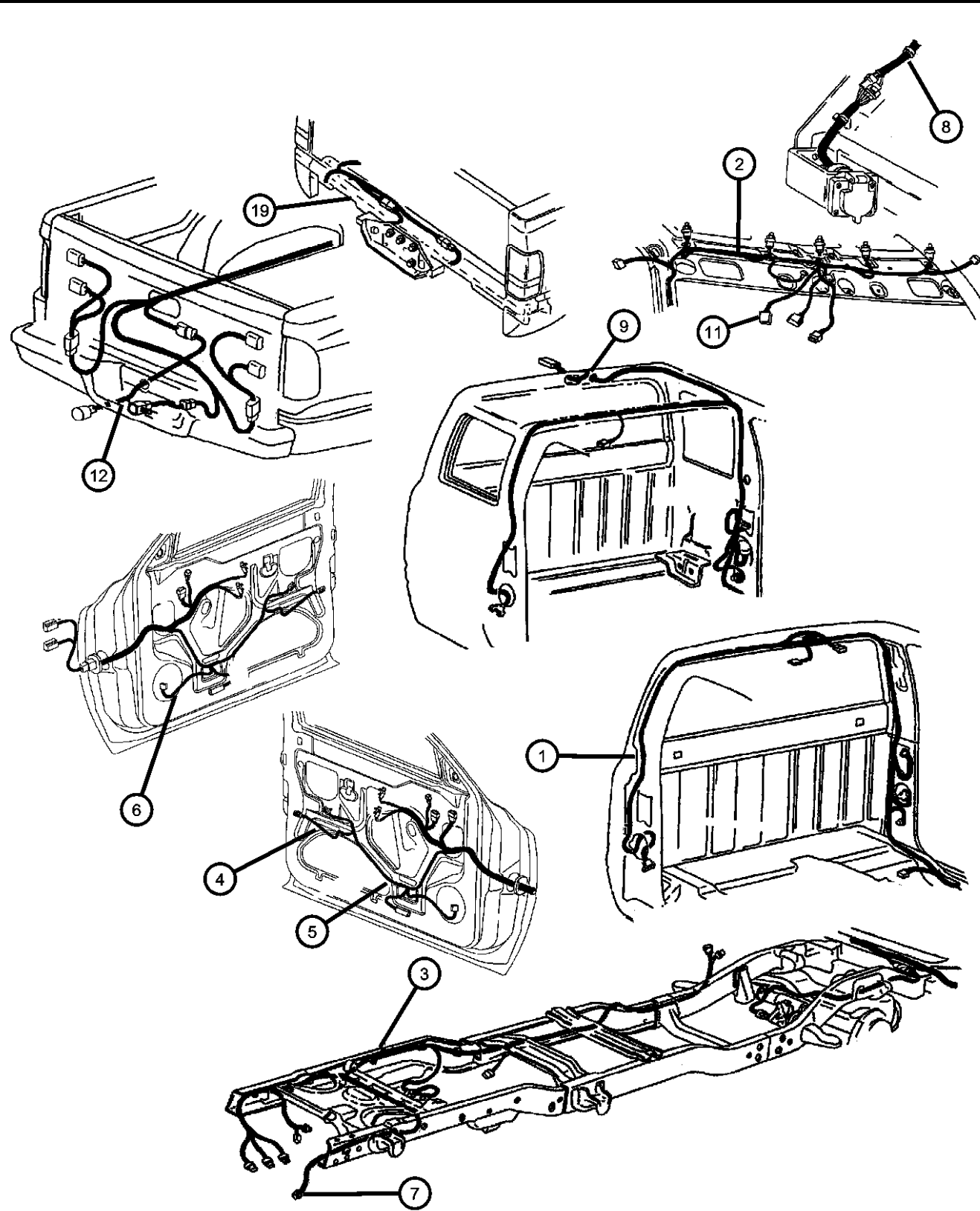
**RAM PICKUP/CLUB CAB (BE)**

SERIES	LINE	BODY	ENGINE	TRANSMISSION
L = Ram Truck (All)	3 = HD DODGE 2WD 8 = HD DODGE 4WD 1 = Lt. Duty DODGE 2WD 6 = Lt. Duty DODGE 4WD 2 = Med. Duty DODGE 2WD 7 = Med. Duty DODGE 4WD	31 = CLUB CAB 2-DR 6.5 FT BOX 32 = CLUB CAB 2-DR 8FT BOX 33 = QUAD CAB 4-DR 6.5 FT BOX 34 = QUAD CAB 4-DR 8FT BOX	ELF = ENGINE - 5.2L V8 MPI EML = ENGINE - 5.9L V8 MPI EMM = ENGINE - "MAGNUM" 5.9L SMPI V8 ETC = ENGINE- 5.9L CUMMINS 24V DIESEL ETH = ENGINE- 5.9L HO CUMMINS TURBO DIESEL EWA = ENGINE - 8.0L V10 MPI	DDC = TRANSMISSION - 5-SPEED HD MANUAL DDP = TRANSMISSION - 5-SPEED MANUAL DDX = TRANSMISSION - 5-SPEED HD MANUAL DEE = TRANSMISSION - 6-SPEED HD MANUAL DGP = TRANSMISSION - 4-SPD. AUTOMATIC, 47RE DGT = TRANSMISSION - 4-SPD. AUTOMATIC, 46RE

AR = use ase required - = Non illustrated part



**Wiring, Body & Accessories**  
**Figure 8-1520**



ITEM	PART NUMBER	QTY	LINE	SERIES	BODY	ENGINE	TRANS	TRIM	DESCRIPTION
11	56020190	2							WIRING, Mirror Jumper
12	55054824	1							WIRING, Tailgate, w/Dual Rear Wheel
-13	56016895	1							WIRING, Fender Lamp, w/Dual Rear Wheel
-14									WIRING, Fog Lamp Jumper
	56021863AB	1							w/o Sport Package
	56045212AC	1							w/Sport Package
-15	56019405	1				ETO			WIRING, Air Intake Heater
-16									WIRING, Power Seat
	56045195AB	1			33, 34				w/Heated Seats
	56045523AA	1	1, 2, 6, 7		31, 32				w/o Heated Seats
-17	56045178AA	1							WIRING, Instrument Panel Jumper, Ash Receiver Lamp
-18	56021994AB	1							WIRING, Temperature Sensor Jumper
19	56042545AD	2							WIRING, License Lamp

**RAM PICKUP/CLUB CAB (BE)**

SERIES	LINE	BODY	ENGINE	TRANSMISSION
L = Ram Truck (All)	3 = HD DODGE 2WD	31 = CLUB CAB 2-DR 6.5 FT BOX	ELF = ENGINE - 5.2L V8 MPI	DDC = TRANSMISSION - 5-SPEED HD MANUAL
	8 = HD DODGE 4WD	32 = CLUB CAB 2-DR 8FT BOX	EML = ENGINE - 5.9L V8 MPI	DDP = TRANSMISSION - 5-SPEED MANUAL
	1 = Lt. Duty DODGE 2WD	33 = QUAD CAB 4-DR 6.5 FT BOX	EMM = ENGINE - "MAGNUM" 5.9L SMPI V8	DDX = TRANSMISSION - 5-SPEED HD MANUAL
	6 = Lt. Duty DODGE 4WD	34 = QUAD CAB 4-DR 8FT BOX	ETC = ENGINE- 5.9L CUMMINS 24V DIESEL	DEE = TRANSMISSION - 6-SPEED HD MANUAL
	2 = Med. Duty DODGE 2WD		ETH = ENGINE- 5.9L HO CUMMINS TURBO DIESEL	DGP = TRANSMISSION - 4-SPD. AUTOMATIC, 47RE
	7 = Med. Duty DODGE 4WD		EWA = ENGINE - 8.0L V10 MPI	DGT = TRANSMISSION - 4-SPD. AUTOMATIC, 46RE

AR = use ase required - = Non illustrated part

**Wiring Repair Package  
Figure 8-1605**

ITEM	PART NUMBER	QTY	LINE	SERIES	BODY	ENGINE	TRANS	TRIM	DESCRIPTION
Note: EW0 = All 8.0L Gas Engines									
-1	05013930AA	1							WIRING PACKAGE, Underhood Connector Repair, For Electrical Connector Repair Information visit the World Wide Web at <a href="http://dto.vftis.com/mopar/disclaimer.asp">http://dto.vftis.com/mopar/disclaimer.asp</a>
-2	04641780	1				EW0			STRAP, Tie
-3	05072951AA	1							WIRING REPAIR PACKAGE, Fuel Pump
-4	04773905	1							SOCKET AND WIRING, Turn Signal Lamp

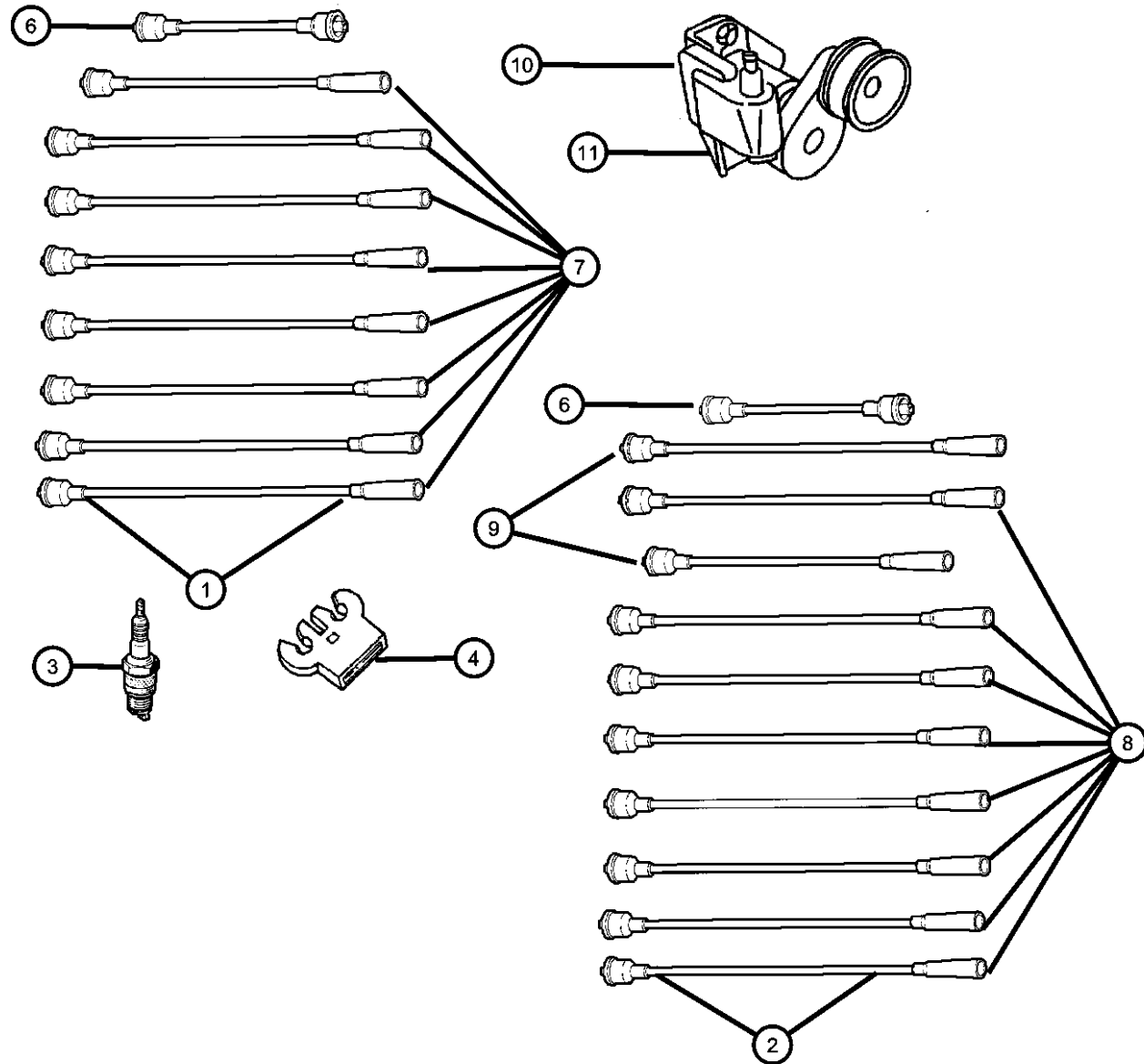
For Electrical Connector Repair Information visit the World Wide Web at

<http://dto.vftis.com/mopar/disclaimer.asp>

**RAM PICKUP/CLUB CAB (BE)**

SERIES	LINE	BODY	ENGINE	TRANSMISSION
L = Ram Truck (All)	3 = HD DODGE 2WD	31 = CLUB CAB 2-DR 6.5 FT BOX	ELF = ENGINE - 5.2L V8 MPI	DDC = TRANSMISSION - 5-SPEED HD MANUAL
	8 = HD DODGE 4WD	32 = CLUB CAB 2-DR 8FT BOX	EML = ENGINE - 5.9L V8 MPI	DDP = TRANSMISSION - 5-SPEED MANUAL
	1 = Lt. Duty DODGE 2WD	33 = QUAD CAB 4-DR 6.5 FT BOX	EMM = ENGINE - "MAGNUM" 5.9L SMPI V8	DDX = TRANSMISSION - 5-SPEED HD MANUAL
	6 = Lt. Duty DODGE 4WD	34 = QUAD CAB 4-DR 8FT BOX	ETC = ENGINE- 5.9L CUMMINS 24V DIESEL	DEE = TRANSMISSION - 6-SPEED HD MANUAL
	2 = Med. Duty DODGE 2WD		ETH = ENGINE- 5.9L HO CUMMINS TURBO DIESEL	DGP = TRANSMISSION - 4-SPD. AUTOMATIC,47RE
	7 = Med. Duty DODGE 4WD		EWA = ENGINE - 8.0L V10 MPI	DGT = TRANSMISSION - 4-SPD. AUTOMATIC,46RE

**Spark Plugs--Cables--Coils**  
**Figure 8-1905**



ITEM	PART NUMBER	QTY	LINE	SERIES	BODY	ENGINE	TRANS	TRIM	DESCRIPTION
------	-------------	-----	------	--------	------	--------	-------	------	-------------

Note:

- EL0 = All 5.2L 8 Cyl Gas Engines
- EML = "Magnum" 5.9L SMPI V8 Engine
- EMM = 'Magnum' 5.9L SMPI V8 Engine
- EM0 = All 5.9L 8 Cyl Gas Engines
- ETO = All 5.9L Turbo Diesel Engines
- EW0 = All 8.0L Gas Engines

1	04728038AE	1				EL0, EML			CABLE PACKAGE, Ignition
	SPC52590AA								Mopar Tune Up Kit (Contains Cap Rotor and Spark Plug Wires) Mopar V-Line Alternative Part
	SPW08038AA								[NAB]
	SPC52590AA	1				EMM			Mopar Tune Up Kit (Contains Cap Rotor and Spark Plug Wires) Mopar V-Line Alternative Part
	SPW08038AA								[NAA,NAE]
	04728039AD	1				EMM			[NAA,NAE]
2	04796500	1				EW0			CABLE PACKAGE, Ignition
	SPW06500AA								Mopar V-Line Alternative Part
3									SPARK PLUG
	SP00QC9MC4	10				EW0			
	SP0RC12LC4	8				EL0, EM0			
4									SEPERATOR, Ignition Cable
	56026850	3				EW0			2-Wire
	56028186	1				EL0, EML			1-Wire
	56041333AA	2				EL0, EM0			5-Wire
-5									TRAY, Ignition Cable
	56026852	1				EW0			Lower
	56026853	1				EW0			Upper
6									CABLE, Ignition Coil
	56027056	1				EMM			w/Federal or California Emission
	56028398AA	1				EL0, EML			
		1				EMM			w/Leaded Fuel Emission

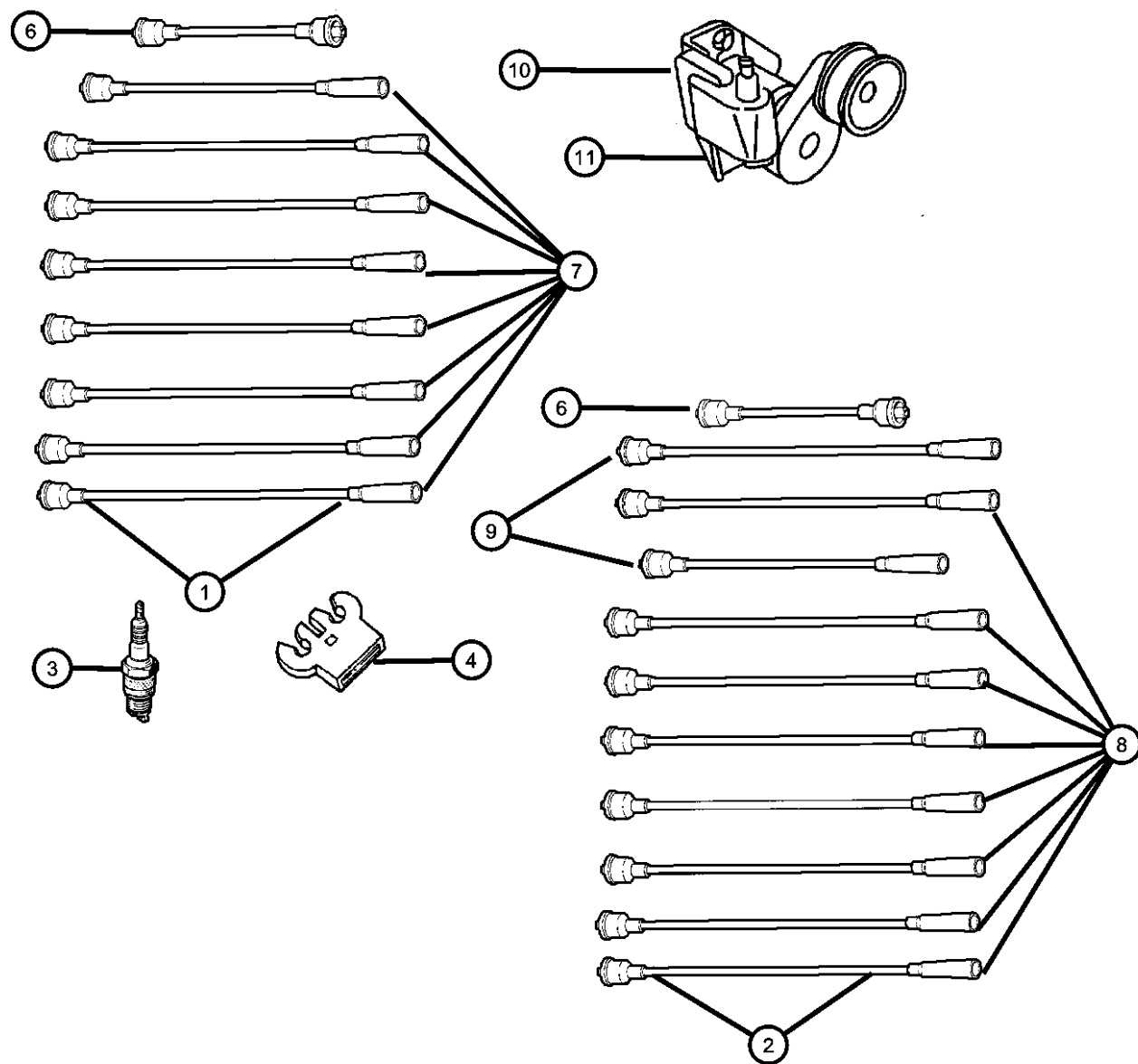
**RAM PICKUP/CLUB CAB (BE)**

SERIES	LINE	BODY	ENGINE	TRANSMISSION
L = Ram Truck (All)	3 = HD DODGE 2WD	31 = CLUB CAB 2-DR 6.5 FT BOX	ELF = ENGINE - 5.2L V8 MPI	DDC = TRANSMISSION - 5-SPEED HD MANUAL
	8 = HD DODGE 4WD	32 = CLUB CAB 2-DR 8FT BOX	EML = ENGINE - 5.9L V8 MPI	DDP = TRANSMISSION - 5-SPEED MANUAL
	1 = Lt. Duty DODGE 2WD	33 = QUAD CAB 4-DR 6.5 FT BOX	EMM = ENGINE - "MAGNUM" 5.9L SMPI V8	DDX = TRANSMISSION - 5-SPEED HD MANUAL
	6 = Lt. Duty DODGE 4WD	34 = QUAD CAB 4-DR 8FT BOX	ETC = ENGINE- 5.9L CUMMINS 24V DIESEL	DEE = TRANSMISSION - 6-SPEED HD MANUAL
	2 = Med. Duty DODGE 2WD		ETH = ENGINE- 5.9L HO CUMMINS TURBO DIESEL	DGP = TRANSMISSION - 4-SPD. AUTOMATIC,47RE
	7 = Med. Duty DODGE 4WD		EWA = ENGINE - 8.0L V10 MPI	DGT = TRANSMISSION - 4-SPD. AUTOMATIC,46RE

AR = use ase required - = Non illustrated part

2000 BE

**Spark Plugs--Cables--Coils**  
**Figure 8-1905**



ITEM	PART NUMBER	QTY	LINE	SERIES	BODY	ENGINE	TRANS	TRIM	DESCRIPTION
7									CABLE, Ignition
	56028255AA	1				ELO, EMO			#6
	56028256AA	3				ELO, EMO			[#1,2,4]
	56028279AA	1				ELO, EMO			[#3]
	56028280AA	2				ELO, EMO			[#5,7]
	56028404AA	1				ELO, EMO			[#8]
8									CABLE, Ignition
	53006568	1				EW0			[#2]
	53006571	1				EW0			[#5]
	56026844	1				EW0			[#6]
	56026845	1				EW0			[#7]
	56026847	1				EW0			[#9]
	56026848	1				EW0			[#10]
	56027823	2				EW0			[#4,8]
9									CABLE PACKAGE, Ignition
	04773914	1				EW0			[#1]
	04773915	1				EW0			[#3]
10									COIL, Ignition
	56028172	1				ELO, EML			
		1				EMM			w/Leaded Fuel Emission
	56032520	1				EW0			W/6 Tower
	56032521	1				EW0			W/4 Tower
11									BRACKET, Ignition Coil
	53008980	1				EMM			w/Federal or California Emission
	56026891	1				ELO, EML			
		1				EMM			w/Leaded Fuel Emission
-12	53040054	1				EW0			BRACKET, Coil Mount and Plenum
-13	55036055	2	1, 6		31	ELO, EMO			CLIP, Heater Hose, Includes Spark plug cable separator

**RAM PICKUP/CLUB CAB (BE)**

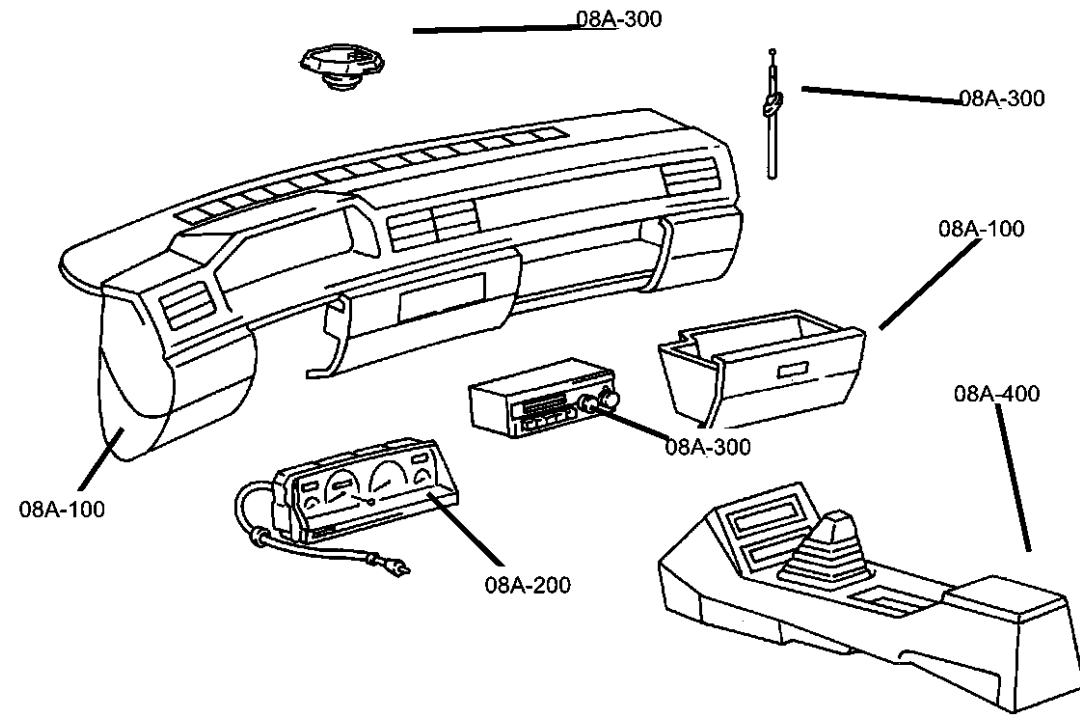
SERIES	LINE	BODY	ENGINE	TRANSMISSION
L = Ram Truck (All)	3 = HD DODGE 2WD	31 = CLUB CAB 2-DR 6.5 FT BOX	ELF = ENGINE - 5.2L V8 MPI	DDC = TRANSMISSION - 5-SPEED HD MANUAL
	8 = HD DODGE 4WD	32 = CLUB CAB 2-DR 8FT BOX	EML = ENGINE - 5.9L V8 MPI	DDP = TRANSMISSION - 5-SPEED MANUAL
	1 = Lt. Duty DODGE 2WD	33 = QUAD CAB 4-DR 6.5 FT BOX	EMM = ENGINE - "MAGNUM" 5.9L SMPI V8	DDX = TRANSMISSION - 5-SPEED HD MANUAL
	6 = Lt. Duty DODGE 4WD	34 = QUAD CAB 4-DR 8FT BOX	ETC = ENGINE- 5.9L CUMMINS 24V DIESEL	DEE = TRANSMISSION - 6-SPEED HD MANUAL
	2 = Med. Duty DODGE 2WD		ETH = ENGINE- 5.9L HO CUMMINS TURBO DIESEL	DGP = TRANSMISSION - 4-SPD. AUTOMATIC,47RE
	7 = Med. Duty DODGE 4WD		EWA = ENGINE - 8.0L V10 MPI	DGT = TRANSMISSION - 4-SPD. AUTOMATIC,46RE

AR = use ase required - = Non illustrated part

2000 BE

# Group - 08A

## Instrument Panel and Radios and Consoles



## Group - 08A Instrument Panel and Radios and Consoles

Illustration Title

Group-Fig. No.

### Instrument Panel

Instrument Panel ..... Fig. 08A - 135

### Instrument Panel Cluster

Instrument Cluster..... Fig. 08A - 235

### Radio, Antenna, and Speakers

Radio..... Fig. 08A - 333

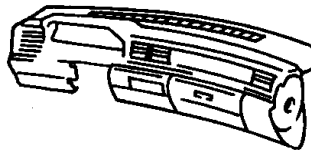
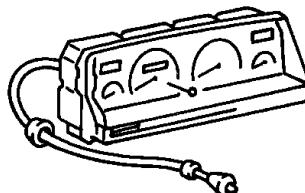
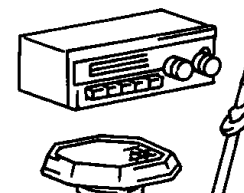
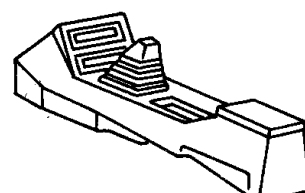
Speakers..... Fig. 08A - 334

Antenna..... Fig. 08A - 335

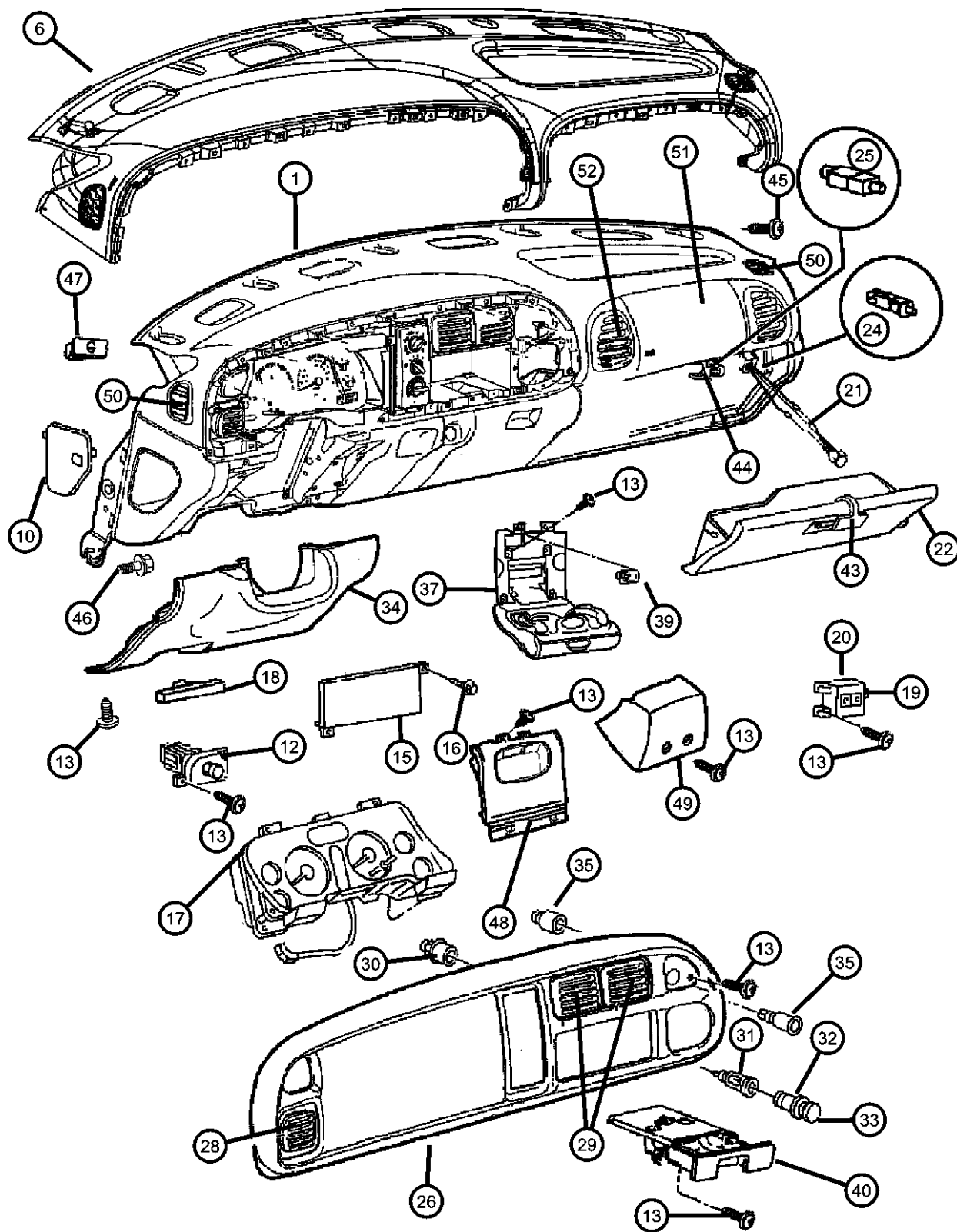
### Consoles

Overhead Console..... Fig. 08A - 430

Floor Console..... Fig. 08A - 435

<p><b>08A-100</b> Instrument Panel</p> 	<p><b>08A-200</b> Instrument Panel Cluster</p> 	<p><b>08A-300</b> Radio, Antenna, and Speakers</p> 	<p><b>08A-400</b> Consoles</p> 
---	--	---	--

Instrument Panel  
Figure 08A-135



ITEM	PART NUMBER	QTY	LINE	SERIES	BODY	ENGINE	TRANS	TRIM	DESCRIPTION
1									INSTRUMENT PANEL KIT, With Lower I/Panel & without Passenger Airbag
	0SS391AZAA	1							Agate
	0SS391C8AA	1							Cirrus
	0SS391K9AA	1							Suede
-2									COVER, Instrument Panel Opening
	0RU581C8AA	1							Cirrus
	0RU581K9AA	1							Suede
-3	55055689	1							DUCT, Defroster, w/Grille Cover
-4	55055725AB	1							BRACKET, Instrument Panel to Cowl, Reinforcement Support (Mid Left to Cowl Top)
-5	06101786	4							SCREW, Self Tapping, M6x1x15, Bracket Reinforcement Support Mounting
6									PANEL, Instrument Upper
	5GK45LAZAB	1							Agate
	5GK45RC8AB	1							Cirrus
	5GK45VK9AB	1							Suede
-7	56021449	1							BRACKET, Instrument Panel Wiring
-8	56021449	1							NUT, Plastic Snap-In, For .190-16 Screw, (NOT SERVICED)
-9	5FZ72DX9AB	1							BIN, Instrument Panel, Access Bin w/Lamp (Black)
10									DOOR, Fuse Access
	0RU36LAZAB	1							Agate
	0RU36RC8AB	1							Cirrus
	0RU36VK9AB	1							Suede
-11	56017713	1							PULLER, Fuse
12									SWITCH, Headlamp
	56021675AE	1							w/Cargo Lamp & Foglamp
	56021673AD	1							w/Cargo Lamp
	56021674AD	1							w/o Cargo Lamp

RAM PICKUP/CLUB CAB (BE)

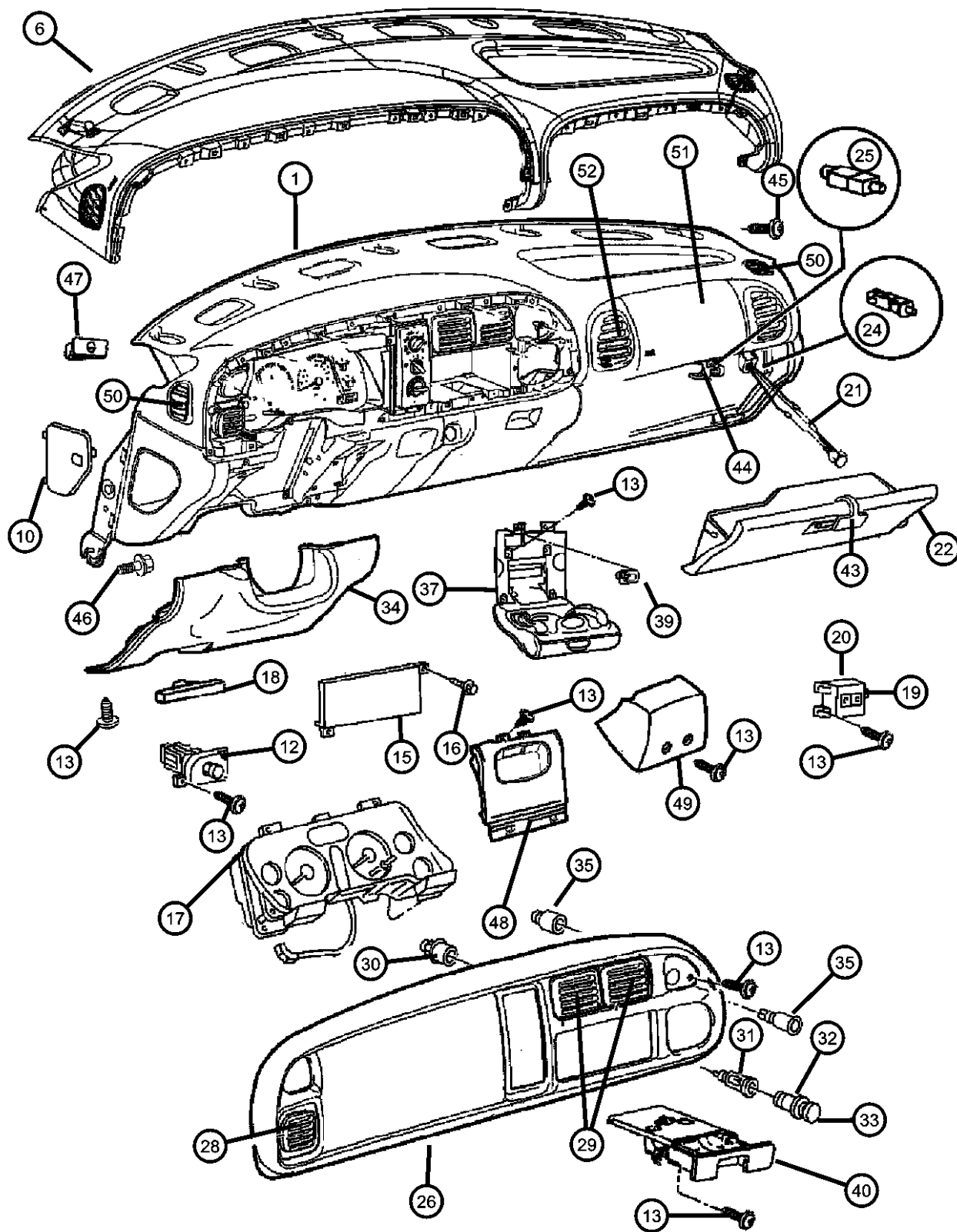
SERIES	LINE
L = Ram Truck (All)	3 = HD DODGE 2WD
	8 = HD DODGE 4WD
	1 = Lt. Duty DODGE 2WD
	6 = Lt. Duty DODGE 4WD
	2 = Med. Duty DODGE 2WD
	7 = Med. Duty DODGE 4WD

BODY	ENGINE	TRANSMISSION
31 = CLUB CAB 2-DR 6.5 FT BOX	ELF = ENGINE - 5.2L V8 MPI	DDC = TRANSMISSION - 5-SPEED HD MANUAL
32 = CLUB CAB 2-DR 8FT BOX	EML = ENGINE - 5.9L V8 MPI	DDP = TRANSMISSION - 5-SPEED MANUAL
33 = QUAD CAB 4-DR 6.5 FT BOX	EMM = ENGINE - "MAGNUM" 5.9L SMPI V8	DDX = TRANSMISSION - 5-SPEED HD MANUAL
34 = QUAD CAB 4-DR 8FT BOX	ETC = ENGINE- 5.9L CUMMINS 24V DIESEL	DEE = TRANSMISSION - 6-SPEED HD MANUAL
	ETH = ENGINE- 5.9L HO CUMMINS TURBO DIESEL	DGP = TRANSMISSION - 4-SPD. AUTOMATIC, 47RE
	EWA = ENGINE - 8.0L V10 MPI	DGT = TRANSMISSION - 4-SPD. AUTOMATIC, 46RE

AR = use ase required - = Non illustrated part

2000 BE

Instrument Panel  
Figure 08A-135



ITEM	PART NUMBER	QTY	LINE	SERIES	BODY	ENGINE	TRANS	TRIM	DESCRIPTION
13	06101946	6	1, 2, 3						SCREW, Tapping
-14	06101946	6							NUT, Plastic Snap-In, For .190-16 Screw, (NOT SERVICED)
15	06101946	6							COVER, Radio Opening, (NOT SERVICED)
16	00154629	2							SCREW, Hex Flange Head, .25-14x.75
17	00154629	2							CLUSTER PACKAGE, CLUSTER (See 8A-230), (NOT SERVICED)
18									RELEASE, Parking Brake
	0RU38LAZAA	1							Agate (Handle w/Pivot Bracket & Retainer)
	0RU38RC8AA	1							Cirrus (Handle w/Pivot Bracket & Retainer)
	0RU38VK9AA	1							Suede (Handle w/Pivot Bracket & Retainer)
19	56045177AC	1							SWITCH, Passenger Airbag Disarm
20									BEZEL, Instrument Panel Switch
	05013875AA	1							Passenger Airbag (French/English)
	05013874AA	1							Passenger Airbag (English)
21	04685164	1							COVER, Glove Box Lamp Hole
22									GLOVE BOX, Instrument Panel
	5FR471AZAB	1							Agate
	5FR471C8AB	1							Cirrus
	5FR471K9AB	1							Suede
-23	05010362AA	1							BIN, Glove box
24	04565022	1							SWITCH AND LAMP, Glove Box
25	04565022	1							LATCH, Glovebox, LATCH ASSEMBLY, Glove Box (Serviced in Glove Box Assembly), (NOT SERVICED)
26									BEZEL, Instrument Cluster
	5GK51DX9AA	1							Black
	5GK52AAAAA	1							Woodgrain (Argent)

RAM PICKUP/CLUB CAB (BE)

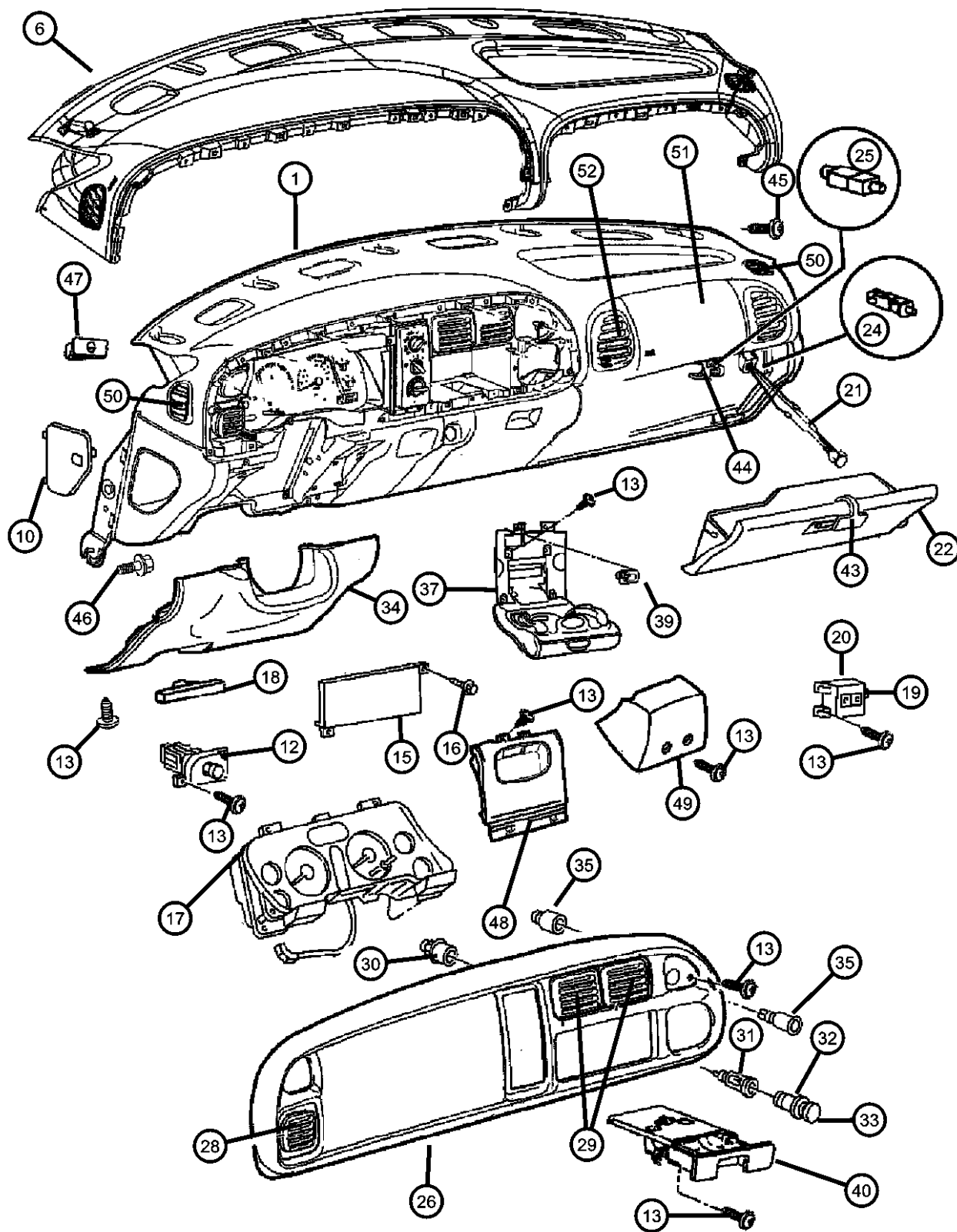
SERIES	LINE
L = Ram Truck (All)	3 = HD DODGE 2WD
	8 = HD DODGE 4WD
	1 = Lt. Duty DODGE 2WD
	6 = Lt. Duty DODGE 4WD
	2 = Med. Duty DODGE 2WD
	7 = Med. Duty DODGE 4WD

BODY	ENGINE	TRANSMISSION
31 = CLUB CAB 2-DR 6.5 FT BOX	ELF = ENGINE - 5.2L V8 MPI	DDC = TRANSMISSION - 5-SPEED HD MANUAL
32 = CLUB CAB 2-DR 8FT BOX	EML = ENGINE - 5.9L V8 MPI	DDP = TRANSMISSION - 5-SPEED MANUAL
33 = QUAD CAB 4-DR 6.5 FT BOX	EMM = ENGINE - "MAGNUM" 5.9L SMPI V8	DDX = TRANSMISSION - 5-SPEED HD MANUAL
34 = QUAD CAB 4-DR 8FT BOX	ETC = ENGINE- 5.9L CUMMINS 24V DIESEL	DEE = TRANSMISSION - 6-SPEED HD MANUAL
	ETH = ENGINE- 5.9L HO CUMMINS TURBO DIESEL	DGP = TRANSMISSION - 4-SPD. AUTOMATIC, 47RE
	EWA = ENGINE - 8.0L V10 MPI	DGT = TRANSMISSION - 4-SPD. AUTOMATIC, 46RE

AR = use ase required - = Non illustrated part

2000 BE

Instrument Panel  
Figure 08A-135



ITEM	PART NUMBER	QTY	LINE	SERIES	BODY	ENGINE	TRANS	TRIM	DESCRIPTION
-27	06504067	13							CLIP, Hood, Bezel to I/Panel
28	05014842AA	1							OUTLET, Air Conditioning & Heater, Driver Side Left
29									OUTLET, Air Conditioning & Heater, OUTLET, Air Conditioning & Heater (Center) Right
	05014840AA	1							Right
	05014841AA	1							Left
30	04793555	1							RING, Cigar Lighter Mounting
31	04685590	1							BASE, Cigar Lighter
32	04685536	1							KNOB AND ELEMENT, Cigar Lighter
33	04685536	1							KNOB, KNOB, Cigar Lighter (Serviced w/Item # 34), (NOT SERVICED)
34									COVER, Steering Column Opening
	5EU131AZAB	1							Agate
	5EU131C8AB	1							Cirrus
	5EU131K9AB	1							Suede
35	04793554	1							POWER OUTLET, Cigar Lighter
-36	04793555	1							RING, Cigar Lighter Mounting
37									CUPHOLDER, Instrument Panel
	5FR421K9AC	1							Suede
	5FR421AZAC	1							Agate
	5FR421C8AC	1							Cirrus
-38	L0000161	1							BULB, 161, Cupholder Light
39									COVER, Instrument Panel Opening
	5GD95DX9AA	1							w/Manual Transmission
	5GD98DX9AA	1							W/Automatic Transmission includes lens and bulb holder for cup holder
40									ASH RECEIVER, Instrument Panel
	5FR451AZ	1							Agate

RAM PICKUP/CLUB CAB (BE)

SERIES	LINE
L = Ram Truck (All)	3 = HD DODGE 2WD
	8 = HD DODGE 4WD
	1 = Lt. Duty DODGE 2WD
	6 = Lt. Duty DODGE 4WD
	2 = Med. Duty DODGE 2WD
	7 = Med. Duty DODGE 4WD

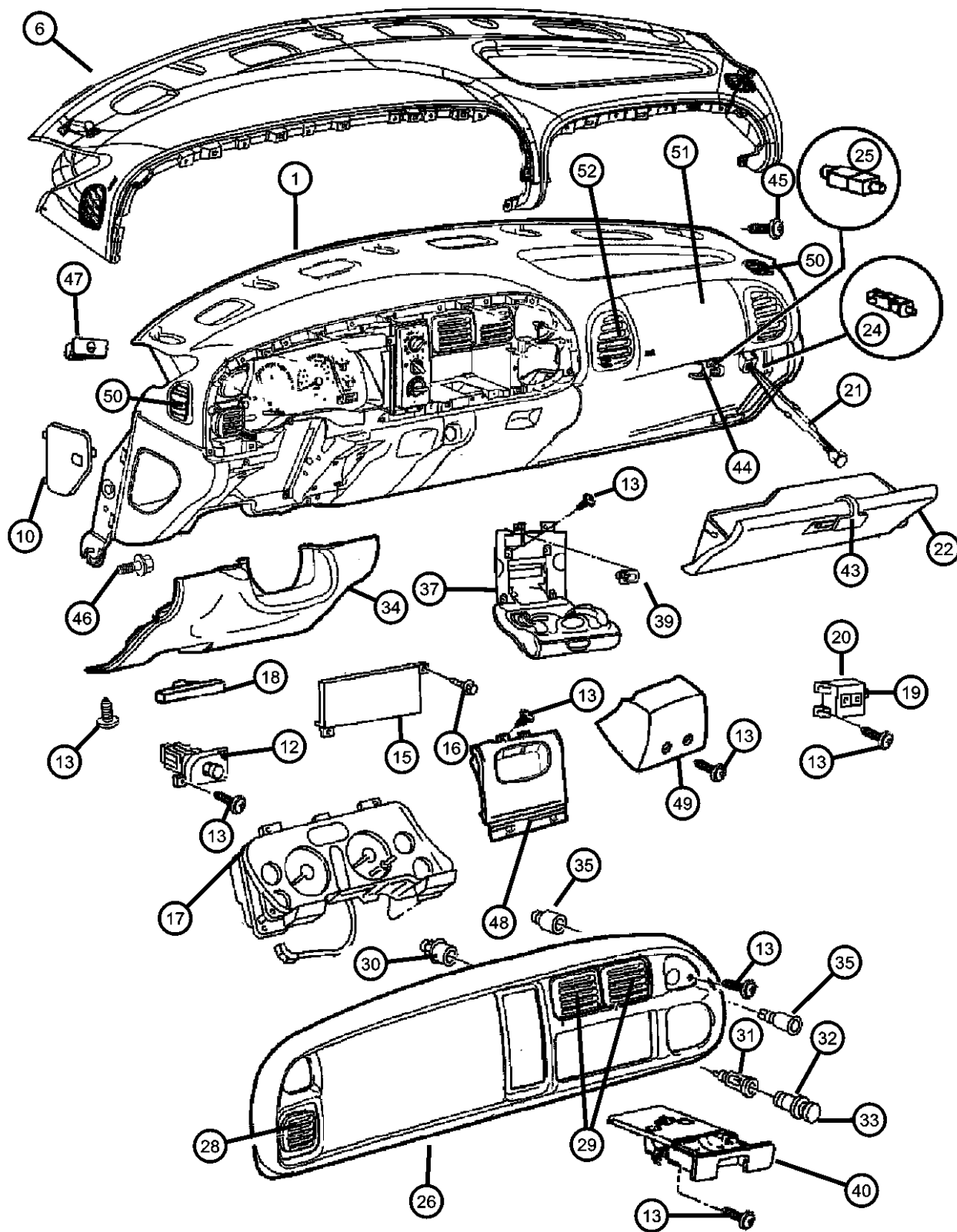
BODY	ENGINE	TRANSMISSION
31 = CLUB CAB 2-DR 6.5 FT BOX	ELF = ENGINE - 5.2L V8 MPI	DDC = TRANSMISSION - 5-SPEED HD MANUAL
32 = CLUB CAB 2-DR 8FT BOX	EML = ENGINE - 5.9L V8 MPI	DDP = TRANSMISSION - 5-SPEED MANUAL
33 = QUAD CAB 4-DR 6.5 FT BOX	EMM = ENGINE - "MAGNUM" 5.9L SMPI V8	DDX = TRANSMISSION - 5-SPEED HD MANUAL
34 = QUAD CAB 4-DR 8FT BOX	ETC = ENGINE- 5.9L CUMMINS 24V DIESEL	DEE = TRANSMISSION - 6-SPEED HD MANUAL
	ETH = ENGINE- 5.9L HO CUMMINS TURBO DIESEL	DGP = TRANSMISSION - 4-SPD. AUTOMATIC, 47RE
	EWA = ENGINE - 8.0L V10 MPI	DGT = TRANSMISSION - 4-SPD. AUTOMATIC, 46RE

AR = use ase required - = Non illustrated part

2000 BE



Instrument Panel  
Figure 08A-135



ITEM	PART NUMBER	QTY	LINE	SERIES	BODY	ENGINE	TRANS	TRIM	DESCRIPTION
	5FR451C8	1							Cirrus
	5FR451K9	1							Suede
-41	55055853AD	1							SHIELD, Ash Tray
-42	06032723	2							SCREW, Self Tapping, M4.2x1.69x19.05
43									LABEL, Air Bag Warning
	04595748AA	1							English
	04595749AA	1							Bilingual
	55350848AA	2							Sun Visor (English/French)
44	05010358AA	1							STRIKER, Glove Box Door
45	05010358AA	1							SCREW, Console, SCREW, I/Panel to Cowl Bar (M4x8x1.59x32.00) Not Serviced, (NOT SERVICED)
46	05010358AA	1							SCREW AND WASHER, SCREW & WASHER ASSEMBLY, I/Panel End Support to Body (M8x1.25x30.00) ***, (NOT SERVICED)
47	06504485AB	4							NUT, Plastic Snap-in
48									BIN, Instrument Panel
	5FM161AZAB	1							Agate
	5FM161C8AB	1							Cirrus
	5FM161K9AB	1							Suede
	5FZ72DX9AB	1							Black (Acces Bin w/Lamp) Covered Hole in Bin (Mat Serviced In Assembly Only)
49									COVER, Control Unit
	5GJ24LAZAA	1							Agate
	5GJ24RC8AA	1							Cirrus
	5GJ24VK9AA	1							Suede
50									GRILLE, Instrument Panel Demister
	0RU35LAZAA	1							Agate, Left
	0RU35RC8AA	1							Cirrus, Left

RAM PICKUP/CLUB CAB (BE)

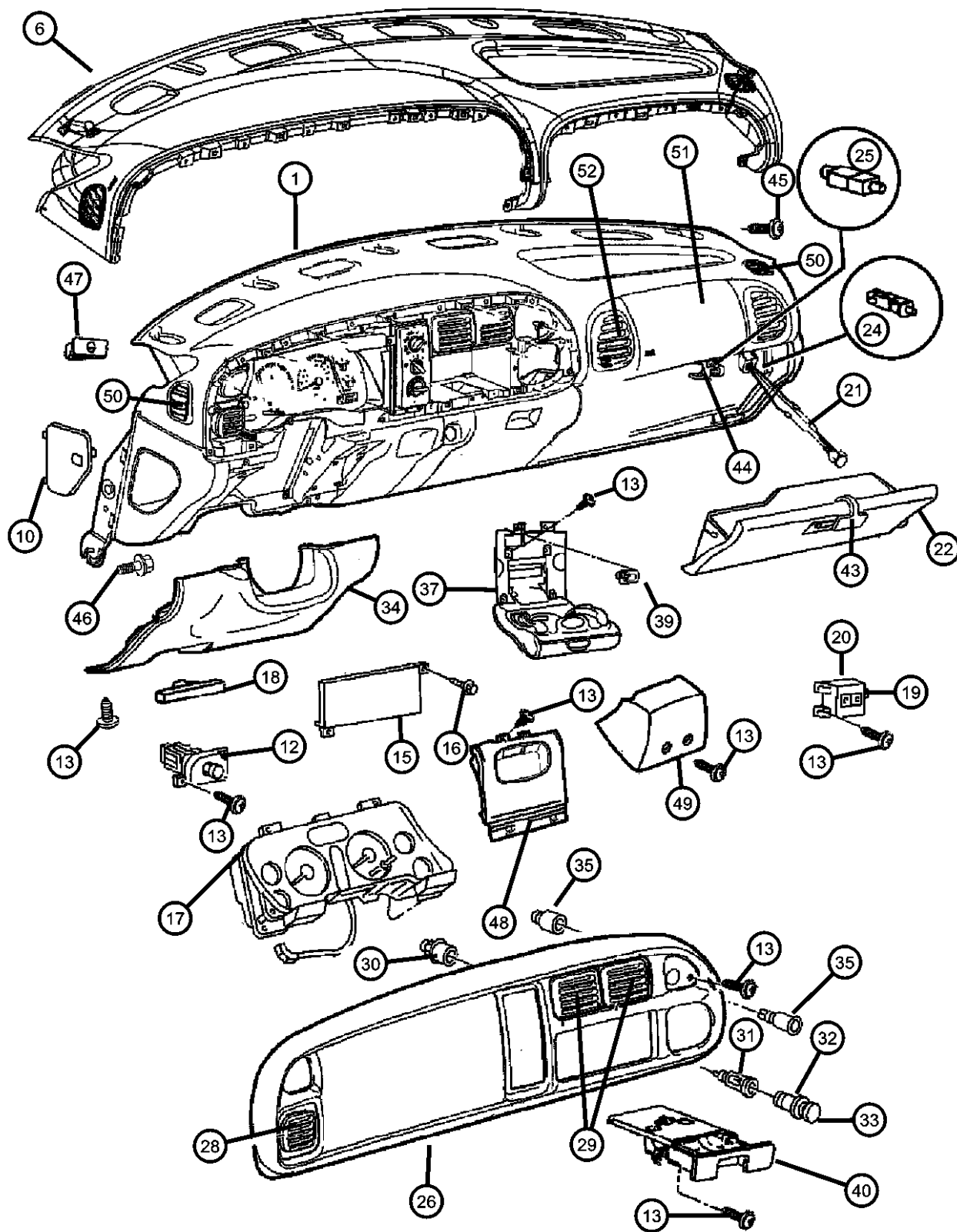
SERIES	LINE
L = Ram Truck (All)	3 = HD DODGE 2WD
	8 = HD DODGE 4WD
	1 = Lt. Duty DODGE 2WD
	6 = Lt. Duty DODGE 4WD
	2 = Med. Duty DODGE 2WD
	7 = Med. Duty DODGE 4WD

BODY	ENGINE	TRANSMISSION
31 = CLUB CAB 2-DR 6.5 FT BOX	ELF = ENGINE - 5.2L V8 MPI	DDC = TRANSMISSION - 5-SPEED HD MANUAL
32 = CLUB CAB 2-DR 8FT BOX	EML = ENGINE - 5.9L V8 MPI	DDP = TRANSMISSION - 5-SPEED MANUAL
33 = QUAD CAB 4-DR 6.5 FT BOX	EMM = ENGINE - "MAGNUM" 5.9L SMPI V8	DDX = TRANSMISSION - 5-SPEED HD MANUAL
34 = QUAD CAB 4-DR 8FT BOX	ETC = ENGINE- 5.9L CUMMINS 24V DIESEL	DEE = TRANSMISSION - 6-SPEED HD MANUAL
	ETH = ENGINE- 5.9L HO CUMMINS TURBO DIESEL	DGP = TRANSMISSION - 4-SPD. AUTOMATIC, 47RE
	EWA = ENGINE - 8.0L V10 MPI	DGT = TRANSMISSION - 4-SPD. AUTOMATIC, 46RE

AR = use ase required - = Non illustrated part

2000 BE

Instrument Panel  
Figure 08A-135



ITEM	PART NUMBER	QTY	LINE	SERIES	BODY	ENGINE	TRANS	TRIM	DESCRIPTION
	0RU35VK9AA	1							Suede, Left
	0RU34LAZAA	1							Agate, Right
	0RU34RC8AA	1							Cirrus, Right
	0RU34VK9AA	1							Suede, Right
51									AIR BAG, Passenger, Cover & Air/Heat Outlet Included
	5GE24LAZAA	1							Agate
	5GE24RC8AA	1							Cirrus
	5GE24VK9AA	1							Suede
52									OUTLET, Air Conditioning & Heater
	0RU48LAZAA	1							Agate, Right
	0RU48RC8AA	1							Cirrus, Right
	0RU48VK9AA	1							Suede, Right
	0RU49LAZAA	1							Agate, Left
	0RU49RC8AA	1							Cirrus, Left
	0RU49VK9AA	1							Suede, Left
-53	05012954AA	4							RETAINER, Air Outlet
-54	04685591	1							CAP, Cigar Lighter

RAM PICKUP/CLUB CAB (BE)

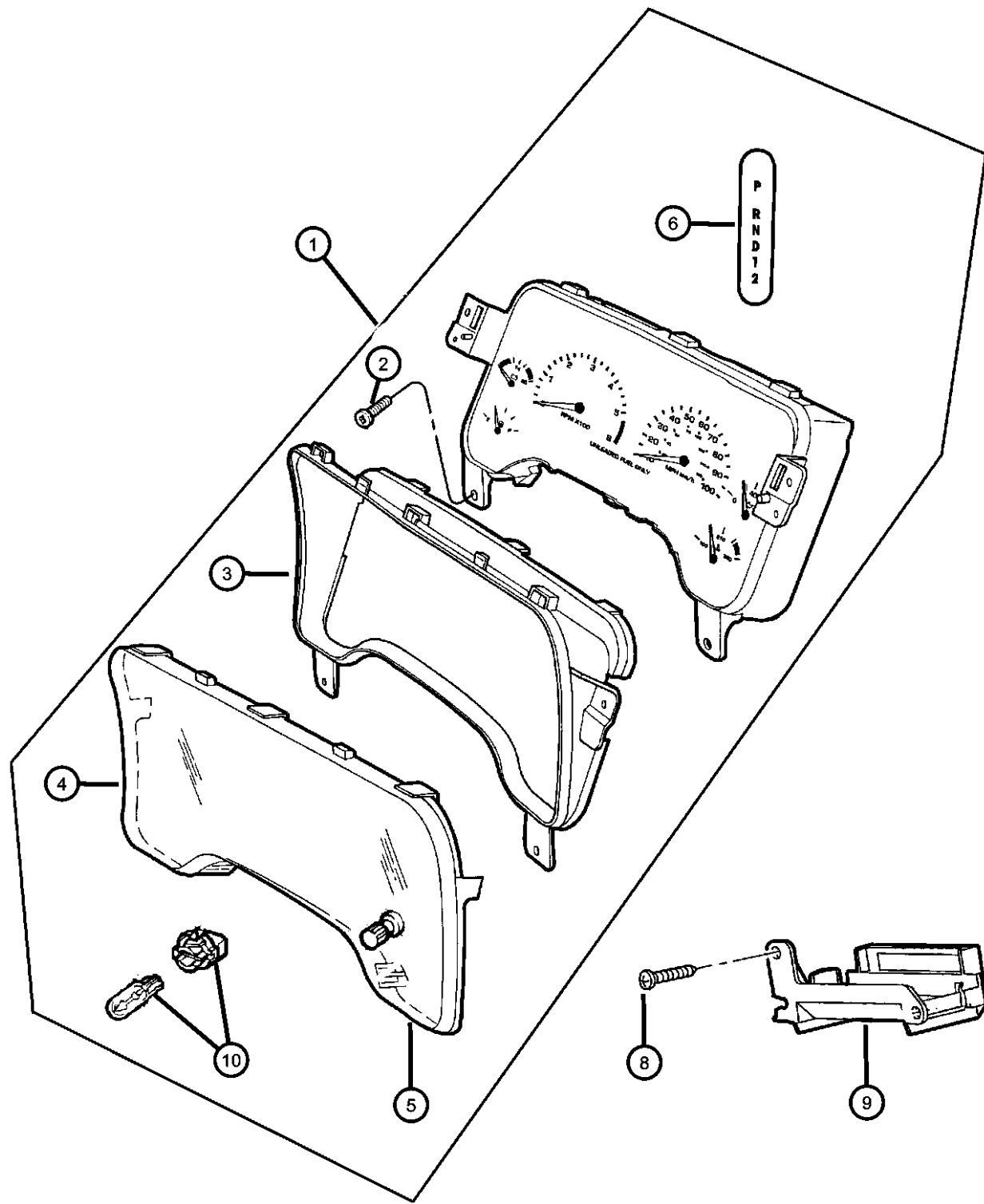
SERIES	LINE
L = Ram Truck (All)	3 = HD DODGE 2WD
	8 = HD DODGE 4WD
	1 = Lt. Duty DODGE 2WD
	6 = Lt. Duty DODGE 4WD
	2 = Med. Duty DODGE 2WD
	7 = Med. Duty DODGE 4WD

BODY	ENGINE	TRANSMISSION
31 = CLUB CAB 2-DR 6.5 FT BOX	ELF = ENGINE - 5.2L V8 MPI	DDC = TRANSMISSION - 5-SPEED HD MANUAL
32 = CLUB CAB 2-DR 8FT BOX	EML = ENGINE - 5.9L V8 MPI	DDP = TRANSMISSION - 5-SPEED MANUAL
33 = QUAD CAB 4-DR 6.5 FT BOX	EMM = ENGINE - "MAGNUM" 5.9L SMPI V8	DDX = TRANSMISSION - 5-SPEED HD MANUAL
34 = QUAD CAB 4-DR 8FT BOX	ETC = ENGINE- 5.9L CUMMINS 24V DIESEL	DEE = TRANSMISSION - 6-SPEED HD MANUAL
	ETH = ENGINE- 5.9L HO CUMMINS TURBO DIESEL	DGP = TRANSMISSION - 4-SPD. AUTOMATIC,47RE
	EWA = ENGINE - 8.0L V10 MPI	DGT = TRANSMISSION - 4-SPD. AUTOMATIC,46RE

AR = use ase required - = Non illustrated part

2000 BE

**Instrument Cluster  
Figure 08A-235**



ITEM	PART NUMBER	QTY	LINE	SERIES	BODY	ENGINE	TRANS	TRIM	DESCRIPTION
1	56045679AB	1							CLUSTER, Rallye 5.2L & 5.9L Engines w/120 MPH (Miles) w/Tach
	56045680AB	1							8.0L Engine w/120 MPH (Miles) w/Tach
	56045681AB	1							5.9L Turbo Diesel Engine w/120 MPH (Miles) w/Tach
	56045683AB	1							5.2L & 5.9L Engines w/200 KPH (Kilos) w/Tach
	56045684AB	1							8.0L Engine w/120 KPH (Kilos) w/Tach
	56045685AB	1							5.9L Turbo Diesel Engine w/120 KPH (Kilos) w/Tach
2	06032723	2							SCREW, Self Tapping, M4.2x1.69x19.05
3	56020162	1							MASK, Instrument Cluster 5.2L & 5.9L Engines
		1							8.0L Engine
		1							Diesel Engine
4	56020161	1							LENS, Cluster 5.2L & 5.9L Engines
		1							8.0L Engine
		1							Diesel Engine
5		1							KNOB, KNOB, Trip Odometer (Serviced w/Cluster Assembly), (NOT SERVICED), INDICATOR, PRNDL
6	56020622	1							
-7	56007476	1							PLUG
8	06101946	2							SCREW, Tapping
9	56021790	1							BRACKET, Gear Selector
10	05269391	2							LAMP, Bulb And Socket

**RAM PICKUP/CLUB CAB (BE)**

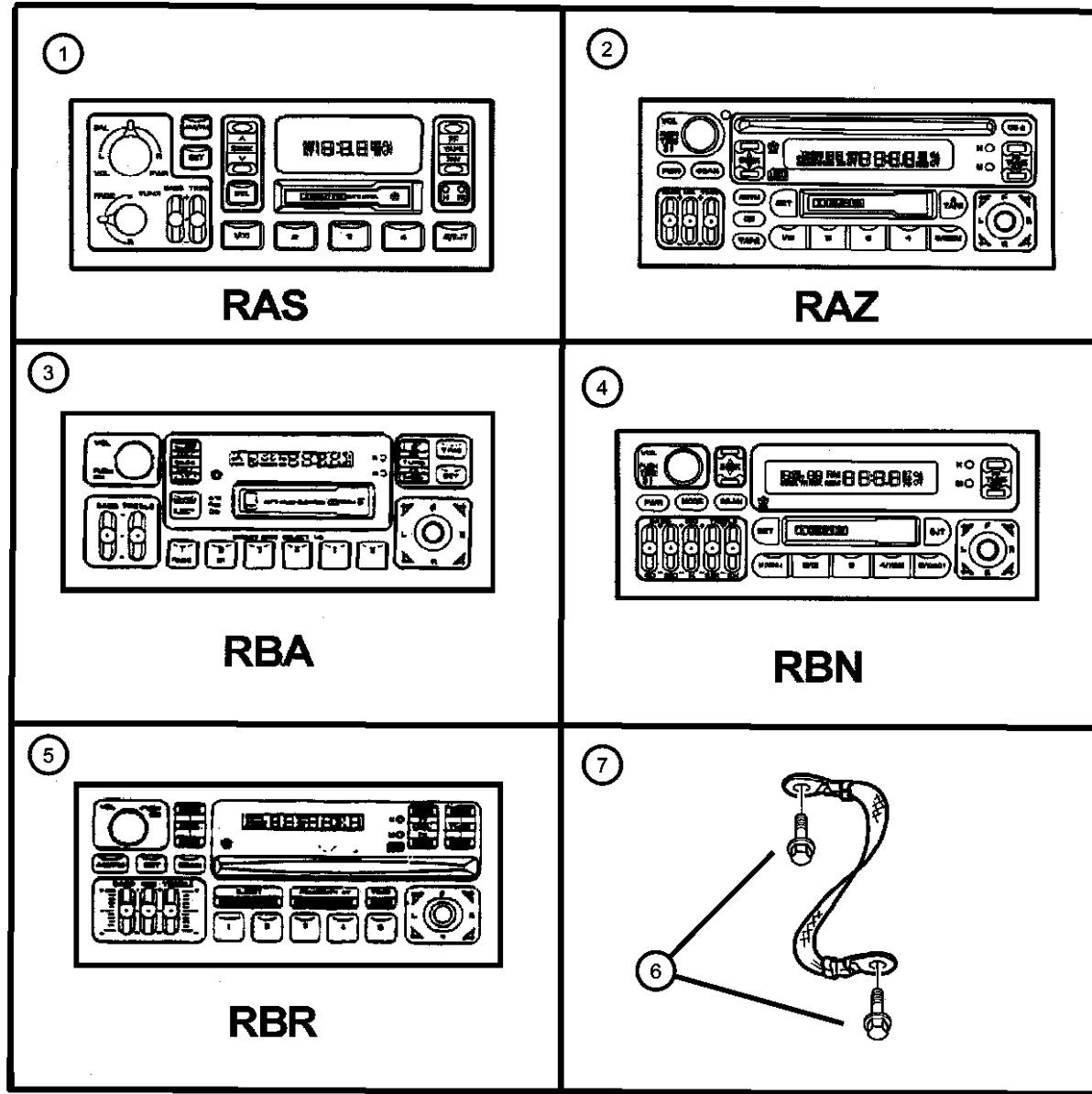
SERIES	LINE
L = Ram Truck (All)	3 = HD DODGE 2WD
	8 = HD DODGE 4WD
	1 = Lt. Duty DODGE 2WD
	6 = Lt. Duty DODGE 4WD
	2 = Med. Duty DODGE 2WD
	7 = Med. Duty DODGE 4WD

BODY	ENGINE	TRANSMISSION
31 = CLUB CAB 2-DR 6.5 FT BOX	ELF = ENGINE - 5.2L V8 MPI	DDC = TRANSMISSION - 5-SPEED HD MANUAL
32 = CLUB CAB 2-DR 8FT BOX	EML = ENGINE - 5.9L V8 MPI	DDP = TRANSMISSION - 5-SPEED MANUAL
33 = QUAD CAB 4-DR 6.5 FT BOX	EMM = ENGINE - "MAGNUM" 5.9L SMPI V8	DDX = TRANSMISSION - 5-SPEED HD MANUAL
34 = QUAD CAB 4-DR 8FT BOX	ETC = ENGINE- 5.9L CUMMINS 24V DIESEL	DEE = TRANSMISSION - 6-SPEED HD MANUAL
	ETH = ENGINE- 5.9L HO CUMMINS TURBO DIESEL	DGP = TRANSMISSION - 4-SPD. AUTOMATIC, 47RE
	EWA = ENGINE - 8.0L V10 MPI	DGT = TRANSMISSION - 4-SPD. AUTOMATIC, 46RE

AR = use ase required - = Non illustrated part

2000 BE

**Radio  
Figure 08A-333**



ITEM	PART NUMBER	QTY	LINE	SERIES	BODY	ENGINE	TRANS	TRIM	DESCRIPTION
	RAS=AM/FM Cassette RAZ=AM/FM w/CD & Cassette RBR=AM/FM w/CD & Equalizer RBN=AM/FM Cassette w/Control RBA=AM/FM w/CD								
1	56038933AB	1							RADIO, AM/FM Cassette, RAS
2	04704383AH	1							RADIO, AM/FM with CD and Cassette, RAZ
3	04704392AD	1							RADIO, AM/FM with CD, RBA
4	04704386AD	1							RADIO, AM/FM Cassette with CD Control, RBN
5	04704373AD	1			31, 33, 34				RADIO, AM/FM with CD and Equalizer, RBR
6	04704373AD	1							SCREW, (NOT SERVICED)
7	56043033	1							STRAP, Ground

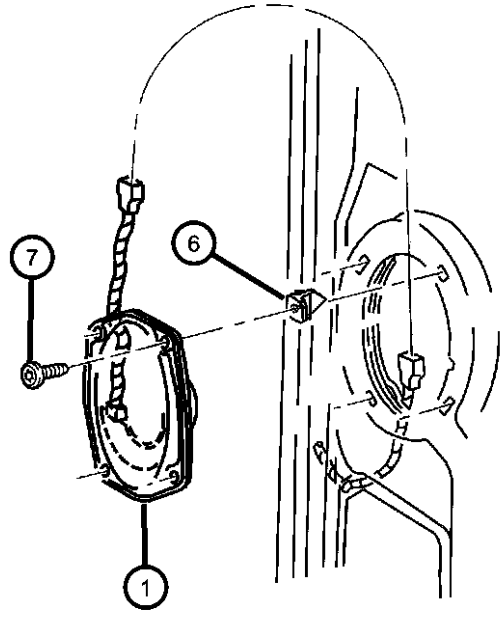
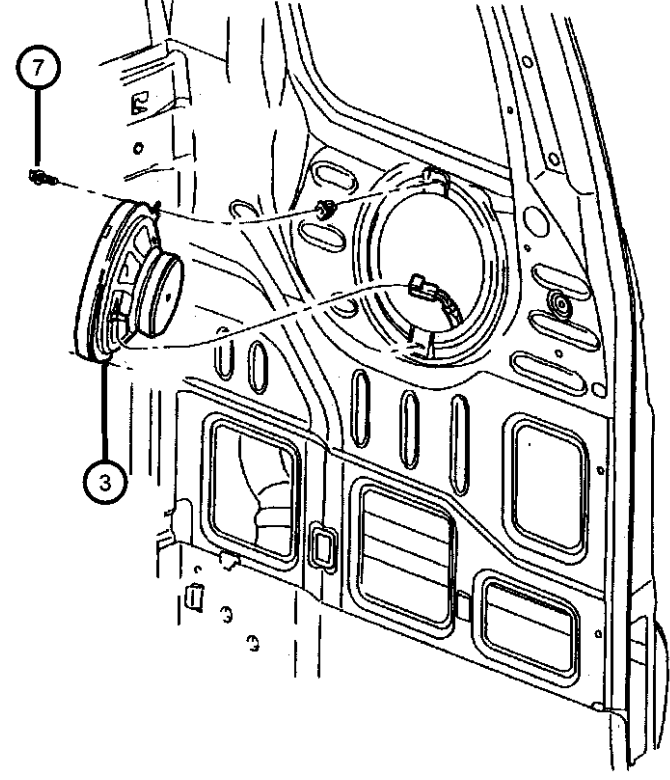
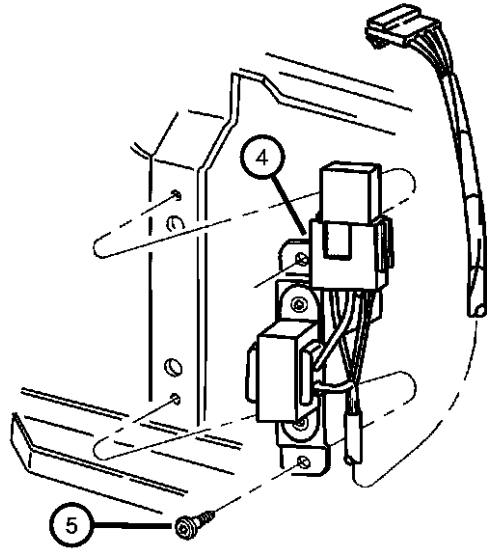
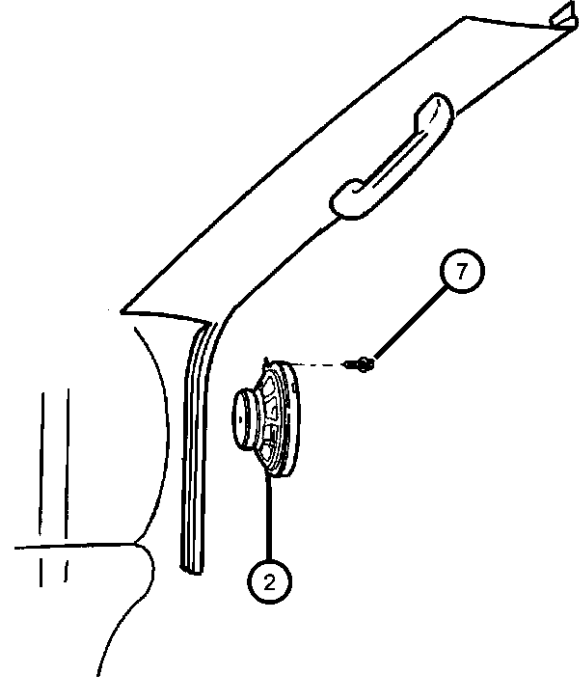
**RAM PICKUP/CLUB CAB (BE)**

SERIES	LINE	BODY	ENGINE	TRANSMISSION
L = Ram Truck (All)	3 = HD DODGE 2WD 8 = HD DODGE 4WD 1 = Lt. Duty DODGE 2WD 6 = Lt. Duty DODGE 4WD 2 = Med. Duty DODGE 2WD 7 = Med. Duty DODGE 4WD	31 = CLUB CAB 2-DR 6.5 FT BOX 32 = CLUB CAB 2-DR 8FT BOX 33 = QUAD CAB 4-DR 6.5 FT BOX 34 = QUAD CAB 4-DR 8FT BOX	ELF = ENGINE - 5.2L V8 MPI EML = ENGINE - 5.9L V8 MPI EMM = ENGINE - "MAGNUM" 5.9L SMPI V8 ETC = ENGINE- 5.9L CUMMINS 24V DIESEL ETH = ENGINE- 5.9L HO CUMMINS TURBO DIESEL EWA = ENGINE - 8.0L V10 MPI	DDC = TRANSMISSION - 5-SPEED HD MANUAL DDP = TRANSMISSION - 5-SPEED MANUAL DDX = TRANSMISSION - 5-SPEED HD MANUAL DEE = TRANSMISSION - 6-SPEED HD MANUAL DGP = TRANSMISSION - 4-SPD. AUTOMATIC,47RE DGT = TRANSMISSION - 4-SPD. AUTOMATIC,46RE

AR = use ase required - = Non illustrated part

## Speakers Figure 08A-334

ITEM	PART NUMBER	QTY	LINE	SERIES	BODY	ENGINE	TRANS	TRIM	DESCRIPTION
------	-------------	-----	------	--------	------	--------	-------	------	-------------



Note:  
RCD = Four Speakers  
RCE = Infinity Speaker System

1	56020370	2							SPEAKER, Door, Lower Door Standard 6x9 (RCD)
	56043123AD	2							Infinity (RCE) Up to 01/10/00
	56043123AE	2							Infinity (RCE) After 01/10/00
2	5FV66LAZAB	1							SPEAKER, Front Tweeter, A Pillar Agate
	5FV66RC3AB	1							Gray
	5FV66RK5AB	1							Tan
3	56020372	2							SPEAKER, 5.25", Rear Standard 5.25 (RCD)
	56043856	2							Infinity (RCE)
4	56009941AA	1							CHOKE, Speaker
5	06032723	6							SCREW, Self Tapping, M4.2x1.69x19.05
6	06034715	8							CLIP, Speaker
7	06034715	8							SCREW, Hex Flange Head Tapping, .190x16x.750, (NOT SERVICED)

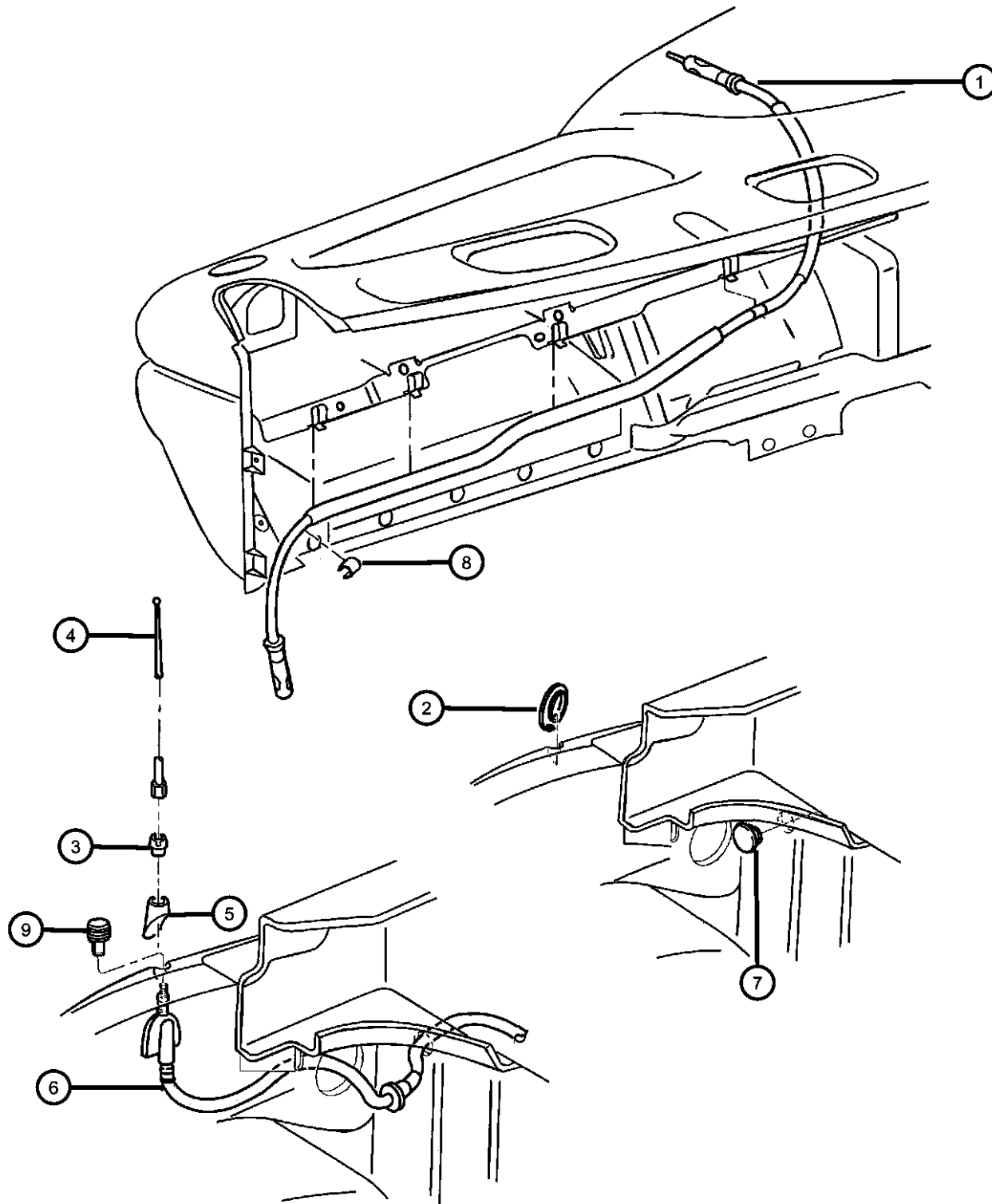
### RAM PICKUP/CLUB CAB (BE)

SERIES	LINE	BODY	ENGINE	TRANSMISSION
L = Ram Truck (All)	3 = HD DODGE 2WD 8 = HD DODGE 4WD 1 = Lt. Duty DODGE 2WD 6 = Lt. Duty DODGE 4WD 2 = Med. Duty DODGE 2WD 7 = Med. Duty DODGE 4WD	31 = CLUB CAB 2-DR 6.5 FT BOX 32 = CLUB CAB 2-DR 8FT BOX 33 = QUAD CAB 4-DR 6.5 FT BOX 34 = QUAD CAB 4-DR 8FT BOX	ELF = ENGINE - 5.2L V8 MPI EML = ENGINE - 5.9L V8 MPI EMM = ENGINE - "MAGNUM" 5.9L SMPI V8 ETC = ENGINE- 5.9L CUMMINS 24V DIESEL ETH = ENGINE- 5.9L HO CUMMINS TURBO DIESEL EWA = ENGINE - 8.0L V10 MPI	DDC = TRANSMISSION - 5-SPEED HD MANUAL DDP = TRANSMISSION - 5-SPEED MANUAL DDX = TRANSMISSION - 5-SPEED HD MANUAL DEE = TRANSMISSION - 6-SPEED HD MANUAL DGP = TRANSMISSION - 4-SPD. AUTOMATIC, 47RE DGT = TRANSMISSION - 4-SPD. AUTOMATIC, 46RE

AR = use ase required - = Non illustrated part

Antenna  
Figure 08A-335

ITEM	PART NUMBER	QTY	LINE	SERIES	BODY	ENGINE	TRANS	TRIM	DESCRIPTION
1	56043039AB	1							CABLE, Antenna
2	56006990	1							PLUG, Sealing
3	56006828	1							CAP NUT, Antenna
4	04685574	1							MAST, Antenna, Black
5	56043018	1							ADAPTER, Antenna
6	56043019AC	1							CABLE, Antenna
7	02860332	1							PLUG, Anti-Rattle
8	04274258	1							TAPE, Radio Connector, Foam
9	05269593	1							CAP, Antenna Body



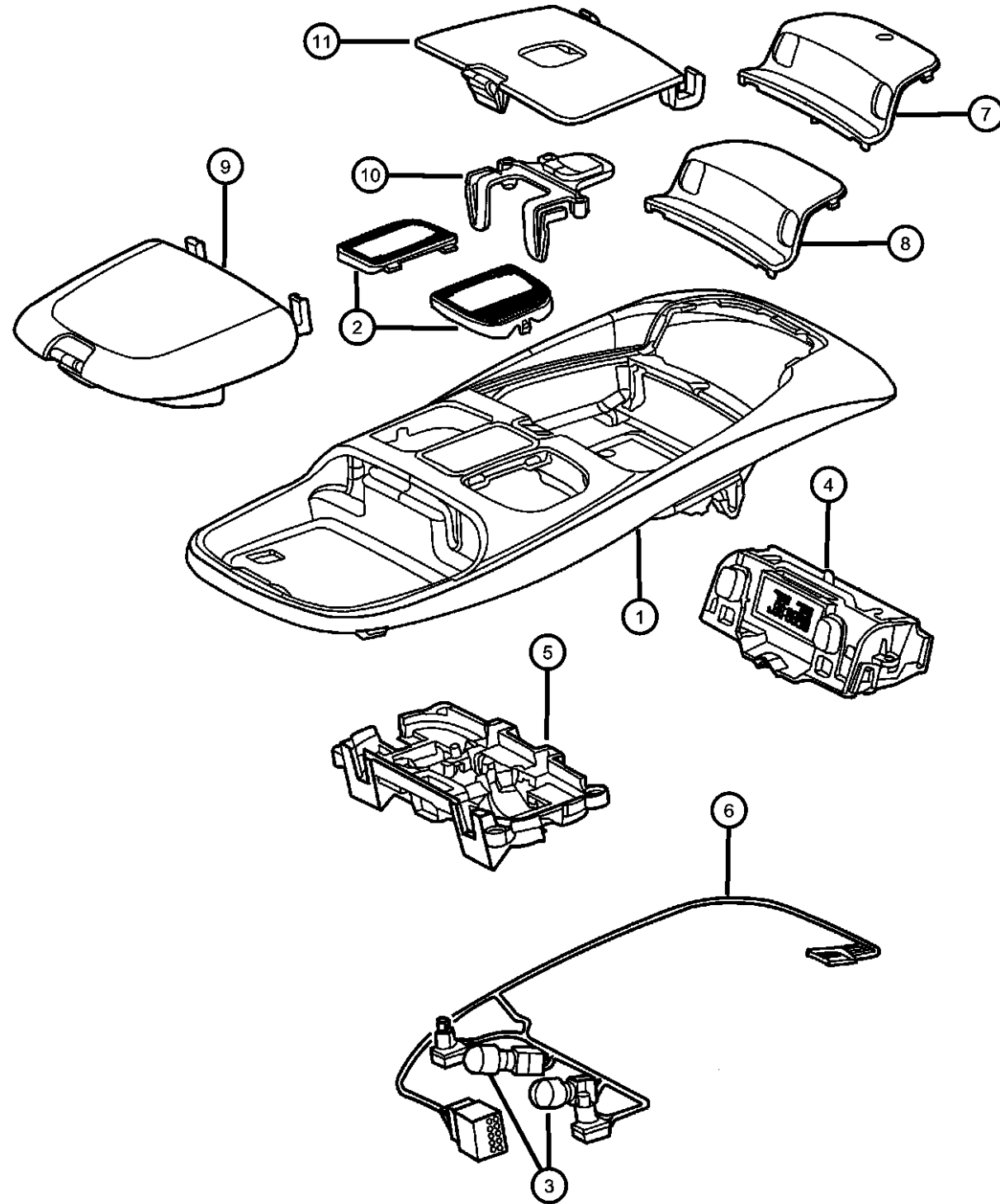
RAM PICKUP/CLUB CAB (BE)

SERIES	LINE	BODY	ENGINE	TRANSMISSION
L = Ram Truck (All)	3 = HD DODGE 2WD 8 = HD DODGE 4WD 1 = Lt. Duty DODGE 2WD 6 = Lt. Duty DODGE 4WD 2 = Med. Duty DODGE 2WD 7 = Med. Duty DODGE 4WD	31 = CLUB CAB 2-DR 6.5 FT BOX 32 = CLUB CAB 2-DR 8FT BOX 33 = QUAD CAB 4-DR 6.5 FT BOX 34 = QUAD CAB 4-DR 8FT BOX	ELF = ENGINE - 5.2L V8 MPI EML = ENGINE - 5.9L V8 MPI EMM = ENGINE - "MAGNUM" 5.9L SMPI V8 ETC = ENGINE- 5.9L CUMMINS 24V DIESEL ETH = ENGINE- 5.9L HO CUMMINS TURBO DIESEL EWA = ENGINE - 8.0L V10 MPI	DDC = TRANSMISSION - 5-SPEED HD MANUAL DDP = TRANSMISSION - 5-SPEED MANUAL DDX = TRANSMISSION - 5-SPEED HD MANUAL DEE = TRANSMISSION - 6-SPEED HD MANUAL DGP = TRANSMISSION - 4-SPD. AUTOMATIC,47RE DGT = TRANSMISSION - 4-SPD. AUTOMATIC,46RE

AR = use ase required - = Non illustrated part

2000 BE

**Overhead Console  
Figure 08A-430**



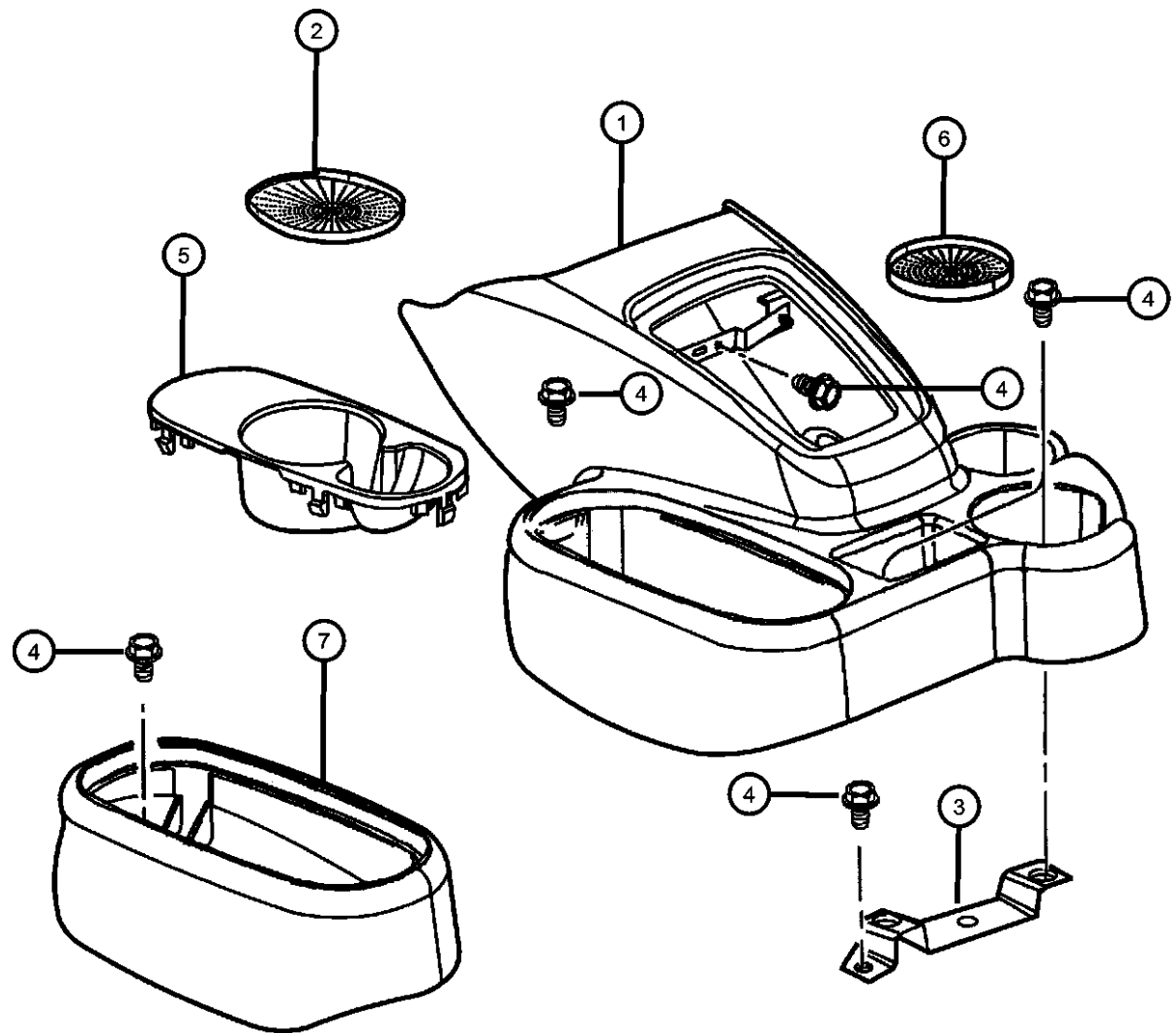
ITEM	PART NUMBER	QTY	LINE	SERIES	BODY	ENGINE	TRANS	TRIM	DESCRIPTION
1	0SN94TL2AA	1							HOUSING, Overhead Console, Beige
2	05013618AA	1							LENS, Maplamp Right
	05013619AA	1							Left
3	L0021202	2							BULB, 212-2
4	55350003AF	1							MODULE, Compass Temperature w/Security
	55350660AF	1							w/o Security
5	05013606AB	1							HOUSING, Bulb, (Bulb Reflectors & Storage Door Detent Spring Included)
6	05013608AA	1							WIRING, Overhead Console w/Temperature Compass
	05013609AA	1							w/o Temperature Compass
7	05013612AA	1							LENS, Message Center w/o Security L.E.D.
	05013613AA	1							w/Security L.E.D.
8	0SN93TL2AA	1							COVER, Module, w/o Compass & Temperature Module ( Beige)
9	0SN96TL2AA	1							DOOR, Sunglass Bin, w/Liner (Beige)
10	0SN97TL2AA	1							BUTTON, Door Lock, Beige
11	0SN98TL2AA	1							DOOR, Garage Door Opener, w/Snap Off Spacers/Adapters (Beige)

**RAM PICKUP/CLUB CAB (BE)**

SERIES	LINE	BODY	ENGINE	TRANSMISSION
L = Ram Truck (All)	3 = HD DODGE 2WD	31 = CLUB CAB 2-DR 6.5 FT BOX	ELF = ENGINE - 5.2L V8 MPI	DDC = TRANSMISSION - 5-SPEED HD MANUAL
	8 = HD DODGE 4WD	32 = CLUB CAB 2-DR 8FT BOX	EML = ENGINE - 5.9L V8 MPI	DDP = TRANSMISSION - 5-SPEED MANUAL
	1 = Lt. Duty DODGE 2WD	33 = QUAD CAB 4-DR 6.5 FT BOX	EMM = ENGINE - "MAGNUM" 5.9L SMPI V8	DDX = TRANSMISSION - 5-SPEED HD MANUAL
	6 = Lt. Duty DODGE 4WD	34 = QUAD CAB 4-DR 8FT BOX	ETC = ENGINE- 5.9L CUMMINS 24V DIESEL	DEE = TRANSMISSION - 6-SPEED HD MANUAL
	2 = Med. Duty DODGE 2WD		ETH = ENGINE- 5.9L HO CUMMINS TURBO DIESEL	DGP = TRANSMISSION - 4-SPD. AUTOMATIC, 47RE
	7 = Med. Duty DODGE 4WD		EWA = ENGINE - 8.0L V10 MPI	DGT = TRANSMISSION - 4-SPD. AUTOMATIC, 46RE

AR = use ase required - = Non illustrated part

Floor Console  
Figure 08A-435



ITEM	PART NUMBER	QTY	LINE	SERIES	BODY	ENGINE	TRANS	TRIM	DESCRIPTION
1	5EZ54LAZ	1							CONSOLE, Floor Agate, Manual Transmission
	5EZ54RC8	1							Gray, Manual Transmission
	5EZ54VK9	1							Tan, Manual Transmission
2	5GA43DX9AA	1							MAT, Console Cup HolderManual Transmission
3	55055630AB	1							BRACKET, Console
4	55055630AB	1							SCREW, Hex Flange Head Tapping, .190-16x.750, (NOT SERVICED)
5	5EZ53LAZ	1	1, 2, 3						CUPHOLDER, Console Agate, Manual Transmission
	5EZ53RC8	1	1, 2, 3						Gray, Manual Transmission
	5EZ53VK9	1	1, 2, 3						Tan, Manual Transmission
6	5GA44DX9AA	1							PAD, Console Storage Bin
7	5FB39LAZAB	1	6, 7, 8						BEZEL, Transfer Case Agate, Automatic Transmission
	5FB39RC8AB	1	6, 7, 8						Gray, Automatic Transmission
	5FB39VK9AB	1	6, 7, 8						Tan, Automatic Transmission

RAM PICKUP/CLUB CAB (BE)

SERIES	LINE	BODY	ENGINE	TRANSMISSION
L = Ram Truck (All)	3 = HD DODGE 2WD 8 = HD DODGE 4WD 1 = Lt. Duty DODGE 2WD 6 = Lt. Duty DODGE 4WD 2 = Med. Duty DODGE 2WD 7 = Med. Duty DODGE 4WD	31 = CLUB CAB 2-DR 6.5 FT BOX 32 = CLUB CAB 2-DR 8FT BOX 33 = QUAD CAB 4-DR 6.5 FT BOX 34 = QUAD CAB 4-DR 8FT BOX	ELF = ENGINE - 5.2L V8 MPI EML = ENGINE - 5.9L V8 MPI EMM = ENGINE - "MAGNUM" 5.9L SMPI V8 ETC = ENGINE- 5.9L CUMMINS 24V DIESEL ETH = ENGINE- 5.9L HO CUMMINS TURBO DIESEL EWA = ENGINE - 8.0L V10 MPI	DDC = TRANSMISSION - 5-SPEED HD MANUAL DDP = TRANSMISSION - 5-SPEED MANUAL DDX = TRANSMISSION - 5-SPEED HD MANUAL DEE = TRANSMISSION - 6-SPEED HD MANUAL DGP = TRANSMISSION - 4-SPD. AUTOMATIC,47RE DGT = TRANSMISSION - 4-SPD. AUTOMATIC,46RE

AR = use ase required - = Non illustrated part



# Group - 9

## Engine Mounting

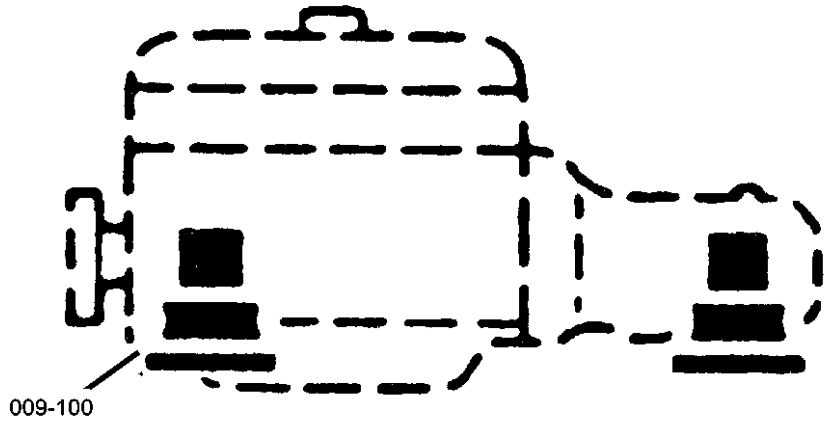
### Group - 9 Engine Mounting

Illustration Title

Group-Fig. No.

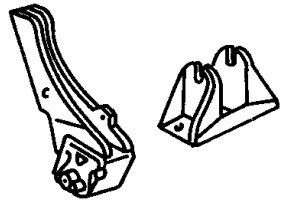
#### Engine Mounting

Engine Mounting, Front.....	Fig. 9 - 110
Engine Mounting, Rear, 2WD.....	Fig. 9 - 120
Engine Mounting, Rear, 4WD.....	Fig. 9 - 130



009-100

**009-100**  
Engine Mounting



**Engine Mounting, Front**  
**Figure 9-110**

ITEM	PART NUMBER	QTY	LINE	SERIES	BODY	ENGINE	TRANS	TRIM	DESCRIPTION
------	-------------	-----	------	--------	------	--------	-------	------	-------------

Note: Sales Code

- DBB = All Manual Transmissions
- DG0 = All Automatic Transmissions
- ELO = All 5.2L 8 Cyl Gas Engines
- EM0 = All 5.9L 8 Cyl Gas Engines
- ETC = 5.9L Cummins 24V Diesel Engine
- ETH = 5.9L HO Cummins Turbo Diesel Engine
- ET0 = All 5.9L Turbo Diesel Engines
- EW0 = All 8.0L Gas Engines

1	52058238	1				ELO, EM0, EW0			SHIELD, Exhaust Manifold
-2	57008125	1				ELO, EM0, EW0			SHIELD, Engine MountLeft
3									SCREW AND WASHER, Hex Head, M12x1.75x155
	06502960	2				ELO, EM0, EW0			
		1				ET0			
4									INSULATOR, Engine Mount
	52018235AB	1	2, 3, 7, 8			EM0, EW0			Left
	52020228AB	1	6			ELO, EM0			Right
	52020229AB	1	6			ELO, EM0			Left
	52020326AB	1	1			ELO, EM0			Right
	52020327AB	1	1			ELO, EM0			Left
	52021490AA	1				ETH	DBB		Right
	52021490AC	1				ETC	DBB		Right
		1				ETC	DG0		Right
	52021491AA	1				ETH	DBB		Left
	52021491AC	1				ETC	DBB		Left
		1				ETC	DG0		Left
	52058804AB	1	2, 3, 7, 8			EM0, EW0			Right
5									RESTRICTOR, Engine Mount
	52019982	1	6			ELO, EM0			Small
		1	1			ELO, EM0			Small
	52058447	2	2, 3, 7, 8						Large

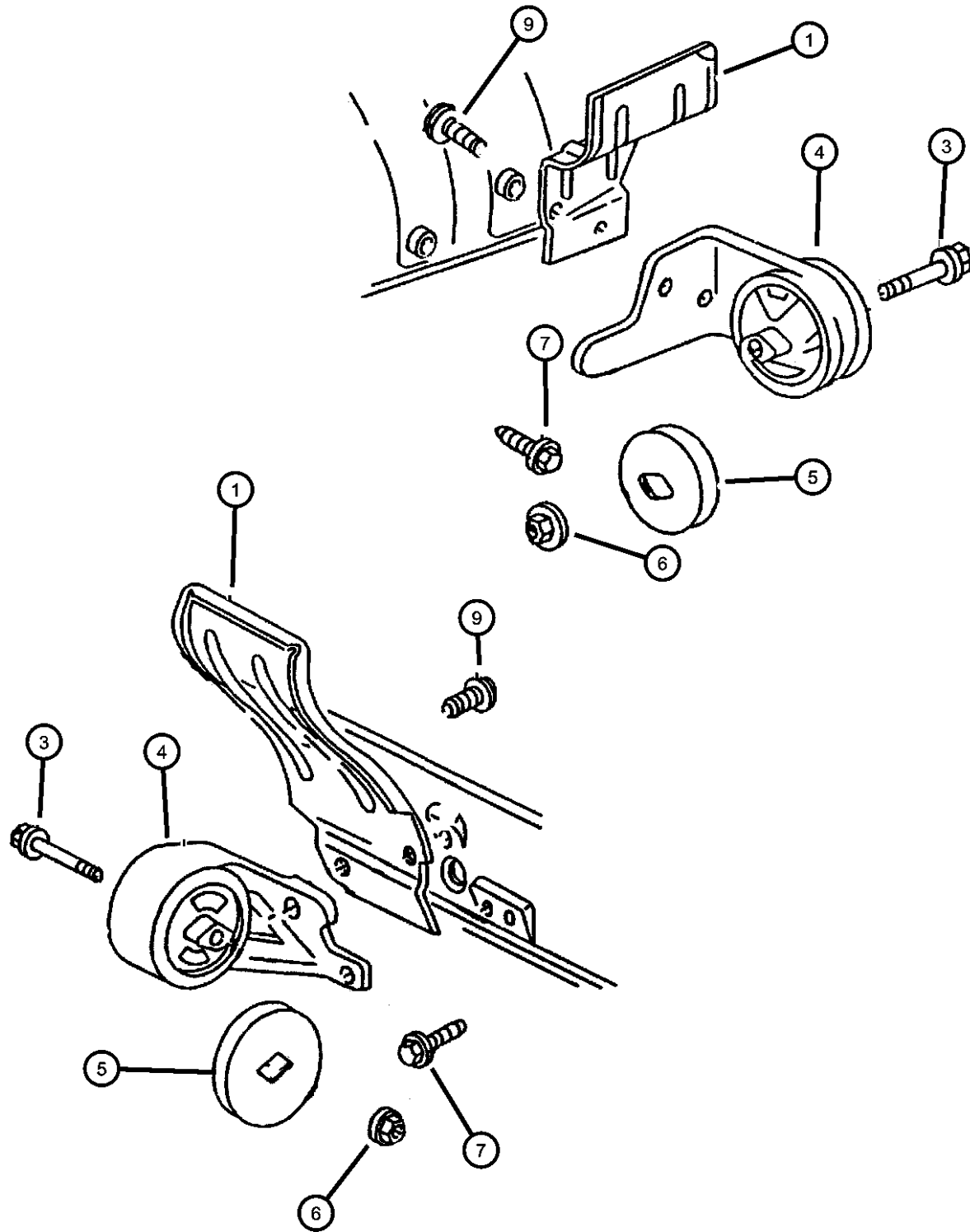
**RAM PICKUP/CLUB CAB (BE)**

SERIES	LINE
L = Ram Truck (All)	3 = HD DODGE 2WD
	8 = HD DODGE 4WD
	1 = Lt. Duty DODGE 2WD
	6 = Lt. Duty DODGE 4WD
	2 = Med. Duty DODGE 2WD
	7 = Med. Duty DODGE 4WD

BODY	ENGINE	TRANSMISSION
31 = CLUB CAB 2-DR 6.5 FT BOX	ELF = ENGINE - 5.2L V8 MPI	DDC = TRANSMISSION - 5-SPEED HD MANUAL
32 = CLUB CAB 2-DR 8FT BOX	EML = ENGINE - 5.9L V8 MPI	DDP = TRANSMISSION - 5-SPEED MANUAL
33 = QUAD CAB 4-DR 6.5 FT BOX	EMM = ENGINE - "MAGNUM" 5.9L SMPI V8	DDX = TRANSMISSION - 5-SPEED HD MANUAL
34 = QUAD CAB 4-DR 8FT BOX	ETC = ENGINE- 5.9L CUMMINS 24V DIESEL	DEE = TRANSMISSION - 6-SPEED HD MANUAL
	ETH = ENGINE- 5.9L HO CUMMINS TURBO DIESEL	DGP = TRANSMISSION - 4-SPD. AUTOMATIC, 47RE
	EWA = ENGINE - 8.0L V10 MPI	DGT = TRANSMISSION - 4-SPD. AUTOMATIC, 46RE

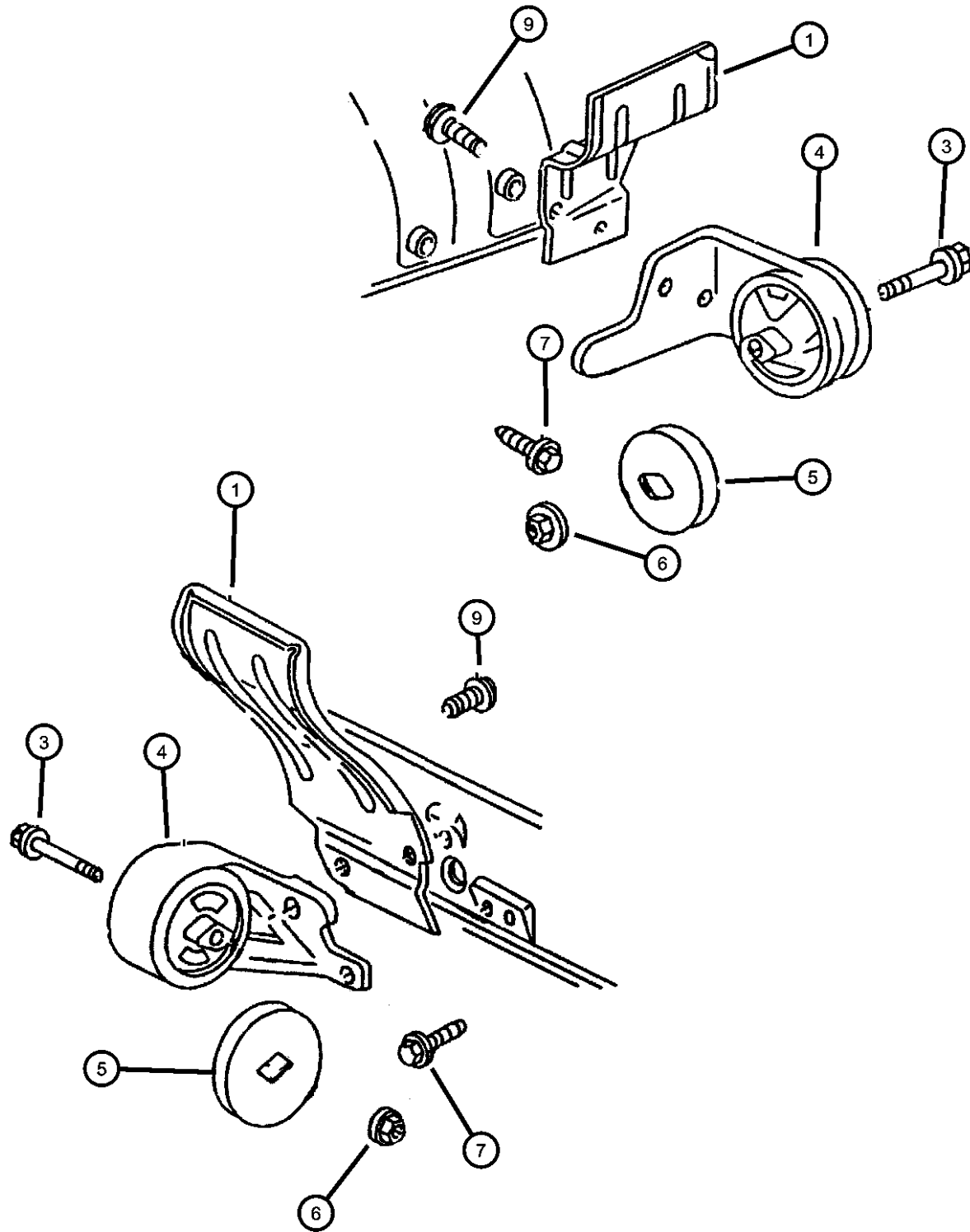
AR = use ase required - = Non illustrated part

2000 BE



Engine Mounting, Front  
Figure 9-110

ITEM	PART NUMBER	QTY	LINE	SERIES	BODY	ENGINE	TRANS	TRIM	DESCRIPTION
6	52058447	2							NUT, M12x1.75, (NOT SERVICED),
7	06035212	6				ELO, EM0, EW0			SCREW, Hex Flange Head, .375-16x1.125
-8	04864516	8				ETC			BOLT, Hex Flange Head
		8				ETH	DBB		
9		8							SCREW, .190x.625, (NOT SERVICED)



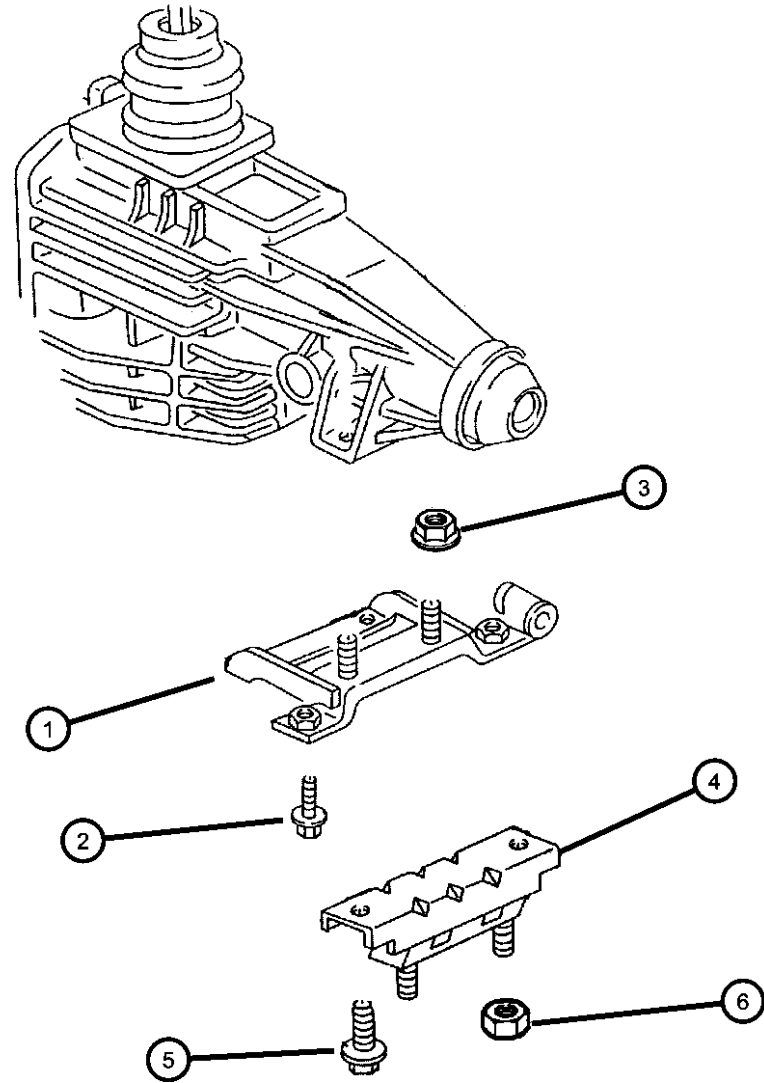
RAM PICKUP/CLUB CAB (BE)

SERIES	LINE	BODY	ENGINE	TRANSMISSION
L = Ram Truck (All)	3 = HD DODGE 2WD	31 = CLUB CAB 2-DR 6.5 FT BOX	ELF = ENGINE - 5.2L V8 MPI	DDC = TRANSMISSION - 5-SPEED HD MANUAL
	8 = HD DODGE 4WD	32 = CLUB CAB 2-DR 8FT BOX	EML = ENGINE - 5.9L V8 MPI	DDP = TRANSMISSION - 5-SPEED MANUAL
	1 = Lt. Duty DODGE 2WD	33 = QUAD CAB 4-DR 6.5 FT BOX	EMM = ENGINE - "MAGNUM" 5.9L SMPI V8	DDX = TRANSMISSION - 5-SPEED HD MANUAL
	6 = Lt. Duty DODGE 4WD	34 = QUAD CAB 4-DR 8FT BOX	ETC = ENGINE- 5.9L CUMMINS 24V DIESEL	DEE = TRANSMISSION - 6-SPEED HD MANUAL
	2 = Med. Duty DODGE 2WD		ETH = ENGINE- 5.9L HO CUMMINS TURBO DIESEL	DGP = TRANSMISSION - 4-SPD. AUTOMATIC, 47RE
	7 = Med. Duty DODGE 4WD		EWA = ENGINE - 8.0L V10 MPI	DGT = TRANSMISSION - 4-SPD. AUTOMATIC, 46RE

AR = use ase required - = Non illustrated part

2000 BE

**Engine Mounting, Rear, 2WD  
Figure 9-120**



ITEM	PART NUMBER	QTY	LINE	SERIES	BODY	ENGINE	TRANS	TRIM	DESCRIPTION
------	-------------	-----	------	--------	------	--------	-------	------	-------------

Note: Sales Code

DDC = 5 Speed Heavy Duty Manual Transmission  
 DDP = 5 Speed Manual Transmission  
 DDX = 5 Speed Heavy Duty Manual Transmission  
 DEE = 6 Speed Heavy Duty Manual Transmission  
 DG0 = All Automatic Transmissions  
 ELO = All 5.2L 8 Cyl Gas Engines  
 EM0 = All 5.9L 8 Cyl Gas Engines  
 ET0 = All 5.9L Turbo Diesel Engines  
 EW0 = All 8.0L Gas Engines

1									BRACKET, Transmission Mount
	52019603AB	1				ET0	DEE		
	52019637	1	1, 2, 3			ELO, EM0	DG0		
	52019639	1	1			ELO, EM0	DDC		
	52019641	1	6			ELO, EM0	DDC		
		1					DDP, DDX		
	52058695	1	1, 2, 3			ET0, EW0	DG0		
2									SCREW AND WASHER, Hex Head Locking, .437-14x1.25
	06033358	4	6, 7, 8						
		2					DDP, DDX		
		3	1, 2, 3				DG0		
		4					DEE		
3		4							NUT, M10x1.50, (NOT SERVICED)
4									INSULATOR, Engine Mount
	52021367AA	1	2, 3, 7, 8			ET0			
	52058218	1	1, 2, 3			ELO, EM0, EW0			
5	52058218	1							SCREW, M10x1.50x30.00, (NOT SERVICED)
6	06101761	2							NUT, Coned Washer, M10 x 1.50

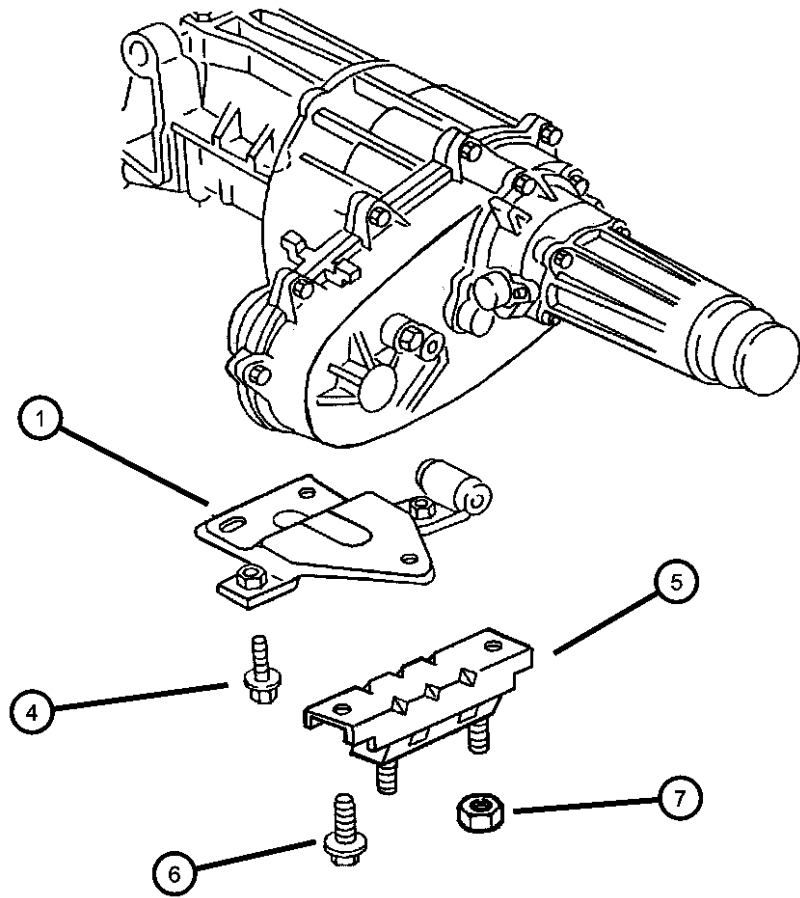
**RAM PICKUP/CLUB CAB (BE)**

SERIES	LINE	BODY	ENGINE	TRANSMISSION
L = Ram Truck (All)	3 = HD DODGE 2WD	31 = CLUB CAB 2-DR 6.5 FT BOX	ELF = ENGINE - 5.2L V8 MPI	DDC = TRANSMISSION - 5-SPEED HD MANUAL
	8 = HD DODGE 4WD	32 = CLUB CAB 2-DR 8FT BOX	EML = ENGINE - 5.9L V8 MPI	DDP = TRANSMISSION - 5-SPEED HD MANUAL
	1 = Lt. Duty DODGE 2WD	33 = QUAD CAB 4-DR 6.5 FT BOX	EMM = ENGINE - "MAGNUM" 5.9L SMPI V8	DDX = TRANSMISSION - 5-SPEED HD MANUAL
	6 = Lt. Duty DODGE 4WD	34 = QUAD CAB 4-DR 8FT BOX	ETC = ENGINE- 5.9L CUMMINS 24V DIESEL	DEE = TRANSMISSION - 6-SPEED HD MANUAL
	2 = Med. Duty DODGE 2WD		ETH = ENGINE- 5.9L HO CUMMINS TURBO DIESEL	DGP = TRANSMISSION - 4-SPD. AUTOMATIC, 47RE
	7 = Med. Duty DODGE 4WD		EWA = ENGINE - 8.0L V10 MPI	DGT = TRANSMISSION - 4-SPD. AUTOMATIC, 46RE

AR = use ase required - = Non illustrated part

2000 BE

**Engine Mounting, Rear, 4WD  
Figure 9-130**



ITEM	PART NUMBER	QTY	LINE	SERIES	BODY	ENGINE	TRANS	TRIM	DESCRIPTION
Note: Sales Code DDC = 5 Speed Heavy Duty Manual Transmission DDP = 5 Speed Manual Transmission DDX = 5 Speed Heavy Duty Manual Transmission DEE = 6 Speed Heavy Duty Manual Transmission DG0 = All Automatic Transmissions ELO = All 5.2L 8 Cyl Gas Engines EM0 = All 5.9L 8 Cyl Gas Engines ETO = All 5.9L Turbo Diesel Engines EW0 = All 8.0L Gas Engines									
1	52019603AB	1				ETO	DEE		BRACKET, Transmission Mount
	52019641	1	6			ELO, EM0	DDC		
		1					DDP, DDX		
-2	52058593AB	1	6, 7, 8			ELO, EM0	DG0		BRACKET, Transmission Case Mounting
-3	52058693AB	1	6, 7, 8			ETO, EW0	DG0		BRACKET, Transfer Case Shaft
4	06033358	3	1, 2, 3				DG0		SCREW AND WASHER, Hex Head Locking, .437-14x1.25
		2	1, 6				DDC		
		4					DEE		
		4	6, 7, 8						
		2					DDP, DDX		
5	52018235AB	1	2, 3, 7, 8			EM0, EW0			INSULATOR, Engine Mount
	52020251AA	1	6			ELO, EM0			
	52021367AA	1	2, 3, 7, 8			ETO			
	52058804AB	1	2, 3, 7, 8			EM0, EW0			[EMO]
6	52058804AB	1							SCREW, M10x1.50x30.00, (NOT SERVICED),
7	06101761	2							NUT, Coned Washer, M10 x 1.50

**RAM PICKUP/CLUB CAB (BE)**

SERIES	LINE	BODY	ENGINE	TRANSMISSION
L = Ram Truck (All)	3 = HD DODGE 2WD 8 = HD DODGE 4WD 1 = Lt. Duty DODGE 2WD 6 = Lt. Duty DODGE 4WD 2 = Med. Duty DODGE 2WD 7 = Med. Duty DODGE 4WD	31 = CLUB CAB 2-DR 6.5 FT BOX 32 = CLUB CAB 2-DR 8FT BOX 33 = QUAD CAB 4-DR 6.5 FT BOX 34 = QUAD CAB 4-DR 8FT BOX	ELF = ENGINE - 5.2L V8 MPI EML = ENGINE - 5.9L V8 MPI EMM = ENGINE - "MAGNUM" 5.9L SMPI V8 ETC = ENGINE- 5.9L CUMMINS 24V DIESEL ETH = ENGINE- 5.9L HO CUMMINS TURBO DIESEL EWA = ENGINE - 8.0L V10 MPI	DDC = TRANSMISSION - 5-SPEED HD MANUAL DDP = TRANSMISSION - 5-SPEED MANUAL DDX = TRANSMISSION - 5-SPEED HD MANUAL DEE = TRANSMISSION - 6-SPEED HD MANUAL DGP = TRANSMISSION - 4-SPD. AUTOMATIC, 47RE DGT = TRANSMISSION - 4-SPD. AUTOMATIC, 46RE

AR = use ase required - = Non illustrated part

# Group - 5.2L

## Engine 5.2L Eight Cylinder

### Group - 5.2L Engine 5.2L Eight Cylinder

Illustration Title

Group-Fig. No.

#### Cylinder Head

Cylinder Head ..... Fig. 5.2L - 210

#### Cylinder Block

Cylinder Block ..... Fig. 5.2L - 310

#### Crankshaft, Piston and Torque Converter

Crankshaft, Piston and Torque Converter ..... Fig. 5.2L - 410

#### Camshafts & Valves

Camshaft and Valves ..... Fig. 5.2L - 510

#### Timing Belt and Cover

Timing Gear and Cover ..... Fig. 5.2L - 610

#### Engine Oiling

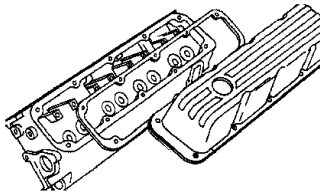
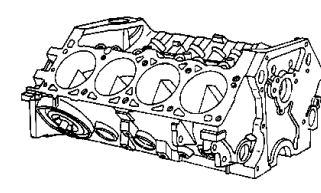
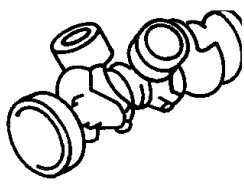
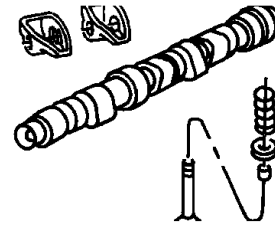
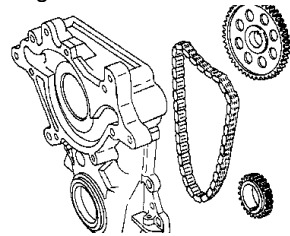
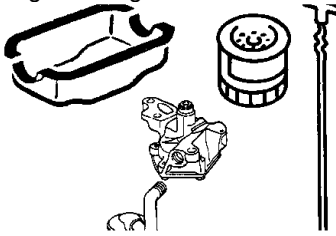
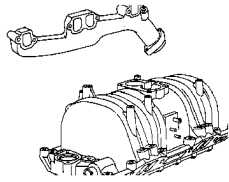
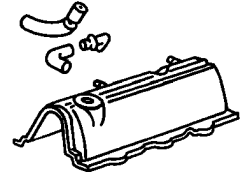
Engine Oiling ..... Fig. 5.2L - 710

#### Manifolds

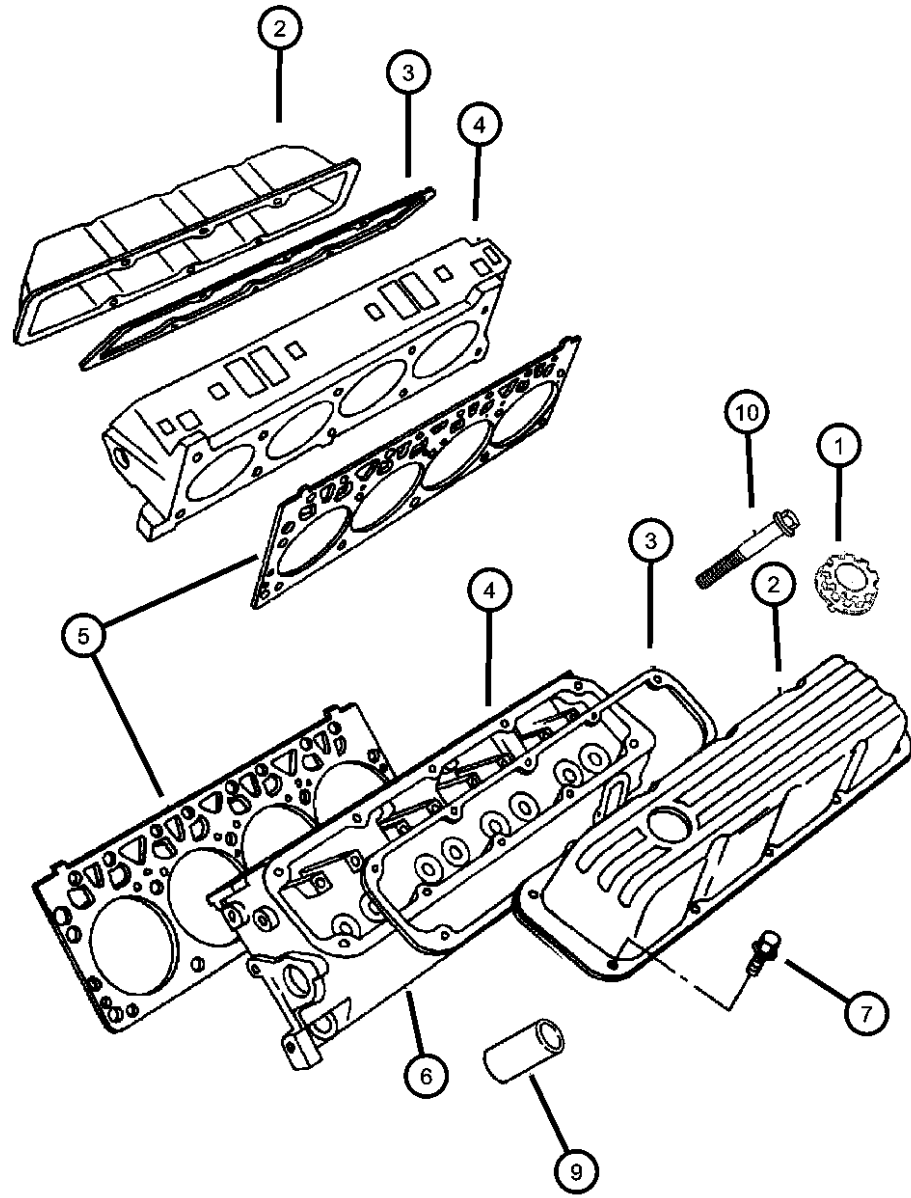
Manifold, Intake and Exhaust ..... Fig. 5.2L - 810

#### Crankcase Ventilation

Crankcase Ventilation ..... Fig. 5.2L - 910

<p><b>5.2L-200</b> Cylinder Head</p> 	<p><b>5.2L-300</b> Cylinder Block</p> 	<p><b>5.2L-400</b> Crankshaft, Piston and Torque Converter</p> 	<p><b>5.2L-500</b> Camshafts &amp; Valves</p> 
<p><b>5.2L-600</b> Timing Belt and Cover</p> 	<p><b>5.2L-700</b> Engine Oiling</p> 	<p><b>5.2L-800</b> Manifolds</p> 	<p><b>5.2L-900</b> Crankcase Ventilation</p> 

**Cylinder Head  
Figure 5.2L-210**



ITEM	PART NUMBER	QTY	LINE	SERIES	BODY	ENGINE	TRANS	TRIM	DESCRIPTION
------	-------------	-----	------	--------	------	--------	-------	------	-------------

NOTE:  
 Packages Do Not Contain Gaskets For All Required Sealing. R.T.V. Sealer And Gasket Eliminator Must Also Be Used.  
 ELF = Magnum 5.2L SMPI V8 Engine  
 ELO = All 5.2L 8 Cyl Gas Engines  
 EM0 = All 5.9L 8 Cyl Gas Engines

1	04777536	1				ELO, EM0			CAP, Oil Filler
2									COVER, Cylinder Head
	53020340AC	1				ELO, EM0			With Oil Fill Hole
	53020612AC	1				ELO, EM0			W/O Oil Fill Hole
3	53006695	2				ELO, EM0			GASKET, Valve Cover
4	53021137	2				ELF			HEAD, Cylinder
5	53020490	2				ELO			GASKET, Cylinder Head
6	04556020	4				ELF			PLUG, Core, 1.25 Diameter
7	06035878AA	12				ELO, EM0			STUD
-8	06035877AA	7				ELO, EM0			SCREW AND WASHER, Hex Head, .25-20x.875
9	53020419	8				ELO, EM0			SHIELD, Heat
10									BOLT, Cylinder Head
	06034690	10				ELO, EM0			.50-13x2.00
	06034691	10				ELO, EM0			.50x4.625
-11	04897385AB	1				ELO			GASKET PACKAGE, Engine

**RAM PICKUP/CLUB CAB (BE)**

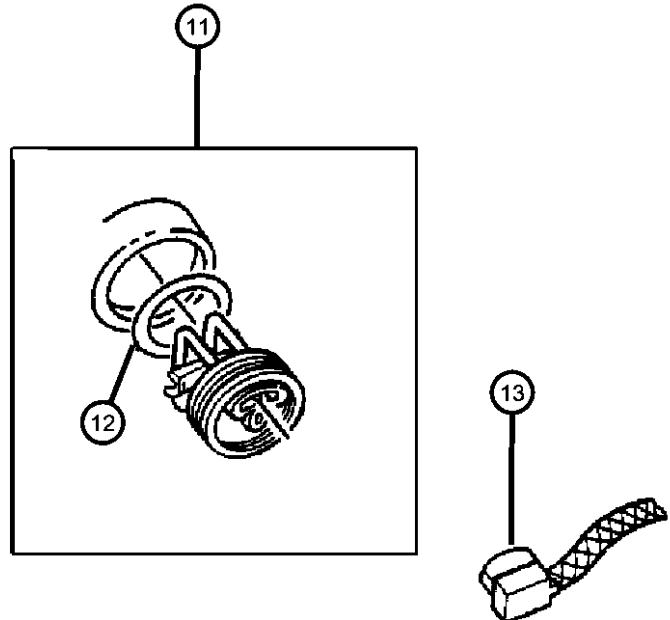
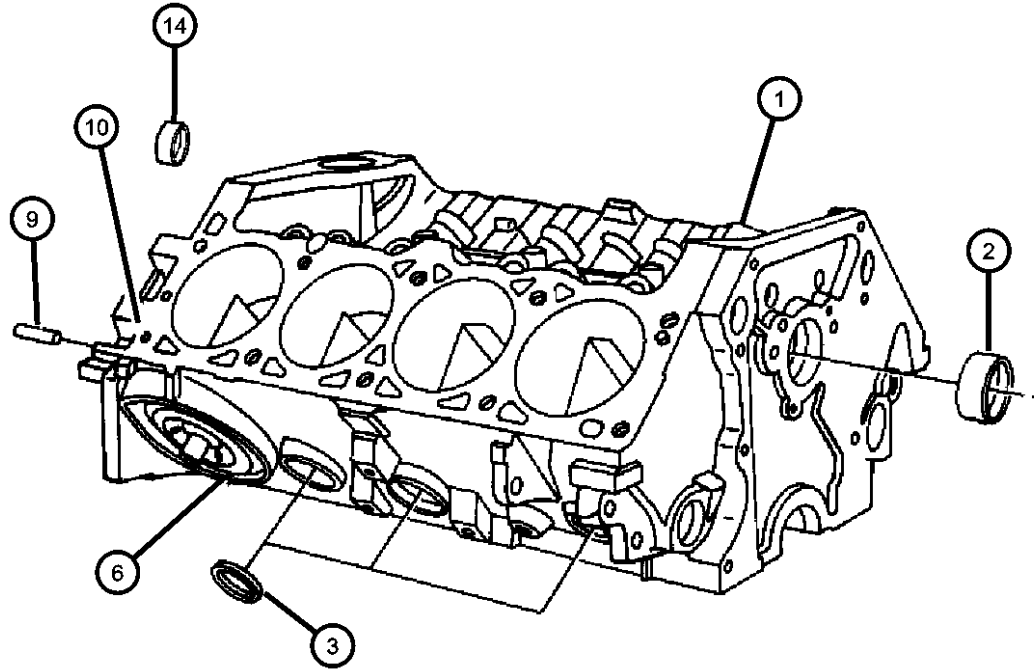
SERIES	LINE	BODY	ENGINE	TRANSMISSION
L = Ram Truck (All)	3 = HD DODGE 2WD 8 = HD DODGE 4WD 1 = Lt. Duty DODGE 2WD 6 = Lt. Duty DODGE 4WD 2 = Med. Duty DODGE 2WD 7 = Med. Duty DODGE 4WD	31 = CLUB CAB 2-DR 6.5 FT BOX 32 = CLUB CAB 2-DR 8FT BOX 33 = QUAD CAB 4-DR 6.5 FT BOX 34 = QUAD CAB 4-DR 8FT BOX	ELF = ENGINE - 5.2L V8 MPI EML = ENGINE - 5.9L V8 MPI EMM = ENGINE - "MAGNUM" 5.9L SMPI V8 ETC = ENGINE- 5.9L CUMMINS 24V DIESEL ETH = ENGINE- 5.9L HO CUMMINS TURBO DIESEL EWA = ENGINE - 8.0L V10 MPI	DDC = TRANSMISSION - 5-SPEED HD MANUAL DDP = TRANSMISSION - 5-SPEED MANUAL DDX = TRANSMISSION - 5-SPEED HD MANUAL DEE = TRANSMISSION - 6-SPEED HD MANUAL DGP = TRANSMISSION - 4-SPD. AUTOMATIC, 47RE DGT = TRANSMISSION - 4-SPD. AUTOMATIC, 46RE

AR = use ase required - = Non illustrated part

2000 BE

**Cylinder Block  
Figure 5.2L-310**

ITEM	PART NUMBER	QTY	LINE	SERIES	BODY	ENGINE	TRANS	TRIM	DESCRIPTION
------	-------------	-----	------	--------	------	--------	-------	------	-------------



**NOTE:**

Packages Do Not Contain Gaskets For All Required Sealing. R.T.V. Sealer And Gasket Eliminator Must Also Be Used.

GASKET PACKAGE, Engine Lower - 04720740

ELO = All 5.2L 8 Cyl Gas Engines

EM0 = All 5.9L 8 Cyl Gas Engines

EW0 = All 8.0L Gas Engines

1	04713602	1				ELO			BLOCK, Short, Contains: Crank, Rods, Pistons, Rings, Cam Bearings
	04761845AC								Mopar 10W30 Engine Oil Gallon
	04761839AB								Mopar 10W30 Engine Oil Quart
2	03830603	1				ELO			BEARING, Camshaft, #1
3	04556020	1				ELO			PLUG, Core, 1.25 Diameter
4	04556022	9				ELO			PLUG, Core, 1.625 Diameter
5	04556023	AR				ELO, EM0			PLUG, Core, 1.695 Diameter
6	03751818	2				ELO			PLUG, Pipe
7	53009518	1				ELO			PLUG, Cylinder Block Oil Hole
8	53009518	1							PLUG, Cylinder Block Oil Hole, (NOT SERVICED)
9	01122532	2				ELO			DOWEL, Block To Clutch Housing
10	00141215	4				ELO			DOWEL, .312 x .500
11	04798276	1				ELO, EM0			HEATER PACKAGE, Engine Block
12									O RING, Engine Block Heater
	06501445	AR							1-11/32 Diameter 11/64 Width
	06501446	1				ELO, EM0			1-11/32 Diameter 09/64 Width
13	56020061	1				ELO, EM0, EW0			CORD, Engine Block Heater
14	53020465	1				ELO			PLUG, Cylinder Block

**RAM PICKUP/CLUB CAB (BE)**

SERIES	LINE	BODY	ENGINE	TRANSMISSION
L = Ram Truck (All)	3 = HD DODGE 2WD	31 = CLUB CAB 2-DR 6.5 FT BOX	ELF = ENGINE - 5.2L V8 MPI	DDC = TRANSMISSION - 5-SPEED HD MANUAL
	8 = HD DODGE 4WD	32 = CLUB CAB 2-DR 8FT BOX	EML = ENGINE - 5.9L V8 MPI	DDP = TRANSMISSION - 5-SPEED MANUAL
	1 = Lt. Duty DODGE 2WD	33 = QUAD CAB 4-DR 6.5 FT BOX	EMM = ENGINE - "MAGNUM" 5.9L SMPI V8	DDX = TRANSMISSION - 5-SPEED HD MANUAL
	6 = Lt. Duty DODGE 4WD	34 = QUAD CAB 4-DR 8FT BOX	ETC = ENGINE- 5.9L CUMMINS 24V DIESEL	DEE = TRANSMISSION - 6-SPEED HD MANUAL
	2 = Med. Duty DODGE 2WD		ETH = ENGINE- 5.9L HO CUMMINS TURBO DIESEL	DGP = TRANSMISSION - 4-SPD. AUTOMATIC,47RE
	7 = Med. Duty DODGE 4WD		EWA = ENGINE - 8.0L V10 MPI	DGT = TRANSMISSION - 4-SPD. AUTOMATIC,46RE

AR = use ase required - = Non illustrated part

2000 BE



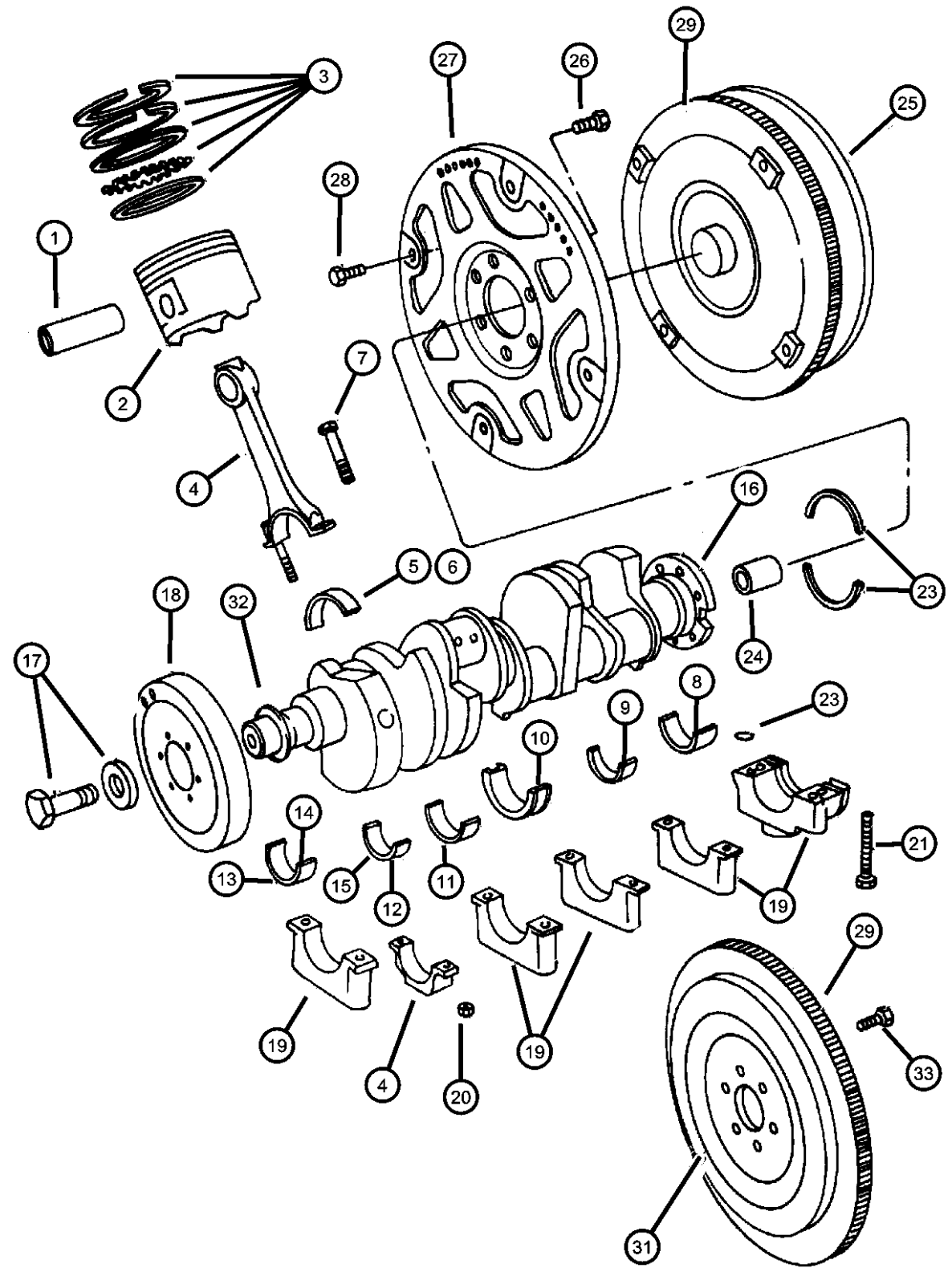
**Crankshaft, Piston and Torque Converter**  
**Figure 5.2L-410**

ITEM	PART NUMBER	QTY	LINE	SERIES	BODY	ENGINE	TRANS	TRIM	DESCRIPTION
<p>Note:                      DBB = All Manual Transmissions                      DG0 = All Automatic Transmissions                      ELO = All 5.2L 8 Cyl Gas Engines                      EM0 = All 5.9L 8 Cyl Gas Engines</p>									
1	53020465	1							PIN, Piston, Serviced in Piston, (NOT SERVICED)
2									PISTON PIN AND ROD
	04778855	4				ELO			#1,3,5,7 A,B Size, 3.90875, 3.90925
	04778856	4				ELO			#2,4,6,8 A,B Size, 3.90875, 3.90925
	04778858	4				ELO			#2,4,6,8 C Size, 3.90975
	04778860	4				ELO			#2,4,6,8 D Size, 3.91025
3	04720727	1				ELO			RING PACKAGE, Piston
4	04720727	1							ROD, Connecting, Serviced in Piston, (NOT SERVICED)
5	02421305	4				ELO			BEARING, Connecting Rod, STD., Quantity listed is per cylinder bank
6	02421306	AR				ELO			BEARING, Connecting Rod, .001" U/S
7	06033441	8				ELO			BOLT, Connecting Rod
8	04397778	4				ELO			BEARING PACKAGE, Crankshaft, Standard Size
9	04397780	AR				ELO			BEARING PACKAGE, Crankshaft, .001 Undersize
10	04397777	2				ELO			BEARING PACKAGE, Crankshaft, Standard Size
11	04397781	AR				ELO			BEARING PACKAGE, Crankshaft, .001 Undersize
12	04720595	2				ELO			BEARING, Crankshaft, STD.
13	04720596	AR				ELO			BEARING PACKAGE, Crankshaft, .001 Undersize
14	04397701	1				ELO			BEARING PACKAGE, Crankshaft, Standard Size
15	04397702	AR				ELO			BEARING PACKAGE, Crankshaft, .001 Undersize
16	53020603	1				ELO			CRANKSHAFT
17	06036207AA	1				ELO, EM0			SCREW AND WASHER

**RAM PICKUP/CLUB CAB (BE)**

SERIES	LINE	BODY	ENGINE	TRANSMISSION
L = Ram Truck (All)	3 = HD DODGE 2WD 8 = HD DODGE 4WD 1 = Lt. Duty DODGE 2WD 6 = Lt. Duty DODGE 4WD 2 = Med. Duty DODGE 2WD 7 = Med. Duty DODGE 4WD	31 = CLUB CAB 2-DR 6.5 FT BOX 32 = CLUB CAB 2-DR 8FT BOX 33 = QUAD CAB 4-DR 6.5 FT BOX 34 = QUAD CAB 4-DR 8FT BOX	ELF = ENGINE - 5.2L V8 MPI EML = ENGINE - 5.9L V8 MPI EMM = ENGINE - "MAGNUM" 5.9L SMPI V8 ETC = ENGINE- 5.9L CUMMINS 24V DIESEL ETH = ENGINE- 5.9L HO CUMMINS TURBO DIESEL EWA = ENGINE - 8.0L V10 MPI	DDC = TRANSMISSION - 5-SPEED HD MANUAL DDP = TRANSMISSION - 5-SPEED MANUAL DDX = TRANSMISSION - 5-SPEED HD MANUAL DEE = TRANSMISSION - 6-SPEED HD MANUAL DGP = TRANSMISSION - 4-SPD. AUTOMATIC, 47RE DGT = TRANSMISSION - 4-SPD. AUTOMATIC, 46RE

AR = use ase required - = Non illustrated part



**Crankshaft, Piston and Torque Converter**  
**Figure 5.2L-410**

ITEM	PART NUMBER	QTY	LINE	SERIES	BODY	ENGINE	TRANS	TRIM	DESCRIPTION
18	53020229	1				ELO			DAMPER, Crankshaft
19	53020229	1							CAP, Serviced in Block, (NOT SERVICED)
20	06032296	8				ELO			NUT, Hex, .375-24
21	06027264	8				ELO			SCREW, Socket Hex Head, .50-13x3.25, #1,2,3
-22	06033300	2				ELO			SCREW, Cap, .50-13x2.80, #4
23	04778228	2				ELO			SEAL PACKAGE, Crankshaft
24	53009180AB	1				ELO	DBB		BEARING, Pilot
25	04736595	1				ELO	DG0		TORQUE CONVERTER
26	01949424	6				ELO, EMO	DG0		SCREW, Hex Head Header Point, .75-16x2.25
27	52118255	1				ELO	DG0		PLATE, Torque Converter Drive
28	01949765	4				ELO, EMO	DG0		SCREW, Hex Head Header Point, .312-24x.44
29	02843214	1				ELO	DBB		GEAR, Flywheel Ring
-30	03515203	1				ELO	DG0		GEAR, Ring
31	53020521	1				ELO	DBB		FLYWHEEL
32	06035948AA	1				ELO, EMO			WASHER, Sealing
33	06036143AA	6				ELO, EMO	DBB		SCREW

**RAM PICKUP/CLUB CAB (BE)**

SERIES	LINE
L = Ram Truck (All)	3 = HD DODGE 2WD
	8 = HD DODGE 4WD
	1 = Lt. Duty DODGE 2WD
	6 = Lt. Duty DODGE 4WD
	2 = Med. Duty DODGE 2WD
	7 = Med. Duty DODGE 4WD

BODY	ENGINE	TRANSMISSION
31 = CLUB CAB 2-DR 6.5 FT BOX	ELF = ENGINE - 5.2L V8 MPI	DDC = TRANSMISSION - 5-SPEED HD MANUAL
32 = CLUB CAB 2-DR 8FT BOX	EML = ENGINE - 5.9L V8 MPI	DDP = TRANSMISSION - 5-SPEED MANUAL
33 = QUAD CAB 4-DR 6.5 FT BOX	EMM = ENGINE - "MAGNUM" 5.9L SMPI V8	DDX = TRANSMISSION - 5-SPEED HD MANUAL
34 = QUAD CAB 4-DR 8FT BOX	ETC = ENGINE- 5.9L CUMMINS 24V DIESEL	DEE = TRANSMISSION - 6-SPEED HD MANUAL
	ETH = ENGINE- 5.9L HO CUMMINS TURBO DIESEL	DGP = TRANSMISSION - 4-SPD. AUTOMATIC, 47RE
	EWA = ENGINE - 8.0L V10 MPI	DGT = TRANSMISSION - 4-SPD. AUTOMATIC, 46RE

AR = use ase required - = Non illustrated part

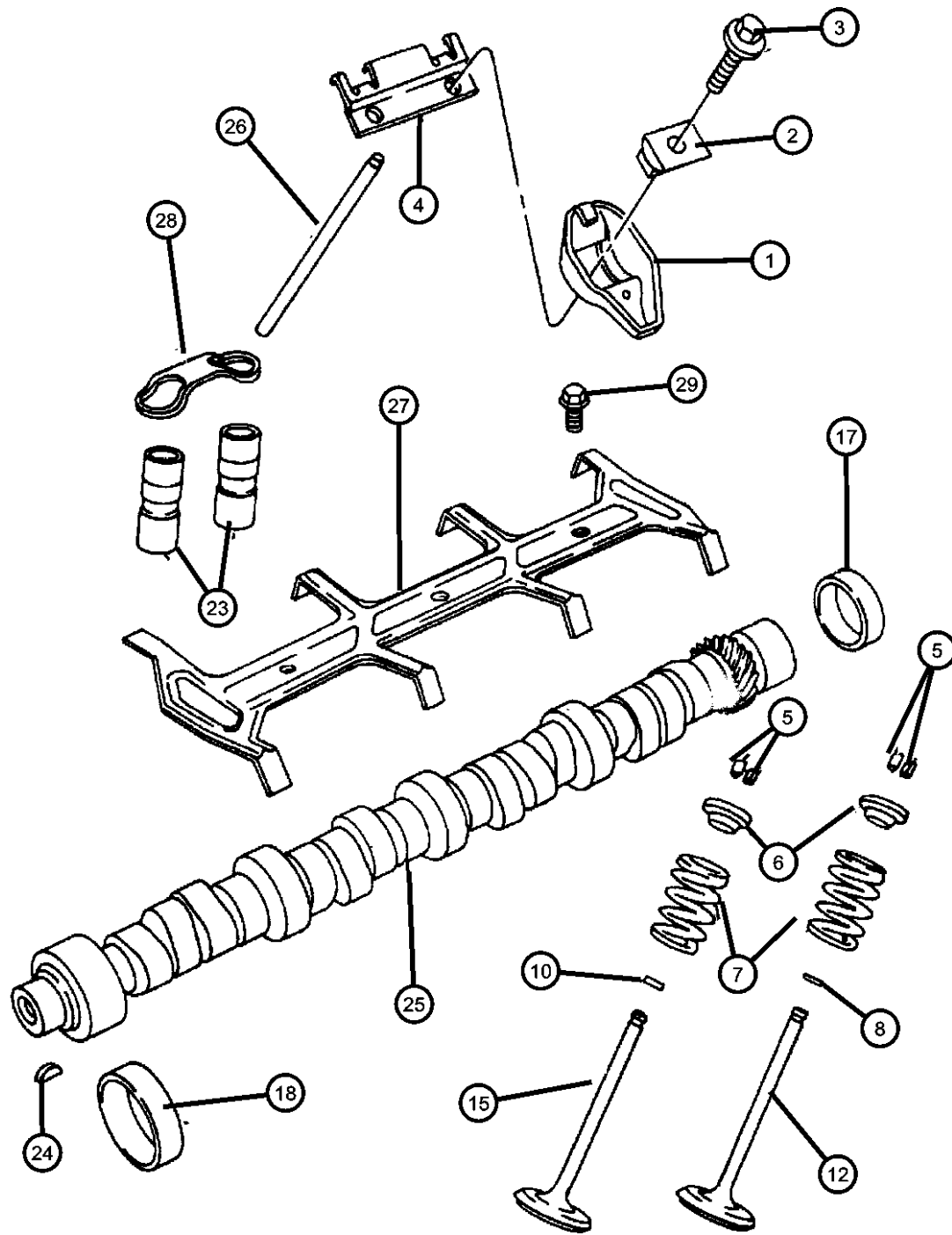
2000 BE

**Camshaft and Valves**  
**Figure 5.2L-510**

ITEM	PART NUMBER	QTY	LINE	SERIES	BODY	ENGINE	TRANS	TRIM	DESCRIPTION
------	-------------	-----	------	--------	------	--------	-------	------	-------------

Note:  
 ELF = Magnum 5.2L SMPI V8 Engine  
 ELO = All 5.2L 8 Cyl Gas Engines  
 EM0 = All 5.9L 8 Cyl Gas Engines

1	53008282	16				ELO, EM0			ROCKER ARM, Valve
2	53008283	16				ELO, EM0			PIVOT, Rocker Arm
3	06036154AA	16				ELO, EM0			BOLT, Hex Flange Head, .312-18x1.72
4	53008633	8				ELO, EM0			RETAINER, Rocker Arm Pivot
5	33003521	32				ELO, EM0			LOCK, Valve Spring Retainer
6	33004626	16				ELO, EM0			RETAINER, Valve Spring
7	53021056	16				ELO, EM0			SPRING, Valve
8	53009886	8				ELF, EM0			SEAL, Valve Guide, Standard, .003 O/S
-9	33003016	AR				ELO			SEAL, Valve Guide, .015" Oversize
10	53009887	8				ELF, EM0			SEAL, Valve Guide, Standard, .003 O/S
-11	33002733	AR				ELO			SEAL, Valve Guide, .015" Oversize
12	53006723	8				ELF, EM0			VALVE, Intake, Standard
-13	53009287	AR				ELO			VALVE, Intake, .003" O/S
-14	53009285	AR				ELO			VALVE, Intake, .015" O/S
15	53006724	8				ELO, EM0			VALVE, Exhaust, Standard
-16	53009291	AR				ELO			VALVE, Exhaust, .003" O/S
17	02863071	1				ELO			PLUG, Camshaft
18	03830603	1				ELO			BEARING, Camshaft, #1
-19	04179776	1				ELO			BEARING, Camshaft, #2
-20	04179777	1				ELO			BEARING, Camshaft, #3
-21	04179778	1				ELO			BEARING, Camshaft, #3 or #4
-22	01632526	1				ELO			BEARING, Camshaft, #4 or #5
23	04713439	16				ELO			TAPPET PACKAGE, Valve
24	00431787	1				ELO, EM0			KEY, Camshaft Sprocket
25	53020283	1				ELO			CAMSHAFT, Engine
26	53006722	16				ELO, EM0			PUSH ROD, Valve



**RAM PICKUP/CLUB CAB (BE)**

SERIES	LINE
L = Ram Truck (All)	3 = HD DODGE 2WD
	8 = HD DODGE 4WD
	1 = Lt. Duty DODGE 2WD
	6 = Lt. Duty DODGE 4WD
	2 = Med. Duty DODGE 2WD
	7 = Med. Duty DODGE 4WD

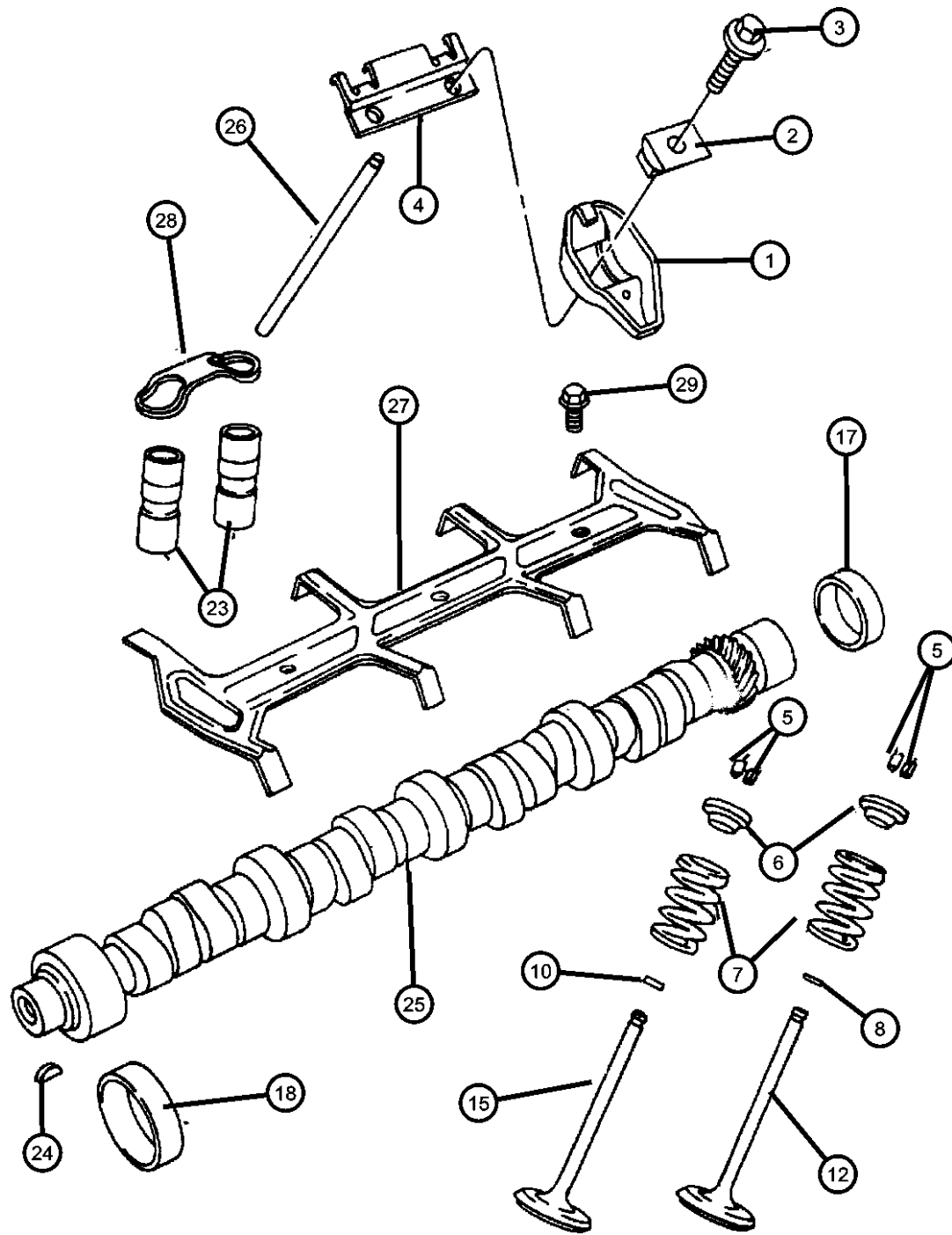
BODY	ENGINE	TRANSMISSION
31 = CLUB CAB 2-DR 6.5 FT BOX	ELF = ENGINE - 5.2L V8 MPI	DDC = TRANSMISSION - 5-SPEED HD MANUAL
32 = CLUB CAB 2-DR 8FT BOX	EML = ENGINE - 5.9L V8 MPI	DDP = TRANSMISSION - 5-SPEED MANUAL
33 = QUAD CAB 4-DR 6.5 FT BOX	EMM = ENGINE - "MAGNUM" 5.9L SMPI V8	DDX = TRANSMISSION - 5-SPEED HD MANUAL
34 = QUAD CAB 4-DR 8FT BOX	ETC = ENGINE- 5.9L CUMMINS 24V DIESEL	DEE = TRANSMISSION - 6-SPEED HD MANUAL
	ETH = ENGINE- 5.9L HO CUMMINS TURBO DIESEL	DGP = TRANSMISSION - 4-SPD. AUTOMATIC, 47RE
	EWA = ENGINE - 8.0L V10 MPI	DGT = TRANSMISSION - 4-SPD. AUTOMATIC, 46RE

AR = use ase required - = Non illustrated part

2000 BE

Camshaft and Valves  
Figure 5.2L-510

ITEM	PART NUMBER	QTY	LINE	SERIES	BODY	ENGINE	TRANS	TRIM	DESCRIPTION
------	-------------	-----	------	--------	------	--------	-------	------	-------------



27	04323207	1				EL0, EM0			RETAINER, Tappet Yoke Aligning
28	04483045	8				EL0, EM0			YOKE, Tappet Aligning
29	06034549	4				EL0, EM0			SCREW, Hex Head, .312-18x.94

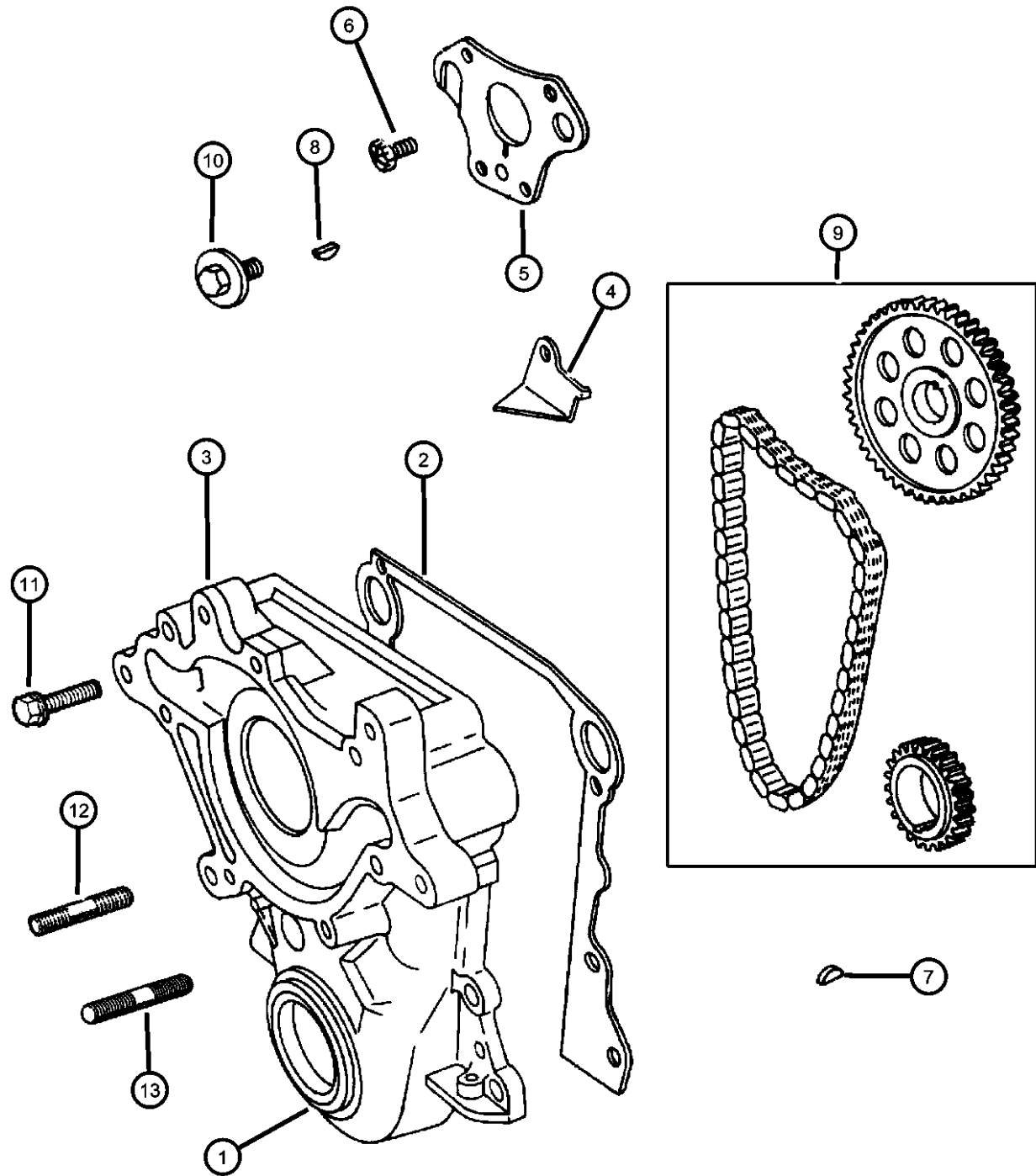
RAM PICKUP/CLUB CAB (BE)

SERIES	LINE	BODY	ENGINE	TRANSMISSION
L = Ram Truck (All)	3 = HD DODGE 2WD	31 = CLUB CAB 2-DR 6.5 FT BOX	ELF = ENGINE - 5.2L V8 MPI	DDC = TRANSMISSION - 5-SPEED HD MANUAL
	8 = HD DODGE 4WD	32 = CLUB CAB 2-DR 8FT BOX	EML = ENGINE - 5.9L V8 MPI	DDP = TRANSMISSION - 5-SPEED MANUAL
	1 = Lt. Duty DODGE 2WD	33 = QUAD CAB 4-DR 6.5 FT BOX	EMM = ENGINE - "MAGNUM" 5.9L SMPI V8	DDX = TRANSMISSION - 5-SPEED HD MANUAL
	6 = Lt. Duty DODGE 4WD	34 = QUAD CAB 4-DR 8FT BOX	ETC = ENGINE- 5.9L CUMMINS 24V DIESEL	DEE = TRANSMISSION - 6-SPEED HD MANUAL
	2 = Med. Duty DODGE 2WD		ETH = ENGINE- 5.9L HO CUMMINS TURBO DIESEL	DGP = TRANSMISSION - 4-SPD. AUTOMATIC, 47RE
	7 = Med. Duty DODGE 4WD		EWA = ENGINE - 8.0L V10 MPI	DGT = TRANSMISSION - 4-SPD. AUTOMATIC, 46RE

AR = use ase required - = Non illustrated part

2000 BE

**Timing Gear and Cover  
Figure 5.2L-610**



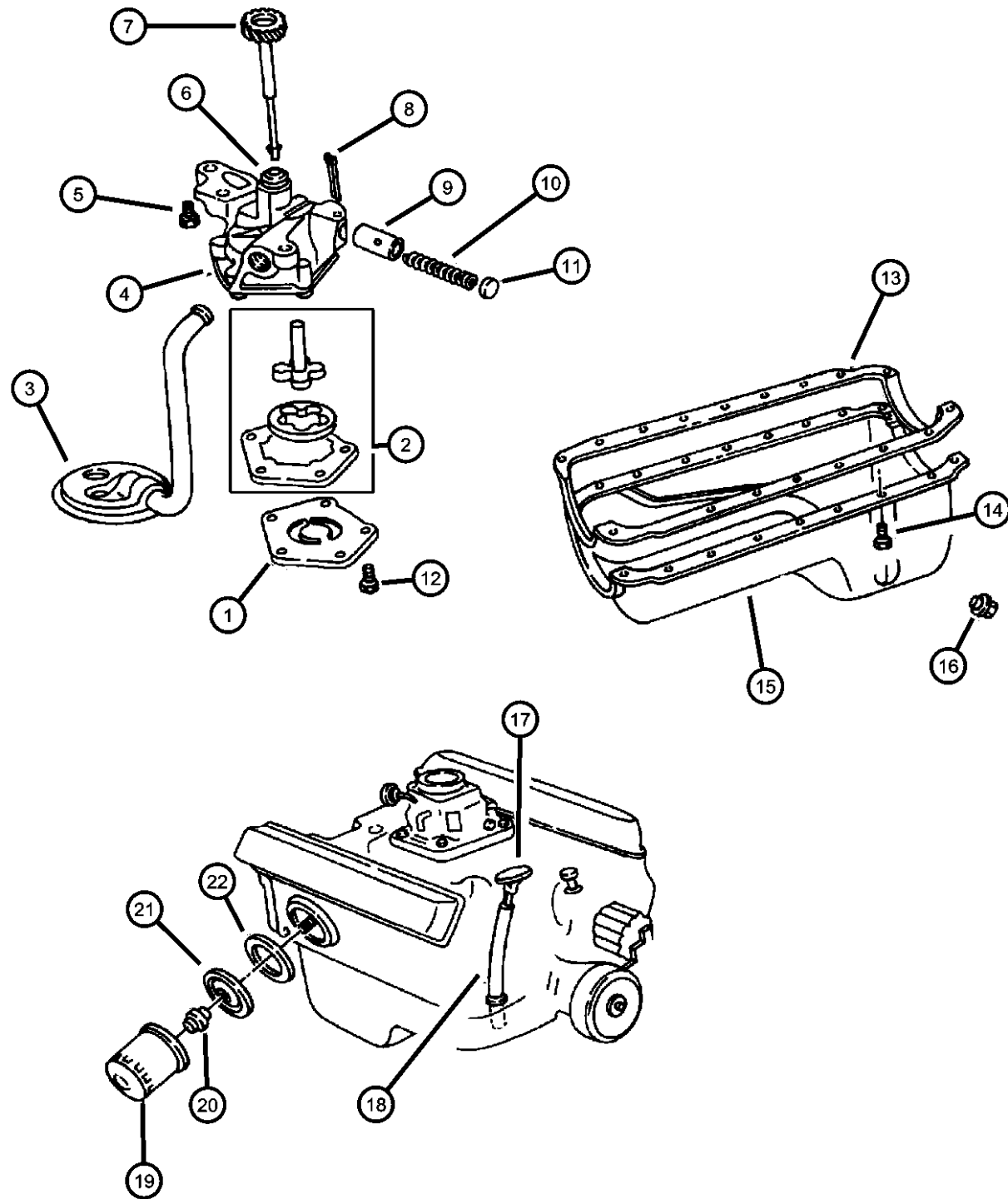
ITEM	PART NUMBER	QTY	LINE	SERIES	BODY	ENGINE	TRANS	TRIM	DESCRIPTION
Note: ELO = All 5.2L 8 Cyl Gas Engines EMO = All 5.9L 8 Cyl Gas Engines									
1	04897297AA	1				ELO			SEAL PACKAGE, Timing Case Cover
2	53021057	1				ELO, EMO			GASKET, Chain Case Cover
3	04897723AA	1				ELO			COVER PACKAGE, Engine Timing
4	03671649	1				ELO, EMO			TAB, Timing Chain Oil
5	04315764	1				ELO, EMO			PLATE, Camshaft Thrust
6	01947953	3				ELO, EMO			SCREW AND WASHER, Hex Head
7	06029411	1				ELO			KEY, Crankshaft Sprocket
8	06029411	1				ELO			KEY, Crankshaft Sprocket
9	83507095	1				ELO			CHAIN PACKAGE, Timing
10	06034321	1				ELO, EMO			SCREW AND WASHER, Hex Head, Coned, Header, .437-14x1.375
11	06034479	1				ELO, EMO			BOLT, Hex Head, .375-16x2.25
12	06034452	1				ELO, EMO			STUD, .375-16x.375-16x2.38
13	06034453	2				ELO, EMO			STUD, .375-16x.375-16x1.63

**RAM PICKUP/CLUB CAB (BE)**

SERIES	LINE	BODY	ENGINE	TRANSMISSION
L = Ram Truck (All)	3 = HD DODGE 2WD 8 = HD DODGE 4WD 1 = Lt. Duty DODGE 2WD 6 = Lt. Duty DODGE 4WD 2 = Med. Duty DODGE 2WD 7 = Med. Duty DODGE 4WD	31 = CLUB CAB 2-DR 6.5 FT BOX 32 = CLUB CAB 2-DR 8FT BOX 33 = QUAD CAB 4-DR 6.5 FT BOX 34 = QUAD CAB 4-DR 8FT BOX	ELF = ENGINE - 5.2L V8 MPI EML = ENGINE - 5.9L V8 MPI EMM = ENGINE - "MAGNUM" 5.9L SMPI V8 ETC = ENGINE- 5.9L CUMMINS 24V DIESEL ETH = ENGINE- 5.9L HO CUMMINS TURBO DIESEL EWA = ENGINE - 8.0L V10 MPI	DDC = TRANSMISSION - 5-SPEED HD MANUAL DDP = TRANSMISSION - 5-SPEED MANUAL DDX = TRANSMISSION - 5-SPEED HD MANUAL DEE = TRANSMISSION - 6-SPEED HD MANUAL DGP = TRANSMISSION - 4-SPD. AUTOMATIC, 47RE DGT = TRANSMISSION - 4-SPD. AUTOMATIC, 46RE

AR = use ase required - = Non illustrated part

### Engine Oiling Figure 5.2L-710



ITEM	PART NUMBER	QTY	LINE	SERIES	BODY	ENGINE	TRANS	TRIM	DESCRIPTION
------	-------------	-----	------	--------	------	--------	-------	------	-------------

Note:  
 ELO = All 5.2L 8 Cyl Gas Engines  
 EML = Magnum 5.9L SMPI V8 Engine  
 EM0 = All 5.9L 8 Cyl Gas Engines

1	04071043	1				ELO			COVER, Engine Oil Pump
2	03837648	1				ELO			SHAFT AND ROTOR PACKAGE, Oil Pump
3	53020462	1				ELO			PICKUP, Engine Oil
4	53009295	1				ELO			PUMP, Engine Oil
5	00179842	2				ELO, EM0			SCREW, Hex Head Header Point, .375-16x1.375
6	01737725	1				ELO			BUSHING, Oil Pump and Distributor
7	53020546	1				ELO, EM0			SHAFT, Oil Pump
8	00108636	1				ELO			PIN, Cotter
9	02843208	1				ELO			PLUNGER, Oil Pressure Relief Valve
10	02402473	1				ELO			SPRING, Oil Pressure Relief Valve
11	02806273	1				ELO			CAP, Oil Pressure Relief Valve
12	00220480	5				ELO			SCREW, Hex Head Header Point, .25-20x.75
13	53005650	1				ELO			GASKET, Oil Pan
14	06034549	18				ELO, EM0			SCREW, Hex Head, .312-18x.94
15	53020913	1				ELO			PAN, Engine Oil
16	06035417	1				ELO			PLUG, Oil Drain, w/Gasket
17	53020928	1				ELO, EML			INDICATOR, Engine Oil Level
18	53020926	1				ELO, EML			TUBE, Oil Gauge
19	05281090	1				ELO, EM0			FILTER, Engine Oil
	0FE00292								Canadian Aftermarket Part
	05281090BA								BULK PACK (12)
	77060018								Performance Mobil 1, 15W - 50 Tri-Synthetic Engine Oil- Recommended Fill for 6.1L & 8.3L
20	53007563	1				ELO, EM0			CONNECTOR, Oil Filter

**RAM PICKUP/CLUB CAB (BE)**

SERIES	LINE
L = Ram Truck (All)	3 = HD DODGE 2WD
	8 = HD DODGE 4WD
	1 = Lt. Duty DODGE 2WD
	6 = Lt. Duty DODGE 4WD
	2 = Med. Duty DODGE 2WD
	7 = Med. Duty DODGE 4WD

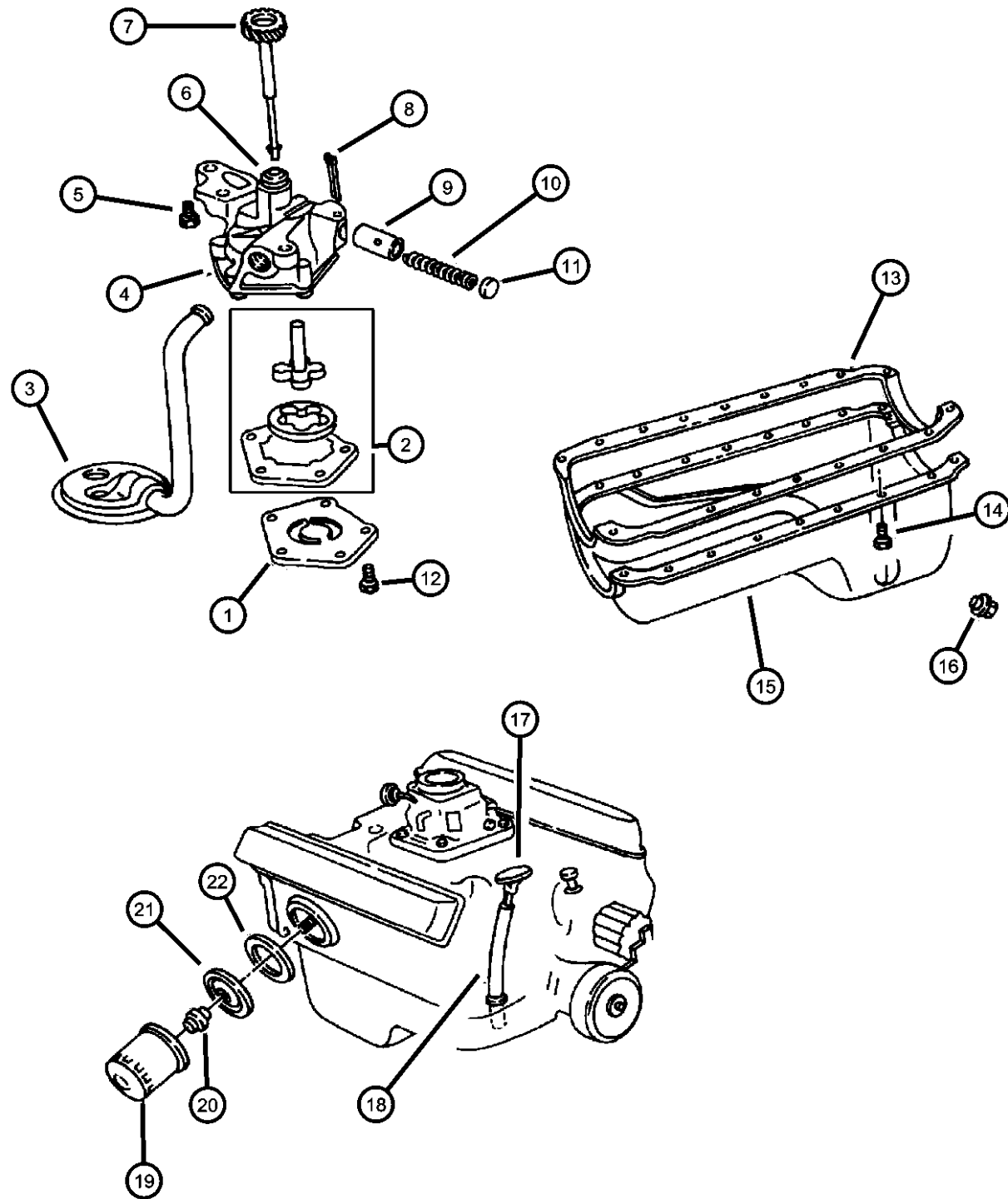
BODY	ENGINE	TRANSMISSION
31 = CLUB CAB 2-DR 6.5 FT BOX	ELF = ENGINE - 5.2L V8 MPI	DDC = TRANSMISSION - 5-SPEED HD MANUAL
32 = CLUB CAB 2-DR 8FT BOX	EML = ENGINE - 5.9L V8 MPI	DDP = TRANSMISSION - 5-SPEED MANUAL
33 = QUAD CAB 4-DR 6.5 FT BOX	EMM = ENGINE - "MAGNUM" 5.9L SMPI V8	DDX = TRANSMISSION - 5-SPEED HD MANUAL
34 = QUAD CAB 4-DR 8FT BOX	ETC = ENGINE- 5.9L CUMMINS 24V DIESEL	DEE = TRANSMISSION - 6-SPEED HD MANUAL
	ETH = ENGINE- 5.9L HO CUMMINS TURBO DIESEL	DGP = TRANSMISSION - 4-SPD. AUTOMATIC, 47RE
	EWA = ENGINE - 8.0L V10 MPI	DGT = TRANSMISSION - 4-SPD. AUTOMATIC, 46RE

AR = use ase required - = Non illustrated part

2000 BE

Engine Oiling  
Figure 5.2L-710

ITEM	PART NUMBER	QTY	LINE	SERIES	BODY	ENGINE	TRANS	TRIM	DESCRIPTION
------	-------------	-----	------	--------	------	--------	-------	------	-------------



21	53021053	1				EL0, EM0			PLATE, Oil Filter Adapter
22	53020461	1				EL0, EM0			GASKET, Oil Filter Adapter

RAM PICKUP/CLUB CAB (BE)

SERIES	LINE	BODY	ENGINE	TRANSMISSION
L = Ram Truck (All)	3 = HD DODGE 2WD	31 = CLUB CAB 2-DR 6.5 FT BOX	ELF = ENGINE - 5.2L V8 MPI	DDC = TRANSMISSION - 5-SPEED HD MANUAL
	8 = HD DODGE 4WD	32 = CLUB CAB 2-DR 8FT BOX	EML = ENGINE - 5.9L V8 MPI	DDP = TRANSMISSION - 5-SPEED MANUAL
	1 = Lt. Duty DODGE 2WD	33 = QUAD CAB 4-DR 6.5 FT BOX	EMM = ENGINE - "MAGNUM" 5.9L SMPI V8	DDX = TRANSMISSION - 5-SPEED HD MANUAL
	6 = Lt. Duty DODGE 4WD	34 = QUAD CAB 4-DR 8FT BOX	ETC = ENGINE- 5.9L CUMMINS 24V DIESEL	DEE = TRANSMISSION - 6-SPEED HD MANUAL
	2 = Med. Duty DODGE 2WD		ETH = ENGINE- 5.9L HO CUMMINS TURBO DIESEL	DGP = TRANSMISSION - 4-SPD. AUTOMATIC,47RE
	7 = Med. Duty DODGE 4WD		EWA = ENGINE - 8.0L V10 MPI	DGT = TRANSMISSION - 4-SPD. AUTOMATIC,46RE

AR = use ase required - = Non illustrated part

2000 BE

**Manifold, Intake and Exhaust  
Figure 5.2L-810**

ITEM	PART NUMBER	QTY	LINE	SERIES	BODY	ENGINE	TRANS	TRIM	DESCRIPTION
------	-------------	-----	------	--------	------	--------	-------	------	-------------

**NOTE:**

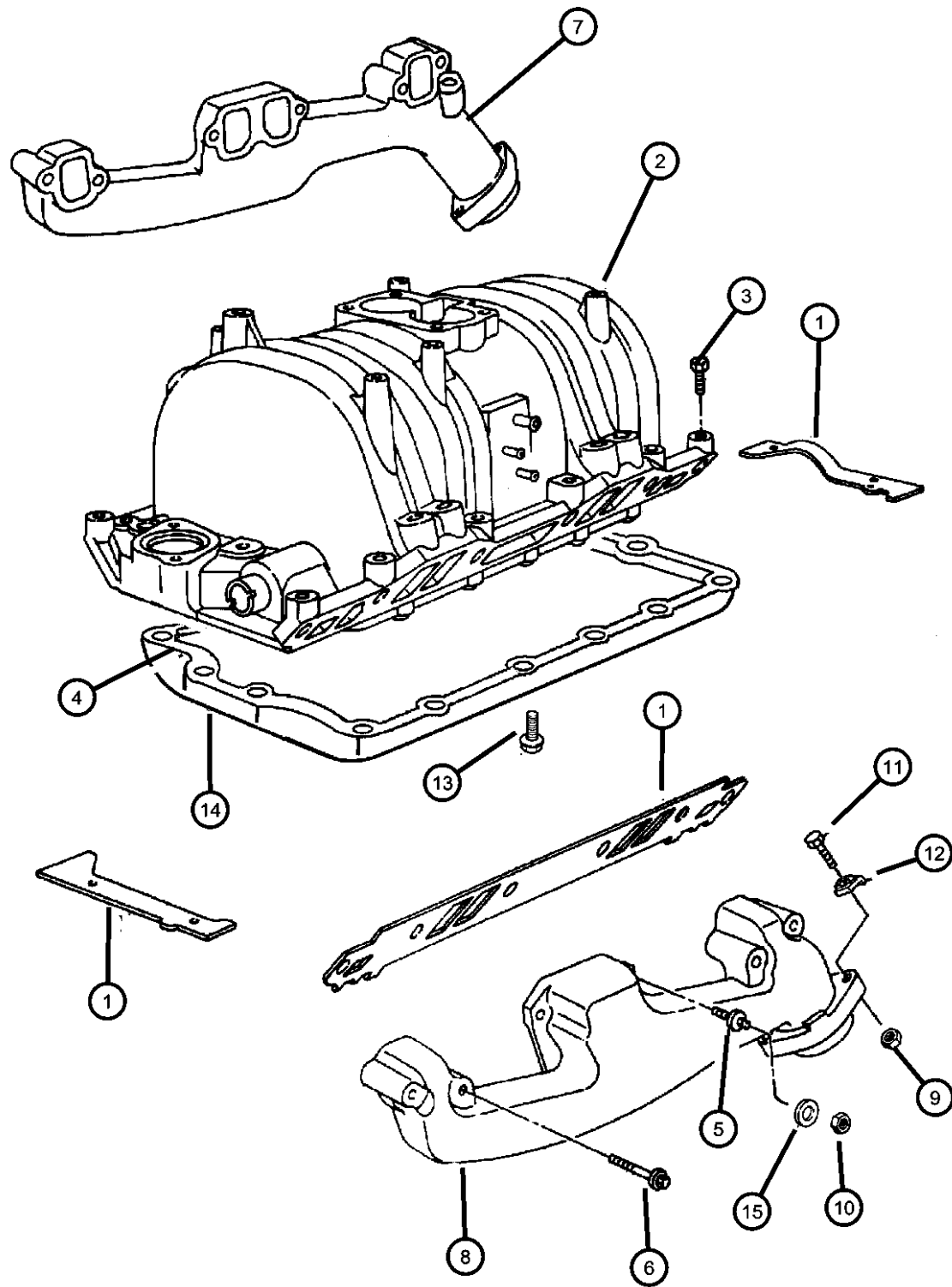
Packages Do Not Contain Gaskets For All Required Sealing. R.T.V. Sealer And Gasket Eliminator Must Also Be Used.

ELO = All 5.2L 8 Cyl Gas Engines

EMO = All 5.9L 8 Cyl Gas Engines

EW0 = All 8.0L Gas Engines

1	04897383AC	1				ELO, EMO			GASKET PACKAGE, Intake Manifold
2	04897490AC	1				ELO, EMO			MANIFOLD, Intake
3	06035967AA	12				ELO, EMO			SCREW AND WASHER, Hex Head
4	53006623	1				ELO, EMO			GASKET, Intake Manifold Pan
5	06034643	4				ELO, EMO			STUD, .312-18/.312-24x2.25
6	06034806	8				ELO, EMO			SCREW AND WASHER, Hex Head, .312-18x3.125
7	53030873	1				ELO			MANIFOLD, ExhaustRight
8	53010189	1				ELO			MANIFOLD, ExhaustLeft
9	00118615	4				ELO, EMO, EW0			NUT, Hex, .375-16
10	00115729	4				ELO, EMO			NUT, Hex, .312 x 24
11	06035375	4				ELO, EMO			BOLT, Hex Head, .375-16x2.50
12	04004001	4				ELO, EMO, EW0			RETAINER, Exhaust Pipe to Manifold
13	06034583	15				ELO, EMO			SCREW AND WASHER, Hex Head, .25-20x.892
14	53006617	1				ELO, EMO			PAN, Intake Manifold
15	53010091	4				ELO, EMO			CLAMP, Exhaust Manifold



**RAM PICKUP/CLUB CAB (BE)**

SERIES	LINE
L = Ram Truck (All)	3 = HD DODGE 2WD
	8 = HD DODGE 4WD
	1 = Lt. Duty DODGE 2WD
	6 = Lt. Duty DODGE 4WD
	2 = Med. Duty DODGE 2WD
	7 = Med. Duty DODGE 4WD

BODY	ENGINE	TRANSMISSION
31 = CLUB CAB 2-DR 6.5 FT BOX	ELF = ENGINE - 5.2L V8 MPI	DDC = TRANSMISSION - 5-SPEED HD MANUAL
32 = CLUB CAB 2-DR 8FT BOX	EML = ENGINE - 5.9L V8 MPI	DDP = TRANSMISSION - 5-SPEED MANUAL
33 = QUAD CAB 4-DR 6.5 FT BOX	EMM = ENGINE - "MAGNUM" 5.9L SMPI V8	DDX = TRANSMISSION - 5-SPEED HD MANUAL
34 = QUAD CAB 4-DR 8FT BOX	ETC = ENGINE- 5.9L CUMMINS 24V DIESEL	DEE = TRANSMISSION - 6-SPEED HD MANUAL
	ETH = ENGINE- 5.9L HO CUMMINS TURBO DIESEL	DGP = TRANSMISSION - 4-SPD. AUTOMATIC, 47RE
	EWA = ENGINE - 8.0L V10 MPI	DGT = TRANSMISSION - 4-SPD. AUTOMATIC, 46RE

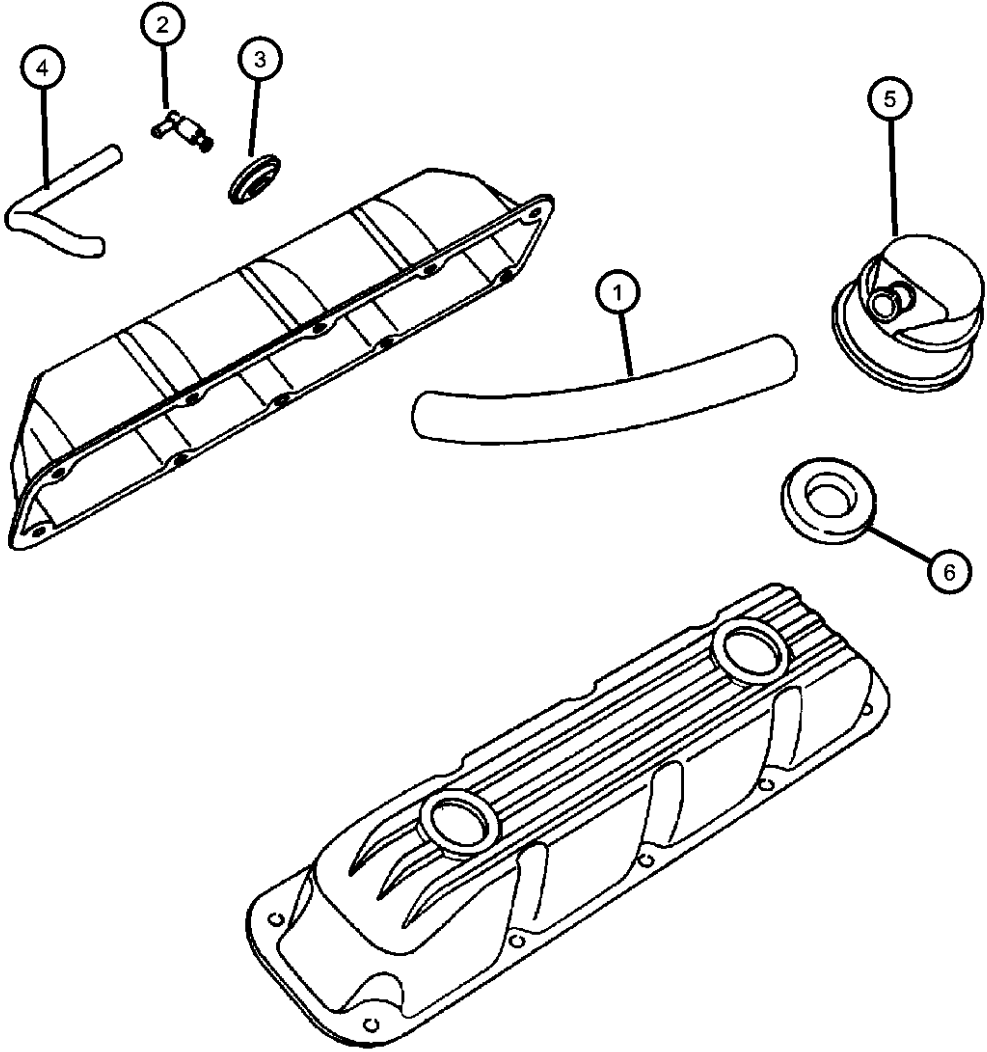
AR = use ase required - = Non illustrated part

2000 BE



**Crankcase Ventilation  
Figure 5.2L-910**

ITEM	PART NUMBER	QTY	LINE	SERIES	BODY	ENGINE	TRANS	TRIM	DESCRIPTION
									Note: ELO = All 5.2L 8 Cyl Gas Engines EM0 = All 5.9L 8 Cyl Gas Engines EW0 = All 8.0L Gas Engines
1									HOSE, Crankcase Vent
	53006342	1				EW0			
	53030817AD	1				ELO, EM0			
2	53031135	1				ELO, EM0			VALVE, Crankcase Vent
3	53030017	1				ELO, EM0			GROMMET, Crankcase Vent
4									TUBE, PCV Valve
	53008675AD	1				ELO, EM0			
	53041044	1				EW0			
5	53030497	1				ELO, EM0			FITTING, Crankcase Vent Tube
6	02946079	1				ELO, EM0			GROMMET, Crankcase Vent



**RAM PICKUP/CLUB CAB (BE)**

SERIES	LINE	BODY	ENGINE	TRANSMISSION
L = Ram Truck (All)	3 = HD DODGE 2WD 8 = HD DODGE 4WD 1 = Lt. Duty DODGE 2WD 6 = Lt. Duty DODGE 4WD 2 = Med. Duty DODGE 2WD 7 = Med. Duty DODGE 4WD	31 = CLUB CAB 2-DR 6.5 FT BOX 32 = CLUB CAB 2-DR 8FT BOX 33 = QUAD CAB 4-DR 6.5 FT BOX 34 = QUAD CAB 4-DR 8FT BOX	ELF = ENGINE - 5.2L V8 MPI EML = ENGINE - 5.9L V8 MPI EMM = ENGINE - "MAGNUM" 5.9L SMPI V8 ETC = ENGINE- 5.9L CUMMINS 24V DIESEL ETH = ENGINE- 5.9L HO CUMMINS TURBO DIESEL EWA = ENGINE - 8.0L V10 MPI	DDC = TRANSMISSION - 5-SPEED HD MANUAL DDP = TRANSMISSION - 5-SPEED MANUAL DDX = TRANSMISSION - 5-SPEED HD MANUAL DEE = TRANSMISSION - 6-SPEED HD MANUAL DGP = TRANSMISSION - 4-SPD. AUTOMATIC,47RE DGT = TRANSMISSION - 4-SPD. AUTOMATIC,46RE

AR = use ase required - = Non illustrated part

# Group - 5.9L

## Engine 5.9L Eight Cylinder

### Group - 5.9L Engine 5.9L Eight Cylinder

Illustration Title

Group-Fig. No.

#### Cylinder Head

Cylinder Head ..... Fig. 5.9L - 210

#### Cylinder Block

Cylinder Block ..... Fig. 5.9L - 310

#### Crankshaft, Piston and Torque Converter

Crankshaft, Piston and Torque Converter ..... Fig. 5.9L - 410

#### Camshafts & Valves

Camshaft and Valves ..... Fig. 5.9L - 510

#### Timing Belt and Cover

Timing Gear and Cover ..... Fig. 5.9L - 610

#### Engine Oiling

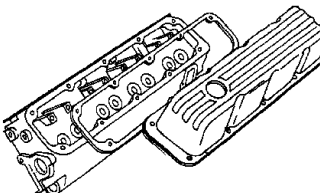
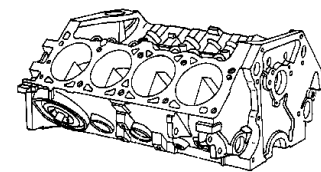
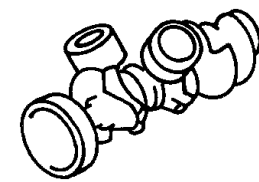
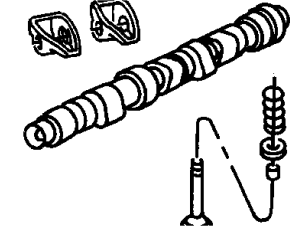
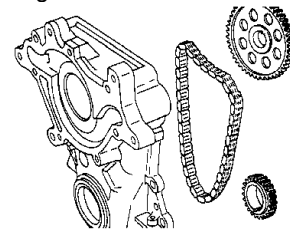
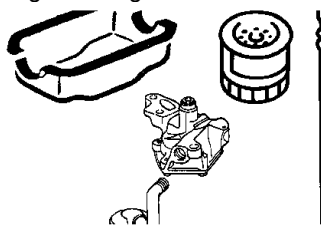
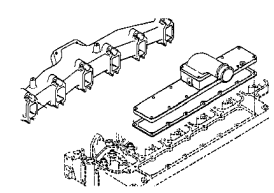
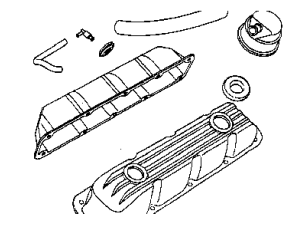
Engine Oiling ..... Fig. 5.9L - 710

#### Manifolds

Manifold, Intake and Exhaust ..... Fig. 5.9L - 810

#### Crankcase Ventilation

Crankcase Ventilation ..... Fig. 5.9L - 910

<p><b>5.9L-200</b> Cylinder Head</p> 	<p><b>5.9L-300</b> Cylinder Block</p> 	<p><b>5.9L-400</b> Crankshaft, Piston and Torque Converter</p> 	<p><b>5.9L-500</b> Camshafts &amp; Valves</p> 
<p><b>5.9L-600</b> Timing Belt and Cover</p> 	<p><b>5.9L-700</b> Engine Oiling</p> 	<p><b>5.9L-800</b> Manifolds</p> 	<p><b>5.9L-900</b> Crankcase Ventilation</p> 

**Cylinder Head  
Figure 5.9L-210**

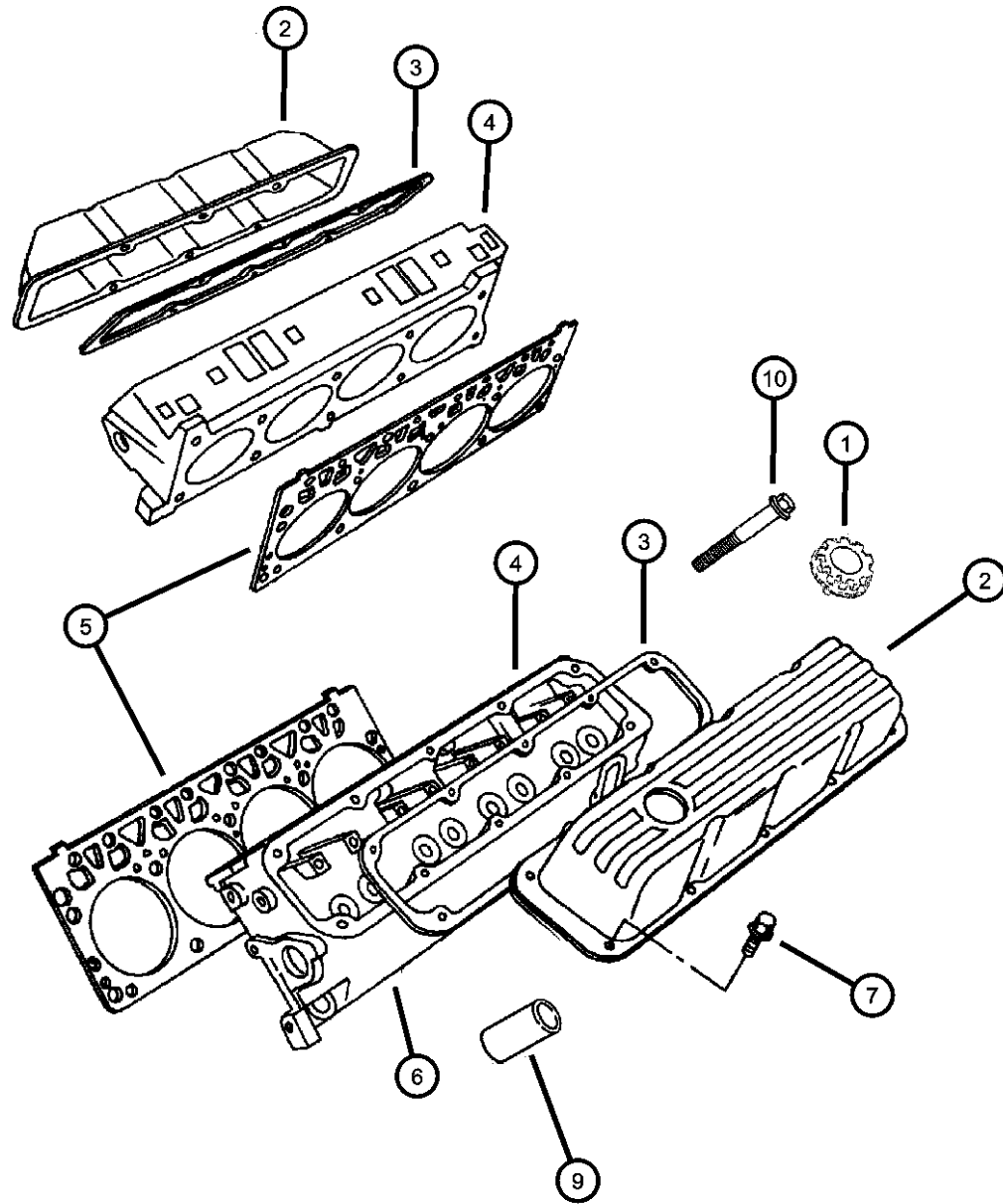
ITEM	PART NUMBER	QTY	LINE	SERIES	BODY	ENGINE	TRANS	TRIM	DESCRIPTION
------	-------------	-----	------	--------	------	--------	-------	------	-------------

**NOTE:**

Packages Do Not Contain Gaskets For All Required Sealing. R.T.V. Sealer And Gasket Eliminator Must Also Be Used.

EL0 = All 5.2L 8 Cyl Gas Engines

EM0 = All 5.9L 8 Cyl Gas Engines



1	04777536	1				EL0, EM0			CAP, Oil Filler
2									COVER, Cylinder Head
	53020340AC	1				EL0, EM0			With Oil Fill Hole
	53020612AC	1				EL0, EM0			W/O Oil Fill Hole
3	53006695	2				EL0, EM0			GASKET, Valve Cover
4	53021137	2				EM0			HEAD, Cylinder
5	53021098	2				EM0			GASKET, Cylinder Head
6	04556020	4				EM0			PLUG, Core, 1.25 Diameter
7	06035878AA	12				EL0, EM0			STUD
-8	06035877AA	7				EL0, EM0			SCREW AND WASHER, Hex Head, .25-20x.875
9	53020419	8				EL0, EM0			SHIELD, Heat
10									BOLT, Cylinder Head
	06034690	10				EL0, EM0			.50-13x2.00
	06034691	10				EL0, EM0			.50x4.625
-11	04897386AC	1				EM0			GASKET PACKAGE, Engine Upper

**RAM PICKUP/CLUB CAB (BE)**

SERIES	LINE	BODY	ENGINE	TRANSMISSION
L = Ram Truck (All)	3 = HD DODGE 2WD	31 = CLUB CAB 2-DR 6.5 FT BOX	ELF = ENGINE - 5.2L V8 MPI	DDC = TRANSMISSION - 5-SPEED HD MANUAL
	8 = HD DODGE 4WD	32 = CLUB CAB 2-DR 8FT BOX	EML = ENGINE - 5.9L V8 MPI	DDP = TRANSMISSION - 5-SPEED MANUAL
	1 = Lt. Duty DODGE 2WD	33 = QUAD CAB 4-DR 6.5 FT BOX	EMM = ENGINE - "MAGNUM" 5.9L SMPI V8	DDX = TRANSMISSION - 5-SPEED HD MANUAL
	6 = Lt. Duty DODGE 4WD	34 = QUAD CAB 4-DR 8FT BOX	ETC = ENGINE- 5.9L CUMMINS 24V DIESEL	DEE = TRANSMISSION - 6-SPEED HD MANUAL
	2 = Med. Duty DODGE 2WD		ETH = ENGINE- 5.9L HO CUMMINS TURBO DIESEL	DGP = TRANSMISSION - 4-SPD. AUTOMATIC,47RE
	7 = Med. Duty DODGE 4WD		EWA = ENGINE - 8.0L V10 MPI	DGT = TRANSMISSION - 4-SPD. AUTOMATIC,46RE

AR = use ase required - = Non illustrated part

2000 BE

**Cylinder Block  
Figure 5.9L-310**

ITEM	PART NUMBER	QTY	LINE	SERIES	BODY	ENGINE	TRANS	TRIM	DESCRIPTION
------	-------------	-----	------	--------	------	--------	-------	------	-------------

**NOTE:**

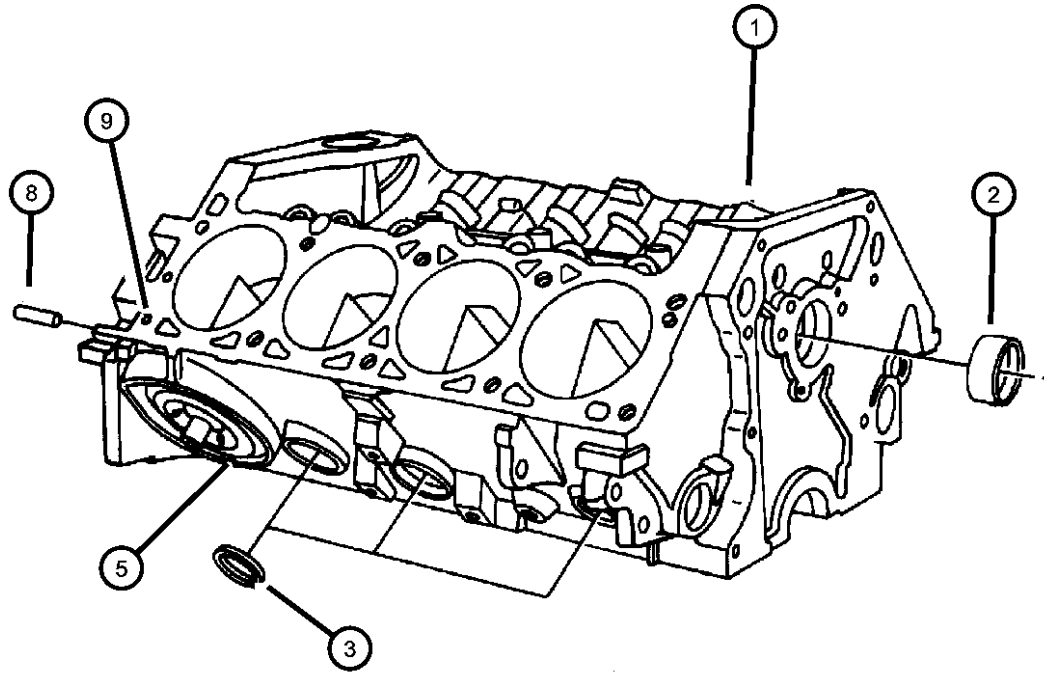
Packages Do Not Contain Gaskets For All Required Sealing. R.T.V. Sealer And Gasket Eliminator Must Also Be Used.

GASKET PACKAGE, Engine Lower - 04746001

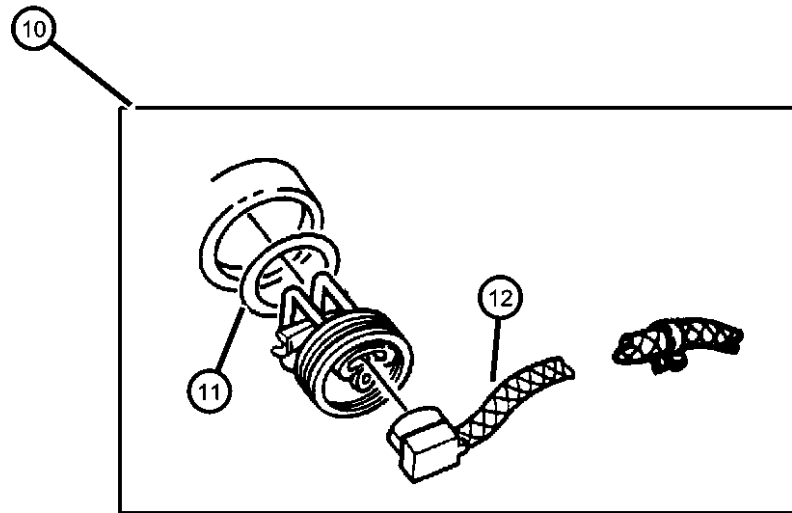
ELO = All 5.2L 8 Cyl Gas Engines

EM0 = All 5.9L 8 Cyl Gas Engines

EW0 = All 8.0L Gas Engines



1	04741528AB	1				EM0			BLOCK, Short, Contains: Crank, Rods, Pistons, Rings, Cam Bearings
	04761839AB								Mopar 10W30 Engine Oil Quart
	04761845AC								Mopar 10W30 Engine Oil Gallon
2	03830603	1				EM0			BEARING, Camshaft, #1
3	04556020	2				EM0			PLUG, Core, 1.25 Diameter
-4	04556022	8				EM0			PLUG, Core, 1.625 Diameter
5	03751818	2				EM0			PLUG, Pipe
-6	53009518	1				EM0			PLUG, Cylinder Block Oil Hole
-7	53009518	1							PLUG, Cylinder Block, 3/8NPT, (NOT SERVICED)
8	01122532	2				EM0			DOWEL, Block To Clutch Housing
9	00141215	4				EM0			DOWEL, .312 x .500
10	04798276	1				ELO, EM0			HEATER PACKAGE, Engine Block
11									O RING, Engine Block Heater
	06501445	AR							1-11/32 Diameter 11/64 Width
	06501446	1				ELO, EM0			1-11/32 Diameter 9/64 Width
12	56020061	1				ELO, EM0, EW0			CORD, Engine Block Heater



**RAM PICKUP/CLUB CAB (BE)**

SERIES	LINE	BODY	ENGINE	TRANSMISSION
L = Ram Truck (All)	3 = HD DODGE 2WD	31 = CLUB CAB 2-DR 6.5 FT BOX	ELF = ENGINE - 5.2L V8 MPI	DDC = TRANSMISSION - 5-SPEED HD MANUAL
	8 = HD DODGE 4WD	32 = CLUB CAB 2-DR 8FT BOX	EML = ENGINE - 5.9L V8 MPI	DDP = TRANSMISSION - 5-SPEED MANUAL
	1 = Lt. Duty DODGE 2WD	33 = QUAD CAB 4-DR 6.5 FT BOX	EMM = ENGINE - "MAGNUM" 5.9L SMPI V8	DDX = TRANSMISSION - 5-SPEED HD MANUAL
	6 = Lt. Duty DODGE 4WD	34 = QUAD CAB 4-DR 8FT BOX	ETC = ENGINE- 5.9L CUMMINS 24V DIESEL	DEE = TRANSMISSION - 6-SPEED HD MANUAL
	2 = Med. Duty DODGE 2WD		ETH = ENGINE- 5.9L HO CUMMINS TURBO DIESEL	DGP = TRANSMISSION - 4-SPD. AUTOMATIC,47RE
	7 = Med. Duty DODGE 4WD		EWA = ENGINE - 8.0L V10 MPI	DGT = TRANSMISSION - 4-SPD. AUTOMATIC,46RE

AR = use ase required - = Non illustrated part

2000 BE

**Crankshaft, Piston and Torque Converter**  
**Figure 5.9L-410**

ITEM	PART NUMBER	QTY	LINE	SERIES	BODY	ENGINE	TRANS	TRIM	DESCRIPTION
------	-------------	-----	------	--------	------	--------	-------	------	-------------

Note; EMO= All 5.9 Engines  
DBB= All STD. Duty Manual Trans  
DGO= All Auto Trans

1	56020061	1							PIN, Piston, Serviced in Piston, (NOT SERVICED)
2									PISTON PIN AND ROD, B-Size
	04778871AC	4				EMO			#1,3,5,7 Size, 3.99975
	04778872AC	4				EMO			#2,4,6,8 Size, 3.99975
-3									PISTON PIN AND ROD, C-Size
	04778873AC	4				EMO			#1,3,5,7 Size, 4.00025
	04778874AC	4				EMO			#2,4,6,8 Size, 4.00025
-4									PISTON PIN AND ROD, D-Size
	04778875AC	4				EMO			#1,3,5,7 Size, 4.00075
	04778876AC	4				EMO			#2,4,6,8 Size, 4.00075
5	04740259	4				EMO			RING, Piston
6	04740259	4							ROD, Connecting, Serviced in Piston, (NOT SERVICED)
7	02421305	4				EMO			BEARING, Connecting Rod, STD.
8	06033441	8				EMO			BOLT, Connecting Rod
9	04026487	3				EMO			BEARING PACKAGE, Crankshaft, Standard Size, #1,2,4
10	04713030	1				EMO			BEARING PACKAGE, Crankshaft, Standard Size, #3
11	03780100	1				EMO			BEARING PACKAGE, Crankshaft, Standard Size, #5
12	04790759AB	1				EMO	DGO		CRANKSHAFT AND KEY
13	06036207AA	1				EL0, EMO			SCREW AND WASHER
14	53020182	1				EMO			DAMPER, Crankshaft
15	53020182	1							CAP, Serviced in Block, (NOT SERVICED)
16	06032296	8				EMO			NUT, Hex, .375-24
17	06027264	10				EMO			SCREW, Socket Hex Head, .50-13x3.25
18	04798216AB	1				EMO			SEAL PACKAGE, Crankshaft

**RAM PICKUP/CLUB CAB (BE)**

SERIES	LINE
L = Ram Truck (All)	3 = HD DODGE 2WD
	8 = HD DODGE 4WD
	1 = Lt. Duty DODGE 2WD
	6 = Lt. Duty DODGE 4WD
	2 = Med. Duty DODGE 2WD
	7 = Med. Duty DODGE 4WD

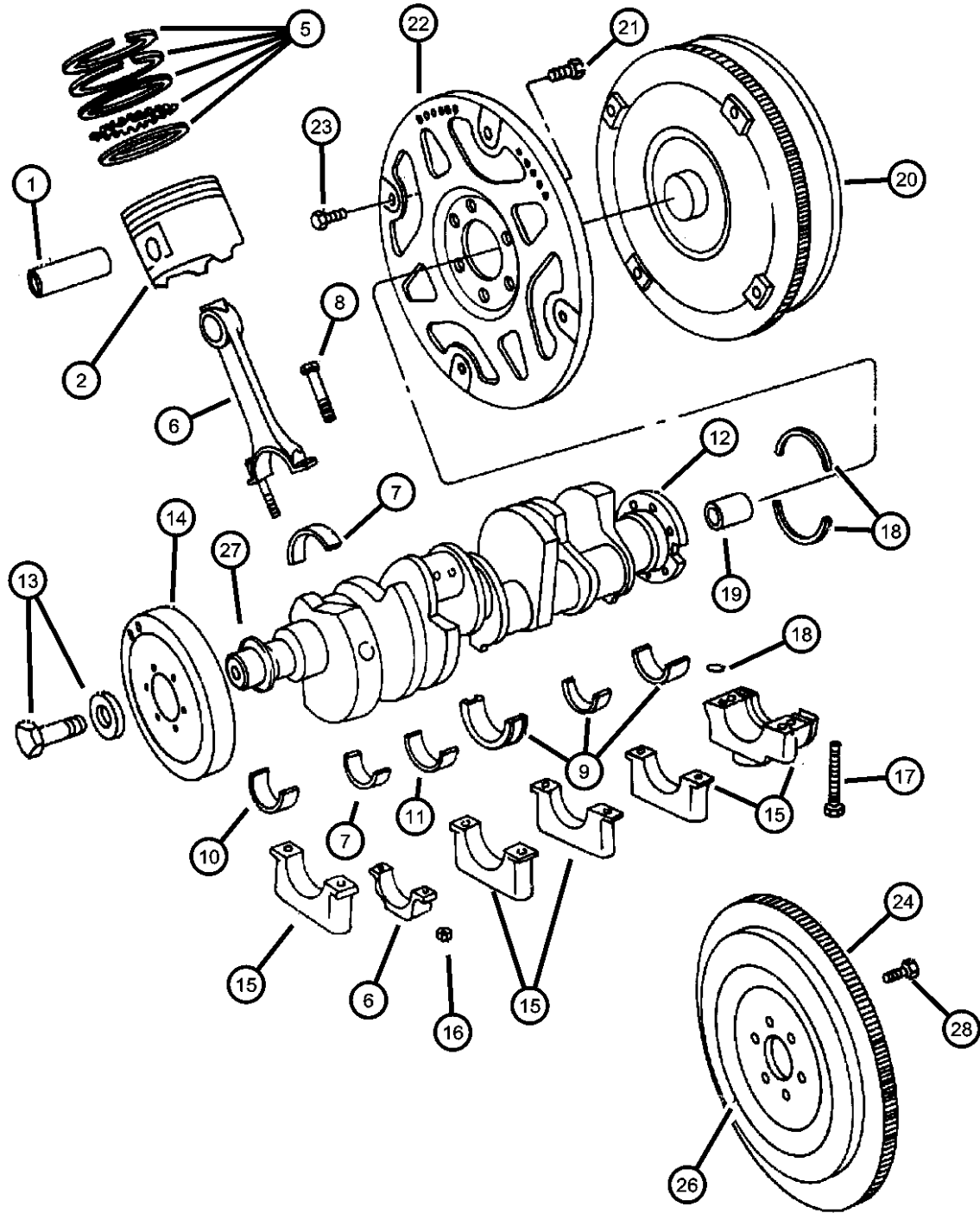
BODY	ENGINE	TRANSMISSION
31 = CLUB CAB 2-DR 6.5 FT BOX	ELF = ENGINE - 5.2L V8 MPI	DDC = TRANSMISSION - 5-SPEED HD MANUAL
32 = CLUB CAB 2-DR 8FT BOX	EML = ENGINE - 5.9L V8 MPI	DDP = TRANSMISSION - 5-SPEED MANUAL
33 = QUAD CAB 4-DR 6.5 FT BOX	EMM = ENGINE - "MAGNUM" 5.9L SMPI V8	DDX = TRANSMISSION - 5-SPEED HD MANUAL
34 = QUAD CAB 4-DR 8FT BOX	ETC = ENGINE- 5.9L CUMMINS 24V DIESEL	DEE = TRANSMISSION - 6-SPEED HD MANUAL
	ETH = ENGINE- 5.9L HO CUMMINS TURBO DIESEL	DGP = TRANSMISSION - 4-SPD. AUTOMATIC, 47RE
	EWA = ENGINE - 8.0L V10 MPI	DGT = TRANSMISSION - 4-SPD. AUTOMATIC, 46RE

AR = use ase required - = Non illustrated part

2000 BE

**Crankshaft, Piston and Torque Converter  
Figure 5.9L-410**

ITEM	PART NUMBER	QTY	LINE	SERIES	BODY	ENGINE	TRANS	TRIM	DESCRIPTION
19	53009180AB	1				EM0	DBB		BEARING, Pilot, Sleeve and Bearing
20	04736591	1				EM0	DG0		TORQUE CONVERTER
21	01949424	6				EL0, EM0	DG0		SCREW, Hex Head Header Point, .75-16x2.25
22	04863841	1				EM0	DG0		PLATE, Torque Converter Drive
23	01949765	4				EL0, EM0	DG0		SCREW, Hex Head Header Point, .312-24x.44
24	02843214	1				EM0	DBB		GEAR, Flywheel Ring
-25	03515203	1				EM0	DG0		GEAR, Ring
26	53020585	1				EM0	DBB		FLYWHEEL
27	06035948AA	1				EL0, EM0			WASHER, Sealing
28	06036143AA	6				EL0, EM0	DBB		SCREW



**RAM PICKUP/CLUB CAB (BE)**

SERIES	LINE	BODY	ENGINE	TRANSMISSION
L = Ram Truck (All)	3 = HD DODGE 2WD 8 = HD DODGE 4WD 1 = Lt. Duty DODGE 2WD 6 = Lt. Duty DODGE 4WD 2 = Med. Duty DODGE 2WD 7 = Med. Duty DODGE 4WD	31 = CLUB CAB 2-DR 6.5 FT BOX 32 = CLUB CAB 2-DR 8FT BOX 33 = QUAD CAB 4-DR 6.5 FT BOX 34 = QUAD CAB 4-DR 8FT BOX	ELF = ENGINE - 5.2L V8 MPI EML = ENGINE - 5.9L V8 MPI EMM = ENGINE - "MAGNUM" 5.9L SMPI V8 ETC = ENGINE- 5.9L CUMMINS 24V DIESEL ETH = ENGINE- 5.9L HO CUMMINS TURBO DIESEL EWA = ENGINE - 8.0L V10 MPI	DDC = TRANSMISSION - 5-SPEED HD MANUAL DDP = TRANSMISSION - 5-SPEED MANUAL DDX = TRANSMISSION - 5-SPEED HD MANUAL DEE = TRANSMISSION - 6-SPEED HD MANUAL DGP = TRANSMISSION - 4-SPD. AUTOMATIC, 47RE DGT = TRANSMISSION - 4-SPD. AUTOMATIC, 46RE

AR = use ase required - = Non illustrated part

**Camshaft and Valves**  
**Figure 5.9L-510**

ITEM	PART NUMBER	QTY	LINE	SERIES	BODY	ENGINE	TRANS	TRIM	DESCRIPTION
Note: ELO = All 5.2L 8 Cyl Gas Engines EML = Magnum 5.9L SMPI V8 Engine EM0 = All 5.9L 8 Cyl Gas Engines									
1	53008282	16				ELO, EM0			ROCKER ARM, Valve
2	53008283	16				ELO, EM0			PIVOT, Rocker Arm
3	06036154AA	16				ELO, EM0			BOLT, Hex Flange Head, .312-18x1.72
4	53008633	8				ELO, EM0			RETAINER, Rocker Arm Pivot
5	33003521	32				ELO, EM0			LOCK, Valve Spring Retainer
6	33004626	16				ELO, EM0			RETAINER, Valve Spring
7	53021056	16				ELO, EM0			SPRING, Valve
8	53009886	8				ELF, EM0			SEAL, Valve Guide, Standard, .003 O/S
9	53009887	8				ELF, EM0			SEAL, Valve Guide, Standard, .003 O/S
10	53006723	8				ELF, EM0			VALVE, Intake, Standard
11	53006724	8				ELO, EM0			VALVE, Exhaust, Standard
12	02863071	1				EM0			PLUG, Camshaft
13	03830603	1				EM0			BEARING, Camshaft, #1
-14	04179776	1				EM0			BEARING, Camshaft, #2
-15	04179777	1				EM0			BEARING, Camshaft, #3
-16	04179778	1				EM0			BEARING, Camshaft, #3 or #4
-17	01632526	1				EM0			BEARING, Camshaft, #4 or #5
18	04713439	16				EM0			TAPPET PACKAGE, Valve
19	00431787	1				ELO, EM0			KEY, Camshaft Sprocket
20	53021101	1				EM0			CAMSHAFT, Engine
21	53006722	16				ELO, EM0			PUSH ROD, Valve
22	04323207	1				ELO, EM0			RETAINER, Tappet Yoke Aligning
23	04483045	8				ELO, EM0			YOKE, Tappet Aligning
24	06034549	4				ELO, EM0			SCREW, Hex Head, .312-18x.94

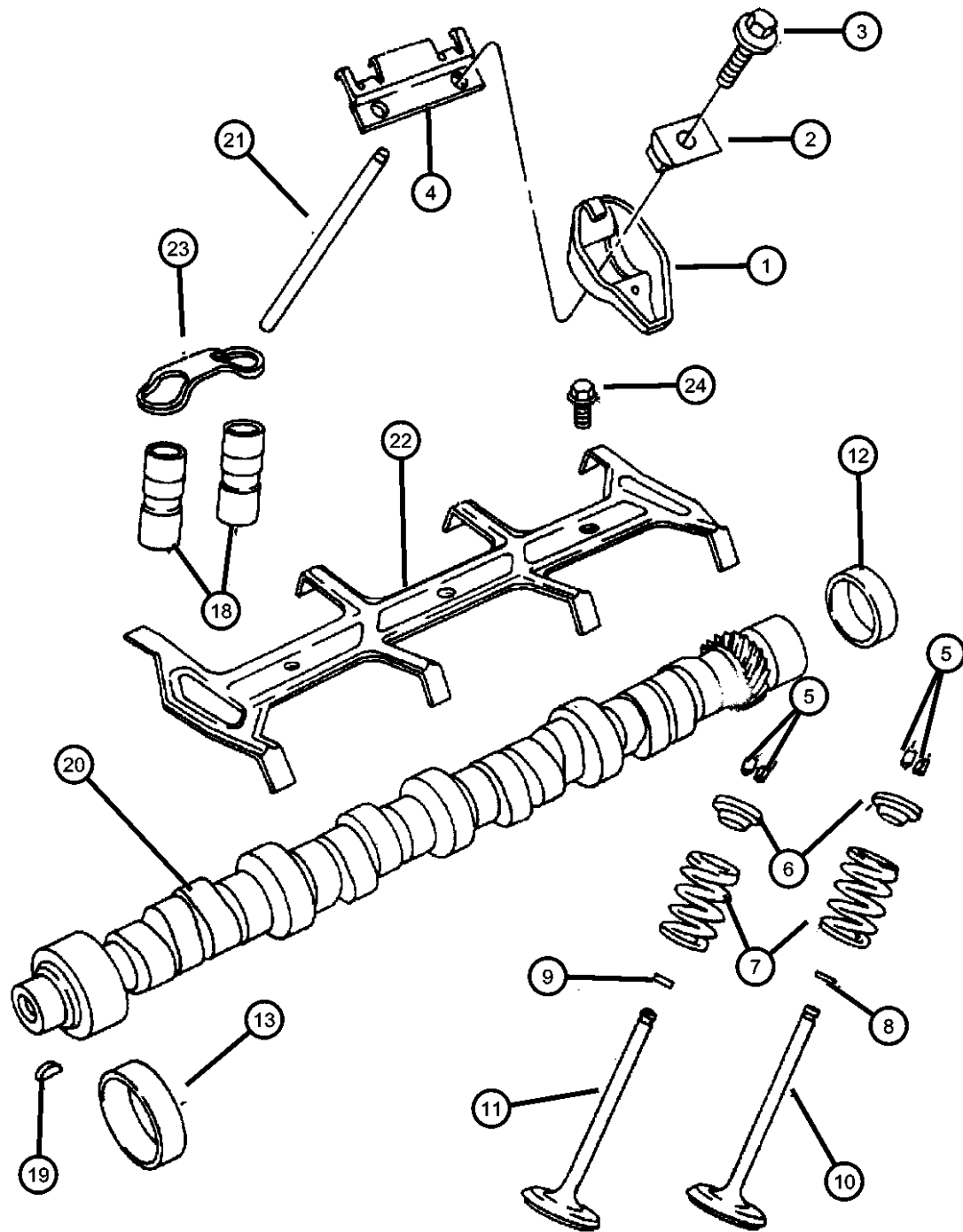
**RAM PICKUP/CLUB CAB (BE)**

SERIES	LINE
L = Ram Truck (All)	3 = HD DODGE 2WD
	8 = HD DODGE 4WD
	1 = Lt. Duty DODGE 2WD
	6 = Lt. Duty DODGE 4WD
	2 = Med. Duty DODGE 2WD
	7 = Med. Duty DODGE 4WD

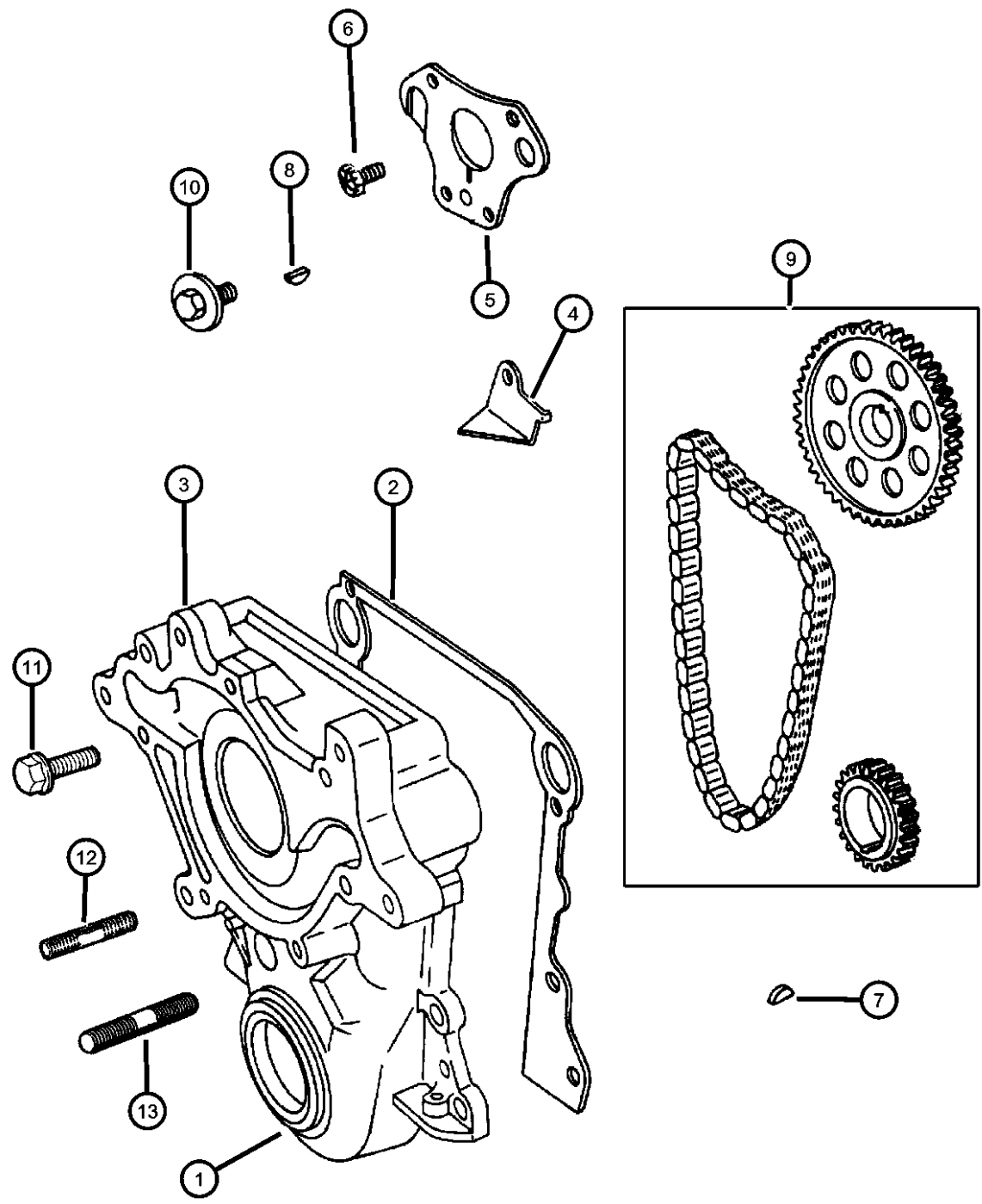
BODY	ENGINE	TRANSMISSION
31 = CLUB CAB 2-DR 6.5 FT BOX	ELF = ENGINE - 5.2L V8 MPI	DDC = TRANSMISSION - 5-SPEED HD MANUAL
32 = CLUB CAB 2-DR 8FT BOX	EML = ENGINE - 5.9L V8 MPI	DDP = TRANSMISSION - 5-SPEED MANUAL
33 = QUAD CAB 4-DR 6.5 FT BOX	EMM = ENGINE - "MAGNUM" 5.9L SMPI V8	DDX = TRANSMISSION - 5-SPEED HD MANUAL
34 = QUAD CAB 4-DR 8FT BOX	ETC = ENGINE- 5.9L CUMMINS 24V DIESEL	DEE = TRANSMISSION - 6-SPEED HD MANUAL
	ETH = ENGINE- 5.9L HO CUMMINS TURBO DIESEL	DGP = TRANSMISSION - 4-SPD. AUTOMATIC, 47RE
	EWA = ENGINE - 8.0L V10 MPI	DGT = TRANSMISSION - 4-SPD. AUTOMATIC, 46RE

AR = use ase required - = Non illustrated part

2000 BE



**Timing Gear and Cover  
Figure 5.9L-610**



ITEM	PART NUMBER	QTY	LINE	SERIES	BODY	ENGINE	TRANS	TRIM	DESCRIPTION
------	-------------	-----	------	--------	------	--------	-------	------	-------------

Note:  
 DBB = All Manual Transmissions  
 ELO = All 5.2L 8 Cyl Gas Engines  
 EM0 = All 5.9L 8 Cyl Gas Engines

1	04897297AA	1				EM0			SEAL PACKAGE, Timing Case Cover
2	53021057	1				ELO, EM0			GASKET, Chain Case Cover
3	04897723AA	1				EM0			COVER PACKAGE, Engine Timing
4	03671649	1				ELO, EM0			TAB, Timing Chain Oil
5	04315764	1				ELO, EM0			PLATE, Camshaft Thrust
6	06034549	4				ELO, EM0			SCREW, Hex Head, .312-18x.94
7	06029411	1				EM0	DBB		KEY, Crankshaft Sprocket
8	06029411	1				EM0	DBB		KEY, Crankshaft Sprocket
9	83507095	1				ELO, EM0			CHAIN PACKAGE, Timing
10	06034321	1				ELO, EM0			SCREW AND WASHER, Hex Head, Coned, Header, .437-14x1.375
11	06034479	1				ELO, EM0			BOLT, Hex Head, .375-16x2.25
12	06034452	1				ELO, EM0			STUD, .375-16x.375-16x2.38
13	06034453	2				ELO, EM0			STUD, .375-16x.375-16x1.63

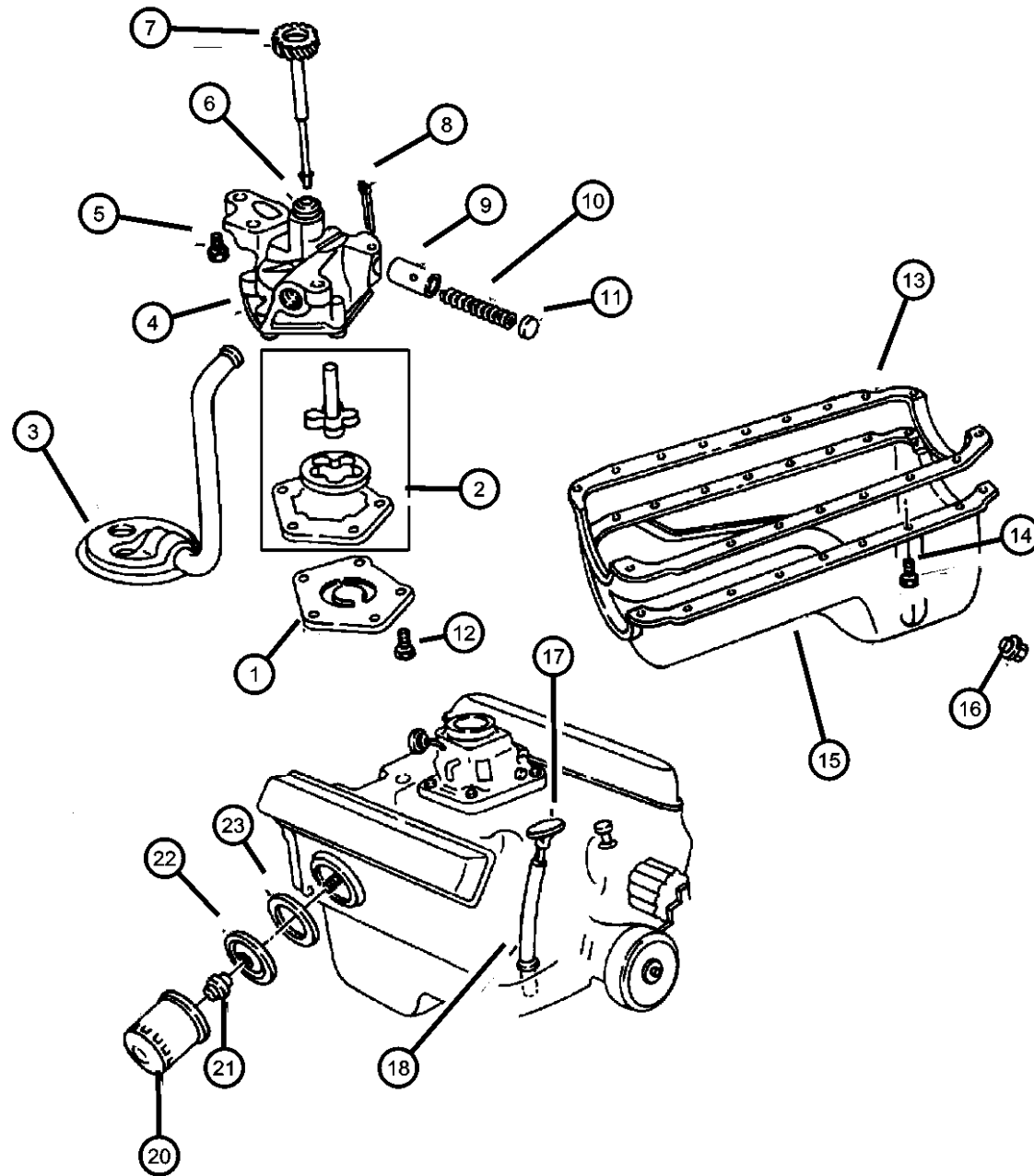
**RAM PICKUP/CLUB CAB (BE)**

SERIES	LINE	BODY	ENGINE	TRANSMISSION
L = Ram Truck (All)	3 = HD DODGE 2WD 8 = HD DODGE 4WD 1 = Lt. Duty DODGE 2WD 6 = Lt. Duty DODGE 4WD 2 = Med. Duty DODGE 2WD 7 = Med. Duty DODGE 4WD	31 = CLUB CAB 2-DR 6.5 FT BOX 32 = CLUB CAB 2-DR 8FT BOX 33 = QUAD CAB 4-DR 6.5 FT BOX 34 = QUAD CAB 4-DR 8FT BOX	ELF = ENGINE - 5.2L V8 MPI EML = ENGINE - 5.9L V8 MPI EMM = ENGINE - "MAGNUM" 5.9L SMPI V8 ETC = ENGINE- 5.9L CUMMINS 24V DIESEL ETH = ENGINE- 5.9L HO CUMMINS TURBO DIESEL EWA = ENGINE - 8.0L V10 MPI	DDC = TRANSMISSION - 5-SPEED HD MANUAL DDP = TRANSMISSION - 5-SPEED MANUAL DDX = TRANSMISSION - 5-SPEED HD MANUAL DEE = TRANSMISSION - 6-SPEED HD MANUAL DGP = TRANSMISSION - 4-SPD. AUTOMATIC, 47RE DGT = TRANSMISSION - 4-SPD. AUTOMATIC, 46RE

AR = use ase required - = Non illustrated part



**Engine Oiling  
Figure 5.9L-710**



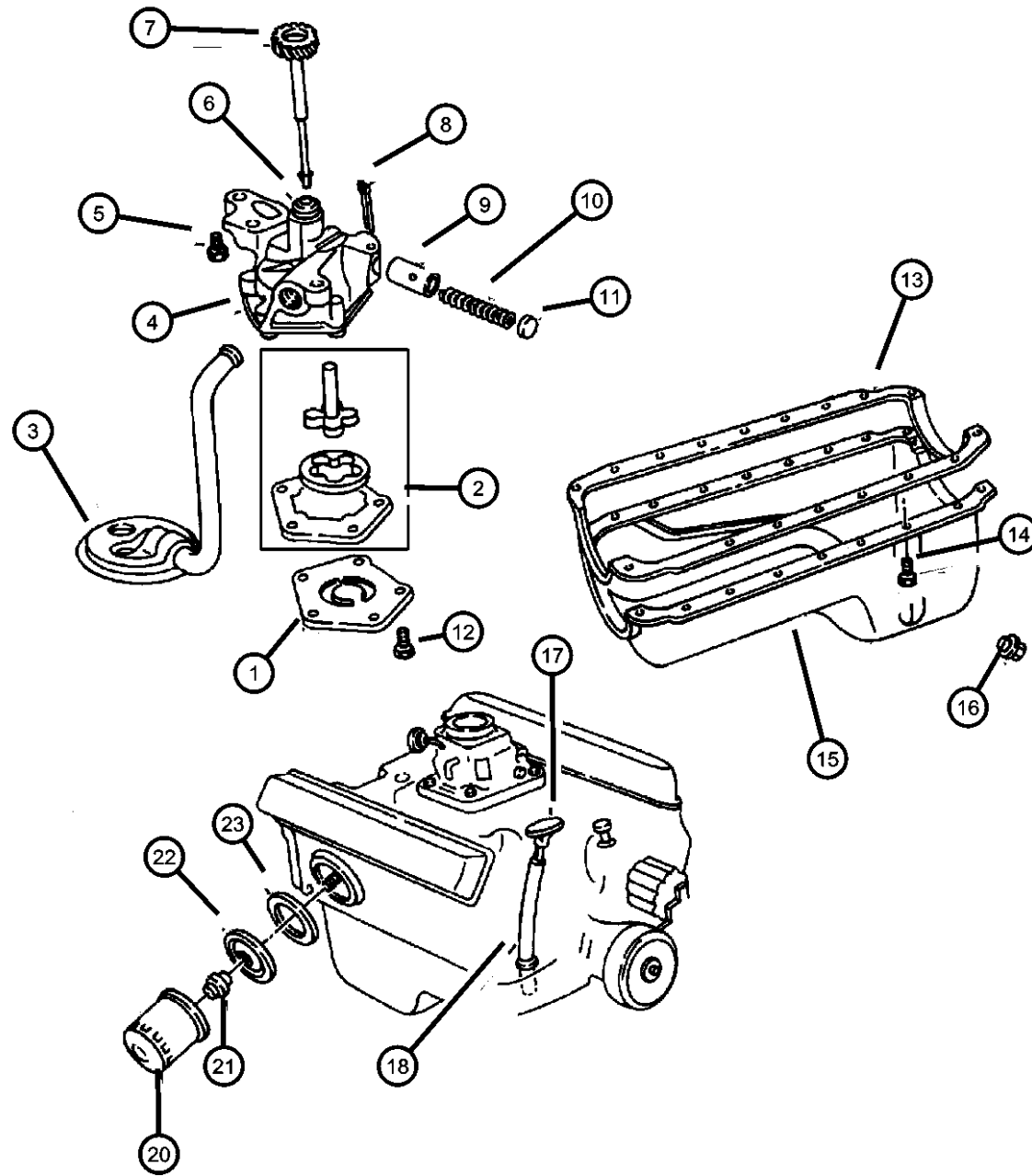
ITEM	PART NUMBER	QTY	LINE	SERIES	BODY	ENGINE	TRANS	TRIM	DESCRIPTION
	Note: ELO = All 5.2L 8 Cyl Gas Engines EML = Magnum 5.9L SMPI V8 Engine EMM = Magnum 5.9L SMPI V8 Engine EM0 = All 5.9L 8 Cyl Gas Engines								
1	04071043	1				EM0			COVER, Engine Oil Pump
2	03837648	1				EM0			SHAFT AND ROTOR PACKAGE, Oil Pump
3	53020462	1				EM0			PICKUP, Engine Oil
4	53009295	1				EM0			PUMP, Engine Oil
5	00179842	2				ELO, EM0			SCREW, Hex Head Header Point, .375-16x1.375
6	01737725	1				EM0			BUSHING, Oil Pump and Distributor
7	53020546	1				ELO, EM0			SHAFT, Oil Pump
8	00108636	1				EM0			PIN, Cotter
9	02843208	1				EM0			PLUNGER, Oil Pressure Relief Valve
10	02402473	1				EM0			SPRING, Oil Pressure Relief Valve
11	02806273	1				EM0			CAP, Oil Pressure Relief Valve
12	00220480	5				EM0			SCREW, Hex Head Header Point, .25-20x.75
13	53008610	1				EM0			GASKET, Oil Pan
14	06034549	18				ELO, EM0			SCREW, Hex Head, .312-18x.94
15	53020918	1				EM0			PAN, Engine Oil
16	06035417	1				EM0			PLUG, Oil Drain, w/Gasket
17									INDICATOR, Engine Oil Level
	53020928	1				ELO, EML			
	53020934	1				EMM			
18	53020926	1				ELO, EML			TUBE, Oil Gauge
-19	53020062	1				EMM			TUBE, Engine Oil Indicator
20	05281090	1				ELO, EM0			FILTER, Engine Oil
	0FE00292								Canadian Aftermarket Part
	05281090BA								BULK PACK (12)

**RAM PICKUP/CLUB CAB (BE)**

SERIES	LINE	BODY	ENGINE	TRANSMISSION
L = Ram Truck (All)	3 = HD DODGE 2WD 8 = HD DODGE 4WD 1 = Lt. Duty DODGE 2WD 6 = Lt. Duty DODGE 4WD 2 = Med. Duty DODGE 2WD 7 = Med. Duty DODGE 4WD	31 = CLUB CAB 2-DR 6.5 FT BOX 32 = CLUB CAB 2-DR 8FT BOX 33 = QUAD CAB 4-DR 6.5 FT BOX 34 = QUAD CAB 4-DR 8FT BOX	ELF = ENGINE - 5.2L V8 MPI EML = ENGINE - 5.9L V8 MPI EMM = ENGINE - "MAGNUM" 5.9L SMPI V8 ETC = ENGINE- 5.9L CUMMINS 24V DIESEL ETH = ENGINE- 5.9L HO CUMMINS TURBO DIESEL EWA = ENGINE - 8.0L V10 MPI	DDC = TRANSMISSION - 5-SPEED HD MANUAL DDP = TRANSMISSION - 5-SPEED MANUAL DDX = TRANSMISSION - 5-SPEED HD MANUAL DEE = TRANSMISSION - 6-SPEED HD MANUAL DGP = TRANSMISSION - 4-SPD. AUTOMATIC,47RE DGT = TRANSMISSION - 4-SPD. AUTOMATIC,46RE

AR = use ase required - = Non illustrated part

Engine Oiling  
Figure 5.9L-710



ITEM	PART NUMBER	QTY	LINE	SERIES	BODY	ENGINE	TRANS	TRIM	DESCRIPTION
	77060018								Performance Mobil 1, 15W - 50 Tri-Synthetic Engine Oil- Recommended Fill for 6.1L & 8.3L
21	53007563	1				ELO, EM0			CONNECTOR, Oil Filter
22	53021053	1				ELO, EM0			PLATE, Oil Filter Adapter
23	53020461AB	1				ELO, EM0			GASKET, Oil Filter Adapter

RAM PICKUP/CLUB CAB (BE)

SERIES	LINE	BODY	ENGINE	TRANSMISSION
L = Ram Truck (All)	3 = HD DODGE 2WD 8 = HD DODGE 4WD 1 = Lt. Duty DODGE 2WD 6 = Lt. Duty DODGE 4WD 2 = Med. Duty DODGE 2WD 7 = Med. Duty DODGE 4WD	31 = CLUB CAB 2-DR 6.5 FT BOX 32 = CLUB CAB 2-DR 8FT BOX 33 = QUAD CAB 4-DR 6.5 FT BOX 34 = QUAD CAB 4-DR 8FT BOX	ELF = ENGINE - 5.2L V8 MPI EML = ENGINE - 5.9L V8 MPI EMM = ENGINE - "MAGNUM" 5.9L SMPI V8 ETC = ENGINE- 5.9L CUMMINS 24V DIESEL ETH = ENGINE- 5.9L HO CUMMINS TURBO DIESEL EWA = ENGINE - 8.0L V10 MPI	DDC = TRANSMISSION - 5-SPEED HD MANUAL DDP = TRANSMISSION - 5-SPEED MANUAL DDX = TRANSMISSION - 5-SPEED HD MANUAL DEE = TRANSMISSION - 6-SPEED HD MANUAL DGP = TRANSMISSION - 4-SPD. AUTOMATIC, 47RE DGT = TRANSMISSION - 4-SPD. AUTOMATIC, 46RE

AR = use ase required - = Non illustrated part

2000 BE

**Manifold, Intake and Exhaust  
Figure 5.9L-810**

ITEM	PART NUMBER	QTY	LINE	SERIES	BODY	ENGINE	TRANS	TRIM	DESCRIPTION
------	-------------	-----	------	--------	------	--------	-------	------	-------------

**NOTE:**

Packages Do Not Contain Gaskets For All Required Sealing. R.T.V. Sealer And Gasket Eliminator Must Also Be Used.

ELO = All 5.2L 8 Cyl Gas Engines

EM0 = All 5.9L 8 Cyl Gas Engines

EW0 = All 8.0L Gas Engines

1	04897383AC	1				ELO, EM0			GASKET PACKAGE, Intake Manifold
2	04897490AC	1				ELO, EM0			MANIFOLD, Intake
3	06035967AA	12				ELO, EM0			SCREW AND WASHER, Hex Head
4	53006623	1				ELO, EM0			GASKET, Intake Manifold Pan
5	06034643	4				ELO, EM0			STUD, .312-18/.312-24x2.25
6	06034806	8				ELO, EM0			SCREW AND WASHER, Hex Head, .312-18x3.125
7	53030873	1				EM0			MANIFOLD, ExhaustRight
8	53010189	1				EM0			MANIFOLD, ExhaustLeft
9	00118615	4				ELO, EM0, EW0			NUT, Hex, .375-16
10	00115729	4				ELO, EM0			NUT, Hex, .312 x 24
11	06035375	4				ELO, EM0			BOLT, Hex Head, .375-16x2.50
12	53006617	1				ELO, EM0			PAN, Intake Manifold
13	04004001	4				ELO, EM0, EW0			RETAINER, Exhaust Pipe to Manifold
14	04004001	4				ELO, EM0, EW0			PLUG, 3/8-18, (NOT SERVICED)
15	53010091	4				ELO, EM0			CLAMP, Exhaust Manifold
16	06034583	15				ELO, EM0			SCREW AND WASHER, Hex Head, .25-20x.892

**RAM PICKUP/CLUB CAB (BE)**

SERIES	LINE
L = Ram Truck (All)	3 = HD DODGE 2WD
	8 = HD DODGE 4WD
	1 = Lt. Duty DODGE 2WD
	6 = Lt. Duty DODGE 4WD
	2 = Med. Duty DODGE 2WD
	7 = Med. Duty DODGE 4WD

BODY	ENGINE	TRANSMISSION
31 = CLUB CAB 2-DR 6.5 FT BOX	ELF = ENGINE - 5.2L V8 MPI	DDC = TRANSMISSION - 5-SPEED HD MANUAL
32 = CLUB CAB 2-DR 8FT BOX	EML = ENGINE - 5.9L V8 MPI	DDP = TRANSMISSION - 5-SPEED MANUAL
33 = QUAD CAB 4-DR 6.5 FT BOX	EMM = ENGINE - "MAGNUM" 5.9L SMPI V8	DDX = TRANSMISSION - 5-SPEED HD MANUAL
34 = QUAD CAB 4-DR 8FT BOX	ETC = ENGINE- 5.9L CUMMINS 24V DIESEL	DEE = TRANSMISSION - 6-SPEED HD MANUAL
	ETH = ENGINE- 5.9L HO CUMMINS TURBO DIESEL	DGP = TRANSMISSION - 4-SPD. AUTOMATIC, 47RE
	EWA = ENGINE - 8.0L V10 MPI	DGT = TRANSMISSION - 4-SPD. AUTOMATIC, 46RE

AR = use ase required - = Non illustrated part

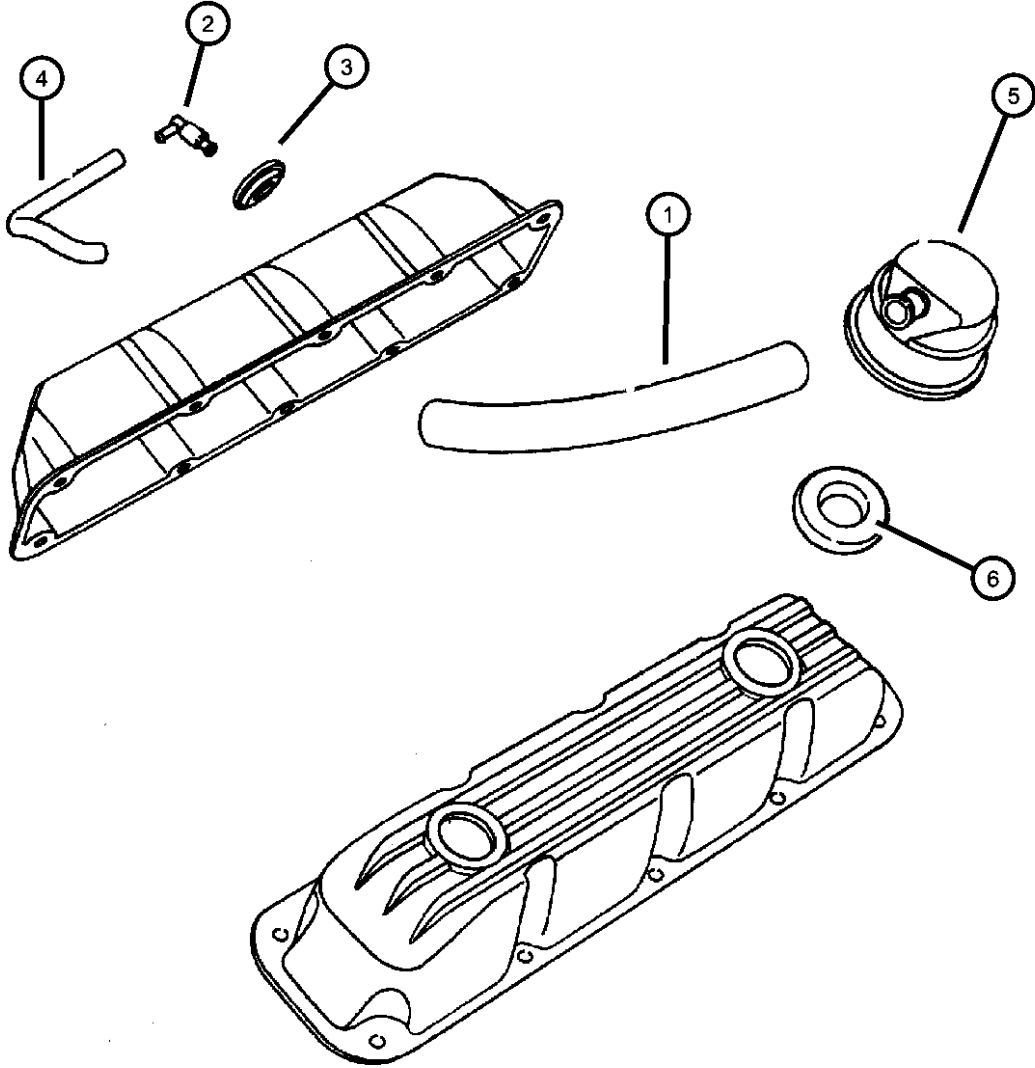
2000 BE

**Crankcase Ventilation  
Figure 5.9L-910**

ITEM	PART NUMBER	QTY	LINE	SERIES	BODY	ENGINE	TRANS	TRIM	DESCRIPTION
------	-------------	-----	------	--------	------	--------	-------	------	-------------

Note:  
 ELO = All 5.2L 8 Cyl Gas Engines  
 EM0 = All 5.9L 8 Cyl Gas Engines  
 EW0 = All 8.0L Gas Engines

1	53006342	1				EW0			HOSE, Crankcase Vent
2	53031135	1				ELO, EM0			VALVE, Crankcase Vent
3	53030017	1				ELO, EM0			GROMMET, Crankcase Vent
4	53041044	1				EW0			TUBE, PCV Valve
5	53030497	1				ELO, EM0			FITTING, Crankcase Vent Tube
6	02946079	1				ELO, EM0			GROMMET, Crankcase Vent



**RAM PICKUP/CLUB CAB (BE)**

SERIES	LINE	BODY	ENGINE	TRANSMISSION
L = Ram Truck (All)	3 = HD DODGE 2WD 8 = HD DODGE 4WD 1 = Lt. Duty DODGE 2WD 6 = Lt. Duty DODGE 4WD 2 = Med. Duty DODGE 2WD 7 = Med. Duty DODGE 4WD	31 = CLUB CAB 2-DR 6.5 FT BOX 32 = CLUB CAB 2-DR 8FT BOX 33 = QUAD CAB 4-DR 6.5 FT BOX 34 = QUAD CAB 4-DR 8FT BOX	ELF = ENGINE - 5.2L V8 MPI EML = ENGINE - 5.9L V8 MPI EMM = ENGINE - "MAGNUM" 5.9L SMPI V8 ETC = ENGINE- 5.9L CUMMINS 24V DIESEL ETH = ENGINE- 5.9L HO CUMMINS TURBO DIESEL EWA = ENGINE - 8.0L V10 MPI	DDC = TRANSMISSION - 5-SPEED HD MANUAL DDP = TRANSMISSION - 5-SPEED MANUAL DDX = TRANSMISSION - 5-SPEED HD MANUAL DEE = TRANSMISSION - 6-SPEED HD MANUAL DGP = TRANSMISSION - 4-SPD. AUTOMATIC,47RE DGT = TRANSMISSION - 4-SPD. AUTOMATIC,46RE

AR = use ase required - = Non illustrated part

2000 BE

# Group - 8.0L

## Engine 8.0L Ten Cylinder (Truck)

### Group - 8.0L Engine 8.0L Ten Cylinder (Truck)

Illustration Title

Group-Fig. No.

#### Cylinder Head

Cylinder Head ..... Fig. 8.0L - 210

#### Cylinder Block

Cylinder Block ..... Fig. 8.0L - 310

#### Crankshaft, Piston and Torque Converter

Crankshaft, Piston and Torque Converter ..... Fig. 8.0L - 410

#### Camshafts & Valves

Camshaft and Valves ..... Fig. 8.0L - 510

#### Timing Belt and Cover

Timing Gear and Cover ..... Fig. 8.0L - 610

#### Engine Oiling

Engine Oiling ..... Fig. 8.0L - 710

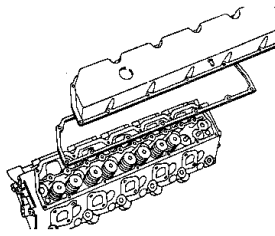
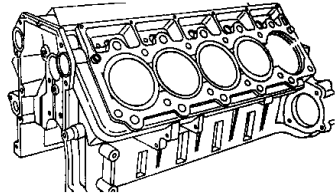
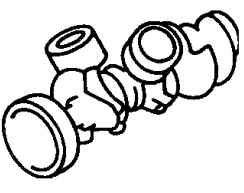
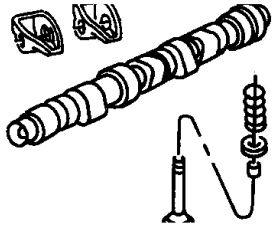
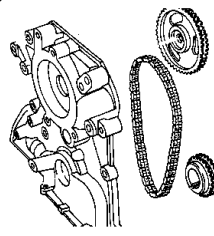
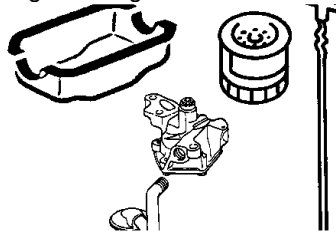
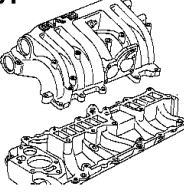
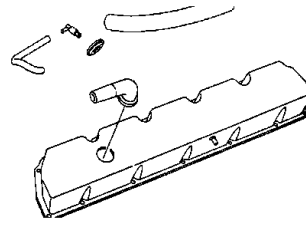
#### Manifolds

Manifold, Intake ..... Fig. 8.0L - 810

Manifold, Exhaust ..... Fig. 8.0L - 820

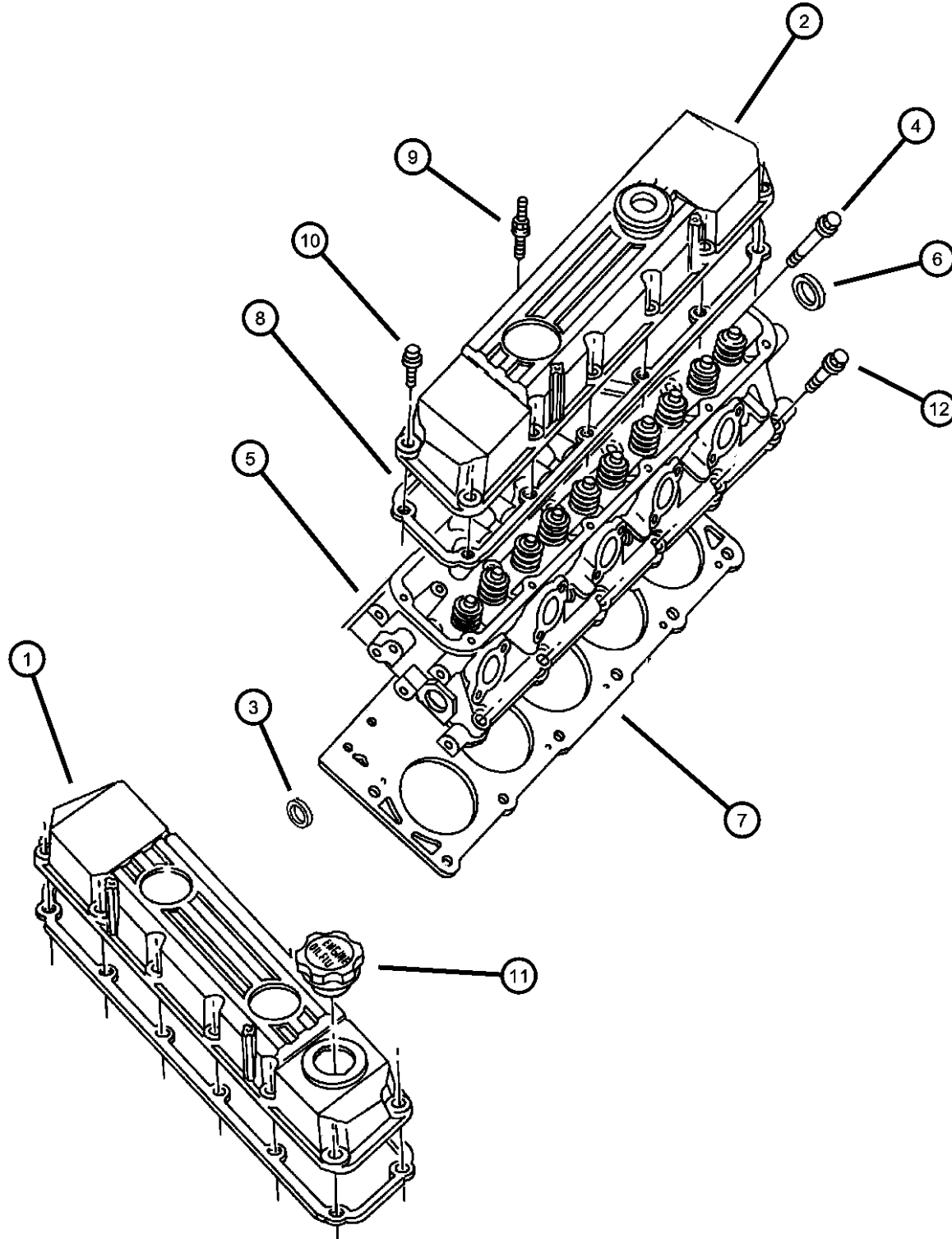
#### Crankcase Ventilation

Crankcase Ventilation ..... Fig. 8.0L - 910

<p><b>8.0L-200</b> Cylinder Head</p> 	<p><b>8.0L-300</b> Cylinder Block</p> 	<p><b>8.0L-400</b> Crankshaft, Piston and Torque Converter</p> 	<p><b>8.0L-500</b> Camshafts &amp; Valves</p> 
<p><b>8.0L-600</b> Timing Belt and Cover</p> 	<p><b>8.0L-700</b> Engine Oiling</p> 	<p><b>8.0L-800</b> Manifolds</p> 	<p><b>8.0L-900</b> Crankcase Ventilation</p> 

**Cylinder Head  
Figure 8.0L-210**

ITEM	PART NUMBER	QTY	LINE	SERIES	BODY	ENGINE	TRANS	TRIM	DESCRIPTION
Note: EW0 = All 8.0L Gas Engines									
1	53041054	1				EW0			COVER, Cylinder HeadRight
2	53041055	1				EW0			COVER, Cylinder HeadLeft
3	04556020	1				EW0			PLUG, Core, 1.25 Diameter
4	J4007307	12				EW0			BOLT, Hex Flange Head, .500-13x4.52
5	53020066AB	2				EW0			HEAD, Cylinder
6	J3178449	2				EW0			PLUG, Cylinder Block Oil Hole
7	53041049	2				EW0			GASKET, Cylinder Head
8	53020073	2				EW0			GASKET, Valve Cover
9	06034444	7				EW0			STUD, .312-18/.250-20x2.685
10	06034443	17				EW0			SCREW, Hex Head Coned, .312-18x1.375
11	04777536	1				EW0			CAP, Oil Filler
12	53020067	12				EW0			BOLT, Cylinder Head
-13	04746045AB	1				EW0			GASKET PACKAGE, Engine

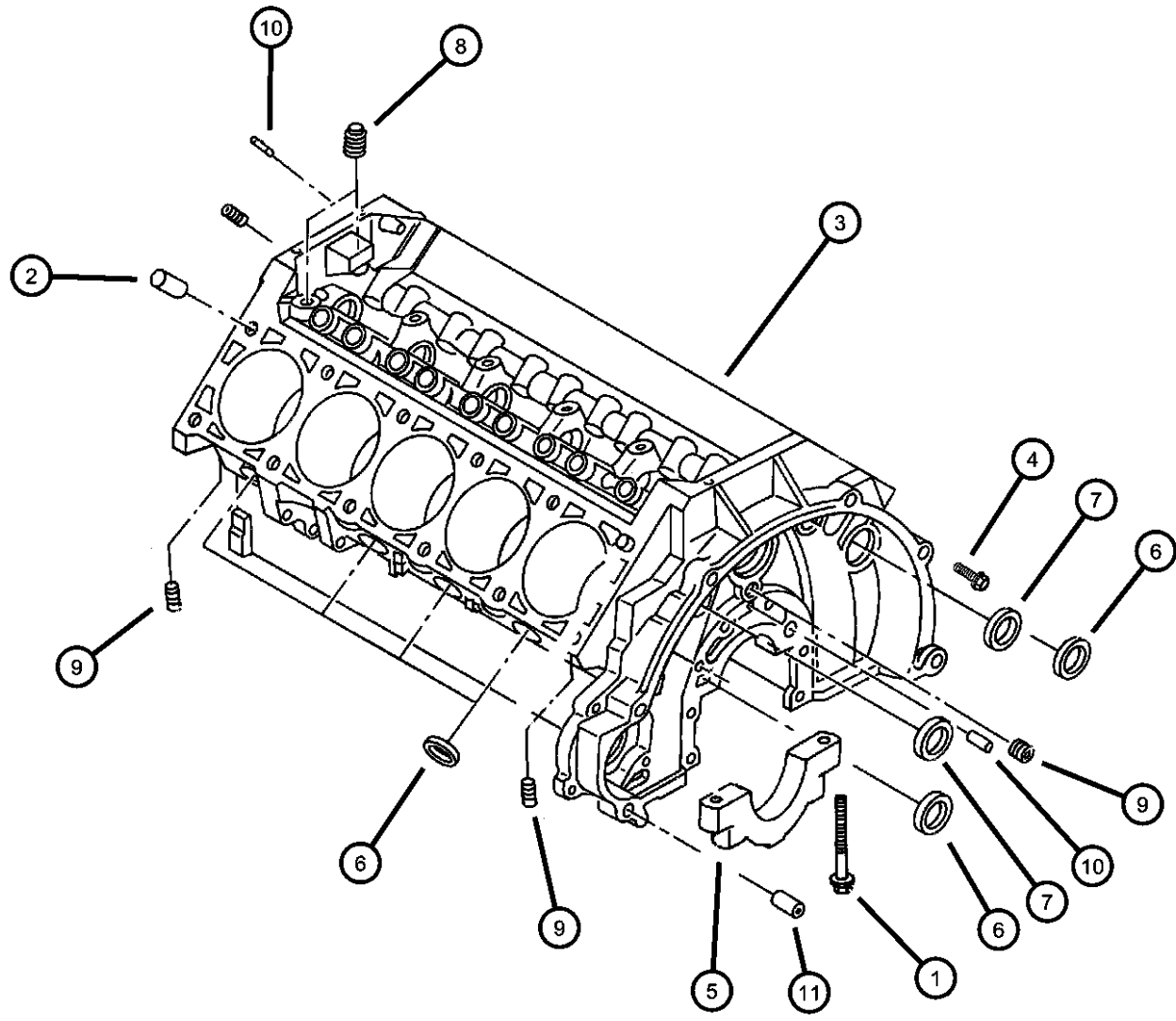


**RAM PICKUP/CLUB CAB (BE)**

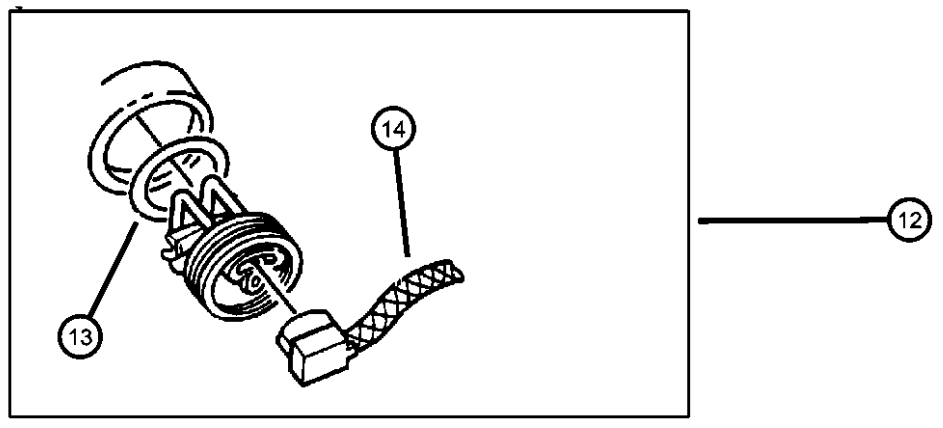
SERIES	LINE	BODY	ENGINE	TRANSMISSION
L = Ram Truck (All)	3 = HD DODGE 2WD 8 = HD DODGE 4WD 1 = Lt. Duty DODGE 2WD 6 = Lt. Duty DODGE 4WD 2 = Med. Duty DODGE 2WD 7 = Med. Duty DODGE 4WD	31 = CLUB CAB 2-DR 6.5 FT BOX 32 = CLUB CAB 2-DR 8FT BOX 33 = QUAD CAB 4-DR 6.5 FT BOX 34 = QUAD CAB 4-DR 8FT BOX	ELF = ENGINE - 5.2L V8 MPI EML = ENGINE - 5.9L V8 MPI EMM = ENGINE - "MAGNUM" 5.9L SMPI V8 ETC = ENGINE- 5.9L CUMMINS 24V DIESEL ETH = ENGINE- 5.9L HO CUMMINS TURBO DIESEL EWA = ENGINE - 8.0L V10 MPI	DDC = TRANSMISSION - 5-SPEED HD MANUAL DDP = TRANSMISSION - 5-SPEED MANUAL DDX = TRANSMISSION - 5-SPEED HD MANUAL DEE = TRANSMISSION - 6-SPEED HD MANUAL DGP = TRANSMISSION - 4-SPD. AUTOMATIC,47RE DGT = TRANSMISSION - 4-SPD. AUTOMATIC,46RE

AR = use ase required - = Non illustrated part

**Cylinder Block  
Figure 8.0L-310**



ITEM	PART NUMBER	QTY	LINE	SERIES	BODY	ENGINE	TRANS	TRIM	DESCRIPTION
Note; EWO= All 8.0 Engines DGO= All Auto Trans									
1	06034847	12				EWO			BOLT, Main Bearing Cap
2	J4005149	4				EWO			DOWEL, Oil Pump
3	04796663	1				EWO			BLOCK, Short, Contains: Crank, Rods, Pistons, Rings, Cam Bearings
	04761845AC								Mopar 10W30 Engine Oil Gallon
	04761839AB								Mopar 10W30 Engine Oil Quart
4	06024473	2					DGO		SCREW AND WASHER, Hex Head, .437-14x2.00
5	06024473	2							CAP, Serviced in Block, (NOT SERVICED)
6	04556022	11				EWO			PLUG, Core, 1.625 Diameter
7	J3178449	2				EWO			PLUG, Cylinder Block Oil Hole
8	J0103877	2				EWO			PLUG, Square Head, 1/8-27NPTx.32
9	J0103877	2							PLUG, (NOT SERVICED)
10	J0103877	2							DOWEL, [.187x.500], (NOT SERVICED)
11	53040018	2				EWO			DOWEL, Clutch Housing
12	04798276	1				EWO			HEATER PACKAGE, Engine Block
13	06501445	AR							O RING, Engine Block Heater
14	56027117	AR							CORD, Engine Block Heater

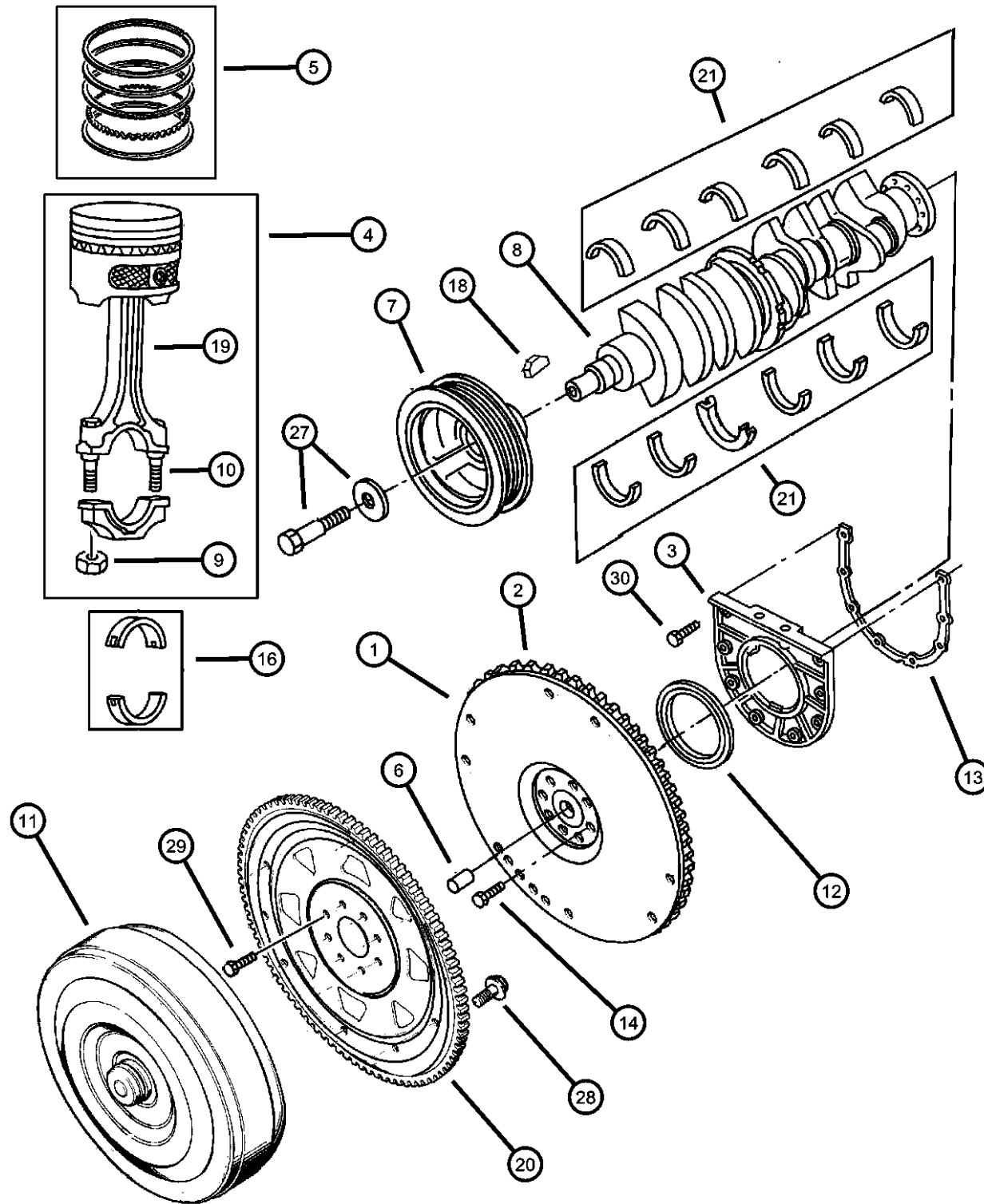


**RAM PICKUP/CLUB CAB (BE)**

SERIES	LINE	BODY	ENGINE	TRANSMISSION
L = Ram Truck (All)	3 = HD DODGE 2WD 8 = HD DODGE 4WD 1 = Lt. Duty DODGE 2WD 6 = Lt. Duty DODGE 4WD 2 = Med. Duty DODGE 2WD 7 = Med. Duty DODGE 4WD	31 = CLUB CAB 2-DR 6.5 FT BOX 32 = CLUB CAB 2-DR 8FT BOX 33 = QUAD CAB 4-DR 6.5 FT BOX 34 = QUAD CAB 4-DR 8FT BOX	ELF = ENGINE - 5.2L V8 MPI EML = ENGINE - 5.9L V8 MPI EMM = ENGINE - "MAGNUM" 5.9L SMPI V8 ETC = ENGINE- 5.9L CUMMINS 24V DIESEL ETH = ENGINE- 5.9L HO CUMMINS TURBO DIESEL EWA = ENGINE - 8.0L V10 MPI	DDC = TRANSMISSION - 5-SPEED HD MANUAL DDP = TRANSMISSION - 5-SPEED MANUAL DDX = TRANSMISSION - 5-SPEED HD MANUAL DEE = TRANSMISSION - 6-SPEED HD MANUAL DGP = TRANSMISSION - 4-SPD. AUTOMATIC, 47RE DGT = TRANSMISSION - 4-SPD. AUTOMATIC, 46RE

AR = use ase required - = Non illustrated part

**Crankshaft, Piston and Torque Converter  
Figure 8.0L-410**



ITEM	PART NUMBER	QTY	LINE	SERIES	BODY	ENGINE	TRANS	TRIM	DESCRIPTION
------	-------------	-----	------	--------	------	--------	-------	------	-------------

Note:  
 DBB = All Manual Transmissions  
 DG0 = All Automatic Transmissions  
 EL0 = All 5.2L 8 Cyl Gas Engines  
 EM0 = All 5.9L 8 Cyl Gas Engines  
 EW0 = All 8.0L Gas Engines

1	53006216AC	1				EW0	DBB		FLYWHEEL
2	04428037	1				EW0	DBB		GEAR, Ring
3	53005843AB	1				EW0			RETAINER, Crankshaft Rear Oil Seal
4									PISTON PIN AND ROD
	04856120AB	5				EW0			#1,3,5,7,9
	04856121AB	5				EW0			#2,4,6,8,10
5	04741750	1				EW0			RING, Piston
6	52107562AB	1				EW0	DBB		BEARING, Pilot
7	53020776	1				EW0			DAMPER, Crankshaft
8	53005840	1				EW0			CRANKSHAFT
9	06032296	10				EW0			NUT, Hex, .375-24
10	06033441	10				EW0			BOLT, Connecting Rod
11	52118506	1				EW0	DG0		CONVERTER, Torque
12	53005837	1				EW0			GASKET, Rear Crankshaft Oil Seal
13	53021075	1				EW0			GASKET, Rear Crankshaft Oil Seal
14	06035811	8				EW0	DBB		BOLT, Hex Head, .437-20x1.50
-15	06035462	8				EW0	DG0		BOLT, Flexplate
16	02421305	5				EW0			BEARING, Connecting Rod, STD.
-17	02421306	AR				EW0			BEARING, Connecting Rod, .001" U/S
18	06034749	1				EW0			KEY, Crankshaft Sprocket
19	06034749	1							ROD, Connecting, Serviced in Piston, (NOT SERVICED)
20	52118473	1				EW0	DG0		PLATE, Torque Converter Drive
21	04741492	2				EW0			BEARING, Crankshaft, STD., #1,6
-22	04741495	AR				EW0			BEARING, Crankshaft, .001" U/S, #1,6

**RAM PICKUP/CLUB CAB (BE)**

SERIES	LINE
L = Ram Truck (All)	3 = HD DODGE 2WD
	8 = HD DODGE 4WD
	1 = Lt. Duty DODGE 2WD
	6 = Lt. Duty DODGE 4WD
	2 = Med. Duty DODGE 2WD
	7 = Med. Duty DODGE 4WD

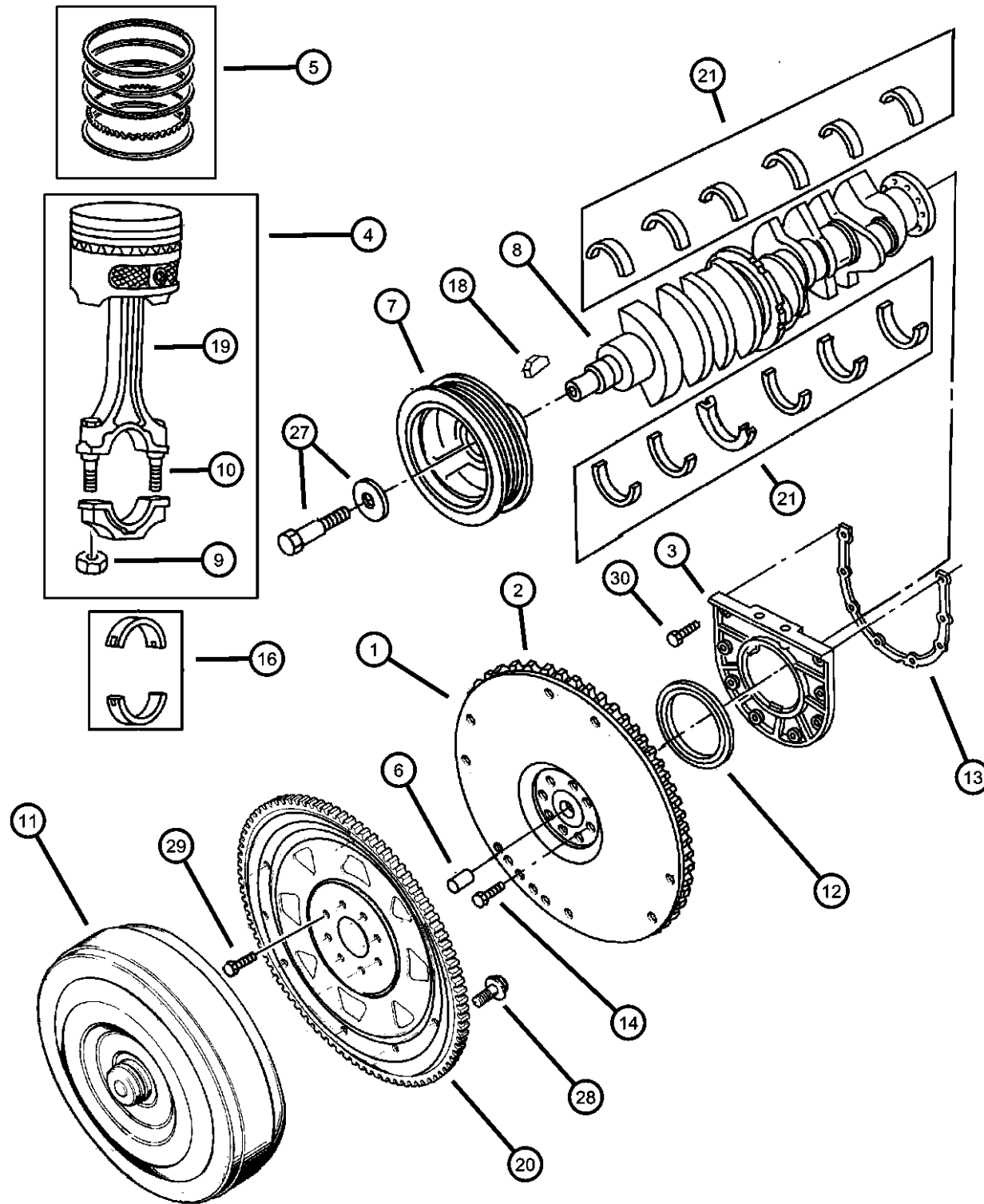
BODY	ENGINE	TRANSMISSION
31 = CLUB CAB 2-DR 6.5 FT BOX	ELF = ENGINE - 5.2L V8 MPI	DDC = TRANSMISSION - 5-SPEED HD MANUAL
32 = CLUB CAB 2-DR 8FT BOX	EML = ENGINE - 5.9L V8 MPI	DDP = TRANSMISSION - 5-SPEED MANUAL
33 = QUAD CAB 4-DR 6.5 FT BOX	EMM = ENGINE - "MAGNUM" 5.9L SMPI V8	DDX = TRANSMISSION - 5-SPEED HD MANUAL
34 = QUAD CAB 4-DR 8FT BOX	ETC = ENGINE- 5.9L CUMMINS 24V DIESEL	DEE = TRANSMISSION - 6-SPEED HD MANUAL
	ETH = ENGINE- 5.9L HO CUMMINS TURBO DIESEL	DGP = TRANSMISSION - 4-SPD. AUTOMATIC, 47RE
	EWA = ENGINE - 8.0L V10 MPI	DGT = TRANSMISSION - 4-SPD. AUTOMATIC, 46RE

AR = use ase required - = Non illustrated part

2000 BE



**Crankshaft, Piston and Torque Converter  
Figure 8.0L-410**



ITEM	PART NUMBER	QTY	LINE	SERIES	BODY	ENGINE	TRANS	TRIM	DESCRIPTION
-23	04741493	3				EW0			BEARING, Crankshaft, STD., #2,4,5
-24	04741496	AR				EW0			BEARING, Crankshaft, .001" U/S, #2,4,5
-25	04798449	1				EW0			BEARING, Crankshaft, STD.
-26	04798450	AR				EW0			BEARING, Crankshaft, .001" U/S
27	06036207AA	1				EL0, EM0			SCREW AND WASHER
28	06033439	6				EW0	DG0		BOLT, Hex Head, .37-24x.55
29	06035462	8				EW0	DG0		BOLT, Flexplate
30	06022235	8				EW0			BOLT AND WASHER, Hex Head, .312-18x1.00

**RAM PICKUP/CLUB CAB (BE)**

SERIES	LINE	BODY	ENGINE	TRANSMISSION
L = Ram Truck (All)	3 = HD DODGE 2WD	31 = CLUB CAB 2-DR 6.5 FT BOX	ELF = ENGINE - 5.2L V8 MPI	DDC = TRANSMISSION - 5-SPEED HD MANUAL
	8 = HD DODGE 4WD	32 = CLUB CAB 2-DR 8FT BOX	EML = ENGINE - 5.9L V8 MPI	DDP = TRANSMISSION - 5-SPEED MANUAL
	1 = Lt. Duty DODGE 2WD	33 = QUAD CAB 4-DR 6.5 FT BOX	EMM = ENGINE - "MAGNUM" 5.9L SMPI V8	DDX = TRANSMISSION - 5-SPEED HD MANUAL
	6 = Lt. Duty DODGE 4WD	34 = QUAD CAB 4-DR 8FT BOX	ETC = ENGINE- 5.9L CUMMINS 24V DIESEL	DEE = TRANSMISSION - 6-SPEED HD MANUAL
	2 = Med. Duty DODGE 2WD		ETH = ENGINE- 5.9L HO CUMMINS TURBO DIESEL	DGP = TRANSMISSION - 4-SPD. AUTOMATIC, 47RE
	7 = Med. Duty DODGE 4WD		EWA = ENGINE - 8.0L V10 MPI	DGT = TRANSMISSION - 4-SPD. AUTOMATIC, 46RE

AR = use ase required - = Non illustrated part

**Camshaft and Valves**  
**Figure 8.0L-510**

ITEM	PART NUMBER	QTY	LINE	SERIES	BODY	ENGINE	TRANS	TRIM	DESCRIPTION
------	-------------	-----	------	--------	------	--------	-------	------	-------------

Note:  
EW0 = All 8.0L Gas Engines

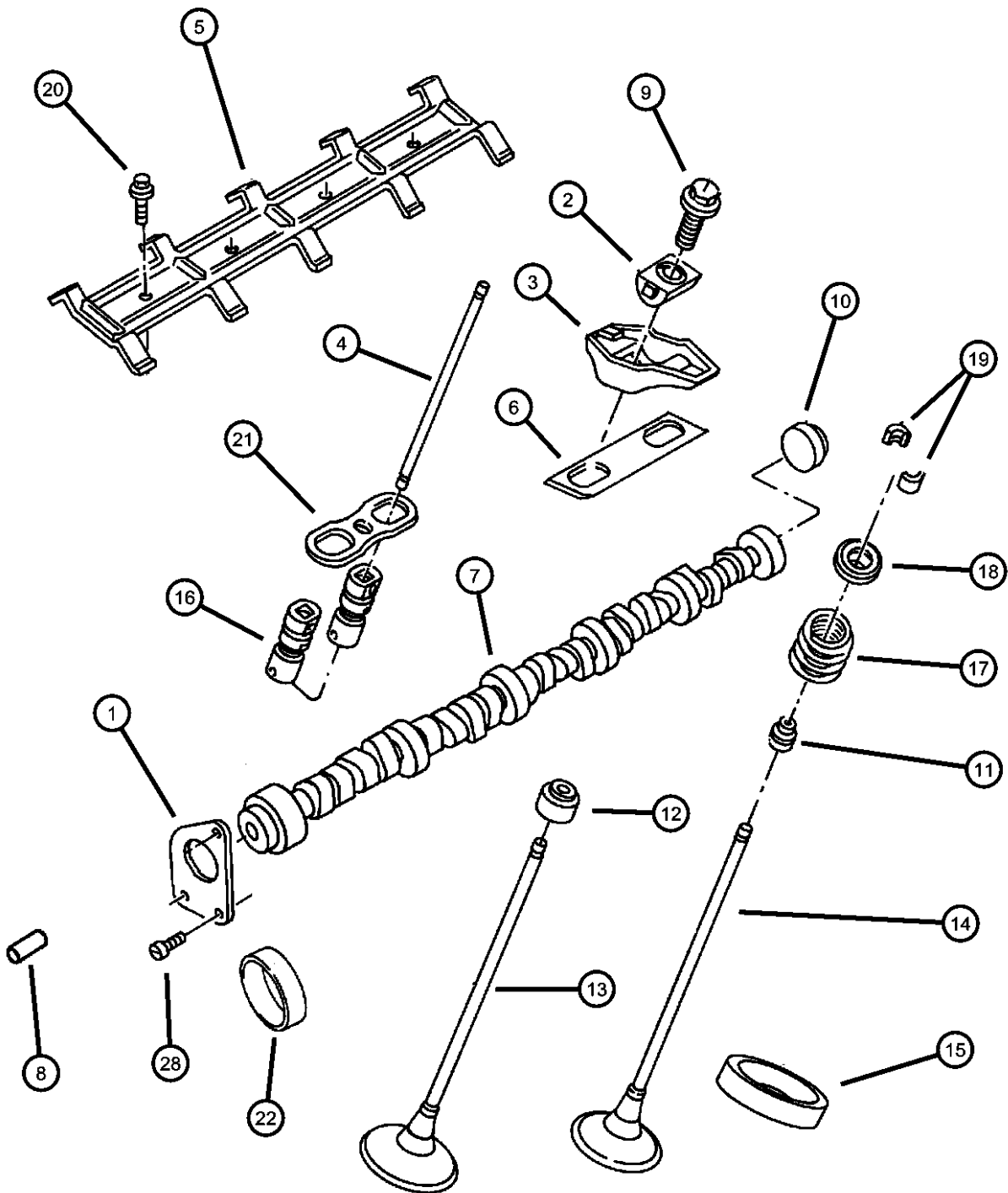
1	53005845AB	1				EW0			PLATE, Camshaft Thrust
2	53041105	20				EW0			PIVOT, Rocker Arm
3	05245335	20				EW0			ROCKER ARM, Valve
4	53041123	20				EW0			PUSH ROD, Valve
5	53005866	1				EW0			RETAINER, Tappet Yoke Aligning
6	53008284	10				EW0			RETAINER, Rocker Arm Pivot
7	53020842	1				EW0			CAMSHAFT, Engine
8	00141195	1				EW0			DOWEL, .25x.62
9	06034721	20				EW0			SCREW, Hex Flange Head, .312-18x1.50
10	53005824	1				EW0			PLUG, Camshaft
11	53009887	10				EW0			SEAL, Valve Guide
12	53009886	10				EW0			SEAL, Valve Guide
13	53005863	10				EW0			VALVE, Intake, Standard
14	53005864	10				EW0			VALVE, Exhaust, Standard
15	53005864	10							INSERT, Exhaust Valve, Serviced in Cylinder Head, (NOT SERVICED)
16	04713439	20				EW0			TAPPET PACKAGE, Valve
17	53021056	20				EW0			SPRING, Valve
18	33004626	20				EW0			RETAINER, Valve Spring
19	33003521	40				EW0			LOCK, Valve Spring Retainer
20	01947953	4				EW0			SCREW AND WASHER, Hex Head
21	05245169	10				EW0			YOKE, Tappet Aligning
22	04741475	1				EW0			BEARING, Camshaft, #1
-23	04741476	1				EW0			BEARING, Camshaft, #2
-24	04741477	1				EW0			BEARING, Camshaft, #3
-25	04741478	1				EW0			BEARING, Camshaft, #4
-26	04741479	1				EW0			BEARING, Camshaft, #5
-27	04741480	1				EW0			BEARING, Camshaft, #6
28	06034757	3				EW0			SCREW

**RAM PICKUP/CLUB CAB (BE)**

SERIES	LINE	BODY	ENGINE	TRANSMISSION
L = Ram Truck (All)	3 = HD DODGE 2WD 8 = HD DODGE 4WD 1 = Lt. Duty DODGE 2WD 6 = Lt. Duty DODGE 4WD 2 = Med. Duty DODGE 2WD 7 = Med. Duty DODGE 4WD	31 = CLUB CAB 2-DR 6.5 FT BOX 32 = CLUB CAB 2-DR 8FT BOX 33 = QUAD CAB 4-DR 6.5 FT BOX 34 = QUAD CAB 4-DR 8FT BOX	ELF = ENGINE - 5.2L V8 MPI EML = ENGINE - 5.9L V8 MPI EMM = ENGINE - "MAGNUM" 5.9L SMPI V8 ETC = ENGINE- 5.9L CUMMINS 24V DIESEL ETH = ENGINE- 5.9L HO CUMMINS TURBO DIESEL EWA = ENGINE - 8.0L V10 MPI	DDC = TRANSMISSION - 5-SPEED HD MANUAL DDP = TRANSMISSION - 5-SPEED MANUAL DDX = TRANSMISSION - 5-SPEED HD MANUAL DEE = TRANSMISSION - 6-SPEED HD MANUAL DGP = TRANSMISSION - 4-SPD. AUTOMATIC, 47RE DGT = TRANSMISSION - 4-SPD. AUTOMATIC, 46RE

AR = use ase required - = Non illustrated part

2000 BE

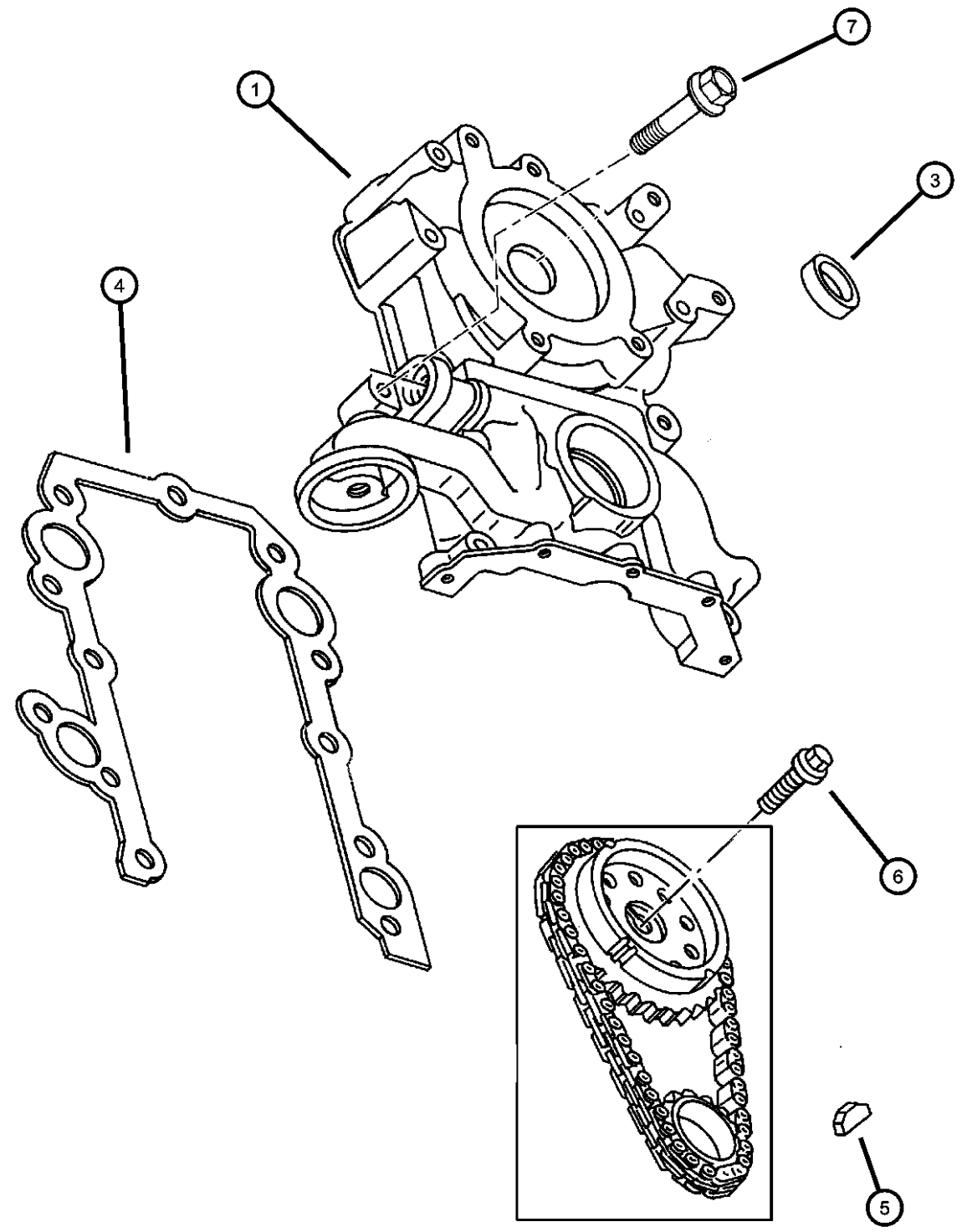


**Timing Gear and Cover  
Figure 8.0L-610**

ITEM	PART NUMBER	QTY	LINE	SERIES	BODY	ENGINE	TRANS	TRIM	DESCRIPTION
------	-------------	-----	------	--------	------	--------	-------	------	-------------

Note:  
 ELO = All 5.2L 8 Cyl Gas Engines  
 EM0 = All 5.9L 8 Cyl Gas Engines  
 EW0 = All 8.0L Gas Engines

1	53020971AC	1				EW0			COVER, Timing Case
-2	04798467	1				EW0			CHAIN PACKAGE, Timing
3	53021103	1				EW0			SEAL, Timing Case Cover
4	53020956	1				EW0			GASKET, Chain Case Cover
5	06034749	1				EW0			KEY, Crankshaft Sprocket
6	06034321	1				ELO, EM0			SCREW AND WASHER, Hex Head, Coned, Header, .437-14x1.375
7	06033958	7				EW0			SCREW, Hex Flange Head, .375-16x2.00

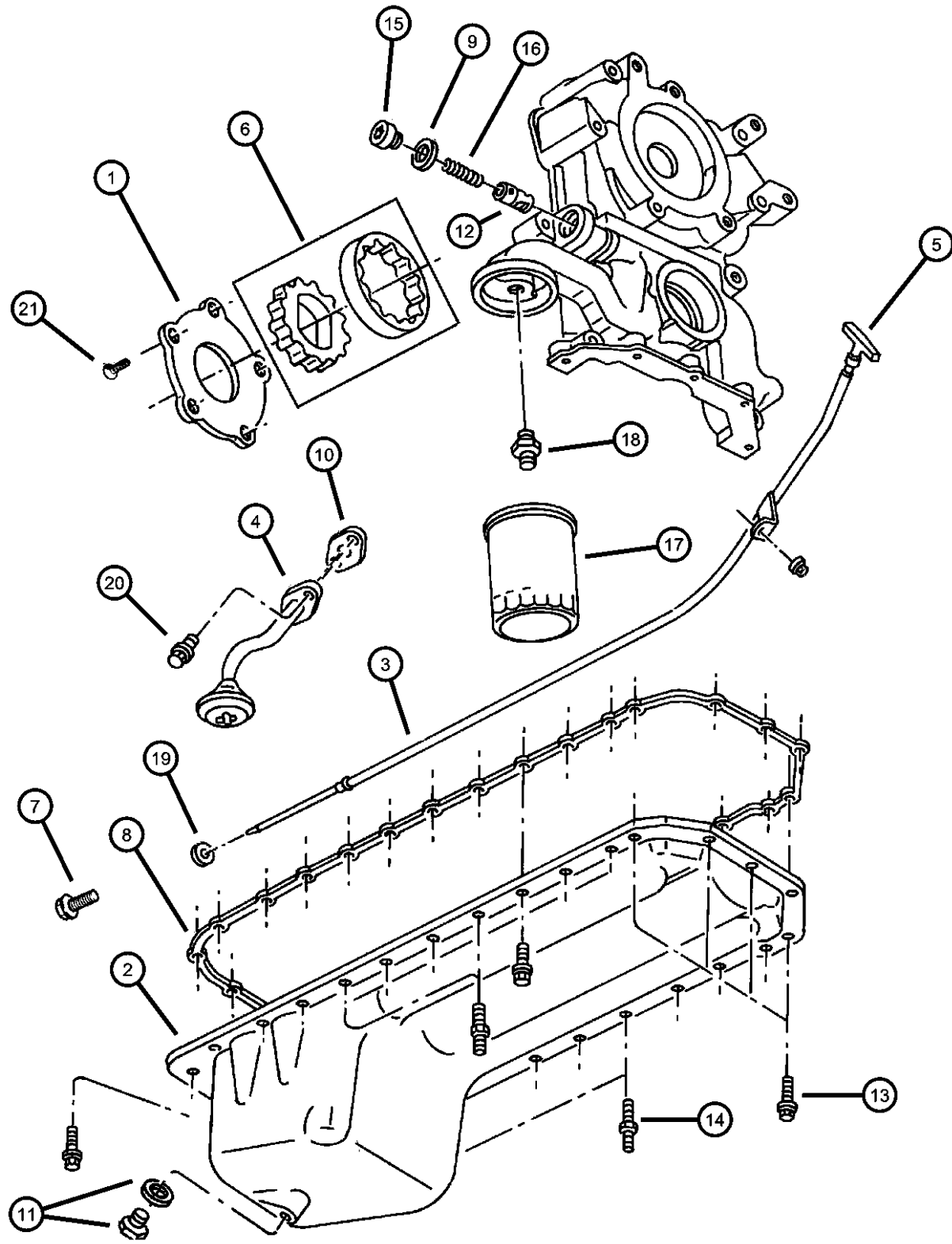


**RAM PICKUP/CLUB CAB (BE)**

SERIES	LINE	BODY	ENGINE	TRANSMISSION
L = Ram Truck (All)	3 = HD DODGE 2WD 8 = HD DODGE 4WD 1 = Lt. Duty DODGE 2WD 6 = Lt. Duty DODGE 4WD 2 = Med. Duty DODGE 2WD 7 = Med. Duty DODGE 4WD	31 = CLUB CAB 2-DR 6.5 FT BOX 32 = CLUB CAB 2-DR 8FT BOX 33 = QUAD CAB 4-DR 6.5 FT BOX 34 = QUAD CAB 4-DR 8FT BOX	ELF = ENGINE - 5.2L V8 MPI EML = ENGINE - 5.9L V8 MPI EMM = ENGINE - "MAGNUM" 5.9L SMPI V8 ETC = ENGINE- 5.9L CUMMINS 24V DIESEL ETH = ENGINE- 5.9L HO CUMMINS TURBO DIESEL EWA = ENGINE - 8.0L V10 MPI	DDC = TRANSMISSION - 5-SPEED HD MANUAL DDP = TRANSMISSION - 5-SPEED MANUAL DDX = TRANSMISSION - 5-SPEED HD MANUAL DEE = TRANSMISSION - 6-SPEED HD MANUAL DGP = TRANSMISSION - 4-SPD. AUTOMATIC,47RE DGT = TRANSMISSION - 4-SPD. AUTOMATIC,46RE

AR = use ase required - = Non illustrated part

**Engine Oiling  
Figure 8.0L-710**



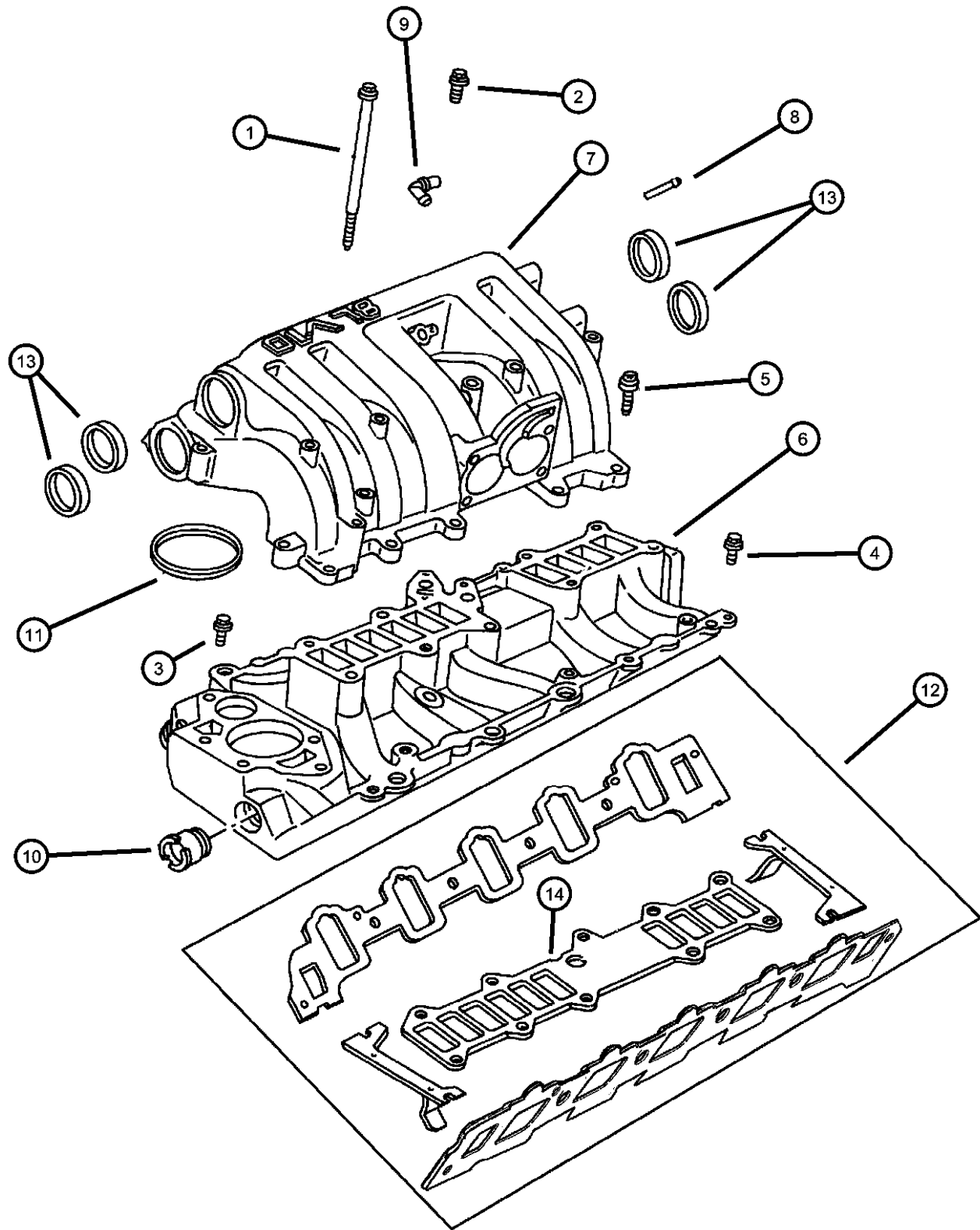
ITEM	PART NUMBER	QTY	LINE	SERIES	BODY	ENGINE	TRANS	TRIM	DESCRIPTION
Note: EW0 = All 8.0L Gas Engines									
1	53006833	1				EW0			COVER, Engine Oil Pump
2	53020922AB	1				EW0			PAN, Engine Oil
3	53020930	1				EW0			TUBE, Oil Gauge
4	53006834	1				EW0			PICKUP, Engine Oil
5	53020929	1				EW0			INDICATOR, Engine Oil Level
6	04746610	1				EW0			ROTOR PACKAGE, Oil Pump
7	00154557	7				EW0			SCREW, Hex Head Coned, .25-20x.875
8	53005884	1				EW0			GASKET, Oil Pan
9	53020075	1				EW0			GASKET, Oil Pump Relief Valve
10	53040062	1				EW0			GASKET, Oil Pickup Tube
11	06035417	1				EW0			PLUG, Oil Drain
12	02843208	1				EW0			PLUNGER, Oil Pressure Relief Valve
13	06034549	18				EW0			SCREW, Hex Head, .312-18x.94
14	06034594	4				EW0			STUD, .312-18/.250-20x2.355
15	53020068	1				EW0			PLUG, Cylinder Block Oil Hole
16	02402473	1				EW0			SPRING, Oil Pressure Relief Valve
17	53020311	1				EW0			FILTER, Engine Oil
18	53007563	1				EW0			CONNECTOR, Oil Filter
19	53007563	1							SEAL, (NOT SERVICED)
20	06034549	2				EW0			SCREW, Hex Head, .312-18x.94
21	06034475	5				EW0			SCREW, Torx Head, .25-20x.75

**RAM PICKUP/CLUB CAB (BE)**

SERIES	LINE	BODY	ENGINE	TRANSMISSION
L = Ram Truck (All)	3 = HD DODGE 2WD 8 = HD DODGE 4WD 1 = Lt. Duty DODGE 2WD 6 = Lt. Duty DODGE 4WD 2 = Med. Duty DODGE 2WD 7 = Med. Duty DODGE 4WD	31 = CLUB CAB 2-DR 6.5 FT BOX 32 = CLUB CAB 2-DR 8FT BOX 33 = QUAD CAB 4-DR 6.5 FT BOX 34 = QUAD CAB 4-DR 8FT BOX	ELF = ENGINE - 5.2L V8 MPI EML = ENGINE - 5.9L V8 MPI EMM = ENGINE - "MAGNUM" 5.9L SMPI V8 ETC = ENGINE- 5.9L CUMMINS 24V DIESEL ETH = ENGINE- 5.9L HO CUMMINS TURBO DIESEL EWA = ENGINE - 8.0L V10 MPI	DDC = TRANSMISSION - 5-SPEED HD MANUAL DDP = TRANSMISSION - 5-SPEED MANUAL DDX = TRANSMISSION - 5-SPEED HD MANUAL DEE = TRANSMISSION - 6-SPEED HD MANUAL DGP = TRANSMISSION - 4-SPD. AUTOMATIC,47RE DGT = TRANSMISSION - 4-SPD. AUTOMATIC,46RE

AR = use ase required - = Non illustrated part

Manifold, Intake  
Figure 8.0L-810



ITEM	PART NUMBER	QTY	LINE	SERIES	BODY	ENGINE	TRANS	TRIM	DESCRIPTION
------	-------------	-----	------	--------	------	--------	-------	------	-------------

Note:  
EW0 = All 8.0L Gas Engines

1	06034349	5				EW0			SCREW, Hex Head Pilot Point, .312-18 UNC 2A
2	06034506	5				EW0			BOLT AND CONED WASHER, Hex Head, .312-18x1.56
3	06034507	1				EW0			SCREW, Hex Head Coned, .375-16x2.25
4	06034508	1				EW0			SCREW, Hex Head Coned, .375-16x3.00
5	06034509	12				EW0			SCREW, Hex Head Coned, .375-16x1.75
6	53031583	1				EW0			MANIFOLD, IntakeLower
7	53031580	1				EW0			MANIFOLD, IntakeUpper
8	53031580	1							CONNECTOR, Serviced in Manifold, (NOT SERVICED)
9	53040055	1				EW0			CONNECTOR, Manifold Vacuum, .375 90 Degree
10	53006046	1				EW0			NIPPLE, By-Pass
11	53010047	1				EW0			SEAL, Thermostat
12	04741732	2				EW0			GASKET PACKAGE, Intake Manifold
13	53010044	4				EW0			PLUG, Core, 1.50 Diameter
14	53006836	1				EW0			GASKET, Intake Manifold

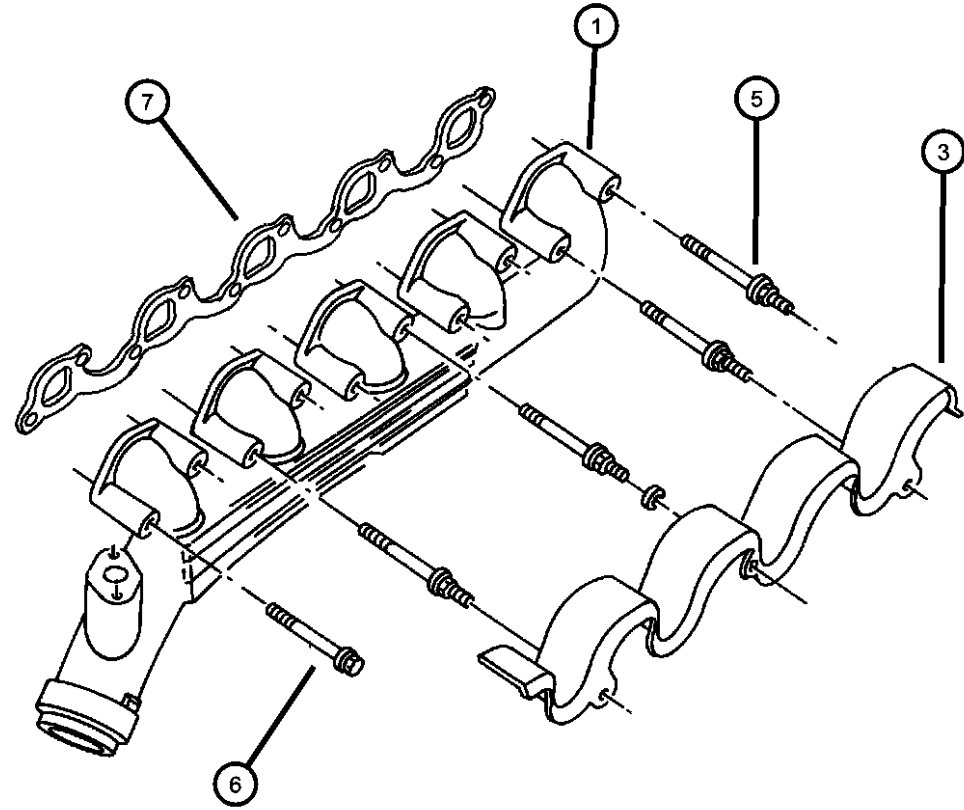
RAM PICKUP/CLUB CAB (BE)

SERIES	LINE	BODY	ENGINE	TRANSMISSION
L = Ram Truck (All)	3 = HD DODGE 2WD	31 = CLUB CAB 2-DR 6.5 FT BOX	ELF = ENGINE - 5.2L V8 MPI	DDC = TRANSMISSION - 5-SPEED HD MANUAL
	8 = HD DODGE 4WD	32 = CLUB CAB 2-DR 8FT BOX	EML = ENGINE - 5.9L V8 MPI	DDP = TRANSMISSION - 5-SPEED MANUAL
	1 = Lt. Duty DODGE 2WD	33 = QUAD CAB 4-DR 6.5 FT BOX	EMM = ENGINE - "MAGNUM" 5.9L SMPI V8	DDX = TRANSMISSION - 5-SPEED HD MANUAL
	6 = Lt. Duty DODGE 4WD	34 = QUAD CAB 4-DR 8FT BOX	ETC = ENGINE- 5.9L CUMMINS 24V DIESEL	DEE = TRANSMISSION - 6-SPEED HD MANUAL
	2 = Med. Duty DODGE 2WD		ETH = ENGINE- 5.9L HO CUMMINS TURBO DIESEL	DGP = TRANSMISSION - 4-SPD. AUTOMATIC,47RE
	7 = Med. Duty DODGE 4WD		EWA = ENGINE - 8.0L V10 MPI	DGT = TRANSMISSION - 4-SPD. AUTOMATIC,46RE

AR = use ase required - = Non illustrated part

Manifold, Exhaust  
Figure 8.0L-820

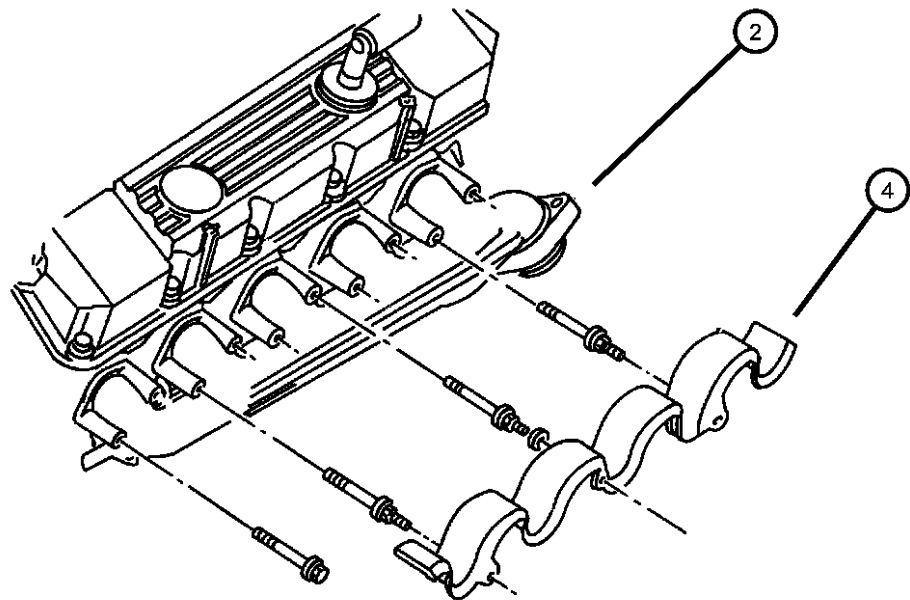
ITEM	PART NUMBER	QTY	LINE	SERIES	BODY	ENGINE	TRANS	TRIM	DESCRIPTION
------	-------------	-----	------	--------	------	--------	-------	------	-------------



Note:

EW0 = All 8.0L Gas Engines

1	53031401	1				EW0			MANIFOLD, ExhaustRight
2	53006733	1				EW0			MANIFOLD, ExhaustLeft
3	53031550	1				EW0			SHIELD, HeatRight
4	53031551	1				EW0			SHIELD, HeatLeft
5	06034808	10				EW0			STUD, .312-18/.312-24x4.00
6	06034806	10				EW0			SCREW AND WASHER, Hex Head, .312-18x3.125
7	53006920	2				EW0			GASKET, Exhaust Manifold



RAM PICKUP/CLUB CAB (BE)

SERIES	LINE	BODY	ENGINE	TRANSMISSION
L = Ram Truck (All)	3 = HD DODGE 2WD	31 = CLUB CAB 2-DR 6.5 FT BOX	ELF = ENGINE - 5.2L V8 MPI	DDC = TRANSMISSION - 5-SPEED HD MANUAL
	8 = HD DODGE 4WD	32 = CLUB CAB 2-DR 8FT BOX	EML = ENGINE - 5.9L V8 MPI	DDP = TRANSMISSION - 5-SPEED MANUAL
	1 = Lt. Duty DODGE 2WD	33 = QUAD CAB 4-DR 6.5 FT BOX	EMM = ENGINE - "MAGNUM" 5.9L SMPI V8	DDX = TRANSMISSION - 5-SPEED HD MANUAL
	6 = Lt. Duty DODGE 4WD	34 = QUAD CAB 4-DR 8FT BOX	ETC = ENGINE- 5.9L CUMMINS 24V DIESEL	DEE = TRANSMISSION - 6-SPEED HD MANUAL
	2 = Med. Duty DODGE 2WD		ETH = ENGINE- 5.9L HO CUMMINS TURBO DIESEL	DGP = TRANSMISSION - 4-SPD. AUTOMATIC,47RE
	7 = Med. Duty DODGE 4WD		EWA = ENGINE - 8.0L V10 MPI	DGT = TRANSMISSION - 4-SPD. AUTOMATIC,46RE

AR = use ase required - = Non illustrated part

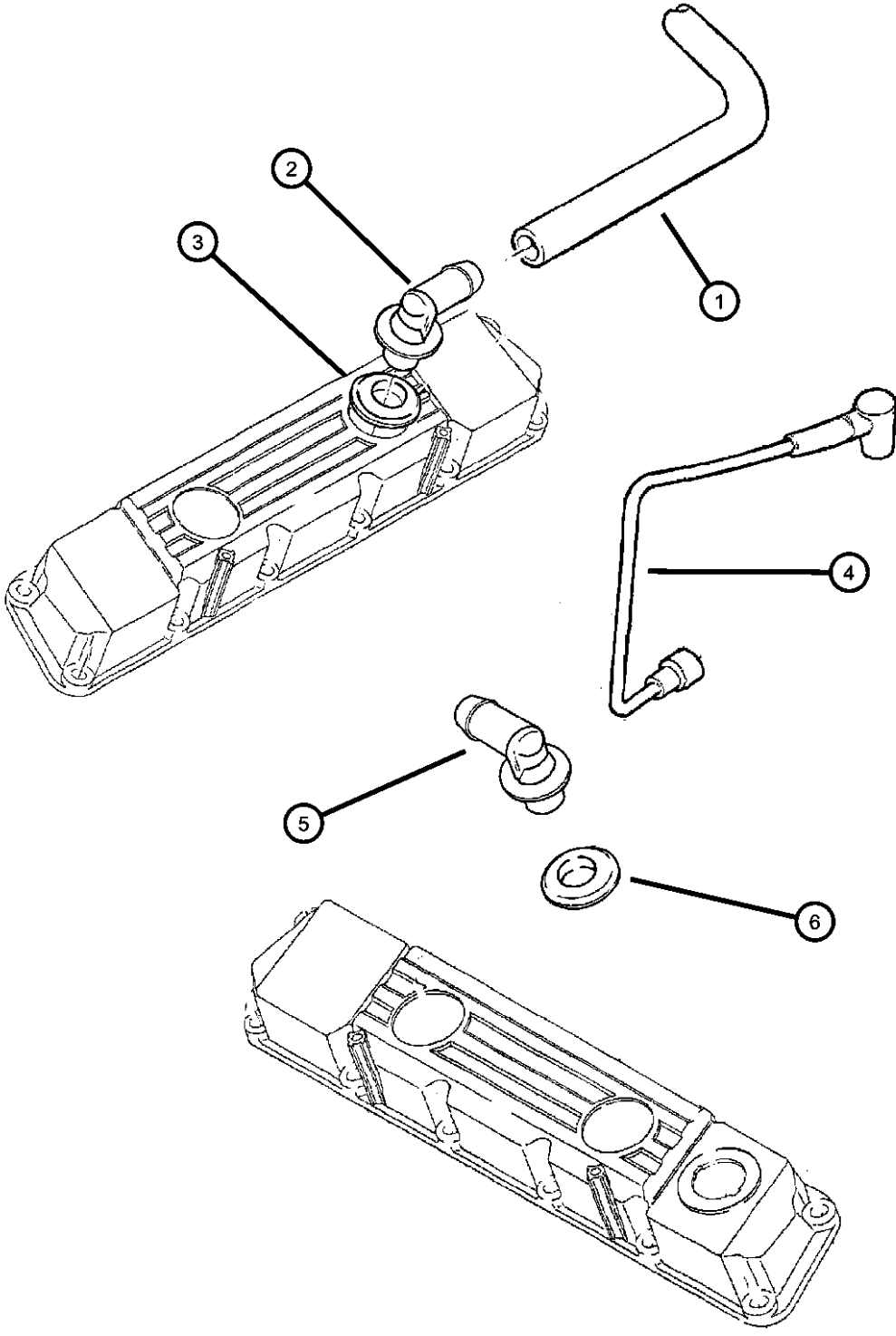
2000 BE

**Crankcase Ventilation  
Figure 8.0L-910**

ITEM	PART NUMBER	QTY	LINE	SERIES	BODY	ENGINE	TRANS	TRIM	DESCRIPTION
------	-------------	-----	------	--------	------	--------	-------	------	-------------

Note:  
EW0 = All 8.0L Gas Engines

1	53006342	1				EW0			HOSE, Crankcase Vent
2	53030497	1				EW0			FITTING, Crankcase Vent Tube
3	02946079	2				EW0			GROMMET, Crankcase Vent
4	53041044	1				EW0			TUBE, PCV Valve
5	53030495	1				EW0			TUBE, Crankcase Vent To Air Cleaner
6	02946079	2				EW0			GROMMET, Crankcase Vent



**RAM PICKUP/CLUB CAB (BE)**

SERIES	LINE	BODY	ENGINE	TRANSMISSION
L = Ram Truck (All)	3 = HD DODGE 2WD	31 = CLUB CAB 2-DR 6.5 FT BOX	ELF = ENGINE - 5.2L V8 MPI	DDC = TRANSMISSION - 5-SPEED HD MANUAL
	8 = HD DODGE 4WD	32 = CLUB CAB 2-DR 8FT BOX	EML = ENGINE - 5.9L V8 MPI	DDP = TRANSMISSION - 5-SPEED MANUAL
	1 = Lt. Duty DODGE 2WD	33 = QUAD CAB 4-DR 6.5 FT BOX	EMM = ENGINE - "MAGNUM" 5.9L SMPI V8	DDX = TRANSMISSION - 5-SPEED HD MANUAL
	6 = Lt. Duty DODGE 4WD	34 = QUAD CAB 4-DR 8FT BOX	ETC = ENGINE- 5.9L CUMMINS 24V DIESEL	DEE = TRANSMISSION - 6-SPEED HD MANUAL
	2 = Med. Duty DODGE 2WD		ETH = ENGINE- 5.9L HO CUMMINS TURBO DIESEL	DGP = TRANSMISSION - 4-SPD. AUTOMATIC,47RE
	7 = Med. Duty DODGE 4WD		EWA = ENGINE - 8.0L V10 MPI	DGT = TRANSMISSION - 4-SPD. AUTOMATIC,46RE

AR = use ase required - = Non illustrated part

# Group - 5.9LD

## Engine 5.9L Six Cylinder (Diesel)

### Group - 5.9LD Engine 5.9L Six Cylinder (Diesel)

Illustration Title

Group-Fig. No.

#### Cylinder Head

Cylinder Head .....Fig. 5.9LD - 215

#### Cylinder Block

Cylinder Block .....Fig. 5.9LD - 315

#### Crankshaft, Piston and Torque Converter

Crankshaft and Piston .....Fig. 5.9LD - 415

Flywheel and Torque Converter .....Fig. 5.9LD - 425

Torque Converter Cooler .....Fig. 5.9LD - 435

#### Camshafts & Valves

Camshaft and Valves .....Fig. 5.9LD - 515

#### Timing Belt and Cover

Timing Gear and Cover .....Fig. 5.9LD - 615

#### Engine Oiling

Engine Oiling .....Fig. 5.9LD - 715

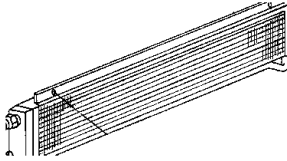
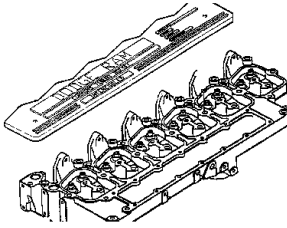
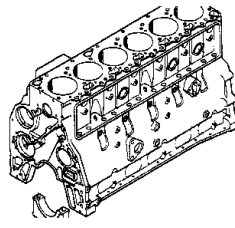
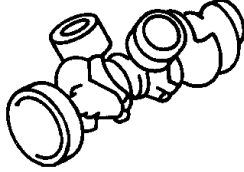
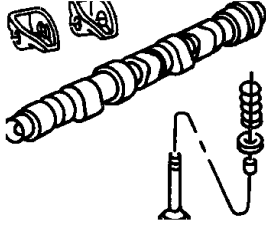
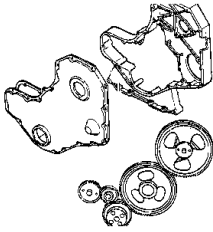
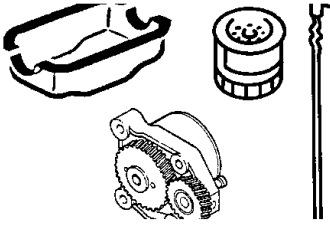
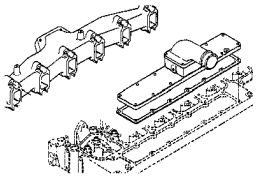
#### Manifolds

Manifold, Intake and Exhaust .....Fig. 5.9LD - 815

#### Oil Cooler

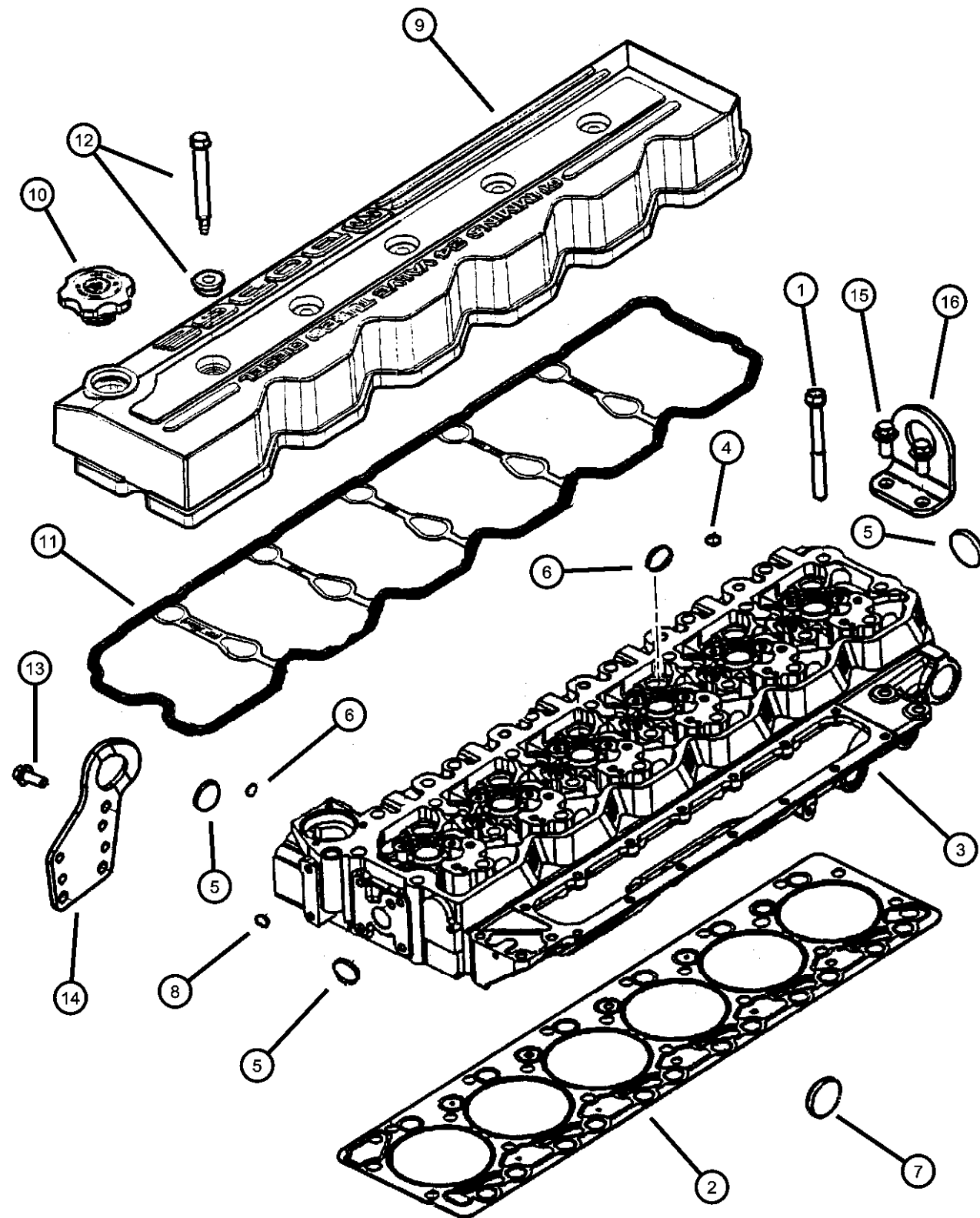
Engine Oil Cooler .....Fig. 5.9LD - 1115

Oil Lines..... Fig. 5.9LD - 1125

<p><b>5.9LD-1100</b> Oil Cooler</p> 	<p><b>5.9LD-200</b> Cylinder Head</p> 	<p><b>5.9LD-300</b> Cylinder Block</p> 	<p><b>5.9LD-400</b> Crankshaft, Piston and Torque Converter</p> 
<p><b>5.9LD-500</b> Camshafts &amp; Valves</p> 	<p><b>5.9LD-600</b> Timing Belt and Cover</p> 	<p><b>5.9LD-700</b> Engine Oiling</p> 	<p><b>5.9LD-800</b> Manifolds</p> 



**Cylinder Head  
Figure 5.9LD-215**



ITEM	PART NUMBER	QTY	LINE	SERIES	BODY	ENGINE	TRANS	TRIM	DESCRIPTION
1									SCREW
	05011403AA	26				ETC			
		26				ETH	DBB		
2									GASKET, Cylinder Head
	05011426AA	1				ETC	DG0		ETC+XCK, Auto
		1				ETC	DBB		ETC+XCK, Manual
		1				ETH	DBB		ETH, Manual
	05011876AA	1				ETC	DBB		ETC W/O XCK, Manual
		1				ETC	DG0		ETC W/O XCK, Auto
3									HEAD, Cylinder
	05014202AA	1				ETC			ETC W/O XCK
	05015842AA	1				ETC	DG0		ETC+XCK, Auto
		1				ETC	DBB		ETC+XCK, Manual
	05018181AA	1				ETH	DBB		ETH, Manual
4									PLUG, Expansion
	05011883AA	2				ETC			
	05016559AA	7				ETH	DBB		
5									PLUG, Expansion
	04429955	7				ETC			
	04883329	14				ETH	DBB		
6									PLUG, Expansion
	04429735	14				ETC			
	05003605AA	11				ETC			
7									PLUG, Expansion

**RAM PICKUP/CLUB CAB (BE)**

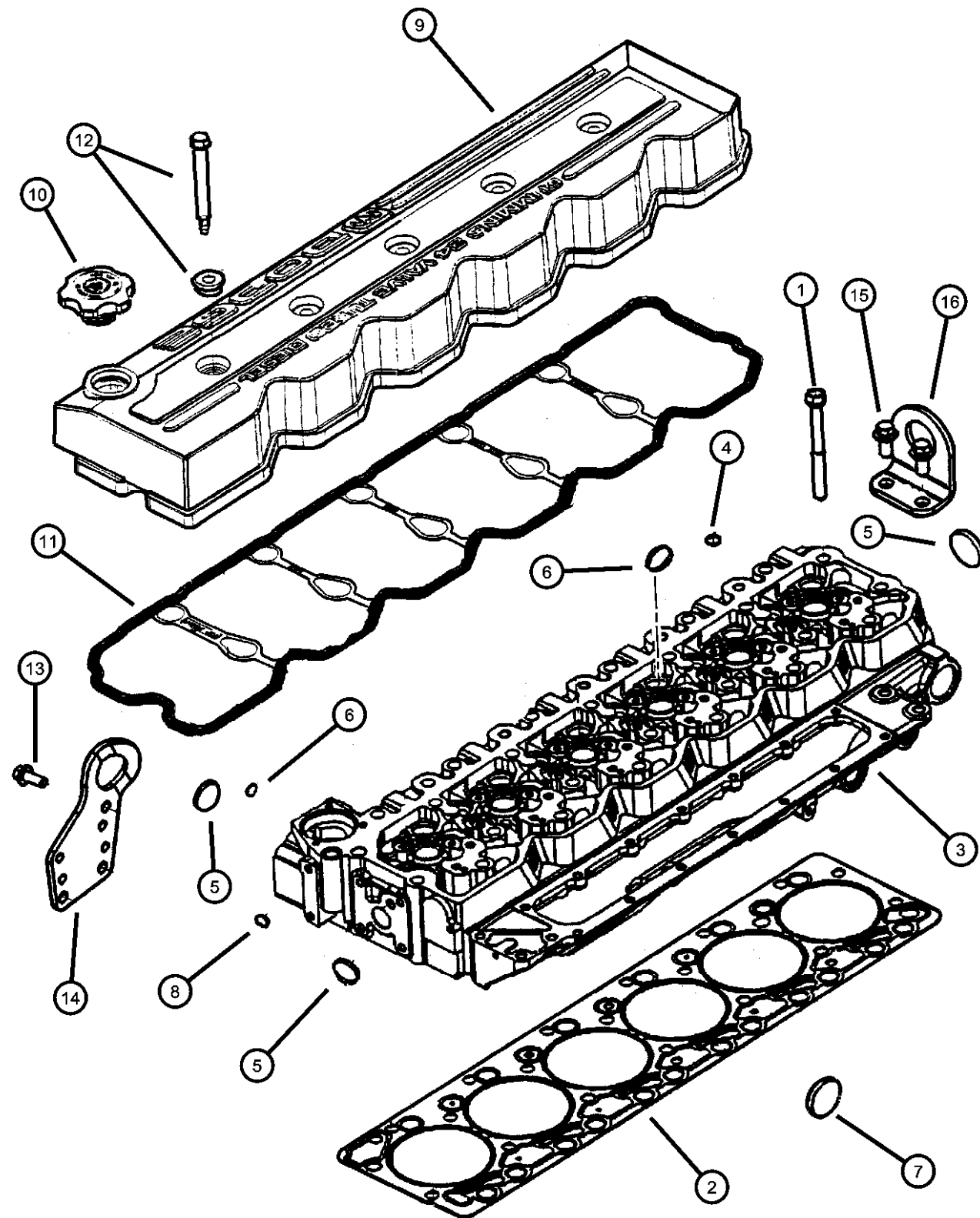
SERIES	LINE
L = Ram Truck (All)	3 = HD DODGE 2WD
	8 = HD DODGE 4WD
	1 = Lt. Duty DODGE 2WD
	6 = Lt. Duty DODGE 4WD
	2 = Med. Duty DODGE 2WD
	7 = Med. Duty DODGE 4WD

BODY	ENGINE	TRANSMISSION
31 = CLUB CAB 2-DR 6.5 FT BOX	ELF = ENGINE - 5.2L V8 MPI	DDC = TRANSMISSION - 5-SPEED HD MANUAL
32 = CLUB CAB 2-DR 8FT BOX	EML = ENGINE - 5.9L V8 MPI	DDP = TRANSMISSION - 5-SPEED MANUAL
33 = QUAD CAB 4-DR 6.5 FT BOX	EMM = ENGINE - "MAGNUM" 5.9L SMPI V8	DDX = TRANSMISSION - 5-SPEED HD MANUAL
34 = QUAD CAB 4-DR 8FT BOX	ETC = ENGINE- 5.9L CUMMINS 24V DIESEL	DEE = TRANSMISSION - 6-SPEED HD MANUAL
	ETH = ENGINE- 5.9L HO CUMMINS TURBO DIESEL	DGP = TRANSMISSION - 4-SPD. AUTOMATIC, 47RE
	EWA = ENGINE - 8.0L V10 MPI	DGT = TRANSMISSION - 4-SPD. AUTOMATIC, 46RE

AR = use ase required - = Non illustrated part

2000 BE

**Cylinder Head  
Figure 5.9LD-215**



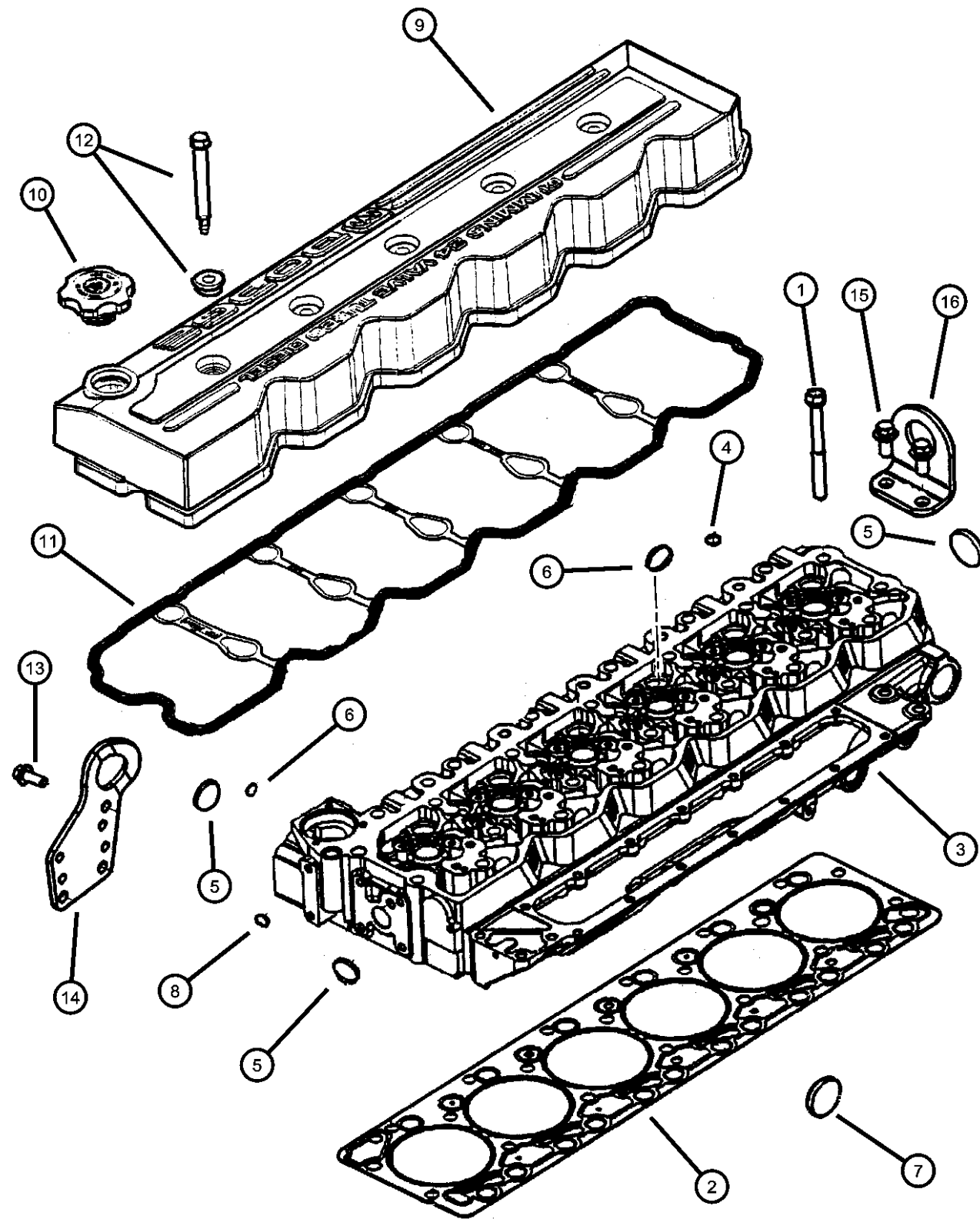
ITEM	PART NUMBER	QTY	LINE	SERIES	BODY	ENGINE	TRANS	TRIM	DESCRIPTION
	05003605AA	1				ETC			ETC
	05017786AA	2				ETC	DG0		ETC+XCK, Auto
		2				ETC	DBB		ETC+XCK, Manual
		2				ETH	DBB		ETH, Manual
8	05011884AA	2				ETC			PLUG, Expansion, ETC W/O XCK
9									COVER, Cylinder Head
	05015718AA	1				ETC	DBB		ETC W/O XCK, Manual
		1				ETC	DG0		ETC W/O XCK, Auto
		1				ETC	DG0		ETC+XCK, Auto
		1				ETC	DBB		ETC+XCK, Manual
		1				ETH	DBB		ETH, Manual
10									CAP, Oil Filler
	05014704AA	1				ETC			
		1				ETH	DBB		
11									GASKET, Valve Cover
	05016356AA	1				ETC			
		1				ETH	DBB		
12									SCREW
	05015724AA	5				ETC	DG0		ETC With or Without XCK, Auto
		5				ETC	DBB		ETC With or Without XCK, Manual
		5				ETH	DBB		ETH, Manual
13									SCREW, Water Inlet, M10x1.5x25
	04429460	3				ETC			
		3				ETH	DBB		
14									BRACKET, Engine Lift
	05011842AA	1				ETC			
		1				ETH	DBB		
15									SCREW, Hex Flange Head
	04638666	2				ETC			

**RAM PICKUP/CLUB CAB (BE)**

SERIES	LINE	BODY	ENGINE	TRANSMISSION
L = Ram Truck (All)	3 = HD DODGE 2WD	31 = CLUB CAB 2-DR 6.5 FT BOX	ELF = ENGINE - 5.2L V8 MPI	DDC = TRANSMISSION - 5-SPEED HD MANUAL
	8 = HD DODGE 4WD	32 = CLUB CAB 2-DR 8FT BOX	EML = ENGINE - 5.9L V8 MPI	DDP = TRANSMISSION - 5-SPEED MANUAL
	1 = Lt. Duty DODGE 2WD	33 = QUAD CAB 4-DR 6.5 FT BOX	EMM = ENGINE - "MAGNUM" 5.9L SMPI V8	DDX = TRANSMISSION - 5-SPEED HD MANUAL
	6 = Lt. Duty DODGE 4WD	34 = QUAD CAB 4-DR 8FT BOX	ETC = ENGINE- 5.9L CUMMINS 24V DIESEL	DEE = TRANSMISSION - 6-SPEED HD MANUAL
	2 = Med. Duty DODGE 2WD		ETH = ENGINE- 5.9L HO CUMMINS TURBO DIESEL	DGP = TRANSMISSION - 4-SPD. AUTOMATIC, 47RE
	7 = Med. Duty DODGE 4WD		EWA = ENGINE - 8.0L V10 MPI	DGT = TRANSMISSION - 4-SPD. AUTOMATIC, 46RE

AR = use ase required - = Non illustrated part

Cylinder Head  
Figure 5.9LD-215



ITEM	PART NUMBER	QTY	LINE	SERIES	BODY	ENGINE	TRANS	TRIM	DESCRIPTION
		2				ETH	DBB		
16	05011841AA	1				ETC			BRACKET, Engine Lift
		1				ETH	DBB		

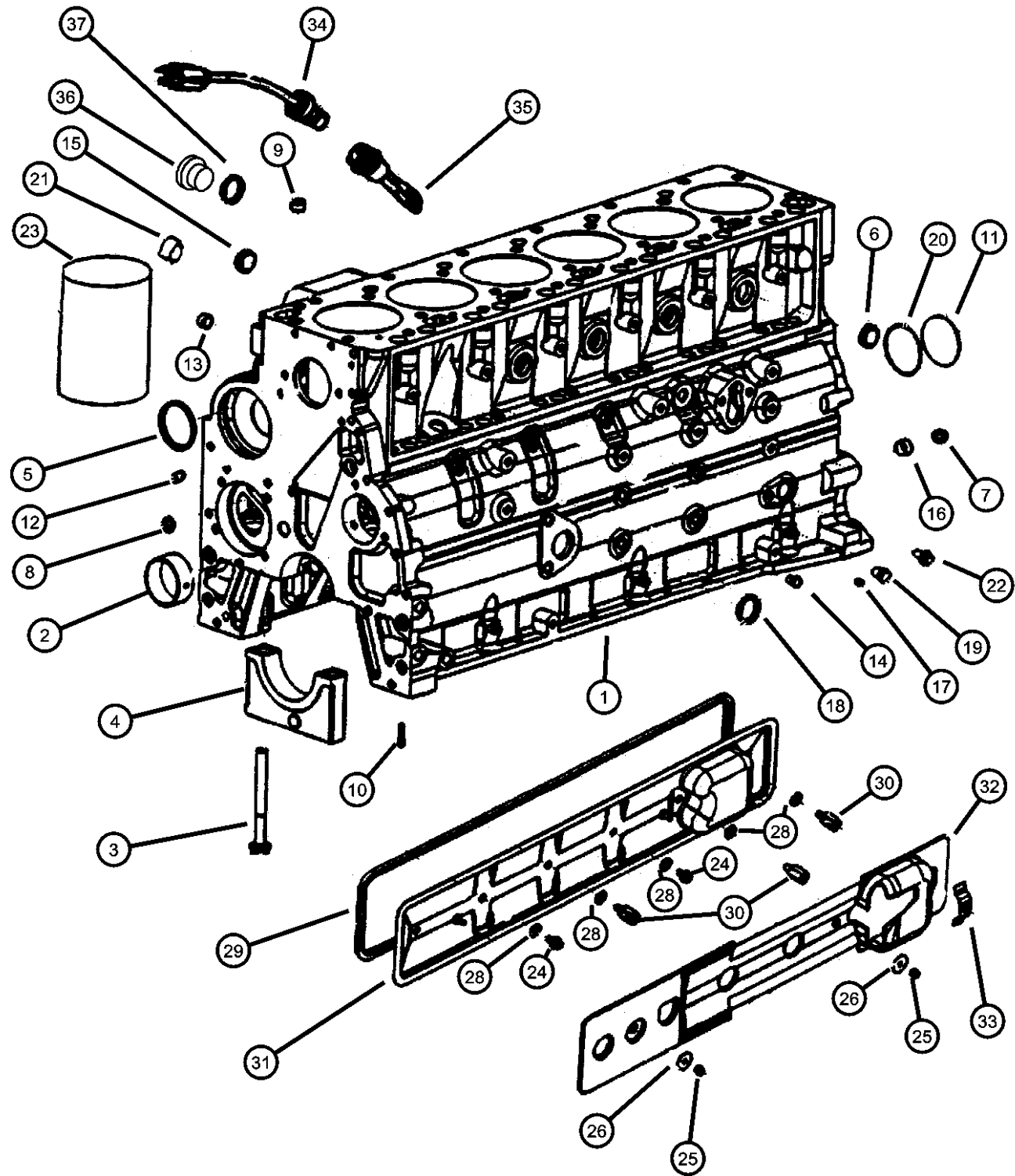
RAM PICKUP/CLUB CAB (BE)

SERIES	LINE
L = Ram Truck (All)	3 = HD DODGE 2WD
	8 = HD DODGE 4WD
	1 = Lt. Duty DODGE 2WD
	6 = Lt. Duty DODGE 4WD
	2 = Med. Duty DODGE 2WD
	7 = Med. Duty DODGE 4WD

BODY	ENGINE	TRANSMISSION
31 = CLUB CAB 2-DR 6.5 FT BOX	ELF = ENGINE - 5.2L V8 MPI	DDC = TRANSMISSION - 5-SPEED HD MANUAL
32 = CLUB CAB 2-DR 8FT BOX	EML = ENGINE - 5.9L V8 MPI	DDP = TRANSMISSION - 5-SPEED MANUAL
33 = QUAD CAB 4-DR 6.5 FT BOX	EMM = ENGINE - "MAGNUM" 5.9L SMPI V8	DDX = TRANSMISSION - 5-SPEED HD MANUAL
34 = QUAD CAB 4-DR 8FT BOX	ETC = ENGINE- 5.9L CUMMINS 24V DIESEL	DEE = TRANSMISSION - 6-SPEED HD MANUAL
	ETH = ENGINE- 5.9L HO CUMMINS TURBO DIESEL	DGP = TRANSMISSION - 4-SPD. AUTOMATIC, 47RE
	EWA = ENGINE - 8.0L V10 MPI	DGT = TRANSMISSION - 4-SPD. AUTOMATIC, 46RE

AR = use ase required - = Non illustrated part

**Cylinder Block  
Figure 5.9LD-315**



ITEM	PART NUMBER	QTY	LINE	SERIES	BODY	ENGINE	TRANS	TRIM	DESCRIPTION
------	-------------	-----	------	--------	------	--------	-------	------	-------------

Note: SALES CODES  
 Block Kit, Hardware - 05011780AA  
 DBB = All Manual Transmissions  
 DG0 = All Automatic Transmissions  
 ETC = 5.9L Cummins 24V Diesel Engine  
 ETH = 5.9L HO Cummins Turbo Diesel Engine  
 ET0 = All 5.9L Turbo Diesel Engines

1	05011043AA	1				ETC	DG0		BLOCK, Cylinder
		1				ETC	DBB		ETC+XCK, Auto
		1				ETH	DBB		ETC+XCK,Manual
	05014594AA	1				ETC	DBB		ETH, Manual
	04798231AD								ETC W/O XCK, Manual
	04798232AD								Mopar 15W-40 Engine Oil Quart
		1				ETC	DG0		Mopar 15W-40 Engine Oil Gallon
	04798231AD								ETC W/O XCK, Auto
	04798232AD								Mopar 15W-40 Engine Oil Quart
									Mopar 15W-40 Engine Oil Gallon
2									BUSHING, Camshaft
	05003617AA	1				ETC	DBB		
		1				ETC	DG0		
		1				ETH	DBB		
3									BOLT, Hex Head
	05003615AA	14				ETC			
		14				ETH	DBB		
4		14							CAP, (NOT SERVICED)
5	04797725	5				ETC			PLUG, Cylinder Block Oil Hole
6	04429735	4				ETC			PLUG, Expansion, ETC,ETC+XCK & ETH
7									PLUG, Expansion
	04429956	3				ETC			
		3				ETH	DBB		
8									DOWEL, Block To Clutch Housing
	04429068	14				ETC			

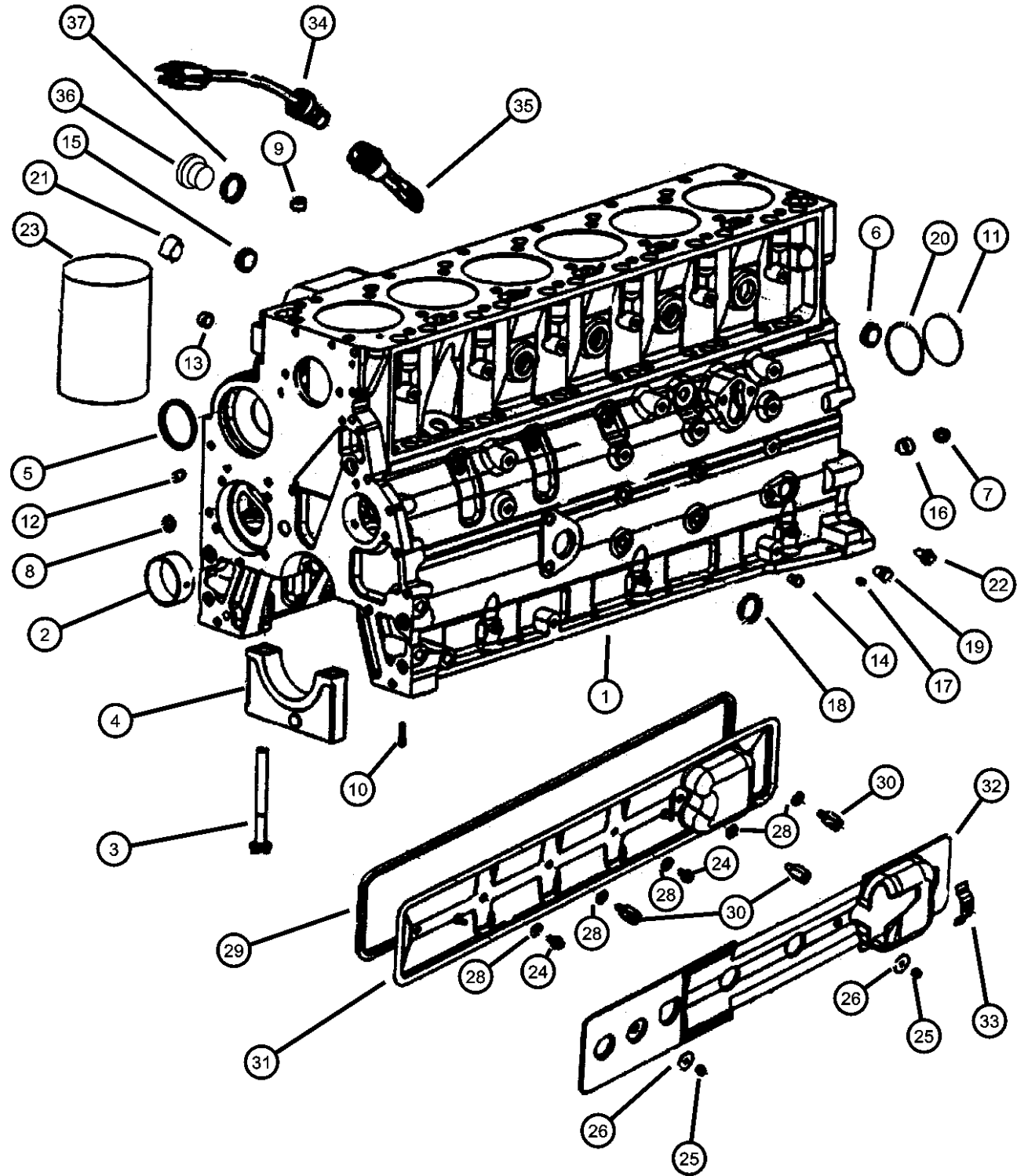
**RAM PICKUP/CLUB CAB (BE)**

SERIES	LINE	BODY	ENGINE	TRANSMISSION
L = Ram Truck (All)	3 = HD DODGE 2WD	31 = CLUB CAB 2-DR 6.5 FT BOX	ELF = ENGINE - 5.2L V8 MPI	DDC = TRANSMISSION - 5-SPEED HD MANUAL
	8 = HD DODGE 4WD	32 = CLUB CAB 2-DR 8FT BOX	EML = ENGINE - 5.9L V8 MPI	DDP = TRANSMISSION - 5-SPEED HD MANUAL
	1 = Lt. Duty DODGE 2WD	33 = QUAD CAB 4-DR 6.5 FT BOX	EMM = ENGINE - "MAGNUM" 5.9L SMPI V8	DDX = TRANSMISSION - 5-SPEED HD MANUAL
	6 = Lt. Duty DODGE 4WD	34 = QUAD CAB 4-DR 8FT BOX	ETC = ENGINE- 5.9L CUMMINS 24V DIESEL	DEE = TRANSMISSION - 6-SPEED HD MANUAL
	2 = Med. Duty DODGE 2WD		ETH = ENGINE- 5.9L HO CUMMINS TURBO DIESEL	DGP = TRANSMISSION - 4-SPD. AUTOMATIC, 47RE
	7 = Med. Duty DODGE 4WD		EWA = ENGINE - 8.0L V10 MPI	DGT = TRANSMISSION - 4-SPD. AUTOMATIC, 46RE

AR = use ase required - = Non illustrated part

2000 BE

Cylinder Block  
Figure 5.9LD-315



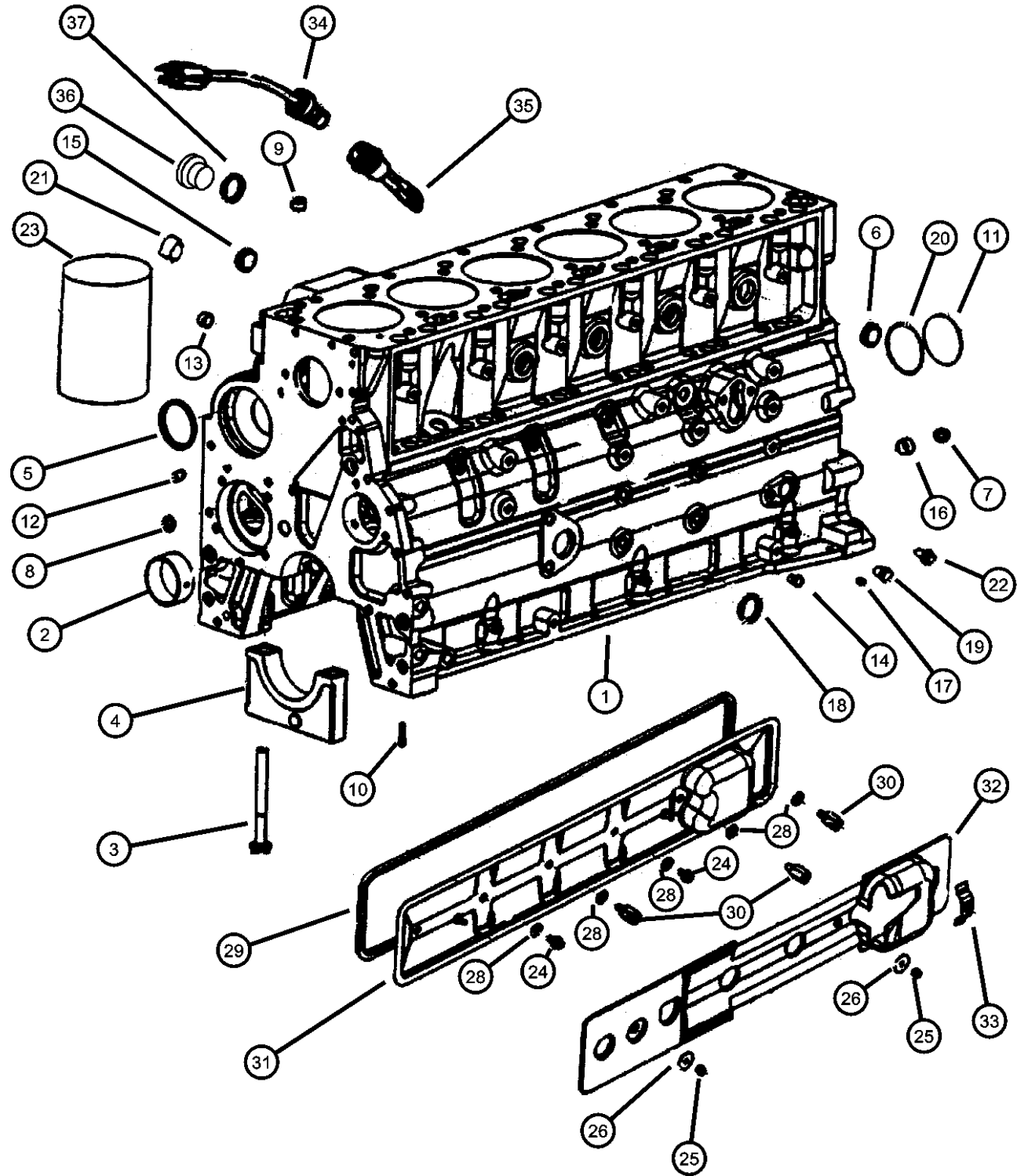
ITEM	PART NUMBER	QTY	LINE	SERIES	BODY	ENGINE	TRANS	TRIM	DESCRIPTION
9		14				ETH	DBB		DOWEL, Ring
	04429343	2				ETC			
10		2				ETH	DBB		JET, Piston Oil Cooler
	05003606AA	6				ETC			
	05003606AB	6				ETH	DBB		
11		1							PLUG, Expansion
	04429687	1				ETC			
12		1				ETH	DBB		DOWEL, Front Cover
	04429257	2				ETC			
13		2				ETH	DBB		PLUG, Pipe
	04429568	2				ETC			
		1				ETC	DG0		
		1				ETC	DBB		
		1				ETH	DBB		
14		1							PLUG, Expansion
	05003614AA	4				ETC			
		2				ETC	DG0		
		2				ETC	DBB		
		2				ETH	DBB		
15		1							PLUG, Expansion
	05003605AA	1				ETC			
		1				ETC	DG0		
		1				ETC	DBB		
		1				ETH	DBB		
16		1							DOWEL, Block To Clutch Housing
	04429068	2				ETC			

RAM PICKUP/CLUB CAB (BE)

SERIES	LINE	BODY	ENGINE	TRANSMISSION
L = Ram Truck (All)	3 = HD DODGE 2WD	31 = CLUB CAB 2-DR 6.5 FT BOX	ELF = ENGINE - 5.2L V8 MPI	DDC = TRANSMISSION - 5-SPEED HD MANUAL
	8 = HD DODGE 4WD	32 = CLUB CAB 2-DR 8FT BOX	EML = ENGINE - 5.9L V8 MPI	DDP = TRANSMISSION - 5-SPEED HD MANUAL
	1 = Lt. Duty DODGE 2WD		EMM = ENGINE - "MAGNUM" 5.9L SMPI V8	DDX = TRANSMISSION - 5-SPEED HD MANUAL
	6 = Lt. Duty DODGE 4WD		ETC = ENGINE- 5.9L CUMMINS 24V DIESEL	DEE = TRANSMISSION - 6-SPEED HD MANUAL
	2 = Med. Duty DODGE 2WD	33 = QUAD CAB 4-DR 6.5 FT BOX	ETH = ENGINE- 5.9L HO CUMMINS TURBO DIESEL	DGP = TRANSMISSION - 4-SPD. AUTOMATIC, 47RE
	7 = Med. Duty DODGE 4WD	34 = QUAD CAB 4-DR 8FT BOX	EWA = ENGINE - 8.0L V10 MPI	DGT = TRANSMISSION - 4-SPD. AUTOMATIC, 46RE

AR = use ase required - = Non illustrated part

**Cylinder Block**  
**Figure 5.9LD-315**



ITEM	PART NUMBER	QTY	LINE	SERIES	BODY	ENGINE	TRANS	TRIM	DESCRIPTION
17		14				ETH	DBB		PLUG, Expansion
	04429955	6				ETC			
		3				ETC	DG0		
		3				ETC	DBB		
		3				ETH	DBB		
18		3							PLUG, Expansion
	04429958	2				ETC			
		1				ETC	DG0		
		1				ETC	DBB		
		1				ETH	DBB		
19		1							PLUG, Cylinder Block
	05011781AA	1				ETC			
		1				ETH	DBB		
20		1							O RING
	04882037	1				ETC			
		1				ETH	DBB		
21		1							PLUG, Pipe
	04429369	1				ETC			
		1				ETC	DG0		
		1				ETC	DBB		
		1				ETH	DBB		
22		1							SCREW, Hex Head, M8x1.25x16
	04429629	1				ETC			
	04882110	1				ETC	DG0		
		1				ETC	DBB		
		1				ETH	DBB		
23	04429166	AR				ETC			SLEEVE, Cylinder Block
24									SCREW, Hex Head
	05011792AA	3				ETC			

**RAM PICKUP/CLUB CAB (BE)**

SERIES	LINE
L = Ram Truck	3 = HD DODGE 2WD
(All)	8 = HD DODGE 4WD
	1 = Lt. Duty DODGE 2WD
	6 = Lt. Duty DODGE 4WD
	2 = Med. Duty DODGE 2WD
	7 = Med. Duty DODGE 4WD

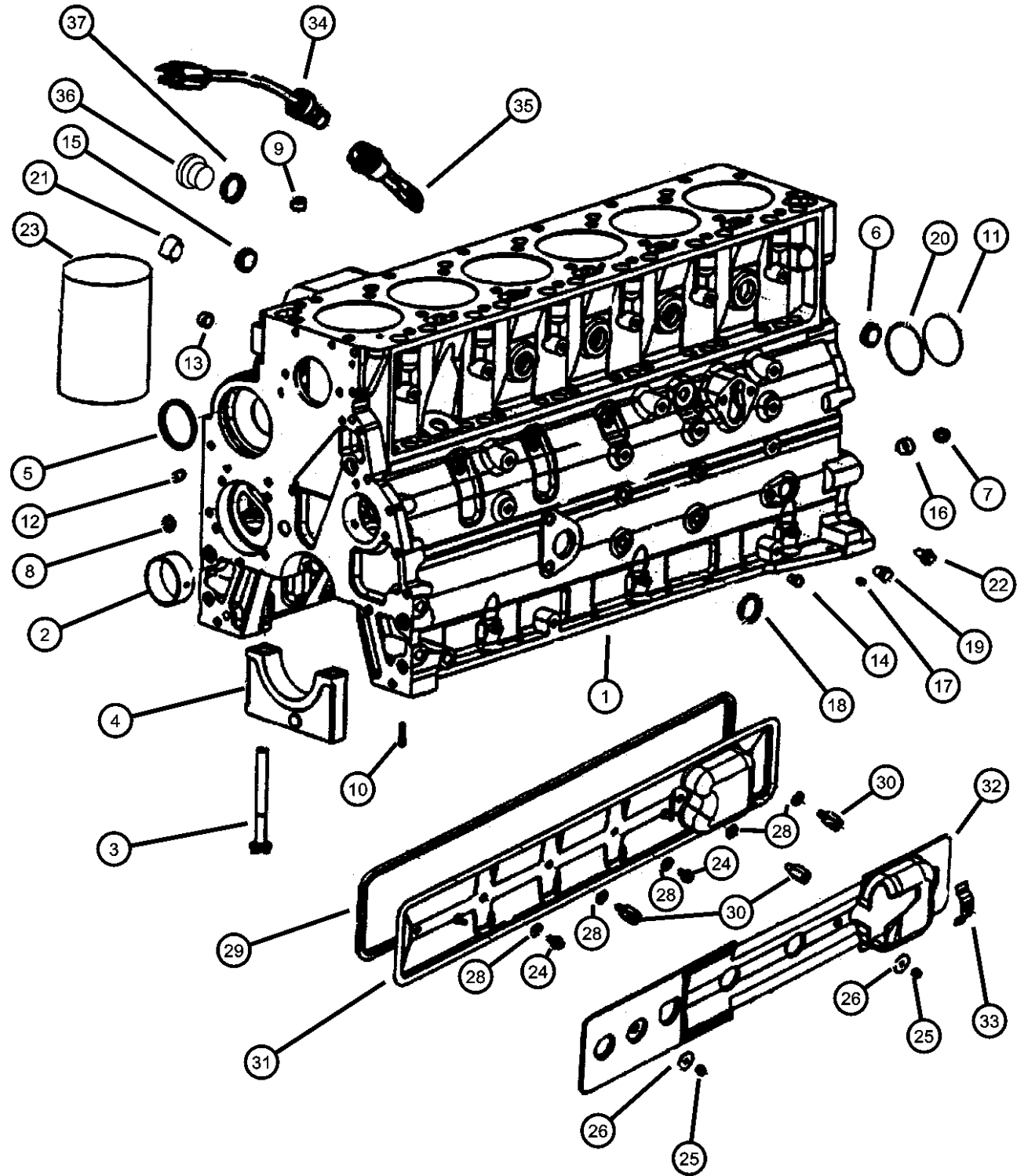
BODY
31 = CLUB CAB 2-DR 6.5 FT BOX
32 = CLUB CAB 2-DR 8FT BOX
33 = QUAD CAB 4-DR 6.5 FT BOX
34 = QUAD CAB 4-DR 8FT BOX

ENGINE
ELF = ENGINE - 5.2L V8 MPI
EML = ENGINE - 5.9L V8 MPI
EMM = ENGINE - "MAGNUM" 5.9L SMPI V8
ETC = ENGINE- 5.9L CUMMINS 24V DIESEL
ETH = ENGINE- 5.9L HO CUMMINS TURBO DIESEL
EWA = ENGINE - 8.0L V10 MPI

TRANSMISSION
DDC = TRANSMISSION - 5-SPEED HD MANUAL
DDP = TRANSMISSION - 5-SPEED MANUAL
DDX = TRANSMISSION - 5-SPEED HD MANUAL
DEE = TRANSMISSION - 6-SPEED HD MANUAL
DGP = TRANSMISSION - 4-SPD. AUTOMATIC, 47RE
DGT = TRANSMISSION - 4-SPD. AUTOMATIC, 46RE

AR = use ase required - = Non illustrated part

**Cylinder Block  
Figure 5.9LD-315**



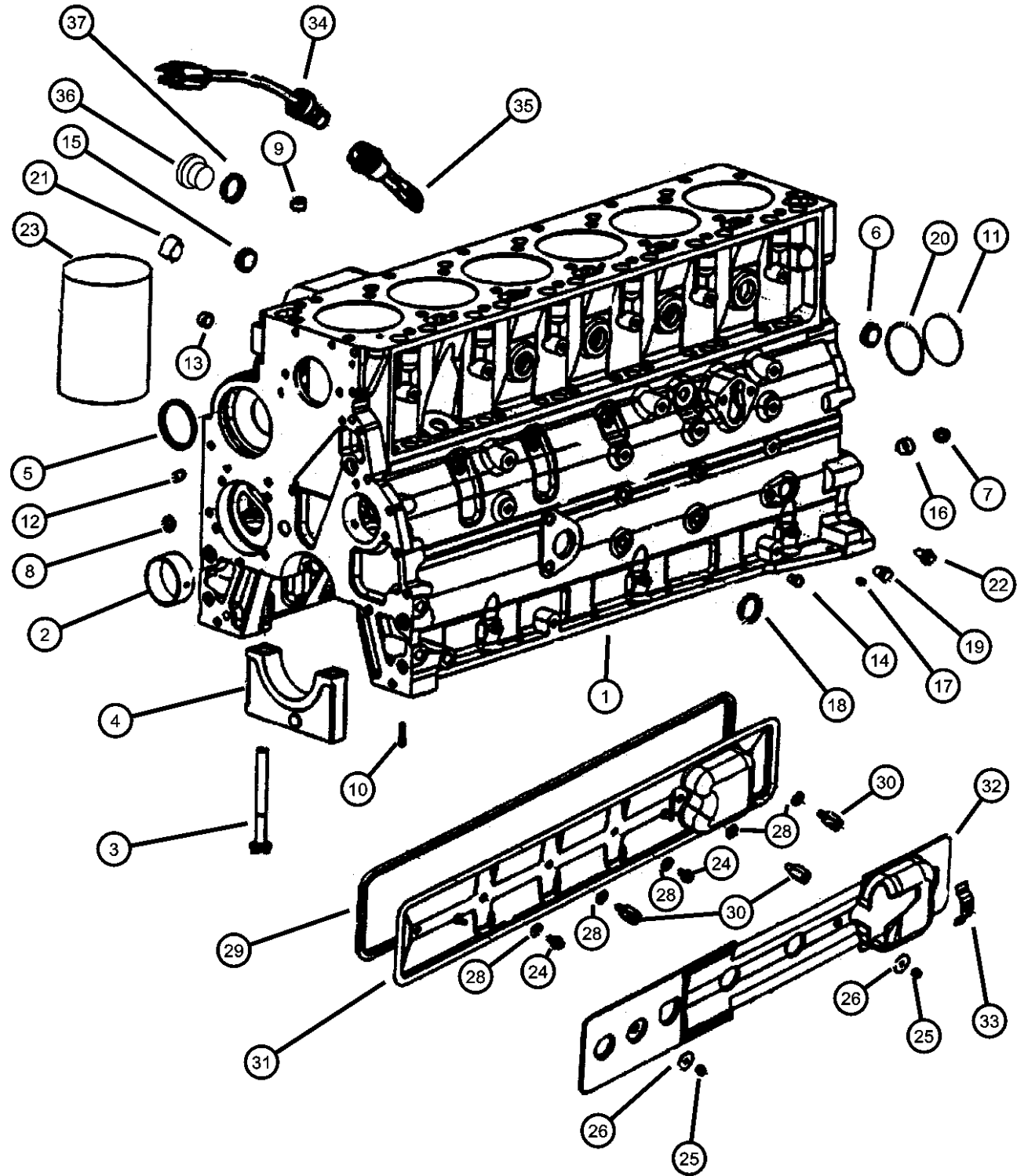
ITEM	PART NUMBER	QTY	LINE	SERIES	BODY	ENGINE	TRANS	TRIM	DESCRIPTION
		3				ETC	DG0		
		3				ETC	DBB		
		3				ETH	DBB		
25									NUT, Tappet Cover
	04429959	2				ETC			
		2				ETC	DG0		
		2				ETC	DBB		
		2				ETH	DBB		
26									WASHER, Plain
	04429960	2				ETC			
		2				ETC	DG0		
		2				ETC	DBB		
		2				ETH	DBB		
-27		2							CLAMP, Serviced in Hose, (NOT SERVICED)
28									SEAL, Grommet O-Ring
	05003620AA	6				ETC			
		6				ETC	DG0		
		6				ETC	DBB		
		6				ETH	DBB		
29									GASKET, Camshaft Cover
	04798940	1				ETC			
		1				ETC	DG0		
		1				ETC	DBB		
		1				ETH	DBB		
30									SPACER
	05003621AA	3				ETC	DG0		
		3				ETC	DBB		
		3				ETH	DBB		
	05003621AB	3				ETC			

**RAM PICKUP/CLUB CAB (BE)**

SERIES	LINE	BODY	ENGINE	TRANSMISSION
L = Ram Truck (All)	3 = HD DODGE 2WD	31 = CLUB CAB 2-DR 6.5 FT BOX	ELF = ENGINE - 5.2L V8 MPI	DDC = TRANSMISSION - 5-SPEED HD MANUAL
	8 = HD DODGE 4WD	32 = CLUB CAB 2-DR 8FT BOX	EML = ENGINE - 5.9L V8 MPI	DDP = TRANSMISSION - 5-SPEED HD MANUAL
	1 = Lt. Duty DODGE 2WD	33 = QUAD CAB 4-DR 6.5 FT BOX	EMM = ENGINE - "MAGNUM" 5.9L SMPI V8	DDX = TRANSMISSION - 5-SPEED HD MANUAL
	6 = Lt. Duty DODGE 4WD	34 = QUAD CAB 4-DR 8FT BOX	ETC = ENGINE- 5.9L CUMMINS 24V DIESEL	DEE = TRANSMISSION - 6-SPEED HD MANUAL
	2 = Med. Duty DODGE 2WD		ETH = ENGINE- 5.9L HO CUMMINS TURBO DIESEL	DGP = TRANSMISSION - 4-SPD. AUTOMATIC, 47RE
	7 = Med. Duty DODGE 4WD		EWA = ENGINE - 8.0L V10 MPI	DGT = TRANSMISSION - 4-SPD. AUTOMATIC, 46RE

AR = use ase required - = Non illustrated part

Cylinder Block  
Figure 5.9LD-315



ITEM	PART NUMBER	QTY	LINE	SERIES	BODY	ENGINE	TRANS	TRIM	DESCRIPTION
31	05014179AA	1				ETC			COVER, Camshaft
		1				ETC	DG0		
		1				ETC	DBB		
		1				ETH	DBB		
32	05015551AA	1				ETC			COVER, Camshaft
		1				ETC	DG0		
		1				ETC	DBB		
		1				ETH	DBB		
33	05011794AA	1				ETC			BRACKET
		1				ETC	DG0		
		1				ETC	DBB		
		1				ETH	DBB		
34	04798889	1				ETC			CORD, Engine Block Heater
		1				ETC	DG0		
		1				ETC	DBB		
		1				ETH	DBB		
35	05003619AA	1				ETC			HEATER, Engine Block
		1				ETC	DG0		
		1				ETC	DBB		
		1				ETH	DBB		
36	05011913AA	1				ETC	DBB		PLUG
		1				ETC	DG0		ETC W/O XCK, Manual
		1				ETC	DG0		ETC W/O XCK, Auto
		1				ETC	DG0		ETC+XCK, Auto
		1				ETC	DBB		ETC+XCK, Manual

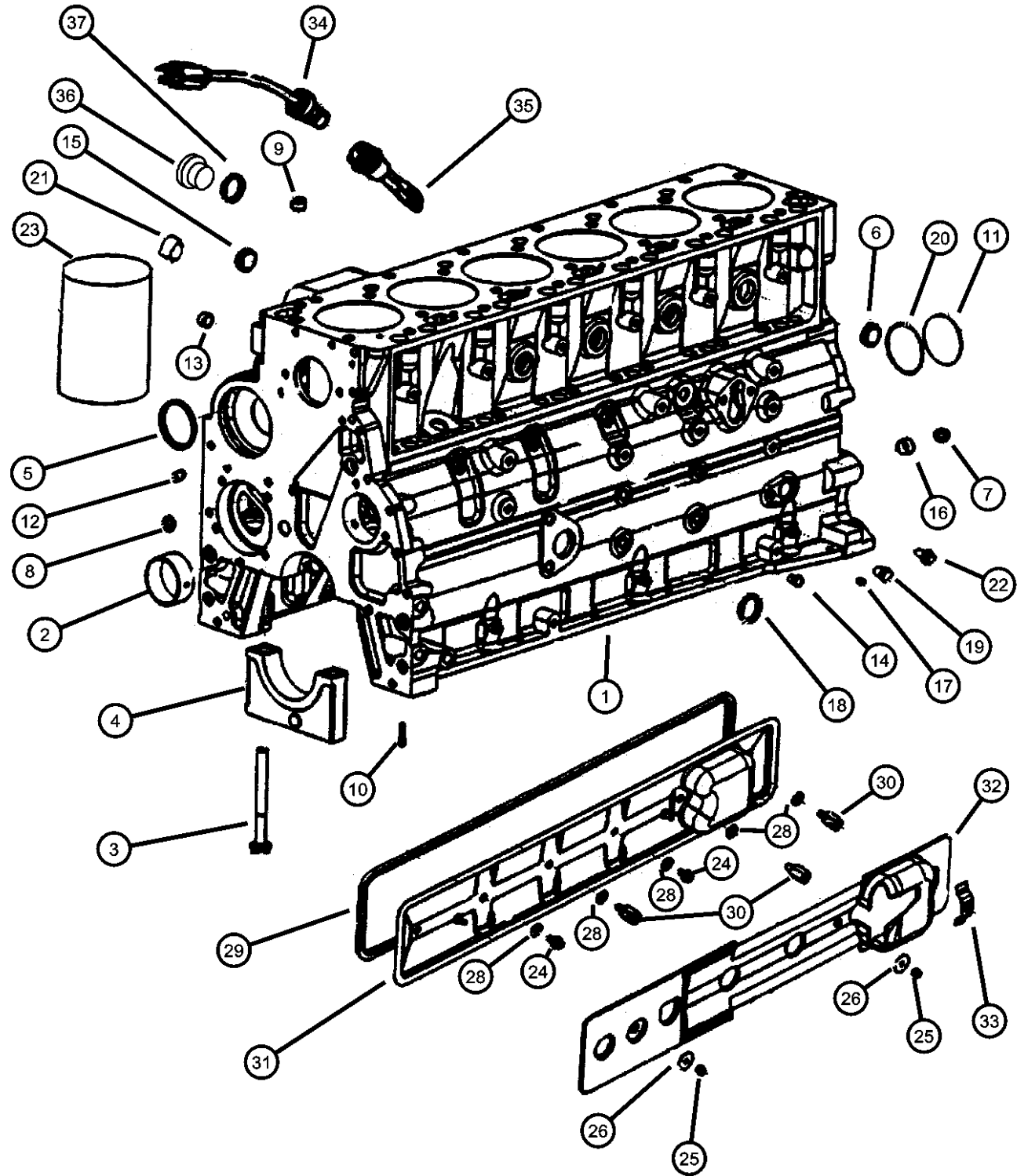
RAM PICKUP/CLUB CAB (BE)

SERIES	LINE	BODY	ENGINE	TRANSMISSION
L = Ram Truck	3 = HD DODGE 2WD	31 = CLUB CAB 2-DR 6.5 FT BOX	ELF = ENGINE - 5.2L V8 MPI	DDC = TRANSMISSION - 5-SPEED HD MANUAL
(All)	8 = HD DODGE 4WD	32 = CLUB CAB 2-DR 8FT BOX	EML = ENGINE - 5.9L V8 MPI	DDP = TRANSMISSION - 5-SPEED MANUAL
	1 = Lt. Duty DODGE 2WD	33 = QUAD CAB 4-DR 6.5 FT BOX	EMM = ENGINE - "MAGNUM" 5.9L SMPI V8	DDX = TRANSMISSION - 5-SPEED HD MANUAL
	6 = Lt. Duty DODGE 4WD	34 = QUAD CAB 4-DR 8FT BOX	ETC = ENGINE- 5.9L CUMMINS 24V DIESEL	DEE = TRANSMISSION - 6-SPEED HD MANUAL
	2 = Med. Duty DODGE 2WD		ETH = ENGINE- 5.9L HO CUMMINS TURBO DIESEL	DGP = TRANSMISSION - 4-SPD. AUTOMATIC, 47RE
	7 = Med. Duty DODGE 4WD		EWA = ENGINE - 8.0L V10 MPI	DGT = TRANSMISSION - 4-SPD. AUTOMATIC, 46RE

AR = use ase required - = Non illustrated part



**Cylinder Block  
Figure 5.9LD-315**



ITEM	PART NUMBER	QTY	LINE	SERIES	BODY	ENGINE	TRANS	TRIM	DESCRIPTION
		1				ETH	DBB		ETH,Manual
37									O RING, Oil Cooler
	05003647AA	1				ETC	DG0		ETC+XCK, Auto
		1				ETC	DBB		ETC+XCK, Manual
		1				ETH	DBB		ETH,Manual
	05011914AA	1				ETC	DBB		ETC W/O XCK, Manual
		1				ETC	DG0		ETC W/O XCK, Auto
-38	05013690AA	1				ETC			PLUG, Crank Sensor Hole Plate
-39	05011856AA	1				ETC			SCREW, Crank Sensor Hole Plate Attach
-40	05014528AA	AR				ETC			GASKET KIT, Lower Engine Set

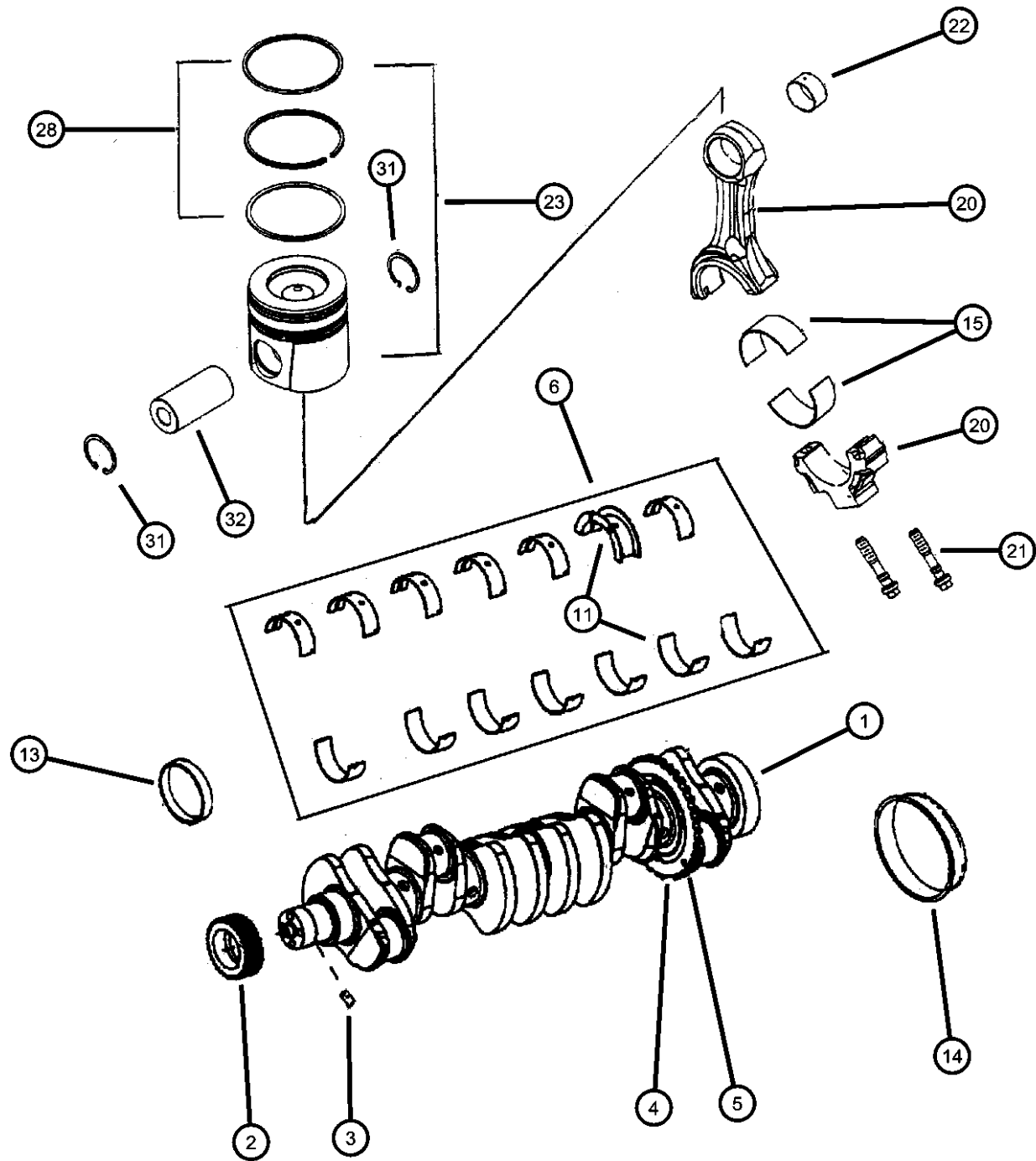
**RAM PICKUP/CLUB CAB (BE)**

SERIES	LINE
L = Ram Truck (All)	3 = HD DODGE 2WD
	8 = HD DODGE 4WD
	1 = Lt. Duty DODGE 2WD
	6 = Lt. Duty DODGE 4WD
	2 = Med. Duty DODGE 2WD
	7 = Med. Duty DODGE 4WD

BODY	ENGINE	TRANSMISSION
31 = CLUB CAB 2-DR 6.5 FT BOX	ELF = ENGINE - 5.2L V8 MPI	DDC = TRANSMISSION - 5-SPEED HD MANUAL
32 = CLUB CAB 2-DR 8FT BOX	EML = ENGINE - 5.9L V8 MPI	DDP = TRANSMISSION - 5-SPEED MANUAL
33 = QUAD CAB 4-DR 6.5 FT BOX	EMM = ENGINE - "MAGNUM" 5.9L SMPI V8	DDX = TRANSMISSION - 5-SPEED HD MANUAL
34 = QUAD CAB 4-DR 8FT BOX	ETC = ENGINE- 5.9L CUMMINS 24V DIESEL	DEE = TRANSMISSION - 6-SPEED HD MANUAL
	ETH = ENGINE- 5.9L HO CUMMINS TURBO DIESEL	DGP = TRANSMISSION - 4-SPD. AUTOMATIC,47RE
	EWA = ENGINE - 8.0L V10 MPI	DGT = TRANSMISSION - 4-SPD. AUTOMATIC,46RE

AR = use ase required - = Non illustrated part

**Crankshaft and Piston  
Figure 5.9LD-415**



ITEM	PART NUMBER	QTY	LINE	SERIES	BODY	ENGINE	TRANS	TRIM	DESCRIPTION
------	-------------	-----	------	--------	------	--------	-------	------	-------------

Note:  
 DBB = All Manual Transmissions  
 DG0 = All Automatic Transmissions  
 ETC = 5.9L Cummins 24V Diesel Engine  
 ETH = 5.9L HO Cummins Turbo Diesel Engine  
 XCK = 2001 Diesel Tracking

1									CRANKSHAFT
	05011782AA	1				ETC			
	05017775AA	1				ETH	DBB		ETC+XCK and ETH All
2									GEAR, Crankshaft
	04882036	1				ETC			
		1				ETH	DBB		
3	04429483	1				ETC			PIN, Crankshaft Gear, Fits ETC & ETH
4	05011783AA	1				ETC			TONE RING, Sensor, Fits ETC & ETH
5	05011784AA	5				ETC			SCREW, Fits ETC & ETH
6									BEARING KIT, Crankshaft, Standard
	04429070	1				ETC			
		1				ETH	DBB		
-7									BEARING KIT, Crankshaft, .25mm Oversize
	04429271	AR				ETC			
		1				ETH	DBB		
-8									BEARING KIT, Crankshaft, .50mm Oversize
	04429272	AR				ETC			
		1				ETH	DBB		
-9									BEARING KIT, Crankshaft, .75mm Oversize
	04429273	AR				ETC			
		1				ETH	DBB		
-10									BEARING KIT, Crankshaft, 1.00mm Oversize
	04429274	AR				ETC			

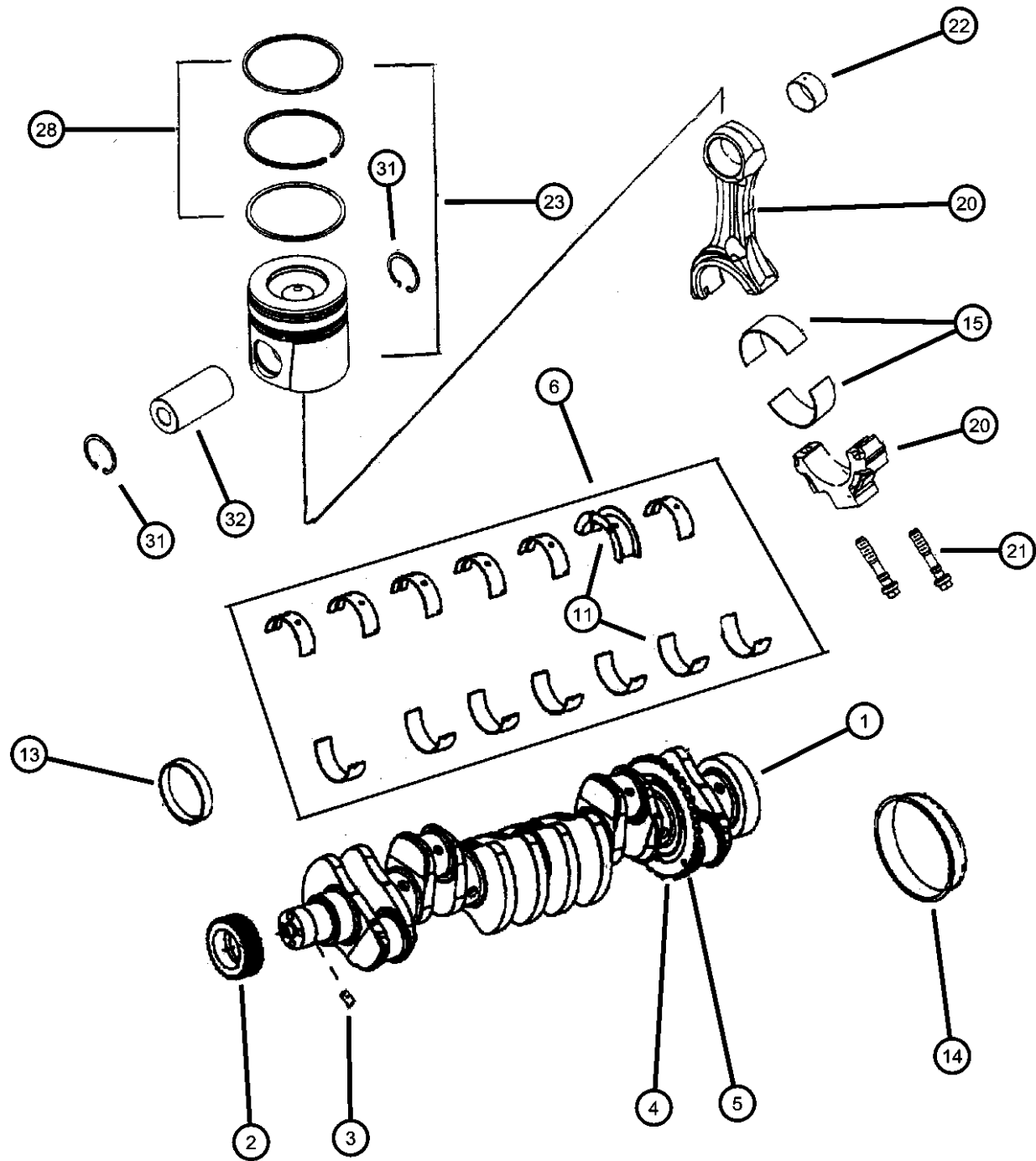
**RAM PICKUP/CLUB CAB (BE)**

SERIES	LINE	BODY	ENGINE	TRANSMISSION
L = Ram Truck (All)	3 = HD DODGE 2WD 8 = HD DODGE 4WD 1 = Lt. Duty DODGE 2WD 6 = Lt. Duty DODGE 4WD 2 = Med. Duty DODGE 2WD 7 = Med. Duty DODGE 4WD	31 = CLUB CAB 2-DR 6.5 FT BOX 32 = CLUB CAB 2-DR 8FT BOX 33 = QUAD CAB 4-DR 6.5 FT BOX 34 = QUAD CAB 4-DR 8FT BOX	ELF = ENGINE - 5.2L V8 MPI EML = ENGINE - 5.9L V8 MPI EMM = ENGINE - "MAGNUM" 5.9L SMPI V8 ETC = ENGINE- 5.9L CUMMINS 24V DIESEL ETH = ENGINE- 5.9L HO CUMMINS TURBO DIESEL EWA = ENGINE - 8.0L V10 MPI	DDC = TRANSMISSION - 5-SPEED HD MANUAL DDP = TRANSMISSION - 5-SPEED MANUAL DDX = TRANSMISSION - 5-SPEED HD MANUAL DEE = TRANSMISSION - 6-SPEED HD MANUAL DGP = TRANSMISSION - 4-SPD. AUTOMATIC, 47RE DGT = TRANSMISSION - 4-SPD. AUTOMATIC, 46RE

AR = use ase required - = Non illustrated part

2000 BE

**Crankshaft and Piston  
Figure 5.9LD-415**



ITEM	PART NUMBER	QTY	LINE	SERIES	BODY	ENGINE	TRANS	TRIM	DESCRIPTION
11		1				ETH	DBB		BEARING, Crankshaft Thrust, .50 mm U/S
	04429282	1				ETH	DBB		ETC+XCK and ETH All
	05012552AA	AR				ETC			
-12									BEARING, Crankshaft Thrust, 1.00 mm U/S
	04429283	1				ETH	DBB		ETC+XCK and ETH, All
	05012551AA	1				ETC			
13									SLEEVE, Wear
	05011935AA	1				ETC			
		1				ETH	DBB		
14									SLEEVE KIT, Wear
	04897876AA	1				ETC			
		1				ETH	DBB		
15									BEARING, Connecting Rod, STD.
	04429175	12				ETC			
		12				ETH	DBB		
-16	04429171	AR				ETC			BEARING, Connecting Rod, .25 mm U/S
-17	04429172	AR				ETC			BEARING, Connecting Rod, .50 mm U/S
-18	04429173	AR				ETC			BEARING, Connecting Rod, .75 mm U/S
-19	04429174	AR				ETC			BEARING, Connecting Rod, 1.00 mm U/S
20									ROD, Connecting
	05003649AA	6				ETC			
		6				ETH	DBB		
21									SCREW, Connecting Rod, 24x.44
	04429919	12				ETC			
		12				ETH	DBB		
22									BUSHING, Serviced in Rod, (NOT SERVICED)
		12							

**RAM PICKUP/CLUB CAB (BE)**

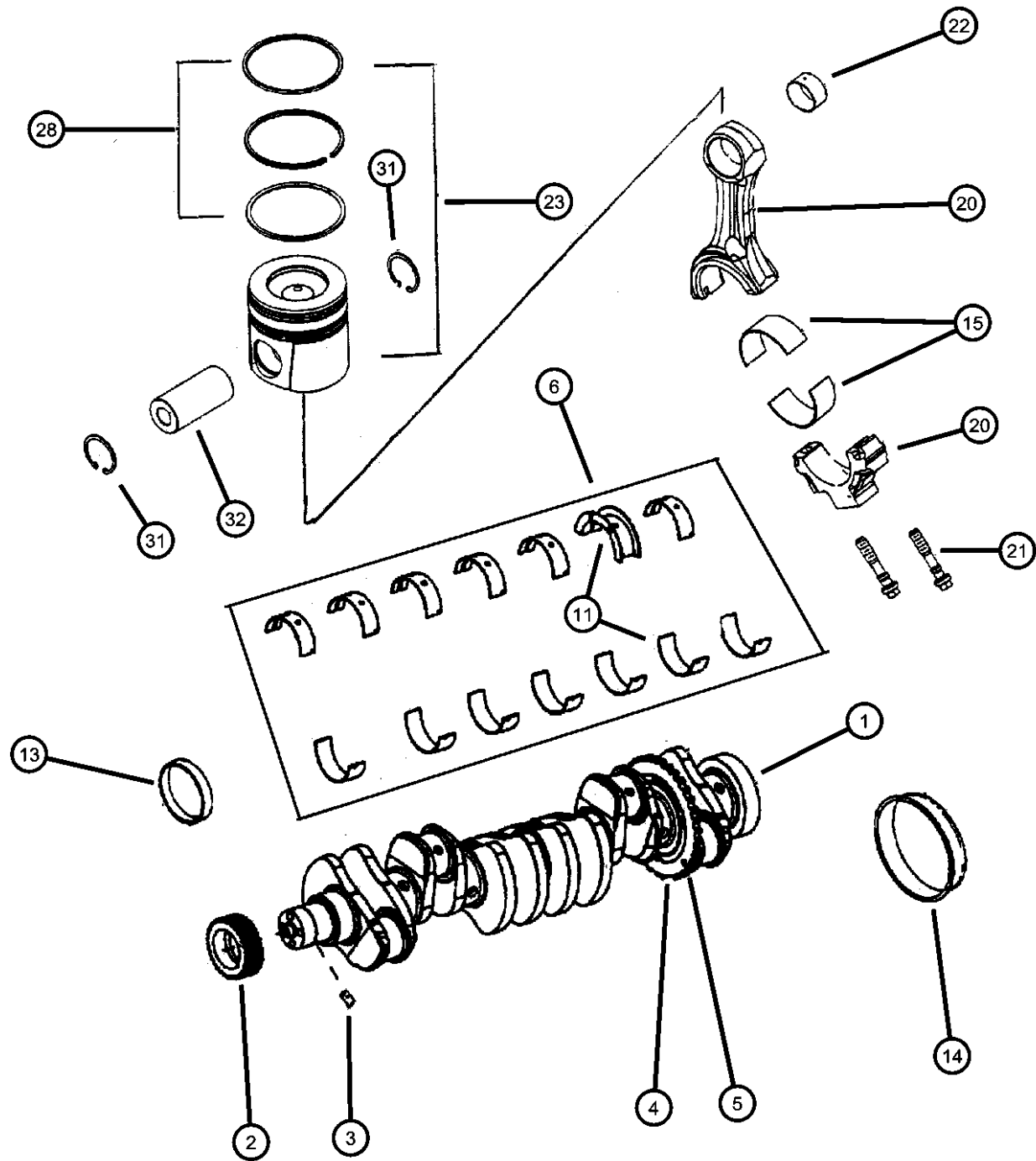
SERIES	LINE
L = Ram Truck (All)	3 = HD DODGE 2WD
	8 = HD DODGE 4WD
	1 = Lt. Duty DODGE 2WD
	6 = Lt. Duty DODGE 4WD
	2 = Med. Duty DODGE 2WD
	7 = Med. Duty DODGE 4WD

BODY	ENGINE	TRANSMISSION
31 = CLUB CAB 2-DR 6.5 FT BOX	ELF = ENGINE - 5.2L V8 MPI	DDC = TRANSMISSION - 5-SPEED HD MANUAL
32 = CLUB CAB 2-DR 8FT BOX	EML = ENGINE - 5.9L V8 MPI	DDP = TRANSMISSION - 5-SPEED MANUAL
33 = QUAD CAB 4-DR 6.5 FT BOX	EMM = ENGINE - "MAGNUM" 5.9L SMPI V8	DDX = TRANSMISSION - 5-SPEED HD MANUAL
34 = QUAD CAB 4-DR 8FT BOX	ETC = ENGINE- 5.9L CUMMINS 24V DIESEL	DEE = TRANSMISSION - 6-SPEED HD MANUAL
	ETH = ENGINE- 5.9L HO CUMMINS TURBO DIESEL	DGP = TRANSMISSION - 4-SPD. AUTOMATIC, 47RE
	EWA = ENGINE - 8.0L V10 MPI	DGT = TRANSMISSION - 4-SPD. AUTOMATIC, 46RE

AR = use ase required - = Non illustrated part

2000 BE

**Crankshaft and Piston  
Figure 5.9LD-415**



ITEM	PART NUMBER	QTY	LINE	SERIES	BODY	ENGINE	TRANS	TRIM	DESCRIPTION
23									PISTON AND RINGS, Diesel Engine, A Grade ETC+XCK, All
	05011857AA	6				ETC	DG0		
	05015810AA	6				ETC			
	05018093AA	6				ETH	DBB		
-24									PISTON AND RINGS, Diesel Engine, B Grade ETC+XCK, All
	05011859AA	6				ETC	DG0		
	05015811AA	6				ETC			
-25									PISTON AND RINGS, Diesel Engine, C Grade ETC+XCK, All
	05011860AA	6				ETC	DG0		
	05015812AA	6				ETC			
-26	05015813AA	AR				ETC			PISTON AND RINGS, Diesel Engine, .50MM Oversize
-27									PISTON AND RINGS, Diesel Engine, 1.00MM Oversize
	05011871AA	6				ETC	DG0		ETC+XCK,All
	05015814AA	AR				ETC			
28									RING KIT, Piston, Standard
	05011858AA	6				ETC			
		3				ETH	DBB		
-29									RING KIT, Piston, .50MM Oversize
	05011942AA	AR				ETC			
		1				ETC	DG0		ETC+XCK, All
-30	05011870AA	AR				ETC			RING KIT, Piston, 1.00MM Oversize
31									RING, Piston Pin
	05003650AA	6				ETC			
		12				ETH	DBB		
32									PIN, Piston
	05015706AA	6				ETC	DBB		

**RAM PICKUP/CLUB CAB (BE)**

SERIES	LINE
L = Ram Truck (All)	3 = HD DODGE 2WD
	8 = HD DODGE 4WD
	1 = Lt. Duty DODGE 2WD
	6 = Lt. Duty DODGE 4WD
	2 = Med. Duty DODGE 2WD
	7 = Med. Duty DODGE 4WD

BODY	ENGINE	TRANSMISSION
31 = CLUB CAB 2-DR 6.5 FT BOX	ELF = ENGINE - 5.2L V8 MPI	DDC = TRANSMISSION - 5-SPEED HD MANUAL
32 = CLUB CAB 2-DR 8FT BOX	EML = ENGINE - 5.9L V8 MPI	DDP = TRANSMISSION - 5-SPEED MANUAL
33 = QUAD CAB 4-DR 6.5 FT BOX	EMM = ENGINE - "MAGNUM" 5.9L SMPI V8	DDX = TRANSMISSION - 5-SPEED HD MANUAL
34 = QUAD CAB 4-DR 8FT BOX	ETC = ENGINE- 5.9L CUMMINS 24V DIESEL	DEE = TRANSMISSION - 6-SPEED HD MANUAL
	ETH = ENGINE- 5.9L HO CUMMINS TURBO DIESEL	DGP = TRANSMISSION - 4-SPD. AUTOMATIC,47RE
	EWA = ENGINE - 8.0L V10 MPI	DGT = TRANSMISSION - 4-SPD. AUTOMATIC,46RE

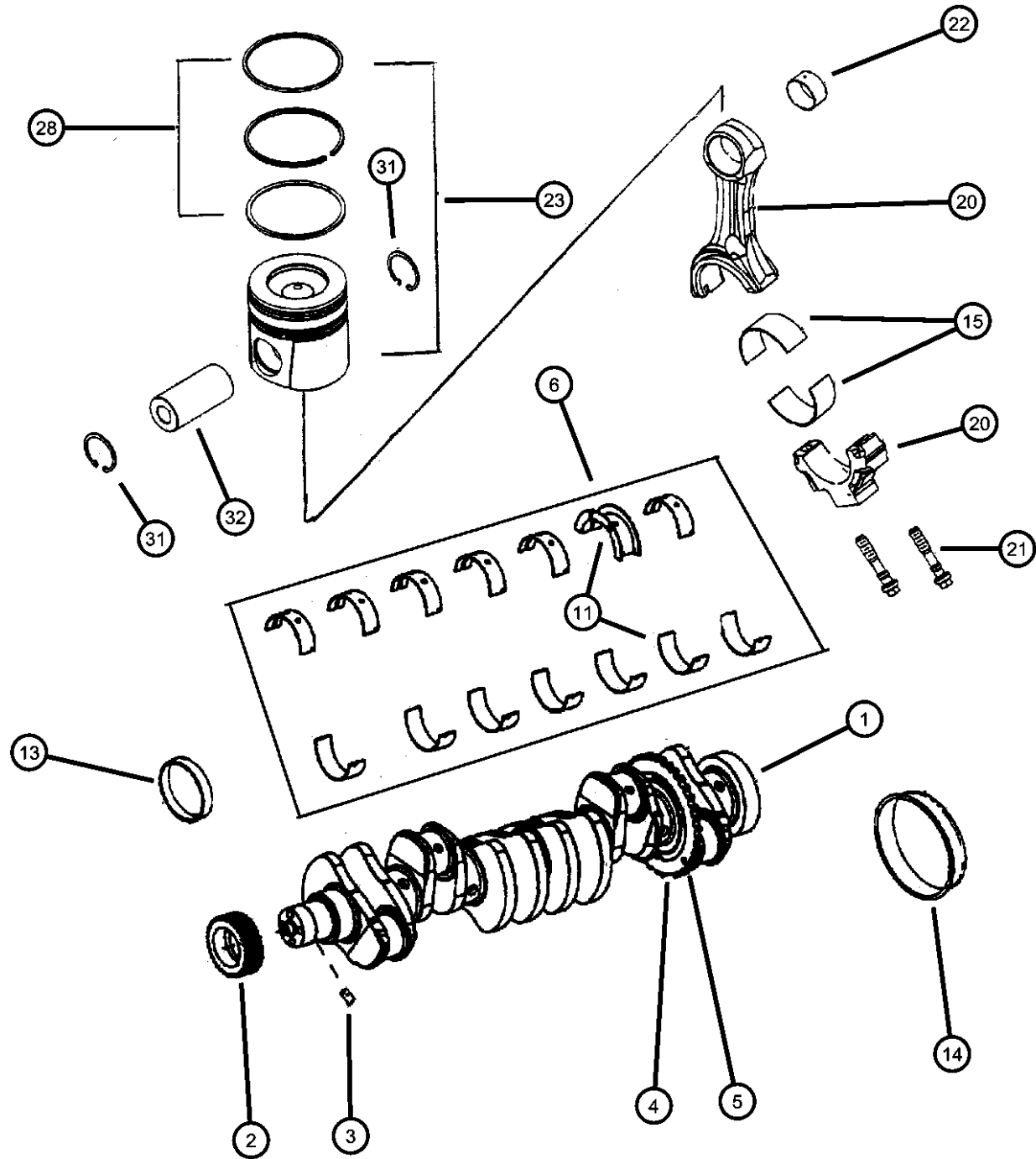
AR = use ase required - = Non illustrated part

2000 BE

**Crankshaft and Piston  
Figure 5.9LD-415**

ITEM	PART NUMBER	QTY	LINE	SERIES	BODY	ENGINE	TRANS	TRIM	DESCRIPTION
------	-------------	-----	------	--------	------	--------	-------	------	-------------

6						ETC	DG0		
6						ETH	DBB		

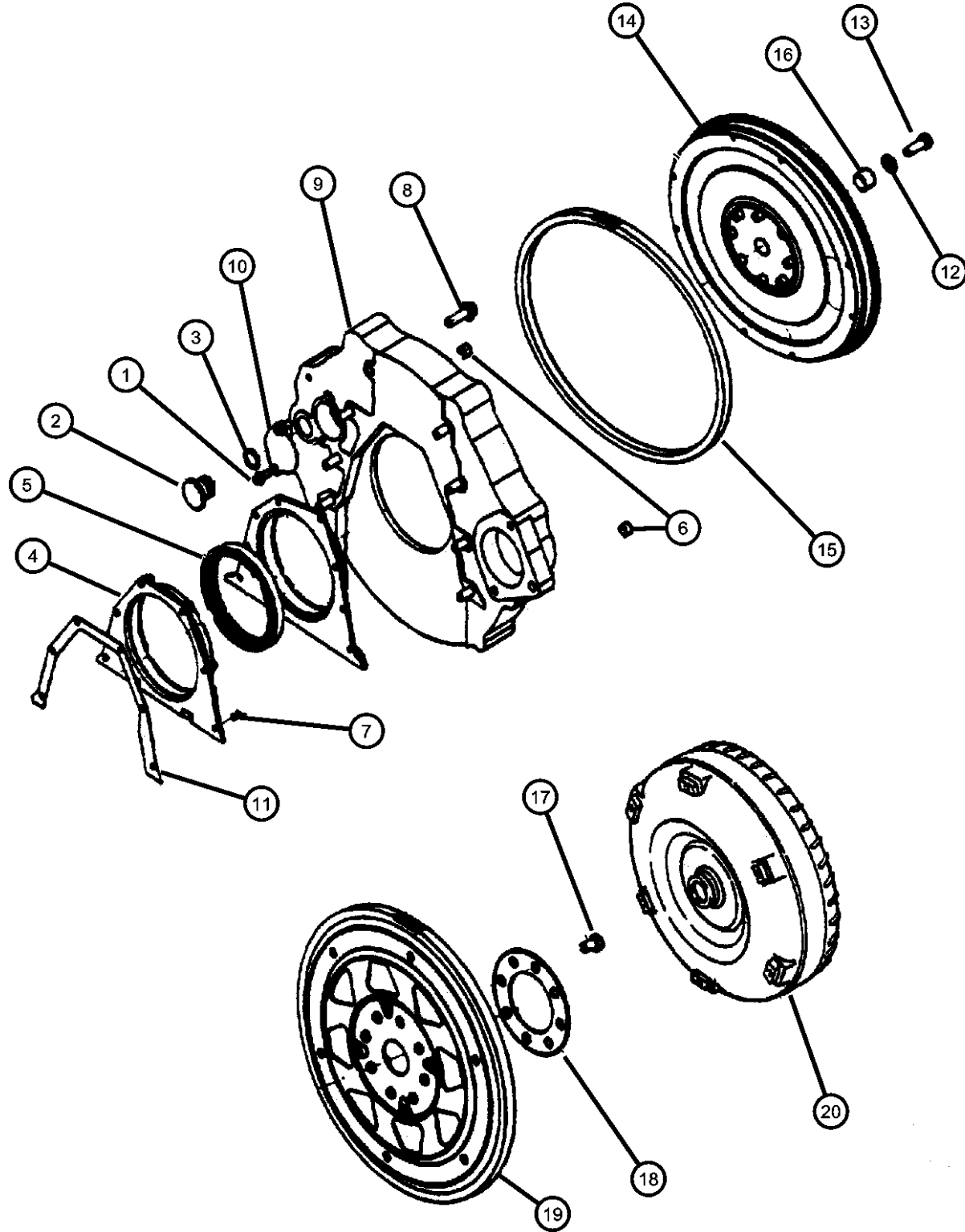


**RAM PICKUP/CLUB CAB (BE)**

SERIES	LINE	BODY	ENGINE	TRANSMISSION
L = Ram Truck (All)	3 = HD DODGE 2WD 8 = HD DODGE 4WD 1 = Lt. Duty DODGE 2WD 6 = Lt. Duty DODGE 4WD 2 = Med. Duty DODGE 2WD 7 = Med. Duty DODGE 4WD	31 = CLUB CAB 2-DR 6.5 FT BOX 32 = CLUB CAB 2-DR 8FT BOX 33 = QUAD CAB 4-DR 6.5 FT BOX 34 = QUAD CAB 4-DR 8FT BOX	ELF = ENGINE - 5.2L V8 MPI EML = ENGINE - 5.9L V8 MPI EMM = ENGINE - "MAGNUM" 5.9L SMPI V8 ETC = ENGINE- 5.9L CUMMINS 24V DIESEL ETH = ENGINE- 5.9L HO CUMMINS TURBO DIESEL EWA = ENGINE - 8.0L V10 MPI	DDC = TRANSMISSION - 5-SPEED HD MANUAL DDP = TRANSMISSION - 5-SPEED MANUAL DDX = TRANSMISSION - 5-SPEED HD MANUAL DEE = TRANSMISSION - 6-SPEED HD MANUAL DGP = TRANSMISSION - 4-SPD. AUTOMATIC,47RE DGT = TRANSMISSION - 4-SPD. AUTOMATIC,46RE

AR = use ase required - = Non illustrated part

**Flywheel and Torque Converter  
Figure 5.9LD-425**



ITEM	PART NUMBER	QTY	LINE	SERIES	BODY	ENGINE	TRANS	TRIM	DESCRIPTION
------	-------------	-----	------	--------	------	--------	-------	------	-------------

Note:  
 DBB = All Manual Transmissions  
 DG0 = All Automatic Transmissions  
 ETC = 5.9L Cummins 24V Diesel Engine  
 ETH = 5.9L HO Cummins Turbo Diesel Engine  
 XCK = 2001 Diesel Tracking

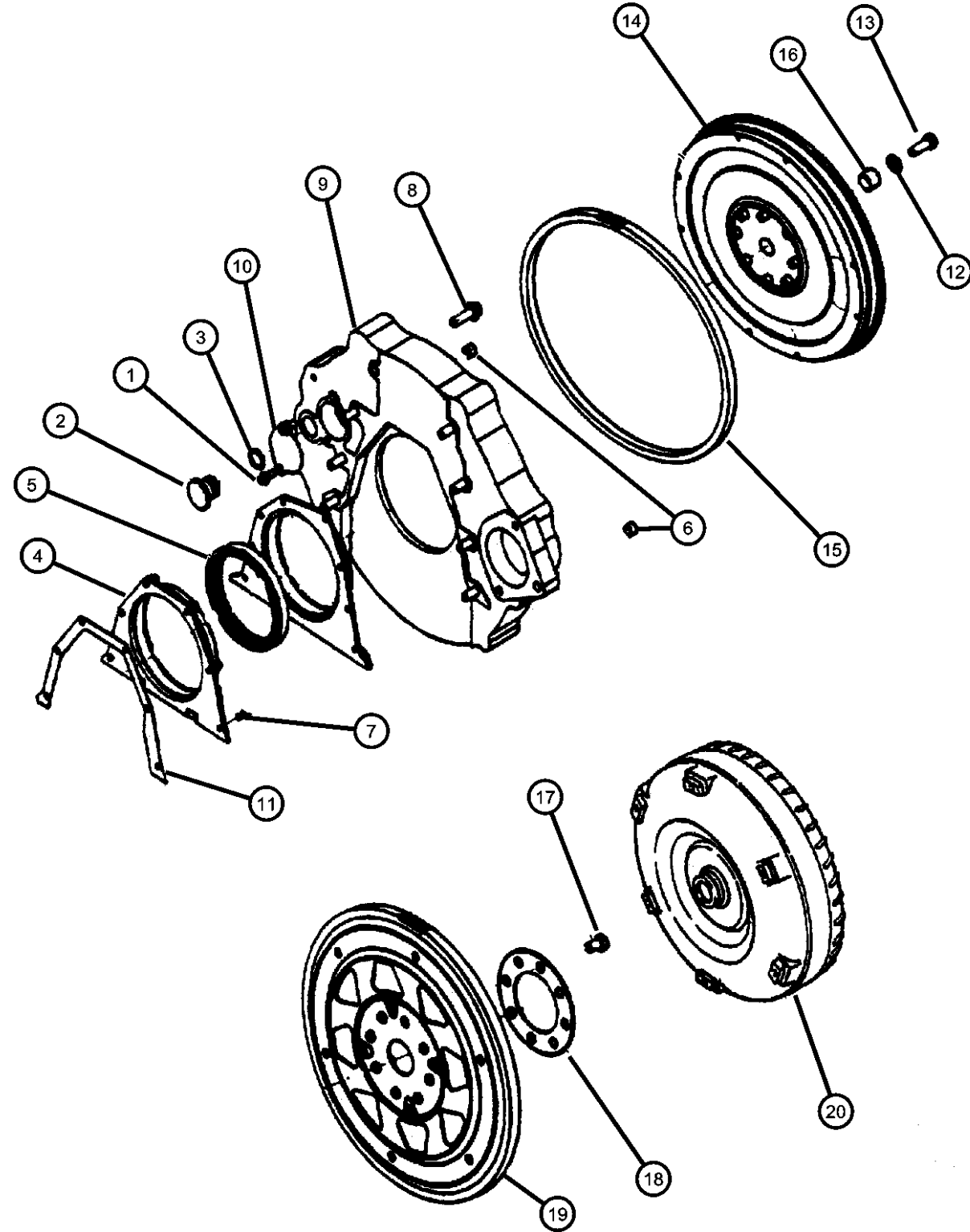
1									BOLT, Hex Head
	04429630	2				ETC			
		2				ETH	DBB		
2									PLUG, Adaptor Plate
	04429248	1				ETC	DBB		
		1				ETC	DG0		
		1				ETH	DBB		
3									O RING, Transmission Adapter Plug
	04429260	1				ETC			
		1				ETH	DBB		
4									HOUSING, Rear Main Seal
	04638817	1				ETC			
		1				ETH	DBB		
5									SEAL
	05015705AA	1				ETC	DBB		
		1				ETC	DG0		
		1				ETH	DBB		
6									PIN, Dowel
	04429678	2				ETC			
		2				ETH	DBB		
7									BOLT, Hex Head
	04429638	6				ETC			
		6				ETH	DBB		
8									BOLT, Flywheel Housing
	04761248	8				ETC			

**RAM PICKUP/CLUB CAB (BE)**

SERIES	LINE	BODY	ENGINE	TRANSMISSION
L = Ram Truck (All)	3 = HD DODGE 2WD 8 = HD DODGE 4WD 1 = Lt. Duty DODGE 2WD 6 = Lt. Duty DODGE 4WD 2 = Med. Duty DODGE 2WD 7 = Med. Duty DODGE 4WD	31 = CLUB CAB 2-DR 6.5 FT BOX 32 = CLUB CAB 2-DR 8FT BOX 33 = QUAD CAB 4-DR 6.5 FT BOX 34 = QUAD CAB 4-DR 8FT BOX	ELF = ENGINE - 5.2L V8 MPI EML = ENGINE - 5.9L V8 MPI EMM = ENGINE - "MAGNUM" 5.9L SMPI V8 ETC = ENGINE- 5.9L CUMMINS 24V DIESEL ETH = ENGINE- 5.9L HO CUMMINS TURBO DIESEL EWA = ENGINE - 8.0L V10 MPI	DDC = TRANSMISSION - 5-SPEED HD MANUAL DDP = TRANSMISSION - 5-SPEED MANUAL DDX = TRANSMISSION - 5-SPEED HD MANUAL DEE = TRANSMISSION - 6-SPEED HD MANUAL DGP = TRANSMISSION - 4-SPD. AUTOMATIC, 47RE DGT = TRANSMISSION - 4-SPD. AUTOMATIC, 46RE

AR = use ase required - = Non illustrated part

**Flywheel and Torque Converter  
Figure 5.9LD-425**



ITEM	PART NUMBER	QTY	LINE	SERIES	BODY	ENGINE	TRANS	TRIM	DESCRIPTION
9		8				ETH	DBB		ADAPTER, Transmission
	04874537	1				ETC			
10		1				ETH	DBB		COVER, Flywheel Housing
	04761247	1				ETC			
11		1				ETH	DBB		GASKET, Rear Cover
	04856021	1				ETC			
12		1				ETH	DBB		WASHER, Flat
	06501681	8				ETC	DBB		
		8				ETH	DBB		
13		8				ETC	DBB		SCREW, Hex Head, M12x1.25x34.00
	06501680	8				ETH	DBB		
14		8				ETC	DBB		FLYWHEEL
	05015624AA	1				ETC	DBB		
	05018079AB	1				ETH	DBB		
15		1				ETC	DBB		GEAR, Ring
	04429903	1				ETH	DBB		
16		1				ETC	DBB		BEARING, Pilot
	05015625AA	1				ETC	DBB		
	05018080AA	1				ETH	DBB		
17	04429522	8				ETC	DG0		SCREW, Cap
18	04798968	1				ETC	DG0		PLATE, Drive Plate Backing
19		1				ETC	DG0		PLATE, Torque Converter Drive ETC only
	04762088	1				ETC	DG0		

**RAM PICKUP/CLUB CAB (BE)**

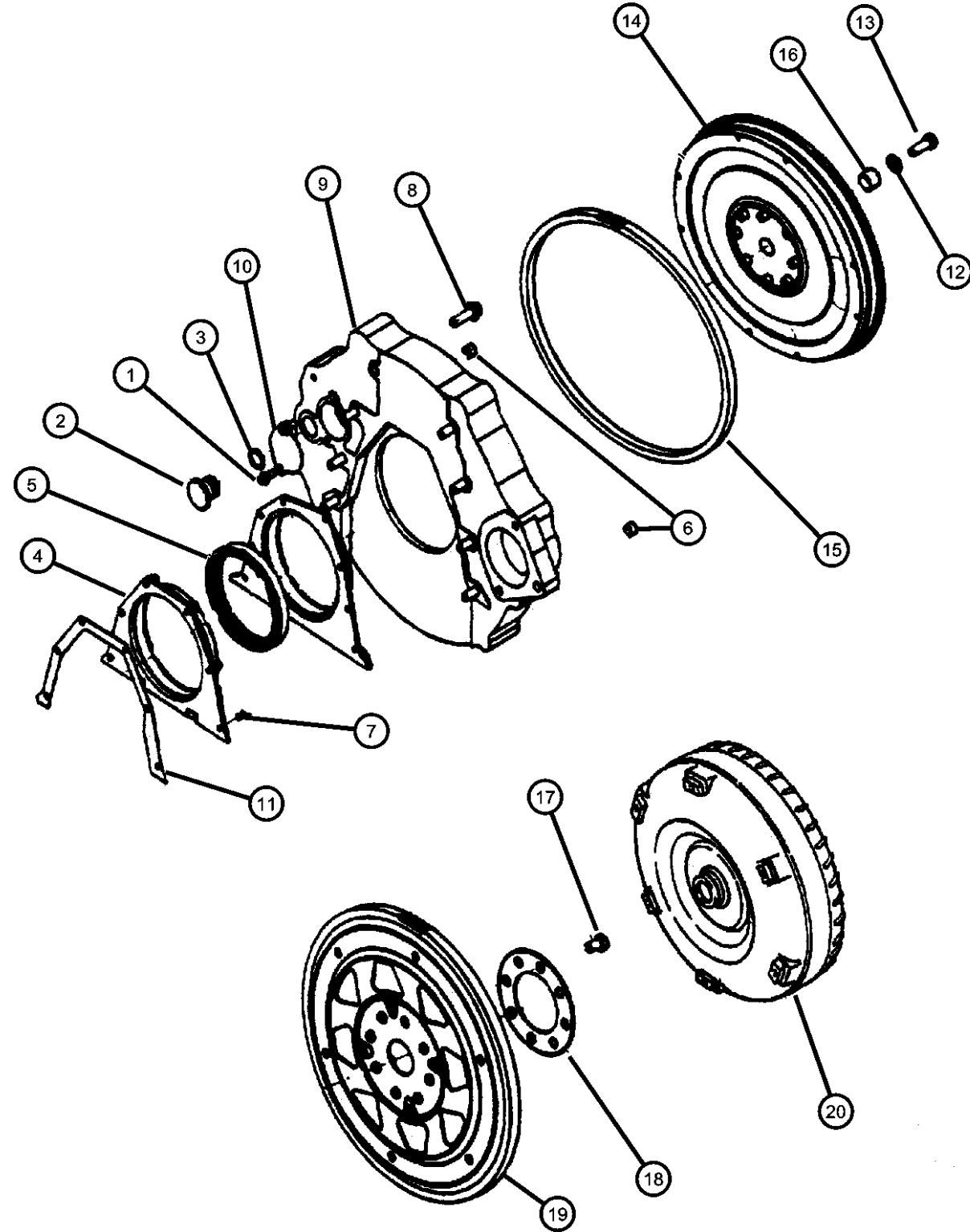
SERIES	LINE
L = Ram Truck (All)	3 = HD DODGE 2WD 8 = HD DODGE 4WD 1 = Lt. Duty DODGE 2WD 6 = Lt. Duty DODGE 4WD 2 = Med. Duty DODGE 2WD 7 = Med. Duty DODGE 4WD

BODY	ENGINE	TRANSMISSION
31 = CLUB CAB 2-DR 6.5 FT BOX	ELF = ENGINE - 5.2L V8 MPI EML = ENGINE - 5.9L V8 MPI	DDC = TRANSMISSION - 5-SPEED HD MANUAL
32 = CLUB CAB 2-DR 8FT BOX	EMM = ENGINE - "MAGNUM" 5.9L SMPI V8	DDP = TRANSMISSION - 5-SPEED MANUAL
33 = QUAD CAB 4-DR 6.5 FT BOX	ETC = ENGINE- 5.9L CUMMINS 24V DIESEL	DDX = TRANSMISSION - 5-SPEED HD MANUAL
34 = QUAD CAB 4-DR 8FT BOX	ETH = ENGINE- 5.9L HO CUMMINS TURBO DIESEL	DEE = TRANSMISSION - 6-SPEED HD MANUAL
	EWA = ENGINE - 8.0L V10 MPI	DGP = TRANSMISSION - 4-SPD. AUTOMATIC,47RE DGT = TRANSMISSION - 4-SPD. AUTOMATIC,46RE

AR = use ase required - = Non illustrated part

2000 BE

**Flywheel and Torque Converter  
Figure 5.9LD-425**



ITEM	PART NUMBER	QTY	LINE	SERIES	BODY	ENGINE	TRANS	TRIM	DESCRIPTION
	05015709AA	1				ETC	DG0		ETC+XCK
20	52118868	1				ET0	DG0		CONVERTER, Torque
-21	06033439	6				ET0	DG0		BOLT, Hex Head, .37-24x.55, Torque Converter to Flex Plate

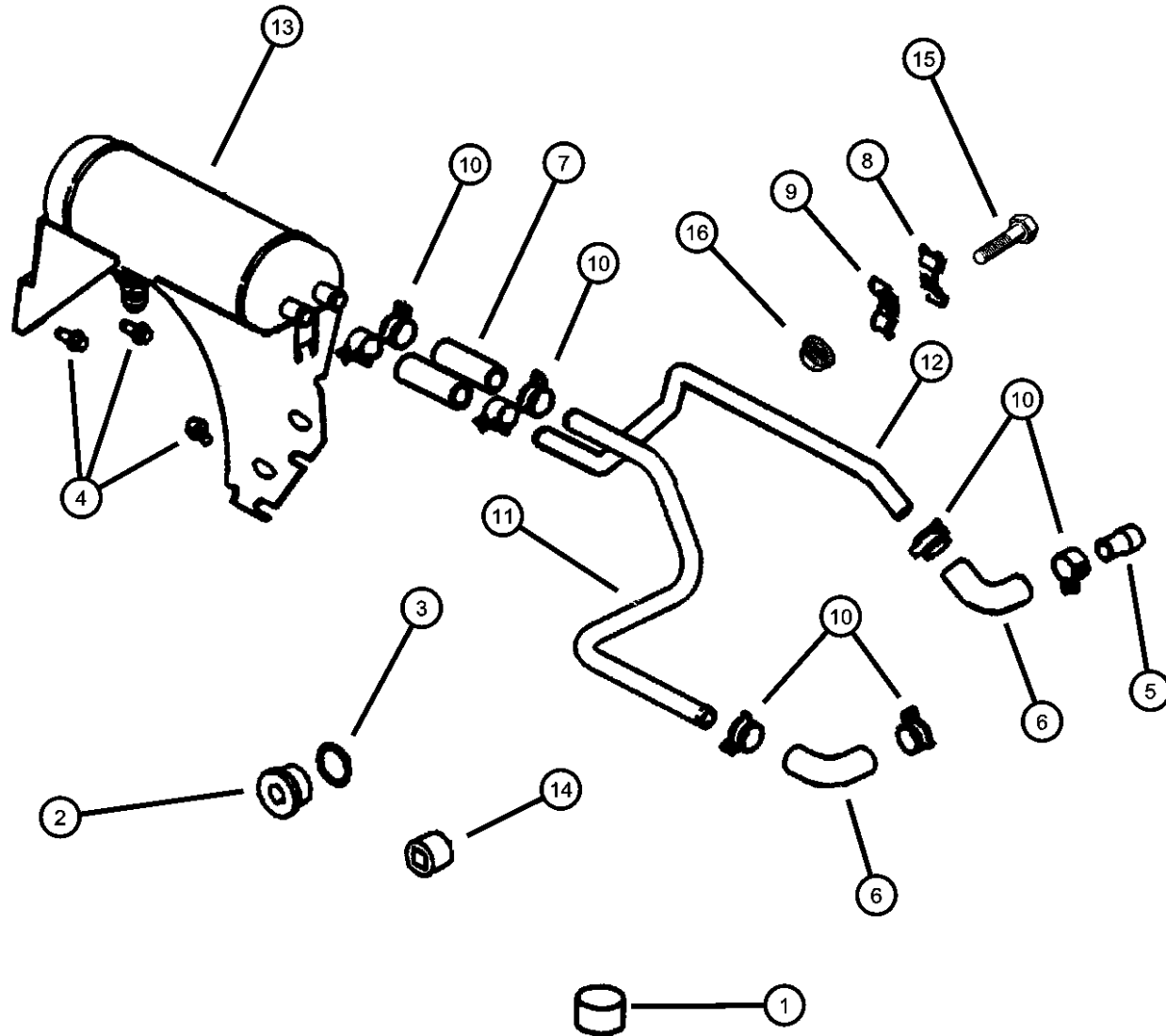
**RAM PICKUP/CLUB CAB (BE)**

SERIES	LINE	BODY	ENGINE	TRANSMISSION
L = Ram Truck (All)	3 = HD DODGE 2WD 8 = HD DODGE 4WD 1 = Lt. Duty DODGE 2WD 6 = Lt. Duty DODGE 4WD 2 = Med. Duty DODGE 2WD 7 = Med. Duty DODGE 4WD	31 = CLUB CAB 2-DR 6.5 FT BOX 32 = CLUB CAB 2-DR 8FT BOX 33 = QUAD CAB 4-DR 6.5 FT BOX 34 = QUAD CAB 4-DR 8FT BOX	ELF = ENGINE - 5.2L V8 MPI EML = ENGINE - 5.9L V8 MPI EMM = ENGINE - "MAGNUM" 5.9L SMPI V8 ETC = ENGINE- 5.9L CUMMINS 24V DIESEL ETH = ENGINE- 5.9L HO CUMMINS TURBO DIESEL EWA = ENGINE - 8.0L V10 MPI	DDC = TRANSMISSION - 5-SPEED HD MANUAL DDP = TRANSMISSION - 5-SPEED MANUAL DDX = TRANSMISSION - 5-SPEED HD MANUAL DEE = TRANSMISSION - 6-SPEED HD MANUAL DGP = TRANSMISSION - 4-SPD. AUTOMATIC,47RE DGT = TRANSMISSION - 4-SPD. AUTOMATIC,46RE

AR = use ase required - = Non illustrated part



**Torque Converter Cooler  
Figure 5.9LD-435**



ITEM	PART NUMBER	QTY	LINE	SERIES	BODY	ENGINE	TRANS	TRIM	DESCRIPTION
1									PLUG, Pipe
	04429369	1				ETC			
		1				ETC	DBB		
		1				ETH	DBB		
2									PLUG
	05011913AA	1				ETC	DG0		
		1				ETC	DBB		
		1				ETH	DBB		
3									O RING, Oil Cooler
	05011914AA	1				ETC	DBB		
		1				ETC	DG0		
4	04429630	5				ETC	DG0		BOLT, Hex Head
5	04883885AA	1				ETC	DG0		COUPLING, Hose
6	05011405AA	2				ETC	DG0		HOSE, Oil Cooler
7	05011409AA	2				ETC	DG0		HOSE, Oil Cooler
8	04429089	2				ETC	DG0		CLAMP, Tube Retaining
9	04429089	2				ETC	DG0		CLAMP, Tube Retaining
10	05011900AA	8				ETC	DG0		CLAMP, Heater
11	05014171AA	1				ETC	DG0		TUBE, Oil Cooler
12	05011918AA	1				ETC	DG0		TUBE, Oil Cooler
13	05014861AA	1				ETC	DG0		COOLER, Torque Converter
14	04429369	1				ETC	DG0		PLUG, Pipe
15	04429114	1				ETC	DG0		SCREW, Hex Flange Head
16	04429689	1				ETC	DG0		NUT, Hex Flange

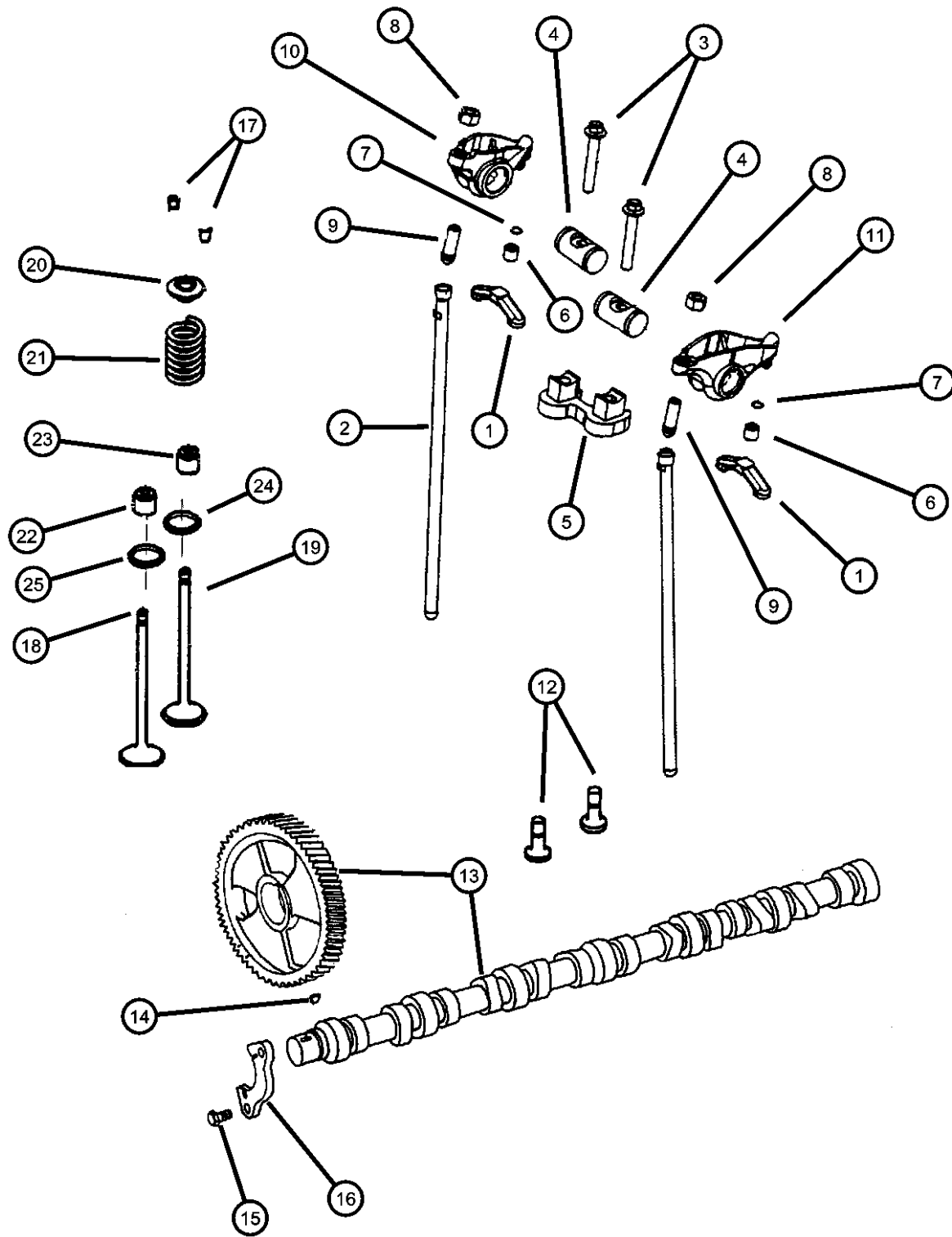
**RAM PICKUP/CLUB CAB (BE)**

SERIES	LINE	BODY	ENGINE	TRANSMISSION
L = Ram Truck (All)	3 = HD DODGE 2WD	31 = CLUB CAB 2-DR 6.5 FT BOX	ELF = ENGINE - 5.2L V8 MPI	DDC = TRANSMISSION - 5-SPEED HD MANUAL
	8 = HD DODGE 4WD	32 = CLUB CAB 2-DR 8FT BOX	EML = ENGINE - 5.9L V8 MPI	DDP = TRANSMISSION - 5-SPEED MANUAL
	1 = Lt. Duty DODGE 2WD	33 = QUAD CAB 4-DR 6.5 FT BOX	EMM = ENGINE - "MAGNUM" 5.9L SMPI V8	DDX = TRANSMISSION - 5-SPEED HD MANUAL
	6 = Lt. Duty DODGE 4WD	34 = QUAD CAB 4-DR 8FT BOX	ETC = ENGINE- 5.9L CUMMINS 24V DIESEL	DEE = TRANSMISSION - 6-SPEED HD MANUAL
	2 = Med. Duty DODGE 2WD		ETH = ENGINE- 5.9L HO CUMMINS TURBO DIESEL	DGP = TRANSMISSION - 4-SPD. AUTOMATIC,47RE
	7 = Med. Duty DODGE 4WD		EWA = ENGINE - 8.0L V10 MPI	DGT = TRANSMISSION - 4-SPD. AUTOMATIC,46RE

AR = use ase required - = Non illustrated part

2000 BE

**Camshaft and Valves**  
**Figure 5.9LD-515**



ITEM	PART NUMBER	QTY	LINE	SERIES	BODY	ENGINE	TRANS	TRIM	DESCRIPTION
1	05011477AA	12				ETC			VALVE, Crosshead
		12				ETH	DBB		
2	05011892AA	12				ETC			PUSH ROD, Valve
		12				ETH	DBB		
3	05011893AA	12				ETC			SCREW, Hex Head
		12				ETH	DBB		
4	05011896AA	12				ETC			SHAFT, Rocker Arm
	05016647AA	12				ETC	DG0		ETC+XCK, Auto
		12				ETH	DBB		ETH and ETC+XCK, Manual
5	05011898AA	6				ETC			SUPPORT, Rocker Arm
		6				ETH	DBB		
6		6							SOCKET, Serviced in Rocker Lever, (NOT SERVICED)
7		6							CLIP, Serviced in Rocker Lever, (NOT SERVICED)
8	04638530	12				ETC			NUT
		12				ETH	DBB		
9	05011899AA	12				ETC			SCREW, Rocker Lever Adjusting
		12				ETH	DBB		
10									ROCKER ARM, Intake

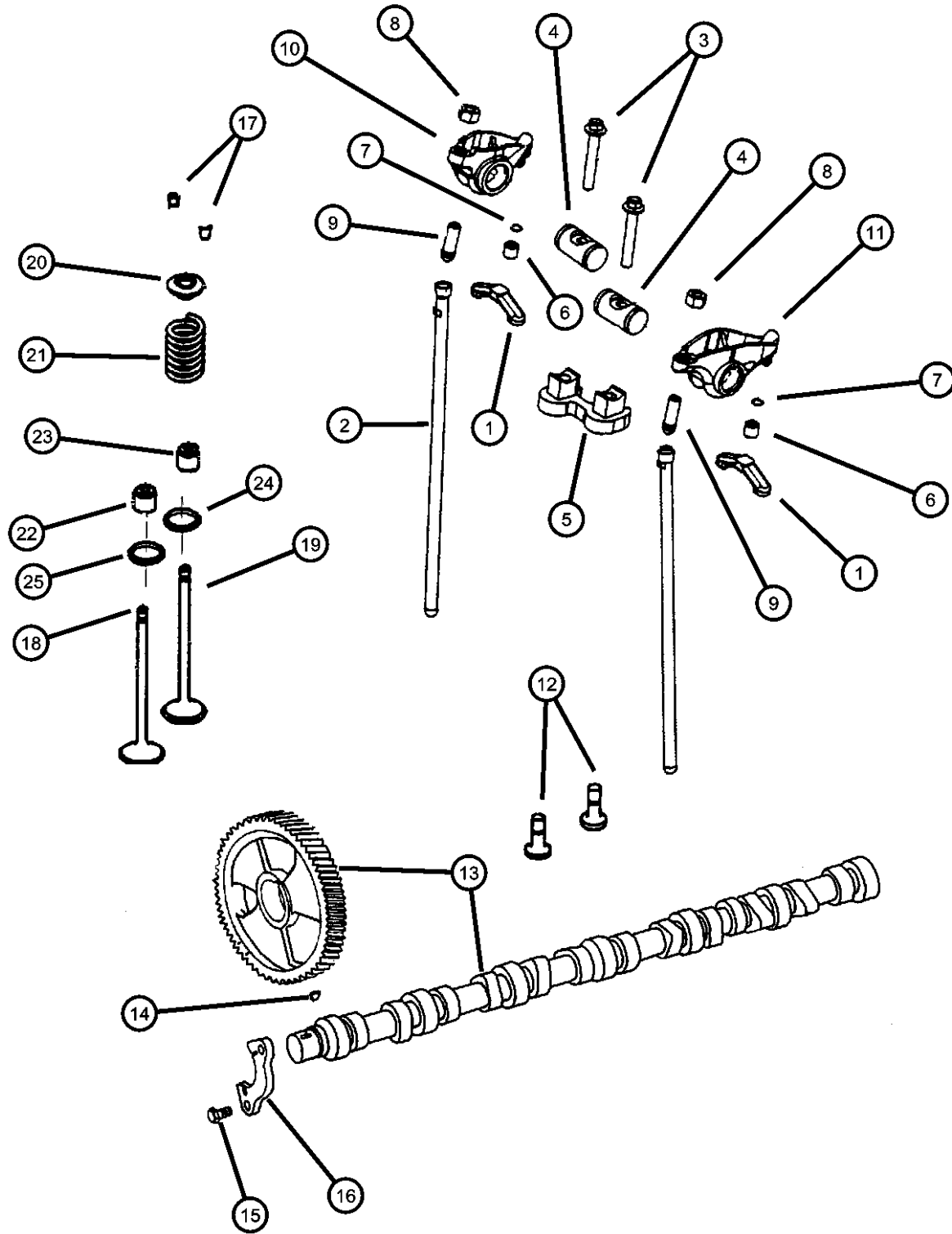
Note:  
 DBB = All Manual Transmissions  
 DG0 = All Automatic Transmissions  
 ETC = 5.9L Cummins 24V Diesel Engine  
 ETH = 5.9L HO Cummins Turbo Diesel Engine  
 XCK = 2001 Diesel Tracking

**RAM PICKUP/CLUB CAB (BE)**

SERIES	LINE	BODY	ENGINE	TRANSMISSION
L = Ram Truck (All)	3 = HD DODGE 2WD	31 = CLUB CAB 2-DR 6.5 FT BOX	ELF = ENGINE - 5.2L V8 MPI	DDC = TRANSMISSION - 5-SPEED HD MANUAL
	8 = HD DODGE 4WD	32 = CLUB CAB 2-DR 8FT BOX	EML = ENGINE - 5.9L V8 MPI	DDP = TRANSMISSION - 5-SPEED MANUAL
	1 = Lt. Duty DODGE 2WD	33 = QUAD CAB 4-DR 6.5 FT BOX	EMM = ENGINE - "MAGNUM" 5.9L SMPI V8	DDX = TRANSMISSION - 5-SPEED HD MANUAL
	6 = Lt. Duty DODGE 4WD	34 = QUAD CAB 4-DR 8FT BOX	ETC = ENGINE- 5.9L CUMMINS 24V DIESEL	DEE = TRANSMISSION - 6-SPEED HD MANUAL
	2 = Med. Duty DODGE 2WD		ETH = ENGINE- 5.9L HO CUMMINS TURBO DIESEL	DGP = TRANSMISSION - 4-SPD. AUTOMATIC, 47RE
	7 = Med. Duty DODGE 4WD		EWA = ENGINE - 8.0L V10 MPI	DGT = TRANSMISSION - 4-SPD. AUTOMATIC, 46RE

AR = use ase required - = Non illustrated part

Camshaft and Valves  
Figure 5.9LD-515



ITEM	PART NUMBER	QTY	LINE	SERIES	BODY	ENGINE	TRANS	TRIM	DESCRIPTION
	05011431AA	6				ETC			
		6				ETH	DBB		
11	05011432AA	6				ETC			ROCKER ARM, Exhaust
		6				ETH	DBB		
12	05011790AA	12				ETC			TAPPET, Valve
		12				ETH	DBB		
13	05018412AB	1				ETC			CAMSHAFT KIT, Engine Up To 12/23/99
	05019345AA	1				ETC			After 12/23/99 With XCK
		1				ETH	DBB		
14	04429332	1				ETC			KEY, Woodruff
		1				ETH	DBB		
15	04429227	2				ETC			SCREW, Cap, .437-20x1.812
		2				ETH	DBB		
16	04798890	1				ETC			SUPPORT, Camshaft Thrust
		1				ETH	DBB		
17	05011878AA	24				ETC			LOCK, Valve Spring Retainer, ETC, ETC+XCK
18	05011877AA	12				ETC			VALVE, Exhaust, Standard
		12				ETH	DBB		
19	05011879AA	12				ETC			VALVE, Intake, Standard
		12				ETH	DBB		
20									RETAINER, Valve Spring

RAM PICKUP/CLUB CAB (BE)

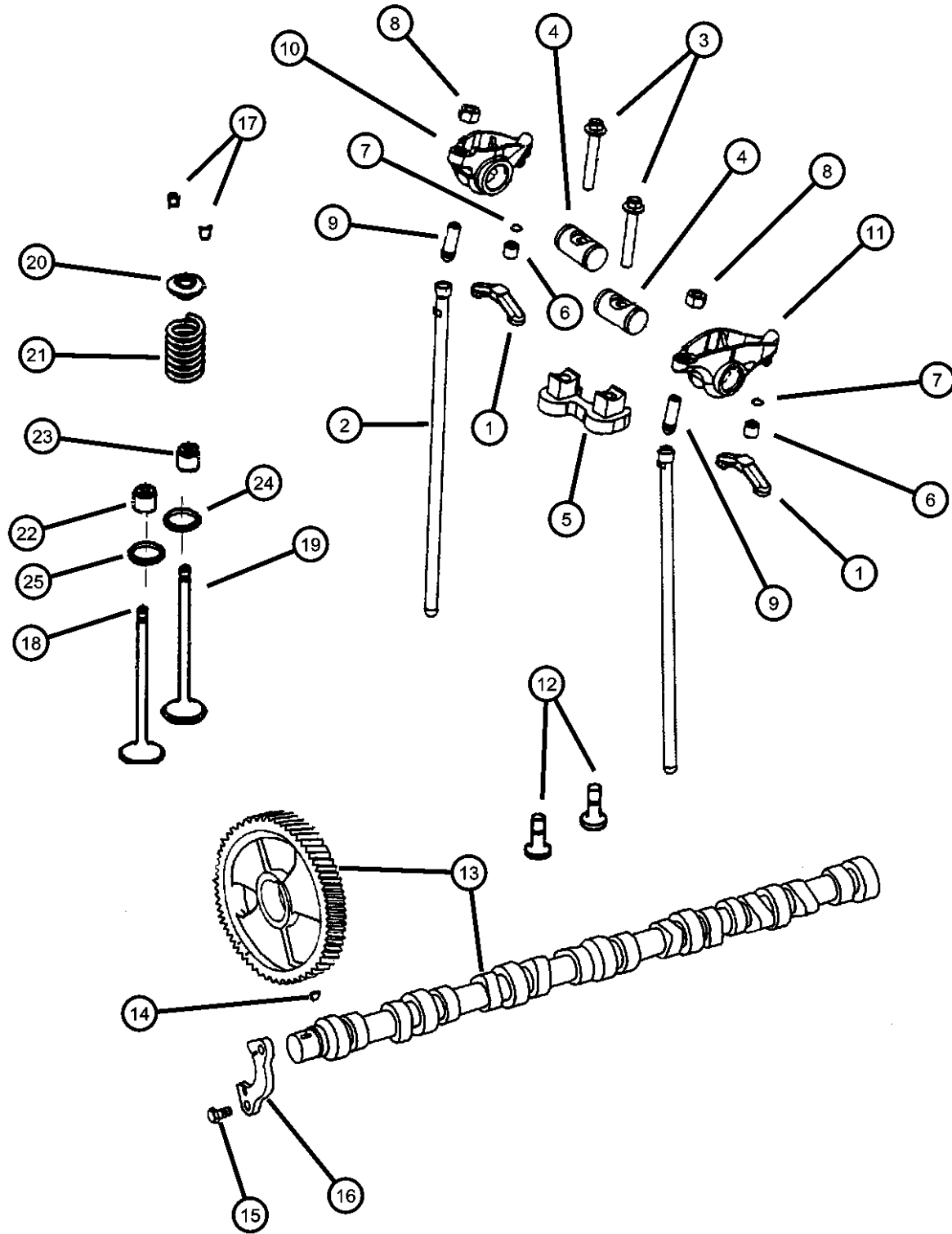
SERIES	LINE
L = Ram Truck (All)	3 = HD DODGE 2WD
	8 = HD DODGE 4WD
	1 = Lt. Duty DODGE 2WD
	6 = Lt. Duty DODGE 4WD
	2 = Med. Duty DODGE 2WD
	7 = Med. Duty DODGE 4WD

BODY	ENGINE	TRANSMISSION
31 = CLUB CAB 2-DR 6.5 FT BOX	ELF = ENGINE - 5.2L V8 MPI	DDC = TRANSMISSION - 5-SPEED HD MANUAL
32 = CLUB CAB 2-DR 8FT BOX	EML = ENGINE - 5.9L V8 MPI	DDP = TRANSMISSION - 5-SPEED MANUAL
33 = QUAD CAB 4-DR 6.5 FT BOX	EMM = ENGINE - "MAGNUM" 5.9L SMPI V8	DDX = TRANSMISSION - 5-SPEED HD MANUAL
34 = QUAD CAB 4-DR 8FT BOX	ETC = ENGINE- 5.9L CUMMINS 24V DIESEL	DEE = TRANSMISSION - 6-SPEED HD MANUAL
	ETH = ENGINE- 5.9L HO CUMMINS TURBO DIESEL	DGP = TRANSMISSION - 4-SPD. AUTOMATIC, 47RE
	EWA = ENGINE - 8.0L V10 MPI	DGT = TRANSMISSION - 4-SPD. AUTOMATIC, 46RE

AR = use ase required - = Non illustrated part

2000 BE

Camshaft and Valves  
Figure 5.9LD-515



ITEM	PART NUMBER	QTY	LINE	SERIES	BODY	ENGINE	TRANS	TRIM	DESCRIPTION
	05011455AA	24				ETC			
		24				ETH	DBB		
21	05011441AA	24				ETC			SPRING, Valve
		24				ETH	DBB		
22	05011880AA	12				ETC			SEAL, Valve Guide
	05016333AA	12				ETH	DBB		ETH and ETC+XCK, All
23	05011881AA	12				ETC			SEAL, Valve Guide
		12				ETH	DBB		
24		12							INSERT, Intake Valve, Service in Cylinder Head Assy, (NOT SERVICED)
25		12							INSERT, Exhaust Valve, Service in Cylinder Head Assy, (NOT SERVICED)

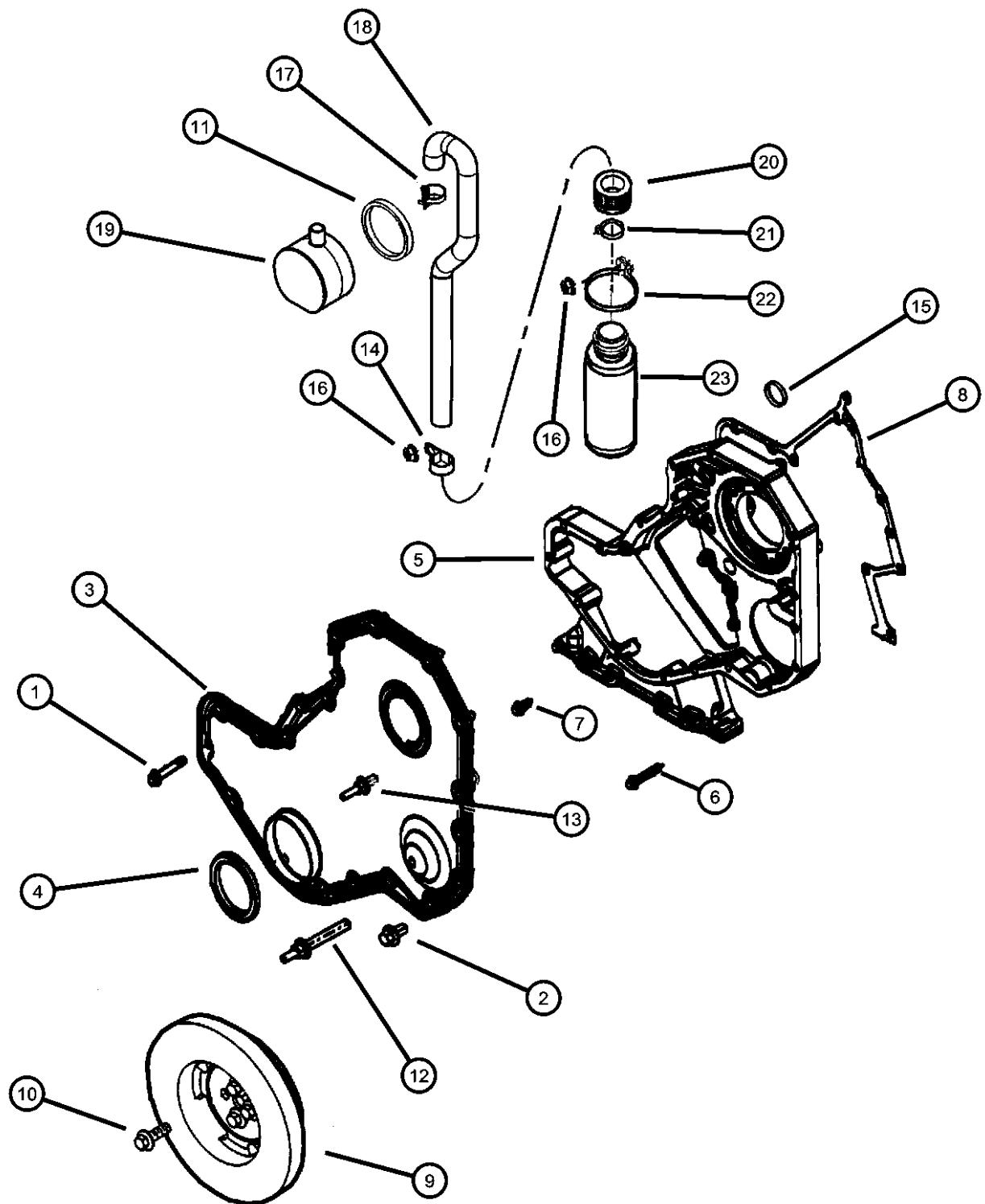
RAM PICKUP/CLUB CAB (BE)

SERIES	LINE	BODY	ENGINE	TRANSMISSION
L = Ram Truck (All)	3 = HD DODGE 2WD	31 = CLUB CAB 2-DR 6.5 FT BOX	ELF = ENGINE - 5.2L V8 MPI	DDC = TRANSMISSION - 5-SPEED HD MANUAL
	8 = HD DODGE 4WD	32 = CLUB CAB 2-DR 8FT BOX	EML = ENGINE - 5.9L V8 MPI	DDP = TRANSMISSION - 5-SPEED MANUAL
	1 = Lt. Duty DODGE 2WD	33 = QUAD CAB 4-DR 6.5 FT BOX	EMM = ENGINE - "MAGNUM" 5.9L SMPI V8	DDX = TRANSMISSION - 5-SPEED HD MANUAL
	6 = Lt. Duty DODGE 4WD	34 = QUAD CAB 4-DR 8FT BOX	ETC = ENGINE- 5.9L CUMMINS 24V DIESEL	DEE = TRANSMISSION - 6-SPEED HD MANUAL
	2 = Med. Duty DODGE 2WD		ETH = ENGINE- 5.9L HO CUMMINS TURBO DIESEL	DGP = TRANSMISSION - 4-SPD. AUTOMATIC, 47RE
	7 = Med. Duty DODGE 4WD		EWA = ENGINE - 8.0L V10 MPI	DGT = TRANSMISSION - 4-SPD. AUTOMATIC, 46RE

AR = use ase required - = Non illustrated part

2000 BE

**Timing Gear and Cover  
Figure 5.9LD-615**



ITEM	PART NUMBER	QTY	LINE	SERIES	BODY	ENGINE	TRANS	TRIM	DESCRIPTION
------	-------------	-----	------	--------	------	--------	-------	------	-------------

Note:  
 DBB = All Manual Transmissions  
 DG0 = All Automatic Transmissions  
 ETC = 5.9L Cummins 24V Diesel Engine  
 ETH = 5.9L HO Cummins Turbo Diesel Engine  
 XCK = 2001 Diesel Tracking

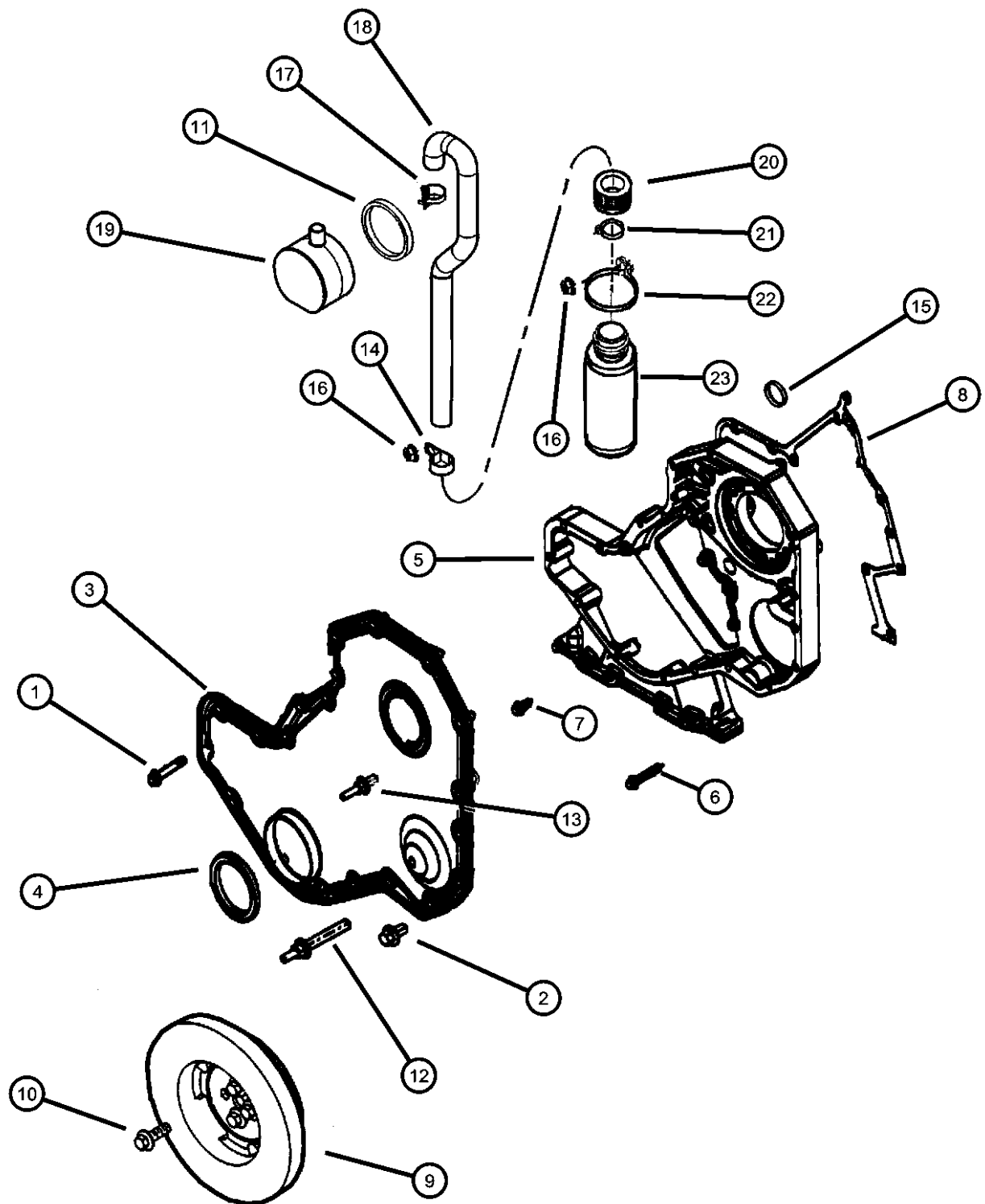
1									SCREW, Hex Head, M8x1.25x50
	04429633	8				ETC			
		8				ETH	DBB		
2									SCREW, Hex Head
	04882109	10				ETC			
		8				ETH	DBB		
3									COVER, Timing Belt
	05014190AA	1				ETC			
		1				ETH	DBB		
4									SEAL, Front Main Crankshaft
	05012290AA	1				ETC			
		1				ETH	DBB		
5									CASE, Front
	05011788AA	1				ETC			
	05017752AA	1				ETC	DG0		ETC+XCK, Auto
		1				ETC	DBB		ETC+XCK, Manual
		1				ETH	DBB		
6	05011789AA	5				ETC			SCREW, Hex Head, M8x1.25x20
7									SCREW, Cap
	05017753AA	5				ETC	DG0		
		5				ETC	DBB		
		5				ETH	DBB		
8									GASKET, Gear Housing
	05011433AA	1				ETC			
		1				ETH	DBB		
9									DAMPER, Crankshaft

**RAM PICKUP/CLUB CAB (BE)**

SERIES	LINE	BODY	ENGINE	TRANSMISSION
L = Ram Truck (All)	3 = HD DODGE 2WD	31 = CLUB CAB 2-DR 6.5 FT BOX	ELF = ENGINE - 5.2L V8 MPI	DDC = TRANSMISSION - 5-SPEED HD MANUAL
	8 = HD DODGE 4WD	32 = CLUB CAB 2-DR 8FT BOX	EML = ENGINE - 5.9L V8 MPI	DDP = TRANSMISSION - 5-SPEED MANUAL
	1 = Lt. Duty DODGE 2WD	33 = QUAD CAB 4-DR 6.5 FT BOX	EMM = ENGINE - "MAGNUM" 5.9L SMPI V8	DDX = TRANSMISSION - 5-SPEED HD MANUAL
	6 = Lt. Duty DODGE 4WD	34 = QUAD CAB 4-DR 8FT BOX	ETC = ENGINE- 5.9L CUMMINS 24V DIESEL	DEE = TRANSMISSION - 6-SPEED HD MANUAL
	2 = Med. Duty DODGE 2WD		ETH = ENGINE- 5.9L HO CUMMINS TURBO DIESEL	DGP = TRANSMISSION - 4-SPD. AUTOMATIC, 47RE
	7 = Med. Duty DODGE 4WD		EWA = ENGINE - 8.0L V10 MPI	DGT = TRANSMISSION - 4-SPD. AUTOMATIC, 46RE

AR = use ase required - = Non illustrated part

**Timing Gear and Cover  
Figure 5.9LD-615**

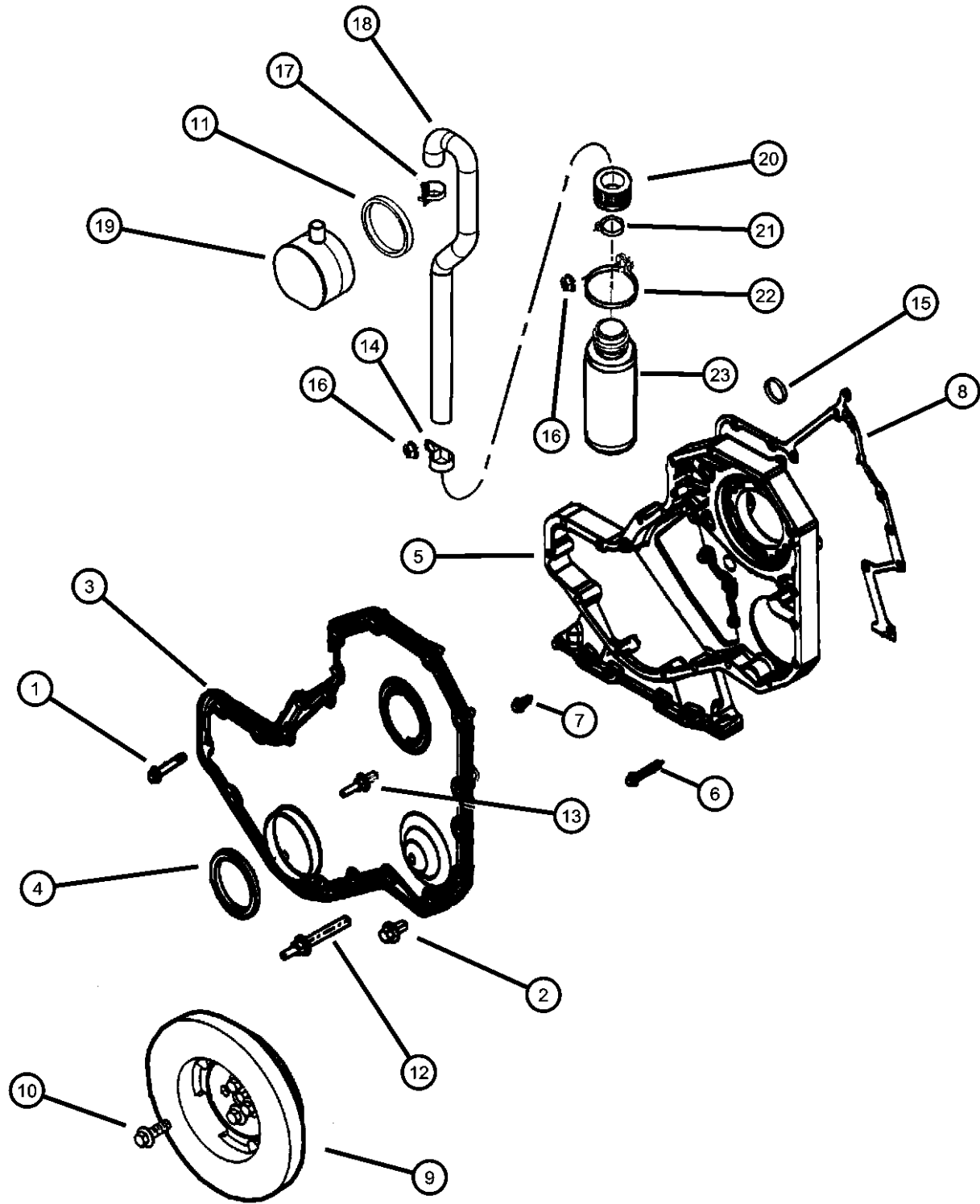


ITEM	PART NUMBER	QTY	LINE	SERIES	BODY	ENGINE	TRANS	TRIM	DESCRIPTION
	05011800AA	1				ETC			
		1				ETH	DBB		
10									SCREW, Hex Head Push Rod Point, 24x.44
	04429857	4				ETC	DG0		
		4				ETC	DBB		
		4				ETH	DBB		
11									GASKET, Oil Filler Connector
	04429475	1				ETC			
		1				ETH	DBB		
12									SCREW, Hex Head
	05014222AA	1				ETC			
		1				ETH	DBB		
13									SCREW, Hex Head, M8x1.25x45
	04761242	1				ETC			
		1				ETH	DBB		
14									P CLIP
	05014194AA	1				ETC			
		1				ETH	DBB		
15									PLUG, Expansion
	04429958	2				ETC			
		1				ETH	DBB		
16									NUT
	04429316	1				ETC			
		1				ETH	DBB		
17									CLAMP
	05014195AA	1				ETC			
		1				ETH	DBB		
18									HOSE, Engine Vent Line
	05015076AA	1				ETC			

<b>RAM PICKUP/CLUB CAB (BE)</b>				
SERIES	LINE	BODY	ENGINE	TRANSMISSION
L = Ram Truck	3 = HD DODGE 2WD	31 = CLUB CAB 2-DR 6.5 FT	ELF = ENGINE - 5.2L V8 MPI	DDC = TRANSMISSION - 5-SPEED
(All)	8 = HD DODGE 4WD	BOX	EML = ENGINE - 5.9L V8 MPI	HD MANUAL
	1 = Lt. Duty DODGE 2WD	32 = CLUB CAB 2-DR 8FT	EMM = ENGINE - "MAGNUM"	DDP = TRANSMISSION - 5-SPEED
	6 = Lt. Duty DODGE 4WD	BOX	5.9L SMPI V8	MANUAL
	2 = Med. Duty DODGE 2WD	33 = QUAD CAB 4-DR 6.5 FT	ETC = ENGINE- 5.9L	DDX = TRANSMISSION - 5-SPEED
	7 = Med. Duty DODGE 4WD	BOX	CUMMINS 24V DIESEL	HD MANUAL
		34 = QUAD CAB 4-DR 8FT	ETH = ENGINE- 5.9L HO	DEE = TRANSMISSION - 6-SPEED
		BOX	CUMMINS TURBO DIESEL	HD MANUAL
			EWA = ENGINE - 8.0L V10	DGP = TRANSMISSION - 4-SPD.
			MPI	AUTOMATIC,47RE
				DGT = TRANSMISSION - 4-SPD.
				AUTOMATIC,46RE

AR = use ase required - = Non illustrated part

Timing Gear and Cover  
Figure 5.9LD-615



ITEM	PART NUMBER	QTY	LINE	SERIES	BODY	ENGINE	TRANS	TRIM	DESCRIPTION
19		1				ETH	DBB		BREATHER, Crankcase
	05014196AA	1				ETC			
20	05018188AA	1				ETH	DBB		COVER, Engine
21	05018185AA	1				ETC			CLAMP
22	05018186AA	1				ETC			STRAP, Canister
23	05018187AA	1				ETC			HOUSING, Oil Fill

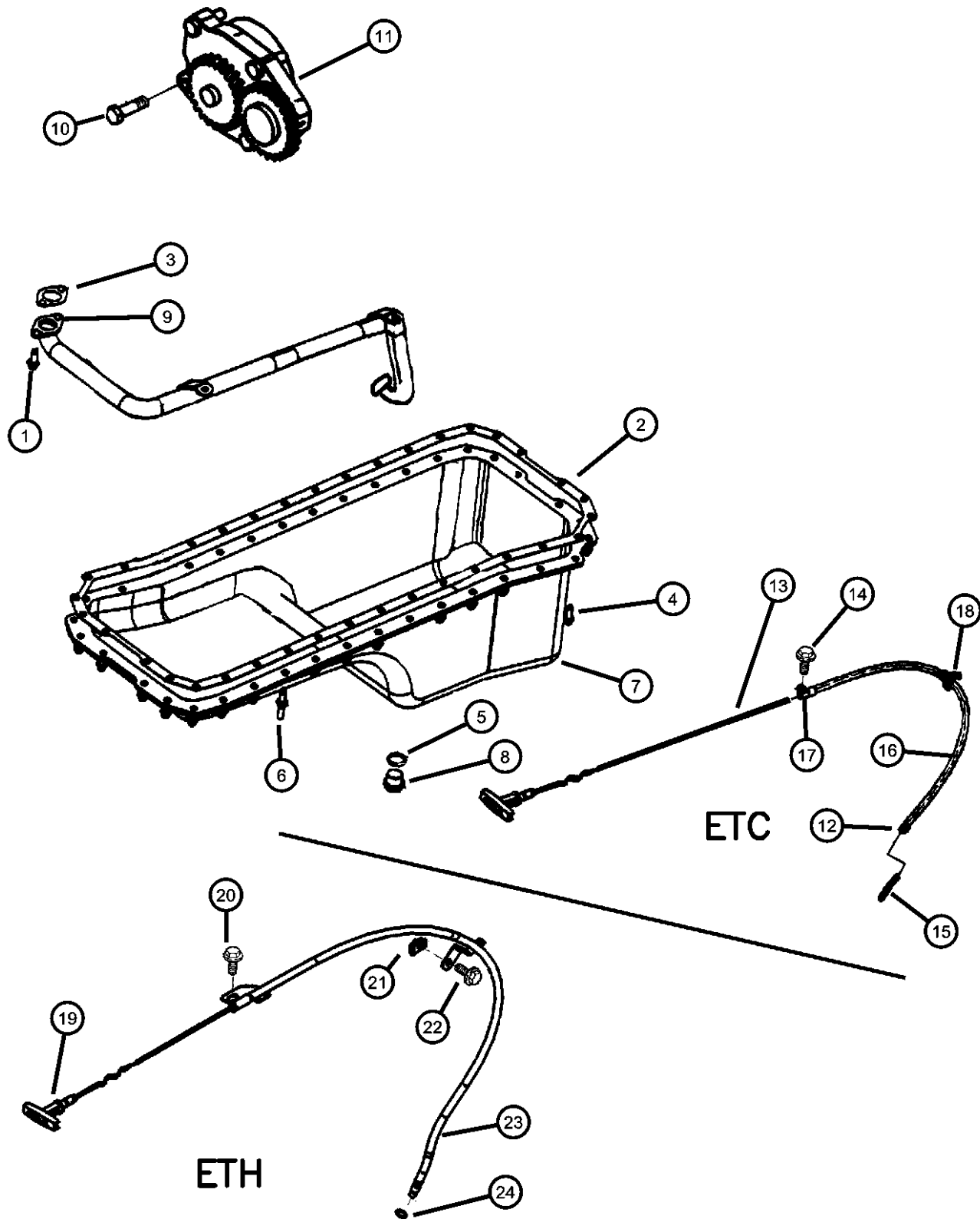
RAM PICKUP/CLUB CAB (BE)

SERIES	LINE	BODY	ENGINE	TRANSMISSION
L = Ram Truck (All)	3 = HD DODGE 2WD 8 = HD DODGE 4WD 1 = Lt. Duty DODGE 2WD 6 = Lt. Duty DODGE 4WD 2 = Med. Duty DODGE 2WD 7 = Med. Duty DODGE 4WD	31 = CLUB CAB 2-DR 6.5 FT BOX 32 = CLUB CAB 2-DR 8FT BOX 33 = QUAD CAB 4-DR 6.5 FT BOX 34 = QUAD CAB 4-DR 8FT BOX	ELF = ENGINE - 5.2L V8 MPI EML = ENGINE - 5.9L V8 MPI EMM = ENGINE - "MAGNUM" 5.9L SMPI V8 ETC = ENGINE- 5.9L CUMMINS 24V DIESEL ETH = ENGINE- 5.9L HO CUMMINS TURBO DIESEL EWA = ENGINE - 8.0L V10 MPI	DDC = TRANSMISSION - 5-SPEED HD MANUAL DDP = TRANSMISSION - 5-SPEED MANUAL DDX = TRANSMISSION - 5-SPEED HD MANUAL DEE = TRANSMISSION - 6-SPEED HD MANUAL DGP = TRANSMISSION - 4-SPD. AUTOMATIC,47RE DGT = TRANSMISSION - 4-SPD. AUTOMATIC,46RE

AR = use ase required - = Non illustrated part

2000 BE

**Engine Oiling  
Figure 5.9LD-715**



ITEM	PART NUMBER	QTY	LINE	SERIES	BODY	ENGINE	TRANS	TRIM	DESCRIPTION
1	04429630	4				ETC			BOLT, Hex Head
2	05003694AA	1				ETH	DBB		GASKET, Oil Pan
3	05010479AA	1				ETC			GASKET, Oil Suction Pipe
4	04761331	33				ETH	DBB		SCREW, Hex Flange Head
5	04882049	1				ETC			WASHER, Oil Pan Drain Plug
6	04746685	3				ETH	DBB		BOLT, Hex Head, M8x1.25x49
7	04762073	1				ETC			PAN, Engine Oil
8	04778578	1				ETH	DBB		PLUG, Oil Drain
9	04883926AA	1				ETC			PICKUP, Engine Oil

Note:  
 DBB = All Manual Transmissions  
 DG0 = All Automatic Transmissions  
 ETC = 5.9L Cummins 24V Diesel Engine  
 ETH = 5.9L HO Cummins Turbo Diesel Engine  
 XCK = 2001 Diesel Tracking

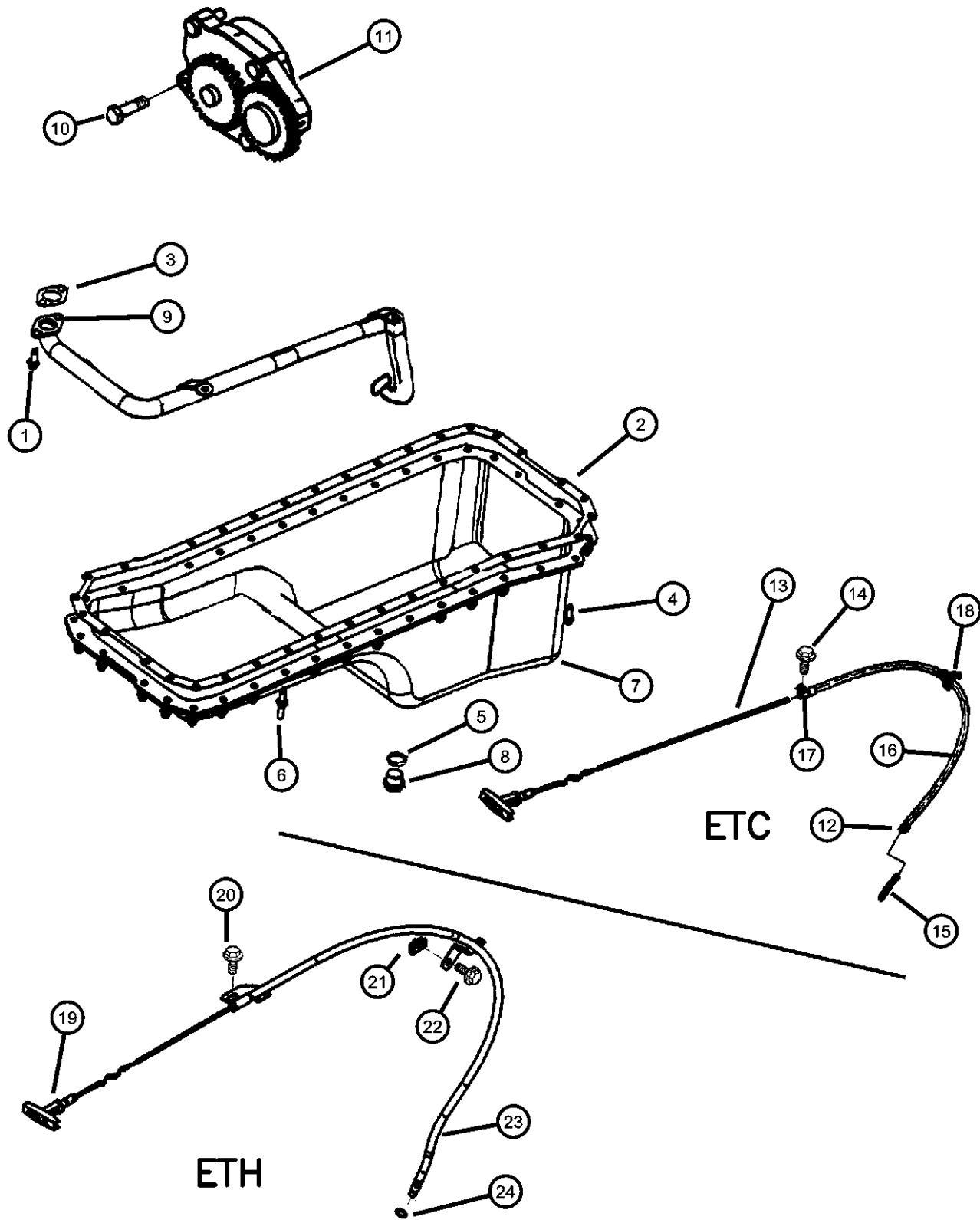
**RAM PICKUP/CLUB CAB (BE)**

SERIES	LINE	BODY	ENGINE	TRANSMISSION
L = Ram Truck (All)	3 = HD DODGE 2WD 8 = HD DODGE 4WD 1 = Lt. Duty DODGE 2WD 6 = Lt. Duty DODGE 4WD 2 = Med. Duty DODGE 2WD 7 = Med. Duty DODGE 4WD	31 = CLUB CAB 2-DR 6.5 FT BOX 32 = CLUB CAB 2-DR 8FT BOX 33 = QUAD CAB 4-DR 6.5 FT BOX 34 = QUAD CAB 4-DR 8FT BOX	ELF = ENGINE - 5.2L V8 MPI EML = ENGINE - 5.9L V8 MPI EMM = ENGINE - "MAGNUM" 5.9L SMPI V8 ETC = ENGINE- 5.9L CUMMINS 24V DIESEL ETH = ENGINE- 5.9L HO CUMMINS TURBO DIESEL EWA = ENGINE - 8.0L V10 MPI	DDC = TRANSMISSION - 5-SPEED HD MANUAL DDP = TRANSMISSION - 5-SPEED MANUAL DDX = TRANSMISSION - 5-SPEED HD MANUAL DEE = TRANSMISSION - 6-SPEED HD MANUAL DGP = TRANSMISSION - 4-SPD. AUTOMATIC, 47RE DGT = TRANSMISSION - 4-SPD. AUTOMATIC, 46RE

AR = use ase required - = Non illustrated part



**Engine Oiling  
Figure 5.9LD-715**



ITEM	PART NUMBER	QTY	LINE	SERIES	BODY	ENGINE	TRANS	TRIM	DESCRIPTION
10		1				ETH	DBB		SCREW, Hex Head Header Point, 24x.44
	04429677	4				ETC			
		4				ETH	DBB		
11		1							PUMP, Engine Oil
	05010965AA	1				ETC			
		1				ETH	DBB		
12	04429595	1				ETC			CLAMP, Hose, Spring Type
13	05014562AA	1				ETC			INDICATOR, Engine Oil Level
14		1							SCREW, Hex Head, M8x1.25x16
	04882110	1				ETC			
		1				ETH	DBB		
15	05011848AA	1				ETC			TUBE, Engine Oil Indicator
16	05012556AA	1				ETC			TUBE, Engine Oil Indicator
17	04429154	1				ETC			CLIP
18	05011846AA	1				ETC			CLIP
19	05017784AA	1				ETH	DBB		INDICATOR, Engine Oil Level, ETH & ETC+ XCK
20	04882110	1				ETH	DBB		SCREW, Hex Head, M8x1.25x16, ETH & ETC +XCK
21	05017782AA	1				ETH	DBB		NUT, Clip-On, ETH & ETC+XCK
22	04429638	1				ETH	DBB		BOLT, Hex Head, ETH & ETC+XCK
23	05017777AA	1				ETH	DBB		TUBE, Engine Oil Indicator, ETH & ETC+XCK
24	05017783AA	2				ETH	DBB		SEAL, O-Ring, ETH & ETC+XCK

**RAM PICKUP/CLUB CAB (BE)**

SERIES	LINE
L = Ram Truck (All)	3 = HD DODGE 2WD
	8 = HD DODGE 4WD
	1 = Lt. Duty DODGE 2WD
	6 = Lt. Duty DODGE 4WD
	2 = Med. Duty DODGE 2WD
	7 = Med. Duty DODGE 4WD

BODY	ENGINE	TRANSMISSION
31 = CLUB CAB 2-DR 6.5 FT BOX	ELF = ENGINE - 5.2L V8 MPI	DDC = TRANSMISSION - 5-SPEED HD MANUAL
32 = CLUB CAB 2-DR 8FT BOX	EML = ENGINE - 5.9L V8 MPI	DDP = TRANSMISSION - 5-SPEED MANUAL
33 = QUAD CAB 4-DR 6.5 FT BOX	EMM = ENGINE - "MAGNUM" 5.9L SMPI V8	DDX = TRANSMISSION - 5-SPEED HD MANUAL
34 = QUAD CAB 4-DR 8FT BOX	ETC = ENGINE- 5.9L CUMMINS 24V DIESEL	DEE = TRANSMISSION - 6-SPEED HD MANUAL
	ETH = ENGINE- 5.9L HO CUMMINS TURBO DIESEL	DGP = TRANSMISSION - 4-SPD. AUTOMATIC, 47RE
	EWA = ENGINE - 8.0L V10 MPI	DGT = TRANSMISSION - 4-SPD. AUTOMATIC, 46RE

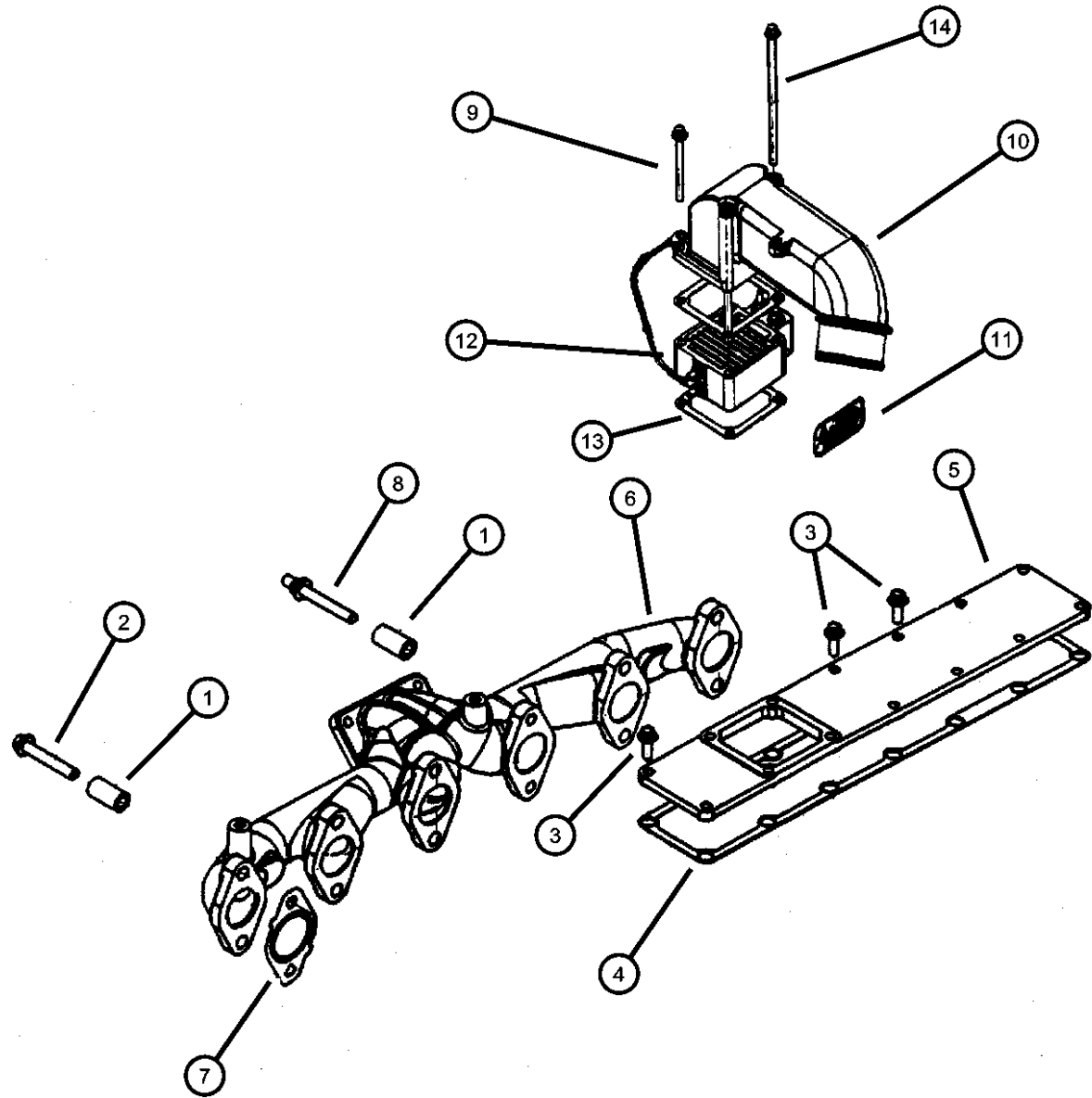
AR = use ase required - = Non illustrated part

2000 BE

**Manifold, Intake and Exhaust  
Figure 5.9LD-815**

ITEM	PART NUMBER	QTY	LINE	SERIES	BODY	ENGINE	TRANS	TRIM	DESCRIPTION
1									SPACER, Exhaust Manifold
	05015717AA	12				ETC	DBB		
		12				ETC	DG0		
		12				ETH	DBB		
2									SCREW, Cap
	05012557AA	11				ETC			
		11				ETH	DBB		
3									SCREW, Fuel Tube Cap
	04638695	3				ETC			
		3				ETH	DBB		
4									GASKET, Intake Manifold Cover
	05010167AA	1				ETC			
		1				ETH	DBB		
5									COVER, Intake Manifold
	05011908AA	1				ETC			
		1				ETH	DBB		
6									MANIFOLD, Exhaust
	05014170AA	1				ETC			
		1				ETH	DBB		
7									GASKET, Exhaust Manifold
	05015719AA	6				ETC	DBB		
		6				ETC	DG0		
		6				ETH	DBB		
8									SCREW
	05014169AA	1				ETC			
		1				ETH	DBB		

Note:  
 DBB = All Manual Transmissions  
 DG0 = All Automatic Transmissions  
 ETC = 5.9L Cummins 24V Diesel Engine  
 ETH = 5.9L HO Cummins Turbo Diesel Engine



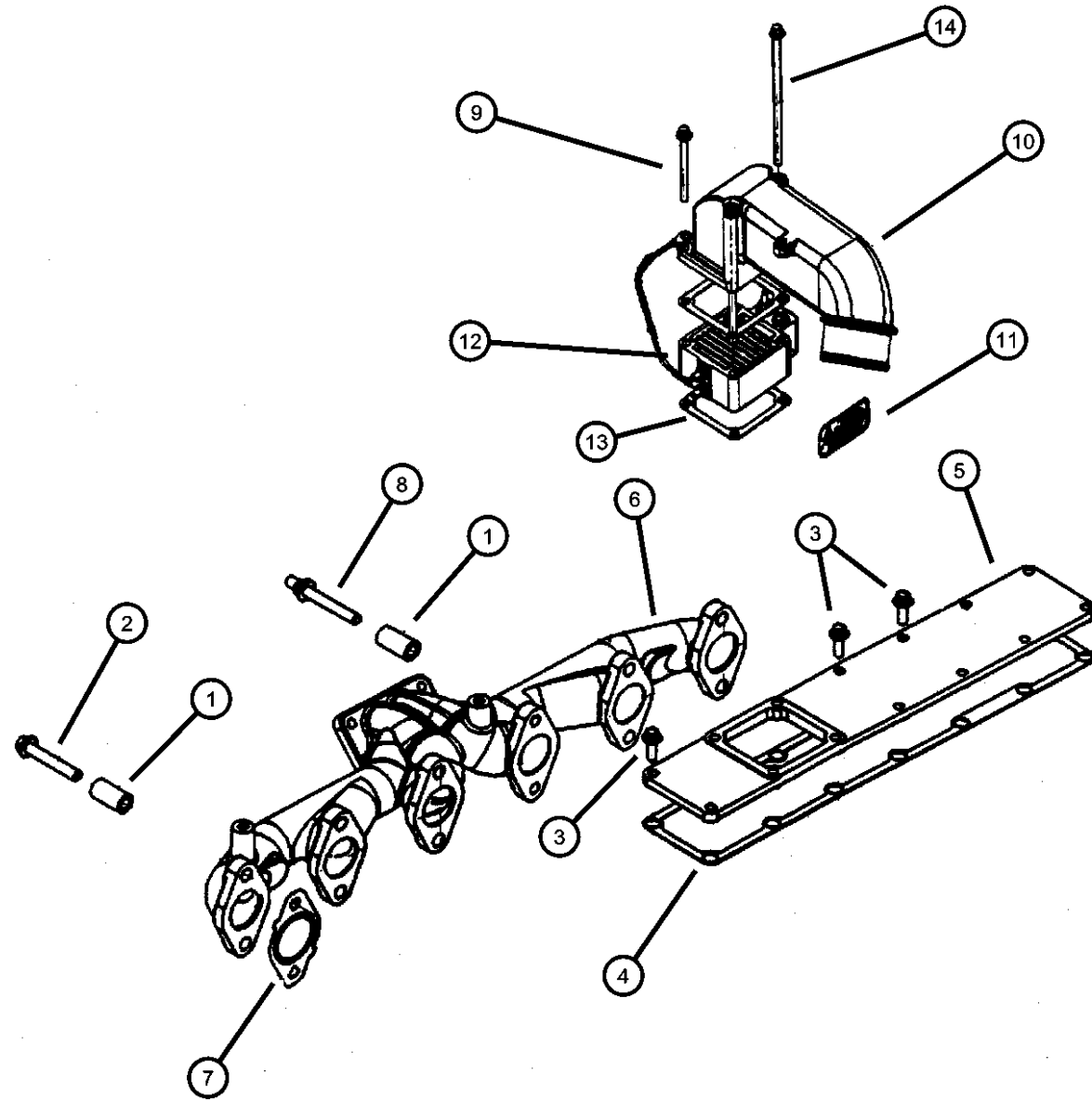
**RAM PICKUP/CLUB CAB (BE)**

SERIES	LINE	BODY	ENGINE	TRANSMISSION
L = Ram Truck (All)	3 = HD DODGE 2WD 8 = HD DODGE 4WD 1 = Lt. Duty DODGE 2WD 6 = Lt. Duty DODGE 4WD 2 = Med. Duty DODGE 2WD 7 = Med. Duty DODGE 4WD	31 = CLUB CAB 2-DR 6.5 FT BOX 32 = CLUB CAB 2-DR 8FT BOX 33 = QUAD CAB 4-DR 6.5 FT BOX 34 = QUAD CAB 4-DR 8FT BOX	ELF = ENGINE - 5.2L V8 MPI EML = ENGINE - 5.9L V8 MPI EMM = ENGINE - "MAGNUM" 5.9L SMPI V8 ETC = ENGINE- 5.9L CUMMINS 24V DIESEL ETH = ENGINE- 5.9L HO CUMMINS TURBO DIESEL EWA = ENGINE - 8.0L V10 MPI	DDC = TRANSMISSION - 5-SPEED HD MANUAL DDP = TRANSMISSION - 5-SPEED MANUAL DDX = TRANSMISSION - 5-SPEED HD MANUAL DEE = TRANSMISSION - 6-SPEED HD MANUAL DGP = TRANSMISSION - 4-SPD. AUTOMATIC, 47RE DGT = TRANSMISSION - 4-SPD. AUTOMATIC, 46RE

AR = use ase required - = Non illustrated part

**Manifold, Intake and Exhaust  
Figure 5.9LD-815**

ITEM	PART NUMBER	QTY	LINE	SERIES	BODY	ENGINE	TRANS	TRIM	DESCRIPTION
9	04638761	2				ETC			BOLT, Hex Head, M8x1.25x80
		2				ETH	DBB		
10	05011840AA	1				ETC			CONNECTOR, Air Intake
		1				ETH	DBB		
11		1							PLATE, (NOT SERVICED)
12	04762012	1				ETC			HEATER, Engine
		1				ETH	DBB		
13	05010480AA	1				ETC			GASKET, Air Intake Connector
		2				ETH	DBB		
14	05011465AA	2				ETC			SCREW
		2				ETH	DBB		

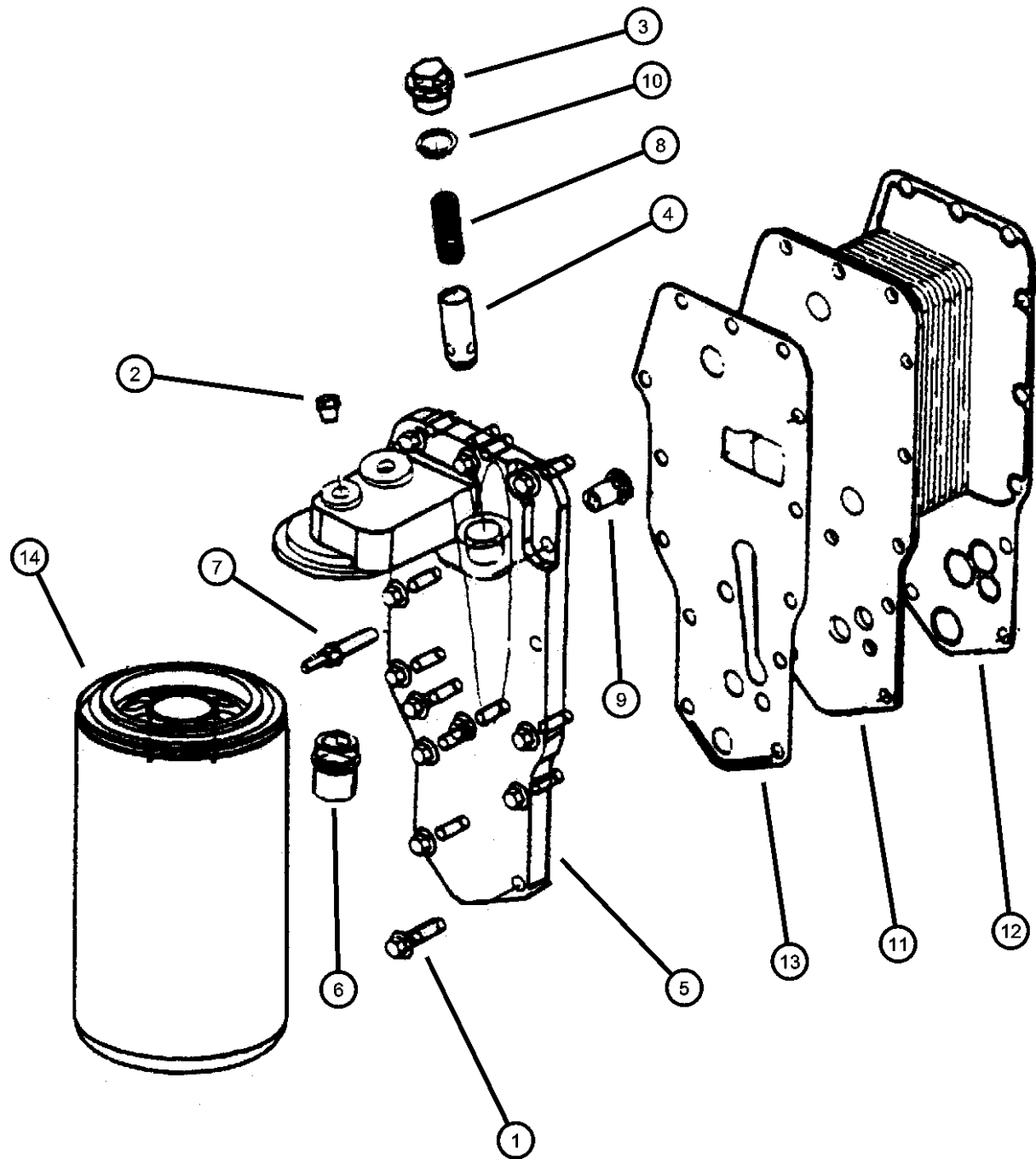


**RAM PICKUP/CLUB CAB (BE)**

SERIES	LINE	BODY	ENGINE	TRANSMISSION
L = Ram Truck (All)	3 = HD DODGE 2WD 8 = HD DODGE 4WD 1 = Lt. Duty DODGE 2WD 6 = Lt. Duty DODGE 4WD 2 = Med. Duty DODGE 2WD 7 = Med. Duty DODGE 4WD	31 = CLUB CAB 2-DR 6.5 FT BOX 32 = CLUB CAB 2-DR 8FT BOX 33 = QUAD CAB 4-DR 6.5 FT BOX 34 = QUAD CAB 4-DR 8FT BOX	ELF = ENGINE - 5.2L V8 MPI EML = ENGINE - 5.9L V8 MPI EMM = ENGINE - "MAGNUM" 5.9L SMPI V8 ETC = ENGINE- 5.9L CUMMINS 24V DIESEL ETH = ENGINE- 5.9L HO CUMMINS TURBO DIESEL EWA = ENGINE - 8.0L V10 MPI	DDC = TRANSMISSION - 5-SPEED HD MANUAL DDP = TRANSMISSION - 5-SPEED MANUAL DDX = TRANSMISSION - 5-SPEED HD MANUAL DEE = TRANSMISSION - 6-SPEED HD MANUAL DGP = TRANSMISSION - 4-SPD. AUTOMATIC,47RE DGT = TRANSMISSION - 4-SPD. AUTOMATIC,46RE

AR = use ase required - = Non illustrated part

**Engine Oil Cooler  
Figure 5.9LD-1115**



ITEM	PART NUMBER	QTY	LINE	SERIES	BODY	ENGINE	TRANS	TRIM	DESCRIPTION
1									SCREW, Hex Head Header Point, 24x.44
	04429634	12				ETC			
		12				ETH	DBB		
2									PLUG, Pipe
	04429619	1				ETC			
		1				ETH	DBB		
3									PLUG, Pipe
	04429386	1				ETC			
		1				ETH	DBB		
4									PLUNGER, Oil Pressure Regulator
	04638712	1				ETC			
		1				ETH	DBB		
5									HEAD, Oil Filter
	05014193AA	1				ETC			
		1				ETH	DBB		
6									ADAPTER, Oil Filter
	04429355	1				ETC			
		1				ETH	DBB		
7									SCREW, Hex Flange Head
	04883965AA	2				ETC			
		2				ETH	DBB		
8									SPRING, Oil Pressure Relief Valve
	04761985	1				ETC			
		1				ETH	DBB		
9									VALVE, Oil Pressure Relief

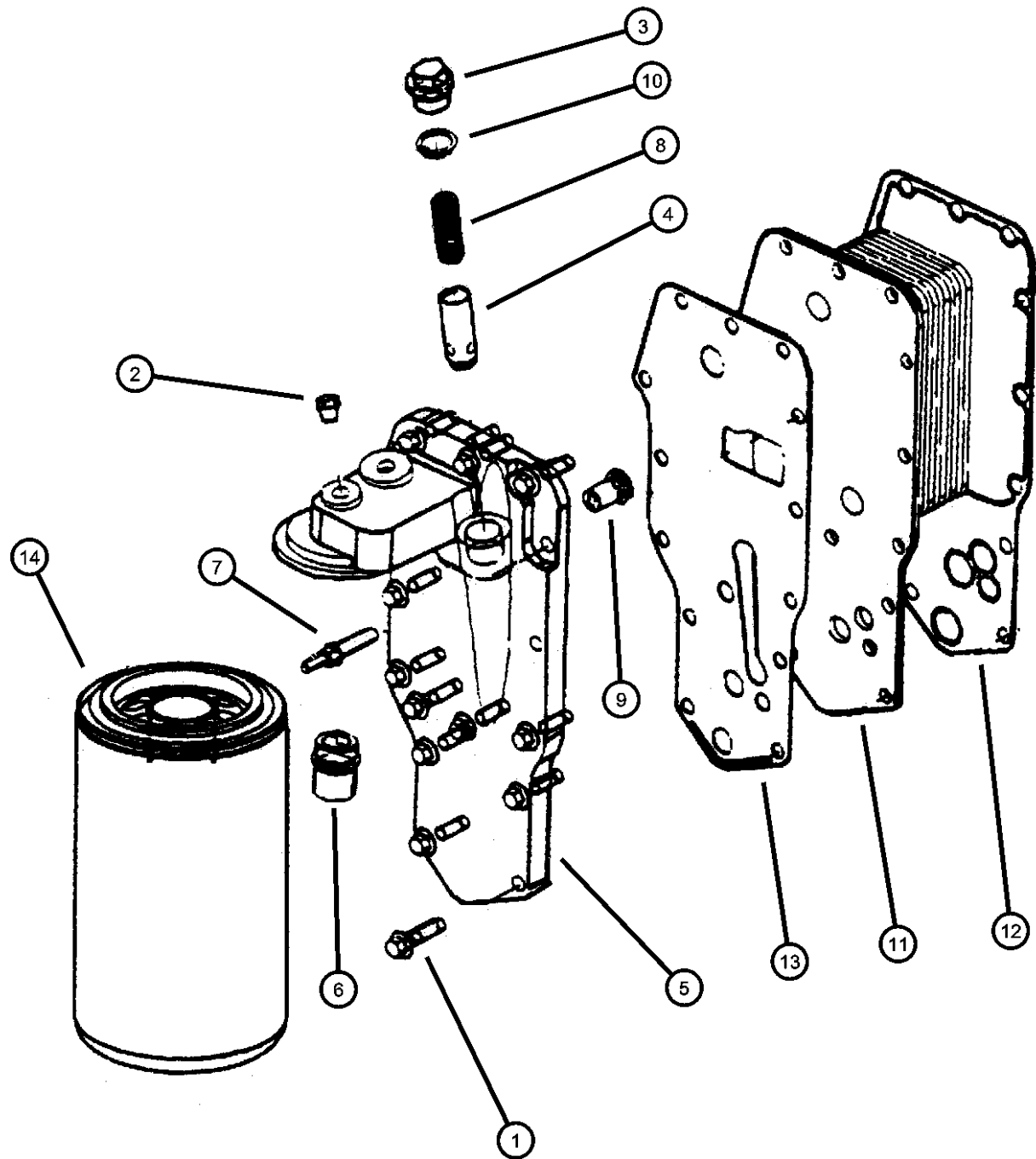
Note:  
 DBB = All Manual Transmissions  
 DG0 = All Automatic Transmissions  
 ETC = 5.9L Cummins 24V Diesel Engine  
 ETH = 5.9L HO Cummins Turbo Diesel Engine  
 XCK = 2001 Diesel Tracking

**RAM PICKUP/CLUB CAB (BE)**

SERIES	LINE	BODY	ENGINE	TRANSMISSION
L = Ram Truck (All)	3 = HD DODGE 2WD 8 = HD DODGE 4WD 1 = Lt. Duty DODGE 2WD 6 = Lt. Duty DODGE 4WD 2 = Med. Duty DODGE 2WD 7 = Med. Duty DODGE 4WD	31 = CLUB CAB 2-DR 6.5 FT BOX 32 = CLUB CAB 2-DR 8FT BOX 33 = QUAD CAB 4-DR 6.5 FT BOX 34 = QUAD CAB 4-DR 8FT BOX	ELF = ENGINE - 5.2L V8 MPI EML = ENGINE - 5.9L V8 MPI EMM = ENGINE - "MAGNUM" 5.9L SMPI V8 ETC = ENGINE- 5.9L CUMMINS 24V DIESEL ETH = ENGINE- 5.9L HO CUMMINS TURBO DIESEL EWA = ENGINE - 8.0L V10 MPI	DDC = TRANSMISSION - 5-SPEED HD MANUAL DDP = TRANSMISSION - 5-SPEED MANUAL DDX = TRANSMISSION - 5-SPEED HD MANUAL DEE = TRANSMISSION - 6-SPEED HD MANUAL DGP = TRANSMISSION - 4-SPD. AUTOMATIC, 47RE DGT = TRANSMISSION - 4-SPD. AUTOMATIC, 46RE

AR = use ase required - = Non illustrated part

Engine Oil Cooler  
Figure 5.9LD-1115



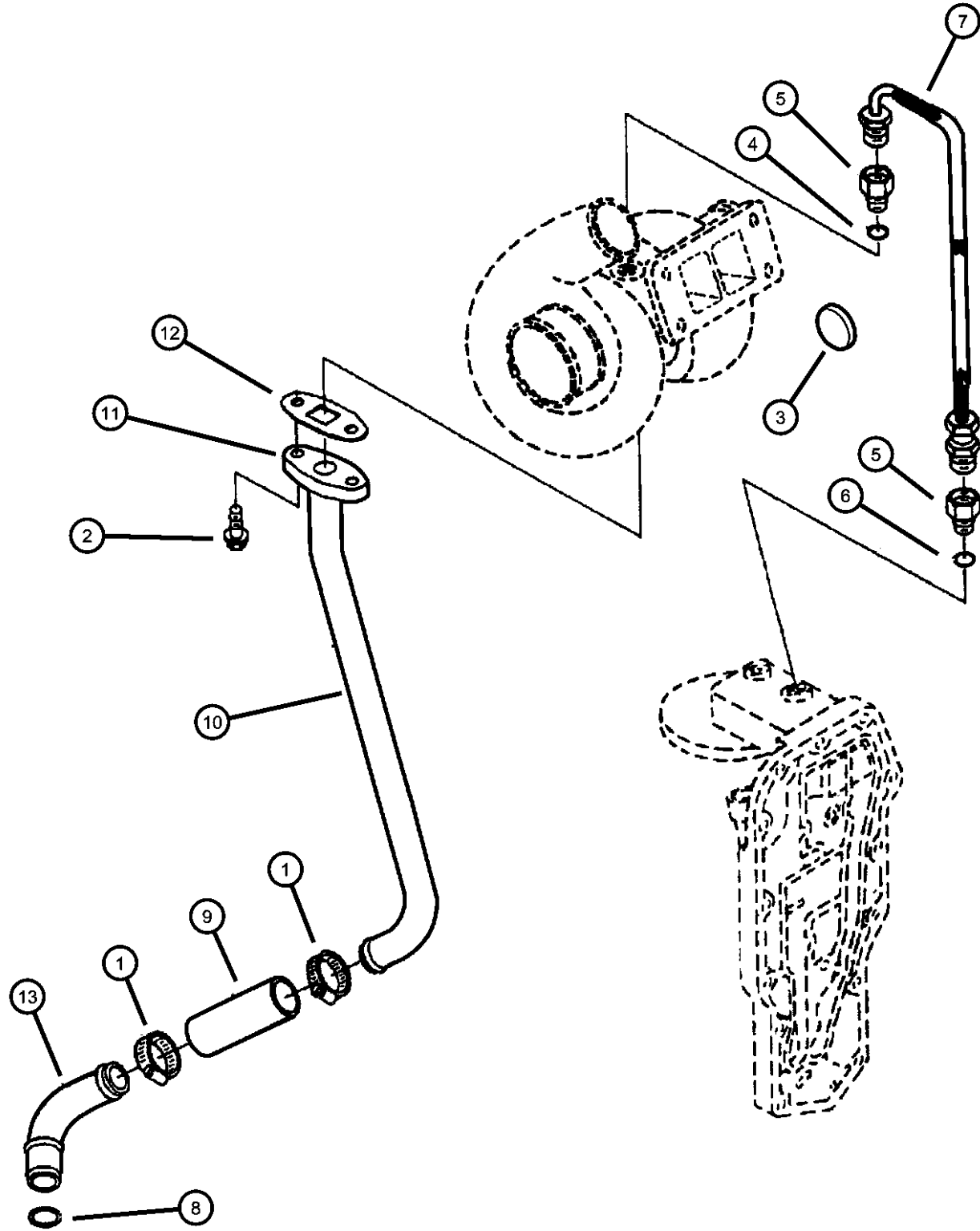
ITEM	PART NUMBER	QTY	LINE	SERIES	BODY	ENGINE	TRANS	TRIM	DESCRIPTION
	04797726	1				ETC			
		1				ETH	DBB		
10	05003647AA	1				ETC			O RING, Oil Cooler
		1				ETH	DBB		
11	04713985	1				ETC	DG0		COOLER, Engine Oil
		1				ETC+XCK, Auto			
		1				ETC	DBB		ETC+XCK, Manual
		1				ETH	DBB		ETH
12	05011843AA	1				ETC			GASKET, Oil Cooler
	05003481AA	1				ETC			
		1				ETH	DBB		
13	05011438AA	1				ETC			GASKET, Oil Cooler
		1				ETH	DBB		
14	05016547AA	1				ETC			FILTER, Engine Oil, All

RAM PICKUP/CLUB CAB (BE)

SERIES	LINE	BODY	ENGINE	TRANSMISSION
L = Ram Truck (All)	3 = HD DODGE 2WD	31 = CLUB CAB 2-DR 6.5 FT BOX	ELF = ENGINE - 5.2L V8 MPI	DDC = TRANSMISSION - 5-SPEED HD MANUAL
	8 = HD DODGE 4WD	32 = CLUB CAB 2-DR 8FT BOX	EML = ENGINE - 5.9L V8 MPI	DDP = TRANSMISSION - 5-SPEED MANUAL
	1 = Lt. Duty DODGE 2WD	33 = QUAD CAB 4-DR 6.5 FT BOX	EMM = ENGINE - "MAGNUM" 5.9L SMPI V8	DDX = TRANSMISSION - 5-SPEED HD MANUAL
	6 = Lt. Duty DODGE 4WD	34 = QUAD CAB 4-DR 8FT BOX	ETC = ENGINE- 5.9L CUMMINS 24V DIESEL	DEE = TRANSMISSION - 6-SPEED HD MANUAL
	2 = Med. Duty DODGE 2WD		ETH = ENGINE- 5.9L HO CUMMINS TURBO DIESEL	DGP = TRANSMISSION - 4-SPD. AUTOMATIC, 47RE
	7 = Med. Duty DODGE 4WD		EWA = ENGINE - 8.0L V10 MPI	DGT = TRANSMISSION - 4-SPD. AUTOMATIC, 46RE

AR = use ase required - = Non illustrated part

Oil Lines  
Figure 5.9LD-1125



ITEM	PART NUMBER	QTY	LINE	SERIES	BODY	ENGINE	TRANS	TRIM	DESCRIPTION
1									CLAMP
	05011920AA	2				ETC			
		2				ETH	DBB		
2									BOLT, Hex Head
	04429630	2				ETC			
		2				ETH	DBB		
3									PLUG, Expansion
	05003605AA	1				ETC			
		1				ETH	DBB		
4									O RING, Turbo Oil Drain Tube
	04638626	1				ETC			
	05016648AA	1				ETC	DG0		ETC+XCK, Auto
		1				ETC	DBB		ETC+XCK, Manual
		1				ETH	DBB		ETH, Manual
5									FITTING, Oil Feed Line
	05011922AA	1				ETC			
		1				ETH	DBB		
6									O RING, Turbo Oil Drain Tube
	05011921AA	1				ETC			
		1				ETH	DBB		
7									HOSE, Turbocharger Feed
	05015575AA	1				ETC			
		1				ETH	DBB		
8									O RING, Turbo Oil Drain Tube
	05011924AA	1				ETC			
		1				ETH	DBB		

Note:

DBB = All Manual Transmissions  
 DG0 = All Automatic Transmissions  
 ETC = 5.9L Cummins 24V Diesel Engine  
 ETH = 5.9L HO Cummins Turbo Diesel Engine  
 XCK = 2001 Diesel Tracking

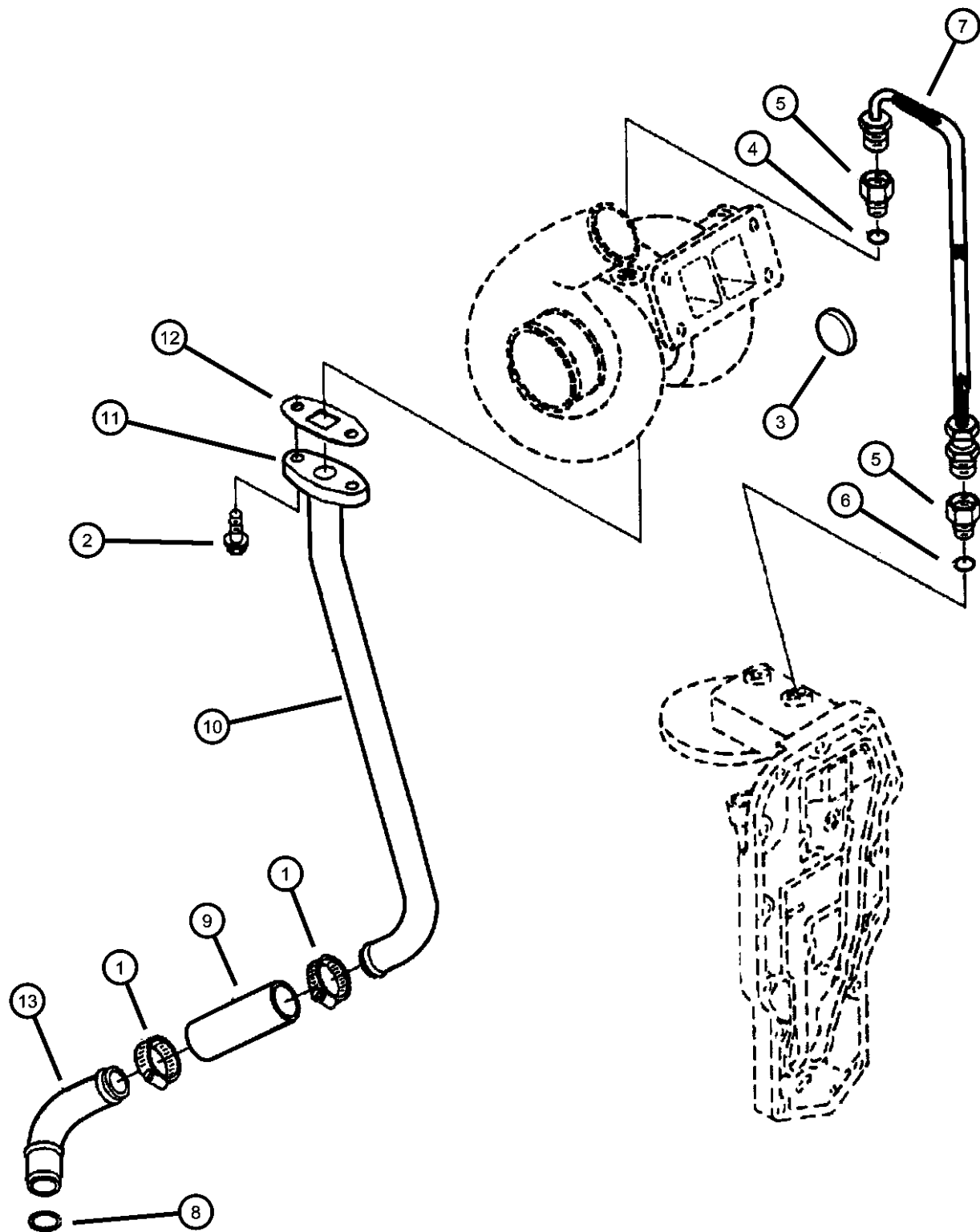
RAM PICKUP/CLUB CAB (BE)

SERIES	LINE	BODY	ENGINE	TRANSMISSION
L = Ram Truck (All)	3 = HD DODGE 2WD 8 = HD DODGE 4WD 1 = Lt. Duty DODGE 2WD 6 = Lt. Duty DODGE 4WD 2 = Med. Duty DODGE 2WD 7 = Med. Duty DODGE 4WD	31 = CLUB CAB 2-DR 6.5 FT BOX 32 = CLUB CAB 2-DR 8FT BOX 33 = QUAD CAB 4-DR 6.5 FT BOX 34 = QUAD CAB 4-DR 8FT BOX	ELF = ENGINE - 5.2L V8 MPI EML = ENGINE - 5.9L V8 MPI EMM = ENGINE - "MAGNUM" 5.9L SMPI V8 ETC = ENGINE- 5.9L CUMMINS 24V DIESEL ETH = ENGINE- 5.9L HO CUMMINS TURBO DIESEL EWA = ENGINE - 8.0L V10 MPI	DDC = TRANSMISSION - 5-SPEED HD MANUAL DDP = TRANSMISSION - 5-SPEED MANUAL DDX = TRANSMISSION - 5-SPEED HD MANUAL DEE = TRANSMISSION - 6-SPEED HD MANUAL DGP = TRANSMISSION - 4-SPD. AUTOMATIC, 47RE DGT = TRANSMISSION - 4-SPD. AUTOMATIC, 46RE

AR = use ase required - = Non illustrated part

2000 BE

Oil Lines  
Figure 5.9LD-1125



ITEM	PART NUMBER	QTY	LINE	SERIES	BODY	ENGINE	TRANS	TRIM	DESCRIPTION
9	04429183	1				ETC			HOSE, Turbo Oil Drain
10	05011412AA	1				ETH	DBB		TUBE, Turbo Oil Drain
11	05014174AA	1				ETC			TUBE, Turbo Oil Drain
	05016650AA	1				ETC	DG0		ETC+XCK, Auto
		1				ETC	DBB		ETC+XCK, Manual
		1				ETH	DBB		ETH, Manual
12	05011430AA	1				ETC			GASKET, Turbo Oil Drain Pipe
		1				ETH	DBB		
13	05011412AA	1				ETC			TUBE, Turbo Oil Drain

RAM PICKUP/CLUB CAB (BE)

SERIES	LINE	BODY	ENGINE	TRANSMISSION
L = Ram Truck (All)	3 = HD DODGE 2WD	31 = CLUB CAB 2-DR 6.5 FT BOX	ELF = ENGINE - 5.2L V8 MPI	DDC = TRANSMISSION - 5-SPEED HD MANUAL
	8 = HD DODGE 4WD	32 = CLUB CAB 2-DR 8FT BOX	EML = ENGINE - 5.9L V8 MPI	DDP = TRANSMISSION - 5-SPEED MANUAL
	1 = Lt. Duty DODGE 2WD	33 = QUAD CAB 4-DR 6.5 FT BOX	EMM = ENGINE - "MAGNUM" 5.9L SMPI V8	DDX = TRANSMISSION - 5-SPEED HD MANUAL
	6 = Lt. Duty DODGE 4WD	34 = QUAD CAB 4-DR 8FT BOX	ETC = ENGINE- 5.9L CUMMINS 24V DIESEL	DEE = TRANSMISSION - 6-SPEED HD MANUAL
	2 = Med. Duty DODGE 2WD		ETH = ENGINE- 5.9L HO CUMMINS TURBO DIESEL	DGP = TRANSMISSION - 4-SPD. AUTOMATIC,47RE
	7 = Med. Duty DODGE 4WD		EWA = ENGINE - 8.0L V10 MPI	DGT = TRANSMISSION - 4-SPD. AUTOMATIC,46RE

AR = use ase required - = Non illustrated part

# Group - 11

## Exhaust

### Group - 11 Exhaust

Illustration Title

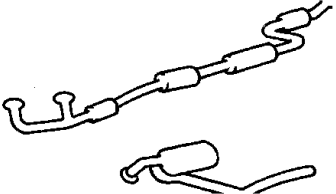
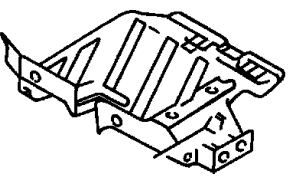
Group-Fig. No.

#### Exhaust System

Exhaust System ..... Fig. 11 - 115  
 Exhaust System ..... Fig. 11 - 125  
 Exhaust System ..... Fig. 11 - 135

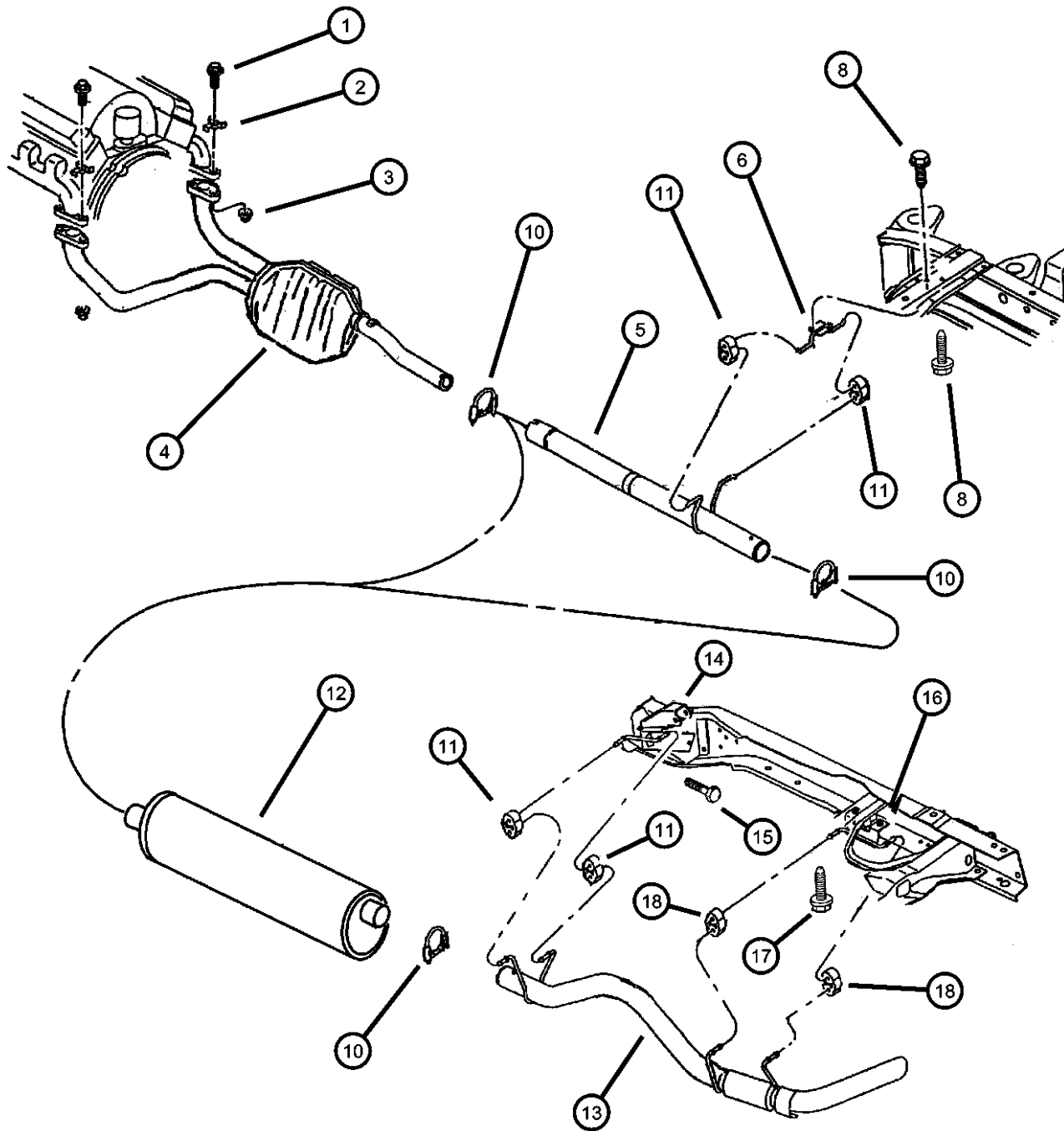
#### Heat Shields

Heat Shields ..... Fig. 11 - 230

<p><b>011-100</b> Exhaust System</p> 	<p><b>011-200</b> Heat Shields</p> 		
---	--	--	--



**Exhaust System  
Figure 11-115**



ITEM	PART NUMBER	QTY	LINE	SERIES	BODY	ENGINE	TRANS	TRIM	DESCRIPTION
Note: ELF = Magnum 5.2L SMPI V8 Engine ELO = All 5.2L 8 Cyl Gas Engines EML = Magnum 5.9L SMPI V8 Engine EM0 = All 5.9L 8 Cyl Gas Engines EWO = All 8.0L Gas Engines									
1	06035375	4				ELO, EM0			BOLT, Hex Head, .375-16x2.50
2	04004001	4				ELO, EM0, EWO			RETAINER, Exhaust Pipe to Manifold
3	00118615	4				ELO, EM0, EWO			NUT, Hex, .375-16
4									CONVERTER, Catalytic
	52103078AH	2	2, 3, 7, 8		33, 34	EMM, EWO			Federal
	52103201	1	2, 3, 7, 8			EWO			California
	52103203AK	1				EML			Leaded Fuel
	52103344AC	1				ELF, EML	DG0		California
	52103345AB	1				ELF, EML	DD0		California
		1				ELF, EML			Federal
5									PIPE, Exhaust
	52020006AB	1	1, 2, 6, 7		31, 33	ELO, EML			Mopar V-Line Alternative Part
	E0054097								Exhaust Extension Pipe
	52020007	1			34	ELO, EML			Mopar V-Line Alternative Part
	E0054089								Mopar V-Line Alternative Part
	E0054098								Mopar V-Line Alternative Part
	E0052089								Mopar V-Line Alternative Part
6	52018855	1			32, 34	ELO, EML			HANGER, Exhaust
-7	52019513	1	1, 2, 6, 7		31, 33	ELO, EML			BRACKET, Converter Hanger
8	34201888	3							SCREW, Hex Head
-9	34201888	3	1, 2, 6, 7		31, 33	ELO, EML			SCREW, Hex Head
10	04004445	1				ELO, EML			CLAMP, Exhaust
11	52017607	2							INSULATOR, Exhaust
	E0036369								Mopar V-Line Alternative Part

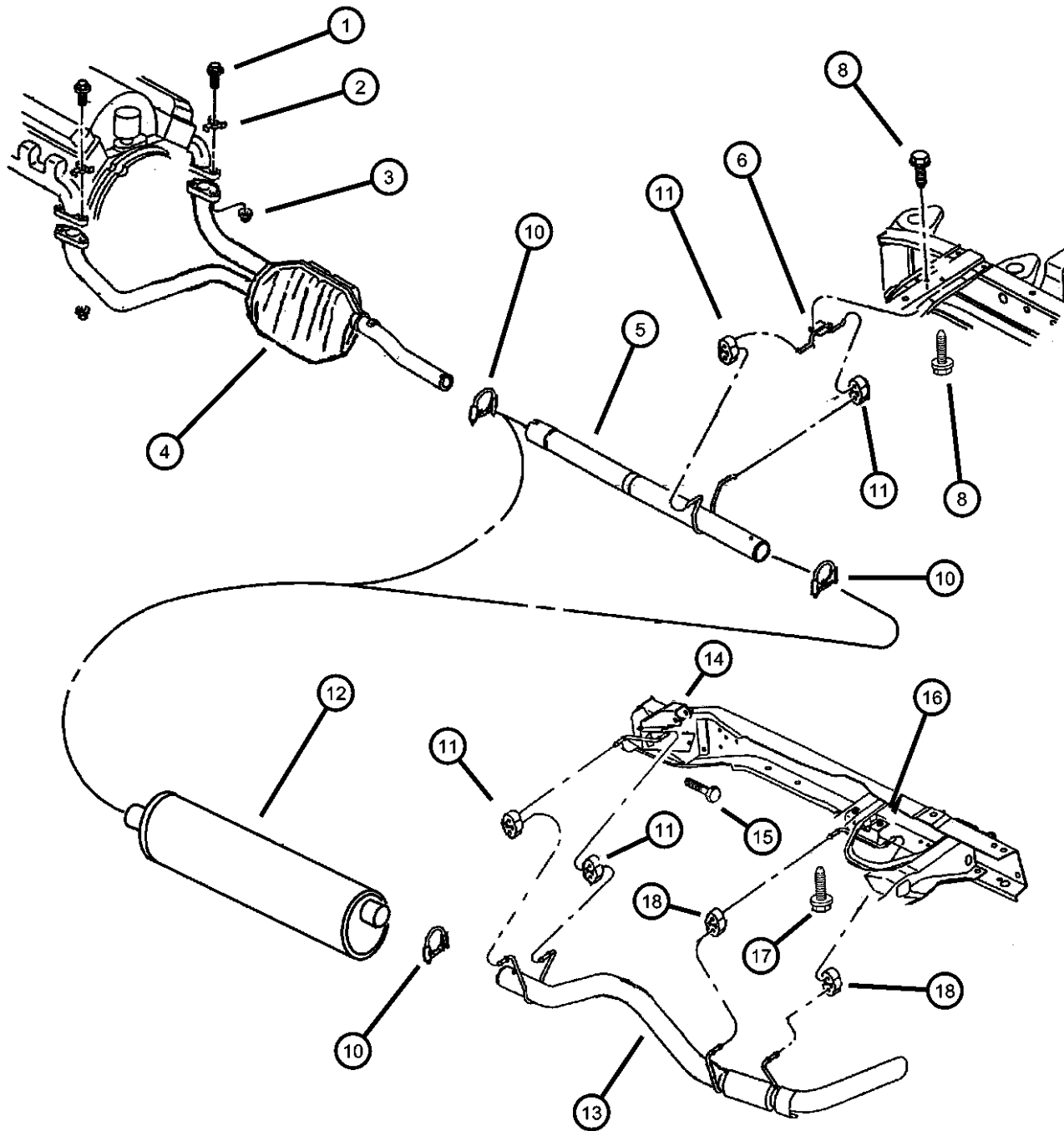
**RAM PICKUP/CLUB CAB (BE)**

SERIES	LINE	BODY	ENGINE	TRANSMISSION
L = Ram Truck (All)	3 = HD DODGE 2WD 8 = HD DODGE 4WD 1 = Lt. Duty DODGE 2WD 6 = Lt. Duty DODGE 4WD 2 = Med. Duty DODGE 2WD 7 = Med. Duty DODGE 4WD	31 = CLUB CAB 2-DR 6.5 FT BOX 32 = CLUB CAB 2-DR 8FT BOX 33 = QUAD CAB 4-DR 6.5 FT BOX 34 = QUAD CAB 4-DR 8FT BOX	ELF = ENGINE - 5.2L V8 MPI EML = ENGINE - 5.9L V8 MPI EMM = ENGINE - "MAGNUM" 5.9L SMPI V8 ETC = ENGINE- 5.9L CUMMINS 24V DIESEL ETH = ENGINE- 5.9L HO CUMMINS TURBO DIESEL EWA = ENGINE - 8.0L V10 MPI	DDC = TRANSMISSION - 5-SPEED HD MANUAL DDP = TRANSMISSION - 5-SPEED MANUAL DDX = TRANSMISSION - 5-SPEED HD MANUAL DEE = TRANSMISSION - 6-SPEED HD MANUAL DGP = TRANSMISSION - 4-SPD. AUTOMATIC,47RE DGT = TRANSMISSION - 4-SPD. AUTOMATIC,46RE

AR = use ase required - = Non illustrated part

2000 BE

**Exhaust System  
Figure 11-115**



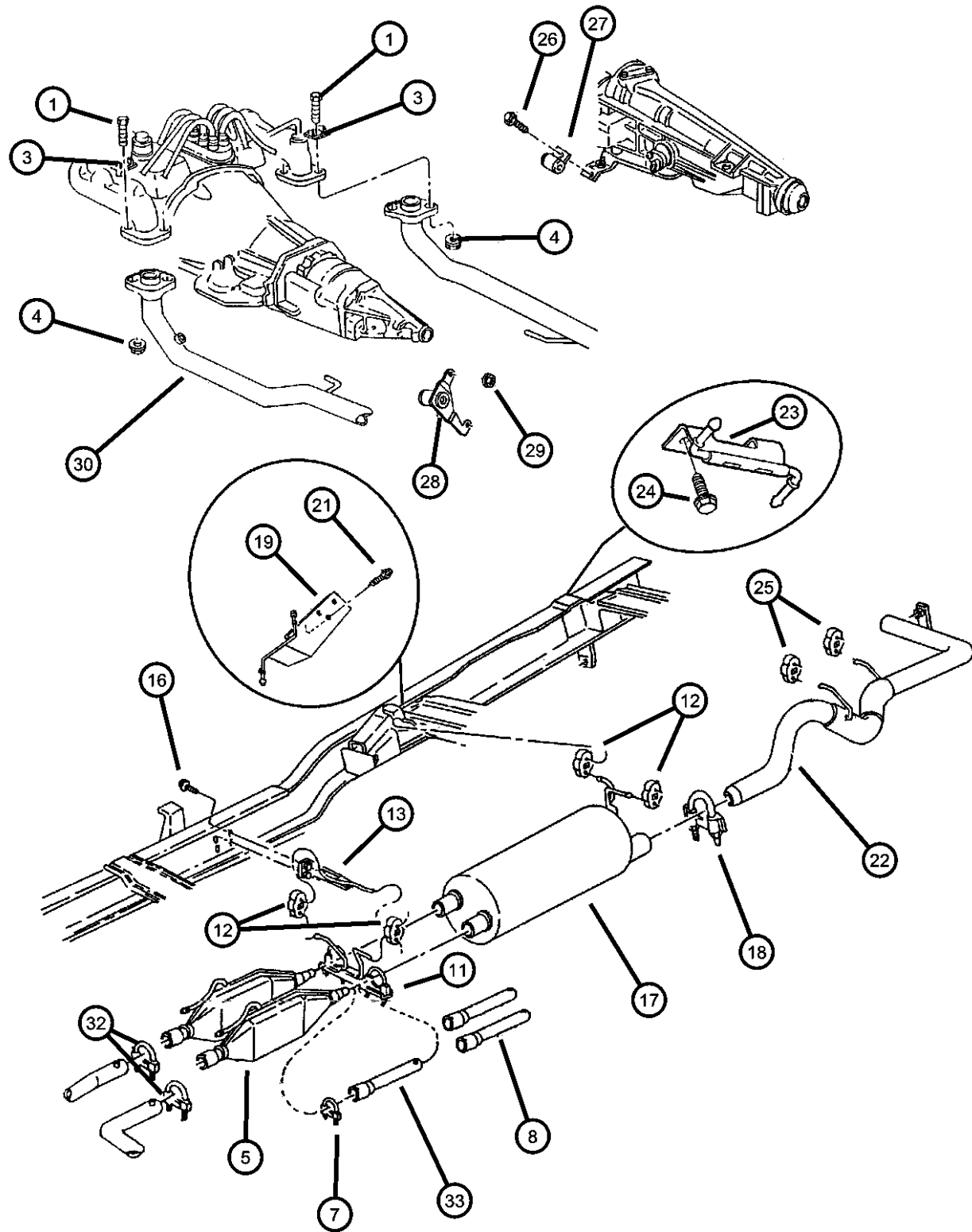
ITEM	PART NUMBER	QTY	LINE	SERIES	BODY	ENGINE	TRANS	TRIM	DESCRIPTION
12									MUFFLER, Exhaust
	52103158	1				ELO			
	E0017322								Dynomax Cat Back Dual Exhaust
	E0017344								Dynomax Cat Back Single Exhaust Regular Cab Short Bed
	E0017343								Dynomax Cat Back Single Exhaust Regular Cab Long Bed
	E0017342								Dynomax Cat Back Single Exhaust Extended Cab Short Bed
	52103159	1				EML			
	E0017322								Dynomax Cat Back Dual Exhaust
	E0017344								Dynomax Cat Back Single Exhaust Regular Cab Short Bed
	E0017343								Dynomax Cat Back Single Exhaust Regular Cab Long Bed
	E0017342								Dynomax Cat Back Single Exhaust Extended Cab Short Bed
13	52103094	1				ELO, EML			TAILPIPE, Exhaust
	E0055175								Mopar V-Line Alternative Part Tailpipe
14	52018890AB	1							BRACKET, Muffler
15	34201888	3							SCREW, Hex Head
16	52103053	1				ELO, EML, EWO			HANGER, Tailpipe
17	06100584	2							BOLT AND CONED WASHER, Hex Head, M8x30x20
18	04616750	2							ISOLATOR, Exhaust Support

**RAM PICKUP/CLUB CAB (BE)**

SERIES	LINE	BODY	ENGINE	TRANSMISSION
L = Ram Truck (All)	3 = HD DODGE 2WD 8 = HD DODGE 4WD 1 = Lt. Duty DODGE 2WD 6 = Lt. Duty DODGE 4WD 2 = Med. Duty DODGE 2WD 7 = Med. Duty DODGE 4WD	31 = CLUB CAB 2-DR 6.5 FT BOX 32 = CLUB CAB 2-DR 8FT BOX 33 = QUAD CAB 4-DR 6.5 FT BOX 34 = QUAD CAB 4-DR 8FT BOX	ELF = ENGINE - 5.2L V8 MPI EML = ENGINE - 5.9L V8 MPI EMM = ENGINE - "MAGNUM" 5.9L SMPI V8 ETC = ENGINE- 5.9L CUMMINS 24V DIESEL ETH = ENGINE- 5.9L HO CUMMINS TURBO DIESEL EWA = ENGINE - 8.0L V10 MPI	DDC = TRANSMISSION - 5-SPEED HD MANUAL DDP = TRANSMISSION - 5-SPEED MANUAL DDX = TRANSMISSION - 5-SPEED HD MANUAL DEE = TRANSMISSION - 6-SPEED HD MANUAL DGP = TRANSMISSION - 4-SPD. AUTOMATIC, 47RE DGT = TRANSMISSION - 4-SPD. AUTOMATIC, 46RE

AR = use ase required - = Non illustrated part

**Exhaust System  
Figure 11-125**



ITEM	PART NUMBER	QTY	LINE	SERIES	BODY	ENGINE	TRANS	TRIM	DESCRIPTION
------	-------------	-----	------	--------	------	--------	-------	------	-------------

Note:  
 EL0 = All 5.2L 8 Cyl Gas Engines  
 EMM = Magnum 5.9L SMPI V8 Engine  
 EM0 = All 5.9L 8 Cyl Gas Engines  
 EW0 = All 8.0L Gas Engines

1	06035375	4				EL0, EM0			BOLT, Hex Head, .375-16x2.50
-2	06035375	4							BOLT, Hex Flange Head, .375-16 x 2.75, (NOT SERVICED)
3	04004001	4				EL0, EM0, EW0			RETAINER, Exhaust Pipe to Manifold
4	00118615	4				EL0, EM0, EW0			NUT, Hex, .375-16
5									CONVERTER, Catalytic
	52103078AI	2	2, 3, 7, 8		33, 34	EMM, EW0			Federal
	52103201	1	2, 3, 7, 8			EW0			California
-6	52103000	2				EMM			RESONATOR, Exhaust, Leaded Fuel
7	52019397	2	2, 3, 7, 8			EW0			CLAMP, Exhaust
8									PIPE, Exhaust
	52018550	2	2, 7		31, 33	EW0			Federal
	E0052097								Mopar V-Line Alternative Part
	52019355	1	2, 3, 7, 8		34	EW0			California
	E0052314AA								Mopar V-Line Alternative Part Exhaust Extension Pipe
	52020187	2	3, 8		34	EMM			
-9	52018552	2	2, 3, 7, 8		34	EW0			RESONATOR, Exhaust, Federal
-10	52103115	1	2, 7		33	EW0			PIPE, Exhaust Extension, California
	E0051019AA								Mopar V-Line Alternative Part Exhaust Extension Pipe
11									HANGER, Exhaust
	52018498	1	2, 3, 7, 8			EMM, EW0			
	52018668	1	2, 3, 7, 8			EW0			California
12	52017607	2							INSULATOR, Exhaust
	E0036369								Mopar V-Line Alternative Part

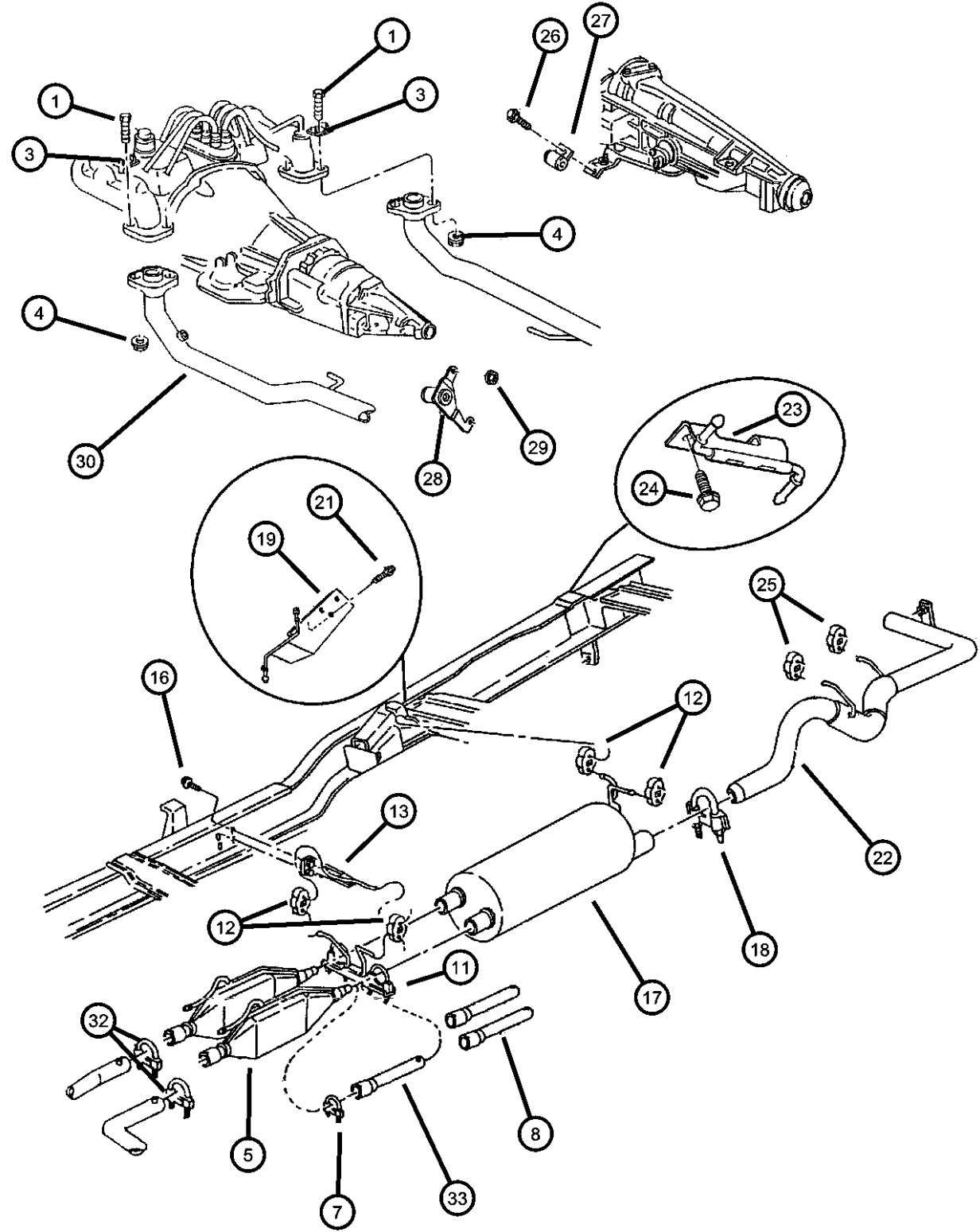
**RAM PICKUP/CLUB CAB (BE)**

SERIES	LINE	BODY	ENGINE	TRANSMISSION
L = Ram Truck (All)	3 = HD DODGE 2WD 8 = HD DODGE 4WD 1 = Lt. Duty DODGE 2WD 6 = Lt. Duty DODGE 4WD 2 = Med. Duty DODGE 2WD 7 = Med. Duty DODGE 4WD	31 = CLUB CAB 2-DR 6.5 FT BOX 32 = CLUB CAB 2-DR 8FT BOX 33 = QUAD CAB 4-DR 6.5 FT BOX 34 = QUAD CAB 4-DR 8FT BOX	ELF = ENGINE - 5.2L V8 MPI EML = ENGINE - 5.9L V8 MPI EMM = ENGINE - "MAGNUM" 5.9L SMPI V8 ETC = ENGINE- 5.9L CUMMINS 24V DIESEL ETH = ENGINE- 5.9L HO CUMMINS TURBO DIESEL EWA = ENGINE - 8.0L V10 MPI	DDC = TRANSMISSION - 5-SPEED HD MANUAL DDP = TRANSMISSION - 5-SPEED MANUAL DDX = TRANSMISSION - 5-SPEED HD MANUAL DEE = TRANSMISSION - 6-SPEED HD MANUAL DGP = TRANSMISSION - 4-SPD. AUTOMATIC, 47RE DGT = TRANSMISSION - 4-SPD. AUTOMATIC, 46RE

AR = use ase required - = Non illustrated part

2000 BE

**Exhaust System  
Figure 11-125**



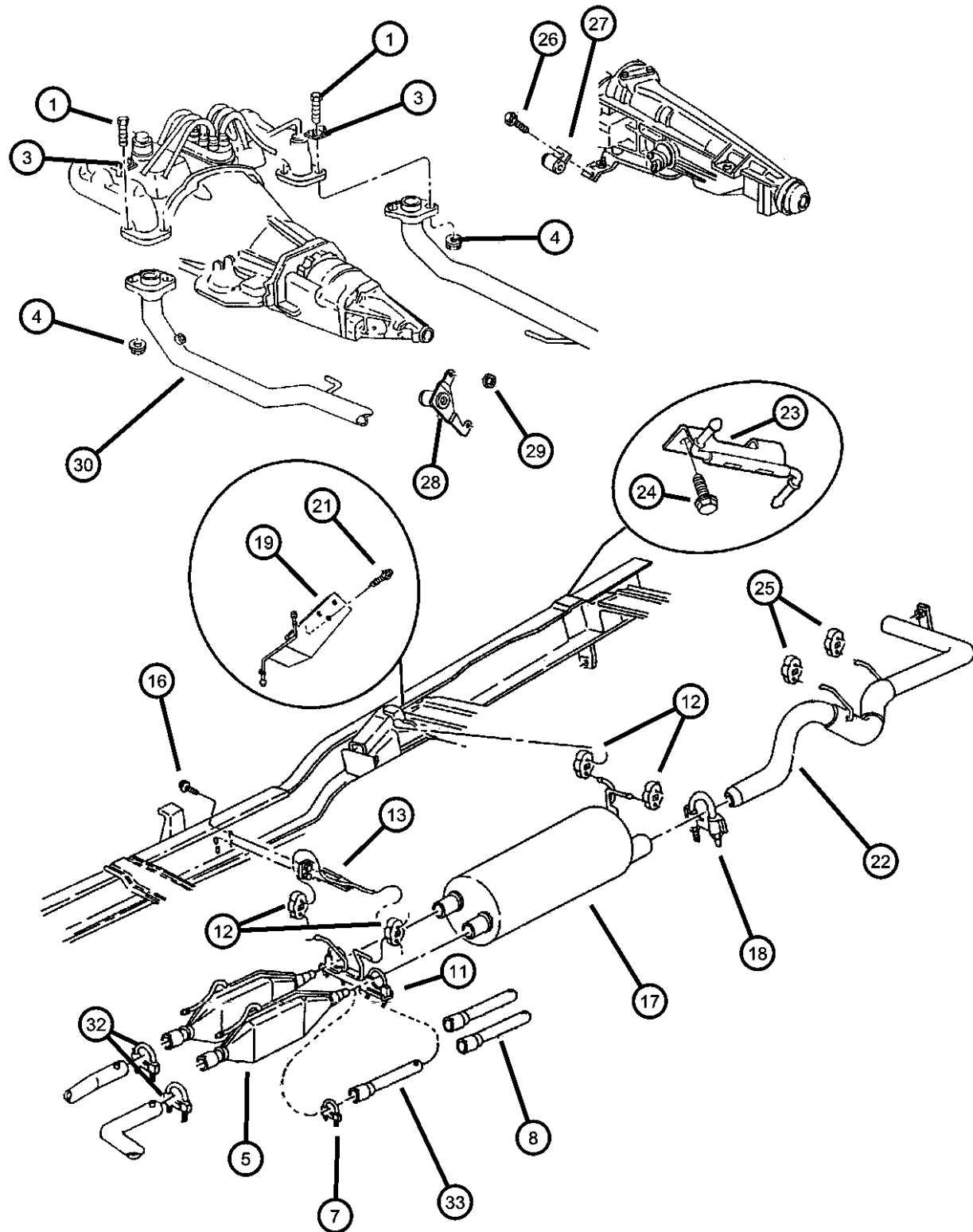
ITEM	PART NUMBER	QTY	LINE	SERIES	BODY	ENGINE	TRANS	TRIM	DESCRIPTION
13	52017629	1	2, 3, 7, 8		32, 34	EW0			HANGER, Exhaust Federal
		1	2, 3, 7, 8		32, 34	EMM			
-14	52103013	1	2, 7		33	EW0			HANGER, Muffler, Federal
-15	52018666	1	2, 3, 7, 8		32, 34	EW0			BRACKET, Catalytic Converter, California
16	06100584	2							BOLT AND CONED WASHER, Hex Head, M8x30x20
17	52019323	1				EMM			MUFFLER, Exhaust
	E0017374								Dynomax Cat Back Dual Exhaust Short Bed
	E0017373								Dynomax Cat Back Dual Exhaust Long Bed
	E0019377UF								Dynomax Complete Exhaust
	E0017344								Dynomax Cat Back Single Exhaust Regular Cab Short Bed
	E0017343								Dynomax Cat Back Single Exhaust Regular Cab Long Bed
	E0021443								Mopar V-Line Alternative Part Resonator
		1				EW0			Federal
	E0017374								Dynomax Cat Back Dual Exhaust Short Bed
	E0017373								Dynomax Cat Back Dual Exhaust Long Bed
	E0019377UF								Dynomax Complete Exhaust
	E0017344								Dynomax Cat Back Single Exhaust Regular Cab Short Bed
	E0017343								Dynomax Cat Back Single Exhaust Regular Cab Long Bed
	E0021443								Mopar V-Line Alternative Part Resonator
	52019346	1	2, 3, 7, 8			EW0			California
18	52018623	1	2, 3, 7, 8		32, 33, 34	EW0			CLAMP, Exhaust
	E0035794								Mopar V-Line Alternative Part

**RAM PICKUP/CLUB CAB (BE)**

SERIES	LINE	BODY	ENGINE	TRANSMISSION
L = Ram Truck (All)	3 = HD DODGE 2WD 8 = HD DODGE 4WD 1 = Lt. Duty DODGE 2WD 6 = Lt. Duty DODGE 4WD 2 = Med. Duty DODGE 2WD 7 = Med. Duty DODGE 4WD	31 = CLUB CAB 2-DR 6.5 FT BOX 32 = CLUB CAB 2-DR 8FT BOX 33 = QUAD CAB 4-DR 6.5 FT BOX 34 = QUAD CAB 4-DR 8FT BOX	ELF = ENGINE - 5.2L V8 MPI EML = ENGINE - 5.9L V8 MPI EMM = ENGINE - "MAGNUM" 5.9L SMPI V8 ETC = ENGINE- 5.9L CUMMINS 24V DIESEL ETH = ENGINE- 5.9L HO CUMMINS TURBO DIESEL EWA = ENGINE - 8.0L V10 MPI	DDC = TRANSMISSION - 5-SPEED HD MANUAL DDP = TRANSMISSION - 5-SPEED MANUAL DDX = TRANSMISSION - 5-SPEED HD MANUAL DEE = TRANSMISSION - 6-SPEED HD MANUAL DGP = TRANSMISSION - 4-SPD. AUTOMATIC, 47RE DGT = TRANSMISSION - 4-SPD. AUTOMATIC, 46RE

AR = use ase required - = Non illustrated part

**Exhaust System  
Figure 11-125**



ITEM	PART NUMBER	QTY	LINE	SERIES	BODY	ENGINE	TRANS	TRIM	DESCRIPTION
19	52018890AB	1							BRACKET, Muffler
-20	52103024	1	2, 7		33	EW0			HANGER, Muffler, California
21	34201888	3							SCREW, Hex Head
22	52103096AB	1	2, 3, 7, 8		32, 33, 34	EMM, EW0			TAILPIPE, Exhaust
23	52103053	1				ELO, EML, EW0, EMM, ETC			HANGER, Tailpipe
24	34201888	3							SCREW, Hex Head
25	04616750	2							ISOLATOR, Exhaust Support
26	04616750	2							SCREW, M10x1.50x30.00, (NOT SERVICED)
27	52018654	1	2, 3			EMM			BRACKET, Engine Mount
28	52018497	1	7, 8			EMM			BRACKET, Exhaust Pipe to T/Case
29	06502337	2							NUT, M10x1.5
30	52006488AC	1	2, 3, 7, 8		33, 34	EW0			PIPE, Exhaust Right
	52006532AD	1				EMM			Right
	52103085AC	1	2, 3, 7, 8			EW0			
-31	52103109AC	1				EMM			PIPE, Exhaust Front Left
32	04301081	2	3, 8		34	EMM			CLAMP, Exhaust
	52019397	2	2, 3, 7, 8			EW0			
33	52019170AB	1	2, 3, 7, 8			EW0			PIPE, Exhaust, California

**RAM PICKUP/CLUB CAB (BE)**

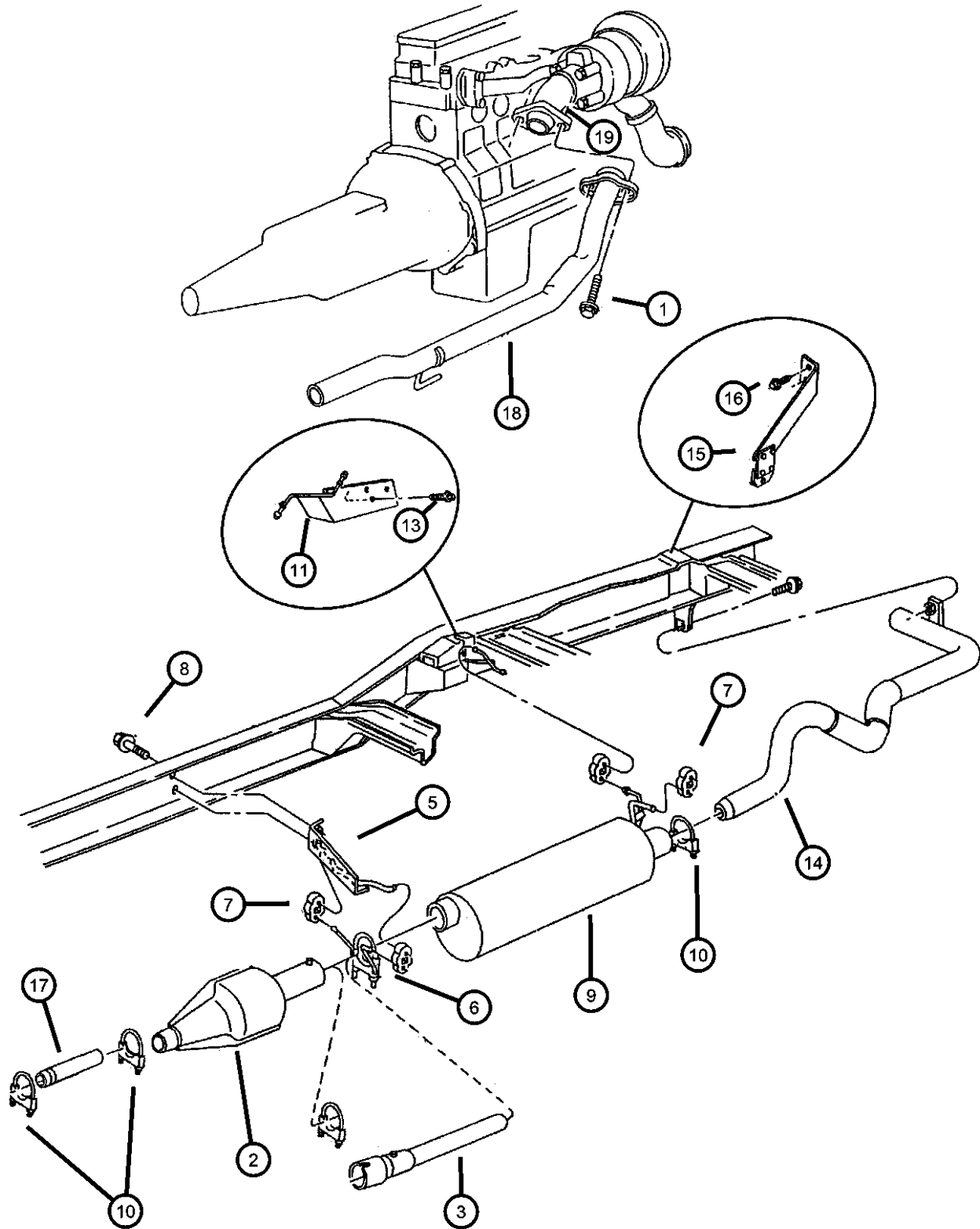
SERIES	LINE
L = Ram Truck (All)	3 = HD DODGE 2WD 8 = HD DODGE 4WD 1 = Lt. Duty DODGE 2WD 6 = Lt. Duty DODGE 4WD 2 = Med. Duty DODGE 2WD 7 = Med. Duty DODGE 4WD

BODY	ENGINE	TRANSMISSION
31 = CLUB CAB 2-DR 6.5 FT BOX	ELF = ENGINE - 5.2L V8 MPI EML = ENGINE - 5.9L V8 MPI EMM = ENGINE - "MAGNUM" 5.9L SMPI V8	DDC = TRANSMISSION - 5-SPEED HD MANUAL DDP = TRANSMISSION - 5-SPEED MANUAL DDX = TRANSMISSION - 5-SPEED HD MANUAL DEE = TRANSMISSION - 6-SPEED HD MANUAL DGP = TRANSMISSION - 4-SPD. AUTOMATIC, 47RE DGT = TRANSMISSION - 4-SPD. AUTOMATIC, 46RE
32 = CLUB CAB 2-DR 8FT BOX	ETC = ENGINE- 5.9L CUMMINS 24V DIESEL ETH = ENGINE- 5.9L HO CUMMINS TURBO DIESEL EWA = ENGINE - 8.0L V10 MPI	
33 = QUAD CAB 4-DR 6.5 FT BOX		
34 = QUAD CAB 4-DR 8FT BOX		

AR = use ase required - = Non illustrated part

2000 BE

**Exhaust System  
Figure 11-135**



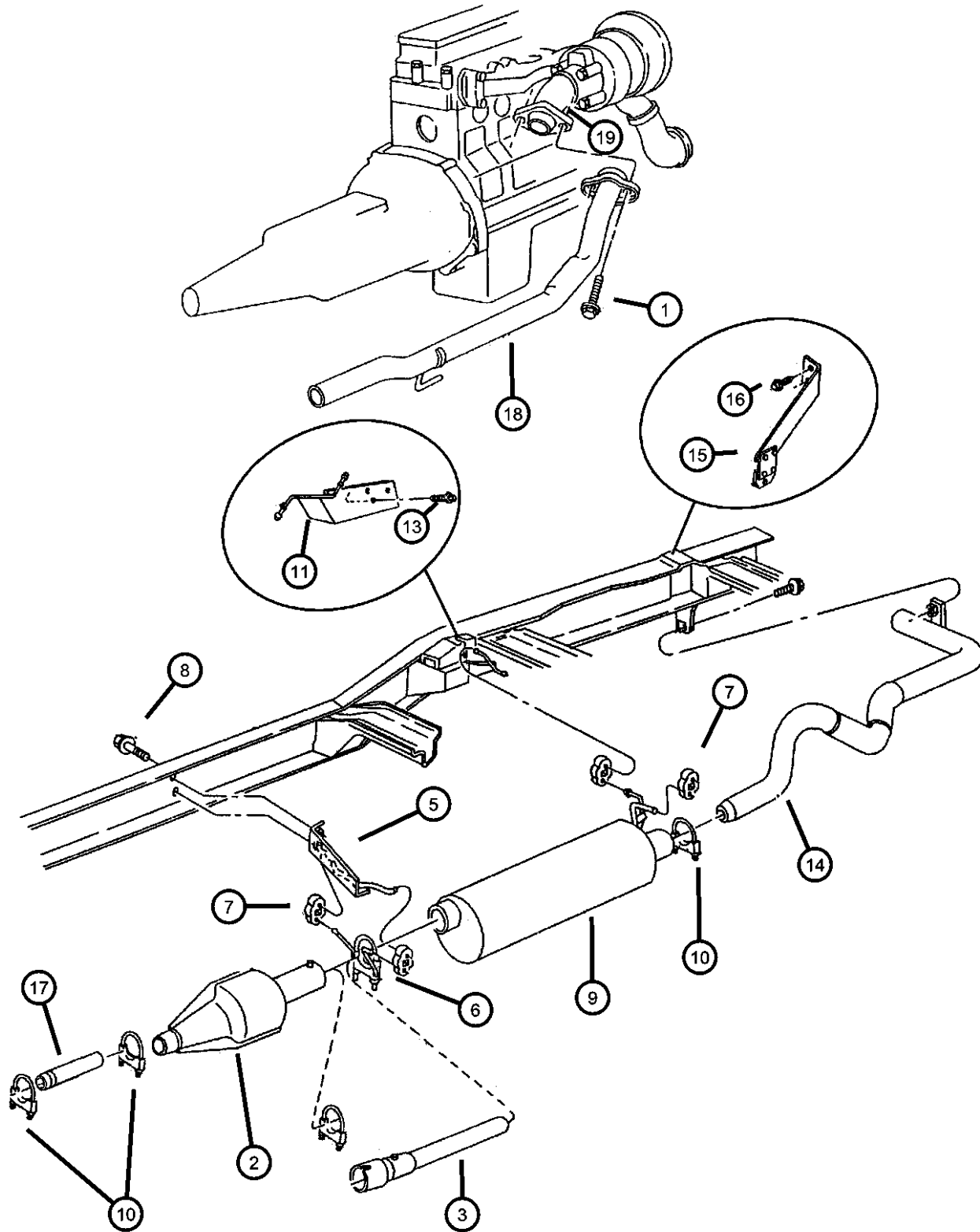
ITEM	PART NUMBER	QTY	LINE	SERIES	BODY	ENGINE	TRANS	TRIM	DESCRIPTION
Note: EMM = Magnum 5.9L SMPI V8 Engine ETO = All 5.9L Turbo Diesel Engines									
1	06100940	2	2, 3, 7, 8			ETO			BOLT, Hex Flange Head, M10x1.5x50
2	52103042AB E0021442AA	1	2, 3, 7, 8		33, 34	ETO			RESONATOR, Exhaust Mopar V-Line Alternative Part
3	52019355 E0052314AA	1	2, 3, 7, 8		34	ETO			Muffler
-4	52103115 E0051019AA	1	2, 7		33	ETO			PIPE, Exhaust Mopar V-Line Alternative Part
5	52018666	1	2, 3, 7, 8		32, 34	ETO			Exhaust Extension Pipe
6	52018668	1	2, 3, 7, 8			ETO			BRACKET, Catalytic Converter
7	52017607 E0036369	2							HANGER, Exhaust INSULATOR, Exhaust Mopar V-Line Alternative Part
8	06100584	2							BOLT AND CONED WASHER, Hex Head, M8x30x20
9	52019324AB E0019372UF E0019377UF E0021443	1	2, 3, 7, 8		33, 34	ETO			MUFFLER, Exhaust Dynamax Cat Back Single Exhaust Dynamax Complete Exhaust Mopar V-Line Alternative Part
10	52018623 E0035794	1	2, 3, 7, 8		32, 33, 34	ETO			CLAMP, Exhaust Mopar V-Line Alternative Part
11	52018890AB	1							BRACKET, Muffler, Federal
-12	52103024	1	2, 7		33	ETO			HANGER, Muffler, California
13	34201888	3							SCREW, Hex Head
14	52103095AB E0056125AA	1	2, 3, 7, 8		33, 34	ETO			TAILPIPE, Exhaust Mopar V-Line Alternative Part
15	52103053	1				EMM, ETO			Tailpipe
16	34201888	3							HANGER, Tailpipe SCREW, Hex Head

**RAM PICKUP/CLUB CAB (BE)**

SERIES	LINE	BODY	ENGINE	TRANSMISSION
L = Ram Truck (All)	3 = HD DODGE 2WD 8 = HD DODGE 4WD 1 = Lt. Duty DODGE 2WD 6 = Lt. Duty DODGE 4WD 2 = Med. Duty DODGE 2WD 7 = Med. Duty DODGE 4WD	31 = CLUB CAB 2-DR 6.5 FT BOX 32 = CLUB CAB 2-DR 8FT BOX 33 = QUAD CAB 4-DR 6.5 FT BOX 34 = QUAD CAB 4-DR 8FT BOX	ELF = ENGINE - 5.2L V8 MPI EML = ENGINE - 5.9L V8 MPI EMM = ENGINE - "MAGNUM" 5.9L SMPI V8 ETC = ENGINE- 5.9L CUMMINS 24V DIESEL ETH = ENGINE- 5.9L HO CUMMINS TURBO DIESEL EWA = ENGINE - 8.0L V10 MPI	DDC = TRANSMISSION - 5-SPEED HD MANUAL DDP = TRANSMISSION - 5-SPEED MANUAL DDX = TRANSMISSION - 5-SPEED HD MANUAL DEE = TRANSMISSION - 6-SPEED HD MANUAL DGP = TRANSMISSION - 4-SPD. AUTOMATIC, 47RE DGT = TRANSMISSION - 4-SPD. AUTOMATIC, 46RE

AR = use ase required - = Non illustrated part

**Exhaust System  
Figure 11-135**



ITEM	PART NUMBER	QTY	LINE	SERIES	BODY	ENGINE	TRANS	TRIM	DESCRIPTION
17	52019355 E0052314AA	1	2, 3, 7, 8		34	ET0			PIPE, Exhaust Mopar V-Line Alternative Part Exhaust Extension Pipe
18	52006534AC E0055336AA	1	2, 3, 7, 8		33, 34	ET0			PIPE, Exhaust Mopar V-Line Alternative Part Muffler
19	05136024AA	1				ETC	DBB		PIPE, Exhaust Turbo Elbow to Exhaust
		1				ETH	DBB		Turbo Elbow to Exhaust

**RAM PICKUP/CLUB CAB (BE)**

SERIES	LINE	BODY	ENGINE	TRANSMISSION
L = Ram Truck (All)	3 = HD DODGE 2WD 8 = HD DODGE 4WD 1 = Lt. Duty DODGE 2WD 6 = Lt. Duty DODGE 4WD 2 = Med. Duty DODGE 2WD 7 = Med. Duty DODGE 4WD	31 = CLUB CAB 2-DR 6.5 FT BOX 32 = CLUB CAB 2-DR 8FT BOX 33 = QUAD CAB 4-DR 6.5 FT BOX 34 = QUAD CAB 4-DR 8FT BOX	ELF = ENGINE - 5.2L V8 MPI EML = ENGINE - 5.9L V8 MPI EMM = ENGINE - "MAGNUM" 5.9L SMPI V8 ETC = ENGINE- 5.9L CUMMINS 24V DIESEL ETH = ENGINE- 5.9L HO CUMMINS TURBO DIESEL EWA = ENGINE - 8.0L V10 MPI	DDC = TRANSMISSION - 5-SPEED HD MANUAL DDP = TRANSMISSION - 5-SPEED MANUAL DDX = TRANSMISSION - 5-SPEED HD MANUAL DEE = TRANSMISSION - 6-SPEED HD MANUAL DGP = TRANSMISSION - 4-SPD. AUTOMATIC,47RE DGT = TRANSMISSION - 4-SPD. AUTOMATIC,46RE

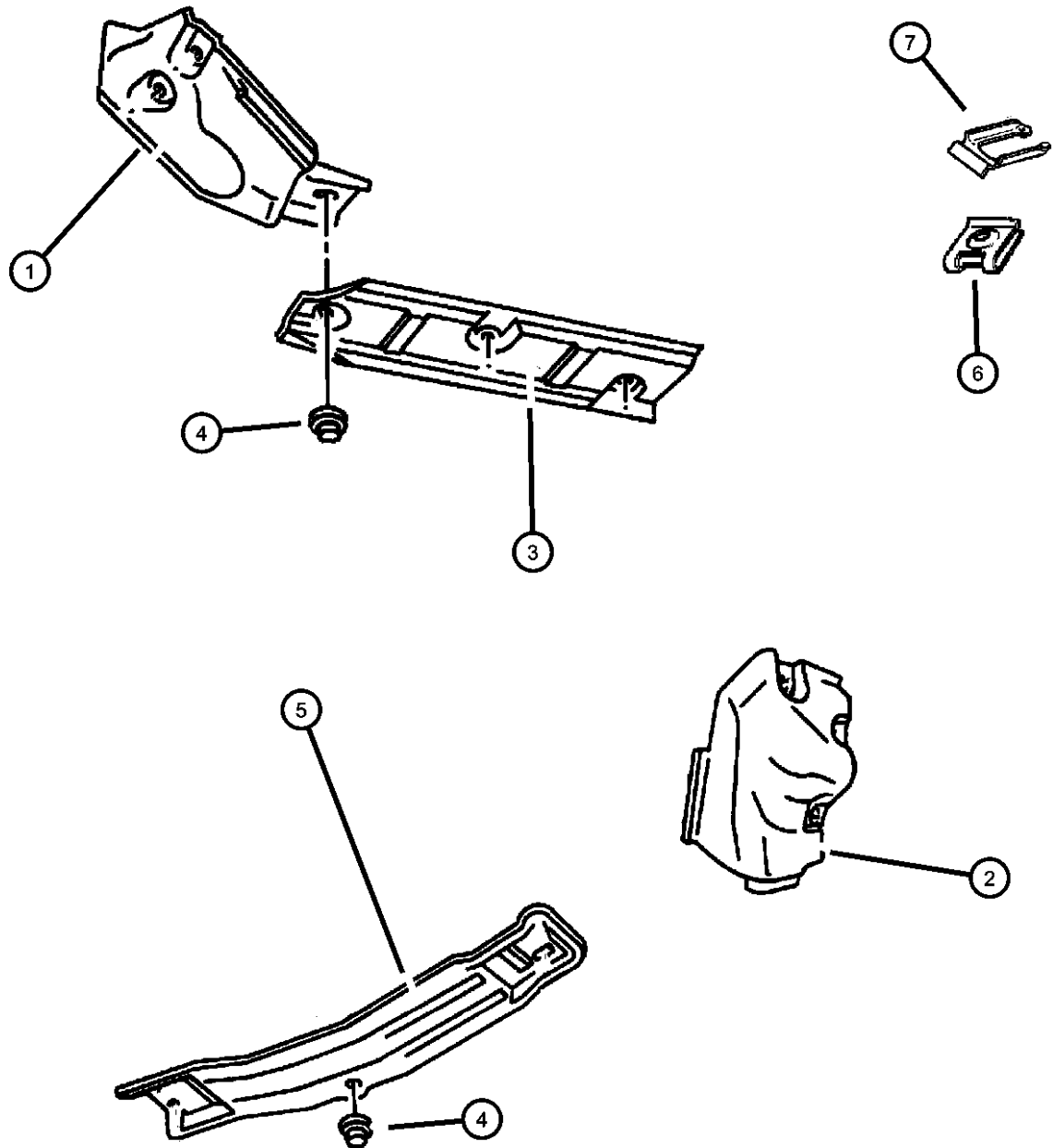
AR = use ase required - = Non illustrated part

Heat Shields  
Figure 11-230

ITEM	PART NUMBER	QTY	LINE	SERIES	BODY	ENGINE	TRANS	TRIM	DESCRIPTION
------	-------------	-----	------	--------	------	--------	-------	------	-------------

Note

ELO = All 5.2L 8 Cyl Gas Engines  
EMM = Magnum 5.9L SMPI V8 Engine  
EM0 = All 5.9L 8 Cyl Gas Engines  
EWO = All 8.0L Gas Engines



1	55274650	1				ELO, EM0, EWO			SHIELD, HeatRight
2	55275738	1				ELO, EM0, EWO			SHIELD, HeatLeft
3									SHIELD, Heat
	55274656	1				ELO, EM0			Right
		1				EWO			Right
4		1							NUT, .250-20, (NOT SERVICED)
5	55274655AB	1				EMM, EWO			SHIELD, HeatLeft
6	52009136	4	2, 3, 7, 8			EMM, EWO			CLIP, Heat Shield
7	52058190	1	2, 3, 7, 8			EMM, EWO			BRACKET, Heat Shield

RAM PICKUP/CLUB CAB (BE)

SERIES	LINE	BODY	ENGINE	TRANSMISSION
L = Ram Truck (All)	3 = HD DODGE 2WD	31 = CLUB CAB 2-DR 6.5 FT BOX	ELF = ENGINE - 5.2L V8 MPI	DDC = TRANSMISSION - 5-SPEED HD MANUAL
	8 = HD DODGE 4WD	32 = CLUB CAB 2-DR 8FT BOX	EML = ENGINE - 5.9L V8 MPI	DDP = TRANSMISSION - 5-SPEED MANUAL
	1 = Lt. Duty DODGE 2WD	33 = QUAD CAB 4-DR 6.5 FT BOX	EMM = ENGINE - "MAGNUM" 5.9L SMPI V8	DDX = TRANSMISSION - 5-SPEED HD MANUAL
	6 = Lt. Duty DODGE 4WD	34 = QUAD CAB 4-DR 8FT BOX	ETC = ENGINE- 5.9L CUMMINS 24V DIESEL	DEE = TRANSMISSION - 6-SPEED HD MANUAL
	2 = Med. Duty DODGE 2WD		ETH = ENGINE- 5.9L HO CUMMINS TURBO DIESEL	DGP = TRANSMISSION - 4-SPD. AUTOMATIC, 47RE
	7 = Med. Duty DODGE 4WD		EWA = ENGINE - 8.0L V10 MPI	DGT = TRANSMISSION - 4-SPD. AUTOMATIC, 46RE

AR = use ase required - = Non illustrated part

2000 BE



# Group - 13

## Frames and Bumpers

### Group - 13 Frames and Bumpers

Illustration Title

Group-Fig. No.

#### Frames

Frame .....Fig. 13 - 140

#### Front Bumper and Fascia

Bumper, Front .....Fig. 13 - 230

Bumper, Front, Sport.....Fig. 13 - 235

#### Rear Bumper and Fascia

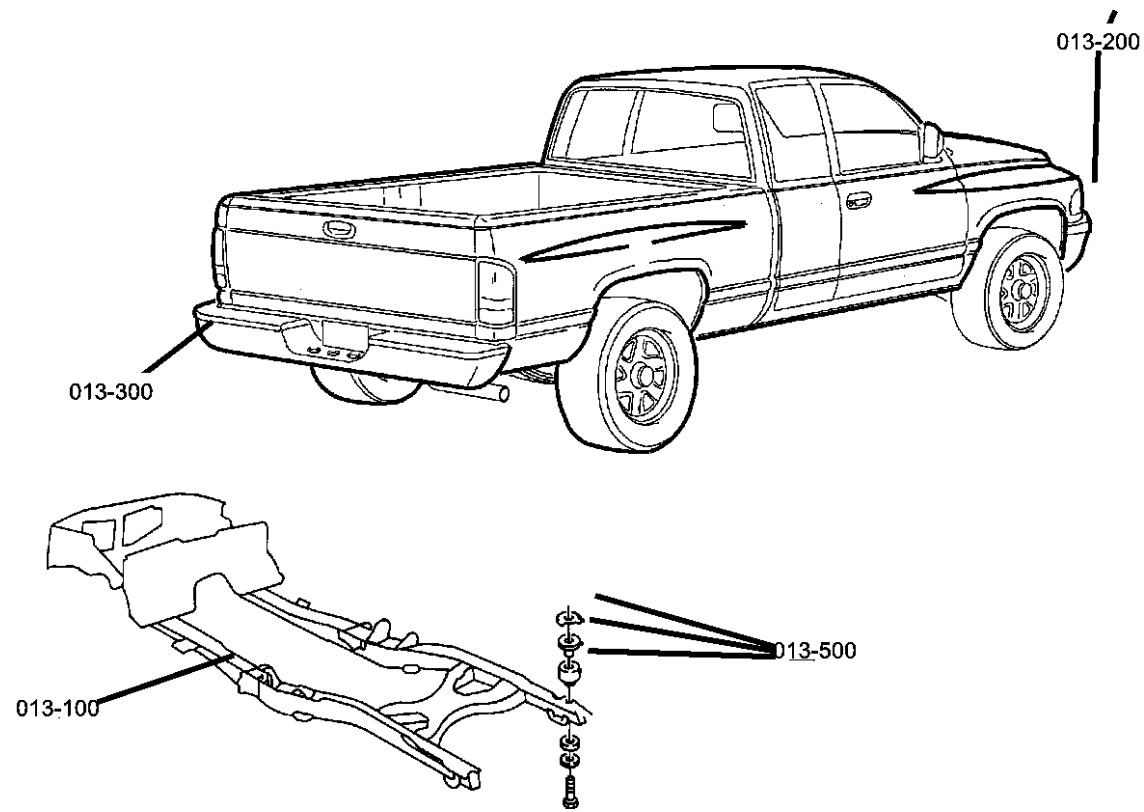
Rear Bumper and License Plate Attaching.....Fig. 13 - 310

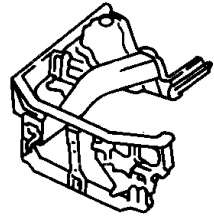
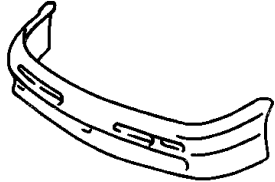
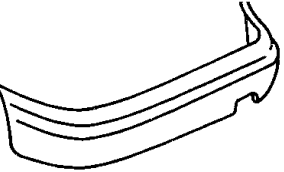

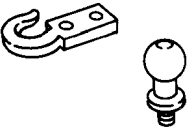
#### Body Hold Down

Body Hold Down And Front End Mounting.....Fig. 13 - 520

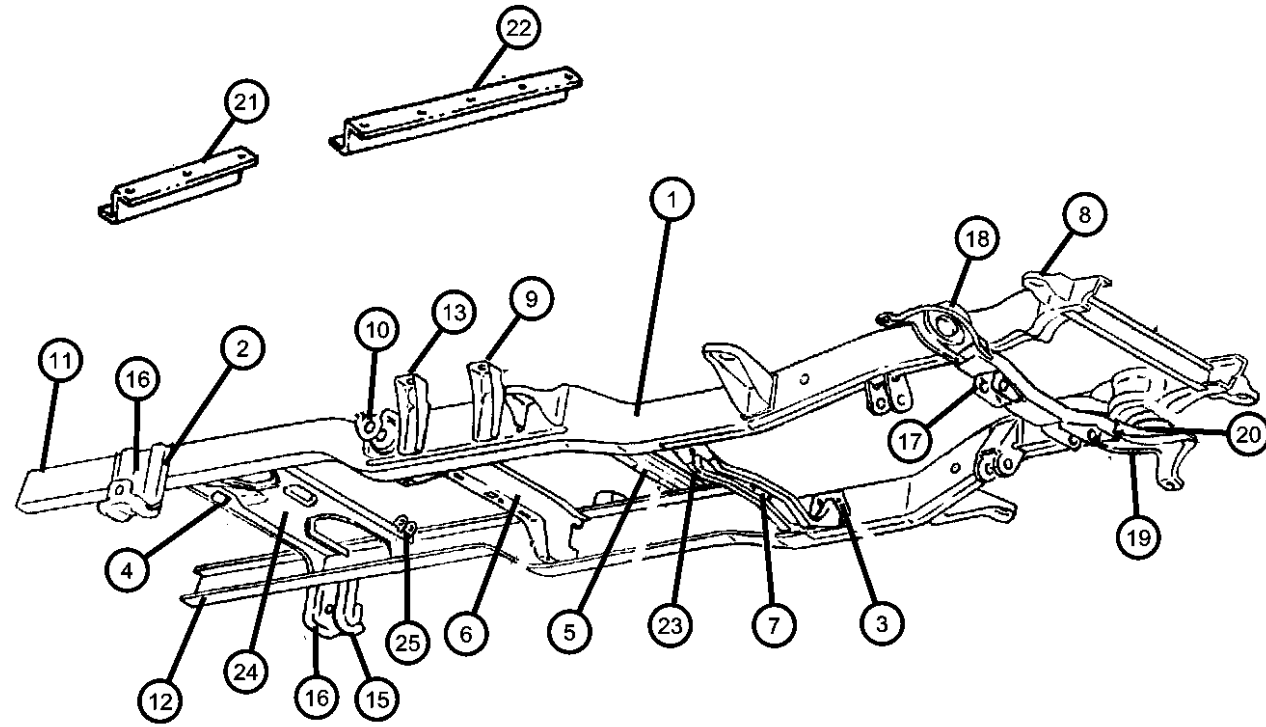
#### Trailer Tow

Rear Hitch .....Fig. 13 - 610



<p><b>013-100</b> Frames</p> 	<p><b>013-200</b> Front Bumper and Fascia</p> 	<p><b>013-300</b> Rear Bumper and Fascia</p> 	<p><b>013-500</b> Body Hold Down</p> 
<p><b>013-600</b> Trailer Tow</p> 			

Frame  
Figure 13-140



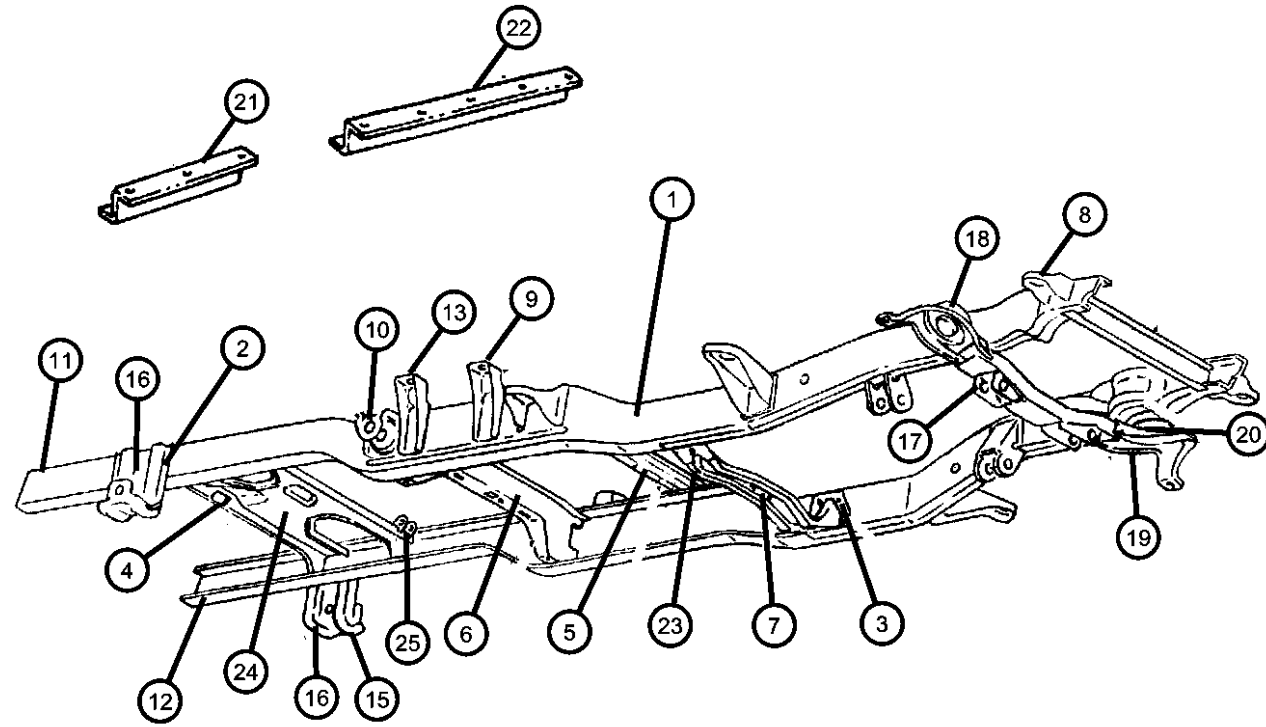
ITEM	PART NUMBER	QTY	LINE	SERIES	BODY	ENGINE	TRANS	TRIM	DESCRIPTION
1									FRAME ASSEMBLY, Chassis
	52020237AC	1	7		33				
	52020260AC	1	1		31, 33				with Auto Transmission
	52020261AC	1	1		31, 33				with Manual Transmission
	52020331AC	1	2		33				
	52020333AC	1	2, 3		34				
	52020334AC	1	6		31, 33				
	52020336AC	1	6		34				
	52020338AC	1	7, 8		34				
	52020340AC	1	1		34				
2									RIVET
	00104114	12	1		31, 33				
		12	1		34				
		12	2		33				
		12	2, 3		34				
		12	6		31, 33				
		12	6		34				
		12	7, 8		34				
		12	7		33				
3									NUT AND WASHER, Hex Nut-Coned Washer, .375-16
	06025011	8	1		31, 33				
		8	1		34				
		8	2		33				
		8	2, 3		34				
		8	6		31, 33				
		8	6		34				
		8	7, 8		34				
		8	7		33				
4									BRACKET, Parking Brake
	52020439AB	1	1		31, 33				

RAM PICKUP/CLUB CAB (BE)

SERIES	LINE	BODY	ENGINE	TRANSMISSION
L = Ram Truck	3 = HD DODGE 2WD	31 = CLUB CAB 2-DR 6.5 FT	ELF = ENGINE - 5.2L V8 MPI	DDC = TRANSMISSION - 5-SPEED
(All)	8 = HD DODGE 4WD	BOX	EML = ENGINE - 5.9L V8 MPI	HD MANUAL
	1 = Lt. Duty DODGE 2WD	32 = CLUB CAB 2-DR 8FT	EMM = ENGINE - "MAGNUM"	DDP = TRANSMISSION - 5-SPEED
	6 = Lt. Duty DODGE 4WD	BOX	5.9L SMPI V8	MANUAL
	2 = Med. Duty DODGE 2WD	33 = QUAD CAB 4-DR 6.5 FT	ETC = ENGINE- 5.9L	DDX = TRANSMISSION - 5-SPEED
	7 = Med. Duty DODGE 4WD	BOX	CUMMINS 24V DIESEL	HD MANUAL
		34 = QUAD CAB 4-DR 8FT	ETH = ENGINE- 5.9L HO	DEE = TRANSMISSION - 6-SPEED
		BOX	CUMMINS TURBO DIESEL	HD MANUAL
			EWA = ENGINE - 8.0L V10	DGP = TRANSMISSION - 4-SPD.
			MPI	AUTOMATIC, 47RE
				DGT = TRANSMISSION - 4-SPD.
				AUTOMATIC, 46RE

AR = use ase required - = Non illustrated part

Frame  
Figure 13-140



ITEM	PART NUMBER	QTY	LINE	SERIES	BODY	ENGINE	TRANS	TRIM	DESCRIPTION
		1	2		33				
		1	1		34				
		1	2, 3		34				
		1	6		31, 33				
		1	7		33				
		1	6		34				
		1	7, 8		34				
5									CROSSMEMBER, Fuel Tank
	52057524AB	1	1		31, 33				
		1	1		34				
		1	2		33				
		1	2, 3		34				
		1	6		31, 33				
		1	6		34				
		1	7, 8		34				
		1	7		33				
6									CROSSMEMBER, Rear Spring Front
	52057525AB	1	1		31, 33				
		1	2		33				
		1	1		34				
		1	2, 3		34				
		1	6		31, 33				
		1	7		33				
		1	6		34				
		1	7, 8		34				
7									CROSSMEMBER, Transmission
	04882390AB	1	6		31, 33				
		1	6		34				
	05003051AB	1	2		33				

RAM PICKUP/CLUB CAB (BE)

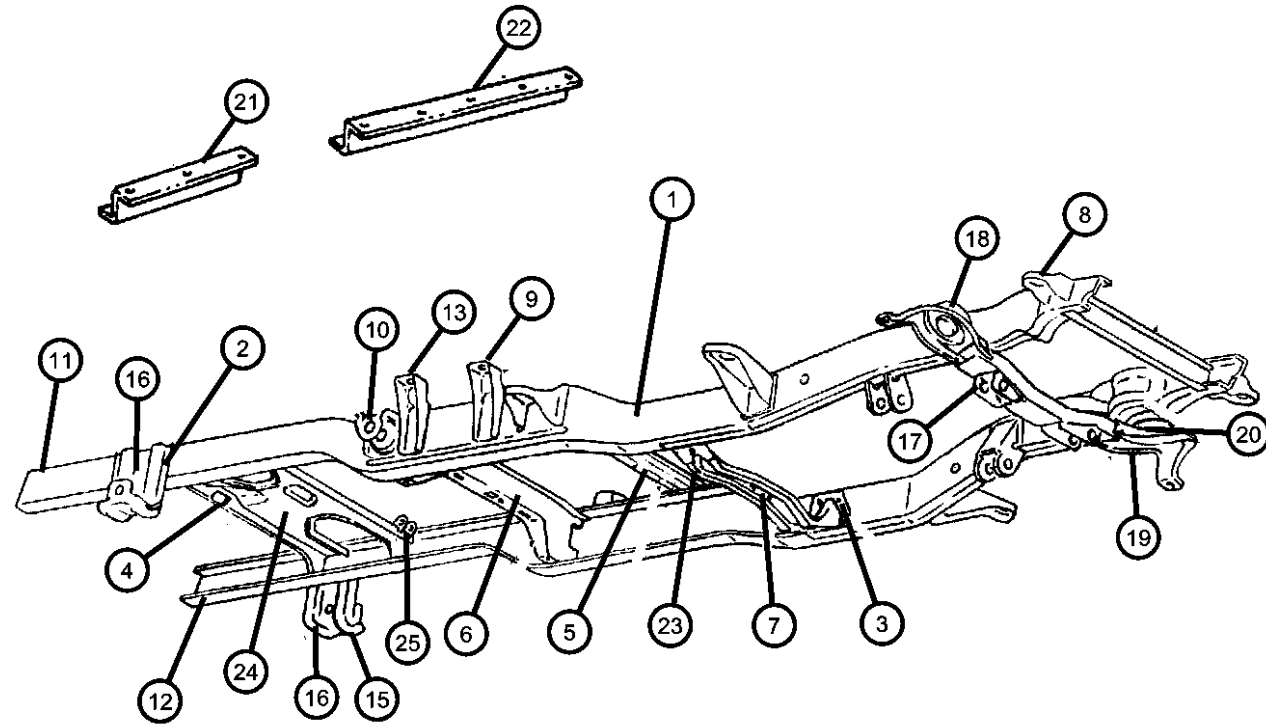
SERIES	LINE
L = Ram Truck	3 = HD DODGE 2WD
(All)	8 = HD DODGE 4WD
	1 = Lt. Duty DODGE 2WD
	6 = Lt. Duty DODGE 4WD
	2 = Med. Duty DODGE 2WD
	7 = Med. Duty DODGE 4WD

BODY	ENGINE	TRANSMISSION
31 = CLUB CAB 2-DR 6.5 FT BOX	ELF = ENGINE - 5.2L V8 MPI	DDC = TRANSMISSION - 5-SPEED HD MANUAL
32 = CLUB CAB 2-DR 8FT BOX	EML = ENGINE - 5.9L V8 MPI	DDP = TRANSMISSION - 5-SPEED MANUAL
33 = QUAD CAB 4-DR 6.5 FT BOX	EMM = ENGINE - "MAGNUM" 5.9L SMPI V8	DDX = TRANSMISSION - 5-SPEED HD MANUAL
34 = QUAD CAB 4-DR 8FT BOX	ETC = ENGINE- 5.9L CUMMINS 24V DIESEL	DEE = TRANSMISSION - 6-SPEED HD MANUAL
	ETH = ENGINE- 5.9L HO CUMMINS TURBO DIESEL	DGP = TRANSMISSION - 4-SPD. AUTOMATIC, 47RE
	EWA = ENGINE - 8.0L V10 MPI	DGT = TRANSMISSION - 4-SPD. AUTOMATIC, 46RE

AR = use ase required - = Non illustrated part

2000 BE

Frame  
Figure 13-140



ITEM	PART NUMBER	QTY	LINE	SERIES	BODY	ENGINE	TRANS	TRIM	DESCRIPTION
		1	2, 3		34				
		1	7, 8		34				
		1	7		33				
	52058460	1	1		31, 33				
8		1	1		34				BRACKET, Frame
	52057527	2	6		31, 33				
		2	7		33				
		2	6		34				
		2	7, 8		34				
		2	1		31, 33				
		2	2		33				
		2	1		34				
		2	2, 3		34				
9									BRACKET, Cab
	52057544	2	1		31, 33				
		2	1		34				
		2	2		33				
		2	2, 3		34				
		2	6		31, 33				
		2	6		34				
		2	7, 8		34				
		2	7		33				
10									BRACKET, Shackle
	52057866	2	1		31, 33				
		2	1		34				
		2	6		31, 33				
		2	6		34				
11									RAIL, Rear Right
	52057860AC	1	2, 3		34				

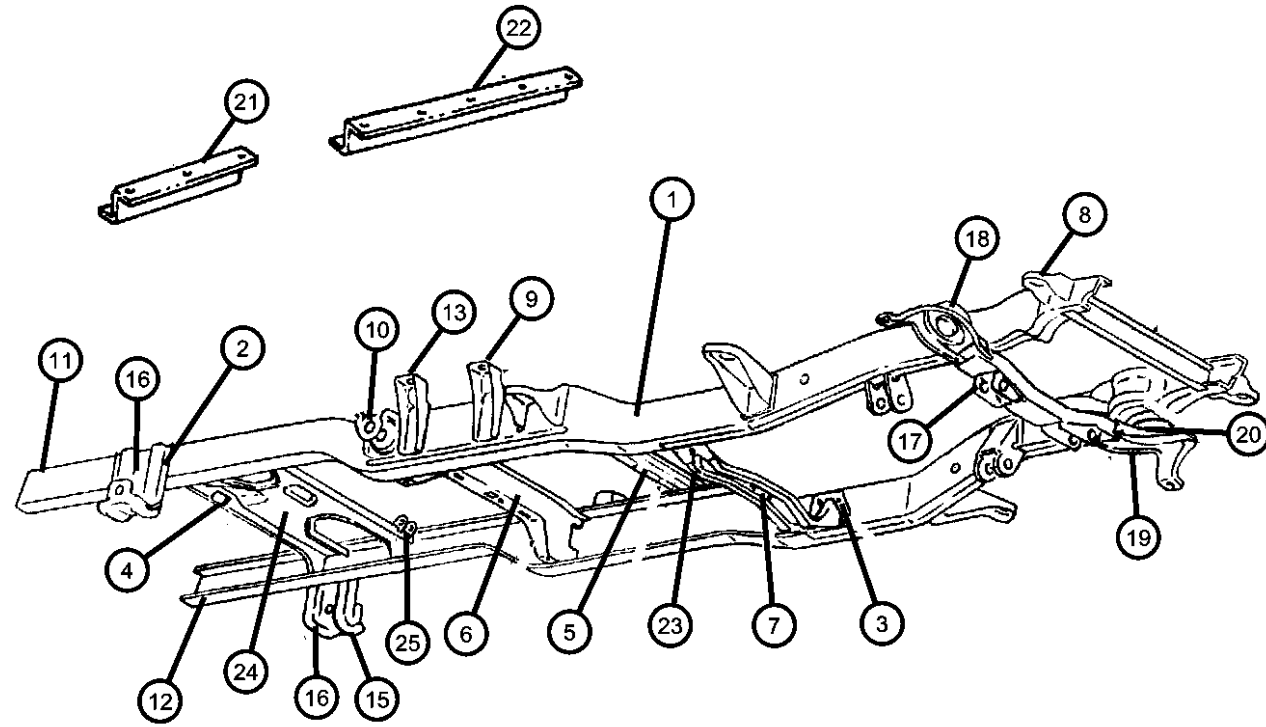
RAM PICKUP/CLUB CAB (BE)

SERIES	LINE
L = Ram Truck	3 = HD DODGE 2WD
(All)	8 = HD DODGE 4WD
	1 = Lt. Duty DODGE 2WD
	6 = Lt. Duty DODGE 4WD
	2 = Med. Duty DODGE 2WD
	7 = Med. Duty DODGE 4WD

BODY	ENGINE	TRANSMISSION
31 = CLUB CAB 2-DR 6.5 FT BOX	ELF = ENGINE - 5.2L V8 MPI	DDC = TRANSMISSION - 5-SPEED HD MANUAL
32 = CLUB CAB 2-DR 8FT BOX	EML = ENGINE - 5.9L V8 MPI	DDP = TRANSMISSION - 5-SPEED MANUAL
33 = QUAD CAB 4-DR 6.5 FT BOX	EMM = ENGINE - "MAGNUM" 5.9L SMPI V8	DDX = TRANSMISSION - 5-SPEED HD MANUAL
34 = QUAD CAB 4-DR 8FT BOX	ETC = ENGINE- 5.9L CUMMINS 24V DIESEL	DEE = TRANSMISSION - 6-SPEED HD MANUAL
	ETH = ENGINE- 5.9L HO CUMMINS TURBO DIESEL	DGP = TRANSMISSION - 4-SPD. AUTOMATIC, 47RE
	EWA = ENGINE - 8.0L V10 MPI	DGT = TRANSMISSION - 4-SPD. AUTOMATIC, 46RE

AR = use ase required - = Non illustrated part

Frame  
Figure 13-140



ITEM	PART NUMBER	QTY	LINE	SERIES	BODY	ENGINE	TRANS	TRIM	DESCRIPTION
		1	7, 8		34				
12									RAIL, Rear Left
	52057861AC	1	2, 3		34				
		1	7, 8		34				
13									BRACKET, Cab
	52058360	2	1		31, 33				
		2	1		34				
		2	2		33				
		2	2, 3		34				
		2	6		31, 33				
		2	6		34				
		2	7, 8		34				
		2	7		33				
-14	52038233	4	2, 3, 7, 8						BRACKET, Jounce Bumper
15									BRACKET, Shackle
	52058657	2	1		31, 33				
		2	1		34				
		2	6		31, 33				
		2	6		34				
16									BRACKET, Spring
	52057964	2	2		33				Front
		2	2, 3		34				Front
		2	7, 8		34				Front
		2	7		33				Front
	52058658	2	2		33				Rear
		2	2, 3		34				Rear
		2	7, 8		34				Rear
		2	7		33				Rear
17									BRACKET, Idler Arm
	52058603	1	2		33				

RAM PICKUP/CLUB CAB (BE)

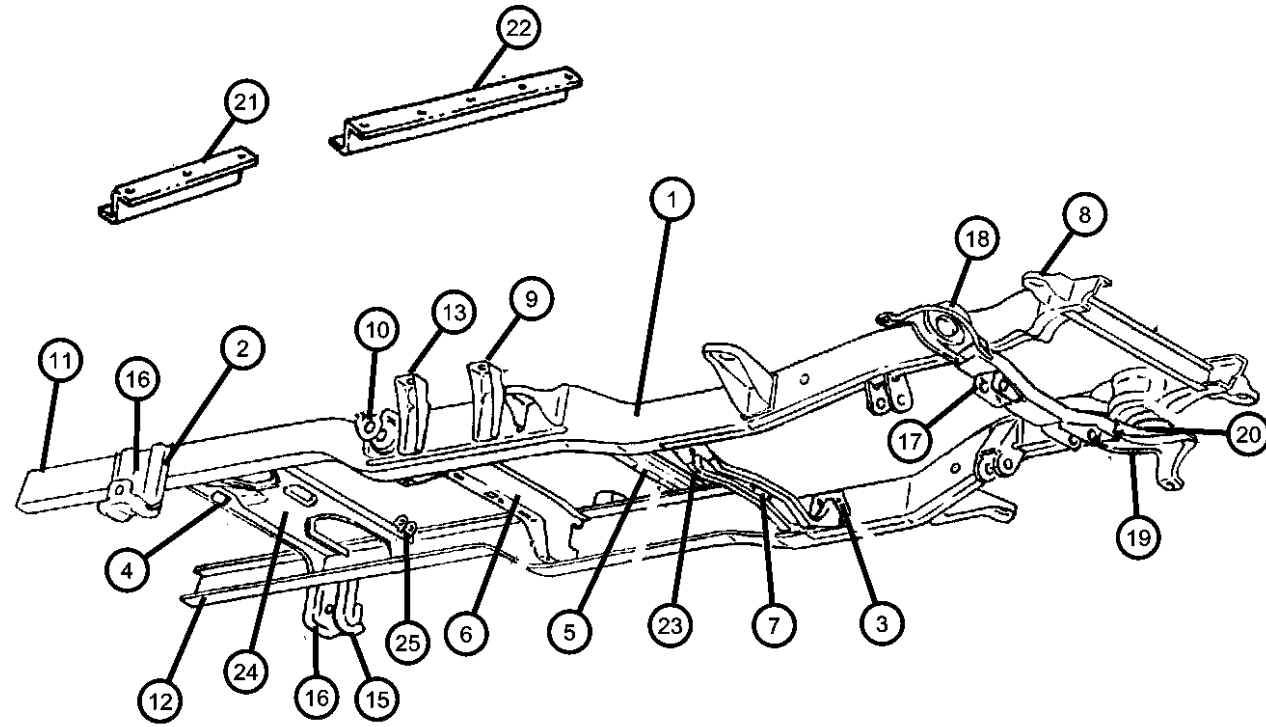
SERIES	LINE
L = Ram Truck (All)	3 = HD DODGE 2WD
	8 = HD DODGE 4WD
	1 = Lt. Duty DODGE 2WD
	6 = Lt. Duty DODGE 4WD
	2 = Med. Duty DODGE 2WD
	7 = Med. Duty DODGE 4WD

BODY	ENGINE	TRANSMISSION
31 = CLUB CAB 2-DR 6.5 FT BOX	ELF = ENGINE - 5.2L V8 MPI	DDC = TRANSMISSION - 5-SPEED HD MANUAL
32 = CLUB CAB 2-DR 8FT BOX	EML = ENGINE - 5.9L V8 MPI	DDP = TRANSMISSION - 5-SPEED MANUAL
33 = QUAD CAB 4-DR 6.5 FT BOX	EMM = ENGINE - "MAGNUM" 5.9L SMPI V8	DDX = TRANSMISSION - 5-SPEED HD MANUAL
34 = QUAD CAB 4-DR 8FT BOX	ETC = ENGINE- 5.9L CUMMINS 24V DIESEL	DEE = TRANSMISSION - 6-SPEED HD MANUAL
	ETH = ENGINE- 5.9L HO CUMMINS TURBO DIESEL	DGP = TRANSMISSION - 4-SPD. AUTOMATIC, 47RE
	EWA = ENGINE - 8.0L V10 MPI	DGT = TRANSMISSION - 4-SPD. AUTOMATIC, 46RE

AR = use ase required - = Non illustrated part

2000 BE

Frame  
Figure 13-140



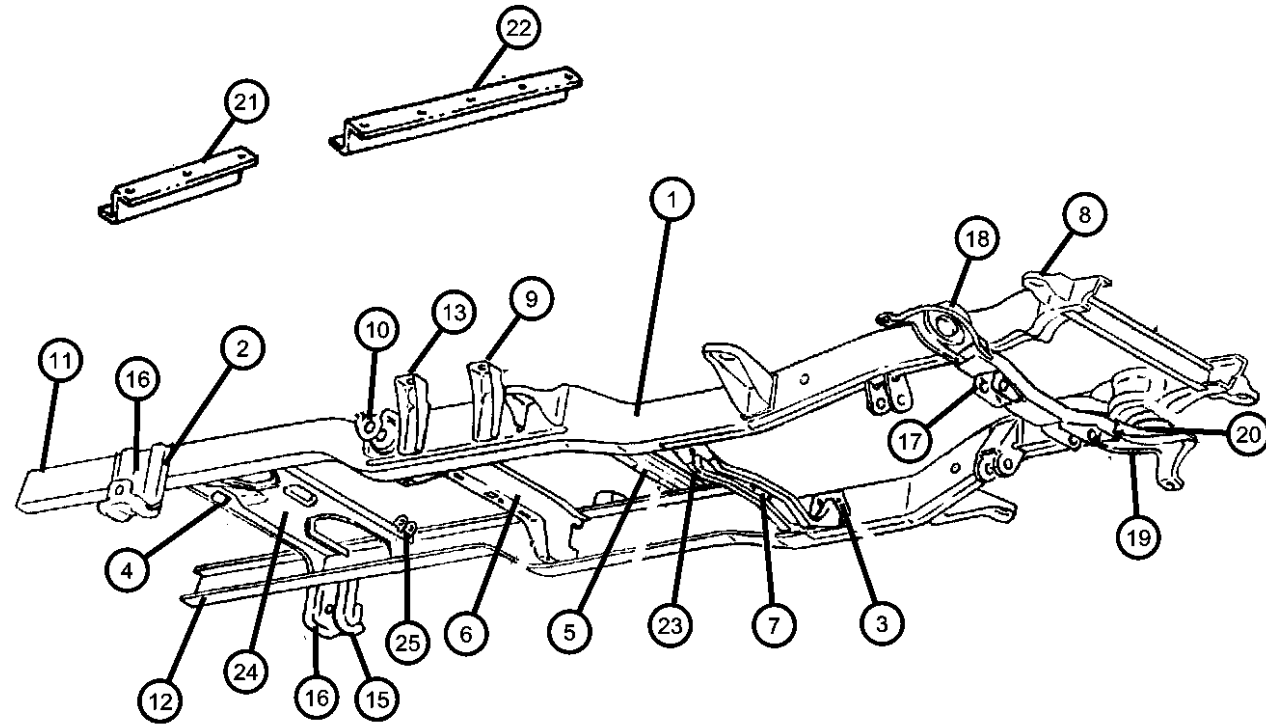
ITEM	PART NUMBER	QTY	LINE	SERIES	BODY	ENGINE	TRANS	TRIM	DESCRIPTION
18		1	2, 3		34				BRACKET, Upper Control Arm
	52058604AD	2	2		33				
		2	2, 3		34				
19									CUP, Jounce Bumper
	52058224	2	6		31, 33				
		2	6		34				
		2	7, 8		34				
		2	7		33				
20	52038233	4	2, 3, 7, 8						BRACKET, Jounce Bumper
21	52038233	4							ADAPTER, Frame To Body, (NOT REQUIRED)
22	52038233	4							BRACKET, Frame, (NOT REQUIRED)
23									CROSSMEMBER, Center Bearing Mount
	52019613	1	1		31, 33				
		1	2		33				
		1	7		33				
24									CROSSMEMBER, K Type
	04773168AB	1	2		33				
		1	2, 3		34				
		1	6		31, 33				
		1	7		33				
		1	7, 8		34				
		1	1		31, 33				
		1	1		34				
		1	6		34				
25									BRACKET, Shock Mounting
	52058071	1	1		31, 33				
		1	2		33				

RAM PICKUP/CLUB CAB (BE)

SERIES	LINE	BODY	ENGINE	TRANSMISSION
L = Ram Truck (All)	3 = HD DODGE 2WD	31 = CLUB CAB 2-DR 6.5 FT BOX	ELF = ENGINE - 5.2L V8 MPI	DDC = TRANSMISSION - 5-SPEED HD MANUAL
	8 = HD DODGE 4WD	32 = CLUB CAB 2-DR 8FT BOX	EML = ENGINE - 5.9L V8 MPI	DDP = TRANSMISSION - 5-SPEED HD MANUAL
	1 = Lt. Duty DODGE 2WD	33 = QUAD CAB 4-DR 6.5 FT BOX	EMM = ENGINE - "MAGNUM" 5.9L SMPI V8	DDX = TRANSMISSION - 5-SPEED HD MANUAL
	6 = Lt. Duty DODGE 4WD	34 = QUAD CAB 4-DR 8FT BOX	ETC = ENGINE- 5.9L CUMMINS 24V DIESEL	DEE = TRANSMISSION - 6-SPEED HD MANUAL
	2 = Med. Duty DODGE 2WD		ETH = ENGINE- 5.9L HO CUMMINS TURBO DIESEL	DGP = TRANSMISSION - 4-SPD. AUTOMATIC, 47RE
	7 = Med. Duty DODGE 4WD		EWA = ENGINE - 8.0L V10 MPI	DGT = TRANSMISSION - 4-SPD. AUTOMATIC, 46RE

AR = use ase required - = Non illustrated part

Frame  
Figure 13-140



ITEM	PART NUMBER	QTY	LINE	SERIES	BODY	ENGINE	TRANS	TRIM	DESCRIPTION
------	-------------	-----	------	--------	------	--------	-------	------	-------------

		1	2, 3		34				
		1	6		31, 33				
		1	7		33				
		1	6		34				
		1	7, 8		34				

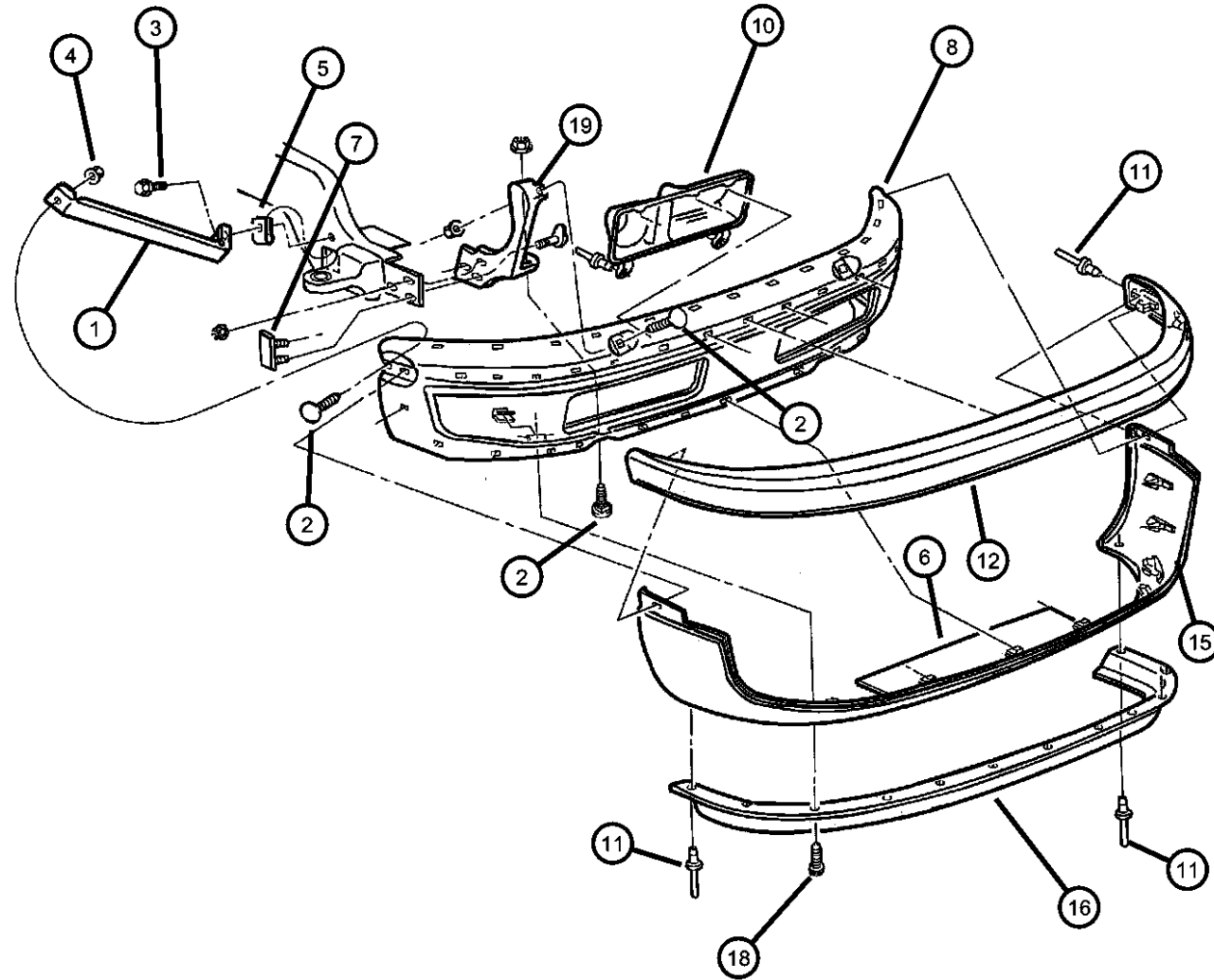
**RAM PICKUP/CLUB CAB (BE)**

SERIES	LINE	BODY	ENGINE	TRANSMISSION
L = Ram Truck (All)	3 = HD DODGE 2WD	31 = CLUB CAB 2-DR 6.5 FT BOX	ELF = ENGINE - 5.2L V8 MPI	DDC = TRANSMISSION - 5-SPEED HD MANUAL
	8 = HD DODGE 4WD	32 = CLUB CAB 2-DR 8FT BOX	EML = ENGINE - 5.9L V8 MPI	DDP = TRANSMISSION - 5-SPEED MANUAL
	1 = Lt. Duty DODGE 2WD	33 = QUAD CAB 4-DR 6.5 FT BOX	EMM = ENGINE - "MAGNUM" 5.9L SMPI V8	DDX = TRANSMISSION - 5-SPEED HD MANUAL
	6 = Lt. Duty DODGE 4WD	34 = QUAD CAB 4-DR 8FT BOX	ETC = ENGINE- 5.9L CUMMINS 24V DIESEL	DEE = TRANSMISSION - 6-SPEED HD MANUAL
	2 = Med. Duty DODGE 2WD		ETH = ENGINE- 5.9L HO CUMMINS TURBO DIESEL	DGP = TRANSMISSION - 4-SPD. AUTOMATIC, 47RE
	7 = Med. Duty DODGE 4WD		EWA = ENGINE - 8.0L V10 MPI	DGT = TRANSMISSION - 4-SPD. AUTOMATIC, 46RE

AR = use ase required - = Non illustrated part

2000 BE

**Bumper, Front**  
**Figure 13-230**



ITEM	PART NUMBER	QTY	LINE	SERIES	BODY	ENGINE	TRANS	TRIM	DESCRIPTION
1									BRACKET, Front Bumper
	55234724	1							Right
	55234725	1							Left
2	55234725	1							BOLT, Bumper to Bracket, (NOT SERVICED)
3	55234725	1							SCREW, (NOT SERVICED)
4	55234725	1							NUT, (NOT SERVICED)
5	55234725	1							NUT, (NOT SERVICED)
6	55235115	1							SEAL, Radiator
7	06506236AA	2							BOLT, M12x1.75x40
8	55076599AD	1							BUMPER, Front
-9	55295455AB	1							BRACKET, License Plate
10									SHIELD, Bumper
	55076600	1							w/o Sports Package w/o Fog Lamps, Right
	55076601	1							w/o Sports Package w/o Fog Lamps, Left
	55076786AB	1							w/o Sports Package w/Fog Lamps, Right
	55076787AB	1							w/o Sports Package w/Fog Lamps, Left
11	06503938	4							RIVET, Blind, .25xM4/M7
12	55076610AB	1							FASCIA, Front, Valance to (For Square Holes Bumper, Upper
-13	06033018	2							FASTENER, Hood Silencer
-14	06503698	5							SCREW AND WASHER, Truss Head, M6-1.00x30.00
15	55076614AB	1							FASCIA, Front
16									AIR DAM
	55077350AA	1							with Tow Hooks [XEA]
	55274811	1							Air
-17	34201631	18							RIVET, M6.25x28 Black
18	06503698	5							SCREW AND WASHER, Truss Head, M6-1.00x30.00
19									BRACKET, Front Bumper

**RAM PICKUP/CLUB CAB (BE)**

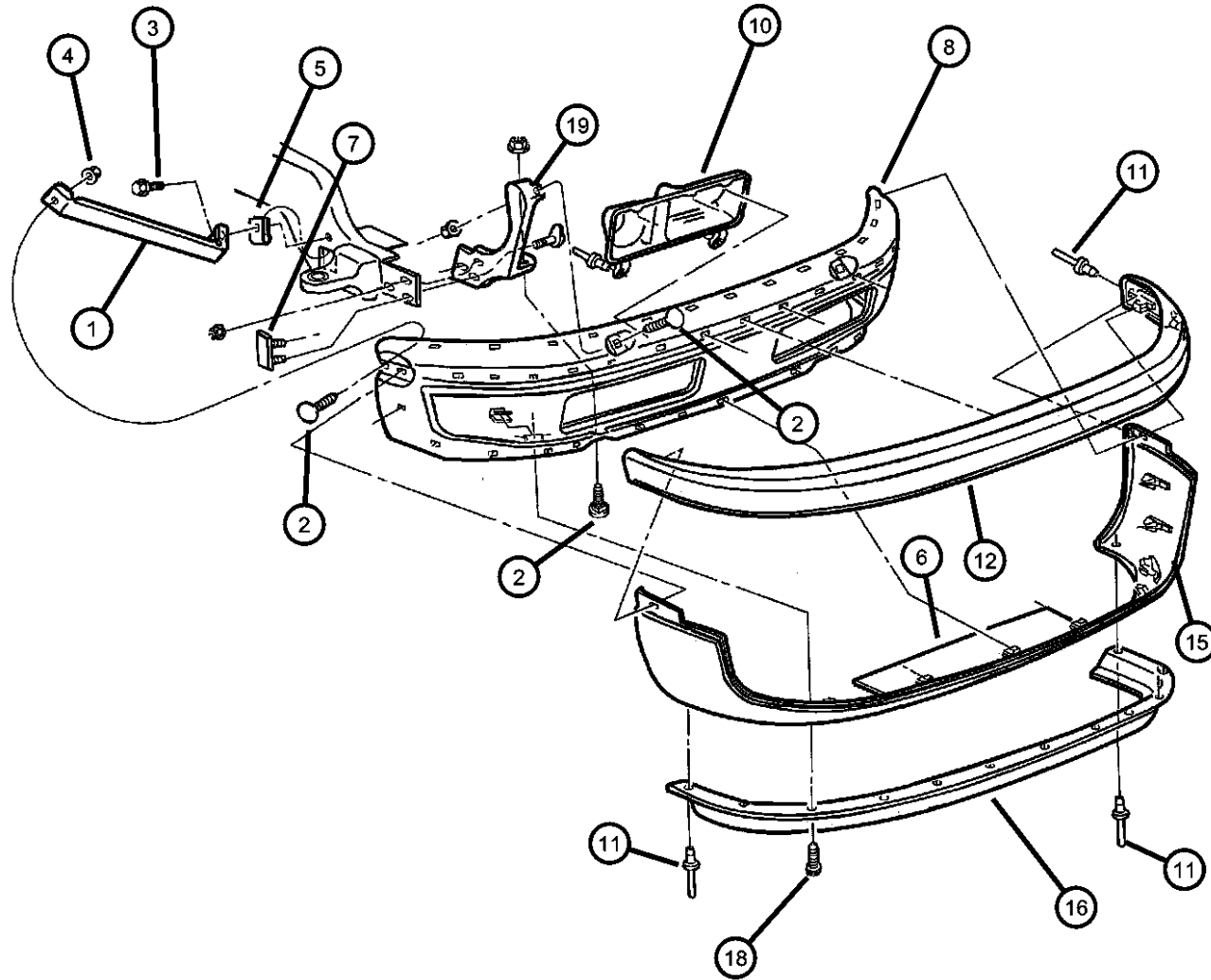
SERIES	LINE	BODY	ENGINE	TRANSMISSION
L = Ram Truck (All)	3 = HD DODGE 2WD 8 = HD DODGE 4WD 1 = Lt. Duty DODGE 2WD 6 = Lt. Duty DODGE 4WD 2 = Med. Duty DODGE 2WD 7 = Med. Duty DODGE 4WD	31 = CLUB CAB 2-DR 6.5 FT BOX 32 = CLUB CAB 2-DR 8FT BOX 33 = QUAD CAB 4-DR 6.5 FT BOX 34 = QUAD CAB 4-DR 8FT BOX	ELF = ENGINE - 5.2L V8 MPI EML = ENGINE - 5.9L V8 MPI EMM = ENGINE - "MAGNUM" 5.9L SMPI V8 ETC = ENGINE- 5.9L CUMMINS 24V DIESEL ETH = ENGINE- 5.9L HO CUMMINS TURBO DIESEL EWA = ENGINE - 8.0L V10 MPI	DDC = TRANSMISSION - 5-SPEED HD MANUAL DDP = TRANSMISSION - 5-SPEED MANUAL DDX = TRANSMISSION - 5-SPEED HD MANUAL DEE = TRANSMISSION - 6-SPEED HD MANUAL DGP = TRANSMISSION - 4-SPD. AUTOMATIC, 47RE DGT = TRANSMISSION - 4-SPD. AUTOMATIC, 46RE

AR = use ase required - = Non illustrated part



Bumper, Front  
Figure 13-230

ITEM	PART NUMBER	QTY	LINE	SERIES	BODY	ENGINE	TRANS	TRIM	DESCRIPTION
	55076778AB	1							Right
	55076779AB	1							Left

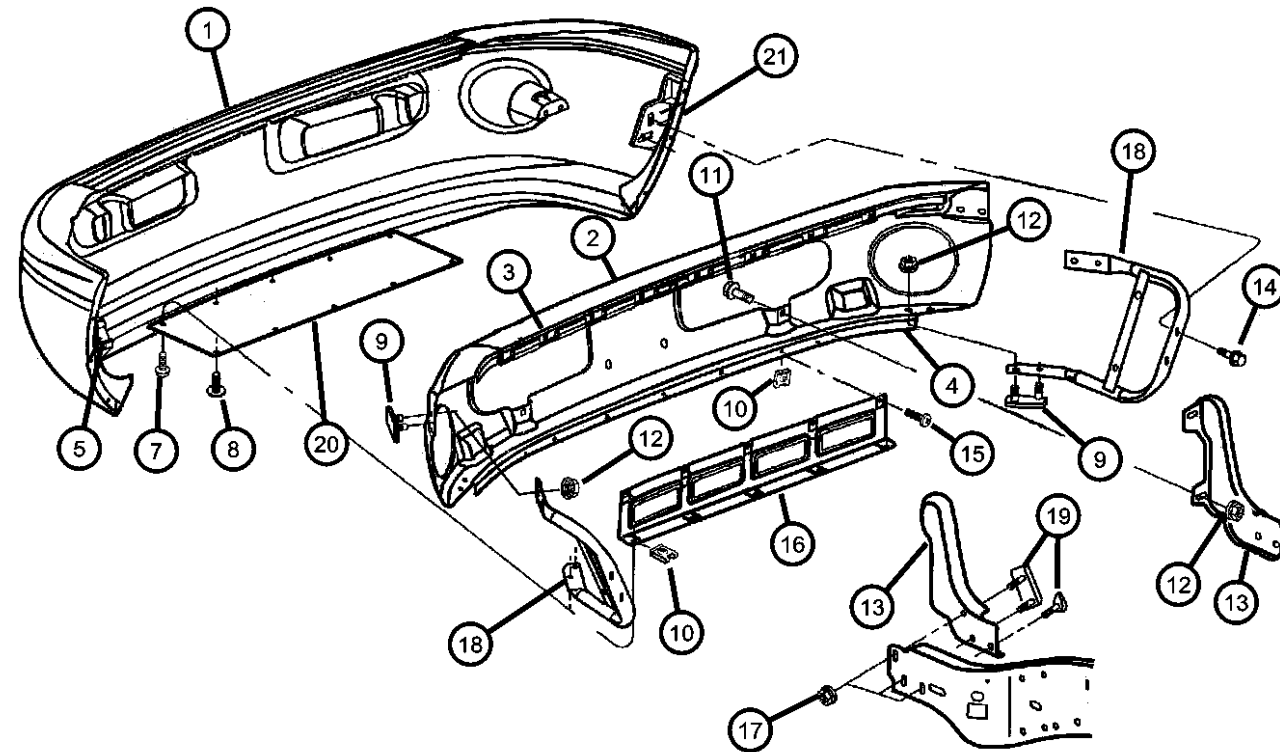


RAM PICKUP/CLUB CAB (BE)

SERIES	LINE	BODY	ENGINE	TRANSMISSION
L = Ram Truck (All)	3 = HD DODGE 2WD 8 = HD DODGE 4WD 1 = Lt. Duty DODGE 2WD 6 = Lt. Duty DODGE 4WD 2 = Med. Duty DODGE 2WD 7 = Med. Duty DODGE 4WD	31 = CLUB CAB 2-DR 6.5 FT BOX 32 = CLUB CAB 2-DR 8FT BOX 33 = QUAD CAB 4-DR 6.5 FT BOX 34 = QUAD CAB 4-DR 8FT BOX	ELF = ENGINE - 5.2L V8 MPI EML = ENGINE - 5.9L V8 MPI EMM = ENGINE - "MAGNUM" 5.9L SMPI V8 ETC = ENGINE- 5.9L CUMMINS 24V DIESEL ETH = ENGINE- 5.9L HO CUMMINS TURBO DIESEL EWA = ENGINE - 8.0L V10 MPI	DDC = TRANSMISSION - 5-SPEED HD MANUAL DDP = TRANSMISSION - 5-SPEED MANUAL DDX = TRANSMISSION - 5-SPEED HD MANUAL DEE = TRANSMISSION - 6-SPEED HD MANUAL DGP = TRANSMISSION - 4-SPD. AUTOMATIC,47RE DGT = TRANSMISSION - 4-SPD. AUTOMATIC,46RE

AR = use ase required - = Non illustrated part

**Bumper, Front, Sport**  
**Figure 13-235**



ITEM	PART NUMBER	QTY	LINE	SERIES	BODY	ENGINE	TRANS	TRIM	DESCRIPTION
1	05013818AD	1							FASCIA, Front, Primed without Tow Hooks
	05016301AA	1							with Tow Hooks
2	55077011AB	1							BEAM, Front Bumper
3	55077012AB	1							STRIP, Front Fascia, Black
4	06101402	8							SCREW, Pan Head, M5x.80x125
5	06101402	8							NUT, Hex, .42-14, (NOT SERVICED)
-6	56021863AB	1							WIRING, Fog Lamp Jumper
7	06503698	5							SCREW AND WASHER, Truss Head, M6-1.00x30.00
8	06503221	4							PIN
9	06504394	4							BOLT AND RETAINER, M12X1.75X35.00
10	06504118	5							U-NUT, M6 x 1.00, M6x1.00
11	06504790	6							BOLT, Square Neck, M12x1.75x30.5
12	06504790	6							NUT, U, M6x1.00, (NOT SERVICED)
13									BRACKET, Front Bumper
	55077022AB	1							Right
	55077023AB	1							Left
14	06503259	6							SCREW, Tapping, M6x1x20
15	06503259	6							SCREW, Pan Head, M8x1.25x35, (NOT SERVICED)
16	55077019AB	1							SUPPORT, Front Fascia
17	06502697	8							NUT, Hex Flange Lock, M12x1.75
18									BRACKET, Front Bumper
	55077014AB	1							Right
	55077015AB	1							Left
19	06504931AA	2							BOLT AND RETAINER, M12X1.75X32.50
20	55076970AC	1							PANEL, Front Fascia
21									BRACKET, Front Bumper

**RAM PICKUP/CLUB CAB (BE)**

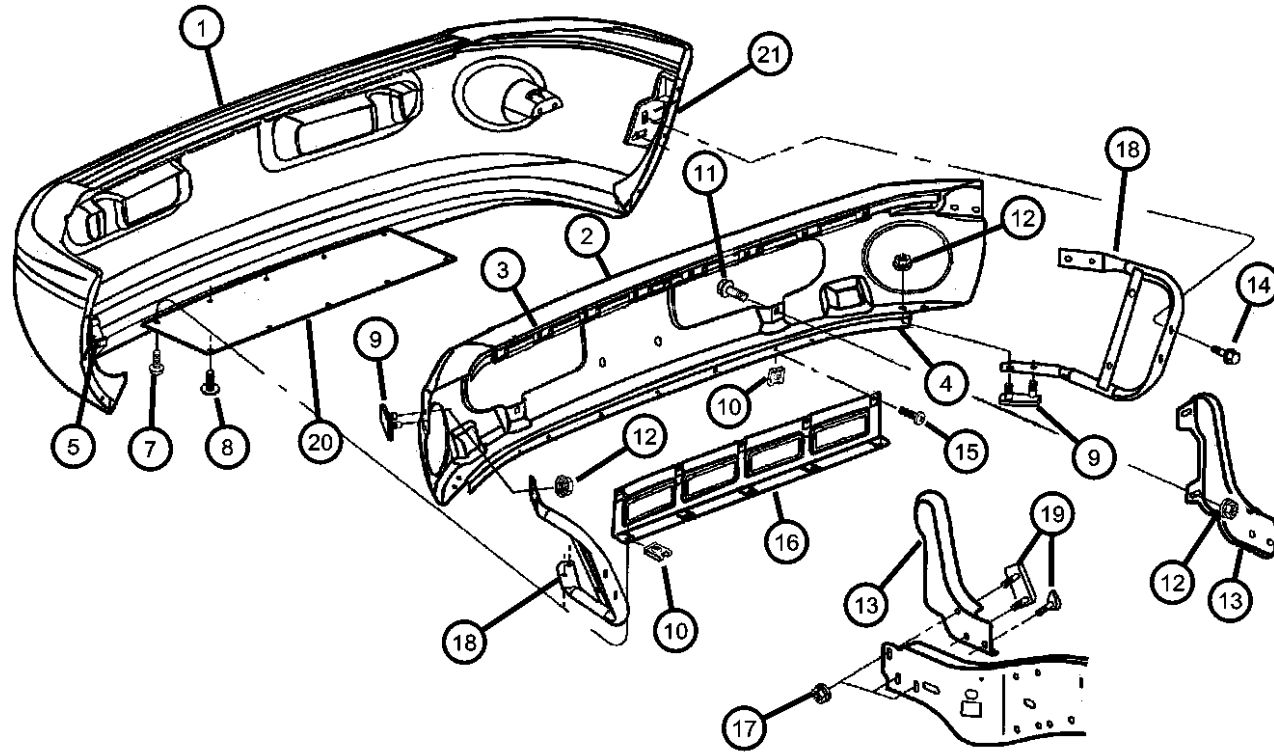
SERIES	LINE	BODY	ENGINE	TRANSMISSION
L = Ram Truck (All)	3 = HD DODGE 2WD 8 = HD DODGE 4WD 1 = Lt. Duty DODGE 2WD 6 = Lt. Duty DODGE 4WD 2 = Med. Duty DODGE 2WD 7 = Med. Duty DODGE 4WD	31 = CLUB CAB 2-DR 6.5 FT BOX 32 = CLUB CAB 2-DR 8FT BOX 33 = QUAD CAB 4-DR 6.5 FT BOX 34 = QUAD CAB 4-DR 8FT BOX	ELF = ENGINE - 5.2L V8 MPI EML = ENGINE - 5.9L V8 MPI EMM = ENGINE - "MAGNUM" 5.9L SMPI V8 ETC = ENGINE- 5.9L CUMMINS 24V DIESEL ETH = ENGINE- 5.9L HO CUMMINS TURBO DIESEL EWA = ENGINE - 8.0L V10 MPI	DDC = TRANSMISSION - 5-SPEED HD MANUAL DDP = TRANSMISSION - 5-SPEED MANUAL DDX = TRANSMISSION - 5-SPEED HD MANUAL DEE = TRANSMISSION - 6-SPEED HD MANUAL DGP = TRANSMISSION - 4-SPD. AUTOMATIC,47RE DGT = TRANSMISSION - 4-SPD. AUTOMATIC,46RE

AR = use ase required - = Non illustrated part

2000 BE

**Bumper, Front, Sport**  
**Figure 13-235**

ITEM	PART NUMBER	QTY	LINE	SERIES	BODY	ENGINE	TRANS	TRIM	DESCRIPTION
	55076972AC	1							Right
	55076973AC	1							Left
-22									FOAM, Front Bumper Fascia
	55077150AB	1							Right
	55077151AA	2							Left
-23	55077064AB	1							BRACKET, License Plate



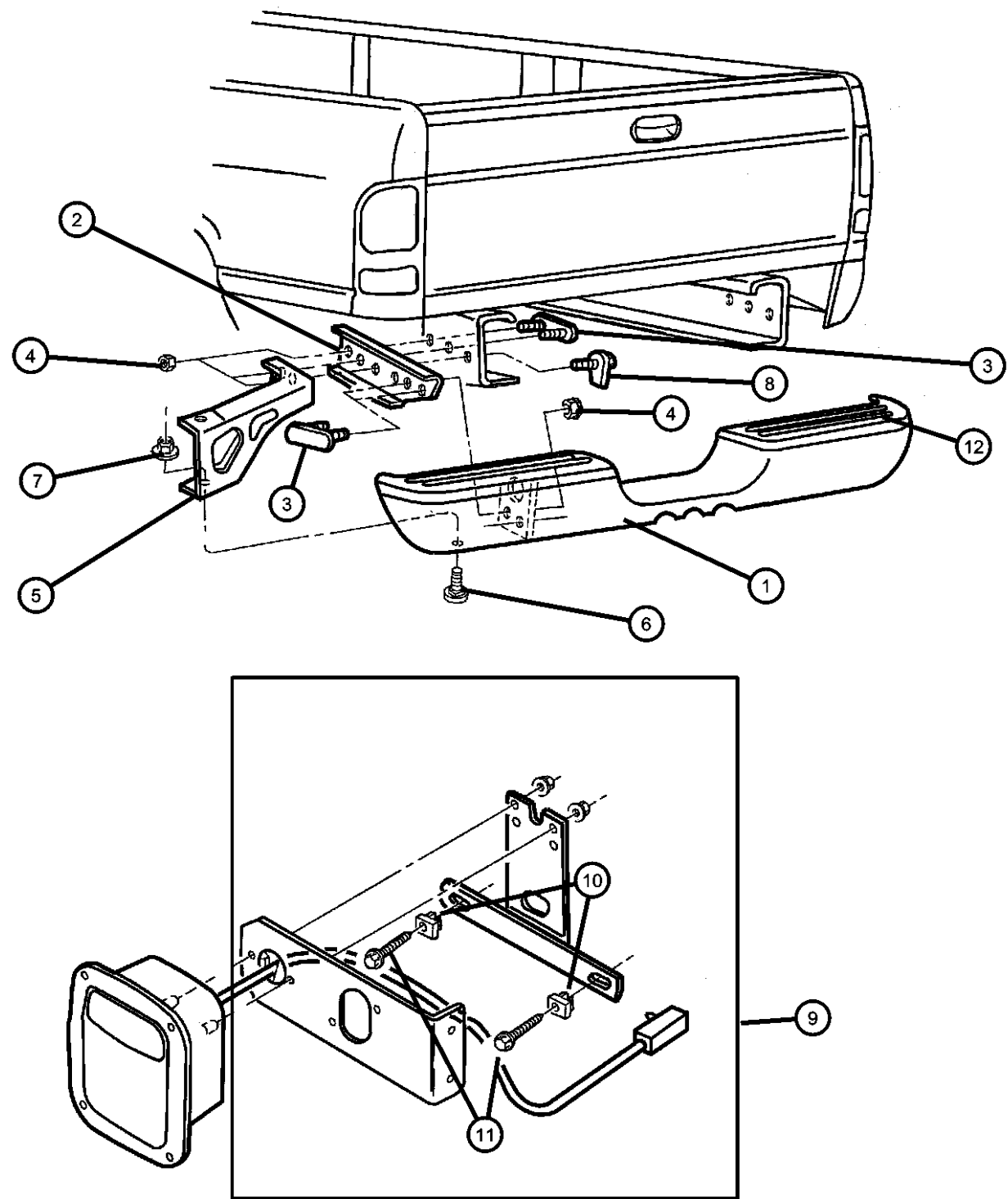
**RAM PICKUP/CLUB CAB (BE)**

SERIES	LINE	BODY	ENGINE	TRANSMISSION
L = Ram Truck (All)	3 = HD DODGE 2WD 8 = HD DODGE 4WD 1 = Lt. Duty DODGE 2WD 6 = Lt. Duty DODGE 4WD 2 = Med. Duty DODGE 2WD 7 = Med. Duty DODGE 4WD	31 = CLUB CAB 2-DR 6.5 FT BOX 32 = CLUB CAB 2-DR 8FT BOX 33 = QUAD CAB 4-DR 6.5 FT BOX 34 = QUAD CAB 4-DR 8FT BOX	ELF = ENGINE - 5.2L V8 MPI EML = ENGINE - 5.9L V8 MPI EMM = ENGINE - "MAGNUM" 5.9L SMPI V8 ETC = ENGINE- 5.9L CUMMINS 24V DIESEL ETH = ENGINE- 5.9L HO CUMMINS TURBO DIESEL EWA = ENGINE - 8.0L V10 MPI	DDC = TRANSMISSION - 5-SPEED HD MANUAL DDP = TRANSMISSION - 5-SPEED MANUAL DDX = TRANSMISSION - 5-SPEED HD MANUAL DEE = TRANSMISSION - 6-SPEED HD MANUAL DGP = TRANSMISSION - 4-SPD. AUTOMATIC,47RE DGT = TRANSMISSION - 4-SPD. AUTOMATIC,46RE

AR = use ase required - = Non illustrated part

2000 BE

**Rear Bumper and License Plate Attaching  
Figure 13-310**



ITEM	PART NUMBER	QTY	LINE	SERIES	BODY	ENGINE	TRANS	TRIM	DESCRIPTION
1	55076634AD	1							BUMPER, Rear
	5FG80DX8AE	1							(X8)
	5FG80GW7AE	1							(W7)
	5FG80VB3AE	1							(B3)
	5FG80VYHAE	1							(YH)
	5FG80PR4AE	1							(R4)
	5FG80SG8AE	1							(G8)
2	55274863	2							BRACKET, Rear Bumper
3	06504394	4							BOLT AND RETAINER, M12X1.75X35.00
4	06505099AA	8							NUT, Hex Flange Lock, M12x1.75
5									BRACKET, Rear Bumper Side
	55274868	1							Right
	55274869	1							Left
6	06504122	2							BOLT, M12x1.75x35.00
7	06100055	6							NUT AND WASHER, Hex Nut-Coned Washer, M12 x 1.75
8	06504395	2							BOLT AND RETAINER, M12X1.75X35.00
9	06504395	2							BRACKET, License Plate, (NOT SERVICED)
10	06027958	2							NUT, Snap In, .25
11	06027958	2							SCREW, (NOT SERVICED)
12									STEP PAD, Rear Bumper
	55034460	1							Right
	55034461	1							Left
-13	55076850	AR							PANEL, License Plate

**RAM PICKUP/CLUB CAB (BE)**

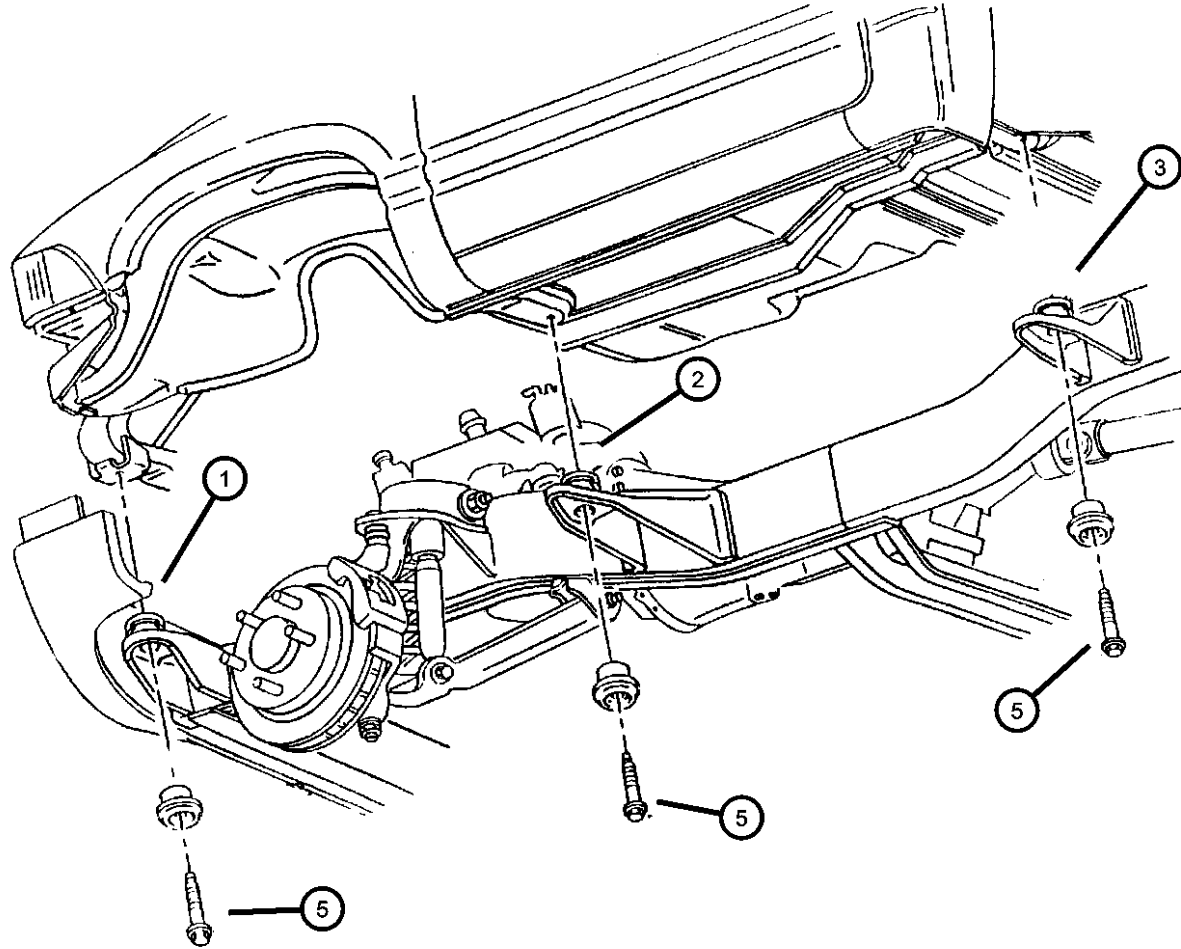
SERIES	LINE	BODY	ENGINE	TRANSMISSION
L = Ram Truck (All)	3 = HD DODGE 2WD 8 = HD DODGE 4WD 1 = Lt. Duty DODGE 2WD 6 = Lt. Duty DODGE 4WD 2 = Med. Duty DODGE 2WD 7 = Med. Duty DODGE 4WD	31 = CLUB CAB 2-DR 6.5 FT BOX 32 = CLUB CAB 2-DR 8FT BOX 33 = QUAD CAB 4-DR 6.5 FT BOX 34 = QUAD CAB 4-DR 8FT BOX	ELF = ENGINE - 5.2L V8 MPI EML = ENGINE - 5.9L V8 MPI EMM = ENGINE - "MAGNUM" 5.9L SMPI V8 ETC = ENGINE- 5.9L CUMMINS 24V DIESEL ETH = ENGINE- 5.9L HO CUMMINS TURBO DIESEL EWA = ENGINE - 8.0L V10 MPI	DDC = TRANSMISSION - 5-SPEED HD MANUAL DDP = TRANSMISSION - 5-SPEED MANUAL DDX = TRANSMISSION - 5-SPEED HD MANUAL DEE = TRANSMISSION - 6-SPEED HD MANUAL DGP = TRANSMISSION - 4-SPD. AUTOMATIC,47RE DGT = TRANSMISSION - 4-SPD. AUTOMATIC,46RE

AR = use ase required - = Non illustrated part

2000 BE

**Body Hold Down And Front End Mounting**  
**Figure 13-520**

ITEM	PART NUMBER	QTY	LINE	SERIES	BODY	ENGINE	TRANS	TRIM	DESCRIPTION
1	55274855	6							CUSHION, Body Hold Down, Load
2	55274857	2							CUSHION, Body Hold Down
3	55274828	6							CUSHION, Body Hold Down
-4	55274831	8							INSULATOR, Body Hold Down
5	06501557	8							BOLT, Hex Flange Head, M12x1.75x95.50



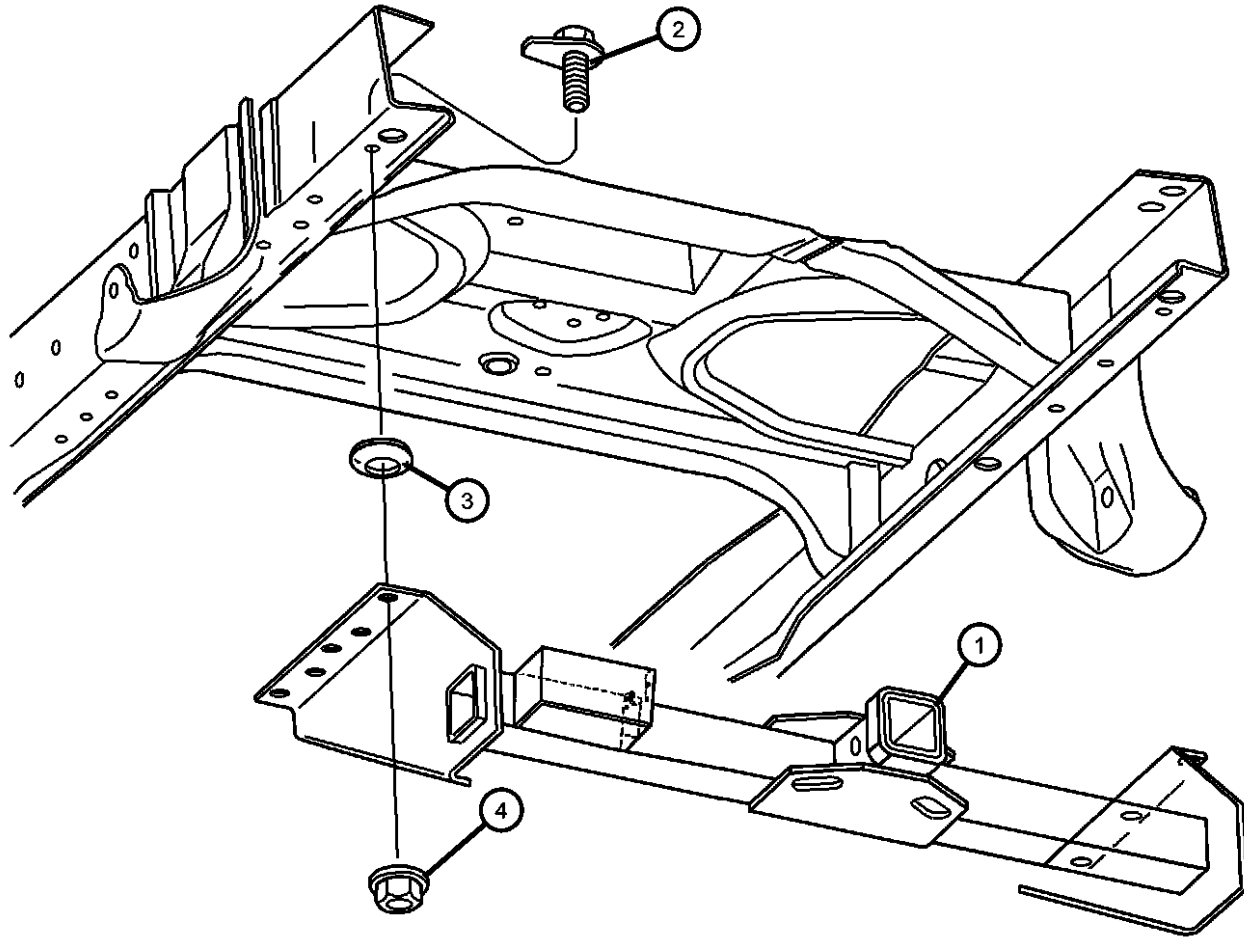
**RAM PICKUP/CLUB CAB (BE)**

SERIES	LINE	BODY	ENGINE	TRANSMISSION
L = Ram Truck (All)	3 = HD DODGE 2WD 8 = HD DODGE 4WD 1 = Lt. Duty DODGE 2WD 6 = Lt. Duty DODGE 4WD 2 = Med. Duty DODGE 2WD 7 = Med. Duty DODGE 4WD	31 = CLUB CAB 2-DR 6.5 FT BOX 32 = CLUB CAB 2-DR 8FT BOX 33 = QUAD CAB 4-DR 6.5 FT BOX 34 = QUAD CAB 4-DR 8FT BOX	ELF = ENGINE - 5.2L V8 MPI EML = ENGINE - 5.9L V8 MPI EMM = ENGINE - "MAGNUM" 5.9L SMPI V8 ETC = ENGINE- 5.9L CUMMINS 24V DIESEL ETH = ENGINE- 5.9L HO CUMMINS TURBO DIESEL EWA = ENGINE - 8.0L V10 MPI	DDC = TRANSMISSION - 5-SPEED HD MANUAL DDP = TRANSMISSION - 5-SPEED MANUAL DDX = TRANSMISSION - 5-SPEED HD MANUAL DEE = TRANSMISSION - 6-SPEED HD MANUAL DGP = TRANSMISSION - 4-SPD. AUTOMATIC, 47RE DGT = TRANSMISSION - 4-SPD. AUTOMATIC, 46RE

AR = use ase required - = Non illustrated part

Rear Hitch  
Figure 13-610

ITEM	PART NUMBER	QTY	LINE	SERIES	BODY	ENGINE	TRANS	TRIM	DESCRIPTION
1	82207492	1		L					RECEIVER KIT, Trailer Tow
2	06503252	6							BOLT, Hex Flange Head, M12x1.75x45
3	06026430	6							NUT, Push
4	06100055	6							NUT AND WASHER, Hex Nut-Coned Washer, M12 x 1.75



RAM PICKUP/CLUB CAB (BE)

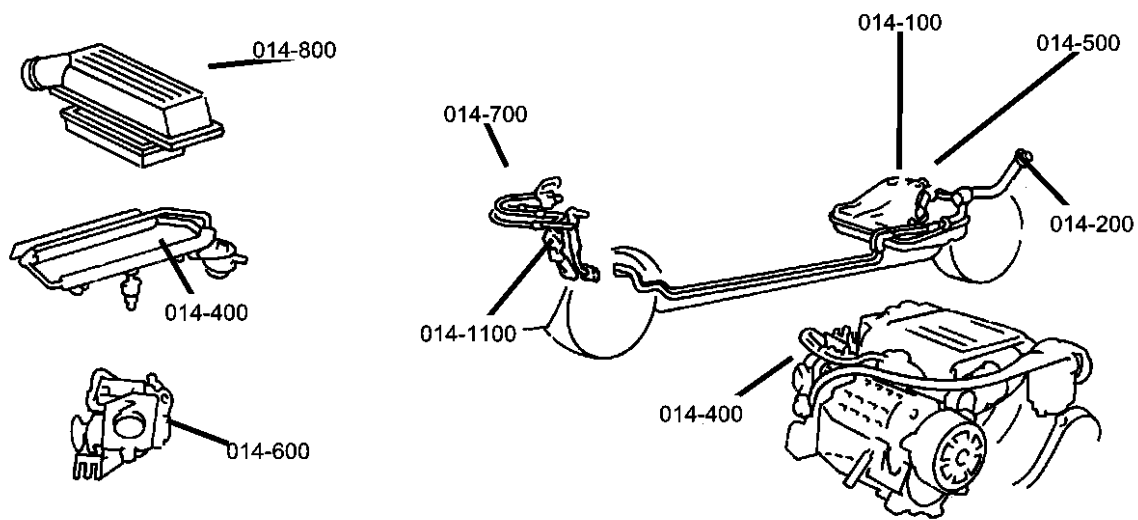
SERIES	LINE	BODY	ENGINE	TRANSMISSION
L = Ram Truck (All)	3 = HD DODGE 2WD	31 = CLUB CAB 2-DR 6.5 FT BOX	ELF = ENGINE - 5.2L V8 MPI	DDC = TRANSMISSION - 5-SPEED HD MANUAL
	8 = HD DODGE 4WD	32 = CLUB CAB 2-DR 8FT BOX	EML = ENGINE - 5.9L V8 MPI	DDP = TRANSMISSION - 5-SPEED MANUAL
	1 = Lt. Duty DODGE 2WD	33 = QUAD CAB 4-DR 6.5 FT BOX	EMM = ENGINE - "MAGNUM" 5.9L SMPI V8	DDX = TRANSMISSION - 5-SPEED HD MANUAL
	6 = Lt. Duty DODGE 4WD	34 = QUAD CAB 4-DR 8FT BOX	ETC = ENGINE- 5.9L CUMMINS 24V DIESEL	DEE = TRANSMISSION - 6-SPEED HD MANUAL
	2 = Med. Duty DODGE 2WD		ETH = ENGINE- 5.9L HO CUMMINS TURBO DIESEL	DGP = TRANSMISSION - 4-SPD. AUTOMATIC,47RE
	7 = Med. Duty DODGE 4WD		EWA = ENGINE - 8.0L V10 MPI	DGT = TRANSMISSION - 4-SPD. AUTOMATIC,46RE

AR = use ase required - = Non illustrated part

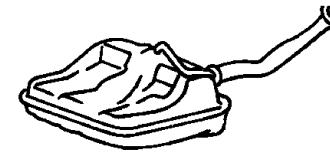
2000 BE

# Group - 14

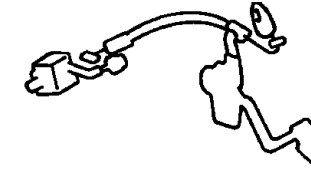
## Fuel



**014-100**  
Tank, Fuel



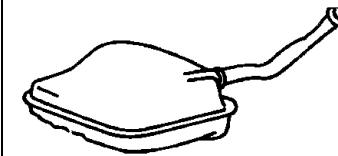
**014-1000**  
Speed Control



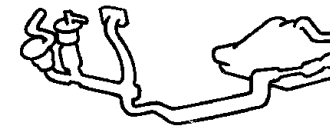
**014-1100**  
Accelerator Pedal



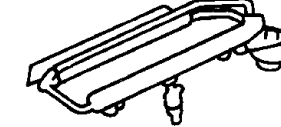
**014-200**  
Fuel Tank Filler Tube



**014-300**  
Fuel Lines



**014-400**  
Fuel Rail



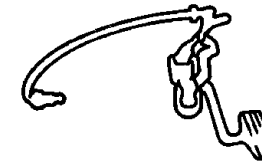
**014-500**  
Fuel Pump and Sending Unit



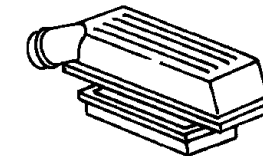
**014-600**  
Throttle Body



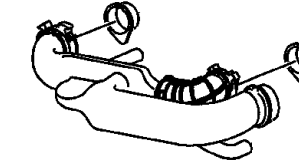
**014-700**  
Throttle Controls



**014-800**  
Air Cleaner



**014-900**  
Air Intake System



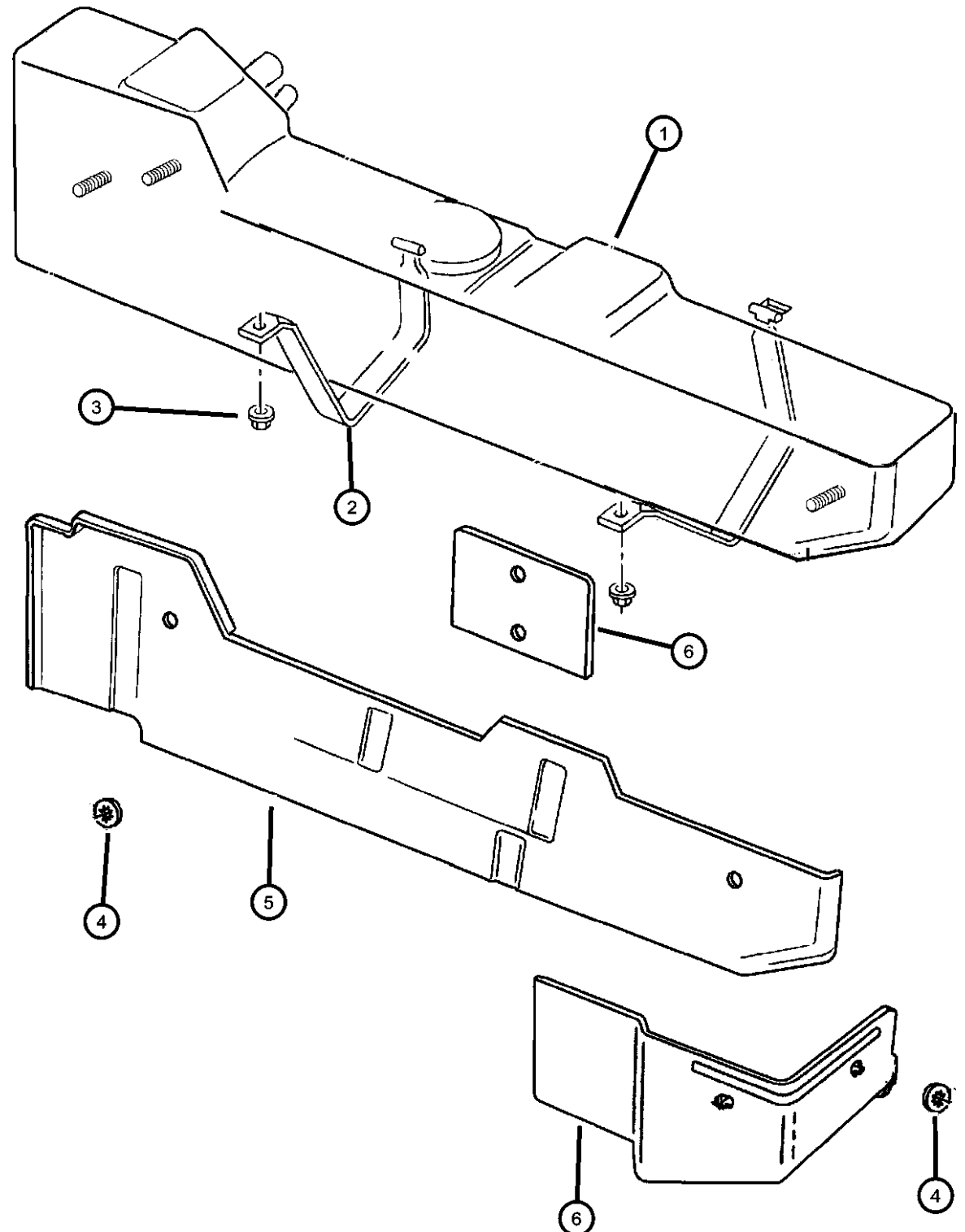
---

## Group - 14 Fuel

Illustration Title	Group-Fig. No.
<b>Tank, Fuel</b>	
Fuel Tank .....	Fig. 14 - 132
<b>Fuel Tank Filler Tube</b>	
Fuel Filler Tube .....	Fig. 14 - 242
<b>Fuel Lines</b>	
Fuel Lines, Front .....	Fig. 14 - 315
Fuel Lines, Rear .....	Fig. 14 - 325
Fuel Lines .....	Fig. 14 - 335
Fuel Injector .....	Fig. 14 - 345
Air Fuel Control and Fuel Filter .....	Fig. 14 - 365
<b>Fuel Rail</b>	
Fuel Rail .....	Fig. 14 - 430
<b>Fuel Pump and Sending Unit</b>	
Fuel Module .....	Fig. 14 - 525
Fuel Injection Pump .....	Fig. 14 - 535
Fuel Accessories .....	Fig. 14 - 550
Fuel Pump Transfer Conversion .....	Fig. 14 - 555
<b>Throttle Body</b>	
Throttle Body .....	Fig. 14 - 630
Turbocharger .....	Fig. 14 - 650
<b>Throttle Controls</b>	
Throttle Controls .....	Fig. 14 - 730
Throttle Controls .....	Fig. 14 - 750
<b>Air Cleaner</b>	
Air Cleaner .....	Fig. 14 - 825
Air Cleaner .....	Fig. 14 - 827
Air Cleaner .....	Fig. 14 - 830
Air Cleaner .....	Fig. 14 - 840
<b>Air Intake System</b>	
Air Intake System .....	Fig. 14 - 920
Air Intake System .....	Fig. 14 - 930
Air Intake System .....	Fig. 14 - 935
Charge Air Cooler System .....	Fig. 14 - 945
<b>Speed Control</b>	
Speed Control .....	Fig. 14 - 1030
<b>Accelerator Pedal</b>	
Accelerator Pedal .....	Fig. 14 - 1120



Fuel Tank  
Figure 14-132



ITEM	PART NUMBER	QTY	LINE	SERIES	BODY	ENGINE	TRANS	TRIM	DESCRIPTION
------	-------------	-----	------	--------	------	--------	-------	------	-------------

Note; ELO= All 5.2 Eng.  
EML,EMM= 5.9 Eng.  
ETO= All 5.9 Diesel Eng.  
EWO= All 8.0 Eng.

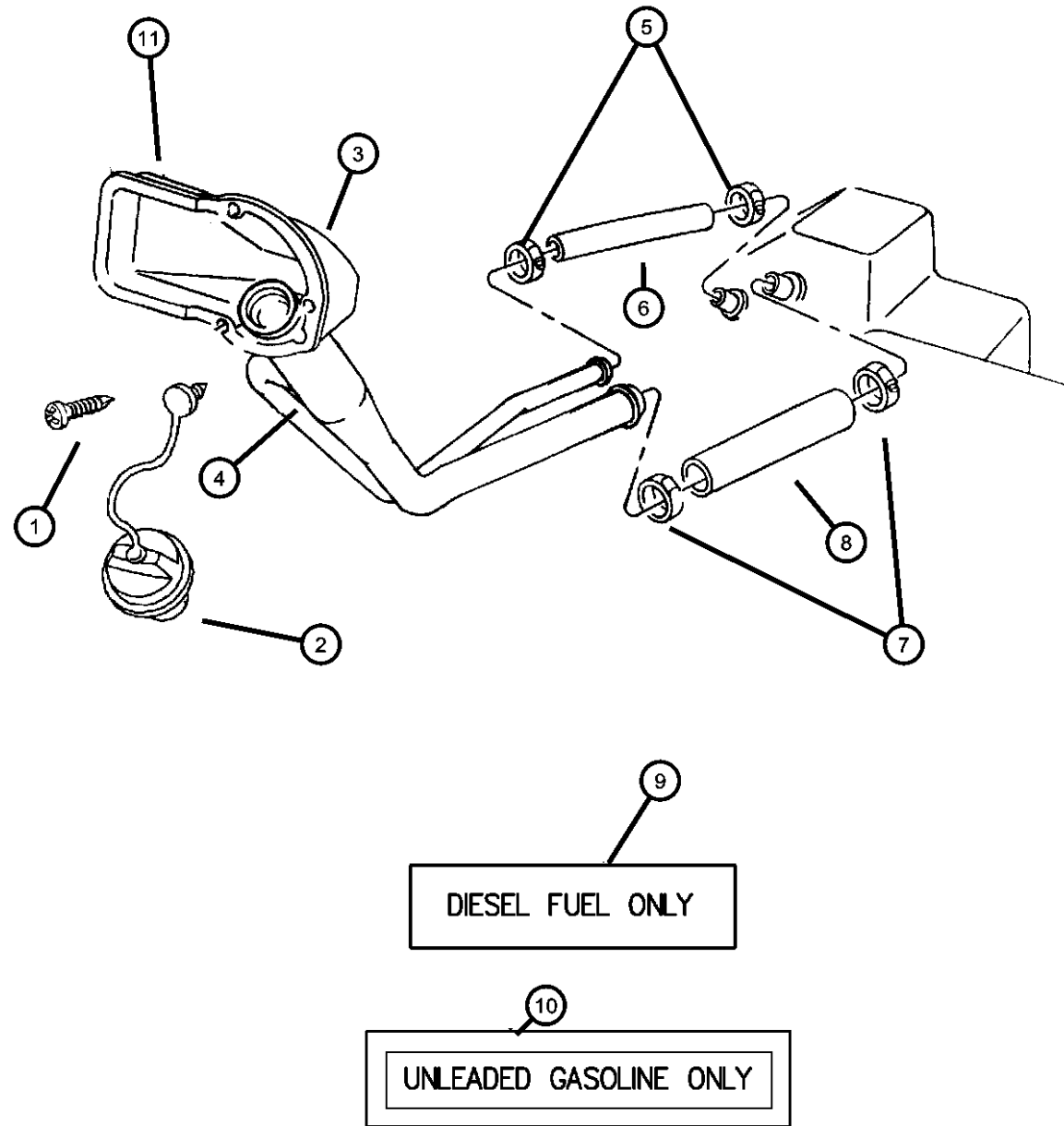
1	52102072AC	1				ELO, EML			TANK, Fuel 26 Gallon
	52102076AC	1				ELO, EMO, EWO			35 Gallon
	52102080AC	1				ETO			35 Gallon
	52102238AF	1				ETO			34 Gallon
	52102241AC	1				EMO, EWO			34 Gallon
2	52102058AC	1							STRAP, Fuel Tank Front
	52102059	1							Rear
3	06502337	2							NUT, M10x1.5
4	J4000235	4				EMM, EWO			NUT, Push, .375
5	52102316	1				EMO, EWO			SHIELD, Fuel Tank [Front]
	52102317	1			32, 34	ELO, EMO, EWO			35 Gallon
	52102318	1	1, 6		31, 33	ELO, EML			26 Gallon
	52102321	1				EMO, EWO			[ Side]
6	52102422	1	2, 3, 7, 8		32, 34	EMM, EWO			SHIELD, Heat
-7	52102441AA	1	6		31, 33				SKID PLATE, Fuel Tank, With Sales Code XEE

RAM PICKUP/CLUB CAB (BE)

SERIES	LINE	BODY	ENGINE	TRANSMISSION
L = Ram Truck (All)	3 = HD DODGE 2WD 8 = HD DODGE 4WD 1 = Lt. Duty DODGE 2WD 6 = Lt. Duty DODGE 4WD 2 = Med. Duty DODGE 2WD 7 = Med. Duty DODGE 4WD	31 = CLUB CAB 2-DR 6.5 FT BOX 32 = CLUB CAB 2-DR 8FT BOX 33 = QUAD CAB 4-DR 6.5 FT BOX 34 = QUAD CAB 4-DR 8FT BOX	ELF = ENGINE - 5.2L V8 MPI EML = ENGINE - 5.9L V8 MPI EMM = ENGINE - "MAGNUM" 5.9L SMPI V8 ETC = ENGINE- 5.9L CUMMINS 24V DIESEL ETH = ENGINE- 5.9L HO CUMMINS TURBO DIESEL EWA = ENGINE - 8.0L V10 MPI	DDC = TRANSMISSION - 5-SPEED HD MANUAL DDP = TRANSMISSION - 5-SPEED MANUAL DDX = TRANSMISSION - 5-SPEED HD MANUAL DEE = TRANSMISSION - 6-SPEED HD MANUAL DGP = TRANSMISSION - 4-SPD. AUTOMATIC,47RE DGT = TRANSMISSION - 4-SPD. AUTOMATIC,46RE

AR = use ase required - = Non illustrated part

Fuel Filler Tube  
Figure 14-242



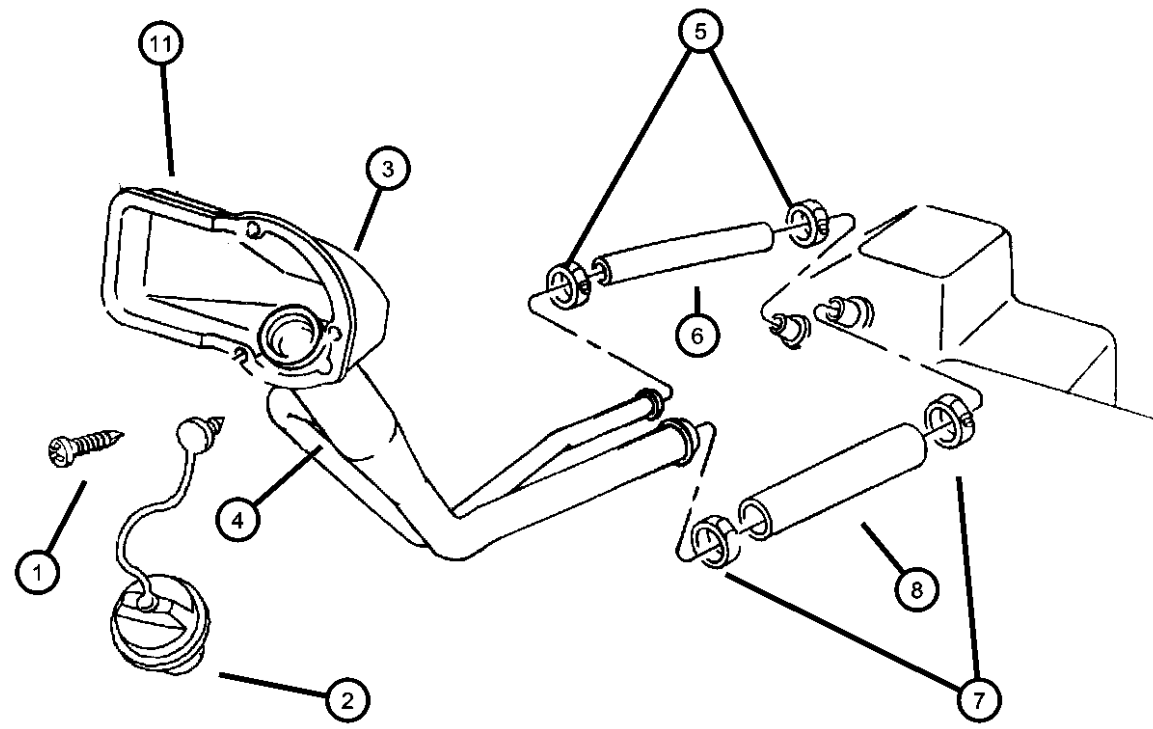
ITEM	PART NUMBER	QTY	LINE	SERIES	BODY	ENGINE	TRANS	TRIM	DESCRIPTION
	Note: ELO = All 5.2L 8 Cyl Gas Engines EM0 = All 5.9L 8 Cyl Gas Engines ET0 = All 5.9L Turbo Diesel Engines EW0 = All 8.0L Gas Engines								
1	52102441AA	1							SCREW, .190-16x1.00, (NOT SERVICED)
2	05278632AA	1							CAP, Fuel Filler
3	52102142AB	1	3, 8		34	EM0, EW0			HOUSING, Fuel Filler
		1	1, 2, 6, 7			ELO, EM0, EW0			Federal, California, w/Dual Wheels
		1	2, 7			ET0			Leaded Fuel, w/o Dual Wheels
		1	1, 2, 6, 7			ELO, EM0, EW0			Federal, California, w/o Dual Wheels
		1	3, 8		34	ET0			Federal, California, w/o Dual Wheels
4	52102491AA	1	1, 2, 6, 7			ELO, EM0, EW0			TUBE, Fuel Filler
		1	1, 2, 6, 7			ELO, EM0, EW0			Federal, California, w/o Dual Wheels
		1	2, 7			ET0			Leaded Fuel, w/o Dual Wheels
	52102493AA	1	3, 8		34	ET0			Federal, California, w/Dual Wheels
	52102494AA	1	3, 8		34	EM0, EW0			Federal, California, w/Dual Wheels
5	06505321AA	2							CLAMP, Fuel Filler Pipe
6	52102376AA	1							HOSE, Fuel Filler Vent
7	06504998AA	2							CLAMP, Fuel Filler Pipe
8	52102375AA	1							HOSE, Fuel Filler
9	04428652	1				ET0			LABEL, Fuel
10	04206059	1				ELF, EM0, EW0			LABEL, Unleaded Fuel Only
11	52102306	1	3, 8		34	EM0, EW0			GASKET, Filler Tube Housing
									Federal, California, w/Dual Wheels

RAM PICKUP/CLUB CAB (BE)

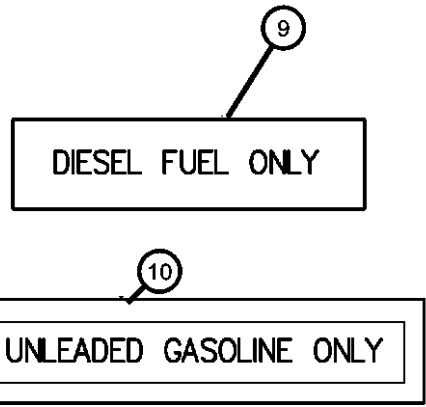
SERIES	LINE	BODY	ENGINE	TRANSMISSION
L = Ram Truck (All)	3 = HD DODGE 2WD 8 = HD DODGE 4WD 1 = Lt. Duty DODGE 2WD 6 = Lt. Duty DODGE 4WD 2 = Med. Duty DODGE 2WD 7 = Med. Duty DODGE 4WD	31 = CLUB CAB 2-DR 6.5 FT BOX 32 = CLUB CAB 2-DR 8FT BOX 33 = QUAD CAB 4-DR 6.5 FT BOX 34 = QUAD CAB 4-DR 8FT BOX	ELF = ENGINE - 5.2L V8 MPI EML = ENGINE - 5.9L V8 MPI EMM = ENGINE - "MAGNUM" 5.9L SMPI V8 ETC = ENGINE- 5.9L CUMMINS 24V DIESEL ETH = ENGINE- 5.9L HO CUMMINS TURBO DIESEL EWA = ENGINE - 8.0L V10 MPI	DDC = TRANSMISSION - 5-SPEED HD MANUAL DDP = TRANSMISSION - 5-SPEED MANUAL DDX = TRANSMISSION - 5-SPEED HD MANUAL DEE = TRANSMISSION - 6-SPEED HD MANUAL DGP = TRANSMISSION - 4-SPD. AUTOMATIC, 47RE DGT = TRANSMISSION - 4-SPD. AUTOMATIC, 46RE

AR = use ase required - = Non illustrated part

Fuel Filler Tube  
Figure 14-242



ITEM	PART NUMBER	QTY	LINE	SERIES	BODY	ENGINE	TRANS	TRIM	DESCRIPTION
		1	1, 2, 6, 7			ELO, EMO, EWO			Leaded Fuel, w/o Dual Wheels
		1	2, 7			ET0			
		1	1, 2, 6, 7			ELO, EMO, EWO			Federal, California, w/o Dual Wheels
		1	3, 8		34	ET0			



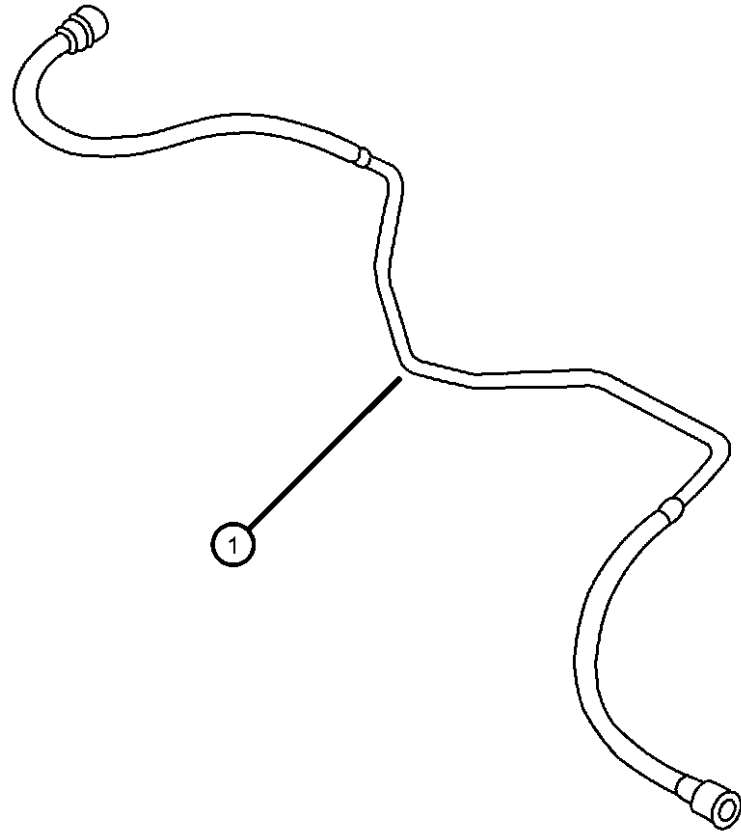
RAM PICKUP/CLUB CAB (BE)

SERIES	LINE	BODY	ENGINE	TRANSMISSION
L = Ram Truck (All)	3 = HD DODGE 2WD	31 = CLUB CAB 2-DR 6.5 FT BOX	ELF = ENGINE - 5.2L V8 MPI	DDC = TRANSMISSION - 5-SPEED HD MANUAL
	8 = HD DODGE 4WD	32 = CLUB CAB 2-DR 8FT BOX	EML = ENGINE - 5.9L V8 MPI	DDP = TRANSMISSION - 5-SPEED MANUAL
	1 = Lt. Duty DODGE 2WD	33 = QUAD CAB 4-DR 6.5 FT BOX	EMM = ENGINE - "MAGNUM" 5.9L SMPI V8	DDX = TRANSMISSION - 5-SPEED HD MANUAL
	6 = Lt. Duty DODGE 4WD	34 = QUAD CAB 4-DR 8FT BOX	ETC = ENGINE- 5.9L CUMMINS 24V DIESEL	DEE = TRANSMISSION - 6-SPEED HD MANUAL
	2 = Med. Duty DODGE 2WD		ETH = ENGINE- 5.9L HO CUMMINS TURBO DIESEL	DGP = TRANSMISSION - 4-SPD. AUTOMATIC,47RE
	7 = Med. Duty DODGE 4WD		EWA = ENGINE - 8.0L V10 MPI	DGT = TRANSMISSION - 4-SPD. AUTOMATIC,46RE

AR = use ase required - = Non illustrated part

Fuel Lines, Front  
Figure 14-315

ITEM	PART NUMBER	QTY	LINE	SERIES	BODY	ENGINE	TRANS	TRIM	DESCRIPTION
Note; ELO= All 5.2 Eng. EMO= All 5.9 Eng. EWO= All 8.0 Eng.									
1									BUNDLE, Fuel Line
	52127819AD	1				ELO, EMO			
	52127820AE	1				EWO			



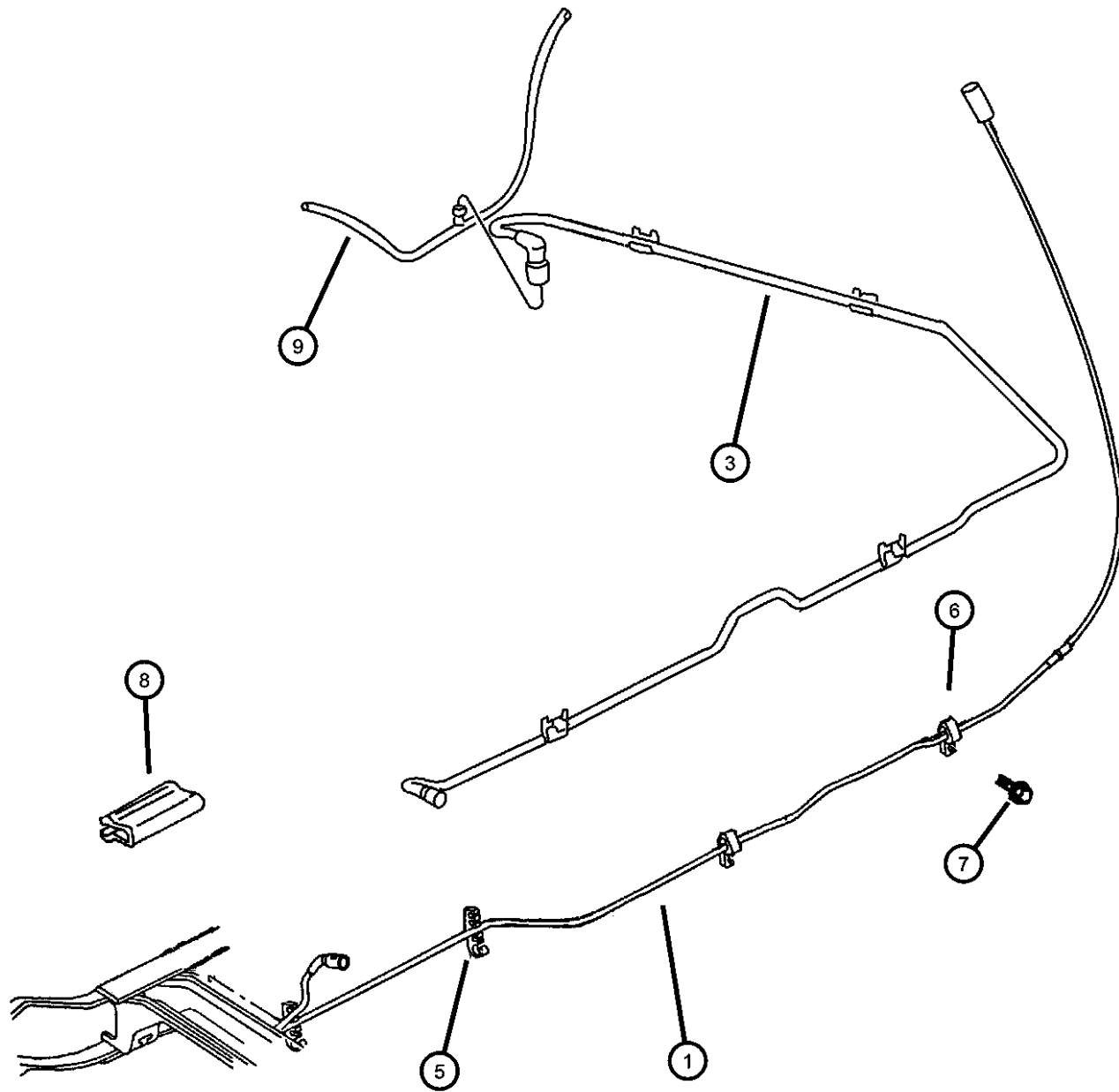
RAM PICKUP/CLUB CAB (BE)

SERIES	LINE	BODY	ENGINE	TRANSMISSION
L = Ram Truck (All)	3 = HD DODGE 2WD 8 = HD DODGE 4WD 1 = Lt. Duty DODGE 2WD 6 = Lt. Duty DODGE 4WD 2 = Med. Duty DODGE 2WD 7 = Med. Duty DODGE 4WD	31 = CLUB CAB 2-DR 6.5 FT BOX 32 = CLUB CAB 2-DR 8FT BOX 33 = QUAD CAB 4-DR 6.5 FT BOX 34 = QUAD CAB 4-DR 8FT BOX	ELF = ENGINE - 5.2L V8 MPI EML = ENGINE - 5.9L V8 MPI EMM = ENGINE - "MAGNUM" 5.9L SMPI V8 ETC = ENGINE- 5.9L CUMMINS 24V DIESEL ETH = ENGINE- 5.9L HO CUMMINS TURBO DIESEL EWA = ENGINE - 8.0L V10 MPI	DDC = TRANSMISSION - 5-SPEED HD MANUAL DDP = TRANSMISSION - 5-SPEED MANUAL DDX = TRANSMISSION - 5-SPEED HD MANUAL DEE = TRANSMISSION - 6-SPEED HD MANUAL DGP = TRANSMISSION - 4-SPD. AUTOMATIC,47RE DGT = TRANSMISSION - 4-SPD. AUTOMATIC,46RE

AR = use ase required - = Non illustrated part

2000 BE

Fuel Lines, Rear  
Figure 14-325



ITEM	PART NUMBER	QTY	LINE	SERIES	BODY	ENGINE	TRANS	TRIM	DESCRIPTION
1	52102314	1	2, 3, 7, 8		34	ET0			TUBE, Fuel Supply
	52102322	1	2, 7		33	ET0			Supply
-2	52102300AC	1	1, 2, 6, 7		31, 33	ELO, EMO, EWO			BUNDLE, Fuel Line Without [AWL]
	52102302AC	1			34	ELO, EMO, EWO			
	52102690AA	1	6		31, 33	ELO, EMO, EWO			With [AWL]
3	52102315AB	1	2, 3, 7, 8		34	ET0			TUBE, Fuel Return
	52102323AB	1	2, 7		33	ET0			Return
-4	52102294AB	1	1, 2, 6, 7		31, 33	ELO, EMO, EWO			TUBE, Fuel Vapor
	52102303AB	1			34	ELO, EMO, EWO			Federal
	52102474AA	1			34	ELF, EML			California
		1			34	EMM, EWO			California
5	52102003	2	1, 2, 6, 7		31, 33	ELO, EMO, EWO			CLIP, Fuel
		4	2, 7		33	ET0			
		3			34	ELO, EMO, EWO			
		4	2, 3, 7, 8		34	ET0			
6									CLIP, Fuel Line

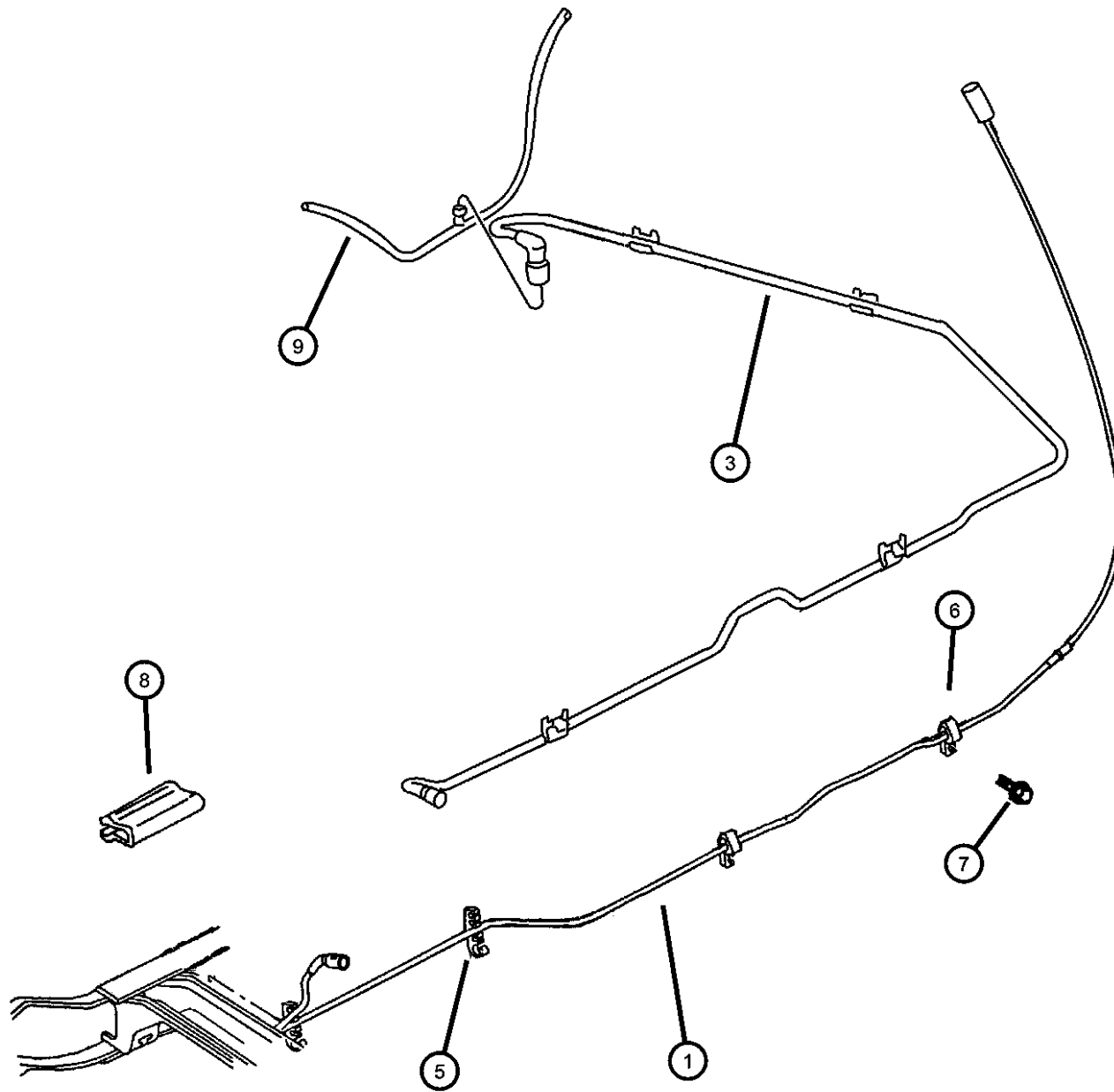
Note:  
 ELF = Magnum 5.2L SMPI V8 Engine  
 ELO = All 5.2L 8 Cyl Gas Engines  
 EML = Magnum 5.9L SMPI V8 Engine  
 EMO = All 5.9L 8 Cyl Gas Engines  
 ET0 = All 5.9L Turbo Diesel Engines  
 EWO = All 8.0L Gas Engines

RAM PICKUP/CLUB CAB (BE)

SERIES	LINE	BODY	ENGINE	TRANSMISSION
L = Ram Truck (All)	3 = HD DODGE 2WD	31 = CLUB CAB 2-DR 6.5 FT BOX	ELF = ENGINE - 5.2L V8 MPI	DDC = TRANSMISSION - 5-SPEED HD MANUAL
	8 = HD DODGE 4WD	32 = CLUB CAB 2-DR 8FT BOX	EML = ENGINE - 5.9L V8 MPI	DDP = TRANSMISSION - 5-SPEED MANUAL
	1 = Lt. Duty DODGE 2WD	33 = QUAD CAB 4-DR 6.5 FT BOX	EMM = ENGINE - "MAGNUM" 5.9L SMPI V8	DDX = TRANSMISSION - 5-SPEED HD MANUAL
	6 = Lt. Duty DODGE 4WD	34 = QUAD CAB 4-DR 8FT BOX	ETC = ENGINE- 5.9L CUMMINS 24V DIESEL	DEE = TRANSMISSION - 6-SPEED HD MANUAL
	2 = Med. Duty DODGE 2WD		ETH = ENGINE- 5.9L HO CUMMINS TURBO DIESEL	DGP = TRANSMISSION - 4-SPD. AUTOMATIC, 47RE
	7 = Med. Duty DODGE 4WD		EWA = ENGINE - 8.0L V10 MPI	DGT = TRANSMISSION - 4-SPD. AUTOMATIC, 46RE

AR = use ase required - = Non illustrated part

Fuel Lines, Rear  
Figure 14-325



ITEM	PART NUMBER	QTY	LINE	SERIES	BODY	ENGINE	TRANS	TRIM	DESCRIPTION
	52102371AB	3	1, 6		31, 33	ELO, EMO, EWO			
		3	2, 3, 7, 8			ELO, EMO, EWO			
	52102373AC	3	2, 3, 7, 8			ET0			
7	52102373AC	3							SCREW, (NOT SERVICED)
8									SHIELD, Fuel Line
	52021002	1			32, 34	ELF, EMO, ET0, EWO			
		2	1, 2, 6, 7		31, 33	ELF, EMO, ET0, EWO			
9		2							TUBE, Fuel, Serviced in Fuel Tank, (NOT SERVICED)

RAM PICKUP/CLUB CAB (BE)

SERIES	LINE	BODY	ENGINE	TRANSMISSION
L = Ram Truck (All)	3 = HD DODGE 2WD	31 = CLUB CAB 2-DR 6.5 FT BOX	ELF = ENGINE - 5.2L V8 MPI	DDC = TRANSMISSION - 5-SPEED HD MANUAL
	8 = HD DODGE 4WD	32 = CLUB CAB 2-DR 8FT BOX	EML = ENGINE - 5.9L V8 MPI	DDP = TRANSMISSION - 5-SPEED MANUAL
	1 = Lt. Duty DODGE 2WD	33 = QUAD CAB 4-DR 6.5 FT BOX	EMM = ENGINE - "MAGNUM" 5.9L SMPI V8	DDX = TRANSMISSION - 5-SPEED HD MANUAL
	6 = Lt. Duty DODGE 4WD	34 = QUAD CAB 4-DR 8FT BOX	ETC = ENGINE- 5.9L CUMMINS 24V DIESEL	DEE = TRANSMISSION - 6-SPEED HD MANUAL
	2 = Med. Duty DODGE 2WD		ETH = ENGINE- 5.9L HO CUMMINS TURBO DIESEL	DGP = TRANSMISSION - 4-SPD. AUTOMATIC, 47RE
	7 = Med. Duty DODGE 4WD		EWA = ENGINE - 8.0L V10 MPI	DGT = TRANSMISSION - 4-SPD. AUTOMATIC, 46RE

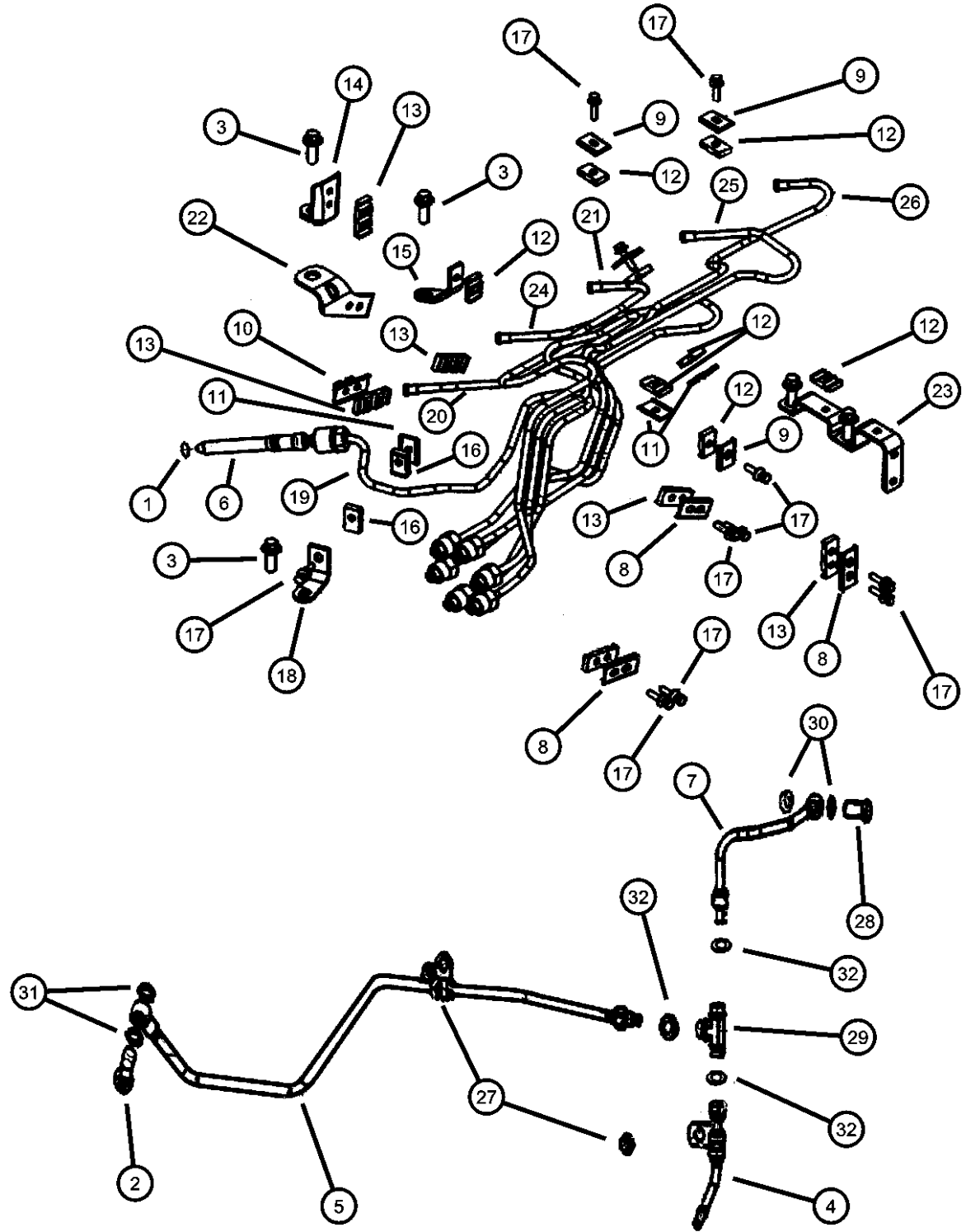
AR = use ase required - = Non illustrated part

2000 BE

Fuel Lines  
Figure 14-335

ITEM	PART NUMBER	QTY	LINE	SERIES	BODY	ENGINE	TRANS	TRIM	DESCRIPTION
------	-------------	-----	------	--------	------	--------	-------	------	-------------

Note; ETC= 5.9 Diesel 24 Valve  
ETH= 5.9 Diesel 24 Valve High Output  
DBB= All Manual Trans.



1									O RING, Fuel Injector
	05011885AA	6				ETC			
		6				ETH	DBB		
2									CHECK VALVE, Fuel
	05011824AA	1				ETC			
		1				ETH	DBB		
3									SCREW, Fuel Tube Cap
	04638695	5				ETC			
		4				ETH	DBB		
4									TUBE, Fuel Return
	05011826AA	1				ETC			
		1				ETH	DBB		
5									TUBE, Fuel Return
	05016556AA	1				ETC			
		1				ETH	DBB		
6									CONNECTOR, Injector
	05013856AA	6				ETC			
		6				ETH	DBB		
7									TUBE, Fuel Return
	05011439AA	1				ETC			
		1				ETH	DBB		
8									BRACE, Fuel Tube
	04429519	3				ETC			
		1				ETH	DBB		
9									BRACE, Fuel Tube
	04762019	2				ETC	DG0		
		2				ETH	DBB		
10									BRACE, Fuel Tube

RAM PICKUP/CLUB CAB (BE)

SERIES	LINE
L = Ram Truck	3 = HD DODGE 2WD
(All)	8 = HD DODGE 4WD
	1 = Lt. Duty DODGE 2WD
	6 = Lt. Duty DODGE 4WD
	2 = Med. Duty DODGE 2WD
	7 = Med. Duty DODGE 4WD

BODY	ENGINE	TRANSMISSION
31 = CLUB CAB 2-DR 6.5 FT BOX	ELF = ENGINE - 5.2L V8 MPI	DDC = TRANSMISSION - 5-SPEED HD MANUAL
32 = CLUB CAB 2-DR 8FT BOX	EML = ENGINE - 5.9L V8 MPI	DDP = TRANSMISSION - 5-SPEED MANUAL
33 = QUAD CAB 4-DR 6.5 FT BOX	EMM = ENGINE - "MAGNUM" 5.9L SMPI V8	DDX = TRANSMISSION - 5-SPEED HD MANUAL
34 = QUAD CAB 4-DR 8FT BOX	ETC = ENGINE- 5.9L CUMMINS 24V DIESEL	DEE = TRANSMISSION - 6-SPEED HD MANUAL
	ETH = ENGINE- 5.9L HO CUMMINS TURBO DIESEL	DGP = TRANSMISSION - 4-SPD. AUTOMATIC, 47RE
	EWA = ENGINE - 8.0L V10 MPI	DGT = TRANSMISSION - 4-SPD. AUTOMATIC, 46RE

AR = use ase required - = Non illustrated part

2000 BE

Fuel Lines  
Figure 14-335

ITEM	PART NUMBER	QTY	LINE	SERIES	BODY	ENGINE	TRANS	TRIM	DESCRIPTION
	04740354	1				ETC			
11		1				ETH	DBB		BRACE, Fuel Tube
	04762021	3				ETC			
12		2				ETH	DBB		ISOLATOR, Fuel Filter Vibration
	04762022	8				ETC			
13		4				ETH	DBB		ISOLATOR, Tube
	04638687	6				ETC			
14		2				ETH	DBB		BRACE, Fuel Tube
	05014204AA	1				ETC			
15		1				ETH	DBB		BRACE, Fuel Tube
	05011887AA	1				ETC			
16		1				ETH	DBB		ISOLATOR, Tube
	05011888AA	2				ETC			
17		2				ETH	DBB		SCREW, Fuel Tube Bracket
	04761708	11				ETC			
18		7				ETH	DBB		BRACE, Fuel Tube
	05011889AA	1				ETC			
19		1				ETH	DBB		TUBE, Fuel Injector Supply
	05011457AA	1				ETC			
20		1				ETH	DBB		TUBE, Fuel Injector Supply

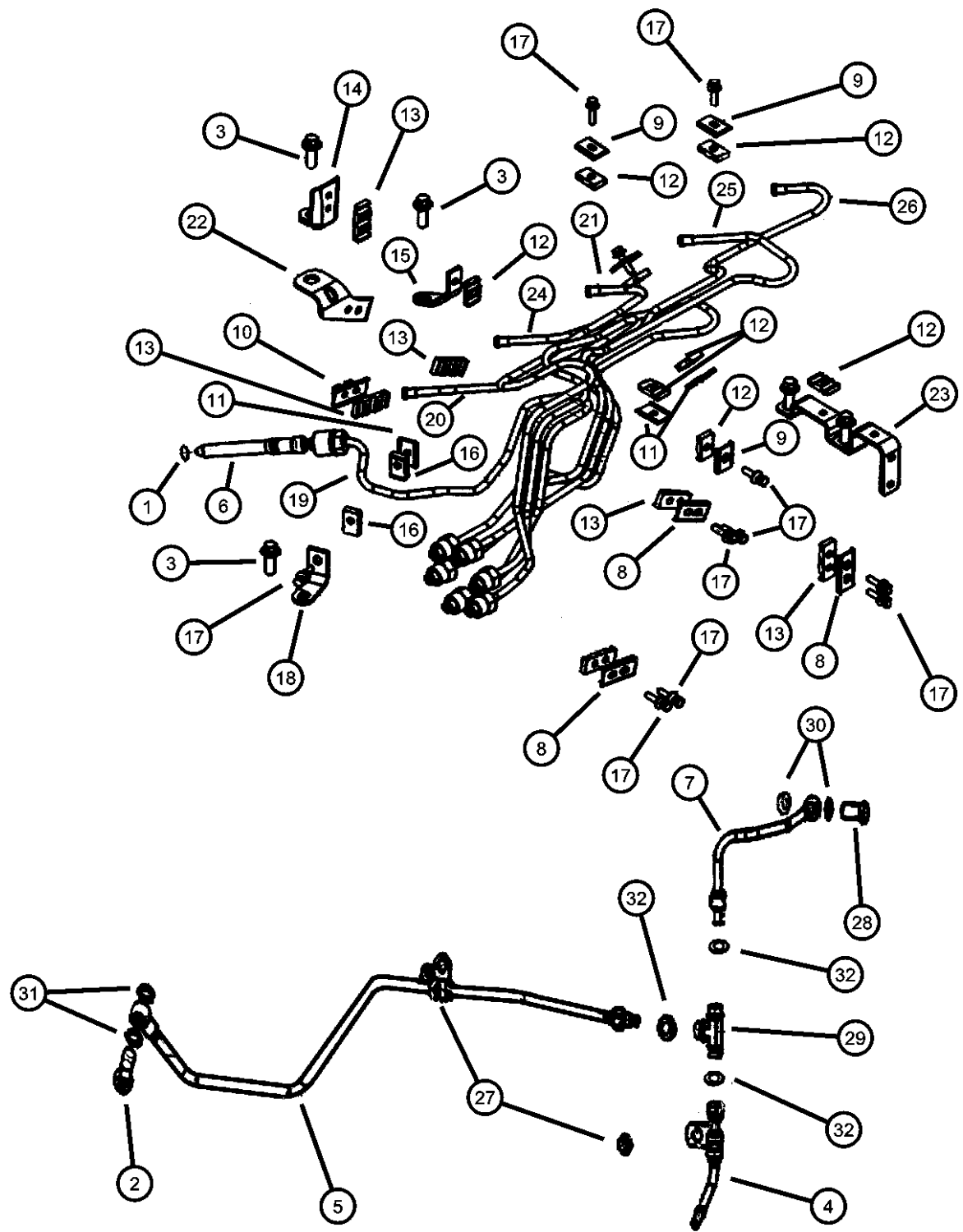
RAM PICKUP/CLUB CAB (BE)

SERIES	LINE
L = Ram Truck	3 = HD DODGE 2WD
(All)	8 = HD DODGE 4WD
	1 = Lt. Duty DODGE 2WD
	6 = Lt. Duty DODGE 4WD
	2 = Med. Duty DODGE 2WD
	7 = Med. Duty DODGE 4WD

BODY	ENGINE	TRANSMISSION
31 = CLUB CAB 2-DR 6.5 FT BOX	ELF = ENGINE - 5.2L V8 MPI	DDC = TRANSMISSION - 5-SPEED HD MANUAL
32 = CLUB CAB 2-DR 8FT BOX	EML = ENGINE - 5.9L V8 MPI	DDP = TRANSMISSION - 5-SPEED MANUAL
33 = QUAD CAB 4-DR 6.5 FT BOX	EMM = ENGINE - "MAGNUM" 5.9L SMPI V8	DDX = TRANSMISSION - 5-SPEED HD MANUAL
34 = QUAD CAB 4-DR 8FT BOX	ETC = ENGINE- 5.9L CUMMINS 24V DIESEL	DEE = TRANSMISSION - 6-SPEED HD MANUAL
	ETH = ENGINE- 5.9L HO CUMMINS TURBO DIESEL	DGP = TRANSMISSION - 4-SPD. AUTOMATIC,47RE
	EWA = ENGINE - 8.0L V10 MPI	DGT = TRANSMISSION - 4-SPD. AUTOMATIC,46RE

AR = use ase required - = Non illustrated part

2000 BE





Fuel Lines  
Figure 14-335

ITEM	PART NUMBER	QTY	LINE	SERIES	BODY	ENGINE	TRANS	TRIM	DESCRIPTION
	05011458AA	1				ETC			
21	05011460AA	1				ETH	DBB		TUBE, Fuel Injector Supply
22	05011890AA	1				ETC			BRACE, Fuel Tube
23	05011889AA	1				ETH	DBB		BRACE, Fuel Tube
24	05011891AA	1				ETC			TUBE, Fuel Injector Supply
25	05011459AA	1				ETC			TUBE, Fuel Injector Supply
26	05011461AA	1				ETC			TUBE, Fuel Injector Supply
27	05011462AA	1				ETC			SCREW, Hex Head, M8x1.25x12
28	05011818AA	1				ETC			BOLT, Banjo
29	04429135	1				ETC			TEE
30	05011820AA	1				ETC			WASHER, Fuel Pump

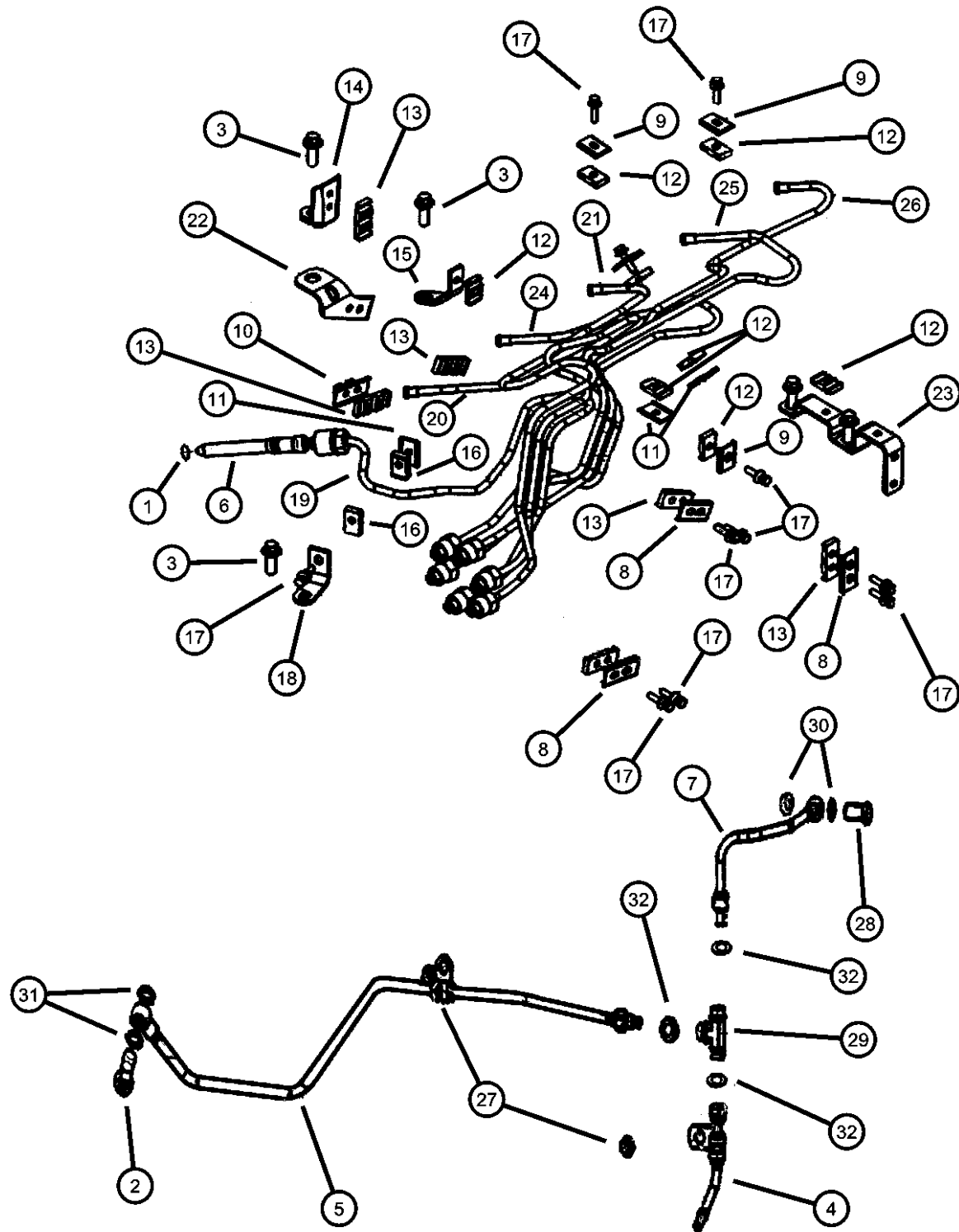
RAM PICKUP/CLUB CAB (BE)

SERIES	LINE
L = Ram Truck (All)	3 = HD DODGE 2WD
	8 = HD DODGE 4WD
	1 = Lt. Duty DODGE 2WD
	6 = Lt. Duty DODGE 4WD
	2 = Med. Duty DODGE 2WD
	7 = Med. Duty DODGE 4WD

BODY	ENGINE	TRANSMISSION
31 = CLUB CAB 2-DR 6.5 FT BOX	ELF = ENGINE - 5.2L V8 MPI	DDC = TRANSMISSION - 5-SPEED HD MANUAL
32 = CLUB CAB 2-DR 8FT BOX	EML = ENGINE - 5.9L V8 MPI	DDP = TRANSMISSION - 5-SPEED MANUAL
33 = QUAD CAB 4-DR 6.5 FT BOX	EMM = ENGINE - "MAGNUM" 5.9L SMPI V8	DDX = TRANSMISSION - 5-SPEED HD MANUAL
34 = QUAD CAB 4-DR 8FT BOX	ETC = ENGINE- 5.9L CUMMINS 24V DIESEL	DEE = TRANSMISSION - 6-SPEED HD MANUAL
	ETH = ENGINE- 5.9L HO CUMMINS TURBO DIESEL	DGP = TRANSMISSION - 4-SPD. AUTOMATIC, 47RE
	EWA = ENGINE - 8.0L V10 MPI	DGT = TRANSMISSION - 4-SPD. AUTOMATIC, 46RE

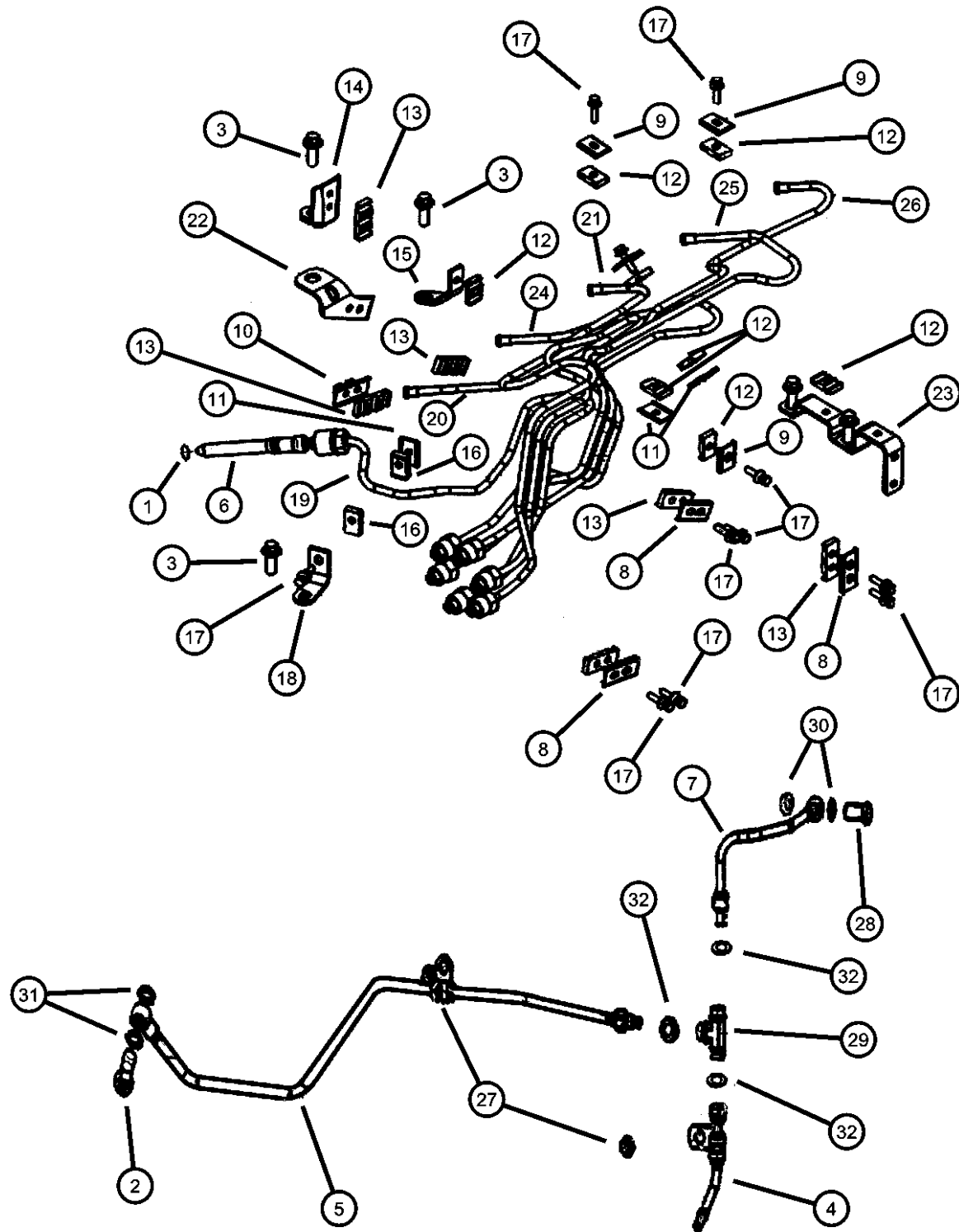
AR = use ase required - = Non illustrated part

2000 BE



Fuel Lines  
Figure 14-335

ITEM	PART NUMBER	QTY	LINE	SERIES	BODY	ENGINE	TRANS	TRIM	DESCRIPTION
------	-------------	-----	------	--------	------	--------	-------	------	-------------



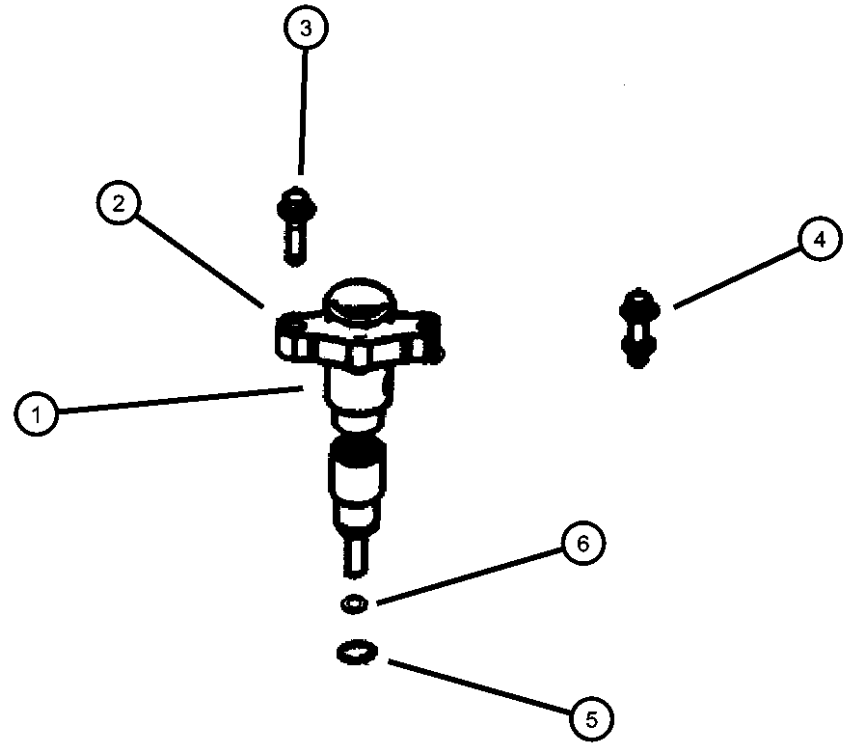
	05015576AA	2				ETC			
		2				ETH	DBB		
31	04638698	2				ETC			WASHER, Fuel Supply
32									GROMMET
	04429451	3				ETC			
		3				ETH	DBB		

RAM PICKUP/CLUB CAB (BE)

SERIES	LINE	BODY	ENGINE	TRANSMISSION
L = Ram Truck	3 = HD DODGE 2WD	31 = CLUB CAB 2-DR 6.5 FT BOX	ELF = ENGINE - 5.2L V8 MPI	DDC = TRANSMISSION - 5-SPEED HD MANUAL
(All)	8 = HD DODGE 4WD	32 = CLUB CAB 2-DR 8FT BOX	EML = ENGINE - 5.9L V8 MPI	DDP = TRANSMISSION - 5-SPEED MANUAL
	1 = Lt. Duty DODGE 2WD	33 = QUAD CAB 4-DR 6.5 FT BOX	EMM = ENGINE - "MAGNUM" 5.9L SMPI V8	DDX = TRANSMISSION - 5-SPEED HD MANUAL
	6 = Lt. Duty DODGE 4WD	34 = QUAD CAB 4-DR 8FT BOX	ETC = ENGINE- 5.9L CUMMINS 24V DIESEL	DEE = TRANSMISSION - 6-SPEED HD MANUAL
	2 = Med. Duty DODGE 2WD		ETH = ENGINE- 5.9L HO CUMMINS TURBO DIESEL	DGP = TRANSMISSION - 4-SPD. AUTOMATIC,47RE
	7 = Med. Duty DODGE 4WD		EWA = ENGINE - 8.0L V10 MPI	DGT = TRANSMISSION - 4-SPD. AUTOMATIC,46RE

AR = use ase required - = Non illustrated part

**Fuel Injector**  
**Figure 14-345**



ITEM	PART NUMBER	QTY	LINE	SERIES	BODY	ENGINE	TRANS	TRIM	DESCRIPTION
1									INJECTOR, Fuel
	05013847AA	6				ETC	DBB		
	05013848AA	6				ETC	DG0		
	05018177AA	6				ETH	DBB		
2									CLAMP, Injector
	05011886AA	6				ETC			
		6				ETH	DBB		
3									SCREW, Hex Flange Head
	04761269	6				ETC			
		6				ETH	DBB		
4									SCREW
	05011417AA	6				ETC			
		6				ETH	DBB		
5									O RING, Fuel Injector
	05012558AA	6				ETC			
		1				ETH	DBB		
6									SEAL, Fuel Injector
	04798375	6				ETC			
		1				ETH	DBB		

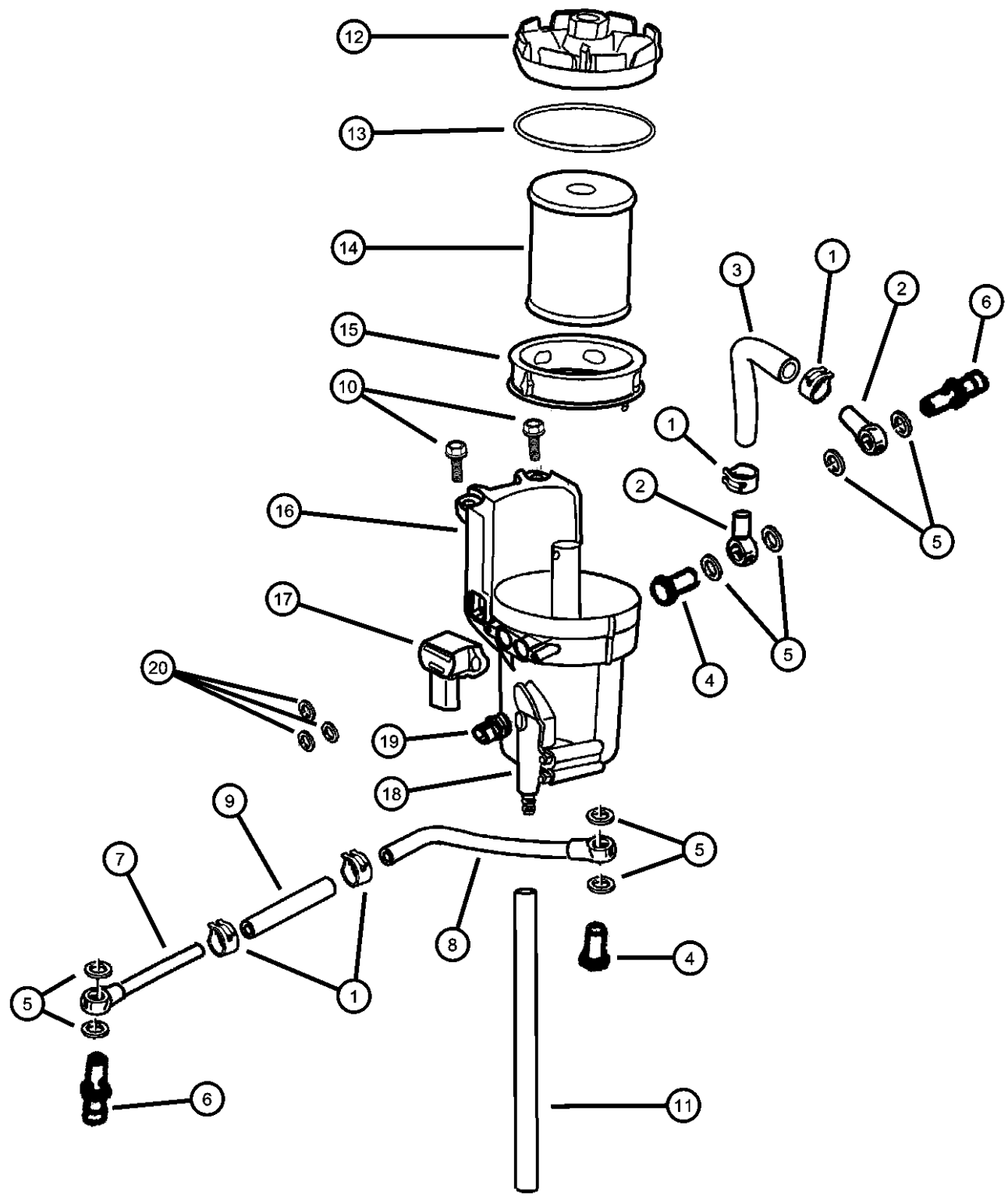
Note:  
 DBB = All Manual Transmissions  
 DG0 = All Automatic Transmissions  
 ETC = 5.9L Cummins 24V Diesel Engine  
 ETH = 5.9L HO Cummins Turbo Diesel Engine  
 ET0 = All 5.9L Turbo Diesel Engines

**RAM PICKUP/CLUB CAB (BE)**

SERIES	LINE	BODY	ENGINE	TRANSMISSION
L = Ram Truck (All)	3 = HD DODGE 2WD	31 = CLUB CAB 2-DR 6.5 FT BOX	ELF = ENGINE - 5.2L V8 MPI	DDC = TRANSMISSION - 5-SPEED HD MANUAL
	8 = HD DODGE 4WD	32 = CLUB CAB 2-DR 8FT BOX	EML = ENGINE - 5.9L V8 MPI	DDP = TRANSMISSION - 5-SPEED MANUAL
	1 = Lt. Duty DODGE 2WD	33 = QUAD CAB 4-DR 6.5 FT BOX	EMM = ENGINE - "MAGNUM" 5.9L SMPI V8	DDX = TRANSMISSION - 5-SPEED HD MANUAL
	6 = Lt. Duty DODGE 4WD	34 = QUAD CAB 4-DR 8FT BOX	ETC = ENGINE- 5.9L CUMMINS 24V DIESEL	DEE = TRANSMISSION - 6-SPEED HD MANUAL
	2 = Med. Duty DODGE 2WD		ETH = ENGINE- 5.9L HO CUMMINS TURBO DIESEL	DGP = TRANSMISSION - 4-SPD. AUTOMATIC,47RE
	7 = Med. Duty DODGE 4WD		EWA = ENGINE - 8.0L V10 MPI	DGT = TRANSMISSION - 4-SPD. AUTOMATIC,46RE

AR = use ase required - = Non illustrated part

**Air Fuel Control and Fuel Filter  
Figure 14-365**



ITEM	PART NUMBER	QTY	LINE	SERIES	BODY	ENGINE	TRANS	TRIM	DESCRIPTION
------	-------------	-----	------	--------	------	--------	-------	------	-------------

Note:  
 DBB = All Manual Transmissions  
 DG0 = All Automatic Transmissions  
 ETC = 5.9L Cummins 24V Diesel Engine  
 ETH = 5.9L HO Cummins Turbo Diesel Engine  
 ETO = All 5.9L Turbo Diesel Engines

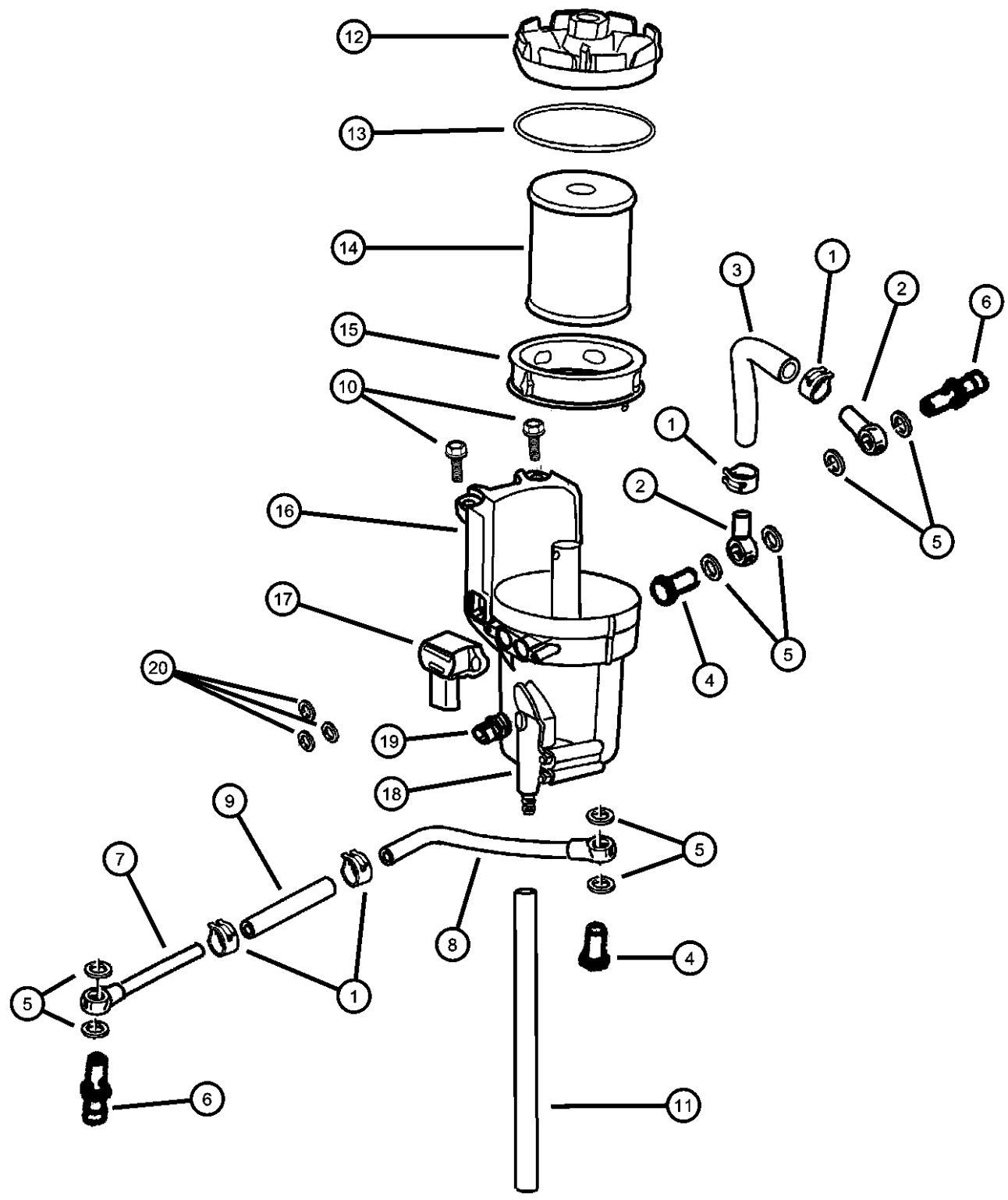
1									CLAMP, Hose
	05014261AA	1				ETC			
		4				ETH	DBB		
2									CONNECTOR, Fuel Filter
	05016554AA	2				ETC			
		2				ETH	DBB		
3									HOSE, Fuel
	05015711AA	1				ETC	DBB		Federal
		1				ETC	DG0		Federal
		1				ETC	DBB		California
		1				ETC	DG0		California
		1				ETH	DBB		
4									BOLT, Banjo
	04429135	1				ETC			
		1				ETH	DBB		
5									WASHER, Fuel Line Banjo
	05016555AA	2				ETC			
		4				ETH	DBB		
6									BOLT, Banjo
	05015712AA	2				ETC	DBB		Federal
		2				ETC	DG0		Federal
		2				ETC	DBB		California
		2				ETC	DG0		California
		1				ETH	DBB		
7									TUBE, Fuel Supply
	05015714AA	1				ETC	DBB		Federal

**RAM PICKUP/CLUB CAB (BE)**

SERIES	LINE	BODY	ENGINE	TRANSMISSION
L = Ram Truck (All)	3 = HD DODGE 2WD	31 = CLUB CAB 2-DR 6.5 FT BOX	ELF = ENGINE - 5.2L V8 MPI	DDC = TRANSMISSION - 5-SPEED HD MANUAL
	8 = HD DODGE 4WD	32 = CLUB CAB 2-DR 8FT BOX	EML = ENGINE - 5.9L V8 MPI	DDP = TRANSMISSION - 5-SPEED MANUAL
	1 = Lt. Duty DODGE 2WD	33 = QUAD CAB 4-DR 6.5 FT BOX	EMM = ENGINE - "MAGNUM" 5.9L SMPI V8	DDX = TRANSMISSION - 5-SPEED HD MANUAL
	6 = Lt. Duty DODGE 4WD	34 = QUAD CAB 4-DR 8FT BOX	ETC = ENGINE- 5.9L CUMMINS 24V DIESEL	DEE = TRANSMISSION - 6-SPEED HD MANUAL
	2 = Med. Duty DODGE 2WD		ETH = ENGINE- 5.9L HO CUMMINS TURBO DIESEL	DGP = TRANSMISSION - 4-SPD. AUTOMATIC, 47RE
	7 = Med. Duty DODGE 4WD		EWA = ENGINE - 8.0L V10 MPI	DGT = TRANSMISSION - 4-SPD. AUTOMATIC, 46RE

AR = use ase required - = Non illustrated part

**Air Fuel Control and Fuel Filter  
Figure 14-365**



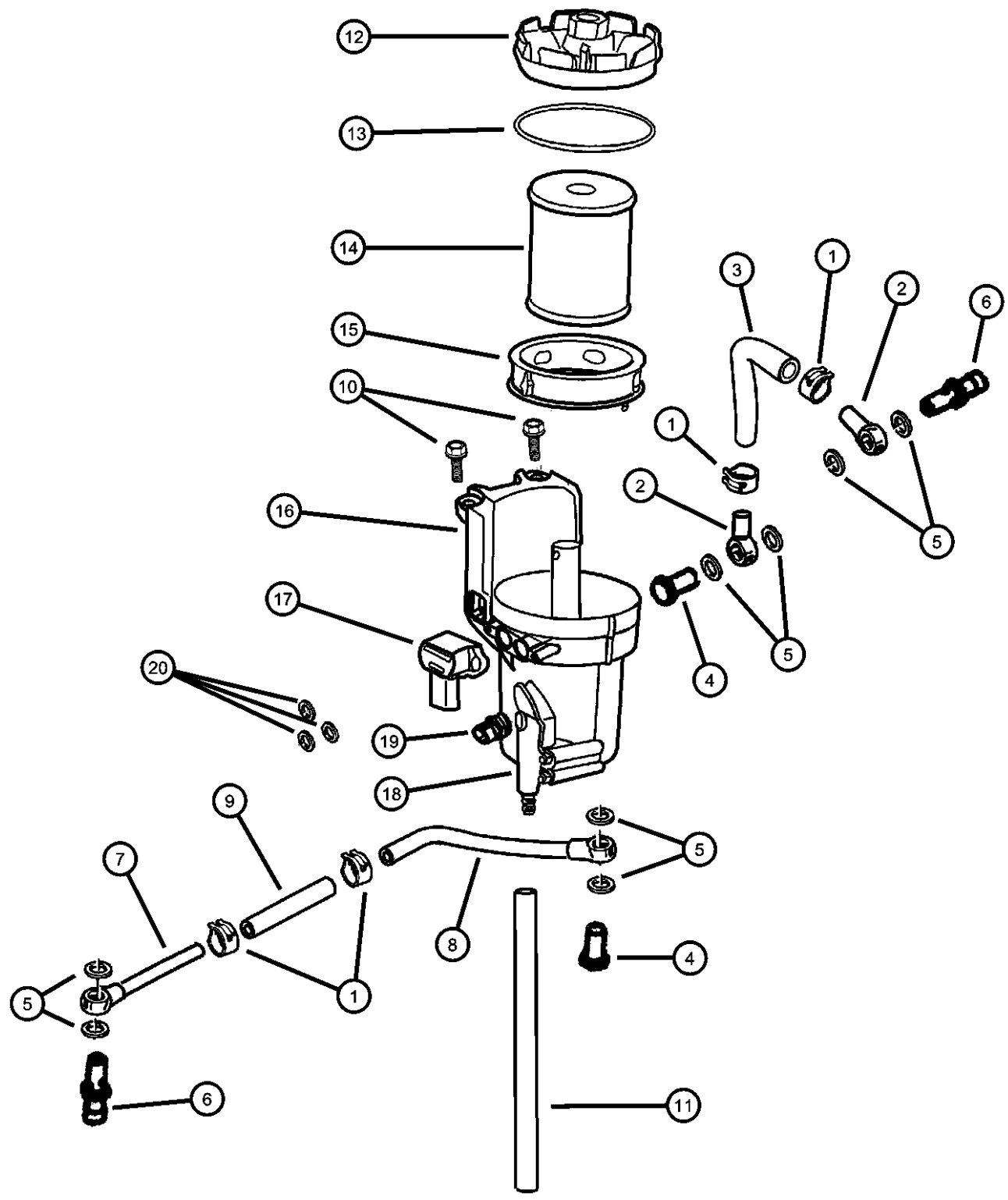
ITEM	PART NUMBER	QTY	LINE	SERIES	BODY	ENGINE	TRANS	TRIM	DESCRIPTION
		1				ETC	DG0		Federal
		1				ETC	DBB		California
		1				ETC	DG0		California
8	05015715AA	1				ETH	DBB		TUBE, Fuel Supply
	05015715AA	1				ETC	DBB		Federal
		1				ETC	DG0		Federal
		1				ETC	DBB		California
		1				ETC	DG0		California
9		1				ETH	DBB		HOSE, Fuel
	05015716AA	1				ETC	DBB		Federal
		1				ETC	DG0		Federal
		1				ETC	DBB		California
		1				ETC	DG0		California
10		1				ETH	DBB		
	04429634	12				ETC			SCREW, Hex Head Header Point, 24x.44
		12				ETH	DBB		
11		1				ETC	DBB		HOSE, Fuel Drain
	05015707AA	1				ETC	DG0		Federal
		1				ETC	DBB		Federal
		1				ETC	DBB		California
		1				ETC	DG0		California
		1				ETH	DBB		
12		1				ETC	DBB		HEAD, Fuel Filter
	05015578AA	1				ETC	DBB		Federal
		1				ETC	DBB		California
		1				ETC	DG0		Federal

**RAM PICKUP/CLUB CAB (BE)**

SERIES	LINE	BODY	ENGINE	TRANSMISSION
L = Ram Truck (All)	3 = HD DODGE 2WD	31 = CLUB CAB 2-DR 6.5 FT BOX	ELF = ENGINE - 5.2L V8 MPI	DDC = TRANSMISSION - 5-SPEED HD MANUAL
	8 = HD DODGE 4WD	32 = CLUB CAB 2-DR 8FT BOX	EML = ENGINE - 5.9L V8 MPI	DDP = TRANSMISSION - 5-SPEED MANUAL
	1 = Lt. Duty DODGE 2WD	33 = QUAD CAB 4-DR 6.5 FT BOX	EMM = ENGINE - "MAGNUM" 5.9L SMPI V8	DDX = TRANSMISSION - 5-SPEED HD MANUAL
	6 = Lt. Duty DODGE 4WD	34 = QUAD CAB 4-DR 8FT BOX	ETC = ENGINE- 5.9L CUMMINS 24V DIESEL	DEE = TRANSMISSION - 6-SPEED HD MANUAL
	2 = Med. Duty DODGE 2WD		ETH = ENGINE- 5.9L HO CUMMINS TURBO DIESEL	DGP = TRANSMISSION - 4-SPD. AUTOMATIC, 47RE
	7 = Med. Duty DODGE 4WD		EWA = ENGINE - 8.0L V10 MPI	DGT = TRANSMISSION - 4-SPD. AUTOMATIC, 46RE

AR = use ase required - = Non illustrated part

**Air Fuel Control and Fuel Filter  
Figure 14-365**



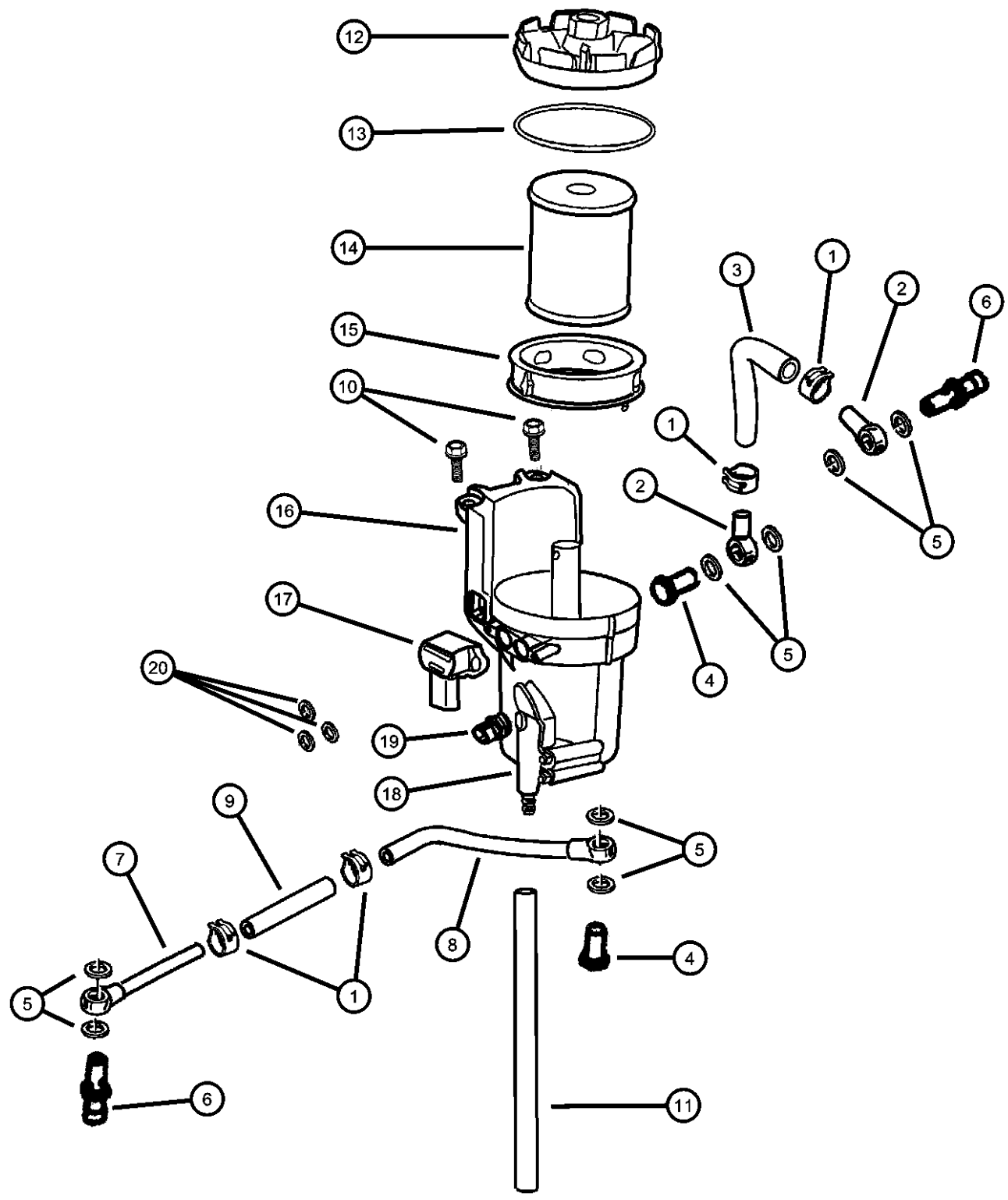
ITEM	PART NUMBER	QTY	LINE	SERIES	BODY	ENGINE	TRANS	TRIM	DESCRIPTION
		1				ETC	DG0		California
		1				ETH	DBB		
13	05015584AA	1				ETC	DG0		O RING
		1				ETH	DBB		
14	05015581AA	1				ETC	DBB		FILTER, Fuel
		1				ETC	DBB		Federal
		1				ETC	DBB		California
		1				ETC	DG0		Federal
		1				ETC	DG0		California
		1				ETH	DBB		
15	05015585AA	1				ETC	DBB		HEATER
		1				ETC	DBB		Federal
		1				ETC	DBB		California
		1				ETC	DG0		Federal
		1				ETC	DG0		California
		1				ETH	DBB		
16	05015579AA	1				ETC	DG0		HOUSING, Fuel Filter
		1				ETH	DBB		California
17	05015586AA	1				ETC	DBB		THERMOSTAT
		1				ETC	DBB		Federal
		1				ETC	DBB		California
		1				ETC	DG0		Federal
		1				ETC	DG0		California
		1				ETH	DBB		
18	05015580AB	1				ETC	DG0		DRAIN, Fuel Filter Bowl
		1				ETH	DBB		California
19		1							SENSOR, Fuel/Water

**RAM PICKUP/CLUB CAB (BE)**

SERIES	LINE	BODY	ENGINE	TRANSMISSION
L = Ram Truck (All)	3 = HD DODGE 2WD 8 = HD DODGE 4WD 1 = Lt. Duty DODGE 2WD 6 = Lt. Duty DODGE 4WD 2 = Med. Duty DODGE 2WD 7 = Med. Duty DODGE 4WD	31 = CLUB CAB 2-DR 6.5 FT BOX 32 = CLUB CAB 2-DR 8FT BOX 33 = QUAD CAB 4-DR 6.5 FT BOX 34 = QUAD CAB 4-DR 8FT BOX	ELF = ENGINE - 5.2L V8 MPI EML = ENGINE - 5.9L V8 MPI EMM = ENGINE - "MAGNUM" 5.9L SMPI V8 ETC = ENGINE- 5.9L CUMMINS 24V DIESEL ETH = ENGINE- 5.9L HO CUMMINS TURBO DIESEL EWA = ENGINE - 8.0L V10 MPI	DDC = TRANSMISSION - 5-SPEED HD MANUAL DDP = TRANSMISSION - 5-SPEED MANUAL DDX = TRANSMISSION - 5-SPEED HD MANUAL DEE = TRANSMISSION - 6-SPEED HD MANUAL DGP = TRANSMISSION - 4-SPD. AUTOMATIC,47RE DGT = TRANSMISSION - 4-SPD. AUTOMATIC,46RE

AR = use ase required - = Non illustrated part

**Air Fuel Control and Fuel Filter  
Figure 14-365**



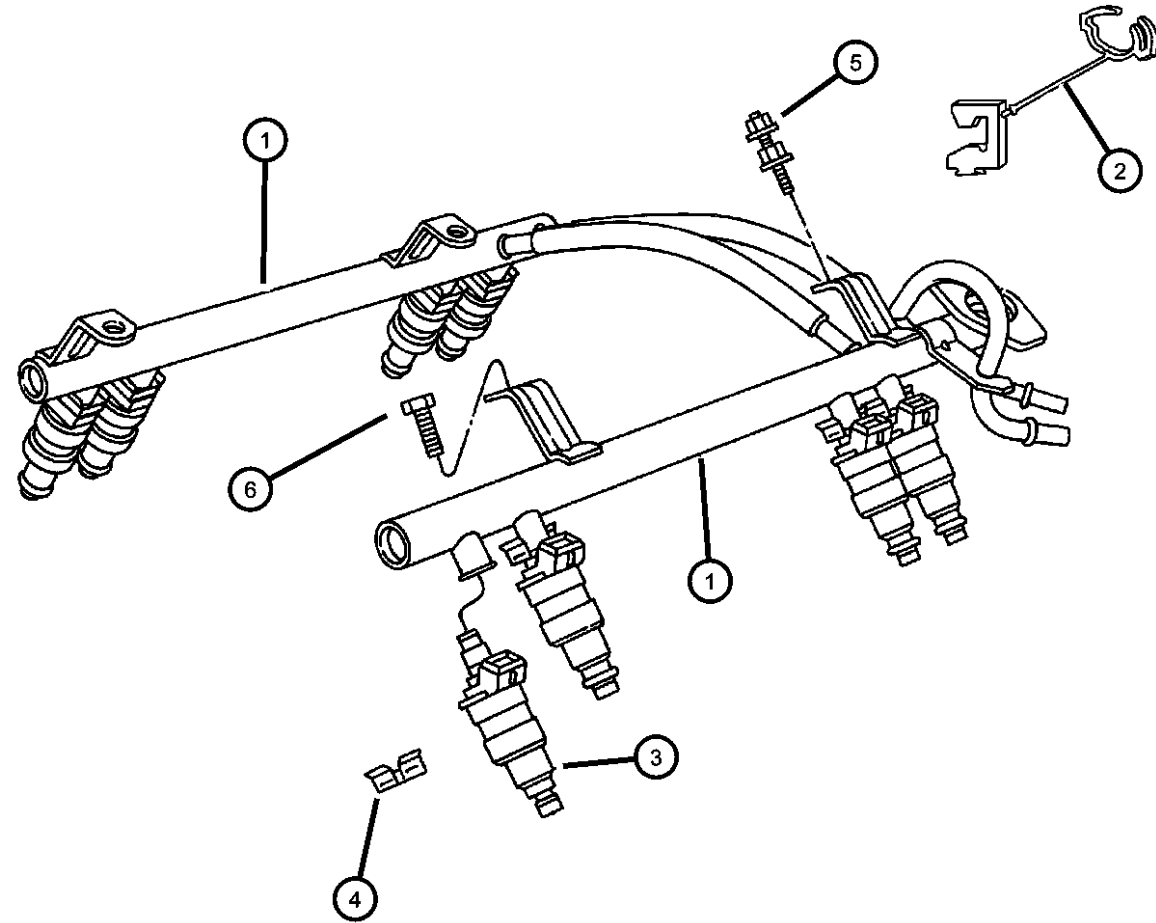
ITEM	PART NUMBER	QTY	LINE	SERIES	BODY	ENGINE	TRANS	TRIM	DESCRIPTION
	05015582AA	1				ETC	DBB		Federal
		1				ETC	DBB		California
		1				ETC	DG0		Federal
		1				ETC	DG0		California
		1				ETH	DBB		
20	05015583AA	1				ETC	DBB		SEAL Federal
		1				ETC	DBB		California
		1				ETC	DG0		Federal
		1				ETC	DG0		California
		1				ETH	DBB		

**RAM PICKUP/CLUB CAB (BE)**

SERIES	LINE	BODY	ENGINE	TRANSMISSION
L = Ram Truck (All)	3 = HD DODGE 2WD 8 = HD DODGE 4WD 1 = Lt. Duty DODGE 2WD 6 = Lt. Duty DODGE 4WD 2 = Med. Duty DODGE 2WD 7 = Med. Duty DODGE 4WD	31 = CLUB CAB 2-DR 6.5 FT BOX 32 = CLUB CAB 2-DR 8FT BOX 33 = QUAD CAB 4-DR 6.5 FT BOX 34 = QUAD CAB 4-DR 8FT BOX	ELF = ENGINE - 5.2L V8 MPI EML = ENGINE - 5.9L V8 MPI EMM = ENGINE - "MAGNUM" 5.9L SMPI V8 ETC = ENGINE- 5.9L CUMMINS 24V DIESEL ETH = ENGINE- 5.9L HO CUMMINS TURBO DIESEL EWA = ENGINE - 8.0L V10 MPI	DDC = TRANSMISSION - 5-SPEED HD MANUAL DDP = TRANSMISSION - 5-SPEED MANUAL DDX = TRANSMISSION - 5-SPEED HD MANUAL DEE = TRANSMISSION - 6-SPEED HD MANUAL DGP = TRANSMISSION - 4-SPD. AUTOMATIC,47RE DGT = TRANSMISSION - 4-SPD. AUTOMATIC,46RE

AR = use ase required - = Non illustrated part

Fuel Rail  
Figure 14-430



ITEM	PART NUMBER	QTY	LINE	SERIES	BODY	ENGINE	TRANS	TRIM	DESCRIPTION
1									RAIL, Fuel
	53030598AB	1				ELF			
		1				EM0			
	53041029	1				EW0			
2									CLIP, Fuel Line
	52127788	2				EW0			
		1				EL0, EM0			
3									INJECTOR, Fuel
	04854181	8				ELF			
	53031571	10				EW0			
	53031740AA	8				EM0			
	68000872AA								Wholesale Bulk Injector Package - 70 pieces of 53031740AA
4									CLIP, Fuel Injector
	04418257	8				ELF			
		8				EM0			
		10				EW0			
5									SCREW, Hex Head, .312-18x.94
	06034549	2				EW0			
		2				EL0, EM0			
6									SCREW, Hex Head, .312-18x.94
	06034549	1				EW0			
		4				EL0, EM0			
-7	05018781AA	1				EL0, EM0			CAP, Diagnostic Port
-8									O RING KIT, Fuel Injector
	05083745AA	8				EM0			
		10				EW0			

RAM PICKUP/CLUB CAB (BE)

SERIES	LINE	BODY	ENGINE	TRANSMISSION
L = Ram Truck (All)	3 = HD DODGE 2WD 8 = HD DODGE 4WD 1 = Lt. Duty DODGE 2WD 6 = Lt. Duty DODGE 4WD 2 = Med. Duty DODGE 2WD 7 = Med. Duty DODGE 4WD	31 = CLUB CAB 2-DR 6.5 FT BOX 32 = CLUB CAB 2-DR 8FT BOX 33 = QUAD CAB 4-DR 6.5 FT BOX 34 = QUAD CAB 4-DR 8FT BOX	ELF = ENGINE - 5.2L V8 MPI EML = ENGINE - 5.9L V8 MPI EMM = ENGINE - "MAGNUM" 5.9L SMPI V8 ETC = ENGINE- 5.9L CUMMINS 24V DIESEL ETH = ENGINE- 5.9L HO CUMMINS TURBO DIESEL EWA = ENGINE - 8.0L V10 MPI	DDC = TRANSMISSION - 5-SPEED HD MANUAL DDP = TRANSMISSION - 5-SPEED MANUAL DDX = TRANSMISSION - 5-SPEED HD MANUAL DEE = TRANSMISSION - 6-SPEED HD MANUAL DGP = TRANSMISSION - 4-SPD. AUTOMATIC,47RE DGT = TRANSMISSION - 4-SPD. AUTOMATIC,46RE

AR = use ase required - = Non illustrated part

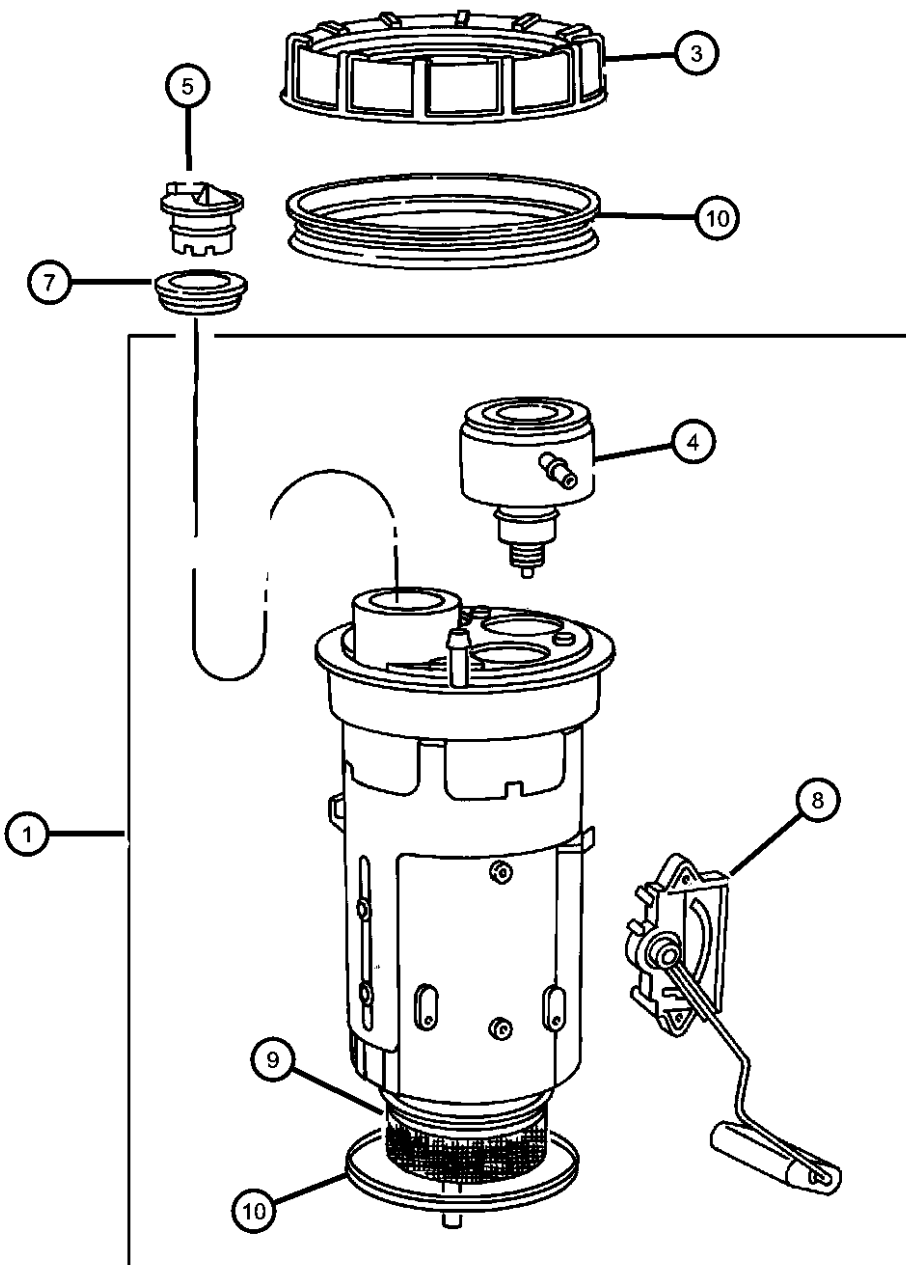


**Fuel Module  
Figure 14-525**

ITEM	PART NUMBER	QTY	LINE	SERIES	BODY	ENGINE	TRANS	TRIM	DESCRIPTION
------	-------------	-----	------	--------	------	--------	-------	------	-------------

Note:

ELO = All 5.2L 8 Cyl Gas Engines  
 EML = Magnum 5.9L SMPI V8 Engine  
 EM0 = All 5.9L 8 Cyl Gas Engines  
 ETO = All 5.9L Turbo Diesel Engines  
 EWO = All 8.0L Gas Engines



1									MODULE KIT, Fuel Pump/Level Unit
	04897666AC	1				EM0, EWO			34 Gallon
	04897667AD	1				ELO, EM0, EWO			35 Gallon
	05014318AA	1				ELO, EML			26 Gallon
-2	04897668AE	1				ETO			MODULE KIT, Level Unit
3									NUT, Fuel Pump Module
	52005389	1				ELO, EM0, EWO			
		1				ETO			
4									FILTER, Fuel Pressure Regulator
	04798825	1				ELO, EM0, EWO			
	04798825AB	1				ETO			
5									VALVE, Fuel Vapor
	52102172	1				ELO, EML			
		1				EM0, EWO			
-6	52127666	1				ETO			VALVE, Fuel Tank Rollover Safety
7	04616244	1				ELO, EM0, EWO			GROMMET, Rollover Valve
8									LEVEL UNIT KIT, Fuel
	04897669AB	1				ELO, EM0, EWO			
		1				ETO			
	05014461AA	1				ELO, EML			26 Gallon
9	05014461AA	1							FILTER, Fuel, Serviced in Module, (NOT SERVICED),
10									SEAL, Fuel Pump and Level Unit

**RAM PICKUP/CLUB CAB (BE)**

SERIES	LINE	BODY	ENGINE	TRANSMISSION
L = Ram Truck (All)	3 = HD DODGE 2WD	31 = CLUB CAB 2-DR 6.5 FT BOX	ELF = ENGINE - 5.2L V8 MPI	DDC = TRANSMISSION - 5-SPEED HD MANUAL
	8 = HD DODGE 4WD	32 = CLUB CAB 2-DR 8FT BOX	EML = ENGINE - 5.9L V8 MPI	DDP = TRANSMISSION - 5-SPEED MANUAL
	1 = Lt. Duty DODGE 2WD	33 = QUAD CAB 4-DR 6.5 FT BOX	EMM = ENGINE - "MAGNUM" 5.9L SMPI V8	DDX = TRANSMISSION - 5-SPEED HD MANUAL
	6 = Lt. Duty DODGE 4WD	34 = QUAD CAB 4-DR 8FT BOX	ETC = ENGINE- 5.9L CUMMINS 24V DIESEL	DEE = TRANSMISSION - 6-SPEED HD MANUAL
	2 = Med. Duty DODGE 2WD		ETH = ENGINE- 5.9L HO CUMMINS TURBO DIESEL	DGP = TRANSMISSION - 4-SPD. AUTOMATIC, 47RE
	7 = Med. Duty DODGE 4WD		EWA = ENGINE - 8.0L V10 MPI	DGT = TRANSMISSION - 4-SPD. AUTOMATIC, 46RE

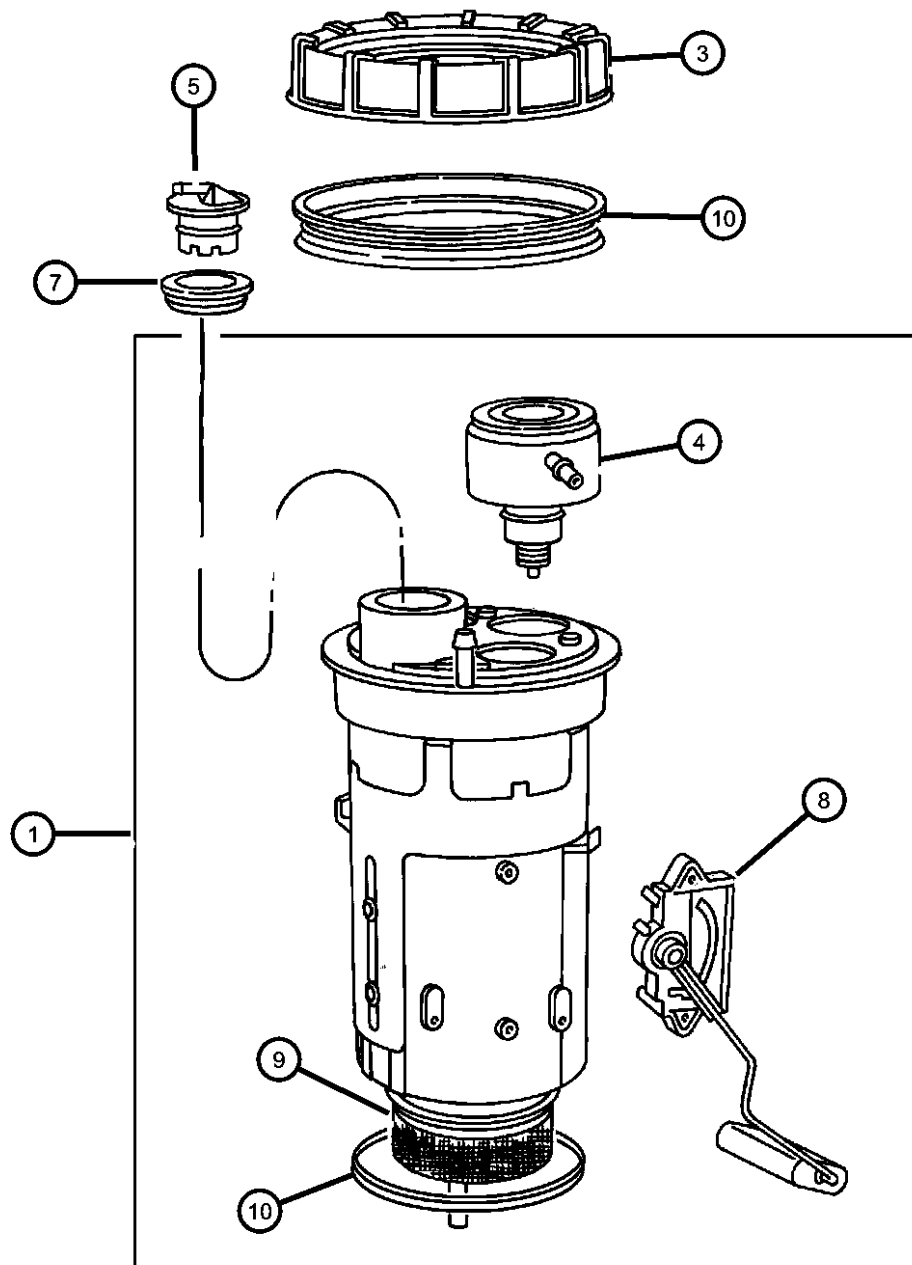
AR = use ase required - = Non illustrated part

2000 BE

Fuel Module  
Figure 14-525

ITEM	PART NUMBER	QTY	LINE	SERIES	BODY	ENGINE	TRANS	TRIM	DESCRIPTION
------	-------------	-----	------	--------	------	--------	-------	------	-------------

52018808		1				ETO			
		1				ELO, EMO, EWO			

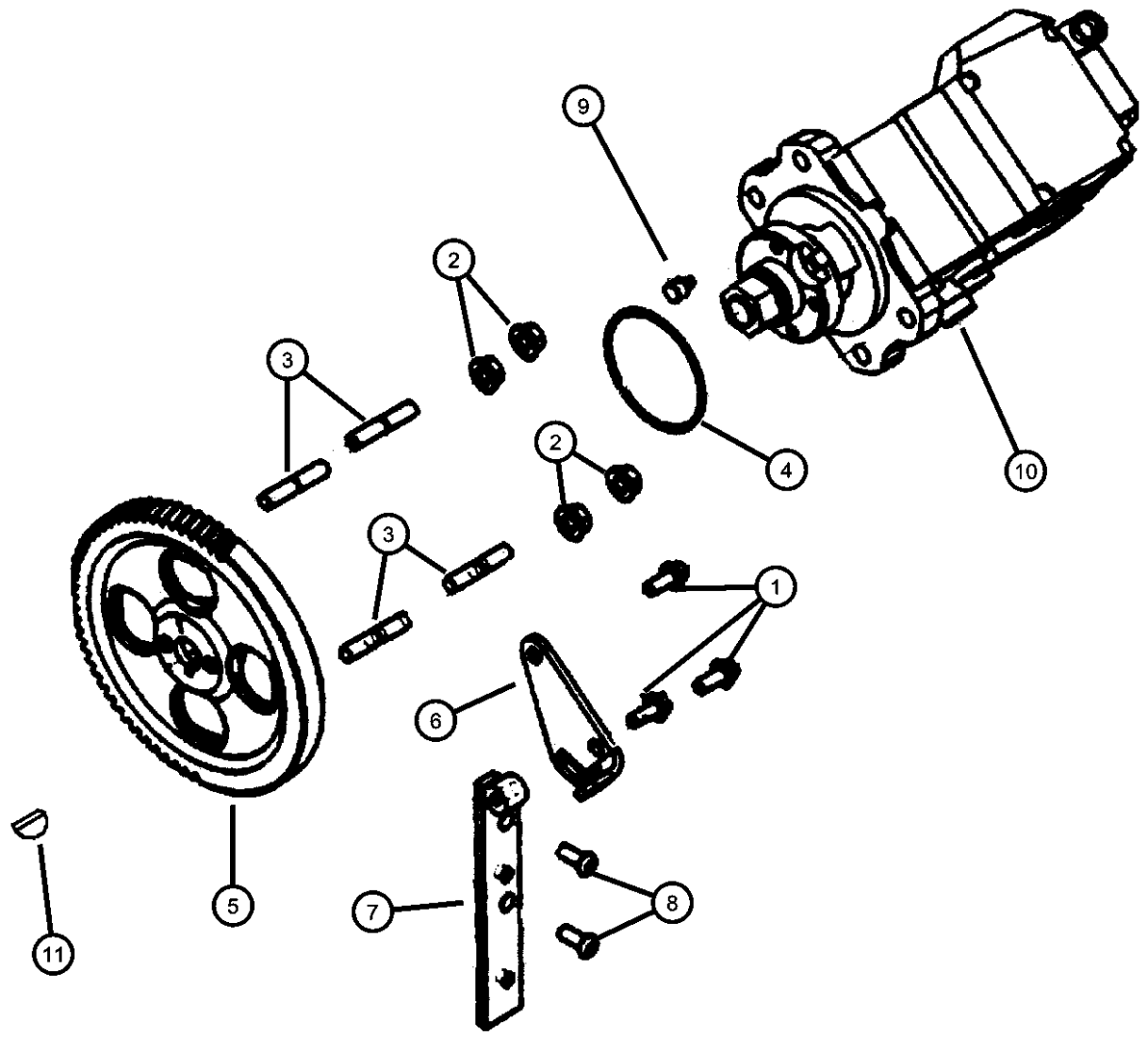


RAM PICKUP/CLUB CAB (BE)

SERIES	LINE	BODY	ENGINE	TRANSMISSION
L = Ram Truck (All)	3 = HD DODGE 2WD 8 = HD DODGE 4WD 1 = Lt. Duty DODGE 2WD 6 = Lt. Duty DODGE 4WD 2 = Med. Duty DODGE 2WD 7 = Med. Duty DODGE 4WD	31 = CLUB CAB 2-DR 6.5 FT BOX 32 = CLUB CAB 2-DR 8FT BOX 33 = QUAD CAB 4-DR 6.5 FT BOX 34 = QUAD CAB 4-DR 8FT BOX	ELF = ENGINE - 5.2L V8 MPI EML = ENGINE - 5.9L V8 MPI EMM = ENGINE - "MAGNUM" 5.9L SMPI V8 ETC = ENGINE- 5.9L CUMMINS 24V DIESEL ETH = ENGINE- 5.9L HO CUMMINS TURBO DIESEL EWA = ENGINE - 8.0L V10 MPI	DDC = TRANSMISSION - 5-SPEED HD MANUAL DDP = TRANSMISSION - 5-SPEED MANUAL DDX = TRANSMISSION - 5-SPEED HD MANUAL DEE = TRANSMISSION - 6-SPEED HD MANUAL DGP = TRANSMISSION - 4-SPD. AUTOMATIC, 47RE DGT = TRANSMISSION - 4-SPD. AUTOMATIC, 46RE

AR = use ase required - = Non illustrated part

Fuel Injection Pump  
Figure 14-535



ITEM	PART NUMBER	QTY	LINE	SERIES	BODY	ENGINE	TRANS	TRIM	DESCRIPTION
1									BOLT, Hex Head
	04429630	3				ETC			
		4				ETH	DBB		
2									NUT, Hex Flange, M10x1.5
	04429862	4				ETC			
		4				ETH	DBB		
3									STUD, Fuel Pump
	04761250	4				ETC			
		4				ETH	DBB		
4									O RING, Fuel Injection Pump, Diesel
	05014189AA	1				ETC			
		1				ETH	DBB		
5									GEAR, Injection Pump
	05015179AA	1				ETC			
		1				ETH	DBB		
6									BRACE, Fuel Pump
	05015362AA	1				ETC			
		1				ETH	DBB		
7									BRACE, Fuel Pump
	05016186AA	1				ETC			
	05018523AA	1				ETC	DBB		ETC+XCK, Manual
		1				ETC	DG0		ETC+XCK, Auto
		1				ETH	DBB		ETH, Manual
8									SCREW
	05011423AA	2				ETC			

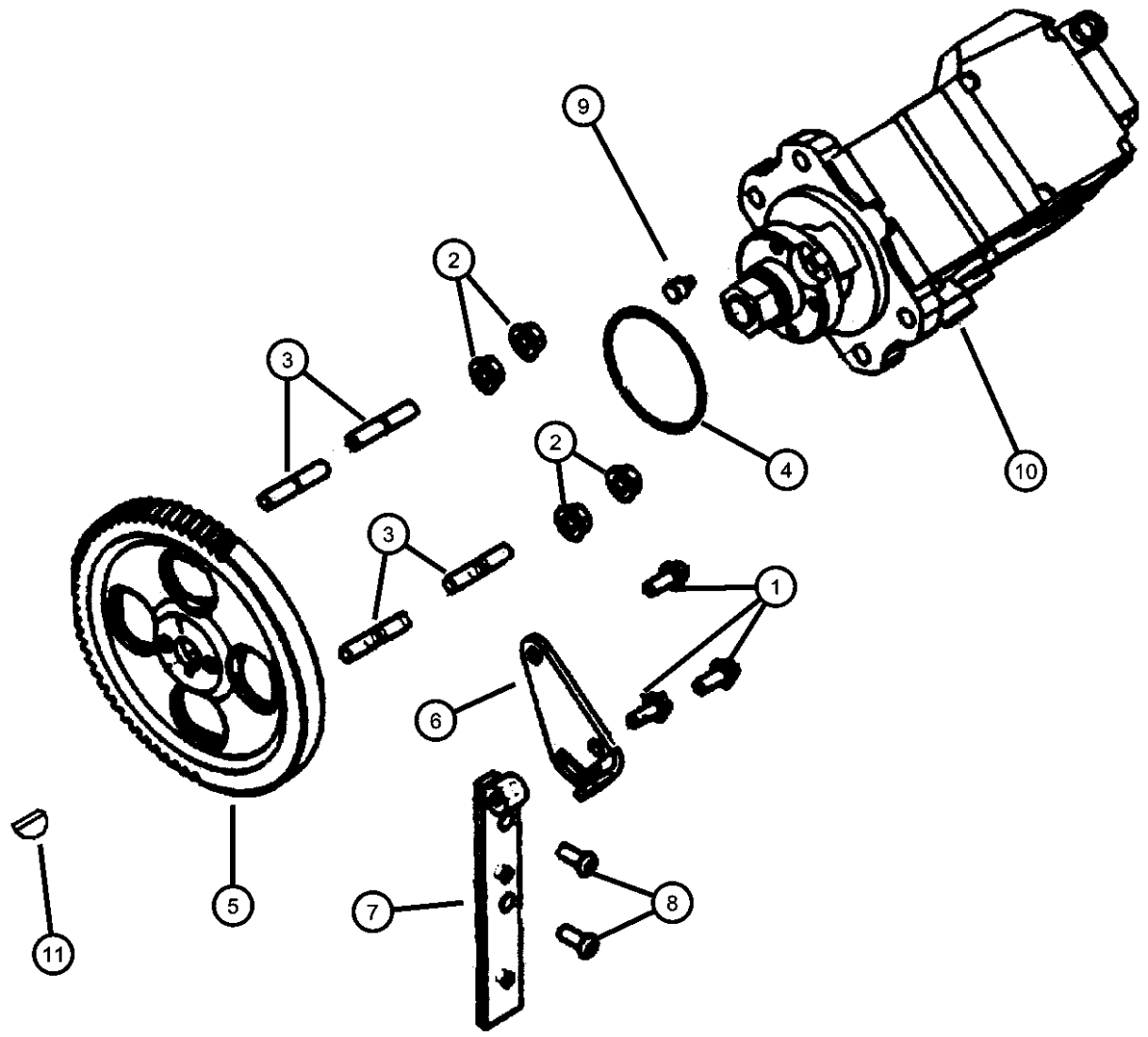
Note:  
 DBB = All Manual Transmissions  
 DG0 = All Automatic Transmissions  
 ETC = 5.9L Cummins 24V Diesel Engine  
 ETH = 5.9L HO Cummins Turbo Diesel Engine  
 ET0 = All 5.9L Turbo Diesel Engines  
 XCK = 2001 Diesel Tracking

RAM PICKUP/CLUB CAB (BE)

SERIES	LINE	BODY	ENGINE	TRANSMISSION
L = Ram Truck (All)	3 = HD DODGE 2WD 8 = HD DODGE 4WD 1 = Lt. Duty DODGE 2WD 6 = Lt. Duty DODGE 4WD 2 = Med. Duty DODGE 2WD 7 = Med. Duty DODGE 4WD	31 = CLUB CAB 2-DR 6.5 FT BOX 32 = CLUB CAB 2-DR 8FT BOX 33 = QUAD CAB 4-DR 6.5 FT BOX 34 = QUAD CAB 4-DR 8FT BOX	ELF = ENGINE - 5.2L V8 MPI EML = ENGINE - 5.9L V8 MPI EMM = ENGINE - "MAGNUM" 5.9L SMPI V8 ETC = ENGINE- 5.9L CUMMINS 24V DIESEL ETH = ENGINE- 5.9L HO CUMMINS TURBO DIESEL EWA = ENGINE - 8.0L V10 MPI	DDC = TRANSMISSION - 5-SPEED HD MANUAL DDP = TRANSMISSION - 5-SPEED MANUAL DDX = TRANSMISSION - 5-SPEED HD MANUAL DEE = TRANSMISSION - 6-SPEED HD MANUAL DGP = TRANSMISSION - 4-SPD. AUTOMATIC, 47RE DGT = TRANSMISSION - 4-SPD. AUTOMATIC, 46RE

AR = use ase required - = Non illustrated part

Fuel Injection Pump  
Figure 14-535



ITEM	PART NUMBER	QTY	LINE	SERIES	BODY	ENGINE	TRANS	TRIM	DESCRIPTION
9		2				ETH	DBB		DOWEL
	05011813AA	1				ETC			
10		1				ETH	DBB		PUMP, Fuel Injection
	05015721AA	1				ETC	DBB		Federal
		1				ETC	DG0		Federal
		1				ETC	DBB		California
		1				ETC	DG0		California
	05018061AA	1				ETH	DBB		
11									KEY, Fuel Injection Pump
	05013000AA	AR				ETC			0.00
	05013026AA	AR				ETC			+0.26
	05013052AA	AR				ETC			+0.52
	05013078AA	AR				ETC			+0.78
	05013104AA	AR				ETC			+1.04
	05013130AA	AR				ETC			+1.30
	05013156AA	AR				ETC			+1.56
	05013182AA	AR				ETC			+1.82
	05013208AA	AR				ETC			+2.08
	05013234AA	AR				ETC			+2.34
	05013260AA	AR				ETC			+2.60
	05014026AA	AR				ETC			-0.26
	05014052AA	AR				ETC			-0.52
	05014078AA	AR				ETC			-0.78
	05014104AA	AR				ETC			-1.04
	05014130AA	AR				ETC			-1.30
	05014156AA	AR				ETC			-1.56
	05014182AA	AR				ETC			-1.82
	05014208AA	AR				ETC			-2.08

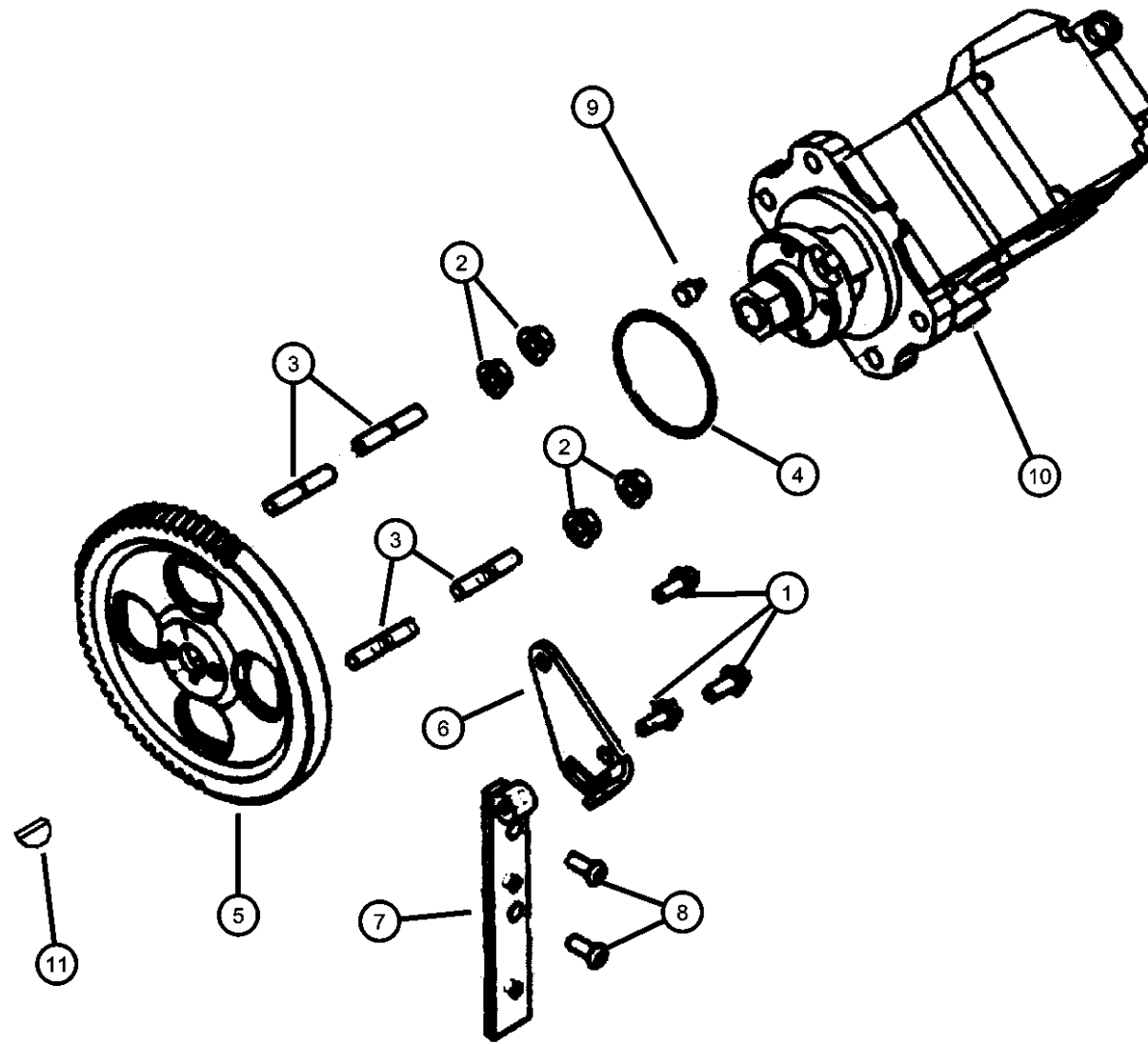
RAM PICKUP/CLUB CAB (BE)

SERIES	LINE	BODY	ENGINE	TRANSMISSION
L = Ram Truck (All)	3 = HD DODGE 2WD 8 = HD DODGE 4WD 1 = Lt. Duty DODGE 2WD 6 = Lt. Duty DODGE 4WD 2 = Med. Duty DODGE 2WD 7 = Med. Duty DODGE 4WD	31 = CLUB CAB 2-DR 6.5 FT BOX 32 = CLUB CAB 2-DR 8FT BOX 33 = QUAD CAB 4-DR 6.5 FT BOX 34 = QUAD CAB 4-DR 8FT BOX	ELF = ENGINE - 5.2L V8 MPI EML = ENGINE - 5.9L V8 MPI EMM = ENGINE - "MAGNUM" 5.9L SMPI V8 ETC = ENGINE- 5.9L CUMMINS 24V DIESEL ETH = ENGINE- 5.9L HO CUMMINS TURBO DIESEL EWA = ENGINE - 8.0L V10 MPI	DDC = TRANSMISSION - 5-SPEED HD MANUAL DDP = TRANSMISSION - 5-SPEED MANUAL DDX = TRANSMISSION - 5-SPEED HD MANUAL DEE = TRANSMISSION - 6-SPEED HD MANUAL DGP = TRANSMISSION - 4-SPD. AUTOMATIC, 47RE DGT = TRANSMISSION - 4-SPD. AUTOMATIC, 46RE

AR = use ase required - = Non illustrated part

Fuel Injection Pump  
Figure 14-535

ITEM	PART NUMBER	QTY	LINE	SERIES	BODY	ENGINE	TRANS	TRIM	DESCRIPTION
	05014234AA	AR				ETC			-2.34
	05014260AA	AR				ETC			-2.60



RAM PICKUP/CLUB CAB (BE)

SERIES	LINE	BODY	ENGINE	TRANSMISSION
L = Ram Truck (All)	3 = HD DODGE 2WD 8 = HD DODGE 4WD 1 = Lt. Duty DODGE 2WD 6 = Lt. Duty DODGE 4WD 2 = Med. Duty DODGE 2WD 7 = Med. Duty DODGE 4WD	31 = CLUB CAB 2-DR 6.5 FT BOX 32 = CLUB CAB 2-DR 8FT BOX 33 = QUAD CAB 4-DR 6.5 FT BOX 34 = QUAD CAB 4-DR 8FT BOX	ELF = ENGINE - 5.2L V8 MPI EML = ENGINE - 5.9L V8 MPI EMM = ENGINE - "MAGNUM" 5.9L SMPI V8 ETC = ENGINE- 5.9L CUMMINS 24V DIESEL ETH = ENGINE- 5.9L HO CUMMINS TURBO DIESEL EWA = ENGINE - 8.0L V10 MPI	DDC = TRANSMISSION - 5-SPEED HD MANUAL DDP = TRANSMISSION - 5-SPEED MANUAL DDX = TRANSMISSION - 5-SPEED HD MANUAL DEE = TRANSMISSION - 6-SPEED HD MANUAL DGP = TRANSMISSION - 4-SPD. AUTOMATIC,47RE DGT = TRANSMISSION - 4-SPD. AUTOMATIC,46RE

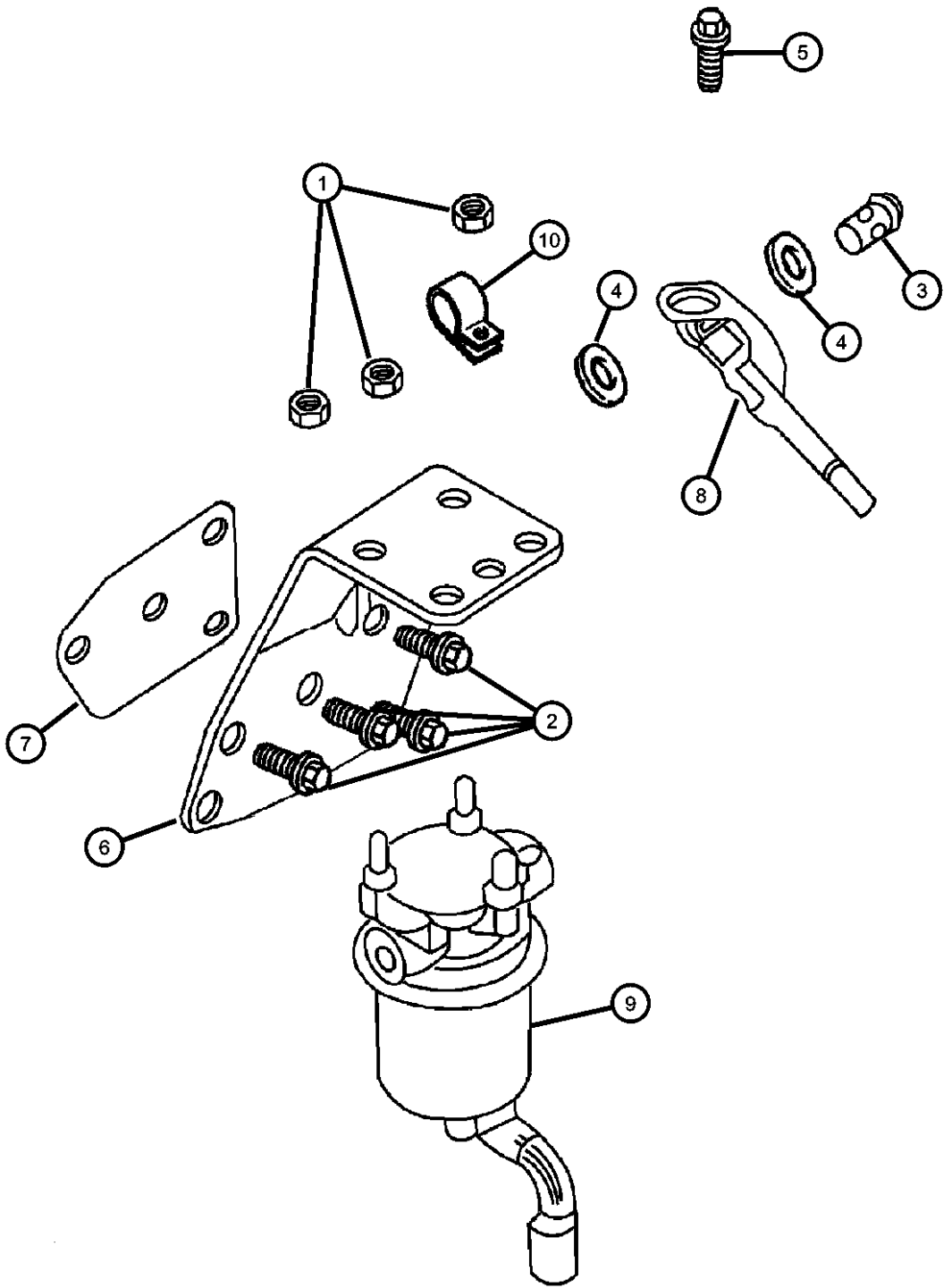
AR = use ase required - = Non illustrated part

2000 BE

**Fuel Accessories**  
**Figure 14-550**

ITEM	PART NUMBER	QTY	LINE	SERIES	BODY	ENGINE	TRANS	TRIM	DESCRIPTION
1	05011815AA	3				ETC			NUT, Hex
2	04429630	4				ETH	DBB		BOLT, Hex Head
3	04429135	1				ETC			BOLT, Banjo
4	05016555AA	2				ETC			WASHER, Fuel Line Banjo
5	04882110	1				ETC			SCREW, Hex Head, M8x1.25x16
6	05015720AA	1				ETC	DBB		BRACKET, Pump
		1				ETC	DG0		Federal
		1				ETC	DBB		California
		1				ETC	DG0		California
		1				ETH	DBB		California
7	05011437AA	1				ETC			GASKET, Engine Block Cover
		1				ETH	DBB		
8	05011463AA	1				ETC			TUBE, Fuel Injector Supply

Note:  
 [DBB] = All Manual Transmissions  
 [DG0] = All Automatic Transmissions  
 [ETC] = 5.9L Cummins 24V Diesel Engine  
 [ETH] = 5.9L HO Cummins Turbo Diesel Engine  
 [ET0] = All 5.9L Turbo Diesel Engines



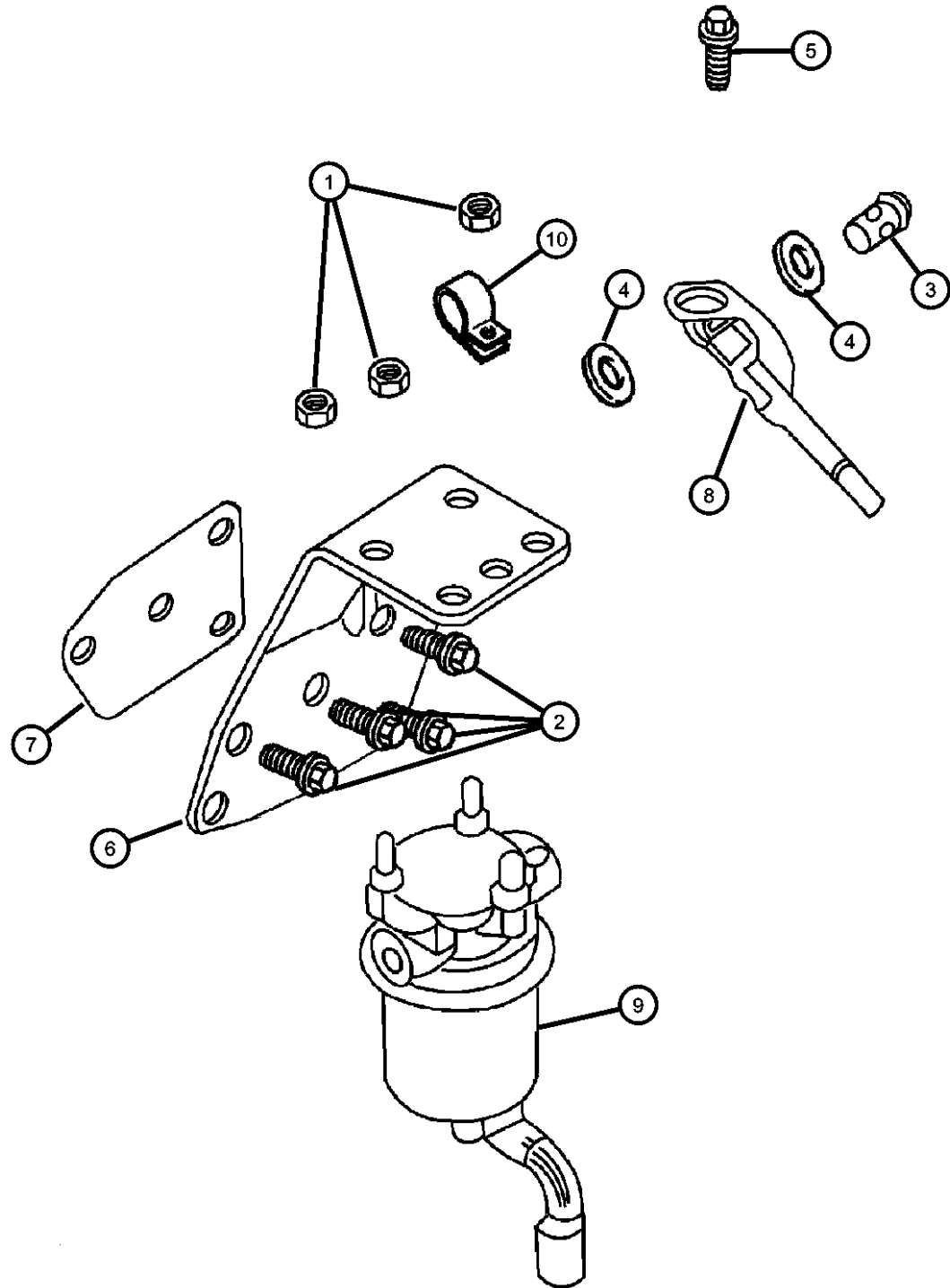
**RAM PICKUP/CLUB CAB (BE)**

SERIES	LINE	BODY	ENGINE	TRANSMISSION
L = Ram Truck (All)	3 = HD DODGE 2WD 8 = HD DODGE 4WD 1 = Lt. Duty DODGE 2WD 6 = Lt. Duty DODGE 4WD 2 = Med. Duty DODGE 2WD 7 = Med. Duty DODGE 4WD	31 = CLUB CAB 2-DR 6.5 FT BOX 32 = CLUB CAB 2-DR 8FT BOX 33 = QUAD CAB 4-DR 6.5 FT BOX 34 = QUAD CAB 4-DR 8FT BOX	ELF = ENGINE - 5.2L V8 MPI EML = ENGINE - 5.9L V8 MPI EMM = ENGINE - "MAGNUM" 5.9L SMPI V8 ETC = ENGINE- 5.9L CUMMINS 24V DIESEL ETH = ENGINE- 5.9L HO CUMMINS TURBO DIESEL EWA = ENGINE - 8.0L V10 MPI	DDC = TRANSMISSION - 5-SPEED HD MANUAL DDP = TRANSMISSION - 5-SPEED MANUAL DDX = TRANSMISSION - 5-SPEED HD MANUAL DEE = TRANSMISSION - 6-SPEED HD MANUAL DGP = TRANSMISSION - 4-SPD. AUTOMATIC, 47RE DGT = TRANSMISSION - 4-SPD. AUTOMATIC, 46RE

AR = use ase required - = Non illustrated part

Fuel Accessories  
Figure 14-550

ITEM	PART NUMBER	QTY	LINE	SERIES	BODY	ENGINE	TRANS	TRIM	DESCRIPTION
9	05080885AA	1				ETH	DBB		PUMP, Fuel
10	05011817AA	1				ETC	DG0		CLIP
	53008550	2	1, 2, 3			ETH	DEE		
		2	6, 7, 8			ETH	DEE		



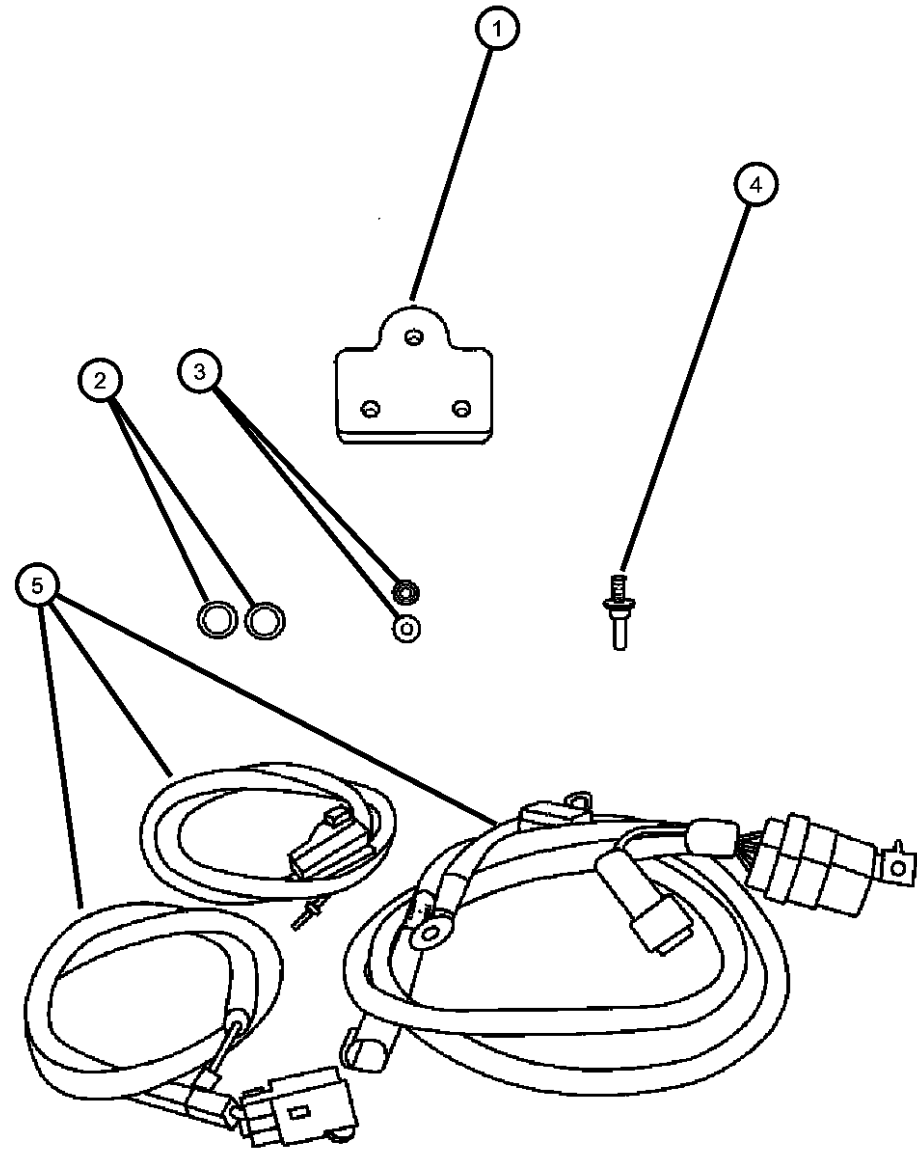
RAM PICKUP/CLUB CAB (BE)

SERIES	LINE	BODY	ENGINE	TRANSMISSION
L = Ram Truck (All)	3 = HD DODGE 2WD 8 = HD DODGE 4WD 1 = Lt. Duty DODGE 2WD 6 = Lt. Duty DODGE 4WD 2 = Med. Duty DODGE 2WD 7 = Med. Duty DODGE 4WD	31 = CLUB CAB 2-DR 6.5 FT BOX 32 = CLUB CAB 2-DR 8FT BOX 33 = QUAD CAB 4-DR 6.5 FT BOX 34 = QUAD CAB 4-DR 8FT BOX	ELF = ENGINE - 5.2L V8 MPI EML = ENGINE - 5.9L V8 MPI EMM = ENGINE - "MAGNUM" 5.9L SMPI V8 ETC = ENGINE- 5.9L CUMMINS 24V DIESEL ETH = ENGINE- 5.9L HO CUMMINS TURBO DIESEL EWA = ENGINE - 8.0L V10 MPI	DDC = TRANSMISSION - 5-SPEED HD MANUAL DDP = TRANSMISSION - 5-SPEED MANUAL DDX = TRANSMISSION - 5-SPEED HD MANUAL DEE = TRANSMISSION - 6-SPEED HD MANUAL DGP = TRANSMISSION - 4-SPD. AUTOMATIC,47RE DGT = TRANSMISSION - 4-SPD. AUTOMATIC,46RE

AR = use ase required - = Non illustrated part

2000 BE

Fuel Pump Transfer Conversion  
Figure 14-555



ITEM	PART NUMBER	QTY	LINE	SERIES	BODY	ENGINE	TRANS	TRIM	DESCRIPTION
1	05175562AA	1				ET0			UNION
2	05016555AB	4				ET0			WASHER, Fuel Line Banjo
3	04429316	3				ET0			NUT
4	04761242	3				ET0			SCREW, Hex Head, M8x1.25x45
5	05175409AA	1				ET0			WIRING, Fuel Module
-6	52018808	1				ET0			SEAL, Fuel Pump and Level Unit
-7	05179873AA	1				ET0			MODULE PACKAGE, Fuel Pump/Level Unit, THIS PACKAGE INCLUDES THE FUEL MODULE AND SEAL FOR THE 1998-2002 BR/BE/BT DIESEL THAT HAD THE FUEL SYSTEM PREVIOUSLY MODIFIED FROM THE ORIGINAL ENGINE MOUNTED TRANSFER PUMP TO THIS NEW PUMP IN THE FUEL MODULE.
-8	05175538AA	1				ET0			MODULE PACKAGE, Fuel Pump/Level Unit, THIS PACKAGE CONTAINS: MODULE FUEL PUMP/LEVEL UNIT SEAL WIRING ADAPTED LABEL AND INSTRUCTION SHEET

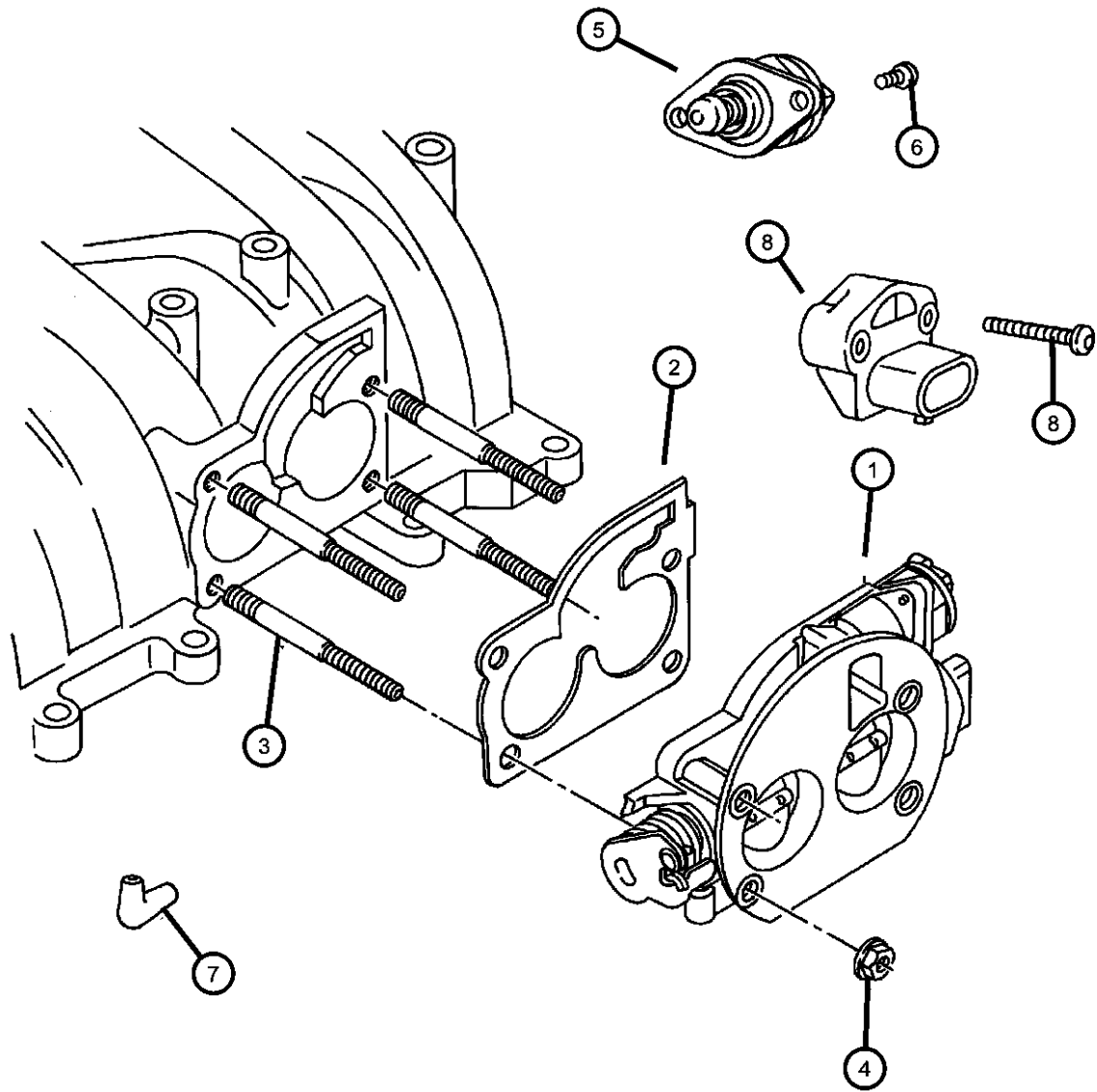
RAM PICKUP/CLUB CAB (BE)

SERIES	LINE	BODY	ENGINE	TRANSMISSION
L = Ram Truck (All)	3 = HD DODGE 2WD	31 = CLUB CAB 2-DR 6.5 FT BOX	ELF = ENGINE - 5.2L V8 MPI	DDC = TRANSMISSION - 5-SPEED HD MANUAL
	8 = HD DODGE 4WD	32 = CLUB CAB 2-DR 8FT BOX	EML = ENGINE - 5.9L V8 MPI	DDP = TRANSMISSION - 5-SPEED MANUAL
	1 = Lt. Duty DODGE 2WD	33 = QUAD CAB 4-DR 6.5 FT BOX	EMM = ENGINE - "MAGNUM" 5.9L SMPI V8	DDX = TRANSMISSION - 5-SPEED HD MANUAL
	6 = Lt. Duty DODGE 4WD	34 = QUAD CAB 4-DR 8FT BOX	ETC = ENGINE- 5.9L CUMMINS 24V DIESEL	DEE = TRANSMISSION - 6-SPEED HD MANUAL
	2 = Med. Duty DODGE 2WD		ETH = ENGINE- 5.9L HO CUMMINS TURBO DIESEL	DGP = TRANSMISSION - 4-SPD. AUTOMATIC,47RE
	7 = Med. Duty DODGE 4WD		EWA = ENGINE - 8.0L V10 MPI	DGT = TRANSMISSION - 4-SPD. AUTOMATIC,46RE

AR = use ase required - = Non illustrated part



**Throttle Body  
Figure 14-630**



ITEM	PART NUMBER	QTY	LINE	SERIES	BODY	ENGINE	TRANS	TRIM	DESCRIPTION
Note: ELO = All 5.2L 8 Cyl Gas Engines EM0 = All 5.9L 8 Cyl Gas Engines EW0 = All 8.0L Gas Engines									
1									THROTTLE BODY
	53031733AA	1				ELO			
		1				EM0			
	53031808	1				EW0			
2									GASKET, Throttle Body To Intake
	53030541	1				ELO			
		1				EM0			
	53041120	1				EW0			
3	06034380	4				EW0			STUD, .312-18/.250-20x4.00
4	06033560	4				EW0			NUT AND WASHER, Hex Nut-Coned Washer, .25-20 MOTOR, A.I.S.
5									
	53030657AC	1				ELO			
		1				EM0			
	53032067AA	1				EW0			
6									SCREW, A.I.S. Motor
	05003467AA	2				ELO			
		2				EM0			
		2				EW0			
7	53009672	1				ELO, EM0			CONNECTOR, Emission Hose
8									SENSOR, Throttle Position
	04882219	1				EW0			
		1				ELO			
		1				EM0			
-9	06036338AA	4				ELO, EM0			SCREW AND WASHER, Hex Head, .312-18x2.38

**RAM PICKUP/CLUB CAB (BE)**

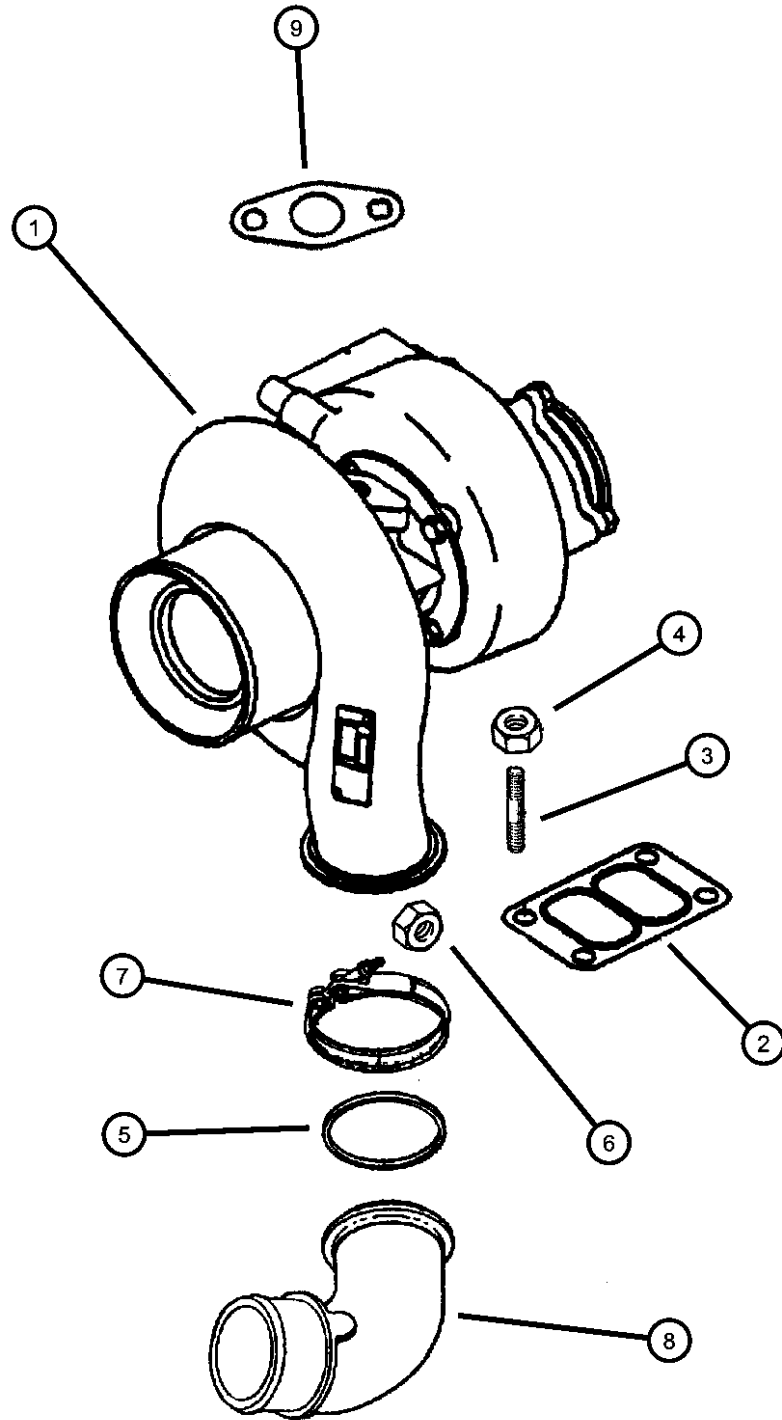
SERIES	LINE	BODY	ENGINE	TRANSMISSION
L = Ram Truck (All)	3 = HD DODGE 2WD	31 = CLUB CAB 2-DR 6.5 FT BOX	ELF = ENGINE - 5.2L V8 MPI	DDC = TRANSMISSION - 5-SPEED HD MANUAL
	8 = HD DODGE 4WD	32 = CLUB CAB 2-DR 8FT BOX	EML = ENGINE - 5.9L V8 MPI	DDP = TRANSMISSION - 5-SPEED MANUAL
	1 = Lt. Duty DODGE 2WD	33 = QUAD CAB 4-DR 6.5 FT BOX	EMM = ENGINE - "MAGNUM" 5.9L SMPI V8	DDX = TRANSMISSION - 5-SPEED HD MANUAL
	6 = Lt. Duty DODGE 4WD	34 = QUAD CAB 4-DR 8FT BOX	ETC = ENGINE- 5.9L CUMMINS 24V DIESEL	DEE = TRANSMISSION - 6-SPEED HD MANUAL
	2 = Med. Duty DODGE 2WD		ETH = ENGINE- 5.9L HO CUMMINS TURBO DIESEL	DGP = TRANSMISSION - 4-SPD. AUTOMATIC, 47RE
	7 = Med. Duty DODGE 4WD		EWA = ENGINE - 8.0L V10 MPI	DGT = TRANSMISSION - 4-SPD. AUTOMATIC, 46RE

AR = use ase required - = Non illustrated part

**Turbocharger  
Figure 14-650**

ITEM	PART NUMBER	QTY	LINE	SERIES	BODY	ENGINE	TRANS	TRIM	DESCRIPTION
------	-------------	-----	------	--------	------	--------	-------	------	-------------

Note:  
 ETC = 5.9L Cummins 24V Diesel Engine  
 ETH = 5.9L HO Cummins Turbo Diesel Engine  
 ET0 = All 5.9L Turbo Diesel Engines  
 XCK = 2001 Diesel Tracking



1									TURBOCHARGER
	05014203AA	1				ETC	DG0		ETC W/O XCK, Auto
	05017509AA	1				ETC	DBB		ETC With or Without XCK, Manual
		1				ETH	DBB		ETH, Manual
	05017787AA	1				ETC	DG0		ETC+XCK, Auto
2									GASKET, Turbocharger
	04429357	1				ETC	DG0		ETC
	04886034AA	1				ETC	DG0		ETC+XCK
		1				ETC	DBB		
		1				ETH	DBB		ETH
3									STUD
	04429823	4				ETC	DG0		
		4				ETC	DBB		
		4				ETH	DBB		
4									NUT, Turbo Mounting
	04429825	4				ETC	DG0		
		4				ETC	DBB		
		4				ETH	DBB		
5									O RING, Air Intake Line
	04761275	1				ETC			
		1				ETH	DBB		
6									NUT, Lock
	04882114	1				ETC			
		1				ETH	DBB		
7									CLAMP, Air Intake Connection, V Clamp
	04882048	1				ETC			

**RAM PICKUP/CLUB CAB (BE)**

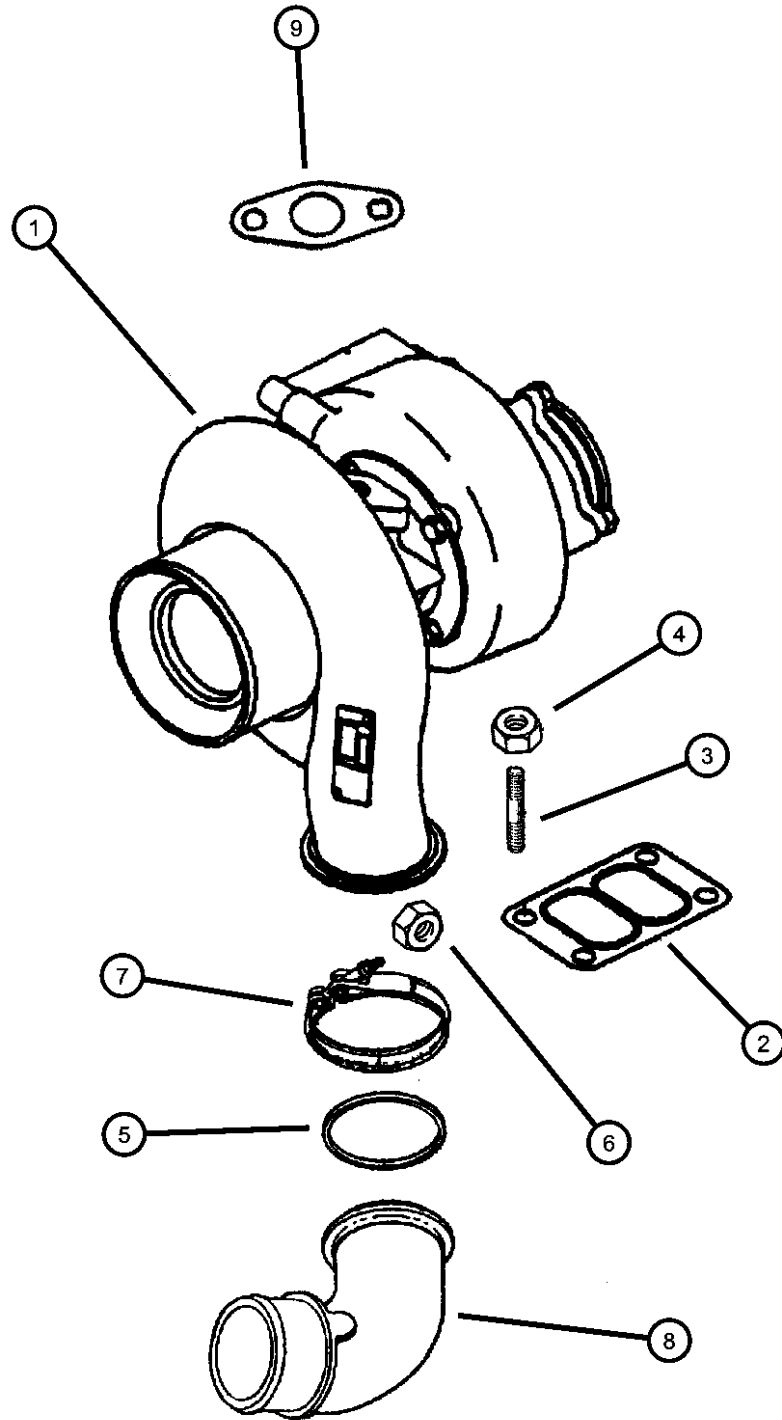
SERIES	LINE	BODY	ENGINE	TRANSMISSION
L = Ram Truck (All)	3 = HD DODGE 2WD	31 = CLUB CAB 2-DR 6.5 FT BOX	ELF = ENGINE - 5.2L V8 MPI	DDC = TRANSMISSION - 5-SPEED HD MANUAL
	8 = HD DODGE 4WD	32 = CLUB CAB 2-DR 8FT BOX	EML = ENGINE - 5.9L V8 MPI	DDP = TRANSMISSION - 5-SPEED MANUAL
	1 = Lt. Duty DODGE 2WD	33 = QUAD CAB 4-DR 6.5 FT BOX	EMM = ENGINE - "MAGNUM" 5.9L SMPI V8	DDX = TRANSMISSION - 5-SPEED HD MANUAL
	6 = Lt. Duty DODGE 4WD	34 = QUAD CAB 4-DR 8FT BOX	ETC = ENGINE- 5.9L CUMMINS 24V DIESEL	DEE = TRANSMISSION - 6-SPEED HD MANUAL
	2 = Med. Duty DODGE 2WD		ETH = ENGINE- 5.9L HO CUMMINS TURBO DIESEL	DGP = TRANSMISSION - 4-SPD. AUTOMATIC, 47RE
	7 = Med. Duty DODGE 4WD		EWA = ENGINE - 8.0L V10 MPI	DGT = TRANSMISSION - 4-SPD. AUTOMATIC, 46RE

AR = use ase required - = Non illustrated part

2000 BE

**Turbocharger  
Figure 14-650**

ITEM	PART NUMBER	QTY	LINE	SERIES	BODY	ENGINE	TRANS	TRIM	DESCRIPTION
8		1				ETH	DBB		ELBOW, Air Intake
	04746644	1				ETC			
9		1				ETH	DBB		GASKET, Turbo Oil Drain Pipe
	04886033AA	1				ETC			ETC With or without XCK, Auto
	05011430AA	1				ETH	DBB		ETH, ETC+XCK, Manual
-10	05136024AA	1				ETC	DBB		PIPE, Exhaust
-11	04874541	1				ETC	DBB		GASKET, Turbocharger, Located between the turbo&elbow
-12	05161580AA	5				ETC	DBB		SCREW



**RAM PICKUP/CLUB CAB (BE)**

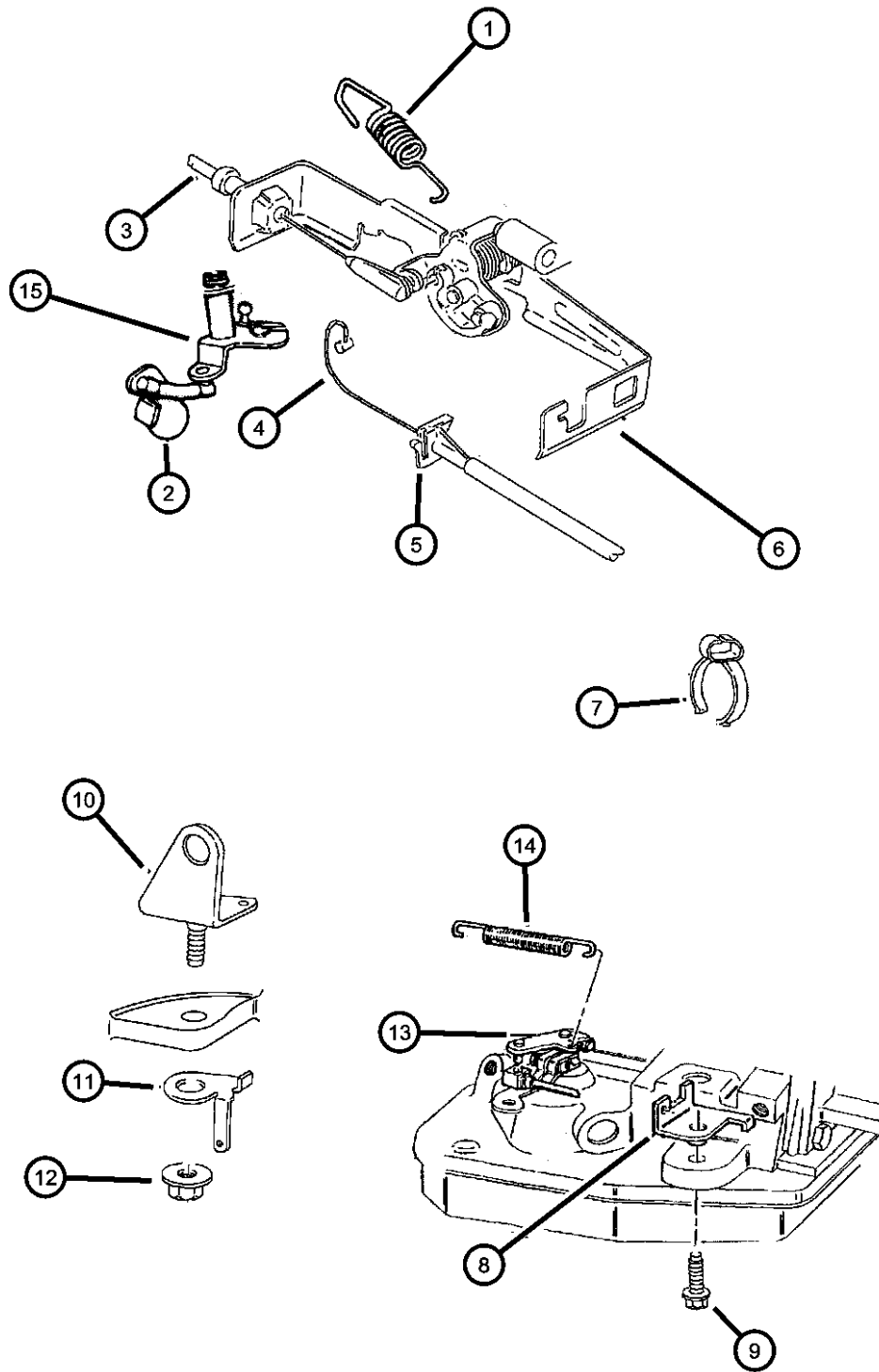
SERIES	LINE
L = Ram Truck (All)	3 = HD DODGE 2WD
	8 = HD DODGE 4WD
	1 = Lt. Duty DODGE 2WD
	6 = Lt. Duty DODGE 4WD
	2 = Med. Duty DODGE 2WD
	7 = Med. Duty DODGE 4WD

BODY	ENGINE	TRANSMISSION
31 = CLUB CAB 2-DR 6.5 FT BOX	ELF = ENGINE - 5.2L V8 MPI	DDC = TRANSMISSION - 5-SPEED HD MANUAL
32 = CLUB CAB 2-DR 8FT BOX	EML = ENGINE - 5.9L V8 MPI	DDP = TRANSMISSION - 5-SPEED MANUAL
33 = QUAD CAB 4-DR 6.5 FT BOX	EMM = ENGINE - "MAGNUM" 5.9L SMPI V8	DDX = TRANSMISSION - 5-SPEED HD MANUAL
34 = QUAD CAB 4-DR 8FT BOX	ETC = ENGINE- 5.9L CUMMINS 24V DIESEL	DEE = TRANSMISSION - 6-SPEED HD MANUAL
	ETH = ENGINE- 5.9L HO CUMMINS TURBO DIESEL	DGP = TRANSMISSION - 4-SPD. AUTOMATIC, 47RE
	EWA = ENGINE - 8.0L V10 MPI	DGT = TRANSMISSION - 4-SPD. AUTOMATIC, 46RE

AR = use ase required - = Non illustrated part

2000 BE

**Throttle Controls  
Figure 14-730**



**Note:**

DBB = All Manual Transmissions  
 DG0 = All Automatic Transmissions  
 ELO = All 5.2L 8 Cyl Gas Engines  
 ELF = Magnum 5.2L SMPI V8 Engine  
 EM0 = All 5.9L 8 Cyl Gas Engines  
 EW0 = All 8.0L Gas Engines

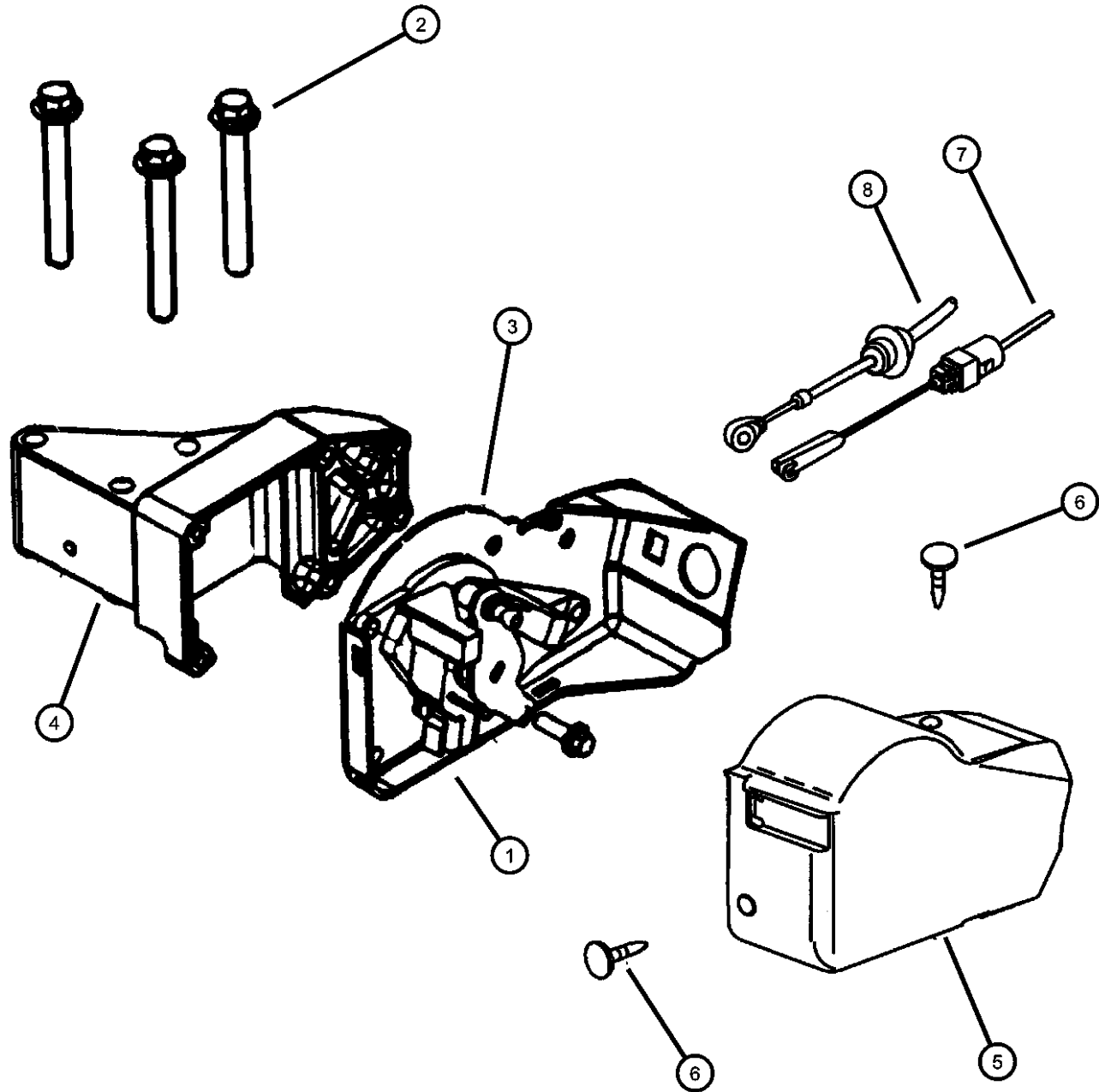
ITEM	PART NUMBER	QTY	LINE	SERIES	BODY	ENGINE	TRANS	TRIM	DESCRIPTION
1	52078102	1				ELF, EM0, EW0	DBB		SPRING, Throttle Return
2	52077860	1				EW0			INDICATOR, Gear Selector
3	52104030AD	1				ELO, EM0, EW0	DG0		CABLE, Throttle Valve
4									CABLE, Accelerator
	53031501	1				EW0			
	53031602AB	1				ELO, EM0			
5	53031602AB	1							CLIP, Serviced in Cable, (NOT SERVICED)
6	53031527	1				EW0			BRACKET, Accelerator
7	52078481	1				ELO, EM0			CLIP, Accelerator Cable
8	52079101	1					DG0		BRACKET, Cable
9	00181112	1					DG0		SCREW AND WASHER, .375-16x1.00
10	52107806AA	1				ELO, EM0	DGT		BRACKET, Torque Shaft
11	52078718	1					DG0		BRACKET, Throttle Valve Spring
12	06028114	1					DG0		NUT, Hex, .437-14
13	52079065	1					DG0		LEVER, Throttle Valve
14	53009055	1					DG0		SPRING, Throttle Valve Return
15	52079300	1				EW0			BELLCRANK, Accelerator and Cruise

**RAM PICKUP/CLUB CAB (BE)**

SERIES	LINE	BODY	ENGINE	TRANSMISSION
L = Ram Truck (All)	3 = HD DODGE 2WD	31 = CLUB CAB 2-DR 6.5 FT BOX	ELF = ENGINE - 5.2L V8 MPI	DDC = TRANSMISSION - 5-SPEED HD MANUAL
	8 = HD DODGE 4WD	32 = CLUB CAB 2-DR 8FT BOX	EML = ENGINE - 5.9L V8 MPI	DDP = TRANSMISSION - 5-SPEED MANUAL
	1 = Lt. Duty DODGE 2WD	33 = QUAD CAB 4-DR 6.5 FT BOX	EMM = ENGINE - "MAGNUM" 5.9L SMPI V8	DDX = TRANSMISSION - 5-SPEED HD MANUAL
	6 = Lt. Duty DODGE 4WD	34 = QUAD CAB 4-DR 8FT BOX	ETC = ENGINE- 5.9L CUMMINS 24V DIESEL	DEE = TRANSMISSION - 6-SPEED HD MANUAL
	2 = Med. Duty DODGE 2WD		ETH = ENGINE- 5.9L HO CUMMINS TURBO DIESEL	DGP = TRANSMISSION - 4-SPD. AUTOMATIC, 47RE
	7 = Med. Duty DODGE 4WD		EWA = ENGINE - 8.0L V10 MPI	DGT = TRANSMISSION - 4-SPD. AUTOMATIC, 46RE

AR = use ase required - = Non illustrated part

Throttle Controls  
Figure 14-750



ITEM	PART NUMBER	QTY	LINE	SERIES	BODY	ENGINE	TRANS	TRIM	DESCRIPTION
1	04429631	6				ETC			SCREW, Hex Head
2	04429779	3				ETH	DBB		BOLT, Hex Head
3	53031575	1				ETC	DG0		BELLCRANK, Accelerator and Cruise Federal
	53031576	1				ETC	DG0		California
		1				ETC	DBB		Federal
		1				ETC	DBB		California
4	05011838AA	1				ETH	DBB		SUPPORT, Bellcrank
5	53031577	1				ETC			SHROUD, Bellcrank
6	06502871	2				ETC			BOLT, M6.3x22.80
7	52107742	1				ETC	DG0		CABLE, Throttle Valve
8	53031626AC	1				ETC			CABLE, Accelerator

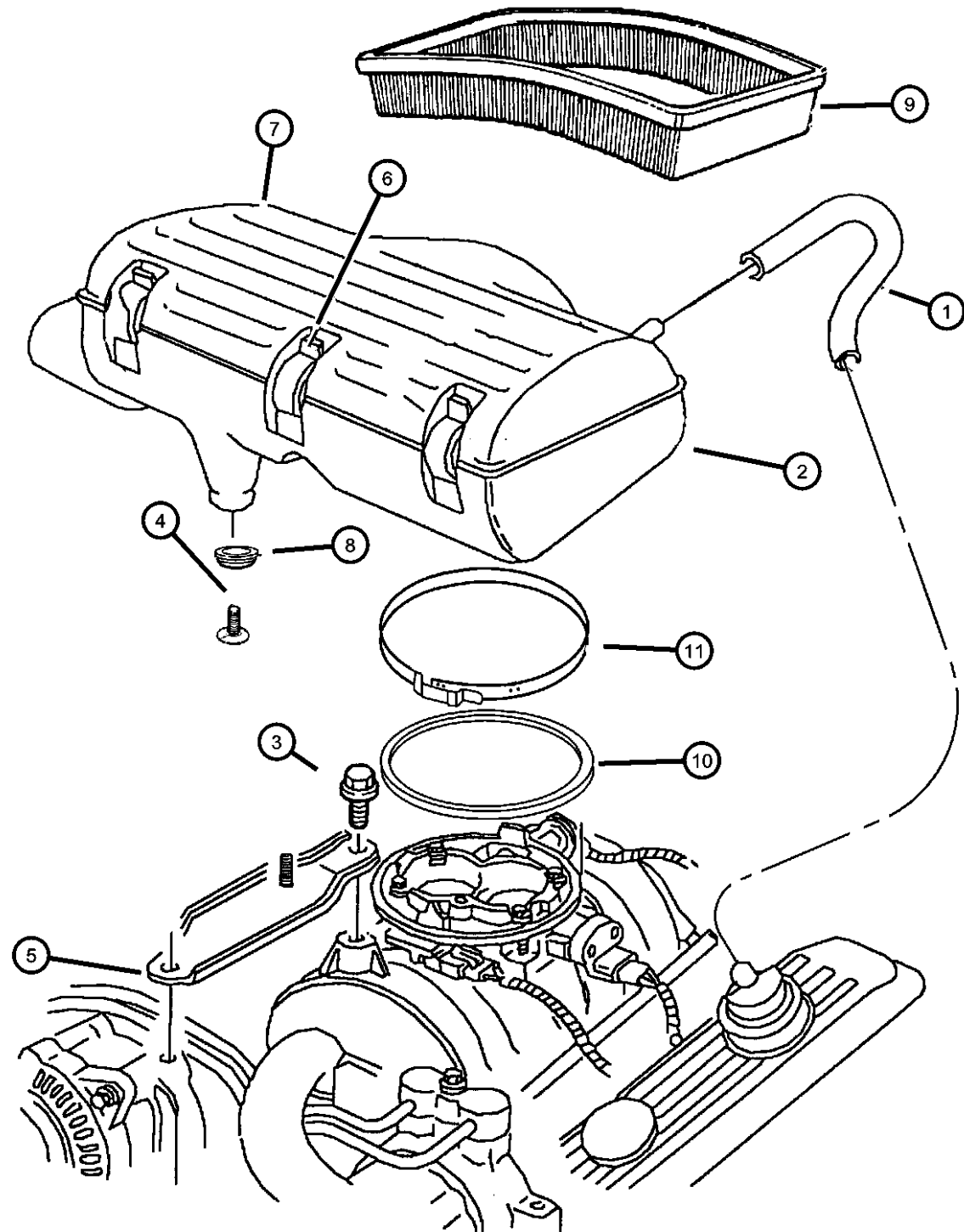
Note:  
 DBB = All Manual Transmissions  
 DG0 = All Automatic Transmissions  
 ETC = 5.9L Cummins 24V Diesel Engine  
 ETH = 5.9L HO Cummins Turbo Diesel Engine  
 ET0 = All 5.9L Turbo Diesel Engines

RAM PICKUP/CLUB CAB (BE)

SERIES	LINE	BODY	ENGINE	TRANSMISSION
L = Ram Truck (All)	3 = HD DODGE 2WD	31 = CLUB CAB 2-DR 6.5 FT BOX	ELF = ENGINE - 5.2L V8 MPI	DDC = TRANSMISSION - 5-SPEED HD MANUAL
	8 = HD DODGE 4WD	32 = CLUB CAB 2-DR 8FT BOX	EML = ENGINE - 5.9L V8 MPI	DDP = TRANSMISSION - 5-SPEED MANUAL
	1 = Lt. Duty DODGE 2WD	33 = QUAD CAB 4-DR 6.5 FT BOX	EMM = ENGINE - "MAGNUM" 5.9L SMPI V8	DDX = TRANSMISSION - 5-SPEED HD MANUAL
	6 = Lt. Duty DODGE 4WD	34 = QUAD CAB 4-DR 8FT BOX	ETC = ENGINE- 5.9L CUMMINS 24V DIESEL	DEE = TRANSMISSION - 6-SPEED HD MANUAL
	2 = Med. Duty DODGE 2WD		ETH = ENGINE- 5.9L HO CUMMINS TURBO DIESEL	DGP = TRANSMISSION - 4-SPD. AUTOMATIC, 47RE
	7 = Med. Duty DODGE 4WD		EWA = ENGINE - 8.0L V10 MPI	DGT = TRANSMISSION - 4-SPD. AUTOMATIC, 46RE

AR = use ase required - = Non illustrated part

**Air Cleaner**  
**Figure 14-825**



ITEM	PART NUMBER	QTY	LINE	SERIES	BODY	ENGINE	TRANS	TRIM	DESCRIPTION
									Note:
									EL0 = All 5.2L 8 Cyl Gas Engines
									EM0 = All 5.9L 8 Cyl Gas Engines
									EML = Magnum 5.9L SMPI V8 Engine
1	53008675AD	1				EL0, EM0			TUBE, PCV Valve
2	04897529AA	1				EL0, EML			BODY, Air Cleaner
3	04897529AA	1							SCREW, (NOT SERVICED)
4	53030406	1				EL0, EM0			FASTENER, Mounting Post
5	53030353AB	1				EL0, EM0			BRACKET, Air Cleaner
6	05277576	3				EL0, EML			LATCH, Air Cleaner
7	04897527AA	1				EL0, EML			COVER, Air Cleaner
8	04268295	1				EL0, EML			GROMMET, Air Cleaner Bracket
9	53004383	1				EL0, EML			FILTER, Air
	77060008								Performance Cold Air Intake System, AN, 1998-2002, 5.9L
	P4510466								Performance Air Filter, AN, 1999-2002, 4.7L
	P4510467								Performance Air Filter, AN, 1997-1999, 5.2L/5.9L
	P4510468								Performance Air Filter, AN, 2000-2002, 5.9L
	P4510469								Performance Air Filter, BR, 1994-2001, 5.2L/5.9L
	P4510474								Performance Air Filter, XJ, 1991-2001, 4.0L
10	53030600	1				EL0, EM0			GASKET, Air Cleaner To T/Body
11	53032106AA	1				EL0, EML			CLAMP, Air Cleaner to T/Body

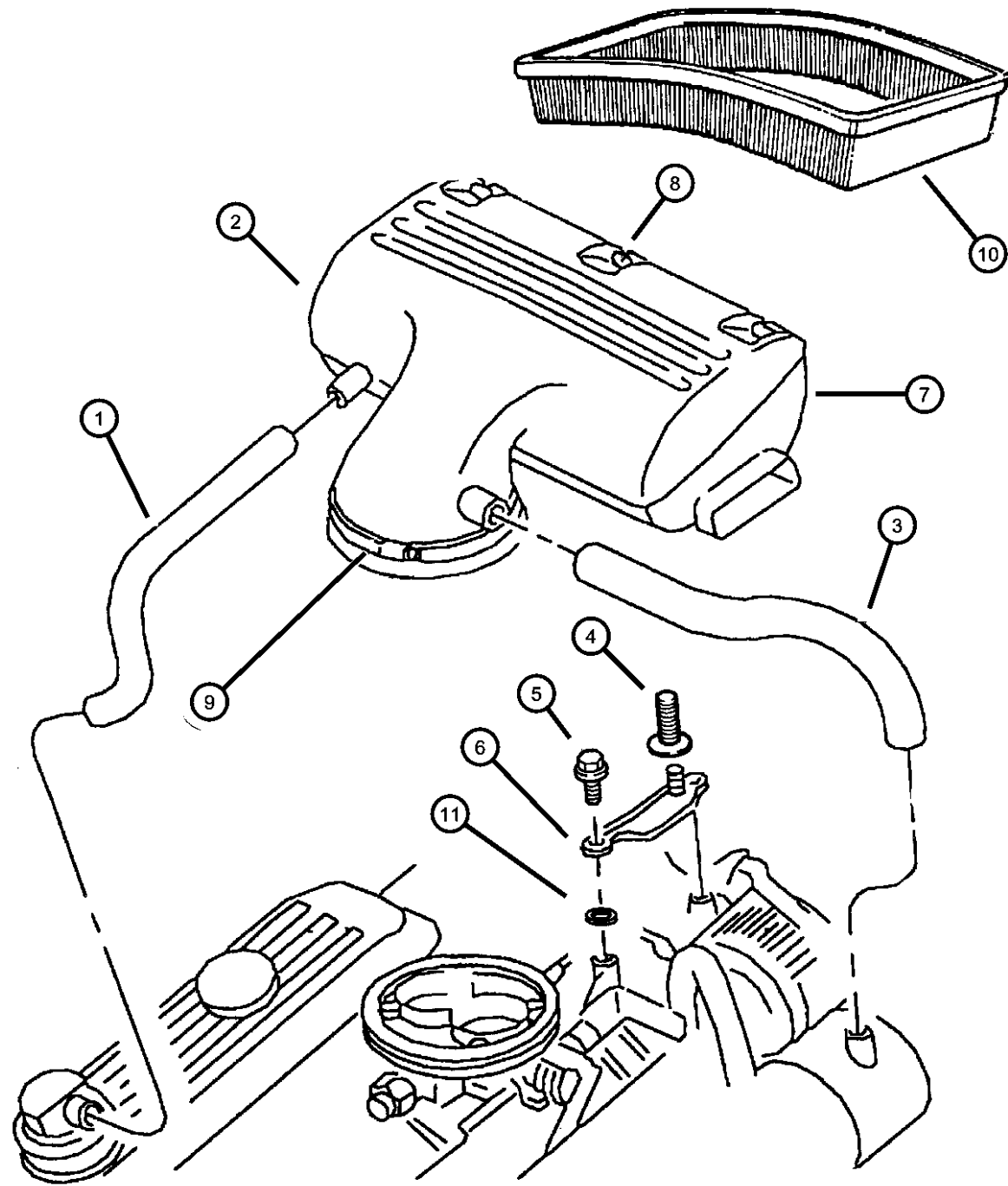
**RAM PICKUP/CLUB CAB (BE)**

SERIES	LINE	BODY	ENGINE	TRANSMISSION
L = Ram Truck (All)	3 = HD DODGE 2WD	31 = CLUB CAB 2-DR 6.5 FT BOX	ELF = ENGINE - 5.2L V8 MPI	DDC = TRANSMISSION - 5-SPEED HD MANUAL
	8 = HD DODGE 4WD	32 = CLUB CAB 2-DR 8FT BOX	EML = ENGINE - 5.9L V8 MPI	DDP = TRANSMISSION - 5-SPEED MANUAL
	1 = Lt. Duty DODGE 2WD	33 = QUAD CAB 4-DR 6.5 FT BOX	EMM = ENGINE - "MAGNUM" 5.9L SMPI V8	DDX = TRANSMISSION - 5-SPEED HD MANUAL
	6 = Lt. Duty DODGE 4WD	34 = QUAD CAB 4-DR 8FT BOX	ETC = ENGINE- 5.9L CUMMINS 24V DIESEL	DEE = TRANSMISSION - 6-SPEED HD MANUAL
	2 = Med. Duty DODGE 2WD		ETH = ENGINE- 5.9L HO CUMMINS TURBO DIESEL	DGP = TRANSMISSION - 4-SPD. AUTOMATIC, 47RE
	7 = Med. Duty DODGE 4WD		EWA = ENGINE - 8.0L V10 MPI	DGT = TRANSMISSION - 4-SPD. AUTOMATIC, 46RE

AR = use ase required - = Non illustrated part

2000 BE

**Air Cleaner  
Figure 14-827**



ITEM	PART NUMBER	QTY	LINE	SERIES	BODY	ENGINE	TRANS	TRIM	DESCRIPTION
Note: ELO = All 5.2L 8 Cyl Gas Engines EM0 = All 5.9L 8 Cyl Gas Engines EMM = Magnum 5.9L SMPI V8 Engine									
1	53030817AD	1				ELO, EM0			HOSE, Crankcase Vent
2									COVER, Air Cleaner
	04897527AA	1				EMM			Leaded Fuel
	04897528AA	1				EMM			Unleaded Fuel
3	53030432	1				EMM			HOSE, Air Cleaner
4	53030406	1				ELO, EM0			FASTENER, Mounting Post
5	53030406	1							SCREW, (NOT SERVICED)
6	53030353AB	1				ELO, EM0			BRACKET, Air Cleaner
7	04897529AA	1				EMM			BODY, Air Cleaner
8	05277576	3				EMM			LATCH, Air Cleaner
9									CLAMP, Air Cleaner to T/Body
	53032106AA	1				EMM			Federal, California
		1				EMM			Unleaded Fuel
10	53004383	1				EMM			FILTER, Air
	77060008								Performance Cold Air Intake System, AN, 1998-2002, 5.9L
	P4510466								Performance Air Filter, AN, 1999-2002, 4.7L
	P4510467								Performance Air Filter, AN, 1997-1999, 5.2L/5.9L
	P4510468								Performance Air Filter, AN, 2000-2002, 5.9L
	P4510469								Performance Air Filter, BR, 1994-2001, 5.2L/5.9L
	P4510474								Performance Air Filter, XJ, 1991-2001, 4.0L
11	04268295	1				EMM			GROMMET, Air Cleaner Bracket

**RAM PICKUP/CLUB CAB (BE)**

SERIES	LINE	BODY	ENGINE	TRANSMISSION
L = Ram Truck (All)	3 = HD DODGE 2WD 8 = HD DODGE 4WD 1 = Lt. Duty DODGE 2WD 6 = Lt. Duty DODGE 4WD 2 = Med. Duty DODGE 2WD 7 = Med. Duty DODGE 4WD	31 = CLUB CAB 2-DR 6.5 FT BOX 32 = CLUB CAB 2-DR 8FT BOX 33 = QUAD CAB 4-DR 6.5 FT BOX 34 = QUAD CAB 4-DR 8FT BOX	ELF = ENGINE - 5.2L V8 MPI EML = ENGINE - 5.9L V8 MPI EMM = ENGINE - "MAGNUM" 5.9L SMPI V8 ETC = ENGINE- 5.9L CUMMINS 24V DIESEL ETH = ENGINE- 5.9L HO CUMMINS TURBO DIESEL EWA = ENGINE - 8.0L V10 MPI	DDC = TRANSMISSION - 5-SPEED HD MANUAL DDP = TRANSMISSION - 5-SPEED MANUAL DDX = TRANSMISSION - 5-SPEED HD MANUAL DEE = TRANSMISSION - 6-SPEED HD MANUAL DGP = TRANSMISSION - 4-SPD. AUTOMATIC, 47RE DGT = TRANSMISSION - 4-SPD. AUTOMATIC, 46RE

AR = use ase required - = Non illustrated part

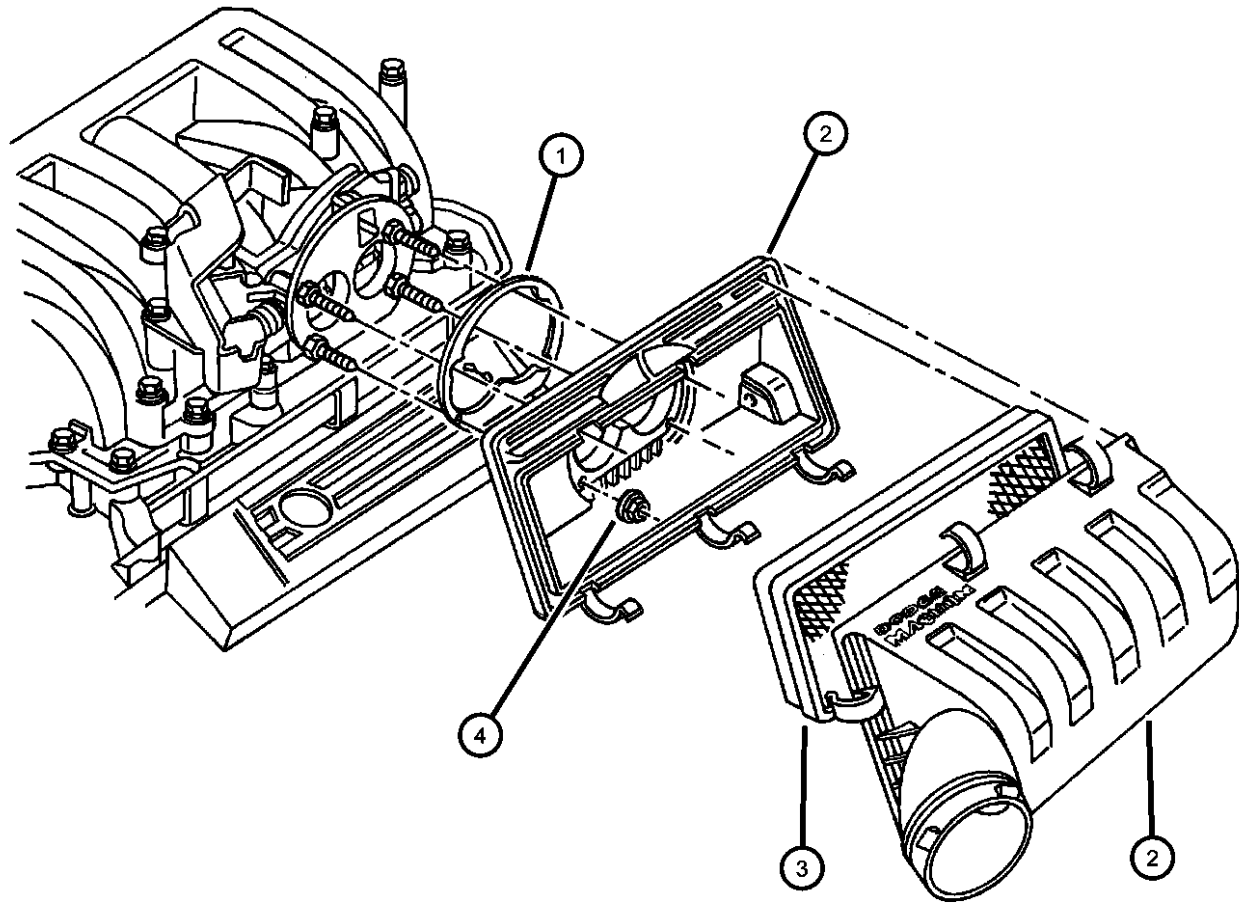
**Air Cleaner  
Figure 14-830**

ITEM	PART NUMBER	QTY	LINE	SERIES	BODY	ENGINE	TRANS	TRIM	DESCRIPTION
------	-------------	-----	------	--------	------	--------	-------	------	-------------

Note:

EW0 = All 8.0L Gas Engines

1	53030867	1				EW0			GASKET, Air Cleaner To T/Body
2	53040044	1				EW0			AIR CLEANER
3	53040025	1				EW0			FILTER, Air
4	06033560	4				EW0			NUT AND WASHER, Hex Nut-Coned Washer, .25-20



**RAM PICKUP/CLUB CAB (BE)**

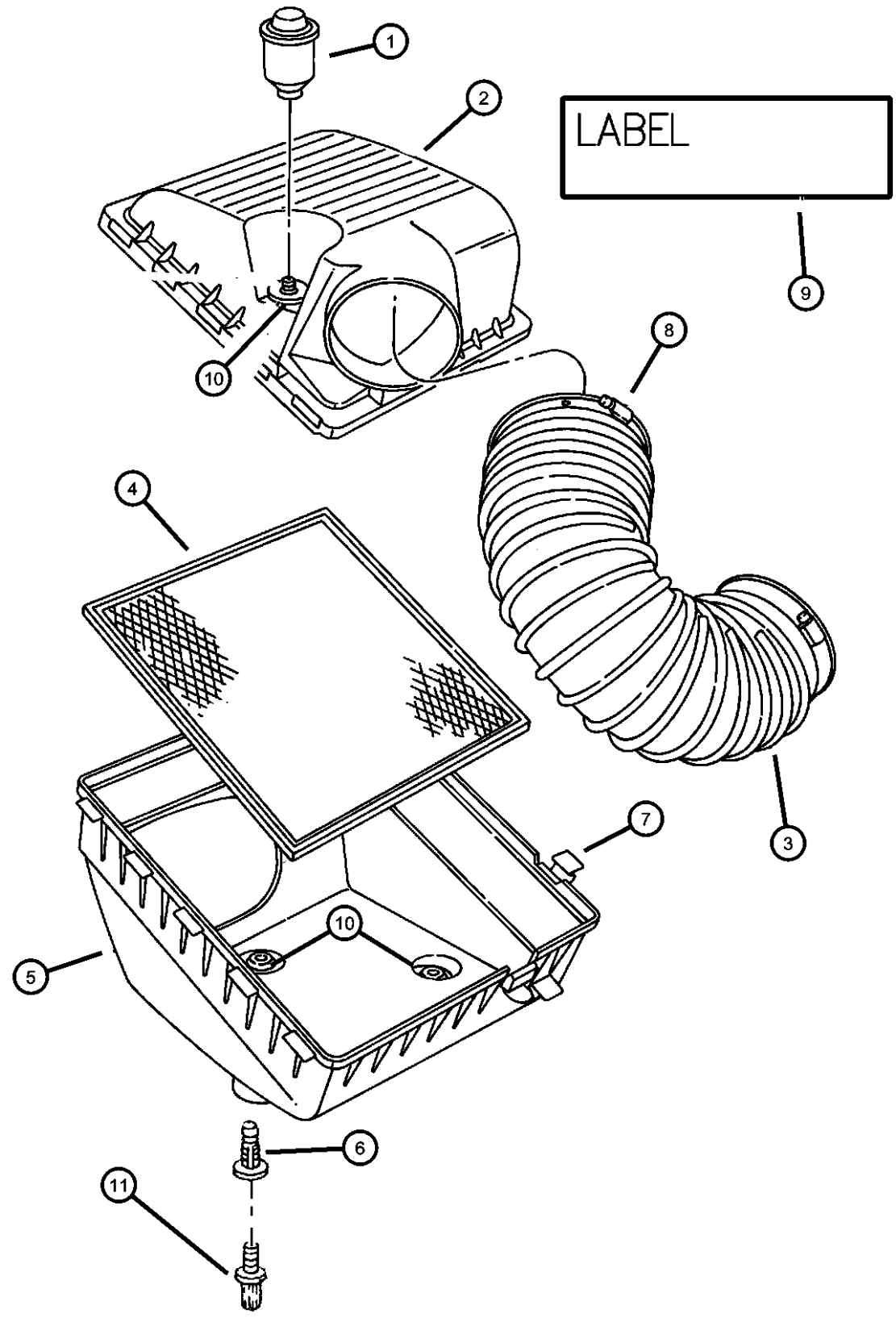
SERIES	LINE	BODY	ENGINE	TRANSMISSION
L = Ram Truck (All)	3 = HD DODGE 2WD 8 = HD DODGE 4WD 1 = Lt. Duty DODGE 2WD 6 = Lt. Duty DODGE 4WD 2 = Med. Duty DODGE 2WD 7 = Med. Duty DODGE 4WD	31 = CLUB CAB 2-DR 6.5 FT BOX 32 = CLUB CAB 2-DR 8FT BOX 33 = QUAD CAB 4-DR 6.5 FT BOX 34 = QUAD CAB 4-DR 8FT BOX	ELF = ENGINE - 5.2L V8 MPI EML = ENGINE - 5.9L V8 MPI EMM = ENGINE - "MAGNUM" 5.9L SMPI V8 ETC = ENGINE- 5.9L CUMMINS 24V DIESEL ETH = ENGINE- 5.9L HO CUMMINS TURBO DIESEL EWA = ENGINE - 8.0L V10 MPI	DDC = TRANSMISSION - 5-SPEED HD MANUAL DDP = TRANSMISSION - 5-SPEED MANUAL DDX = TRANSMISSION - 5-SPEED HD MANUAL DEE = TRANSMISSION - 6-SPEED HD MANUAL DGP = TRANSMISSION - 4-SPD. AUTOMATIC,47RE DGT = TRANSMISSION - 4-SPD. AUTOMATIC,46RE

AR = use ase required - = Non illustrated part

2000 BE



**Air Cleaner**  
**Figure 14-840**



ITEM	PART NUMBER	QTY	LINE	SERIES	BODY	ENGINE	TRANS	TRIM	DESCRIPTION
Note: ETC = 5.9L Cummins 24V Diesel Engine ETH = 5.9L HO Cummins Turbo Diesel Engine ETO = All 5.9L Turbo Diesel Engines									
1	04864443AA	1				ETO			GAUGE, Air Restriction Indicator
2	04897530AA	1				ETO			COVER, Air Cleaner
3	53030294	1				ETO			DUCT, Ambient Air
4	04864442	1				ETO			ELEMENT, Air Cleaner
5	04728407	1				ETO			HOUSING, Air Cleaner
6	53030406	3				ETO			FASTENER, Mounting Post
7	05277576	4				ETO			LATCH, Air Cleaner
8									CLAMP, Air Cleaner Duct
	53032105AA	1				ETO			Air Cleaner End
	53032134AA	1				ETO			Turbocharger End
9	04428963	1				ETO			LABEL, Diesel Starting
10	04268295	4				ETO			GROMMET, Air Cleaner Bracket, Air Cleaner Mounting
11	06503955	3				ETO			STUD, M6x1.00x18

**RAM PICKUP/CLUB CAB (BE)**

SERIES	LINE	BODY	ENGINE	TRANSMISSION
L = Ram Truck (All)	3 = HD DODGE 2WD 8 = HD DODGE 4WD 1 = Lt. Duty DODGE 2WD 6 = Lt. Duty DODGE 4WD 2 = Med. Duty DODGE 2WD 7 = Med. Duty DODGE 4WD	31 = CLUB CAB 2-DR 6.5 FT BOX 32 = CLUB CAB 2-DR 8FT BOX 33 = QUAD CAB 4-DR 6.5 FT BOX 34 = QUAD CAB 4-DR 8FT BOX	ELF = ENGINE - 5.2L V8 MPI EML = ENGINE - 5.9L V8 MPI EMM = ENGINE - "MAGNUM" 5.9L SMPI V8 ETC = ENGINE- 5.9L CUMMINS 24V DIESEL ETH = ENGINE- 5.9L HO CUMMINS TURBO DIESEL EWA = ENGINE - 8.0L V10 MPI	DDC = TRANSMISSION - 5-SPEED HD MANUAL DDP = TRANSMISSION - 5-SPEED MANUAL DDX = TRANSMISSION - 5-SPEED HD MANUAL DEE = TRANSMISSION - 6-SPEED HD MANUAL DGP = TRANSMISSION - 4-SPD. AUTOMATIC,47RE DGT = TRANSMISSION - 4-SPD. AUTOMATIC,46RE

AR = use ase required - = Non illustrated part

**Air Intake System  
Figure 14-920**

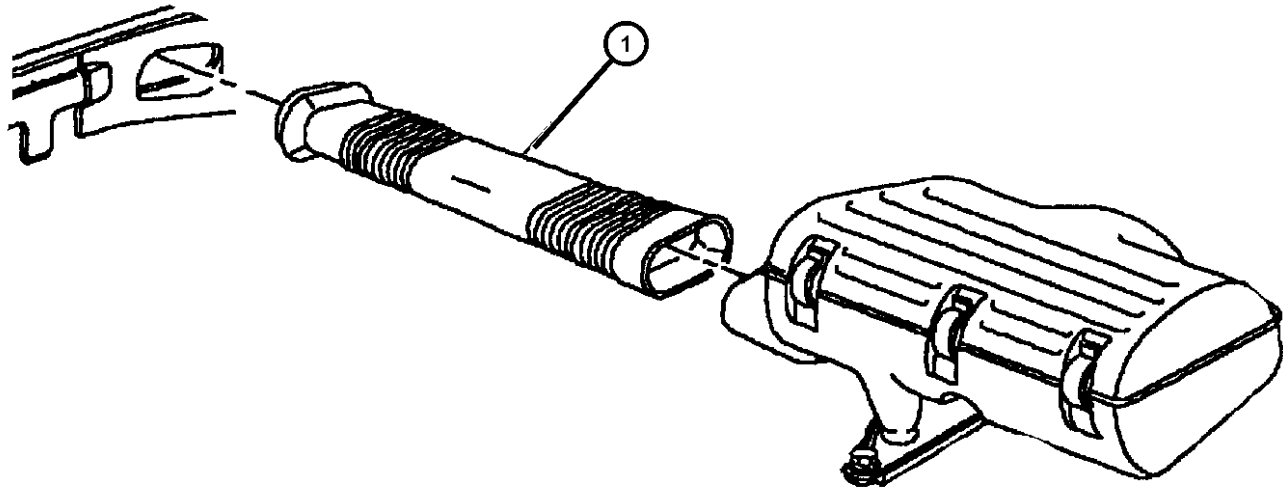
ITEM	PART NUMBER	QTY	LINE	SERIES	BODY	ENGINE	TRANS	TRIM	DESCRIPTION
------	-------------	-----	------	--------	------	--------	-------	------	-------------

Note:

EL0 = All 5.2L 8 Cyl Gas Engines

EM0 = All 5.9L 8 Cyl Gas Engines

1	53030304	1				EL0, EM0			DUCT, Ambient Air
---	----------	---	--	--	--	----------	--	--	-------------------



**RAM PICKUP/CLUB CAB (BE)**

SERIES	LINE	BODY	ENGINE	TRANSMISSION
L = Ram Truck (All)	3 = HD DODGE 2WD	31 = CLUB CAB 2-DR 6.5 FT BOX	ELF = ENGINE - 5.2L V8 MPI	DDC = TRANSMISSION - 5-SPEED HD MANUAL
	8 = HD DODGE 4WD	32 = CLUB CAB 2-DR 8FT BOX	EML = ENGINE - 5.9L V8 MPI	DDP = TRANSMISSION - 5-SPEED MANUAL
	1 = Lt. Duty DODGE 2WD	33 = QUAD CAB 4-DR 6.5 FT BOX	EMM = ENGINE - "MAGNUM" 5.9L SMPI V8	DDX = TRANSMISSION - 5-SPEED HD MANUAL
	6 = Lt. Duty DODGE 4WD	34 = QUAD CAB 4-DR 8FT BOX	ETC = ENGINE- 5.9L CUMMINS 24V DIESEL	DEE = TRANSMISSION - 6-SPEED HD MANUAL
	2 = Med. Duty DODGE 2WD		ETH = ENGINE- 5.9L HO CUMMINS TURBO DIESEL	DGP = TRANSMISSION - 4-SPD. AUTOMATIC,47RE
	7 = Med. Duty DODGE 4WD		EWA = ENGINE - 8.0L V10 MPI	DGT = TRANSMISSION - 4-SPD. AUTOMATIC,46RE

AR = use ase required - = Non illustrated part

2000 BE

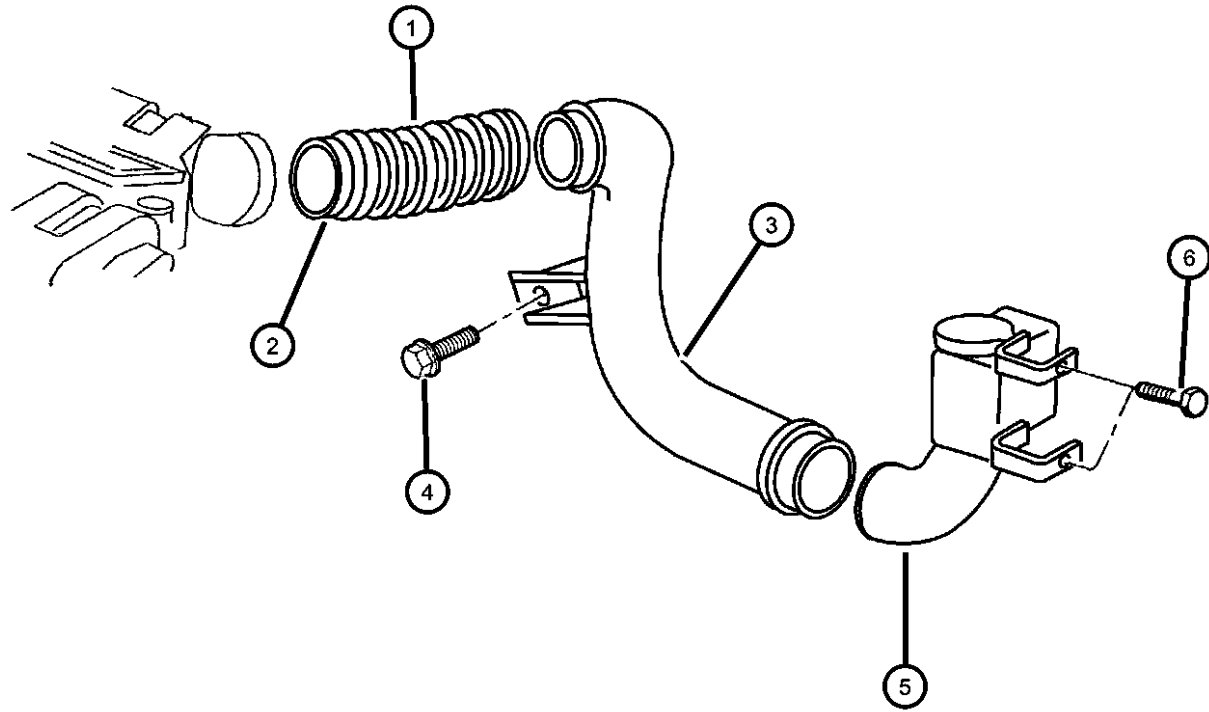
**Air Intake System  
Figure 14-930**

ITEM	PART NUMBER	QTY	LINE	SERIES	BODY	ENGINE	TRANS	TRIM	DESCRIPTION
------	-------------	-----	------	--------	------	--------	-------	------	-------------

Note:

EW0 = All 8.0L Gas Engines

1	53030165	1				EW0			HOSE, Air Cleaner to T/Body
2	53006584	2				EW0			CLAMP, Hose to Air Cleaner
3	53041043	1				EW0			DUCT, Ambient Air
4	00154555	1				EW0			SCREW
5	53041042	1				EW0			DUCT, Ambient Air
6	06502064	2				EW0			SCREW, Tapping, M6x1x20



**RAM PICKUP/CLUB CAB (BE)**

SERIES	LINE	BODY	ENGINE	TRANSMISSION
L = Ram Truck (All)	3 = HD DODGE 2WD 8 = HD DODGE 4WD 1 = Lt. Duty DODGE 2WD 6 = Lt. Duty DODGE 4WD 2 = Med. Duty DODGE 2WD 7 = Med. Duty DODGE 4WD	31 = CLUB CAB 2-DR 6.5 FT BOX 32 = CLUB CAB 2-DR 8FT BOX 33 = QUAD CAB 4-DR 6.5 FT BOX 34 = QUAD CAB 4-DR 8FT BOX	ELF = ENGINE - 5.2L V8 MPI EML = ENGINE - 5.9L V8 MPI EMM = ENGINE - "MAGNUM" 5.9L SMPI V8 ETC = ENGINE- 5.9L CUMMINS 24V DIESEL ETH = ENGINE- 5.9L HO CUMMINS TURBO DIESEL EWA = ENGINE - 8.0L V10 MPI	DDC = TRANSMISSION - 5-SPEED HD MANUAL DDP = TRANSMISSION - 5-SPEED MANUAL DDX = TRANSMISSION - 5-SPEED HD MANUAL DEE = TRANSMISSION - 6-SPEED HD MANUAL DGP = TRANSMISSION - 4-SPD. AUTOMATIC,47RE DGT = TRANSMISSION - 4-SPD. AUTOMATIC,46RE

AR = use ase required - = Non illustrated part

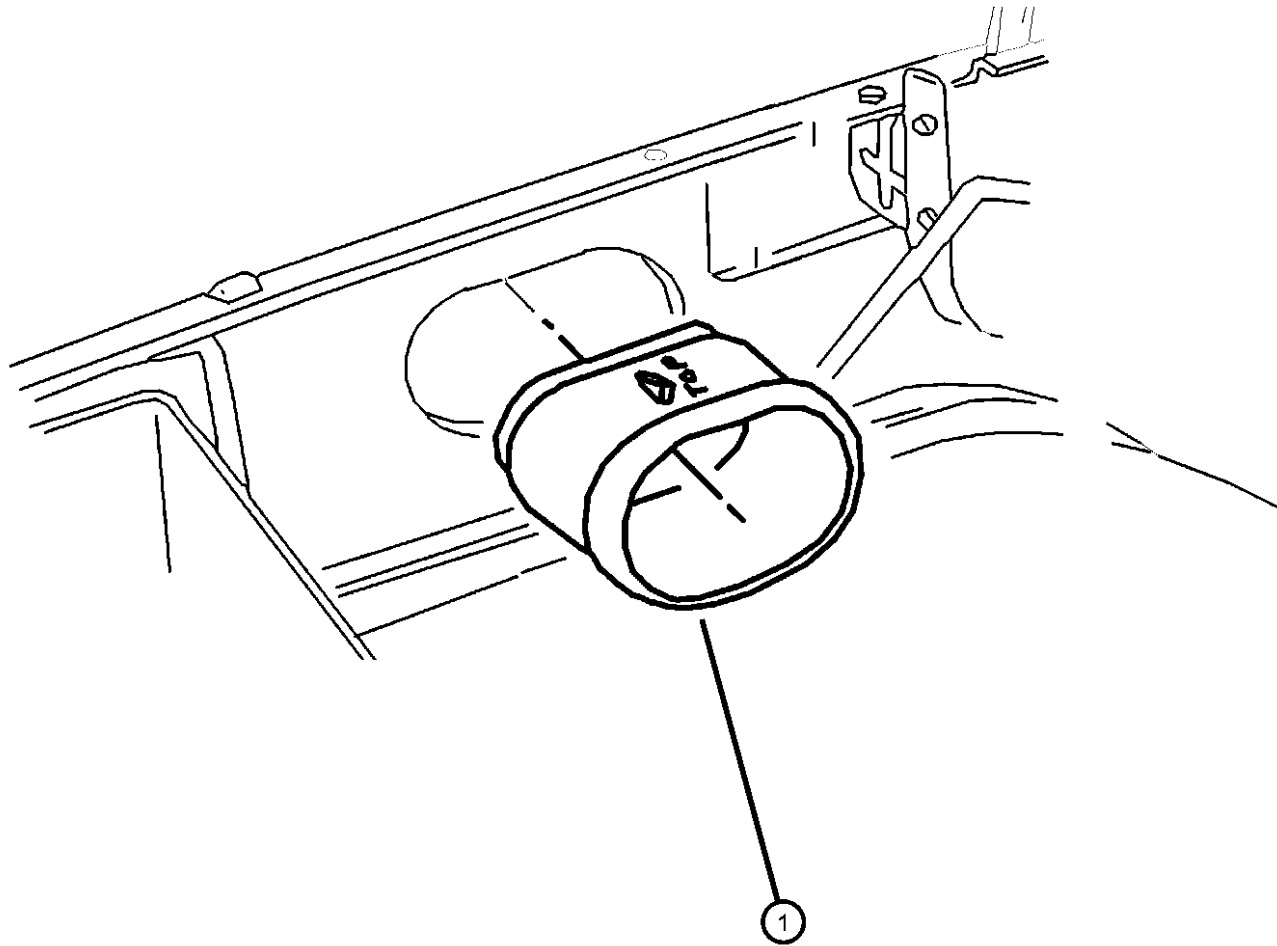
2000 BE

**Air Intake System  
Figure 14-935**

ITEM	PART NUMBER	QTY	LINE	SERIES	BODY	ENGINE	TRANS	TRIM	DESCRIPTION
------	-------------	-----	------	--------	------	--------	-------	------	-------------

Note:  
ET0 = All 5.9L Turbo Diesel Engines

1	53031610	1				ET0			DUCT, Ambient Air
---	----------	---	--	--	--	-----	--	--	-------------------



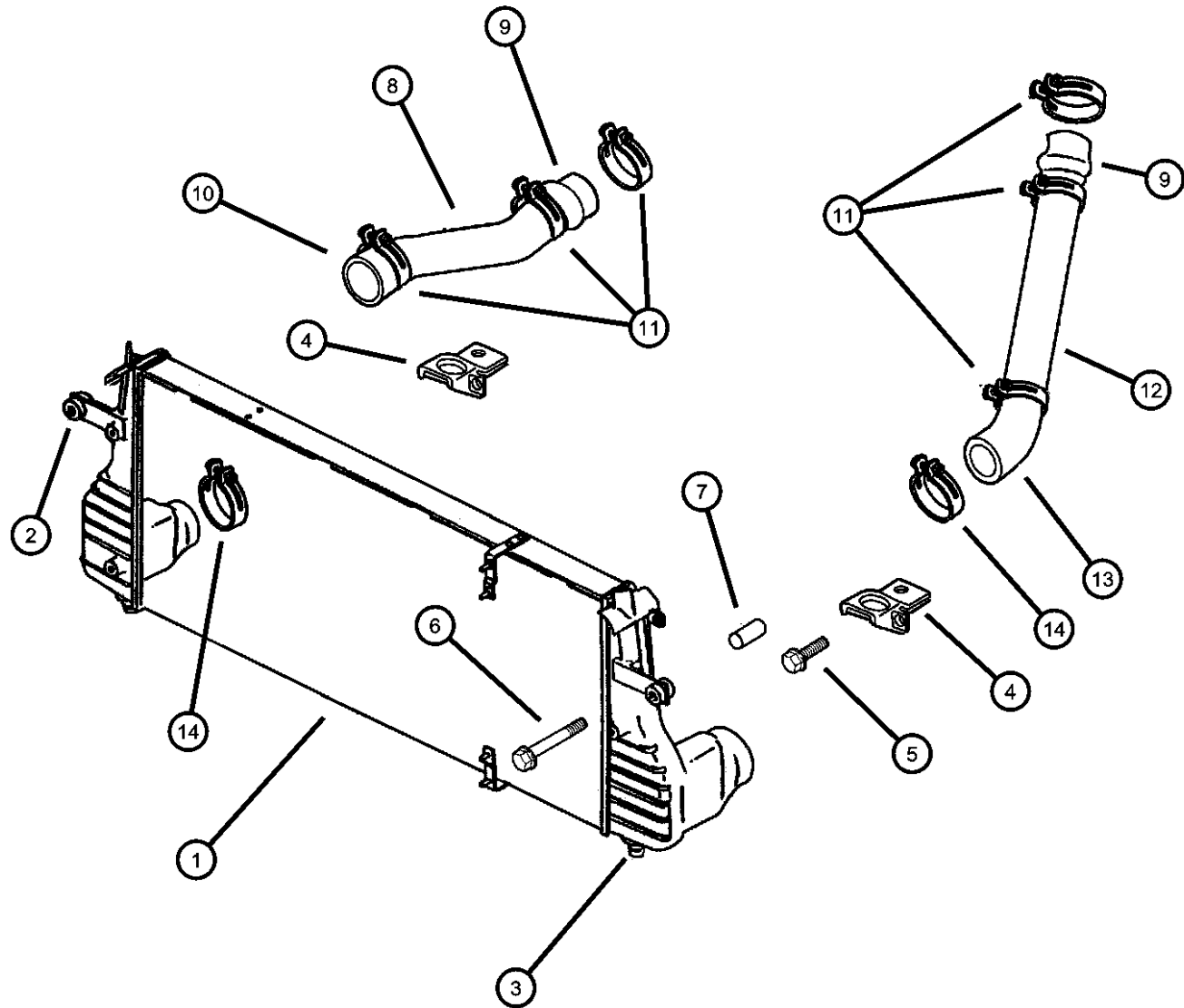
**RAM PICKUP/CLUB CAB (BE)**

SERIES	LINE	BODY	ENGINE	TRANSMISSION
L = Ram Truck (All)	3 = HD DODGE 2WD 8 = HD DODGE 4WD 1 = Lt. Duty DODGE 2WD 6 = Lt. Duty DODGE 4WD 2 = Med. Duty DODGE 2WD 7 = Med. Duty DODGE 4WD	31 = CLUB CAB 2-DR 6.5 FT BOX 32 = CLUB CAB 2-DR 8FT BOX 33 = QUAD CAB 4-DR 6.5 FT BOX 34 = QUAD CAB 4-DR 8FT BOX	ELF = ENGINE - 5.2L V8 MPI EML = ENGINE - 5.9L V8 MPI EMM = ENGINE - "MAGNUM" 5.9L SMPI V8 ETC = ENGINE- 5.9L CUMMINS 24V DIESEL ETH = ENGINE- 5.9L HO CUMMINS TURBO DIESEL EWA = ENGINE - 8.0L V10 MPI	DDC = TRANSMISSION - 5-SPEED HD MANUAL DDP = TRANSMISSION - 5-SPEED MANUAL DDX = TRANSMISSION - 5-SPEED HD MANUAL DEE = TRANSMISSION - 6-SPEED HD MANUAL DGP = TRANSMISSION - 4-SPD. AUTOMATIC,47RE DGT = TRANSMISSION - 4-SPD. AUTOMATIC,46RE

AR = use ase required - = Non illustrated part

2000 BE

**Charge Air Cooler System  
Figure 14-945**



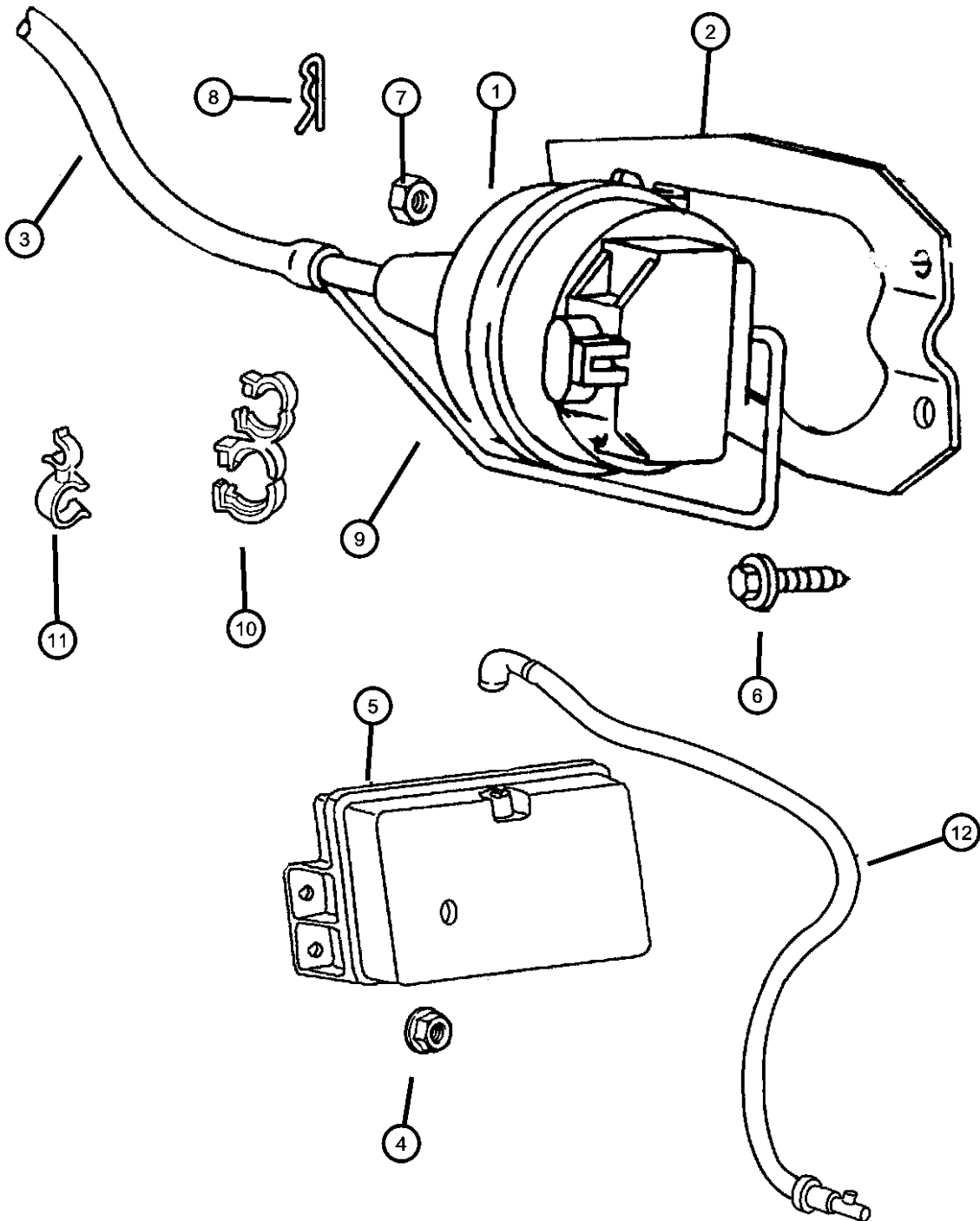
ITEM	PART NUMBER	QTY	LINE	SERIES	BODY	ENGINE	TRANS	TRIM	DESCRIPTION
	Note: ETC = 5.9L Cummins 24V Diesel Engine ETH = 5.9L HO Cummins Turbo Diesel Engine ET0 = All 5.9L Turbo Diesel Engines								
1	52028724AC	1				ET0			COOLER, Charge Air
2	52027827	2				ETC			ISOLATOR, Radiator, All ETC's and ETH's
3	52027502	2				ETC			ISOLATOR, Radiator, All ETC'S and ETH's
4									BRACKET, Intercooler
	52027724	1				ET0			Right
	52027725	1				ET0			Left
5	52027725	1							SCREW, M8x1.25x20.00, (NOT SERVICED)
6	52027725	1							SCREW, M6x1.00x55.00, (NOT SERVICED)
7	06503245	2				ET0			NUT/RIVET, Cooler To Closure Panel
8	52028489	1				ETC			DUCT, Charge Air Cooler, All ETC's and ETH's
9	52027815AB	1				ETC			HOSE, Charge Air Cooler, All ETC's and ETH's
10	52027990	1				ETC			HOSE, Intercooler Intake
11									CLAMP, Hose
	52027813	2				ET0			Use this number up to 4-6-01
	52028980AA	2				ET0			Use this number after 4-6-01
12	52028492AB	1				ETC			DUCT, Charge Air Cooler, All ETC's and ETH's
13	52027516	1				ETC			HOSE, Outlet Duct To Cooler, All ETC's and ETH's
14									CLAMP, Hose
	52027813	2				ET0			Use this number up to 4-6-01
	52028979AA	1				ET0			Charge air cooler to duct
	52028980AA	1				ET0			Use this number after 4-6-01 duct to engine
-15	52027814	2				ET0			CLAMP

**RAM PICKUP/CLUB CAB (BE)**

SERIES	LINE	BODY	ENGINE	TRANSMISSION
L = Ram Truck (All)	3 = HD DODGE 2WD 8 = HD DODGE 4WD 1 = Lt. Duty DODGE 2WD 6 = Lt. Duty DODGE 4WD 2 = Med. Duty DODGE 2WD 7 = Med. Duty DODGE 4WD	31 = CLUB CAB 2-DR 6.5 FT BOX 32 = CLUB CAB 2-DR 8FT BOX 33 = QUAD CAB 4-DR 6.5 FT BOX 34 = QUAD CAB 4-DR 8FT BOX	ELF = ENGINE - 5.2L V8 MPI EML = ENGINE - 5.9L V8 MPI EMM = ENGINE - "MAGNUM" 5.9L SMPI V8 ETC = ENGINE- 5.9L CUMMINS 24V DIESEL ETH = ENGINE- 5.9L HO CUMMINS TURBO DIESEL EWA = ENGINE - 8.0L V10 MPI	DDC = TRANSMISSION - 5-SPEED HD MANUAL DDP = TRANSMISSION - 5-SPEED MANUAL DDX = TRANSMISSION - 5-SPEED HD MANUAL DEE = TRANSMISSION - 6-SPEED HD MANUAL DGP = TRANSMISSION - 4-SPD. AUTOMATIC,47RE DGT = TRANSMISSION - 4-SPD. AUTOMATIC,46RE

AR = use ase required - = Non illustrated part

**Speed Control  
Figure 14-1030**



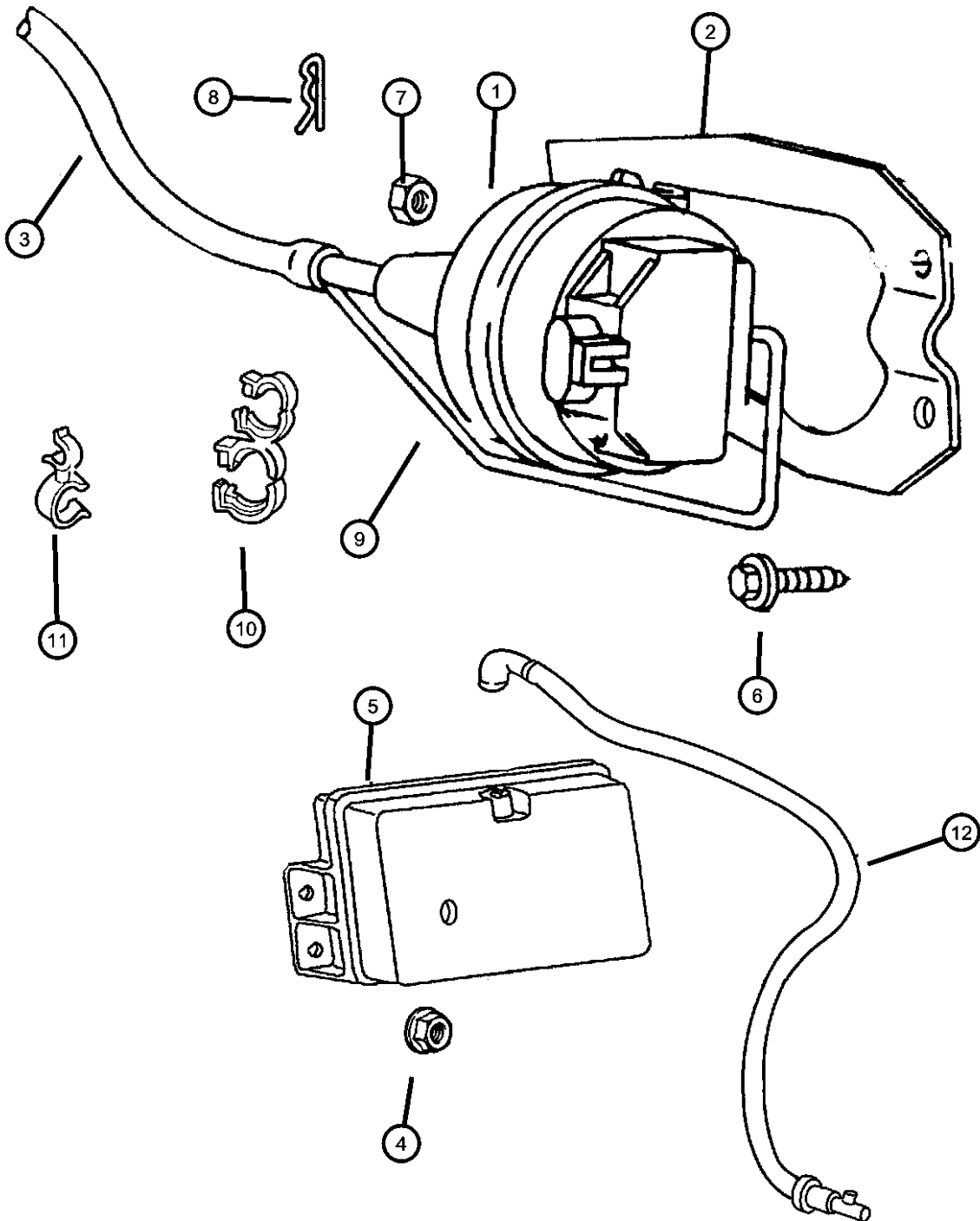
ITEM	PART NUMBER	QTY	LINE	SERIES	BODY	ENGINE	TRANS	TRIM	DESCRIPTION
NOTE: ELO = All 5.2L 8 Cyl Gas Engines EM0 = All 5.9L 8 Cyl Gas Engines ETC = 5.9L Cummins 24V Diesel Engine ET0 = All 5.9L Turbo Diesel Engines EW0 = All 8.0L Gas Engines									
1									SERVO, Speed Control
	04669977	1				ELO, EM0			
		1				EW0			
		1				ET0			
2									BRACKET, Speed Control Servo
	53007958	1				ELO, EM0			
		1				EW0			
		1				ET0			
3									CABLE, Speed Control
	52078598	1				ELO, EM0			
	52079311	1				EW0			
	53031574	1				ETC			
4	06100775	2				ELO, EM0, EW0			NUT, Hex Flange, M5x.8
5	55035614	1				ELO, EM0, EW0			RESERVOIR, Vacuum
6	06032988	3							SCREW
7									NUT, Hex Flange Serration, M6x1
	06502493	2				ELO, EM0			
		2				EW0			
		2				ET0			
8									CLIP, Cable to Servo Attach
	06025867	1				ELO, EM0			
		1				EW0			
9									HARNESS, Vacuum Speed Control
	52078320	1				ELO, EM0			
	52078323	1				EW0			

**RAM PICKUP/CLUB CAB (BE)**

SERIES	LINE	BODY	ENGINE	TRANSMISSION
L = Ram Truck (All)	3 = HD DODGE 2WD 8 = HD DODGE 4WD 1 = Lt. Duty DODGE 2WD 6 = Lt. Duty DODGE 4WD 2 = Med. Duty DODGE 2WD 7 = Med. Duty DODGE 4WD	31 = CLUB CAB 2-DR 6.5 FT BOX 32 = CLUB CAB 2-DR 8FT BOX 33 = QUAD CAB 4-DR 6.5 FT BOX 34 = QUAD CAB 4-DR 8FT BOX	ELF = ENGINE - 5.2L V8 MPI EML = ENGINE - 5.9L V8 MPI EMM = ENGINE - "MAGNUM" 5.9L SMPI V8 ETC = ENGINE- 5.9L CUMMINS 24V DIESEL ETH = ENGINE- 5.9L HO CUMMINS TURBO DIESEL EWA = ENGINE - 8.0L V10 MPI	DDC = TRANSMISSION - 5-SPEED HD MANUAL DDP = TRANSMISSION - 5-SPEED MANUAL DDX = TRANSMISSION - 5-SPEED HD MANUAL DEE = TRANSMISSION - 6-SPEED HD MANUAL DGP = TRANSMISSION - 4-SPD. AUTOMATIC, 47RE DGT = TRANSMISSION - 4-SPD. AUTOMATIC, 46RE

AR = use ase required - = Non illustrated part

**Speed Control  
Figure 14-1030**



ITEM	PART NUMBER	QTY	LINE	SERIES	BODY	ENGINE	TRANS	TRIM	DESCRIPTION
		1				ET0			
10	52078479	2	6, 7, 8						CLIP, Vacuum Harness
11	06503441	1				EL0, EM0			CLIP, Cruise Control
12	55055705AB	1				EL0, EM0, EWO			HARNESS ASSEMBLY, Vacuum
-13	55036068	1				EL0, EM0, EWO			VALVE, Vacuum Check, Also Serviced In Item #12

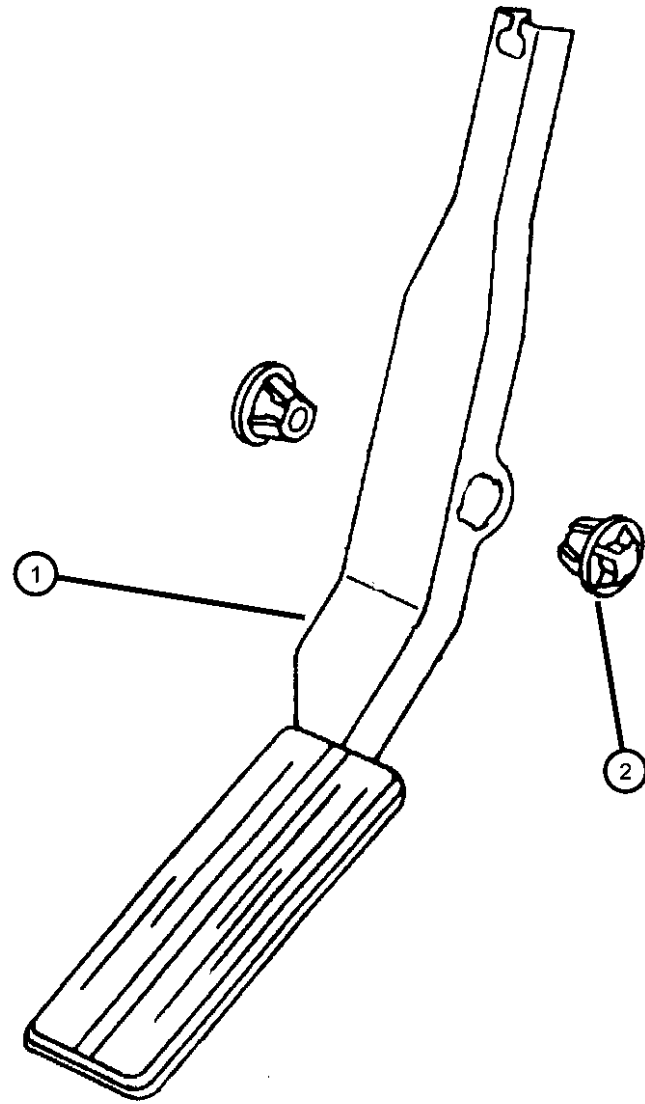
**RAM PICKUP/CLUB CAB (BE)**

SERIES	LINE	BODY	ENGINE	TRANSMISSION
L = Ram Truck (All)	3 = HD DODGE 2WD 8 = HD DODGE 4WD 1 = Lt. Duty DODGE 2WD 6 = Lt. Duty DODGE 4WD 2 = Med. Duty DODGE 2WD 7 = Med. Duty DODGE 4WD	31 = CLUB CAB 2-DR 6.5 FT BOX 32 = CLUB CAB 2-DR 8FT BOX 33 = QUAD CAB 4-DR 6.5 FT BOX 34 = QUAD CAB 4-DR 8FT BOX	ELF = ENGINE - 5.2L V8 MPI EML = ENGINE - 5.9L V8 MPI EMM = ENGINE - "MAGNUM" 5.9L SMPI V8 ETC = ENGINE- 5.9L CUMMINS 24V DIESEL ETH = ENGINE- 5.9L HO CUMMINS TURBO DIESEL EWA = ENGINE - 8.0L V10 MPI	DDC = TRANSMISSION - 5-SPEED HD MANUAL DDP = TRANSMISSION - 5-SPEED MANUAL DDX = TRANSMISSION - 5-SPEED HD MANUAL DEE = TRANSMISSION - 6-SPEED HD MANUAL DGP = TRANSMISSION - 4-SPD. AUTOMATIC, 47RE DGT = TRANSMISSION - 4-SPD. AUTOMATIC, 46RE

AR = use ase required - = Non illustrated part

**Accelerator Pedal  
Figure 14-1120**

ITEM	PART NUMBER	QTY	LINE	SERIES	BODY	ENGINE	TRANS	TRIM	DESCRIPTION
1	53031526	1							LEVER, Accelerator Linkage
2	52078653	2							BUSHING, Accelerator Pedal



**RAM PICKUP/CLUB CAB (BE)**

SERIES	LINE	BODY	ENGINE	TRANSMISSION
L = Ram Truck (All)	3 = HD DODGE 2WD 8 = HD DODGE 4WD 1 = Lt. Duty DODGE 2WD 6 = Lt. Duty DODGE 4WD 2 = Med. Duty DODGE 2WD 7 = Med. Duty DODGE 4WD	31 = CLUB CAB 2-DR 6.5 FT BOX 32 = CLUB CAB 2-DR 8FT BOX 33 = QUAD CAB 4-DR 6.5 FT BOX 34 = QUAD CAB 4-DR 8FT BOX	ELF = ENGINE - 5.2L V8 MPI EML = ENGINE - 5.9L V8 MPI EMM = ENGINE - "MAGNUM" 5.9L SMPI V8 ETC = ENGINE- 5.9L CUMMINS 24V DIESEL ETH = ENGINE- 5.9L HO CUMMINS TURBO DIESEL EWA = ENGINE - 8.0L V10 MPI	DDC = TRANSMISSION - 5-SPEED HD MANUAL DDP = TRANSMISSION - 5-SPEED MANUAL DDX = TRANSMISSION - 5-SPEED HD MANUAL DEE = TRANSMISSION - 6-SPEED HD MANUAL DGP = TRANSMISSION - 4-SPD. AUTOMATIC,47RE DGT = TRANSMISSION - 4-SPD. AUTOMATIC,46RE

AR = use ase required - = Non illustrated part

2000 BE



# Group - 16

## Propeller Shafts and U-Joints

### Group - 16 Propeller Shafts and U-Joints

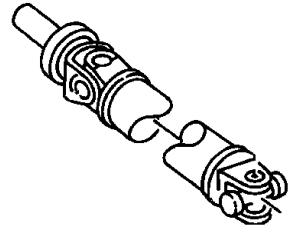
Group-Fig. No.

Illustration Title

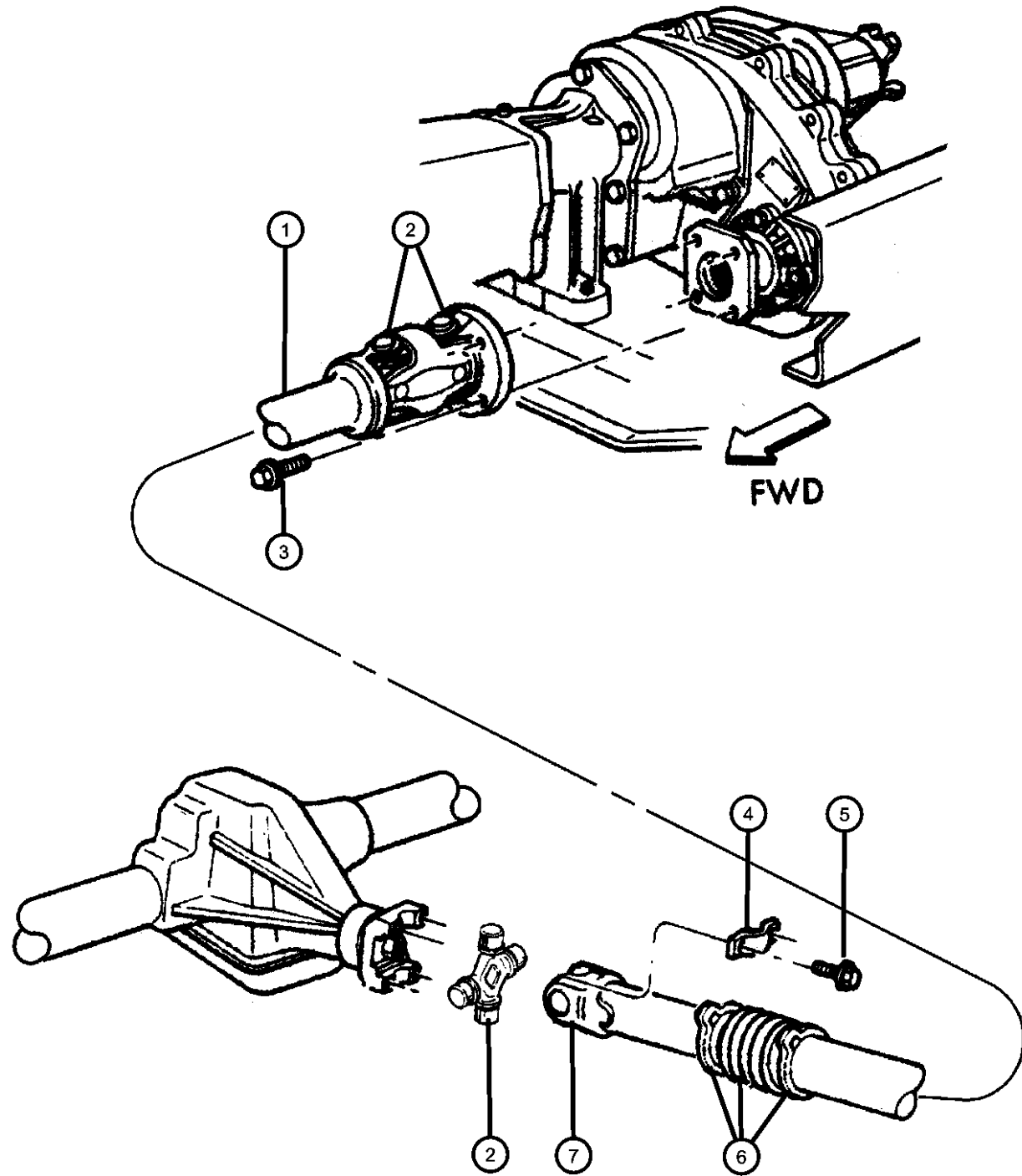
#### Propeller Shaft

Shaft, Propeller, Front, BE 6, 7, 8 .....	Fig. 16 - 110
Shaft, Propeller, Rear, 1 Piece, Body 31, 33, BE 1, 2, 6, 7 .....	Fig. 16 - 120
Shaft, Propeller, Rear, 2 Piece, Body 31, 33, BE 1, 2 .....	Fig. 16 - 130
Shaft, Propeller, Rear, 2 Piece, Body 34, BE 1, 2, 3, 6, 7, 8 .....	Fig. 16 - 140

<b>016-100</b> Propeller Shaft							
-----------------------------------	--	--	--	--	--	--	--



**Shaft, Propeller, Front, BE 6,7,8**  
**Figure 16-110**



ITEM	PART NUMBER	QTY	LINE	SERIES	BODY	ENGINE	TRANS	TRIM	DESCRIPTION
------	-------------	-----	------	--------	------	--------	-------	------	-------------

Note:

- DBB = All Manual Transmissions
- DDC = 5 Speed Heavy Duty Manual Transmission
- DDP = 5 Speed Manual Transmission
- DDX = 5 Speed Heavy Duty Manual Transmission
- DEE = 6 Speed Heavy Duty Manual Transmission
- DGT = 4 Speed Automatic Transmission 46RE
- DHG = Transfer Case-Shift-on-the-Fly, 241HD
- DHH = Transfer Case-Shift-on-the-Fly, 241

1									SHAFT, Drive, Front
	52105840AB	1	6, 7, 8				DDP		
	52105860AB	1	6, 7, 8				DG0		
		1	6, 7, 8				DGP		[DHH]
	52105862AB	1	6, 7, 8				DGP		[DHG]
	52105866AB	1	6, 7, 8				DEE		
	52105871AB	1	6, 7, 8				DBB		
		1	6, 7, 8				DDX, DGT		
2									U-JOINT
	05014733AA	3	6, 7, 8				DG0		
	V8014733AA								Mopar Alternative Universal Joint
		3	6, 7, 8				DGP		[DHH]
	V8014733AA								Mopar Alternative Universal Joint
		3	6, 7, 8				DBB		
	V8014733AA								Mopar Alternative Universal Joint
		3	6, 7, 8				DDX, DGT		
	V8014733AA								Mopar Alternative Universal Joint
		3	6, 7, 8				DDP		
	V8014733AA								Mopar Alternative Universal Joint
		3	6, 7, 8				DEE		
	V8014733AA								Mopar Alternative Universal Joint
		3	6, 7, 8				DGP		[DHG]
	V8014733AA								Mopar Alternative Universal Joint

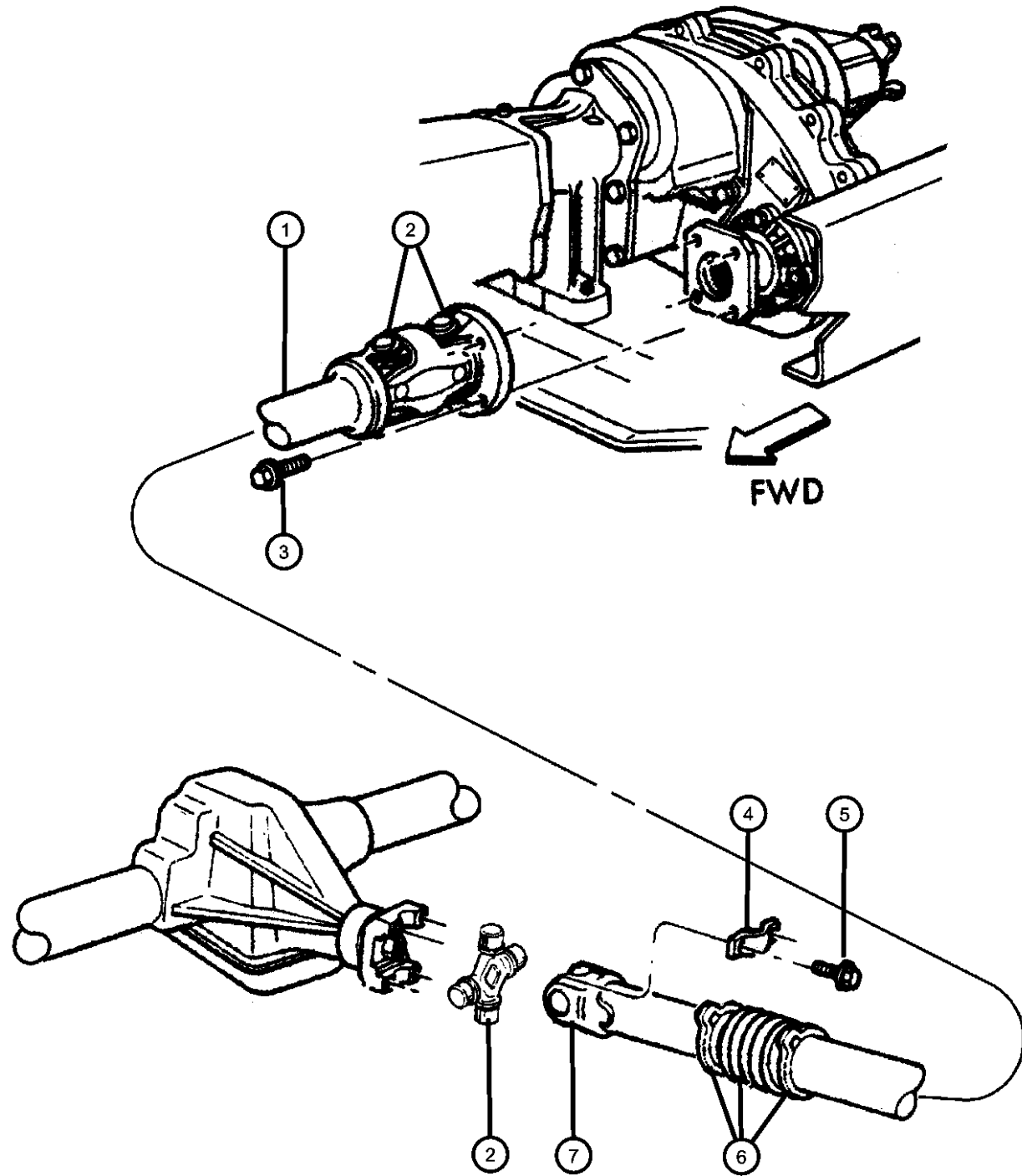
**RAM PICKUP/CLUB CAB (BE)**

SERIES	LINE	BODY	ENGINE	TRANSMISSION
L = Ram Truck (All)	3 = HD DODGE 2WD	31 = CLUB CAB 2-DR 6.5 FT BOX	ELF = ENGINE - 5.2L V8 MPI	DDC = TRANSMISSION - 5-SPEED HD MANUAL
	8 = HD DODGE 4WD	32 = CLUB CAB 2-DR 8FT BOX	EML = ENGINE - 5.9L V8 MPI	DDP = TRANSMISSION - 5-SPEED MANUAL
	1 = Lt. Duty DODGE 2WD	33 = QUAD CAB 4-DR 6.5 FT BOX	EMM = ENGINE - "MAGNUM" 5.9L SMPI V8	DDX = TRANSMISSION - 5-SPEED HD MANUAL
	6 = Lt. Duty DODGE 4WD	34 = QUAD CAB 4-DR 8FT BOX	ETC = ENGINE- 5.9L CUMMINS 24V DIESEL	DEE = TRANSMISSION - 6-SPEED HD MANUAL
	2 = Med. Duty DODGE 2WD		ETH = ENGINE- 5.9L HO CUMMINS TURBO DIESEL	DGP = TRANSMISSION - 4-SPD. AUTOMATIC, 47RE
	7 = Med. Duty DODGE 4WD		EWA = ENGINE - 8.0L V10 MPI	DGT = TRANSMISSION - 4-SPD. AUTOMATIC, 46RE

AR = use ase required - = Non illustrated part

2000 BE

Shaft, Propeller, Front, BE 6,7,8  
Figure 16-110



ITEM	PART NUMBER	QTY	LINE	SERIES	BODY	ENGINE	TRANS	TRIM	DESCRIPTION
3	06033358	4	6, 7, 8						SCREW AND WASHER, Hex Head Locking, .437-14x1.25, Propeller Shaft to Transfer Case Flange
4	J3240553	2	6, 7, 8						STRAP, Prop Shaft
5	J4006928	4	6, 7, 8						BOLT
6									BOOT, Driveshaft
	05012793AA	1	6, 7, 8				DG0		
		1	6, 7, 8				DGP	[DHH]	
		1	6, 7, 8				DBB		
		1	6, 7, 8				DDX, DGT		
		1	6, 7, 8				DGP	[DHG]	
		1	6, 7, 8				DDP		
		1	6, 7, 8				DEE		
7									YOKE, Drive Shaft
	05014056AA	1	6, 7, 8				DG0		
		1	6, 7, 8				DGP	[DHH]	
		1	6, 7, 8				DBB		
		1	6, 7, 8				DDX, DGT		
		1	6, 7, 8				DGP	[DHG]	
		1	6, 7, 8				DDP		
		1	6, 7, 8				DEE		

RAM PICKUP/CLUB CAB (BE)

SERIES	LINE
L = Ram Truck (All)	3 = HD DODGE 2WD
	8 = HD DODGE 4WD
	1 = Lt. Duty DODGE 2WD
	6 = Lt. Duty DODGE 4WD
	2 = Med. Duty DODGE 2WD
	7 = Med. Duty DODGE 4WD

BODY	ENGINE	TRANSMISSION
31 = CLUB CAB 2-DR 6.5 FT BOX	ELF = ENGINE - 5.2L V8 MPI	DDC = TRANSMISSION - 5-SPEED HD MANUAL
32 = CLUB CAB 2-DR 8FT BOX	EML = ENGINE - 5.9L V8 MPI	DDP = TRANSMISSION - 5-SPEED MANUAL
33 = QUAD CAB 4-DR 6.5 FT BOX	EMM = ENGINE - "MAGNUM" 5.9L SMPI V8	DDX = TRANSMISSION - 5-SPEED HD MANUAL
34 = QUAD CAB 4-DR 8FT BOX	ETC = ENGINE- 5.9L CUMMINS 24V DIESEL	DEE = TRANSMISSION - 6-SPEED HD MANUAL
	ETH = ENGINE- 5.9L HO CUMMINS TURBO DIESEL	DGP = TRANSMISSION - 4-SPD. AUTOMATIC, 47RE
	EWA = ENGINE - 8.0L V10 MPI	DGT = TRANSMISSION - 4-SPD. AUTOMATIC, 46RE

AR = use ase required - = Non illustrated part

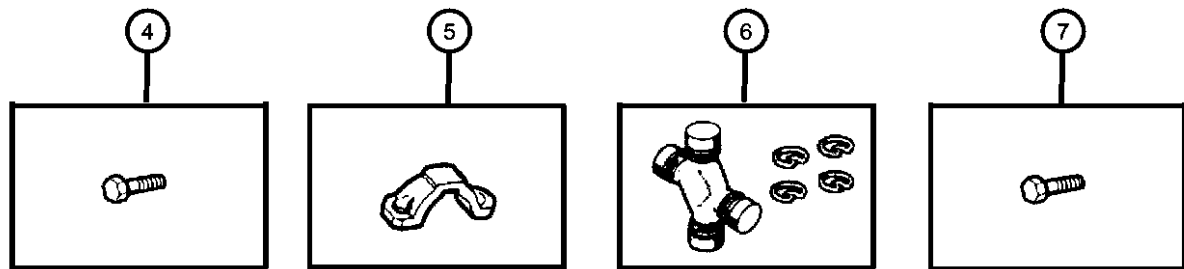
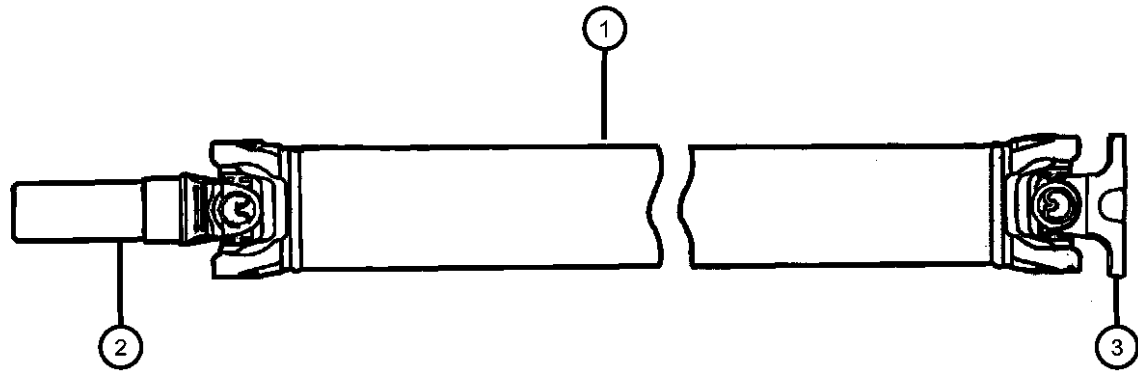
Shaft, Propeller, Rear, 1 Piece, Body 31, 33, BE 1, 2, 6, 7

Figure 16-120

ITEM	PART NUMBER	QTY	LINE	SERIES	BODY	ENGINE	TRANS	TRIM	DESCRIPTION
------	-------------	-----	------	--------	------	--------	-------	------	-------------

Note:

DDC = 5 Speed Heavy Duty Manual Transmission  
 DDP = 5 Speed Manual Transmission  
 DDX = 5 Speed Heavy Duty Manual Transmission  
 DEE = 6 Speed Heavy Duty Manual Transmission  
 DGT = 4 Speed Automatic Transmission 46RE  
 DHG = Transfer Case-Shift-on-the-Fly, 241HD  
 DHH = Transfer Case-Shift-on-the-Fly, 241  
 EML = "Magnum" 5.9L SMPI V8 Engine  
 EM0 = All 5.9L 8 Cyl Gas Engines  
 ET0 = All 5.9L Turbo Diesel Engines  
 EW0 = All 8.0L Gas Engines



1									SHAFT, Drive
	52099183	1	7		33	ET0, EW0	DGP		[DHH]
	52099195	1	7		33		DGT		[DHH]
	52099255	1	7		33		DDP		[DHH]
	52105122	1	7		33	ET0, EW0	DDX		[DHG]
	52105129	1	7		33		DDP		[DHG]
	52105130	1	7		33		DGT		[DHG]
	52105275AB	1	2		33		DGP		
	52105283AB	1	7		33		DEE		[DHG]
	52105284AB	1	7		33	ET0, EW0	DDX		[DHH]
	52105285AB	1	7		33		DEE		[DHH]
	52105290	1	7		33	ET0, EW0	DGP		[DHG]
	52105693AB	1	2		33	EML	DGT		
	52105769AA	1	6		31, 33		DGT		
	52105772AA	1	6		31, 33		DDC		
	52105800AA	1	1		31, 33		DGT		
2									YOKE, Drive Shaft
	04773017	1	7		33	ET0, EW0	DDX		with Shaft 52105284AB
		1	7		33		DEE		with Shaft 52105285AB
	04773021	1	7		33		DDP		with Shaft 52099255
		1	7		33		DGT		with Shaft 52099195
		1	7		33	ET0, EW0	DGP		with Shaft 52099183

RAM PICKUP/CLUB CAB (BE)

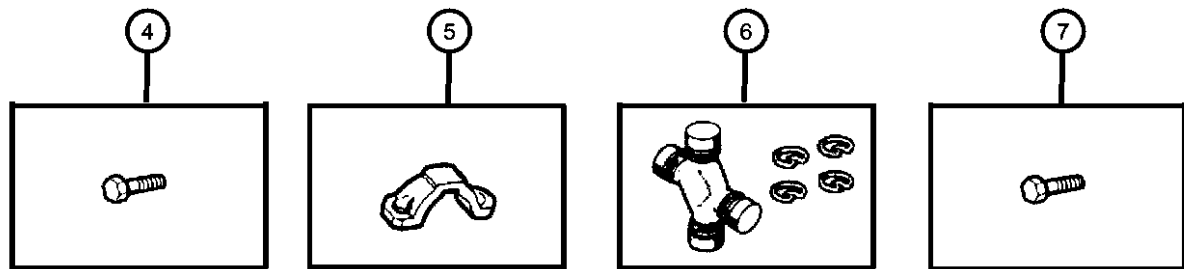
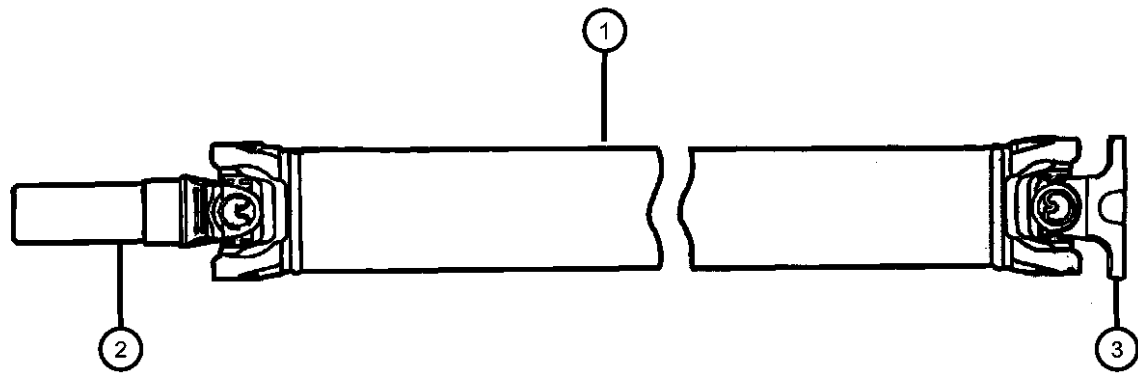
SERIES	LINE	BODY	ENGINE	TRANSMISSION
L = Ram Truck (All)	3 = HD DODGE 2WD	31 = CLUB CAB 2-DR 6.5 FT BOX	ELF = ENGINE - 5.2L V8 MPI	DDC = TRANSMISSION - 5-SPEED HD MANUAL
	8 = HD DODGE 4WD	32 = CLUB CAB 2-DR 8FT BOX	EML = ENGINE - 5.9L V8 MPI	DDP = TRANSMISSION - 5-SPEED MANUAL
	1 = Lt. Duty DODGE 2WD	33 = QUAD CAB 4-DR 6.5 FT BOX	EMM = ENGINE - "MAGNUM" 5.9L SMPI V8	DDX = TRANSMISSION - 5-SPEED HD MANUAL
	6 = Lt. Duty DODGE 4WD	34 = QUAD CAB 4-DR 8FT BOX	ETC = ENGINE- 5.9L CUMMINS 24V DIESEL	DEE = TRANSMISSION - 6-SPEED HD MANUAL
	2 = Med. Duty DODGE 2WD		ETH = ENGINE- 5.9L HO CUMMINS TURBO DIESEL	DGP = TRANSMISSION - 4-SPD. AUTOMATIC, 47RE
	7 = Med. Duty DODGE 4WD		EWA = ENGINE - 8.0L V10 MPI	DGT = TRANSMISSION - 4-SPD. AUTOMATIC, 46RE

AR = use ase required - = Non illustrated part

2000 BE

**Shaft,Propeller,Rear,1 Piece,Body 31,33,BE 1,2,6,7**  
**Figure 16-120**

ITEM	PART NUMBER	QTY	LINE	SERIES	BODY	ENGINE	TRANS	TRIM	DESCRIPTION
	04882180	1	7		33	ET0, EW0	DGP		with Shaft 52105290
	04882185	1	7		33	ET0, EW0	DDX		with Shaft 52105122
		1	7		33		DEE		with Shaft 52105283AB
		1	7		33		DDP		with Shaft 52105129
		1	7		33		DGT		with Shaft 52105130
	05003633AA	1	1		31, 33		DGT		with Shaft 52105800AA
	05011238AA	1	2		33	EML	DGT		with Shaft 52105693AB
		1	2		33		DGP		with Shaft 52105275AB
	05014042AA	1	6		31, 33		DDC		with Shaft 52105772AA
	05014043AA	1	6		31, 33		DGT		with Shaft 52105769AA
3									FLANGE, Driveshaft Yoke
	05015556AA	1	1		31, 33		DGT		with Shaft 52105800AA, Rear
		1	6		31, 33		DGT		with Shaft 52105769AA, Rear
		1	6		31, 33		DDC		with Shaft 52105772AA, Rear
4	06034965	4	2, 3, 7, 8		33, 34				BOLT, Hex Head, Rear Propshaft U-Joint Mounting
5	04428723	2	2, 3, 7, 8		33, 34				CLAMP, U-Joint, Rear Propshaft U-JOINT
6									U-JOINT
	05003146AA	2	7		33		DEE		with Shaft 52105283AB
		2	2		33		DGP		with Shaft 52105275AB
		2	7		33		DDP		with Shaft 52099255
		2	7		33		DDP		with Shaft 52105129
		2	7		33	ET0, EW0	DDX		with Shaft 52105284AB
		2	7		33		DEE		with Shaft 52105285AB
		2	7		33		DGT		with Shaft 52099195
		2	7		33		DGT		with Shaft 52105130
		2	7		33	ET0, EW0	DGP		with Shaft 52099183
		2	7		33	ET0, EW0	DGP		with Shaft 52105290
		2	7		33	ET0, EW0	DDX		with Shaft 52105122
		2	2		33	EML	DGT		with Shaft 52105693AB



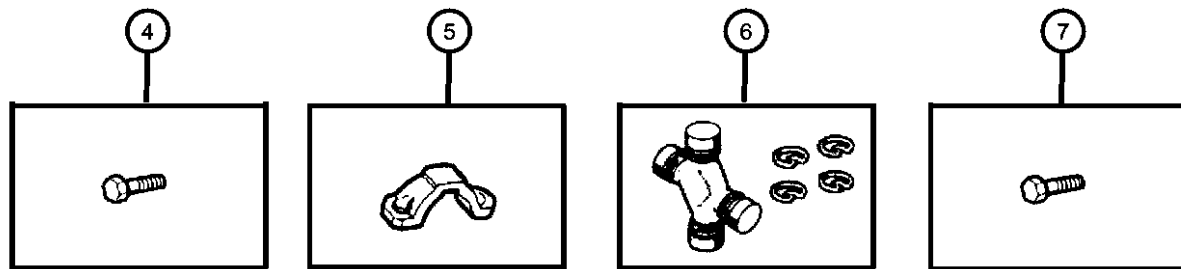
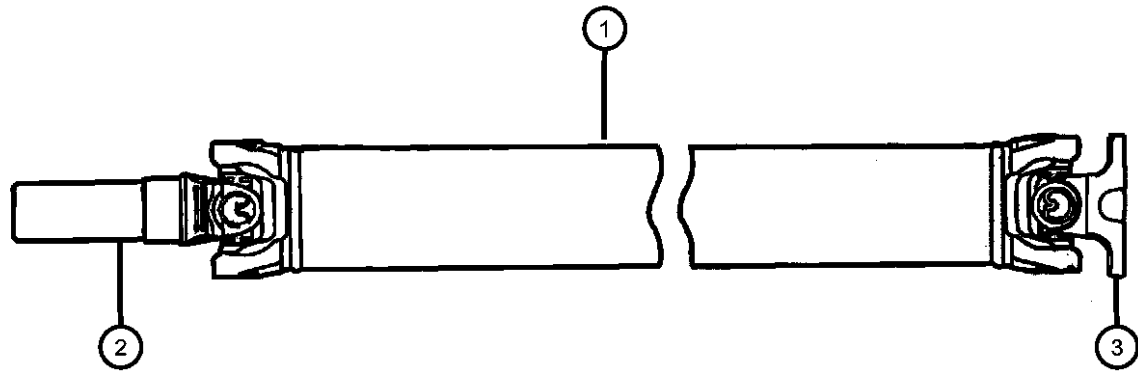
**RAM PICKUP/CLUB CAB (BE)**

SERIES	LINE	BODY	ENGINE	TRANSMISSION
L = Ram Truck (All)	3 = HD DODGE 2WD	31 = CLUB CAB 2-DR 6.5 FT BOX	ELF = ENGINE - 5.2L V8 MPI	DDC = TRANSMISSION - 5-SPEED HD MANUAL
	8 = HD DODGE 4WD	32 = CLUB CAB 2-DR 8FT BOX	EML = ENGINE - 5.9L V8 MPI	DDP = TRANSMISSION - 5-SPEED HD MANUAL
	1 = Lt. Duty DODGE 2WD	33 = QUAD CAB 4-DR 6.5 FT BOX	EMM = ENGINE - "MAGNUM" 5.9L SMPI V8	DDX = TRANSMISSION - 5-SPEED HD MANUAL
	6 = Lt. Duty DODGE 4WD	34 = QUAD CAB 4-DR 8FT BOX	ETC = ENGINE- 5.9L CUMMINS 24V DIESEL	DEE = TRANSMISSION - 6-SPEED HD MANUAL
	2 = Med. Duty DODGE 2WD		ETH = ENGINE- 5.9L HO CUMMINS TURBO DIESEL	DGP = TRANSMISSION - 4-SPD. AUTOMATIC,47RE
	7 = Med. Duty DODGE 4WD		EWA = ENGINE - 8.0L V10 MPI	DGT = TRANSMISSION - 4-SPD. AUTOMATIC,46RE

AR = use ase required - = Non illustrated part

**Shaft,Propeller,Rear,1 Piece,Body 31,33,BE 1,2,6,7  
Figure 16-120**

ITEM	PART NUMBER	QTY	LINE	SERIES	BODY	ENGINE	TRANS	TRIM	DESCRIPTION
	05014733AA	2	6		31, 33		DGT		with Shaft 52105769AA
	V8014733AA								Mopar Alternative Universal Joint
		2	6		31, 33		DDC		with Shaft 52105772AA
	V8014733AA								Mopar Alternative Universal Joint
		2	1		31, 33		DGT		with Shaft 52105800AA
	V8014733AA								Mopar Alternative Universal Joint
7	06505288AA	4	1, 6						BOLT, Hex Head, Rear Propshaft Flange Mountng



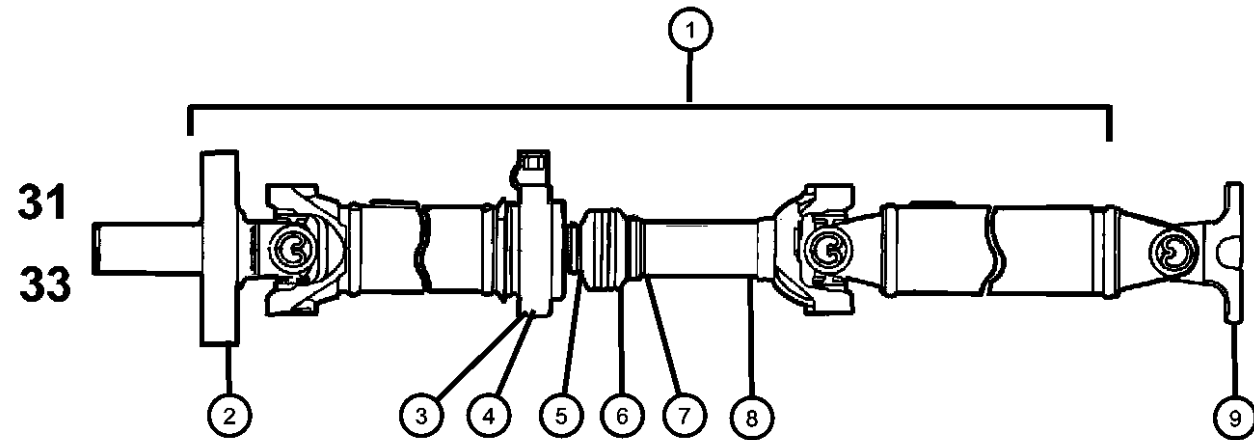
**RAM PICKUP/CLUB CAB (BE)**

SERIES	LINE	BODY	ENGINE	TRANSMISSION
L = Ram Truck (All)	3 = HD DODGE 2WD 8 = HD DODGE 4WD 1 = Lt. Duty DODGE 2WD 6 = Lt. Duty DODGE 4WD 2 = Med. Duty DODGE 2WD 7 = Med. Duty DODGE 4WD	31 = CLUB CAB 2-DR 6.5 FT BOX 32 = CLUB CAB 2-DR 8FT BOX 33 = QUAD CAB 4-DR 6.5 FT BOX 34 = QUAD CAB 4-DR 8FT BOX	ELF = ENGINE - 5.2L V8 MPI EML = ENGINE - 5.9L V8 MPI EMM = ENGINE - "MAGNUM" 5.9L SMPI V8 ETC = ENGINE- 5.9L CUMMINS 24V DIESEL ETH = ENGINE- 5.9L HO CUMMINS TURBO DIESEL EWA = ENGINE - 8.0L V10 MPI	DDC = TRANSMISSION - 5-SPEED HD MANUAL DDP = TRANSMISSION - 5-SPEED MANUAL DDX = TRANSMISSION - 5-SPEED HD MANUAL DEE = TRANSMISSION - 6-SPEED HD MANUAL DGP = TRANSMISSION - 4-SPD. AUTOMATIC,47RE DGT = TRANSMISSION - 4-SPD. AUTOMATIC,46RE

AR = use ase required - = Non illustrated part

2000 BE

**Shaft, Propeller, Rear, 2 Piece, Body 31, 33, BE 1, 2**  
**Figure 16-130**



ITEM	PART NUMBER	QTY	LINE	SERIES	BODY	ENGINE	TRANS	TRIM	DESCRIPTION
------	-------------	-----	------	--------	------	--------	-------	------	-------------

Note:  
 DBB = All Manual Transmissions  
 DDC = 5 Speed Heavy Duty Manual Transmission  
 DDP = 5 Speed Manual Transmission  
 DDX = 5 Speed Heavy Duty Manual Transmission  
 DEE = 6 Speed Heavy Duty Manual Transmission  
 EML = "Magnum" 5.9L SMPI V8 Engine  
 EM0 = All 5.9L 8 Cyl Gas Engines  
 ET0 = All 5.9L Turbo Diesel Engines  
 EW0 = All 8.0L Gas Engines

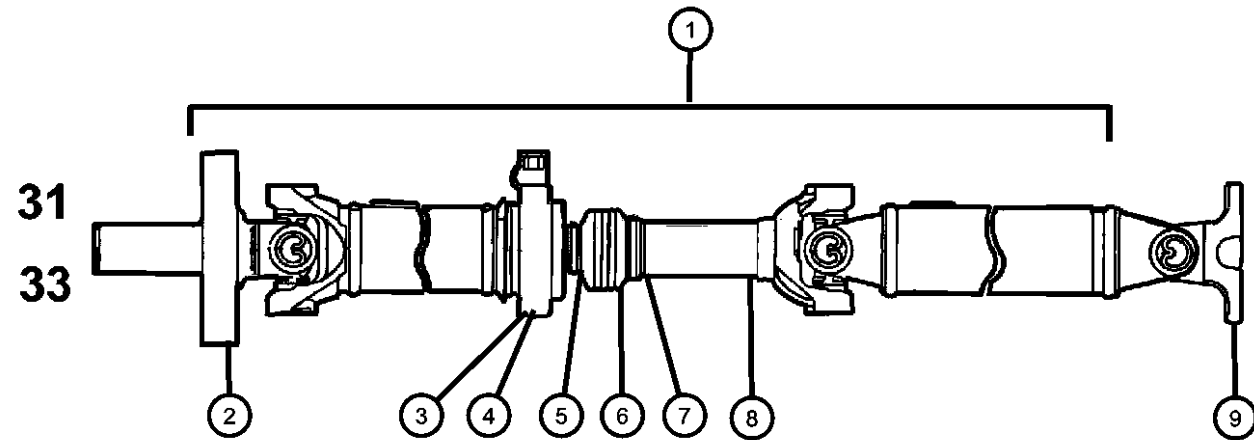
1	52105276AE	1	2		33	ET0, EW0	DDX		SHAFT, Drive, 2 Piece with Shaft 52105276AE
		1	2		33	ET0	DEE		with Shaft 52105276AE
	52105709AC	1	2		33	EML	DDP		with Shaft 52105709AC
	52105805AA	1	1		31, 33		DDC		with Shaft 52105805AA
2	04773015	1	2		33	EML	DDP		YOKE, Drive Shaft with Shaft 52105709AC
	04882170	1	2		33	ET0, EW0	DDX		with Shaft 52105276AE
		1	2		33	ET0	DEE		with Shaft 52105276AE
	05014041AA	1	1		31, 33		DDC		with Shaft 52105805AA
3	05014097AA	1	1		31, 33		DDC		CENTER BEARING, Drive Shaft, with Shaft 52105805AA
4	05014586AA	1	2		33	ET0, EW0	DDX		BEARING, Drive Shaft with Shaft 52105276AE
		1	2		33	ET0	DEE		with Shaft 52105276AE
		1	2		33	EML	DDP		with Shaft 52105709AC
5	05212720	1	2		33	ET0, EW0	DDX		CLAMP, Boot with Shaft 52105276AE
		1	2		33	ET0	DEE		with Shaft 52105276AE
6	04428807	1	2		33	ET0, EW0	DDX		BOOT, Driveshaft with Shaft 52105276AE
		1	2		33	ET0	DEE		with Shaft 52105276AE
	05012793AA	1	1		31, 33		DDC		with Shaft 52105805AA
7									CLAMP, Boot

**RAM PICKUP/CLUB CAB (BE)**

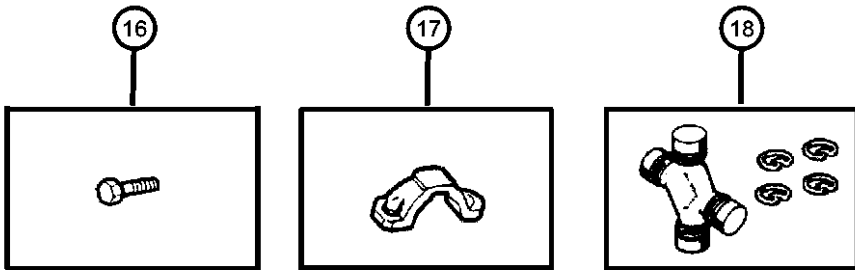
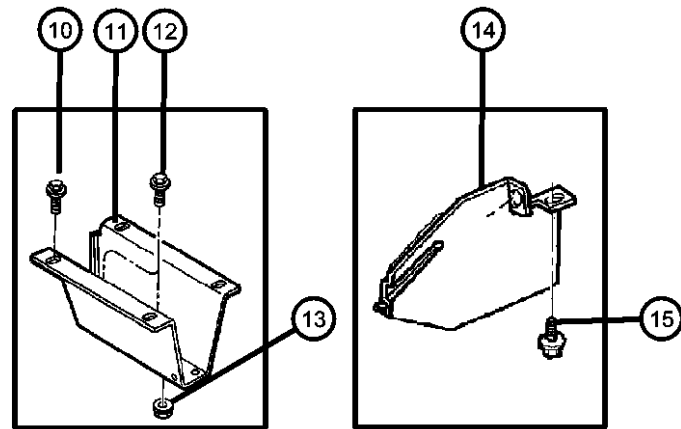
SERIES	LINE	BODY	ENGINE	TRANSMISSION
L = Ram Truck (All)	3 = HD DODGE 2WD 8 = HD DODGE 4WD 1 = Lt. Duty DODGE 2WD 6 = Lt. Duty DODGE 4WD 2 = Med. Duty DODGE 2WD 7 = Med. Duty DODGE 4WD	31 = CLUB CAB 2-DR 6.5 FT BOX 32 = CLUB CAB 2-DR 8FT BOX 33 = QUAD CAB 4-DR 6.5 FT BOX 34 = QUAD CAB 4-DR 8FT BOX	ELF = ENGINE - 5.2L V8 MPI EML = ENGINE - 5.9L V8 MPI EMM = ENGINE - "MAGNUM" 5.9L SMPI V8 ETC = ENGINE- 5.9L CUMMINS 24V DIESEL ETH = ENGINE- 5.9L HO CUMMINS TURBO DIESEL EWA = ENGINE - 8.0L V10 MPI	DDC = TRANSMISSION - 5-SPEED HD MANUAL DDP = TRANSMISSION - 5-SPEED MANUAL DDX = TRANSMISSION - 5-SPEED HD MANUAL DEE = TRANSMISSION - 6-SPEED HD MANUAL DGP = TRANSMISSION - 4-SPD. AUTOMATIC, 47RE DGT = TRANSMISSION - 4-SPD. AUTOMATIC, 46RE

AR = use ase required - = Non illustrated part

**Shaft,Propeller,Rear,2 Piece,Body 31,33,BE 1,2**  
**Figure 16-130**



ITEM	PART NUMBER	QTY	LINE	SERIES	BODY	ENGINE	TRANS	TRIM	DESCRIPTION
	04428808	1	2		33	ET0, EW0	DDX		with Shaft 52105276AE
		1	2		33	ET0	DEE		with Shaft 52105276AE
8									YOKE, Drive Shaft
	04428804	1	2		33	EML	DDP		with Shaft 52105709AC
		1	2		33	ET0, EW0	DDX		with Shaft 52105276AE
		1	2		33	ET0	DEE		with Shaft 52105276AE
	05014056AA	1	1		31, 33		DDC		with Shaft 52105805AA
9	05015556AA	1	1		31, 33		DDC		FLANGE, Driveshaft Yoke, with Shaft 52105805AA
10	06101060	4	1, 2				DBB		SCREW AND WASHER, Hex Head, M10x1.5x30, Center Bearing Bracket to Frame Crossmember Mounting
11	52105337AC	1	1, 2		31, 33		DBB		BRACKET, Prop Shaft
12	06101060	4	1, 2				DBB		SCREW AND WASHER, Hex Head, M10x1.5x30, Center Bearing Mounting
13	06101696	6	1, 2				DBB		NUT, Center Bearing and Center Bearing Bracket Mounting
14	52105387AA	1	1, 2		31, 33		DBB		SHIELD, Center Bearing, Heat
15	34201888	2							SCREW, Hex Head, Heat Shield Mounting
16									BOLT, Hex Head
	06034965	4	2, 3, 7, 8		33, 34				Drive Shaft U-Joint Clamp Mounting
	06505288AA	4	1, 6						Drive Shaft Yoke Flange Mounting
17	04428723	2	2, 3, 7, 8		33, 34				CLAMP, U-Joint
18									U-JOINT
	05003146AA	1	2		33	ET0, EW0	DDX		with Shaft 52105276AE
		1	2		33	ET0	DEE		with Shaft 52105276AE
		2	2		33	EML	DDP		with Shaft 52105709AC
	05014733AA	3	1		31, 33		DDC		with Shaft 52105805AA
	V8014733AA								Mopar Alternative Universal Joint



**RAM PICKUP/CLUB CAB (BE)**

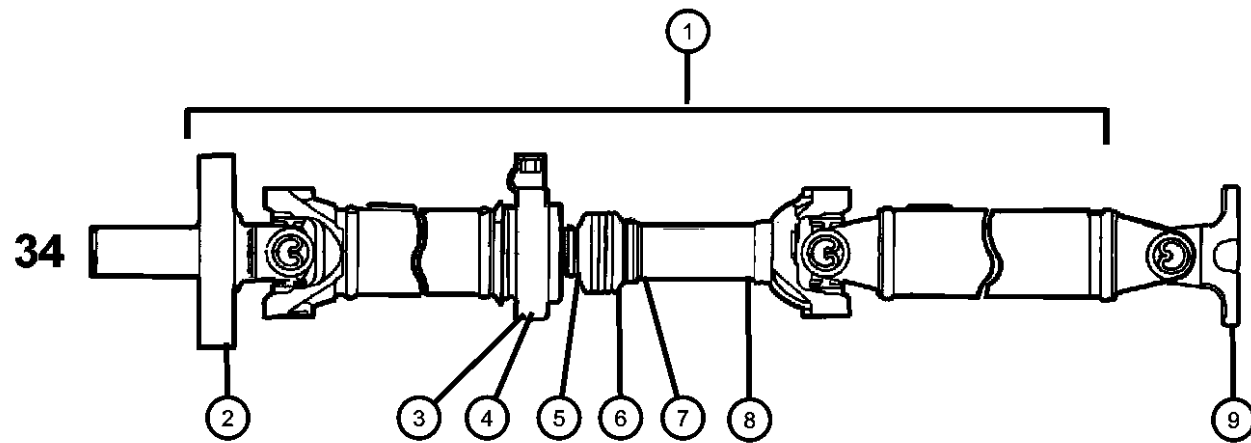
SERIES	LINE
L = Ram Truck (All)	3 = HD DODGE 2WD 8 = HD DODGE 4WD 1 = Lt. Duty DODGE 2WD 6 = Lt. Duty DODGE 4WD 2 = Med. Duty DODGE 2WD 7 = Med. Duty DODGE 4WD

BODY	ENGINE	TRANSMISSION
31 = CLUB CAB 2-DR 6.5 FT BOX	ELF = ENGINE - 5.2L V8 MPI	DDC = TRANSMISSION - 5-SPEED HD MANUAL
32 = CLUB CAB 2-DR 8FT BOX	EML = ENGINE - 5.9L V8 MPI	DDP = TRANSMISSION - 5-SPEED MANUAL
33 = QUAD CAB 4-DR 6.5 FT BOX	EMM = ENGINE - "MAGNUM" 5.9L SMPI V8	DDX = TRANSMISSION - 5-SPEED HD MANUAL
34 = QUAD CAB 4-DR 8FT BOX	ETC = ENGINE- 5.9L CUMMINS 24V DIESEL	DEE = TRANSMISSION - 6-SPEED HD MANUAL
	ETH = ENGINE- 5.9L HO CUMMINS TURBO DIESEL	DGP = TRANSMISSION - 4-SPD. AUTOMATIC,47RE
	EWA = ENGINE - 8.0L V10 MPI	DGT = TRANSMISSION - 4-SPD. AUTOMATIC,46RE

AR = use ase required - = Non illustrated part



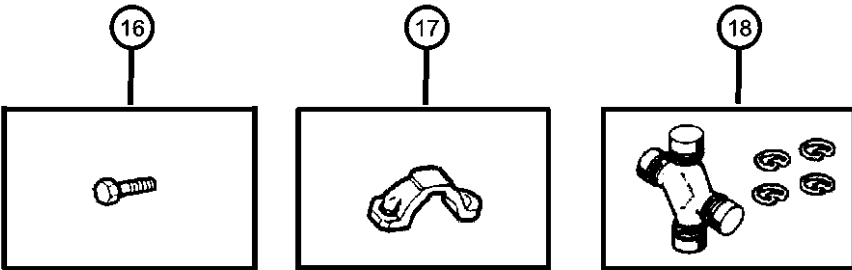
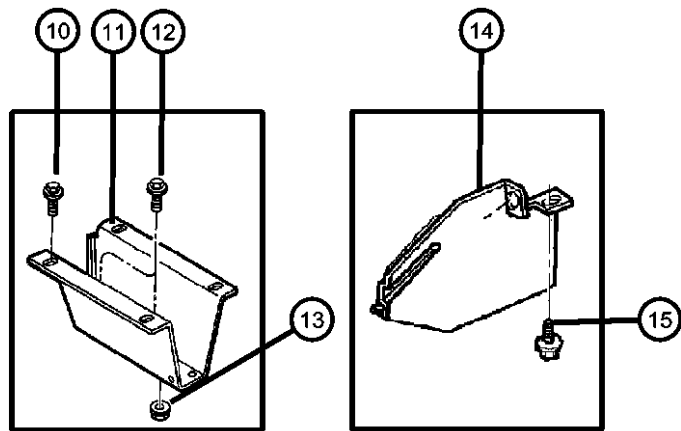
**Shaft, Propeller, Rear, 2 Piece, Body 34, BE 1, 2, 3, 6, 7, 8**  
**Figure 16-140**



ITEM	PART NUMBER	QTY	LINE	SERIES	BODY	ENGINE	TRANS	TRIM	DESCRIPTION
------	-------------	-----	------	--------	------	--------	-------	------	-------------

Note:  
 DDC = 5 Speed Heavy Duty Manual Transmission  
 DDP = 5 Speed Manual Transmission  
 DDX = 5 Speed Heavy Duty Manual Transmission  
 DEE = 6 Speed Heavy Duty Manual Transmission  
 DGT = 4 Speed Automatic Transmission 46RE  
 DHG = Transfer Case-Shift-on-the-Fly, 241HD  
 DHH = Transfer Case-Shift-on-the-Fly, 241  
 EM0 = All 5.9L 8 Cyl Gas Engines  
 ET0 = All 5.9L Turbo Diesel Engines  
 EW0 = All 8.0L Gas Engines

1									SHAFT, Drive, 2 Piece
	52105277AB	1	7		34		DEE		[DHH]
	52105278AB	1	7, 8		34		DEE		[DHG]
	52105516	1	2		34		DGT		
	52105517	1	2		34		DDP		
	52105518	1	3		34		DGT		
	52105519	1	3		34		DDP		
	52105520AD	1	2, 3		34	ET0, EW0	DDX		
		1	2, 3		34	ET0	DEE		
	52105521	1	2		34		DGP		
	52105523	1	3		34		DGP		
	52105526	1	7		34		DDP		[DHH]
	52105527	1	7		34		DGT		[DHH]
	52105529	1	7		34		DGP		[DHH]
	52105535AC	1	7		34	ET0, EW0	DDX		[DHH]
	52105536	1	7		34		DDP		[DHG]
	52105537	1	7		34		DGT		[DHG]
	52105538	1	8		34	EM0	DGT		[DHG]
	52105546	1	8		34		DDP		
	52105552AC	1	7, 8		34	ET0, EW0	DDX		[DHG]
	52105553	1	8		34		DGP		[DHG]
	52105571	1	7		34		DGP		[DHG]



**RAM PICKUP/CLUB CAB (BE)**

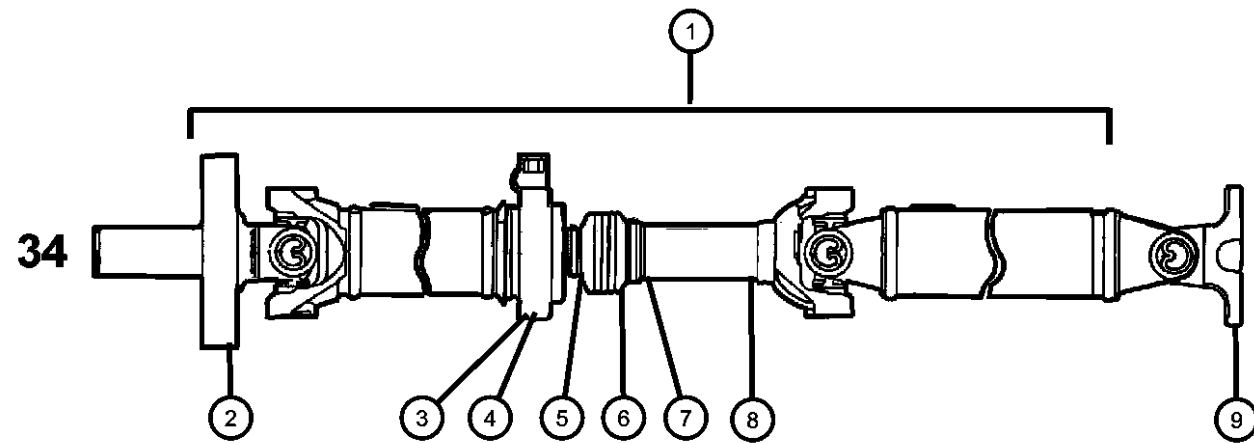
SERIES	LINE
L = Ram Truck (All)	3 = HD DODGE 2WD
	8 = HD DODGE 4WD
	1 = Lt. Duty DODGE 2WD
	6 = Lt. Duty DODGE 4WD
	2 = Med. Duty DODGE 2WD
	7 = Med. Duty DODGE 4WD

BODY	ENGINE	TRANSMISSION
31 = CLUB CAB 2-DR 6.5 FT BOX	ELF = ENGINE - 5.2L V8 MPI	DDC = TRANSMISSION - 5-SPEED HD MANUAL
32 = CLUB CAB 2-DR 8FT BOX	EML = ENGINE - 5.9L V8 MPI	DDP = TRANSMISSION - 5-SPEED MANUAL
33 = QUAD CAB 4-DR 6.5 FT BOX	EMM = ENGINE - "MAGNUM" 5.9L SMPI V8	DDX = TRANSMISSION - 5-SPEED HD MANUAL
34 = QUAD CAB 4-DR 8FT BOX	ETC = ENGINE- 5.9L CUMMINS 24V DIESEL	DEE = TRANSMISSION - 6-SPEED HD MANUAL
	ETH = ENGINE- 5.9L HO CUMMINS TURBO DIESEL	DGP = TRANSMISSION - 4-SPD. AUTOMATIC, 47RE
	EWA = ENGINE - 8.0L V10 MPI	DGT = TRANSMISSION - 4-SPD. AUTOMATIC, 46RE

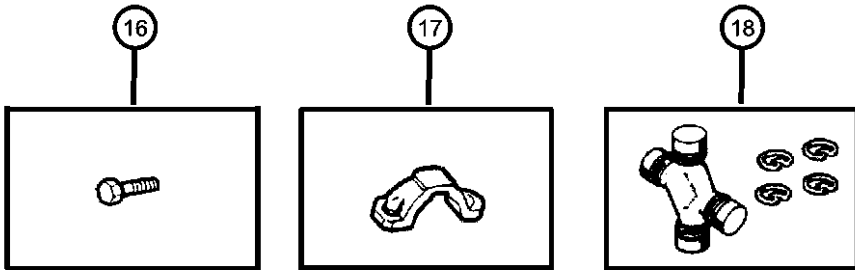
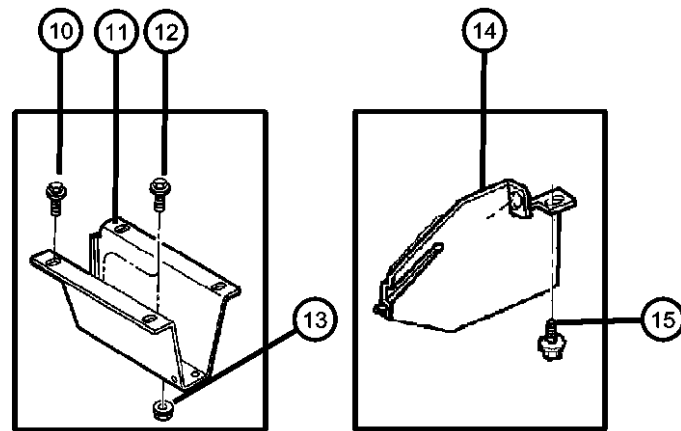
AR = use ase required - = Non illustrated part

2000 BE

**Shaft, Propeller, Rear, 2 Piece, Body 34, BE 1, 2, 3, 6, 7, 8**  
**Figure 16-140**



ITEM	PART NUMBER	QTY	LINE	SERIES	BODY	ENGINE	TRANS	TRIM	DESCRIPTION
	52105770AA	1	6		34		DGT		
	52105773AA	1	6		34		DDC		
	52105801AA	1	1		34		DGT		
	52105806AA	1	1		34		DDC		
2									YOKE, Drive Shaft
	04773015	1	2		34		DGT		with Shaft 52105516
		1	3		34		DGT		with Shaft 52105518
		1	2		34		DGP		with Shaft 52105521
		1	3		34		DGP		with Shaft 52105523
		1	2		34		DDP		with Shaft 52105517
		1	3		34		DDP		with Shaft 52105519
	04773017	1	7		34		DEE		with Shaft 52105277AB
		1	7		34		DDP		with Shaft 52105526
		1	7		34		DGT		with Shaft 52105527
		1	7		34		DGP		with Shaft 52105529
		1	7		34	ET0, EW0	DDX		with Shaft 52105535AC
	04882170	1	8		34		DGP		with Shaft 52105553
		1	7		34		DGP		with Shaft 52105571
		1	7		34		DGT		with Shaft 52105537
		1	2, 3		34	ET0, EW0	DDX		with Shaft 52105520AD
		1	2, 3		34	ET0	DEE		with Shaft 52105520AD
		1	7, 8		34		DEE		with Shaft 52105278AB
		1	8		34	EM0	DGT		with Shaft 52105538
		1	7		34		DDP		with Shaft 52105536
		1	8		34		DDP		with Shaft 52105546
		1	7, 8		34	ET0, EW0	DDX		with Shaft 52105552AC
	05014041AA	1	1		34		DDC		with Shaft 52105806AA
	05014042AA	1	6		34		DDC		with Shaft 52105773AA
	05014043AA	1	6		34		DGT		with Shaft 52105770AA
	05014044AA	1	1		34		DGT		with Shaft 52105801AA



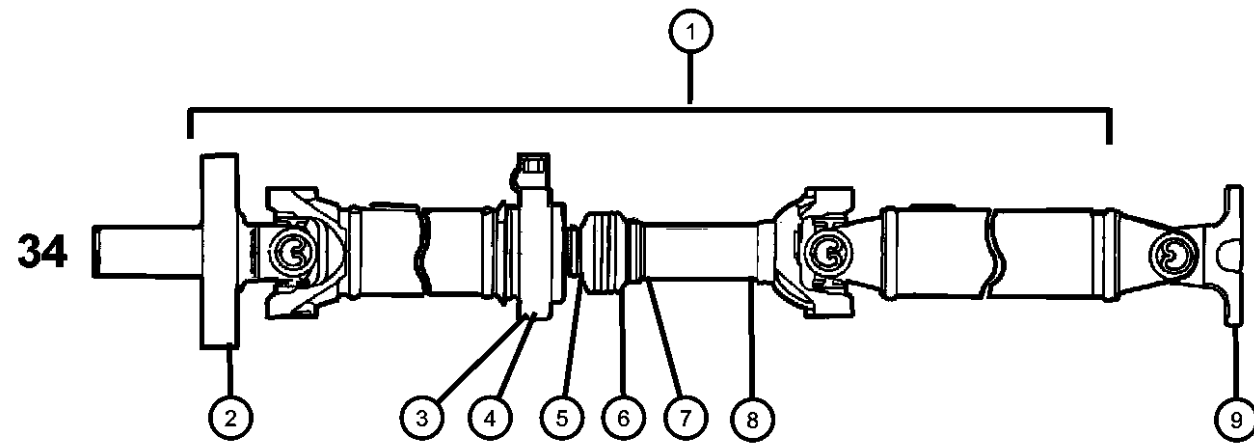
**RAM PICKUP/CLUB CAB (BE)**

SERIES	LINE
L = Ram Truck (All)	3 = HD DODGE 2WD 8 = HD DODGE 4WD 1 = Lt. Duty DODGE 2WD 6 = Lt. Duty DODGE 4WD 2 = Med. Duty DODGE 2WD 7 = Med. Duty DODGE 4WD

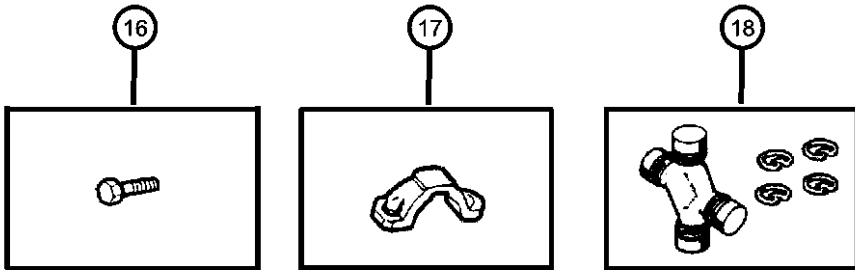
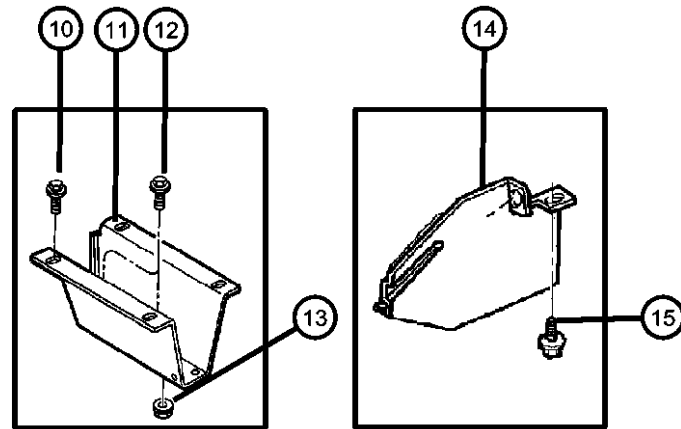
BODY	ENGINE	TRANSMISSION
31 = CLUB CAB 2-DR 6.5 FT BOX	ELF = ENGINE - 5.2L V8 MPI EML = ENGINE - 5.9L V8 MPI	DDC = TRANSMISSION - 5-SPEED HD MANUAL
32 = CLUB CAB 2-DR 8FT BOX	EMM = ENGINE - "MAGNUM" 5.9L SMPI V8	DDP = TRANSMISSION - 5-SPEED MANUAL
33 = QUAD CAB 4-DR 6.5 FT BOX	ETC = ENGINE- 5.9L CUMMINS 24V DIESEL	DDX = TRANSMISSION - 5-SPEED HD MANUAL
34 = QUAD CAB 4-DR 8FT BOX	ETH = ENGINE- 5.9L HO CUMMINS TURBO DIESEL	DEE = TRANSMISSION - 6-SPEED HD MANUAL
	EWA = ENGINE - 8.0L V10 MPI	DGP = TRANSMISSION - 4-SPD. AUTOMATIC, 47RE DGT = TRANSMISSION - 4-SPD. AUTOMATIC, 46RE

AR = use ase required - = Non illustrated part

**Shaft, Propeller, Rear, 2 Piece, Body 34, BE 1, 2, 3, 6, 7, 8**  
**Figure 16-140**



ITEM	PART NUMBER	QTY	LINE	SERIES	BODY	ENGINE	TRANS	TRIM	DESCRIPTION
3	05014097AA	1	6		34		DGT		CENTER BEARING, Drive Shaft with Shaft 52105770AA
		1	6		34		DDC		with Shaft 52105773AA
		1	1		34		DGT		with Shaft 52105801AA
		1	1		34		DDC		with Shaft 52105806AA
4	04773014	1	2, 3		34	ET0, EW0	DDX		BEARING, Drive Shaft with Shaft 52105520AD
		1	2, 3		34	ET0	DEE		with Shaft 52105520AD
		1	2		34		DGT		with Shaft 52105516
		1	3		34		DGT		with Shaft 52105518
		1	2		34		DGP		with Shaft 52105521
		1	3		34		DGP		with Shaft 52105523
		1	7, 8		34		DEE		with Shaft 52105278AB
		1	8		34	EM0	DGT		with Shaft 52105538
		1	7		34		DEE		with Shaft 52105277AB
		1	2		34		DDP		with Shaft 52105517
		1	3		34		DDP		with Shaft 52105519
		1	7		34		DDP		with Shaft 52105526
		1	7		34		DGT		with Shaft 52105527
		1	7		34		DGP		with Shaft 52105529
		1	7		34	ET0, EW0	DDX		with Shaft 52105535AC
1	7		34		DDP		with Shaft 52105536		
1	7		34		DGT		with Shaft 52105537		
1	8		34		DDP		with Shaft 52105546		
1	7, 8		34	ET0, EW0	DDX		with Shaft 52105552AC		
1	8		34		DGP		with Shaft 52105553		
1	7		34		DGP		with Shaft 52105571		
5	05212720	1	2		34		DGT		CLAMP, Boot with Shaft 52105516
		1	2		34		DDP		with Shaft 52105517



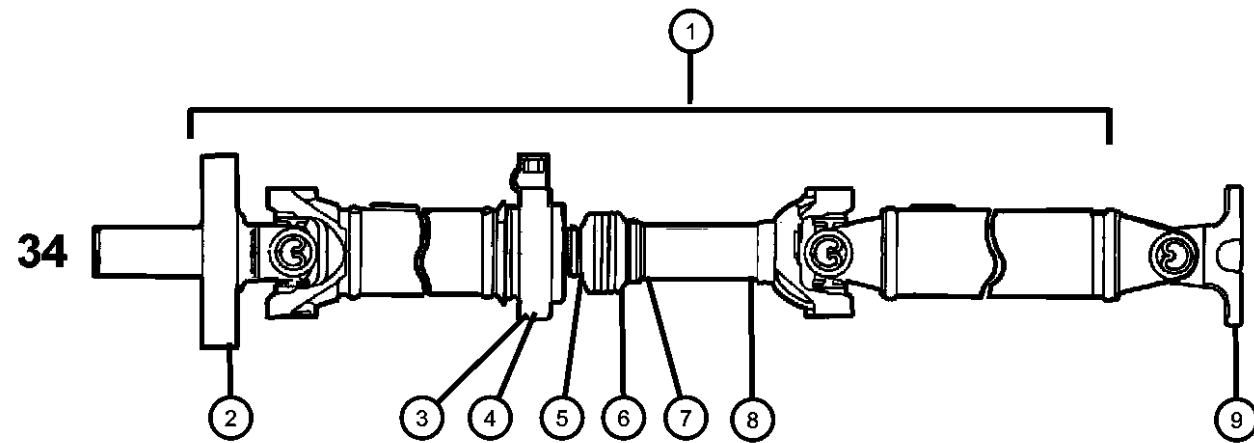
**RAM PICKUP/CLUB CAB (BE)**

SERIES	LINE
L = Ram Truck (All)	3 = HD DODGE 2WD 8 = HD DODGE 4WD 1 = Lt. Duty DODGE 2WD 6 = Lt. Duty DODGE 4WD 2 = Med. Duty DODGE 2WD 7 = Med. Duty DODGE 4WD

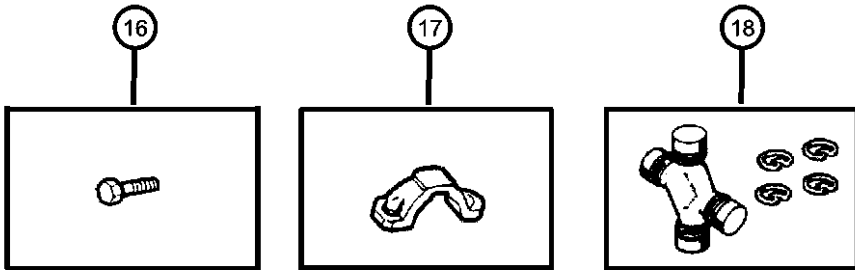
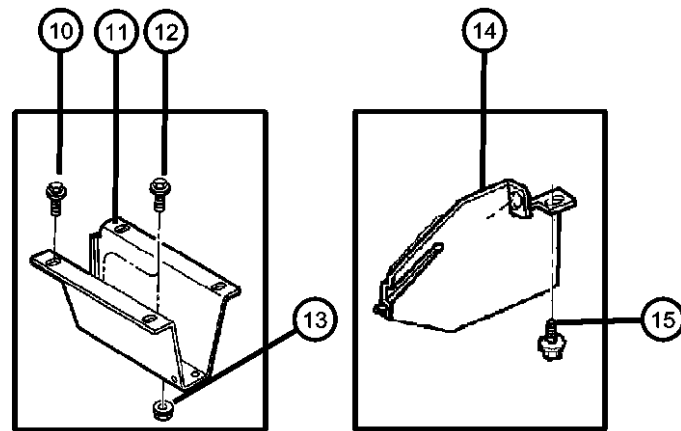
BODY	ENGINE	TRANSMISSION
31 = CLUB CAB 2-DR 6.5 FT BOX	ELF = ENGINE - 5.2L V8 MPI EML = ENGINE - 5.9L V8 MPI	DDC = TRANSMISSION - 5-SPEED HD MANUAL
32 = CLUB CAB 2-DR 8FT BOX	EMM = ENGINE - "MAGNUM" 5.9L SMPI V8	DDP = TRANSMISSION - 5-SPEED MANUAL
33 = QUAD CAB 4-DR 6.5 FT BOX	ETC = ENGINE- 5.9L CUMMINS 24V DIESEL	DDX = TRANSMISSION - 5-SPEED HD MANUAL
34 = QUAD CAB 4-DR 8FT BOX	ETH = ENGINE- 5.9L HO CUMMINS TURBO DIESEL	DEE = TRANSMISSION - 6-SPEED HD MANUAL
	EWA = ENGINE - 8.0L V10 MPI	DGP = TRANSMISSION - 4-SPD. AUTOMATIC, 47RE DGT = TRANSMISSION - 4-SPD. AUTOMATIC, 46RE

AR = use ase required - = Non illustrated part

**Shaft, Propeller, Rear, 2 Piece, Body 34, BE 1, 2, 3, 6, 7, 8**  
**Figure 16-140**



ITEM	PART NUMBER	QTY	LINE	SERIES	BODY	ENGINE	TRANS	TRIM	DESCRIPTION
		1	3		34		DGT		with Shaft 52105518
		1	3		34		DDP		with Shaft 52105519
		1	7		34		DGT		with Shaft 52105537
		1	7		34		DDP		with Shaft 52105526
		1	7		34		DDP		with Shaft 52105536
		1	7		34		DGT		with Shaft 52105527
		1	8		34		DDP		with Shaft 52105546
		1	2		34		DGP		with Shaft 52105521
		1	3		34		DGP		with Shaft 52105523
		1	7		34		DGP		with Shaft 52105529
		1	7		34	ET0, EW0	DDX		with Shaft 52105535AC
		1	7		34		DEE		with Shaft 52105277AB
		1	7, 8		34	ET0, EW0	DDX		with Shaft 5210552AC
		1	8		34		DGP		with Shaft 52105553
		1	7		34		DGP		with Shaft 52105571
		1	7, 8		34		DEE		with Shaft 52105278AB
		1	2, 3		34	ET0, EW0	DDX		with Shaft 52105520AD
		1	2, 3		34	ET0	DEE		with Shaft 52105520AD
		1	8		34	EM0	DGT		with Shaft 52105538
6									BOOT, Driveshaft
	04428807	1	2		34		DGT		with Shaft 52105516
		1	2		34		DDP		with Shaft 52105517
		1	3		34		DGT		with Shaft 52105518
		1	3		34		DDP		with Shaft 52105519
		1	7		34		DGT		with Shaft 52105537
		1	7		34		DDP		with Shaft 52105526
		1	7		34		DDP		with Shaft 52105536
		1	7		34		DGT		with Shaft 52105527
		1	8		34		DDP		with Shaft 52105546
		1	2		34		DGP		with Shaft 52105521



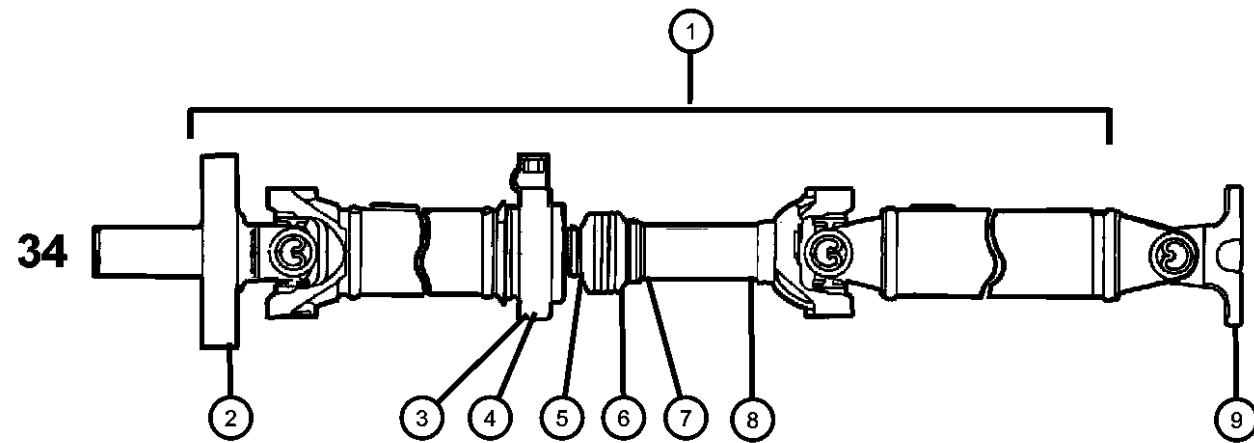
**RAM PICKUP/CLUB CAB (BE)**

SERIES	LINE
L = Ram Truck (All)	3 = HD DODGE 2WD
	8 = HD DODGE 4WD
	1 = Lt. Duty DODGE 2WD
	6 = Lt. Duty DODGE 4WD
	2 = Med. Duty DODGE 2WD
	7 = Med. Duty DODGE 4WD

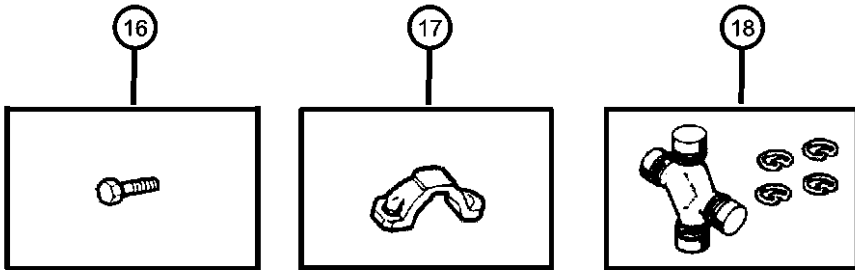
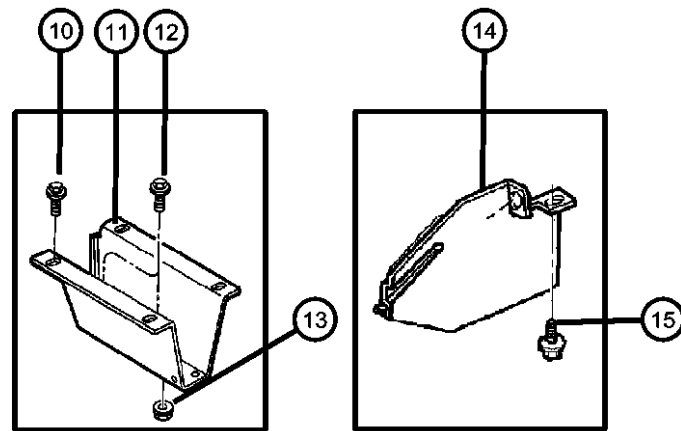
BODY	ENGINE	TRANSMISSION
31 = CLUB CAB 2-DR 6.5 FT BOX	ELF = ENGINE - 5.2L V8 MPI	DDC = TRANSMISSION - 5-SPEED HD MANUAL
32 = CLUB CAB 2-DR 8FT BOX	EML = ENGINE - 5.9L V8 MPI	DDP = TRANSMISSION - 5-SPEED MANUAL
33 = QUAD CAB 4-DR 6.5 FT BOX	EMM = ENGINE - "MAGNUM" 5.9L SMPI V8	DDX = TRANSMISSION - 5-SPEED HD MANUAL
34 = QUAD CAB 4-DR 8FT BOX	ETC = ENGINE- 5.9L CUMMINS 24V DIESEL	DEE = TRANSMISSION - 6-SPEED HD MANUAL
	ETH = ENGINE- 5.9L HO CUMMINS TURBO DIESEL	DGP = TRANSMISSION - 4-SPD. AUTOMATIC, 47RE
	EWA = ENGINE - 8.0L V10 MPI	DGT = TRANSMISSION - 4-SPD. AUTOMATIC, 46RE

AR = use ase required - = Non illustrated part

**Shaft,Propeller,Rear,2 Piece,Body 34,BE 1,2,3,6,7,8**  
**Figure 16-140**



ITEM	PART NUMBER	QTY	LINE	SERIES	BODY	ENGINE	TRANS	TRIM	DESCRIPTION
		1	3		34		DGP		with Shaft 52105523
		1	7		34		DGP		with Shaft 52105529
		1	7		34	ET0, EW0	DDX		with Shaft 52105535AC
		1	7		34		DEE		with Shaft 52105277AB
		1	7, 8		34	ET0, EW0	DDX		with Shaft 5210552AC
		1	8		34		DGP		with Shaft 52105553
		1	7		34		DGP		with Shaft 52105571
		1	7, 8		34		DEE		with Shaft 52105278AB
		1	2, 3		34	ET0, EW0	DDX		with Shaft 52105520AD
		1	2, 3		34	ET0	DEE		with Shaft 52105520AD
		1	8		34	EM0	DGT		with Shaft 52105538
	05012793AA	1	6		34		DGT		with Shaft 52105770AA
		1	6		34		DDC		with Shaft 52105773AA
		1	1		34		DGT		with Shaft 52105801AA
		1	1		34		DDC		with Shaft 52105805AA
7									CLAMP, Boot
	04428808	1	2		34		DGT		with Shaft 52105516
		1	2		34		DDP		with Shaft 52105517
		1	3		34		DGT		with Shaft 52105518
		1	3		34		DDP		with Shaft 52105519
		1	7		34		DGT		with Shaft 52105537
		1	7		34		DDP		with Shaft 52105526
		1	7		34		DDP		with Shaft 52105536
		1	7		34		DGT		with Shaft 52105527
		1	8		34		DDP		with Shaft 52105546
		1	2		34		DGP		with Shaft 52105521
		1	3		34		DGP		with Shaft 52105523
		1	7		34		DGP		with Shaft 52105529
		1	7		34	ET0, EW0	DDX		with Shaft 52105535AC
		1	7		34		DEE		with Shaft 52105277AB



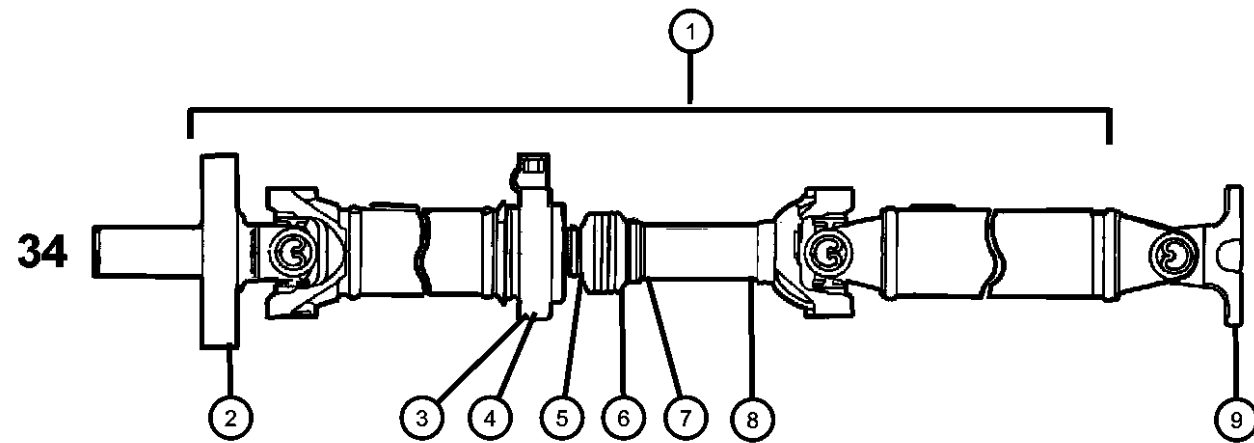
**RAM PICKUP/CLUB CAB (BE)**

SERIES	LINE
L = Ram Truck	3 = HD DODGE 2WD
(All)	8 = HD DODGE 4WD
	1 = Lt. Duty DODGE 2WD
	6 = Lt. Duty DODGE 4WD
	2 = Med. Duty DODGE 2WD
	7 = Med. Duty DODGE 4WD

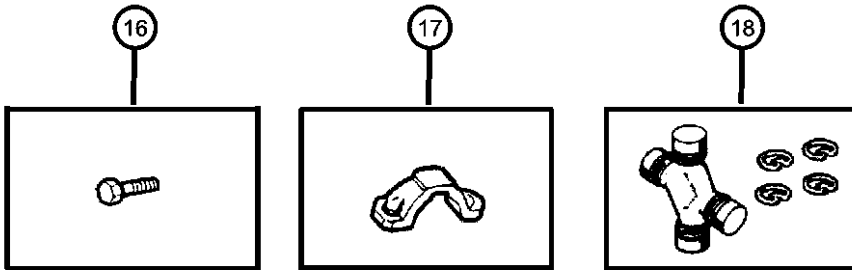
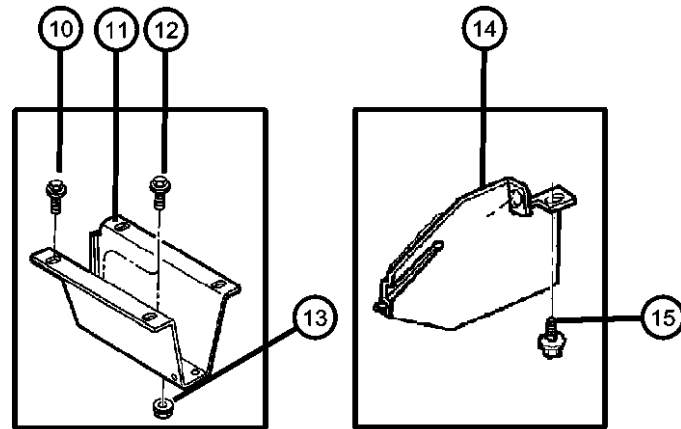
BODY	ENGINE	TRANSMISSION
31 = CLUB CAB 2-DR 6.5 FT BOX	ELF = ENGINE - 5.2L V8 MPI	DDC = TRANSMISSION - 5-SPEED HD MANUAL
32 = CLUB CAB 2-DR 8FT BOX	EML = ENGINE - 5.9L V8 MPI	DDP = TRANSMISSION - 5-SPEED MANUAL
33 = QUAD CAB 4-DR 6.5 FT BOX	EMM = ENGINE - "MAGNUM" 5.9L SMPI V8	DDX = TRANSMISSION - 5-SPEED HD MANUAL
34 = QUAD CAB 4-DR 8FT BOX	ETC = ENGINE- 5.9L CUMMINS 24V DIESEL	DEE = TRANSMISSION - 6-SPEED HD MANUAL
	ETH = ENGINE- 5.9L HO CUMMINS TURBO DIESEL	DGP = TRANSMISSION - 4-SPD. AUTOMATIC,47RE
	EWA = ENGINE - 8.0L V10 MPI	DGT = TRANSMISSION - 4-SPD. AUTOMATIC,46RE

AR = use ase required - = Non illustrated part

Shaft, Propeller, Rear, 2 Piece, Body 34, BE 1, 2, 3, 6, 7, 8  
Figure 16-140



ITEM	PART NUMBER	QTY	LINE	SERIES	BODY	ENGINE	TRANS	TRIM	DESCRIPTION
		1	7, 8		34	ET0, EW0	DDX		with Shaft 5210552AC
		1	8		34		DGP		with Shaft 52105553
		1	7		34		DGP		with Shaft 52105571
		1	7, 8		34		DEE		with Shaft 52105278AB
		1	2, 3		34	ET0, EW0	DDX		with Shaft 52105520AD
		1	2, 3		34	ET0	DEE		with Shaft 52105520AD
		1	8		34	EM0	DGT		with Shaft 52105538
8									YOKE, Drive Shaft
	04428804	1	8		34	EM0	DGT		with Shaft 52105538
		1	2		34		DGT		with Shaft 52105516
		1	2		34		DDP		with Shaft 52105517
		1	3		34		DGT		with Shaft 52105518
		1	3		34		DDP		with Shaft 52105519
		1	2		34		DGP		with Shaft 52105521
		1	3		34		DGP		with Shaft 52105523
		1	7		34		DDP		with Shaft 52105526
		1	7		34		DGT		with Shaft 52105527
		1	7		34		DGP		with Shaft 52105529
		1	7		34		DDP		with Shaft 52105536
		1	7		34		DGT		with Shaft 52105537
		1	8		34		DDP		with Shaft 52105546
		1	8		34		DGP		with Shaft 52105553
		1	7		34		DEE		with Shaft 52105277AB
		1	7, 8		34		DEE		with Shaft 52105278AB
		1	2, 3		34	ET0, EW0	DDX		with Shaft 52105520AD
		1	2, 3		34	ET0	DEE		with Shaft 52105520AD
		1	7		34	ET0, EW0	DDX		with Shaft 52105535AC
		1	7, 8		34	ET0, EW0	DDX		with Shaft 5210552AC
		1	7		34		DGP		with Shaft 52105571
	05014056AA	1	6		34		DGT		with Shaft 52105770AA



RAM PICKUP/CLUB CAB (BE)

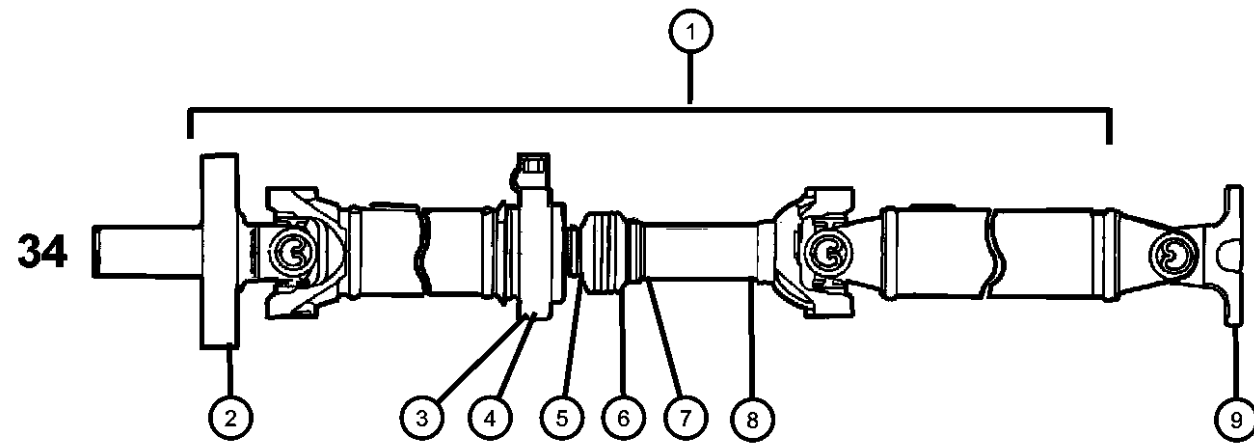
SERIES	LINE
L = Ram Truck (All)	3 = HD DODGE 2WD
	8 = HD DODGE 4WD
	1 = Lt. Duty DODGE 2WD
	6 = Lt. Duty DODGE 4WD
	2 = Med. Duty DODGE 2WD
	7 = Med. Duty DODGE 4WD

BODY	ENGINE	TRANSMISSION
31 = CLUB CAB 2-DR 6.5 FT BOX	ELF = ENGINE - 5.2L V8 MPI	DDC = TRANSMISSION - 5-SPEED HD MANUAL
32 = CLUB CAB 2-DR 8FT BOX	EML = ENGINE - 5.9L V8 MPI	DDP = TRANSMISSION - 5-SPEED MANUAL
33 = QUAD CAB 4-DR 6.5 FT BOX	EMM = ENGINE - "MAGNUM" 5.9L SMPI V8	DDX = TRANSMISSION - 5-SPEED HD MANUAL
34 = QUAD CAB 4-DR 8FT BOX	ETC = ENGINE- 5.9L CUMMINS 24V DIESEL	DEE = TRANSMISSION - 6-SPEED HD MANUAL
	ETH = ENGINE- 5.9L HO CUMMINS TURBO DIESEL	DGP = TRANSMISSION - 4-SPD. AUTOMATIC, 47RE
	EWA = ENGINE - 8.0L V10 MPI	DGT = TRANSMISSION - 4-SPD. AUTOMATIC, 46RE

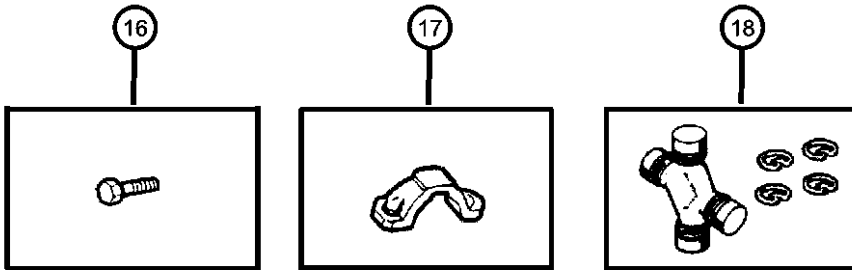
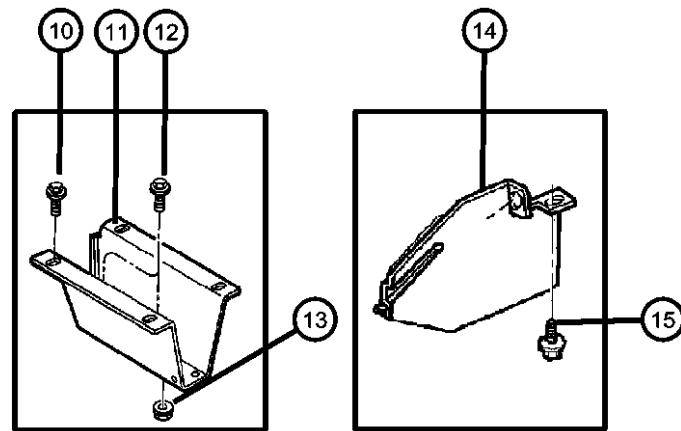
AR = use ase required - = Non illustrated part

2000 BE

**Shaft, Propeller, Rear, 2 Piece, Body 34, BE 1, 2, 3, 6, 7, 8**  
**Figure 16-140**



ITEM	PART NUMBER	QTY	LINE	SERIES	BODY	ENGINE	TRANS	TRIM	DESCRIPTION
		1	6		34		DDC		with Shaft 52105773AA
		1	1		34		DGT		with Shaft 52105801AA
		1	1		34		DDC		with Shaft 52105806AA
9									FLANGE, Driveshaft Yoke
	05015556AA	1	1		34		DDC		with Shaft 52105806AA
		1	6		34		DGT		with Shaft 52105770AA
		1	1		34		DGT		with Shaft 52105801AA
		1	6		34		DDC		with Shaft 52105773AA
10									SCREW AND WASHER, Hex Head, M10x1.5x30
	06101060	4	1, 2		34		DG0		Center Bearing Bracket to Frame Crossmember Mounting
		4	3, 6, 7, 8		34				Center Bearing Bracket to Frame Crossmember Mounting
11									BRACKET, Drive Shaft Bearing
	52105268	1	7, 8		34				
	52105280	1	1		34				
	52105293	1	2, 3		34				
	52105294	1	6		34				
12									SCREW AND WASHER, Hex Head, M10x1.5x30
	06101060	6	1, 2		34		DG0		Center Bearing Mounting
		6	3, 6, 7, 8		34				Center Bearing Mounting
13									NUT
	06101696	4	3, 7, 8		34				Center Bearing and Center Bearing Bracket Mounting
		4	1, 2				DBB		Center Bearing and Center Bearing Bracket Mounting
		4	1		34		DG0		Center Bearing and Center Bearing Bracket Mounting
14	52097944	1	2, 3, 6, 7, 8		34	EMM, EW0			SHIELD, Center Bearing, Heat
15	34201888	2							SCREW, Hex Head, Heat Shield Mounting
16									BOLT, Hex Head



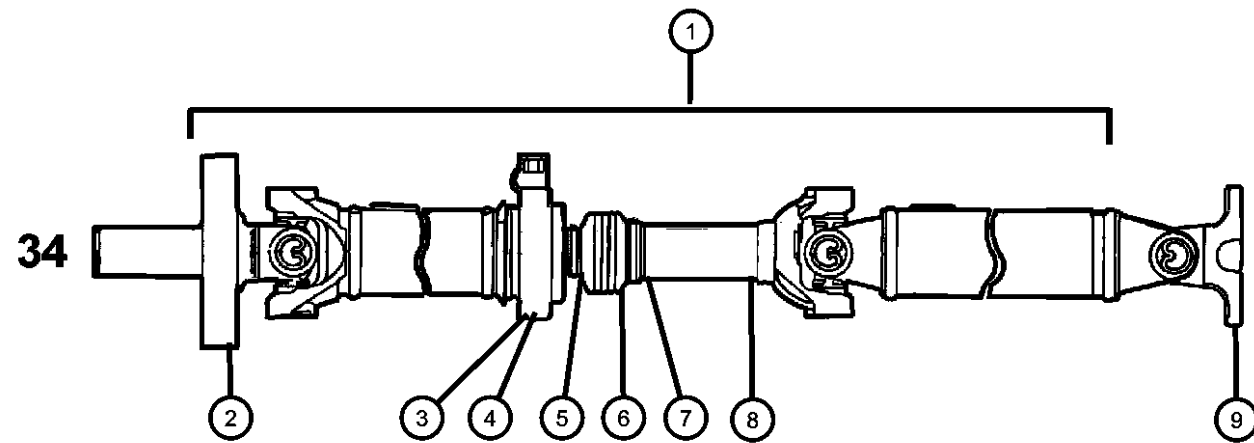
**RAM PICKUP/CLUB CAB (BE)**

SERIES	LINE
L = Ram Truck (All)	3 = HD DODGE 2WD
	8 = HD DODGE 4WD
	1 = Lt. Duty DODGE 2WD
	6 = Lt. Duty DODGE 4WD
	2 = Med. Duty DODGE 2WD
	7 = Med. Duty DODGE 4WD

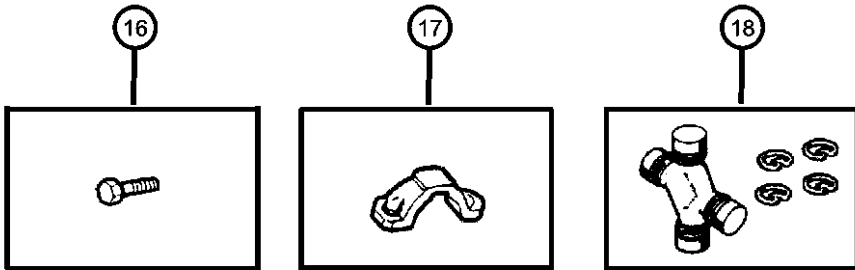
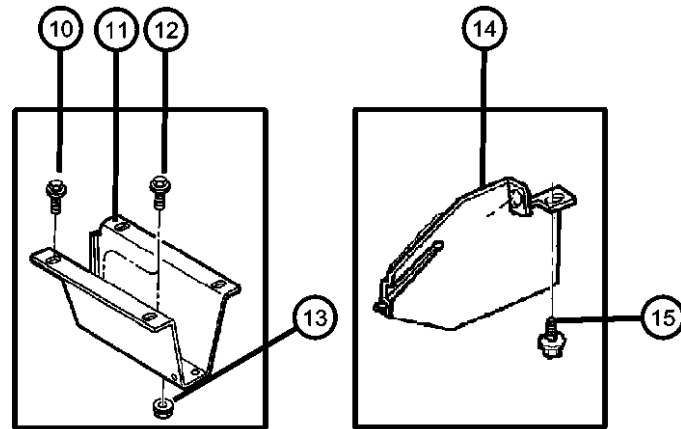
BODY	ENGINE	TRANSMISSION
31 = CLUB CAB 2-DR 6.5 FT BOX	ELF = ENGINE - 5.2L V8 MPI	DDC = TRANSMISSION - 5-SPEED HD MANUAL
32 = CLUB CAB 2-DR 8FT BOX	EML = ENGINE - 5.9L V8 MPI	DDP = TRANSMISSION - 5-SPEED MANUAL
33 = QUAD CAB 4-DR 6.5 FT BOX	EMM = ENGINE - "MAGNUM" 5.9L SMPI V8	DDX = TRANSMISSION - 5-SPEED HD MANUAL
34 = QUAD CAB 4-DR 8FT BOX	ETC = ENGINE- 5.9L CUMMINS 24V DIESEL	DEE = TRANSMISSION - 6-SPEED HD MANUAL
	ETH = ENGINE- 5.9L HO CUMMINS TURBO DIESEL	DGP = TRANSMISSION - 4-SPD. AUTOMATIC, 47RE
	EWA = ENGINE - 8.0L V10 MPI	DGT = TRANSMISSION - 4-SPD. AUTOMATIC, 46RE

AR = use ase required - = Non illustrated part

**Shaft,Propeller,Rear,2 Piece,Body 34,BE 1,2,3,6,7,8**  
**Figure 16-140**



ITEM	PART NUMBER	QTY	LINE	SERIES	BODY	ENGINE	TRANS	TRIM	DESCRIPTION
	06034965	4	2, 3, 7, 8		33, 34				Driveshaft U-Joint Clamp Mounting
	06505288AA	4	1, 6						Driveshaft Yoke Flange Mounting
17	04428723	2	2, 3, 7, 8		33, 34				CLAMP, U-Joint
18	05003146AA	1	8		34	EM0	DGT		U-JOINT with Shaft 52105538
		3	7		34		DEE		with Shaft 52105277AB
		3	7, 8		34		DEE		with Shaft 52105278AB
		3	2		34		DGT		with Shaft 52105516
		3	2		34		DDP		with Shaft 52105517
		3	3		34		DGT		with Shaft 52105518
		3	3		34		DDP		with Shaft 52105519
		3	2, 3		34	ET0, EW0	DDX		with Shaft 52105520AD
		3	2, 3		34	ET0	DEE		with Shaft 52105520AD
		3	2		34		DGP		with Shaft 52105521
		3	3		34		DGP		with Shaft 52105523
		2	7		34		DDP		with Shaft 52105526
		2	7		34		DGT		with Shaft 52105527
		2	7		34		DGP		with Shaft 52105529
		3	7		34	ET0, EW0	DDX		with Shaft 52105535AC
		2	7		34		DGT		with Shaft 52105537
		3	8		34		DDP		with Shaft 52105546
		3	7, 8		34	ET0, EW0	DDX		with Shaft 52105552AC
		3	8		34		DGP		with Shaft 52105553
		2	7		34		DGP		with Shaft 52105571
	05014733AA	3	6		34		DGT		with Shaft 52105770AA
	V8014733AA								Mopar Alternative Universal Joint
		3	6		34		DDC		with Shaft 52105773AA
	V8014733AA								Mopar Alternative Universal Joint
		3	1		34		DGT		with Shaft 52105801AA



**RAM PICKUP/CLUB CAB (BE)**

SERIES	LINE
L = Ram Truck (All)	3 = HD DODGE 2WD 8 = HD DODGE 4WD 1 = Lt. Duty DODGE 2WD 6 = Lt. Duty DODGE 4WD 2 = Med. Duty DODGE 2WD 7 = Med. Duty DODGE 4WD

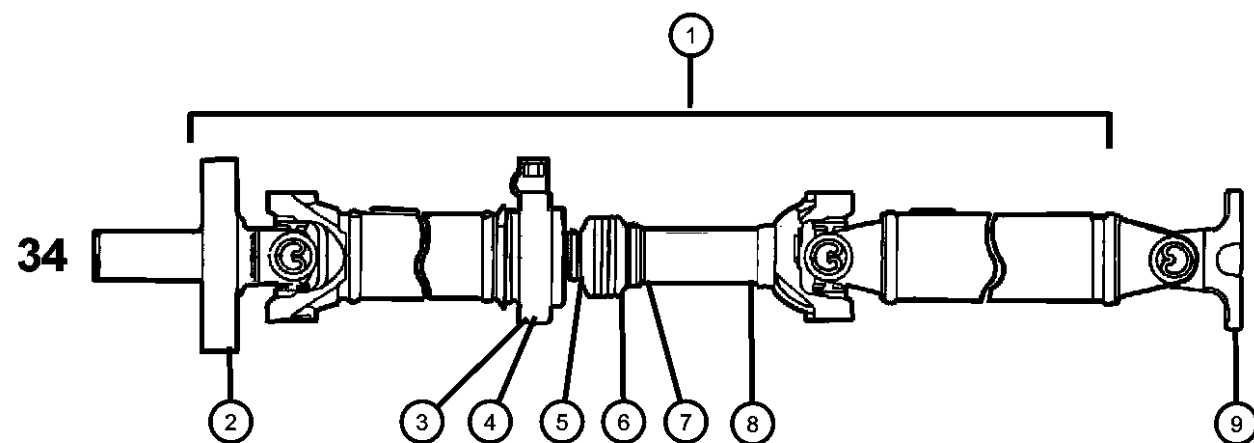
BODY	ENGINE	TRANSMISSION
31 = CLUB CAB 2-DR 6.5 FT BOX	ELF = ENGINE - 5.2L V8 MPI	DDC = TRANSMISSION - 5-SPEED HD MANUAL
32 = CLUB CAB 2-DR 8FT BOX	EML = ENGINE - 5.9L V8 MPI	DDP = TRANSMISSION - 5-SPEED MANUAL
33 = QUAD CAB 4-DR 6.5 FT BOX	EMM = ENGINE - "MAGNUM" 5.9L SMPI V8	DDX = TRANSMISSION - 5-SPEED HD MANUAL
34 = QUAD CAB 4-DR 8FT BOX	ETC = ENGINE- 5.9L CUMMINS 24V DIESEL	DEE = TRANSMISSION - 6-SPEED HD MANUAL
	ETH = ENGINE- 5.9L HO CUMMINS TURBO DIESEL	DGP = TRANSMISSION - 4-SPD. AUTOMATIC,47RE
	EWA = ENGINE - 8.0L V10 MPI	DGT = TRANSMISSION - 4-SPD. AUTOMATIC,46RE

AR = use ase required - = Non illustrated part

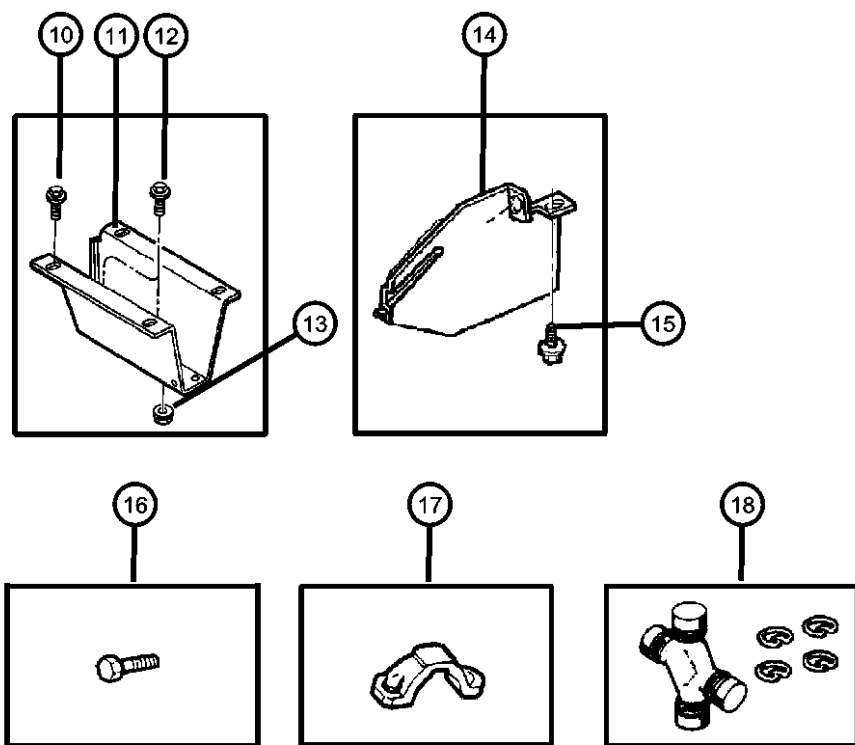


Shaft, Propeller, Rear, 2 Piece, Body 34, BE 1, 2, 3, 6, 7, 8  
Figure 16-140

ITEM	PART NUMBER	QTY	LINE	SERIES	BODY	ENGINE	TRANS	TRIM	DESCRIPTION
------	-------------	-----	------	--------	------	--------	-------	------	-------------



	V8014733AA								Mopar Alternative Universal Joint with Shaft 52105806AA
		3	1		34		DDC		Mopar Alternative Universal Joint
	V8014733AA								



RAM PICKUP/CLUB CAB (BE)

SERIES	LINE	BODY	ENGINE	TRANSMISSION
L = Ram Truck (All)	3 = HD DODGE 2WD 8 = HD DODGE 4WD 1 = Lt. Duty DODGE 2WD 6 = Lt. Duty DODGE 4WD 2 = Med. Duty DODGE 2WD 7 = Med. Duty DODGE 4WD	31 = CLUB CAB 2-DR 6.5 FT BOX 32 = CLUB CAB 2-DR 8FT BOX 33 = QUAD CAB 4-DR 6.5 FT BOX 34 = QUAD CAB 4-DR 8FT BOX	ELF = ENGINE - 5.2L V8 MPI EML = ENGINE - 5.9L V8 MPI EMM = ENGINE - "MAGNUM" 5.9L SMPI V8 ETC = ENGINE- 5.9L CUMMINS 24V DIESEL ETH = ENGINE- 5.9L HO CUMMINS TURBO DIESEL EWA = ENGINE - 8.0L V10 MPI	DDC = TRANSMISSION - 5-SPEED HD MANUAL DDP = TRANSMISSION - 5-SPEED MANUAL DDX = TRANSMISSION - 5-SPEED HD MANUAL DEE = TRANSMISSION - 6-SPEED HD MANUAL DGP = TRANSMISSION - 4-SPD. AUTOMATIC, 47RE DGT = TRANSMISSION - 4-SPD. AUTOMATIC, 46RE

AR = use ase required - = Non illustrated part

2000 BE

# Group - 17

## Rear Suspension

### Group - 17 Rear Suspension

Group-Fig. No.

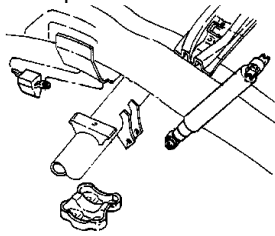

Illustration Title

#### Rear Suspension

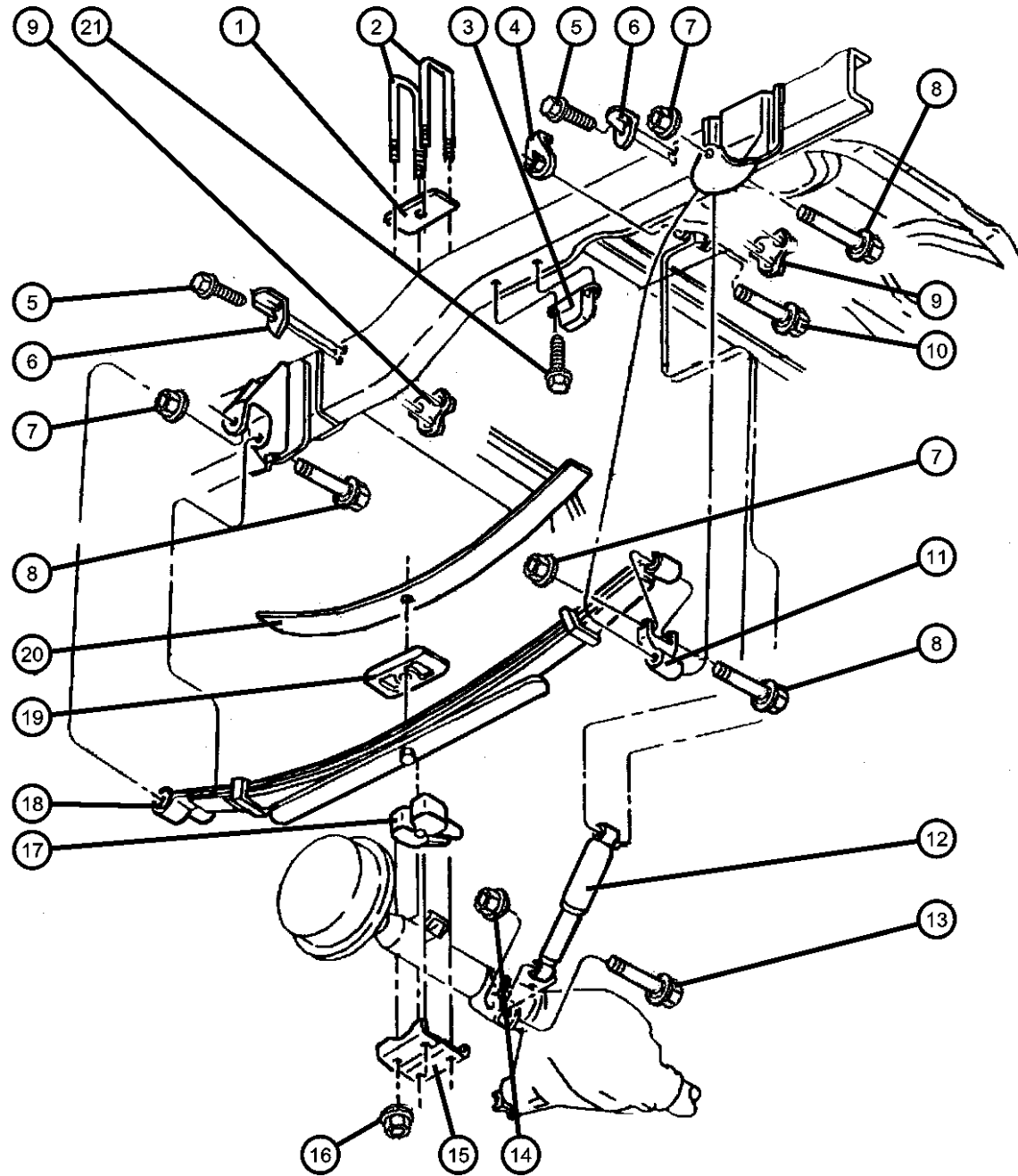
Suspension, Rear, Leaf With Shock Absorber ..... Fig. 17 - 110

#### Rear Stabilizer

Stabilizer, Rear ..... Fig. 17 - 210

<p><b>017-100</b> Rear Suspension</p> 	<p><b>017-200</b> Rear Stabilizer</p> 		
--	---	--	--

**Suspension, Rear, Leaf With Shock Absorber  
Figure 17-110**



ITEM	PART NUMBER	QTY	LINE	SERIES	BODY	ENGINE	TRANS	TRIM	DESCRIPTION
------	-------------	-----	------	--------	------	--------	-------	------	-------------

Note: DRB=9.25 Light Duty Axle—DRG=9.25 Heavy Duty Axle—DRD=Dana 60 Heavy Duty Axle—DRE=Dana 70 Axle—DRL=Dana 80 Axle—A

1									SEAT, Spring
	52038217	2	1, 6						[Z1B,Z6B,DRB,DRD]
	52038310AB	2	2, 7						[Z2B,Z7B,DRD,DRE]
	52038311AB	2	2, 7						[Z2B,Z7B,DRL]
		2	3, 8		34				[Z3A,Z8B,DRL]
2									CLIP, Spring
	52037933	4	2, 3		33, 34				[Z2B,Z3A,DRD,DRE]
	52037938	4	1						[Z1B]
	52038486	4	7		33, 34				[Z7B,DRE,DRD]
	52038645	4	6						[Z6B]
	52038650	4	7, 8		33, 34				[Z7B,Z8B,DRL]
	52038966	4	7		33, 34				[Z7B,DRE,DRD,AHJ]
	52106313AA	4	2						[Z2B,DRD,DRE,AHJ]
	52106412AA	4	2, 3						[Z2B,Z3A,DRL]
	52106414AA	4	2, 3		33, 34				[Z2B,Z3A,DRL,AHJ]
	52113025AA	4	7, 8		33, 34				[Z7B,Z8B,DRL,AHJ]
3									BUMPER, Jounce
	52038718	2	1, 2, 3						Rear
		2	6, 7, 8						Rear
4	06502817	2							LOCK NUT, M14-2.00, Upper Shock, Mounting
5	06101223	12	2, 3, 7, 8		33, 34				SCREW, Hex Head, [AHJ]
6	52106435AA	4	2, 3, 7, 8		33, 34				BRACKET, Bumper, [AHJ] with Pad
7									NUT, Hex Flange Lock
	06502396	6	2, 3, 7, 8		33, 34				[Z2B,Z3A,Z7B,Z8B] Shackle, Mounting
	06502698	6	1, 6						[Z1B,Z6B] Shackle, Mounting
8									SCREW, Pilot Point
	06504782	6	2, 3, 7, 8		33, 34				[Z2B,Z3A,Z7B,Z8B] Shackle, Mounting
	06505599AA	6	1, 6						[Z1B,Z6B] Shackle, Mounting

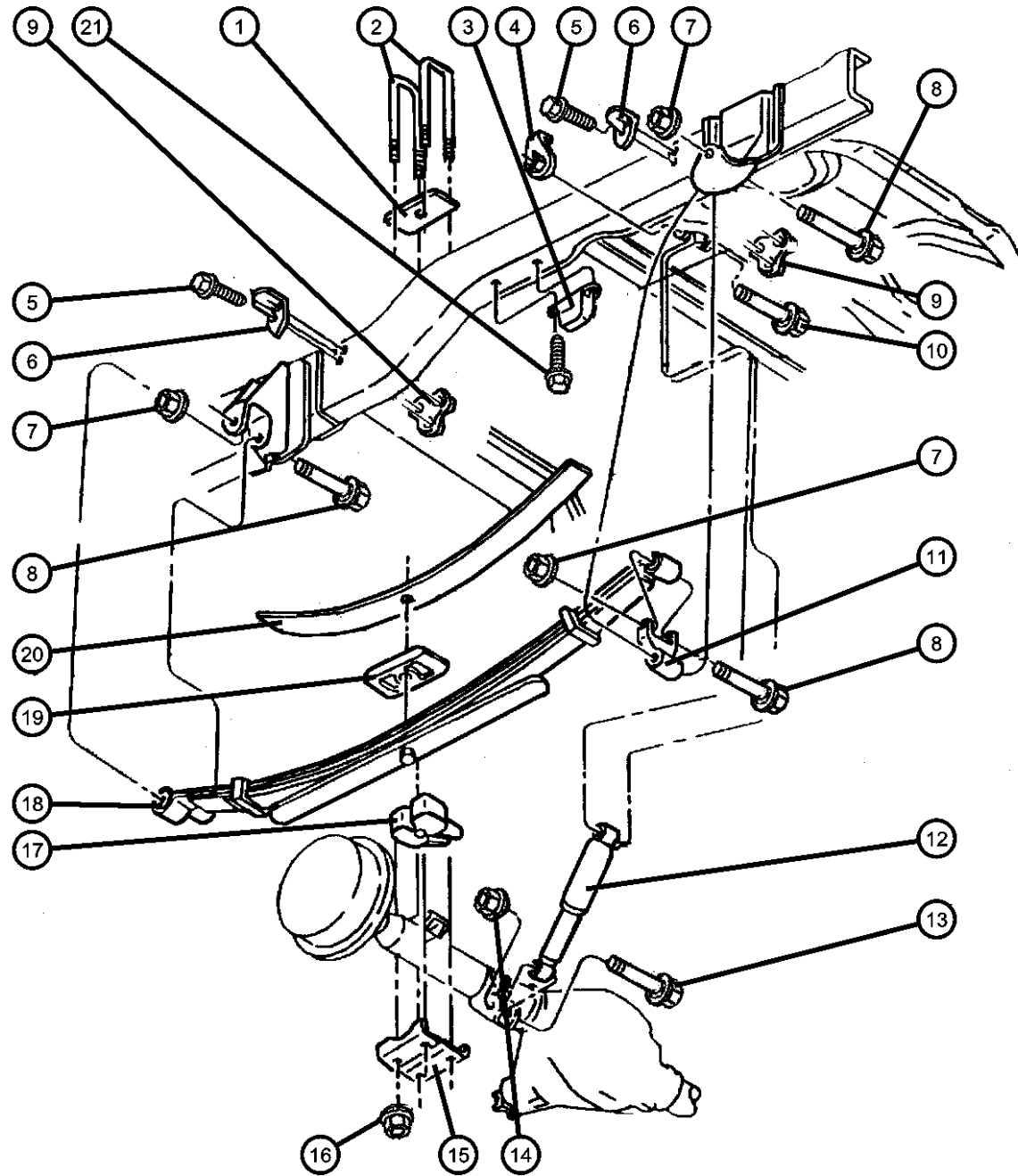
**RAM PICKUP/CLUB CAB (BE)**

SERIES	LINE	BODY	ENGINE	TRANSMISSION
L = Ram Truck (All)	3 = HD DODGE 2WD 8 = HD DODGE 4WD 1 = Lt. Duty DODGE 2WD 6 = Lt. Duty DODGE 4WD 2 = Med. Duty DODGE 2WD 7 = Med. Duty DODGE 4WD	31 = CLUB CAB 2-DR 6.5 FT BOX 32 = CLUB CAB 2-DR 8FT BOX 33 = QUAD CAB 4-DR 6.5 FT BOX 34 = QUAD CAB 4-DR 8FT BOX	ELF = ENGINE - 5.2L V8 MPI EML = ENGINE - 5.9L V8 MPI EMM = ENGINE - "MAGNUM" 5.9L SMPI V8 ETC = ENGINE- 5.9L CUMMINS 24V DIESEL ETH = ENGINE- 5.9L HO CUMMINS TURBO DIESEL EWA = ENGINE - 8.0L V10 MPI	DDC = TRANSMISSION - 5-SPEED HD MANUAL DDP = TRANSMISSION - 5-SPEED MANUAL DDX = TRANSMISSION - 5-SPEED HD MANUAL DEE = TRANSMISSION - 6-SPEED HD MANUAL DGP = TRANSMISSION - 4-SPD. AUTOMATIC,47RE DGT = TRANSMISSION - 4-SPD. AUTOMATIC,46RE

AR = use ase required - = Non illustrated part

2000 BE

**Suspension, Rear, Leaf With Shock Absorber  
Figure 17-110**



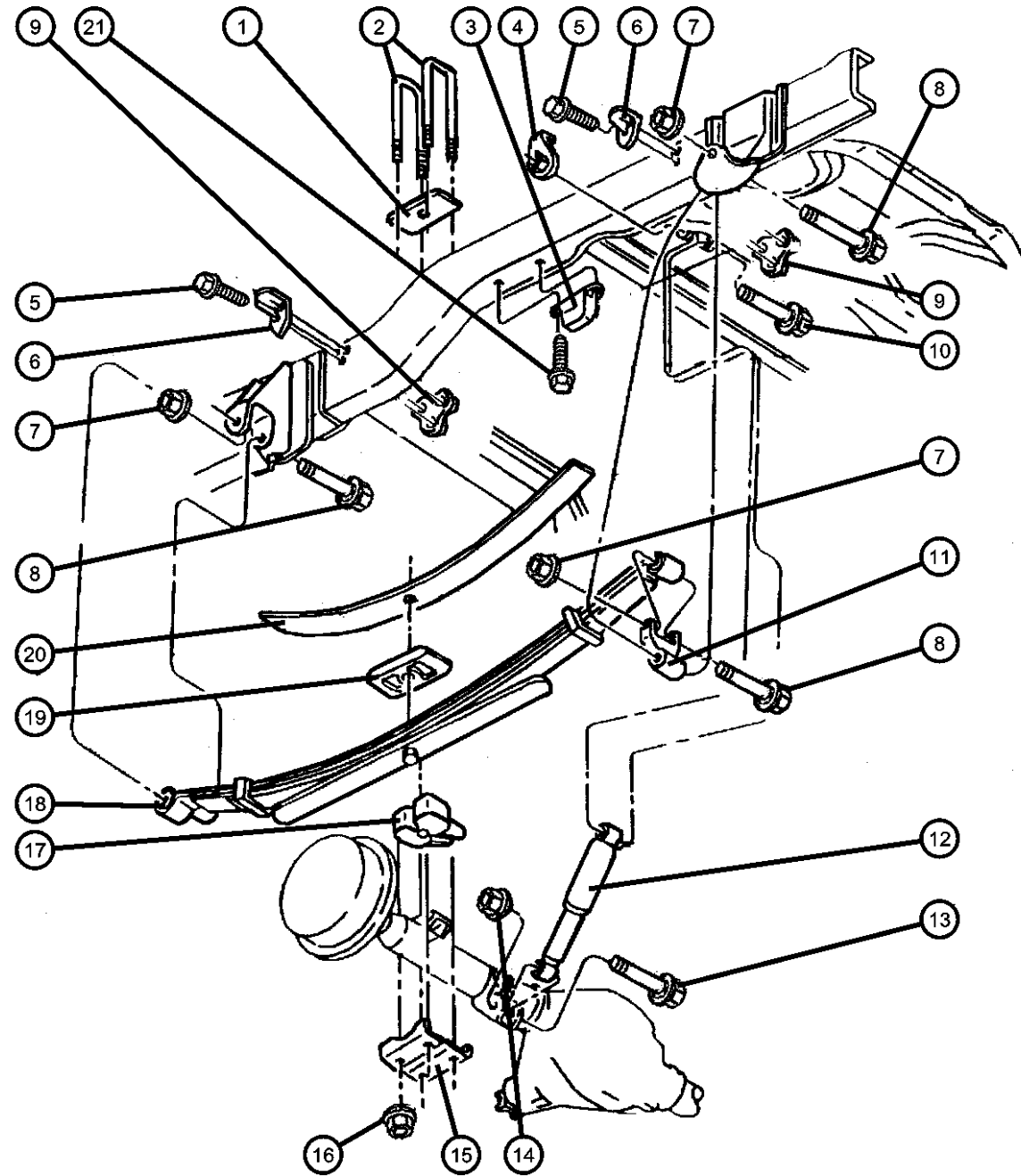
ITEM	PART NUMBER	QTY	LINE	SERIES	BODY	ENGINE	TRANS	TRIM	DESCRIPTION
9	52038359	4	2, 3, 7, 8		33, 34				NUT, Hex Flange Lock, M14x1.50, [AHJ]
10	06502818	2							BOLT, Hex Flange Head, M14x2.00x80.00, Upper Shock, Mounting
11									SHACKLE, Spring
	52038664AB	2	2, 3, 7, 8		33, 34				[Z2B,Z3A,Z7B,Z8B]
	52039479AA	2	1, 6						[Z1B,Z6B]
12									SHOCK ABSORBER, Suspension, Rear
	52039481AB	2	1			EL0, EM0			[Z1B]
	52039485AA	2	6			EL0, EM0			[Z6B,-AWL]
	52039488AB	2	7		33, 34	EL0, EM0			[Z7B]
	0SGR5274								Rancho Shock
	52039490AB	2	7		34	ET0			[Z7B]
	OSGR5274								Ranco Shock (8800 GVW)
	52039492AB	2	8		34				[Z8B]
	OSGR5274								Rancho Shock
	52106265AB	2	7		33	ET0, EW0			[Z7B]
	OSG23278								Mopar V-Line Alternative Part
	52106381AB	2	3		34				[Z3A]
	52106382AB	2	2		33	ET0			[Z2B]
	52106383AB	2	2		33	EW0			[Z2B]
	52106385AB	2	2		34	ET0, EW0			[Z2B]
		2	2		33, 34	EL0, EM0			[Z2B]
	52113011AB	2	6		31, 33	EL0, EM0			[Z6B,+AWL]
13	06502818	2							BOLT, Hex Flange Head, M14x2.00x80.00, Lower Shock, Mounting
14	06502698	2							NUT, Hex Flange Lock, Lower Shock, Mounting
15									PLATE, Rear Spring Clip
	52038457	2	1, 6						[Z1B,Z6B,DRB,DRD]

**RAM PICKUP/CLUB CAB (BE)**

SERIES	LINE	BODY	ENGINE	TRANSMISSION
L = Ram Truck (All)	3 = HD DODGE 2WD	31 = CLUB CAB 2-DR 6.5 FT BOX	ELF = ENGINE - 5.2L V8 MPI	DDC = TRANSMISSION - 5-SPEED HD MANUAL
	8 = HD DODGE 4WD	32 = CLUB CAB 2-DR 8FT BOX	EML = ENGINE - 5.9L V8 MPI	DDP = TRANSMISSION - 5-SPEED MANUAL
	1 = Lt. Duty DODGE 2WD	33 = QUAD CAB 4-DR 6.5 FT BOX	EMM = ENGINE - "MAGNUM" 5.9L SMPI V8	DDX = TRANSMISSION - 5-SPEED HD MANUAL
	6 = Lt. Duty DODGE 4WD	34 = QUAD CAB 4-DR 8FT BOX	ETC = ENGINE- 5.9L CUMMINS 24V DIESEL	DEE = TRANSMISSION - 6-SPEED HD MANUAL
	2 = Med. Duty DODGE 2WD		ETH = ENGINE- 5.9L HO CUMMINS TURBO DIESEL	DGP = TRANSMISSION - 4-SPD. AUTOMATIC,47RE
	7 = Med. Duty DODGE 4WD		EWA = ENGINE - 8.0L V10 MPI	DGT = TRANSMISSION - 4-SPD. AUTOMATIC,46RE

AR = use ase required - = Non illustrated part

**Suspension, Rear, Leaf With Shock Absorber  
Figure 17-110**



ITEM	PART NUMBER	QTY	LINE	SERIES	BODY	ENGINE	TRANS	TRIM	DESCRIPTION
	52038458	2	2, 7						[Z2B,Z7B,DRD,DRE]
	52106913AA	2	2, 7		33, 34				[Z2B,Z7B,DRL]
		2	3, 8		34				[Z3A,Z8B,DRL]
16									NUT, Hex Flange Lock
	06502698	8	1, 2, 3						[Z1B,Z2B,Z3A]-Spring Clip, Mounting
		8	6, 7						[Z6B,Z7B] -Spring Clip, Mounting
		8	8		34				[Z8B] -Spring Clip, Mounting
17									SPACER, Spring
	52106299AB	2	2, 3		33, 34				[Z2B,Z3A,]
	52106924AA	2	6						[Z6B]
	52106925AA	2	7, 8		33, 34				[Z7B,Z8B]
18									SPRING, Rear Leaf
	52106015AF	1							[ZDR,ZSR]
	52106016AF	1							[ZGR,ZVR]
	52106017AF	1							[ZHR,ZWR]
	52106018AF	1							[ZCR,ZRR]
	52106019AE	1							[ZAS,ZNS]
	52106030AE	1							[ZBS,ZPS]
	52106292AG	1							[ZFR,ZUR]
19	52038327AB	2	2, 3, 7, 8		33, 34				SPACER, Spring, [AHJ]
20									SPRING, Rear Auxilliary
	52039181AD	2	2, 3		33, 34				[Z2B,Z3A,AHJ]
	52106402AD	2	7, 8		33, 34				[Z7B,Z8B,AHJ]
21	06503183	4							SCREW, Hex Head, M10x1.5x30, M10X1.50X30.00

**RAM PICKUP/CLUB CAB (BE)**

SERIES	LINE
L = Ram Truck (All)	3 = HD DODGE 2WD
	8 = HD DODGE 4WD
	1 = Lt. Duty DODGE 2WD
	6 = Lt. Duty DODGE 4WD
	2 = Med. Duty DODGE 2WD
	7 = Med. Duty DODGE 4WD

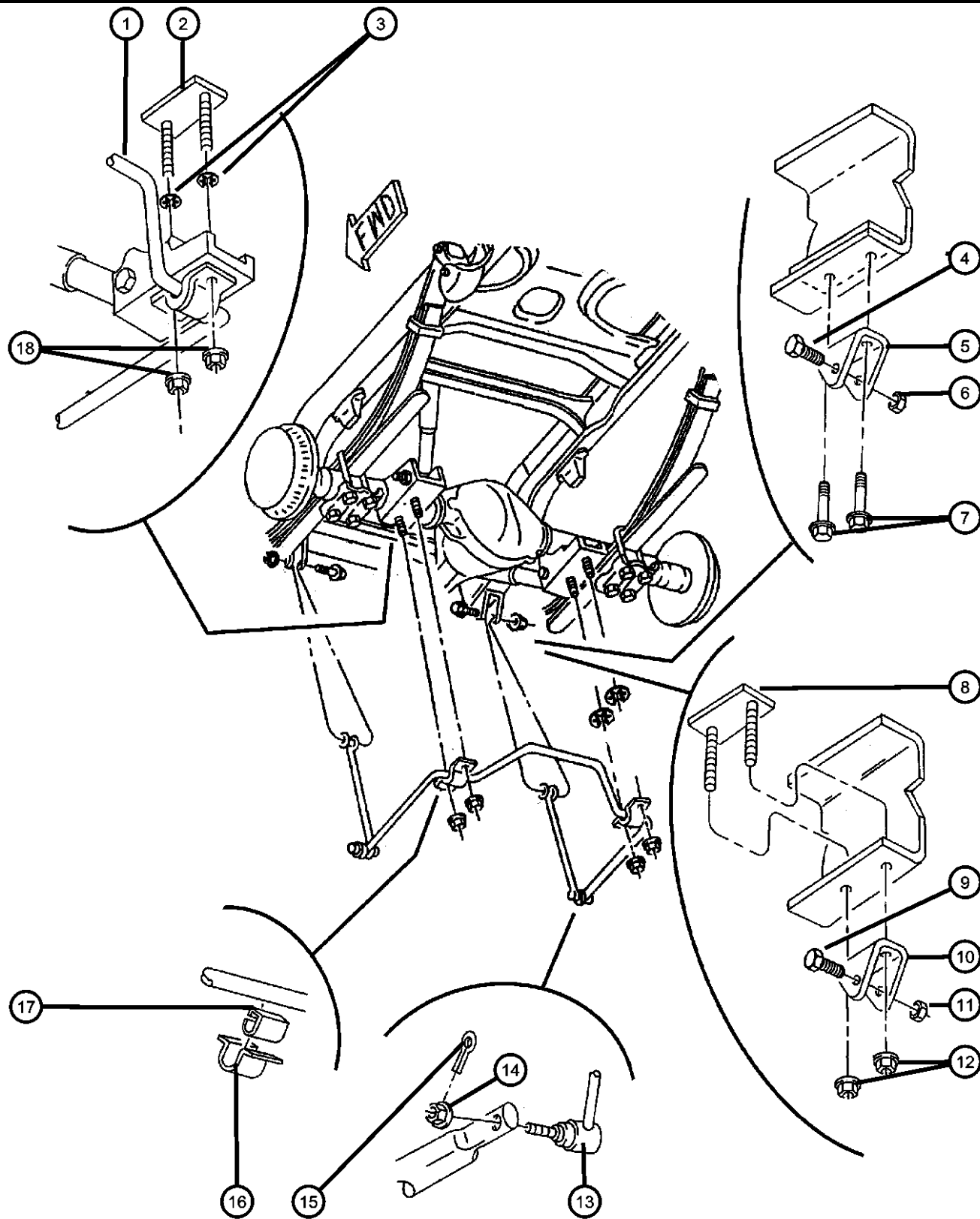
BODY
31 = CLUB CAB 2-DR 6.5 FT BOX
32 = CLUB CAB 2-DR 8FT BOX
33 = QUAD CAB 4-DR 6.5 FT BOX
34 = QUAD CAB 4-DR 8FT BOX

ENGINE
ELF = ENGINE - 5.2L V8 MPI
EML = ENGINE - 5.9L V8 MPI
EMM = ENGINE - "MAGNUM" 5.9L SMPI V8
ETC = ENGINE- 5.9L CUMMINS 24V DIESEL
ETH = ENGINE- 5.9L HO CUMMINS TURBO DIESEL
EWA = ENGINE - 8.0L V10 MPI

TRANSMISSION
DDC = TRANSMISSION - 5-SPEED HD MANUAL
DDP = TRANSMISSION - 5-SPEED MANUAL
DDX = TRANSMISSION - 5-SPEED HD MANUAL
DEE = TRANSMISSION - 6-SPEED HD MANUAL
DGP = TRANSMISSION - 4-SPD. AUTOMATIC,47RE
DGT = TRANSMISSION - 4-SPD. AUTOMATIC,46RE

AR = use ase required - = Non illustrated part

Stabilizer, Rear  
Figure 17-210



ITEM	PART NUMBER	QTY	LINE	SERIES	BODY	ENGINE	TRANS	TRIM	DESCRIPTION
1									BAR, Rear Sway
	52038907	1	2, 3		33, 34				
	52039120	1	7, 8		33, 34				
2	52038713	2							PLATE, Stabilizer Bar, Stud Plate to Frame or Axle
3	J4000235	1							NUT, Push, .375, Stabilizer Bar Stud Plate Retaining
4	11505098	2							BOLT, Hex Flange Head, M12x1.75x60, Stabilizer Bar Link
5	52038700	2							BRACKET, Stabilizer Bar
6	06502697	2							NUT, Hex Flange Lock, M12x1.75, Stabilizer Bar Link to Frame
7	06101223	12	2, 3, 7, 8		33, 34				SCREW, Hex Head
8	52038713	2							PLATE, Stabilizer Bar, Stud Plate to Frame or Axle
9	11505098	2							BOLT, Hex Flange Head, M12x1.75x60, Stabilizer Bar Link
10	52038700	2							BRACKET, Stabilizer Bar
11	06502697	2							NUT, Hex Flange Lock, M12x1.75, Stabilizer Bar Link to Frame
12	06502696	4							NUT, Hex Flange Lock, M14x1.50, Stabilizer Bar Retainer
13									LINK, Sway Eliminator
	52106057AA	2	2, 3		33, 34				
	52106058AA	2	7, 8		33, 34				
14	06502748	2							NUT, Hex, M12x1.75, Stabilizer to Link Mounting
15	06100017	2							PIN, Cotter, M2.5x28.00, Stabilizer Bar Link
16	52087865	2							RETAINER, Stabilizer Bar Grommet, Bushing
17									BUSHING, Stabilizer Bar
	52037548	2	7, 8		33, 34				
	52038843	2	2, 3		33, 34				
18	06502696	4							NUT, Hex Flange Lock, M14x1.50, Stabilizer Bar Retainer

RAM PICKUP/CLUB CAB (BE)

SERIES	LINE
L = Ram Truck (All)	3 = HD DODGE 2WD
	8 = HD DODGE 4WD
	1 = Lt. Duty DODGE 2WD
	6 = Lt. Duty DODGE 4WD
	2 = Med. Duty DODGE 2WD
	7 = Med. Duty DODGE 4WD

BODY	ENGINE	TRANSMISSION
31 = CLUB CAB 2-DR 6.5 FT BOX	ELF = ENGINE - 5.2L V8 MPI	DDC = TRANSMISSION - 5-SPEED HD MANUAL
32 = CLUB CAB 2-DR 8FT BOX	EML = ENGINE - 5.9L V8 MPI	DDP = TRANSMISSION - 5-SPEED MANUAL
33 = QUAD CAB 4-DR 6.5 FT BOX	EMM = ENGINE - "MAGNUM" 5.9L SMPI V8	DDX = TRANSMISSION - 5-SPEED HD MANUAL
34 = QUAD CAB 4-DR 8FT BOX	ETC = ENGINE- 5.9L CUMMINS 24V DIESEL	DEE = TRANSMISSION - 6-SPEED HD MANUAL
	ETH = ENGINE- 5.9L HO CUMMINS TURBO DIESEL	DGP = TRANSMISSION - 4-SPD. AUTOMATIC, 47RE
	EWA = ENGINE - 8.0L V10 MPI	DGT = TRANSMISSION - 4-SPD. AUTOMATIC, 46RE

AR = use ase required - = Non illustrated part

2000 BE

# Group - 19

## Steering

### Group - 19 Steering

Group-Fig. No.

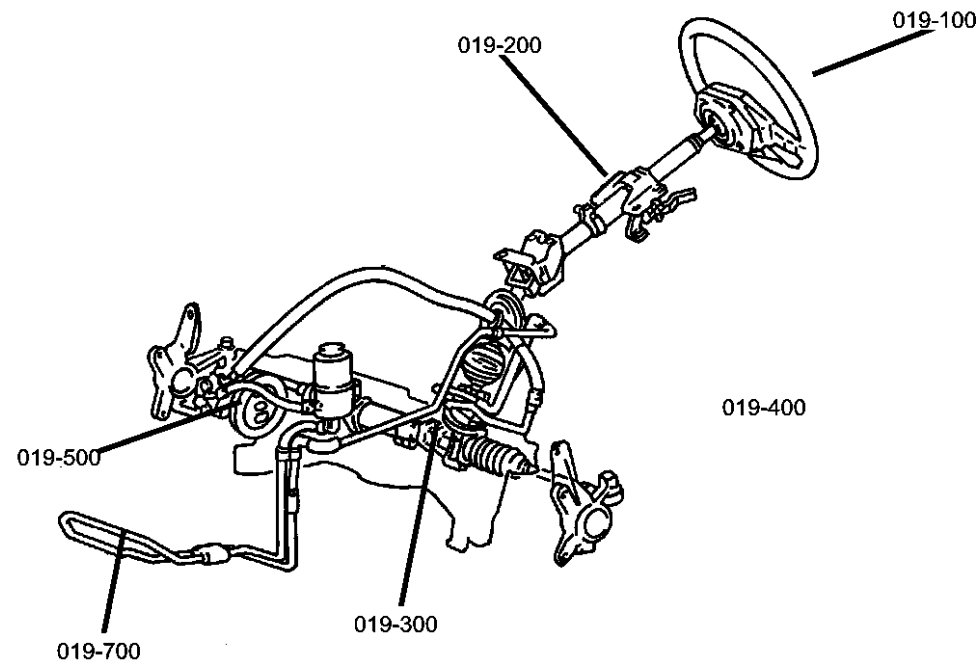


Illustration Title

#### Steering Wheel

Wheel, Steering ..... Fig. 19 - 110

#### Steering Column

Column, Steering, Upper And Lower ..... Fig. 19 - 210

#### Steering Gear

Power Steering Gear ..... Fig. 19 - 310

#### Steering Linkage

Linkage, Steering, BE 1,2,3 ..... Fig. 19 - 410

Linkage, Steering, BE 6,7,8 ..... Fig. 19 - 420

#### Power Steering Pump

Pump, Power Steering and Mounting, EL0, EM0 Gas ..... Fig. 19 - 510

Pump, Power Steering and Mounting, EW0 Gas ..... Fig. 19 - 520

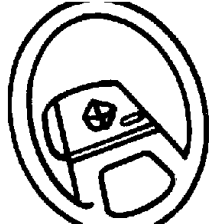
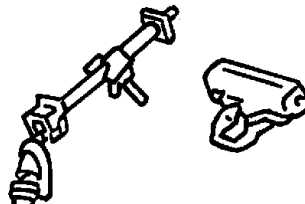
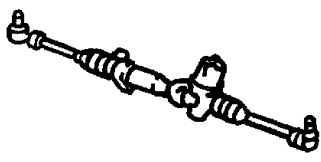
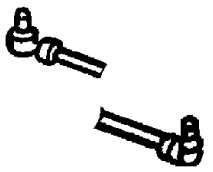
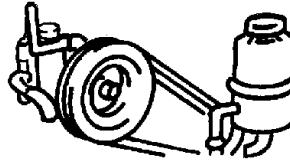

Pump, Power Steering and Mounting, ET0 Diesel ..... Fig. 19 - 530

#### Power Steering Hoses

Hoses, Power Steering with EL0, EM0 Gas ..... Fig. 19 - 710

Hoses, Power Steering with EW0 Gas ..... Fig. 19 - 720

Hoses, Power Steering, with Hydroboost System with EM0, ET0, EW0 Engines ..... Fig. 19 - 730

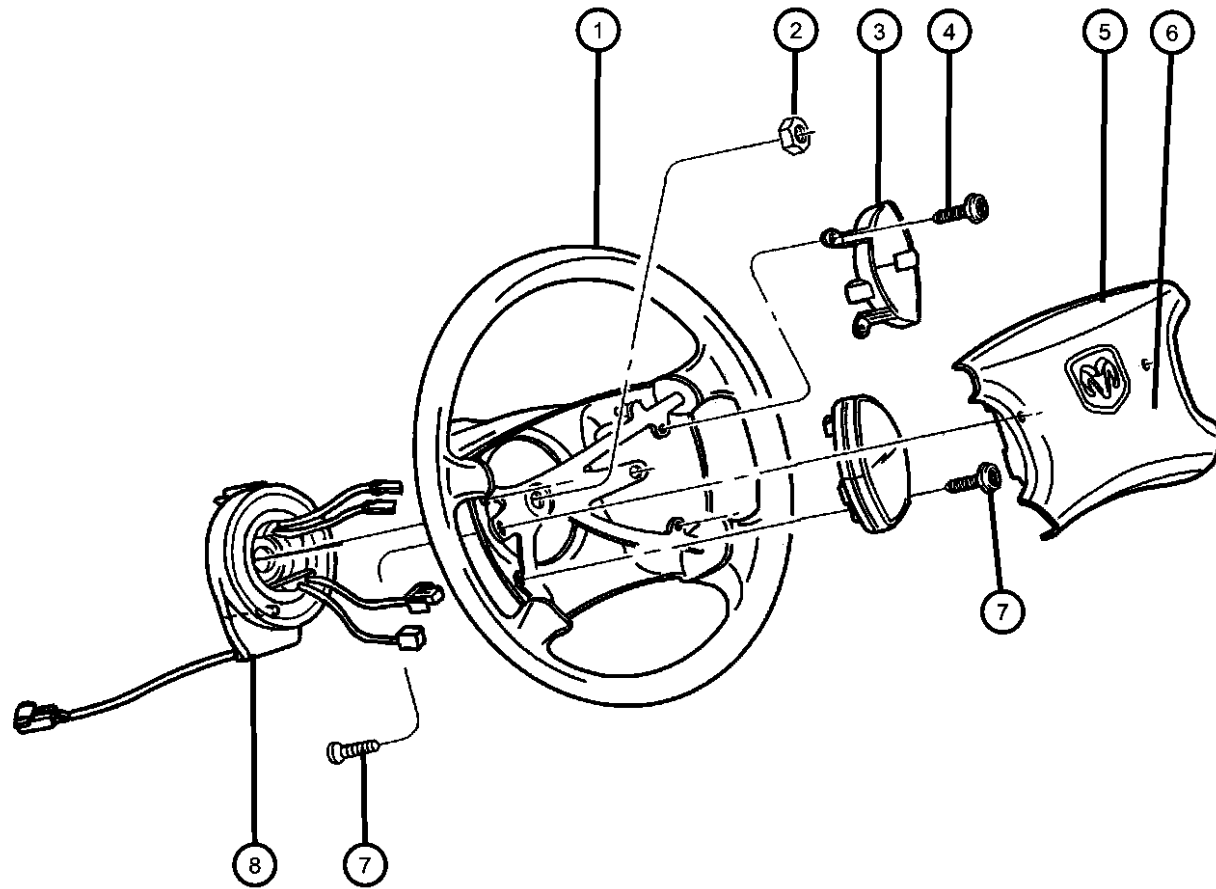
<p><b>019-100</b> Steering Wheel</p> 	<p><b>019-200</b> Steering Column</p> 	<p><b>019-300</b> Steering Gear</p> 	<p><b>019-400</b> Steering Linkage</p> 
<p><b>019-500</b> Power Steering Pump</p> 	<p><b>019-700</b> Power Steering Hoses</p> 		

**Wheel, Steering**  
**Figure 19-110**

ITEM	PART NUMBER	QTY	LINE	SERIES	BODY	ENGINE	TRANS	TRIM	DESCRIPTION
------	-------------	-----	------	--------	------	--------	-------	------	-------------

Note: If Horn Switch is defective, you must replace the AIR BAG COVER WITH SWITCH and not the AIR BAG MODULE ASSEMBLY itself.  
Note:

CGW = Air Bags-Next Generation  
DG0 = All Automatic Transmissions  
NHM = Speed Control  
RDZ = Audio Controls-Steering Wheel Mounted  
SCB = Steering Wheel-2 Spoke  
SCV = Steering Wheel-Leather Wrapped



1	5EH10DX9AC	1							WHEEL, Steering
	5FL421X9AD	1							Black [SCB,-NHM]
	5FM14DX9AC	1							Black [SCV,+NHM,-RDZ]
	5GC421X9AF	1							Black [SCB,+NHM]
	5GC421X9AF	1							Black [SCV,+NHM,+RDZ]
2	06505248AA	1					DG0		NUT, Hex Flange Lock, Steering Wheel Mounting
3	56021332AB	1							SWITCH, Speed Control
	56021333AB	1							Right
	56021333AB	1							Left
4	06035142	1							SCREW, .164-32x1.00, Speed Control Switch Mounting
5	5GV11DX9AA	1							AIR BAG, Driver
6	0TK64DX9AA	1							COVER, Air Bag Module, Includes Horn Switch
7	06503771	2							SCREW, Hex Flange Head, M6x1x23, Air Bag Module to Steering Wheel Mounting
8	56045454AC	1							CLOCKSPRING
	56045455AC	1							[-NHM,-RDZ]
	56045456AC	1							[+NHM,-RDZ]
	56045456AC	1							[+NHM,+RDZ]
-9	04685619AB	1							SWITCH, Radio Control
	04685632AB	1							Right
	04685632AB	1							Left

**RAM PICKUP/CLUB CAB (BE)**

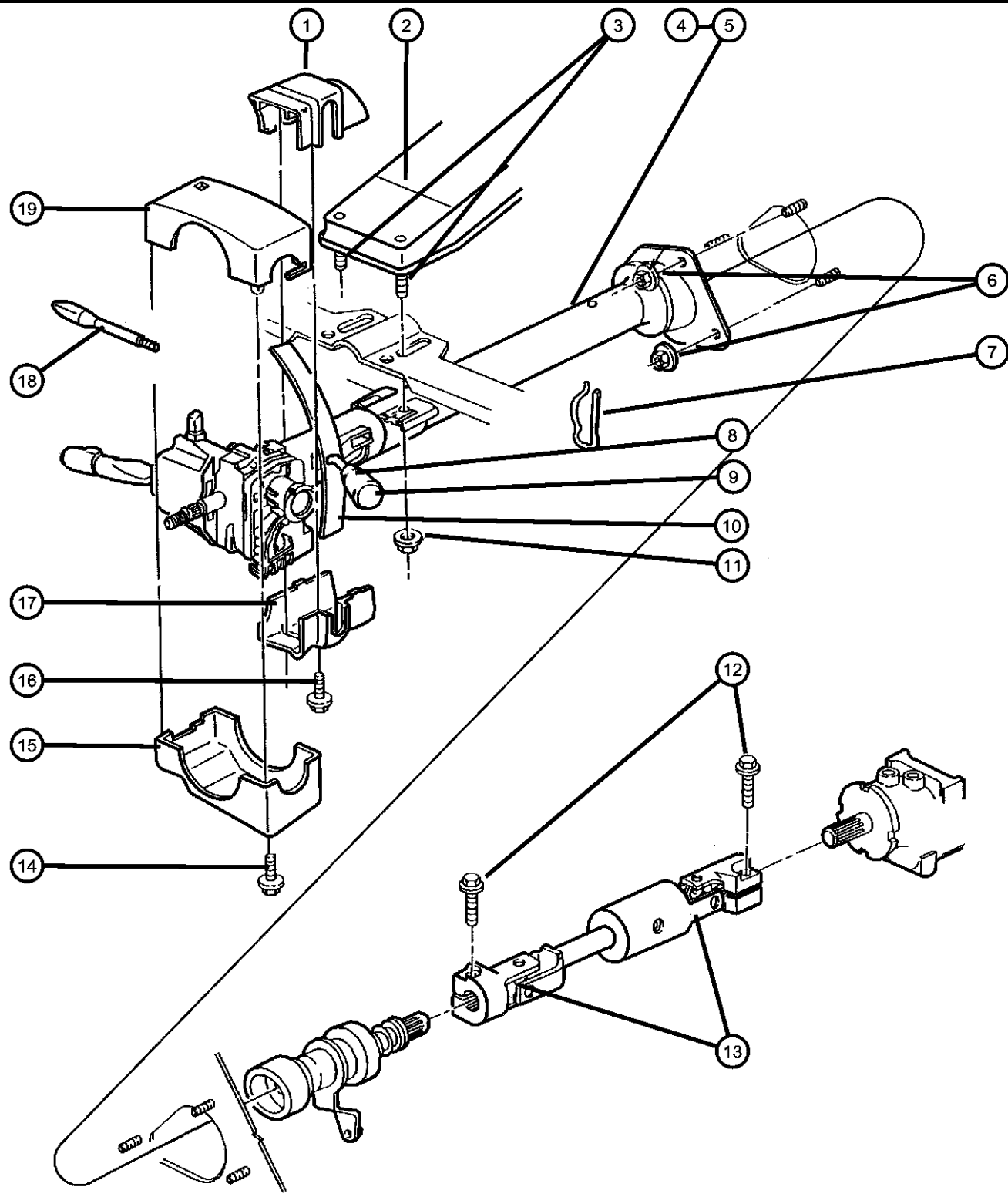
SERIES	LINE	BODY	ENGINE	TRANSMISSION
L = Ram Truck (All)	3 = HD DODGE 2WD	31 = CLUB CAB 2-DR 6.5 FT BOX	ELF = ENGINE - 5.2L V8 MPI	DDC = TRANSMISSION - 5-SPEED HD MANUAL
	8 = HD DODGE 4WD	32 = CLUB CAB 2-DR 8FT BOX	EML = ENGINE - 5.9L V8 MPI	DDP = TRANSMISSION - 5-SPEED MANUAL
	1 = Lt. Duty DODGE 2WD	33 = QUAD CAB 4-DR 6.5 FT BOX	EMM = ENGINE - "MAGNUM" 5.9L SMPI V8	DDX = TRANSMISSION - 5-SPEED HD MANUAL
	6 = Lt. Duty DODGE 4WD	34 = QUAD CAB 4-DR 8FT BOX	ETC = ENGINE- 5.9L CUMMINS 24V DIESEL	DEE = TRANSMISSION - 6-SPEED HD MANUAL
	2 = Med. Duty DODGE 2WD		ETH = ENGINE- 5.9L HO CUMMINS TURBO DIESEL	DGP = TRANSMISSION - 4-SPD. AUTOMATIC,47RE
	7 = Med. Duty DODGE 4WD		EWA = ENGINE - 8.0L V10 MPI	DGT = TRANSMISSION - 4-SPD. AUTOMATIC,46RE

AR = use ase required - = Non illustrated part

2000 BE



**Column, Steering, Upper And Lower  
Figure 19-210**



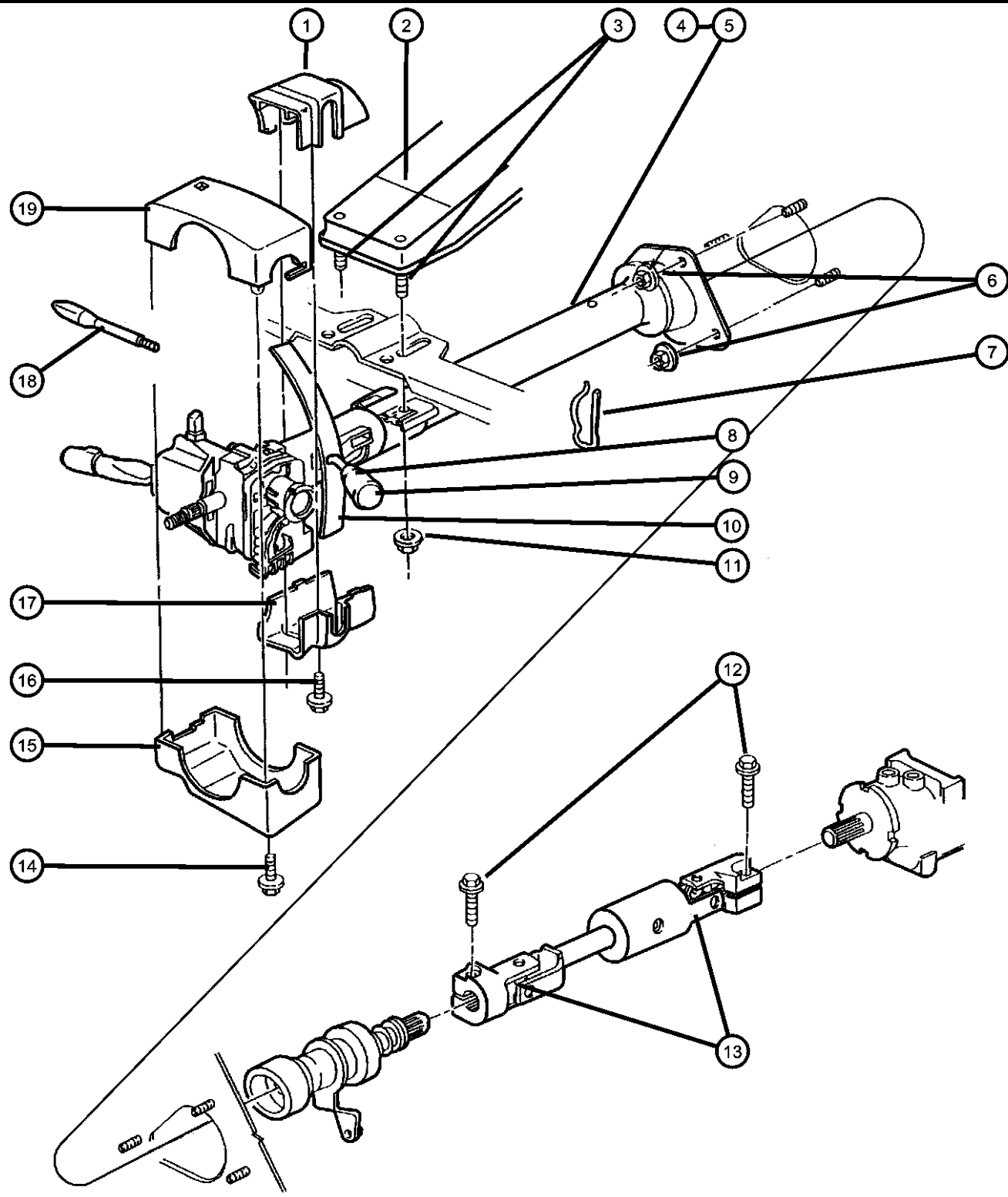
ITEM	PART NUMBER	QTY	LINE	SERIES	BODY	ENGINE	TRANS	TRIM	DESCRIPTION
	Note: SUA = Tilt Steering Column DBB = All Manual Transmissions DG0 = All Automatic Transmissions								
1	5CE58JX8AB	1					DG0		SHROUD, Steering Column Front Fixed with Column Shift [DG0], Upper
	5CN67PX8	1					DBB		Front Fixed with Floor Shift [DBB], Upper
2	55351014AE	1							BRACKET, Steering Column, Clutch and Brake Pedal
3	06503761	2							STUD, M6x1.00mmx48.80mm, Steering Column Upper
4									COLUMN, Steering, Tilt
	04897478AC	1					DG0		[DG0]
	04897479AC	1					DBB		[DBB]
5									COLUMN, Steering, Non tilt
	04897480AC	1					DG0		[DG0]
	04897481AC	1					DBB		[DBB]
6	04897481AC	1							NUT AND WASHER, Hex Lock Nut-Coned Lock Washer, M8 x 1.25, (NOT SERVICED),
7	04897481AC	1							PIN, Pivot, Part of Column Assembly, (NOT SERVICED)
8	04690522AB	1					DG0		LEVER, Gearshift, Includes Gap Hider and Overdrive Switch
9	56021048	1					DG0		SWITCH, Overdrive Lockout, [DG0]
10	04470108AB	1					DG0		GAP HIDER, Steering Column Shroud, [DG0]
11	06503014	2							NUT AND WASHER, Hex, M6x1
12	06504926AA	2							SCREW, Hex Flange Head, M10x1.5x40, Intermediate Shaft to Gear and Column Mounting
13									SHAFT, Intermediate
	55351113AB	1	6, 7, 8						
	55351114AB	1	1, 2, 3						

**RAM PICKUP/CLUB CAB (BE)**

SERIES	LINE	BODY	ENGINE	TRANSMISSION
L = Ram Truck (All)	3 = HD DODGE 2WD	31 = CLUB CAB 2-DR 6.5 FT BOX	ELF = ENGINE - 5.2L V8 MPI	DDC = TRANSMISSION - 5-SPEED HD MANUAL
	8 = HD DODGE 4WD	32 = CLUB CAB 2-DR 8FT BOX	EML = ENGINE - 5.9L V8 MPI	DDP = TRANSMISSION - 5-SPEED MANUAL
	1 = Lt. Duty DODGE 2WD	33 = QUAD CAB 4-DR 6.5 FT BOX	EMM = ENGINE - "MAGNUM" 5.9L SMPI V8	DDX = TRANSMISSION - 5-SPEED HD MANUAL
	6 = Lt. Duty DODGE 4WD	34 = QUAD CAB 4-DR 8FT BOX	ETC = ENGINE- 5.9L CUMMINS 24V DIESEL	DEE = TRANSMISSION - 6-SPEED HD MANUAL
	2 = Med. Duty DODGE 2WD		ETH = ENGINE- 5.9L HO CUMMINS TURBO DIESEL	DGP = TRANSMISSION - 4-SPD. AUTOMATIC, 47RE
	7 = Med. Duty DODGE 4WD		EWA = ENGINE - 8.0L V10 MPI	DGT = TRANSMISSION - 4-SPD. AUTOMATIC, 46RE

AR = use ase required - = Non illustrated part

**Column, Steering, Upper And Lower  
Figure 19-210**



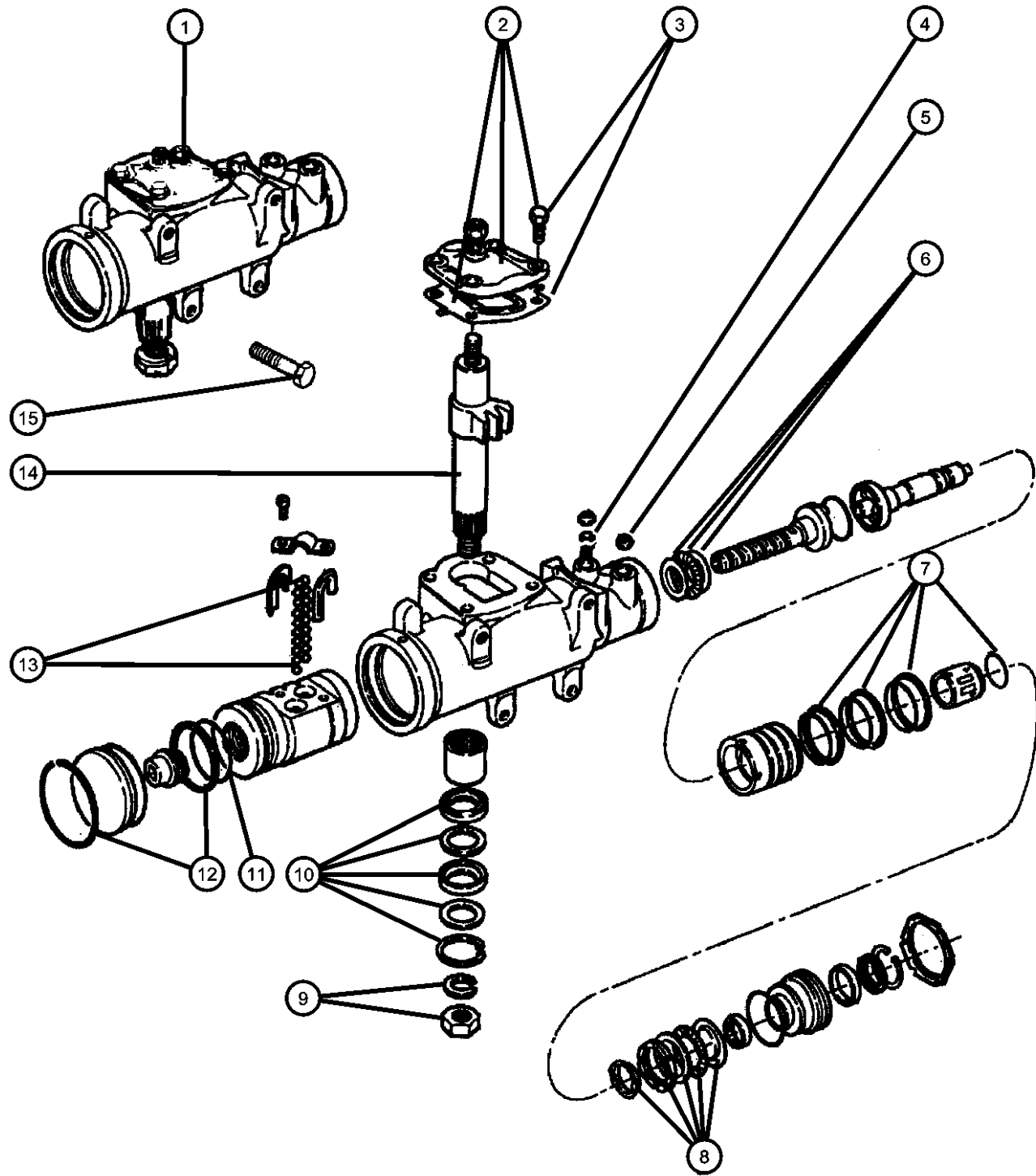
ITEM	PART NUMBER	QTY	LINE	SERIES	BODY	ENGINE	TRANS	TRIM	DESCRIPTION
14	06035142	1							SCREW, .164-32x1.00
		1							Lower Fixed Shroud to Steering Column Attaching
		1							Lower Lock Housing to Steering Column
15	0KJ95JX8AB	1							SHROUD, Steering Column, Rear Lock Housing with Key Pad, Lower
16	04470105	1							SCREW, Filister Head, #8-16x.25, Upper to Lower Lock Housing
17	5CT42JX8AC	1					DG0		SHROUD, Steering Column
	5CU51JX8AB	1					DBB		Front Fixed, Lower
18	04470103	1							LEVER, Tilt Column Release
19	0DH69JX8AC	1							SHROUD, Lock Housing
	0DH72JX8AB	1							Rear [+SUA], Upper
									Rear [-SUA], Upper
-20	06506514AA	5							SCREW, 6 Lobed
		5					DBB		
							DG0		

**RAM PICKUP/CLUB CAB (BE)**

SERIES	LINE	BODY	ENGINE	TRANSMISSION
L = Ram Truck (All)	3 = HD DODGE 2WD	31 = CLUB CAB 2-DR 6.5 FT BOX	ELF = ENGINE - 5.2L V8 MPI	DDC = TRANSMISSION - 5-SPEED HD MANUAL
	8 = HD DODGE 4WD	32 = CLUB CAB 2-DR 8FT BOX	EML = ENGINE - 5.9L V8 MPI	DDP = TRANSMISSION - 5-SPEED MANUAL
	1 = Lt. Duty DODGE 2WD	33 = QUAD CAB 4-DR 6.5 FT BOX	EMM = ENGINE - "MAGNUM" 5.9L SMPI V8	DDX = TRANSMISSION - 5-SPEED HD MANUAL
	6 = Lt. Duty DODGE 4WD	34 = QUAD CAB 4-DR 8FT BOX	ETC = ENGINE- 5.9L CUMMINS 24V DIESEL	DEE = TRANSMISSION - 6-SPEED HD MANUAL
	2 = Med. Duty DODGE 2WD		ETH = ENGINE- 5.9L HO CUMMINS TURBO DIESEL	DGP = TRANSMISSION - 4-SPD. AUTOMATIC, 47RE
	7 = Med. Duty DODGE 4WD		EWA = ENGINE - 8.0L V10 MPI	DGT = TRANSMISSION - 4-SPD. AUTOMATIC, 46RE

AR = use ase required - = Non illustrated part

**Power Steering Gear  
Figure 19-310**



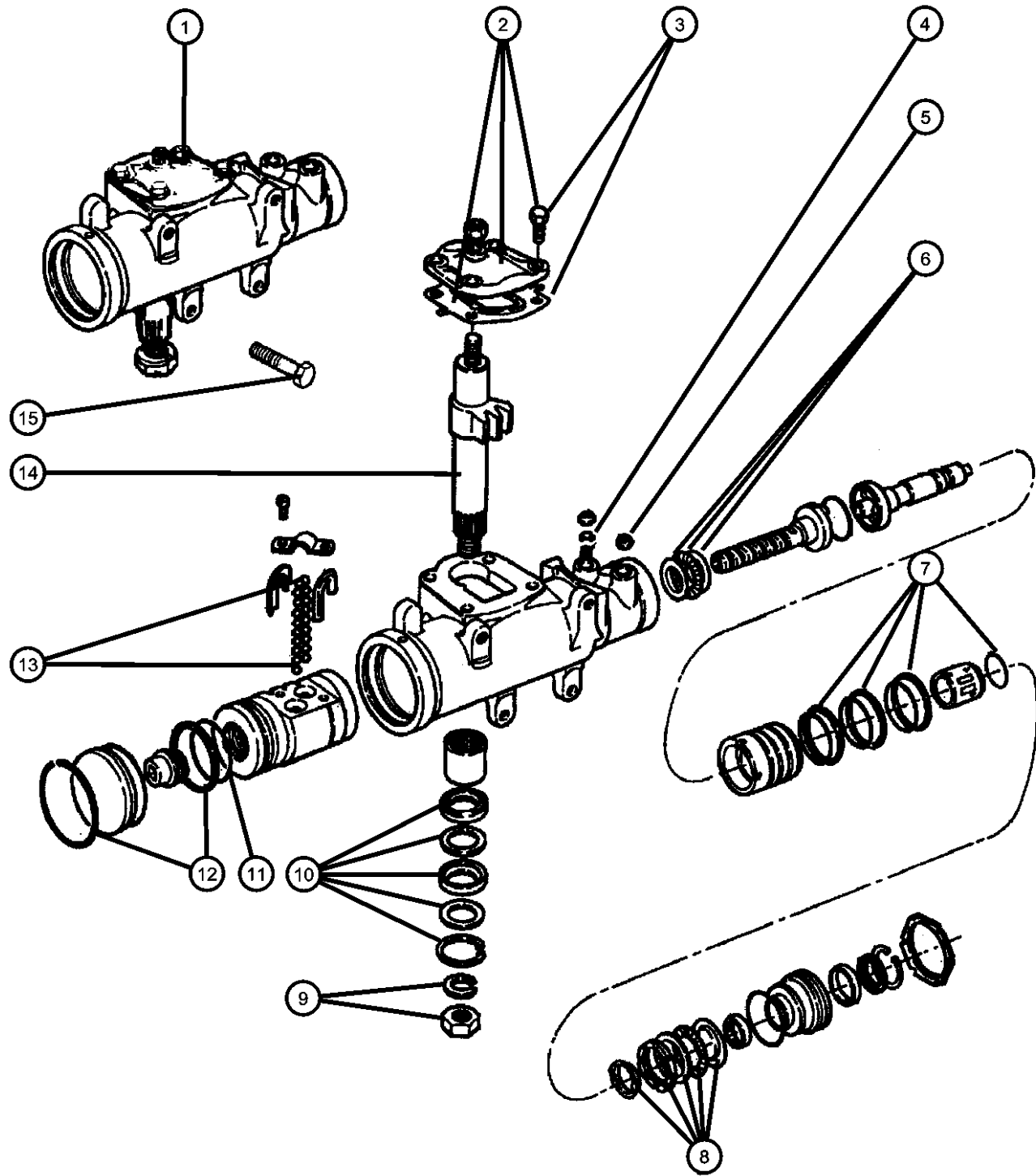
ITEM	PART NUMBER	QTY	LINE	SERIES	BODY	ENGINE	TRANS	TRIM	DESCRIPTION
Note: Check the VIN Number for the 'Z' Code Identification.									
1									GEAR, Power Steering
	05083894AA	1	1, 6						
	52113500AE	1	7, 8						
	52113611AC	1	2, 3						
2									COVER, Steering Gear Housing
	03893554	1	7, 8						
		1	2, 3						
		1	1, 6						
3									SEAL, Steering Gear Cover
	03893558	1	7, 8						
		1	2, 3						
		1	1, 6						
4									VALVE, Power Steering Gear
	04210545	1	7, 8						
		1	2, 3						
		1	1, 6						
5									O RING, Power Steering Pump
	J3251183	1	2, 3, 7, 8						
		1	1, 6						
6									REPAIR KIT, Thrust Bearing, Steering Gear
	04897000AA	1	1, 6						
		1	7, 8						
		1	2, 3						
7									SEAL, Steering Gear Valve
	03491350	1	7, 8						
		1	2, 3						
		1	1, 6						
8									SEAL KIT, Steering gear adjuster plug

**RAM PICKUP/CLUB CAB (BE)**

SERIES	LINE	BODY	ENGINE	TRANSMISSION
L = Ram Truck (All)	3 = HD DODGE 2WD 8 = HD DODGE 4WD 1 = Lt. Duty DODGE 2WD 6 = Lt. Duty DODGE 4WD 2 = Med. Duty DODGE 2WD 7 = Med. Duty DODGE 4WD	31 = CLUB CAB 2-DR 6.5 FT BOX 32 = CLUB CAB 2-DR 8FT BOX 33 = QUAD CAB 4-DR 6.5 FT BOX 34 = QUAD CAB 4-DR 8FT BOX	ELF = ENGINE - 5.2L V8 MPI EML = ENGINE - 5.9L V8 MPI EMM = ENGINE - "MAGNUM" 5.9L SMPI V8 ETC = ENGINE- 5.9L CUMMINS 24V DIESEL ETH = ENGINE- 5.9L HO CUMMINS TURBO DIESEL EWA = ENGINE - 8.0L V10 MPI	DDC = TRANSMISSION - 5-SPEED HD MANUAL DDP = TRANSMISSION - 5-SPEED MANUAL DDX = TRANSMISSION - 5-SPEED HD MANUAL DEE = TRANSMISSION - 6-SPEED HD MANUAL DGP = TRANSMISSION - 4-SPD. AUTOMATIC, 47RE DGT = TRANSMISSION - 4-SPD. AUTOMATIC, 46RE

AR = use ase required - = Non illustrated part

**Power Steering Gear  
Figure 19-310**



ITEM	PART NUMBER	QTY	LINE	SERIES	BODY	ENGINE	TRANS	TRIM	DESCRIPTION
	04886349AA	1	7, 8						
		1	2, 3						
		1	1, 6						
9									NUT, Steering Gear Arm
	J3200501	1	7, 8						
		1	1, 6						
10									SEAL KIT, Steering gear pitman shaft
	04470365	1	7, 8						
		1	2, 3						
		1	1, 6						
11									SEAL, Steering Gear
	03893559	1	7, 8						
		1	2, 3						
		1	1, 6						
12									SEAL KIT, Steering gear end plug
	03893557	1	7, 8						
		1	2, 3						
		1	1, 6						
13									BALL, Steering Gear
	03822799	1	7, 8						
		1	2, 3						
		1	1, 6						
14									SHAFT, Pitman
	03491343	1	2, 3, 7, 8						
		1	1, 6						
15	06504742	3							SCREW AND WASHER, Hex Head, M14 x 2 x 115.0

**RAM PICKUP/CLUB CAB (BE)**

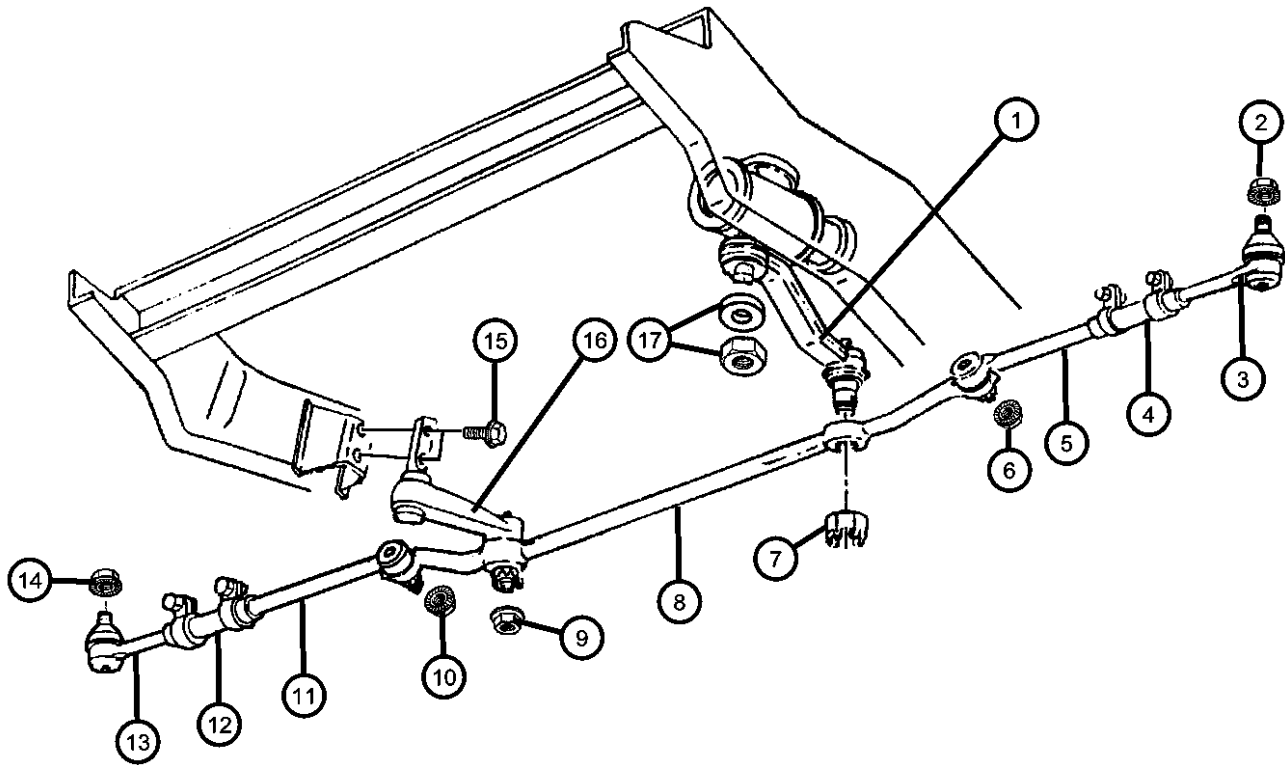
SERIES	LINE	BODY	ENGINE	TRANSMISSION
L = Ram Truck (All)	3 = HD DODGE 2WD 8 = HD DODGE 4WD 1 = Lt. Duty DODGE 2WD 6 = Lt. Duty DODGE 4WD 2 = Med. Duty DODGE 2WD 7 = Med. Duty DODGE 4WD	31 = CLUB CAB 2-DR 6.5 FT BOX 32 = CLUB CAB 2-DR 8FT BOX 33 = QUAD CAB 4-DR 6.5 FT BOX 34 = QUAD CAB 4-DR 8FT BOX	ELF = ENGINE - 5.2L V8 MPI EML = ENGINE - 5.9L V8 MPI EMM = ENGINE - "MAGNUM" 5.9L SMPI V8 ETC = ENGINE- 5.9L CUMMINS 24V DIESEL ETH = ENGINE- 5.9L HO CUMMINS TURBO DIESEL EWA = ENGINE - 8.0L V10 MPI	DDC = TRANSMISSION - 5-SPEED HD MANUAL DDP = TRANSMISSION - 5-SPEED MANUAL DDX = TRANSMISSION - 5-SPEED HD MANUAL DEE = TRANSMISSION - 6-SPEED HD MANUAL DGP = TRANSMISSION - 4-SPD. AUTOMATIC, 47RE DGT = TRANSMISSION - 4-SPD. AUTOMATIC, 46RE

AR = use ase required - = Non illustrated part

**Linkage, Steering, BE 1,2,3**  
**Figure 19-410**

ITEM	PART NUMBER	QTY	LINE	SERIES	BODY	ENGINE	TRANS	TRIM	DESCRIPTION
------	-------------	-----	------	--------	------	--------	-------	------	-------------

Note: Check the VIN Number for the 'Z' Code Identification.



1	52106054AB	1	1, 2, 3						ARM, Pitman
2	06505623AA	1	1, 2, 3						NUT, Hex Locking, M14x1.5, Outer Tie Rod to Knuckle Mounting
3									SOCKET PACKAGE, Tie Rod End, Outer
	05017670AA	1	1						
		1	2, 3						
4									SLEEVE, Steering Linkage
	52004472	1	1						Adjusting
		1	2, 3						Adjusting
5									SOCKET PACKAGE, Tie Rod End, Inner
	05017671AA	1	1						
		1	2, 3						
6	06505623AA	1	1, 2, 3						NUT, Hex Locking, M14x1.5, Inner Tie Rod to Center Link
7	06505623AA	1	1, 2, 3						NUT, Hex Locking, M14x1.5, Steering Gear Arm to Center Link
8									LINK, Steering Center
	52039496AA	1	2, 3						
	52106259AA	1	1						
9	06505623AA	1	1, 2, 3						NUT, Hex Locking, M14x1.5, Center Link to Idler Arm
10	06505623AA	1	1, 2, 3						NUT, Hex Locking, M14x1.5, Inner Tie Rod to Center Link
11									SOCKET PACKAGE, Tie Rod End, Inner
	05017671AA	1	1						
		1	2, 3						
12									SLEEVE, Steering Linkage
	52004472	1	1						Adjusting
		1	2, 3						Adjusting
13									SOCKET PACKAGE, Tie Rod End, Outer

**RAM PICKUP/CLUB CAB (BE)**

SERIES	LINE
L = Ram Truck (All)	3 = HD DODGE 2WD
	8 = HD DODGE 4WD
	1 = Lt. Duty DODGE 2WD
	6 = Lt. Duty DODGE 4WD
	2 = Med. Duty DODGE 2WD
	7 = Med. Duty DODGE 4WD

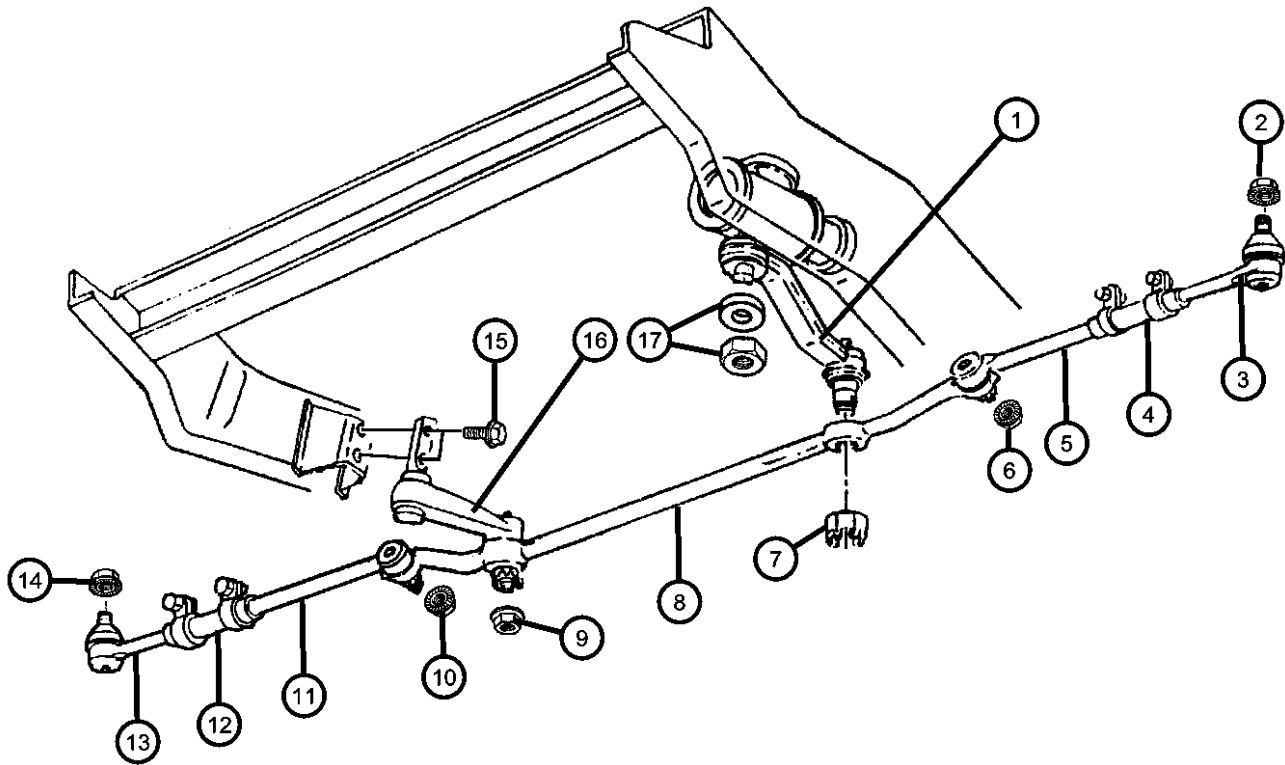
BODY	ENGINE	TRANSMISSION
31 = CLUB CAB 2-DR 6.5 FT BOX	ELF = ENGINE - 5.2L V8 MPI	DDC = TRANSMISSION - 5-SPEED HD MANUAL
32 = CLUB CAB 2-DR 8FT BOX	EML = ENGINE - 5.9L V8 MPI	DDP = TRANSMISSION - 5-SPEED MANUAL
33 = QUAD CAB 4-DR 6.5 FT BOX	EMM = ENGINE - "MAGNUM" 5.9L SMPI V8	DDX = TRANSMISSION - 5-SPEED HD MANUAL
34 = QUAD CAB 4-DR 8FT BOX	ETC = ENGINE- 5.9L CUMMINS 24V DIESEL	DEE = TRANSMISSION - 6-SPEED HD MANUAL
	ETH = ENGINE- 5.9L HO CUMMINS TURBO DIESEL	DGP = TRANSMISSION - 4-SPD. AUTOMATIC, 47RE
	EWA = ENGINE - 8.0L V10 MPI	DGT = TRANSMISSION - 4-SPD. AUTOMATIC, 46RE

AR = use ase required - = Non illustrated part

2000 BE

**Linkage, Steering, BE 1,2,3  
Figure 19-410**

ITEM	PART NUMBER	QTY	LINE	SERIES	BODY	ENGINE	TRANS	TRIM	DESCRIPTION
	05017670AA	1	1						
		1	2, 3						
14	06505623AA	1	1, 2, 3						NUT, Hex Locking, M14x1.5, Outer Tie Rod to Knuckle Mounting
15	06503814	2	1, 2, 3						SCREW AND WASHER, M16x2x50, Idler Arm to Frame Mounting
16	52106049AB	1	1						ARM, Idler
		1	2, 3						
17	J3200501	1	7, 8						NUT, Steering Gear Arm
		1	1, 6						



**RAM PICKUP/CLUB CAB (BE)**

SERIES	LINE	BODY	ENGINE	TRANSMISSION
L = Ram Truck (All)	3 = HD DODGE 2WD 8 = HD DODGE 4WD 1 = Lt. Duty DODGE 2WD 6 = Lt. Duty DODGE 4WD 2 = Med. Duty DODGE 2WD 7 = Med. Duty DODGE 4WD	31 = CLUB CAB 2-DR 6.5 FT BOX 32 = CLUB CAB 2-DR 8FT BOX 33 = QUAD CAB 4-DR 6.5 FT BOX 34 = QUAD CAB 4-DR 8FT BOX	ELF = ENGINE - 5.2L V8 MPI EML = ENGINE - 5.9L V8 MPI EMM = ENGINE - "MAGNUM" 5.9L SMPI V8 ETC = ENGINE- 5.9L CUMMINS 24V DIESEL ETH = ENGINE- 5.9L HO CUMMINS TURBO DIESEL EWA = ENGINE - 8.0L V10 MPI	DDC = TRANSMISSION - 5-SPEED HD MANUAL DDP = TRANSMISSION - 5-SPEED MANUAL DDX = TRANSMISSION - 5-SPEED HD MANUAL DEE = TRANSMISSION - 6-SPEED HD MANUAL DGP = TRANSMISSION - 4-SPD. AUTOMATIC, 47RE DGT = TRANSMISSION - 4-SPD. AUTOMATIC, 46RE

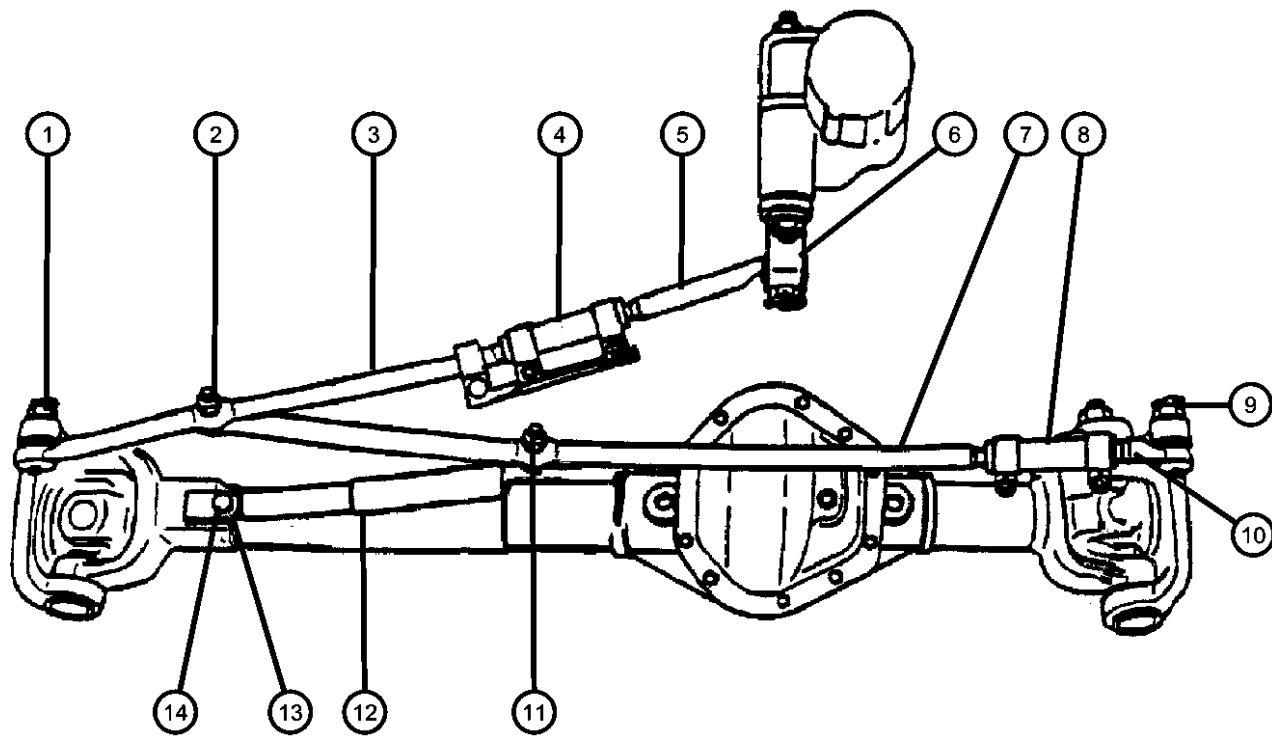
AR = use ase required - = Non illustrated part

**Linkage, Steering, BE 6,7,8**  
**Figure 19-420**

ITEM	PART NUMBER	QTY	LINE	SERIES	BODY	ENGINE	TRANS	TRIM	DESCRIPTION
------	-------------	-----	------	--------	------	--------	-------	------	-------------

Note: R3 With Z3B Suspension Code, Uses 4WD Style Front Suspension.

1	06505623AA	1	6, 7, 8						NUT, Hex Locking, M14x1.5, Drag Link to Knuckle
2	06505623AA	1	6, 7, 8						NUT, Hex Locking, M14x1.5, Tie Rod to Drag Link Mounting
3	52106954AA	1	6, 7, 8						SOCKET, Drag Link, Outer
4	52037600	1	6, 7, 8						TUBE, Tie Rod
5	52106463AA	1	6, 7, 8						SOCKET, Drag Link, Inner
6	52106473AA	1	6, 7, 8						ARM, Pitman
7	52106984AA	1	6, 7, 8						SOCKET, Tie Rod, Inner
8	52037600	1	6, 7, 8						TUBE, Tie Rod
9	06505623AA	1	6, 7, 8						NUT, Hex Locking, M14x1.5, Tie Rod to Knuckle Mounting
10	52106975AA	1	6, 7, 8						SOCKET, Tie Rod, Outer
11	06506276AA	1	6, 7, 8						NUT, Hex Flange Lock, M12x1.75, Damper to Inner Tie Rod Mounting
12	52106909AB	1	6, 7, 8						DAMPER, Steering
13	06502473	1	6, 7, 8						BOLT, Hex Flange Head, M12x1.75x65, Damper to Axle Bracket Mounting
14	06502697	2							NUT, Hex Flange Lock, M12x1.75, Damper to Axle Bracket Mounting



**RAM PICKUP/CLUB CAB (BE)**

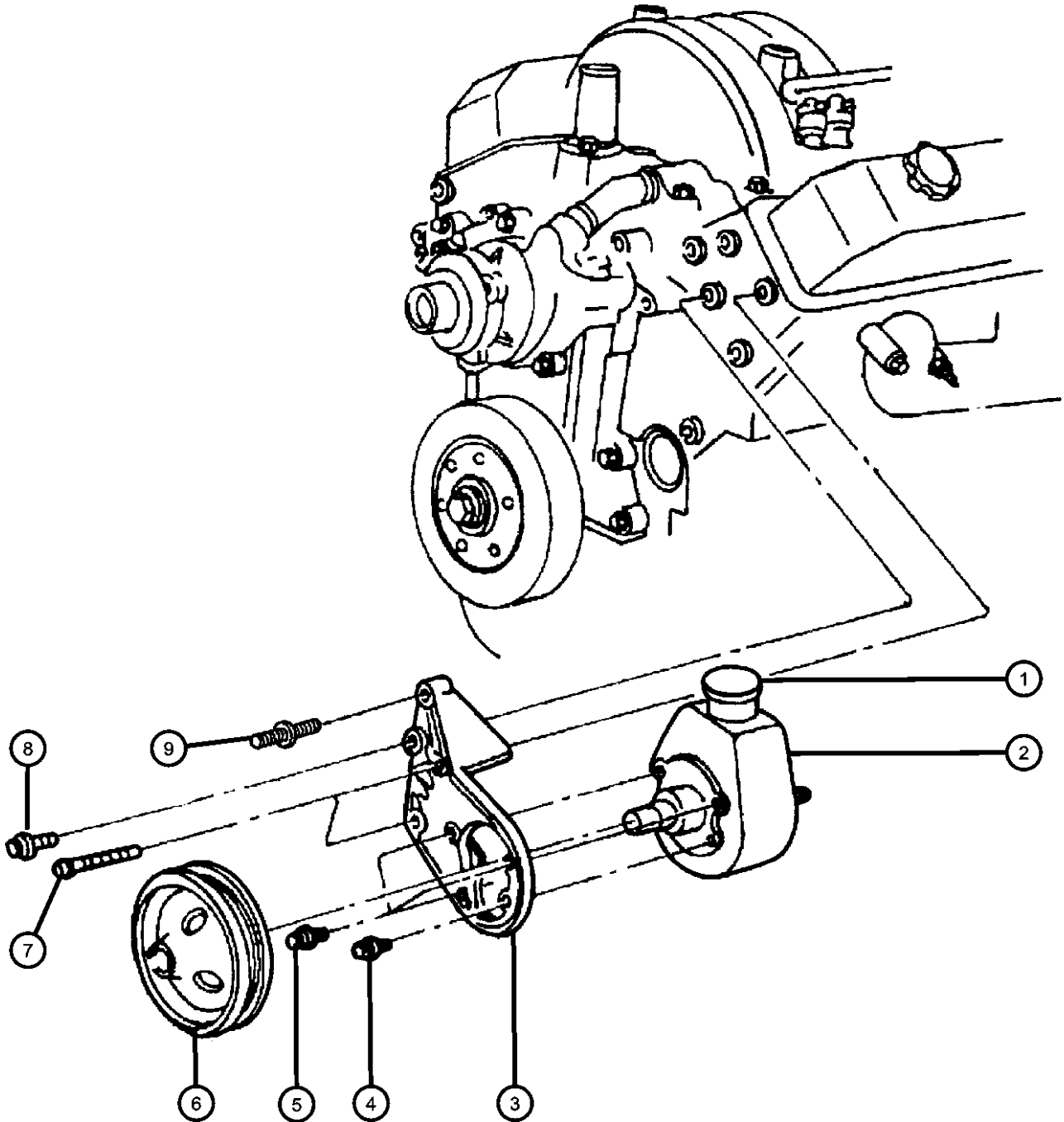
SERIES	LINE	BODY	ENGINE	TRANSMISSION
L = Ram Truck (All)	3 = HD DODGE 2WD 8 = HD DODGE 4WD 1 = Lt. Duty DODGE 2WD 6 = Lt. Duty DODGE 4WD 2 = Med. Duty DODGE 2WD 7 = Med. Duty DODGE 4WD	31 = CLUB CAB 2-DR 6.5 FT BOX 32 = CLUB CAB 2-DR 8FT BOX 33 = QUAD CAB 4-DR 6.5 FT BOX 34 = QUAD CAB 4-DR 8FT BOX	ELF = ENGINE - 5.2L V8 MPI EML = ENGINE - 5.9L V8 MPI EMM = ENGINE - "MAGNUM" 5.9L SMPI V8 ETC = ENGINE- 5.9L CUMMINS 24V DIESEL ETH = ENGINE- 5.9L HO CUMMINS TURBO DIESEL EWA = ENGINE - 8.0L V10 MPI	DDC = TRANSMISSION - 5-SPEED HD MANUAL DDP = TRANSMISSION - 5-SPEED MANUAL DDX = TRANSMISSION - 5-SPEED HD MANUAL DEE = TRANSMISSION - 6-SPEED HD MANUAL DGP = TRANSMISSION - 4-SPD. AUTOMATIC, 47RE DGT = TRANSMISSION - 4-SPD. AUTOMATIC, 46RE

AR = use ase required - = Non illustrated part

2000 BE

**Pump,Power Steering and Mounting,EL0,EM0 Gas  
Figure 19-510**

ITEM	PART NUMBER	QTY	LINE	SERIES	BODY	ENGINE	TRANS	TRIM	DESCRIPTION
Note: EL0 = All 5.2L 8 Cyl Gas Engines EM0 = All 5.9L 8 Cyl Gas Engines EW0 = All 8.0L Gas Engines									
1	04694766	1	3, 8			EM0			CAP, Power Steering Pump Reservoir
		1				EL0			Reservoir
		1	1, 2, 6, 7			EM0			Reservoir
2									PUMP, Power Steering
	52039042AB	1	3, 8			EM0			
	52039145AB	1				EL0			
		1	1, 2, 6, 7			EM0			
3									BRACKET, Power Steering Pump Mounting
	53005613	1	3, 8			EM0			Mounting
		1				EL0			Mounting
		1	1, 2, 6, 7			EM0			Mounting
4		1							SCREW AND WASHER, Hex Head, M10-1.50x30, (NOT SERVICED),
5									BOLT, Hex Head, M10x1.50x28
	06502501	3				EL0			Power Steering Bracket to Pump
		3	1, 2, 6, 7			EM0			Power Steering Bracket to Pump
		3	3, 8			EM0			Power Steering Bracket to Pump
6									PULLEY, Power Steering Pump
	53005614	1				EL0			
		1	1, 2, 6, 7			EM0			
		1	3, 8			EM0			
7	06034247	2				EL0, EM0, EW0			BOLT, Hex Head, .375-16x.25, Power Steering Braket to Cylinder Head
8	06034249	1				EL0, EM0, EW0			SCREW AND WASHER, Power Steering Braket to Cylinder Head
9	06034985	1				EL0, EM0, EW0			STUD, .375-16x3.04, Power Steering Braket to Cylinder Head



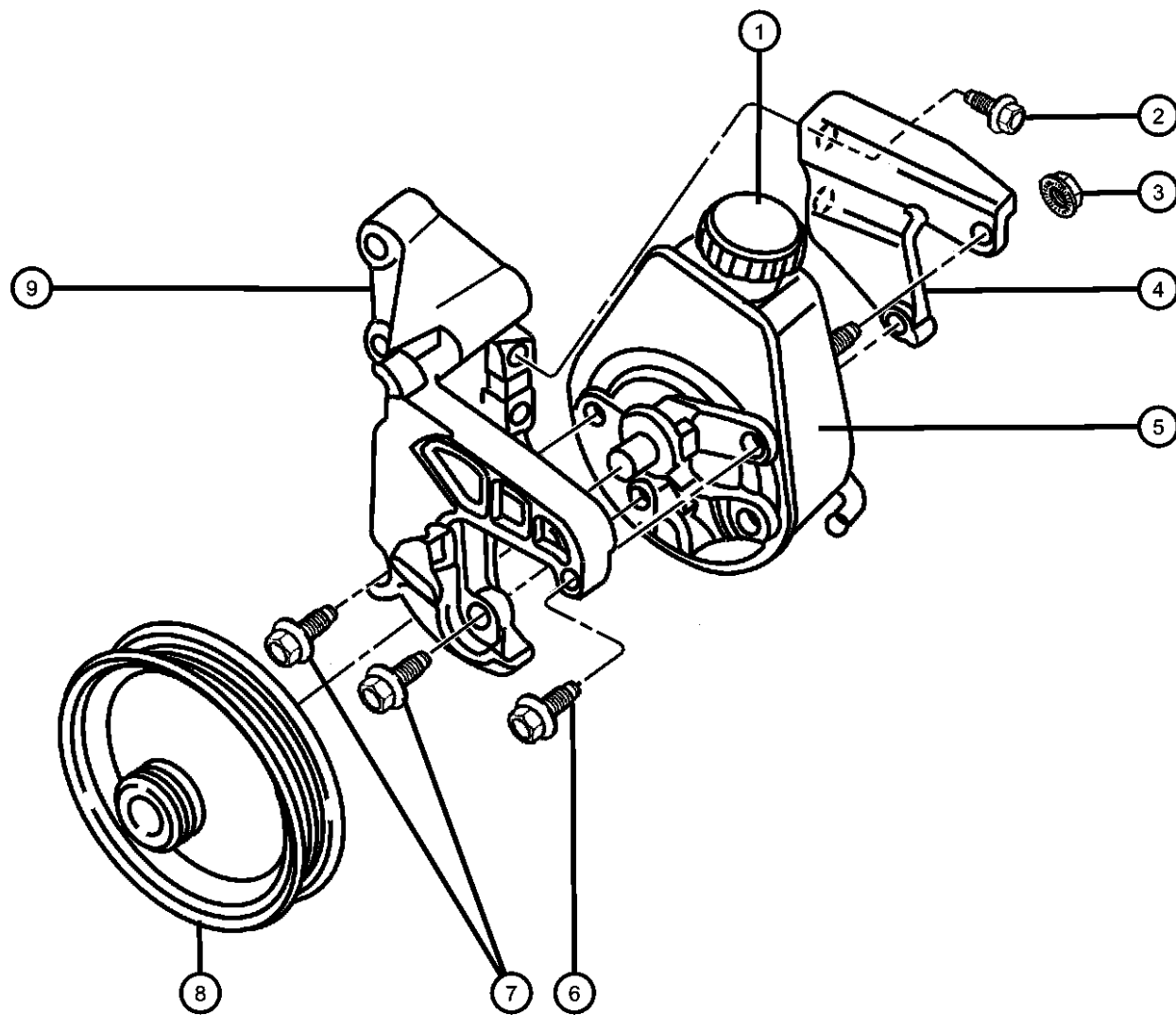
**RAM PICKUP/CLUB CAB (BE)**

SERIES	LINE	BODY	ENGINE	TRANSMISSION
L = Ram Truck (All)	3 = HD DODGE 2WD 8 = HD DODGE 4WD 1 = Lt. Duty DODGE 2WD 6 = Lt. Duty DODGE 4WD 2 = Med. Duty DODGE 2WD 7 = Med. Duty DODGE 4WD	31 = CLUB CAB 2-DR 6.5 FT BOX 32 = CLUB CAB 2-DR 8FT BOX 33 = QUAD CAB 4-DR 6.5 FT BOX 34 = QUAD CAB 4-DR 8FT BOX	ELF = ENGINE - 5.2L V8 MPI EML = ENGINE - 5.9L V8 MPI EMM = ENGINE - "MAGNUM" 5.9L SMPI V8 ETC = ENGINE- 5.9L CUMMINS 24V DIESEL ETH = ENGINE- 5.9L HO CUMMINS TURBO DIESEL EWA = ENGINE - 8.0L V10 MPI	DDC = TRANSMISSION - 5-SPEED HD MANUAL DDP = TRANSMISSION - 5-SPEED MANUAL DDX = TRANSMISSION - 5-SPEED HD MANUAL DEE = TRANSMISSION - 6-SPEED HD MANUAL DGP = TRANSMISSION - 4-SPD. AUTOMATIC,47RE DGT = TRANSMISSION - 4-SPD. AUTOMATIC,46RE

AR = use ase required - = Non illustrated part



**Pump,Power Steering and Mounting,EW0 Gas  
Figure 19-520**



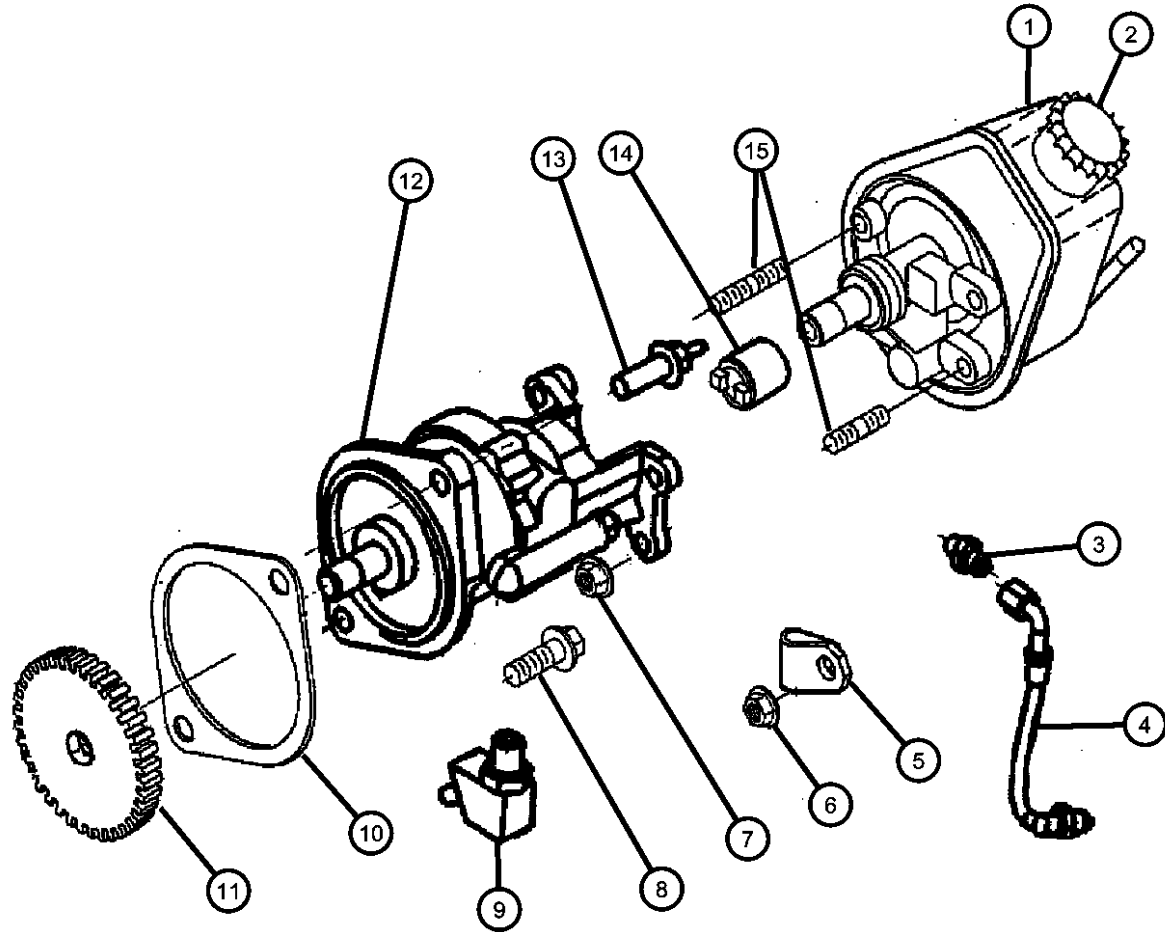
ITEM	PART NUMBER	QTY	LINE	SERIES	BODY	ENGINE	TRANS	TRIM	DESCRIPTION
Notes: EW0=8.0L V-10 Gas Engine									
1	04694766	1	3, 8			EW0			CAP, Power Steering Pump Reservoir
		1	1, 2, 6, 7			EW0			Reservoir
2	06034549	2	3, 8			EW0			SCREW, Hex Head, .312-18x.94 Rear Bracket to Front Bracket
		2	1, 2, 6, 7			EW0			Rear Bracket to Front Bracket
3	06502135	2	3, 8			EW0			NUT, Hex Flange, M10x1.5 Pump Stud to Rear Bracket
		2	1, 2, 6, 7			EW0			Pump Stud to Rear Bracket
4	53010011	1	3, 8			EW0			BRACKET, Power Steering Pump Rear
		1	1, 2, 6, 7			EW0			Rear
5	52039042AB	1	3, 8			EW0			PUMP, Power Steering
	52039145AB	1	1, 2, 6, 7			EW0			
6	06502501	1	3, 8			EW0			BOLT, Hex Head, M10x1.50x28 Front Bracket to Pump
		1	1, 2, 6, 7			EW0			Front Bracket to Pump
7	06101864	2	3, 8			EW0			SCREW, M10x1.5x35 Front Bracket to Pump
		2	1, 2, 6, 7			EW0			Front Bracket to Pump
8	53005614	1	3, 8			EW0			PULLEY, Power Steering Pump
		1	1, 2, 6, 7			EW0			
9	53010002	1	3, 8			EW0			BRACKET, Power Steering Pump Front
		1	1, 2, 6, 7			EW0			Front

**RAM PICKUP/CLUB CAB (BE)**

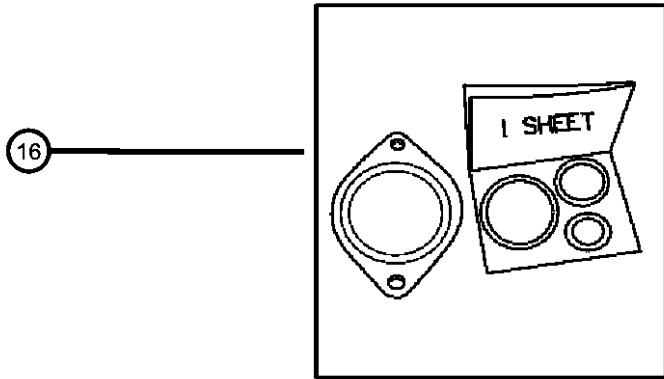
SERIES	LINE	BODY	ENGINE	TRANSMISSION
L = Ram Truck (All)	3 = HD DODGE 2WD 8 = HD DODGE 4WD 1 = Lt. Duty DODGE 2WD 6 = Lt. Duty DODGE 4WD 2 = Med. Duty DODGE 2WD 7 = Med. Duty DODGE 4WD	31 = CLUB CAB 2-DR 6.5 FT BOX 32 = CLUB CAB 2-DR 8FT BOX 33 = QUAD CAB 4-DR 6.5 FT BOX 34 = QUAD CAB 4-DR 8FT BOX	ELF = ENGINE - 5.2L V8 MPI EML = ENGINE - 5.9L V8 MPI EMM = ENGINE - "MAGNUM" 5.9L SMPI V8 ETC = ENGINE- 5.9L CUMMINS 24V DIESEL ETH = ENGINE- 5.9L HO CUMMINS TURBO DIESEL EWA = ENGINE - 8.0L V10 MPI	DDC = TRANSMISSION - 5-SPEED HD MANUAL DDP = TRANSMISSION - 5-SPEED MANUAL DDX = TRANSMISSION - 5-SPEED HD MANUAL DEE = TRANSMISSION - 6-SPEED HD MANUAL DGP = TRANSMISSION - 4-SPD. AUTOMATIC,47RE DGT = TRANSMISSION - 4-SPD. AUTOMATIC,46RE

AR = use ase required - = Non illustrated part

**Pump,Power Steering and Mounting,ET0 Diesel**  
**Figure 19-530**



ITEM	PART NUMBER	QTY	LINE	SERIES	BODY	ENGINE	TRANS	TRIM	DESCRIPTION
Note: ETC = 5.9L Cummins 24V Diesel Engine ET0 = All Diesel Engines									
1	04883960AA	1				ETC			PUMP, Power Steering
2	05018358AA	1				ETC			CAP, Power Steering Pump
3	05003637AA	1				ETC			NIPPLE, Pump
4	05011428AA	1				ETC			HOSE, Vacuum Pump
5	05011799AA	1				ETC			BRACKET, Vacuum Pump
6	04429862	4				ETC			NUT, Hex Flange, M10x1.5
7	04429862	4				ETC			NUT, Hex Flange, M10x1.5
8	04429637	1				ETC			SCREW, Hex Head, M12X1.75X.35
9	05011617AA	1				ETC			CHECK VALVE, Vacuum Pump
10	04638531	1				ETC			GASKET, Hydraulic Pump
11	05011797AA	1				ETC			GEAR, Accessory Drive
12	05011796AA	1				ETC			PUMP, Vacuum
13	05011421AA	1				ETC			SCREW
14	04728162	1				ETC			HUB, Hydraulic Brake Pump
15	04761972	4				ETC			STUD
16	05140342AA	1				ETC			SEAL KIT, Vacuum Pump
		1				ETH	DBB		THIS KIT CONTAINS LIP SEAL , SMALL O-RING & LARGE O-RING AND I SHEET. THIS KIT CONTAINS LIP SEAL , SMALL O-RING & LARGE O-RING AND I SHEET.



**RAM PICKUP/CLUB CAB (BE)**

SERIES	LINE	BODY	ENGINE	TRANSMISSION
L = Ram Truck (All)	3 = HD DODGE 2WD 8 = HD DODGE 4WD 1 = Lt. Duty DODGE 2WD 6 = Lt. Duty DODGE 4WD 2 = Med. Duty DODGE 2WD 7 = Med. Duty DODGE 4WD	31 = CLUB CAB 2-DR 6.5 FT BOX 32 = CLUB CAB 2-DR 8FT BOX 33 = QUAD CAB 4-DR 6.5 FT BOX 34 = QUAD CAB 4-DR 8FT BOX	ELF = ENGINE - 5.2L V8 MPI EML = ENGINE - 5.9L V8 MPI EMM = ENGINE - "MAGNUM" 5.9L SMPI V8 ETC = ENGINE- 5.9L CUMMINS 24V DIESEL ETH = ENGINE- 5.9L HO CUMMINS TURBO DIESEL EWA = ENGINE - 8.0L V10 MPI	DDC = TRANSMISSION - 5-SPEED HD MANUAL DDP = TRANSMISSION - 5-SPEED MANUAL DDX = TRANSMISSION - 5-SPEED HD MANUAL DEE = TRANSMISSION - 6-SPEED HD MANUAL DGP = TRANSMISSION - 4-SPD. AUTOMATIC,47RE DGT = TRANSMISSION - 4-SPD. AUTOMATIC,46RE

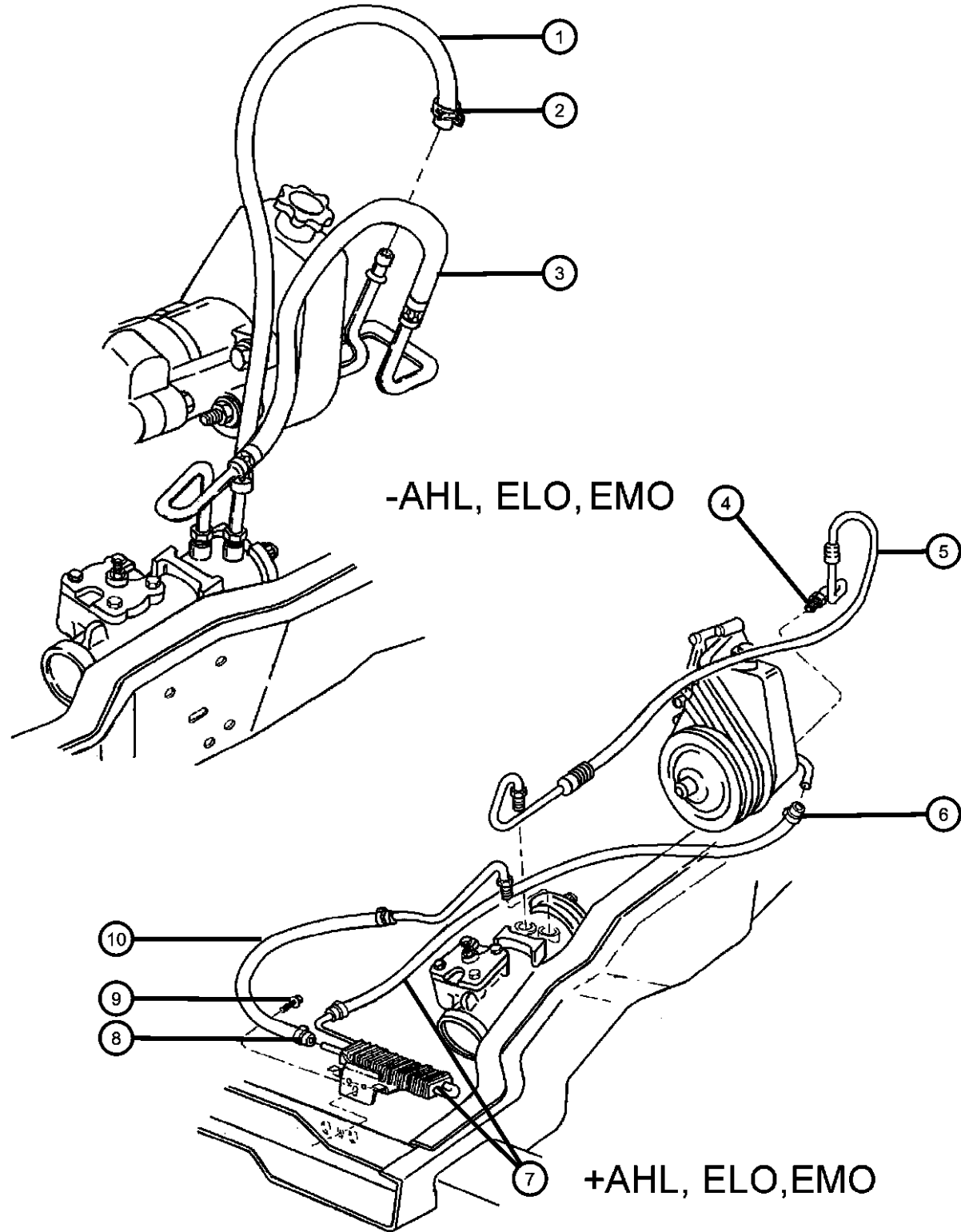
AR = use ase required - = Non illustrated part

Hoses, Power Steering with ELO, EM0 Gas  
Figure 19-710

ITEM	PART NUMBER	QTY	LINE	SERIES	BODY	ENGINE	TRANS	TRIM	DESCRIPTION
------	-------------	-----	------	--------	------	--------	-------	------	-------------

Note: ELO=5.2L V-8—EM0=5.9L V8—AHC=Trailer Tow Prep Group

1	52038432	1				ELO, EM0			HOSE, Power Steering Return, [-AHC]
2	02448761	1				ELO, EM0			CLAMP, Hose
3									HOSE, Power Steering Pressure
	52038430	1	1, 2, 3			ELO, EM0			
	52039356	1	6, 7, 8			ELO, EM0			
4	05205254	1				ELO, EM0			O RING, Power Steering Hose, As Required On All Engines
5									HOSE, Power Steering Pressure
	52038430	1	1, 2, 3			ELO, EM0			
	52039356	1	6, 7, 8			ELO, EM0			
6	02448761	1				ELO, EM0			CLAMP, Hose
7	52106395AA	1				ELO, EM0			HOSE AND COOLER, Power Steering, [+AHC]
8	02448761	1				ELO, EM0			CLAMP, Hose
9	06502064	1				ELO, EM0			SCREW, Tapping, M6x1x20, Cooler Mounting
10	52038567	1				ELO, EM0			HOSE, Power Steering Return, [+AHC]



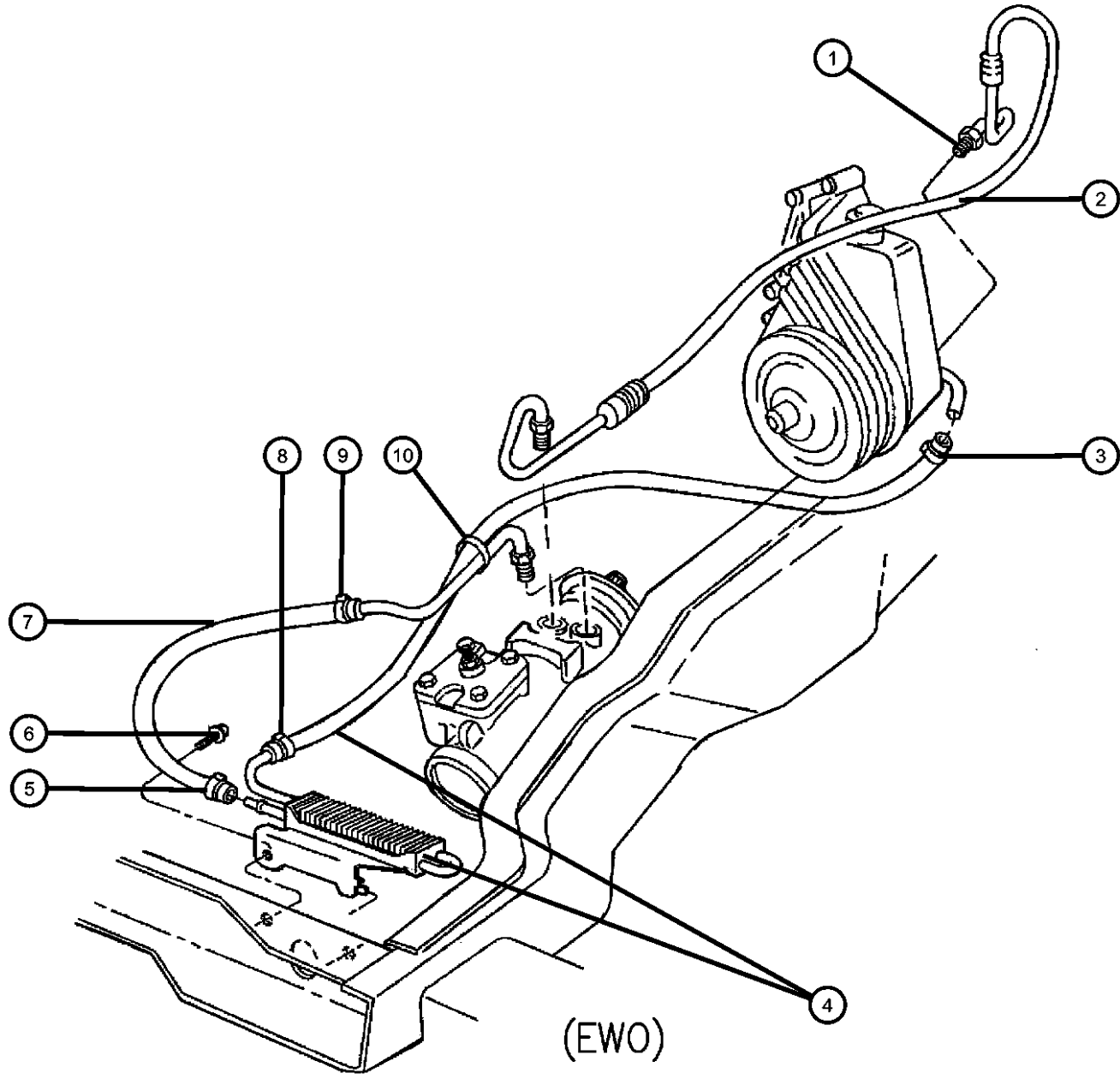
RAM PICKUP/CLUB CAB (BE)

SERIES	LINE	BODY	ENGINE	TRANSMISSION
L = Ram Truck (All)	3 = HD DODGE 2WD	31 = CLUB CAB 2-DR 6.5 FT BOX	ELF = ENGINE - 5.2L V8 MPI	DDC = TRANSMISSION - 5-SPEED HD MANUAL
	8 = HD DODGE 4WD	32 = CLUB CAB 2-DR 8FT BOX	EML = ENGINE - 5.9L V8 MPI	DDP = TRANSMISSION - 5-SPEED MANUAL
	1 = Lt. Duty DODGE 2WD	33 = QUAD CAB 4-DR 6.5 FT BOX	EMM = ENGINE - "MAGNUM" 5.9L SMPI V8	DDX = TRANSMISSION - 5-SPEED HD MANUAL
	6 = Lt. Duty DODGE 4WD	34 = QUAD CAB 4-DR 8FT BOX	ETC = ENGINE- 5.9L CUMMINS 24V DIESEL	DEE = TRANSMISSION - 6-SPEED HD MANUAL
	2 = Med. Duty DODGE 2WD		ETH = ENGINE- 5.9L HO CUMMINS TURBO DIESEL	DGP = TRANSMISSION - 4-SPD. AUTOMATIC, 47RE
	7 = Med. Duty DODGE 4WD		EWA = ENGINE - 8.0L V10 MPI	DGT = TRANSMISSION - 4-SPD. AUTOMATIC, 46RE

AR = use ase required - = Non illustrated part

2000 BE

Hoses, Power Steering with EW0 Gas  
Figure 19-720



ITEM	PART NUMBER	QTY	LINE	SERIES	BODY	ENGINE	TRANS	TRIM	DESCRIPTION
EW0=8.0L Engine									
1	05205254	1				EW0			O RING, Power Steering Hose, Use as required
2	52038434	1				EW0			HOSE, Power Steering Pressure
3	02448761	1				EW0			CLAMP, Hose
4	52106395AA	1				EW0			HOSE AND COOLER, Power Steering
5	02448761	1				EW0			CLAMP, Hose
6	06502064	1				EW0			SCREW, Tapping, M6x1x20, Cooler Mounting
7	52038567	1				EW0			HOSE, Power Steering Return
8	02448761	1				EW0			CLAMP, Hose
9	02448761	1				EW0			CLAMP, Hose
10	04641780	1				EW0			STRAP, Tie

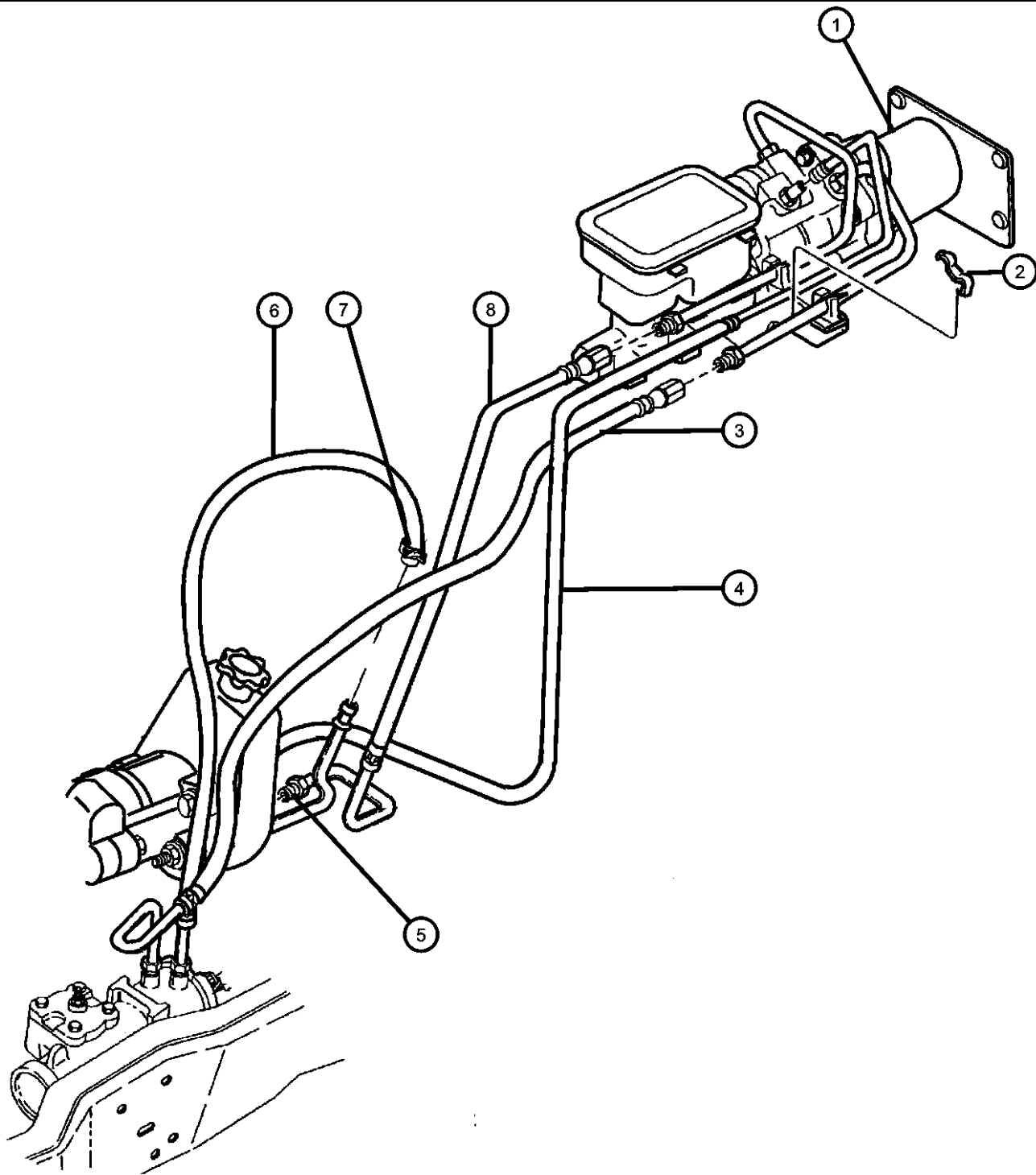
RAM PICKUP/CLUB CAB (BE)

SERIES	LINE	BODY	ENGINE	TRANSMISSION
L = Ram Truck (All)	3 = HD DODGE 2WD	31 = CLUB CAB 2-DR 6.5 FT BOX	ELF = ENGINE - 5.2L V8 MPI	DDC = TRANSMISSION - 5-SPEED HD MANUAL
	8 = HD DODGE 4WD	32 = CLUB CAB 2-DR 8FT BOX	EML = ENGINE - 5.9L V8 MPI	DDP = TRANSMISSION - 5-SPEED MANUAL
	1 = Lt. Duty DODGE 2WD	33 = QUAD CAB 4-DR 6.5 FT BOX	EMM = ENGINE - "MAGNUM" 5.9L SMPI V8	DDX = TRANSMISSION - 5-SPEED HD MANUAL
	6 = Lt. Duty DODGE 4WD	34 = QUAD CAB 4-DR 8FT BOX	ETC = ENGINE- 5.9L CUMMINS 24V DIESEL	DEE = TRANSMISSION - 6-SPEED HD MANUAL
	2 = Med. Duty DODGE 2WD		ETH = ENGINE- 5.9L HO CUMMINS TURBO DIESEL	DGP = TRANSMISSION - 4-SPD. AUTOMATIC, 47RE
	7 = Med. Duty DODGE 4WD		EWA = ENGINE - 8.0L V10 MPI	DGT = TRANSMISSION - 4-SPD. AUTOMATIC, 46RE

AR = use ase required - = Non illustrated part

2000 BE

**Hoses,Power Steering,with Hydroboost System with EM0,ET0,EW0 Engines  
Figure 19-730**



ITEM	PART NUMBER	QTY	LINE	SERIES	BODY	ENGINE	TRANS	TRIM	DESCRIPTION
1	05003330AB	1	2, 7			ET0			HYDRO-BOOSTER, Power Brake
		1	3, 8						
2	04695734	2				ET0			CLIP, Power Steering Hose
		2	3, 8			EM0, EW0			
3	52039358AC	1	2, 3, 7, 8			ET0			HOSE, Power Steering Pressure Gear to Hydroboost
		1	3, 8			EM0, EW0			Gear to Hydroboost
4	52106085AA	1	2, 3, 7, 8			ET0			HOSE, Power Steering Return Hydroboost
	52106996AA	1	3, 8			EM0, EW0			Pump to Hydroboost
5	05205254	2	2, 3, 7, 8			ET0			O RING, Power Steering Hose as Required
		2	3, 8			EM0, EW0			as Required
6	52006724	1	2, 3, 7, 8			ET0			HOSE, Power Steering Return Gear to Pump
	52038567	1				EL0, EM0			Gear to Pump
		1				EW0			Gear to Pump
7	02448761	2					DBB		CLAMP, Hose
8	52106302AA	1	2, 3, 7, 8			ET0			HOSE, Power Steering Pressure Pump to Hydroboost
		1	3, 8			EM0, EW0			Pump to Hydroboost

**RAM PICKUP/CLUB CAB (BE)**

SERIES	LINE	BODY	ENGINE	TRANSMISSION
L = Ram Truck (All)	3 = HD DODGE 2WD 8 = HD DODGE 4WD 1 = Lt. Duty DODGE 2WD 6 = Lt. Duty DODGE 4WD 2 = Med. Duty DODGE 2WD 7 = Med. Duty DODGE 4WD	31 = CLUB CAB 2-DR 6.5 FT BOX 32 = CLUB CAB 2-DR 8FT BOX 33 = QUAD CAB 4-DR 6.5 FT BOX 34 = QUAD CAB 4-DR 8FT BOX	ELF = ENGINE - 5.2L V8 MPI EML = ENGINE - 5.9L V8 MPI EMM = ENGINE - "MAGNUM" 5.9L SMPI V8 ETC = ENGINE- 5.9L CUMMINS 24V DIESEL ETH = ENGINE- 5.9L HO CUMMINS TURBO DIESEL EWA = ENGINE - 8.0L V10 MPI	DDC = TRANSMISSION - 5-SPEED HD MANUAL DDP = TRANSMISSION - 5-SPEED MANUAL DDX = TRANSMISSION - 5-SPEED HD MANUAL DEE = TRANSMISSION - 6-SPEED HD MANUAL DGP = TRANSMISSION - 4-SPD. AUTOMATIC,47RE DGT = TRANSMISSION - 4-SPD. AUTOMATIC,46RE

AR = use ase required - = Non illustrated part

2000 BE

# Group - 46RE

## Automatic Transmission 4 Speed

### Group - 46RE Automatic Transmission 4 Speed

Illustration Title

Group-Fig. No.

#### Transmission Assembly

Transmission Assembly - 46RE [DGT] ..... Fig. 46RE - 110

#### Case and Extension

Case and Related Parts - 46RE [DGT] ..... Fig. 46RE - 210

Extension - 46RE [DGT] ..... Fig. 46RE - 220

#### Oil Pump

Pump, Oil with Reaction Shaft - 46RE [DGT] ..... Fig. 46RE - 310

#### Gear Train

Clutch, Front and Rear with Gear Train - 46RE [DGT] ..... Fig. 46RE - 410

Gear Train and Intermediate Shaft - 46RE [DGT] ..... Fig. 46RE - 420

Output Shaft - 46RE [DGT] ..... Fig. 46RE - 430

#### Bands, Reverse and Kickdown

Bands, Reverse and Kickdown - 46RE [DGT] ..... Fig. 46RE - 510

#### Valve Body

Valve Body - 46RE [DGT] ..... Fig. 46RE - 710

Servos, Accumulator Piston and Spring - 46RE [DGT] ..... Fig. 46RE - 720

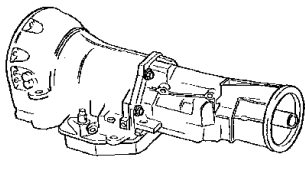
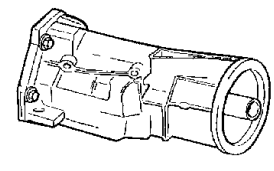
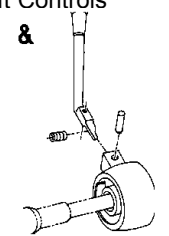
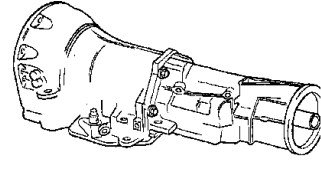

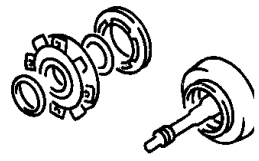
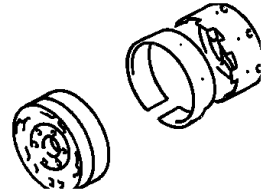
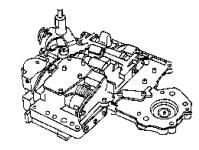
Parking Sprag [DGT] ..... Fig. 46RE - 730

#### Overdrive Gear Train

Clutch, Overdrive with Gear train - 46RE [DGT] ..... Fig. 46RE - 1010

#### Gearshift Controls

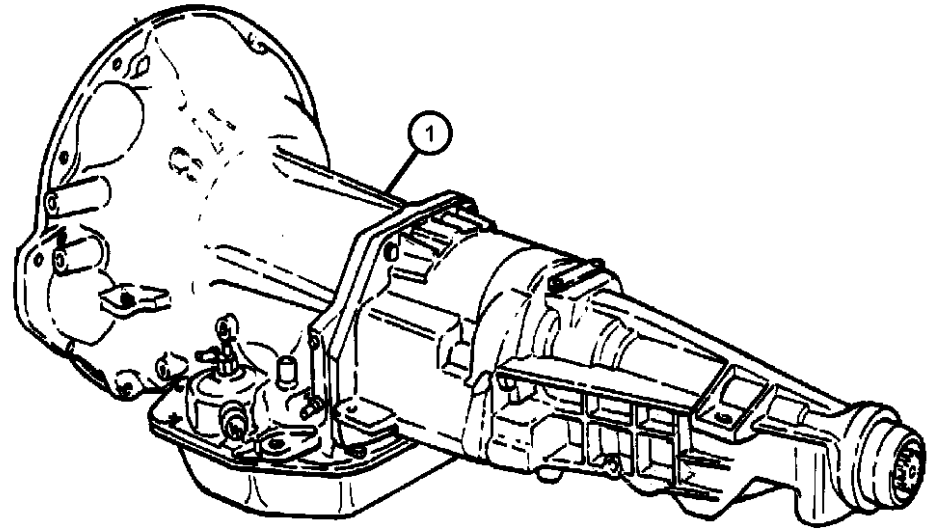
Controls, Gearshift Lower - 46RE [DGT] ..... Fig. 46RE - 1210

<p><b>46RE-100</b> Transmission Assembly</p> 	<p><b>46RE-1000</b> Overdrive Gear Train</p> 	<p><b>46RE-1200</b> Gearshift Controls &amp;</p> 	<p><b>46RE-200</b> Case and Extension</p> 
<p><b>46RE-300</b> Oil Pump</p> 	<p><b>46RE-400</b> Gear Train</p> 	<p><b>46RE-500</b> Bands, Reverse and Kickdown</p> 	<p><b>46RE-700</b> Valve Body</p> 

**Transmission Assembly - 46RE [DGT]  
Figure 46RE-110**

ITEM	PART NUMBER	QTY	LINE	SERIES	BODY	ENGINE	TRANS	TRIM	DESCRIPTION
------	-------------	-----	------	--------	------	--------	-------	------	-------------

NOTES: Sales Codes  
 [DGT] = 4 Speed Automatic Transmission 46RE  
 [ELO] = All 5.2L 8 Cylinder Gas Engines  
 [EM0] = All 5.9L 8 Cylinder Gas Engines



1									TRANSMISSION PACKAGE
	05014769AA	1	1, 2, 3			ELO	DGT		52119843AA( Package Contains, 52119843AA Transmission, K4736591 Converter, K1949765 Bolts)
	05010124AA								Mopar Automatic Transmission Fluid Quart
	05010125AC								Mopar Automatic Transmission Fluid Gallon
	05014770AA	1	6, 7, 8			ELO	DGT		52119844AA (Package Contains 52119844AA Transmission, K4736595 Converter, K1949765 Bolts),
	05010124AA								Mopar Automatic Transmission Fluid Quart
	05010125AC								Mopar Automatic Transmission Fluid Gallon
	05014771AA	1	1, 2, 3			EM0	DGT		52119845AA(Package Contains 52119845AA Transmission, K4736591 Converter, K1949765 Bolts)
	05013457AA								Mopar Automatic Transmission Fluid Quart
	05013458AA								Mopar Automatic Transmission Fluid Gallon
	05010124AA								Mopar Automatic Transmission Fluid Quart
	05010125AC								Mopar Automatic Transmission Fluid Gallon
	05014772AA	1	6, 7, 8			EM0	DGT		52119846AA(Package Contains 52119846AA transmission, K4736591 Converter, K1949765 Bolts)
	05013457AA								Mopar Automatic Transmission Fluid Quart
	05013458AA								Mopar Automatic Transmission Fluid Gallon

**RAM PICKUP/CLUB CAB (BE)**

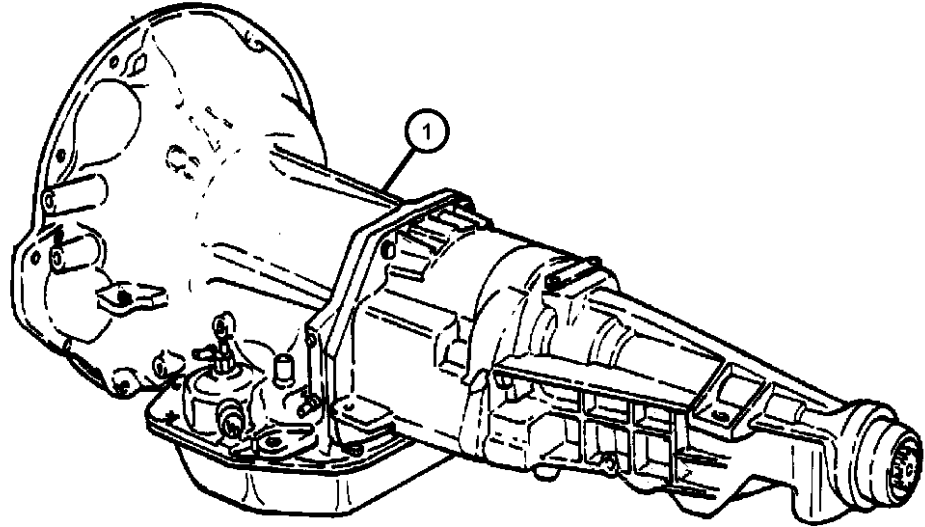
SERIES	LINE	BODY	ENGINE	TRANSMISSION
L = Ram Truck (All)	3 = HD DODGE 2WD 8 = HD DODGE 4WD 1 = Lt. Duty DODGE 2WD 6 = Lt. Duty DODGE 4WD 2 = Med. Duty DODGE 2WD 7 = Med. Duty DODGE 4WD	31 = CLUB CAB 2-DR 6.5 FT BOX 32 = CLUB CAB 2-DR 8FT BOX 33 = QUAD CAB 4-DR 6.5 FT BOX 34 = QUAD CAB 4-DR 8FT BOX	ELF = ENGINE - 5.2L V8 MPI EML = ENGINE - 5.9L V8 MPI EMM = ENGINE - "MAGNUM" 5.9L SMPI V8 ETC = ENGINE- 5.9L CUMMINS 24V DIESEL ETH = ENGINE- 5.9L HO CUMMINS TURBO DIESEL EWA = ENGINE - 8.0L V10 MPI	DDC = TRANSMISSION - 5-SPEED HD MANUAL DDP = TRANSMISSION - 5-SPEED MANUAL DDX = TRANSMISSION - 5-SPEED HD MANUAL DEE = TRANSMISSION - 6-SPEED HD MANUAL DGP = TRANSMISSION - 4-SPD. AUTOMATIC, 47RE DGT = TRANSMISSION - 4-SPD. AUTOMATIC, 46RE

AR = use ase required - = Non illustrated part

2000 BE

**Transmission Assembly - 46RE [DGT]  
Figure 46RE-110**

ITEM	PART NUMBER	QTY	LINE	SERIES	BODY	ENGINE	TRANS	TRIM	DESCRIPTION
	05010124AA								Mopar Automatic Transmission Fluid Quart
	05010125AC								Mopar Automatic Transmission Fluid Gallon
-2									OVERDRIVE
	52118156	1	6, 7, 8			ELO	DGT		
		1	6, 7, 8			EM0	DGT		
	52118784	1	1, 2, 3			EM0	DGT		
		1	1, 2, 3			ELO	DGT		



**RAM PICKUP/CLUB CAB (BE)**

SERIES	LINE	BODY	ENGINE	TRANSMISSION
L = Ram Truck (All)	3 = HD DODGE 2WD	31 = CLUB CAB 2-DR 6.5 FT BOX	ELF = ENGINE - 5.2L V8 MPI	DDC = TRANSMISSION - 5-SPEED HD MANUAL
	8 = HD DODGE 4WD	32 = CLUB CAB 2-DR 8FT BOX	EML = ENGINE - 5.9L V8 MPI	DDP = TRANSMISSION - 5-SPEED MANUAL
	1 = Lt. Duty DODGE 2WD	33 = QUAD CAB 4-DR 6.5 FT BOX	EMM = ENGINE - "MAGNUM" 5.9L SMPI V8	DDX = TRANSMISSION - 5-SPEED HD MANUAL
	6 = Lt. Duty DODGE 4WD	34 = QUAD CAB 4-DR 8FT BOX	ETC = ENGINE- 5.9L CUMMINS 24V DIESEL	DEE = TRANSMISSION - 6-SPEED HD MANUAL
	2 = Med. Duty DODGE 2WD		ETH = ENGINE- 5.9L HO CUMMINS TURBO DIESEL	DGP = TRANSMISSION - 4-SPD. AUTOMATIC, 47RE
	7 = Med. Duty DODGE 4WD		EWA = ENGINE - 8.0L V10 MPI	DGT = TRANSMISSION - 4-SPD. AUTOMATIC, 46RE

AR = use ase required - = Non illustrated part

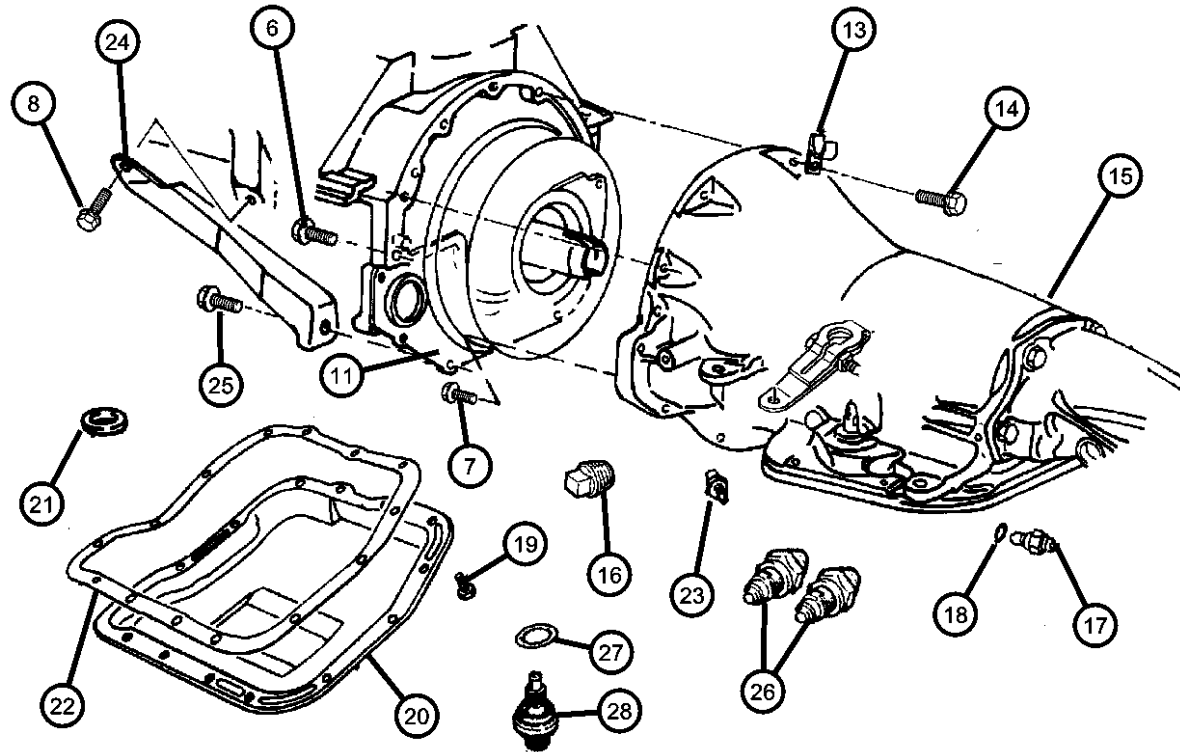
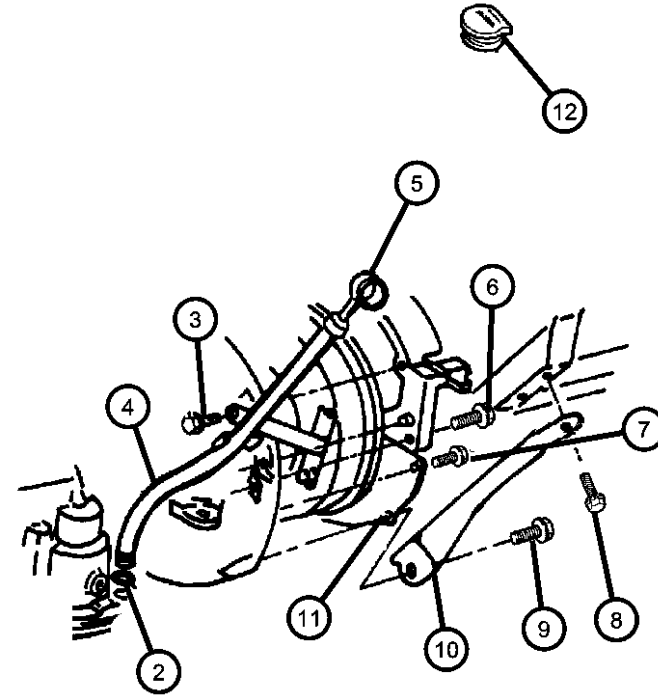
2000 BE



**Case and Related Parts - 46RE [DGT]  
Figure 46RE-210**

ITEM	PART NUMBER	QTY	LINE	SERIES	BODY	ENGINE	TRANS	TRIM	DESCRIPTION
------	-------------	-----	------	--------	------	--------	-------	------	-------------

NOTES: Sales Codes  
 [DGT] = 4 Speed Automatic Transmission 46RE  
 [DGO] = All Automatic Transmissions  
 [ELO] = All 5.2L 8 Cylinder Gas Engines  
 [EM0] = All 5.9L 8 Cylinder Gas Engines  
 [ET0] = All 5.9L Turbo Diesel Engines  
 [EW0] = All 8.0L Gas Engines



-1									SEAL AND GASKET PACKAGE, Transmission
	04863884AF	1	1, 2, 3			ELO	DGT		
		1	6, 7, 8			ELO	DGT		
		1	1, 2, 3			EM0	DGT		
		1	6, 7, 8			EM0	DGT		
2	52118629AB	1					DGO		SEAL, Oil Filler Tube
3	00181112	1					DGO		SCREW AND WASHER, .375-16x1.00
4	52118620AC	1					DGT		TUBE, Transmission Oil Filler
5	52107769AA	1					DGT		INDICATOR, Transmission Fluid Level
6	06024473	2				EW0	DGP		SCREW AND WASHER, Hex Head, .437-14x2.00
7	06023092	2					DGT		SCREW AND WASHER, Hex Head, .25-20x.50
8	00181112	4				ELO, EM0, EW0	DGO		SCREW AND WASHER, .375-16x1.00
9	00181112	4					DGO		SCREW AND WASHER, Hex Head, .437-14x.25, (NOT SERVICED)
10	52117772	1					DGT		STRUT, Transmission to Block
11	04130503	1					DGT		COVER, Transmission Dust
12	52117709	1				ELO, EM0			GROMMET, Timing Probe
13									CLIP
	52118181	1	1, 2, 3			ELO	DGT		
		1	6, 7, 8			ELO	DGT		
		1	1, 2, 3			EM0	DGT		
		1	6, 7, 8			EM0	DGT		

**RAM PICKUP/CLUB CAB (BE)**

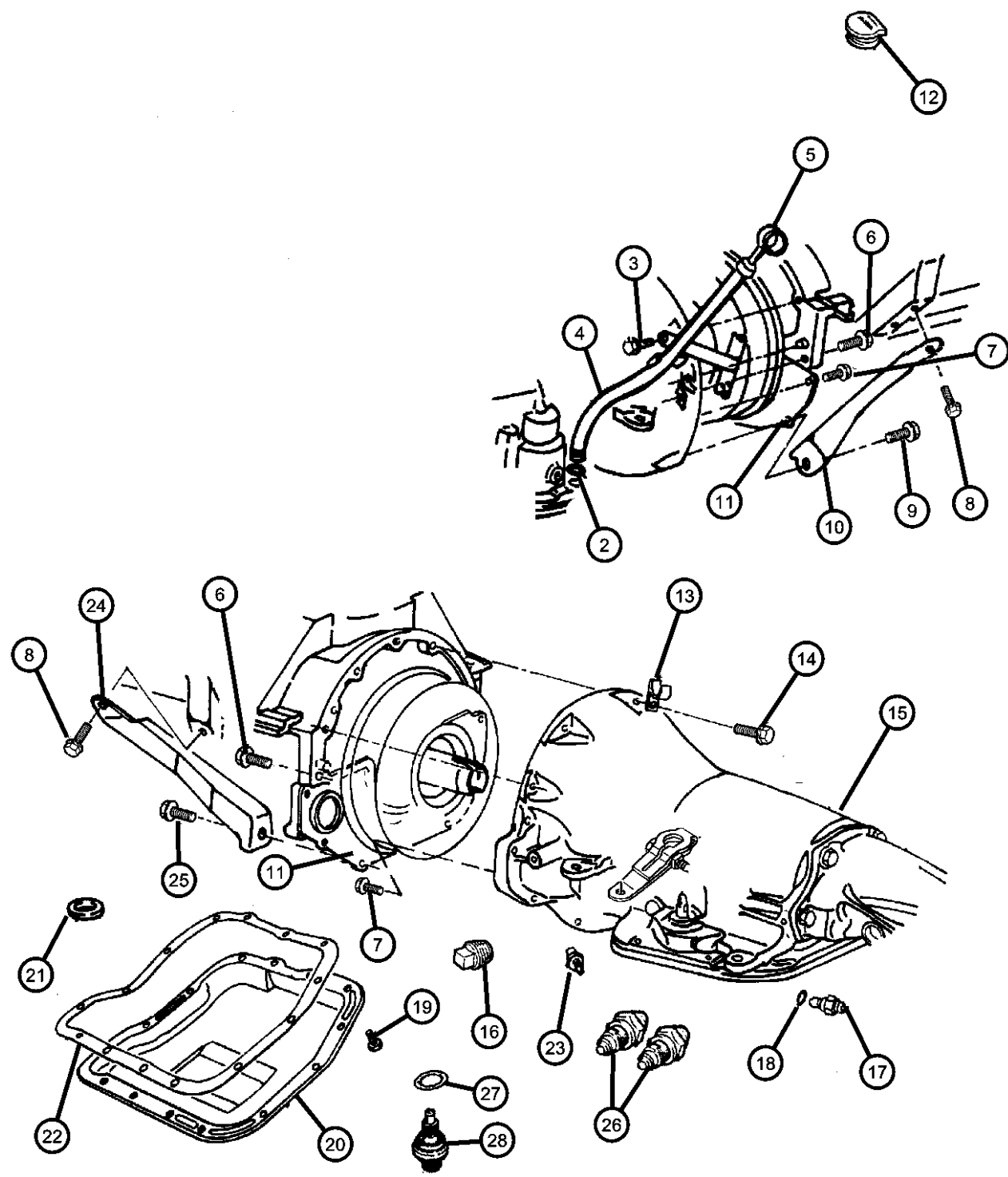
SERIES	LINE
L = Ram Truck (All)	3 = HD DODGE 2WD
	8 = HD DODGE 4WD
	1 = Lt. Duty DODGE 2WD
	6 = Lt. Duty DODGE 4WD
	2 = Med. Duty DODGE 2WD
	7 = Med. Duty DODGE 4WD

BODY	ENGINE	TRANSMISSION
31 = CLUB CAB 2-DR 6.5 FT BOX	ELF = ENGINE - 5.2L V8 MPI	DDC = TRANSMISSION - 5-SPEED HD MANUAL
32 = CLUB CAB 2-DR 8FT BOX	EML = ENGINE - 5.9L V8 MPI	DDP = TRANSMISSION - 5-SPEED MANUAL
33 = QUAD CAB 4-DR 6.5 FT BOX	EMM = ENGINE - "MAGNUM" 5.9L SMPI V8	DDX = TRANSMISSION - 5-SPEED HD MANUAL
34 = QUAD CAB 4-DR 8FT BOX	ETC = ENGINE- 5.9L CUMMINS 24V DIESEL	DEE = TRANSMISSION - 6-SPEED HD MANUAL
	ETH = ENGINE- 5.9L HO CUMMINS TURBO DIESEL	DGP = TRANSMISSION - 4-SPD. AUTOMATIC, 47RE
	EWA = ENGINE - 8.0L V10 MPI	DGT = TRANSMISSION - 4-SPD. AUTOMATIC, 46RE

AR = use ase required - = Non illustrated part

2000 BE

Case and Related Parts - 46RE [DGT]  
Figure 46RE-210



ITEM	PART NUMBER	QTY	LINE	SERIES	BODY	ENGINE	TRANS	TRIM	DESCRIPTION
14	06022266	4				ELO, EM0, EW0	DG0		SCREW, Hex Head, .375-16x1.5
15	52118756	1	1, 2, 3			ELO	DGT		CASE, Transmission
		1	6, 7, 8			ELO	DGT		
		1	1, 2, 3			EM0	DGT		
		1	6, 7, 8			EM0	DGT		
16	06028095	1	1, 2, 3			ELO	DGT		PLUG, Pressure Check
		1	6, 7, 8			ELO	DGT		
		1	1, 2, 3			EM0	DGT		
		1	6, 7, 8			EM0	DGT		
17	56028181AB	1	1, 2, 3			ELO	DGT		SWITCH, Neutral, Safety, Back Up
		1	6, 7, 8			ELO	DGT		
		1	1, 2, 3			EM0	DGT		
		1	6, 7, 8			EM0	DGT		
18	02408143	1	1, 2, 3			ELO	DGT		WASHER, Switch
		1	6, 7, 8			ELO	DGT		
		1	1, 2, 3			EM0	DGT		
		1	6, 7, 8			EM0	DGT		
19	04723548	2	1, 2, 3			ELO	DGT		SCREW AND WASHER, Hex Head, .312-18x.625
		2	6, 7, 8			ELO	DGT		
		2	1, 2, 3			EM0	DGT		
		2	6, 7, 8			EM0	DGT		
20	52118780	1	1, 2, 3			ELO	DGT		PAN, Transmission Oil
		1	6, 7, 8			ELO	DGT		

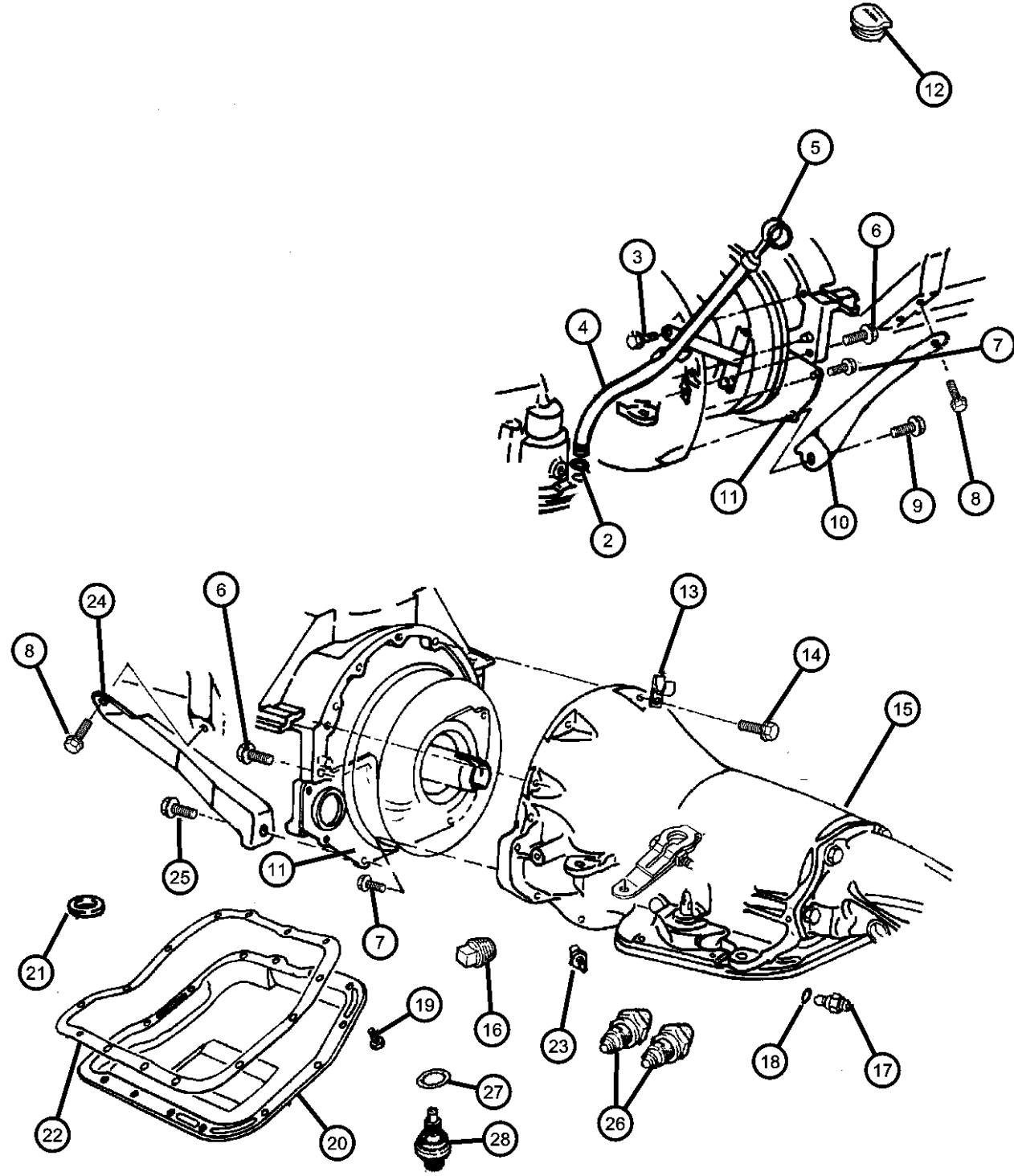
RAM PICKUP/CLUB CAB (BE)

SERIES	LINE
L = Ram Truck (All)	3 = HD DODGE 2WD
	8 = HD DODGE 4WD
	1 = Lt. Duty DODGE 2WD
	6 = Lt. Duty DODGE 4WD
	2 = Med. Duty DODGE 2WD
	7 = Med. Duty DODGE 4WD

BODY	ENGINE	TRANSMISSION
31 = CLUB CAB 2-DR 6.5 FT BOX	ELF = ENGINE - 5.2L V8 MPI	DDC = TRANSMISSION - 5-SPEED HD MANUAL
32 = CLUB CAB 2-DR 8FT BOX	EML = ENGINE - 5.9L V8 MPI	DDP = TRANSMISSION - 5-SPEED MANUAL
33 = QUAD CAB 4-DR 6.5 FT BOX	EMM = ENGINE - "MAGNUM" 5.9L SMPI V8	DDX = TRANSMISSION - 5-SPEED HD MANUAL
34 = QUAD CAB 4-DR 8FT BOX	ETC = ENGINE- 5.9L CUMMINS 24V DIESEL	DEE = TRANSMISSION - 6-SPEED HD MANUAL
	ETH = ENGINE- 5.9L HO CUMMINS TURBO DIESEL	DGP = TRANSMISSION - 4-SPD. AUTOMATIC, 47RE
	EWA = ENGINE - 8.0L V10 MPI	DGT = TRANSMISSION - 4-SPD. AUTOMATIC, 46RE

AR = use ase required - = Non illustrated part

Case and Related Parts - 46RE [DGT]  
Figure 46RE-210



ITEM	PART NUMBER	QTY	LINE	SERIES	BODY	ENGINE	TRANS	TRIM	DESCRIPTION
21	03681601	1	1, 2, 3			EM0	DGT		MAGNET, Transmission
		1	6, 7, 8			EM0	DGT		
22	02464324	1	1, 2, 3			ELO	DGT		GASKET, Oil Pan
		1	6, 7, 8			ELO	DGT		
		1	1, 2, 3			EM0	DGT		
		1	6, 7, 8			EM0	DGT		
23	06036115AA	1	1, 2, 3			ELO	DGT		SCREW
		1	6, 7, 8			EM0	DGT		
		1	6, 7, 8			ELO	DGT		
		1	1, 2, 3			EM0	DGT		
24	52117771	1					DGT	STRUT, Transmission to Block	
25	52117771	1						SCREW, (NOT SERVICED)	
26	06033879	2	1, 2, 3			ELO	DGT		NUT, Inverted Flare, .62-18
		2	6, 7, 8			ELO	DGT		
		2	1, 2, 3			EM0	DGT		
		2	6, 7, 8			EM0	DGT		
27	06501701	1	1, 2, 3			ELO	DGT		O RING, Trans Speed Sensor
		1	6, 7, 8			ELO	DGT		
		1	1, 2, 3			EM0	DGT		
		1	6, 7, 8			EM0	DGT		
28	04412879	1	1, 2, 3			ELO	DGT		SENSOR, Transmission Output Speed
		1	1, 2, 3			ELO	DGT		

RAM PICKUP/CLUB CAB (BE)

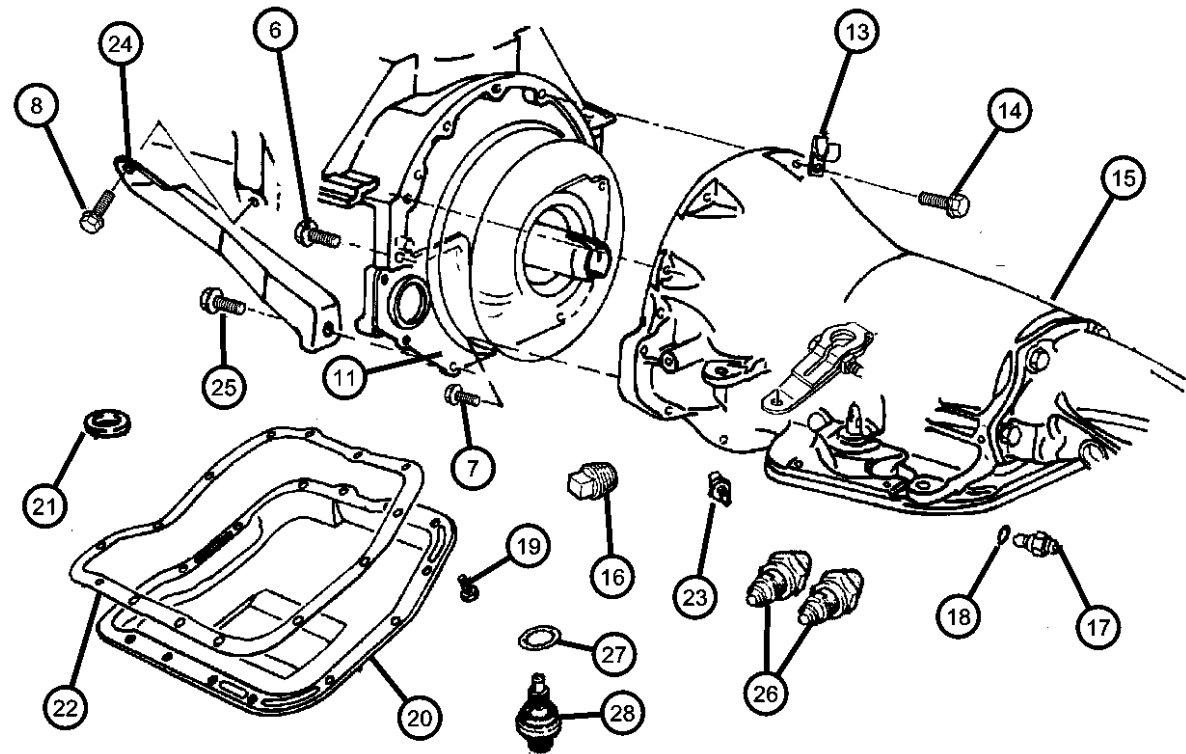
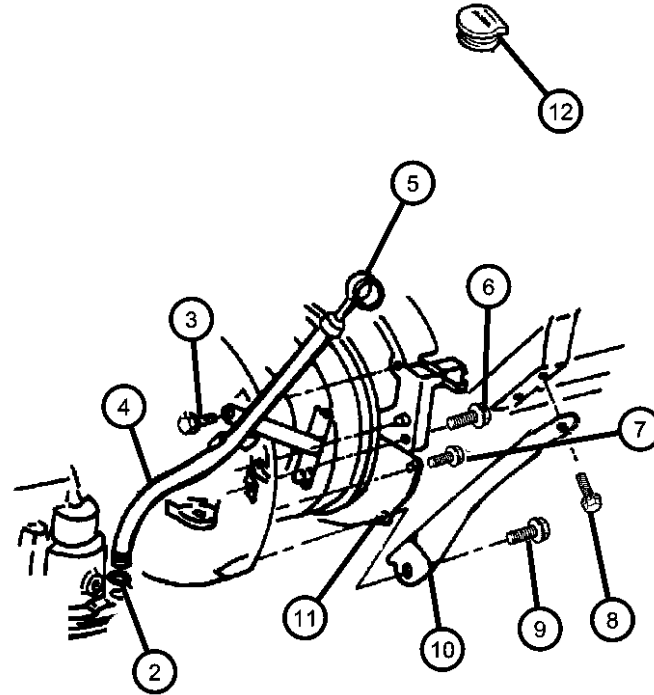
SERIES	LINE
L = Ram Truck	3 = HD DODGE 2WD
(All)	8 = HD DODGE 4WD
	1 = Lt. Duty DODGE 2WD
	6 = Lt. Duty DODGE 4WD
	2 = Med. Duty DODGE 2WD
	7 = Med. Duty DODGE 4WD

BODY	ENGINE	TRANSMISSION
31 = CLUB CAB 2-DR 6.5 FT BOX	ELF = ENGINE - 5.2L V8 MPI	DDC = TRANSMISSION - 5-SPEED HD MANUAL
32 = CLUB CAB 2-DR 8FT BOX	EML = ENGINE - 5.9L V8 MPI	DDP = TRANSMISSION - 5-SPEED MANUAL
33 = QUAD CAB 4-DR 6.5 FT BOX	EMM = ENGINE - "MAGNUM" 5.9L SMPI V8	DDX = TRANSMISSION - 5-SPEED HD MANUAL
34 = QUAD CAB 4-DR 8FT BOX	ETC = ENGINE- 5.9L CUMMINS 24V DIESEL	DEE = TRANSMISSION - 6-SPEED HD MANUAL
	ETH = ENGINE- 5.9L HO CUMMINS TURBO DIESEL	DGP = TRANSMISSION - 4-SPD. AUTOMATIC, 47RE
	EWA = ENGINE - 8.0L V10 MPI	DGT = TRANSMISSION - 4-SPD. AUTOMATIC, 46RE

AR = use ase required - = Non illustrated part

Case and Related Parts - 46RE [DGT]  
Figure 46RE-210

ITEM	PART NUMBER	QTY	LINE	SERIES	BODY	ENGINE	TRANS	TRIM	DESCRIPTION
------	-------------	-----	------	--------	------	--------	-------	------	-------------



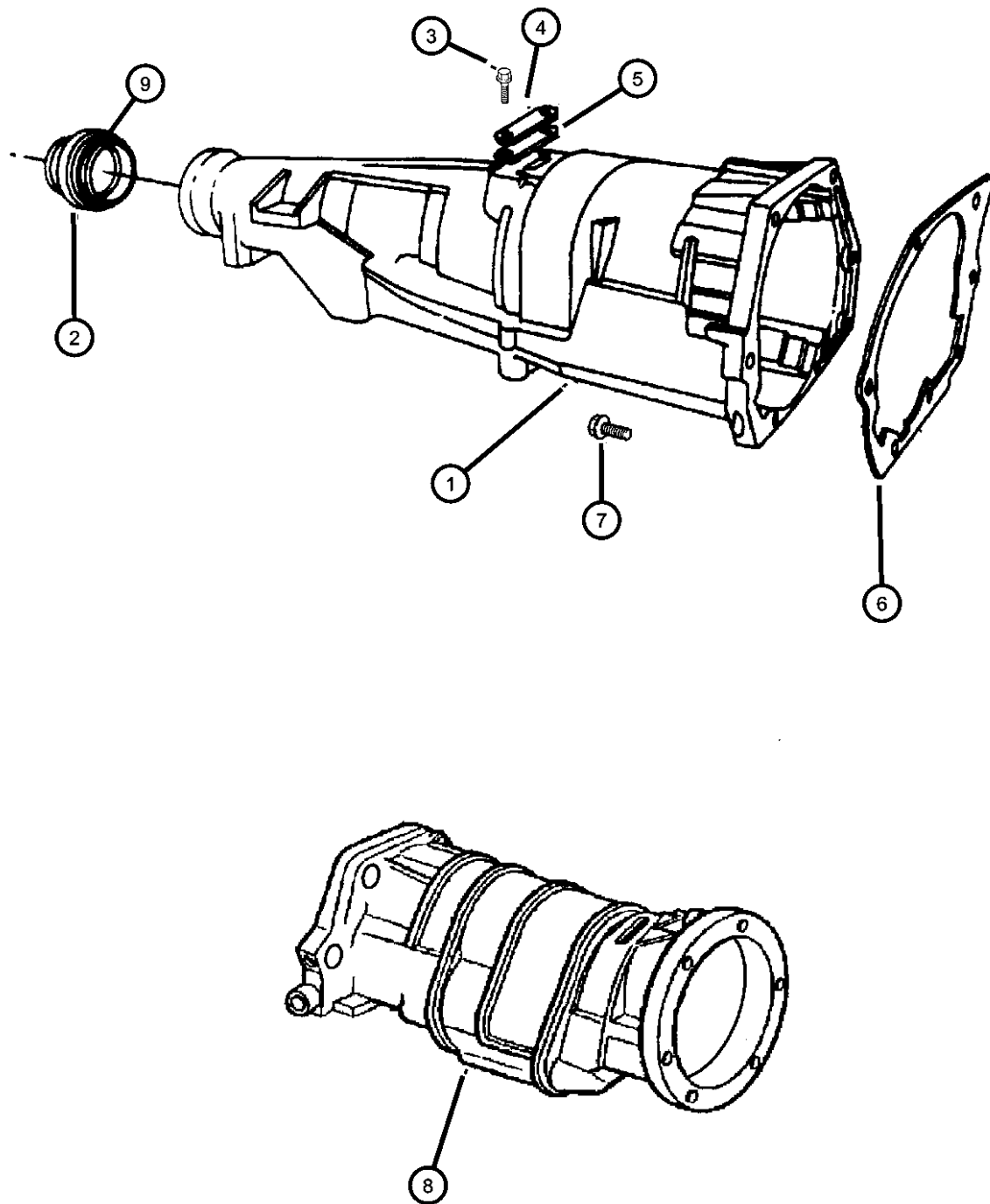
RAM PICKUP/CLUB CAB (BE)

SERIES	LINE
L = Ram Truck (All)	3 = HD DODGE 2WD
	8 = HD DODGE 4WD
	1 = Lt. Duty DODGE 2WD
	6 = Lt. Duty DODGE 4WD
	2 = Med. Duty DODGE 2WD
	7 = Med. Duty DODGE 4WD

BODY	ENGINE	TRANSMISSION
31 = CLUB CAB 2-DR 6.5 FT BOX	ELF = ENGINE - 5.2L V8 MPI	DDC = TRANSMISSION - 5-SPEED HD MANUAL
32 = CLUB CAB 2-DR 8FT BOX	EML = ENGINE - 5.9L V8 MPI	DDP = TRANSMISSION - 5-SPEED MANUAL
33 = QUAD CAB 4-DR 6.5 FT BOX	EMM = ENGINE - "MAGNUM" 5.9L SMPI V8	DDX = TRANSMISSION - 5-SPEED HD MANUAL
34 = QUAD CAB 4-DR 8FT BOX	ETC = ENGINE- 5.9L CUMMINS 24V DIESEL	DEE = TRANSMISSION - 6-SPEED HD MANUAL
	ETH = ENGINE- 5.9L HO CUMMINS TURBO DIESEL	DGP = TRANSMISSION - 4-SPD. AUTOMATIC, 47RE
	EWA = ENGINE - 8.0L V10 MPI	DGT = TRANSMISSION - 4-SPD. AUTOMATIC, 46RE

AR = use ase required - = Non illustrated part

Extension - 46RE [DGT]  
Figure 46RE-220



ITEM	PART NUMBER	QTY	LINE	SERIES	BODY	ENGINE	TRANS	TRIM	DESCRIPTION
1	05003231AA	1	1, 2, 3			ELO	DGT		CASE, Transmission Rear
		1	1, 2, 3			EM0	DGT		
2	04531216	1	1, 2, 3			ELO	DGT		SEAL, Extension Yoke
		1	1, 2, 3			EM0	DGT		
3		1							SCREW, (NOT SERVICED)
4	02466957	1	6, 7, 8			ELO	DGT		COVER, Transmission Converter
		1	6, 7, 8			EM0	DGT		
		1	1, 2, 3			ELO	DGT		
		1	1, 2, 3			EM0	DGT		
5	02801398	1	6, 7, 8			ELO	DGT		GASKET, Transmission
		1	6, 7, 8			EM0	DGT		
		1	1, 2, 3			ELO	DGT		
		1	1, 2, 3			EM0	DGT		
6	04471565	1	1, 2, 3			ELO	DGT		GASKET, Overdrive Piston Retainer
		1	6, 7, 8			ELO	DGT		
		1	1, 2, 3			EM0	DGT		
		1	6, 7, 8			EM0	DGT		
7	06036046AA	7	6, 7, 8			ELO	DGT		SCREW, Hex Flange Head, .375-16x1.38
		7	1, 2, 3			EM0	DGT		
8									ADAPTER, Transfer Case

NOTES: Sales Codes  
[DGT] = 4 Speed Automatic Transmission 46RE  
[ELO] = All 5.2L 8 Cylinder Gas Engines  
[EM0] = All 5.9L 8 Cylinder Gas Engines

RAM PICKUP/CLUB CAB (BE)

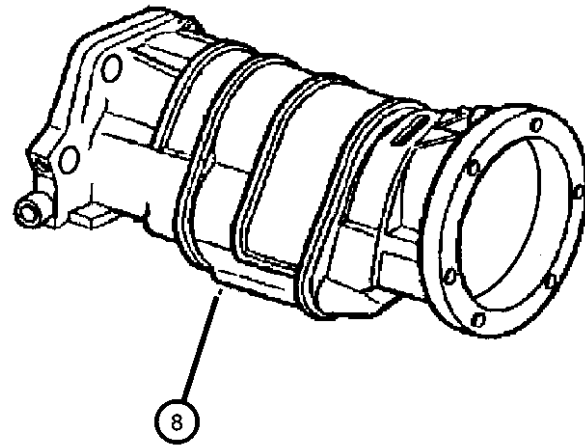
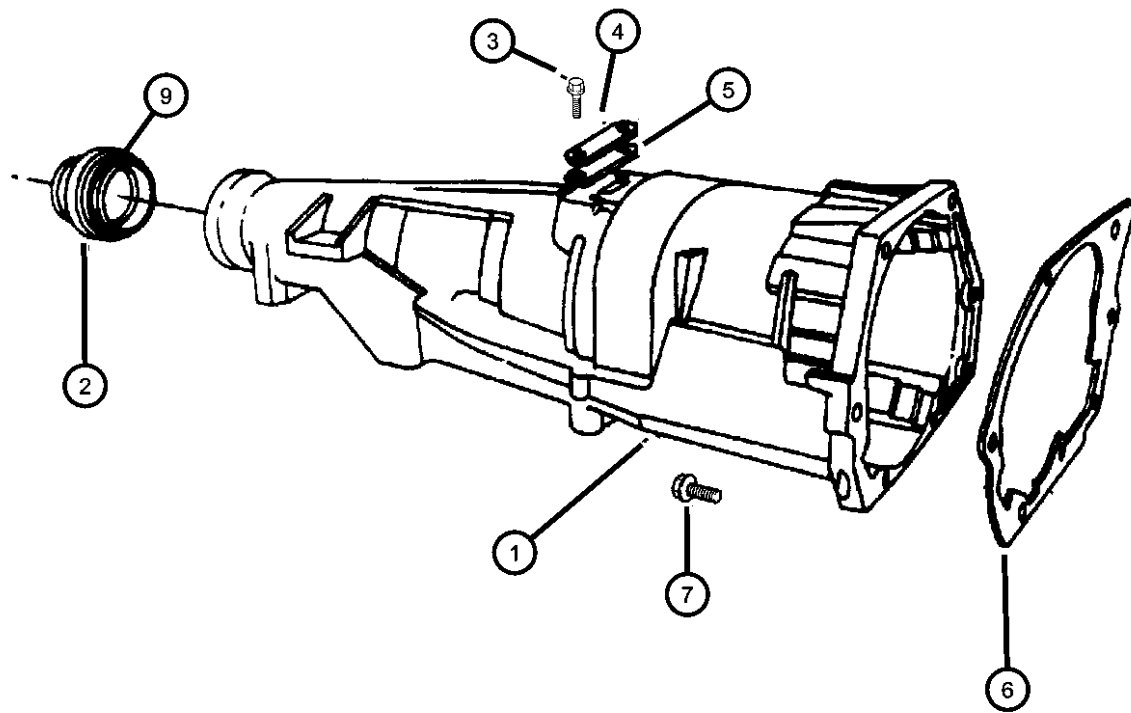
SERIES	LINE
L = Ram Truck (All)	3 = HD DODGE 2WD
	8 = HD DODGE 4WD
	1 = Lt. Duty DODGE 2WD
	6 = Lt. Duty DODGE 4WD
	2 = Med. Duty DODGE 2WD
	7 = Med. Duty DODGE 4WD

BODY	ENGINE	TRANSMISSION
31 = CLUB CAB 2-DR 6.5 FT BOX	ELF = ENGINE - 5.2L V8 MPI	DDC = TRANSMISSION - 5-SPEED HD MANUAL
32 = CLUB CAB 2-DR 8FT BOX	EML = ENGINE - 5.9L V8 MPI	DDP = TRANSMISSION - 5-SPEED MANUAL
33 = QUAD CAB 4-DR 6.5 FT BOX	EMM = ENGINE - "MAGNUM" 5.9L SMPI V8	DDX = TRANSMISSION - 5-SPEED HD MANUAL
34 = QUAD CAB 4-DR 8FT BOX	ETC = ENGINE- 5.9L CUMMINS 24V DIESEL	DEE = TRANSMISSION - 6-SPEED HD MANUAL
	ETH = ENGINE- 5.9L HO CUMMINS TURBO DIESEL	DGP = TRANSMISSION - 4-SPD. AUTOMATIC, 47RE
	EWA = ENGINE - 8.0L V10 MPI	DGT = TRANSMISSION - 4-SPD. AUTOMATIC, 46RE

AR = use ase required - = Non illustrated part

2000 BE

Extension - 46RE [DGT]  
Figure 46RE-220



ITEM	PART NUMBER	QTY	LINE	SERIES	BODY	ENGINE	TRANS	TRIM	DESCRIPTION
	04798535	1	6, 7, 8			ELO	DGT		
		1	6, 7, 8			EM0	DGT		
9	04269956	1	6, 7, 8			ELO	DGT		SEAL, Adapter
		1	6, 7, 8			EM0	DGT		

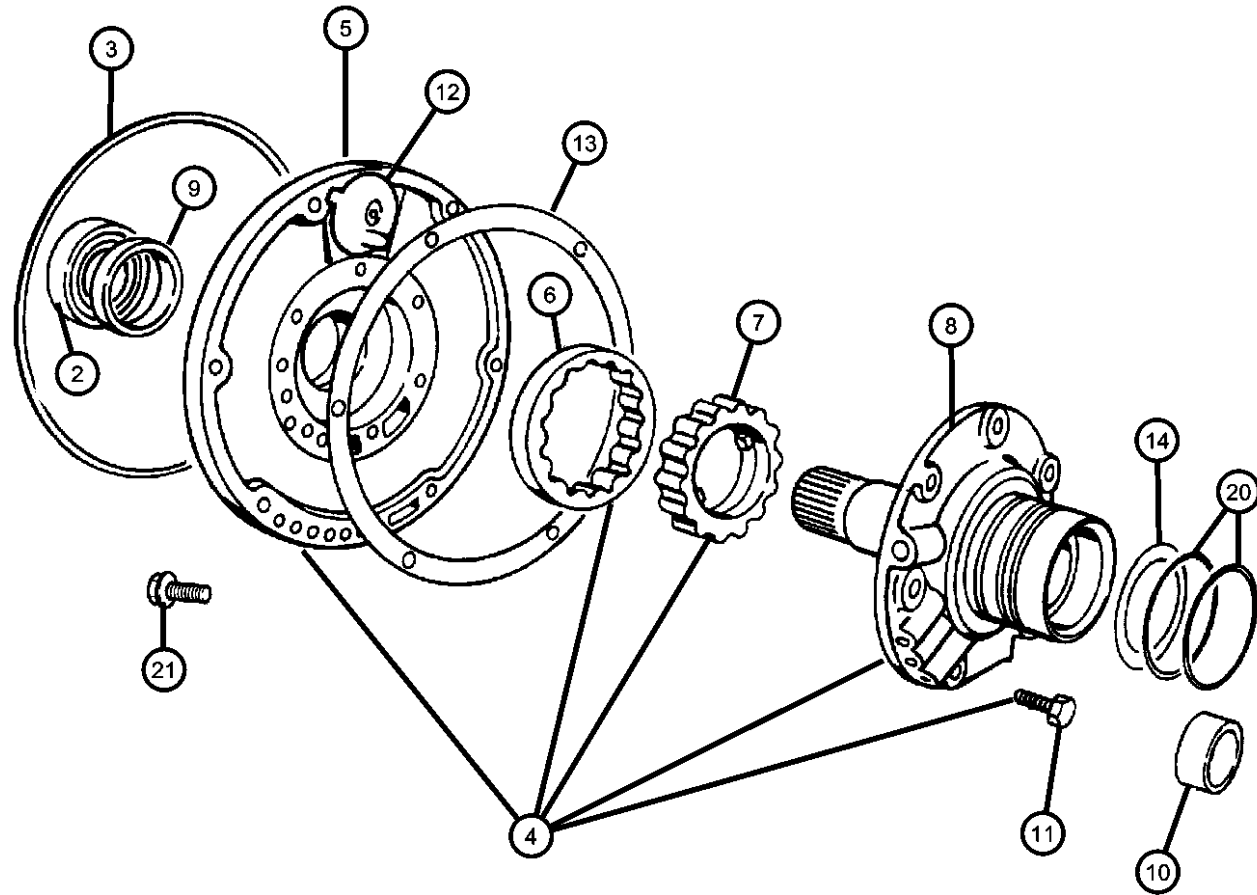
RAM PICKUP/CLUB CAB (BE)

SERIES	LINE	BODY	ENGINE	TRANSMISSION
L = Ram Truck (All)	3 = HD DODGE 2WD 8 = HD DODGE 4WD 1 = Lt. Duty DODGE 2WD 6 = Lt. Duty DODGE 4WD 2 = Med. Duty DODGE 2WD 7 = Med. Duty DODGE 4WD	31 = CLUB CAB 2-DR 6.5 FT BOX 32 = CLUB CAB 2-DR 8FT BOX 33 = QUAD CAB 4-DR 6.5 FT BOX 34 = QUAD CAB 4-DR 8FT BOX	ELF = ENGINE - 5.2L V8 MPI EML = ENGINE - 5.9L V8 MPI EMM = ENGINE - "MAGNUM" 5.9L SMPI V8 ETC = ENGINE- 5.9L CUMMINS 24V DIESEL ETH = ENGINE- 5.9L HO CUMMINS TURBO DIESEL EWA = ENGINE - 8.0L V10 MPI	DDC = TRANSMISSION - 5-SPEED HD MANUAL DDP = TRANSMISSION - 5-SPEED MANUAL DDX = TRANSMISSION - 5-SPEED HD MANUAL DEE = TRANSMISSION - 6-SPEED HD MANUAL DGP = TRANSMISSION - 4-SPD. AUTOMATIC, 47RE DGT = TRANSMISSION - 4-SPD. AUTOMATIC, 46RE

AR = use ase required - = Non illustrated part

2000 BE

**Pump, Oil with Reaction Shaft - 46RE [DGT]  
Figure 46RE-310**



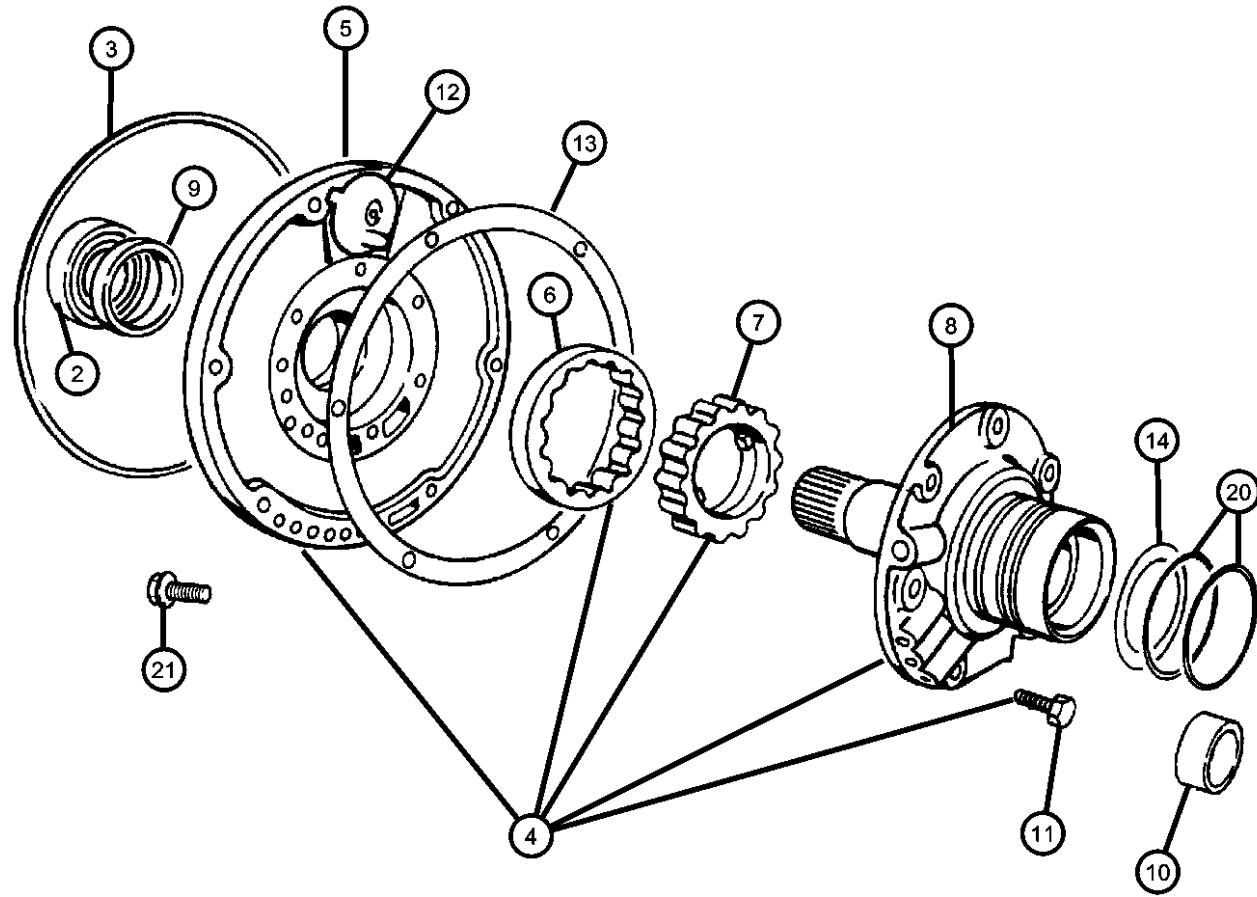
ITEM	PART NUMBER	QTY	LINE	SERIES	BODY	ENGINE	TRANS	TRIM	DESCRIPTION
				NOTES: Sales Codes [DGT] = 4 Speed Automatic Transmission 46RE [ELO] = All 5.2L 8 Cylinder Gas Engines [EM0] = All 5.9L 8 Cylinder Gas Engines					
-1									GASKET AND SEAL PACKAGE, Transmission Oil Pump
	04746109AB	1	1, 2, 3			ELO	DGT		
		1	6, 7, 8			ELO	DGT		
		1	1, 2, 3			EM0	DGT		
		1	6, 7, 8			EM0	DGT		
2									SEAL, Impeller Hub, 57.25mm OD
	04531225	1	1, 2, 3			ELO	DGT		
		1	6, 7, 8			ELO	DGT		
		1	1, 2, 3			EM0	DGT		
		1	6, 7, 8			EM0	DGT		
3									SEAL, Front Pump Housing
	01942021	1	1, 2, 3			ELO	DGT		
		1	6, 7, 8			ELO	DGT		
		1	1, 2, 3			EM0	DGT		
		1	6, 7, 8			EM0	DGT		
4									PUMP PACKAGE, Transmission
	04796467AB	1	1, 2, 3			ELO	DGT		
		1	6, 7, 8			ELO	DGT		
		1	1, 2, 3			EM0	DGT		
		1	6, 7, 8			EM0	DGT		
5		1							HOUSING, Pump, (NOT SERVICED)
6		1							ROTOR, Oil Pump, (NOT SERVICED)
7		1							ROTOR, Oil Pump, (NOT SERVICED)
8		1							SHAFT, Oil Pump, (NOT SERVICED)
9		1							BUSHING, (NOT SERVICED)

**RAM PICKUP/CLUB CAB (BE)**

SERIES	LINE	BODY	ENGINE	TRANSMISSION
L = Ram Truck (All)	3 = HD DODGE 2WD	31 = CLUB CAB 2-DR 6.5 FT BOX	ELF = ENGINE - 5.2L V8 MPI	DDC = TRANSMISSION - 5-SPEED HD MANUAL
	8 = HD DODGE 4WD	32 = CLUB CAB 2-DR 8FT BOX	EML = ENGINE - 5.9L V8 MPI	DDP = TRANSMISSION - 5-SPEED MANUAL
	1 = Lt. Duty DODGE 2WD	33 = QUAD CAB 4-DR 6.5 FT BOX	EMM = ENGINE - "MAGNUM" 5.9L SMPI V8	DDX = TRANSMISSION - 5-SPEED HD MANUAL
	6 = Lt. Duty DODGE 4WD	34 = QUAD CAB 4-DR 8FT BOX	ETC = ENGINE- 5.9L CUMMINS 24V DIESEL	DEE = TRANSMISSION - 6-SPEED HD MANUAL
	2 = Med. Duty DODGE 2WD		ETH = ENGINE- 5.9L HO CUMMINS TURBO DIESEL	DGP = TRANSMISSION - 4-SPD. AUTOMATIC, 47RE
	7 = Med. Duty DODGE 4WD		EWA = ENGINE - 8.0L V10 MPI	DGT = TRANSMISSION - 4-SPD. AUTOMATIC, 46RE

AR = use ase required - = Non illustrated part

Pump, Oil with Reaction Shaft - 46RE [DGT]  
Figure 46RE-310



ITEM	PART NUMBER	QTY	LINE	SERIES	BODY	ENGINE	TRANS	TRIM	DESCRIPTION
10		1							BUSHING, (NOT SERVICED)
11									SCREW, Hex Head, .312-18x.687
	00179815	6	1, 2, 3			ELO	DGT		
		6	6, 7, 8			ELO	DGT		
		6	1, 2, 3			EM0	DGT		
		6	6, 7, 8			EM0	DGT		
12									BAFFLE PACKAGE, Pump
	03420087	1	1, 2, 3			ELO	DGT		
		1	6, 7, 8			ELO	DGT		
		1	1, 2, 3			EM0	DGT		
		1	6, 7, 8			EM0	DGT		
13									GASKET, Transmission Oil Pump
	04028377	1	1, 2, 3			ELO	DGT		
		1	6, 7, 8			ELO	DGT		
		1	1, 2, 3			EM0	DGT		
		1	6, 7, 8			EM0	DGT		
14									THRUST WASHER, Front Clutch
	04617161	1	1, 2, 3			ELO	DGT		
		1	6, 7, 8			ELO	DGT		
		1	1, 2, 3			EM0	DGT		
		1	6, 7, 8			EM0	DGT		
-15									THRUST WASHER, Front Clutch, Pink .085
	04617162	1	1, 2, 3			ELO	DGT		
		1	6, 7, 8			ELO	DGT		
		1	1, 2, 3			EM0	DGT		
		1	6, 7, 8			EM0	DGT		
-16									THRUST WASHER, Front Clutch, Yellow .103
	04617163	1	1, 2, 3			ELO	DGT		
		1	6, 7, 8			ELO	DGT		

RAM PICKUP/CLUB CAB (BE)

SERIES	LINE
L = Ram Truck (All)	3 = HD DODGE 2WD
	8 = HD DODGE 4WD
	1 = Lt. Duty DODGE 2WD
	6 = Lt. Duty DODGE 4WD
	2 = Med. Duty DODGE 2WD
	7 = Med. Duty DODGE 4WD

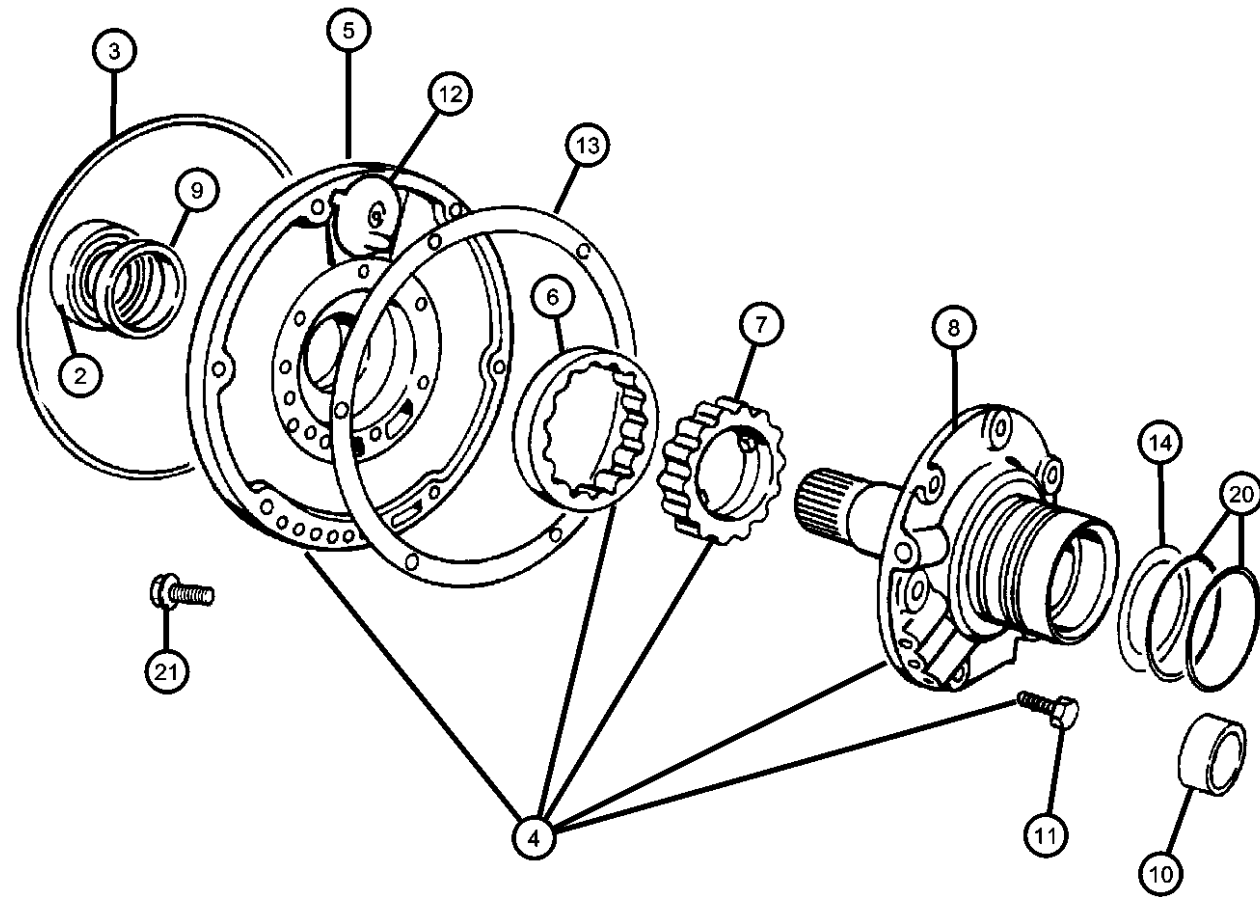
BODY	ENGINE	TRANSMISSION
31 = CLUB CAB 2-DR 6.5 FT BOX	ELF = ENGINE - 5.2L V8 MPI	DDC = TRANSMISSION - 5-SPEED HD MANUAL
32 = CLUB CAB 2-DR 8FT BOX	EML = ENGINE - 5.9L V8 MPI	DDP = TRANSMISSION - 5-SPEED MANUAL
33 = QUAD CAB 4-DR 6.5 FT BOX	EMM = ENGINE - "MAGNUM" 5.9L SMPI V8	DDX = TRANSMISSION - 5-SPEED HD MANUAL
34 = QUAD CAB 4-DR 8FT BOX	ETC = ENGINE- 5.9L CUMMINS 24V DIESEL	DEE = TRANSMISSION - 6-SPEED HD MANUAL
	ETH = ENGINE- 5.9L HO CUMMINS TURBO DIESEL	DGP = TRANSMISSION - 4-SPD. AUTOMATIC, 47RE
	EWA = ENGINE - 8.0L V10 MPI	DGT = TRANSMISSION - 4-SPD. AUTOMATIC, 46RE

AR = use ase required - = Non illustrated part

2000 BE



Pump, Oil with Reaction Shaft - 46RE [DGT]  
Figure 46RE-310



ITEM	PART NUMBER	QTY	LINE	SERIES	BODY	ENGINE	TRANS	TRIM	DESCRIPTION
		1	1, 2, 3			EM0	DGT		
		1	6, 7, 8			EM0	DGT		
-17									THRUST WASHER, Front Clutch, Orange .121
	04617164	1	1, 2, 3			ELO	DGT		
		1	6, 7, 8			ELO	DGT		
		1	1, 2, 3			EM0	DGT		
		1	6, 7, 8			EM0	DGT		
-18									THRUST WASHER, Front Clutch, Blue .139"
	04617165	1	1, 2, 3			ELO	DGT		
		1	6, 7, 8			ELO	DGT		
		1	1, 2, 3			EM0	DGT		
		1	6, 7, 8			EM0	DGT		
-19									THRUST WASHER, Front Clutch, Black .157
	04617166	1	1, 2, 3			ELO	DGT		
		1	6, 7, 8			ELO	DGT		
		1	1, 2, 3			EM0	DGT		
		1	6, 7, 8			EM0	DGT		
20									SEAL, Reaction Shaft
	03743689	2	1, 2, 3			ELO	DGT		
		2	6, 7, 8			ELO	DGT		
		2	1, 2, 3			EM0	DGT		
		2	6, 7, 8			EM0	DGT		
21									SCREW AND WASHER, Hex Flange Head, .312-18x1.375
	06023943	7	1, 2, 3			ELO	DGT		
		7	6, 7, 8			ELO	DGT		
		7	1, 2, 3			EM0	DGT		
		7	6, 7, 8			EM0	DGT		

RAM PICKUP/CLUB CAB (BE)

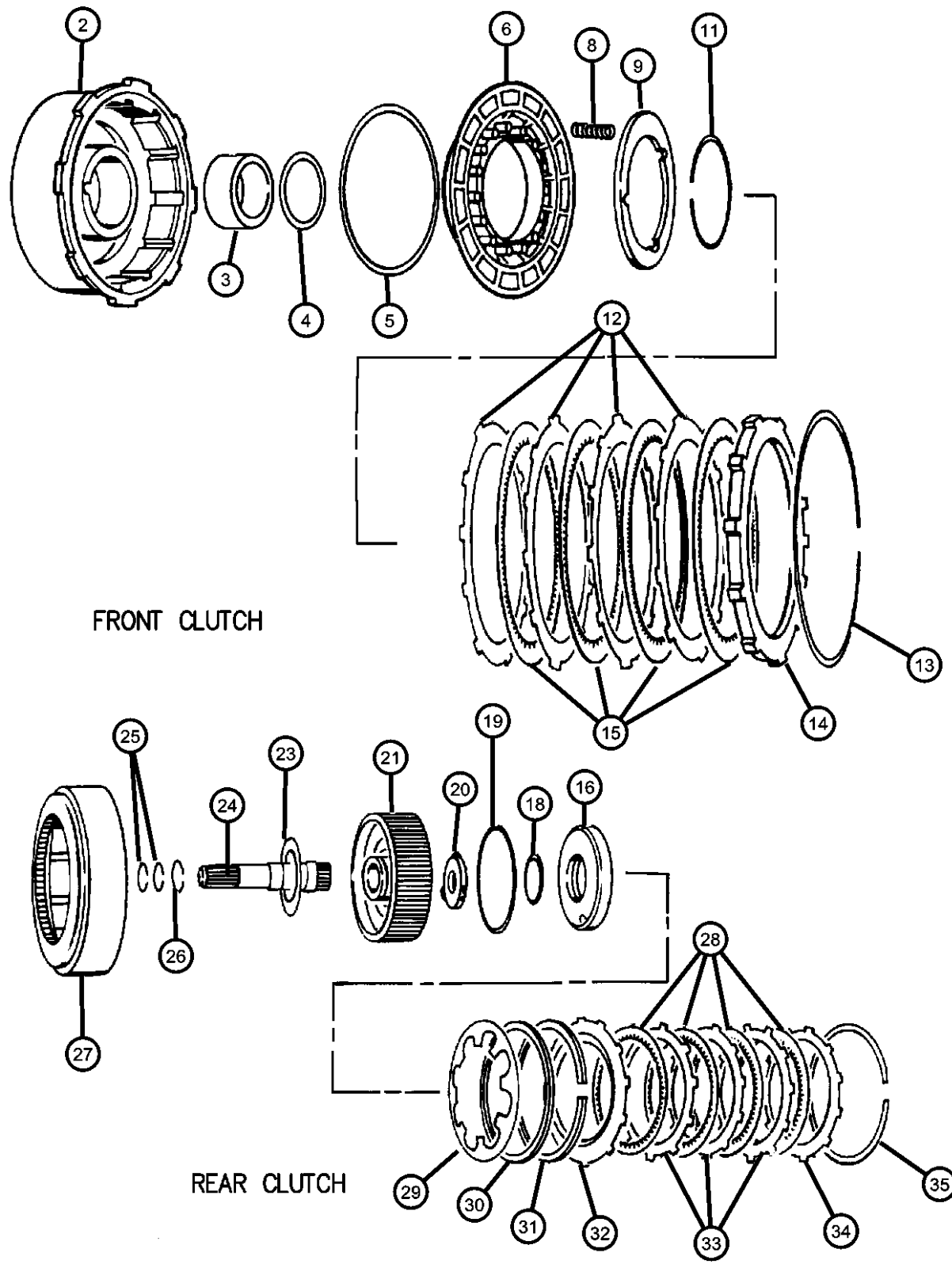
SERIES	LINE
L = Ram Truck (All)	3 = HD DODGE 2WD
	8 = HD DODGE 4WD
	1 = Lt. Duty DODGE 2WD
	6 = Lt. Duty DODGE 4WD
	2 = Med. Duty DODGE 2WD
	7 = Med. Duty DODGE 4WD

BODY	ENGINE	TRANSMISSION
31 = CLUB CAB 2-DR 6.5 FT BOX	ELF = ENGINE - 5.2L V8 MPI	DDC = TRANSMISSION - 5-SPEED HD MANUAL
32 = CLUB CAB 2-DR 8FT BOX	EML = ENGINE - 5.9L V8 MPI	DDP = TRANSMISSION - 5-SPEED MANUAL
33 = QUAD CAB 4-DR 6.5 FT BOX	EMM = ENGINE - "MAGNUM" 5.9L SMPI V8	DDX = TRANSMISSION - 5-SPEED HD MANUAL
34 = QUAD CAB 4-DR 8FT BOX	ETC = ENGINE- 5.9L CUMMINS 24V DIESEL	DEE = TRANSMISSION - 6-SPEED HD MANUAL
	ETH = ENGINE- 5.9L HO CUMMINS TURBO DIESEL	DGP = TRANSMISSION - 4-SPD. AUTOMATIC, 47RE
	EWA = ENGINE - 8.0L V10 MPI	DGT = TRANSMISSION - 4-SPD. AUTOMATIC, 46RE

AR = use ase required - = Non illustrated part

2000 BE

**Clutch, Front and Rear with Gear Train - 46RE [DGT]  
Figure 46RE-410**



ITEM	PART NUMBER	QTY	LINE	SERIES	BODY	ENGINE	TRANS	TRIM	DESCRIPTION
------	-------------	-----	------	--------	------	--------	-------	------	-------------

NOTES: Sales Codes  
 [DGT] = 4 Speed Automatic Transmission 46RE  
 [ELO] = All 5.2L 8 Cylinder Gas Engines  
 [EM0] = All 5.9L 8 Cylinder Gas Engines

-1									SEAL PACKAGE, Transmission Clutch
	04637078	1	1, 2, 3			ELO	DGT		
		1	6, 7, 8			ELO	DGT		
		1	1, 2, 3			EM0	DGT		
		1	6, 7, 8			EM0	DGT		
2									RETAINER, Clutch
	04058437AB	1	1, 2, 3			ELO	DGT		
		1	6, 7, 8			ELO	DGT		
		1	1, 2, 3			EM0	DGT		
		1	6, 7, 8			EM0	DGT		
3									BUSHING, Front Clutch
	04058647	1	1, 2, 3			ELO	DGT		
		1	6, 7, 8			ELO	DGT		
		1	1, 2, 3			EM0	DGT		
		1	6, 7, 8			EM0	DGT		
4									SEAL, Front Clutch Piston
	03410226	1	1, 2, 3			ELO	DGT		
		1	6, 7, 8			ELO	DGT		
		1	1, 2, 3			EM0	DGT		
		1	6, 7, 8			EM0	DGT		
5									SEAL, Front Piston Clutch
	04058484	1	1, 2, 3			ELO	DGT		
		1	6, 7, 8			ELO	DGT		
		1	1, 2, 3			EM0	DGT		
		1	6, 7, 8			EM0	DGT		
6									PISTON, Clutch
	02464651AB	1	1, 2, 3			ELO	DGT		

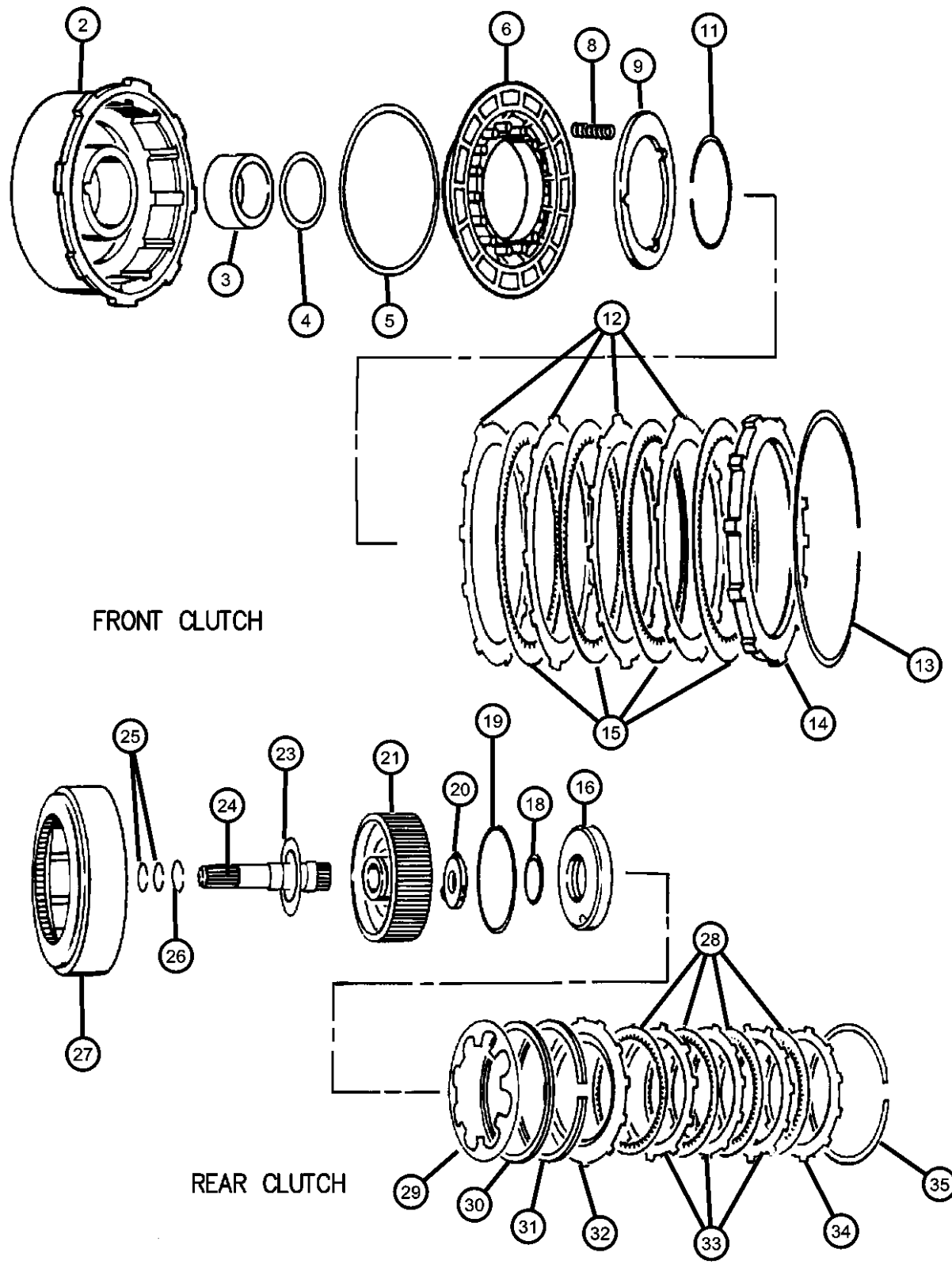
**RAM PICKUP/CLUB CAB (BE)**

SERIES	LINE
L = Ram Truck (All)	3 = HD DODGE 2WD
	8 = HD DODGE 4WD
	1 = Lt. Duty DODGE 2WD
	6 = Lt. Duty DODGE 4WD
	2 = Med. Duty DODGE 2WD
	7 = Med. Duty DODGE 4WD

BODY	ENGINE	TRANSMISSION
31 = CLUB CAB 2-DR 6.5 FT BOX	ELF = ENGINE - 5.2L V8 MPI	DDC = TRANSMISSION - 5-SPEED HD MANUAL
32 = CLUB CAB 2-DR 8FT BOX	EML = ENGINE - 5.9L V8 MPI	DDP = TRANSMISSION - 5-SPEED MANUAL
33 = QUAD CAB 4-DR 6.5 FT BOX	EMM = ENGINE - "MAGNUM" 5.9L SMPI V8	DDX = TRANSMISSION - 5-SPEED HD MANUAL
34 = QUAD CAB 4-DR 8FT BOX	ETC = ENGINE- 5.9L CUMMINS 24V DIESEL	DEE = TRANSMISSION - 6-SPEED HD MANUAL
	ETH = ENGINE- 5.9L HO CUMMINS TURBO DIESEL	DGP = TRANSMISSION - 4-SPD. AUTOMATIC, 47RE
	EWA = ENGINE - 8.0L V10 MPI	DGT = TRANSMISSION - 4-SPD. AUTOMATIC, 46RE

AR = use ase required - = Non illustrated part

**Clutch, Front and Rear with Gear Train - 46RE [DGT]  
Figure 46RE-410**



ITEM	PART NUMBER	QTY	LINE	SERIES	BODY	ENGINE	TRANS	TRIM	DESCRIPTION
		1	6, 7, 8			ELO	DGT		
		1	1, 2, 3			EM0	DGT		
		1	6, 7, 8			EM0	DGT		
-7	00147483	1	1, 2, 3			ELO	DGT		CHECK BALL, Dia-.187
		1	6, 7, 8			ELO	DGT		
		1	1, 2, 3			EM0	DGT		
		1	6, 7, 8			EM0	DGT		
8	02801243	9	1, 2, 3			ELO	DGT		SPRING, Front Clutch
		9	6, 7, 8			ELO	DGT		
	04617205	9	1, 2, 3			EM0	DGT		
		9	6, 7, 8			EM0	DGT		
9	02801949	1	1, 2, 3			ELO	DGT		RETAINER, Transmission
		1	6, 7, 8			ELO	DGT		
		1	1, 2, 3			EM0	DGT		
		1	6, 7, 8			EM0	DGT		
-10	00147483	1	1, 2, 3			ELO	DGT		CHECK BALL, Dia-.187
		1	6, 7, 8			ELO	DGT		
		1	1, 2, 3			EM0	DGT		
		1	6, 7, 8			EM0	DGT		
11	02124824	1	1, 2, 3			ELO	DGT		SNAP RING
		1	6, 7, 8			ELO	DGT		
		1	1, 2, 3			EM0	DGT		
		1	6, 7, 8			EM0	DGT		
12	02124826AB	3	1, 2, 3			ELO	DGT		PLATE, Clutch Separator

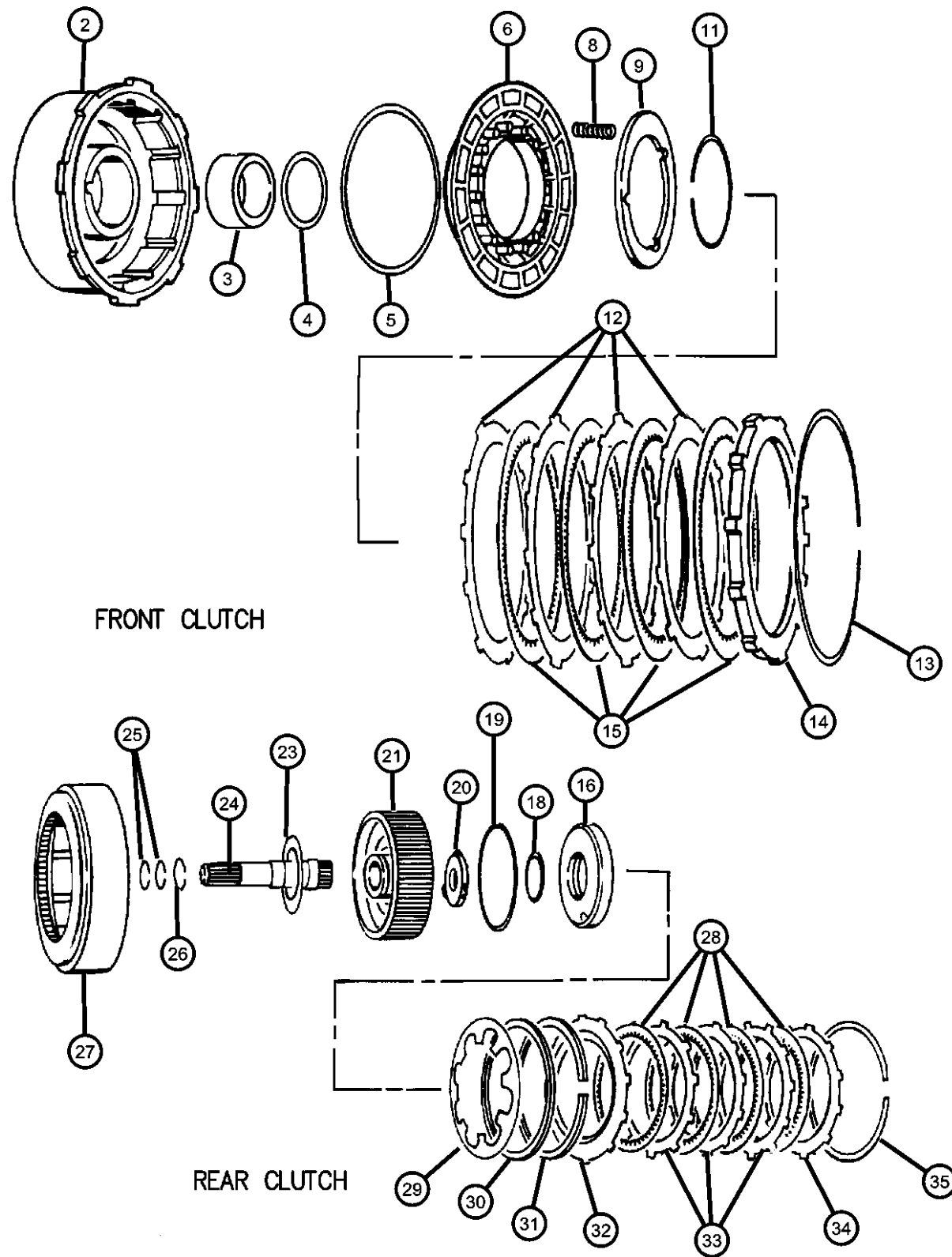
**RAM PICKUP/CLUB CAB (BE)**

SERIES	LINE
L = Ram Truck	3 = HD DODGE 2WD
(All)	8 = HD DODGE 4WD
	1 = Lt. Duty DODGE 2WD
	6 = Lt. Duty DODGE 4WD
	2 = Med. Duty DODGE 2WD
	7 = Med. Duty DODGE 4WD

BODY	ENGINE	TRANSMISSION
31 = CLUB CAB 2-DR 6.5 FT BOX	ELF = ENGINE - 5.2L V8 MPI	DDC = TRANSMISSION - 5-SPEED HD MANUAL
32 = CLUB CAB 2-DR 8FT BOX	EML = ENGINE - 5.9L V8 MPI	DDP = TRANSMISSION - 5-SPEED MANUAL
33 = QUAD CAB 4-DR 6.5 FT BOX	EMM = ENGINE - "MAGNUM" 5.9L SMPI V8	DDX = TRANSMISSION - 5-SPEED HD MANUAL
34 = QUAD CAB 4-DR 8FT BOX	ETC = ENGINE- 5.9L CUMMINS 24V DIESEL	DEE = TRANSMISSION - 6-SPEED HD MANUAL
	ETH = ENGINE- 5.9L HO CUMMINS TURBO DIESEL	DGP = TRANSMISSION - 4-SPD. AUTOMATIC, 47RE
	EWA = ENGINE - 8.0L V10 MPI	DGT = TRANSMISSION - 4-SPD. AUTOMATIC, 46RE

AR = use ase required - = Non illustrated part

**Clutch, Front and Rear with Gear Train - 46RE [DGT]  
Figure 46RE-410**



ITEM	PART NUMBER	QTY	LINE	SERIES	BODY	ENGINE	TRANS	TRIM	DESCRIPTION
		3	6, 7, 8			ELO	DGT		
		3	1, 2, 3			EM0	DGT		
		3	6, 7, 8			EM0	DGT		
13	03410570	1	1, 2, 3			ELO	DGT		SNAP RING
		1	6, 7, 8			ELO	DGT		
		1	1, 2, 3			EM0	DGT		
		1	6, 7, 8			EM0	DGT		
14	04617567	1	1, 2, 3			ELO	DGT		PLATE, Transmission Clutch Reaction
		1	6, 7, 8			ELO	DGT		
		1	1, 2, 3			EM0	DGT		
		1	6, 7, 8			EM0	DGT		
15	04617201AB	3	1, 2, 3			ELO	DGT		DISC, Direct Clutch
		3	6, 7, 8			ELO	DGT		
		3	1, 2, 3			EM0	DGT		
		3	6, 7, 8			EM0	DGT		
16	03743624AB	1	1, 2, 3			ELO	DGT		PISTON, Clutch
		1	6, 7, 8			ELO	DGT		
		1	1, 2, 3			EM0	DGT		
		1	6, 7, 8			EM0	DGT		
-17	00147483	1	1, 2, 3			ELO	DGT		CHECK BALL, Dia-.187
		1	6, 7, 8			ELO	DGT		
		1	1, 2, 3			EM0	DGT		
		1	6, 7, 8			EM0	DGT		
18									SEAL, Rear Clutch Piston

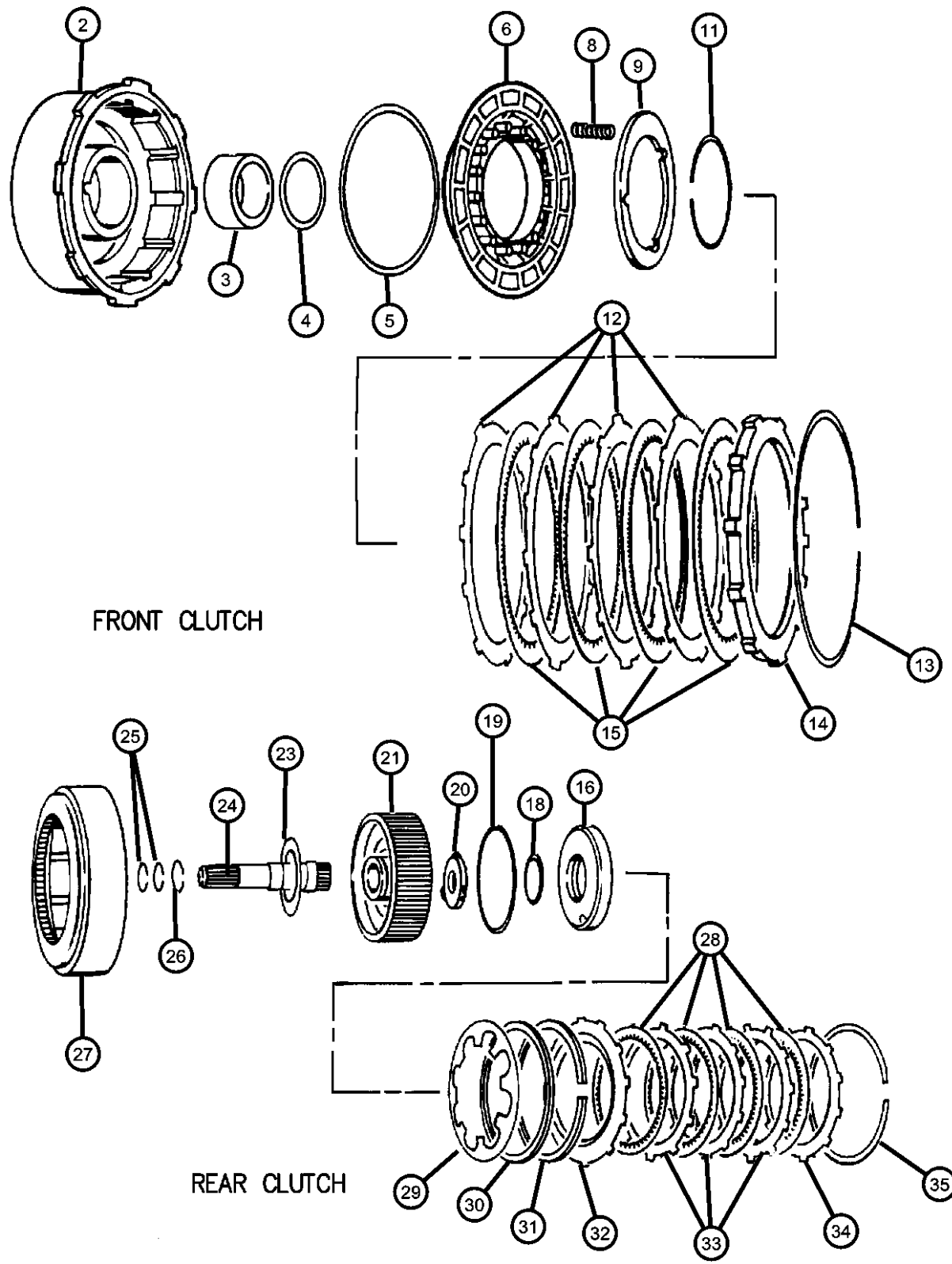
**RAM PICKUP/CLUB CAB (BE)**

SERIES	LINE
L = Ram Truck	3 = HD DODGE 2WD
(All)	8 = HD DODGE 4WD
	1 = Lt. Duty DODGE 2WD
	6 = Lt. Duty DODGE 4WD
	2 = Med. Duty DODGE 2WD
	7 = Med. Duty DODGE 4WD

BODY	ENGINE	TRANSMISSION
31 = CLUB CAB 2-DR 6.5 FT BOX	ELF = ENGINE - 5.2L V8 MPI	DDC = TRANSMISSION - 5-SPEED HD MANUAL
32 = CLUB CAB 2-DR 8FT BOX	EML = ENGINE - 5.9L V8 MPI	DDP = TRANSMISSION - 5-SPEED MANUAL
33 = QUAD CAB 4-DR 6.5 FT BOX	EMM = ENGINE - "MAGNUM" 5.9L SMPI V8	DDX = TRANSMISSION - 5-SPEED HD MANUAL
34 = QUAD CAB 4-DR 8FT BOX	ETC = ENGINE- 5.9L CUMMINS 24V DIESEL	DEE = TRANSMISSION - 6-SPEED HD MANUAL
	ETH = ENGINE- 5.9L HO CUMMINS TURBO DIESEL	DGP = TRANSMISSION - 4-SPD. AUTOMATIC, 47RE
	EWA = ENGINE - 8.0L V10 MPI	DGT = TRANSMISSION - 4-SPD. AUTOMATIC, 46RE

AR = use ase required - = Non illustrated part

**Clutch, Front and Rear with Gear Train - 46RE [DGT]  
Figure 46RE-410**



ITEM	PART NUMBER	QTY	LINE	SERIES	BODY	ENGINE	TRANS	TRIM	DESCRIPTION
	01942054	1	1, 2, 3			ELO	DGT		
		1	6, 7, 8			ELO	DGT		
		1	1, 2, 3			EM0	DGT		
		1	6, 7, 8			EM0	DGT		
19									SEAL, Rear Clutch Piston
	02124835	1	1, 2, 3			ELO	DGT		
		1	6, 7, 8			ELO	DGT		
		1	1, 2, 3			EM0	DGT		
		1	6, 7, 8			EM0	DGT		
20									THRUST WASHER, Output Shaft, Red .068
	04505186	1	1, 2, 3			ELO	DGT		
		1	6, 7, 8			ELO	DGT		
		1	1, 2, 3			EM0	DGT		
		1	6, 7, 8			EM0	DGT		
21									RETAINER, Transmission
	04617855	1	1, 2, 3			ELO	DGT		
		1	6, 7, 8			ELO	DGT		
		1	1, 2, 3			EM0	DGT		
		1	6, 7, 8			EM0	DGT		
-22									SEAL, Rear Clutch Retainer
	04058443	1	1, 2, 3			ELO	DGT		
		1	6, 7, 8			ELO	DGT		
		1	1, 2, 3			EM0	DGT		
		1	6, 7, 8			EM0	DGT		
23									THRUST WASHER, Front Clutch
	04617161	1	1, 2, 3			ELO	DGT		
		1	6, 7, 8			ELO	DGT		
		1	1, 2, 3			EM0	DGT		
		1	6, 7, 8			EM0	DGT		

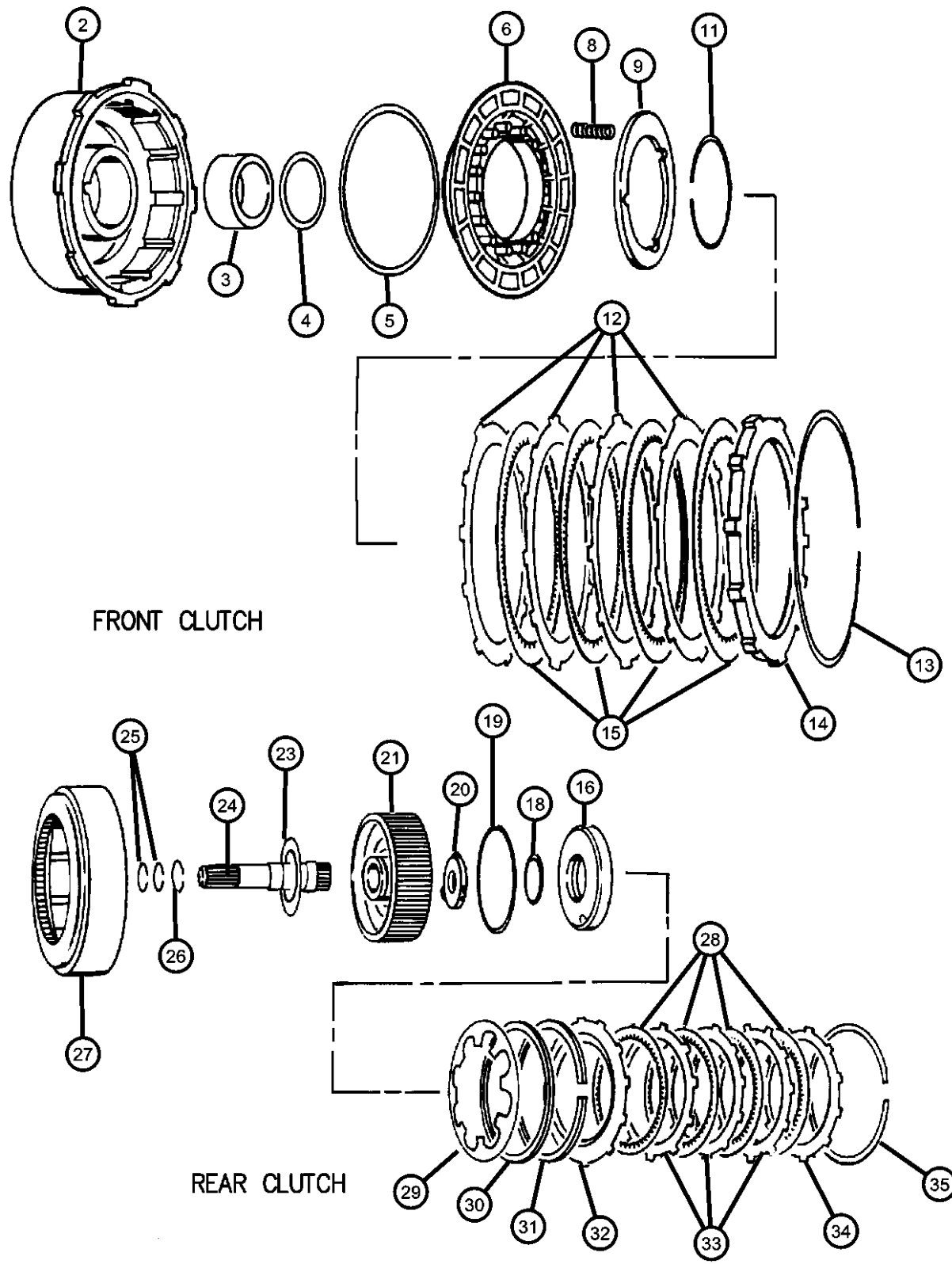
**RAM PICKUP/CLUB CAB (BE)**

SERIES	LINE
L = Ram Truck (All)	3 = HD DODGE 2WD
	8 = HD DODGE 4WD
	1 = Lt. Duty DODGE 2WD
	6 = Lt. Duty DODGE 4WD
	2 = Med. Duty DODGE 2WD
	7 = Med. Duty DODGE 4WD

BODY	ENGINE	TRANSMISSION
31 = CLUB CAB 2-DR 6.5 FT BOX	ELF = ENGINE - 5.2L V8 MPI	DDC = TRANSMISSION - 5-SPEED HD MANUAL
32 = CLUB CAB 2-DR 8FT BOX	EML = ENGINE - 5.9L V8 MPI	DDP = TRANSMISSION - 5-SPEED MANUAL
33 = QUAD CAB 4-DR 6.5 FT BOX	EMM = ENGINE - "MAGNUM" 5.9L SMPI V8	DDX = TRANSMISSION - 5-SPEED HD MANUAL
34 = QUAD CAB 4-DR 8FT BOX	ETC = ENGINE- 5.9L CUMMINS 24V DIESEL	DEE = TRANSMISSION - 6-SPEED HD MANUAL
	ETH = ENGINE- 5.9L HO CUMMINS TURBO DIESEL	DGP = TRANSMISSION - 4-SPD. AUTOMATIC, 47RE
	EWA = ENGINE - 8.0L V10 MPI	DGT = TRANSMISSION - 4-SPD. AUTOMATIC, 46RE

AR = use ase required - = Non illustrated part

**Clutch, Front and Rear with Gear Train - 46RE [DGT]  
Figure 46RE-410**



ITEM	PART NUMBER	QTY	LINE	SERIES	BODY	ENGINE	TRANS	TRIM	DESCRIPTION
24	04617396	1	1, 2, 3			ELO	DGT		INPUT SHAFT, Transmission
		1	6, 7, 8			ELO	DGT		
		1	1, 2, 3			EM0	DGT		
		1	6, 7, 8			EM0	DGT		
25	04617418AB	1	1, 2, 3			ELO	DGT		SEAL, Input Shaft
		1	6, 7, 8			ELO	DGT		
		1	1, 2, 3			EM0	DGT		
		1	6, 7, 8			EM0	DGT		
26	02124872	1	1, 2, 3			ELO	DGT		SNAP RING
		1	6, 7, 8			ELO	DGT		
		1	1, 2, 3			EM0	DGT		
		1	6, 7, 8			EM0	DGT		
27	03743622	1	1, 2, 3			ELO	DGT		RETAINER, Rear Clutch
		1	6, 7, 8			ELO	DGT		
		1	1, 2, 3			EM0	DGT		
		1	6, 7, 8			EM0	DGT		
28	02801992AB	4	1, 2, 3			ELO	DGT		DISC, Clutch
		4	6, 7, 8			ELO	DGT		
		4	1, 2, 3			EM0	DGT		
		4	6, 7, 8			EM0	DGT		
29	03743621AB	1	1, 2, 3			ELO	DGT		SPRING, Rear Clutch Piston
		1	6, 7, 8			ELO	DGT		
		1	1, 2, 3			EM0	DGT		
		1	6, 7, 8			EM0	DGT		

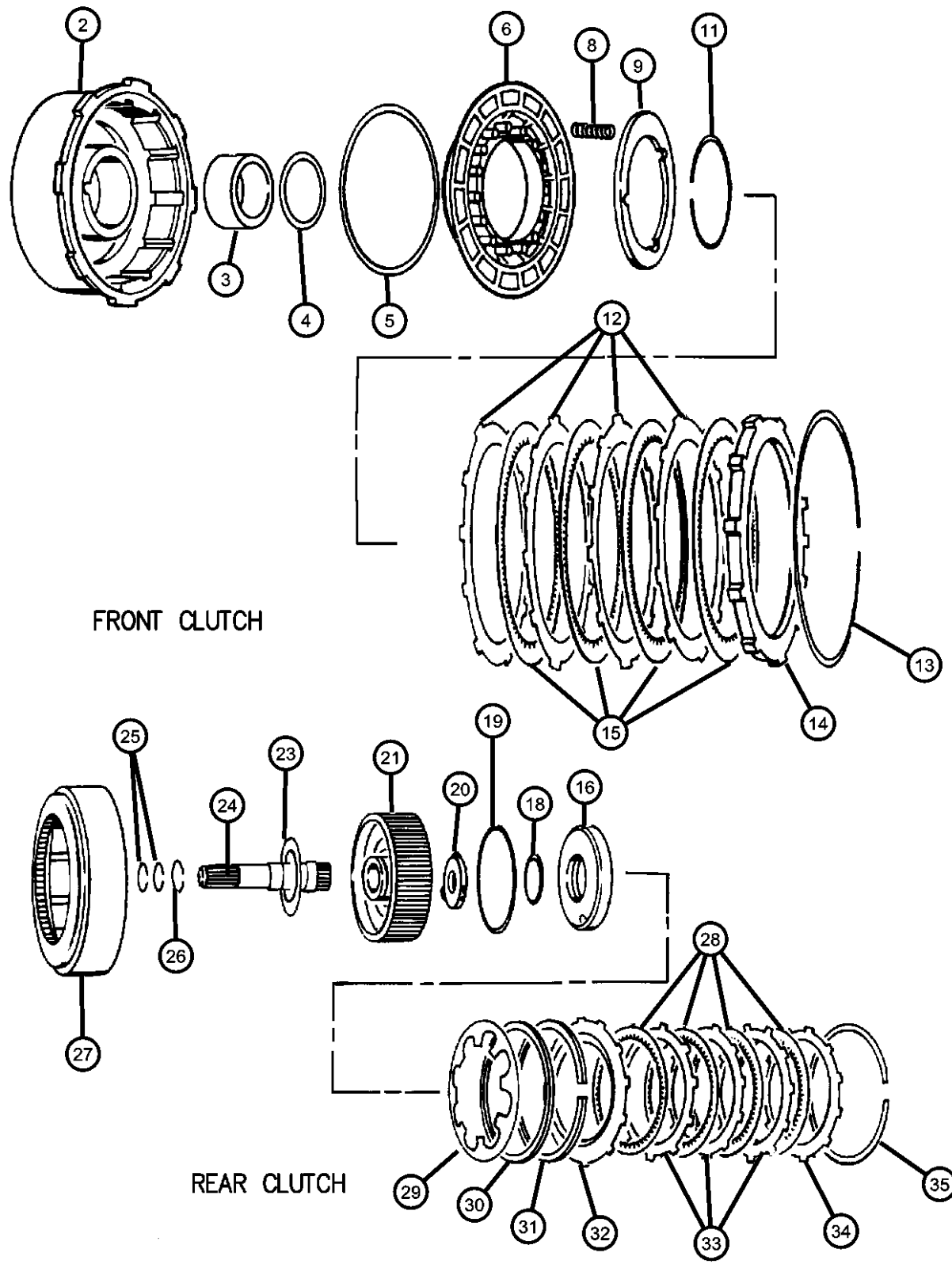
**RAM PICKUP/CLUB CAB (BE)**

SERIES	LINE
L = Ram Truck	3 = HD DODGE 2WD
(All)	8 = HD DODGE 4WD
	1 = Lt. Duty DODGE 2WD
	6 = Lt. Duty DODGE 4WD
	2 = Med. Duty DODGE 2WD
	7 = Med. Duty DODGE 4WD

BODY	ENGINE	TRANSMISSION
31 = CLUB CAB 2-DR 6.5 FT BOX	ELF = ENGINE - 5.2L V8 MPI	DDC = TRANSMISSION - 5-SPEED HD MANUAL
32 = CLUB CAB 2-DR 8FT BOX	EML = ENGINE - 5.9L V8 MPI	DDP = TRANSMISSION - 5-SPEED MANUAL
33 = QUAD CAB 4-DR 6.5 FT BOX	EMM = ENGINE - "MAGNUM" 5.9L SMPI V8	DDX = TRANSMISSION - 5-SPEED HD MANUAL
34 = QUAD CAB 4-DR 8FT BOX	ETC = ENGINE- 5.9L CUMMINS 24V DIESEL	DEE = TRANSMISSION - 6-SPEED HD MANUAL
	ETH = ENGINE- 5.9L HO CUMMINS TURBO DIESEL	DGP = TRANSMISSION - 4-SPD. AUTOMATIC, 47RE
	EWA = ENGINE - 8.0L V10 MPI	DGT = TRANSMISSION - 4-SPD. AUTOMATIC, 46RE

AR = use ase required - = Non illustrated part

**Clutch, Front and Rear with Gear Train - 46RE [DGT]  
Figure 46RE-410**



ITEM	PART NUMBER	QTY	LINE	SERIES	BODY	ENGINE	TRANS	TRIM	DESCRIPTION
30	03515077	1	1, 2, 3			ELO	DGT		SPACER, Rear Clutch Piston
		1	6, 7, 8			ELO	DGT		
		1	1, 2, 3			EM0	DGT		
		1	6, 7, 8			EM0	DGT		
31	02466806	1	1, 2, 3			ELO	DGT		SPRING, Rear Clutch
		1	6, 7, 8			ELO	DGT		
		1	1, 2, 3			EM0	DGT		
		1	6, 7, 8			EM0	DGT		
32	02466803	1	1, 2, 3			ELO	DGT		PLATE, Clutch Pressure
		1	6, 7, 8			ELO	DGT		
		1	1, 2, 3			EM0	DGT		
		1	6, 7, 8			EM0	DGT		
33	52118812AA	3	1, 2, 3			ELO	DGT		PLATE, Clutch Separator
		3	6, 7, 8			ELO	DGT		
		3	1, 2, 3			EM0	DGT		
		3	6, 7, 8			EM0	DGT		
34	04617567	1	1, 2, 3			ELO	DGT		PLATE, Transmission Clutch Reaction
		1	6, 7, 8			ELO	DGT		
		1	1, 2, 3			EM0	DGT		
		1	6, 7, 8			EM0	DGT		
35	01942063	1	1, 2, 3			ELO	DGT		SNAP RING .060" Thick
		1	6, 7, 8			ELO	DGT		
		1	1, 2, 3			EM0	DGT		

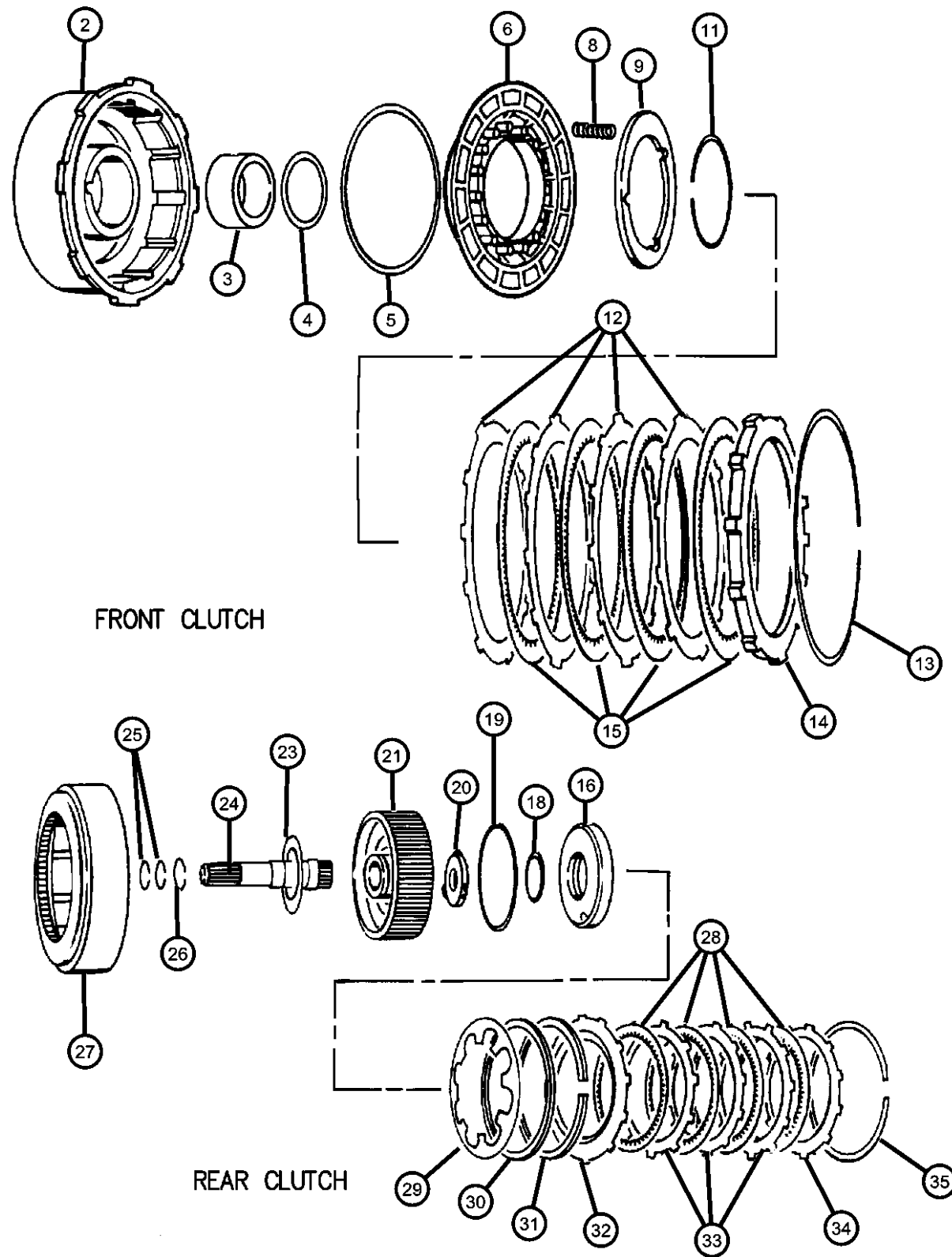
**RAM PICKUP/CLUB CAB (BE)**

SERIES	LINE
L = Ram Truck	3 = HD DODGE 2WD
(All)	8 = HD DODGE 4WD
	1 = Lt. Duty DODGE 2WD
	6 = Lt. Duty DODGE 4WD
	2 = Med. Duty DODGE 2WD
	7 = Med. Duty DODGE 4WD

BODY	ENGINE	TRANSMISSION
31 = CLUB CAB 2-DR 6.5 FT BOX	ELF = ENGINE - 5.2L V8 MPI	DDC = TRANSMISSION - 5-SPEED HD MANUAL
32 = CLUB CAB 2-DR 8FT BOX	EML = ENGINE - 5.9L V8 MPI	DDP = TRANSMISSION - 5-SPEED MANUAL
33 = QUAD CAB 4-DR 6.5 FT BOX	EMM = ENGINE - "MAGNUM" 5.9L SMPI V8	DDX = TRANSMISSION - 5-SPEED HD MANUAL
34 = QUAD CAB 4-DR 8FT BOX	ETC = ENGINE- 5.9L CUMMINS 24V DIESEL	DEE = TRANSMISSION - 6-SPEED HD MANUAL
	ETH = ENGINE- 5.9L HO CUMMINS TURBO DIESEL	DGP = TRANSMISSION - 4-SPD. AUTOMATIC, 47RE
	EWA = ENGINE - 8.0L V10 MPI	DGT = TRANSMISSION - 4-SPD. AUTOMATIC, 46RE

AR = use ase required - = Non illustrated part

**Clutch, Front and Rear with Gear Train - 46RE [DGT]  
Figure 46RE-410**



ITEM	PART NUMBER	QTY	LINE	SERIES	BODY	ENGINE	TRANS	TRIM	DESCRIPTION
		1	6, 7, 8			EM0	DGT		.060" Thick
	01942064	1	1, 2, 3			ELO	DGT		.074" Thick
		1	6, 7, 8			ELO	DGT		.074" Thick
		1	1, 2, 3			EM0	DGT		.074" Thick
		1	6, 7, 8			EM0	DGT		.074" Thick
	01942065	1	1, 2, 3			ELO	DGT		.088" Thick
		1	6, 7, 8			ELO	DGT		.088" Thick
		1	1, 2, 3			EM0	DGT		.088" Thick
		1	6, 7, 8			EM0	DGT		.088" Thick
	02466811	1	1, 2, 3			ELO	DGT		.106" Thick
		1	6, 7, 8			ELO	DGT		.106" Thick
		1	1, 2, 3			EM0	DGT		.106" Thick
		1	6, 7, 8			EM0	DGT		.106" Thick

FRONT CLUTCH

REAR CLUTCH

**RAM PICKUP/CLUB CAB (BE)**

SERIES	LINE
L = Ram Truck	3 = HD DODGE 2WD
(All)	8 = HD DODGE 4WD
	1 = Lt. Duty DODGE 2WD
	6 = Lt. Duty DODGE 4WD
	2 = Med. Duty DODGE 2WD
	7 = Med. Duty DODGE 4WD

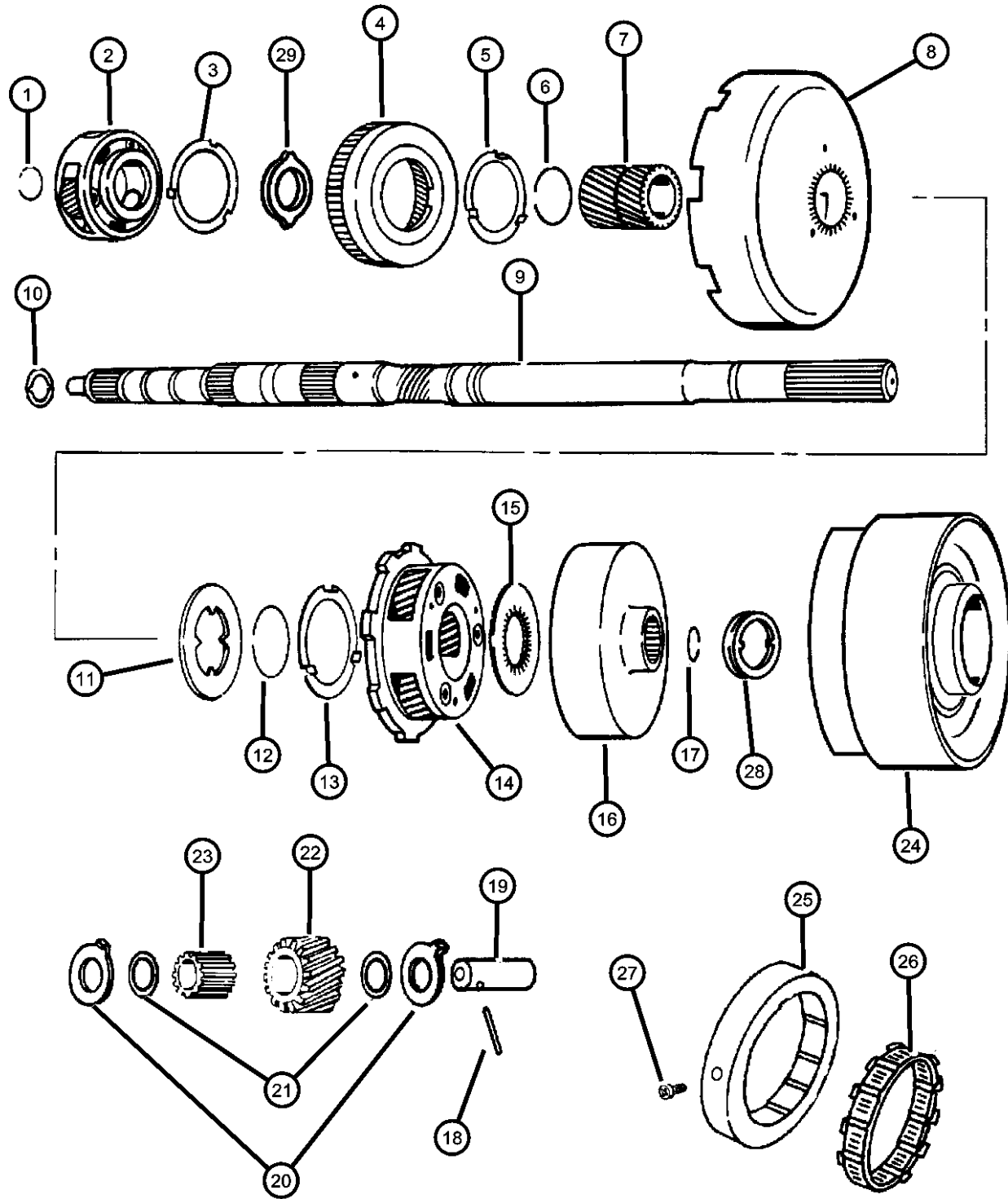
BODY	ENGINE	TRANSMISSION
31 = CLUB CAB 2-DR 6.5 FT BOX	ELF = ENGINE - 5.2L V8 MPI	DDC = TRANSMISSION - 5-SPEED HD MANUAL
32 = CLUB CAB 2-DR 8FT BOX	EML = ENGINE - 5.9L V8 MPI	DDP = TRANSMISSION - 5-SPEED MANUAL
33 = QUAD CAB 4-DR 6.5 FT BOX	EMM = ENGINE - "MAGNUM" 5.9L SMPI V8	DDX = TRANSMISSION - 5-SPEED HD MANUAL
34 = QUAD CAB 4-DR 8FT BOX	ETC = ENGINE- 5.9L CUMMINS 24V DIESEL	DEE = TRANSMISSION - 6-SPEED HD MANUAL
	ETH = ENGINE- 5.9L HO CUMMINS TURBO DIESEL	DGP = TRANSMISSION - 4-SPD. AUTOMATIC, 47RE
	EWA = ENGINE - 8.0L V10 MPI	DGT = TRANSMISSION - 4-SPD. AUTOMATIC, 46RE

AR = use ase required - = Non illustrated part

2000 BE



**Gear Train and Intermediate Shaft - 46RE [DGT]  
Figure 46RE-420**



**FRONT & REAR PLANET PINION CARRIER GEARS**

ITEM	PART NUMBER	QTY	LINE	SERIES	BODY	ENGINE	TRANS	TRIM	DESCRIPTION
1	06024312	1	1, 2, 3			ELO	DGT		SNAP RING, 1.108 Free Diameter
		1	6, 7, 8			ELO	DGT		
		1	1, 2, 3			EM0	DGT		
		1	6, 7, 8			EM0	DGT		
2	04617612	1	1, 2, 3			ELO	DGT		CARRIER, Planetary Pinion
		1	6, 7, 8			ELO	DGT		
	52118693	1	1, 2, 3			EM0	DGT		
		1	6, 7, 8			EM0	DGT		
3	02801060	1	1, 2, 3			ELO	DGT		THRUST WASHER, Planetary Carrier
		1	6, 7, 8			ELO	DGT		4 Tabs
		1	1, 2, 3			EM0	DGT		4 Tabs
		1	6, 7, 8			EM0	DGT		4 Tabs
4	02892656	1	1, 2, 3			ELO	DGT		GEAR, Front Annulus
		1	6, 7, 8			ELO	DGT		w/Support 2 1/2" I.D. Center Hole
		1	1, 2, 3			EM0	DGT		w/Support 2 1/2" I.D. Center Hole
		1	6, 7, 8			EM0	DGT		w/Support 2 1/2" I.D. Center Hole
5	04618000	1	1, 2, 3			ELO	DGT		WASHER
		1	6, 7, 8			ELO	DGT		
		1	1, 2, 3			EM0	DGT		
		1	6, 7, 8			EM0	DGT		
6	01736521	1	1, 2, 3			ELO	DGT		SNAP RING, Sun Gear
									Driving Shell Lock

**RAM PICKUP/CLUB CAB (BE)**

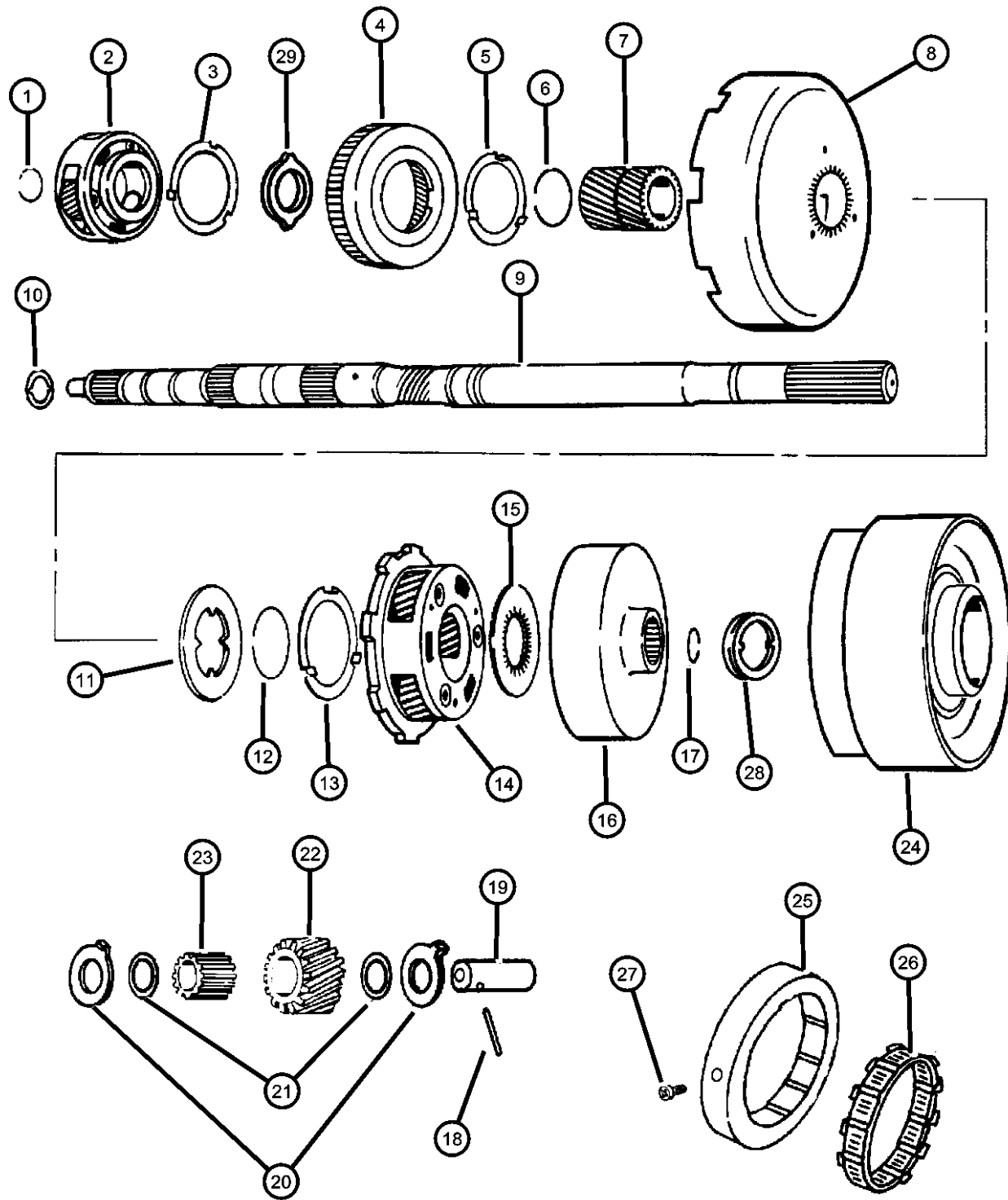
SERIES	LINE
L = Ram Truck (All)	3 = HD DODGE 2WD
	8 = HD DODGE 4WD
	1 = Lt. Duty DODGE 2WD
	6 = Lt. Duty DODGE 4WD
	2 = Med. Duty DODGE 2WD
	7 = Med. Duty DODGE 4WD

BODY	ENGINE	TRANSMISSION
31 = CLUB CAB 2-DR 6.5 FT BOX	ELF = ENGINE - 5.2L V8 MPI	DDC = TRANSMISSION - 5-SPEED HD MANUAL
32 = CLUB CAB 2-DR 8FT BOX	EML = ENGINE - 5.9L V8 MPI	DDP = TRANSMISSION - 5-SPEED MANUAL
33 = QUAD CAB 4-DR 6.5 FT BOX	EMM = ENGINE - "MAGNUM" 5.9L SMPI V8	DDX = TRANSMISSION - 5-SPEED HD MANUAL
34 = QUAD CAB 4-DR 8FT BOX	ETC = ENGINE- 5.9L CUMMINS 24V DIESEL	DEE = TRANSMISSION - 6-SPEED HD MANUAL
	ETH = ENGINE- 5.9L HO CUMMINS TURBO DIESEL	DGP = TRANSMISSION - 4-SPD. AUTOMATIC, 47RE
	EWA = ENGINE - 8.0L V10 MPI	DGT = TRANSMISSION - 4-SPD. AUTOMATIC, 46RE

AR = use ase required - = Non illustrated part

2000 BE

**Gear Train and Intermediate Shaft - 46RE [DGT]  
Figure 46RE-420**



**FRONT & REAR PLANET PINION CARRIER GEARS**

ITEM	PART NUMBER	QTY	LINE	SERIES	BODY	ENGINE	TRANS	TRIM	DESCRIPTION
		1	6, 7, 8			ELO	DGT		Driving Shell Lock
		1	1, 2, 3			EM0	DGT		Driving Shell Lock
		1	6, 7, 8			EM0	DGT		Driving Shell Lock
7									GEAR, Sun
	02801311	1	1, 2, 3			ELO	DGT		w/Bushing
		1	6, 7, 8			ELO	DGT		w/Bushing
		1	1, 2, 3			EM0	DGT		w/Bushing
		1	6, 7, 8			EM0	DGT		w/Bushing
8									SHELL, Sun Gear
	04617978	1	1, 2, 3			ELO	DGT		Driving
		1	6, 7, 8			ELO	DGT		Driving
		1	1, 2, 3			EM0	DGT		Driving
		1	6, 7, 8			EM0	DGT		Driving
9									INTERMEDIATE SHAFT, Transmission
	04617611	1	1, 2, 3			ELO	DGT		w/Plug
		1	6, 7, 8			ELO	DGT		w/Plug
		1	1, 2, 3			EM0	DGT		w/Plug
		1	6, 7, 8			EM0	DGT		w/Plug
10									PLATE, Transmission Module
	04505188	1	1, 2, 3			ELO	DGT		.060' Thick
		1	6, 7, 8			ELO	DGT		.060' Thick
		1	1, 2, 3			EM0	DGT		.060' Thick
		1	6, 7, 8			EM0	DGT		.060' Thick
11									PLATE, Sun Gear Driving Shell
	01942080	1	1, 2, 3			ELO	DGT		w/4 Inside Thongs
		1	6, 7, 8			ELO	DGT		w/4 Inside Thongs
		1	1, 2, 3			EM0	DGT		w/4 Inside Thongs
		1	6, 7, 8			EM0	DGT		w/4 Inside Thongs
12									SNAP RING, Sun Gear

**RAM PICKUP/CLUB CAB (BE)**

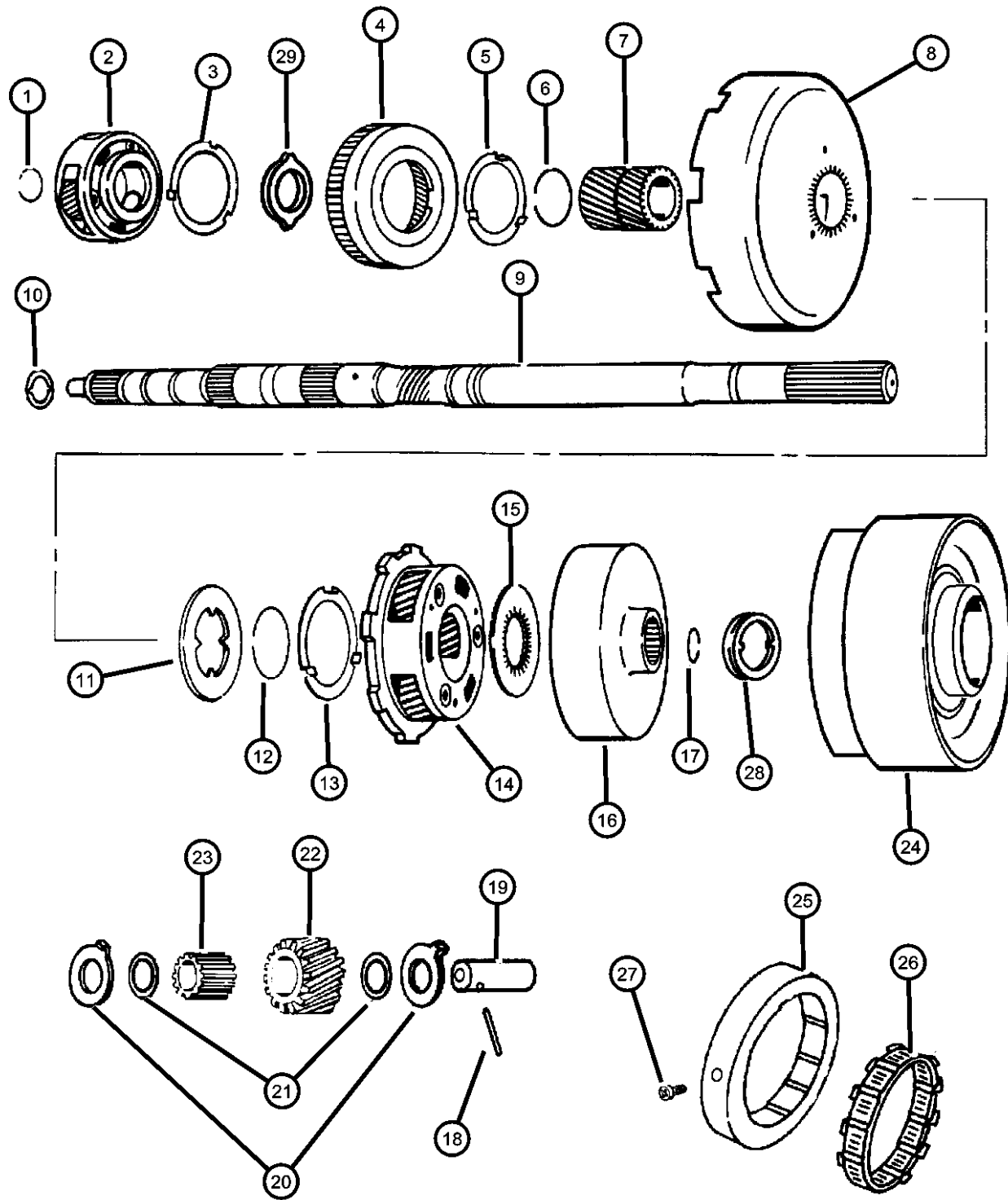
SERIES	LINE
L = Ram Truck (All)	3 = HD DODGE 2WD
	8 = HD DODGE 4WD
	1 = Lt. Duty DODGE 2WD
	6 = Lt. Duty DODGE 4WD
	2 = Med. Duty DODGE 2WD
	7 = Med. Duty DODGE 4WD

BODY	ENGINE	TRANSMISSION
31 = CLUB CAB 2-DR 6.5 FT BOX	ELF = ENGINE - 5.2L V8 MPI	DDC = TRANSMISSION - 5-SPEED HD MANUAL
32 = CLUB CAB 2-DR 8FT BOX	EML = ENGINE - 5.9L V8 MPI	DDP = TRANSMISSION - 5-SPEED MANUAL
33 = QUAD CAB 4-DR 6.5 FT BOX	EMM = ENGINE - "MAGNUM" 5.9L SMPI V8	DDX = TRANSMISSION - 5-SPEED HD MANUAL
34 = QUAD CAB 4-DR 8FT BOX	ETC = ENGINE- 5.9L CUMMINS 24V DIESEL	DEE = TRANSMISSION - 6-SPEED HD MANUAL
	ETH = ENGINE- 5.9L HO CUMMINS TURBO DIESEL	DGP = TRANSMISSION - 4-SPD. AUTOMATIC, 47RE
	EWA = ENGINE - 8.0L V10 MPI	DGT = TRANSMISSION - 4-SPD. AUTOMATIC, 46RE

AR = use ase required - = Non illustrated part

2000 BE

**Gear Train and Intermediate Shaft - 46RE [DGT]  
Figure 46RE-420**



**FRONT & REAR PLANET PINION CARRIER GEARS**

ITEM	PART NUMBER	QTY	LINE	SERIES	BODY	ENGINE	TRANS	TRIM	DESCRIPTION
	01736521	1	1, 2, 3			ELO	DGT		
		1	6, 7, 8			ELO	DGT		
		1	1, 2, 3			EM0	DGT		
		1	6, 7, 8			EM0	DGT		
13									THRUST WASHER, Planetary Carrier
	02801060	1	1, 2, 3			ELO	DGT		Rear, w/4Tabs , 3 13/32' O.D.
		1	6, 7, 8			ELO	DGT		Rear, w/4Tabs , 3 13/32' O.D.
		1	1, 2, 3			EM0	DGT		Rear, w/4Tabs , 3 13/32' O.D.
		1	6, 7, 8			EM0	DGT		Rear, w/4Tabs , 3 13/32' O.D.
14									CARRIER, Planetary Pinion
	02801061	1	1, 2, 3			ELO	DGT		
		1	6, 7, 8			ELO	DGT		
		1	1, 2, 3			EM0	DGT		
		1	6, 7, 8			EM0	DGT		
15									PLATE, Annulus Gear Thrust
	02400580	1	1, 2, 3			ELO	DGT		w/31 Inside Teeth, 3 23/64' O.D.
		1	6, 7, 8			ELO	DGT		w/31 Inside Teeth, 3 23/64' O.D.
		1	1, 2, 3			EM0	DGT		w/31 Inside Teeth, 3 23/64' O.D.
		1	6, 7, 8			EM0	DGT		w/31 Inside Teeth, 3 23/64' O.D.
16									GEAR, Rear Annulus
	04810002AB	1	1, 2, 3			ELO	DGT		
		1	6, 7, 8			ELO	DGT		
		1	1, 2, 3			EM0	DGT		
		1	6, 7, 8			EM0	DGT		
17									SNAP RING
	06033591	1	1, 2, 3			ELO	DGT		Reverse Drum
		1	6, 7, 8			ELO	DGT		Reverse Drum
		1	1, 2, 3			EM0	DGT		Reverse Drum
		1	6, 7, 8			EM0	DGT		Reverse Drum

**RAM PICKUP/CLUB CAB (BE)**

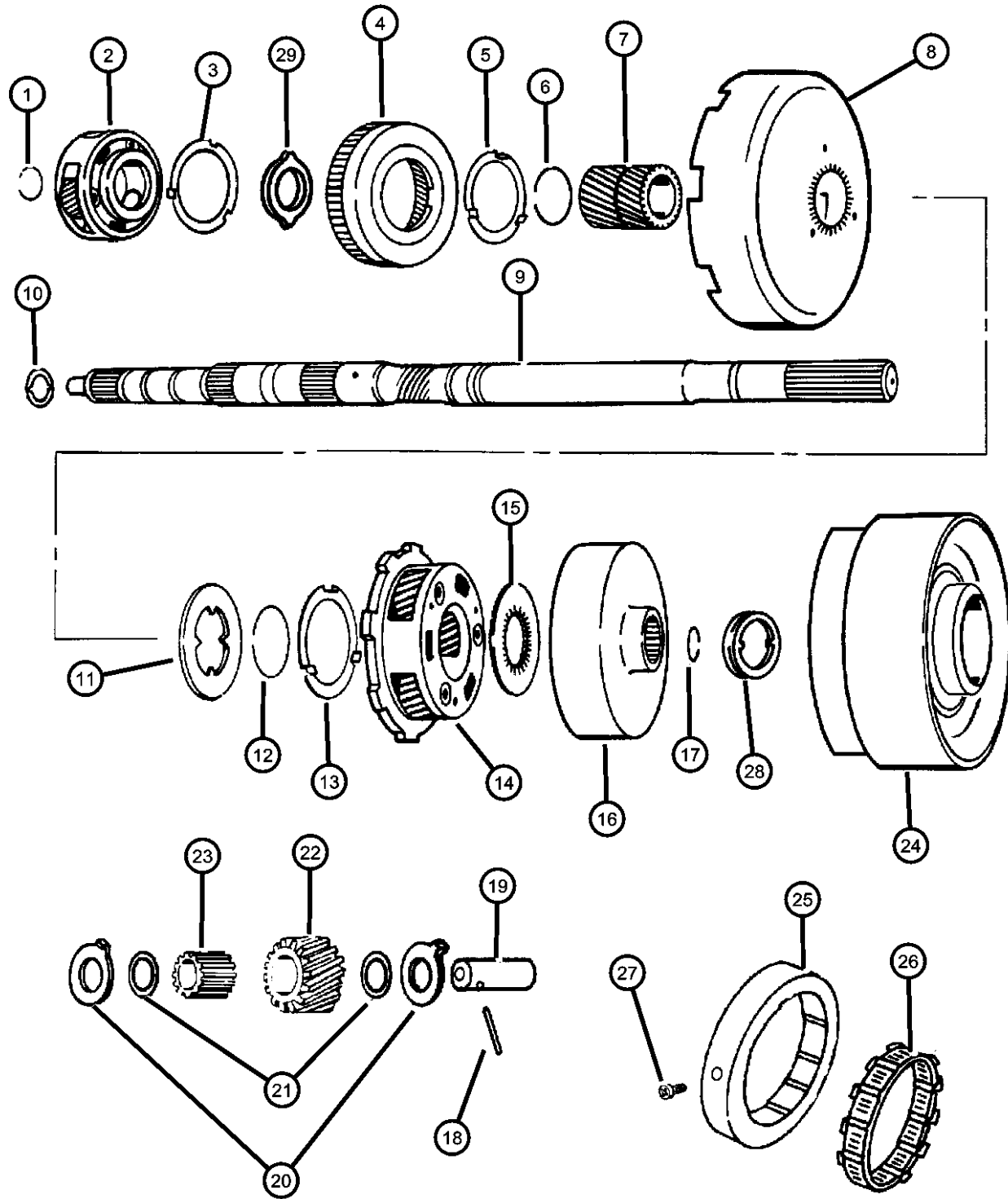
SERIES	LINE
L = Ram Truck (All)	3 = HD DODGE 2WD
	8 = HD DODGE 4WD
	1 = Lt. Duty DODGE 2WD
	6 = Lt. Duty DODGE 4WD
	2 = Med. Duty DODGE 2WD
	7 = Med. Duty DODGE 4WD

BODY	ENGINE	TRANSMISSION
31 = CLUB CAB 2-DR 6.5 FT BOX	ELF = ENGINE - 5.2L V8 MPI	DDC = TRANSMISSION - 5-SPEED HD MANUAL
32 = CLUB CAB 2-DR 8FT BOX	EML = ENGINE - 5.9L V8 MPI	DDP = TRANSMISSION - 5-SPEED MANUAL
33 = QUAD CAB 4-DR 6.5 FT BOX	EMM = ENGINE - "MAGNUM" 5.9L SMPI V8	DDX = TRANSMISSION - 5-SPEED HD MANUAL
34 = QUAD CAB 4-DR 8FT BOX	ETC = ENGINE- 5.9L CUMMINS 24V DIESEL	DEE = TRANSMISSION - 6-SPEED HD MANUAL
	ETH = ENGINE- 5.9L HO CUMMINS TURBO DIESEL	DGP = TRANSMISSION - 4-SPD. AUTOMATIC, 47RE
	EWA = ENGINE - 8.0L V10 MPI	DGT = TRANSMISSION - 4-SPD. AUTOMATIC, 46RE

AR = use ase required - = Non illustrated part

2000 BE

**Gear Train and Intermediate Shaft - 46RE [DGT]  
Figure 46RE-420**



**FRONT & REAR PLANET PINION CARRIER GEARS**

ITEM	PART NUMBER	QTY	LINE	SERIES	BODY	ENGINE	TRANS	TRIM	DESCRIPTION
18	06024666	4	1, 2, 3			ELO	DGT		DOWEL, .108x1.00
		4	6, 7, 8			ELO	DGT		Front and Rear, Planet Pinion Shaft
		4	1, 2, 3			EM0	DGT		Front and Rear, Planet Pinion Shaft
		5	1, 2, 3			EM0	DGT		Rear, Planet Pinion Shaft
		4	6, 7, 8			EM0	DGT		Front, Planet Pinion shaft
		4	6, 7, 8			EM0	DGT		Rear, Planet Pinion Shaft
		5	6, 7, 8			EM0	DGT		Front, Planet Pinion shaft
19	04428223	4	1, 2, 3			EM0	DGT		SHAFT, Planetary
		4	6, 7, 8			EM0	DGT		Rear
		4	1, 2, 3			ELO	DGT		Rear
		4	1, 2, 3			ELO	DGT		Front
		4	6, 7, 8			ELO	DGT		Rear
		4	6, 7, 8			ELO	DGT		Front
		5	1, 2, 3			EM0	DGT		Front
		5	6, 7, 8			EM0	DGT		Front
20	02801315	8	1, 2, 3			ELO	DGT		THRUST WASHER, Planetary Carrier
		8	1, 2, 3			ELO	DGT		Rear
		8	6, 7, 8			ELO	DGT		Front
		8	6, 7, 8			ELO	DGT		Rear
		8	6, 7, 8			ELO	DGT		Front
		10	1, 2, 3			EM0	DGT		Front
		8	1, 2, 3			EM0	DGT		Rear
		10	6, 7, 8			EM0	DGT		Front
		8	6, 7, 8			EM0	DGT		Rear
21	02204649	8	1, 2, 3			ELO	DGT		THRUST WASHER, Planet Pinion
		8	1, 2, 3			ELO	DGT		Rear
		8	1, 2, 3			ELO	DGT		Front

**RAM PICKUP/CLUB CAB (BE)**

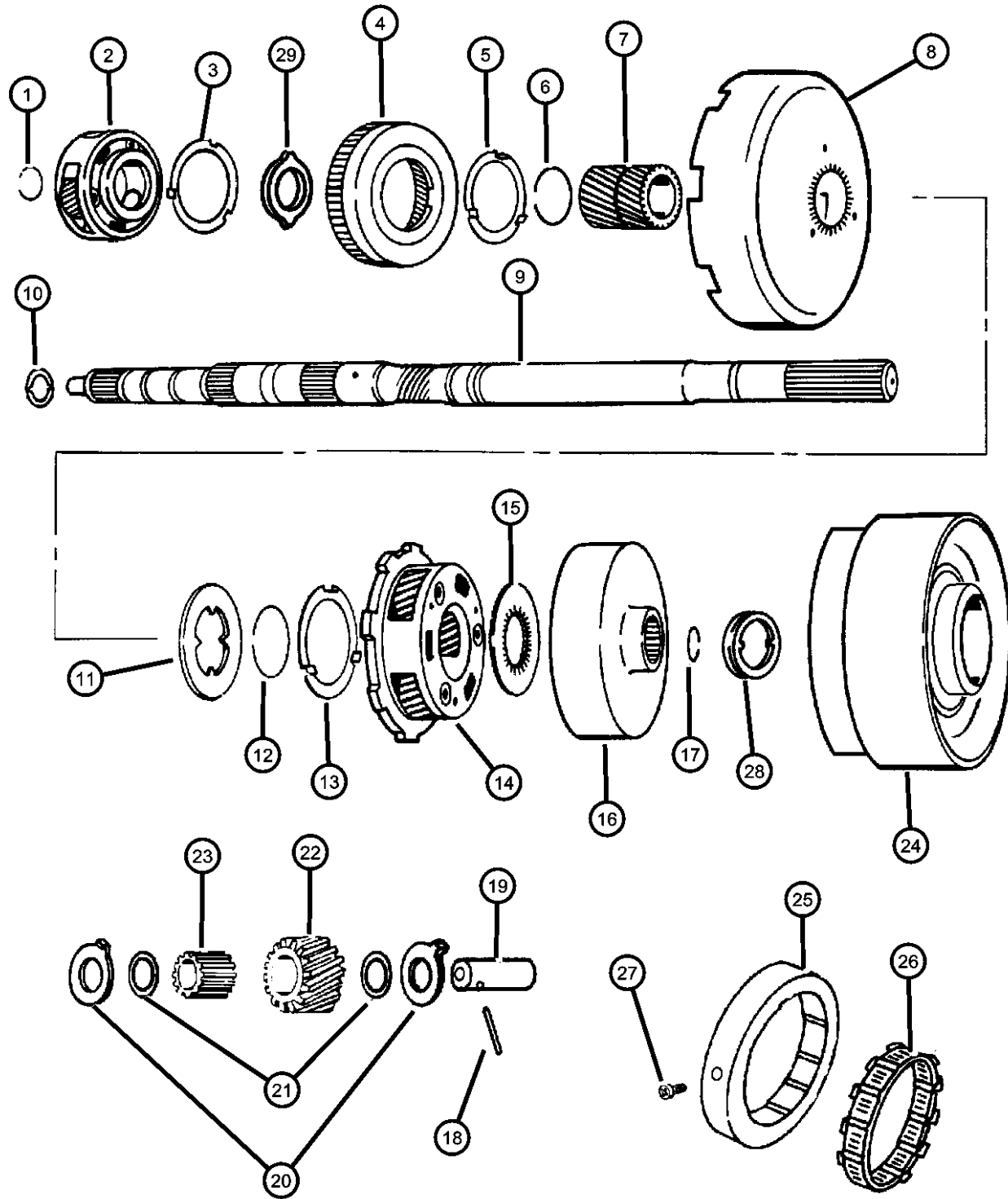
SERIES	LINE
L = Ram Truck (All)	3 = HD DODGE 2WD
	8 = HD DODGE 4WD
	1 = Lt. Duty DODGE 2WD
	6 = Lt. Duty DODGE 4WD
	2 = Med. Duty DODGE 2WD
	7 = Med. Duty DODGE 4WD

BODY	ENGINE	TRANSMISSION
31 = CLUB CAB 2-DR 6.5 FT BOX	ELF = ENGINE - 5.2L V8 MPI	DDC = TRANSMISSION - 5-SPEED HD MANUAL
32 = CLUB CAB 2-DR 8FT BOX	EML = ENGINE - 5.9L V8 MPI	DDP = TRANSMISSION - 5-SPEED MANUAL
33 = QUAD CAB 4-DR 6.5 FT BOX	EMM = ENGINE - "MAGNUM" 5.9L SMPI V8	DDX = TRANSMISSION - 5-SPEED HD MANUAL
34 = QUAD CAB 4-DR 8FT BOX	ETC = ENGINE- 5.9L CUMMINS 24V DIESEL	DEE = TRANSMISSION - 6-SPEED HD MANUAL
	ETH = ENGINE- 5.9L HO CUMMINS TURBO DIESEL	DGP = TRANSMISSION - 4-SPD. AUTOMATIC, 47RE
	EWA = ENGINE - 8.0L V10 MPI	DGT = TRANSMISSION - 4-SPD. AUTOMATIC, 46RE

AR = use ase required - = Non illustrated part

2000 BE

**Gear Train and Intermediate Shaft - 46RE [DGT]  
Figure 46RE-420**



**FRONT & REAR PLANET PINION CARRIER GEARS**

ITEM	PART NUMBER	QTY	LINE	SERIES	BODY	ENGINE	TRANS	TRIM	DESCRIPTION
		8	6, 7, 8			ELO	DGT		Rear
		8	6, 7, 8			ELO	DGT		Front
		8	1, 2, 3			EM0	DGT		Rear
		10	1, 2, 3			EM0	DGT		Front
		8	6, 7, 8			EM0	DGT		Rear
		10	6, 7, 8			EM0	DGT		Front
22	02400667	4	1, 2, 3			ELO	DGT		PINION, Transmission Planetary Rear
		4	1, 2, 3			ELO	DGT		Front
		4	6, 7, 8			ELO	DGT		Rear
		4	6, 7, 8			ELO	DGT		Front
		4	1, 2, 3			EM0	DGT		Rear
		5	1, 2, 3			EM0	DGT		Front
		4	6, 7, 8			EM0	DGT		Rear
		5	6, 7, 8			EM0	DGT		Front
23	03743664	92	1, 2, 3			ELO	DGT		ROLLER, Front and Rear Pinion Rear
		92	1, 2, 3			ELO	DGT		Front
		92	6, 7, 8			ELO	DGT		Rear
		92	6, 7, 8			ELO	DGT		Front
		92	1, 2, 3			EM0	DGT		Rear
		115	1, 2, 3			EM0	DGT		Front
		92	6, 7, 8			EM0	DGT		Rear
		115	6, 7, 8			EM0	DGT		Front
24	52118057	1	1, 2, 3			ELO	DGT		DRUM, Automatic Transmission Rear
		1	6, 7, 8			ELO	DGT		Front
		1	1, 2, 3			EM0	DGT		Rear
		1	6, 7, 8			EM0	DGT		Front
25									CAM, Overrunning Clutch

**RAM PICKUP/CLUB CAB (BE)**

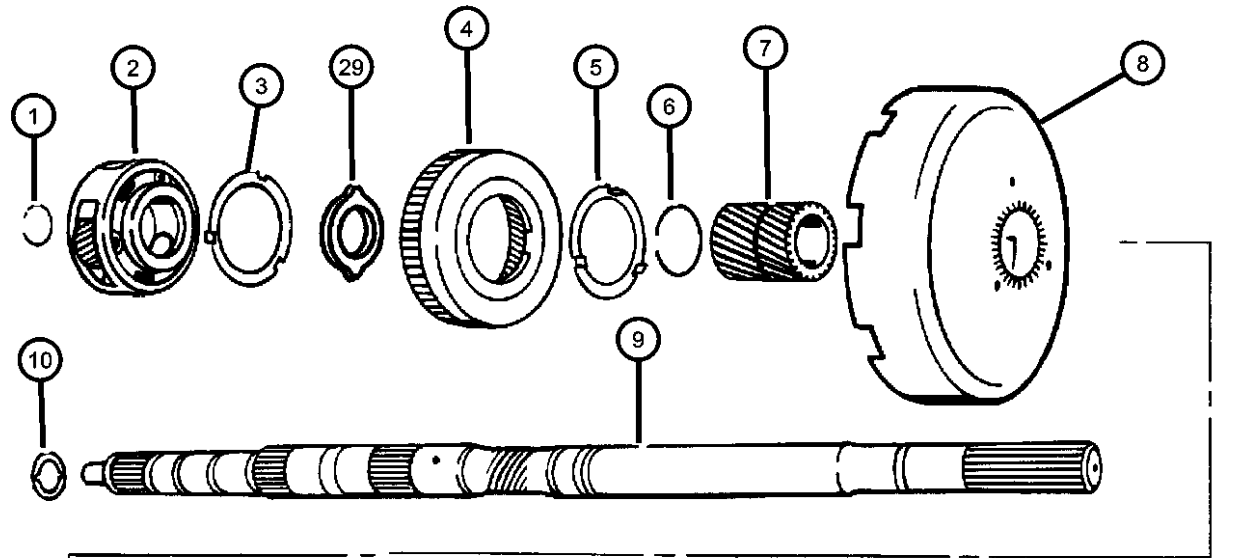
SERIES	LINE
L = Ram Truck	3 = HD DODGE 2WD
(All)	8 = HD DODGE 4WD
	1 = Lt. Duty DODGE 2WD
	6 = Lt. Duty DODGE 4WD
	2 = Med. Duty DODGE 2WD
	7 = Med. Duty DODGE 4WD

BODY	ENGINE	TRANSMISSION
31 = CLUB CAB 2-DR 6.5 FT BOX	ELF = ENGINE - 5.2L V8 MPI	DDC = TRANSMISSION - 5-SPEED HD MANUAL
32 = CLUB CAB 2-DR 8FT BOX	EML = ENGINE - 5.9L V8 MPI	DDP = TRANSMISSION - 5-SPEED MANUAL
33 = QUAD CAB 4-DR 6.5 FT BOX	EMM = ENGINE - "MAGNUM" 5.9L SMPI V8	DDX = TRANSMISSION - 5-SPEED HD MANUAL
34 = QUAD CAB 4-DR 8FT BOX	ETC = ENGINE- 5.9L CUMMINS 24V DIESEL	DEE = TRANSMISSION - 6-SPEED HD MANUAL
	ETH = ENGINE- 5.9L HO CUMMINS TURBO DIESEL	DGP = TRANSMISSION - 4-SPD. AUTOMATIC, 47RE
	EWA = ENGINE - 8.0L V10 MPI	DGT = TRANSMISSION - 4-SPD. AUTOMATIC, 46RE

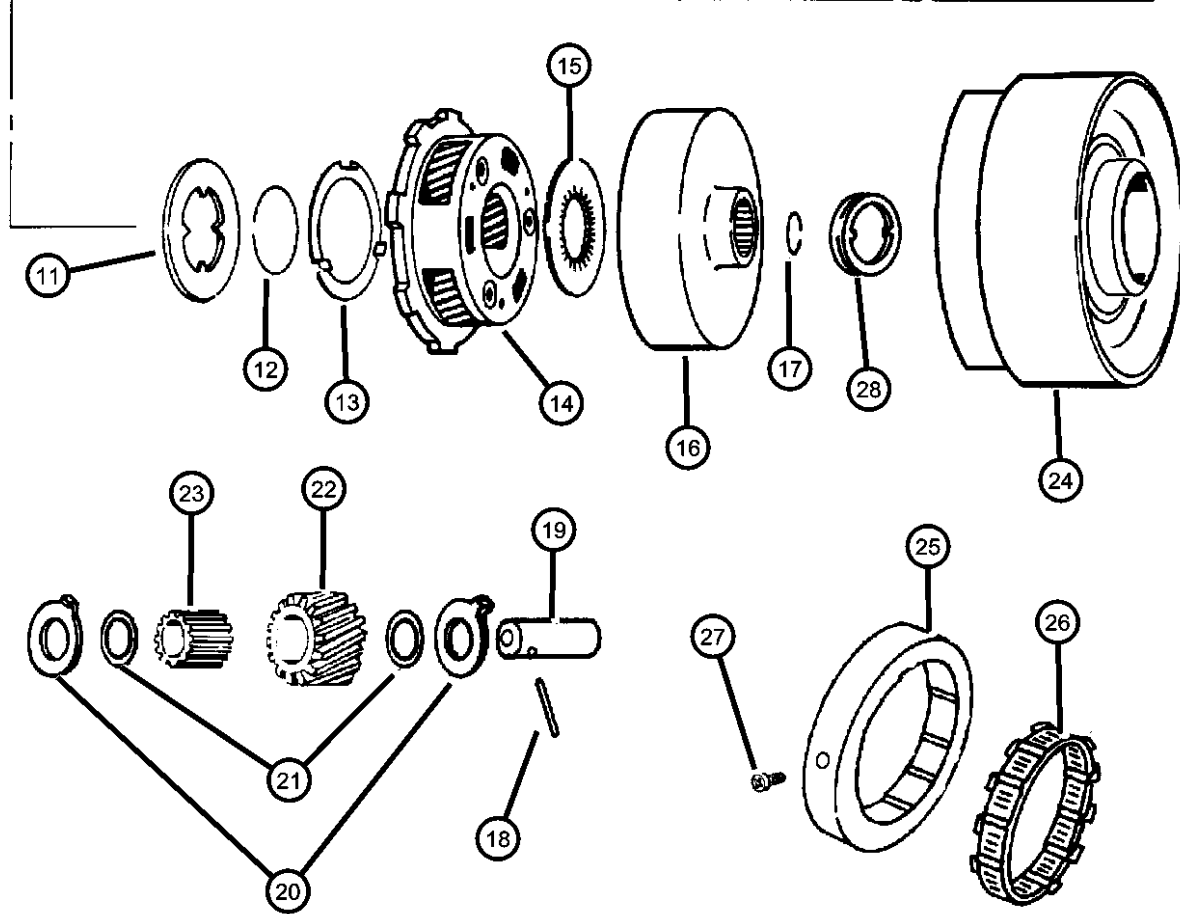
AR = use ase required - = Non illustrated part

2000 BE

**Gear Train and Intermediate Shaft - 46RE [DGT]  
Figure 46RE-420**



ITEM	PART NUMBER	QTY	LINE	SERIES	BODY	ENGINE	TRANS	TRIM	DESCRIPTION
	04471473	1	1, 2, 3			ELO	DGT		14 Cam Lobes
		1	6, 7, 8			ELO	DGT		14 Cam Lobes
		1	1, 2, 3			EM0	DGT		14 Cam Lobes
		1	6, 7, 8			EM0	DGT		14 Cam Lobes
26									CLUTCH, Overrunning
	04617199	1	1, 2, 3			ELO	DGT		
		1	6, 7, 8			ELO	DGT		
		1	1, 2, 3			EM0	DGT		
		1	6, 7, 8			EM0	DGT		
27	06023092	2					DGT		SCREW AND WASHER, Hex Head, .25-20x.50
28									THRUST WASHER, Reverse Drum
	52118059	1	1, 2, 3			ELO	DGT		
		1	6, 7, 8			ELO	DGT		
		1	1, 2, 3			EM0	DGT		
		1	6, 7, 8			EM0	DGT		
29									PLATE, Annulus Gear Thrust
	02400580	1	1, 2, 3			ELO	DGT		
		1	6, 7, 8			ELO	DGT		
		1	1, 2, 3			EM0	DGT		
		1	6, 7, 8			EM0	DGT		



**FRONT & REAR PLANET PINION CARRIER GEARS**

**RAM PICKUP/CLUB CAB (BE)**

SERIES	LINE
L = Ram Truck	3 = HD DODGE 2WD
(All)	8 = HD DODGE 4WD
	1 = Lt. Duty DODGE 2WD
	6 = Lt. Duty DODGE 4WD
	2 = Med. Duty DODGE 2WD
	7 = Med. Duty DODGE 4WD

BODY	ENGINE	TRANSMISSION
31 = CLUB CAB 2-DR 6.5 FT BOX	ELF = ENGINE - 5.2L V8 MPI	DDC = TRANSMISSION - 5-SPEED HD MANUAL
32 = CLUB CAB 2-DR 8FT BOX	EML = ENGINE - 5.9L V8 MPI	DDP = TRANSMISSION - 5-SPEED MANUAL
33 = QUAD CAB 4-DR 6.5 FT BOX	EMM = ENGINE - "MAGNUM" 5.9L SMPI V8	DDX = TRANSMISSION - 5-SPEED HD MANUAL
34 = QUAD CAB 4-DR 8FT BOX	ETC = ENGINE- 5.9L CUMMINS 24V DIESEL	DEE = TRANSMISSION - 6-SPEED HD MANUAL
	ETH = ENGINE- 5.9L HO CUMMINS TURBO DIESEL	DGP = TRANSMISSION - 4-SPD. AUTOMATIC, 47RE
	EWA = ENGINE - 8.0L V10 MPI	DGT = TRANSMISSION - 4-SPD. AUTOMATIC, 46RE

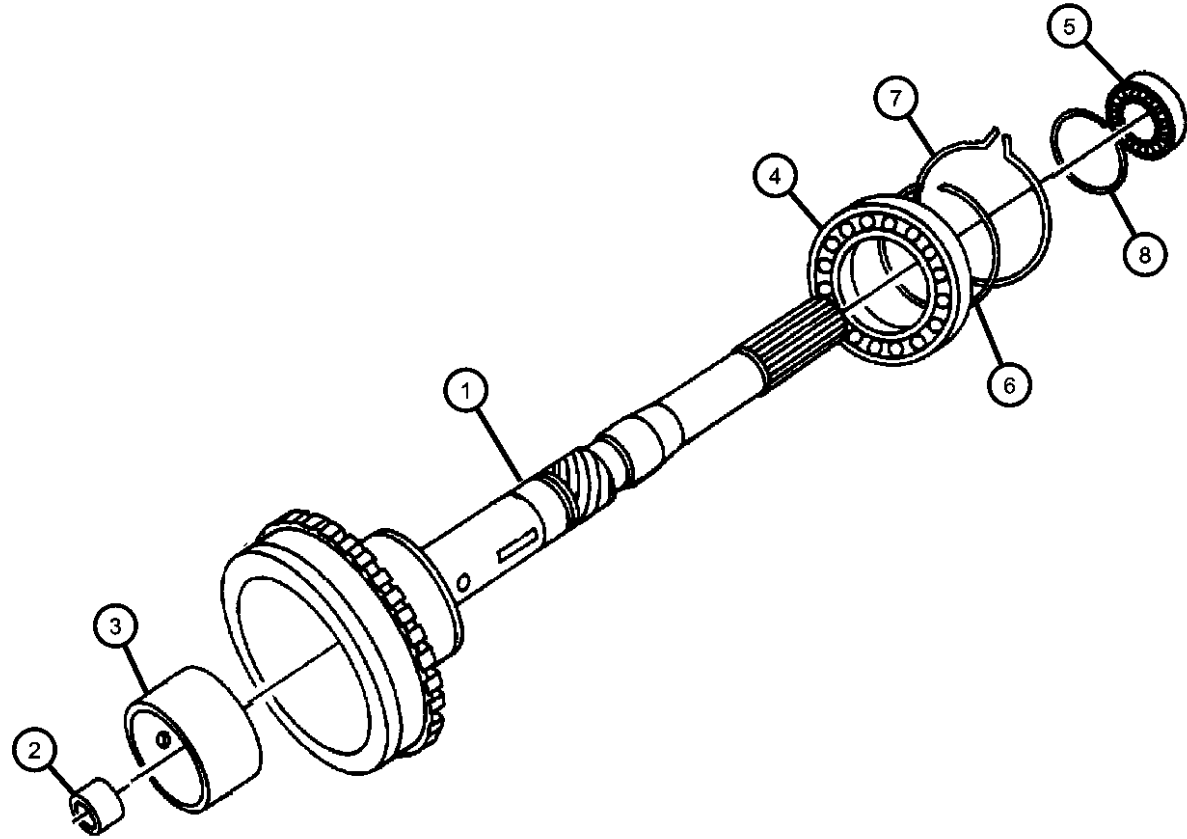
AR = use ase required - = Non illustrated part

2000 BE

**Output Shaft - 46RE [DGT]  
Figure 46RE-430**

ITEM	PART NUMBER	QTY	LINE	SERIES	BODY	ENGINE	TRANS	TRIM	DESCRIPTION
------	-------------	-----	------	--------	------	--------	-------	------	-------------

NOTES: Sales Codes  
 [DGT] = 4 Speed Automatic Transmission 46RE  
 [ELO] = All 5.2L 8 Cylinder Gas Engines  
 [EM0] = All 5.9L 8 Cylinder Gas Engines



1									SHAFT, Output
	04798536	1	6, 7, 8			ELO	DGT		
		1	6, 7, 8			EM0	DGT		
	05003232AA	1	1, 2, 3			ELO	DGT		
		1	1, 2, 3			EM0	DGT		
2		1							BUSHING, (NOT SERVICED)
3		1							BUSHING, (NOT SERVICED)
4									BEARING, Output Shaft
	04461008	1	6, 7, 8			ELO	DGT		
		1	6, 7, 8			EM0	DGT		
		1	1, 2, 3			ELO	DGT		
		1	1, 2, 3			EM0	DGT		
5									BEARING, Output Shaft
	02466224	1	1, 2, 3			ELO	DGT		
		1	1, 2, 3			EM0	DGT		
6									SNAP RING
	04461057	1	6, 7, 8			ELO	DGT		
		1	6, 7, 8			EM0	DGT		
		1	1, 2, 3			ELO	DGT		
		1	1, 2, 3			EM0	DGT		
7									SNAP RING
	04461057	1	6, 7, 8			ELO	DGT		
		1	6, 7, 8			EM0	DGT		
		1	1, 2, 3			ELO	DGT		
		1	1, 2, 3			EM0	DGT		
8									SNAP RING

**RAM PICKUP/CLUB CAB (BE)**

SERIES	LINE
L = Ram Truck (All)	3 = HD DODGE 2WD
	8 = HD DODGE 4WD
	1 = Lt. Duty DODGE 2WD
	6 = Lt. Duty DODGE 4WD
	2 = Med. Duty DODGE 2WD
	7 = Med. Duty DODGE 4WD

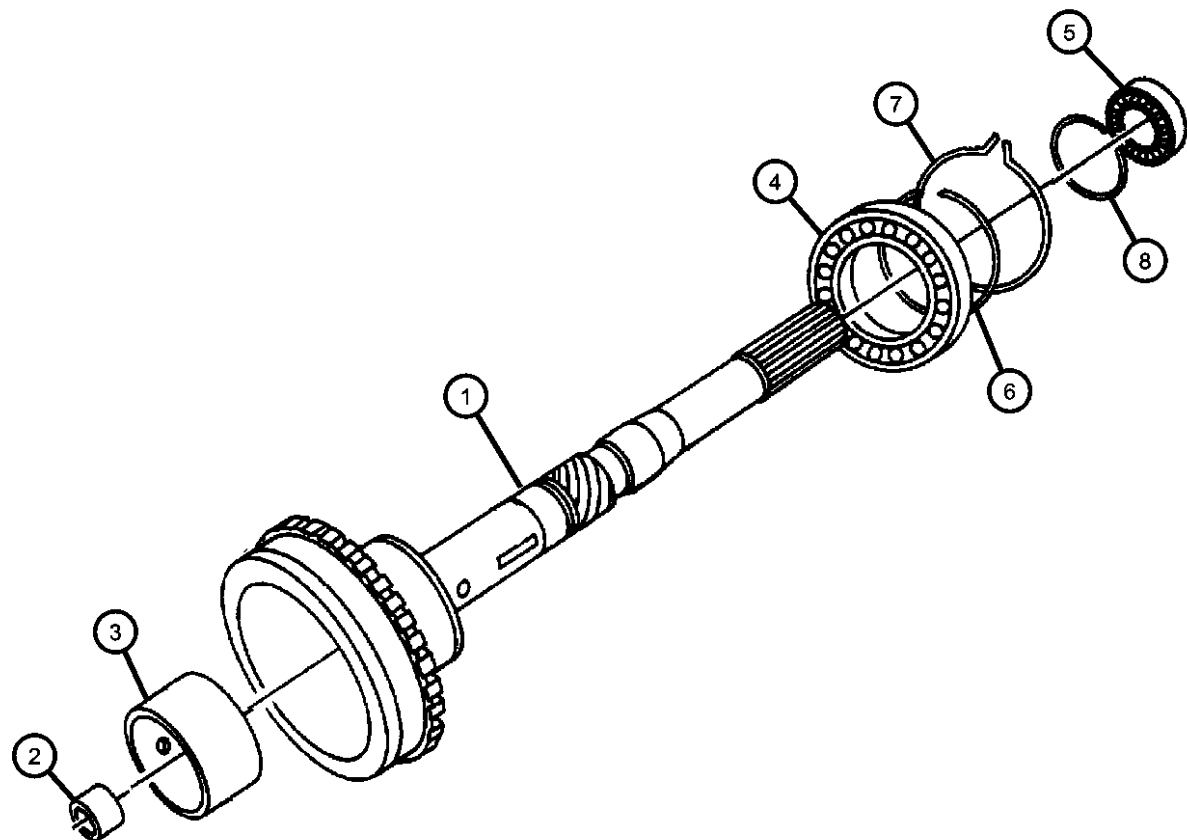
BODY	ENGINE	TRANSMISSION
31 = CLUB CAB 2-DR 6.5 FT BOX	ELF = ENGINE - 5.2L V8 MPI	DDC = TRANSMISSION - 5-SPEED HD MANUAL
32 = CLUB CAB 2-DR 8FT BOX	EML = ENGINE - 5.9L V8 MPI	DDP = TRANSMISSION - 5-SPEED MANUAL
33 = QUAD CAB 4-DR 6.5 FT BOX	EMM = ENGINE - "MAGNUM" 5.9L SMPI V8	DDX = TRANSMISSION - 5-SPEED HD MANUAL
34 = QUAD CAB 4-DR 8FT BOX	ETC = ENGINE- 5.9L CUMMINS 24V DIESEL	DEE = TRANSMISSION - 6-SPEED HD MANUAL
	ETH = ENGINE- 5.9L HO CUMMINS TURBO DIESEL	DGP = TRANSMISSION - 4-SPD. AUTOMATIC, 47RE
	EWA = ENGINE - 8.0L V10 MPI	DGT = TRANSMISSION - 4-SPD. AUTOMATIC, 46RE

AR = use ase required - = Non illustrated part

2000 BE

Output Shaft - 46RE [DGT]  
Figure 46RE-430

ITEM	PART NUMBER	QTY	LINE	SERIES	BODY	ENGINE	TRANS	TRIM	DESCRIPTION
	04461069	1	1, 2, 3			EL0	DGT		
		1	1, 2, 3			EM0	DGT		



RAM PICKUP/CLUB CAB (BE)

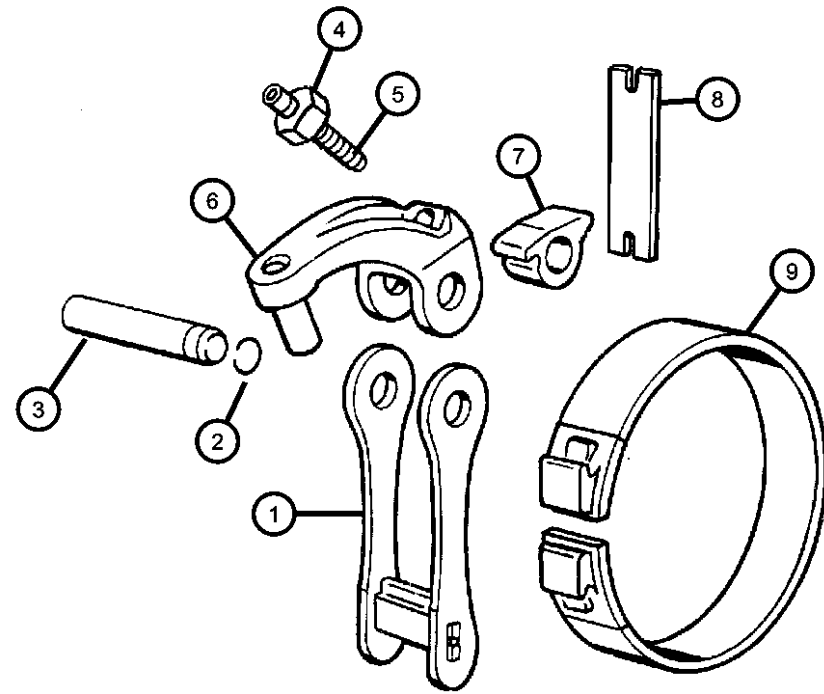
SERIES	LINE	BODY	ENGINE	TRANSMISSION
L = Ram Truck (All)	3 = HD DODGE 2WD 8 = HD DODGE 4WD 1 = Lt. Duty DODGE 2WD 6 = Lt. Duty DODGE 4WD 2 = Med. Duty DODGE 2WD 7 = Med. Duty DODGE 4WD	31 = CLUB CAB 2-DR 6.5 FT BOX 32 = CLUB CAB 2-DR 8FT BOX 33 = QUAD CAB 4-DR 6.5 FT BOX 34 = QUAD CAB 4-DR 8FT BOX	ELF = ENGINE - 5.2L V8 MPI EML = ENGINE - 5.9L V8 MPI EMM = ENGINE - "MAGNUM" 5.9L SMPI V8 ETC = ENGINE- 5.9L CUMMINS 24V DIESEL ETH = ENGINE- 5.9L HO CUMMINS TURBO DIESEL EWA = ENGINE - 8.0L V10 MPI	DDC = TRANSMISSION - 5-SPEED HD MANUAL DDP = TRANSMISSION - 5-SPEED MANUAL DDX = TRANSMISSION - 5-SPEED HD MANUAL DEE = TRANSMISSION - 6-SPEED HD MANUAL DGP = TRANSMISSION - 4-SPD. AUTOMATIC,47RE DGT = TRANSMISSION - 4-SPD. AUTOMATIC,46RE

AR = use ase required - = Non illustrated part

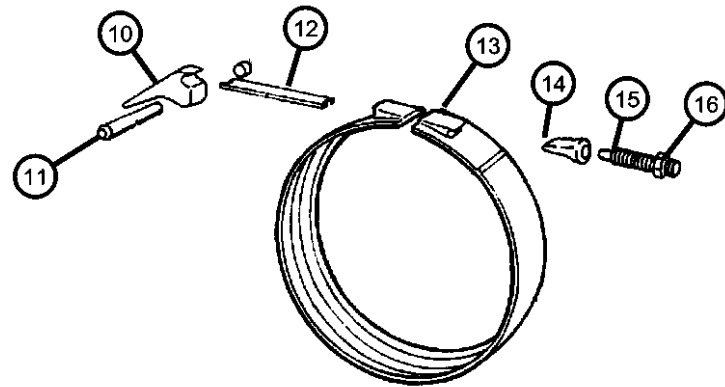
2000 BE



**Bands, Reverse and Kickdown - 46RE [DGT]  
Figure 46RE-510**



**REVERSE BAND**



**KICKDOWN BAND**

ITEM	PART NUMBER	QTY	LINE	SERIES	BODY	ENGINE	TRANS	TRIM	DESCRIPTION
NOTES: Sales Codes [DGT] = 4 Speed Automatic Transmission 46RE [ELO] = All 5.2L 8 Cylinder Gas Engines [EM0] = All 5.9L 8 Cylinder Gas Engines									
1	04617044	1	1, 2, 3			ELO	DGT		LINK, Transmission Reverse Band
		1	6, 7, 8			ELO	DGT		
2	06030910	2	1, 2, 3			ELO	DGT		SEAL, Reverse Band
		2	6, 7, 8			ELO	DGT		
3	02124857	1	1, 2, 3			ELO	DGT		SHAFT, Band Lever
		1	6, 7, 8			EM0	DGT		
4	00271506	1	1, 2, 3			ELO	DGT		NUT, Hex, .42-20
		1	6, 7, 8			EM0	DGT		
5	01942141	1	1, 2, 3			ELO	DGT		SCREW, Trans Reverse Band Adjusting, .437-20x1.5
		1	6, 7, 8			EM0	DGT		
6	04617028AB	1	1, 2, 3			ELO	DGT		LEVER, Reverse Band
		1	6, 7, 8			ELO	DGT		
		1	1, 2, 3			EM0	DGT		
		1	6, 7, 8			EM0	DGT		
7	04617014AB	1	1, 2, 3			ELO	DGT		LEVER, Reverse Band
		1	6, 7, 8			ELO	DGT		
		1	1, 2, 3			EM0	DGT		
		1	6, 7, 8			EM0	DGT		
8	04471497AB	1	1, 2, 3			ELO	DGT		STRUT, Reverse Band

**RAM PICKUP/CLUB CAB (BE)**

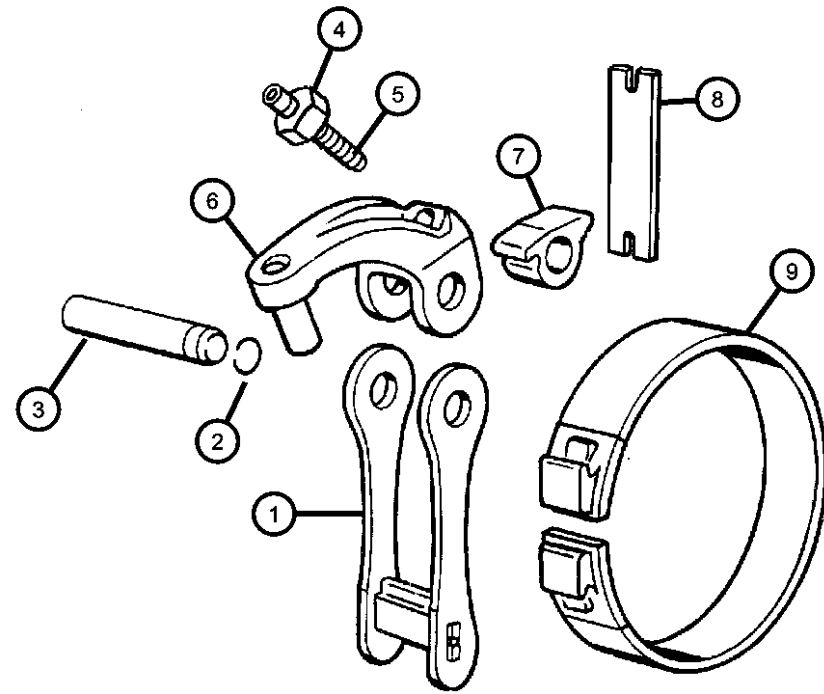
SERIES	LINE
L = Ram Truck	3 = HD DODGE 2WD
(All)	8 = HD DODGE 4WD
	1 = Lt. Duty DODGE 2WD
	6 = Lt. Duty DODGE 4WD
	2 = Med. Duty DODGE 2WD
	7 = Med. Duty DODGE 4WD

BODY	ENGINE	TRANSMISSION
31 = CLUB CAB 2-DR 6.5 FT BOX	ELF = ENGINE - 5.2L V8 MPI	DDC = TRANSMISSION - 5-SPEED HD MANUAL
32 = CLUB CAB 2-DR 8FT BOX	EML = ENGINE - 5.9L V8 MPI	DDP = TRANSMISSION - 5-SPEED MANUAL
33 = QUAD CAB 4-DR 6.5 FT BOX	EMM = ENGINE - "MAGNUM" 5.9L SMPI V8	DDX = TRANSMISSION - 5-SPEED HD MANUAL
34 = QUAD CAB 4-DR 8FT BOX	ETC = ENGINE- 5.9L CUMMINS 24V DIESEL	DEE = TRANSMISSION - 6-SPEED HD MANUAL
	ETH = ENGINE- 5.9L HO CUMMINS TURBO DIESEL	DGP = TRANSMISSION - 4-SPD. AUTOMATIC, 47RE
	EWA = ENGINE - 8.0L V10 MPI	DGT = TRANSMISSION - 4-SPD. AUTOMATIC, 46RE

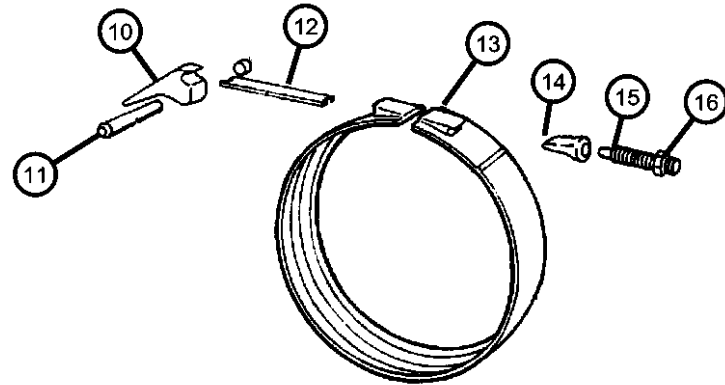
AR = use ase required - = Non illustrated part

2000 BE

**Bands, Reverse and Kickdown - 46RE [DGT]  
Figure 46RE-510**



**REVERSE BAND**



**KICKDOWN BAND**

ITEM	PART NUMBER	QTY	LINE	SERIES	BODY	ENGINE	TRANS	TRIM	DESCRIPTION
		1	6, 7, 8			ELO	DGT		
		1	1, 2, 3			EM0	DGT		
		1	6, 7, 8			EM0	DGT		
9	04471476AB	1	1, 2, 3			ELO	DGT		BAND, Reverse
		1	6, 7, 8			ELO	DGT		
		1	1, 2, 3			EM0	DGT		
		1	6, 7, 8			EM0	DGT		
10	52118264	1	1, 2, 3			ELO	DGT		LEVER, Kickdown
		1	6, 7, 8			ELO	DGT		
		1	1, 2, 3			EM0	DGT		
		1	6, 7, 8			EM0	DGT		
11	04531181	1	1, 2, 3			ELO	DGT		SHAFT, Band Lever
		1	6, 7, 8			ELO	DGT		
		1	1, 2, 3			EM0	DGT		
		1	6, 7, 8			EM0	DGT		
12	02124848	1	1, 2, 3			ELO	DGT		STRUT, Kickdown Band
		1	6, 7, 8			ELO	DGT		
		1	1, 2, 3			EM0	DGT		
		1	6, 7, 8			EM0	DGT		
13	04329853	1	1, 2, 3			ELO	DGT		BAND, Kickdown
		1	6, 7, 8			ELO	DGT		
		1	1, 2, 3			EM0	DGT		
		1	6, 7, 8			EM0	DGT		
14	03743338	1	1, 2, 3			ELO	DGT		ANCHOR, Kickdown Band

**RAM PICKUP/CLUB CAB (BE)**

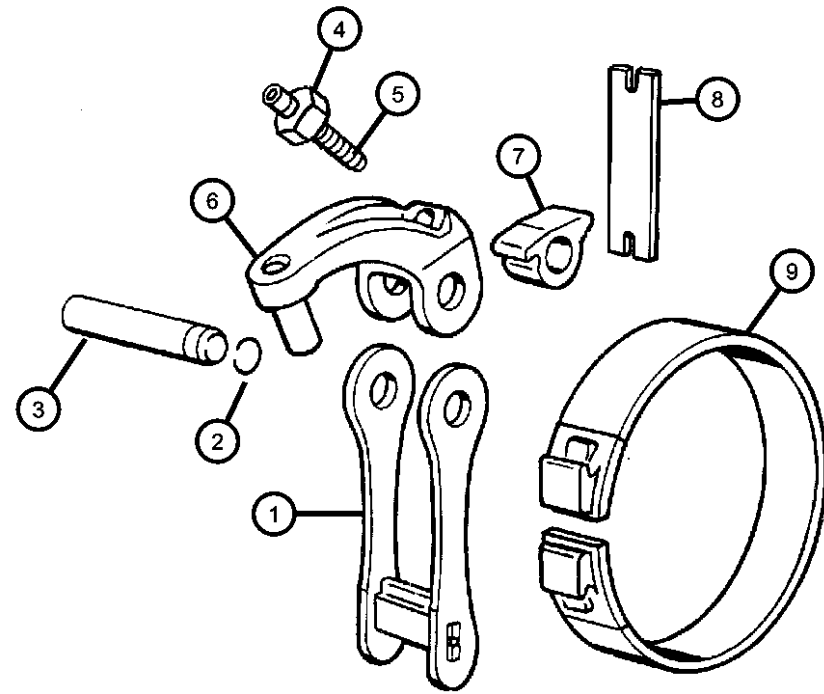
SERIES	LINE
L = Ram Truck	3 = HD DODGE 2WD
(All)	8 = HD DODGE 4WD
	1 = Lt. Duty DODGE 2WD
	6 = Lt. Duty DODGE 4WD
	2 = Med. Duty DODGE 2WD
	7 = Med. Duty DODGE 4WD

BODY	ENGINE	TRANSMISSION
31 = CLUB CAB 2-DR 6.5 FT BOX	ELF = ENGINE - 5.2L V8 MPI	DDC = TRANSMISSION - 5-SPEED HD MANUAL
32 = CLUB CAB 2-DR 8FT BOX	EML = ENGINE - 5.9L V8 MPI	DDP = TRANSMISSION - 5-SPEED MANUAL
33 = QUAD CAB 4-DR 6.5 FT BOX	EMM = ENGINE - "MAGNUM" 5.9L SMPI V8	DDX = TRANSMISSION - 5-SPEED HD MANUAL
34 = QUAD CAB 4-DR 8FT BOX	ETC = ENGINE- 5.9L CUMMINS 24V DIESEL	DEE = TRANSMISSION - 6-SPEED HD MANUAL
	ETH = ENGINE- 5.9L HO CUMMINS TURBO DIESEL	DGP = TRANSMISSION - 4-SPD. AUTOMATIC, 47RE
	EWA = ENGINE - 8.0L V10 MPI	DGT = TRANSMISSION - 4-SPD. AUTOMATIC, 46RE

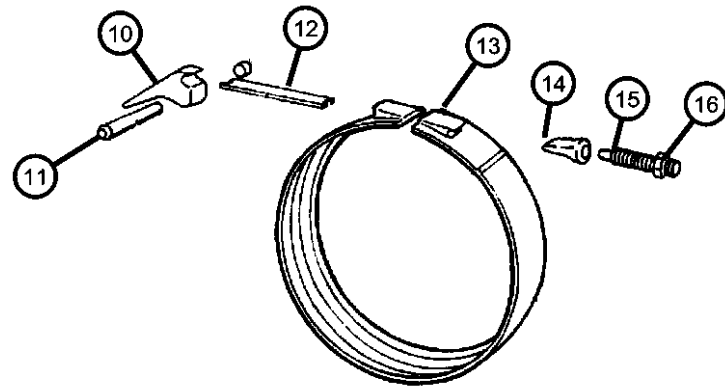
AR = use ase required - = Non illustrated part

2000 BE

**Bands, Reverse and Kickdown - 46RE [DGT]  
Figure 46RE-510**



**REVERSE BAND**



**KICKDOWN BAND**

ITEM	PART NUMBER	QTY	LINE	SERIES	BODY	ENGINE	TRANS	TRIM	DESCRIPTION
		1	6, 7, 8			ELO	DGT		
		1	1, 2, 3			EM0	DGT		
		1	6, 7, 8			EM0	DGT		
15	06036115AA	1	1, 2, 3			ELO	DGT		SCREW
		1	6, 7, 8			ELO	DGT		
		1	1, 2, 3			EM0	DGT		
		1	6, 7, 8			EM0	DGT		
16	00124934	1	1, 2, 3			ELO	DGT		NUT, Hex Jam, .50-20
		1	6, 7, 8			ELO	DGT		
		1	1, 2, 3			EM0	DGT		
		1	6, 7, 8			EM0	DGT		

**RAM PICKUP/CLUB CAB (BE)**

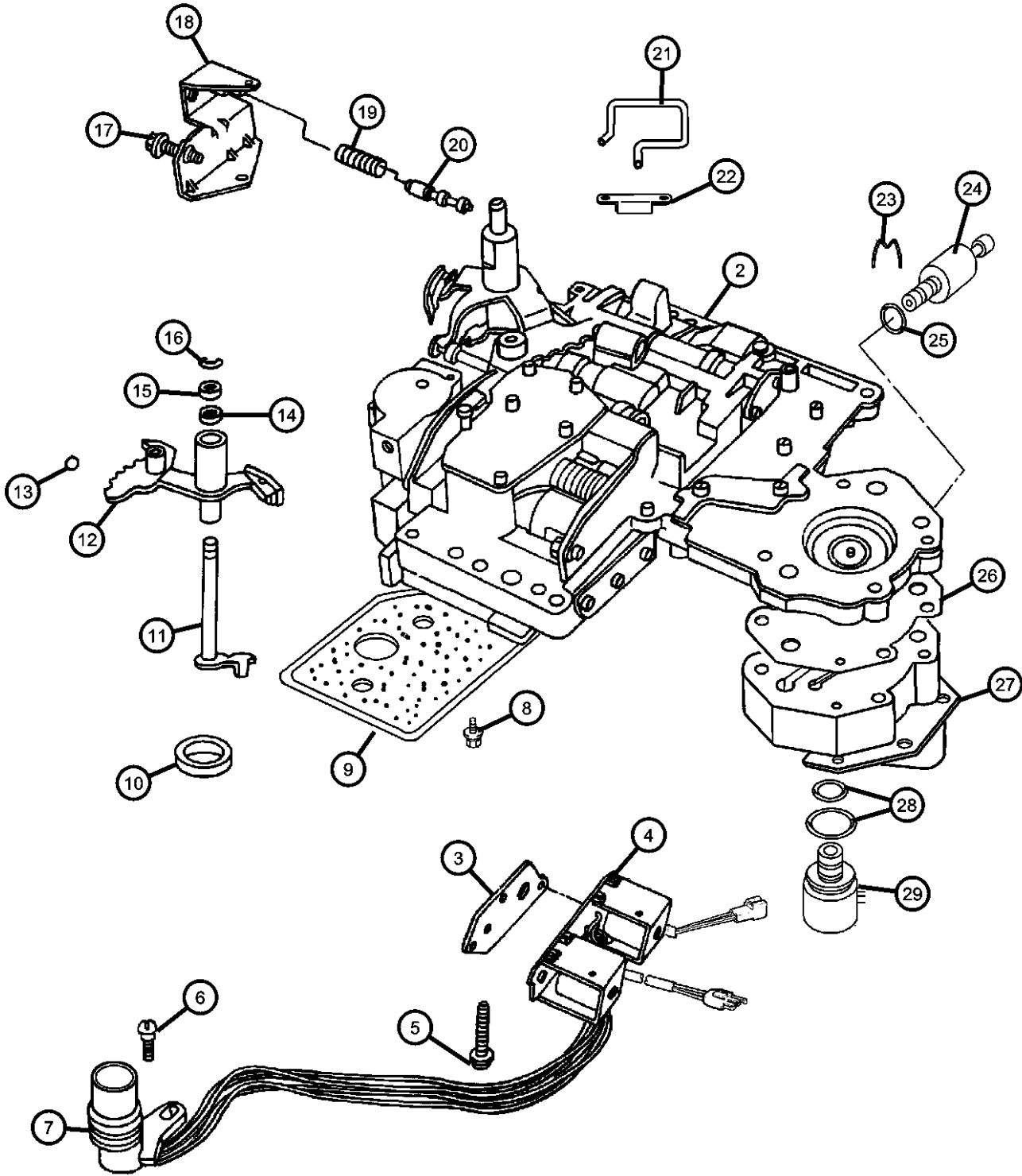
SERIES	LINE
L = Ram Truck	3 = HD DODGE 2WD
(All)	8 = HD DODGE 4WD
	1 = Lt. Duty DODGE 2WD
	6 = Lt. Duty DODGE 4WD
	2 = Med. Duty DODGE 2WD
	7 = Med. Duty DODGE 4WD

BODY	ENGINE	TRANSMISSION
31 = CLUB CAB 2-DR 6.5 FT BOX	ELF = ENGINE - 5.2L V8 MPI	DDC = TRANSMISSION - 5-SPEED HD MANUAL
32 = CLUB CAB 2-DR 8FT BOX	EML = ENGINE - 5.9L V8 MPI	DDP = TRANSMISSION - 5-SPEED MANUAL
33 = QUAD CAB 4-DR 6.5 FT BOX	EMM = ENGINE - "MAGNUM" 5.9L SMPI V8	DDX = TRANSMISSION - 5-SPEED HD MANUAL
34 = QUAD CAB 4-DR 8FT BOX	ETC = ENGINE- 5.9L CUMMINS 24V DIESEL	DEE = TRANSMISSION - 6-SPEED HD MANUAL
	ETH = ENGINE- 5.9L HO CUMMINS TURBO DIESEL	DGP = TRANSMISSION - 4-SPD. AUTOMATIC, 47RE
	EWA = ENGINE - 8.0L V10 MPI	DGT = TRANSMISSION - 4-SPD. AUTOMATIC, 46RE

AR = use ase required - = Non illustrated part

2000 BE

Valve Body - 46RE [DGT]  
Figure 46RE-710



ITEM	PART NUMBER	QTY	LINE	SERIES	BODY	ENGINE	TRANS	TRIM	DESCRIPTION
------	-------------	-----	------	--------	------	--------	-------	------	-------------

NOTES: Sales Codes  
[DGT] = 4 Speed Automatic Transmission 46RE  
[ELO] = All 5.2L 8 Cylinder Gas Engines  
[EM0] = All 5.9L 8 Cylinder Gas Engines

-1									SEAL AND GASKET PACKAGE, Valve Body and Servo
	04863892AC	1	1, 2, 3			ELO	DGT		
		1	6, 7, 8			ELO	DGT		
		1	1, 2, 3			EM0	DGT		
		1	6, 7, 8			EM0	DGT		
2									VALVE BODY ASSEMBLY
	52118793AB	1	1, 2, 3			ELO	DGT		
		1	6, 7, 8			ELO	DGT		
		1	1, 2, 3			EM0	DGT		
		1	6, 7, 8			EM0	DGT		
3									GASKET PACKAGE, Transmission Solenoid
	04886333AA	1	1, 2, 3			ELO	DGT		
		1	6, 7, 8			ELO	DGT		
		1	1, 2, 3			EM0	DGT		
		1	6, 7, 8			EM0	DGT		
4									SOLENOID, Transmission Overdrive
	52118500AB	1	1, 2, 3			ELO	DGT		
		1	6, 7, 8			ELO	DGT		
		1	1, 2, 3			EM0	DGT		
		1	6, 7, 8			EM0	DGT		
5									BOLT, Valve Body, .25-20x1.75
	00181071	3	1, 2, 3			ELO	DGT		
		3	6, 7, 8			ELO	DGT		
		3	1, 2, 3			EM0	DGT		
		3	6, 7, 8			EM0	DGT		
6									SCREW, Tapping, .19-24x.75

RAM PICKUP/CLUB CAB (BE)

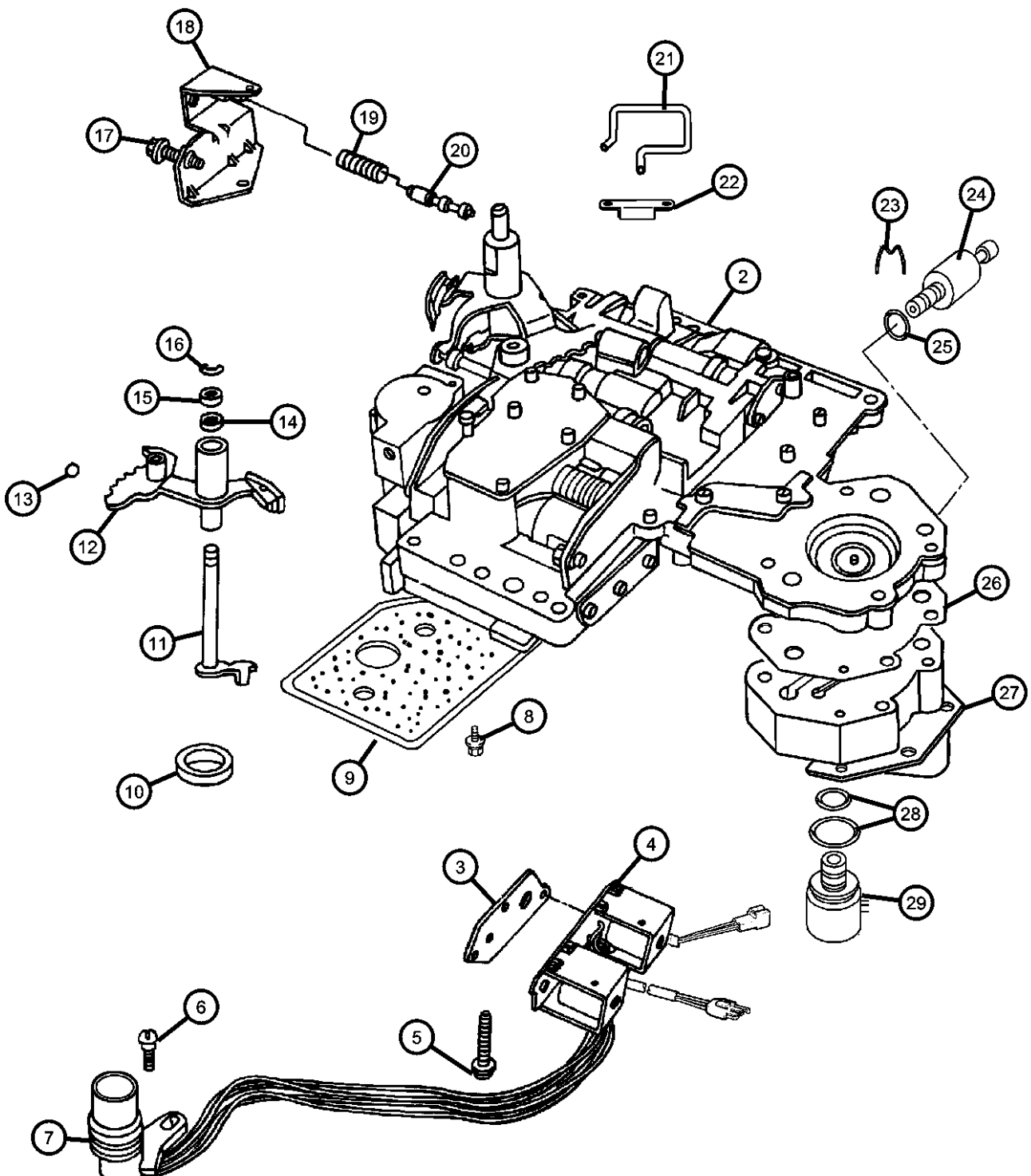
SERIES	LINE
L = Ram Truck (All)	3 = HD DODGE 2WD
	8 = HD DODGE 4WD
	1 = Lt. Duty DODGE 2WD
	6 = Lt. Duty DODGE 4WD
	2 = Med. Duty DODGE 2WD
	7 = Med. Duty DODGE 4WD

BODY	ENGINE	TRANSMISSION
31 = CLUB CAB 2-DR 6.5 FT BOX	ELF = ENGINE - 5.2L V8 MPI	DDC = TRANSMISSION - 5-SPEED HD MANUAL
32 = CLUB CAB 2-DR 8FT BOX	EML = ENGINE - 5.9L V8 MPI	DDP = TRANSMISSION - 5-SPEED MANUAL
33 = QUAD CAB 4-DR 6.5 FT BOX	EMM = ENGINE - "MAGNUM" 5.9L SMPI V8	DDX = TRANSMISSION - 5-SPEED HD MANUAL
34 = QUAD CAB 4-DR 8FT BOX	ETC = ENGINE- 5.9L CUMMINS 24V DIESEL	DEE = TRANSMISSION - 6-SPEED HD MANUAL
	ETH = ENGINE- 5.9L HO CUMMINS TURBO DIESEL	DGP = TRANSMISSION - 4-SPD. AUTOMATIC, 47RE
	EWA = ENGINE - 8.0L V10 MPI	DGT = TRANSMISSION - 4-SPD. AUTOMATIC, 46RE

AR = use ase required - = Non illustrated part

2000 BE

Valve Body - 46RE [DGT]  
Figure 46RE-710

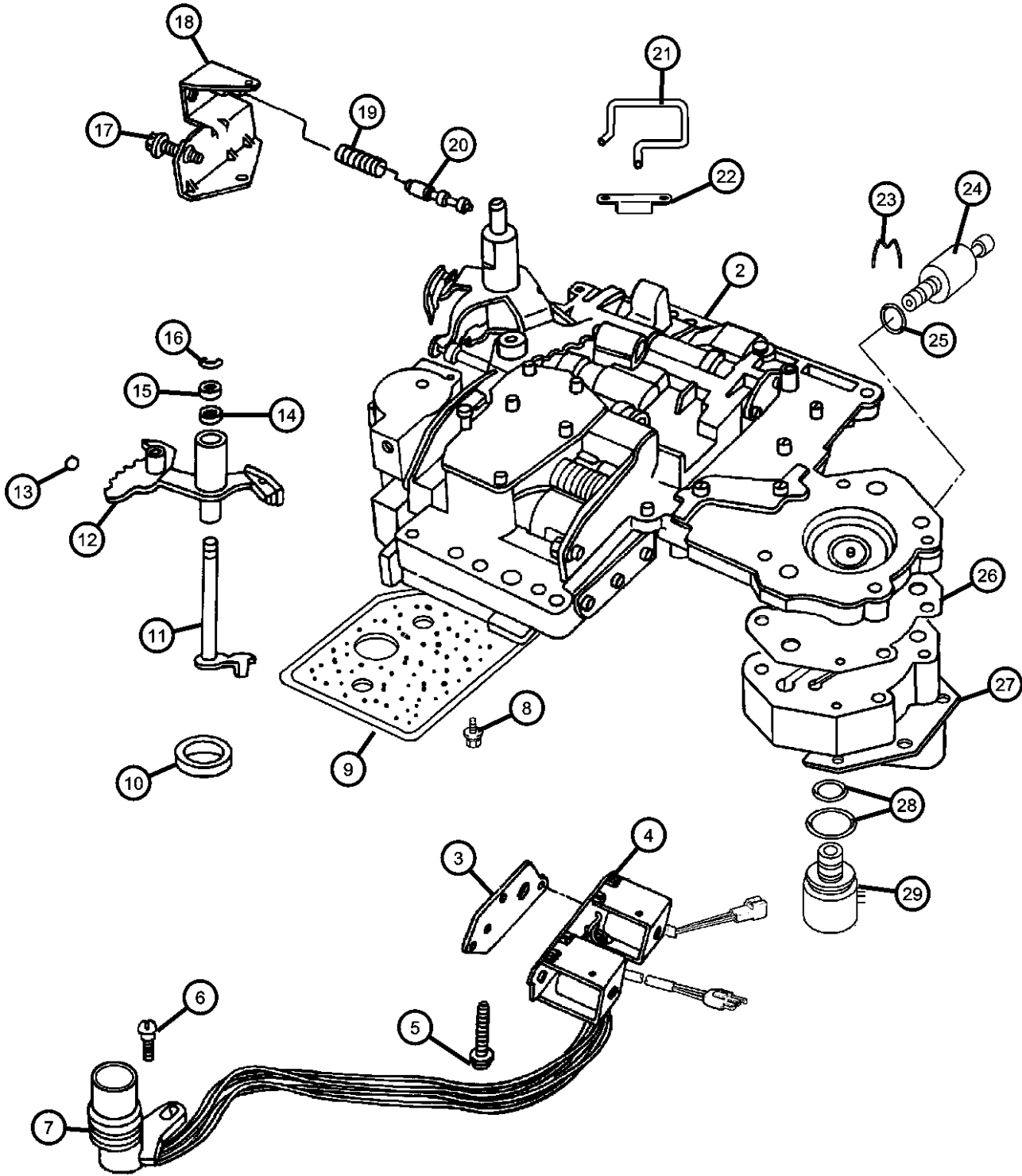


ITEM	PART NUMBER	QTY	LINE	SERIES	BODY	ENGINE	TRANS	TRIM	DESCRIPTION
7	06033985	1	1, 2, 3			ELO	DGT		O RING, Solenoid Wiring, Transmission
		1	6, 7, 8			ELO	DGT		
		1	1, 2, 3			EM0	DGT		
		1	6, 7, 8			EM0	DGT		
8	06034748	2	1, 2, 3			ELO	DGT		SCREW, Tapping, .19-24x.75
		2	6, 7, 8			ELO	DGT		
		2	1, 2, 3			EM0	DGT		
		2	6, 7, 8			EM0	DGT		
9	06033985	1	1, 2, 3			ELO	DGT		FILTER, Valve Body
		1	6, 7, 8			ELO	DGT		
		1	1, 2, 3			EM0	DGT		
		1	6, 7, 8			EM0	DGT		
10	52118789	1	1, 2, 3			ELO	DGT		SEAL, Manual Shift Valve, 1.25 OD
		1	6, 7, 8			ELO	DGT		
		1	1, 2, 3			EM0	DGT		
		1	6, 7, 8			EM0	DGT		
11	04505098	1	1, 2, 3			ELO	DGT		LEVER, Throttle Valve
		1	6, 7, 8			ELO	DGT		
		1	1, 2, 3			EM0	DGT		
		1	6, 7, 8			EM0	DGT		
	03681227	1	1, 2, 3			ELO	DGT		
		1	6, 7, 8			ELO	DGT		
		1	1, 2, 3			EM0	DGT		
		1	6, 7, 8			EM0	DGT		

<b>RAM PICKUP/CLUB CAB (BE)</b>		BODY	ENGINE	TRANSMISSION
SERIES	LINE			
L = Ram Truck	3 = HD DODGE 2WD	31 = CLUB CAB 2-DR 6.5 FT BOX	ELF = ENGINE - 5.2L V8 MPI	DDC = TRANSMISSION - 5-SPEED HD MANUAL
(All)	8 = HD DODGE 4WD	32 = CLUB CAB 2-DR 8FT BOX	EML = ENGINE - 5.9L V8 MPI	DDP = TRANSMISSION - 5-SPEED MANUAL
	1 = Lt. Duty DODGE 2WD	33 = QUAD CAB 4-DR 6.5 FT BOX	EMM = ENGINE - "MAGNUM" 5.9L SMPI V8	DDX = TRANSMISSION - 5-SPEED HD MANUAL
	6 = Lt. Duty DODGE 4WD	34 = QUAD CAB 4-DR 8FT BOX	ETC = ENGINE- 5.9L CUMMINS 24V DIESEL	DEE = TRANSMISSION - 6-SPEED HD MANUAL
	2 = Med. Duty DODGE 2WD		ETH = ENGINE- 5.9L HO CUMMINS TURBO DIESEL	DGP = TRANSMISSION - 4-SPD. AUTOMATIC, 47RE
	7 = Med. Duty DODGE 4WD		EWA = ENGINE - 8.0L V10 MPI	DGT = TRANSMISSION - 4-SPD. AUTOMATIC, 46RE

AR = use ase required - = Non illustrated part

Valve Body - 46RE [DGT]  
Figure 46RE-710



ITEM	PART NUMBER	QTY	LINE	SERIES	BODY	ENGINE	TRANS	TRIM	DESCRIPTION
12	04617439	1	1, 2, 3			ELO	DGT		LEVER, Manual Valve
		1	6, 7, 8			ELO	DGT		
		1	1, 2, 3			EM0	DGT		
		1	6, 7, 8			EM0	DGT		
13	00147488	1	1, 2, 3			ELO	DGT		BALL, Manual Lever Detent, .343 Diameter
		1	6, 7, 8			ELO	DGT		
		1	1, 2, 3			EM0	DGT		
		1	6, 7, 8			EM0	DGT		
14	02466548	1	1, 2, 3			ELO	DGT		SEAL, Valve Lever Shift
		1	6, 7, 8			ELO	DGT		
		1	1, 2, 3			EM0	DGT		
		1	6, 7, 8			EM0	DGT		
15	02538062	1	1, 2, 3			ELO	DGT		WASHER, Manual Valve Lever
		1	6, 7, 8			ELO	DGT		
		1	1, 2, 3			EM0	DGT		
		1	6, 7, 8			EM0	DGT		
16	06035208	1	1, 2, 3			ELO	DGT		SNAP RING
		1	6, 7, 8			ELO	DGT		
		1	1, 2, 3			EM0	DGT		
		1	6, 7, 8			EM0	DGT		
17	06030609	1	1, 2, 3			ELO	DGT		SCREW, Cap Head Lock, .312-24x1.25
		1	6, 7, 8			ELO	DGT		
		1	1, 2, 3			EM0	DGT		

RAM PICKUP/CLUB CAB (BE)

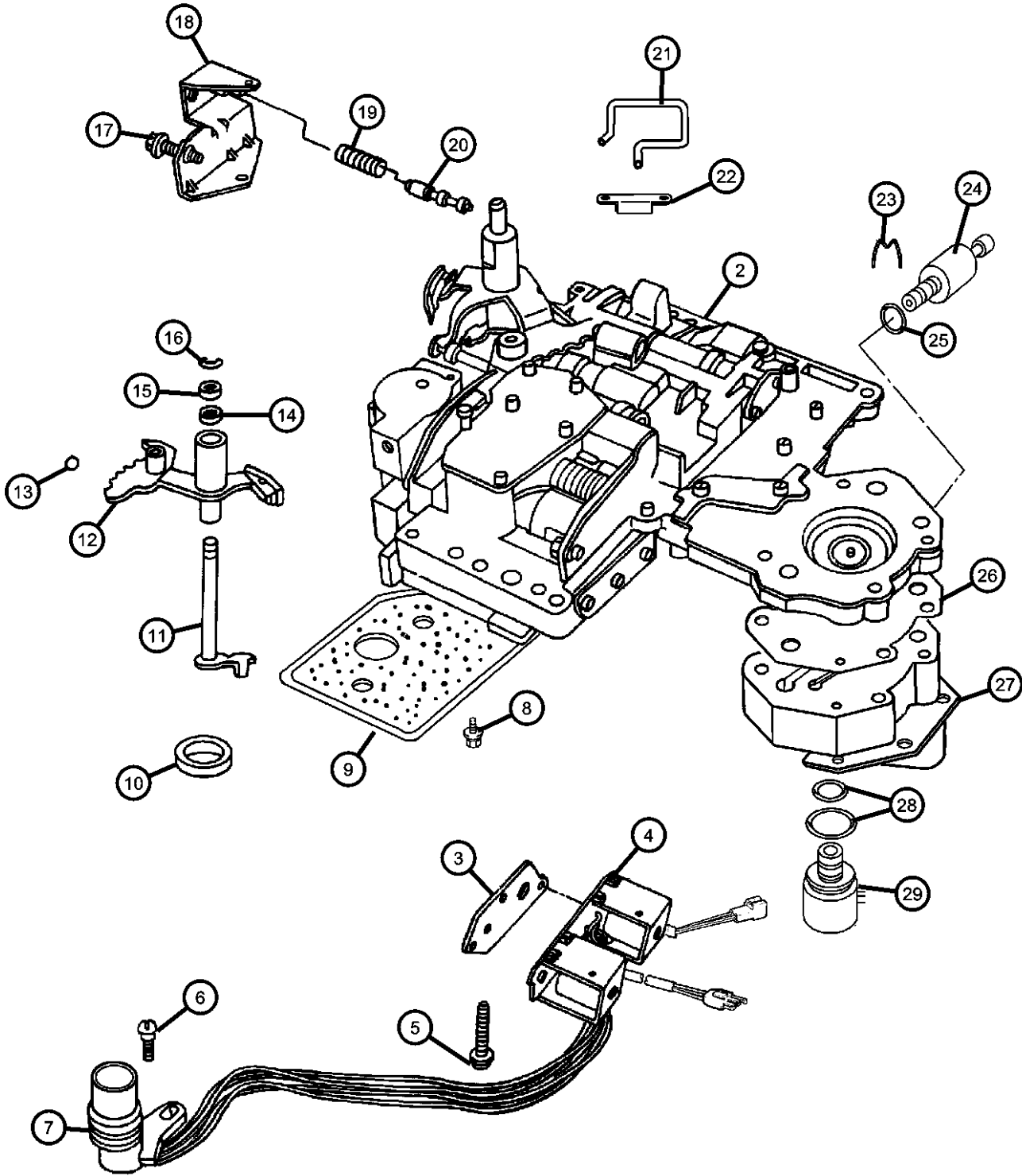
SERIES	LINE
L = Ram Truck (All)	3 = HD DODGE 2WD
	8 = HD DODGE 4WD
	1 = Lt. Duty DODGE 2WD
	6 = Lt. Duty DODGE 4WD
	2 = Med. Duty DODGE 2WD
	7 = Med. Duty DODGE 4WD

BODY	ENGINE	TRANSMISSION
31 = CLUB CAB 2-DR 6.5 FT BOX	ELF = ENGINE - 5.2L V8 MPI	DDC = TRANSMISSION - 5-SPEED HD MANUAL
32 = CLUB CAB 2-DR 8FT BOX	EML = ENGINE - 5.9L V8 MPI	DDP = TRANSMISSION - 5-SPEED MANUAL
33 = QUAD CAB 4-DR 6.5 FT BOX	EMM = ENGINE - "MAGNUM" 5.9L SMPI V8	DDX = TRANSMISSION - 5-SPEED HD MANUAL
34 = QUAD CAB 4-DR 8FT BOX	ETC = ENGINE- 5.9L CUMMINS 24V DIESEL	DEE = TRANSMISSION - 6-SPEED HD MANUAL
	ETH = ENGINE- 5.9L HO CUMMINS TURBO DIESEL	DGP = TRANSMISSION - 4-SPD. AUTOMATIC, 47RE
	EWA = ENGINE - 8.0L V10 MPI	DGT = TRANSMISSION - 4-SPD. AUTOMATIC, 46RE

AR = use ase required - = Non illustrated part

2000 BE

Valve Body - 46RE [DGT]  
Figure 46RE-710



ITEM	PART NUMBER	QTY	LINE	SERIES	BODY	ENGINE	TRANS	TRIM	DESCRIPTION
18		1	6, 7, 8			EM0	DGT		BRACKET, Valve Body Switch
	04617010	1	1, 2, 3			ELO	DGT		
		1	6, 7, 8			ELO	DGT		
		1	1, 2, 3			EM0	DGT		
		1	6, 7, 8			EM0	DGT		
19									SPRING, Switch Valve
	04130492	1	1, 2, 3			ELO	DGT		
		1	6, 7, 8			ELO	DGT		
		1	1, 2, 3			EM0	DGT		
		1	6, 7, 8			EM0	DGT		
20									VALVE, Trans Lockup Switch
	04505036	1	1, 2, 3			ELO	DGT		
		1	6, 7, 8			ELO	DGT		
		1	1, 2, 3			EM0	DGT		
		1	6, 7, 8			EM0	DGT		
21									TUBE, Boost Valve
	04617008	1	1, 2, 3			ELO	DGT		
		1	6, 7, 8			ELO	DGT		
		1	1, 2, 3			EM0	DGT		
		1	6, 7, 8			EM0	DGT		
22									RETAINER, Boost Valve Oil Supply Tube
	52117958	1	1, 2, 3			ELO	DGT		
		1	6, 7, 8			ELO	DGT		
		1	1, 2, 3			EM0	DGT		
		1	6, 7, 8			EM0	DGT		
23									CLIP, Transmission Governor Transducer
	04617219	1	1, 2, 3			ELO	DGT		
		1	6, 7, 8			ELO	DGT		

RAM PICKUP/CLUB CAB (BE)

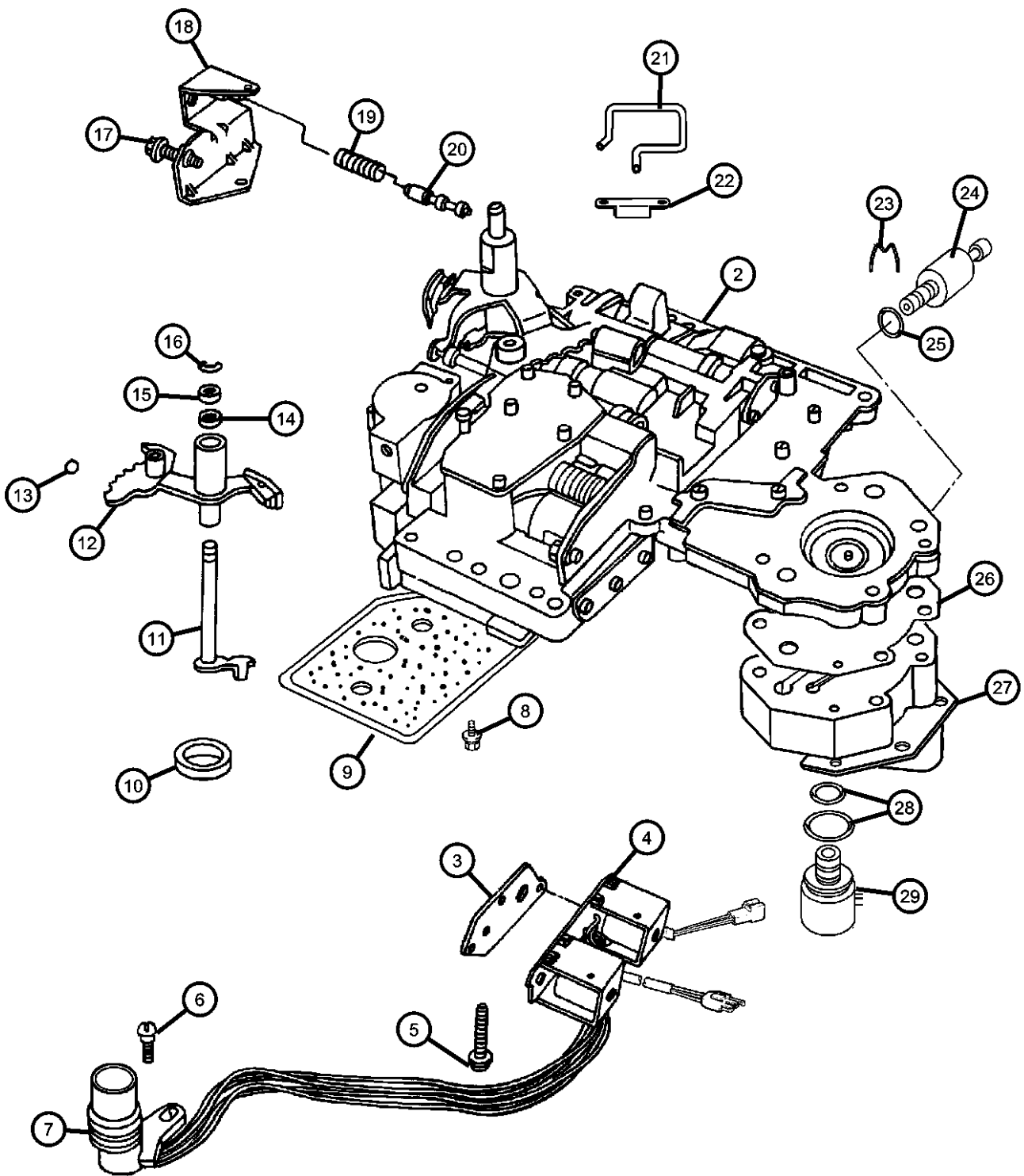
SERIES	LINE
L = Ram Truck (All)	3 = HD DODGE 2WD
	8 = HD DODGE 4WD
	1 = Lt. Duty DODGE 2WD
	6 = Lt. Duty DODGE 4WD
	2 = Med. Duty DODGE 2WD
	7 = Med. Duty DODGE 4WD

BODY	ENGINE	TRANSMISSION
31 = CLUB CAB 2-DR 6.5 FT BOX	ELF = ENGINE - 5.2L V8 MPI	DDC = TRANSMISSION - 5-SPEED HD MANUAL
32 = CLUB CAB 2-DR 8FT BOX	EML = ENGINE - 5.9L V8 MPI	DDP = TRANSMISSION - 5-SPEED MANUAL
33 = QUAD CAB 4-DR 6.5 FT BOX	EMM = ENGINE - "MAGNUM" 5.9L SMPI V8	DDX = TRANSMISSION - 5-SPEED HD MANUAL
34 = QUAD CAB 4-DR 8FT BOX	ETC = ENGINE- 5.9L CUMMINS 24V DIESEL	DEE = TRANSMISSION - 6-SPEED HD MANUAL
	ETH = ENGINE- 5.9L HO CUMMINS TURBO DIESEL	DGP = TRANSMISSION - 4-SPD. AUTOMATIC, 47RE
	EWA = ENGINE - 8.0L V10 MPI	DGT = TRANSMISSION - 4-SPD. AUTOMATIC, 46RE

AR = use ase required - = Non illustrated part

2000 BE

Valve Body - 46RE [DGT]  
Figure 46RE-710



ITEM	PART NUMBER	QTY	LINE	SERIES	BODY	ENGINE	TRANS	TRIM	DESCRIPTION
24	56028196AA	1	1, 2, 3			EM0	DGT		TRANSDUCER, Pressure Sensor
		1	6, 7, 8			EM0	DGT		
		1	1, 2, 3			ELO	DGT		
		1	6, 7, 8			ELO	DGT		
25	06034493	1	1, 2, 3			EM0	DGT		O RING, Pressure Switch
		1	6, 7, 8			EM0	DGT		
		1	1, 2, 3			ELO	DGT		
		1	6, 7, 8			ELO	DGT		
26	04617216	1	1, 2, 3			EM0	DGT		GASKET, Transmission Solenoid
		1	6, 7, 8			EM0	DGT		
		1	1, 2, 3			ELO	DGT		
		1	6, 7, 8			ELO	DGT		
27	04617211AB	1	1, 2, 3			EM0	DGT		RETAINER, Transmission Governor Solenoid
		1	6, 7, 8			EM0	DGT		
		1	1, 2, 3			ELO	DGT		
		1	6, 7, 8			ELO	DGT		
28	04723549	1	1, 2, 3			EM0	DGT		O RING PACKAGE, Valve Body, Transmission
		1	6, 7, 8			EM0	DGT		
		1	1, 2, 3			ELO	DGT		
		1	6, 7, 8			ELO	DGT		
29		1	1, 2, 3			EM0	DGT		SOLENOID, Transmission Governor
		1	6, 7, 8			EM0	DGT		
		1	1, 2, 3			ELO	DGT		
		1	6, 7, 8			ELO	DGT		

RAM PICKUP/CLUB CAB (BE)

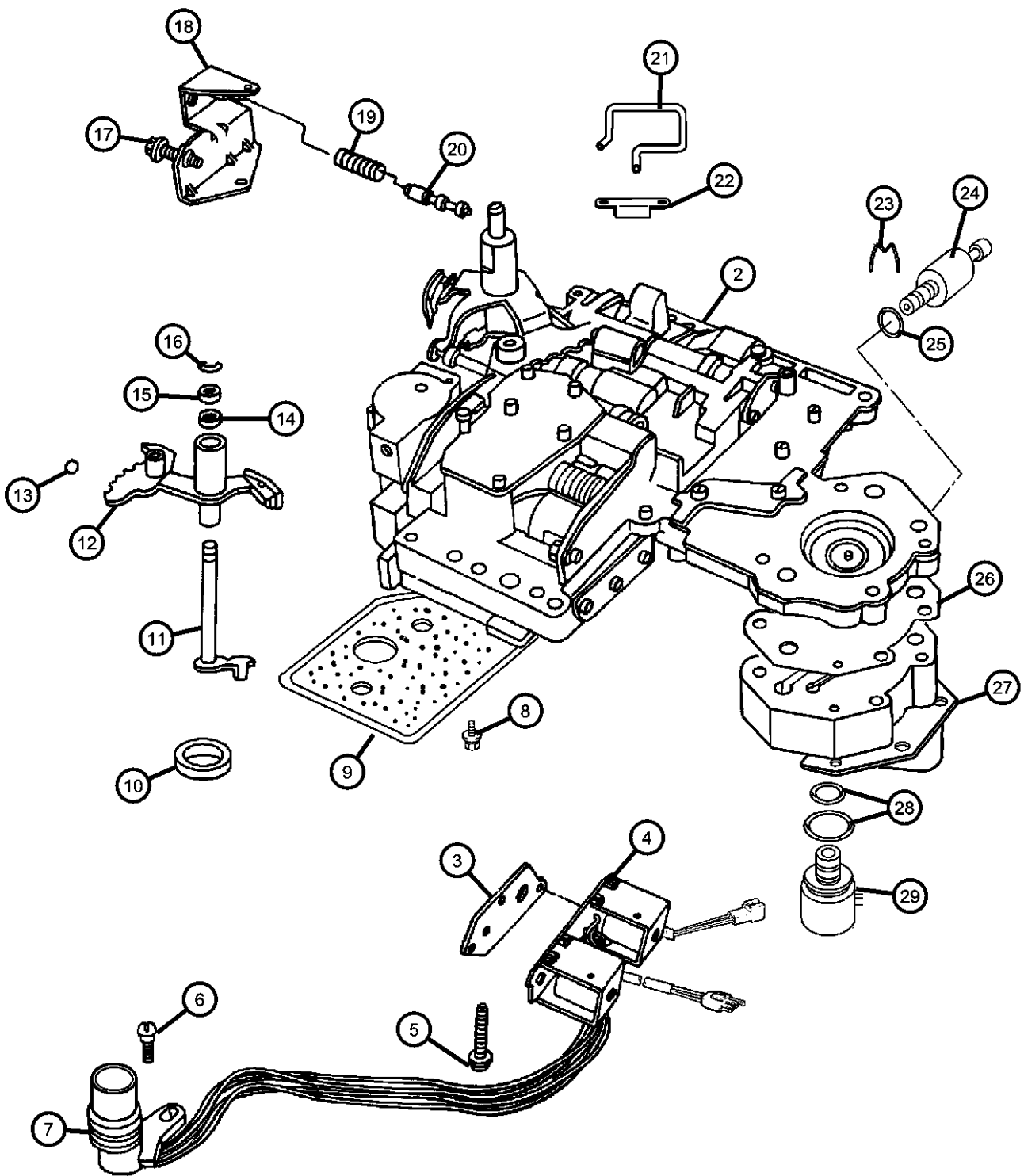
SERIES	LINE
L = Ram Truck (All)	3 = HD DODGE 2WD
	8 = HD DODGE 4WD
	1 = Lt. Duty DODGE 2WD
	6 = Lt. Duty DODGE 4WD
	2 = Med. Duty DODGE 2WD
	7 = Med. Duty DODGE 4WD

BODY	ENGINE	TRANSMISSION
31 = CLUB CAB 2-DR 6.5 FT BOX	ELF = ENGINE - 5.2L V8 MPI	DDC = TRANSMISSION - 5-SPEED HD MANUAL
32 = CLUB CAB 2-DR 8FT BOX	EML = ENGINE - 5.9L V8 MPI	DDP = TRANSMISSION - 5-SPEED MANUAL
33 = QUAD CAB 4-DR 6.5 FT BOX	EMM = ENGINE - "MAGNUM" 5.9L SMPI V8	DDX = TRANSMISSION - 5-SPEED HD MANUAL
34 = QUAD CAB 4-DR 8FT BOX	ETC = ENGINE- 5.9L CUMMINS 24V DIESEL	DEE = TRANSMISSION - 6-SPEED HD MANUAL
	ETH = ENGINE- 5.9L HO CUMMINS TURBO DIESEL	DGP = TRANSMISSION - 4-SPD. AUTOMATIC, 47RE
	EWA = ENGINE - 8.0L V10 MPI	DGT = TRANSMISSION - 4-SPD. AUTOMATIC, 46RE

AR = use ase required - = Non illustrated part



Valve Body - 46RE [DGT]  
Figure 46RE-710



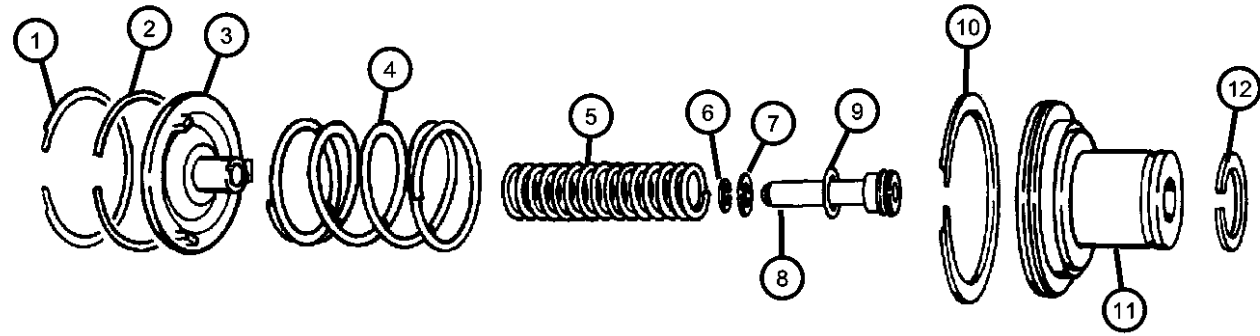
ITEM	PART NUMBER	QTY	LINE	SERIES	BODY	ENGINE	TRANS	TRIM	DESCRIPTION
	04617210	1	1, 2, 3			ELO	DGT		
		1	6, 7, 8			ELO	DGT		
		1	1, 2, 3			EM0	DGT		
		1	6, 7, 8			EM0	DGT		
-30									SCREEN, Transmission Regulator Valve
	03878313	1	1, 2, 3			ELO	DGT		
		1	6, 7, 8			ELO	DGT		
		1	1, 2, 3			EM0	DGT		
		1	6, 7, 8			EM0	DGT		

RAM PICKUP/CLUB CAB (BE)

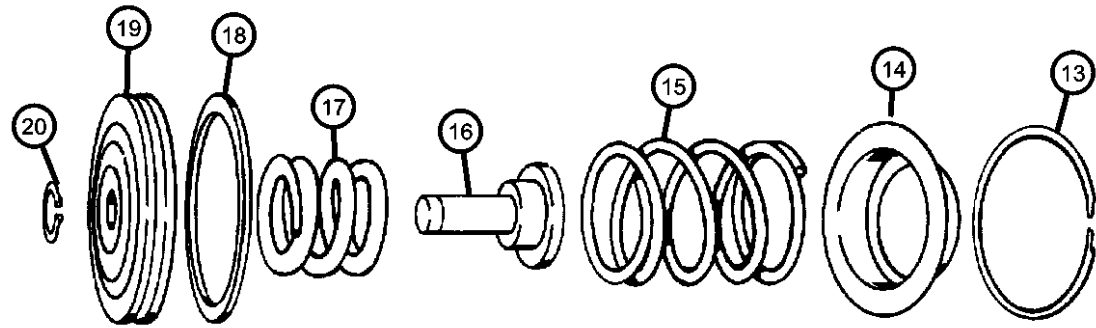
SERIES	LINE	BODY	ENGINE	TRANSMISSION
L = Ram Truck	3 = HD DODGE 2WD	31 = CLUB CAB 2-DR 6.5 FT BOX	ELF = ENGINE - 5.2L V8 MPI	DDC = TRANSMISSION - 5-SPEED HD MANUAL
(All)	8 = HD DODGE 4WD	32 = CLUB CAB 2-DR 8FT BOX	EML = ENGINE - 5.9L V8 MPI	DDP = TRANSMISSION - 5-SPEED MANUAL
	1 = Lt. Duty DODGE 2WD	33 = QUAD CAB 4-DR 6.5 FT BOX	EMM = ENGINE - "MAGNUM" 5.9L SMPI V8	DDX = TRANSMISSION - 5-SPEED HD MANUAL
	6 = Lt. Duty DODGE 4WD	34 = QUAD CAB 4-DR 8FT BOX	ETC = ENGINE- 5.9L CUMMINS 24V DIESEL	DEE = TRANSMISSION - 6-SPEED HD MANUAL
	2 = Med. Duty DODGE 2WD		ETH = ENGINE- 5.9L HO CUMMINS TURBO DIESEL	DGP = TRANSMISSION - 4-SPD. AUTOMATIC, 47RE
	7 = Med. Duty DODGE 4WD		EWA = ENGINE - 8.0L V10 MPI	DGT = TRANSMISSION - 4-SPD. AUTOMATIC, 46RE

AR = use ase required - = Non illustrated part

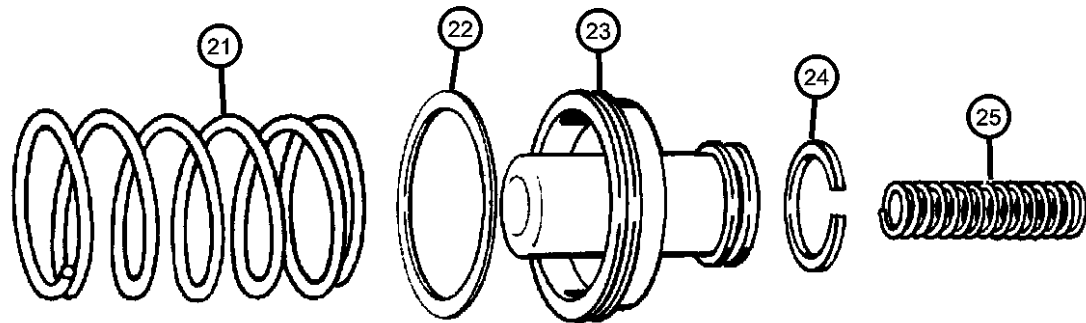
**Servos, Accumulator Piston and Spring - 46RE [DGT]**  
**Figure 46RE-720**



**KICKDOWN SERVO**



**LOW AND REVERSE SERVO**



**ACCUMULATOR PISTON AND SPRING**

ITEM	PART NUMBER	QTY	LINE	SERIES	BODY	ENGINE	TRANS	TRIM	DESCRIPTION
NOTES: Sales Codes [DGT] = 4 Speed Automatic Transmission 46RE [ELO] = All 5.2L 8 Cylinder Gas Engines [EM0] = All 5.9L 8 Cylinder Gas Engines									
1	01942130	1	1, 2, 3			ELO	DGT		SNAP RING
		1	6, 7, 8			ELO	DGT		
		1	1, 2, 3			EM0	DGT		
		1	6, 7, 8			EM0	DGT		
2	01942123	1	1, 2, 3			ELO	DGT		SEAL, Servo Piston
		1	6, 7, 8			ELO	DGT		
		1	1, 2, 3			EM0	DGT		
		1	6, 7, 8			EM0	DGT		
3	03410441	1	1, 2, 3			ELO	DGT		GUIDE, Kickdown Servo
		1	6, 7, 8			ELO	DGT		
		1	1, 2, 3			EM0	DGT		
		1	6, 7, 8			EM0	DGT		
4	03410444	1	1, 2, 3			ELO	DGT		SPRING, Kickdown Servo Piston
		1	6, 7, 8			ELO	DGT		
		1	1, 2, 3			EM0	DGT		
		1	6, 7, 8			EM0	DGT		
5	03410444	1	1, 2, 3			ELO	DGT		SPRING, Kickdown Servo Piston
		1	6, 7, 8			ELO	DGT		
		1	1, 2, 3			EM0	DGT		
		1	6, 7, 8			EM0	DGT		
6	06031392	1	1, 2, 3			ELO	DGT		SNAP RING, Brake Master Cylinder

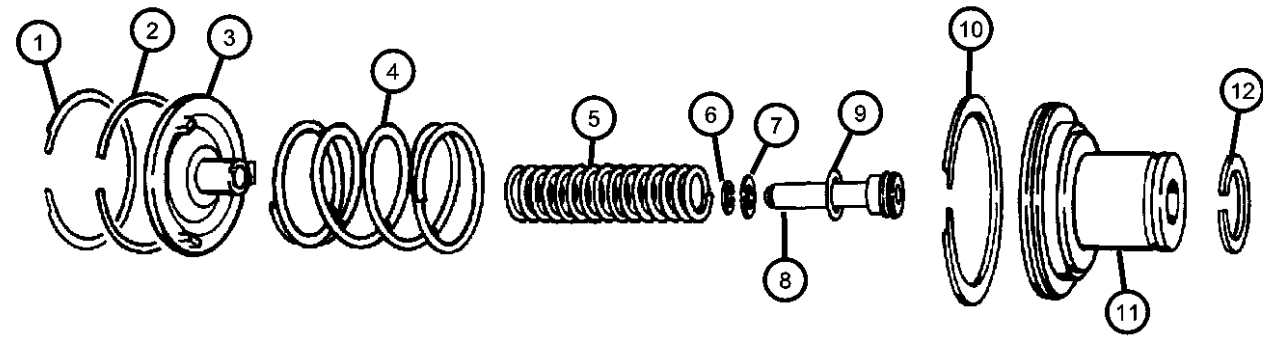
**RAM PICKUP/CLUB CAB (BE)**

SERIES	LINE
L = Ram Truck (All)	3 = HD DODGE 2WD
	8 = HD DODGE 4WD
	1 = Lt. Duty DODGE 2WD
	6 = Lt. Duty DODGE 4WD
	2 = Med. Duty DODGE 2WD
	7 = Med. Duty DODGE 4WD

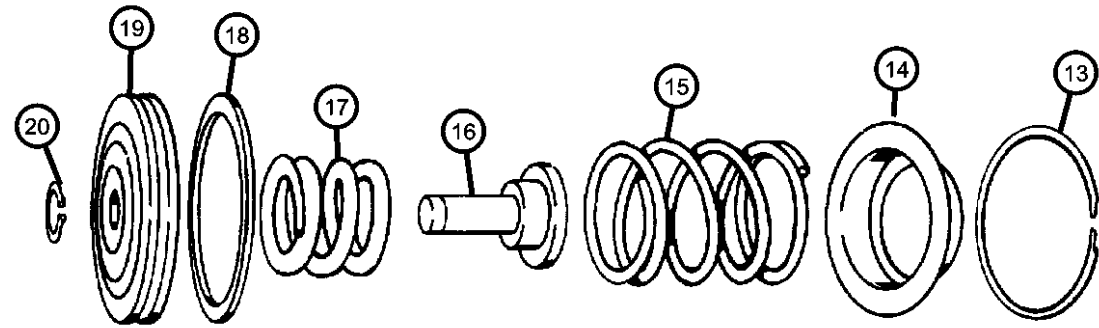
BODY	ENGINE	TRANSMISSION
31 = CLUB CAB 2-DR 6.5 FT BOX	ELF = ENGINE - 5.2L V8 MPI	DDC = TRANSMISSION - 5-SPEED HD MANUAL
32 = CLUB CAB 2-DR 8FT BOX	EML = ENGINE - 5.9L V8 MPI	DDP = TRANSMISSION - 5-SPEED MANUAL
33 = QUAD CAB 4-DR 6.5 FT BOX	EMM = ENGINE - "MAGNUM" 5.9L SMPI V8	DDX = TRANSMISSION - 5-SPEED HD MANUAL
34 = QUAD CAB 4-DR 8FT BOX	ETC = ENGINE- 5.9L CUMMINS 24V DIESEL	DEE = TRANSMISSION - 6-SPEED HD MANUAL
	ETH = ENGINE- 5.9L HO CUMMINS TURBO DIESEL	DGP = TRANSMISSION - 4-SPD. AUTOMATIC, 47RE
	EWA = ENGINE - 8.0L V10 MPI	DGT = TRANSMISSION - 4-SPD. AUTOMATIC, 46RE

AR = use ase required - = Non illustrated part

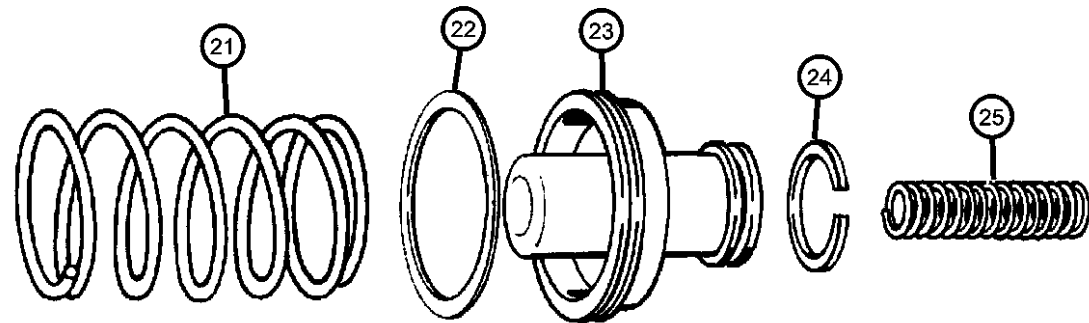
Servos, Accumulator Piston and Spring - 46RE [DGT]  
Figure 46RE-720



KICKDOWN SERVO



LOW AND REVERSE SERVO



ACCUMULATOR PISTON AND SPRING

ITEM	PART NUMBER	QTY	LINE	SERIES	BODY	ENGINE	TRANS	TRIM	DESCRIPTION
7	03410437	1	6, 7, 8			ELO	DGT		RETAINER, Kick Down
		1	1, 2, 3			EM0	DGT		
		1	6, 7, 8			EM0	DGT		
		1	1, 2, 3			ELO	DGT		
8	03410445	1	6, 7, 8			ELO	DGT		PISTON, Kickdown Servo
		1	1, 2, 3			ELO	DGT		
		1	6, 7, 8			EM0	DGT		
		1	1, 2, 3			EM0	DGT		
9	06028864	1	6, 7, 8			ELO	DGT		O RING, Kick Down Servo
		1	1, 2, 3			ELO	DGT		
		1	6, 7, 8			EM0	DGT		
		1	1, 2, 3			EM0	DGT		
10	01942123	1	6, 7, 8			ELO	DGT		SEAL, Servo Piston
		1	1, 2, 3			ELO	DGT		
		1	6, 7, 8			EM0	DGT		
		1	1, 2, 3			EM0	DGT		
11	03410440	1	6, 7, 8			ELO	DGT		PISTON, Kickdown Servo
		1	1, 2, 3			ELO	DGT		
		1	6, 7, 8			EM0	DGT		
		1	1, 2, 3			EM0	DGT		
12	04412444	1	6, 7, 8			ELO	DGT		SEAL, Kickdown Servo
		1	1, 2, 3			ELO	DGT		
		1	6, 7, 8			EM0	DGT		
		1	1, 2, 3			EM0	DGT		

RAM PICKUP/CLUB CAB (BE)

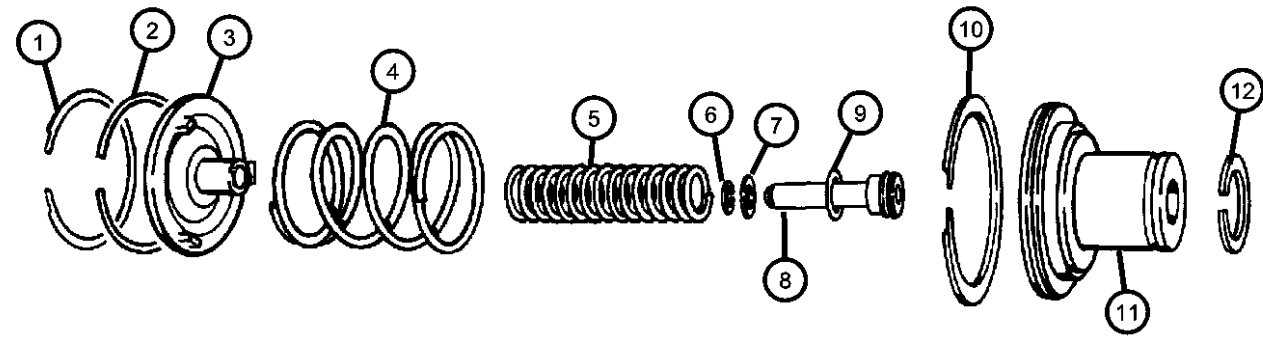
SERIES	LINE
L = Ram Truck (All)	3 = HD DODGE 2WD
	8 = HD DODGE 4WD
	1 = Lt. Duty DODGE 2WD
	6 = Lt. Duty DODGE 4WD
	2 = Med. Duty DODGE 2WD
	7 = Med. Duty DODGE 4WD

BODY	ENGINE	TRANSMISSION
31 = CLUB CAB 2-DR 6.5 FT BOX	ELF = ENGINE - 5.2L V8 MPI	DDC = TRANSMISSION - 5-SPEED HD MANUAL
32 = CLUB CAB 2-DR 8FT BOX	EML = ENGINE - 5.9L V8 MPI	DDP = TRANSMISSION - 5-SPEED MANUAL
33 = QUAD CAB 4-DR 6.5 FT BOX	EMM = ENGINE - "MAGNUM" 5.9L SMPI V8	DDX = TRANSMISSION - 5-SPEED HD MANUAL
34 = QUAD CAB 4-DR 8FT BOX	ETC = ENGINE- 5.9L CUMMINS 24V DIESEL	DEE = TRANSMISSION - 6-SPEED HD MANUAL
	ETH = ENGINE- 5.9L HO CUMMINS TURBO DIESEL	DGP = TRANSMISSION - 4-SPD. AUTOMATIC, 47RE
	EWA = ENGINE - 8.0L V10 MPI	DGT = TRANSMISSION - 4-SPD. AUTOMATIC, 46RE

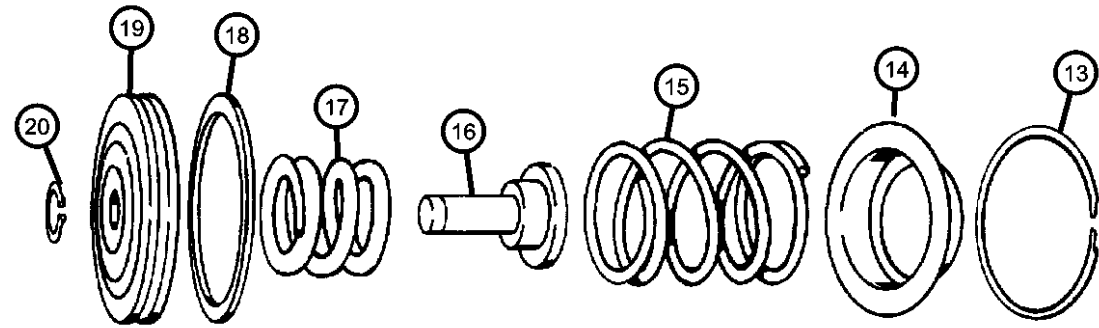
AR = use ase required - = Non illustrated part

2000 BE

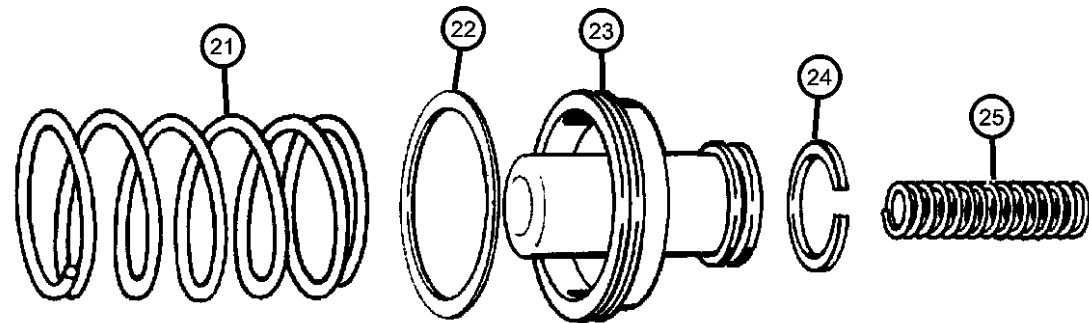
Servos, Accumulator Piston and Spring - 46RE [DGT]  
Figure 46RE-720



KICKDOWN SERVO



LOW AND REVERSE SERVO



ACCUMULATOR PISTON AND SPRING

ITEM	PART NUMBER	QTY	LINE	SERIES	BODY	ENGINE	TRANS	TRIM	DESCRIPTION
13	01942130	1	6, 7, 8			ELO	DGT		SNAP RING
		1	1, 2, 3			EM0	DGT		
		1	6, 7, 8			EM0	DGT		
		1	1, 2, 3			ELO	DGT		
14	01942150	1	6, 7, 8			ELO	DGT		RETAINER, Transmission Reverse Servo Piston Spring
		1	1, 2, 3			EM0	DGT		
		1	6, 7, 8			EM0	DGT		
		1	1, 2, 3			ELO	DGT		
15	02801241	1	6, 7, 8			ELO	DGT		SPRING, Reverse Servo Piston
		1	1, 2, 3			EM0	DGT		
		1	6, 7, 8			EM0	DGT		
		1	1, 2, 3			ELO	DGT		
16	52118740AB	1	6, 7, 8			ELO	DGT		PLUG, Reverse Servo Piston
		1	1, 2, 3			EM0	DGT		
		1	6, 7, 8			EM0	DGT		
		1	1, 2, 3			ELO	DGT		
17	02801241	1	6, 7, 8			ELO	DGT		SPRING, Reverse Servo Piston
		1	1, 2, 3			EM0	DGT		
		1	6, 7, 8			EM0	DGT		
		1	1, 2, 3			ELO	DGT		
18		1	6, 7, 8			ELO	DGT		SEAL, Piston Reverse Servo, Rubber
		1	1, 2, 3			EM0	DGT		
		1	6, 7, 8			EM0	DGT		
		1	1, 2, 3			ELO	DGT		

RAM PICKUP/CLUB CAB (BE)

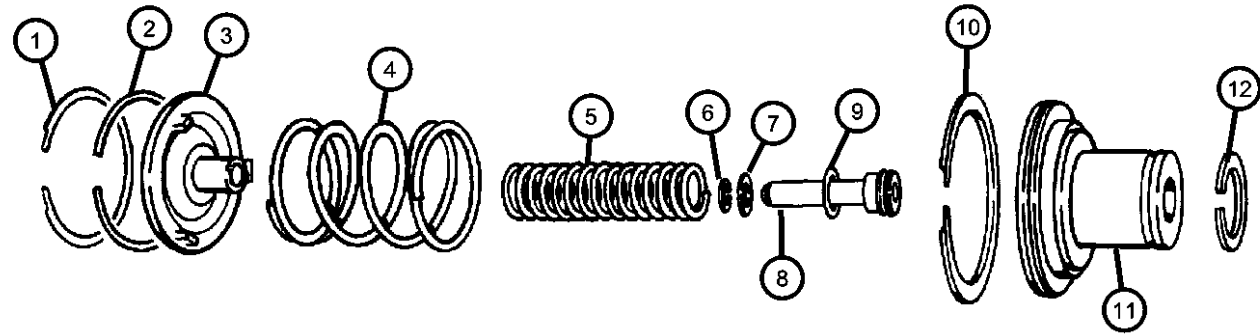
SERIES	LINE
L = Ram Truck (All)	3 = HD DODGE 2WD
	8 = HD DODGE 4WD
	1 = Lt. Duty DODGE 2WD
	6 = Lt. Duty DODGE 4WD
	2 = Med. Duty DODGE 2WD
	7 = Med. Duty DODGE 4WD

BODY	ENGINE	TRANSMISSION
31 = CLUB CAB 2-DR 6.5 FT BOX	ELF = ENGINE - 5.2L V8 MPI	DDC = TRANSMISSION - 5-SPEED HD MANUAL
32 = CLUB CAB 2-DR 8FT BOX	EML = ENGINE - 5.9L V8 MPI	DDP = TRANSMISSION - 5-SPEED MANUAL
33 = QUAD CAB 4-DR 6.5 FT BOX	EMM = ENGINE - "MAGNUM" 5.9L SMPI V8	DDX = TRANSMISSION - 5-SPEED HD MANUAL
34 = QUAD CAB 4-DR 8FT BOX	ETC = ENGINE- 5.9L CUMMINS 24V DIESEL	DEE = TRANSMISSION - 6-SPEED HD MANUAL
	ETH = ENGINE- 5.9L HO CUMMINS TURBO DIESEL	DGP = TRANSMISSION - 4-SPD. AUTOMATIC, 47RE
	EWA = ENGINE - 8.0L V10 MPI	DGT = TRANSMISSION - 4-SPD. AUTOMATIC, 46RE

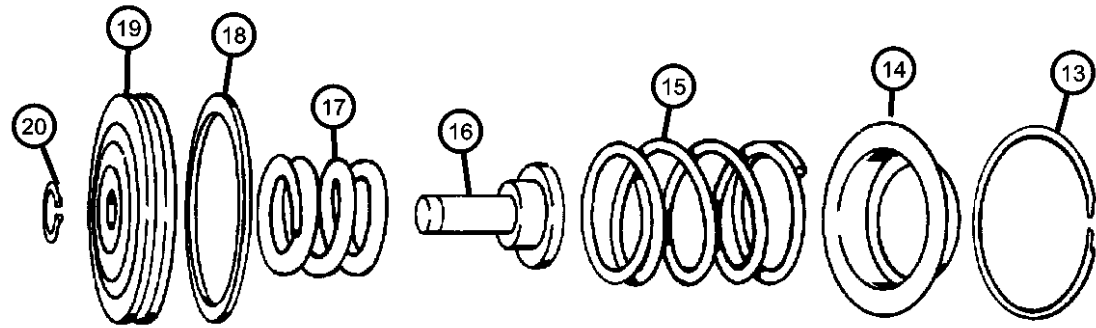
AR = use ase required - = Non illustrated part

2000 BE

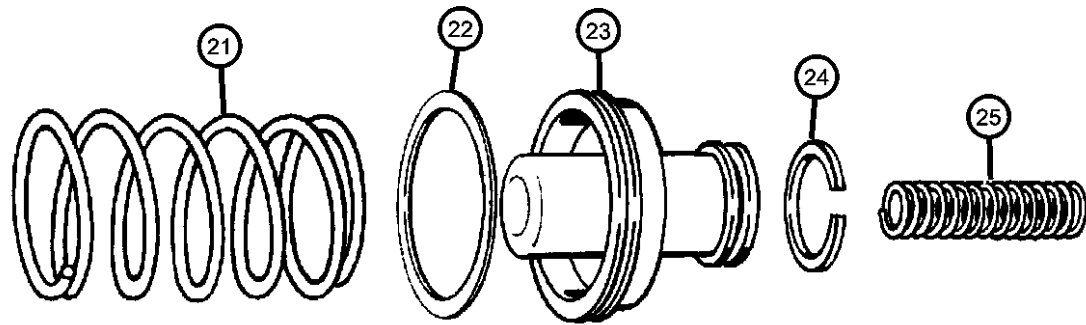
Servos, Accumulator Piston and Spring - 46RE [DGT]  
Figure 46RE-720



KICKDOWN SERVO



LOW AND REVERSE SERVO



ACCUMULATOR PISTON AND SPRING

ITEM	PART NUMBER	QTY	LINE	SERIES	BODY	ENGINE	TRANS	TRIM	DESCRIPTION
19	04058741	1	1, 2, 3			ELO	DGT		PISTON, Reverse Servo
		1	6, 7, 8			ELO	DGT		
		1	1, 2, 3			EM0	DGT		
		1	6, 7, 8			EM0	DGT		
20	02801281	1	1, 2, 3			ELO	DGT		SNAP RING, .435 ID
		1	6, 7, 8			ELO	DGT		
		1	1, 2, 3			EM0	DGT		
		1	6, 7, 8			EM0	DGT		
21	06027153	1	1, 2, 3			ELO	DGT		SPRING, Accumulator Piston
		1	6, 7, 8			ELO	DGT		
		1	1, 2, 3			EM0	DGT		
		1	6, 7, 8			EM0	DGT		
22	03515079	1	1, 2, 3			ELO	DGT		SEAL, Piston Accumulator
		1	6, 7, 8			ELO	DGT		
		1	1, 2, 3			EM0	DGT		
		1	6, 7, 8			EM0	DGT		
23	03743010	1	1, 2, 3			ELO	DGT		PISTON, Accumulator
		1	6, 7, 8			ELO	DGT		
		1	1, 2, 3			EM0	DGT		
		1	6, 7, 8			EM0	DGT		
24	03743650	1	1, 2, 3			ELO	DGT		SEAL, Piston Accumulator
		1	6, 7, 8			ELO	DGT		
		1	1, 2, 3			EM0	DGT		
		1	6, 7, 8			EM0	DGT		

RAM PICKUP/CLUB CAB (BE)

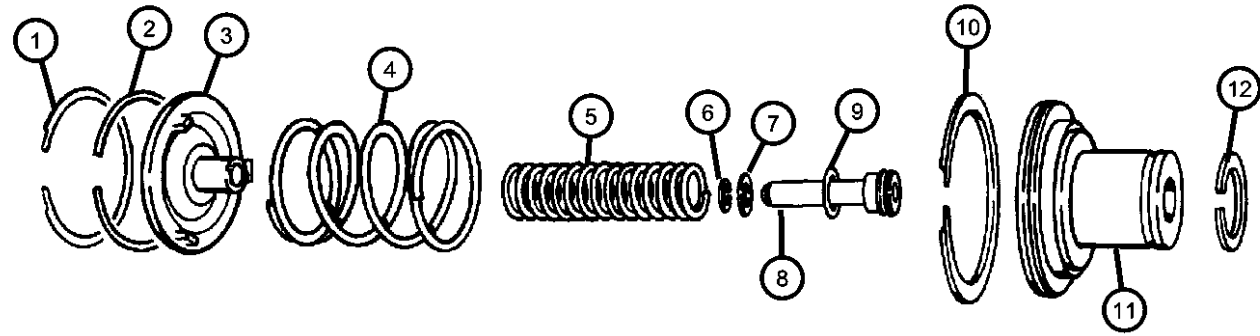
SERIES	LINE
L = Ram Truck (All)	3 = HD DODGE 2WD
	8 = HD DODGE 4WD
	1 = Lt. Duty DODGE 2WD
	6 = Lt. Duty DODGE 4WD
	2 = Med. Duty DODGE 2WD
	7 = Med. Duty DODGE 4WD

BODY	ENGINE	TRANSMISSION
31 = CLUB CAB 2-DR 6.5 FT BOX	ELF = ENGINE - 5.2L V8 MPI	DDC = TRANSMISSION - 5-SPEED HD MANUAL
32 = CLUB CAB 2-DR 8FT BOX	EML = ENGINE - 5.9L V8 MPI	DDP = TRANSMISSION - 5-SPEED MANUAL
33 = QUAD CAB 4-DR 6.5 FT BOX	EMM = ENGINE - "MAGNUM" 5.9L SMPI V8	DDX = TRANSMISSION - 5-SPEED HD MANUAL
34 = QUAD CAB 4-DR 8FT BOX	ETC = ENGINE- 5.9L CUMMINS 24V DIESEL	DEE = TRANSMISSION - 6-SPEED HD MANUAL
	ETH = ENGINE- 5.9L HO CUMMINS TURBO DIESEL	DGP = TRANSMISSION - 4-SPD. AUTOMATIC, 47RE
	EWA = ENGINE - 8.0L V10 MPI	DGT = TRANSMISSION - 4-SPD. AUTOMATIC, 46RE

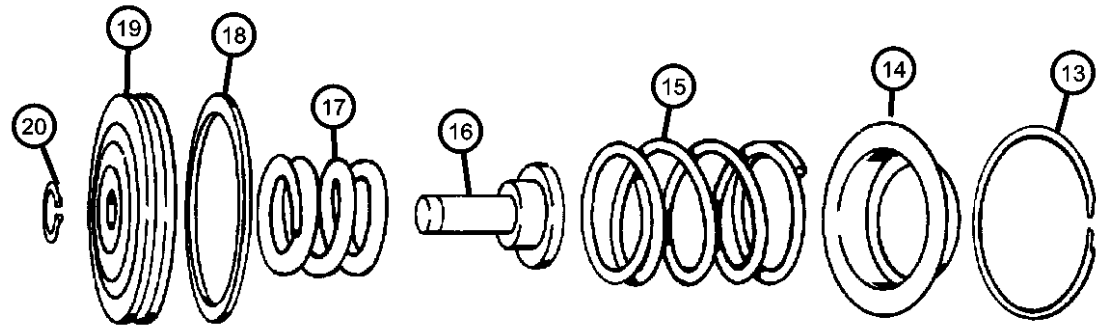
AR = use ase required - = Non illustrated part

2000 BE

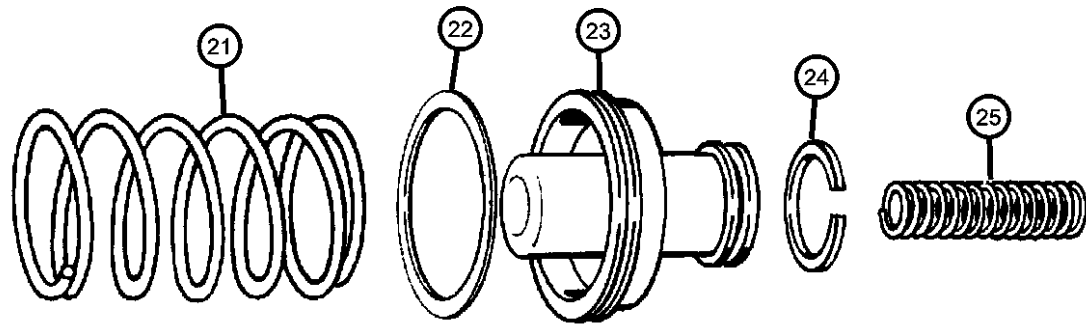
Servos, Accumulator Piston and Spring - 46RE [DGT]  
Figure 46RE-720



KICKDOWN SERVO



LOW AND REVERSE SERVO



ACCUMULATOR PISTON AND SPRING

ITEM	PART NUMBER	QTY	LINE	SERIES	BODY	ENGINE	TRANS	TRIM	DESCRIPTION
	03743010	1	1, 2, 3			ELO	DGT		
		1	6, 7, 8			ELO	DGT		
		1	1, 2, 3			EM0	DGT		
		1	6, 7, 8			EM0	DGT		
25									SPRING, Accumulator Piston
	04617529	1	1, 2, 3			ELO	DGT		
		1	6, 7, 8			ELO	DGT		

RAM PICKUP/CLUB CAB (BE)

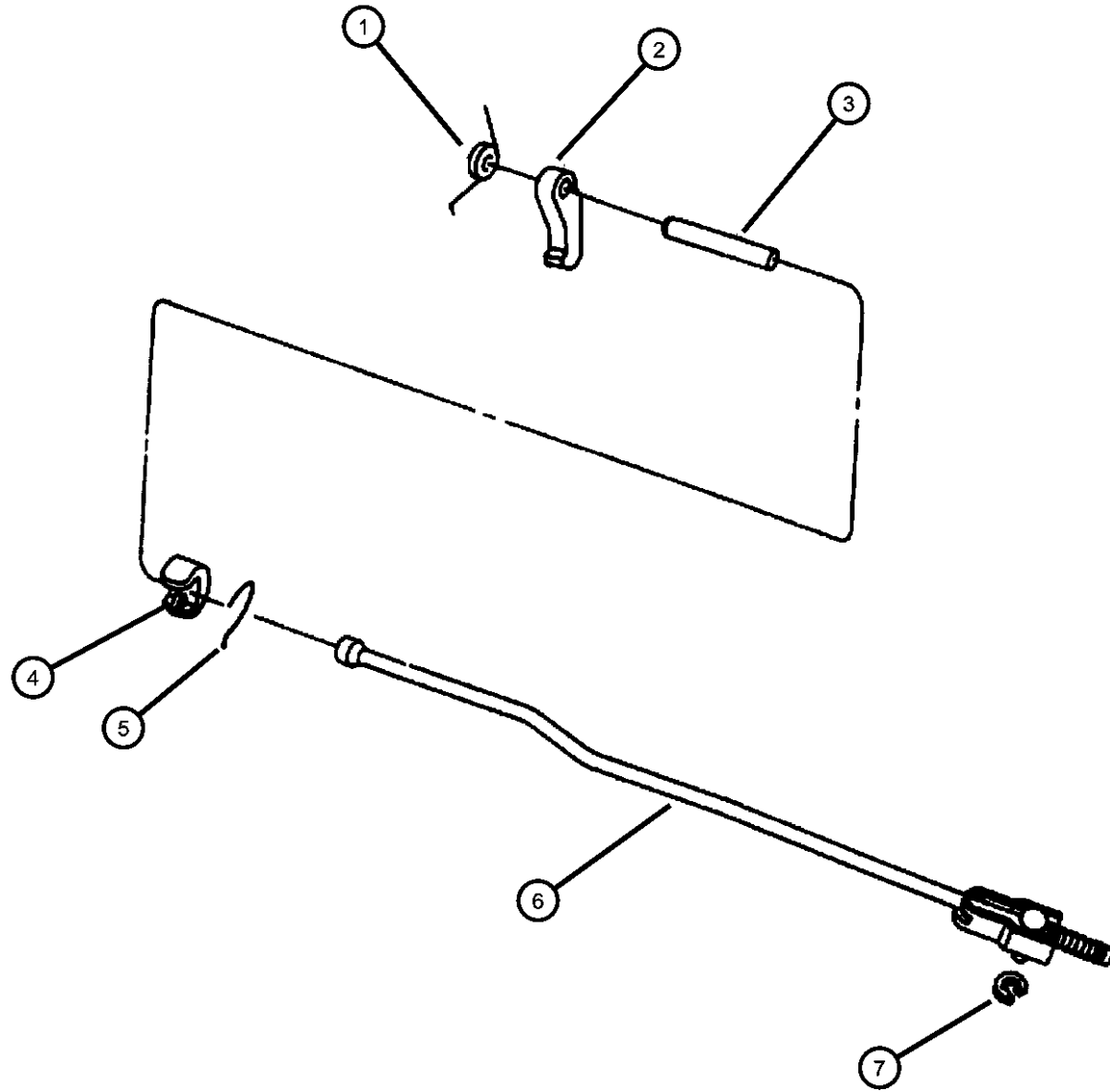
SERIES	LINE
L = Ram Truck (All)	3 = HD DODGE 2WD
	8 = HD DODGE 4WD
	1 = Lt. Duty DODGE 2WD
	6 = Lt. Duty DODGE 4WD
	2 = Med. Duty DODGE 2WD
	7 = Med. Duty DODGE 4WD

BODY	ENGINE	TRANSMISSION
31 = CLUB CAB 2-DR 6.5 FT BOX	ELF = ENGINE - 5.2L V8 MPI	DDC = TRANSMISSION - 5-SPEED HD MANUAL
32 = CLUB CAB 2-DR 8FT BOX	EML = ENGINE - 5.9L V8 MPI	DDP = TRANSMISSION - 5-SPEED MANUAL
33 = QUAD CAB 4-DR 6.5 FT BOX	EMM = ENGINE - "MAGNUM" 5.9L SMPI V8	DDX = TRANSMISSION - 5-SPEED HD MANUAL
34 = QUAD CAB 4-DR 8FT BOX	ETC = ENGINE- 5.9L CUMMINS 24V DIESEL	DEE = TRANSMISSION - 6-SPEED HD MANUAL
	ETH = ENGINE- 5.9L HO CUMMINS TURBO DIESEL	DGP = TRANSMISSION - 4-SPD. AUTOMATIC, 47RE
	EWA = ENGINE - 8.0L V10 MPI	DGT = TRANSMISSION - 4-SPD. AUTOMATIC, 46RE

AR = use ase required - = Non illustrated part

2000 BE

**Parking Sprag [DGT]  
Figure 46RE-730**



ITEM	PART NUMBER	QTY	LINE	SERIES	BODY	ENGINE	TRANS	TRIM	DESCRIPTION
------	-------------	-----	------	--------	------	--------	-------	------	-------------

NOTES: Sales Codes  
 [DGT] = 4 Speed Automatic Transmission 46RE  
 [ELO] = All 5.2L 8 Cylinder Gas Engines  
 [EM0] = All 5.9L 8 Cylinder Gas Engines

1	02466909	1	6, 7, 8			ELO	DGT		SPRING, Parking Sprag
		1	6, 7, 8			EM0	DGT		
		1	1, 2, 3			ELO	DGT		
		1	1, 2, 3			EM0	DGT		
2	04471415	1	6, 7, 8			ELO	DGT		SPRAG, Transmission Parking
		1	6, 7, 8			EM0	DGT		
		1	1, 2, 3			ELO	DGT		
		1	1, 2, 3			EM0	DGT		
3	02466892	1	6, 7, 8			ELO	DGT		SHAFT, Parking Sprag
		1	6, 7, 8			EM0	DGT		
		1	1, 2, 3			ELO	DGT		
		1	1, 2, 3			EM0	DGT		
4	06035256	1	1, 2, 3			ELO	DGT		SNAP RING, Rod
		1	6, 7, 8			ELO	DGT		
		1	1, 2, 3			EM0	DGT		
		1	6, 7, 8			EM0	DGT		
5	02538042	1	6, 7, 8			ELO	DGT		PLUG, Parking Sprag
		1	6, 7, 8			EM0	DGT		
		1	1, 2, 3			ELO	DGT		
		1	1, 2, 3			EM0	DGT		
6	02538034	1	6, 7, 8			ELO	DGT		SNAP RING, Transmission

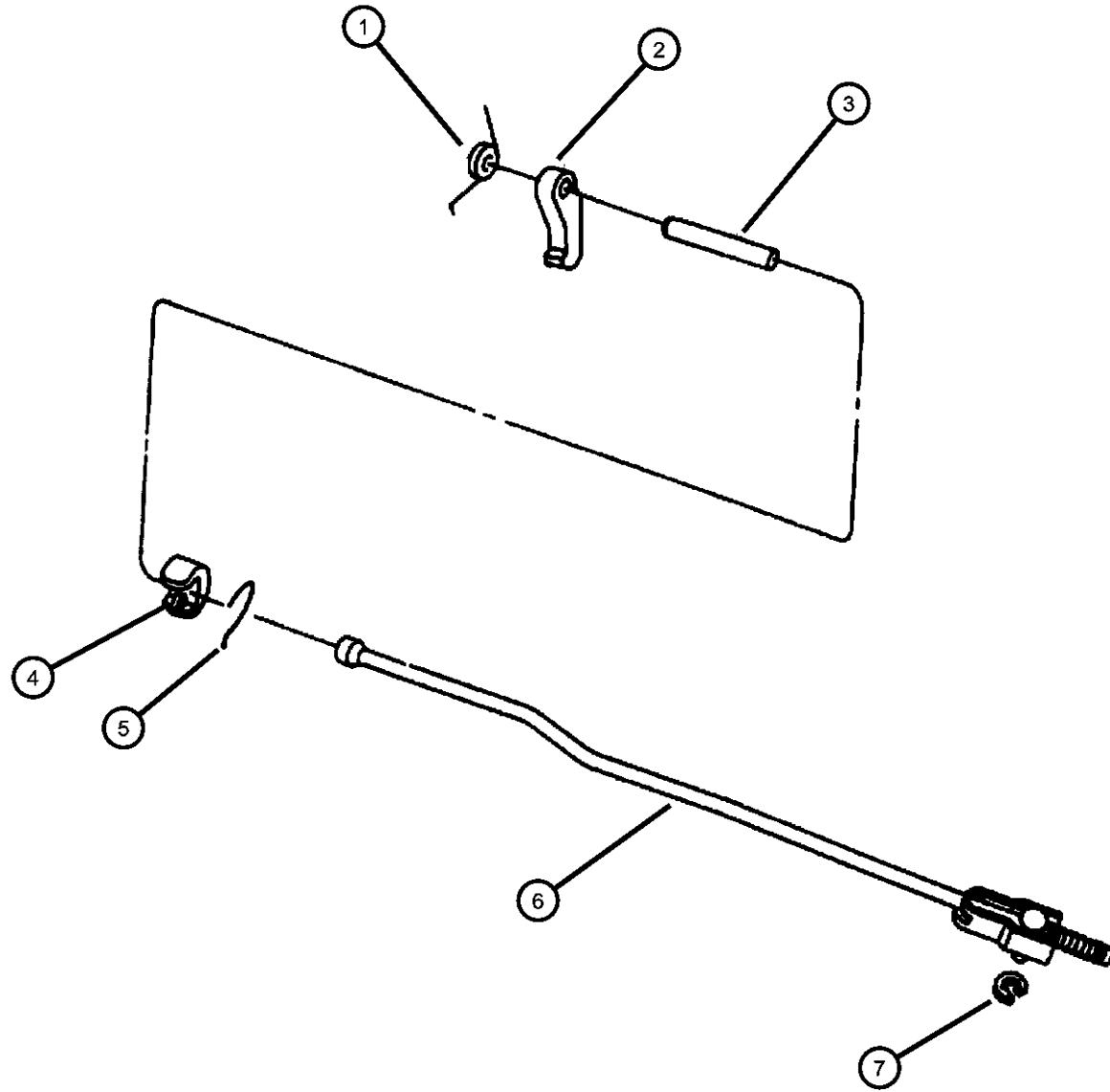
**RAM PICKUP/CLUB CAB (BE)**

SERIES	LINE	BODY	ENGINE	TRANSMISSION
L = Ram Truck (All)	3 = HD DODGE 2WD	31 = CLUB CAB 2-DR 6.5 FT BOX	ELF = ENGINE - 5.2L V8 MPI	DDC = TRANSMISSION - 5-SPEED HD MANUAL
	8 = HD DODGE 4WD	32 = CLUB CAB 2-DR 8FT BOX	EML = ENGINE - 5.9L V8 MPI	DDP = TRANSMISSION - 5-SPEED HD MANUAL
	1 = Lt. Duty DODGE 2WD	33 = QUAD CAB 4-DR 6.5 FT BOX	EMM = ENGINE - "MAGNUM" 5.9L SMPI V8	DDX = TRANSMISSION - 5-SPEED HD MANUAL
	6 = Lt. Duty DODGE 4WD	34 = QUAD CAB 4-DR 8FT BOX	ETC = ENGINE- 5.9L CUMMINS 24V DIESEL	DEE = TRANSMISSION - 6-SPEED HD MANUAL
	2 = Med. Duty DODGE 2WD		ETH = ENGINE- 5.9L HO CUMMINS TURBO DIESEL	DGP = TRANSMISSION - 4-SPD. AUTOMATIC, 47RE
	7 = Med. Duty DODGE 4WD		EWA = ENGINE - 8.0L V10 MPI	DGT = TRANSMISSION - 4-SPD. AUTOMATIC, 46RE

AR = use ase required - = Non illustrated part

2000 BE

Parking Sprag [DGT]  
Figure 46RE-730



ITEM	PART NUMBER	QTY	LINE	SERIES	BODY	ENGINE	TRANS	TRIM	DESCRIPTION
		1	6, 7, 8			EM0	DGT		
		1	1, 2, 3			ELO	DGT		
		1	1, 2, 3			EM0	DGT		
7	04471478	1	1, 2, 3			ELO	DGT		ROD, Parking Sprag
		1	6, 7, 8			ELO	DGT		
		1	1, 2, 3			EM0	DGT		
		1	6, 7, 8			EM0	DGT		

RAM PICKUP/CLUB CAB (BE)

SERIES	LINE	BODY	ENGINE	TRANSMISSION
L = Ram Truck (All)	3 = HD DODGE 2WD	31 = CLUB CAB 2-DR 6.5 FT BOX	ELF = ENGINE - 5.2L V8 MPI	DDC = TRANSMISSION - 5-SPEED HD MANUAL
	8 = HD DODGE 4WD	32 = CLUB CAB 2-DR 8FT BOX	EML = ENGINE - 5.9L V8 MPI	DDP = TRANSMISSION - 5-SPEED MANUAL
	1 = Lt. Duty DODGE 2WD	33 = QUAD CAB 4-DR 6.5 FT BOX	EMM = ENGINE - "MAGNUM" 5.9L SMPI V8	DDX = TRANSMISSION - 5-SPEED HD MANUAL
	6 = Lt. Duty DODGE 4WD	34 = QUAD CAB 4-DR 8FT BOX	ETC = ENGINE- 5.9L CUMMINS 24V DIESEL	DEE = TRANSMISSION - 6-SPEED HD MANUAL
	2 = Med. Duty DODGE 2WD		ETH = ENGINE- 5.9L HO CUMMINS TURBO DIESEL	DGP = TRANSMISSION - 4-SPD. AUTOMATIC,47RE
	7 = Med. Duty DODGE 4WD		EWA = ENGINE - 8.0L V10 MPI	DGT = TRANSMISSION - 4-SPD. AUTOMATIC,46RE

AR = use ase required - = Non illustrated part

2000 BE



**Clutch, Overdrive with Gear train - 46RE [DGT]  
Figure 46RE-1010**

ITEM	PART NUMBER	QTY	LINE	SERIES	BODY	ENGINE	TRANS	TRIM	DESCRIPTION
------	-------------	-----	------	--------	------	--------	-------	------	-------------

NOTES: Sales Codes  
[DGT] = 4 Speed Automatic Transmission 46RE  
[ELO] = All 5.2L 8 Cylinder Gas Engines  
[EM0] = All 5.9L 8 Cylinder Gas Engines

1									PLATE PACKAGE, Transmission Module
	04740774	1	6, 7, 8			ELO	DGT		
		1	6, 7, 8			EM0	DGT		
		1	1, 2, 3			ELO	DGT		
		1	1, 2, 3			EM0	DGT		
2		1							BEARING, (NOT SERVICED)
3									GEAR, Overdrive Sun
	05015107AA	1	6, 7, 8			ELO	DGT		
		1	6, 7, 8			EM0	DGT		
		1	1, 2, 3			ELO	DGT		
		1	1, 2, 3			EM0	DGT		
4		1							BUSHING, (NOT SERVICED)
5									CARRIER, O/Drive Planet Pinion
	04798520	1	6, 7, 8			ELO	DGT		
		1	6, 7, 8			EM0	DGT		
		1	1, 2, 3			ELO	DGT		
		1	1, 2, 3			EM0	DGT		
6									RACE, Overrunning Clutch
	04461124	1	6, 7, 8			ELO	DGT		
		1	6, 7, 8			EM0	DGT		
		1	1, 2, 3			ELO	DGT		
		1	1, 2, 3			EM0	DGT		
7									THRUST BEARING, Ovedrive Third Position
	04461014	1	6, 7, 8			ELO	DGT		
		1	6, 7, 8			EM0	DGT		
		1	1, 2, 3			ELO	DGT		

**RAM PICKUP/CLUB CAB (BE)**

SERIES	LINE
L = Ram Truck (All)	3 = HD DODGE 2WD
	8 = HD DODGE 4WD
	1 = Lt. Duty DODGE 2WD
	6 = Lt. Duty DODGE 4WD
	2 = Med. Duty DODGE 2WD
	7 = Med. Duty DODGE 4WD

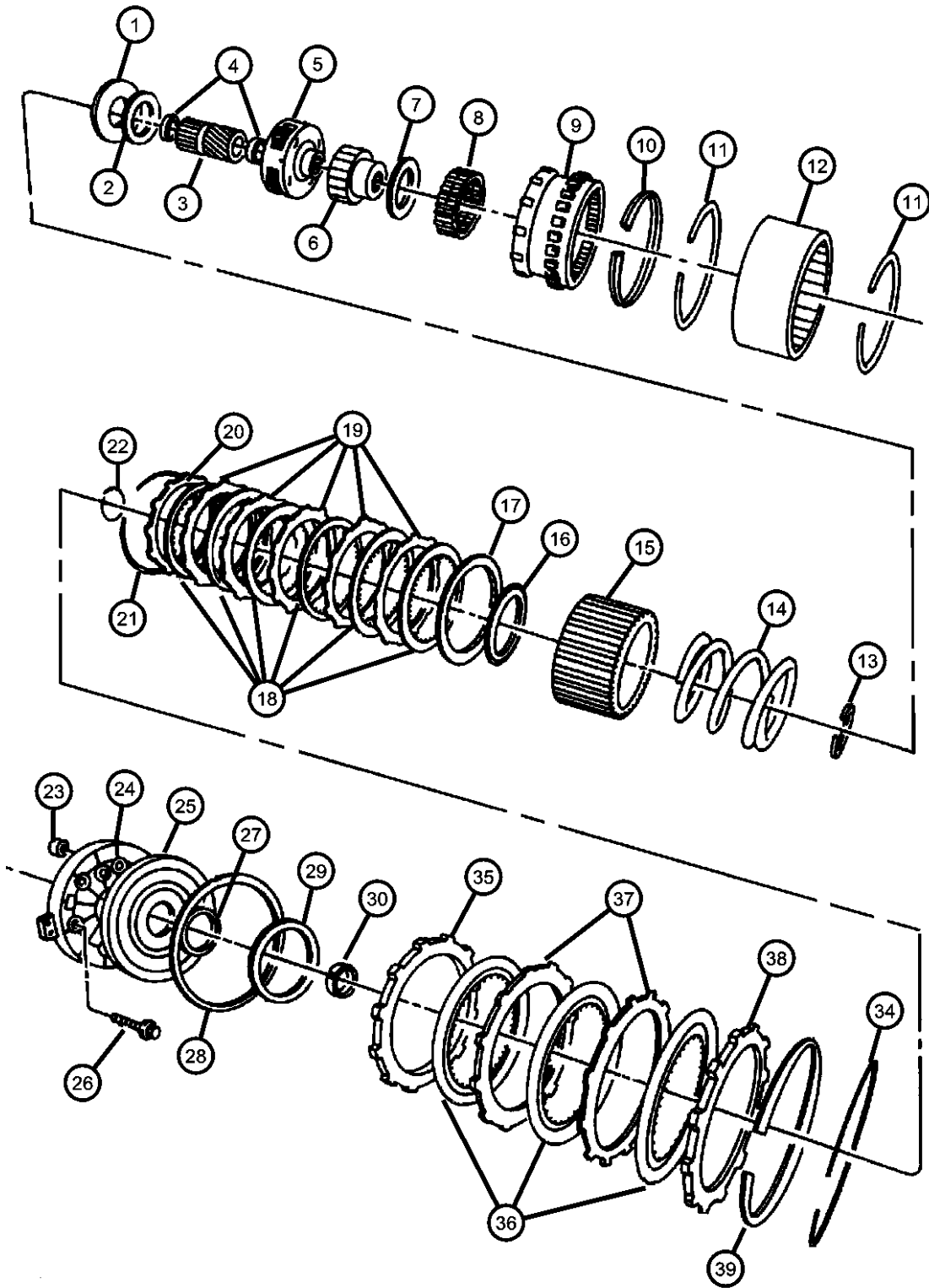
BODY	ENGINE	TRANSMISSION
31 = CLUB CAB 2-DR 6.5 FT BOX	ELF = ENGINE - 5.2L V8 MPI	DDC = TRANSMISSION - 5-SPEED HD MANUAL
32 = CLUB CAB 2-DR 8FT BOX	EML = ENGINE - 5.9L V8 MPI	DDP = TRANSMISSION - 5-SPEED MANUAL
33 = QUAD CAB 4-DR 6.5 FT BOX	EMM = ENGINE - "MAGNUM" 5.9L SMPI V8	DDX = TRANSMISSION - 5-SPEED HD MANUAL
34 = QUAD CAB 4-DR 8FT BOX	ETC = ENGINE- 5.9L CUMMINS 24V DIESEL	DEE = TRANSMISSION - 6-SPEED HD MANUAL
	ETH = ENGINE- 5.9L HO CUMMINS TURBO DIESEL	DGP = TRANSMISSION - 4-SPD. AUTOMATIC, 47RE
	EWA = ENGINE - 8.0L V10 MPI	DGT = TRANSMISSION - 4-SPD. AUTOMATIC, 46RE

AR = use ase required - = Non illustrated part

2000 BE

**Clutch, Overdrive with Gear train - 46RE [DGT]  
Figure 46RE-1010**

ITEM	PART NUMBER	QTY	LINE	SERIES	BODY	ENGINE	TRANS	TRIM	DESCRIPTION
8	04461015	1	1, 2, 3			EM0	DGT		CLUTCH, Overdrive Overrunning
		1	6, 7, 8			ELO	DGT		
		1	6, 7, 8			EM0	DGT		
		1	1, 2, 3			ELO	DGT		
		1	1, 2, 3			EM0	DGT		
9	04761010	1	6, 7, 8			ELO	DGT		GEAR, Overdrive Annulus
		1	6, 7, 8			EM0	DGT		
		1	1, 2, 3			ELO	DGT		
		1	1, 2, 3			EM0	DGT		
		1	1, 2, 3			ELO	DGT		
10	04461059	1	6, 7, 8			ELO	DGT		SNAP RING, 5.25 OD
		1	6, 7, 8			EM0	DGT		
		1	1, 2, 3			ELO	DGT		
		1	1, 2, 3			EM0	DGT		
		1	1, 2, 3			ELO	DGT		
11	04461060	2	6, 7, 8			ELO	DGT		SNAP RING, 6.00 OD
		2	6, 7, 8			EM0	DGT		
		2	1, 2, 3			ELO	DGT		
		2	1, 2, 3			EM0	DGT		
		2	1, 2, 3			ELO	DGT		
12	04461089	1	6, 7, 8			ELO	DGT		DRUM, Automatic Transmission
		1	6, 7, 8			EM0	DGT		
		1	1, 2, 3			ELO	DGT		
		1	1, 2, 3			EM0	DGT		
		1	1, 2, 3			ELO	DGT		
13	04461063	1	6, 7, 8			ELO	DGT		SNAP RING, 2.1875 OD
		1	6, 7, 8			EM0	DGT		
		1	1, 2, 3			ELO	DGT		



**RAM PICKUP/CLUB CAB (BE)**

<b>SERIES</b>	<b>LINE</b>	<b>BODY</b>	<b>ENGINE</b>	<b>TRANSMISSION</b>
L = Ram Truck (All)	3 = HD DODGE 2WD 8 = HD DODGE 4WD 1 = Lt. Duty DODGE 2WD 6 = Lt. Duty DODGE 4WD 2 = Med. Duty DODGE 2WD 7 = Med. Duty DODGE 4WD	31 = CLUB CAB 2-DR 6.5 FT BOX 32 = CLUB CAB 2-DR 8FT BOX 33 = QUAD CAB 4-DR 6.5 FT BOX 34 = QUAD CAB 4-DR 8FT BOX	ELF = ENGINE - 5.2L V8 MPI EML = ENGINE - 5.9L V8 MPI EMM = ENGINE - "MAGNUM" 5.9L SMPI V8 ETC = ENGINE- 5.9L CUMMINS 24V DIESEL ETH = ENGINE- 5.9L HO CUMMINS TURBO DIESEL EWA = ENGINE - 8.0L V10 MPI	DDC = TRANSMISSION - 5-SPEED HD MANUAL DDP = TRANSMISSION - 5-SPEED MANUAL DDX = TRANSMISSION - 5-SPEED HD MANUAL DEE = TRANSMISSION - 6-SPEED HD MANUAL DGP = TRANSMISSION - 4-SPD. AUTOMATIC, 47RE DGT = TRANSMISSION - 4-SPD. AUTOMATIC, 46RE

AR = use ase required - = Non illustrated part

**Clutch, Overdrive with Gear train - 46RE [DGT]  
Figure 46RE-1010**

ITEM	PART NUMBER	QTY	LINE	SERIES	BODY	ENGINE	TRANS	TRIM	DESCRIPTION	
14	04461027	1	1, 2, 3			EM0	DGT		SPRING, Direct Clutch	
		1	6, 7, 8			ELO	DGT			
		1	6, 7, 8			EM0	DGT			
		1	1, 2, 3			ELO	DGT			
		1	1, 2, 3			EM0	DGT			
15	04461072	AR	6, 7, 8			ELO	DGT		HUB, Direct Clutch	
		AR	6, 7, 8			EM0	DGT			
		AR	1, 2, 3			ELO	DGT			
		AR	1, 2, 3			EM0	DGT			
16	04446724	1	1, 2, 3			ELO	DGT		THRUST BEARING, Overdrive	
		1	6, 7, 8			ELO	DGT			
		1	1, 2, 3			EM0	DGT			
		1	6, 7, 8			EM0	DGT			
17	04461030	1	6, 7, 8			ELO	DGT		PLATE, Transmission Clutch Reaction	
		1	6, 7, 8			EM0	DGT			
		1	1, 2, 3			ELO	DGT			
		1	1, 2, 3			EM0	DGT			
18	04461042	8	6, 7, 8			ELO	DGT		DISC, Direct Clutch	
		8	6, 7, 8			EM0	DGT			
		8	1, 2, 3			ELO	DGT			
		8	1, 2, 3			EM0	DGT			
19	04461054	7	6, 7, 8			ELO	DGT		PLATE, Transmission Clutch Reaction	
		7	6, 7, 8			EM0	DGT			

**RAM PICKUP/CLUB CAB (BE)**

SERIES	LINE
L = Ram Truck (All)	3 = HD DODGE 2WD
	8 = HD DODGE 4WD
	1 = Lt. Duty DODGE 2WD
	6 = Lt. Duty DODGE 4WD
	2 = Med. Duty DODGE 2WD
	7 = Med. Duty DODGE 4WD

BODY	ENGINE	TRANSMISSION
31 = CLUB CAB 2-DR 6.5 FT BOX	ELF = ENGINE - 5.2L V8 MPI	DDC = TRANSMISSION - 5-SPEED HD MANUAL
32 = CLUB CAB 2-DR 8FT BOX	EML = ENGINE - 5.9L V8 MPI	DDP = TRANSMISSION - 5-SPEED MANUAL
33 = QUAD CAB 4-DR 6.5 FT BOX	EMM = ENGINE - "MAGNUM" 5.9L SMPI V8	DDX = TRANSMISSION - 5-SPEED HD MANUAL
34 = QUAD CAB 4-DR 8FT BOX	ETC = ENGINE- 5.9L CUMMINS 24V DIESEL	DEE = TRANSMISSION - 6-SPEED HD MANUAL
	ETH = ENGINE- 5.9L HO CUMMINS TURBO DIESEL	DGP = TRANSMISSION - 4-SPD. AUTOMATIC, 47RE
	EWA = ENGINE - 8.0L V10 MPI	DGT = TRANSMISSION - 4-SPD. AUTOMATIC, 46RE

AR = use ase required - = Non illustrated part

2000 BE

Clutch, Overdrive with Gear train - 46RE [DGT]

Figure 46RE-1010

ITEM	PART NUMBER	QTY	LINE	SERIES	BODY	ENGINE	TRANS	TRIM	DESCRIPTION
20	04461031	7	1, 2, 3			ELO	DGT		PLATE, Transmission Clutch Reaction
		7	1, 2, 3			EM0	DGT		
		1	6, 7, 8			ELO	DGT		
		1	6, 7, 8			EM0	DGT		
		1	1, 2, 3			ELO	DGT		
21	04461032	1	1, 2, 3			EM0	DGT		SPRING, Direct Clutch
		1	6, 7, 8			ELO	DGT		
		1	6, 7, 8			EM0	DGT		
		1	1, 2, 3			ELO	DGT		
22	04461064	AR	6, 7, 8			ELO	DGT		SNAP RING, 1.875" OD
		AR	6, 7, 8			EM0	DGT		
		1	1, 2, 3			ELO	DGT		
		1	1, 2, 3			EM0	DGT		
23	04412583	1	1, 2, 3			ELO	DGT		FILTER, Overdrive Clutch
		1	6, 7, 8			ELO	DGT		
		1	1, 2, 3			EM0	DGT		
		1	6, 7, 8			EM0	DGT		
24	52117975	1	1, 2, 3			ELO	DGT		RETAINER, Transmission O/Drive Clutch Piston
		1	6, 7, 8			ELO	DGT		
		1	1, 2, 3			EM0	DGT		
		1	6, 7, 8			EM0	DGT		
25	52118599	1	1, 2, 3			ELO	DGT		PISTON, Overdrive Clutch
		1	1, 2, 3			ELO	DGT		

RAM PICKUP/CLUB CAB (BE)

SERIES	LINE
L = Ram Truck (All)	3 = HD DODGE 2WD
	8 = HD DODGE 4WD
	1 = Lt. Duty DODGE 2WD
	6 = Lt. Duty DODGE 4WD
	2 = Med. Duty DODGE 2WD
	7 = Med. Duty DODGE 4WD

BODY	ENGINE	TRANSMISSION
31 = CLUB CAB 2-DR 6.5 FT BOX	ELF = ENGINE - 5.2L V8 MPI	DDC = TRANSMISSION - 5-SPEED HD MANUAL
32 = CLUB CAB 2-DR 8FT BOX	EML = ENGINE - 5.9L V8 MPI	DDP = TRANSMISSION - 5-SPEED MANUAL
33 = QUAD CAB 4-DR 6.5 FT BOX	EMM = ENGINE - "MAGNUM" 5.9L SMPI V8	DDX = TRANSMISSION - 5-SPEED HD MANUAL
34 = QUAD CAB 4-DR 8FT BOX	ETC = ENGINE- 5.9L CUMMINS 24V DIESEL	DEE = TRANSMISSION - 6-SPEED HD MANUAL
	ETH = ENGINE- 5.9L HO CUMMINS TURBO DIESEL	DGP = TRANSMISSION - 4-SPD. AUTOMATIC, 47RE
	EWA = ENGINE - 8.0L V10 MPI	DGT = TRANSMISSION - 4-SPD. AUTOMATIC, 46RE

AR = use ase required - = Non illustrated part

2000 BE

**Clutch, Overdrive with Gear train - 46RE [DGT]  
Figure 46RE-1010**

ITEM	PART NUMBER	QTY	LINE	SERIES	BODY	ENGINE	TRANS	TRIM	DESCRIPTION
		1	6, 7, 8			ELO	DGT		
		1	1, 2, 3			EM0	DGT		
		1	6, 7, 8			EM0	DGT		
26	00152796	6	1, 2, 3			ELO	DGT		SCREW, .25-20
		6	6, 7, 8			ELO	DGT		
		6	1, 2, 3			EM0	DGT		
		6	6, 7, 8			EM0	DGT		
27	04431697	1	1, 2, 3			ELO	DGT		SEAL, Overdrive Clutch Piston
		1	6, 7, 8			ELO	DGT		
		1	1, 2, 3			EM0	DGT		
		1	6, 7, 8			EM0	DGT		
28	04431696	1	1, 2, 3			ELO	DGT		SEAL, Overdrive Clutch Piston
		1	6, 7, 8			ELO	DGT		
		1	1, 2, 3			EM0	DGT		
		1	6, 7, 8			EM0	DGT		
29	04431585	1	1, 2, 3			ELO	DGT		PLATE, Transmission O/Drive Clutch
		1	6, 7, 8			ELO	DGT		.123-.125" Thick
		1	1, 2, 3			EM0	DGT		.123-.125" Thick
		1	6, 7, 8			EM0	DGT		.123-.125" Thick
		1	1, 2, 3			EM0	DGT		.123-.125" Thick
		1	6, 7, 8			ELO	DGT		.153-.155" Thick
		1	1, 2, 3			ELO	DGT		.153-.155" Thick
		1	6, 7, 8			ELO	DGT		.153-.155" Thick
		1	1, 2, 3			EM0	DGT		.153-.155" Thick
		1	6, 7, 8			EM0	DGT		.153-.155" Thick
		1	1, 2, 3			ELO	DGT		.183-.185" Thick
		1	6, 7, 8			ELO	DGT		.183-.185" Thick

**RAM PICKUP/CLUB CAB (BE)**

SERIES	LINE
L = Ram Truck	3 = HD DODGE 2WD
(All)	8 = HD DODGE 4WD
	1 = Lt. Duty DODGE 2WD
	6 = Lt. Duty DODGE 4WD
	2 = Med. Duty DODGE 2WD
	7 = Med. Duty DODGE 4WD

BODY	ENGINE	TRANSMISSION
31 = CLUB CAB 2-DR 6.5 FT BOX	ELF = ENGINE - 5.2L V8 MPI	DDC = TRANSMISSION - 5-SPEED HD MANUAL
32 = CLUB CAB 2-DR 8FT BOX	EML = ENGINE - 5.9L V8 MPI	DDP = TRANSMISSION - 5-SPEED MANUAL
33 = QUAD CAB 4-DR 6.5 FT BOX	EMM = ENGINE - "MAGNUM" 5.9L SMPI V8	DDX = TRANSMISSION - 5-SPEED HD MANUAL
34 = QUAD CAB 4-DR 8FT BOX	ETC = ENGINE- 5.9L CUMMINS 24V DIESEL	DEE = TRANSMISSION - 6-SPEED HD MANUAL
	ETH = ENGINE- 5.9L HO CUMMINS TURBO DIESEL	DGP = TRANSMISSION - 4-SPD. AUTOMATIC, 47RE
	EWA = ENGINE - 8.0L V10 MPI	DGT = TRANSMISSION - 4-SPD. AUTOMATIC, 46RE

AR = use ase required - = Non illustrated part

2000 BE

**Clutch, Overdrive with Gear train - 46RE [DGT]  
Figure 46RE-1010**

ITEM	PART NUMBER	QTY	LINE	SERIES	BODY	ENGINE	TRANS	TRIM	DESCRIPTION
		1	1, 2, 3			EM0	DGT		.183-.185" Thick
		1	6, 7, 8			EM0	DGT		.183-.185" Thick
	04431588	1	1, 2, 3			ELO	DGT		.213-.215" Thick
		1	6, 7, 8			ELO	DGT		.213-.215" Thick
		1	1, 2, 3			EM0	DGT		.213-.215" Thick
		1	6, 7, 8			EM0	DGT		.213-.215" Thick
	04431590	1	1, 2, 3			ELO	DGT		.243-.245" Thick
		1	6, 7, 8			ELO	DGT		.243-.245" Thick
		1	1, 2, 3			EM0	DGT		.243-.245" Thick
		1	6, 7, 8			EM0	DGT		.243-.245" Thick
	04431731	1	1, 2, 3			ELO	DGT		.138-.140" Thick
		1	6, 7, 8			ELO	DGT		.138-.140" Thick
		1	1, 2, 3			EM0	DGT		.138-.140" Thick
		1	6, 7, 8			EM0	DGT		.138-.140" Thick
	04431732	1	1, 2, 3			ELO	DGT		.168-.170" Thick
		1	6, 7, 8			ELO	DGT		.168-.170" Thick
		1	1, 2, 3			EM0	DGT		.168-.170" Thick
		1	6, 7, 8			EM0	DGT		.168-.170" Thick
	04431733	1	1, 2, 3			ELO	DGT		.198-.200" Thick
		1	6, 7, 8			ELO	DGT		.198-.200" Thick
		1	1, 2, 3			EM0	DGT		.198-.200" Thick
		1	6, 7, 8			EM0	DGT		.198-.200" Thick
	04431734	1	1, 2, 3			ELO	DGT		.228-.230" Thick
		1	6, 7, 8			ELO	DGT		.228-.230" Thick
		1	1, 2, 3			EM0	DGT		.228-.230" Thick
		1	6, 7, 8			EM0	DGT		.228-.230" Thick
	04431735	1	1, 2, 3			ELO	DGT		.108-.110" Thick
		1	6, 7, 8			ELO	DGT		.108-.110" Thick
		1	1, 2, 3			EM0	DGT		.108-.110" Thick
		1	6, 7, 8			EM0	DGT		.108-.110" Thick

**RAM PICKUP/CLUB CAB (BE)**

SERIES	LINE
L = Ram Truck	3 = HD DODGE 2WD
(All)	8 = HD DODGE 4WD
	1 = Lt. Duty DODGE 2WD
	6 = Lt. Duty DODGE 4WD
	2 = Med. Duty DODGE 2WD
	7 = Med. Duty DODGE 4WD

BODY	ENGINE	TRANSMISSION
31 = CLUB CAB 2-DR 6.5 FT BOX	ELF = ENGINE - 5.2L V8 MPI	DDC = TRANSMISSION - 5-SPEED HD MANUAL
32 = CLUB CAB 2-DR 8FT BOX	EML = ENGINE - 5.9L V8 MPI	DDP = TRANSMISSION - 5-SPEED MANUAL
33 = QUAD CAB 4-DR 6.5 FT BOX	EMM = ENGINE - "MAGNUM" 5.9L SMPI V8	DDX = TRANSMISSION - 5-SPEED HD MANUAL
34 = QUAD CAB 4-DR 8FT BOX	ETC = ENGINE- 5.9L CUMMINS 24V DIESEL	DEE = TRANSMISSION - 6-SPEED HD MANUAL
	ETH = ENGINE- 5.9L HO CUMMINS TURBO DIESEL	DGP = TRANSMISSION - 4-SPD. AUTOMATIC, 47RE
	EWA = ENGINE - 8.0L V10 MPI	DGT = TRANSMISSION - 4-SPD. AUTOMATIC, 46RE

AR = use ase required - = Non illustrated part

2000 BE

**Clutch, Overdrive with Gear train - 46RE [DGT]  
Figure 46RE-1010**

ITEM	PART NUMBER	QTY	LINE	SERIES	BODY	ENGINE	TRANS	TRIM	DESCRIPTION
30	04431916	1	1, 2, 3			ELO	DGT		SPACER, Intermediate Shaft, 1.58mm
		1	6, 7, 8			ELO	DGT		
		1	1, 2, 3			EM0	DGT		
		1	6, 7, 8			EM0	DGT		
-31	04431917	1	1, 2, 3			ELO	DGT		SPACER, Intermediate Shaft, .175
		1	6, 7, 8			ELO	DGT		
		1	1, 2, 3			EM0	DGT		
		1	6, 7, 8			EM0	DGT		
-32	04431918	1	1, 2, 3			ELO	DGT		SPACER, Intermediate Shaft, .193
		1	6, 7, 8			ELO	DGT		
		1	1, 2, 3			EM0	DGT		
		1	6, 7, 8			EM0	DGT		
-33	04431919	1	1, 2, 3			ELO	DGT		SPACER, Intermediate Shaft, .211
		1	6, 7, 8			ELO	DGT		
		1	1, 2, 3			EM0	DGT		
		1	6, 7, 8			EM0	DGT		
34	04461065	1	6, 7, 8			ELO	DGT		SNAP RING, 6.50 OD
		1	6, 7, 8			EM0	DGT		
		1	1, 2, 3			ELO	DGT		
		1	1, 2, 3			EM0	DGT		
35	04461033	2	1, 2, 3			ELO			PLATE, Transmission Clutch Reaction
		2	1, 2, 3			EM0	DGT		

**RAM PICKUP/CLUB CAB (BE)**

SERIES	LINE
L = Ram Truck (All)	3 = HD DODGE 2WD 8 = HD DODGE 4WD 1 = Lt. Duty DODGE 2WD 6 = Lt. Duty DODGE 4WD 2 = Med. Duty DODGE 2WD 7 = Med. Duty DODGE 4WD

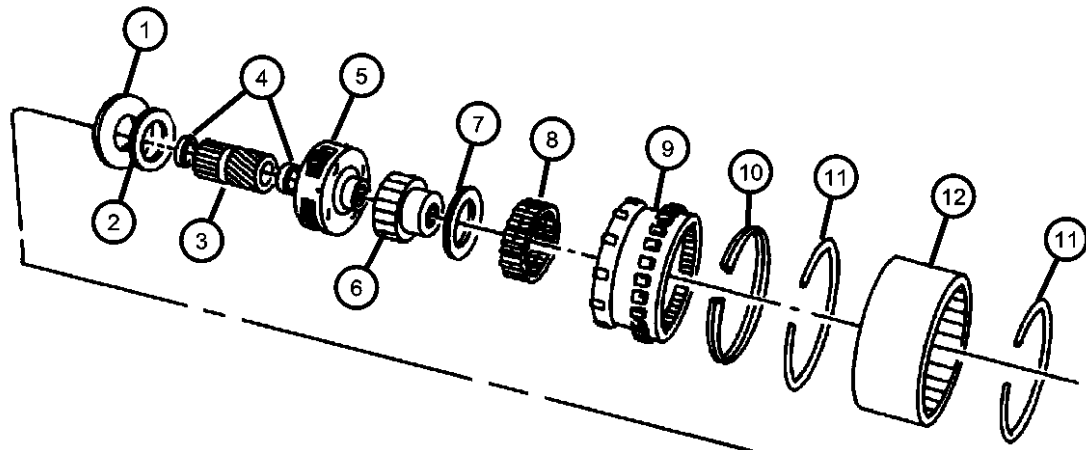
BODY	ENGINE	TRANSMISSION
31 = CLUB CAB 2-DR 6.5 FT BOX 32 = CLUB CAB 2-DR 8FT BOX 33 = QUAD CAB 4-DR 6.5 FT BOX 34 = QUAD CAB 4-DR 8FT BOX	ELF = ENGINE - 5.2L V8 MPI EML = ENGINE - 5.9L V8 MPI EMM = ENGINE - "MAGNUM" 5.9L SMPI V8 ETC = ENGINE- 5.9L CUMMINS 24V DIESEL ETH = ENGINE- 5.9L HO CUMMINS TURBO DIESEL EWA = ENGINE - 8.0L V10 MPI	DDC = TRANSMISSION - 5-SPEED HD MANUAL DDP = TRANSMISSION - 5-SPEED MANUAL DDX = TRANSMISSION - 5-SPEED HD MANUAL DEE = TRANSMISSION - 6-SPEED HD MANUAL DGP = TRANSMISSION - 4-SPD. AUTOMATIC, 47RE DGT = TRANSMISSION - 4-SPD. AUTOMATIC, 46RE

AR = use ase required - = Non illustrated part

2000 BE

**Clutch, Overdrive with Gear train - 46RE [DGT]  
Figure 46RE-1010**

ITEM	PART NUMBER	QTY	LINE	SERIES	BODY	ENGINE	TRANS	TRIM	DESCRIPTION
------	-------------	-----	------	--------	------	--------	-------	------	-------------

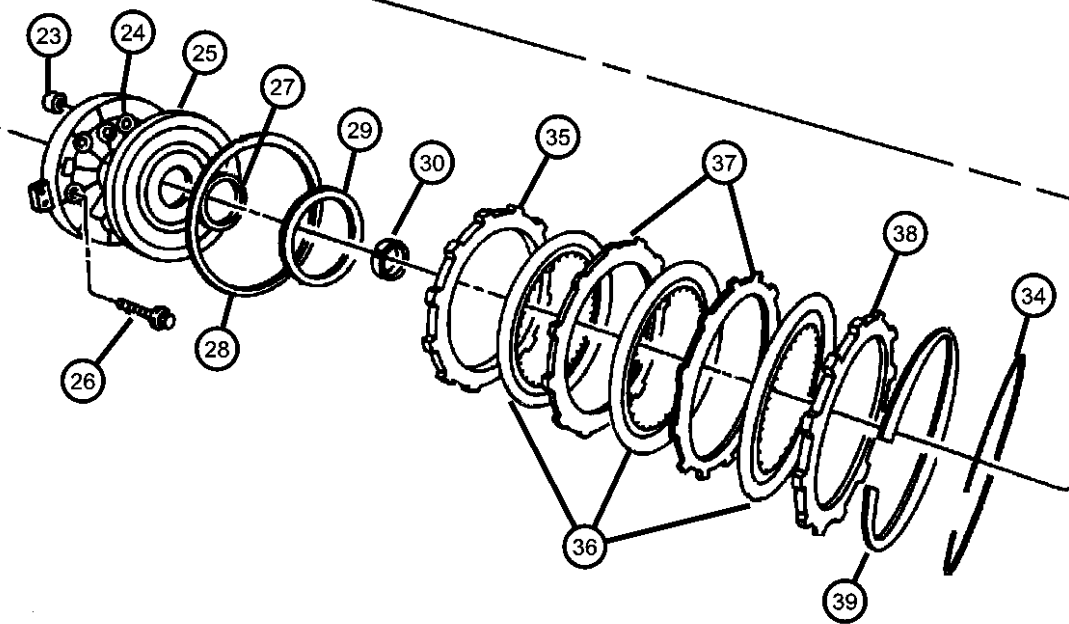
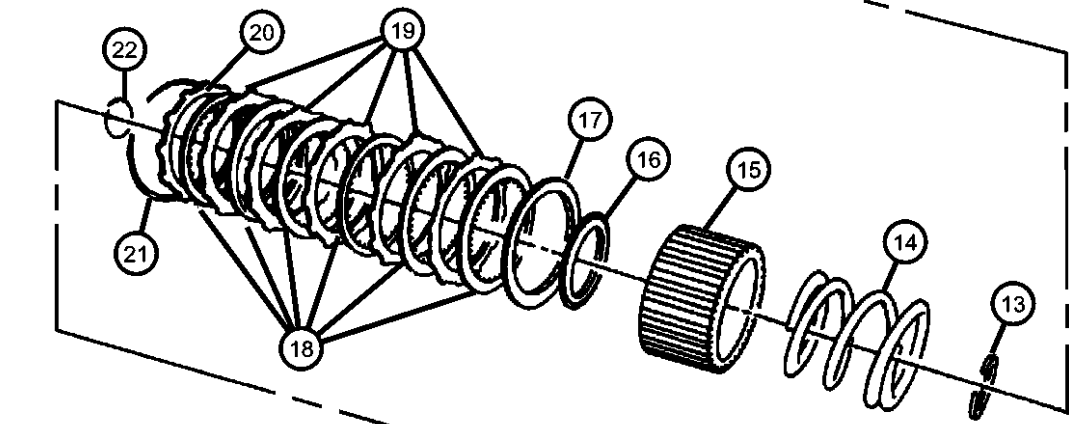


36									PLATE, Transmission Clutch Reaction
	04461047	3	6, 7, 8			ELO	DGT		
		3	6, 7, 8			EM0	DGT		
		3	1, 2, 3			ELO			
		3	1, 2, 3			EM0	DGT		

37									DISC, Direct Clutch
	04461181	4	6, 7, 8			ELO	DGT		
		4	6, 7, 8			EM0	DGT		
		4	1, 2, 3			ELO			
		4	1, 2, 3			EM0	DGT		

38									PLATE, Transmission Clutch Reaction
	04461033	2	1, 2, 3			ELO			
		2	1, 2, 3			EM0	DGT		

39									SPRING, Overdrive Clutch
	04461066	1	6, 7, 8			ELO	DGT		
		1	6, 7, 8			EM0	DGT		
		1	1, 2, 3			ELO	DGT		
		1	1, 2, 3			EM0	DGT		



**RAM PICKUP/CLUB CAB (BE)**

SERIES	LINE
L = Ram Truck (All)	3 = HD DODGE 2WD
	8 = HD DODGE 4WD
	1 = Lt. Duty DODGE 2WD
	6 = Lt. Duty DODGE 4WD
	2 = Med. Duty DODGE 2WD
	7 = Med. Duty DODGE 4WD

BODY	ENGINE	TRANSMISSION
31 = CLUB CAB 2-DR 6.5 FT BOX	ELF = ENGINE - 5.2L V8 MPI	DDC = TRANSMISSION - 5-SPEED HD MANUAL
32 = CLUB CAB 2-DR 8FT BOX	EML = ENGINE - 5.9L V8 MPI	DDP = TRANSMISSION - 5-SPEED MANUAL
33 = QUAD CAB 4-DR 6.5 FT BOX	EMM = ENGINE - "MAGNUM" 5.9L SMPI V8	DDX = TRANSMISSION - 5-SPEED HD MANUAL
34 = QUAD CAB 4-DR 8FT BOX	ETC = ENGINE- 5.9L CUMMINS 24V DIESEL	DEE = TRANSMISSION - 6-SPEED HD MANUAL
	ETH = ENGINE- 5.9L HO CUMMINS TURBO DIESEL	DGP = TRANSMISSION - 4-SPD. AUTOMATIC, 47RE
	EWA = ENGINE - 8.0L V10 MPI	DGT = TRANSMISSION - 4-SPD. AUTOMATIC, 46RE

AR = use ase required - = Non illustrated part

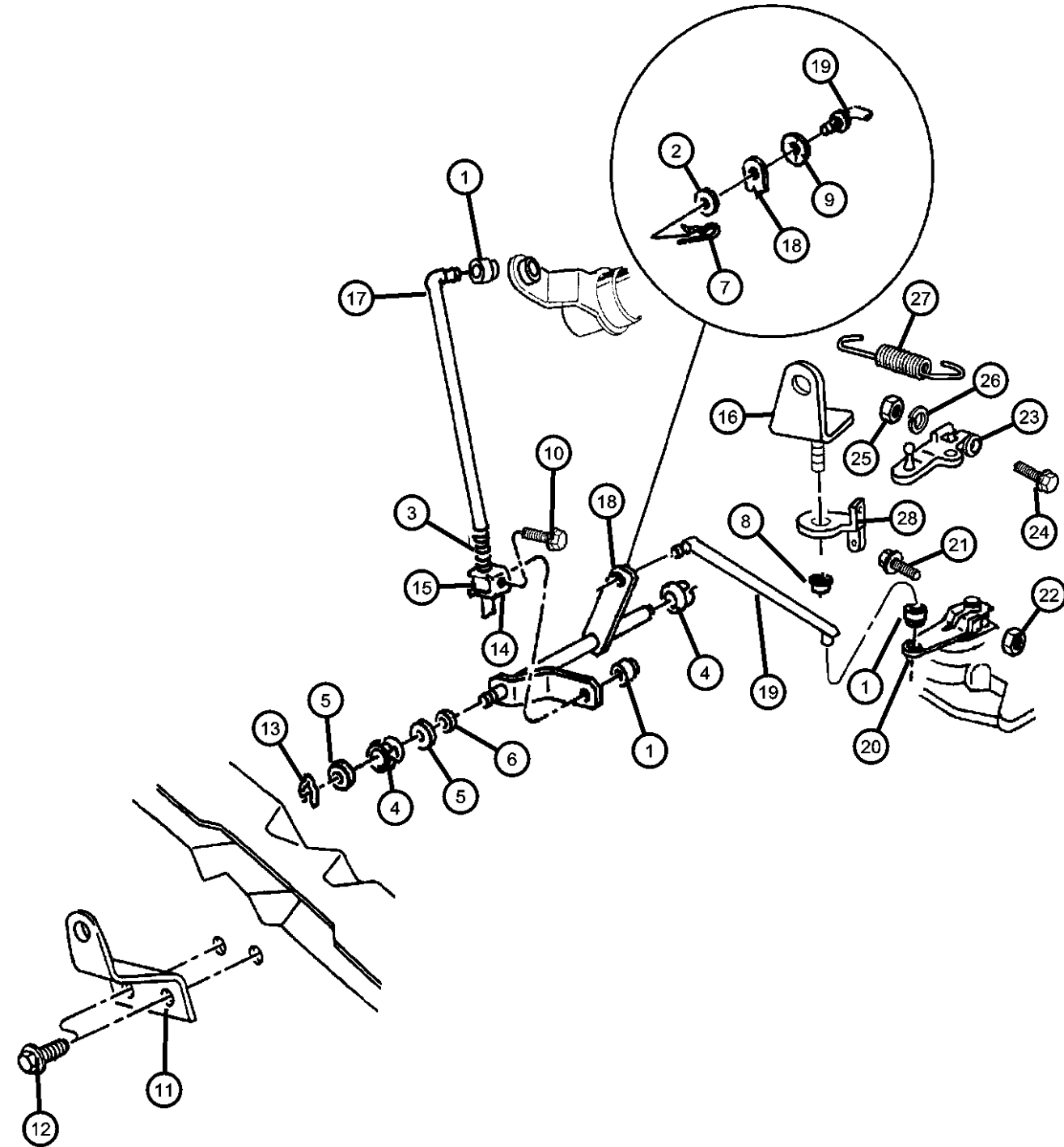
2000 BE



**Controls, Gearshift Lower - 46RE [DGT]  
Figure 46RE-1210**

ITEM	PART NUMBER	QTY	LINE	SERIES	BODY	ENGINE	TRANS	TRIM	DESCRIPTION
------	-------------	-----	------	--------	------	--------	-------	------	-------------

NOTES: Sales Codes  
[DGT] = 4 Speed Automatic Transmission 46RE  
[ELO] = All 5.2L 8 Cylinder Gas Engines  
[EM0] = All 5.9L 8 Cylinder Gas Engines



1	03575333	2					DG0		GROMMET, Control Rod Front
2	J0120393	1					DGT		WASHER, Flat
3	03575354	1					DG0		SPRING, Gearshift Control Rod
4	03467800	2					DG0		BUSHING, Gearshift Torque Shaft
5	06504763	2					DGT		WASHER, Flat, M13.5
6	06034943	1					DGT		WASHER
7	J4004295	1					DGT		PIN, Rod To Trans Shaft Lever
8	06028114	1					DG0		NUT, Hex, .437-14
9	J0120393	1					DGT		WASHER, Flat
10	00181082	1					DG0		BOLT, Hex Head, 5/16-18x1/2
11	52077802AD	1					DGT		BRACKET, Gearshift
12	52077802AD	1							SCREW, (NOT SERVICED)
13	06032475	1					DGT		RING, Transmission Torque Shaft
14	52107734	1					DG0		CLAMP
15	03575334	1					DG0		SWIVEL, Gearshift Control Rod
16	52107806AA	1				ELO, EM0	DGT		BRACKET, Torque Shaft
17	52107699AB	1					DG0		ROD, Gear Shift Control
18	52079228AC	1					DGT		TORQUE SHAFT, Gearshift
19	52107780AA	1					DGT		ROD, Gear Shift Control, Transmission
20	52107825AA	1					DGP, DGT		LEVER, Manual Control
21	00180034	1					DGP, DGT		SCREW AND WASHER, Hex Head, .25-20x1.50
22	00115984	1					DGP, DGT		NUT, Brake Line
23	52079065	1					DG0		LEVER, Throttle Valve
24	00181065	1					DG0		BOLT, Hex Head, .25-20x1.00
25	00115984	1					DGP, DGT		NUT, Brake Line
26	00138165	1					DG0		WASHER, Lock

**RAM PICKUP/CLUB CAB (BE)**

SERIES	LINE
L = Ram Truck (All)	3 = HD DODGE 2WD
	8 = HD DODGE 4WD
	1 = Lt. Duty DODGE 2WD
	6 = Lt. Duty DODGE 4WD
	2 = Med. Duty DODGE 2WD
	7 = Med. Duty DODGE 4WD

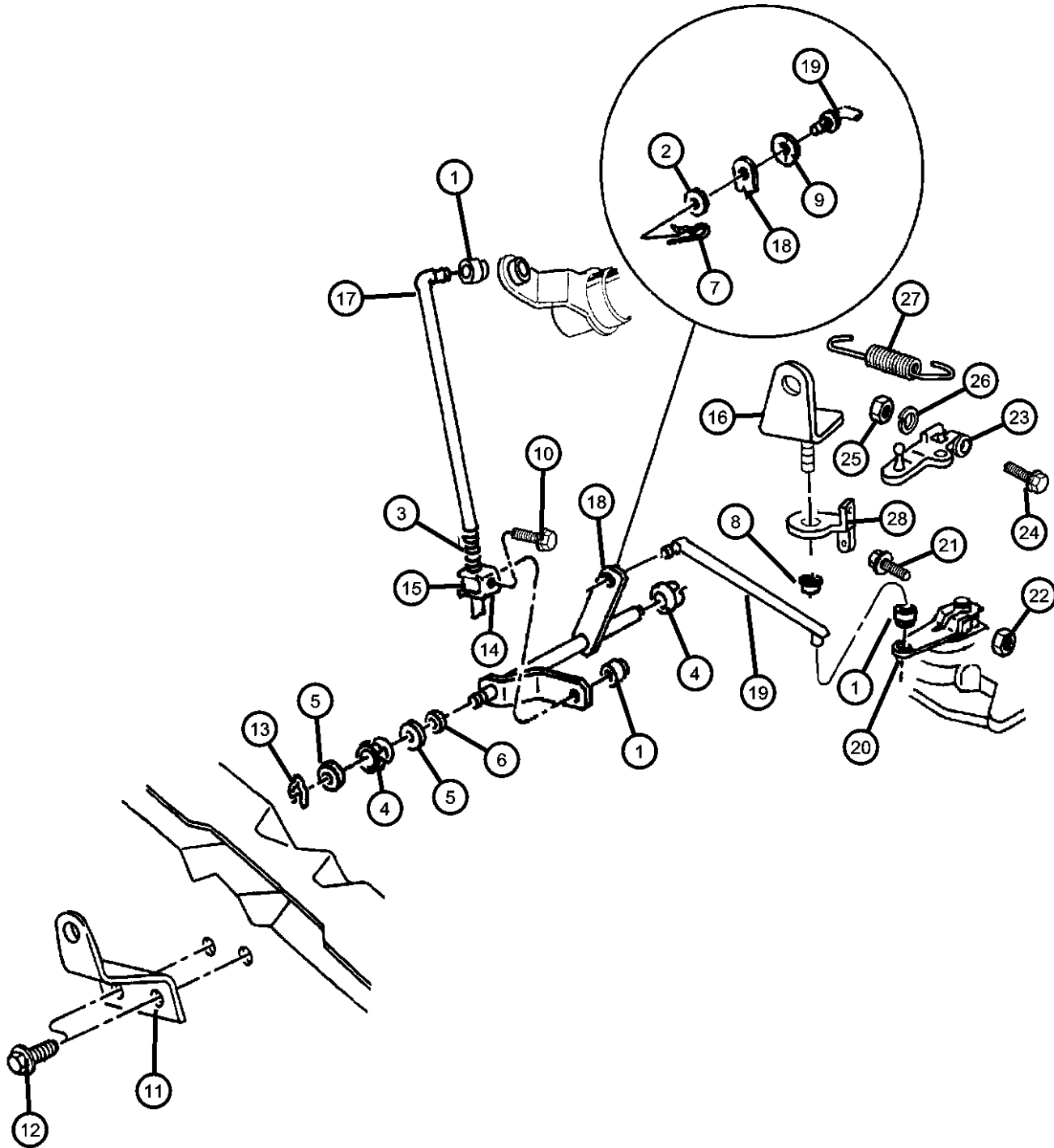
BODY	ENGINE	TRANSMISSION
31 = CLUB CAB 2-DR 6.5 FT BOX	ELF = ENGINE - 5.2L V8 MPI	DDC = TRANSMISSION - 5-SPEED HD MANUAL
32 = CLUB CAB 2-DR 8FT BOX	EML = ENGINE - 5.9L V8 MPI	DDP = TRANSMISSION - 5-SPEED MANUAL
33 = QUAD CAB 4-DR 6.5 FT BOX	EMM = ENGINE - "MAGNUM" 5.9L SMPI V8	DDX = TRANSMISSION - 5-SPEED HD MANUAL
34 = QUAD CAB 4-DR 8FT BOX	ETC = ENGINE- 5.9L CUMMINS 24V DIESEL	DEE = TRANSMISSION - 6-SPEED HD MANUAL
	ETH = ENGINE- 5.9L HO CUMMINS TURBO DIESEL	DGP = TRANSMISSION - 4-SPD. AUTOMATIC, 47RE
	EWA = ENGINE - 8.0L V10 MPI	DGT = TRANSMISSION - 4-SPD. AUTOMATIC, 46RE

AR = use ase required - = Non illustrated part

2000 BE

Controls, Gearshift Lower - 46RE [DGT]  
Figure 46RE-1210

ITEM	PART NUMBER	QTY	LINE	SERIES	BODY	ENGINE	TRANS	TRIM	DESCRIPTION
27	53009055	1					DG0		SPRING, Throttle Valve Return
28	52078718	1					DG0		BRACKET, Throttle Valve Spring



RAM PICKUP/CLUB CAB (BE)

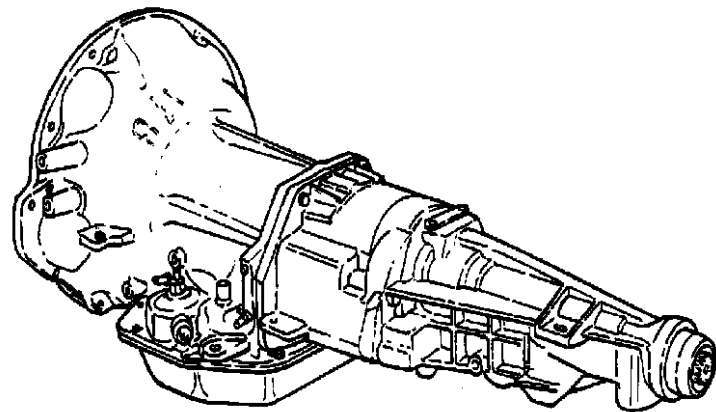
SERIES	LINE	BODY	ENGINE	TRANSMISSION
L = Ram Truck (All)	3 = HD DODGE 2WD 8 = HD DODGE 4WD 1 = Lt. Duty DODGE 2WD 6 = Lt. Duty DODGE 4WD 2 = Med. Duty DODGE 2WD 7 = Med. Duty DODGE 4WD	31 = CLUB CAB 2-DR 6.5 FT BOX 32 = CLUB CAB 2-DR 8FT BOX 33 = QUAD CAB 4-DR 6.5 FT BOX 34 = QUAD CAB 4-DR 8FT BOX	ELF = ENGINE - 5.2L V8 MPI EML = ENGINE - 5.9L V8 MPI EMM = ENGINE - "MAGNUM" 5.9L SMPI V8 ETC = ENGINE- 5.9L CUMMINS 24V DIESEL ETH = ENGINE- 5.9L HO CUMMINS TURBO DIESEL EWA = ENGINE - 8.0L V10 MPI	DDC = TRANSMISSION - 5-SPEED HD MANUAL DDP = TRANSMISSION - 5-SPEED MANUAL DDX = TRANSMISSION - 5-SPEED HD MANUAL DEE = TRANSMISSION - 6-SPEED HD MANUAL DGP = TRANSMISSION - 4-SPD. AUTOMATIC,47RE DGT = TRANSMISSION - 4-SPD. AUTOMATIC,46RE

AR = use ase required - = Non illustrated part

2000 BE

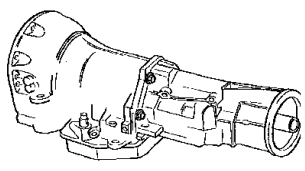
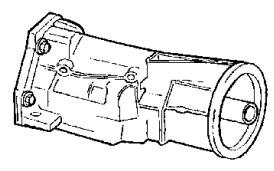
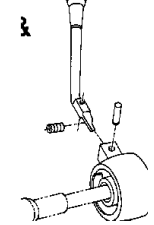
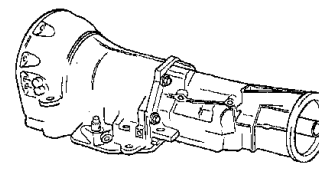

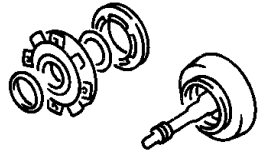
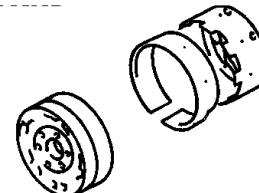
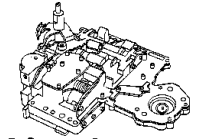
# Group - 47RE

## Automatic Transmission 4 Speed



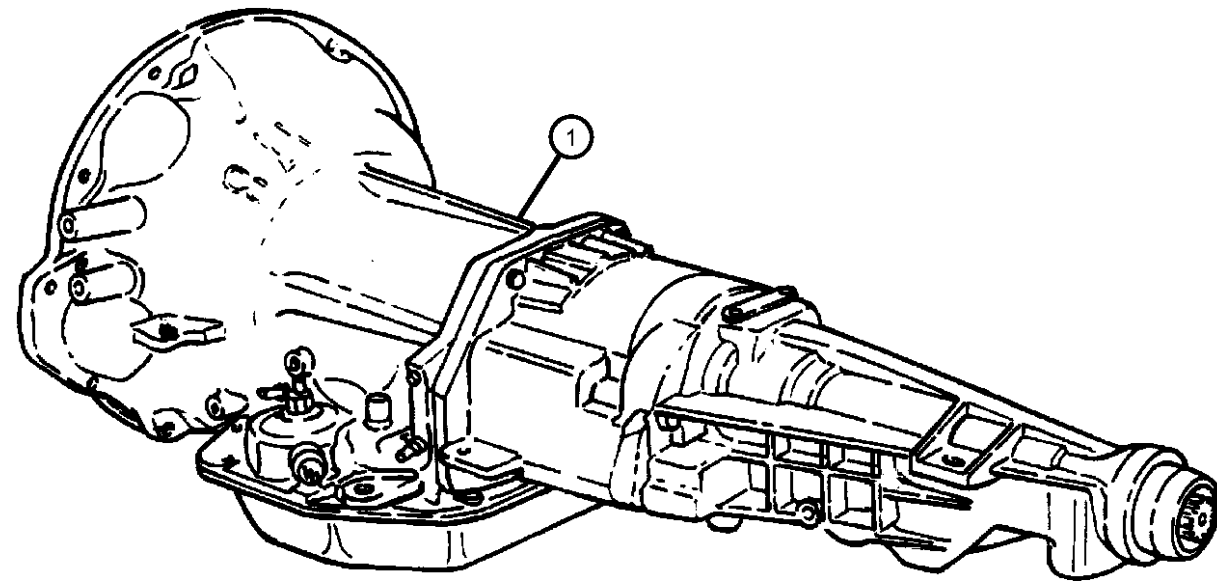
### Group - 47RE Automatic Transmission 4 Speed

Illustration Title	Group-Fig. No.
<b>Transmission Assembly</b>	
Transmission Assembly - 47RE [DGP] .....	Fig. 47RE - 110
<b>Case and Extension</b>	
Case and Related parts - 47RE [DGP] .....	Fig. 47RE - 210
Extension - 47RE [DGP] .....	Fig. 47RE - 220
<b>Oil Pump</b>	
Pump, Oil With Reaction Shaft - 47RE [DGP] .....	Fig. 47RE - 310
<b>Gear Train</b>	
Clutch, Front and Rear with Gear Train - 47RE [DGP] .....	Fig. 47RE - 410
Gear Train and Intermediate Shaft - 47RE [DGP] .....	Fig. 47RE - 420
Output Shaft - 47RE [DGP] .....	Fig. 47RE - 430
<b>Bands, Reverse and Kickdown</b>	
Bands, Reverse and Kickdown with Linkage - 47RE [DGP] .....	Fig. 47RE - 510
<b>Valve Body</b>	
Valve Body - 47RE [DGP] .....	Fig. 47RE - 710
Servos, Accumulator Piston and Spring - 47RE [DGP] .....	Fig. 47RE - 720
Parking Sprag - 47RE [DGP] .....	Fig. 47RE - 730
<b>Overdrive Gear Train</b>	
Clutch, Overdrive with Gear Train - 47RE [DGP] .....	Fig. 47RE - 1010
<b>Gearshift Controls</b>	
Controls, Gearshift Lower - 47RE [DGP] .....	Fig. 47RE - 1210

<b>47RE-100</b> Transmission Assembly 	<b>47RE-1000</b> Overdrive Gear Train 	<b>47RE-1200</b> Gearshift Controls 	<b>47RE-200</b> Case and Extension 
<b>47RE-300</b> Oil Pump 	<b>47RE-400</b> Gear Train 	<b>47RE-500</b> Bands, Reverse and Kickdown 	<b>47RE-700</b> Valve Body 

Transmission Assembly - 47RE [DGP]

Figure 47RE-110



ITEM	PART NUMBER	QTY	LINE	SERIES	BODY	ENGINE	TRANS	TRIM	DESCRIPTION
------	-------------	-----	------	--------	------	--------	-------	------	-------------

NOTES; Sales Codes  
 [DGP] = 4 Speed Automatic Transmission 47RE  
 [ET0] = All 5.9L Diesel Engines  
 [EW0] = All 8.0L Gas Engines

1									TRANSMISSION PACKAGE
	05014773AA	1	1, 2, 3			ET0	DGP		52119850AA(Package Contains,52119850AA Transmission, 52118868 Converter, K6033439 Bolts)
	05013457AA								Mopar Automatic Transmission Fluid Quart
	05013458AA								Mopar Automatic Transmission Fluid Gallon
	05010124AA								Mopar Automatic Transmission Fluid Quart
	05010125AC								Mopar Automatic Transmission Fluid Gallon
	05014774AA	1	1, 2, 3			EW0	DGP		52119850AA( Package contains 52119850AA Transmission, 52118506 Conveereter, K6033439 Bolts)
	05013457AA								Mopar Automatic Transmission Fluid Quart
	05013458AA								Mopar Automatic Transmission Fluid Gallon
	05010125AC								Mopar Automatic Transmission Fluid Gallon
	05010124AA								Mopar Automatic Transmission Fluid Quart
	05014775AA	1	6, 7, 8			ET0	DGP		52119851AA(Package Contains 52119851AA Transmission, 52118868 Converter, K6033439 Bolts)
	05013457AA								Mopar Automatic Transmission Fluid Quart
	05013458AA								Mopar Automatic Transmission Fluid Gallon
	05010124AA								Mopar Automatic Transmission Fluid Quart
	05010125AC								Mopar Automatic Transmission Fluid Gallon

RAM PICKUP/CLUB CAB (BE)

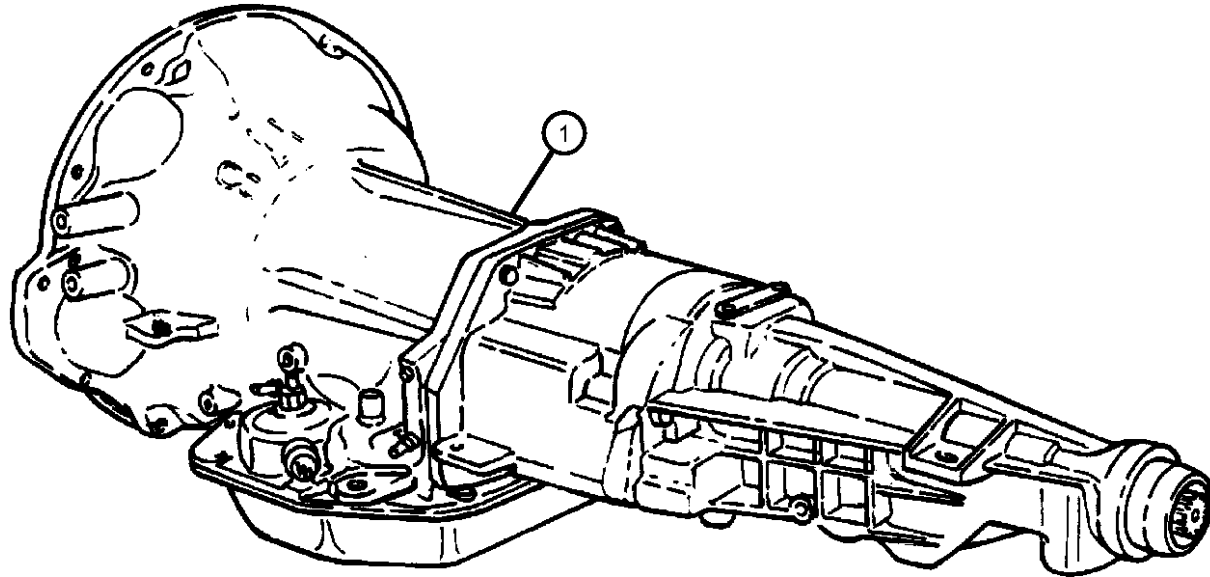
SERIES	LINE	BODY	ENGINE	TRANSMISSION
L = Ram Truck (All)	3 = HD DODGE 2WD 8 = HD DODGE 4WD 1 = Lt. Duty DODGE 2WD 6 = Lt. Duty DODGE 4WD 2 = Med. Duty DODGE 2WD 7 = Med. Duty DODGE 4WD	31 = CLUB CAB 2-DR 6.5 FT BOX 32 = CLUB CAB 2-DR 8FT BOX 33 = QUAD CAB 4-DR 6.5 FT BOX 34 = QUAD CAB 4-DR 8FT BOX	ELF = ENGINE - 5.2L V8 MPI EML = ENGINE - 5.9L V8 MPI EMM = ENGINE - "MAGNUM" 5.9L SMPI V8 ETC = ENGINE- 5.9L CUMMINS 24V DIESEL ETH = ENGINE- 5.9L HO CUMMINS TURBO DIESEL EWA = ENGINE - 8.0L V10 MPI	DDC = TRANSMISSION - 5-SPEED HD MANUAL DDP = TRANSMISSION - 5-SPEED MANUAL DDX = TRANSMISSION - 5-SPEED HD MANUAL DEE = TRANSMISSION - 6-SPEED HD MANUAL DGP = TRANSMISSION - 4-SPD. AUTOMATIC,47RE DGT = TRANSMISSION - 4-SPD. AUTOMATIC,46RE

AR = use ase required - = Non illustrated part

2000 BE

**Transmission Assembly - 47RE [DGP]  
Figure 47RE-110**

ITEM	PART NUMBER	QTY	LINE	SERIES	BODY	ENGINE	TRANS	TRIM	DESCRIPTION
	05014776AA	1	6, 7, 8			EW0	DGP		52119851AA(Pagakge Contains, 52119851AA Transmission, 52118506 Converter, K6033439 Bolts)
	05013457AA								Mopar Automatic Transmission Fluid Quart
	05013458AA								Mopar Automatic Transmission Fluid Gallon
	05010125AC								Mopar Automatic Transmission Fluid Gallon
	05010124AA								Mopar Automatic Transmission Fluid Quart
-2									OVERDRIVE
	52118158	1	6, 7, 8				DGP		
	52118786	1	1, 2, 3				DGP		



**RAM PICKUP/CLUB CAB (BE)**

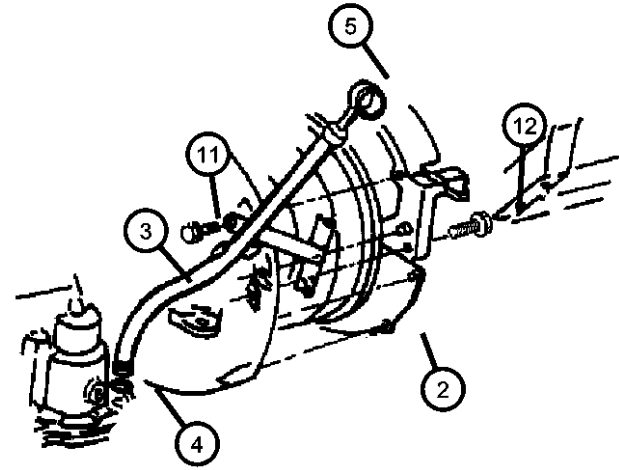
SERIES	LINE	BODY	ENGINE	TRANSMISSION
L = Ram Truck (All)	3 = HD DODGE 2WD 8 = HD DODGE 4WD 1 = Lt. Duty DODGE 2WD 6 = Lt. Duty DODGE 4WD 2 = Med. Duty DODGE 2WD 7 = Med. Duty DODGE 4WD	31 = CLUB CAB 2-DR 6.5 FT BOX 32 = CLUB CAB 2-DR 8FT BOX 33 = QUAD CAB 4-DR 6.5 FT BOX 34 = QUAD CAB 4-DR 8FT BOX	ELF = ENGINE - 5.2L V8 MPI EML = ENGINE - 5.9L V8 MPI EMM = ENGINE - "MAGNUM" 5.9L SMPI V8 ETC = ENGINE- 5.9L CUMMINS 24V DIESEL ETH = ENGINE- 5.9L HO CUMMINS TURBO DIESEL EWA = ENGINE - 8.0L V10 MPI	DDC = TRANSMISSION - 5-SPEED HD MANUAL DDP = TRANSMISSION - 5-SPEED MANUAL DDX = TRANSMISSION - 5-SPEED HD MANUAL DEE = TRANSMISSION - 6-SPEED HD MANUAL DGP = TRANSMISSION - 4-SPD. AUTOMATIC,47RE DGT = TRANSMISSION - 4-SPD. AUTOMATIC,46RE

AR = use ase required - = Non illustrated part

2000 BE

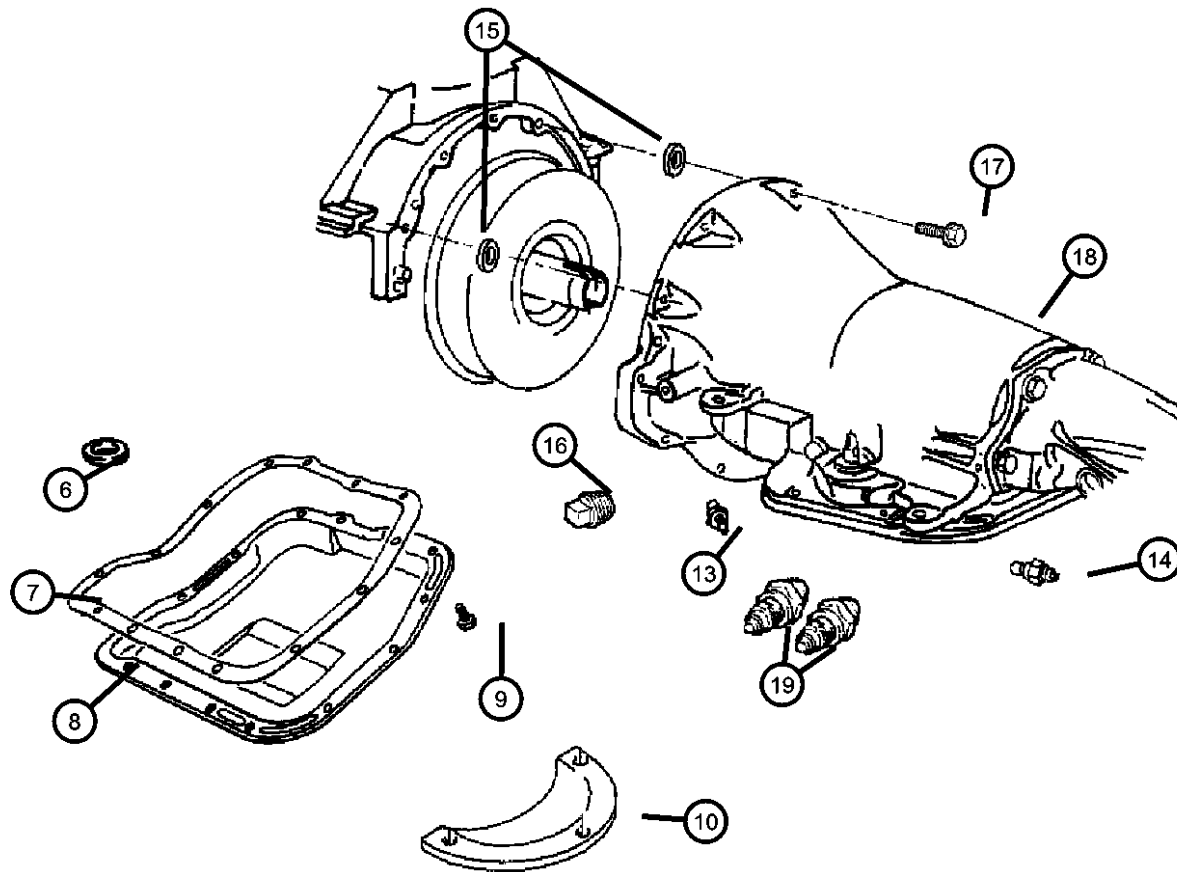
Case and Related parts - 47RE [DGP]  
Figure 47RE-210

ITEM	PART NUMBER	QTY	LINE	SERIES	BODY	ENGINE	TRANS	TRIM	DESCRIPTION
------	-------------	-----	------	--------	------	--------	-------	------	-------------



NOTES; Sales Codes  
[DGP] = 4 Speed Automatic Transmission 47RE  
[ET0] = All 5.9L Diesel Engines  
[EW0] = All 8.0L Gas Engines

-1									SEAL AND GASKET PACKAGE, Transmission
	04863884AF	1	1, 2, 3				DGP		
		1	6, 7, 8				DGP		
2	52117614	1				EW0	DBB		COVER, Transmission Case
3	52118621	1					DGP		TUBE, Transmission Oil Filler
4	52118629AB	1					DG0		SEAL, Oil Filler Tube
5	52107769AA	1					DGT		INDICATOR, Transmission Fluid Level
6									MAGNET, Transmission
	03681601	1	1, 2, 3				DGP		
		1	6, 7, 8				DGP		
7									GASKET, Oil Pan
	02464324	1	6, 7, 8				DGP		
		1	1, 2, 3				DGP		
8									PAN, Transmission Oil
	52118780	1	1, 2, 3				DGP		
		1	6, 7, 8				DGP		
9									SCREW AND WASHER, Hex Head, .312-18x.625
	04723548	12	1, 2, 3				DGP		
		12	6, 7, 8				DGP		
10	04428472	1					DGP		COVER, Transmission Dust
11	06024487	8				ET0	DGP		SCREW AND WASHER, Hex Head, .375-16x1.75
12	06024473	2					DG0		SCREW AND WASHER, Hex Head, .437-14x2.00
13									SCREW
	06036115AA	1	1, 2, 3				DGP		
		1	6, 7, 8				DGP		



RAM PICKUP/CLUB CAB (BE)

SERIES	LINE
L = Ram Truck (All)	3 = HD DODGE 2WD
	8 = HD DODGE 4WD
	1 = Lt. Duty DODGE 2WD
	6 = Lt. Duty DODGE 4WD
	2 = Med. Duty DODGE 2WD
	7 = Med. Duty DODGE 4WD

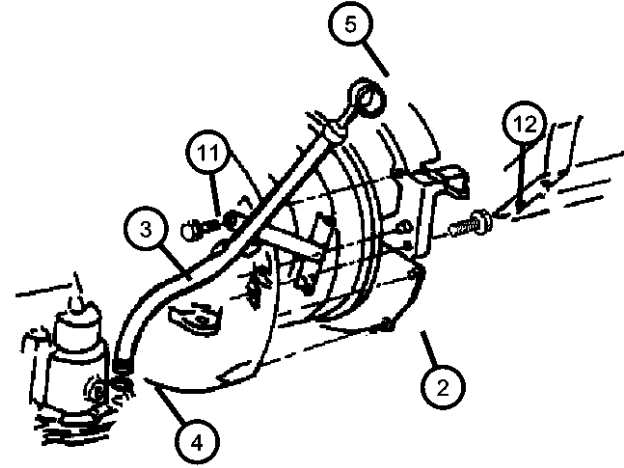
BODY	ENGINE	TRANSMISSION
31 = CLUB CAB 2-DR 6.5 FT BOX	ELF = ENGINE - 5.2L V8 MPI	DDC = TRANSMISSION - 5-SPEED HD MANUAL
32 = CLUB CAB 2-DR 8FT BOX	EML = ENGINE - 5.9L V8 MPI	DDP = TRANSMISSION - 5-SPEED MANUAL
33 = QUAD CAB 4-DR 6.5 FT BOX	EMM = ENGINE - "MAGNUM" 5.9L SMPI V8	DDX = TRANSMISSION - 5-SPEED HD MANUAL
34 = QUAD CAB 4-DR 8FT BOX	ETC = ENGINE- 5.9L CUMMINS 24V DIESEL	DEE = TRANSMISSION - 6-SPEED HD MANUAL
	ETH = ENGINE- 5.9L HO CUMMINS TURBO DIESEL	DGP = TRANSMISSION - 4-SPD. AUTOMATIC, 47RE
	EWA = ENGINE - 8.0L V10 MPI	DGT = TRANSMISSION - 4-SPD. AUTOMATIC, 46RE

AR = use ase required - = Non illustrated part

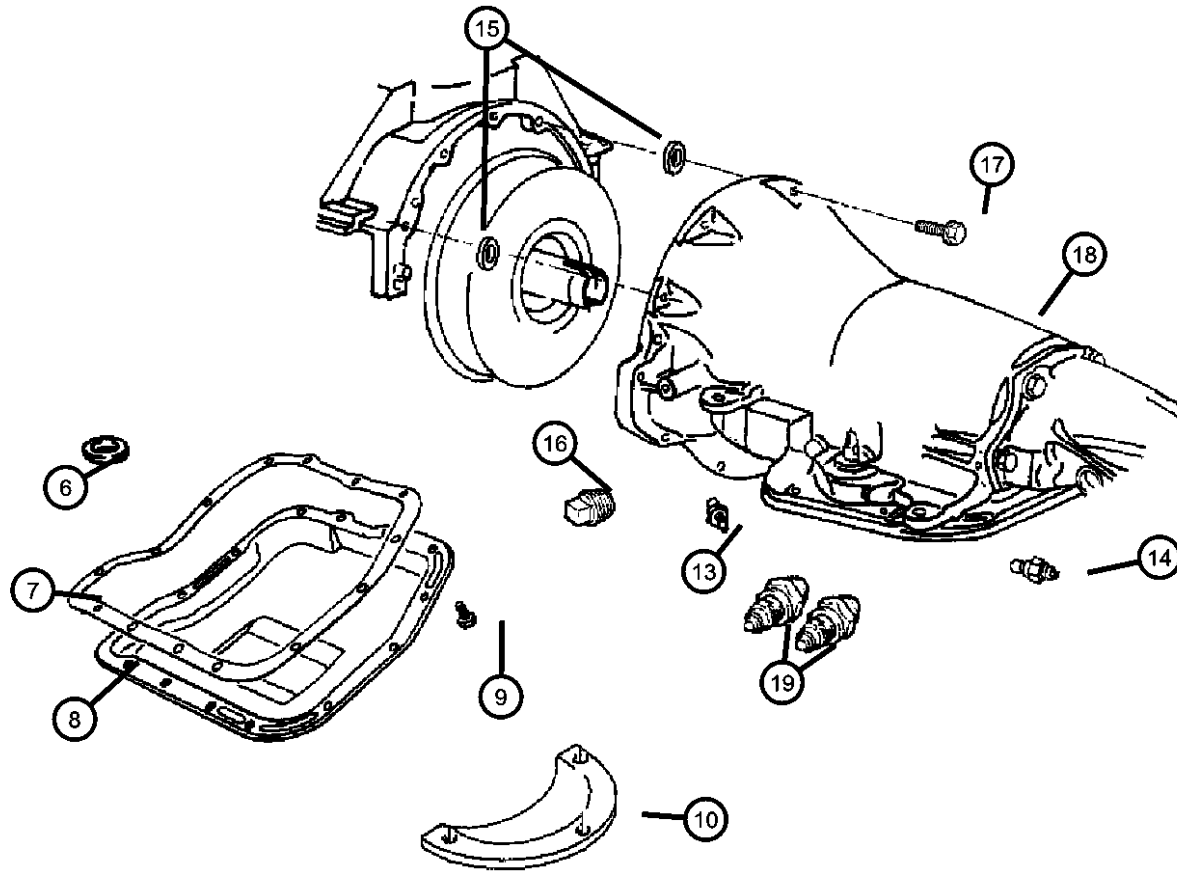
2000 BE

Case and Related parts - 47RE [DGP]  
Figure 47RE-210

ITEM	PART NUMBER	QTY	LINE	SERIES	BODY	ENGINE	TRANS	TRIM	DESCRIPTION
------	-------------	-----	------	--------	------	--------	-------	------	-------------



14	56028181AB	1	1, 2, 3				DGP		SWITCH, Neutral, Safety, Back Up
		1	6, 7, 8				DGP		
15	02408143	1	1, 2, 3				DGP		WASHER, Switch
		1	6, 7, 8				DGP		
16	06028095	1	1, 2, 3				DGP		PLUG, Pressure Check
		1	6, 7, 8				DGP		
17	06022266	4				ELO, EMO, EW0	DG0		SCREW, Hex Head, .375-16x1.5
18	52118758	1	1, 2, 3				DGP		CASE, Transmission
		1	6, 7, 8				DGP		
19	52028764AA	2	1, 2, 3				DGP		CONNECTOR, Oil Cooler Tube
		2	6, 7, 8				DGP		
-20	04800879	1	1, 2, 3				DGP		SENSOR, Transmission Output Speed
		1	6, 7, 8				DGP		



RAM PICKUP/CLUB CAB (BE)

SERIES	LINE
L = Ram Truck	3 = HD DODGE 2WD
(All)	8 = HD DODGE 4WD
	1 = Lt. Duty DODGE 2WD
	6 = Lt. Duty DODGE 4WD
	2 = Med. Duty DODGE 2WD
	7 = Med. Duty DODGE 4WD

BODY	ENGINE	TRANSMISSION
31 = CLUB CAB 2-DR 6.5 FT BOX	ELF = ENGINE - 5.2L V8 MPI	DDC = TRANSMISSION - 5-SPEED HD MANUAL
32 = CLUB CAB 2-DR 8FT BOX	EML = ENGINE - 5.9L V8 MPI	DDP = TRANSMISSION - 5-SPEED MANUAL
33 = QUAD CAB 4-DR 6.5 FT BOX	EMM = ENGINE - "MAGNUM" 5.9L SMPI V8	DDX = TRANSMISSION - 5-SPEED HD MANUAL
34 = QUAD CAB 4-DR 8FT BOX	ETC = ENGINE- 5.9L CUMMINS 24V DIESEL	DEE = TRANSMISSION - 6-SPEED HD MANUAL
	ETH = ENGINE- 5.9L HO CUMMINS TURBO DIESEL	DGP = TRANSMISSION - 4-SPD. AUTOMATIC,47RE
	EWA = ENGINE - 8.0L V10 MPI	DGT = TRANSMISSION - 4-SPD. AUTOMATIC,46RE

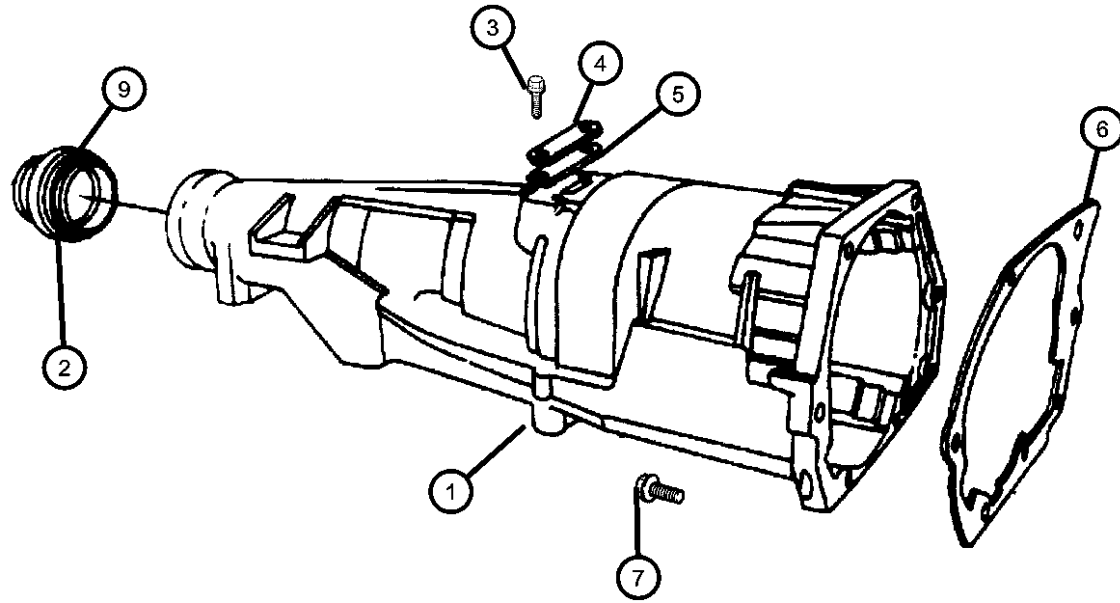
AR = use ase required - = Non illustrated part

2000 BE

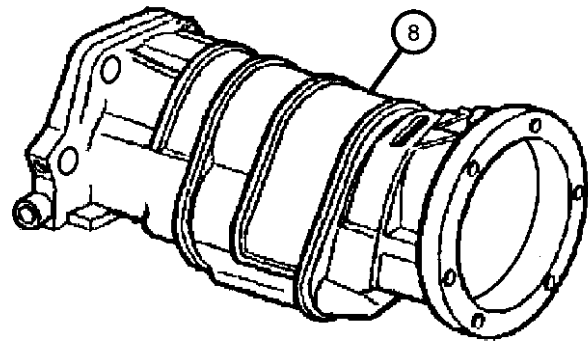
Extension - 47RE [DGP]  
Figure 47RE-220

ITEM	PART NUMBER	QTY	LINE	SERIES	BODY	ENGINE	TRANS	TRIM	DESCRIPTION
------	-------------	-----	------	--------	------	--------	-------	------	-------------

NOTES; Sales Codes  
[DGP] = 4 Speed Automatic Transmission 47RE  
[ET0] = All 5.9L Diesel Engines  
[EW0] = All 8.0L Gas Engines



1	05003231AA	1	1, 2, 3				DGP		CASE, Transmission Rear
2	04531216	1	1, 2, 3				DGP		SEAL, Extension Yoke
3	04531216	1							SCREW, (NOT SERVICED)
4									COVER, Transmission Converter
	02466957	1	6, 7, 8				DGP		
		1	1, 2, 3				DGP		
5									GASKET, Transmission
	02801398	1	6, 7, 8				DGP		
		1	1, 2, 3			ET0	DGP		
6									GASKET, Overdrive Piston Retainer
	04471565	1	1, 2, 3				DGP		
		1	6, 7, 8				DGP		
7									SCREW, Hex Flange Head, .375-16x1.38
	06036046AA	7	1, 2, 3				DGP		
		7	6, 7, 8				DGP		
8	04798535	1	6, 7, 8				DGP		ADAPTER, Transfer Case
9	04269956	1	6, 7, 8				DGP		SEAL, Adapter



RAM PICKUP/CLUB CAB (BE)

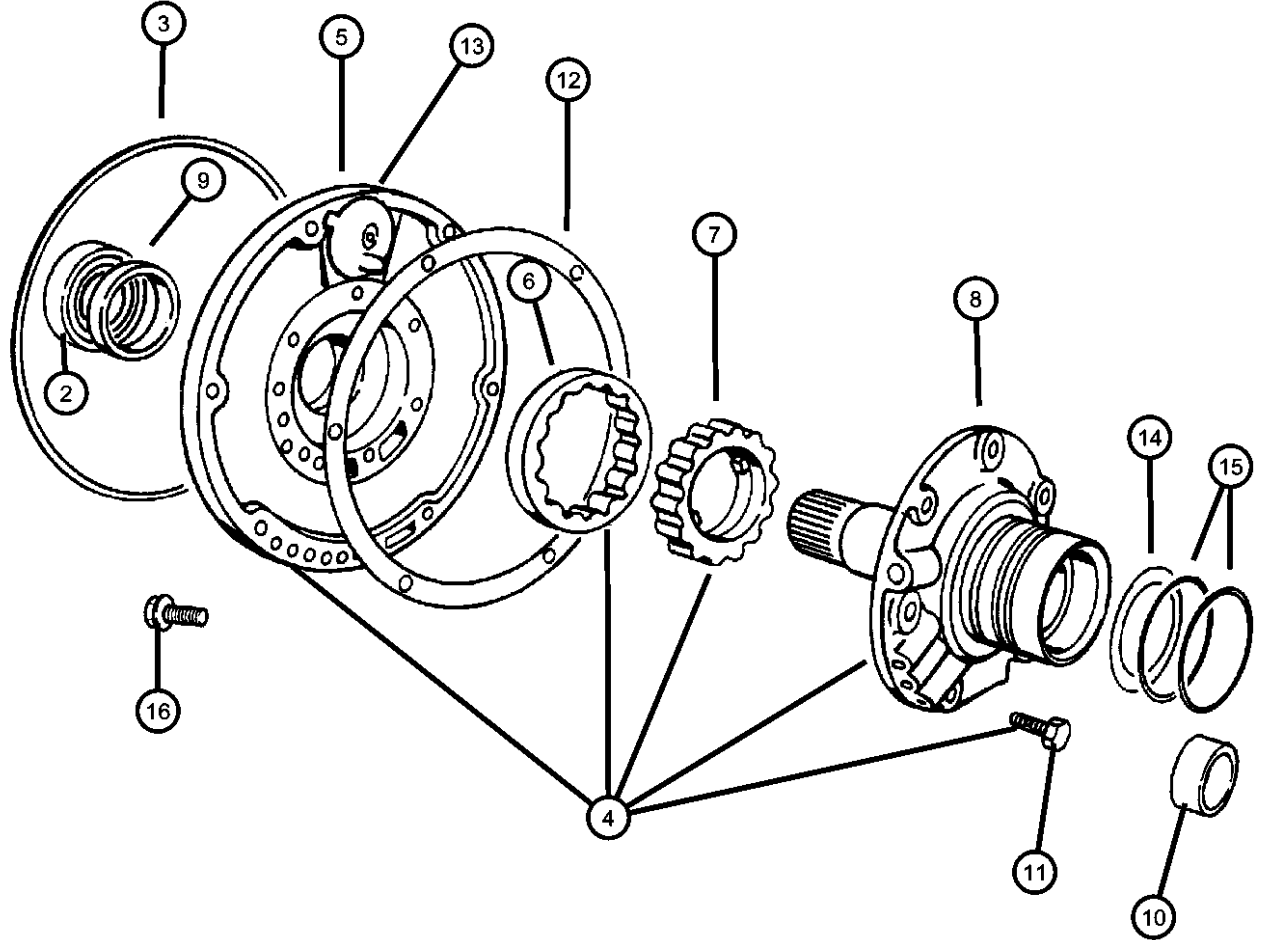
SERIES	LINE	BODY	ENGINE	TRANSMISSION
L = Ram Truck (All)	3 = HD DODGE 2WD	31 = CLUB CAB 2-DR 6.5 FT BOX	ELF = ENGINE - 5.2L V8 MPI	DDC = TRANSMISSION - 5-SPEED HD MANUAL
	8 = HD DODGE 4WD	32 = CLUB CAB 2-DR 8FT BOX	EML = ENGINE - 5.9L V8 MPI	DDP = TRANSMISSION - 5-SPEED MANUAL
	1 = Lt. Duty DODGE 2WD	33 = QUAD CAB 4-DR 6.5 FT BOX	EMM = ENGINE - "MAGNUM" 5.9L SMPI V8	DDX = TRANSMISSION - 5-SPEED HD MANUAL
	6 = Lt. Duty DODGE 4WD	34 = QUAD CAB 4-DR 8FT BOX	ETC = ENGINE- 5.9L CUMMINS 24V DIESEL	DEE = TRANSMISSION - 6-SPEED HD MANUAL
	2 = Med. Duty DODGE 2WD		ETH = ENGINE- 5.9L HO CUMMINS TURBO DIESEL	DGP = TRANSMISSION - 4-SPD. AUTOMATIC, 47RE
	7 = Med. Duty DODGE 4WD		EWA = ENGINE - 8.0L V10 MPI	DGT = TRANSMISSION - 4-SPD. AUTOMATIC, 46RE

AR = use ase required - = Non illustrated part

2000 BE



**Pump, Oil With Reaction Shaft - 47RE [DGP]**  
**Figure 47RE-310**



ITEM	PART NUMBER	QTY	LINE	SERIES	BODY	ENGINE	TRANS	TRIM	DESCRIPTION
-1									GASKET AND SEAL PACKAGE, Transmission Oil Pump
	04746109AB	1	1, 2, 3				DGP		
		1	6, 7, 8				DGP		
2									SEAL, Impeller Hub, 57.25mm OD
	04531225	1	1, 2, 3				DGP		
		1	6, 7, 8				DGP		
3									SEAL, Front Pump Housing
	01942021	1	1, 2, 3				DGP		
		1	6, 7, 8				DGP		
4									PUMP PACKAGE, Transmission
	04796467AB	1	1, 2, 3				DGP		
		1	6, 7, 8				DGP		
5		1							HOUSING, Pump, (NOT SERVICED)
6		1							ROTOR, Oil Pump, (NOT SERVICED)
7		1							ROTOR, Oil Pump, (NOT SERVICED)
8		1							SHAFT, Oil Pump, (NOT SERVICED)
9		1							BUSHING, (NOT SERVICED)
10		1							BUSHING, (NOT SERVICED)
11									SCREW, Hex Head, .312-18x.687
	00179815	6	1, 2, 3				DGP		
		6	6, 7, 8				DGP		
12									GASKET, Transmission Oil Pump
	04028377	1	1, 2, 3				DGP		
		1	6, 7, 8				DGP		
13									BAFFLE PACKAGE, Pump
	03420087	1	1, 2, 3				DGP		

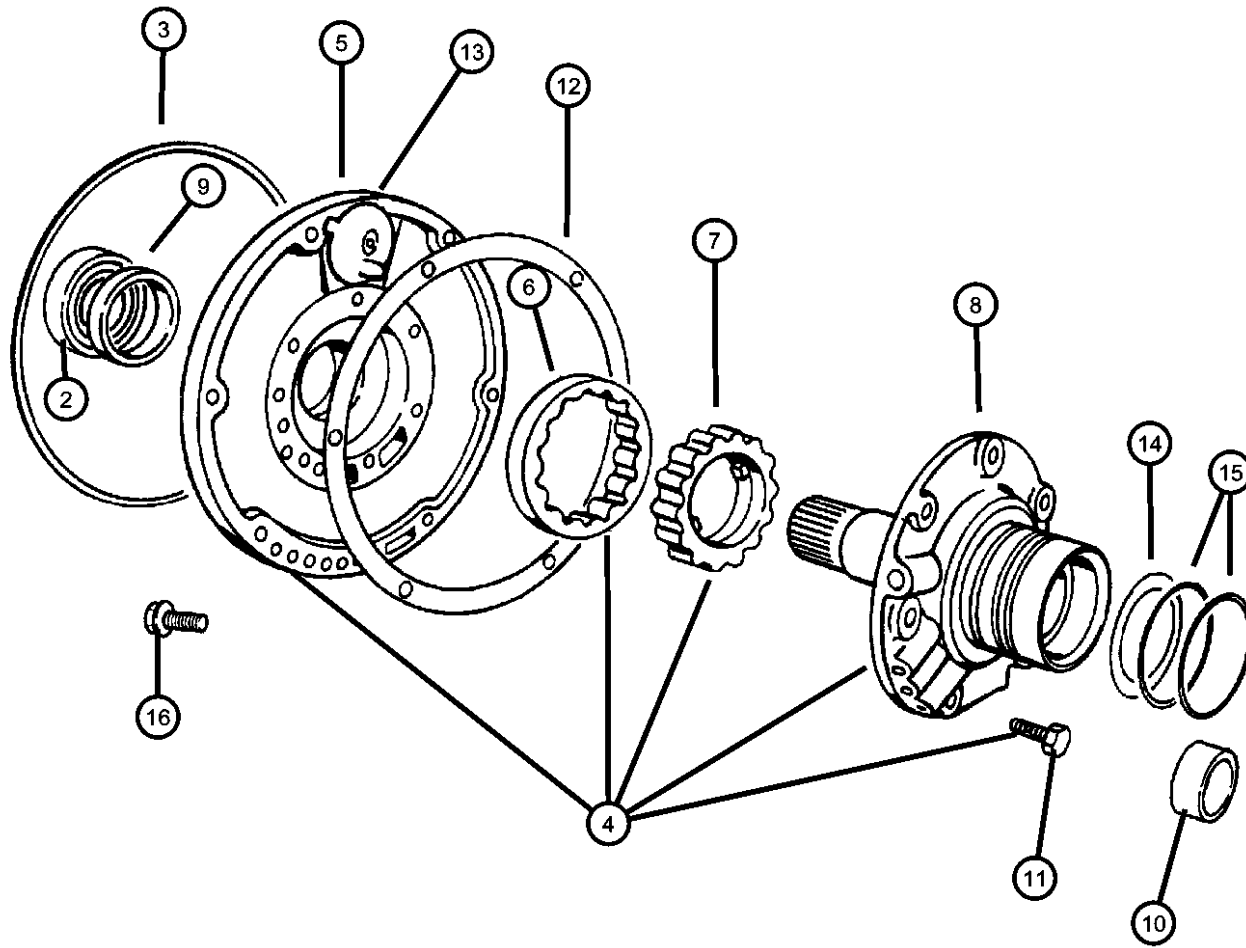
NOTES; Sales Codes  
[DGP] = 4 Speed Automatic Transmission 47RE

**RAM PICKUP/CLUB CAB (BE)**

SERIES	LINE	BODY	ENGINE	TRANSMISSION
L = Ram Truck (All)	3 = HD DODGE 2WD 8 = HD DODGE 4WD 1 = Lt. Duty DODGE 2WD 6 = Lt. Duty DODGE 4WD 2 = Med. Duty DODGE 2WD 7 = Med. Duty DODGE 4WD	31 = CLUB CAB 2-DR 6.5 FT BOX 32 = CLUB CAB 2-DR 8FT BOX 33 = QUAD CAB 4-DR 6.5 FT BOX 34 = QUAD CAB 4-DR 8FT BOX	ELF = ENGINE - 5.2L V8 MPI EML = ENGINE - 5.9L V8 MPI EMM = ENGINE - "MAGNUM" 5.9L SMPI V8 ETC = ENGINE- 5.9L CUMMINS 24V DIESEL ETH = ENGINE- 5.9L HO CUMMINS TURBO DIESEL EWA = ENGINE - 8.0L V10 MPI	DDC = TRANSMISSION - 5-SPEED HD MANUAL DDP = TRANSMISSION - 5-SPEED MANUAL DDX = TRANSMISSION - 5-SPEED HD MANUAL DEE = TRANSMISSION - 6-SPEED HD MANUAL DGP = TRANSMISSION - 4-SPD. AUTOMATIC, 47RE DGT = TRANSMISSION - 4-SPD. AUTOMATIC, 46RE

AR = use ase required - = Non illustrated part

Pump, Oil With Reaction Shaft - 47RE [DGP]  
Figure 47RE-310



ITEM	PART NUMBER	QTY	LINE	SERIES	BODY	ENGINE	TRANS	TRIM	DESCRIPTION
14		1	6, 7, 8				DGP		THRUST WASHER, Front Clutch
	04617161	1	1, 2, 3				DGP		
		1	6, 7, 8				DGP		
15		2	1, 2, 3				DGP		SEAL, Reaction Shaft
	03743689	2	6, 7, 8				DGP		
16		7	1, 2, 3				DGP		SCREW AND WASHER, Hex Flange Head, .312-18x1.375
	06023943	7	6, 7, 8				DGP		

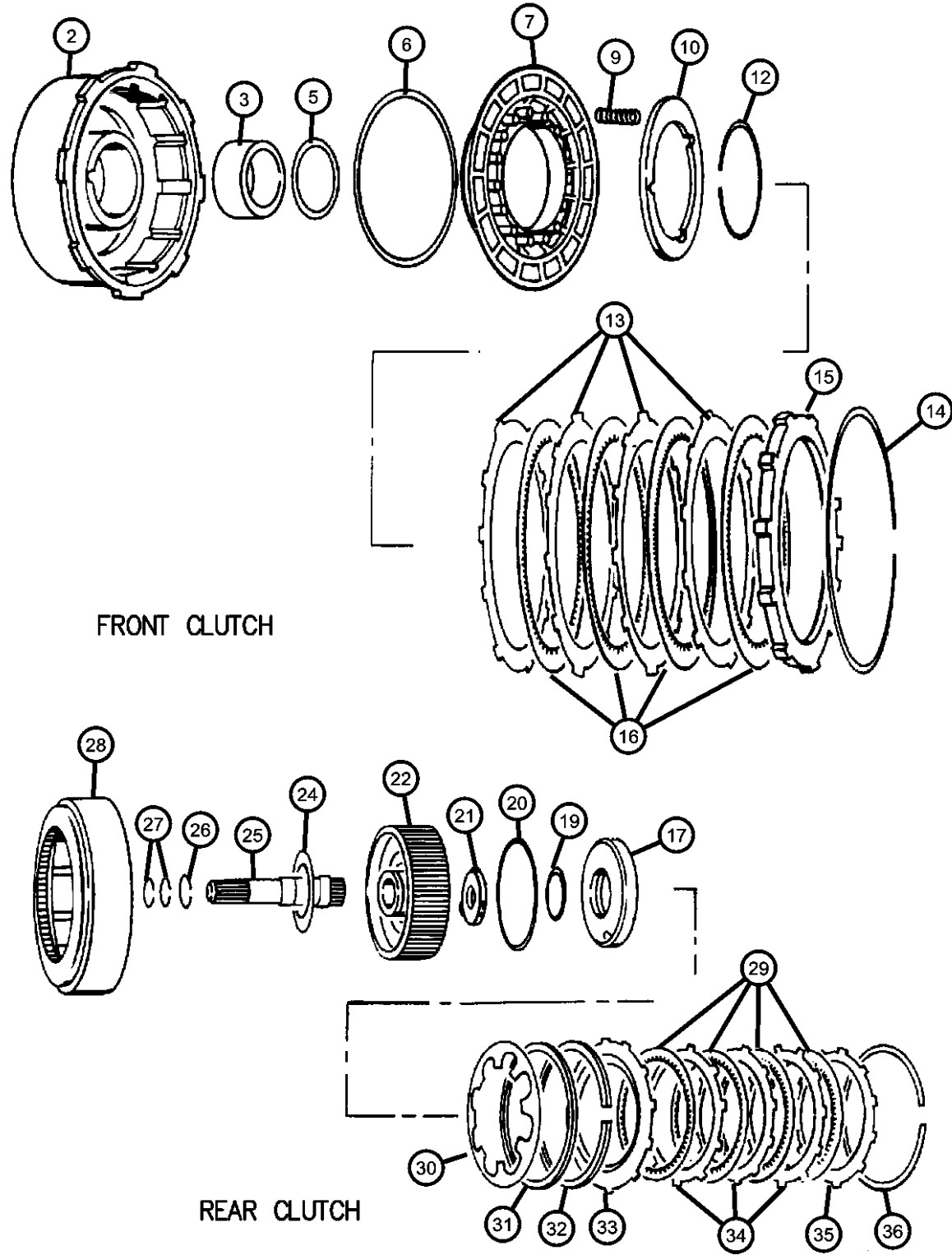
RAM PICKUP/CLUB CAB (BE)

SERIES	LINE	BODY	ENGINE	TRANSMISSION
L = Ram Truck (All)	3 = HD DODGE 2WD 8 = HD DODGE 4WD 1 = Lt. Duty DODGE 2WD 6 = Lt. Duty DODGE 4WD 2 = Med. Duty DODGE 2WD 7 = Med. Duty DODGE 4WD	31 = CLUB CAB 2-DR 6.5 FT BOX 32 = CLUB CAB 2-DR 8FT BOX 33 = QUAD CAB 4-DR 6.5 FT BOX 34 = QUAD CAB 4-DR 8FT BOX	ELF = ENGINE - 5.2L V8 MPI EML = ENGINE - 5.9L V8 MPI EMM = ENGINE - "MAGNUM" 5.9L SMPI V8 ETC = ENGINE- 5.9L CUMMINS 24V DIESEL ETH = ENGINE- 5.9L HO CUMMINS TURBO DIESEL EWA = ENGINE - 8.0L V10 MPI	DDC = TRANSMISSION - 5-SPEED HD MANUAL DDP = TRANSMISSION - 5-SPEED MANUAL DDX = TRANSMISSION - 5-SPEED HD MANUAL DEE = TRANSMISSION - 6-SPEED HD MANUAL DGP = TRANSMISSION - 4-SPD. AUTOMATIC, 47RE DGT = TRANSMISSION - 4-SPD. AUTOMATIC, 46RE

AR = use ase required - = Non illustrated part

2000 BE

**Clutch, Front and Rear with Gear Train - 47RE [DGP]  
Figure 47RE-410**



ITEM	PART NUMBER	QTY	LINE	SERIES	BODY	ENGINE	TRANS	TRIM	DESCRIPTION
------	-------------	-----	------	--------	------	--------	-------	------	-------------

NOTES; Sales Codes  
[DGP] = 4 Speed Automatic Transmission 47RE  
[EM0] = All 5.9L 8 Cylinder Gas Engines

-1									SEAL PACKAGE, Transmission Clutch
	04637078	1	1, 2, 3				DGP		
		1	6, 7, 8				DGP		
2									RETAINER, Clutch
	04058648AB	1	1, 2, 3				DGP		
		1	6, 7, 8				DGP		
3									BUSHING, Front Clutch
	04058647	1	1, 2, 3				DGP		
		1	6, 7, 8				DGP		
-4									CHECK BALL, Dia-.187
	00147483	1	1, 2, 3				DGP		
		1	6, 7, 8				DGP		
5									SEAL, Front Clutch Piston
	03410226	1	1, 2, 3				DGP		
		1	6, 7, 8				DGP		
6									SEAL, Front Piston Clutch
	04058484	1	1, 2, 3				DGP		
		1	6, 7, 8				DGP		
7									PISTON, Clutch
	02464651AB	1	1, 2, 3				DGP		
		1	6, 7, 8				DGP		
-8									CHECK BALL, Dia-.187
	00147483	1	1, 2, 3				DGP		
		1	6, 7, 8				DGP		
9									SPRING, Front Clutch
	02801243	9	1, 2, 3				DGP		
		9	6, 7, 8				DGP		

**RAM PICKUP/CLUB CAB (BE)**

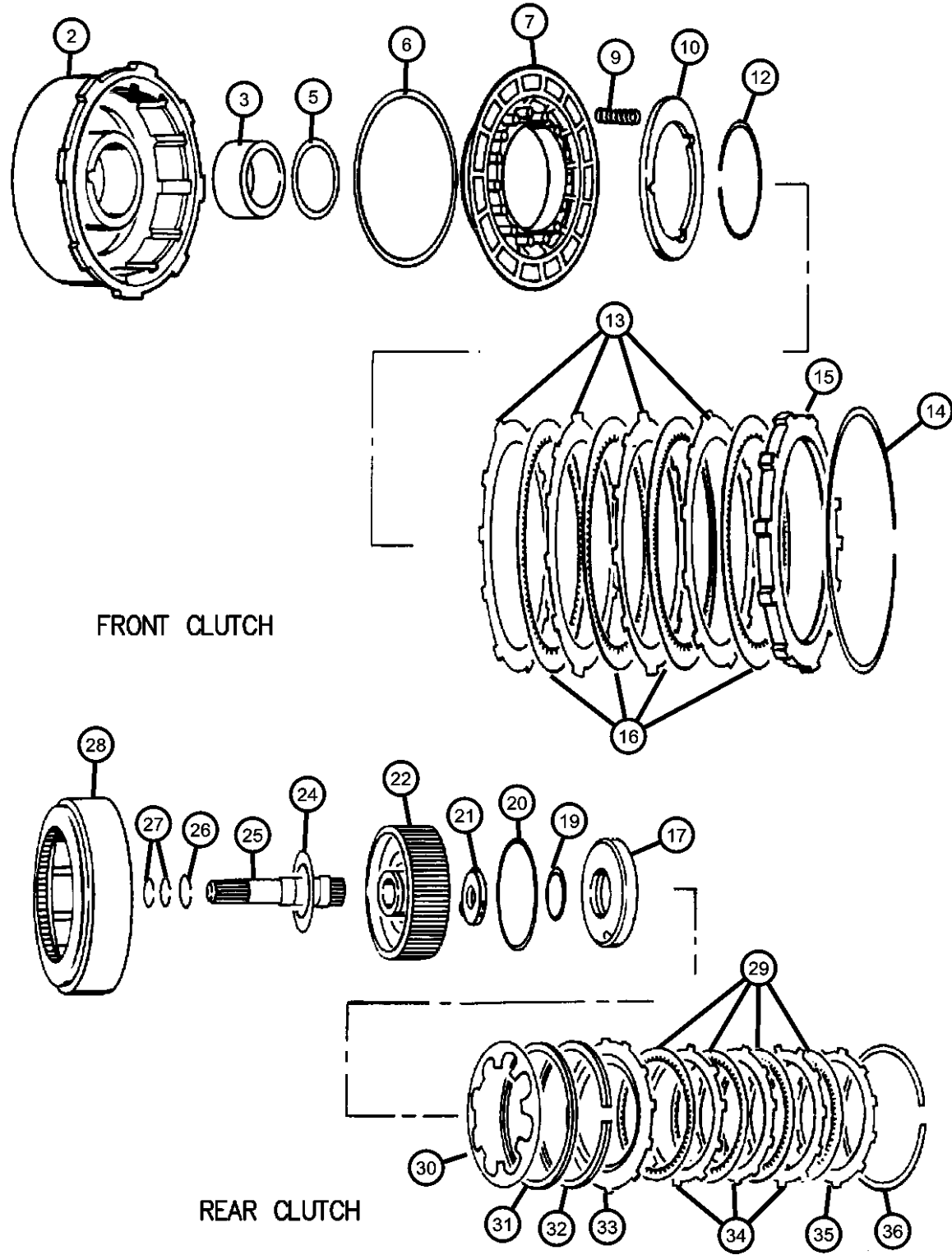
SERIES	LINE
L = Ram Truck (All)	3 = HD DODGE 2WD
	8 = HD DODGE 4WD
	1 = Lt. Duty DODGE 2WD
	6 = Lt. Duty DODGE 4WD
	2 = Med. Duty DODGE 2WD
	7 = Med. Duty DODGE 4WD

BODY	ENGINE	TRANSMISSION
31 = CLUB CAB 2-DR 6.5 FT BOX	ELF = ENGINE - 5.2L V8 MPI	DDC = TRANSMISSION - 5-SPEED HD MANUAL
32 = CLUB CAB 2-DR 8FT BOX	EML = ENGINE - 5.9L V8 MPI	DDP = TRANSMISSION - 5-SPEED MANUAL
33 = QUAD CAB 4-DR 6.5 FT BOX	EMM = ENGINE - "MAGNUM" 5.9L SMPI V8	DDX = TRANSMISSION - 5-SPEED HD MANUAL
34 = QUAD CAB 4-DR 8FT BOX	ETC = ENGINE- 5.9L CUMMINS 24V DIESEL	DEE = TRANSMISSION - 6-SPEED HD MANUAL
	ETH = ENGINE- 5.9L HO CUMMINS TURBO DIESEL	DGP = TRANSMISSION - 4-SPD. AUTOMATIC, 47RE
	EWA = ENGINE - 8.0L V10 MPI	DGT = TRANSMISSION - 4-SPD. AUTOMATIC, 46RE

AR = use ase required - = Non illustrated part

2000 BE

**Clutch, Front and Rear with Gear Train - 47RE [DGP]  
Figure 47RE-410**



ITEM	PART NUMBER	QTY	LINE	SERIES	BODY	ENGINE	TRANS	TRIM	DESCRIPTION
10									RETAINER, Transmission
	02801949	1	1, 2, 3				DGP		
		1	6, 7, 8				DGP		
-11									CHECK BALL, Dia-.187
	00147483	1	1, 2, 3				DGP		
		1	6, 7, 8				DGP		
12									SNAP RING
	02124824	1	1, 2, 3				DGP		
		1	6, 7, 8				DGP		
13									PLATE, Clutch Separator
	02124826AB	4	1, 2, 3				DGP		
		4	6, 7, 8				DGP		
14									SNAP RING
	03410570	1	1, 2, 3				DGP		
		1	6, 7, 8				DGP		
15									PLATE, Transmission Clutch Reaction
	04617567	1	1, 2, 3				DGP		
		1	6, 7, 8				DGP		
16									DISC, Direct Clutch
	04617201AB	4	6, 7, 8				DGP		
		3	6, 7, 8			EM0	DGT		
17									PISTON, Clutch
	03743624AB	1	1, 2, 3				DGP		
		1	6, 7, 8				DGP		
-18									CHECK BALL, Dia-.187
	00147483	1	1, 2, 3				DGP		
		1	6, 7, 8				DGP		
19									SEAL, Rear Clutch Piston
	01942054	1	1, 2, 3				DGP		

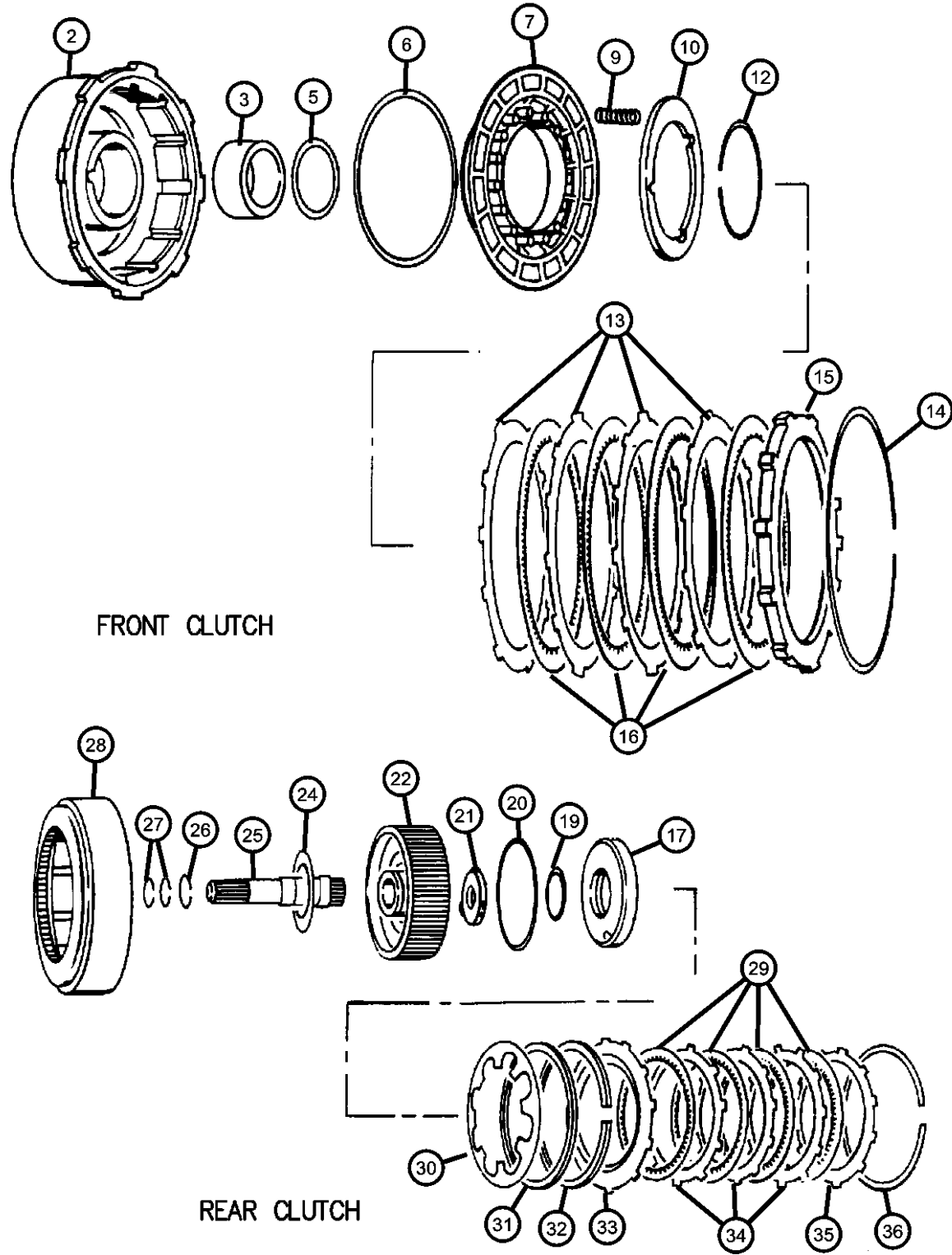
**RAM PICKUP/CLUB CAB (BE)**

SERIES	LINE
L = Ram Truck (All)	3 = HD DODGE 2WD 8 = HD DODGE 4WD 1 = Lt. Duty DODGE 2WD 6 = Lt. Duty DODGE 4WD 2 = Med. Duty DODGE 2WD 7 = Med. Duty DODGE 4WD

BODY	ENGINE	TRANSMISSION
31 = CLUB CAB 2-DR 6.5 FT BOX	ELF = ENGINE - 5.2L V8 MPI EML = ENGINE - 5.9L V8 MPI EMM = ENGINE - "MAGNUM" 5.9L SMPI V8	DDC = TRANSMISSION - 5-SPEED HD MANUAL DDP = TRANSMISSION - 5-SPEED MANUAL DDX = TRANSMISSION - 5-SPEED HD MANUAL DEE = TRANSMISSION - 6-SPEED HD MANUAL DGP = TRANSMISSION - 4-SPD. AUTOMATIC, 47RE DGT = TRANSMISSION - 4-SPD. AUTOMATIC, 46RE
32 = CLUB CAB 2-DR 8FT BOX	ETC = ENGINE- 5.9L CUMMINS 24V DIESEL ETH = ENGINE- 5.9L HO CUMMINS TURBO DIESEL EWA = ENGINE - 8.0L V10 MPI	
33 = QUAD CAB 4-DR 6.5 FT BOX		
34 = QUAD CAB 4-DR 8FT BOX		

AR = use ase required - = Non illustrated part

**Clutch, Front and Rear with Gear Train - 47RE [DGP]  
Figure 47RE-410**



ITEM	PART NUMBER	QTY	LINE	SERIES	BODY	ENGINE	TRANS	TRIM	DESCRIPTION
20		1	6, 7, 8				DGP		SEAL, Rear Clutch Piston
	02124835	1	1, 2, 3				DGP		
		1	6, 7, 8				DGP		
21		1	1, 2, 3				DGP		THRUST WASHER, Output Shaft, Red .068
	04505186	1	1, 2, 3				DGP		
		1	6, 7, 8				DGP		
22		1	1, 2, 3				DGP		RETAINER, Transmission
	04617855	1	1, 2, 3				DGP		
		1	6, 7, 8				DGP		
-23		1	1, 2, 3				DGP		SEAL, Rear Clutch Retainer
	04058443	1	1, 2, 3				DGP		
		1	6, 7, 8				DGP		
24		1	1, 2, 3				DGP		THRUST WASHER, Front Clutch
	04617161	1	1, 2, 3				DGP		
		1	6, 7, 8				DGP		
25		1	1, 2, 3				DGP		INPUT SHAFT, Transmission
	04617396	1	1, 2, 3				DGP		
		1	6, 7, 8				DGP		
26		1	1, 2, 3				DGP		SNAP RING
	02124872	1	1, 2, 3				DGP		
		1	6, 7, 8				DGP		
27		1	1, 2, 3				DGP		SEAL, Input Shaft
	04617418AB	1	1, 2, 3				DGP		
		1	6, 7, 8				DGP		
28		1	1, 2, 3				DGP		RETAINER, Rear Clutch
	03743622	1	1, 2, 3				DGP		
		1	6, 7, 8				DGP		
29		1	1, 2, 3				DGP		DISC, Clutch
		1	6, 7, 8				DGP		

**RAM PICKUP/CLUB CAB (BE)**

SERIES	LINE
L = Ram Truck (All)	3 = HD DODGE 2WD 8 = HD DODGE 4WD 1 = Lt. Duty DODGE 2WD 6 = Lt. Duty DODGE 4WD 2 = Med. Duty DODGE 2WD 7 = Med. Duty DODGE 4WD

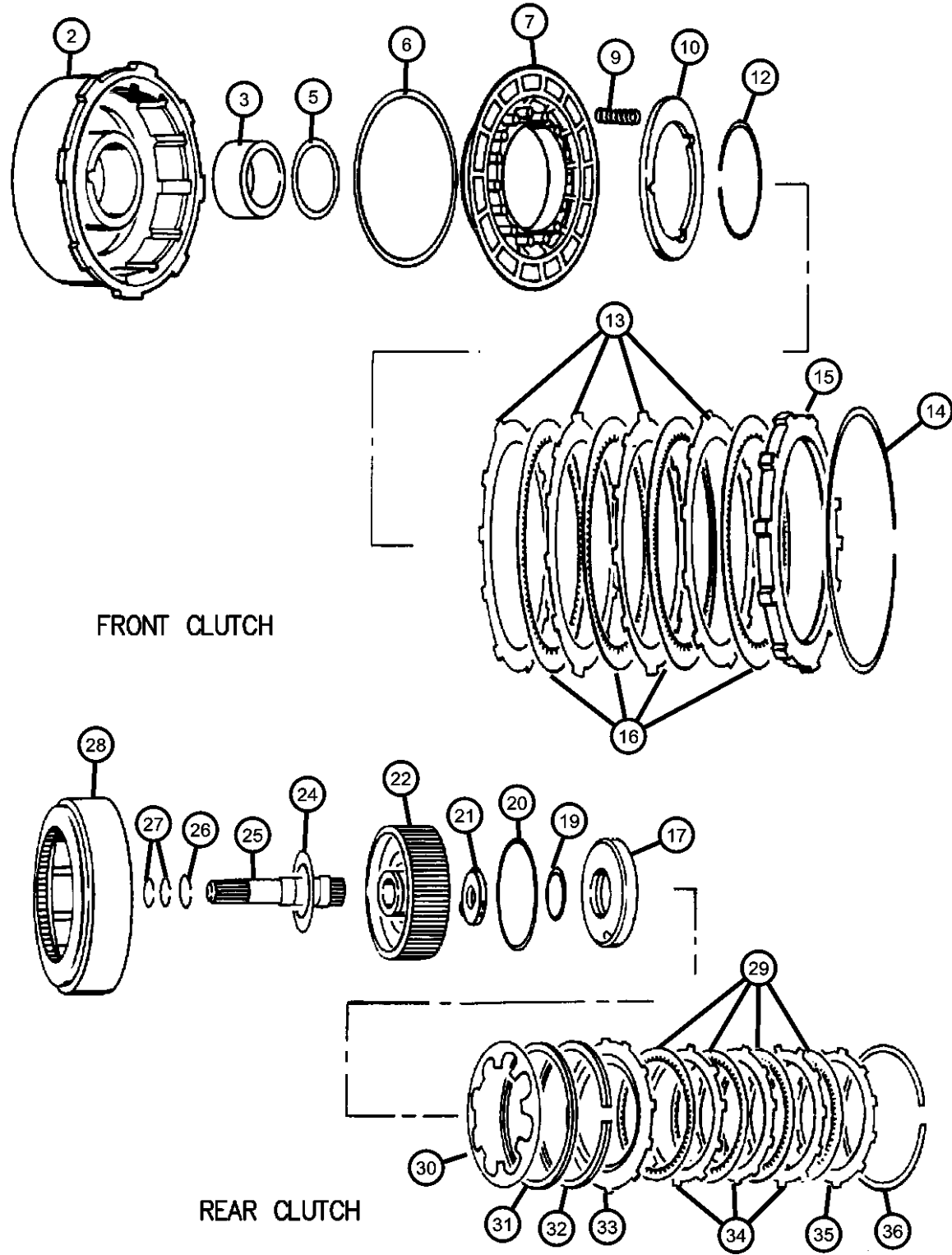
BODY
31 = CLUB CAB 2-DR 6.5 FT BOX 32 = CLUB CAB 2-DR 8FT BOX 33 = QUAD CAB 4-DR 6.5 FT BOX 34 = QUAD CAB 4-DR 8FT BOX

ENGINE
ELF = ENGINE - 5.2L V8 MPI EML = ENGINE - 5.9L V8 MPI EMM = ENGINE - "MAGNUM" 5.9L SMPI V8 ETC = ENGINE- 5.9L CUMMINS 24V DIESEL ETH = ENGINE- 5.9L HO CUMMINS TURBO DIESEL EWA = ENGINE - 8.0L V10 MPI

TRANSMISSION
DDC = TRANSMISSION - 5-SPEED HD MANUAL DDP = TRANSMISSION - 5-SPEED MANUAL DDX = TRANSMISSION - 5-SPEED HD MANUAL DEE = TRANSMISSION - 6-SPEED HD MANUAL DGP = TRANSMISSION - 4-SPD. AUTOMATIC, 47RE DGT = TRANSMISSION - 4-SPD. AUTOMATIC, 46RE

AR = use ase required - = Non illustrated part

**Clutch, Front and Rear with Gear Train - 47RE [DGP]  
Figure 47RE-410**



ITEM	PART NUMBER	QTY	LINE	SERIES	BODY	ENGINE	TRANS	TRIM	DESCRIPTION
30	02801992AB	4	1, 2, 3				DGP		SPRING, Rear Clutch Piston
		4	6, 7, 8				DGP		
31	03743621AB	1	1, 2, 3				DGP		SPACER, Rear Clutch Piston
		1	6, 7, 8				DGP		
32	03515077	1	1, 2, 3				DGP		SPRING, Rear Clutch
		1	6, 7, 8				DGP		
33	02466806	1	1, 2, 3				DGP		PLATE, Clutch Pressure
		1	6, 7, 8				DGP		
34	02466803	1	1, 2, 3				DGP		PLATE, Clutch Separator
		1	6, 7, 8				DGP		
35	52118812AA	3	1, 2, 3				DGP		PLATE, Transmission Clutch Reaction
		3	6, 7, 8				DGP		
36	04617567	1	2, 3, 1				DGP		SNAP RING
		1	6, 7, 8				DGP		
	01942063	1	1, 2, 3				DGP		.060"-.062 Thick
		1	6, 7, 8				DGP		
	01942063AB	1	1, 2, 3				DGP		.065"-.067" Thick
		1	6, 7, 8				DGP		
	01942064	1	1, 2, 3				DGP		.074"-.076" Thick
		1	6, 7, 8				DGP		
	01942064AB	1	1, 2, 3				DGP		.080"-.082" Thick
		1	6, 7, 8				DGP		

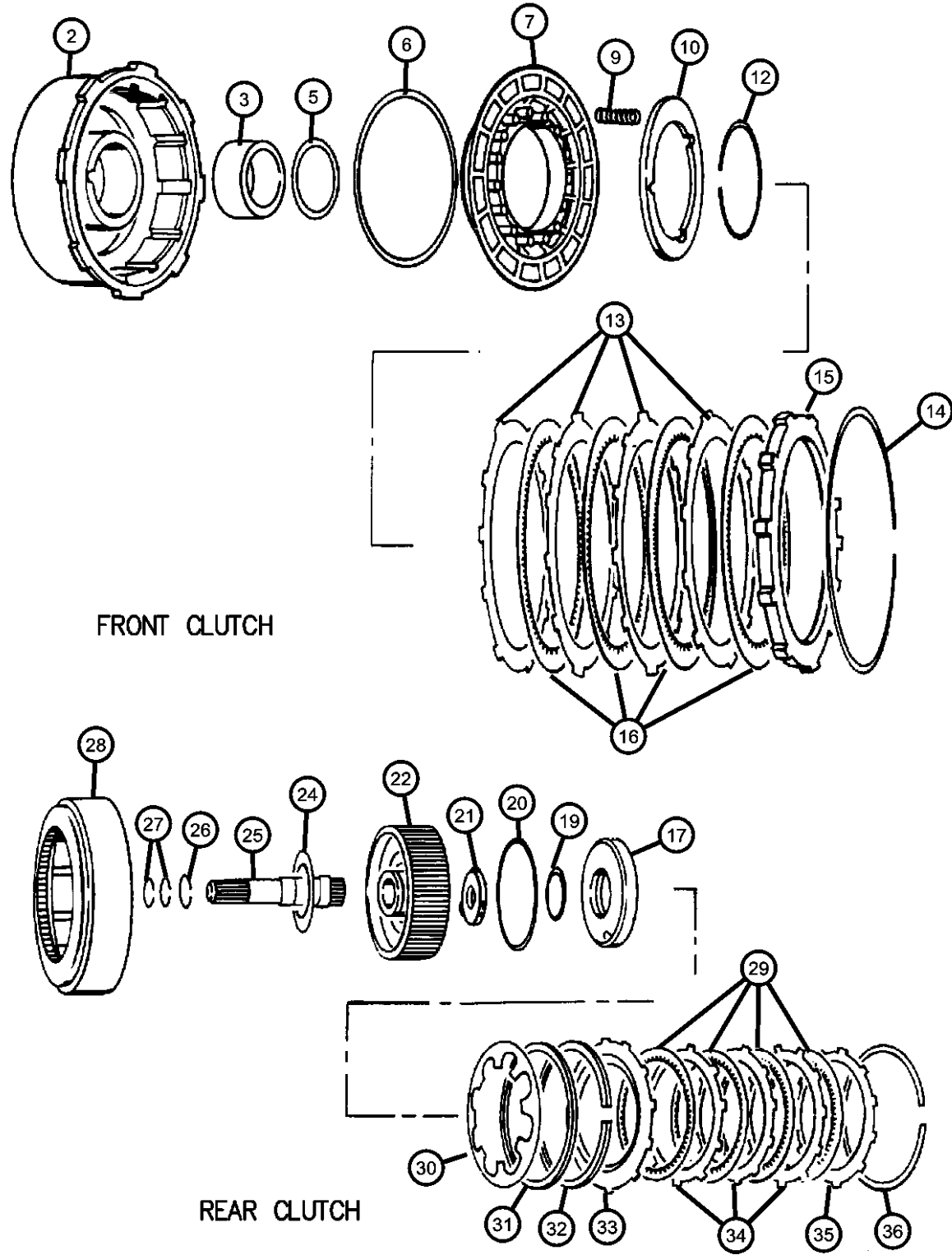
**RAM PICKUP/CLUB CAB (BE)**

SERIES	LINE
L = Ram Truck (All)	3 = HD DODGE 2WD 8 = HD DODGE 4WD 1 = Lt. Duty DODGE 2WD 6 = Lt. Duty DODGE 4WD 2 = Med. Duty DODGE 2WD 7 = Med. Duty DODGE 4WD

BODY	ENGINE	TRANSMISSION
31 = CLUB CAB 2-DR 6.5 FT BOX 32 = CLUB CAB 2-DR 8FT BOX 33 = QUAD CAB 4-DR 6.5 FT BOX 34 = QUAD CAB 4-DR 8FT BOX	ELF = ENGINE - 5.2L V8 MPI EML = ENGINE - 5.9L V8 MPI EMM = ENGINE - "MAGNUM" 5.9L SMPI V8 ETC = ENGINE- 5.9L CUMMINS 24V DIESEL ETH = ENGINE- 5.9L HO CUMMINS TURBO DIESEL EWA = ENGINE - 8.0L V10 MPI	DDC = TRANSMISSION - 5-SPEED HD MANUAL DDP = TRANSMISSION - 5-SPEED MANUAL DDX = TRANSMISSION - 5-SPEED HD MANUAL DEE = TRANSMISSION - 6-SPEED HD MANUAL DGP = TRANSMISSION - 4-SPD. AUTOMATIC, 47RE DGT = TRANSMISSION - 4-SPD. AUTOMATIC, 46RE

AR = use ase required - = Non illustrated part

**Clutch, Front and Rear with Gear Train - 47RE [DGP]  
Figure 47RE-410**



FRONT CLUTCH

REAR CLUTCH

ITEM	PART NUMBER	QTY	LINE	SERIES	BODY	ENGINE	TRANS	TRIM	DESCRIPTION
	01942065	1	1, 2, 3				DGP		.088"-.090" Thick
		1	6, 7, 8				DGP		.088"-.090" Thick
	01942065AB	1	2, 3, 1				DGP		.098"-.100" Thick
		1	6, 7, 8				DGP		.098"-.100" Thick
	02466811	1	1, 2, 3				DGP		.106"-.108" Thick
		1	6, 7, 8				DGP		.106"-.108" Thick
	02466811AB	1	1, 2, 3				DGP		.116"-.118" Thick
		1	6, 7, 8				DGP		.116"-.118" Thick

**RAM PICKUP/CLUB CAB (BE)**

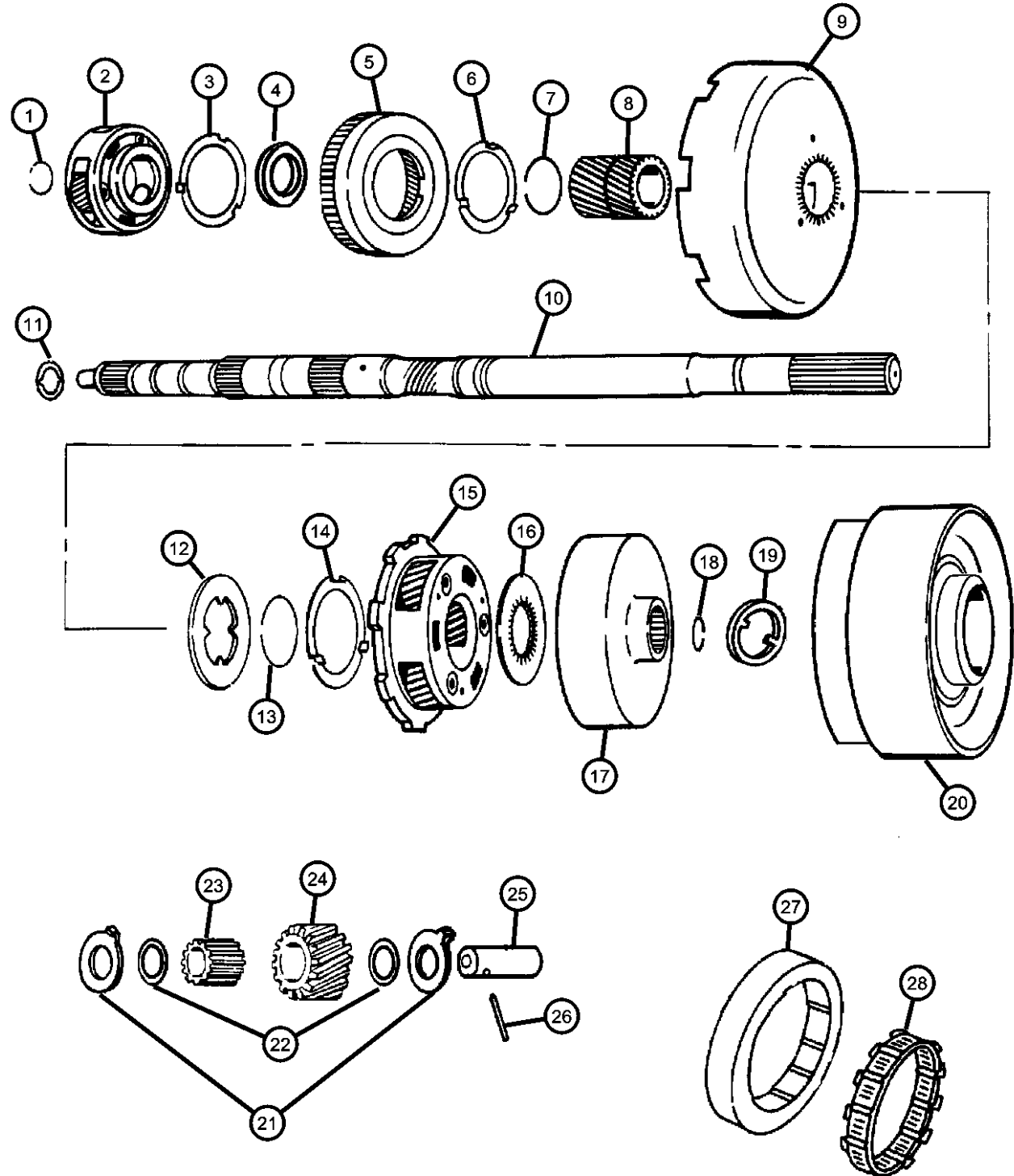
SERIES	LINE
L = Ram Truck (All)	3 = HD DODGE 2WD
	8 = HD DODGE 4WD
	1 = Lt. Duty DODGE 2WD
	6 = Lt. Duty DODGE 4WD
	2 = Med. Duty DODGE 2WD
	7 = Med. Duty DODGE 4WD

BODY	ENGINE	TRANSMISSION
31 = CLUB CAB 2-DR 6.5 FT BOX	ELF = ENGINE - 5.2L V8 MPI	DDC = TRANSMISSION - 5-SPEED HD MANUAL
32 = CLUB CAB 2-DR 8FT BOX	EML = ENGINE - 5.9L V8 MPI	DDP = TRANSMISSION - 5-SPEED MANUAL
33 = QUAD CAB 4-DR 6.5 FT BOX	EMM = ENGINE - "MAGNUM" 5.9L SMPI V8	DDX = TRANSMISSION - 5-SPEED HD MANUAL
34 = QUAD CAB 4-DR 8FT BOX	ETC = ENGINE- 5.9L CUMMINS 24V DIESEL	DEE = TRANSMISSION - 6-SPEED HD MANUAL
	ETH = ENGINE- 5.9L HO CUMMINS TURBO DIESEL	DGP = TRANSMISSION - 4-SPD. AUTOMATIC, 47RE
	EWA = ENGINE - 8.0L V10 MPI	DGT = TRANSMISSION - 4-SPD. AUTOMATIC, 46RE

AR = use ase required - = Non illustrated part

2000 BE

**Gear Train and Intermediate Shaft - 47RE [DGP]  
Figure 47RE-420**



**FRONT & REAR PLANET PINION CARRIER GEARS**

ITEM	PART NUMBER	QTY	LINE	SERIES	BODY	ENGINE	TRANS	TRIM	DESCRIPTION
1	06024311	1	1, 2, 3				DGP		SNAP RING, 1.108 Free Diameter .055"-.059" Thick
	06024312	1	1, 2, 3				DGP		.055"-.059" Thick .062"-.066" Thick
2	04617998	1	1, 2, 3				DGP		CARRIER, Planetary Pinion
3	04539129	1	1, 2, 3				DGP		THRUST WASHER, Planetary Carrier
4	04617951	1	1, 2, 3				DGP		BUSHING, Support Case
5	02892656	1	1, 2, 3				DGP		GEAR, Front Annulus
6	04618000	1	1, 2, 3				DGP		WASHER
7	01736521	1	1, 2, 3				DGP		SNAP RING, Sun Gear
8	02801311	1	1, 2, 3				DGP		GEAR, Sun
9	04617978	1	1, 2, 3				DGP		SHELL, Sun Gear

**RAM PICKUP/CLUB CAB (BE)**

SERIES	LINE
L = Ram Truck (All)	3 = HD DODGE 2WD 8 = HD DODGE 4WD 1 = Lt. Duty DODGE 2WD 6 = Lt. Duty DODGE 4WD 2 = Med. Duty DODGE 2WD 7 = Med. Duty DODGE 4WD

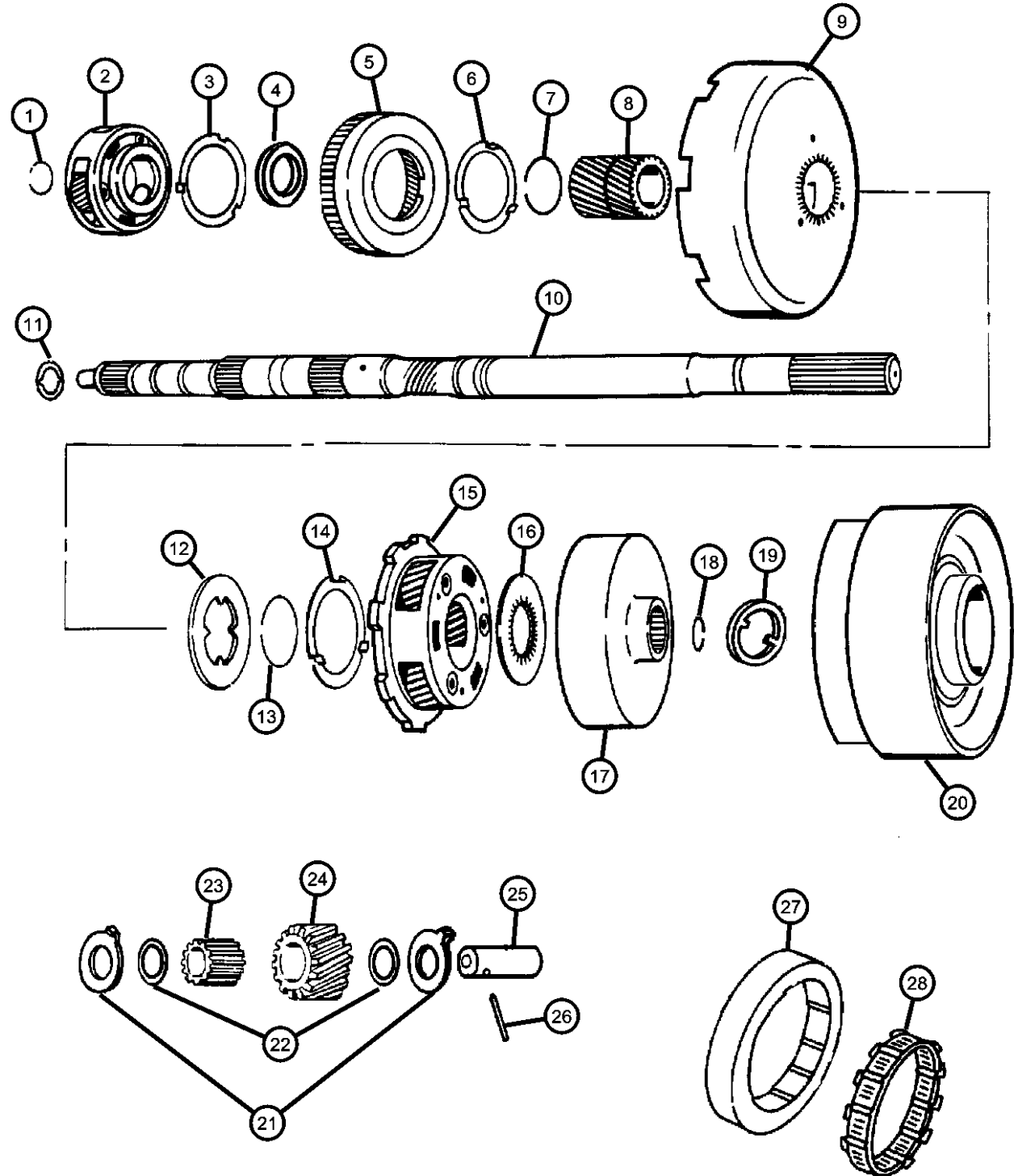
BODY	ENGINE	TRANSMISSION
31 = CLUB CAB 2-DR 6.5 FT BOX	ELF = ENGINE - 5.2L V8 MPI	DDC = TRANSMISSION - 5-SPEED HD MANUAL
32 = CLUB CAB 2-DR 8FT BOX	EML = ENGINE - 5.9L V8 MPI	DDP = TRANSMISSION - 5-SPEED MANUAL
33 = QUAD CAB 4-DR 6.5 FT BOX	EMM = ENGINE - "MAGNUM" 5.9L SMPI V8	DDX = TRANSMISSION - 5-SPEED HD MANUAL
34 = QUAD CAB 4-DR 8FT BOX	ETC = ENGINE- 5.9L CUMMINS 24V DIESEL	DEE = TRANSMISSION - 6-SPEED HD MANUAL
	ETH = ENGINE- 5.9L HO CUMMINS TURBO DIESEL	DGP = TRANSMISSION - 4-SPD. AUTOMATIC, 47RE
	EWA = ENGINE - 8.0L V10 MPI	DGT = TRANSMISSION - 4-SPD. AUTOMATIC, 46RE

AR = use ase required - = Non illustrated part

2000 BE



**Gear Train and Intermediate Shaft - 47RE [DGP]  
Figure 47RE-420**



**FRONT & REAR PLANET PINION CARRIER GEARS**

ITEM	PART NUMBER	QTY	LINE	SERIES	BODY	ENGINE	TRANS	TRIM	DESCRIPTION
10		1	6, 7, 8				DGP		INTERMEDIATE SHAFT, Transmission
	04617611	1	1, 2, 3				DGP		
11		1	6, 7, 8				DGP		PLATE, Transmission Module
	04505188	1	1, 2, 3				DGP		
12		1	6, 7, 8				DGP		PLATE, Sun Gear Driving Shell
	01942080	1	1, 2, 3				DGP		
13		1	6, 7, 8				DGP		SNAP RING, Sun Gear
	01736521	1	1, 2, 3				DGP		
14		1	6, 7, 8				DGP		THRUST WASHER, Planetary Carrier
	04617888	1	1, 2, 3				DGP		
15		1	6, 7, 8				DGP		CARRIER, Planetary Pinion
	02801061	1	1, 2, 3				DGP		
16		1	6, 7, 8				DGP		PLATE, Annulus Gear Thrust
	02400580	1	1, 2, 3				DGP		
17		1	6, 7, 8				DGP		GEAR, Rear Annulus
	04810002AB	1	1, 2, 3				DGP		
18		1	6, 7, 8				DGP		SNAP RING
	06033591	1	1, 2, 3				DGP		
19		1	6, 7, 8				DGP		THRUST WASHER, Reverse Drum

**RAM PICKUP/CLUB CAB (BE)**

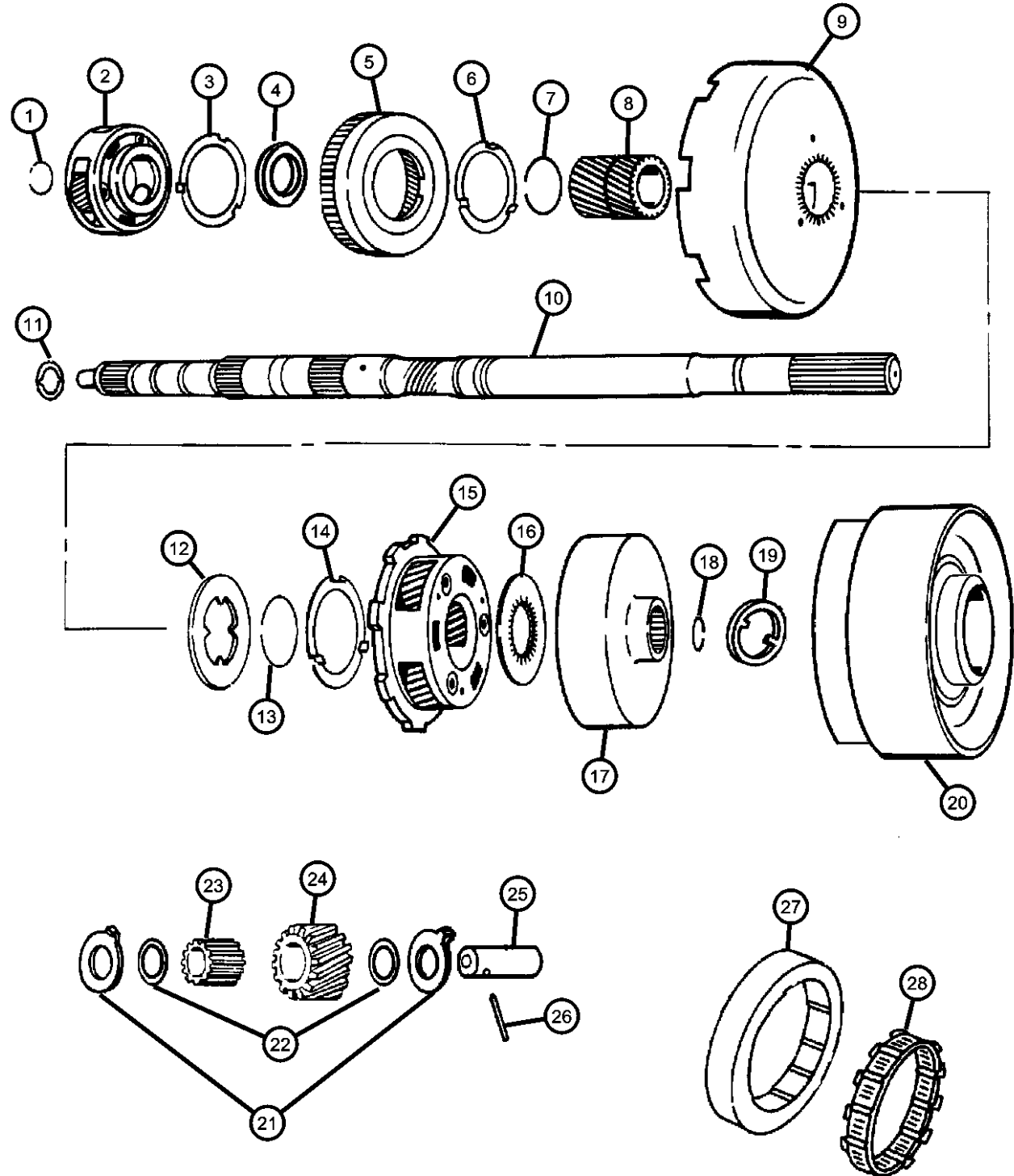
SERIES	LINE
L = Ram Truck (All)	3 = HD DODGE 2WD
	8 = HD DODGE 4WD
	1 = Lt. Duty DODGE 2WD
	6 = Lt. Duty DODGE 4WD
	2 = Med. Duty DODGE 2WD
	7 = Med. Duty DODGE 4WD

BODY	ENGINE	TRANSMISSION
31 = CLUB CAB 2-DR 6.5 FT BOX	ELF = ENGINE - 5.2L V8 MPI	DDC = TRANSMISSION - 5-SPEED HD MANUAL
32 = CLUB CAB 2-DR 8FT BOX	EML = ENGINE - 5.9L V8 MPI	DDP = TRANSMISSION - 5-SPEED MANUAL
33 = QUAD CAB 4-DR 6.5 FT BOX	EMM = ENGINE - "MAGNUM" 5.9L SMPI V8	DDX = TRANSMISSION - 5-SPEED HD MANUAL
34 = QUAD CAB 4-DR 8FT BOX	ETC = ENGINE- 5.9L CUMMINS 24V DIESEL	DEE = TRANSMISSION - 6-SPEED HD MANUAL
	ETH = ENGINE- 5.9L HO CUMMINS TURBO DIESEL	DGP = TRANSMISSION - 4-SPD. AUTOMATIC, 47RE
	EWA = ENGINE - 8.0L V10 MPI	DGT = TRANSMISSION - 4-SPD. AUTOMATIC, 46RE

AR = use ase required - = Non illustrated part

2000 BE

**Gear Train and Intermediate Shaft - 47RE [DGP]  
Figure 47RE-420**



**FRONT & REAR PLANET PINION CARRIER GEARS**

ITEM	PART NUMBER	QTY	LINE	SERIES	BODY	ENGINE	TRANS	TRIM	DESCRIPTION
20	52118059	1	1, 2, 3				DGP		DRUM, Automatic Transmission
		1	6, 7, 8				DGP		
21	52118057	1	1, 2, 3				DGP		THRUST WASHER, Planetary Carrier
		1	6, 7, 8				DGP		
22	02801315	8	1, 2, 3				DGP		Rear
		10	1, 2, 3				DGP		Front
		8	6, 7, 8				DGP		Rear
		10	6, 7, 8				DGP		Front
23	02204649	8	1, 2, 3				DGP		Rear
		10	1, 2, 3				DGP		Front
		8	6, 7, 8				DGP		Rear
		10	6, 7, 8				DGP		Front
24	03743664	92	1, 2, 3				DGP		Rear
		115	1, 2, 3				DGP		Front
		92	6, 7, 8				DGP		Rear
		115	6, 7, 8				DGP		Front
25	02400667	4	1, 2, 3				DGP		Front
		5	1, 2, 3				DGP		Rear
		4	6, 7, 8				DGP		Front
		5	6, 7, 8				DGP		Rear
25	04428223	5	1, 2, 3				DGP		Front
		5	6, 7, 8				DGP		Front
		4	1, 2, 3				DGP		Rear

**RAM PICKUP/CLUB CAB (BE)**

SERIES	LINE
L = Ram Truck (All)	3 = HD DODGE 2WD 8 = HD DODGE 4WD 1 = Lt. Duty DODGE 2WD 6 = Lt. Duty DODGE 4WD 2 = Med. Duty DODGE 2WD 7 = Med. Duty DODGE 4WD

BODY
31 = CLUB CAB 2-DR 6.5 FT BOX 32 = CLUB CAB 2-DR 8FT BOX 33 = QUAD CAB 4-DR 6.5 FT BOX 34 = QUAD CAB 4-DR 8FT BOX

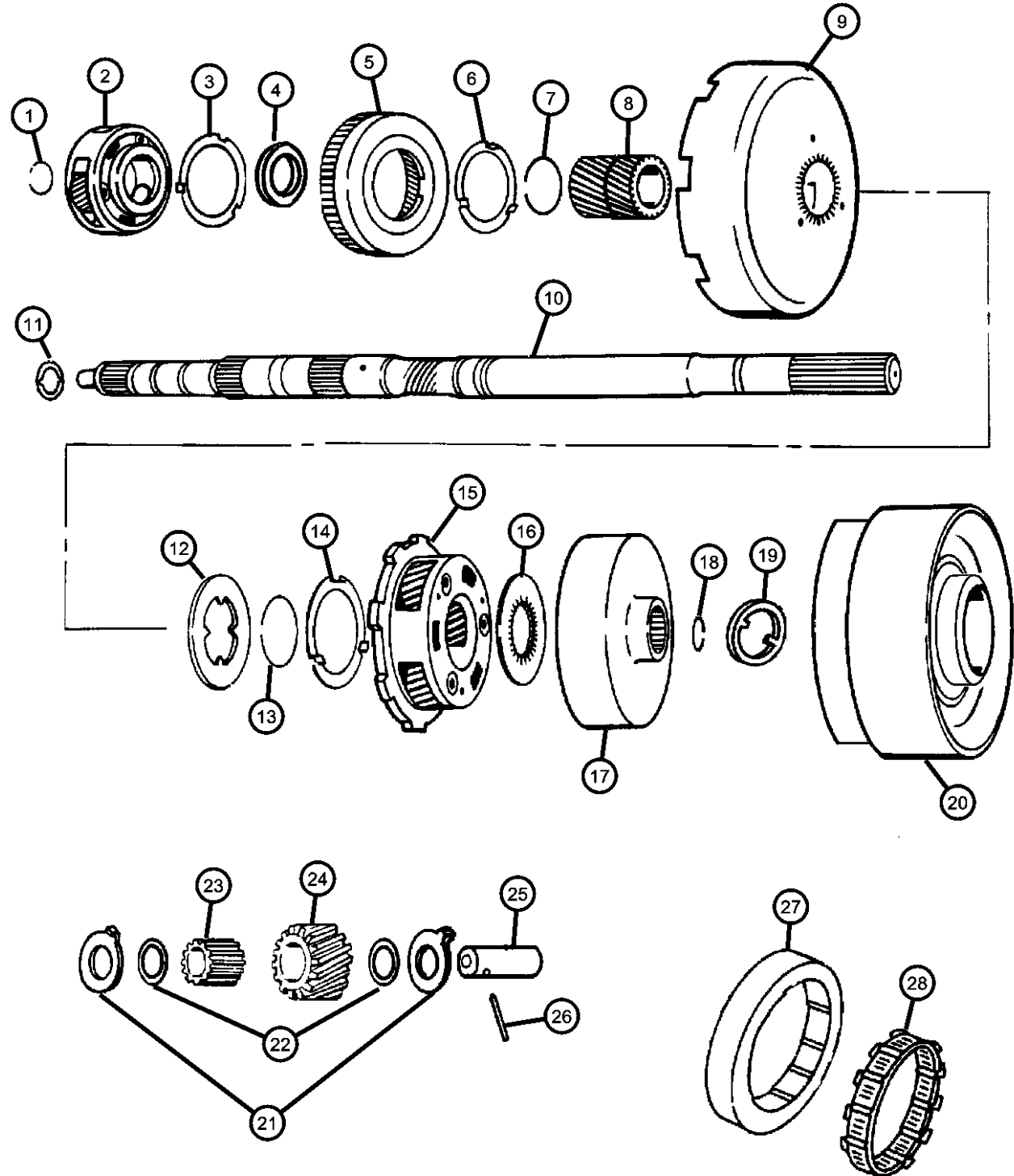
ENGINE
ELF = ENGINE - 5.2L V8 MPI EML = ENGINE - 5.9L V8 MPI EMM = ENGINE - "MAGNUM" 5.9L SMPI V8 ETC = ENGINE- 5.9L CUMMINS 24V DIESEL ETH = ENGINE- 5.9L HO CUMMINS TURBO DIESEL EWA = ENGINE - 8.0L V10 MPI

TRANSMISSION
DDC = TRANSMISSION - 5-SPEED HD MANUAL DDP = TRANSMISSION - 5-SPEED MANUAL DDX = TRANSMISSION - 5-SPEED HD MANUAL DEE = TRANSMISSION - 6-SPEED HD MANUAL DGP = TRANSMISSION - 4-SPD. AUTOMATIC, 47RE DGT = TRANSMISSION - 4-SPD. AUTOMATIC, 46RE

AR = use ase required - = Non illustrated part

2000 BE

**Gear Train and Intermediate Shaft - 47RE [DGP]  
Figure 47RE-420**



**FRONT & REAR PLANET PINION CARRIER GEARS**

ITEM	PART NUMBER	QTY	LINE	SERIES	BODY	ENGINE	TRANS	TRIM	DESCRIPTION
26		4	6, 7, 8				DGP		Rear
	06024666	4	1, 2, 3				DGP		DOWEL, .108x1.00
		5	1, 2, 3				DGP		Rear
		4	6, 7, 8				DGP		Front
		5	6, 7, 8				DGP		Rear
		5	6, 7, 8				DGP		Front
27		1	1, 2, 3				DGP		CAM, Overrunning Clutch
	04471473	1	6, 7, 8				DGP		
28		1	1, 2, 3				DGP		CLUTCH, Overrunning
	04617199	1	6, 7, 8				DGP		

**RAM PICKUP/CLUB CAB (BE)**

SERIES	LINE
L = Ram Truck (All)	3 = HD DODGE 2WD
	8 = HD DODGE 4WD
	1 = Lt. Duty DODGE 2WD
	6 = Lt. Duty DODGE 4WD
	2 = Med. Duty DODGE 2WD
	7 = Med. Duty DODGE 4WD

BODY	ENGINE	TRANSMISSION
31 = CLUB CAB 2-DR 6.5 FT BOX	ELF = ENGINE - 5.2L V8 MPI	DDC = TRANSMISSION - 5-SPEED HD MANUAL
32 = CLUB CAB 2-DR 8FT BOX	EML = ENGINE - 5.9L V8 MPI	DDP = TRANSMISSION - 5-SPEED MANUAL
33 = QUAD CAB 4-DR 6.5 FT BOX	EMM = ENGINE - "MAGNUM" 5.9L SMPI V8	DDX = TRANSMISSION - 5-SPEED HD MANUAL
34 = QUAD CAB 4-DR 8FT BOX	ETC = ENGINE- 5.9L CUMMINS 24V DIESEL	DEE = TRANSMISSION - 6-SPEED HD MANUAL
	ETH = ENGINE- 5.9L HO CUMMINS TURBO DIESEL	DGP = TRANSMISSION - 4-SPD. AUTOMATIC, 47RE
	EWA = ENGINE - 8.0L V10 MPI	DGT = TRANSMISSION - 4-SPD. AUTOMATIC, 46RE

AR = use ase required - = Non illustrated part

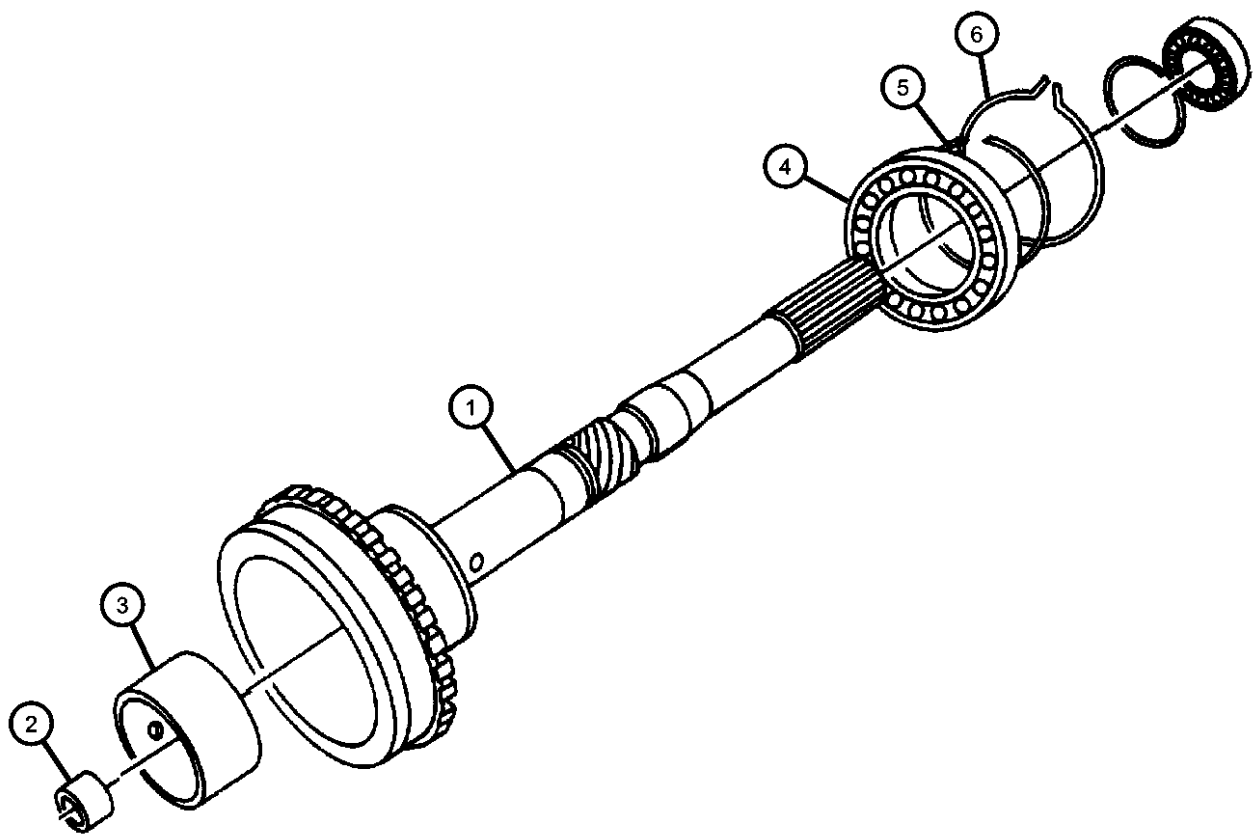
2000 BE

**Output Shaft - 47RE [DGP]  
Figure 47RE-430**

ITEM	PART NUMBER	QTY	LINE	SERIES	BODY	ENGINE	TRANS	TRIM	DESCRIPTION
------	-------------	-----	------	--------	------	--------	-------	------	-------------

NOTES; Sales Codes  
[DGP] = 4 Speed Automatic Transmission 47RE

1	04874036	1	6, 7, 8				DGP		OUTPUT SHAFT, Transmission
2	04874036	1							BUSHING, (NOT SERVICED)
3	04874036	1							BUSHING, (NOT SERVICED)
4									BEARING, Output Shaft
	04461008	1	6, 7, 8				DGP		
		1	1, 2, 3				DGP		
5									SNAP RING
	04461068	1	6, 7, 8				DGP		
		1	1, 2, 3				DGP		
6									SNAP RING
	04461057	1	6, 7, 8				DGP		
		1	1, 2, 3				DGP		



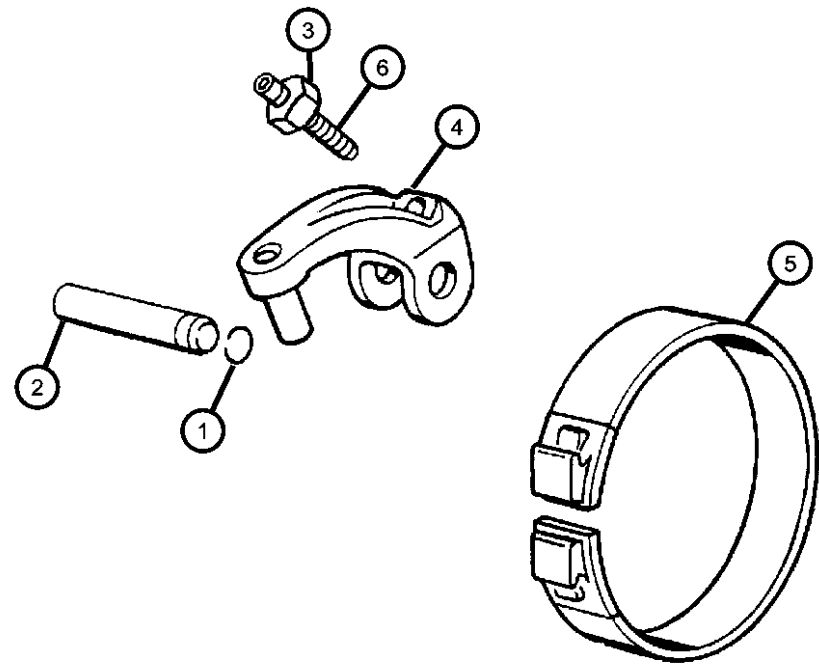
**RAM PICKUP/CLUB CAB (BE)**

SERIES	LINE	BODY	ENGINE	TRANSMISSION
L = Ram Truck (All)	3 = HD DODGE 2WD 8 = HD DODGE 4WD 1 = Lt. Duty DODGE 2WD 6 = Lt. Duty DODGE 4WD 2 = Med. Duty DODGE 2WD 7 = Med. Duty DODGE 4WD	31 = CLUB CAB 2-DR 6.5 FT BOX 32 = CLUB CAB 2-DR 8FT BOX 33 = QUAD CAB 4-DR 6.5 FT BOX 34 = QUAD CAB 4-DR 8FT BOX	ELF = ENGINE - 5.2L V8 MPI EML = ENGINE - 5.9L V8 MPI EMM = ENGINE - "MAGNUM" 5.9L SMPI V8 ETC = ENGINE- 5.9L CUMMINS 24V DIESEL ETH = ENGINE- 5.9L HO CUMMINS TURBO DIESEL EWA = ENGINE - 8.0L V10 MPI	DDC = TRANSMISSION - 5-SPEED HD MANUAL DDP = TRANSMISSION - 5-SPEED MANUAL DDX = TRANSMISSION - 5-SPEED HD MANUAL DEE = TRANSMISSION - 6-SPEED HD MANUAL DGP = TRANSMISSION - 4-SPD. AUTOMATIC,47RE DGT = TRANSMISSION - 4-SPD. AUTOMATIC,46RE

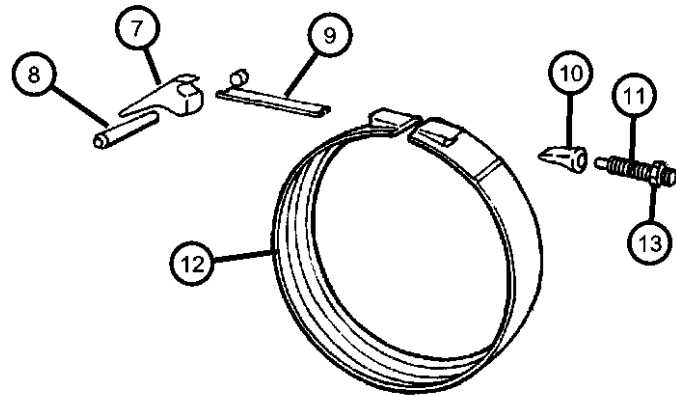
AR = use ase required - = Non illustrated part

2000 BE

**Bands, Reverse and Kickdown with Linkage - 47RE [DGP]  
Figure 47RE-510**



**REVERSE BAND**



**KICKDOWN BAND**

ITEM	PART NUMBER	QTY	LINE	SERIES	BODY	ENGINE	TRANS	TRIM	DESCRIPTION
NOTES; Sales Codes [DGP] = 4 Speed Automatic Transmission 47RE									
1									O RING
	01556385	2	1, 2, 3				DGP		
		2	6, 7, 8				DGP		
2									SHAFT, Band Lever
	04531234	1	1, 2, 3				DGP		
		1	6, 7, 8				DGP		
3									NUT, Hex, .375-24
	00103026	1	1, 2, 3				DGP		
		1	6, 7, 8				DGP		
4									LEVER, Reverse Band
	04531226AB	1	1, 2, 3				DGP		
		1	6, 7, 8				DGP		
5									BAND, Reverse
	04531231	1	1, 2, 3				DGP		
		1	6, 7, 8				DGP		
6									SCREW, Trans Reverse Band Adjusting, .375-24-1.88
	02538472	1	1, 2, 3				DGP		
		1	6, 7, 8				DGP		
7									LEVER, Kickdown
	02125067	1	1, 2, 3				DGP		
		1	6, 7, 8				DGP		
8									SHAFT, Band Lever
	04531181	1	1, 2, 3				DGP		
		1	6, 7, 8				DGP		
9									STRUT, Kickdown Band
	02124848	1	1, 2, 3				DGP		
		1	6, 7, 8				DGP		
10									ANCHOR, Kickdown Band

**RAM PICKUP/CLUB CAB (BE)**

SERIES	LINE
L = Ram Truck (All)	3 = HD DODGE 2WD
	8 = HD DODGE 4WD
	1 = Lt. Duty DODGE 2WD
	6 = Lt. Duty DODGE 4WD
	2 = Med. Duty DODGE 2WD
	7 = Med. Duty DODGE 4WD

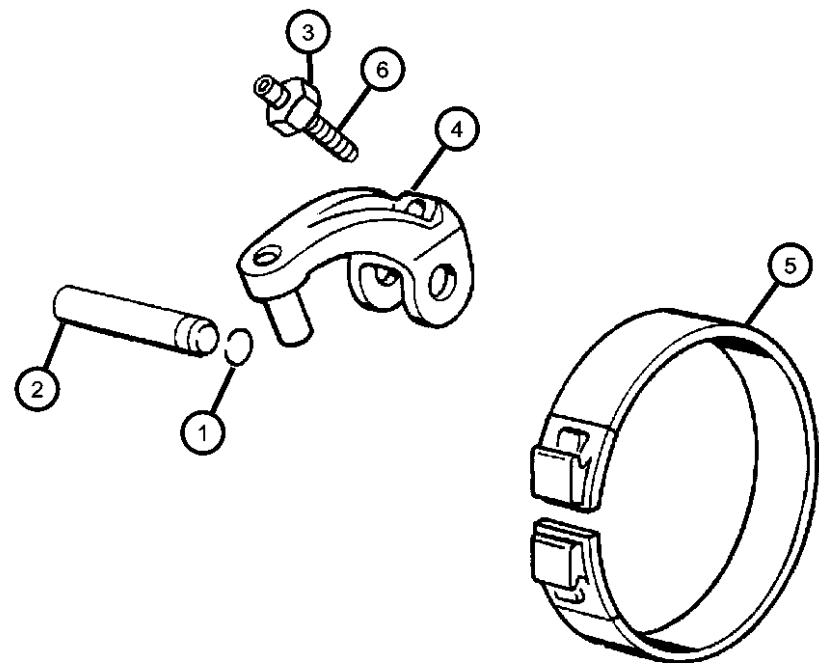
BODY	ENGINE	TRANSMISSION
31 = CLUB CAB 2-DR 6.5 FT BOX	ELF = ENGINE - 5.2L V8 MPI	DDC = TRANSMISSION - 5-SPEED HD MANUAL
32 = CLUB CAB 2-DR 8FT BOX	EML = ENGINE - 5.9L V8 MPI	DDP = TRANSMISSION - 5-SPEED MANUAL
33 = QUAD CAB 4-DR 6.5 FT BOX	EMM = ENGINE - "MAGNUM" 5.9L SMPI V8	DDX = TRANSMISSION - 5-SPEED HD MANUAL
34 = QUAD CAB 4-DR 8FT BOX	ETC = ENGINE- 5.9L CUMMINS 24V DIESEL	DEE = TRANSMISSION - 6-SPEED HD MANUAL
	ETH = ENGINE- 5.9L HO CUMMINS TURBO DIESEL	DGP = TRANSMISSION - 4-SPD. AUTOMATIC, 47RE
	EWA = ENGINE - 8.0L V10 MPI	DGT = TRANSMISSION - 4-SPD. AUTOMATIC, 46RE

AR = use ase required - = Non illustrated part

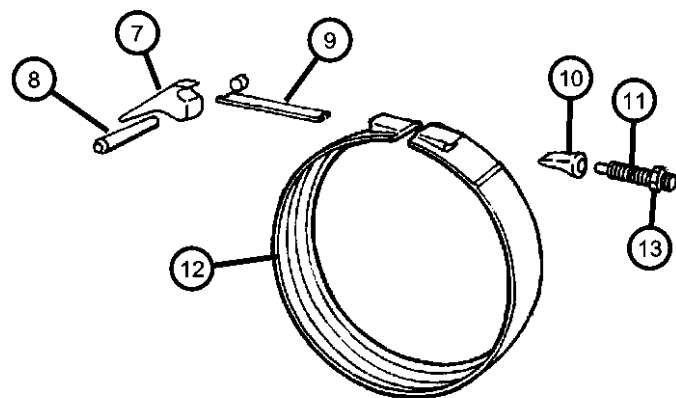
2000 BE

Bands, Reverse and Kickdown with Linkage - 47RE [DGP]

Figure 47RE-510



REVERSE BAND



KICKDOWN BAND

ITEM	PART NUMBER	QTY	LINE	SERIES	BODY	ENGINE	TRANS	TRIM	DESCRIPTION
	03743338	1	1, 2, 3				DGP		
		1	6, 7, 8				DGP		
11	06036115AA	1	1, 2, 3				DGP		SCREW
		1	6, 7, 8				DGP		
12	04329853	1	1, 2, 3				DGP		BAND, Kickdown
		1	6, 7, 8				DGP		
13	00124934	1	1, 2, 3				DGP		NUT, Hex Jam, .50-20
		1	6, 7, 8				DGP		

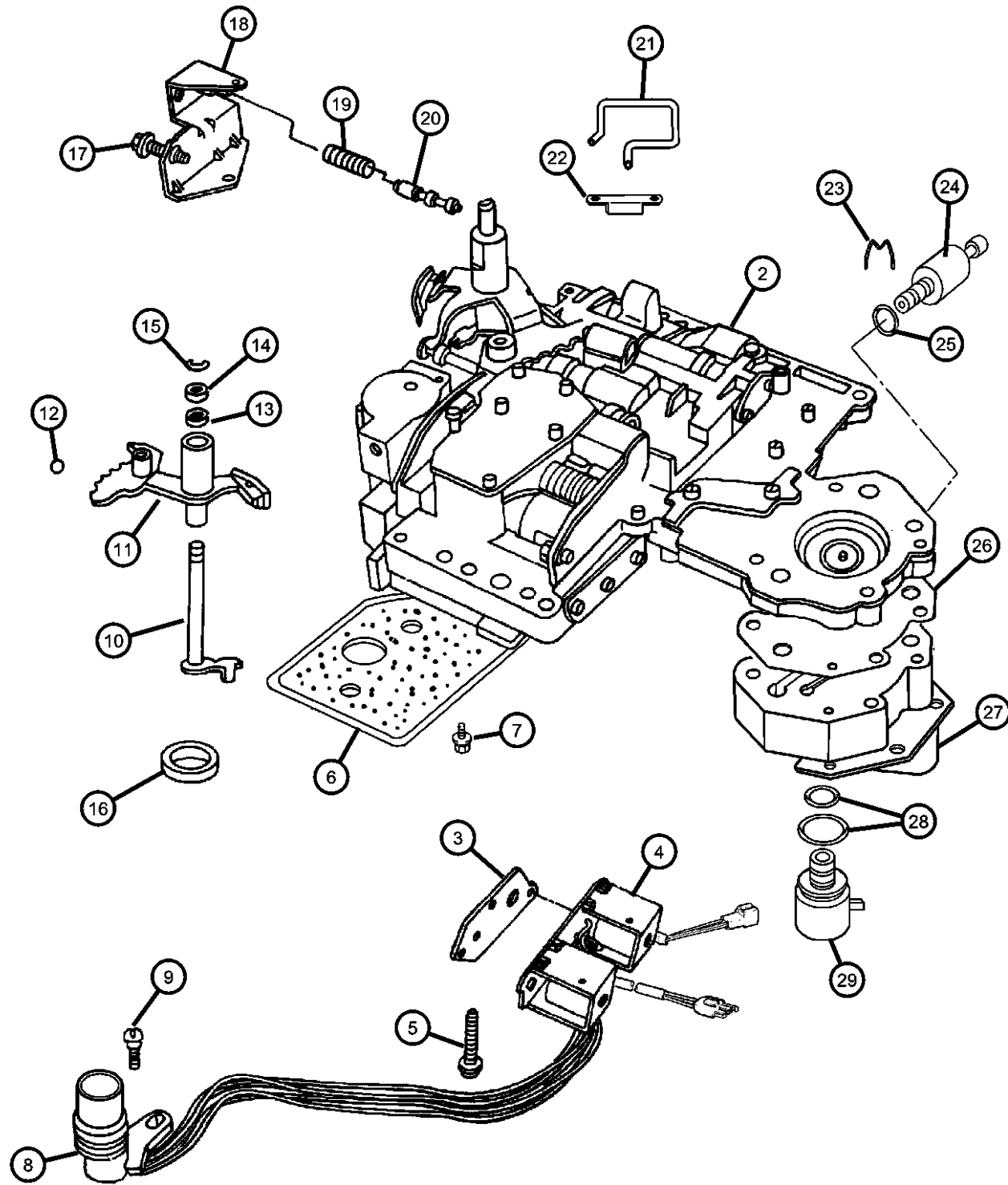
RAM PICKUP/CLUB CAB (BE)

SERIES	LINE
L = Ram Truck	3 = HD DODGE 2WD
(All)	8 = HD DODGE 4WD
	1 = Lt. Duty DODGE 2WD
	6 = Lt. Duty DODGE 4WD
	2 = Med. Duty DODGE 2WD
	7 = Med. Duty DODGE 4WD

BODY	ENGINE	TRANSMISSION
31 = CLUB CAB 2-DR 6.5 FT BOX	ELF = ENGINE - 5.2L V8 MPI	DDC = TRANSMISSION - 5-SPEED HD MANUAL
32 = CLUB CAB 2-DR 8FT BOX	EML = ENGINE - 5.9L V8 MPI	DDP = TRANSMISSION - 5-SPEED MANUAL
33 = QUAD CAB 4-DR 6.5 FT BOX	EMM = ENGINE - "MAGNUM" 5.9L SMPI V8	DDX = TRANSMISSION - 5-SPEED HD MANUAL
34 = QUAD CAB 4-DR 8FT BOX	ETC = ENGINE- 5.9L CUMMINS 24V DIESEL	DEE = TRANSMISSION - 6-SPEED HD MANUAL
	ETH = ENGINE- 5.9L HO CUMMINS TURBO DIESEL	DGP = TRANSMISSION - 4-SPD. AUTOMATIC,47RE
	EWA = ENGINE - 8.0L V10 MPI	DGT = TRANSMISSION - 4-SPD. AUTOMATIC,46RE

AR = use ase required - = Non illustrated part

**Valve Body - 47RE [DGP]  
Figure 47RE-710**



ITEM	PART NUMBER	QTY	LINE	SERIES	BODY	ENGINE	TRANS	TRIM	DESCRIPTION
-1									SEAL AND GASKET PACKAGE, Valve Body and Servo
	04863892AC	1	1, 2, 3				DGP		
		1	6, 7, 8				DGP		
2									BODY, Transfer Plate
	52118796AB	1	1, 2, 3				DGP		
		1	6, 7, 8				DGP		
3									GASKET, Transmission Solenoid
	52118510	1	1, 2, 3				DGP		
		1	6, 7, 8				DGP		
4									SOLENOID, Transmission Overdrive
	52118500AB	1	1, 2, 3				DGP		
		1	6, 7, 8				DGP		
5									BOLT, Valve Body, .25-20x1.75
	00181071	3	1, 2, 3				DGP		
		3	6, 7, 8				DGP		
6									FILTER, Valve Body
	52118789	1	1, 2, 3				DGP		
		1	6, 7, 8				DGP		
7									SCREW AND WASHER, Oil Filter Mounting, Fillester Head .190-24x2.500
	06033826	3	1, 2, 3				DGP		
		3	6, 7, 8				DGP		
8									O RING, Solenoid Wiring, Transmission
	06034748	2	1, 2, 3				DGP		
		2	6, 7, 8				DGP		
9									SCREW, Tapping, .19-24x.75
	06033985	1	1, 2, 3				DGP		

**RAM PICKUP/CLUB CAB (BE)**

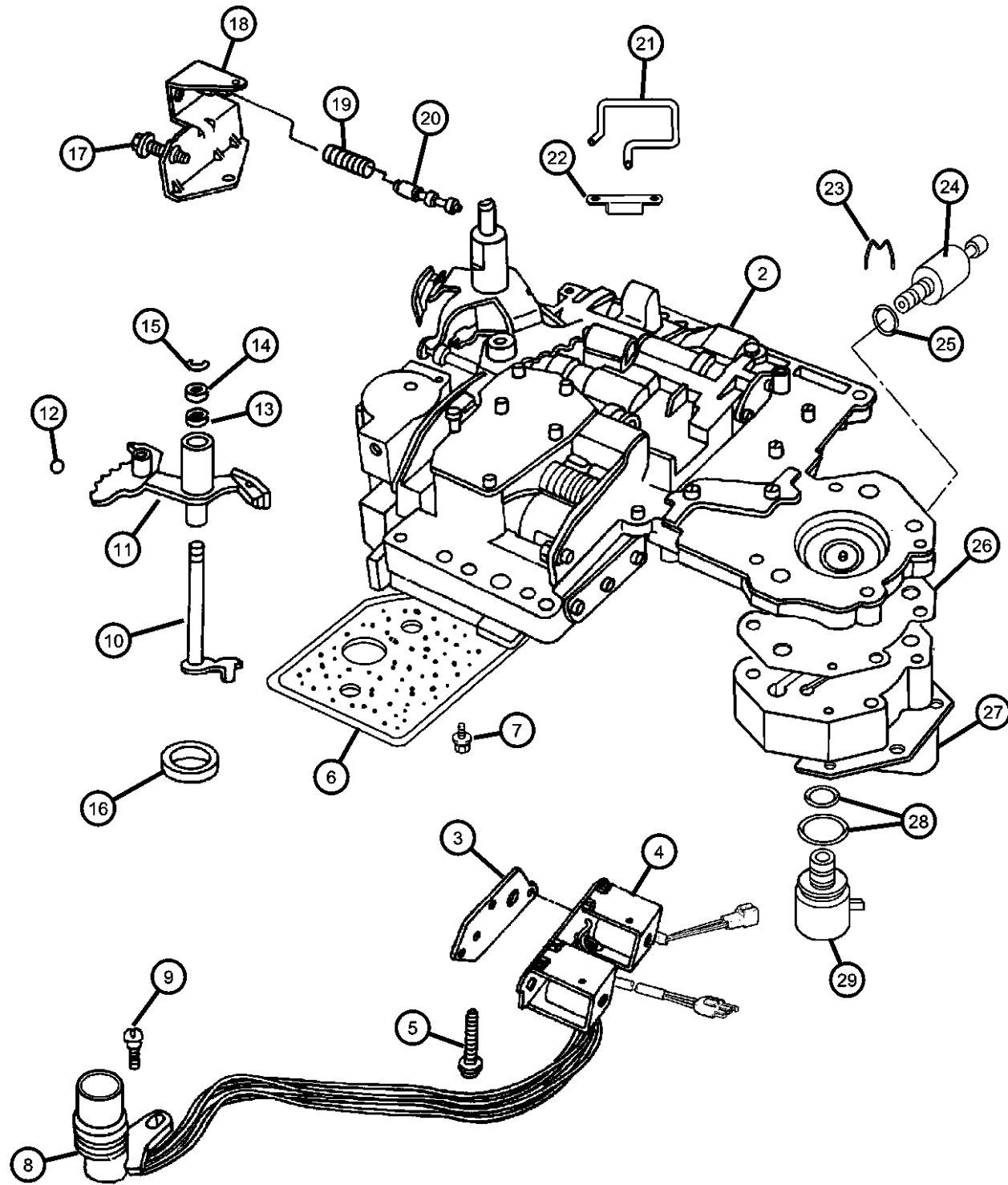
SERIES	LINE
L = Ram Truck (All)	3 = HD DODGE 2WD
	8 = HD DODGE 4WD
	1 = Lt. Duty DODGE 2WD
	6 = Lt. Duty DODGE 4WD
	2 = Med. Duty DODGE 2WD
	7 = Med. Duty DODGE 4WD

BODY	ENGINE	TRANSMISSION
31 = CLUB CAB 2-DR 6.5 FT BOX	ELF = ENGINE - 5.2L V8 MPI	DDC = TRANSMISSION - 5-SPEED HD MANUAL
32 = CLUB CAB 2-DR 8FT BOX	EML = ENGINE - 5.9L V8 MPI	DDP = TRANSMISSION - 5-SPEED MANUAL
33 = QUAD CAB 4-DR 6.5 FT BOX	EMM = ENGINE - "MAGNUM" 5.9L SMPI V8	DDX = TRANSMISSION - 5-SPEED HD MANUAL
34 = QUAD CAB 4-DR 8FT BOX	ETC = ENGINE- 5.9L CUMMINS 24V DIESEL	DEE = TRANSMISSION - 6-SPEED HD MANUAL
	ETH = ENGINE- 5.9L HO CUMMINS TURBO DIESEL	DGP = TRANSMISSION - 4-SPD. AUTOMATIC, 47RE
	EWA = ENGINE - 8.0L V10 MPI	DGT = TRANSMISSION - 4-SPD. AUTOMATIC, 46RE

AR = use ase required - = Non illustrated part

2000 BE

Valve Body - 47RE [DGP]  
Figure 47RE-710



ITEM	PART NUMBER	QTY	LINE	SERIES	BODY	ENGINE	TRANS	TRIM	DESCRIPTION
10		1	6, 7, 8				DGP		LEVER, Throttle Valve
	03681227	1	1, 2, 3				DGP		
11	04617439	1	1, 2, 3				DGP		LEVER, Manual Valve
12		1	1, 2, 3				DGP		BALL, Manual Lever Detent, .343 Diameter
	00147488	1	1, 2, 3				DGP		
		1	6, 7, 8				DGP		
13	02466548	1	1, 2, 3				DGP		SEAL, Valve Lever Shift
		1	6, 7, 8				DGP		
14	02538062	1	1, 2, 3				DGP		WASHER, Manual Valve Lever
		1	6, 7, 8				DGP		
15	06035208	2	1, 2, 3				DGP		SNAP RING
		2	6, 7, 8				DGP		
		1	1, 2, 3				DGP		
		1	6, 7, 8				DGP		
16	04505098	1	1, 2, 3				DGP		SEAL, Manual Shift Valve, 1.25 OD
		1	6, 7, 8				DGP		
17	06030609	1	1, 2, 3				DGP		SCREW, Cap Head Lock, .312-24x1.25
		1	6, 7, 8				DGP		
18	04617010	1	1, 2, 3				DGP		BRACKET, Valve Body Switch
		1	6, 7, 8				DGP		
19									SPRING, Switch Valve

RAM PICKUP/CLUB CAB (BE)

SERIES	LINE
L = Ram Truck (All)	3 = HD DODGE 2WD
	8 = HD DODGE 4WD
	1 = Lt. Duty DODGE 2WD
	6 = Lt. Duty DODGE 4WD
	2 = Med. Duty DODGE 2WD
	7 = Med. Duty DODGE 4WD

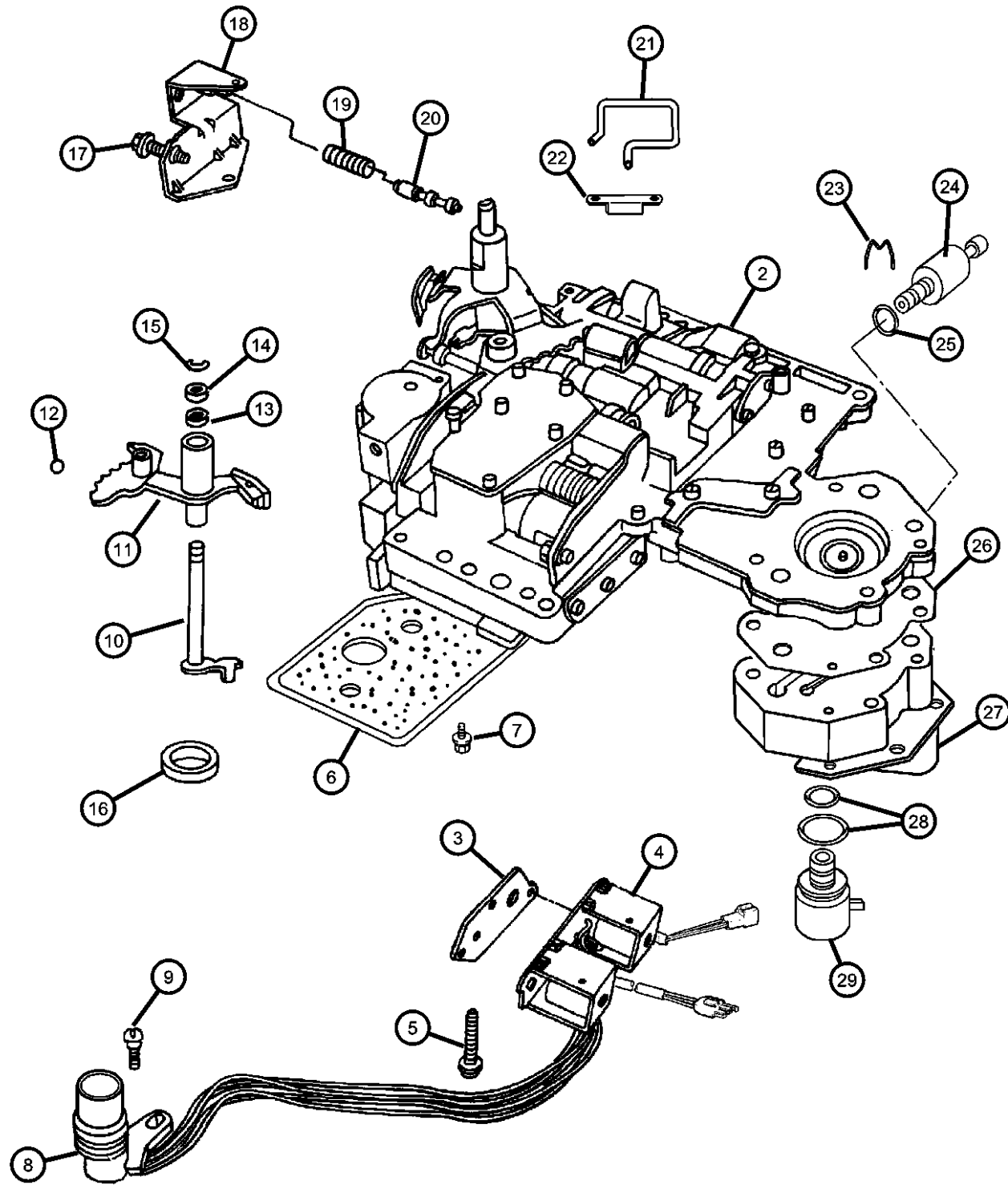
BODY	ENGINE	TRANSMISSION
31 = CLUB CAB 2-DR 6.5 FT BOX	ELF = ENGINE - 5.2L V8 MPI	DDC = TRANSMISSION - 5-SPEED HD MANUAL
32 = CLUB CAB 2-DR 8FT BOX	EML = ENGINE - 5.9L V8 MPI	DDP = TRANSMISSION - 5-SPEED MANUAL
33 = QUAD CAB 4-DR 6.5 FT BOX	EMM = ENGINE - "MAGNUM" 5.9L SMPI V8	DDX = TRANSMISSION - 5-SPEED HD MANUAL
34 = QUAD CAB 4-DR 8FT BOX	ETC = ENGINE- 5.9L CUMMINS 24V DIESEL	DEE = TRANSMISSION - 6-SPEED HD MANUAL
	ETH = ENGINE- 5.9L HO CUMMINS TURBO DIESEL	DGP = TRANSMISSION - 4-SPD. AUTOMATIC, 47RE
	EWA = ENGINE - 8.0L V10 MPI	DGT = TRANSMISSION - 4-SPD. AUTOMATIC, 46RE

AR = use ase required - = Non illustrated part

2000 BE



Valve Body - 47RE [DGP]  
Figure 47RE-710



ITEM	PART NUMBER	QTY	LINE	SERIES	BODY	ENGINE	TRANS	TRIM	DESCRIPTION
	04130492	1	1, 2, 3				DGP		
		1	6, 7, 8				DGP		
20	04505036	1	1, 2, 3				DGP		VALVE, Trans Lockup Switch
		1	6, 7, 8				DGP		
21	04617008	1	1, 2, 3				DGP		TUBE, Boost Valve
		1	6, 7, 8				DGP		
22	52117958	1	1, 2, 3				DGP		RETAINER, Boost Valve Oil Supply Tube
		1	6, 7, 8				DGP		
23	04617219	1	1, 2, 3				DGP		CLIP, Transmission Governor Transducer
		1	6, 7, 8				DGP		
24	56028196AA	1	1, 2, 3				DGP		TRANSDUCER, Pressure Sensor
		1	6, 7, 8				DGP		
25	06034493	1	1, 2, 3				DGP		O RING, Pressure Switch
		1	6, 7, 8				DGP		
26	04617216	1	1, 2, 3				DGP		GASKET, Transmission Solenoid
		1	6, 7, 8				DGP		
27	04617211AB	1	1, 2, 3				DGP		RETAINER, Transmission Governor Solenoid
		1	6, 7, 8				DGP		
28	04723549	1	1, 2, 3				DGP		O RING PACKAGE, Valve Body, Transmission

RAM PICKUP/CLUB CAB (BE)

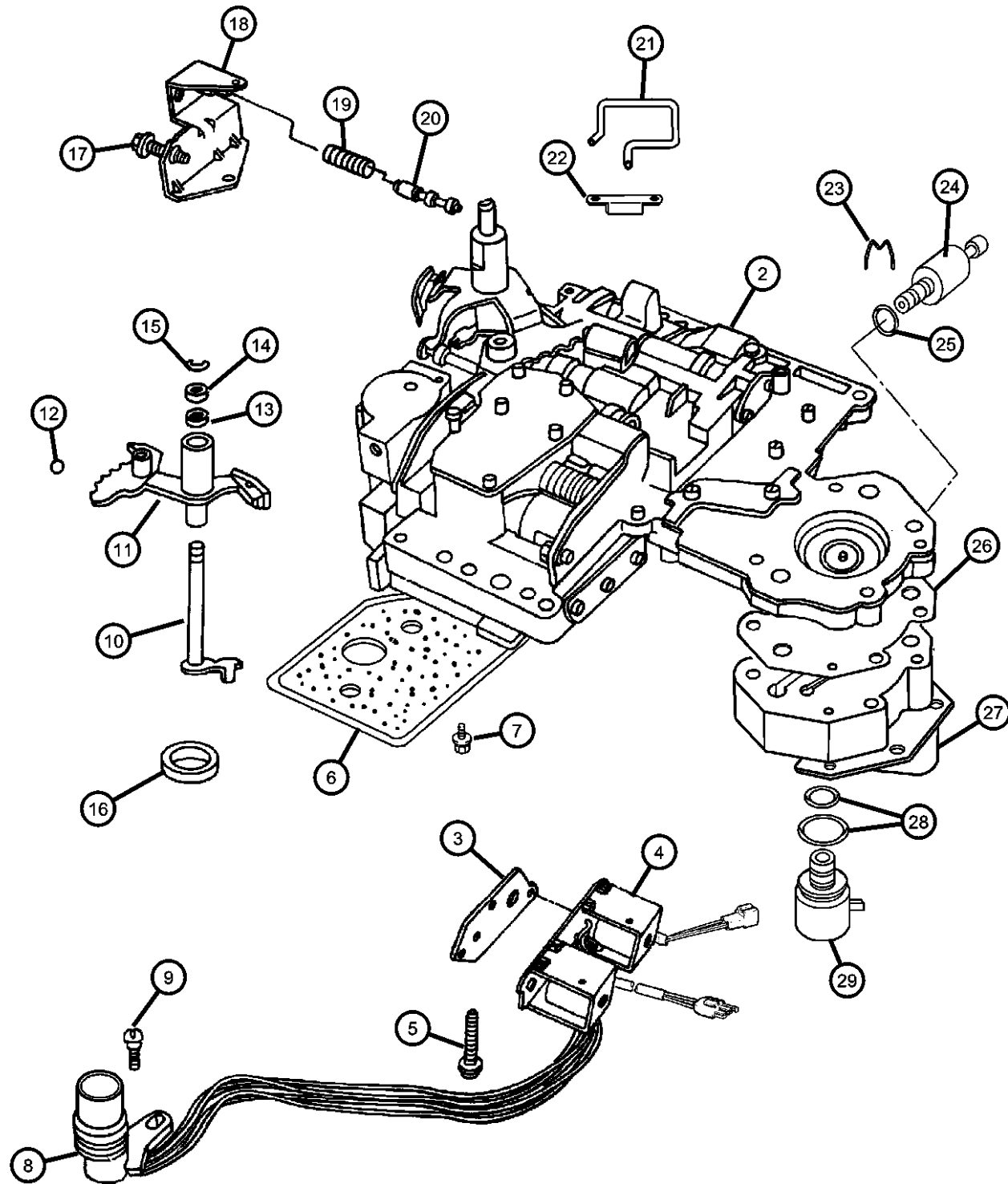
SERIES	LINE
L = Ram Truck (All)	3 = HD DODGE 2WD
	8 = HD DODGE 4WD
	1 = Lt. Duty DODGE 2WD
	6 = Lt. Duty DODGE 4WD
	2 = Med. Duty DODGE 2WD
	7 = Med. Duty DODGE 4WD

BODY	ENGINE	TRANSMISSION
31 = CLUB CAB 2-DR 6.5 FT BOX	ELF = ENGINE - 5.2L V8 MPI	DDC = TRANSMISSION - 5-SPEED HD MANUAL
32 = CLUB CAB 2-DR 8FT BOX	EML = ENGINE - 5.9L V8 MPI	DDP = TRANSMISSION - 5-SPEED MANUAL
33 = QUAD CAB 4-DR 6.5 FT BOX	EMM = ENGINE - "MAGNUM" 5.9L SMPI V8	DDX = TRANSMISSION - 5-SPEED HD MANUAL
34 = QUAD CAB 4-DR 8FT BOX	ETC = ENGINE- 5.9L CUMMINS 24V DIESEL	DEE = TRANSMISSION - 6-SPEED HD MANUAL
	ETH = ENGINE- 5.9L HO CUMMINS TURBO DIESEL	DGP = TRANSMISSION - 4-SPD. AUTOMATIC, 47RE
	EWA = ENGINE - 8.0L V10 MPI	DGT = TRANSMISSION - 4-SPD. AUTOMATIC, 46RE

AR = use ase required - = Non illustrated part

2000 BE

Valve Body - 47RE [DGP]  
Figure 47RE-710



ITEM	PART NUMBER	QTY	LINE	SERIES	BODY	ENGINE	TRANS	TRIM	DESCRIPTION
29		1	6, 7, 8				DGP		SOLENOID, Transmission Governor
	04617210	1	1, 2, 3				DGP		
		1	6, 7, 8				DGP		
-30		1	1, 2, 3				DGP		SCREEN, Transmission Regulator Valve
	03878313	1	1, 2, 3				DGP		
		1	6, 7, 8				DGP		

RAM PICKUP/CLUB CAB (BE)

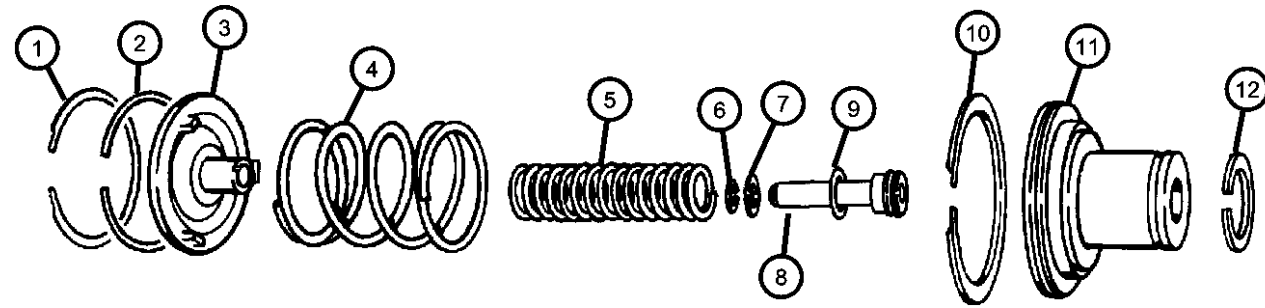
SERIES	LINE
L = Ram Truck (All)	3 = HD DODGE 2WD
	8 = HD DODGE 4WD
	1 = Lt. Duty DODGE 2WD
	6 = Lt. Duty DODGE 4WD
	2 = Med. Duty DODGE 2WD
	7 = Med. Duty DODGE 4WD

BODY	ENGINE	TRANSMISSION
31 = CLUB CAB 2-DR 6.5 FT BOX	ELF = ENGINE - 5.2L V8 MPI	DDC = TRANSMISSION - 5-SPEED HD MANUAL
32 = CLUB CAB 2-DR 8FT BOX	EML = ENGINE - 5.9L V8 MPI	DDP = TRANSMISSION - 5-SPEED MANUAL
33 = QUAD CAB 4-DR 6.5 FT BOX	EMM = ENGINE - "MAGNUM" 5.9L SMPI V8	DDX = TRANSMISSION - 5-SPEED HD MANUAL
34 = QUAD CAB 4-DR 8FT BOX	ETC = ENGINE- 5.9L CUMMINS 24V DIESEL	DEE = TRANSMISSION - 6-SPEED HD MANUAL
	ETH = ENGINE- 5.9L HO CUMMINS TURBO DIESEL	DGP = TRANSMISSION - 4-SPD. AUTOMATIC, 47RE
	EWA = ENGINE - 8.0L V10 MPI	DGT = TRANSMISSION - 4-SPD. AUTOMATIC, 46RE

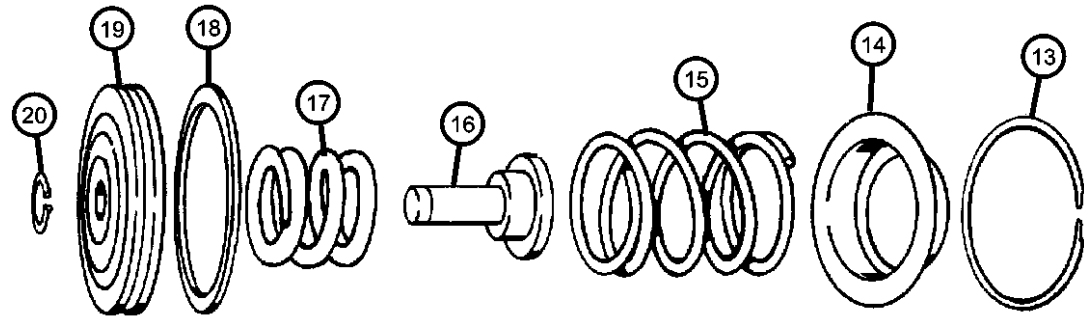
AR = use ase required - = Non illustrated part

2000 BE

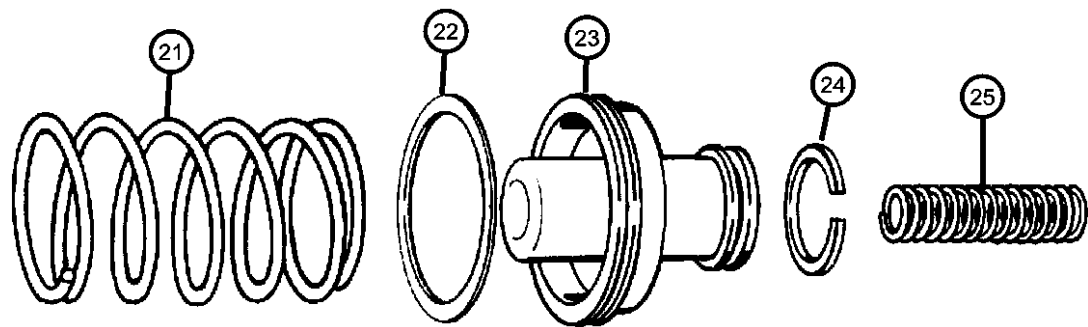
**Servos, Accumulator Piston and Spring - 47RE [DGP]**  
**Figure 47RE-720**



**KICKDOWN SERVO**



**LOW AND REVERSE SERVO**



**ACCUMULATOR PISTON AND SPRING**

ITEM	PART NUMBER	QTY	LINE	SERIES	BODY	ENGINE	TRANS	TRIM	DESCRIPTION
1	01942130	1	1, 2, 3				DGP		SNAP RING
		1	6, 7, 8				DGP		
2	01942123	1	1, 2, 3				DGP		SEAL, Servo Piston
		1	6, 7, 8				DGP		
3	03410441	1	1, 2, 3				DGP		GUIDE, Kickdown Servo
		1	6, 7, 8				DGP		
4	03410444	1	1, 2, 3				DGP		SPRING, Kickdown Servo Piston
		1	6, 7, 8				DGP		
5	03410444	1	1, 2, 3				DGP		SPRING, Kickdown Servo Piston
		1	6, 7, 8				DGP		
6	06031392	1	1, 2, 3				DGP		SNAP RING, Brake Master Cylinder
		1	6, 7, 8				DGP		
7	03410437	1	1, 2, 3				DGP		RETAINER, Kick Down
		1	6, 7, 8				DGP		
8	03410445	1	1, 2, 3				DGP		PISTON, Kickdown Servo
		1	6, 7, 8				DGP		
9	06028864	1	1, 2, 3				DGP		O RING, Kick Down Servo
		1	6, 7, 8				DGP		
10									SEAL, Servo Piston

NOTES; Sales Codes  
[DGP] = 4 Speed Automatic Transmission 47RE

**RAM PICKUP/CLUB CAB (BE)**

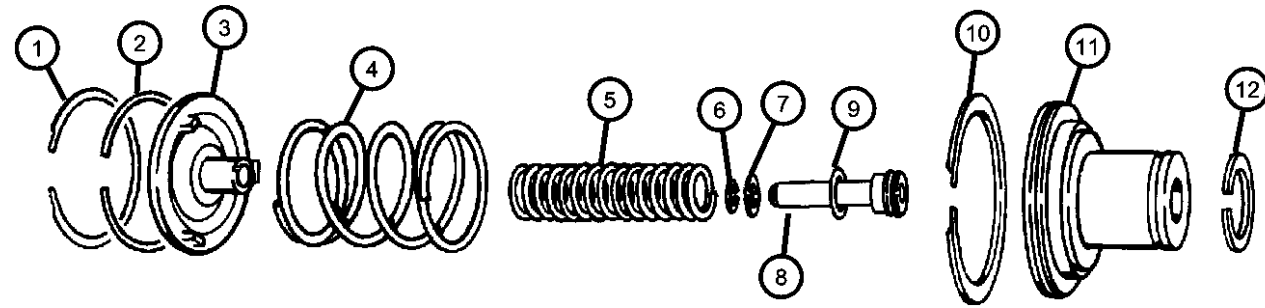
SERIES	LINE
L = Ram Truck (All)	3 = HD DODGE 2WD 8 = HD DODGE 4WD 1 = Lt. Duty DODGE 2WD 6 = Lt. Duty DODGE 4WD 2 = Med. Duty DODGE 2WD 7 = Med. Duty DODGE 4WD

BODY	ENGINE	TRANSMISSION
31 = CLUB CAB 2-DR 6.5 FT BOX	ELF = ENGINE - 5.2L V8 MPI EML = ENGINE - 5.9L V8 MPI EMM = ENGINE - "MAGNUM" 5.9L SMPI V8	DDC = TRANSMISSION - 5-SPEED HD MANUAL DDP = TRANSMISSION - 5-SPEED MANUAL DDX = TRANSMISSION - 5-SPEED HD MANUAL DEE = TRANSMISSION - 6-SPEED HD MANUAL DGP = TRANSMISSION - 4-SPD. AUTOMATIC, 47RE DGT = TRANSMISSION - 4-SPD. AUTOMATIC, 46RE
32 = CLUB CAB 2-DR 8FT BOX	ETC = ENGINE- 5.9L CUMMINS 24V DIESEL ETH = ENGINE- 5.9L HO CUMMINS TURBO DIESEL EWA = ENGINE - 8.0L V10 MPI	
33 = QUAD CAB 4-DR 6.5 FT BOX		
34 = QUAD CAB 4-DR 8FT BOX		

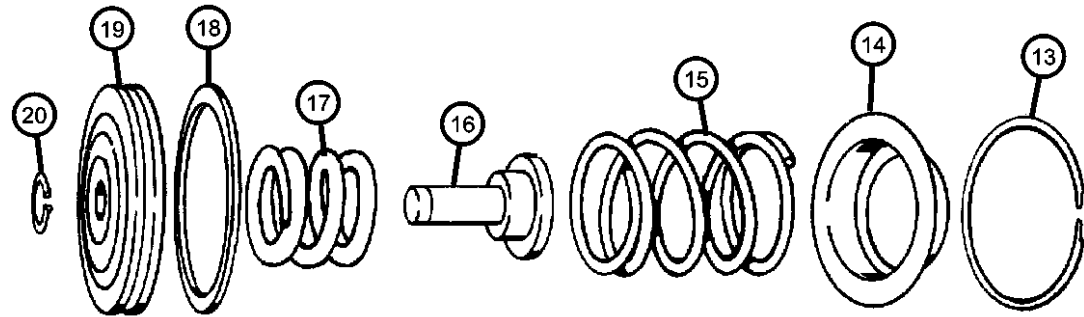
AR = use ase required - = Non illustrated part

2000 BE

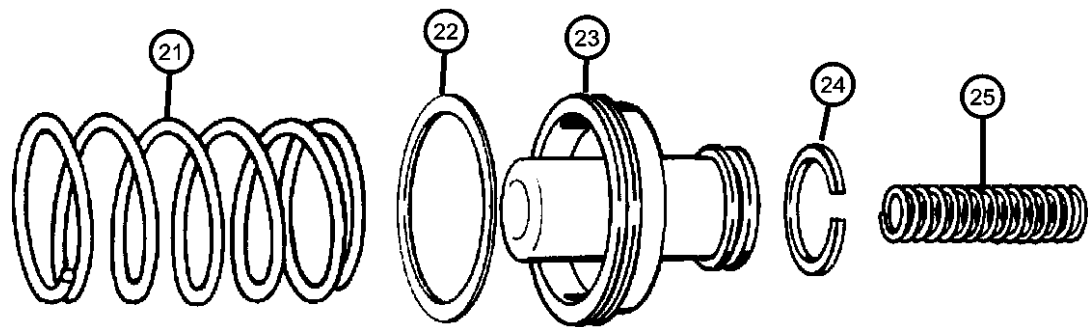
Servos, Accumulator Piston and Spring - 47RE [DGP]  
Figure 47RE-720



KICKDOWN SERVO



LOW AND REVERSE SERVO



ACCUMULATOR PISTON AND SPRING

ITEM	PART NUMBER	QTY	LINE	SERIES	BODY	ENGINE	TRANS	TRIM	DESCRIPTION
	01942123	1	1, 2, 3				DGP		
		1	6, 7, 8				DGP		
11	03410440	1	1, 2, 3				DGP		PISTON, Kickdown Servo
		1	6, 7, 8				DGP		
12	04412444	1	1, 2, 3				DGP		SEAL, Kickdown Servo
		1	6, 7, 8				DGP		
13									SNAP RING
	01942130	1	1, 2, 3				DGP		
		1	6, 7, 8				DGP		
14									RETAINER, Transmission Reverse Servo Piston Spring
	52118342	1	1, 2, 3				DGP		
		1	6, 7, 8				DGP		
15									SPRING, Reverse Servo Piston
	04617773	1	1, 2, 3				DGP		
		1	6, 7, 8				DGP		
16									PLUG, Reverse Servo Piston
	52118742AB	1	1, 2, 3				DGP		
		1	6, 7, 8				DGP		
17									SPRING, Accumulator Piston
	03515079	1	1, 2, 3				DGP		
		1	6, 7, 8				DGP		
18									SEAL, Reverse Servo Piston
	04531233	1	1, 2, 3				DGP		
		1	6, 7, 8				DGP		
19									PISTON, Reverse Servo
	52118745	1	6, 7, 8				DGP		
		1	1, 2, 3				DGP		

RAM PICKUP/CLUB CAB (BE)

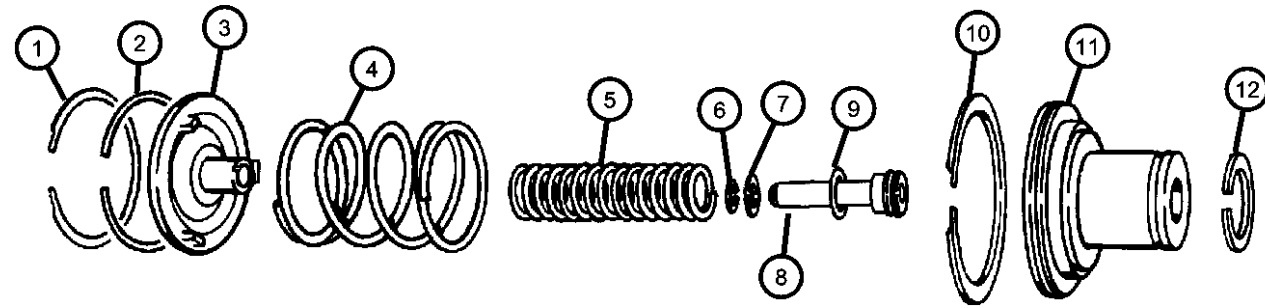
SERIES	LINE
L = Ram Truck (All)	3 = HD DODGE 2WD
	8 = HD DODGE 4WD
	1 = Lt. Duty DODGE 2WD
	6 = Lt. Duty DODGE 4WD
	2 = Med. Duty DODGE 2WD
	7 = Med. Duty DODGE 4WD

BODY	ENGINE	TRANSMISSION
31 = CLUB CAB 2-DR 6.5 FT BOX	ELF = ENGINE - 5.2L V8 MPI	DDC = TRANSMISSION - 5-SPEED HD MANUAL
32 = CLUB CAB 2-DR 8FT BOX	EML = ENGINE - 5.9L V8 MPI	DDP = TRANSMISSION - 5-SPEED MANUAL
33 = QUAD CAB 4-DR 6.5 FT BOX	EMM = ENGINE - "MAGNUM" 5.9L SMPI V8	DDX = TRANSMISSION - 5-SPEED HD MANUAL
34 = QUAD CAB 4-DR 8FT BOX	ETC = ENGINE- 5.9L CUMMINS 24V DIESEL	DEE = TRANSMISSION - 6-SPEED HD MANUAL
	ETH = ENGINE- 5.9L HO CUMMINS TURBO DIESEL	DGP = TRANSMISSION - 4-SPD. AUTOMATIC, 47RE
	EWA = ENGINE - 8.0L V10 MPI	DGT = TRANSMISSION - 4-SPD. AUTOMATIC, 46RE

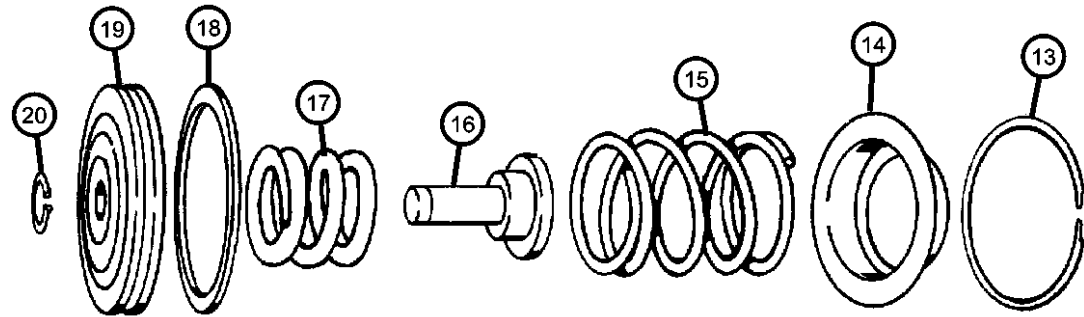
AR = use ase required - = Non illustrated part

2000 BE

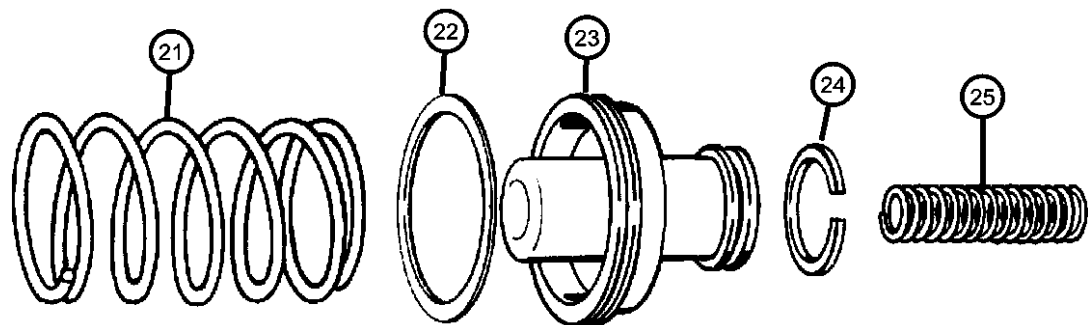
Servos, Accumulator Piston and Spring - 47RE [DGP]  
Figure 47RE-720



KICKDOWN SERVO



LOW AND REVERSE SERVO



ACCUMULATOR PISTON AND SPRING

ITEM	PART NUMBER	QTY	LINE	SERIES	BODY	ENGINE	TRANS	TRIM	DESCRIPTION
20	06027153	1	1, 2, 3				DGP		SNAP RING, .435 ID
		1	6, 7, 8				DGP		
21	03515079	1	1, 2, 3				DGP		SPRING, Accumulator Piston
		1	6, 7, 8				DGP		
22	03743010	1	1, 2, 3				DGP		SEAL, Piston Accumulator
		1	6, 7, 8				DGP		
23	03743650	1	1, 2, 3				DGP		PISTON, Accumulator
		1	6, 7, 8				DGP		
24	03743010	1	1, 2, 3				DGP		SEAL, Piston Accumulator
		1	6, 7, 8				DGP		
25		1							SPRING, Accumulator Piston, (NOT REQUIRED)

RAM PICKUP/CLUB CAB (BE)

SERIES	LINE
L = Ram Truck (All)	3 = HD DODGE 2WD
	8 = HD DODGE 4WD
	1 = Lt. Duty DODGE 2WD
	6 = Lt. Duty DODGE 4WD
	2 = Med. Duty DODGE 2WD
	7 = Med. Duty DODGE 4WD

BODY	ENGINE	TRANSMISSION
31 = CLUB CAB 2-DR 6.5 FT BOX	ELF = ENGINE - 5.2L V8 MPI	DDC = TRANSMISSION - 5-SPEED HD MANUAL
32 = CLUB CAB 2-DR 8FT BOX	EML = ENGINE - 5.9L V8 MPI	DDP = TRANSMISSION - 5-SPEED MANUAL
33 = QUAD CAB 4-DR 6.5 FT BOX	EMM = ENGINE - "MAGNUM" 5.9L SMPI V8	DDX = TRANSMISSION - 5-SPEED HD MANUAL
34 = QUAD CAB 4-DR 8FT BOX	ETC = ENGINE- 5.9L CUMMINS 24V DIESEL	DEE = TRANSMISSION - 6-SPEED HD MANUAL
	ETH = ENGINE- 5.9L HO CUMMINS TURBO DIESEL	DGP = TRANSMISSION - 4-SPD. AUTOMATIC, 47RE
	EWA = ENGINE - 8.0L V10 MPI	DGT = TRANSMISSION - 4-SPD. AUTOMATIC, 46RE

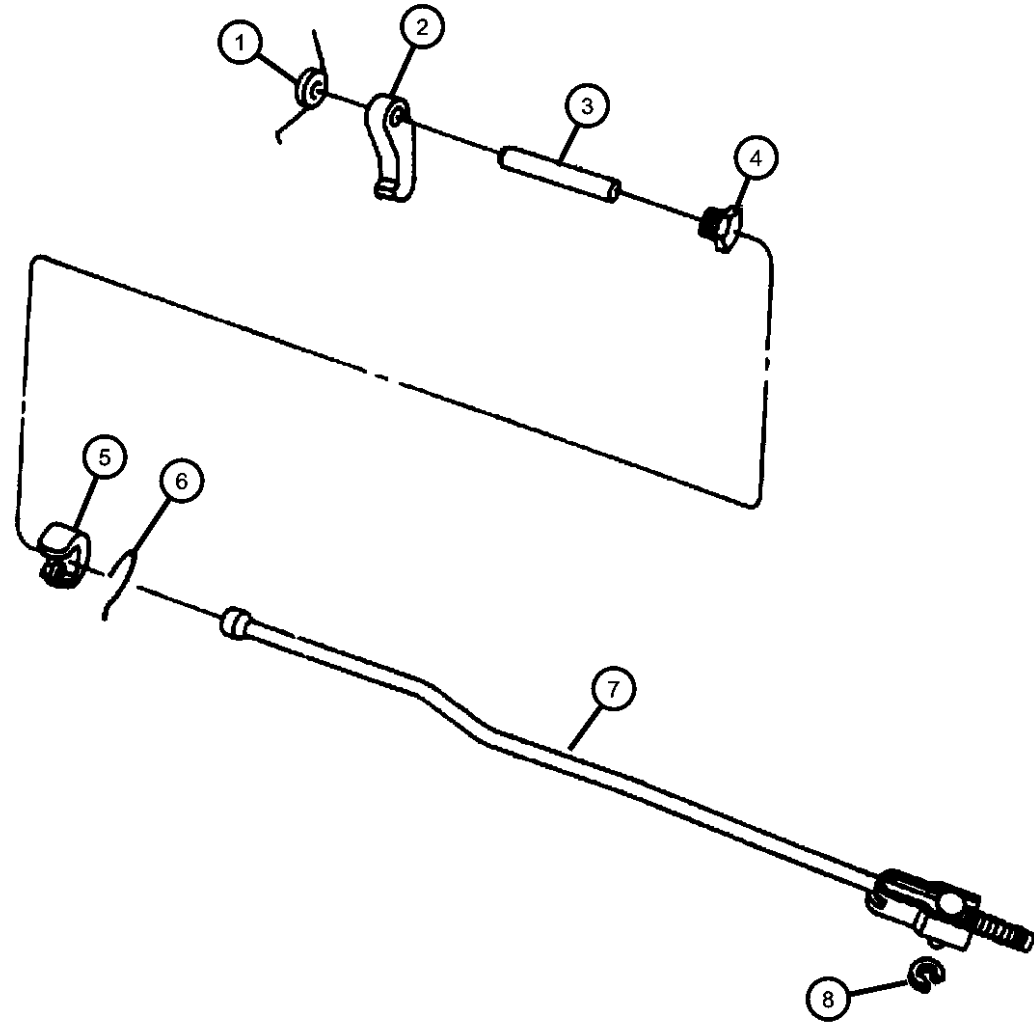
AR = use ase required - = Non illustrated part

2000 BE

**Parking Sprag - 47RE [DGP]  
Figure 47RE-730**

ITEM	PART NUMBER	QTY	LINE	SERIES	BODY	ENGINE	TRANS	TRIM	DESCRIPTION
------	-------------	-----	------	--------	------	--------	-------	------	-------------

NOTES: Sales Codes:  
[DGP] = 47RE Automatic Transmission



1	02466909	1	6, 7, 8				DGP		SPRING, Parking Sprag
		1	1, 2, 3				DGP		
2	04471415	1	6, 7, 8				DGP		SPRAG, Transmission Parking
		1	1, 2, 3				DGP		
3	02466892	1	6, 7, 8				DGP		SHAFT, Parking Sprag
		1	1, 2, 3				DGP		
4	83503127	1	6, 7, 8				DGP		SCREW
		1	1, 2, 3				DGP		
5	02538042	1	6, 7, 8				DGP		PLUG, Parking Sprag
		1	1, 2, 3				DGP		
6	02538034	1	6, 7, 8				DGP		SNAP RING, Transmission
		1	1, 2, 3				DGP		
7	04471478	1	1, 2, 3				DGP		ROD, Parking Sprag
		1	6, 7, 8				DGP		
8	06035256	1	1, 2, 3				DGP		SNAP RING, Rod
		1	6, 7, 8				DGP		

**RAM PICKUP/CLUB CAB (BE)**

SERIES	LINE	BODY	ENGINE	TRANSMISSION
L = Ram Truck (All)	3 = HD DODGE 2WD 8 = HD DODGE 4WD 1 = Lt. Duty DODGE 2WD 6 = Lt. Duty DODGE 4WD 2 = Med. Duty DODGE 2WD 7 = Med. Duty DODGE 4WD	31 = CLUB CAB 2-DR 6.5 FT BOX 32 = CLUB CAB 2-DR 8FT BOX 33 = QUAD CAB 4-DR 6.5 FT BOX 34 = QUAD CAB 4-DR 8FT BOX	ELF = ENGINE - 5.2L V8 MPI EML = ENGINE - 5.9L V8 MPI EMM = ENGINE - "MAGNUM" 5.9L SMPI V8 ETC = ENGINE- 5.9L CUMMINS 24V DIESEL ETH = ENGINE- 5.9L HO CUMMINS TURBO DIESEL EWA = ENGINE - 8.0L V10 MPI	DDC = TRANSMISSION - 5-SPEED HD MANUAL DDP = TRANSMISSION - 5-SPEED MANUAL DDX = TRANSMISSION - 5-SPEED HD MANUAL DEE = TRANSMISSION - 6-SPEED HD MANUAL DGP = TRANSMISSION - 4-SPD. AUTOMATIC, 47RE DGT = TRANSMISSION - 4-SPD. AUTOMATIC, 46RE

AR = use ase required - = Non illustrated part

2000 BE

**Clutch, Overdrive with Gear Train - 47RE [DGP]  
Figure 47RE-1010**

ITEM	PART NUMBER	QTY	LINE	SERIES	BODY	ENGINE	TRANS	TRIM	DESCRIPTION
------	-------------	-----	------	--------	------	--------	-------	------	-------------

NOTES; Sales Codes  
[DGP] = 4 Speed Automatic Transmission 47RE  
[ET0] = All 5.9L Diesel Engines  
[EW0] = All 8.0L Gas Engines

1									PLATE PACKAGE, Transmission Module
	04740774	1	6, 7, 8				DGP		
		1	1, 2, 3				DGP		
2		1							BEARING, (NOT SERVICED)
3									GEAR, Overdrive Sun
	05015107AA	1	6, 7, 8				DGP		
		1	1, 2, 3				DGP		
4		1							BUSHING, (NOT SERVICED)
5									CARRIER, O/Drive Planet Pinion
	04761011	1	6, 7, 8				DGP		
		1	1, 2, 3				DGP		
6									RACE, Overrunning Clutch
	04461124	1	6, 7, 8				DGP		
		1	1, 2, 3				DGP		
7									THRUST BEARING, Ovedrive Third Position
	04461014	1	6, 7, 8				DGP		
		1	1, 2, 3				DGP		
8									CLUTCH, Overdrive Overrunning
	04461015	1	6, 7, 8				DGP		
		1	1, 2, 3				DGP		
9									GEAR, Overdrive Annulus
	04761010	1	6, 7, 8				DGP		
		1	1, 2, 3				DGP		
10									SNAP RING, 5.25 OD
	04461059	1	6, 7, 8				DGP		
		1	1, 2, 3				DGP		

**RAM PICKUP/CLUB CAB (BE)**

SERIES	LINE
L = Ram Truck (All)	3 = HD DODGE 2WD
	8 = HD DODGE 4WD
	1 = Lt. Duty DODGE 2WD
	6 = Lt. Duty DODGE 4WD
	2 = Med. Duty DODGE 2WD
	7 = Med. Duty DODGE 4WD

BODY	ENGINE	TRANSMISSION
31 = CLUB CAB 2-DR 6.5 FT BOX	ELF = ENGINE - 5.2L V8 MPI	DDC = TRANSMISSION - 5-SPEED HD MANUAL
32 = CLUB CAB 2-DR 8FT BOX	EML = ENGINE - 5.9L V8 MPI	DDP = TRANSMISSION - 5-SPEED MANUAL
33 = QUAD CAB 4-DR 6.5 FT BOX	EMM = ENGINE - "MAGNUM" 5.9L SMPI V8	DDX = TRANSMISSION - 5-SPEED HD MANUAL
34 = QUAD CAB 4-DR 8FT BOX	ETC = ENGINE- 5.9L CUMMINS 24V DIESEL	DEE = TRANSMISSION - 6-SPEED HD MANUAL
	ETH = ENGINE- 5.9L HO CUMMINS TURBO DIESEL	DGP = TRANSMISSION - 4-SPD. AUTOMATIC, 47RE
	EWA = ENGINE - 8.0L V10 MPI	DGT = TRANSMISSION - 4-SPD. AUTOMATIC, 46RE

AR = use ase required - = Non illustrated part

2000 BE

**Clutch, Overdrive with Gear Train - 47RE [DGP]  
Figure 47RE-1010**

ITEM	PART NUMBER	QTY	LINE	SERIES	BODY	ENGINE	TRANS	TRIM	DESCRIPTION
11	04461060	2	1, 2, 3			ET0	DGP		SNAP RING, 6.00 OD
		2	1, 2, 3			EW0	DGP		
		2	6, 7, 8			ET0	DGP		
		2	6, 7, 8			EW0	DGP		
12	04461089	1	6, 7, 8				DGP		DRUM, Automatic Transmission
		1	1, 2, 3				DGP		
13	04461063	1	6, 7, 8				DGP		SNAP RING, 2.1875 OD
		1	1, 2, 3				DGP		
14	04461027	1	6, 7, 8				DGP		SPRING, Direct Clutch
		1	1, 2, 3				DGP		
15	04461072	1	6, 7, 8				DGP		HUB, Direct Clutch
		AR	1, 2, 3				DGP		
16	04446724	1	1, 2, 3				DGP		THRUST BEARING, Overdrive
		1	6, 7, 8				DGP		
17	04461030	1	6, 7, 8				DGP		PLATE, Transmission Clutch Reaction
		1	1, 2, 3				DGP		
18	04461042	10	1, 2, 3			ET0	DGP		DISC, Direct Clutch
		10	1, 2, 3			EW0	DGP		
		10	6, 7, 8			ET0	DGP		
		10	6, 7, 8			EW0	DGP		
19									PLATE, Transmission Valve Body

**RAM PICKUP/CLUB CAB (BE)**

SERIES	LINE
L = Ram Truck (All)	3 = HD DODGE 2WD 8 = HD DODGE 4WD 1 = Lt. Duty DODGE 2WD 6 = Lt. Duty DODGE 4WD 2 = Med. Duty DODGE 2WD 7 = Med. Duty DODGE 4WD

BODY	ENGINE	TRANSMISSION
31 = CLUB CAB 2-DR 6.5 FT BOX 32 = CLUB CAB 2-DR 8FT BOX 33 = QUAD CAB 4-DR 6.5 FT BOX 34 = QUAD CAB 4-DR 8FT BOX	ELF = ENGINE - 5.2L V8 MPI EML = ENGINE - 5.9L V8 MPI EMM = ENGINE - "MAGNUM" 5.9L SMPI V8 ETC = ENGINE- 5.9L CUMMINS 24V DIESEL ETH = ENGINE- 5.9L HO CUMMINS TURBO DIESEL EWA = ENGINE - 8.0L V10 MPI	DDC = TRANSMISSION - 5-SPEED HD MANUAL DDP = TRANSMISSION - 5-SPEED MANUAL DDX = TRANSMISSION - 5-SPEED HD MANUAL DEE = TRANSMISSION - 6-SPEED HD MANUAL DGP = TRANSMISSION - 4-SPD. AUTOMATIC, 47RE DGT = TRANSMISSION - 4-SPD. AUTOMATIC, 46RE

AR = use ase required - = Non illustrated part

2000 BE



**Clutch, Overdrive with Gear Train - 47RE [DGP]**  
**Figure 47RE-1010**

ITEM	PART NUMBER	QTY	LINE	SERIES	BODY	ENGINE	TRANS	TRIM	DESCRIPTION
20	04864053	9	6, 7, 8				DGP		
		9	1, 2, 3				DGP		
21	04461183	1	6, 7, 8				DGP		PLATE, Pressure
		1	1, 2, 3				DGP		
22	04461032	1	6, 7, 8				DGP		SPRING, Direct Clutch
		1	1, 2, 3				DGP		
23	04461064	1	6, 7, 8				DGP		SNAP RING, 1.875" OD
		1	1, 2, 3				DGP		
24	04412583	1	1, 2, 3				DGP		FILTER, Overdrive Clutch
		1	6, 7, 8				DGP		
25	52117975	1	1, 2, 3				DGP		RETAINER, Transmission O/Drive Clutch Piston
		1	6, 7, 8				DGP		
26	52118599	1	1, 2, 3				DGP		PISTON, Overdrive Clutch
		1	6, 7, 8				DGP		
27	00152796	6	1, 2, 3				DGP		SCREW, .25-20
		6	6, 7, 8				DGP		
28	04431697	1	1, 2, 3				DGP		SEAL, Overdrive Clutch Piston
		1	6, 7, 8				DGP		
28	04431697	1	1, 2, 3				DGP		SEAL, Overdrive Clutch Piston
		1	6, 7, 8				DGP		Inner

**RAM PICKUP/CLUB CAB (BE)**

SERIES	LINE
L = Ram Truck (All)	3 = HD DODGE 2WD 8 = HD DODGE 4WD 1 = Lt. Duty DODGE 2WD 6 = Lt. Duty DODGE 4WD 2 = Med. Duty DODGE 2WD 7 = Med. Duty DODGE 4WD

BODY
31 = CLUB CAB 2-DR 6.5 FT BOX 32 = CLUB CAB 2-DR 8FT BOX 33 = QUAD CAB 4-DR 6.5 FT BOX 34 = QUAD CAB 4-DR 8FT BOX

ENGINE
ELF = ENGINE - 5.2L V8 MPI EML = ENGINE - 5.9L V8 MPI EMM = ENGINE - "MAGNUM" 5.9L SMPI V8 ETC = ENGINE- 5.9L CUMMINS 24V DIESEL ETH = ENGINE- 5.9L HO CUMMINS TURBO DIESEL EWA = ENGINE - 8.0L V10 MPI

TRANSMISSION
DDC = TRANSMISSION - 5-SPEED HD MANUAL DDP = TRANSMISSION - 5-SPEED MANUAL DDX = TRANSMISSION - 5-SPEED HD MANUAL DEE = TRANSMISSION - 6-SPEED HD MANUAL DGP = TRANSMISSION - 4-SPD. AUTOMATIC, 47RE DGT = TRANSMISSION - 4-SPD. AUTOMATIC, 46RE

AR = use ase required - = Non illustrated part

**Clutch, Overdrive with Gear Train - 47RE [DGP]  
Figure 47RE-1010**

ITEM	PART NUMBER	QTY	LINE	SERIES	BODY	ENGINE	TRANS	TRIM	DESCRIPTION
29	04617352	1	1, 2, 3				DGP		Outer
		1	6, 7, 8				DGP		Outer
	04431585	1	1, 2, 3				DGP		PLATE, Transmission O/Drive Clutch
		1	6, 7, 8				DGP		.123"-.125" Thick
	04431586	1	1, 2, 3				DGP		.153"-.155" Thick
		1	6, 7, 8				DGP		.153"-.155" Thick
	04431587	1	1, 2, 3				DGP		.183"-.185" Thick
		1	6, 7, 8				DGP		.183"-.185" Thick
	04431588	1	1, 2, 3				DGP		.213"-.215" Thick
		1	6, 7, 8				DGP		.213"-.215" Thick
	04431590	1	1, 2, 3				DGP		.243"-.245" Thick
		1	6, 7, 8				DGP		.243"-.245" Thick
	04431731	1	1, 2, 3				DGP		.138"-.140" Thick
		1	6, 7, 8				DGP		.138"-.140" Thick
	04431732	1	1, 2, 3				DGP		.168"-.170" Thick
	1	6, 7, 8				DGP		.168"-.170" Thick	
04431733	1	1, 2, 3				DGP		.198"-.200" Thick	
	1	6, 7, 8				DGP		.198"-.200" Thick	
04431734	1	1, 2, 3				DGP		.228"-.230" Thick	
	1	6, 7, 8				DGP		.228"-.230" Thick	
04431735	1	1, 2, 3				DGP		.108"-.110" Thick	
	1	6, 7, 8				DGP		.108"-.110" Thick	
30									SPACER, Intermediate Shaft, 1.58mm
	04431916	1	1, 2, 3				DGP		
-31									SPACER, Intermediate Shaft, .175
	04431917	1	1, 2, 3				DGP		
		1	6, 7, 8				DGP		

**RAM PICKUP/CLUB CAB (BE)**

SERIES	LINE
L = Ram Truck	3 = HD DODGE 2WD
(All)	8 = HD DODGE 4WD
	1 = Lt. Duty DODGE 2WD
	6 = Lt. Duty DODGE 4WD
	2 = Med. Duty DODGE 2WD
	7 = Med. Duty DODGE 4WD

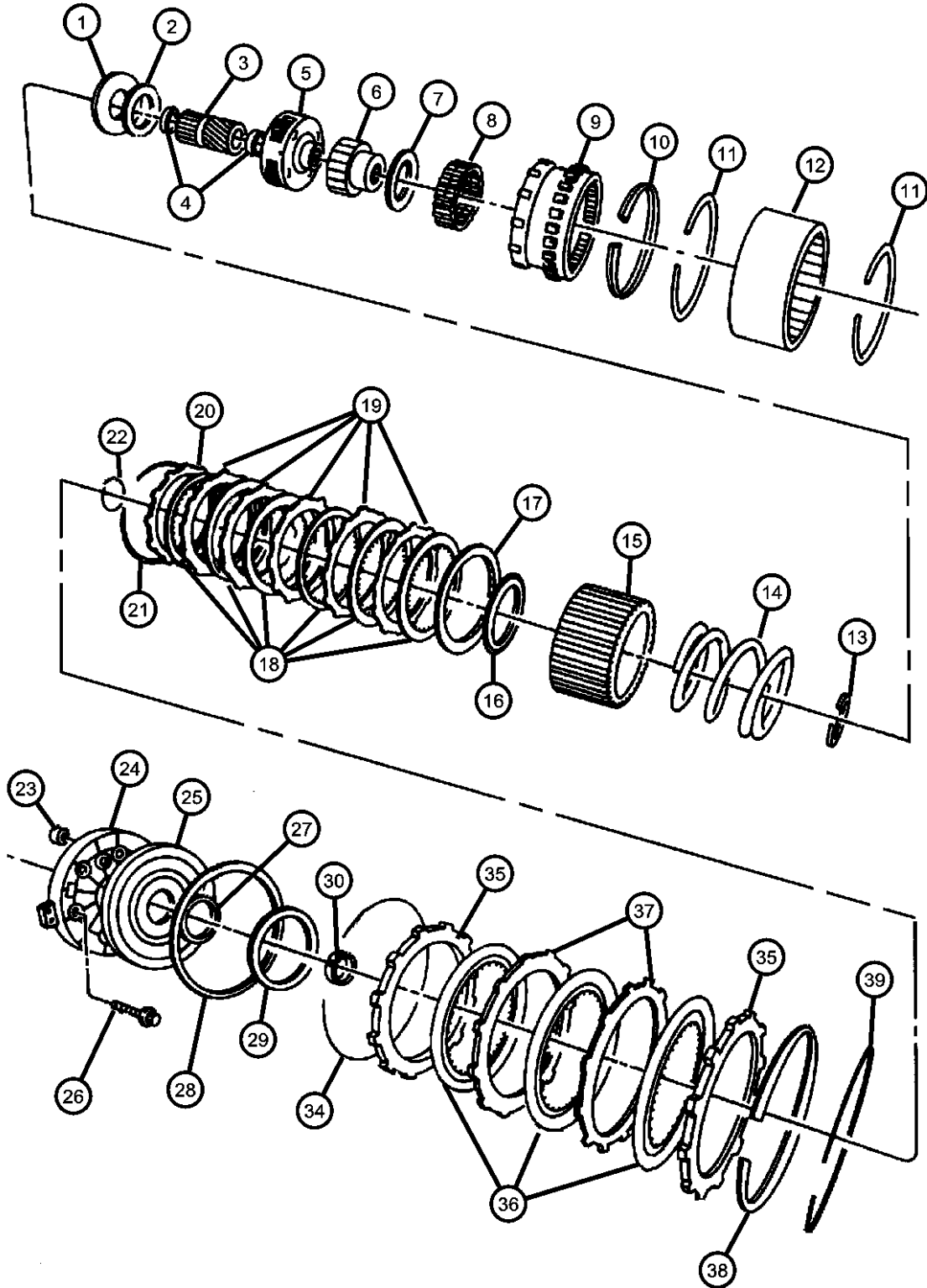
BODY	ENGINE	TRANSMISSION
31 = CLUB CAB 2-DR 6.5 FT BOX	ELF = ENGINE - 5.2L V8 MPI	DDC = TRANSMISSION - 5-SPEED HD MANUAL
32 = CLUB CAB 2-DR 8FT BOX	EML = ENGINE - 5.9L V8 MPI	DDP = TRANSMISSION - 5-SPEED MANUAL
33 = QUAD CAB 4-DR 6.5 FT BOX	EMM = ENGINE - "MAGNUM" 5.9L SMPI V8	DDX = TRANSMISSION - 5-SPEED HD MANUAL
34 = QUAD CAB 4-DR 8FT BOX	ETC = ENGINE- 5.9L CUMMINS 24V DIESEL	DEE = TRANSMISSION - 6-SPEED HD MANUAL
	ETH = ENGINE- 5.9L HO CUMMINS TURBO DIESEL	DGP = TRANSMISSION - 4-SPD. AUTOMATIC, 47RE
	EWA = ENGINE - 8.0L V10 MPI	DGT = TRANSMISSION - 4-SPD. AUTOMATIC, 46RE

AR = use ase required - = Non illustrated part

2000 BE

**Clutch, Overdrive with Gear Train - 47RE [DGP]  
Figure 47RE-1010**

ITEM	PART NUMBER	QTY	LINE	SERIES	BODY	ENGINE	TRANS	TRIM	DESCRIPTION
------	-------------	-----	------	--------	------	--------	-------	------	-------------



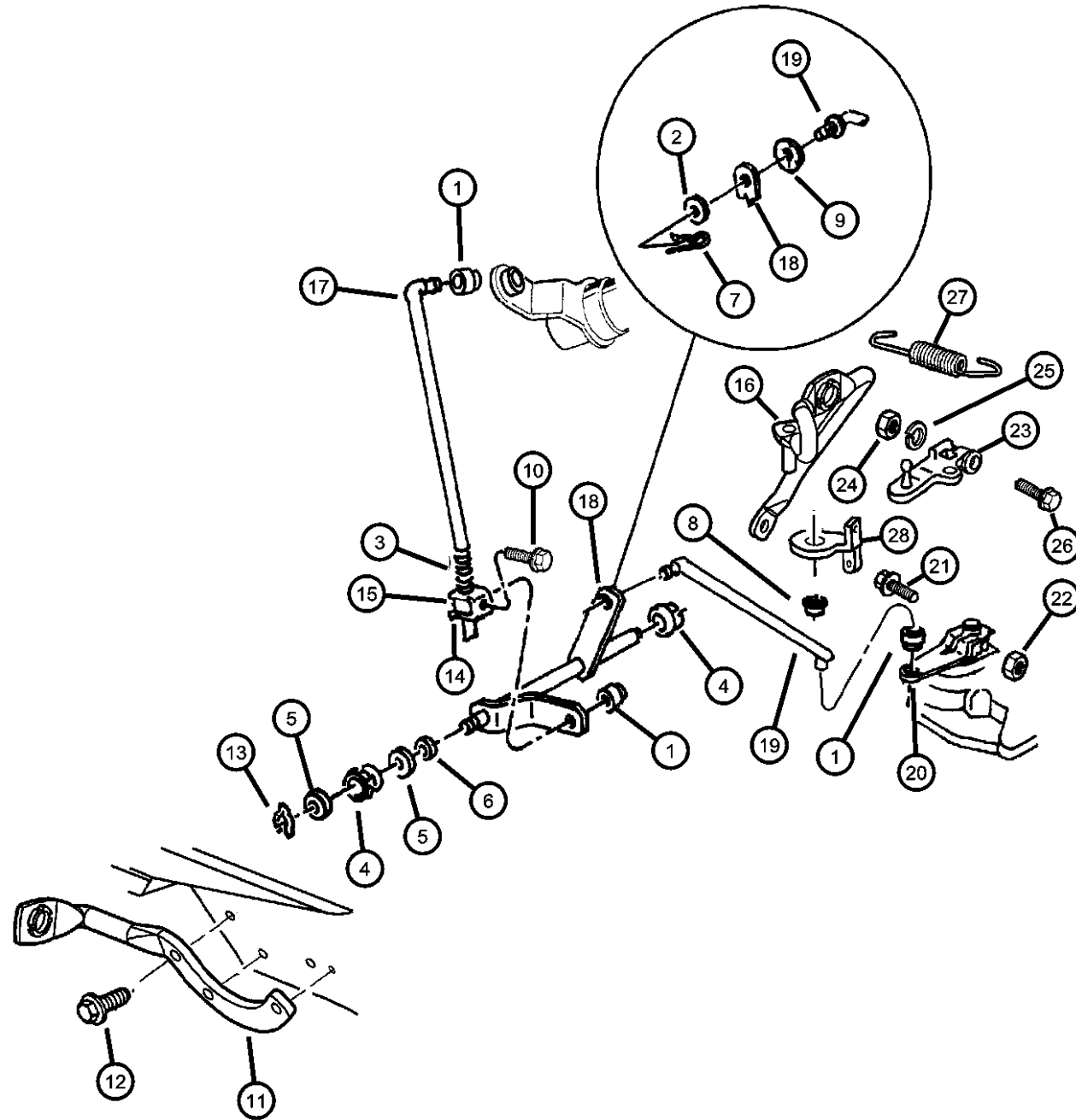
-32	04431918	1	1, 2, 3				DGP		SPACER, Intermediate Shaft, .193
		1	6, 7, 8				DGP		
-33	04431919	1	1, 2, 3				DGP		SPACER, Intermediate Shaft, .211
		1	6, 7, 8				DGP		
34	04461082	1	6, 7, 8				DGP		SNAP RING, Overdrive Clutch
		1	1, 2, 3				DGP		
35	04461033	1	6, 7, 8				DGP		PLATE, Transmission Clutch Reaction
		1	1, 2, 3				DGP		
36	04461181	5	6, 7, 8				DGP		DISC, Direct Clutch
		5	1, 2, 3				DGP		
37	04461047	5	6, 7, 8				DGP		PLATE, Transmission Clutch Reaction
		5	1, 2, 3				DGP		
38	04461066	1	6, 7, 8				DGP		SPRING, Overdrive Clutch
		1	1, 2, 3				DGP		
39	04461065	1	6, 7, 8				DGP		SNAP RING, 6.50 OD
		1	1, 2, 3				DGP		

**RAM PICKUP/CLUB CAB (BE)**

SERIES	LINE	BODY	ENGINE	TRANSMISSION
L = Ram Truck (All)	3 = HD DODGE 2WD 8 = HD DODGE 4WD 1 = Lt. Duty DODGE 2WD 6 = Lt. Duty DODGE 4WD 2 = Med. Duty DODGE 2WD 7 = Med. Duty DODGE 4WD	31 = CLUB CAB 2-DR 6.5 FT BOX 32 = CLUB CAB 2-DR 8FT BOX 33 = QUAD CAB 4-DR 6.5 FT BOX 34 = QUAD CAB 4-DR 8FT BOX	ELF = ENGINE - 5.2L V8 MPI EML = ENGINE - 5.9L V8 MPI EMM = ENGINE - "MAGNUM" 5.9L SMPI V8 ETC = ENGINE- 5.9L CUMMINS 24V DIESEL ETH = ENGINE- 5.9L HO CUMMINS TURBO DIESEL EWA = ENGINE - 8.0L V10 MPI	DDC = TRANSMISSION - 5-SPEED HD MANUAL DDP = TRANSMISSION - 5-SPEED MANUAL DDX = TRANSMISSION - 5-SPEED HD MANUAL DEE = TRANSMISSION - 6-SPEED HD MANUAL DGP = TRANSMISSION - 4-SPD. AUTOMATIC, 47RE DGT = TRANSMISSION - 4-SPD. AUTOMATIC, 46RE

AR = use ase required - = Non illustrated part

**Controls, Gearshift Lower - 47RE [DGP]  
Figure 47RE-1210**



ITEM	PART NUMBER	QTY	LINE	SERIES	BODY	ENGINE	TRANS	TRIM	DESCRIPTION
1	03575333	2					DG0		GROMMET, Control Rod Front
2	J0120393	1					DG0		WASHER, Flat
3	03575354	1					DG0		SPRING, Gearshift Control Rod
4	03467800	2					DG0		BUSHING, Gearshift Torque Shaft
5	06504763	2					DG0		WASHER, Flat, M13.5
6	06034943	1					DGP		WASHER
7	J4004295	1					DGP		PIN, Rod To Trans Shaft Lever
8	06028114	1					DG0		NUT, Hex, .437-14
9	J0120393	1					DGP		WASHER, Flat
10	00181082	1					DG0		BOLT, Hex Head, 5/16-18x1/2
11	52077802AD	1					DGP		BRACKET, Gearshift
12	52077802AD	1							SCREW, (NOT SERVICED)
13	06032475	1					DGP		RING, Transmission Torque Shaft
14	52107734	1					DG0		CLAMP
15	03575334	1					DG0		SWIVEL, Gearshift Control Rod
16	52107807AB	1					DGP		BRACKET, Torque Shaft
17	52107699AB	1					DG0		ROD, Gear Shift Control
18	52079228AC	1					DGP		TORQUE SHAFT, Gearshift
19	52077630AB	1					DGP		ROD, Gear Shift Control, Transmission
20	52107825AA	1					DGP, DGT		LEVER, Manual Control
21	00180034	1					DGP, DGT		SCREW AND WASHER, Hex Head, .25-20x1.50
22	00115984	1					DG0		NUT, Brake Line
23	52079065	1					DG0		LEVER, Throttle Valve
24	00115984	1					DGP, DGT		NUT, Brake Line
25	00138165	1					DG0		WASHER, Lock
26	00181065	1					DG0		BOLT, Hex Head, .25-20x1.00

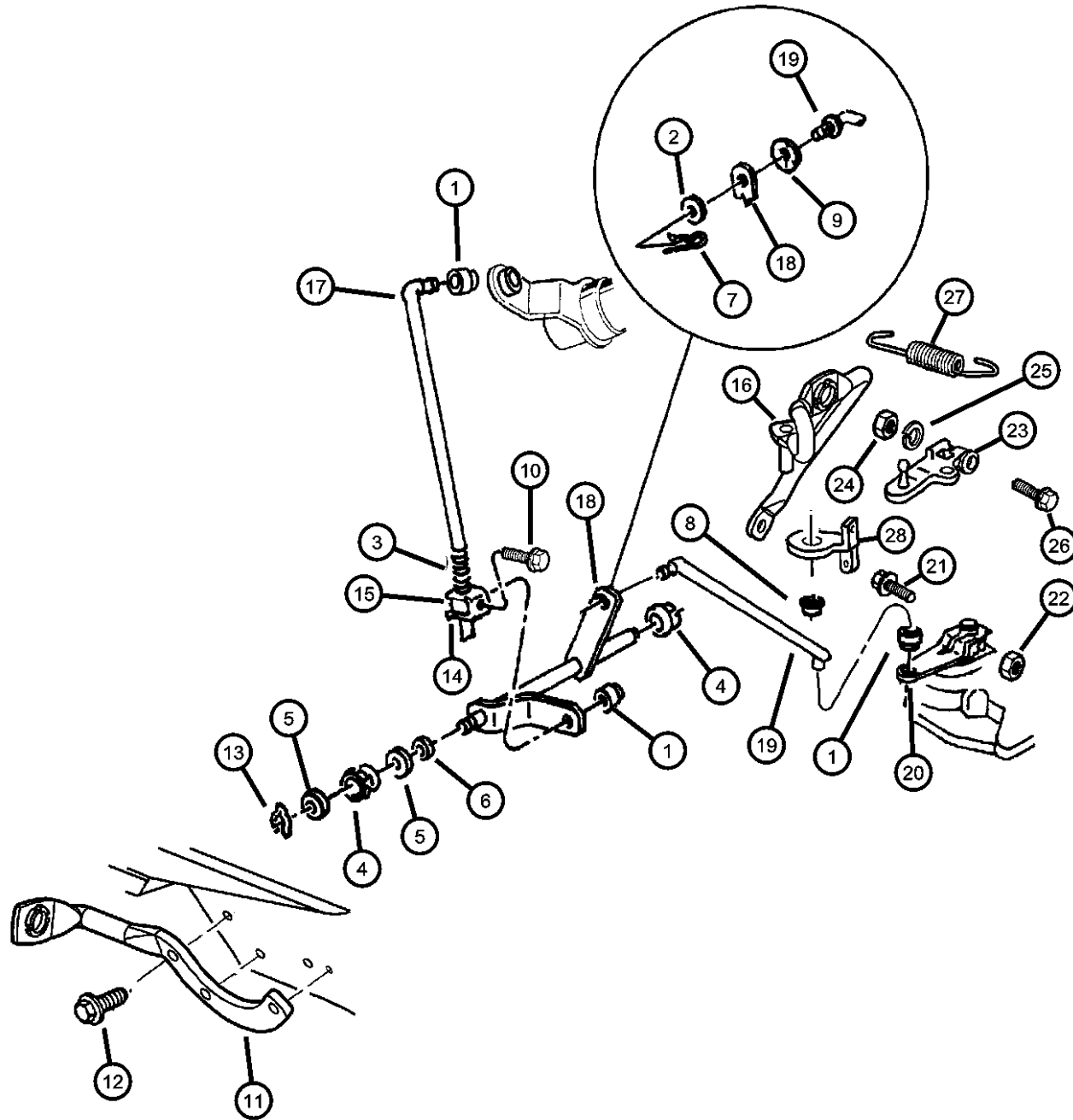
**RAM PICKUP/CLUB CAB (BE)**

SERIES	LINE	BODY	ENGINE	TRANSMISSION
L = Ram Truck (All)	3 = HD DODGE 2WD 8 = HD DODGE 4WD 1 = Lt. Duty DODGE 2WD 6 = Lt. Duty DODGE 4WD 2 = Med. Duty DODGE 2WD 7 = Med. Duty DODGE 4WD	31 = CLUB CAB 2-DR 6.5 FT BOX 32 = CLUB CAB 2-DR 8FT BOX 33 = QUAD CAB 4-DR 6.5 FT BOX 34 = QUAD CAB 4-DR 8FT BOX	ELF = ENGINE - 5.2L V8 MPI EML = ENGINE - 5.9L V8 MPI EMM = ENGINE - "MAGNUM" 5.9L SMPI V8 ETC = ENGINE- 5.9L CUMMINS 24V DIESEL ETH = ENGINE- 5.9L HO CUMMINS TURBO DIESEL EWA = ENGINE - 8.0L V10 MPI	DDC = TRANSMISSION - 5-SPEED HD MANUAL DDP = TRANSMISSION - 5-SPEED MANUAL DDX = TRANSMISSION - 5-SPEED HD MANUAL DEE = TRANSMISSION - 6-SPEED HD MANUAL DGP = TRANSMISSION - 4-SPD. AUTOMATIC, 47RE DGT = TRANSMISSION - 4-SPD. AUTOMATIC, 46RE

AR = use ase required - = Non illustrated part

Controls, Gearshift Lower - 47RE [DGP]  
Figure 47RE-1210

ITEM	PART NUMBER	QTY	LINE	SERIES	BODY	ENGINE	TRANS	TRIM	DESCRIPTION
27	53009055	1					DG0		SPRING, Throttle Valve Return
28	52078718	1					DG0		BRACKET, Throttle Valve Spring



RAM PICKUP/CLUB CAB (BE)

SERIES	LINE	BODY	ENGINE	TRANSMISSION
L = Ram Truck (All)	3 = HD DODGE 2WD 8 = HD DODGE 4WD 1 = Lt. Duty DODGE 2WD 6 = Lt. Duty DODGE 4WD 2 = Med. Duty DODGE 2WD 7 = Med. Duty DODGE 4WD	31 = CLUB CAB 2-DR 6.5 FT BOX 32 = CLUB CAB 2-DR 8FT BOX 33 = QUAD CAB 4-DR 6.5 FT BOX 34 = QUAD CAB 4-DR 8FT BOX	ELF = ENGINE - 5.2L V8 MPI EML = ENGINE - 5.9L V8 MPI EMM = ENGINE - "MAGNUM" 5.9L SMPI V8 ETC = ENGINE- 5.9L CUMMINS 24V DIESEL ETH = ENGINE- 5.9L HO CUMMINS TURBO DIESEL EWA = ENGINE - 8.0L V10 MPI	DDC = TRANSMISSION - 5-SPEED HD MANUAL DDP = TRANSMISSION - 5-SPEED MANUAL DDX = TRANSMISSION - 5-SPEED HD MANUAL DEE = TRANSMISSION - 6-SPEED HD MANUAL DGP = TRANSMISSION - 4-SPD. AUTOMATIC, 47RE DGT = TRANSMISSION - 4-SPD. AUTOMATIC, 46RE

AR = use ase required - = Non illustrated part

2000 BE

# Group - 3500

## Manual Transmission 5 Speed

### Group - 3500 Manual Transmission 5 Speed

Illustration Title

Group-Fig. No.

#### Transmission Assembly

Transmission - 3500 [DDC].....Fig. 3500 - 110

#### Case and Extension

Case and Extension - 3500 [DDC].....Fig. 3500 - 210

#### Gear Train

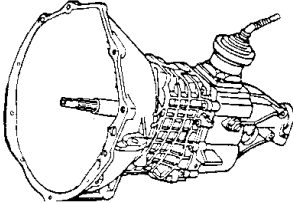
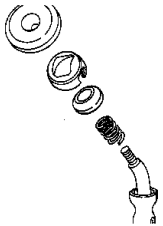
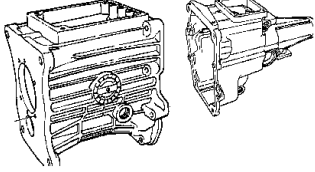
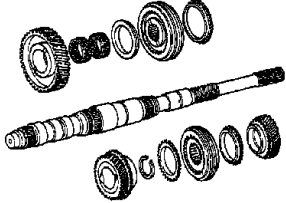
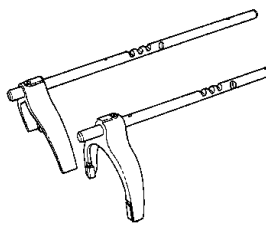
Gear Train - 3500 [DDC].....Fig. 3500 - 410

#### Fork and Rails

Shift Forks And Rails - 3500 [DDC].....Fig. 3500 - 910

#### Gearshift Controls

Gear Shift Controls - 3500 [DDC].....Fig. 3500 - 1210

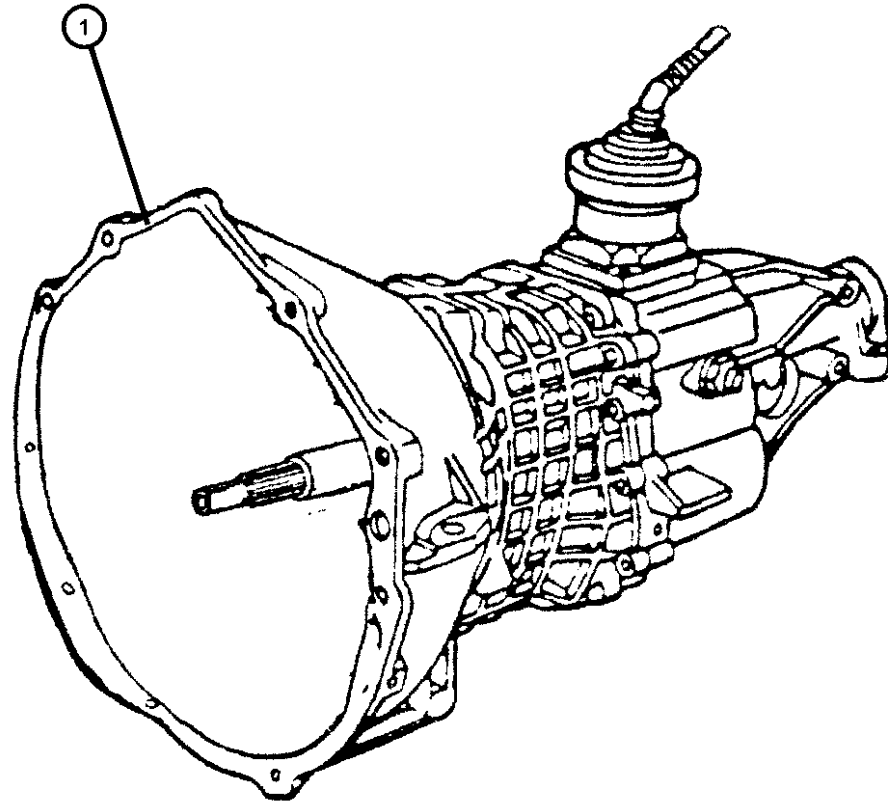
<p><b>3500-100</b> Transmission Assembly</p> 	<p><b>3500-1200</b> Gearshift Controls</p> 	<p><b>3500-200</b> Case and Extension</p> 	<p><b>3500-400</b> Gear Train</p> 
<p><b>3500-900</b> Fork and Rails</p> 			

Transmission - 3500 [DDC]  
Figure 3500-110

ITEM	PART NUMBER	QTY	LINE	SERIES	BODY	ENGINE	TRANS	TRIM	DESCRIPTION
------	-------------	-----	------	--------	------	--------	-------	------	-------------

NOTES: Sales Codes  
[DDC] = 5 Speed Heavy Duty Manual Transmission  
[ELO] = All 5.2L 8 Cylinder Gas Engines

1									TRANSMISSION, 5 Speed
	52108100AA	1	1, 2, 3			ELO	DDC		
	52108101AA	1	6, 7, 8			ELO	DDC		



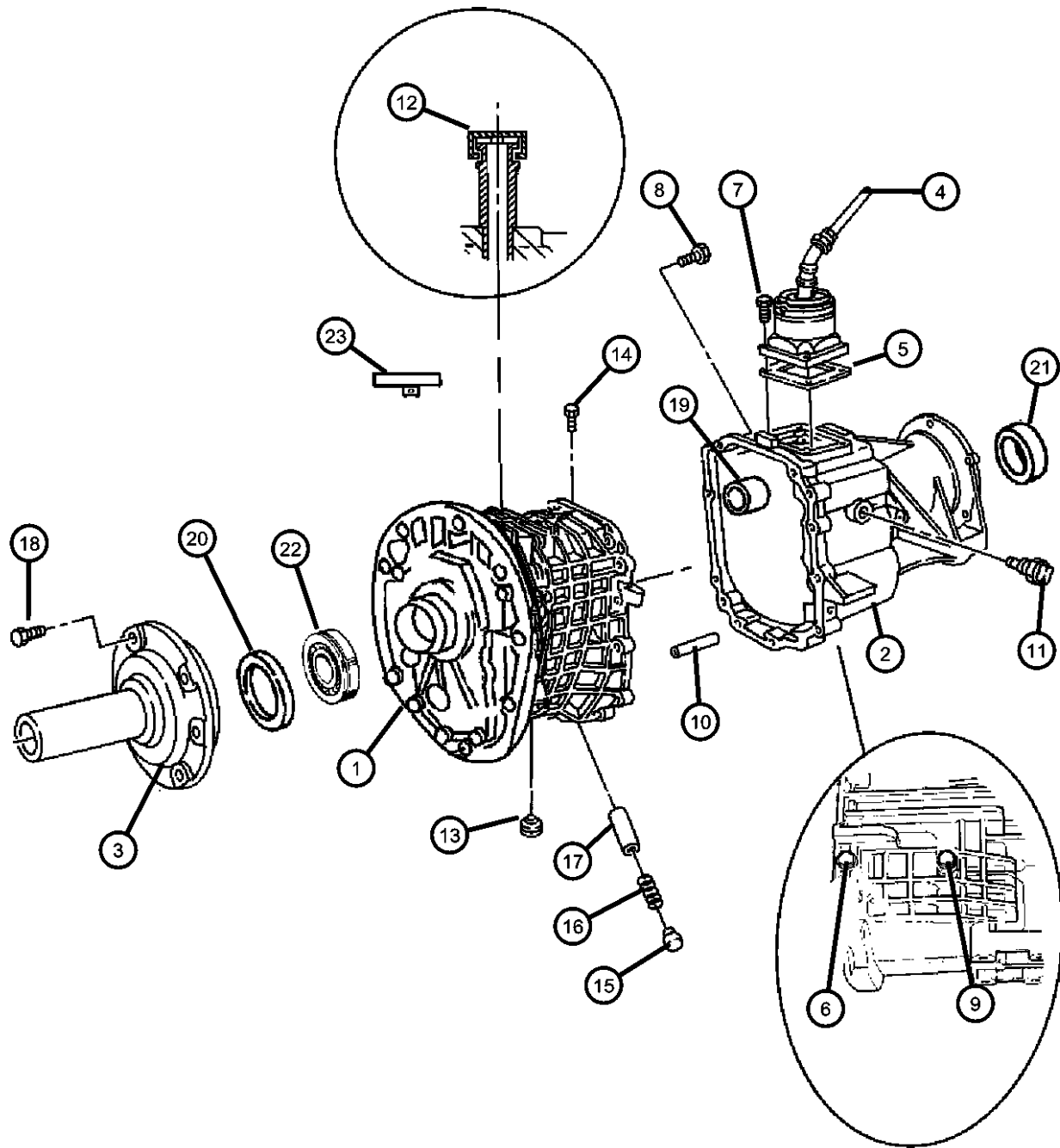
RAM PICKUP/CLUB CAB (BE)

SERIES	LINE	BODY	ENGINE	TRANSMISSION
L = Ram Truck (All)	3 = HD DODGE 2WD 8 = HD DODGE 4WD 1 = Lt. Duty DODGE 2WD 6 = Lt. Duty DODGE 4WD 2 = Med. Duty DODGE 2WD 7 = Med. Duty DODGE 4WD	31 = CLUB CAB 2-DR 6.5 FT BOX 32 = CLUB CAB 2-DR 8FT BOX 33 = QUAD CAB 4-DR 6.5 FT BOX 34 = QUAD CAB 4-DR 8FT BOX	ELF = ENGINE - 5.2L V8 MPI EML = ENGINE - 5.9L V8 MPI EMM = ENGINE - "MAGNUM" 5.9L SMPI V8 ETC = ENGINE- 5.9L CUMMINS 24V DIESEL ETH = ENGINE- 5.9L HO CUMMINS TURBO DIESEL EWA = ENGINE - 8.0L V10 MPI	DDC = TRANSMISSION - 5-SPEED HD MANUAL DDP = TRANSMISSION - 5-SPEED MANUAL DDX = TRANSMISSION - 5-SPEED HD MANUAL DEE = TRANSMISSION - 6-SPEED HD MANUAL DGP = TRANSMISSION - 4-SPD. AUTOMATIC, 47RE DGT = TRANSMISSION - 4-SPD. AUTOMATIC, 46RE

AR = use ase required - = Non illustrated part

2000 BE

**Case and Extension - 3500 [DDC]  
Figure 3500-210**



ITEM	PART NUMBER	QTY	LINE	SERIES	BODY	ENGINE	TRANS	TRIM	DESCRIPTION
------	-------------	-----	------	--------	------	--------	-------	------	-------------

NOTES: Sales Codes  
[DDC] = 5 Speed Heavy Duty Manual Transmission  
[ELO] = All 5.2L 8 Cylinder Gas Engines

1	05015187AA	1	1, 2, 3			ELO	DDC		CASE, Transmission
		1	6, 7, 8			ELO	DDC		
2	05003287AA	1	1, 2, 3			ELO	DDC		CASE, Transmission Rear
	05014483AA	1	6, 7, 8			ELO	DDC		
3	04874019	1	1, 2, 3			ELO	DDC		RETAINER, Shaft
		1	6, 7, 8			ELO	DDC		
4	04886199AB	1	1, 2, 3			ELO	DDC		LEVER, Gearshift
		1	6, 7, 8			ELO	DDC		
5	04886153AA	1	1, 2, 3			ELO	DDC		SEAL, Shift Lever
		1	6, 7, 8			ELO	DDC		
6	04741313	1	1, 2, 3			ELO	DDC		BOLT, M8-1.25x70
		1	6, 7, 8			ELO	DDC		
7	04741144	4	1, 2, 3			ELO	DDC		BOLT, Hex Head
		4	6, 7, 8			ELO	DDC		
8	04741123	3	1, 2, 3			ELO	DDC		BOLT, Hex Head, M8x1.25x50
		11	6, 7, 8			ELO	DDC		
9	04741115	1	1, 2, 3			ELO	DDC		BOLT, Hex
		1	6, 7, 8			ELO	DDC		
10									PIN, Locating

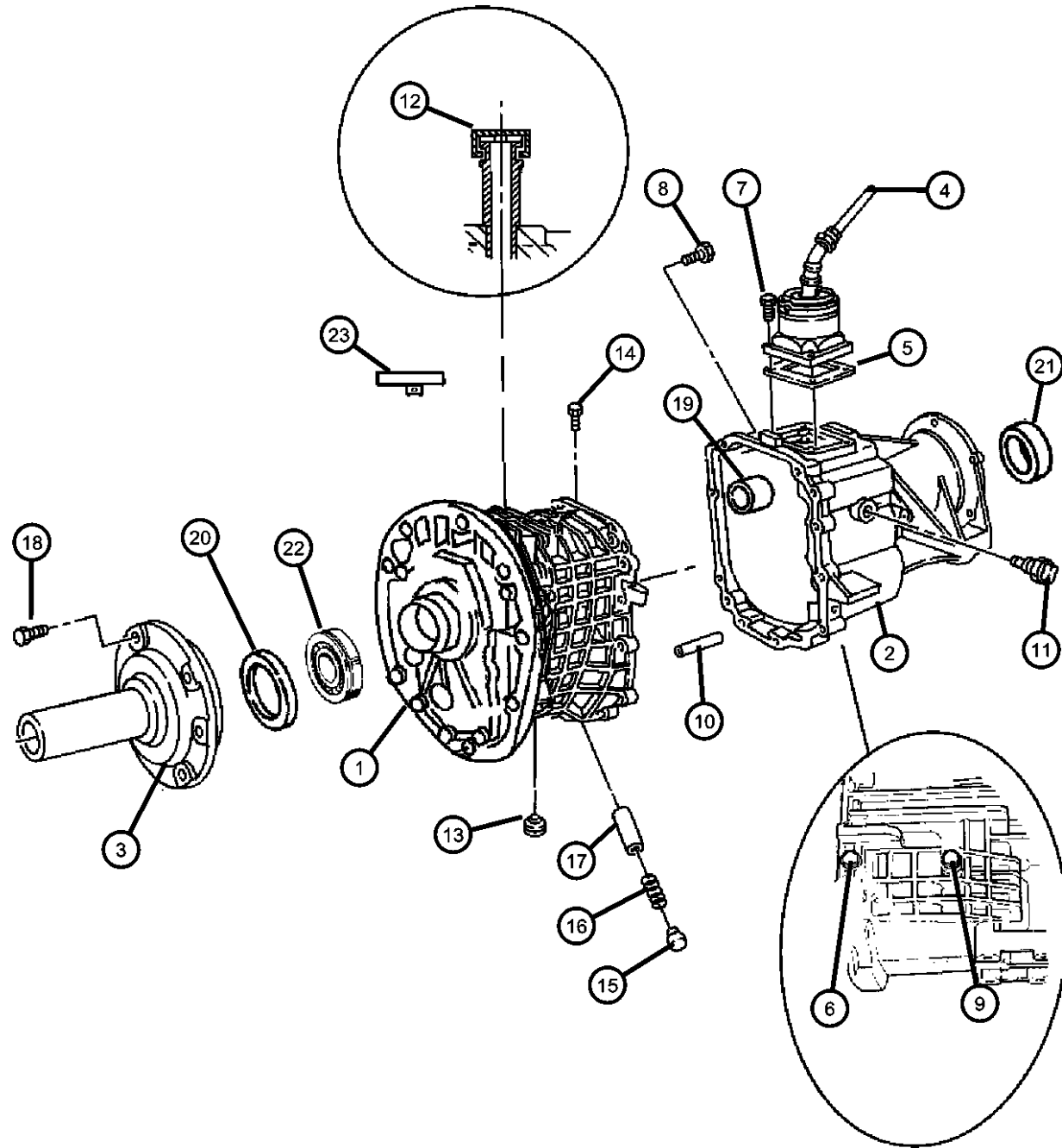
**RAM PICKUP/CLUB CAB (BE)**

SERIES	LINE	BODY	ENGINE	TRANSMISSION
L = Ram Truck (All)	3 = HD DODGE 2WD	31 = CLUB CAB 2-DR 6.5 FT BOX	ELF = ENGINE - 5.2L V8 MPI	DDC = TRANSMISSION - 5-SPEED HD MANUAL
	8 = HD DODGE 4WD	32 = CLUB CAB 2-DR 8FT BOX	EML = ENGINE - 5.9L V8 MPI	DDP = TRANSMISSION - 5-SPEED HD MANUAL
	1 = Lt. Duty DODGE 2WD	33 = QUAD CAB 4-DR 6.5 FT BOX	EMM = ENGINE - "MAGNUM" 5.9L SMPI V8	DDX = TRANSMISSION - 5-SPEED HD MANUAL
	6 = Lt. Duty DODGE 4WD	34 = QUAD CAB 4-DR 8FT BOX	ETC = ENGINE- 5.9L CUMMINS 24V DIESEL	DEE = TRANSMISSION - 6-SPEED HD MANUAL
	2 = Med. Duty DODGE 2WD		ETH = ENGINE- 5.9L HO CUMMINS TURBO DIESEL	DGP = TRANSMISSION - 4-SPD. AUTOMATIC, 47RE
	7 = Med. Duty DODGE 4WD		EWA = ENGINE - 8.0L V10 MPI	DGT = TRANSMISSION - 4-SPD. AUTOMATIC, 46RE

AR = use ase required - = Non illustrated part



Case and Extension - 3500 [DDC]  
Figure 3500-210



ITEM	PART NUMBER	QTY	LINE	SERIES	BODY	ENGINE	TRANS	TRIM	DESCRIPTION
	04741122	2	1, 2, 3			ELO	DDC		
		2	6, 7, 8			ELO	DDC		
11	04741121	1	1, 2, 3			ELO	DDC		SWITCH, Back Up Lamp
		1	6, 7, 8			ELO	DDC		
12	04740901	1	1, 2, 3			ELO	DDC		VENT, Transmission
		1	6, 7, 8			ELO	DDC		
13	04882280	1	1, 2, 3			ELO	DDC		PLUG, Oil Fill
		1	6, 7, 8			ELO	DDC		
14	04740904	1	1, 2, 3			ELO	DDC		PIN, Detent
		1	6, 7, 8			ELO	DDC		
15	04741128	1	1, 2, 3			ELO	DDC		CAP, Detent
		1	6, 7, 8			ELO	DDC		
16	04773182	1	1, 2, 3			ELO	DDC		SPRING, Shift Detent
		1	6, 7, 8			ELO	DDC		
17	05016233AA	1	1, 2, 3			ELO	DDC		PLUNGER
		1	6, 7, 8			ELO	DDC		
18	04741300	6	1, 2, 3			ELO	DDC		BOLT, Hex Head, M6x1.00x25
		6	6, 7, 8			ELO	DDC		
19	04741112	1	1, 2, 3			ELO	DDC		BEARING, Ball
		1	6, 7, 8			ELO	DDC		
20									SEAL, Input Shaft

RAM PICKUP/CLUB CAB (BE)

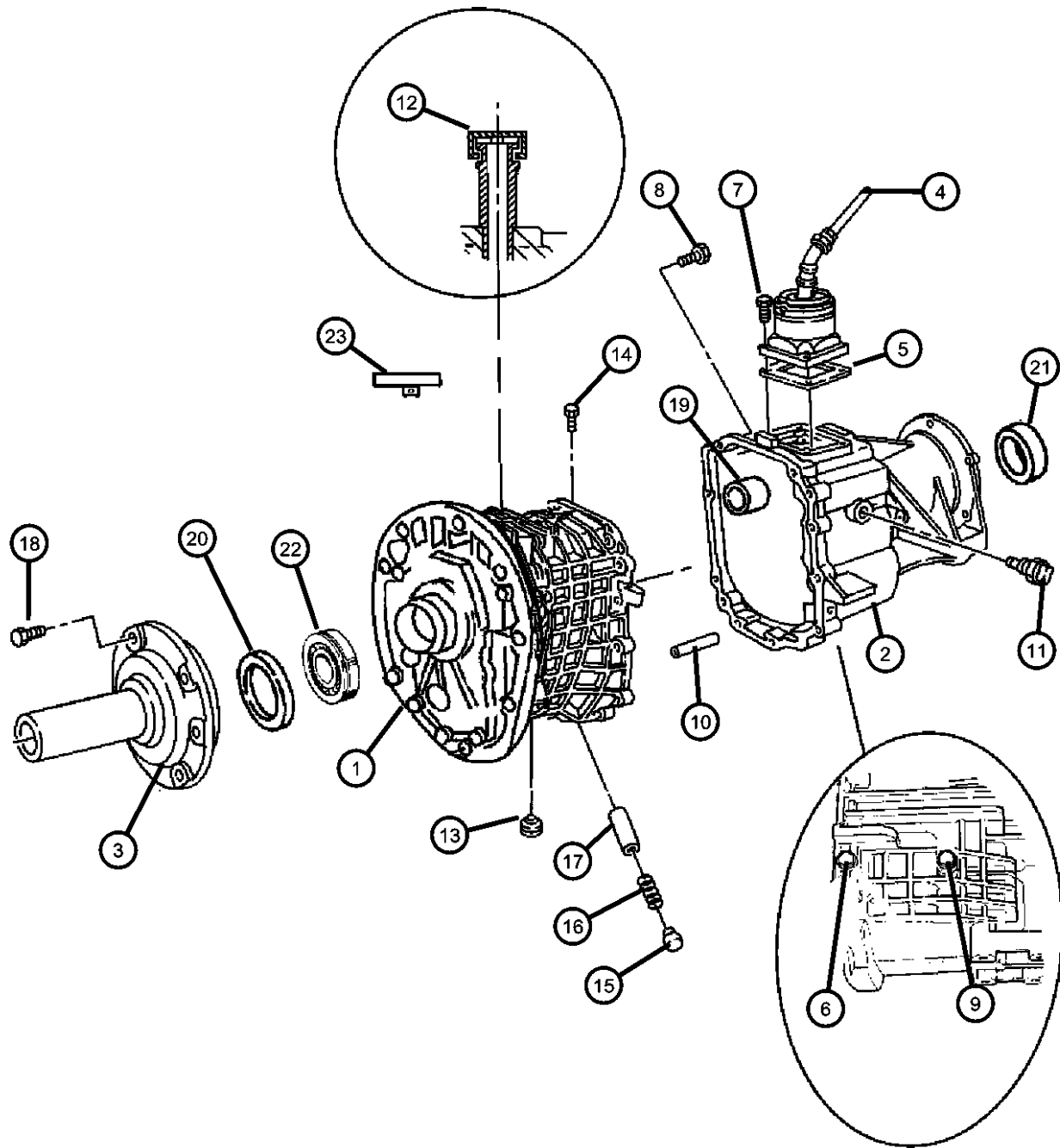
SERIES	LINE
L = Ram Truck	3 = HD DODGE 2WD
(All)	8 = HD DODGE 4WD
	1 = Lt. Duty DODGE 2WD
	6 = Lt. Duty DODGE 4WD
	2 = Med. Duty DODGE 2WD
	7 = Med. Duty DODGE 4WD

BODY	ENGINE	TRANSMISSION
31 = CLUB CAB 2-DR 6.5 FT BOX	ELF = ENGINE - 5.2L V8 MPI	DDC = TRANSMISSION - 5-SPEED HD MANUAL
32 = CLUB CAB 2-DR 8FT BOX	EML = ENGINE - 5.9L V8 MPI	DDP = TRANSMISSION - 5-SPEED MANUAL
33 = QUAD CAB 4-DR 6.5 FT BOX	EMM = ENGINE - "MAGNUM" 5.9L SMPI V8	DDX = TRANSMISSION - 5-SPEED HD MANUAL
34 = QUAD CAB 4-DR 8FT BOX	ETC = ENGINE- 5.9L CUMMINS 24V DIESEL	DEE = TRANSMISSION - 6-SPEED HD MANUAL
	ETH = ENGINE- 5.9L HO CUMMINS TURBO DIESEL	DGP = TRANSMISSION - 4-SPD. AUTOMATIC, 47RE
	EWA = ENGINE - 8.0L V10 MPI	DGT = TRANSMISSION - 4-SPD. AUTOMATIC, 46RE

AR = use ase required - = Non illustrated part

2000 BE

Case and Extension - 3500 [DDC]  
Figure 3500-210



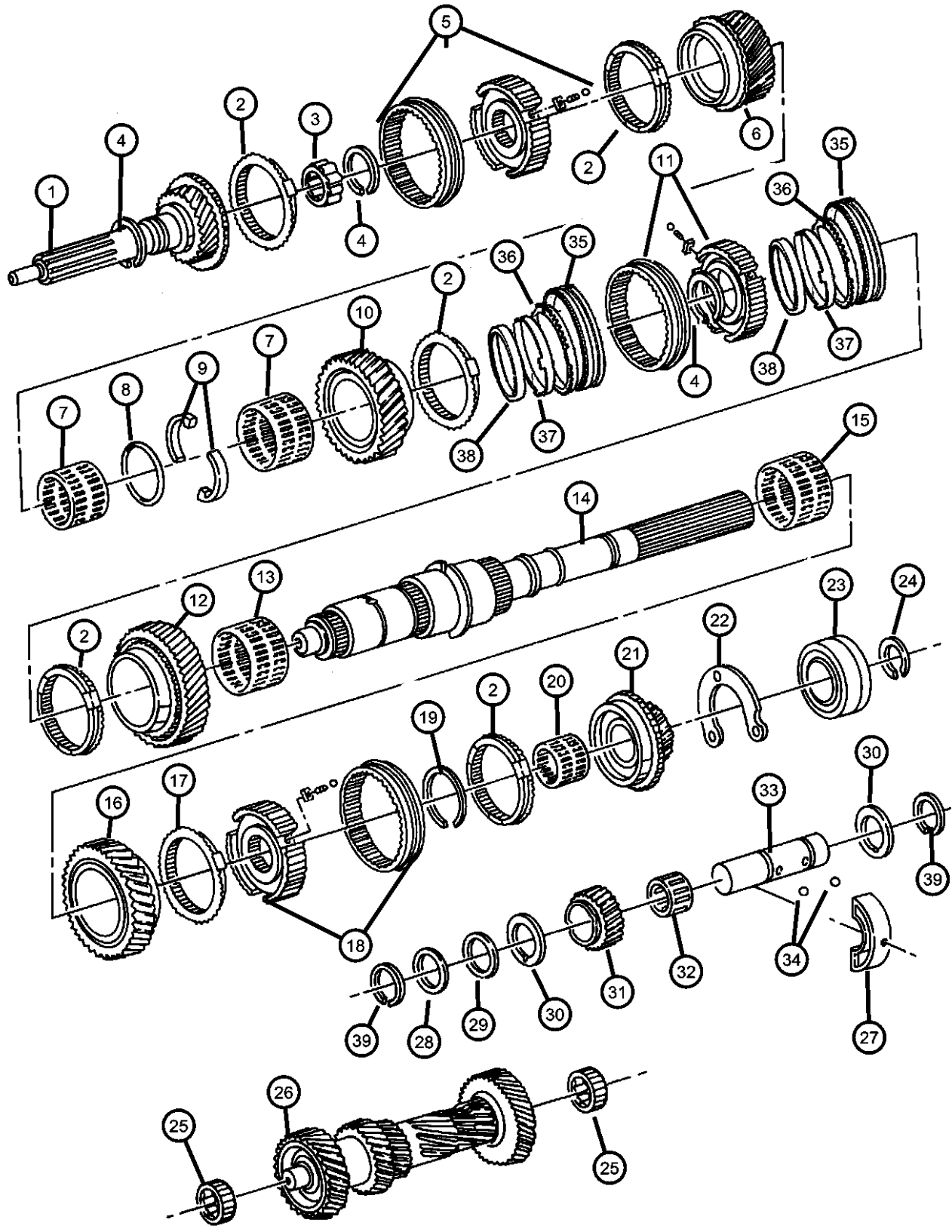
ITEM	PART NUMBER	QTY	LINE	SERIES	BODY	ENGINE	TRANS	TRIM	DESCRIPTION
	04741296	1	1, 2, 3			ELO	DDC		
		1	6, 7, 8			ELO	DDC		
21	04741118	1	6, 7, 8			ELO	DDC		SEAL, Output Shaft
22									BEARING, Input Shaft
	04874174	1	1, 2, 3			ELO	DDC		
		1	6, 7, 8			ELO	DDC		
23									VENT, Transmission
	04740902	1	1, 2, 3			ELO	DDC		
		1	6, 7, 8			ELO	DDC		

RAM PICKUP/CLUB CAB (BE)

SERIES	LINE	BODY	ENGINE	TRANSMISSION
L = Ram Truck (All)	3 = HD DODGE 2WD	31 = CLUB CAB 2-DR 6.5 FT BOX	ELF = ENGINE - 5.2L V8 MPI	DDC = TRANSMISSION - 5-SPEED HD MANUAL
	8 = HD DODGE 4WD	32 = CLUB CAB 2-DR 8FT BOX	EML = ENGINE - 5.9L V8 MPI	DDP = TRANSMISSION - 5-SPEED MANUAL
	1 = Lt. Duty DODGE 2WD	33 = QUAD CAB 4-DR 6.5 FT BOX	EMM = ENGINE - "MAGNUM" 5.9L SMPI V8	DDX = TRANSMISSION - 5-SPEED HD MANUAL
	6 = Lt. Duty DODGE 4WD	34 = QUAD CAB 4-DR 8FT BOX	ETC = ENGINE- 5.9L CUMMINS 24V DIESEL	DEE = TRANSMISSION - 6-SPEED HD MANUAL
	2 = Med. Duty DODGE 2WD		ETH = ENGINE- 5.9L HO CUMMINS TURBO DIESEL	DGP = TRANSMISSION - 4-SPD. AUTOMATIC, 47RE
	7 = Med. Duty DODGE 4WD		EWA = ENGINE - 8.0L V10 MPI	DGT = TRANSMISSION - 4-SPD. AUTOMATIC, 46RE

AR = use ase required - = Non illustrated part

**Gear Train - 3500 [DDC]  
Figure 3500-410**



ITEM	PART NUMBER	QTY	LINE	SERIES	BODY	ENGINE	TRANS	TRIM	DESCRIPTION
------	-------------	-----	------	--------	------	--------	-------	------	-------------

NOTES: Sales Codes  
[DDC] = 5 Speed Heavy Duty Manual Transmission  
[ELO] = All 5.2L 8 Cylinder Gas Engines

1	04741294	1	1, 2, 3			ELO	DDC		INPUT SHAFT, Transmission
		1	6, 7, 8			ELO	DDC		
2	04741277	2	1, 2, 3			ELO	DDC		STOP RING, Synchronizer
		2	6, 7, 8			ELO	DDC		
3	04741878	1	1, 2, 3			ELO	DDC		NEEDLE BEARING, Input Shaft
		1	6, 7, 8			ELO	DDC		
4	04741266	AR	1, 2, 3			ELO	DDC		SNAP RING, Output Shaft Bearing
		AR	6, 7, 8			ELO	DDC		
5	04741293	1	1, 2, 3			ELO	DDC		SYNCHRONIZER, Third and Fourth
		1	6, 7, 8			ELO	DDC		
6	04883718AA	1	1, 2, 3			ELO	DDC		GEAR, Third
		1	6, 7, 8			ELO	DDC		
7	04741874	1	1, 2, 3			ELO	DDC		NEEDLE BEARING, Second Gear
		1	6, 7, 8			ELO	DDC		
8	04897922AA	1	1, 2, 3			ELO	DDC		SNAP RING
		1	6, 7, 8			ELO	DDC		
9	04746070	2	1, 2, 3			ELO	DDC		THRUST WASHER, Second And Third Gear
		2	6, 7, 8			ELO	DDC		

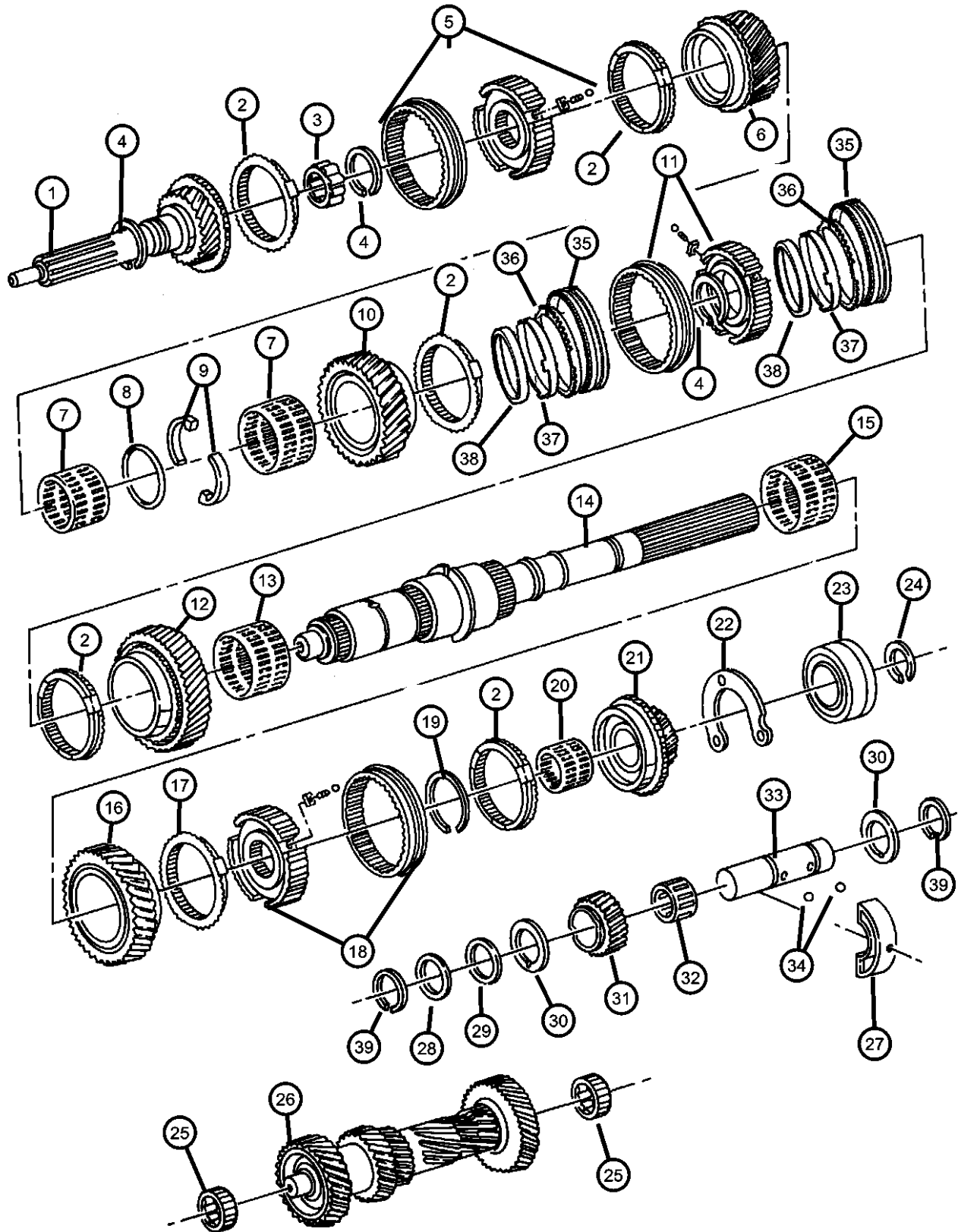
**RAM PICKUP/CLUB CAB (BE)**

SERIES	LINE
L = Ram Truck (All)	3 = HD DODGE 2WD
	8 = HD DODGE 4WD
	1 = Lt. Duty DODGE 2WD
	6 = Lt. Duty DODGE 4WD
	2 = Med. Duty DODGE 2WD
	7 = Med. Duty DODGE 4WD

BODY	ENGINE	TRANSMISSION
31 = CLUB CAB 2-DR 6.5 FT BOX	ELF = ENGINE - 5.2L V8 MPI	DDC = TRANSMISSION - 5-SPEED HD MANUAL
32 = CLUB CAB 2-DR 8FT BOX	EML = ENGINE - 5.9L V8 MPI	DDP = TRANSMISSION - 5-SPEED MANUAL
33 = QUAD CAB 4-DR 6.5 FT BOX	EMM = ENGINE - "MAGNUM" 5.9L SMPI V8	DDX = TRANSMISSION - 5-SPEED HD MANUAL
34 = QUAD CAB 4-DR 8FT BOX	ETC = ENGINE- 5.9L CUMMINS 24V DIESEL	DEE = TRANSMISSION - 6-SPEED HD MANUAL
	ETH = ENGINE- 5.9L HO CUMMINS TURBO DIESEL	DGP = TRANSMISSION - 4-SPD. AUTOMATIC, 47RE
	EWA = ENGINE - 8.0L V10 MPI	DGT = TRANSMISSION - 4-SPD. AUTOMATIC, 46RE

AR = use ase required - = Non illustrated part

**Gear Train - 3500 [DDC]  
Figure 3500-410**



ITEM	PART NUMBER	QTY	LINE	SERIES	BODY	ENGINE	TRANS	TRIM	DESCRIPTION
10	04874358	1	1, 2, 3			ELO	DDC		GEAR, Second
		1	6, 7, 8			ELO	DDC		
11	04874356	1	1, 2, 3			ELO	DDC		SYNCHRONIZER, First and Second
		1	6, 7, 8			ELO	DDC		
12	04874355	1	1, 2, 3			ELO	DDC		GEAR, First
		1	6, 7, 8			ELO	DDC		
13	04741871	1	1, 2, 3			ELO	DDC		NEEDLE BEARING, Transmission
		1	6, 7, 8			ELO	DDC		
14	05003288AA	1	1, 2, 3			ELO	DDC		SHAFT, Output
	05003289AA	1	6, 7, 8			ELO	DDC		
15	04741871	1	1, 2, 3			ELO	DDC		NEEDLE BEARING, Transmission
		1	6, 7, 8			ELO	DDC		
16	04741284	1	1, 2, 3			ELO	DDC		GEAR, Reverse
		1	6, 7, 8			ELO	DDC		
17	04741285	1	1, 2, 3			ELO	DDC		STOP RING, Synchronizer
		1	6, 7, 8			ELO	DDC		
18	04741278	1	1, 2, 3			ELO	DDC		SYNCHRONIZER, Fifth And Reverse
		1	6, 7, 8			ELO	DDC		
19	04741805	1	1, 2, 3			ELO	DDC		RING, Transmission

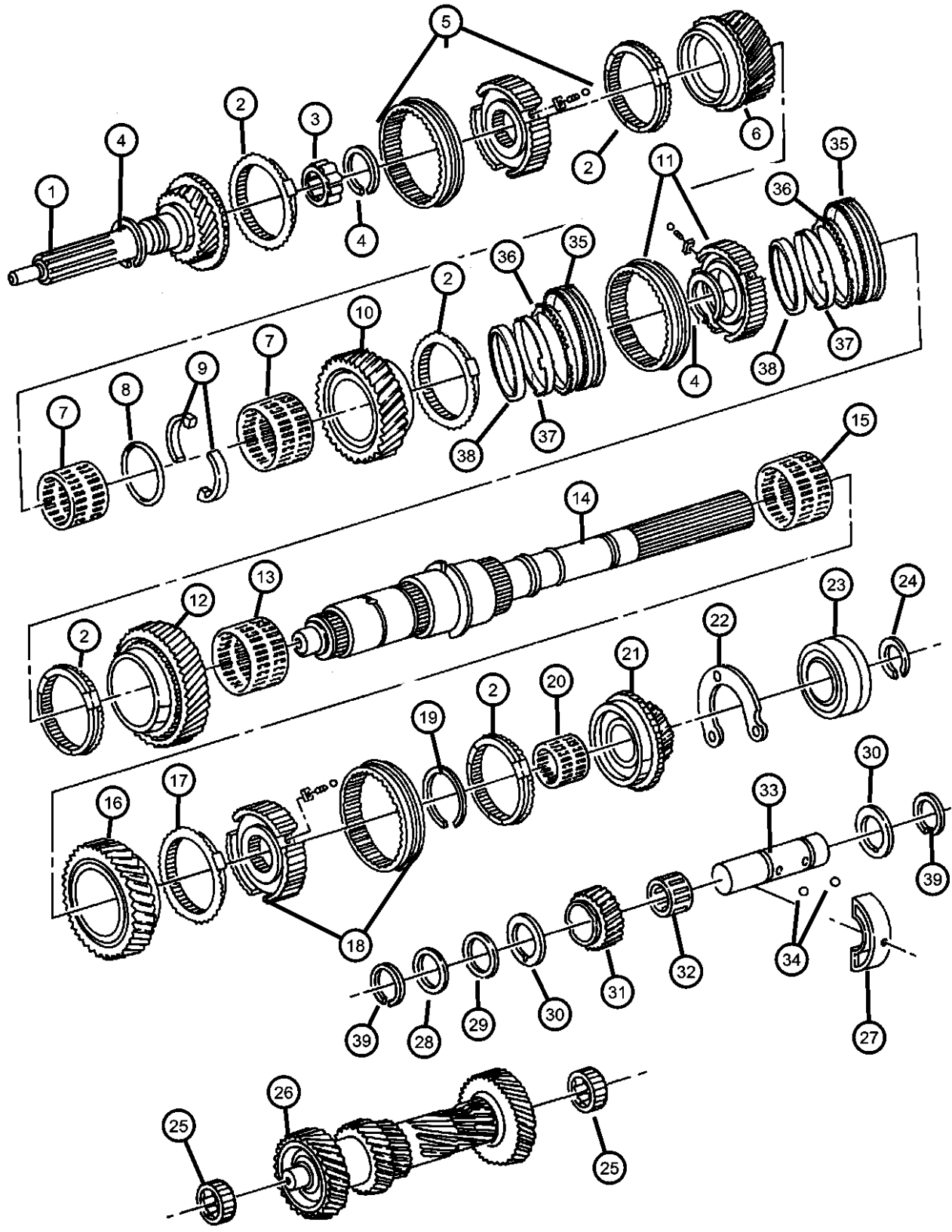
**RAM PICKUP/CLUB CAB (BE)**

<b>SERIES</b>	<b>LINE</b>
L = Ram Truck	3 = HD DODGE 2WD
(All)	8 = HD DODGE 4WD
	1 = Lt. Duty DODGE 2WD
	6 = Lt. Duty DODGE 4WD
	2 = Med. Duty DODGE 2WD
	7 = Med. Duty DODGE 4WD

<b>BODY</b>	<b>ENGINE</b>	<b>TRANSMISSION</b>
31 = CLUB CAB 2-DR 6.5 FT BOX	ELF = ENGINE - 5.2L V8 MPI	DDC = TRANSMISSION - 5-SPEED HD MANUAL
32 = CLUB CAB 2-DR 8FT BOX	EML = ENGINE - 5.9L V8 MPI	DDP = TRANSMISSION - 5-SPEED MANUAL
33 = QUAD CAB 4-DR 6.5 FT BOX	EMM = ENGINE - "MAGNUM" 5.9L SMPI V8	DDX = TRANSMISSION - 5-SPEED HD MANUAL
34 = QUAD CAB 4-DR 8FT BOX	ETC = ENGINE- 5.9L CUMMINS 24V DIESEL	DEE = TRANSMISSION - 6-SPEED HD MANUAL
	ETH = ENGINE- 5.9L HO CUMMINS TURBO DIESEL	DGP = TRANSMISSION - 4-SPD. AUTOMATIC, 47RE
	EWA = ENGINE - 8.0L V10 MPI	DGT = TRANSMISSION - 4-SPD. AUTOMATIC, 46RE

AR = use ase required - = Non illustrated part

**Gear Train - 3500 [DDC]  
Figure 3500-410**



ITEM	PART NUMBER	QTY	LINE	SERIES	BODY	ENGINE	TRANS	TRIM	DESCRIPTION
20		1	6, 7, 8			ELO	DDC		BEARING, Needle
	04741273	1	1, 2, 3			ELO	DDC		
		1	6, 7, 8			ELO	DDC		
21		1	1, 2, 3			ELO	DDC		GEAR, Fifth
	04883300	1	1, 2, 3			ELO	DDC		
		1	6, 7, 8			ELO	DDC		
22		1	6, 7, 8			ELO	DDC		RETAINER, Transmission Output Shaft Bearing
	04741114	1	6, 7, 8			ELO	DDC		
	04741116	1	1, 2, 3			ELO	DDC		
23		1	6, 7, 8			ELO	DDC		BEARING, Output Shaft
	04741866	1	6, 7, 8			ELO	DDC		
		1	1, 2, 3			ELO	DDC		
24		AR	1, 2, 3			ELO	DDC		SNAP RING, Output Shaft Bearing
	04741266	AR	6, 7, 8			ELO	DDC		
25		AR	1, 2, 3			ELO	DDC		BEARING, Countershaft
	04740900	AR	6, 7, 8			ELO	DDC		
26		AR	1, 2, 3			ELO	DDC		SHAFT, Counter
	04741299	1	1, 2, 3			ELO	DDC		
		1	6, 7, 8			ELO	DDC		
27		1	1, 2, 3			ELO	DDC		SUPPORT, Segment Idler Shaft
	04741312	1	1, 2, 3			ELO	DDC		
		1	6, 7, 8			ELO	DDC		
28		1	1, 2, 3			ELO	DDC		WASHER, Flat
	04741310	1	1, 2, 3			ELO	DDC		
		1	6, 7, 8			ELO	DDC		
29									WASHER, Idler Gear

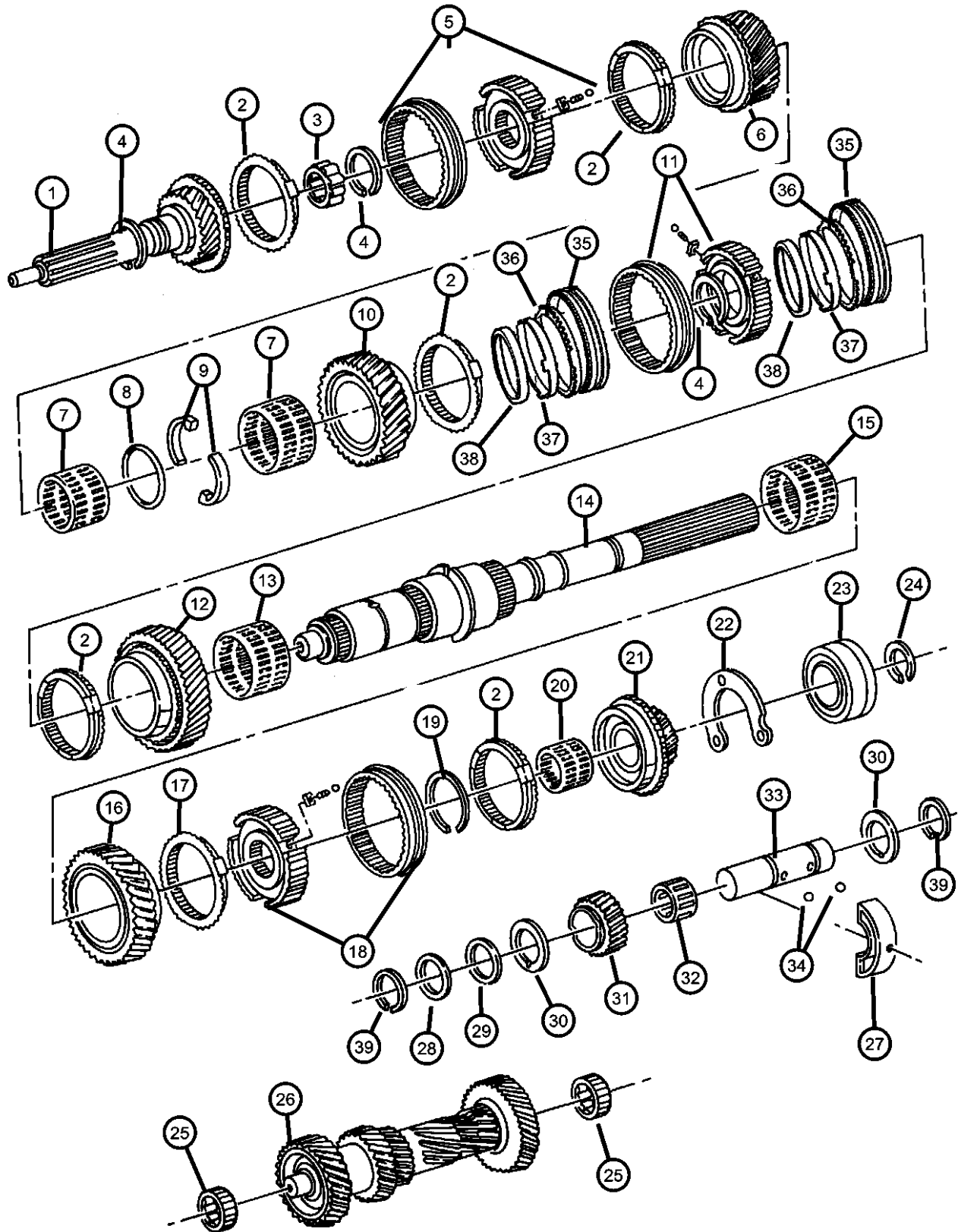
**RAM PICKUP/CLUB CAB (BE)**

<b>SERIES</b>	<b>LINE</b>
L = Ram Truck	3 = HD DODGE 2WD
(All)	8 = HD DODGE 4WD
	1 = Lt. Duty DODGE 2WD
	6 = Lt. Duty DODGE 4WD
	2 = Med. Duty DODGE 2WD
	7 = Med. Duty DODGE 4WD

<b>BODY</b>	<b>ENGINE</b>	<b>TRANSMISSION</b>
31 = CLUB CAB 2-DR 6.5 FT BOX	ELF = ENGINE - 5.2L V8 MPI	DDC = TRANSMISSION - 5-SPEED HD MANUAL
32 = CLUB CAB 2-DR 8FT BOX	EML = ENGINE - 5.9L V8 MPI	DDP = TRANSMISSION - 5-SPEED MANUAL
33 = QUAD CAB 4-DR 6.5 FT BOX	EMM = ENGINE - "MAGNUM" 5.9L SMPI V8	DDX = TRANSMISSION - 5-SPEED HD MANUAL
34 = QUAD CAB 4-DR 8FT BOX	ETC = ENGINE- 5.9L CUMMINS 24V DIESEL	DEE = TRANSMISSION - 6-SPEED HD MANUAL
	ETH = ENGINE- 5.9L HO CUMMINS TURBO DIESEL	DGP = TRANSMISSION - 4-SPD. AUTOMATIC, 47RE
	EWA = ENGINE - 8.0L V10 MPI	DGT = TRANSMISSION - 4-SPD. AUTOMATIC, 46RE

AR = use ase required - = Non illustrated part

**Gear Train - 3500 [DDC]  
Figure 3500-410**



ITEM	PART NUMBER	QTY	LINE	SERIES	BODY	ENGINE	TRANS	TRIM	DESCRIPTION
	04741309	1	1, 2, 3			ELO	DDC		
		1	6, 7, 8			ELO	DDC		
30	04741307	2	1, 2, 3			ELO	DDC		THRUST WASHER, Reverse Idler
		2	6, 7, 8			ELO	DDC		
31	04741306	1	1, 2, 3			ELO	DDC		GEAR, Reverse Idler
		1	6, 7, 8			ELO	DDC		
32	04874359	1	1, 2, 3			ELO	DDC		BEARING, Idler
		1	6, 7, 8			ELO	DDC		
33	04741303	1	1, 2, 3			ELO	DDC		IDLER SHAFT, Transmission
		1	6, 7, 8			ELO	DDC		
34	04741891	2	1, 2, 3			ELO	DDC		BALL, Check, 4 mm
		2	6, 7, 8			ELO	DDC		
35	04874403	2	1, 2, 3			ELO	DDC		RING
		2	6, 7, 8			ELO	DDC		
36	04874363	2	1, 2, 3			ELO	DDC		RING, Synchronizer Blocker
		2	6, 7, 8			ELO	DDC		
37	04874405	2	1, 2, 3			ELO	DDC		CONE, Synchronizer
		2	6, 7, 8			ELO	DDC		
38	04874404	2	1, 2, 3			ELO	DDC		RING
		2	6, 7, 8			ELO	DDC		
39									SNAP RING

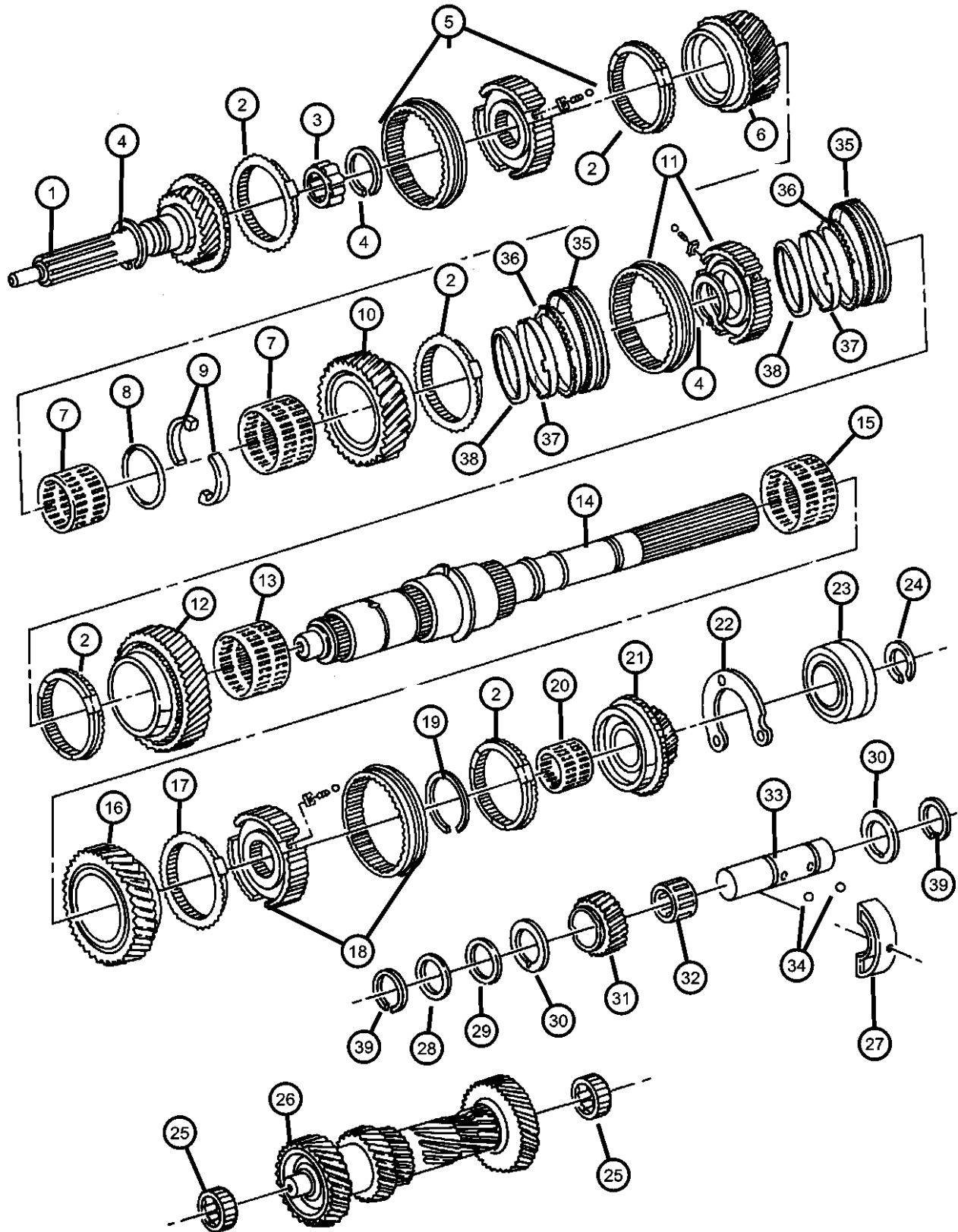
**RAM PICKUP/CLUB CAB (BE)**

SERIES	LINE
L = Ram Truck	3 = HD DODGE 2WD
(All)	8 = HD DODGE 4WD
	1 = Lt. Duty DODGE 2WD
	6 = Lt. Duty DODGE 4WD
	2 = Med. Duty DODGE 2WD
	7 = Med. Duty DODGE 4WD

BODY	ENGINE	TRANSMISSION
31 = CLUB CAB 2-DR 6.5 FT BOX	ELF = ENGINE - 5.2L V8 MPI	DDC = TRANSMISSION - 5-SPEED HD MANUAL
32 = CLUB CAB 2-DR 8FT BOX	EML = ENGINE - 5.9L V8 MPI	DDP = TRANSMISSION - 5-SPEED MANUAL
33 = QUAD CAB 4-DR 6.5 FT BOX	EMM = ENGINE - "MAGNUM" 5.9L SMPI V8	DDX = TRANSMISSION - 5-SPEED HD MANUAL
34 = QUAD CAB 4-DR 8FT BOX	ETC = ENGINE- 5.9L CUMMINS 24V DIESEL	DEE = TRANSMISSION - 6-SPEED HD MANUAL
	ETH = ENGINE- 5.9L HO CUMMINS TURBO DIESEL	DGP = TRANSMISSION - 4-SPD. AUTOMATIC, 47RE
	EWA = ENGINE - 8.0L V10 MPI	DGT = TRANSMISSION - 4-SPD. AUTOMATIC, 46RE

AR = use ase required - = Non illustrated part

Gear Train - 3500 [DDC]  
Figure 3500-410



ITEM	PART NUMBER	QTY	LINE	SERIES	BODY	ENGINE	TRANS	TRIM	DESCRIPTION
------	-------------	-----	------	--------	------	--------	-------	------	-------------

	04741311	2	1, 2, 3			ELO	DDC		
		2	6, 7, 8			ELO	DDC		

RAM PICKUP/CLUB CAB (BE)

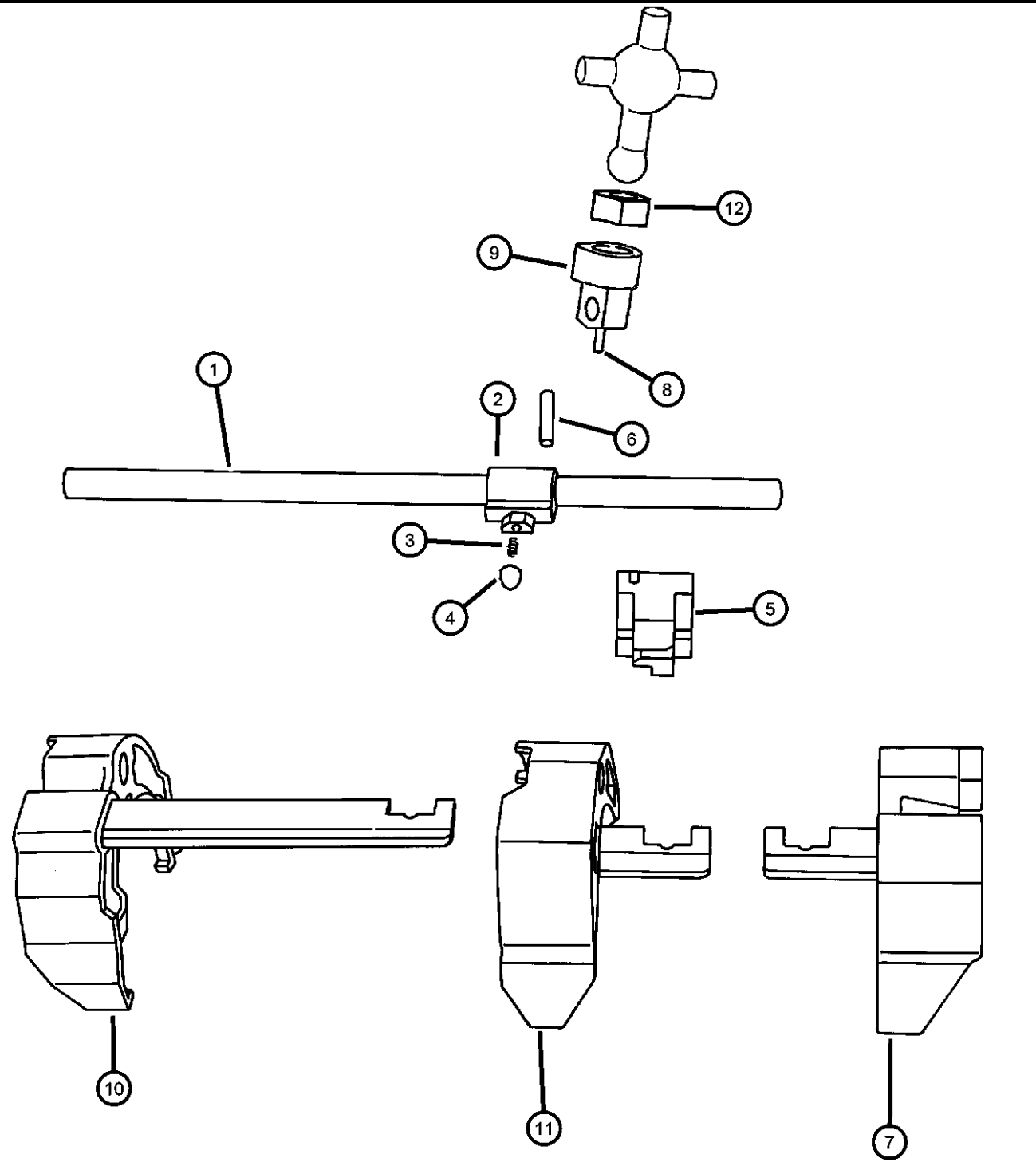
SERIES	LINE
L = Ram Truck (All)	3 = HD DODGE 2WD
	8 = HD DODGE 4WD
	1 = Lt. Duty DODGE 2WD
	6 = Lt. Duty DODGE 4WD
	2 = Med. Duty DODGE 2WD
	7 = Med. Duty DODGE 4WD

BODY	ENGINE	TRANSMISSION
31 = CLUB CAB 2-DR 6.5 FT BOX	ELF = ENGINE - 5.2L V8 MPI	DDC = TRANSMISSION - 5-SPEED HD MANUAL
32 = CLUB CAB 2-DR 8FT BOX	EML = ENGINE - 5.9L V8 MPI	DDP = TRANSMISSION - 5-SPEED MANUAL
33 = QUAD CAB 4-DR 6.5 FT BOX	EMM = ENGINE - "MAGNUM" 5.9L SMPI V8	DDX = TRANSMISSION - 5-SPEED HD MANUAL
34 = QUAD CAB 4-DR 8FT BOX	ETC = ENGINE- 5.9L CUMMINS 24V DIESEL	DEE = TRANSMISSION - 6-SPEED HD MANUAL
	ETH = ENGINE- 5.9L HO CUMMINS TURBO DIESEL	DGP = TRANSMISSION - 4-SPD. AUTOMATIC, 47RE
	EWA = ENGINE - 8.0L V10 MPI	DGT = TRANSMISSION - 4-SPD. AUTOMATIC, 46RE

AR = use ase required - = Non illustrated part

2000 BE

**Shift Forks And Rails - 3500 [DDC]  
Figure 3500-910**



ITEM	PART NUMBER	QTY	LINE	SERIES	BODY	ENGINE	TRANS	TRIM	DESCRIPTION
------	-------------	-----	------	--------	------	--------	-------	------	-------------

NOTES: Sales Codes  
[DDC] = 5 Speed Heavy Duty Manual Transmission  
[ELO] = All 5.2L 8 Cylinder Gas Engines

1	05014501AA	1	1, 2, 3			ELO	DDC		SHAFT, Selector
	05014502AA	1	6, 7, 8			ELO	DDC		
2	05014109AA	1	1, 2, 3			ELO	DDC		LEVER, Shift Shaft
		1	6, 7, 8			ELO	DDC		
3	04741137	AR	1, 2, 3			ELO	DDC		SPRING, Lever
		AR	6, 7, 8			ELO	DDC		
4	05016233AA	1	1, 2, 3			ELO	DDC		PLUNGER
		1	6, 7, 8			ELO	DDC		
5	05012337AA	1	1, 2, 3			ELO	DDC		BUSHING, Transmission
		1	6, 7, 8			ELO	DDC		
6	04741138	1	1, 2, 3			ELO	DDC		PIN, Shift Shaft
		1	6, 7, 8			ELO	DDC		
7	04886076AA	1	1, 2, 3			ELO	DDC		FORK, Third and Fourth
		1	6, 7, 8			ELO	DDC		
8	04741139	1	1, 2, 3			ELO	DDC		PIN, Shift Shaft
		1	6, 7, 8			ELO	DDC		
9	04874352	1	1, 2, 3			ELO	DDC		SOCKET, Shift Shaft
		1	6, 7, 8			ELO	DDC		
10									FORK, Transmission

**RAM PICKUP/CLUB CAB (BE)**

SERIES	LINE
L = Ram Truck (All)	3 = HD DODGE 2WD
	8 = HD DODGE 4WD
	1 = Lt. Duty DODGE 2WD
	6 = Lt. Duty DODGE 4WD
	2 = Med. Duty DODGE 2WD
	7 = Med. Duty DODGE 4WD

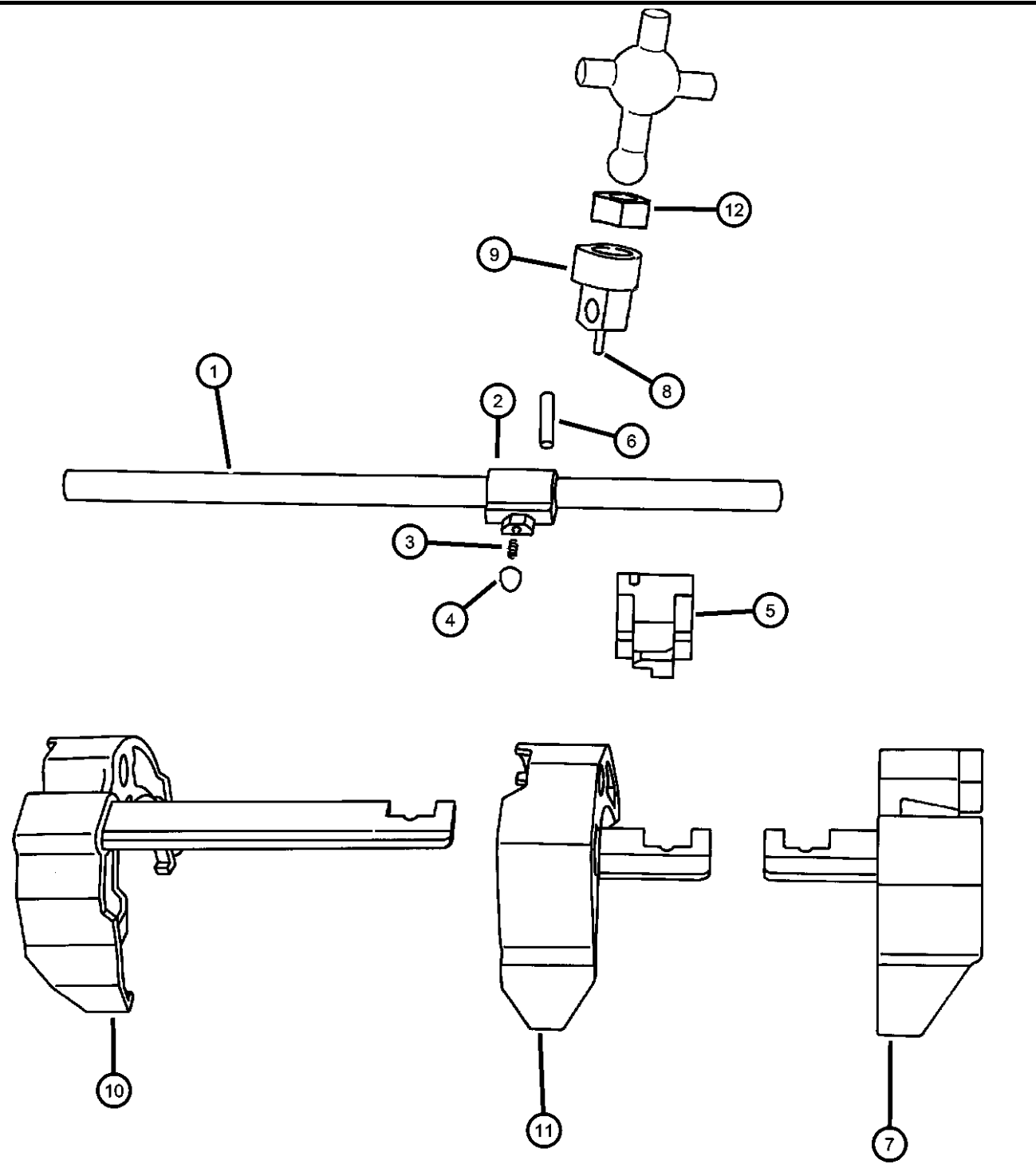
BODY	ENGINE	TRANSMISSION
31 = CLUB CAB 2-DR 6.5 FT BOX	ELF = ENGINE - 5.2L V8 MPI	DDC = TRANSMISSION - 5-SPEED HD MANUAL
32 = CLUB CAB 2-DR 8FT BOX	EML = ENGINE - 5.9L V8 MPI	DDP = TRANSMISSION - 5-SPEED MANUAL
33 = QUAD CAB 4-DR 6.5 FT BOX	EMM = ENGINE - "MAGNUM" 5.9L SMPI V8	DDX = TRANSMISSION - 5-SPEED HD MANUAL
34 = QUAD CAB 4-DR 8FT BOX	ETC = ENGINE- 5.9L CUMMINS 24V DIESEL	DEE = TRANSMISSION - 6-SPEED HD MANUAL
	ETH = ENGINE- 5.9L HO CUMMINS TURBO DIESEL	DGP = TRANSMISSION - 4-SPD. AUTOMATIC, 47RE
	EWA = ENGINE - 8.0L V10 MPI	DGT = TRANSMISSION - 4-SPD. AUTOMATIC, 46RE

AR = use ase required - = Non illustrated part

2000 BE



**Shift Forks And Rails - 3500 [DDC]  
Figure 3500-910**



ITEM	PART NUMBER	QTY	LINE	SERIES	BODY	ENGINE	TRANS	TRIM	DESCRIPTION
	04773564	1	1, 2, 3			EL0	DDC		
		1	6, 7, 8			EL0	DDC		
11	04886077AA	1	1, 2, 3			EL0	DDC		FORK, First and Second
		1	6, 7, 8			EL0	DDC		
12	05012020AA	1	1, 2, 3			EL0	DDC		ISOLATOR, Shift Lever
		1	6, 7, 8			EL0	DDC		

**RAM PICKUP/CLUB CAB (BE)**

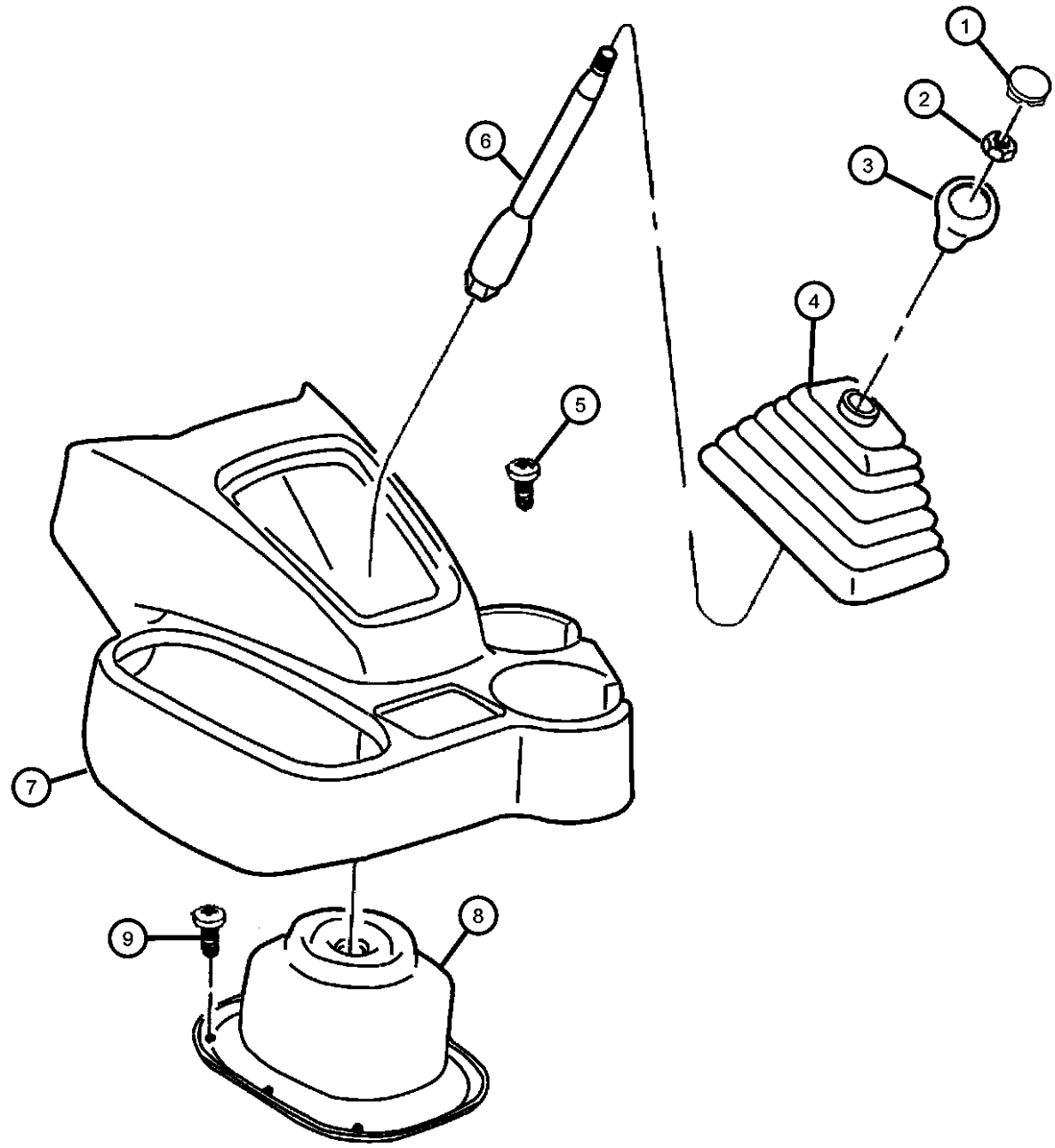
SERIES	LINE	BODY	ENGINE	TRANSMISSION
L = Ram Truck (All)	3 = HD DODGE 2WD 8 = HD DODGE 4WD 1 = Lt. Duty DODGE 2WD 6 = Lt. Duty DODGE 4WD 2 = Med. Duty DODGE 2WD 7 = Med. Duty DODGE 4WD	31 = CLUB CAB 2-DR 6.5 FT BOX 32 = CLUB CAB 2-DR 8FT BOX 33 = QUAD CAB 4-DR 6.5 FT BOX 34 = QUAD CAB 4-DR 8FT BOX	ELF = ENGINE - 5.2L V8 MPI EML = ENGINE - 5.9L V8 MPI EMM = ENGINE - "MAGNUM" 5.9L SMPI V8 ETC = ENGINE- 5.9L CUMMINS 24V DIESEL ETH = ENGINE- 5.9L HO CUMMINS TURBO DIESEL EWA = ENGINE - 8.0L V10 MPI	DDC = TRANSMISSION - 5-SPEED HD MANUAL DDP = TRANSMISSION - 5-SPEED MANUAL DDX = TRANSMISSION - 5-SPEED HD MANUAL DEE = TRANSMISSION - 6-SPEED HD MANUAL DGP = TRANSMISSION - 4-SPD. AUTOMATIC,47RE DGT = TRANSMISSION - 4-SPD. AUTOMATIC,46RE

AR = use ase required - = Non illustrated part

**Gear Shift Controls - 3500 [DDC]  
Figure 3500-1210**

ITEM	PART NUMBER	QTY	LINE	SERIES	BODY	ENGINE	TRANS	TRIM	DESCRIPTION
------	-------------	-----	------	--------	------	--------	-------	------	-------------

NOTES: Sales Codes  
[DDC] = 5 Speed Heavy Duty Manual Transmission  
[ELO] = All 5.2L 8 Cylinder Gas Engines



1	04446921	1					DD0		INSERT, Transmission Shift Knob
2	06502556	1					DBB		NUT, Hex, M10-1.5
3	52104174	1					DBB		KNOB, Gearshift
4	52107614AB	1					DBB		BOOT, Gear Shift Lever
5	06101946	6	1, 2, 3				DBB		SCREW, Tapping
6	52107612	1					DBB		LEVER, Gearshift
7									CONSOLE, Floor
	5EZ54LAZ	1					DBB		AGATE
	5EZ54RC8	1					DBB		DARK CIRRUS
	5EZ54VK9	1					DBB		DARK SUEDE
8	52107613AB	1					DBB		BOOT, Gear Shift Lever
9	06101946	6	1, 2, 3				DBB		SCREW, Tapping

**RAM PICKUP/CLUB CAB (BE)**

SERIES	LINE	BODY	ENGINE	TRANSMISSION
L = Ram Truck (All)	3 = HD DODGE 2WD 8 = HD DODGE 4WD 1 = Lt. Duty DODGE 2WD 6 = Lt. Duty DODGE 4WD 2 = Med. Duty DODGE 2WD 7 = Med. Duty DODGE 4WD	31 = CLUB CAB 2-DR 6.5 FT BOX 32 = CLUB CAB 2-DR 8FT BOX 33 = QUAD CAB 4-DR 6.5 FT BOX 34 = QUAD CAB 4-DR 8FT BOX	ELF = ENGINE - 5.2L V8 MPI EML = ENGINE - 5.9L V8 MPI EMM = ENGINE - "MAGNUM" 5.9L SMPI V8 ETC = ENGINE- 5.9L CUMMINS 24V DIESEL ETH = ENGINE- 5.9L HO CUMMINS TURBO DIESEL EWA = ENGINE - 8.0L V10 MPI	DDC = TRANSMISSION - 5-SPEED HD MANUAL DDP = TRANSMISSION - 5-SPEED MANUAL DDX = TRANSMISSION - 5-SPEED HD MANUAL DEE = TRANSMISSION - 6-SPEED HD MANUAL DGP = TRANSMISSION - 4-SPD. AUTOMATIC, 47RE DGT = TRANSMISSION - 4-SPD. AUTOMATIC, 46RE

AR = use ase required - = Non illustrated part

2000 BE

# Group - 4500

## Manual Transmission 5 Speed

### Group - 4500 Manual Transmission 5 Speed

Illustration Title

Group-Fig. No.

#### Transmission Assembly

Transmission 5 Speed - 4500 [DDP][DDX]..... Fig. 4500 - 110

#### Case and Extension

Case 5 Speed - 4500 [DDP][DDX]..... Fig. 4500 - 210

#### Gear Train

Gear Train 5 Speed - 4500 [DDP][DDX]..... Fig. 4500 - 410

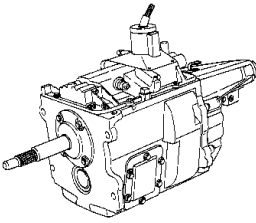
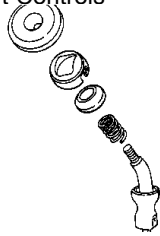
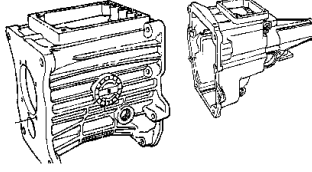
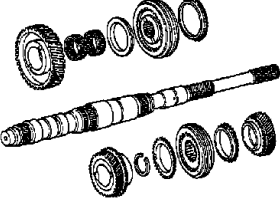
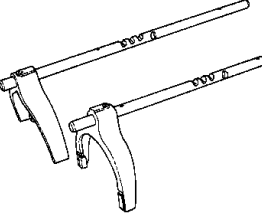
Gear Train 5 Speed - 4500 [DDP][DDX]..... Fig. 4500 - 420

#### Fork and Rails

Forks And Controls 5 Speed - 4500 [DDP][DDX]..... Fig. 4500 - 910

#### Gearshift Controls

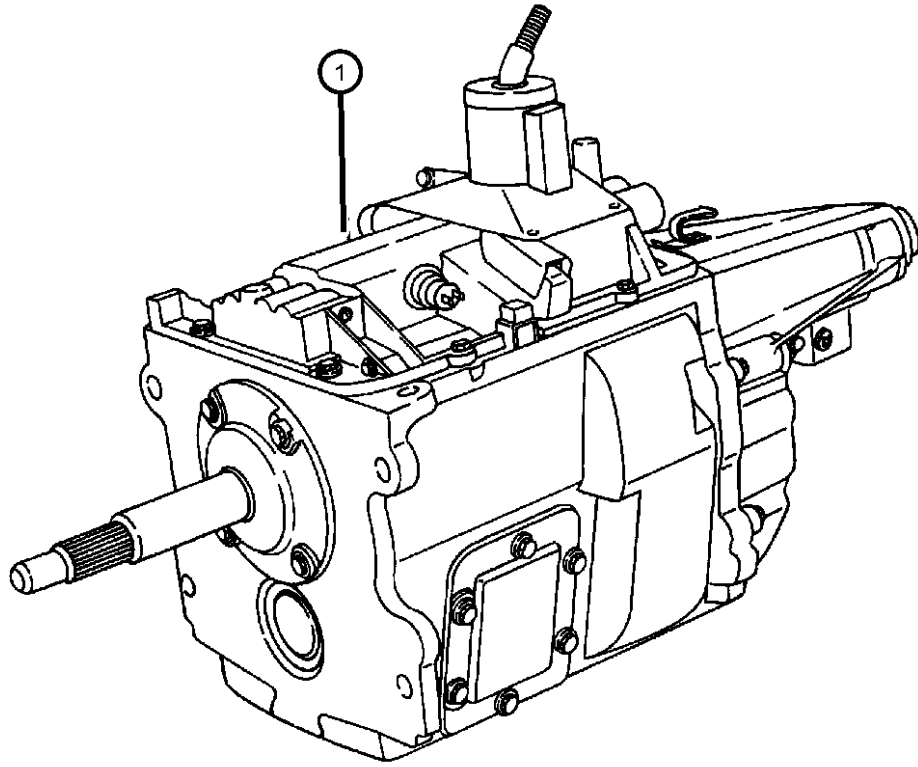
Gear Shift Controls 5 Speed - 4500 [DDP][DDX]..... Fig. 4500 - 1210

<p><b>4500-100</b> Transmission Assembly</p> 	<p><b>4500-1200</b> Gearshift Controls</p> 	<p><b>4500-200</b> Case and Extension</p> 	<p><b>4500-400</b> Gear Train</p> 
<p><b>4500-900</b> Fork and Rails</p> 			

**Transmission 5 Speed - 4500 [DDP][DDX]  
Figure 4500-110**

ITEM	PART NUMBER	QTY	LINE	SERIES	BODY	ENGINE	TRANS	TRIM	DESCRIPTION
------	-------------	-----	------	--------	------	--------	-------	------	-------------

NOTES: Sales Codes  
 [DDP] = 5 Speed Manual Transmission  
 [DDX] = 5 Speed Heavy Duty Manual Transmission  
 [EL0] = All 5.2L 8 Cylinder Gas Engines  
 [EM0] = All 5.9L 8 Cylinder Gas Engines  
 [ET0] = All 5.9L Turbo Diesels  
 [EW0] = All 8.0L Gas Engines



1									TRANSMISSION, 5 Speed
	52108128AD 04874459	1	1, 2, 3			EL0, EM0	DDP		Mopar Manual Transmission Fluid
	52108129AD 04874459	1	6, 7, 8			EL0, EM0	DDP		Mopar Manual Transmission Fluid
	52108130AD 04874459	1	1, 2, 3			ET0, EW0	DDX		Mopar Manual Transmission Fluid
	52108131AD 04874459	1	6, 7, 8			ET0, EW0	DDX		Mopar Manual Transmission Fluid

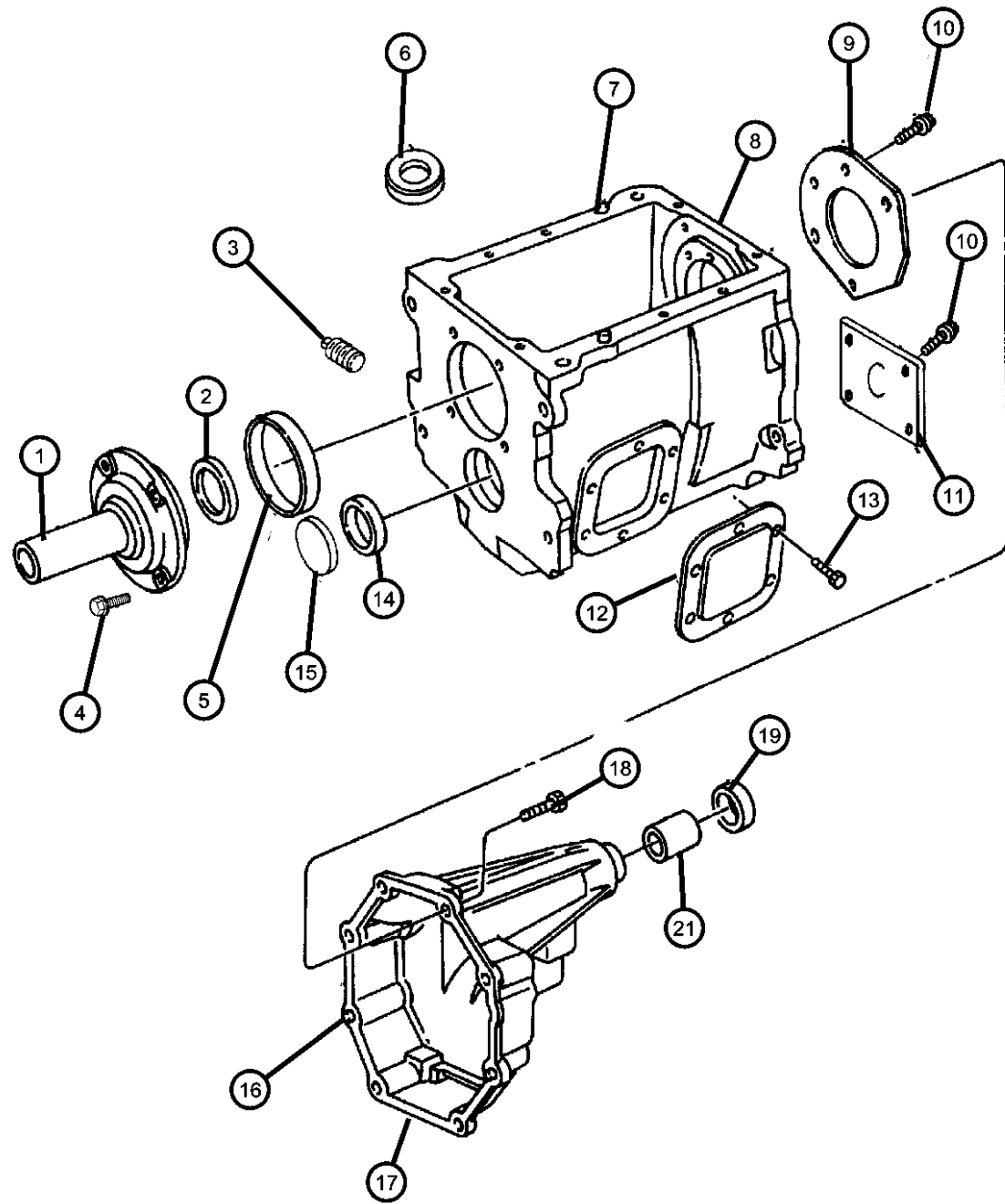
**RAM PICKUP/CLUB CAB (BE)**

SERIES	LINE	BODY	ENGINE	TRANSMISSION
L = Ram Truck (All)	3 = HD DODGE 2WD 8 = HD DODGE 4WD 1 = Lt. Duty DODGE 2WD 6 = Lt. Duty DODGE 4WD 2 = Med. Duty DODGE 2WD 7 = Med. Duty DODGE 4WD	31 = CLUB CAB 2-DR 6.5 FT BOX 32 = CLUB CAB 2-DR 8FT BOX 33 = QUAD CAB 4-DR 6.5 FT BOX 34 = QUAD CAB 4-DR 8FT BOX	ELF = ENGINE - 5.2L V8 MPI EML = ENGINE - 5.9L V8 MPI EMM = ENGINE - "MAGNUM" 5.9L SMPI V8 ETC = ENGINE- 5.9L CUMMINS 24V DIESEL ETH = ENGINE- 5.9L HO CUMMINS TURBO DIESEL EWA = ENGINE - 8.0L V10 MPI	DDC = TRANSMISSION - 5-SPEED HD MANUAL DDP = TRANSMISSION - 5-SPEED MANUAL DDX = TRANSMISSION - 5-SPEED HD MANUAL DEE = TRANSMISSION - 6-SPEED HD MANUAL DGP = TRANSMISSION - 4-SPD. AUTOMATIC,47RE DGT = TRANSMISSION - 4-SPD. AUTOMATIC,46RE

AR = use ase required - = Non illustrated part

2000 BE

Case 5 Speed - 4500 [DDP][DDX]  
Figure 4500-210



ITEM	PART NUMBER	QTY	LINE	SERIES	BODY	ENGINE	TRANS	TRIM	DESCRIPTION
------	-------------	-----	------	--------	------	--------	-------	------	-------------

NOTES: Sales Codes  
 [DDP] = 5 Speed Manual Transmission  
 [DDX] = 5 Speed Heavy Duty Manual Transmission  
 [E0] = All 5.2L 8 Cylinder Gas Engines  
 [EM0] = All 5.9L 8 Cylinder Gas Engines  
 [ET0] = All 5.9L Turbo Diesels  
 [EW0] = All 8.0L Gas Engines

1									RETAINER, Transmission Drive Gear
	04741542	1	1, 2, 3			E0, EM0	DDP		
		1	6, 7, 8			E0, EM0	DDP		
	04741543	1	1, 2, 3			ET0, EW0	DDX		
		1	6, 7, 8			ET0, EW0	DDX		
2									SEAL, Input
	05012115AA	1	1, 2, 3			E0, EM0	DDP		
		1	6, 7, 8			E0, EM0	DDP		
		1	1, 2, 3			ET0, EW0	DDX		
		1	6, 7, 8			ET0, EW0	DDX		
3									PLUG, Oil Fill
	04637849	1	1, 2, 3			E0, EM0	DDP		
		1	6, 7, 8			E0, EM0	DDP		
		1	1, 2, 3			ET0, EW0	DDX		
		1	6, 7, 8			ET0, EW0	DDX		
4									SCREW, Drive Gear
	04637777	4	1, 2, 3			E0, EM0	DDP		
		4	6, 7, 8			E0, EM0	DDP		
		4	1, 2, 3			ET0, EW0	DDX		
		4	6, 7, 8			ET0, EW0	DDX		
5									CUP, Transmission Drive Gear Bearing
	04741544	1	1, 2, 3			E0, EM0	DDP		
		1	6, 7, 8			E0, EM0	DDP		
		1	1, 2, 3			ET0, EW0	DDX		

RAM PICKUP/CLUB CAB (BE)

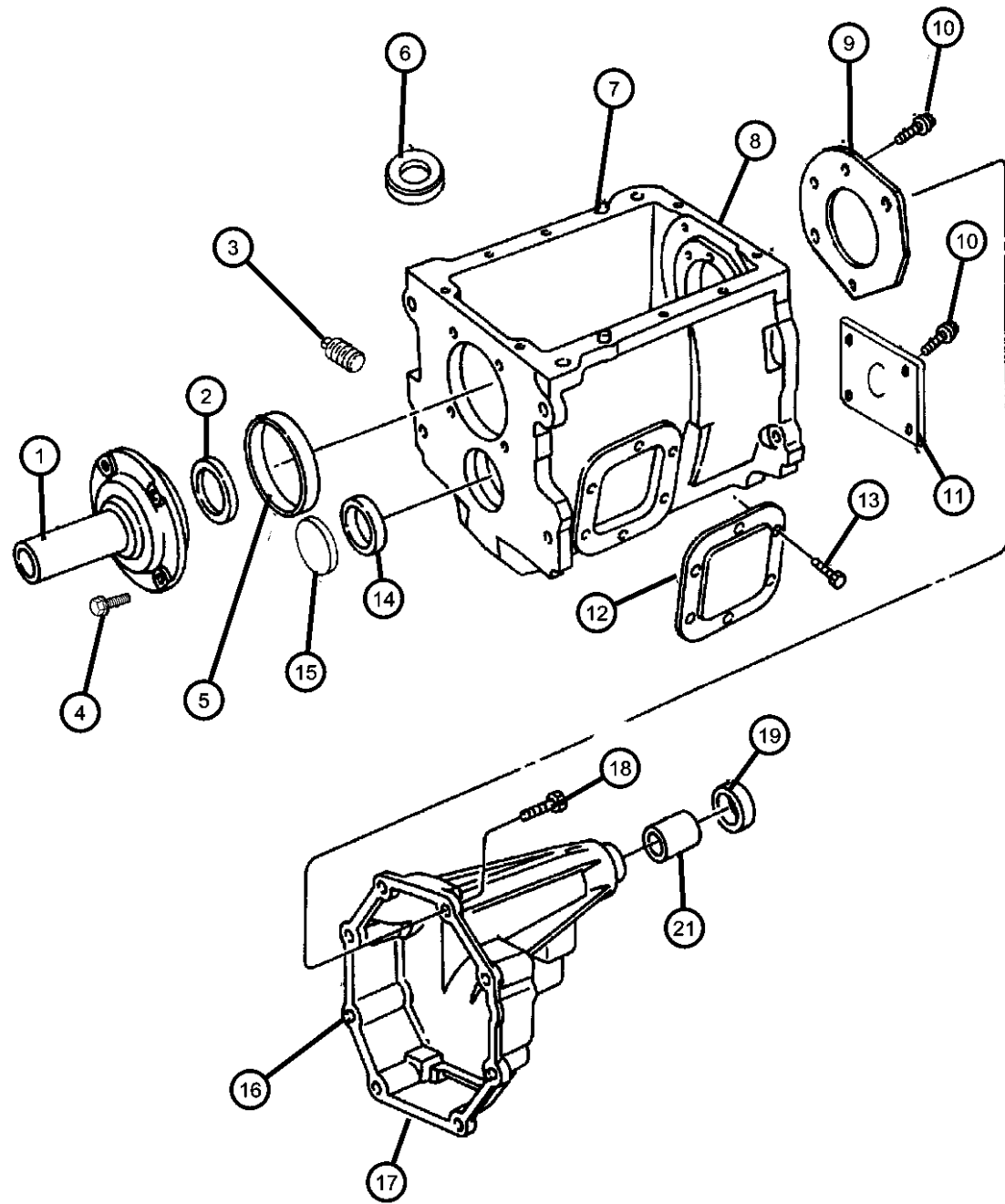
SERIES	LINE
L = Ram Truck (All)	3 = HD DODGE 2WD
	8 = HD DODGE 4WD
	1 = Lt. Duty DODGE 2WD
	6 = Lt. Duty DODGE 4WD
	2 = Med. Duty DODGE 2WD
	7 = Med. Duty DODGE 4WD

BODY	ENGINE	TRANSMISSION
31 = CLUB CAB 2-DR 6.5 FT BOX	ELF = ENGINE - 5.2L V8 MPI	DDC = TRANSMISSION - 5-SPEED HD MANUAL
32 = CLUB CAB 2-DR 8FT BOX	EML = ENGINE - 5.9L V8 MPI	DDP = TRANSMISSION - 5-SPEED MANUAL
33 = QUAD CAB 4-DR 6.5 FT BOX	EMM = ENGINE - "MAGNUM" 5.9L SMPI V8	DDX = TRANSMISSION - 5-SPEED HD MANUAL
34 = QUAD CAB 4-DR 8FT BOX	ETC = ENGINE- 5.9L CUMMINS 24V DIESEL	DEE = TRANSMISSION - 6-SPEED HD MANUAL
	ETH = ENGINE- 5.9L HO CUMMINS TURBO DIESEL	DGP = TRANSMISSION - 4-SPD. AUTOMATIC,47RE
	EWA = ENGINE - 8.0L V10 MPI	DGT = TRANSMISSION - 4-SPD. AUTOMATIC,46RE

AR = use ase required - = Non illustrated part

2000 BE

Case 5 Speed - 4500 [DDP][DDX]  
Figure 4500-210



ITEM	PART NUMBER	QTY	LINE	SERIES	BODY	ENGINE	TRANS	TRIM	DESCRIPTION
6		1	6, 7, 8			ET0, EW0	DDX		MAGNET, Transmission
	04773012	1	1, 2, 3			ELO, EM0	DDP		
		1	6, 7, 8			ELO, EM0	DDP		
		1	1, 2, 3			ET0, EW0	DDX		
		1	6, 7, 8			ET0, EW0	DDX		
7		2	1, 2, 3			ELO, EM0	DDP		DOWEL, Gear Shift Cover
	04637847	2	6, 7, 8			ELO, EM0	DDP		
		2	1, 2, 3			ET0, EW0	DDX		
		2	6, 7, 8			ET0, EW0	DDX		
8		1	1, 2, 3			ELO, EM0	DDP		CASE, Transmission
	05016379AA	1	6, 7, 8			ELO, EM0	DDP		
		1	1, 2, 3			ET0, EW0	DDX		
		1	6, 7, 8			ET0, EW0	DDX		
9		1	1, 2, 3			ELO, EM0	DDP		PLATE, Transmission Module
	05014100AA	1	6, 7, 8			ELO, EM0	DDP		
		1	1, 2, 3			ET0, EW0	DDX		
		1	6, 7, 8			ET0, EW0	DDX		
10		10	1, 2, 3			ELO, EM0	DDP		BOLT, Hex Head, .312-18x1.00
	00181088	10	6, 7, 8			ELO, EM0	DDP		
		10	1, 2, 3			ET0, EW0	DDX		
		10	6, 7, 8			ET0, EW0	DDX		
11		1	1, 2, 3			ELO, EM0	DDP		PLATE, Transmission Module
	04637785	1	6, 7, 8			ELO, EM0	DDP		
		1	1, 2, 3			ET0, EW0	DDX		

RAM PICKUP/CLUB CAB (BE)

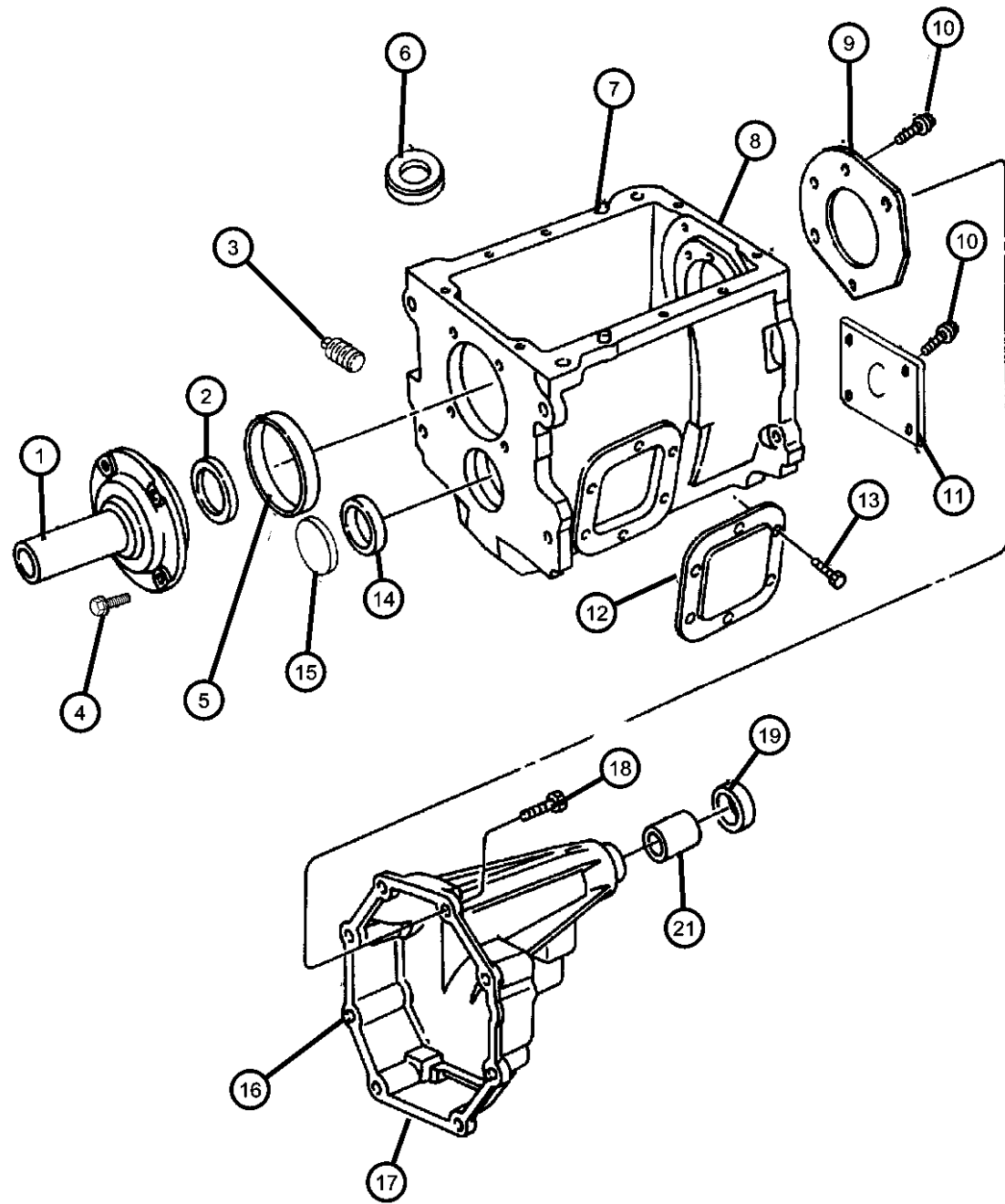
SERIES	LINE
L = Ram Truck (All)	3 = HD DODGE 2WD
	8 = HD DODGE 4WD
	1 = Lt. Duty DODGE 2WD
	6 = Lt. Duty DODGE 4WD
	2 = Med. Duty DODGE 2WD
	7 = Med. Duty DODGE 4WD

BODY	ENGINE	TRANSMISSION
31 = CLUB CAB 2-DR 6.5 FT BOX	ELF = ENGINE - 5.2L V8 MPI	DDC = TRANSMISSION - 5-SPEED HD MANUAL
32 = CLUB CAB 2-DR 8FT BOX	EML = ENGINE - 5.9L V8 MPI	DDP = TRANSMISSION - 5-SPEED MANUAL
33 = QUAD CAB 4-DR 6.5 FT BOX	EMM = ENGINE - "MAGNUM" 5.9L SMPI V8	DDX = TRANSMISSION - 5-SPEED HD MANUAL
34 = QUAD CAB 4-DR 8FT BOX	ETC = ENGINE- 5.9L CUMMINS 24V DIESEL	DEE = TRANSMISSION - 6-SPEED HD MANUAL
	ETH = ENGINE- 5.9L HO CUMMINS TURBO DIESEL	DGP = TRANSMISSION - 4-SPD. AUTOMATIC,47RE
	EWA = ENGINE - 8.0L V10 MPI	DGT = TRANSMISSION - 4-SPD. AUTOMATIC,46RE

AR = use ase required - = Non illustrated part

2000 BE

Case 5 Speed - 4500 [DDP][DDX]  
Figure 4500-210



ITEM	PART NUMBER	QTY	LINE	SERIES	BODY	ENGINE	TRANS	TRIM	DESCRIPTION
12		1	6, 7, 8			ET0, EW0	DDX		COVER, Power Take Off
	00556875	2	1, 2, 3			ELO, EM0	DDP		
		2	6, 7, 8			ELO, EM0	DDP		
		2	1, 2, 3			ET0, EW0	DDX		
		2	6, 7, 8			ET0, EW0	DDX		
13									BOLT, Transfer Case
	04637851	6	6, 7, 8			ET0, EW0	DDX, DEE		
		1	6, 7, 8			ET0, EW0	DDX, DEE		
14									BEARING CUP, Intermediate Shaft
	04637691	1	1, 2, 3			ELO, EM0	DDP		
		1	6, 7, 8			ELO, EM0	DDP		
		1	1, 2, 3			ET0, EW0	DDX		
		1	6, 7, 8			ET0, EW0	DDX		
15									PLUG, Countershaft
	04637689	1	1, 2, 3			ELO, EM0	DDP		
		1	6, 7, 8			ELO, EM0	DDP		
		1	1, 2, 3			ET0, EW0	DDX		
		1	6, 7, 8			ET0, EW0	DDX		
16									DOWEL, Transmission Case
	04637804	2	1, 2, 3			ELO, EM0	DDP		
		2	6, 7, 8			ELO, EM0	DDP		
		2	1, 2, 3			ET0, EW0	DDX		
		2	6, 7, 8			ET0, EW0	DDX		
17									RETAINER, Transmission Case Rear
	05003034AA	1	1, 2, 3			ELO, EM0	DDP		
	05003035AA	1	1, 2, 3			ET0, EW0	DDX		
	05014479AA	1	6, 7, 8			ELO, EM0	DDP		
		1	6, 7, 8			ET0, EW0	DDX		

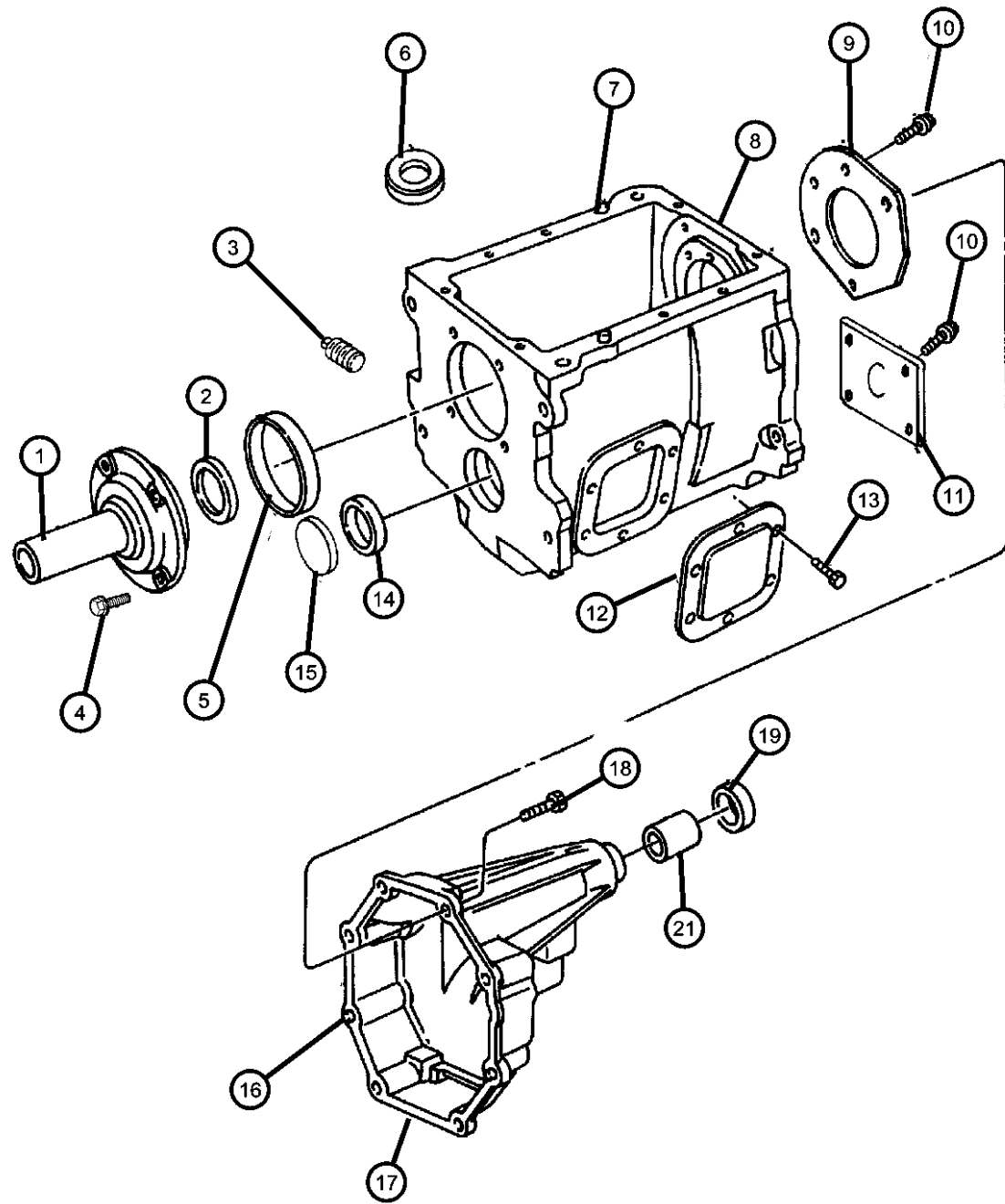
RAM PICKUP/CLUB CAB (BE)

SERIES	LINE
L = Ram Truck (All)	3 = HD DODGE 2WD
	8 = HD DODGE 4WD
	1 = Lt. Duty DODGE 2WD
	6 = Lt. Duty DODGE 4WD
	2 = Med. Duty DODGE 2WD
	7 = Med. Duty DODGE 4WD

BODY	ENGINE	TRANSMISSION
31 = CLUB CAB 2-DR 6.5 FT BOX	ELF = ENGINE - 5.2L V8 MPI	DDC = TRANSMISSION - 5-SPEED HD MANUAL
32 = CLUB CAB 2-DR 8FT BOX	EML = ENGINE - 5.9L V8 MPI	DDP = TRANSMISSION - 5-SPEED MANUAL
33 = QUAD CAB 4-DR 6.5 FT BOX	EMM = ENGINE - "MAGNUM" 5.9L SMPI V8	DDX = TRANSMISSION - 5-SPEED HD MANUAL
34 = QUAD CAB 4-DR 8FT BOX	ETC = ENGINE- 5.9L CUMMINS 24V DIESEL	DEE = TRANSMISSION - 6-SPEED HD MANUAL
	ETH = ENGINE- 5.9L HO CUMMINS TURBO DIESEL	DGP = TRANSMISSION - 4-SPD. AUTOMATIC, 47RE
	EWA = ENGINE - 8.0L V10 MPI	DGT = TRANSMISSION - 4-SPD. AUTOMATIC, 46RE

AR = use ase required - = Non illustrated part

Case 5 Speed - 4500 [DDP][DDX]  
Figure 4500-210



ITEM	PART NUMBER	QTY	LINE	SERIES	BODY	ENGINE	TRANS	TRIM	DESCRIPTION
18	04637805	8	1, 2, 3			EL0, EM0	DDP		SCREW, Hex Head
		8	6, 7, 8			EL0, EM0	DDP		
		8	1, 2, 3			ET0, EW0	DDX		
		8	6, 7, 8			ET0, EW0	DDX		
19	04269956	1	6, 7, 8			EL0, EM0	DDP		SEAL, Adapter
		1	6, 7, 8			ET0, EW0	DDX		
	04741920	1	1, 2, 3			ET0, EW0	DDX		
-20	04531216	1	1, 2, 3			EL0, EM0	DDP		SEAL, Extension Yoke
21	02801724	1	1, 2, 3			EL0, EM0	DDP		BUSHING, Extension Housing
	05003210AA	1	1, 2, 3			ET0, EW0	DDX		

RAM PICKUP/CLUB CAB (BE)

SERIES	LINE
L = Ram Truck (All)	3 = HD DODGE 2WD
	8 = HD DODGE 4WD
	1 = Lt. Duty DODGE 2WD
	6 = Lt. Duty DODGE 4WD
	2 = Med. Duty DODGE 2WD
	7 = Med. Duty DODGE 4WD

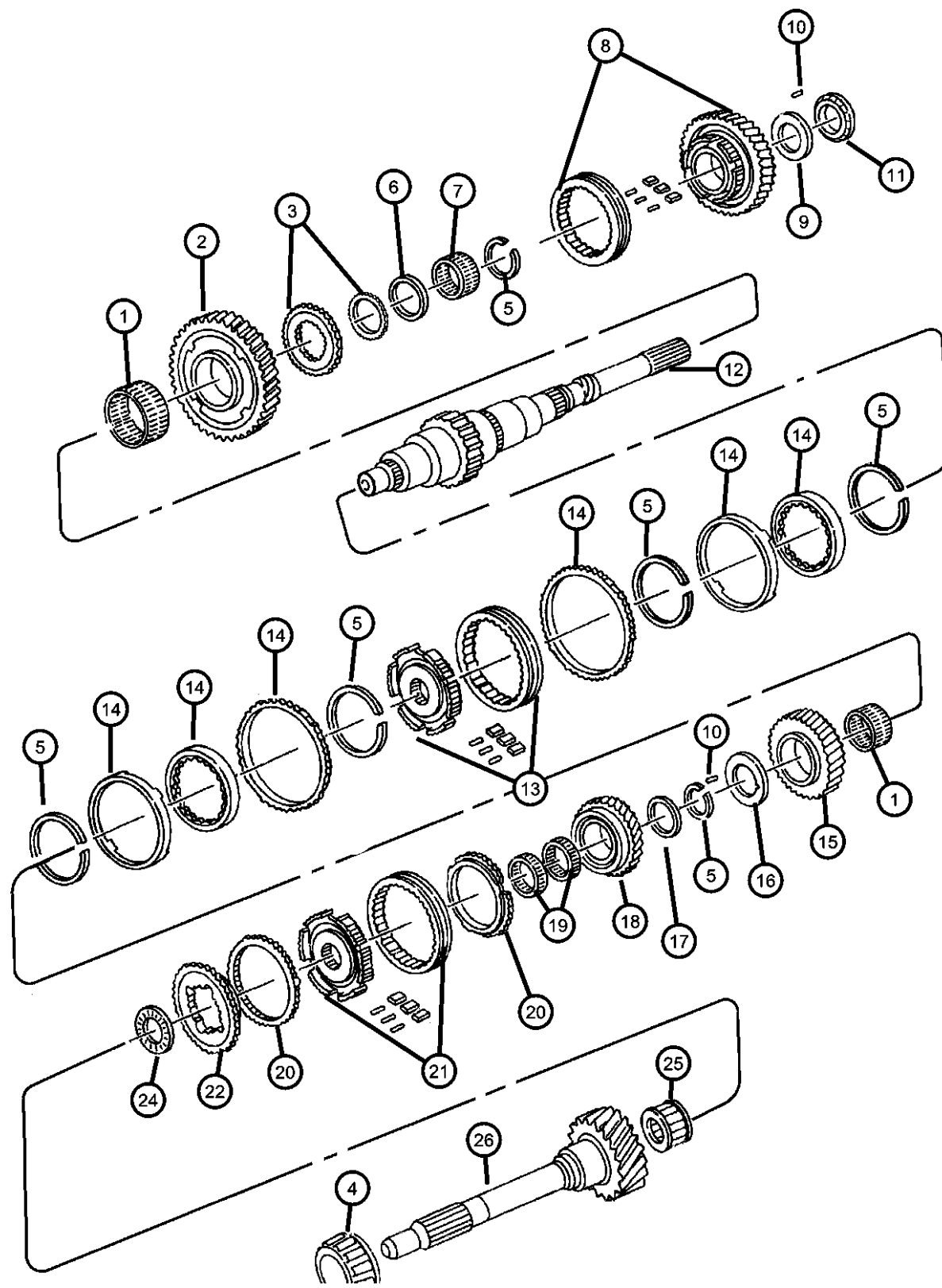
BODY	ENGINE	TRANSMISSION
31 = CLUB CAB 2-DR 6.5 FT BOX	ELF = ENGINE - 5.2L V8 MPI	DDC = TRANSMISSION - 5-SPEED HD MANUAL
32 = CLUB CAB 2-DR 8FT BOX	EML = ENGINE - 5.9L V8 MPI	DDP = TRANSMISSION - 5-SPEED MANUAL
33 = QUAD CAB 4-DR 6.5 FT BOX	EMM = ENGINE - "MAGNUM" 5.9L SMPI V8	DDX = TRANSMISSION - 5-SPEED HD MANUAL
34 = QUAD CAB 4-DR 8FT BOX	ETC = ENGINE- 5.9L CUMMINS 24V DIESEL	DEE = TRANSMISSION - 6-SPEED HD MANUAL
	ETH = ENGINE- 5.9L HO CUMMINS TURBO DIESEL	DGP = TRANSMISSION - 4-SPD. AUTOMATIC,47RE
	EWA = ENGINE - 8.0L V10 MPI	DGT = TRANSMISSION - 4-SPD. AUTOMATIC,46RE

AR = use ase required - = Non illustrated part

2000 BE



**Gear Train 5 Speed - 4500 [DDP][DDX]  
Figure 4500-410**



ITEM	PART NUMBER	QTY	LINE	SERIES	BODY	ENGINE	TRANS	TRIM	DESCRIPTION
------	-------------	-----	------	--------	------	--------	-------	------	-------------

NOTES: Sales Codes  
 [DDP] = 5 Speed Manual Transmission  
 [DDX] = 5 Speed Heavy Duty Manual Transmission  
 [EL0] = All 5.2L 8 Cylinder Gas Engines  
 [EM0] = All 5.9L 8 Cylinder Gas Engines  
 [ET0] = All 5.9L Turbo Diesels  
 [EW0] = All 8.0L Gas Engines

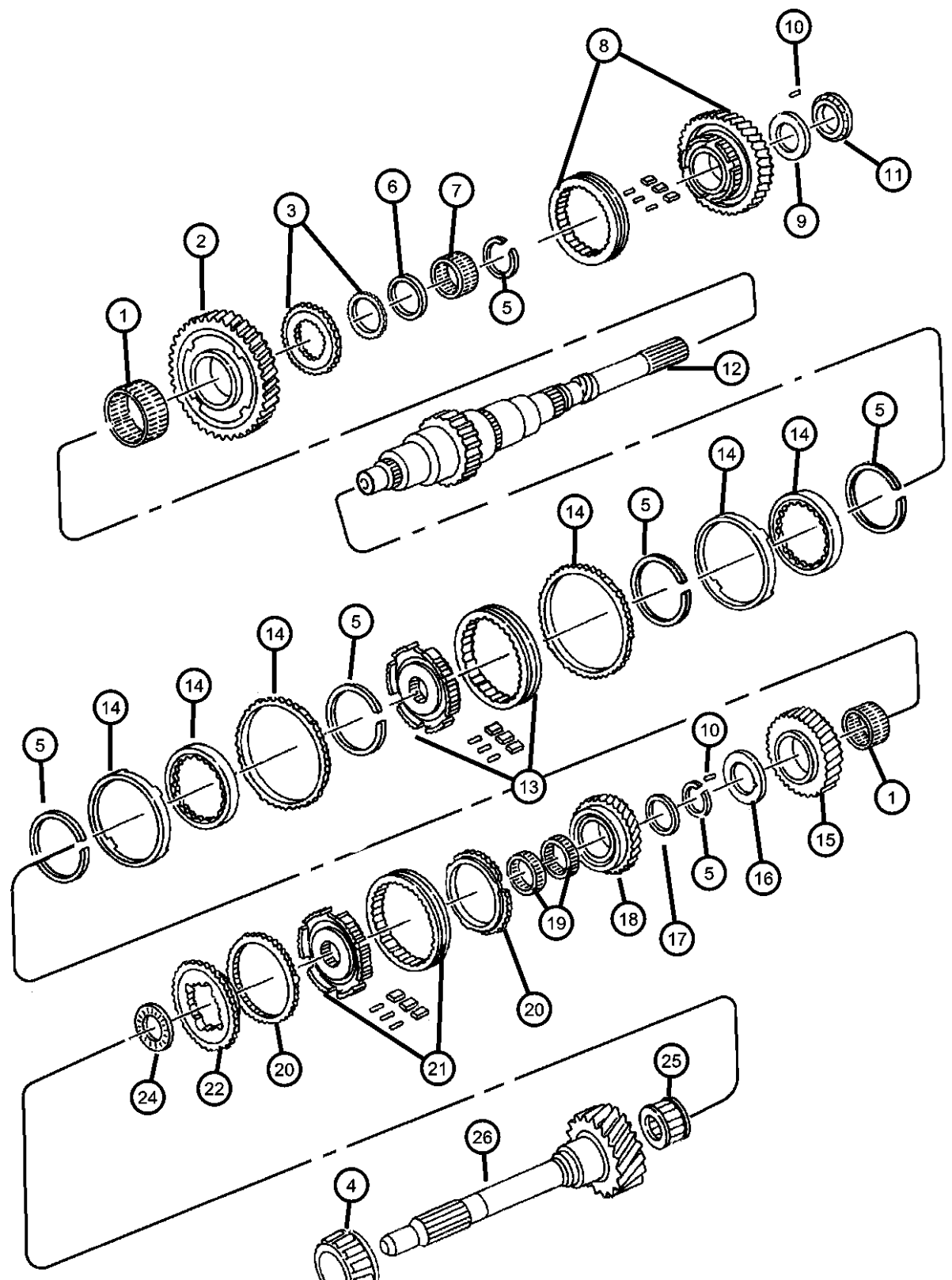
1	04798769	2	1, 2, 3			EL0, EM0	DDP		BEARING, First Gear
		2	6, 7, 8			EL0, EM0	DDP		
		2	1, 2, 3			ET0, EW0	DDX		
		2	6, 7, 8			ET0, EW0	DDX		
2	04637728	1	1, 2, 3			EL0, EM0	DDP		GEAR, First
		1	6, 7, 8			EL0, EM0	DDP		
		1	1, 2, 3			ET0, EW0	DDX		
		1	6, 7, 8			ET0, EW0	DDX		
3	05003055AA	1	1, 2, 3			EL0, EM0	DDP		GEAR PACKAGE, Reverse Clutch
		1	6, 7, 8			EL0, EM0	DDP		
		1	1, 2, 3			ET0, EW0	DDX		
		1	6, 7, 8			ET0, EW0	DDX		
4	04723145	1	1, 2, 3			EL0, EM0	DDP		BEARING, Drive Gear
		1	6, 7, 8			EL0, EM0	DDP		
		1	1, 2, 3			ET0, EW0	DDX		
		1	6, 7, 8			ET0, EW0	DDX		
5	05003056AA	1	1, 2, 3			EL0, EM0	DDP		SNAP RING PACKAGE, Transmission
		1	6, 7, 8			EL0, EM0	DDP		
		1	1, 2, 3			ET0, EW0	DDX		
		1	6, 7, 8			ET0, EW0	DDX		

**RAM PICKUP/CLUB CAB (BE)**

SERIES	LINE	BODY	ENGINE	TRANSMISSION
L = Ram Truck (All)	3 = HD DODGE 2WD	31 = CLUB CAB 2-DR 6.5 FT BOX	ELF = ENGINE - 5.2L V8 MPI	DDC = TRANSMISSION - 5-SPEED HD MANUAL
	8 = HD DODGE 4WD	32 = CLUB CAB 2-DR 8FT BOX	EML = ENGINE - 5.9L V8 MPI	DDP = TRANSMISSION - 5-SPEED MANUAL
	1 = Lt. Duty DODGE 2WD	33 = QUAD CAB 4-DR 6.5 FT BOX	EMM = ENGINE - "MAGNUM" 5.9L SMPI V8	DDX = TRANSMISSION - 5-SPEED HD MANUAL
	6 = Lt. Duty DODGE 4WD	34 = QUAD CAB 4-DR 8FT BOX	ETC = ENGINE- 5.9L CUMMINS 24V DIESEL	DEE = TRANSMISSION - 6-SPEED HD MANUAL
	2 = Med. Duty DODGE 2WD		ETH = ENGINE- 5.9L HO CUMMINS TURBO DIESEL	DGP = TRANSMISSION - 4-SPD. AUTOMATIC,47RE
	7 = Med. Duty DODGE 4WD		EWA = ENGINE - 8.0L V10 MPI	DGT = TRANSMISSION - 4-SPD. AUTOMATIC,46RE

AR = use ase required - = Non illustrated part

**Gear Train 5 Speed - 4500 [DDP][DDX]  
Figure 4500-410**



ITEM	PART NUMBER	QTY	LINE	SERIES	BODY	ENGINE	TRANS	TRIM	DESCRIPTION
6	04882542	1	1, 2, 3			EL0, EM0	DDP		SPACER, Reverse Synchronizer
		1	6, 7, 8			EL0, EM0	DDP		
		1	1, 2, 3			ET0, EW0	DDX		
		1	6, 7, 8			ET0, EW0	DDX		
7	04637761	1	1, 2, 3			EL0, EM0	DDP		BEARING, Reverse Synchronizer
		1	6, 7, 8			EL0, EM0	DDP		
		1	1, 2, 3			ET0, EW0	DDX		
		1	6, 7, 8			ET0, EW0	DDX		
8	05014478AA	1	1, 2, 3			EL0, EM0	DDP		SYNCHRONIZER, Reverse
		1	6, 7, 8			EL0, EM0	DDP		
		1	1, 2, 3			ET0, EW0	DDX		
		1	6, 7, 8			ET0, EW0	DDX		
9	04637763	1	1, 2, 3			EL0, EM0	DDP		THRUST WASHER, Reverse Gear
		1	6, 7, 8			EL0, EM0	DDP		
		1	1, 2, 3			ET0, EW0	DDX		
		1	6, 7, 8			ET0, EW0	DDX		
10	04773176	2	1, 2, 3			EL0, EM0	DDP		PIN, Split Thrust Washer
		2	6, 7, 8			EL0, EM0	DDP		
		2	1, 2, 3			ET0, EW0	DDX		
		2	6, 7, 8			ET0, EW0	DDX		
11	04637771	1	1, 2, 3			EL0, EM0	DDP		BEARING CONE, Main Shaft
		1	6, 7, 8			EL0, EM0	DDP		
		1	1, 2, 3			ET0, EW0	DDX		
		1	6, 7, 8			ET0, EW0	DDX		

**RAM PICKUP/CLUB CAB (BE)**

SERIES	LINE
L = Ram Truck	3 = HD DODGE 2WD
(All)	8 = HD DODGE 4WD
	1 = Lt. Duty DODGE 2WD
	6 = Lt. Duty DODGE 4WD
	2 = Med. Duty DODGE 2WD
	7 = Med. Duty DODGE 4WD

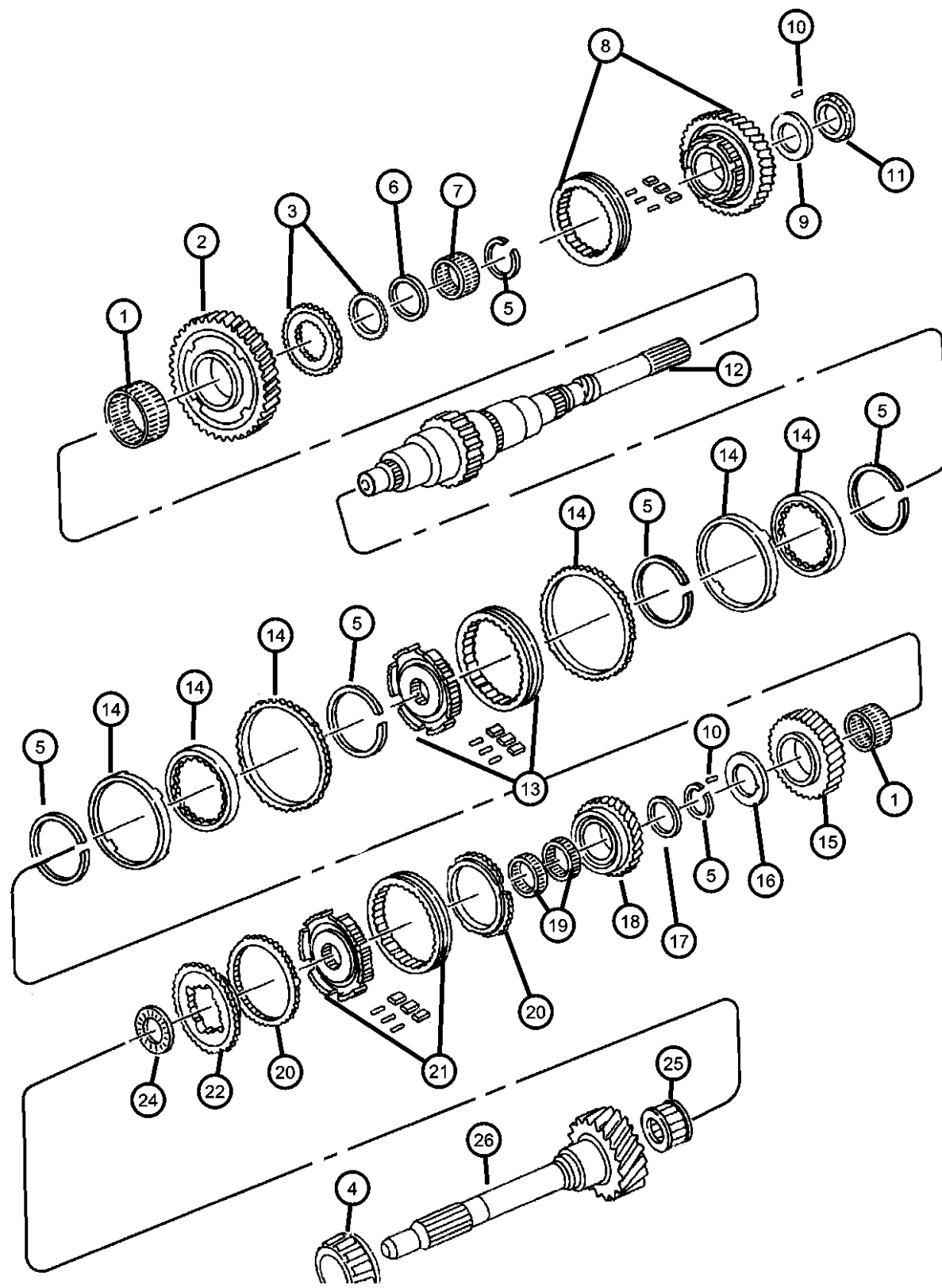
BODY
31 = CLUB CAB 2-DR 6.5 FT BOX
32 = CLUB CAB 2-DR 8FT BOX
33 = QUAD CAB 4-DR 6.5 FT BOX
34 = QUAD CAB 4-DR 8FT BOX

ENGINE
ELF = ENGINE - 5.2L V8 MPI
EML = ENGINE - 5.9L V8 MPI
EMM = ENGINE - "MAGNUM" 5.9L SMPI V8
ETC = ENGINE- 5.9L CUMMINS 24V DIESEL
ETH = ENGINE- 5.9L HO CUMMINS TURBO DIESEL
EWA = ENGINE - 8.0L V10 MPI

TRANSMISSION
DDC = TRANSMISSION - 5-SPEED HD MANUAL
DDP = TRANSMISSION - 5-SPEED MANUAL
DDX = TRANSMISSION - 5-SPEED HD MANUAL
DEE = TRANSMISSION - 6-SPEED HD MANUAL
DGP = TRANSMISSION - 4-SPD. AUTOMATIC,47RE
DGT = TRANSMISSION - 4-SPD. AUTOMATIC,46RE

AR = use ase required - = Non illustrated part

**Gear Train 5 Speed - 4500 [DDP][DDX]  
Figure 4500-410**



ITEM	PART NUMBER	QTY	LINE	SERIES	BODY	ENGINE	TRANS	TRIM	DESCRIPTION
12	05016383AA	1	1, 2, 3			ELO, EM0	DDP		MAINSHAFT, Transmission
	05016384AA	1	1, 2, 3			ET0, EW0	DDX		
	05016385AA	1	6, 7, 8			ELO, EM0	DDP		
	05016386AA	1	6, 7, 8			ET0, EW0	DDX		
13	04796270	1	1, 2, 3			ELO, EM0	DDP		SYNCHRONIZER, First and Second
		1	6, 7, 8			ELO, EM0	DDP		
		1	1, 2, 3			ET0, EW0	DDX		
		1	6, 7, 8			ET0, EW0	DDX		
14	04637726	1	1, 2, 3			ELO, EM0	DDP		STOP RING PACKAGE, Synchronizer
		1	6, 7, 8			ELO, EM0	DDP		
		1	1, 2, 3			ET0, EW0	DDX		
		1	6, 7, 8			ET0, EW0	DDX		
15	04637730	1	1, 2, 3			ELO, EM0	DDP		GEAR, Second
		1	6, 7, 8			ELO, EM0	DDP		
		1	1, 2, 3			ET0, EW0	DDX		
		1	6, 7, 8			ET0, EW0	DDX		
16	04637732	1	1, 2, 3			ELO, EM0	DDP		THRUST WASHER, Third Gear
		1	6, 7, 8			ELO, EM0	DDP		
		1	1, 2, 3			ET0, EW0	DDX		
		1	6, 7, 8			ET0, EW0	DDX		
17	04882540	1	1, 2, 3			ELO, EM0	DDP		SPACER, Third Gear
		1	6, 7, 8			ELO, EM0	DDP		
		1	1, 2, 3			ET0, EW0	DDX		

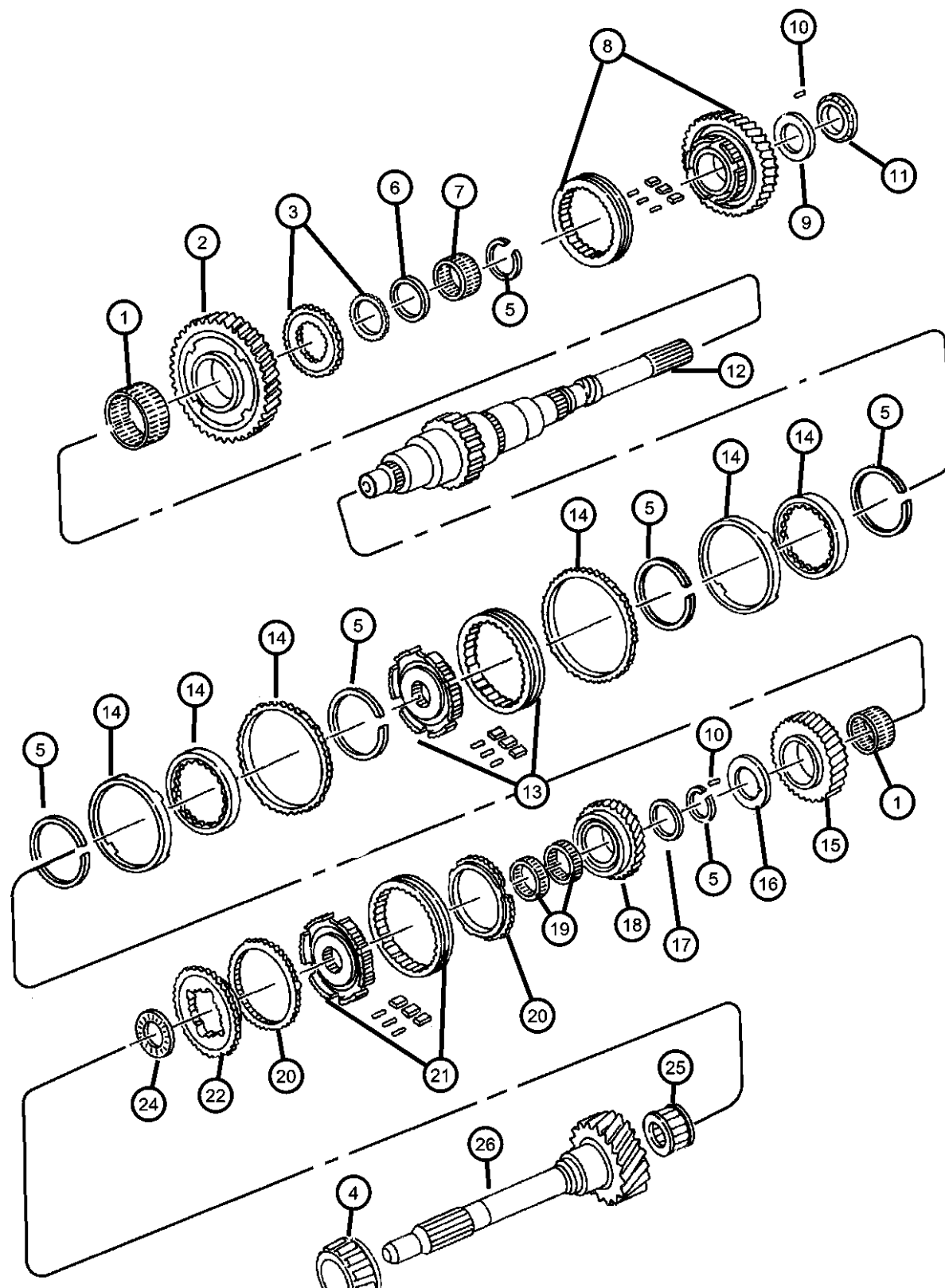
**RAM PICKUP/CLUB CAB (BE)**

SERIES	LINE
L = Ram Truck	3 = HD DODGE 2WD
(All)	8 = HD DODGE 4WD
	1 = Lt. Duty DODGE 2WD
	6 = Lt. Duty DODGE 4WD
	2 = Med. Duty DODGE 2WD
	7 = Med. Duty DODGE 4WD

BODY	ENGINE	TRANSMISSION
31 = CLUB CAB 2-DR 6.5 FT BOX	ELF = ENGINE - 5.2L V8 MPI	DDC = TRANSMISSION - 5-SPEED HD MANUAL
32 = CLUB CAB 2-DR 8FT BOX	EML = ENGINE - 5.9L V8 MPI	DDP = TRANSMISSION - 5-SPEED MANUAL
33 = QUAD CAB 4-DR 6.5 FT BOX	EMM = ENGINE - "MAGNUM" 5.9L SMPI V8	DDX = TRANSMISSION - 5-SPEED HD MANUAL
34 = QUAD CAB 4-DR 8FT BOX	ETC = ENGINE- 5.9L CUMMINS 24V DIESEL	DEE = TRANSMISSION - 6-SPEED HD MANUAL
	ETH = ENGINE- 5.9L HO CUMMINS TURBO DIESEL	DGP = TRANSMISSION - 4-SPD. AUTOMATIC,47RE
	EWA = ENGINE - 8.0L V10 MPI	DGT = TRANSMISSION - 4-SPD. AUTOMATIC,46RE

AR = use ase required - = Non illustrated part

**Gear Train 5 Speed - 4500 [DDP][DDX]  
Figure 4500-410**



ITEM	PART NUMBER	QTY	LINE	SERIES	BODY	ENGINE	TRANS	TRIM	DESCRIPTION
18		1	6, 7, 8			ET0, EW0	DDX		GEAR, Third
	04874369	1	1, 2, 3			ELO, EM0	DDP		
		1	6, 7, 8			ELO, EM0	DDP		
		1	1, 2, 3			ET0, EW0	DDX		
		1	6, 7, 8			ET0, EW0	DDX		
19		2	1, 2, 3			ELO, EM0	DDP		BEARING, Third Gear
	04798768	2	6, 7, 8			ELO, EM0	DDP		
		1	1, 2, 3			ET0, EW0	DDX		
		1	6, 7, 8			ET0, EW0	DDX		
20		2	1, 2, 3			ELO, EM0	DDP		RING, Blocker
	04897883AA	2	6, 7, 8			ELO, EM0	DDP		
		2	1, 2, 3			ET0, EW0	DDX		
		2	6, 7, 8			ET0, EW0	DDX		
21		1	1, 2, 3			ELO, EM0	DDP		SYNCHRONIZER, Third and Fourth
	04740824	1	6, 7, 8			ELO, EM0	DDP		
		1	1, 2, 3			ET0, EW0	DDX		
		1	6, 7, 8			ET0, EW0	DDX		
22		1	1, 2, 3			ELO, EM0	DDP		GEAR, Clutch Drive
	04874370	1	6, 7, 8			ELO, EM0	DDP		
		1	1, 2, 3			ET0, EW0	DDX		
		1	6, 7, 8			ET0, EW0	DDX		
-23		2	1, 2, 3			ELO, EM0	DDP		RING, Blocker
	04897883AA	2	6, 7, 8			ELO, EM0	DDP		

**RAM PICKUP/CLUB CAB (BE)**

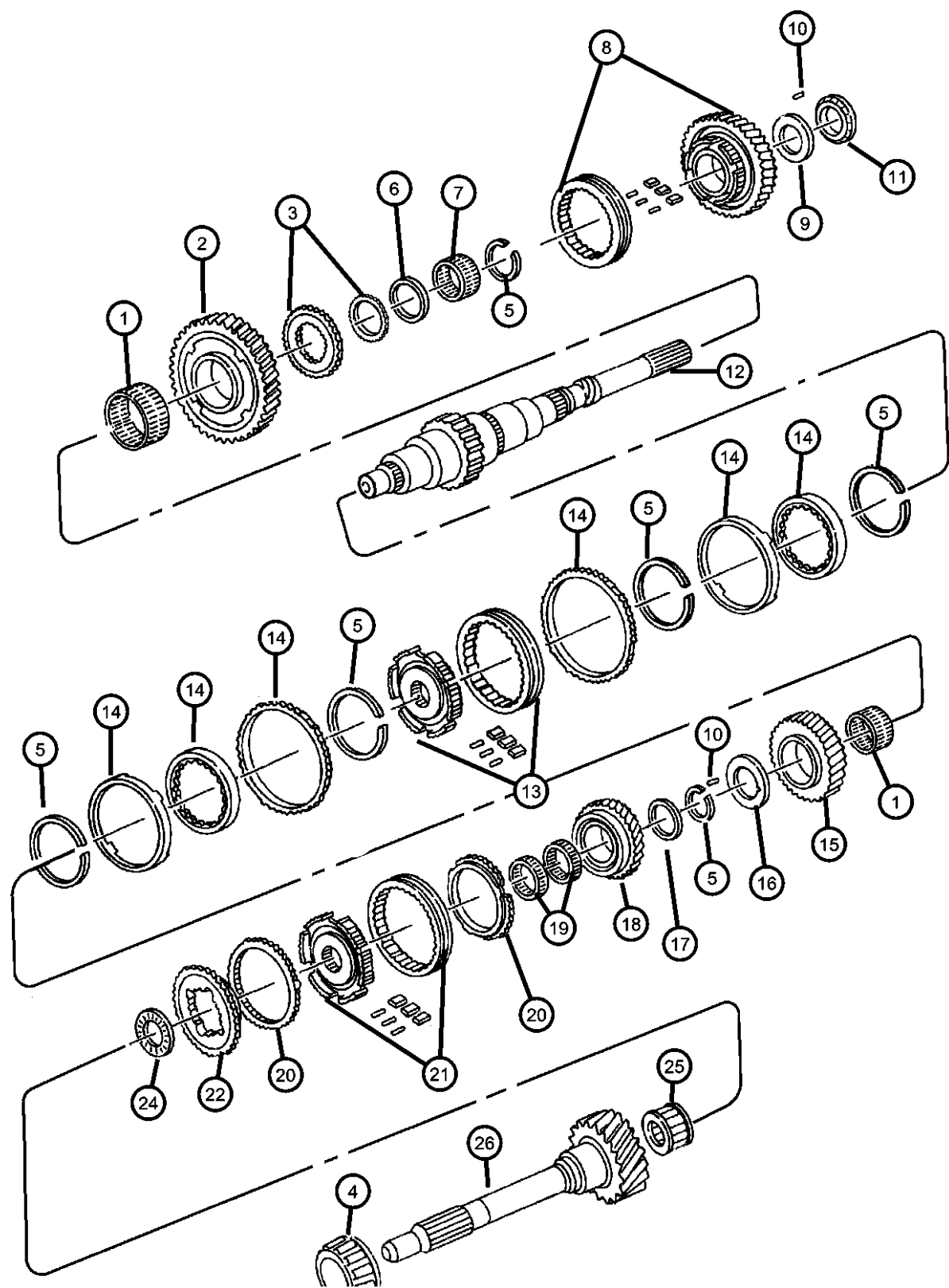
SERIES	LINE
L = Ram Truck	3 = HD DODGE 2WD
(All)	8 = HD DODGE 4WD
	1 = Lt. Duty DODGE 2WD
	6 = Lt. Duty DODGE 4WD
	2 = Med. Duty DODGE 2WD
	7 = Med. Duty DODGE 4WD

BODY	ENGINE	TRANSMISSION
31 = CLUB CAB 2-DR 6.5 FT BOX	ELF = ENGINE - 5.2L V8 MPI	DDC = TRANSMISSION - 5-SPEED HD MANUAL
32 = CLUB CAB 2-DR 8FT BOX	EML = ENGINE - 5.9L V8 MPI	DDP = TRANSMISSION - 5-SPEED MANUAL
33 = QUAD CAB 4-DR 6.5 FT BOX	EMM = ENGINE - "MAGNUM" 5.9L SMPI V8	DDX = TRANSMISSION - 5-SPEED HD MANUAL
34 = QUAD CAB 4-DR 8FT BOX	ETC = ENGINE- 5.9L CUMMINS 24V DIESEL	DEE = TRANSMISSION - 6-SPEED HD MANUAL
	ETH = ENGINE- 5.9L HO CUMMINS TURBO DIESEL	DGP = TRANSMISSION - 4-SPD. AUTOMATIC,47RE
	EWA = ENGINE - 8.0L V10 MPI	DGT = TRANSMISSION - 4-SPD. AUTOMATIC,46RE

AR = use ase required - = Non illustrated part

2000 BE

**Gear Train 5 Speed - 4500 [DDP][DDX]  
Figure 4500-410**



ITEM	PART NUMBER	QTY	LINE	SERIES	BODY	ENGINE	TRANS	TRIM	DESCRIPTION
24	04637755	2	1, 2, 3			ET0, EW0	DDX		THRUST BEARING, Drive Gear
		2	6, 7, 8			ET0, EW0	DDX		
		1	1, 2, 3			ELO, EM0	DDP		
		1	6, 7, 8			ELO, EM0	DDP		
25	04637774	1	1, 2, 3			ET0, EW0	DDX		NEEDLE BEARING, Input Shaft
		1	6, 7, 8			ET0, EW0	DDX		
		1	1, 2, 3			ELO, EM0	DDP		
		1	6, 7, 8			ELO, EM0	DDP		
26	04882357	1	1, 2, 3			ET0, EW0	DDX		SHAFT, Input
		1	6, 7, 8			ET0, EW0	DDX		
		1	1, 2, 3			ELO, EM0	DDP		
		1	6, 7, 8			ELO, EM0	DDP		
	04882358	1	1, 2, 3			ET0, EW0	DDX		
		1	6, 7, 8			ET0, EW0	DDX		

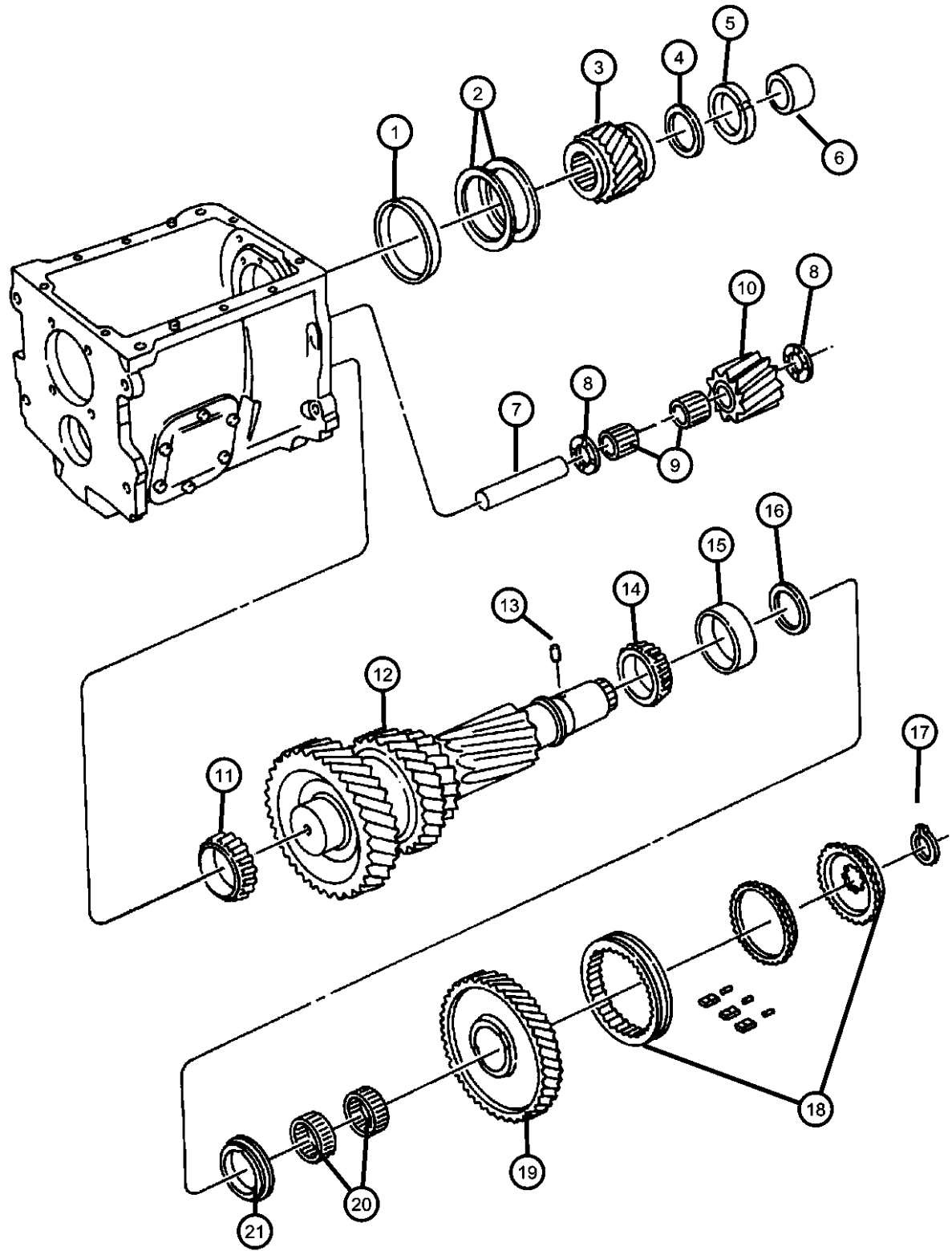
**RAM PICKUP/CLUB CAB (BE)**

SERIES	LINE
L = Ram Truck (All)	3 = HD DODGE 2WD
	8 = HD DODGE 4WD
	1 = Lt. Duty DODGE 2WD
	6 = Lt. Duty DODGE 4WD
	2 = Med. Duty DODGE 2WD
	7 = Med. Duty DODGE 4WD

BODY	ENGINE	TRANSMISSION
31 = CLUB CAB 2-DR 6.5 FT BOX	ELF = ENGINE - 5.2L V8 MPI	DDC = TRANSMISSION - 5-SPEED HD MANUAL
32 = CLUB CAB 2-DR 8FT BOX	EML = ENGINE - 5.9L V8 MPI	DDP = TRANSMISSION - 5-SPEED MANUAL
33 = QUAD CAB 4-DR 6.5 FT BOX	EMM = ENGINE - "MAGNUM" 5.9L SMPI V8	DDX = TRANSMISSION - 5-SPEED HD MANUAL
34 = QUAD CAB 4-DR 8FT BOX	ETC = ENGINE- 5.9L CUMMINS 24V DIESEL	DEE = TRANSMISSION - 6-SPEED HD MANUAL
	ETH = ENGINE- 5.9L HO CUMMINS TURBO DIESEL	DGP = TRANSMISSION - 4-SPD. AUTOMATIC,47RE
	EWA = ENGINE - 8.0L V10 MPI	DGT = TRANSMISSION - 4-SPD. AUTOMATIC,46RE

AR = use ase required - = Non illustrated part

**Gear Train 5 Speed - 4500 [DDP][DDX]  
Figure 4500-420**



ITEM	PART NUMBER	QTY	LINE	SERIES	BODY	ENGINE	TRANS	TRIM	DESCRIPTION
------	-------------	-----	------	--------	------	--------	-------	------	-------------

NOTES: Sales Codes  
 [DDP] = 5 Speed Manual Transmission  
 [DDX] = 5 Speed Heavy Duty Manual Transmission  
 [EL0] = All 5.2L 8 Cylinder Gas Engines  
 [EM0] = All 5.9L 8 Cylinder Gas Engines  
 [ET0] = All 5.9L Turbo Diesels  
 [EW0] = All 8.0L Gas Engines

1	04637782	1	1, 2, 3			EL0, EM0	DDP		BEARING CUP, Main Shaft
		1	6, 7, 8			EL0, EM0	DDP		
		1	1, 2, 3			ET0, EW0	DDX		
		1	6, 7, 8			ET0, EW0	DDX		
2	04864284	1	1, 2, 3			EL0, EM0	DDP		SHIM PACKAGE, Rear Mainshaft Bearing
		1	6, 7, 8			EL0, EM0	DDP		
		1	1, 2, 3			ET0, EW0	DDX		
		1	6, 7, 8			ET0, EW0	DDX		
3	04637798	1	1, 2, 3			EL0, EM0	DDP		GEAR, Overdrive Mainshaft
		1	6, 7, 8			EL0, EM0	DDP		
	04741551	1	1, 2, 3			ET0, EW0	DDX		
		1	6, 7, 8			ET0, EW0	DDX		
4	04637801	1	1, 2, 3			EL0, EM0	DDP		WASHER, Overdrive Gear
		1	6, 7, 8			EL0, EM0	DDP		
	04741552	1	1, 2, 3			ET0, EW0	DDX		
		1	6, 7, 8			ET0, EW0	DDX		
5	05013887AA	1	1, 2, 3			ET0, EW0	DDX		NUT AND WASHER PACKAGE
		1	6, 7, 8			ET0, EW0	DDX		
6	04269956	1	6, 7, 8			EL0, EM0	DDP		SEAL, Adapter

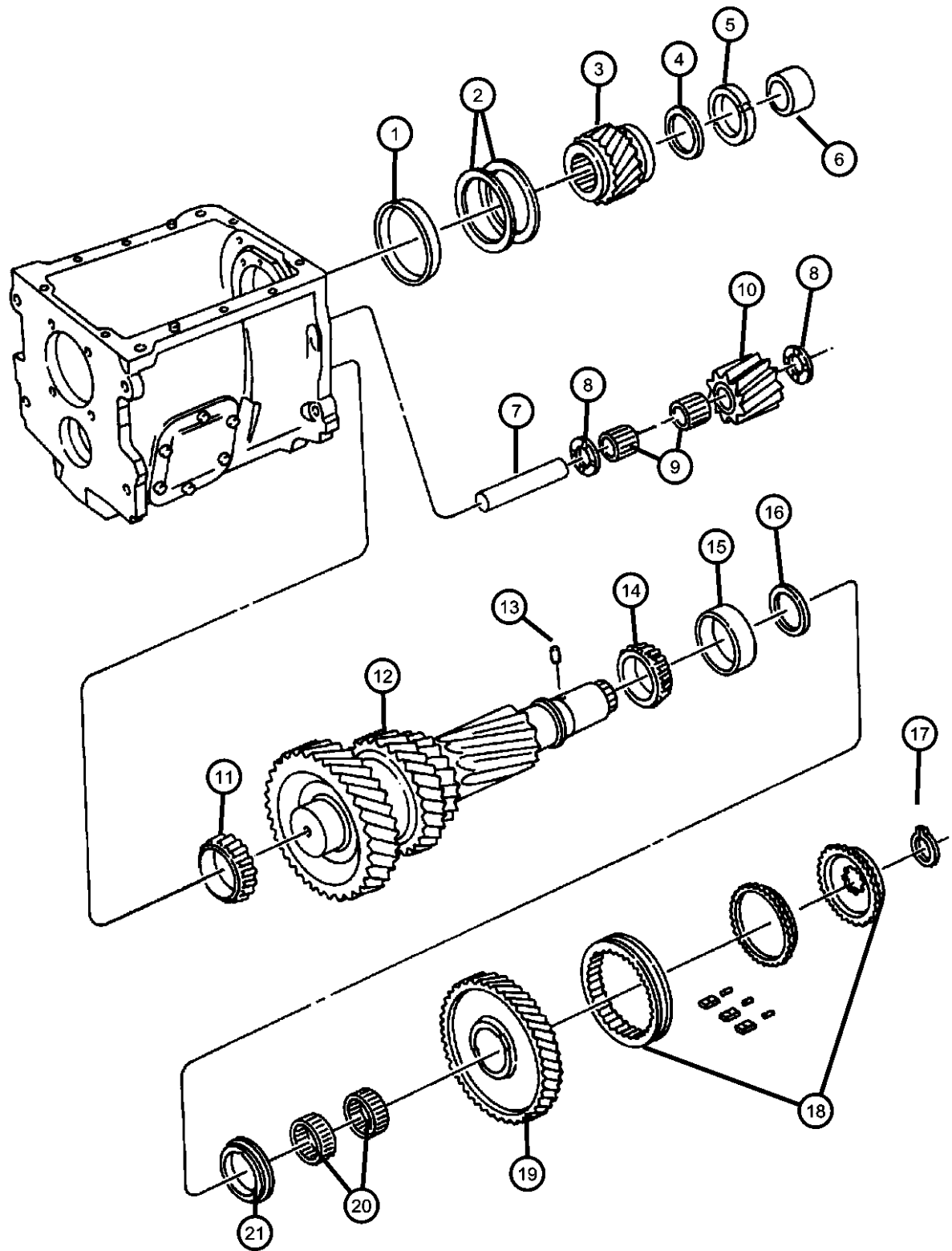
**RAM PICKUP/CLUB CAB (BE)**

SERIES	LINE
L = Ram Truck (All)	3 = HD DODGE 2WD
	8 = HD DODGE 4WD
	1 = Lt. Duty DODGE 2WD
	6 = Lt. Duty DODGE 4WD
	2 = Med. Duty DODGE 2WD
	7 = Med. Duty DODGE 4WD

BODY	ENGINE	TRANSMISSION
31 = CLUB CAB 2-DR 6.5 FT BOX	ELF = ENGINE - 5.2L V8 MPI	DDC = TRANSMISSION - 5-SPEED HD MANUAL
32 = CLUB CAB 2-DR 8FT BOX	EML = ENGINE - 5.9L V8 MPI	DDP = TRANSMISSION - 5-SPEED MANUAL
33 = QUAD CAB 4-DR 6.5 FT BOX	EMM = ENGINE - "MAGNUM" 5.9L SMPI V8	DDX = TRANSMISSION - 5-SPEED HD MANUAL
34 = QUAD CAB 4-DR 8FT BOX	ETC = ENGINE- 5.9L CUMMINS 24V DIESEL	DEE = TRANSMISSION - 6-SPEED HD MANUAL
	ETH = ENGINE- 5.9L HO CUMMINS TURBO DIESEL	DGP = TRANSMISSION - 4-SPD. AUTOMATIC, 47RE
	EWA = ENGINE - 8.0L V10 MPI	DGT = TRANSMISSION - 4-SPD. AUTOMATIC, 46RE

AR = use ase required - = Non illustrated part

**Gear Train 5 Speed - 4500 [DDP][DDX]  
Figure 4500-420**



ITEM	PART NUMBER	QTY	LINE	SERIES	BODY	ENGINE	TRANS	TRIM	DESCRIPTION
7		1	6, 7, 8			ET0, EW0	DDX		SHAFT, Idler
	04882366	1	1, 2, 3			ELO, EM0	DDP		
		1	6, 7, 8			ELO, EM0	DDP		
		1	1, 2, 3			ET0, EW0	DDX		
		1	6, 7, 8			ET0, EW0	DDX		
8									WASHER, Reverse Idler
	04882538	2	1, 2, 3			ELO, EM0	DDP		
		2	6, 7, 8			ELO, EM0	DDP		
		2	1, 2, 3			ET0, EW0	DDX		
		2	6, 7, 8			ET0, EW0	DDX		
9									BEARING, Idler Gear
	04882365	2	1, 2, 3			ELO, EM0	DDP		
		2	6, 7, 8			ELO, EM0	DDP		
		2	1, 2, 3			ET0, EW0	DDX		
		2	6, 7, 8			ET0, EW0	DDX		
10									GEAR, Reverse Idler
	04882364	1	1, 2, 3			ELO, EM0	DDP		
		1	6, 7, 8			ELO, EM0	DDP		
		1	1, 2, 3			ET0, EW0	DDX		
		1	6, 7, 8			ET0, EW0	DDX		
11									BEARING CONE, Cluster Gear
	04637705	1	1, 2, 3			ELO, EM0	DDP		
		1	6, 7, 8			ELO, EM0	DDP		
		1	1, 2, 3			ET0, EW0	DDX		
		1	6, 7, 8			ET0, EW0	DDX		
12									COUNTERSHAFT
	04882367	1	1, 2, 3			ELO, EM0	DDP		
		1	6, 7, 8			ELO, EM0	DDP		
		1	1, 2, 3			ET0, EW0	DDX		

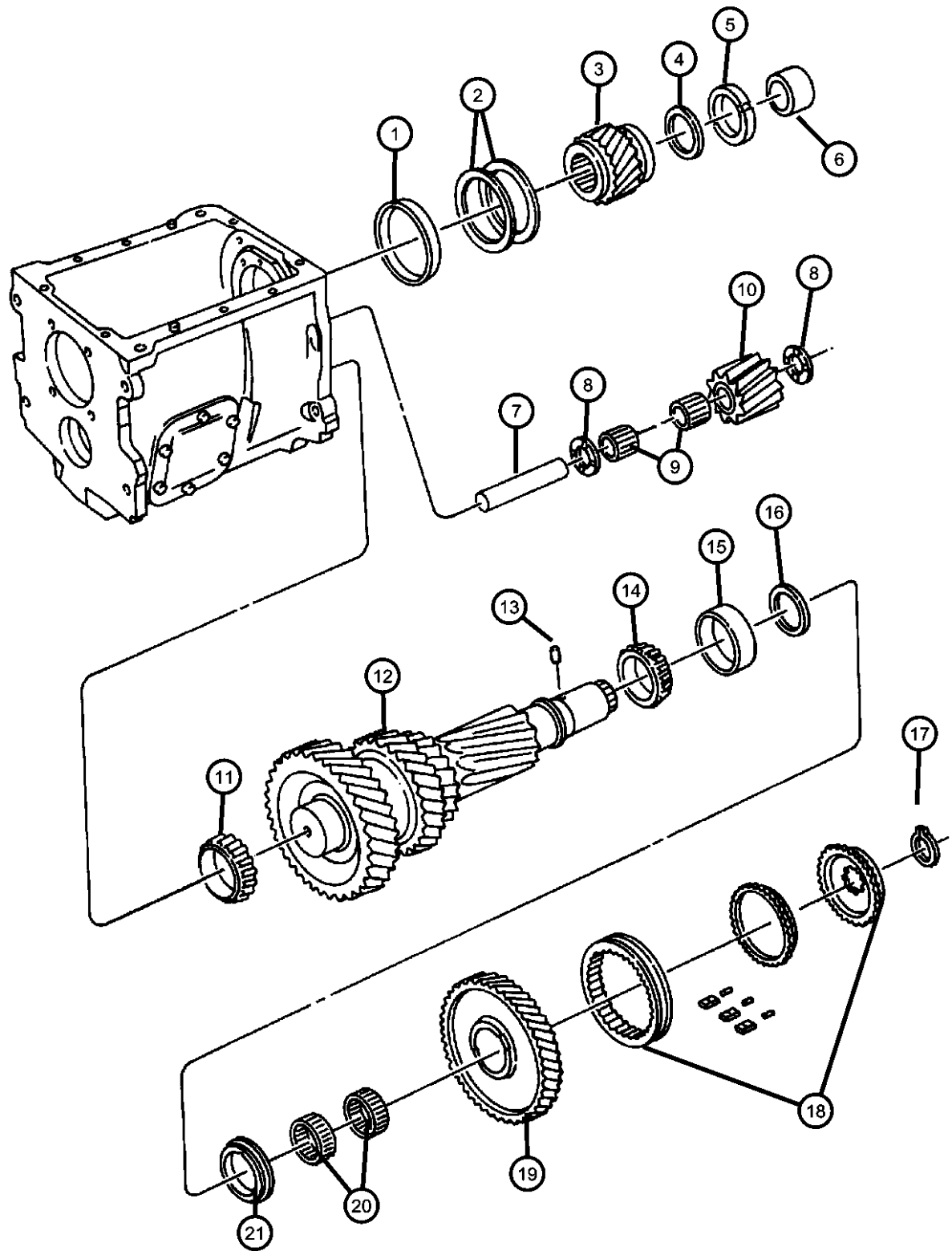
**RAM PICKUP/CLUB CAB (BE)**

SERIES	LINE
L = Ram Truck (All)	3 = HD DODGE 2WD 8 = HD DODGE 4WD 1 = Lt. Duty DODGE 2WD 6 = Lt. Duty DODGE 4WD 2 = Med. Duty DODGE 2WD 7 = Med. Duty DODGE 4WD

BODY	ENGINE	TRANSMISSION
31 = CLUB CAB 2-DR 6.5 FT BOX 32 = CLUB CAB 2-DR 8FT BOX 33 = QUAD CAB 4-DR 6.5 FT BOX 34 = QUAD CAB 4-DR 8FT BOX	ELF = ENGINE - 5.2L V8 MPI EML = ENGINE - 5.9L V8 MPI EMM = ENGINE - "MAGNUM" 5.9L SMPI V8 ETC = ENGINE- 5.9L CUMMINS 24V DIESEL ETH = ENGINE- 5.9L HO CUMMINS TURBO DIESEL EWA = ENGINE - 8.0L V10 MPI	DDC = TRANSMISSION - 5-SPEED HD MANUAL DDP = TRANSMISSION - 5-SPEED MANUAL DDX = TRANSMISSION - 5-SPEED HD MANUAL DEE = TRANSMISSION - 6-SPEED HD MANUAL DGP = TRANSMISSION - 4-SPD. AUTOMATIC, 47RE DGT = TRANSMISSION - 4-SPD. AUTOMATIC, 46RE

AR = use ase required - = Non illustrated part

**Gear Train 5 Speed - 4500 [DDP][DDX]  
Figure 4500-420**



ITEM	PART NUMBER	QTY	LINE	SERIES	BODY	ENGINE	TRANS	TRIM	DESCRIPTION
13		1	6, 7, 8			ET0, EW0	DDX		PIN, Split Thrust Washer
	04773176	2	1, 2, 3			ELO, EM0	DDP		
		2	6, 7, 8			ELO, EM0	DDP		
		2	1, 2, 3			ET0, EW0	DDX		
		2	6, 7, 8			ET0, EW0	DDX		
14		1	1, 2, 3			ELO, EM0	DDP		BEARING CONE, Cluster Gear
	04637708	1	6, 7, 8			ELO, EM0	DDP		
		1	1, 2, 3			ET0, EW0	DDX		
		1	6, 7, 8			ET0, EW0	DDX		
15		1	1, 2, 3			ELO, EM0	DDP		BEARING CUP, Cluster Gear
	04637707	1	6, 7, 8			ELO, EM0	DDP		
		1	1, 2, 3			ET0, EW0	DDX		
		1	6, 7, 8			ET0, EW0	DDX		
16		1	1, 2, 3			ELO, EM0	DDP		SHIM PACKAGE, Countershaft
	04637780	1	6, 7, 8			ELO, EM0	DDP		
		1	1, 2, 3			ET0, EW0	DDX		
		1	6, 7, 8			ET0, EW0	DDX		
17		1	1, 2, 3			ELO, EM0	DDP		SNAP RING PACKAGE, Transmission
	05003056AA	1	6, 7, 8			ELO, EM0	DDP		
		1	1, 2, 3			ET0, EW0	DDX		
		1	6, 7, 8			ET0, EW0	DDX		
18		1	1, 2, 3			ELO, EM0	DDP		SYNCHRONIZER PACKAGE, Overdrive
	05003156AA	1	6, 7, 8			ELO, EM0	DDP		

**RAM PICKUP/CLUB CAB (BE)**

SERIES	LINE
L = Ram Truck (All)	3 = HD DODGE 2WD 8 = HD DODGE 4WD 1 = Lt. Duty DODGE 2WD 6 = Lt. Duty DODGE 4WD 2 = Med. Duty DODGE 2WD 7 = Med. Duty DODGE 4WD

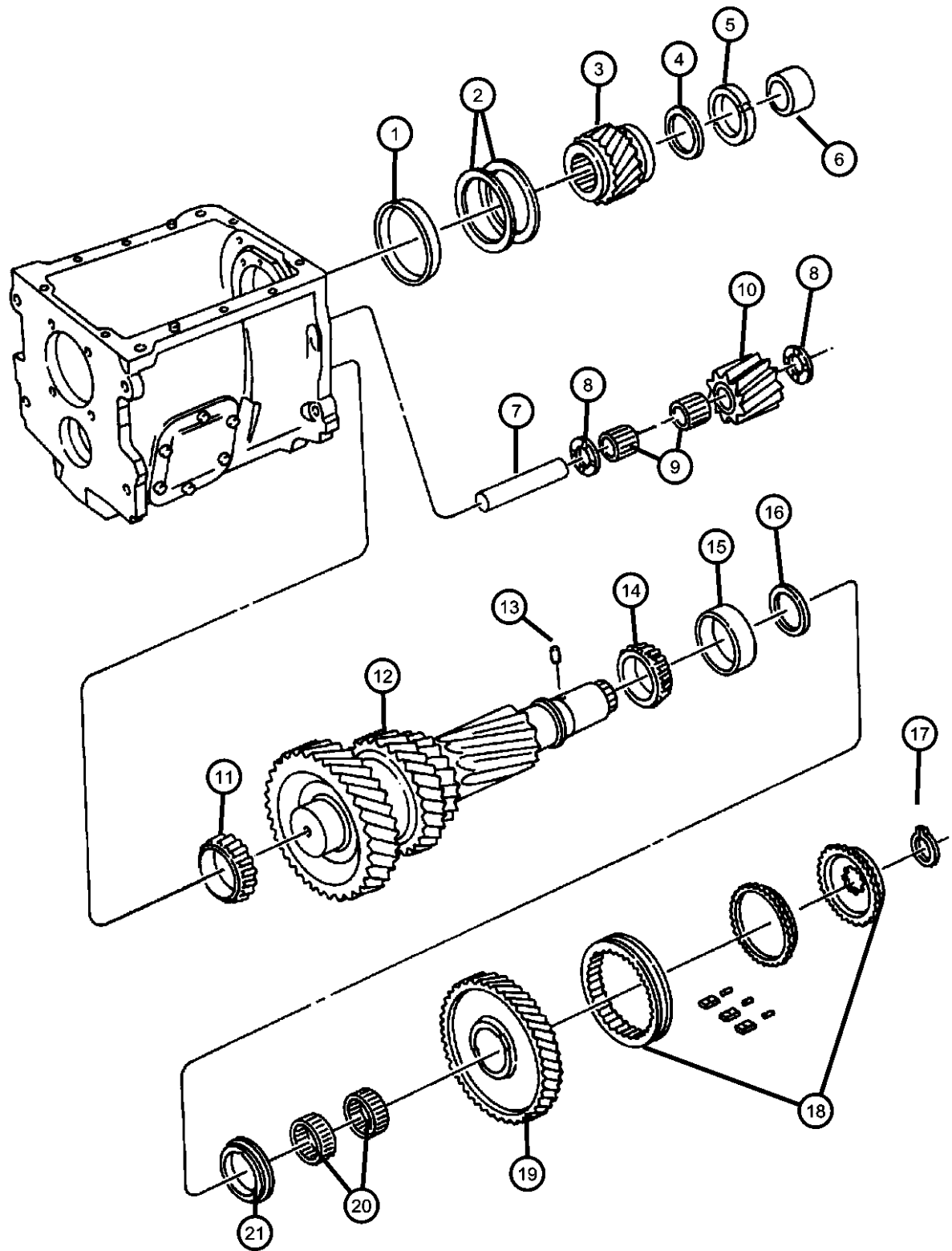
BODY	ENGINE	TRANSMISSION
31 = CLUB CAB 2-DR 6.5 FT BOX	ELF = ENGINE - 5.2L V8 MPI	DDC = TRANSMISSION - 5-SPEED HD MANUAL
32 = CLUB CAB 2-DR 8FT BOX	EML = ENGINE - 5.9L V8 MPI	DDP = TRANSMISSION - 5-SPEED MANUAL
33 = QUAD CAB 4-DR 6.5 FT BOX	EMM = ENGINE - "MAGNUM" 5.9L SMPI V8	DDX = TRANSMISSION - 5-SPEED HD MANUAL
34 = QUAD CAB 4-DR 8FT BOX	ETC = ENGINE- 5.9L CUMMINS 24V DIESEL	DEE = TRANSMISSION - 6-SPEED HD MANUAL
	ETH = ENGINE- 5.9L HO CUMMINS TURBO DIESEL	DGP = TRANSMISSION - 4-SPD. AUTOMATIC, 47RE
	EWA = ENGINE - 8.0L V10 MPI	DGT = TRANSMISSION - 4-SPD. AUTOMATIC, 46RE

AR = use ase required - = Non illustrated part

2000 BE



**Gear Train 5 Speed - 4500 [DDP][DDX]  
Figure 4500-420**



ITEM	PART NUMBER	QTY	LINE	SERIES	BODY	ENGINE	TRANS	TRIM	DESCRIPTION
19	04637786	1	1, 2, 3			ET0, EW0	DDX		GEAR, Countershaft
		1	6, 7, 8			ET0, EW0	DDX		
		1	1, 2, 3			ELO, EM0	DDP		
		1	6, 7, 8			ELO, EM0	DDP		
		1	1, 2, 3			ET0, EW0	DDX		
20	04882541	1	6, 7, 8			ET0, EW0	DDX		BEARING, Overdrive
		1	1, 2, 3			ELO, EM0	DDP		
		1	6, 7, 8			ELO, EM0	DDP		
		1	1, 2, 3			ET0, EW0	DDX		
		1	6, 7, 8			ET0, EW0	DDX		
21	04637778	1	1, 2, 3			ELO, EM0	DDP		THRUST WASHER, Countershaft
		1	6, 7, 8			ELO, EM0	DDP		
		1	1, 2, 3			ET0, EW0	DDX		
		1	6, 7, 8			ET0, EW0	DDX		
		1	1, 2, 3			ET0, EW0	DDX		

**RAM PICKUP/CLUB CAB (BE)**

SERIES	LINE
L = Ram Truck (All)	3 = HD DODGE 2WD
	8 = HD DODGE 4WD
	1 = Lt. Duty DODGE 2WD
	6 = Lt. Duty DODGE 4WD
	2 = Med. Duty DODGE 2WD
	7 = Med. Duty DODGE 4WD

BODY	ENGINE	TRANSMISSION
31 = CLUB CAB 2-DR 6.5 FT BOX	ELF = ENGINE - 5.2L V8 MPI	DDC = TRANSMISSION - 5-SPEED HD MANUAL
32 = CLUB CAB 2-DR 8FT BOX	EML = ENGINE - 5.9L V8 MPI	DDP = TRANSMISSION - 5-SPEED MANUAL
33 = QUAD CAB 4-DR 6.5 FT BOX	EMM = ENGINE - "MAGNUM" 5.9L SMPI V8	DDX = TRANSMISSION - 5-SPEED HD MANUAL
34 = QUAD CAB 4-DR 8FT BOX	ETC = ENGINE- 5.9L CUMMINS 24V DIESEL	DEE = TRANSMISSION - 6-SPEED HD MANUAL
	ETH = ENGINE- 5.9L HO CUMMINS TURBO DIESEL	DGP = TRANSMISSION - 4-SPD. AUTOMATIC, 47RE
	EWA = ENGINE - 8.0L V10 MPI	DGT = TRANSMISSION - 4-SPD. AUTOMATIC, 46RE

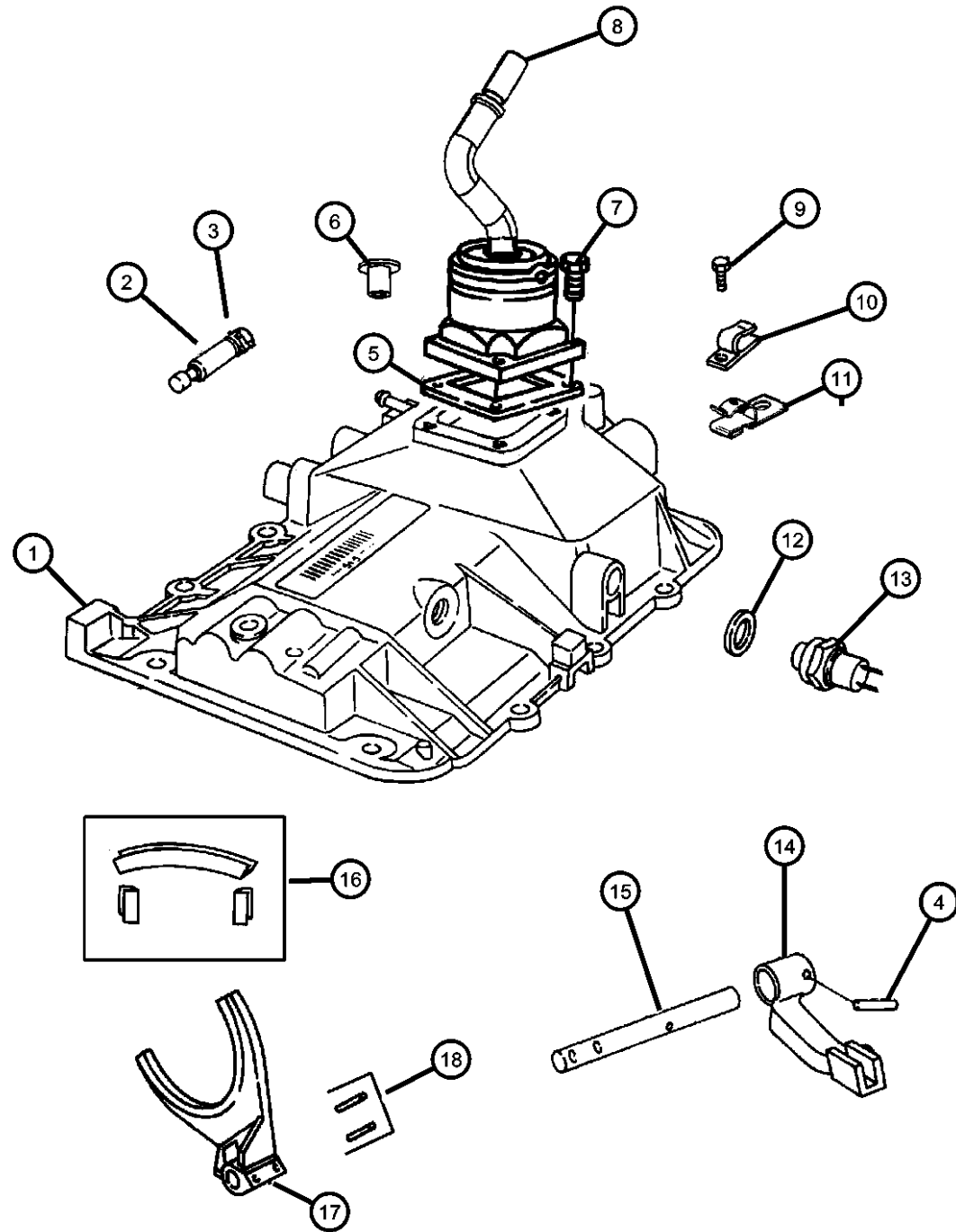
AR = use ase required - = Non illustrated part

2000 BE

Forks And Controls 5 Speed - 4500 [DDP][DDX]  
Figure 4500-910

ITEM	PART NUMBER	QTY	LINE	SERIES	BODY	ENGINE	TRANS	TRIM	DESCRIPTION
------	-------------	-----	------	--------	------	--------	-------	------	-------------

NOTES: Sales Codes  
 [DDP] = 5 Speed Manual Transmission  
 [DDX] = 5 Speed Heavy Duty Manual Transmission  
 [EL0] = All 5.2L 8 Cylinder Gas Engines  
 [EM0] = All 5.9L 8 Cylinder Gas Engines  
 [ET0] = All 5.9L Turbo Diesels  
 [EW0] = All 8.0L Gas Engines



1	05003036AA	1	1, 2, 3			EL0, EM0	DDP		HOUSING, Shift Lever
		1	6, 7, 8			EL0, EM0	DDP		
		1	1, 2, 3			ET0, EW0	DDX		
		1	6, 7, 8			ET0, EW0	DDX		
2	04741660	1	1, 2, 3			EL0, EM0	DDP		VENT, Transmission
		1	6, 7, 8			EL0, EM0	DDP		
		1	1, 2, 3			ET0, EW0	DDX		
		1	6, 7, 8			ET0, EW0	DDX		
3	04638633	1	1, 2, 3			EL0, EM0	DDP		CLIP, Vent Tube
		1	6, 7, 8			EL0, EM0	DDP		
		1	1, 2, 3			ET0, EW0	DDX		
		1	6, 7, 8			ET0, EW0	DDX		
4	01664355	2	1, 2, 3			EL0, EM0	DDP		PIN, Shift Fork
		2	6, 7, 8			EL0, EM0	DDP		
		2	1, 2, 3			ET0, EW0	DDX		
		2	6, 7, 8			ET0, EW0	DDX		
5	05003214AA	1	1, 2, 3			EL0, EM0	DDP		SPACER, Shift Tower
		1	6, 7, 8			EL0, EM0	DDP		
		1	1, 2, 3			ET0, EW0	DDX		
		1	6, 7, 8			ET0, EW0	DDX		

RAM PICKUP/CLUB CAB (BE)

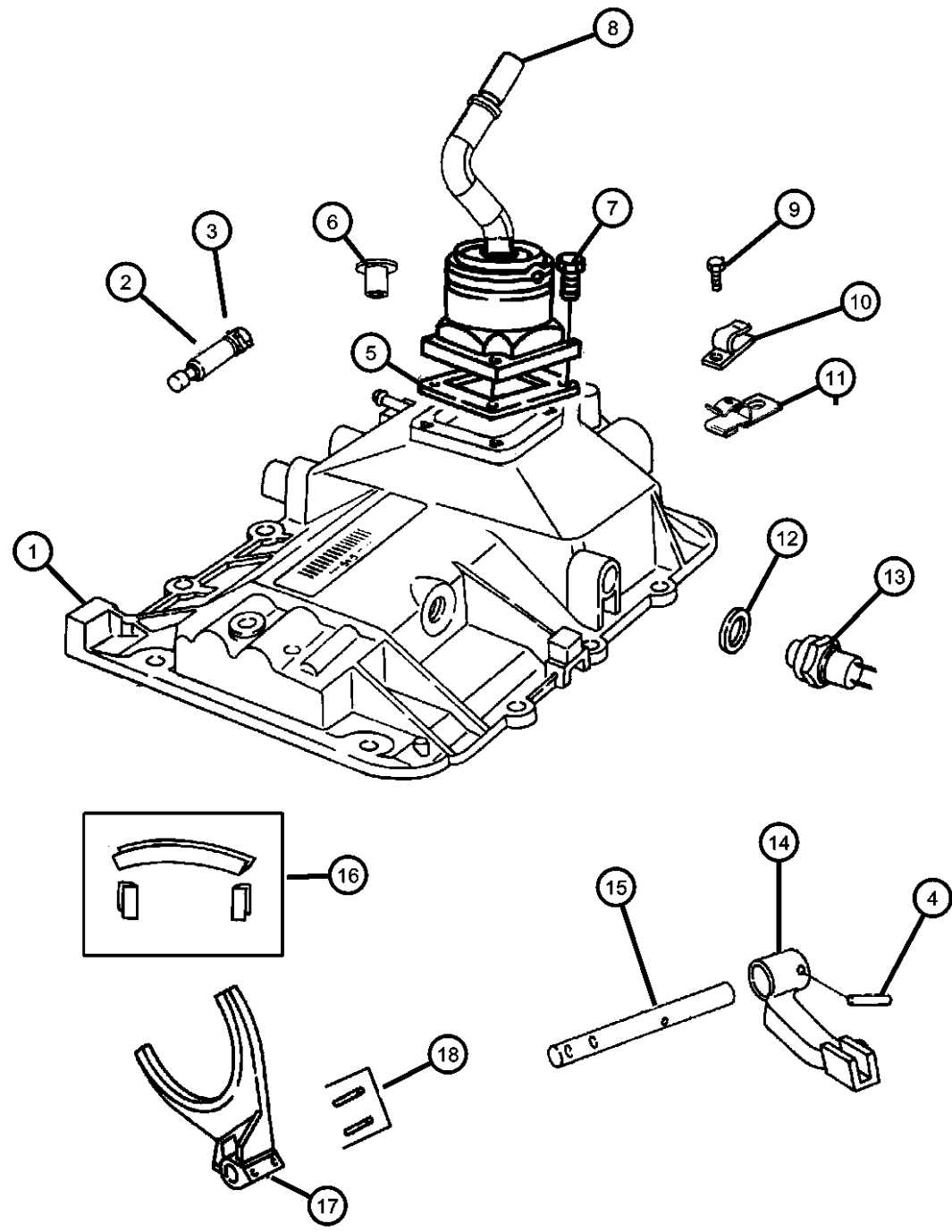
SERIES	LINE
L = Ram Truck	3 = HD DODGE 2WD
(All)	8 = HD DODGE 4WD
	1 = Lt. Duty DODGE 2WD
	6 = Lt. Duty DODGE 4WD
	2 = Med. Duty DODGE 2WD
	7 = Med. Duty DODGE 4WD

BODY	ENGINE	TRANSMISSION
31 = CLUB CAB 2-DR 6.5 FT BOX	ELF = ENGINE - 5.2L V8 MPI	DDC = TRANSMISSION - 5-SPEED HD MANUAL
32 = CLUB CAB 2-DR 8FT BOX	EML = ENGINE - 5.9L V8 MPI	DDP = TRANSMISSION - 5-SPEED MANUAL
33 = QUAD CAB 4-DR 6.5 FT BOX	EMM = ENGINE - "MAGNUM" 5.9L SMPI V8	DDX = TRANSMISSION - 5-SPEED HD MANUAL
34 = QUAD CAB 4-DR 8FT BOX	ETC = ENGINE- 5.9L CUMMINS 24V DIESEL	DEE = TRANSMISSION - 6-SPEED HD MANUAL
	ETH = ENGINE- 5.9L HO CUMMINS TURBO DIESEL	DGP = TRANSMISSION - 4-SPD. AUTOMATIC, 47RE
	EWA = ENGINE - 8.0L V10 MPI	DGT = TRANSMISSION - 4-SPD. AUTOMATIC, 46RE

AR = use ase required - = Non illustrated part

2000 BE

Forks And Controls 5 Speed - 4500 [DDP][DDX]  
Figure 4500-910



ITEM	PART NUMBER	QTY	LINE	SERIES	BODY	ENGINE	TRANS	TRIM	DESCRIPTION
6	05003212AA	4	1, 2, 3			EL0, EM0	DDP		BUSHING, Gearshift Lever
		4	6, 7, 8			EL0, EM0	DDP		
		4	1, 2, 3			ET0, EW0	DDX		
		4	6, 7, 8			ET0, EW0	DDX		
7	05003213AA	4	1, 2, 3			EL0, EM0	DDP		BOLT
		4	6, 7, 8			EL0, EM0	DDP		
		4	1, 2, 3			ET0, EW0	DDX		
		4	6, 7, 8			ET0, EW0	DDX		
8	05003211AA	1	1, 2, 3			EL0, EM0	DDP		LEVER, Gearshift
		1	6, 7, 8			EL0, EM0	DDP		
		1	1, 2, 3			ET0, EW0	DDX		
		1	6, 7, 8			ET0, EW0	DDX		
9	00181088	10	1, 2, 3			EL0, EM0	DDP		BOLT, Hex Head, .312-18x1.00
		10	6, 7, 8			EL0, EM0	DDP		
		10	1, 2, 3			ET0, EW0	DDX		
		10	6, 7, 8			ET0, EW0	DDX		
10	52118181	5	1, 2, 3			EL0, EM0	DDP		CLIP
		5	6, 7, 8			EL0, EM0	DDP		
		5	1, 2, 3			ET0, EW0	DDX		
		5	6, 7, 8			ET0, EW0	DDX		
11	06016203	1	6, 7, 8			EL0, EM0	DDP		CLIP, Vacuum Harness
		1	6, 7, 8			ET0, EW0	DDX		
12	01302807	1	1, 2, 3			EL0, EM0	DDP		GASKET, Back Up Lamp Switch

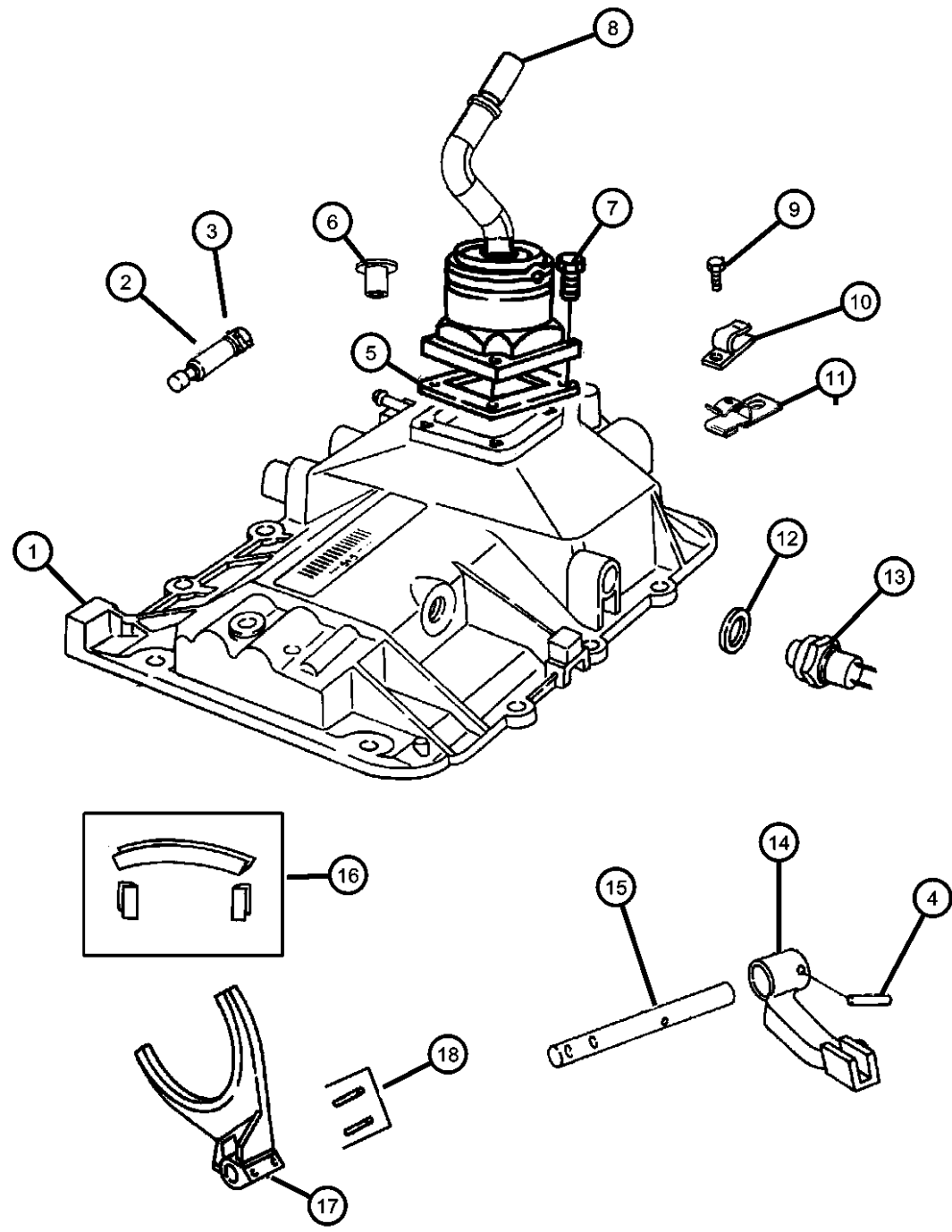
RAM PICKUP/CLUB CAB (BE)

SERIES	LINE
L = Ram Truck	3 = HD DODGE 2WD
(All)	8 = HD DODGE 4WD
	1 = Lt. Duty DODGE 2WD
	6 = Lt. Duty DODGE 4WD
	2 = Med. Duty DODGE 2WD
	7 = Med. Duty DODGE 4WD

BODY	ENGINE	TRANSMISSION
31 = CLUB CAB 2-DR 6.5 FT BOX	ELF = ENGINE - 5.2L V8 MPI	DDC = TRANSMISSION - 5-SPEED HD MANUAL
32 = CLUB CAB 2-DR 8FT BOX	EML = ENGINE - 5.9L V8 MPI	DDP = TRANSMISSION - 5-SPEED MANUAL
33 = QUAD CAB 4-DR 6.5 FT BOX	EMM = ENGINE - "MAGNUM" 5.9L SMPI V8	DDX = TRANSMISSION - 5-SPEED HD MANUAL
34 = QUAD CAB 4-DR 8FT BOX	ETC = ENGINE- 5.9L CUMMINS 24V DIESEL	DEE = TRANSMISSION - 6-SPEED HD MANUAL
	ETH = ENGINE- 5.9L HO CUMMINS TURBO DIESEL	DGP = TRANSMISSION - 4-SPD. AUTOMATIC, 47RE
	EWA = ENGINE - 8.0L V10 MPI	DGT = TRANSMISSION - 4-SPD. AUTOMATIC, 46RE

AR = use ase required - = Non illustrated part

Forks And Controls 5 Speed - 4500 [DDP][DDX]  
Figure 4500-910



ITEM	PART NUMBER	QTY	LINE	SERIES	BODY	ENGINE	TRANS	TRIM	DESCRIPTION
		1	6, 7, 8			ELO, EM0	DDP		
		1	1, 2, 3			ET0, EW0	DDX		
		1	6, 7, 8			ET0, EW0	DDX		
13	04741630	1	1, 2, 3			ELO, EM0	DDP		SWITCH, Back Up Lamp
		1	6, 7, 8			ELO, EM0	DDP		
		1	1, 2, 3			ET0, EW0	DDX		
		1	6, 7, 8			ET0, EW0	DDX		
14	04637692	1	1, 2, 3			ELO, EM0	DDP		LUG, Overdrive
		1	6, 7, 8			ELO, EM0	DDP		
		1	1, 2, 3			ET0, EW0	DDX		
		1	6, 7, 8			ET0, EW0	DDX		
15	04778216	1	1, 2, 3			ELO, EM0	DDP		RAIL, Over Drive Lug
		1	6, 7, 8			ELO, EM0	DDP		
		1	1, 2, 3			ET0, EW0	DDX		
		1	6, 7, 8			ET0, EW0	DDX		
16	05012019AA	1	1, 2, 3			ELO, EM0	DDP		PAD PACKAGE, Shift Fork
		1	6, 7, 8			ELO, EM0	DDP		
		1	1, 2, 3			ET0, EW0	DDX		
		1	6, 7, 8			ET0, EW0	DDX		
17	04773178	1	1, 2, 3			ELO, EM0	DDP		FORK, Transmission
		1	6, 7, 8			ELO, EM0	DDP		
		1	1, 2, 3			ET0, EW0	DDX		
		1	6, 7, 8			ET0, EW0	DDX		
18	01664355	2	1, 2, 3			ELO, EM0	DDP		PIN, Shift Fork

RAM PICKUP/CLUB CAB (BE)

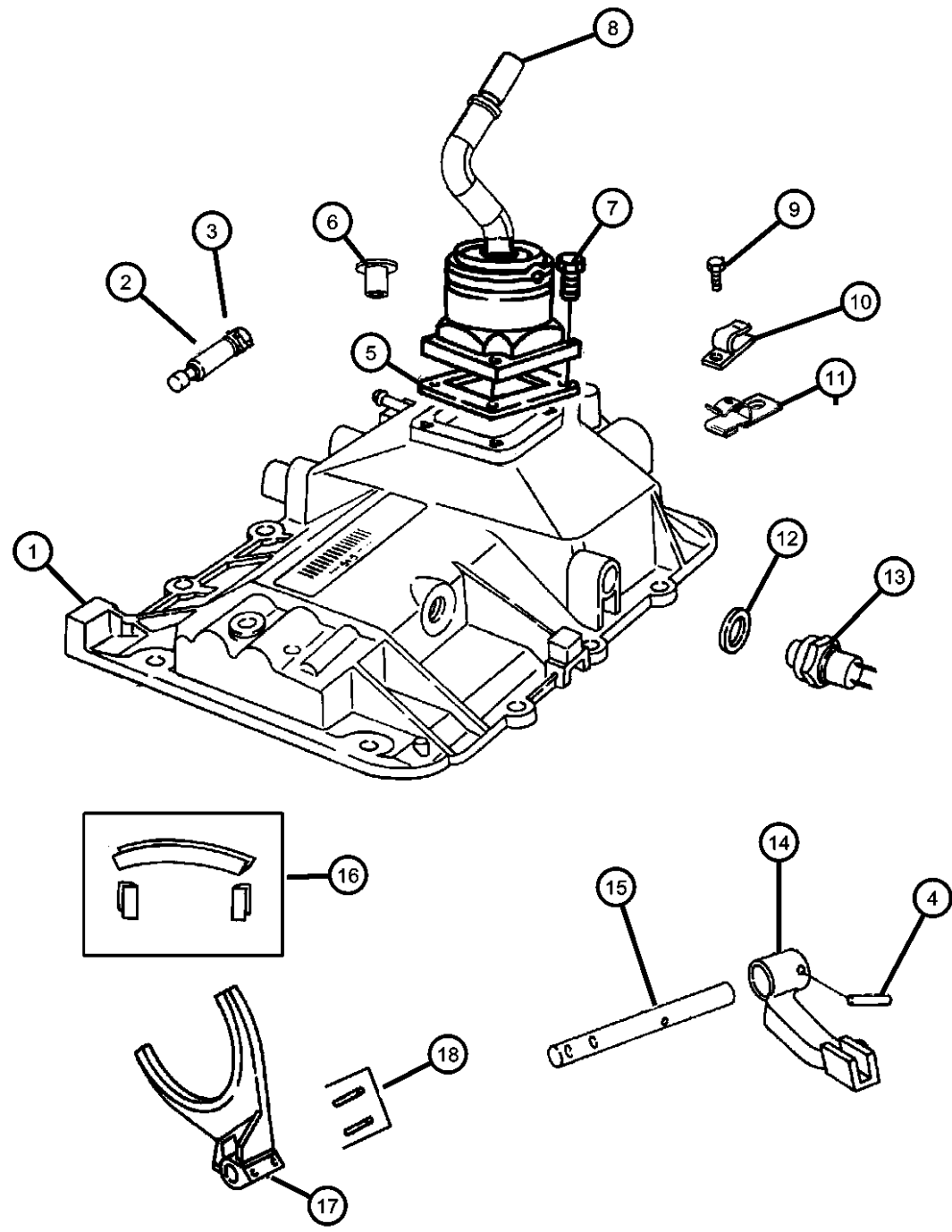
SERIES	LINE	BODY	ENGINE	TRANSMISSION
L = Ram Truck (All)	3 = HD DODGE 2WD	31 = CLUB CAB 2-DR 6.5 FT BOX	ELF = ENGINE - 5.2L V8 MPI	DDC = TRANSMISSION - 5-SPEED HD MANUAL
	8 = HD DODGE 4WD	32 = CLUB CAB 2-DR 8FT BOX	EML = ENGINE - 5.9L V8 MPI	DDP = TRANSMISSION - 5-SPEED MANUAL
	1 = Lt. Duty DODGE 2WD	33 = QUAD CAB 4-DR 6.5 FT BOX	EMM = ENGINE - "MAGNUM" 5.9L SMPI V8	DDX = TRANSMISSION - 5-SPEED HD MANUAL
	6 = Lt. Duty DODGE 4WD	34 = QUAD CAB 4-DR 8FT BOX	ETC = ENGINE- 5.9L CUMMINS 24V DIESEL	DEE = TRANSMISSION - 6-SPEED HD MANUAL
	2 = Med. Duty DODGE 2WD		ETH = ENGINE- 5.9L HO CUMMINS TURBO DIESEL	DGP = TRANSMISSION - 4-SPD. AUTOMATIC,47RE
	7 = Med. Duty DODGE 4WD		EWA = ENGINE - 8.0L V10 MPI	DGT = TRANSMISSION - 4-SPD. AUTOMATIC,46RE

AR = use ase required - = Non illustrated part

Forks And Controls 5 Speed - 4500 [DDP][DDX]  
Figure 4500-910

ITEM	PART NUMBER	QTY	LINE	SERIES	BODY	ENGINE	TRANS	TRIM	DESCRIPTION
------	-------------	-----	------	--------	------	--------	-------	------	-------------

		2	6, 7, 8			EL0, EM0	DDP		
		2	1, 2, 3			ET0, EW0	DDX		
		2	6, 7, 8			ET0, EW0	DDX		

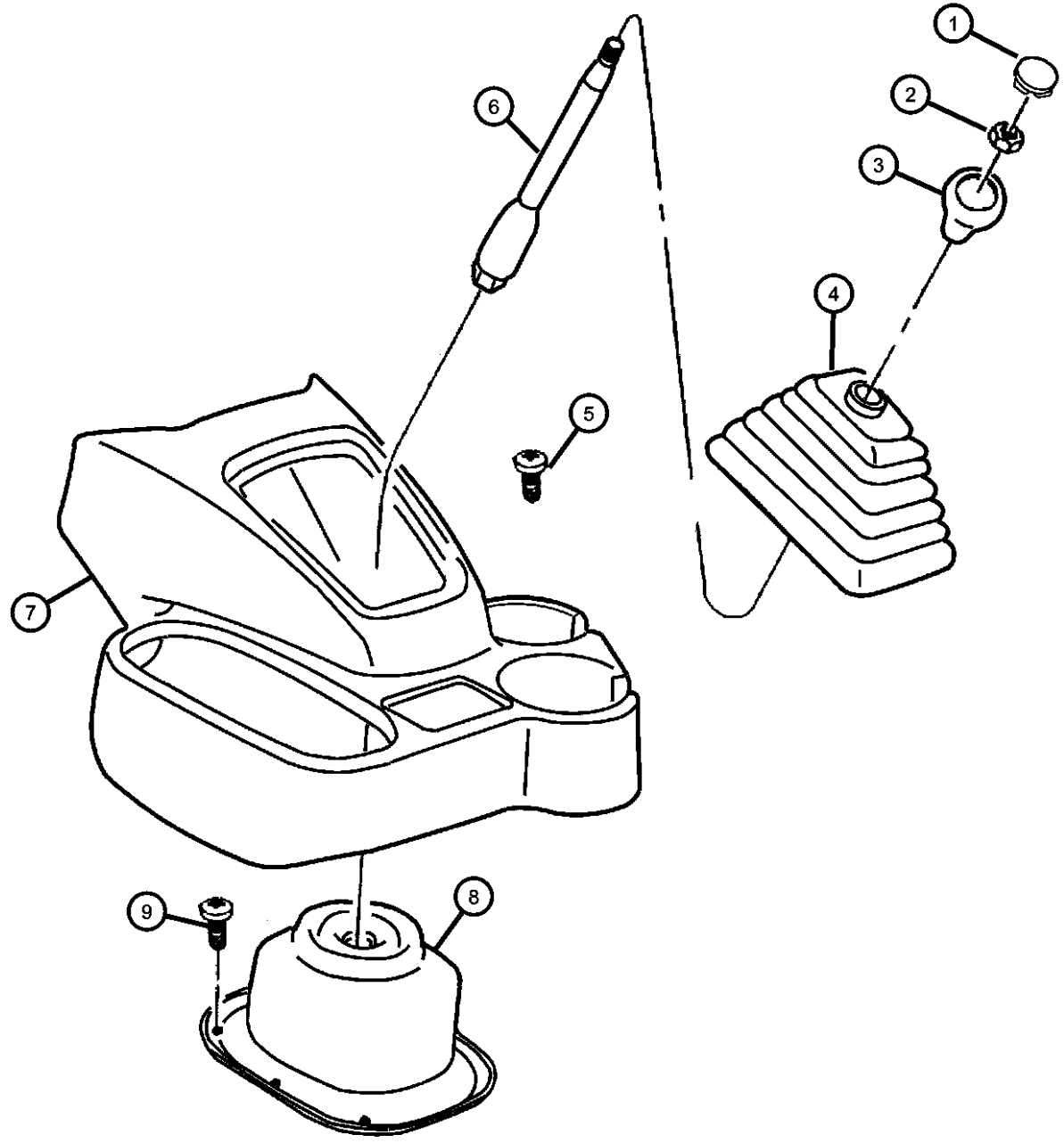


RAM PICKUP/CLUB CAB (BE)

SERIES	LINE	BODY	ENGINE	TRANSMISSION
L = Ram Truck (All)	3 = HD DODGE 2WD 8 = HD DODGE 4WD 1 = Lt. Duty DODGE 2WD 6 = Lt. Duty DODGE 4WD 2 = Med. Duty DODGE 2WD 7 = Med. Duty DODGE 4WD	31 = CLUB CAB 2-DR 6.5 FT BOX 32 = CLUB CAB 2-DR 8FT BOX 33 = QUAD CAB 4-DR 6.5 FT BOX 34 = QUAD CAB 4-DR 8FT BOX	ELF = ENGINE - 5.2L V8 MPI EML = ENGINE - 5.9L V8 MPI EMM = ENGINE - "MAGNUM" 5.9L SMPI V8 ETC = ENGINE- 5.9L CUMMINS 24V DIESEL ETH = ENGINE- 5.9L HO CUMMINS TURBO DIESEL EWA = ENGINE - 8.0L V10 MPI	DDC = TRANSMISSION - 5-SPEED HD MANUAL DDP = TRANSMISSION - 5-SPEED MANUAL DDX = TRANSMISSION - 5-SPEED HD MANUAL DEE = TRANSMISSION - 6-SPEED HD MANUAL DGP = TRANSMISSION - 4-SPD. AUTOMATIC,47RE DGT = TRANSMISSION - 4-SPD. AUTOMATIC,46RE

AR = use ase required - = Non illustrated part

**Gear Shift Controls 5 Speed - 4500 [DDP][DDX]  
Figure 4500-1210**



ITEM	PART NUMBER	QTY	LINE	SERIES	BODY	ENGINE	TRANS	TRIM	DESCRIPTION
------	-------------	-----	------	--------	------	--------	-------	------	-------------

NOTES: Sales Codes  
 [DDP] = 5 Speed Manual Transmission  
 [DDX] = 5 Speed Heavy Duty Manual Transmission  
 [EL0] = All 5.2L 8 Cylinder Gas Engines  
 [EM0] = All 5.9L 8 Cylinder Gas Engines  
 [ET0] = All 5.9L Turbo Diesels  
 [EW0] = All 8.0L Gas Engines

1	04446921	1					DD0		INSERT, Transmission Shift Knob
2	06502556	1					DBB		NUT, Hex, M10-1.5
3	52104174	1					DBB		KNOB, Gearshift
4	52107614AB	1					DBB		BOOT, Gear Shift Lever
5	06101946	6	1, 2, 3				DBB		SCREW, Tapping
6	52107612	1					DBB		LEVER, Gearshift
7									CONSOLE, Floor
	5EZ54LAZ	1					DBB		AGATE
	5EZ54RC8	1					DBB		DARK CIRRUS
	5EZ54VK9	1					DBB		DARK SUEDE
8	52107613AB	1					DBB		BOOT, Gear Shift Lever
9	06101946	6	1, 2, 3				DBB		SCREW, Tapping

**RAM PICKUP/CLUB CAB (BE)**

SERIES	LINE	BODY	ENGINE	TRANSMISSION
L = Ram Truck (All)	3 = HD DODGE 2WD 8 = HD DODGE 4WD 1 = Lt. Duty DODGE 2WD 6 = Lt. Duty DODGE 4WD 2 = Med. Duty DODGE 2WD 7 = Med. Duty DODGE 4WD	31 = CLUB CAB 2-DR 6.5 FT BOX 32 = CLUB CAB 2-DR 8FT BOX 33 = QUAD CAB 4-DR 6.5 FT BOX 34 = QUAD CAB 4-DR 8FT BOX	ELF = ENGINE - 5.2L V8 MPI EML = ENGINE - 5.9L V8 MPI EMM = ENGINE - "MAGNUM" 5.9L SMPI V8 ETC = ENGINE- 5.9L CUMMINS 24V DIESEL ETH = ENGINE- 5.9L HO CUMMINS TURBO DIESEL EWA = ENGINE - 8.0L V10 MPI	DDC = TRANSMISSION - 5-SPEED HD MANUAL DDP = TRANSMISSION - 5-SPEED MANUAL DDX = TRANSMISSION - 5-SPEED HD MANUAL DEE = TRANSMISSION - 6-SPEED HD MANUAL DGP = TRANSMISSION - 4-SPD. AUTOMATIC, 47RE DGT = TRANSMISSION - 4-SPD. AUTOMATIC, 46RE

AR = use ase required - = Non illustrated part

# Group - 5600

## Manual Transmission 6 Speed

### Group - 5600 Manual Transmission 6 Speed

Illustration Title

Group-Fig. No.

#### Transmission Assembly

Transmission - 5600 6 Speed [DEE]..... Fig. 5600 - 110

#### Case and Extension

Case and Related Parts - 5600 6 Speed [DEE]..... Fig. 5600 - 210

#### Gear Train

Gear Train - 5600 6 Speed [DEE]..... Fig. 5600 - 410

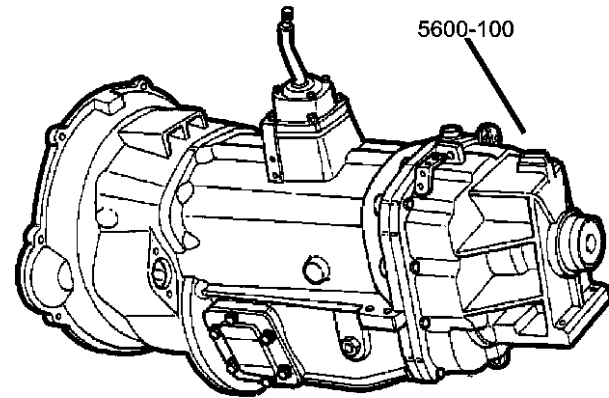
Gear Train - 5600 6 Speed [DEE]..... Fig. 5600 - 420

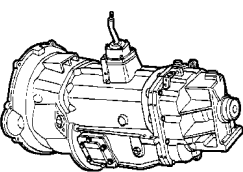
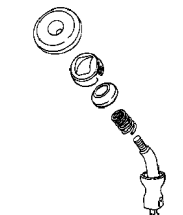
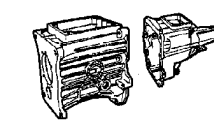
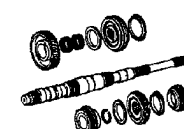
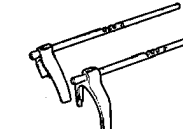
#### Fork and Rails

Fork and Rails - 5600 6 Speed [DEE] ..... Fig. 5600 - 910

#### Gear Shift Controls

Controls, Gearshift - 5600 6 Speed [DEE] ..... Fig. 5600 - 1210



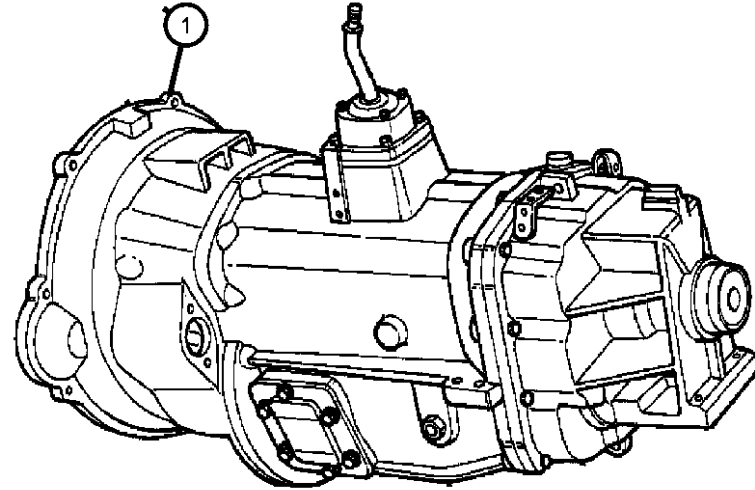
<p><b>5600-100</b> Transmission Assembly</p> 	<p><b>5600-1200</b> Gear Shift Controls</p> 	<p><b>5600-200</b> Case and Extension</p> 	<p><b>5600-400</b> Gear Train</p> 
<p><b>5600-900</b> Fork and Rails</p> 			

**Transmission - 5600 6 Speed [DEE]  
Figure 5600-110**

ITEM	PART NUMBER	QTY	LINE	SERIES	BODY	ENGINE	TRANS	TRIM	DESCRIPTION
------	-------------	-----	------	--------	------	--------	-------	------	-------------

NOTES: Sales Codes  
 [DEE] = 6 Speed Heavy Duty Manual Transmission  
 [ETC] = 5.9L Cummins 24V Diesel  
 [ETH] = 5.9L Cummins Turbo Diesel

1									TRANSMISSION, 6 speed
	52108401	1	1, 2, 3			ETC	DEE		
	52108402	1	6, 7, 8			ETC	DEE		
	52108501AA	1	1, 2, 3			ETH	DEE		
	52108502AA	1	6, 7, 8			ETH	DEE		



**RAM PICKUP/CLUB CAB (BE)**

SERIES	LINE	BODY	ENGINE	TRANSMISSION
L = Ram Truck (All)	3 = HD DODGE 2WD	31 = CLUB CAB 2-DR 6.5 FT BOX	ELF = ENGINE - 5.2L V8 MPI	DDC = TRANSMISSION - 5-SPEED HD MANUAL
	8 = HD DODGE 4WD	32 = CLUB CAB 2-DR 8FT BOX	EML = ENGINE - 5.9L V8 MPI	DDP = TRANSMISSION - 5-SPEED MANUAL
	1 = Lt. Duty DODGE 2WD	33 = QUAD CAB 4-DR 6.5 FT BOX	EMM = ENGINE - "MAGNUM" 5.9L SMPI V8	DDX = TRANSMISSION - 5-SPEED HD MANUAL
	6 = Lt. Duty DODGE 4WD	34 = QUAD CAB 4-DR 8FT BOX	ETC = ENGINE- 5.9L CUMMINS 24V DIESEL	DEE = TRANSMISSION - 6-SPEED HD MANUAL
	2 = Med. Duty DODGE 2WD		ETH = ENGINE- 5.9L HO CUMMINS TURBO DIESEL	DGP = TRANSMISSION - 4-SPD. AUTOMATIC,47RE
	7 = Med. Duty DODGE 4WD		EWA = ENGINE - 8.0L V10 MPI	DGT = TRANSMISSION - 4-SPD. AUTOMATIC,46RE

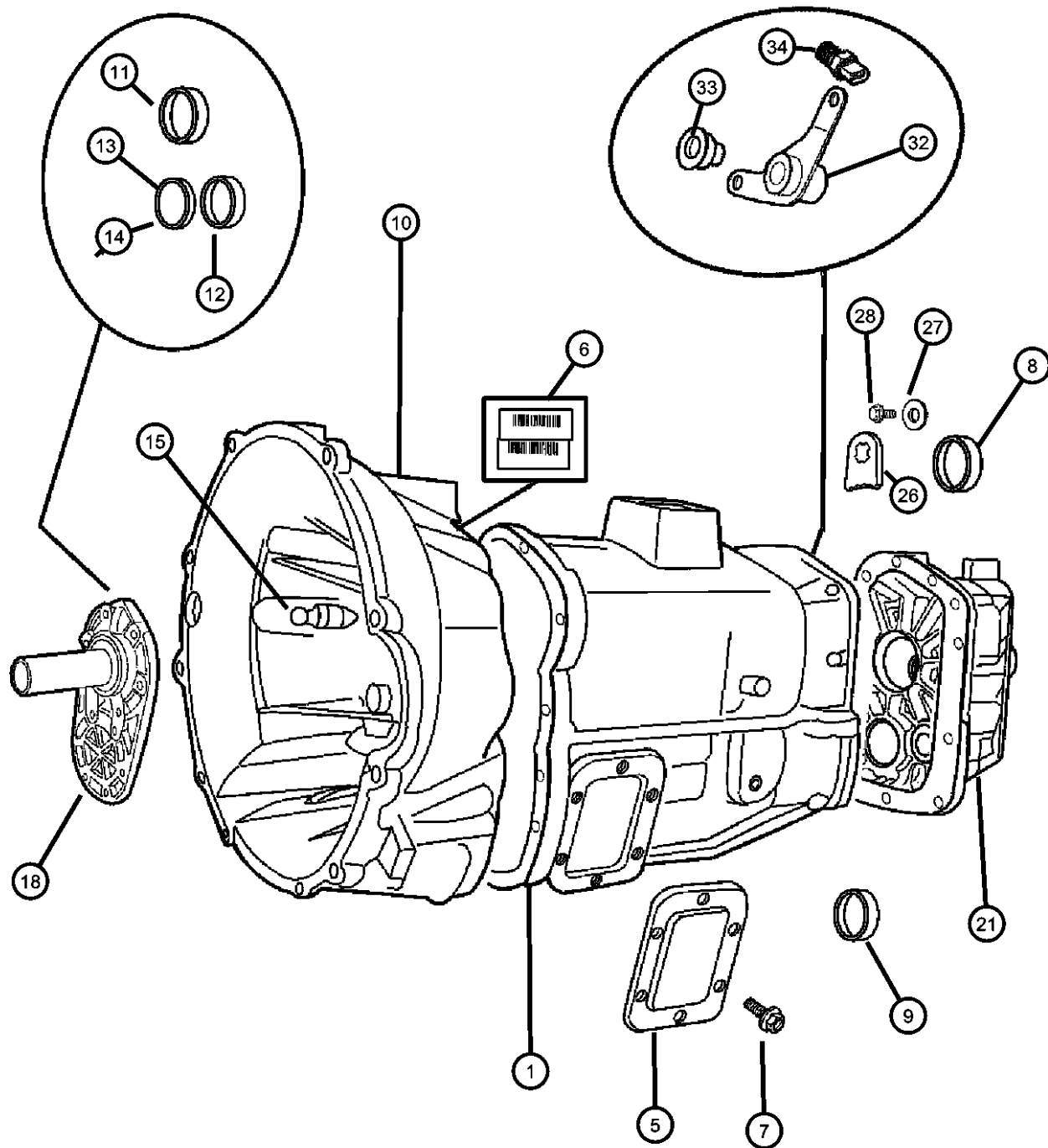
AR = use ase required - = Non illustrated part

2000 BE



Case and Related Parts - 5600 6 Speed [DEE]

Figure 5600-210



ITEM	PART NUMBER	QTY	LINE	SERIES	BODY	ENGINE	TRANS	TRIM	DESCRIPTION
------	-------------	-----	------	--------	------	--------	-------	------	-------------

NOTES; Sales Codes

- [DEE] = 6 Speed Heavy Duty Manual Transmission
- [ETC] = 5.9L Cummins 24V Diesel
- [ETH] = 5.9L HO Cummins Turbo Diesel
- [ET0] = All 5.9L Diesel Engines
- [EW0] = All 8.0L Gas Engines

1	05003578AA	1	1, 2, 3			ETH	DEE		CASE, Transmission
		1	6, 7, 8			ETH	DEE		
		1	1, 2, 3			ETC	DEE		
		1	6, 7, 8			ETC	DEE		
-2	04882280	1	1, 2, 3			ETH	DEE		PLUG, Oil Fill
		1	6, 7, 8			ETH	DEE		
		1	1, 2, 3			ETC	DEE		
		1	6, 7, 8			ETC	DEE		
-3	05003579AA	6	6, 7, 8			ETH	DEE		BUSHING, Shift Rail
		6	1, 2, 3			ETH	DEE		
		6	6, 7, 8			ETC	DEE		
		6	1, 2, 3			ETC	DEE		
-4	04761099	AR	1, 2, 3			ETH	DEE		PIN, Locating
		2	6, 7, 8			ETC	DEE		
		AR	6, 7, 8			ETC	DEE		
		AR	1, 2, 3			ETC	DEE		
5	00556875	2	1, 2, 3			ETH	DEE		COVER, Power Take Off
		1	6, 7, 8			ET0, EW0	DDX, DEE		
		2	6, 7, 8			ETC	DEE		
		2	1, 2, 3			ETC	DEE		
6									LABEL, Equipment Identification

RAM PICKUP/CLUB CAB (BE)

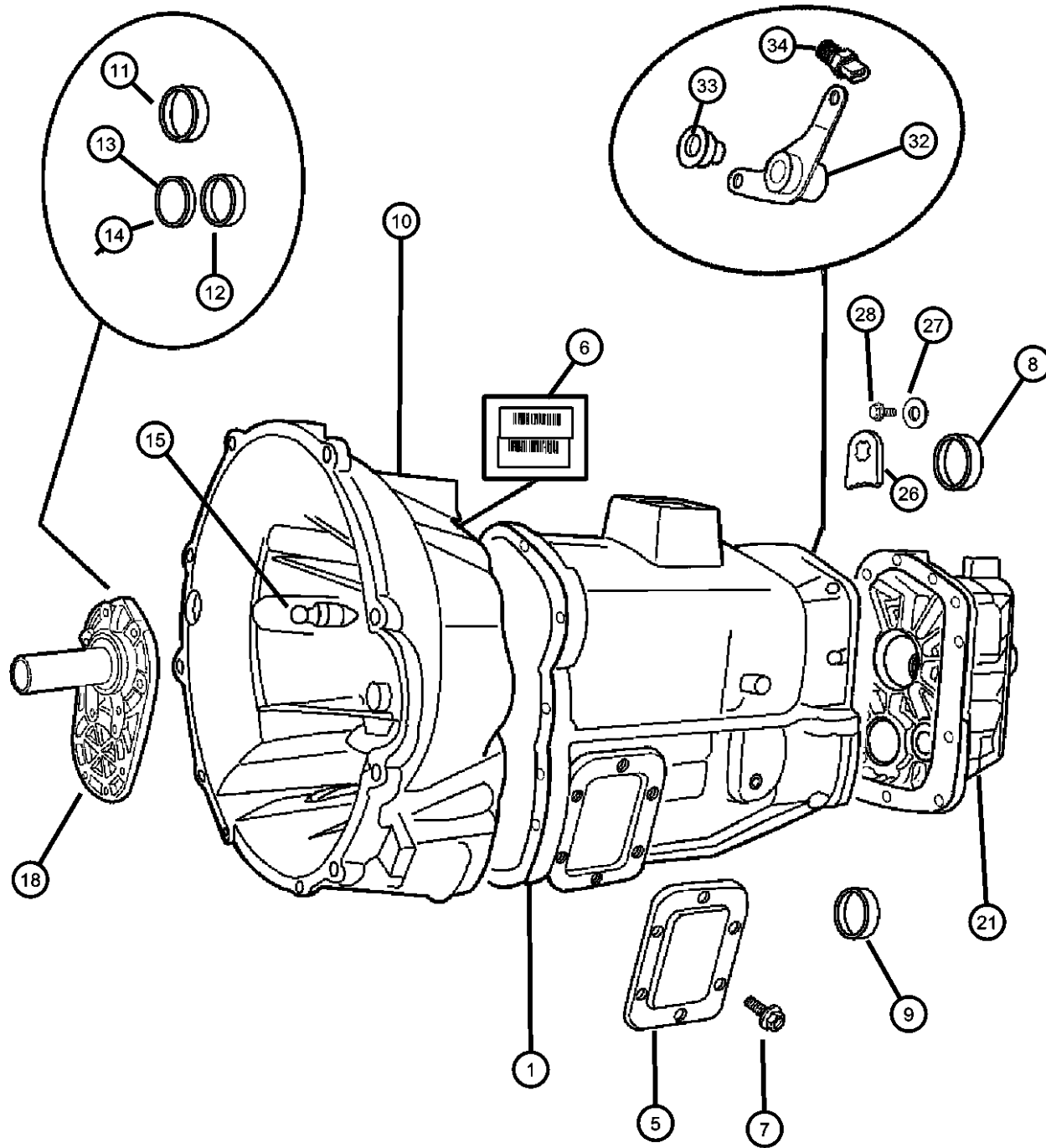
SERIES	LINE
L = Ram Truck (All)	3 = HD DODGE 2WD
	8 = HD DODGE 4WD
	1 = Lt. Duty DODGE 2WD
	6 = Lt. Duty DODGE 4WD
	2 = Med. Duty DODGE 2WD
	7 = Med. Duty DODGE 4WD

BODY	ENGINE	TRANSMISSION
31 = CLUB CAB 2-DR 6.5 FT BOX	ELF = ENGINE - 5.2L V8 MPI	DDC = TRANSMISSION - 5-SPEED HD MANUAL
32 = CLUB CAB 2-DR 8FT BOX	EML = ENGINE - 5.9L V8 MPI	DDP = TRANSMISSION - 5-SPEED HD MANUAL
33 = QUAD CAB 4-DR 6.5 FT BOX	EMM = ENGINE - "MAGNUM" 5.9L SMPI V8	DDX = TRANSMISSION - 5-SPEED HD MANUAL
34 = QUAD CAB 4-DR 8FT BOX	ETC = ENGINE- 5.9L CUMMINS 24V DIESEL	DEE = TRANSMISSION - 6-SPEED HD MANUAL
	ETH = ENGINE- 5.9L HO CUMMINS TURBO DIESEL	DGP = TRANSMISSION - 4-SPD. AUTOMATIC, 47RE
	EWA = ENGINE - 8.0L V10 MPI	DGT = TRANSMISSION - 4-SPD. AUTOMATIC, 46RE

AR = use ase required - = Non illustrated part

2000 BE

Case and Related Parts - 5600 6 Speed [DEE]  
Figure 5600-210



ITEM	PART NUMBER	QTY	LINE	SERIES	BODY	ENGINE	TRANS	TRIM	DESCRIPTION
	05016174AA	1	1, 2, 3			ETH	DEE		
		1	6, 7, 8			ETH	DEE		
		1	1, 2, 3			ETC	DEE		
		1	6, 7, 8			ETC	DEE		
7	05015221AA	12	1, 2, 3			ETH	DEE		SCREW
		12	6, 7, 8			ETH	DEE		
		12	6, 7, 8			ETC	DEE		
		12	1, 2, 3			ETC	DEE		
8	05003580AA	1	1, 2, 3			ETH	DEE		BEARING CUP, Output Shaft
		1	6, 7, 8			ETH	DEE		
		1	1, 2, 3			ETC	DEE		
		1	6, 7, 8			ETC	DEE		
9	05012134AA	1	1, 2, 3			ETH	DEE		CUP, Bearing Inner
		1	6, 7, 8			ETH	DEE		[Timken# 554241]
		1	1, 2, 3			ETC	DEE		[Timken# 554241]
		1	6, 7, 8			ETC	DEE		[Timken# 554241]
10	05003582AA	1	1, 2, 3			ETH	DEE		HOUSING, Clutch
		1	6, 7, 8			ETH	DEE		
		1	1, 2, 3			ETC	DEE		
		1	6, 7, 8			ETC	DEE		
11	05003583AA	1	1, 2, 3			ETH	DEE		BEARING CUP, Input Shaft
		1	6, 7, 8			ETH	DEE		
		1	1, 2, 3			ETC	DEE		
		1	6, 7, 8			ETC	DEE		
12									BEARING CUP, Output Shaft

RAM PICKUP/CLUB CAB (BE)

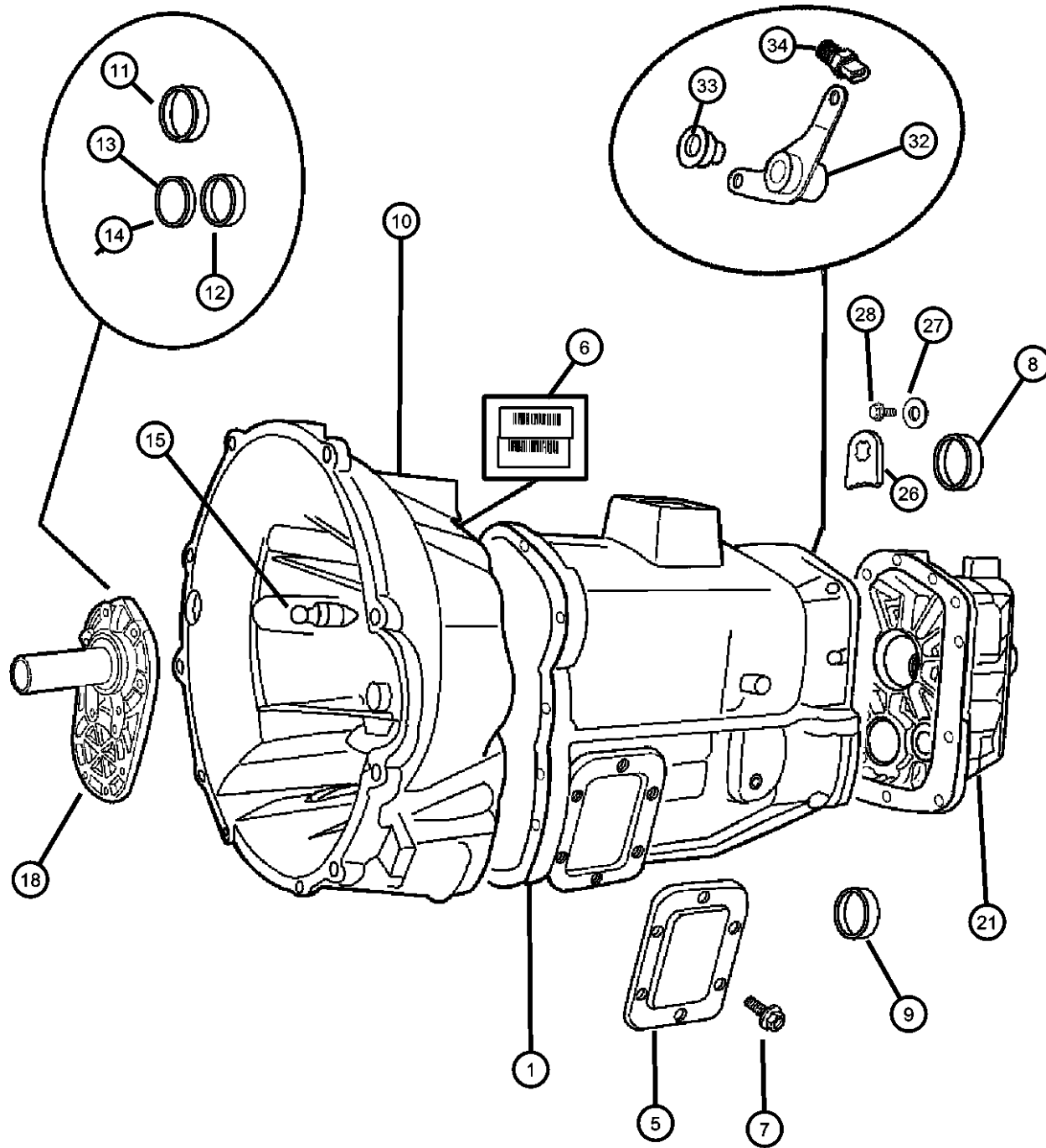
SERIES	LINE
L = Ram Truck	3 = HD DODGE 2WD
(All)	8 = HD DODGE 4WD
	1 = Lt. Duty DODGE 2WD
	6 = Lt. Duty DODGE 4WD
	2 = Med. Duty DODGE 2WD
	7 = Med. Duty DODGE 4WD

BODY	ENGINE	TRANSMISSION
31 = CLUB CAB 2-DR 6.5 FT BOX	ELF = ENGINE - 5.2L V8 MPI	DDC = TRANSMISSION - 5-SPEED HD MANUAL
32 = CLUB CAB 2-DR 8FT BOX	EML = ENGINE - 5.9L V8 MPI	DDP = TRANSMISSION - 5-SPEED MANUAL
33 = QUAD CAB 4-DR 6.5 FT BOX	EMM = ENGINE - "MAGNUM" 5.9L SMPI V8	DDX = TRANSMISSION - 5-SPEED HD MANUAL
34 = QUAD CAB 4-DR 8FT BOX	ETC = ENGINE- 5.9L CUMMINS 24V DIESEL	DEE = TRANSMISSION - 6-SPEED HD MANUAL
	ETH = ENGINE- 5.9L HO CUMMINS TURBO DIESEL	DGP = TRANSMISSION - 4-SPD. AUTOMATIC, 47RE
	EWA = ENGINE - 8.0L V10 MPI	DGT = TRANSMISSION - 4-SPD. AUTOMATIC, 46RE

AR = use ase required - = Non illustrated part

2000 BE

Case and Related Parts - 5600 6 Speed [DEE]  
Figure 5600-210



ITEM	PART NUMBER	QTY	LINE	SERIES	BODY	ENGINE	TRANS	TRIM	DESCRIPTION
	05003584AA	1	1, 2, 3			ETH	DEE		
		1	6, 7, 8			ETH	DEE		
		1	1, 2, 3			ETC	DEE		
		1	6, 7, 8			ETC	DEE		
13	05010048AA	1	1, 2, 3			ETC	DEE		GUIDE, Oil
		1	6, 7, 8			ETC	DEE		
	05015205AA	1	1, 2, 3			ETH	DEE		
		1	6, 7, 8			ETH	DEE		
14	05012112AA	1	1, 2, 3			ETH	DEE		GUIDE, Oil
		1	6, 7, 8			ETH	DEE		
		1	1, 2, 3			ETC	DEE		
		1	6, 7, 8			ETC	DEE		
15	52087542	1	1, 2, 3			ETH	DEE		PIVOT, Clutch Release
		1	6, 7, 8			ETH	DEE		
		1	1, 2, 3			ETC	DEE		
		1	6, 7, 8			ETC	DEE		
-16	06022190	1	1, 2, 3			ETH	DEE		WASHER, Clutch Pivot
		1	6, 7, 8			ETH	DEE		
		1	1, 2, 3			ETC	DEE		
		1	6, 7, 8			ETC	DEE		
-17	05222757	2	1, 2, 3			ETH	DEE		DOWEL
		2	6, 7, 8			ETH	DEE		
		2	1, 2, 3			ETC	DEE		
		2	6, 7, 8			ETC	DEE		

RAM PICKUP/CLUB CAB (BE)

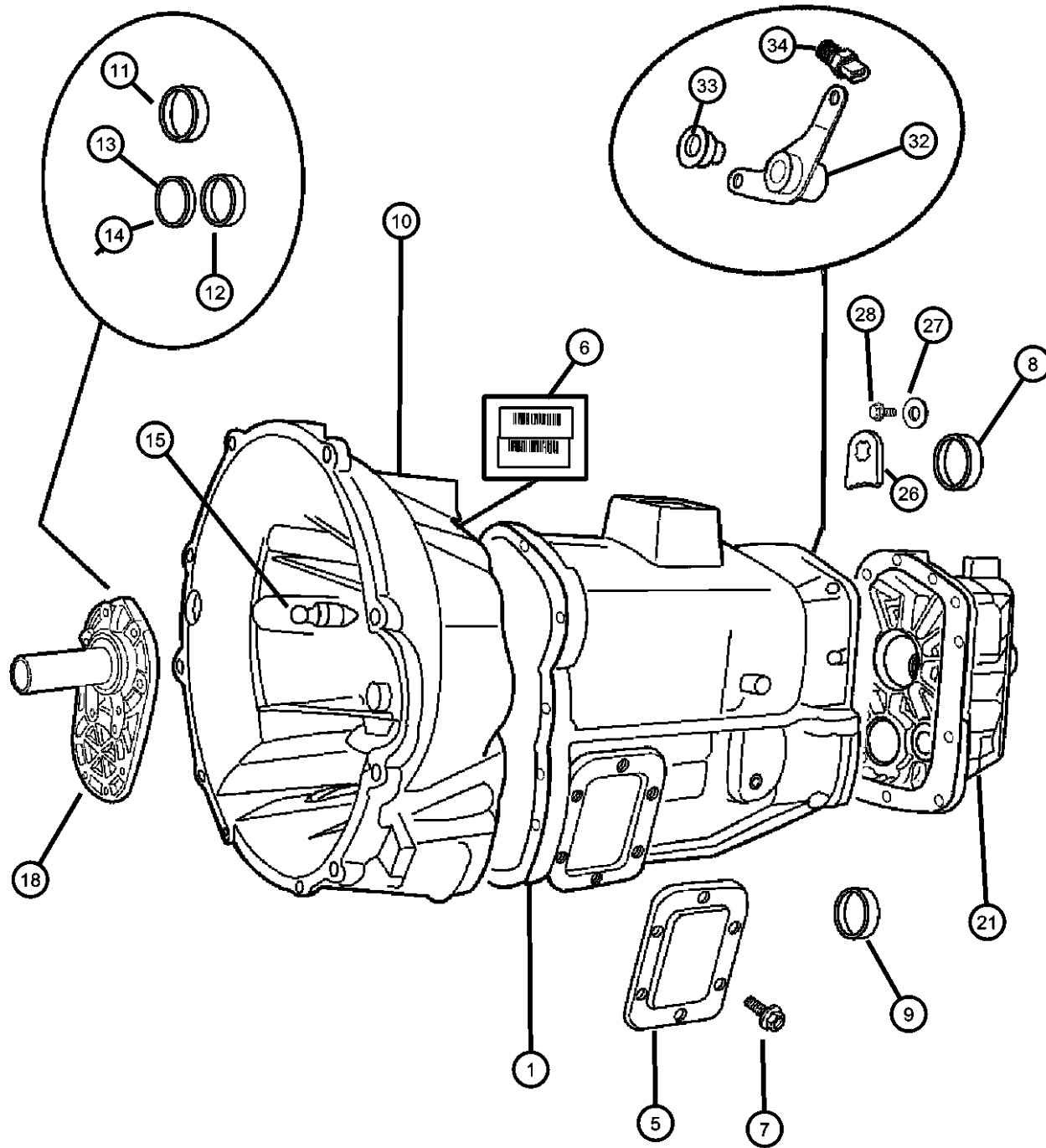
SERIES	LINE
L = Ram Truck	3 = HD DODGE 2WD
(All)	8 = HD DODGE 4WD
	1 = Lt. Duty DODGE 2WD
	6 = Lt. Duty DODGE 4WD
	2 = Med. Duty DODGE 2WD
	7 = Med. Duty DODGE 4WD

BODY	ENGINE	TRANSMISSION
31 = CLUB CAB 2-DR 6.5 FT BOX	ELF = ENGINE - 5.2L V8 MPI	DDC = TRANSMISSION - 5-SPEED HD MANUAL
32 = CLUB CAB 2-DR 8FT BOX	EML = ENGINE - 5.9L V8 MPI	DDP = TRANSMISSION - 5-SPEED MANUAL
33 = QUAD CAB 4-DR 6.5 FT BOX	EMM = ENGINE - "MAGNUM" 5.9L SMPI V8	DDX = TRANSMISSION - 5-SPEED HD MANUAL
34 = QUAD CAB 4-DR 8FT BOX	ETC = ENGINE- 5.9L CUMMINS 24V DIESEL	DEE = TRANSMISSION - 6-SPEED HD MANUAL
	ETH = ENGINE- 5.9L HO CUMMINS TURBO DIESEL	DGP = TRANSMISSION - 4-SPD. AUTOMATIC, 47RE
	EWA = ENGINE - 8.0L V10 MPI	DGT = TRANSMISSION - 4-SPD. AUTOMATIC, 46RE

AR = use ase required - = Non illustrated part

2000 BE

Case and Related Parts - 5600 6 Speed [DEE]  
Figure 5600-210



ITEM	PART NUMBER	QTY	LINE	SERIES	BODY	ENGINE	TRANS	TRIM	DESCRIPTION
18									RETAINER, Transmission Input Shaft
	05012114AA	1	1, 2, 3			ETC	DEE		
		1	6, 7, 8			ETC	DEE		
	05015213AA	1	1, 2, 3			ETH	DEE		
		1	6, 7, 8			ETH	DEE		
-19									GUIDE, Oil
	05012113AA	1	1, 2, 3			ETC	DEE		
		1	6, 7, 8			ETC	DEE		
-20									SEAL, Input
	05012115AA	1	1, 2, 3			ETC	DEE		
		1	6, 7, 8			ETC	DEE		
	05015214AA	1	1, 2, 3			ETH	DEE		
		1	6, 7, 8			ETH	DEE		
21									HOUSING, Transmission Rear Extension
	05003585AA	1	1, 2, 3			ETH	DEE		
		1	1, 2, 3			ETC	DEE		
	05003586AA	1	6, 7, 8			ETH	DEE		
		1	6, 7, 8			ETC	DEE		
-22									VENT, Transmission
	04740901	1	1, 2, 3			ETH	DEE		
		1	6, 7, 8			ETH	DEE		
		1	1, 2, 3			ETC	DEE		
		1	6, 7, 8			ETC	DEE		
-23									BUSHING, Crossover Shaft
	05003587AA	1	1, 2, 3			ETH	DEE		
		1	6, 7, 8			ETH	DEE		
		1	1, 2, 3			ETC	DEE		
		1	6, 7, 8			ETC	DEE		
-24									SEAL, Adapter

RAM PICKUP/CLUB CAB (BE)

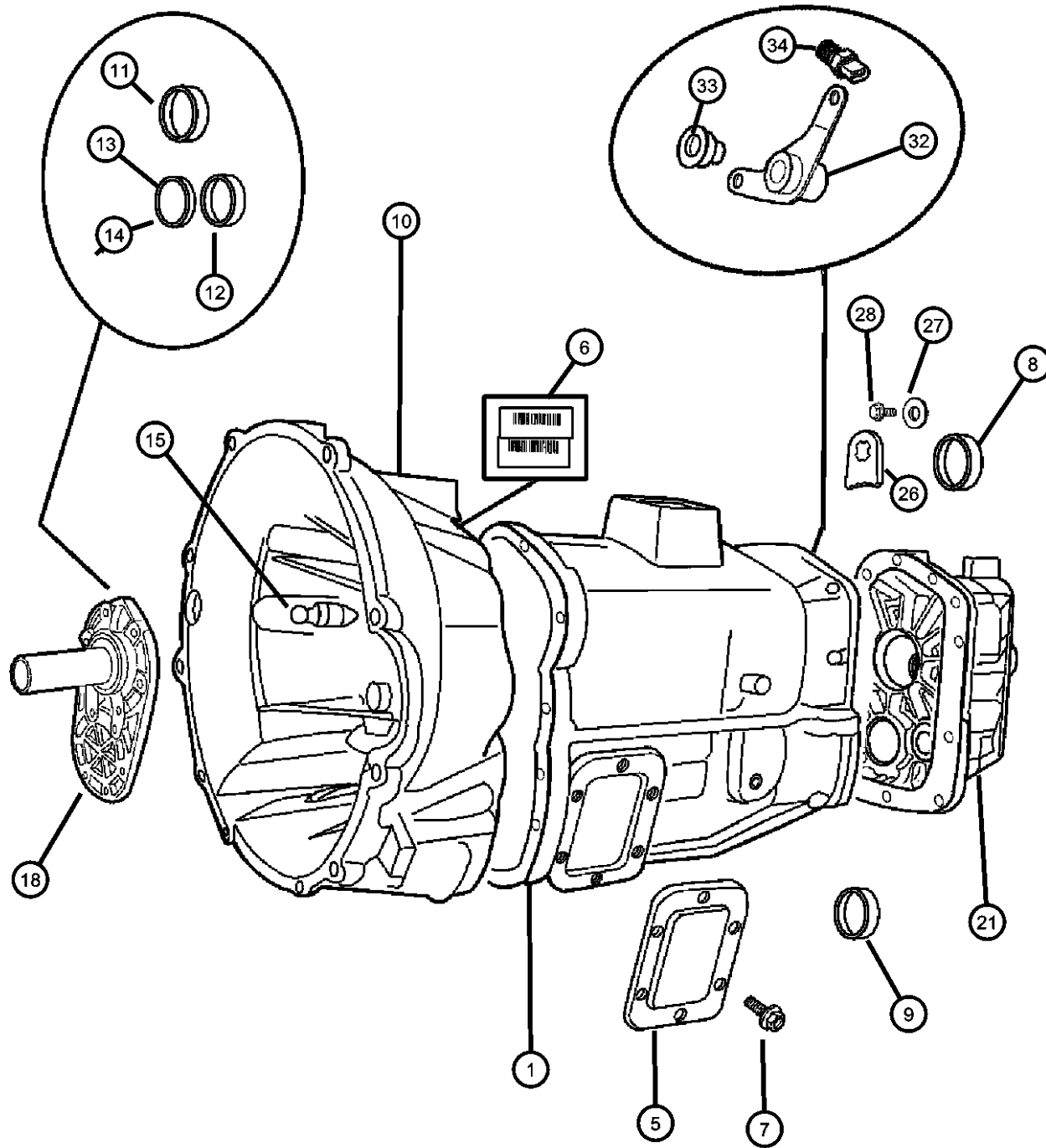
SERIES	LINE
L = Ram Truck (All)	3 = HD DODGE 2WD
	8 = HD DODGE 4WD
	1 = Lt. Duty DODGE 2WD
	6 = Lt. Duty DODGE 4WD
	2 = Med. Duty DODGE 2WD
	7 = Med. Duty DODGE 4WD

BODY	ENGINE	TRANSMISSION
31 = CLUB CAB 2-DR 6.5 FT BOX	ELF = ENGINE - 5.2L V8 MPI	DDC = TRANSMISSION - 5-SPEED HD MANUAL
32 = CLUB CAB 2-DR 8FT BOX	EML = ENGINE - 5.9L V8 MPI	DDP = TRANSMISSION - 5-SPEED MANUAL
33 = QUAD CAB 4-DR 6.5 FT BOX	EMM = ENGINE - "MAGNUM" 5.9L SMPI V8	DDX = TRANSMISSION - 5-SPEED HD MANUAL
34 = QUAD CAB 4-DR 8FT BOX	ETC = ENGINE- 5.9L CUMMINS 24V DIESEL	DEE = TRANSMISSION - 6-SPEED HD MANUAL
	ETH = ENGINE- 5.9L HO CUMMINS TURBO DIESEL	DGP = TRANSMISSION - 4-SPD. AUTOMATIC, 47RE
	EWA = ENGINE - 8.0L V10 MPI	DGT = TRANSMISSION - 4-SPD. AUTOMATIC, 46RE

AR = use ase required - = Non illustrated part

2000 BE

Case and Related Parts - 5600 6 Speed [DEE]  
Figure 5600-210



ITEM	PART NUMBER	QTY	LINE	SERIES	BODY	ENGINE	TRANS	TRIM	DESCRIPTION
	04269956	1	6, 7, 8			ETH	DEE		
		1	6, 7, 8			ETC	DEE		
	04741920	1	1, 2, 3			ETH	DEE		
		1	1, 2, 3			ETC	DEE		
-25									BUSHING, Extension Housing
	05003210AA	1	1, 2, 3			ETH	DEE		
		1	1, 2, 3			ETC	DEE		
26									CAM, Alignment
	05011966AA	1	1, 2, 3			ETH	DEE		
		1	6, 7, 8			ETH	DEE		
		1	1, 2, 3			ETC	DEE		
		1	6, 7, 8			ETC	DEE		
27									WASHER
	06100880	1	1, 2, 3			ETH	DEE		
		1	6, 7, 8			ETH	DEE		
		1	1, 2, 3			ETC	DEE		
		1	6, 7, 8			ETC	DEE		
28									BOLT, Hex Head, M8x1.25x16
	06501474	1	1, 2, 3			ETH	DEE		
		1	6, 7, 8			ETH	DEE		
		1	1, 2, 3			ETC	DEE		
		1	6, 7, 8			ETC	DEE		
-29									PLUNGER
	05003589AA	1	1, 2, 3			ETH	DEE		
		1	6, 7, 8			ETH	DEE		
		1	1, 2, 3			ETC	DEE		
		1	6, 7, 8			ETC	DEE		
-30									SPRING, Crossover Lever
	05011967AB	1	1, 2, 3			ETH	DEE		
		1	6, 7, 8			ETH	DEE		

RAM PICKUP/CLUB CAB (BE)

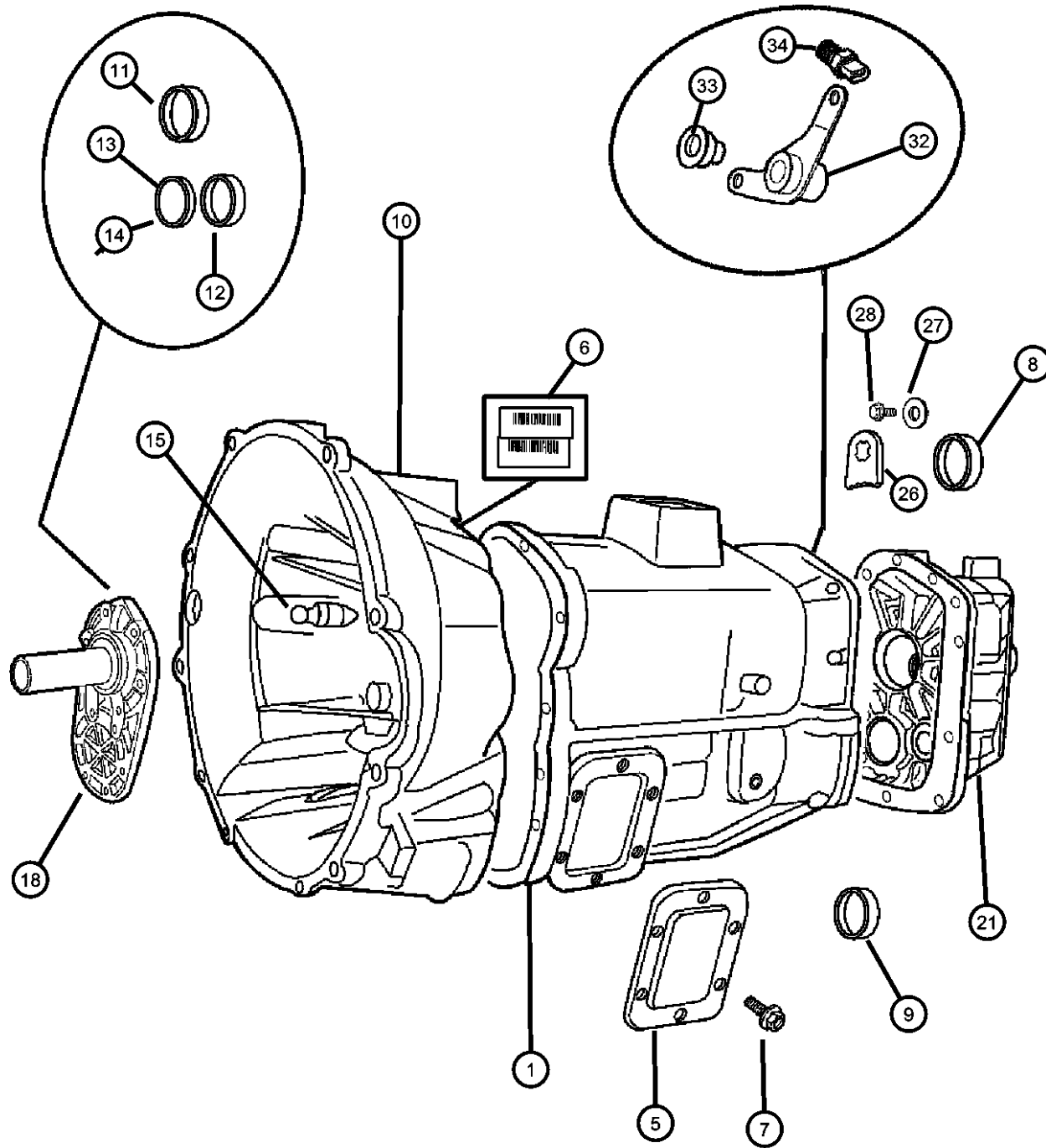
SERIES	LINE
L = Ram Truck (All)	3 = HD DODGE 2WD
	8 = HD DODGE 4WD
	1 = Lt. Duty DODGE 2WD
	6 = Lt. Duty DODGE 4WD
	2 = Med. Duty DODGE 2WD
	7 = Med. Duty DODGE 4WD

BODY	ENGINE	TRANSMISSION
31 = CLUB CAB 2-DR 6.5 FT BOX	ELF = ENGINE - 5.2L V8 MPI	DDC = TRANSMISSION - 5-SPEED HD MANUAL
32 = CLUB CAB 2-DR 8FT BOX	EML = ENGINE - 5.9L V8 MPI	DDP = TRANSMISSION - 5-SPEED MANUAL
33 = QUAD CAB 4-DR 6.5 FT BOX	EMM = ENGINE - "MAGNUM" 5.9L SMPI V8	DDX = TRANSMISSION - 5-SPEED HD MANUAL
34 = QUAD CAB 4-DR 8FT BOX	ETC = ENGINE- 5.9L CUMMINS 24V DIESEL	DEE = TRANSMISSION - 6-SPEED HD MANUAL
	ETH = ENGINE- 5.9L HO CUMMINS TURBO DIESEL	DGP = TRANSMISSION - 4-SPD. AUTOMATIC, 47RE
	EWA = ENGINE - 8.0L V10 MPI	DGT = TRANSMISSION - 4-SPD. AUTOMATIC, 46RE

AR = use ase required - = Non illustrated part

2000 BE

Case and Related Parts - 5600 6 Speed [DEE]  
Figure 5600-210



ITEM	PART NUMBER	QTY	LINE	SERIES	BODY	ENGINE	TRANS	TRIM	DESCRIPTION
		1	1, 2, 3			ETC	DEE		
		1	6, 7, 8			ETC	DEE		
-31									PLUG, Oil Fill, Plug w/Washer Detent
	04210616	1	1, 2, 3			ETH	DEE		
		1	6, 7, 8			ETH	DEE		
		AR	6, 7, 8			ETC	DEE		
		AR	1, 2, 3			ETC	DEE		
32									BRACKET, Exhaust Pipe to T/Case
	52103101	1	1, 2, 3			ETH	DEE		
		1	6, 7, 8			ETH	DEE		
		1	1, 2, 3			ETC	DEE		
		1	6, 7, 8			ETC	DEE		
33									BUSHING, Exhaust Hanger
	52085085	1	6, 7, 8			ETH	DEE		
		1	1, 2, 3			ETH	DEE		
		1	6, 7, 8			ETC	DEE		
		1	1, 2, 3			ETC	DEE		
34									SWITCH, Back Up Lamp
	56007270	1	1, 2, 3			ETH	DEE		
		1	6, 7, 8			ETH	DEE		
		1	1, 2, 3			ETC	DEE		
		1	6, 7, 8			ETC	DEE		
-35									GASKET, Back Up Lamp Switch
	05012138AA	1	1, 2, 3			ETH	DEE		
		1	6, 7, 8			ETH	DEE		
		1	1, 2, 3			ETC	DEE		
		1	6, 7, 8			ETC	DEE		
-36									CLIP
	53008550	2	1, 2, 3			ETH	DEE		

RAM PICKUP/CLUB CAB (BE)

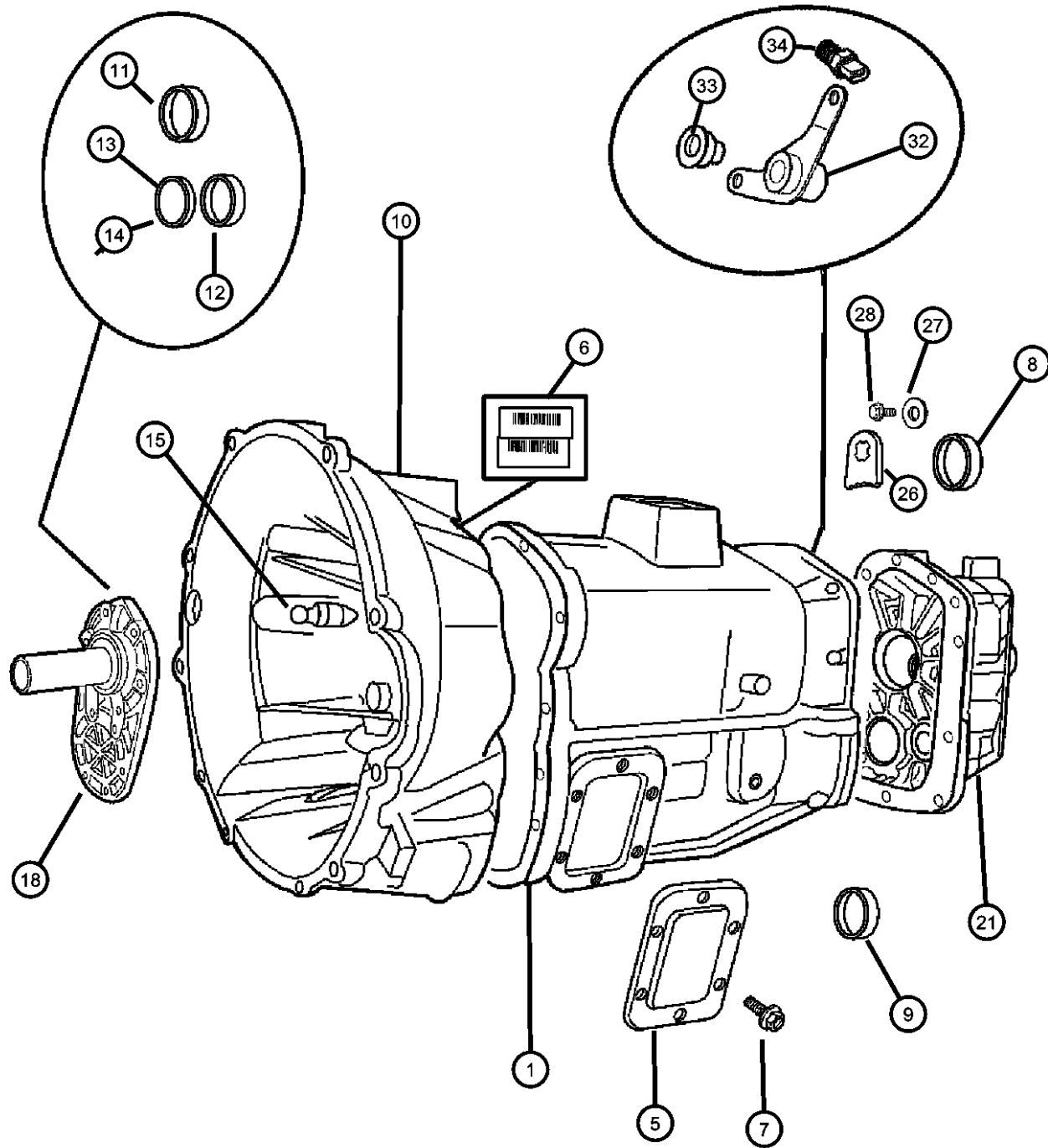
SERIES	LINE
L = Ram Truck (All)	3 = HD DODGE 2WD
	8 = HD DODGE 4WD
	1 = Lt. Duty DODGE 2WD
	6 = Lt. Duty DODGE 4WD
	2 = Med. Duty DODGE 2WD
	7 = Med. Duty DODGE 4WD

BODY	ENGINE	TRANSMISSION
31 = CLUB CAB 2-DR 6.5 FT BOX	ELF = ENGINE - 5.2L V8 MPI	DDC = TRANSMISSION - 5-SPEED HD MANUAL
32 = CLUB CAB 2-DR 8FT BOX	EML = ENGINE - 5.9L V8 MPI	DDP = TRANSMISSION - 5-SPEED MANUAL
33 = QUAD CAB 4-DR 6.5 FT BOX	EMM = ENGINE - "MAGNUM" 5.9L SMPI V8	DDX = TRANSMISSION - 5-SPEED HD MANUAL
34 = QUAD CAB 4-DR 8FT BOX	ETC = ENGINE- 5.9L CUMMINS 24V DIESEL	DEE = TRANSMISSION - 6-SPEED HD MANUAL
	ETH = ENGINE- 5.9L HO CUMMINS TURBO DIESEL	DGP = TRANSMISSION - 4-SPD. AUTOMATIC, 47RE
	EWA = ENGINE - 8.0L V10 MPI	DGT = TRANSMISSION - 4-SPD. AUTOMATIC, 46RE

AR = use ase required - = Non illustrated part

2000 BE

Case and Related Parts - 5600 6 Speed [DEE]  
Figure 5600-210



ITEM	PART NUMBER	QTY	LINE	SERIES	BODY	ENGINE	TRANS	TRIM	DESCRIPTION
		2	1, 2, 3			ETC	DEE		
		2	6, 7, 8			ETC	DEE		
-37	05012136AA	1	1, 2, 3			ETH	DEE		CLIP, Wiring
		1	6, 7, 8			ETH	DEE		
		AR	1, 2, 3			ETC	DEE		
		AR	6, 7, 8			ETC	DEE		

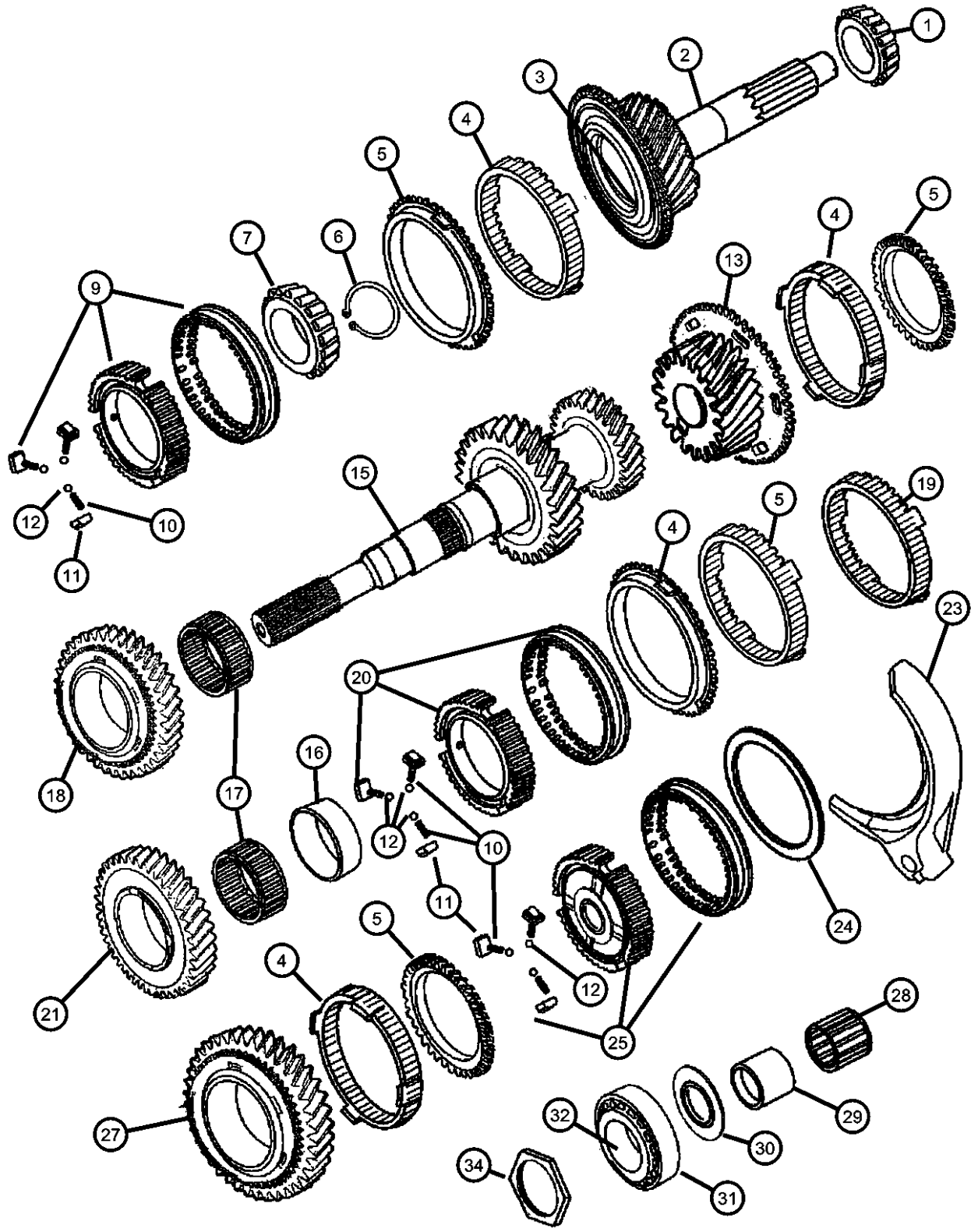
RAM PICKUP/CLUB CAB (BE)

SERIES	LINE
L = Ram Truck (All)	3 = HD DODGE 2WD
	8 = HD DODGE 4WD
	1 = Lt. Duty DODGE 2WD
	6 = Lt. Duty DODGE 4WD
	2 = Med. Duty DODGE 2WD
	7 = Med. Duty DODGE 4WD

BODY	ENGINE	TRANSMISSION
31 = CLUB CAB 2-DR 6.5 FT BOX	ELF = ENGINE - 5.2L V8 MPI	DDC = TRANSMISSION - 5-SPEED HD MANUAL
32 = CLUB CAB 2-DR 8FT BOX	EML = ENGINE - 5.9L V8 MPI	DDP = TRANSMISSION - 5-SPEED MANUAL
33 = QUAD CAB 4-DR 6.5 FT BOX	EMM = ENGINE - "MAGNUM" 5.9L SMPI V8	DDX = TRANSMISSION - 5-SPEED HD MANUAL
34 = QUAD CAB 4-DR 8FT BOX	ETC = ENGINE- 5.9L CUMMINS 24V DIESEL	DEE = TRANSMISSION - 6-SPEED HD MANUAL
	ETH = ENGINE- 5.9L HO CUMMINS TURBO DIESEL	DGP = TRANSMISSION - 4-SPD. AUTOMATIC, 47RE
	EWA = ENGINE - 8.0L V10 MPI	DGT = TRANSMISSION - 4-SPD. AUTOMATIC, 46RE

AR = use ase required - = Non illustrated part

**Gear Train - 5600 6 Speed [DEE]  
Figure 5600-410**



ITEM	PART NUMBER	QTY	LINE	SERIES	BODY	ENGINE	TRANS	TRIM	DESCRIPTION
NOTES; Sales Codes [DEE] = 6 Speed Heavy Duty Manual Transmission [ETC] = 5.9L Cummins 24V Diesel [ETH] = 5.9L HO Cummins Turbo Diesel									
1	05010047AA	1	1, 2, 3			ETH	DEE		BEARING CONE, Input Shaft
		1	6, 7, 8			ETH	DEE		
		1	1, 2, 3			ETC	DEE		
		1	6, 7, 8			ETC	DEE		
2	05010045AA	1	1, 2, 3			ETC	DEE		SHAFT, Input
		1	6, 7, 8			ETC	DEE		
	05015204AA	1	1, 2, 3			ETH	DEE		
		1	6, 7, 8			ETH	DEE		
3	05010046AA	1	1, 2, 3			ETH	DEE		BEARING CUP, Input Shaft
		1	6, 7, 8			ETH	DEE		
		1	1, 2, 3			ETC	DEE		
		1	6, 7, 8			ETC	DEE		
4	05010053AA	AR	1, 2, 3			ETC	DEE		CONE, Input Shaft
		AR	6, 7, 8			ETC	DEE		
	05019886AA	6	6, 7, 8			ETH	DEE		
		4	1, 2, 3			ETH	DEE		
5	05010054AA	AR	1, 2, 3			ETH	DEE		RING, Blocker
		AR	6, 7, 8			ETH	DEE		
		AR	6, 7, 8			ETC	DEE		
		AR	1, 2, 3			ETC	DEE		
6	05010058AA	1	1, 2, 3			ETH	DEE		RETAINING RING, Bearing

**RAM PICKUP/CLUB CAB (BE)**

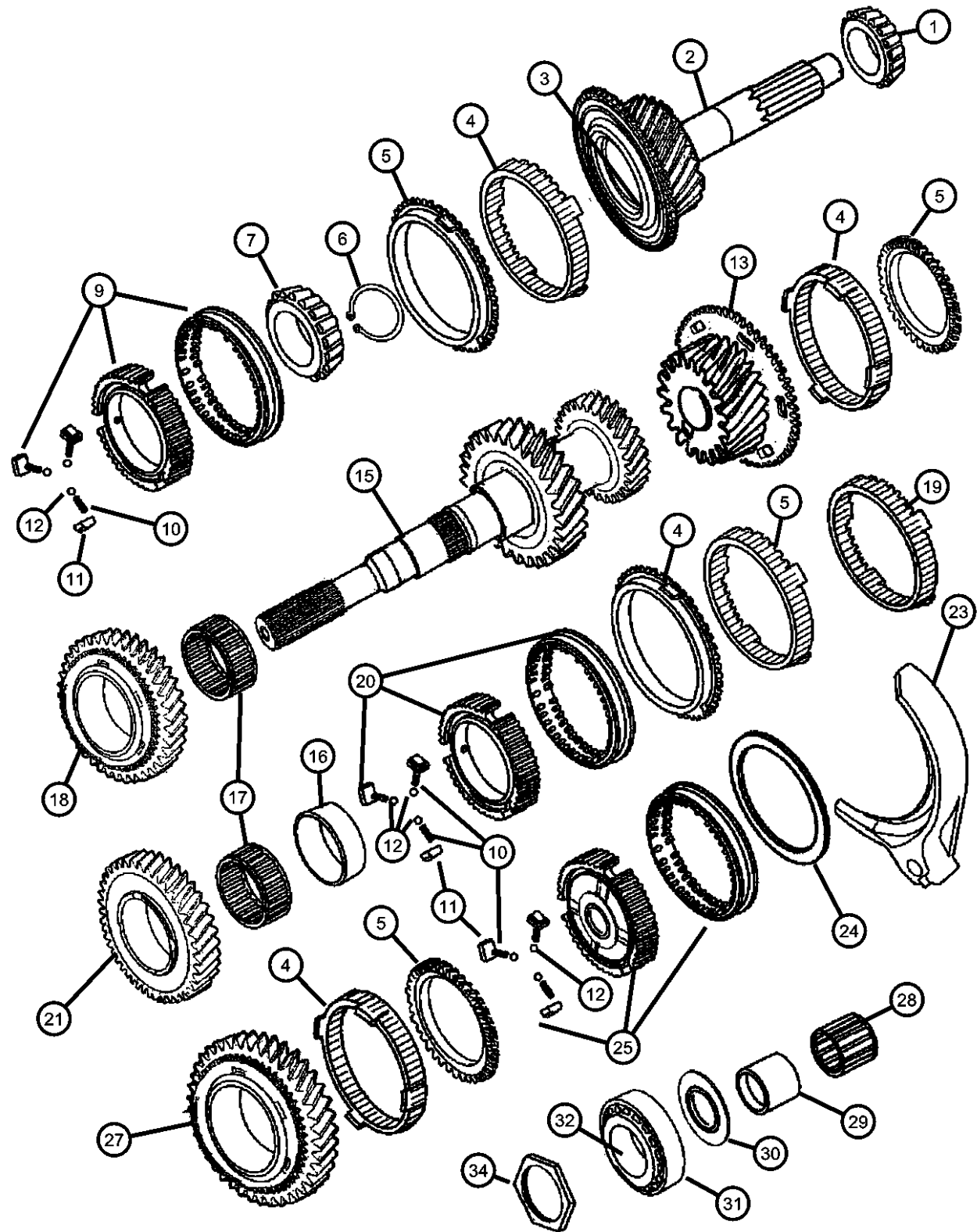
SERIES	LINE
L = Ram Truck	3 = HD DODGE 2WD
(All)	8 = HD DODGE 4WD
	1 = Lt. Duty DODGE 2WD
	6 = Lt. Duty DODGE 4WD
	2 = Med. Duty DODGE 2WD
	7 = Med. Duty DODGE 4WD

BODY	ENGINE	TRANSMISSION
31 = CLUB CAB 2-DR 6.5 FT BOX	ELF = ENGINE - 5.2L V8 MPI	DDC = TRANSMISSION - 5-SPEED HD MANUAL
32 = CLUB CAB 2-DR 8FT BOX	EML = ENGINE - 5.9L V8 MPI	DDP = TRANSMISSION - 5-SPEED MANUAL
33 = QUAD CAB 4-DR 6.5 FT BOX	EMM = ENGINE - "MAGNUM" 5.9L SMPI V8	DDX = TRANSMISSION - 5-SPEED HD MANUAL
34 = QUAD CAB 4-DR 8FT BOX	ETC = ENGINE- 5.9L CUMMINS 24V DIESEL	DEE = TRANSMISSION - 6-SPEED HD MANUAL
	ETH = ENGINE- 5.9L HO CUMMINS TURBO DIESEL	DGP = TRANSMISSION - 4-SPD. AUTOMATIC, 47RE
	EWA = ENGINE - 8.0L V10 MPI	DGT = TRANSMISSION - 4-SPD. AUTOMATIC, 46RE

AR = use ase required - = Non illustrated part



**Gear Train - 5600 6 Speed [DEE]  
Figure 5600-410**



ITEM	PART NUMBER	QTY	LINE	SERIES	BODY	ENGINE	TRANS	TRIM	DESCRIPTION
		1	6, 7, 8			ETH	DEE		
		1	1, 2, 3			ETC	DEE		
		1	6, 7, 8			ETC	DEE		
7	05010057AA	1	1, 2, 3			ETH	DEE		BEARING CONE, Output Shaft
		1	6, 7, 8			ETH	DEE		
		1	1, 2, 3			ETC	DEE		
		1	6, 7, 8			ETC	DEE		
-8	05011376AA	1	1, 2, 3			ETH	DEE		SHIM PACKAGE, Drive Pinion Bearing
		1	6, 7, 8			ETH	DEE		
		1	1, 2, 3			ETC	DEE		
		1	6, 7, 8			ETC	DEE		
9	05010055AA	1	1, 2, 3			ETH	DEE		SYNCHRONIZER, Fifth
		1	6, 7, 8			ETH	DEE		
		1	1, 2, 3			ETC	DEE		
		1	6, 7, 8			ETC	DEE		
10	05012350AA	AR	1, 2, 3			ETH	DEE		SPRING, Synchronizer
		AR	6, 7, 8			ETH	DEE		
		3	1, 2, 3			ETC	DEE		
		AR	6, 7, 8			ETC	DEE		
11	05010056AA	AR	1, 2, 3			ETH	DEE		KEY, Synchronizer
		AR	6, 7, 8			ETH	DEE		
		AR	1, 2, 3			ETC	DEE		
		AR	6, 7, 8			ETC	DEE		
12									BALL, Shift Lever, M5

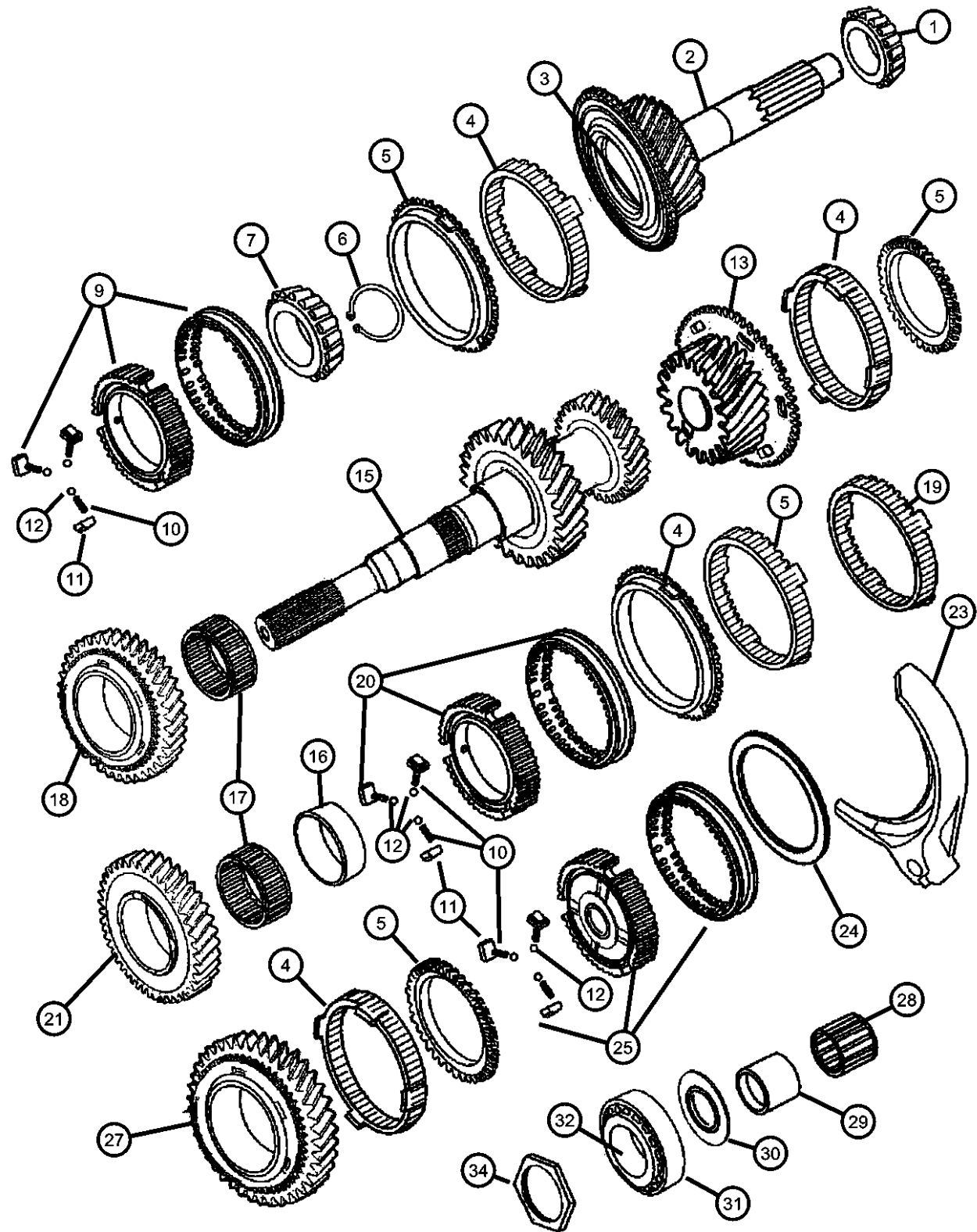
**RAM PICKUP/CLUB CAB (BE)**

SERIES	LINE
L = Ram Truck	3 = HD DODGE 2WD
(All)	8 = HD DODGE 4WD
	1 = Lt. Duty DODGE 2WD
	6 = Lt. Duty DODGE 4WD
	2 = Med. Duty DODGE 2WD
	7 = Med. Duty DODGE 4WD

BODY	ENGINE	TRANSMISSION
31 = CLUB CAB 2-DR 6.5 FT BOX	ELF = ENGINE - 5.2L V8 MPI	DDC = TRANSMISSION - 5-SPEED HD MANUAL
32 = CLUB CAB 2-DR 8FT BOX	EML = ENGINE - 5.9L V8 MPI	DDP = TRANSMISSION - 5-SPEED MANUAL
33 = QUAD CAB 4-DR 6.5 FT BOX	EMM = ENGINE - "MAGNUM" 5.9L SMPI V8	DDX = TRANSMISSION - 5-SPEED HD MANUAL
34 = QUAD CAB 4-DR 8FT BOX	ETC = ENGINE- 5.9L CUMMINS 24V DIESEL	DEE = TRANSMISSION - 6-SPEED HD MANUAL
	ETH = ENGINE- 5.9L HO CUMMINS TURBO DIESEL	DGP = TRANSMISSION - 4-SPD. AUTOMATIC, 47RE
	EWA = ENGINE - 8.0L V10 MPI	DGT = TRANSMISSION - 4-SPD. AUTOMATIC, 46RE

AR = use ase required - = Non illustrated part

**Gear Train - 5600 6 Speed [DEE]  
Figure 5600-410**



ITEM	PART NUMBER	QTY	LINE	SERIES	BODY	ENGINE	TRANS	TRIM	DESCRIPTION
	04741136	AR	1, 2, 3			ETH	DEE		
		AR	6, 7, 8			ETC	DEE		
		AR	1, 2, 3			ETC	DEE		
13	05010052AA	1	1, 2, 3			ETH	DEE		GEAR, Sixth
		1	6, 7, 8			ETH	DEE		
		1	1, 2, 3			ETC	DEE		
		1	6, 7, 8			ETC	DEE		
-14	05010051AA	1	1, 2, 3			ETH	DEE		BEARING, Sixth Gear
		1	6, 7, 8			ETH	DEE		
		1	1, 2, 3			ETC	DEE		
		1	6, 7, 8			ETC	DEE		
15	05010049AA	1	1, 2, 3			ETH	DEE		SHAFT, Output
		1	1, 2, 3			ETC	DEE		
	05010050AA	1	6, 7, 8			ETH	DEE		
		1	6, 7, 8			ETC	DEE		
16	05010077AA	1	1, 2, 3			ETH	DEE		SLEEVE, First Gear
		1	6, 7, 8			ETH	DEE		
		1	1, 2, 3			ETC	DEE		
		1	6, 7, 8			ETC	DEE		
17	05010059AA	1	1, 2, 3			ETH	DEE		BEARING
		1	6, 7, 8			ETH	DEE		
		AR	6, 7, 8			ETC	DEE		
		AR	1, 2, 3			ETC	DEE		
18	05010060AA	1	1, 2, 3			ETH	DEE		GEAR, Second

**RAM PICKUP/CLUB CAB (BE)**

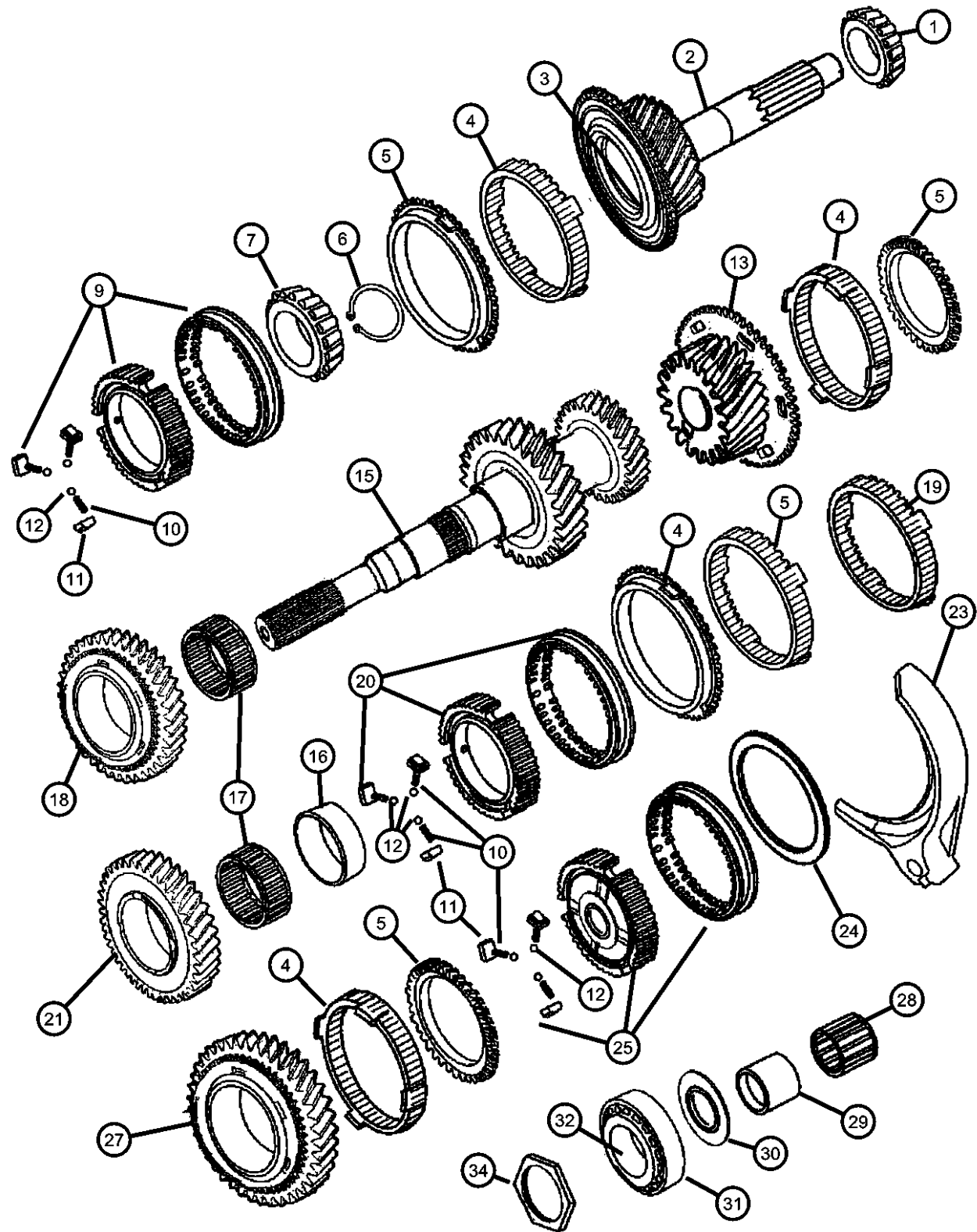
SERIES	LINE
L = Ram Truck	3 = HD DODGE 2WD
(All)	8 = HD DODGE 4WD
	1 = Lt. Duty DODGE 2WD
	6 = Lt. Duty DODGE 4WD
	2 = Med. Duty DODGE 2WD
	7 = Med. Duty DODGE 4WD

BODY	ENGINE	TRANSMISSION
31 = CLUB CAB 2-DR 6.5 FT BOX	ELF = ENGINE - 5.2L V8 MPI	DDC = TRANSMISSION - 5-SPEED HD MANUAL
32 = CLUB CAB 2-DR 8FT BOX	EML = ENGINE - 5.9L V8 MPI	DDP = TRANSMISSION - 5-SPEED MANUAL
33 = QUAD CAB 4-DR 6.5 FT BOX	EMM = ENGINE - "MAGNUM" 5.9L SMPI V8	DDX = TRANSMISSION - 5-SPEED HD MANUAL
34 = QUAD CAB 4-DR 8FT BOX	ETC = ENGINE- 5.9L CUMMINS 24V DIESEL	DEE = TRANSMISSION - 6-SPEED HD MANUAL
	ETH = ENGINE- 5.9L HO CUMMINS TURBO DIESEL	DGP = TRANSMISSION - 4-SPD. AUTOMATIC, 47RE
	EWA = ENGINE - 8.0L V10 MPI	DGT = TRANSMISSION - 4-SPD. AUTOMATIC, 46RE

AR = use ase required - = Non illustrated part

2000 BE

**Gear Train - 5600 6 Speed [DEE]  
Figure 5600-410**



ITEM	PART NUMBER	QTY	LINE	SERIES	BODY	ENGINE	TRANS	TRIM	DESCRIPTION
		1	6, 7, 8			ETH	DEE		
		1	1, 2, 3			ETC	DEE		
		1	6, 7, 8			ETC	DEE		
19	05010061AA	AR	1, 2, 3			ETC	DEE		RING, Blocker
		AR	6, 7, 8			ETC	DEE		
	05015202AA	AR	1, 2, 3			ETH	DEE		
		AR	6, 7, 8			ETH	DEE		
20	05010062AA	1	1, 2, 3			ETH	DEE		SYNCHRONIZER, First and Second
		1	6, 7, 8			ETH	DEE		
		1	1, 2, 3			ETC	DEE		
		1	6, 7, 8			ETC	DEE		
21	05010063AA	1	1, 2, 3			ETH	DEE		GEAR, First
		1	6, 7, 8			ETH	DEE		
		1	1, 2, 3			ETC	DEE		
		1	6, 7, 8			ETC	DEE		
-22	05010064AA	1	1, 2, 3			ETH	DEE		THRUST WASHER, First Gear
		1	6, 7, 8			ETH	DEE		
		1	1, 2, 3			ETC	DEE		
		1	6, 7, 8			ETC	DEE		
23	05012128AA	1	1, 2, 3			ETH	DEE		FORK, Transmission, Reverse
		1	6, 7, 8			ETH	DEE		
		1	1, 2, 3			ETC	DEE		
		1	6, 7, 8			ETC	DEE		
24									RING

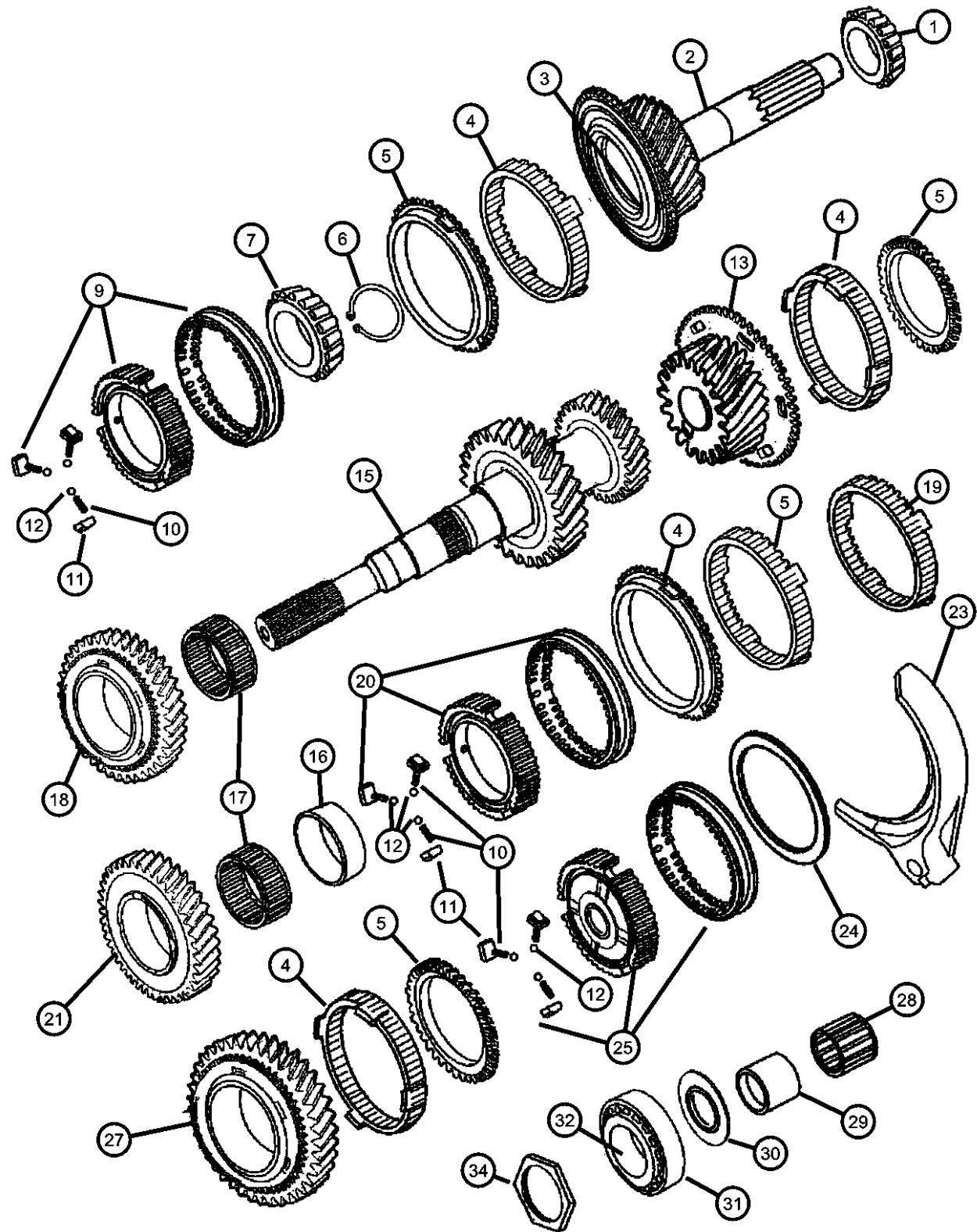
**RAM PICKUP/CLUB CAB (BE)**

SERIES	LINE
L = Ram Truck	3 = HD DODGE 2WD
(All)	8 = HD DODGE 4WD
	1 = Lt. Duty DODGE 2WD
	6 = Lt. Duty DODGE 4WD
	2 = Med. Duty DODGE 2WD
	7 = Med. Duty DODGE 4WD

BODY	ENGINE	TRANSMISSION
31 = CLUB CAB 2-DR 6.5 FT BOX	ELF = ENGINE - 5.2L V8 MPI	DDC = TRANSMISSION - 5-SPEED HD MANUAL
32 = CLUB CAB 2-DR 8FT BOX	EML = ENGINE - 5.9L V8 MPI	DDP = TRANSMISSION - 5-SPEED MANUAL
33 = QUAD CAB 4-DR 6.5 FT BOX	EMM = ENGINE - "MAGNUM" 5.9L SMPI V8	DDX = TRANSMISSION - 5-SPEED HD MANUAL
34 = QUAD CAB 4-DR 8FT BOX	ETC = ENGINE- 5.9L CUMMINS 24V DIESEL	DEE = TRANSMISSION - 6-SPEED HD MANUAL
	ETH = ENGINE- 5.9L HO CUMMINS TURBO DIESEL	DGP = TRANSMISSION - 4-SPD. AUTOMATIC, 47RE
	EWA = ENGINE - 8.0L V10 MPI	DGT = TRANSMISSION - 4-SPD. AUTOMATIC, 46RE

AR = use ase required - = Non illustrated part

**Gear Train - 5600 6 Speed [DEE]  
Figure 5600-410**



ITEM	PART NUMBER	QTY	LINE	SERIES	BODY	ENGINE	TRANS	TRIM	DESCRIPTION
	05012127AA	1	1, 2, 3			ETH	DEE		
		1	6, 7, 8			ETH	DEE		
		1	1, 2, 3			ETC	DEE		
		1	6, 7, 8			ETC	DEE		
25	05012125AA	1	1, 2, 3			ETH	DEE		SYNCHRONIZER, Reverse
		1	6, 7, 8			ETH	DEE		
		1	1, 2, 3			ETC	DEE		
		1	6, 7, 8			ETC	DEE		
-26	05010064AA	1	1, 2, 3			ETH	DEE		THRUST WASHER, First Gear
		1	1, 2, 3			ETC	DEE		
		1	6, 7, 8			ETC	DEE		
		1	6, 7, 8			ETH	DEE		
27	05012130AA	1	1, 2, 3			ETH	DEE		GEAR, Reverse
		1	6, 7, 8			ETH	DEE		
		1	1, 2, 3			ETC	DEE		
		1	6, 7, 8			ETC	DEE		
28	04637761	1	1, 2, 3			ETH	DEE		BEARING, Reverse Synchronizer
		1	6, 7, 8			ETH	DEE		
		1	1, 2, 3			ETC	DEE		
		1	6, 7, 8			ETC	DEE		
29	05012129AA	1	1, 2, 3			ETH	DEE		SLEEVE, Reverse
		1	6, 7, 8			ETH	DEE		
		1	1, 2, 3			ETC	DEE		
		1	6, 7, 8			ETC	DEE		
30									WASHER, Reverse Thrust

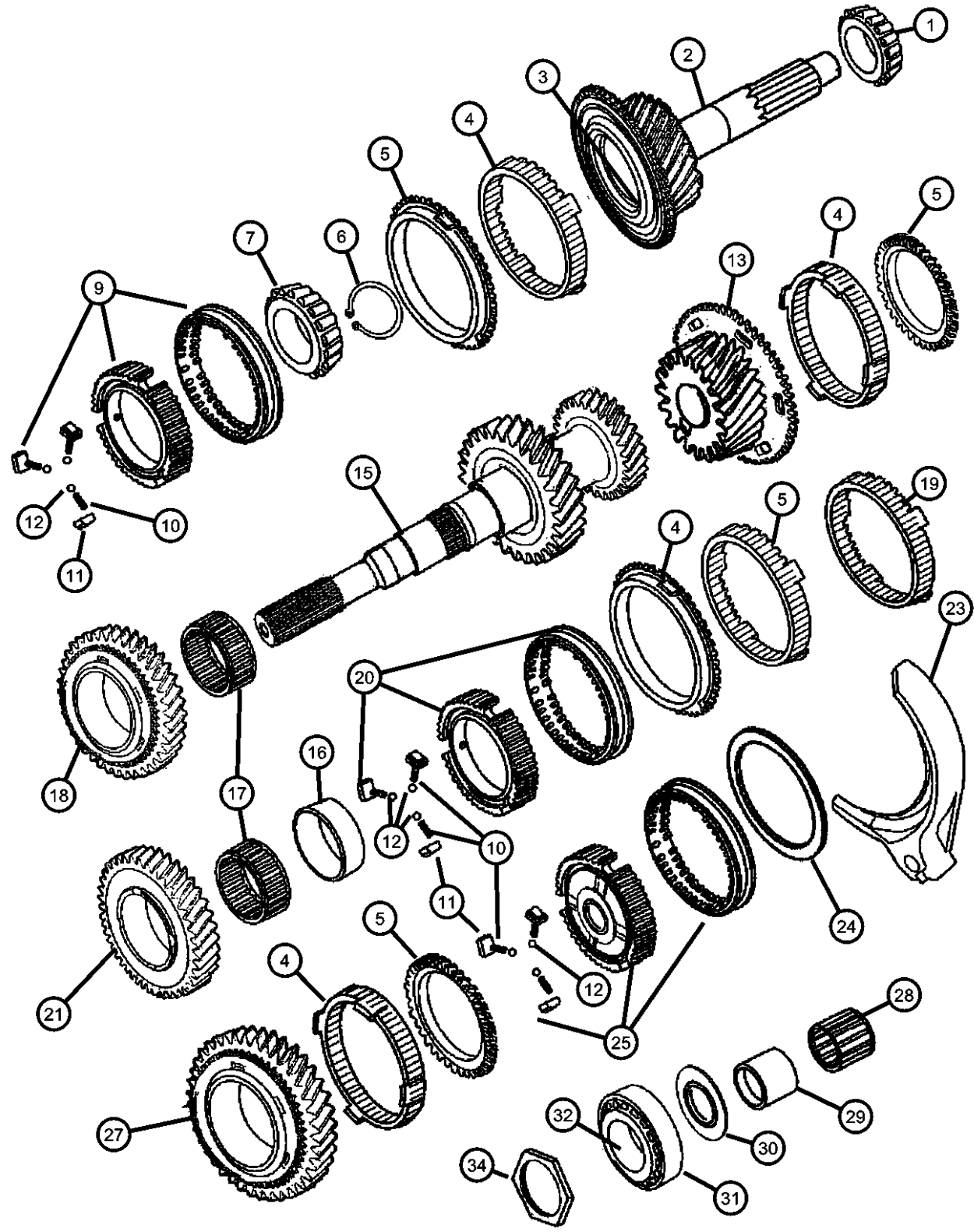
**RAM PICKUP/CLUB CAB (BE)**

SERIES	LINE
L = Ram Truck	3 = HD DODGE 2WD
(All)	8 = HD DODGE 4WD
	1 = Lt. Duty DODGE 2WD
	6 = Lt. Duty DODGE 4WD
	2 = Med. Duty DODGE 2WD
	7 = Med. Duty DODGE 4WD

BODY	ENGINE	TRANSMISSION
31 = CLUB CAB 2-DR 6.5 FT BOX	ELF = ENGINE - 5.2L V8 MPI	DDC = TRANSMISSION - 5-SPEED HD MANUAL
32 = CLUB CAB 2-DR 8FT BOX	EML = ENGINE - 5.9L V8 MPI	DDP = TRANSMISSION - 5-SPEED MANUAL
33 = QUAD CAB 4-DR 6.5 FT BOX	EMM = ENGINE - "MAGNUM" 5.9L SMPI V8	DDX = TRANSMISSION - 5-SPEED HD MANUAL
34 = QUAD CAB 4-DR 8FT BOX	ETC = ENGINE- 5.9L CUMMINS 24V DIESEL	DEE = TRANSMISSION - 6-SPEED HD MANUAL
	ETH = ENGINE- 5.9L HO CUMMINS TURBO DIESEL	DGP = TRANSMISSION - 4-SPD. AUTOMATIC, 47RE
	EWA = ENGINE - 8.0L V10 MPI	DGT = TRANSMISSION - 4-SPD. AUTOMATIC, 46RE

AR = use ase required - = Non illustrated part

**Gear Train - 5600 6 Speed [DEE]  
Figure 5600-410**



ITEM	PART NUMBER	QTY	LINE	SERIES	BODY	ENGINE	TRANS	TRIM	DESCRIPTION
	05012131AA	1	1, 2, 3			ETH	DEE		
		1	6, 7, 8			ETH	DEE		
		1	1, 2, 3			ETC	DEE		
		1	6, 7, 8			ETC	DEE		
31	05003580AA	1	1, 2, 3			ETH	DEE		BEARING CUP, Output Shaft
		1	6, 7, 8			ETH	DEE		
		1	1, 2, 3			ETC	DEE		
		1	6, 7, 8			ETC	DEE		
32	05010065AA	1	1, 2, 3			ETH	DEE		BEARING CONE, Output Shaft
		1	6, 7, 8			ETH	DEE		
		1	1, 2, 3			ETC	DEE		
		1	6, 7, 8			ETC	DEE		
-33	05011352AA	1	1, 2, 3			ETH	DEE		SNAP RING PACKAGE, Mainshaft
		1	6, 7, 8			ETH	DEE		
		1	1, 2, 3			ETC	DEE		
		1	6, 7, 8			ETC	DEE		
34	05012133AA	1	1, 2, 3			ETH	DEE		NUT, Locking
		1	6, 7, 8			ETH	DEE		
		1	1, 2, 3			ETC	DEE		
		1	6, 7, 8			ETC	DEE		

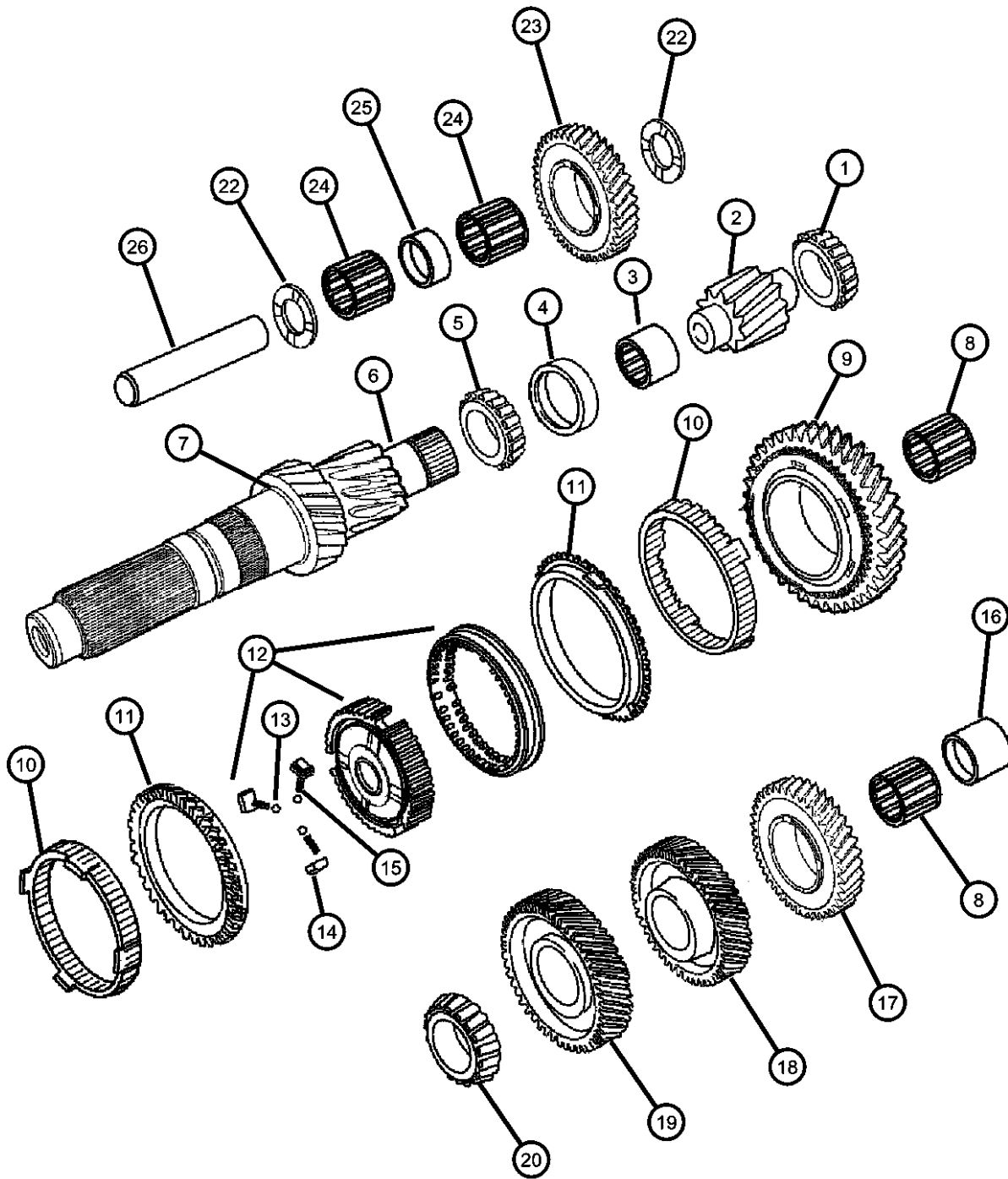
**RAM PICKUP/CLUB CAB (BE)**

SERIES	LINE
L = Ram Truck (All)	3 = HD DODGE 2WD 8 = HD DODGE 4WD 1 = Lt. Duty DODGE 2WD 6 = Lt. Duty DODGE 4WD 2 = Med. Duty DODGE 2WD 7 = Med. Duty DODGE 4WD

BODY	ENGINE	TRANSMISSION
31 = CLUB CAB 2-DR 6.5 FT BOX	ELF = ENGINE - 5.2L V8 MPI EML = ENGINE - 5.9L V8 MPI	DDC = TRANSMISSION - 5-SPEED HD MANUAL
32 = CLUB CAB 2-DR 8FT BOX	EMM = ENGINE - "MAGNUM" 5.9L SMPI V8	DDP = TRANSMISSION - 5-SPEED MANUAL
33 = QUAD CAB 4-DR 6.5 FT BOX	ETC = ENGINE- 5.9L CUMMINS 24V DIESEL	DDX = TRANSMISSION - 5-SPEED HD MANUAL
34 = QUAD CAB 4-DR 8FT BOX	ETH = ENGINE- 5.9L HO CUMMINS TURBO DIESEL	DEE = TRANSMISSION - 6-SPEED HD MANUAL
	EWA = ENGINE - 8.0L V10 MPI	DGP = TRANSMISSION - 4-SPD. AUTOMATIC, 47RE DGT = TRANSMISSION - 4-SPD. AUTOMATIC, 46RE

AR = use ase required - = Non illustrated part

**Gear Train - 5600 6 Speed [DEE]  
Figure 5600-420**



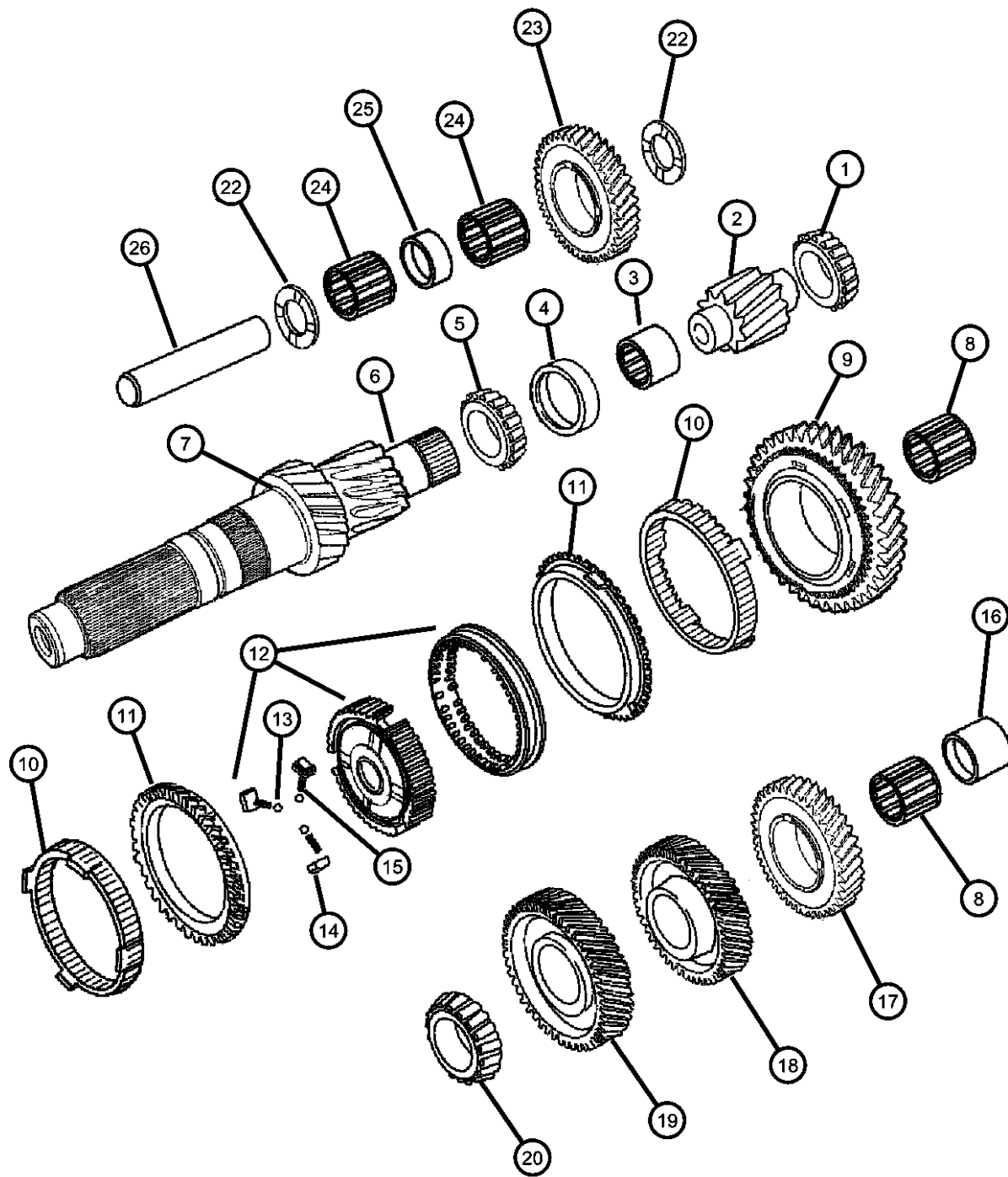
ITEM	PART NUMBER	QTY	LINE	SERIES	BODY	ENGINE	TRANS	TRIM	DESCRIPTION
NOTES; Sales Codes [DEE] = 6 Speed Heavy Duty Manual Transmission [ETC] = 5.9L Cummins 24V Diesel [ETH] = 5.9L HO Cummins Turbo Diesel									
1	05012124AA	1	1, 2, 3			ETH	DEE		CONE ASSEMBLY, Countershaft
		1	6, 7, 8			ETH	DEE		
		1	1, 2, 3			ETC	DEE		
		1	6, 7, 8			ETC	DEE		
2	05012122AA	1	1, 2, 3			ETH	DEE		GEAR, Countershaft, Reverse
		1	6, 7, 8			ETH	DEE		
		1	1, 2, 3			ETC	DEE		
		1	6, 7, 8			ETC	DEE		
3	05012123AA	1	1, 2, 3			ETH	DEE		SLEEVE, Reverse
		1	6, 7, 8			ETH	DEE		
		1	1, 2, 3			ETC	DEE		
		1	6, 7, 8			ETC	DEE		
4	05003581AA	1	1, 2, 3			ETH	DEE		BEARING CUP, Output Shaft
		1	6, 7, 8			ETH	DEE		[Timken#NP882000]
		1	1, 2, 3			ETC	DEE		[Timken#NP882000]
		1	6, 7, 8			ETC	DEE		[Timken#NP882000]
5	05010076AA	1	1, 2, 3			ETH	DEE		CONE ASSEMBLY, Countershaft
		1	6, 7, 8			ETH	DEE		
		1	1, 2, 3			ETC	DEE		
		1	6, 7, 8			ETC	DEE		
6	05010066AA	1	1, 2, 3			ETH	DEE		COUNTERSHAFT, Serviced w/Bearing

**RAM PICKUP/CLUB CAB (BE)**

SERIES	LINE	BODY	ENGINE	TRANSMISSION
L = Ram Truck (All)	3 = HD DODGE 2WD 8 = HD DODGE 4WD 1 = Lt. Duty DODGE 2WD 6 = Lt. Duty DODGE 4WD 2 = Med. Duty DODGE 2WD 7 = Med. Duty DODGE 4WD	31 = CLUB CAB 2-DR 6.5 FT BOX 32 = CLUB CAB 2-DR 8FT BOX 33 = QUAD CAB 4-DR 6.5 FT BOX 34 = QUAD CAB 4-DR 8FT BOX	ELF = ENGINE - 5.2L V8 MPI EML = ENGINE - 5.9L V8 MPI EMM = ENGINE - "MAGNUM" 5.9L SMPI V8 ETC = ENGINE- 5.9L CUMMINS 24V DIESEL ETH = ENGINE- 5.9L HO CUMMINS TURBO DIESEL EWA = ENGINE - 8.0L V10 MPI	DDC = TRANSMISSION - 5-SPEED HD MANUAL DDP = TRANSMISSION - 5-SPEED MANUAL DDX = TRANSMISSION - 5-SPEED HD MANUAL DEE = TRANSMISSION - 6-SPEED HD MANUAL DGP = TRANSMISSION - 4-SPD. AUTOMATIC, 47RE DGT = TRANSMISSION - 4-SPD. AUTOMATIC, 46RE

AR = use ase required - = Non illustrated part

**Gear Train - 5600 6 Speed [DEE]  
Figure 5600-420**



ITEM	PART NUMBER	QTY	LINE	SERIES	BODY	ENGINE	TRANS	TRIM	DESCRIPTION
7	04798769	1	6, 7, 8			ETH	DEE		BEARING, First Gear
		1	1, 2, 3			ETC	DEE		
		1	6, 7, 8			ETC	DEE		
8	05010068AA	1	1, 2, 3			ETH	DEE		THRUST WASHER, Second And Third Gear
		1	6, 7, 8			ETH	DEE		
		AR	6, 7, 8			ETC	DEE		
		AR	1, 2, 3			ETC	DEE		
9	05010069AA	1	1, 2, 3			ETH	DEE		GEAR, Third
		1	6, 7, 8			ETH	DEE		
		1	1, 2, 3			ETC	DEE		
		1	6, 7, 8			ETC	DEE		
10	05010053AA	AR	1, 2, 3			ETH	DEE		CONE, Input Shaft
		AR	6, 7, 8			ETH	DEE		
		AR	6, 7, 8			ETC	DEE		
		AR	1, 2, 3			ETC	DEE		
11	05010054AA	AR	1, 2, 3			ETH	DEE		RING, Blocker
		AR	6, 7, 8			ETH	DEE		
		AR	6, 7, 8			ETC	DEE		
		AR	1, 2, 3			ETC	DEE		
12								SYNCHRONIZER, Third and Fourth	

**RAM PICKUP/CLUB CAB (BE)**

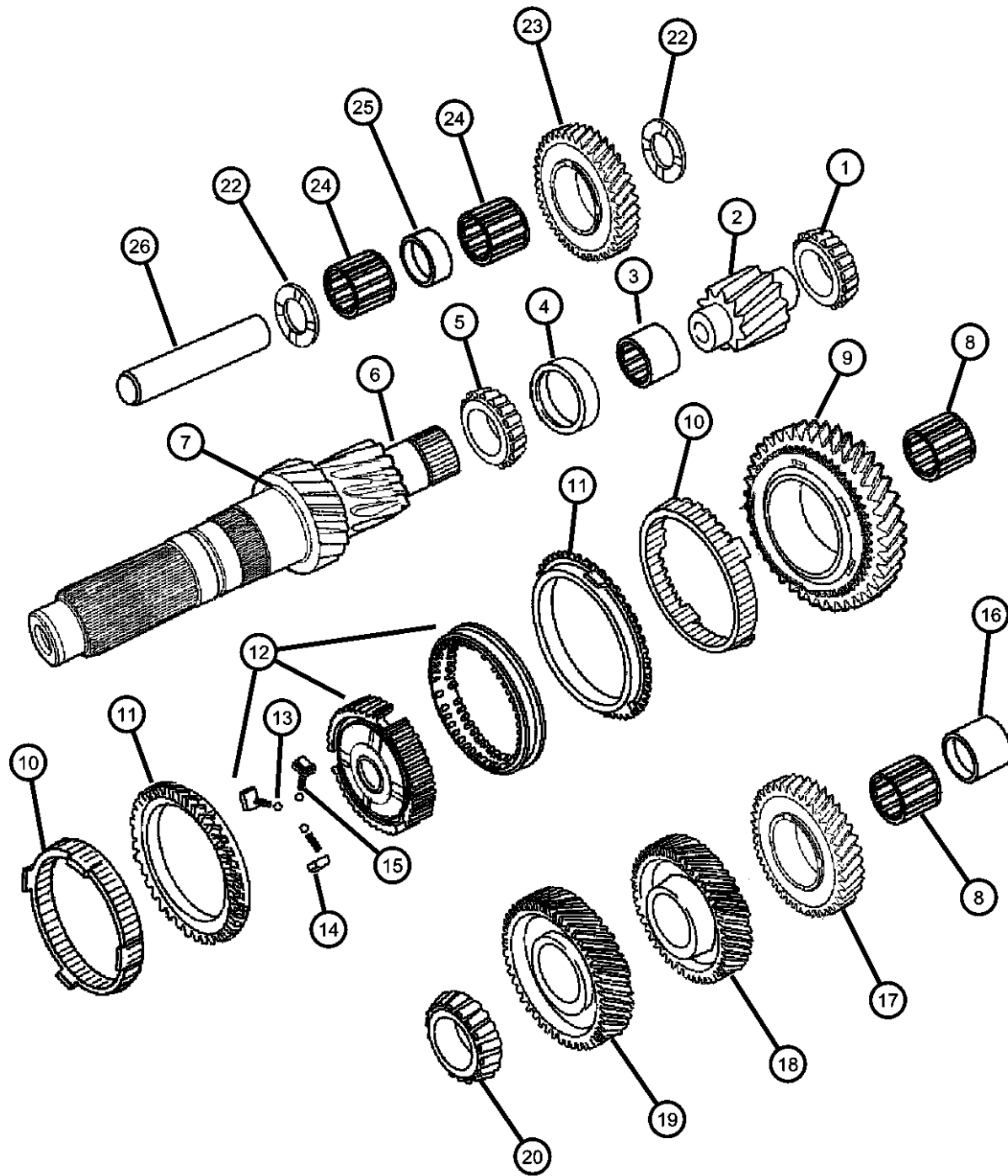
SERIES	LINE
L = Ram Truck (All)	3 = HD DODGE 2WD
	8 = HD DODGE 4WD
	1 = Lt. Duty DODGE 2WD
	6 = Lt. Duty DODGE 4WD
	2 = Med. Duty DODGE 2WD
	7 = Med. Duty DODGE 4WD

BODY	ENGINE	TRANSMISSION
31 = CLUB CAB 2-DR 6.5 FT BOX	ELF = ENGINE - 5.2L V8 MPI	DDC = TRANSMISSION - 5-SPEED HD MANUAL
32 = CLUB CAB 2-DR 8FT BOX	EML = ENGINE - 5.9L V8 MPI	DDP = TRANSMISSION - 5-SPEED MANUAL
33 = QUAD CAB 4-DR 6.5 FT BOX	EMM = ENGINE - "MAGNUM" 5.9L SMPI V8	DDX = TRANSMISSION - 5-SPEED HD MANUAL
34 = QUAD CAB 4-DR 8FT BOX	ETC = ENGINE- 5.9L CUMMINS 24V DIESEL	DEE = TRANSMISSION - 6-SPEED HD MANUAL
	ETH = ENGINE- 5.9L HO CUMMINS TURBO DIESEL	DGP = TRANSMISSION - 4-SPD. AUTOMATIC, 47RE
	EWA = ENGINE - 8.0L V10 MPI	DGT = TRANSMISSION - 4-SPD. AUTOMATIC, 46RE

AR = use ase required - = Non illustrated part

2000 BE

**Gear Train - 5600 6 Speed [DEE]  
Figure 5600-420**



ITEM	PART NUMBER	QTY	LINE	SERIES	BODY	ENGINE	TRANS	TRIM	DESCRIPTION
13	05010070AA	1	1, 2, 3			ETH	DEE		BALL, Shift Lever, M5
		1	6, 7, 8			ETH	DEE		
		1	1, 2, 3			ETC	DEE		
		1	6, 7, 8			ETC	DEE		
14	04741136	AR	1, 2, 3			ETH	DEE		KEY, Synchronizer
		AR	6, 7, 8			ETH	DEE		
		AR	6, 7, 8			ETC	DEE		
		AR	1, 2, 3			ETC	DEE		
15	05010056AA	AR	1, 2, 3			ETH	DEE		SPRING, Synchronizer
		AR	6, 7, 8			ETH	DEE		
		AR	1, 2, 3			ETC	DEE		
		AR	6, 7, 8			ETC	DEE		
16	05012350AA	AR	1, 2, 3			ETH	DEE		SLEEVE, Fourth Gear
		AR	6, 7, 8			ETH	DEE		
		AR	6, 7, 8			ETC	DEE		
		AR	1, 2, 3			ETC	DEE		
17	05010071AA	1	1, 2, 3			ETH	DEE		GEAR, Fourth
		1	6, 7, 8			ETH	DEE		
		1	1, 2, 3			ETC	DEE		
		1	6, 7, 8			ETC	DEE		
18	05010072AA	1	1, 2, 3			ETH	DEE		GEAR, Countershaft, Sixth
		1	6, 7, 8			ETH	DEE		
		1	1, 2, 3			ETC	DEE		
		1	6, 7, 8			ETC	DEE		

**RAM PICKUP/CLUB CAB (BE)**

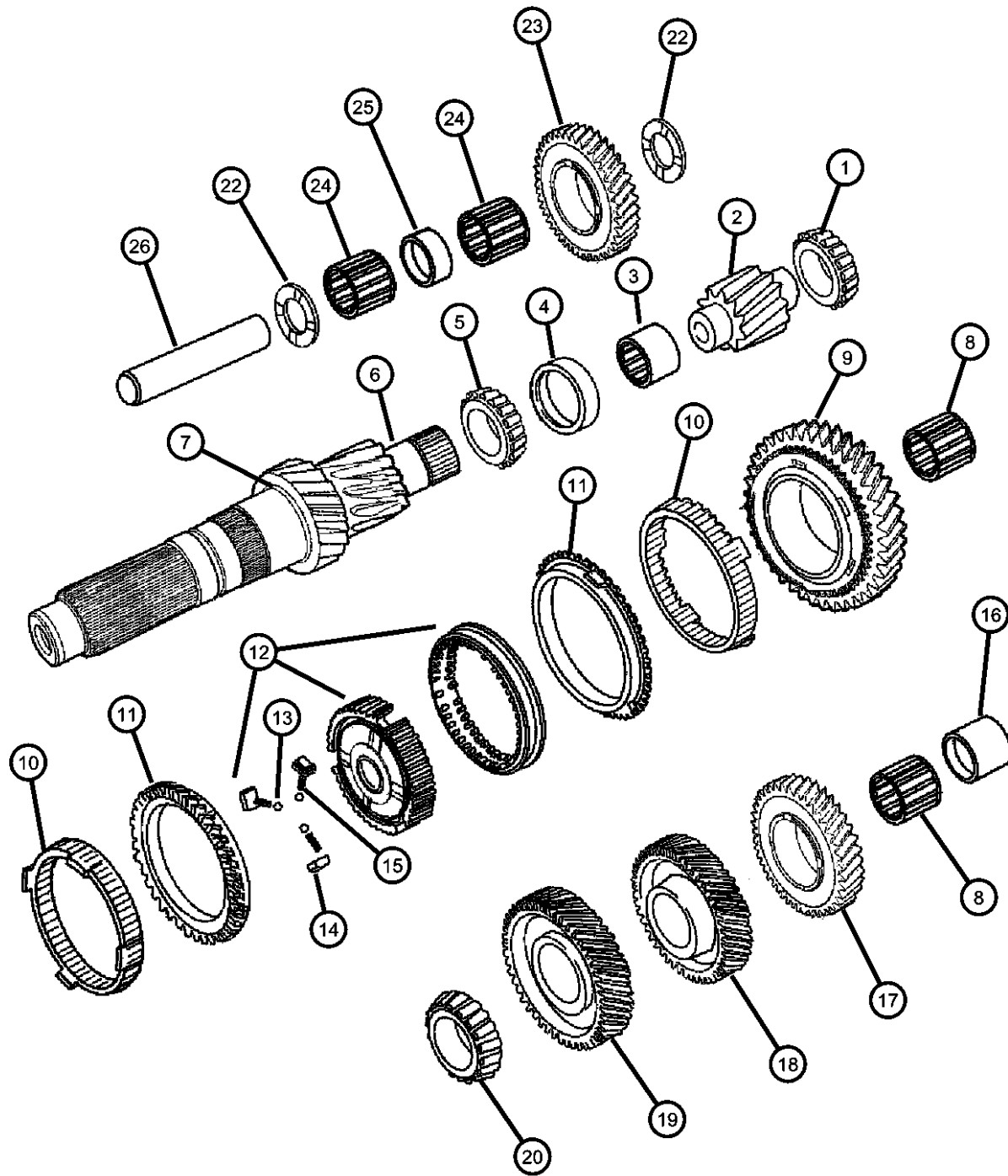
SERIES	LINE
L = Ram Truck	3 = HD DODGE 2WD
(All)	8 = HD DODGE 4WD
	1 = Lt. Duty DODGE 2WD
	6 = Lt. Duty DODGE 4WD
	2 = Med. Duty DODGE 2WD
	7 = Med. Duty DODGE 4WD

BODY	ENGINE	TRANSMISSION
31 = CLUB CAB 2-DR 6.5 FT BOX	ELF = ENGINE - 5.2L V8 MPI	DDC = TRANSMISSION - 5-SPEED HD MANUAL
32 = CLUB CAB 2-DR 8FT BOX	EML = ENGINE - 5.9L V8 MPI	DDP = TRANSMISSION - 5-SPEED MANUAL
33 = QUAD CAB 4-DR 6.5 FT BOX	EMM = ENGINE - "MAGNUM" 5.9L SMPI V8	DDX = TRANSMISSION - 5-SPEED HD MANUAL
34 = QUAD CAB 4-DR 8FT BOX	ETC = ENGINE- 5.9L CUMMINS 24V DIESEL	DEE = TRANSMISSION - 6-SPEED HD MANUAL
	ETH = ENGINE- 5.9L HO CUMMINS TURBO DIESEL	DGP = TRANSMISSION - 4-SPD. AUTOMATIC, 47RE
	EWA = ENGINE - 8.0L V10 MPI	DGT = TRANSMISSION - 4-SPD. AUTOMATIC, 46RE

AR = use ase required - = Non illustrated part



**Gear Train - 5600 6 Speed [DEE]  
Figure 5600-420**



ITEM	PART NUMBER	QTY	LINE	SERIES	BODY	ENGINE	TRANS	TRIM	DESCRIPTION
19	05010074AA	1	1, 2, 3			ETH	DEE		GEAR, Countershaft, Input
		1	6, 7, 8			ETH	DEE		
		1	1, 2, 3			ETC	DEE		
		1	6, 7, 8			ETC	DEE		
20	05010073AA	1	1, 2, 3			ETH	DEE		CONE ASSEMBLY, Countershaft, Front
		1	6, 7, 8			ETH	DEE		
		1	1, 2, 3			ETC	DEE		
		1	6, 7, 8			ETC	DEE		
-21	05010075AA	1	1, 2, 3			ETH	DEE		SNAP RING PACKAGE, Countershaft
		1	6, 7, 8			ETH	DEE		
		1	1, 2, 3			ETC	DEE		
		1	6, 7, 8			ETC	DEE		
22	05011358AA	1	1, 2, 3			ETH	DEE		WASHER, Idler Gear
		1	6, 7, 8			ETH	DEE		
		1	1, 2, 3			ETC	DEE		
		1	6, 7, 8			ETC	DEE		
23	05012118AA	2	1, 2, 3			ETH	DEE		GEAR, Idler
		2	6, 7, 8			ETH	DEE		
		2	6, 7, 8			ETC	DEE		
		2	1, 2, 3			ETC	DEE		
23	05012121AA	1	1, 2, 3			ETH	DEE		GEAR, Idler
		1	6, 7, 8			ETH	DEE		
		1	1, 2, 3			ETC	DEE		
		1	6, 7, 8			ETC	DEE		

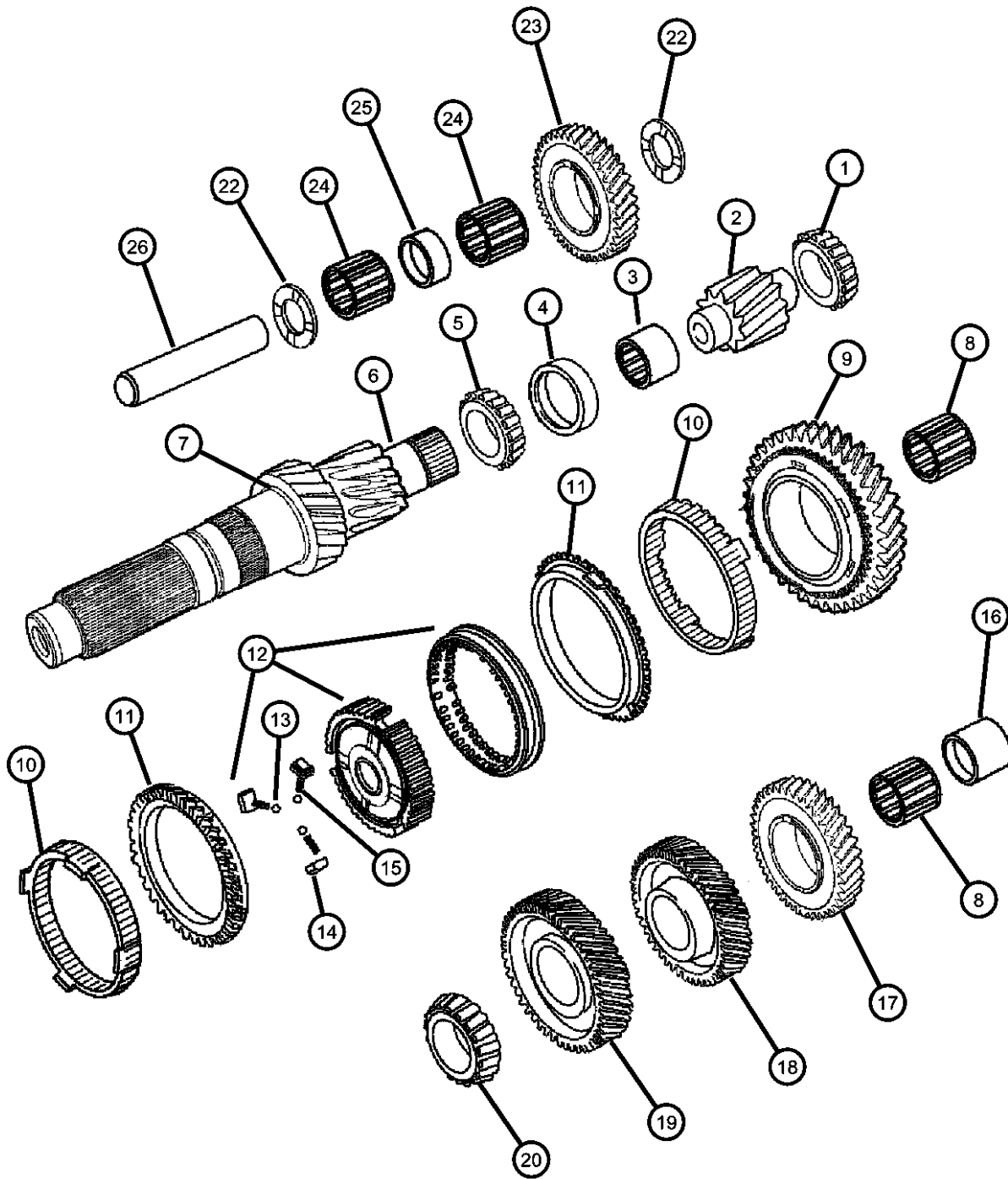
**RAM PICKUP/CLUB CAB (BE)**

SERIES	LINE
L = Ram Truck (All)	3 = HD DODGE 2WD 8 = HD DODGE 4WD 1 = Lt. Duty DODGE 2WD 6 = Lt. Duty DODGE 4WD 2 = Med. Duty DODGE 2WD 7 = Med. Duty DODGE 4WD

BODY	ENGINE	TRANSMISSION
31 = CLUB CAB 2-DR 6.5 FT BOX 32 = CLUB CAB 2-DR 8FT BOX 33 = QUAD CAB 4-DR 6.5 FT BOX 34 = QUAD CAB 4-DR 8FT BOX	ELF = ENGINE - 5.2L V8 MPI EML = ENGINE - 5.9L V8 MPI EMM = ENGINE - "MAGNUM" 5.9L SMPI V8 ETC = ENGINE- 5.9L CUMMINS 24V DIESEL ETH = ENGINE- 5.9L HO CUMMINS TURBO DIESEL EWA = ENGINE - 8.0L V10 MPI	DDC = TRANSMISSION - 5-SPEED HD MANUAL DDP = TRANSMISSION - 5-SPEED MANUAL DDX = TRANSMISSION - 5-SPEED HD MANUAL DEE = TRANSMISSION - 6-SPEED HD MANUAL DGP = TRANSMISSION - 4-SPD. AUTOMATIC, 47RE DGT = TRANSMISSION - 4-SPD. AUTOMATIC, 46RE

AR = use ase required - = Non illustrated part

**Gear Train - 5600 6 Speed [DEE]  
Figure 5600-420**



ITEM	PART NUMBER	QTY	LINE	SERIES	BODY	ENGINE	TRANS	TRIM	DESCRIPTION
24	05012119AA	2	1, 2, 3			ETH	DEE		BEARING, Idler
		2	6, 7, 8			ETH	DEE		
		2	1, 2, 3			ETC	DEE		
		2	6, 7, 8			ETC	DEE		
25	05012120AA	1	1, 2, 3			ETH	DEE		SPACER, Idler
		1	6, 7, 8			ETH	DEE		
		1	1, 2, 3			ETC	DEE		
		1	6, 7, 8			ETC	DEE		
26	05012117AA	1	1, 2, 3			ETH	DEE		SHAFT, Idler
		1	6, 7, 8			ETH	DEE		
		1	1, 2, 3			ETC	DEE		
		1	6, 7, 8			ETC	DEE		

**RAM PICKUP/CLUB CAB (BE)**

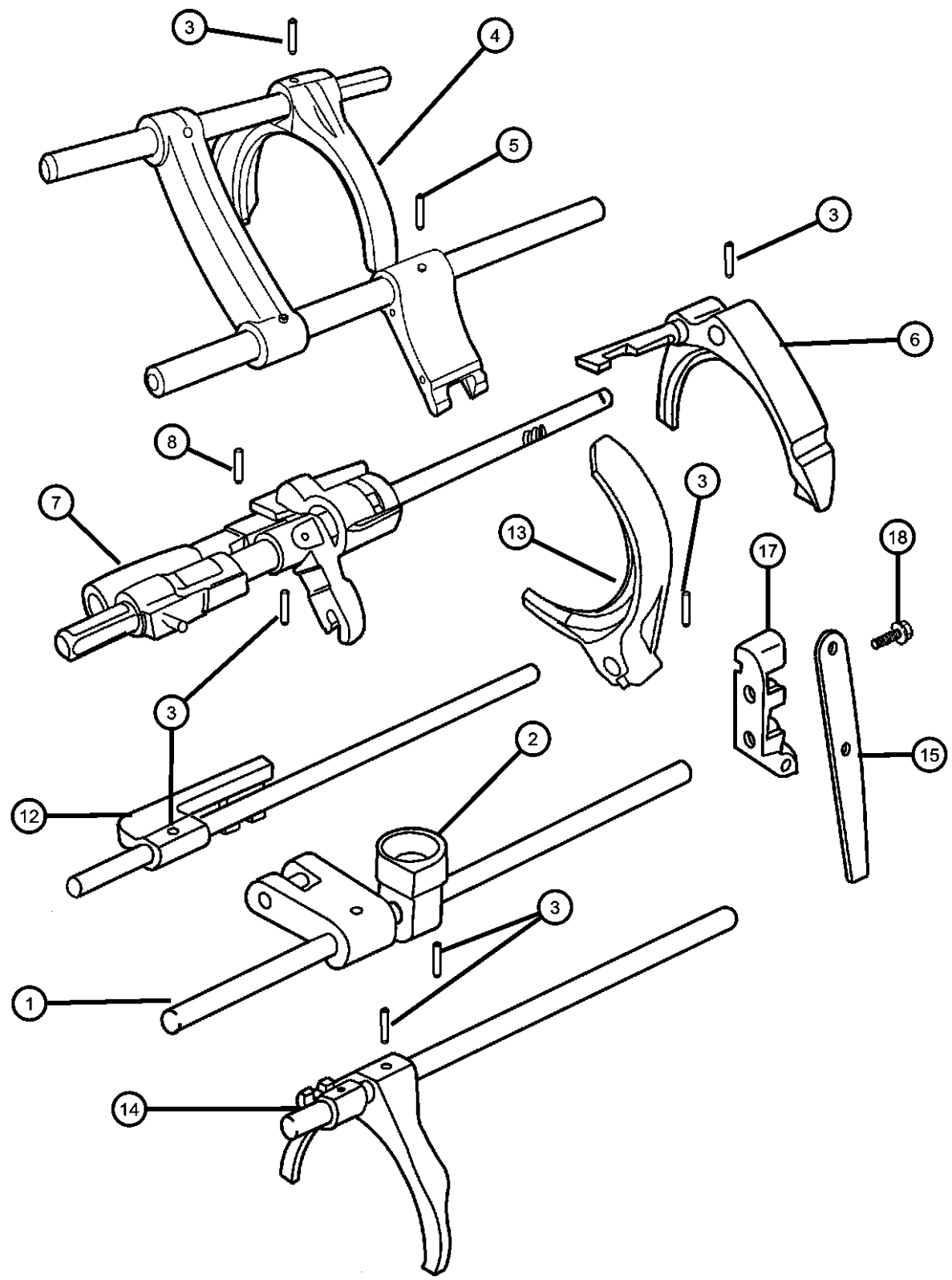
SERIES	LINE
L = Ram Truck (All)	3 = HD DODGE 2WD
	8 = HD DODGE 4WD
	1 = Lt. Duty DODGE 2WD
	6 = Lt. Duty DODGE 4WD
	2 = Med. Duty DODGE 2WD
	7 = Med. Duty DODGE 4WD

BODY	ENGINE	TRANSMISSION
31 = CLUB CAB 2-DR 6.5 FT BOX	ELF = ENGINE - 5.2L V8 MPI	DDC = TRANSMISSION - 5-SPEED HD MANUAL
32 = CLUB CAB 2-DR 8FT BOX	EML = ENGINE - 5.9L V8 MPI	DDP = TRANSMISSION - 5-SPEED MANUAL
33 = QUAD CAB 4-DR 6.5 FT BOX	EMM = ENGINE - "MAGNUM" 5.9L SMPI V8	DDX = TRANSMISSION - 5-SPEED HD MANUAL
34 = QUAD CAB 4-DR 8FT BOX	ETC = ENGINE- 5.9L CUMMINS 24V DIESEL	DEE = TRANSMISSION - 6-SPEED HD MANUAL
	ETH = ENGINE- 5.9L HO CUMMINS TURBO DIESEL	DGP = TRANSMISSION - 4-SPD. AUTOMATIC, 47RE
	EWA = ENGINE - 8.0L V10 MPI	DGT = TRANSMISSION - 4-SPD. AUTOMATIC, 46RE

AR = use ase required - = Non illustrated part

2000 BE

Fork and Rails - 5600 6 Speed [DEE]  
Figure 5600-910



ITEM	PART NUMBER	QTY	LINE	SERIES	BODY	ENGINE	TRANS	TRIM	DESCRIPTION
------	-------------	-----	------	--------	------	--------	-------	------	-------------

NOTES; Sales Codes  
[DEE] = 6 Speed Heavy Duty Manual Transmission  
[ETC] = 5.9L Cummins 24V Diesel  
[ETH] = 5.9L HO Cummins Turbo Diesel

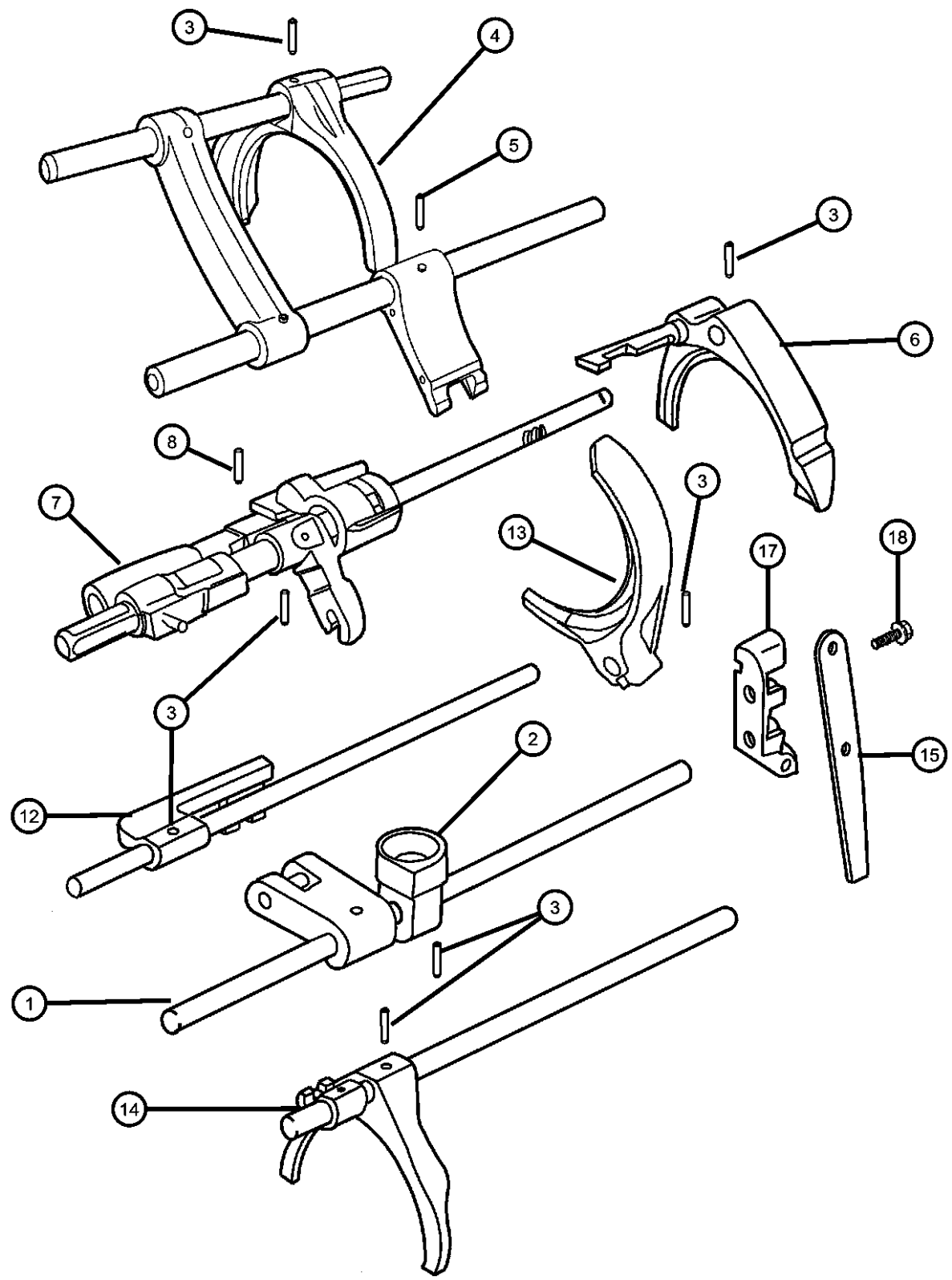
1	05010078AA	1	1, 2, 3			ETH	DEE		RAIL, Shift
		1	6, 7, 8			ETH	DEE		
		1	1, 2, 3			ETC	DEE		
		1	6, 7, 8			ETC	DEE		
2	05010086AA	1	1, 2, 3			ETH	DEE		SOCKET, Shift Shaft
		1	6, 7, 8			ETH	DEE		
		1	1, 2, 3			ETC	DEE		
		1	6, 7, 8			ETC	DEE		
3	04741139	AR	1, 2, 3			ETH	DEE		PIN, Shift Shaft
		AR	1, 2, 3			ETC	DEE		
		AR	6, 7, 8			ETC	DEE		
4	05010090AA	1	1, 2, 3			ETH	DEE		FORK, Third and Fourth
		1	6, 7, 8			ETH	DEE		
		1	1, 2, 3			ETC	DEE		
		1	6, 7, 8			ETC	DEE		
5	05010083AA	1	1, 2, 3			ETH	DEE		PIN, Roll
		1	6, 7, 8			ETH	DEE		
		1	1, 2, 3			ETC	DEE		
		1	6, 7, 8			ETC	DEE		
6	05010091AA	1	1, 2, 3			ETH	DEE		FORK, First and Second
		1	6, 7, 8			ETH	DEE		

RAM PICKUP/CLUB CAB (BE)

SERIES	LINE	BODY	ENGINE	TRANSMISSION
L = Ram Truck	3 = HD DODGE 2WD	31 = CLUB CAB 2-DR 6.5 FT BOX	ELF = ENGINE - 5.2L V8 MPI	DDC = TRANSMISSION - 5-SPEED HD MANUAL
(All)	8 = HD DODGE 4WD	32 = CLUB CAB 2-DR 8FT BOX	EML = ENGINE - 5.9L V8 MPI	DDP = TRANSMISSION - 5-SPEED MANUAL
	1 = Lt. Duty DODGE 2WD	33 = QUAD CAB 4-DR 6.5 FT BOX	EMM = ENGINE - "MAGNUM" 5.9L SMPI V8	DDX = TRANSMISSION - 5-SPEED HD MANUAL
	6 = Lt. Duty DODGE 4WD	34 = QUAD CAB 4-DR 8FT BOX	ETC = ENGINE- 5.9L CUMMINS 24V DIESEL	DEE = TRANSMISSION - 6-SPEED HD MANUAL
	2 = Med. Duty DODGE 2WD		ETH = ENGINE- 5.9L HO CUMMINS TURBO DIESEL	DGP = TRANSMISSION - 4-SPD. AUTOMATIC, 47RE
	7 = Med. Duty DODGE 4WD		EWA = ENGINE - 8.0L V10 MPI	DGT = TRANSMISSION - 4-SPD. AUTOMATIC, 46RE

AR = use ase required - = Non illustrated part

Fork and Rails - 5600 6 Speed [DEE]  
Figure 5600-910



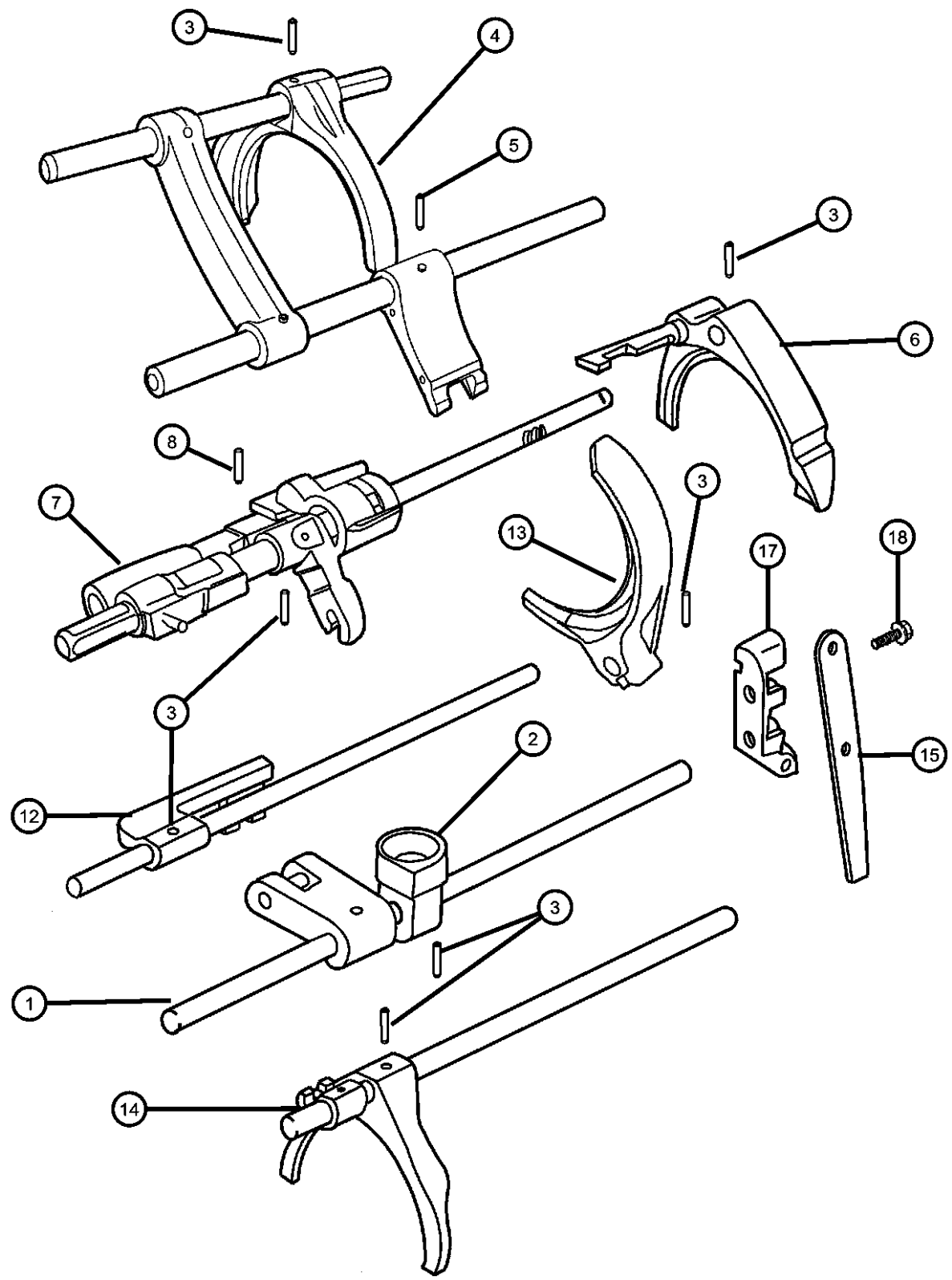
ITEM	PART NUMBER	QTY	LINE	SERIES	BODY	ENGINE	TRANS	TRIM	DESCRIPTION
7	05010079AA	1	1, 2, 3			ETC	DEE		RAIL, Shift
		1	6, 7, 8			ETC	DEE		
		1	1, 2, 3			ETH	DEE		
		1	6, 7, 8			ETH	DEE		
8	05010082AA	1	1, 2, 3			ETC	DEE		PIN, Roll
		1	6, 7, 8			ETC	DEE		
		1	1, 2, 3			ETH	DEE		
		1	6, 7, 8			ETH	DEE		
-9	05010088AA	1	1, 2, 3			ETC	DEE		BLOCKER, Shift
		1	6, 7, 8			ETC	DEE		
		1	1, 2, 3			ETH	DEE		
		1	6, 7, 8			ETH	DEE		
-10	04740904	1	1, 2, 3			ETC	DEE		BOLT, Shift rail blocker
		1	6, 7, 8			ETC	DEE		
		1	1, 2, 3			ETH	DEE		
		1	6, 7, 8			ETH	DEE		
-11	05010089AA	1	1, 2, 3			ETC	DEE		GATE, Gearshift Rod
		1	6, 7, 8			ETC	DEE		
		1	1, 2, 3			ETH	DEE		
		1	6, 7, 8			ETH	DEE		
12	05010097AA	1	1, 2, 3			ETH	DEE	RAIL, Reverse Shift, Rail and Gate Serviced in Assembly	

RAM PICKUP/CLUB CAB (BE)

SERIES	LINE	BODY	ENGINE	TRANSMISSION
L = Ram Truck (All)	3 = HD DODGE 2WD 8 = HD DODGE 4WD 1 = Lt. Duty DODGE 2WD 6 = Lt. Duty DODGE 4WD 2 = Med. Duty DODGE 2WD 7 = Med. Duty DODGE 4WD	31 = CLUB CAB 2-DR 6.5 FT BOX 32 = CLUB CAB 2-DR 8FT BOX 33 = QUAD CAB 4-DR 6.5 FT BOX 34 = QUAD CAB 4-DR 8FT BOX	ELF = ENGINE - 5.2L V8 MPI EML = ENGINE - 5.9L V8 MPI EMM = ENGINE - "MAGNUM" 5.9L SMPI V8 ETC = ENGINE- 5.9L CUMMINS 24V DIESEL ETH = ENGINE- 5.9L HO CUMMINS TURBO DIESEL EWA = ENGINE - 8.0L V10 MPI	DDC = TRANSMISSION - 5-SPEED HD MANUAL DDP = TRANSMISSION - 5-SPEED MANUAL DDX = TRANSMISSION - 5-SPEED HD MANUAL DEE = TRANSMISSION - 6-SPEED HD MANUAL DGP = TRANSMISSION - 4-SPD. AUTOMATIC, 47RE DGT = TRANSMISSION - 4-SPD. AUTOMATIC, 46RE

AR = use ase required - = Non illustrated part

Fork and Rails - 5600 6 Speed [DEE]  
Figure 5600-910



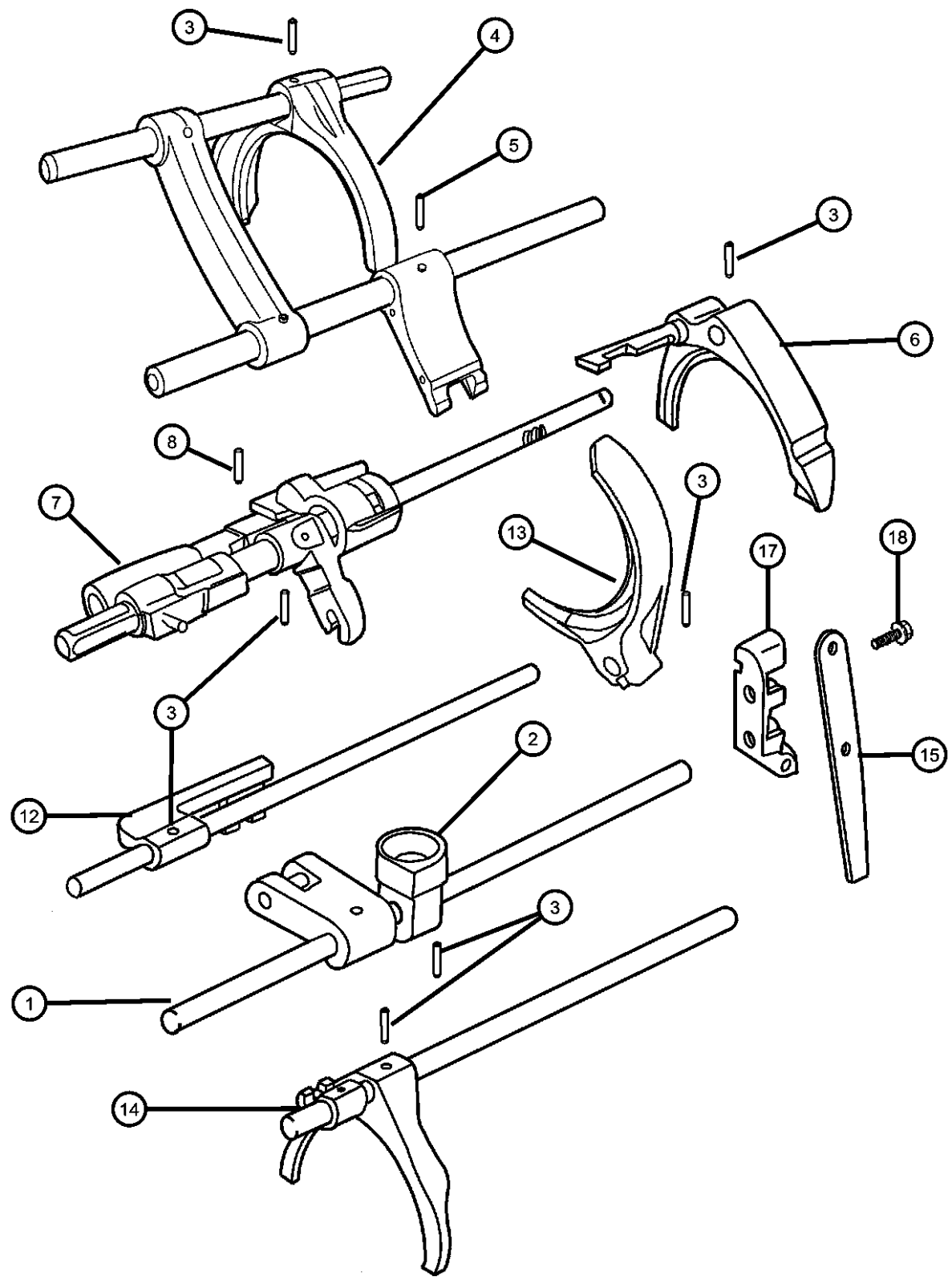
ITEM	PART NUMBER	QTY	LINE	SERIES	BODY	ENGINE	TRANS	TRIM	DESCRIPTION
		1	6, 7, 8			ETH	DEE		
		1	1, 2, 3			ETC	DEE		
		1	6, 7, 8			ETC	DEE		
13	05012128AA	1	1, 2, 3			ETH	DEE		FORK, Transmission, Reverse
		1	6, 7, 8			ETH	DEE		
		1	1, 2, 3			ETC	DEE		
		1	6, 7, 8			ETC	DEE		
14	05010093AA	1	1, 2, 3			ETH	DEE		FORK, Fifth Shift
		1	6, 7, 8			ETH	DEE		
		1	1, 2, 3			ETC	DEE		
		1	6, 7, 8			ETC	DEE		
15	05016173AA	1	1, 2, 3			ETH	DEE		ARM, Transmission Shift
		1	6, 7, 8			ETH	DEE		
		1	1, 2, 3			ETC	DEE		
		1	6, 7, 8			ETC	DEE		
-16	05010084AA	1	1, 2, 3			ETH	DEE		PIN, Shift Shaft
		1	6, 7, 8			ETH	DEE		
		1	1, 2, 3			ETC	DEE		
		1	6, 7, 8			ETC	DEE		
17	05010095AA	1	1, 2, 3			ETH	DEE		BRACKET, Shift Fork
		1	6, 7, 8			ETH	DEE		
		1	1, 2, 3			ETC	DEE		
		1	6, 7, 8			ETC	DEE		
18	05010096AA	2	1, 2, 3			ETH	DEE		BOLT, M8

RAM PICKUP/CLUB CAB (BE)

SERIES	LINE	BODY	ENGINE	TRANSMISSION
L = Ram Truck	3 = HD DODGE 2WD	31 = CLUB CAB 2-DR 6.5 FT	ELF = ENGINE - 5.2L V8 MPI	DDC = TRANSMISSION - 5-SPEED
(All)	8 = HD DODGE 4WD	BOX	EML = ENGINE - 5.9L V8 MPI	HD MANUAL
	1 = Lt. Duty DODGE 2WD	32 = CLUB CAB 2-DR 8FT	EMM = ENGINE - "MAGNUM"	DDP = TRANSMISSION - 5-SPEED
	6 = Lt. Duty DODGE 4WD	BOX	5.9L SMPI V8	MANUAL
	2 = Med. Duty DODGE 2WD	33 = QUAD CAB 4-DR 6.5 FT	ETC = ENGINE- 5.9L	DDX = TRANSMISSION - 5-SPEED
	7 = Med. Duty DODGE 4WD	BOX	CUMMINS 24V DIESEL	HD MANUAL
		34 = QUAD CAB 4-DR 8FT	ETH = ENGINE- 5.9L HO	DEE = TRANSMISSION - 6-SPEED
		BOX	CUMMINS TURBO DIESEL	HD MANUAL
			EWA = ENGINE - 8.0L V10	DGP = TRANSMISSION - 4-SPD.
			MPI	AUTOMATIC, 47RE
				DGT = TRANSMISSION - 4-SPD.
				AUTOMATIC, 46RE

AR = use ase required - = Non illustrated part

Fork and Rails - 5600 6 Speed [DEE]  
Figure 5600-910



ITEM	PART NUMBER	QTY	LINE	SERIES	BODY	ENGINE	TRANS	TRIM	DESCRIPTION
------	-------------	-----	------	--------	------	--------	-------	------	-------------

		2	6, 7, 8			ETH	DEE		
		2	1, 2, 3			ETC	DEE		M8x1.25x40
		2	6, 7, 8			ETC	DEE		

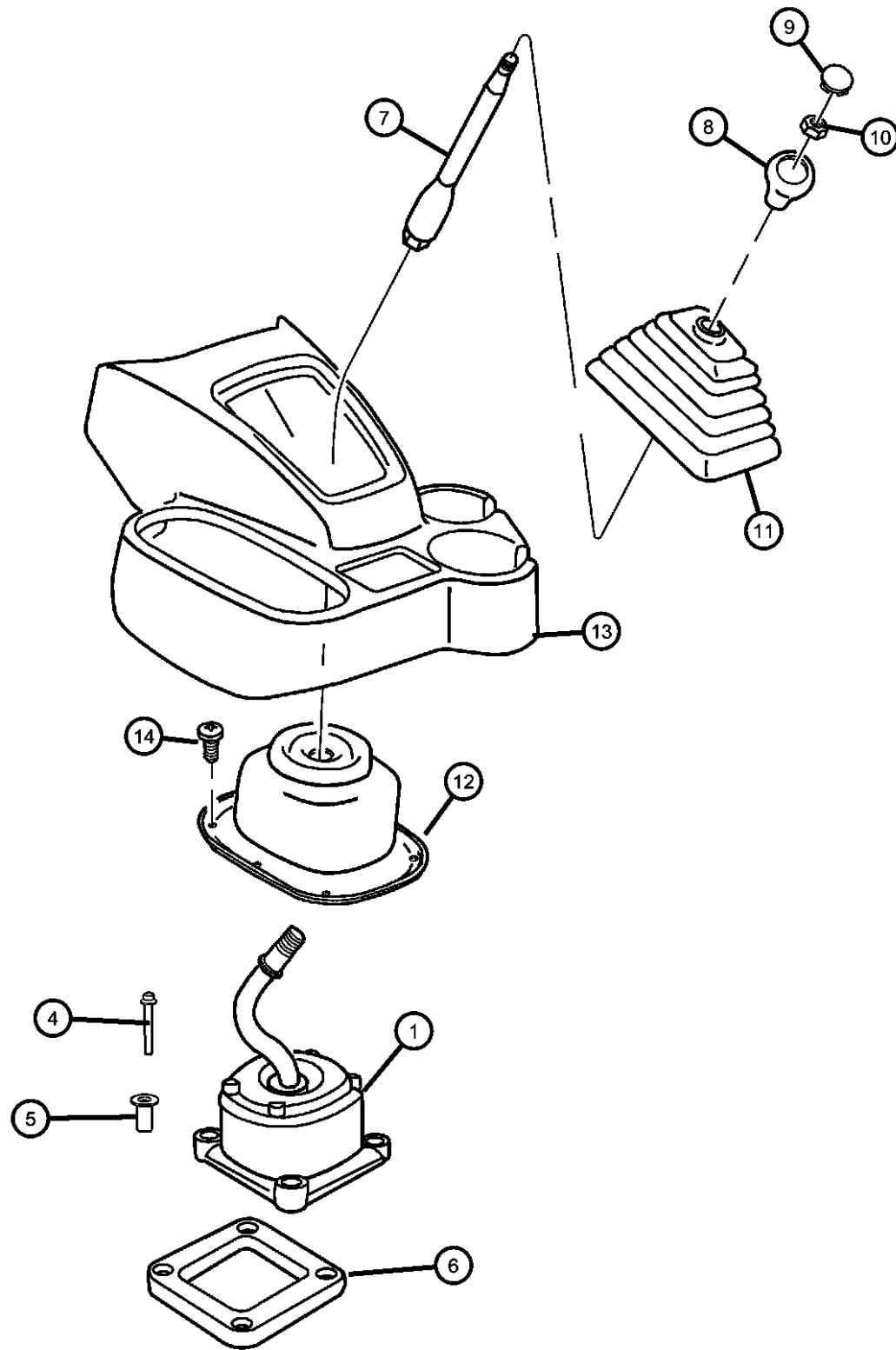
RAM PICKUP/CLUB CAB (BE)

SERIES	LINE	BODY	ENGINE	TRANSMISSION
L = Ram Truck (All)	3 = HD DODGE 2WD	31 = CLUB CAB 2-DR 6.5 FT BOX	ELF = ENGINE - 5.2L V8 MPI	DDC = TRANSMISSION - 5-SPEED HD MANUAL
	8 = HD DODGE 4WD	32 = CLUB CAB 2-DR 8FT BOX	EML = ENGINE - 5.9L V8 MPI	DDP = TRANSMISSION - 5-SPEED MANUAL
	1 = Lt. Duty DODGE 2WD	33 = QUAD CAB 4-DR 6.5 FT BOX	EMM = ENGINE - "MAGNUM" 5.9L SMPI V8	DDX = TRANSMISSION - 5-SPEED HD MANUAL
	6 = Lt. Duty DODGE 4WD	34 = QUAD CAB 4-DR 8FT BOX	ETC = ENGINE- 5.9L CUMMINS 24V DIESEL	DEE = TRANSMISSION - 6-SPEED HD MANUAL
	2 = Med. Duty DODGE 2WD		ETH = ENGINE- 5.9L HO CUMMINS TURBO DIESEL	DGP = TRANSMISSION - 4-SPD. AUTOMATIC, 47RE
	7 = Med. Duty DODGE 4WD		EWA = ENGINE - 8.0L V10 MPI	DGT = TRANSMISSION - 4-SPD. AUTOMATIC, 46RE

AR = use ase required - = Non illustrated part

2000 BE

**Controls, Gearshift - 5600 6 Speed [DEE]  
Figure 5600-1210**



ITEM	PART NUMBER	QTY	LINE	SERIES	BODY	ENGINE	TRANS	TRIM	DESCRIPTION
1	05012139AA	1	1, 2, 3			ETH	DEE		LEVER, Gearshift
		1	6, 7, 8			ETH	DEE		
		1	1, 2, 3			ETC	DEE		
		1	6, 7, 8			ETC	DEE		
-2	52108192	1				ET0	DEE		INSERT, Transmission Shift Knob
-3	05012139AA	1	1, 2, 3			ETH	DEE		LEVER, Gearshift
		1	6, 7, 8			ETH	DEE		Stub Shaft
4	05003213AA	4	1, 2, 3			ETH	DEE		BOLT
		4	6, 7, 8			ETH	DEE		
5	05003212AA	4	1, 2, 3			ETH	DEE		BUSHING, Gearshift Lever
		4	6, 7, 8			ETH	DEE		
6	05003214AA	1	1, 2, 3			ETH	DEE		SPACER, Shift Tower
		1	6, 7, 8			ETH	DEE		
7	52107612	1					DBB		LEVER, Gearshift
8	52104174	1	6, 7, 8						KNOB, Gearshift
9	52108192	1				ET0	DEE		INSERT, Transmission Shift Knob
10	06502556	1	6, 7, 8						NUT, Hex, M10-1.5
11	52107614AB	1					DBB		BOOT, Gear Shift Lever
12	52107613AB	1					DBB		BOOT, Gear Shift Lever
13	5EZ54LAZ	1					DBB		CONSOLE, Floor [AGate]

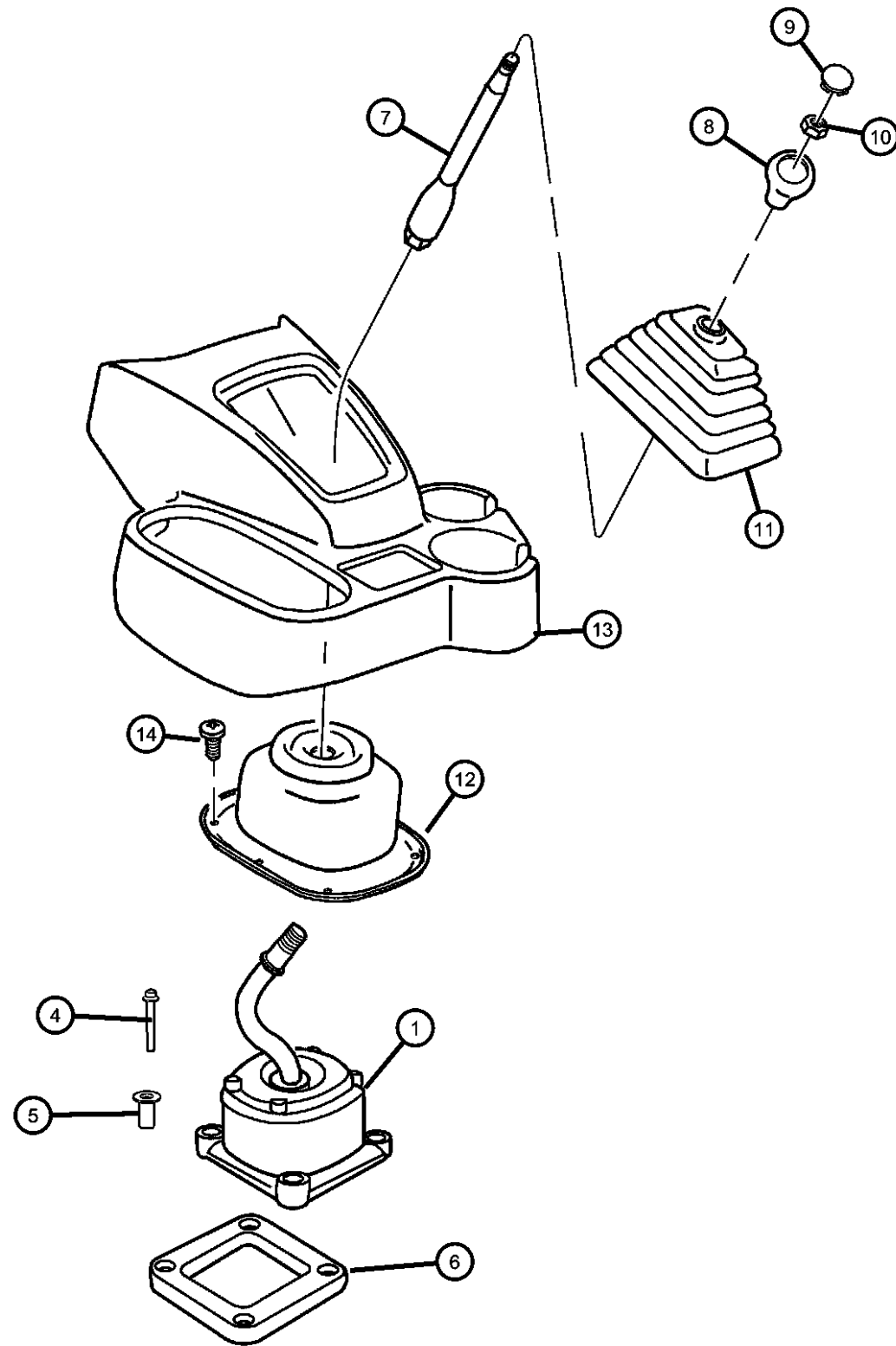
**RAM PICKUP/CLUB CAB (BE)**

SERIES	LINE	BODY	ENGINE	TRANSMISSION
L = Ram Truck	3 = HD DODGE 2WD	31 = CLUB CAB 2-DR 6.5 FT BOX	ELF = ENGINE - 5.2L V8 MPI	DDC = TRANSMISSION - 5-SPEED HD MANUAL
(All)	8 = HD DODGE 4WD	32 = CLUB CAB 2-DR 8FT BOX	EML = ENGINE - 5.9L V8 MPI	DDP = TRANSMISSION - 5-SPEED MANUAL
	1 = Lt. Duty DODGE 2WD	33 = QUAD CAB 4-DR 6.5 FT BOX	EMM = ENGINE - "MAGNUM" 5.9L SMPI V8	DDX = TRANSMISSION - 5-SPEED HD MANUAL
	6 = Lt. Duty DODGE 4WD	34 = QUAD CAB 4-DR 8FT BOX	ETC = ENGINE- 5.9L CUMMINS 24V DIESEL	DEE = TRANSMISSION - 6-SPEED HD MANUAL
	2 = Med. Duty DODGE 2WD		ETH = ENGINE- 5.9L HO CUMMINS TURBO DIESEL	DGP = TRANSMISSION - 4-SPD. AUTOMATIC, 47RE
	7 = Med. Duty DODGE 4WD		EWA = ENGINE - 8.0L V10 MPI	DGT = TRANSMISSION - 4-SPD. AUTOMATIC, 46RE

AR = use ase required - = Non illustrated part

2000 BE

Controls, Gearshift - 5600 6 Speed [DEE]  
Figure 5600-1210



ITEM	PART NUMBER	QTY	LINE	SERIES	BODY	ENGINE	TRANS	TRIM	DESCRIPTION
	5EZ54RC8	1					DBB		[Dark Mist Gray]
	5EZ54VK9	1					DBB		[Dark Tan]
14	5EZ54VK9	1							SCREW, (NOT SERVICED),

RAM PICKUP/CLUB CAB (BE)

SERIES	LINE	BODY	ENGINE	TRANSMISSION
L = Ram Truck (All)	3 = HD DODGE 2WD 8 = HD DODGE 4WD 1 = Lt. Duty DODGE 2WD 6 = Lt. Duty DODGE 4WD 2 = Med. Duty DODGE 2WD 7 = Med. Duty DODGE 4WD	31 = CLUB CAB 2-DR 6.5 FT BOX 32 = CLUB CAB 2-DR 8FT BOX 33 = QUAD CAB 4-DR 6.5 FT BOX 34 = QUAD CAB 4-DR 8FT BOX	ELF = ENGINE - 5.2L V8 MPI EML = ENGINE - 5.9L V8 MPI EMM = ENGINE - "MAGNUM" 5.9L SMPI V8 ETC = ENGINE- 5.9L CUMMINS 24V DIESEL ETH = ENGINE- 5.9L HO CUMMINS TURBO DIESEL EWA = ENGINE - 8.0L V10 MPI	DDC = TRANSMISSION - 5-SPEED HD MANUAL DDP = TRANSMISSION - 5-SPEED MANUAL DDX = TRANSMISSION - 5-SPEED HD MANUAL DEE = TRANSMISSION - 6-SPEED HD MANUAL DGP = TRANSMISSION - 4-SPD. AUTOMATIC,47RE DGT = TRANSMISSION - 4-SPD. AUTOMATIC,46RE

AR = use ase required - = Non illustrated part

2000 BE



# Group - 231

## Transfer Case Model 231 [DHJ, DHK, DHN]

### Group - 231 Transfer Case Model 231 [DHJ, DHK, DHN]

Group-Fig. No.

Illustration Title

#### Transfer Case Assembly

Transfer Case Assembly [DHK] Shift on the Fly ..... Fig. 231 - 110

#### Case and Related Parts

Case and Related Parts [DHK] Shift on the Fly ..... Fig. 231 - 210

#### Gear Train

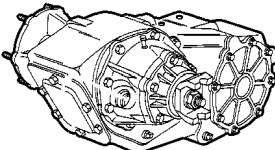

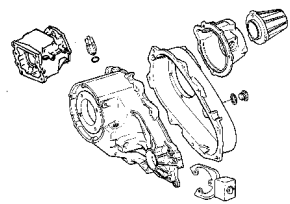
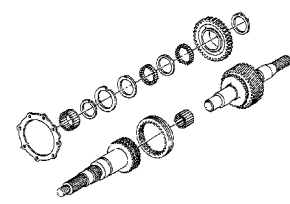
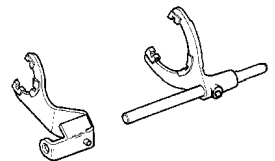
Gear Train [DHK] Shift on the Fly ..... Fig. 231 - 410

#### Fork and Rails

Forks, Rails Miscellaneous Parts [DHK] Shift on the Fly ..... Fig. 231 - 910

#### Gearshift Controls

Controls, Transfer Case [DHK] Shift on the Fly ..... Fig. 231 - 1210

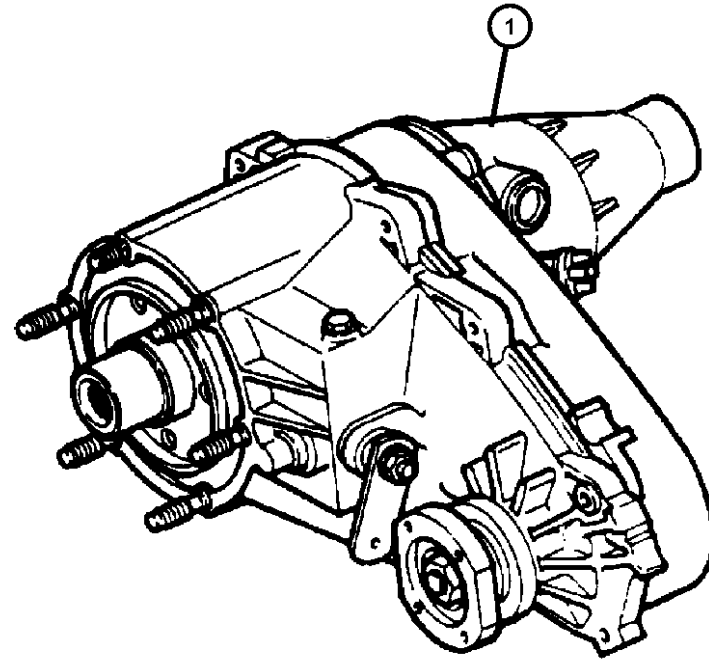
<p><b>231-100</b> Transfer Case Assembly</p> 	<p><b>231-1200</b> Gearshift Controls</p> 	<p><b>231-200</b> Case and Related Parts</p> 	<p><b>231-400</b> Gear Train</p> 
<p><b>231-900</b> Fork and Rails</p> 			

**Transfer Case Assembly [DHK] Shift on the Fly  
Figure 231-110**

ITEM	PART NUMBER	QTY	LINE	SERIES	BODY	ENGINE	TRANS	TRIM	DESCRIPTION
------	-------------	-----	------	--------	------	--------	-------	------	-------------

NOTES: Sales Codes  
 [DDC] = 5 Speed Heavy Duty Manual Transmission  
 [DG0] = All Automatic Transmissions  
 [EL0] = All 5.2L 8 Cylinder Gas Engines  
 [EM0] = All 5.9L 8 Cylinder Gas Engines

1									TRANSFER CASE, NP231 HD
	52105021AB	1	6, 7, 8			EL0, EM0	DDC		
	52105022AB	1	6, 7, 8			EL0, EM0	DG0		



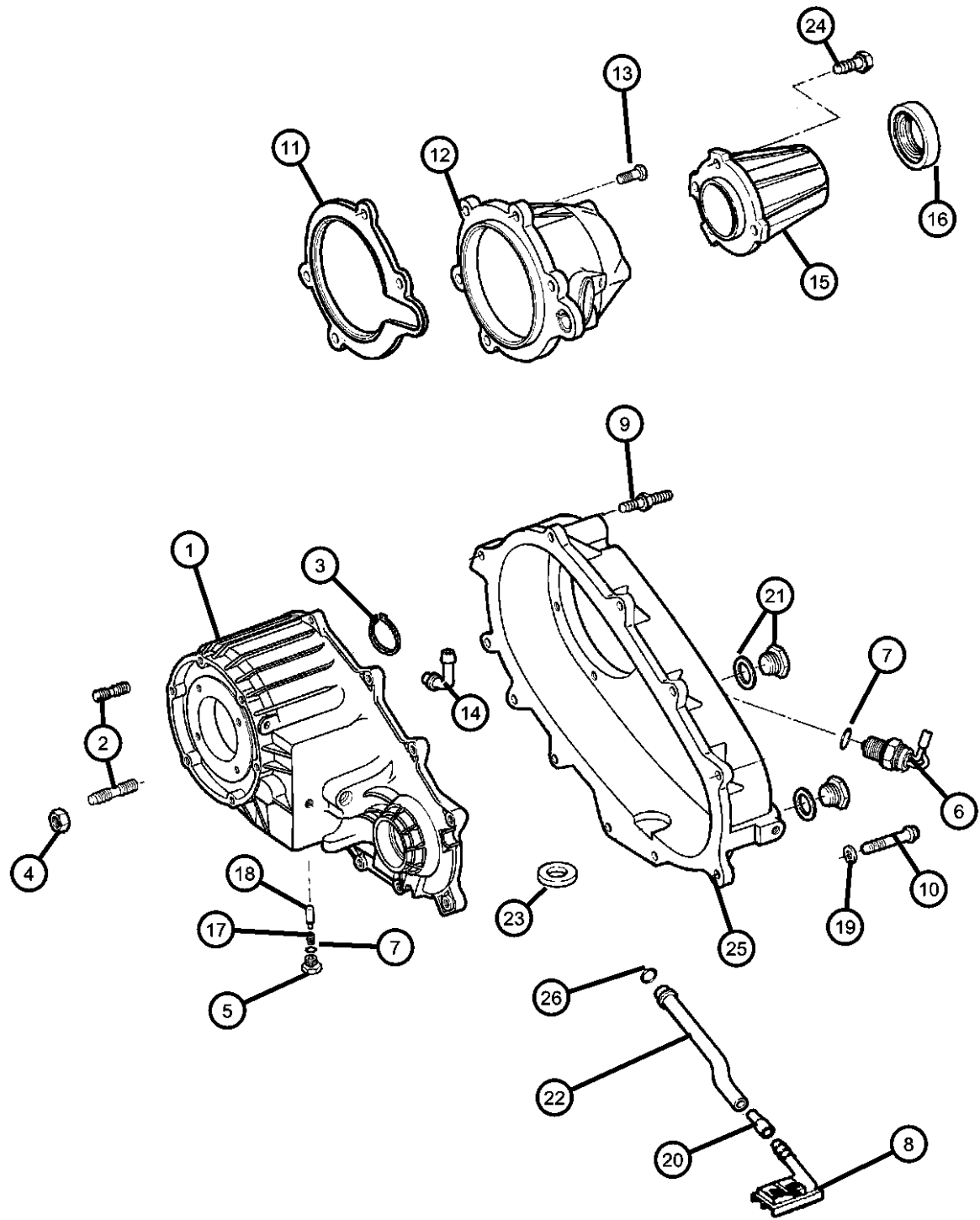
**RAM PICKUP/CLUB CAB (BE)**

SERIES	LINE	BODY	ENGINE	TRANSMISSION
L = Ram Truck (All)	3 = HD DODGE 2WD 8 = HD DODGE 4WD 1 = Lt. Duty DODGE 2WD 6 = Lt. Duty DODGE 4WD 2 = Med. Duty DODGE 2WD 7 = Med. Duty DODGE 4WD	31 = CLUB CAB 2-DR 6.5 FT BOX 32 = CLUB CAB 2-DR 8FT BOX 33 = QUAD CAB 4-DR 6.5 FT BOX 34 = QUAD CAB 4-DR 8FT BOX	ELF = ENGINE - 5.2L V8 MPI EML = ENGINE - 5.9L V8 MPI EMM = ENGINE - "MAGNUM" 5.9L SMPI V8 ETC = ENGINE- 5.9L CUMMINS 24V DIESEL ETH = ENGINE- 5.9L HO CUMMINS TURBO DIESEL EWA = ENGINE - 8.0L V10 MPI	DDC = TRANSMISSION - 5-SPEED HD MANUAL DDP = TRANSMISSION - 5-SPEED MANUAL DDX = TRANSMISSION - 5-SPEED HD MANUAL DEE = TRANSMISSION - 6-SPEED HD MANUAL DGP = TRANSMISSION - 4-SPD. AUTOMATIC,47RE DGT = TRANSMISSION - 4-SPD. AUTOMATIC,46RE

AR = use ase required - = Non illustrated part

2000 BE

**Case and Related Parts [DHK] Shift on the Fly  
Figure 231-210**



ITEM	PART NUMBER	QTY	LINE	SERIES	BODY	ENGINE	TRANS	TRIM	DESCRIPTION
------	-------------	-----	------	--------	------	--------	-------	------	-------------

NOTES: Sales Codes  
 [DDC] = 5 Speed Heavy Duty Manual Transmission  
 [DG0] = All Automatic Transmissions  
 [EL0] = All 5.2L 8 Cylinder Gas Engines  
 [EM0] = All 5.9L 8 Cylinder Gas Engines

1	05015430AA	1	6, 7, 8			EL0, EM0	DG0		CASE, Transfer Front
		1	6, 7, 8			EL0, EM0	DDC		
2	04505365	6	6, 7, 8			EL0, EM0	DDC		STUD
		6	6, 7, 8			EL0, EM0	DG0		
3	04219065	1	6, 7, 8			EL0, EM0	DG0		SNAP RING, Annulus Gear
		1	6, 7, 8			EL0, EM0	DDC		
4	06033172	6							NUT AND WASHER, Hex, .375-24
5	04886473AA	1	6, 7, 8			EL0, EM0	DG0		SCREW
		1	6, 7, 8			EL0, EM0	DDC		
6	53001101	1	6, 7, 8			EL0, EM0	DG0		SWITCH, Transfer Case
		1	6, 7, 8			EL0, EM0	DDC		
7	04338956	2	6, 7, 8			EL0, EM0	DDC		SEAL, Vacuum Switch
		2	6, 7, 8			EL0, EM0	DG0		
8	04338943	1	6, 7, 8			EL0, EM0	DG0		FILTER, Transfer Case Oil
		1	6, 7, 8			EL0, EM0	DDC		
9	04210617	4	6, 7, 8			EL0, EM0	DDC		BOLT, Transfer Case
		4	6, 7, 8			EL0, EM0	DG0		
10									BOLT, Hex Flange Head

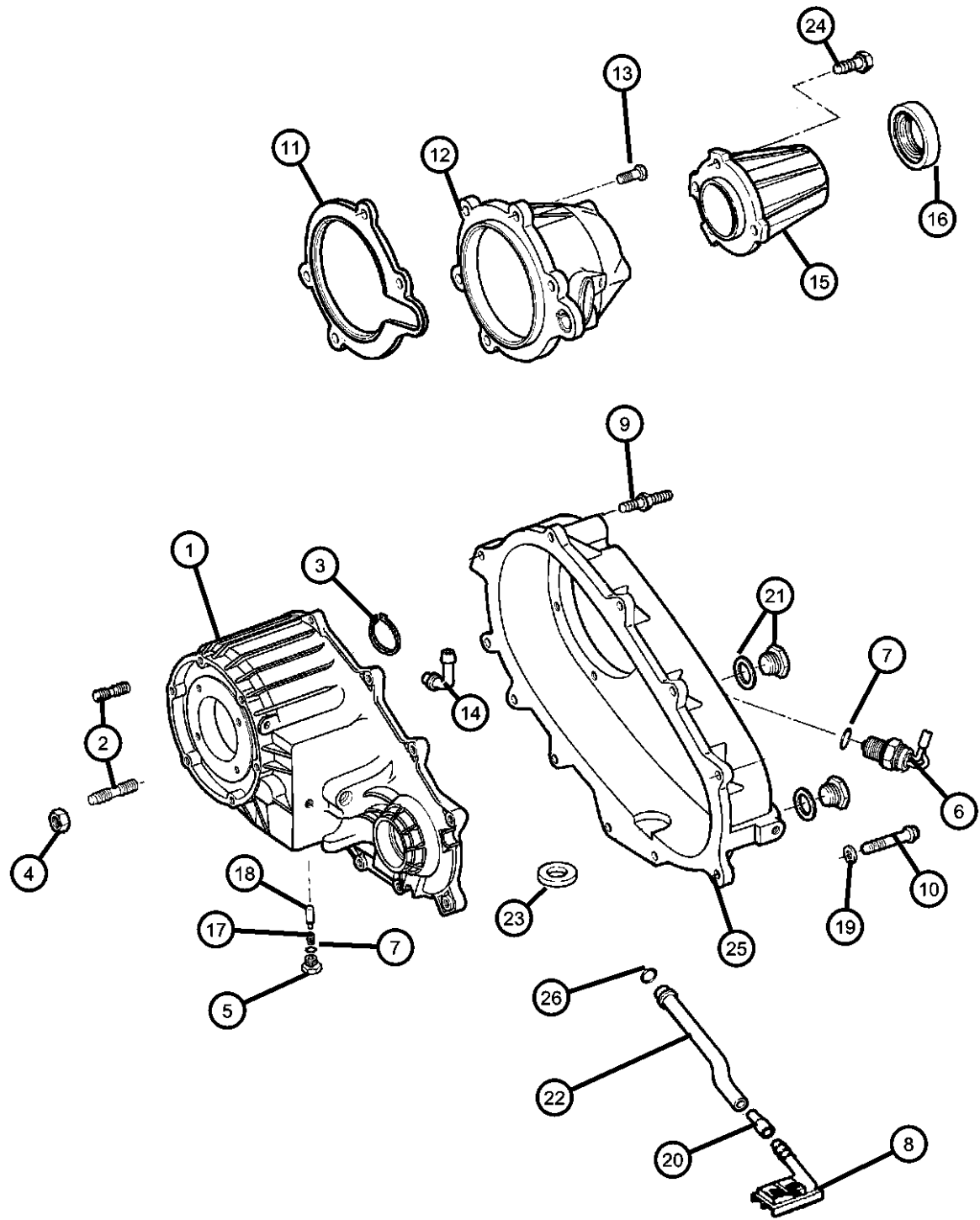
**RAM PICKUP/CLUB CAB (BE)**

SERIES	LINE
L = Ram Truck (All)	3 = HD DODGE 2WD
	8 = HD DODGE 4WD
	1 = Lt. Duty DODGE 2WD
	6 = Lt. Duty DODGE 4WD
	2 = Med. Duty DODGE 2WD
	7 = Med. Duty DODGE 4WD

BODY	ENGINE	TRANSMISSION
31 = CLUB CAB 2-DR 6.5 FT BOX	ELF = ENGINE - 5.2L V8 MPI	DDC = TRANSMISSION - 5-SPEED HD MANUAL
32 = CLUB CAB 2-DR 8FT BOX	EML = ENGINE - 5.9L V8 MPI	DDP = TRANSMISSION - 5-SPEED MANUAL
33 = QUAD CAB 4-DR 6.5 FT BOX	EMM = ENGINE - "MAGNUM" 5.9L SMPI V8	DDX = TRANSMISSION - 5-SPEED HD MANUAL
34 = QUAD CAB 4-DR 8FT BOX	ETC = ENGINE- 5.9L CUMMINS 24V DIESEL	DEE = TRANSMISSION - 6-SPEED HD MANUAL
	ETH = ENGINE- 5.9L HO CUMMINS TURBO DIESEL	DGP = TRANSMISSION - 4-SPD. AUTOMATIC, 47RE
	EWA = ENGINE - 8.0L V10 MPI	DGT = TRANSMISSION - 4-SPD. AUTOMATIC, 46RE

AR = use ase required - = Non illustrated part

**Case and Related Parts [DHK] Shift on the Fly  
Figure 231-210**



ITEM	PART NUMBER	QTY	LINE	SERIES	BODY	ENGINE	TRANS	TRIM	DESCRIPTION
	04210614	2	6, 7, 8			EL0, EM0	DG0		
		2	6, 7, 8			EL0, EM0	DDC		
11	04897958AA	1	6, 7, 8			EL0, EM0	DG0		GASKET, Transfer Case
		1	6, 7, 8			EL0, EM0	DDC		
12	04897956AA	1	6, 7, 8			EL0, EM0	DG0		RETAINER, Transfer Case Rear
		1	6, 7, 8			EL0, EM0	DDC		
13									BOLT
	06500318	4	6, 7, 8			EL0, EM0	DG0		
		4	6, 7, 8			EL0, EM0	DDC		
14									VENT, Transfer Case
	04796910	1	6, 7, 8			EL0, EM0	DG0		
		1	6, 7, 8			EL0, EM0	DDC		
15									EXTENSION, Transfer Case
	04746150	1	6, 7, 8			EL0, EM0	DG0		
		1	6, 7, 8			EL0, EM0	DDC		
16									SEAL, Output Shaft
	04746258	1	6, 7, 8			EL0, EM0	DG0		
		1	6, 7, 8			EL0, EM0	DDC		
17									SPRING, Poppet
	04798257	1	6, 7, 8			EL0, EM0	DG0		
		1	6, 7, 8			EL0, EM0	DDC		
18									PLUNGER
	53008217	1	6, 7, 8			EL0, EM0	DG0		
		1	6, 7, 8			EL0, EM0	DDC		
19									WASHER, Flat
	04210983	2	6, 7, 8			EL0, EM0	DG0		
		2	6, 7, 8			EL0, EM0	DDC		
20									CONNECTOR, Oil Tube Pickup

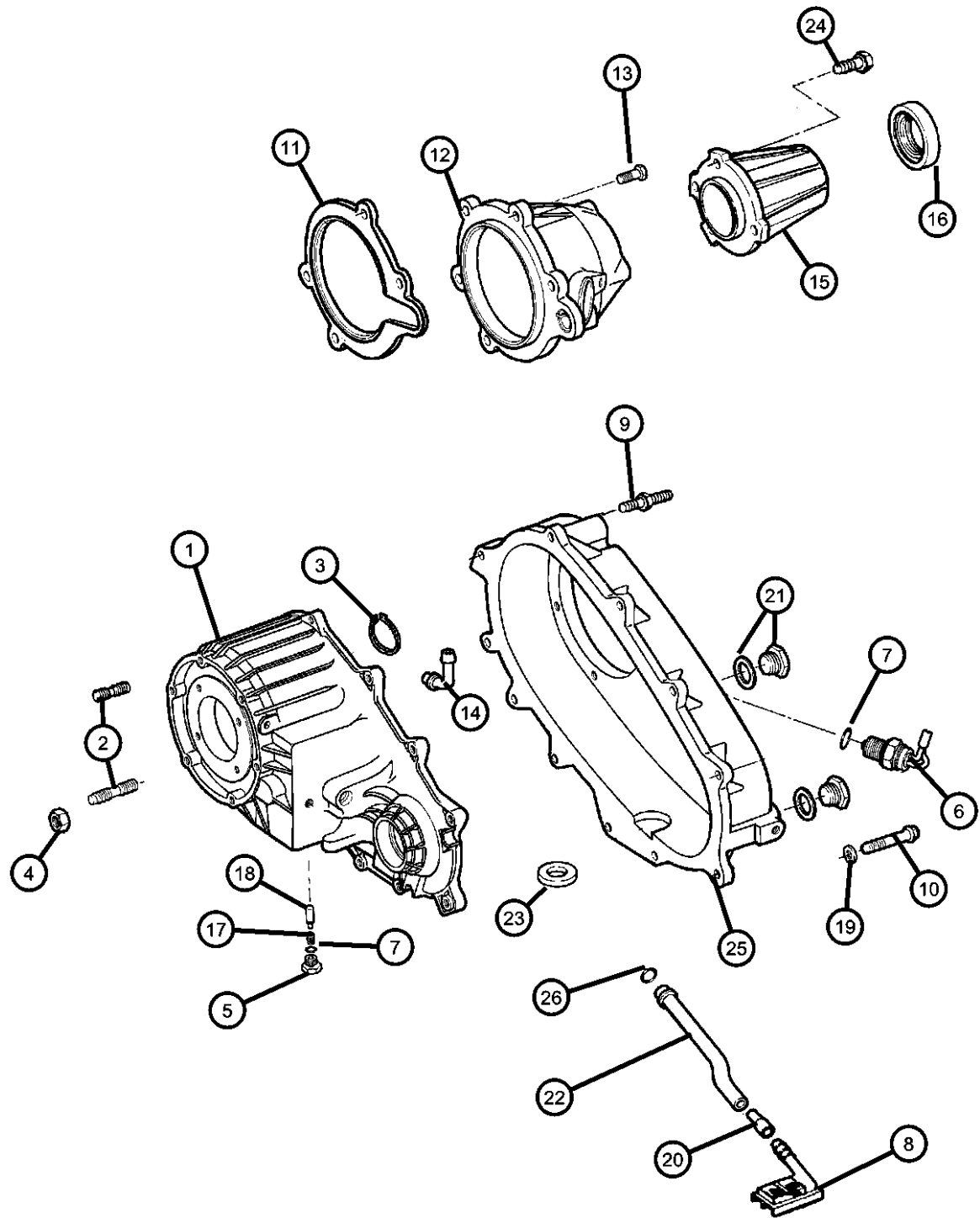
**RAM PICKUP/CLUB CAB (BE)**

SERIES	LINE
L = Ram Truck (All)	3 = HD DODGE 2WD
	8 = HD DODGE 4WD
	1 = Lt. Duty DODGE 2WD
	6 = Lt. Duty DODGE 4WD
	2 = Med. Duty DODGE 2WD
	7 = Med. Duty DODGE 4WD

BODY	ENGINE	TRANSMISSION
31 = CLUB CAB 2-DR 6.5 FT BOX	ELF = ENGINE - 5.2L V8 MPI	DDC = TRANSMISSION - 5-SPEED HD MANUAL
32 = CLUB CAB 2-DR 8FT BOX	EML = ENGINE - 5.9L V8 MPI	DDP = TRANSMISSION - 5-SPEED MANUAL
33 = QUAD CAB 4-DR 6.5 FT BOX	EMM = ENGINE - "MAGNUM" 5.9L SMPI V8	DDX = TRANSMISSION - 5-SPEED HD MANUAL
34 = QUAD CAB 4-DR 8FT BOX	ETC = ENGINE- 5.9L CUMMINS 24V DIESEL	DEE = TRANSMISSION - 6-SPEED HD MANUAL
	ETH = ENGINE- 5.9L HO CUMMINS TURBO DIESEL	DGP = TRANSMISSION - 4-SPD. AUTOMATIC,47RE
	EWA = ENGINE - 8.0L V10 MPI	DGT = TRANSMISSION - 4-SPD. AUTOMATIC,46RE

AR = use ase required - = Non illustrated part

**Case and Related Parts [DHK] Shift on the Fly  
Figure 231-210**



ITEM	PART NUMBER	QTY	LINE	SERIES	BODY	ENGINE	TRANS	TRIM	DESCRIPTION
	04338944	1	6, 7, 8			ELO, EM0	DG0		
		1	6, 7, 8			ELO, EM0	DDC		
21	04856641	2	6, 7, 8			ELO, EM0	DG0		PLUG, Oil Fill
		2	6, 7, 8			ELO, EM0	DDC		
22									TUBE, Oil Pickup
	04338941	1	6, 7, 8			ELO, EM0	DG0		
		1	6, 7, 8			ELO, EM0	DDC		
23									MAGNET, Transmission
	03681601	1	6, 7, 8			ELO, EM0	DG0		
		1	6, 7, 8			ELO, EM0	DDC		
24									BOLT, Transfer Case
	04210617	4	6, 7, 8			ELO, EM0	DDC		
		4	6, 7, 8			ELO, EM0	DG0		
25									CASE, Transfer Rear
	04741242	1	6, 7, 8			ELO, EM0	DG0		
		1	6, 7, 8			ELO, EM0	DDC		
26									SEAL, Oil
	04338942	1	6, 7, 8			ELO, EM0	DG0		
		1	6, 7, 8			ELO, EM0	DDC		

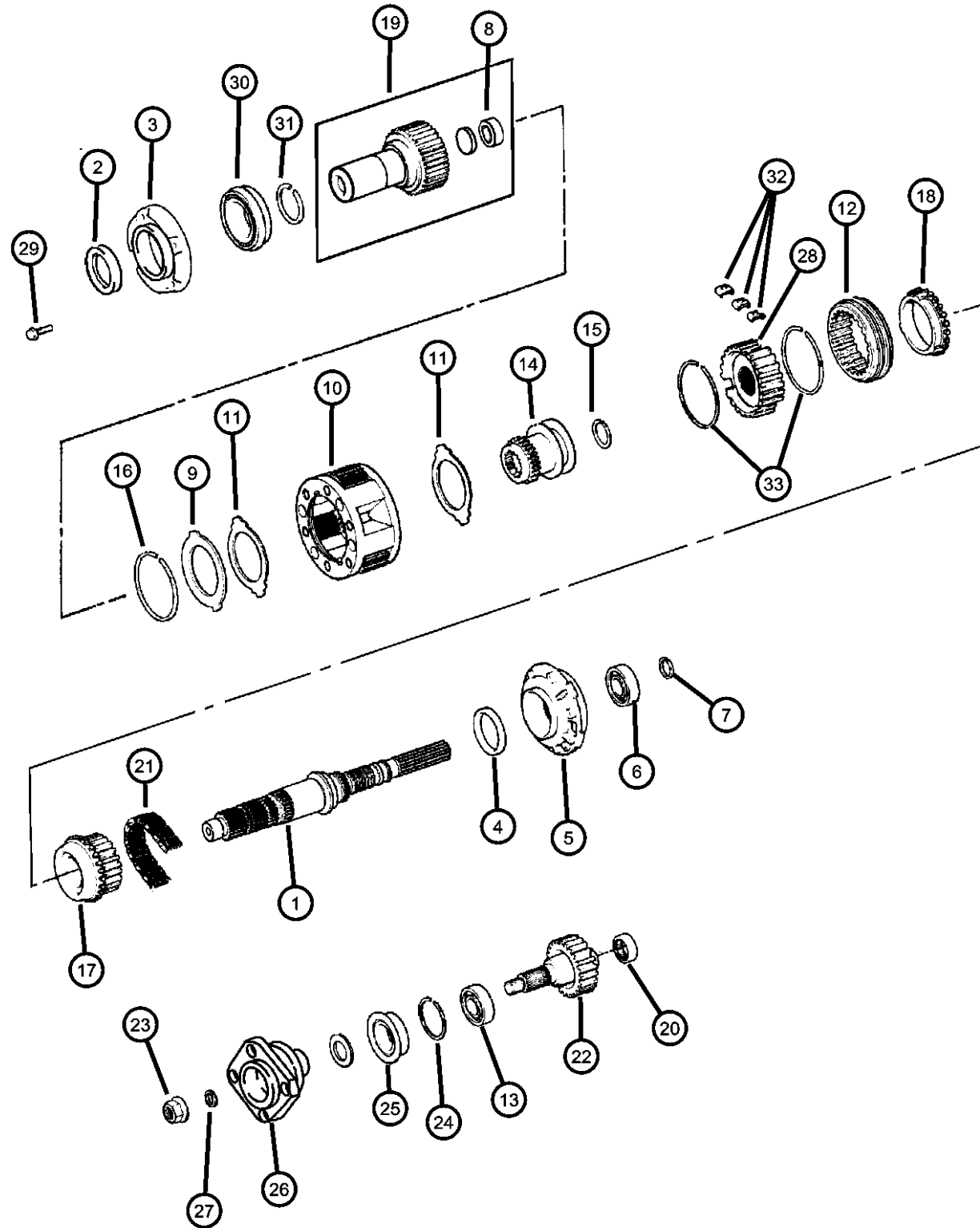
**RAM PICKUP/CLUB CAB (BE)**

SERIES	LINE
L = Ram Truck (All)	3 = HD DODGE 2WD
	8 = HD DODGE 4WD
	1 = Lt. Duty DODGE 2WD
	6 = Lt. Duty DODGE 4WD
	2 = Med. Duty DODGE 2WD
	7 = Med. Duty DODGE 4WD

BODY	ENGINE	TRANSMISSION
31 = CLUB CAB 2-DR 6.5 FT BOX	ELF = ENGINE - 5.2L V8 MPI	DDC = TRANSMISSION - 5-SPEED HD MANUAL
32 = CLUB CAB 2-DR 8FT BOX	EML = ENGINE - 5.9L V8 MPI	DDP = TRANSMISSION - 5-SPEED MANUAL
33 = QUAD CAB 4-DR 6.5 FT BOX	EMM = ENGINE - "MAGNUM" 5.9L SMPI V8	DDX = TRANSMISSION - 5-SPEED HD MANUAL
34 = QUAD CAB 4-DR 8FT BOX	ETC = ENGINE- 5.9L CUMMINS 24V DIESEL	DEE = TRANSMISSION - 6-SPEED HD MANUAL
	ETH = ENGINE- 5.9L HO CUMMINS TURBO DIESEL	DGP = TRANSMISSION - 4-SPD. AUTOMATIC,47RE
	EWA = ENGINE - 8.0L V10 MPI	DGT = TRANSMISSION - 4-SPD. AUTOMATIC,46RE

AR = use ase required - = Non illustrated part

**Gear Train [DHK] Shift on the Fly  
Figure 231-410**



ITEM	PART NUMBER	QTY	LINE	SERIES	BODY	ENGINE	TRANS	TRIM	DESCRIPTION
------	-------------	-----	------	--------	------	--------	-------	------	-------------

NOTES: Sales Codes  
 [DDC] = 5 Speed Heavy Duty Manual Transmission  
 [DG0] = All Automatic Transmissions  
 [EL0] = All 5.2L 8 Cylinder Gas Engines  
 [EM0] = All 5.9L 8 Cylinder Gas Engines

1	04797022	1	6, 7, 8			EL0, EM0	DG0		MAINSHAFT, Transfer Case
		1	6, 7, 8			EL0, EM0	DDC		
2	04167929	1	6, 7, 8			EL0, EM0	DG0		SEAL, Input Gear
		1	6, 7, 8			EL0, EM0	DDC		
3	04338973	1	6, 7, 8			EL0, EM0	DG0		RETAINER
		1	6, 7, 8			EL0, EM0	DDC		
4	04210603	1	6, 7, 8			EL0, EM0	DG0		SEAL, Main Shaft
		1	6, 7, 8			EL0, EM0	DDC		
5	04338936	1	6, 7, 8			EL0, EM0	DG0		PUMP, Transfer Case Oil
		1	6, 7, 8			EL0, EM0	DDC		
6	04897981AA	1	6, 7, 8			EL0, EM0	DG0		BEARING, Output Shaft
		1	6, 7, 8			EL0, EM0	DDC		
7	06025755	1	6, 7, 8			EL0, EM0	DG0		SNAP RING, 1.28 ID
		1	6, 7, 8			EL0, EM0	DDC		
8	04338891	1	6, 7, 8			EL0, EM0	DG0		BEARING, Input Gear
		1	6, 7, 8			EL0, EM0	DDC		
9	04338909	1	6, 7, 8			EL0, EM0	DG0		RING

**RAM PICKUP/CLUB CAB (BE)**

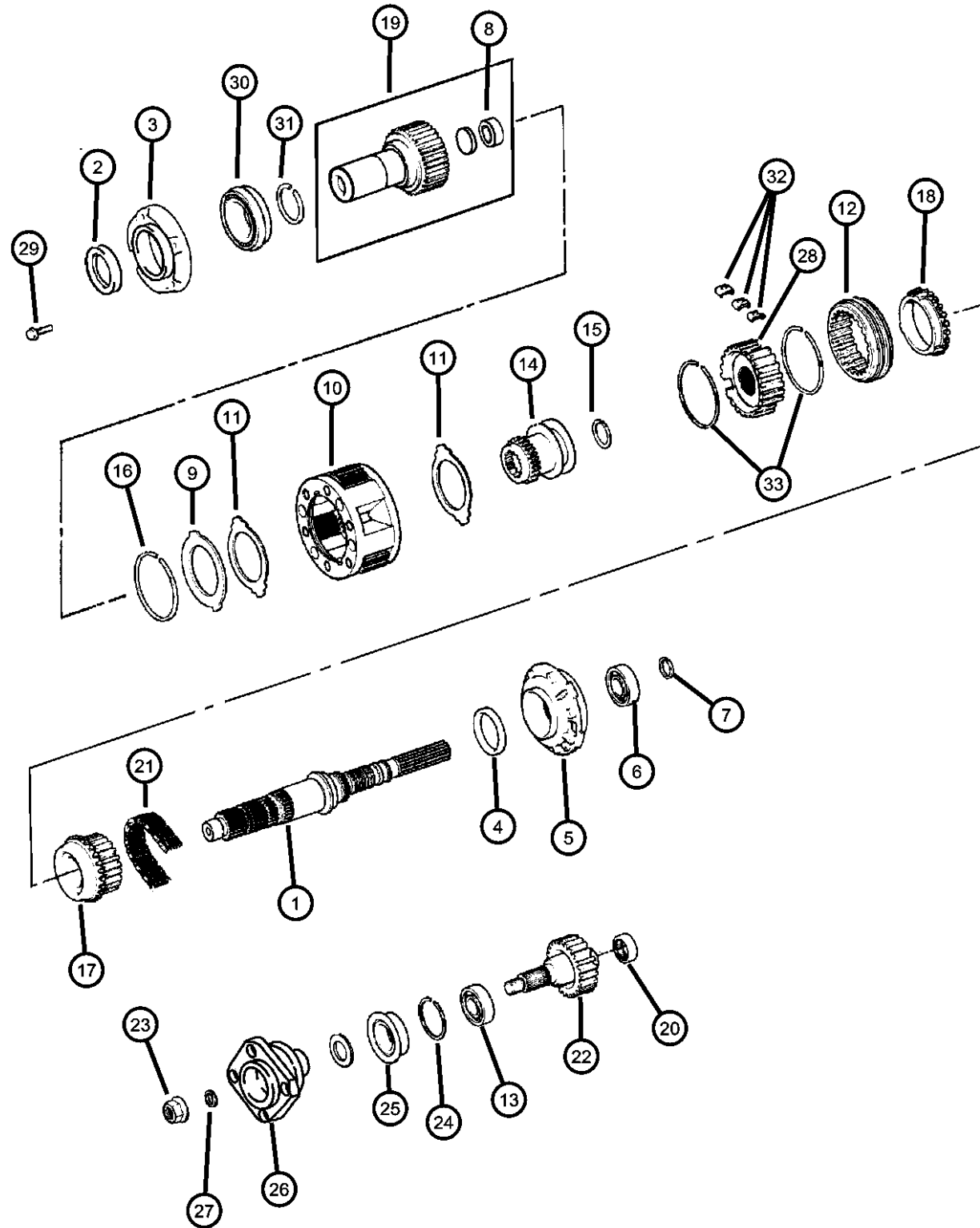
SERIES	LINE
L = Ram Truck (All)	3 = HD DODGE 2WD
	8 = HD DODGE 4WD
	1 = Lt. Duty DODGE 2WD
	6 = Lt. Duty DODGE 4WD
	2 = Med. Duty DODGE 2WD
	7 = Med. Duty DODGE 4WD

BODY	ENGINE	TRANSMISSION
31 = CLUB CAB 2-DR 6.5 FT BOX	ELF = ENGINE - 5.2L V8 MPI	DDC = TRANSMISSION - 5-SPEED HD MANUAL
32 = CLUB CAB 2-DR 8FT BOX	EML = ENGINE - 5.9L V8 MPI	DDP = TRANSMISSION - 5-SPEED MANUAL
33 = QUAD CAB 4-DR 6.5 FT BOX	EMM = ENGINE - "MAGNUM" 5.9L SMPI V8	DDX = TRANSMISSION - 5-SPEED HD MANUAL
34 = QUAD CAB 4-DR 8FT BOX	ETC = ENGINE- 5.9L CUMMINS 24V DIESEL	DEE = TRANSMISSION - 6-SPEED HD MANUAL
	ETH = ENGINE- 5.9L HO CUMMINS TURBO DIESEL	DGP = TRANSMISSION - 4-SPD. AUTOMATIC, 47RE
	EWA = ENGINE - 8.0L V10 MPI	DGT = TRANSMISSION - 4-SPD. AUTOMATIC, 46RE

AR = use ase required - = Non illustrated part

2000 BE

**Gear Train [DHK] Shift on the Fly  
Figure 231-410**



ITEM	PART NUMBER	QTY	LINE	SERIES	BODY	ENGINE	TRANS	TRIM	DESCRIPTION
10		1	6, 7, 8			ELO, EM0	DDC		PLANETARY, Transfer Case
	04796903	1	6, 7, 8			ELO, EM0	DG0		
		1	6, 7, 8			ELO, EM0	DDC		
11		2	6, 7, 8			ELO, EM0	DG0		THRUST WASHER, Planetary Carrier
	04338908	2	6, 7, 8			ELO, EM0	DDC		
12		1	6, 7, 8			ELO, EM0	DG0		SLEEVE, Synchronizer
	04746144	1	6, 7, 8			ELO, EM0	DDC		
13		1	6, 7, 8			ELO, EM0	DG0		BEARING
	04338892	1	6, 7, 8			ELO, EM0	DDC		
14		1	6, 7, 8			ELO, EM0	DG0		SLEEVE, Range Fork
	04797013	1	6, 7, 8			ELO, EM0	DDC		
	04897955AA	1	6, 7, 8			ELO, EM0	DG0		
15		1	6, 7, 8			ELO, EM0	DG0		SNAP RING
	04338933	1	6, 7, 8			ELO, EM0	DDC		
16		1	6, 7, 8			ELO, EM0	DG0		SNAP RING
	04338910	1	6, 7, 8			ELO, EM0	DDC		
17		1	6, 7, 8			ELO, EM0	DG0		SPROCKET, Transfer Case
	04797023	1	6, 7, 8			ELO, EM0	DDC		
18		1	6, 7, 8			ELO, EM0	DG0		RING, Blocker
	04746139	1	6, 7, 8			ELO, EM0	DDC		
19		1	6, 7, 8			ELO, EM0	DG0		GEAR, Input

**RAM PICKUP/CLUB CAB (BE)**

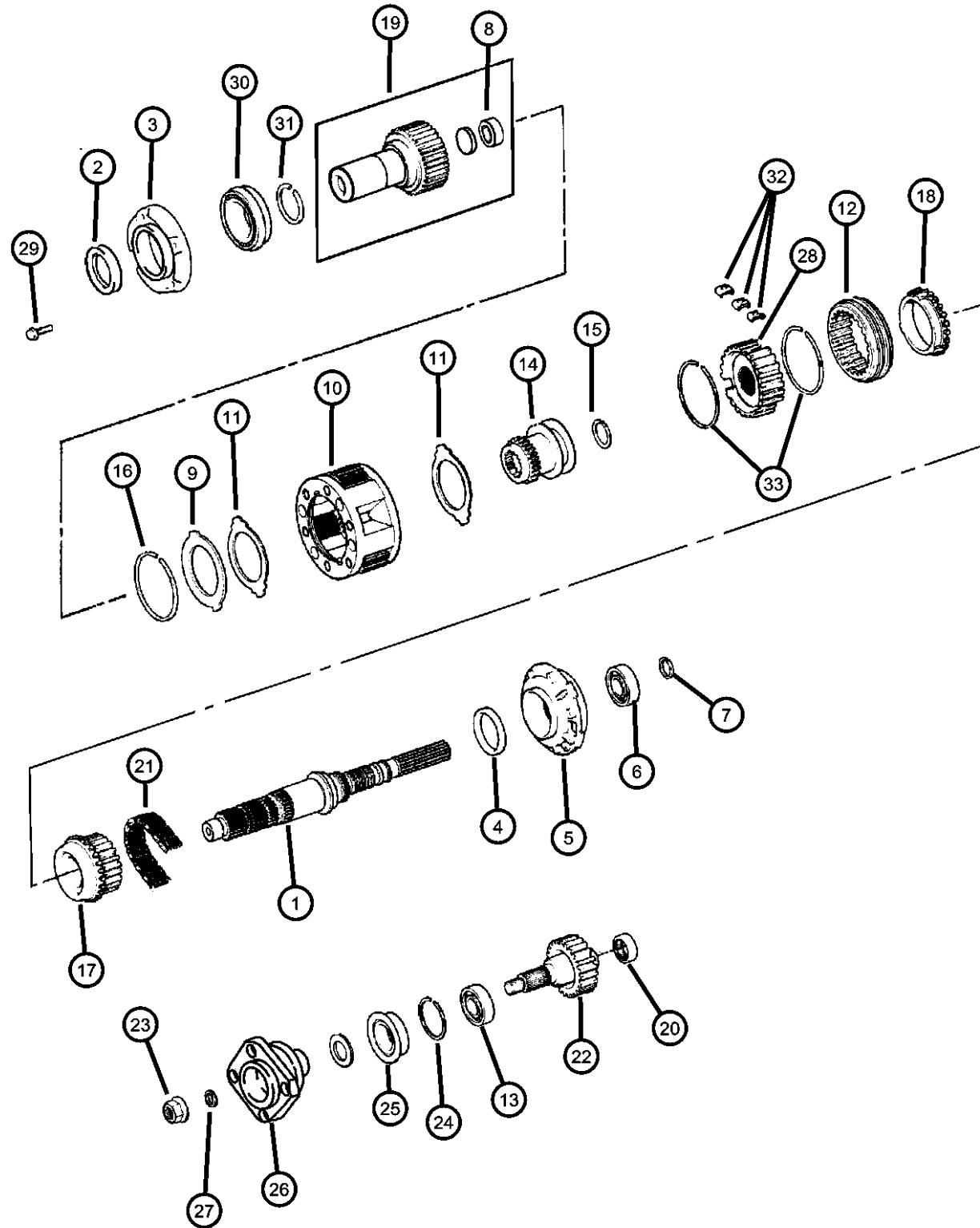
SERIES	LINE
L = Ram Truck (All)	3 = HD DODGE 2WD
	8 = HD DODGE 4WD
	1 = Lt. Duty DODGE 2WD
	6 = Lt. Duty DODGE 4WD
	2 = Med. Duty DODGE 2WD
	7 = Med. Duty DODGE 4WD

BODY	ENGINE	TRANSMISSION
31 = CLUB CAB 2-DR 6.5 FT BOX	ELF = ENGINE - 5.2L V8 MPI	DDC = TRANSMISSION - 5-SPEED HD MANUAL
32 = CLUB CAB 2-DR 8FT BOX	EML = ENGINE - 5.9L V8 MPI	DDP = TRANSMISSION - 5-SPEED MANUAL
33 = QUAD CAB 4-DR 6.5 FT BOX	EMM = ENGINE - "MAGNUM" 5.9L SMPI V8	DDX = TRANSMISSION - 5-SPEED HD MANUAL
34 = QUAD CAB 4-DR 8FT BOX	ETC = ENGINE- 5.9L CUMMINS 24V DIESEL	DEE = TRANSMISSION - 6-SPEED HD MANUAL
	ETH = ENGINE- 5.9L HO CUMMINS TURBO DIESEL	DGP = TRANSMISSION - 4-SPD. AUTOMATIC, 47RE
	EWA = ENGINE - 8.0L V10 MPI	DGT = TRANSMISSION - 4-SPD. AUTOMATIC, 46RE

AR = use ase required - = Non illustrated part

2000 BE

**Gear Train [DHK] Shift on the Fly  
Figure 231-410**



ITEM	PART NUMBER	QTY	LINE	SERIES	BODY	ENGINE	TRANS	TRIM	DESCRIPTION
	05015432AA	1	6, 7, 8			EL0, EM0	DG0		
	05015441AA	1	6, 7, 8			EL0, EM0	DDC		
20	04269189	1	6, 7, 8			EL0, EM0	DG0		BEARING, Output Shaft
		1	6, 7, 8			EL0, EM0	DDC		
21	04636961	1	6, 7, 8			EL0, EM0	DG0		CHAIN, Transfer Case
		1	6, 7, 8			EL0, EM0	DDC		
22	04636965	1	6, 7, 8			EL0, EM0	DG0		OUTPUT SHAFT, Transfer Case
		1	6, 7, 8			EL0, EM0	DDC		
23	04446488	1	6, 7, 8			EL0, EM0	DG0		NUT, Hex Flange
		1	6, 7, 8			EL0, EM0	DDC		
24	04338894	1	6, 7, 8			EL0, EM0	DG0		SNAP RING, Bearing
		1	6, 7, 8			EL0, EM0	DDC		
25	04798112	1	6, 7, 8			EL0, EM0	DG0		SEAL
		1	6, 7, 8			EL0, EM0	DDC		
26	04897960AA	1	6, 7, 8			EL0, EM0	DG0		YOKE, Transfer Case
		1	6, 7, 8			EL0, EM0	DDC		
27	04446487	1	6, 7, 8			EL0, EM0	DG0		WASHER, Flat
		1	6, 7, 8			EL0, EM0	DDC		
28	04746143	1	6, 7, 8			EL0, EM0	DG0		HUB, Synchronizer
		1	6, 7, 8			EL0, EM0	DDC		
29									BOLT

**RAM PICKUP/CLUB CAB (BE)**

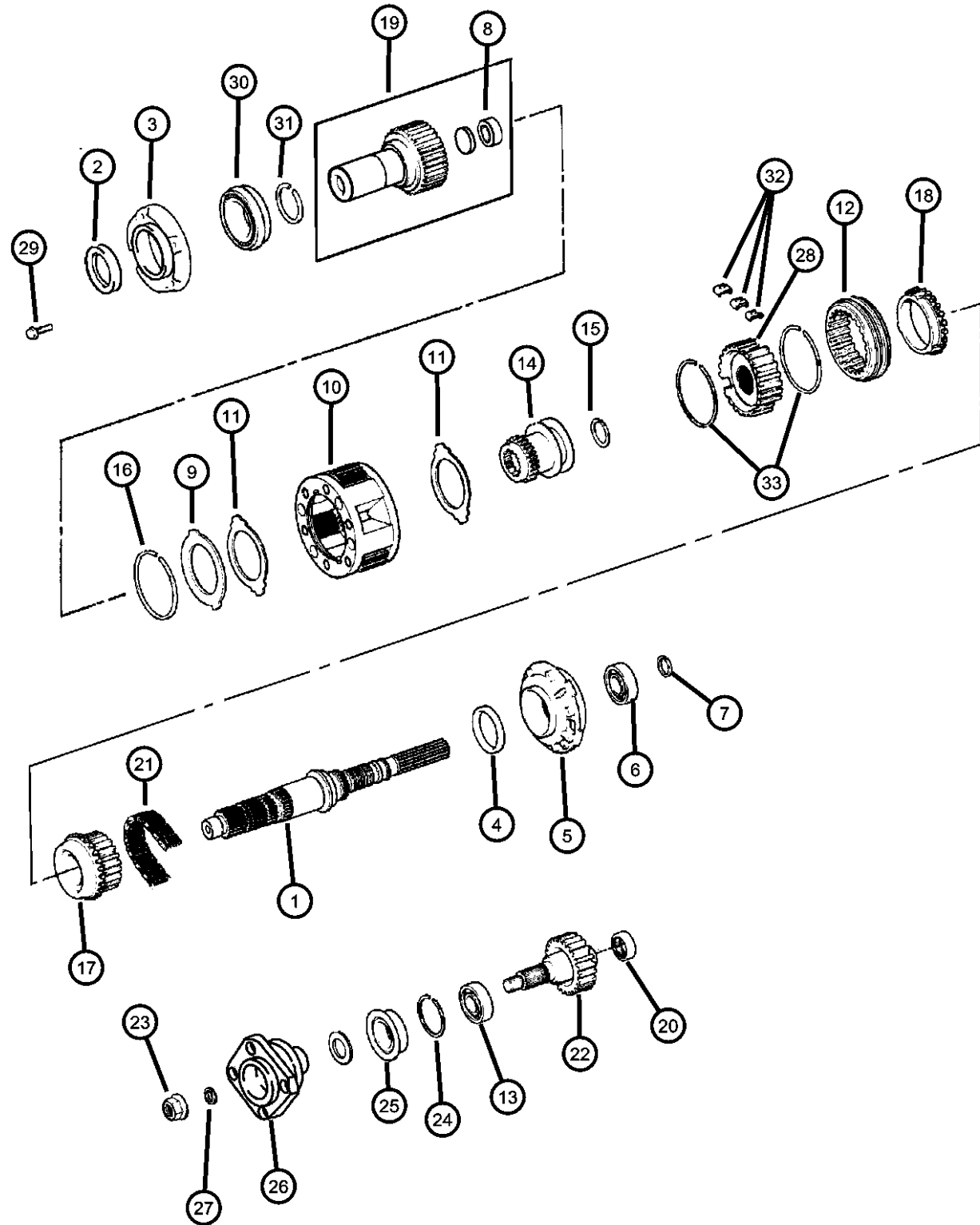
SERIES	LINE
L = Ram Truck	3 = HD DODGE 2WD
(All)	8 = HD DODGE 4WD
	1 = Lt. Duty DODGE 2WD
	6 = Lt. Duty DODGE 4WD
	2 = Med. Duty DODGE 2WD
	7 = Med. Duty DODGE 4WD

BODY	ENGINE	TRANSMISSION
31 = CLUB CAB 2-DR 6.5 FT BOX	ELF = ENGINE - 5.2L V8 MPI	DDC = TRANSMISSION - 5-SPEED HD MANUAL
32 = CLUB CAB 2-DR 8FT BOX	EML = ENGINE - 5.9L V8 MPI	DDP = TRANSMISSION - 5-SPEED MANUAL
33 = QUAD CAB 4-DR 6.5 FT BOX	EMM = ENGINE - "MAGNUM" 5.9L SMPI V8	DDX = TRANSMISSION - 5-SPEED HD MANUAL
34 = QUAD CAB 4-DR 8FT BOX	ETC = ENGINE- 5.9L CUMMINS 24V DIESEL	DEE = TRANSMISSION - 6-SPEED HD MANUAL
	ETH = ENGINE- 5.9L HO CUMMINS TURBO DIESEL	DGP = TRANSMISSION - 4-SPD. AUTOMATIC, 47RE
	EWA = ENGINE - 8.0L V10 MPI	DGT = TRANSMISSION - 4-SPD. AUTOMATIC, 46RE

AR = use ase required - = Non illustrated part



**Gear Train [DHK] Shift on the Fly  
Figure 231-410**



ITEM	PART NUMBER	QTY	LINE	SERIES	BODY	ENGINE	TRANS	TRIM	DESCRIPTION
	06500318	5	6, 7, 8			EL0, EM0	DDC		
		5	6, 7, 8			EL0, EM0	DG0		
30	04338891	1	6, 7, 8			EL0, EM0	DG0		BEARING, Input Gear
		1	6, 7, 8			EL0, EM0	DDC		
31	03821558	1	6, 7, 8			EL0, EM0	DG0		SNAP RING
		1	6, 7, 8			EL0, EM0	DDC		
32	04746137	3	6, 7, 8			EL0, EM0	DG0		KEY, Synchronizer
		3	6, 7, 8			EL0, EM0	DDC		
33	04746138	2	6, 7, 8			EL0, EM0	DG0		SPRING, Synchronizer
		2	6, 7, 8			EL0, EM0	DDC		

**RAM PICKUP/CLUB CAB (BE)**

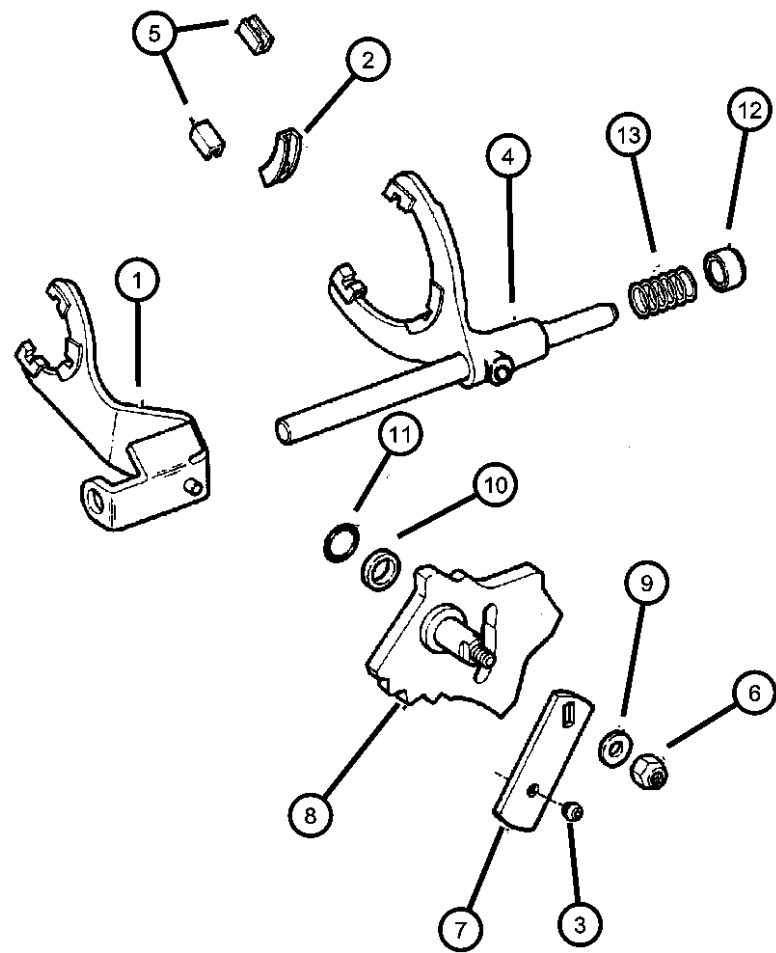
SERIES	LINE
L = Ram Truck	3 = HD DODGE 2WD
(All)	8 = HD DODGE 4WD
	1 = Lt. Duty DODGE 2WD
	6 = Lt. Duty DODGE 4WD
	2 = Med. Duty DODGE 2WD
	7 = Med. Duty DODGE 4WD

BODY	ENGINE	TRANSMISSION
31 = CLUB CAB 2-DR 6.5 FT BOX	ELF = ENGINE - 5.2L V8 MPI	DDC = TRANSMISSION - 5-SPEED HD MANUAL
32 = CLUB CAB 2-DR 8FT BOX	EML = ENGINE - 5.9L V8 MPI	DDP = TRANSMISSION - 5-SPEED MANUAL
33 = QUAD CAB 4-DR 6.5 FT BOX	EMM = ENGINE - "MAGNUM" 5.9L SMPI V8	DDX = TRANSMISSION - 5-SPEED HD MANUAL
34 = QUAD CAB 4-DR 8FT BOX	ETC = ENGINE- 5.9L CUMMINS 24V DIESEL	DEE = TRANSMISSION - 6-SPEED HD MANUAL
	ETH = ENGINE- 5.9L HO CUMMINS TURBO DIESEL	DGP = TRANSMISSION - 4-SPD. AUTOMATIC,47RE
	EWA = ENGINE - 8.0L V10 MPI	DGT = TRANSMISSION - 4-SPD. AUTOMATIC,46RE

AR = use ase required - = Non illustrated part

2000 BE

Forks, Rails Miscellaneous Parts [DHK] Shift on the Fly  
Figure 231-910



ITEM	PART NUMBER	QTY	LINE	SERIES	BODY	ENGINE	TRANS	TRIM	DESCRIPTION
NOTES: Sales Codes [DDC] = 5 Speed Heavy Duty Manual Transmission [DG0] = All Automatic Transmissions [EL0] = All 5.2L 8 Cylinder Gas Engines [EM0] = All 5.9L 8 Cylinder Gas Engines									
1	04798136	1	6, 7, 8			EL0, EM0	DG0		FORK, Range
		1	6, 7, 8			EL0, EM0	DDC		
2	04746140	1	6, 7, 8			EL0, EM0	DG0		PAD, Shift Fork
		1	6, 7, 8			EL0, EM0	DDC		
3	03467791	1	6, 7, 8			EL0, EM0	DG0		GROMMET, Shift Lever
		1	6, 7, 8			EL0, EM0	DDC		
4	04746136	1	6, 7, 8			EL0, EM0	DG0		FORK, Mode
		1	6, 7, 8			EL0, EM0	DDC		
5	04167969	2	6, 7, 8			EL0, EM0	DG0		PAD, Shift Fork
		2	6, 7, 8			EL0, EM0	DDC		
6	00152345	1	6, 7, 8			EL0, EM0	DG0		NUT, Hex Flange Lock
		1	6, 7, 8			EL0, EM0	DDC		
7	04897959AA	1	6, 7, 8			EL0, EM0	DG0		LEVER, Transfer Case
		1	6, 7, 8			EL0, EM0	DDC		
8	04897952AA	1	6, 7, 8			EL0, EM0	DG0		SECTOR, Transfer Case
		1	6, 7, 8			EL0, EM0	DDC		
9	S2436163	1	6, 7, 8			EL0, EM0	DG0		WASHER, Flat

RAM PICKUP/CLUB CAB (BE)

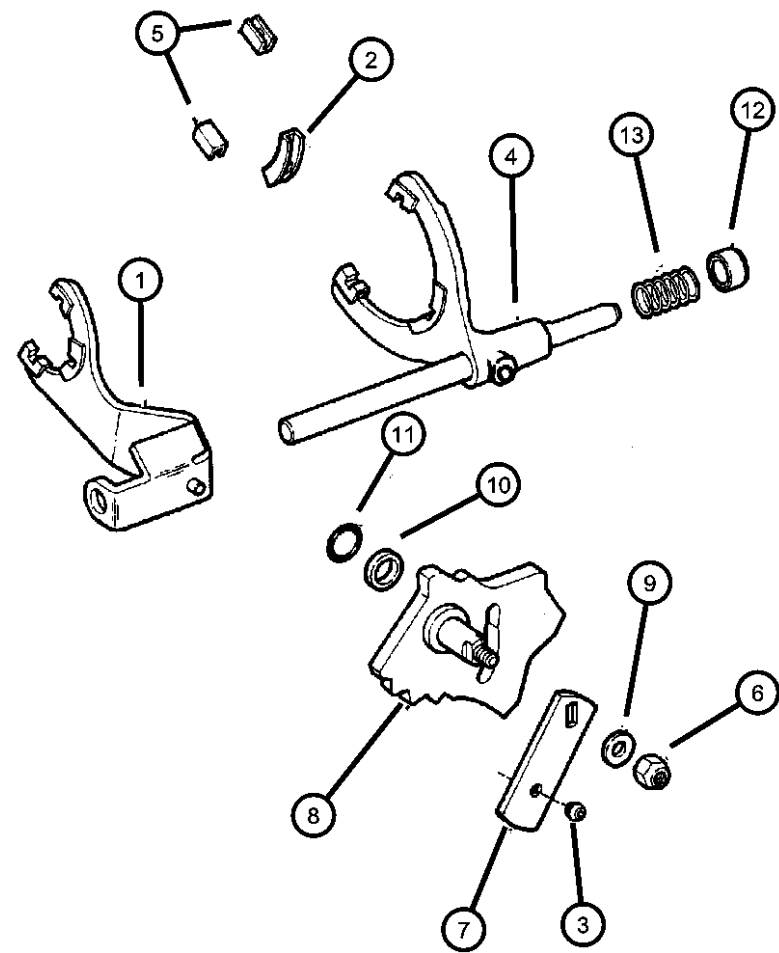
SERIES	LINE
L = Ram Truck (All)	3 = HD DODGE 2WD
	8 = HD DODGE 4WD
	1 = Lt. Duty DODGE 2WD
	6 = Lt. Duty DODGE 4WD
	2 = Med. Duty DODGE 2WD
	7 = Med. Duty DODGE 4WD

BODY	ENGINE	TRANSMISSION
31 = CLUB CAB 2-DR 6.5 FT BOX	ELF = ENGINE - 5.2L V8 MPI	DDC = TRANSMISSION - 5-SPEED HD MANUAL
32 = CLUB CAB 2-DR 8FT BOX	EML = ENGINE - 5.9L V8 MPI	DDP = TRANSMISSION - 5-SPEED MANUAL
33 = QUAD CAB 4-DR 6.5 FT BOX	EMM = ENGINE - "MAGNUM" 5.9L SMPI V8	DDX = TRANSMISSION - 5-SPEED HD MANUAL
34 = QUAD CAB 4-DR 8FT BOX	ETC = ENGINE- 5.9L CUMMINS 24V DIESEL	DEE = TRANSMISSION - 6-SPEED HD MANUAL
	ETH = ENGINE- 5.9L HO CUMMINS TURBO DIESEL	DGP = TRANSMISSION - 4-SPD. AUTOMATIC, 47RE
	EWA = ENGINE - 8.0L V10 MPI	DGT = TRANSMISSION - 4-SPD. AUTOMATIC, 46RE

AR = use ase required - = Non illustrated part

2000 BE

Forks, Rails Miscellaneous Parts [DHK] Shift on the Fly  
Figure 231-910



ITEM	PART NUMBER	QTY	LINE	SERIES	BODY	ENGINE	TRANS	TRIM	DESCRIPTION
10		1	6, 7, 8			EL0, EM0	DDC		RETAINER, Rear Clutch
	04167964	1	6, 7, 8			EL0, EM0	DG0		
11		1	6, 7, 8			EL0, EM0	DDC		SEAL, O-Ring
	04167963	1	6, 7, 8			EL0, EM0	DG0		
12		1	6, 7, 8			EL0, EM0	DDC		CUP, Shift Fork Spring
	83503515	1	6, 7, 8			EL0, EM0	DG0		
13		1	6, 7, 8			EL0, EM0	DDC		SPRING, Mode Fork
	00013816	1	6, 7, 8			EL0, EM0	DG0		
		1	6, 7, 8			EL0, EM0	DDC		

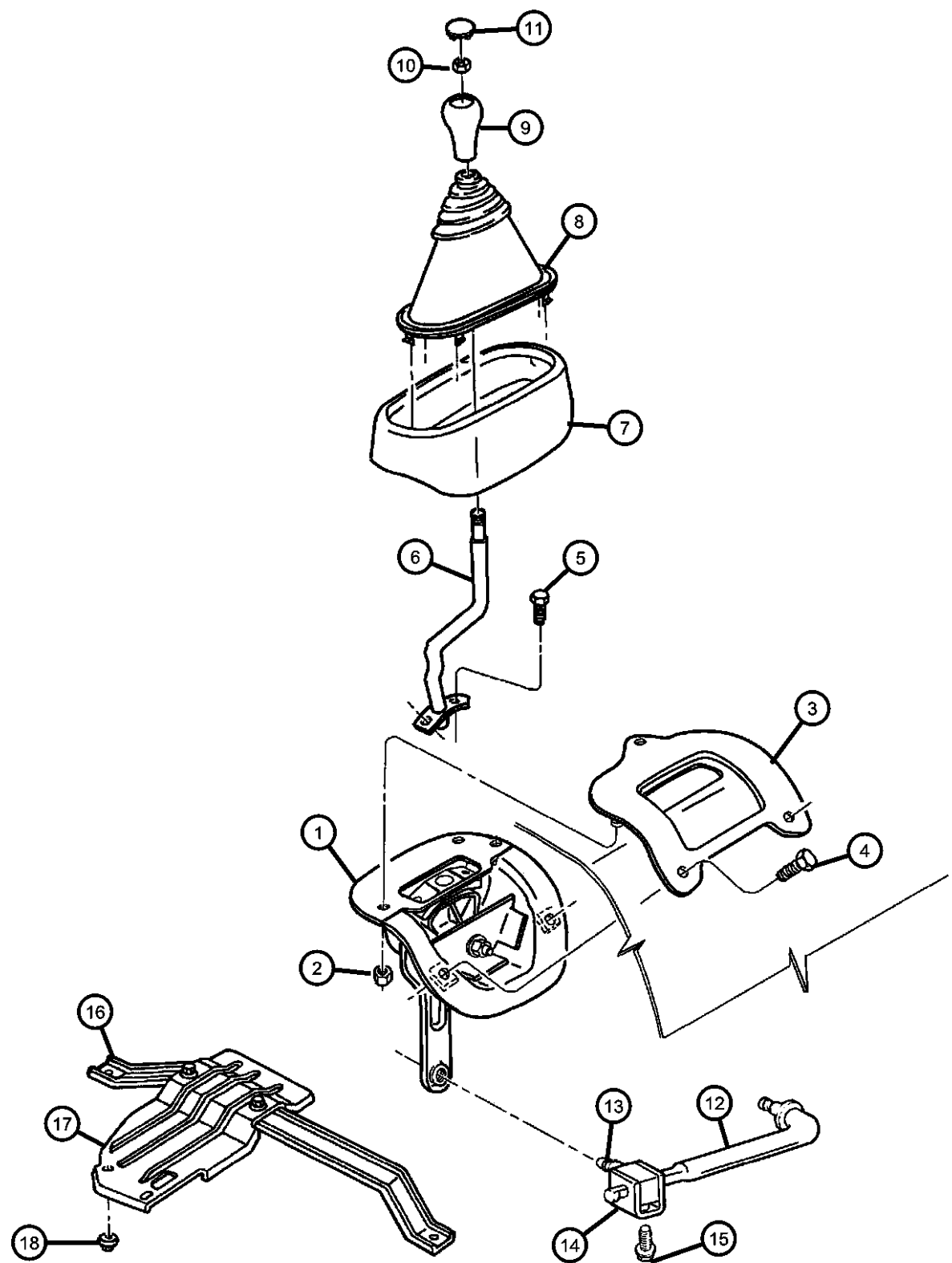
RAM PICKUP/CLUB CAB (BE)

SERIES	LINE	BODY	ENGINE	TRANSMISSION
L = Ram Truck (All)	3 = HD DODGE 2WD 8 = HD DODGE 4WD 1 = Lt. Duty DODGE 2WD 6 = Lt. Duty DODGE 4WD 2 = Med. Duty DODGE 2WD 7 = Med. Duty DODGE 4WD	31 = CLUB CAB 2-DR 6.5 FT BOX 32 = CLUB CAB 2-DR 8FT BOX 33 = QUAD CAB 4-DR 6.5 FT BOX 34 = QUAD CAB 4-DR 8FT BOX	ELF = ENGINE - 5.2L V8 MPI EML = ENGINE - 5.9L V8 MPI EMM = ENGINE - "MAGNUM" 5.9L SMPI V8 ETC = ENGINE- 5.9L CUMMINS 24V DIESEL ETH = ENGINE- 5.9L HO CUMMINS TURBO DIESEL EWA = ENGINE - 8.0L V10 MPI	DDC = TRANSMISSION - 5-SPEED HD MANUAL DDP = TRANSMISSION - 5-SPEED MANUAL DDX = TRANSMISSION - 5-SPEED HD MANUAL DEE = TRANSMISSION - 6-SPEED HD MANUAL DGP = TRANSMISSION - 4-SPD. AUTOMATIC,47RE DGT = TRANSMISSION - 4-SPD. AUTOMATIC,46RE

AR = use ase required - = Non illustrated part

2000 BE

**Controls, Transfer Case [DHK] Shift on the Fly  
Figure 231-1210**



ITEM	PART NUMBER	QTY	LINE	SERIES	BODY	ENGINE	TRANS	TRIM	DESCRIPTION
------	-------------	-----	------	--------	------	--------	-------	------	-------------

NOTES: Sales Codes  
 [DDC] = 5 Speed Heavy Duty Manual Transmission  
 [DG0] = All Automatic Transmissions  
 [EL0] = All 5.2L 8 Cylinder Gas Engines  
 [EM0] = All 5.9L 8 Cylinder Gas Engines

1	52105214AE	1	6, 7, 8						SHIFTER, Transfer Case
2	06101467	1	6, 7, 8						NUT, Hex Flange, M8x1.25
3	52105216AB	1	6, 7, 8						RING
4	06502064	2	6, 7, 8						SCREW, Tapping, M6x1x20
5	06101727	2	6, 7, 8						BOLT, Hex Head
6									LEVER, Transfer Case
	04897959AA	1	6, 7, 8			EL0, EM0	DG0		
		1	6, 7, 8			EL0, EM0	DDC		
7									BEZEL, Transfer Case
	5FB39LAZAB	1	6, 7, 8				DG0		AGATE
	5FB39RC8AB	1	6, 7, 8				DG0		DARK CIRRUS
	5FB39VK9AB	1	6, 7, 8				DG0		DARK SUEDE
8	52105059AB	1	6, 7, 8						BOOT, Gearshift
9	52104174	1	6, 7, 8						KNOB, Gearshift
10	06502556	1	6, 7, 8						NUT, Hex, M10-1.5
11	52105001	1							INSERT, Gearshift Knob
12									ROD, Gear Shift Control, Transfer Case
	52105006	1					DDC, DG0		
		1					DDP, DDX		
13									SWIVEL, Gearshift Control Rod
	03467790	1					DDC, DG0		
		1					DDP, DDX		
14									CLAMP, Shift Rod
	04377309	1					DDC, DG0		
		1					DDP, DDX		
15	00181086	1							BOLT, Hex Head, .312-18x.75

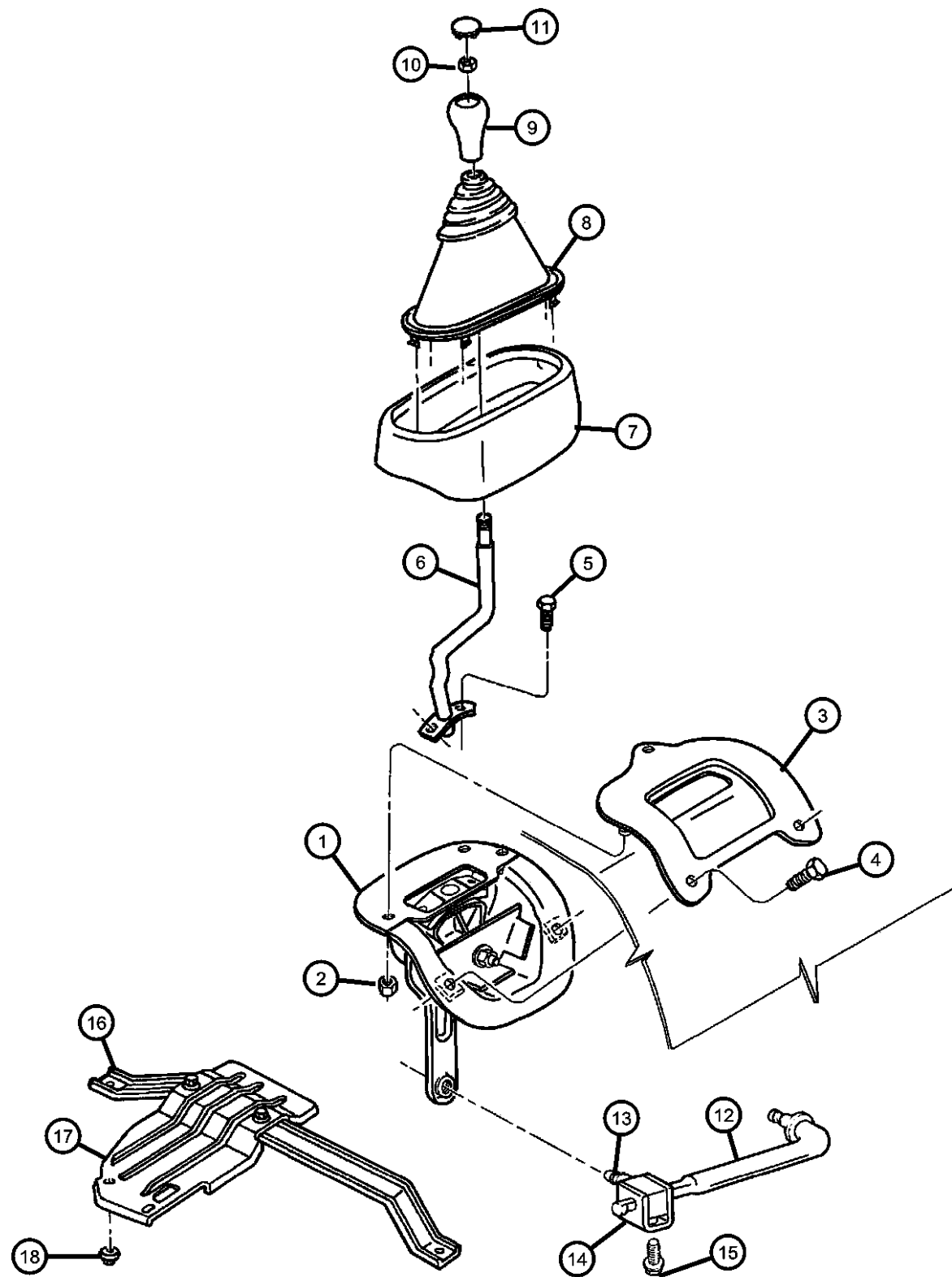
**RAM PICKUP/CLUB CAB (BE)**

SERIES	LINE
L = Ram Truck (All)	3 = HD DODGE 2WD
	8 = HD DODGE 4WD
	1 = Lt. Duty DODGE 2WD
	6 = Lt. Duty DODGE 4WD
	2 = Med. Duty DODGE 2WD
	7 = Med. Duty DODGE 4WD

BODY	ENGINE	TRANSMISSION
31 = CLUB CAB 2-DR 6.5 FT BOX	ELF = ENGINE - 5.2L V8 MPI	DDC = TRANSMISSION - 5-SPEED HD MANUAL
32 = CLUB CAB 2-DR 8FT BOX	EML = ENGINE - 5.9L V8 MPI	DDP = TRANSMISSION - 5-SPEED MANUAL
33 = QUAD CAB 4-DR 6.5 FT BOX	EMM = ENGINE - "MAGNUM" 5.9L SMPI V8	DDX = TRANSMISSION - 5-SPEED HD MANUAL
34 = QUAD CAB 4-DR 8FT BOX	ETC = ENGINE- 5.9L CUMMINS 24V DIESEL	DEE = TRANSMISSION - 6-SPEED HD MANUAL
	ETH = ENGINE- 5.9L HO CUMMINS TURBO DIESEL	DGP = TRANSMISSION - 4-SPD. AUTOMATIC, 47RE
	EWA = ENGINE - 8.0L V10 MPI	DGT = TRANSMISSION - 4-SPD. AUTOMATIC, 46RE

AR = use ase required - = Non illustrated part

**Controls, Transfer Case [DHK] Shift on the Fly**  
**Figure 231-1210**



ITEM	PART NUMBER	QTY	LINE	SERIES	BODY	ENGINE	TRANS	TRIM	DESCRIPTION
16	52020357AA	1	6, 7, 8						CROSSMEMBER, Skid Plate
17	52058674AC	1	6, 7, 8						SKID PLATE, Front
18	06101340	2	6, 7, 8						U-NUT, M10-1.50

**RAM PICKUP/CLUB CAB (BE)**

SERIES	LINE	BODY	ENGINE	TRANSMISSION
L = Ram Truck (All)	3 = HD DODGE 2WD 8 = HD DODGE 4WD 1 = Lt. Duty DODGE 2WD 6 = Lt. Duty DODGE 4WD 2 = Med. Duty DODGE 2WD 7 = Med. Duty DODGE 4WD	31 = CLUB CAB 2-DR 6.5 FT BOX 32 = CLUB CAB 2-DR 8FT BOX 33 = QUAD CAB 4-DR 6.5 FT BOX 34 = QUAD CAB 4-DR 8FT BOX	ELF = ENGINE - 5.2L V8 MPI EML = ENGINE - 5.9L V8 MPI EMM = ENGINE - "MAGNUM" 5.9L SMPI V8 ETC = ENGINE- 5.9L CUMMINS 24V DIESEL ETH = ENGINE- 5.9L HO CUMMINS TURBO DIESEL EWA = ENGINE - 8.0L V10 MPI	DDC = TRANSMISSION - 5-SPEED HD MANUAL DDP = TRANSMISSION - 5-SPEED MANUAL DDX = TRANSMISSION - 5-SPEED HD MANUAL DEE = TRANSMISSION - 6-SPEED HD MANUAL DGP = TRANSMISSION - 4-SPD. AUTOMATIC,47RE DGT = TRANSMISSION - 4-SPD. AUTOMATIC,46RE

AR = use ase required - = Non illustrated part

2000 BE

# Group - 241

## Transfer Case Model 241 [DHE, DHG, DHH]

### Group - 241 Transfer Case Model 241 [DHE, DHG, DHH]

Group-Fig. No.

Illustration Title

#### Transfer Case Assembly

Transfer Case [DHH][DHG] Shift on the Fly..... Fig. 241 - 110

#### Case and Related Parts

Case and Related Parts [DHH][DHG] Shift on the Fly..... Fig. 241 - 210

#### Gear Train

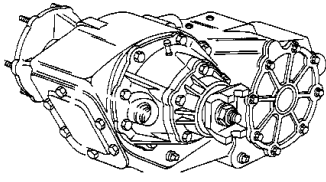

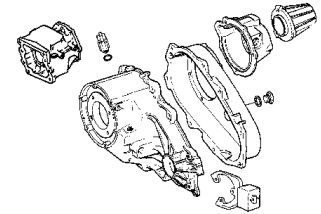
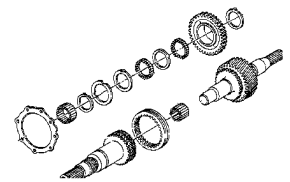
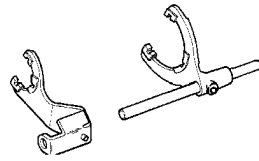
Gear Train [DHH][DHG] Shift on the Fly..... Fig. 241 - 410

#### Fork and Rails

Forks [DHH][DHG] Shift on the Fly ..... Fig. 241 - 910

#### Gearshift Controls

Controls [DHH][DHG] Shift on the Fly ..... Fig. 241 - 1210

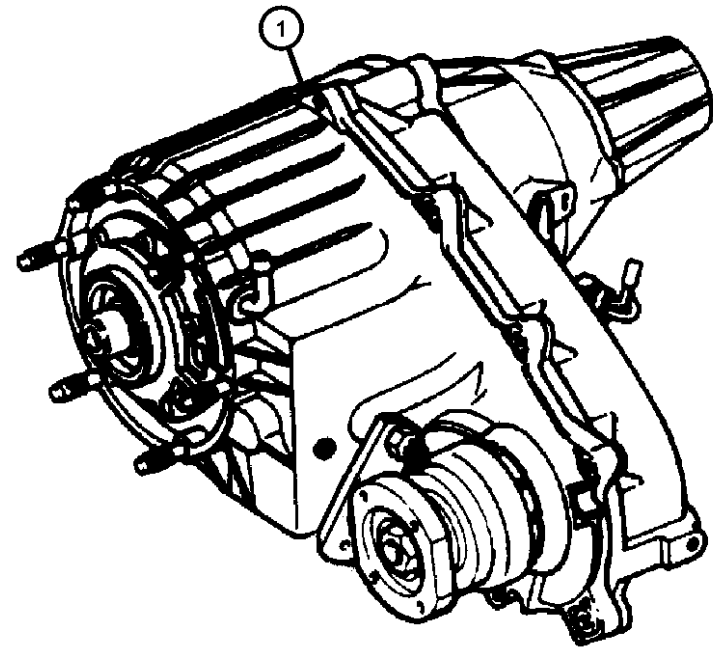
<p><b>241-100</b> Transfer Case Assembly</p> 	<p><b>241-1200</b> Gearshift Controls</p> 	<p><b>241-200</b> Case and Related Parts</p> 	<p><b>241-400</b> Gear Train</p> 
<p><b>241-900</b> Fork and Rails</p> 			

**Transfer Case [DHH][DHG] Shift on the Fly  
Figure 241-110**

ITEM	PART NUMBER	QTY	LINE	SERIES	BODY	ENGINE	TRANS	TRIM	DESCRIPTION
------	-------------	-----	------	--------	------	--------	-------	------	-------------

NOTES: Sales Codes

- [DDP] = 5 Speed Manual Transmission
- [DDX] = 5 Speed Heavy Duty Manual Transmission
- [DEE] = 6 Speed Heavy Duty Manual Transmission
- [DG0] = All Automatic Transmissions
- [EL0] = All 5.2L 8 Cylinder Gas Engines
- [EM0] = All 5.9L 8 Cylinder Gas Engines
- [ET0] = All 5.9L Turbo Diesels
- [EW0] = All 8.0L Gas Engines



1									TRANSFER CASE, NP241
	52105023AB	1	6, 7, 8			EL0, EM0	DDP		
	52105024AB	1	6, 7, 8			ET0, EW0	DDX, DEE		
	52105025AB	1	6, 7, 8				DG0		
-2									TRANSFER CASE, NP241 HD
	52105026AB	1	6, 7, 8			EM0	DDP		
	52105027AB	1	6, 7, 8			ET0, EW0	DDX, DEE		
	52105028AB	1	6, 7, 8			EM0, ET0, EW0	DG0		

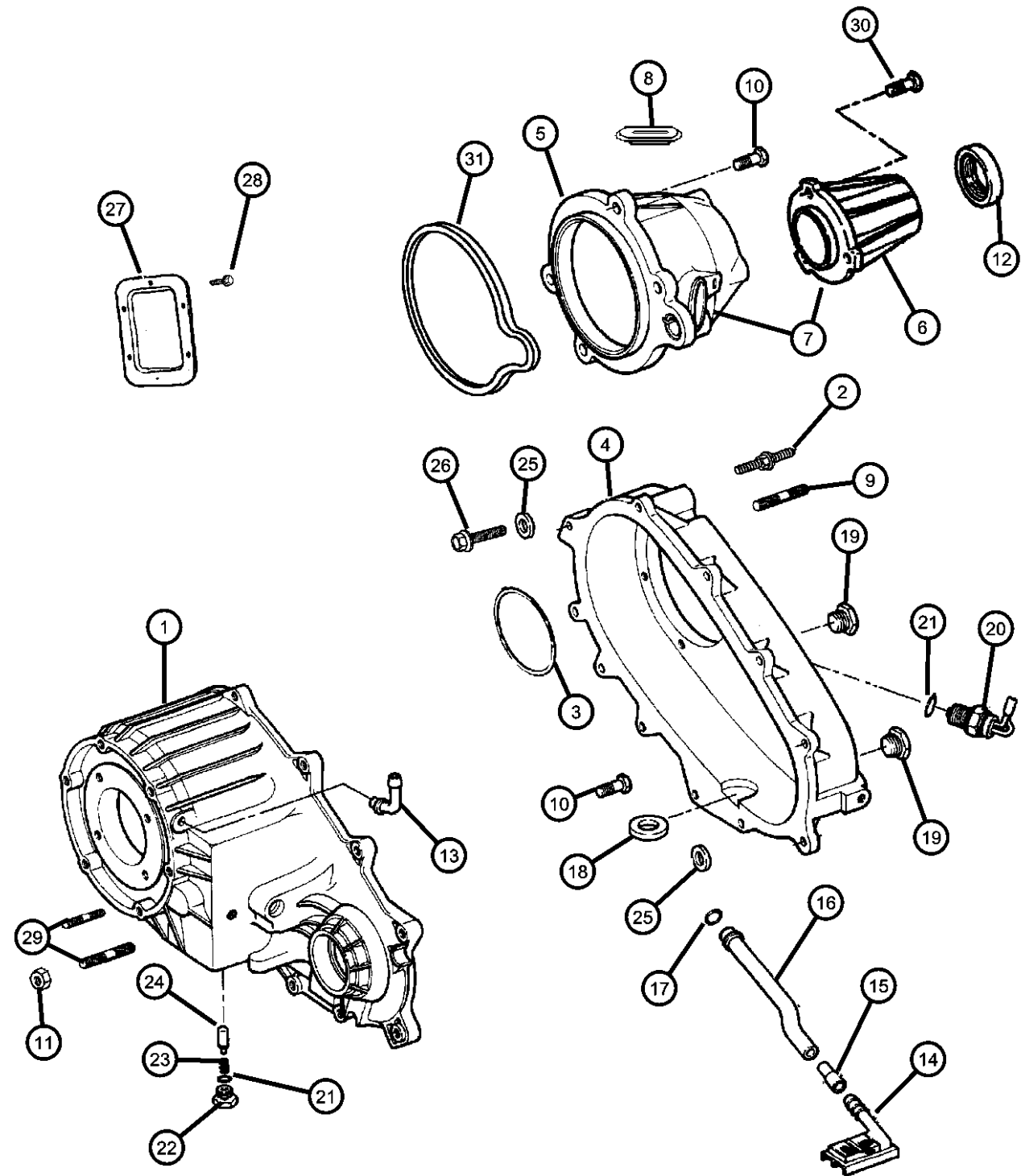
**RAM PICKUP/CLUB CAB (BE)**

SERIES	LINE	BODY	ENGINE	TRANSMISSION
L = Ram Truck (All)	3 = HD DODGE 2WD 8 = HD DODGE 4WD 1 = Lt. Duty DODGE 2WD 6 = Lt. Duty DODGE 4WD 2 = Med. Duty DODGE 2WD 7 = Med. Duty DODGE 4WD	31 = CLUB CAB 2-DR 6.5 FT BOX 32 = CLUB CAB 2-DR 8FT BOX 33 = QUAD CAB 4-DR 6.5 FT BOX 34 = QUAD CAB 4-DR 8FT BOX	ELF = ENGINE - 5.2L V8 MPI EML = ENGINE - 5.9L V8 MPI EMM = ENGINE - "MAGNUM" 5.9L SMPI V8 ETC = ENGINE- 5.9L CUMMINS 24V DIESEL ETH = ENGINE- 5.9L HO CUMMINS TURBO DIESEL EWA = ENGINE - 8.0L V10 MPI	DDC = TRANSMISSION - 5-SPEED HD MANUAL DDP = TRANSMISSION - 5-SPEED MANUAL DDX = TRANSMISSION - 5-SPEED HD MANUAL DEE = TRANSMISSION - 6-SPEED HD MANUAL DGP = TRANSMISSION - 4-SPD. AUTOMATIC,47RE DGT = TRANSMISSION - 4-SPD. AUTOMATIC,46RE

AR = use ase required - = Non illustrated part

2000 BE

**Case and Related Parts [DHH][DHG] Shift on the Fly  
Figure 241-210**



ITEM	PART NUMBER	QTY	LINE	SERIES	BODY	ENGINE	TRANS	TRIM	DESCRIPTION
------	-------------	-----	------	--------	------	--------	-------	------	-------------

NOTES: Sales Codes

- [DDP] = 5 Speed Manual Transmission
- [DDX] = 5 Speed Heavy Duty Manual Transmission
- [DEE] = 6 Speed Heavy Duty Manual Transmission
- [DG0] = All Automatic Transmissions
- [ELO] = All 5.2L 8 Cylinder Gas Engines
- [EM0] = All 5.9L 8 Cylinder Gas Engines
- [ET0] = All 5.9L Turbo Diesels
- [EW0] = All 8.0L Gas Engines

1									CASE, Transfer Front
	05015446AA	1	6, 7, 8			EM0, ET0, EW0	DG0		
		1	6, 7, 8			ET0, EW0	DDX, DEE		Heavy Duty
		1	6, 7, 8			EM0	DDP		
	05015449AA	1	6, 7, 8			ELO, EM0	DDP		
		1	6, 7, 8			ET0, EW0	DDX, DEE		
		1	6, 7, 8				DG0		
2									STUD
	06501289	2	6, 7, 8			EM0, ET0, EW0	DG0		
		2	6, 7, 8			ET0, EW0	DDX, DEE		Heavy Duty
		2	6, 7, 8			EM0	DDP		
		2	6, 7, 8			ELO, EM0	DDP		
		2	6, 7, 8			ET0, EW0	DDX, DEE		
		2	6, 7, 8				DG0		
3									SNAP RING, Annulus Gear
	04219065	1	6, 7, 8			EM0, ET0, EW0	DG0		
		1	6, 7, 8			ET0, EW0	DDX, DEE		Heavy Duty
		1	6, 7, 8			EM0	DDP		
		1	6, 7, 8			ELO, EM0	DDP		
		1	6, 7, 8			ET0, EW0	DDX, DEE		
		1	6, 7, 8				DG0		
4									CASE, Transfer Rear

**RAM PICKUP/CLUB CAB (BE)**

SERIES	LINE
L = Ram Truck (All)	3 = HD DODGE 2WD
	8 = HD DODGE 4WD
	1 = Lt. Duty DODGE 2WD
	6 = Lt. Duty DODGE 4WD
	2 = Med. Duty DODGE 2WD
	7 = Med. Duty DODGE 4WD

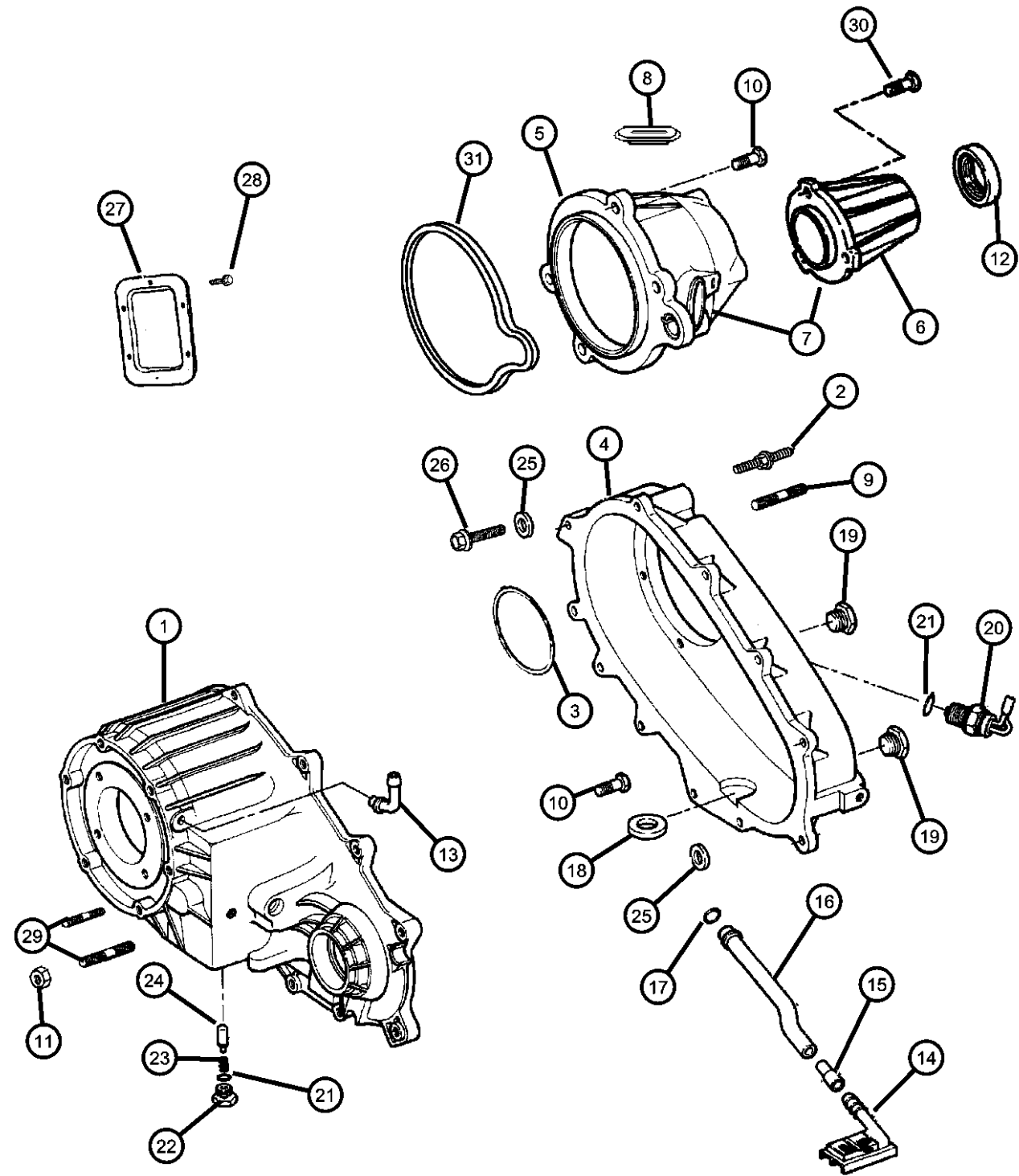
BODY	ENGINE	TRANSMISSION
31 = CLUB CAB 2-DR 6.5 FT BOX	ELF = ENGINE - 5.2L V8 MPI	DDC = TRANSMISSION - 5-SPEED HD MANUAL
32 = CLUB CAB 2-DR 8FT BOX	EML = ENGINE - 5.9L V8 MPI	DDP = TRANSMISSION - 5-SPEED MANUAL
33 = QUAD CAB 4-DR 6.5 FT BOX	EMM = ENGINE - "MAGNUM" 5.9L SMPI V8	DDX = TRANSMISSION - 5-SPEED HD MANUAL
34 = QUAD CAB 4-DR 8FT BOX	ETC = ENGINE- 5.9L CUMMINS 24V DIESEL	DEE = TRANSMISSION - 6-SPEED HD MANUAL
	ETH = ENGINE- 5.9L HO CUMMINS TURBO DIESEL	DGP = TRANSMISSION - 4-SPD. AUTOMATIC, 47RE
	EWA = ENGINE - 8.0L V10 MPI	DGT = TRANSMISSION - 4-SPD. AUTOMATIC, 46RE

AR = use ase required - = Non illustrated part

2000 BE



**Case and Related Parts [DHH][DHG] Shift on the Fly  
Figure 241-210**



ITEM	PART NUMBER	QTY	LINE	SERIES	BODY	ENGINE	TRANS	TRIM	DESCRIPTION
	04797550	1	6, 7, 8			EM0, ETO, EWO	DG0		
		1	6, 7, 8			ET0, EWO	DDX, DEE		Heavy Duty
		1	6, 7, 8			EM0	DDP		
		1	6, 7, 8			ELO, EM0	DDP		
		1	6, 7, 8			ET0, EWO	DDX, DEE		
		1	6, 7, 8				DG0		
5									EXTENSION, Transfer Case
	04897980AA	1	6, 7, 8			ELO, EM0	DDP		
		1	6, 7, 8			ET0, EWO	DDX, DEE		Heavy duty
		1	6, 7, 8				DG0		
6									EXTENSION, Transfer Case
	04798002	1	6, 7, 8			ELO, EM0	DDP		
		1	6, 7, 8			ET0, EWO	DDX, DEE		
		1	6, 7, 8				DG0		
7									RETAINER, Transfer Case Rear
	04897996AA	1	6, 7, 8			EM0, ETO, EWO	DG0		
		1	6, 7, 8			ET0, EWO	DDX, DEE		
		1	6, 7, 8			EM0	DDP		
8									PLUG
	05010123AA	1	6, 7, 8			EM0, ETO, EWO	DG0		
		1	6, 7, 8			ET0, EWO	DDX, DEE		
		1	6, 7, 8			EM0	DDP		
9									BOLT, Transfer Case
	04210617	7	6, 7, 8			EM0, ETO, EWO	DG0		
		7	6, 7, 8			EM0	DDP		
		7	6, 7, 8				DG0		
		7	6, 7, 8			ET0, EWO	DDX, DEE		
		7	6, 7, 8			ELO, EM0	DDP		

**RAM PICKUP/CLUB CAB (BE)**

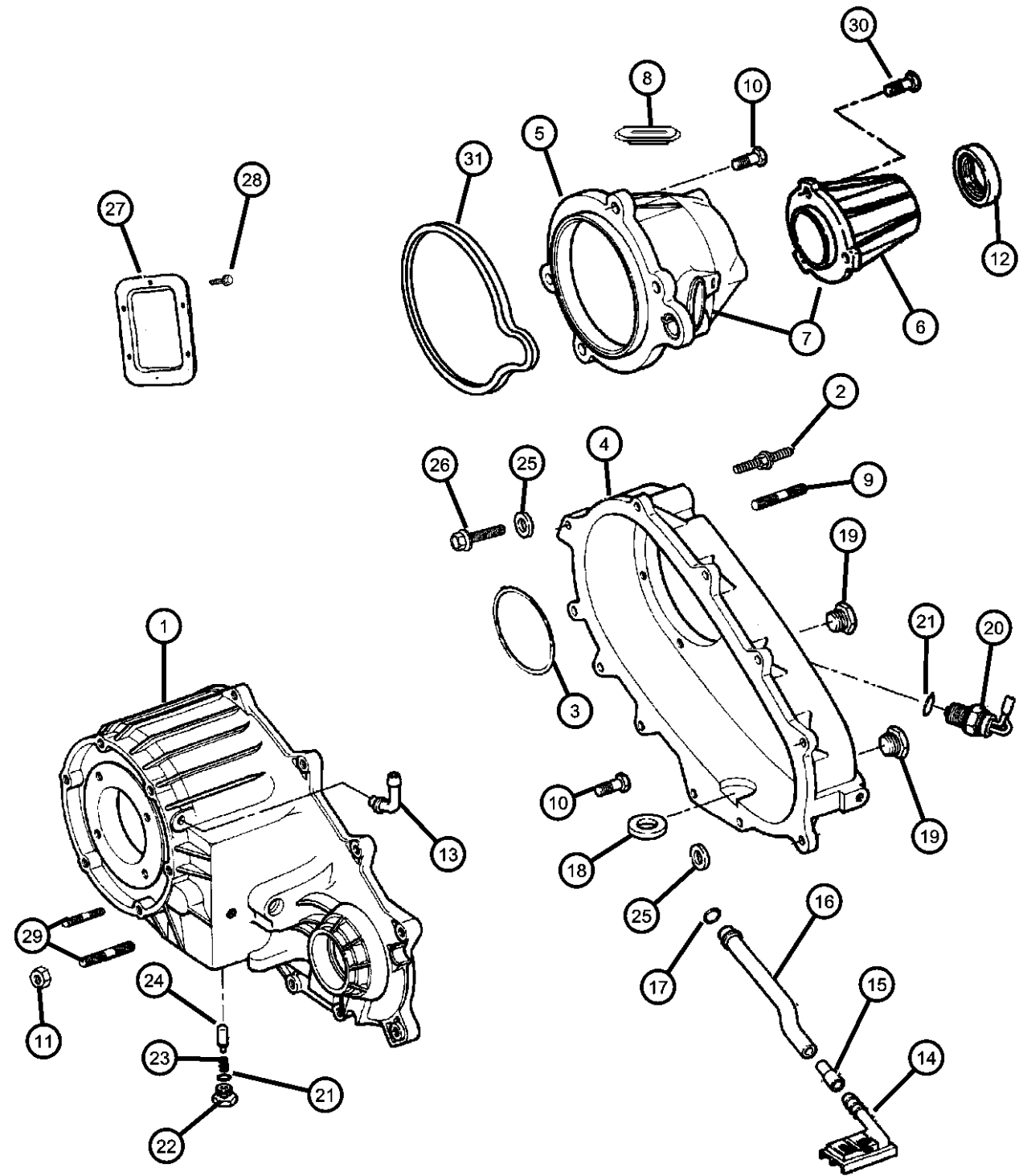
SERIES	LINE
L = Ram Truck (All)	3 = HD DODGE 2WD
	8 = HD DODGE 4WD
	1 = Lt. Duty DODGE 2WD
	6 = Lt. Duty DODGE 4WD
	2 = Med. Duty DODGE 2WD
	7 = Med. Duty DODGE 4WD

BODY	ENGINE	TRANSMISSION
31 = CLUB CAB 2-DR 6.5 FT BOX	ELF = ENGINE - 5.2L V8 MPI	DDC = TRANSMISSION - 5-SPEED HD MANUAL
32 = CLUB CAB 2-DR 8FT BOX	EML = ENGINE - 5.9L V8 MPI	DDP = TRANSMISSION - 5-SPEED MANUAL
33 = QUAD CAB 4-DR 6.5 FT BOX	EMM = ENGINE - "MAGNUM" 5.9L SMPI V8	DDX = TRANSMISSION - 5-SPEED HD MANUAL
34 = QUAD CAB 4-DR 8FT BOX	ETC = ENGINE- 5.9L CUMMINS 24V DIESEL	DEE = TRANSMISSION - 6-SPEED HD MANUAL
	ETH = ENGINE- 5.9L HO CUMMINS TURBO DIESEL	DGP = TRANSMISSION - 4-SPD. AUTOMATIC, 47RE
	EWA = ENGINE - 8.0L V10 MPI	DGT = TRANSMISSION - 4-SPD. AUTOMATIC, 46RE

AR = use ase required - = Non illustrated part

2000 BE

**Case and Related Parts [DHH][DHG] Shift on the Fly  
Figure 241-210**



ITEM	PART NUMBER	QTY	LINE	SERIES	BODY	ENGINE	TRANS	TRIM	DESCRIPTION
10		7	6, 7, 8			ET0, EW0	DDX, DEE		Heavy Duty BOLT, Retainer
	06501371	4	6, 7, 8			EM0, ET0, EW0	DG0		
		4	6, 7, 8			ET0, EW0	DDX, DEE		Heavy Duty
		4	6, 7, 8			EM0	DDP		
		4	6, 7, 8			ELO, EM0	DDP		
		4	6, 7, 8			ET0, EW0	DDX, DEE		
		4	6, 7, 8				DG0		
11	06033172	6							NUT AND WASHER, Hex, .375-24
12									SEAL, Output Shaft
	04741920	1	6, 7, 8			EM0, ET0, EW0	DG0		
		1	6, 7, 8			ET0, EW0	DDX, DEE		Heavy Duty
		1	6, 7, 8			EM0	DDP		
	04746258	1	6, 7, 8			ELO, EM0	DDP		
		1	6, 7, 8			ET0, EW0	DDX, DEE		
		1	6, 7, 8				DG0		
13									VENT, Transfer Case
	04796910	1	6, 7, 8			EM0, ET0, EW0	DG0		
		1	6, 7, 8			ET0, EW0	DDX, DEE		Heavy Duty
		1	6, 7, 8			EM0	DDP		
		1	6, 7, 8			ELO, EM0	DDP		
		1	6, 7, 8			ET0, EW0	DDX, DEE		
		1	6, 7, 8				DG0		
14									FILTER, Transfer Case Oil
	04338943	1	6, 7, 8			EM0, ET0, EW0	DG0		
		1	6, 7, 8			ET0, EW0	DDX, DEE		Heavy Duty
		1	6, 7, 8			EM0	DDP		
		1	6, 7, 8			ELO, EM0	DDP		

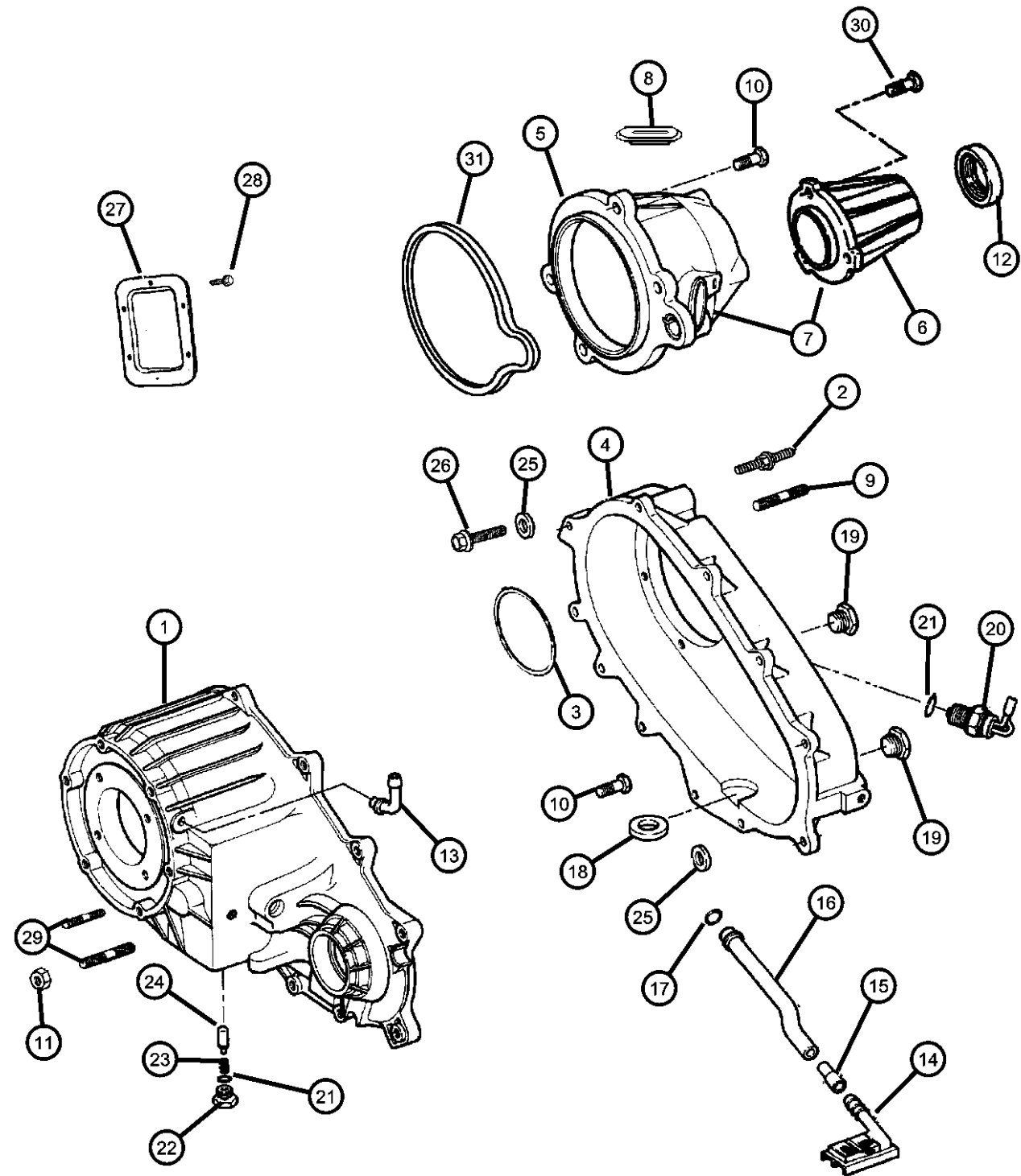
**RAM PICKUP/CLUB CAB (BE)**

SERIES	LINE
L = Ram Truck	3 = HD DODGE 2WD
(All)	8 = HD DODGE 4WD
	1 = Lt. Duty DODGE 2WD
	6 = Lt. Duty DODGE 4WD
	2 = Med. Duty DODGE 2WD
	7 = Med. Duty DODGE 4WD

BODY	ENGINE	TRANSMISSION
31 = CLUB CAB 2-DR 6.5 FT BOX	ELF = ENGINE - 5.2L V8 MPI	DDC = TRANSMISSION - 5-SPEED HD MANUAL
32 = CLUB CAB 2-DR 8FT BOX	EML = ENGINE - 5.9L V8 MPI	DDP = TRANSMISSION - 5-SPEED MANUAL
33 = QUAD CAB 4-DR 6.5 FT BOX	EMM = ENGINE - "MAGNUM" 5.9L SMPI V8	DDX = TRANSMISSION - 5-SPEED HD MANUAL
34 = QUAD CAB 4-DR 8FT BOX	ETC = ENGINE- 5.9L CUMMINS 24V DIESEL	DEE = TRANSMISSION - 6-SPEED HD MANUAL
	ETH = ENGINE- 5.9L HO CUMMINS TURBO DIESEL	DGP = TRANSMISSION - 4-SPD. AUTOMATIC, 47RE
	EWA = ENGINE - 8.0L V10 MPI	DGT = TRANSMISSION - 4-SPD. AUTOMATIC, 46RE

AR = use ase required - = Non illustrated part

**Case and Related Parts [DHH][DHG] Shift on the Fly  
Figure 241-210**



ITEM	PART NUMBER	QTY	LINE	SERIES	BODY	ENGINE	TRANS	TRIM	DESCRIPTION	
15	04338944	1	6, 7, 8			ET0, EW0	DDX, DEE		CONNECTOR, Oil Tube Pickup	
		1	6, 7, 8				DG0			
		1	6, 7, 8			EM0, ET0, EW0	DG0			
		1	6, 7, 8			ET0, EW0	DDX, DEE			Heavy Duty
		1	6, 7, 8			EM0	DDP			
		1	6, 7, 8			ELO, EM0	DDP			
16	83503523	1	6, 7, 8			ET0, EW0	DDX, DEE		TUBE, Oil Pickup	
		1	6, 7, 8				DG0			
		1	6, 7, 8			EM0, ET0, EW0	DG0			
		1	6, 7, 8			ET0, EW0	DDX, DEE			Heavy Duty
		1	6, 7, 8			EM0	DDP			
		1	6, 7, 8			ELO, EM0	DDP			
17	04338942	1	6, 7, 8			ET0, EW0	DDX, DEE		SEAL, Oil	
		1	6, 7, 8				DG0			
		1	6, 7, 8			EM0, ET0, EW0	DG0			
		1	6, 7, 8			ET0, EW0	DDX, DEE			Heavy Duty
		1	6, 7, 8			EM0	DDP			
		1	6, 7, 8			ELO, EM0	DDP			
18	03681601	1	6, 7, 8			ET0, EW0	DDX, DEE		MAGNET, Transmission	
		1	6, 7, 8				DG0			
		1	6, 7, 8			EM0, ET0, EW0	DG0			
		1	6, 7, 8			ET0, EW0	DDX, DEE			Heavy Duty
		1	6, 7, 8			EM0	DDP			
		1	6, 7, 8			ELO, EM0	DDP			

**RAM PICKUP/CLUB CAB (BE)**

SERIES	LINE
L = Ram Truck (All)	3 = HD DODGE 2WD 8 = HD DODGE 4WD 1 = Lt. Duty DODGE 2WD 6 = Lt. Duty DODGE 4WD 2 = Med. Duty DODGE 2WD 7 = Med. Duty DODGE 4WD

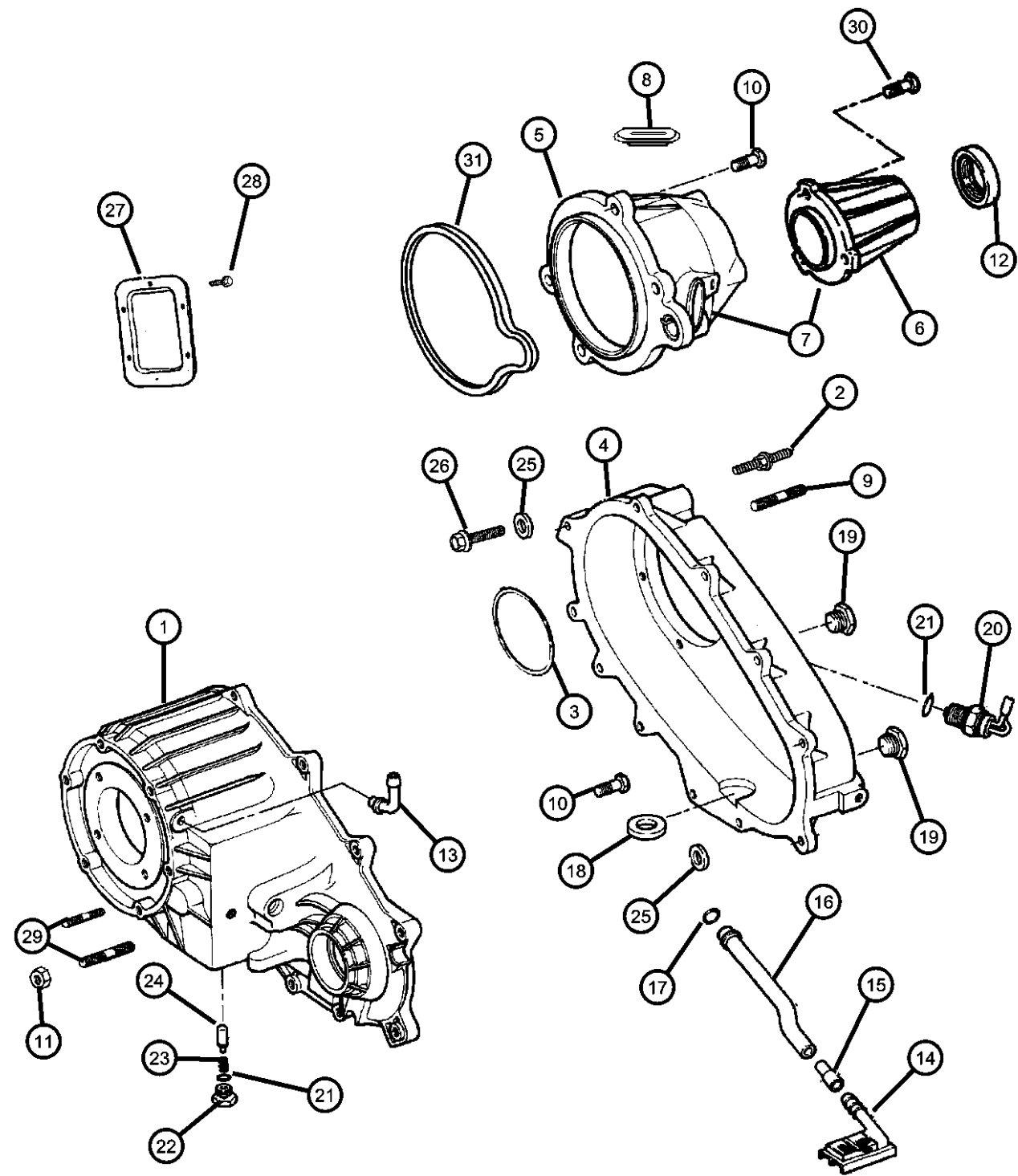
BODY
31 = CLUB CAB 2-DR 6.5 FT BOX 32 = CLUB CAB 2-DR 8FT BOX 33 = QUAD CAB 4-DR 6.5 FT BOX 34 = QUAD CAB 4-DR 8FT BOX

ENGINE
ELF = ENGINE - 5.2L V8 MPI EML = ENGINE - 5.9L V8 MPI EMM = ENGINE - "MAGNUM" 5.9L SMPI V8 ETC = ENGINE- 5.9L CUMMINS 24V DIESEL ETH = ENGINE- 5.9L HO CUMMINS TURBO DIESEL EWA = ENGINE - 8.0L V10 MPI

TRANSMISSION
DDC = TRANSMISSION - 5-SPEED HD MANUAL DDP = TRANSMISSION - 5-SPEED MANUAL DDX = TRANSMISSION - 5-SPEED HD MANUAL DEE = TRANSMISSION - 6-SPEED HD MANUAL DGP = TRANSMISSION - 4-SPD. AUTOMATIC, 47RE DGT = TRANSMISSION - 4-SPD. AUTOMATIC, 46RE

AR = use ase required - = Non illustrated part

Case and Related Parts [DHH][DHG] Shift on the Fly  
Figure 241-210



ITEM	PART NUMBER	QTY	LINE	SERIES	BODY	ENGINE	TRANS	TRIM	DESCRIPTION	
19	04856641	1	6, 7, 8			ET0, EW0	DDX, DEE		PLUG, Oil Fill	
		1	6, 7, 8				DG0			
		2	6, 7, 8			EM0, ET0, EW0	DG0			
		2	6, 7, 8			ET0, EW0	DDX, DEE			Heavy Duty
		2	6, 7, 8			EM0	DDP			
		1	6, 7, 8			ELO, EM0	DDP			
		1	6, 7, 8			ET0, EW0	DDX, DEE			
20	53001101	1	6, 7, 8				DG0		SWITCH, Transfer Case	
		1	6, 7, 8			EM0, ET0, EW0	DG0			
		1	6, 7, 8			ET0, EW0	DDX, DEE			Heavy Duty
		1	6, 7, 8			EM0	DDP			
		1	6, 7, 8			ELO, EM0	DDP			
		1	6, 7, 8			ET0, EW0	DDX, DEE			
		1	6, 7, 8				DG0			
21	04338956	2	6, 7, 8			EM0, ET0, EW0	DG0		SEAL, Vacuum Switch	
		2	6, 7, 8			ET0, EW0	DDX, DEE			Heavy Duty
		2	6, 7, 8			EM0	DDP			
		2	6, 7, 8			ELO, EM0	DDP			
		2	6, 7, 8			ET0, EW0	DDX, DEE			
		2	6, 7, 8				DG0			
		2	6, 7, 8				DG0			
22	04886473AA	1	6, 7, 8			EM0, ET0, EW0	DG0		SCREW	
		1	6, 7, 8			ET0, EW0	DDX, DEE			Heavy Duty
		1	6, 7, 8			EM0	DDP			
		1	6, 7, 8			ELO, EM0	DDP			
		1	6, 7, 8				DG0			

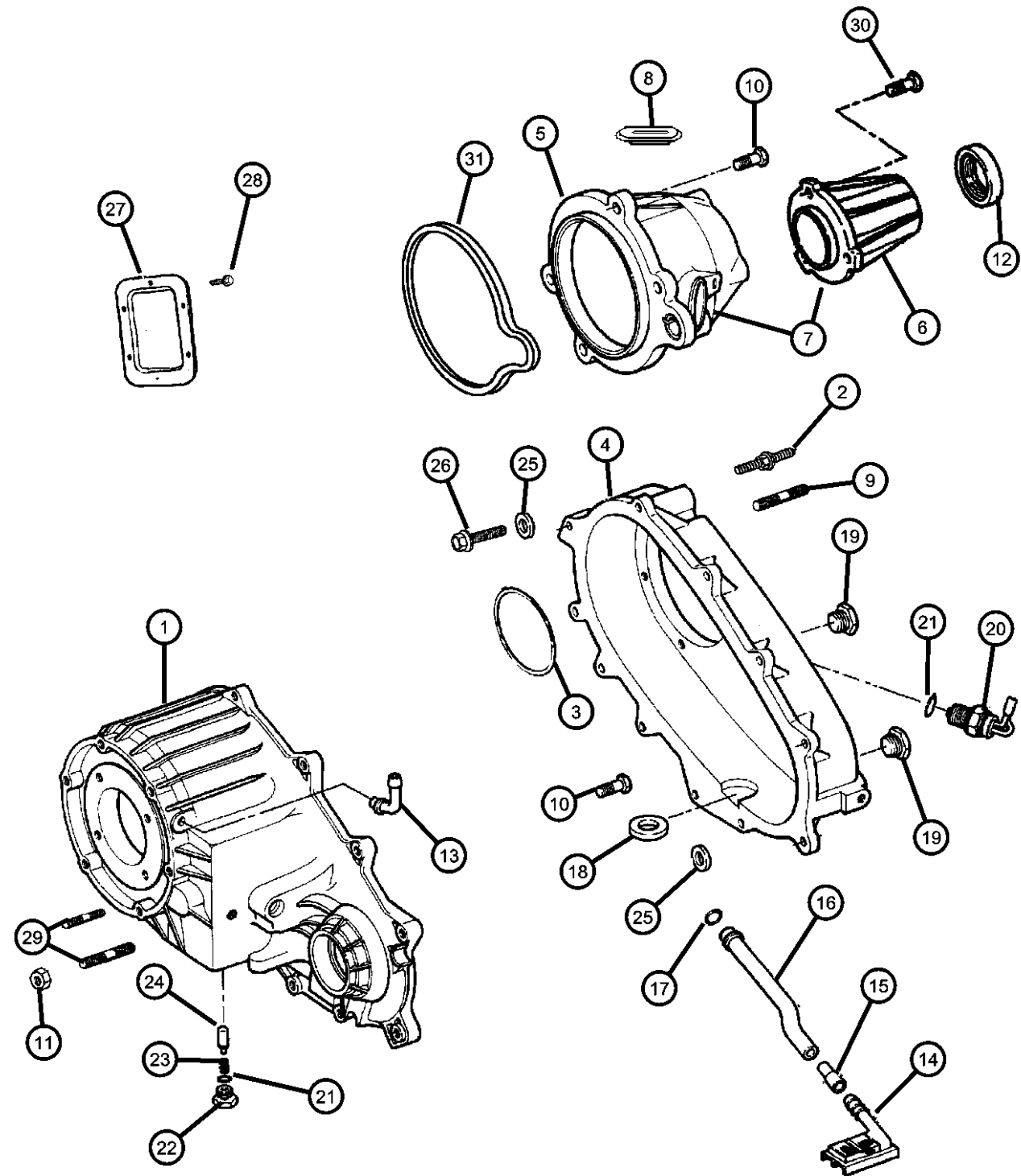
RAM PICKUP/CLUB CAB (BE)

SERIES	LINE
L = Ram Truck (All)	3 = HD DODGE 2WD
	8 = HD DODGE 4WD
	1 = Lt. Duty DODGE 2WD
	6 = Lt. Duty DODGE 4WD
	2 = Med. Duty DODGE 2WD
	7 = Med. Duty DODGE 4WD

BODY	ENGINE	TRANSMISSION
31 = CLUB CAB 2-DR 6.5 FT BOX	ELF = ENGINE - 5.2L V8 MPI	DDC = TRANSMISSION - 5-SPEED HD MANUAL
32 = CLUB CAB 2-DR 8FT BOX	EML = ENGINE - 5.9L V8 MPI	DDP = TRANSMISSION - 5-SPEED MANUAL
33 = QUAD CAB 4-DR 6.5 FT BOX	EMM = ENGINE - "MAGNUM" 5.9L SMPI V8	DDX = TRANSMISSION - 5-SPEED HD MANUAL
34 = QUAD CAB 4-DR 8FT BOX	ETC = ENGINE- 5.9L CUMMINS 24V DIESEL	DEE = TRANSMISSION - 6-SPEED HD MANUAL
	ETH = ENGINE- 5.9L HO CUMMINS TURBO DIESEL	DGP = TRANSMISSION - 4-SPD. AUTOMATIC, 47RE
	EWA = ENGINE - 8.0L V10 MPI	DGT = TRANSMISSION - 4-SPD. AUTOMATIC, 46RE

AR = use ase required - = Non illustrated part

**Case and Related Parts [DHH][DHG] Shift on the Fly  
Figure 241-210**



ITEM	PART NUMBER	QTY	LINE	SERIES	BODY	ENGINE	TRANS	TRIM	DESCRIPTION	
23	04798257	1	6, 7, 8			ET0, EW0	DDX, DEE		SPRING, Poppet	
		1	6, 7, 8				DG0			
		1	6, 7, 8			EM0, ET0, EW0		DG0		Heavy Duty
		1	6, 7, 8			ET0, EW0	DDX, DEE			
		1	6, 7, 8			EM0	DDP			
		1	6, 7, 8			ELO, EM0	DDP			
24	53008217	1	6, 7, 8			ET0, EW0	DDX, DEE		PLUNGER	
		1	6, 7, 8				DG0			
		1	6, 7, 8			EM0, ET0, EW0		DG0		Heavy Duty
		1	6, 7, 8			ET0, EW0	DDX, DEE			
		1	6, 7, 8			EM0	DDP			
		1	6, 7, 8			ELO, EM0	DDP			
25	04210983	1	6, 7, 8			ET0, EW0	DDX, DEE		WASHER, Flat	
		1	6, 7, 8				DG0			
		2	6, 7, 8			EM0, ET0, EW0		DG0		Heavy Duty
		2	6, 7, 8			ET0, EW0	DDX, DEE			
		2	6, 7, 8			EM0	DDP			
		2	6, 7, 8			ELO, EM0	DDP			
26	04210614	2	6, 7, 8			ET0, EW0	DDX, DEE		BOLT, Hex Flange Head	
		2	6, 7, 8				DG0			
		1	6, 7, 8			EM0, ET0, EW0		DG0		Heavy Duty
		1	6, 7, 8			ET0, EW0	DDX, DEE			
		1	6, 7, 8			EM0	DDP			
		1	6, 7, 8			ELO, EM0	DDP			

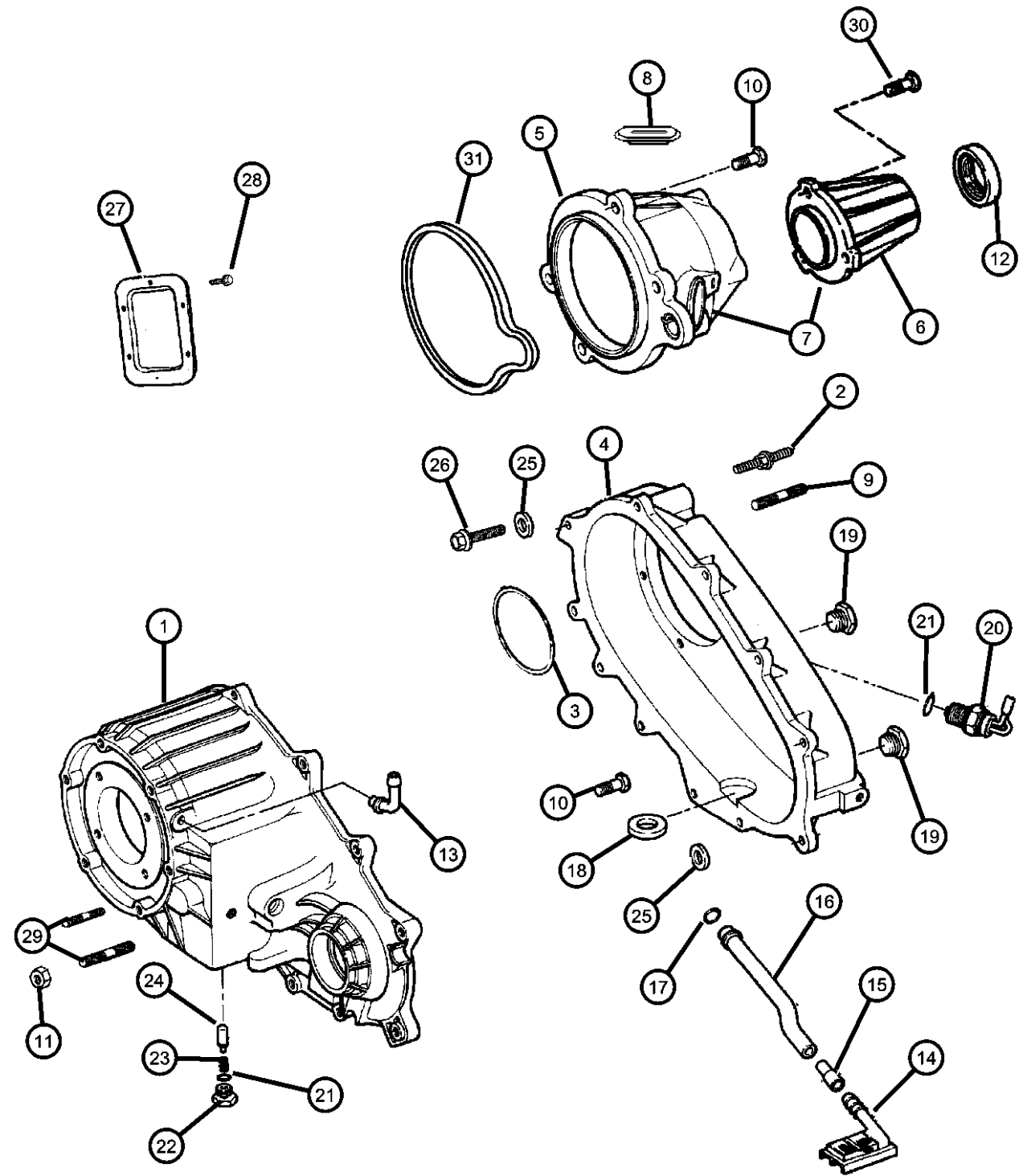
**RAM PICKUP/CLUB CAB (BE)**

SERIES	LINE
L = Ram Truck (All)	3 = HD DODGE 2WD 8 = HD DODGE 4WD 1 = Lt. Duty DODGE 2WD 6 = Lt. Duty DODGE 4WD 2 = Med. Duty DODGE 2WD 7 = Med. Duty DODGE 4WD

BODY	ENGINE	TRANSMISSION
31 = CLUB CAB 2-DR 6.5 FT BOX 32 = CLUB CAB 2-DR 8FT BOX 33 = QUAD CAB 4-DR 6.5 FT BOX 34 = QUAD CAB 4-DR 8FT BOX	ELF = ENGINE - 5.2L V8 MPI EML = ENGINE - 5.9L V8 MPI EMM = ENGINE - "MAGNUM" 5.9L SMPI V8 ETC = ENGINE- 5.9L CUMMINS 24V DIESEL ETH = ENGINE- 5.9L HO CUMMINS TURBO DIESEL EWA = ENGINE - 8.0L V10 MPI	DDC = TRANSMISSION - 5-SPEED HD MANUAL DDP = TRANSMISSION - 5-SPEED MANUAL DDX = TRANSMISSION - 5-SPEED HD MANUAL DEE = TRANSMISSION - 6-SPEED HD MANUAL DGP = TRANSMISSION - 4-SPD. AUTOMATIC, 47RE DGT = TRANSMISSION - 4-SPD. AUTOMATIC, 46RE

AR = use ase required - = Non illustrated part

**Case and Related Parts [DHH][DHG] Shift on the Fly  
Figure 241-210**



ITEM	PART NUMBER	QTY	LINE	SERIES	BODY	ENGINE	TRANS	TRIM	DESCRIPTION
		1	6, 7, 8			ET0, EW0	DDX, DEE		
		1	6, 7, 8				DG0		
27	00556875	1	6, 7, 8			EM0, ET0, EW0	DG0		COVER, Power Take Off
		1	6, 7, 8			ET0, EW0	DDX, DEE		Heavy Duty
		1	6, 7, 8			EM0	DDP		
28	04637851	6	6, 7, 8			EM0, ET0, EW0	DG0		BOLT, Transfer Case
		6	6, 7, 8			ET0, EW0	DDX, DEE		Heavy Duty
		6	6, 7, 8			EM0	DDP		
29	04746253	6	6, 7, 8			EM0, ET0, EW0	DG0		STUD
		6	6, 7, 8			ET0, EW0	DDX, DEE		Heavy Duty
		6	6, 7, 8			EM0	DDP		
		6	6, 7, 8			EL0, EM0	DDP		
		6	6, 7, 8			ET0, EW0	DDX, DEE		
		6	6, 7, 8				DG0		
30	04210617	4	6, 7, 8			EL0, EM0	DDP		BOLT, Transfer Case
		4	6, 7, 8			ET0, EW0	DDX, DEE		
		4	6, 7, 8				DG0		
31	04856645	1	6, 7, 8			EM0, ET0, EW0	DG0		GASKET, Rear Oil Seal Retainer
		1	6, 7, 8			ET0, EW0	DDX, DEE		Heavy Duty
		1	6, 7, 8			EM0	DDP		
		1	6, 7, 8			EL0, EM0	DDP		
		1	6, 7, 8			ET0, EW0	DDX, DEE		
		1	6, 7, 8				DG0		

**RAM PICKUP/CLUB CAB (BE)**

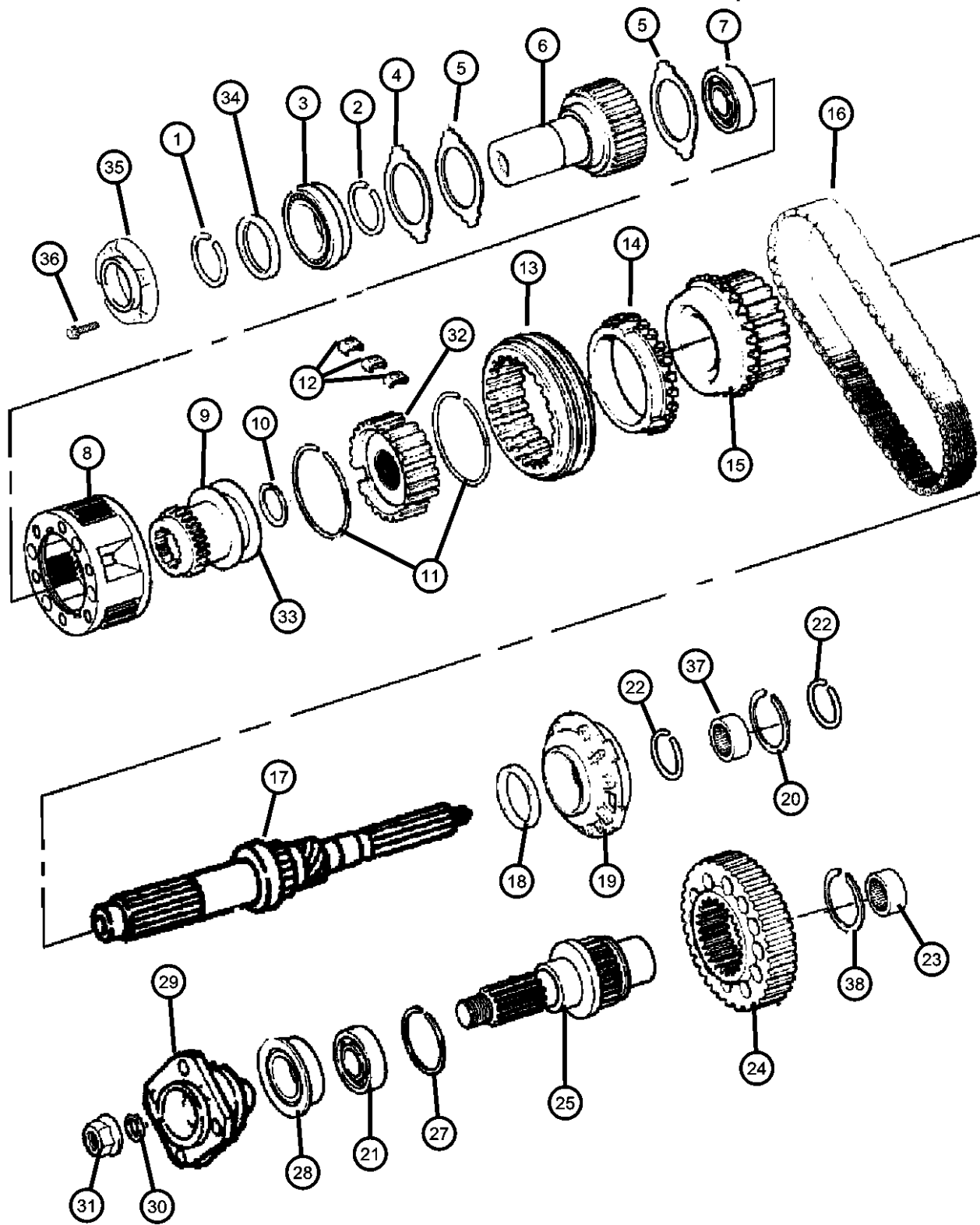
SERIES	LINE
L = Ram Truck (All)	3 = HD DODGE 2WD
	8 = HD DODGE 4WD
	1 = Lt. Duty DODGE 2WD
	6 = Lt. Duty DODGE 4WD
	2 = Med. Duty DODGE 2WD
	7 = Med. Duty DODGE 4WD

BODY	ENGINE	TRANSMISSION
31 = CLUB CAB 2-DR 6.5 FT BOX	ELF = ENGINE - 5.2L V8 MPI	DDC = TRANSMISSION - 5-SPEED HD MANUAL
32 = CLUB CAB 2-DR 8FT BOX	EML = ENGINE - 5.9L V8 MPI	DDP = TRANSMISSION - 5-SPEED MANUAL
33 = QUAD CAB 4-DR 6.5 FT BOX	EMM = ENGINE - "MAGNUM" 5.9L SMPI V8	DDX = TRANSMISSION - 5-SPEED HD MANUAL
34 = QUAD CAB 4-DR 8FT BOX	ETC = ENGINE- 5.9L CUMMINS 24V DIESEL	DEE = TRANSMISSION - 6-SPEED HD MANUAL
	ETH = ENGINE- 5.9L HO CUMMINS TURBO DIESEL	DGP = TRANSMISSION - 4-SPD. AUTOMATIC, 47RE
	EWA = ENGINE - 8.0L V10 MPI	DGT = TRANSMISSION - 4-SPD. AUTOMATIC, 46RE

AR = use ase required - = Non illustrated part

2000 BE

**Gear Train [DHH][DHG] Shift on the Fly  
Figure 241-410**



ITEM	PART NUMBER	QTY	LINE	SERIES	BODY	ENGINE	TRANS	TRIM	DESCRIPTION
------	-------------	-----	------	--------	------	--------	-------	------	-------------

NOTES: Sales Codes  
 [DDP] = 5 Speed Manual Transmission  
 [DDX] = 5 Speed Heavy Duty Manual Transmission  
 [DEE] = 6 Speed Heavy Duty Manual Transmission  
 [DG0] = All Automatic Transmissions  
 [ELO] = All 5.2L 8 Cylinder Gas Engines  
 [EM0] = All 5.9L 8 Cylinder Gas Engines  
 [ET0] = All 5.9L Turbo Diesels  
 [EW0] = All 8.0L Gas Engines

1									SNAP RING
	03821558	1	6, 7, 8			EM0, ET0, EW0	DG0		Heavy Duty
		1	6, 7, 8			ET0, EW0	DDX, DEE		Heavy Duty
		1	6, 7, 8			EM0	DDP		Heavy Duty
		1	6, 7, 8			ELO, EM0	DDP		
		1	6, 7, 8			ET0, EW0	DDX, DEE		
		1	6, 7, 8				DG0		
2									SNAP RING
	04338910	1	6, 7, 8			EM0, ET0, EW0	DG0		Heavy Duty
		1	6, 7, 8			ET0, EW0	DDX, DEE		Heavy Duty
		1	6, 7, 8			EM0	DDP		Heavy Duty
		1	6, 7, 8			ELO, EM0	DDP		
		1	6, 7, 8			ET0, EW0	DDX, DEE		
		1	6, 7, 8				DG0		
3									BEARING, Input Gear
	04338891	1	6, 7, 8			EM0, ET0, EW0	DG0		Heavy Duty
		1	6, 7, 8			ET0, EW0	DDX, DEE		Heavy Duty
		1	6, 7, 8			EM0	DDP		Heavy Duty
		1	6, 7, 8			ELO, EM0	DDP		
		1	6, 7, 8			ET0, EW0	DDX, DEE		
		1	6, 7, 8				DG0		
4									RING

**RAM PICKUP/CLUB CAB (BE)**

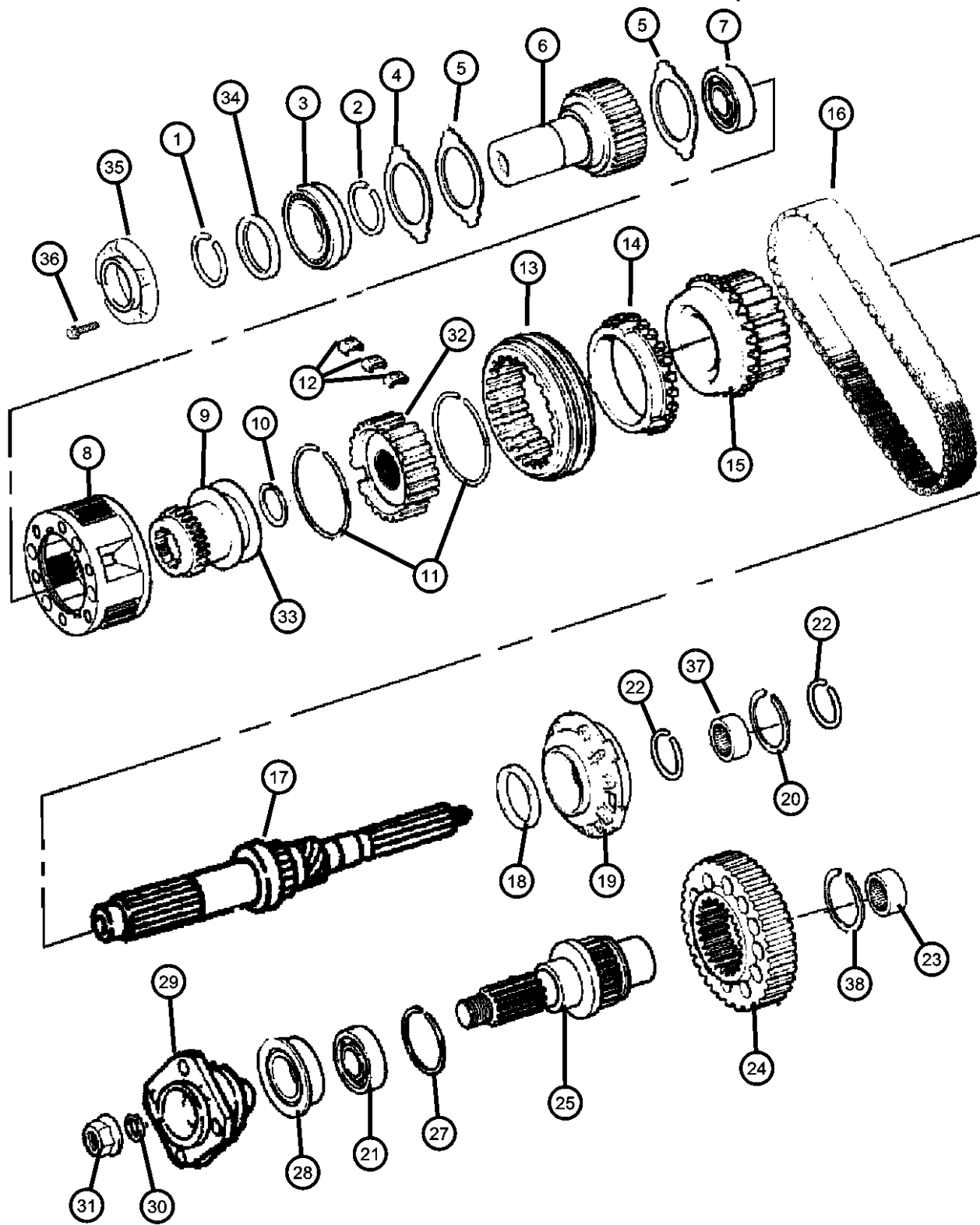
SERIES	LINE
L = Ram Truck (All)	3 = HD DODGE 2WD
	8 = HD DODGE 4WD
	1 = Lt. Duty DODGE 2WD
	6 = Lt. Duty DODGE 4WD
	2 = Med. Duty DODGE 2WD
	7 = Med. Duty DODGE 4WD

BODY	ENGINE	TRANSMISSION
31 = CLUB CAB 2-DR 6.5 FT BOX	ELF = ENGINE - 5.2L V8 MPI	DDC = TRANSMISSION - 5-SPEED HD MANUAL
32 = CLUB CAB 2-DR 8FT BOX	EML = ENGINE - 5.9L V8 MPI	DDP = TRANSMISSION - 5-SPEED MANUAL
33 = QUAD CAB 4-DR 6.5 FT BOX	EMM = ENGINE - "MAGNUM" 5.9L SMPI V8	DDX = TRANSMISSION - 5-SPEED HD MANUAL
34 = QUAD CAB 4-DR 8FT BOX	ETC = ENGINE- 5.9L CUMMINS 24V DIESEL	DEE = TRANSMISSION - 6-SPEED HD MANUAL
	ETH = ENGINE- 5.9L HO CUMMINS TURBO DIESEL	DGP = TRANSMISSION - 4-SPD. AUTOMATIC, 47RE
	EWA = ENGINE - 8.0L V10 MPI	DGT = TRANSMISSION - 4-SPD. AUTOMATIC, 46RE

AR = use ase required - = Non illustrated part

2000 BE

**Gear Train [DHH][DHG] Shift on the Fly  
Figure 241-410**



ITEM	PART NUMBER	QTY	LINE	SERIES	BODY	ENGINE	TRANS	TRIM	DESCRIPTION
	04338909	1	6, 7, 8			EM0, ETO, EWO	DG0		Heavy Duty
		1	6, 7, 8			ET0, EWO	DDX, DEE		Heavy Duty
		1	6, 7, 8			EM0	DDP		Heavy Duty
		1	6, 7, 8			ELO, EM0	DDP		
		1	6, 7, 8			ET0, EWO	DDX, DEE		
		1	6, 7, 8				DG0		
5								THRUST WASHER, Planetary Carrier	
	04338908	2	6, 7, 8			EM0, ETO, EWO	DG0		Heavy Duty
		2	6, 7, 8			ET0, EWO	DDX, DEE		Heavy Duty
		2	6, 7, 8			EM0	DDP		Heavy Duty
		2	6, 7, 8			ELO, EM0	DDP		
		2	6, 7, 8			ET0, EWO			
		2	6, 7, 8				DG0		
6								GEAR, Input	
	04797028	1	6, 7, 8			EM0	DDP		Heavy Duty
		1	6, 7, 8			ELO, EM0	DDP		
	04797029	1	6, 7, 8			ET0, EWO	DDX, DEE		Heavy Duty
		1	6, 7, 8			ET0, EWO	DDX, DEE		
	05015447AA	1	6, 7, 8			EM0, ETO, EWO	DG0		Heavy Duty
		1	6, 7, 8				DG0		
7								BEARING, Input Shaft	
	04746127	1	6, 7, 8			EM0, ETO, EWO	DG0		Heavy Duty
		1	6, 7, 8			ET0, EWO	DDX, DEE		Heavy Duty
		1	6, 7, 8			EM0	DDP		Heavy Duty
		1	6, 7, 8			ELO, EM0	DDP		
		1	6, 7, 8			ET0, EWO	DDX, DEE		
		1	6, 7, 8				DG0		

**RAM PICKUP/CLUB CAB (BE)**

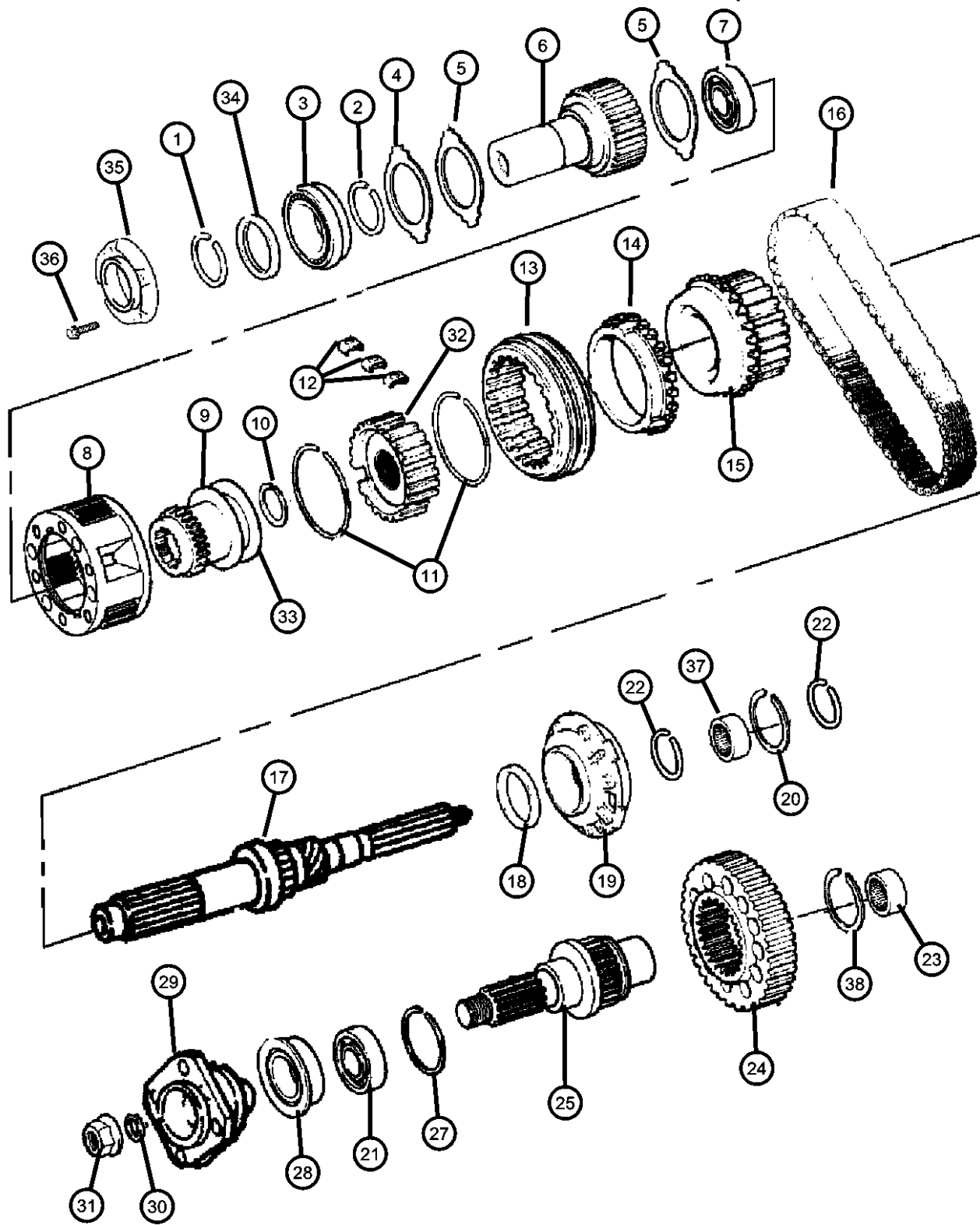
SERIES	LINE
L = Ram Truck (All)	3 = HD DODGE 2WD
	8 = HD DODGE 4WD
	1 = Lt. Duty DODGE 2WD
	6 = Lt. Duty DODGE 4WD
	2 = Med. Duty DODGE 2WD
	7 = Med. Duty DODGE 4WD

BODY	ENGINE	TRANSMISSION
31 = CLUB CAB 2-DR 6.5 FT BOX	ELF = ENGINE - 5.2L V8 MPI	DDC = TRANSMISSION - 5-SPEED HD MANUAL
32 = CLUB CAB 2-DR 8FT BOX	EML = ENGINE - 5.9L V8 MPI	DDP = TRANSMISSION - 5-SPEED MANUAL
33 = QUAD CAB 4-DR 6.5 FT BOX	EMM = ENGINE - "MAGNUM" 5.9L SMPI V8	DDX = TRANSMISSION - 5-SPEED HD MANUAL
34 = QUAD CAB 4-DR 8FT BOX	ETC = ENGINE- 5.9L CUMMINS 24V DIESEL	DEE = TRANSMISSION - 6-SPEED HD MANUAL
	ETH = ENGINE- 5.9L HO CUMMINS TURBO DIESEL	DGP = TRANSMISSION - 4-SPD. AUTOMATIC, 47RE
	EWA = ENGINE - 8.0L V10 MPI	DGT = TRANSMISSION - 4-SPD. AUTOMATIC, 46RE

AR = use ase required - = Non illustrated part



**Gear Train [DHH][DHG] Shift on the Fly**  
**Figure 241-410**



ITEM	PART NUMBER	QTY	LINE	SERIES	BODY	ENGINE	TRANS	TRIM	DESCRIPTION
8	04797030	1	6, 7, 8			EL0, EM0	DDP		PLANETARY, Transfer Case
		1	6, 7, 8			ET0, EW0	DDX, DEE		
		1	6, 7, 8				DG0		
	04797032	1	6, 7, 8			EM0, ET0, EW0	DG0		Heavy Duty
		1	6, 7, 8			ET0, EW0	DDX, DEE		Heavy Duty
		1	6, 7, 8			EM0	DDP		Heavy Duty
9	04746129	1	6, 7, 8			ET0, EW0	DDX, DEE		SLEEVE, Range Fork
		1	6, 7, 8			EM0	DDP		
	04797013	1	6, 7, 8			EL0, EM0	DDP		Heavy Duty
		1	6, 7, 8			ET0, EW0	DDX, DEE		
	04897955AA	1	6, 7, 8				DG0		Heavy Duty
04897994AA	1	6, 7, 8			EM0, ET0, EW0	DG0		Heavy Duty	
10	04746128	1	6, 7, 8			EM0, ET0, EW0	DG0		SNAP RING, Mainshaft
		1	6, 7, 8			ET0, EW0	DDX, DEE		
		1	6, 7, 8			EM0	DDP		
11	04746138	2	6, 7, 8			EM0, ET0, EW0	DG0		SPRING, Synchronizer
		2	6, 7, 8			ET0, EW0	DDX, DEE		
		2	6, 7, 8			EM0	DDP		
		2	6, 7, 8			EL0, EM0	DDP		
		2	6, 7, 8			ET0, EW0			
		2	6, 7, 8				DG0		
12	04746137	3	6, 7, 8			EL0, EM0	DDP		KEY, Synchronizer
		3	6, 7, 8			ET0, EW0	DDX, DEE		

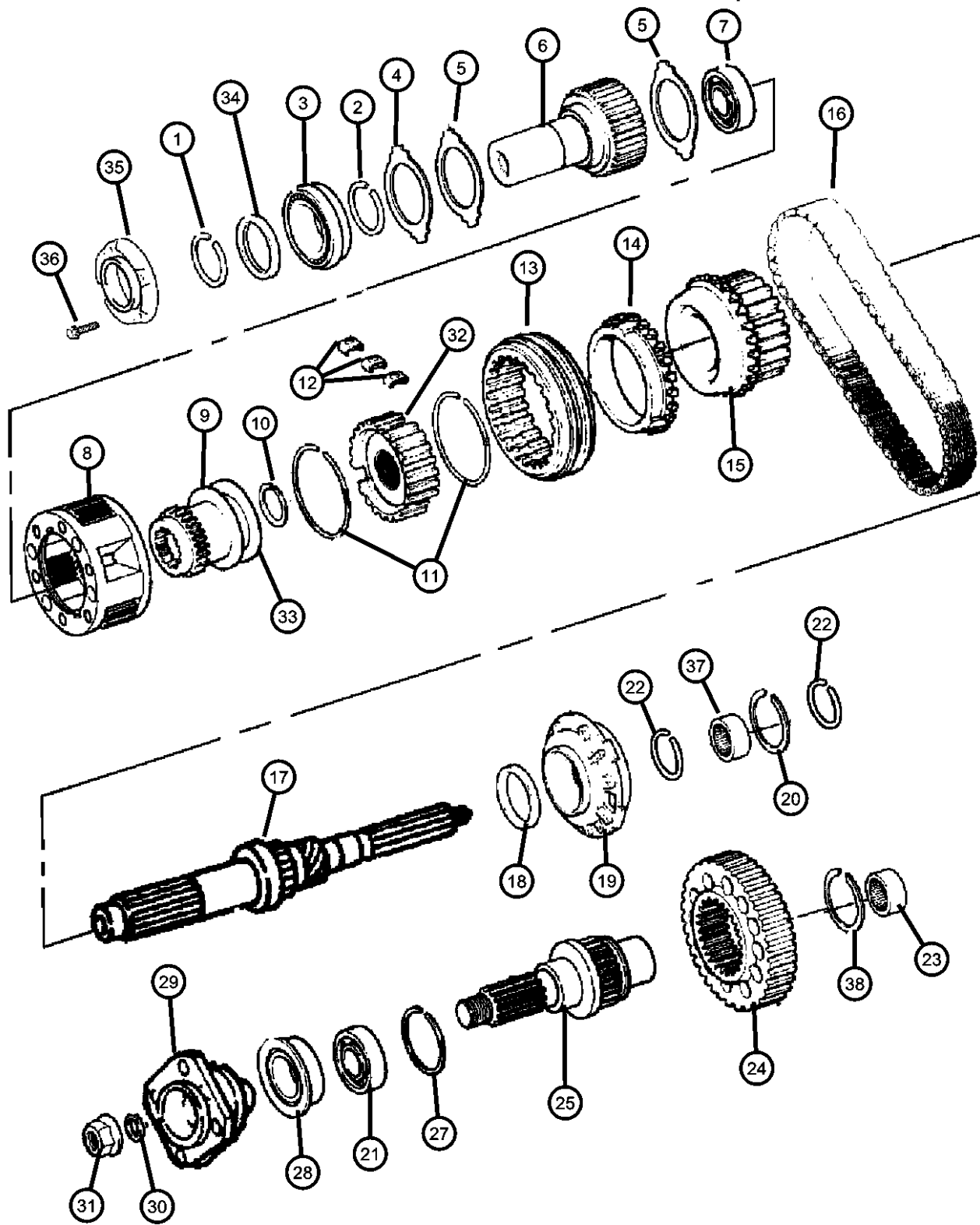
**RAM PICKUP/CLUB CAB (BE)**

SERIES	LINE
L = Ram Truck	3 = HD DODGE 2WD
(All)	8 = HD DODGE 4WD
	1 = Lt. Duty DODGE 2WD
	6 = Lt. Duty DODGE 4WD
	2 = Med. Duty DODGE 2WD
	7 = Med. Duty DODGE 4WD

BODY	ENGINE	TRANSMISSION
31 = CLUB CAB 2-DR 6.5 FT BOX	ELF = ENGINE - 5.2L V8 MPI	DDC = TRANSMISSION - 5-SPEED HD MANUAL
32 = CLUB CAB 2-DR 8FT BOX	EML = ENGINE - 5.9L V8 MPI	DDP = TRANSMISSION - 5-SPEED MANUAL
33 = QUAD CAB 4-DR 6.5 FT BOX	EMM = ENGINE - "MAGNUM" 5.9L SMPI V8	DDX = TRANSMISSION - 5-SPEED HD MANUAL
34 = QUAD CAB 4-DR 8FT BOX	ETC = ENGINE- 5.9L CUMMINS 24V DIESEL	DEE = TRANSMISSION - 6-SPEED HD MANUAL
	ETH = ENGINE- 5.9L HO CUMMINS TURBO DIESEL	DGP = TRANSMISSION - 4-SPD. AUTOMATIC, 47RE
	EWA = ENGINE - 8.0L V10 MPI	DGT = TRANSMISSION - 4-SPD. AUTOMATIC, 46RE

AR = use ase required - = Non illustrated part

**Gear Train [DHH][DHG] Shift on the Fly**  
**Figure 241-410**



ITEM	PART NUMBER	QTY	LINE	SERIES	BODY	ENGINE	TRANS	TRIM	DESCRIPTION
		3	6, 7, 8				DG0		
		3	6, 7, 8			EM0	DDP		Heavy Duty
		3	6, 7, 8			ET0, EW0	DDX, DEE		Heavy Duty
		3	6, 7, 8			EM0, ET0, EW0	DG0		Heavy Duty
13									SLEEVE, Synchronizer
	04746144	1	6, 7, 8			EM0, ET0, EW0	DG0		Heavy Duty
		1	6, 7, 8			ET0, EW0	DDX, DEE		Heavy Duty
		1	6, 7, 8			EM0	DDP		Heavy Duty
		1	6, 7, 8			ELO, EM0	DDP		
		1	6, 7, 8			ET0, EW0	DDX, DEE		
		1	6, 7, 8				DG0		
14									RING, Blocker
	04746139	1	6, 7, 8			EM0, ET0, EW0	DG0		Heavy Duty
		1	6, 7, 8			ET0, EW0	DDX, DEE		Heavy Duty
		1	6, 7, 8			EM0	DDP		Heavy Duty
		1	6, 7, 8			ELO, EM0	DDP		
		1	6, 7, 8			ET0, EW0	DDX, DEE		
		1	6, 7, 8				DG0		
15									SPROCKET, Transfer Case
	04746142	1	6, 7, 8			EM0, ET0, EW0	DG0		Heavy Duty
		1	6, 7, 8			ET0, EW0	DDX, DEE		Heavy Duty
		1	6, 7, 8			EM0	DDP		Heavy Duty
	04746256	1	6, 7, 8			ELO, EM0	DDP		
		1	6, 7, 8			ET0, EW0	DDX, DEE		
		1	6, 7, 8				DG0		
16									CHAIN, Transfer Case
	04746147	1	6, 7, 8			EM0, ET0, EW0	DG0		Heavy Duty

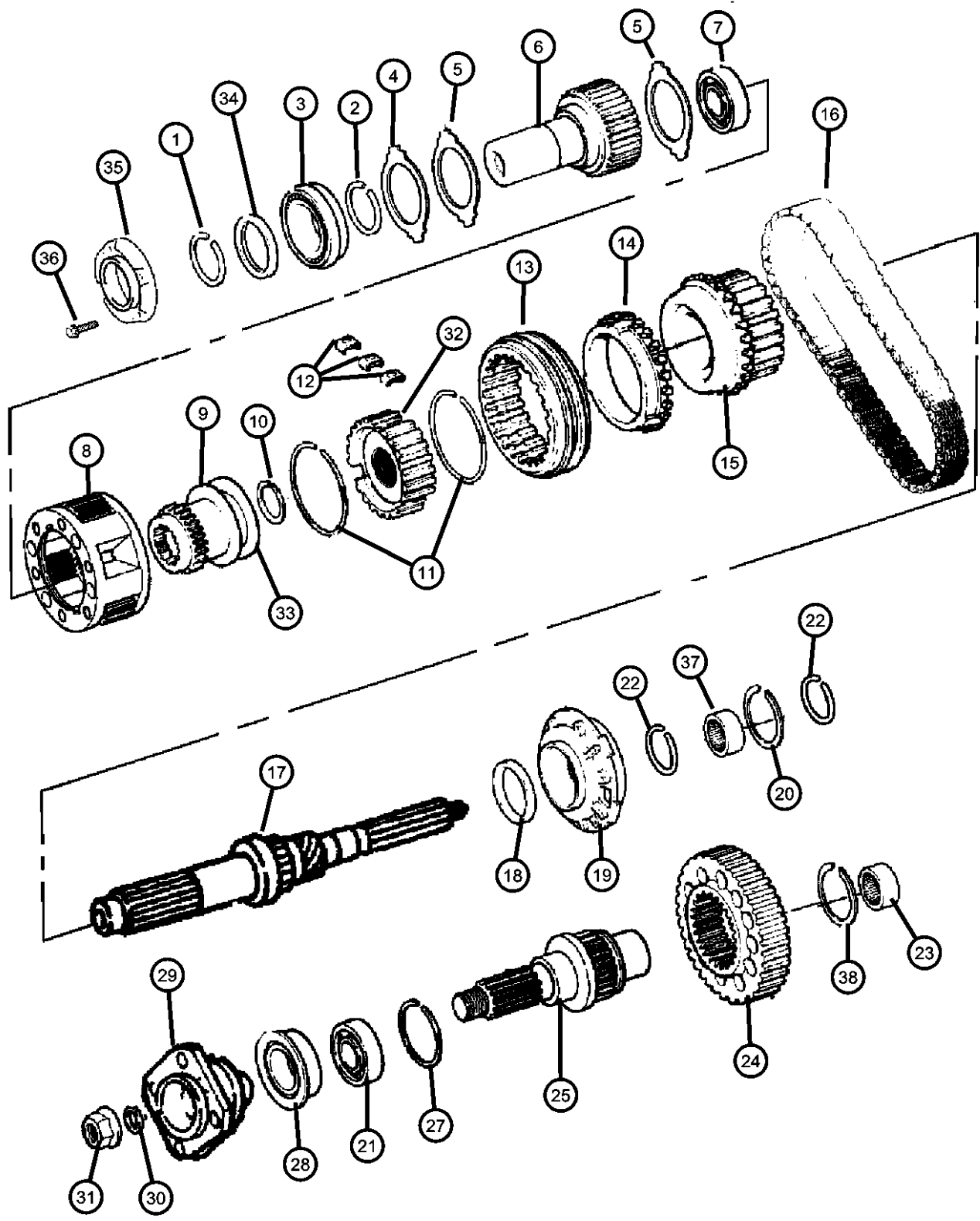
**RAM PICKUP/CLUB CAB (BE)**

<b>SERIES</b>	<b>LINE</b>
L = Ram Truck (All)	3 = HD DODGE 2WD
	8 = HD DODGE 4WD
	1 = Lt. Duty DODGE 2WD
	6 = Lt. Duty DODGE 4WD
	2 = Med. Duty DODGE 2WD
	7 = Med. Duty DODGE 4WD

<b>BODY</b>	<b>ENGINE</b>	<b>TRANSMISSION</b>
31 = CLUB CAB 2-DR 6.5 FT BOX	ELF = ENGINE - 5.2L V8 MPI	DDC = TRANSMISSION - 5-SPEED HD MANUAL
32 = CLUB CAB 2-DR 8FT BOX	EML = ENGINE - 5.9L V8 MPI	DDP = TRANSMISSION - 5-SPEED MANUAL
33 = QUAD CAB 4-DR 6.5 FT BOX	EMM = ENGINE - "MAGNUM" 5.9L SMPI V8	DDX = TRANSMISSION - 5-SPEED HD MANUAL
34 = QUAD CAB 4-DR 8FT BOX	ETC = ENGINE- 5.9L CUMMINS 24V DIESEL	DEE = TRANSMISSION - 6-SPEED HD MANUAL
	ETH = ENGINE- 5.9L HO CUMMINS TURBO DIESEL	DGP = TRANSMISSION - 4-SPD. AUTOMATIC, 47RE
	EWA = ENGINE - 8.0L V10 MPI	DGT = TRANSMISSION - 4-SPD. AUTOMATIC, 46RE

AR = use ase required - = Non illustrated part

**Gear Train [DHH][DHG] Shift on the Fly**  
**Figure 241-410**

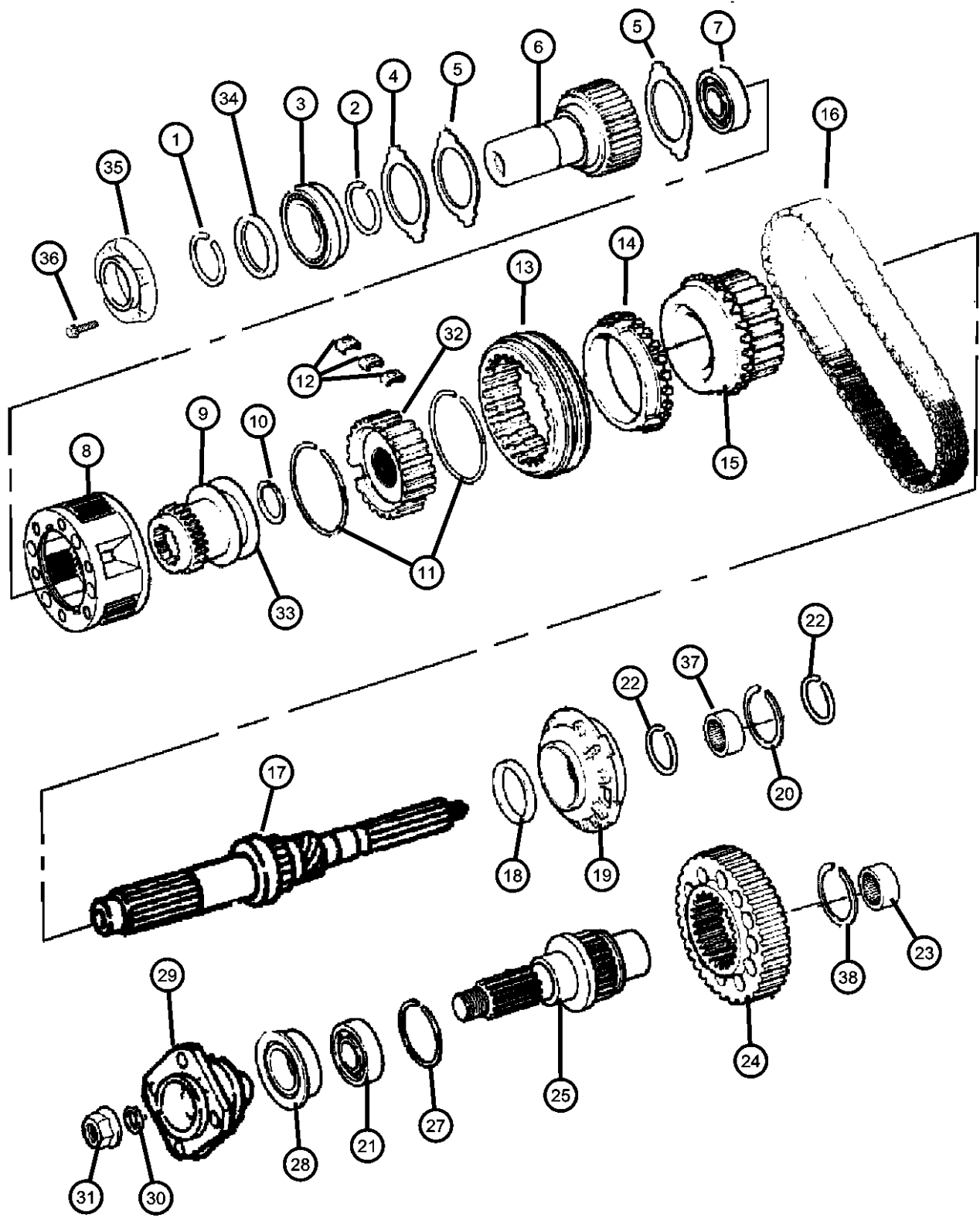


ITEM	PART NUMBER	QTY	LINE	SERIES	BODY	ENGINE	TRANS	TRIM	DESCRIPTION
17	04746257	1	6, 7, 8			ET0, EW0	DDX, DEE		Heavy Duty
		1	6, 7, 8			EM0	DDP		Heavy Duty
		1	6, 7, 8			EL0, EM0	DDP		
		1	6, 7, 8			ET0, EW0	DDX, DEE		
		1	6, 7, 8				DG0		
18	04210603	1	6, 7, 8			EL0, EM0	DDP		MAINSHAFT, Transfer Case
		1	6, 7, 8			ET0, EW0	DDX, DEE		
		1	6, 7, 8				DG0		
		1	6, 7, 8			EM0, ET0, EW0	DG0		Heavy Duty
		1	6, 7, 8			EM0	DDP		Heavy Duty
19	04338936	1	6, 7, 8			ET0, EW0	DDX, DEE		SEAL, Main Shaft
		1	6, 7, 8				DG0		
		1	6, 7, 8			EL0, EM0	DDP		PUMP, Transfer Case Oil
		1	6, 7, 8			ET0, EW0	DDX, DEE		
		1	6, 7, 8				DG0		
20	04883596AA	1	6, 7, 8			EM0, ET0, EW0	DG0		Heavy Duty
		1	6, 7, 8			ET0, EW0	DDX, DEE		Heavy Duty
		1	6, 7, 8			EM0	DDP		Heavy Duty
		1	6, 7, 8			EM0, ET0, EW0	DG0		SNAP RING, Output Bearing
		1	6, 7, 8			ET0, EW0	DDX, DEE		Heavy Duty Only
21	04856643	1	6, 7, 8			EM0	DDP		Heavy Duty Only
		1	6, 7, 8			ET0, EW0	DDX, DEE		BEARING, Output Shaft
		1	6, 7, 8			EM0	DDP		

<b>RAM PICKUP/CLUB CAB (BE)</b>		<b>BODY</b>	<b>ENGINE</b>	<b>TRANSMISSION</b>
<b>SERIES</b>	<b>LINE</b>			
L = Ram Truck	3 = HD DODGE 2WD	31 = CLUB CAB 2-DR 6.5 FT BOX	ELF = ENGINE - 5.2L V8 MPI	DDC = TRANSMISSION - 5-SPEED HD MANUAL
(All)	8 = HD DODGE 4WD	32 = CLUB CAB 2-DR 8FT BOX	EML = ENGINE - 5.9L V8 MPI	DDP = TRANSMISSION - 5-SPEED MANUAL
	1 = Lt. Duty DODGE 2WD	33 = QUAD CAB 4-DR 6.5 FT BOX	EMM = ENGINE - "MAGNUM" 5.9L SMPI V8	DDX = TRANSMISSION - 5-SPEED HD MANUAL
	6 = Lt. Duty DODGE 4WD	34 = QUAD CAB 4-DR 8FT BOX	ETC = ENGINE- 5.9L CUMMINS 24V DIESEL	DEE = TRANSMISSION - 6-SPEED HD MANUAL
	2 = Med. Duty DODGE 2WD		ETH = ENGINE- 5.9L HO CUMMINS TURBO DIESEL	DGP = TRANSMISSION - 4-SPD. AUTOMATIC, 47RE
	7 = Med. Duty DODGE 4WD		EWA = ENGINE - 8.0L V10 MPI	DGT = TRANSMISSION - 4-SPD. AUTOMATIC, 46RE

AR = use ase required - = Non illustrated part

**Gear Train [DHH][DHG] Shift on the Fly  
Figure 241-410**



ITEM	PART NUMBER	QTY	LINE	SERIES	BODY	ENGINE	TRANS	TRIM	DESCRIPTION
	02466224	1	6, 7, 8			EM0, ET0, EW0	DG0		Heavy Duty
		1	6, 7, 8			ET0, EW0	DDX, DEE		Heavy Duty
		1	6, 7, 8			EM0	DDP		Heavy Duty
		1	6, 7, 8			EL0, EM0	DDP		
		1	6, 7, 8			ET0, EW0	DDX, DEE		
		1	6, 7, 8				DG0		
22									SNAP RING
	04883597AA	2	6, 7, 8			EM0, ET0, EW0	DG0		Heavy Duty
		2	6, 7, 8			ET0, EW0	DDX, DEE		Heavy Duty
		2	6, 7, 8			EM0	DDP		Heavy Duty
	04897982AA	1	6, 7, 8			EL0, EM0	DDP		
		1	6, 7, 8			ET0, EW0	DDX, DEE		
		1	6, 7, 8				DG0		
23									BEARING, Output Shaft
	04269189	1	6, 7, 8			EM0, ET0, EW0	DG0		Heavy Duty
		1	6, 7, 8			ET0, EW0	DDX, DEE		Heavy Duty
		1	6, 7, 8			EM0	DDP		Heavy Duty
		1	6, 7, 8			EL0, EM0	DDP		
		1	6, 7, 8			ET0, EW0	DDX, DEE		
		1	6, 7, 8				DG0		
24									SPROCKET, Driven
	04746145	1	6, 7, 8			EM0, ET0, EW0	DG0		Heavy Duty
		1	6, 7, 8			ET0, EW0	DDX, DEE		Heavy Duty
		1	6, 7, 8			EM0	DDP		Heavy Duty
	04746259	1	6, 7, 8			EL0, EM0	DDP		
		1	6, 7, 8			ET0, EW0	DDX, DEE		
		1	6, 7, 8				DG0		
25									OUTPUT SHAFT, Transfer Case

**RAM PICKUP/CLUB CAB (BE)**

SERIES	LINE
L = Ram Truck	3 = HD DODGE 2WD
(All)	8 = HD DODGE 4WD
	1 = Lt. Duty DODGE 2WD
	6 = Lt. Duty DODGE 4WD
	2 = Med. Duty DODGE 2WD
	7 = Med. Duty DODGE 4WD

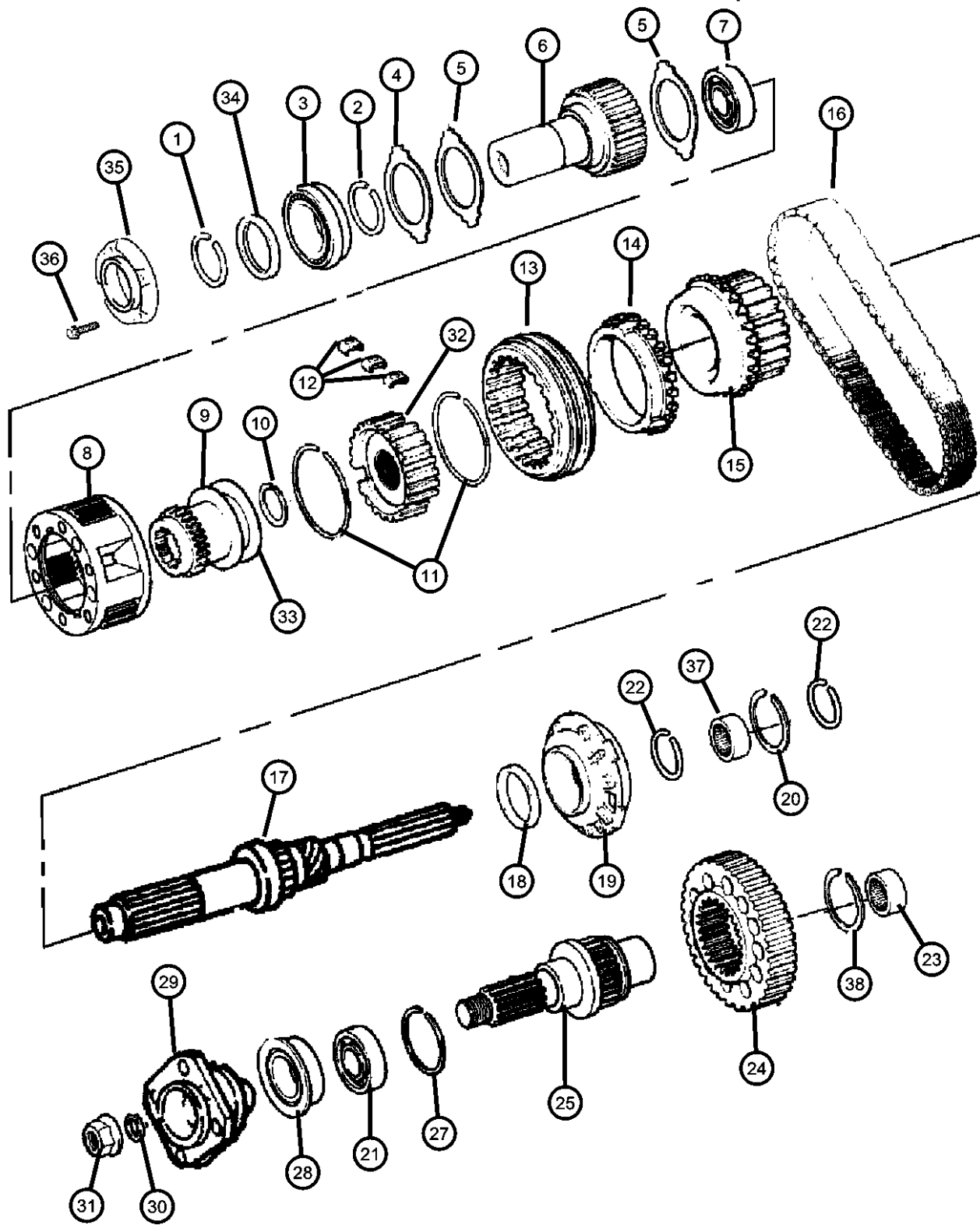
BODY
31 = CLUB CAB 2-DR 6.5 FT BOX
32 = CLUB CAB 2-DR 8FT BOX
33 = QUAD CAB 4-DR 6.5 FT BOX
34 = QUAD CAB 4-DR 8FT BOX

ENGINE
ELF = ENGINE - 5.2L V8 MPI
EML = ENGINE - 5.9L V8 MPI
EMM = ENGINE - "MAGNUM" 5.9L SMPI V8
ETC = ENGINE- 5.9L CUMMINS 24V DIESEL
ETH = ENGINE- 5.9L HO CUMMINS TURBO DIESEL
EWA = ENGINE - 8.0L V10 MPI

TRANSMISSION
DDC = TRANSMISSION - 5-SPEED HD MANUAL
DDP = TRANSMISSION - 5-SPEED MANUAL
DDX = TRANSMISSION - 5-SPEED HD MANUAL
DEE = TRANSMISSION - 6-SPEED HD MANUAL
DGP = TRANSMISSION - 4-SPD. AUTOMATIC, 47RE
DGT = TRANSMISSION - 4-SPD. AUTOMATIC, 46RE

AR = use ase required - = Non illustrated part

**Gear Train [DHH][DHG] Shift on the Fly  
Figure 241-410**



ITEM	PART NUMBER	QTY	LINE	SERIES	BODY	ENGINE	TRANS	TRIM	DESCRIPTION
	83503517	1	6, 7, 8			EL0, EM0	DDP		
		1	6, 7, 8			ET0, EW0	DDX, DEE		
		1	6, 7, 8				DG0		
-26	04746146	1	6, 7, 8			EM0, ET0, EW0	DG0		SHAFT, Output Heavy Duty
		1	6, 7, 8			ET0, EW0	DDX, DEE		Heavy Duty
		1	6, 7, 8			EM0	DDP		Heavy Duty
27	04167991	1	6, 7, 8			EM0, ET0, EW0	DG0		SNAP RING, Bearing Heavy Duty
		1	6, 7, 8			ET0, EW0	DDX, DEE		Heavy Duty
		1	6, 7, 8			EM0	DDP		Heavy Duty
		1	6, 7, 8			EL0, EM0	DDP		
		1	6, 7, 8			ET0, EW0	DDX, DEE		
		1	6, 7, 8				DG0		
28	04798125	1	6, 7, 8			EM0, ET0, EW0	DG0		SEAL, Output Shaft Heavy Duty
		1	6, 7, 8			ET0, EW0	DDX, DEE		Heavy Duty
		1	6, 7, 8			EM0	DDP		Heavy Duty
		1	6, 7, 8			ET0, EW0	DDX, DEE		
		1	6, 7, 8				DG0		
		1	6, 7, 8			EL0, EM0	DDP		
29	04897983AA	1	6, 7, 8			EM0, ET0, EW0	DG0		YOKE, Transfer Case Output Heavy Duty
		1	6, 7, 8			ET0, EW0	DDX, DEE		Heavy Duty
		1	6, 7, 8			EM0	DDP		Heavy Duty
		1	6, 7, 8			EL0, EM0	DDP		
		1	6, 7, 8			ET0, EW0	DDX, DEE		
		1	6, 7, 8				DG0		

**RAM PICKUP/CLUB CAB (BE)**

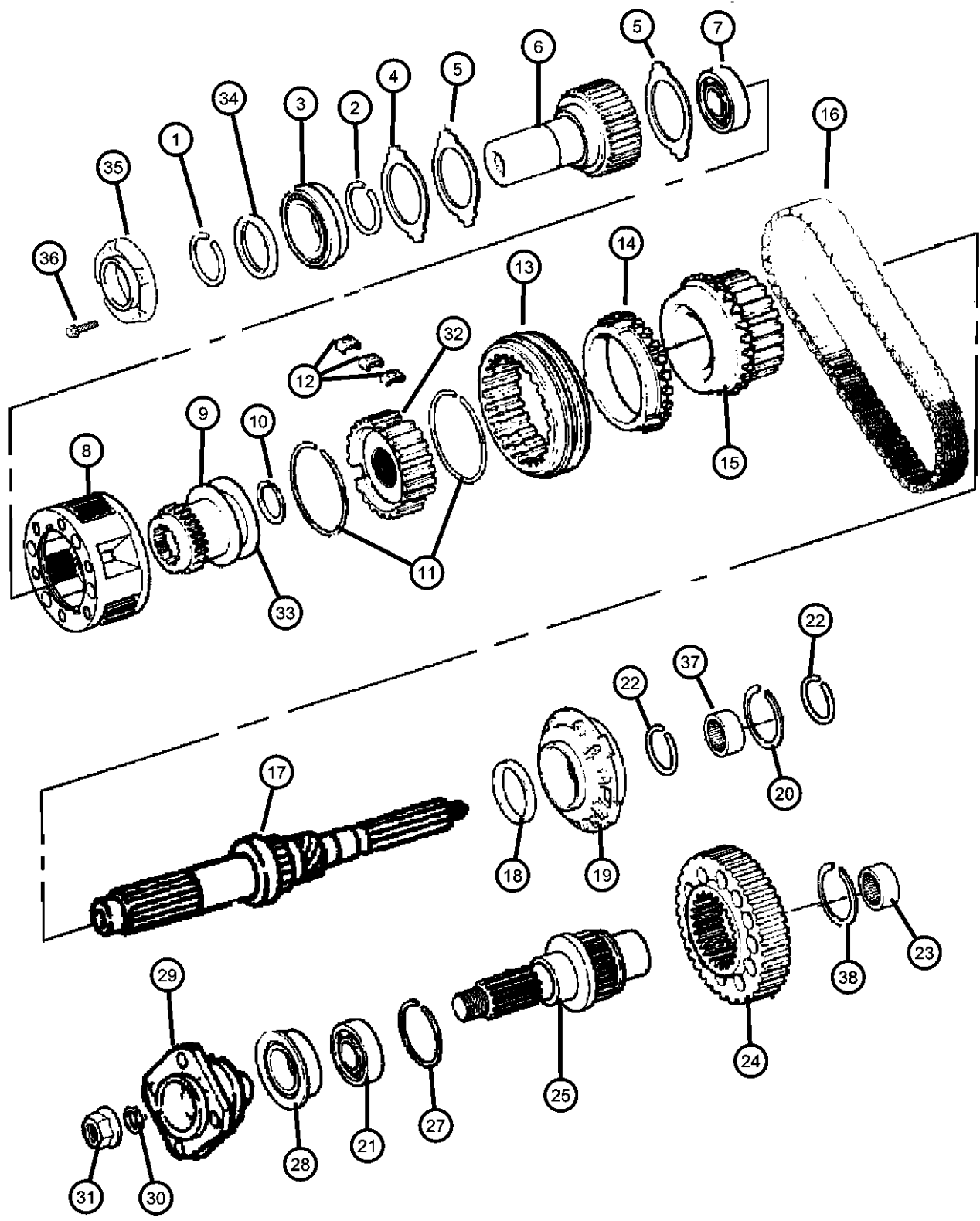
SERIES	LINE
L = Ram Truck (All)	3 = HD DODGE 2WD
	8 = HD DODGE 4WD
	1 = Lt. Duty DODGE 2WD
	6 = Lt. Duty DODGE 4WD
	2 = Med. Duty DODGE 2WD
	7 = Med. Duty DODGE 4WD

BODY	ENGINE	TRANSMISSION
31 = CLUB CAB 2-DR 6.5 FT BOX	ELF = ENGINE - 5.2L V8 MPI	DDC = TRANSMISSION - 5-SPEED HD MANUAL
32 = CLUB CAB 2-DR 8FT BOX	EML = ENGINE - 5.9L V8 MPI	DDP = TRANSMISSION - 5-SPEED MANUAL
33 = QUAD CAB 4-DR 6.5 FT BOX	EMM = ENGINE - "MAGNUM" 5.9L SMPI V8	DDX = TRANSMISSION - 5-SPEED HD MANUAL
34 = QUAD CAB 4-DR 8FT BOX	ETC = ENGINE- 5.9L CUMMINS 24V DIESEL	DEE = TRANSMISSION - 6-SPEED HD MANUAL
	ETH = ENGINE- 5.9L HO CUMMINS TURBO DIESEL	DGP = TRANSMISSION - 4-SPD. AUTOMATIC, 47RE
	EWA = ENGINE - 8.0L V10 MPI	DGT = TRANSMISSION - 4-SPD. AUTOMATIC, 46RE

AR = use ase required - = Non illustrated part

2000 BE

**Gear Train [DHH][DHG] Shift on the Fly  
Figure 241-410**



ITEM	PART NUMBER	QTY	LINE	SERIES	BODY	ENGINE	TRANS	TRIM	DESCRIPTION
30	04210973	1	6, 7, 8			EM0, ET0, EW0	DG0		WASHER, Transfer Case Yoke Heavy Duty
		1	6, 7, 8			ET0, EW0	DDX, DEE		Heavy Duty
		1	6, 7, 8			EM0	DDP		Heavy Duty
		1	6, 7, 8			EL0, EM0	DDP		
		1	6, 7, 8			ET0, EW0	DDX, DEE		
		1	6, 7, 8				DG0		
31	04167924	1	6, 7, 8			EM0, ET0, EW0	DG0		NUT, Transfer Case Yoke Heavy Duty
		1	6, 7, 8			ET0, EW0	DDX, DEE		Heavy Duty
		1	6, 7, 8			EM0	DDP		Heavy Duty
		1	6, 7, 8			EL0, EM0	DDP		
		1	6, 7, 8			ET0, EW0	DDX, DEE		
		1	6, 7, 8				DG0		
32	04746143	1	6, 7, 8			EM0, ET0, EW0	DG0		HUB, Synchronizer Heavy Duty
		1	6, 7, 8			ET0, EW0	DDX, DEE		Heavy Duty
		1	6, 7, 8			EM0	DDP		Heavy Duty
		1	6, 7, 8			EL0, EM0	DDP		
		1	6, 7, 8			ET0, EW0	DDX, DEE		
		1	6, 7, 8				DG0		
33	04746129	1	6, 7, 8			ET0, EW0	DDX, DEE		SLEEVE, Range Fork Heavy Duty
		1	6, 7, 8			EM0	DDP		Heavy Duty
	04797013	1	6, 7, 8			EL0, EM0	DDP		
		1	6, 7, 8			ET0, EW0	DDX, DEE		
	04897955AA	1	6, 7, 8				DG0		
04897994AA	1	6, 7, 8			EM0, ET0, EW0	DG0		Heavy Duty	

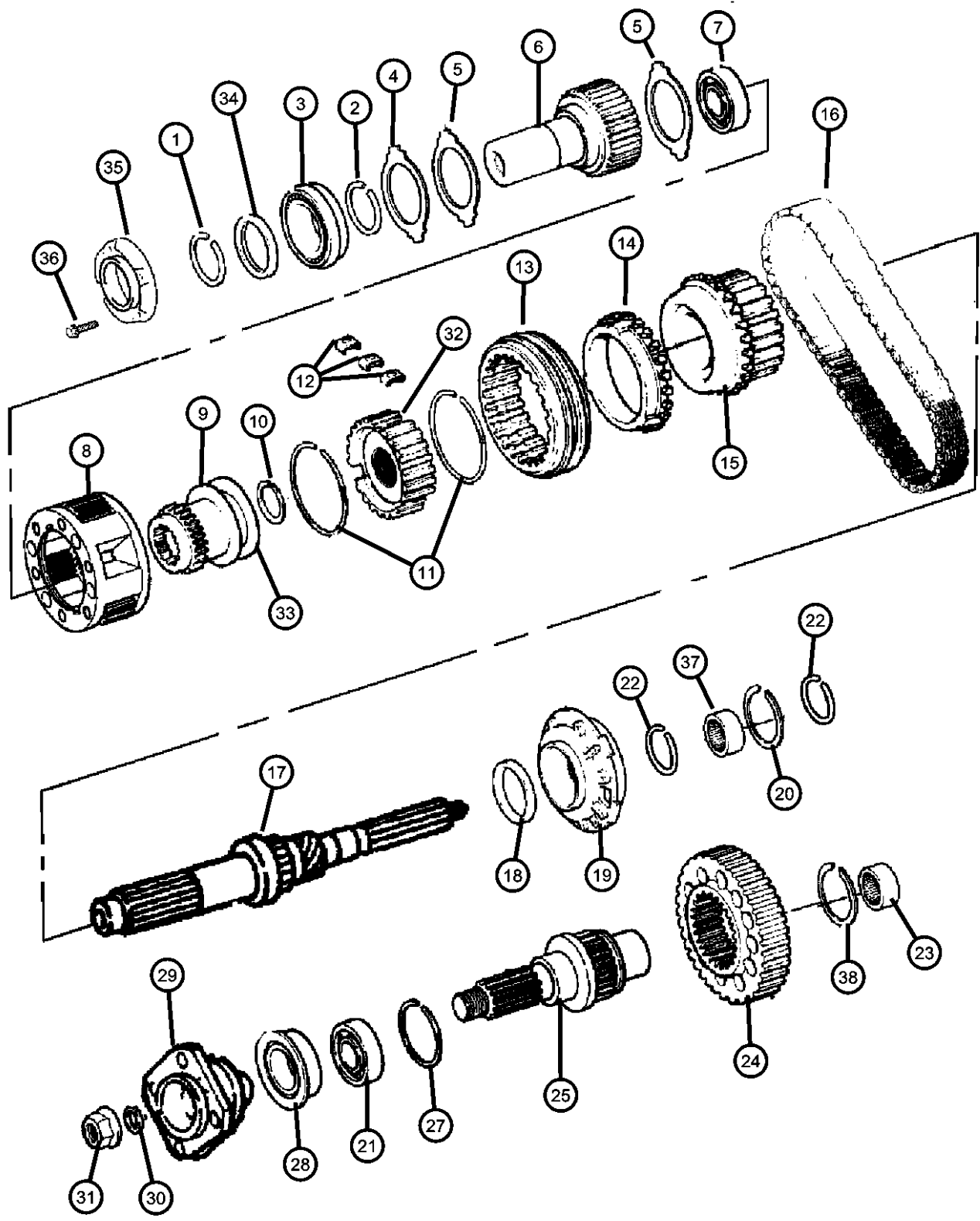
**RAM PICKUP/CLUB CAB (BE)**

<b>SERIES</b>	<b>LINE</b>
L = Ram Truck (All)	3 = HD DODGE 2WD 8 = HD DODGE 4WD 1 = Lt. Duty DODGE 2WD 6 = Lt. Duty DODGE 4WD 2 = Med. Duty DODGE 2WD 7 = Med. Duty DODGE 4WD

<b>BODY</b>	<b>ENGINE</b>	<b>TRANSMISSION</b>
31 = CLUB CAB 2-DR 6.5 FT BOX 32 = CLUB CAB 2-DR 8FT BOX 33 = QUAD CAB 4-DR 6.5 FT BOX 34 = QUAD CAB 4-DR 8FT BOX	ELF = ENGINE - 5.2L V8 MPI EML = ENGINE - 5.9L V8 MPI EMM = ENGINE - "MAGNUM" 5.9L SMPI V8 ETC = ENGINE- 5.9L CUMMINS 24V DIESEL ETH = ENGINE- 5.9L HO CUMMINS TURBO DIESEL EWA = ENGINE - 8.0L V10 MPI	DDC = TRANSMISSION - 5-SPEED HD MANUAL DDP = TRANSMISSION - 5-SPEED MANUAL DDX = TRANSMISSION - 5-SPEED HD MANUAL DEE = TRANSMISSION - 6-SPEED HD MANUAL DGP = TRANSMISSION - 4-SPD. AUTOMATIC, 47RE DGT = TRANSMISSION - 4-SPD. AUTOMATIC, 46RE

AR = use ase required - = Non illustrated part

**Gear Train [DHH][DHG] Shift on the Fly  
Figure 241-410**



ITEM	PART NUMBER	QTY	LINE	SERIES	BODY	ENGINE	TRANS	TRIM	DESCRIPTION
34	04167929	1	6, 7, 8			EM0, ET0, EW0	DG0		SEAL, Input Gear Heavy Duty
		1	6, 7, 8			ET0, EW0	DDX, DEE		Heavy Duty
		1	6, 7, 8			EM0	DDP		Heavy Duty
		1	6, 7, 8			ELO, EM0	DDP		
		1	6, 7, 8			ET0, EW0	DDX, DEE		
		1	6, 7, 8				DG0		
35	04338973	1	6, 7, 8			EM0, ET0, EW0	DG0		EXTENSION, Transfer Case Heavy Duty
		1	6, 7, 8			ET0, EW0	DDX, DEE		Heavy Duty
		1	6, 7, 8			EM0	DDP		Heavy Duty
		1	6, 7, 8			ELO, EM0	DDP		
		1	6, 7, 8			ET0, EW0	DDX, DEE		
		1	6, 7, 8				DG0		
36	06500318	4	6, 7, 8			EM0, ET0, EW0	DG0		BOLT Heavy Duty
		4	6, 7, 8			ET0, EW0	DDX, DEE		Heavy Duty
		4	6, 7, 8			EM0	DDP		Heavy Duty
		4	6, 7, 8			ELO, EM0	DDP		
		4	6, 7, 8			ET0, EW0			
		4	6, 7, 8				DG0		
37	04883601AA	1	6, 7, 8			EM0, ET0, EW0	DG0		BEARING, Output Shaft Heavy Duty
		1	6, 7, 8			ET0, EW0	DDX, DEE		Heavy Duty
		1	6, 7, 8			EM0	DDP		Heavy Duty
	04897981AA	1	6, 7, 8			ELO, EM0	DDP		
		1	6, 7, 8				DG0		
		1	6, 7, 8			ET0, EW0	DDX, DEE		

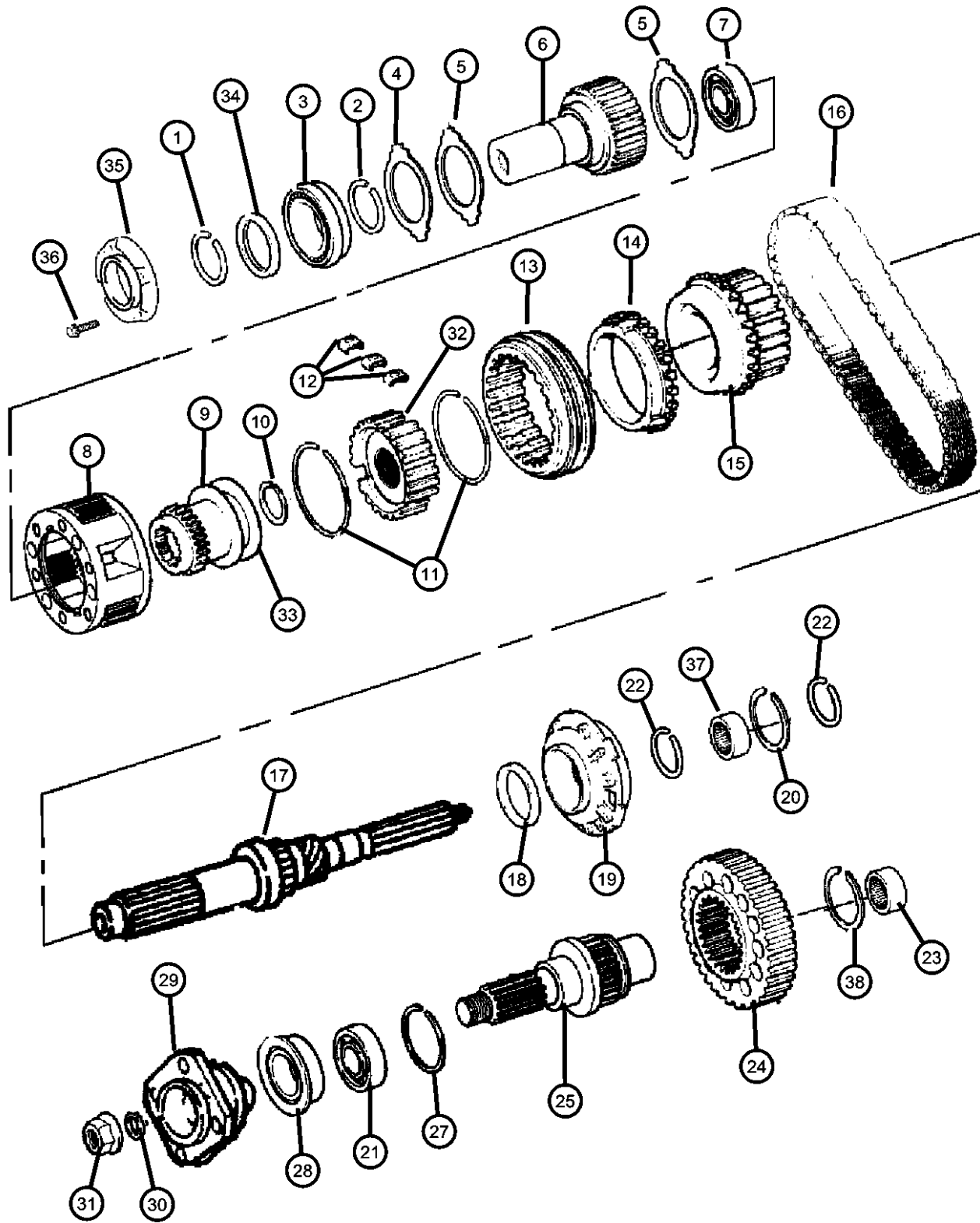
**RAM PICKUP/CLUB CAB (BE)**

<b>SERIES</b>	<b>LINE</b>
L = Ram Truck (All)	3 = HD DODGE 2WD 8 = HD DODGE 4WD 1 = Lt. Duty DODGE 2WD 6 = Lt. Duty DODGE 4WD 2 = Med. Duty DODGE 2WD 7 = Med. Duty DODGE 4WD

<b>BODY</b>	<b>ENGINE</b>	<b>TRANSMISSION</b>
31 = CLUB CAB 2-DR 6.5 FT BOX 32 = CLUB CAB 2-DR 8FT BOX 33 = QUAD CAB 4-DR 6.5 FT BOX 34 = QUAD CAB 4-DR 8FT BOX	ELF = ENGINE - 5.2L V8 MPI EML = ENGINE - 5.9L V8 MPI EMM = ENGINE - "MAGNUM" 5.9L SMPI V8 ETC = ENGINE- 5.9L CUMMINS 24V DIESEL ETH = ENGINE- 5.9L HO CUMMINS TURBO DIESEL EWA = ENGINE - 8.0L V10 MPI	DDC = TRANSMISSION - 5-SPEED HD MANUAL DDP = TRANSMISSION - 5-SPEED MANUAL DDX = TRANSMISSION - 5-SPEED HD MANUAL DEE = TRANSMISSION - 6-SPEED HD MANUAL DGP = TRANSMISSION - 4-SPD. AUTOMATIC, 47RE DGT = TRANSMISSION - 4-SPD. AUTOMATIC, 46RE

AR = use ase required - = Non illustrated part

**Gear Train [DHH][DHG] Shift on the Fly  
Figure 241-410**



ITEM	PART NUMBER	QTY	LINE	SERIES	BODY	ENGINE	TRANS	TRIM	DESCRIPTION
38	04167991	1	6, 7, 8		EM0, ET0, EW0	DG0			SNAP RING, Bearing Heavy Duty
		1	6, 7, 8		ET0, EW0	DDX, DEE			Heavy Duty
		1	6, 7, 8		EM0	DDP			Heavy Duty
		1	6, 7, 8		EL0, EM0	DDP			
		1	6, 7, 8		ET0, EW0	DDX, DEE			
		1	6, 7, 8			DG0			

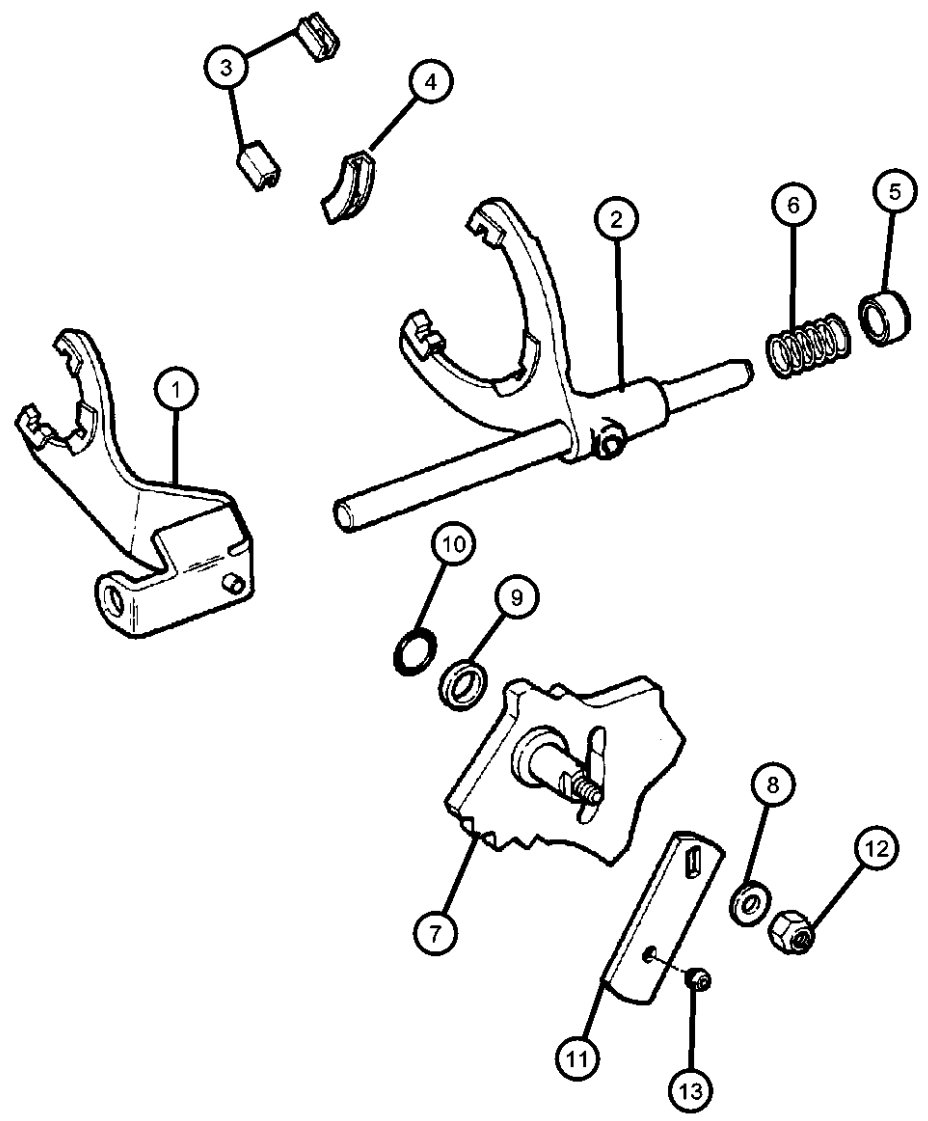
**RAM PICKUP/CLUB CAB (BE)**

SERIES	LINE	BODY	ENGINE	TRANSMISSION
L = Ram Truck (All)	3 = HD DODGE 2WD	31 = CLUB CAB 2-DR 6.5 FT BOX	ELF = ENGINE - 5.2L V8 MPI	DDC = TRANSMISSION - 5-SPEED HD MANUAL
	8 = HD DODGE 4WD	32 = CLUB CAB 2-DR 8FT BOX	EML = ENGINE - 5.9L V8 MPI	DDP = TRANSMISSION - 5-SPEED MANUAL
	1 = Lt. Duty DODGE 2WD	33 = QUAD CAB 4-DR 6.5 FT BOX	EMM = ENGINE - "MAGNUM" 5.9L SMPI V8	DDX = TRANSMISSION - 5-SPEED HD MANUAL
	6 = Lt. Duty DODGE 4WD	34 = QUAD CAB 4-DR 8FT BOX	ETC = ENGINE- 5.9L CUMMINS 24V DIESEL	DEE = TRANSMISSION - 6-SPEED HD MANUAL
	2 = Med. Duty DODGE 2WD		ETH = ENGINE- 5.9L HO CUMMINS TURBO DIESEL	DGP = TRANSMISSION - 4-SPD. AUTOMATIC, 47RE
	7 = Med. Duty DODGE 4WD		EWA = ENGINE - 8.0L V10 MPI	DGT = TRANSMISSION - 4-SPD. AUTOMATIC, 46RE

AR = use ase required - = Non illustrated part



Forks [DHH][DHG] Shift on the Fly  
Figure 241-910



ITEM	PART NUMBER	QTY	LINE	SERIES	BODY	ENGINE	TRANS	TRIM	DESCRIPTION
------	-------------	-----	------	--------	------	--------	-------	------	-------------

NOTES: Sales Codes  
 [DDP] = 5 Speed Manual Transmission  
 [DDX] = 5 Speed Heavy Duty Manual Transmission  
 [DEE] = 6 Speed Heavy Duty Manual Transmission  
 [DG0] = All Automatic Transmissions  
 [ELO] = All 5.2L 8 Cylinder Gas Engines  
 [EM0] = All 5.9L 8 Cylinder Gas Engines  
 [ET0] = All 5.9L Turbo Diesels  
 [EW0] = All 8.0L Gas Engines

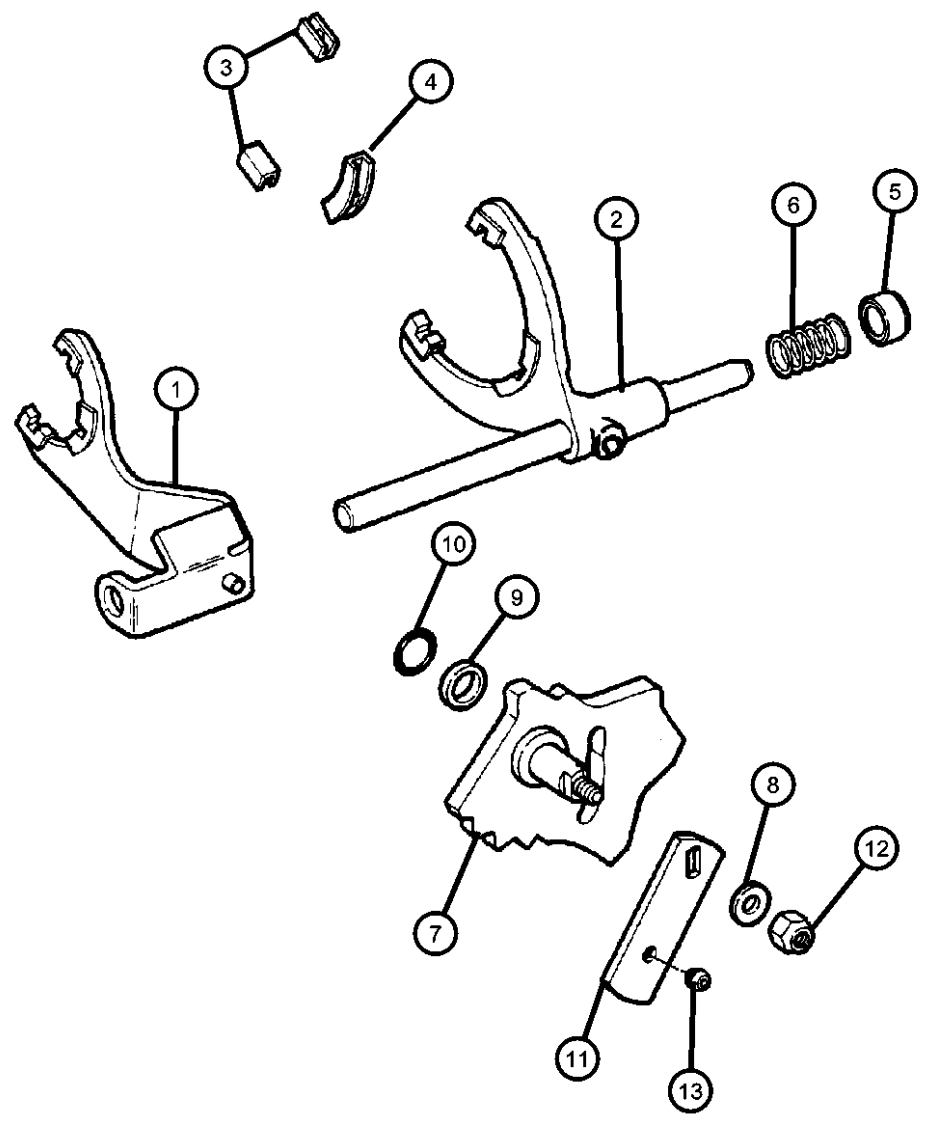
1	04798136	1	6, 7, 8			EM0, ET0, EW0	DG0		FORK, Range
		1	6, 7, 8			ET0, EW0	DDX, DEE		Heavy Duty
		1	6, 7, 8			EM0	DDP		
		1	6, 7, 8			ELO, EM0	DDP		
		1	6, 7, 8			ET0, EW0	DDX, DEE		
		1	6, 7, 8				DG0		
2	04746136	1	6, 7, 8			EM0, ET0, EW0	DG0		FORK, Mode
		1	6, 7, 8			ET0, EW0	DDX, DEE		Heavy Duty
		1	6, 7, 8			EM0	DDP		
		1	6, 7, 8			ELO, EM0	DDP		
		1	6, 7, 8			ET0, EW0	DDX, DEE		
		1	6, 7, 8				DG0		
3	04167969	2	6, 7, 8			EM0, ET0, EW0	DG0		PAD, Shift Fork
		2	6, 7, 8			ET0, EW0	DDX, DEE		Heavy Duty
		2	6, 7, 8			EM0	DDP		
		2	6, 7, 8			ELO, EM0	DDP		
		2	6, 7, 8			ET0, EW0			
		2	6, 7, 8				DG0		
4									PAD, Shift Fork

RAM PICKUP/CLUB CAB (BE)

SERIES	LINE	BODY	ENGINE	TRANSMISSION
L = Ram Truck (All)	3 = HD DODGE 2WD	31 = CLUB CAB 2-DR 6.5 FT BOX	ELF = ENGINE - 5.2L V8 MPI	DDC = TRANSMISSION - 5-SPEED HD MANUAL
	8 = HD DODGE 4WD	32 = CLUB CAB 2-DR 8FT BOX	EML = ENGINE - 5.9L V8 MPI	DDP = TRANSMISSION - 5-SPEED MANUAL
	1 = Lt. Duty DODGE 2WD	33 = QUAD CAB 4-DR 6.5 FT BOX	EMM = ENGINE - "MAGNUM" 5.9L SMPI V8	DDX = TRANSMISSION - 5-SPEED HD MANUAL
	6 = Lt. Duty DODGE 4WD	34 = QUAD CAB 4-DR 8FT BOX	ETC = ENGINE- 5.9L CUMMINS 24V DIESEL	DEE = TRANSMISSION - 6-SPEED HD MANUAL
	2 = Med. Duty DODGE 2WD		ETH = ENGINE- 5.9L HO CUMMINS TURBO DIESEL	DGP = TRANSMISSION - 4-SPD. AUTOMATIC,47RE
	7 = Med. Duty DODGE 4WD		EWA = ENGINE - 8.0L V10 MPI	DGT = TRANSMISSION - 4-SPD. AUTOMATIC,46RE

AR = use ase required - = Non illustrated part

Forks [DHH][DHG] Shift on the Fly  
Figure 241-910



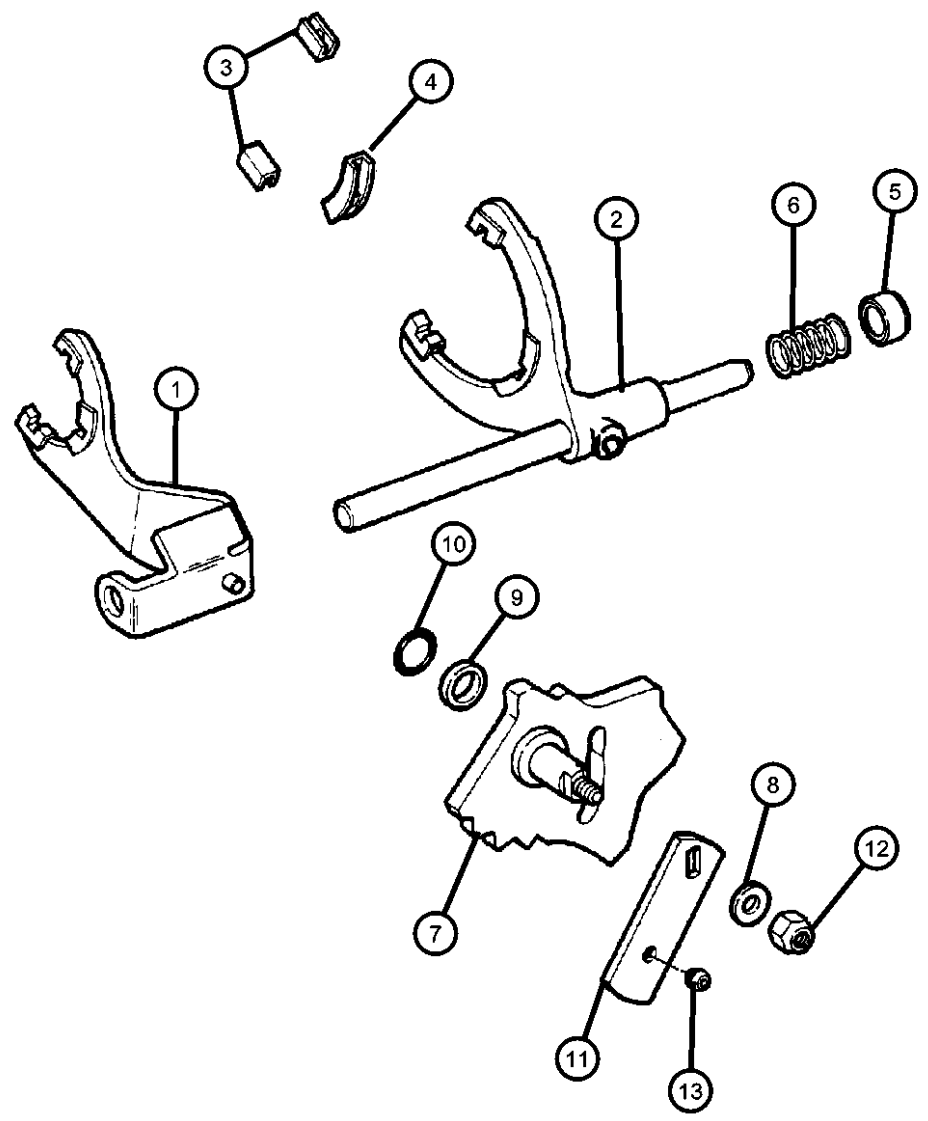
ITEM	PART NUMBER	QTY	LINE	SERIES	BODY	ENGINE	TRANS	TRIM	DESCRIPTION
	04746140	1	6, 7, 8			EM0, ETO, EWO	DG0		
		1	6, 7, 8			ET0, EWO	DDX, DEE		Heavy Duty
		1	6, 7, 8			EM0	DDP		
		1	6, 7, 8			ELO, EM0	DDP		
		1	6, 7, 8			ET0, EWO	DDX, DEE		
		1	6, 7, 8				DG0		
5	83503515	1	6, 7, 8			EM0, ETO, EWO	DG0		CUP, Shift Fork Spring
		1	6, 7, 8			ET0, EWO	DDX, DEE		Heavy Duty
		1	6, 7, 8			EM0	DDP		
		1	6, 7, 8			ELO, EM0	DDP		
		1	6, 7, 8			ET0, EWO	DDX, DEE		
		1	6, 7, 8				DG0		
6	00013816	1	6, 7, 8			EM0, ETO, EWO	DG0		SPRING, Mode Fork
		1	6, 7, 8			ET0, EWO	DDX, DEE		Heavy Duty
		1	6, 7, 8			ELO, EM0	DDP		
		1	6, 7, 8			ET0, EWO	DDX, DEE		
		1	6, 7, 8				DG0		
		1	6, 7, 8			EM0	DDP		
7	04897962AA	1	6, 7, 8			EM0, ETO, EWO	DG0		SECTOR, Transfer Case
		1	6, 7, 8			ET0, EWO	DDX, DEE		Heavy Duty
		1	6, 7, 8			EM0	DDP		
		1	6, 7, 8			ELO, EM0	DDP		
		1	6, 7, 8			ET0, EWO	DDX, DEE		
		1	6, 7, 8				DG0		
8		1							WASHER, (NOT SERVICED)

RAM PICKUP/CLUB CAB (BE)

SERIES	LINE	BODY	ENGINE	TRANSMISSION
L = Ram Truck (All)	3 = HD DODGE 2WD	31 = CLUB CAB 2-DR 6.5 FT BOX	ELF = ENGINE - 5.2L V8 MPI	DDC = TRANSMISSION - 5-SPEED HD MANUAL
	8 = HD DODGE 4WD	32 = CLUB CAB 2-DR 8FT BOX	EML = ENGINE - 5.9L V8 MPI	DDP = TRANSMISSION - 5-SPEED MANUAL
	1 = Lt. Duty DODGE 2WD	33 = QUAD CAB 4-DR 6.5 FT BOX	EMM = ENGINE - "MAGNUM" 5.9L SMPI V8	DDX = TRANSMISSION - 5-SPEED HD MANUAL
	6 = Lt. Duty DODGE 4WD	34 = QUAD CAB 4-DR 8FT BOX	ETC = ENGINE- 5.9L CUMMINS 24V DIESEL	DEE = TRANSMISSION - 6-SPEED HD MANUAL
	2 = Med. Duty DODGE 2WD		ETH = ENGINE- 5.9L HO CUMMINS TURBO DIESEL	DGP = TRANSMISSION - 4-SPD. AUTOMATIC, 47RE
	7 = Med. Duty DODGE 4WD		EWA = ENGINE - 8.0L V10 MPI	DGT = TRANSMISSION - 4-SPD. AUTOMATIC, 46RE

AR = use ase required - = Non illustrated part

Forks [DHH][DHG] Shift on the Fly  
Figure 241-910



ITEM	PART NUMBER	QTY	LINE	SERIES	BODY	ENGINE	TRANS	TRIM	DESCRIPTION
9	04167964	1	6, 7, 8			EM0, ETO, EW0	DG0		SEAL, O-Ring
		1	6, 7, 8			ET0, EW0	DDX, DEE		Heavy Duty
		1	6, 7, 8			EM0	DDP		
		1	6, 7, 8			ELO, EM0	DDP		
		1	6, 7, 8			ET0, EW0	DDX, DEE		
		1	6, 7, 8				DG0		
10	04167963	1	6, 7, 8			EM0, ETO, EW0	DG0		SEAL, O-Ring
		1	6, 7, 8			ET0, EW0	DDX, DEE		Heavy Duty
		1	6, 7, 8			EM0	DDP		
		1	6, 7, 8			ELO, EM0	DDP		
		1	6, 7, 8			ET0, EW0	DDX, DEE		
		1	6, 7, 8				DG0		
11	04897959AA	1	6, 7, 8			EM0, ETO, EW0	DG0		LEVER, Transfer Case
		1	6, 7, 8			ET0, EW0	DDX, DEE		Heavy Duty
		1	6, 7, 8			EM0	DDP		
		1	6, 7, 8			ELO, EM0	DDP		
		1	6, 7, 8			ET0, EW0	DDX, DEE		
		1	6, 7, 8				DG0		
12	00152345	1	6, 7, 8			EM0, ETO, EW0	DG0		NUT
		1	6, 7, 8			ET0, EW0	DDX, DEE		Heavy Duty
		1	6, 7, 8			EM0	DDP		
		1	6, 7, 8			ELO, EM0	DDP		
		1	6, 7, 8			ET0, EW0	DDX, DEE		
		1	6, 7, 8				DG0		

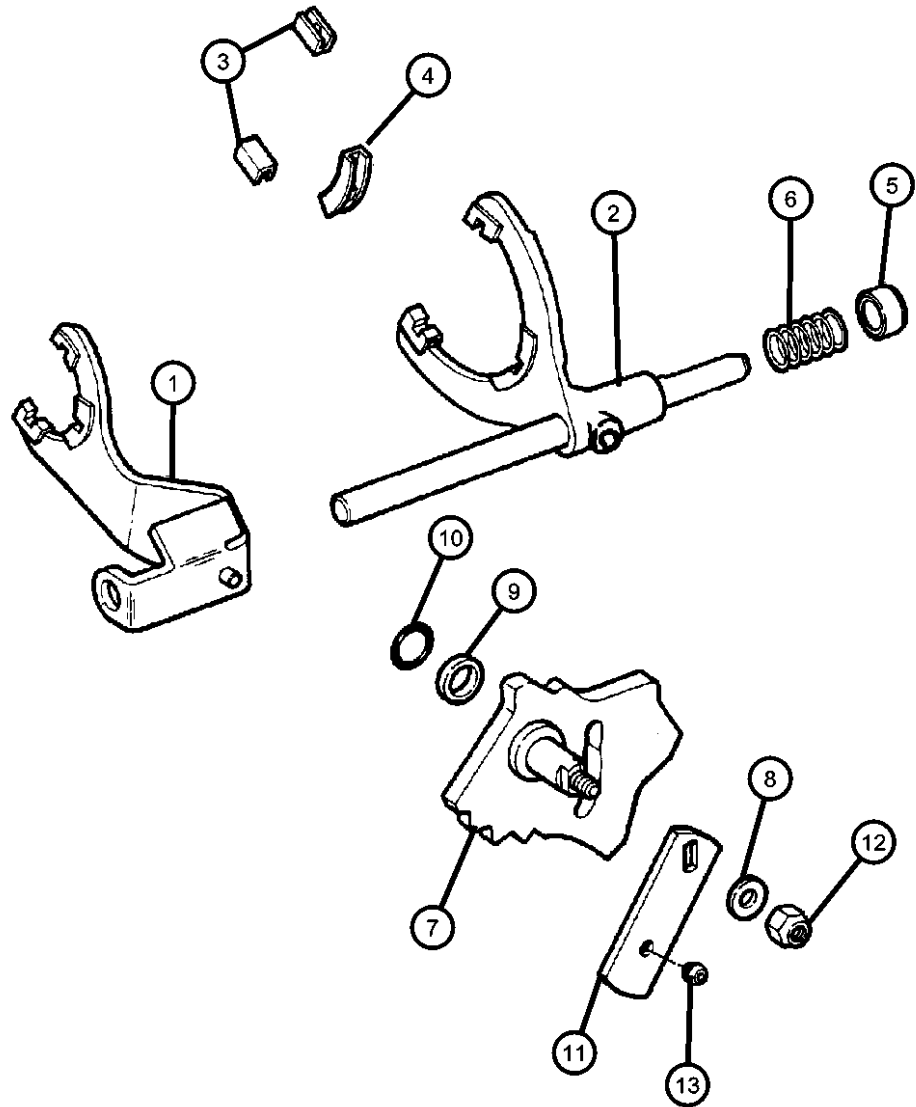
RAM PICKUP/CLUB CAB (BE)

SERIES	LINE	BODY	ENGINE	TRANSMISSION
L = Ram Truck (All)	3 = HD DODGE 2WD	31 = CLUB CAB 2-DR 6.5 FT BOX	ELF = ENGINE - 5.2L V8 MPI	DDC = TRANSMISSION - 5-SPEED HD MANUAL
	8 = HD DODGE 4WD	32 = CLUB CAB 2-DR 8FT BOX	EML = ENGINE - 5.9L V8 MPI	DDP = TRANSMISSION - 5-SPEED MANUAL
	1 = Lt. Duty DODGE 2WD	33 = QUAD CAB 4-DR 6.5 FT BOX	EMM = ENGINE - "MAGNUM" 5.9L SMPI V8	DDX = TRANSMISSION - 5-SPEED HD MANUAL
	6 = Lt. Duty DODGE 4WD	34 = QUAD CAB 4-DR 8FT BOX	ETC = ENGINE- 5.9L CUMMINS 24V DIESEL	DEE = TRANSMISSION - 6-SPEED HD MANUAL
	2 = Med. Duty DODGE 2WD		ETH = ENGINE- 5.9L HO CUMMINS TURBO DIESEL	DGP = TRANSMISSION - 4-SPD. AUTOMATIC, 47RE
	7 = Med. Duty DODGE 4WD		EWA = ENGINE - 8.0L V10 MPI	DGT = TRANSMISSION - 4-SPD. AUTOMATIC, 46RE

AR = use ase required - = Non illustrated part

Forks [DHH][DHG] Shift on the Fly  
Figure 241-910

ITEM	PART NUMBER	QTY	LINE	SERIES	BODY	ENGINE	TRANS	TRIM	DESCRIPTION
13									GROMMET, Shift Lever
	03467791	1	6, 7, 8			EM0, ET0, EW0	DG0		
		1	6, 7, 8			ET0, EW0	DDX, DEE		Heavy Duty
		1	6, 7, 8			EM0	DDP		
		1	6, 7, 8			EL0, EM0	DDP		
		1	6, 7, 8			ET0, EW0	DDX, DEE		
		1	6, 7, 8				DG0		



RAM PICKUP/CLUB CAB (BE)

SERIES	LINE	BODY	ENGINE	TRANSMISSION
L = Ram Truck (All)	3 = HD DODGE 2WD	31 = CLUB CAB 2-DR 6.5 FT BOX	ELF = ENGINE - 5.2L V8 MPI	DDC = TRANSMISSION - 5-SPEED HD MANUAL
	8 = HD DODGE 4WD	32 = CLUB CAB 2-DR 8FT BOX	EML = ENGINE - 5.9L V8 MPI	DDP = TRANSMISSION - 5-SPEED MANUAL
	1 = Lt. Duty DODGE 2WD	33 = QUAD CAB 4-DR 6.5 FT BOX	EMM = ENGINE - "MAGNUM" 5.9L SMPI V8	DDX = TRANSMISSION - 5-SPEED HD MANUAL
	6 = Lt. Duty DODGE 4WD	34 = QUAD CAB 4-DR 8FT BOX	ETC = ENGINE- 5.9L CUMMINS 24V DIESEL	DEE = TRANSMISSION - 6-SPEED HD MANUAL
	2 = Med. Duty DODGE 2WD		ETH = ENGINE- 5.9L HO CUMMINS TURBO DIESEL	DGP = TRANSMISSION - 4-SPD. AUTOMATIC, 47RE
	7 = Med. Duty DODGE 4WD		EWA = ENGINE - 8.0L V10 MPI	DGT = TRANSMISSION - 4-SPD. AUTOMATIC, 46RE

AR = use ase required - = Non illustrated part

**Controls [DHH][DHG] Shift on the Fly  
Figure 241-1210**

ITEM	PART NUMBER	QTY	LINE	SERIES	BODY	ENGINE	TRANS	TRIM	DESCRIPTION
------	-------------	-----	------	--------	------	--------	-------	------	-------------

NOTES: Sales Codes  
 [DDP] = 5 Speed Manual Transmission  
 [DDX] = 5 Speed Heavy Duty Manual Transmission  
 [DEE] = 6 Speed Heavy Duty Manual Transmission  
 [DG0] = All Automatic Transmissions  
 [ELO] = All 5.2L 8 Cylinder Gas Engines  
 [EM0] = All 5.9L 8 Cylinder Gas Engines  
 [ET0] = All 5.9L Turbo Diesels  
 [EW0] = All 8.0L Gas Engines

1	52105214AE	1	6, 7, 8						SHIFTER, Transfer Case
2	06101467	1	6, 7, 8						NUT, Hex Flange, M8x1.25
3	52105216AB	1	6, 7, 8						RING
4	06502064	2	6, 7, 8						SCREW, Tapping, M6x1x20
5	06101727	2	6, 7, 8						BOLT, Hex Head
6	52105005	1	6, 7, 8						LEVER, Transfer Case
7									BEZEL, Transfer Case
	5FB39LAZAB	1	6, 7, 8				DG0		AGATE
	5FB39RC8AB	1	6, 7, 8				DG0		DARK CIRUS
	5FB39VK9AB	1	6, 7, 8				DG0		DARK SUEDE
8	52105059AB	1	6, 7, 8						BOOT, Gearshift
9	52104174	1	6, 7, 8						KNOB, Gearshift
10	06502556	1					DBB		NUT, Hex, M10-1.5
11	52105001	1							INSERT, Gearshift Knob
12									ROD, Gear Shift Control, Transfer Case
	52105006	1					DDC, DG0		
	52105213	1					DEE		
13	03467790	1					DDC, DG0		SWIVEL, Gearshift Control Rod
14	04377309	1					DDC, DG0		CLAMP, Shift Rod
15	00181086	1							BOLT, Hex Head, .312-18x.75
16	52020357AA	1	6, 7, 8						CROSSMEMBER, Skid Plate
17	52058674AC	1	6, 7, 8						SKID PLATE, Front
18	06101340	2	6, 7, 8						U-NUT, M10-1.50

**RAM PICKUP/CLUB CAB (BE)**

SERIES	LINE
L = Ram Truck (All)	3 = HD DODGE 2WD
	8 = HD DODGE 4WD
	1 = Lt. Duty DODGE 2WD
	6 = Lt. Duty DODGE 4WD
	2 = Med. Duty DODGE 2WD
	7 = Med. Duty DODGE 4WD

BODY	ENGINE	TRANSMISSION
31 = CLUB CAB 2-DR 6.5 FT BOX	ELF = ENGINE - 5.2L V8 MPI	DDC = TRANSMISSION - 5-SPEED HD MANUAL
32 = CLUB CAB 2-DR 8FT BOX	EML = ENGINE - 5.9L V8 MPI	DDP = TRANSMISSION - 5-SPEED MANUAL
33 = QUAD CAB 4-DR 6.5 FT BOX	EMM = ENGINE - "MAGNUM" 5.9L SMPI V8	DDX = TRANSMISSION - 5-SPEED HD MANUAL
34 = QUAD CAB 4-DR 8FT BOX	ETC = ENGINE- 5.9L CUMMINS 24V DIESEL	DEE = TRANSMISSION - 6-SPEED HD MANUAL
	ETH = ENGINE- 5.9L HO CUMMINS TURBO DIESEL	DGP = TRANSMISSION - 4-SPD. AUTOMATIC, 47RE
	EWA = ENGINE - 8.0L V10 MPI	DGT = TRANSMISSION - 4-SPD. AUTOMATIC, 46RE

AR = use ase required - = Non illustrated part

2000 BE

# Group - 22

## Wheels, Covers and Jacks

### Group - 22 Wheels, Covers and Jacks

Illustration Title

Group-Fig. No.

#### Wheels and Hardware

Wheels And Hardware .....Fig. 22 - 130

#### Wheel Covers and Center Caps

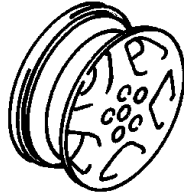
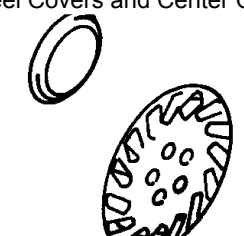
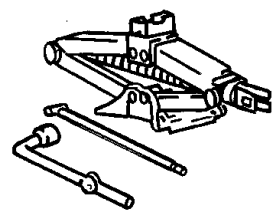
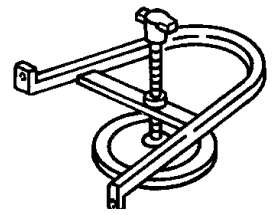
Caps And Covers, Wheel.....Fig. 22 - 230

#### Jack Stowage

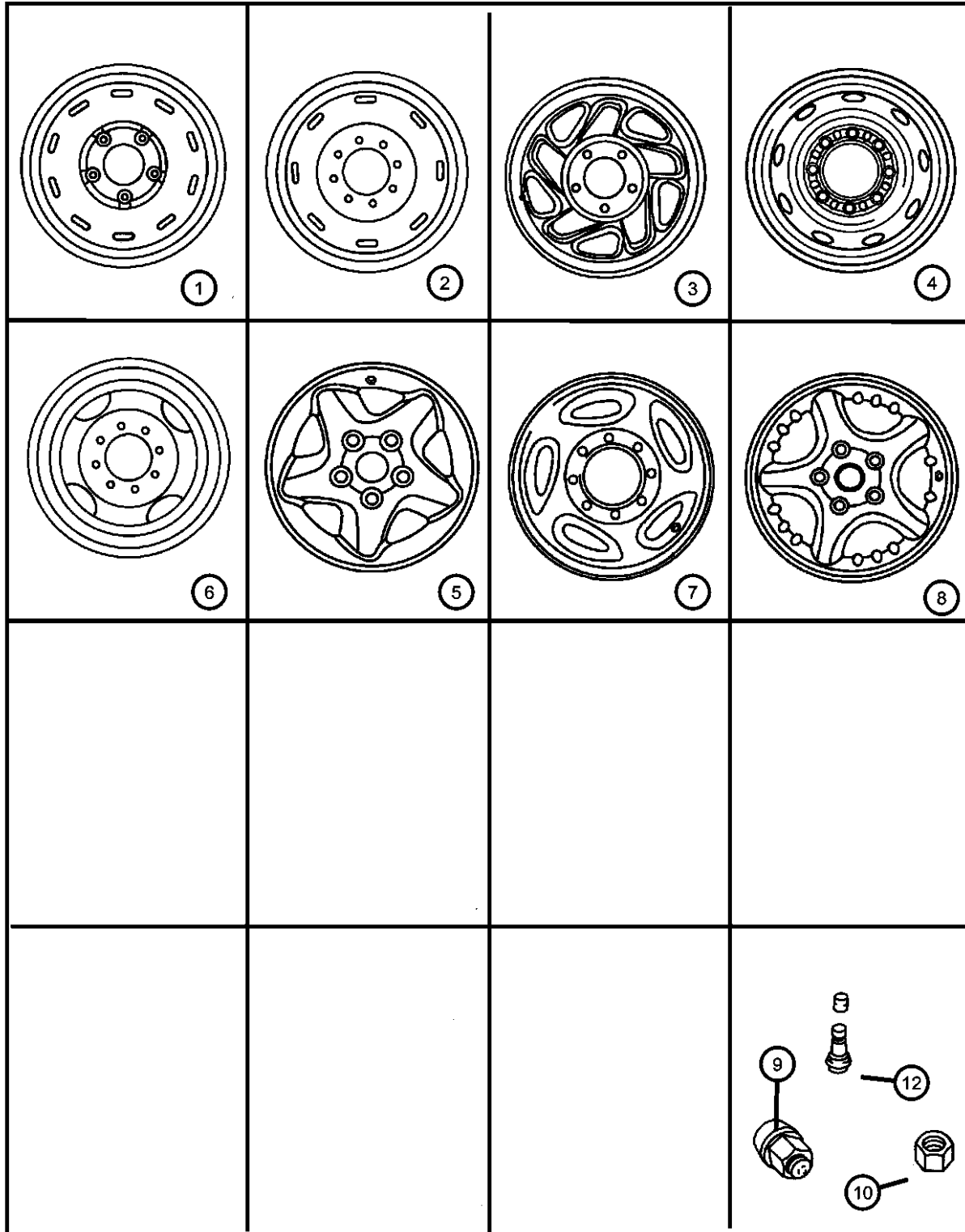
Jack And Stowage .....Fig. 22 - 340

#### Spare Tire Stowage

Wheel, Spare Underslung Mounting.....Fig. 22 - 430

<p><b>022-100</b> Wheels and Hardware</p> 	<p><b>022-200</b> Wheel Covers and Center Caps</p> 	<p><b>022-300</b> Jack Stowage</p> 	<p><b>022-400</b> Spare Tire Stowage</p> 
---	--	---	--

**Wheels And Hardware**  
**Figure 22-130**



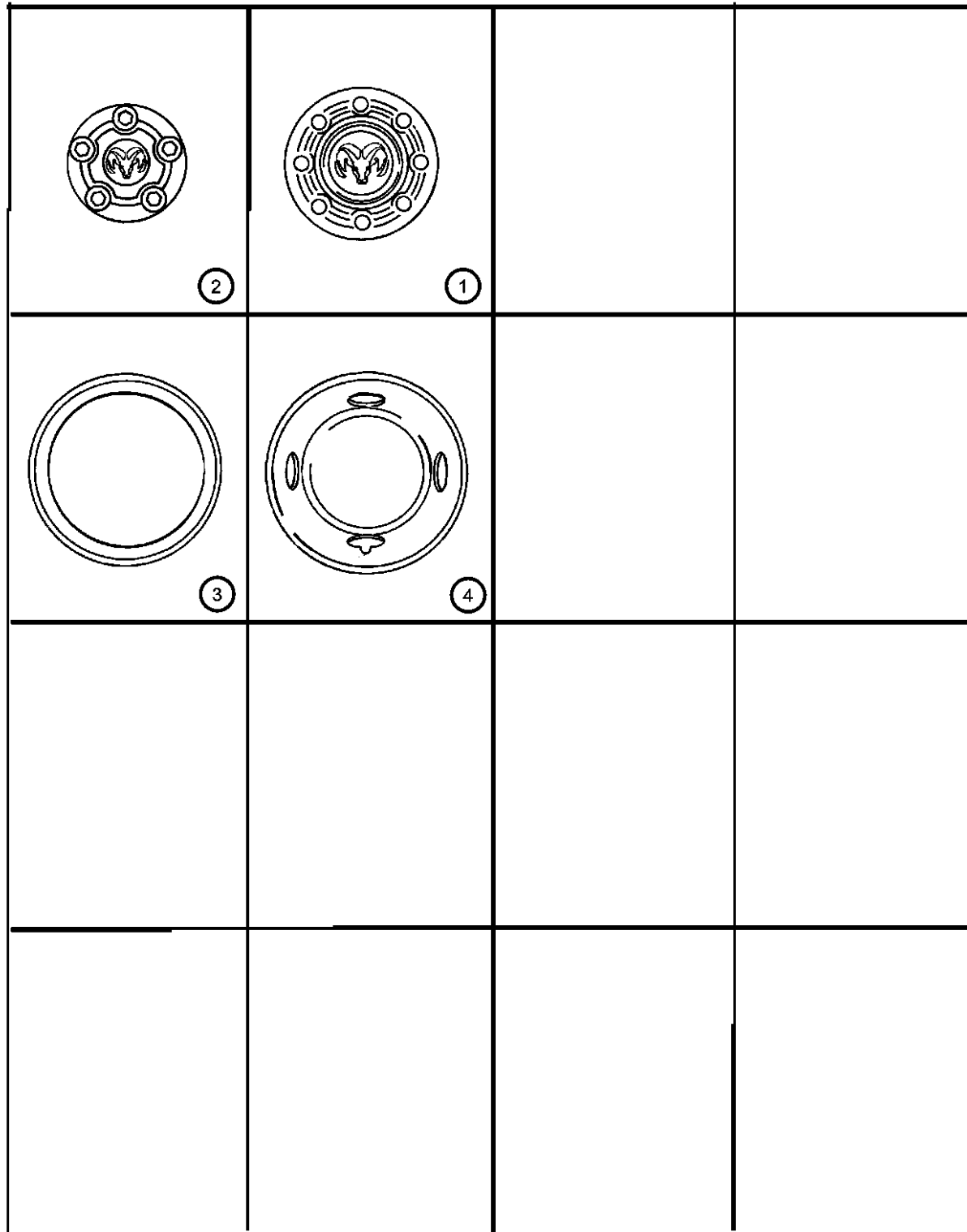
ITEM	PART NUMBER	QTY	LINE	SERIES	BODY	ENGINE	TRANS	TRIM	DESCRIPTION
Note: WDK = Wheels - 16 x 7 Steel/Bright Trim Ring WDV = Wheels - 16 x 7.5 Steel, 8 Lug WDZ = Wheels - 16 x 8.0 Forged Aluminum WD5 = Wheels - 16 x 7.0 Cast Aluminum WFV = Wheels - 17 x 8.0 Aluminum WND = Wheels - 16 x 7.0 Cast Aluminum									
1	5FS04S4AAC	4	1, 6						WHEEL, Steel, 16x7, WDK
2	52113156AA	1	3, 8		34				WHEEL, Steel, WDWSpare
3	52057938AB	4	1, 6						WHEEL, Steel, WDB, 16x7, Chrome
4	5GE66S4AAA	4	2, 7		33, 34				WHEEL, Steel, WDV, 16x7.5, Argent
5	5EK53PAKAC	4	1, 6						WHEEL, Aluminum, WND, 16x7, Cast Aluminum
6	5HC75PAKAA	4	1, 6						WHEEL, Aluminum, WD5, 16x7, Cast Aluminum
7	52106367AA	4	2, 7						WHEEL, Aluminum, WDZ, 16x8, Forged Aluminum
8	5GL88PAKAA	4	6						WHEEL, Aluminum, WFV, 17x8, Cast Aluminum
9	J4006956	20	1, 6						NUT, Wheel, .50x20
10	06034726	32	3, 8		34				NUT, Hex Flange, .56-18, with WDW wheel
-11	06034727	32	2, 7						NUT, Hex, .516-18, with WDV,WDZ
12									STEM, Wheel Valve
	02073355	4	1, 6						
		4	1, 6						1.25
	02530153	2	3, 8		34				1.50
	52057949AB	4	2, 3, 7, 8		33, 34				
		2	3, 8		34				

**RAM PICKUP/CLUB CAB (BE)**

SERIES	LINE	BODY	ENGINE	TRANSMISSION
L = Ram Truck (All)	3 = HD DODGE 2WD 8 = HD DODGE 4WD 1 = Lt. Duty DODGE 2WD 6 = Lt. Duty DODGE 4WD 2 = Med. Duty DODGE 2WD 7 = Med. Duty DODGE 4WD	31 = CLUB CAB 2-DR 6.5 FT BOX 32 = CLUB CAB 2-DR 8FT BOX 33 = QUAD CAB 4-DR 6.5 FT BOX 34 = QUAD CAB 4-DR 8FT BOX	ELF = ENGINE - 5.2L V8 MPI EML = ENGINE - 5.9L V8 MPI EMM = ENGINE - "MAGNUM" 5.9L SMPI V8 ETC = ENGINE- 5.9L CUMMINS 24V DIESEL ETH = ENGINE- 5.9L HO CUMMINS TURBO DIESEL EWA = ENGINE - 8.0L V10 MPI	DDC = TRANSMISSION - 5-SPEED HD MANUAL DDP = TRANSMISSION - 5-SPEED MANUAL DDX = TRANSMISSION - 5-SPEED HD MANUAL DEE = TRANSMISSION - 6-SPEED HD MANUAL DGP = TRANSMISSION - 4-SPD. AUTOMATIC,47RE DGT = TRANSMISSION - 4-SPD. AUTOMATIC,46RE

AR = use ase required - = Non illustrated part

**Caps And Covers, Wheel  
Figure 22-230**



ITEM	PART NUMBER	QTY	LINE	SERIES	BODY	ENGINE	TRANS	TRIM	DESCRIPTION
------	-------------	-----	------	--------	------	--------	-------	------	-------------

Note:

WDS = Wheels - 16 x 7.0 Forged Aluminum  
 WDZ = Wheels - 16 x 8.0 Forged Aluminum  
 WMC = Trim Rings - Bright  
 WND = Wheels - 16 x 7.0 Cast Aluminum

1	04753123	4	1, 6						CAP, Wheel Center [WND,WFV]
	52038267	4	1, 6						[WMJ,WDB]
	52039098	1	2, 7		33, 34				[WDZ]
		4	2, 7		33, 34				[WMJ]
2	52038915	4	1, 6						CAP, Wheel Center, Chrome [WD5,WMJ]
		4	1, 6						[WDS,WDX]
3	52058200	4	1, 2, 6, 7						RING, Wheel Trim, 16", [WMC]
4	52106448AB	2	3, 8		34				COVER, Wheel, 16" Front
	52106449AA	2	3, 8		34				Rear
-5	52106283AA	4	2, 7		33, 34				CAP, Wheel Center, Chrome, with Dual Wheels [WMJ,WDV]
	52106863AA	2	3, 8		34				[WDW,WMG,WMJ], Front
	52106866AA	2	3, 8		34				[WDW,WMG,WMJ], Rear

**RAM PICKUP/CLUB CAB (BE)**

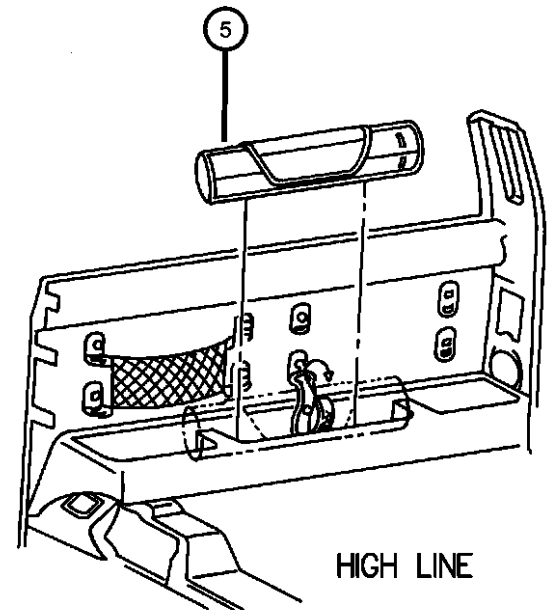
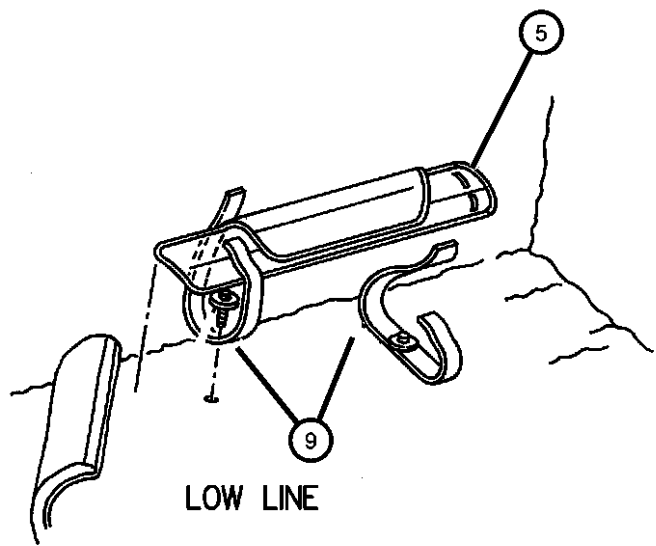
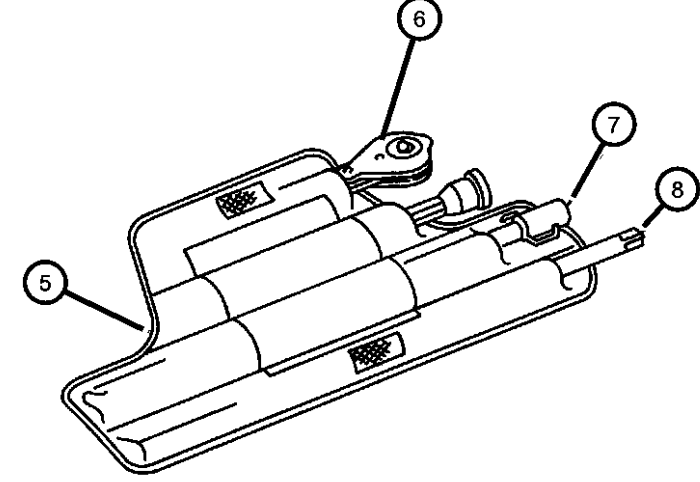
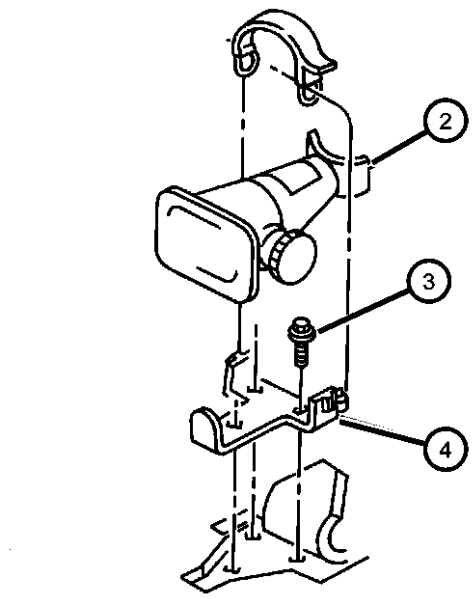
SERIES	LINE	BODY	ENGINE	TRANSMISSION
L = Ram Truck (All)	3 = HD DODGE 2WD 8 = HD DODGE 4WD 1 = Lt. Duty DODGE 2WD 6 = Lt. Duty DODGE 4WD 2 = Med. Duty DODGE 2WD 7 = Med. Duty DODGE 4WD	31 = CLUB CAB 2-DR 6.5 FT BOX 32 = CLUB CAB 2-DR 8FT BOX 33 = QUAD CAB 4-DR 6.5 FT BOX 34 = QUAD CAB 4-DR 8FT BOX	ELF = ENGINE - 5.2L V8 MPI EML = ENGINE - 5.9L V8 MPI EMM = ENGINE - "MAGNUM" 5.9L SMPI V8 ETC = ENGINE- 5.9L CUMMINS 24V DIESEL ETH = ENGINE- 5.9L HO CUMMINS TURBO DIESEL EWA = ENGINE - 8.0L V10 MPI	DDC = TRANSMISSION - 5-SPEED HD MANUAL DDP = TRANSMISSION - 5-SPEED MANUAL DDX = TRANSMISSION - 5-SPEED HD MANUAL DEE = TRANSMISSION - 6-SPEED HD MANUAL DGP = TRANSMISSION - 4-SPD. AUTOMATIC,47RE DGT = TRANSMISSION - 4-SPD. AUTOMATIC,46RE

AR = use ase required - = Non illustrated part

2000 BE



Jack And Stowage  
Figure 22-340



ITEM	PART NUMBER	QTY	LINE	SERIES	BODY	ENGINE	TRANS	TRIM	DESCRIPTION
-1									STRAP, Jack Storage
	52038253	1	1, 2, 6, 7						
	52038254	1	3, 8		34				
2									JACK, Screw Type
	52020414AA	1	1, 6						
	52038317AB	1	2, 7						
	52038318AC	1	3, 8		34				
3	00181063	1							SCREW AND WASHER, .25-20x.75
4									BRACKET, Jack Tool Storage Jack Storage
	52038376	2							
	55275327AB	1							
5									BAG, Jack Tool Storage
	52020344AA	1	1, 6						
		1	2, 7						
		1	3, 8		34				
6									TOOL, Wrench
	52019871AB	1	1, 6						
	52020339AA	1	2, 7						
		1	3, 8		34				
7									DRIVER, Jack Handle
	52020330AC	1	1, 6						
		1	2, 7		33, 34				
		1	3, 8		34				
8									EXTENSION, Jack Handle
	52020337AA	1	1, 6						
		1	2, 7						
		1	3, 8		34				
9	52038377	2							STRAP, Jack Tool Storage

RAM PICKUP/CLUB CAB (BE)

SERIES	LINE
L = Ram Truck (All)	3 = HD DODGE 2WD
	8 = HD DODGE 4WD
	1 = Lt. Duty DODGE 2WD
	6 = Lt. Duty DODGE 4WD
	2 = Med. Duty DODGE 2WD
	7 = Med. Duty DODGE 4WD

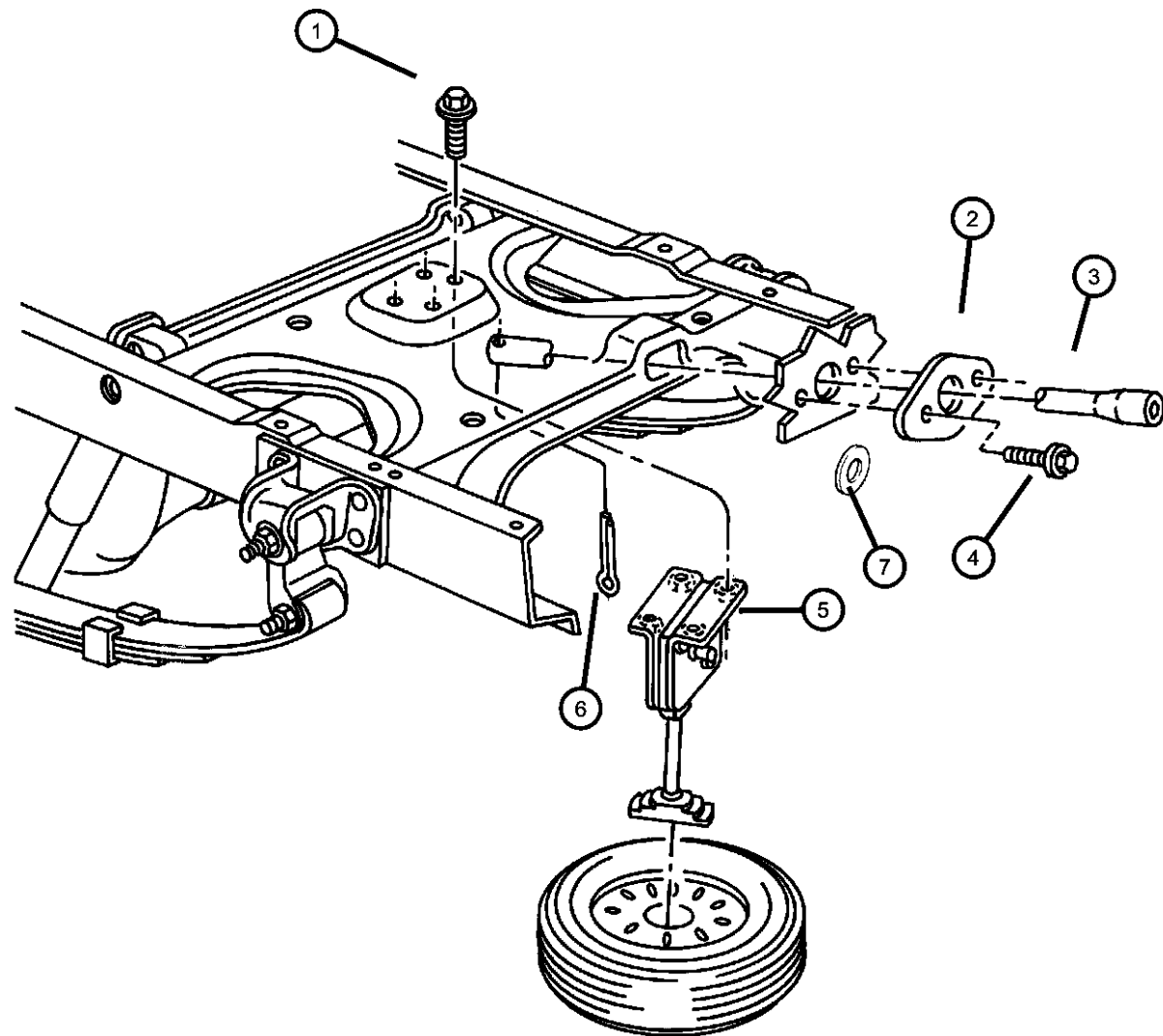
BODY
31 = CLUB CAB 2-DR 6.5 FT BOX
32 = CLUB CAB 2-DR 8FT BOX
33 = QUAD CAB 4-DR 6.5 FT BOX
34 = QUAD CAB 4-DR 8FT BOX

ENGINE
ELF = ENGINE - 5.2L V8 MPI
EML = ENGINE - 5.9L V8 MPI
EMM = ENGINE - "MAGNUM" 5.9L SMPI V8
ETC = ENGINE- 5.9L CUMMINS 24V DIESEL
ETH = ENGINE- 5.9L HO CUMMINS TURBO DIESEL
EWA = ENGINE - 8.0L V10 MPI

TRANSMISSION
DDC = TRANSMISSION - 5-SPEED HD MANUAL
DDP = TRANSMISSION - 5-SPEED MANUAL
DDX = TRANSMISSION - 5-SPEED HD MANUAL
DEE = TRANSMISSION - 6-SPEED HD MANUAL
DGP = TRANSMISSION - 4-SPD. AUTOMATIC, 47RE
DGT = TRANSMISSION - 4-SPD. AUTOMATIC, 46RE

AR = use ase required - = Non illustrated part

Wheel, Spare Underslung Mounting  
Figure 22-430



ITEM	PART NUMBER	QTY	LINE	SERIES	BODY	ENGINE	TRANS	TRIM	DESCRIPTION
1	06100295	4							SCREW AND WASHER, Hex Head, M8x1.25x20
2									GROMMET, Spare Tire Winch Tube
	52019948	1							w/Tire Carrier Winch
	52058402	1							w/o Tire Carrier Winch
3									TUBE, Winch Actuator
	52019996	1			34				w/Tire Carrier Winch
	52019997AB	1	1, 2, 6, 7		31, 33				w/Tire Carrier Winch
4	52019997AB	1							SCREW, Pan Head, .164-18x.50, (NOT SERVICED),
5	52058707	1							WINCH, Spare Tire Carrier
6	52058707	1							PIN, Cotter, (NOT SERVICED)
7									GROMMET, Spare Tire Winch Tube
	52019948	1							w/Tire Carrier Winch
	52058402	1							w/o Tire Carrier Winch

RAM PICKUP/CLUB CAB (BE)

SERIES	LINE	BODY	ENGINE	TRANSMISSION
L = Ram Truck (All)	3 = HD DODGE 2WD	31 = CLUB CAB 2-DR 6.5 FT BOX	ELF = ENGINE - 5.2L V8 MPI	DDC = TRANSMISSION - 5-SPEED HD MANUAL
	8 = HD DODGE 4WD	32 = CLUB CAB 2-DR 8FT BOX	EML = ENGINE - 5.9L V8 MPI	DDP = TRANSMISSION - 5-SPEED MANUAL
	1 = Lt. Duty DODGE 2WD	33 = QUAD CAB 4-DR 6.5 FT BOX	EMM = ENGINE - "MAGNUM" 5.9L SMPI V8	DDX = TRANSMISSION - 5-SPEED HD MANUAL
	6 = Lt. Duty DODGE 4WD	34 = QUAD CAB 4-DR 8FT BOX	ETC = ENGINE- 5.9L CUMMINS 24V DIESEL	DEE = TRANSMISSION - 6-SPEED HD MANUAL
	2 = Med. Duty DODGE 2WD		ETH = ENGINE- 5.9L HO CUMMINS TURBO DIESEL	DGP = TRANSMISSION - 4-SPD. AUTOMATIC,47RE
	7 = Med. Duty DODGE 4WD		EWA = ENGINE - 8.0L V10 MPI	DGT = TRANSMISSION - 4-SPD. AUTOMATIC,46RE

AR = use ase required - = Non illustrated part

# Group - 23D

## Wiper/Lock Cylinder and Keys

## Group - 23D Wiper/Lock Cylinder and Keys

Group-Fig. No.

Illustration Title

### Lock Cylinders and Keys

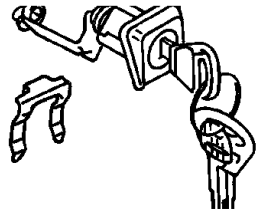
Lock Cylinders and Components ..... Fig. 23D - 110

### Windshield Wiper and Washer Systems

Windshield Wiper and Washer ..... Fig. 23D - 230

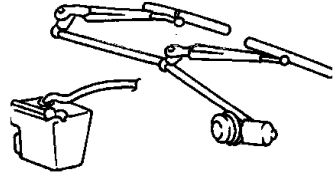
**23D-100**

Lock Cylinders and Keys

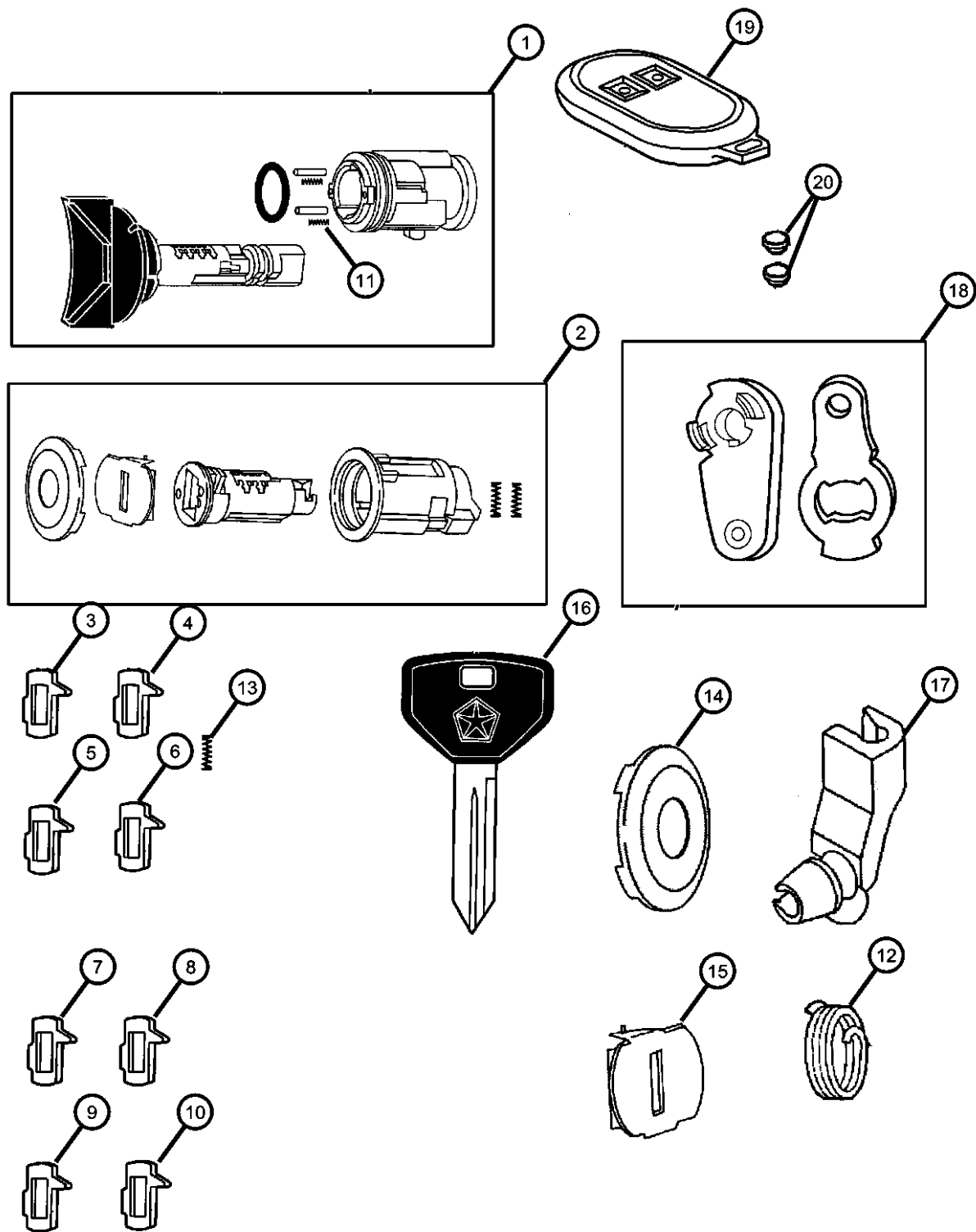


**23D-200**

Windshield Wiper and Washer Systems



**Lock Cylinders and Components**  
**Figure 23D-110**



ITEM	PART NUMBER	QTY	LINE	SERIES	BODY	ENGINE	TRANS	TRIM	DESCRIPTION
1	05003845AA	1							CYLINDER, Ignition Lock
2	04778125	1							LOCK CYLINDER, Door (Bright)/Liftgate
3	04778117	1							TUMBLER, Door and Deck Number 1, Wide
4	04778118	1							TUMBLER, Door and Deck Number 2, Wide
5	04778119	1							TUMBLER, Door and Deck Number 3, Wide
6	04778120	1							TUMBLER, Door and Deck Number 4, Wide
7	05010879AA	1							TUMBLER, Ignition Number 1, Sidebar
8	05010880AA	1							TUMBLER, Ignition Number 2, Sidebar
9	05010881AA	1							TUMBLER, Ignition Number 3, Sidebar
10	05010882AA	1							TUMBLER, Ignition Number 4, Sidebar
11	05010883AA	1							SPRING, Ignition Tumbler, Sidebar
12	04378793	1							SPRING, Cylinder Return
13	04778121	1							SPRING, Door and Deck Tumbler
14	04778149	1							CAP, Door Lock Cylinder, Bright
15	04778150	1							SHUTTER, Door, Deck and Liftgate, Bright
16	04796386	1							KEY, Blank
17	06026125	1							CLIP, Retainer
18	55075824	1							LEVER, Door Lock Cylinder
19	56045497AB	2							TRANSMITTER, Keyless Entry
20	83504802	2							BATTERY, Transmitter

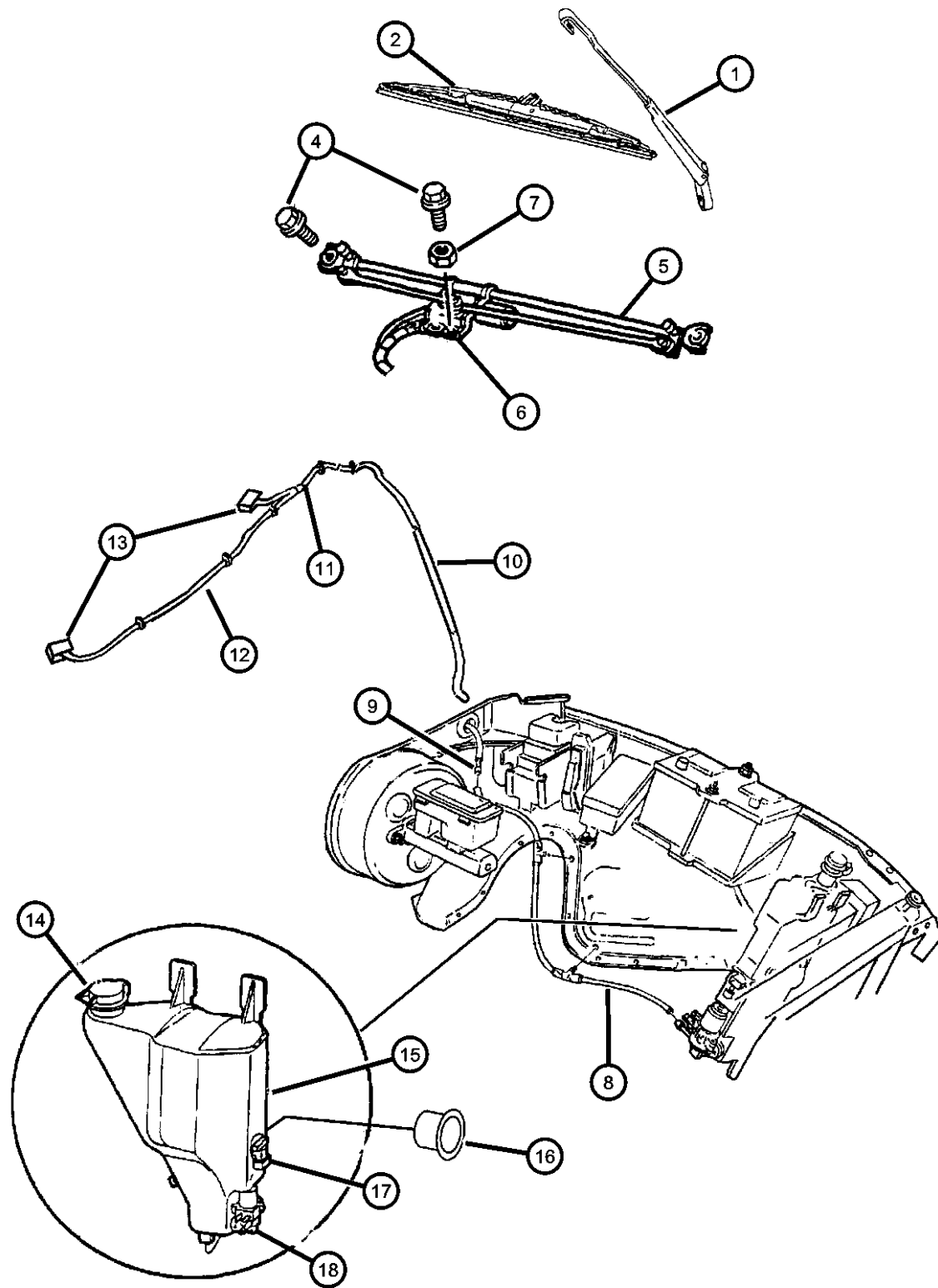
**RAM PICKUP/CLUB CAB (BE)**

SERIES	LINE	BODY	ENGINE	TRANSMISSION
L = Ram Truck (All)	3 = HD DODGE 2WD	31 = CLUB CAB 2-DR 6.5 FT BOX	ELF = ENGINE - 5.2L V8 MPI	DDC = TRANSMISSION - 5-SPEED HD MANUAL
	8 = HD DODGE 4WD	32 = CLUB CAB 2-DR 8FT BOX	EML = ENGINE - 5.9L V8 MPI	DDP = TRANSMISSION - 5-SPEED MANUAL
	1 = Lt. Duty DODGE 2WD	33 = QUAD CAB 4-DR 6.5 FT BOX	EMM = ENGINE - "MAGNUM" 5.9L SMPI V8	DDX = TRANSMISSION - 5-SPEED HD MANUAL
	6 = Lt. Duty DODGE 4WD	34 = QUAD CAB 4-DR 8FT BOX	ETC = ENGINE- 5.9L CUMMINS 24V DIESEL	DEE = TRANSMISSION - 6-SPEED HD MANUAL
	2 = Med. Duty DODGE 2WD		ETH = ENGINE- 5.9L HO CUMMINS TURBO DIESEL	DGP = TRANSMISSION - 4-SPD. AUTOMATIC, 47RE
	7 = Med. Duty DODGE 4WD		EWA = ENGINE - 8.0L V10 MPI	DGT = TRANSMISSION - 4-SPD. AUTOMATIC, 46RE

AR = use ase required - = Non illustrated part

2000 BE

**Windshield Wiper and Washer  
Figure 23D-230**



ITEM	PART NUMBER	QTY	LINE	SERIES	BODY	ENGINE	TRANS	TRIM	DESCRIPTION
1	55154582AC	2							ARM, Wiper
2	55076910AA	2							BLADE, Wiper, w/Refill
	WBFLAT03AA								Mopar Alternative Flat Blade Set
	WBW00020AD								Mopar Alternative Winter Wiper Blades
	WB000020AE								Mopar V-Line Alternative Part
	WB-BLU020AA								Mopar Alternative Color Wiper Blade (Blue)
	WBRED020AA								Mopar Alternative Color Wiper Blade (Red)
	WBYEL020AA								Mopar Alternative Color Wiper Blade (Yellow)
	WB-WHI020AA								Mopar Alternative Color Wiper Blade (White)
	WB-CAR020AA								Mopar Alternative Color Wiper Blade (Carbon Fiber)
-3	04897022AA	2							REFILL, Wiper Blade
	WB00000BAA								Mopar V-Line Alternative Part
4	06100568	1							BOLT AND WASHER, Implement Attaching
5	55076549AG	1							MODULE, Wiper
6	55076549AG	1							MOTOR, Wiper, Serviced w/Wiper Module Assembly, (NOT SERVICED)
									NUT, (NOT SERVICED)
7	55076549AG	1							
8	55154999	1							HOSE, Windshield Washer
9	04334799	1							CONNECTOR, Washer Hose, In Line, 3/16
10	55154703	1							HOSE, Windshield Washer
11	J3236813	1							CONNECTOR, Washer Hose, Y, 3/16
12	55154781	1							HOSE, Windshield Washer
13	56005414	2							NOZZLE, Washer, Windshield
14	04756656	1							CAP, Washer Reservoir
15	55154852	1							RESERVOIR, Washer, w/Sensor
16	04334568	2							GROMMET, Washer Reservoir

**RAM PICKUP/CLUB CAB (BE)**

SERIES	LINE
L = Ram Truck (All)	3 = HD DODGE 2WD
	8 = HD DODGE 4WD
	1 = Lt. Duty DODGE 2WD
	6 = Lt. Duty DODGE 4WD
	2 = Med. Duty DODGE 2WD
	7 = Med. Duty DODGE 4WD

BODY
31 = CLUB CAB 2-DR 6.5 FT BOX
32 = CLUB CAB 2-DR 8FT BOX
33 = QUAD CAB 4-DR 6.5 FT BOX
34 = QUAD CAB 4-DR 8FT BOX

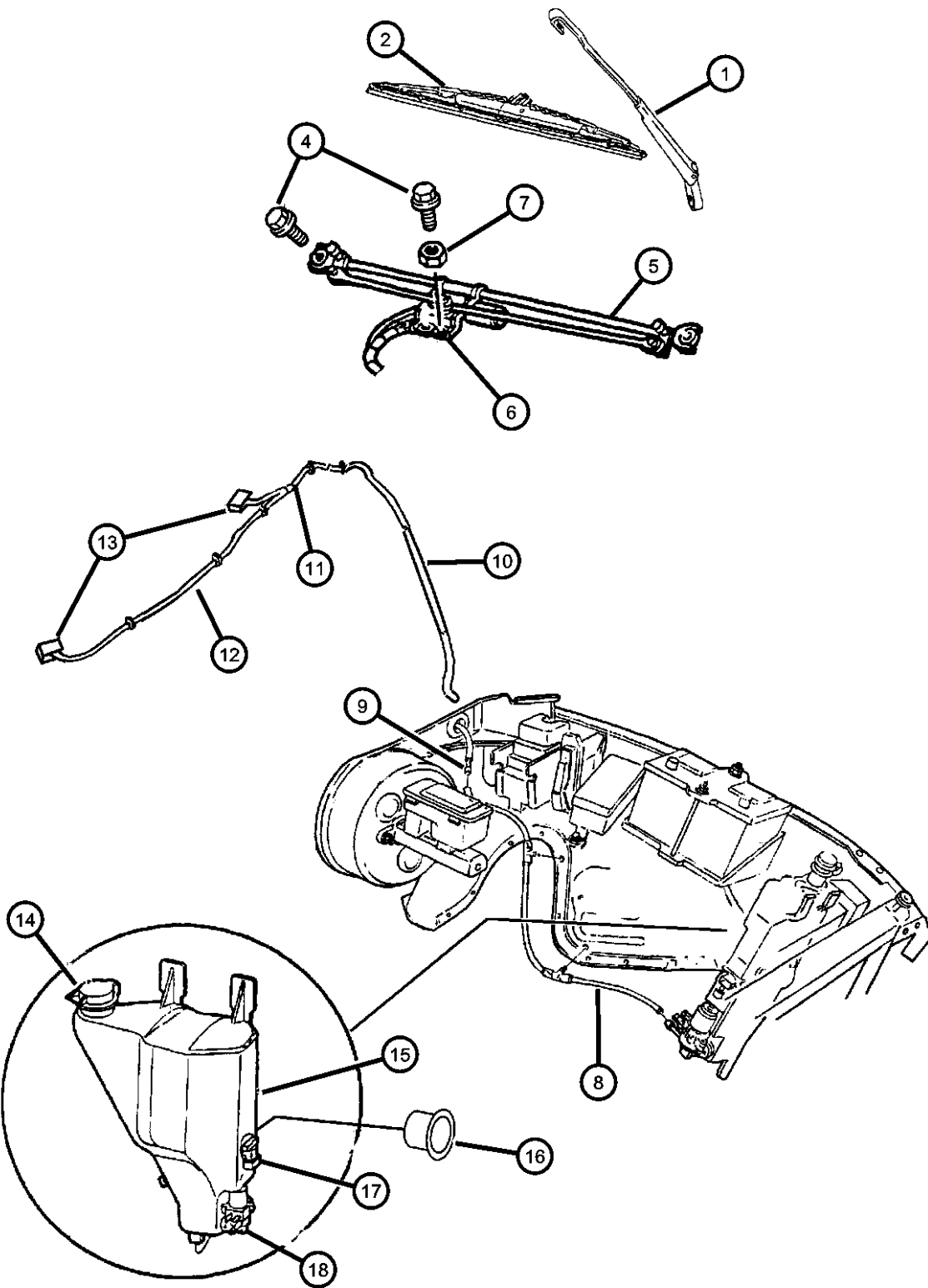
ENGINE
ELF = ENGINE - 5.2L V8 MPI
EML = ENGINE - 5.9L V8 MPI
EMM = ENGINE - "MAGNUM" 5.9L SMPI V8
ETC = ENGINE- 5.9L CUMMINS 24V DIESEL
ETH = ENGINE- 5.9L HO CUMMINS TURBO DIESEL
EWA = ENGINE - 8.0L V10 MPI

TRANSMISSION
DDC = TRANSMISSION - 5-SPEED HD MANUAL
DDP = TRANSMISSION - 5-SPEED MANUAL
DDX = TRANSMISSION - 5-SPEED HD MANUAL
DEE = TRANSMISSION - 6-SPEED HD MANUAL
DGP = TRANSMISSION - 4-SPD. AUTOMATIC, 47RE
DGT = TRANSMISSION - 4-SPD. AUTOMATIC, 46RE

AR = use ase required - = Non illustrated part

2000 BE

**Windshield Wiper and Washer  
Figure 23D-230**



ITEM	PART NUMBER	QTY	LINE	SERIES	BODY	ENGINE	TRANS	TRIM	DESCRIPTION
------	-------------	-----	------	--------	------	--------	-------	------	-------------

17	55155039	1							SENSOR, Washer Fluid Level
18	55154758	1							PUMP, Washer, Windshield

**RAM PICKUP/CLUB CAB (BE)**

SERIES	LINE	BODY	ENGINE	TRANSMISSION
L = Ram Truck (All)	3 = HD DODGE 2WD 8 = HD DODGE 4WD 1 = Lt. Duty DODGE 2WD 6 = Lt. Duty DODGE 4WD 2 = Med. Duty DODGE 2WD 7 = Med. Duty DODGE 4WD	31 = CLUB CAB 2-DR 6.5 FT BOX 32 = CLUB CAB 2-DR 8FT BOX 33 = QUAD CAB 4-DR 6.5 FT BOX 34 = QUAD CAB 4-DR 8FT BOX	ELF = ENGINE - 5.2L V8 MPI EML = ENGINE - 5.9L V8 MPI EMM = ENGINE - "MAGNUM" 5.9L SMPI V8 ETC = ENGINE- 5.9L CUMMINS 24V DIESEL ETH = ENGINE- 5.9L HO CUMMINS TURBO DIESEL EWA = ENGINE - 8.0L V10 MPI	DDC = TRANSMISSION - 5-SPEED HD MANUAL DDP = TRANSMISSION - 5-SPEED MANUAL DDX = TRANSMISSION - 5-SPEED HD MANUAL DEE = TRANSMISSION - 6-SPEED HD MANUAL DGP = TRANSMISSION - 4-SPD. AUTOMATIC,47RE DGT = TRANSMISSION - 4-SPD. AUTOMATIC,46RE

AR = use ase required - = Non illustrated part

2000 BE

# Group - 24

## Air Conditioning & Heater

### Group - 24 Air Conditioning & Heater

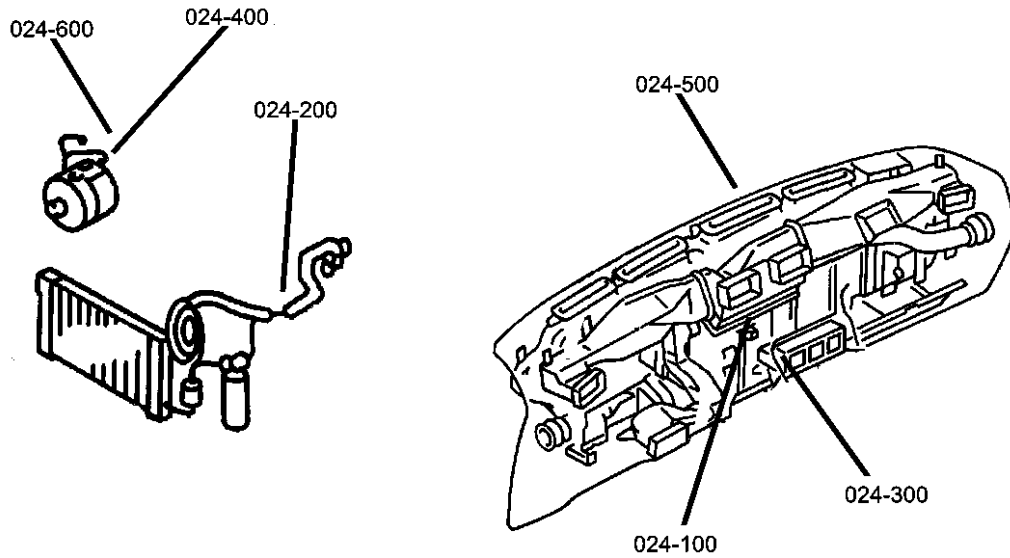


Illustration Title

Group-Fig. No.

#### Air Conditioner and Heater Units

Air Conditioner And Heater Unit ..... Fig. 24 - 160

#### Air Conditioner and Heater Plumbing

Plumbing Air Conditioning ..... Fig. 24 - 220  
 Plumbing, Heater 3.9L/5.2L And 5.9L Engine ..... Fig. 24 - 260  
 Plumbing, Heater 8.0L Engine ..... Fig. 24 - 265  
 Plumbing, Heater Diesel Engine ..... Fig. 24 - 267  
 Plumbing, Cabin Heater Diesel Engine ..... Fig. 24 - 269  
 Plumbing, Air Conditioning Diesel Engine ..... Fig. 24 - 280

#### Air Conditioner and Heater Controls

Control, Heater ..... Fig. 24 - 310  
 Control, Air Conditioning ..... Fig. 24 - 350

#### Air Conditioning Compressor

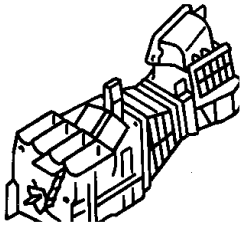
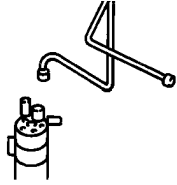
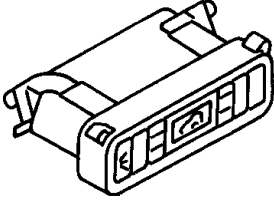
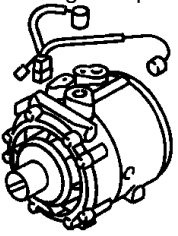
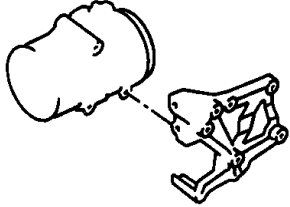
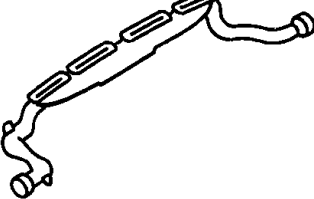
Compressor ..... Fig. 24 - 410  
 Compressor, Air Conditioning Diesel Engine ..... Fig. 24 - 440

#### Air Conditioning Compressor Mounting

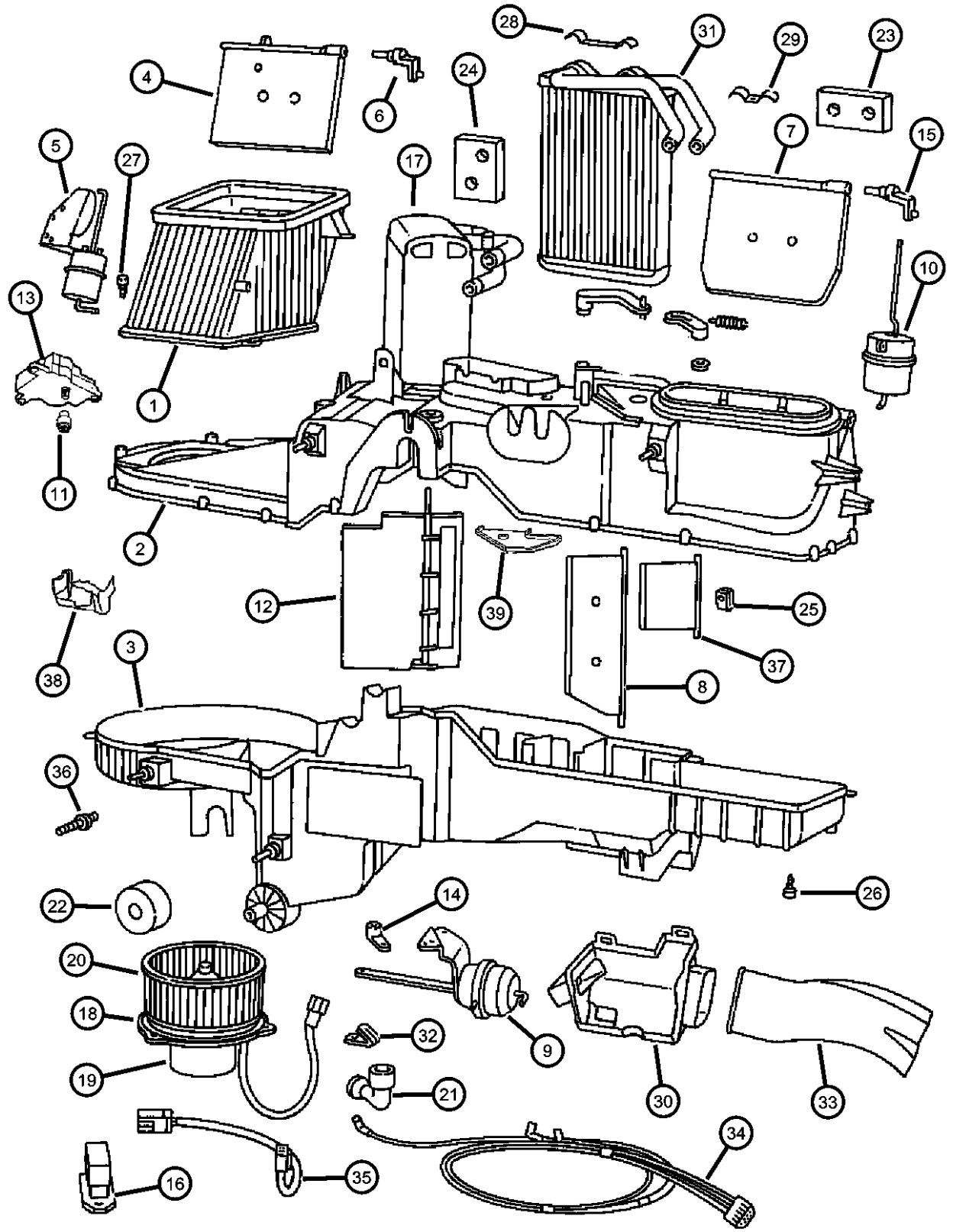
Mounting, Compressor 3.9L/5.2L/5.9L Engine ..... Fig. 24 - 520  
 Mounting, Air Conditioning Compressor 8.0L Engine ..... Fig. 24 - 525  
 Mounting, Compressor Diesel Engine ..... Fig. 24 - 530

#### Air Ducts and Outlets

Air Ducts ..... Fig. 24 - 630

<p><b>024-100</b> Air Conditioner and Heater Units</p> 	<p><b>024-200</b> Air Conditioner and Heater Plumbing</p> 	<p><b>024-300</b> Air Conditioner and Heater Controls</p> 	<p><b>024-400</b> Air Conditioning Compressor</p> 
<p><b>024-500</b> Air Conditioning Compressor Mounting</p> 	<p><b>024-600</b> Air Ducts and Outlets</p> 		

**Air Conditioner And Heater Unit**  
**Figure 24-160**



ITEM	PART NUMBER	QTY	LINE	SERIES	BODY	ENGINE	TRANS	TRIM	DESCRIPTION
------	-------------	-----	------	--------	------	--------	-------	------	-------------

Note:  
 ELO = All 5.2L 8 Cyl Gas Engines  
 EM0 = All 5.9L 8 Cyl Gas Engines  
 ET0 = All 5.9L Turbo Diesel Engines  
 EW0 = All 8.0L Gas Engines

1	04886383AA	1							HOUSING, Air Recirculating
2	05012919AB	1							CASE, Heater And A/C Unit
3	05012920AB	1							CASE, Heater And A/C Unit
4	04720026	1							DOOR, Fresh Air
5	04886070AB	1							ACTUATOR, Fresh Air Door
6	04720029	1							CLIP, Fresh Air Door
7	04720023	1							DOOR, Vent
8	04778420	1							DOOR, Floor Defroster Duct
9	04882286	1							ACTUATOR, Heater Door
10	04720279AB	1							ACTUATOR, Heater
11	05012923AB	1							COUPLING, Servo
12	05012922AA	1							DOOR, A/C Temperature
13	05012924AA	1							SERVO, A/C Temperature Door
14	04720347	1							LEVER, A/C Floor Door Duct
15	04720348	1							LEVER, A/C Vent Defrost Door
16	04720278	1							RESISTOR, Blower Motor
17	05011167AA	1							EVAPORATOR, Air Conditioning
	V9900009								Mopar V-Line Alternative Part
	V9900006								Mopar V-Line Alternative Part
18	04720039	1							SEAL, Blower Motor
19	05012833AA	1							MOTOR, Blower
20	04720009	1							BLOWER
21	05210066	1							TUBE, A/C Motor Cooling
22	04720037	1							SEAL, Evaporator Drain
23	04720033	1							SEAL, Heater Tubes
24	04720034	1							SEAL, Evaporator Tubes

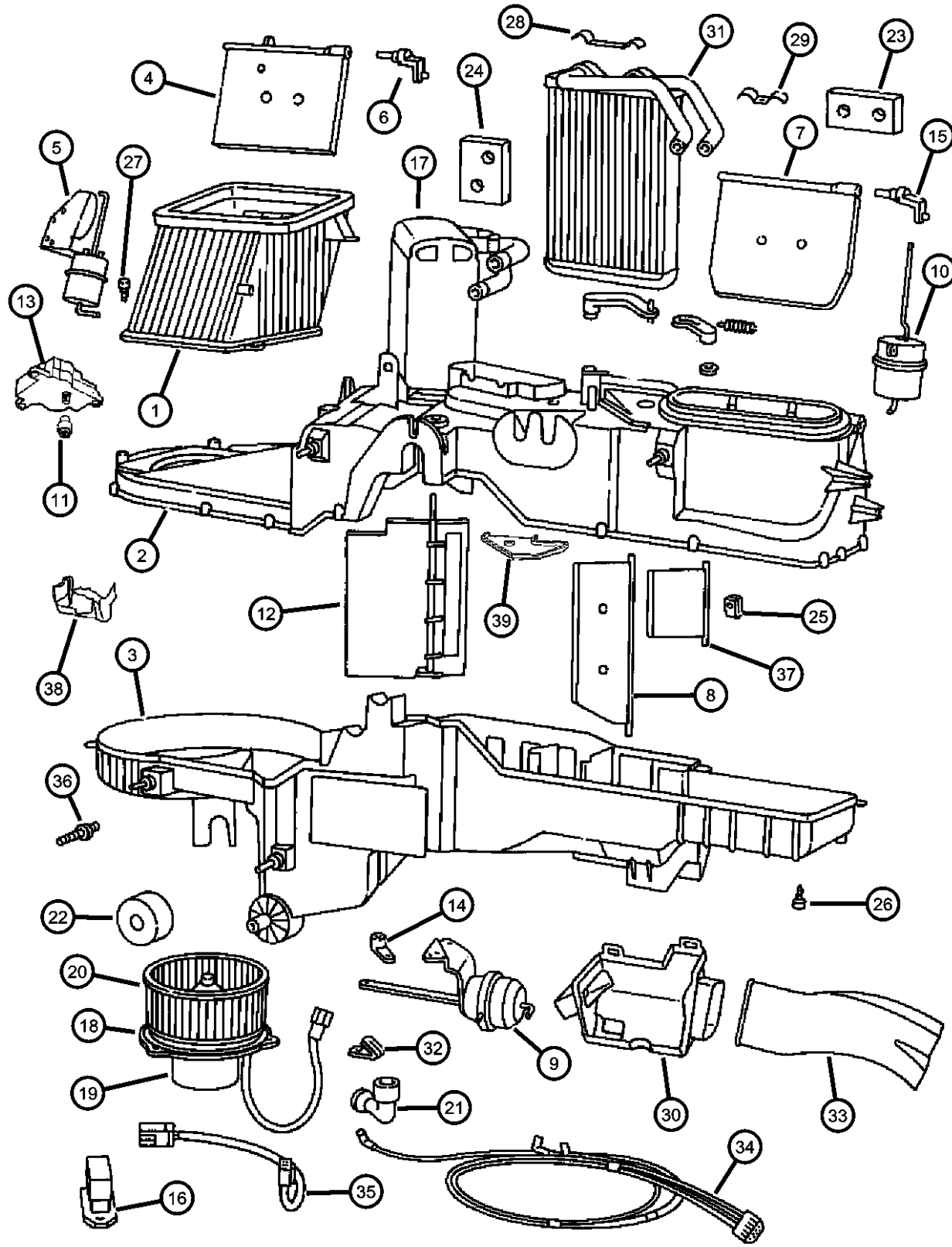
**RAM PICKUP/CLUB CAB (BE)**

SERIES	LINE	BODY	ENGINE	TRANSMISSION
L = Ram Truck	3 = HD DODGE 2WD	31 = CLUB CAB 2-DR 6.5 FT	ELF = ENGINE - 5.2L V8 MPI	DDC = TRANSMISSION - 5-SPEED
(All)	8 = HD DODGE 4WD	BOX	EML = ENGINE - 5.9L V8 MPI	HD MANUAL
	1 = Lt. Duty DODGE 2WD	32 = CLUB CAB 2-DR 8FT	EMM = ENGINE - "MAGNUM"	DDP = TRANSMISSION - 5-SPEED
	6 = Lt. Duty DODGE 4WD	BOX	5.9L SMPI V8	MANUAL
	2 = Med. Duty DODGE 2WD	33 = QUAD CAB 4-DR 6.5 FT	ETC = ENGINE- 5.9L	DDX = TRANSMISSION - 5-SPEED
	7 = Med. Duty DODGE 4WD	BOX	CUMMINS 24V DIESEL	HD MANUAL
		34 = QUAD CAB 4-DR 8FT	ETH = ENGINE- 5.9L HO	DEE = TRANSMISSION - 6-SPEED
		BOX	CUMMINS TURBO DIESEL	HD MANUAL
			EWA = ENGINE - 8.0L V10	DGP = TRANSMISSION - 4-SPD.
			MPI	AUTOMATIC,47RE
				DGT = TRANSMISSION - 4-SPD.
				AUTOMATIC,46RE

AR = use ase required - = Non illustrated part



**Air Conditioner And Heater Unit**  
**Figure 24-160**



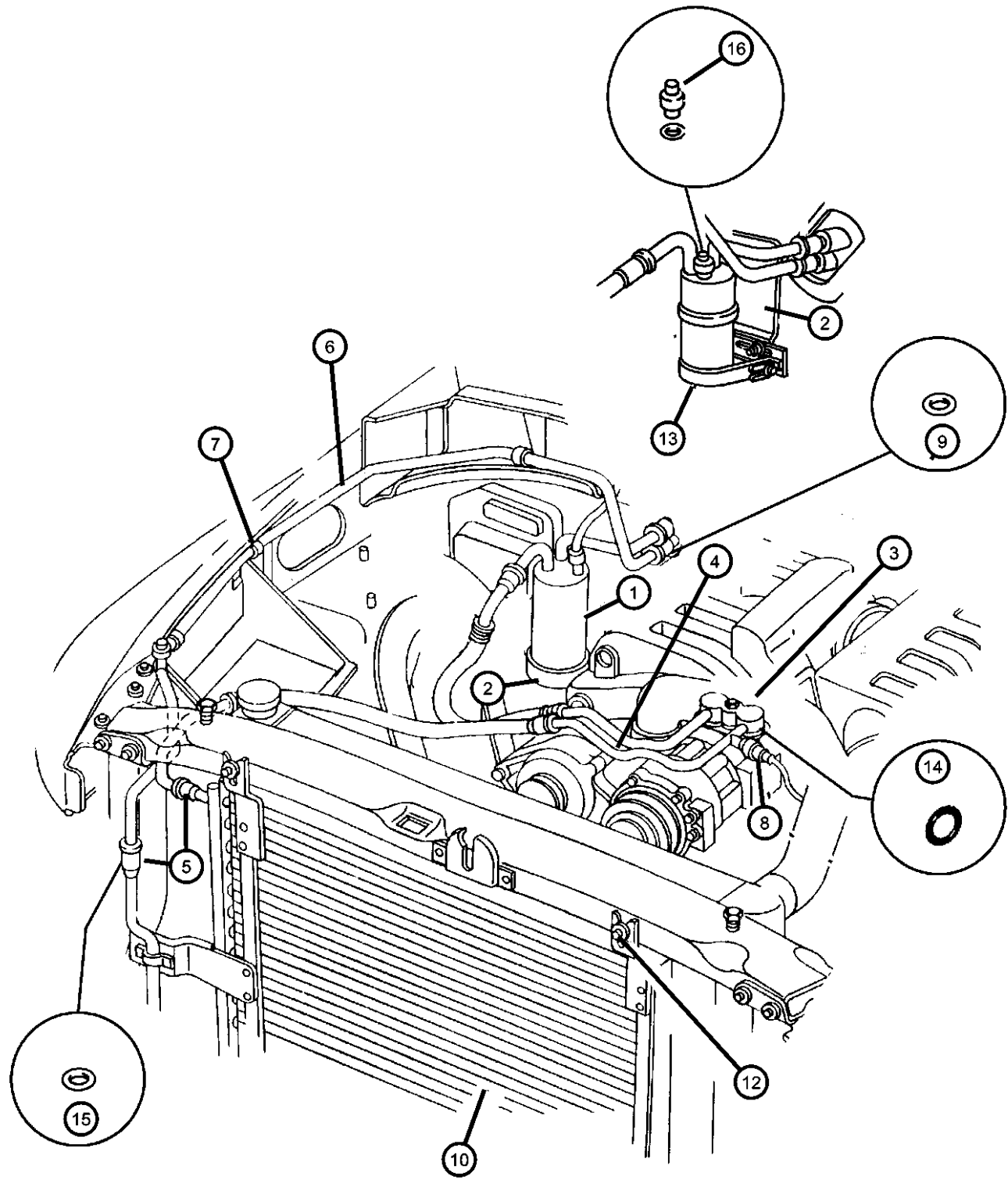
ITEM	PART NUMBER	QTY	LINE	SERIES	BODY	ENGINE	TRANS	TRIM	DESCRIPTION
25	04720034	1							U-NUT, Implement Mounting, (NOT SERVICED)
26	04720533	20							SCREW, Heater Housing
27	04720534	12							SCREW, Pan Head
28	04720555	1							CLAMP, Heater Core
29	04720028	1							CLIP, Heater Core
30	05011724AA	1							COVER, A/C and Heater
31	04720008	1							CORE, Heater
32	04720031	2							RETAINER, Wiring Harness
33	05011713AA	1							DUCT, A/C And Heater
34	04746208	1							HARNESS, A/C And Heater Vacuum
35	05012921AA	1							WIRING, Resistor Block Jumper
36	04720032	4							STUD, A/C Heater Housing
37	04778421	1							DOOR, Floor Defroster Duct
38	04778415	1							INSULATOR, Air Conditioning
39	04746884	1							BAFFLE, Air Inlet, without Air Conditioning
-40	55056421AA	1				ET0			HARNESS, Vacuum
-41	55036098	1				ELO, EMO			HARNESS ASSEMBLY, Vacuum
	55055705AB	1				ELO, EMO, EWO			
-42	05013495AB	1							COVER, Blower Motor

**RAM PICKUP/CLUB CAB (BE)**

SERIES	LINE	BODY	ENGINE	TRANSMISSION
L = Ram Truck (All)	3 = HD DODGE 2WD 8 = HD DODGE 4WD 1 = Lt. Duty DODGE 2WD 6 = Lt. Duty DODGE 4WD 2 = Med. Duty DODGE 2WD 7 = Med. Duty DODGE 4WD	31 = CLUB CAB 2-DR 6.5 FT BOX 32 = CLUB CAB 2-DR 8FT BOX 33 = QUAD CAB 4-DR 6.5 FT BOX 34 = QUAD CAB 4-DR 8FT BOX	ELF = ENGINE - 5.2L V8 MPI EML = ENGINE - 5.9L V8 MPI EMM = ENGINE - "MAGNUM" 5.9L SMPI V8 ETC = ENGINE- 5.9L CUMMINS 24V DIESEL ETH = ENGINE- 5.9L HO CUMMINS TURBO DIESEL EWA = ENGINE - 8.0L V10 MPI	DDC = TRANSMISSION - 5-SPEED HD MANUAL DDP = TRANSMISSION - 5-SPEED MANUAL DDX = TRANSMISSION - 5-SPEED HD MANUAL DEE = TRANSMISSION - 6-SPEED HD MANUAL DGP = TRANSMISSION - 4-SPD. AUTOMATIC, 47RE DGT = TRANSMISSION - 4-SPD. AUTOMATIC, 46RE

AR = use ase required - = Non illustrated part

**Plumbing Air Conditioning  
Figure 24-220**



ITEM	PART NUMBER	QTY	LINE	SERIES	BODY	ENGINE	TRANS	TRIM	DESCRIPTION
Sales Code EML,EMM,EM0 = 5.9L Gas Engine									
Sales Code EWA,EW0 = 8.0L Gas Engine									
Sales Code ETC,ET0 = 5.9L Diesel Engine									
Sales Code ELF,EL0 = 5.2L Gas Engine									
1	55055838AB	1							ACCUMULATOR, Suction and Discharge Line
2	55035607	1							BRACKET, Accumulator
3									LINE, A/C Suction & Discharge
	55055830AA	1				ELO, EM0			
	55055832AA	1				EW0			
4	05010432AA	1				ELO, EM0			BRACKET, A/C Line
5	04596152	2				ELO, EM0, EW0			CLIP, A/C Quick Disconnect
6	55055835AA	1				ELO, EM0, EW0			LINE, A/C Liquid
7	55036022	1	6, 7, 8						CLIP, A/C Liquid Line
8									SWITCH, A/C High Pressure Cut Off
	04897617AA	1				EW0			
		1				ELO, EM0			
9	05015805AA	1				ELO, EM0, EW0			O RING, High Pressure
10	55055824AA	1				ELO, EM0, EW0			CONDENSER, Air Conditioning
-11	05010429AA	1				ELO, EM0, EW0			SHROUD, Condenser
12	05010429AA	1							SCREW, (NOT SERVICED)
13	55036206AC	1							BAND, Accumulator Retaining
14	04761737	AR							O RING, A/C Suction Line
15	04728705	1							O RING, Low Pressure Cutout Switch
16	04897615AA	1							SWITCH, A/C Cycling
-17	55036209	1							LABEL, Air Conditioning System
-18									ISOLATOR, A/C Condenser

**RAM PICKUP/CLUB CAB (BE)**

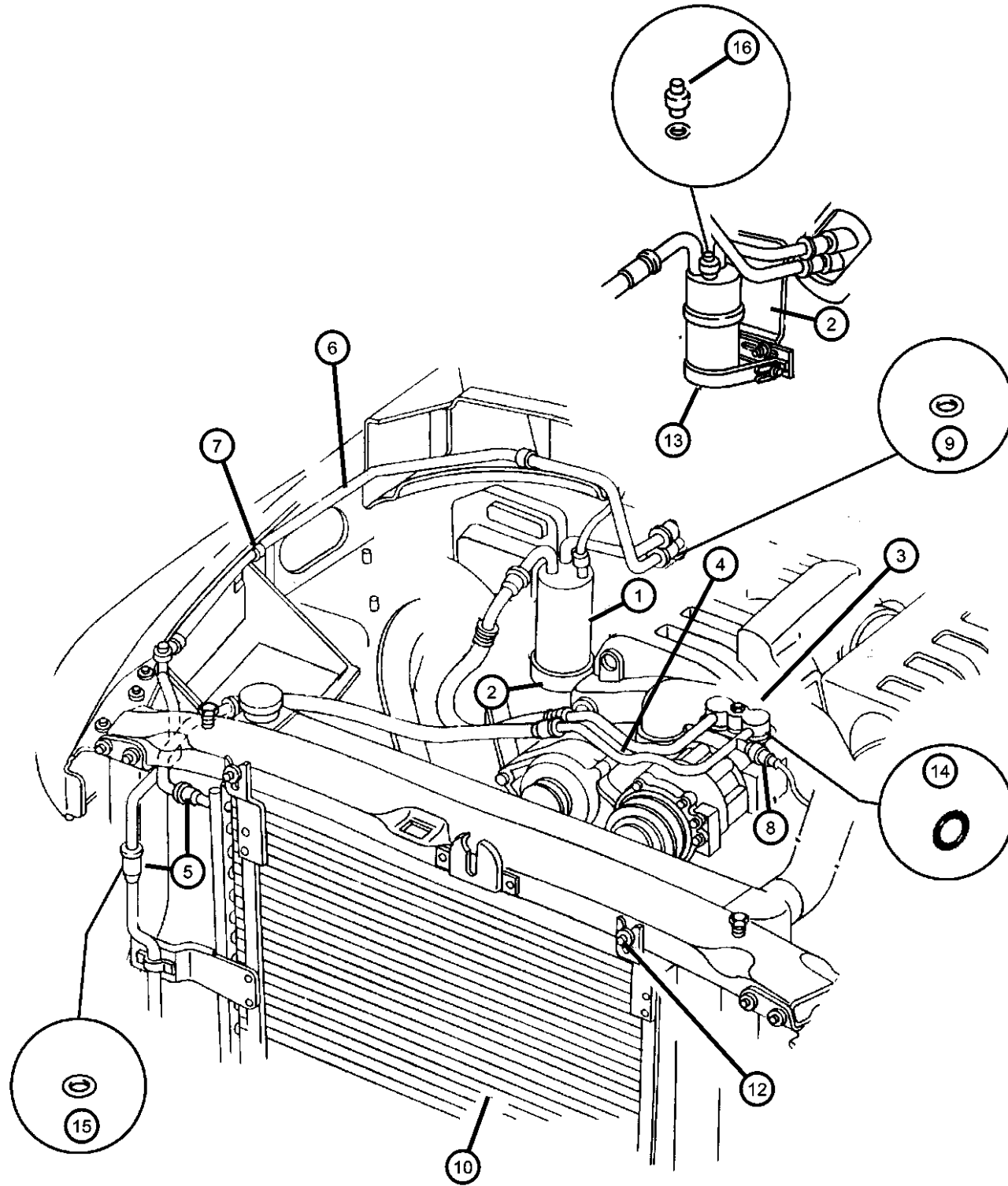
SERIES	LINE	BODY	ENGINE	TRANSMISSION
L = Ram Truck (All)	3 = HD DODGE 2WD 8 = HD DODGE 4WD 1 = Lt. Duty DODGE 2WD 6 = Lt. Duty DODGE 4WD 2 = Med. Duty DODGE 2WD 7 = Med. Duty DODGE 4WD	31 = CLUB CAB 2-DR 6.5 FT BOX 32 = CLUB CAB 2-DR 8FT BOX 33 = QUAD CAB 4-DR 6.5 FT BOX 34 = QUAD CAB 4-DR 8FT BOX	ELF = ENGINE - 5.2L V8 MPI EML = ENGINE - 5.9L V8 MPI EMM = ENGINE - "MAGNUM" 5.9L SMPI V8 ETC = ENGINE- 5.9L CUMMINS 24V DIESEL ETH = ENGINE- 5.9L HO CUMMINS TURBO DIESEL EWA = ENGINE - 8.0L V10 MPI	DDC = TRANSMISSION - 5-SPEED HD MANUAL DDP = TRANSMISSION - 5-SPEED MANUAL DDX = TRANSMISSION - 5-SPEED HD MANUAL DEE = TRANSMISSION - 6-SPEED HD MANUAL DGP = TRANSMISSION - 4-SPD. AUTOMATIC,47RE DGT = TRANSMISSION - 4-SPD. AUTOMATIC,46RE

AR = use ase required - = Non illustrated part

Plumbing Air Conditioning  
Figure 24-220

ITEM	PART NUMBER	QTY	LINE	SERIES	BODY	ENGINE	TRANS	TRIM	DESCRIPTION
------	-------------	-----	------	--------	------	--------	-------	------	-------------

	05010430AA	1				ELO, EMO, EWO			Upper
	05010431AA	2				ELO, EMO, EWO			Lower



RAM PICKUP/CLUB CAB (BE)

SERIES	LINE	BODY	ENGINE	TRANSMISSION
L = Ram Truck (All)	3 = HD DODGE 2WD 8 = HD DODGE 4WD 1 = Lt. Duty DODGE 2WD 6 = Lt. Duty DODGE 4WD 2 = Med. Duty DODGE 2WD 7 = Med. Duty DODGE 4WD	31 = CLUB CAB 2-DR 6.5 FT BOX 32 = CLUB CAB 2-DR 8FT BOX 33 = QUAD CAB 4-DR 6.5 FT BOX 34 = QUAD CAB 4-DR 8FT BOX	ELF = ENGINE - 5.2L V8 MPI EML = ENGINE - 5.9L V8 MPI EMM = ENGINE - "MAGNUM" 5.9L SMPI V8 ETC = ENGINE- 5.9L CUMMINS 24V DIESEL ETH = ENGINE- 5.9L HO CUMMINS TURBO DIESEL EWA = ENGINE - 8.0L V10 MPI	DDC = TRANSMISSION - 5-SPEED HD MANUAL DDP = TRANSMISSION - 5-SPEED MANUAL DDX = TRANSMISSION - 5-SPEED HD MANUAL DEE = TRANSMISSION - 6-SPEED HD MANUAL DGP = TRANSMISSION - 4-SPD. AUTOMATIC,47RE DGT = TRANSMISSION - 4-SPD. AUTOMATIC,46RE

AR = use ase required - = Non illustrated part

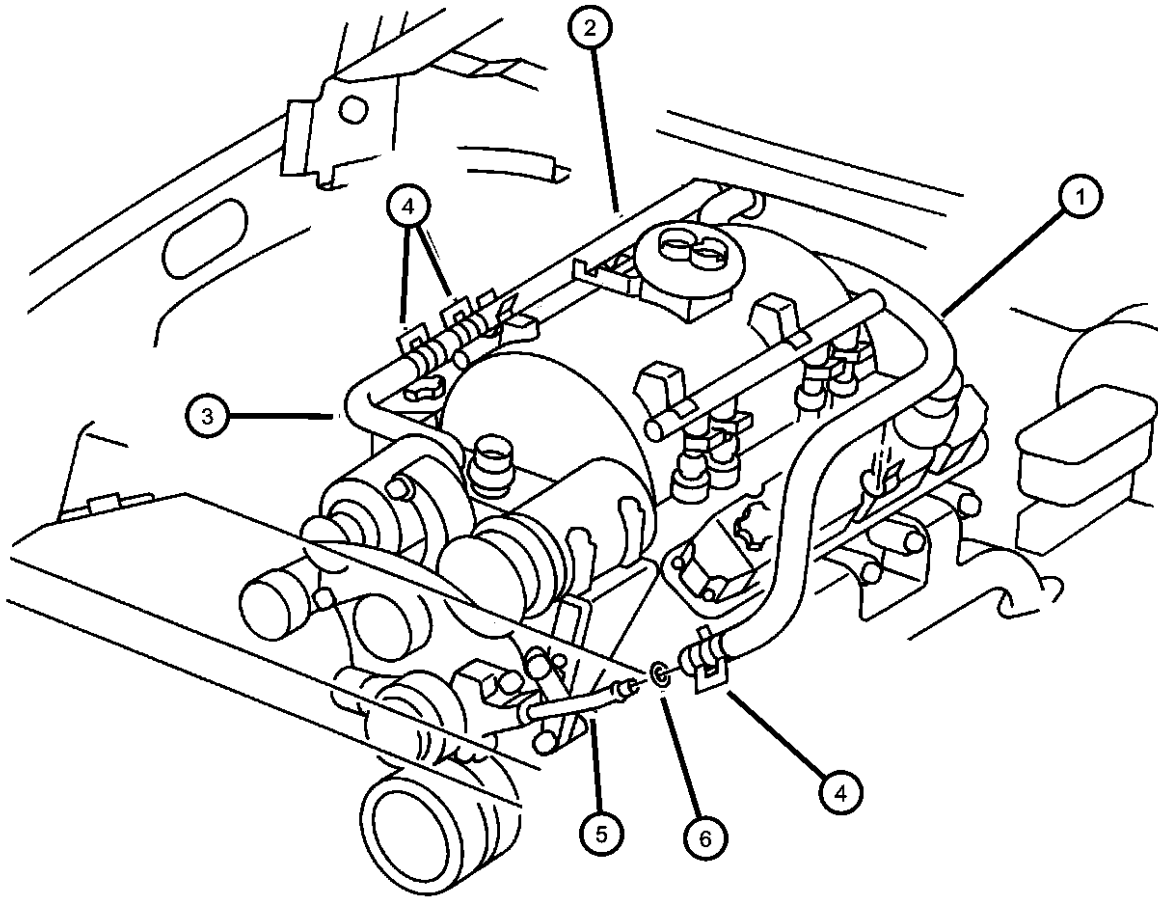
2000 BE

**Plumbing, Heater 3.9L/5.2L And 5.9L Engine**  
**Figure 24-260**

ITEM	PART NUMBER	QTY	LINE	SERIES	BODY	ENGINE	TRANS	TRIM	DESCRIPTION
------	-------------	-----	------	--------	------	--------	-------	------	-------------

Note: Sales Code EH0 = 3.9L Gas Engine  
 Note: Sales Code ELF = Magnum 5.2L SMPI V8 Engine  
 Note: Sales Code EL0 = 5.2L Gas Engine  
 Note: Sales Code EM0 = 5.9L Gas Engine

1	04741932	1				EL0, EM0			HOSE, 5/8" I.D. 50 Foot Roll
2	55036503AB	1				ELF, EM0			HOSE, Heater
3	55036413AB	1				ELF, EM0			HOSE, Heater
4	06502017	6				ELF, EM0			CLAMP, Heater Hose
5	55036160	1				EL0, EM0			TUBE, Water Pump Inlet
6	04740906	1				EL0, EM0			O RING, Tube Assy, Heater Return
-7	55056105AA	1				ELF, EM0			CLIP, Heater Hose



**RAM PICKUP/CLUB CAB (BE)**

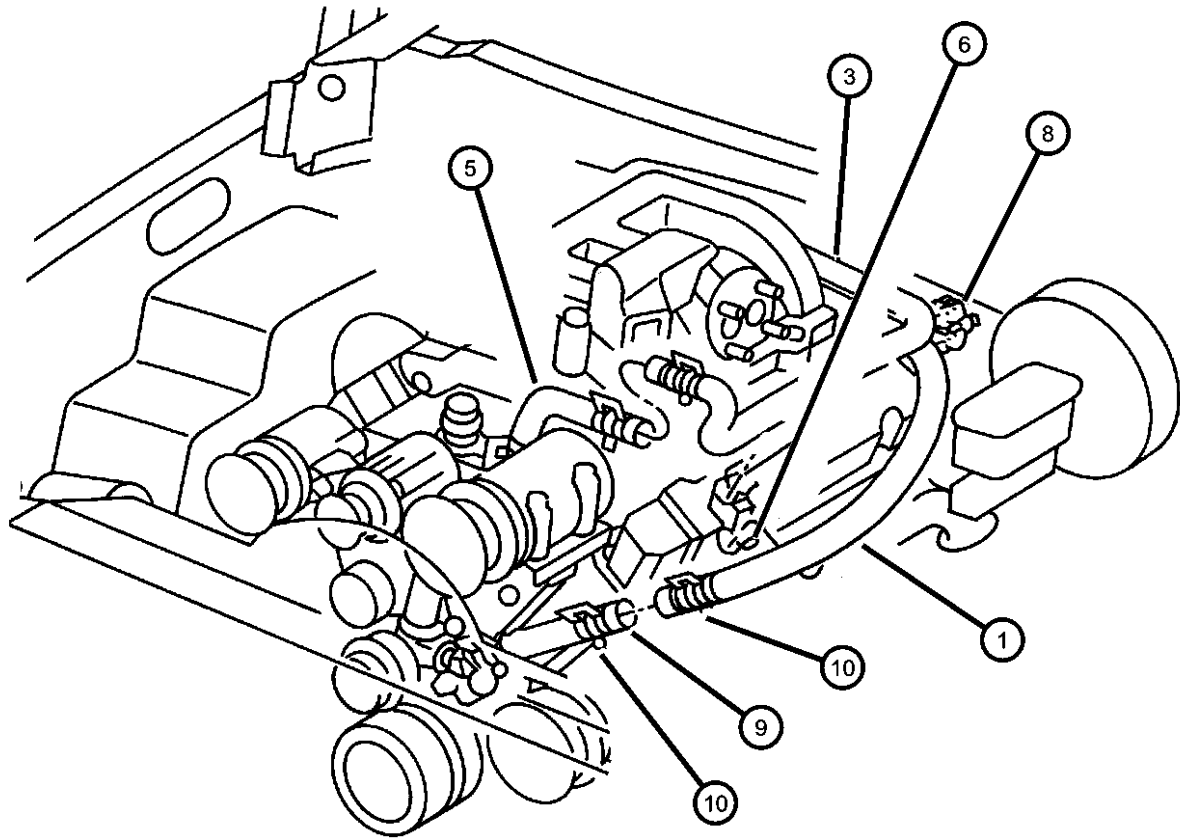
SERIES	LINE	BODY	ENGINE	TRANSMISSION
L = Ram Truck (All)	3 = HD DODGE 2WD	31 = CLUB CAB 2-DR 6.5 FT BOX	ELF = ENGINE - 5.2L V8 MPI	DDC = TRANSMISSION - 5-SPEED HD MANUAL
	8 = HD DODGE 4WD	32 = CLUB CAB 2-DR 8FT BOX	EML = ENGINE - 5.9L V8 MPI	DDP = TRANSMISSION - 5-SPEED MANUAL
	1 = Lt. Duty DODGE 2WD	33 = QUAD CAB 4-DR 6.5 FT BOX	EMM = ENGINE - "MAGNUM" 5.9L SMPI V8	DDX = TRANSMISSION - 5-SPEED HD MANUAL
	6 = Lt. Duty DODGE 4WD	34 = QUAD CAB 4-DR 8FT BOX	ETC = ENGINE- 5.9L CUMMINS 24V DIESEL	DEE = TRANSMISSION - 6-SPEED HD MANUAL
	2 = Med. Duty DODGE 2WD		ETH = ENGINE- 5.9L HO CUMMINS TURBO DIESEL	DGP = TRANSMISSION - 4-SPD. AUTOMATIC,47RE
	7 = Med. Duty DODGE 4WD		EWA = ENGINE - 8.0L V10 MPI	DGT = TRANSMISSION - 4-SPD. AUTOMATIC,46RE

AR = use ase required - = Non illustrated part

2000 BE

**Plumbing, Heater 8.0L Engine**  
**Figure 24-265**

ITEM	PART NUMBER	QTY	LINE	SERIES	BODY	ENGINE	TRANS	TRIM	DESCRIPTION
Note: Sales Code EW0 = 8.0L Gas Engine									
1	55036776	1				EW0			HOSE, Heater Return
-2	04637938	1				EW0			SLEEVE, Heater Hose
3	55036777	1				EW0			HOSE, Heater Supply
-4	04637938	1				EW0			SLEEVE, Heater Hose
5	55036415	1				EW0			HOSE AND TUBE, Thermostat
6	55036056	1				EW0			CLIP, Heater Hose
-7	06032878	2							STUD, .312-18x2.00
8	55036735	1				EW0			CLIP, Heater Hose
9	55055328	1				EW0			HOSE, Heater
10	06502017	8				EW0			CLAMP, Heater Hose

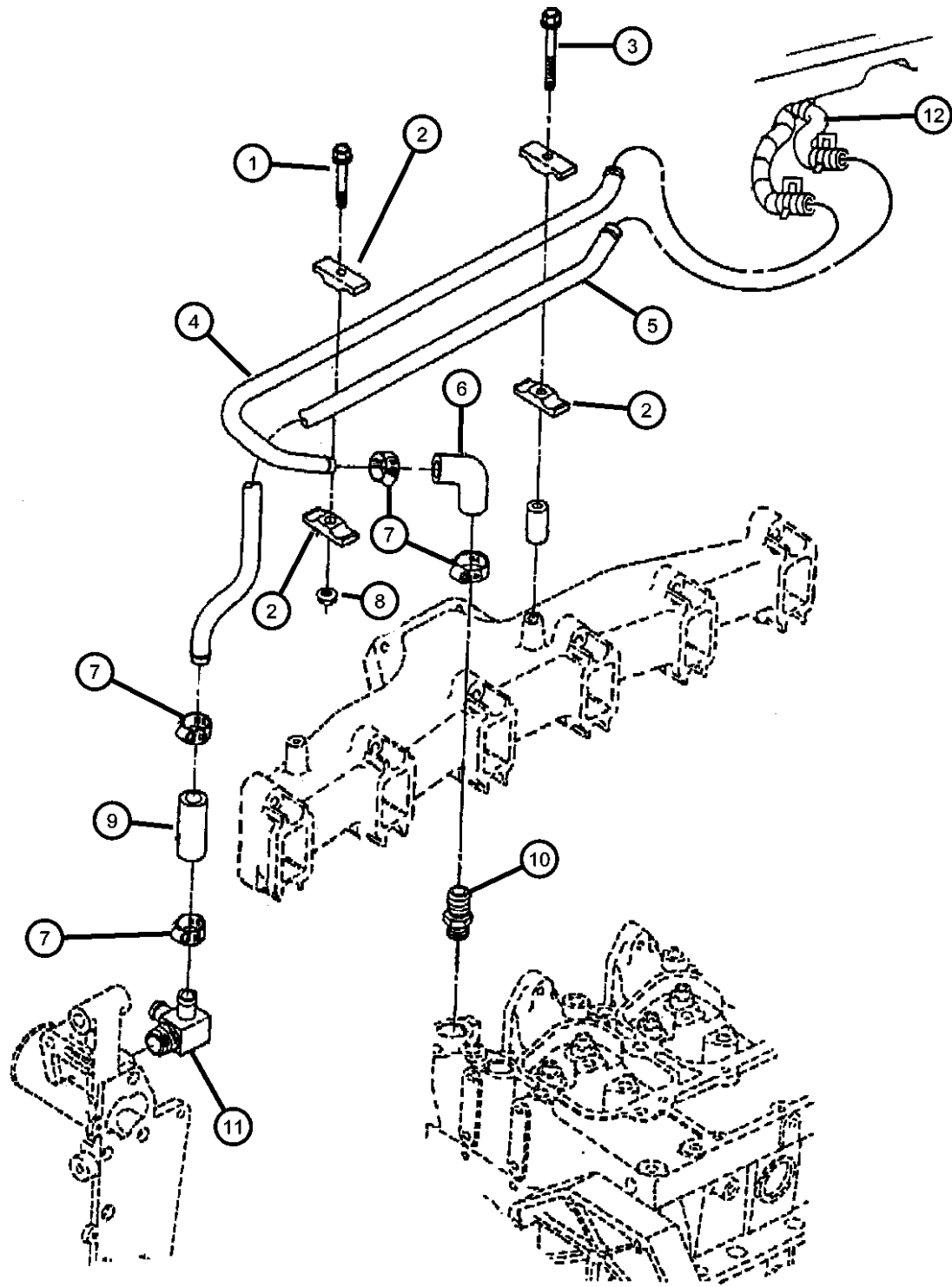


**RAM PICKUP/CLUB CAB (BE)**

SERIES	LINE	BODY	ENGINE	TRANSMISSION
L = Ram Truck (All)	3 = HD DODGE 2WD	31 = CLUB CAB 2-DR 6.5 FT BOX	ELF = ENGINE - 5.2L V8 MPI	DDC = TRANSMISSION - 5-SPEED HD MANUAL
	8 = HD DODGE 4WD	32 = CLUB CAB 2-DR 8FT BOX	EML = ENGINE - 5.9L V8 MPI	DDP = TRANSMISSION - 5-SPEED MANUAL
	1 = Lt. Duty DODGE 2WD	33 = QUAD CAB 4-DR 6.5 FT BOX	EMM = ENGINE - "MAGNUM" 5.9L SMPI V8	DDX = TRANSMISSION - 5-SPEED HD MANUAL
	6 = Lt. Duty DODGE 4WD	34 = QUAD CAB 4-DR 8FT BOX	ETC = ENGINE- 5.9L CUMMINS 24V DIESEL	DEE = TRANSMISSION - 6-SPEED HD MANUAL
	2 = Med. Duty DODGE 2WD		ETH = ENGINE- 5.9L HO CUMMINS TURBO DIESEL	DGP = TRANSMISSION - 4-SPD. AUTOMATIC,47RE
	7 = Med. Duty DODGE 4WD		EWA = ENGINE - 8.0L V10 MPI	DGT = TRANSMISSION - 4-SPD. AUTOMATIC,46RE

AR = use ase required - = Non illustrated part

**Plumbing, Heater Diesel Engine**  
**Figure 24-267**



ITEM	PART NUMBER	QTY	LINE	SERIES	BODY	ENGINE	TRANS	TRIM	DESCRIPTION
------	-------------	-----	------	--------	------	--------	-------	------	-------------

Note: Sales Code  
 ETC = 5.9L Cummins 24V Diesel Engine  
 ETH = 5.9L HO Cummins Turbo Diesel  
 ET0 = All 5.9L Turbo Diesel Engines  
 EW0 = All 8.0L Gas Engines

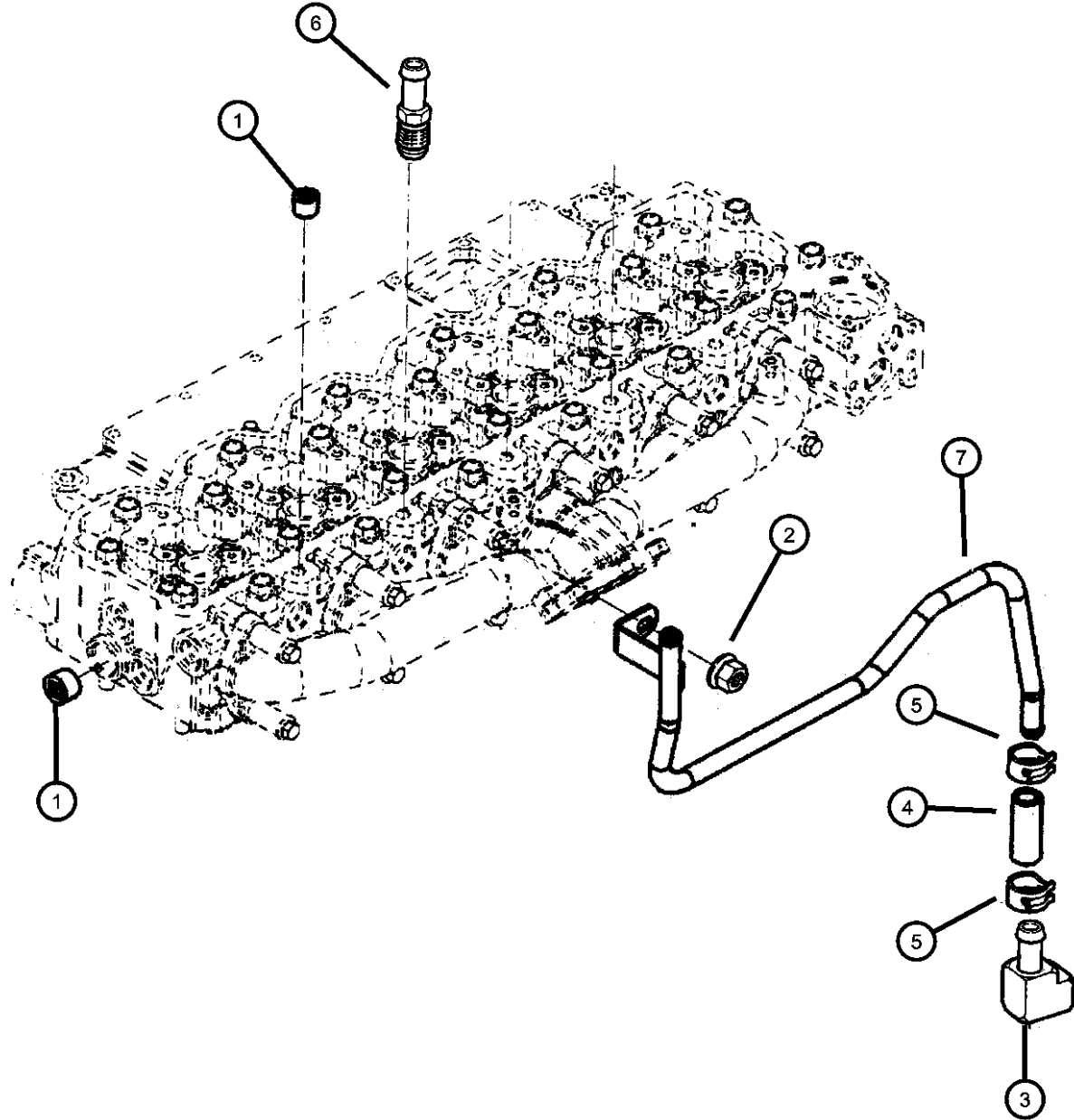
1									SCREW, Hex Flange Head
	04429114	3				ETC			
		3				ETH			
2	04429089	2				ETC			CLAMP, Tube Retaining
3									SCREW, Hex Head
	04429631	6				ETC			
		6				ETH			
4									TUBE, Heater
	05014191AA	1				ETC			
		1				ETH			
5	05014191AA	1				ETC			TUBE, Heater
6	05011901AA	1				ETC			COUPLING, Hose
7	05011901AA	1							CLAMP, Oil Cooler, (NOT SERVICED)
8	04429689	1				ETC			NUT, Hex Flange
9	04429689	1							HOSE, Transmission Oil Cooler, 04638704, (NOT SERVICED)
10									COUPLING, Hose
	05011901AA	1				ETC			
		1				ETH			
11	04429812	1				ETC			ELBOW, Oil Cooler Hose
12	55036506AB	1				ET0			HOSE, Heater

**RAM PICKUP/CLUB CAB (BE)**

SERIES	LINE	BODY	ENGINE	TRANSMISSION
L = Ram Truck (All)	3 = HD DODGE 2WD 8 = HD DODGE 4WD 1 = Lt. Duty DODGE 2WD 6 = Lt. Duty DODGE 4WD 2 = Med. Duty DODGE 2WD 7 = Med. Duty DODGE 4WD	31 = CLUB CAB 2-DR 6.5 FT BOX 32 = CLUB CAB 2-DR 8FT BOX 33 = QUAD CAB 4-DR 6.5 FT BOX 34 = QUAD CAB 4-DR 8FT BOX	ELF = ENGINE - 5.2L V8 MPI EML = ENGINE - 5.9L V8 MPI EMM = ENGINE - "MAGNUM" 5.9L SMPI V8 ETC = ENGINE- 5.9L CUMMINS 24V DIESEL ETH = ENGINE- 5.9L HO CUMMINS TURBO DIESEL EWA = ENGINE - 8.0L V10 MPI	DDC = TRANSMISSION - 5-SPEED HD MANUAL DDP = TRANSMISSION - 5-SPEED MANUAL DDX = TRANSMISSION - 5-SPEED HD MANUAL DEE = TRANSMISSION - 6-SPEED HD MANUAL DGP = TRANSMISSION - 4-SPD. AUTOMATIC, 47RE DGT = TRANSMISSION - 4-SPD. AUTOMATIC, 46RE

AR = use ase required - = Non illustrated part

**Plumbing, Cabin Heater Diesel Engine**  
**Figure 24-269**



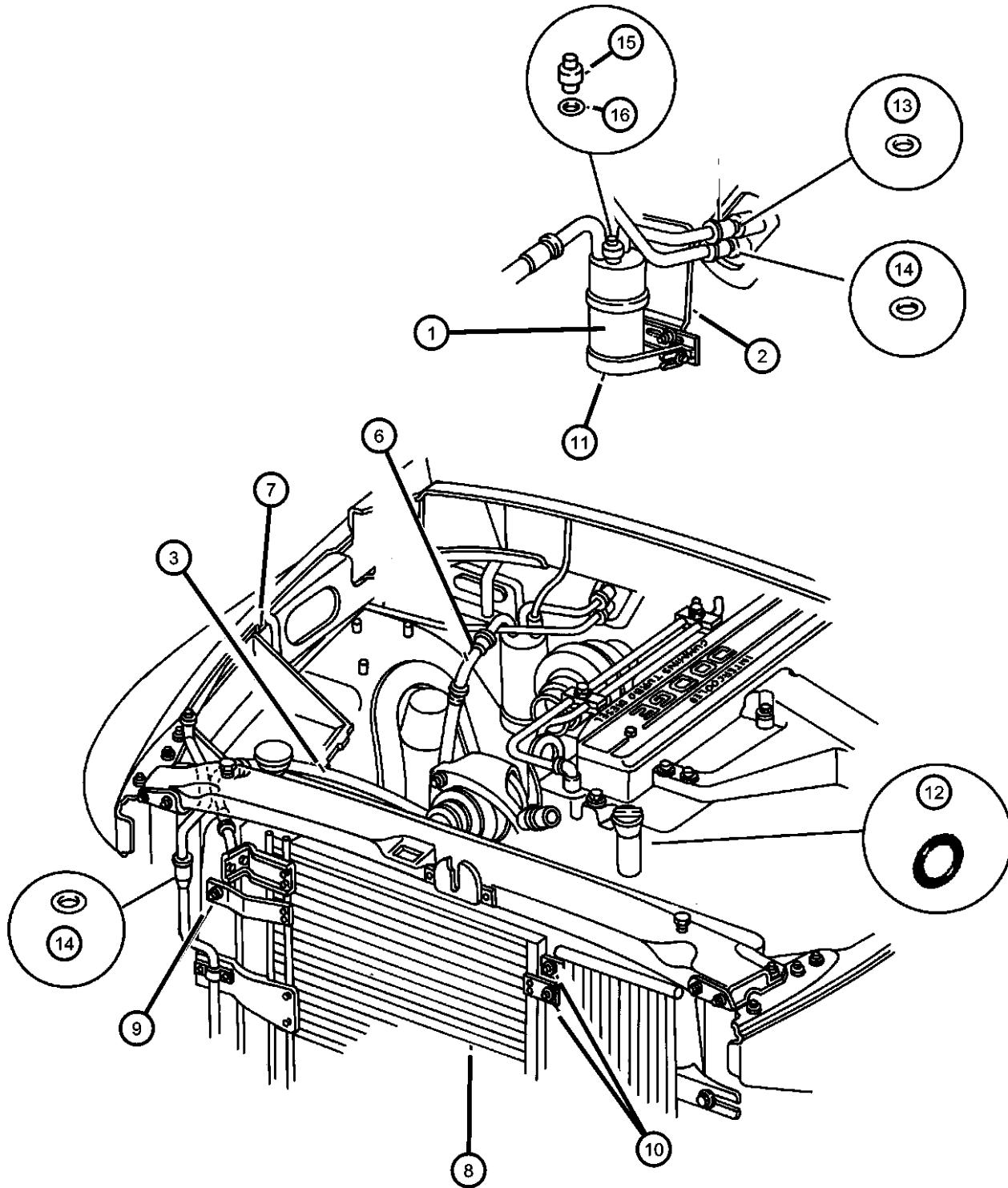
ITEM	PART NUMBER	QTY	LINE	SERIES	BODY	ENGINE	TRANS	TRIM	DESCRIPTION
	Note: ETC = 5.9L Cummins 24V Diesel Engine ETH = 5.9L HO Cummins Turbo Diesel ET0 = All 5.9L Turbo Diesel Engines								
1									PLUG, Pipe
	04429369	2				ETC			
		1				ETH			
2									NUT, Hex Flange, M10x1.5
	04429862	4				ETC			
		4				ETH			
3									COUPLING, Elbow Hose
	04429976	1				ETC			
		1				ETH			
4									HOSE, Oil Cooler
	05011409AA	1				ETC			
		1				ETH			
5									CLAMP, Heater
	05011900AA	2				ETC			
		2				ETH			
6									COUPLING, Hose
	05011901AA	1				ETC			
		1				ETH			
7									TUBE, Heater
	05014191AA	1				ETC			
		1				ETH			

**RAM PICKUP/CLUB CAB (BE)**

SERIES	LINE	BODY	ENGINE	TRANSMISSION
L = Ram Truck (All)	3 = HD DODGE 2WD	31 = CLUB CAB 2-DR 6.5 FT BOX	ELF = ENGINE - 5.2L V8 MPI	DDC = TRANSMISSION - 5-SPEED HD MANUAL
	8 = HD DODGE 4WD	32 = CLUB CAB 2-DR 8FT BOX	EML = ENGINE - 5.9L V8 MPI	DDP = TRANSMISSION - 5-SPEED HD MANUAL
	1 = Lt. Duty DODGE 2WD	33 = QUAD CAB 4-DR 6.5 FT BOX	EMM = ENGINE - "MAGNUM" 5.9L SMPI V8	DDX = TRANSMISSION - 5-SPEED HD MANUAL
	6 = Lt. Duty DODGE 4WD	34 = QUAD CAB 4-DR 8FT BOX	ETC = ENGINE- 5.9L CUMMINS 24V DIESEL	DEE = TRANSMISSION - 6-SPEED HD MANUAL
	2 = Med. Duty DODGE 2WD		ETH = ENGINE- 5.9L HO CUMMINS TURBO DIESEL	DGP = TRANSMISSION - 4-SPD. AUTOMATIC, 47RE
	7 = Med. Duty DODGE 4WD		EWA = ENGINE - 8.0L V10 MPI	DGT = TRANSMISSION - 4-SPD. AUTOMATIC, 46RE

AR = use ase required - = Non illustrated part

**Plumbing, Air Conditioning Diesel Engine  
Figure 24-280**



ITEM	PART NUMBER	QTY	LINE	SERIES	BODY	ENGINE	TRANS	TRIM	DESCRIPTION
------	-------------	-----	------	--------	------	--------	-------	------	-------------

Note: Sales Code ET0 = 5.9L Diesel Engine

1	55055838AB	1							ACCUMULATOR, Suction and Discharge Line
2	55035607	1							BRACKET, Accumulator
3	55055833AB	1				ET0			LINE, A/C Suction & Discharge
-4	04897617AA	1				ET0			SWITCH, A/C High Pressure Cut Off
-5	04728705	1							O RING, Low Pressure Cutout Switc
6	55055834AA	1				ET0			LINE, A/C Liquid
7	55036022	1	6, 7, 8						CLIP, A/C Liquid Line
8	55055825AB	1				ET0			CONDENSER, Air Conditioning
9	06502885	1				ET0			SCREW AND WASHER, Hex Head, M6x1x18.5
10	06100048	2				ET0			NUT, Hex, M6x1.00
11	55036206AB	1							BAND, Accumulator Retaining
12	04761737	2				ET0			O RING, A/C Suction Line
13	04741705	4				ET0			O RING, A/C and Heater
14	04741705	4				ET0			O RING, A/C and Heater
15	04897615AA	1							SWITCH, A/C Cycling
16	04728705	1							O RING, Low Pressure Cutout Switc

**RAM PICKUP/CLUB CAB (BE)**

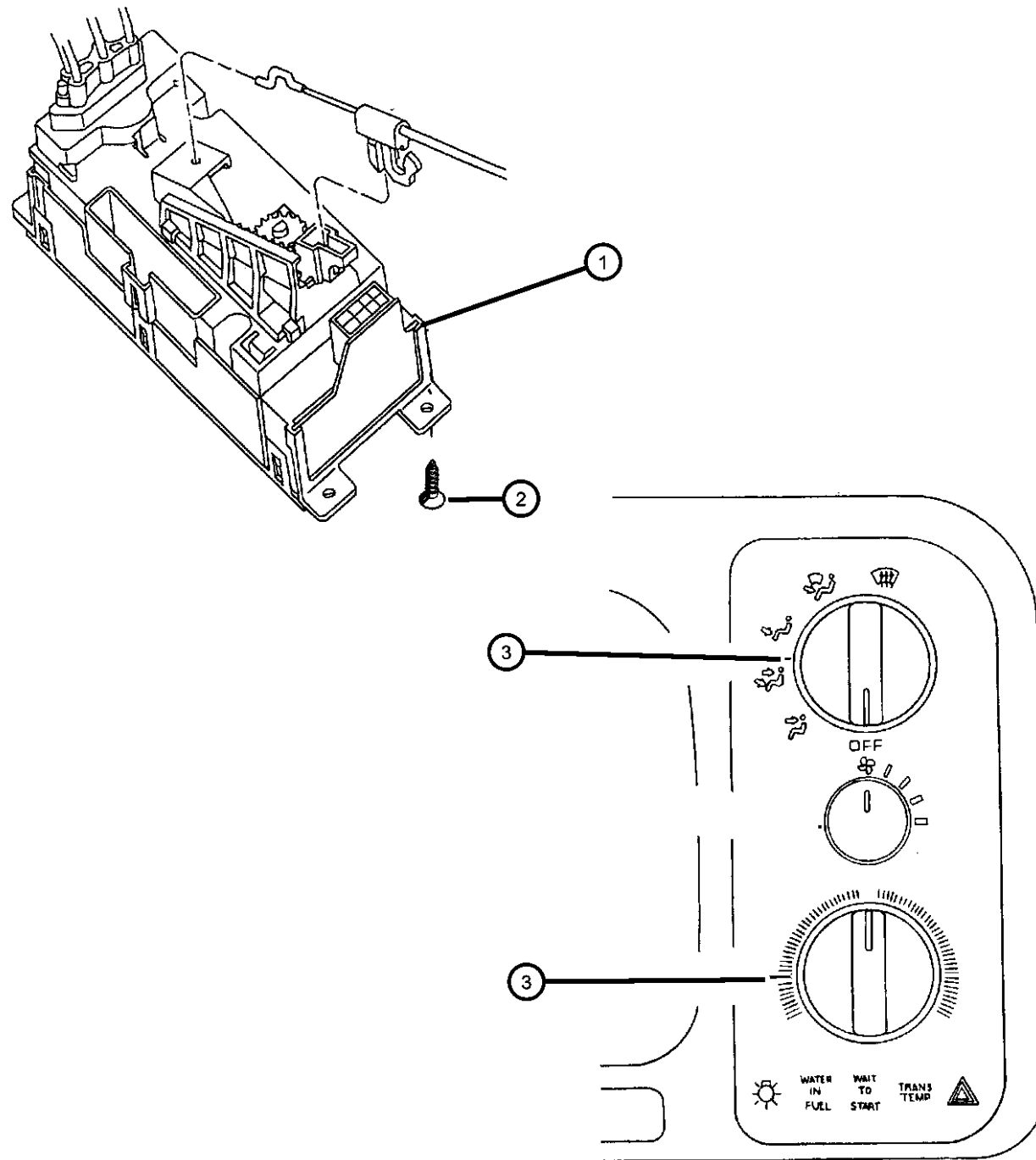
SERIES	LINE	BODY	ENGINE	TRANSMISSION
L = Ram Truck (All)	3 = HD DODGE 2WD 8 = HD DODGE 4WD 1 = Lt. Duty DODGE 2WD 6 = Lt. Duty DODGE 4WD 2 = Med. Duty DODGE 2WD 7 = Med. Duty DODGE 4WD	31 = CLUB CAB 2-DR 6.5 FT BOX 32 = CLUB CAB 2-DR 8FT BOX 33 = QUAD CAB 4-DR 6.5 FT BOX 34 = QUAD CAB 4-DR 8FT BOX	ELF = ENGINE - 5.2L V8 MPI EML = ENGINE - 5.9L V8 MPI EMM = ENGINE - "MAGNUM" 5.9L SMPI V8 ETC = ENGINE- 5.9L CUMMINS 24V DIESEL ETH = ENGINE- 5.9L HO CUMMINS TURBO DIESEL EWA = ENGINE - 8.0L V10 MPI	DDC = TRANSMISSION - 5-SPEED HD MANUAL DDP = TRANSMISSION - 5-SPEED MANUAL DDX = TRANSMISSION - 5-SPEED HD MANUAL DEE = TRANSMISSION - 6-SPEED HD MANUAL DGP = TRANSMISSION - 4-SPD. AUTOMATIC, 47RE DGT = TRANSMISSION - 4-SPD. AUTOMATIC, 46RE

AR = use ase required - = Non illustrated part

2000 BE



Control, Heater  
Figure 24-310



ITEM	PART NUMBER	QTY	LINE	SERIES	BODY	ENGINE	TRANS	TRIM	DESCRIPTION
1	05015735AA	1							CONTROL, Heater without Power Mirrors
	05015737AA	1							with Power Mirrors
2	05015737AA	1							SCREW, Self Tapping, M4.2x1.69x19.05, (NOT SERVICED),
3	05003986AB	3							KNOB, A/C And Heater Control - Rotary
-4	05003281AA	1							BULB, Heater and A/C Control

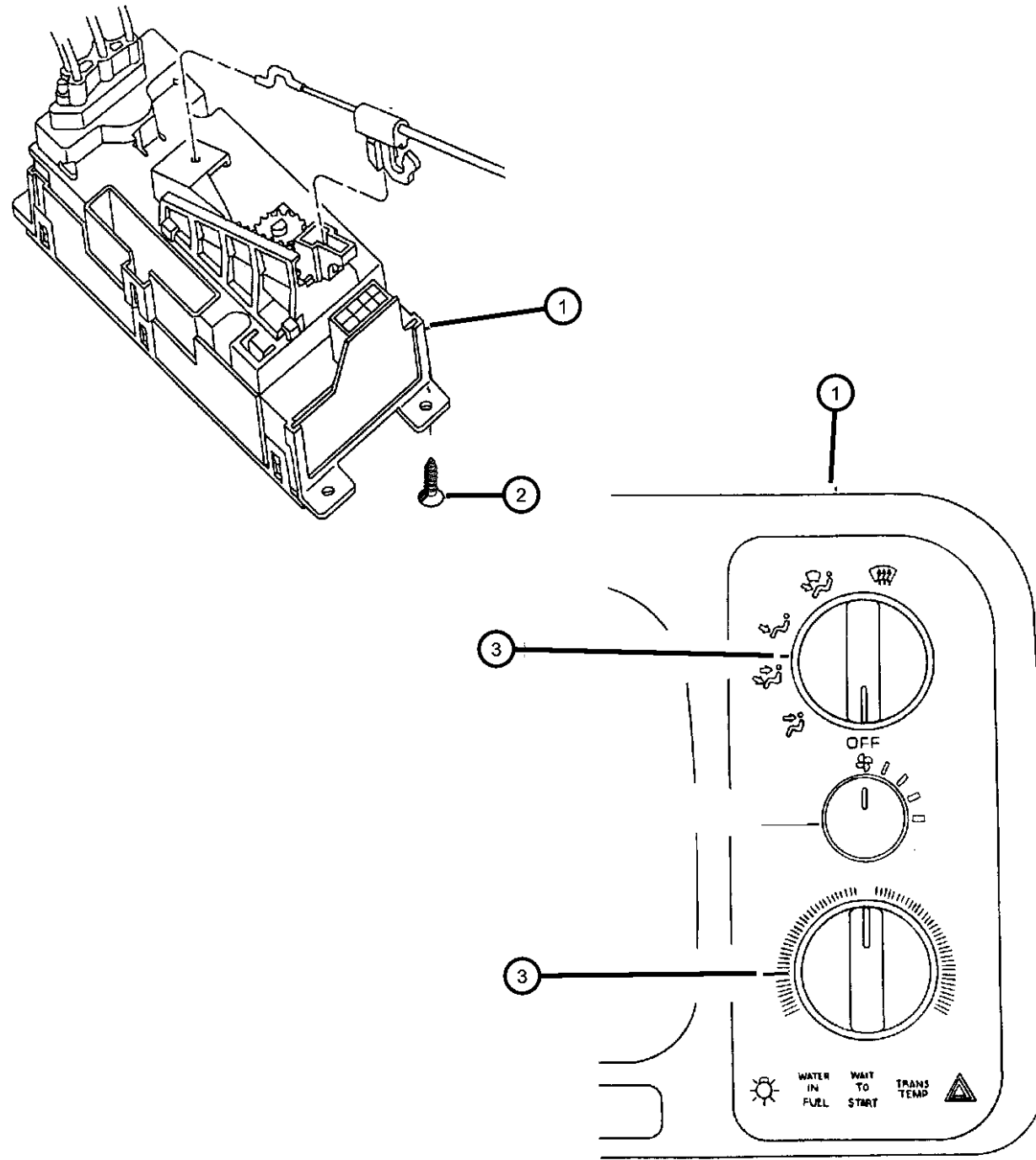
RAM PICKUP/CLUB CAB (BE)

SERIES	LINE	BODY	ENGINE	TRANSMISSION
L = Ram Truck (All)	3 = HD DODGE 2WD 8 = HD DODGE 4WD 1 = Lt. Duty DODGE 2WD 6 = Lt. Duty DODGE 4WD 2 = Med. Duty DODGE 2WD 7 = Med. Duty DODGE 4WD	31 = CLUB CAB 2-DR 6.5 FT BOX 32 = CLUB CAB 2-DR 8FT BOX 33 = QUAD CAB 4-DR 6.5 FT BOX 34 = QUAD CAB 4-DR 8FT BOX	ELF = ENGINE - 5.2L V8 MPI EML = ENGINE - 5.9L V8 MPI EMM = ENGINE - "MAGNUM" 5.9L SMPI V8 ETC = ENGINE- 5.9L CUMMINS 24V DIESEL ETH = ENGINE- 5.9L HO CUMMINS TURBO DIESEL EWA = ENGINE - 8.0L V10 MPI	DDC = TRANSMISSION - 5-SPEED HD MANUAL DDP = TRANSMISSION - 5-SPEED MANUAL DDX = TRANSMISSION - 5-SPEED HD MANUAL DEE = TRANSMISSION - 6-SPEED HD MANUAL DGP = TRANSMISSION - 4-SPD. AUTOMATIC,47RE DGT = TRANSMISSION - 4-SPD. AUTOMATIC,46RE

AR = use ase required - = Non illustrated part

2000 BE

Control, Air Conditioning  
Figure 24-350



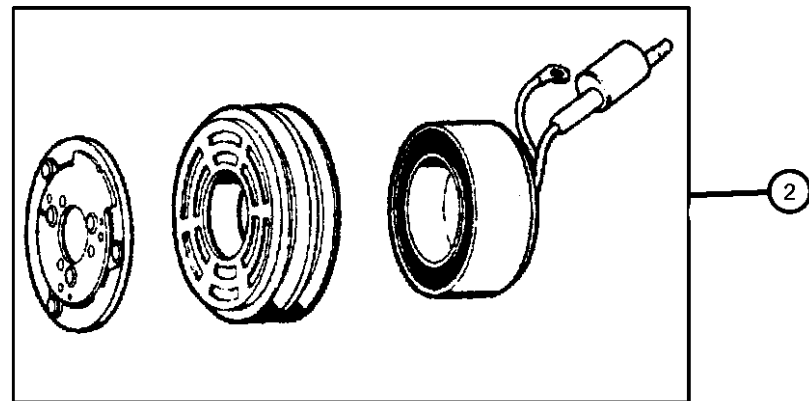
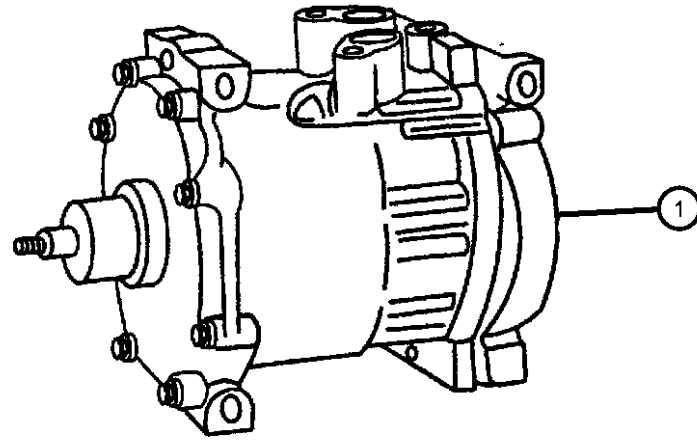
ITEM	PART NUMBER	QTY	LINE	SERIES	BODY	ENGINE	TRANS	TRIM	DESCRIPTION
1	05015734AA	1							CONTROL, A/C And Heater without Power Mirrors
	05015736AA	1							with Power Mirrors
2	06032723	2							SCREW, Self Tapping, M4.2x1.69x19.05
3	05003986AB	3							KNOB, A/C And Heater Control - Rotary
-4	05003281AA	1							BULB, Heater and A/C Control
-5	05013680AB	1							HARNESS, A/C And Heater Vacuum

RAM PICKUP/CLUB CAB (BE)

SERIES	LINE	BODY	ENGINE	TRANSMISSION
L = Ram Truck (All)	3 = HD DODGE 2WD 8 = HD DODGE 4WD 1 = Lt. Duty DODGE 2WD 6 = Lt. Duty DODGE 4WD 2 = Med. Duty DODGE 2WD 7 = Med. Duty DODGE 4WD	31 = CLUB CAB 2-DR 6.5 FT BOX 32 = CLUB CAB 2-DR 8FT BOX 33 = QUAD CAB 4-DR 6.5 FT BOX 34 = QUAD CAB 4-DR 8FT BOX	ELF = ENGINE - 5.2L V8 MPI EML = ENGINE - 5.9L V8 MPI EMM = ENGINE - "MAGNUM" 5.9L SMPI V8 ETC = ENGINE- 5.9L CUMMINS 24V DIESEL ETH = ENGINE- 5.9L HO CUMMINS TURBO DIESEL EWA = ENGINE - 8.0L V10 MPI	DDC = TRANSMISSION - 5-SPEED HD MANUAL DDP = TRANSMISSION - 5-SPEED MANUAL DDX = TRANSMISSION - 5-SPEED HD MANUAL DEE = TRANSMISSION - 6-SPEED HD MANUAL DGP = TRANSMISSION - 4-SPD. AUTOMATIC,47RE DGT = TRANSMISSION - 4-SPD. AUTOMATIC,46RE

AR = use ase required - = Non illustrated part

**Compressor  
Figure 24-410**



ITEM	PART NUMBER	QTY	LINE	SERIES	BODY	ENGINE	TRANS	TRIM	DESCRIPTION
------	-------------	-----	------	--------	------	--------	-------	------	-------------

Note:

ELO = All 5.2L 8 Cyl Gas Engines

EM0 = All 5.9L 8 Cyl Gas Engines

EW0 = All 8.0L Gas Engines

1	55055540AF	1				ELO, EM0, EW0			COMPRESSOR, Air Conditioning
2	04882008	1				ELO, EM0, EW0			CLUTCH, A/C Compressor

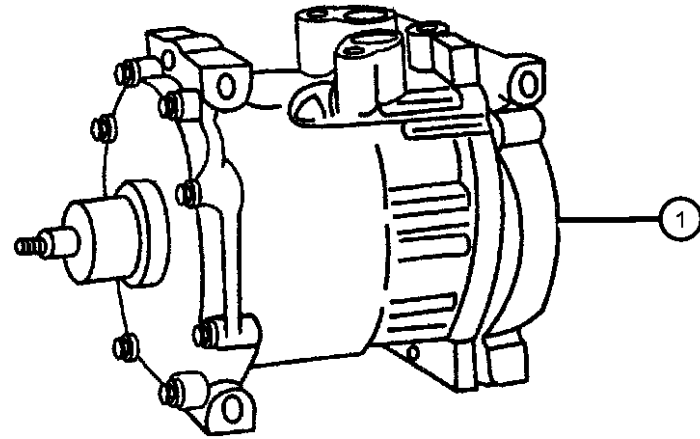
**RAM PICKUP/CLUB CAB (BE)**

SERIES	LINE	BODY	ENGINE	TRANSMISSION
L = Ram Truck (All)	3 = HD DODGE 2WD 8 = HD DODGE 4WD 1 = Lt. Duty DODGE 2WD 6 = Lt. Duty DODGE 4WD 2 = Med. Duty DODGE 2WD 7 = Med. Duty DODGE 4WD	31 = CLUB CAB 2-DR 6.5 FT BOX 32 = CLUB CAB 2-DR 8FT BOX 33 = QUAD CAB 4-DR 6.5 FT BOX 34 = QUAD CAB 4-DR 8FT BOX	ELF = ENGINE - 5.2L V8 MPI EML = ENGINE - 5.9L V8 MPI EMM = ENGINE - "MAGNUM" 5.9L SMPI V8 ETC = ENGINE- 5.9L CUMMINS 24V DIESEL ETH = ENGINE- 5.9L HO CUMMINS TURBO DIESEL EWA = ENGINE - 8.0L V10 MPI	DDC = TRANSMISSION - 5-SPEED HD MANUAL DDP = TRANSMISSION - 5-SPEED MANUAL DDX = TRANSMISSION - 5-SPEED HD MANUAL DEE = TRANSMISSION - 6-SPEED HD MANUAL DGP = TRANSMISSION - 4-SPD. AUTOMATIC,47RE DGT = TRANSMISSION - 4-SPD. AUTOMATIC,46RE

AR = use ase required - = Non illustrated part

2000 BE

**Compressor, Air Conditioning Diesel Engine  
Figure 24-440**



ITEM	PART NUMBER	QTY	LINE	SERIES	BODY	ENGINE	TRANS	TRIM	DESCRIPTION
------	-------------	-----	------	--------	------	--------	-------	------	-------------

Note: Sales Code ET0 = 5.9L Diesel Engine

1	55055339AD	1				ET0			COMPRESSOR, Air Conditioning
-2	05016127AA	1				ET0			CLUTCH, A/C Compressor

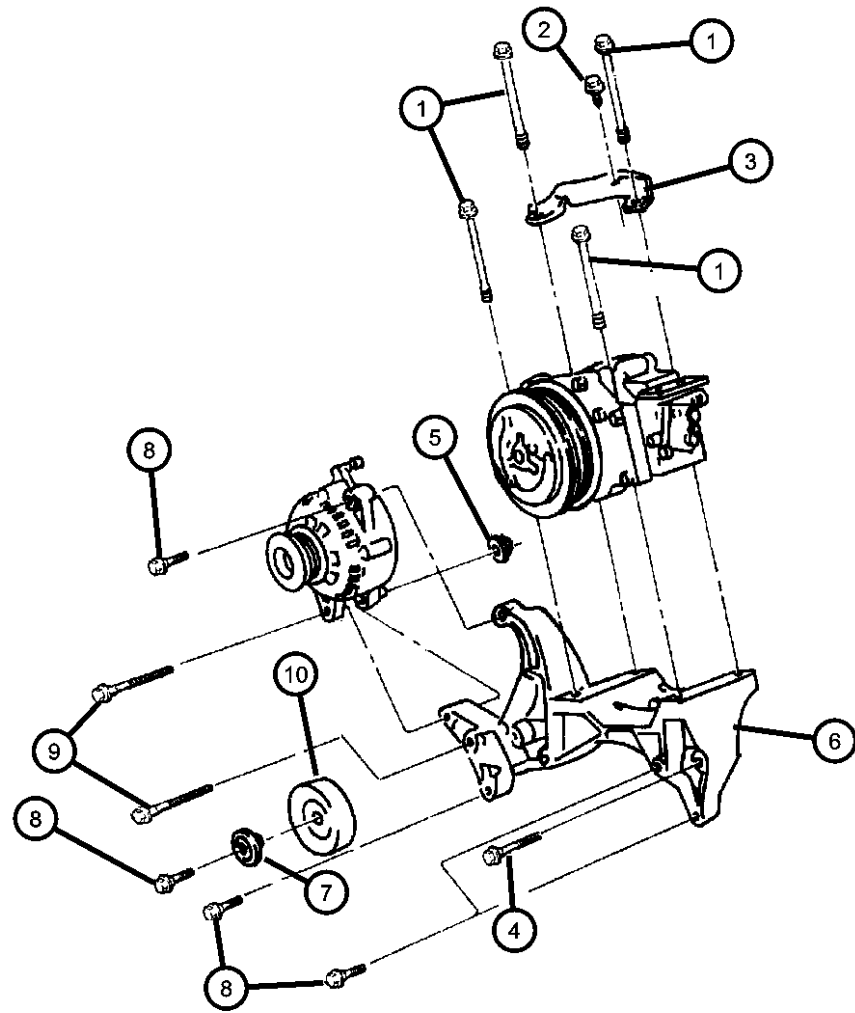
**RAM PICKUP/CLUB CAB (BE)**

SERIES	LINE	BODY	ENGINE	TRANSMISSION
L = Ram Truck (All)	3 = HD DODGE 2WD 8 = HD DODGE 4WD 1 = Lt. Duty DODGE 2WD 6 = Lt. Duty DODGE 4WD 2 = Med. Duty DODGE 2WD 7 = Med. Duty DODGE 4WD	31 = CLUB CAB 2-DR 6.5 FT BOX 32 = CLUB CAB 2-DR 8FT BOX 33 = QUAD CAB 4-DR 6.5 FT BOX 34 = QUAD CAB 4-DR 8FT BOX	ELF = ENGINE - 5.2L V8 MPI EML = ENGINE - 5.9L V8 MPI EMM = ENGINE - "MAGNUM" 5.9L SMPI V8 ETC = ENGINE- 5.9L CUMMINS 24V DIESEL ETH = ENGINE- 5.9L HO CUMMINS TURBO DIESEL EWA = ENGINE - 8.0L V10 MPI	DDC = TRANSMISSION - 5-SPEED HD MANUAL DDP = TRANSMISSION - 5-SPEED MANUAL DDX = TRANSMISSION - 5-SPEED HD MANUAL DEE = TRANSMISSION - 6-SPEED HD MANUAL DGP = TRANSMISSION - 4-SPD. AUTOMATIC,47RE DGT = TRANSMISSION - 4-SPD. AUTOMATIC,46RE

AR = use ase required - = Non illustrated part

2000 BE

**Mounting, Compressor 3.9L/5.2L/5.9L Engine**  
**Figure 24-520**



ITEM	PART NUMBER	QTY	LINE	SERIES	BODY	ENGINE	TRANS	TRIM	DESCRIPTION
Note: EL0 = All 5.2L 8 Cyl Gas Engines EMM = Magnum 5.9L SMPI V8 Engine EM0 = All 5.9L 8 Cyl Gas Engines EW0 = All 8.0L Gas Engines									
1	05016127AA	1							BOLT, (NOT SERVICED)
2	05016127AA	1							BOLT, (NOT SERVICED)
3									BRACE, A/C Compressor
	53010014	1				EW0			
	53010252	1				EL0, EM0			
4									BOLT, Hex Head, .375-16x.75
	06034246	1				EL0, EM0			
		3				EMM			
5		3							NUT, Lock, (NOT SERVICED)
6	53008614	1				EL0, EM0			BRACKET, Alternator And Compressor
7									BUSHING, Idler Pulley
	33002201	1				EL0, EM0			
		1				EW0			
8		1							BOLT, (NOT SERVICED)
9									BOLT, Hex Head, .375-16x.25
	06034247	1				EL0, EM0			
		1				EW0			
10									PULLEY, Idler
	53009508	1				EL0, EM0			
		1				EW0			

**RAM PICKUP/CLUB CAB (BE)**

SERIES	LINE	BODY	ENGINE	TRANSMISSION
L = Ram Truck (All)	3 = HD DODGE 2WD	31 = CLUB CAB 2-DR 6.5 FT BOX	ELF = ENGINE - 5.2L V8 MPI	DDC = TRANSMISSION - 5-SPEED HD MANUAL
	8 = HD DODGE 4WD	32 = CLUB CAB 2-DR 8FT BOX	EML = ENGINE - 5.9L V8 MPI	DDP = TRANSMISSION - 5-SPEED MANUAL
	1 = Lt. Duty DODGE 2WD	33 = QUAD CAB 4-DR 6.5 FT BOX	EMM = ENGINE - "MAGNUM" 5.9L SMPI V8	DDX = TRANSMISSION - 5-SPEED HD MANUAL
	6 = Lt. Duty DODGE 4WD	34 = QUAD CAB 4-DR 8FT BOX	ETC = ENGINE- 5.9L CUMMINS 24V DIESEL	DEE = TRANSMISSION - 6-SPEED HD MANUAL
	2 = Med. Duty DODGE 2WD		ETH = ENGINE- 5.9L HO CUMMINS TURBO DIESEL	DGP = TRANSMISSION - 4-SPD. AUTOMATIC,47RE
	7 = Med. Duty DODGE 4WD		EWA = ENGINE - 8.0L V10 MPI	DGT = TRANSMISSION - 4-SPD. AUTOMATIC,46RE

AR = use ase required - = Non illustrated part

**Mounting, Air Conditioning Compressor 8.0L Engine**  
**Figure 24-525**

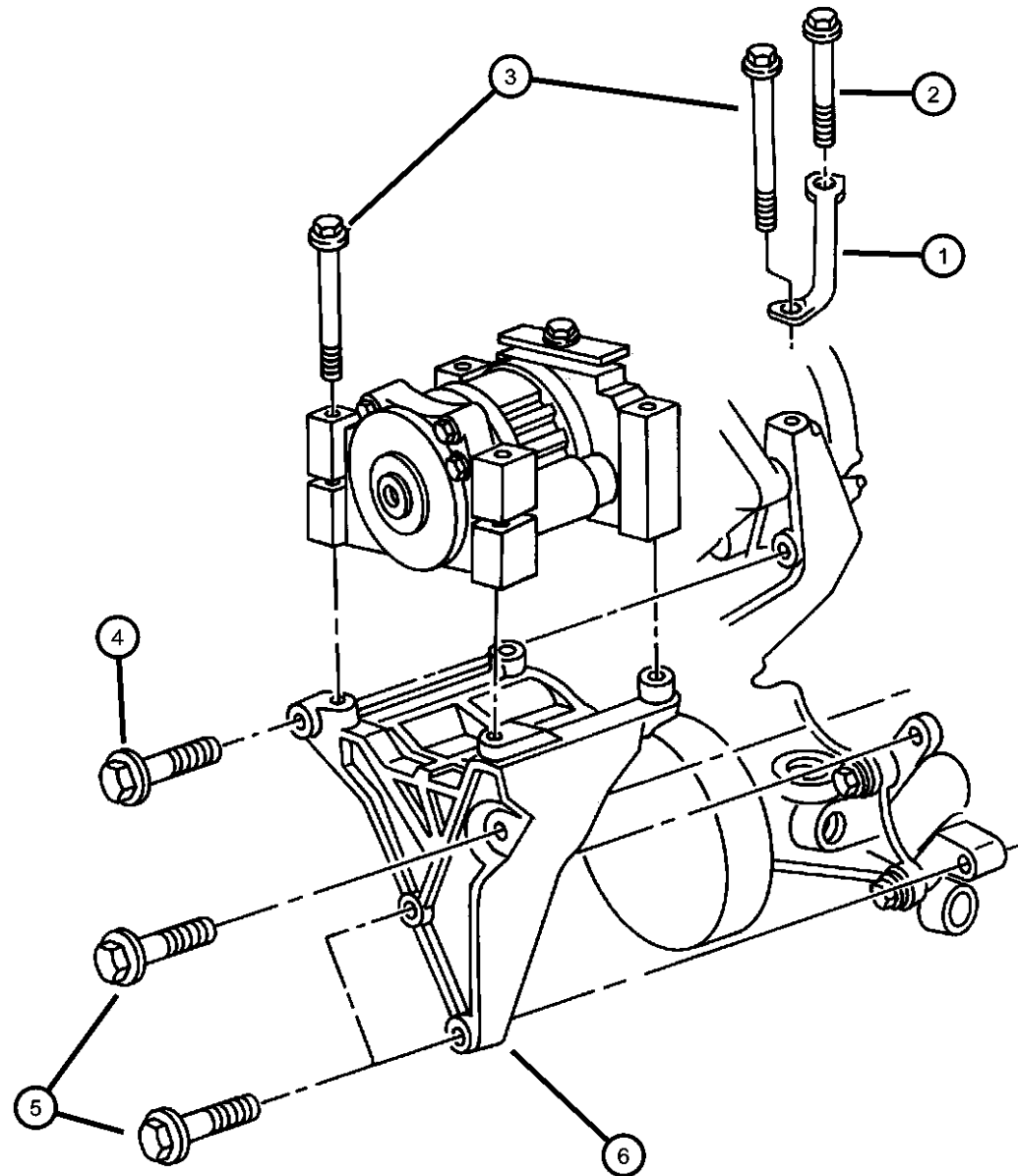
ITEM	PART NUMBER	QTY	LINE	SERIES	BODY	ENGINE	TRANS	TRIM	DESCRIPTION
------	-------------	-----	------	--------	------	--------	-------	------	-------------

Note:

EL0 = All 5.2L 8 Cyl Gas Engines

EM0 = All 5.9L 8 Cyl Gas Engines

EW0 = All 8.0L Gas Engines



1									BRACE, A/C Compressor
	53010014	1				EW0			
	53010252	1				EL0, EM0			
2	53010252	1							SCREW, (NOT SERVICED)
3	53010252	1							SCREW, (NOT SERVICED)
4	53010252	1							SCREW, (NOT SERVICED)
5	53010252	1							SCREW, (NOT SERVICED)
6	53005619	1				EW0			BRACKET, A/C Compressor

**RAM PICKUP/CLUB CAB (BE)**

SERIES	LINE	BODY	ENGINE	TRANSMISSION
L = Ram Truck (All)	3 = HD DODGE 2WD 8 = HD DODGE 4WD 1 = Lt. Duty DODGE 2WD 6 = Lt. Duty DODGE 4WD 2 = Med. Duty DODGE 2WD 7 = Med. Duty DODGE 4WD	31 = CLUB CAB 2-DR 6.5 FT BOX 32 = CLUB CAB 2-DR 8FT BOX 33 = QUAD CAB 4-DR 6.5 FT BOX 34 = QUAD CAB 4-DR 8FT BOX	ELF = ENGINE - 5.2L V8 MPI EML = ENGINE - 5.9L V8 MPI EMM = ENGINE - "MAGNUM" 5.9L SMPI V8 ETC = ENGINE- 5.9L CUMMINS 24V DIESEL ETH = ENGINE- 5.9L HO CUMMINS TURBO DIESEL EWA = ENGINE - 8.0L V10 MPI	DDC = TRANSMISSION - 5-SPEED HD MANUAL DDP = TRANSMISSION - 5-SPEED MANUAL DDX = TRANSMISSION - 5-SPEED HD MANUAL DEE = TRANSMISSION - 6-SPEED HD MANUAL DGP = TRANSMISSION - 4-SPD. AUTOMATIC,47RE DGT = TRANSMISSION - 4-SPD. AUTOMATIC,46RE

AR = use ase required - = Non illustrated part

2000 BE

**Mounting, Compressor Diesel Engine  
Figure 24-530**

ITEM	PART NUMBER	QTY	LINE	SERIES	BODY	ENGINE	TRANS	TRIM	DESCRIPTION
------	-------------	-----	------	--------	------	--------	-------	------	-------------

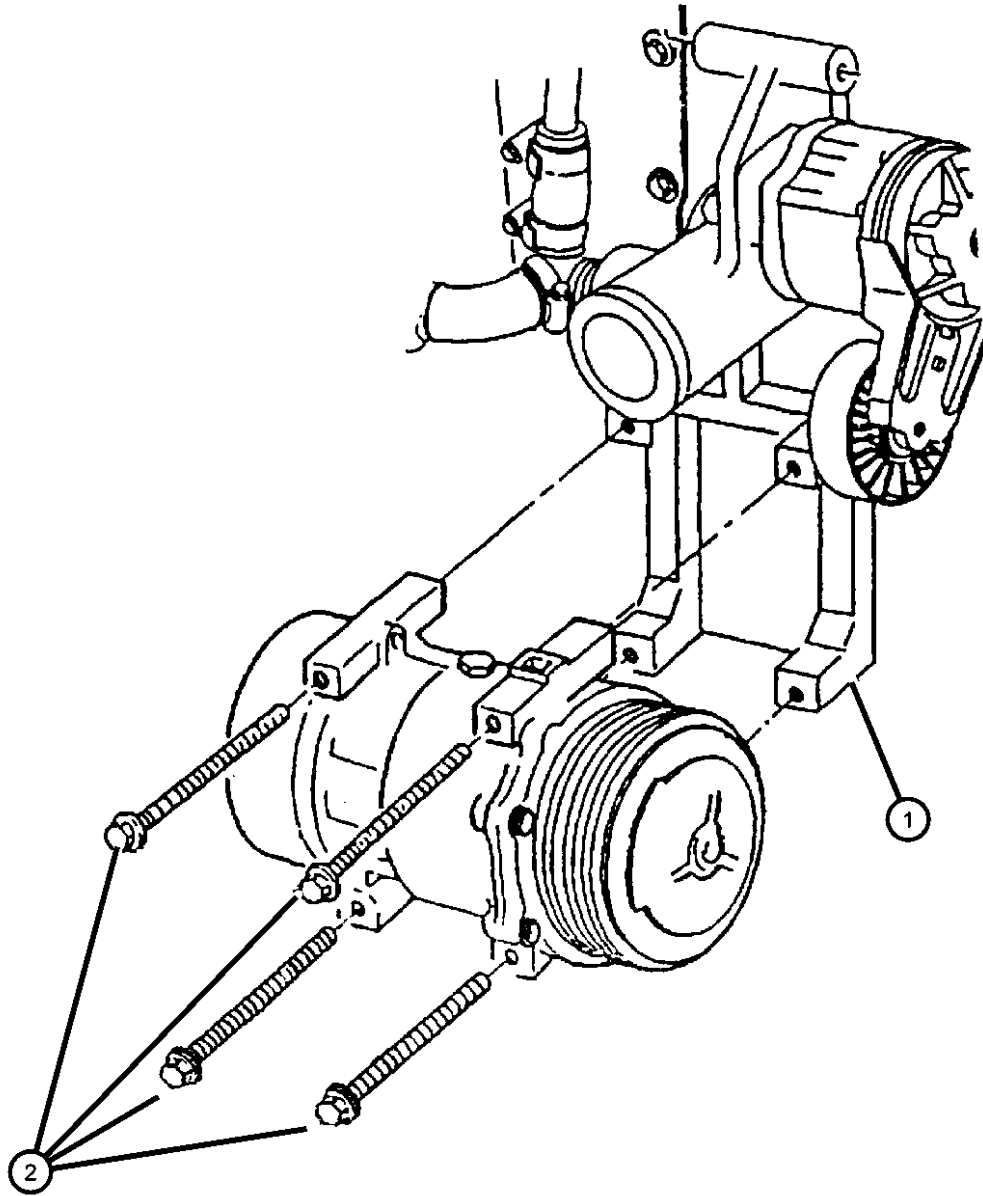
Note:

ETC = 5.9L Cummins 24V Diesel Engine

ETH = 5.9L HO Cummins Turbo Diesel

ET0 = All 5.9L Turbo Diesel Engines

1	05011928AA	1				ETC			CONNECTOR, Water Inlet
2	05011928AA	1							SCREW, (M8x1.25x100, (NOT SERVICED))



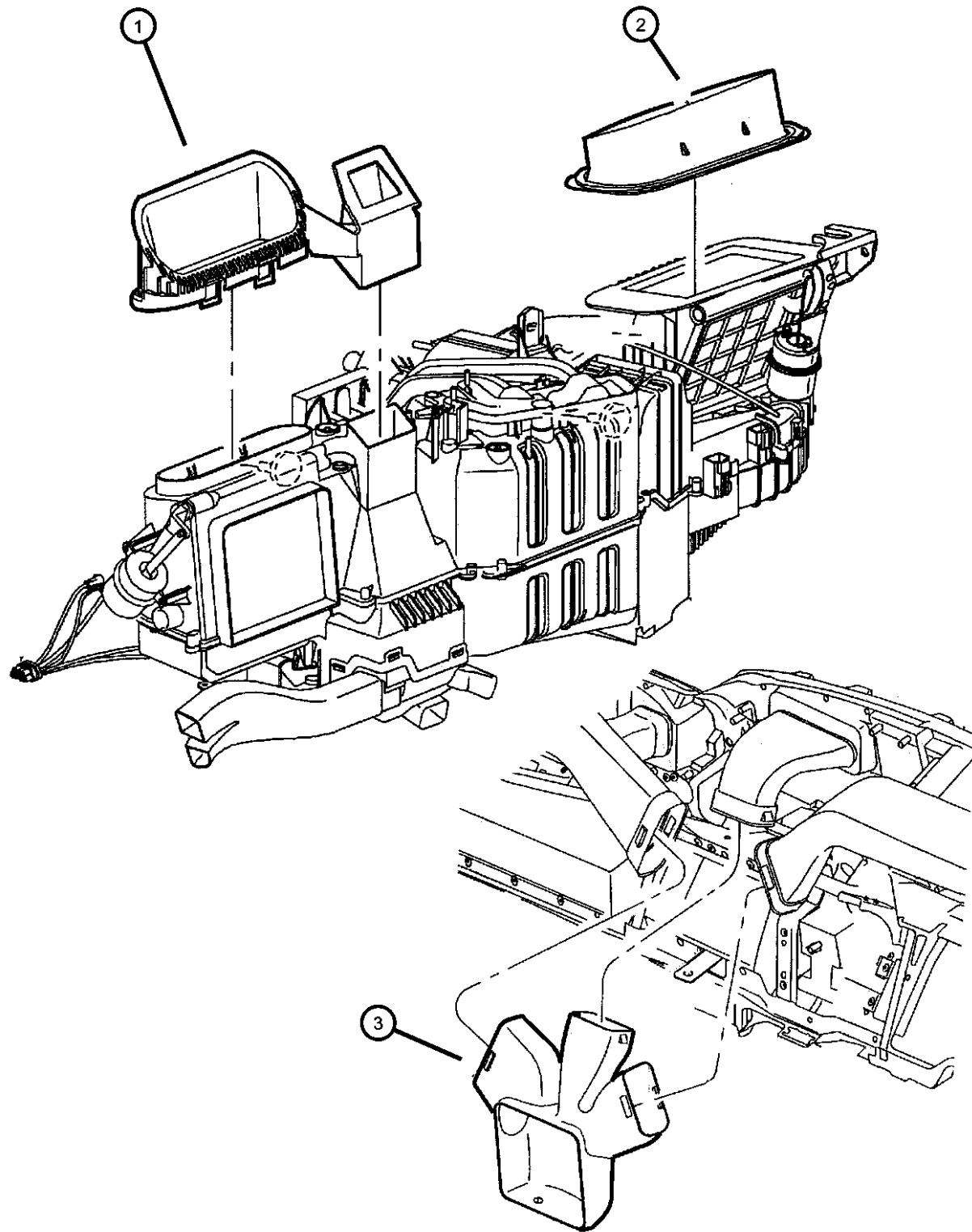
**RAM PICKUP/CLUB CAB (BE)**

SERIES	LINE	BODY	ENGINE	TRANSMISSION
L = Ram Truck (All)	3 = HD DODGE 2WD	31 = CLUB CAB 2-DR 6.5 FT BOX	ELF = ENGINE - 5.2L V8 MPI	DDC = TRANSMISSION - 5-SPEED HD MANUAL
	8 = HD DODGE 4WD	32 = CLUB CAB 2-DR 8FT BOX	EML = ENGINE - 5.9L V8 MPI	DDP = TRANSMISSION - 5-SPEED MANUAL
	1 = Lt. Duty DODGE 2WD	33 = QUAD CAB 4-DR 6.5 FT BOX	EMM = ENGINE - "MAGNUM" 5.9L SMPI V8	DDX = TRANSMISSION - 5-SPEED HD MANUAL
	6 = Lt. Duty DODGE 4WD	34 = QUAD CAB 4-DR 8FT BOX	ETC = ENGINE- 5.9L CUMMINS 24V DIESEL	DEE = TRANSMISSION - 6-SPEED HD MANUAL
	2 = Med. Duty DODGE 2WD		ETH = ENGINE- 5.9L HO CUMMINS TURBO DIESEL	DGP = TRANSMISSION - 4-SPD. AUTOMATIC,47RE
	7 = Med. Duty DODGE 4WD		EWA = ENGINE - 8.0L V10 MPI	DGT = TRANSMISSION - 4-SPD. AUTOMATIC,46RE

AR = use ase required - = Non illustrated part

2000 BE

**Air Ducts**  
**Figure 24-630**



ITEM	PART NUMBER	QTY	LINE	SERIES	BODY	ENGINE	TRANS	TRIM	DESCRIPTION
------	-------------	-----	------	--------	------	--------	-------	------	-------------

Note: All other distribution ducts are serviced in instrument panel.

1	55055442	1							ADAPTER, Defroster Duct
2	55036517	1							BAFFLE, Air Intake
3	55115857AC	1							DUCT, Air Distribution

**RAM PICKUP/CLUB CAB (BE)**

SERIES	LINE	BODY	ENGINE	TRANSMISSION
L = Ram Truck (All)	3 = HD DODGE 2WD	31 = CLUB CAB 2-DR 6.5 FT BOX	ELF = ENGINE - 5.2L V8 MPI	DDC = TRANSMISSION - 5-SPEED HD MANUAL
	8 = HD DODGE 4WD	32 = CLUB CAB 2-DR 8FT BOX	EML = ENGINE - 5.9L V8 MPI	DDP = TRANSMISSION - 5-SPEED MANUAL
	1 = Lt. Duty DODGE 2WD	33 = QUAD CAB 4-DR 6.5 FT BOX	EMM = ENGINE - "MAGNUM" 5.9L SMPI V8	DDX = TRANSMISSION - 5-SPEED HD MANUAL
	6 = Lt. Duty DODGE 4WD	34 = QUAD CAB 4-DR 8FT BOX	ETC = ENGINE- 5.9L CUMMINS 24V DIESEL	DEE = TRANSMISSION - 6-SPEED HD MANUAL
	2 = Med. Duty DODGE 2WD		ETH = ENGINE- 5.9L HO CUMMINS TURBO DIESEL	DGP = TRANSMISSION - 4-SPD. AUTOMATIC,47RE
	7 = Med. Duty DODGE 4WD		EWA = ENGINE - 8.0L V10 MPI	DGT = TRANSMISSION - 4-SPD. AUTOMATIC,46RE

AR = use ase required - = Non illustrated part

2000 BE



# Group - 25

## Emission Systems

### Group - 25 Emission Systems

Group-Fig. No.

Illustration Title

#### Emission Labels

Emission Labels ..... Fig. 25 - 140

#### Vacuum Canister

Vacuum Canister ..... Fig. 25 - 340

#### Emission Harness

Emission Control Vacuum Harness ..... Fig. 25 - 440

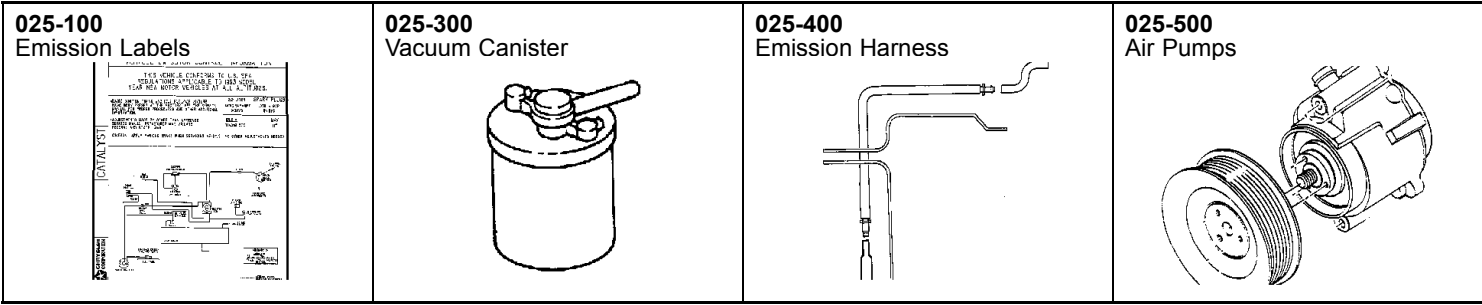
Leak Detection Pump ..... Fig. 25 - 450

Vacuum Pump ..... Fig. 25 - 470

#### Air Pumps

Air Pump ..... Fig. 25 - 510

Air Injection Plumbing ..... Fig. 25 - 520



Emission Labels  
Figure 25-140

ITEM	PART NUMBER	QTY	LINE	SERIES	BODY	ENGINE	TRANS	TRIM	DESCRIPTION
------	-------------	-----	------	--------	------	--------	-------	------	-------------

1

**IMPORTANT VEHICLE INFORMATION**

THIS VEHICLE CONFORMS TO U.S. EPA REGULATIONS APPLICABLE TO 19XX MODEL YEAR NEW LIGHT-DUTY TRUCKS WITH A CURB WEIGHT GREATER THAN POUNDS AT ALL ALTITUDES.

CATALYST

\* BASIC IGNITION TIMING AND IDLE FUEL/AIR MIXTURE HAVE BEEN PRESET AT THE FACTORY. SEE THE SERVICE MANUAL FOR PROPER PROCEDURES AND OTHER ADDITIONAL INFORMATION.

◦ ADJUSTMENTS MADE BY OTHER THAN APPROVED SERVICE MANUAL PROCEDURES MAY VIOLATE FEDERAL AND STATE LAWS.

CAUTION : APPLY PARKING BRAKE WHEN SERVICING VEHICLE.

<b>XX LITER</b> NCR5. 2T5FEX3 NCRTG	<b>SPARK PLUGS</b>
<b>IDLE *</b> TIMING BTC	<b>MAN AUTO</b> <b>X X</b>
<b>NO OTHER ADJUSTMENTS NEEDED</b>	

FRONT OF VEHICLE



Note:

- DBB = All Manual Transmissions
- DG0 = All Automatic Transmissions
- ELF = Magnum 5.2L SMPI V8 Engine
- EML = Magnum 5.9L SMPI V8 Engine
- EWA = Magnum 8.0L V10 MPI Engine

1

ITEM	PART NUMBER	QTY	LINE	SERIES	BODY	ENGINE	TRANS	TRIM	DESCRIPTION
	52102734AA	1	2, 3, 7		33, 34	EWA			LABEL, Emission
	53032282AA	1	1		31, 33	ELF			Federal, Export
	53032283AA	1	1		31, 33	ELF			Canada
	53032286AA	1	6		31, 33	ELF			Federal, Export
	53032287AA	1	6		31, 33	ELF			Canada
	53032288AA	1	1, 6		34	ELF			Federal, Export
	53032289AA	1	1, 6		34	ELF			Canada
	53032290AA	1	1		31, 33	ELF	DBB		California
	53032291AA	1	1		31, 33	ELF	DG0		California
	53032294AA	1	6		31, 33	ELF	DBB		California
	53032295AA	1	6		31, 33	ELF	DG0		California
	53032296AA	1	1, 6		34	ELF	DBB		California
	53032297AA	1	1, 6		34	ELF	DG0		California
	53032298AA	1	1		31, 33	EML	DG0		Federal, Export
	53032299AA	1	1		31, 33	EML	DG0		Canada
	53032302AA	1	6		31, 33	EML	DG0		Federal, Export
	53032303AA	1	6		31, 33	EML	DG0		Canada
	53032304AA	1	1, 6		34	EML	DG0		Federal, Export
	53032309AA	1	1, 6		34	EML	DG0		Canada
	53032310AA	1	2, 7		33, 34	EML			Federal, Export
	53032311AA	1	2, 7		33, 34	EML			Canada
	53032312AA	1	1		31, 33	EML			California
	53032314AA	1	2, 3, 7, 8		33, 34	EML	DBB		California
	53032317AA	1	6		31, 33	EML	DG0		California
	53032318AA	1	1, 6, 7		34	EML	DG0		California

RAM PICKUP/CLUB CAB (BE)

SERIES	LINE	BODY	ENGINE	TRANSMISSION
L = Ram Truck (All)	3 = HD DODGE 2WD 8 = HD DODGE 4WD 1 = Lt. Duty DODGE 2WD 6 = Lt. Duty DODGE 4WD 2 = Med. Duty DODGE 2WD 7 = Med. Duty DODGE 4WD	31 = CLUB CAB 2-DR 6.5 FT BOX 32 = CLUB CAB 2-DR 8FT BOX 33 = QUAD CAB 4-DR 6.5 FT BOX 34 = QUAD CAB 4-DR 8FT BOX	ELF = ENGINE - 5.2L V8 MPI EML = ENGINE - 5.9L V8 MPI EMM = ENGINE - "MAGNUM" 5.9L SMPI V8 ETC = ENGINE- 5.9L CUMMINS 24V DIESEL ETH = ENGINE- 5.9L HO CUMMINS TURBO DIESEL EWA = ENGINE - 8.0L V10 MPI	DDC = TRANSMISSION - 5-SPEED HD MANUAL DDP = TRANSMISSION - 5-SPEED MANUAL DDX = TRANSMISSION - 5-SPEED HD MANUAL DEE = TRANSMISSION - 6-SPEED HD MANUAL DGP = TRANSMISSION - 4-SPD. AUTOMATIC, 47RE DGT = TRANSMISSION - 4-SPD. AUTOMATIC, 46RE

AR = use ase required - = Non illustrated part

Emission Labels  
Figure 25-140

ITEM	PART NUMBER	QTY	LINE	SERIES	BODY	ENGINE	TRANS	TRIM	DESCRIPTION
	53032319AA	1	2, 3, 7, 8		33, 34	EML	DG0		California
	53032321AA	1	3, 8		34	EMM			Federal, Export, Engine Information
	53032322AA	1	3, 8		34	EMM			Canada, Engine Information
	53032323AA	1	3, 8		34	EMM			Federal, Export, Body Information
	53032324AA	1	3, 8		34	EMM			Canada, Body Information
	53032325AA	1	2, 3, 7, 8		33, 34	EWA			Federal, Export, Engine Information
	53032326AA	1	2, 3, 7, 8		33, 34	EWA			Canada, Engine Information
	53032327AA	1	2, 3, 7, 8		33, 34	EWA			Federal, Export, Body Information
	53032328AA	1	2, 3, 7, 8		33, 34	EWA			Canada, Body Information
	53032329AA	1	2, 3, 7		33, 34	EWA			California
	53032331AA	1	8		34	EWA			California

1

**IMPORTANT VEHICLE INFORMATION**

THIS VEHICLE CONFORMS TO U.S. EPA REGULATIONS APPLICABLE TO 19XX MODEL YEAR NEW LIGHT-DUTY TRUCKS WITH A CURB WEIGHT GREATER THAN      POUNDS AT ALL ALTITUDES.

\* BASIC IGNITION TIMING AND IDLE FUEL/AIR MIXTURE HAVE BEEN PRESET AT THE FACTORY. SEE THE SERVICE MANUAL FOR PROPER PROCEDURES AND OTHER ADDITIONAL INFORMATION.

◦ ADJUSTMENTS MADE BY OTHER THAN APPROVED SERVICE MANUAL PROCEDURES MAY VIOLATE FEDERAL AND STATE LAWS.

CAUTION : APPLY PARKING BRAKE WHEN SERVICING VEHICLE.

**XX LITER**  
NCR5, 2T5FEX3  
NCRTG

**SPARK PLUGS**

IDLE *	MAN	AUTO
TIMING BTC	X	X

**NO OTHER ADJUSTMENTS NEEDED**

CATALYST

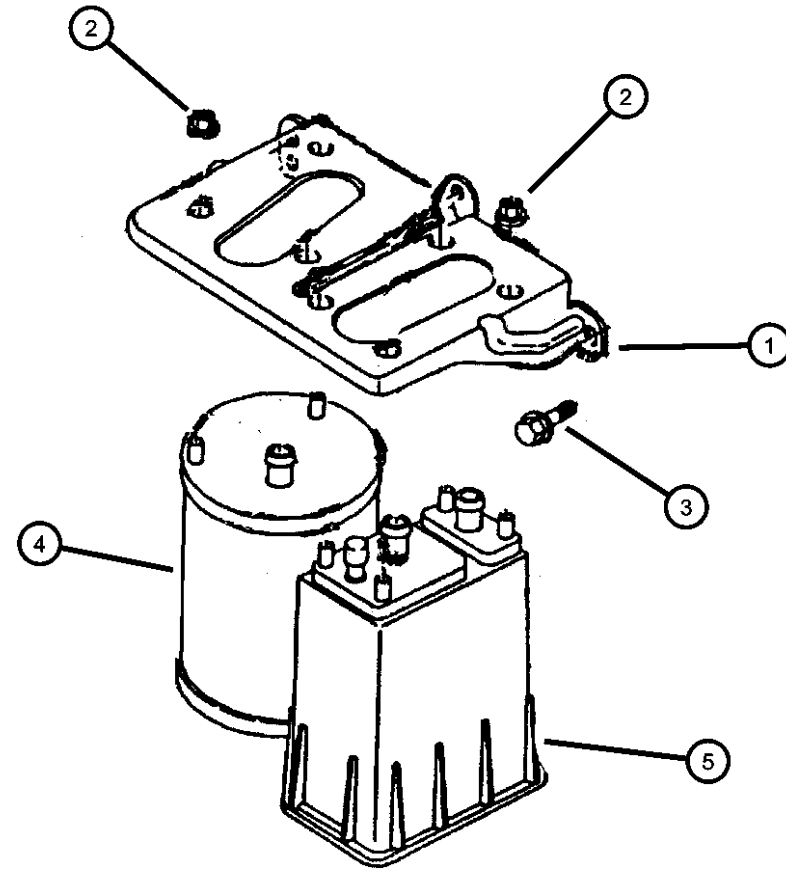


**RAM PICKUP/CLUB CAB (BE)**

SERIES	LINE	BODY	ENGINE	TRANSMISSION
L = Ram Truck (All)	3 = HD DODGE 2WD 8 = HD DODGE 4WD 1 = Lt. Duty DODGE 2WD 6 = Lt. Duty DODGE 4WD 2 = Med. Duty DODGE 2WD 7 = Med. Duty DODGE 4WD	31 = CLUB CAB 2-DR 6.5 FT BOX 32 = CLUB CAB 2-DR 8FT BOX 33 = QUAD CAB 4-DR 6.5 FT BOX 34 = QUAD CAB 4-DR 8FT BOX	ELF = ENGINE - 5.2L V8 MPI EML = ENGINE - 5.9L V8 MPI EMM = ENGINE - "MAGNUM" 5.9L SMPI V8 ETC = ENGINE- 5.9L CUMMINS 24V DIESEL ETH = ENGINE- 5.9L HO CUMMINS TURBO DIESEL EWA = ENGINE - 8.0L V10 MPI	DDC = TRANSMISSION - 5-SPEED HD MANUAL DDP = TRANSMISSION - 5-SPEED MANUAL DDX = TRANSMISSION - 5-SPEED HD MANUAL DEE = TRANSMISSION - 6-SPEED HD MANUAL DGP = TRANSMISSION - 4-SPD. AUTOMATIC, 47RE DGT = TRANSMISSION - 4-SPD. AUTOMATIC, 46RE

AR = use ase required - = Non illustrated part

Vacuum Canister  
Figure 25-340



ITEM	PART NUMBER	QTY	LINE	SERIES	BODY	ENGINE	TRANS	TRIM	DESCRIPTION
Note: DG0 = All Automatic Transmissions ELO = All 5.2L 8 Cyl Gas Engines EM0 = All 5.9L 8 Cyl Gas Engines EWO = All 8.0L Gas Engines									
1	53030893AB	1				ELO, EM0, EWO			BRACKET, Vapor Canister
2	06500284	4				ELO, EM0, EWO			NUT, Hex, M6x1.00
		3				ELO, EM0, EWO			
		2				ET0	DG0		
3		2							BOLT, M8x1.25x13.00, (NOT SERVICED)
4	53031584AC	1				ELO, EM0, EWO			CANISTER, Fuel Vapor
5	53030837	1				ELO, EM0, EWO			CANISTER, Vapor

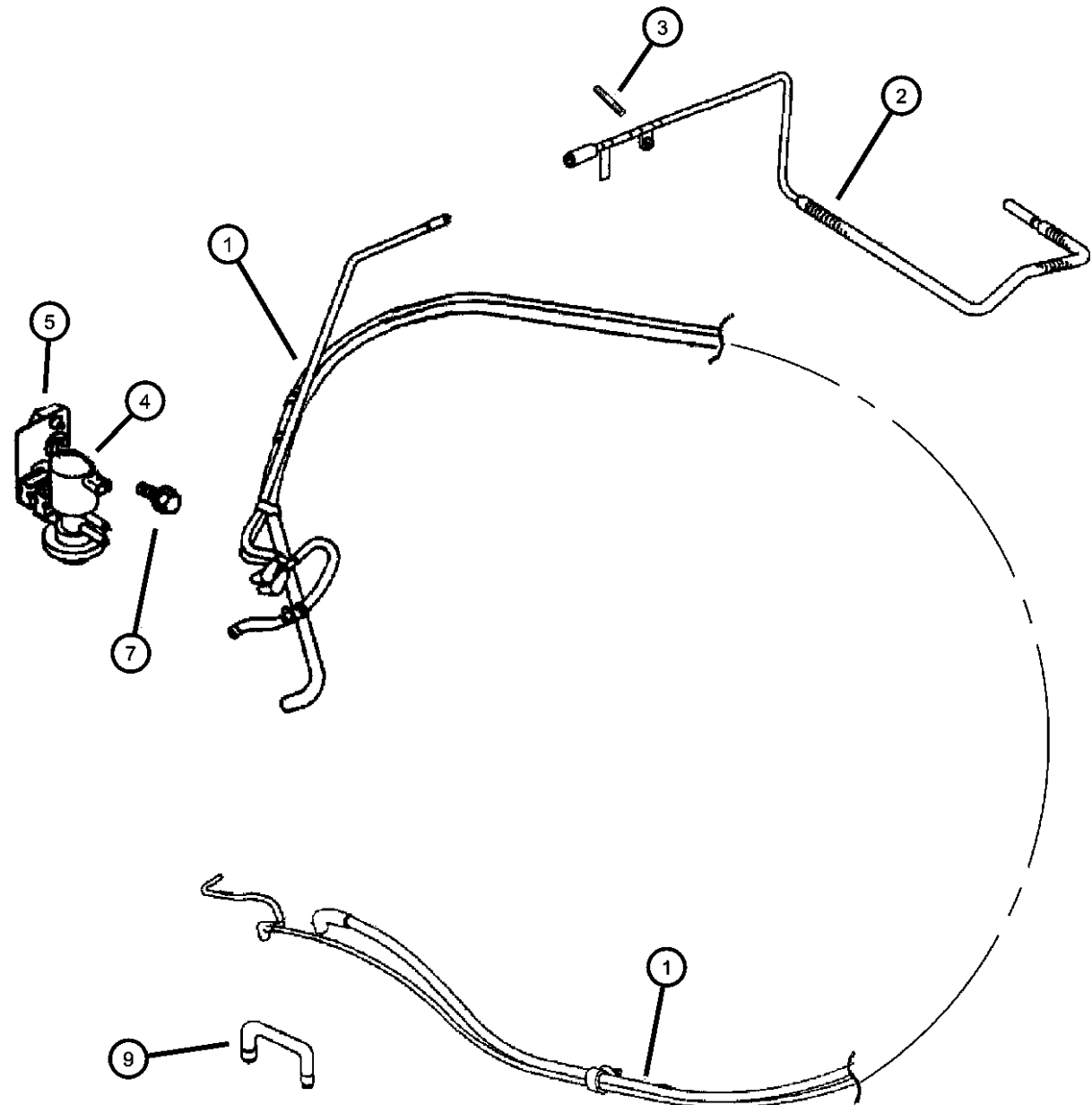
RAM PICKUP/CLUB CAB (BE)

SERIES	LINE	BODY	ENGINE	TRANSMISSION
L = Ram Truck (All)	3 = HD DODGE 2WD	31 = CLUB CAB 2-DR 6.5 FT BOX	ELF = ENGINE - 5.2L V8 MPI	DDC = TRANSMISSION - 5-SPEED HD MANUAL
	8 = HD DODGE 4WD	32 = CLUB CAB 2-DR 8FT BOX	EML = ENGINE - 5.9L V8 MPI	DDP = TRANSMISSION - 5-SPEED MANUAL
	1 = Lt. Duty DODGE 2WD	33 = QUAD CAB 4-DR 6.5 FT BOX	EMM = ENGINE - "MAGNUM" 5.9L SMPI V8	DDX = TRANSMISSION - 5-SPEED HD MANUAL
	6 = Lt. Duty DODGE 4WD	34 = QUAD CAB 4-DR 8FT BOX	ETC = ENGINE- 5.9L CUMMINS 24V DIESEL	DEE = TRANSMISSION - 6-SPEED HD MANUAL
	2 = Med. Duty DODGE 2WD		ETH = ENGINE- 5.9L HO CUMMINS TURBO DIESEL	DGP = TRANSMISSION - 4-SPD. AUTOMATIC,47RE
	7 = Med. Duty DODGE 4WD		EWA = ENGINE - 8.0L V10 MPI	DGT = TRANSMISSION - 4-SPD. AUTOMATIC,46RE

AR = use ase required - = Non illustrated part

2000 BE

**Emission Control Vacuum Harness  
Figure 25-440**



ITEM	PART NUMBER	QTY	LINE	SERIES	BODY	ENGINE	TRANS	TRIM	DESCRIPTION
------	-------------	-----	------	--------	------	--------	-------	------	-------------

Note:  
 ELO = All 5.2L 8 Cyl Gas Engines  
 EM0 = All 5.9L 8 Cyl Gas Engines  
 EW0 = All 8.0L Gas Engines

1									HARNESS, Vacuum Canister Purge
	53032155AC	1				ELO, EM0, EW0			Federal, Canada Emissions - Federal
	53032156AC	1				ELO, EM0, EW0			California - 2001 Emissions Tracking
2									HARNESS, Emission Control [With S/C XCJ]
	53032153	1				ELO, EM0			
	53032154	1				EW0			
3	06503159	1				EW0			STUD, Double Ended, M6x1.0x38
4	04669475AB	1				ELO, EM0, EW0			SOLENOID, Duty Cycle Purge
5	04865228AA	1				ELO, EM0, EW0			SOLENOID, Duty Cycle Purge, Federal, Canada
-6	04897709AA	1				ELO, EM0, EW0			BRACKET PACKAGE, LDP/DCP And Filter, California
7	06035956AA	1				ELO, EM0, EW0			SCREW, .250-14X1.500
-8	06101839	3				ELO, EM0, EW0			SCREW AND WASHER, Hex Head, M8x1.25x40
9	53031611AC	1				ELO, EM0, EW0			HOSE, Carbon Canister
-10									HARNESS, Emission Control Vacuum
	53041076	1				EW0			
	55036098	1				ELO, EM0			

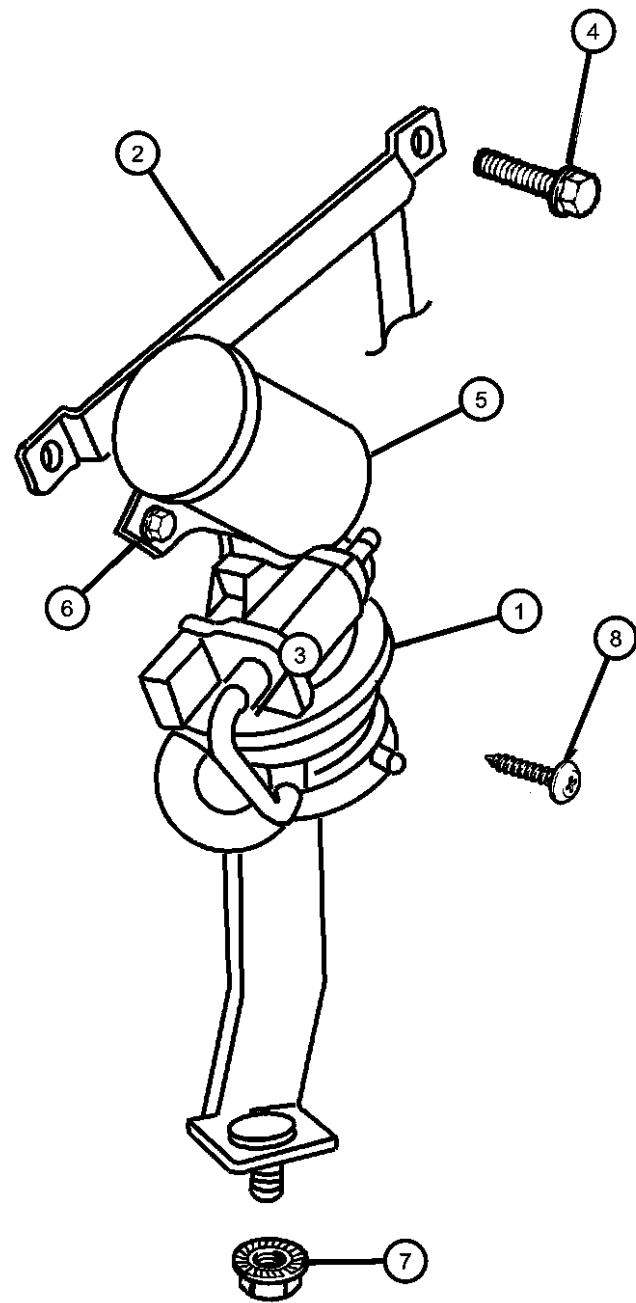
**RAM PICKUP/CLUB CAB (BE)**

SERIES	LINE	BODY	ENGINE	TRANSMISSION
L = Ram Truck (All)	3 = HD DODGE 2WD 8 = HD DODGE 4WD 1 = Lt. Duty DODGE 2WD 6 = Lt. Duty DODGE 4WD 2 = Med. Duty DODGE 2WD 7 = Med. Duty DODGE 4WD	31 = CLUB CAB 2-DR 6.5 FT BOX 32 = CLUB CAB 2-DR 8FT BOX 33 = QUAD CAB 4-DR 6.5 FT BOX 34 = QUAD CAB 4-DR 8FT BOX	ELF = ENGINE - 5.2L V8 MPI EML = ENGINE - 5.9L V8 MPI EMM = ENGINE - "MAGNUM" 5.9L SMPI V8 ETC = ENGINE- 5.9L CUMMINS 24V DIESEL ETH = ENGINE- 5.9L HO CUMMINS TURBO DIESEL EWA = ENGINE - 8.0L V10 MPI	DDC = TRANSMISSION - 5-SPEED HD MANUAL DDP = TRANSMISSION - 5-SPEED MANUAL DDX = TRANSMISSION - 5-SPEED HD MANUAL DEE = TRANSMISSION - 6-SPEED HD MANUAL DGP = TRANSMISSION - 4-SPD. AUTOMATIC, 47RE DGT = TRANSMISSION - 4-SPD. AUTOMATIC, 46RE

AR = use ase required - = Non illustrated part

2000 BE

**Leak Detection Pump  
Figure 25-450**



ITEM	PART NUMBER	QTY	LINE	SERIES	BODY	ENGINE	TRANS	TRIM	DESCRIPTION
------	-------------	-----	------	--------	------	--------	-------	------	-------------

Note:

ELO = All 5.2L 8 Cyl Gas Engines

EM0 = All 5.9L 8 Cyl Gas Engines

EW0 = All 8.0L Gas Engines

1	04669336AD	1				ELO, EM0, EW0			PUMP, Leak Detection
2	04897709AA	1				ELO, EM0, EW0			BRACKET PACKAGE, LDP/DCP And Filter
3	53030877	1				ELO, EM0, EW0			HOSE, Filter to Leak Detection Pump
4	06101839	3				ELO, EM0, EW0			SCREW AND WASHER, Hex Head, M8x1.25x40
5	04612901	1				ELO, EM0, EW0			FILTER, Fuel Vapor Vent
6	04612901	1							SCREW, M6x1.00x11.00, (NOT SERVICED)
7	06100051	1				ELO, EM0, EW0			NUT AND WASHER, Hex Nut-Coned Washer, M8 x 1.25
8	06035482	3				ELO, EM0, EW0			SCREW, Tapping, .19-16x.375
-9	05017181AA	1				ELO, EM0, EW0			BRACKET, Duty Cycle Purge Solenoid

**RAM PICKUP/CLUB CAB (BE)**

SERIES	LINE	BODY	ENGINE	TRANSMISSION
L = Ram Truck (All)	3 = HD DODGE 2WD 8 = HD DODGE 4WD 1 = Lt. Duty DODGE 2WD 6 = Lt. Duty DODGE 4WD 2 = Med. Duty DODGE 2WD 7 = Med. Duty DODGE 4WD	31 = CLUB CAB 2-DR 6.5 FT BOX 32 = CLUB CAB 2-DR 8FT BOX 33 = QUAD CAB 4-DR 6.5 FT BOX 34 = QUAD CAB 4-DR 8FT BOX	ELF = ENGINE - 5.2L V8 MPI EML = ENGINE - 5.9L V8 MPI EMM = ENGINE - "MAGNUM" 5.9L SMPI V8 ETC = ENGINE- 5.9L CUMMINS 24V DIESEL ETH = ENGINE- 5.9L HO CUMMINS TURBO DIESEL EWA = ENGINE - 8.0L V10 MPI	DDC = TRANSMISSION - 5-SPEED HD MANUAL DDP = TRANSMISSION - 5-SPEED MANUAL DDX = TRANSMISSION - 5-SPEED HD MANUAL DEE = TRANSMISSION - 6-SPEED HD MANUAL DGP = TRANSMISSION - 4-SPD. AUTOMATIC, 47RE DGT = TRANSMISSION - 4-SPD. AUTOMATIC, 46RE

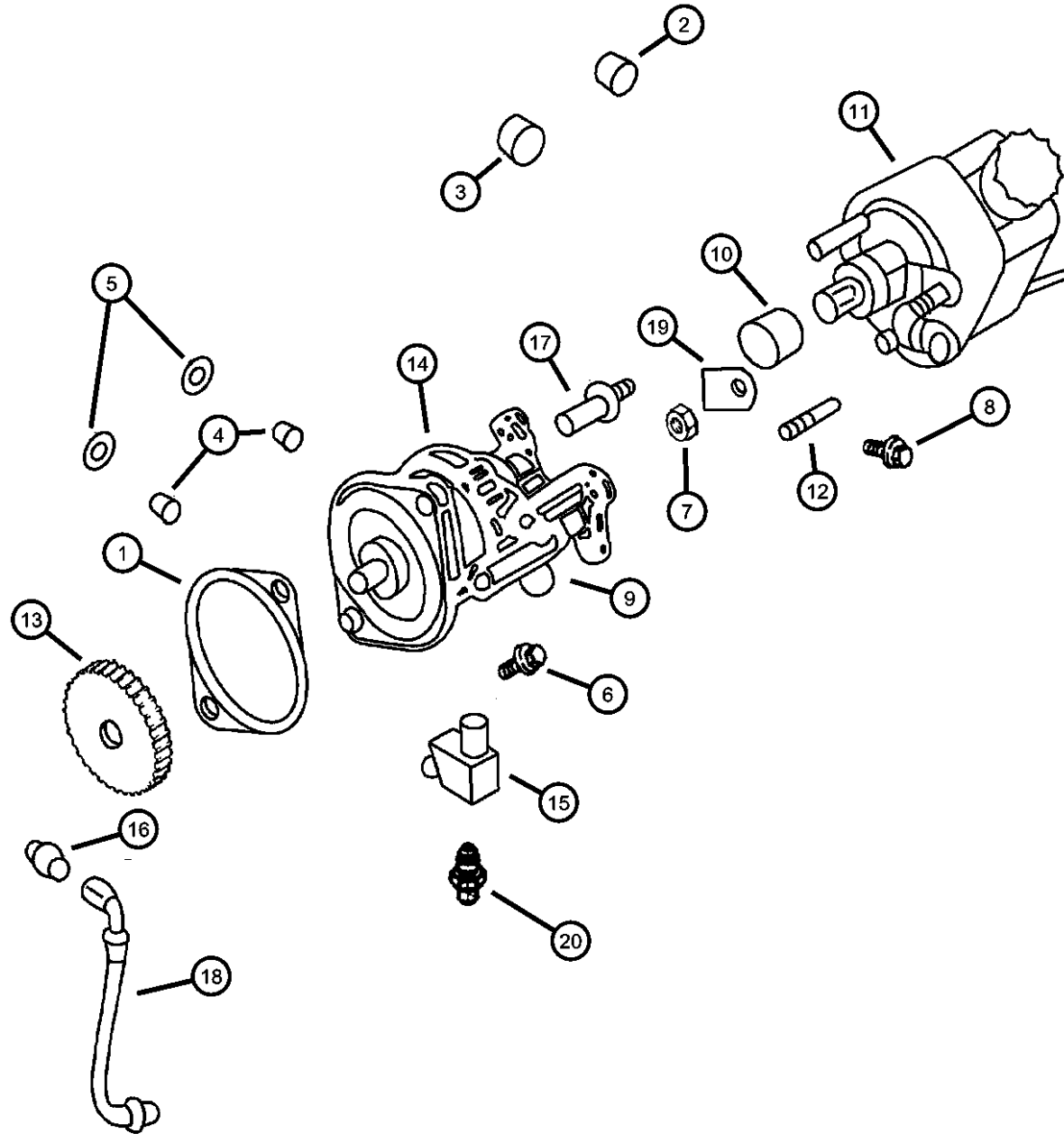
AR = use ase required - = Non illustrated part

2000 BE

**Vacuum Pump  
Figure 25-470**

ITEM	PART NUMBER	QTY	LINE	SERIES	BODY	ENGINE	TRANS	TRIM	DESCRIPTION
------	-------------	-----	------	--------	------	--------	-------	------	-------------

Note:  
 DBB = All Manual Transmissions  
 ETC = 5.9L Cummins 24V Diesel Engine  
 ETH = 5.9L HO Cummins Turbo Diesel Engine



1	04638531	1				ETC			GASKET, Hydraulic Pump
		1				ETH	DBB		
2	04429568	1				ETC	DBB		PLUG, Pipe
		1				ETH	DBB		
3	04429369	1				ETC			PLUG, Pipe
		1				ETH	DBB		
4	05003614AA	4				ETC			PLUG, Expansion
		2				ETH	DBB		
5	05003604AA	2				ETC			O RING
		1				ETH	DBB		
6	04429637	1				ETC			SCREW, Hex Head, M12X1.75X.35
		1				ETH	DBB		
7	04429862	1				ETC			NUT, Hex Flange, M10x1.5
		1				ETH	DBB		
8	05011818AA	1				ETC			SCREW, Hex Head, M8x1.25x12
		1				ETH	DBB		
9	04429862	1				ETC			NUT, Hex Flange, M10x1.5
		1				ETH	DBB		

**RAM PICKUP/CLUB CAB (BE)**

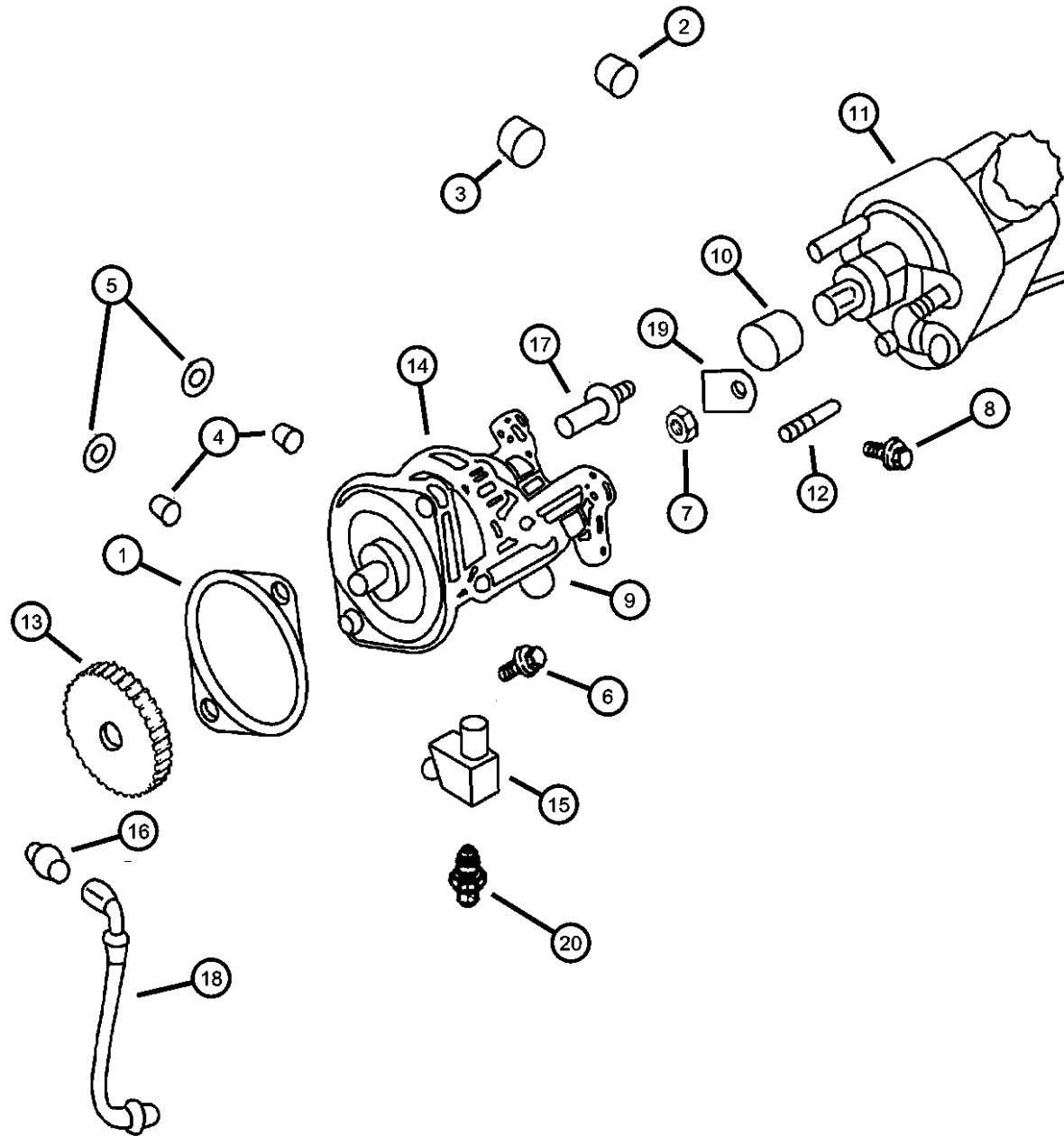
SERIES	LINE	BODY	ENGINE	TRANSMISSION
L = Ram Truck (All)	3 = HD DODGE 2WD 8 = HD DODGE 4WD 1 = Lt. Duty DODGE 2WD 6 = Lt. Duty DODGE 4WD 2 = Med. Duty DODGE 2WD 7 = Med. Duty DODGE 4WD	31 = CLUB CAB 2-DR 6.5 FT BOX 32 = CLUB CAB 2-DR 8FT BOX 33 = QUAD CAB 4-DR 6.5 FT BOX 34 = QUAD CAB 4-DR 8FT BOX	ELF = ENGINE - 5.2L V8 MPI EML = ENGINE - 5.9L V8 MPI EMM = ENGINE - "MAGNUM" 5.9L SMPI V8 ETC = ENGINE- 5.9L CUMMINS 24V DIESEL ETH = ENGINE- 5.9L HO CUMMINS TURBO DIESEL EWA = ENGINE - 8.0L V10 MPI	DDC = TRANSMISSION - 5-SPEED HD MANUAL DDP = TRANSMISSION - 5-SPEED MANUAL DDX = TRANSMISSION - 5-SPEED HD MANUAL DEE = TRANSMISSION - 6-SPEED HD MANUAL DGP = TRANSMISSION - 4-SPD. AUTOMATIC,47RE DGT = TRANSMISSION - 4-SPD. AUTOMATIC,46RE

AR = use ase required - = Non illustrated part

2000 BE

Vacuum Pump  
Figure 25-470

ITEM	PART NUMBER	QTY	LINE	SERIES	BODY	ENGINE	TRANS	TRIM	DESCRIPTION
10	04728162	1				ETC			HUB, Hydraulic Brake Pump
		1				ETH	DBB		
11	04883960AA	1				ETC			PUMP, Power Steering
12	04761972	4				ETC			STUD
		4				ETH	DBB		
13	05011797AA	1				ETC			GEAR, Accessory Drive
		1				ETH	DBB		
14	05011796AA	1				ETC			PUMP, Vacuum
		1				ETH	DBB		
15	05011617AA	1				ETC			CHECK VALVE, Vacuum Pump
		1				ETH	DBB		
16	05003637AA	1				ETC			NIPPLE, Pump
		1				ETH	DBB		
17	05011421AA	1				ETC			SCREW
		1				ETH	DBB		
18	05011428AA	1				ETC			HOSE, Vacuum Pump
		1				ETH	DBB		ETC Only
	05015841AA	1				ETH	DBB		ETC+XCK and ETH All
19	05011799AA	1				ETC			BRACKET, Vacuum Pump
		1				ETH	DBB		
20	04638529	1				ETC			CONNECTOR, Vacuum, With Caps



RAM PICKUP/CLUB CAB (BE)

SERIES	LINE	BODY	ENGINE	TRANSMISSION
L = Ram Truck (All)	3 = HD DODGE 2WD 8 = HD DODGE 4WD 1 = Lt. Duty DODGE 2WD 6 = Lt. Duty DODGE 4WD 2 = Med. Duty DODGE 2WD 7 = Med. Duty DODGE 4WD	31 = CLUB CAB 2-DR 6.5 FT BOX 32 = CLUB CAB 2-DR 8FT BOX 33 = QUAD CAB 4-DR 6.5 FT BOX 34 = QUAD CAB 4-DR 8FT BOX	ELF = ENGINE - 5.2L V8 MPI EML = ENGINE - 5.9L V8 MPI EMM = ENGINE - "MAGNUM" 5.9L SMPI V8 ETC = ENGINE- 5.9L CUMMINS 24V DIESEL ETH = ENGINE- 5.9L HO CUMMINS TURBO DIESEL EWA = ENGINE - 8.0L V10 MPI	DDC = TRANSMISSION - 5-SPEED HD MANUAL DDP = TRANSMISSION - 5-SPEED MANUAL DDX = TRANSMISSION - 5-SPEED HD MANUAL DEE = TRANSMISSION - 6-SPEED HD MANUAL DGP = TRANSMISSION - 4-SPD. AUTOMATIC, 47RE DGT = TRANSMISSION - 4-SPD. AUTOMATIC, 46RE

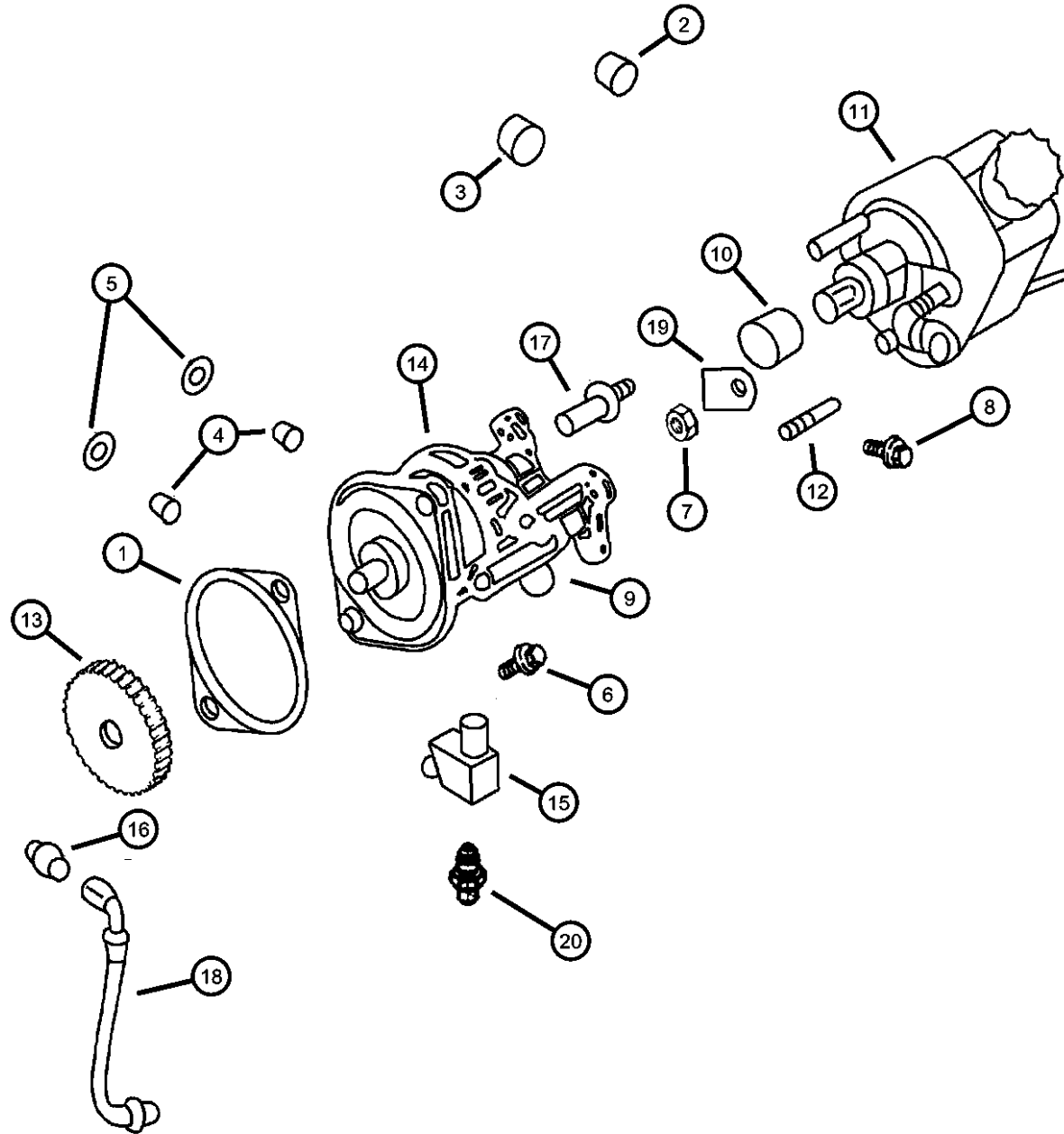
AR = use ase required - = Non illustrated part

2000 BE



Vacuum Pump  
Figure 25-470

ITEM	PART NUMBER	QTY	LINE	SERIES	BODY	ENGINE	TRANS	TRIM	DESCRIPTION
-21	05140342AA	1				ETH	DBB		SEAL KIT, Vacuum Pump
		1				ETC			
		1				ETH	DBB		



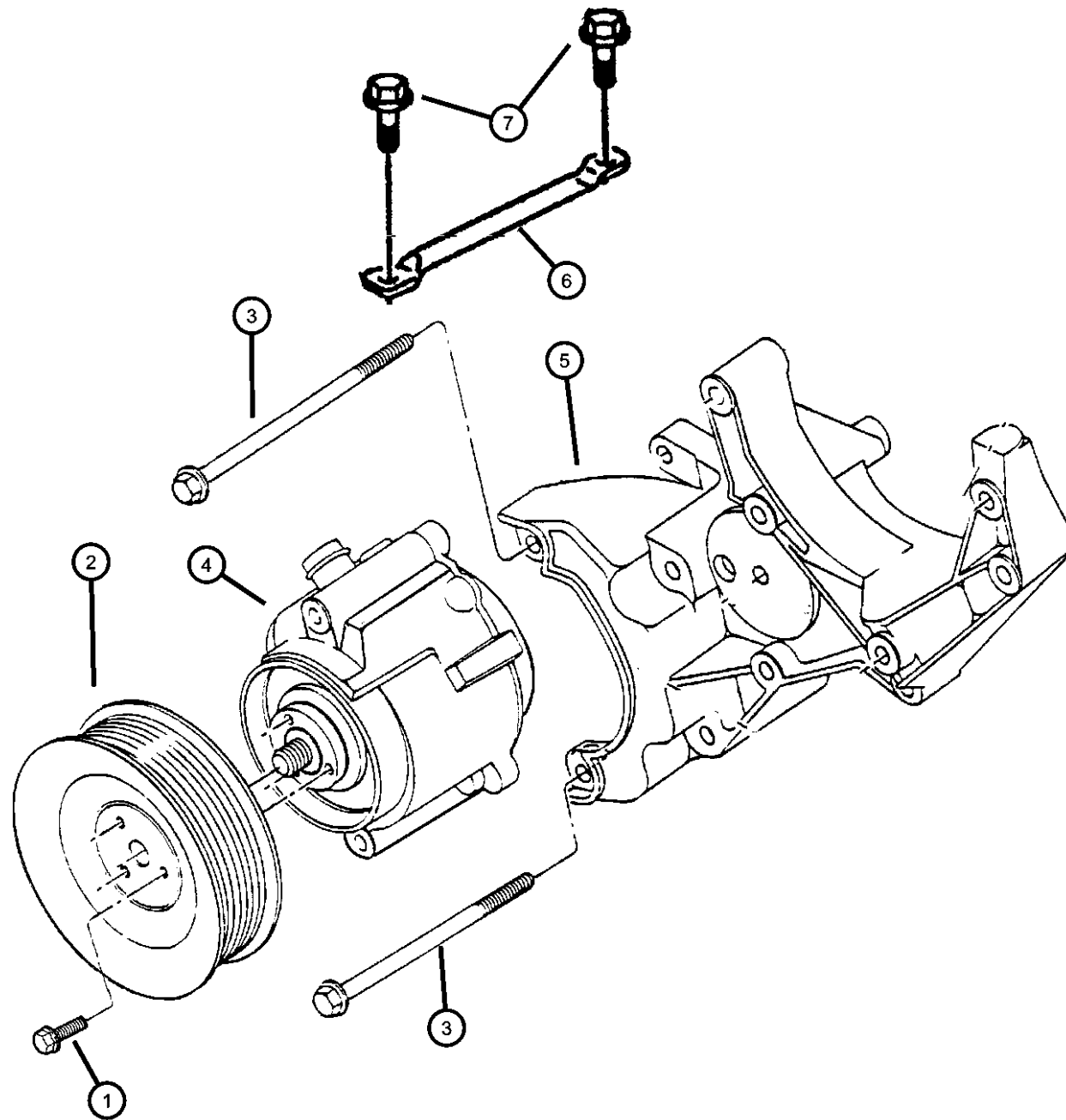
RAM PICKUP/CLUB CAB (BE)

SERIES	LINE	BODY	ENGINE	TRANSMISSION
L = Ram Truck (All)	3 = HD DODGE 2WD 8 = HD DODGE 4WD 1 = Lt. Duty DODGE 2WD 6 = Lt. Duty DODGE 4WD 2 = Med. Duty DODGE 2WD 7 = Med. Duty DODGE 4WD	31 = CLUB CAB 2-DR 6.5 FT BOX 32 = CLUB CAB 2-DR 8FT BOX 33 = QUAD CAB 4-DR 6.5 FT BOX 34 = QUAD CAB 4-DR 8FT BOX	ELF = ENGINE - 5.2L V8 MPI EML = ENGINE - 5.9L V8 MPI EMM = ENGINE - "MAGNUM" 5.9L SMPI V8 ETC = ENGINE- 5.9L CUMMINS 24V DIESEL ETH = ENGINE- 5.9L HO CUMMINS TURBO DIESEL EWA = ENGINE - 8.0L V10 MPI	DDC = TRANSMISSION - 5-SPEED HD MANUAL DDP = TRANSMISSION - 5-SPEED MANUAL DDX = TRANSMISSION - 5-SPEED HD MANUAL DEE = TRANSMISSION - 6-SPEED HD MANUAL DGP = TRANSMISSION - 4-SPD. AUTOMATIC,47RE DGT = TRANSMISSION - 4-SPD. AUTOMATIC,46RE

AR = use ase required - = Non illustrated part

2000 BE

**Air Pump  
Figure 25-510**



ITEM	PART NUMBER	QTY	LINE	SERIES	BODY	ENGINE	TRANS	TRIM	DESCRIPTION
------	-------------	-----	------	--------	------	--------	-------	------	-------------

Note:  
EMM = Magnum 5.9L SMPI V8 Engine  
EW0 = All 8.0L Gas Engines

1									SCREW AND WASHER, Hex Head, M6x1x18
	06501714	3				EMM			
		3				EW0			
2									PULLEY, Air Pump
	53008638	1				EMM			
		1				EW0			
3									BOLT, .375-16x5.0, (NOT SERVICED)
4									PUMP, Fuel Injection
	53030503	1				EMM			
		1				EW0			
5									BRACKET, Air Pump And Tensioner
	53005621AB	1				EW0			
	53008344	1				EMM			
6	53010013AB	1				EW0			BRACE, Alternator
7	53010013AB	1							BOLT, .312-18x.75, (NOT SERVICED)

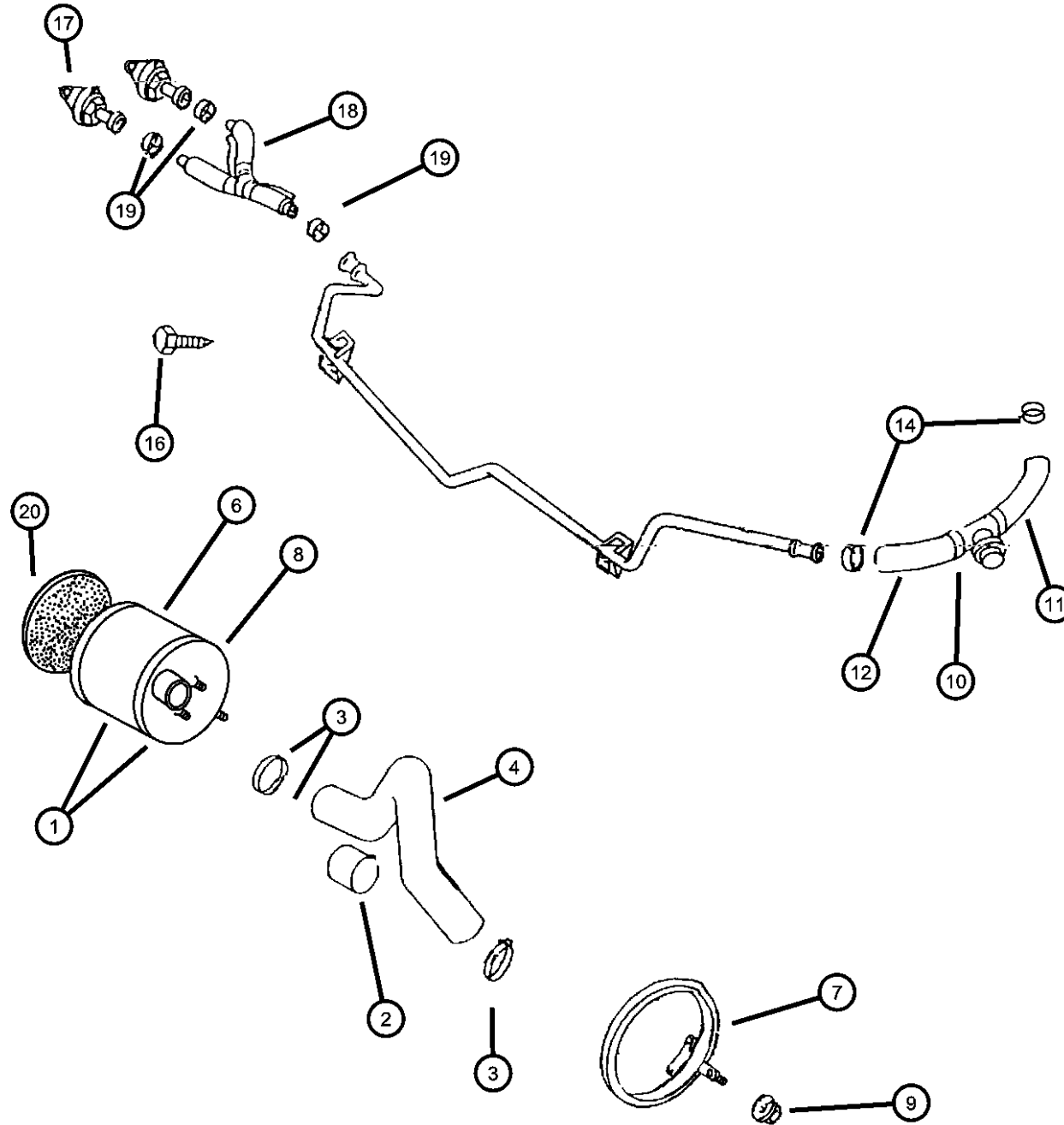
**RAM PICKUP/CLUB CAB (BE)**

SERIES	LINE	BODY	ENGINE	TRANSMISSION
L = Ram Truck (All)	3 = HD DODGE 2WD 8 = HD DODGE 4WD 1 = Lt. Duty DODGE 2WD 6 = Lt. Duty DODGE 4WD 2 = Med. Duty DODGE 2WD 7 = Med. Duty DODGE 4WD	31 = CLUB CAB 2-DR 6.5 FT BOX 32 = CLUB CAB 2-DR 8FT BOX 33 = QUAD CAB 4-DR 6.5 FT BOX 34 = QUAD CAB 4-DR 8FT BOX	ELF = ENGINE - 5.2L V8 MPI EML = ENGINE - 5.9L V8 MPI EMM = ENGINE - "MAGNUM" 5.9L SMPI V8 ETC = ENGINE- 5.9L CUMMINS 24V DIESEL ETH = ENGINE- 5.9L HO CUMMINS TURBO DIESEL EWA = ENGINE - 8.0L V10 MPI	DDC = TRANSMISSION - 5-SPEED HD MANUAL DDP = TRANSMISSION - 5-SPEED MANUAL DDX = TRANSMISSION - 5-SPEED HD MANUAL DEE = TRANSMISSION - 6-SPEED HD MANUAL DGP = TRANSMISSION - 4-SPD. AUTOMATIC,47RE DGT = TRANSMISSION - 4-SPD. AUTOMATIC,46RE

AR = use ase required - = Non illustrated part

2000 BE

**Air Injection Plumbing  
Figure 25-520**



ITEM	PART NUMBER	QTY	LINE	SERIES	BODY	ENGINE	TRANS	TRIM	DESCRIPTION
Note: EMM = Magnum 5.9L SMPI V8 Engine EW0 = All 8.0L Gas Engines									
1	04324506	1				EW0			FILTER, Air Pump
2	53041014	1				EW0			CAP, Air Pump Filter
3	53041045	1				EW0			CLAMP, Hose
4									TUBE, Air Pump Inlet
	53040053	1				EW0			Up to Built Date 12/16/99
	53040053AB	1				EW0			After Built Date 12/16/99
-5	53031546	1				EW0			REDUCER, Air Pump Inlet
6	05013449AA	1				EW0			BODY, Air Cleaner
7	53041077	1				EW0			BRACKET, Air Pump Silencer Filter
8	05013450AA	1				EW0			COVER, Air Cleaner
9	06033560	3				EW0			NUT AND WASHER, Hex Nut-Coned Washer, .25-20
10	53030577	1				EW0			VALVE, Air Injection
11	53030217	1				EW0			HOSE, Relief Valve
12	53030535	1				EMM			TUBE, Fuel
-13	53041060	1				EW0			HOSE, Relief Valve
14	02448762	2				EW0			CLAMP, Hose
-15	53030661AB	1			34	EW0			TUBE, Aspirator Downstream
16	06502468	4				EW0			SCREW, Hex Flange Head, M8x1.25x20
17	53030467	2				EW0			VALVE, Air Injection
18									TUBE, Aspirator Downstream
	53031224AB	1	2, 7		33	EW0			
	53031557AB	1	3, 8		34	EMM			
		1	2, 3, 7, 8		32, 34	EW0			
19									CLAMP, Hose
	02448761	3	2, 3, 7, 8		34	EW0			
		3	2, 7		33	EW0			
20	05013448AA	1				EW0			FILTER, Air

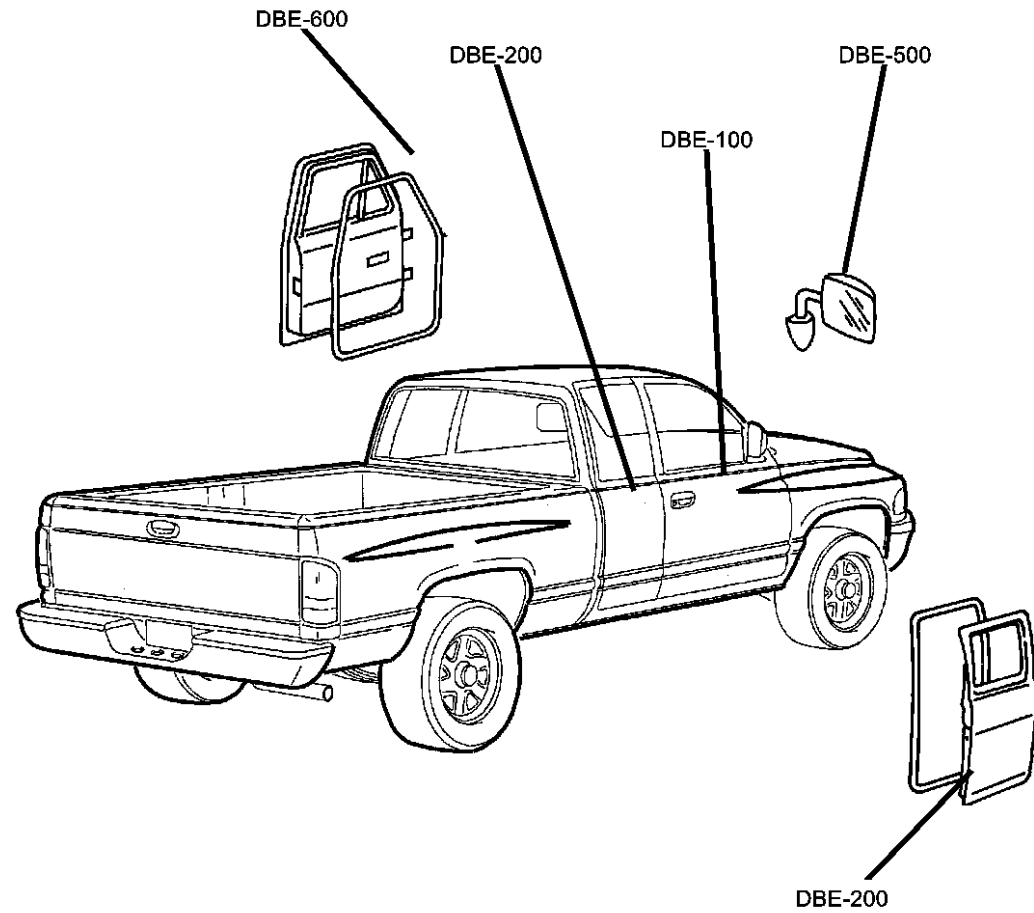
**RAM PICKUP/CLUB CAB (BE)**

SERIES	LINE	BODY	ENGINE	TRANSMISSION
L = Ram Truck (All)	3 = HD DODGE 2WD 8 = HD DODGE 4WD 1 = Lt. Duty DODGE 2WD 6 = Lt. Duty DODGE 4WD 2 = Med. Duty DODGE 2WD 7 = Med. Duty DODGE 4WD	31 = CLUB CAB 2-DR 6.5 FT BOX 32 = CLUB CAB 2-DR 8FT BOX 33 = QUAD CAB 4-DR 6.5 FT BOX 34 = QUAD CAB 4-DR 8FT BOX	ELF = ENGINE - 5.2L V8 MPI EML = ENGINE - 5.9L V8 MPI EMM = ENGINE - "MAGNUM" 5.9L SMPI V8 ETC = ENGINE- 5.9L CUMMINS 24V DIESEL ETH = ENGINE- 5.9L HO CUMMINS TURBO DIESEL EWA = ENGINE - 8.0L V10 MPI	DDC = TRANSMISSION - 5-SPEED HD MANUAL DDP = TRANSMISSION - 5-SPEED MANUAL DDX = TRANSMISSION - 5-SPEED HD MANUAL DEE = TRANSMISSION - 6-SPEED HD MANUAL DGP = TRANSMISSION - 4-SPD. AUTOMATIC,47RE DGT = TRANSMISSION - 4-SPD. AUTOMATIC,46RE

AR = use ase required - = Non illustrated part

# Group - DBE

## Doors and Related Parts



## Group - DBE Doors and Related Parts

Illustration Title

Group-Fig. No.

### Front Door

Door, Front Shell and Hinges.....	Fig. DBE - 110
Door, Front Glass and Regulators .....	Fig. DBE - 120
Door, Front Lock and Controls .....	Fig. DBE - 130

### Rear Door

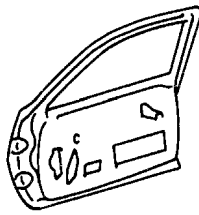

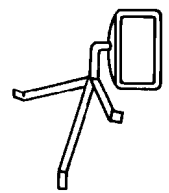
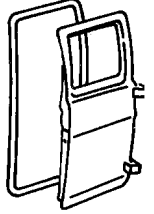
Half Door, and Hinges .....	Fig. DBE - 210
Half Door, Glass and Controls.....	Fig. DBE - 220

### Exterior Mirror

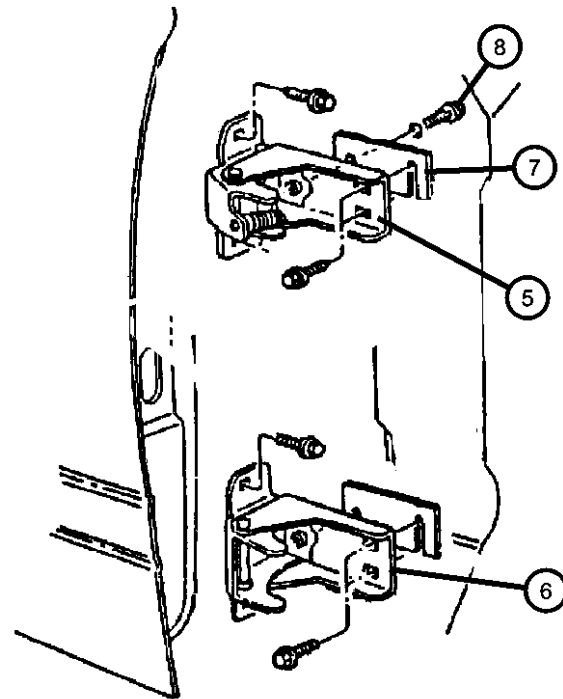
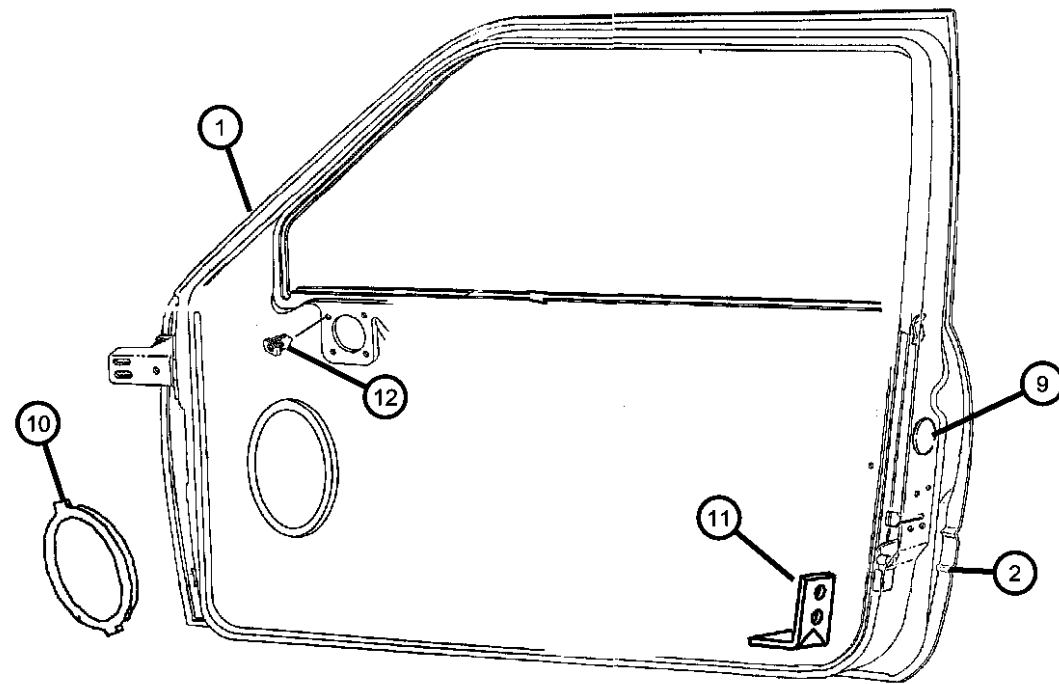
Exterior Mirror .....	Fig. DBE - 515
-----------------------	----------------

### Weatherstrips and Seals

Front Door .....	Fig. DBE - 610
Half Door.....	Fig. DBE - 620

<p><b>DBE-100</b> Front Door</p> 	<p><b>DBE-200</b> Rear Door</p> 	<p><b>DBE-500</b> Exterior Mirror</p> 	<p><b>DBE-600</b> Weatherstrips and Seals</p> 
--	---	--	---

**Door, Front Shell and Hinges  
Figure DBE-110**



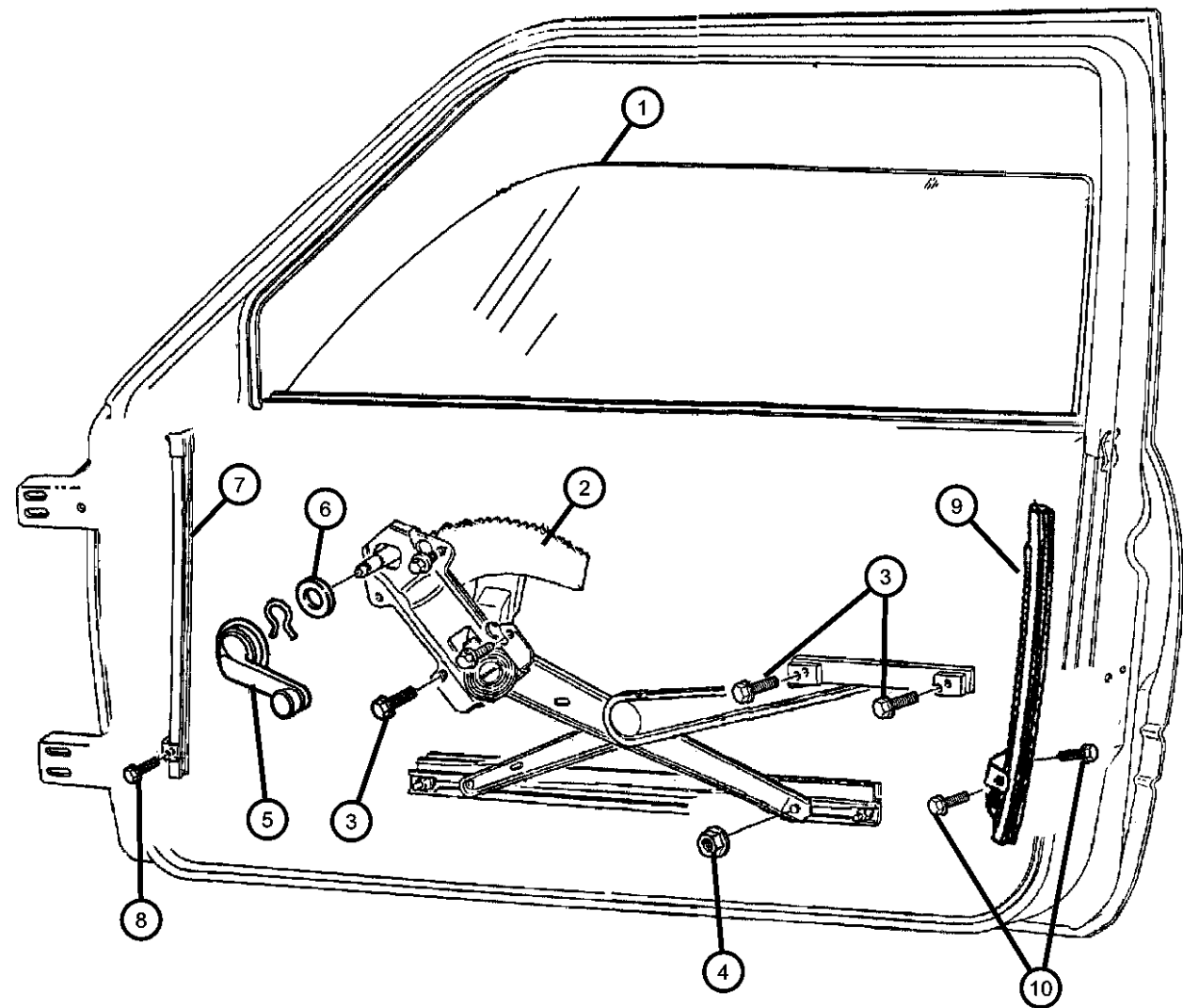
ITEM	PART NUMBER	QTY	LINE	SERIES	BODY	ENGINE	TRANS	TRIM	DESCRIPTION
1									DOOR, Front
	55023572AE	1	1, 6		31				Right
	55023573AE	1	1, 6		31				Left
	55274978AD	1			33, 34				Right
	55274979AD	1			33, 34				Left
2									PANEL, Door Outer
	55023570	1	1, 6		31				Right
	55023571	1	1, 6		31				Left
	55274972	1			33, 34				Right
	55274973	1			33, 34				Left
-3									WATERDAM, Front Door
	55134612	1							Right
	55134613	1							Left
-4	55275459AA	2			33, 34				TAPE, Anti Chip
5									HINGE, Door
	55075956AB	1							Upper Right
	55075957AB	1							Upper Left
6	55275464AA	2							HINGE, DoorLower
7	55074736	AR							SHIM, Door Hinge
8	06503538	8							SCREW AND WASHER, Hex Head, M8x1.25x30
9	04440486	2							PLUG, Body, 19.05mm x 31.75mm
10	55135002	2							PATCH, Waterdam Speaker
11									REINFORCEMENT, Door Inner
	55346416	2	1, 6		31				
		1			33, 34				
12	06034715	8							CLIP, Speaker

**RAM PICKUP/CLUB CAB (BE)**

SERIES	LINE	BODY	ENGINE	TRANSMISSION
L = Ram Truck (All)	3 = HD DODGE 2WD 8 = HD DODGE 4WD 1 = Lt. Duty DODGE 2WD 6 = Lt. Duty DODGE 4WD 2 = Med. Duty DODGE 2WD 7 = Med. Duty DODGE 4WD	31 = CLUB CAB 2-DR 6.5 FT BOX 32 = CLUB CAB 2-DR 8FT BOX 33 = QUAD CAB 4-DR 6.5 FT BOX 34 = QUAD CAB 4-DR 8FT BOX	ELF = ENGINE - 5.2L V8 MPI EML = ENGINE - 5.9L V8 MPI EMM = ENGINE - "MAGNUM" 5.9L SMPI V8 ETC = ENGINE- 5.9L CUMMINS 24V DIESEL ETH = ENGINE- 5.9L HO CUMMINS TURBO DIESEL EWA = ENGINE - 8.0L V10 MPI	DDC = TRANSMISSION - 5-SPEED HD MANUAL DDP = TRANSMISSION - 5-SPEED MANUAL DDX = TRANSMISSION - 5-SPEED HD MANUAL DEE = TRANSMISSION - 6-SPEED HD MANUAL DGP = TRANSMISSION - 4-SPD. AUTOMATIC, 47RE DGT = TRANSMISSION - 4-SPD. AUTOMATIC, 46RE

AR = use ase required - = Non illustrated part

**Door, Front Glass and Regulators**  
**Figure DBE-120**



ITEM	PART NUMBER	QTY	LINE	SERIES	BODY	ENGINE	TRANS	TRIM	DESCRIPTION
1									GLASS, Front Door
	55135396AB	1							Right
	55135397AB	1							Left
2									REGULATOR, Front Door Window
	55075812	1							Manual, Right
	55075813	1							Manual, Left
	55154924	1							Electric w/Motor, Right
	55154925	1							Electric w/Motor, Left
3	06504055	AR							SCREW, Hex Head, M6x1x16, Regulator
4	06502691	1							NUT, Hex Flange Lock, M6x1, Glass To Regulator
5	0FW80PX9	2							HANDLE, Window Regulator
6	55076218	2							SPACER, Door Handle
7									CHANNEL, Front Door Glass Lower
	55075774	1							Right
	55075775	1							Left
8	06504055	AR							SCREW, Hex Head, M6x1x16
9									CHANNEL, Rear Door Glass Lower
	55075934	1							Right
	55075935	1							Left
10	55075935	1							SCREW, (NOT SERVICED)

**RAM PICKUP/CLUB CAB (BE)**

SERIES	LINE	BODY	ENGINE	TRANSMISSION
L = Ram Truck (All)	3 = HD DODGE 2WD	31 = CLUB CAB 2-DR 6.5 FT BOX	ELF = ENGINE - 5.2L V8 MPI	DDC = TRANSMISSION - 5-SPEED HD MANUAL
	8 = HD DODGE 4WD	32 = CLUB CAB 2-DR 8FT BOX	EML = ENGINE - 5.9L V8 MPI	DDP = TRANSMISSION - 5-SPEED MANUAL
	1 = Lt. Duty DODGE 2WD	33 = QUAD CAB 4-DR 6.5 FT BOX	EMM = ENGINE - "MAGNUM" 5.9L SMPI V8	DDX = TRANSMISSION - 5-SPEED HD MANUAL
	6 = Lt. Duty DODGE 4WD	34 = QUAD CAB 4-DR 8FT BOX	ETC = ENGINE- 5.9L CUMMINS 24V DIESEL	DEE = TRANSMISSION - 6-SPEED HD MANUAL
	2 = Med. Duty DODGE 2WD		ETH = ENGINE- 5.9L HO CUMMINS TURBO DIESEL	DGP = TRANSMISSION - 4-SPD. AUTOMATIC,47RE
	7 = Med. Duty DODGE 4WD		EWA = ENGINE - 8.0L V10 MPI	DGT = TRANSMISSION - 4-SPD. AUTOMATIC,46RE

AR = use ase required - = Non illustrated part

**Door, Front Lock and Controls  
Figure DBE-130**

ITEM	PART NUMBER	QTY	LINE	SERIES	BODY	ENGINE	TRANS	TRIM	DESCRIPTION
1									LATCH, Front Door
	55076288	1							Manual, Right
	55076289	1							Manual, Left
	55076290	1							Electric, Right
	55076291	1							Electric, Left
2									CLIP, Latch Link
	04658674	1							Right
	04658675	2							Left
3	06033876	6							SCREW, Tapping, M6.3x1.8x38.1
4									HANDLE, Interior Door
	55075338	1							Right
	55075339	1							Left
5	06503124	4							SCREW, Hex Head Tapping, M6x1x20
6									REMOTE CONTROL, Door
	55076124	1							Right
	55076125	1							Left
7	06503124	4							SCREW, Hex Head Tapping, M6x1x20
8									LINK, Remote Handle to Latch
	55074726	1							Right
	55074727	1							Left
9									HANDLE, Front Door Exterior
	55275022	1							Right
	55275023	1							Left
10	06101443	4							NUT AND WASHER, Hex, M5x.80
11	06101443	4							SCREW, (NOT SERVICED)
12	55074724	2							LINK, Exterior Door Handle
13									LINK, Key Cylinder To Latch
	55076004	1							Right
	55076005	1							Left

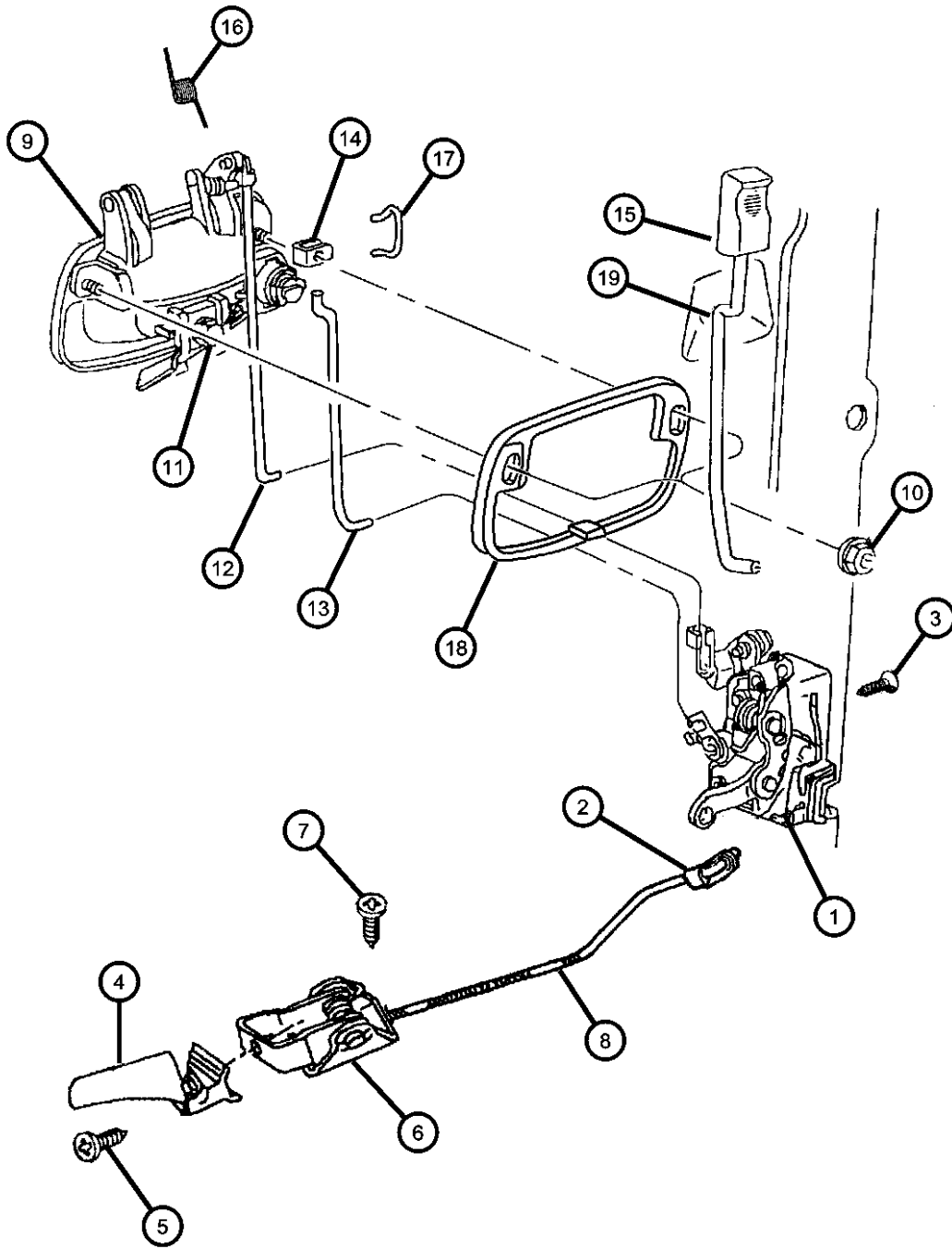
**RAM PICKUP/CLUB CAB (BE)**

SERIES	LINE
L = Ram Truck (All)	3 = HD DODGE 2WD
	8 = HD DODGE 4WD
	1 = Lt. Duty DODGE 2WD
	6 = Lt. Duty DODGE 4WD
	2 = Med. Duty DODGE 2WD
	7 = Med. Duty DODGE 4WD

BODY	ENGINE	TRANSMISSION
31 = CLUB CAB 2-DR 6.5 FT BOX	ELF = ENGINE - 5.2L V8 MPI	DDC = TRANSMISSION - 5-SPEED HD MANUAL
32 = CLUB CAB 2-DR 8FT BOX	EML = ENGINE - 5.9L V8 MPI	DDP = TRANSMISSION - 5-SPEED MANUAL
33 = QUAD CAB 4-DR 6.5 FT BOX	EMM = ENGINE - "MAGNUM" 5.9L SMPI V8	DDX = TRANSMISSION - 5-SPEED HD MANUAL
34 = QUAD CAB 4-DR 8FT BOX	ETC = ENGINE- 5.9L CUMMINS 24V DIESEL	DEE = TRANSMISSION - 6-SPEED HD MANUAL
	ETH = ENGINE- 5.9L HO CUMMINS TURBO DIESEL	DGP = TRANSMISSION - 4-SPD. AUTOMATIC, 47RE
	EWA = ENGINE - 8.0L V10 MPI	DGT = TRANSMISSION - 4-SPD. AUTOMATIC, 46RE

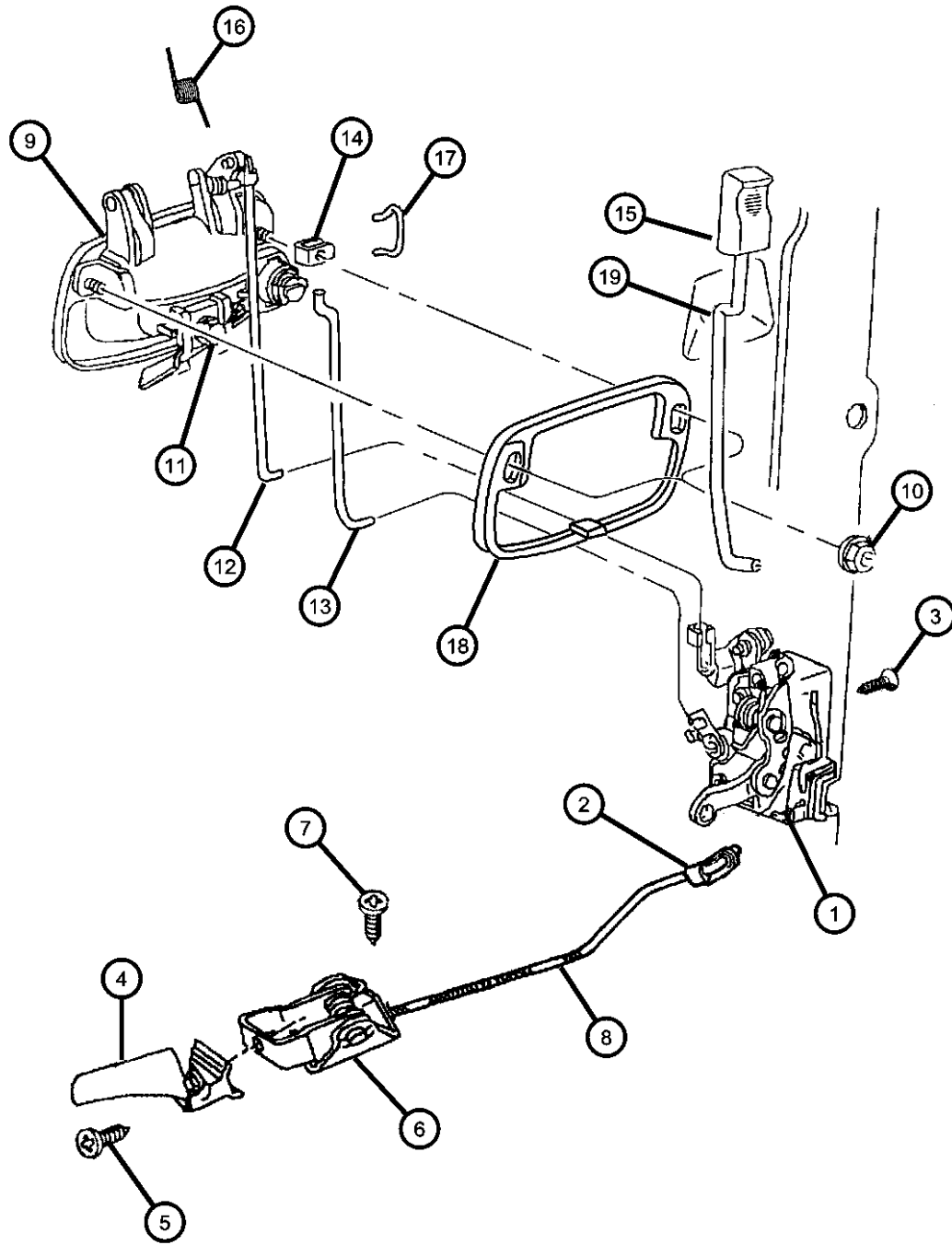
AR = use ase required - = Non illustrated part

2000 BE



**Door, Front Lock and Controls  
Figure DBE-130**

ITEM	PART NUMBER	QTY	LINE	SERIES	BODY	ENGINE	TRANS	TRIM	DESCRIPTION
14	55076005	1							CLIP, Lever Key Cylinder, (NOT SERVICED)
15									KNOB, Door
	0JS24MAZ	1							Agate
	0JS24RC3	1							Gray
	0JS24SK5	1							Tan
16	0JS24SK5	1							SPRING, Outside Door Handle, (NOT SERVICED),
17	0JS24SK5	1							CLIP, (NOT SERVICED)
18	0JS24SK5	1							BRACKET, (NOT SERVICED)
19									ROD, Inside Lock to Latch
	55076354	1							Right
	55076355	1							Left



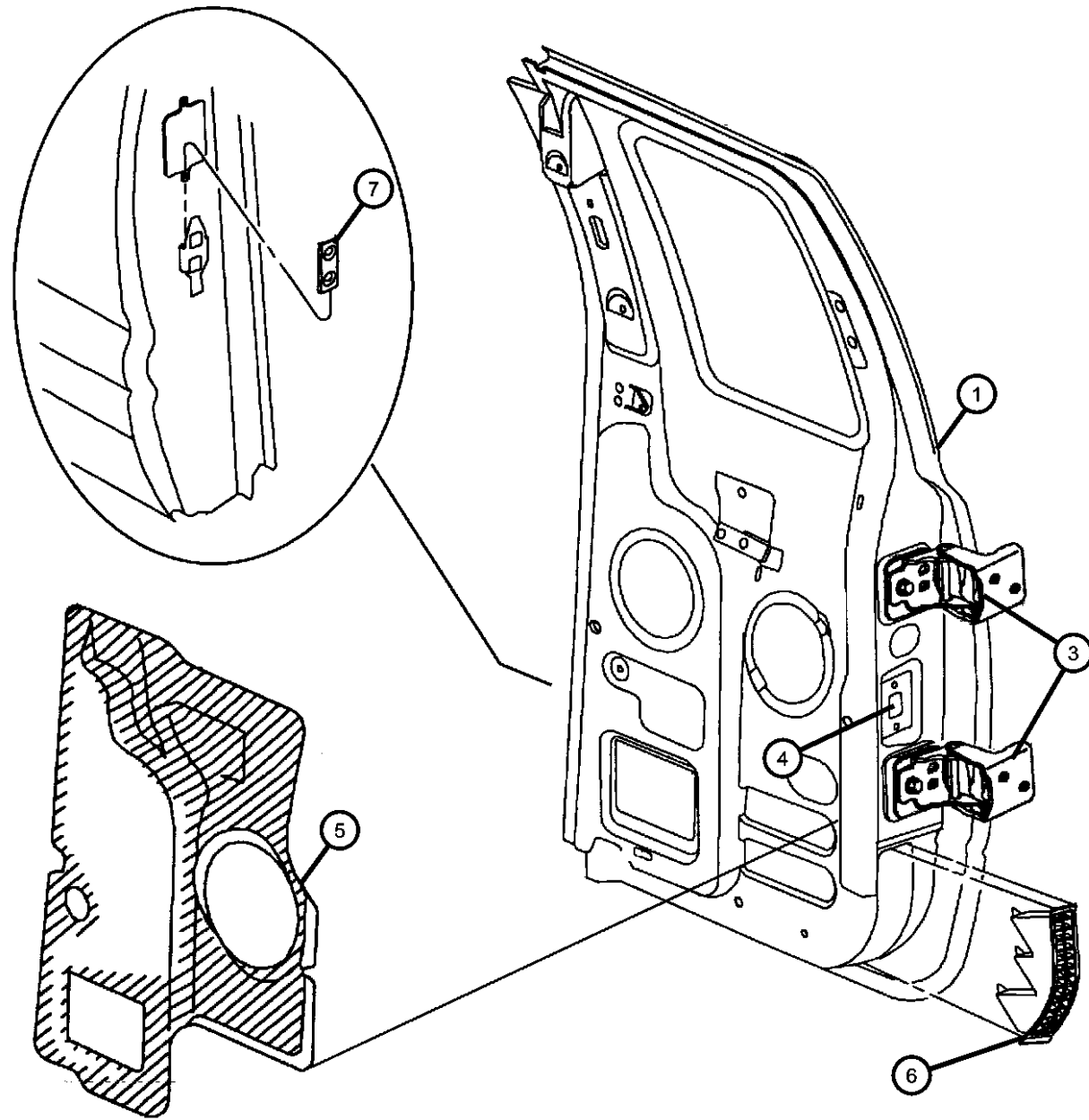
**RAM PICKUP/CLUB CAB (BE)**

SERIES	LINE	BODY	ENGINE	TRANSMISSION
L = Ram Truck (All)	3 = HD DODGE 2WD	31 = CLUB CAB 2-DR 6.5 FT BOX	ELF = ENGINE - 5.2L V8 MPI	DDC = TRANSMISSION - 5-SPEED HD MANUAL
	8 = HD DODGE 4WD	32 = CLUB CAB 2-DR 8FT BOX	EML = ENGINE - 5.9L V8 MPI	DDP = TRANSMISSION - 5-SPEED MANUAL
	1 = Lt. Duty DODGE 2WD	33 = QUAD CAB 4-DR 6.5 FT BOX	EMM = ENGINE - "MAGNUM" 5.9L SMPI V8	DDX = TRANSMISSION - 5-SPEED HD MANUAL
	6 = Lt. Duty DODGE 4WD	34 = QUAD CAB 4-DR 8FT BOX	ETC = ENGINE- 5.9L CUMMINS 24V DIESEL	DEE = TRANSMISSION - 6-SPEED HD MANUAL
	2 = Med. Duty DODGE 2WD		ETH = ENGINE- 5.9L HO CUMMINS TURBO DIESEL	DGP = TRANSMISSION - 4-SPD. AUTOMATIC, 47RE
	7 = Med. Duty DODGE 4WD		EWA = ENGINE - 8.0L V10 MPI	DGT = TRANSMISSION - 4-SPD. AUTOMATIC, 46RE

AR = use ase required - = Non illustrated part



Half Door, and Hinges  
Figure DBE-210



ITEM	PART NUMBER	QTY	LINE	SERIES	BODY	ENGINE	TRANS	TRIM	DESCRIPTION
1	55274970AB	1			33, 34				DOOR, Side Cargo Right
	55274971AB	1			33, 34				Left
-2	55274962AB	1			33, 34				PANEL, Rear Door Right
	55274963AB	1			33, 34				Left
3	55275157	4			33, 34				HINGE, Door
4	55275238	2			34, 33				CHECK, Rear Door
5	55275238	2							WATERDAM, Rear Door, (NOT SERVICED)
6	55055836AB	1			33, 34				EXHAUSTER, Quarter Panel Right
	55055837AB	1			33, 34				Left
7	55256000	2	1, 6		31				PLATE, Front Door Striker
		2			33, 34				
-8	04520288	2							STRIKER, Door Latch

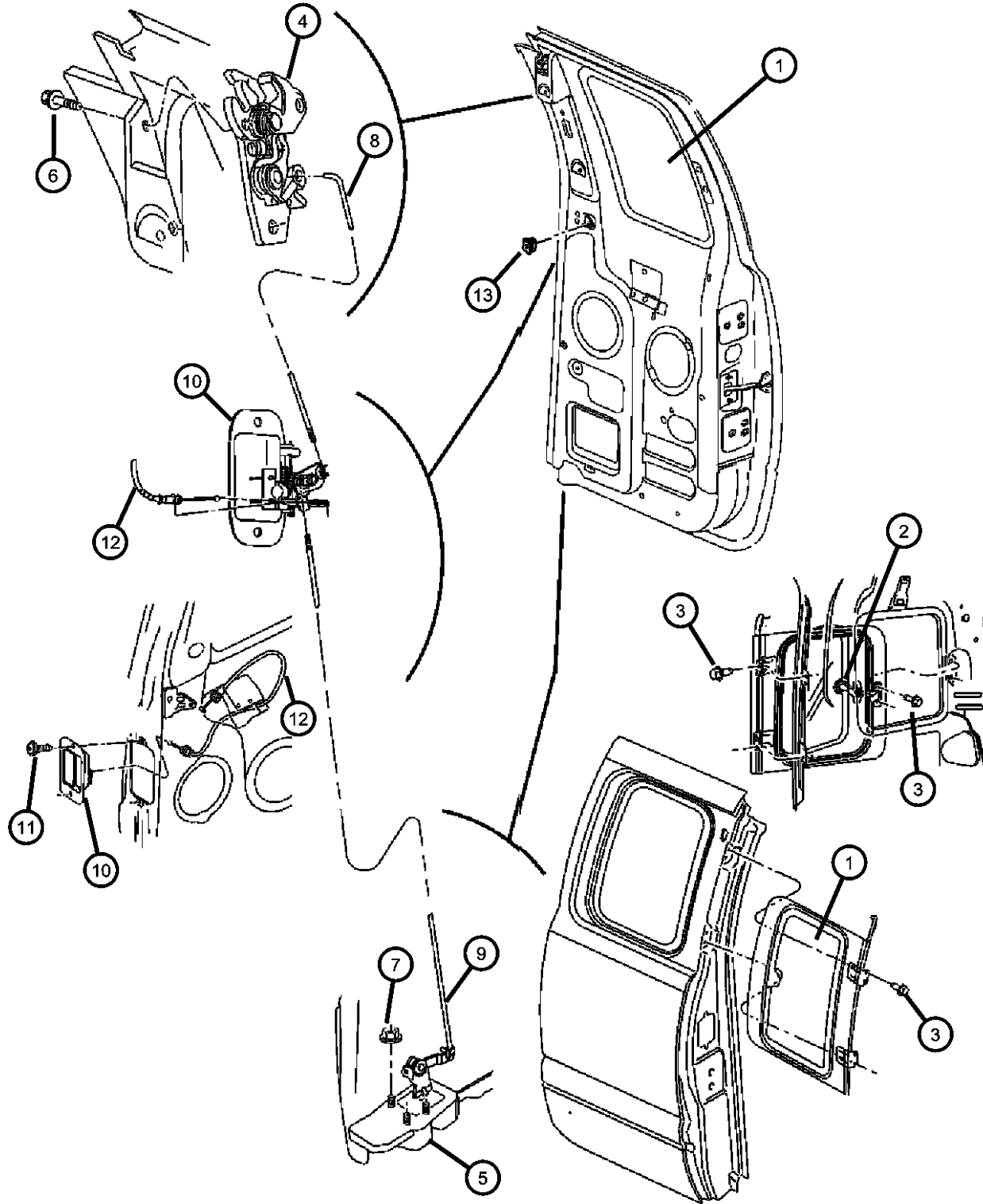
RAM PICKUP/CLUB CAB (BE)

SERIES	LINE	BODY	ENGINE	TRANSMISSION
L = Ram Truck (All)	3 = HD DODGE 2WD 8 = HD DODGE 4WD 1 = Lt. Duty DODGE 2WD 6 = Lt. Duty DODGE 4WD 2 = Med. Duty DODGE 2WD 7 = Med. Duty DODGE 4WD	31 = CLUB CAB 2-DR 6.5 FT BOX 32 = CLUB CAB 2-DR 8FT BOX 33 = QUAD CAB 4-DR 6.5 FT BOX 34 = QUAD CAB 4-DR 8FT BOX	ELF = ENGINE - 5.2L V8 MPI EML = ENGINE - 5.9L V8 MPI EMM = ENGINE - "MAGNUM" 5.9L SMPI V8 ETC = ENGINE- 5.9L CUMMINS 24V DIESEL ETH = ENGINE- 5.9L HO CUMMINS TURBO DIESEL EWA = ENGINE - 8.0L V10 MPI	DDC = TRANSMISSION - 5-SPEED HD MANUAL DDP = TRANSMISSION - 5-SPEED MANUAL DDX = TRANSMISSION - 5-SPEED HD MANUAL DEE = TRANSMISSION - 6-SPEED HD MANUAL DGP = TRANSMISSION - 4-SPD. AUTOMATIC,47RE DGT = TRANSMISSION - 4-SPD. AUTOMATIC,46RE

AR = use ase required - = Non illustrated part

2000 BE

**Half Door, Glass and Controls**  
**Figure DBE-220**



ITEM	PART NUMBER	QTY	LINE	SERIES	BODY	ENGINE	TRANS	TRIM	DESCRIPTION
1	55275054AC	1			33, 34				GLASS, Quarter Right
	DD09566YPY								Collision Replacement Glass
	55275055AC	1			33, 34				Left
	DD09567YPY								Collision Replacement Glass
2									LATCH, Body Side Glass
	04897392AB	1	1, 2, 3, 6, 7		33, 34				
		1	8		33, 34				
3	06502640	8			33, 34				BOLT, Hex Flange Head, M6x1.0x17
4									LATCH, Cargo Door
	55275099AD	1			33, 34				Upper, Left
	55275098AD	1			33, 34				Upper, Right
5									LATCH, Cargo Door
	55275100	1			33, 34				Lower, Right
	55275101	1			33, 34				Lower, Left
6	06100302	4			33, 34				SCREW AND WASHER, Hex Head, M8x1.25x16.00
7	06100048	6			33, 34				NUT, Hex, M6x1.00
8									ROD, Cargo Door Latch to Lock, Upper
	55275456AA	1			33, 34				Right
	55275457AA	1			33, 34				Left
9									ROD, Cargo Door Latch to Lock, Lower
	55275114AB	1			33, 34				Right
	55275115AB	1			33, 34				Left
10									HANDLE, Cargo Door Shutface
	55275108	1			33, 34				Right
	55275109	1			33, 34				Left
11	06505407AA	4			33, 34				SCREW
12	55275106	2			33, 34				CABLE, DOOR, CARGO
13	06501773	2			33, 34				NUT, Plastic Snap-in

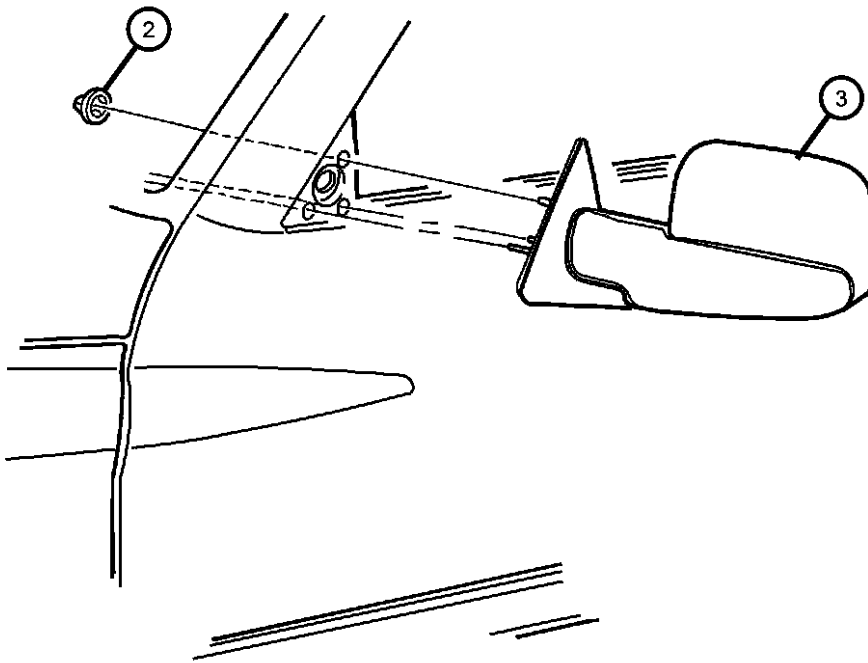
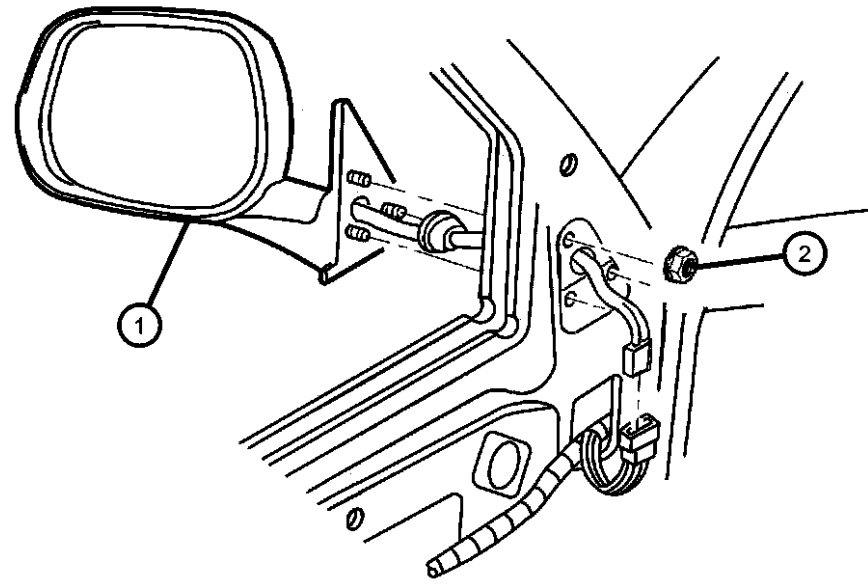
**RAM PICKUP/CLUB CAB (BE)**

SERIES	LINE	BODY	ENGINE	TRANSMISSION
L = Ram Truck (All)	3 = HD DODGE 2WD 8 = HD DODGE 4WD 1 = Lt. Duty DODGE 2WD 6 = Lt. Duty DODGE 4WD 2 = Med. Duty DODGE 2WD 7 = Med. Duty DODGE 4WD	31 = CLUB CAB 2-DR 6.5 FT BOX 32 = CLUB CAB 2-DR 8FT BOX 33 = QUAD CAB 4-DR 6.5 FT BOX 34 = QUAD CAB 4-DR 8FT BOX	ELF = ENGINE - 5.2L V8 MPI EML = ENGINE - 5.9L V8 MPI EMM = ENGINE - "MAGNUM" 5.9L SMPI V8 ETC = ENGINE- 5.9L CUMMINS 24V DIESEL ETH = ENGINE- 5.9L HO CUMMINS TURBO DIESEL EWA = ENGINE - 8.0L V10 MPI	DDC = TRANSMISSION - 5-SPEED HD MANUAL DDP = TRANSMISSION - 5-SPEED MANUAL DDX = TRANSMISSION - 5-SPEED HD MANUAL DEE = TRANSMISSION - 6-SPEED HD MANUAL DGP = TRANSMISSION - 4-SPD. AUTOMATIC, 47RE DGT = TRANSMISSION - 4-SPD. AUTOMATIC, 46RE

AR = use ase required - = Non illustrated part

2000 BE

Exterior Mirror  
Figure DBE-515



ITEM	PART NUMBER	QTY	LINE	SERIES	BODY	ENGINE	TRANS	TRIM	DESCRIPTION
------	-------------	-----	------	--------	------	--------	-------	------	-------------

Note:

- GPC = Mirrors - Chrome, Trailer Tow
- GPU = Mirrors - 6 x 9 Black
- GPV = Mirrors - 6 x 9 Power Heated, Black
- GTS = Mirrors - Power Heated, Fold-Away

1									MIRROR, Outside Rearview
	04746372	1							Manual (GPC), Right, Left
	55076478AB	1							Manual - Foldaway (GPU), Right, Left
	55076479AB	1							Manual - Foldaway (GPU), Left
	55076488AB	1							Elect - Heated Foldaway (GTS), Right
	55076489AB	1							Elect - Heated Foldaway (GPV,GTS), Left
	55076744AC	1							Elect - Heated (GPV), Right
	55077122AB	1							Elect Heated Foldaway (Europe) (GTS), Right
2	J4200408	6							NUT AND WASHER, Hex Nut-Coned Washer, M5 x 0.80
3									MIRROR KIT, Trailer Tow
	55156334AA	1							Right
	55156335AA	1							Left
-4									GLASS, Mirror Replacement
	05019890AA	1							Foldaway (GPU), Right
	05019891AA	1							Foldaway (GPU), Left
	05019892AA	1							Elect - Heated Foldaway (GTS), Right
	05019893AA	1							Elect - Heated Foldaway (GTS), Left
		1							Elect - Heated (GPV), Left

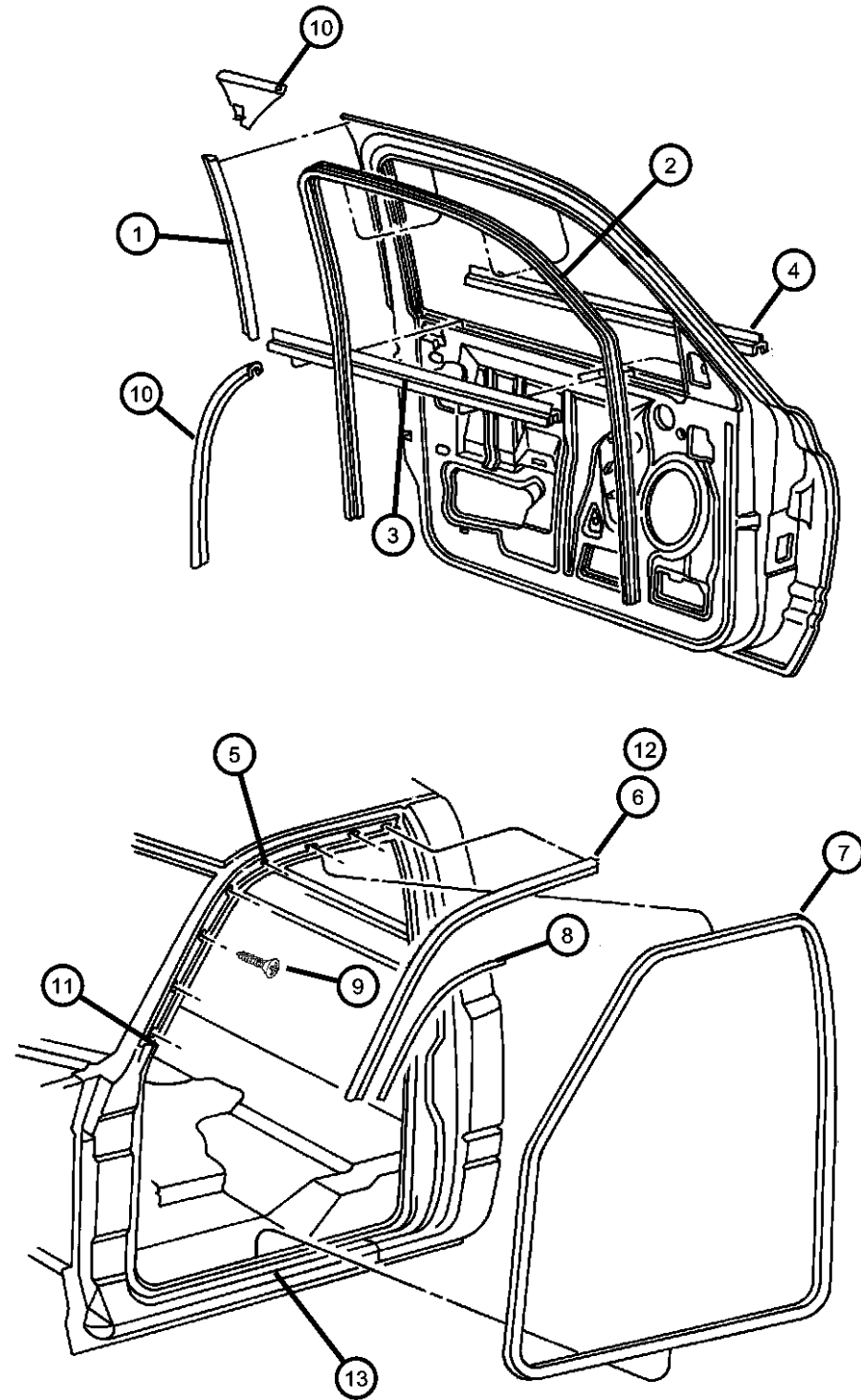
RAM PICKUP/CLUB CAB (BE)

SERIES	LINE	BODY	ENGINE	TRANSMISSION
L = Ram Truck (All)	3 = HD DODGE 2WD	31 = CLUB CAB 2-DR 6.5 FT BOX	ELF = ENGINE - 5.2L V8 MPI	DDC = TRANSMISSION - 5-SPEED HD MANUAL
	8 = HD DODGE 4WD	32 = CLUB CAB 2-DR 8FT BOX	EML = ENGINE - 5.9L V8 MPI	DDP = TRANSMISSION - 5-SPEED MANUAL
	1 = Lt. Duty DODGE 2WD	33 = QUAD CAB 4-DR 6.5 FT BOX	EMM = ENGINE - "MAGNUM" 5.9L SMPI V8	DDX = TRANSMISSION - 5-SPEED HD MANUAL
	6 = Lt. Duty DODGE 4WD	34 = QUAD CAB 4-DR 8FT BOX	ETC = ENGINE- 5.9L CUMMINS 24V DIESEL	DEE = TRANSMISSION - 6-SPEED HD MANUAL
	2 = Med. Duty DODGE 2WD		ETH = ENGINE- 5.9L HO CUMMINS TURBO DIESEL	DGP = TRANSMISSION - 4-SPD. AUTOMATIC,47RE
	7 = Med. Duty DODGE 4WD		EWA = ENGINE - 8.0L V10 MPI	DGT = TRANSMISSION - 4-SPD. AUTOMATIC,46RE

AR = use ase required - = Non illustrated part

2000 BE

**Front Door  
Figure DBE-610**



ITEM	PART NUMBER	QTY	LINE	SERIES	BODY	ENGINE	TRANS	TRIM	DESCRIPTION
1	55135304	2	1, 6		31				SEAL, B-Pillar
2	55135252	1							SEAL, Glass Run, Front Right
	55135253	1							Left
3	55134598	2							WEATHERSTRIP, Front Door Belt
4	55275504AA	1							WEATHERSTRIP, Door Belt Right
	55275505AA	1							Left
5	55135004AC	1	1, 6		31				RETAINER, Bodyside Seal Right
	55135005AC	1	1, 6		31				Left
	55275056AC	1			33, 34				Right
	55275057AC	1			33, 34				Left
6	55275436AE	2	1, 6		31				WEATHERSTRIP, Body Side Right
	55275437AB	AR	1, 6		31				Left
7	55276282AA	2			33, 34				WEATHERSTRIP, Front Door
	55276286AA	2	1, 6		31				
8	55275394AB	2							MOLDING, Door
9	00153341	20							SCREW, Pan Head, .64-18x.50
10	00153341	20							SEAL, (NOT SERVICED)
11	55275508AA	1							SEAL, Body Side Right
	55275509AA	1							Left
12	55275460AC	2			33, 34				SEAL, Body Side
13	55275424AA	1			33, 34				SEAL, Front Door Right
	55275425AA	1			33, 34				Left

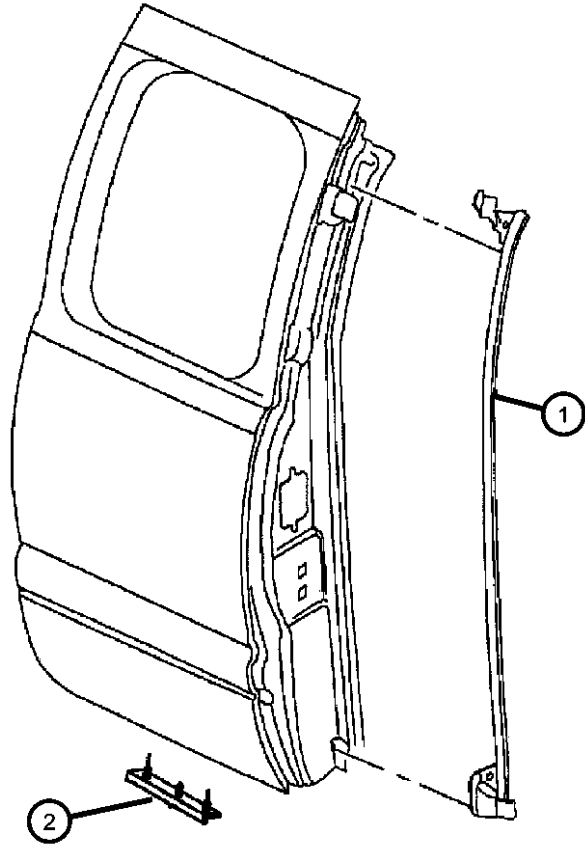
**RAM PICKUP/CLUB CAB (BE)**

SERIES	LINE	BODY	ENGINE	TRANSMISSION
L = Ram Truck (All)	3 = HD DODGE 2WD 8 = HD DODGE 4WD 1 = Lt. Duty DODGE 2WD 6 = Lt. Duty DODGE 4WD 2 = Med. Duty DODGE 2WD 7 = Med. Duty DODGE 4WD	31 = CLUB CAB 2-DR 6.5 FT BOX 32 = CLUB CAB 2-DR 8FT BOX 33 = QUAD CAB 4-DR 6.5 FT BOX 34 = QUAD CAB 4-DR 8FT BOX	ELF = ENGINE - 5.2L V8 MPI EML = ENGINE - 5.9L V8 MPI EMM = ENGINE - "MAGNUM" 5.9L SMPI V8 ETC = ENGINE- 5.9L CUMMINS 24V DIESEL ETH = ENGINE- 5.9L HO CUMMINS TURBO DIESEL EWA = ENGINE - 8.0L V10 MPI	DDC = TRANSMISSION - 5-SPEED HD MANUAL DDP = TRANSMISSION - 5-SPEED MANUAL DDX = TRANSMISSION - 5-SPEED HD MANUAL DEE = TRANSMISSION - 6-SPEED HD MANUAL DGP = TRANSMISSION - 4-SPD. AUTOMATIC, 47RE DGT = TRANSMISSION - 4-SPD. AUTOMATIC, 46RE

AR = use ase required - = Non illustrated part

**Half Door  
Figure DBE-620**

ITEM	PART NUMBER	QTY	LINE	SERIES	BODY	ENGINE	TRANS	TRIM	DESCRIPTION
1	55275040AG	1			33, 34				WEATHERSTRIP, Cargo Door Right
	55275041AG	1			33, 34				Left
2	55275426AA	2			33, 34				WEATHERSTRIP, Cargo Door
-3	55276503AA	1			33, 34				WEATHERSTRIP, Front Door



**RAM PICKUP/CLUB CAB (BE)**

SERIES	LINE	BODY	ENGINE	TRANSMISSION
L = Ram Truck (All)	3 = HD DODGE 2WD 8 = HD DODGE 4WD 1 = Lt. Duty DODGE 2WD 6 = Lt. Duty DODGE 4WD 2 = Med. Duty DODGE 2WD 7 = Med. Duty DODGE 4WD	31 = CLUB CAB 2-DR 6.5 FT BOX 32 = CLUB CAB 2-DR 8FT BOX 33 = QUAD CAB 4-DR 6.5 FT BOX 34 = QUAD CAB 4-DR 8FT BOX	ELF = ENGINE - 5.2L V8 MPI EML = ENGINE - 5.9L V8 MPI EMM = ENGINE - "MAGNUM" 5.9L SMPI V8 ETC = ENGINE- 5.9L CUMMINS 24V DIESEL ETH = ENGINE- 5.9L HO CUMMINS TURBO DIESEL EWA = ENGINE - 8.0L V10 MPI	DDC = TRANSMISSION - 5-SPEED HD MANUAL DDP = TRANSMISSION - 5-SPEED MANUAL DDX = TRANSMISSION - 5-SPEED HD MANUAL DEE = TRANSMISSION - 6-SPEED HD MANUAL DGP = TRANSMISSION - 4-SPD. AUTOMATIC,47RE DGT = TRANSMISSION - 4-SPD. AUTOMATIC,46RE

AR = use ase required - = Non illustrated part

2000 BE

# Group - EBE

## Exterior Ornamentation

### Group - EBE Exterior Ornamentation

Illustration Title

Group-Fig. No.

#### Nameplates

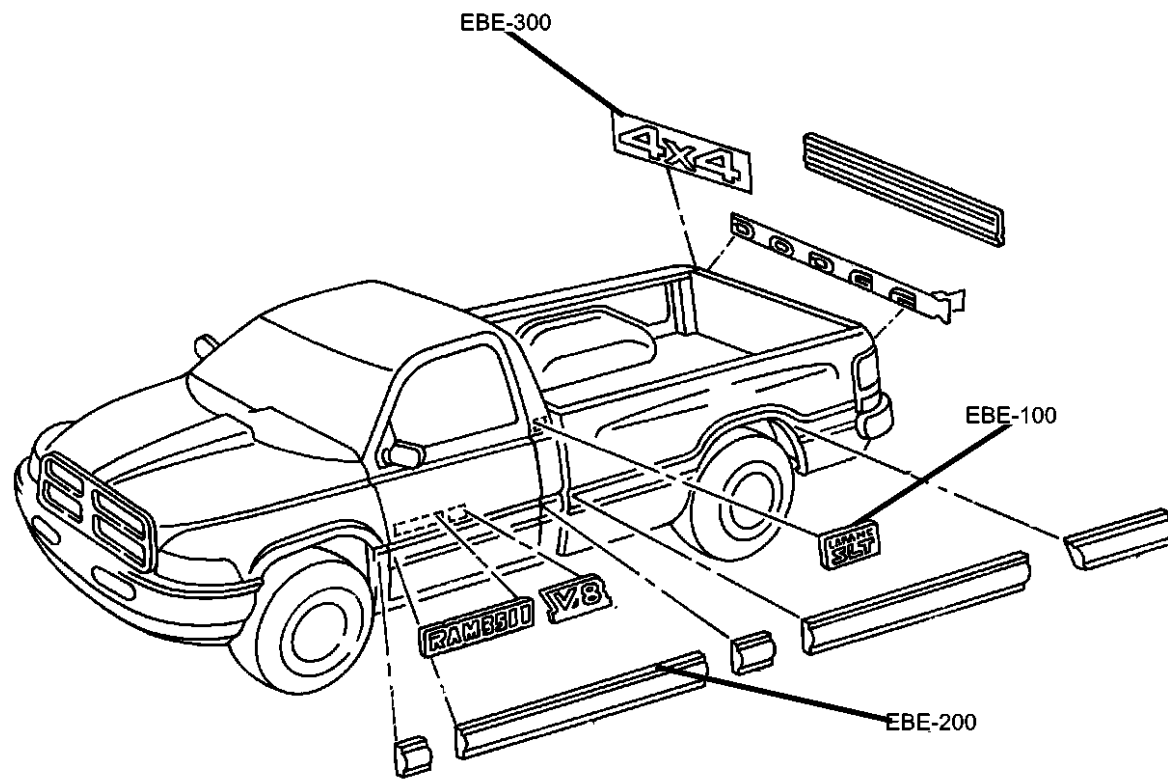
Nameplates ..... Fig. EBE - 140

#### Moldings and Ornamentation

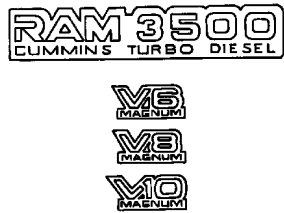
Moldings ..... Fig. EBE - 210

#### Decals and Tape Stripes

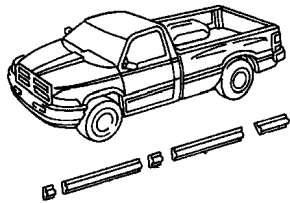
Tape Stripes and Decals ..... Fig. EBE - 350



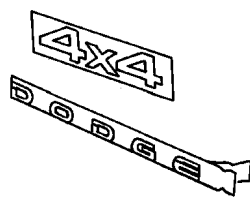
**EBE-100**  
Nameplates



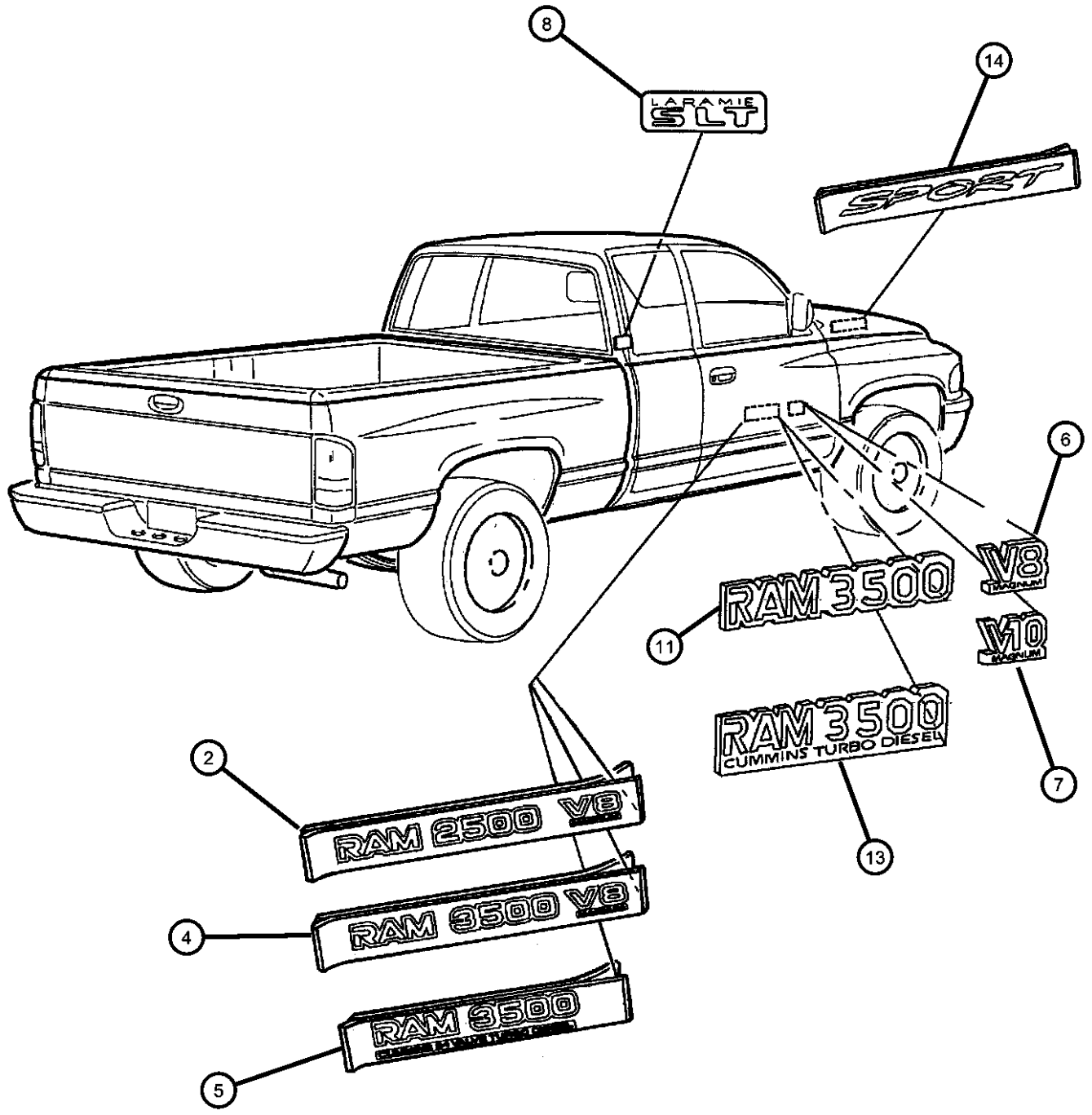
**EBE-200**  
Moldings and Ornamentation



**EBE-300**  
Decals and Tape Stripes



**Nameplates  
Figure EBE-140**



ITEM	PART NUMBER	QTY	LINE	SERIES	BODY	ENGINE	TRANS	TRIM	DESCRIPTION
-1	5GL05CA1AA	2	1, 6						NAMEPLATE, Ram 1500, Decal Silver, V8
	5GL05PCHAA	2	1, 6						Blue, V8
2	5GL07CA1AA	2	2, 7		33, 34				NAMEPLATE, Ram 2500, Decal Silver, V8
	5GL07PCHAA	2	2, 7		33, 34				Blue, V8
	5GL11CA1AA	2	2, 7		33, 34				Silver, V10
	5GL11PCHAA	2	2, 7		33, 34				Blue, V10
-3	5GL09CA1AA	2	2, 7		33, 34				NAMEPLATE, Ram 2500 Cummins, Decal Silver
	5GL09PCHAA	2	2, 7		33, 34				Blue
4	5GL08CA1AA	2	3, 8		34				NAMEPLATE, Ram 3500, Decal Silver, V8
	5GL08PCHAA	2	3, 8		34				Blue, V8
	5GL12CA1AA	2	3, 8		34				Silver, V10
	5GL12PCHAA	2	3, 8		34				Blue, V10
5	5GL10CA1AA	2	3, 8		34				NAMEPLATE, Ram 3500 Cummins, Decal Silver
	5GL10PCHAA	2	3, 8		34				Blue
6	55296307AB	2							NAMEPLATE, Door, V8 MAGNUM
7	55295306AB	2							NAMEPLATE, Door, V10 MAGNUM
8	55274860AB	2							NAMEPLATE, Cab, Laramie SLT
-9	55295310AB	2	1, 6						NAMEPLATE, Front Fender, Ram 1500
-10	55295311AB	2	2, 7						NAMEPLATE, Front Fender, Ram 2500
11	55295312AB	2	3, 8		34				NAMEPLATE, Front Fender, Ram 3500
-12	55295313AC	2	2, 7						NAMEPLATE, Front Fender, Ram 2500 Cummins
13	55295314AC	2	3, 8		34				NAMEPLATE, Front Fender, Ram 3500 Cummins

**RAM PICKUP/CLUB CAB (BE)**

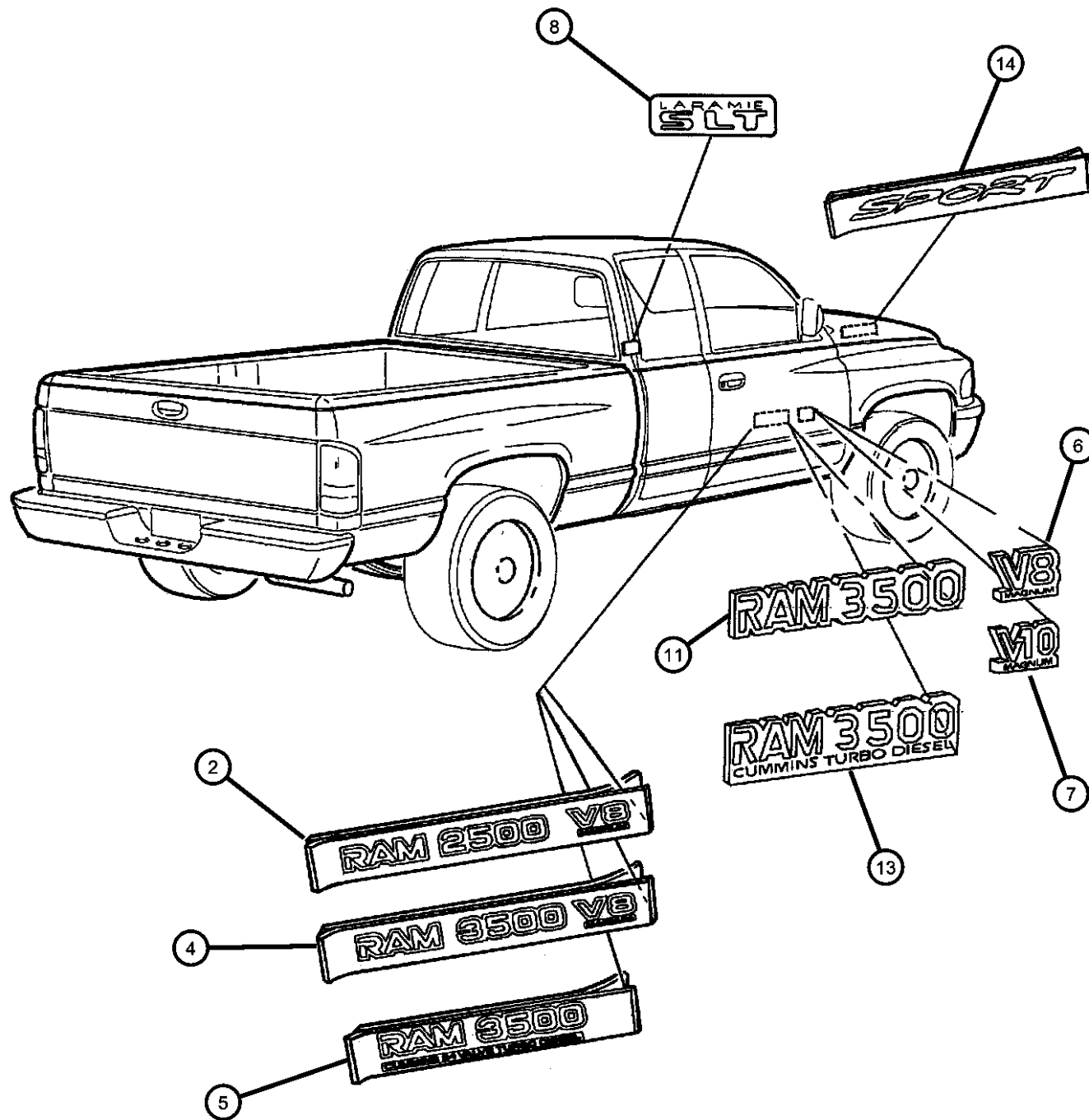
SERIES	LINE	BODY	ENGINE	TRANSMISSION
L = Ram Truck (All)	3 = HD DODGE 2WD 8 = HD DODGE 4WD 1 = Lt. Duty DODGE 2WD 6 = Lt. Duty DODGE 4WD 2 = Med. Duty DODGE 2WD 7 = Med. Duty DODGE 4WD	31 = CLUB CAB 2-DR 6.5 FT BOX 32 = CLUB CAB 2-DR 8FT BOX 33 = QUAD CAB 4-DR 6.5 FT BOX 34 = QUAD CAB 4-DR 8FT BOX	ELF = ENGINE - 5.2L V8 MPI EML = ENGINE - 5.9L V8 MPI EMM = ENGINE - "MAGNUM" 5.9L SMPI V8 ETC = ENGINE- 5.9L CUMMINS 24V DIESEL ETH = ENGINE- 5.9L HO CUMMINS TURBO DIESEL EWA = ENGINE - 8.0L V10 MPI	DDC = TRANSMISSION - 5-SPEED HD MANUAL DDP = TRANSMISSION - 5-SPEED MANUAL DDX = TRANSMISSION - 5-SPEED HD MANUAL DEE = TRANSMISSION - 6-SPEED HD MANUAL DGP = TRANSMISSION - 4-SPD. AUTOMATIC,47RE DGT = TRANSMISSION - 4-SPD. AUTOMATIC,46RE

AR = use ase required - = Non illustrated part

Nameplates  
Figure EBE-140

ITEM	PART NUMBER	QTY	LINE	SERIES	BODY	ENGINE	TRANS	TRIM	DESCRIPTION
------	-------------	-----	------	--------	------	--------	-------	------	-------------

14	5GL04CA1AA	2							NAMEPLATE, Sport, Decal Silver
	5GL04PCHAA	2							Blue



RAM PICKUP/CLUB CAB (BE)

SERIES	LINE
L = Ram Truck	3 = HD DODGE 2WD
(All)	8 = HD DODGE 4WD
	1 = Lt. Duty DODGE 2WD
	6 = Lt. Duty DODGE 4WD
	2 = Med. Duty DODGE 2WD
	7 = Med. Duty DODGE 4WD

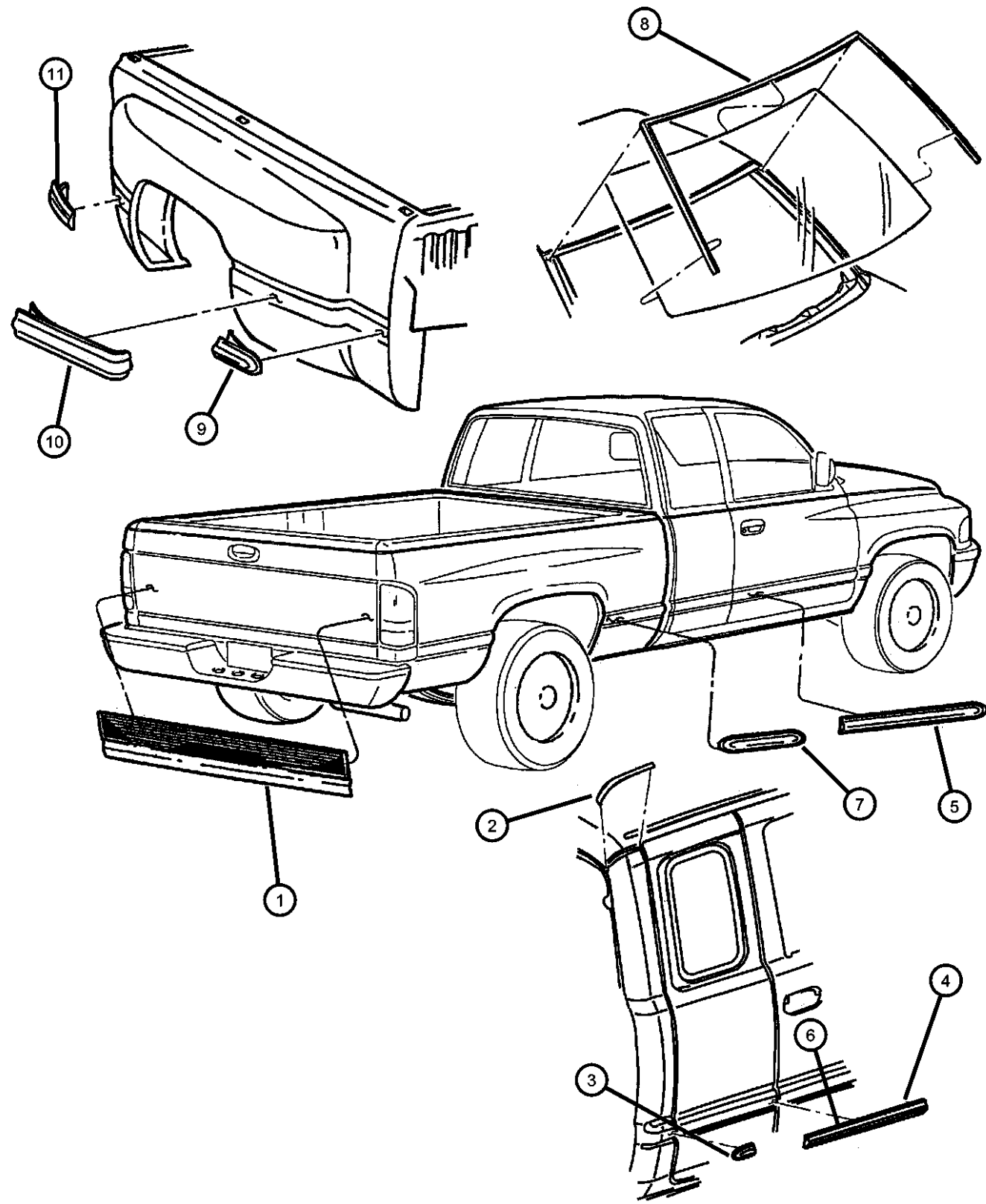
BODY	ENGINE	TRANSMISSION
31 = CLUB CAB 2-DR 6.5 FT BOX	ELF = ENGINE - 5.2L V8 MPI	DDC = TRANSMISSION - 5-SPEED HD MANUAL
32 = CLUB CAB 2-DR 8FT BOX	EML = ENGINE - 5.9L V8 MPI	DDP = TRANSMISSION - 5-SPEED MANUAL
33 = QUAD CAB 4-DR 6.5 FT BOX	EMM = ENGINE - "MAGNUM" 5.9L SMPI V8	DDX = TRANSMISSION - 5-SPEED HD MANUAL
34 = QUAD CAB 4-DR 8FT BOX	ETC = ENGINE- 5.9L CUMMINS 24V DIESEL	DEE = TRANSMISSION - 6-SPEED HD MANUAL
	ETH = ENGINE- 5.9L HO CUMMINS TURBO DIESEL	DGP = TRANSMISSION - 4-SPD. AUTOMATIC,47RE
	EWA = ENGINE - 8.0L V10 MPI	DGT = TRANSMISSION - 4-SPD. AUTOMATIC,46RE

AR = use ase required - = Non illustrated part

2000 BE



**Mouldings  
Figure EBE-210**



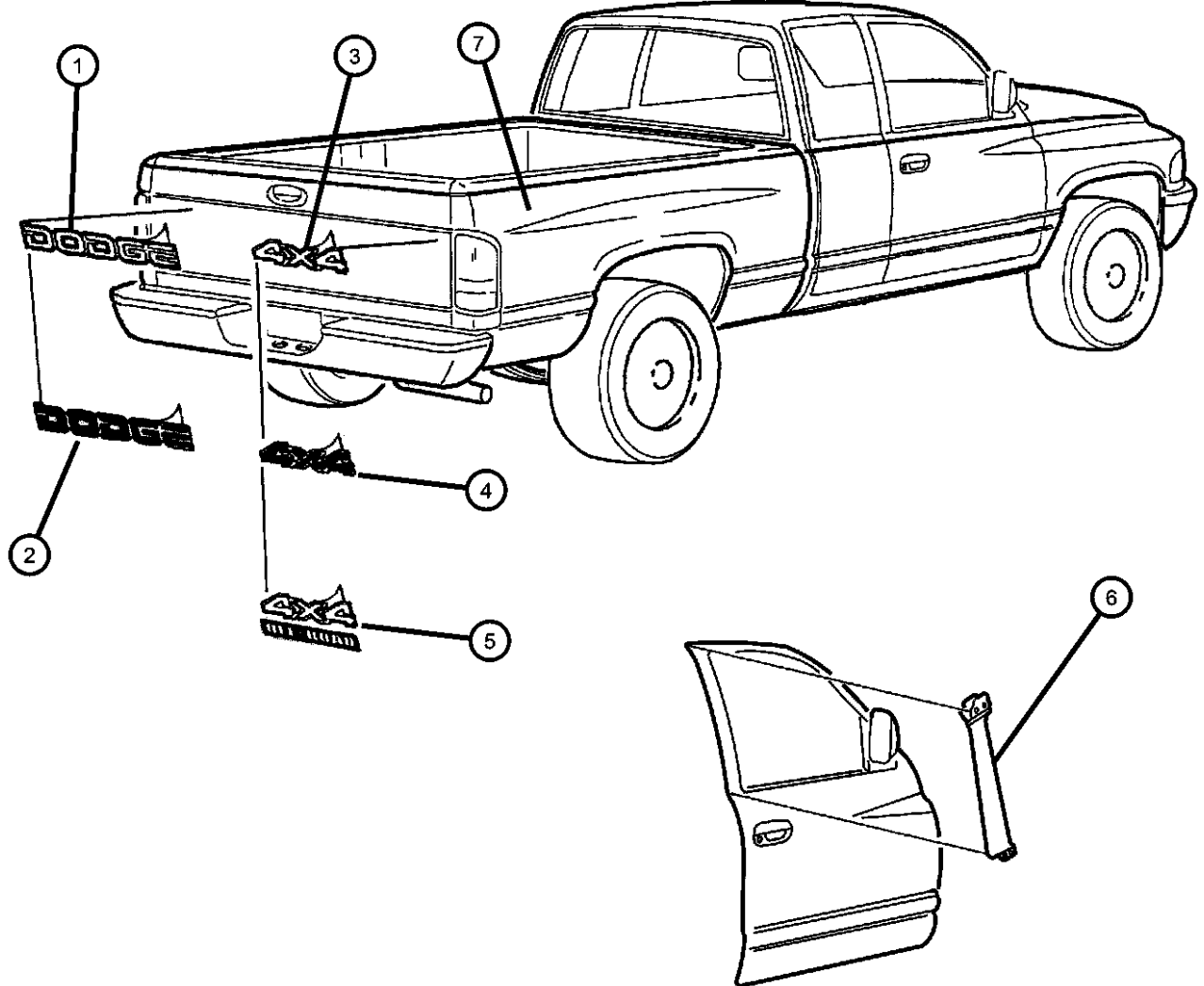
ITEM	PART NUMBER	QTY	LINE	SERIES	BODY	ENGINE	TRANS	TRIM	DESCRIPTION
1	55295060	1							APPLIQUE, Tailgate
2									MOLDING, Roof Quarter Joint
	55275358	1			33, 34				Right
	55275359	1			33, 34				Left
	55275438AA	1	1, 6		31				Right
	55275439AA	1	1, 6		31				Left
3	55076542	2			33, 34				MOLDING, Cargo Door
4									MOLDING, Cargo Door
	55076538	1			33, 34				Right
	55076539	1			33, 34				Left
5									MOLDING, Front Door
	55076536	1							Right
	55076537	1							Left
6									MOLDING, Cab
	55076888AA	1	1, 6		31				Right
	55076889AA	1	1, 6		31				Left
7									MOLDING, Box Side Panel
	55076891AA	2	1, 2, 6, 7		31, 33				Right
	55076902AA	2	1, 2, 6, 7		32, 34				Left
8	55275017	1							MOLDING, Windshield
9	55076900AA	2	3, 8		34				MOLDING, Box Side Panel
10									MOLDING, Fender Rear
	55076898AA	1	3, 8		34				Right
	55076899AA	1	3, 8		34				Left
11									MOLDING, Fender Rear
	55076892AA	1	3, 8		34				Right
	55076893AA	1	3, 8		34				Left

**RAM PICKUP/CLUB CAB (BE)**

SERIES	LINE	BODY	ENGINE	TRANSMISSION
L = Ram Truck (All)	3 = HD DODGE 2WD 8 = HD DODGE 4WD 1 = Lt. Duty DODGE 2WD 6 = Lt. Duty DODGE 4WD 2 = Med. Duty DODGE 2WD 7 = Med. Duty DODGE 4WD	31 = CLUB CAB 2-DR 6.5 FT BOX 32 = CLUB CAB 2-DR 8FT BOX 33 = QUAD CAB 4-DR 6.5 FT BOX 34 = QUAD CAB 4-DR 8FT BOX	ELF = ENGINE - 5.2L V8 MPI EML = ENGINE - 5.9L V8 MPI EMM = ENGINE - "MAGNUM" 5.9L SMPI V8 ETC = ENGINE- 5.9L CUMMINS 24V DIESEL ETH = ENGINE- 5.9L HO CUMMINS TURBO DIESEL EWA = ENGINE - 8.0L V10 MPI	DDC = TRANSMISSION - 5-SPEED HD MANUAL DDP = TRANSMISSION - 5-SPEED MANUAL DDX = TRANSMISSION - 5-SPEED HD MANUAL DEE = TRANSMISSION - 6-SPEED HD MANUAL DGP = TRANSMISSION - 4-SPD. AUTOMATIC, 47RE DGT = TRANSMISSION - 4-SPD. AUTOMATIC, 46RE

AR = use ase required - = Non illustrated part

**Tape Stripes and Decals  
Figure EBE-350**



ITEM	PART NUMBER	QTY	LINE	SERIES	BODY	ENGINE	TRANS	TRIM	DESCRIPTION
1	5GL13CA1AA	1							DECAL, Dodge, Sport Appearance Silver
	5GL13PCHAA	1							Blue
2	5DV73PX9	1							DECAL, Dodge Black
	5DV73TA1	1							Silver
	5GL13CA1AA	1							Silver, Outlined
	5GL13GX9AA	1							Black, Outlined
	5GL13PCHAA	1							Blue, Outlined
3	5GL14CA1AA	1	6, 7, 8						DECAL, 4x4, Sport Appearance Silver
	5GL14PCHAA	1	6, 7, 8						Blue
4	5DV76PX9	1	6, 7, 8						DECAL, 4 x 4 Black
	5DV76TA1	1	6, 7, 8						Silver
5	5GY40CA1AA	1	6, 7, 8						DECAL, 4x4, OFF ROAD Silver
	5GY40GX9AA	1	6, 7, 8						Black
	5GY40PCHAA	1	6, 7, 8						Blue
6	55077366AA	1							TAPE, Pillar, Blackout Right
	55077367AA	1							Left
7	55077367AA	1							DECAL, None, Off-Road, 5HU29Ca1,GX9AA, (NOT SERVICED)

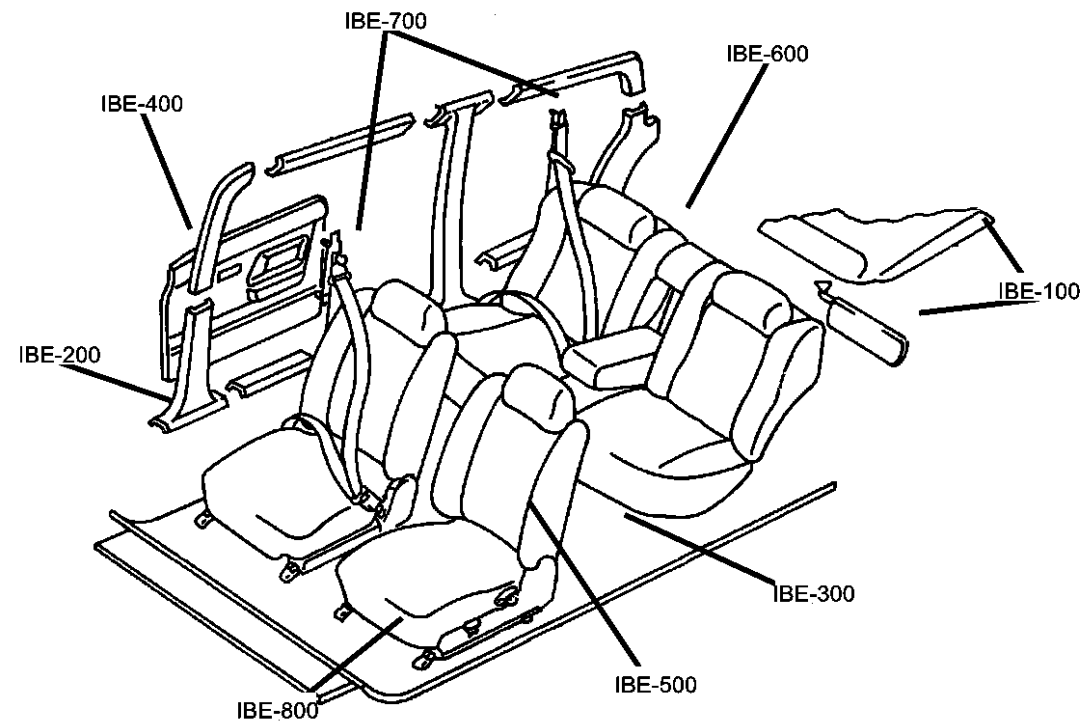
**RAM PICKUP/CLUB CAB (BE)**

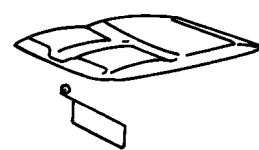
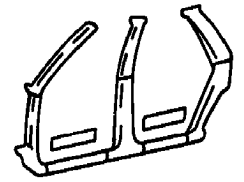
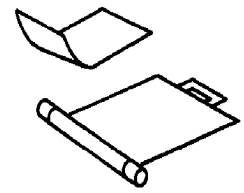
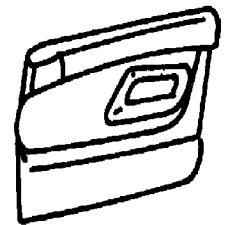
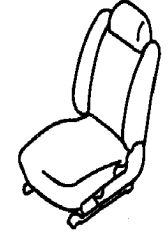
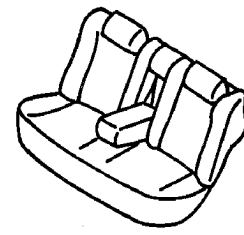
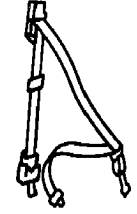
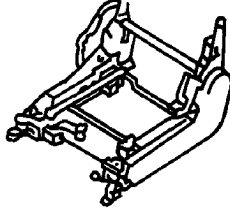
SERIES	LINE	BODY	ENGINE	TRANSMISSION
L = Ram Truck (All)	3 = HD DODGE 2WD 8 = HD DODGE 4WD 1 = Lt. Duty DODGE 2WD 6 = Lt. Duty DODGE 4WD 2 = Med. Duty DODGE 2WD 7 = Med. Duty DODGE 4WD	31 = CLUB CAB 2-DR 6.5 FT BOX 32 = CLUB CAB 2-DR 8FT BOX 33 = QUAD CAB 4-DR 6.5 FT BOX 34 = QUAD CAB 4-DR 8FT BOX	ELF = ENGINE - 5.2L V8 MPI EML = ENGINE - 5.9L V8 MPI EMM = ENGINE - "MAGNUM" 5.9L SMPI V8 ETC = ENGINE- 5.9L CUMMINS 24V DIESEL ETH = ENGINE- 5.9L HO CUMMINS TURBO DIESEL EWA = ENGINE - 8.0L V10 MPI	DDC = TRANSMISSION - 5-SPEED HD MANUAL DDP = TRANSMISSION - 5-SPEED MANUAL DDX = TRANSMISSION - 5-SPEED HD MANUAL DEE = TRANSMISSION - 6-SPEED HD MANUAL DGP = TRANSMISSION - 4-SPD. AUTOMATIC,47RE DGT = TRANSMISSION - 4-SPD. AUTOMATIC,46RE

AR = use ase required - = Non illustrated part

# Group - IBE

## Interior Trim



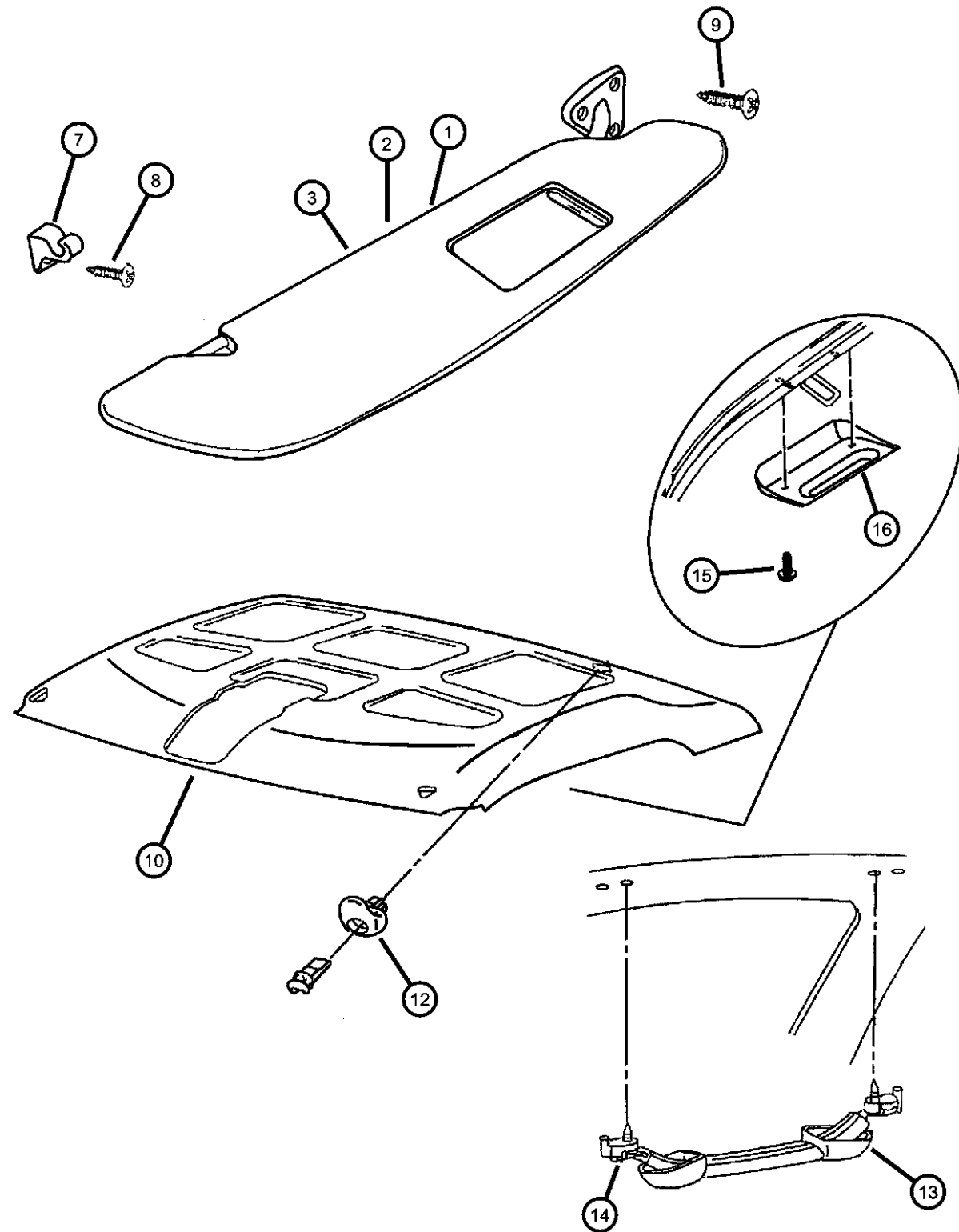
<p><b>IBE-100</b> Headliner and Visor</p> 	<p><b>IBE-200</b> Moldings, Scuff Plates</p> 	<p><b>IBE-300</b> Carpet</p> 	<p><b>IBE-400</b> Door Trim Panels</p> 
<p><b>IBE-500</b> Front Seats and Attaching Parts</p> 	<p><b>IBE-600</b> Rear Seats</p> 	<p><b>IBE-700</b> Seat Belts</p> 	<p><b>IBE-800</b> Adjusters, Covers, Shields, and Risers</p> 

---

## Group - IBE Interior Trim

Illustration Title	Group-Fig. No.
<b>Headliner and Visor</b>	
Headliner, Sunvisors, Coat Hooks and Assist Straps .....	Fig. IBE - 110
<b>Moldings, Scuff Plates</b>	
A-Pillar .....	Fig. IBE - 210
Cowl And Sill .....	Fig. IBE - 220
Quarter Trim Panels .....	Fig. IBE - 230
Trim, Cab Back .....	Fig. IBE - 240
<b>Carpet</b>	
Carpets, Mats .....	Fig. IBE - 310
<b>Door Trim Panels</b>	
Front Door Trim Panel .....	Fig. IBE - 410
Rear Door Trim Panels .....	Fig. IBE - 420
<b>Front Seats and Attaching Parts</b>	
Seat, Front, Trim Code DP .....	Fig. IBE - 510
Seat, Front, Trim Code R1 .....	Fig. IBE - 520
Seat, Front, Trim Code S9 .....	Fig. IBE - 530
Seats, Front, Trim Codes SX, TY .....	Fig. IBE - 540
Seat, Front, Trim Code DZ .....	Fig. IBE - 550
<b>Rear Seats</b>	
Rear Seat .....	Fig. IBE - 610
<b>Seat Belts</b>	
Belts, Lap .....	Fig. IBE - 710
Belt Shoulder, Front & Rear, Belt Lap Rear Seat .....	Fig. IBE - 720
<b>Adjusters, Covers, Shields, and Risers</b>	
Seat, Floor Attaching .....	Fig. IBE - 810
Adjusters and Recliners .....	Fig. IBE - 820

**Headliner, Sunvisors, Coat Hooks and Assist Straps**  
**Figure IBE-110**



ITEM	PART NUMBER	QTY	LINE	SERIES	BODY	ENGINE	TRANS	TRIM	DESCRIPTION
1	5ES00TL2AD	1						*00	Right VISOR
	5ES01TL2AD	1						*00	Left VISOR
2	5ES02TL2AD	1						*00	VISOR, W/MirrorRight
3	5FV64TL2AD	1						*00	Right VISOR, Illuminated
	5FV65TL2AD	1						*00	Left VISOR, Illuminated
-4									LABEL, Transfer Case Shift
	52105334	1	6, 7, 8						
	52105360AA	1	6, 7, 8						CANADA
-5									LABEL, Diesel Starting
	53040084AA	1							CANADA
	53040085AA	1							
-6	55350848AA	2							LABEL, Air Bag Warning
7	5EZ92SL2	2						*00	BRACKET, Sunvisor
8	00152383	2							SCREW, Pan Head, .19-16x.75
9	11501150	6							SCREW, Oval Head Tapping, .164x18x.984
10									HEADLINER
	5ET05TL2AG	1			33, 34			*00	With Overhead Console
	5ET10TL2AD	1			33, 34			*00	Without Overhead Console
	5FE26TL2AC	1	1, 6		31			*00	Without Overhead Console
	5FG27TL2AF	1	1, 6		31			*00	With Overhead Console
-11									PIN, Push
	5FU82TL2	2						*00	Backlite Area, Shorter
	5GG00TL2AA	2						*00	Dome Light Area, Longer
12	5FY27TL2AB	2						*00	HOOK, Coat
13	5DZ39SL2	1						*00	HANDLE, Roof Grab
14	5DZ39SL2	1							SCREW, .164-18x1.00, (NOT SERVICED)
15	5DZ39SL2	1							SCREW, M5x0.8x16.00, (NOT SERVICED)

**RAM PICKUP/CLUB CAB (BE)**

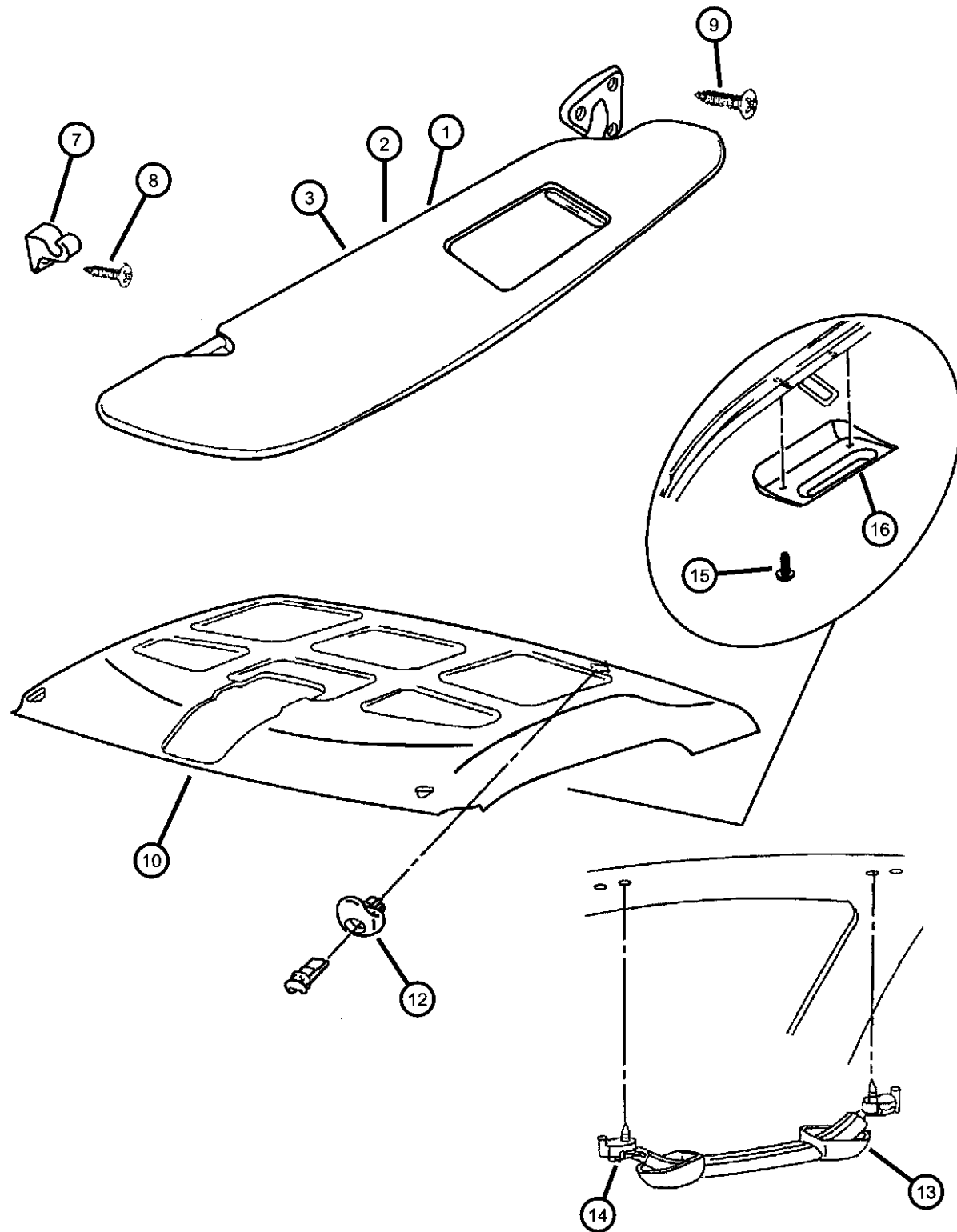
SERIES	LINE
L = Ram Truck (All)	3 = HD DODGE 2WD
	8 = HD DODGE 4WD
	1 = Lt. Duty DODGE 2WD
	6 = Lt. Duty DODGE 4WD
	2 = Med. Duty DODGE 2WD
	7 = Med. Duty DODGE 4WD

BODY	ENGINE	TRANSMISSION
31 = CLUB CAB 2-DR 6.5 FT BOX	ELF = ENGINE - 5.2L V8 MPI	DDC = TRANSMISSION - 5-SPEED HD MANUAL
32 = CLUB CAB 2-DR 8FT BOX	EML = ENGINE - 5.9L V8 MPI	DDP = TRANSMISSION - 5-SPEED MANUAL
33 = QUAD CAB 4-DR 6.5 FT BOX	EMM = ENGINE - "MAGNUM" 5.9L SMPI V8	DDX = TRANSMISSION - 5-SPEED HD MANUAL
34 = QUAD CAB 4-DR 8FT BOX	ETC = ENGINE- 5.9L CUMMINS 24V DIESEL	DEE = TRANSMISSION - 6-SPEED HD MANUAL
	ETH = ENGINE- 5.9L HO CUMMINS TURBO DIESEL	DGP = TRANSMISSION - 4-SPD. AUTOMATIC, 47RE
	EWA = ENGINE - 8.0L V10 MPI	DGT = TRANSMISSION - 4-SPD. AUTOMATIC, 46RE

AR = use ase required - = Non illustrated part

2000 BE

**Headliner, Sunvisors, Coat Hooks and Assist Straps**  
**Figure IBE-110**



ITEM	PART NUMBER	QTY	LINE	SERIES	BODY	ENGINE	TRANS	TRIM	DESCRIPTION
16									COVER, Striker
	5FV52TL2	1			33, 34			*00	Right
	5FV53TL2	1			33, 34			*00	Left

**RAM PICKUP/CLUB CAB (BE)**

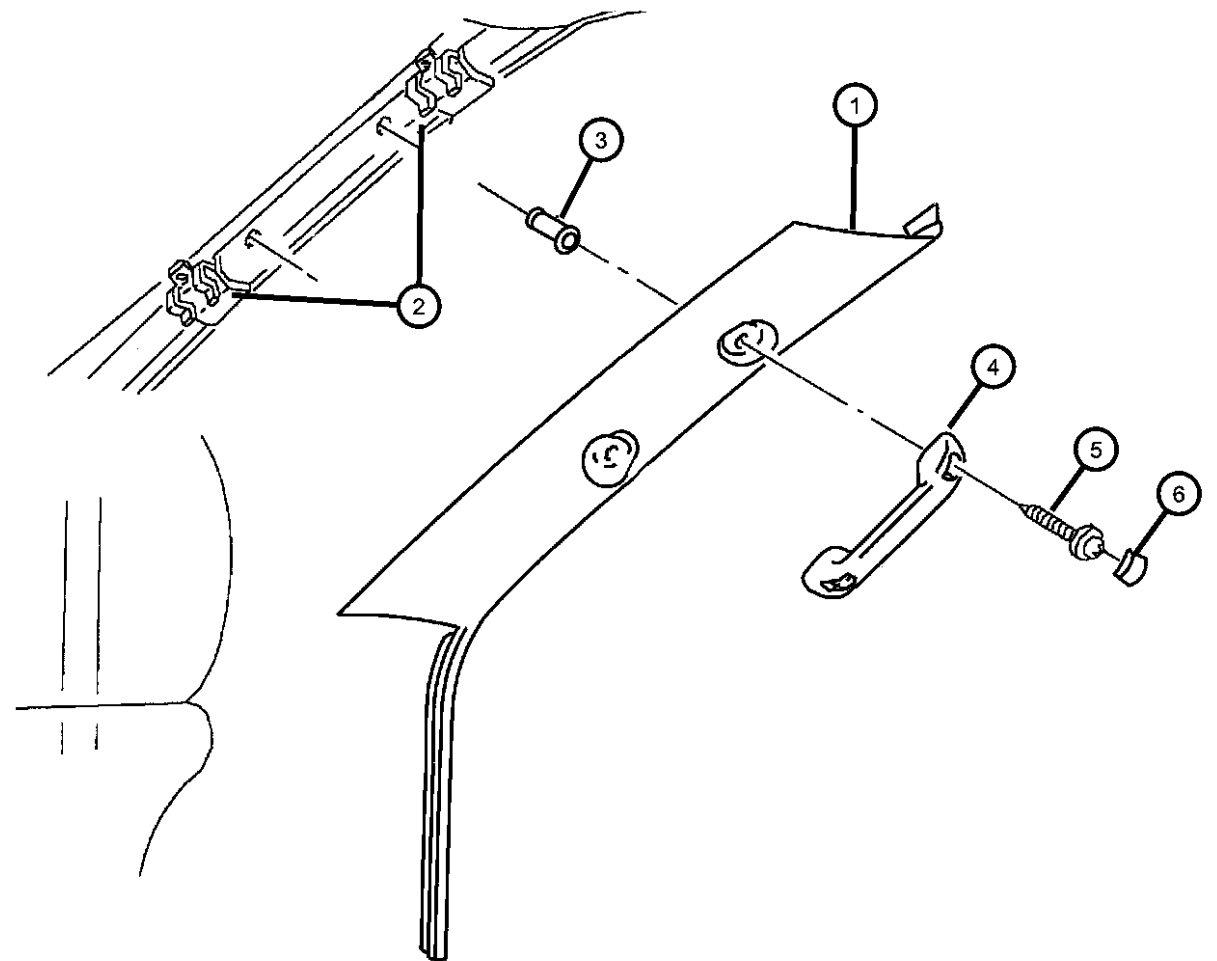
SERIES	LINE	BODY	ENGINE	TRANSMISSION
L = Ram Truck (All)	3 = HD DODGE 2WD 8 = HD DODGE 4WD 1 = Lt. Duty DODGE 2WD 6 = Lt. Duty DODGE 4WD 2 = Med. Duty DODGE 2WD 7 = Med. Duty DODGE 4WD	31 = CLUB CAB 2-DR 6.5 FT BOX 32 = CLUB CAB 2-DR 8FT BOX 33 = QUAD CAB 4-DR 6.5 FT BOX 34 = QUAD CAB 4-DR 8FT BOX	ELF = ENGINE - 5.2L V8 MPI EML = ENGINE - 5.9L V8 MPI EMM = ENGINE - "MAGNUM" 5.9L SMPI V8 ETC = ENGINE- 5.9L CUMMINS 24V DIESEL ETH = ENGINE- 5.9L HO CUMMINS TURBO DIESEL EWA = ENGINE - 8.0L V10 MPI	DDC = TRANSMISSION - 5-SPEED HD MANUAL DDP = TRANSMISSION - 5-SPEED MANUAL DDX = TRANSMISSION - 5-SPEED HD MANUAL DEE = TRANSMISSION - 6-SPEED HD MANUAL DGP = TRANSMISSION - 4-SPD. AUTOMATIC,47RE DGT = TRANSMISSION - 4-SPD. AUTOMATIC,46RE

AR = use ase required - = Non illustrated part

2000 BE

**A-Pillar  
Figure IBE-210**

ITEM	PART NUMBER	QTY	LINE	SERIES	BODY	ENGINE	TRANS	TRIM	DESCRIPTION
1									PANEL, A Pillar Trim
	5ES44LAZ	1						*00	[AZ], Without Infinity Sound, Right
	5ES44RC3	1						*00	[C3], Without Infinity Sound, Right
	5ES44RK5	1						*00	[K9], Without Infinity Sound, Right
	5ES57LAZ	1						*00	[AZ], Without Infinity Sound, Left
	5ES57RC3	1						*00	[C3], Without Infinity Sound, Left
	5ES57RK5	1						*00	[K9], Without Infinity Sound, Left
	5GK68LAZAA	1						*00	[AZ], With Infinity Sound, Right
	5GK68RC3AA	1						*00	[C3], With Infinity Sound, Right
	5GK68RK5AA	1						*00	[K9], With Infinity Sound, Right
	5GK69LAZAA	1						*00	[AZ], With Infinity Sound, Left
	5GK69RC3AA	1						*00	[C3], With Infinity Sound, Left
	5GK69RK5AA	1						*00	[K9], With Infinity Sound, Left
2	55214846	2						*00	CLIP, Trim Panel
3	06503910	1							NUT
4									HANDLE, Roof Grab
	5DX76LAZAC	1						*00	[AZ]
	5DX76RC3AC	1						*00	[C3]
	5DX76RK5AC	1						*00	[K9]
5	06504432	2							SCREW, Pan Head, M6-1.00x29.00, [AZ]
6									PLUG, Assist and Grab Handle
	0H526TAZ	2						*00	
	0H526TC3	2						*00	[C3]
	0H526TK5	2						*00	[K9]

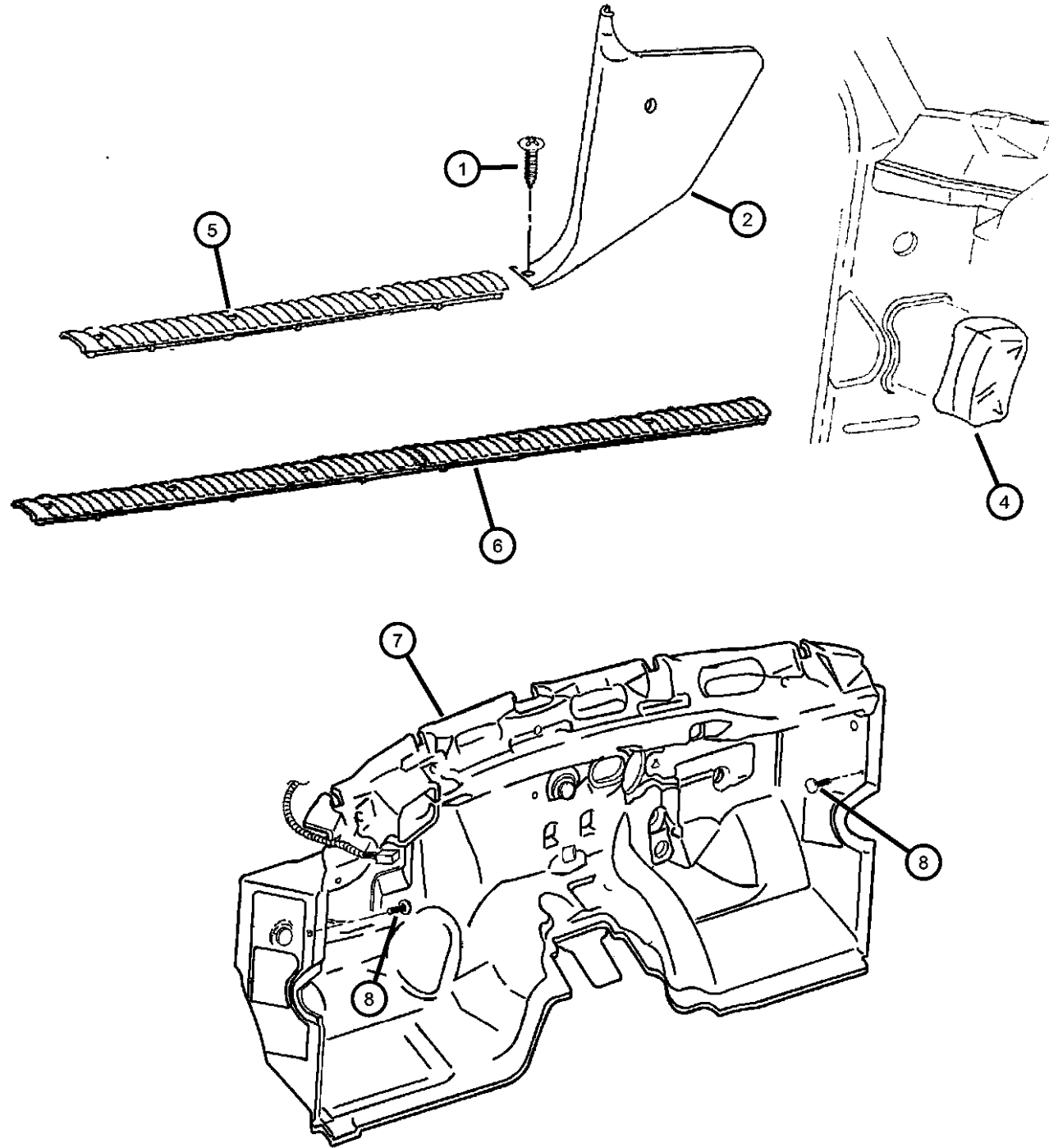


**RAM PICKUP/CLUB CAB (BE)**

SERIES	LINE	BODY	ENGINE	TRANSMISSION
L = Ram Truck (All)	3 = HD DODGE 2WD 8 = HD DODGE 4WD 1 = Lt. Duty DODGE 2WD 6 = Lt. Duty DODGE 4WD 2 = Med. Duty DODGE 2WD 7 = Med. Duty DODGE 4WD	31 = CLUB CAB 2-DR 6.5 FT BOX 32 = CLUB CAB 2-DR 8FT BOX 33 = QUAD CAB 4-DR 6.5 FT BOX 34 = QUAD CAB 4-DR 8FT BOX	ELF = ENGINE - 5.2L V8 MPI EML = ENGINE - 5.9L V8 MPI EMM = ENGINE - "MAGNUM" 5.9L SMPI V8 ETC = ENGINE- 5.9L CUMMINS 24V DIESEL ETH = ENGINE- 5.9L HO CUMMINS TURBO DIESEL EWA = ENGINE - 8.0L V10 MPI	DDC = TRANSMISSION - 5-SPEED HD MANUAL DDP = TRANSMISSION - 5-SPEED MANUAL DDX = TRANSMISSION - 5-SPEED HD MANUAL DEE = TRANSMISSION - 6-SPEED HD MANUAL DGP = TRANSMISSION - 4-SPD. AUTOMATIC, 47RE DGT = TRANSMISSION - 4-SPD. AUTOMATIC, 46RE

AR = use ase required - = Non illustrated part

**Cowl And Sill  
Figure IBE-220**



ITEM	PART NUMBER	QTY	LINE	SERIES	BODY	ENGINE	TRANS	TRIM	DESCRIPTION
1	00154562	12			33, 34				SCREW, Pan Head, .19-16x1.50
		8	1, 6		31				
2	5FH90LAZ	1						*00	PANEL, Cowl [AZ], Right
	5FH90RC3	1						*00	[C3], Right
	5FH90RK5	1						*00	[K9], Right
	5FH91LAZAB	1						*00	[AZ], Left
	5FH91RC3AB	1						*00	[C3], Left
	5FH91RK5AB	1						*00	[K9], Left
-3	55214846	2						*00	CLIP, Trim Panel
4	04386474	2							SILENCER, Wheelhouse
5	5FH80LAZ	1	1, 6		31			*00	PANEL, Side Sill [AZ], Right
	5FH80RC3	1	1, 6		31			*00	[C3], Right
	5FH80RK5	1	1, 6		31			*00	[K9], Right
	5FH81LAZ	1	1, 6		31			*00	[AZ], Left
	5FH81RC3	1	1, 6		31			*00	[C3], Left
	5FH81RK5	1	1, 6		31			*00	[K9], Left
6	5FY04LAZAA	1			33, 34			*00	MOLDING, Side Sill [AZ], Right
	5FY04RC3AA	1			33, 34			*00	[C3], Right
	5FY04RK5AA	1			33, 34			*00	[K9], Right
	5FY05LAZAA	1			33, 34			*00	[AZ], Left
	5FY05RC3AA	1			33, 34			*00	[C3], Left
	5FY05RK5AA	1			33, 34			*00	[K9], Left
7	55350755AB	1							INSULATION, Dash Panel Gas Only
	55350884AA	1							Diesel
8	06031321	4							PIN, Retainer

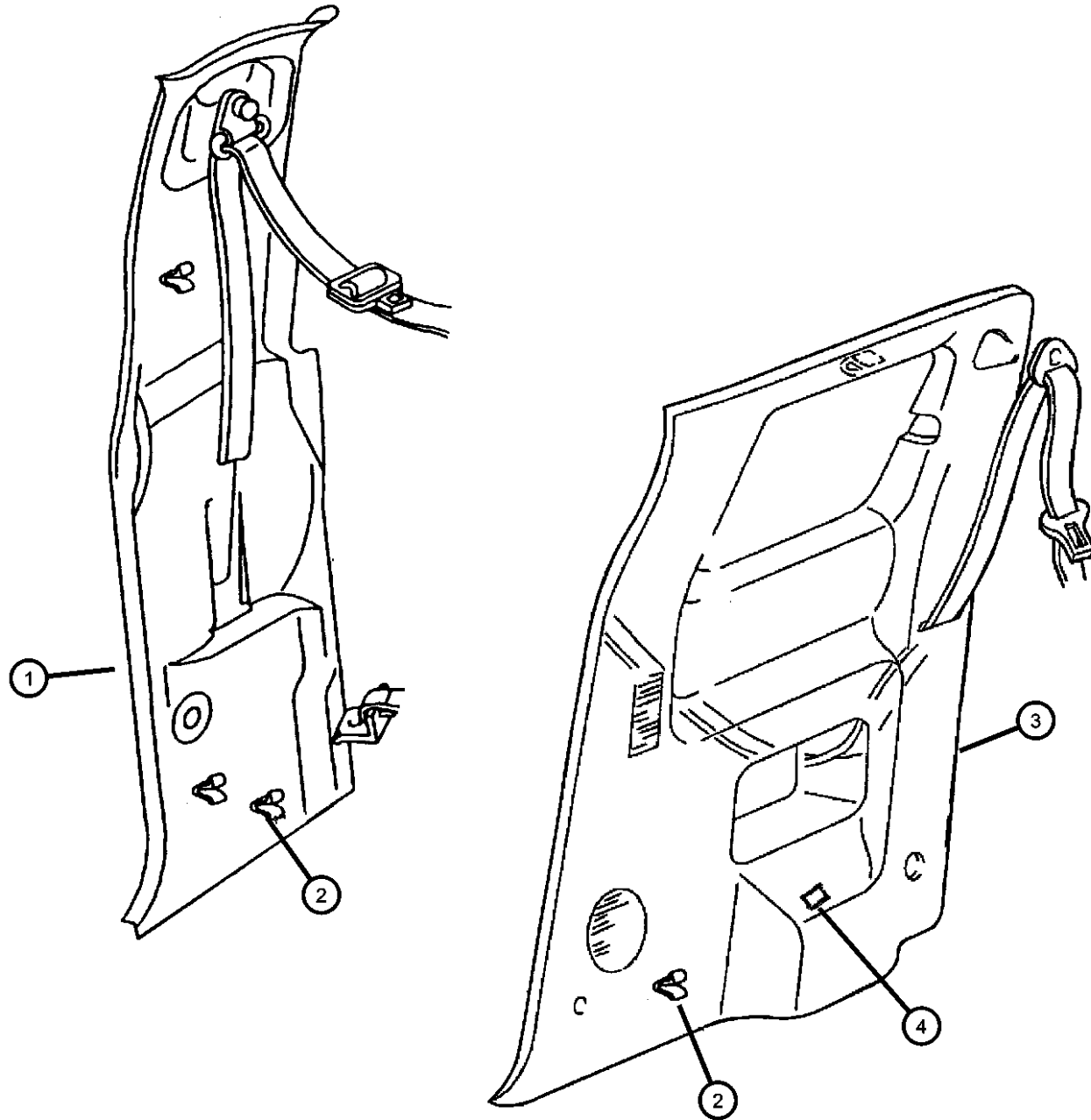
**RAM PICKUP/CLUB CAB (BE)**

SERIES	LINE	BODY	ENGINE	TRANSMISSION
L = Ram Truck (All)	3 = HD DODGE 2WD 8 = HD DODGE 4WD 1 = Lt. Duty DODGE 2WD 6 = Lt. Duty DODGE 4WD 2 = Med. Duty DODGE 2WD 7 = Med. Duty DODGE 4WD	31 = CLUB CAB 2-DR 6.5 FT BOX 32 = CLUB CAB 2-DR 8FT BOX 33 = QUAD CAB 4-DR 6.5 FT BOX 34 = QUAD CAB 4-DR 8FT BOX	ELF = ENGINE - 5.2L V8 MPI EML = ENGINE - 5.9L V8 MPI EMM = ENGINE - "MAGNUM" 5.9L SMPI V8 ETC = ENGINE- 5.9L CUMMINS 24V DIESEL ETH = ENGINE- 5.9L HO CUMMINS TURBO DIESEL EWA = ENGINE - 8.0L V10 MPI	DDC = TRANSMISSION - 5-SPEED HD MANUAL DDP = TRANSMISSION - 5-SPEED MANUAL DDX = TRANSMISSION - 5-SPEED HD MANUAL DEE = TRANSMISSION - 6-SPEED HD MANUAL DGP = TRANSMISSION - 4-SPD. AUTOMATIC,47RE DGT = TRANSMISSION - 4-SPD. AUTOMATIC,46RE

AR = use ase required - = Non illustrated part



Quarter Trim Panels  
Figure IBE-230



ITEM	PART NUMBER	QTY	LINE	SERIES	BODY	ENGINE	TRANS	TRIM	DESCRIPTION
1									PANEL, C Pillar
	5ES66LAZAB	1			33, 34			*00	[AZ], Right
	5ES66RC3AB	1			33, 34			*00	[C3], Right
	5ES66RK5AB	1			33, 34			*00	[K9], Right
	5ES67LAZAB	1			33, 34			*00	[AZ], Left
	5ES67RC3AB	1			33, 34			*00	[C3], Left
	5ES67RK5AB	1			33, 34			*00	[K9], Left
2	55214846	5			33, 34			*00	CLIP, Trim Panel
3									PANEL, Quarter Trim
	5FH82LAZAB	1	1, 6		31			*00	[AZ], Right
	5FH82RC3AB	1	1, 6		31			*00	[C3], Right
	5FH82RK5AB	1	1, 6		31			*00	[K9], Right
	5FH83LAZAB	1	1, 6		31			*00	[AZ], Left
	5FH83RC3AB	1	1, 6		31			*00	[C3], Left
	5FH83RK5AB	1	1, 6		31			*00	[K9], Left
4	55350643AB	2							BUMPER, Seat Cushion

RAM PICKUP/CLUB CAB (BE)

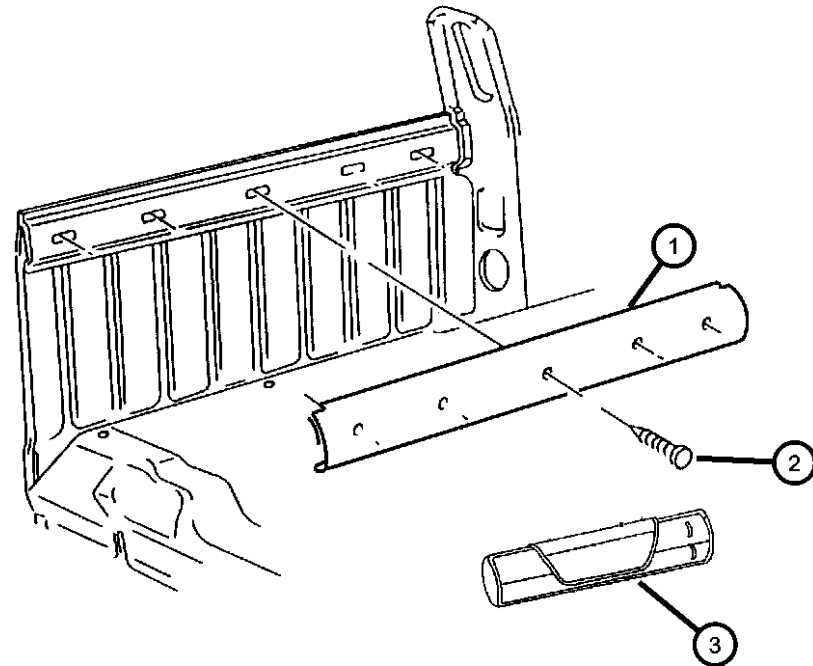
SERIES	LINE	BODY	ENGINE	TRANSMISSION
L = Ram Truck (All)	3 = HD DODGE 2WD 8 = HD DODGE 4WD 1 = Lt. Duty DODGE 2WD 6 = Lt. Duty DODGE 4WD 2 = Med. Duty DODGE 2WD 7 = Med. Duty DODGE 4WD	31 = CLUB CAB 2-DR 6.5 FT BOX 32 = CLUB CAB 2-DR 8FT BOX 33 = QUAD CAB 4-DR 6.5 FT BOX 34 = QUAD CAB 4-DR 8FT BOX	ELF = ENGINE - 5.2L V8 MPI EML = ENGINE - 5.9L V8 MPI EMM = ENGINE - "MAGNUM" 5.9L SMPI V8 ETC = ENGINE- 5.9L CUMMINS 24V DIESEL ETH = ENGINE- 5.9L HO CUMMINS TURBO DIESEL EWA = ENGINE - 8.0L V10 MPI	DDC = TRANSMISSION - 5-SPEED HD MANUAL DDP = TRANSMISSION - 5-SPEED MANUAL DDX = TRANSMISSION - 5-SPEED HD MANUAL DEE = TRANSMISSION - 6-SPEED HD MANUAL DGP = TRANSMISSION - 4-SPD. AUTOMATIC,47RE DGT = TRANSMISSION - 4-SPD. AUTOMATIC,46RE

AR = use ase required - = Non illustrated part

2000 BE

Trim, Cab Back  
Figure IBE-240

ITEM	PART NUMBER	QTY	LINE	SERIES	BODY	ENGINE	TRANS	TRIM	DESCRIPTION
1	5FZ52LAZAA	1						*O0 [AZ]	PANEL, Cab Back Trim
	5FZ52RC8AA	1						*O0 [C3]	
2	5DV62LAZ	5						*O0 [AZ]	FASTENER, Trim Panel Attaching
	5DV62RC8	5						*O0 [C3]	
3	52020344AA	1	1, 6						BAG, Jack Tool Storage
		1	2, 7						
		1	3, 8				34		



RAM PICKUP/CLUB CAB (BE)

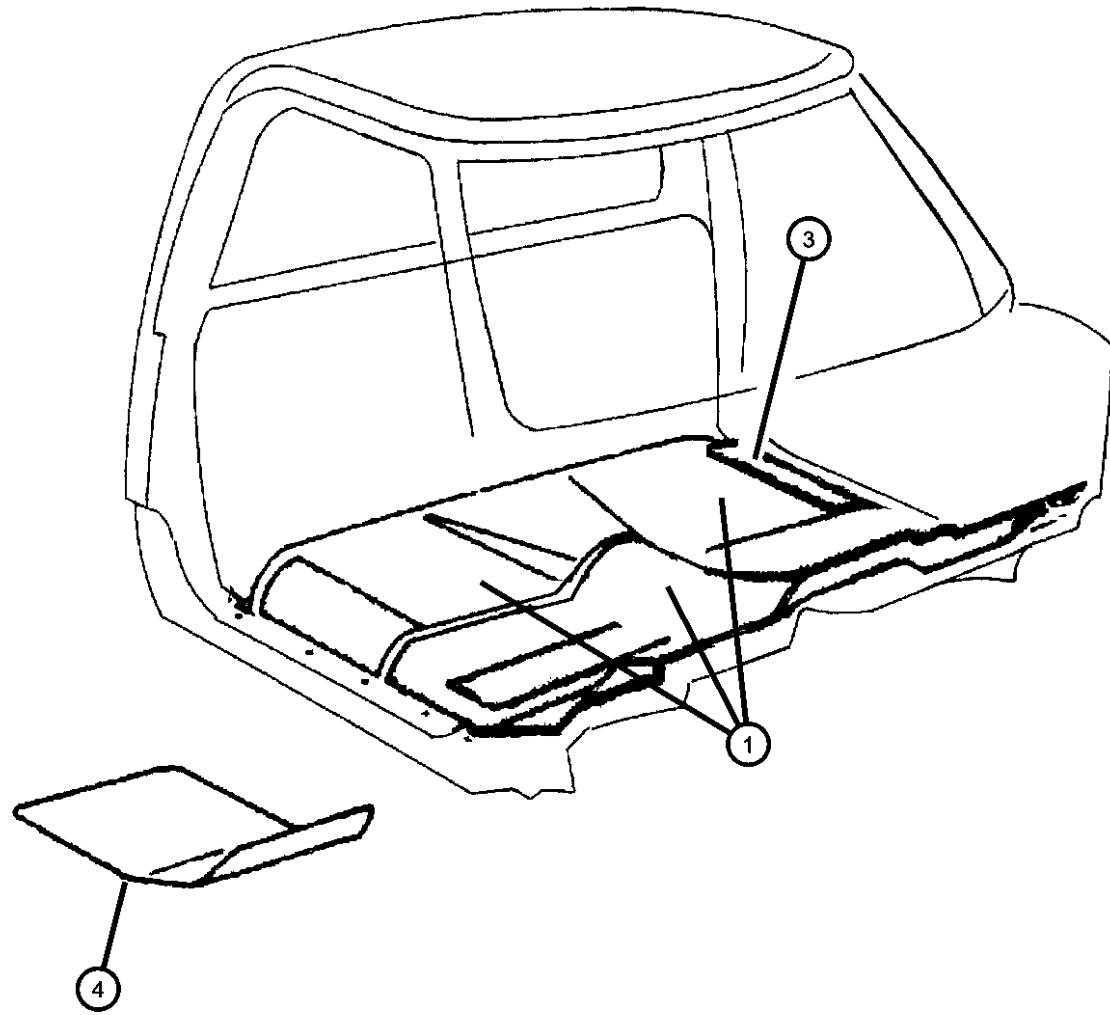
SERIES	LINE	BODY	ENGINE	TRANSMISSION
L = Ram Truck (All)	3 = HD DODGE 2WD 8 = HD DODGE 4WD 1 = Lt. Duty DODGE 2WD 6 = Lt. Duty DODGE 4WD 2 = Med. Duty DODGE 2WD 7 = Med. Duty DODGE 4WD	31 = CLUB CAB 2-DR 6.5 FT BOX 32 = CLUB CAB 2-DR 8FT BOX 33 = QUAD CAB 4-DR 6.5 FT BOX 34 = QUAD CAB 4-DR 8FT BOX	ELF = ENGINE - 5.2L V8 MPI EML = ENGINE - 5.9L V8 MPI EMM = ENGINE - "MAGNUM" 5.9L SMPI V8 ETC = ENGINE- 5.9L CUMMINS 24V DIESEL ETH = ENGINE- 5.9L HO CUMMINS TURBO DIESEL EWA = ENGINE - 8.0L V10 MPI	DDC = TRANSMISSION - 5-SPEED HD MANUAL DDP = TRANSMISSION - 5-SPEED MANUAL DDX = TRANSMISSION - 5-SPEED HD MANUAL DEE = TRANSMISSION - 6-SPEED HD MANUAL DGP = TRANSMISSION - 4-SPD. AUTOMATIC,47RE DGT = TRANSMISSION - 4-SPD. AUTOMATIC,46RE

AR = use ase required - = Non illustrated part

2000 BE

**Carpets, Mats  
Figure IBE-310**

ITEM	PART NUMBER	QTY	LINE	SERIES	BODY	ENGINE	TRANS	TRIM	DESCRIPTION
1									CARPET, Floor
	5ES73LAZAD	1			33, 34			*O0	[AZ]
	5ES73RC8AD	1			33, 34			*O0	[C3]
	5ES73VK9AD	1			33, 34			*O0	[K9]
	5FW89LAZAD	1	1, 2, 6, 7		31			*O0	[AZ]
	5FW89RC8AD	1	1, 2, 6, 7		31			*O0	[C3]
	5FW89VK9AD	1	1, 2, 6, 7		31			*O0	[K9]
-2	55350782AA	2			33, 34				COVER, Carpet Anchor Hole
3									MAT, Floor
	5ES76DX9AC	1			33, 34			*O0	
	5FW88DX9AC	1	1, 6		31			*O0	
4									MAT KIT, Floor - Front
	5FJ56LAZAB	1						*O0	[AZ]
	5FJ56RC8AB	1						*O0	[C3]
	5FJ56VK9AB	1						*O0	[K9]



**RAM PICKUP/CLUB CAB (BE)**

SERIES	LINE	BODY	ENGINE	TRANSMISSION
L = Ram Truck (All)	3 = HD DODGE 2WD 8 = HD DODGE 4WD 1 = Lt. Duty DODGE 2WD 6 = Lt. Duty DODGE 4WD 2 = Med. Duty DODGE 2WD 7 = Med. Duty DODGE 4WD	31 = CLUB CAB 2-DR 6.5 FT BOX 32 = CLUB CAB 2-DR 8FT BOX 33 = QUAD CAB 4-DR 6.5 FT BOX 34 = QUAD CAB 4-DR 8FT BOX	ELF = ENGINE - 5.2L V8 MPI EML = ENGINE - 5.9L V8 MPI EMM = ENGINE - "MAGNUM" 5.9L SMPI V8 ETC = ENGINE- 5.9L CUMMINS 24V DIESEL ETH = ENGINE- 5.9L HO CUMMINS TURBO DIESEL EWA = ENGINE - 8.0L V10 MPI	DDC = TRANSMISSION - 5-SPEED HD MANUAL DDP = TRANSMISSION - 5-SPEED MANUAL DDX = TRANSMISSION - 5-SPEED HD MANUAL DEE = TRANSMISSION - 6-SPEED HD MANUAL DGP = TRANSMISSION - 4-SPD. AUTOMATIC,47RE DGT = TRANSMISSION - 4-SPD. AUTOMATIC,46RE

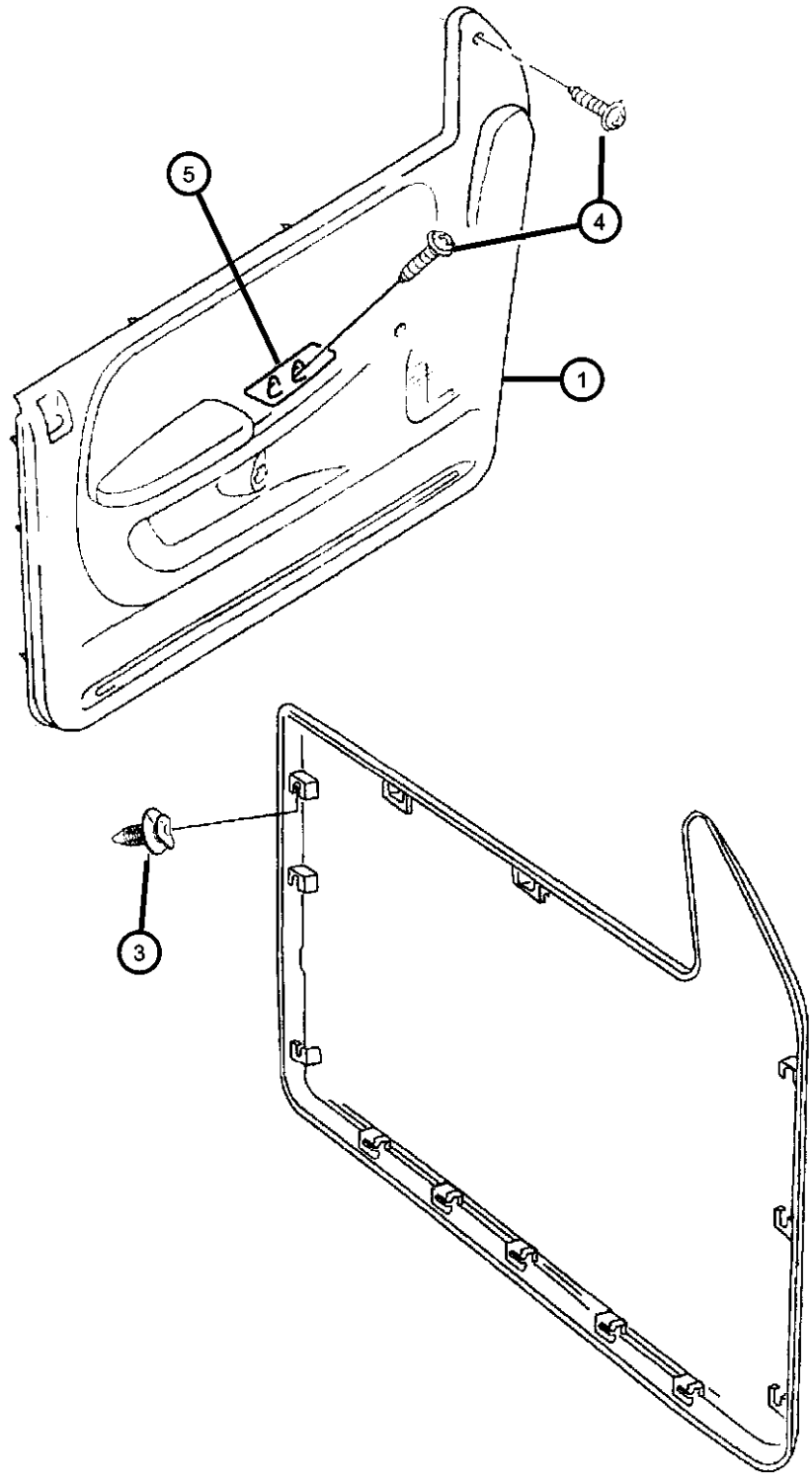
AR = use ase required - = Non illustrated part

2000 BE

**Front Door Trim Panel  
Figure IBE-410**

ITEM	PART NUMBER	QTY	LINE	SERIES	BODY	ENGINE	TRANS	TRIM	DESCRIPTION
------	-------------	-----	------	--------	------	--------	-------	------	-------------

NOTE: When replacing Door Trim Panel installer must replace X-mas tree style pin 6505878AA.  
[P.A.R.] = Paint As Required



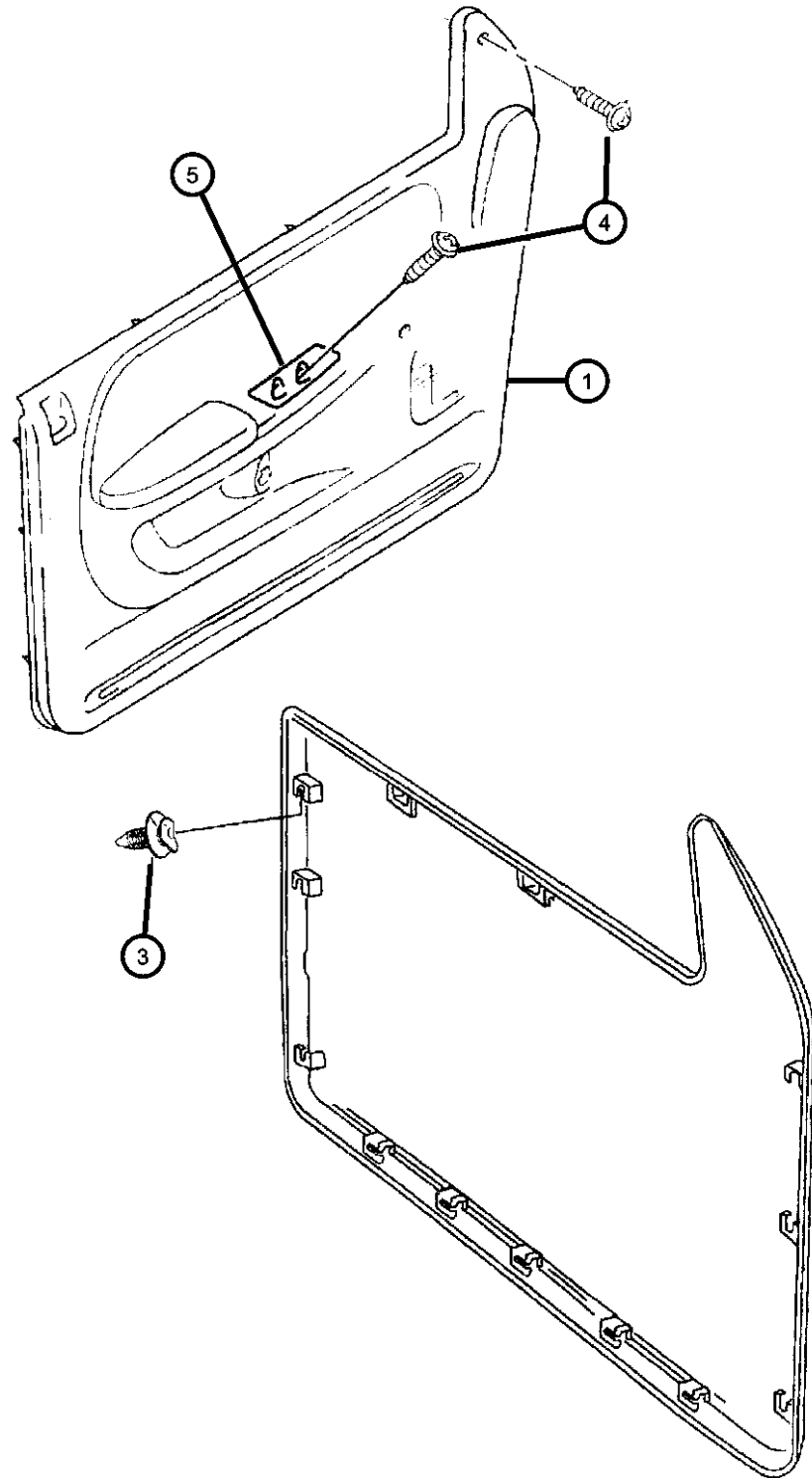
ITEM	PART NUMBER	QTY	LINE	SERIES	BODY	ENGINE	TRANS	TRIM	DESCRIPTION
1									PANEL, Door Trim Front
	0PL59LAZ	1	1, 6		31			*SX	[AZ], Left
		1	1, 6		31			*S9	[AZ], Left
	0PL59RC3	1	1, 6		31			*SX	[C3], Left
	0PL59TC3	1	1, 6		31			*S9	[C3], Left
	0PL68LAZ	1	1, 6		31			*SX	[AZ], Right
		1	1, 6		31			*S9	[AZ], Right
	0PL68RC3	1	1, 6		31			*SX	[C3], Right
		1	1, 6		31			*S9	[C3], Right
	0RH601C3AA	1	1, 6		31			*R1	[C3], Right
	0RH601K9AA	1	1, 6		31			*R1	[K9], Right
	0RH60LAZAA	1	1, 6		31			*R1	[AZ], Right
	0RH611C3AA	1	1, 6		31			*R1	[C3], Left
	0RH611K9AA	1	1, 6		31			*R1	[K9], Left
	0RH61LAZAA	1	1, 6		31			*R1	[AZ], Left
	0RH68LAZAA	1			33, 34			*SX	[AZ], Right
		1			33, 34			*TY	[AZ], Right
		1			33, 34			*S9	[AZ], Right
	0RH68RC3AA	1			33, 34			*TY	[C3], Right
		1			33, 34			*SX	[C3], Right
		1			33, 34			*S9	[C3], Right
	0RH69LAZAA	1			33, 34			*TY	[AZ], Left
		1			33, 34			*SX	[AZ], Left
		1			33, 34			*S9	[AZ], Left
	0RH69RC3AA	1			33, 34			*SX	[C3], Left
		1			33, 34			*TY	[C3], Left
		1			33, 34			*S9	[C3], Left
	0RH701C3AA	1			33, 34			*R1	[C3], Right

**RAM PICKUP/CLUB CAB (BE)**

SERIES	LINE	BODY	ENGINE	TRANSMISSION
L = Ram Truck (All)	3 = HD DODGE 2WD	31 = CLUB CAB 2-DR 6.5 FT BOX	ELF = ENGINE - 5.2L V8 MPI	DDC = TRANSMISSION - 5-SPEED HD MANUAL
	8 = HD DODGE 4WD	32 = CLUB CAB 2-DR 8FT BOX	EML = ENGINE - 5.9L V8 MPI	DDP = TRANSMISSION - 5-SPEED MANUAL
	1 = Lt. Duty DODGE 2WD	33 = QUAD CAB 4-DR 6.5 FT BOX	EMM = ENGINE - "MAGNUM" 5.9L SMPI V8	DDX = TRANSMISSION - 5-SPEED HD MANUAL
	6 = Lt. Duty DODGE 4WD	34 = QUAD CAB 4-DR 8FT BOX	ETC = ENGINE- 5.9L CUMMINS 24V DIESEL	DEE = TRANSMISSION - 6-SPEED HD MANUAL
	2 = Med. Duty DODGE 2WD		ETH = ENGINE- 5.9L HO CUMMINS TURBO DIESEL	DGP = TRANSMISSION - 4-SPD. AUTOMATIC,47RE
	7 = Med. Duty DODGE 4WD		EWA = ENGINE - 8.0L V10 MPI	DGT = TRANSMISSION - 4-SPD. AUTOMATIC,46RE

AR = use ase required - = Non illustrated part

**Front Door Trim Panel  
Figure IBE-410**



ITEM	PART NUMBER	QTY	LINE	SERIES	BODY	ENGINE	TRANS	TRIM	DESCRIPTION
	0RH701K9AA	1			33, 34			*R1	[K9], Right
	0RH70LAZAA	1			33, 34			*R1	[AZ], Right
	0RH711C3AA	1			33, 34			*R1	[C3], Left
	0RH711K9AA	1			33, 34			*R1	[K9], Left
	0RH71LAZAA	1			33, 34			*R1	[AZ], Left
	0RH721AZAA	1			33, 34			*DP	[AZ], Right
		1			33, 34			*DZ	[AZ], Right
	0RH721K9AA	1			33, 34			*DP	[K9], Right
		1			33, 34			*DZ	[K9], Right
	0RH731AZAA	1			33, 34			*DP	[AZ], Left
		1			33, 34			*DZ	[AZ], Left
	0RH731K9AA	1			33, 34			*DP	[K9], Left
		1			33, 34			*DZ	[K9], Left
	0RZ681AZAA	1	1, 6		31			*DP	[AZ], Right
	0RZ681K9AA	1	1, 6		31			*DP	[K9], Right
	0RZ691AZAA	1	1, 6		31			*DP	[AZ], Left
	0RZ691K9AA	1	1, 6		31			*DP	[K9], Left
-2									PLUG, Mirror Switch, [P.A.R.]
	0KM641AZ	1			33, 34			*DP	
		1			33, 34			*DZ	
		1			33, 34			*R1	
	0KM64LAZ	1	1, 6		31			*SX	
		1	1, 6		31			*S9	
3									PIN, Door Panel
	06505878AA	12	1, 6		31			*DP	
		13	1, 6		31			*SX	
		13			33, 34			*O0	
		12	1, 6		31			*R1	
		10	1, 6		31			*S9	

**RAM PICKUP/CLUB CAB (BE)**

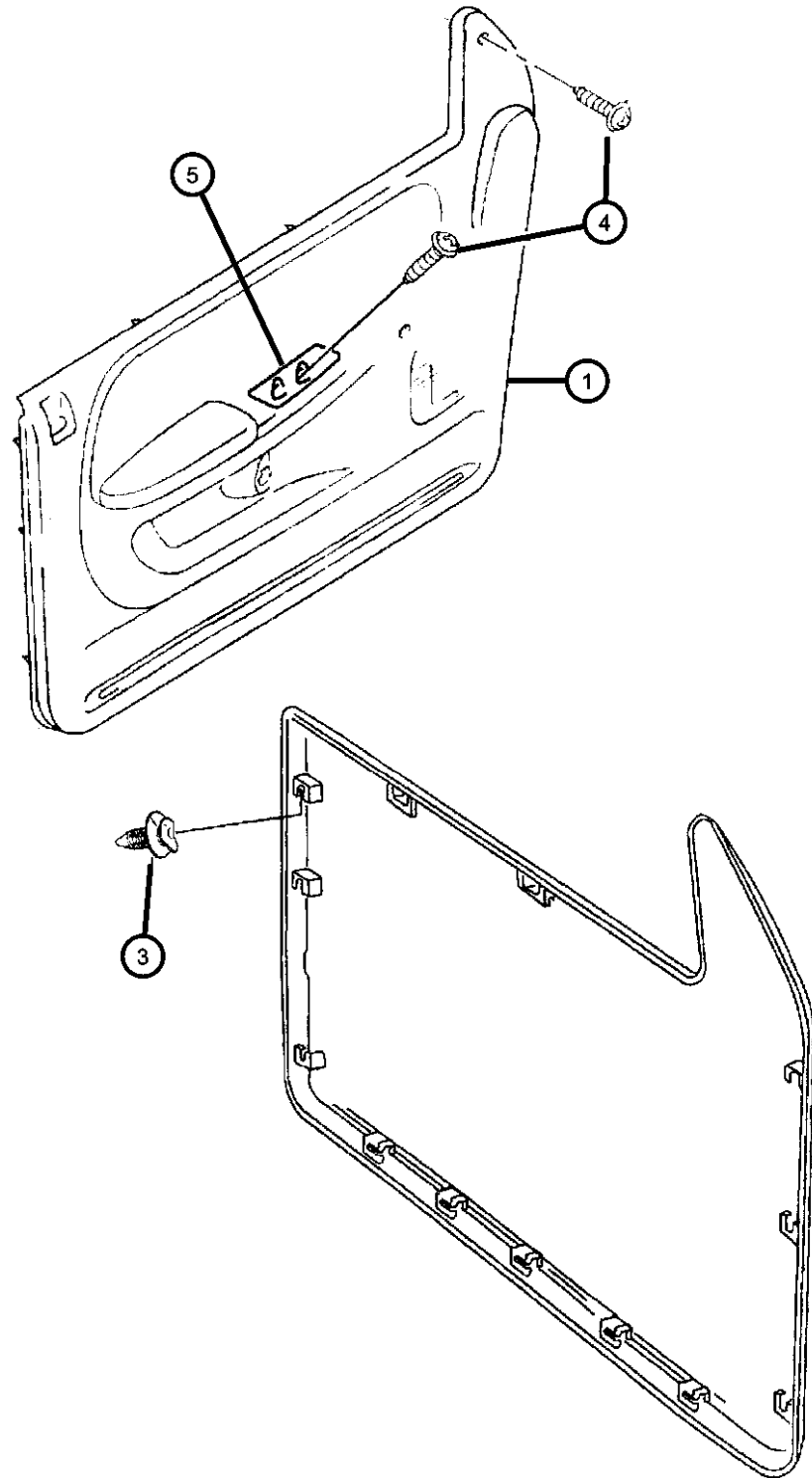
SERIES	LINE
L = Ram Truck (All)	3 = HD DODGE 2WD
	8 = HD DODGE 4WD
	1 = Lt. Duty DODGE 2WD
	6 = Lt. Duty DODGE 4WD
	2 = Med. Duty DODGE 2WD
	7 = Med. Duty DODGE 4WD

BODY	ENGINE	TRANSMISSION
31 = CLUB CAB 2-DR 6.5 FT BOX	ELF = ENGINE - 5.2L V8 MPI	DDC = TRANSMISSION - 5-SPEED HD MANUAL
32 = CLUB CAB 2-DR 8FT BOX	EML = ENGINE - 5.9L V8 MPI	DDP = TRANSMISSION - 5-SPEED MANUAL
33 = QUAD CAB 4-DR 6.5 FT BOX	EMM = ENGINE - "MAGNUM" 5.9L SMPI V8	DDX = TRANSMISSION - 5-SPEED HD MANUAL
34 = QUAD CAB 4-DR 8FT BOX	ETC = ENGINE- 5.9L CUMMINS 24V DIESEL	DEE = TRANSMISSION - 6-SPEED HD MANUAL
	ETH = ENGINE- 5.9L HO CUMMINS TURBO DIESEL	DGP = TRANSMISSION - 4-SPD. AUTOMATIC,47RE
	EWA = ENGINE - 8.0L V10 MPI	DGT = TRANSMISSION - 4-SPD. AUTOMATIC,46RE

AR = use ase required - = Non illustrated part

2000 BE

**Front Door Trim Panel  
Figure IBE-410**



ITEM	PART NUMBER	QTY	LINE	SERIES	BODY	ENGINE	TRANS	TRIM	DESCRIPTION
4		10							SCREW, .164-18x1.00, (NOT SERVICED)
5									PULL CUP, Front Door Trim Panel
	04741402	1	1, 6		31			*SX	Right
	04741403	1	1, 6		31			*SX	Left
	04741404	1	1, 6		31			*S9	Right
		1	1, 6		31			*R1	Right
	04741405	1	1, 6		31			*S9	Left
		1	1, 6		31			*R1	Left
	55350342	1			33, 34			*S9	Right
		1			33, 34			*R1	Right
		1			33, 34			*DP	Right
		1			33, 34			*DZ	Right
	55350343	1			33, 34			*S9	Left
		1			33, 34			*R1	Left
		1			33, 34			*DP	Left
		1			33, 34			*DZ	Left
	55350756AA	1			33, 34			*SX	Right
		1			33, 34			*TY	Right
	55350757AA	1			33, 34			*SX	Left
		1			33, 34			*TY	Left

**RAM PICKUP/CLUB CAB (BE)**

SERIES	LINE
L = Ram Truck (All)	3 = HD DODGE 2WD
	8 = HD DODGE 4WD
	1 = Lt. Duty DODGE 2WD
	6 = Lt. Duty DODGE 4WD
	2 = Med. Duty DODGE 2WD
	7 = Med. Duty DODGE 4WD

BODY	ENGINE	TRANSMISSION
31 = CLUB CAB 2-DR 6.5 FT BOX	ELF = ENGINE - 5.2L V8 MPI	DDC = TRANSMISSION - 5-SPEED HD MANUAL
32 = CLUB CAB 2-DR 8FT BOX	EML = ENGINE - 5.9L V8 MPI	DDP = TRANSMISSION - 5-SPEED MANUAL
33 = QUAD CAB 4-DR 6.5 FT BOX	EMM = ENGINE - "MAGNUM" 5.9L SMPI V8	DDX = TRANSMISSION - 5-SPEED HD MANUAL
34 = QUAD CAB 4-DR 8FT BOX	ETC = ENGINE- 5.9L CUMMINS 24V DIESEL	DEE = TRANSMISSION - 6-SPEED HD MANUAL
	ETH = ENGINE- 5.9L HO CUMMINS TURBO DIESEL	DGP = TRANSMISSION - 4-SPD. AUTOMATIC,47RE
	EWA = ENGINE - 8.0L V10 MPI	DGT = TRANSMISSION - 4-SPD. AUTOMATIC,46RE

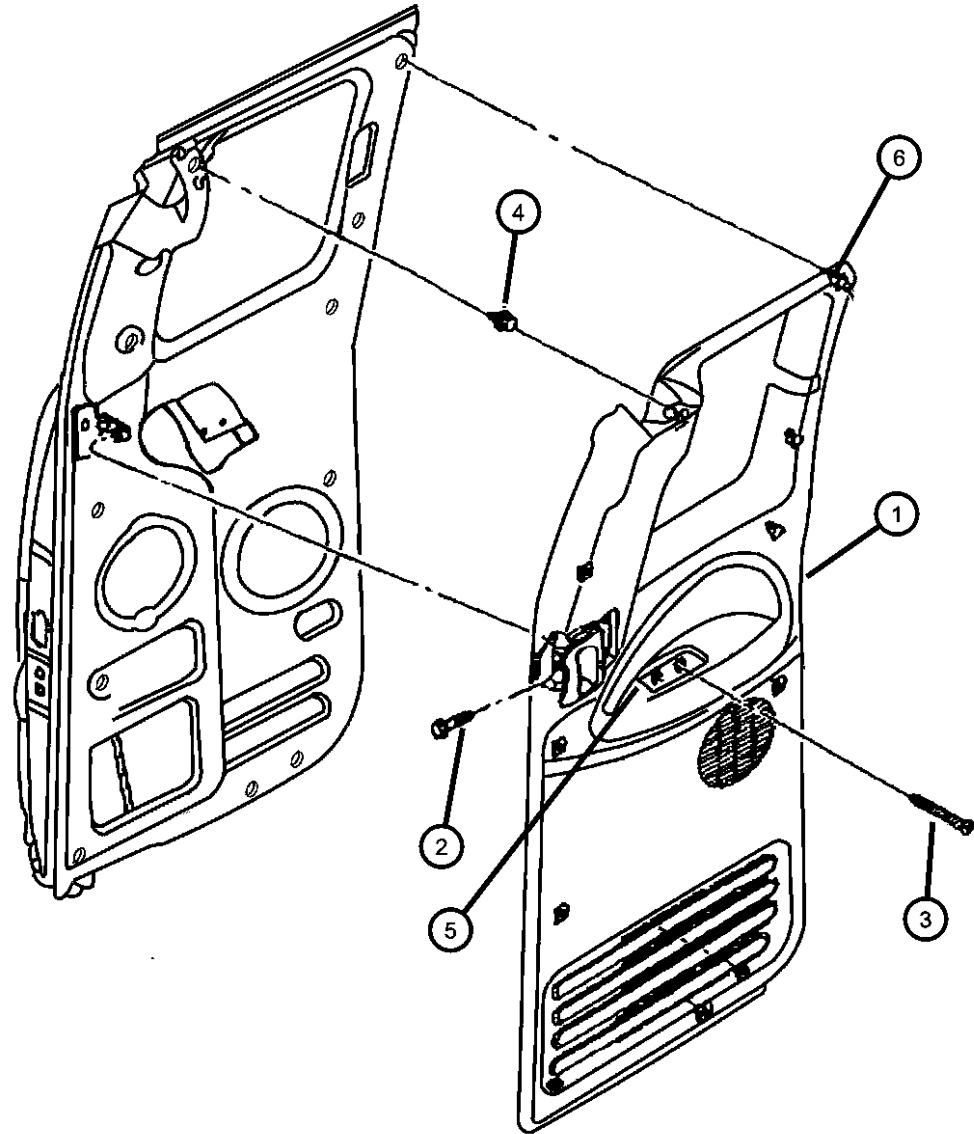
AR = use ase required - = Non illustrated part

2000 BE

**Rear Door Trim Panels  
Figure IBE-420**

ITEM	PART NUMBER	QTY	LINE	SERIES	BODY	ENGINE	TRANS	TRIM	DESCRIPTION
------	-------------	-----	------	--------	------	--------	-------	------	-------------

NOTE; When replacing Door Trim Panel installer must replace X-mas tree style pin 6505878AA.



1									PANEL, Rear Door Trim
	5EV54LAZAC	1			33, 34			*00	[AZ], Right
	5EV54RC3AC	1			33, 34			*00	[C3], Right
	5EV54RK5AC	1			33, 34			*00	[K9], Right
	5EV55LAZAC	1			33, 34			*00	[AZ], Left
	5EV55RC3AC	1			33, 34			*00	[C3], Left
	5EV55RK5AC	1			33, 34			*00	[K9], Left
2	06035372	2			33, 34				SCREW, Pan Head Tapping, M6.3x1.8x22.23
3	06035372	2							SCREW, .164-18x1.00, (NOT SERVICED)
4	06505878AA	8			33, 34			*00	PIN, Door Panel
5									CUP, Door Pull
	55350344	1			33, 34			*00	Right
	55350345	1			33, 34			*00	Left
6	55214846	3						*00	CLIP, Trim Panel

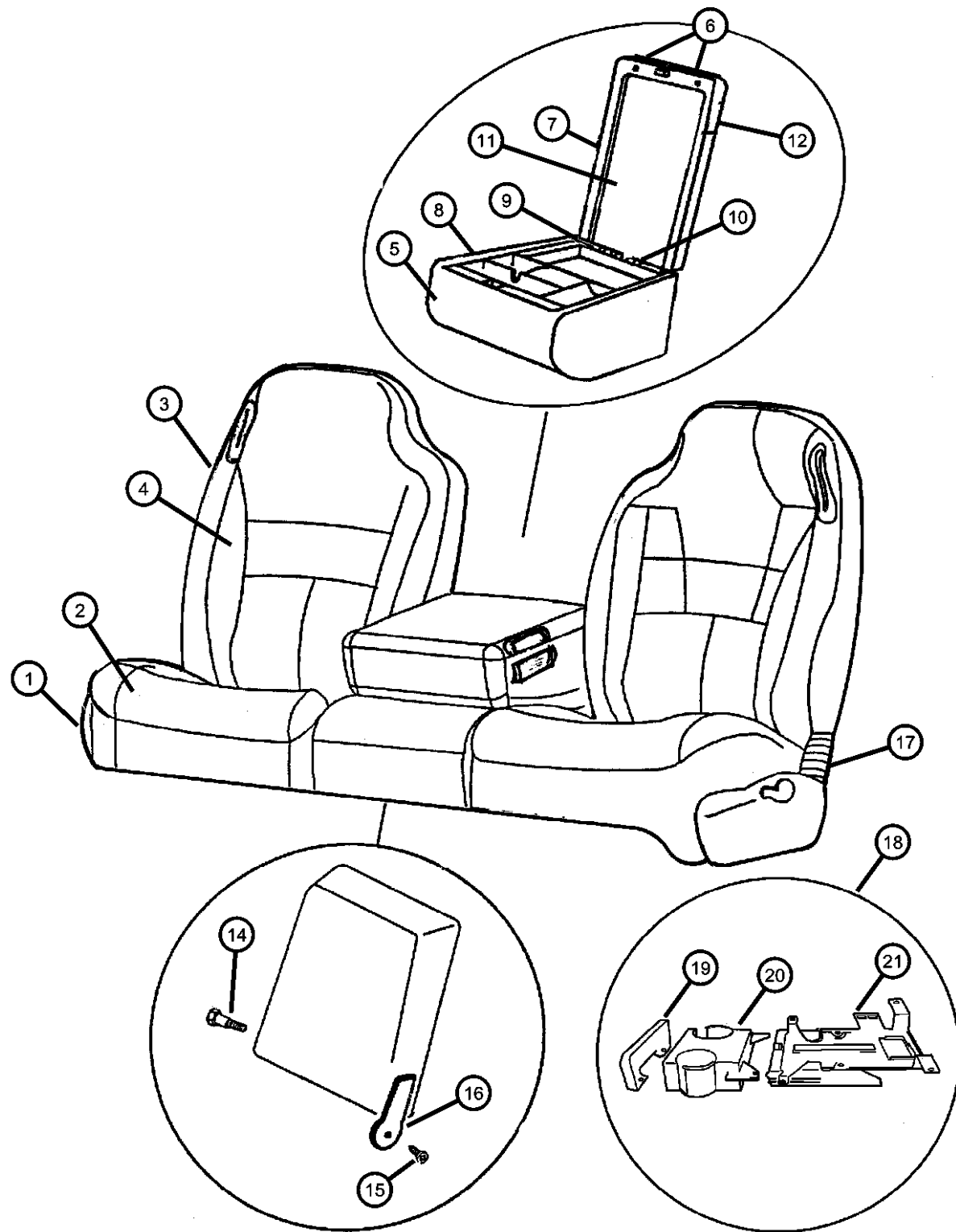
**RAM PICKUP/CLUB CAB (BE)**

SERIES	LINE	BODY	ENGINE	TRANSMISSION
L = Ram Truck (All)	3 = HD DODGE 2WD 8 = HD DODGE 4WD 1 = Lt. Duty DODGE 2WD 6 = Lt. Duty DODGE 4WD 2 = Med. Duty DODGE 2WD 7 = Med. Duty DODGE 4WD	31 = CLUB CAB 2-DR 6.5 FT BOX 32 = CLUB CAB 2-DR 8FT BOX 33 = QUAD CAB 4-DR 6.5 FT BOX 34 = QUAD CAB 4-DR 8FT BOX	ELF = ENGINE - 5.2L V8 MPI EML = ENGINE - 5.9L V8 MPI EMM = ENGINE - "MAGNUM" 5.9L SMPI V8 ETC = ENGINE- 5.9L CUMMINS 24V DIESEL ETH = ENGINE- 5.9L HO CUMMINS TURBO DIESEL EWA = ENGINE - 8.0L V10 MPI	DDC = TRANSMISSION - 5-SPEED HD MANUAL DDP = TRANSMISSION - 5-SPEED MANUAL DDX = TRANSMISSION - 5-SPEED HD MANUAL DEE = TRANSMISSION - 6-SPEED HD MANUAL DGP = TRANSMISSION - 4-SPD. AUTOMATIC,47RE DGT = TRANSMISSION - 4-SPD. AUTOMATIC,46RE

AR = use ase required - = Non illustrated part

2000 BE

Seat, Front, Trim Code DP  
Figure IBE-510



ITEM	PART NUMBER	QTY	LINE	SERIES	BODY	ENGINE	TRANS	TRIM	DESCRIPTION
1									CUSHION, Front Seat
	0TB901AZAA	1			33, 34			*DP	[AZ], Passenger
		1	1, 6		31			*DP	[AZ], Passenger
	0TB901K5AA	1			33, 34			*DP	[K9], Passenger
		1	1, 6		31			*DP	[K9], Passenger
	0TB911AZAA	1			33, 34			*DP	[AZ], Driver
		1	1, 6		31			*DP	[AZ], Driver
	0TB911K5AA	1			33, 34			*DP	[K9], Driver
		1	1, 6		31			*DP	[K9], Driver
	0TC941AZAA	1			33, 34			*DP	[AZ], Center
	0TC941K5AA	1			33, 34			*DP	[K9], Center
2									COVER, Front Seat Cushion
	0SP001AZAA	1			33, 34			*DP	[AZ], Passenger
		1	1, 6		31			*DP	[AZ], Passenger
	0SP001K5AA	1			33, 34			*DP	[K9], Passenger
		1	1, 6		31			*DP	[K9], Passenger
	0SP011AZAA	1			33, 34			*DP	[AZ], Driver
		1	1, 6		31			*DP	[AZ], Driver
	0SP011K5AA	1			33, 34			*DP	[K9], Driver
		1	1, 6		31			*DP	[K9], Driver
	0SP571AZAA	1			33, 34			*DP	[AZ], Center
		1	1, 6		31			*DP	[AZ], Center
	0SP571K5AA	1			33, 34			*DP	[K9], Center
		1	1, 6		31			*DP	[K9], Center
3									SEAT BACK, Front
	0TD041AZAA	1			33, 34			*DP	[AZ], Passenger
	0TD041K5AA	1			33, 34			*DP	[K9], Passenger
	0TD051AZAA	1			33, 34			*DP	[AZ], Driver
	0TD051K5AA	1			33, 34			*DP	[K9], Driver
	0TD061AZAA	1	1, 6		31			*DP	[AZ], Passenger

RAM PICKUP/CLUB CAB (BE)

SERIES	LINE
L = Ram Truck (All)	3 = HD DODGE 2WD
	8 = HD DODGE 4WD
	1 = Lt. Duty DODGE 2WD
	6 = Lt. Duty DODGE 4WD
	2 = Med. Duty DODGE 2WD
	7 = Med. Duty DODGE 4WD

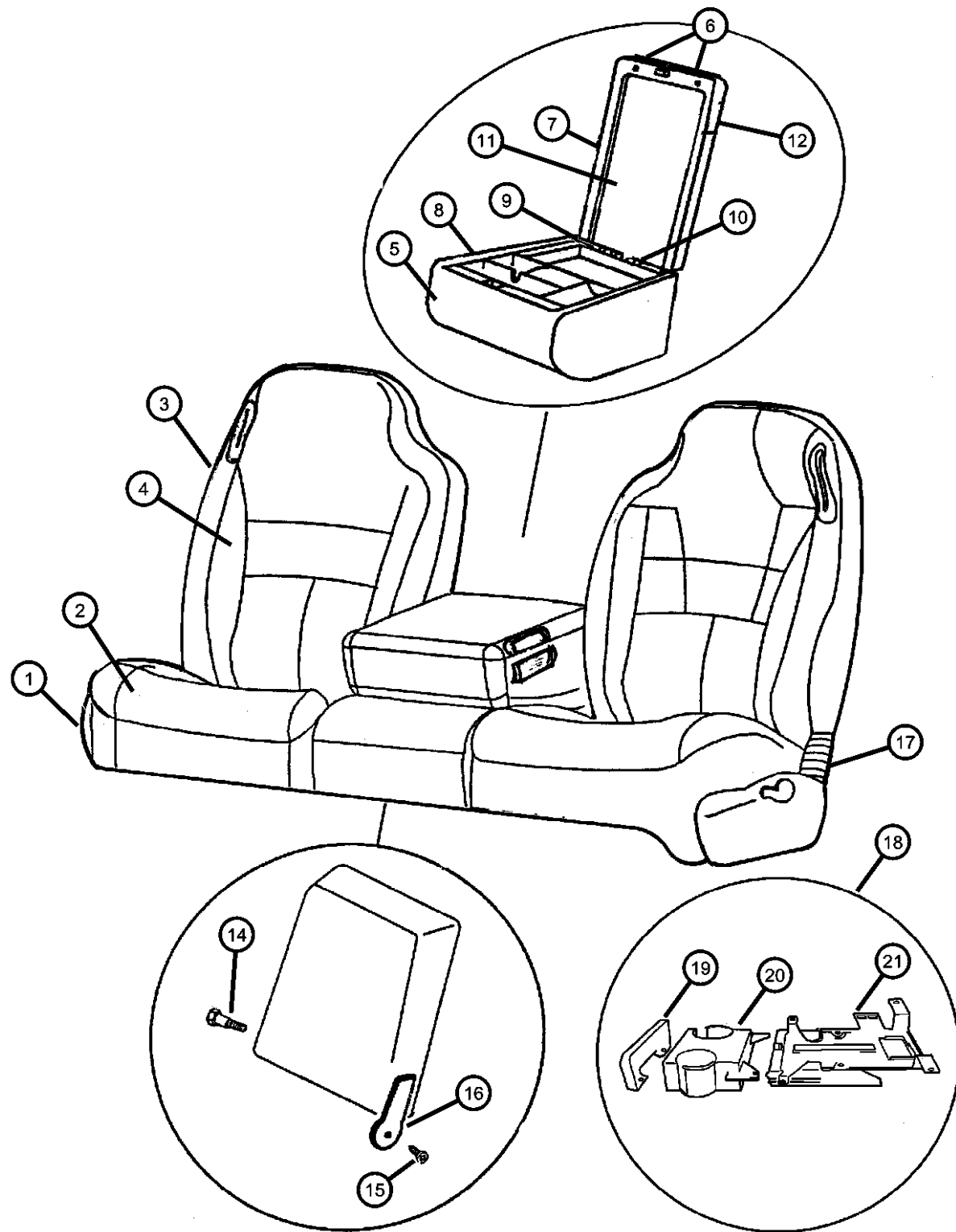
BODY	ENGINE	TRANSMISSION
31 = CLUB CAB 2-DR 6.5 FT BOX	ELF = ENGINE - 5.2L V8 MPI	DDC = TRANSMISSION - 5-SPEED HD MANUAL
32 = CLUB CAB 2-DR 8FT BOX	EML = ENGINE - 5.9L V8 MPI	DDP = TRANSMISSION - 5-SPEED MANUAL
33 = QUAD CAB 4-DR 6.5 FT BOX	EMM = ENGINE - "MAGNUM" 5.9L SMPI V8	DDX = TRANSMISSION - 5-SPEED HD MANUAL
34 = QUAD CAB 4-DR 8FT BOX	ETC = ENGINE- 5.9L CUMMINS 24V DIESEL	DEE = TRANSMISSION - 6-SPEED HD MANUAL
	ETH = ENGINE- 5.9L HO CUMMINS TURBO DIESEL	DGP = TRANSMISSION - 4-SPD. AUTOMATIC, 47RE
	EWA = ENGINE - 8.0L V10 MPI	DGT = TRANSMISSION - 4-SPD. AUTOMATIC, 46RE

AR = use ase required - = Non illustrated part

2000 BE



Seat, Front, Trim Code DP  
Figure IBE-510



ITEM	PART NUMBER	QTY	LINE	SERIES	BODY	ENGINE	TRANS	TRIM	DESCRIPTION
	0TD061K5AA	1	1, 6		31			*DP	[K9], Passenger
	0TD071AZAA	1	1, 6		31			*DP	[AZ], Driver
	0TD071K5AA	1	1, 6		31			*DP	[K9], Driver
4									COVER, Front Seat Back
	0SP581AZAA	1			33, 34			*DP	[AZ], Passenger
		1	1, 6		31			*DP	[AZ], Passenger
	0SP581K5AA	1			33, 34			*DP	[K9], Passenger
		1	1, 6		31			*DP	[K9], Passenger
	0SP591AZAA	1			33, 34			*DP	[AZ], Driver
		1	1, 6		31			*DP	[AZ], Driver
	0SP591K5AA	1			33, 34			*DP	[K9], Driver
		1	1, 6		31			*DP	[K9], Driver
5									BASE, Armrest
	0SS381AZAA	1			33, 34			*DP	[AZ]
		1	1, 6		31			*DP	[AZ]
	0SS381K5AA	1			33, 34			*DP	[K9]
		1	1, 6		31			*DP	[K9]
6									LID, Armrest Bin
	0SS231AZAA	1			33, 34			*DP	[AZ]
		1	1, 6		31			*DP	[AZ]
	0SS231K5AA	1			33, 34			*DP	[K9]
		1	1, 6		31			*DP	[K9]
7									BEZEL, Armrest, Lid
	04778673	1			33, 34			*DP	
		1	1, 6		31			*DP	
8									BEZEL, Armrest, Bin
	05278455AA	1			33, 34			*DP	
		1	1, 6		31			*DP	
9									PIN, Armrest Lid Hinge
	04773684	1			33, 34			*DP	

RAM PICKUP/CLUB CAB (BE)

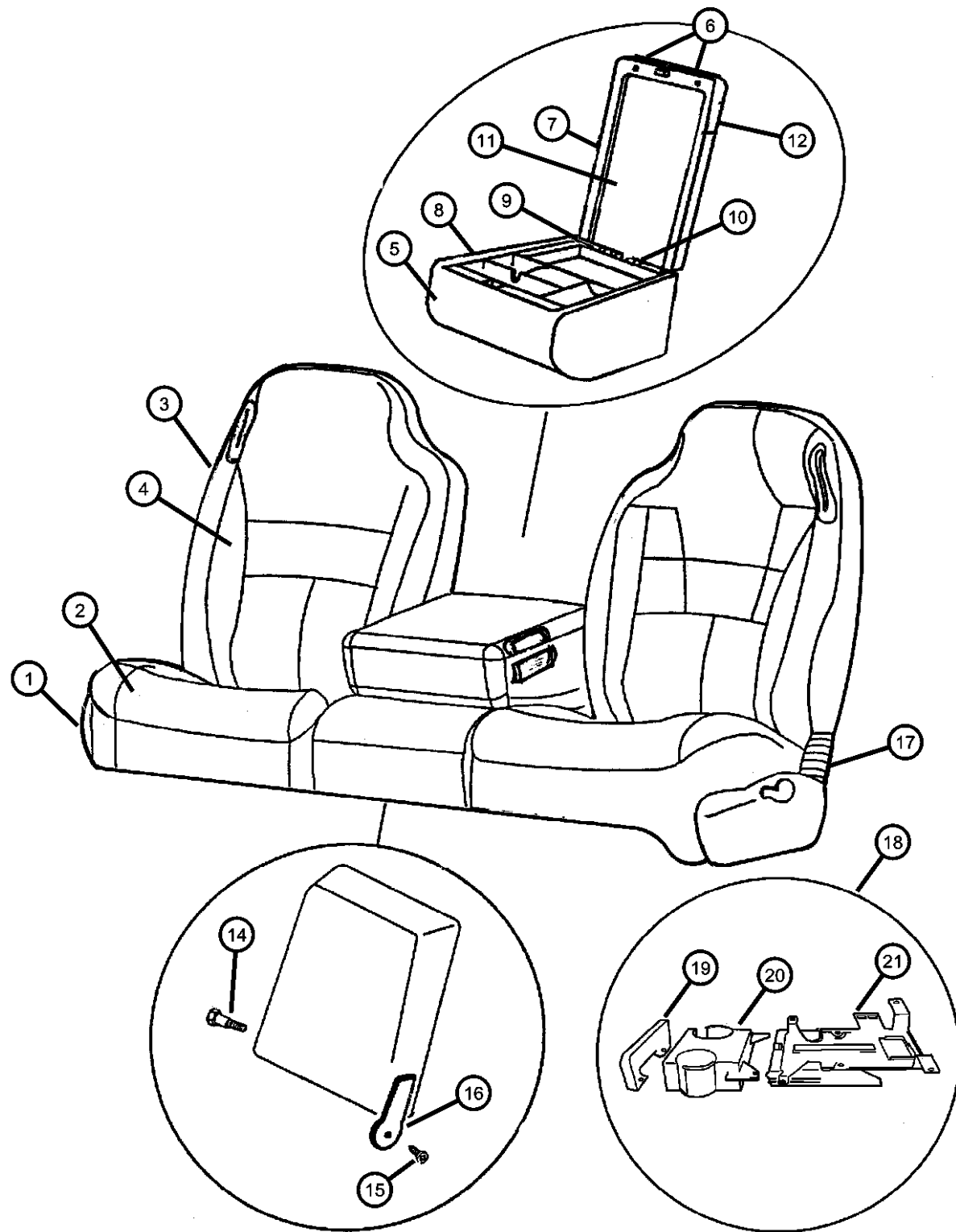
SERIES	LINE
L = Ram Truck (All)	3 = HD DODGE 2WD
	8 = HD DODGE 4WD
	1 = Lt. Duty DODGE 2WD
	6 = Lt. Duty DODGE 4WD
	2 = Med. Duty DODGE 2WD
	7 = Med. Duty DODGE 4WD

BODY	ENGINE	TRANSMISSION
31 = CLUB CAB 2-DR 6.5 FT BOX	ELF = ENGINE - 5.2L V8 MPI	DDC = TRANSMISSION - 5-SPEED HD MANUAL
32 = CLUB CAB 2-DR 8FT BOX	EML = ENGINE - 5.9L V8 MPI	DDP = TRANSMISSION - 5-SPEED MANUAL
33 = QUAD CAB 4-DR 6.5 FT BOX	EMM = ENGINE - "MAGNUM" 5.9L SMPI V8	DDX = TRANSMISSION - 5-SPEED HD MANUAL
34 = QUAD CAB 4-DR 8FT BOX	ETC = ENGINE- 5.9L CUMMINS 24V DIESEL	DEE = TRANSMISSION - 6-SPEED HD MANUAL
	ETH = ENGINE- 5.9L HO CUMMINS TURBO DIESEL	DGP = TRANSMISSION - 4-SPD. AUTOMATIC, 47RE
	EWA = ENGINE - 8.0L V10 MPI	DGT = TRANSMISSION - 4-SPD. AUTOMATIC, 46RE

AR = use ase required - = Non illustrated part

2000 BE

Seat, Front, Trim Code DP  
Figure IBE-510



ITEM	PART NUMBER	QTY	LINE	SERIES	BODY	ENGINE	TRANS	TRIM	DESCRIPTION
10		1	1, 6		31			*DP	SPRING, Armrest Lid Hinge
	04773685	1			33, 34			*DP	
11		1	1, 6		31			*DP	LINER, Armrest Lid
	05278456AA	1			33, 34			*DP	
12		1	1, 6		31			*DP	BEZEL, Armrest
	04797715	1			33, 34			*DP	Lid Latch Release Button
		1	1, 6		31			*DP	Lid Latch Release Button
-13		1			33, 34			*DP	SPRING, Coinholder
	05278457AA	1			31			*DP	
14		1	1, 6		31			*DP	BOLT, Armrest Pivot
	04773507	1			33, 34			*DP	Center Armrest
15		1	1, 6		31			*DP	Center Armrest
16		1							SCREW, (NOT SERVICED), COVER, Bracket
	04773418	1			33, 34			*DP	Right
		1	1, 6		31			*DP	Right
	04773419	1			33, 34			*DP	Left
		1	1, 6		31			*DP	Left
17		2			33, 34			*DP	BELLOWS, Seat Mechanism
	05010197AA	2			31			*DP	
18		1	1, 6						CUPHOLDER
	04883916AA	1			33, 34			*DP	
		1	1, 6		31			*DP	
19		1			33, 34			*DP	FACE PLATE, Cupholder
	05015994AA	1							

RAM PICKUP/CLUB CAB (BE)

SERIES	LINE
L = Ram Truck (All)	3 = HD DODGE 2WD
	8 = HD DODGE 4WD
	1 = Lt. Duty DODGE 2WD
	6 = Lt. Duty DODGE 4WD
	2 = Med. Duty DODGE 2WD
	7 = Med. Duty DODGE 4WD

BODY
31 = CLUB CAB 2-DR 6.5 FT BOX
32 = CLUB CAB 2-DR 8FT BOX
33 = QUAD CAB 4-DR 6.5 FT BOX
34 = QUAD CAB 4-DR 8FT BOX

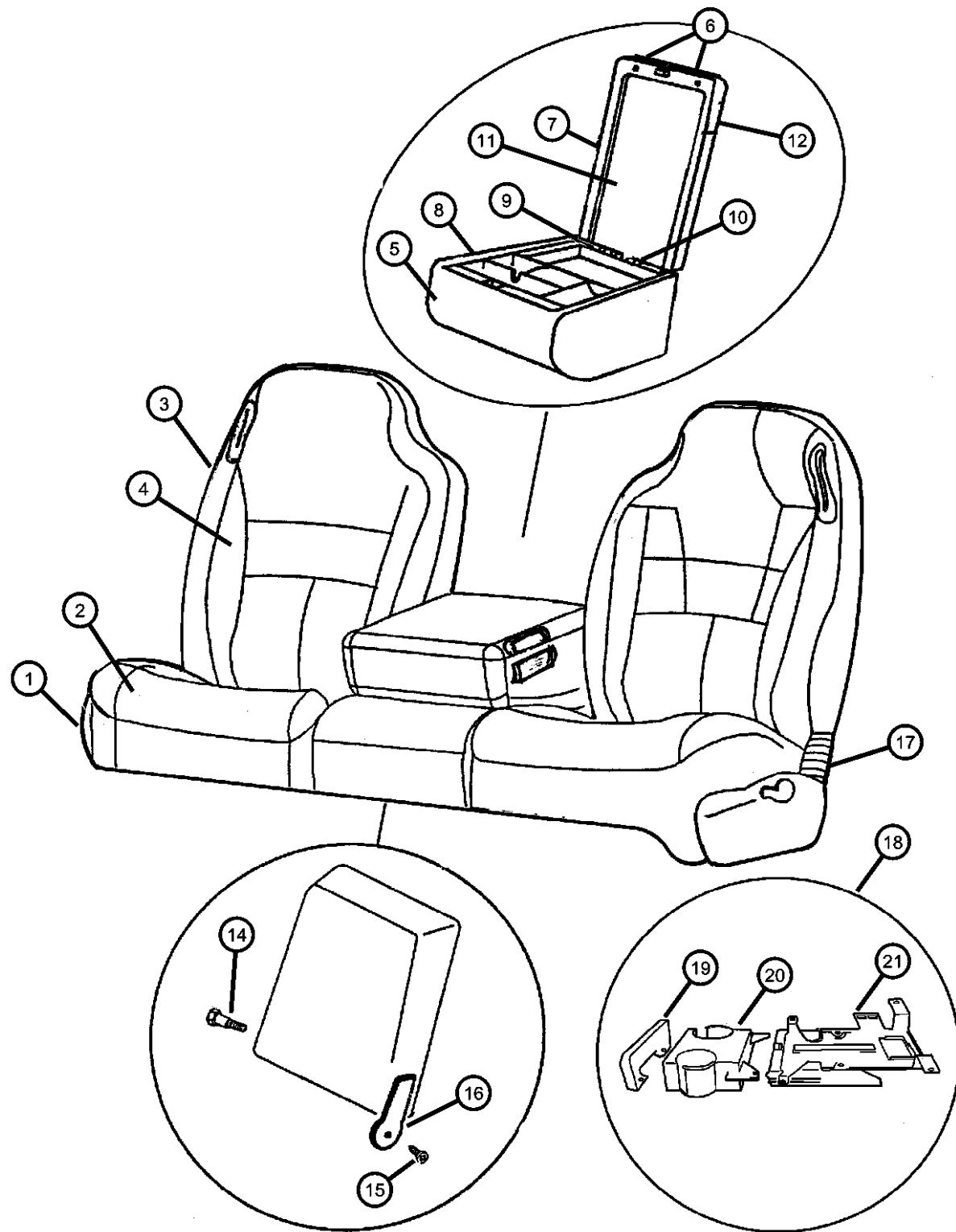
ENGINE
ELF = ENGINE - 5.2L V8 MPI
EML = ENGINE - 5.9L V8 MPI
EMM = ENGINE - "MAGNUM" 5.9L SMPI V8
ETC = ENGINE- 5.9L CUMMINS 24V DIESEL
ETH = ENGINE- 5.9L HO CUMMINS TURBO DIESEL
EWA = ENGINE - 8.0L V10 MPI

TRANSMISSION
DDC = TRANSMISSION - 5-SPEED HD MANUAL
DDP = TRANSMISSION - 5-SPEED MANUAL
DDX = TRANSMISSION - 5-SPEED HD MANUAL
DEE = TRANSMISSION - 6-SPEED HD MANUAL
DGP = TRANSMISSION - 4-SPD. AUTOMATIC, 47RE
DGT = TRANSMISSION - 4-SPD. AUTOMATIC, 46RE

AR = use ase required - = Non illustrated part

2000 BE

Seat, Front, Trim Code DP  
Figure IBE-510



ITEM	PART NUMBER	QTY	LINE	SERIES	BODY	ENGINE	TRANS	TRIM	DESCRIPTION
20		1	1, 6		31			*DP	DRAWER, Cupholder
	05003198AA	1			33, 34			*DP	
21		1	1, 6		31			*DP	HOUSING, Cup Holder
	05015995AA	1			33, 34			*DP	
		1	1, 6		31			*DP	

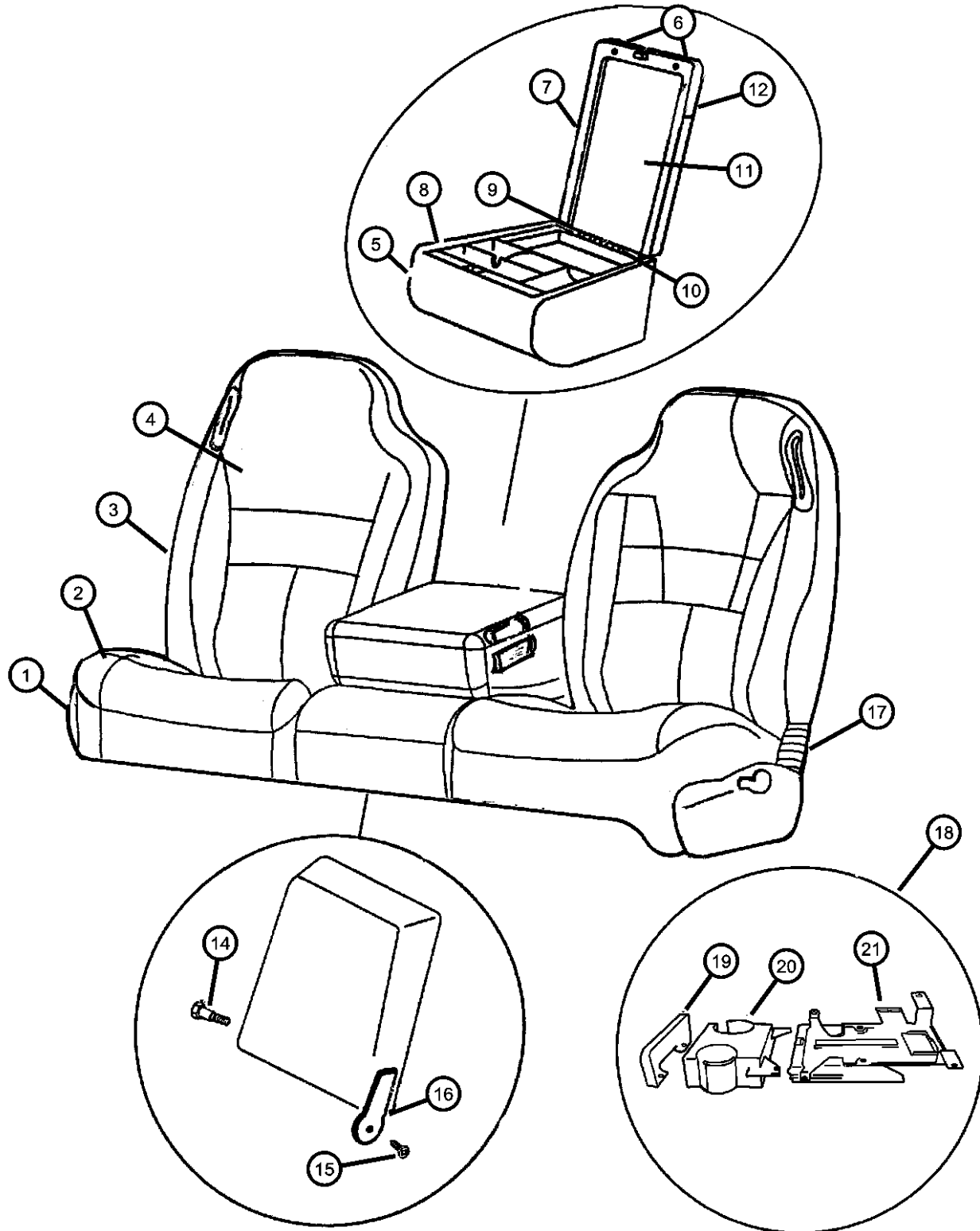
RAM PICKUP/CLUB CAB (BE)

SERIES	LINE	BODY	ENGINE	TRANSMISSION
L = Ram Truck (All)	3 = HD DODGE 2WD	31 = CLUB CAB 2-DR 6.5 FT BOX	ELF = ENGINE - 5.2L V8 MPI	DDC = TRANSMISSION - 5-SPEED HD MANUAL
	8 = HD DODGE 4WD	32 = CLUB CAB 2-DR 8FT BOX	EML = ENGINE - 5.9L V8 MPI	DDP = TRANSMISSION - 5-SPEED MANUAL
	1 = Lt. Duty DODGE 2WD	33 = QUAD CAB 4-DR 6.5 FT BOX	EMM = ENGINE - "MAGNUM" 5.9L SMPI V8	DDX = TRANSMISSION - 5-SPEED HD MANUAL
	6 = Lt. Duty DODGE 4WD	34 = QUAD CAB 4-DR 8FT BOX	ETC = ENGINE- 5.9L CUMMINS 24V DIESEL	DEE = TRANSMISSION - 6-SPEED HD MANUAL
	2 = Med. Duty DODGE 2WD		ETH = ENGINE- 5.9L HO CUMMINS TURBO DIESEL	DGP = TRANSMISSION - 4-SPD. AUTOMATIC,47RE
	7 = Med. Duty DODGE 4WD		EWA = ENGINE - 8.0L V10 MPI	DGT = TRANSMISSION - 4-SPD. AUTOMATIC,46RE

AR = use ase required - = Non illustrated part

2000 BE

Seat, Front, Trim Code R1  
Figure IBE-520



ITEM	PART NUMBER	QTY	LINE	SERIES	BODY	ENGINE	TRANS	TRIM	DESCRIPTION
1									CUSHION, Front Seat
	0TD031AZAA	1			33, 34			*R1	[AZ], Center
		1	1, 6		31			*R1	[AZ], Center
	0TD031C3AA	1			33, 34			*R1	[C3], Center
		1	1, 6		31			*R1	[C3], Center
	0TD031K5AA	1			33, 34			*R1	[K9], Center
		1	1, 6		31			*R1	[K9], Center
	0TD081AZAA	1			33, 34			*R1	[AZ], Passenger
		1	1, 6		31			*R1	[AZ], Passenger
	0TD081C3AA	1			33, 34			*R1	[C3], Passenger
		1	1, 6		31			*R1	[C3], Passenger
	0TD081K5AA	1			33, 34			*R1	[K9], Passenger
		1	1, 6		31			*R1	[K9], Passenger
	0TD091AZAA	1			33, 34			*R1	[AZ], Driver, Manual
		1	1, 6		31			*R1	[AZ], Driver, Manual
	0TD091C3AA	1			33, 34			*R1	[C3], Driver, Manual
		1	1, 6		31			*R1	[C3], Driver, Manual
	0TD091K5AA	1			33, 34			*R1	[K9], Driver, Manual
		1	1, 6		31			*R1	[K9], Driver, Manual
	0TD111AZAA	1			33, 34			*R1	[AZ], Driver, Power
		1	1, 6		31			*R1	[AZ], Driver, Power
	0TD111C3AA	1			33, 34			*R1	[C3], Driver, Power
		1	1, 6		31			*R1	[C3], Driver, Power
	0TD111K5AA	1			33, 34			*R1	[K9], Driver, Power
		1	1, 6		31			*R1	[K9], Driver, Power
2									COVER, Front Seat Cushion
	0SP041AZAA	1			33, 34			*R1	[AZ], Passenger
		1	1, 6		31			*R1	[AZ], Passenger
	0SP041C3AA	1			33, 34			*R1	[C3], Passenger
		1	1, 6		31			*R1	[C3], Passenger

RAM PICKUP/CLUB CAB (BE)

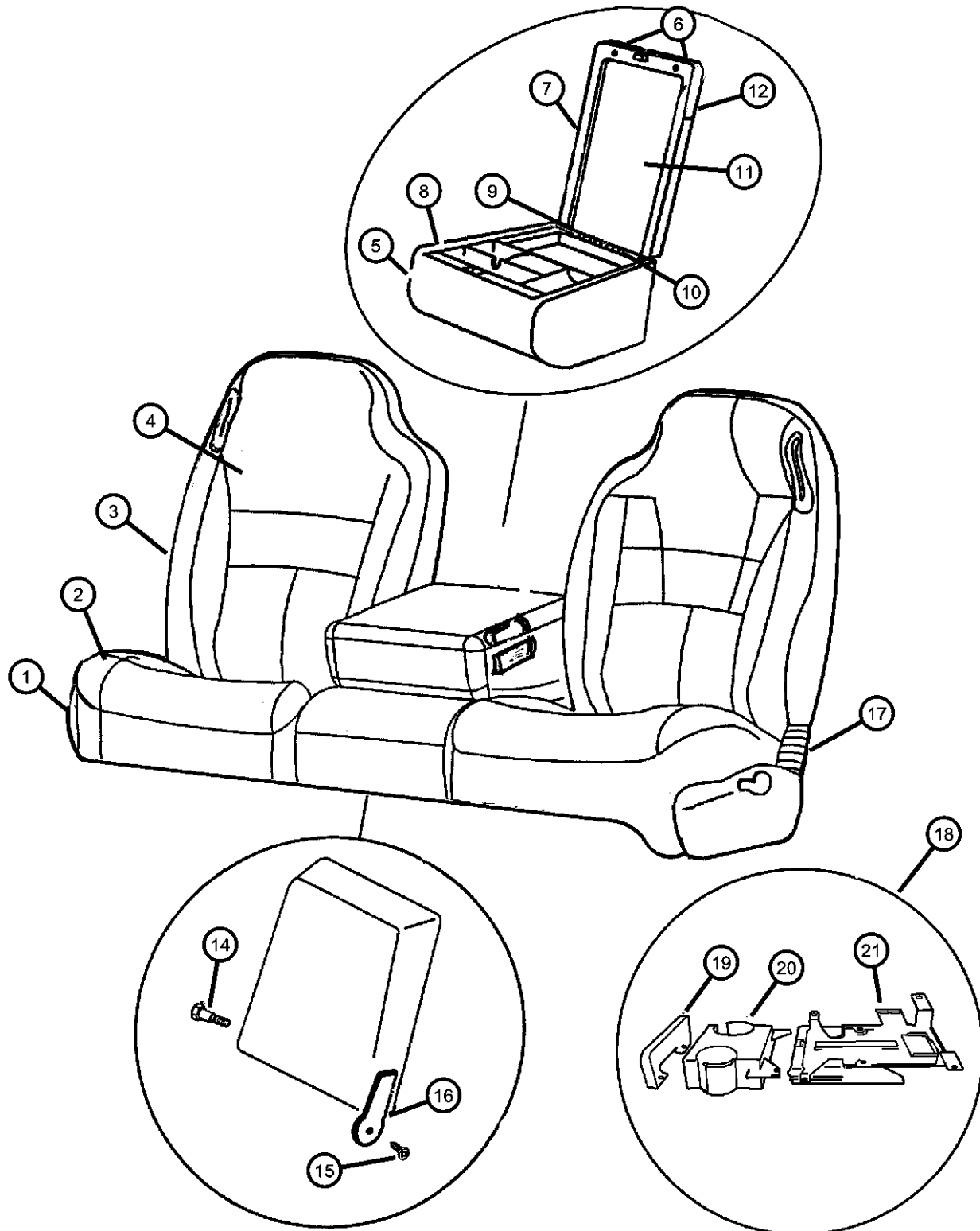
SERIES	LINE
L = Ram Truck (All)	3 = HD DODGE 2WD
	8 = HD DODGE 4WD
	1 = Lt. Duty DODGE 2WD
	6 = Lt. Duty DODGE 4WD
	2 = Med. Duty DODGE 2WD
	7 = Med. Duty DODGE 4WD

BODY	ENGINE	TRANSMISSION
31 = CLUB CAB 2-DR 6.5 FT BOX	ELF = ENGINE - 5.2L V8 MPI	DDC = TRANSMISSION - 5-SPEED HD MANUAL
32 = CLUB CAB 2-DR 8FT BOX	EML = ENGINE - 5.9L V8 MPI	DDP = TRANSMISSION - 5-SPEED MANUAL
33 = QUAD CAB 4-DR 6.5 FT BOX	EMM = ENGINE - "MAGNUM" 5.9L SMPI V8	DDX = TRANSMISSION - 5-SPEED HD MANUAL
34 = QUAD CAB 4-DR 8FT BOX	ETC = ENGINE- 5.9L CUMMINS 24V DIESEL	DEE = TRANSMISSION - 6-SPEED HD MANUAL
	ETH = ENGINE- 5.9L HO CUMMINS TURBO DIESEL	DGP = TRANSMISSION - 4-SPD. AUTOMATIC, 47RE
	EWA = ENGINE - 8.0L V10 MPI	DGT = TRANSMISSION - 4-SPD. AUTOMATIC, 46RE

AR = use ase required - = Non illustrated part

2000 BE

Seat, Front, Trim Code R1  
Figure IBE-520



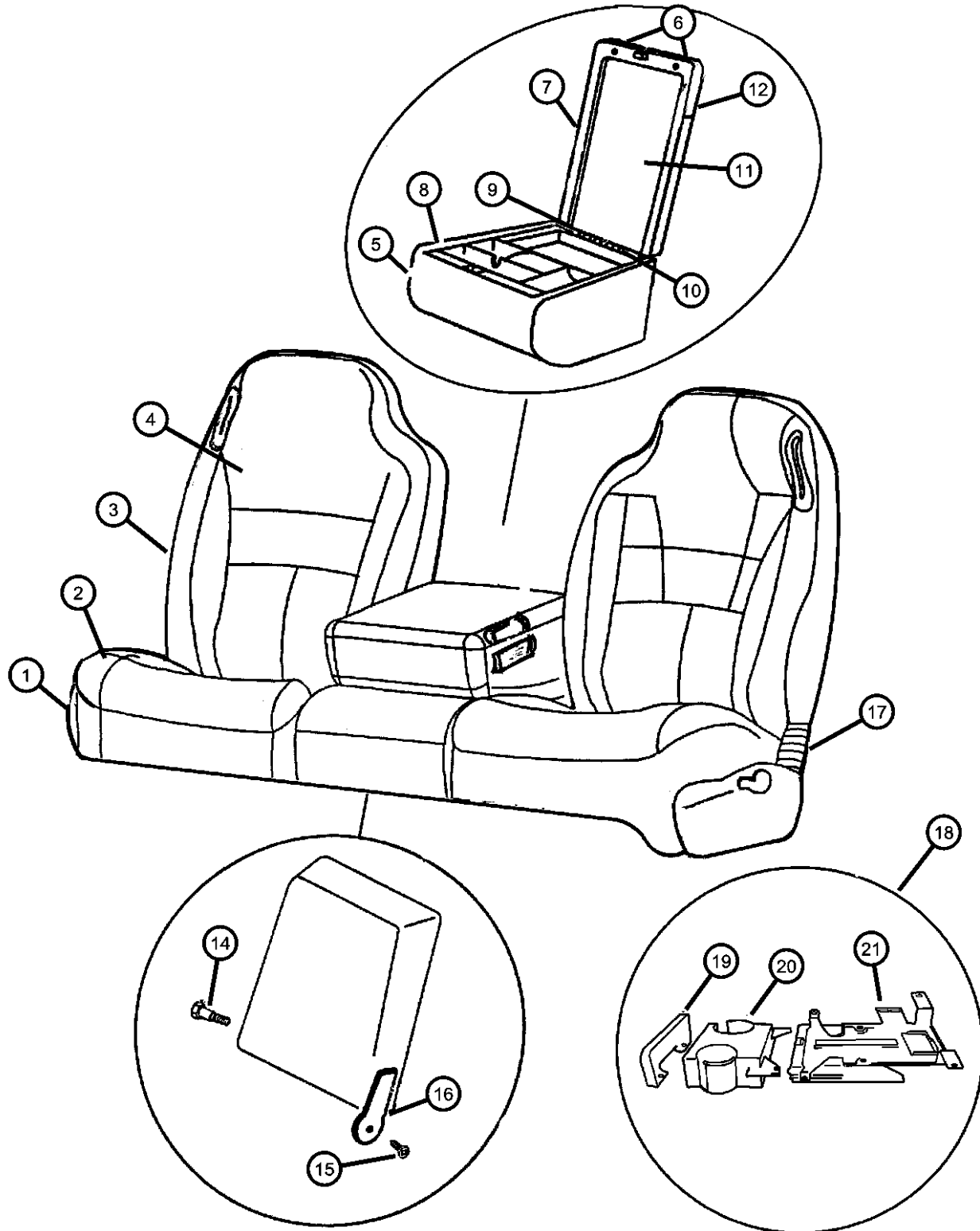
ITEM	PART NUMBER	QTY	LINE	SERIES	BODY	ENGINE	TRANS	TRIM	DESCRIPTION
	OSP041K5AA	1			33, 34			*R1	[K9], Passenger
		1	1, 6		31			*R1	[K9], Passenger
	OSP051AZAA	1			33, 34			*R1	[AZ], Driver, Manual
		1	1, 6		31			*R1	[AZ], Driver, Manual
	OSP051C3AA	1			33, 34			*R1	[C3], Driver, Manual
		1	1, 6		31			*R1	[C3], Driver, Manual
	OSP051K5AA	1			33, 34			*R1	[K9], Driver, Manual
		1	1, 6		31			*R1	[K9], Driver, Manual
	OSP801AZAA	1			33, 34			*R1	[AZ], Center
		1	1, 6		31			*R1	[AZ], Center
	OSP801C3AA	1			33, 34			*R1	[C3], Center
		1	1, 6		31			*R1	[C3], Center
	OSP801K5AA	1			33, 34			*R1	[K9], Center
		1	1, 6		31			*R1	[K9], Center
	OSQ921AZAA	1			33, 34			*R1	[AZ], Driver, Power
		1	1, 6		31			*R1	[AZ], Driver, Power
	OSQ921C3AA	1			33, 34			*R1	[C3], Driver, Power
		1	1, 6		31			*R1	[C3], Driver, Power
	OSQ921K5AA	1			33, 34			*R1	[K9], Driver, Power
		1	1, 6		31			*R1	[K9], Driver, Power
3									SEAT BACK, Front
	0TD141AZAA	1			33, 34			*R1	[AZ], Passenger
	0TD141C3AA	1			33, 34			*R1	[C3], Passenger
	0TD141K5AA	1			33, 34			*R1	[K9], Passenger
	0TD151AZAA	1			33, 34			*R1	[AZ], Driver, Manual
	0TD151C3AA	1			33, 34			*R1	[C3], Driver, Manual
	0TD151K5AA	1			33, 34			*R1	[K9], Driver, Manual
	0TD171AZAA	1			33, 34			*R1	[AZ], Driver, Power
	0TD171C3AA	1			33, 34			*R1	[C3], Driver, Power
	0TD171K5AA	1			33, 34			*R1	[K9], Driver, Power

RAM PICKUP/CLUB CAB (BE)

SERIES	LINE	BODY	ENGINE	TRANSMISSION
L = Ram Truck (All)	3 = HD DODGE 2WD	31 = CLUB CAB 2-DR 6.5 FT BOX	ELF = ENGINE - 5.2L V8 MPI	DDC = TRANSMISSION - 5-SPEED HD MANUAL
	8 = HD DODGE 4WD	32 = CLUB CAB 2-DR 8FT BOX	EML = ENGINE - 5.9L V8 MPI	DDP = TRANSMISSION - 5-SPEED MANUAL
	1 = Lt. Duty DODGE 2WD	33 = QUAD CAB 4-DR 6.5 FT BOX	EMM = ENGINE - "MAGNUM" 5.9L SMPI V8	DDX = TRANSMISSION - 5-SPEED HD MANUAL
	6 = Lt. Duty DODGE 4WD	34 = QUAD CAB 4-DR 8FT BOX	ETC = ENGINE- 5.9L CUMMINS 24V DIESEL	DEE = TRANSMISSION - 6-SPEED HD MANUAL
	2 = Med. Duty DODGE 2WD		ETH = ENGINE- 5.9L HO CUMMINS TURBO DIESEL	DGP = TRANSMISSION - 4-SPD. AUTOMATIC, 47RE
	7 = Med. Duty DODGE 4WD		EWA = ENGINE - 8.0L V10 MPI	DGT = TRANSMISSION - 4-SPD. AUTOMATIC, 46RE

AR = use ase required - = Non illustrated part

Seat, Front, Trim Code R1  
Figure IBE-520



ITEM	PART NUMBER	QTY	LINE	SERIES	BODY	ENGINE	TRANS	TRIM	DESCRIPTION
	0TD181AZAA	1	1, 6		31			*R1	[AZ], Passenger
	0TD181C3AA	1	1, 6		31			*R1	[C3], Passenger
	0TD181K5AA	1	1, 6		31			*R1	[K9], Passenger
	0TD191AZAA	1	1, 6		31			*R1	[AZ], Driver, Manual
	0TD191C3AA	1	1, 6		31			*R1	[C3], Driver, Manual
	0TD191K5AA	1	1, 6		31			*R1	[K9], Driver, Manual
	0TD591AZAA	1	1, 6		31			*R1	[AZ], Driver, Power
	0TD591C3AA	1	1, 6		31			*R1	[C3], Driver, Power
	0TD591K5AA	1	1, 6		31			*R1	[K9], Driver, Power
4									COVER, Front Seat Back
	0SP781AZAA	1			33, 34			*R1	[AZ], Passenger
	0SP781C3AA	1	1, 6		31			*R1	[AZ], Passenger
	0SP781K5AA	1	1, 6		33, 34			*R1	[C3], Passenger
	0SP791AZAA	1			31			*R1	[C3], Passenger
	0SP791C3AA	1	1, 6		33, 34			*R1	[K9], Passenger
	0SP791K5AA	1	1, 6		31			*R1	[K9], Passenger
	0SP791AZAA	1			33, 34			*R1	[AZ], Driver
	0SP791C3AA	1	1, 6		31			*R1	[AZ], Driver
	0SP791K5AA	1	1, 6		33, 34			*R1	[C3], Driver
	0SP791K5AA	1	1, 6		31			*R1	[C3], Driver
5									BASE, Armrest
	0SS371AZAA	1			33, 34			*R1	[AZ], Up to 5/10/00
	0SS371C3AA	1	1, 6		31			*R1	[AZ], Up to 5/10/00
	0SS371K5AA	1	1, 6		33, 34			*R1	[C3], Up to 5/10/00
	0SS371K5AA	1	1, 6		31			*R1	[C3], Up to 5/10/00
	0SS371K5AA	1	1, 6		33, 34			*R1	[K9], Up to 5/10/00
	0SS371K5AA	1	1, 6		31			*R1	[K9], Up to 5/10/00
	0WG311AZAA	1			33, 34			*R1	[AZ], After 5/10/00

RAM PICKUP/CLUB CAB (BE)

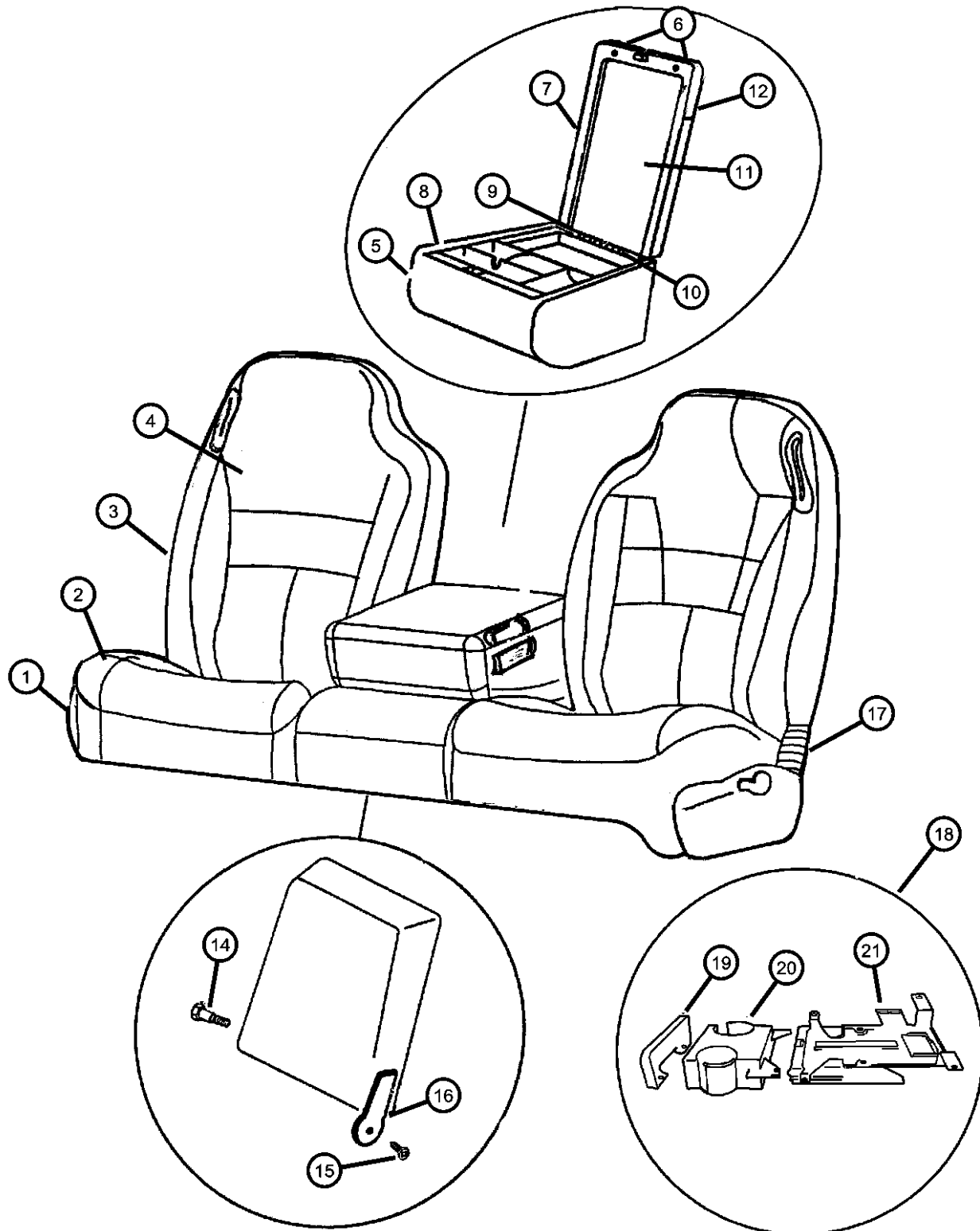
SERIES	LINE
L = Ram Truck (All)	3 = HD DODGE 2WD
	8 = HD DODGE 4WD
	1 = Lt. Duty DODGE 2WD
	6 = Lt. Duty DODGE 4WD
	2 = Med. Duty DODGE 2WD
	7 = Med. Duty DODGE 4WD

BODY	ENGINE	TRANSMISSION
31 = CLUB CAB 2-DR 6.5 FT BOX	ELF = ENGINE - 5.2L V8 MPI	DDC = TRANSMISSION - 5-SPEED HD MANUAL
32 = CLUB CAB 2-DR 8FT BOX	EML = ENGINE - 5.9L V8 MPI	DDP = TRANSMISSION - 5-SPEED MANUAL
33 = QUAD CAB 4-DR 6.5 FT BOX	EMM = ENGINE - "MAGNUM" 5.9L SMPI V8	DDX = TRANSMISSION - 5-SPEED HD MANUAL
34 = QUAD CAB 4-DR 8FT BOX	ETC = ENGINE- 5.9L CUMMINS 24V DIESEL	DEE = TRANSMISSION - 6-SPEED HD MANUAL
	ETH = ENGINE- 5.9L HO CUMMINS TURBO DIESEL	DGP = TRANSMISSION - 4-SPD. AUTOMATIC, 47RE
	EWA = ENGINE - 8.0L V10 MPI	DGT = TRANSMISSION - 4-SPD. AUTOMATIC, 46RE

AR = use ase required - = Non illustrated part

2000 BE

Seat, Front, Trim Code R1  
Figure IBE-520



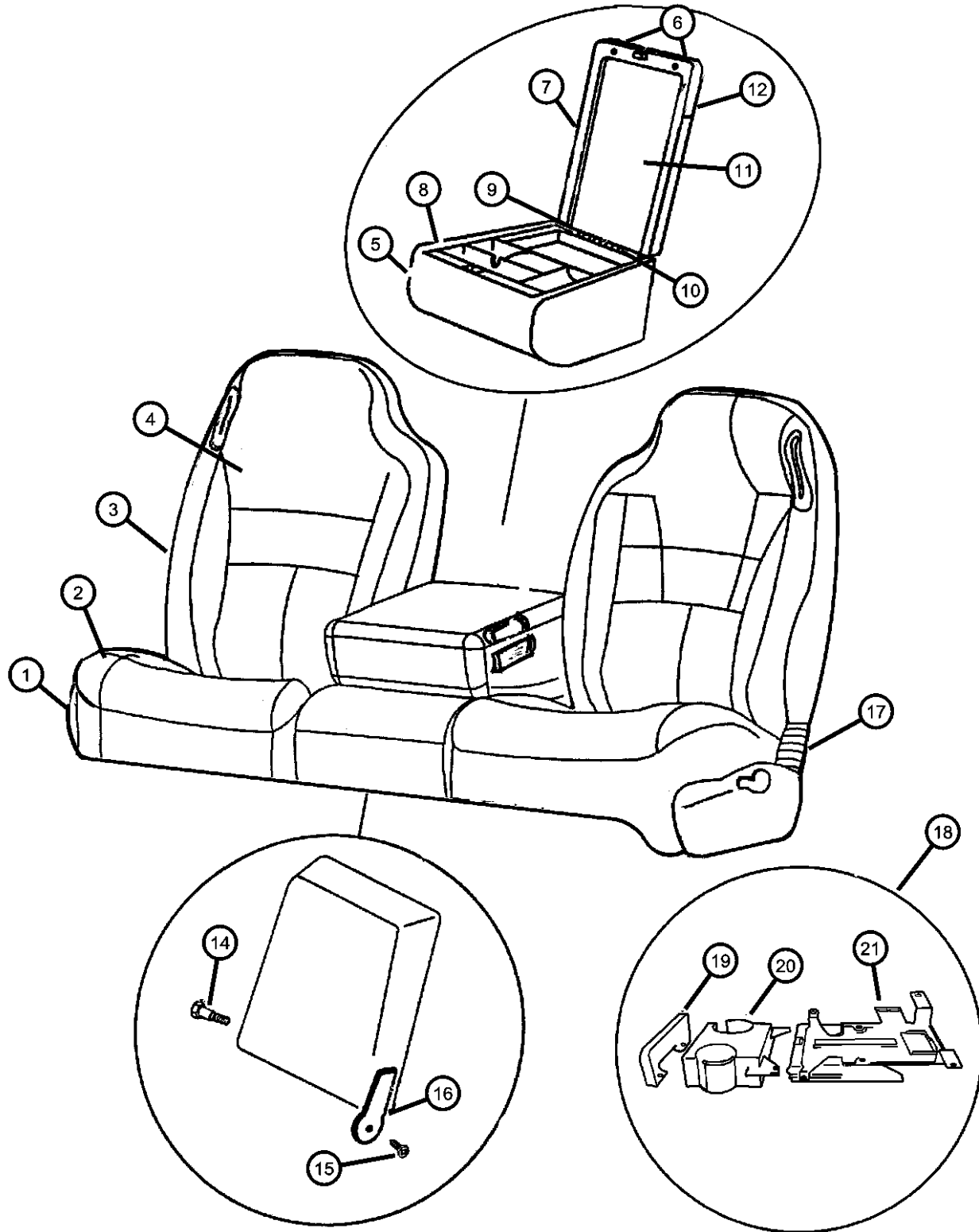
ITEM	PART NUMBER	QTY	LINE	SERIES	BODY	ENGINE	TRANS	TRIM	DESCRIPTION
		1	1, 6		31			*R1	[AZ], After 5/10/00
	0WG311C3AA	1			33, 34			*R1	[C3], After 5/10/00
		1	1, 6		31			*R1	[C3], After 5/10/00
	0WG311K5AA	1			33, 34			*R1	[K9], After 5/10/00
		1	1, 6		31			*R1	[K9], After 5/10/00
6									LID, Armrest Bin
	0SS231AZAA	1			33, 34			*R1	[AZ]
		1	1, 6		31			*R1	[AZ]
	0SS231C3AA	1			33, 34			*R1	[C3]
		1	1, 6		31			*R1	[C3]
	0SS231K5AA	1			33, 34			*R1	[K9]
		1	1, 6		31			*R1	[K9]
7									BEZEL, Armrest, Lid
	04778673	1			33, 34			*R1	
		1	1, 6		31			*R1	
8									BEZEL, Armrest, Bin
	05278455AA	1			33, 34			*R1	
		1	1, 6		31			*R1	
9									PIN, Armrest Lid Hinge
	04773684	1			33, 34			*R1	
		1	1, 6		31			*R1	
10									SPRING, Armrest Lid Hinge
	04773685	1			33, 34			*R1	
		1	1, 6		31			*R1	
11									LINER, Armrest Lid
	05278456AA	1			33, 34			*R1	
		1	1, 6		31			*R1	
12									BEZEL, Armrest
	04797715	1			33, 34			*R1	Lid Latch Release Button
		1	1, 6		31			*R1	Lid Latch Release Button

RAM PICKUP/CLUB CAB (BE)

SERIES	LINE	BODY	ENGINE	TRANSMISSION
L = Ram Truck (All)	3 = HD DODGE 2WD 8 = HD DODGE 4WD 1 = Lt. Duty DODGE 2WD 6 = Lt. Duty DODGE 4WD 2 = Med. Duty DODGE 2WD 7 = Med. Duty DODGE 4WD	31 = CLUB CAB 2-DR 6.5 FT BOX 32 = CLUB CAB 2-DR 8FT BOX 33 = QUAD CAB 4-DR 6.5 FT BOX 34 = QUAD CAB 4-DR 8FT BOX	ELF = ENGINE - 5.2L V8 MPI EML = ENGINE - 5.9L V8 MPI EMM = ENGINE - "MAGNUM" 5.9L SMPI V8 ETC = ENGINE- 5.9L CUMMINS 24V DIESEL ETH = ENGINE- 5.9L HO CUMMINS TURBO DIESEL EWA = ENGINE - 8.0L V10 MPI	DDC = TRANSMISSION - 5-SPEED HD MANUAL DDP = TRANSMISSION - 5-SPEED MANUAL DDX = TRANSMISSION - 5-SPEED HD MANUAL DEE = TRANSMISSION - 6-SPEED HD MANUAL DGP = TRANSMISSION - 4-SPD. AUTOMATIC,47RE DGT = TRANSMISSION - 4-SPD. AUTOMATIC,46RE

AR = use ase required - = Non illustrated part

Seat, Front, Trim Code R1  
Figure IBE-520



ITEM	PART NUMBER	QTY	LINE	SERIES	BODY	ENGINE	TRANS	TRIM	DESCRIPTION
-13	05278457AA	1			33, 34			*R1	SPRING, Coinholder
		1	1, 6		31			*R1	
14	04773507	1			33, 34			*R1	BOLT, Armrest Pivot
		1	1, 6		31			*R1	
15		1							SCREW, (NOT SERVICED)
16	04773418	1			33, 34			*R1	COVER, Bracket
		1	1, 6		31			*R1	Right
	04773419	1			33, 34			*R1	Right
		1	1, 6		31			*R1	Left
		1	1, 6		31			*R1	Left
17	05010197AA	2			33, 34			*R1	BELLOWS, Seat Mechanism
		2	1, 6		31			*R1	
18	04883916AA	1			33, 34			*R1	CUPHOLDER
		1	1, 6		31			*R1	Rear, Center
19	05015994AA	1			33, 34			*R1	FACE PLATE, Cupholder
		1	1, 6		31			*R1	
20	05003198AA	1			33, 34			*R1	DRAWER, Cupholder
		1	1, 6		31			*R1	
21	05015995AA	1			33, 34			*R1	HOUSING, Cup Holder
		1	1, 6		31			*R1	

RAM PICKUP/CLUB CAB (BE)

SERIES	LINE
L = Ram Truck	3 = HD DODGE 2WD
(All)	8 = HD DODGE 4WD
	1 = Lt. Duty DODGE 2WD
	6 = Lt. Duty DODGE 4WD
	2 = Med. Duty DODGE 2WD
	7 = Med. Duty DODGE 4WD

BODY
31 = CLUB CAB 2-DR 6.5 FT BOX
32 = CLUB CAB 2-DR 8FT BOX
33 = QUAD CAB 4-DR 6.5 FT BOX
34 = QUAD CAB 4-DR 8FT BOX

ENGINE
ELF = ENGINE - 5.2L V8 MPI
EML = ENGINE - 5.9L V8 MPI
EMM = ENGINE - "MAGNUM" 5.9L SMPI V8
ETC = ENGINE- 5.9L CUMMINS 24V DIESEL
ETH = ENGINE- 5.9L HO CUMMINS TURBO DIESEL
EWA = ENGINE - 8.0L V10 MPI

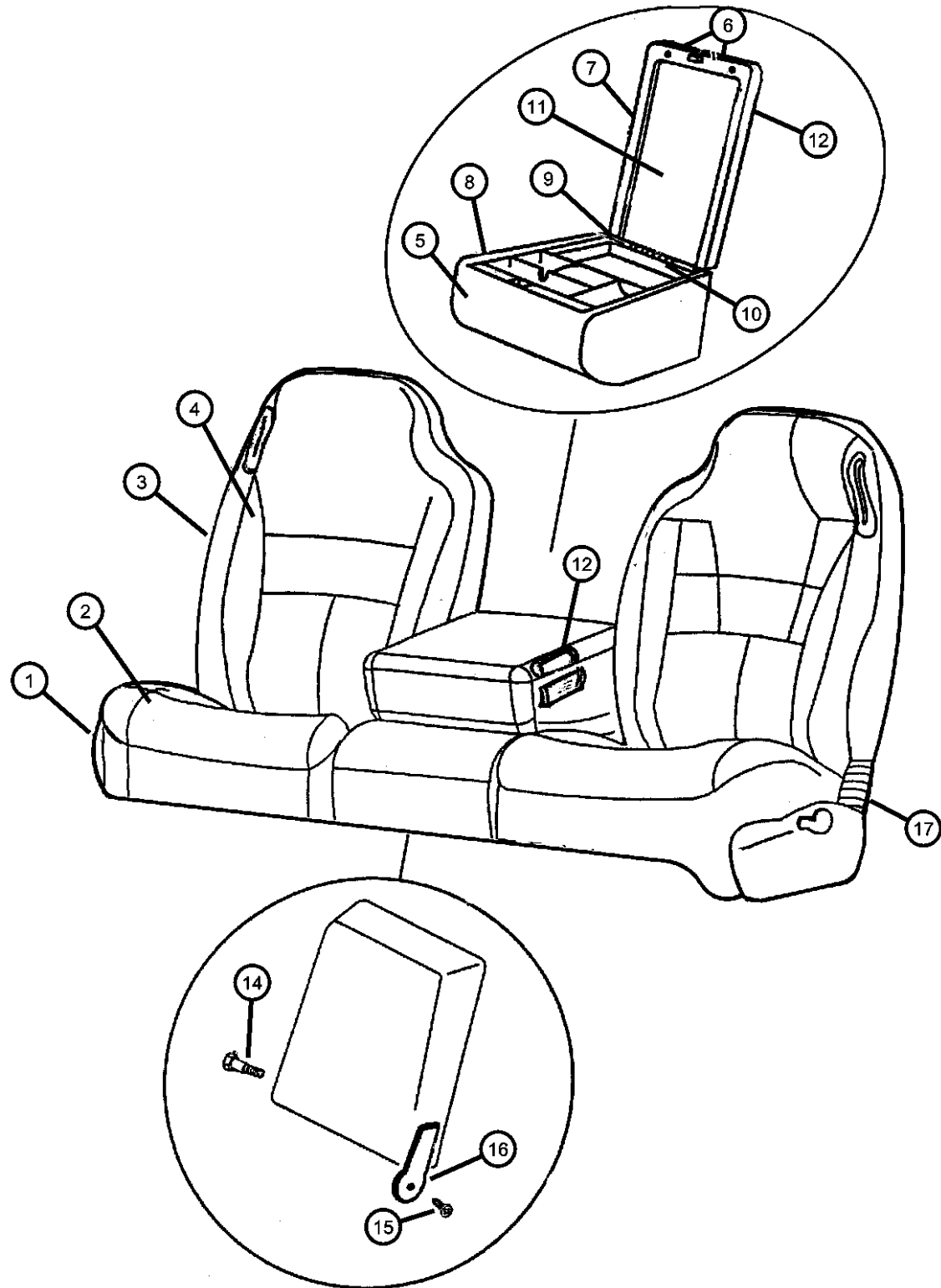
TRANSMISSION
DDC = TRANSMISSION - 5-SPEED HD MANUAL
DDP = TRANSMISSION - 5-SPEED MANUAL
DDX = TRANSMISSION - 5-SPEED HD MANUAL
DEE = TRANSMISSION - 6-SPEED HD MANUAL
DGP = TRANSMISSION - 4-SPD. AUTOMATIC,47RE
DGT = TRANSMISSION - 4-SPD. AUTOMATIC,46RE

AR = use ase required - = Non illustrated part

2000 BE



Seat, Front, Trim Code S9  
Figure IBE-530



ITEM	PART NUMBER	QTY	LINE	SERIES	BODY	ENGINE	TRANS	TRIM	DESCRIPTION
1									CUSHION, Front Seat
	0TD131AZAA	1			33, 34			*S9	[AZ]
		1	1, 6		31			*S9	[AZ], Center
	0TD131C3AA	1			33, 34			*S9	[C3], Center
		1	1, 6		31			*S9	[C3], Center
	0TD201AZAA	1			33, 34			*S9	[AZ], Passenger
		1	1, 6		31			*S9	[AZ], Passenger
	0TD201C3AA	1			33, 34			*S9	[C3], Passenger
		1	1, 6		31			*S9	[C3], Passenger
	0TD211AZAA	1			33, 34			*S9	[AZ], Driver
		1	1, 6		31			*S9	[AZ], Driver
	0TD211C3AA	1			33, 34			*S9	[C3], Driver
		1	1, 6		31			*S9	[C3], Driver
2									COVER, Front Seat Cushion
	0SP941AZAA	1			33, 34			*S9	[AZ], Center
		1	1, 6		31			*S9	[AZ], Center
	0SP941C3AA	1			33, 34			*S9	[C3], Center
		1	1, 6		31			*S9	[C3], Center
	0SP981AZAA	1			33, 34			*S9	[AZ], Passenger
		1	1, 6		31			*S9	[AZ], Passenger
	0SP981C3AA	1			33, 34			*S9	[C3], Passenger
		1	1, 6		31			*S9	[C3], Passenger
	0SP991AZAA	1			33, 34			*S9	[AZ], Driver
		1	1, 6		31			*S9	[AZ], Driver
	0SP991C3AA	1			33, 34			*S9	[C3], Driver
		1	1, 6		31			*S9	[C3], Driver
3									SEAT BACK, Front
	0TD261AZAA	1			33, 34			*S9	[AZ], Passenger
	0TD261C3AA	1			33, 34			*S9	[C3], Passenger
	0TD271AZAA	1			33, 34			*S9	[AZ], Driver

RAM PICKUP/CLUB CAB (BE)

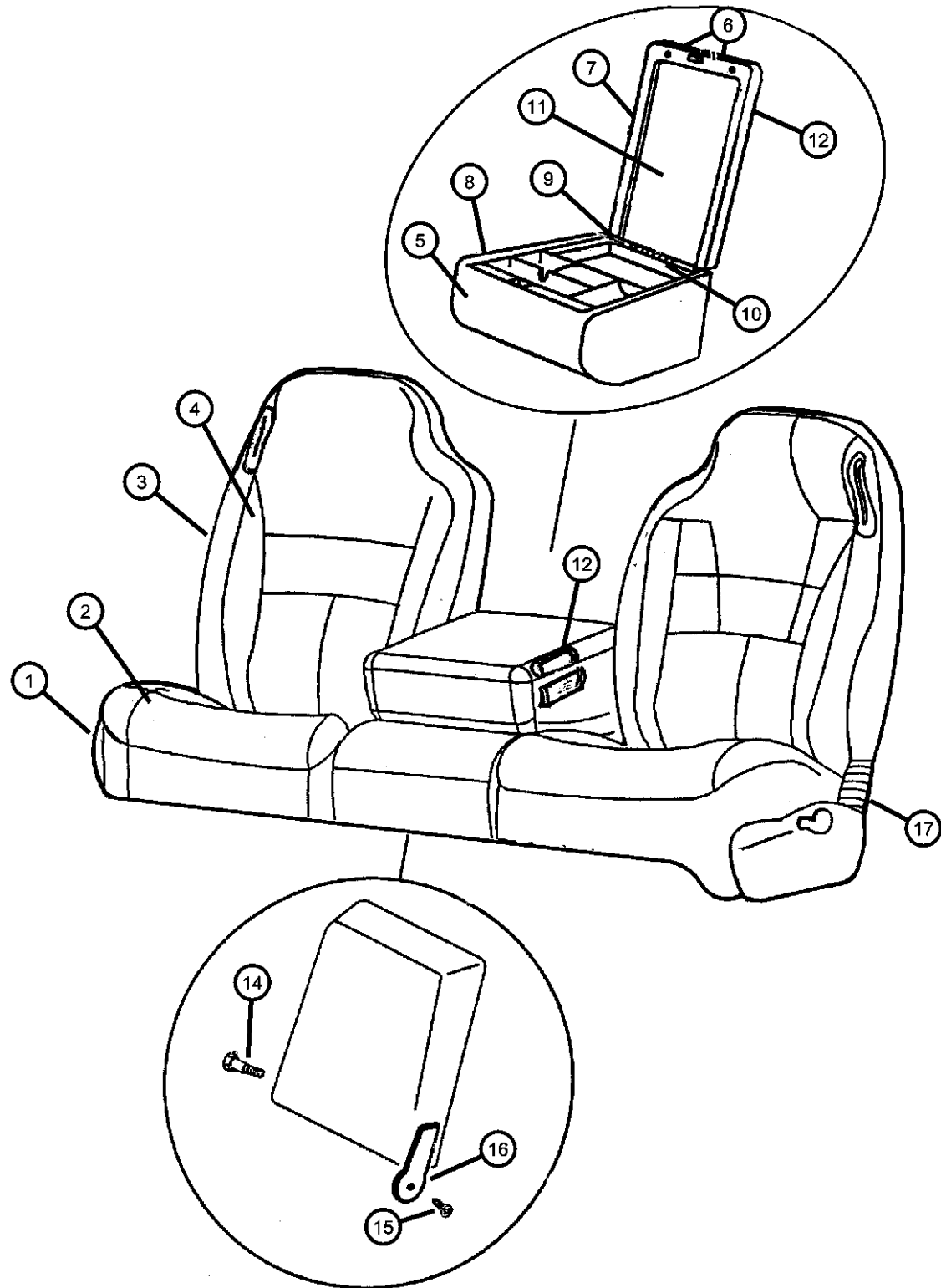
SERIES	LINE
L = Ram Truck (All)	3 = HD DODGE 2WD
	8 = HD DODGE 4WD
	1 = Lt. Duty DODGE 2WD
	6 = Lt. Duty DODGE 4WD
	2 = Med. Duty DODGE 2WD
	7 = Med. Duty DODGE 4WD

BODY	ENGINE	TRANSMISSION
31 = CLUB CAB 2-DR 6.5 FT BOX	ELF = ENGINE - 5.2L V8 MPI	DDC = TRANSMISSION - 5-SPEED HD MANUAL
32 = CLUB CAB 2-DR 8FT BOX	EML = ENGINE - 5.9L V8 MPI	DDP = TRANSMISSION - 5-SPEED MANUAL
33 = QUAD CAB 4-DR 6.5 FT BOX	EMM = ENGINE - "MAGNUM" 5.9L SMPI V8	DDX = TRANSMISSION - 5-SPEED HD MANUAL
34 = QUAD CAB 4-DR 8FT BOX	ETC = ENGINE- 5.9L CUMMINS 24V DIESEL	DEE = TRANSMISSION - 6-SPEED HD MANUAL
	ETH = ENGINE- 5.9L HO CUMMINS TURBO DIESEL	DGP = TRANSMISSION - 4-SPD. AUTOMATIC, 47RE
	EWA = ENGINE - 8.0L V10 MPI	DGT = TRANSMISSION - 4-SPD. AUTOMATIC, 46RE

AR = use ase required - = Non illustrated part

2000 BE

Seat, Front, Trim Code S9  
Figure IBE-530



ITEM	PART NUMBER	QTY	LINE	SERIES	BODY	ENGINE	TRANS	TRIM	DESCRIPTION
	0TD271C3AA	1			33, 34			*S9	[C3], Driver
	0TD301AZAA	1	1, 6		31			*S9	[AZ], Passenger
	0TD301C3AA	1	1, 6		31			*S9	[C3], Passenger
	0TD311AZAA	1	1, 6		31			*S9	[AZ], Driver
	0TD311C3AA	1	1, 6		31			*S9	[C3], Driver
4									COVER, Front Seat Back
	0SP921AZAA	1			33, 34			*S9	[AZ], Passenger
		1	1, 6		31			*S9	[AZ], Passenger
	0SP921C3AA	1			33, 34			*S9	[C3], Passenger
		1	1, 6		31			*S9	[C3], Passenger
	0SP931AZAA	1			33, 34			*S9	[AZ], Driver
		1	1, 6		31			*S9	[AZ], Driver
	0SP931C3AA	1			33, 34			*S9	[C3], Driver
		1	1, 6		31			*S9	[C3], Driver
5									BASE, Armrest
	0SS361AZAA	1			33, 34			*S9	[AZ]
		1	1, 6		31			*S9	[AZ]
	0SS361C3AA	1			33, 34			*S9	[C3]
		1	1, 6		31			*S9	[C3]
6									LID, Armrest Bin
	0SS231AZAA	1			33, 34			*S9	[AZ]
		1	1, 6		31			*S9	[AZ]
	0SS231C3AA	1			33, 34			*S9	[C3]
		1	1, 6		31			*S9	[C3]
7									BEZEL, Armrest, Lid
	04778673	1			33, 34			*S9	
		1	1, 6		31			*S9	
8									BEZEL, Armrest, Bin
	05278455AA	1			33, 34			*S9	
		1	1, 6		31			*S9	

RAM PICKUP/CLUB CAB (BE)

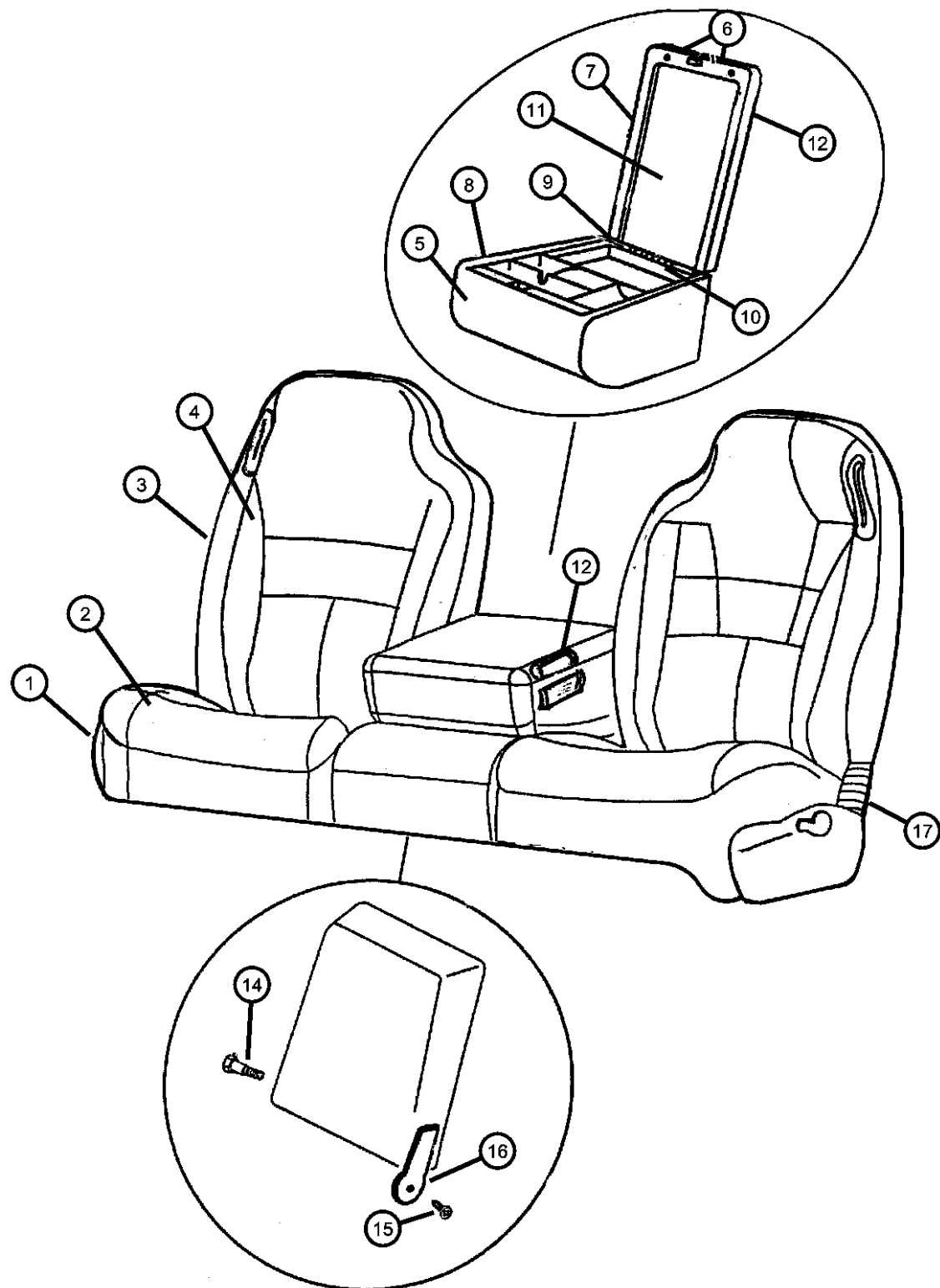
SERIES	LINE
L = Ram Truck (All)	3 = HD DODGE 2WD
	8 = HD DODGE 4WD
	1 = Lt. Duty DODGE 2WD
	6 = Lt. Duty DODGE 4WD
	2 = Med. Duty DODGE 2WD
	7 = Med. Duty DODGE 4WD

BODY	ENGINE	TRANSMISSION
31 = CLUB CAB 2-DR 6.5 FT BOX	ELF = ENGINE - 5.2L V8 MPI	DDC = TRANSMISSION - 5-SPEED HD MANUAL
32 = CLUB CAB 2-DR 8FT BOX	EML = ENGINE - 5.9L V8 MPI	DDP = TRANSMISSION - 5-SPEED MANUAL
33 = QUAD CAB 4-DR 6.5 FT BOX	EMM = ENGINE - "MAGNUM" 5.9L SMPI V8	DDX = TRANSMISSION - 5-SPEED HD MANUAL
34 = QUAD CAB 4-DR 8FT BOX	ETC = ENGINE- 5.9L CUMMINS 24V DIESEL	DEE = TRANSMISSION - 6-SPEED HD MANUAL
	ETH = ENGINE- 5.9L HO CUMMINS TURBO DIESEL	DGP = TRANSMISSION - 4-SPD. AUTOMATIC, 47RE
	EWA = ENGINE - 8.0L V10 MPI	DGT = TRANSMISSION - 4-SPD. AUTOMATIC, 46RE

AR = use ase required - = Non illustrated part

2000 BE

Seat, Front, Trim Code S9  
Figure IBE-530



ITEM	PART NUMBER	QTY	LINE	SERIES	BODY	ENGINE	TRANS	TRIM	DESCRIPTION
9	04773684	1			33, 34			*S9	PIN, Armrest Lid Hinge
		1	1, 6		31			*S9	
10	04773685	1			33, 34			*S9	SPRING, Armrest Lid Hinge
		1	1, 6		31			*S9	
11	05278456AA	1			33, 34			*S9	LINER, Armrest Lid
		1	1, 6		31			*S9	
12	04797715	1			33, 34			*S9	BEZEL, Armrest
		1	1, 6		31			*S9	Lid Latch Release Button
-13	05278457AA	1			33, 34			*S9	SPRING, Coinholder
		1	1, 6		31			*S9	
14	04773507	1			33, 34			*S9	BOLT, Armrest Pivot
		1	1, 6		31			*S9	
15		1							SCREW, (NOT SERVICED)
16	04773418	1			33, 34			*S9	COVER, Bracket
		1	1, 6		31			*S9	Right
	04773419	1			33, 34			*S9	Right
		1	1, 6		31			*S9	Left
		1	1, 6		31			*S9	Left
17	05010197AA	2			33, 34			*S9	BELLOWS, Seat Mechanism
		2	1, 6		31			*S9	

RAM PICKUP/CLUB CAB (BE)

SERIES	LINE
L = Ram Truck (All)	3 = HD DODGE 2WD
	8 = HD DODGE 4WD
	1 = Lt. Duty DODGE 2WD
	6 = Lt. Duty DODGE 4WD
	2 = Med. Duty DODGE 2WD
	7 = Med. Duty DODGE 4WD

BODY
31 = CLUB CAB 2-DR 6.5 FT BOX
32 = CLUB CAB 2-DR 8FT BOX
33 = QUAD CAB 4-DR 6.5 FT BOX
34 = QUAD CAB 4-DR 8FT BOX

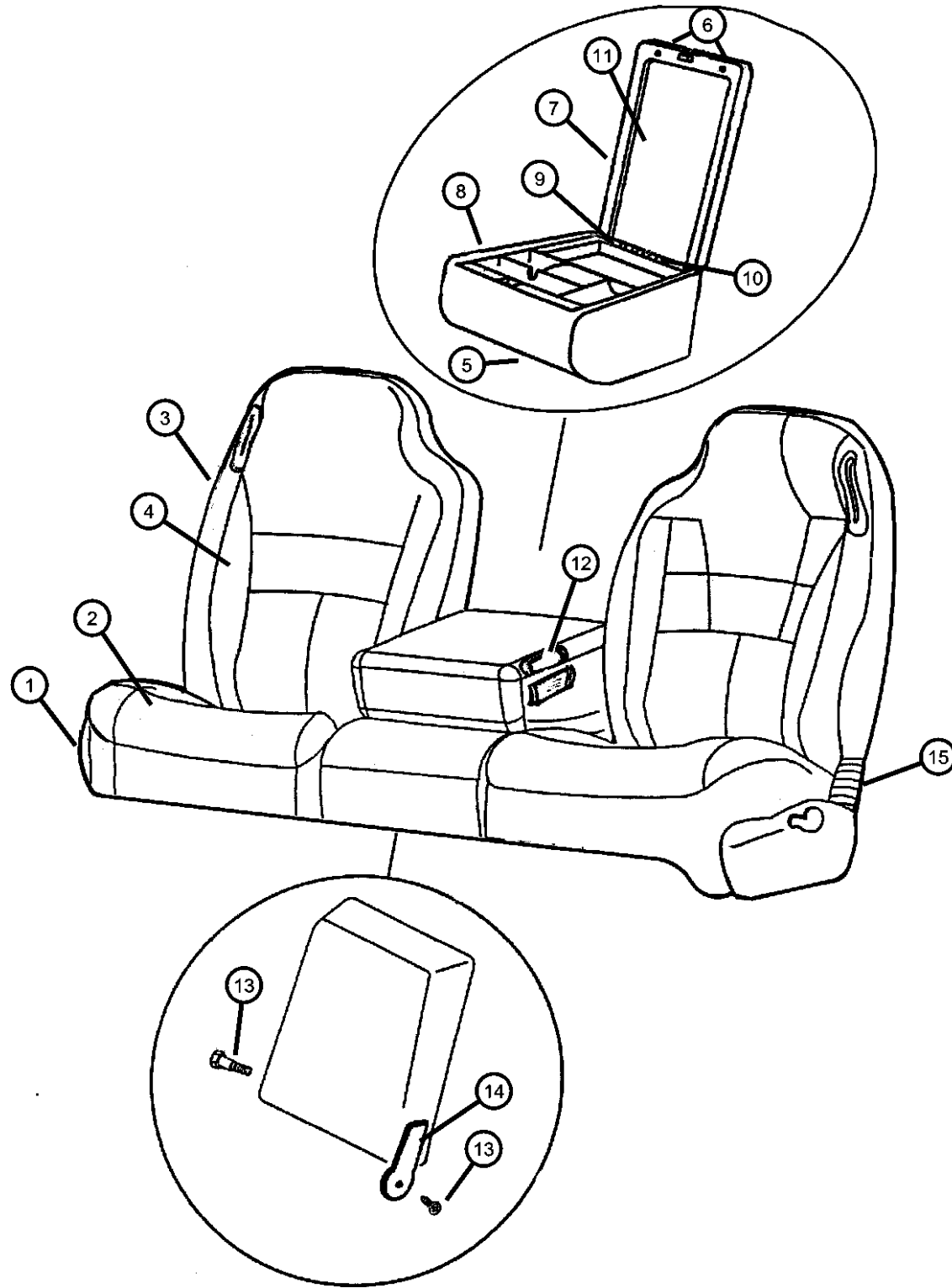
ENGINE
ELF = ENGINE - 5.2L V8 MPI
EML = ENGINE - 5.9L V8 MPI
EMM = ENGINE - "MAGNUM" 5.9L SMPI V8
ETC = ENGINE- 5.9L CUMMINS 24V DIESEL
ETH = ENGINE- 5.9L HO CUMMINS TURBO DIESEL
EWA = ENGINE - 8.0L V10 MPI

TRANSMISSION
DDC = TRANSMISSION - 5-SPEED HD MANUAL
DDP = TRANSMISSION - 5-SPEED MANUAL
DDX = TRANSMISSION - 5-SPEED HD MANUAL
DEE = TRANSMISSION - 6-SPEED HD MANUAL
DGP = TRANSMISSION - 4-SPD. AUTOMATIC, 47RE
DGT = TRANSMISSION - 4-SPD. AUTOMATIC, 46RE

AR = use ase required - = Non illustrated part

2000 BE

Seats, Front, Trim Codes SX, TY  
Figure IBE-540



ITEM	PART NUMBER	QTY	LINE	SERIES	BODY	ENGINE	TRANS	TRIM	DESCRIPTION
1									CUSHION, Front Seat
	0TD341AZAA	1			33, 34			*TY	[AZ], Passenger
		1			33, 34			*SX	[AZ], Passenger
		1	1, 6		31			*SX	[AZ], Passenger
	0TD341C3AA	1			33, 34			*TY	[C3], Passenger
		1			33, 34			*SX	[C3], Passenger
		1	1, 6		31			*SX	[C3], Passenger
	0TD351AZAA	1			33, 34			*TY	[AZ], Driver
		1			33, 34			*SX	[AZ], Driver
		1	1, 6		31			*SX	[AZ], Driver
	0TD351C3AA	1			33, 34			*TY	[C3], Driver
		1			33, 34			*SX	[C3], Driver
		1	1, 6		31			*SX	[C3], Driver
	0TD361AZAA	1			33, 34			*TY	[AZ], Center
		1			33, 34			*SX	[AZ], Center
		1	1, 6		31			*SX	[AZ], Center
	0TD361C3AA	1			33, 34			*TY	[C3], Center
		1			33, 34			*SX	[C3], Center
		1	1, 6		31			*SX	[C3], Center
2									COVER, Front Seat Cushion
	0SQ091AZAA	1			33, 34			*SX	[AZ], Center
		1	1, 6		31			*SX	[AZ], Center
		1			33, 34			*TY	[AZ], Center
	0SQ091C3AA	1			33, 34			*SX	[C3], Center
		1	1, 6		31			*SX	[C3], Center
		1			33, 34			*TY	[C3], Center
	0SQ101AZAA	1			33, 34			*SX	[AZ], Passenger
		1	1, 6		31			*SX	[AZ], Passenger
		1			33, 34			*TY	[AZ], Passenger
	0SQ101C3AA	1			33, 34			*SX	[C3], Passenger

RAM PICKUP/CLUB CAB (BE)

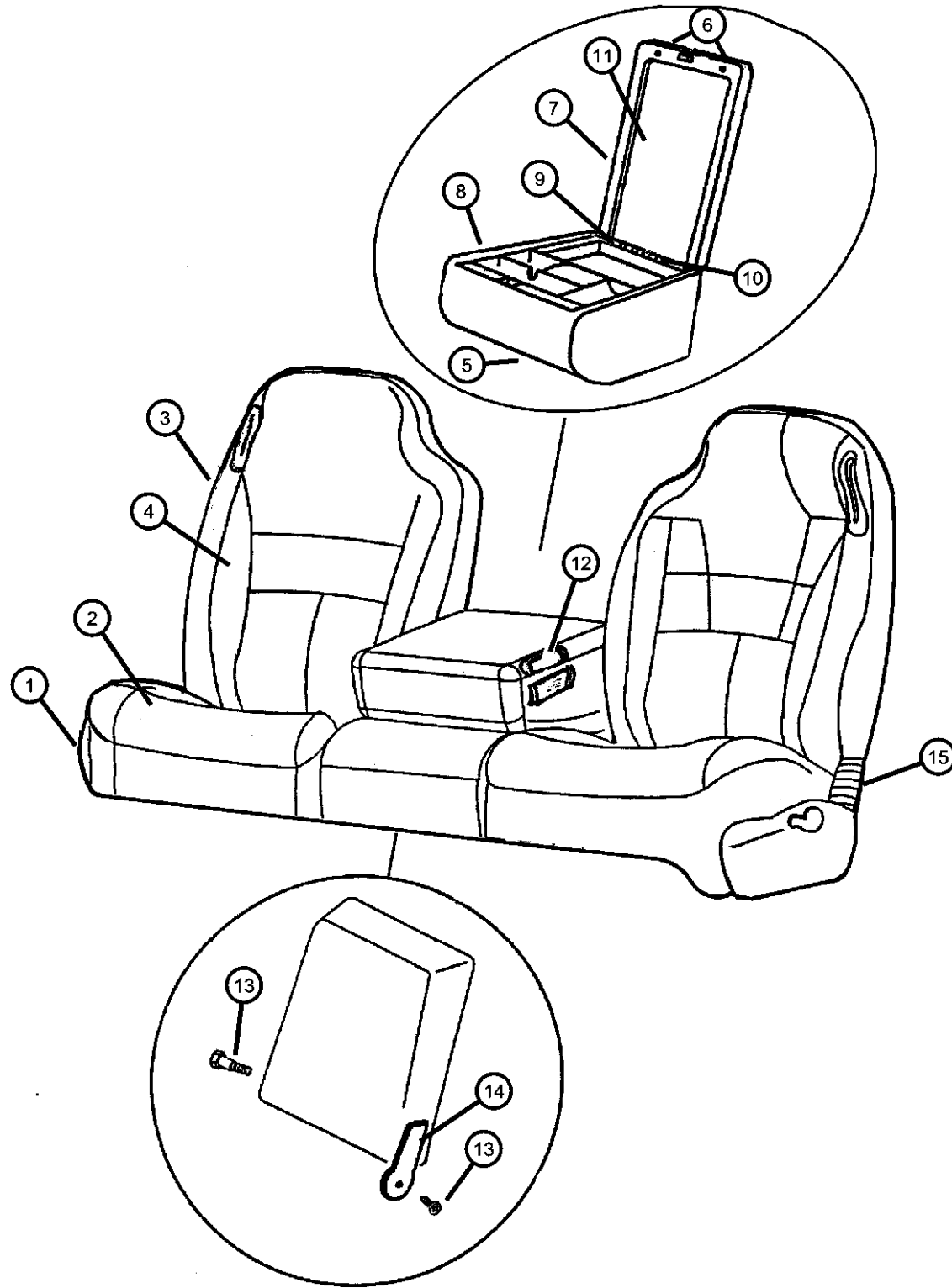
SERIES	LINE
L = Ram Truck (All)	3 = HD DODGE 2WD
	8 = HD DODGE 4WD
	1 = Lt. Duty DODGE 2WD
	6 = Lt. Duty DODGE 4WD
	2 = Med. Duty DODGE 2WD
	7 = Med. Duty DODGE 4WD

BODY	ENGINE	TRANSMISSION
31 = CLUB CAB 2-DR 6.5 FT BOX	ELF = ENGINE - 5.2L V8 MPI	DDC = TRANSMISSION - 5-SPEED HD MANUAL
32 = CLUB CAB 2-DR 8FT BOX	EML = ENGINE - 5.9L V8 MPI	DDP = TRANSMISSION - 5-SPEED MANUAL
33 = QUAD CAB 4-DR 6.5 FT BOX	EMM = ENGINE - "MAGNUM" 5.9L SMPI V8	DDX = TRANSMISSION - 5-SPEED HD MANUAL
34 = QUAD CAB 4-DR 8FT BOX	ETC = ENGINE- 5.9L CUMMINS 24V DIESEL	DEE = TRANSMISSION - 6-SPEED HD MANUAL
	ETH = ENGINE- 5.9L HO CUMMINS TURBO DIESEL	DGP = TRANSMISSION - 4-SPD. AUTOMATIC, 47RE
	EWA = ENGINE - 8.0L V10 MPI	DGT = TRANSMISSION - 4-SPD. AUTOMATIC, 46RE

AR = use ase required - = Non illustrated part

2000 BE

Seats, Front, Trim Codes SX, TY  
Figure IBE-540



ITEM	PART NUMBER	QTY	LINE	SERIES	BODY	ENGINE	TRANS	TRIM	DESCRIPTION
		1	1, 6		31			*SX	[C3], Passenger
		1			33, 34			*TY	[C3], Passenger
	0SQ111AZAA	1			33, 34			*SX	[AZ], Driver
		1	1, 6		31			*SX	[AZ], Driver
		1			33, 34			*TY	[AZ], Driver
	0SQ111C3AA	1			33, 34			*SX	[C3], Driver
		1	1, 6		31			*SX	[C3], Driver
		1			33, 34			*TY	[C3], Driver
3									SEAT BACK, Front
	0TD401AZAA	1			33, 34			*SX	[AZ], Passenger
	0TD401C3AA	1			33, 34			*SX	[C3], Passenger
	0TD411AZAA	1			33, 34			*SX	[AZ], Driver
	0TD411C3AA	1			33, 34			*SX	[C3], Driver
	0TD441AZAA	1			33, 34			*TY	[AZ], Passenger
		1	1, 6		31			*SX	[AZ], Passenger
	0TD441C3AA	1			33, 34			*TY	[C3], Passenger
		1	1, 6		31			*SX	[C3], Passenger
	0TD451AZAA	1			33, 34			*TY	[AZ], Driver
		1	1, 6		31			*SX	[AZ], Driver
	0TD451C3AA	1			33, 34			*TY	[C3], Driver
		1	1, 6		31			*SX	[C3], Driver
4									COVER, Front Seat Back
	0SP701AZAA	1			33, 34			*SX	[AZ], Passenger
		1	1, 6		31			*SX	[AZ], Passenger
		1			33, 34			*TY	[AZ], Passenger
	0SP701C3AA	1			33, 34			*SX	[C3], Passenger
		1	1, 6		31			*SX	[C3], Passenger
		1			33, 34			*TY	[C3], Passenger
	0SP711AZAA	1			33, 34			*SX	[AZ], Driver
		1	1, 6		31			*SX	[AZ], Driver

RAM PICKUP/CLUB CAB (BE)

SERIES	LINE
L = Ram Truck (All)	3 = HD DODGE 2WD
	8 = HD DODGE 4WD
	1 = Lt. Duty DODGE 2WD
	6 = Lt. Duty DODGE 4WD
	2 = Med. Duty DODGE 2WD
	7 = Med. Duty DODGE 4WD

BODY
31 = CLUB CAB 2-DR 6.5 FT BOX
32 = CLUB CAB 2-DR 8FT BOX
33 = QUAD CAB 4-DR 6.5 FT BOX
34 = QUAD CAB 4-DR 8FT BOX

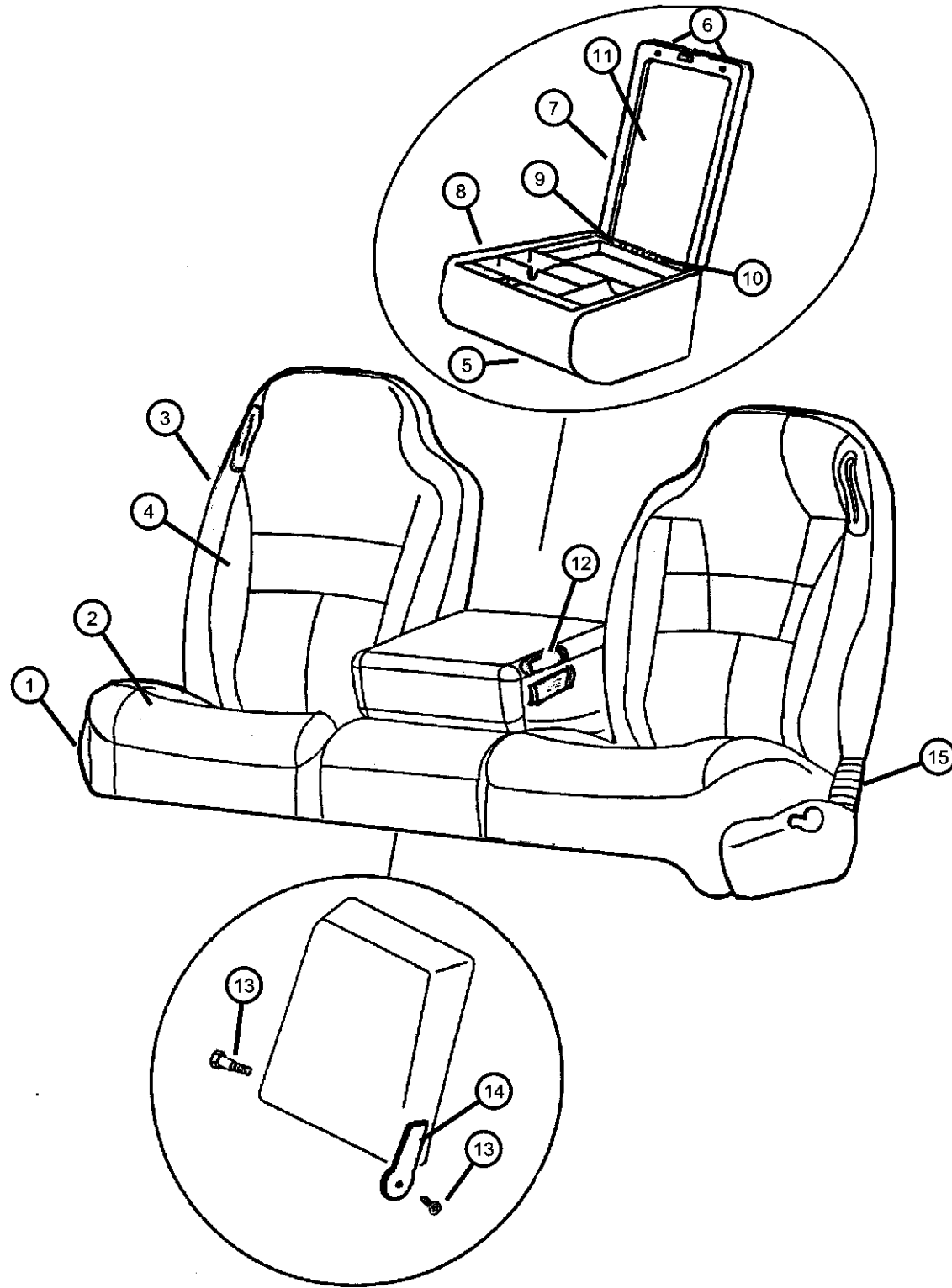
ENGINE
ELF = ENGINE - 5.2L V8 MPI
EML = ENGINE - 5.9L V8 MPI
EMM = ENGINE - "MAGNUM" 5.9L SMPI V8
ETC = ENGINE- 5.9L CUMMINS 24V DIESEL
ETH = ENGINE- 5.9L HO CUMMINS TURBO DIESEL
EWA = ENGINE - 8.0L V10 MPI

TRANSMISSION
DDC = TRANSMISSION - 5-SPEED HD MANUAL
DDP = TRANSMISSION - 5-SPEED MANUAL
DDX = TRANSMISSION - 5-SPEED HD MANUAL
DEE = TRANSMISSION - 6-SPEED HD MANUAL
DGP = TRANSMISSION - 4-SPD. AUTOMATIC, 47RE
DGT = TRANSMISSION - 4-SPD. AUTOMATIC, 46RE

AR = use ase required - = Non illustrated part

2000 BE

Seats, Front, Trim Codes SX, TY  
Figure IBE-540



ITEM	PART NUMBER	QTY	LINE	SERIES	BODY	ENGINE	TRANS	TRIM	DESCRIPTION
		1			33, 34			*TY	[AZ], Driver
	OSP711C3AA	1			33, 34			*SX	[C3], Driver
		1	1, 6		31			*SX	[C3], Driver
5		1			33, 34			*TY	[C3], Driver
									BASE, Armrest
	OSS281AZAA	1			33, 34			*TY	[AZ]
		1			33, 34			*SX	[AZ]
		1	1, 6		31			*SX	[AZ]
	OSS281C3AA	1			33, 34			*TY	[C3]
		1			33, 34			*SX	[C3]
		1	1, 6		31			*SX	[C3]
6									LID, Armrest Bin
	OSS231AZAA	1			33, 34			*TY	[AZ]
		1			33, 34			*SX	[AZ]
		1	1, 6		31			*SX	[AZ]
	OSS231C3AA	1			33, 34			*TY	[C3]
		1			33, 34			*SX	[C3]
		1	1, 6		31			*SX	[C3]
7									BEZEL, Armrest, Lid
	04778673	1			33, 34			*TY	
		1			33, 34			*SX	
		1	1, 6		31			*SX	
8									BEZEL, Armrest, Bin
	05278455AA	1			33, 34			*TY	
		1			33, 34			*SX	
		1	1, 6		31			*SX	
9									PIN, Armrest Lid Hinge
	04773684	1			33, 34			*TY	
		1			33, 34			*SX	
		1	1, 6		31			*SX	

RAM PICKUP/CLUB CAB (BE)

SERIES	LINE
L = Ram Truck (All)	3 = HD DODGE 2WD
	8 = HD DODGE 4WD
	1 = Lt. Duty DODGE 2WD
	6 = Lt. Duty DODGE 4WD
	2 = Med. Duty DODGE 2WD
	7 = Med. Duty DODGE 4WD

BODY
31 = CLUB CAB 2-DR 6.5 FT BOX
32 = CLUB CAB 2-DR 8FT BOX
33 = QUAD CAB 4-DR 6.5 FT BOX
34 = QUAD CAB 4-DR 8FT BOX

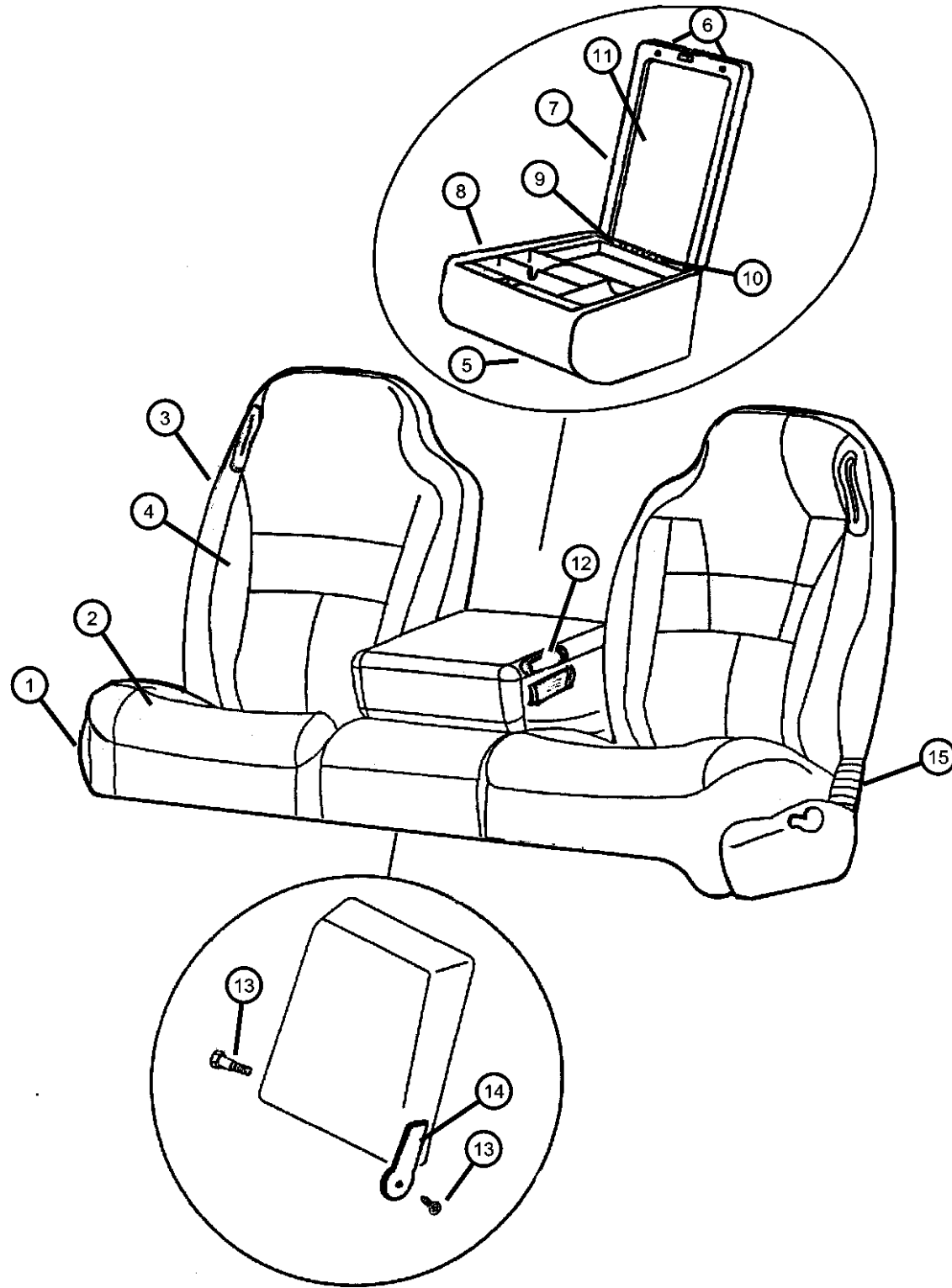
ENGINE
ELF = ENGINE - 5.2L V8 MPI
EML = ENGINE - 5.9L V8 MPI
EMM = ENGINE - "MAGNUM" 5.9L SMPI V8
ETC = ENGINE- 5.9L CUMMINS 24V DIESEL
ETH = ENGINE- 5.9L HO CUMMINS TURBO DIESEL
EWA = ENGINE - 8.0L V10 MPI

TRANSMISSION
DDC = TRANSMISSION - 5-SPEED HD MANUAL
DDP = TRANSMISSION - 5-SPEED MANUAL
DDX = TRANSMISSION - 5-SPEED HD MANUAL
DEE = TRANSMISSION - 6-SPEED HD MANUAL
DGP = TRANSMISSION - 4-SPD. AUTOMATIC, 47RE
DGT = TRANSMISSION - 4-SPD. AUTOMATIC, 46RE

AR = use ase required - = Non illustrated part

2000 BE

Seats, Front, Trim Codes SX, TY  
Figure IBE-540



ITEM	PART NUMBER	QTY	LINE	SERIES	BODY	ENGINE	TRANS	TRIM	DESCRIPTION
10	04773685	1			33, 34			*TY	SPRING, Armrest Lid Hinge
		1			33, 34			*SX	
		1	1, 6		31			*SX	
11	05278456AA	1			33, 34			*TY	LINER, Armrest Lid
		1			33, 34			*SX	
		1	1, 6		31			*SX	
12	04797715	1			33, 34			*TY	BEZEL, Armrest
		1			33, 34			*SX	
		1	1, 6		31			*SX	
13	04773507	1			33, 34			*TY	BOLT, Armrest Pivot
		1			33, 34			*SX	
		1	1, 6		31			*SX	
14	04773418	1			33, 34			*TY	COVER, Bracket
		1			33, 34			*SX	Right
		1	1, 6		31			*SX	Right
	04773419	1			33, 34			*TY	Left
		1			33, 34			*SX	Left
		1	1, 6		31			*SX	Left
15	05010197AA	2			33, 34			*TY	BELLOWS, Seat Mechanism
		2			33, 34			*SX	
		2	1, 6		31			*SX	
-16	05278457AA	1			33, 34			*TY	SPRING, Coinholder

RAM PICKUP/CLUB CAB (BE)

SERIES	LINE
L = Ram Truck (All)	3 = HD DODGE 2WD
	8 = HD DODGE 4WD
	1 = Lt. Duty DODGE 2WD
	6 = Lt. Duty DODGE 4WD
	2 = Med. Duty DODGE 2WD
	7 = Med. Duty DODGE 4WD

BODY
31 = CLUB CAB 2-DR 6.5 FT BOX
32 = CLUB CAB 2-DR 8FT BOX
33 = QUAD CAB 4-DR 6.5 FT BOX
34 = QUAD CAB 4-DR 8FT BOX

ENGINE
ELF = ENGINE - 5.2L V8 MPI
EML = ENGINE - 5.9L V8 MPI
EMM = ENGINE - "MAGNUM" 5.9L SMPI V8
ETC = ENGINE- 5.9L CUMMINS 24V DIESEL
ETH = ENGINE- 5.9L HO CUMMINS TURBO DIESEL
EWA = ENGINE - 8.0L V10 MPI

TRANSMISSION
DDC = TRANSMISSION - 5-SPEED HD MANUAL
DDP = TRANSMISSION - 5-SPEED MANUAL
DDX = TRANSMISSION - 5-SPEED HD MANUAL
DEE = TRANSMISSION - 6-SPEED HD MANUAL
DGP = TRANSMISSION - 4-SPD. AUTOMATIC, 47RE
DGT = TRANSMISSION - 4-SPD. AUTOMATIC, 46RE

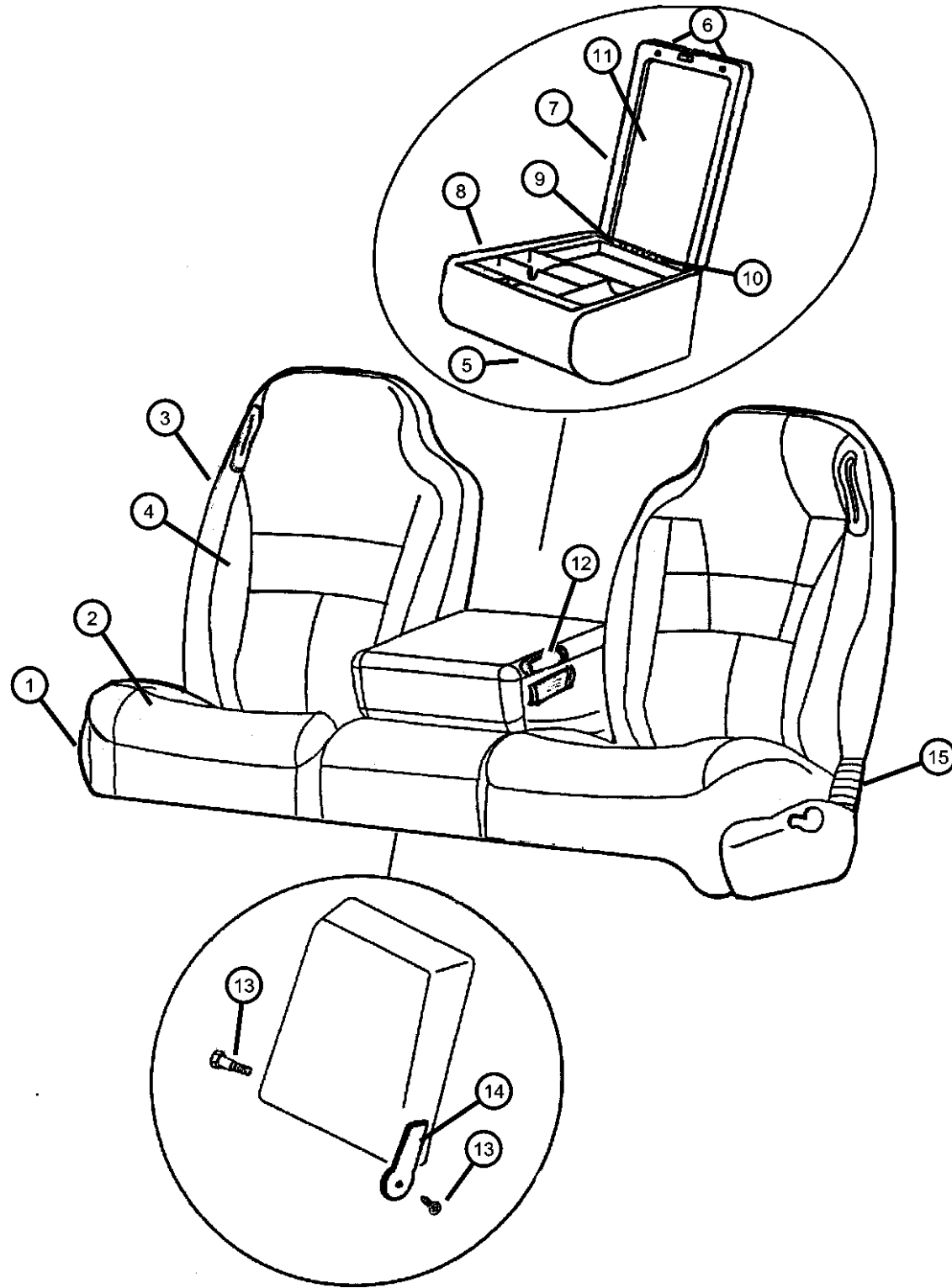
AR = use ase required - = Non illustrated part

2000 BE

Seats, Front, Trim Codes SX, TY  
Figure IBE-540

ITEM	PART NUMBER	QTY	LINE	SERIES	BODY	ENGINE	TRANS	TRIM	DESCRIPTION
------	-------------	-----	------	--------	------	--------	-------	------	-------------

		1			33, 34			*SX	
		1	1, 6		31			*SX	



RAM PICKUP/CLUB CAB (BE)

SERIES	LINE
L = Ram Truck (All)	3 = HD DODGE 2WD
	8 = HD DODGE 4WD
	1 = Lt. Duty DODGE 2WD
	6 = Lt. Duty DODGE 4WD
	2 = Med. Duty DODGE 2WD
	7 = Med. Duty DODGE 4WD

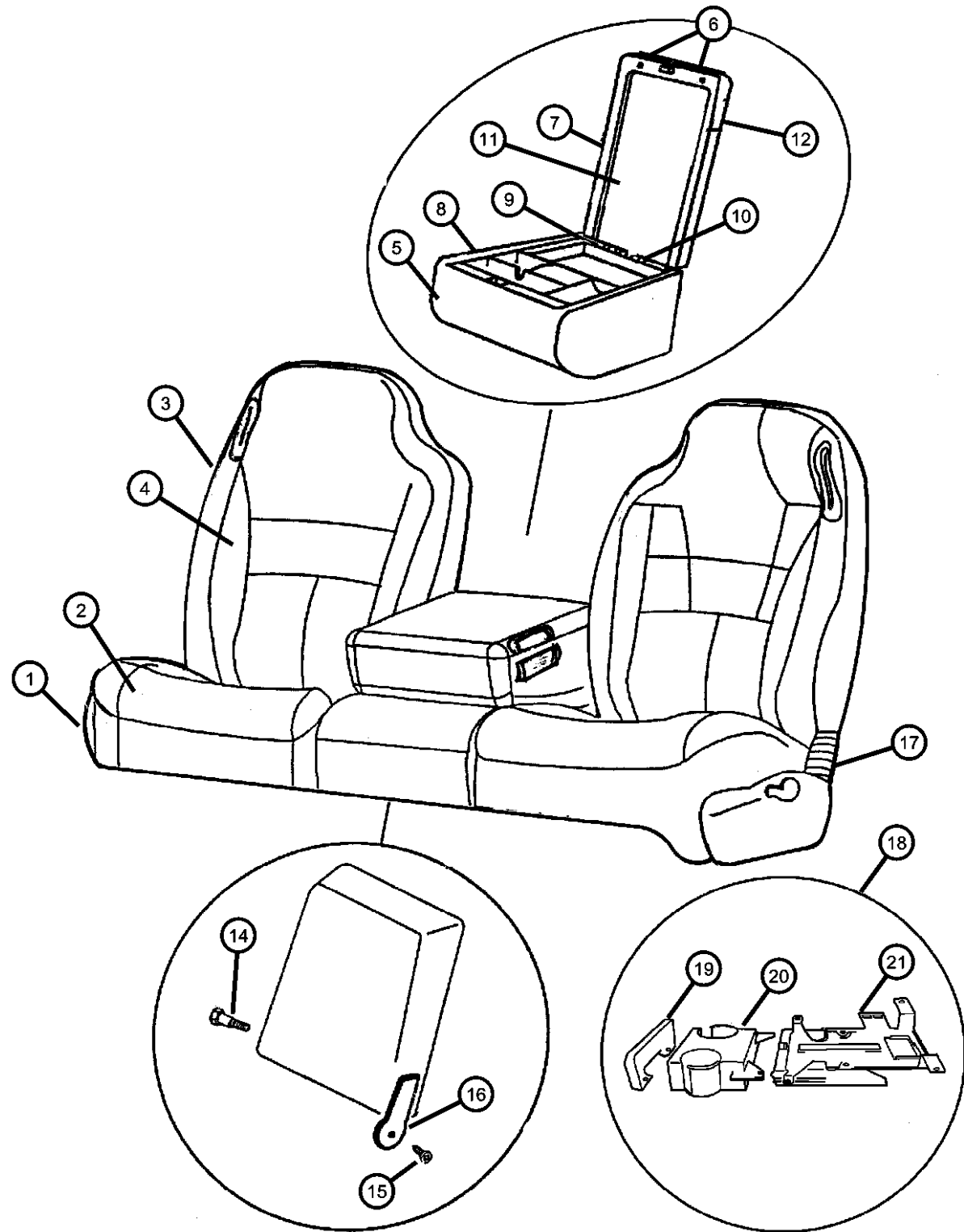
BODY	ENGINE	TRANSMISSION
31 = CLUB CAB 2-DR 6.5 FT BOX	ELF = ENGINE - 5.2L V8 MPI	DDC = TRANSMISSION - 5-SPEED HD MANUAL
32 = CLUB CAB 2-DR 8FT BOX	EML = ENGINE - 5.9L V8 MPI	DDP = TRANSMISSION - 5-SPEED MANUAL
33 = QUAD CAB 4-DR 6.5 FT BOX	EMM = ENGINE - "MAGNUM" 5.9L SMPI V8	DDX = TRANSMISSION - 5-SPEED HD MANUAL
34 = QUAD CAB 4-DR 8FT BOX	ETC = ENGINE- 5.9L CUMMINS 24V DIESEL	DEE = TRANSMISSION - 6-SPEED HD MANUAL
	ETH = ENGINE- 5.9L HO CUMMINS TURBO DIESEL	DGP = TRANSMISSION - 4-SPD. AUTOMATIC, 47RE
	EWA = ENGINE - 8.0L V10 MPI	DGT = TRANSMISSION - 4-SPD. AUTOMATIC, 46RE

AR = use ase required - = Non illustrated part

2000 BE



Seat, Front, Trim Code DZ  
Figure IBE-550



ITEM	PART NUMBER	QTY	LINE	SERIES	BODY	ENGINE	TRANS	TRIM	DESCRIPTION
1	0TC941AZAA	1			33, 34			*DZ	CUSHION, Front Seat
	0TC941K5AA	1			33, 34			*DZ	[AZ], Center
	0TD541AZAA	1			33, 34			*DZ	[K9], Center
	0TD541K5AA	1			33, 34			*DZ	[AZ], Passenger
	0TD551AZAA	1			33, 34			*DZ	[K9], Passenger
	0TD551K5AA	1			33, 34			*DZ	[AZ], Driver
2	0SP571AZAA	1			33, 34			*DZ	[K9], Driver
	0SP571K5AA	1			33, 34			*DZ	COVER, Front Seat Cushion
	0TD521AZAA	1			33, 34			*DZ	[AZ], Center
	0TD521K5AA	1			33, 34			*DZ	[K9], Center
	0TD531AZAA	1			33, 34			*DZ	[AZ], With Heat Pad, Passenger
	0TD531K5AA	1			33, 34			*DZ	[K9], With Heat Pad, Passenger
3	0TD561AZAA	1			33, 34			*DZ	[AZ], With Heat Pad, Driver
	0TD561K5AA	1			33, 34			*DZ	[K9], With Heat Pad, Driver
	0TD571AZAA	1			33, 34			*DZ	SEAT BACK, Front
	0TD571K5AA	1			33, 34			*DZ	[AZ], Passenger
4	0TD501AZAA	1			33, 34			*DZ	[K9], Passenger
	0TD501K5AA	1			33, 34			*DZ	[AZ], Driver
	0TD511AZAA	1			33, 34			*DZ	[K9], Driver
	0TD511K5AA	1			33, 34			*DZ	COVER, Front Seat Back
5	0SS381AZAA	1			33, 34			*DZ	[AZ], With Heat Pad, Passenger
	0SS381K5AA	1			33, 34			*DZ	[K9], With Heat Pad, Passenger
6	0SS231AZAA	1			33, 34			*DZ	[AZ], With Heat Pad, Driver
	0SS231K5AA	1			33, 34			*DZ	[K9], With Heat Pad, Driver

RAM PICKUP/CLUB CAB (BE)

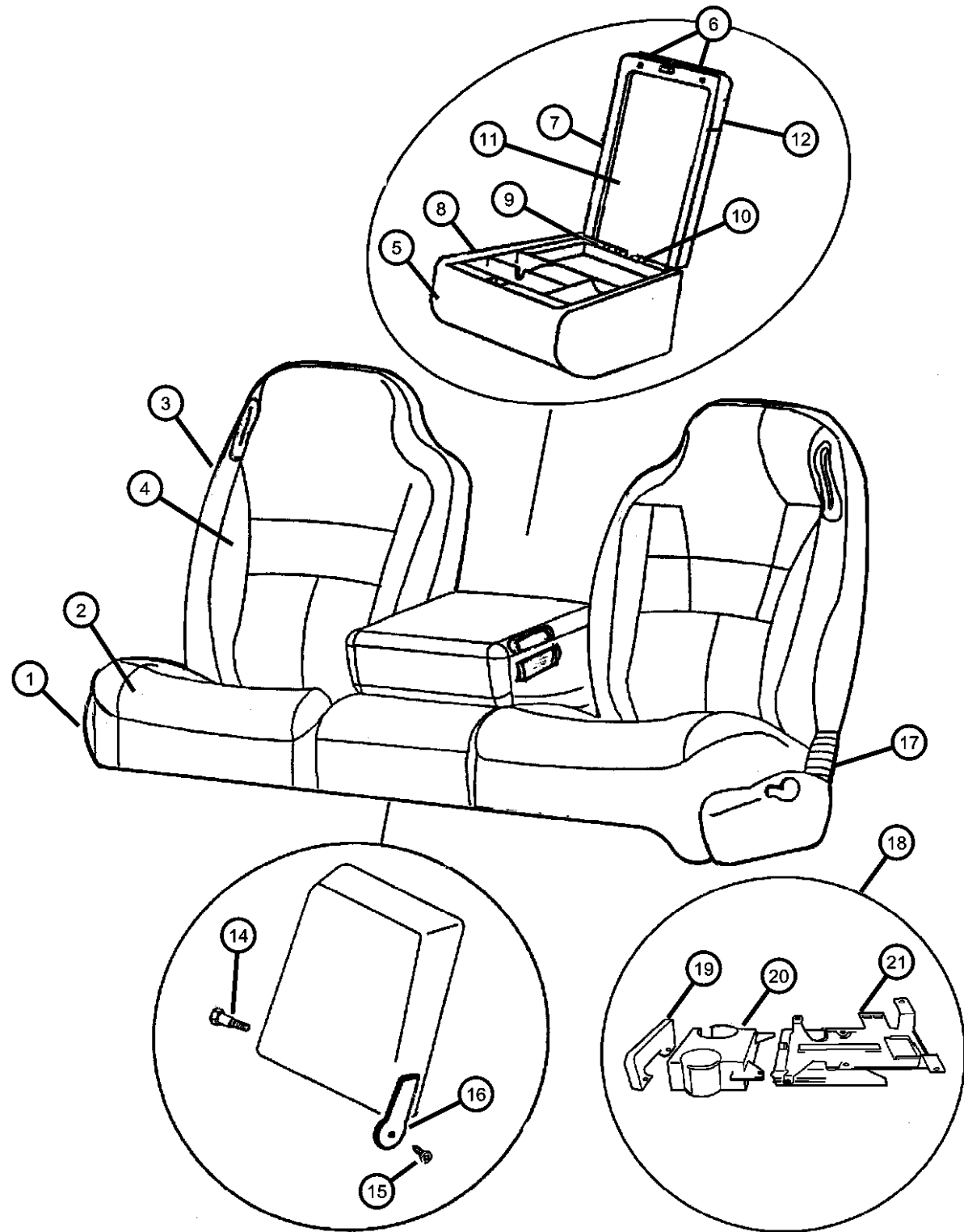
SERIES	LINE
L = Ram Truck (All)	3 = HD DODGE 2WD
	8 = HD DODGE 4WD
	1 = Lt. Duty DODGE 2WD
	6 = Lt. Duty DODGE 4WD
	2 = Med. Duty DODGE 2WD
	7 = Med. Duty DODGE 4WD

BODY	ENGINE	TRANSMISSION
31 = CLUB CAB 2-DR 6.5 FT BOX	ELF = ENGINE - 5.2L V8 MPI	DDC = TRANSMISSION - 5-SPEED HD MANUAL
32 = CLUB CAB 2-DR 8FT BOX	EML = ENGINE - 5.9L V8 MPI	DDP = TRANSMISSION - 5-SPEED MANUAL
33 = QUAD CAB 4-DR 6.5 FT BOX	EMM = ENGINE - "MAGNUM" 5.9L SMPI V8	DDX = TRANSMISSION - 5-SPEED HD MANUAL
34 = QUAD CAB 4-DR 8FT BOX	ETC = ENGINE- 5.9L CUMMINS 24V DIESEL	DEE = TRANSMISSION - 6-SPEED HD MANUAL
	ETH = ENGINE- 5.9L HO CUMMINS TURBO DIESEL	DGP = TRANSMISSION - 4-SPD. AUTOMATIC, 47RE
	EWA = ENGINE - 8.0L V10 MPI	DGT = TRANSMISSION - 4-SPD. AUTOMATIC, 46RE

AR = use ase required - = Non illustrated part

2000 BE

Seat, Front, Trim Code DZ  
Figure IBE-550



ITEM	PART NUMBER	QTY	LINE	SERIES	BODY	ENGINE	TRANS	TRIM	DESCRIPTION
7	04778673	1			33, 34			*DZ	BEZEL, Armrest, Lid
8	05278455AA	1			33, 34			*DZ	BEZEL, Armrest, Bin
9	04773684	1			33, 34			*DZ	PIN, Armrest Lid Hinge
10	04773685	1			33, 34			*DZ	SPRING, Armrest Lid Hinge
11	05278456AA	1			33, 34			*DZ	LINER, Armrest Lid
12	04797715	1			33, 34			*DZ	BEZEL, Armrest
-13	05278457AA	1			33, 34			*DZ	SPRING, Coinholder
14	04773507	1			33, 34			*DZ	BOLT, Armrest Pivot
15	04773507	1							SCREW, (NOT SERVICED)
16									COVER, Bracket
	04773418	1			33, 34			*DZ	Right
	04773419	1			33, 34			*DZ	Left
17	05010197AA	2			33, 34			*DZ	BELLOWS, Seat Mechanism
18	04883916AA	1			33, 34			*DZ	CUPHOLDER
19	05015994AA	1			33, 34			*DZ	FACE PLATE, Cupholder
20	05003198AA	1			33, 34			*DZ	DRAWER, Cupholder
21	05015995AA	1			33, 34			*DZ	HOUSING, Cup Holder

RAM PICKUP/CLUB CAB (BE)

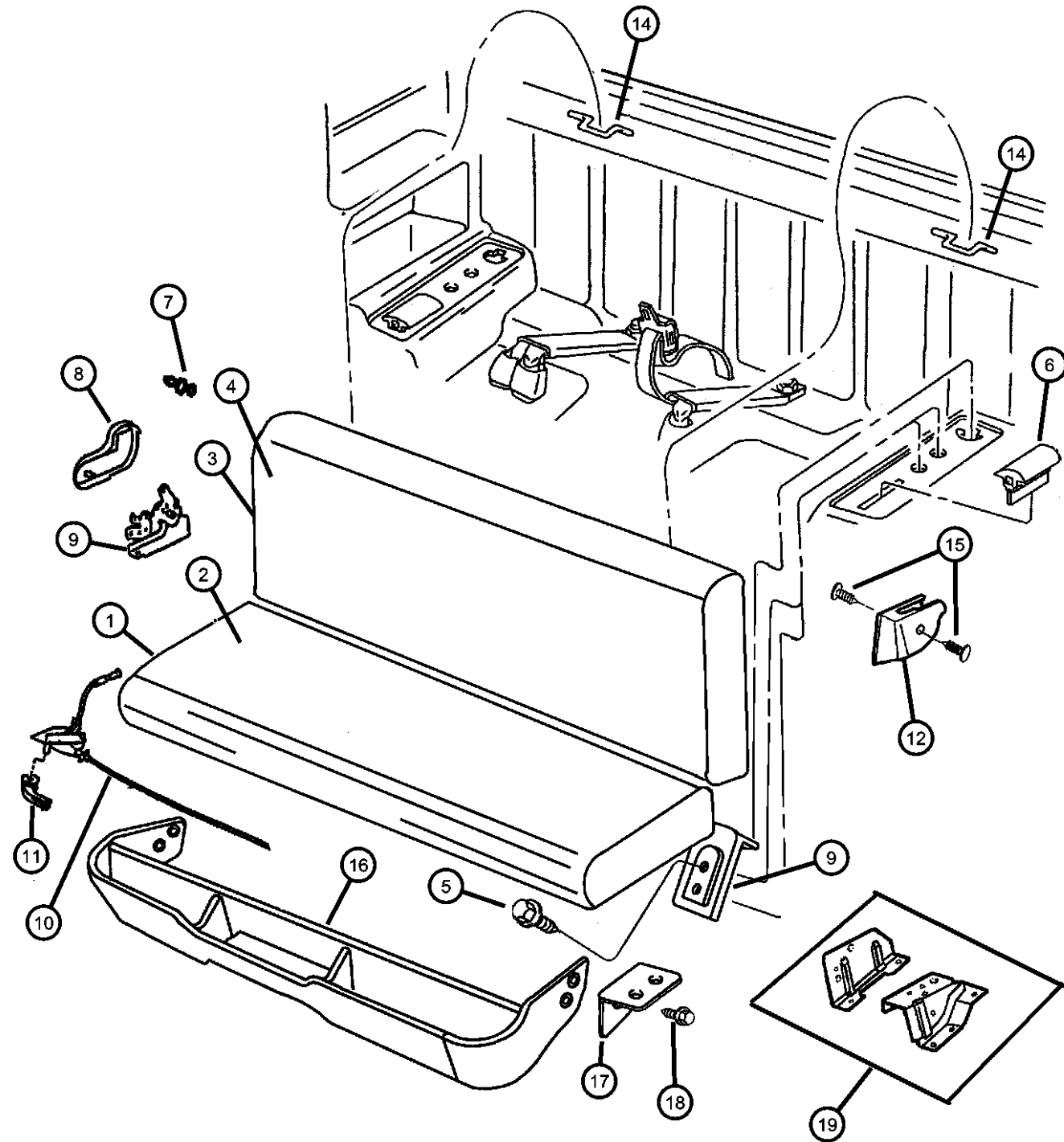
SERIES	LINE
L = Ram Truck (All)	3 = HD DODGE 2WD
	8 = HD DODGE 4WD
	1 = Lt. Duty DODGE 2WD
	6 = Lt. Duty DODGE 4WD
	2 = Med. Duty DODGE 2WD
	7 = Med. Duty DODGE 4WD

BODY	ENGINE	TRANSMISSION
31 = CLUB CAB 2-DR 6.5 FT BOX	ELF = ENGINE - 5.2L V8 MPI	DDC = TRANSMISSION - 5-SPEED HD MANUAL
32 = CLUB CAB 2-DR 8FT BOX	EML = ENGINE - 5.9L V8 MPI	DDP = TRANSMISSION - 5-SPEED MANUAL
33 = QUAD CAB 4-DR 6.5 FT BOX	EMM = ENGINE - "MAGNUM" 5.9L SMPI V8	DDX = TRANSMISSION - 5-SPEED HD MANUAL
34 = QUAD CAB 4-DR 8FT BOX	ETC = ENGINE- 5.9L CUMMINS 24V DIESEL	DEE = TRANSMISSION - 6-SPEED HD MANUAL
	ETH = ENGINE- 5.9L HO CUMMINS TURBO DIESEL	DGP = TRANSMISSION - 4-SPD. AUTOMATIC, 47RE
	EWA = ENGINE - 8.0L V10 MPI	DGT = TRANSMISSION - 4-SPD. AUTOMATIC, 46RE

AR = use ase required - = Non illustrated part

2000 BE

Rear Seat  
Figure IBE-610



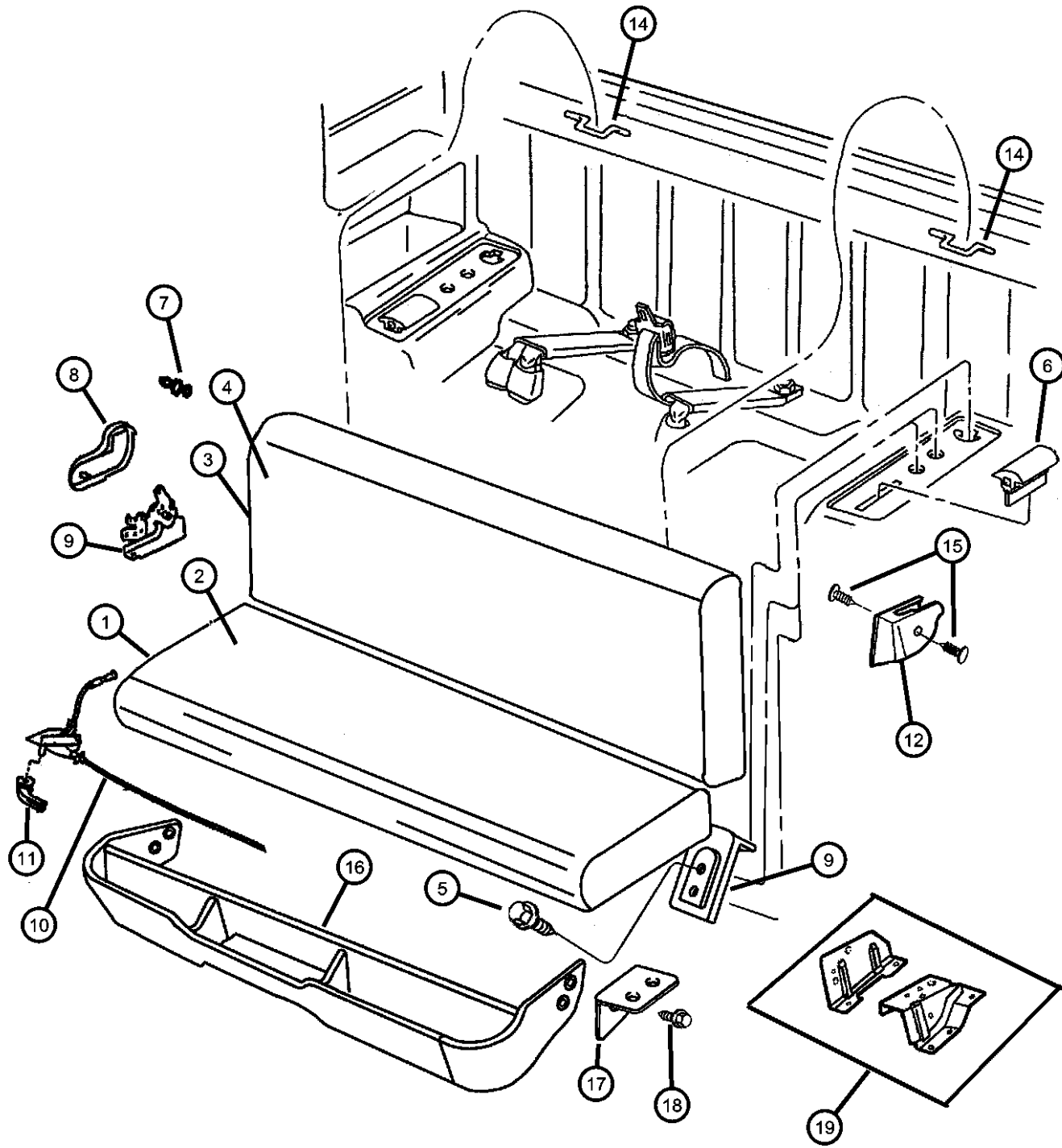
ITEM	PART NUMBER	QTY	LINE	SERIES	BODY	ENGINE	TRANS	TRIM	DESCRIPTION
1									CUSHION, Rear Seat
	0TD001AZAA	1			33, 34			*DP	[AZ]
		1	1, 6		31			*DP	[AZ]
		1			33, 34			*DZ	[AZ]
	0TD001K5AA	1			33, 34			*DP	[K9]
		1	1, 6		31			*DP	[K9]
		1			33, 34			*DZ	[K9]
	0TD101AZAA	1			33, 34			*R1	[AZ]
		1	1, 6		31			*R1	[AZ]
	0TD101C3AA	1			33, 34			*R1	[C3]
		1	1, 6		31			*R1	[C3]
	0TD101K5AA	1			33, 34			*R1	[K9]
		1	1, 6		31			*R1	[K9]
	0TD221AZAA	1			33, 34			*S9	[AZ]
		1	1, 6		31			*S9	[AZ]
	0TD221C3AA	1			33, 34			*S9	[C3]
		1	1, 6		31			*S9	[C3]
	0TD371AZAA	1			33, 34			*SX	[AZ]
		1	1, 6		31			*SX	[AZ]
	0TD371C3AA	1			33, 34			*SX	[C3]
		1	1, 6		31			*SX	[C3]
2									COVER, Rear Seat Cushion
	0SP611AZAA	1			33, 34			*DP	[AZ]
		1	1, 6		31			*DP	[AZ]
		1			33, 34			*DZ	[AZ]
	0SP611K5AA	1			33, 34			*DP	[K9]
		1	1, 6		31			*DP	[K9]
		1			33, 34			*DZ	[K9]
	0SP821AZAA	1			33, 34			*R1	[AZ]
		1	1, 6		31			*R1	[AZ]

RAM PICKUP/CLUB CAB (BE)

SERIES	LINE	BODY	ENGINE	TRANSMISSION
L = Ram Truck (All)	3 = HD DODGE 2WD	31 = CLUB CAB 2-DR 6.5 FT BOX	ELF = ENGINE - 5.2L V8 MPI	DDC = TRANSMISSION - 5-SPEED HD MANUAL
	8 = HD DODGE 4WD	32 = CLUB CAB 2-DR 8FT BOX	EML = ENGINE - 5.9L V8 MPI	DDP = TRANSMISSION - 5-SPEED MANUAL
	1 = Lt. Duty DODGE 2WD	33 = QUAD CAB 4-DR 6.5 FT BOX	EMM = ENGINE - "MAGNUM" 5.9L SMPI V8	DDX = TRANSMISSION - 5-SPEED HD MANUAL
	6 = Lt. Duty DODGE 4WD	34 = QUAD CAB 4-DR 8FT BOX	ETC = ENGINE- 5.9L CUMMINS 24V DIESEL	DEE = TRANSMISSION - 6-SPEED HD MANUAL
	2 = Med. Duty DODGE 2WD		ETH = ENGINE- 5.9L HO CUMMINS TURBO DIESEL	DGP = TRANSMISSION - 4-SPD. AUTOMATIC,47RE
	7 = Med. Duty DODGE 4WD		EWA = ENGINE - 8.0L V10 MPI	DGT = TRANSMISSION - 4-SPD. AUTOMATIC,46RE

AR = use ase required - = Non illustrated part

Rear Seat  
Figure IBE-610



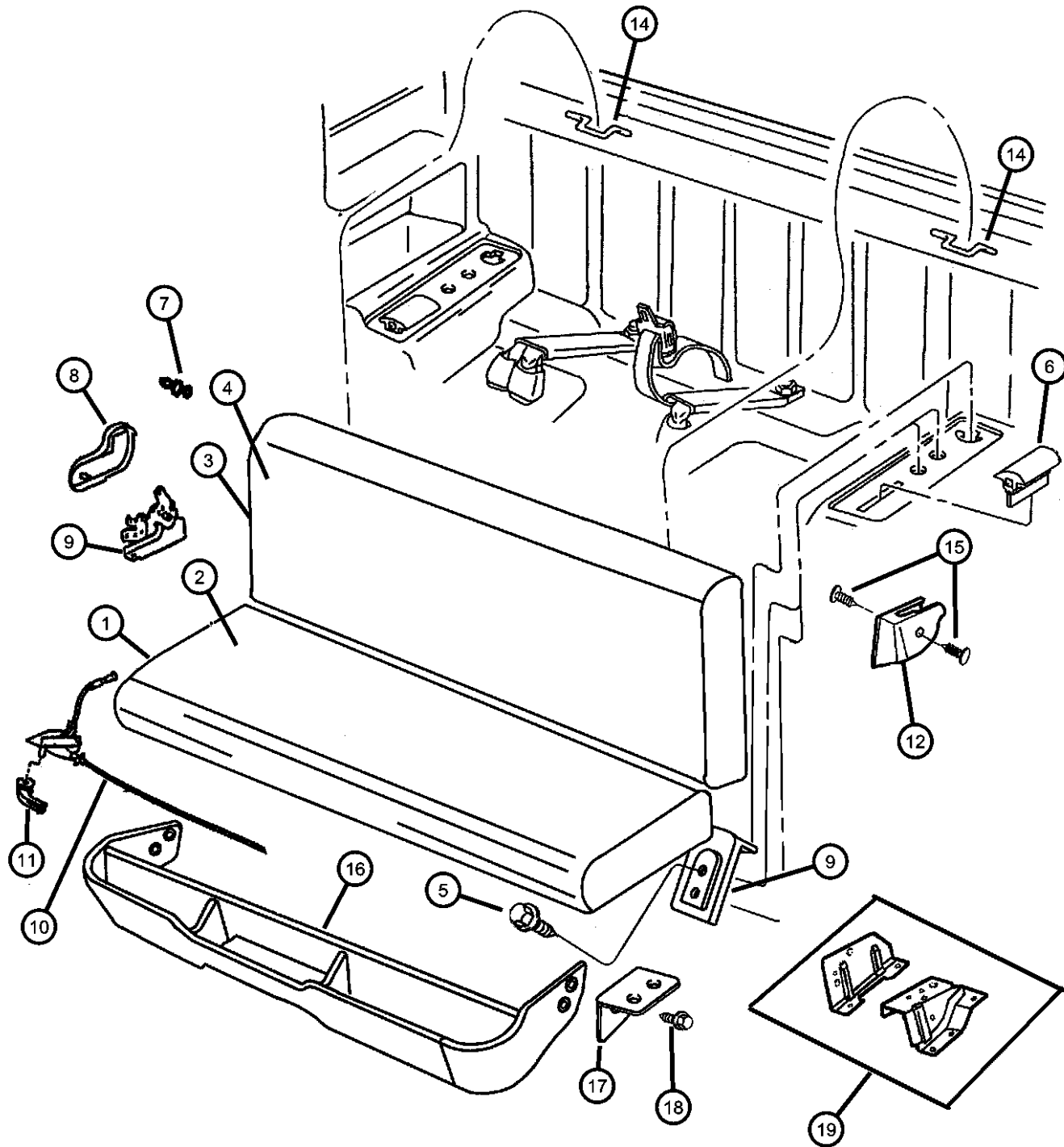
ITEM	PART NUMBER	QTY	LINE	SERIES	BODY	ENGINE	TRANS	TRIM	DESCRIPTION
	OSP821C3AA	1			33, 34			*R1	[C3]
		1	1, 6		31			*R1	[C3]
	OSP821K5AA	1			33, 34			*R1	[K9]
		1	1, 6		31			*R1	[K9]
	OSP971AZAA	1			33, 34			*S9	[AZ]
		1	1, 6		31			*S9	[AZ]
	OSP971C3AA	1			33, 34			*S9	[C3]
		1	1, 6		31			*S9	[C3]
	OSQ131AZAA	1			33, 34			*SX	[AZ]
		1	1, 6		31			*SX	[AZ]
	OSQ131C3AA	1			33, 34			*SX	[C3]
		1	1, 6		31			*SX	[C3]
3									SEAT BACK, Rear
	0TD011AZAA	1			33, 34			*DP	[AZ]
		1	1, 6		31			*DP	[AZ]
		1			33, 34			*DZ	[AZ]
	0TD011K5AA	1			33, 34			*DP	[K9]
		1	1, 6		31			*DP	[K9]
		1			33, 34			*DZ	[K9]
	0TD121AZAA	1			33, 34			*R1	[AZ]
		1	1, 6		31			*R1	[AZ]
	0TD121C3AA	1			33, 34			*R1	[C3]
		1	1, 6		31			*R1	[C3]
	0TD121K5AA	1			33, 34			*R1	[K9]
		1	1, 6		31			*R1	[K9]
	0TD231AZAA	1			33, 34			*S9	[AZ]
		1	1, 6		31			*S9	[AZ]
	0TD231C3AA	1			33, 34			*S9	[C3]
		1	1, 6		31			*S9	[C3]
	0TD381AZAA	1			33, 34			*SX	[AZ]

RAM PICKUP/CLUB CAB (BE)

SERIES	LINE	BODY	ENGINE	TRANSMISSION
L = Ram Truck	3 = HD DODGE 2WD	31 = CLUB CAB 2-DR 6.5 FT	ELF = ENGINE - 5.2L V8 MPI	DDC = TRANSMISSION - 5-SPEED
(All)	8 = HD DODGE 4WD	BOX	EML = ENGINE - 5.9L V8 MPI	HD MANUAL
	1 = Lt. Duty DODGE 2WD	32 = CLUB CAB 2-DR 8FT	EMM = ENGINE - "MAGNUM"	DDP = TRANSMISSION - 5-SPEED
	6 = Lt. Duty DODGE 4WD	BOX	5.9L SMPI V8	MANUAL
	2 = Med. Duty DODGE 2WD	33 = QUAD CAB 4-DR 6.5 FT	ETC = ENGINE- 5.9L	DDX = TRANSMISSION - 5-SPEED
	7 = Med. Duty DODGE 4WD	BOX	CUMMINS 24V DIESEL	HD MANUAL
		34 = QUAD CAB 4-DR 8FT	ETH = ENGINE- 5.9L HO	DEE = TRANSMISSION - 6-SPEED
		BOX	CUMMINS TURBO DIESEL	HD MANUAL
			EWA = ENGINE - 8.0L V10	DGP = TRANSMISSION - 4-SPD.
			MPI	AUTOMATIC,47RE
				DGT = TRANSMISSION - 4-SPD.
				AUTOMATIC,46RE

AR = use ase required - = Non illustrated part

Rear Seat  
Figure IBE-610



ITEM	PART NUMBER	QTY	LINE	SERIES	BODY	ENGINE	TRANS	TRIM	DESCRIPTION
		1	1, 6		31			*SX [AZ]	
	0TD381C3AA	1			33, 34			*SX [C3]	
		1	1, 6		31			*SX [C3]	
4									COVER, Rear Seat Back
	0SP601AZAA	1			33, 34			*DP [AZ]	
		1	1, 6		31			*DP [AZ]	
		1			33, 34			*DZ [AZ]	
	0SP601K5AA	1			33, 34			*DP [K9]	
		1	1, 6		31			*DP [K9]	
		1			33, 34			*DZ [K9]	
	0SP811AZAA	1			33, 34			*R1 [AZ]	
		1	1, 6		31			*R1 [AZ]	
	0SP811C3AA	1			33, 34			*R1 [C3]	
		1	1, 6		31			*R1 [C3]	
	0SP811K5AA	1			33, 34			*R1 [K9]	
		1	1, 6		31			*R1 [K9]	
	0SP951AZAA	1			33, 34			*S9 [AZ]	
		1	1, 6		31			*S9 [AZ]	
	0SP951C3AA	1			33, 34			*S9 [C3]	
		1	1, 6		31			*S9 [C3]	
	0SQ121AZAA	1			33, 34			*SX [AZ]	
		1	1, 6		31			*SX [AZ]	
	0SQ121C3AA	1			33, 34			*SX [C3]	
		1	1, 6		31			*SX [C3]	
5	06500664	4							SCREW AND WASHER, Hex Head, M8x1.25x35
6	55350643AB	2							BUMPER, Seat Cushion
7									BUSHING, Pivot
	04778684	2			33, 34			*SX	
		2			33, 34			*S9	

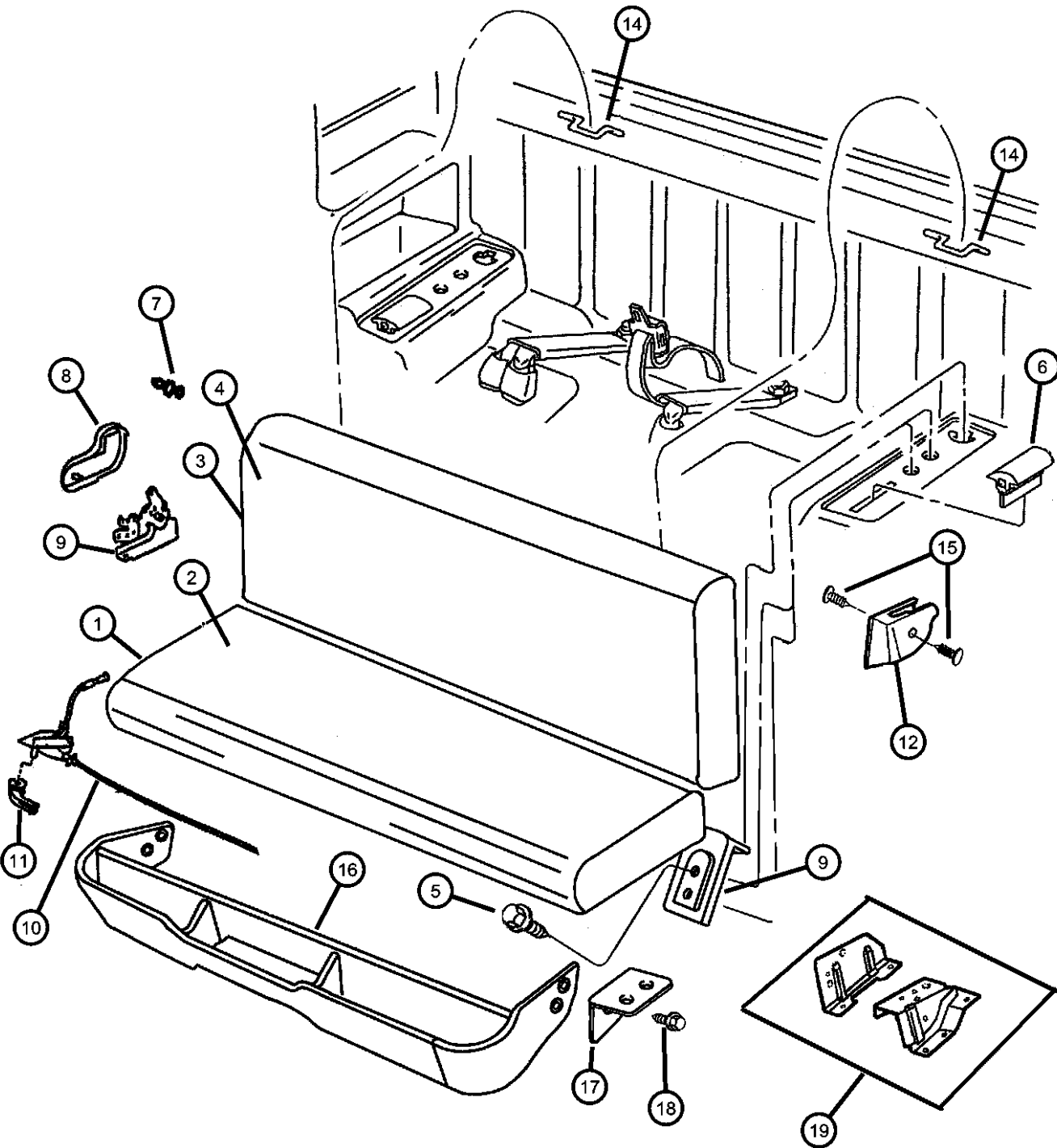
RAM PICKUP/CLUB CAB (BE)

SERIES	LINE
L = Ram Truck (All)	3 = HD DODGE 2WD
	8 = HD DODGE 4WD
	1 = Lt. Duty DODGE 2WD
	6 = Lt. Duty DODGE 4WD
	2 = Med. Duty DODGE 2WD
	7 = Med. Duty DODGE 4WD

BODY	ENGINE	TRANSMISSION
31 = CLUB CAB 2-DR 6.5 FT BOX	ELF = ENGINE - 5.2L V8 MPI	DDC = TRANSMISSION - 5-SPEED HD MANUAL
32 = CLUB CAB 2-DR 8FT BOX	EML = ENGINE - 5.9L V8 MPI	DDP = TRANSMISSION - 5-SPEED MANUAL
33 = QUAD CAB 4-DR 6.5 FT BOX	EMM = ENGINE - "MAGNUM" 5.9L SMPI V8	DDX = TRANSMISSION - 5-SPEED HD MANUAL
34 = QUAD CAB 4-DR 8FT BOX	ETC = ENGINE- 5.9L CUMMINS 24V DIESEL	DEE = TRANSMISSION - 6-SPEED HD MANUAL
	ETH = ENGINE- 5.9L HO CUMMINS TURBO DIESEL	DGP = TRANSMISSION - 4-SPD. AUTOMATIC, 47RE
	EWA = ENGINE - 8.0L V10 MPI	DGT = TRANSMISSION - 4-SPD. AUTOMATIC, 46RE

AR = use ase required - = Non illustrated part

Rear Seat  
Figure IBE-610



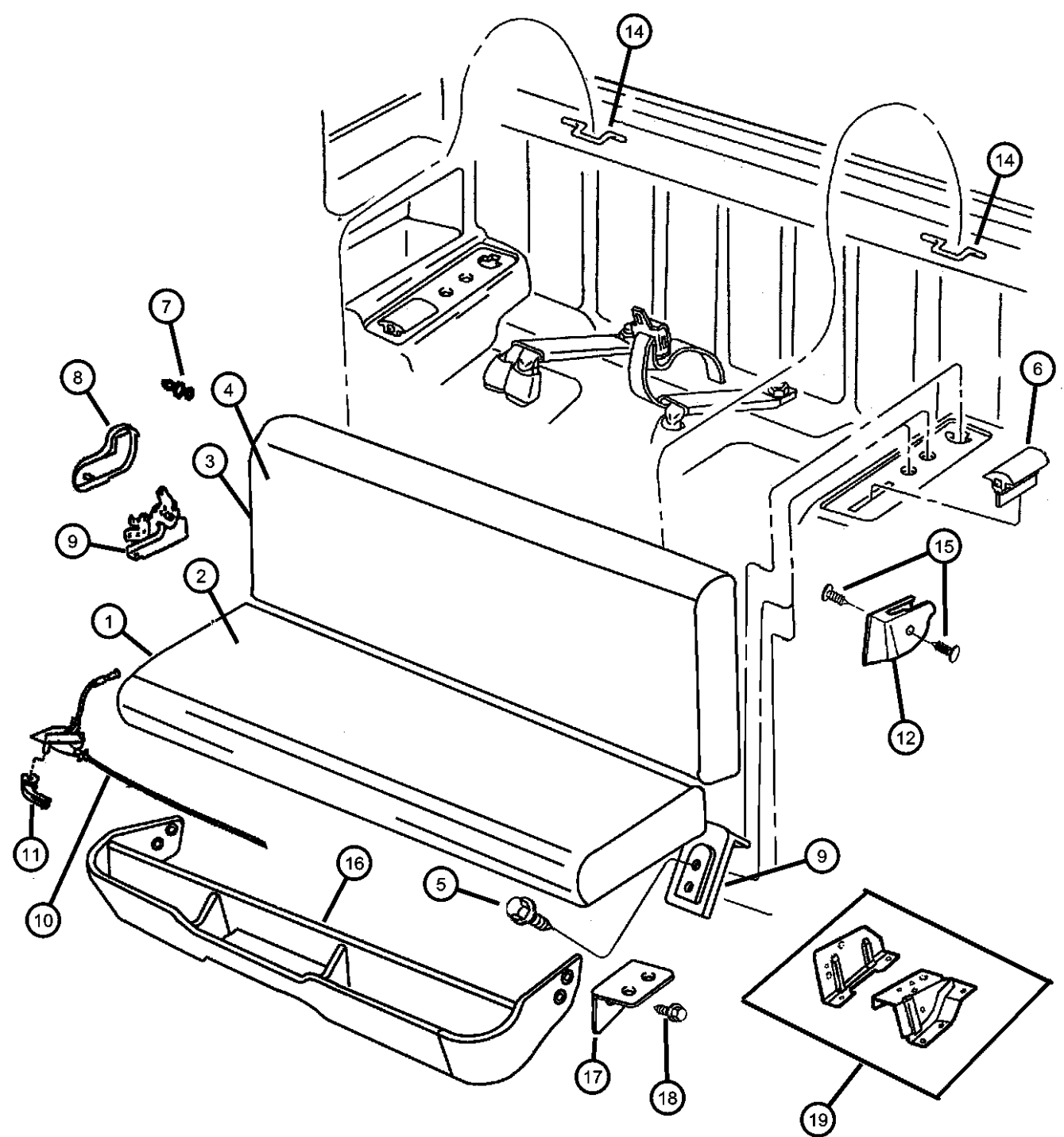
ITEM	PART NUMBER	QTY	LINE	SERIES	BODY	ENGINE	TRANS	TRIM	DESCRIPTION
		2			33, 34			*R1	
		2			33, 34			*DP	
		2			33, 34			*DZ	
		2	1, 6		31			*SX	
		2	1, 6		31			*S9	
		2	1, 6		31			*R1	
		2	1, 6		31			*DP	
8									COVER, Seat latch
	04778682	1			33, 34			*SX	Right
		1			33, 34			*S9	Right
		1			33, 34			*R1	Right
		1			33, 34			*DP	Right
		1			33, 34			*DZ	Right
		1	1, 6		31			*SX	Right
		1	1, 6		31			*S9	Right
		1	1, 6		31			*R1	Right
		1	1, 6		31			*DP	Right
	04778683	1			33, 34			*SX	Left
		1			33, 34			*S9	Left
		1			33, 34			*R1	Left
		1			33, 34			*DP	Left
		1			33, 34			*DZ	Left
		1	1, 6		31			*SX	Left
		1	1, 6		31			*S9	Left
		1	1, 6		31			*R1	Left
		1	1, 6		31			*DP	Left
9									LATCH, Seat
	05010284AA	1	1, 6		31			*SX	Right
		1	1, 6		31			*S9	Right
		1	1, 6		31			*R1	Right

RAM PICKUP/CLUB CAB (BE)

SERIES	LINE	BODY	ENGINE	TRANSMISSION
L = Ram Truck (All)	3 = HD DODGE 2WD	31 = CLUB CAB 2-DR 6.5 FT BOX	ELF = ENGINE - 5.2L V8 MPI	DDC = TRANSMISSION - 5-SPEED HD MANUAL
	8 = HD DODGE 4WD	32 = CLUB CAB 2-DR 8FT BOX	EML = ENGINE - 5.9L V8 MPI	DDP = TRANSMISSION - 5-SPEED MANUAL
	1 = Lt. Duty DODGE 2WD	33 = QUAD CAB 4-DR 6.5 FT BOX	EMM = ENGINE - "MAGNUM" 5.9L SMPI V8	DDX = TRANSMISSION - 5-SPEED HD MANUAL
	6 = Lt. Duty DODGE 4WD	34 = QUAD CAB 4-DR 8FT BOX	ETC = ENGINE- 5.9L CUMMINS 24V DIESEL	DEE = TRANSMISSION - 6-SPEED HD MANUAL
	2 = Med. Duty DODGE 2WD		ETH = ENGINE- 5.9L HO CUMMINS TURBO DIESEL	DGP = TRANSMISSION - 4-SPD. AUTOMATIC,47RE
	7 = Med. Duty DODGE 4WD		EWA = ENGINE - 8.0L V10 MPI	DGT = TRANSMISSION - 4-SPD. AUTOMATIC,46RE

AR = use ase required - = Non illustrated part

Rear Seat  
Figure IBE-610



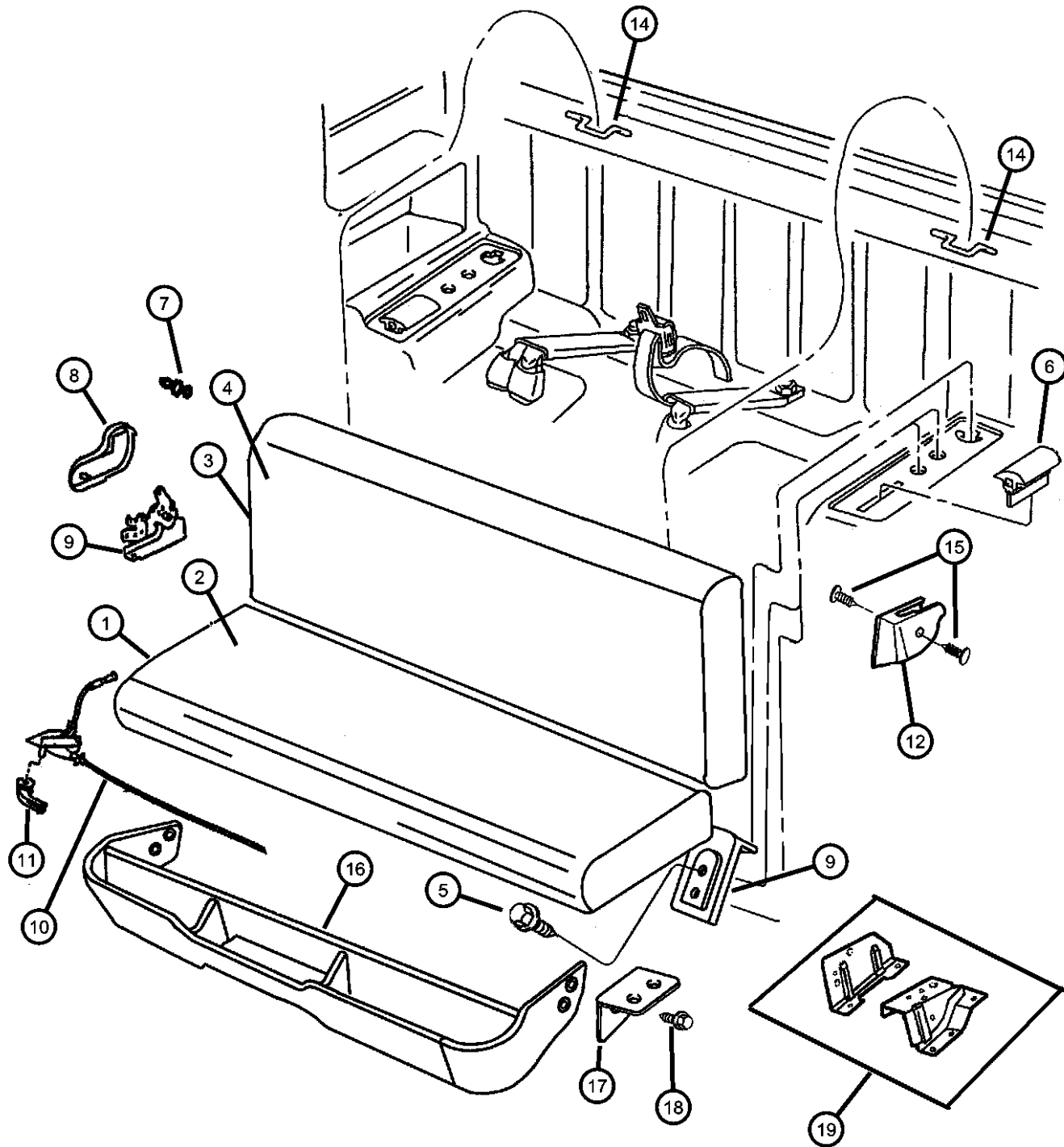
ITEM	PART NUMBER	QTY	LINE	SERIES	BODY	ENGINE	TRANS	TRIM	DESCRIPTION
		1			33, 34			*SX	Right
		1			33, 34			*S9	Right
		1			33, 34			*R1	Right
		1			33, 34			*DP	Right
	05010285AA	1	1, 6		31			*SX	Left
		1	1, 6		31			*S9	Left
		1	1, 6		31			*R1	Left
		1			33, 34			*SX	Left
		1			33, 34			*S9	Left
		1			33, 34			*R1	Left
		1			33, 34			*DP	Left
10									LATCH, Seat
	05015489AA	1			33, 34			*SX	
		1			33, 34			*S9	
		1			33, 34			*DP	
		1	1, 6		31			*S9	
		1			33, 34			*R1	
		1			33, 34			*DZ	
		1	1, 6		31			*SX	
		1	1, 6		31			*R1	
		1	1, 6		31			*DP	
11									HANDLE, Recliner
	55196020	1			33, 34			*S9	Right
		1			33, 34			*SX	Right
		1			33, 34			*R1	Right
		1			33, 34			*DP	Right
		1			33, 34			*DZ	Right
		1	1, 6		31			*SX	Right
		1	1, 6		31			*S9	Right
		1	1, 6		31			*R1	Right

RAM PICKUP/CLUB CAB (BE)

SERIES	LINE	BODY	ENGINE	TRANSMISSION
L = Ram Truck (All)	3 = HD DODGE 2WD	31 = CLUB CAB 2-DR 6.5 FT BOX	ELF = ENGINE - 5.2L V8 MPI	DDC = TRANSMISSION - 5-SPEED HD MANUAL
	8 = HD DODGE 4WD	32 = CLUB CAB 2-DR 8FT BOX	EML = ENGINE - 5.9L V8 MPI	DDP = TRANSMISSION - 5-SPEED MANUAL
	1 = Lt. Duty DODGE 2WD	33 = QUAD CAB 4-DR 6.5 FT BOX	EMM = ENGINE - "MAGNUM" 5.9L SMPI V8	DDX = TRANSMISSION - 5-SPEED HD MANUAL
	6 = Lt. Duty DODGE 4WD	34 = QUAD CAB 4-DR 8FT BOX	ETC = ENGINE- 5.9L CUMMINS 24V DIESEL	DEE = TRANSMISSION - 6-SPEED HD MANUAL
	2 = Med. Duty DODGE 2WD		ETH = ENGINE- 5.9L HO CUMMINS TURBO DIESEL	DGP = TRANSMISSION - 4-SPD. AUTOMATIC,47RE
	7 = Med. Duty DODGE 4WD		EWA = ENGINE - 8.0L V10 MPI	DGT = TRANSMISSION - 4-SPD. AUTOMATIC,46RE

AR = use ase required - = Non illustrated part

Rear Seat  
Figure IBE-610



ITEM	PART NUMBER	QTY	LINE	SERIES	BODY	ENGINE	TRANS	TRIM	DESCRIPTION
		1	1, 6		31			*DP	Right
	55196021	1			33, 34			*SX	Left
		1			33, 34			*S9	Left
		1			33, 34			*R1	Left
		1			33, 34			*DP	Left
		1			33, 34			*DZ	Left
		1	1, 6		31			*SX	Left
		1	1, 6		31			*S9	Left
		1	1, 6		31			*R1	Left
		1	1, 6		31			*DP	Left
12									COVER, Quarter Trim Opening
	5FH86LAZ	1			33, 34			*O0	[AZ], Right
	5FH86RC3	1			33, 34			*O0	[C3], Right
	5FH86RK5	1			33, 34			*O0	[K9], Right
	5FH87LAZ	1			33, 34			*O0	[AZ], Left
	5FH87RC3	1			33, 34			*O0	[C3], Left
	5FH87RK5	1			33, 34			*O0	[K9], Left
-13									SPRING, Seat Latch Return
	04778719	1			33, 34			*SX	
		1			33, 34			*S9	
		1			33, 34			*R1	
		1			33, 34			*DP	
		1			33, 34			*DZ	
		1	1, 6		31			*SX	
		1	1, 6		31			*S9	
		1	1, 6		31			*R1	
		1	1, 6		31			*DP	
14	55050160	2							FOOTMAN LOOP, Hold Down
15									FASTENER, Push Pin
	5GE96LAZAA	6			33, 34			*O0	[AZ]

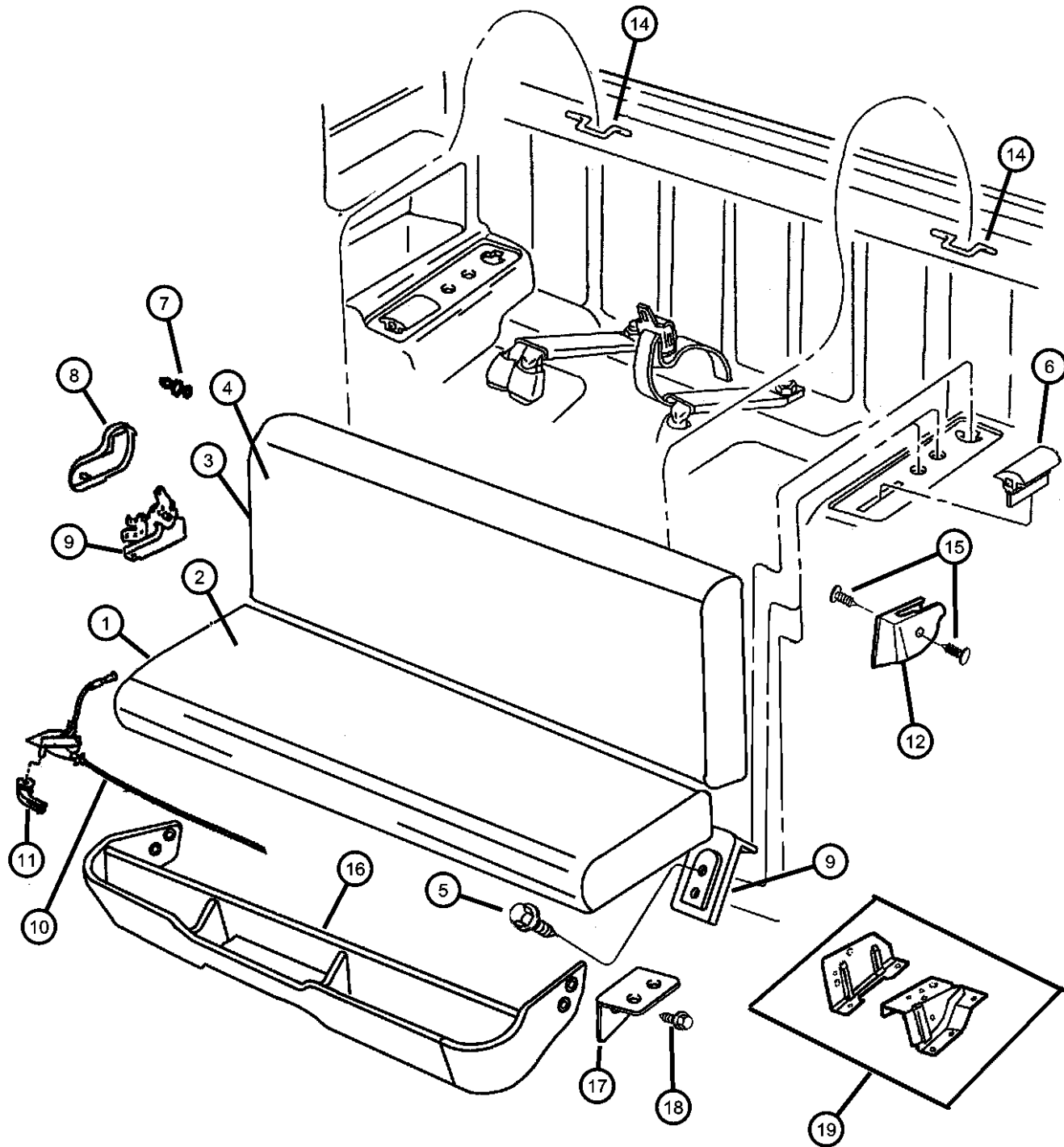
RAM PICKUP/CLUB CAB (BE)

SERIES	LINE	BODY	ENGINE	TRANSMISSION
L = Ram Truck (All)	3 = HD DODGE 2WD	31 = CLUB CAB 2-DR 6.5 FT BOX	ELF = ENGINE - 5.2L V8 MPI	DDC = TRANSMISSION - 5-SPEED HD MANUAL
	8 = HD DODGE 4WD	32 = CLUB CAB 2-DR 8FT BOX	EML = ENGINE - 5.9L V8 MPI	DDP = TRANSMISSION - 5-SPEED MANUAL
	1 = Lt. Duty DODGE 2WD	33 = QUAD CAB 4-DR 6.5 FT BOX	EMM = ENGINE - "MAGNUM" 5.9L SMPI V8	DDX = TRANSMISSION - 5-SPEED HD MANUAL
	6 = Lt. Duty DODGE 4WD	34 = QUAD CAB 4-DR 8FT BOX	ETC = ENGINE- 5.9L CUMMINS 24V DIESEL	DEE = TRANSMISSION - 6-SPEED HD MANUAL
	2 = Med. Duty DODGE 2WD		ETH = ENGINE- 5.9L HO CUMMINS TURBO DIESEL	DGP = TRANSMISSION - 4-SPD. AUTOMATIC, 47RE
	7 = Med. Duty DODGE 4WD		EWA = ENGINE - 8.0L V10 MPI	DGT = TRANSMISSION - 4-SPD. AUTOMATIC, 46RE

AR = use ase required - = Non illustrated part



Rear Seat  
Figure IBE-610



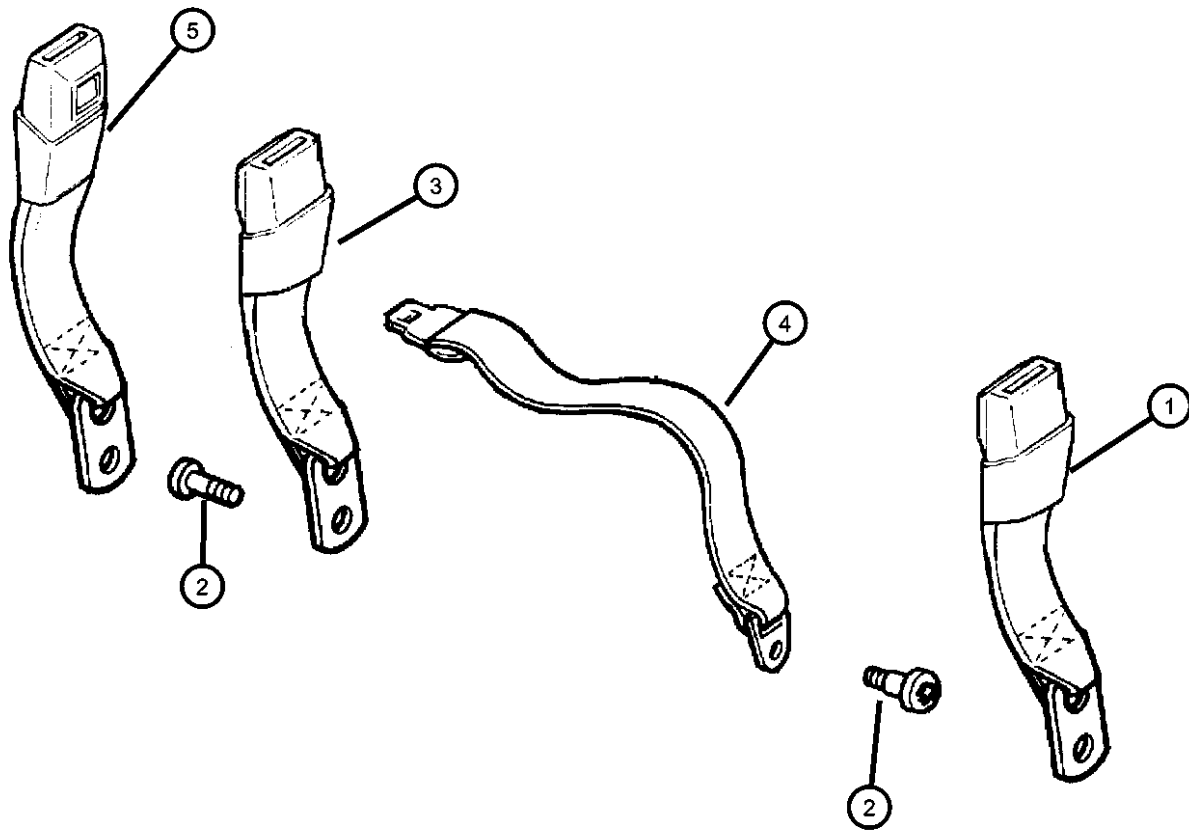
ITEM	PART NUMBER	QTY	LINE	SERIES	BODY	ENGINE	TRANS	TRIM	DESCRIPTION
	5GE96RC3AA	6			33, 34			*O0	[C3]
	5GE96RK5AA	6			33, 34			*O0	[K9]
16	05012913AA	1			33, 34			*SX	BIN, Storage
		1			33, 34			*R1	
		1			33, 34			*DP	
		1			33, 34			*DZ	
17	05012914AA	1			33, 34			*SX	LATCH, Storage Bin Lid
		1			33, 34			*R1	Right
		1			33, 34			*DZ	Right
		1			33, 34			*DP	Right
	05012915AA	1			33, 34			*SX	Left
		1			33, 34			*R1	Left
		1			33, 34			*DZ	Left
		1			33, 34			*DP	Left
18	05012916AA	4			33, 34			*SX	BOLT
		4			33, 34			*R1	
		4			33, 34			*DP	
		1			33, 34			*DZ	
19	55275000	1							SUPPORT, Rear Seat
	55275001	1							Right
									Left

RAM PICKUP/CLUB CAB (BE)

SERIES	LINE	BODY	ENGINE	TRANSMISSION
L = Ram Truck (All)	3 = HD DODGE 2WD 8 = HD DODGE 4WD 1 = Lt. Duty DODGE 2WD 6 = Lt. Duty DODGE 4WD 2 = Med. Duty DODGE 2WD 7 = Med. Duty DODGE 4WD	31 = CLUB CAB 2-DR 6.5 FT BOX 32 = CLUB CAB 2-DR 8FT BOX 33 = QUAD CAB 4-DR 6.5 FT BOX 34 = QUAD CAB 4-DR 8FT BOX	ELF = ENGINE - 5.2L V8 MPI EML = ENGINE - 5.9L V8 MPI EMM = ENGINE - "MAGNUM" 5.9L SMPI V8 ETC = ENGINE- 5.9L CUMMINS 24V DIESEL ETH = ENGINE- 5.9L HO CUMMINS TURBO DIESEL EWA = ENGINE - 8.0L V10 MPI	DDC = TRANSMISSION - 5-SPEED HD MANUAL DDP = TRANSMISSION - 5-SPEED MANUAL DDX = TRANSMISSION - 5-SPEED HD MANUAL DEE = TRANSMISSION - 6-SPEED HD MANUAL DGP = TRANSMISSION - 4-SPD. AUTOMATIC,47RE DGT = TRANSMISSION - 4-SPD. AUTOMATIC,46RE

AR = use ase required - = Non illustrated part

**Belts, Lap  
Figure IBE-710**



ITEM	PART NUMBER	QTY	LINE	SERIES	BODY	ENGINE	TRANS	TRIM	DESCRIPTION
Order Color ['AZ', C3] should use Agate. Order Color ['K9'] should use Camel.									
1	5GT65LAZAA	1			33, 34			*S9	SEAT BELT, Front Inner, Driver
		1			33, 34			*TY	[AZ, C3], Left
		1			33, 34			*DP	[AZ, C3], Left
		1			33, 34			*R1	[AZ, C3], Left
		1			33, 34			*SX	[AZ, C3], Left
		1			33, 34			*DZ	[AZ, C3], Left
		1	1, 6		31			*DP	[AZ, C3], Left
		1	1, 6		31			*R1	[AZ, C3], Left
		1	1, 6		31			*S9	[AZ, C3], Left
		1	1, 6		31			*SX	[AZ, C3], Left
	5GT65RK5AA	1			33, 34			*DP	[K9], Left
		1			33, 34			*R1	[K9], Left
		1			33, 34			*DZ	[K9], Left
		1	1, 6		31			*DP	[K9], Left
		1	1, 6		31			*R1	[K9], Left
2	05010812AA	2			33, 34			*TY	BOLT, Seat Belt Anchor
		2			33, 34			*SX	
		2			33, 34			*S9	
		2			33, 34			*R1	
		2			33, 34			*DP	
		2			33, 34			*DZ	
		2	1, 6		31			*SX	
		2	1, 6		31			*S9	
		2	1, 6		31			*R1	
		2	1, 6		31			*DP	
3									LAP BELT, Buckle Half

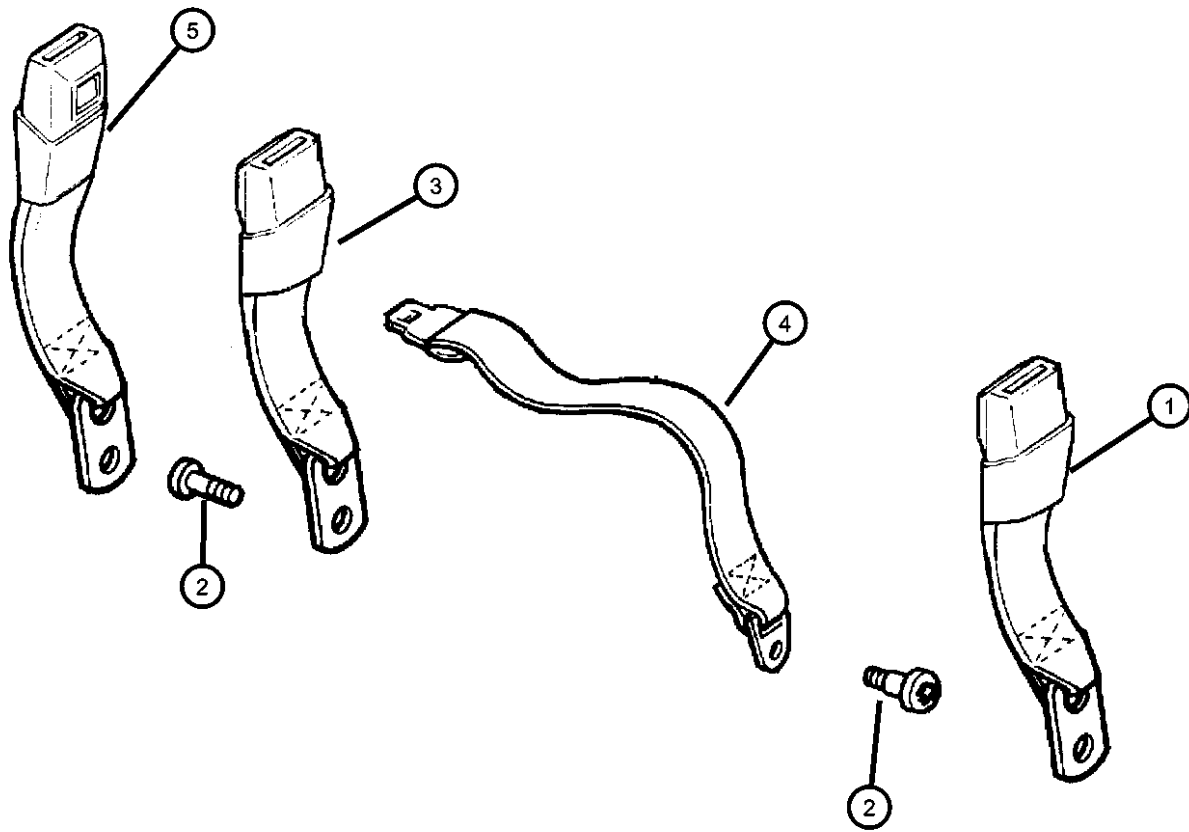
**RAM PICKUP/CLUB CAB (BE)**

SERIES	LINE	BODY	ENGINE	TRANSMISSION
L = Ram Truck (All)	3 = HD DODGE 2WD 8 = HD DODGE 4WD 1 = Lt. Duty DODGE 2WD 6 = Lt. Duty DODGE 4WD 2 = Med. Duty DODGE 2WD 7 = Med. Duty DODGE 4WD	31 = CLUB CAB 2-DR 6.5 FT BOX 32 = CLUB CAB 2-DR 8FT BOX 33 = QUAD CAB 4-DR 6.5 FT BOX 34 = QUAD CAB 4-DR 8FT BOX	ELF = ENGINE - 5.2L V8 MPI EML = ENGINE - 5.9L V8 MPI EMM = ENGINE - "MAGNUM" 5.9L SMPI V8 ETC = ENGINE- 5.9L CUMMINS 24V DIESEL ETH = ENGINE- 5.9L HO CUMMINS TURBO DIESEL EWA = ENGINE - 8.0L V10 MPI	DDC = TRANSMISSION - 5-SPEED HD MANUAL DDP = TRANSMISSION - 5-SPEED MANUAL DDX = TRANSMISSION - 5-SPEED HD MANUAL DEE = TRANSMISSION - 6-SPEED HD MANUAL DGP = TRANSMISSION - 4-SPD. AUTOMATIC,47RE DGT = TRANSMISSION - 4-SPD. AUTOMATIC,46RE

AR = use ase required - = Non illustrated part

2000 BE

**Belts, Lap  
Figure IBE-710**



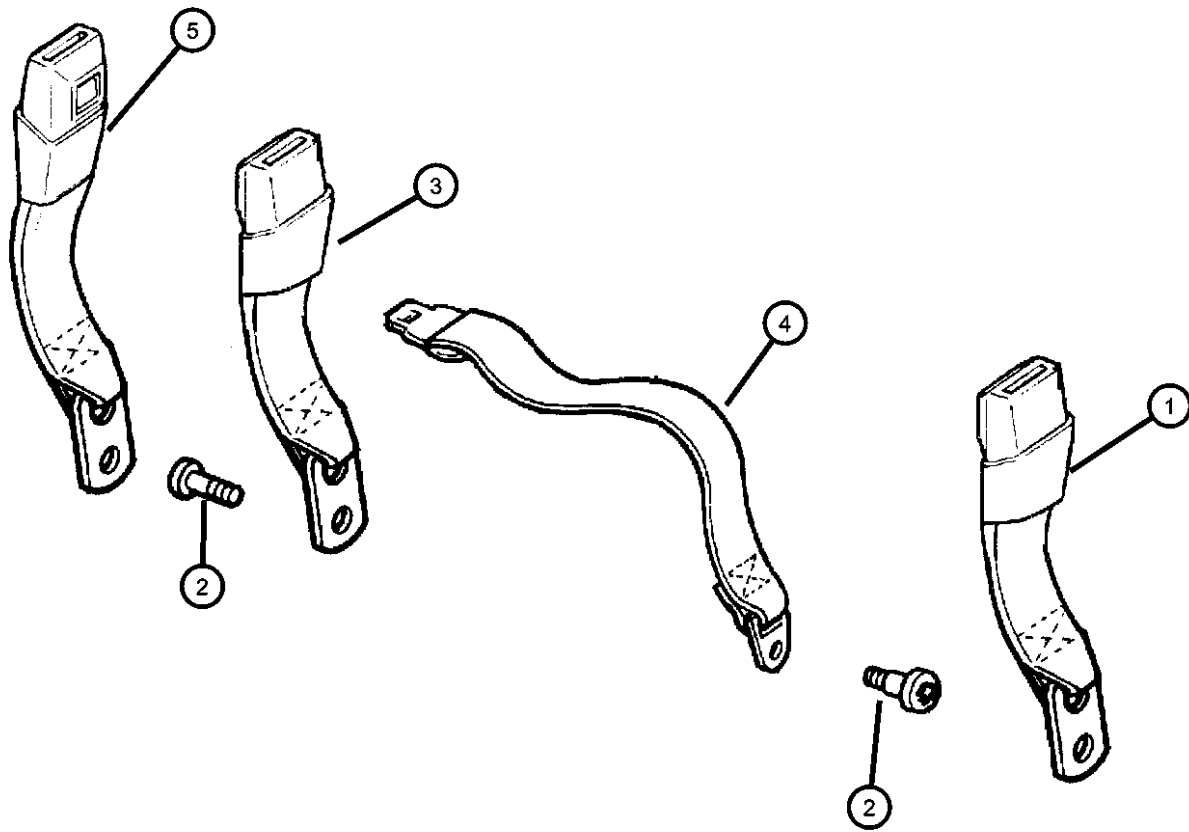
ITEM	PART NUMBER	QTY	LINE	SERIES	BODY	ENGINE	TRANS	TRIM	DESCRIPTION
	5GE461AZAA	1	1, 6		31			*DP	[AZ, C3]
		1	1, 6		31			*R1	[AZ, C3]
		1	1, 6		31			*S9	[AZ, C3]
		1	1, 6		31			*SX	[AZ, C3]
		1			33, 34			*DP	[AZ, C3]
		1			33, 34			*R1	[AZ, C3]
		1			33, 34			*S9	[AZ, C3]
		1			33, 34			*SX	[AZ, C3]
		1			33, 34			*TY	[AZ, C3]
		1			33, 34			*DZ	[AZ, C3]
	5GE461K5AA	1	1, 6		31			*DP	[K9]
		1	1, 6		31			*R1	[K9]
		1			33, 34			*DP	[K9]
		1			33, 34			*R1	[K9]
		1			33, 34			*DZ	[K9]
4	5GE47LAZAA	1	1, 6		31				LAP BELT, Tip Half
		1	1, 6		31			*DP	[AZ, C3]
		1	1, 6		31			*R1	[AZ, C3]
		1	1, 6		31			*S9	[AZ, C3]
		1	1, 6		31			*SX	[AZ, C3]
		1			33, 34			*DP	[AZ, C3]
		1			33, 34			*R1	[AZ, C3]
		1			33, 34			*S9	[AZ, C3]
		1			33, 34			*SX	[AZ, C3]
		1			33, 34			*TY	[AZ, C3]
		1			33, 34			*DZ	[AZ, C3]
	5GE47RK5AA	1	1, 6		31			*DP	[K9]
		1	1, 6		31			*R1	[K9]
		1			33, 34			*DP	[K9]
		1			33, 34			*R1	[K9]

**RAM PICKUP/CLUB CAB (BE)**

SERIES	LINE	BODY	ENGINE	TRANSMISSION
L = Ram Truck (All)	3 = HD DODGE 2WD	31 = CLUB CAB 2-DR 6.5 FT BOX	ELF = ENGINE - 5.2L V8 MPI	DDC = TRANSMISSION - 5-SPEED HD MANUAL
	8 = HD DODGE 4WD	32 = CLUB CAB 2-DR 8FT BOX	EML = ENGINE - 5.9L V8 MPI	DDP = TRANSMISSION - 5-SPEED MANUAL
	1 = Lt. Duty DODGE 2WD	33 = QUAD CAB 4-DR 6.5 FT BOX	EMM = ENGINE - "MAGNUM" 5.9L SMPI V8	DDX = TRANSMISSION - 5-SPEED HD MANUAL
	6 = Lt. Duty DODGE 4WD	34 = QUAD CAB 4-DR 8FT BOX	ETC = ENGINE- 5.9L CUMMINS 24V DIESEL	DEE = TRANSMISSION - 6-SPEED HD MANUAL
	2 = Med. Duty DODGE 2WD		ETH = ENGINE- 5.9L HO CUMMINS TURBO DIESEL	DGP = TRANSMISSION - 4-SPD. AUTOMATIC, 47RE
	7 = Med. Duty DODGE 4WD		EWA = ENGINE - 8.0L V10 MPI	DGT = TRANSMISSION - 4-SPD. AUTOMATIC, 46RE

AR = use ase required - = Non illustrated part

**Belts, Lap  
Figure IBE-710**



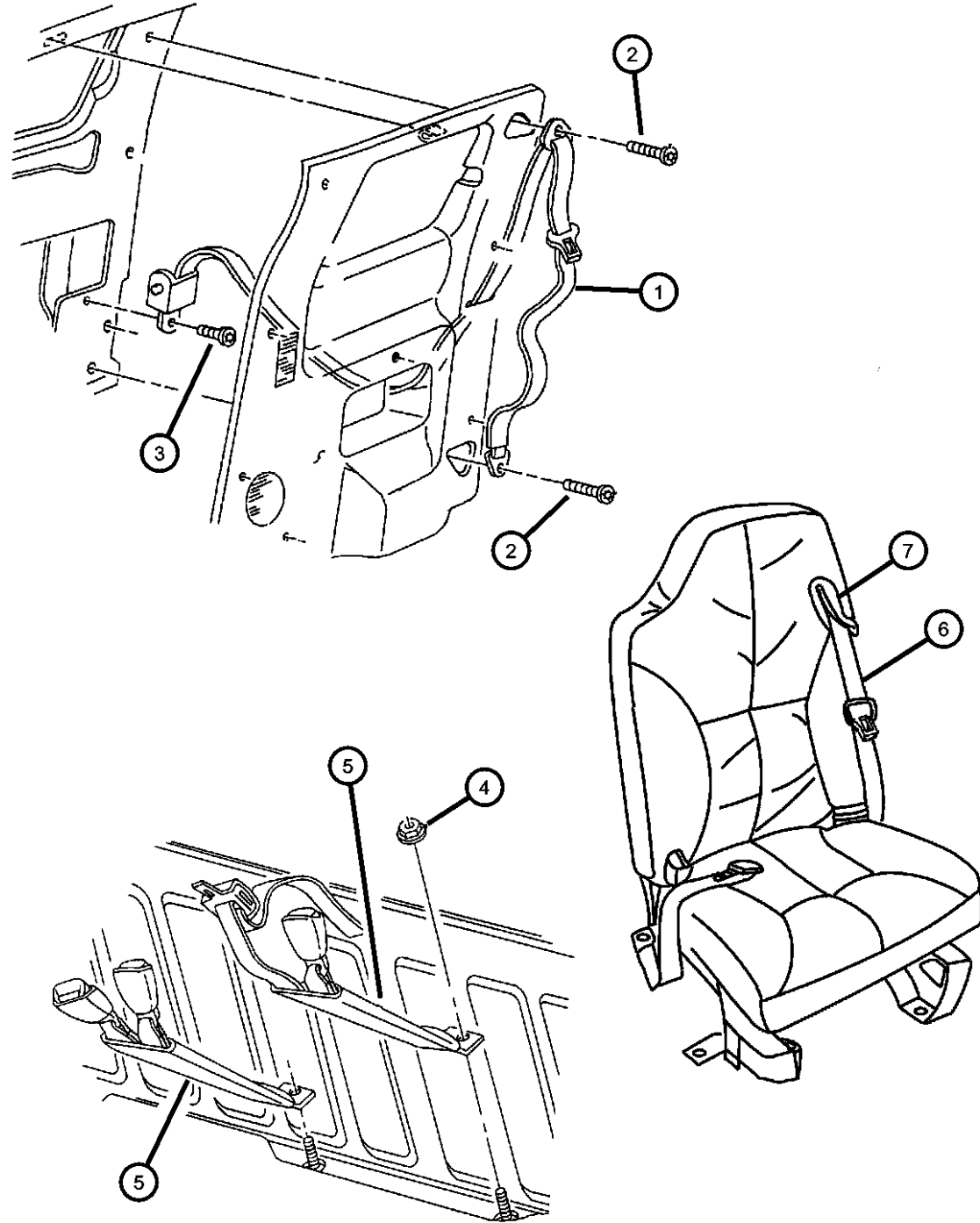
ITEM	PART NUMBER	QTY	LINE	SERIES	BODY	ENGINE	TRANS	TRIM	DESCRIPTION
5		1			33, 34			*DZ	[K9]
	5GT64LAZAA	1			33, 34			*R1	[AZ, C3], Right
		1			33, 34			*S9	[AZ, C3], Right
		1			33, 34			*SX	[AZ, C3], Right
		1			33, 34			*DP	[AZ, C3], Right
		1			33, 34			*DZ	[AZ, C3], Right
		1	1, 6		31			*DP	[AZ, C3], Right
		1	1, 6		31			*R1	[AZ, C3], Right
		1	1, 6		31			*S9	[AZ, C3], Right
		1	1, 6		31			*SX	[AZ, C3], Right
	5GT64RK5AA	1			33, 34			*R1	[K9], Right
		1			33, 34			*DP	[K9], Right
		1			33, 34			*DZ	[K9], Right
		1	1, 6		31			*DP	[K9], Right
		1	1, 6		31			*R1	[K9], Right
-6									EXTENDER, Seat Belt
	04856560	1	1, 2, 6, 7		31, 32			*DP	
		1			33, 34			*DP	
		1			33, 34			*TY	
		1	1, 2, 6, 7		31, 32			*S9	
		1	1, 2, 6, 7		31, 32			*SX	
		1	1, 2, 6, 7		31, 32			*R1	
		1			33, 34			*R1	
		1			33, 34			*S9	
		1			33, 34			*SX	
		1			33, 34			*DZ	

**RAM PICKUP/CLUB CAB (BE)**

SERIES	LINE	BODY	ENGINE	TRANSMISSION
L = Ram Truck (All)	3 = HD DODGE 2WD	31 = CLUB CAB 2-DR 6.5 FT BOX	ELF = ENGINE - 5.2L V8 MPI	DDC = TRANSMISSION - 5-SPEED HD MANUAL
	8 = HD DODGE 4WD	32 = CLUB CAB 2-DR 8FT BOX	EML = ENGINE - 5.9L V8 MPI	DDP = TRANSMISSION - 5-SPEED MANUAL
	1 = Lt. Duty DODGE 2WD	33 = QUAD CAB 4-DR 6.5 FT BOX	EMM = ENGINE - "MAGNUM" 5.9L SMPI V8	DDX = TRANSMISSION - 5-SPEED HD MANUAL
	6 = Lt. Duty DODGE 4WD	34 = QUAD CAB 4-DR 8FT BOX	ETC = ENGINE- 5.9L CUMMINS 24V DIESEL	DEE = TRANSMISSION - 6-SPEED HD MANUAL
	2 = Med. Duty DODGE 2WD		ETH = ENGINE- 5.9L HO CUMMINS TURBO DIESEL	DGP = TRANSMISSION - 4-SPD. AUTOMATIC, 47RE
	7 = Med. Duty DODGE 4WD		EWA = ENGINE - 8.0L V10 MPI	DGT = TRANSMISSION - 4-SPD. AUTOMATIC, 46RE

AR = use ase required - = Non illustrated part

**Belt Shoulder, Front & Rear, Belt Lap Rear Seat  
Figure IBE-720**



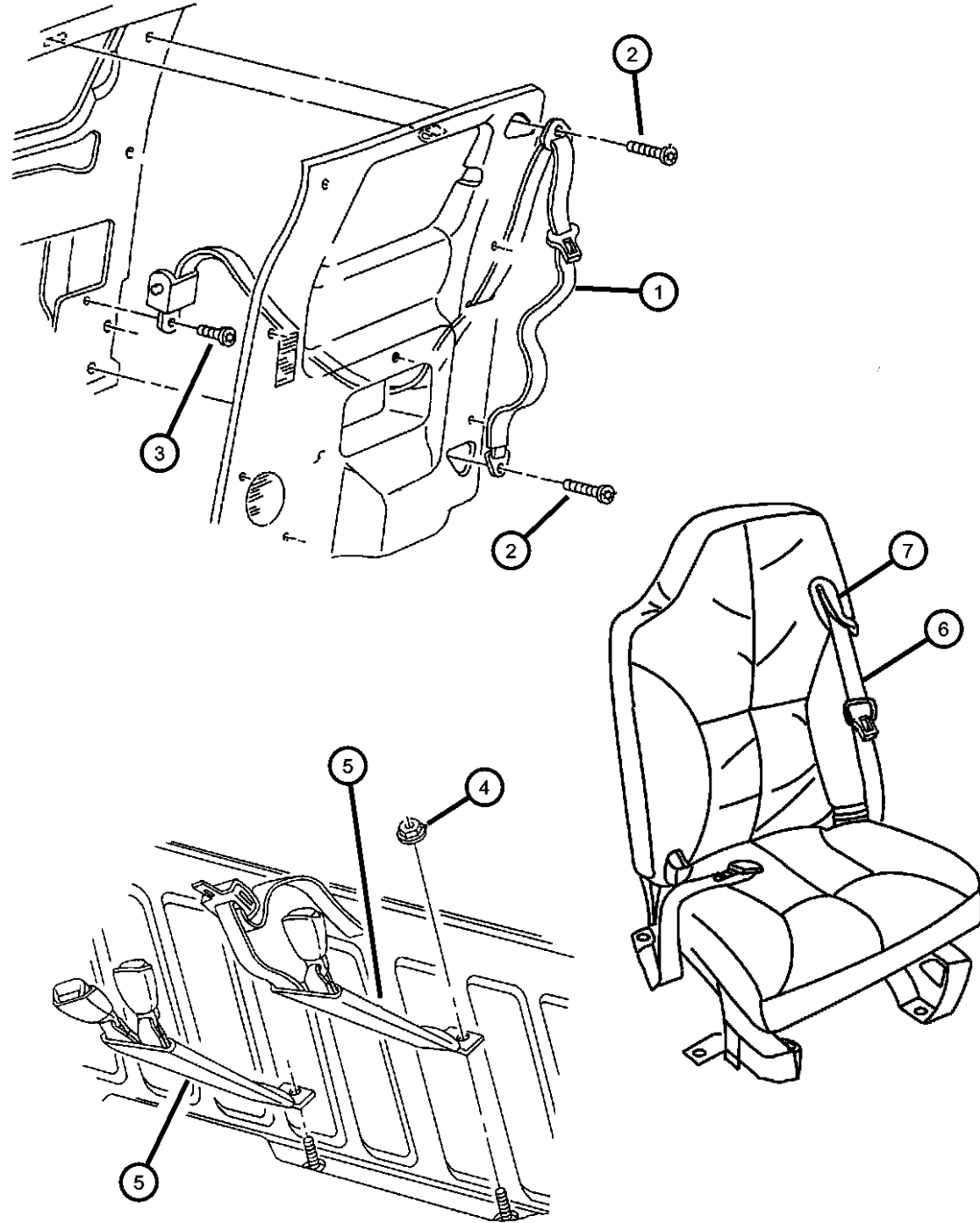
ITEM	PART NUMBER	QTY	LINE	SERIES	BODY	ENGINE	TRANS	TRIM	DESCRIPTION
1	5GT78LAZAB	2						*O0	SEAT BELT, Rear Outer [AZ, C3]
	5GT78RK5AB	2						*O0	[K9]
2	06034395	4							SCREW, Pan Head, .437-20x1.79
3	06036108AA	2							SCREW, Pan Head
4	00152477	2							NUT, Hex Flange Lock, .437-20
5									SEAT BELT, Rear Inner
	5EX58SAZ	1						*O0	[AZ, C3], Right
	5EX58TK5	1						*O0	[K9], Right
	5EX59SAZ	1						*O0	[AZ, C3], Left
	5EX59TK5	1						*O0	[K9], Left
6									SEAT BELT, Front Outer
	5GD701AZAA	1			33, 34			*R1	[C3], Right
		1			33, 34			*S9	[C3], Right
		1			33, 34			*SX	[C3], Right
		1			33, 34			*TY	[C3], Right
		1	1, 6		31			*R1	[C3], Right
		1	1, 6		31			*S9	[C3], Right
		1	1, 6		31			*SX	[C3], Right
	5GD70LAZAA	1			33, 34			*DP	[AZ], Right
		1			33, 34			*R1	[AZ], Right
		1			33, 34			*S9	[AZ], Right
		1			33, 34			*SX	[AZ], Right
		1			33, 34			*DZ	[AZ], Right
		1	1, 6		31			*DP	[AZ], Right
		1	1, 6		31			*R1	[AZ], Right
		1	1, 6		31			*S9	[AZ], Right
		1	1, 6		31			*SX	[AZ], Right
	5GD70RK5AA	1			33, 34			*DP	[K9], Right
		1			33, 34			*R1	[K9], Right

**RAM PICKUP/CLUB CAB (BE)**

<b>SERIES</b>	<b>LINE</b>	<b>BODY</b>	<b>ENGINE</b>	<b>TRANSMISSION</b>
L = Ram Truck (All)	3 = HD DODGE 2WD 8 = HD DODGE 4WD 1 = Lt. Duty DODGE 2WD 6 = Lt. Duty DODGE 4WD 2 = Med. Duty DODGE 2WD 7 = Med. Duty DODGE 4WD	31 = CLUB CAB 2-DR 6.5 FT BOX 32 = CLUB CAB 2-DR 8FT BOX 33 = QUAD CAB 4-DR 6.5 FT BOX 34 = QUAD CAB 4-DR 8FT BOX	ELF = ENGINE - 5.2L V8 MPI EML = ENGINE - 5.9L V8 MPI EMM = ENGINE - "MAGNUM" 5.9L SMPI V8 ETC = ENGINE- 5.9L CUMMINS 24V DIESEL ETH = ENGINE- 5.9L HO CUMMINS TURBO DIESEL EWA = ENGINE - 8.0L V10 MPI	DDC = TRANSMISSION - 5-SPEED HD MANUAL DDP = TRANSMISSION - 5-SPEED MANUAL DDX = TRANSMISSION - 5-SPEED HD MANUAL DEE = TRANSMISSION - 6-SPEED HD MANUAL DGP = TRANSMISSION - 4-SPD. AUTOMATIC,47RE DGT = TRANSMISSION - 4-SPD. AUTOMATIC,46RE

AR = use ase required - = Non illustrated part

**Belt Shoulder, Front & Rear, Belt Lap Rear Seat  
Figure IBE-720**



ITEM	PART NUMBER	QTY	LINE	SERIES	BODY	ENGINE	TRANS	TRIM	DESCRIPTION
		1			33, 34			*DZ	[K9], Right
		1	1, 6		31			*DP	[K9], Right
		1	1, 6		31			*R1	[K9], Right
	5GD711AZAA	1			33, 34			*R1	[C3], Left
		1			33, 34			*S9	[C3], Left
		1			33, 34			*SX	[C3], Left
		1			33, 34			*TY	[C3], Left
		1	1, 6		31			*R1	[C3], Left
		1	1, 6		31			*S9	[C3], Left
		1	1, 6		31			*SX	[C3], Left
	5GD71LAZAA	1			33, 34			*DP	[AZ], Left
		1			33, 34			*R1	[AZ], Left
		1			33, 34			*S9	[AZ], Left
		1			33, 34			*SX	[AZ], Left
		1			33, 34			*DZ	[AZ], Left
		1	1, 6		31			*DP	[AZ], Left
		1	1, 6		31			*R1	[AZ], Left
		1	1, 6		31			*S9	[AZ], Left
		1	1, 6		31			*SX	[AZ], Left
	5GD71RK5AA	1			33, 34			*DP	[K9], Left
		1			33, 34			*R1	[K9], Left
		1			33, 34			*DZ	[K9], Left
		1	1, 6		31			*DP	[K9], Left
		1	1, 6		31			*R1	[K9], Left
7		1							BEZEL, Seat Belt, (NOT SERVICED),
-8	05017032AA	1							ANCHOR PACKAGE, Child Seat Tether

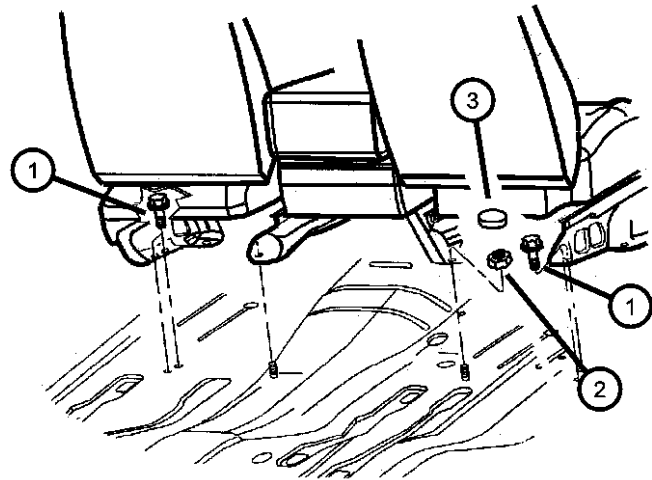
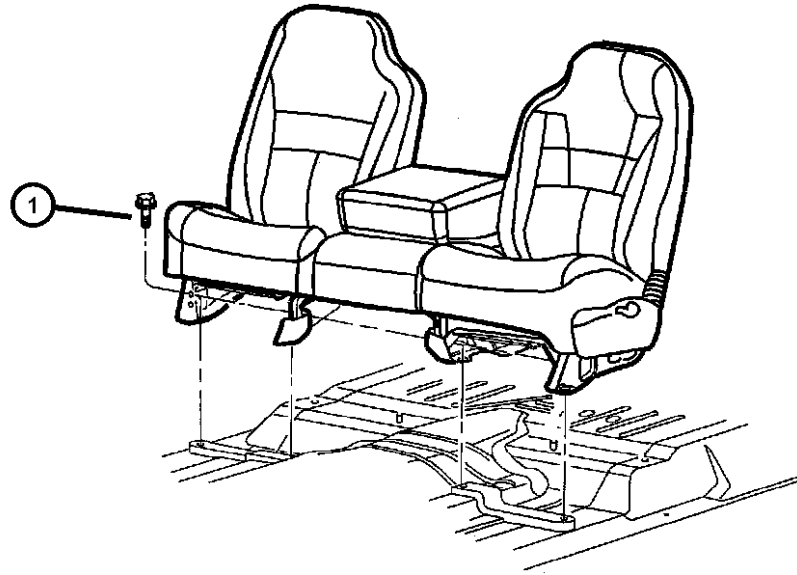
**RAM PICKUP/CLUB CAB (BE)**

SERIES	LINE	BODY	ENGINE	TRANSMISSION
L = Ram Truck (All)	3 = HD DODGE 2WD	31 = CLUB CAB 2-DR 6.5 FT BOX	ELF = ENGINE - 5.2L V8 MPI	DDC = TRANSMISSION - 5-SPEED HD MANUAL
	8 = HD DODGE 4WD	32 = CLUB CAB 2-DR 8FT BOX	EML = ENGINE - 5.9L V8 MPI	DDP = TRANSMISSION - 5-SPEED MANUAL
	1 = Lt. Duty DODGE 2WD	33 = QUAD CAB 4-DR 6.5 FT BOX	EMM = ENGINE - "MAGNUM" 5.9L SMPI V8	DDX = TRANSMISSION - 5-SPEED HD MANUAL
	6 = Lt. Duty DODGE 4WD	34 = QUAD CAB 4-DR 8FT BOX	ETC = ENGINE- 5.9L CUMMINS 24V DIESEL	DEE = TRANSMISSION - 6-SPEED HD MANUAL
	2 = Med. Duty DODGE 2WD		ETH = ENGINE- 5.9L HO CUMMINS TURBO DIESEL	DGP = TRANSMISSION - 4-SPD. AUTOMATIC,47RE
	7 = Med. Duty DODGE 4WD		EWA = ENGINE - 8.0L V10 MPI	DGT = TRANSMISSION - 4-SPD. AUTOMATIC,46RE

AR = use ase required - = Non illustrated part

**Seat, Floor Attaching  
Figure IBE-810**

ITEM	PART NUMBER	QTY	LINE	SERIES	BODY	ENGINE	TRANS	TRIM	DESCRIPTION
1	06505401AA	4							SCREW AND WASHER, M10x1.5x45
2	00152477	2							NUT, Hex Flange Lock, .437-20
3	5GA09DX9AB	1	1, 6		31			*O0	COVER, Seat Anchor

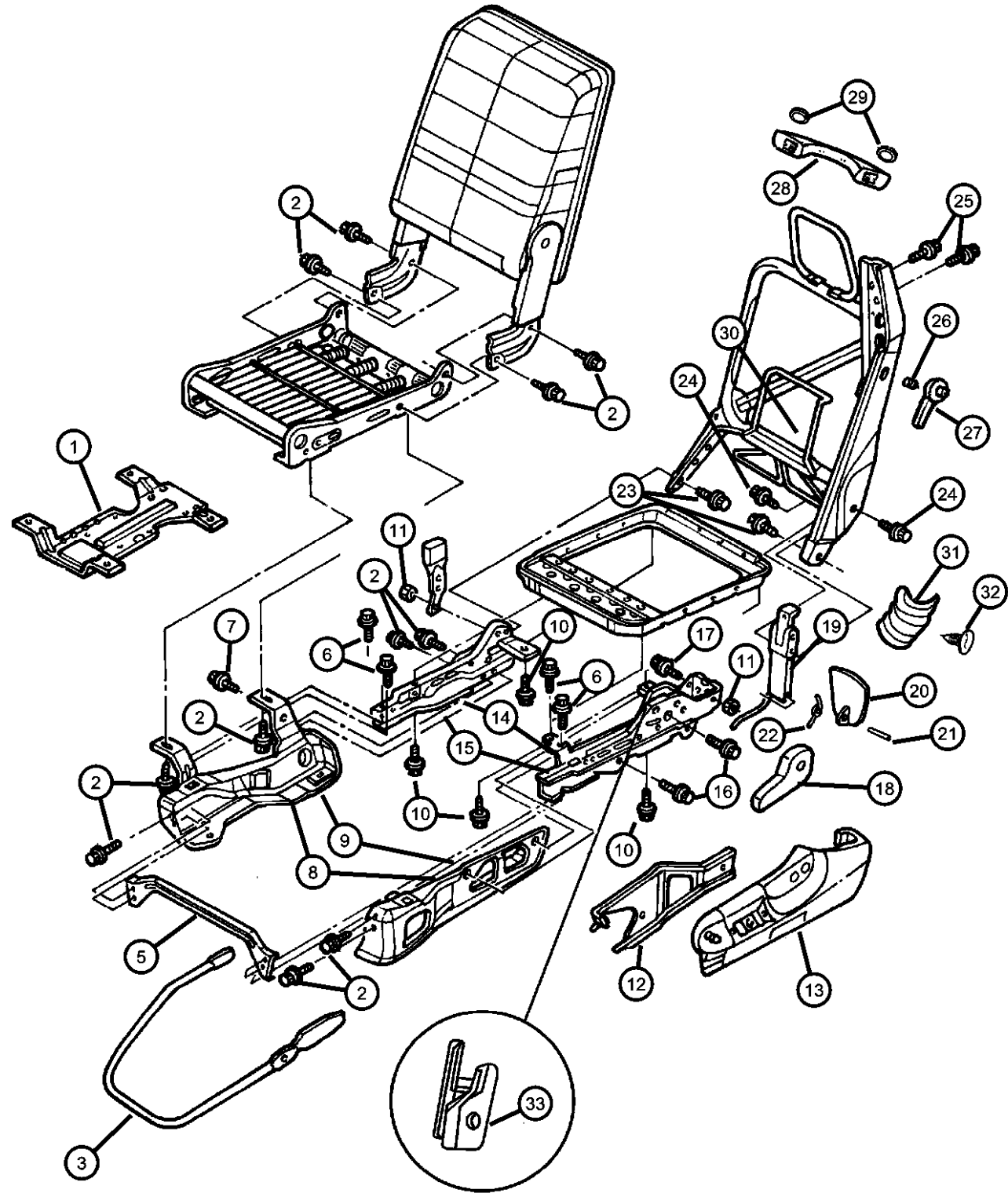


**RAM PICKUP/CLUB CAB (BE)**

SERIES	LINE	BODY	ENGINE	TRANSMISSION
L = Ram Truck (All)	3 = HD DODGE 2WD 8 = HD DODGE 4WD 1 = Lt. Duty DODGE 2WD 6 = Lt. Duty DODGE 4WD 2 = Med. Duty DODGE 2WD 7 = Med. Duty DODGE 4WD	31 = CLUB CAB 2-DR 6.5 FT BOX 32 = CLUB CAB 2-DR 8FT BOX 33 = QUAD CAB 4-DR 6.5 FT BOX 34 = QUAD CAB 4-DR 8FT BOX	ELF = ENGINE - 5.2L V8 MPI EML = ENGINE - 5.9L V8 MPI EMM = ENGINE - "MAGNUM" 5.9L SMPI V8 ETC = ENGINE- 5.9L CUMMINS 24V DIESEL ETH = ENGINE- 5.9L HO CUMMINS TURBO DIESEL EWA = ENGINE - 8.0L V10 MPI	DDC = TRANSMISSION - 5-SPEED HD MANUAL DDP = TRANSMISSION - 5-SPEED MANUAL DDX = TRANSMISSION - 5-SPEED HD MANUAL DEE = TRANSMISSION - 6-SPEED HD MANUAL DGP = TRANSMISSION - 4-SPD. AUTOMATIC,47RE DGT = TRANSMISSION - 4-SPD. AUTOMATIC,46RE

AR = use ase required - = Non illustrated part

**Adjusters and Recliners  
Figure IBE-820**



ITEM	PART NUMBER	QTY	LINE	SERIES	BODY	ENGINE	TRANS	TRIM	DESCRIPTION	
1	05010212AA	1			33, 34			*TY	BRACKET, Control Unit	
		1			33, 34			*SX		
		1			33, 34				*S9	
		1			33, 34				*R1	
		1	1, 6		31				*SX	
		1	1, 6		31				*S9	
		1	1, 6		31				*R1	
2	04773714	8			33, 34			*TY	BOLT	
		8			33, 34			*SX		
		8			33, 34				*S9	
		8			33, 34				*R1	
		8			34, 33				*DP	
		8			33, 34				*DZ	
		8			33, 34					
3	05010314AA	2			33, 34			*TY	TOWEL BAR, Seat Adjuster Handle	
		2			33, 34			*SX		
		2			33, 34				*S9	
		1			33, 34				*R1	
		1			33, 34				*DP	
		1			33, 34				*DZ	
		2	1, 6		31				*SX	
		2	1, 6		31				*S9	
		1	1, 6		31				*R1	
		1	1, 6		31				*DP	
-4	05010307AA	2			33, 34			*TY	SPRING, Return Assist	
		2			33, 34			*S9		
		2			33, 34			*SX		

**RAM PICKUP/CLUB CAB (BE)**

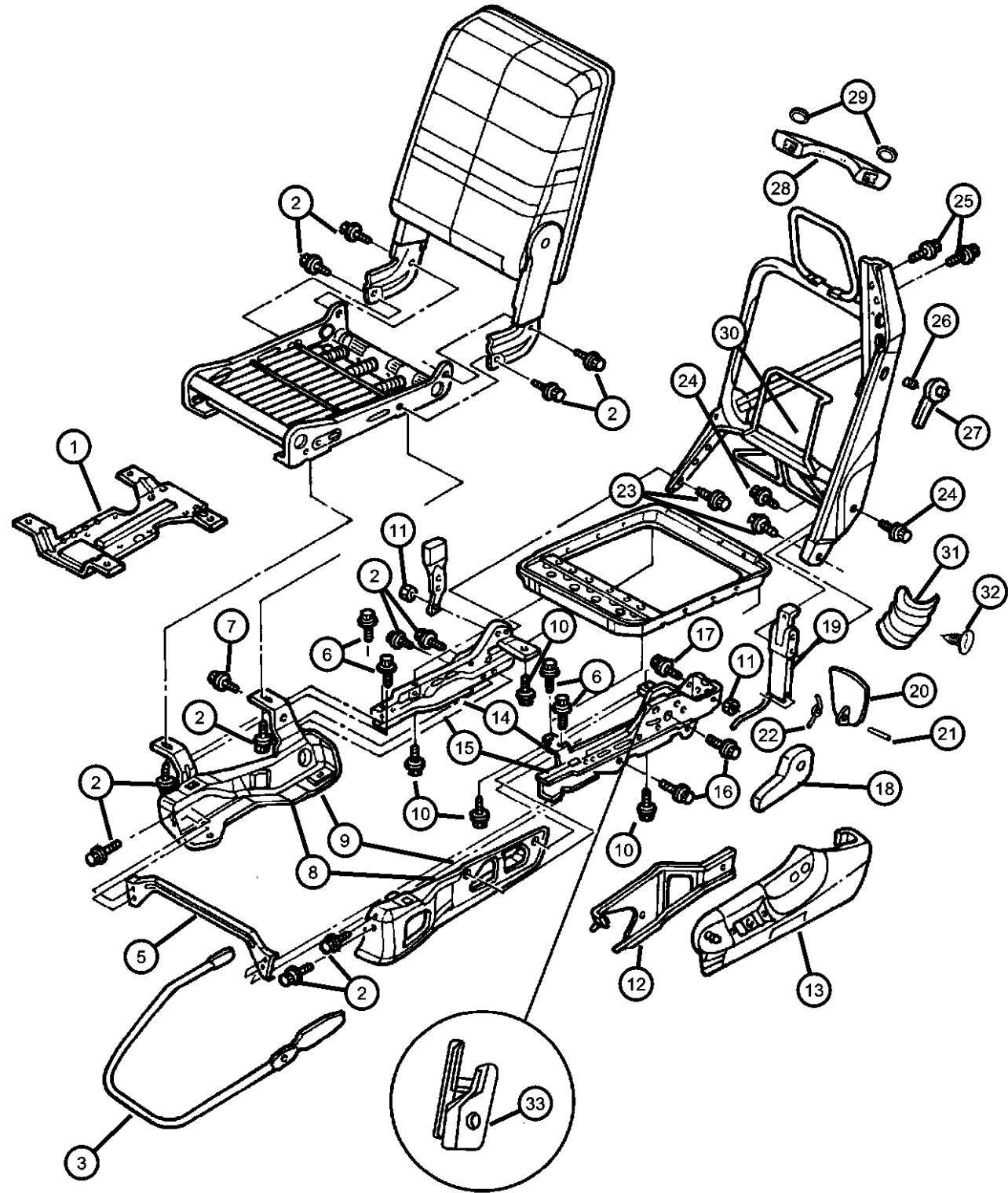
SERIES	LINE
L = Ram Truck (All)	3 = HD DODGE 2WD
	8 = HD DODGE 4WD
	1 = Lt. Duty DODGE 2WD
	6 = Lt. Duty DODGE 4WD
	2 = Med. Duty DODGE 2WD
	7 = Med. Duty DODGE 4WD

BODY	ENGINE	TRANSMISSION
31 = CLUB CAB 2-DR 6.5 FT BOX	ELF = ENGINE - 5.2L V8 MPI	DDC = TRANSMISSION - 5-SPEED HD MANUAL
32 = CLUB CAB 2-DR 8FT BOX	EML = ENGINE - 5.9L V8 MPI	DDP = TRANSMISSION - 5-SPEED MANUAL
33 = QUAD CAB 4-DR 6.5 FT BOX	EMM = ENGINE - "MAGNUM" 5.9L SMPI V8	DDX = TRANSMISSION - 5-SPEED HD MANUAL
34 = QUAD CAB 4-DR 8FT BOX	ETC = ENGINE- 5.9L CUMMINS 24V DIESEL	DEE = TRANSMISSION - 6-SPEED HD MANUAL
	ETH = ENGINE- 5.9L HO CUMMINS TURBO DIESEL	DGP = TRANSMISSION - 4-SPD. AUTOMATIC, 47RE
	EWA = ENGINE - 8.0L V10 MPI	DGT = TRANSMISSION - 4-SPD. AUTOMATIC, 46RE

AR = use ase required - = Non illustrated part



**Adjusters and Recliners  
Figure IBE-820**



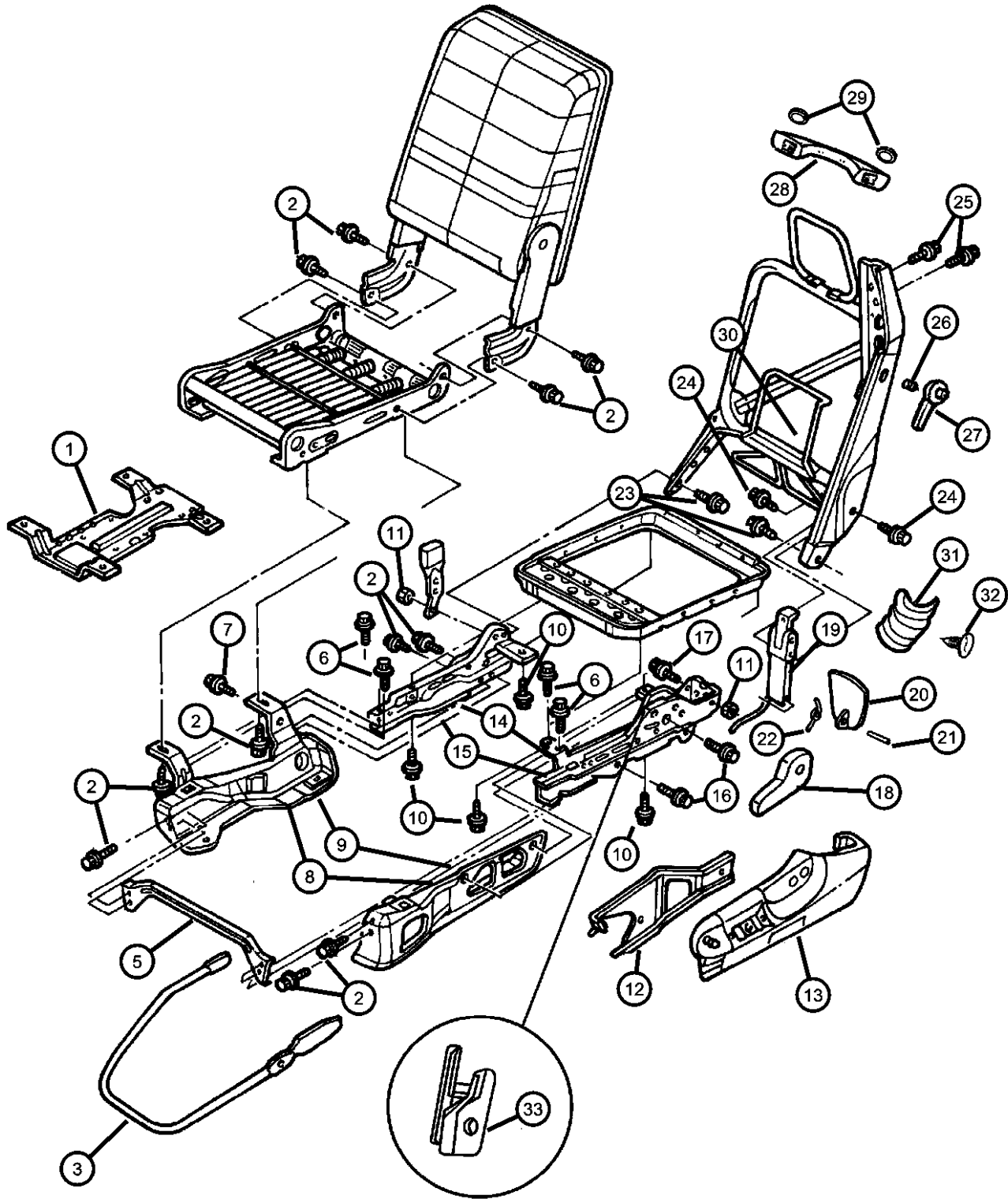
ITEM	PART NUMBER	QTY	LINE	SERIES	BODY	ENGINE	TRANS	TRIM	DESCRIPTION
		2			33, 34			*R1	
		1			33, 34			*DP	
		1			33, 34			*DZ	
		2	1, 6		31			*SX	
		2	1, 6		31			*S9	
		1	6, 1		31			*R1	
		1	1, 6		31			*DP	
5									REINFORCEMENT, Seat Mount
	05010281AA	2			33, 34			*TY	
		2			33, 34			*SX	
		2			33, 34			*S9	
		1			33, 34			*R1	
		1			33, 34			*DP	
		1			33, 34			*DZ	
		2	1, 6		31			*SX	
		2	1, 6		31			*S9	
		1	1, 6		31			*R1	
		1	1, 6		31			*DP	
6									BOLT, Seat
	05010191AA	8			33, 34			*TY	
		8			33, 34			*SX	
		8			34, 33			*S9	
		8			33, 34			*R1	
		8			33, 34			*DP	
		8			33, 34			*DZ	
		8	1, 6		31			*SX	
		8	1, 6		31			*S9	
		8	1, 6		31			*R1	
		8	1, 6		31			*DP	
7									BOLT, Seat Belt Anchor

**RAM PICKUP/CLUB CAB (BE)**

SERIES	LINE	BODY	ENGINE	TRANSMISSION
L = Ram Truck (All)	3 = HD DODGE 2WD 8 = HD DODGE 4WD 1 = Lt. Duty DODGE 2WD 6 = Lt. Duty DODGE 4WD 2 = Med. Duty DODGE 2WD 7 = Med. Duty DODGE 4WD	31 = CLUB CAB 2-DR 6.5 FT BOX 32 = CLUB CAB 2-DR 8FT BOX 33 = QUAD CAB 4-DR 6.5 FT BOX 34 = QUAD CAB 4-DR 8FT BOX	ELF = ENGINE - 5.2L V8 MPI EML = ENGINE - 5.9L V8 MPI EMM = ENGINE - "MAGNUM" 5.9L SMPI V8 ETC = ENGINE- 5.9L CUMMINS 24V DIESEL ETH = ENGINE- 5.9L HO CUMMINS TURBO DIESEL EWA = ENGINE - 8.0L V10 MPI	DDC = TRANSMISSION - 5-SPEED HD MANUAL DDP = TRANSMISSION - 5-SPEED MANUAL DDX = TRANSMISSION - 5-SPEED HD MANUAL DEE = TRANSMISSION - 6-SPEED HD MANUAL DGP = TRANSMISSION - 4-SPD. AUTOMATIC,47RE DGT = TRANSMISSION - 4-SPD. AUTOMATIC,46RE

AR = use ase required - = Non illustrated part

**Adjusters and Recliners  
Figure IBE-820**



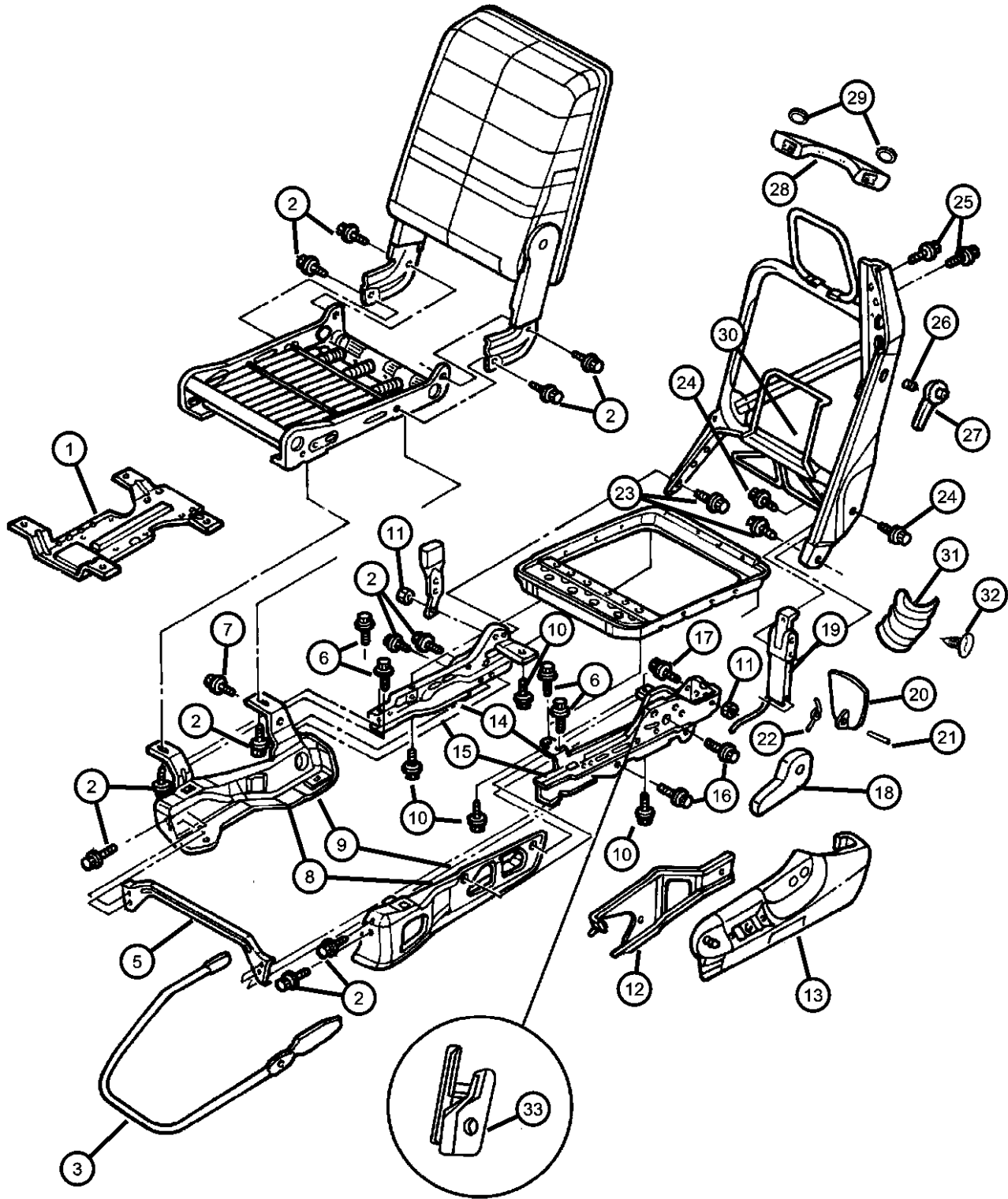
ITEM	PART NUMBER	QTY	LINE	SERIES	BODY	ENGINE	TRANS	TRIM	DESCRIPTION
	05010812AA	2			33, 34			*TY	
		2			33, 34			*SX	
		2			33, 34			*S9	
		2			33, 34			*R1	
		2			33, 34			*DP	
		2			33, 34			*DZ	
		2	1, 6		31			*SX	
		2	1, 6		31			*S9	
		2	1, 6		31			*R1	
		2	1, 6		31			*DP	
8									CONTROL, Seat release, EZ entry
	05010253AA	1	1, 6		31			*SX	
		1	1, 6		31			*S9	
		1	1, 6		31			*R1	
		1	1, 6		31			*DP	
9									RISER, Seat
	05010291AA	1			33, 34			*R1	Inboard, Passenger
		1			33, 34			*DP	Inboard, Passenger
		1			33, 34			*DZ	Inboard, Passenger
	05010296AA	1			33, 34			*TY	Outboard, Passenger
		1			33, 34			*SX	Outboard, Passenger
		1			33, 34			*S9	Outboard, Passenger
		1			33, 34			*R1	Outboard, Passenger
		1			33, 34			*DP	Outboard, Passenger
		1			33, 34			*DZ	Outboard, Passenger
	05010297AA	1			34, 33			*TY	Inboard, Driver
		1			33, 34			*SX	Inboard, Driver
		1			33, 34			*S9	Inboard, Driver
		1			33, 34			*R1	Inboard, Driver
		1			33, 34			*DP	Inboard, Driver

**RAM PICKUP/CLUB CAB (BE)**

SERIES	LINE	BODY	ENGINE	TRANSMISSION
L = Ram Truck (All)	3 = HD DODGE 2WD 8 = HD DODGE 4WD 1 = Lt. Duty DODGE 2WD 6 = Lt. Duty DODGE 4WD 2 = Med. Duty DODGE 2WD 7 = Med. Duty DODGE 4WD	31 = CLUB CAB 2-DR 6.5 FT BOX 32 = CLUB CAB 2-DR 8FT BOX 33 = QUAD CAB 4-DR 6.5 FT BOX 34 = QUAD CAB 4-DR 8FT BOX	ELF = ENGINE - 5.2L V8 MPI EML = ENGINE - 5.9L V8 MPI EMM = ENGINE - "MAGNUM" 5.9L SMPI V8 ETC = ENGINE- 5.9L CUMMINS 24V DIESEL ETH = ENGINE- 5.9L HO CUMMINS TURBO DIESEL EWA = ENGINE - 8.0L V10 MPI	DDC = TRANSMISSION - 5-SPEED HD MANUAL DDP = TRANSMISSION - 5-SPEED MANUAL DDX = TRANSMISSION - 5-SPEED HD MANUAL DEE = TRANSMISSION - 6-SPEED HD MANUAL DGP = TRANSMISSION - 4-SPD. AUTOMATIC,47RE DGT = TRANSMISSION - 4-SPD. AUTOMATIC,46RE

AR = use ase required - = Non illustrated part

**Adjusters and Recliners**  
**Figure IBE-820**



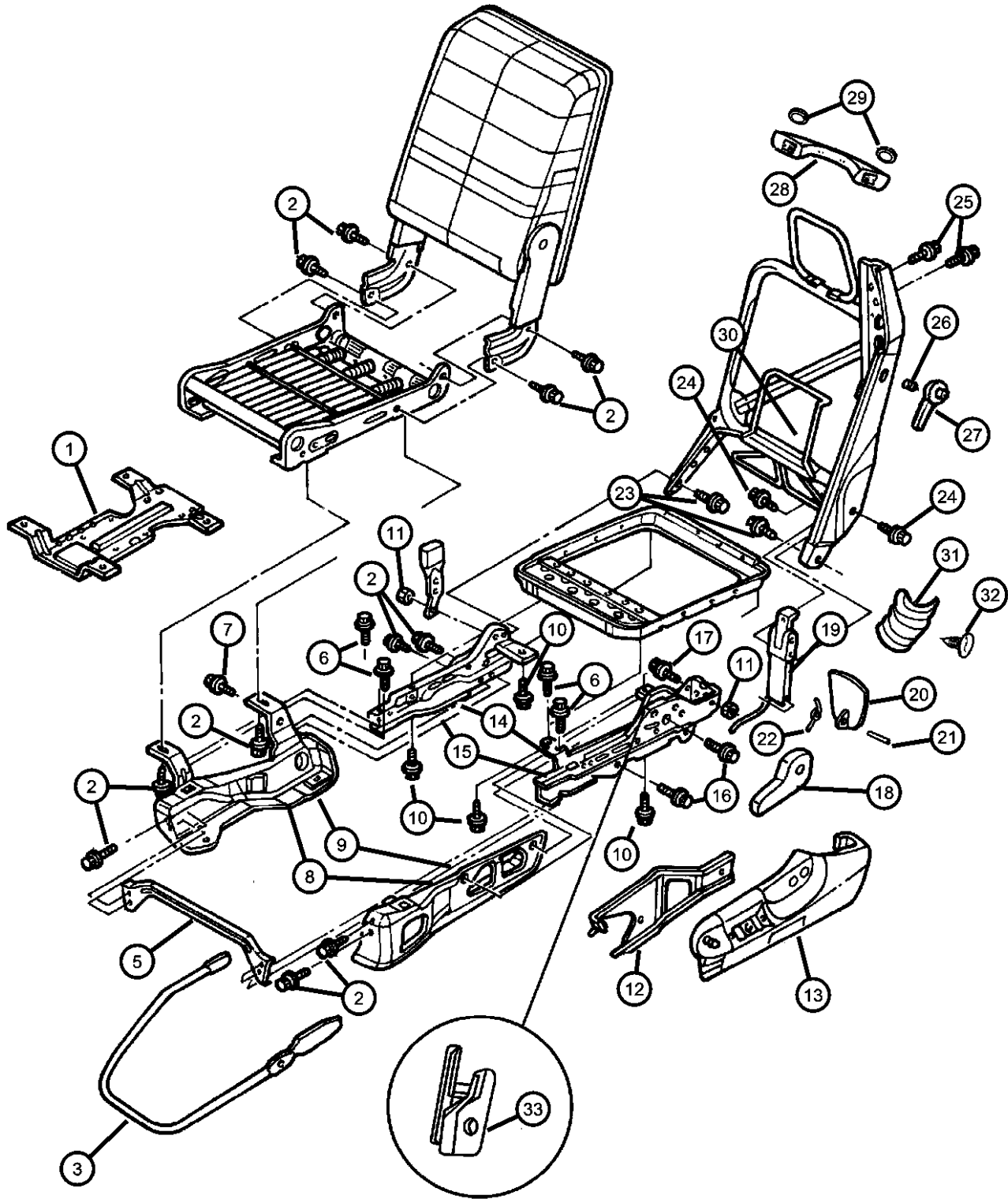
ITEM	PART NUMBER	QTY	LINE	SERIES	BODY	ENGINE	TRANS	TRIM	DESCRIPTION
		1			33, 34			*DZ	Inboard, Driver
		1	1, 6		31			*SX	Inboard, Driver
		1	1, 6		31			*S9	Inboard, Driver
		1	1, 6		31			*R1	Inboard, Driver
		1	1, 6		31			*DP	Inboard, Driver
	05010298AA	1			33, 34			*TY	Outboard, Driver
		1			33, 34			*SX	Outboard, Driver
		1			33, 34			*S9	Outboard, Driver
		1			33, 34			*R1	Outboard, Driver
		1			33, 34			*DP	Outboard, Driver
		1			33, 34			*DZ	Outboard, Driver
		1	1, 6		31			*SX	Outboard, Driver
		1	1, 6		31			*S9	Outboard, Driver
		1	1, 6		31			*R1	Outboard, Driver
		1	1, 6		31			*DP	Outboard, Driver
		1			33, 34			*TY	Inboard, Passenger
		1			33, 34			*SX	Inboard, Passenger
		1			33, 34			*S9	Inboard, Passenger
10									BOLT, Adjuster to Seat Frame
	05010312AA	4	6, 1		31			*SX	
		4	1, 6		31			*S9	
		4	1, 6		31			*R1	
		4	1, 6		31			*DP	
		8			33, 34			*TY	
11									NUT, Hex, M12x1.25
	05010277AA	2			33, 34			*TY	
		2			33, 34			*SX	
		2			33, 34			*S9	
		2			33, 34			*R1	
		2			33, 34			*DP	

**RAM PICKUP/CLUB CAB (BE)**

SERIES	LINE	BODY	ENGINE	TRANSMISSION
L = Ram Truck (All)	3 = HD DODGE 2WD	31 = CLUB CAB 2-DR 6.5 FT BOX	ELF = ENGINE - 5.2L V8 MPI	DDC = TRANSMISSION - 5-SPEED HD MANUAL
	8 = HD DODGE 4WD	32 = CLUB CAB 2-DR 8FT BOX	EML = ENGINE - 5.9L V8 MPI	DDP = TRANSMISSION - 5-SPEED MANUAL
	1 = Lt. Duty DODGE 2WD	33 = QUAD CAB 4-DR 6.5 FT BOX	EMM = ENGINE - "MAGNUM" 5.9L SMPI V8	DDX = TRANSMISSION - 5-SPEED HD MANUAL
	6 = Lt. Duty DODGE 4WD	34 = QUAD CAB 4-DR 8FT BOX	ETC = ENGINE- 5.9L CUMMINS 24V DIESEL	DEE = TRANSMISSION - 6-SPEED HD MANUAL
	2 = Med. Duty DODGE 2WD		ETH = ENGINE- 5.9L HO CUMMINS TURBO DIESEL	DGP = TRANSMISSION - 4-SPD. AUTOMATIC,47RE
	7 = Med. Duty DODGE 4WD		EWA = ENGINE - 8.0L V10 MPI	DGT = TRANSMISSION - 4-SPD. AUTOMATIC,46RE

AR = use ase required - = Non illustrated part

**Adjusters and Recliners  
Figure IBE-820**



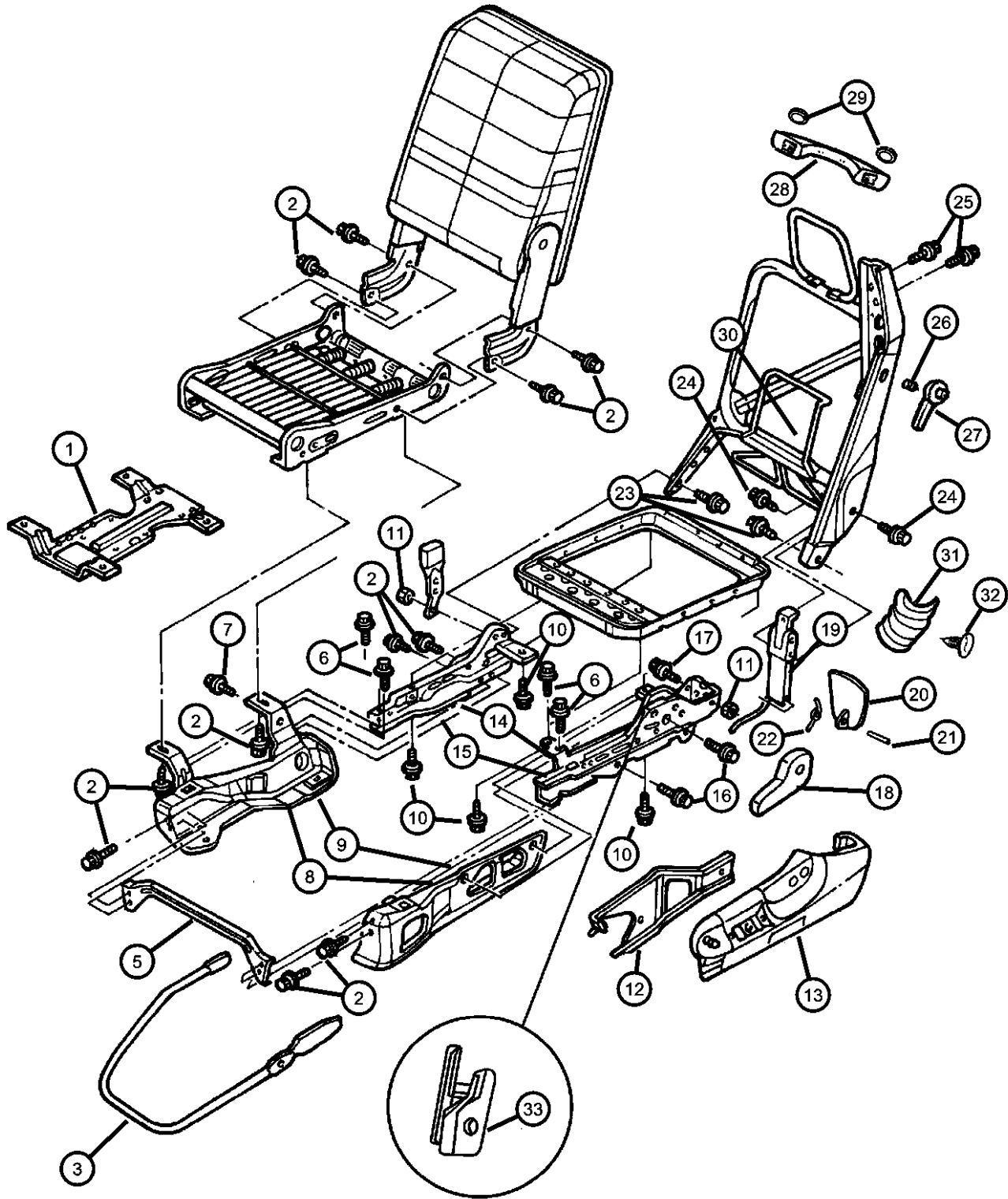
ITEM	PART NUMBER	QTY	LINE	SERIES	BODY	ENGINE	TRANS	TRIM	DESCRIPTION
		2			33, 34				*DZ
		2	1, 6		31				*SX
		2	1, 6		31				*S9
		2	1, 6		31				*R1
		2	1, 6		31				*DP
12									BRACKET, Seat
	05010299AA	1			33, 34				*TY Driver
		1			34, 33				*SX Driver
		1			33, 34				*S9 Driver
		1			33, 34				*R1 Driver
		1			33, 34				*DP Driver
		1			33, 34				*DZ Driver
		1	1, 6		31				*SX Driver
		1	1, 6		31				*S9 Driver
		1	1, 6		31				*R1 Driver
		1	1, 6		31				*DP Driver
	05010300AA	1			33, 34				*TY Passenger
		1			33, 34				*SX Passenger
		1			33, 34				*S9 Passenger
		1			33, 34				*R1 Passenger
		1			33, 34				*DP Passenger
		1			33, 34				*DZ Passenger
		1	1, 6		31				*SX Passenger
		1	1, 6		31				*S9 Passenger
		1	1, 6		31				*R1 Passenger
		1	1, 6		31				*DP Passenger
13									SHIELD, Seat Cushion
	0RT661AZAA	1			33, 34				*TY [AZ], Passenger, Manual
		1			33, 34				*SX [AZ], Passenger, Manual
		1			33, 34				*S9 [AZ], Passenger, Manual

**RAM PICKUP/CLUB CAB (BE)**

SERIES	LINE	BODY	ENGINE	TRANSMISSION
L = Ram Truck (All)	3 = HD DODGE 2WD	31 = CLUB CAB 2-DR 6.5 FT BOX	ELF = ENGINE - 5.2L V8 MPI	DDC = TRANSMISSION - 5-SPEED HD MANUAL
	8 = HD DODGE 4WD	32 = CLUB CAB 2-DR 8FT BOX	EML = ENGINE - 5.9L V8 MPI	DDP = TRANSMISSION - 5-SPEED MANUAL
	1 = Lt. Duty DODGE 2WD	33 = QUAD CAB 4-DR 6.5 FT BOX	EMM = ENGINE - "MAGNUM" 5.9L SMPI V8	DDX = TRANSMISSION - 5-SPEED HD MANUAL
	6 = Lt. Duty DODGE 4WD	34 = QUAD CAB 4-DR 8FT BOX	ETC = ENGINE- 5.9L CUMMINS 24V DIESEL	DEE = TRANSMISSION - 6-SPEED HD MANUAL
	2 = Med. Duty DODGE 2WD		ETH = ENGINE- 5.9L HO CUMMINS TURBO DIESEL	DGP = TRANSMISSION - 4-SPD. AUTOMATIC,47RE
	7 = Med. Duty DODGE 4WD		EWA = ENGINE - 8.0L V10 MPI	DGT = TRANSMISSION - 4-SPD. AUTOMATIC,46RE

AR = use ase required - = Non illustrated part

**Adjusters and Recliners  
Figure IBE-820**



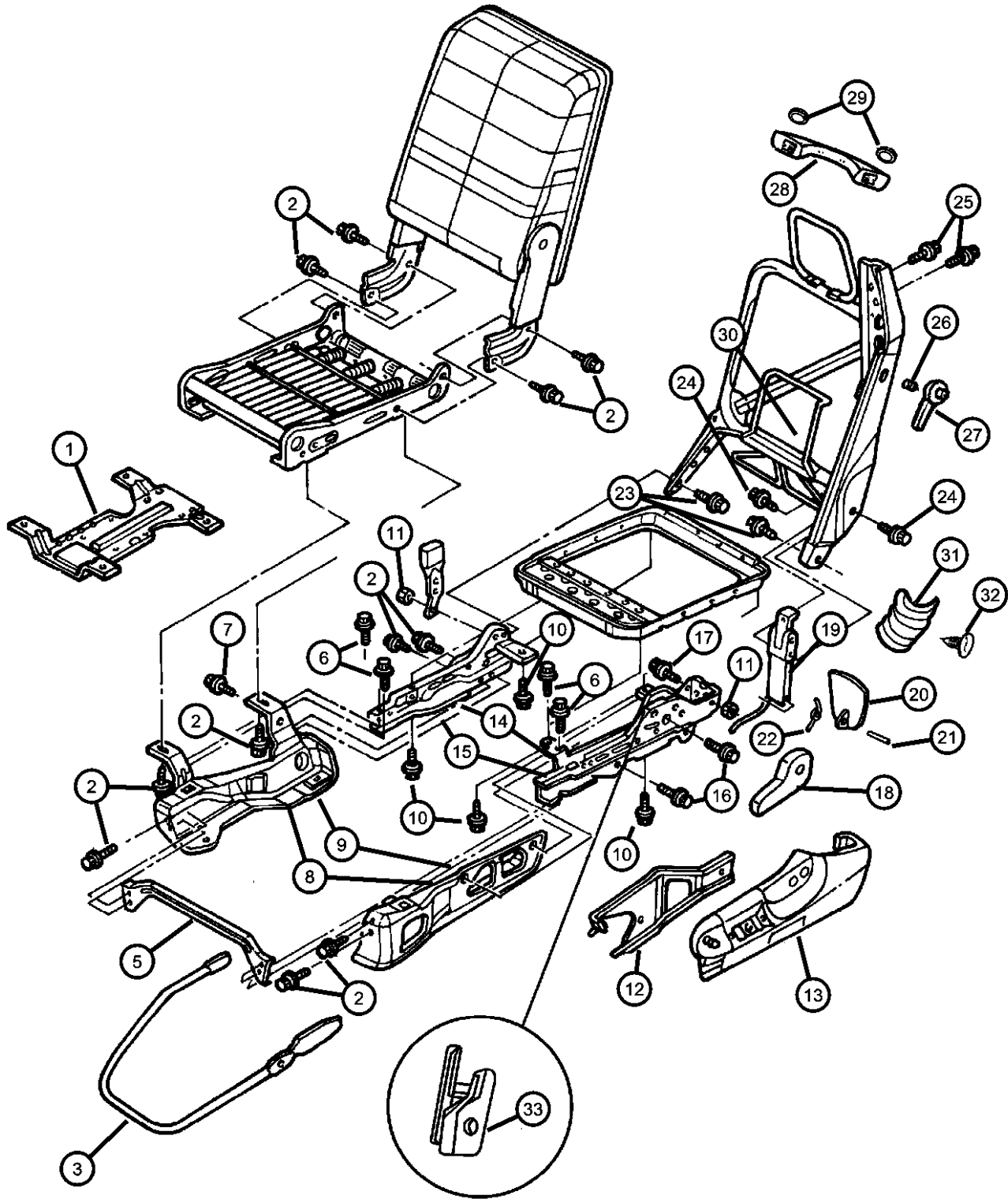
ITEM	PART NUMBER	QTY	LINE	SERIES	BODY	ENGINE	TRANS	TRIM	DESCRIPTION
		1			33, 34			*R1	[AZ], Passenger, Manual
		1			33, 34			*DP	[AZ], Passenger, Manual
		1	1, 6		31			*SX	[AZ], Passenger, Manual
		1	1, 6		31			*S9	[AZ], Passenger, Manual
		1	1, 6		31			*R1	[AZ], Passenger, Manual
		1	1, 6		31			*DP	[AZ], Passenger, Manual
	0RT661C3AA	1			33, 34			*TY	[C3], Passenger, Manual
		1			33, 34			*SX	[C3], Passenger, Manual
		1			33, 34			*S9	[C3], Passenger, Manual
		1			33, 34			*R1	[C3], Passenger, Manual
		1	1, 6		31			*SX	[C3], Passenger, Manual
		1	1, 6		31			*S9	[C3], Passenger, Manual
		1	1, 6		31			*R1	[C3], Passenger, Manual
	0RT661K9AA	1			33, 34			*R1	[K9], Passenger, Manual
		1			33, 34			*DP	[K9], Passenger, Manual
		1	1, 6		31			*R1	[K9], Passenger, Manual
		1	1, 6		31			*DP	[K9], Passenger, Manual
	0RT721AZAA	1			33, 34			*TY	[AZ], Driver, Manual
		1			33, 34			*SX	[AZ], Driver, Manual
		1			33, 34			*S9	[AZ], Driver, Manual
		1	1, 6		31			*SX	[AZ], Driver, Manual
		1	6, 1		31			*S9	[AZ], Driver, Manual
		1	1, 6		31			*R1	[AZ], Driver, Manual
	0RT721C3AA	1			33, 34			*TY	[C3], Driver, Manual
		1			33, 34			*S9	[C3], Driver, Manual
		1			33, 34			*SX	[C3], Driver, Manual
		1	1, 6		31			*SX	[C3], Driver, Manual
		1	1, 6		31			*S9	[C3], Driver, Manual
		1	1, 6		31			*R1	[C3], Driver, Manual
	0RT721K9AA	1	1, 6		31			*R1	[K9], Driver, Manual

**RAM PICKUP/CLUB CAB (BE)**

SERIES	LINE	BODY	ENGINE	TRANSMISSION
L = Ram Truck (All)	3 = HD DODGE 2WD	31 = CLUB CAB 2-DR 6.5 FT BOX	ELF = ENGINE - 5.2L V8 MPI	DDC = TRANSMISSION - 5-SPEED HD MANUAL
	8 = HD DODGE 4WD	32 = CLUB CAB 2-DR 8FT BOX	EML = ENGINE - 5.9L V8 MPI	DDP = TRANSMISSION - 5-SPEED MANUAL
	1 = Lt. Duty DODGE 2WD	33 = QUAD CAB 4-DR 6.5 FT BOX	EMM = ENGINE - "MAGNUM" 5.9L SMPI V8	DDX = TRANSMISSION - 5-SPEED HD MANUAL
	6 = Lt. Duty DODGE 4WD	34 = QUAD CAB 4-DR 8FT BOX	ETC = ENGINE- 5.9L CUMMINS 24V DIESEL	DEE = TRANSMISSION - 6-SPEED HD MANUAL
	2 = Med. Duty DODGE 2WD		ETH = ENGINE- 5.9L HO CUMMINS TURBO DIESEL	DGP = TRANSMISSION - 4-SPD. AUTOMATIC,47RE
	7 = Med. Duty DODGE 4WD		EWA = ENGINE - 8.0L V10 MPI	DGT = TRANSMISSION - 4-SPD. AUTOMATIC,46RE

AR = use ase required - = Non illustrated part

**Adjusters and Recliners**  
**Figure IBE-820**



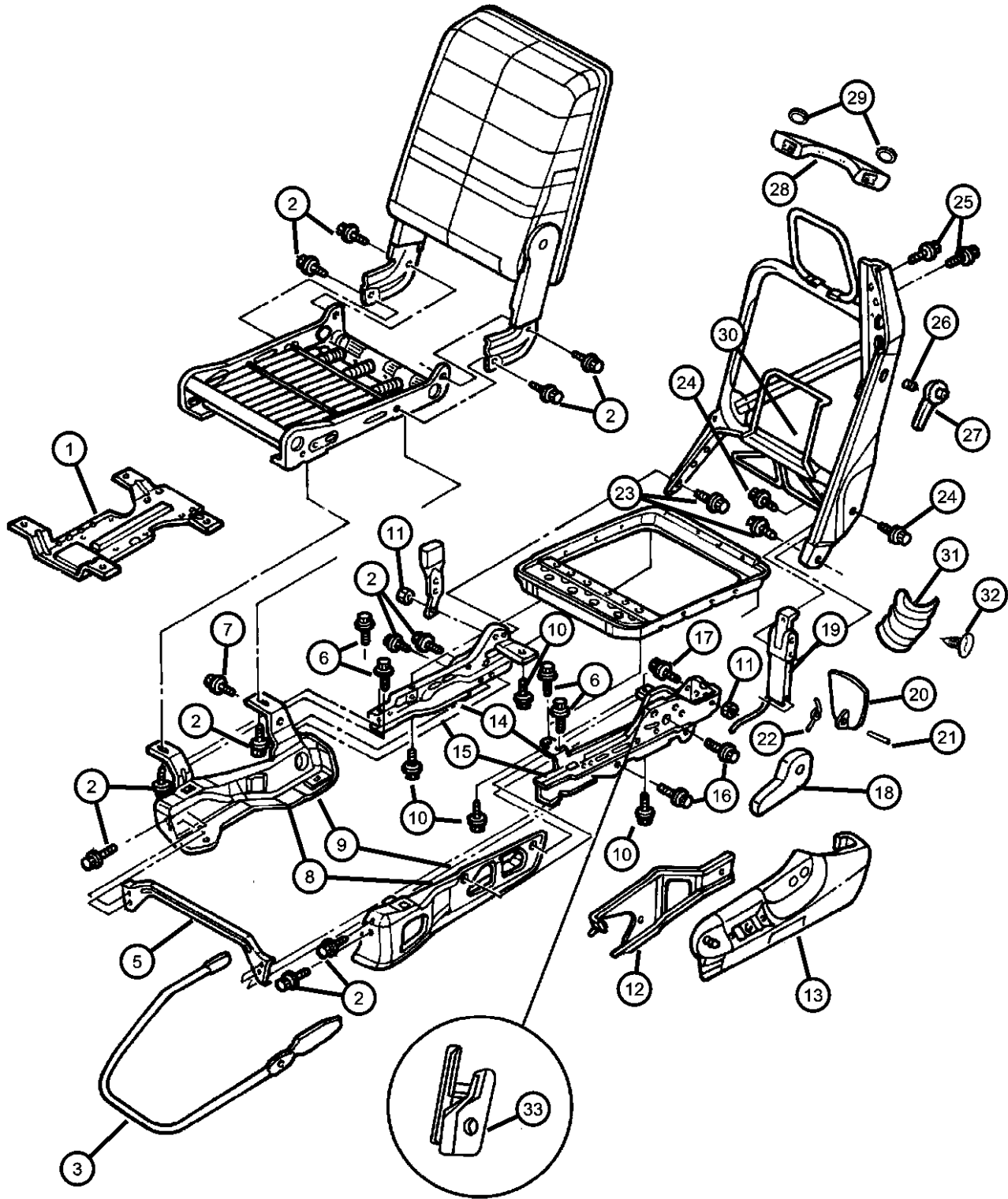
ITEM	PART NUMBER	QTY	LINE	SERIES	BODY	ENGINE	TRANS	TRIM	DESCRIPTION
		1	1, 2, 6, 7		33			*R1	[K9], Driver, Manual
		1	1, 2, 3, 6, 7		34			*R1	[K9], Driver, Manual
		1	8		34			*R1	[K9], Driver, Manual
	0RT731AZAA	1			33, 34			*R1	[AZ], Driver, Power
		1			33, 34			*DP	[AZ], Driver, Power
		1			33, 34			*DZ	[AZ], Driver, Power
		1	1, 6		31			*R1	[AZ], Driver, Power
		1	1, 6		31			*DP	[AZ], Driver, Power
	0RT731C3AA	1			33, 34			*R1	[C3], Driver, Power
		1	1, 6		31			*R1	[C3], Driver, Power
	0RT731K9AA	1			33, 34			*R1	[K9], Driver, Power
		1			33, 34			*DP	[K9], Driver, Power
		1			33, 34			*DZ	[K9], Driver, Power
		1	1, 6		31			*R1	[K9], Driver, Power
		1	1, 6		31			*DP	[K9], Driver, Power
	0UC161AZAA	1			33, 34			*DZ	[AZ], Passenger, Power
	0UC161K5AA	1			33, 34			*DZ	[K9], Passenger, Power
14									ADJUSTER, Power Seat, Includes Motors
	05010175AA	1			33, 34			*R1	Driver
		1			33, 34			*DP	Driver
		1			33, 34			*DZ	Driver
		1	1, 6		31			*R1	Driver
		1	1, 6		31			*DP	Driver
	05017818AA	1			33, 34			*DZ	Passenger
15									ADJUSTER, Manual Seat
	05010172AA	1			33, 34			*TY	Driver, Inboard
		1			33, 34			*SX	Driver, Inboard
		1			33, 34			*S9	Driver, Inboard
		1			33, 34			*R1	Driver, Inboard

**RAM PICKUP/CLUB CAB (BE)**

SERIES	LINE	BODY	ENGINE	TRANSMISSION
L = Ram Truck (All)	3 = HD DODGE 2WD	31 = CLUB CAB 2-DR 6.5 FT BOX	ELF = ENGINE - 5.2L V8 MPI	DDC = TRANSMISSION - 5-SPEED HD MANUAL
	8 = HD DODGE 4WD	32 = CLUB CAB 2-DR 8FT BOX	EML = ENGINE - 5.9L V8 MPI	DDP = TRANSMISSION - 5-SPEED MANUAL
	1 = Lt. Duty DODGE 2WD	33 = QUAD CAB 4-DR 6.5 FT BOX	EMM = ENGINE - "MAGNUM" 5.9L SMPI V8	DDX = TRANSMISSION - 5-SPEED HD MANUAL
	6 = Lt. Duty DODGE 4WD	34 = QUAD CAB 4-DR 8FT BOX	ETC = ENGINE- 5.9L CUMMINS 24V DIESEL	DEE = TRANSMISSION - 6-SPEED HD MANUAL
	2 = Med. Duty DODGE 2WD		ETH = ENGINE- 5.9L HO CUMMINS TURBO DIESEL	DGP = TRANSMISSION - 4-SPD. AUTOMATIC, 47RE
	7 = Med. Duty DODGE 4WD		EWA = ENGINE - 8.0L V10 MPI	DGT = TRANSMISSION - 4-SPD. AUTOMATIC, 46RE

AR = use ase required - = Non illustrated part

**Adjusters and Recliners  
Figure IBE-820**



ITEM	PART NUMBER	QTY	LINE	SERIES	BODY	ENGINE	TRANS	TRIM	DESCRIPTION
		1	1, 6		31			*SX	Driver, Inboard
		1	1, 6		31			*S9	Driver, Inboard
		1	1, 6		31			*R1	Driver, Inboard
	05010174AA	1			33, 34			*TY	Driver, Outboard
		1			33, 34			*S9	Driver, Outboard
		1			33, 34			*R1	Driver, Outboard
		1	1, 6		31			*SX	Driver, Outboard
		1	1, 6		31			*S9	Driver, Outboard
		1	1, 6		31			*R1	Driver, Outboard
	05010177AA	1			33, 34			*TY	Without Easy Entry, Passenger, Inboard
		1			33, 34			*SX	Without Easy Entry, Passenger, Inboard
		1			33, 34			*S9	Without Easy Entry, Passenger, Inboard
		1			33, 34			*R1	Without Easy Entry, Passenger, Inboard
		1			33, 34			*DP	Without Easy Entry, Passenger, Inboard
		1			33, 34			*DZ	Without Easy Entry, Passenger, Inboard
		1	1, 6		31			*SX	Without Easy Entry, Passenger, Inboard
		1	1, 6		31			*S9	Without Easy Entry, Passenger, Inboard
		1	1, 6		31			*R1	Without Easy Entry, Passenger, Inboard
		1	1, 6		31			*DP	Without Easy Entry, Passenger, Inboard
	05010178AA	1			33, 34			*TY	Passenger, Outboard
		1			33, 34			*SX	Passenger, Outboard
		1			33, 34			*S9	Passenger, Outboard
		1			33, 34			*R1	Passenger, Outboard
		1			33, 34			*DP	Passenger, Outboard
		1			33, 34			*DZ	Passenger, Outboard

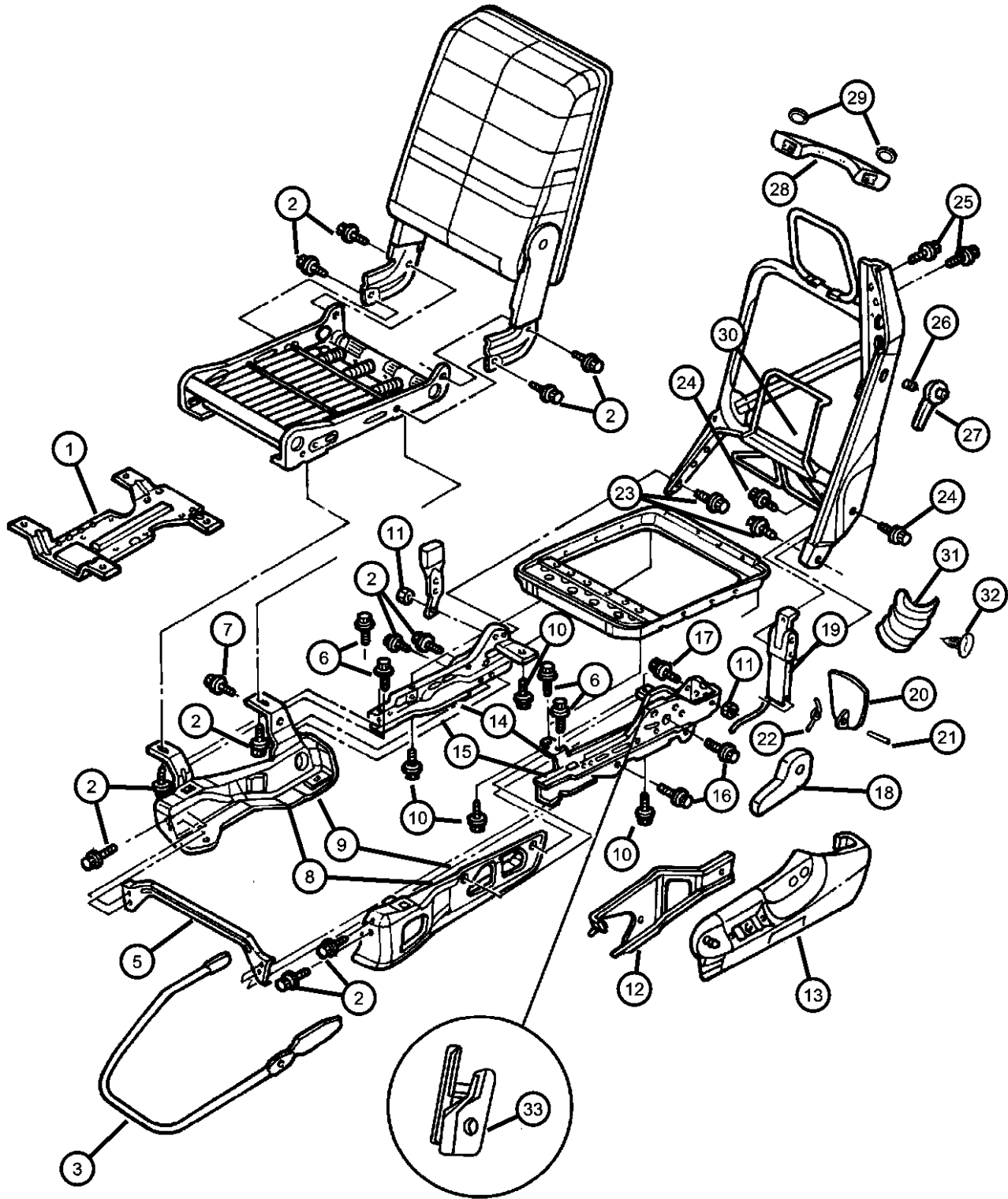
**RAM PICKUP/CLUB CAB (BE)**

SERIES	LINE
L = Ram Truck (All)	3 = HD DODGE 2WD
	8 = HD DODGE 4WD
	1 = Lt. Duty DODGE 2WD
	6 = Lt. Duty DODGE 4WD
	2 = Med. Duty DODGE 2WD
	7 = Med. Duty DODGE 4WD

BODY	ENGINE	TRANSMISSION
31 = CLUB CAB 2-DR 6.5 FT BOX	ELF = ENGINE - 5.2L V8 MPI	DDC = TRANSMISSION - 5-SPEED HD MANUAL
32 = CLUB CAB 2-DR 8FT BOX	EML = ENGINE - 5.9L V8 MPI	DDP = TRANSMISSION - 5-SPEED MANUAL
33 = QUAD CAB 4-DR 6.5 FT BOX	EMM = ENGINE - "MAGNUM" 5.9L SMPI V8	DDX = TRANSMISSION - 5-SPEED HD MANUAL
34 = QUAD CAB 4-DR 8FT BOX	ETC = ENGINE- 5.9L CUMMINS 24V DIESEL	DEE = TRANSMISSION - 6-SPEED HD MANUAL
	ETH = ENGINE- 5.9L HO CUMMINS TURBO DIESEL	DGP = TRANSMISSION - 4-SPD. AUTOMATIC, 47RE
	EWA = ENGINE - 8.0L V10 MPI	DGT = TRANSMISSION - 4-SPD. AUTOMATIC, 46RE

AR = use ase required - = Non illustrated part

**Adjusters and Recliners  
Figure IBE-820**



ITEM	PART NUMBER	QTY	LINE	SERIES	BODY	ENGINE	TRANS	TRIM	DESCRIPTION
		1	1, 6		31			*SX	Passenger, Outboard
		1	1, 6		31			*S9	Passenger, Outboard
		1	1, 6		31			*R1	Passenger, Outboard
		1	1, 6		31			*DP	Passenger, Outboard
	05013439AA	1	1, 6		31			*SX	With Easy Entry, Passenger, Inboard
		1	1, 6		31			*S9	With Easy Entry, Passenger, Inboard
		1	1, 6		31			*R1	With Easy Entry, Passenger, Inboard
		1	1, 6		31			*DP	With Easy Entry, Passenger, Inboard
16									BOLT, Seat
	05010191AA	8			33, 34			*TY	
		8			33, 34			*SX	
		8			33, 34			*S9	
		8			33, 34			*R1	
		8			33, 34			*DP	
		8			33, 34			*DZ	
		8	1, 6		31			*SX	
		8	1, 6		31			*S9	
		8	1, 6		31			*R1	
		8	1, 6		31			*DP	
17									BOLT, Recliner
	05010816AA	2			33, 34			*TY	
		2			33, 34			*S9	
		2			33, 34			*SX	
		2			33, 34			*R1	
		2			33, 34			*DP	
		2			33, 34			*DZ	
		2	1, 6		31			*SX	
		2	1, 6		31			*S9	

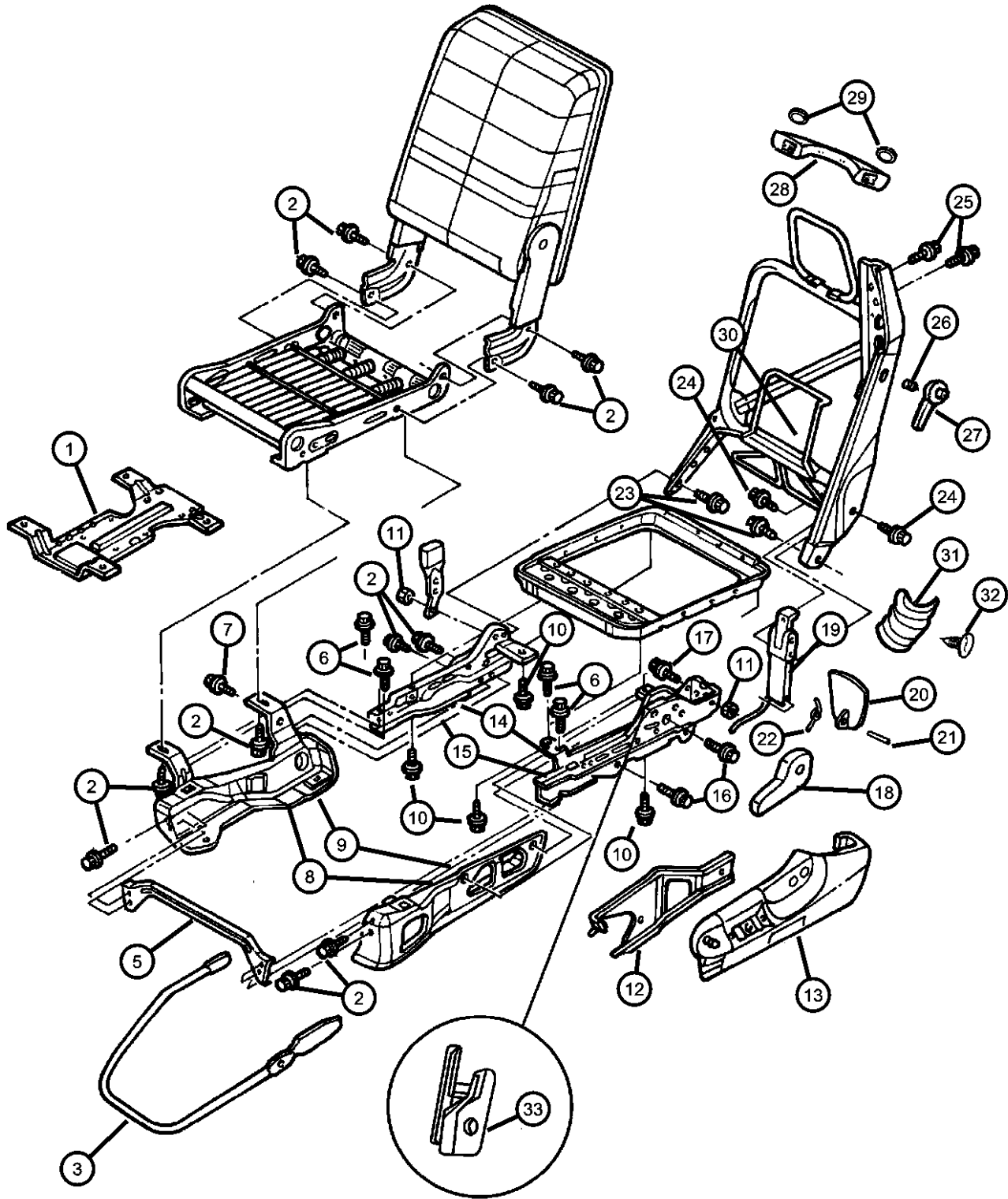
**RAM PICKUP/CLUB CAB (BE)**

SERIES	LINE	BODY	ENGINE	TRANSMISSION
L = Ram Truck (All)	3 = HD DODGE 2WD	31 = CLUB CAB 2-DR 6.5 FT BOX	ELF = ENGINE - 5.2L V8 MPI	DDC = TRANSMISSION - 5-SPEED HD MANUAL
	8 = HD DODGE 4WD	32 = CLUB CAB 2-DR 8FT BOX	EML = ENGINE - 5.9L V8 MPI	DDP = TRANSMISSION - 5-SPEED HD MANUAL
	1 = Lt. Duty DODGE 2WD	33 = QUAD CAB 4-DR 6.5 FT BOX	EMM = ENGINE - "MAGNUM" 5.9L SMPI V8	DDX = TRANSMISSION - 5-SPEED HD MANUAL
	6 = Lt. Duty DODGE 4WD	34 = QUAD CAB 4-DR 8FT BOX	ETC = ENGINE- 5.9L CUMMINS 24V DIESEL	DEE = TRANSMISSION - 6-SPEED HD MANUAL
	2 = Med. Duty DODGE 2WD		ETH = ENGINE- 5.9L HO CUMMINS TURBO DIESEL	DGP = TRANSMISSION - 4-SPD. AUTOMATIC, 47RE
	7 = Med. Duty DODGE 4WD		EWA = ENGINE - 8.0L V10 MPI	DGT = TRANSMISSION - 4-SPD. AUTOMATIC, 46RE

AR = use ase required - = Non illustrated part



**Adjusters and Recliners  
Figure IBE-820**



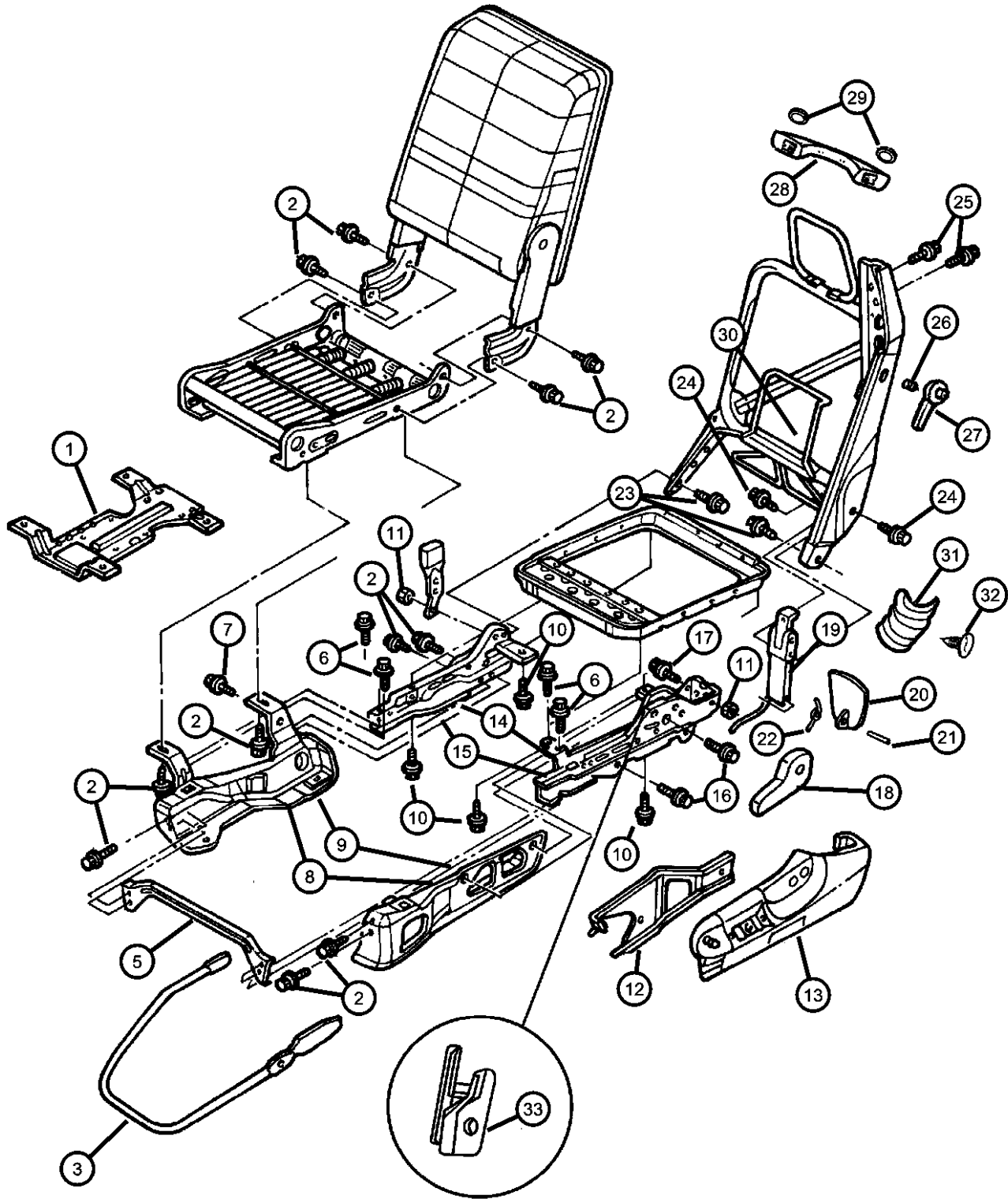
ITEM	PART NUMBER	QTY	LINE	SERIES	BODY	ENGINE	TRANS	TRIM	DESCRIPTION
		2	1, 6		31			*R1	
		2	1, 6		31			*DP	
18	05010258AA	1			33, 34			*TY	Passenger
		1			33, 34			*S9	Passenger
		1			33, 34			*R1	Passenger
		1			33, 34			*DP	Passenger
		1			33, 34			*SX	Passenger
		1			33, 34			*DZ	Passenger
		1	1, 6		31			*SX	Passenger
		1	1, 6		31			*S9	Passenger
		1	1, 6		31			*R1	Passenger
		1	1, 6		31			*DP	Passenger
	05010259AA	1			33, 34			*TY	Driver
		1			33, 34			*S9	Driver
		1			33, 34			*SX	Driver
		1			33, 34			*R1	Driver
		1			33, 34			*DP	Driver
		1			33, 34			*DZ	Driver
		1	1, 6		31			*SX	Driver
		1	1, 6		31			*S9	Driver
		1	1, 6		31			*R1	Driver
		1	1, 6		31			*DP	Driver
19									RECLINER, Front Seat Back, Two doors have 2 cables, Four doors have one cable.
	05010286AA	1			33, 34			*TY	Passenger
		1			33, 34			*SX	Passenger
		1			34, 33			*S9	Passenger
		1			33, 34			*R1	Passenger

**RAM PICKUP/CLUB CAB (BE)**

SERIES	LINE	BODY	ENGINE	TRANSMISSION
L = Ram Truck (All)	3 = HD DODGE 2WD	31 = CLUB CAB 2-DR 6.5 FT BOX	ELF = ENGINE - 5.2L V8 MPI	DDC = TRANSMISSION - 5-SPEED HD MANUAL
	8 = HD DODGE 4WD	32 = CLUB CAB 2-DR 8FT BOX	EML = ENGINE - 5.9L V8 MPI	DDP = TRANSMISSION - 5-SPEED MANUAL
	1 = Lt. Duty DODGE 2WD	33 = QUAD CAB 4-DR 6.5 FT BOX	EMM = ENGINE - "MAGNUM" 5.9L SMPI V8	DDX = TRANSMISSION - 5-SPEED HD MANUAL
	6 = Lt. Duty DODGE 4WD	34 = QUAD CAB 4-DR 8FT BOX	ETC = ENGINE- 5.9L CUMMINS 24V DIESEL	DEE = TRANSMISSION - 6-SPEED HD MANUAL
	2 = Med. Duty DODGE 2WD		ETH = ENGINE- 5.9L HO CUMMINS TURBO DIESEL	DGP = TRANSMISSION - 4-SPD. AUTOMATIC, 47RE
	7 = Med. Duty DODGE 4WD		EWA = ENGINE - 8.0L V10 MPI	DGT = TRANSMISSION - 4-SPD. AUTOMATIC, 46RE

AR = use ase required - = Non illustrated part

**Adjusters and Recliners  
Figure IBE-820**



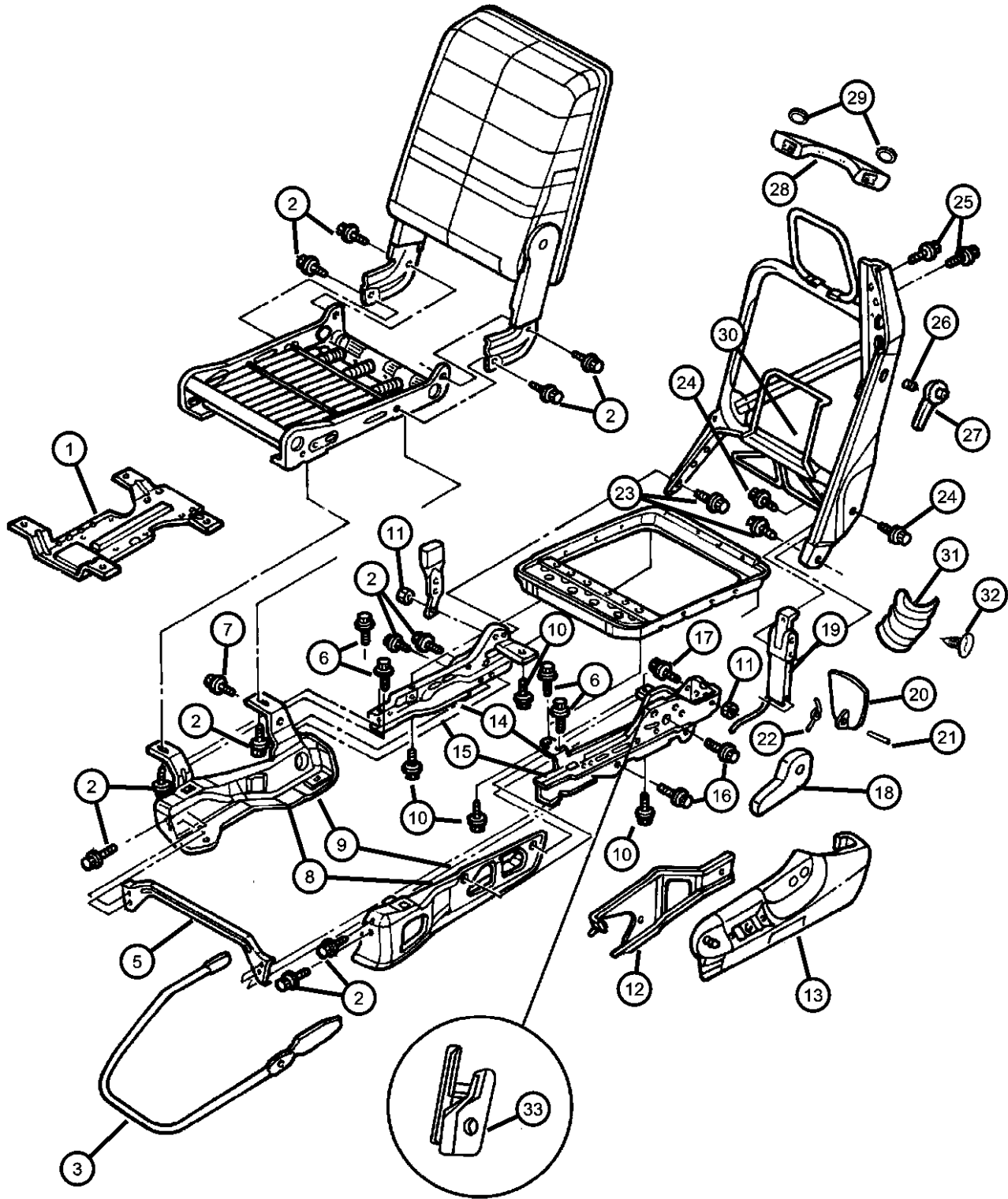
ITEM	PART NUMBER	QTY	LINE	SERIES	BODY	ENGINE	TRANS	TRIM	DESCRIPTION
		1			33, 34			*DP	Passenger
		1			33, 34			*DZ	Passenger
	05010287AA	1			33, 34			*TY	Driver
		1			33, 34			*SX	Driver
		1			33, 34			*S9	Driver
		1			33, 34			*R1	Driver
		1			33, 34			*DP	Driver
	05010288AA	1	1, 6		31			*DZ	Driver
		1	1, 6		31			*SX	Passenger
		1	1, 6		31			*S9	Passenger
		1	1, 6		31			*R1	Passenger
	05010289AA	1	1, 6		31			*DP	Passenger
		1	1, 6		31			*SX	Driver
		1	1, 6		31			*S9	Driver
		1	1, 6		31			*R1	Driver
		1	1, 6		31			*DP	Driver
20	05010305AA	2			33, 34				SHIELD, Seat Adjuster
		2			33, 34			*TY	
		2			33, 34			*SX	
		2			33, 34			*S9	
		2			33, 34			*R1	
		2			33, 34			*DP	
		2			33, 34			*DZ	
		2	1, 6		31			*SX	
		2	1, 6		31			*S9	
		2	1, 6		31			*R1	
		2	1, 6		31			*DP	
21	05010826AA	2			33, 34				PIN, Roll
		2			33, 34			*TY	
		2			33, 34			*SX	

**RAM PICKUP/CLUB CAB (BE)**

SERIES	LINE	BODY	ENGINE	TRANSMISSION
L = Ram Truck (All)	3 = HD DODGE 2WD	31 = CLUB CAB 2-DR 6.5 FT BOX	ELF = ENGINE - 5.2L V8 MPI	DDC = TRANSMISSION - 5-SPEED HD MANUAL
	8 = HD DODGE 4WD	32 = CLUB CAB 2-DR 8FT BOX	EML = ENGINE - 5.9L V8 MPI	DDP = TRANSMISSION - 5-SPEED MANUAL
	1 = Lt. Duty DODGE 2WD	33 = QUAD CAB 4-DR 6.5 FT BOX	EMM = ENGINE - "MAGNUM" 5.9L SMPI V8	DDX = TRANSMISSION - 5-SPEED HD MANUAL
	6 = Lt. Duty DODGE 4WD	34 = QUAD CAB 4-DR 8FT BOX	ETC = ENGINE- 5.9L CUMMINS 24V DIESEL	DEE = TRANSMISSION - 6-SPEED HD MANUAL
	2 = Med. Duty DODGE 2WD		ETH = ENGINE- 5.9L HO CUMMINS TURBO DIESEL	DGP = TRANSMISSION - 4-SPD. AUTOMATIC, 47RE
	7 = Med. Duty DODGE 4WD		EWA = ENGINE - 8.0L V10 MPI	DGT = TRANSMISSION - 4-SPD. AUTOMATIC, 46RE

AR = use ase required - = Non illustrated part

**Adjusters and Recliners  
Figure IBE-820**



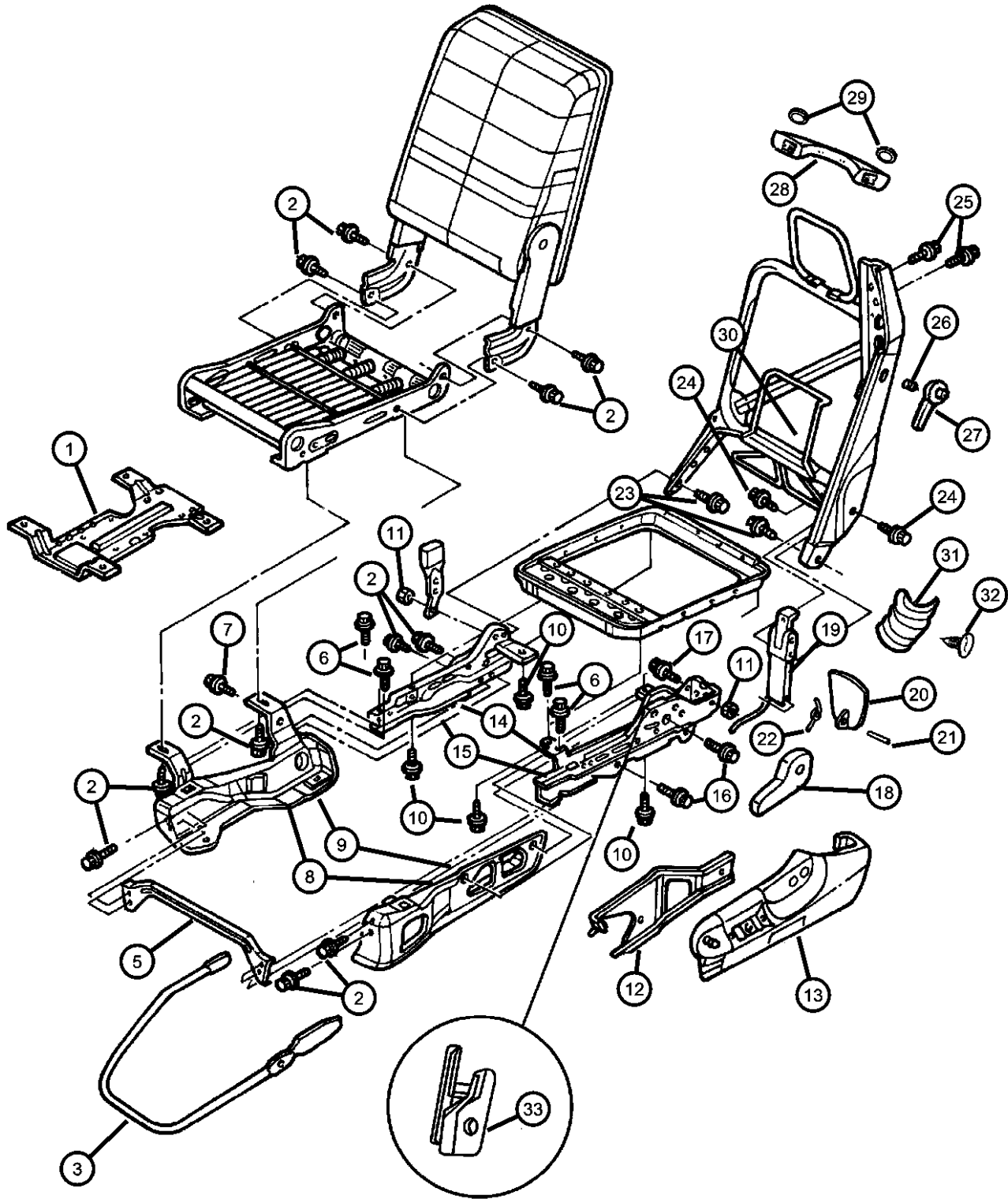
ITEM	PART NUMBER	QTY	LINE	SERIES	BODY	ENGINE	TRANS	TRIM	DESCRIPTION
		2			33, 34			*S9	
		2			33, 34			*R1	
		2			33, 34			*DP	
		2			33, 34			*DZ	
		2	1, 6		31			*SX	
		2	1, 6		31			*S9	
		2	1, 6		31			*R1	
		2	1, 6		31			*DP	
22									SPRING, Return Assist
	05010308AA	1			33, 34			*TY	Passenger
		1			33, 34			*SX	Passenger
		1			33, 34			*S9	Passenger
		1			33, 34			*R1	Passenger
		1			33, 34			*DP	Passenger
		1			33, 34			*DZ	Passenger
		1	1, 6		31			*SX	Passenger
		1	1, 6		31			*S9	Passenger
		1	1, 6		31			*R1	Passenger
		1	1, 6		31			*DP	Passenger
	05010309AA	1			33, 34			*TY	Driver
		1			33, 34			*SX	Driver
		1			33, 34			*S9	Driver
		1			33, 34			*R1	Driver
		1			33, 34			*DP	Driver
		1			33, 34			*DZ	Driver
		1	1, 6		31			*SX	Driver
		1	1, 6		31			*S9	Driver
		1	1, 6		31			*R1	Driver
		1	1, 6		31			*DP	Driver
23									BOLT, Pivot

**RAM PICKUP/CLUB CAB (BE)**

SERIES	LINE	BODY	ENGINE	TRANSMISSION
L = Ram Truck (All)	3 = HD DODGE 2WD 8 = HD DODGE 4WD 1 = Lt. Duty DODGE 2WD 6 = Lt. Duty DODGE 4WD 2 = Med. Duty DODGE 2WD 7 = Med. Duty DODGE 4WD	31 = CLUB CAB 2-DR 6.5 FT BOX 32 = CLUB CAB 2-DR 8FT BOX 33 = QUAD CAB 4-DR 6.5 FT BOX 34 = QUAD CAB 4-DR 8FT BOX	ELF = ENGINE - 5.2L V8 MPI EML = ENGINE - 5.9L V8 MPI EMM = ENGINE - "MAGNUM" 5.9L SMPI V8 ETC = ENGINE- 5.9L CUMMINS 24V DIESEL ETH = ENGINE- 5.9L HO CUMMINS TURBO DIESEL EWA = ENGINE - 8.0L V10 MPI	DDC = TRANSMISSION - 5-SPEED HD MANUAL DDP = TRANSMISSION - 5-SPEED MANUAL DDX = TRANSMISSION - 5-SPEED HD MANUAL DEE = TRANSMISSION - 6-SPEED HD MANUAL DGP = TRANSMISSION - 4-SPD. AUTOMATIC, 47RE DGT = TRANSMISSION - 4-SPD. AUTOMATIC, 46RE

AR = use ase required - = Non illustrated part

**Adjusters and Recliners  
Figure IBE-820**



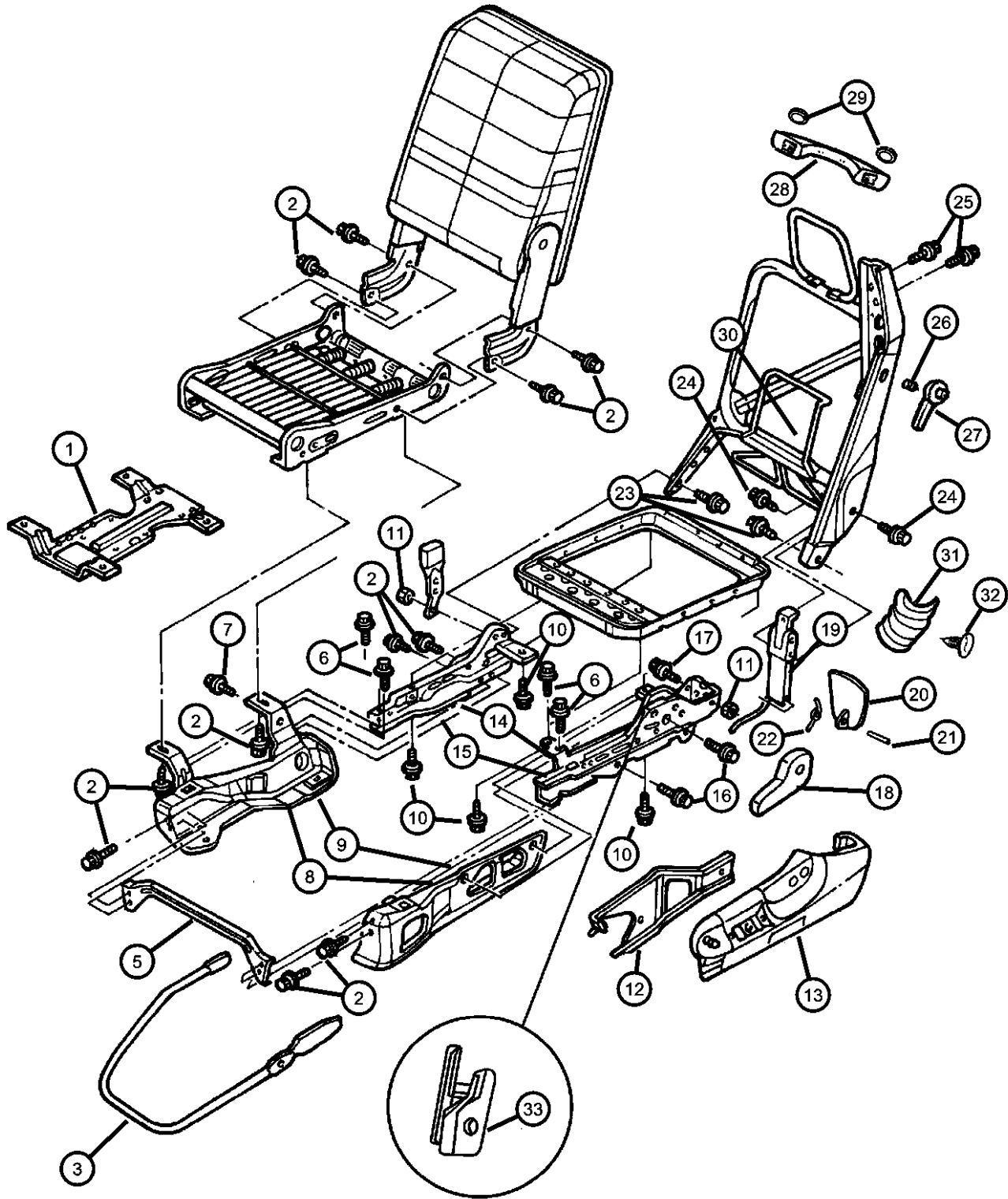
ITEM	PART NUMBER	QTY	LINE	SERIES	BODY	ENGINE	TRANS	TRIM	DESCRIPTION
	05010813AA	2			33, 34			*TY	Inboard, Passenger, Driver
		2			33, 34			*SX	Inboard, Passenger, Driver
		2			33, 34			*S9	Inboard, Passenger, Driver
		2			33, 34			*R1	Inboard, Passenger, Driver
		2			33, 34			*DP	Inboard, Passenger, Driver
		2			33, 34			*DZ	Inboard, Passenger, Driver
		2	1, 6		31			*SX	Inboard, Passenger, Driver
		2	1, 6		31			*S9	Inboard, Passenger, Driver
		2	1, 6		31			*R1	Inboard, Passenger, Driver
		2	1, 6		31			*DP	Inboard, Passenger, Driver
	05010815AA	1			33, 34			*TY	Outboard, Passenger
		1			33, 34			*SX	Outboard, Passenger
		1			34, 33			*S9	Outboard, Passenger
		1			33, 34			*R1	Outboard, Passenger
		1			33, 34			*DP	Outboard, Passenger
		1			33, 34			*DZ	Outboard, Passenger
		1	1, 6		31			*SX	Outboard, Passenger
		1	1, 6		31			*S9	Outboard, Passenger
		1	1, 6		31			*R1	Outboard, Passenger
		1	1, 6		31			*DP	Outboard, Passenger
24									BOLT, Recliner to Seat Back
	05010210AA	4			33, 34			*TY	
		4			33, 34			*SX	
		4			33, 34			*S9	
		4			33, 34			*R1	
		4			33, 34			*DP	
		4			33, 34			*DZ	
		4	1, 6		31			*SX	
		4	1, 6		31			*S9	
		4	1, 6		31			*R1	

**RAM PICKUP/CLUB CAB (BE)**

SERIES	LINE	BODY	ENGINE	TRANSMISSION
L = Ram Truck (All)	3 = HD DODGE 2WD 8 = HD DODGE 4WD 1 = Lt. Duty DODGE 2WD 6 = Lt. Duty DODGE 4WD 2 = Med. Duty DODGE 2WD 7 = Med. Duty DODGE 4WD	31 = CLUB CAB 2-DR 6.5 FT BOX 32 = CLUB CAB 2-DR 8FT BOX 33 = QUAD CAB 4-DR 6.5 FT BOX 34 = QUAD CAB 4-DR 8FT BOX	ELF = ENGINE - 5.2L V8 MPI EML = ENGINE - 5.9L V8 MPI EMM = ENGINE - "MAGNUM" 5.9L SMPI V8 ETC = ENGINE- 5.9L CUMMINS 24V DIESEL ETH = ENGINE- 5.9L HO CUMMINS TURBO DIESEL EWA = ENGINE - 8.0L V10 MPI	DDC = TRANSMISSION - 5-SPEED HD MANUAL DDP = TRANSMISSION - 5-SPEED MANUAL DDX = TRANSMISSION - 5-SPEED HD MANUAL DEE = TRANSMISSION - 6-SPEED HD MANUAL DGP = TRANSMISSION - 4-SPD. AUTOMATIC,47RE DGT = TRANSMISSION - 4-SPD. AUTOMATIC,46RE

AR = use ase required - = Non illustrated part

**Adjusters and Recliners  
Figure IBE-820**



ITEM	PART NUMBER	QTY	LINE	SERIES	BODY	ENGINE	TRANS	TRIM	DESCRIPTION
25		4	1, 6		31			*DP	BOLT, Seat Belt
	05010818AA	4			33, 34			*TY	
		4			33, 34			*SX	
		4			33, 34			*S9	
		4			33, 34			*R1	
		4			33, 34			*DP	
		4			33, 34			*DZ	
		4	1, 6		31			*SX	
		4	1, 6		31			*S9	
		4	1, 6		31			*R1	
		4	1, 6		31			*DP	
26									SPRING, Seat Latch Return
	05010841AA	1	1, 6		31			*SX	
		1	1, 6		31			*S9	
		1	1, 6		31			*R1	
		1	1, 6		31			*DP	
27									HANDLE, Seat Recliner
	05010260AA	1	1, 6		31			*SX	Passenger Dump
		1	1, 6		31			*S9	Passenger Dump
		1	1, 6		31			*R1	Passenger Dump
		1	1, 6		31			*DP	Passenger Dump
	05010261AA	1	1, 6		31			*SX	Driver Dump
		1	1, 6		31			*S9	Driver Dump
		1	1, 6		31			*R1	Driver Dump
		1	1, 6		31			*DP	Driver Dump
28									HANDLE, Seat Back
	0RS181AZAA	2			34, 33			*S9	[AZ]
		2			33, 34			*SX	[AZ]
		2			33, 34			*R1	[AZ]

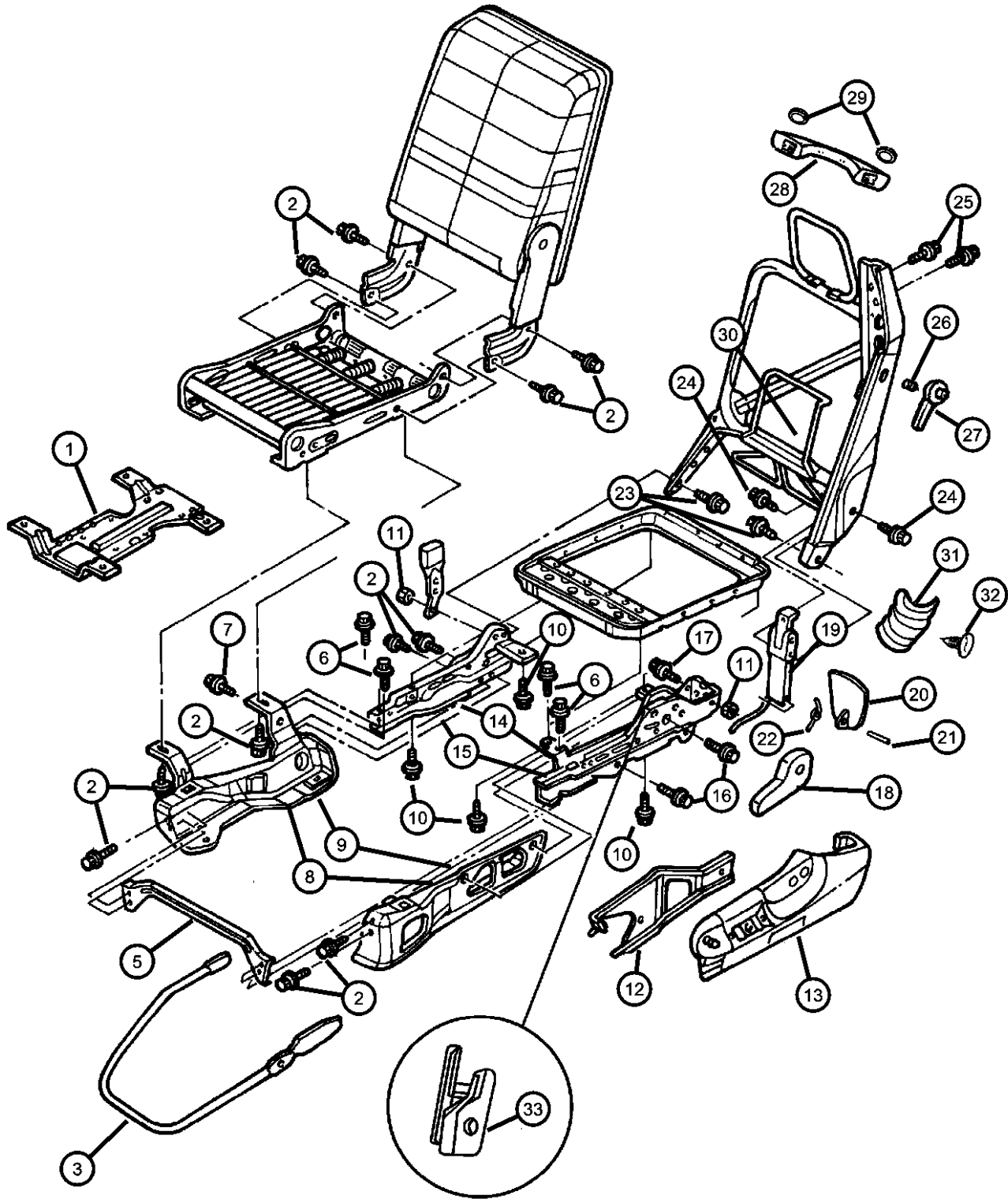
**RAM PICKUP/CLUB CAB (BE)**

SERIES	LINE
L = Ram Truck (All)	3 = HD DODGE 2WD
	8 = HD DODGE 4WD
	1 = Lt. Duty DODGE 2WD
	6 = Lt. Duty DODGE 4WD
	2 = Med. Duty DODGE 2WD
	7 = Med. Duty DODGE 4WD

BODY	ENGINE	TRANSMISSION
31 = CLUB CAB 2-DR 6.5 FT BOX	ELF = ENGINE - 5.2L V8 MPI	DDC = TRANSMISSION - 5-SPEED HD MANUAL
32 = CLUB CAB 2-DR 8FT BOX	EML = ENGINE - 5.9L V8 MPI	DDP = TRANSMISSION - 5-SPEED MANUAL
33 = QUAD CAB 4-DR 6.5 FT BOX	EMM = ENGINE - "MAGNUM" 5.9L SMPI V8	DDX = TRANSMISSION - 5-SPEED HD MANUAL
34 = QUAD CAB 4-DR 8FT BOX	ETC = ENGINE- 5.9L CUMMINS 24V DIESEL	DEE = TRANSMISSION - 6-SPEED HD MANUAL
	ETH = ENGINE- 5.9L HO CUMMINS TURBO DIESEL	DGP = TRANSMISSION - 4-SPD. AUTOMATIC,47RE
	EWA = ENGINE - 8.0L V10 MPI	DGT = TRANSMISSION - 4-SPD. AUTOMATIC,46RE

AR = use ase required - = Non illustrated part

**Adjusters and Recliners  
Figure IBE-820**



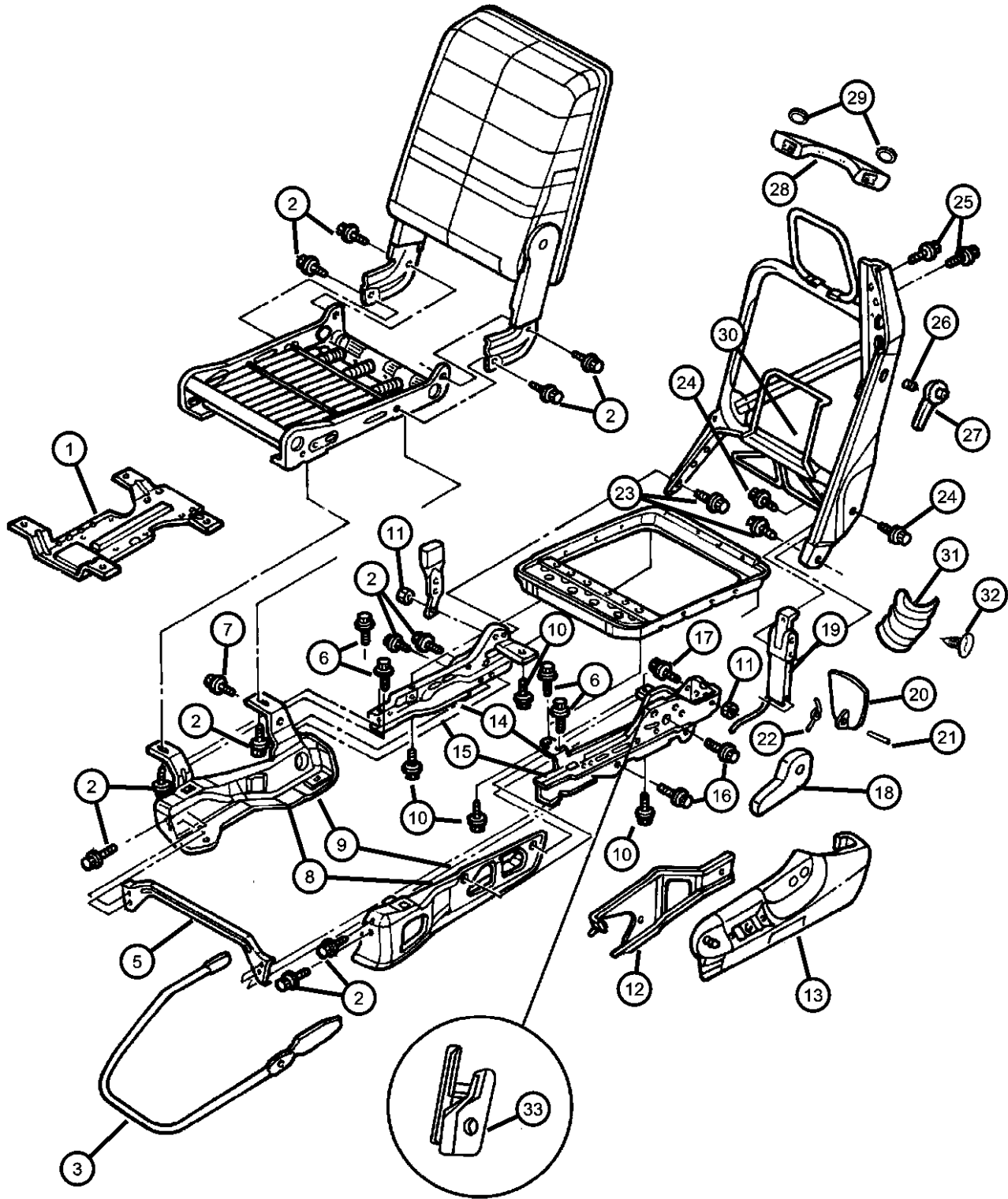
ITEM	PART NUMBER	QTY	LINE	SERIES	BODY	ENGINE	TRANS	TRIM	DESCRIPTION
		2			33, 34			*DZ [AZ]	
		1			33, 34			*DP [AZ]	
	0RS181C3AA	2			33, 34			*SX [C3]	
		2			33, 34			*S9 [C3]	
		2			33, 34			*R1 [C3]	
	0RS181K5AA	2			33, 34			*R1 [K9]	
		2			33, 34			*DP [K9]	
		2			33, 34			*DZ [K9]	
29									CAP, Assist Handle Screw Cover
	0RS801AZAA	4			33, 34			*SX [AZ]	
		4			33, 34			*S9 [AZ]	
		4			33, 34			*R1 [AZ]	
		4			33, 34			*DZ [AZ]	
		1			33, 34			*DP [AZ]	
	0RS801C3AA	4			33, 34			*SX [C3]	
		4			33, 34			*S9 [C3]	
		4			33, 34			*R1 [C3]	
	0RS801K5AA	4			33, 34			*R1 [K9]	
		4			33, 34			*DP [K9]	
		4			33, 34			*DZ [K9]	
30									LUMBAR, Support
	05010279AA	1			33, 34			*R1	
		1			33, 34			*DP	
		1			33, 34			*DZ	Driver
		1	1, 6		31			*R1	
		1	1, 6		31			*DP	
	05017856AA	1			33, 34			*DZ	Passenger
31									BELLOWS, Seat Mechanism
	05010197AA	2			33, 34			*TY	
		2			34, 33			*SX	

**RAM PICKUP/CLUB CAB (BE)**

SERIES	LINE	BODY	ENGINE	TRANSMISSION
L = Ram Truck (All)	3 = HD DODGE 2WD 8 = HD DODGE 4WD 1 = Lt. Duty DODGE 2WD 6 = Lt. Duty DODGE 4WD 2 = Med. Duty DODGE 2WD 7 = Med. Duty DODGE 4WD	31 = CLUB CAB 2-DR 6.5 FT BOX 32 = CLUB CAB 2-DR 8FT BOX 33 = QUAD CAB 4-DR 6.5 FT BOX 34 = QUAD CAB 4-DR 8FT BOX	ELF = ENGINE - 5.2L V8 MPI EML = ENGINE - 5.9L V8 MPI EMM = ENGINE - "MAGNUM" 5.9L SMPI V8 ETC = ENGINE- 5.9L CUMMINS 24V DIESEL ETH = ENGINE- 5.9L HO CUMMINS TURBO DIESEL EWA = ENGINE - 8.0L V10 MPI	DDC = TRANSMISSION - 5-SPEED HD MANUAL DDP = TRANSMISSION - 5-SPEED MANUAL DDX = TRANSMISSION - 5-SPEED HD MANUAL DEE = TRANSMISSION - 6-SPEED HD MANUAL DGP = TRANSMISSION - 4-SPD. AUTOMATIC,47RE DGT = TRANSMISSION - 4-SPD. AUTOMATIC,46RE

AR = use ase required - = Non illustrated part

**Adjusters and Recliners  
Figure IBE-820**



ITEM	PART NUMBER	QTY	LINE	SERIES	BODY	ENGINE	TRANS	TRIM	DESCRIPTION
		2			33, 34			*S9	
		2			33, 34			*R1	
		2			33, 34			*DP	
		2			33, 34			*DZ	
		2	1, 6		31			*SX	
		2	1, 6		31			*S9	
		2	1, 6		31			*R1	Without Easy Entry
		2	1, 6		31			*DP	
32									RETAINER, Push On
	05010315AA	6			33, 34			*TY	
		6			33, 34			*SX	
		6			33, 34			*S9	
		6			33, 34			*R1	
		6			33, 34			*DP	
		6			33, 34			*DZ	
		6	1, 6		31			*SX	
		6	1, 6		31			*S9	
		6	1, 6		31			*R1	
		6	1, 6		31			*DP	
33									CAM, Memory Dump
	05014198AA	1	6, 1		31			*SX	Blue, Passenger
		1	1, 6		31			*S9	Blue, Passenger
		1	1, 6		31			*R1	Blue, Passenger
		1	1, 6		31			*DP	Blue, Passenger
	05014199AA	1	1, 6		31			*SX	Gray, Driver
		1	1, 6		31			*S9	Gray, Driver
		1	1, 6		31			*R1	Gray, Driver
		1	1, 6		31			*DP	Gray, Driver
-34									CABLE, Seat Adjuster
	05010820AA	1	1, 6		31			*SX	

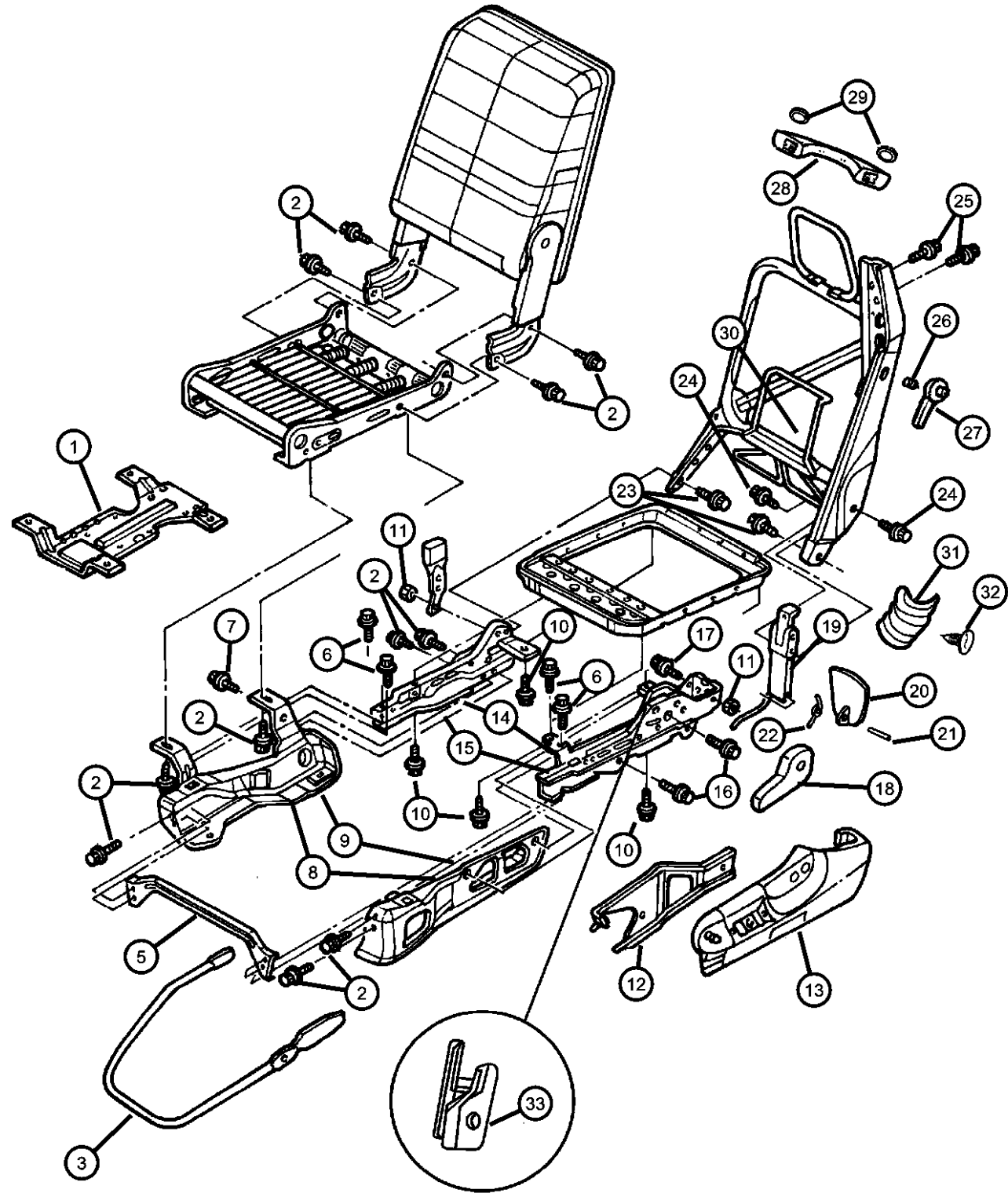
**RAM PICKUP/CLUB CAB (BE)**

SERIES	LINE
L = Ram Truck (All)	3 = HD DODGE 2WD
	8 = HD DODGE 4WD
	1 = Lt. Duty DODGE 2WD
	6 = Lt. Duty DODGE 4WD
	2 = Med. Duty DODGE 2WD
	7 = Med. Duty DODGE 4WD

BODY	ENGINE	TRANSMISSION
31 = CLUB CAB 2-DR 6.5 FT BOX	ELF = ENGINE - 5.2L V8 MPI	DDC = TRANSMISSION - 5-SPEED HD MANUAL
32 = CLUB CAB 2-DR 8FT BOX	EML = ENGINE - 5.9L V8 MPI	DDP = TRANSMISSION - 5-SPEED MANUAL
33 = QUAD CAB 4-DR 6.5 FT BOX	EMM = ENGINE - "MAGNUM" 5.9L SMPI V8	DDX = TRANSMISSION - 5-SPEED HD MANUAL
34 = QUAD CAB 4-DR 8FT BOX	ETC = ENGINE- 5.9L CUMMINS 24V DIESEL	DEE = TRANSMISSION - 6-SPEED HD MANUAL
	ETH = ENGINE- 5.9L HO CUMMINS TURBO DIESEL	DGP = TRANSMISSION - 4-SPD. AUTOMATIC, 47RE
	EWA = ENGINE - 8.0L V10 MPI	DGT = TRANSMISSION - 4-SPD. AUTOMATIC, 46RE

AR = use ase required - = Non illustrated part

**Adjusters and Recliners  
Figure IBE-820**



ITEM	PART NUMBER	QTY	LINE	SERIES	BODY	ENGINE	TRANS	TRIM	DESCRIPTION
		1	1, 6		31			*S9	
		1	1, 6		31			*R1	
		1	1, 6		31			*DP	
-35									SPRING, Seat Latch Return
	05010827AA	1	1, 6		31			*SX	Inboard
		1	1, 6		31			*S9	Inboard
		1	1, 6		31			*R1	Inboard
		1	6, 1		31			*DP	Inboard
-36									SPRING, Seat Latch Return
	05010895AA	1	1, 6		31			*SX	Outboard
		1	1, 6		31			*S9	Outboard
		1	1, 6		31			*R1	Outboard
		1	1, 6		31			*DP	Outboard
-37									SPRING, Seat Track Adjuster, Easy Entry Assist Between Adjusters
	05010894AA	1	1, 6		31			*SX	
		1	1, 6		31			*S9	
		1	1, 6		31			*R1	
		1	1, 6		31			*DP	

**RAM PICKUP/CLUB CAB (BE)**

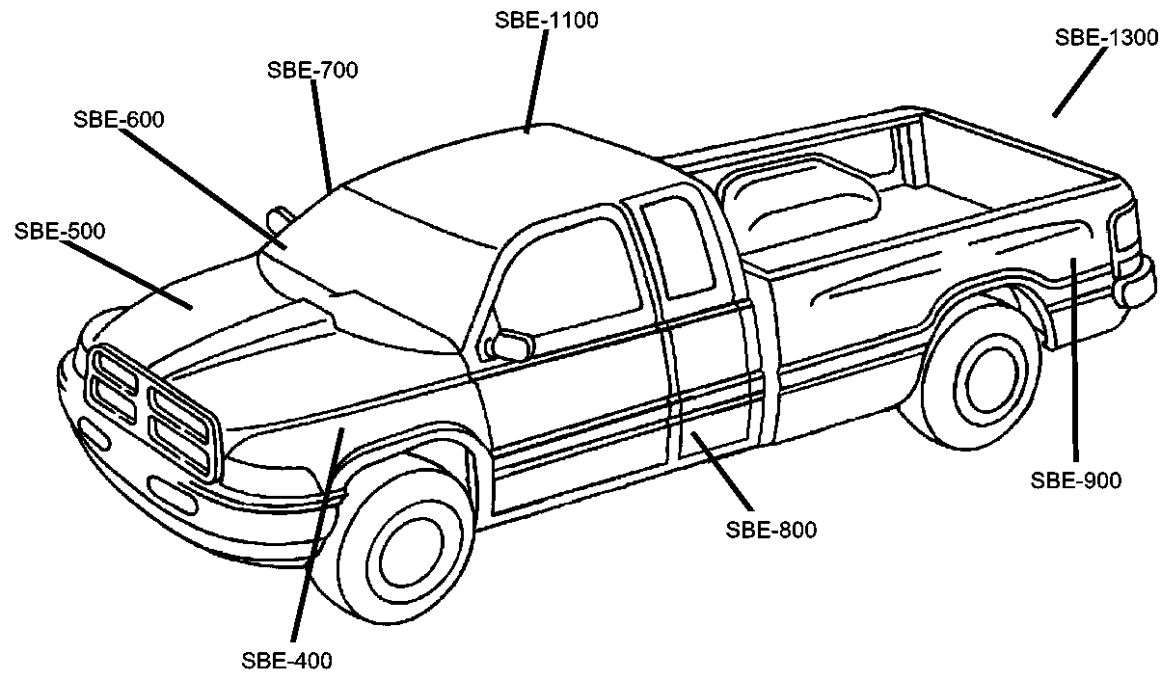
SERIES	LINE	BODY	ENGINE	TRANSMISSION
L = Ram Truck (All)	3 = HD DODGE 2WD	31 = CLUB CAB 2-DR 6.5 FT BOX	ELF = ENGINE - 5.2L V8 MPI	DDC = TRANSMISSION - 5-SPEED HD MANUAL
	8 = HD DODGE 4WD	32 = CLUB CAB 2-DR 8FT BOX	EML = ENGINE - 5.9L V8 MPI	DDP = TRANSMISSION - 5-SPEED MANUAL
	1 = Lt. Duty DODGE 2WD	33 = QUAD CAB 4-DR 6.5 FT BOX	EMM = ENGINE - "MAGNUM" 5.9L SMPI V8	DDX = TRANSMISSION - 5-SPEED HD MANUAL
	6 = Lt. Duty DODGE 4WD	34 = QUAD CAB 4-DR 8FT BOX	ETC = ENGINE- 5.9L CUMMINS 24V DIESEL	DEE = TRANSMISSION - 6-SPEED HD MANUAL
	2 = Med. Duty DODGE 2WD		ETH = ENGINE- 5.9L HO CUMMINS TURBO DIESEL	DGP = TRANSMISSION - 4-SPD. AUTOMATIC, 47RE
	7 = Med. Duty DODGE 4WD		EWA = ENGINE - 8.0L V10 MPI	DGT = TRANSMISSION - 4-SPD. AUTOMATIC, 46RE

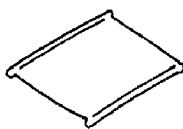
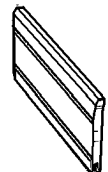
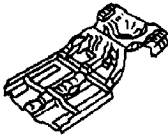

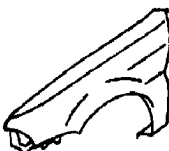

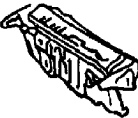

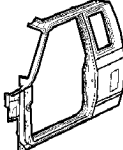
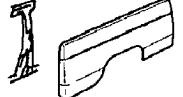
AR = use ase required - = Non illustrated part



# Group - SBE

## Body Sheet Metal Except Doors



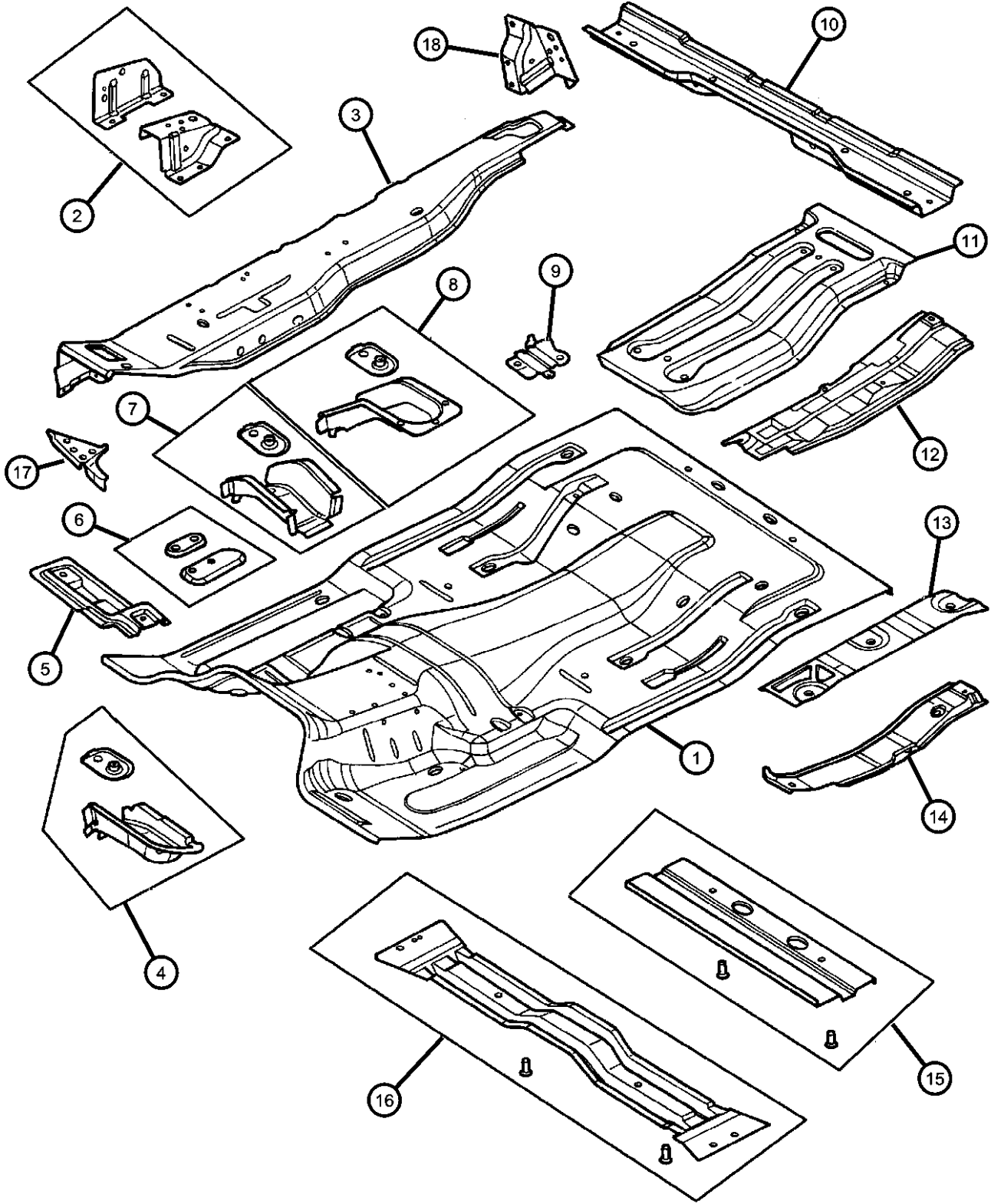
<p><b>SBE-1100</b> Roof Panel</p> 	<p><b>SBE-1300</b> Tailgate</p> 	<p><b>SBE-200</b> Floor Pans</p> 	<p><b>SBE-300</b> Plugs</p> 
<p><b>SBE-400</b> Front Fenders</p> 	<p><b>SBE-500</b> Hood and Hood Release</p> 	<p><b>SBE-600</b> Cowl and Dash Panel</p> 	<p><b>SBE-700</b> Glass and Rear View Mirror</p> 
<p><b>SBE-800</b> Aperture Panel</p> 	<p><b>SBE-900</b> Quarter Panel and Pillar</p> 		

---

**Group - SBE Body Sheet Metal Except Doors**

Illustration Title	Group-Fig. No.
<b>Floor Pans</b>	
Floor Pan .....	Fig. SBE - 210
Floor Box And Panel .....	Fig. SBE - 220
<b>Plugs</b>	
Plugs .....	Fig. SBE - 310
<b>Front Fenders</b>	
Fender Front .....	Fig. SBE - 410
<b>Hood and Hood Release</b>	
Hood And Hood Release .....	Fig. SBE - 510
<b>Cowl and Dash Panel</b>	
Cowl And Dash Panel .....	Fig. SBE - 610
<b>Glass and Rear View Mirror</b>	
Glass, Windshield, Backlite, Quarter, Inside Mirror .....	Fig. SBE - 710
<b>Aperture Panel</b>	
Aperture Panel Bodyside, 2 Door .....	Fig. SBE - 810
Aperture Panel Bodyside, 4 Door .....	Fig. SBE - 820
<b>Quarter Panel and Pillar</b>	
Quarter Panel .....	Fig. SBE - 910
<b>Roof Panel</b>	
Roof Panel .....	Fig. SBE - 1110
<b>Tailgate</b>	
Tailgate .....	Fig. SBE - 1310

**Floor Pan  
Figure SBE-210**



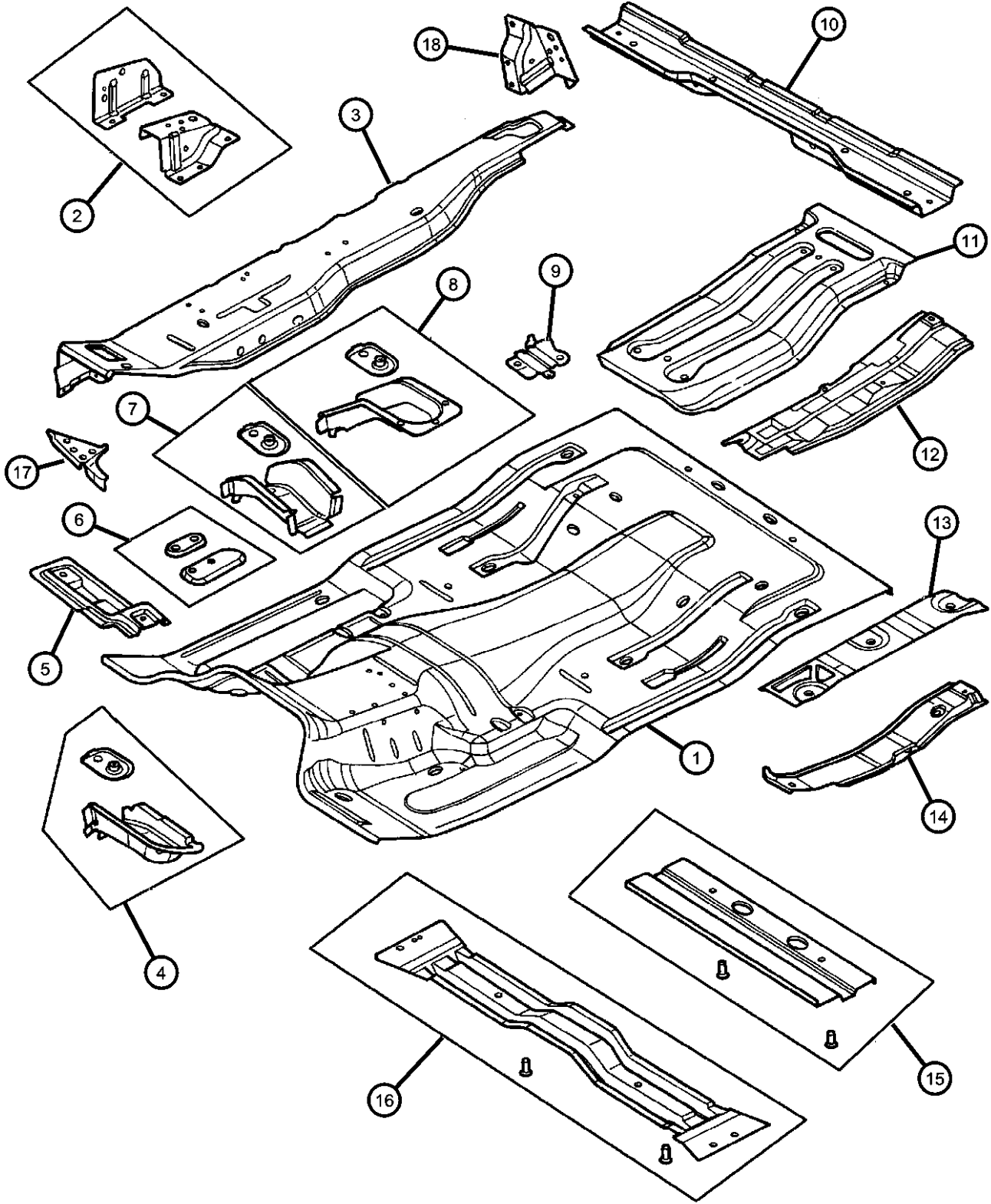
ITEM	PART NUMBER	QTY	LINE	SERIES	BODY	ENGINE	TRANS	TRIM	DESCRIPTION
1	55275180AC	1							PANEL, Front Floor Pan
2									SUPPORT, Rear Seat
	55275000	1							Right
	55275001	1							Left
3									PANEL, Floor Outer
	55275152	1							Right
	55275153	1							Left
4									SUPPORT, Underbody Hold Down
	55274926	1							Right
	55274927AB	1							Left
5	55275084	2							SUPPORT, Front SeatFront
6	55275087	1							SUPPORT, Front SeatLeft, Rear
7									SUPPORT, Underbody Hold Down
	55275184	1							Right, Middle
	55275185	1							Left, Middle
8	55274580	2							SUPPORT, Underbody Hold Down
9	55275327AB	1							BRACKET, Jack
10	55275362	1							CROSSMEMBER, Rear Floor
11	55274638	1							REINFORCEMENT, Floor Pan
12	55275296	1							SHIELD, HeatUpper Right
13	55274656	1							SHIELD, HeatCenter
14	55274655AB	1							SHIELD, HeatUpper Left
15	55254778	1							REINFORCEMENT, Seat Belt Anchor
16	55275165	1							REINFORCEMENT, Front Seat
17									SUPPORT, Cowl Side
	55274570	1							Right
	55274571	1							Left
18									EXTENSION, Cab Back
	55274628	1	1, 6		31				Right
	55274629	1	1, 6		31				Left

**RAM PICKUP/CLUB CAB (BE)**

SERIES	LINE	BODY	ENGINE	TRANSMISSION
L = Ram Truck (All)	3 = HD DODGE 2WD 8 = HD DODGE 4WD 1 = Lt. Duty DODGE 2WD 6 = Lt. Duty DODGE 4WD 2 = Med. Duty DODGE 2WD 7 = Med. Duty DODGE 4WD	31 = CLUB CAB 2-DR 6.5 FT BOX 32 = CLUB CAB 2-DR 8FT BOX 33 = QUAD CAB 4-DR 6.5 FT BOX 34 = QUAD CAB 4-DR 8FT BOX	ELF = ENGINE - 5.2L V8 MPI EML = ENGINE - 5.9L V8 MPI EMM = ENGINE - "MAGNUM" 5.9L SMPI V8 ETC = ENGINE- 5.9L CUMMINS 24V DIESEL ETH = ENGINE- 5.9L HO CUMMINS TURBO DIESEL EWA = ENGINE - 8.0L V10 MPI	DDC = TRANSMISSION - 5-SPEED HD MANUAL DDP = TRANSMISSION - 5-SPEED MANUAL DDX = TRANSMISSION - 5-SPEED HD MANUAL DEE = TRANSMISSION - 6-SPEED HD MANUAL DGP = TRANSMISSION - 4-SPD. AUTOMATIC, 47RE DGT = TRANSMISSION - 4-SPD. AUTOMATIC, 46RE

AR = use ase required - = Non illustrated part

Floor Pan  
Figure SBE-210



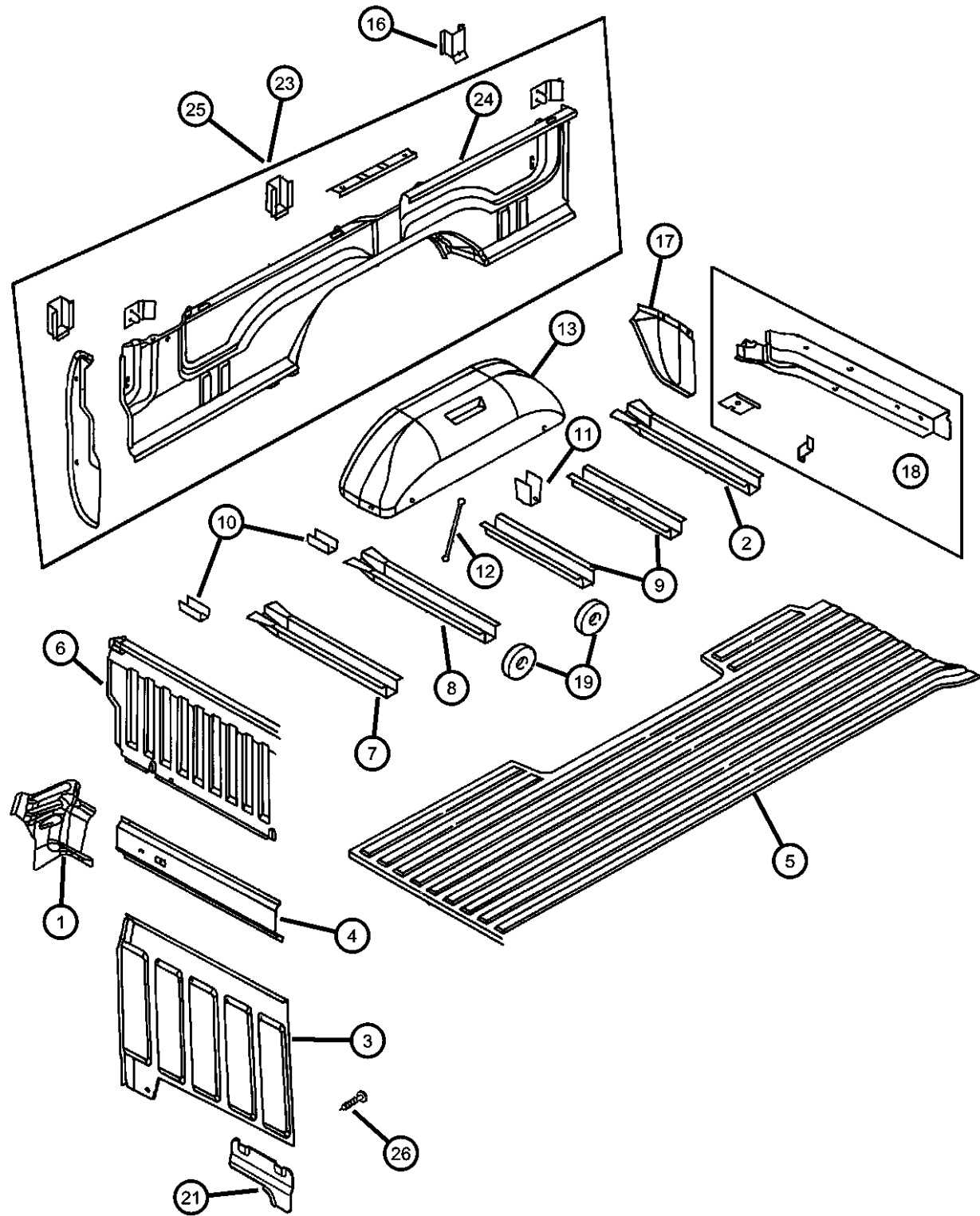
ITEM	PART NUMBER	QTY	LINE	SERIES	BODY	ENGINE	TRANS	TRIM	DESCRIPTION
	55275420	1			33, 34				Right
	55275421	1			33, 34				Left

RAM PICKUP/CLUB CAB (BE)

SERIES	LINE	BODY	ENGINE	TRANSMISSION
L = Ram Truck (All)	3 = HD DODGE 2WD 8 = HD DODGE 4WD 1 = Lt. Duty DODGE 2WD 6 = Lt. Duty DODGE 4WD 2 = Med. Duty DODGE 2WD 7 = Med. Duty DODGE 4WD	31 = CLUB CAB 2-DR 6.5 FT BOX 32 = CLUB CAB 2-DR 8FT BOX 33 = QUAD CAB 4-DR 6.5 FT BOX 34 = QUAD CAB 4-DR 8FT BOX	ELF = ENGINE - 5.2L V8 MPI EML = ENGINE - 5.9L V8 MPI EMM = ENGINE - "MAGNUM" 5.9L SMPI V8 ETC = ENGINE- 5.9L CUMMINS 24V DIESEL ETH = ENGINE- 5.9L HO CUMMINS TURBO DIESEL EWA = ENGINE - 8.0L V10 MPI	DDC = TRANSMISSION - 5-SPEED HD MANUAL DDP = TRANSMISSION - 5-SPEED MANUAL DDX = TRANSMISSION - 5-SPEED HD MANUAL DEE = TRANSMISSION - 6-SPEED HD MANUAL DGP = TRANSMISSION - 4-SPD. AUTOMATIC, 47RE DGT = TRANSMISSION - 4-SPD. AUTOMATIC, 46RE

AR = use ase required - = Non illustrated part

**Floor Box And Panel  
Figure SBE-220**



ITEM	PART NUMBER	QTY	LINE	SERIES	BODY	ENGINE	TRANS	TRIM	DESCRIPTION
1									EXTENSION, Cab Back
	55274628	1	1, 6		31				Right
	55274629	1	1, 6		31				Left
	55275420	1			33, 34				Right
	55275421	1			33, 34				Left
2	55345618	1							CROSSMEMBER, Rear Box
3	55275107	1							PANEL, Cab Back
4	55023544AB	1							REINFORCEMENT, Cab Back
5									PANEL, Box Floor
	55275374	1	1, 2, 6, 7		31, 33				
	55275375AB	1			34				
6	55023626	1							PANEL, Front Box
7	55275253	1							CROSSMEMBER, Rear Box
8									CROSSMEMBER, Rear Box
	55274766	2	1, 2, 6, 7		31, 33				6 1/2 Foot Box
		2			34				6 1/2 Foot Box
	55275476AA	1			34				8 Foot Box
9									CROSSMEMBER, Rear Box
	55274770	1	1, 2, 6, 7		31, 33				#3 For 6 1/2 Box
		2			34				#3 and #4 For 8 Foot Box
10	55346091	2							TAPPING PLATE, Floor Crossmember, Tie Downs, Also Serviced in Crossmember #1 and #2
11	55346091	2							BRACKET, Box Floor Center, (NOT SERVICED)
12									BRACE, Box Side Wheelhouse
	55345734	2							Right
	55345735	2							Left
13	55023614	2							WHEELHOUSE, Rear Inner
-14	55135298	4	1, 6		31				PLATE, Inner Quarter Baffle
-15	06502328	4	1, 6		31				PIN, Push, M5.80x13.00

**RAM PICKUP/CLUB CAB (BE)**

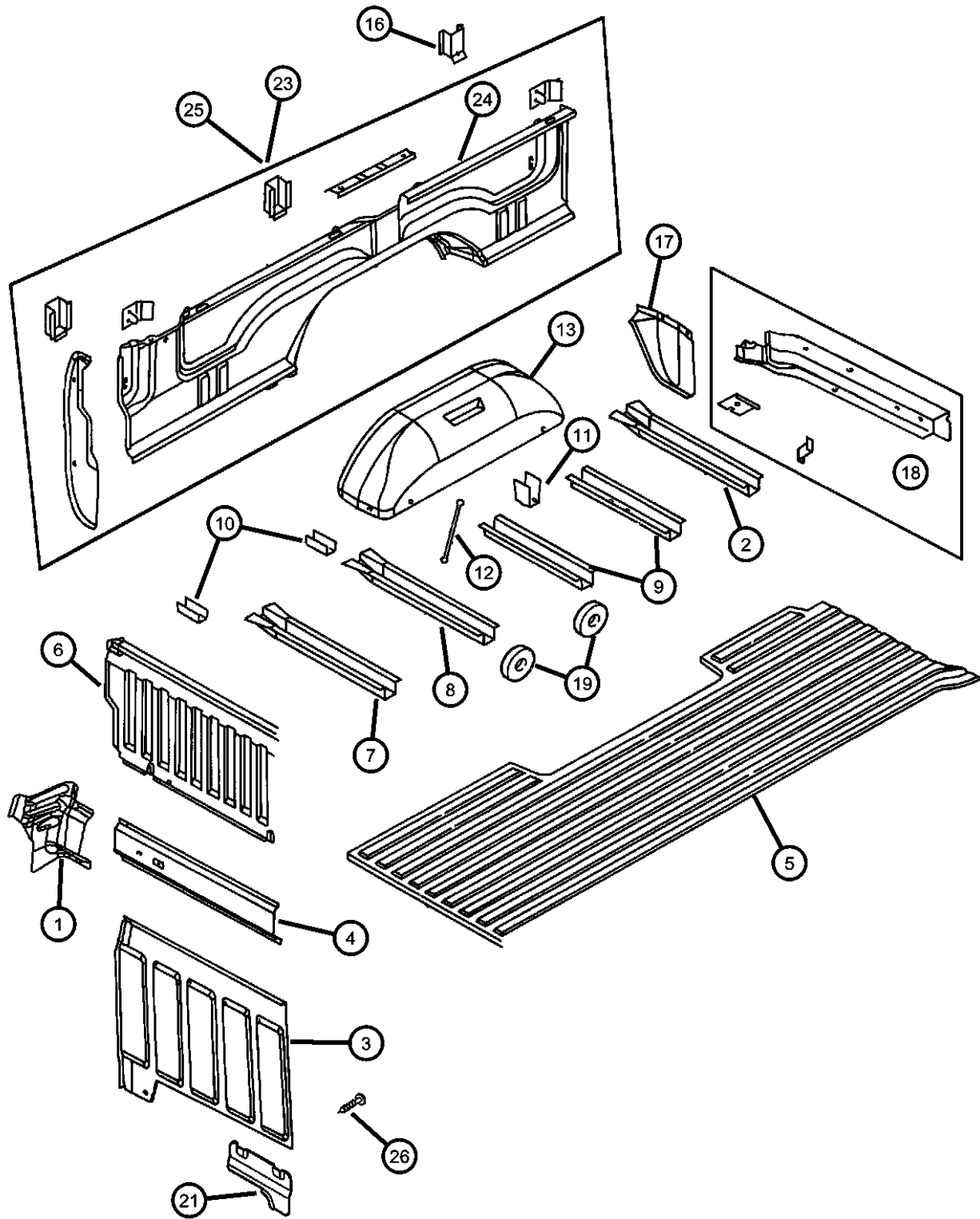
SERIES	LINE
L = Ram Truck (All)	3 = HD DODGE 2WD 8 = HD DODGE 4WD 1 = Lt. Duty DODGE 2WD 6 = Lt. Duty DODGE 4WD 2 = Med. Duty DODGE 2WD 7 = Med. Duty DODGE 4WD

BODY	ENGINE	TRANSMISSION
31 = CLUB CAB 2-DR 6.5 FT BOX	ELF = ENGINE - 5.2L V8 MPI EML = ENGINE - 5.9L V8 MPI	DDC = TRANSMISSION - 5-SPEED HD MANUAL
32 = CLUB CAB 2-DR 8FT BOX	EMM = ENGINE - "MAGNUM" 5.9L SMPI V8	DDP = TRANSMISSION - 5-SPEED MANUAL
33 = QUAD CAB 4-DR 6.5 FT BOX	ETC = ENGINE- 5.9L CUMMINS 24V DIESEL	DDX = TRANSMISSION - 5-SPEED HD MANUAL
34 = QUAD CAB 4-DR 8FT BOX	ETH = ENGINE- 5.9L HO CUMMINS TURBO DIESEL	DEE = TRANSMISSION - 6-SPEED HD MANUAL
	EWA = ENGINE - 8.0L V10 MPI	DGP = TRANSMISSION - 4-SPD. AUTOMATIC, 47RE DGT = TRANSMISSION - 4-SPD. AUTOMATIC, 46RE

AR = use ase required - = Non illustrated part

2000 BE

**Floor Box And Panel  
Figure SBE-220**



ITEM	PART NUMBER	QTY	LINE	SERIES	BODY	ENGINE	TRANS	TRIM	DESCRIPTION
16	55274806AB	1							REINFORCEMENT, Quarter Rear CornerRight
17									EXTENSION, Wheel House
	55344824	1	1, 2						Right
	55344825	2	3, 8		34				Left
18	55275186	1							SILL, Box
19	55275466AA	4							ISOLATOR
-20	55275188	2							TAPPING PLATE, Sill to Frame
21									REINFORCEMENT, Cab Back to Floor
	55275092	1							Right
	55275093	1							Left
-22									SCREW AND WASHER, Hex Head, M10x1.5x45
	06503298	8				34			Box Hold Down
		6	1, 2, 6, 7			31, 33			Box Hold Down
23									PANEL, Box Side
	04856376	1	1, 2, 6, 7			31, 33			6 1/2 Foot Box, Right
	04856377	1	1, 2, 6, 7			31, 33			6 1/2 Foot Box, Left
	04856380	1				34			8 Foot Box, Right
	04856381	1				34			8 Foot Box, Left
24									PANEL, Box Side Outer
	55023618	1	1, 2, 6, 7			31, 33			6 1/2 Foot Box, Right
	55023619	1	1, 2, 6, 7			31, 33			6 1/2 Foot Box, Left
	55023620	1				34			8 Foot Box, Right
	55023621	1				34			8 Foot Box, Left
25									PANEL, Box Side, Dual Wheels
	04856384	1				34			Right
	04856385	1				34			Left
26	06503221	2							PIN

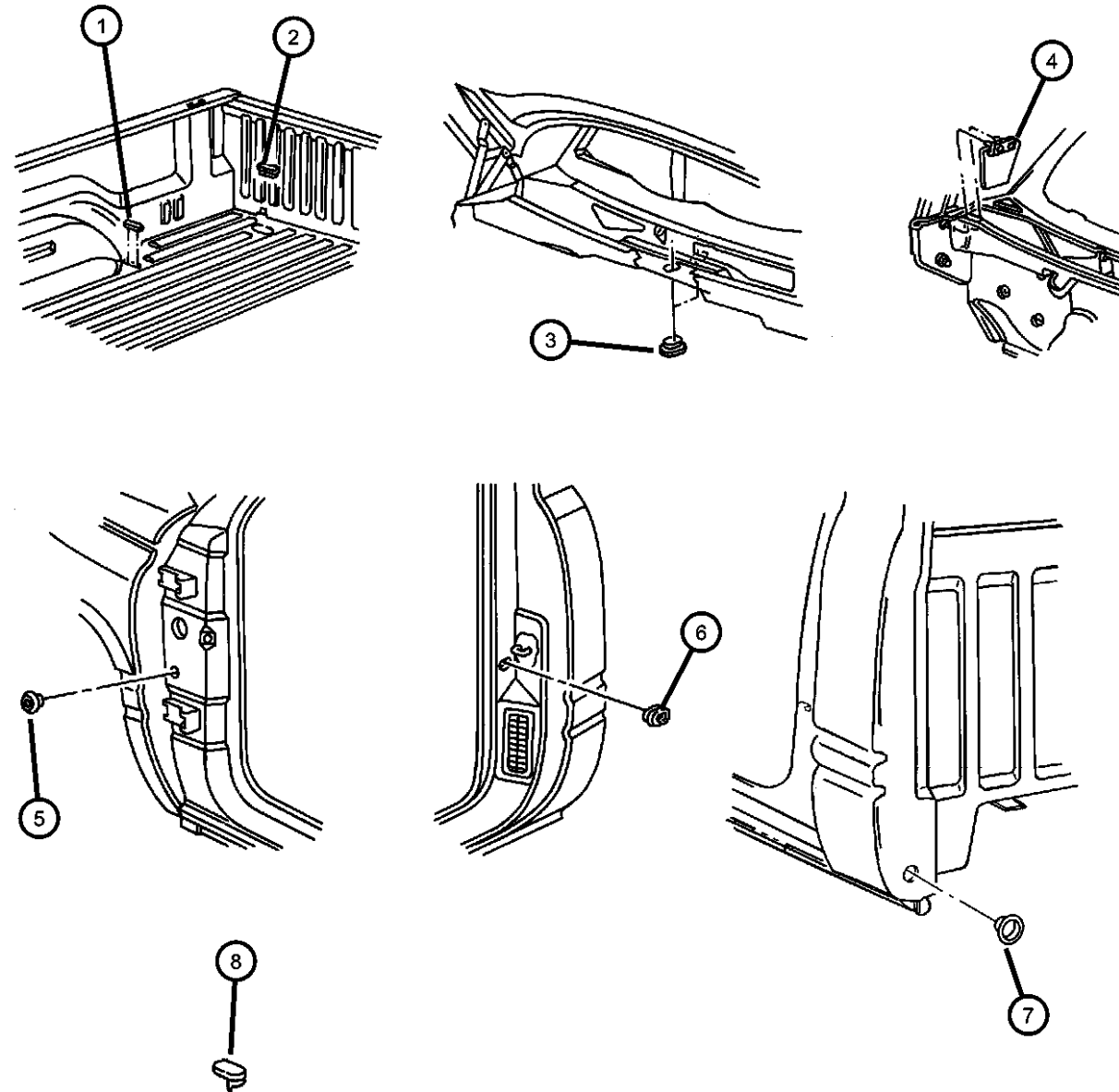
**RAM PICKUP/CLUB CAB (BE)**

SERIES	LINE	BODY	ENGINE	TRANSMISSION
L = Ram Truck (All)	3 = HD DODGE 2WD 8 = HD DODGE 4WD 1 = Lt. Duty DODGE 2WD 6 = Lt. Duty DODGE 4WD 2 = Med. Duty DODGE 2WD 7 = Med. Duty DODGE 4WD	31 = CLUB CAB 2-DR 6.5 FT BOX 32 = CLUB CAB 2-DR 8FT BOX 33 = QUAD CAB 4-DR 6.5 FT BOX 34 = QUAD CAB 4-DR 8FT BOX	ELF = ENGINE - 5.2L V8 MPI EML = ENGINE - 5.9L V8 MPI EMM = ENGINE - "MAGNUM" 5.9L SMPI V8 ETC = ENGINE- 5.9L CUMMINS 24V DIESEL ETH = ENGINE- 5.9L HO CUMMINS TURBO DIESEL EWA = ENGINE - 8.0L V10 MPI	DDC = TRANSMISSION - 5-SPEED HD MANUAL DDP = TRANSMISSION - 5-SPEED MANUAL DDX = TRANSMISSION - 5-SPEED HD MANUAL DEE = TRANSMISSION - 6-SPEED HD MANUAL DGP = TRANSMISSION - 4-SPD. AUTOMATIC, 47RE DGT = TRANSMISSION - 4-SPD. AUTOMATIC, 46RE

AR = use ase required - = Non illustrated part

2000 BE

**Plugs  
Figure SBE-310**



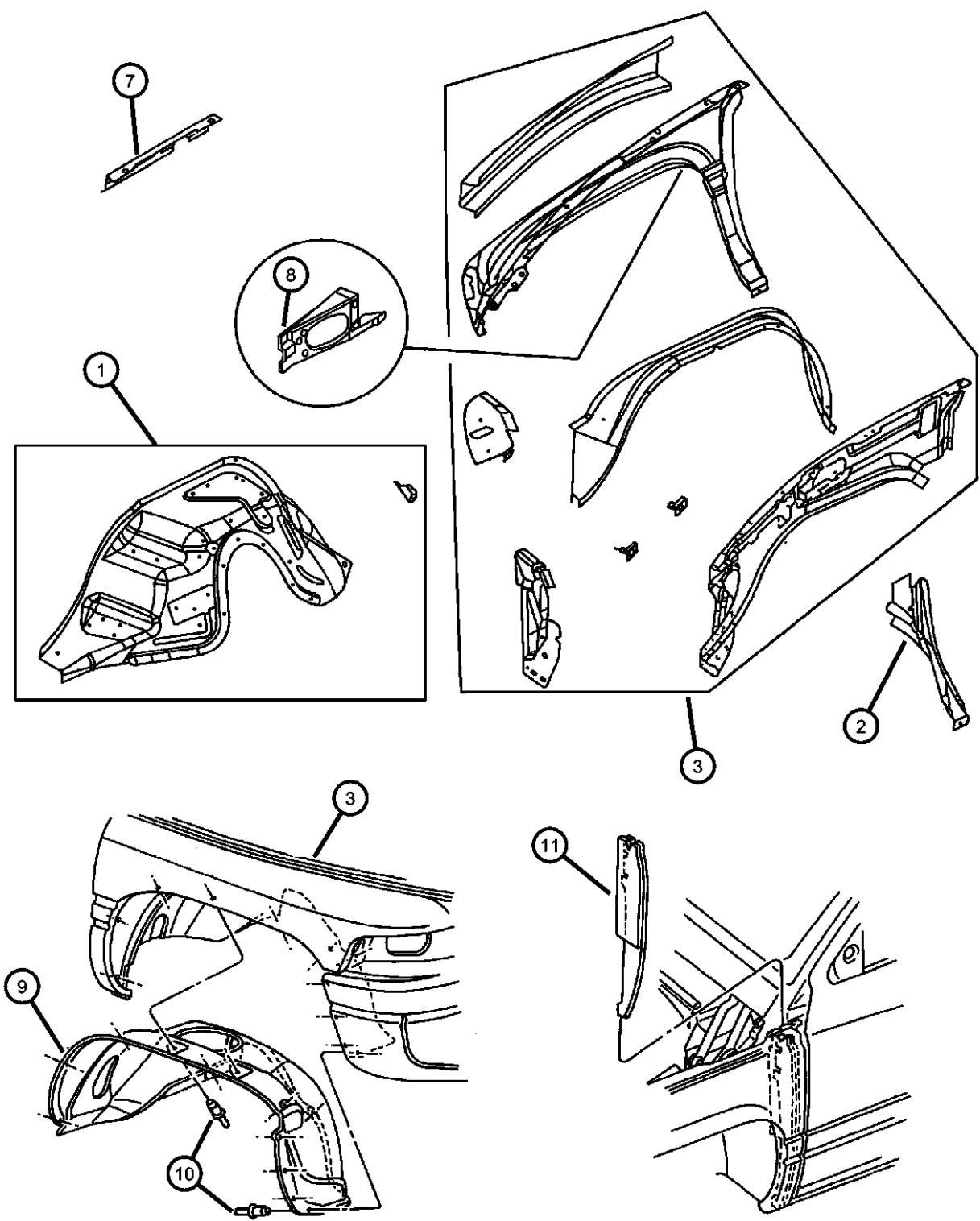
ITEM	PART NUMBER	QTY	LINE	SERIES	BODY	ENGINE	TRANS	TRIM	DESCRIPTION
1	04440486	2							PLUG, Body, 19.05mm x 31.75mmLeft
2	55276319AA	2							PLUG, Floor
3	04475385	2							PLUG, Plenum Lower Push Rod Access
4	55035931	2							SEAL, Plenum Drain
5	04674441	2							PLUG, Body, .75 DiameterBody Side
6	01774076	2							PLUGBody Side
7	55257380AA	8							PLUG, Floor Pan Outer Drain
8	04586055	AR							PLUG, Floor Pan
-9	56006990	1							PLUG, Sealing, Antenna Hole
-10	52108193AB	1							PLUG, Dash Panel Clutch Openning
-11	04084000	2							PLUG, Hood, Rear Round
-12	04475385	2							PLUG, Hood Rear Oval

**RAM PICKUP/CLUB CAB (BE)**

SERIES	LINE	BODY	ENGINE	TRANSMISSION
L = Ram Truck (All)	3 = HD DODGE 2WD	31 = CLUB CAB 2-DR 6.5 FT BOX	ELF = ENGINE - 5.2L V8 MPI	DDC = TRANSMISSION - 5-SPEED HD MANUAL
	8 = HD DODGE 4WD	32 = CLUB CAB 2-DR 8FT BOX	EML = ENGINE - 5.9L V8 MPI	DDP = TRANSMISSION - 5-SPEED MANUAL
	1 = Lt. Duty DODGE 2WD	33 = QUAD CAB 4-DR 6.5 FT BOX	EMM = ENGINE - "MAGNUM" 5.9L SMPI V8	DDX = TRANSMISSION - 5-SPEED HD MANUAL
	6 = Lt. Duty DODGE 4WD	34 = QUAD CAB 4-DR 8FT BOX	ETC = ENGINE- 5.9L CUMMINS 24V DIESEL	DEE = TRANSMISSION - 6-SPEED HD MANUAL
	2 = Med. Duty DODGE 2WD		ETH = ENGINE- 5.9L HO CUMMINS TURBO DIESEL	DGP = TRANSMISSION - 4-SPD. AUTOMATIC,47RE
	7 = Med. Duty DODGE 4WD		EWA = ENGINE - 8.0L V10 MPI	DGT = TRANSMISSION - 4-SPD. AUTOMATIC,46RE

AR = use ase required - = Non illustrated part

Fender Front  
Figure SBE-410



ITEM	PART NUMBER	QTY	LINE	SERIES	BODY	ENGINE	TRANS	TRIM	DESCRIPTION
1	55275310AH	1							WHEELHOUSE, Front Inner Right
	55275311AH	1							Left
2	55023530	1							REINFORCEMENT, Fender Right
	55023531	1							Left
3	55234708AG	1							PANEL, Fender Right
	55234709AG	1							Left
-4	06503757	2							SCREW AND WASHER, Hex Head, M8-1.25x22.00, Fender Outer to Aperture
-5	06502282	12							SCREW, Hex Head, M8x1.25x30, Fender Inner to Radiator Closure
-6	06503461	AR							SCREW, Fender Outer to Radiator Closure
7	55234648	1							REINFORCEMENT, Fender Upper, Right
	55234649	1							Upper, Left
8	55275396AB	1							REINFORCEMENT, Fender Right
	55275397AB	1							Left
9	55346014	1	1, 2, 3						SHIELD, Wheelhouse 2 Wheel Drive, Right
	55346015	1	1, 2, 3						2 Wheel Drive, Left
	55346052	1	6, 7, 8						4 Wheel Drive, Right
	55346053	1	6, 7, 8						4 Wheel Drive, Left
10	34201631	18							RIVET, M6.25x28 Black
11	55135108AB	1							SEAL, Fender To Cowl Right
	55135109AB	1							Left
-12									LABEL, Battery Jump Start

RAM PICKUP/CLUB CAB (BE)

SERIES	LINE	BODY	ENGINE	TRANSMISSION
L = Ram Truck (All)	3 = HD DODGE 2WD 8 = HD DODGE 4WD 1 = Lt. Duty DODGE 2WD 6 = Lt. Duty DODGE 4WD 2 = Med. Duty DODGE 2WD 7 = Med. Duty DODGE 4WD	31 = CLUB CAB 2-DR 6.5 FT BOX 32 = CLUB CAB 2-DR 8FT BOX 33 = QUAD CAB 4-DR 6.5 FT BOX 34 = QUAD CAB 4-DR 8FT BOX	ELF = ENGINE - 5.2L V8 MPI EML = ENGINE - 5.9L V8 MPI EMM = ENGINE - "MAGNUM" 5.9L SMPI V8 ETC = ENGINE- 5.9L CUMMINS 24V DIESEL ETH = ENGINE- 5.9L HO CUMMINS TURBO DIESEL EWA = ENGINE - 8.0L V10 MPI	DDC = TRANSMISSION - 5-SPEED HD MANUAL DDP = TRANSMISSION - 5-SPEED MANUAL DDX = TRANSMISSION - 5-SPEED HD MANUAL DEE = TRANSMISSION - 6-SPEED HD MANUAL DGP = TRANSMISSION - 4-SPD. AUTOMATIC, 47RE DGT = TRANSMISSION - 4-SPD. AUTOMATIC, 46RE

AR = use ase required - = Non illustrated part

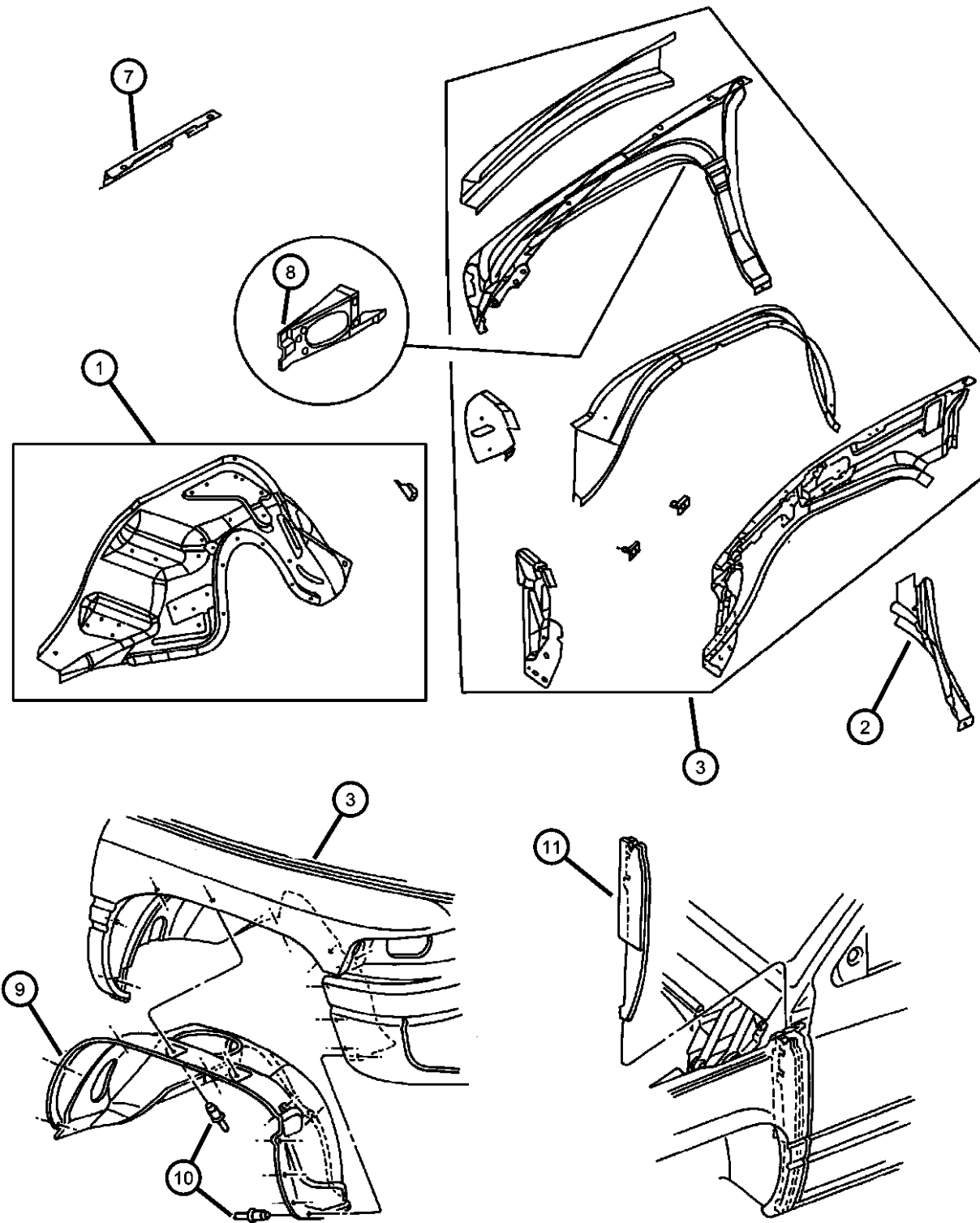


Fender Front  
Figure SBE-410

ITEM	PART NUMBER	QTY	LINE	SERIES	BODY	ENGINE	TRANS	TRIM	DESCRIPTION
------	-------------	-----	------	--------	------	--------	-------	------	-------------

53040076 2  
53040081 1

CANADA



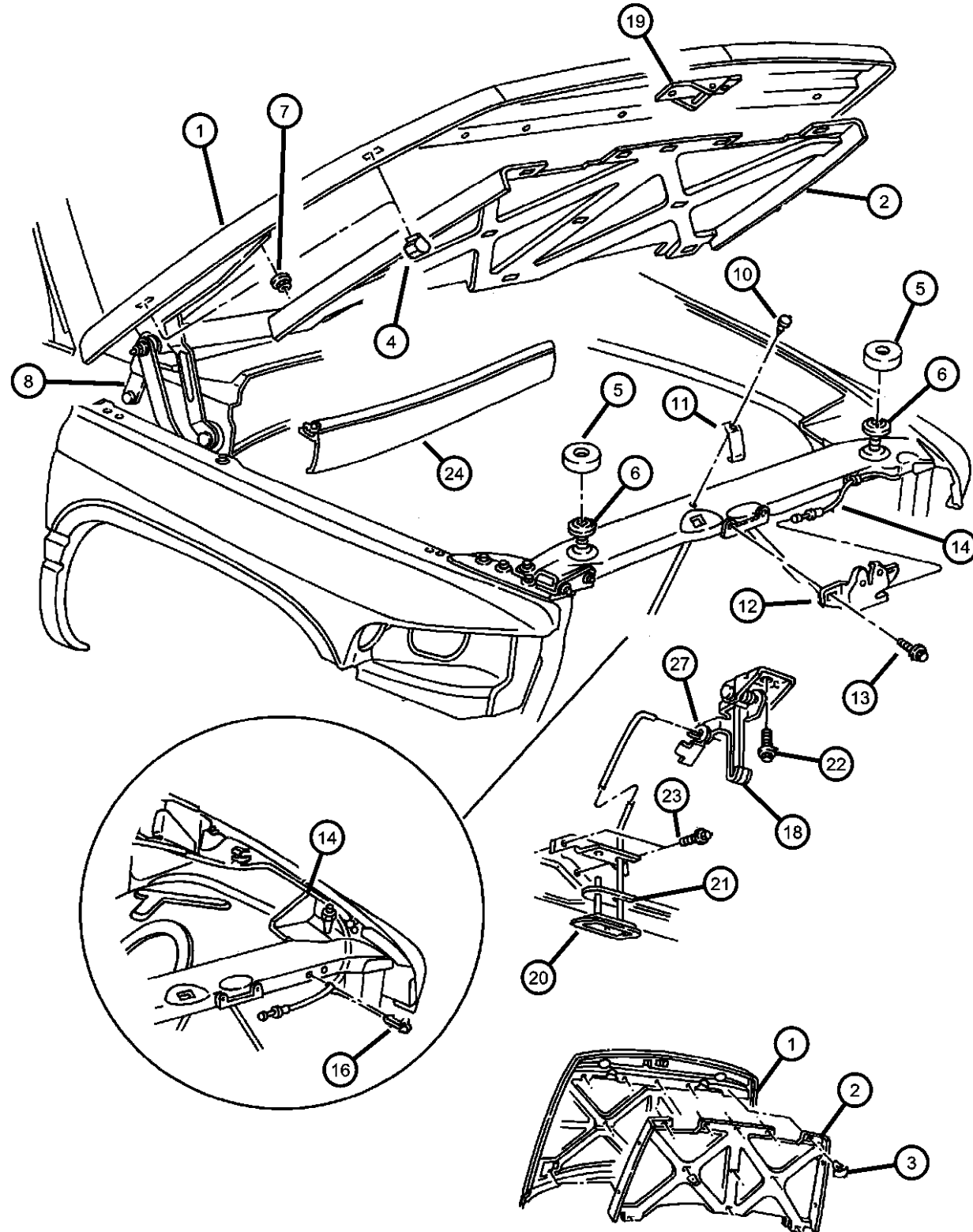
RAM PICKUP/CLUB CAB (BE)

SERIES	LINE	BODY	ENGINE	TRANSMISSION
L = Ram Truck (All)	3 = HD DODGE 2WD 8 = HD DODGE 4WD 1 = Lt. Duty DODGE 2WD 6 = Lt. Duty DODGE 4WD 2 = Med. Duty DODGE 2WD 7 = Med. Duty DODGE 4WD	31 = CLUB CAB 2-DR 6.5 FT BOX 32 = CLUB CAB 2-DR 8FT BOX 33 = QUAD CAB 4-DR 6.5 FT BOX 34 = QUAD CAB 4-DR 8FT BOX	ELF = ENGINE - 5.2L V8 MPI EML = ENGINE - 5.9L V8 MPI EMM = ENGINE - "MAGNUM" 5.9L SMPI V8 ETC = ENGINE- 5.9L CUMMINS 24V DIESEL ETH = ENGINE- 5.9L HO CUMMINS TURBO DIESEL EWA = ENGINE - 8.0L V10 MPI	DDC = TRANSMISSION - 5-SPEED HD MANUAL DDP = TRANSMISSION - 5-SPEED MANUAL DDX = TRANSMISSION - 5-SPEED HD MANUAL DEE = TRANSMISSION - 6-SPEED HD MANUAL DGP = TRANSMISSION - 4-SPD. AUTOMATIC,47RE DGT = TRANSMISSION - 4-SPD. AUTOMATIC,46RE

AR = use ase required - = Non illustrated part

2000 BE

### Hood And Hood Release Figure SBE-510



ITEM	PART NUMBER	QTY	LINE	SERIES	BODY	ENGINE	TRANS	TRIM	DESCRIPTION
Sales Code [MFN] = Grille Body Color									
1	55075923AD	1							HOOD
2	55350404AC	1							PAD, Hood Silencer
3	06003351	15							RETAINER, Hood Insulation, .415x.690
4	55234899	2							BUMPER, Hood to Fender
5	02276804	2							BUMPER, Hood
6	06036199AA	2							SCREW, Round Head, .312-18x1.50
7	06100051	4							NUT AND WASHER, Hex Nut-Coned Washer, M8 x 1.25
8									HINGE, Hood
	55076270AC	1							Right
	55076271AC	1							Left
-9	06503661	6							SCREW AND WASHER, Hex Head, M8x1.25x25, Hood Hinge to Cowl End Attach
10	06500787	1							RIVET, M5x11.30
11	55075178	1							SKID PLATE, Secondary Hood Catch
12	55275379	1							LATCH, Hood
13	06101455	2							SCREW AND WASHER, Hex Head, M6x1x20
14	55076343	1							RELEASE, Hood Latch
-15	05207294	1							GROMMET, Hood Latch Release
16	06503794	3							CLIP, M6.3x11.2
-17	06504288	6							SCREW AND WASHER, Hex Head, Grille Bracket to Hood
18	55076367AB	1							CATCH, Hood Safety
19	55075937	1							STRIKER, Hood Latch
20									ROD, Hood Safety Catch
	55275195	1							
	55275477AA	1							With Grille Body Color, [MFN]
21	55275133AB	1							GUIDE, Hood Safety

**RAM PICKUP/CLUB CAB (BE)**

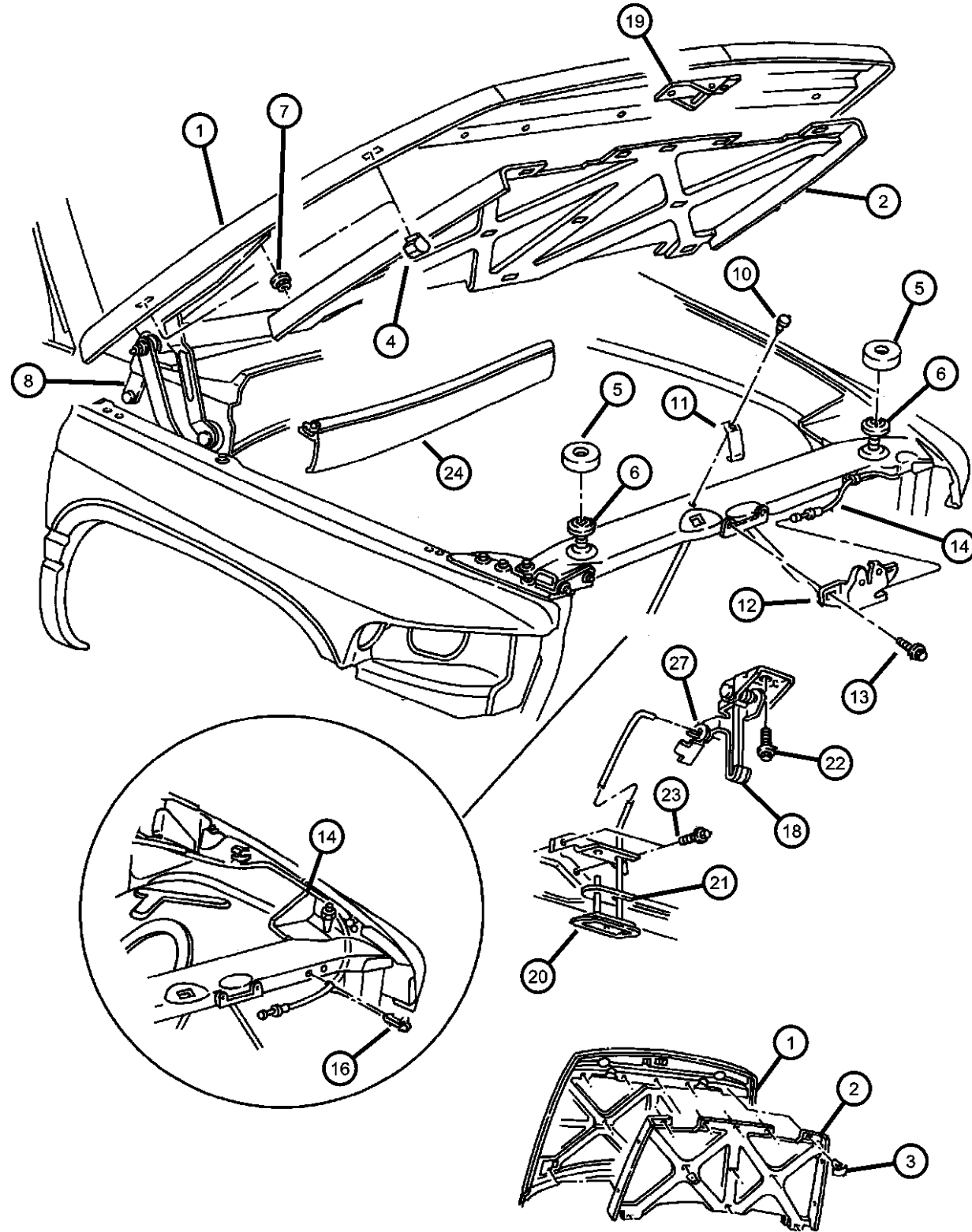
SERIES	LINE
L = Ram Truck (All)	3 = HD DODGE 2WD
	8 = HD DODGE 4WD
	1 = Lt. Duty DODGE 2WD
	6 = Lt. Duty DODGE 4WD
	2 = Med. Duty DODGE 2WD
	7 = Med. Duty DODGE 4WD

BODY	ENGINE	TRANSMISSION
31 = CLUB CAB 2-DR 6.5 FT BOX	ELF = ENGINE - 5.2L V8 MPI	DDC = TRANSMISSION - 5-SPEED HD MANUAL
32 = CLUB CAB 2-DR 8FT BOX	EML = ENGINE - 5.9L V8 MPI	DDP = TRANSMISSION - 5-SPEED MANUAL
33 = QUAD CAB 4-DR 6.5 FT BOX	EMM = ENGINE - "MAGNUM" 5.9L SMPI V8	DDX = TRANSMISSION - 5-SPEED HD MANUAL
34 = QUAD CAB 4-DR 8FT BOX	ETC = ENGINE- 5.9L CUMMINS 24V DIESEL	DEE = TRANSMISSION - 6-SPEED HD MANUAL
	ETH = ENGINE- 5.9L HO CUMMINS TURBO DIESEL	DGP = TRANSMISSION - 4-SPD. AUTOMATIC, 47RE
	EWA = ENGINE - 8.0L V10 MPI	DGT = TRANSMISSION - 4-SPD. AUTOMATIC, 46RE

AR = use ase required - = Non illustrated part

2000 BE

### Hood And Hood Release Figure SBE-510



ITEM	PART NUMBER	QTY	LINE	SERIES	BODY	ENGINE	TRANS	TRIM	DESCRIPTION
22	06502655	1							SCREW, Hex Head, M6x1x15
23	00154782	3							SCREW, Hex Head, .19-16x.5
24	55135340	1							SEAL, Hood To Plenum
-25									SEAL, Cowl
	55135342	1							Right
	55135343	1							Left
-26	55036839	2							TAPE, Hood To Seal
27	04658677	1							CLIP, Latch Link
-28	06100557	2							BOLT AND CONED WASHER, Hex Head, M6x20x14, Attach Clip Cable to Body

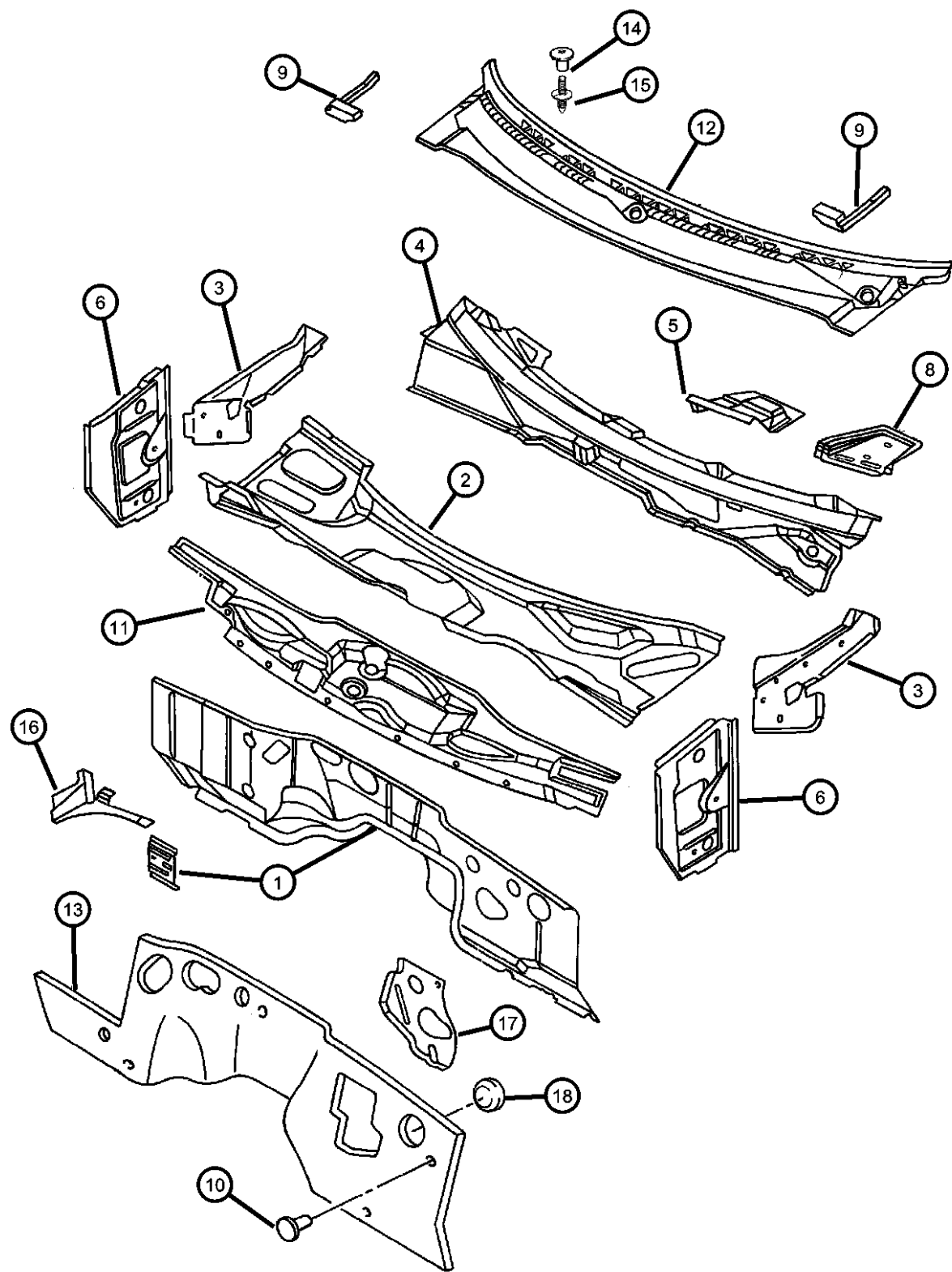
#### RAM PICKUP/CLUB CAB (BE)

SERIES	LINE	BODY	ENGINE	TRANSMISSION
L = Ram Truck (All)	3 = HD DODGE 2WD	31 = CLUB CAB 2-DR 6.5 FT BOX	ELF = ENGINE - 5.2L V8 MPI	DDC = TRANSMISSION - 5-SPEED HD MANUAL
	8 = HD DODGE 4WD	32 = CLUB CAB 2-DR 8FT BOX	EML = ENGINE - 5.9L V8 MPI	DDP = TRANSMISSION - 5-SPEED MANUAL
	1 = Lt. Duty DODGE 2WD	33 = QUAD CAB 4-DR 6.5 FT BOX	EMM = ENGINE - "MAGNUM" 5.9L SMPI V8	DDX = TRANSMISSION - 5-SPEED HD MANUAL
	6 = Lt. Duty DODGE 4WD	34 = QUAD CAB 4-DR 8FT BOX	ETC = ENGINE- 5.9L CUMMINS 24V DIESEL	DEE = TRANSMISSION - 6-SPEED HD MANUAL
	2 = Med. Duty DODGE 2WD		ETH = ENGINE- 5.9L HO CUMMINS TURBO DIESEL	DGP = TRANSMISSION - 4-SPD. AUTOMATIC, 47RE
	7 = Med. Duty DODGE 4WD		EWA = ENGINE - 8.0L V10 MPI	DGT = TRANSMISSION - 4-SPD. AUTOMATIC, 46RE

AR = use ase required - = Non illustrated part

2000 BE

**Cowl And Dash Panel  
Figure SBE-610**



ITEM	PART NUMBER	QTY	LINE	SERIES	BODY	ENGINE	TRANS	TRIM	DESCRIPTION
1	55274586AB	1							PANEL, Dash
2	55275298	1							PANEL, Cowl And Plenum
3									PANEL, Plenum End
	55274644	1							Right
	55274645	1							Left
4	55274643AB	1							PANEL, Cowl And Plenum
5	55023557	1							SUPPORT, Steering ColumnUpper
6									PANEL, Cowl Side
	55275302	1							Right
	55275303	1							Left
-7	06502871	2							BOLT, M6.3x22.80, Attach Panel to Cowl Vent Grille
8	55274575	1							SUPPORT, Steering ColumnLower
9									SEAL, Cowl
	55135342	1							Right
	55135343	1							Left
10	06503274	4							NUT, Push On
11	55215683AD	1							INSULATION, Dash PanelDiesel
12	55036871AB	1							PANEL, Cowl Top
13									INSULATION, Dash Panel
	55350212AD	1							Diesel
	55350755AB	1							Gas Only
14	06503339	5							NUT, Plastic
15	06503338	AR							STUD, .250-20x16.2
16									REINFORCEMENT, Hood Hinge
	55274588	1							Right
	55274589	1							Left
17	55234637	1							REINFORCEMENT, Brake Booster
18	52108193AB	1							PLUG, Dash Panel Opening

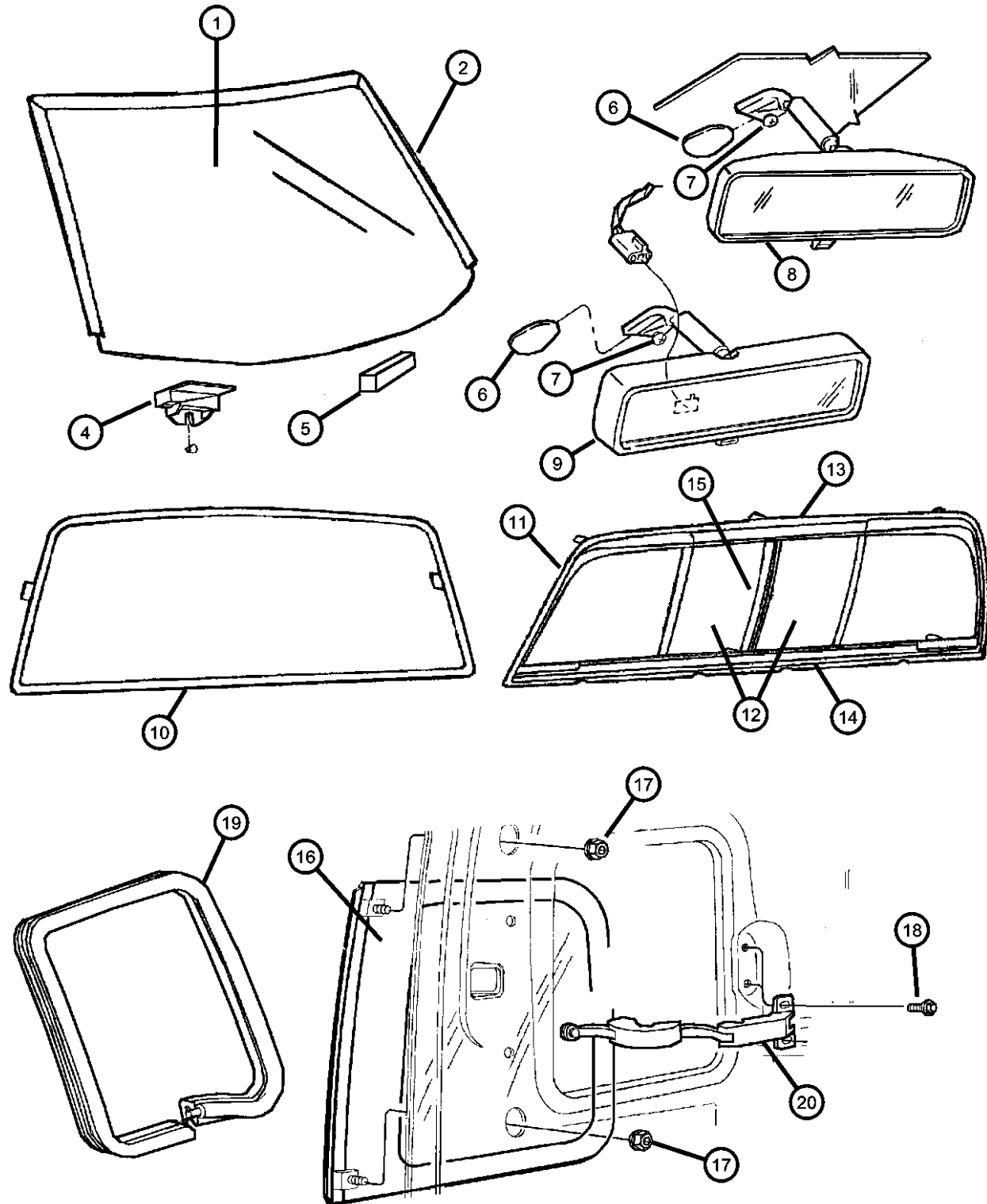
**RAM PICKUP/CLUB CAB (BE)**

SERIES	LINE	BODY	ENGINE	TRANSMISSION
L = Ram Truck (All)	3 = HD DODGE 2WD 8 = HD DODGE 4WD 1 = Lt. Duty DODGE 2WD 6 = Lt. Duty DODGE 4WD 2 = Med. Duty DODGE 2WD 7 = Med. Duty DODGE 4WD	31 = CLUB CAB 2-DR 6.5 FT BOX 32 = CLUB CAB 2-DR 8FT BOX 33 = QUAD CAB 4-DR 6.5 FT BOX 34 = QUAD CAB 4-DR 8FT BOX	ELF = ENGINE - 5.2L V8 MPI EML = ENGINE - 5.9L V8 MPI EMM = ENGINE - "MAGNUM" 5.9L SMPI V8 ETC = ENGINE- 5.9L CUMMINS 24V DIESEL ETH = ENGINE- 5.9L HO CUMMINS TURBO DIESEL EWA = ENGINE - 8.0L V10 MPI	DDC = TRANSMISSION - 5-SPEED HD MANUAL DDP = TRANSMISSION - 5-SPEED MANUAL DDX = TRANSMISSION - 5-SPEED HD MANUAL DEE = TRANSMISSION - 6-SPEED HD MANUAL DGP = TRANSMISSION - 4-SPD. AUTOMATIC, 47RE DGT = TRANSMISSION - 4-SPD. AUTOMATIC, 46RE

AR = use ase required - = Non illustrated part

2000 BE

**Glass, Windshield, Backlite, Quarter, Inside Mirror**  
**Figure SBE-710**



ITEM	PART NUMBER	QTY	LINE	SERIES	BODY	ENGINE	TRANS	TRIM	DESCRIPTION
1	55076400AD	1							WINDSHIELD
2	55275017	1							MOLDING, Windshield
-3	04864015	1							INSTALLATION PACKAGE, Windshield Glass
4	55275388AB	2							SPACER, Windshield
5	04278662	1							SPACER
6	55076401	1							BUTTON, Rear View Mirror
7	06031094	1							SCREW, Pan Head Tapping, .19-16x.375
8	55076403	1							MIRROR, Inside Rear View
9	55076402	1							MIRROR, Inside Rear View, Electric
10	55346646	1							BACKLITE, Tinted
	DB09370GTY								Collision Replacement Glass
11	55346644AE	1							BACKLITE, Solar
12									GLASS, Backlite, Sliding
	05012880AB	1							Right
	DB09459YPY								Collision Replacement Glass
	05012881AB	1							Left
	DB09460YPY								Collision Replacement Glass
13	05011532AA	1							CHANNEL, Sliding BackliteUpper
14	05011533AA	1							CHANNEL, Sliding BackliteLower
15	04773094AB	1							LATCH, Sliding Window
16									GLASS, Quarter Window, Club Cab Only, For Quad Cab See Doors
	04897130AA	1	1, 6				31		Right
	DQ08789YPY								Collision Replacement Glass
	04897131AA	1	1, 6				31		Left
	DQ08790YPY								Collision Replacement Glass
17	06500284	2							NUT, Hex, M6x1.00
18	06503958	4	1, 6				31		SCREW AND WASHER, Self Tapping, M6x1x22

**RAM PICKUP/CLUB CAB (BE)**

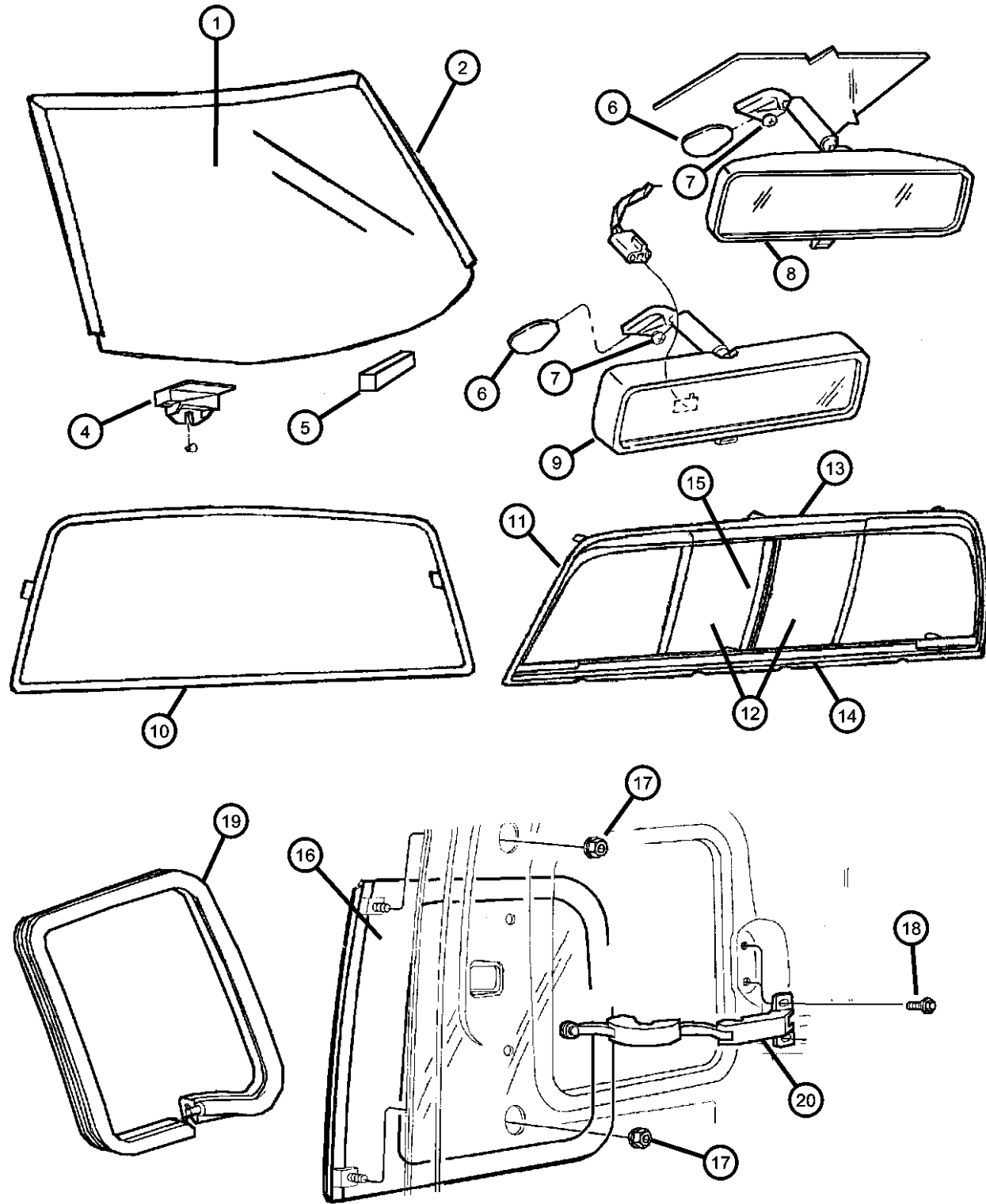
SERIES	LINE
L = Ram Truck (All)	3 = HD DODGE 2WD
	8 = HD DODGE 4WD
	1 = Lt. Duty DODGE 2WD
	6 = Lt. Duty DODGE 4WD
	2 = Med. Duty DODGE 2WD
	7 = Med. Duty DODGE 4WD

BODY	ENGINE	TRANSMISSION
31 = CLUB CAB 2-DR 6.5 FT BOX	ELF = ENGINE - 5.2L V8 MPI	DDC = TRANSMISSION - 5-SPEED HD MANUAL
32 = CLUB CAB 2-DR 8FT BOX	EML = ENGINE - 5.9L V8 MPI	DDP = TRANSMISSION - 5-SPEED MANUAL
33 = QUAD CAB 4-DR 6.5 FT BOX	EMM = ENGINE - "MAGNUM" 5.9L SMPI V8	DDX = TRANSMISSION - 5-SPEED HD MANUAL
34 = QUAD CAB 4-DR 8FT BOX	ETC = ENGINE- 5.9L CUMMINS 24V DIESEL	DEE = TRANSMISSION - 6-SPEED HD MANUAL
	ETH = ENGINE- 5.9L HO CUMMINS TURBO DIESEL	DGP = TRANSMISSION - 4-SPD. AUTOMATIC, 47RE
	EWA = ENGINE - 8.0L V10 MPI	DGT = TRANSMISSION - 4-SPD. AUTOMATIC, 46RE

AR = use ase required - = Non illustrated part

2000 BE

**Glass, Windshield, Backlite, Quarter, Inside Mirror**  
**Figure SBE-710**



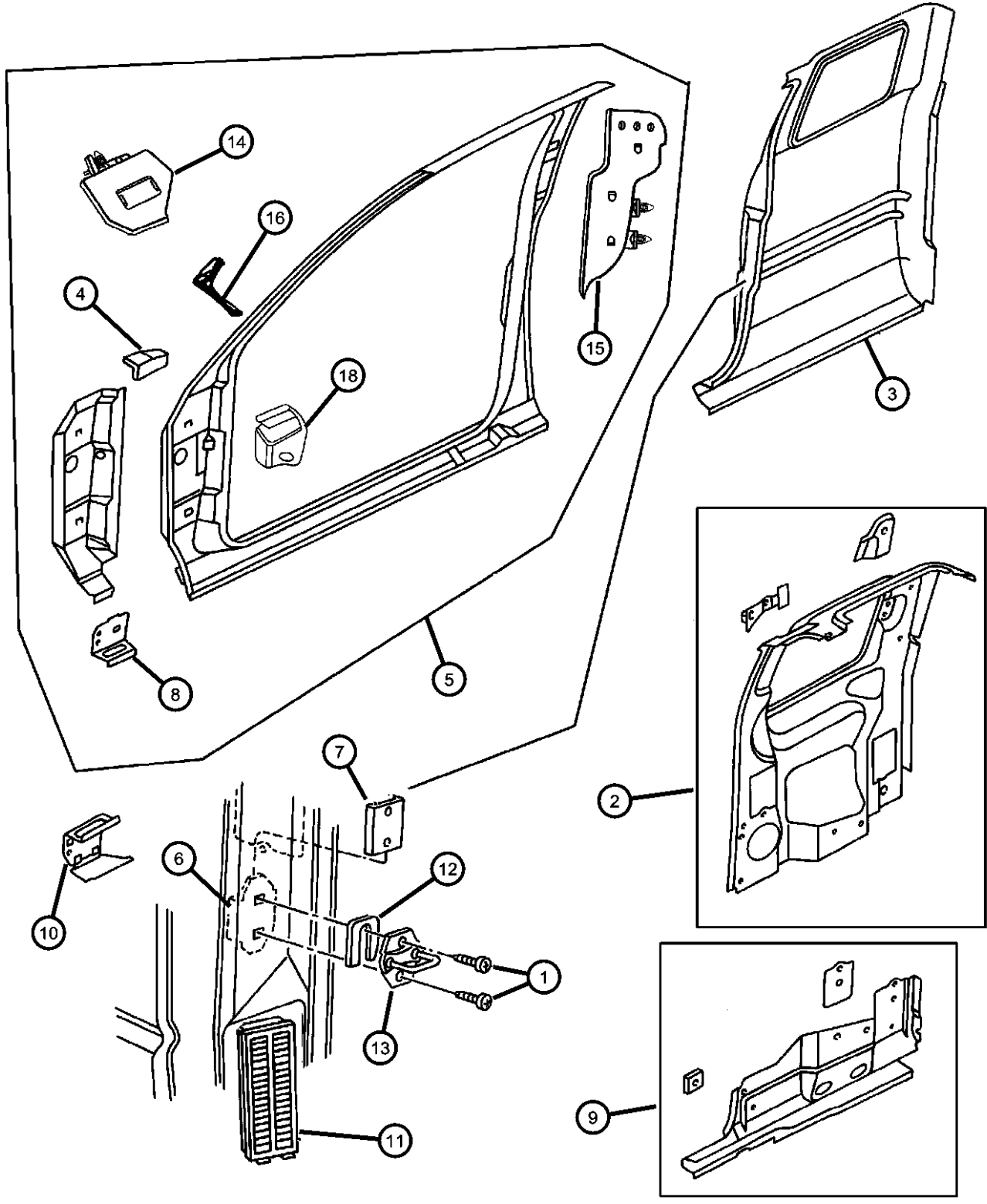
ITEM	PART NUMBER	QTY	LINE	SERIES	BODY	ENGINE	TRANS	TRIM	DESCRIPTION
19	55135048	2	1, 6		31				SEAL, Quarter Window
20	04673452	AR	1, 6		31				LATCH, Vent Window

**RAM PICKUP/CLUB CAB (BE)**

SERIES	LINE	BODY	ENGINE	TRANSMISSION
L = Ram Truck (All)	3 = HD DODGE 2WD 8 = HD DODGE 4WD 1 = Lt. Duty DODGE 2WD 6 = Lt. Duty DODGE 4WD 2 = Med. Duty DODGE 2WD 7 = Med. Duty DODGE 4WD	31 = CLUB CAB 2-DR 6.5 FT BOX 32 = CLUB CAB 2-DR 8FT BOX 33 = QUAD CAB 4-DR 6.5 FT BOX 34 = QUAD CAB 4-DR 8FT BOX	ELF = ENGINE - 5.2L V8 MPI EML = ENGINE - 5.9L V8 MPI EMM = ENGINE - "MAGNUM" 5.9L SMPI V8 ETC = ENGINE- 5.9L CUMMINS 24V DIESEL ETH = ENGINE- 5.9L HO CUMMINS TURBO DIESEL EWA = ENGINE - 8.0L V10 MPI	DDC = TRANSMISSION - 5-SPEED HD MANUAL DDP = TRANSMISSION - 5-SPEED MANUAL DDX = TRANSMISSION - 5-SPEED HD MANUAL DEE = TRANSMISSION - 6-SPEED HD MANUAL DGP = TRANSMISSION - 4-SPD. AUTOMATIC, 47RE DGT = TRANSMISSION - 4-SPD. AUTOMATIC, 46RE

AR = use ase required - = Non illustrated part

**Aperture Panel Bodyside, 2 Door  
Figure SBE-810**



ITEM	PART NUMBER	QTY	LINE	SERIES	BODY	ENGINE	TRANS	TRIM	DESCRIPTION
------	-------------	-----	------	--------	------	--------	-------	------	-------------

Note: Item #5 is to be modified for a club cab. Remove panel 55274840-1 which is used on a standard cab.

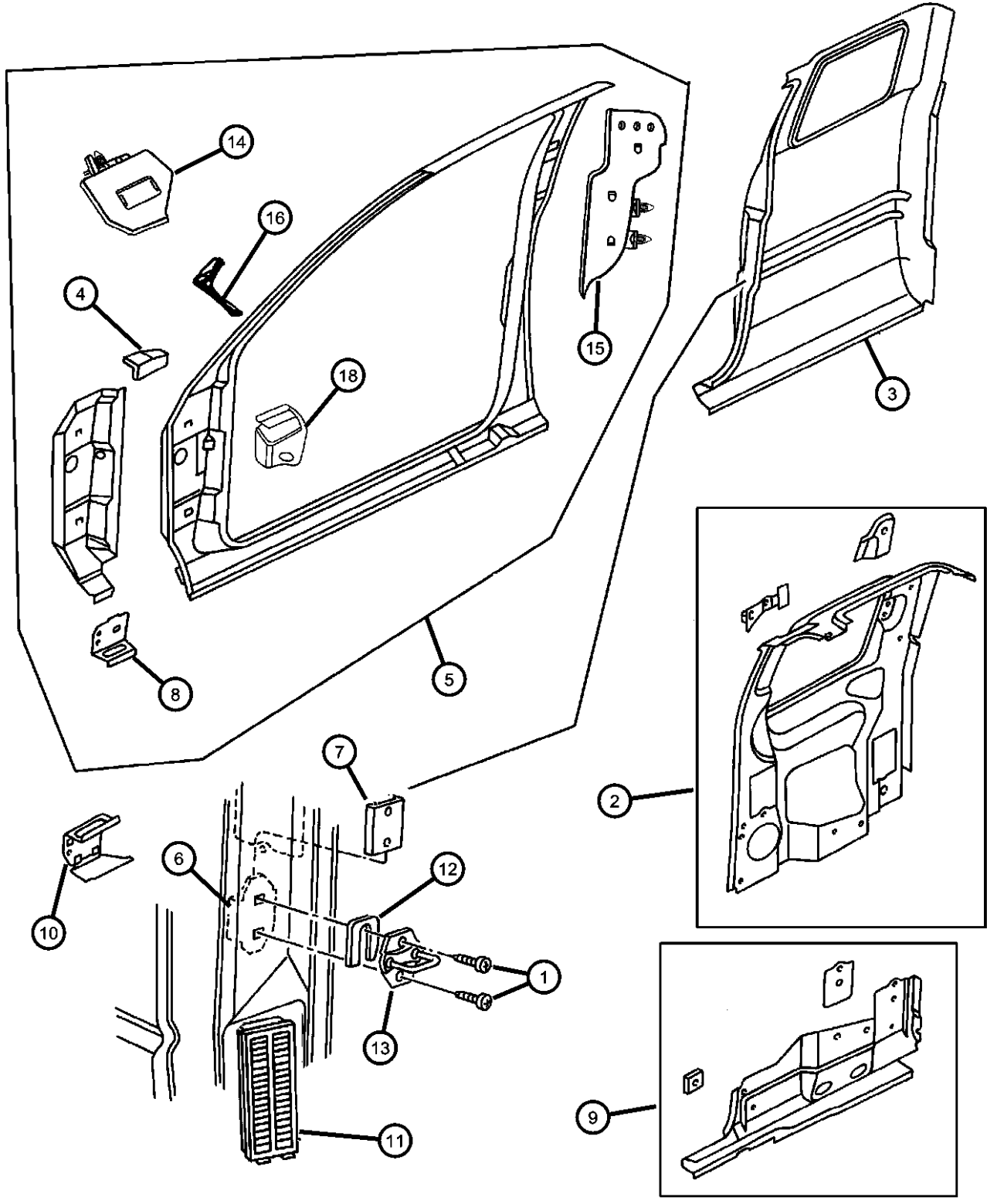
1	06503120	4							SCREW AND WASHER, Button Head Torx
2									PANEL, Quarter Inner
	55275266	1	1, 6		31				Right
	55275267	1	1, 6		31				Left
3									PANEL, Quarter
	55274622	1	1, 6		31				Right
	55274623	1	1, 6		31				Left
4									BRACKET, Aperture to Fender
	55275222	1							Right
	55275223	1							Left
5									PANEL, Body Side Aperture Rear
	05003138AB	1	1, 6		31				Right
	05003139AB	1	1, 6		31				Left
6	04512871AB	2	1, 6		31				RETAINER, Door Lock Striker
7	55256000	2	1, 6		31				PLATE, Front Door Striker
8									TAPPING PLATE, Side Pillar Hinge
	55274600	1	1, 6		31				Right
	55274601	1	1, 6		31				Left
9									PANEL, Quarter Inner
	55275268AB	1	1, 6		31				Right
	55275269AB	1	1, 6		31				Left
10									BAFFLE, Body Side Hinge Pillar
	55275366	1	1, 6		31				Right
	55275367	1	1, 6		31				Left
11	55036334	2	1, 6		31				EXHAUSTER, Quarter Panel
12									SPACER, Door Latch Striker
	04520289	AR							Gold
	55075483	AR							Silver
13	04520288	2							STRIKER, Door Latch

**RAM PICKUP/CLUB CAB (BE)**

SERIES	LINE	BODY	ENGINE	TRANSMISSION
L = Ram Truck (All)	3 = HD DODGE 2WD 8 = HD DODGE 4WD 1 = Lt. Duty DODGE 2WD 6 = Lt. Duty DODGE 4WD 2 = Med. Duty DODGE 2WD 7 = Med. Duty DODGE 4WD	31 = CLUB CAB 2-DR 6.5 FT BOX 32 = CLUB CAB 2-DR 8FT BOX 33 = QUAD CAB 4-DR 6.5 FT BOX 34 = QUAD CAB 4-DR 8FT BOX	ELF = ENGINE - 5.2L V8 MPI EML = ENGINE - 5.9L V8 MPI EMM = ENGINE - "MAGNUM" 5.9L SMPI V8 ETC = ENGINE- 5.9L CUMMINS 24V DIESEL ETH = ENGINE- 5.9L HO CUMMINS TURBO DIESEL EWA = ENGINE - 8.0L V10 MPI	DDC = TRANSMISSION - 5-SPEED HD MANUAL DDP = TRANSMISSION - 5-SPEED MANUAL DDX = TRANSMISSION - 5-SPEED HD MANUAL DEE = TRANSMISSION - 6-SPEED HD MANUAL DGP = TRANSMISSION - 4-SPD. AUTOMATIC,47RE DGT = TRANSMISSION - 4-SPD. AUTOMATIC,46RE

AR = use ase required - = Non illustrated part

**Aperture Panel Bodyside, 2 Door  
Figure SBE-810**



ITEM	PART NUMBER	QTY	LINE	SERIES	BODY	ENGINE	TRANS	TRIM	DESCRIPTION
14	55135346	1							BAFFLE, A Pillar Right
	55135347	1							Left
15	55135172	1	1, 6		31				BAFFLE, B Pillar Right
	55135173	1	1, 6		31				Left
16	55274562AC	1							GUSSET, Cowl Plenum To Cowl Side Right
	55274563AC	1							Left
-17	06502328	1	1, 6		31				PIN, Push, M5.80x13.00
18	55275508AA	1							SEAL, Body Side Right
	55275509AA	1							Left

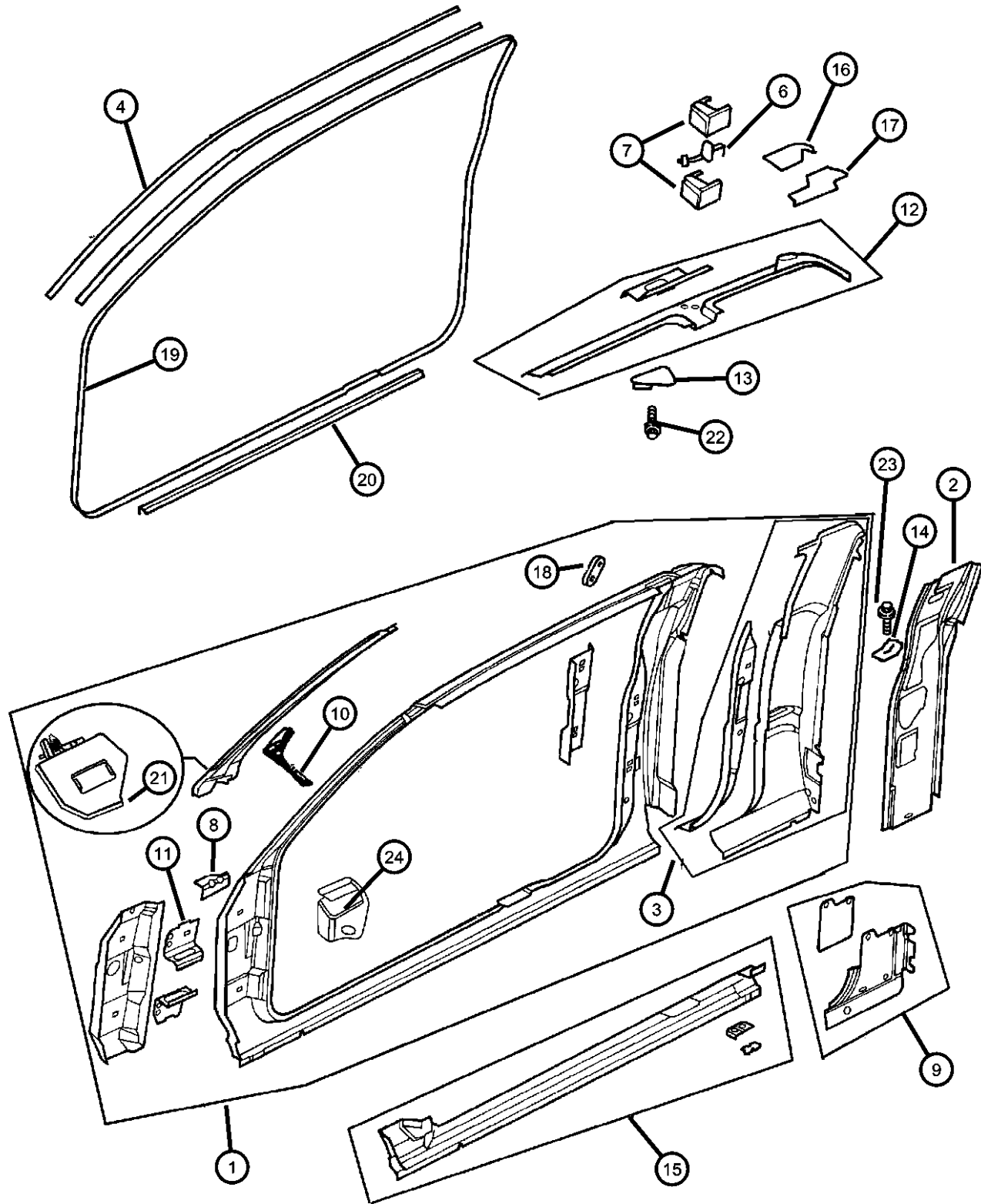
**RAM PICKUP/CLUB CAB (BE)**

SERIES	LINE	BODY	ENGINE	TRANSMISSION
L = Ram Truck (All)	3 = HD DODGE 2WD 8 = HD DODGE 4WD 1 = Lt. Duty DODGE 2WD 6 = Lt. Duty DODGE 4WD 2 = Med. Duty DODGE 2WD 7 = Med. Duty DODGE 4WD	31 = CLUB CAB 2-DR 6.5 FT BOX 32 = CLUB CAB 2-DR 8FT BOX 33 = QUAD CAB 4-DR 6.5 FT BOX 34 = QUAD CAB 4-DR 8FT BOX	ELF = ENGINE - 5.2L V8 MPI EML = ENGINE - 5.9L V8 MPI EMM = ENGINE - "MAGNUM" 5.9L SMPI V8 ETC = ENGINE- 5.9L CUMMINS 24V DIESEL ETH = ENGINE- 5.9L HO CUMMINS TURBO DIESEL EWA = ENGINE - 8.0L V10 MPI	DDC = TRANSMISSION - 5-SPEED HD MANUAL DDP = TRANSMISSION - 5-SPEED MANUAL DDX = TRANSMISSION - 5-SPEED HD MANUAL DEE = TRANSMISSION - 6-SPEED HD MANUAL DGP = TRANSMISSION - 4-SPD. AUTOMATIC,47RE DGT = TRANSMISSION - 4-SPD. AUTOMATIC,46RE

AR = use ase required - = Non illustrated part



**Aperture Panel Bodyside, 4 Door  
Figure SBE-820**



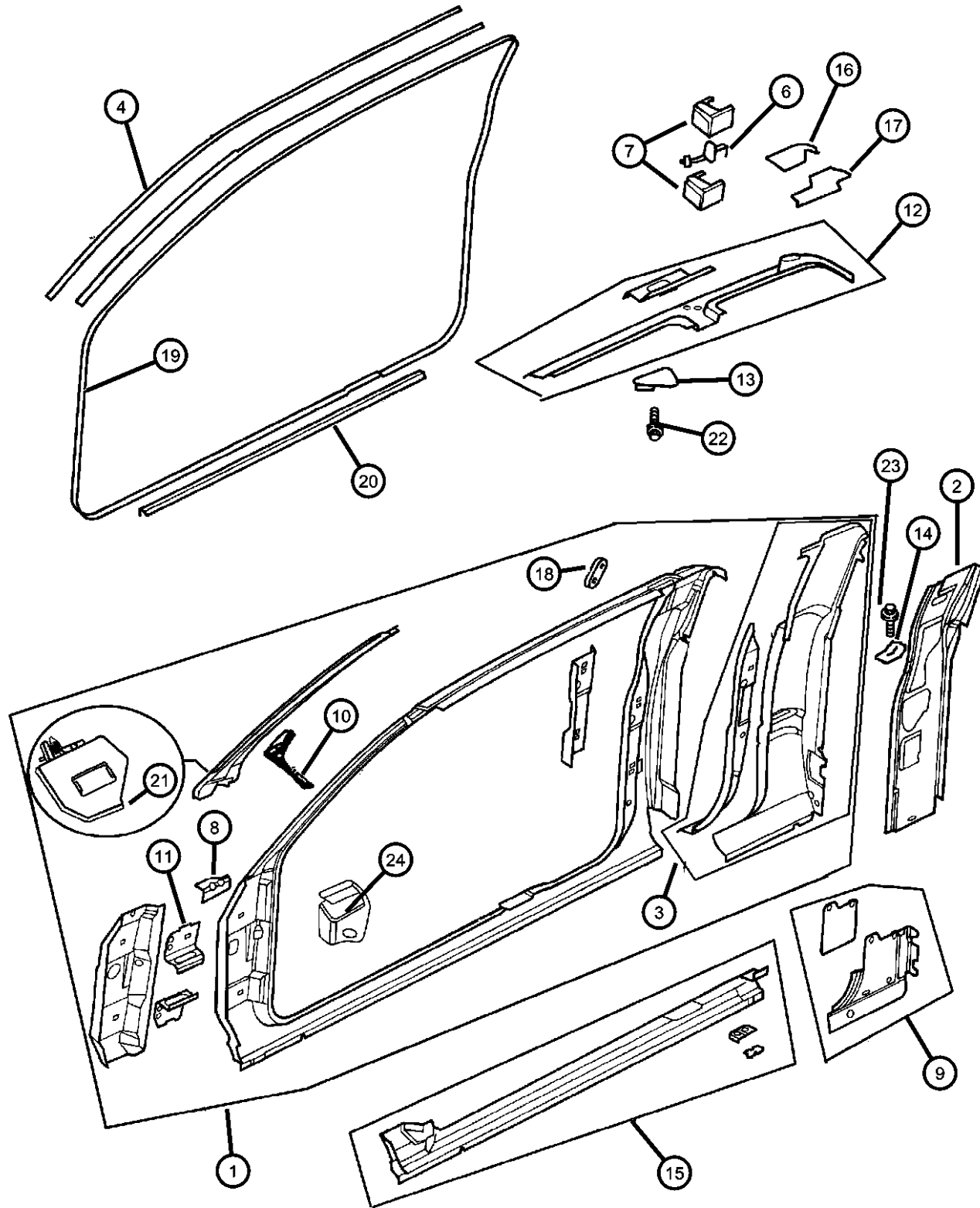
ITEM	PART NUMBER	QTY	LINE	SERIES	BODY	ENGINE	TRANS	TRIM	DESCRIPTION
1	05013088AB	1			33, 34				PANEL, Body Side Aperture Rear Right
	05013089AB	1			33, 34				Left
2	55275136	1			33, 34				PANEL, Quarter Inner Right, Upper
	55275137	1			33, 34				Left, Upper
3	55275140	1			33, 34				PANEL, Quarter Right, Outer
	55275141	1			33, 34				Left, Outer
4	55275460AC	2			33, 34				SEAL, Body SideUpper, Secondary
-5	55275056AC	1			33, 34				RETAINER, Bodyside Seal Right
	55275057AC	1			33, 34				Left
6	55275238	2			33, 34				CHECK, Rear Door
7	55275157	4			33, 34				HINGE, Door
8	55275222	1							BRACKET, Aperture to Fender Right
	55275223	1							Left
9	55275212	1			33, 34				PANEL, Quarter Inner Right, Lower
	55275213	1			33, 34				Left, Lower
10	55274562AC	1							GUSSET, Cowl Plenum To Cowl Side Right
	55274563AC	1							Left
11	55274600	1			33, 34				TAPPING PLATE, Side Pillar Hinge Right
	55274601	1			33, 34				Left
12	55275226	1			33, 34				RAIL, Roof Right, Inner
	55275227	1			33, 34				Left, Inner

**RAM PICKUP/CLUB CAB (BE)**

SERIES	LINE	BODY	ENGINE	TRANSMISSION
L = Ram Truck (All)	3 = HD DODGE 2WD 8 = HD DODGE 4WD 1 = Lt. Duty DODGE 2WD 6 = Lt. Duty DODGE 4WD 2 = Med. Duty DODGE 2WD 7 = Med. Duty DODGE 4WD	31 = CLUB CAB 2-DR 6.5 FT BOX 32 = CLUB CAB 2-DR 8FT BOX 33 = QUAD CAB 4-DR 6.5 FT BOX 34 = QUAD CAB 4-DR 8FT BOX	ELF = ENGINE - 5.2L V8 MPI EML = ENGINE - 5.9L V8 MPI EMM = ENGINE - "MAGNUM" 5.9L SMPI V8 ETC = ENGINE- 5.9L CUMMINS 24V DIESEL ETH = ENGINE- 5.9L HO CUMMINS TURBO DIESEL EWA = ENGINE - 8.0L V10 MPI	DDC = TRANSMISSION - 5-SPEED HD MANUAL DDP = TRANSMISSION - 5-SPEED MANUAL DDX = TRANSMISSION - 5-SPEED HD MANUAL DEE = TRANSMISSION - 6-SPEED HD MANUAL DGP = TRANSMISSION - 4-SPD. AUTOMATIC,47RE DGT = TRANSMISSION - 4-SPD. AUTOMATIC,46RE

AR = use ase required - = Non illustrated part

**Aperture Panel Bodyside, 4 Door  
Figure SBE-820**



ITEM	PART NUMBER	QTY	LINE	SERIES	BODY	ENGINE	TRANS	TRIM	DESCRIPTION
13	55275102	1			33, 34				STRIKER, Door Latch Right, Upper
	55275103	1			33, 34				Left, Upper
14	55275104	1			33, 34				STRIKER, Door Right, Lower
	55275105	1			33, 34				Left, Lower
15	55275172	1			33, 34				REINFORCEMENT, Sill Right
	55275173	1			33, 34				Left
16	55275208AC	1			33, 34				BAFFLE, C Pillar Right, Outer
	55275209AC	1			33, 34				Left, Outer
17	55275210AC	1			33, 34				BAFFLE, C Pillar Right, Inner
	55275211AC	1			33, 34				Left, Inner
18	04490835AB	2			33, 34				REINFORCEMENT, Shoulder Belt
19	55276282AA	2			33, 34				WEATHERSTRIP, Front Door
20	55275424AA	1			33, 34				SEAL, Front Door Right
	55275425AA	1			33, 34				Left
21	55135346	1							BAFFLE, A Pillar Right
	55135347	1							Left
22	06100583	6			33, 34				BOLT AND CONED WASHER, Hex Head, M8x25x20
23	06505553AA	4			33, 34				SCREW
24	55275508AA	1							SEAL, Body Side Right
	55275509AA	1							Left

**RAM PICKUP/CLUB CAB (BE)**

SERIES	LINE
L = Ram Truck (All)	3 = HD DODGE 2WD 8 = HD DODGE 4WD 1 = Lt. Duty DODGE 2WD 6 = Lt. Duty DODGE 4WD 2 = Med. Duty DODGE 2WD 7 = Med. Duty DODGE 4WD

BODY
31 = CLUB CAB 2-DR 6.5 FT BOX 32 = CLUB CAB 2-DR 8FT BOX 33 = QUAD CAB 4-DR 6.5 FT BOX 34 = QUAD CAB 4-DR 8FT BOX

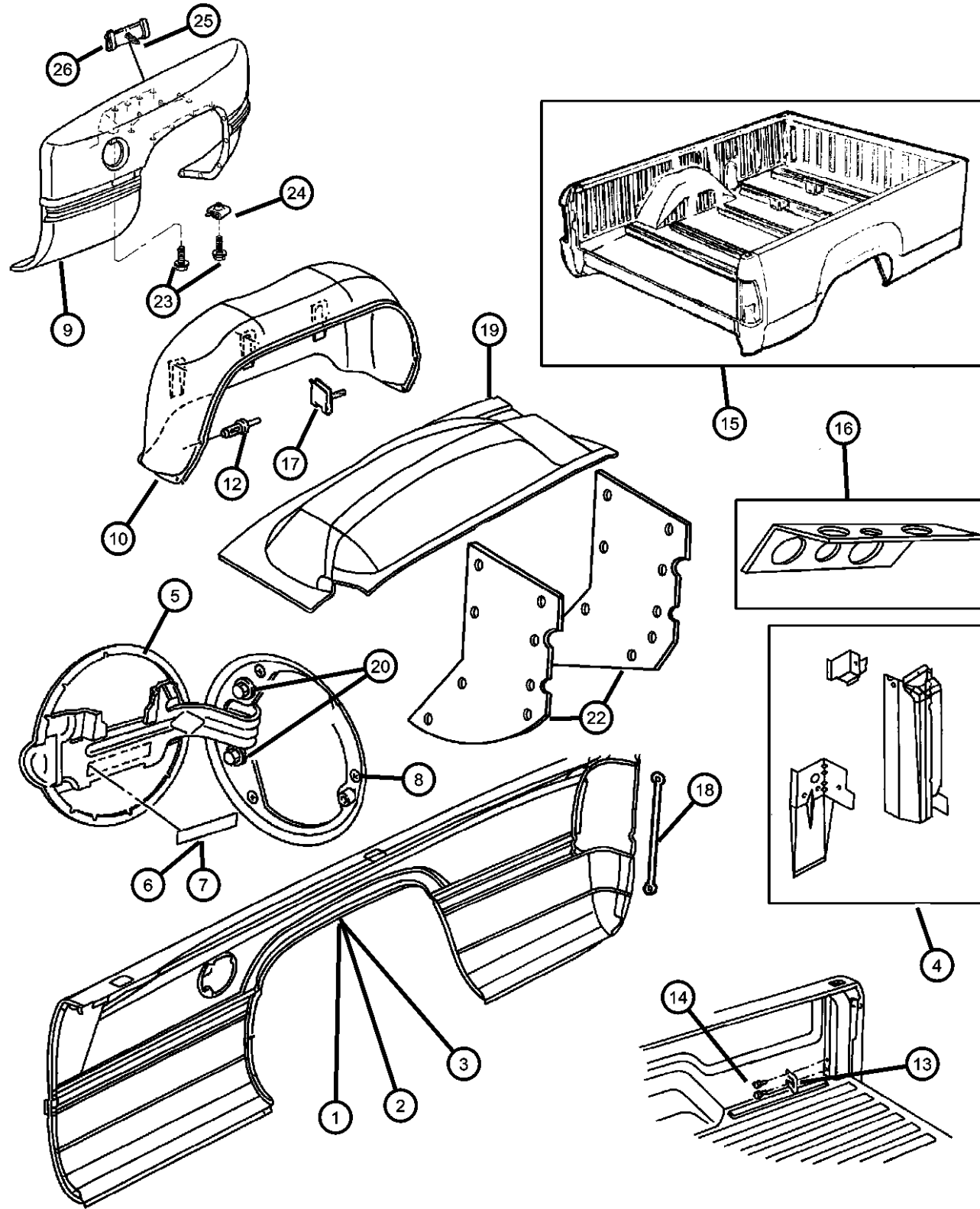
ENGINE
ELF = ENGINE - 5.2L V8 MPI EML = ENGINE - 5.9L V8 MPI EMM = ENGINE - "MAGNUM" 5.9L SMPI V8 ETC = ENGINE- 5.9L CUMMINS 24V DIESEL ETH = ENGINE- 5.9L HO CUMMINS TURBO DIESEL EWA = ENGINE - 8.0L V10 MPI

TRANSMISSION
DDC = TRANSMISSION - 5-SPEED HD MANUAL DDP = TRANSMISSION - 5-SPEED MANUAL DDX = TRANSMISSION - 5-SPEED HD MANUAL DEE = TRANSMISSION - 6-SPEED HD MANUAL DGP = TRANSMISSION - 4-SPD. AUTOMATIC,47RE DGT = TRANSMISSION - 4-SPD. AUTOMATIC,46RE

AR = use ase required - = Non illustrated part

2000 BE

Quarter Panel  
Figure SBE-910



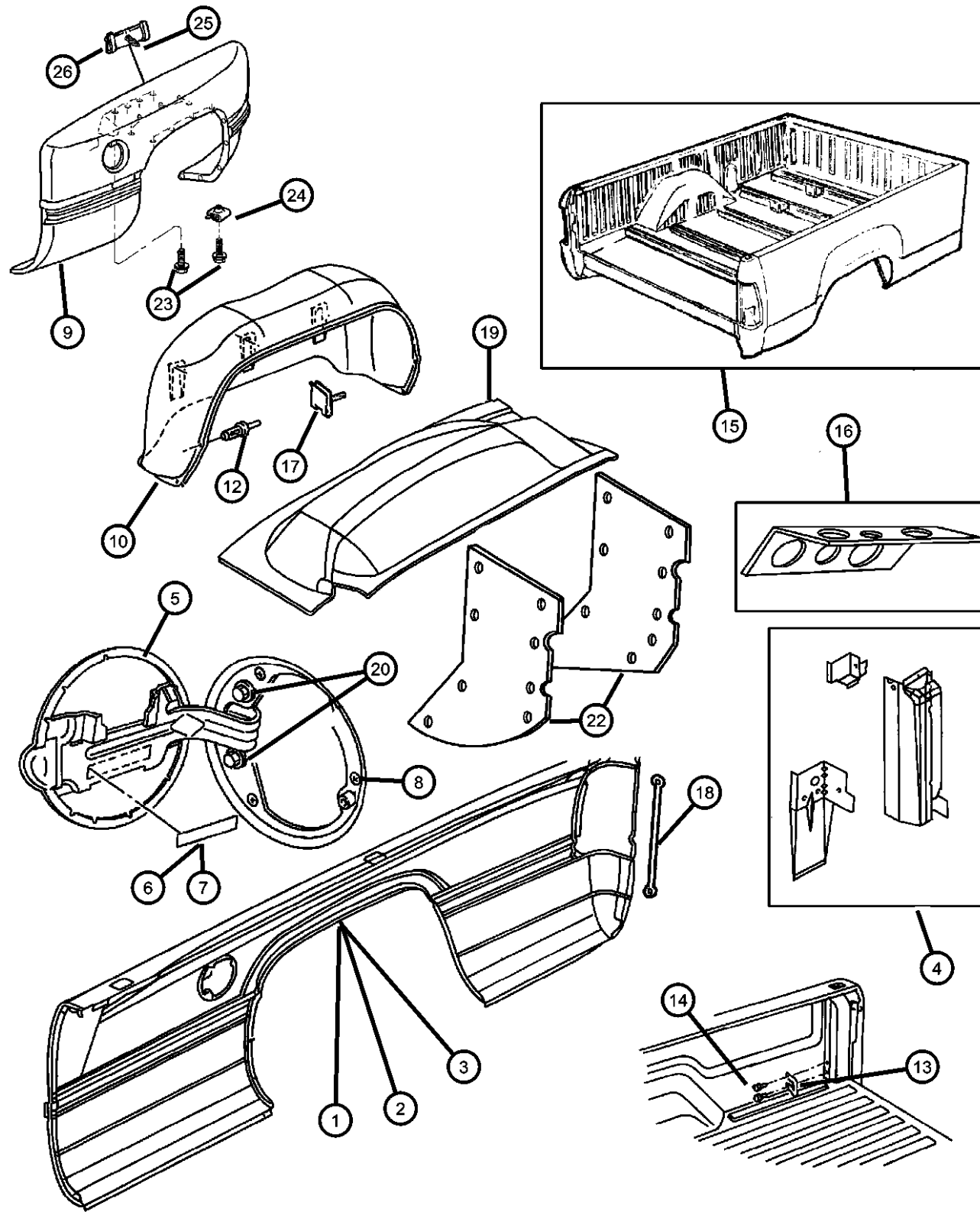
ITEM	PART NUMBER	QTY	LINE	SERIES	BODY	ENGINE	TRANS	TRIM	DESCRIPTION
1									PANEL, Box Side
	04856376	1	1, 2, 6, 7		31, 33				6 1/2 Foot Box, Right
	04856377	1	1, 2, 6, 7		31, 33				6 1/2 Foot Box, Left
	04856380	1			34				8 Foot Box, Right
	04856381	1			34				8 Foot Box, Left
2									PANEL, Box Side Outer
	55023618	1	1, 2, 6, 7		31, 33				6 1/2 Foot Box, Right
	55023619	1	1, 2, 6, 7		31, 33				6 1/2 Foot Box, Left
	55023620	1			34				8 Foot Box, Right
	55023621	1			34				8 Foot Box, Left
3									PANEL, Box Side, Dual Wheels
	04856384	1			34				Right
	04856385	1			34				Left
4									REINFORCEMENT, Quarter Rear Corner
	55274806AB	1							Right
	55274807AB	1							Left
5									DOOR, Fuel Fill
	55076234AB	1							Dual Wheel
	55076235AB	1							
6									LABEL, Unleaded Fuel Only
	04206059	1							English
	04490411	1							French
7									LABEL, FuelDiesel
8									BUMPER, Fuel Door
	55076327	2							
	55345963	2	3, 8		34				Dual Wheel
9									FENDER, Dual Wheel
	05003144AA	1	3, 8		34				Right
	05003145AA	1	3, 8		34				Left
10									SHIELD, Wheelhouse
	55346010	2	6, 7, 8						

RAM PICKUP/CLUB CAB (BE)

SERIES	LINE	BODY	ENGINE	TRANSMISSION
L = Ram Truck (All)	3 = HD DODGE 2WD 8 = HD DODGE 4WD 1 = Lt. Duty DODGE 2WD 6 = Lt. Duty DODGE 4WD 2 = Med. Duty DODGE 2WD 7 = Med. Duty DODGE 4WD	31 = CLUB CAB 2-DR 6.5 FT BOX 32 = CLUB CAB 2-DR 8FT BOX 33 = QUAD CAB 4-DR 6.5 FT BOX 34 = QUAD CAB 4-DR 8FT BOX	ELF = ENGINE - 5.2L V8 MPI EML = ENGINE - 5.9L V8 MPI EMM = ENGINE - "MAGNUM" 5.9L SMPI V8 ETC = ENGINE- 5.9L CUMMINS 24V DIESEL ETH = ENGINE- 5.9L HO CUMMINS TURBO DIESEL EWA = ENGINE - 8.0L V10 MPI	DDC = TRANSMISSION - 5-SPEED HD MANUAL DDP = TRANSMISSION - 5-SPEED MANUAL DDX = TRANSMISSION - 5-SPEED HD MANUAL DEE = TRANSMISSION - 6-SPEED HD MANUAL DGP = TRANSMISSION - 4-SPD. AUTOMATIC,47RE DGT = TRANSMISSION - 4-SPD. AUTOMATIC,46RE

AR = use ase required - = Non illustrated part

Quarter Panel  
Figure SBE-910



ITEM	PART NUMBER	QTY	LINE	SERIES	BODY	ENGINE	TRANS	TRIM	DESCRIPTION
-11	06502871	32	3, 8		34				BOLT, M6.3x22.80
12	34201631	14	6, 7, 8						RIVET, M6.25x28 Black
13	55033171	2							STRIKER, Door Latch
14	06100575	2							BOLT AND CONED WASHER, Hex Head, M8x25x17
15									BOX, Pickup
	04874783AB	1	1, 2, 6, 7		31, 33				6 1/2 Foot Box
	04874785AB	1			34				8 Foot Box
	04882570AB	1			34				Dual Wheel, 8 Foot Box
16									REINFORCEMENT, Box Side
	55274780	2							Right
	55274781	2							Left
17	06503735	18	3, 8		34				SCREW, Stake, M6x1x20
18									BRACKET, Stop Lamp
	55344816	1							Right
	55344817	1							Left
19	55345598	2	3, 8		34				EXTENSION, Wheel House, Dual Wheel
20	06503259	2							SCREW, Tapping, M6x1x20
-21	34202335	4							FASTENER, M7.4 Christmas Tree
22									SHIELD, Splash
	55275260	1	3, 8		34				Right, Front
	55275261	1	3, 8		34				Left, Front
	55275262	1	3, 8		34				Right, Rear
	55275263	1	3, 8		34				Left, Rear
23	06503267	40	3, 8		34				SCREW, Round Head, M6x1x25
24	06101712	40	3, 8		34				NUT, U, M6x1.00
25									SCREW AND WASHER, Hex Head, M10x1.5x45
	06503298	8			34				
		6	1, 2, 6, 7		31, 33				

RAM PICKUP/CLUB CAB (BE)

SERIES	LINE
L = Ram Truck (All)	3 = HD DODGE 2WD
	8 = HD DODGE 4WD
	1 = Lt. Duty DODGE 2WD
	6 = Lt. Duty DODGE 4WD
	2 = Med. Duty DODGE 2WD
	7 = Med. Duty DODGE 4WD

BODY
31 = CLUB CAB 2-DR 6.5 FT BOX
32 = CLUB CAB 2-DR 8FT BOX
33 = QUAD CAB 4-DR 6.5 FT BOX
34 = QUAD CAB 4-DR 8FT BOX

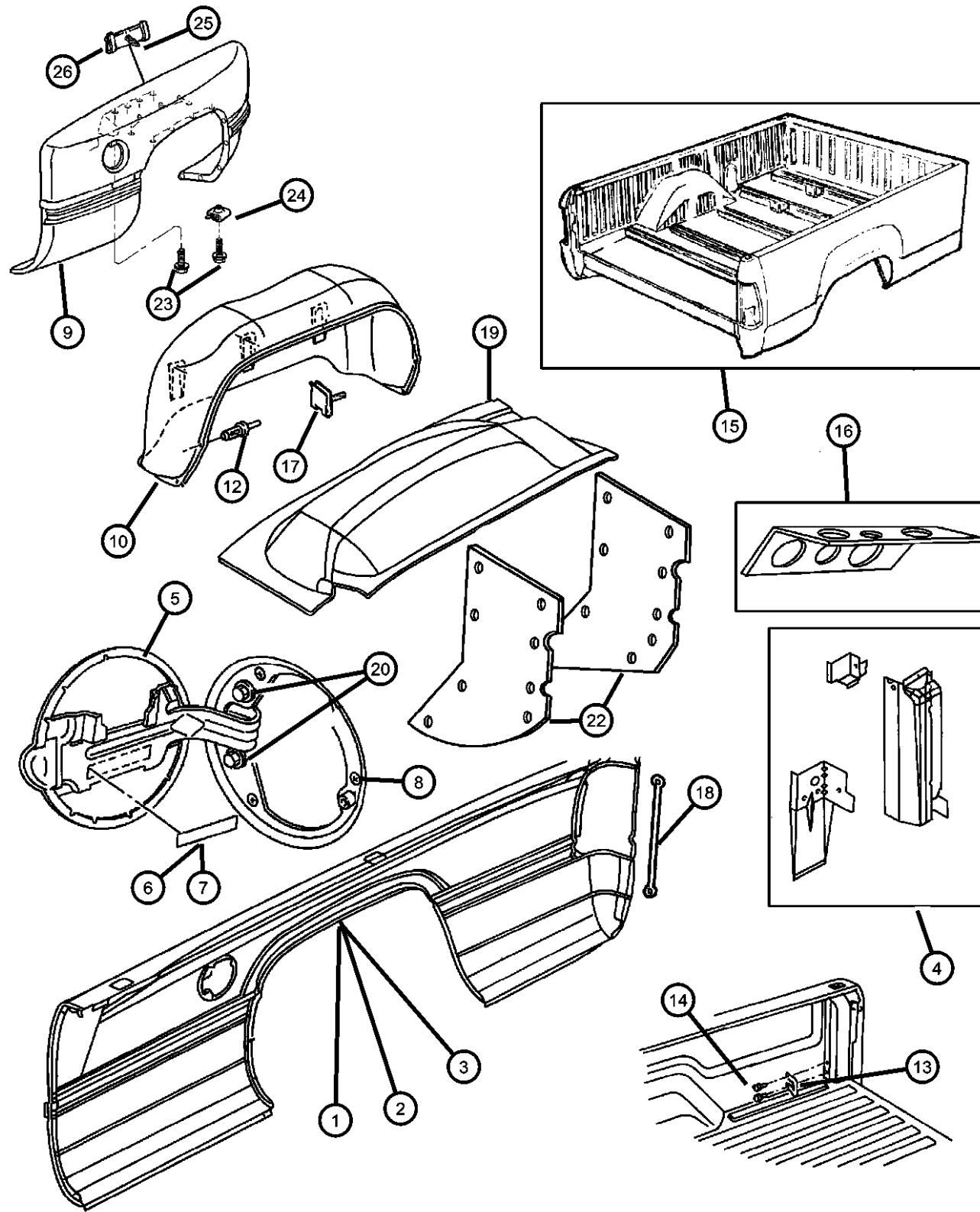
ENGINE
ELF = ENGINE - 5.2L V8 MPI
EML = ENGINE - 5.9L V8 MPI
EMM = ENGINE - "MAGNUM" 5.9L SMPI V8
ETC = ENGINE- 5.9L CUMMINS 24V DIESEL
ETH = ENGINE- 5.9L HO CUMMINS TURBO DIESEL
EWA = ENGINE - 8.0L V10 MPI

TRANSMISSION
DDC = TRANSMISSION - 5-SPEED HD MANUAL
DDP = TRANSMISSION - 5-SPEED MANUAL
DDX = TRANSMISSION - 5-SPEED HD MANUAL
DEE = TRANSMISSION - 6-SPEED HD MANUAL
DGP = TRANSMISSION - 4-SPD. AUTOMATIC,47RE
DGT = TRANSMISSION - 4-SPD. AUTOMATIC,46RE

AR = use ase required - = Non illustrated part

2000 BE

Quarter Panel  
Figure SBE-910



ITEM	PART NUMBER	QTY	LINE	SERIES	BODY	ENGINE	TRANS	TRIM	DESCRIPTION
26	06502780	16	3, 8		34				STUD, M6x1.0x18.0
-27	04386472	2	1, 6		31				SILENCER, Wheelhouse, Rear Wheelhouse Front

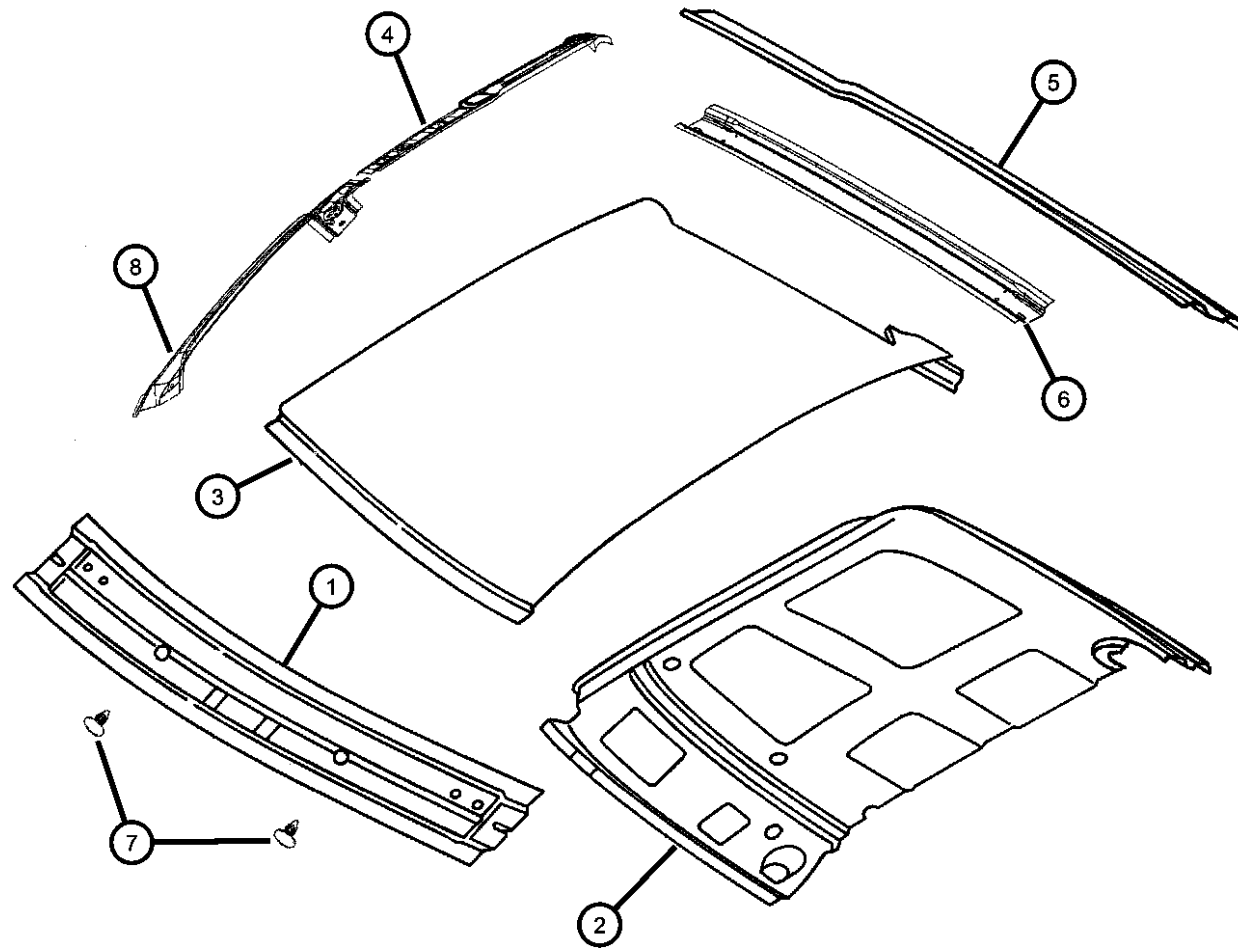
RAM PICKUP/CLUB CAB (BE)

SERIES	LINE	BODY	ENGINE	TRANSMISSION
L = Ram Truck (All)	3 = HD DODGE 2WD 8 = HD DODGE 4WD 1 = Lt. Duty DODGE 2WD 6 = Lt. Duty DODGE 4WD 2 = Med. Duty DODGE 2WD 7 = Med. Duty DODGE 4WD	31 = CLUB CAB 2-DR 6.5 FT BOX 32 = CLUB CAB 2-DR 8FT BOX 33 = QUAD CAB 4-DR 6.5 FT BOX 34 = QUAD CAB 4-DR 8FT BOX	ELF = ENGINE - 5.2L V8 MPI EML = ENGINE - 5.9L V8 MPI EMM = ENGINE - "MAGNUM" 5.9L SMPI V8 ETC = ENGINE- 5.9L CUMMINS 24V DIESEL ETH = ENGINE- 5.9L HO CUMMINS TURBO DIESEL EWA = ENGINE - 8.0L V10 MPI	DDC = TRANSMISSION - 5-SPEED HD MANUAL DDP = TRANSMISSION - 5-SPEED MANUAL DDX = TRANSMISSION - 5-SPEED HD MANUAL DEE = TRANSMISSION - 6-SPEED HD MANUAL DGP = TRANSMISSION - 4-SPD. AUTOMATIC,47RE DGT = TRANSMISSION - 4-SPD. AUTOMATIC,46RE

AR = use ase required - = Non illustrated part

**Roof Panel  
Figure SBE-1110**

ITEM	PART NUMBER	QTY	LINE	SERIES	BODY	ENGINE	TRANS	TRIM	DESCRIPTION
1	55275322	1							HEADER, Roof Front
2	55275164AC	1							ROOF, Inner
3									ROOF
	55274932	1	1, 6		31				
	55274996	1			33, 34				
4									RAIL, Roof
	55274624	1	1, 2, 6, 7		31, 32				Right
	55274625	1	1, 6		31				Left
	55275226	1			33, 34				Right
	55275227	1			33, 34				Left
5	55023541AB	1							HEADER, Roof Rear
6	04778709	1							BOW, Roof
7	06030441	2							PIN, Retainer
8									FRAME, Windshield Side
	55275280AB	1							Right
	55275281AB	1							Left



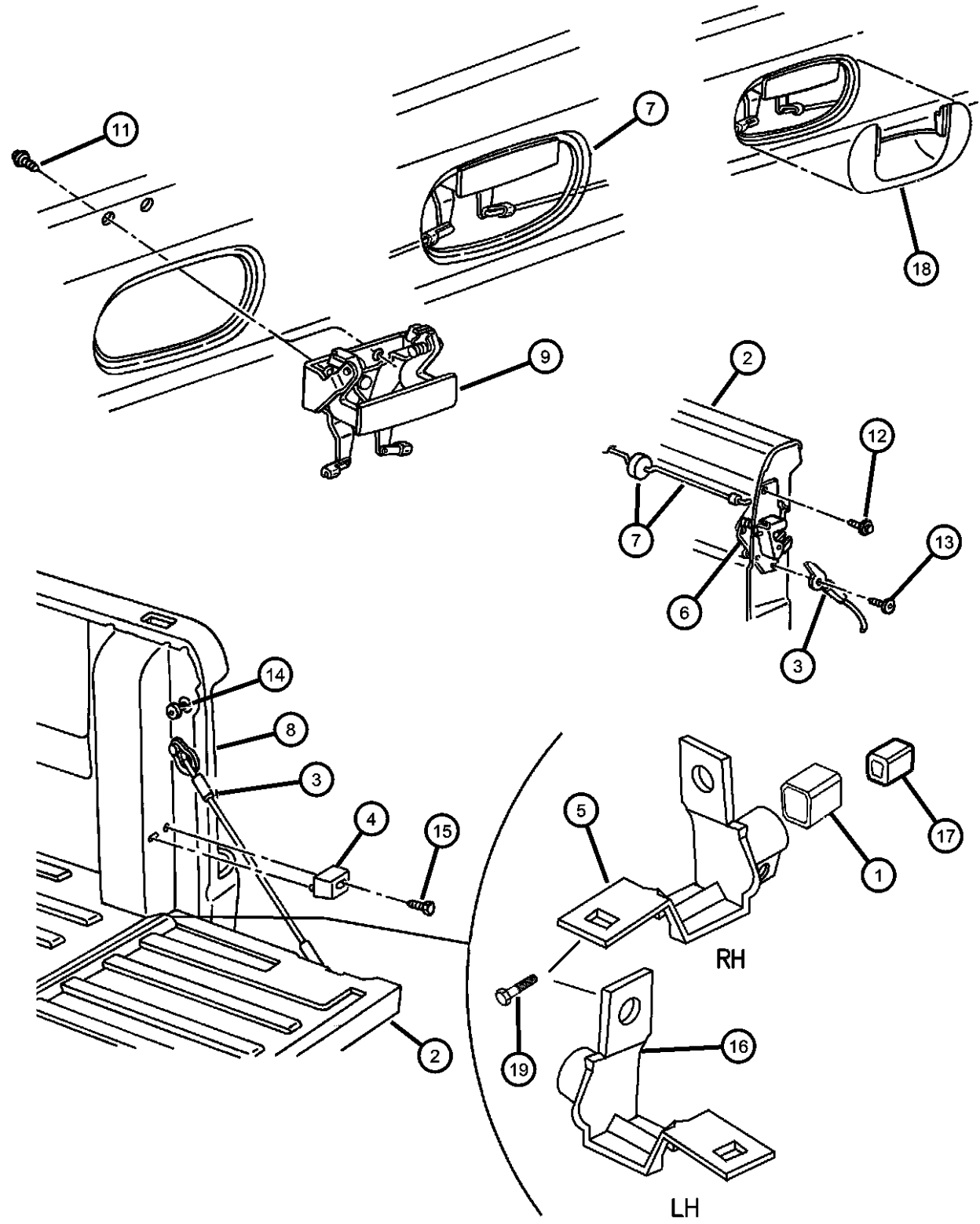
**RAM PICKUP/CLUB CAB (BE)**

SERIES	LINE	BODY	ENGINE	TRANSMISSION
L = Ram Truck (All)	3 = HD DODGE 2WD 8 = HD DODGE 4WD 1 = Lt. Duty DODGE 2WD 6 = Lt. Duty DODGE 4WD 2 = Med. Duty DODGE 2WD 7 = Med. Duty DODGE 4WD	31 = CLUB CAB 2-DR 6.5 FT BOX 32 = CLUB CAB 2-DR 8FT BOX 33 = QUAD CAB 4-DR 6.5 FT BOX 34 = QUAD CAB 4-DR 8FT BOX	ELF = ENGINE - 5.2L V8 MPI EML = ENGINE - 5.9L V8 MPI EMM = ENGINE - "MAGNUM" 5.9L SMPI V8 ETC = ENGINE- 5.9L CUMMINS 24V DIESEL ETH = ENGINE- 5.9L HO CUMMINS TURBO DIESEL EWA = ENGINE - 8.0L V10 MPI	DDC = TRANSMISSION - 5-SPEED HD MANUAL DDP = TRANSMISSION - 5-SPEED MANUAL DDX = TRANSMISSION - 5-SPEED HD MANUAL DEE = TRANSMISSION - 6-SPEED HD MANUAL DGP = TRANSMISSION - 4-SPD. AUTOMATIC,47RE DGT = TRANSMISSION - 4-SPD. AUTOMATIC,46RE

AR = use ase required - = Non illustrated part

2000 BE

**Tailgate**  
**Figure SBE-1310**



ITEM	PART NUMBER	QTY	LINE	SERIES	BODY	ENGINE	TRANS	TRIM	DESCRIPTION
1	55275016	1							PIVOT, Tailgate
2									TAILGATE
	55274833AC	1							Dual Wheel
	55274915AC	1							
3									CABLE, Tailgate
	55345124AB	1							Right
	55345125AB	1							Left
4	55274842	2							BUMPER, Tailgate
5	55274916	1							PIVOT, Tailgate
6									LATCH, Tailgate
	55275484AA	1							Right
	55275485AA	1							Left
7	55075698AC	2							ROD, Tailgate Handle to Latch
8									REINFORCEMENT, Box Side
	55275020	1							Right
	55275021	1							Left
9	55074580AB	1							HANDLE, Liftgate
-10	04658674	1							CLIP, Latch Link
11	04658674	1							SCREW AND WASHER, Tapping, M6-1.0x20.0, M6x1.00x20.00, (NOT SERVICED)
12	06036019AA	2							SCREW
13	06036018AA	2							BOLT, Shoulder
14	06034460	2							STRIKER, Tailgate Latch, .375-16x1.988
15	06034460	2							SCREW, .19-16x.50, (NOT SERVICED)
16	55274917	1							PIVOT, TailgateLeft
17	55274936AC	2							BUSHING, Tailgate Pivot
18	55074751	1							ESCUTCHEON, Tail Gate Handle
19	06025351	4							SCREW AND WASHER, Hex Head, .312-18x1.00

**RAM PICKUP/CLUB CAB (BE)**

SERIES	LINE
L = Ram Truck (All)	3 = HD DODGE 2WD
	8 = HD DODGE 4WD
	1 = Lt. Duty DODGE 2WD
	6 = Lt. Duty DODGE 4WD
	2 = Med. Duty DODGE 2WD
	7 = Med. Duty DODGE 4WD

BODY	ENGINE	TRANSMISSION
31 = CLUB CAB 2-DR 6.5 FT BOX	ELF = ENGINE - 5.2L V8 MPI	DDC = TRANSMISSION - 5-SPEED HD MANUAL
32 = CLUB CAB 2-DR 8FT BOX	EML = ENGINE - 5.9L V8 MPI	DDP = TRANSMISSION - 5-SPEED MANUAL
33 = QUAD CAB 4-DR 6.5 FT BOX	EMM = ENGINE - "MAGNUM" 5.9L SMPI V8	DDX = TRANSMISSION - 5-SPEED HD MANUAL
34 = QUAD CAB 4-DR 8FT BOX	ETC = ENGINE- 5.9L CUMMINS 24V DIESEL	DEE = TRANSMISSION - 6-SPEED HD MANUAL
	ETH = ENGINE- 5.9L HO CUMMINS TURBO DIESEL	DGP = TRANSMISSION - 4-SPD. AUTOMATIC, 47RE
	EWA = ENGINE - 8.0L V10 MPI	DGT = TRANSMISSION - 4-SPD. AUTOMATIC, 46RE

AR = use ase required - = Non illustrated part